

WEWELER-COLAERT BV

Headoffice Apeldoorn

tel. +31 55 5385100

fax. +31 55 5385192

Kayersdijk 149
7332 AP Apeldoorn
Postbus 142
7300 AC Apeldoorn
Netherlands
info@weweler.nl

WEWELER-COLAERT NV

Headoffice Poperinge

tel. +32 57 346 201/202/222

fax. +32 57 346 208

Beneluxlaan 1-3
B 8970 Poperinge
Belgium

info@colaert.be

SCANIA

Catalogue Reference

WEWELER-COLAERT

SCANIA : Catalogue Reference

- 1 -index
- 2 -info
- 3 -vormen - formes -
shapes - Formen
- 4 -index types
- 5 -catalogus - catalogue
Katalog
- 6 -veerstroppen - brides
U-bolts - Federbriden
- 7 -toebehoren - accessoires
Zubehör

Alle gegevens vermeld in deze catalogus werden zorgvuldig verzameld . Wij kunnen geen schadevergoedingen aanvaarden voor eventuele foutieve weergaven .

Toutes les données ont été assemblées soigneusement . Nous ne pouvons pas accepter des recours en indemnisation résultants d'une faute d'inadvertance commise lors de l'établissement du catalogue .

All data were carefully compiled . We cannot accept any claims for compensation due to errors inadvertently made in this catalogue .

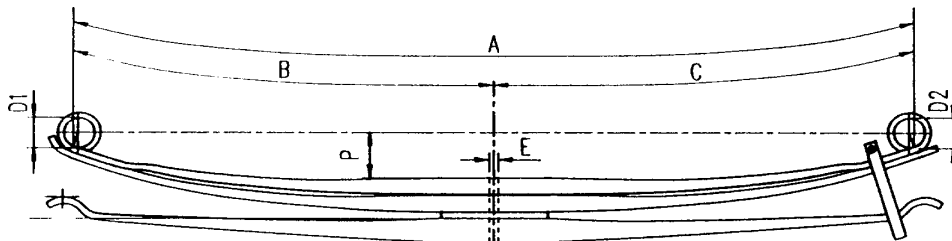
Alle Daten wurden sorgfältig erarbeitet . Ersatzansprüche aufgrund von Angaben in diesem Katalog können nicht anerkannt werden .

NL Afkortingen

Voor	: voorveer
A/H	: achter-/hoofdveer + hulpveer
Achter	: achterveer
H	: hulpveer
Bladen	: aantal bladen
BR	: breedte
B	: lengte voor
C	: lengte achter
D1	: busdiam voor
D2	: busdiam achter
R	: oog zonder bus
D....	: draadbus
N....	: nylonbus
P....	: shackle pin
S....	: silentbloc
PH	: pijlhoogte
PAK	: pakketdikte

F Abbreviations

Voor	: ressort avant
A/H	: ressort principal/arrière + auxiliaire
Achter	: ressort arrière
H	: ressort auxiliaire
Lames	: nombre de lames
LRG	: largeur
B	: longueur avant
C	: longueur arrière
D1	: diamètre intérieur des douilles, av.
D2	: diamètre intérieur des douilles, ar.
R	: rouleau sans douille
D....	: rouleau avec bague filetée
N....	: rouleau avec bague nylon
P....	: shackle pin
S....	: silentbloc
FL	: flèche à vide
EP	: épaisseur du paquet



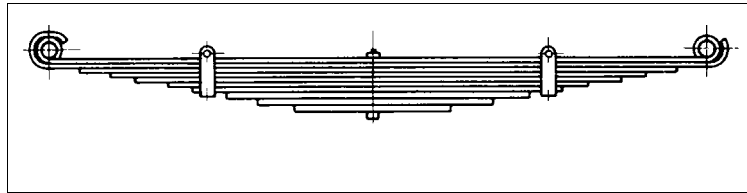
GB Abbreviations

Voor	: front spring
A/H	: main/rear spring + helper
Achter	: rear spring
H	: helper
Leaves	: number of leaves
WID	: width
B	: length front
C	: length rear
D1	: inside diam of front bushes
D2	: inside diam of rear bushes
R	: eye without bush
D....	: threaded bushing
N....	: nylon bushing
P....	: shackle pin
S....	: silentbloc
FA	: free arch
TH	: total height

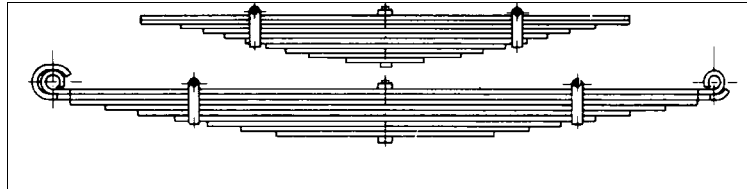
D Kurzbezeichnungen

Voor	: Vorderfeder
A/H	: Hinter-/Hauptfeder + Zusatzfeder
Achter	: Hinterfeder
H	: Zusatzfeder
Blatt.	: Blattzahl
BR	: Breite
B	: Länge vorne
C	: Länge hinten
D1	: Büchsen diam innen vorne
D2	: Büchsen diam innen hinten
R	: Rolle ohne Büchsen
D....	: Gewinde Büchsen
N....	: Nylon Büchsen
P....	: Shackle pin
S....	: Silentbloc
SP	: Sprengung unbelastet
PAK	: Paketdicke

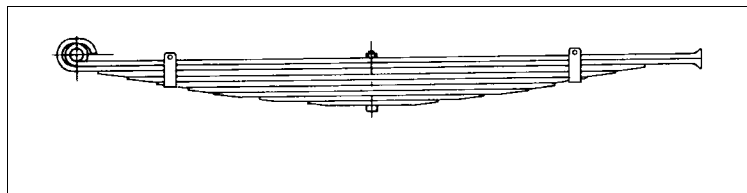
A01



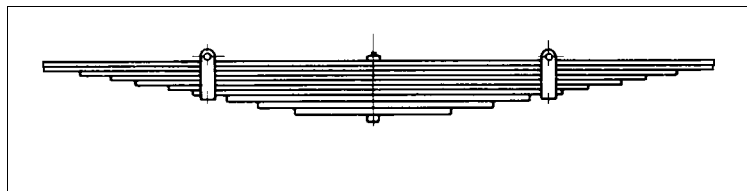
A01S



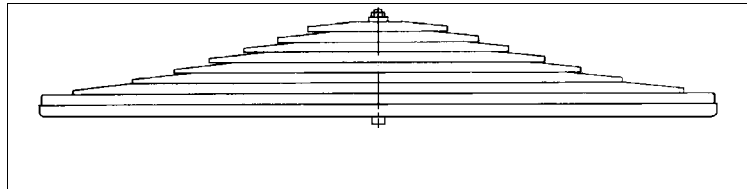
A03s



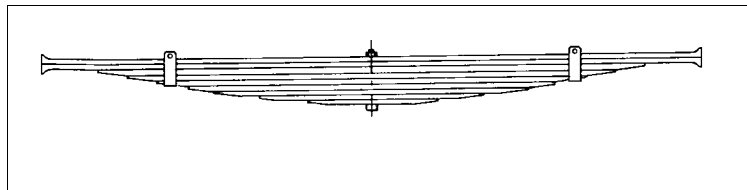
A08



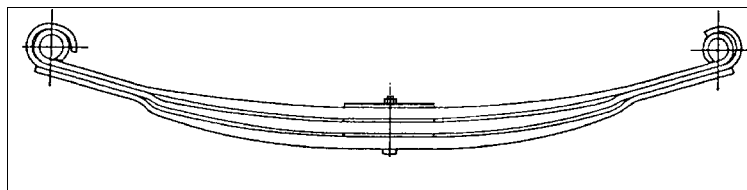
A08R



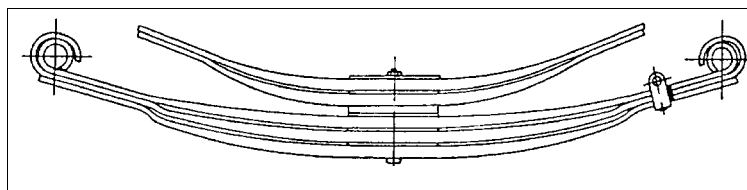
A08ss



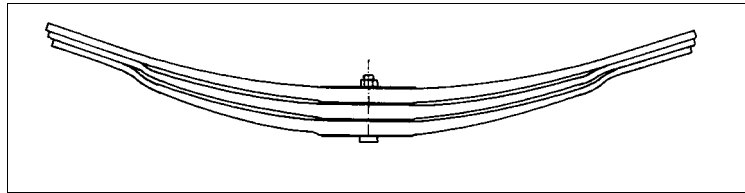
F01



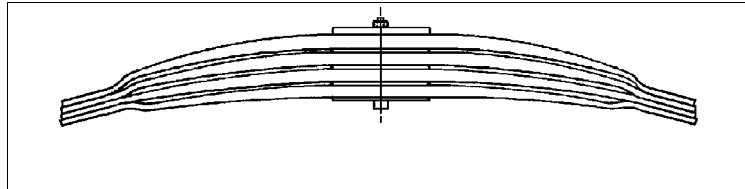
F01A



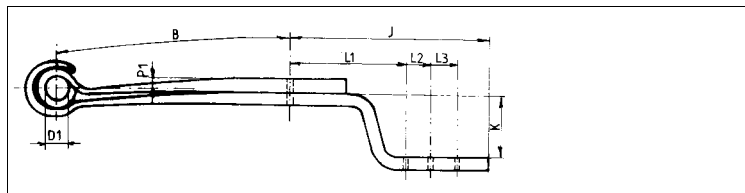
F08



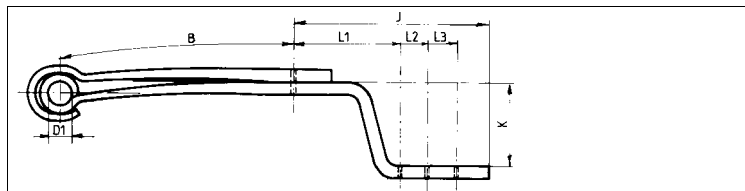
F08R



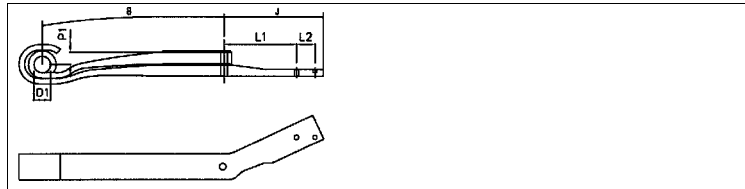
LK1247



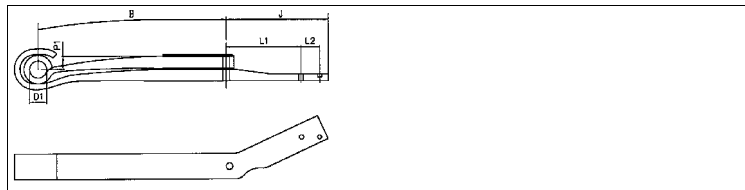
LK4527



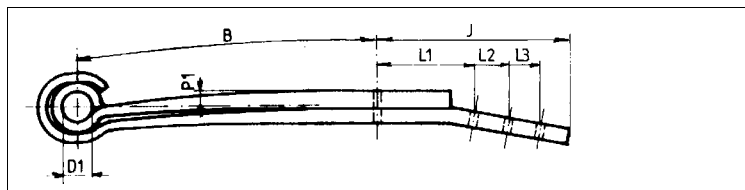
LR0121.1



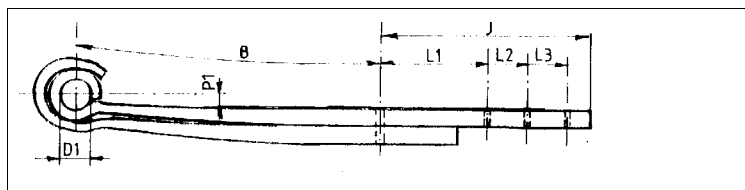
LR0221.1



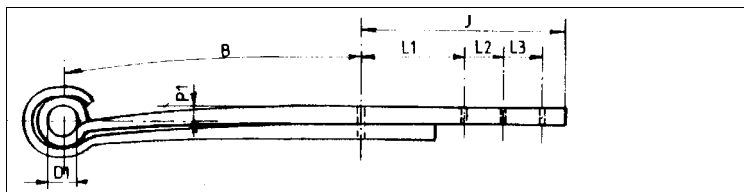
LR0223



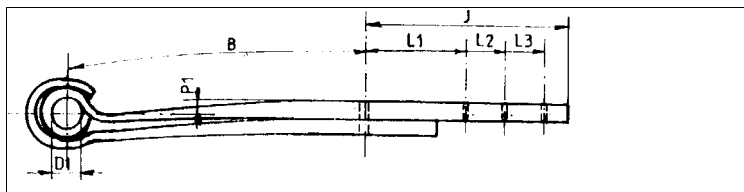
LR3211



LR3221



LR3241



Index types

Serie

SCANIA

82

92

93

94

110

111

112

113

114

124

140

141

142

143

144

BESTELNR N° COMMANDE ORDER NR BESTELNR	BR LRG WID BR	BLADEN LAMES LEAVES BLATT.	B	C	D1	D2	PH FL FA SP	PAK EP TH PAK	DETAIL	MOD	OPMERKINGEN REMARQUES REMARKS BEMERKUNGEN
---	------------------------	-------------------------------------	---	---	----	----	----------------------	------------------------	--------	-----	--

SERIE : 82

G 82 M 4X2

voor-avant-front-Vorne

A010T153ZA75	90	6/P	910	910	D28	D28	165	105	6/15+P/15	A01	
--------------	----	-----	-----	-----	-----	-----	-----	-----	-----------	-----	--

achter-arrière-rear-Hinten

A	A010T166ZA	90	5/5	0	0			0		A01S	los/séparé
	A010T166ZA75	90	5	890	890	D36	D36	135	85	5/17	A01
H	A010T166HA80	90	5	730	730	--	--	90	75	5/15	A08

G 82 M 4X2A

voor-avant-front-Vorne

F010T177ZA75	90	2	910	910	D28	D28	131	66	2/30	F01	
F010T183ZA75	90	2	910	910	D28	D28	147	62	2/28	F01	

G 82 M 6X2A

voor-avant-front-Vorne

F010T183ZA75	90	2	910	910	D28	D28	147	62	2/28	F01	
F010T177ZA75	90	2	910	910	D28	D28	131	66	2/30	F01	
F010T157ZA75	90	3	910	910	D28	D28	167	78	3/23	F01	
F010T159ZA75	90	3	910	910	D28	D28	162	80	3/24	F01	

achter-arrière-rear-Hinten

F010T170ZA75	120	2	705	345	S30	--	43	86	2/40	LR3211	Lenker
F010T186ZA75	120	2	705	345	S30	--	47	89	1/43+1/40	LR3211	Lenker

G 82 MA 4X2A

voor-avant-front-Vorne

A010T127ZA75	90	7	910	910	D28	D28	170	105	7/15	A01	
F010T157ZA75	90	3	910	910	D28	D28	167	78	3/23	F01	

achter-arrière-rear-Hinten

F010T170ZA75	120	2	705	345	S30	--	43	86	2/40	LR3211	Lenker
F010T186ZA75	120	2	705	345	S30	--	47	89	1/43+1/40	LR3211	Lenker

BESTELNR N° COMMANDE ORDER NR BESTELNR	BR LRG WID BR	BLADEN LAMES LEAVES BLATT.	B	C	D1	D2	PH FL FA SP	PAK EP TH PAK	DETAIL	MOD	OPMERKINGEN REMARQUES REMARKS BEMERKUNGEN
---	------------------------	-------------------------------------	---	---	----	----	----------------------	------------------------	--------	-----	--

SERIE : 82**G 82 MD 6X2****voor-avant-front-Vorne**

A010T163ZA75	90	5	910	910	D28	D28	120	85	5/17	A01	
--------------	----	---	-----	-----	-----	-----	-----	----	------	-----	--

achter-arrière-rear-Hinten

A010T140ZA75	90	8	620	780	D36	D36	95	120	8/15	A01	
--------------	----	---	-----	-----	-----	-----	----	-----	------	-----	--

A010T138ZA75	90	8	780	620	D36	D36	95	120	8/15	A01	
--------------	----	---	-----	-----	-----	-----	----	-----	------	-----	--

P 82 H 4X2**voor-avant-front-Vorne**

A010T127ZA75	90	7	910	910	D28	D28	170	105	7/15	A01	
--------------	----	---	-----	-----	-----	-----	-----	-----	------	-----	--

A010T125ZA75	90	8	910	910	D28	D28	165	120	8/15	A01	
--------------	----	---	-----	-----	-----	-----	-----	-----	------	-----	--

F010T159ZA75	90	3	910	910	D28	D28	162	80	3/24	F01	
--------------	----	---	-----	-----	-----	-----	-----	----	------	-----	--

achter-arrière-rear-Hinten

A010T120ZB75	100	11	760	760	D36	D36	140	145	1/15+10/13	A01	
--------------	-----	----	-----	-----	-----	-----	-----	-----	------------	-----	--

A	A010T160ZA	90	7/6	0	0			0		A01S	los/séparé
---	------------	----	-----	---	---	--	--	---	--	------	------------

H	A010T160ZA75	90	7	890	890	D36	D36	165	105	7/15	A01
---	--------------	----	---	-----	-----	-----	-----	-----	-----	------	-----

H	A010T156HA80	90	6	730	730	--	--	105	84	6/14	A08
---	--------------	----	---	-----	-----	----	----	-----	----	------	-----

A	A010T154ZA	90	9/6	0	0			0		A01S	los/séparé
---	------------	----	-----	---	---	--	--	---	--	------	------------

H	A010T154ZA75	90	9	890	890	D36	D36	170	135	9/15	A01
---	--------------	----	---	-----	-----	-----	-----	-----	-----	------	-----

H	A010T156HA80	90	6	730	730	--	--	105	84	6/14	A08
---	--------------	----	---	-----	-----	----	----	-----	----	------	-----

F010T126ZA75	100	4	760	760	D36	D36	117	98	4/22	F01	
--------------	-----	---	-----	-----	-----	-----	-----	----	------	-----	--

BESTELNR N° COMMANDE ORDER NR BESTELNR	BR LRG WID BR	BLADEN LAMES LEAVES BLATT.	B	C	D1	D2	PH FL FA SP	PAK EP TH PAK	DETAIL	MOD	OPMERKINGEN REMARKS BEMERKUNGEN
---	------------------------	-------------------------------------	---	---	----	----	----------------------	------------------------	--------	-----	---------------------------------------

SERIE : 82

P 82 M 4X2

voor-avant-front-Vorne

A010T127ZA75	90	7	910	910	D28	D28	170	105	7/15	A01	
A010T153ZA75	90	6/P	910	910	D28	D28	165	105	6/15+P/15	A01	
F010T157ZA75	90	3	910	910	D28	D28	167	78	3/23	F01	

achter-arrière-rear-Hinten

A010T156ZB	90	7/6	0	0				0		A01S	los/séparé
A010T156ZA75	90	6/P	890	890	D36	D36	165	105	6/15+P/15	A01	
A010T156HA80	90	6	730	730	--	--	105	84	6/14	A08	
F010T196ZA76	90	2/P/1	890	890	D36	D36	143	179		F01A	
F010T196ZA75	90	2	890	890	D36	D36	143	74	2/34	F01	
F010T196HA80	90	1/P	730	730	--	--	92	105	1/34+P/68	F08	
F010T162ZA76	90	3/P/2	890	890	D36	D36	170	199		F01A	
F010T162ZA75	90	3	890	890	D36	D36	170	81	3/24	F01	
F010T162HA80	90	2/P	730	730	--	--	98	118	2/26+P/60	F08	

P 82 M 4X2A

voor-avant-front-Vorne

F010T177ZA75	90	2	910	910	D28	D28	131	66	2/30	F01	
F010T183ZA75	90	2	910	910	D28	D28	147	62	2/28	F01	
F010T157ZA75	90	3	910	910	D28	D28	167	78	3/23	F01	

achter-arrière-rear-Hinten

F010T186ZA75	120	2	705	345	S30	--	47	89	1/43+1/40	LR3211	Lenker
F010T170ZA75	120	2	705	345	S30	--	43	86	2/40	LR3211	Lenker

BESTELNR N° COMMANDE ORDER NR BESTELNR	BR LRG WID BR	BLADEN LAMES LEAVES BLATT.	B	C	D1	D2	PH FL FA SP	PAK EP TH PAK	DETAIL	MOD	OPMERKINGEN REMARKS BEMERKUNGEN
---	------------------------	-------------------------------------	---	---	----	----	----------------------	------------------------	--------	-----	---------------------------------------

SERIE : 82**P 82 M 6X2V****voor-avant-front-Vorne**

A010T127ZA75	90	7	910	910	D28	D28	170	105	7/15	A01	
--------------	----	---	-----	-----	-----	-----	-----	-----	------	-----	--

achter-arrière-rear-Hinten

A010T176ZA75	90	9	715	910	D28	D28	145	117	9/13	A01	
A010T174ZA75	90	9	907	713	D28	D28	145	117	9/13	A01	
A010T160ZA	90	7/6	0	0				0		A01S	los/séparé
A010T160ZA75	90	7	890	890	D36	D36	165	105	7/15	A01	
A010T156HA80	90	6	730	730	--	--	105	84	6/14	A08	

P 82 MA 4X2**voor-avant-front-Vorne**

A010T153ZA75	90	6/P	910	910	D28	D28	165	105	6/15+P/15	A01	
F010T157ZA75	90	3	910	910	D28	D28	167	78	3/23	F01	
F010T159ZA75	90	3	910	910	D28	D28	162	80	3/24	F01	

achter-arrière-rear-Hinten

A010T156ZA	90	7/6	0	0				0		A01S	los/séparé
A010T156ZA75	90	6/P	890	890	D36	D36	165	105	6/15+P/15	A01	
A010T154HA80	90	6	730	730	--	--	110	78	6/13	A08	
F010T162ZA76	90	3/P/2	890	890	D36	D36	170	199		F01A	
F010T162ZA75	90	3	890	890	D36	D36	170	81	3/24	F01	
F010T162HA80	90	2/P	730	730	--	--	98	118	2/26+P/60	F08	

P 82 MA 4X2A**voor-avant-front-Vorne**

F010T183ZA75	90	2	910	910	D28	D28	147	62	2/28	F01	
F010T177ZA75	90	2	910	910	D28	D28	131	66	2/30	F01	
F010T159ZA75	90	3	910	910	D28	D28	162	80	3/24	F01	
F010T157ZA75	90	3	910	910	D28	D28	167	78	3/23	F01	

achter-arrière-rear-Hinten

F010T170ZA75	120	2	705	345	S30	--	43	86	2/40	LR3211	Lenker
F010T186ZA75	120	2	705	345	S30	--	47	89	1/43+1/40	LR3211	Lenker

BESTELNR N° COMMANDE ORDER NR BESTELNR	BR LRG WID BR	BLADEN LAMES LEAVES BLATT.	B	C	D1	D2	PH FL FA SP	PAK EP TH PAK	DETAIL	MOD	OPMERKINGEN REMARKS BEMERKUNGEN
---	------------------------	-------------------------------------	---	---	----	----	----------------------	------------------------	--------	-----	---------------------------------------

SERIE : 82**T 82 H 4X2****voor-avant-front-Vorne**

A010T127ZA75	90	7	910	910	D28	D28	170	105	7/15	A01	
A010T125ZA75	90	8	910	910	D28	D28	165	120	8/15	A01	
F010T159ZA75	90	3	910	910	D28	D28	162	80	3/24	F01	

achter-arrière-rear-Hinten

A010T120ZB75	100	11	760	760	D36	D36	140	145	1/15+10/13	A01	
A010T160ZA	90	7/6	0	0				0		A01S	los/séparé
A010T160ZA75	90	7	890	890	D36	D36	165	105	7/15	A01	
A010T156HA80	90	6	730	730	--	--	105	84	6/14	A08	
A010T154ZA	90	9/6	0	0				0		A01S	los/séparé
A010T154ZA75	90	9	890	890	D36	D36	170	135	9/15	A01	
A010T156HA80	90	6	730	730	--	--	105	84	6/14	A08	
F010T126ZA75	100	4	760	760	D36	D36	117	98	4/22	F01	
F010T162ZA76	90	3/P/2	890	890	D36	D36	170	199		F01A	
F010T162ZA75	90	3	890	890	D36	D36	170	81	3/24	F01	
F010T162HA80	90	2/P	730	730	--	--	98	118	2/26+P/60	F08	

T 82 M 4X2**voor-avant-front-Vorne**

A010T153ZA75	90	6/P	910	910	D28	D28	165	105	6/15+P/15	A01	
F010T157ZA75	90	3	910	910	D28	D28	167	78	3/23	F01	

achter-arrière-rear-Hinten

A010T156ZA	90	7/6	0	0				0		A01S	los/séparé
A010T156ZA75	90	6/P	890	890	D36	D36	165	105	6/15+P/15	A01	
A010T154HA80	90	6	730	730	--	--	110	78	6/13	A08	
F010T162ZA76	90	3/P/2	890	890	D36	D36	170	199		F01A	
F010T162ZA75	90	3	890	890	D36	D36	170	81	3/24	F01	
F010T162HA80	90	2/P	730	730	--	--	98	118	2/26+P/60	F08	

BESTELNR N° COMMANDE ORDER NR BESTELNR	BR LRG WID BR	BLADEN LAMES LEAVES BLATT.	B	C	D1	D2	PH FL FA SP	PAK EP TH PAK	DETAIL	MOD	OPMERKINGEN REMARQUES REMARKS BEMERKUNGEN
---	------------------------	-------------------------------------	---	---	----	----	----------------------	------------------------	--------	-----	--

SERIE : 92**G 92****voor-avant-front-Vorne**

A010T163ZA75	90	5	910	910	D28	D28	120	85	5/17	A01	
A010T127ZA75	90	7	910	910	D28	D28	170	105	7/15	A01	
A010T153ZA75	90	6/P	910	910	D28	D28	165	105	6/15+P/15	A01	
A010T125ZA75	90	8	910	910	D28	D28	165	120	8/15	A01	
F010T157ZA75	90	3	910	910	D28	D28	167	78	3/23	F01	
F010T155ZA75	90	3	910	910	D28	D28	150	86	3/26	F01	
F010T159ZA75	90	3	910	910	D28	D28	162	80	3/24	F01	

achter-arrière-rear-Hinten

A010T140ZA75	90	8	620	780	D36	D36	95	120	8/15	A01	
A010T138ZA75	90	8	780	620	D36	D36	95	120	8/15	A01	
A010T220ZA75	100	9	760	760	D36	D36		135	9/15	A01	
A010T120ZB75	100	11	760	760	D36	D36	140	145	1/15+10/13	A01	
A010T108ZA75	100	12	760	760	D36	D36	160	134	1/13+11/11	A01	
A010T154ZB	90	9/5	0	0				0		A01S	los/séparé
A010T154ZA75	90	9	890	890	D36	D36	170	135	9/15	A01	
A010T166HA80	90	5	730	730	--	--	90	75	5/15	A08	
A010T154ZA	90	9/6	0	0				0		A01S	los/séparé
A010T154ZA75	90	9	890	890	D36	D36	170	135	9/15	A01	
A010T156HA80	90	6	730	730	--	--	105	84	6/14	A08	
A010T122ZA70	100	8	740	740	--	--	70	160	8/20	A08R	
A010T118ZA70	100	10	740	740	--	--	65	150	10/15	A08R	
A010Z144ZB70	100	12	740	740	--	--	75	180	12/15	A08R	
F010T126ZA75	100	4	760	760	D36	D36	117	98	4/22	F01	
F010T164ZA76	90	3/P/2	890	890	D36	D36	158	205		F01A	
F010T164ZA75	90	3	890	890	D36	D36	158	87	3/26	F01	
F010T162HA80	90	2/P	730	730	--	--	98	118	2/26+P/60	F08	
F010T162ZA76	90	3/P/2	890	890	D36	D36	170	199		F01A	
F010T162ZA75	90	3	890	890	D36	D36	170	81	3/24	F01	
F010T162HA80	90	2/P	730	730	--	--	98	118	2/26+P/60	F08	
F010T190ZA75	100	2	690	260	S30	--	-42	90	2/42	LR0223	Lenker
F010T184ZA75	120	2	705	345	S30	--	-63	89	1/43+1/40	LR3221	Lenker
F010T182ZA75	120	2	705	345	S30	--	-62	86	2/40	LR3221	Lenker

BESTELNR N° COMMANDE ORDER NR BESTELNR	BR LRG WID BR	BLADEN LAMES LEAVES BLATT.	B	C	D1	D2	PH FL FA SP	PAK EP TH PAK	DETAIL	MOD	OPMERKINGEN REMARQUES REMARKS BEMERKUNGEN
---	------------------------	-------------------------------------	---	---	----	----	----------------------	------------------------	--------	-----	--

SERIE : 92**P 92****voor-avant-front-Vorne**

A010T163ZA75	90	5	910	910	D28	D28	120	85	5/17	A01	
A010T127ZA75	90	7	910	910	D28	D28	170	105	7/15	A01	
A010T153ZA75	90	6/P	910	910	D28	D28	165	105	6/15+P/15	A01	
A010T125ZA75	90	8	910	910	D28	D28	165	120	8/15	A01	
F010T157ZA75	90	3	910	910	D28	D28	167	78	3/23	F01	
F010T159ZA75	90	3	910	910	D28	D28	162	80	3/24	F01	
F010T155ZA75	90	3	910	910	D28	D28	150	86	3/26	F01	

achter-arrière-rear-Hinten

A010T140ZA75	90	8	620	780	D36	D36	95	120	8/15	A01	
A010T138ZA75	90	8	780	620	D36	D36	95	120	8/15	A01	
A010T220ZA75	100	9	760	760	D36	D36		135	9/15	A01	
A010T120ZB75	100	11	760	760	D36	D36	140	145	1/15+10/13	A01	
A010T108ZA75	100	12	760	760	D36	D36	160	134	1/13+11/11	A01	
A010T154ZB	90	9/5	0	0				0		A01S	los/séparé
A010T154ZA75	90	9	890	890	D36	D36	170	135	9/15	A01	
A010T166HA80	90	5	730	730	--	--	90	75	5/15	A08	
A010T154ZA	90	9/6	0	0				0		A01S	los/séparé
A010T154ZA75	90	9	890	890	D36	D36	170	135	9/15	A01	
A010T156HA80	90	6	730	730	--	--	105	84	6/14	A08	
A010T122ZA70	100	8	740	740	--	--	70	160	8/20	A08R	
A010T118ZA70	100	10	740	740	--	--	65	150	10/15	A08R	
A010Z144ZB70	100	12	740	740	--	--	75	180	12/15	A08R	
F010T126ZA75	100	4	760	760	D36	D36	117	98	4/22	F01	
F010T164ZA76	90	3/P/2	890	890	D36	D36	158	205		F01A	
F010T164ZA75	90	3	890	890	D36	D36	158	87	3/26	F01	
F010T162HA80	90	2/P	730	730	--	--	98	118	2/26+P/60	F08	
F010T162ZA76	90	3/P/2	890	890	D36	D36	170	199		F01A	
F010T162ZA75	90	3	890	890	D36	D36	170	81	3/24	F01	
F010T162HA80	90	2/P	730	730	--	--	98	118	2/26+P/60	F08	
F010T190ZA75	100	2	690	260	S30	--	-42	90	2/42	LR0223	Lenker
F010T182ZA75	120	2	705	345	S30	--	-62	86	2/40	LR3221	Lenker
F010T184ZA75	120	2	705	345	S30	--	-63	89	1/43+1/40	LR3221	Lenker

BESTELNR N° COMMANDE ORDER NR BESTELNR	BR LRG WID BR	BLADEN LAMES LEAVES BLATT.	B	C	D1	D2	PH FL FA SP	PAK EP TH PAK	DETAIL	MOD	OPMERKINGEN REMARQUES REMARKS BEMERKUNGEN
---	------------------------	-------------------------------------	---	---	----	----	----------------------	------------------------	--------	-----	--

SERIE : 92**R 92****voor-avant-front-Vorne**

A010T163ZA75	90	5	910	910	D28	D28	120	85	5/17	A01	
A010T153ZA75	90	6/P	910	910	D28	D28	165	105	6/15+P/15	A01	
A010T127ZA75	90	7	910	910	D28	D28	170	105	7/15	A01	
A010T125ZA75	90	8	910	910	D28	D28	165	120	8/15	A01	
F010T155ZA75	90	3	910	910	D28	D28	150	86	3/26	F01	
F010T157ZA75	90	3	910	910	D28	D28	167	78	3/23	F01	
F010T159ZA75	90	3	910	910	D28	D28	162	80	3/24	F01	

achter-arrière-rear-Hinten

A010T140ZA75	90	8	620	780	D36	D36	95	120	8/15	A01	
A010T138ZA75	90	8	780	620	D36	D36	95	120	8/15	A01	
A010T220ZA75	100	9	760	760	D36	D36		135	9/15	A01	
A010T120ZB75	100	11	760	760	D36	D36	140	145	1/15+10/13	A01	
A010T108ZA75	100	12	760	760	D36	D36	160	134	1/13+11/11	A01	
A010T154ZB	90	9/5	0	0				0		A01S	los/séparé
A010T154ZA75	90	9	890	890	D36	D36	170	135	9/15	A01	
A010T166HA80	90	5	730	730	--	--	90	75	5/15	A08	
A010T154ZA	90	9/6	0	0				0		A01S	los/séparé
A010T154ZA75	90	9	890	890	D36	D36	170	135	9/15	A01	
A010T156HA80	90	6	730	730	--	--	105	84	6/14	A08	
A010T122ZA70	100	8	740	740	--	--	70	160	8/20	A08R	
A010T118ZA70	100	10	740	740	--	--	65	150	10/15	A08R	
A010Z144ZB70	100	12	740	740	--	--	75	180	12/15	A08R	
F010T126ZA75	100	4	760	760	D36	D36	117	98	4/22	F01	
F010T162ZA76	90	3/P/2	890	890	D36	D36	170	199		F01A	
F010T162ZA75	90	3	890	890	D36	D36	170	81	3/24	F01	
F010T162HA80	90	2/P	730	730	--	--	98	118	2/26+P/60	F08	
F010T164ZA76	90	3/P/2	890	890	D36	D36	158	205		F01A	
F010T164ZA75	90	3	890	890	D36	D36	158	87	3/26	F01	
F010T162HA80	90	2/P	730	730	--	--	98	118	2/26+P/60	F08	
F010T190ZA75	100	2	690	260	S30	--	-42	90	2/42	LR0223	Lenker
F010T184ZA75	120	2	705	345	S30	--	-63	89	1/43+1/40	LR3221	Lenker
F010T182ZA75	120	2	705	345	S30	--	-62	86	2/40	LR3221	Lenker

BESTELNR N° COMMANDE ORDER NR BESTELNR	BR LRG WID BR	BLADEN LAMES LEAVES BLATT.	B	C	D1	D2	PH FL FA SP	PAK EP TH PAK	DETAIL	MOD	OPMERKINGEN REMARQUES REMARKS BEMERKUNGEN
---	------------------------	-------------------------------------	---	---	----	----	----------------------	------------------------	--------	-----	--

SERIE : 92

T 92

voor-avant-front-Vorne

A010T127ZA75	90	7	910	910	D28	D28	170	105	7/15	A01	
A010T153ZA75	90	6/P	910	910	D28	D28	165	105	6/15+P/15	A01	
A010T125ZA75	90	8	910	910	D28	D28	165	120	8/15	A01	
F010T155ZA75	90	3	910	910	D28	D28	150	86	3/26	F01	
F010T157ZA75	90	3	910	910	D28	D28	167	78	3/23	F01	
F010T159ZA75	90	3	910	910	D28	D28	162	80	3/24	F01	

achter-arrière-rear-Hinten

	A010T120ZB75	100	11	760	760	D36	D36	140	145	1/15+10/13	A01	
	A010T108ZA75	100	12	760	760	D36	D36	160	134	1/13+11/11	A01	
	A010T154ZB	90	9/5	0	0				0		A01S	los/séparé
A	A010T154ZA75	90	9	890	890	D36	D36	170	135	9/15	A01	
H	A010T166HA80	90	5	730	730	--	--	90	75	5/15	A08	
	A010T154ZA	90	9/6	0	0				0		A01S	los/séparé
A	A010T154ZA75	90	9	890	890	D36	D36	170	135	9/15	A01	
H	A010T156HA80	90	6	730	730	--	--	105	84	6/14	A08	
	F010T126ZA75	100	4	760	760	D36	D36	117	98	4/22	F01	
	F010T164ZA76	90	3/P/2	890	890	D36	D36	158	205		F01A	
A	F010T164ZA75	90	3	890	890	D36	D36	158	87	3/26	F01	
H	F010T162HA80	90	2/P	730	730	--	--	98	118	2/26+P/60	F08	
	F010T162ZA76	90	3/P/2	890	890	D36	D36	170	199		F01A	
A	F010T162ZA75	90	3	890	890	D36	D36	170	81	3/24	F01	
H	F010T162HA80	90	2/P	730	730	--	--	98	118	2/26+P/60	F08	

BESTELNR N° COMMANDE ORDER NR BESTELLNR	BR LRG WID BR	BLADEN LAMES LEAVES BLATT.	B	C	D1	D2	PH FL FA SP	PAK EP TH PAK	DETAIL	MOD	OPMERKINGEN REMARQUES REMARKS BEMERKUNGEN
--	------------------------	-------------------------------------	---	---	----	----	----------------------	------------------------	--------	-----	--

SERIE : 93**93 HB 6X2****Truck - Porteur - Rigid****voor-avant-front-Vorne**

A010T163ZA75	90	5	910	910	D28	D28	120	85	5/17	A01	
A010T127ZA75	90	7	910	910	D28	D28	170	105	7/15	A01	
A010T153ZA75	90	6/P	910	910	D28	D28	165	105	6/15+P/15	A01	
A010T125ZA75	90	8	910	910	D28	D28	165	120	8/15	A01	
F010T181ZA75	90	2	910	910	D28	D28	128	70	2/32	F01	
F010T183ZA75	90	2	910	910	D28	D28	147	62	2/28	F01	
F010T177ZA75	90	2	910	910	D28	D28	131	66	2/30	F01	
F010T179ZA75	90	3	910	910	D28	D28	140	95	3/29	F01	

achter-arrière-rear-Hinten

A010T220ZA75	100	9	760	760	D36	D36		135	9/15	A01	
--------------	-----	---	-----	-----	-----	-----	--	-----	------	-----	--

BESTELNR N° COMMANDE ORDER NR BESTELNR	BR LRG WID BR	BLADEN LAMES LEAVES BLATT.	B	C	D1	D2	PH FL FA SP	PAK EP TH PAK	DETAIL	MOD	OPMERKINGEN REMARKS REMARKS BEMERKUNGEN
---	------------------------	-------------------------------------	---	---	----	----	----------------------	------------------------	--------	-----	--

SERIE : 93

93 HL 4X2

Truck - Porteur - Rigid

voor-avant-front-Vorne

A010T163ZA75	90	5	910	910	D28	D28	120	85	5/17	A01	
A010T127ZA75	90	7	910	910	D28	D28	170	105	7/15	A01	
A010T153ZA75	90	6/P	910	910	D28	D28	165	105	6/15+P/15	A01	
A010T125ZA75	90	8	910	910	D28	D28	165	120	8/15	A01	
F010T181ZA75	90	2	910	910	D28	D28	128	70	2/32	F01	
F010T177ZA75	90	2	910	910	D28	D28	131	66	2/30	F01	
F010T183ZA75	90	2	910	910	D28	D28	147	62	2/28	F01	
F010T179ZA75	90	3	910	910	D28	D28	140	95	3/29	F01	

achter-arrière-rear-Hinten

	A010T160ZA	90	7/6	0	0			0			A01S	los/séparé
A	A010T160ZA75	90	7	890	890	D36	D36	165	105	7/15	A01	
H	A010T156HA80	90	6	730	730	--	--	105	84	6/14	A08	
	A010T154ZA	90	9/6	0	0			0			A01S	los/séparé
A	A010T154ZA75	90	9	890	890	D36	D36	170	135	9/15	A01	
H	A010T156HA80	90	6	730	730	--	--	105	84	6/14	A08	
	F010T196ZA76	90	2/P/1	890	890	D36	D36	143	179		F01A	
A	F010T196ZA75	90	2	890	890	D36	D36	143	74	2/34	F01	
H	F010T196HA80	90	1/P	730	730	--	--	92	105	1/34+P/68	F08	
	F010T164ZA76	90	3/P/2	890	890	D36	D36	158	205		F01A	
A	F010T164ZA75	90	3	890	890	D36	D36	158	87	3/26	F01	
H	F010T162HA80	90	2/P	730	730	--	--	98	118	2/26+P/60	F08	
	F010T182ZA75	120	2	705	345	S30	--	-62	86	2/40	LR3221	Lenker
	F010T184ZA75	120	2	705	345	S30	--	-63	89	1/43+1/40	LR3221	Lenker

BESTELNR N° COMMANDE ORDER NR BESTELNR	BR LRG WID BR	BLADEN LAMES LEAVES BLATT.	B	C	D1	D2	PH FL FA SP	PAK EP TH PAK	DETAIL	MOD	OPMERKINGEN REMARKS REMARKS BEMERKUNGEN
---	------------------------	-------------------------------------	---	---	----	----	----------------------	------------------------	--------	-----	--

SERIE : 93**93 HL 6X2****Truck - Porteur - Rigid****voor-avant-front-Vorne**

A010T163ZA75	90	5	910	910	D28	D28	120	85	5/17	A01	
A010T153ZA75	90	6/P	910	910	D28	D28	165	105	6/15+P/15	A01	
A010T127ZA75	90	7	910	910	D28	D28	170	105	7/15	A01	
A010T125ZA75	90	8	910	910	D28	D28	165	120	8/15	A01	
F010T183ZA75	90	2	910	910	D28	D28	147	62	2/28	F01	
F010T181ZA75	90	2	910	910	D28	D28	128	70	2/32	F01	
F010T177ZA75	90	2	910	910	D28	D28	131	66	2/30	F01	
F010T179ZA75	90	3	910	910	D28	D28	140	95	3/29	F01	

achter-arrière-rear-Hinten

A010T120ZB75	100	11	760	760	D36	D36	140	145	1/15+10/13	A01	
A010T108ZA75	100	12	760	760	D36	D36	160	134	1/13+11/11	A01	
F010T192ZA75	100	4	760	760	D36	D36	117	104	4/23	F01	
F010T194ZA75	100	5	760	760	D36	D36	102	125	5/22	F01	

93 HL 6X2/4**Truck - Porteur - Rigid****voor-avant-front-Vorne**

A010T163ZA75	90	5	910	910	D28	D28	120	85	5/17	A01	
A010T153ZA75	90	6/P	910	910	D28	D28	165	105	6/15+P/15	A01	
A010T127ZA75	90	7	910	910	D28	D28	170	105	7/15	A01	
A010T125ZA75	90	8	910	910	D28	D28	165	120	8/15	A01	
F010T181ZA75	90	2	910	910	D28	D28	128	70	2/32	F01	
F010T183ZA75	90	2	910	910	D28	D28	147	62	2/28	F01	
F010T177ZA75	90	2	910	910	D28	D28	131	66	2/30	F01	
F010T179ZA75	90	3	910	910	D28	D28	140	95	3/29	F01	

achter-arrière-rear-Hinten

F010T188ZA75	100	2	690	260	S30	--	-52	97	1/47+1/44	LR0223	old
F010T184ZA75	120	2	705	345	S30	--	-63	89	1/43+1/40	LR3221	Lenker
F010T182ZA75	120	2	705	345	S30	--	-62	86	2/40	LR3221	Lenker

BESTELNR N° COMMANDE ORDER NR BESTELLNR	BR LRG WID BR	BLADEN LAMES LEAVES BLATT.	B	C	D1	D2	PH FL FA SP	PAK EP TH PAK	DETAIL	MOD	OPMERKINGEN REMARQUES REMARKS BEMERKUNGEN
--	------------------------	-------------------------------------	---	---	----	----	----------------------	------------------------	--------	-----	--

SERIE : 93**93 HL 6X4 BB****Truck - Porteur - Rigid****voor-avant-front-Vorne**

A010T163ZA75	90	5	910	910	D28	D28	120	85	5/17	A01	
A010T127ZA75	90	7	910	910	D28	D28	170	105	7/15	A01	
A010T153ZA75	90	6/P	910	910	D28	D28	165	105	6/15+P/15	A01	
A010T125ZA75	90	8	910	910	D28	D28	165	120	8/15	A01	
F010T181ZA75	90	2	910	910	D28	D28	128	70	2/32	F01	
F010T183ZA75	90	2	910	910	D28	D28	147	62	2/28	F01	
F010T177ZA75	90	2	910	910	D28	D28	131	66	2/30	F01	
F010T179ZA75	90	3	910	910	D28	D28	140	95	3/29	F01	

achter-arrière-rear-Hinten

A010T122ZA70	100	8	740	740	--	--	70	160	8/20	A08R	
A010T124ZA70	100	10	740	740	--	--	70	200	10/20	A08R	
A010T118ZA70	100	10	740	740	--	--	65	150	10/15	A08R	
A010T168ZA70	100	12	740	740	--	--	70	240	12/20	A08R	
A010Z144ZB70	100	12	740	740	--	--	75	180	12/15	A08R	

BESTELNR N° COMMANDE ORDER NR BESTELLNR	BR LRG WID BR	BLADEN LAMES LEAVES BLATT.	B	C	D1	D2	PH FL FA SP	PAK EP TH PAK	DETAIL	MOD	OPMERKINGEN REMARQUES REMARKS BEMERKUNGEN
--	------------------------	-------------------------------------	---	---	----	----	----------------------	------------------------	--------	-----	--

SERIE : 93

93 HL 6X4 FB

Truck - Porteur - Rigid

voor-avant-front-Vorne

A010T163ZA75	90	5	910	910	D28	D28	120	85	5/17	A01	
A010T127ZA75	90	7	910	910	D28	D28	170	105	7/15	A01	
A010T153ZA75	90	6/P	910	910	D28	D28	165	105	6/15+P/15	A01	
A010T125ZA75	90	8	910	910	D28	D28	165	120	8/15	A01	
F010T181ZA75	90	2	910	910	D28	D28	128	70	2/32	F01	
F010T183ZA75	90	2	910	910	D28	D28	147	62	2/28	F01	
F010T177ZA75	90	2	910	910	D28	D28	131	66	2/30	F01	
F010T179ZA75	90	3	910	910	D28	D28	140	95	3/29	F01	

achter-arrière-rear-Hinten

A010T214ZA75	90	5	620	780	D36	D36		75	5/15	A01	
A010T218ZA75	90	7	620	780	D36	D36	107	105	7/15	A01	
A010T140ZA75	90	8	620	780	D36	D36	95	120	8/15	A01	
A010T210ZA75	90	9	620	780	D36	D36	115	135	9/15	A01	
A010T212ZA75	90	5	780	620	D36	D36		75	5/15	A01	
A010T216ZA75	90	7	780	620	D36	D36	107	105	7/15	A01	
A010T138ZA75	90	8	780	620	D36	D36	95	120	8/15	A01	
A010T206ZA75	90	9	780	620	D36	D36	115	135	9/15	A01	

BESTELNR N° COMMANDE ORDER NR BESTELNR	BR LRG WID BR	BLADEN LAMES LEAVES BLATT.	B	C	D1	D2	PH FL FA SP	PAK EP TH PAK	DETAIL	MOD	OPMERKINGEN REMARKS REMARKS BEMERKUNGEN
---	------------------------	-------------------------------------	---	---	----	----	----------------------	------------------------	--------	-----	--

SERIE : 93

93 MA 4X2

Trekker - Tracteur - Tractor

voor-avant-front-Vorne

A010T163ZA75	90	5	910	910	D28	D28	120	85	5/17	A01	
A010T127ZA75	90	7	910	910	D28	D28	170	105	7/15	A01	
A010T153ZA75	90	6/P	910	910	D28	D28	165	105	6/15+P/15	A01	
A010T125ZA75	90	8	910	910	D28	D28	165	120	8/15	A01	
F010T183ZA75	90	2	910	910	D28	D28	147	62	2/28	F01	
F010T177ZA75	90	2	910	910	D28	D28	131	66	2/30	F01	
F010T181ZA75	90	2	910	910	D28	D28	128	70	2/32	F01	
F010T179ZA75	90	3	910	910	D28	D28	140	95	3/29	F01	

achter-arrière-rear-Hinten

	A010T160ZA	90	7/6	0	0			0			A01S	los/séparé
A	A010T160ZA75	90	7	890	890	D36	D36	165	105	7/15	A01	
H	A010T156HA80	90	6	730	730	--	--	105	84	6/14	A08	
	A010T154ZA	90	9/6	0	0			0			A01S	los/séparé
A	A010T154ZA75	90	9	890	890	D36	D36	170	135	9/15	A01	
H	A010T156HA80	90	6	730	730	--	--	105	84	6/14	A08	
	F010T196ZA76	90	2/P/1	890	890	D36	D36	143	179		F01A	
A	F010T196ZA75	90	2	890	890	D36	D36	143	74	2/34	F01	
H	F010T196HA80	90	1/P	730	730	--	--	92	105	1/34+P/68	F08	
	F010T164ZA76	90	3/P/2	890	890	D36	D36	158	205		F01A	
A	F010T164ZA75	90	3	890	890	D36	D36	158	87	3/26	F01	
H	F010T162HA80	90	2/P	730	730	--	--	98	118	2/26+P/60	F08	
	F010T182ZA75	120	2	705	345	S30	--	-62	86	2/40	LR3221	Lenker
	F010T184ZA75	120	2	705	345	S30	--	-63	89	1/43+1/40	LR3221	Lenker

BESTELNR N° COMMANDE ORDER NR BESTELLNR	BR LRG WID BR	BLADEN LAMES LEAVES BLATT.	B	C	D1	D2	PH FL FA SP	PAK EP TH PAK	DETAIL	MOD	OPMERKINGEN REMARKS REMARKS BEMERKUNGEN
--	------------------------	-------------------------------------	---	---	----	----	----------------------	------------------------	--------	-----	--

SERIE : 93**93 MA 6X2/4****Truck - Porteur - Rigid****voor-avant-front-Vorne**

A010T163ZA75	90	5	910	910	D28	D28	120	85	5/17	A01	
A010T127ZA75	90	7	910	910	D28	D28	170	105	7/15	A01	
A010T153ZA75	90	6/P	910	910	D28	D28	165	105	6/15+P/15	A01	
A010T125ZA75	90	8	910	910	D28	D28	165	120	8/15	A01	
F010T177ZA75	90	2	910	910	D28	D28	131	66	2/30	F01	
F010T181ZA75	90	2	910	910	D28	D28	128	70	2/32	F01	
F010T183ZA75	90	2	910	910	D28	D28	147	62	2/28	F01	
F010T179ZA75	90	3	910	910	D28	D28	140	95	3/29	F01	

BESTELNR N° COMMANDE ORDER NR BESTELNR	BR LRG WID BR	BLADEN LAMES LEAVES BLATT.	B	C	D1	D2	PH FL FA SP	PAK EP TH PAK	DETAIL	MOD	OPMERKINGEN REMARQUES REMARKS BEMERKUNGEN
---	------------------------	-------------------------------------	---	---	----	----	----------------------	------------------------	--------	-----	--

SERIE : 93

93 MA 6X2/4

Trekker - Tracteur - Tractor

voor-avant-front-Vorne

A010T163ZA75	90	5	910	910	D28	D28	120	85	5/17	A01	
A010T127ZA75	90	7	910	910	D28	D28	170	105	7/15	A01	
A010T153ZA75	90	6/P	910	910	D28	D28	165	105	6/15+P/15	A01	
A010T125ZA75	90	8	910	910	D28	D28	165	120	8/15	A01	
F010T181ZA75	90	2	910	910	D28	D28	128	70	2/32	F01	
F010T183ZA75	90	2	910	910	D28	D28	147	62	2/28	F01	
F010T177ZA75	90	2	910	910	D28	D28	131	66	2/30	F01	
F010T179ZA75	90	3	910	910	D28	D28	140	95	3/29	F01	

achter-arrière-rear-Hinten

A	A010T160ZA	90	7/6	0	0			0		A01S	los/séparé	
H	A010T160ZA75	90	7	890	890	D36	D36	165	105	7/15	A01	
H	A010T156HA80	90	6	730	730	--	--	105	84	6/14	A08	
A	A010T154ZA	90	9/6	0	0			0		A01S	los/séparé	
H	A010T154ZA75	90	9	890	890	D36	D36	170	135	9/15	A01	
H	A010T156HA80	90	6	730	730	--	--	105	84	6/14	A08	
A	F010T196ZA76	90	2/P/1	890	890	D36	D36	143	179		F01A	
H	F010T196ZA75	90	2	890	890	D36	D36	143	74	2/34	F01	
H	F010T196HA80	90	1/P	730	730	--	--	92	105	1/34+P/68	F08	
A	F010T164ZA76	90	3/P/2	890	890	D36	D36	158	205		F01A	
H	F010T164ZA75	90	3	890	890	D36	D36	158	87	3/26	F01	
H	F010T162HA80	90	2/P	730	730	--	--	98	118	2/26+P/60	F08	
	F010T222ZA75	90	2	450	0	D36	--				LK4527	Lenker
	F010T200ZA75	90	3	450	420	D36	--	-7	110	3/24	LK4527	Lenker
	F010T184ZA75	120	2	705	345	S30	--	-63	89	1/43+1/40	LR3221	Lenker
	F010T182ZA75	120	2	705	345	S30	--	-62	86	2/40	LR3221	Lenker

BESTELNR N° COMMANDE ORDER NR BESTELNR	BR LRG WID BR	BLADEN LAMES LEAVES BLATT.	B	C	D1	D2	PH FL FA SP	PAK EP TH PAK	DETAIL	MOD	OPMERKINGEN REMARKS REMARKS BEMERKUNGEN
---	------------------------	-------------------------------------	---	---	----	----	----------------------	------------------------	--------	-----	--

SERIE : 93

93 ML 4X2

Truck - Porteur - Rigid

voor-avant-front-Vorne

A010T163ZA75	90	5	910	910	D28	D28	120	85	5/17	A01	
A010T153ZA75	90	6/P	910	910	D28	D28	165	105	6/15+P/15	A01	
A010T127ZA75	90	7	910	910	D28	D28	170	105	7/15	A01	
A010T125ZA75	90	8	910	910	D28	D28	165	120	8/15	A01	
F010T177ZA75	90	2	910	910	D28	D28	131	66	2/30	F01	
F010T183ZA75	90	2	910	910	D28	D28	147	62	2/28	F01	
F010T181ZA75	90	2	910	910	D28	D28	128	70	2/32	F01	
F010T179ZA75	90	3	910	910	D28	D28	140	95	3/29	F01	

achter-arrière-rear-Hinten

A	A010T166ZA	90	5/5	0	0			0		A01S	los/séparé	
H	A010T166ZA75	90	5	890	890	D36	D36	135	85	5/17	A01	
H	A010T166HA80	90	5	730	730	--	--	90	75	5/15	A08	
A	A010T160ZA	90	7/6	0	0			0		A01S	los/séparé	
H	A010T160ZA75	90	7	890	890	D36	D36	165	105	7/15	A01	
H	A010T156HA80	90	6	730	730	--	--	105	84	6/14	A08	
A	A010T154ZA	90	9/6	0	0			0		A01S	los/séparé	
H	A010T154ZA75	90	9	890	890	D36	D36	170	135	9/15	A01	
H	A010T156HA80	90	6	730	730	--	--	105	84	6/14	A08	
A	F010T196ZA76	90	2/P/1	890	890	D36	D36	143	179		F01A	
H	F010T196ZA75	90	2	890	890	D36	D36	143	74	2/34	F01	
H	F010T196HA80	90	1/P	730	730	--	--	92	105	1/34+P/68	F08	
	F010T188ZA75	100	2	690	260	S30	--	-52	97	1/47+1/44	LR0223	old
	F010T184ZA75	120	2	705	345	S30	--	-63	89	1/43+1/40	LR3221	Lenker
	F010T182ZA75	120	2	705	345	S30	--	-62	86	2/40	LR3221	Lenker

BESTELNR N° COMMANDE ORDER NR BESTELNR	BR LRG WID BR	BLADEN LAMES LEAVES BLATT.	B	C	D1	D2	PH FL FA SP	PAK EP TH PAK	DETAIL	MOD	OPMERKINGEN REMARQUES REMARKS BEMERKUNGEN
---	------------------------	-------------------------------------	---	---	----	----	----------------------	------------------------	--------	-----	--

SERIE : 93**93 ML 6X2****Truck - Porteur - Rigid****voor-avant-front-Vorne**

A010T163ZA75	90	5	910	910	D28	D28	120	85	5/17	A01	
A010T153ZA75	90	6/P	910	910	D28	D28	165	105	6/15+P/15	A01	
A010T127ZA75	90	7	910	910	D28	D28	170	105	7/15	A01	
A010T125ZA75	90	8	910	910	D28	D28	165	120	8/15	A01	
F010T181ZA75	90	2	910	910	D28	D28	128	70	2/32	F01	
F010T177ZA75	90	2	910	910	D28	D28	131	66	2/30	F01	
F010T183ZA75	90	2	910	910	D28	D28	147	62	2/28	F01	
F010T179ZA75	90	3	910	910	D28	D28	140	95	3/29	F01	

achter-arrière-rear-Hinten

A010T120ZB75	100	11	760	760	D36	D36	140	145	1/15+10/13	A01	
A010T108ZA75	100	12	760	760	D36	D36	160	134	1/13+11/11	A01	
F010T192ZA75	100	4	760	760	D36	D36	117	104	4/23	F01	
F010T194ZA75	100	5	760	760	D36	D36	102	125	5/22	F01	
F010T188ZA75	100	2	690	260	S30	--	-52	97	1/47+1/44	LR0223	old
F010T190ZA75	100	2	690	260	S30	--	-42	90	2/42	LR0223	Lenker
F010T182ZA75	120	2	705	345	S30	--	-62	86	2/40	LR3221	Lenker
F010T184ZA75	120	2	705	345	S30	--	-63	89	1/43+1/40	LR3221	Lenker

BESTELNR N° COMMANDE ORDER NR BESTELNR	BR LRG WID BR	BLADEN LAMES LEAVES BLATT.	B	C	D1	D2	PH FL FA SP	PAK EP TH PAK	DETAIL	MOD	OPMERKINGEN REMARKS REMARKS BEMERKUNGEN
---	------------------------	-------------------------------------	---	---	----	----	----------------------	------------------------	--------	-----	--

SERIE : 93

93 ML 6x2/4

Truck - Porteur - Rigid

voor-avant-front-Vorne

A010T163ZA75	90	5	910	910	D28	D28	120	85	5/17	A01	
A010T127ZA75	90	7	910	910	D28	D28	170	105	7/15	A01	
A010T153ZA75	90	6/P	910	910	D28	D28	165	105	6/15+P/15	A01	
A010T125ZA75	90	8	910	910	D28	D28	165	120	8/15	A01	
F010T177ZA75	90	2	910	910	D28	D28	131	66	2/30	F01	
F010T183ZA75	90	2	910	910	D28	D28	147	62	2/28	F01	
F010T181ZA75	90	2	910	910	D28	D28	128	70	2/32	F01	
F010T179ZA75	90	3	910	910	D28	D28	140	95	3/29	F01	

achter-arrière-rear-Hinten

A	A010T166ZA	90	5/5	0	0			0		A01S	los/séparé	
H	A010T166ZA75	90	5	890	890	D36	D36	135	85	5/17	A01	
H	A010T166HA80	90	5	730	730	--	--	90	75	5/15	A08	
A	A010T160ZA	90	7/6	0	0			0		A01S	los/séparé	
H	A010T160ZA75	90	7	890	890	D36	D36	165	105	7/15	A01	
H	A010T156HA80	90	6	730	730	--	--	105	84	6/14	A08	
A	A010T154ZA	90	9/6	0	0			0		A01S	los/séparé	
H	A010T154ZA75	90	9	890	890	D36	D36	170	135	9/15	A01	
H	A010T156HA80	90	6	730	730	--	--	105	84	6/14	A08	
A	F010T196ZA76	90	2/P/1	890	890	D36	D36	143	179		F01A	
H	F010T196ZA75	90	2	890	890	D36	D36	143	74	2/34	F01	
H	F010T196HA80	90	1/P	730	730	--	--	92	105	1/34+P/68	F08	
	F010T188ZA75	100	2	690	260	S30	--	-52	97	1/47+1/44	LR0223	old
	F010T184ZA75	120	2	705	345	S30	--	-63	89	1/43+1/40	LR3221	Lenker
	F010T182ZA75	120	2	705	345	S30	--	-62	86	2/40	LR3221	Lenker

BESTELNR N° COMMANDE ORDER NR BESTELNR	BR LRG WID BR	BLADEN LAMES LEAVES BLATT.	B	C	D1	D2	PH FL FA SP	PAK EP TH PAK	DETAIL	MOD	OPMERKINGEN REMARKS REMARKS BEMERKUNGEN
---	------------------------	-------------------------------------	---	---	----	----	----------------------	------------------------	--------	-----	--

SERIE : 93**93 ML 8X4 FB****Truck - Porteur - Rigid****voor-avant-front-Vorne**

A010T176ZA75	90	9	715	910	D28	D28	145	117	9/13	A01	
A010T174ZA75	90	9	907	713	D28	D28	145	117	9/13	A01	
F010T187ZA75	90	4	715	910	D28	D28	130	97	4/22	F01	
F010T185ZA75	90	4	910	715	D28	D28	130	97	4/22	F01	

achter-arrière-rear-Hinten

A010T214ZA75	90	5	620	780	D36	D36		75	5/15	A01	
A010T218ZA75	90	7	620	780	D36	D36	107	105	7/15	A01	
A010T140ZA75	90	8	620	780	D36	D36	95	120	8/15	A01	
A010T210ZA75	90	9	620	780	D36	D36	115	135	9/15	A01	
A010T212ZA75	90	5	780	620	D36	D36		75	5/15	A01	
A010T216ZA75	90	7	780	620	D36	D36	107	105	7/15	A01	
A010T138ZA75	90	8	780	620	D36	D36	95	120	8/15	A01	
A010T206ZA75	90	9	780	620	D36	D36	115	135	9/15	A01	

93 MV 4X2**Trekker - Tracteur - Tractor****achter-arrière-rear-Hinten**

F010T188ZA75	100	2	690	260	S30	--	-52	97	1/47+1/44	LR0223	old
F010T182ZA75	120	2	705	345	S30	--	-62	86	2/40	LR3221	Lenker
F010T184ZA75	120	2	705	345	S30	--	-63	89	1/43+1/40	LR3221	Lenker

93 MV 6X2**Truck - Porteur - Rigid****achter-arrière-rear-Hinten**

F010T188ZA75	100	2	690	260	S30	--	-52	97	1/47+1/44	LR0223	old
--------------	-----	---	-----	-----	-----	----	-----	----	-----------	--------	-----

BESTELNR N° COMMANDE ORDER NR BESTELNR	BR LRG WID BR	BLADEN LAMES LEAVES BLATT.	B	C	D1	D2	PH FL FA SP	PAK EP TH PAK	DETAIL	MOD	OPMERKINGEN REMARQUES REMARKS BEMERKUNGEN
---	------------------------	-------------------------------------	---	---	----	----	----------------------	------------------------	--------	-----	--

SERIE : 93**93 MW 4X2****Trekker - Tracteur - Tractor****voor-avant-front-Vorne**

A010T163ZA75	90	5	910	910	D28	D28	120	85	5/17	A01	
A010T127ZA75	90	7	910	910	D28	D28	170	105	7/15	A01	
A010T153ZA75	90	6/P	910	910	D28	D28	165	105	6/15+P/15	A01	
A010T125ZA75	90	8	910	910	D28	D28	165	120	8/15	A01	
F010T183ZA75	90	2	910	910	D28	D28	147	62	2/28	F01	
F010T177ZA75	90	2	910	910	D28	D28	131	66	2/30	F01	
F010T181ZA75	90	2	910	910	D28	D28	128	70	2/32	F01	
F010T179ZA75	90	3	910	910	D28	D28	140	95	3/29	F01	

achter-arrière-rear-Hinten

F010T182ZA75	120	2	705	345	S30	--	-62	86	2/40	LR3221	Lenker
F010T184ZA75	120	2	705	345	S30	--	-63	89	1/43+1/40	LR3221	Lenker

93 MW 6X2/4**Trekker - Tracteur - Tractor****voor-avant-front-Vorne**

A010T163ZA75	90	5	910	910	D28	D28	120	85	5/17	A01	
A010T153ZA75	90	6/P	910	910	D28	D28	165	105	6/15+P/15	A01	
A010T127ZA75	90	7	910	910	D28	D28	170	105	7/15	A01	
A010T125ZA75	90	8	910	910	D28	D28	165	120	8/15	A01	
F010T177ZA75	90	2	910	910	D28	D28	131	66	2/30	F01	
F010T181ZA75	90	2	910	910	D28	D28	128	70	2/32	F01	
F010T183ZA75	90	2	910	910	D28	D28	147	62	2/28	F01	
F010T179ZA75	90	3	910	910	D28	D28	140	95	3/29	F01	

achter-arrière-rear-Hinten

F010T188ZA75	100	2	690	260	S30	--	-52	97	1/47+1/44	LR0223	old
F010T182ZA75	120	2	705	345	S30	--	-62	86	2/40	LR3221	Lenker
F010T184ZA75	120	2	705	345	S30	--	-63	89	1/43+1/40	LR3221	Lenker

BESTELNR N° COMMANDE ORDER NR BESTELNR	BR LRG WID BR	BLADEN LAMES LEAVES BLATT.	B	C	D1	D2	PH FL FA SP	PAK EP TH PAK	DETAIL	MOD	OPMERKINGEN REMARKS BEMERKUNGEN
---	------------------------	-------------------------------------	---	---	----	----	----------------------	------------------------	--------	-----	---------------------------------------

SERIE : 94

94 C 4X2

Truck - Porteur - Rigid

voor-avant-front-Vorne

A010T127ZA75	90	7	910	910	D28	D28	170	105	7/15	A01	
A010T165ZA75	90	9	910	910	D28	D28	170	135	9/15	A01	
F010T177ZA75	90	2	910	910	D28	D28	131	66	2/30	F01	
F010T181ZA75	90	2	910	910	D28	D28	128	70	2/32	F01	
F010T179ZA75	90	3	910	910	D28	D28	140	95	3/29	F01	

achter-arrière-rear-Hinten

A	A010T160ZA	90	7/6	0	0			0		A01S	los/séparé
H	A010T160ZA75	90	7	890	890	D36	D36	165	105	7/15	A01
H	A010T156HA80	90	6	730	730	--	--	105	84	6/14	A08
A	A010T154ZA	90	9/6	0	0			0		A01S	los/séparé
H	A010T154ZA75	90	9	890	890	D36	D36	170	135	9/15	A01
H	A010T156HA80	90	6	730	730	--	--	105	84	6/14	A08
A	F010T164ZA76	90	3/P/2	890	890	D36	D36	158	205		F01A
H	F010T164ZA75	90	3	890	890	D36	D36	158	87	3/26	F01
H	F010T162HA80	90	2/P	730	730	--	--	98	118	2/26+P/60	F08

Trekker - Tracteur - Tractor

voor-avant-front-Vorne

A010T127ZA75	90	7	910	910	D28	D28	170	105	7/15	A01	
A010T165ZA75	90	9	910	910	D28	D28	170	135	9/15	A01	
F010T177ZA75	90	2	910	910	D28	D28	131	66	2/30	F01	
F010T181ZA75	90	2	910	910	D28	D28	128	70	2/32	F01	
F010T179ZA75	90	3	910	910	D28	D28	140	95	3/29	F01	

achter-arrière-rear-Hinten

A	A010T160ZA	90	7/6	0	0			0		A01S	los/séparé
H	A010T160ZA75	90	7	890	890	D36	D36	165	105	7/15	A01
H	A010T156HA80	90	6	730	730	--	--	105	84	6/14	A08
A	A010T154ZA	90	9/6	0	0			0		A01S	los/séparé
H	A010T154ZA75	90	9	890	890	D36	D36	170	135	9/15	A01
H	A010T156HA80	90	6	730	730	--	--	105	84	6/14	A08
A	F010T164ZA76	90	3/P/2	890	890	D36	D36	158	205		F01A
H	F010T164ZA75	90	3	890	890	D36	D36	158	87	3/26	F01
H	F010T162HA80	90	2/P	730	730	--	--	98	118	2/26+P/60	F08

BESTELNR N° COMMANDE ORDER NR BESTELNR	BR LRG WID BR	BLADEN LAMES LEAVES BLATT.	B	C	D1	D2	PH FL FA SP	PAK EP TH PAK	DETAIL	MOD	OPMERKINGEN REMARKS REMARKS BEMERKUNGEN
---	------------------------	-------------------------------------	---	---	----	----	----------------------	------------------------	--------	-----	--

SERIE : 94**94 C 6X4****Truck - Porteur - Rigid****voor-avant-front-Vorne**

A010T127ZA75	90	7	910	910	D28	D28	170	105	7/15	A01	
A010T165ZA75	90	9	910	910	D28	D28	170	135	9/15	A01	
F010T181ZA75	90	2	910	910	D28	D28	128	70	2/32	F01	
F010T177ZA75	90	2	910	910	D28	D28	131	66	2/30	F01	
F010T179ZA75	90	3	910	910	D28	D28	140	95	3/29	F01	

achter-arrière-rear-Hinten

A010T228ZA70	90	12	0	0	--	--		0	12/20	A08R	
A010T226ZA70	90	12	0	0	--	--			12/20	A08R	
F010T202ZA70	90	4	770	770	--	--	85	172	4/41	F08R	
F010T208ZA70	90	4	770	770	--	--		128	4/30	F08R	

Trekker - Tracteur - Tractor**voor-avant-front-Vorne**

A010T127ZA75	90	7	910	910	D28	D28	170	105	7/15	A01	
A010T165ZA75	90	9	910	910	D28	D28	170	135	9/15	A01	
F010T177ZA75	90	2	910	910	D28	D28	131	66	2/30	F01	
F010T181ZA75	90	2	910	910	D28	D28	128	70	2/32	F01	
F010T179ZA75	90	3	910	910	D28	D28	140	95	3/29	F01	

achter-arrière-rear-Hinten

A010T226ZA70	90	12	0	0	--	--			12/20	A08R	
A010T228ZA70	90	12	0	0	--	--		0	12/20	A08R	
F010T202ZA70	90	4	770	770	--	--	85	172	4/41	F08R	
F010T208ZA70	90	4	770	770	--	--		128	4/30	F08R	

BESTELNR N° COMMANDE ORDER NR BESTELLNR	BR LRG WID BR	BLADEN LAMES LEAVES BLATT.	B	C	D1	D2	PH FL FA SP	PAK EP TH PAK	DETAIL	MOD	OPMERKINGEN REMARQUES REMARKS BEMERKUNGEN
--	------------------------	-------------------------------------	---	---	----	----	----------------------	------------------------	--------	-----	--

SERIE : 94

94 C 8X4

Truck - Porteur - Rigid

voor-avant-front-Vorne

A010T127ZA75	90	7	910	910	D28	D28	170	105	7/15	A01	
A010T165ZA75	90	9	910	910	D28	D28	170	135	9/15	A01	
F010T177ZA75	90	2	910	910	D28	D28	131	66	2/30	F01	
F010T181ZA75	90	2	910	910	D28	D28	128	70	2/32	F01	
F010T179ZA75	90	3	910	910	D28	D28	140	95	3/29	F01	

achter-arrière-rear-Hinten

A010T226ZA70	90	12	0	0	--	--			12/20	A08R	
A010T228ZA70	90	12	0	0	--	--		0	12/20	A08R	
F010T202ZA70	90	4	770	770	--	--	85	172	4/41	F08R	
F010T208ZA70	90	4	770	770	--	--		128	4/30	F08R	
F010T232ZL75	100	2	710	400	S30	--	-65	97	1/47+1/44	LR0121.	
F010T232ZR75	100	2	710	400	S30	--	-65	97	1/47+1/44	LR0121.	

BESTELNR N° COMMANDE ORDER NR BESTELNR	BR LRG WID BR	BLADEN LAMES LEAVES BLATT.	B	C	D1	D2	PH FL FA SP	PAK EP TH PAK	DETAIL	MOD	OPMERKINGEN REMARKS REMARKS BEMERKUNGEN
---	------------------------	-------------------------------------	---	---	----	----	----------------------	------------------------	--------	-----	--

SERIE : 94

94 D 4X2

Truck - Porteur - Rigid

voor-avant-front-Vorne

A010T127ZA75	90	7	910	910	D28	D28	170	105	7/15	A01	
A010T165ZA75	90	9	910	910	D28	D28	170	135	9/15	A01	
F010T181ZA75	90	2	910	910	D28	D28	128	70	2/32	F01	
F010T177ZA75	90	2	910	910	D28	D28	131	66	2/30	F01	
F010T179ZA75	90	3	910	910	D28	D28	140	95	3/29	F01	

achter-arrière-rear-Hinten

	A010T160ZA	90	7/6	0	0			0		A01S	los/séparé
A	A010T160ZA75	90	7	890	890	D36	D36	165	105	7/15	A01
H	A010T156HA80	90	6	730	730	--	--	105	84	6/14	A08
	A010T154ZA	90	9/6	0	0			0		A01S	los/séparé
A	A010T154ZA75	90	9	890	890	D36	D36	170	135	9/15	A01
H	A010T156HA80	90	6	730	730	--	--	105	84	6/14	A08
	F010T164ZA76	90	3/P/2	890	890	D36	D36	158	205		F01A
A	F010T164ZA75	90	3	890	890	D36	D36	158	87	3/26	F01
H	F010T162HA80	90	2/P	730	730	--	--	98	118	2/26+P/60	F08
	F010T232ZL75	100	2	710	400	S30	--	-65	97	1/47+1/44	LR0121.
	F010T232ZR75	100	2	710	400	S30	--	-65	97	1/47+1/44	LR0121.

BESTELNR N° COMMANDE ORDER NR BESTELNR	BR LRG WID BR	BLADEN LAMES LEAVES BLATT.	B	C	D1	D2	PH FL FA SP	PAK EP TH PAK	DETAIL	MOD	OPMERKINGEN REMARKS REMARKS BEMERKUNGEN
---	------------------------	-------------------------------------	---	---	----	----	----------------------	------------------------	--------	-----	--

SERIE : 94**94 D 4X2****Trekker - Tracteur - Tractor****voor-avant-front-Vorne**

A010T127ZA75	90	7	910	910	D28	D28	170	105	7/15	A01	
A010T165ZA75	90	9	910	910	D28	D28	170	135	9/15	A01	
F010T177ZA75	90	2	910	910	D28	D28	131	66	2/30	F01	
F010T181ZA75	90	2	910	910	D28	D28	128	70	2/32	F01	
F010T179ZA75	90	3	910	910	D28	D28	140	95	3/29	F01	

achter-arrière-rear-Hinten

A	A010T160ZA	90	7/6	0	0			0		A01S	los/séparé
H	A010T160ZA75	90	7	890	890	D36	D36	165	105	7/15	A01
H	A010T156HA80	90	6	730	730	--	--	105	84	6/14	A08
A	A010T154ZA	90	9/6	0	0			0		A01S	los/séparé
H	A010T154ZA75	90	9	890	890	D36	D36	170	135	9/15	A01
H	A010T156HA80	90	6	730	730	--	--	105	84	6/14	A08
A	F010T164ZA76	90	3/P/2	890	890	D36	D36	158	205		F01A
H	F010T164ZA75	90	3	890	890	D36	D36	158	87	3/26	F01
H	F010T162HA80	90	2/P	730	730	--	--	98	118	2/26+P/60	F08
	F010T232ZL75	100	2	710	400	S30	--	-65	97	1/47+1/44	LR0121.
	F010T232ZR75	100	2	710	400	S30	--	-65	97	1/47+1/44	LR0121.

94 D 6X2**Truck - Porteur - Rigid****voor-avant-front-Vorne**

A010T127ZA75	90	7	910	910	D28	D28	170	105	7/15	A01	
A010T165ZA75	90	9	910	910	D28	D28	170	135	9/15	A01	
F010T181ZA75	90	2	910	910	D28	D28	128	70	2/32	F01	
F010T177ZA75	90	2	910	910	D28	D28	131	66	2/30	F01	
F010T179ZA75	90	3	910	910	D28	D28	140	95	3/29	F01	

achter-arrière-rear-Hinten

F010T232ZL75	100	2	710	400	S30	--	-65	97	1/47+1/44	LR0121.
F010T232ZR75	100	2	710	400	S30	--	-65	97	1/47+1/44	LR0121.

BESTELNR N° COMMANDE ORDER NR BESTELNR	BR LRG WID BR	BLADEN LAMES LEAVES BLATT.	B	C	D1	D2	PH FL FA SP	PAK EP TH PAK	DETAIL	MOD	OPMERKINGEN REMARKS REMARKS BEMERKUNGEN
---	------------------------	-------------------------------------	---	---	----	----	----------------------	------------------------	--------	-----	--

SERIE : 94

94 D 6X2*4

Truck - Porteur - Rigid

voor-avant-front-Vorne

A010T127ZA75	90	7	910	910	D28	D28	170	105	7/15	A01	
A010T165ZA75	90	9	910	910	D28	D28	170	135	9/15	A01	
F010T181ZA75	90	2	910	910	D28	D28	128	70	2/32	F01	
F010T177ZA75	90	2	910	910	D28	D28	131	66	2/30	F01	
F010T179ZA75	90	3	910	910	D28	D28	140	95	3/29	F01	

achter-arrière-rear-Hinten

F010T200ZA75	90	3	450	420	D36	--	-7	110	3/24	LK4527	Lenker
F010T232ZR75	100	2	710	400	S30	--	-65	97	1/47+1/44	LR0121.	
F010T232ZL75	100	2	710	400	S30	--	-65	97	1/47+1/44	LR0121.	

94 D 6X2/4

Truck - Porteur - Rigid

voor-avant-front-Vorne

A010T127ZA75	90	7	910	910	D28	D28	170	105	7/15	A01	
A010T165ZA75	90	9	910	910	D28	D28	170	135	9/15	A01	
F010T177ZA75	90	2	910	910	D28	D28	131	66	2/30	F01	
F010T181ZA75	90	2	910	910	D28	D28	128	70	2/32	F01	
F010T179ZA75	90	3	910	910	D28	D28	140	95	3/29	F01	

achter-arrière-rear-Hinten

F010T200ZA75	90	3	450	420	D36	--	-7	110	3/24	LK4527	Lenker
F010T232ZL75	100	2	710	400	S30	--	-65	97	1/47+1/44	LR0121.	
F010T232ZR75	100	2	710	400	S30	--	-65	97	1/47+1/44	LR0121.	

BESTELNR N° COMMANDE ORDER NR BESTELNR	BR LRG WID BR	BLADEN LAMES LEAVES BLATT.	B	C	D1	D2	PH FL FA SP	PAK EP TH PAK	DETAIL	MOD	OPMERKINGEN REMARKS REMARKS BEMERKUNGEN
---	------------------------	-------------------------------------	---	---	----	----	----------------------	------------------------	--------	-----	--

SERIE : 94**94 G 4X2****Truck - Porteur - Rigid****voor-avant-front-Vorne**

A010T127ZA75	90	7	910	910	D28	D28	170	105	7/15	A01	
A010T165ZA75	90	9	910	910	D28	D28	170	135	9/15	A01	
F010T181ZA75	90	2	910	910	D28	D28	128	70	2/32	F01	
F010T177ZA75	90	2	910	910	D28	D28	131	66	2/30	F01	
F010T179ZA75	90	3	910	910	D28	D28	140	95	3/29	F01	

achter-arrière-rear-Hinten

	A010T160ZA	90	7/6	0	0			0		A01S	los/séparé
A	A010T160ZA75	90	7	890	890	D36	D36	165	105	7/15	A01
H	A010T156HA80	90	6	730	730	--	--	105	84	6/14	A08
	A010T154ZA	90	9/6	0	0			0		A01S	los/séparé
A	A010T154ZA75	90	9	890	890	D36	D36	170	135	9/15	A01
H	A010T156HA80	90	6	730	730	--	--	105	84	6/14	A08
	F010T164ZA76	90	3/P/2	890	890	D36	D36	158	205		F01A
A	F010T164ZA75	90	3	890	890	D36	D36	158	87	3/26	F01
H	F010T162HA80	90	2/P	730	730	--	--	98	118	2/26+P/60	F08
	F010T232ZL75	100	2	710	400	S30	--	-65	97	1/47+1/44	LR0121.
	F010T232ZR75	100	2	710	400	S30	--	-65	97	1/47+1/44	LR0121.

BESTELNR N° COMMANDE ORDER NR BESTELNR	BR LRG WID BR	BLADEN LAMES LEAVES BLATT.	B	C	D1	D2	PH FL FA SP	PAK EP TH PAK	DETAIL	MOD	OPMERKINGEN REMARKS REMARKS BEMERKUNGEN
---	------------------------	-------------------------------------	---	---	----	----	----------------------	------------------------	--------	-----	--

SERIE : 94

94 G 4X2

Trekker - Tracteur - Tractor

voor-avant-front-Vorne

A010T127ZA75	90	7	910	910	D28	D28	170	105	7/15	A01	
A010T165ZA75	90	9	910	910	D28	D28	170	135	9/15	A01	
F010T181ZA75	90	2	910	910	D28	D28	128	70	2/32	F01	
F010T177ZA75	90	2	910	910	D28	D28	131	66	2/30	F01	
F010T179ZA75	90	3	910	910	D28	D28	140	95	3/29	F01	

achter-arrière-rear-Hinten

	A010T160ZA	90	7/6	0	0			0		A01S	los/séparé
A	A010T160ZA75	90	7	890	890	D36	D36	165	105	7/15	A01
H	A010T156HA80	90	6	730	730	--	--	105	84	6/14	A08
	A010T154ZA	90	9/6	0	0			0		A01S	los/séparé
A	A010T154ZA75	90	9	890	890	D36	D36	170	135	9/15	A01
H	A010T156HA80	90	6	730	730	--	--	105	84	6/14	A08
	F010T164ZA76	90	3/P/2	890	890	D36	D36	158	205		F01A
A	F010T164ZA75	90	3	890	890	D36	D36	158	87	3/26	F01
H	F010T162HA80	90	2/P	730	730	--	--	98	118	2/26+P/60	F08
	F010T232ZL75	100	2	710	400	S30	--	-65	97	1/47+1/44	LR0121.
	F010T232ZR75	100	2	710	400	S30	--	-65	97	1/47+1/44	LR0121.

BESTELNR N° COMMANDE ORDER NR BESTELNR	BR LRG WID BR	BLADEN LAMES LEAVES BLATT.	B	C	D1	D2	PH FL FA SP	PAK EP TH PAK	DETAIL	MOD	OPMERKINGEN REMARKS REMARKS BEMERKUNGEN
---	------------------------	-------------------------------------	---	---	----	----	----------------------	------------------------	--------	-----	--

SERIE : 94**94 G 6X2****Truck - Porteur - Rigid****voor-avant-front-Vorne**

A010T127ZA75	90	7	910	910	D28	D28	170	105	7/15	A01	
A010T165ZA75	90	9	910	910	D28	D28	170	135	9/15	A01	
F010T181ZA75	90	2	910	910	D28	D28	128	70	2/32	F01	
F010T177ZA75	90	2	910	910	D28	D28	131	66	2/30	F01	
F010T179ZA75	90	3	910	910	D28	D28	140	95	3/29	F01	

achter-arrière-rear-Hinten

A010T120ZB75	100	11	760	760	D36	D36	140	145	1/15+10/13	A01	
F010T194ZA75	100	5	760	760	D36	D36	102	125	5/22	F01	
F010T232ZR75	100	2	710	400	S30	--	-65	97	1/47+1/44	LR0121.	
F010T232ZL75	100	2	710	400	S30	--	-65	97	1/47+1/44	LR0121.	

Trekker - Tracteur - Tractor**voor-avant-front-Vorne**

A010T127ZA75	90	7	910	910	D28	D28	170	105	7/15	A01	
A010T165ZA75	90	9	910	910	D28	D28	170	135	9/15	A01	
F010T181ZA75	90	2	910	910	D28	D28	128	70	2/32	F01	
F010T177ZA75	90	2	910	910	D28	D28	131	66	2/30	F01	
F010T179ZA75	90	3	910	910	D28	D28	140	95	3/29	F01	

achter-arrière-rear-Hinten

A010T120ZB75	100	11	760	760	D36	D36	140	145	1/15+10/13	A01	
F010T194ZA75	100	5	760	760	D36	D36	102	125	5/22	F01	
F010T232ZL75	100	2	710	400	S30	--	-65	97	1/47+1/44	LR0121.	
F010T232ZR75	100	2	710	400	S30	--	-65	97	1/47+1/44	LR0121.	

BESTELNR N° COMMANDE ORDER NR BESTELLNR	BR LRG WID BR	BLADEN LAMES LEAVES BLATT.	B	C	D1	D2	PH FL FA SP	PAK EP TH PAK	DETAIL	MOD	OPMERKINGEN REMARKS BEMERKUNGEN
--	------------------------	-------------------------------------	---	---	----	----	----------------------	------------------------	--------	-----	---------------------------------------

SERIE : 94

94 G 6X2*4

Truck - Porteur - Rigid

voor-avant-front-Vorne

A010T127ZA75	90	7	910	910	D28	D28	170	105	7/15	A01	
A010T165ZA75	90	9	910	910	D28	D28	170	135	9/15	A01	
F010T181ZA75	90	2	910	910	D28	D28	128	70	2/32	F01	
F010T177ZA75	90	2	910	910	D28	D28	131	66	2/30	F01	
F010T179ZA75	90	3	910	910	D28	D28	140	95	3/29	F01	

achter-arrière-rear-Hinten

F010T200ZA75	90	3	450	420	D36	--	-7	110	3/24	LK4527	Lenker
F010T232ZR75	100	2	710	400	S30	--	-65	97	1/47+1/44	LR0121.	
F010T232ZL75	100	2	710	400	S30	--	-65	97	1/47+1/44	LR0121.	

BESTELNR N° COMMANDE ORDER NR BESTELNR	BR LRG WID BR	BLADEN LAMES LEAVES BLATT.	B	C	D1	D2	PH FL FA SP	PAK EP TH PAK	DETAIL	MOD	OPMERKINGEN REMARKS REMARKS BEMERKUNGEN
---	------------------------	-------------------------------------	---	---	----	----	----------------------	------------------------	--------	-----	--

SERIE : 94**94 G 6X4****Truck - Porteur - Rigid****voor-avant-front-Vorne**

A010T127ZA75	90	7	910	910	D28	D28	170	105	7/15	A01	
A010T165ZA75	90	9	910	910	D28	D28	170	135	9/15	A01	
F010T177ZA75	90	2	910	910	D28	D28	131	66	2/30	F01	
F010T181ZA75	90	2	910	910	D28	D28	128	70	2/32	F01	
F010T179ZA75	90	3	910	910	D28	D28	140	95	3/29	F01	

achter-arrière-rear-Hinten

A010T228ZA70	90	12	0	0	--	--		0	12/20	A08R	
A010T226ZA70	90	12	0	0	--	--			12/20	A08R	
F010T202ZA70	90	4	770	770	--	--	85	172	4/41	F08R	
F010T208ZA70	90	4	770	770	--	--		128	4/30	F08R	
F010T232ZR75	100	2	710	400	S30	--	-65	97	1/47+1/44	LR0121.	
F010T232ZL75	100	2	710	400	S30	--	-65	97	1/47+1/44	LR0121.	

Trekker - Tracteur - Tractor**voor-avant-front-Vorne**

A010T127ZA75	90	7	910	910	D28	D28	170	105	7/15	A01	
A010T165ZA75	90	9	910	910	D28	D28	170	135	9/15	A01	
F010T181ZA75	90	2	910	910	D28	D28	128	70	2/32	F01	
F010T177ZA75	90	2	910	910	D28	D28	131	66	2/30	F01	
F010T179ZA75	90	3	910	910	D28	D28	140	95	3/29	F01	

achter-arrière-rear-Hinten

A010T228ZA70	90	12	0	0	--	--		0	12/20	A08R	
A010T226ZA70	90	12	0	0	--	--			12/20	A08R	
F010T202ZA70	90	4	770	770	--	--	85	172	4/41	F08R	
F010T208ZA70	90	4	770	770	--	--		128	4/30	F08R	
F010T232ZL75	100	2	710	400	S30	--	-65	97	1/47+1/44	LR0121.	
F010T232ZR75	100	2	710	400	S30	--	-65	97	1/47+1/44	LR0121.	

BESTELNR N° COMMANDE ORDER NR BESTELNR	BR LRG WID BR	BLADEN LAMES LEAVES BLATT.	B	C	D1	D2	PH FL FA SP	PAK EP TH PAK	DETAIL	MOD	OPMERKINGEN REMARKS BEMERKUNGEN
---	------------------------	-------------------------------------	---	---	----	----	----------------------	------------------------	--------	-----	---------------------------------------

SERIE : 94

94 G 8X2

Truck - Porteur - Rigid

voor-avant-front-Vorne

F010T177ZA75	90	2	910	910	D28	D28	131	66	2/30	F01	
F010T181ZA75	90	2	910	910	D28	D28	128	70	2/32	F01	
F010T179ZA75	90	3	910	910	D28	D28	140	95	3/29	F01	

achter-arrière-rear-Hinten

A010T120ZB75	100	11	760	760	D36	D36	140	145	1/15+10/13	A01	
F010T194ZA75	100	5	760	760	D36	D36	102	125	5/22	F01	
F010T232ZR75	100	2	710	400	S30	--	-65	97	1/47+1/44	LR0121.	
F010T232ZL75	100	2	710	400	S30	--	-65	97	1/47+1/44	LR0121.	

94 G 8X4

Truck - Porteur - Rigid

voor-avant-front-Vorne

A010T127ZA75	90	7	910	910	D28	D28	170	105	7/15	A01	
A010T165ZA75	90	9	910	910	D28	D28	170	135	9/15	A01	
F010T181ZA75	90	2	910	910	D28	D28	128	70	2/32	F01	
F010T177ZA75	90	2	910	910	D28	D28	131	66	2/30	F01	
F010T179ZA75	90	3	910	910	D28	D28	140	95	3/29	F01	

achter-arrière-rear-Hinten

A010T226ZA70	90	12	0	0	--	--			12/20	A08R	
A010T228ZA70	90	12	0	0	--	--		0	12/20	A08R	
F010T208ZA70	90	4	770	770	--	--		128	4/30	F08R	
F010T202ZA70	90	4	770	770	--	--	85	172	4/41	F08R	
F010T232ZL75	100	2	710	400	S30	--	-65	97	1/47+1/44	LR0121.	
F010T232ZR75	100	2	710	400	S30	--	-65	97	1/47+1/44	LR0121.	

BESTELNR N° COMMANDE ORDER NR BESTELNR	BR LRG WID BR	BLADEN LAMES LEAVES BLATT.	B	C	D1	D2	PH FL FA SP	PAK EP TH PAK	DETAIL	MOD	OPMERKINGEN REMARKS REMARKS BEMERKUNGEN
---	------------------------	-------------------------------------	---	---	----	----	----------------------	------------------------	--------	-----	--

SERIE : 94**94 L 4X2****Truck - Porteur - Rigid****voor-avant-front-Vorne**

A010T127ZA75	90	7	910	910	D28	D28	170	105	7/15	A01	
A010T165ZA75	90	9	910	910	D28	D28	170	135	9/15	A01	
F010T181ZA75	90	2	910	910	D28	D28	128	70	2/32	F01	
F010T177ZA75	90	2	910	910	D28	D28	131	66	2/30	F01	
F010T179ZA75	90	3	910	910	D28	D28	140	95	3/29	F01	

achter-arrière-rear-Hinten

F010T232ZR75	100	2	710	400	S30	--	-65	97	1/47+1/44	LR0121.	
F010T232ZL75	100	2	710	400	S30	--	-65	97	1/47+1/44	LR0121.	

Trekker - Tracteur - Tractor**voor-avant-front-Vorne**

A010T127ZA75	90	7	910	910	D28	D28	170	105	7/15	A01	
A010T165ZA75	90	9	910	910	D28	D28	170	135	9/15	A01	
F010T177ZA75	90	2	910	910	D28	D28	131	66	2/30	F01	
F010T181ZA75	90	2	910	910	D28	D28	128	70	2/32	F01	
F010T179ZA75	90	3	910	910	D28	D28	140	95	3/29	F01	

achter-arrière-rear-Hinten

F010T232ZR75	100	2	710	400	S30	--	-65	97	1/47+1/44	LR0121.	
F010T232ZL75	100	2	710	400	S30	--	-65	97	1/47+1/44	LR0121.	

BESTELNR N° COMMANDE ORDER NR BESTELNR	BR LRG WID BR	BLADEN LAMES LEAVES BLATT.	B	C	D1	D2	PH FL FA SP	PAK EP TH PAK	DETAIL	MOD	OPMERKINGEN REMARKS REMARKS BEMERKUNGEN
---	------------------------	-------------------------------------	---	---	----	----	----------------------	------------------------	--------	-----	--

SERIE : 94**94 L 6X2****Truck - Porteur - Rigid****voor-avant-front-Vorne**

A010T127ZA75	90	7	910	910	D28	D28	170	105	7/15	A01	
A010T165ZA75	90	9	910	910	D28	D28	170	135	9/15	A01	
F010T181ZA75	90	2	910	910	D28	D28	128	70	2/32	F01	
F010T177ZA75	90	2	910	910	D28	D28	131	66	2/30	F01	
F010T179ZA75	90	3	910	910	D28	D28	140	95	3/29	F01	

achter-arrière-rear-Hinten

F010T232ZR75	100	2	710	400	S30	--	-65	97	1/47+1/44	LR0121.	
F010T232ZL75	100	2	710	400	S30	--	-65	97	1/47+1/44	LR0121.	

Trekker - Tracteur - Tractor**voor-avant-front-Vorne**

A010T127ZA75	90	7	910	910	D28	D28	170	105	7/15	A01	
A010T165ZA75	90	9	910	910	D28	D28	170	135	9/15	A01	
F010T177ZA75	90	2	910	910	D28	D28	131	66	2/30	F01	
F010T181ZA75	90	2	910	910	D28	D28	128	70	2/32	F01	
F010T179ZA75	90	3	910	910	D28	D28	140	95	3/29	F01	

achter-arrière-rear-Hinten

F010T232ZR75	100	2	710	400	S30	--	-65	97	1/47+1/44	LR0121.	
F010T232ZL75	100	2	710	400	S30	--	-65	97	1/47+1/44	LR0121.	

BESTELNR N° COMMANDE ORDER NR BESTELLNR	BR LRG WID BR	BLADEN LAMES LEAVES BLATT.	B	C	D1	D2	PH FL FA SP	PAK EP TH PAK	DETAIL	MOD	OPMERKINGEN REMARKS REMARKS BEMERKUNGEN
--	------------------------	-------------------------------------	---	---	----	----	----------------------	------------------------	--------	-----	--

SERIE : 94**94 L 6X2*4****Truck - Porteur - Rigid****voor-avant-front-Vorne**

A010T127ZA75	90	7	910	910	D28	D28	170	105	7/15	A01	
A010T165ZA75	90	9	910	910	D28	D28	170	135	9/15	A01	
F010T177ZA75	90	2	910	910	D28	D28	131	66	2/30	F01	
F010T181ZA75	90	2	910	910	D28	D28	128	70	2/32	F01	
F010T179ZA75	90	3	910	910	D28	D28	140	95	3/29	F01	

achter-arrière-rear-Hinten

F010T200ZA75	90	3	450	420	D36	--	-7	110	3/24	LK4527	Lenker
F010T232ZL75	100	2	710	400	S30	--	-65	97	1/47+1/44	LR0121.	
F010T232ZR75	100	2	710	400	S30	--	-65	97	1/47+1/44	LR0121.	

BESTELNR N° COMMANDE ORDER NR BESTELNR	BR LRG WID BR	BLADEN LAMES LEAVES BLATT.	B	C	D1	D2	PH FL FA SP	PAK EP TH PAK	DETAIL	MOD	OPMERKINGEN REMARKS REMARKS BEMERKUNGEN
---	------------------------	-------------------------------------	---	---	----	----	----------------------	------------------------	--------	-----	--

SERIE : 94**94 L 6X2/4****Truck - Porteur - Rigid****voor-avant-front-Vorne**

A010T127ZA75	90	7	910	910	D28	D28	170	105	7/15	A01	
A010T165ZA75	90	9	910	910	D28	D28	170	135	9/15	A01	
F010T177ZA75	90	2	910	910	D28	D28	131	66	2/30	F01	
F010T181ZA75	90	2	910	910	D28	D28	128	70	2/32	F01	
F010T179ZA75	90	3	910	910	D28	D28	140	95	3/29	F01	

achter-arrière-rear-Hinten

F010T200ZA75	90	3	450	420	D36	--	-7	110	3/24	LK4527	Lenker
F010T232ZR75	100	2	710	400	S30	--	-65	97	1/47+1/44	LR0121.	
F010T232ZL75	100	2	710	400	S30	--	-65	97	1/47+1/44	LR0121.	

Trekker - Tracteur - Tractor**voor-avant-front-Vorne**

A010T127ZA75	90	7	910	910	D28	D28	170	105	7/15	A01	
A010T165ZA75	90	9	910	910	D28	D28	170	135	9/15	A01	
F010T177ZA75	90	2	910	910	D28	D28	131	66	2/30	F01	
F010T181ZA75	90	2	910	910	D28	D28	128	70	2/32	F01	
F010T179ZA75	90	3	910	910	D28	D28	140	95	3/29	F01	

achter-arrière-rear-Hinten

F010T200ZA75	90	3	450	420	D36	--	-7	110	3/24	LK4527	Lenker
F010T232ZL75	100	2	710	400	S30	--	-65	97	1/47+1/44	LR0121.	
F010T232ZR75	100	2	710	400	S30	--	-65	97	1/47+1/44	LR0121.	

BESTELNR N° COMMANDE ORDER NR BESTELNR	BR LRG WID BR	BLADEN LAMES LEAVES BLATT.	B	C	D1	D2	PH FL FA SP	PAK EP TH PAK	DETAIL	MOD	OPMERKINGEN REMARKS REMARKS BEMERKUNGEN
---	------------------------	-------------------------------------	---	---	----	----	----------------------	------------------------	--------	-----	--

SERIE : 94**94 L 6X4****Truck - Porteur - Rigid****voor-avant-front-Vorne**

A010T127ZA75	90	7	910	910	D28	D28	170	105	7/15	A01	
A010T165ZA75	90	9	910	910	D28	D28	170	135	9/15	A01	
F010T177ZA75	90	2	910	910	D28	D28	131	66	2/30	F01	
F010T181ZA75	90	2	910	910	D28	D28	128	70	2/32	F01	
F010T179ZA75	90	3	910	910	D28	D28	140	95	3/29	F01	

achter-arrière-rear-Hinten

F010T232ZL75	100	2	710	400	S30	--	-65	97	1/47+1/44	LR0121.	
F010T232ZR75	100	2	710	400	S30	--	-65	97	1/47+1/44	LR0121.	

Trekker - Tracteur - Tractor**voor-avant-front-Vorne**

A010T127ZA75	90	7	910	910	D28	D28	170	105	7/15	A01	
A010T165ZA75	90	9	910	910	D28	D28	170	135	9/15	A01	
F010T181ZA75	90	2	910	910	D28	D28	128	70	2/32	F01	
F010T177ZA75	90	2	910	910	D28	D28	131	66	2/30	F01	
F010T179ZA75	90	3	910	910	D28	D28	140	95	3/29	F01	

achter-arrière-rear-Hinten

F010T232ZL75	100	2	710	400	S30	--	-65	97	1/47+1/44	LR0121.	
F010T232ZR75	100	2	710	400	S30	--	-65	97	1/47+1/44	LR0121.	

BESTELNR N° COMMANDE ORDER NR BESTELLNR	BR LRG WID BR	BLADEN LAMES LEAVES BLATT.	B	C	D1	D2	PH FL FA SP	PAK EP TH PAK	DETAIL	MOD	OPMERKINGEN REMARQUES REMARKS BEMERKUNGEN
--	------------------------	-------------------------------------	---	---	----	----	----------------------	------------------------	--------	-----	--

SERIE : 110**L 110****voor-avant-front-Vorne**

A010T091ZA75	90	11	675	675	D28	D28	145	112	2/11+9/10	A01	
A010T095ZA75	90	10	760	760	D28	D28	160	111	1/12+9/11	A01	

achter-arrière-rear-Hinten

A	A010T090ZB	90	11/9	0	0			0		A01S	los/séparé
H	A010T090ZA75	90	11	760	760	D36	D36	160	123	1/13+10/11	A01
H	A010T090HA80	90	9	625	625	--	--	105	90	9/10	A08
A	A010T076ZB	90	13/8	0	0			0		A01S	los/séparé
H	A010T076ZA75	90	13	760	760	D36	D36	160	145	1/13+12/11	A01
H	A010T076KA80	90	8	625	625	--	--	115	80	8/10	A08

L 110S**voor-avant-front-Vorne**

A010T091ZA75	90	11	675	675	D28	D28	145	112	2/11+9/10	A01	
A010T095ZA75	90	10	760	760	D28	D28	160	111	1/12+9/11	A01	

achter-arrière-rear-Hinten

A	A010T090ZB	90	11/9	0	0			0		A01S	los/séparé
H	A010T090ZA75	90	11	760	760	D36	D36	160	123	1/13+10/11	A01
H	A010T090HA80	90	9	625	625	--	--	105	90	9/10	A08
A	A010T076ZB	90	13/8	0	0			0		A01S	los/séparé
H	A010T076ZA75	90	13	760	760	D36	D36	160	145	1/13+12/11	A01
H	A010T076KA80	90	8	625	625	--	--	115	80	8/10	A08

BESTELNR N° COMMANDE ORDER NR BESTELNR	BR LRG WID BR	BLADEN LAMES LEAVES BLATT.	B	C	D1	D2	PH FL FA SP	PAK EP TH PAK	DETAIL	MOD	OPMERKINGEN REMARKS REMARKS BEMERKUNGEN
---	------------------------	-------------------------------------	---	---	----	----	----------------------	------------------------	--------	-----	--

SERIE : 110**LB 110****voor-avant-front-Vorne**

A010T095ZA75	90	10	760	760	D28	D28	160	111	1/12+9/11	A01	
A010T105ZA75	90	9	850	850	D28	D28	180	117	9/13	A01	
F010T161ZA75	90	3	850	850	D28	D28	155	80	3/24	F01	
F010T111ZA75	90	3	850	850	D28	D28	175	68	3/20	F01	

achter-arrière-rear-Hinten

	A010T150ZA75	90	15	760	760	D36	D36	154	167	1/13+14/11	A01	
	A010T090ZB	90	11/9	0	0				0		A01S	los/séparé
A	A010T090ZA75	90	11	760	760	D36	D36	160	123	1/13+10/11	A01	
H	A010T090HA80	90	9	625	625	--	--	105	90	9/10	A08	
	F010T114ZA75	100	3	760	760	D36	D36	125	72	3/22	F01	
A	F010T112AA76	90	3/P/2	760	760	D36	D36	135	144		F01A	
	F010T112ZA75	90	3	760	760	D36	D36	135	69	3/20	F01	
H	F010T112KA80	90	2/P	625	625	--	--	100	75	2/21+P/30	F08	
A	F010T112ZA76	90	3/P/3	760	760	D36	D36	135	146		F01A	
	F010T112ZA75	90	3	760	760	D36	D36	135	69	3/20	F01	
H	F010T112HA80	90	3/P	625	625	--	--	100	77	3/17+P/20	F08	
A	F010T128ZA76	90	3/P/2	890	890	D36	D36	170	183		F01A	
	F010T128ZA75	90	3	890	890	D36	D36	170	84	3/25	F01	
H	F010T116HA80	90	2/P	750	750	--	--	125	99	2/25+P/20	F08	
A	F010T116ZA76	90	3/P/2	890	890	D36	D36	180	183		F01A	
	F010T116ZA75	90	3	890	890	D36	D36	180	84	3/25	F01	
H	F010T116HA80	90	2/P	750	750	--	--	125	99	2/25+P/20	F08	

BESTELNR N° COMMANDE ORDER NR BESTELNR	BR LRG WID BR	BLADEN LAMES LEAVES BLATT.	B	C	D1	D2	PH FL FA SP	PAK EP TH PAK	DETAIL	MOD	OPMERKINGEN REMARQUES REMARKS BEMERKUNGEN
---	------------------------	-------------------------------------	---	---	----	----	----------------------	------------------------	--------	-----	--

SERIE : 110

LB 110S

voor-avant-front-Vorne

A010T095ZA75	90	10	760	760	D28	D28	160	111	1/12+9/11	A01	
A010T105ZA75	90	9	850	850	D28	D28	180	117	9/13	A01	
F010T161ZA75	90	3	850	850	D28	D28	155	80	3/24	F01	
F010T111ZA75	90	3	850	850	D28	D28	175	68	3/20	F01	

achter-arrière-rear-Hinten

	A010T150ZA75	90	15	760	760	D36	D36	154	167	1/13+14/11	A01	
	A010T090ZB	90	11/9	0	0				0		A01S	los/séparé
A	A010T090ZA75	90	11	760	760	D36	D36	160	123	1/13+10/11	A01	
H	A010T090HA80	90	9	625	625	--	--	105	90	9/10	A08	
	F010T112AA76	90	3/P/2	760	760	D36	D36	135	144		F01A	
A	F010T112ZA75	90	3	760	760	D36	D36	135	69	3/20	F01	
H	F010T112KA80	90	2/P	625	625	--	--	100	75	2/21+P/30	F08	
	F010T112ZA76	90	3/P/3	760	760	D36	D36	135	146		F01A	
A	F010T112ZA75	90	3	760	760	D36	D36	135	69	3/20	F01	
H	F010T112HA80	90	3/P	625	625	--	--	100	77	3/17+P/20	F08	
	F010T128ZA76	90	3/P/2	890	890	D36	D36	170	183		F01A	
A	F010T128ZA75	90	3	890	890	D36	D36	170	84	3/25	F01	
H	F010T116HA80	90	2/P	750	750	--	--	125	99	2/25+P/20	F08	
	F010T116ZA76	90	3/P/2	890	890	D36	D36	180	183		F01A	
A	F010T116ZA75	90	3	890	890	D36	D36	180	84	3/25	F01	
H	F010T116HA80	90	2/P	750	750	--	--	125	99	2/25+P/20	F08	

BESTELNR N° COMMANDE ORDER NR BESTELNR	BR LRG WID BR	BLADEN LAMES LEAVES BLATT.	B	C	D1	D2	PH FL FA SP	PAK EP TH PAK	DETAIL	MOD	OPMERKINGEN REMARQUES REMARKS BEMERKUNGEN
---	------------------------	-------------------------------------	---	---	----	----	----------------------	------------------------	--------	-----	--

SERIE : 110**LBS110****voor-avant-front-Vorne**

A010T095ZA75	90	10	760	760	D28	D28	160	111	1/12+9/11	A01	
A010T105ZA75	90	9	850	850	D28	D28	180	117	9/13	A01	
F010T111ZA75	90	3	850	850	D28	D28	175	68	3/20	F01	
F010T161ZA75	90	3	850	850	D28	D28	155	80	3/24	F01	

achter-arrière-rear-Hinten

A010T094BB75	90	14	760	760	D36	D36	160	156	1/13+13/11	A01	
A010T120ZB75	100	11	760	760	D36	D36	140	145	1/15+10/13	A01	
A010T108ZA75	100	12	760	760	D36	D36	160	134	1/13+11/11	A01	
F010T114ZA75	100	3	760	760	D36	D36	125	72	3/22	F01	
F010T126ZA75	100	4	760	760	D36	D36	117	98	4/22	F01	

LBT110**voor-avant-front-Vorne**

A010T105ZA75	90	9	850	850	D28	D28	180	117	9/13	A01	
--------------	----	---	-----	-----	-----	-----	-----	-----	------	-----	--

achter-arrière-rear-Hinten

A010T104ZA70	90	12	725	725	--	--	25	170	2/15+10/14	A08R	
A010Z144ZB70	100	12	740	740	--	--	75	180	12/15	A08R	

LBT110S**voor-avant-front-Vorne**

A010T105ZA75	90	9	850	850	D28	D28	180	117	9/13	A01	
--------------	----	---	-----	-----	-----	-----	-----	-----	------	-----	--

achter-arrière-rear-Hinten

A010T104ZA70	90	12	725	725	--	--	25	170	2/15+10/14	A08R	
A010Z144ZB70	100	12	740	740	--	--	75	180	12/15	A08R	

BESTELNR N° COMMANDE ORDER NR BESTELNR	BR LRG WID BR	BLADEN LAMES LEAVES BLATT.	B	C	D1	D2	PH FL FA SP	PAK EP TH PAK	DETAIL	MOD	OPMERKINGEN REMARKS REMARKS BEMERKUNGEN
---	------------------------	-------------------------------------	---	---	----	----	----------------------	------------------------	--------	-----	--

SERIE : 110

LS 110

voor-avant-front-Vorne

A010T091ZA75	90	11	675	675	D28	D28	145	112	2/11+9/10	A01	
A010T109ZA75	90	8	850	850	D28	D28	180	104	8/13	A01	
A010T105ZA75	90	9	850	850	D28	D28	180	117	9/13	A01	

achter-arrière-rear-Hinten

A010T094BB75	90	14	760	760	D36	D36	160	156	1/13+13/11	A01	
A010T120ZB75	100	11	760	760	D36	D36	140	145	1/15+10/13	A01	
A010T108ZA75	100	12	760	760	D36	D36	160	134	1/13+11/11	A01	

LT 110S

voor-avant-front-Vorne

A010T105ZA75	90	9	850	850	D28	D28	180	117	9/13	A01	
--------------	----	---	-----	-----	-----	-----	-----	-----	------	-----	--

achter-arrière-rear-Hinten

A010T104ZA70	90	12	725	725	--	--	25	170	2/15+10/14	A08R	
A010T122ZA70	100	8	740	740	--	--	70	160	8/20	A08R	
A010Z144ZB70	100	12	740	740	--	--	75	180	12/15	A08R	

BESTELNR N° COMMANDE ORDER NR BESTELNR	BR LRG WID BR	BLADEN LAMES LEAVES BLATT.	B	C	D1	D2	PH FL FA SP	PAK EP TH PAK	DETAIL	MOD	OPMERKINGEN REMARQUES REMARKS BEMERKUNGEN
---	------------------------	-------------------------------------	---	---	----	----	----------------------	------------------------	--------	-----	--

SERIE : 111

LB 111

voor-avant-front-Vorne

F010T111ZA75	90	3	850	850	D28	D28	175	68	3/20	F01	
F010T161ZA75	90	3	850	850	D28	D28	155	80	3/24	F01	

achter-arrière-rear-Hinten

A	F010T112AA76	90	3/P/2	760	760	D36	D36	135	144		F01A	
H	F010T112ZA75	90	3	760	760	D36	D36	135	69	3/20	F01	
H	F010T112KA80	90	2/P	625	625	--	--	100	75	2/21+P/30	F08	
A	F010T112ZA76	90	3/P/3	760	760	D36	D36	135	146		F01A	
H	F010T112ZA75	90	3	760	760	D36	D36	135	69	3/20	F01	
H	F010T112HA80	90	3/P	625	625	--	--	100	77	3/17+P/20	F08	
A	F010T116ZA76	90	3/P/2	890	890	D36	D36	180	183		F01A	
H	F010T116ZA75	90	3	890	890	D36	D36	180	84	3/25	F01	
H	F010T116HA80	90	2/P	750	750	--	--	125	99	2/25+P/20	F08	
A	F010T128ZA76	90	3/P/2	890	890	D36	D36	170	183		F01A	
H	F010T128ZA75	90	3	890	890	D36	D36	170	84	3/25	F01	
H	F010T116HA80	90	2/P	750	750	--	--	125	99	2/25+P/20	F08	

LB 111S

voor-avant-front-Vorne

F010T111ZA75	90	3	850	850	D28	D28	175	68	3/20	F01	
F010T161ZA75	90	3	850	850	D28	D28	155	80	3/24	F01	

achter-arrière-rear-Hinten

A	F010T112AA76	90	3/P/2	760	760	D36	D36	135	144		F01A	
H	F010T112ZA75	90	3	760	760	D36	D36	135	69	3/20	F01	
H	F010T112KA80	90	2/P	625	625	--	--	100	75	2/21+P/30	F08	
A	F010T112ZA76	90	3/P/3	760	760	D36	D36	135	146		F01A	
H	F010T112ZA75	90	3	760	760	D36	D36	135	69	3/20	F01	
H	F010T112HA80	90	3/P	625	625	--	--	100	77	3/17+P/20	F08	
A	F010T116ZA76	90	3/P/2	890	890	D36	D36	180	183		F01A	
H	F010T116ZA75	90	3	890	890	D36	D36	180	84	3/25	F01	
H	F010T116HA80	90	2/P	750	750	--	--	125	99	2/25+P/20	F08	
A	F010T128ZA76	90	3/P/2	890	890	D36	D36	170	183		F01A	
H	F010T128ZA75	90	3	890	890	D36	D36	170	84	3/25	F01	
H	F010T116HA80	90	2/P	750	750	--	--	125	99	2/25+P/20	F08	

BESTELNR N° COMMANDE ORDER NR BESTELNR	BR LRG WID BR	BLADEN LAMES LEAVES BLATT.	B	C	D1	D2	PH FL FA SP	PAK EP TH PAK	DETAIL	MOD	OPMERKINGEN REMARQUES REMARKS BEMERKUNGEN
---	------------------------	-------------------------------------	---	---	----	----	----------------------	------------------------	--------	-----	--

SERIE : 111

LBS111

voor-avant-front-Vorne

A010T109ZA75	90	8	850	850	D28	D28	180	104	8/13	A01	
A010T105ZA75	90	9	850	850	D28	D28	180	117	9/13	A01	
F010T111ZA75	90	3	850	850	D28	D28	175	68	3/20	F01	
F010T161ZA75	90	3	850	850	D28	D28	155	80	3/24	F01	

achter-arrière-rear-Hinten

A010T120ZB75	100	11	760	760	D36	D36	140	145	1/15+10/13	A01	
A010T108ZA75	100	12	760	760	D36	D36	160	134	1/13+11/11	A01	
F010T114ZA75	100	3	760	760	D36	D36	125	72	3/22	F01	
F010T126ZA75	100	4	760	760	D36	D36	117	98	4/22	F01	

LBT111

voor-avant-front-Vorne

A010T109ZA75	90	8	850	850	D28	D28	180	104	8/13	A01	
A010T105ZA75	90	9	850	850	D28	D28	180	117	9/13	A01	

achter-arrière-rear-Hinten

A010T122ZA70	100	8	740	740	--	--	70	160	8/20	A08R	
A010Z144ZB70	100	12	740	740	--	--	75	180	12/15	A08R	

BESTELNR N° COMMANDE ORDER NR BESTELNR	BR LRG WID BR	BLADEN LAMES LEAVES BLATT.	B	C	D1	D2	PH FL FA SP	PAK EP TH PAK	DETAIL	MOD	OPMERKINGEN REMARQUES REMARKS BEMERKUNGEN
---	------------------------	-------------------------------------	---	---	----	----	----------------------	------------------------	--------	-----	--

SERIE : 112

P 112 E 6X4

voor-avant-front-Vorne

A010T125ZA75	90	8	910	910	D28	D28	165	120	8/15	A01	
--------------	----	---	-----	-----	-----	-----	-----	-----	------	-----	--

achter-arrière-rear-Hinten

A010T124ZA70	100	10	740	740	--	--	70	200	10/20	A08R	
--------------	-----	----	-----	-----	----	----	----	-----	-------	------	--

P 112 H 4X2

voor-avant-front-Vorne

A010T127ZA75	90	7	910	910	D28	D28	170	105	7/15	A01	
--------------	----	---	-----	-----	-----	-----	-----	-----	------	-----	--

A010T125ZA75	90	8	910	910	D28	D28	165	120	8/15	A01	
--------------	----	---	-----	-----	-----	-----	-----	-----	------	-----	--

F010T159ZA75	90	3	910	910	D28	D28	162	80	3/24	F01	
--------------	----	---	-----	-----	-----	-----	-----	----	------	-----	--

F010T155ZA75	90	3	910	910	D28	D28	150	86	3/26	F01	
--------------	----	---	-----	-----	-----	-----	-----	----	------	-----	--

achter-arrière-rear-Hinten

	A010T154ZA	90	9/6	0	0			0			A01S	los/séparé
A	A010T154ZA75	90	9	890	890	D36	D36	170	135	9/15	A01	
H	A010T156HA80	90	6	730	730	--	--	105	84	6/14	A08	
	F010T162ZA76	90	3/P/2	890	890	D36	D36	170	199		F01A	
A	F010T162ZA75	90	3	890	890	D36	D36	170	81	3/24	F01	
H	F010T162HA80	90	2/P	730	730	--	--	98	118	2/26+P/60	F08	
	F010T164ZA76	90	3/P/2	890	890	D36	D36	158	205		F01A	
A	F010T164ZA75	90	3	890	890	D36	D36	158	87	3/26	F01	
H	F010T162HA80	90	2/P	730	730	--	--	98	118	2/26+P/60	F08	

P 112 H 6X2

voor-avant-front-Vorne

A010T127ZA75	90	7	910	910	D28	D28	170	105	7/15	A01	
--------------	----	---	-----	-----	-----	-----	-----	-----	------	-----	--

A010T125ZA75	90	8	910	910	D28	D28	165	120	8/15	A01	
--------------	----	---	-----	-----	-----	-----	-----	-----	------	-----	--

F010T159ZA75	90	3	910	910	D28	D28	162	80	3/24	F01	
--------------	----	---	-----	-----	-----	-----	-----	----	------	-----	--

F010T155ZA75	90	3	910	910	D28	D28	150	86	3/26	F01	
--------------	----	---	-----	-----	-----	-----	-----	----	------	-----	--

achter-arrière-rear-Hinten

A010T120ZB75	100	11	760	760	D36	D36	140	145	1/15+10/13	A01	
--------------	-----	----	-----	-----	-----	-----	-----	-----	------------	-----	--

F010T126ZA75	100	4	760	760	D36	D36	117	98	4/22	F01	
--------------	-----	---	-----	-----	-----	-----	-----	----	------	-----	--

BESTELNR N° COMMANDE ORDER NR BESTELNR	BR LRG WID BR	BLADEN LAMES LEAVES BLATT.	B	C	D1	D2	PH FL FA SP	PAK EP TH PAK	DETAIL	MOD	OPMERKINGEN REMARKS REMARKS BEMERKUNGEN
---	------------------------	-------------------------------------	---	---	----	----	----------------------	------------------------	--------	-----	--

SERIE : 112

P 112 H 6X2V

voor-avant-front-Vorne

A010T125ZA75	90	8	910	910	D28	D28	165	120	8/15	A01	
--------------	----	---	-----	-----	-----	-----	-----	-----	------	-----	--

achter-arrière-rear-Hinten

A010T176ZA75	90	9	715	910	D28	D28	145	117	9/13	A01	
A010T174ZA75	90	9	907	713	D28	D28	145	117	9/13	A01	
A010T160ZA	90	7/6	0	0				0		A01S	los/séparé
A010T160ZA75	90	7	890	890	D36	D36	165	105	7/15	A01	
A010T156HA80	90	6	730	730	--	--	105	84	6/14	A08	

P 112 H 6X4

voor-avant-front-Vorne

A010T127ZA75	90	7	910	910	D28	D28	170	105	7/15	A01	
--------------	----	---	-----	-----	-----	-----	-----	-----	------	-----	--

achter-arrière-rear-Hinten

A010T122ZA70	100	8	740	740	--	--	70	160	8/20	A08R	
A010Z144ZB70	100	12	740	740	--	--	75	180	12/15	A08R	

P 112 H 8X2

voor-avant-front-Vorne

A010T176ZA75	90	9	715	910	D28	D28	145	117	9/13	A01	
A010T174ZA75	90	9	907	713	D28	D28	145	117	9/13	A01	

achter-arrière-rear-Hinten

A010T120ZB75	100	11	760	760	D36	D36	140	145	1/15+10/13	A01	
--------------	-----	----	-----	-----	-----	-----	-----	-----	------------	-----	--

BESTELNR N° COMMANDE ORDER NR BESTELNR	BR LRG WID BR	BLADEN LAMES LEAVES BLATT.	B	C	D1	D2	PH FL FA SP	PAK EP TH PAK	DETAIL	MOD	OPMERKINGEN REMARQUES REMARKS BEMERKUNGEN
---	------------------------	-------------------------------------	---	---	----	----	----------------------	------------------------	--------	-----	--

SERIE : 112**P 112 H 8X4****voor-avant-front-Vorne**

A010T176ZA75	90	9	715	910	D28	D28	145	117	9/13	A01	
A010T174ZA75	90	9	907	713	D28	D28	145	117	9/13	A01	

achter-arrière-rear-Hinten

A010T122ZA70	100	8	740	740	--	--	70	160	8/20	A08R	
--------------	-----	---	-----	-----	----	----	----	-----	------	------	--

P 112 M 4X2**voor-avant-front-Vorne**

A010T127ZA75	90	7	910	910	D28	D28	170	105	7/15	A01	
F010T159ZA75	90	3	910	910	D28	D28	162	80	3/24	F01	

achter-arrière-rear-Hinten

A010T156ZA	90	7/6	0	0				0		A01S	los/séparé
A010T156ZA75	90	6/P	890	890	D36	D36	165	105	6/15+P/15	A01	
H A010T154HA80	90	6	730	730	--	--	110	78	6/13	A08	
F010T162ZA76	90	3/P/2	890	890	D36	D36	170	199		F01A	
A F010T162ZA75	90	3	890	890	D36	D36	170	81	3/24	F01	
H F010T162HA80	90	2/P	730	730	--	--	98	118	2/26+P/60	F08	

P 112 M 4X2A**voor-avant-front-Vorne**

F010T159ZA75	90	3	910	910	D28	D28	162	80	3/24	F01	
--------------	----	---	-----	-----	-----	-----	-----	----	------	-----	--

achter-arrière-rear-Hinten

F010T170ZA75	120	2	705	345	S30	--	43	86	2/40	LR3211	Lenker
F010T186ZA75	120	2	705	345	S30	--	47	89	1/43+1/40	LR3211	Lenker

BESTELNR N° COMMANDE ORDER NR BESTELLNR	BR LRG WID BR	BLADEN LAMES LEAVES BLATT.	B	C	D1	D2	PH FL FA SP	PAK EP TH PAK	DETAIL	MOD	OPMERKINGEN REMARQUES REMARKS BEMERKUNGEN
--	------------------------	-------------------------------------	---	---	----	----	----------------------	------------------------	--------	-----	--

SERIE : 112**P 112 M 6X2A****voor-avant-front-Vorne**

F010T157ZA75	90	3	910	910	D28	D28	167	78	3/23	F01	
F010T159ZA75	90	3	910	910	D28	D28	162	80	3/24	F01	

achter-arrière-rear-Hinten

F010T170ZA75	120	2	705	345	S30	--	43	86	2/40	LR3211	Lenker
F010T186ZA75	120	2	705	345	S30	--	47	89	1/43+1/40	LR3211	Lenker

P 112 M 6X4**voor-avant-front-Vorne**

A010T127ZA75	90	7	910	910	D28	D28	170	105	7/15	A01	
--------------	----	---	-----	-----	-----	-----	-----	-----	------	-----	--

achter-arrière-rear-Hinten

A010T140ZA75	90	8	620	780	D36	D36	95	120	8/15	A01	
A010T138ZA75	90	8	780	620	D36	D36	95	120	8/15	A01	

P 112 MA 4X2**voor-avant-front-Vorne**

A010T127ZA75	90	7	910	910	D28	D28	170	105	7/15	A01	
F010T159ZA75	90	3	910	910	D28	D28	162	80	3/24	F01	

achter-arrière-rear-Hinten

A	A010T156ZB	90	7/6	0	0			0		A01S	los/séparé
H	A010T156ZA75	90	6/P	890	890	D36	D36	165	105	6/15+P/15	A01
H	A010T156HA80	90	6	730	730	--	--	105	84	6/14	A08
A	F010T162ZA76	90	3/P/2	890	890	D36	D36	170	199		F01A
H	F010T162ZA75	90	3	890	890	D36	D36	170	81	3/24	F01
H	F010T162HA80	90	2/P	730	730	--	--	98	118	2/26+P/60	F08
A	F010T164ZA76	90	3/P/2	890	890	D36	D36	158	205		F01A
H	F010T164ZA75	90	3	890	890	D36	D36	158	87	3/26	F01
H	F010T162HA80	90	2/P	730	730	--	--	98	118	2/26+P/60	F08

BESTELNR N° COMMANDE ORDER NR BESTELNR	BR LRG WID BR	BLADEN LAMES LEAVES BLATT.	B	C	D1	D2	PH FL FA SP	PAK EP TH PAK	DETAIL	MOD	OPMERKINGEN REMARQUES REMARKS BEMERKUNGEN
---	------------------------	-------------------------------------	---	---	----	----	----------------------	------------------------	--------	-----	--

SERIE : 112

P 112 MA 4X2A

voor-avant-front-Vorne

F010T159ZA75	90	3	910	910	D28	D28	162	80	3/24	F01	
--------------	----	---	-----	-----	-----	-----	-----	----	------	-----	--

achter-arrière-rear-Hinten

F010T170ZA75	120	2	705	345	S30	--	43	86	2/40	LR3211	Lenker
--------------	-----	---	-----	-----	-----	----	----	----	------	--------	--------

F010T186ZA75	120	2	705	345	S30	--	47	89	1/43+1/40	LR3211	Lenker
--------------	-----	---	-----	-----	-----	----	----	----	-----------	--------	--------

R 112 E 6X4

voor-avant-front-Vorne

A010T125ZA75	90	8	910	910	D28	D28	165	120	8/15	A01	
--------------	----	---	-----	-----	-----	-----	-----	-----	------	-----	--

achter-arrière-rear-Hinten

A010T124ZA70	100	10	740	740	--	--	70	200	10/20	A08R	
--------------	-----	----	-----	-----	----	----	----	-----	-------	------	--

R 112 H 6X2

voor-avant-front-Vorne

A010T127ZA75	90	7	910	910	D28	D28	170	105	7/15	A01	
--------------	----	---	-----	-----	-----	-----	-----	-----	------	-----	--

A010T125ZA75	90	8	910	910	D28	D28	165	120	8/15	A01	
--------------	----	---	-----	-----	-----	-----	-----	-----	------	-----	--

F010T155ZA75	90	3	910	910	D28	D28	150	86	3/26	F01	
--------------	----	---	-----	-----	-----	-----	-----	----	------	-----	--

F010T159ZA75	90	3	910	910	D28	D28	162	80	3/24	F01	
--------------	----	---	-----	-----	-----	-----	-----	----	------	-----	--

achter-arrière-rear-Hinten

A010T120ZB75	100	11	760	760	D36	D36	140	145	1/15+10/13	A01	
--------------	-----	----	-----	-----	-----	-----	-----	-----	------------	-----	--

F010T126ZA75	100	4	760	760	D36	D36	117	98	4/22	F01	
--------------	-----	---	-----	-----	-----	-----	-----	----	------	-----	--

BESTELNR N° COMMANDE ORDER NR BESTELNR	BR LRG WID BR	BLADEN LAMES LEAVES BLATT.	B	C	D1	D2	PH FL FA SP	PAK EP TH PAK	DETAIL	MOD	OPMERKINGEN REMARQUES REMARKS BEMERKUNGEN
---	------------------------	-------------------------------------	---	---	----	----	----------------------	------------------------	--------	-----	--

SERIE : 112**R 112 H 6X4****voor-avant-front-Vorne**

A010T127ZA75	90	7	910	910	D28	D28	170	105	7/15	A01	
A010T125ZA75	90	8	910	910	D28	D28	165	120	8/15	A01	

achter-arrière-rear-Hinten

A010T122ZA70	100	8	740	740	--	--	70	160	8/20	A08R	
A010Z144ZB70	100	12	740	740	--	--	75	180	12/15	A08R	

R 112 M 4X2**voor-avant-front-Vorne**

A010T127ZA75	90	7	910	910	D28	D28	170	105	7/15	A01	
F010T155ZA75	90	3	910	910	D28	D28	150	86	3/26	F01	
F010T159ZA75	90	3	910	910	D28	D28	162	80	3/24	F01	

achter-arrière-rear-Hinten

A	A010T156ZA	90	7/6	0	0			0		A01S	los/séparé
H	A010T156ZA75	90	6/P	890	890	D36	D36	165	105	6/15+P/15	A01
H	A010T154HA80	90	6	730	730	--	--	110	78	6/13	A08
A	F010T162ZA76	90	3/P/2	890	890	D36	D36	170	199		F01A
H	F010T162ZA75	90	3	890	890	D36	D36	170	81	3/24	F01
H	F010T162HA80	90	2/P	730	730	--	--	98	118	2/26+P/60	F08
A	F010T164ZA76	90	3/P/2	890	890	D36	D36	158	205		F01A
H	F010T164ZA75	90	3	890	890	D36	D36	158	87	3/26	F01
H	F010T162HA80	90	2/P	730	730	--	--	98	118	2/26+P/60	F08

R 112 M 4X2A**voor-avant-front-Vorne**

F010T159ZA75	90	3	910	910	D28	D28	162	80	3/24	F01	
--------------	----	---	-----	-----	-----	-----	-----	----	------	-----	--

achter-arrière-rear-Hinten

F010T186ZA75	120	2	705	345	S30	--	47	89	1/43+1/40	LR3211	Lenker
F010T170ZA75	120	2	705	345	S30	--	43	86	2/40	LR3211	Lenker

BESTELNR N° COMMANDE ORDER NR BESTELNR	BR LRG WID BR	BLADEN LAMES LEAVES BLATT.	B	C	D1	D2	PH FL FA SP	PAK EP TH PAK	DETAIL	MOD	OPMERKINGEN REMARQUES REMARKS BEMERKUNGEN
---	------------------------	-------------------------------------	---	---	----	----	----------------------	------------------------	--------	-----	--

SERIE : 112

R 112 M 6X2A

voor-avant-front-Vorne

F010T157ZA75	90	3	910	910	D28	D28	167	78	3/23	F01	
F010T159ZA75	90	3	910	910	D28	D28	162	80	3/24	F01	

achter-arrière-rear-Hinten

F010T170ZA75	120	2	705	345	S30	--	43	86	2/40	LR3211	Lenker
--------------	-----	---	-----	-----	-----	----	----	----	------	--------	--------

R 112 M 6X4

voor-avant-front-Vorne

A010T127ZA75	90	7	910	910	D28	D28	170	105	7/15	A01	
--------------	----	---	-----	-----	-----	-----	-----	-----	------	-----	--

achter-arrière-rear-Hinten

A010T140ZA75	90	8	620	780	D36	D36	95	120	8/15	A01	
A010T138ZA75	90	8	780	620	D36	D36	95	120	8/15	A01	

R 112 MA 4X2A

voor-avant-front-Vorne

F010T159ZA75	90	3	910	910	D28	D28	162	80	3/24	F01	
--------------	----	---	-----	-----	-----	-----	-----	----	------	-----	--

achter-arrière-rear-Hinten

F010T170ZA75	120	2	705	345	S30	--	43	86	2/40	LR3211	Lenker
F010T186ZA75	120	2	705	345	S30	--	47	89	1/43+1/40	LR3211	Lenker

T 112 E 6X4

voor-avant-front-Vorne

A010T125ZA75	90	8	910	910	D28	D28	165	120	8/15	A01	
--------------	----	---	-----	-----	-----	-----	-----	-----	------	-----	--

achter-arrière-rear-Hinten

A010T168ZA70	100	12	740	740	--	--	70	240	12/20	A08R	
--------------	-----	----	-----	-----	----	----	----	-----	-------	------	--

BESTELNR N° COMMANDE ORDER NR BESTELNR	BR LRG WID BR	BLADEN LAMES LEAVES BLATT.	B	C	D1	D2	PH FL FA SP	PAK EP TH PAK	DETAIL	MOD	OPMERKINGEN REMARKS BEMERKUNGEN
---	------------------------	-------------------------------------	---	---	----	----	----------------------	------------------------	--------	-----	---------------------------------------

SERIE : 112

T 112 H 4X2

voor-avant-front-Vorne

A010T127ZA75	90	7	910	910	D28	D28	170	105	7/15	A01	
A010T125ZA75	90	8	910	910	D28	D28	165	120	8/15	A01	
F010T159ZA75	90	3	910	910	D28	D28	162	80	3/24	F01	

achter-arrière-rear-Hinten

A010T154ZA	90	9/6	0	0				0		A01S	los/séparé
A010T154ZA75	90	9	890	890	D36	D36	170	135	9/15	A01	
A010T156HA80	90	6	730	730	--	--	105	84	6/14	A08	
F010T162ZA76	90	3/P/2	890	890	D36	D36	170	199		F01A	
F010T162ZA75	90	3	890	890	D36	D36	170	81	3/24	F01	
F010T162HA80	90	2/P	730	730	--	--	98	118	2/26+P/60	F08	

T 112 H 6X2

voor-avant-front-Vorne

A010T127ZA75	90	7	910	910	D28	D28	170	105	7/15	A01	
A010T125ZA75	90	8	910	910	D28	D28	165	120	8/15	A01	
F010T159ZA75	90	3	910	910	D28	D28	162	80	3/24	F01	

achter-arrière-rear-Hinten

A010T120ZB75	100	11	760	760	D36	D36	140	145	1/15+10/13	A01	
F010T126ZA75	100	4	760	760	D36	D36	117	98	4/22	F01	

T 112 H 6X4

voor-avant-front-Vorne

A010T127ZA75	90	7	910	910	D28	D28	170	105	7/15	A01	
A010T125ZA75	90	8	910	910	D28	D28	165	120	8/15	A01	

achter-arrière-rear-Hinten

A010Z144ZB70	100	12	740	740	--	--	75	180	12/15	A08R	
--------------	-----	----	-----	-----	----	----	----	-----	-------	------	--

BESTELNR N° COMMANDE ORDER NR BESTELLNR	BR LRG WID BR	BLADEN LAMES LEAVES BLATT.	B	C	D1	D2	PH FL FA SP	PAK EP TH PAK	DETAIL	MOD	OPMERKINGEN REMARQUES REMARKS BEMERKUNGEN
--	------------------------	-------------------------------------	---	---	----	----	----------------------	------------------------	--------	-----	--

SERIE : 113**113 EL 4X2****Truck - Porteur - Rigid****voor-avant-front-Vorne**

A010T153ZA75	90	6/P	910	910	D28	D28	165	105	6/15+P/15	A01	
A010T125ZA75	90	8	910	910	D28	D28	165	120	8/15	A01	
A010T165ZA75	90	9	910	910	D28	D28	170	135	9/15	A01	
F010T181ZA75	90	2	910	910	D28	D28	128	70	2/32	F01	
F010T177ZA75	90	2	910	910	D28	D28	131	66	2/30	F01	
F010T183ZA75	90	2	910	910	D28	D28	147	62	2/28	F01	
F010T179ZA75	90	3	910	910	D28	D28	140	95	3/29	F01	

achter-arrière-rear-Hinten

A	A010T158ZA	90	12/6	0	0			0		A01S	los/séparé
H	A010T158ZA75	90	12	890	890	D36	D36	165	180	12/15	A01
	A010T156HA80	90	6	730	730	--	--	105	84	6/14	A08

113 EL 6X4 BB**Truck - Porteur - Rigid****voor-avant-front-Vorne**

A010T153ZA75	90	6/P	910	910	D28	D28	165	105	6/15+P/15	A01	
A010T125ZA75	90	8	910	910	D28	D28	165	120	8/15	A01	
A010T165ZA75	90	9	910	910	D28	D28	170	135	9/15	A01	
F010T181ZA75	90	2	910	910	D28	D28	128	70	2/32	F01	
F010T177ZA75	90	2	910	910	D28	D28	131	66	2/30	F01	
F010T183ZA75	90	2	910	910	D28	D28	147	62	2/28	F01	
F010T179ZA75	90	3	910	910	D28	D28	140	95	3/29	F01	

achter-arrière-rear-Hinten

A010T124ZA70	100	10	740	740	--	--	70	200	10/20	A08R	
A010T168ZA70	100	12	740	740	--	--	70	240	12/20	A08R	

BESTELNR N° COMMANDE ORDER NR BESTELLNR	BR LRG WID BR	BLADEN LAMES LEAVES BLATT.	B	C	D1	D2	PH FL FA SP	PAK EP TH PAK	DETAIL	MOD	OPMERKINGEN REMARQUES REMARKS BEMERKUNGEN
--	------------------------	-------------------------------------	---	---	----	----	----------------------	------------------------	--------	-----	--

SERIE : 113

113 HL 4X2

Truck - Porteur - Rigid

voor-avant-front-Vorne

A010T153ZA75	90	6/P	910	910	D28	D28	165	105	6/15+P/15	A01	
A010T125ZA75	90	8	910	910	D28	D28	165	120	8/15	A01	
A010T165ZA75	90	9	910	910	D28	D28	170	135	9/15	A01	
F010T177ZA75	90	2	910	910	D28	D28	131	66	2/30	F01	
F010T181ZA75	90	2	910	910	D28	D28	128	70	2/32	F01	
F010T183ZA75	90	2	910	910	D28	D28	147	62	2/28	F01	
F010T179ZA75	90	3	910	910	D28	D28	140	95	3/29	F01	

achter-arrière-rear-Hinten

	A010T160ZA	90	7/6	0	0			0		A01S	los/séparé
A	A010T160ZA75	90	7	890	890	D36	D36	165	105	7/15	A01
H	A010T156HA80	90	6	730	730	--	--	105	84	6/14	A08
	A010T154ZA	90	9/6	0	0			0		A01S	los/séparé
A	A010T154ZA75	90	9	890	890	D36	D36	170	135	9/15	A01
H	A010T156HA80	90	6	730	730	--	--	105	84	6/14	A08
	F010T196ZA76	90	2/P/1	890	890	D36	D36	143	179		F01A
A	F010T196ZA75	90	2	890	890	D36	D36	143	74	2/34	F01
H	F010T196HA80	90	1/P	730	730	--	--	92	105	1/34+P/68	F08
	F010T164ZA76	90	3/P/2	890	890	D36	D36	158	205		F01A
A	F010T164ZA75	90	3	890	890	D36	D36	158	87	3/26	F01
H	F010T162HA80	90	2/P	730	730	--	--	98	118	2/26+P/60	F08

BESTELNR N° COMMANDE ORDER NR BESTELNR	BR LRG WID BR	BLADEN LAMES LEAVES BLATT.	B	C	D1	D2	PH FL FA SP	PAK EP TH PAK	DETAIL	MOD	OPMERKINGEN REMARQUES REMARKS BEMERKUNGEN
---	------------------------	-------------------------------------	---	---	----	----	----------------------	------------------------	--------	-----	--

SERIE : 113**113 HL 6X2****Truck - Porteur - Rigid****voor-avant-front-Vorne**

A010T153ZA75	90	6/P	910	910	D28	D28	165	105	6/15+P/15	A01	
A010T125ZA75	90	8	910	910	D28	D28	165	120	8/15	A01	
A010T165ZA75	90	9	910	910	D28	D28	170	135	9/15	A01	
F010T181ZA75	90	2	910	910	D28	D28	128	70	2/32	F01	
F010T183ZA75	90	2	910	910	D28	D28	147	62	2/28	F01	
F010T177ZA75	90	2	910	910	D28	D28	131	66	2/30	F01	
F010T179ZA75	90	3	910	910	D28	D28	140	95	3/29	F01	

achter-arrière-rear-Hinten

A010T120ZB75	100	11	760	760	D36	D36	140	145	1/15+10/13	A01	
A010T108ZA75	100	12	760	760	D36	D36	160	134	1/13+11/11	A01	
F010T192ZA75	100	4	760	760	D36	D36	117	104	4/23	F01	
F010T194ZA75	100	5	760	760	D36	D36	102	125	5/22	F01	

113 HL 6X4 BB**Truck - Porteur - Rigid****voor-avant-front-Vorne**

A010T153ZA75	90	6/P	910	910	D28	D28	165	105	6/15+P/15	A01	
A010T125ZA75	90	8	910	910	D28	D28	165	120	8/15	A01	
A010T165ZA75	90	9	910	910	D28	D28	170	135	9/15	A01	
F010T181ZA75	90	2	910	910	D28	D28	128	70	2/32	F01	
F010T177ZA75	90	2	910	910	D28	D28	131	66	2/30	F01	
F010T183ZA75	90	2	910	910	D28	D28	147	62	2/28	F01	
F010T179ZA75	90	3	910	910	D28	D28	140	95	3/29	F01	

achter-arrière-rear-Hinten

A010T122ZA70	100	8	740	740	--	--	70	160	8/20	A08R	
A010T124ZA70	100	10	740	740	--	--	70	200	10/20	A08R	
A010T118ZA70	100	10	740	740	--	--	65	150	10/15	A08R	
A010T168ZA70	100	12	740	740	--	--	70	240	12/20	A08R	
A010Z144ZB70	100	12	740	740	--	--	75	180	12/15	A08R	

BESTELNR N° COMMANDE ORDER NR BESTELNR	BR LRG WID BR	BLADEN LAMES LEAVES BLATT.	B	C	D1	D2	PH FL FA SP	PAK EP TH PAK	DETAIL	MOD	OPMERKINGEN REMARQUES REMARKS BEMERKUNGEN
---	------------------------	-------------------------------------	---	---	----	----	----------------------	------------------------	--------	-----	--

SERIE : 113**113 ML 4X2****Truck - Porteur - Rigid****voor-avant-front-Vorne**

A010T153ZA75	90	6/P	910	910	D28	D28	165	105	6/15+P/15	A01	
A010T125ZA75	90	8	910	910	D28	D28	165	120	8/15	A01	
A010T165ZA75	90	9	910	910	D28	D28	170	135	9/15	A01	
F010T181ZA75	90	2	910	910	D28	D28	128	70	2/32	F01	
F010T183ZA75	90	2	910	910	D28	D28	147	62	2/28	F01	
F010T177ZA75	90	2	910	910	D28	D28	131	66	2/30	F01	
F010T179ZA75	90	3	910	910	D28	D28	140	95	3/29	F01	

achter-arrière-rear-Hinten

	A010T160ZA	90	7/6	0	0			0		A01S	los/séparé
A	A010T160ZA75	90	7	890	890	D36	D36	165	105	7/15	A01
H	A010T156HA80	90	6	730	730	--	--	105	84	6/14	A08
	F010T196ZA76	90	2/P/1	890	890	D36	D36	143	179		F01A
A	F010T196ZA75	90	2	890	890	D36	D36	143	74	2/34	F01
H	F010T196HA80	90	1/P	730	730	--	--	92	105	1/34+P/68	F08
	F010T164ZA76	90	3/P/2	890	890	D36	D36	158	205		F01A
A	F010T164ZA75	90	3	890	890	D36	D36	158	87	3/26	F01
H	F010T162HA80	90	2/P	730	730	--	--	98	118	2/26+P/60	F08

BESTELNR N° COMMANDE ORDER NR BESTELNR	BR LRG WID BR	BLADEN LAMES LEAVES BLATT.	B	C	D1	D2	PH FL FA SP	PAK EP TH PAK	DETAIL	MOD	OPMERKINGEN REMARQUES REMARKS BEMERKUNGEN
---	------------------------	-------------------------------------	---	---	----	----	----------------------	------------------------	--------	-----	--

SERIE : 114**114 C 4X2****Truck - Porteur - Rigid****voor-avant-front-Vorne**

A010T127ZA75	90	7	910	910	D28	D28	170	105	7/15	A01	
A010T165ZA75	90	9	910	910	D28	D28	170	135	9/15	A01	
F010T181ZA75	90	2	910	910	D28	D28	128	70	2/32	F01	
F010T177ZA75	90	2	910	910	D28	D28	131	66	2/30	F01	
F010T179ZA75	90	3	910	910	D28	D28	140	95	3/29	F01	

achter-arrière-rear-Hinten

A	A010T160ZA	90	7/6	0	0			0		A01S	los/séparé
H	A010T160ZA75	90	7	890	890	D36	D36	165	105	7/15	A01
H	A010T156HA80	90	6	730	730	--	--	105	84	6/14	A08
A	A010T154ZA	90	9/6	0	0			0		A01S	los/séparé
H	A010T154ZA75	90	9	890	890	D36	D36	170	135	9/15	A01
H	A010T156HA80	90	6	730	730	--	--	105	84	6/14	A08
A	F010T164ZA76	90	3/P/2	890	890	D36	D36	158	205		F01A
H	F010T164ZA75	90	3	890	890	D36	D36	158	87	3/26	F01
H	F010T162HA80	90	2/P	730	730	--	--	98	118	2/26+P/60	F08

Trekker - Tracteur - Tractor**voor-avant-front-Vorne**

A010T127ZA75	90	7	910	910	D28	D28	170	105	7/15	A01	
A010T165ZA75	90	9	910	910	D28	D28	170	135	9/15	A01	
F010T181ZA75	90	2	910	910	D28	D28	128	70	2/32	F01	
F010T177ZA75	90	2	910	910	D28	D28	131	66	2/30	F01	
F010T179ZA75	90	3	910	910	D28	D28	140	95	3/29	F01	

achter-arrière-rear-Hinten

A	A010T160ZA	90	7/6	0	0			0		A01S	los/séparé
H	A010T160ZA75	90	7	890	890	D36	D36	165	105	7/15	A01
H	A010T156HA80	90	6	730	730	--	--	105	84	6/14	A08
A	A010T154ZA	90	9/6	0	0			0		A01S	los/séparé
H	A010T154ZA75	90	9	890	890	D36	D36	170	135	9/15	A01
H	A010T156HA80	90	6	730	730	--	--	105	84	6/14	A08
A	F010T164ZA76	90	3/P/2	890	890	D36	D36	158	205		F01A
H	F010T164ZA75	90	3	890	890	D36	D36	158	87	3/26	F01
H	F010T162HA80	90	2/P	730	730	--	--	98	118	2/26+P/60	F08

BESTELNR N° COMMANDE ORDER NR BESTELNR	BR LRG WID BR	BLADEN LAMES LEAVES BLATT.	B	C	D1	D2	PH FL FA SP	PAK EP TH PAK	DETAIL	MOD	OPMERKINGEN REMARQUES REMARKS BEMERKUNGEN
---	------------------------	-------------------------------------	---	---	----	----	----------------------	------------------------	--------	-----	--

SERIE : 114**114 C 4X4****Truck - Porteur - Rigid****voor-avant-front-Vorne**

A010T127ZA75	90	7	910	910	D28	D28	170	105	7/15	A01	
A010T165ZA75	90	9	910	910	D28	D28	170	135	9/15	A01	
F010T177ZA75	90	2	910	910	D28	D28	131	66	2/30	F01	
F010T181ZA75	90	2	910	910	D28	D28	128	70	2/32	F01	
F010T179ZA75	90	3	910	910	D28	D28	140	95	3/29	F01	

achter-arrière-rear-Hinten

A	A010T160ZA	90	7/6	0	0			0		A01S	los/séparé
H	A010T160ZA75	90	7	890	890	D36	D36	165	105	7/15	A01
H	A010T156HA80	90	6	730	730	--	--	105	84	6/14	A08
A	A010T154ZA	90	9/6	0	0			0		A01S	los/séparé
H	A010T154ZA75	90	9	890	890	D36	D36	170	135	9/15	A01
H	A010T156HA80	90	6	730	730	--	--	105	84	6/14	A08
A	F010T164ZA76	90	3/P/2	890	890	D36	D36	158	205		F01A
H	F010T164ZA75	90	3	890	890	D36	D36	158	87	3/26	F01
H	F010T162HA80	90	2/P	730	730	--	--	98	118	2/26+P/60	F08

Trekker - Tracteur - Tractor**voor-avant-front-Vorne**

A010T127ZA75	90	7	910	910	D28	D28	170	105	7/15	A01	
A010T165ZA75	90	9	910	910	D28	D28	170	135	9/15	A01	
F010T177ZA75	90	2	910	910	D28	D28	131	66	2/30	F01	
F010T181ZA75	90	2	910	910	D28	D28	128	70	2/32	F01	
F010T179ZA75	90	3	910	910	D28	D28	140	95	3/29	F01	

achter-arrière-rear-Hinten

A	A010T160ZA	90	7/6	0	0			0		A01S	los/séparé
H	A010T160ZA75	90	7	890	890	D36	D36	165	105	7/15	A01
H	A010T156HA80	90	6	730	730	--	--	105	84	6/14	A08
A	A010T154ZA	90	9/6	0	0			0		A01S	los/séparé
H	A010T154ZA75	90	9	890	890	D36	D36	170	135	9/15	A01
H	A010T156HA80	90	6	730	730	--	--	105	84	6/14	A08
A	F010T164ZA76	90	3/P/2	890	890	D36	D36	158	205		F01A
H	F010T164ZA75	90	3	890	890	D36	D36	158	87	3/26	F01
H	F010T162HA80	90	2/P	730	730	--	--	98	118	2/26+P/60	F08

BESTELNR N° COMMANDE ORDER NR BESTELNR	BR LRG WID BR	BLADEN LAMES LEAVES BLATT.	B	C	D1	D2	PH FL FA SP	PAK EP TH PAK	DETAIL	MOD	OPMERKINGEN REMARQUES REMARKS BEMERKUNGEN
---	------------------------	-------------------------------------	---	---	----	----	----------------------	------------------------	--------	-----	--

SERIE : 114**114 C 6X4****Truck - Porteur - Rigid****voor-avant-front-Vorne**

A010T127ZA75	90	7	910	910	D28	D28	170	105	7/15	A01	
A010T165ZA75	90	9	910	910	D28	D28	170	135	9/15	A01	
F010T181ZA75	90	2	910	910	D28	D28	128	70	2/32	F01	
F010T177ZA75	90	2	910	910	D28	D28	131	66	2/30	F01	
F010T179ZA75	90	3	910	910	D28	D28	140	95	3/29	F01	

achter-arrière-rear-Hinten

A010T228ZA70	90	12	0	0	--	--		0	12/20	A08R	
A010T226ZA70	90	12	0	0	--	--			12/20	A08R	
F010T202ZA70	90	4	770	770	--	--	85	172	4/41	F08R	
F010T208ZA70	90	4	770	770	--	--		128	4/30	F08R	

Trekker - Tracteur - Tractor**voor-avant-front-Vorne**

A010T127ZA75	90	7	910	910	D28	D28	170	105	7/15	A01	
A010T165ZA75	90	9	910	910	D28	D28	170	135	9/15	A01	
F010T177ZA75	90	2	910	910	D28	D28	131	66	2/30	F01	
F010T181ZA75	90	2	910	910	D28	D28	128	70	2/32	F01	
F010T179ZA75	90	3	910	910	D28	D28	140	95	3/29	F01	

achter-arrière-rear-Hinten

A010T228ZA70	90	12	0	0	--	--		0	12/20	A08R	
A010T226ZA70	90	12	0	0	--	--			12/20	A08R	
F010T202ZA70	90	4	770	770	--	--	85	172	4/41	F08R	
F010T208ZA70	90	4	770	770	--	--		128	4/30	F08R	

BESTELNR N° COMMANDE ORDER NR BESTELNR	BR LRG WID BR	BLADEN LAMES LEAVES BLATT.	B	C	D1	D2	PH FL FA SP	PAK EP TH PAK	DETAIL	MOD	OPMERKINGEN REMARKS REMARKS BEMERKUNGEN
---	------------------------	-------------------------------------	---	---	----	----	----------------------	------------------------	--------	-----	--

SERIE : 114**114 C 6X6****Truck - Porteur - Rigid****voor-avant-front-Vorne**

A010T127ZA75	90	7	910	910	D28	D28	170	105	7/15	A01	
A010T165ZA75	90	9	910	910	D28	D28	170	135	9/15	A01	
F010T181ZA75	90	2	910	910	D28	D28	128	70	2/32	F01	
F010T177ZA75	90	2	910	910	D28	D28	131	66	2/30	F01	
F010T179ZA75	90	3	910	910	D28	D28	140	95	3/29	F01	

achter-arrière-rear-Hinten

A010T228ZA70	90	12	0	0	--	--		0	12/20	A08R	
A010T226ZA70	90	12	0	0	--	--			12/20	A08R	
F010T202ZA70	90	4	770	770	--	--	85	172	4/41	F08R	
F010T208ZA70	90	4	770	770	--	--		128	4/30	F08R	
F010T232ZL75	100	2	710	400	S30	--	-65	97	1/47+1/44	LR0121.	
F010T232ZR75	100	2	710	400	S30	--	-65	97	1/47+1/44	LR0121.	

114 C 8X4**Truck - Porteur - Rigid****voor-avant-front-Vorne**

A010T127ZA75	90	7	910	910	D28	D28	170	105	7/15	A01	
A010T165ZA75	90	9	910	910	D28	D28	170	135	9/15	A01	
F010T177ZA75	90	2	910	910	D28	D28	131	66	2/30	F01	
F010T181ZA75	90	2	910	910	D28	D28	128	70	2/32	F01	
F010T179ZA75	90	3	910	910	D28	D28	140	95	3/29	F01	

achter-arrière-rear-Hinten

A010T228ZA70	90	12	0	0	--	--		0	12/20	A08R	
A010T226ZA70	90	12	0	0	--	--			12/20	A08R	
F010T202ZA70	90	4	770	770	--	--	85	172	4/41	F08R	
F010T208ZA70	90	4	770	770	--	--		128	4/30	F08R	

BESTELNR N° COMMANDE ORDER NR BESTELNR	BR LRG WID BR	BLADEN LAMES LEAVES BLATT.	B	C	D1	D2	PH FL FA SP	PAK EP TH PAK	DETAIL	MOD	OPMERKINGEN REMARKS REMARKS BEMERKUNGEN
---	------------------------	-------------------------------------	---	---	----	----	----------------------	------------------------	--------	-----	--

SERIE : 114

114 G 4X2

Truck - Porteur - Rigid

voor-avant-front-Vorne

A010T127ZA75	90	7	910	910	D28	D28	170	105	7/15	A01	
A010T165ZA75	90	9	910	910	D28	D28	170	135	9/15	A01	
F010T181ZA75	90	2	910	910	D28	D28	128	70	2/32	F01	
F010T177ZA75	90	2	910	910	D28	D28	131	66	2/30	F01	
F010T179ZA75	90	3	910	910	D28	D28	140	95	3/29	F01	

achter-arrière-rear-Hinten

	A010T160ZA	90	7/6	0	0			0		A01S	los/séparé
A	A010T160ZA75	90	7	890	890	D36	D36	165	105	7/15	A01
H	A010T156HA80	90	6	730	730	--	--	105	84	6/14	A08
	A010T154ZA	90	9/6	0	0			0		A01S	los/séparé
A	A010T154ZA75	90	9	890	890	D36	D36	170	135	9/15	A01
H	A010T156HA80	90	6	730	730	--	--	105	84	6/14	A08
	F010T164ZA76	90	3/P/2	890	890	D36	D36	158	205		F01A
A	F010T164ZA75	90	3	890	890	D36	D36	158	87	3/26	F01
H	F010T162HA80	90	2/P	730	730	--	--	98	118	2/26+P/60	F08
	F010T232ZR75	100	2	710	400	S30	--	-65	97	1/47+1/44	LR0121.
	F010T232ZL75	100	2	710	400	S30	--	-65	97	1/47+1/44	LR0121.

BESTELNR N° COMMANDE ORDER NR BESTELNR	BR LRG WID BR	BLADEN LAMES LEAVES BLATT.	B	C	D1	D2	PH FL FA SP	PAK EP TH PAK	DETAIL	MOD	OPMERKINGEN REMARKS REMARKS BEMERKUNGEN
---	------------------------	-------------------------------------	---	---	----	----	----------------------	------------------------	--------	-----	--

SERIE : 114

114 G 4X2

Trekker - Tracteur - Tractor

voor-avant-front-Vorne

A010T127ZA75	90	7	910	910	D28	D28	170	105	7/15	A01	
A010T165ZA75	90	9	910	910	D28	D28	170	135	9/15	A01	
F010T181ZA75	90	2	910	910	D28	D28	128	70	2/32	F01	
F010T177ZA75	90	2	910	910	D28	D28	131	66	2/30	F01	
F010T179ZA75	90	3	910	910	D28	D28	140	95	3/29	F01	

achter-arrière-rear-Hinten

	A010T160ZA	90	7/6	0	0			0		A01S	los/séparé
A	A010T160ZA75	90	7	890	890	D36	D36	165	105	7/15	A01
H	A010T156HA80	90	6	730	730	--	--	105	84	6/14	A08
	A010T154ZA	90	9/6	0	0			0		A01S	los/séparé
A	A010T154ZA75	90	9	890	890	D36	D36	170	135	9/15	A01
H	A010T156HA80	90	6	730	730	--	--	105	84	6/14	A08
	F010T164ZA76	90	3/P/2	890	890	D36	D36	158	205		F01A
A	F010T164ZA75	90	3	890	890	D36	D36	158	87	3/26	F01
H	F010T162HA80	90	2/P	730	730	--	--	98	118	2/26+P/60	F08
	F010T232ZR75	100	2	710	400	S30	--	-65	97	1/47+1/44	LR0121.
	F010T232ZL75	100	2	710	400	S30	--	-65	97	1/47+1/44	LR0121.

BESTELNR N° COMMANDE ORDER NR BESTELNR	BR LRG WID BR	BLADEN LAMES LEAVES BLATT.	B	C	D1	D2	PH FL FA SP	PAK EP TH PAK	DETAIL	MOD	OPMERKINGEN REMARKS REMARKS BEMERKUNGEN
---	------------------------	-------------------------------------	---	---	----	----	----------------------	------------------------	--------	-----	--

SERIE : 114**114 G 6X2****Truck - Porteur - Rigid****voor-avant-front-Vorne**

A010T127ZA75	90	7	910	910	D28	D28	170	105	7/15	A01	
A010T165ZA75	90	9	910	910	D28	D28	170	135	9/15	A01	
F010T181ZA75	90	2	910	910	D28	D28	128	70	2/32	F01	
F010T177ZA75	90	2	910	910	D28	D28	131	66	2/30	F01	
F010T179ZA75	90	3	910	910	D28	D28	140	95	3/29	F01	

achter-arrière-rear-Hinten

A010T120ZB75	100	11	760	760	D36	D36	140	145	1/15+10/13	A01	
F010T194ZA75	100	5	760	760	D36	D36	102	125	5/22	F01	
F010T232ZL75	100	2	710	400	S30	--	-65	97	1/47+1/44	LR0121.	
F010T232ZR75	100	2	710	400	S30	--	-65	97	1/47+1/44	LR0121.	

Trekker - Tracteur - Tractor**voor-avant-front-Vorne**

A010T127ZA75	90	7	910	910	D28	D28	170	105	7/15	A01	
A010T165ZA75	90	9	910	910	D28	D28	170	135	9/15	A01	
F010T181ZA75	90	2	910	910	D28	D28	128	70	2/32	F01	
F010T177ZA75	90	2	910	910	D28	D28	131	66	2/30	F01	
F010T179ZA75	90	3	910	910	D28	D28	140	95	3/29	F01	

achter-arrière-rear-Hinten

A010T120ZB75	100	11	760	760	D36	D36	140	145	1/15+10/13	A01	
F010T194ZA75	100	5	760	760	D36	D36	102	125	5/22	F01	
F010T232ZL75	100	2	710	400	S30	--	-65	97	1/47+1/44	LR0121.	
F010T232ZR75	100	2	710	400	S30	--	-65	97	1/47+1/44	LR0121.	

BESTELNR N° COMMANDE ORDER NR BESTELLNR	BR LRG WID BR	BLADEN LAMES LEAVES BLATT.	B	C	D1	D2	PH FL FA SP	PAK EP TH PAK	DETAIL	MOD	OPMERKINGEN REMARKS REMARKS BEMERKUNGEN
--	------------------------	-------------------------------------	---	---	----	----	----------------------	------------------------	--------	-----	--

SERIE : 114**114 G 6X2*4****Truck - Porteur - Rigid****voor-avant-front-Vorne**

A010T127ZA75	90	7	910	910	D28	D28	170	105	7/15	A01	
A010T165ZA75	90	9	910	910	D28	D28	170	135	9/15	A01	
F010T181ZA75	90	2	910	910	D28	D28	128	70	2/32	F01	
F010T177ZA75	90	2	910	910	D28	D28	131	66	2/30	F01	
F010T179ZA75	90	3	910	910	D28	D28	140	95	3/29	F01	

achter-arrière-rear-Hinten

F010T200ZA75	90	3	450	420	D36	--	-7	110	3/24	LK4527	Lenker
F010T232ZL75	100	2	710	400	S30	--	-65	97	1/47+1/44	LR0121.	
F010T232ZR75	100	2	710	400	S30	--	-65	97	1/47+1/44	LR0121.	

BESTELNR N° COMMANDE ORDER NR BESTELNR	BR LRG WID BR	BLADEN LAMES LEAVES BLATT.	B	C	D1	D2	PH FL FA SP	PAK EP TH PAK	DETAIL	MOD	OPMERKINGEN REMARQUES REMARKS BEMERKUNGEN
---	------------------------	-------------------------------------	---	---	----	----	----------------------	------------------------	--------	-----	--

SERIE : 114**114 G 6X4****Truck - Porteur - Rigid****voor-avant-front-Vorne**

A010T127ZA75	90	7	910	910	D28	D28	170	105	7/15	A01	
A010T165ZA75	90	9	910	910	D28	D28	170	135	9/15	A01	
F010T181ZA75	90	2	910	910	D28	D28	128	70	2/32	F01	
F010T177ZA75	90	2	910	910	D28	D28	131	66	2/30	F01	
F010T179ZA75	90	3	910	910	D28	D28	140	95	3/29	F01	

achter-arrière-rear-Hinten

A010T228ZA70	90	12	0	0	--	--		0	12/20	A08R	
A010T226ZA70	90	12	0	0	--	--			12/20	A08R	
F010T208ZA70	90	4	770	770	--	--		128	4/30	F08R	
F010T202ZA70	90	4	770	770	--	--	85	172	4/41	F08R	
F010T232ZR75	100	2	710	400	S30	--	-65	97	1/47+1/44	LR0121.	
F010T232ZL75	100	2	710	400	S30	--	-65	97	1/47+1/44	LR0121.	

Trekker - Tracteur - Tractor**voor-avant-front-Vorne**

A010T127ZA75	90	7	910	910	D28	D28	170	105	7/15	A01	
A010T165ZA75	90	9	910	910	D28	D28	170	135	9/15	A01	
F010T177ZA75	90	2	910	910	D28	D28	131	66	2/30	F01	
F010T181ZA75	90	2	910	910	D28	D28	128	70	2/32	F01	
F010T179ZA75	90	3	910	910	D28	D28	140	95	3/29	F01	

achter-arrière-rear-Hinten

A010T226ZA70	90	12	0	0	--	--			12/20	A08R	
A010T228ZA70	90	12	0	0	--	--		0	12/20	A08R	
F010T208ZA70	90	4	770	770	--	--		128	4/30	F08R	
F010T202ZA70	90	4	770	770	--	--	85	172	4/41	F08R	
F010T232ZL75	100	2	710	400	S30	--	-65	97	1/47+1/44	LR0121.	
F010T232ZR75	100	2	710	400	S30	--	-65	97	1/47+1/44	LR0121.	

BESTELNR N° COMMANDE ORDER NR BESTELNR	BR LRG WID BR	BLADEN LAMES LEAVES BLATT.	B	C	D1	D2	PH FL FA SP	PAK EP TH PAK	DETAIL	MOD	OPMERKINGEN REMARKS REMARKS BEMERKUNGEN
---	------------------------	-------------------------------------	---	---	----	----	----------------------	------------------------	--------	-----	--

SERIE : 114

114 G 8X2

Truck - Porteur - Rigid

voor-avant-front-Vorne

F010T177ZA75	90	2	910	910	D28	D28	131	66	2/30	F01	
F010T181ZA75	90	2	910	910	D28	D28	128	70	2/32	F01	
F010T179ZA75	90	3	910	910	D28	D28	140	95	3/29	F01	

achter-arrière-rear-Hinten

A010T120ZB75	100	11	760	760	D36	D36	140	145	1/15+10/13	A01	
F010T194ZA75	100	5	760	760	D36	D36	102	125	5/22	F01	
F010T232ZL75	100	2	710	400	S30	--	-65	97	1/47+1/44	LR0121.	
F010T232ZR75	100	2	710	400	S30	--	-65	97	1/47+1/44	LR0121.	

114 G 8X4

Truck - Porteur - Rigid

voor-avant-front-Vorne

A010T127ZA75	90	7	910	910	D28	D28	170	105	7/15	A01	
A010T165ZA75	90	9	910	910	D28	D28	170	135	9/15	A01	
F010T177ZA75	90	2	910	910	D28	D28	131	66	2/30	F01	
F010T181ZA75	90	2	910	910	D28	D28	128	70	2/32	F01	
F010T179ZA75	90	3	910	910	D28	D28	140	95	3/29	F01	

achter-arrière-rear-Hinten

A010T228ZA70	90	12	0	0	--	--		0	12/20	A08R	
A010T226ZA70	90	12	0	0	--	--			12/20	A08R	
F010T208ZA70	90	4	770	770	--	--		128	4/30	F08R	
F010T202ZA70	90	4	770	770	--	--	85	172	4/41	F08R	
F010T232ZR75	100	2	710	400	S30	--	-65	97	1/47+1/44	LR0121.	
F010T232ZL75	100	2	710	400	S30	--	-65	97	1/47+1/44	LR0121.	

BESTELNR N° COMMANDE ORDER NR BESTELNR	BR LRG WID BR	BLADEN LAMES LEAVES BLATT.	B	C	D1	D2	PH FL FA SP	PAK EP TH PAK	DETAIL	MOD	OPMERKINGEN REMARKS REMARKS BEMERKUNGEN
---	------------------------	-------------------------------------	---	---	----	----	----------------------	------------------------	--------	-----	--

SERIE : 114**114 L 4X2****Truck - Porteur - Rigid****voor-avant-front-Vorne**

A010T127ZA75	90	7	910	910	D28	D28	170	105	7/15	A01	
A010T165ZA75	90	9	910	910	D28	D28	170	135	9/15	A01	
F010T181ZA75	90	2	910	910	D28	D28	128	70	2/32	F01	
F010T177ZA75	90	2	910	910	D28	D28	131	66	2/30	F01	
F010T179ZA75	90	3	910	910	D28	D28	140	95	3/29	F01	

achter-arrière-rear-Hinten

F010T232ZR75	100	2	710	400	S30	--	-65	97	1/47+1/44	LR0121.	
F010T232ZL75	100	2	710	400	S30	--	-65	97	1/47+1/44	LR0121.	

Trekker - Tracteur - Tractor**voor-avant-front-Vorne**

A010T127ZA75	90	7	910	910	D28	D28	170	105	7/15	A01	
A010T165ZA75	90	9	910	910	D28	D28	170	135	9/15	A01	
F010T177ZA75	90	2	910	910	D28	D28	131	66	2/30	F01	
F010T181ZA75	90	2	910	910	D28	D28	128	70	2/32	F01	
F010T179ZA75	90	3	910	910	D28	D28	140	95	3/29	F01	

achter-arrière-rear-Hinten

F010T232ZR75	100	2	710	400	S30	--	-65	97	1/47+1/44	LR0121.	
F010T232ZL75	100	2	710	400	S30	--	-65	97	1/47+1/44	LR0121.	

BESTELNR N° COMMANDE ORDER NR BESTELNR	BR LRG WID BR	BLADEN LAMES LEAVES BLATT.	B	C	D1	D2	PH FL FA SP	PAK EP TH PAK	DETAIL	MOD	OPMERKINGEN REMARKS REMARKS BEMERKUNGEN
---	------------------------	-------------------------------------	---	---	----	----	----------------------	------------------------	--------	-----	--

SERIE : 114**114 L 6X2****Truck - Porteur - Rigid****voor-avant-front-Vorne**

A010T127ZA75	90	7	910	910	D28	D28	170	105	7/15	A01	
A010T165ZA75	90	9	910	910	D28	D28	170	135	9/15	A01	
F010T177ZA75	90	2	910	910	D28	D28	131	66	2/30	F01	
F010T181ZA75	90	2	910	910	D28	D28	128	70	2/32	F01	
F010T179ZA75	90	3	910	910	D28	D28	140	95	3/29	F01	

achter-arrière-rear-Hinten

F010T232ZL75	100	2	710	400	S30	--	-65	97	1/47+1/44	LR0121.	
F010T232ZR75	100	2	710	400	S30	--	-65	97	1/47+1/44	LR0121.	

Trekker - Tracteur - Tractor**voor-avant-front-Vorne**

A010T127ZA75	90	7	910	910	D28	D28	170	105	7/15	A01	
A010T165ZA75	90	9	910	910	D28	D28	170	135	9/15	A01	
F010T181ZA75	90	2	910	910	D28	D28	128	70	2/32	F01	
F010T177ZA75	90	2	910	910	D28	D28	131	66	2/30	F01	
F010T179ZA75	90	3	910	910	D28	D28	140	95	3/29	F01	

achter-arrière-rear-Hinten

F010T232ZL75	100	2	710	400	S30	--	-65	97	1/47+1/44	LR0121.	
F010T232ZR75	100	2	710	400	S30	--	-65	97	1/47+1/44	LR0121.	

BESTELNR N° COMMANDE ORDER NR BESTELNR	BR LRG WID BR	BLADEN LAMES LEAVES BLATT.	B	C	D1	D2	PH FL FA SP	PAK EP TH PAK	DETAIL	MOD	OPMERKINGEN REMARQUES REMARKS BEMERKUNGEN
---	------------------------	-------------------------------------	---	---	----	----	----------------------	------------------------	--------	-----	--

SERIE : 114**114 L 6X2*4****Truck - Porteur - Rigid****voor-avant-front-Vorne**

A010T127ZA75	90	7	910	910	D28	D28	170	105	7/15	A01	
A010T165ZA75	90	9	910	910	D28	D28	170	135	9/15	A01	
F010T181ZA75	90	2	910	910	D28	D28	128	70	2/32	F01	
F010T177ZA75	90	2	910	910	D28	D28	131	66	2/30	F01	
F010T179ZA75	90	3	910	910	D28	D28	140	95	3/29	F01	

achter-arrière-rear-Hinten

F010T200ZA75	90	3	450	420	D36	--	-7	110	3/24	LK4527	Lenker
F010T232ZR75	100	2	710	400	S30	--	-65	97	1/47+1/44	LR0121.	
F010T232ZL75	100	2	710	400	S30	--	-65	97	1/47+1/44	LR0121.	

114 L 6X2/4**Truck - Porteur - Rigid****achter-arrière-rear-Hinten**

F010T200ZA75	90	3	450	420	D36	--	-7	110	3/24	LK4527	Lenker
F010T232ZR75	100	2	710	400	S30	--	-65	97	1/47+1/44	LR0121.	
F010T232ZL75	100	2	710	400	S30	--	-65	97	1/47+1/44	LR0121.	

Trekker - Tracteur - Tractor**voor-avant-front-Vorne**

A010T127ZA75	90	7	910	910	D28	D28	170	105	7/15	A01	
A010T165ZA75	90	9	910	910	D28	D28	170	135	9/15	A01	
F010T177ZA75	90	2	910	910	D28	D28	131	66	2/30	F01	
F010T181ZA75	90	2	910	910	D28	D28	128	70	2/32	F01	
F010T179ZA75	90	3	910	910	D28	D28	140	95	3/29	F01	

achter-arrière-rear-Hinten

F010T200ZA75	90	3	450	420	D36	--	-7	110	3/24	LK4527	Lenker
F010T232ZL75	100	2	710	400	S30	--	-65	97	1/47+1/44	LR0121.	
F010T232ZR75	100	2	710	400	S30	--	-65	97	1/47+1/44	LR0121.	

BESTELNR N° COMMANDE ORDER NR BESTELLNR	BR LRG WID BR	BLADEN LAMES LEAVES BLATT.	B	C	D1	D2	PH FL FA SP	PAK EP TH PAK	DETAIL	MOD	OPMERKINGEN REMARQUES REMARKS BEMERKUNGEN
--	------------------------	-------------------------------------	---	---	----	----	----------------------	------------------------	--------	-----	--

SERIE : 114

114 L 6X4

Trekker - Tracteur - Tractor

voor-avant-front-Vorne

A010T127ZA75	90	7	910	910	D28	D28	170	105	7/15	A01	
A010T165ZA75	90	9	910	910	D28	D28	170	135	9/15	A01	
F010T181ZA75	90	2	910	910	D28	D28	128	70	2/32	F01	
F010T177ZA75	90	2	910	910	D28	D28	131	66	2/30	F01	
F010T179ZA75	90	3	910	910	D28	D28	140	95	3/29	F01	

achter-arrière-rear-Hinten

F010T232ZL75	100	2	710	400	S30	--	-65	97	1/47+1/44	LR0121.	
F010T232ZR75	100	2	710	400	S30	--	-65	97	1/47+1/44	LR0121.	

BESTELNR N° COMMANDE ORDER NR BESTELNR	BR LRG WID BR	BLADEN LAMES LEAVES BLATT.	B	C	D1	D2	PH FL FA SP	PAK EP TH PAK	DETAIL	MOD	OPMERKINGEN REMARQUES REMARKS BEMERKUNGEN
---	------------------------	-------------------------------------	---	---	----	----	----------------------	------------------------	--------	-----	--

SERIE : 124**124 L 4X2****Trekker - Tracteur - Tractor****voor-avant-front-Vorne**

F010T181ZA75	90	2	910	910	D28	D28	128	70	2/32	F01	
F010T179ZA75	90	3	910	910	D28	D28	140	95	3/29	F01	

achter-arrière-rear-Hinten

F010T204ZA75	100	2	690	260	S30	--	-52	97	1/47+1/44	LR0223	new
--------------	-----	---	-----	-----	-----	----	-----	----	-----------	--------	-----

124 L 6X2**Truck - Porteur - Rigid****voor-avant-front-Vorne**

F010T181ZA75	90	2	910	910	D28	D28	128	70	2/32	F01	
F010T179ZA75	90	3	910	910	D28	D28	140	95	3/29	F01	

achter-arrière-rear-Hinten

F010T204ZA75	100	2	690	260	S30	--	-52	97	1/47+1/44	LR0223	new
--------------	-----	---	-----	-----	-----	----	-----	----	-----------	--------	-----

BESTELNR N° COMMANDE ORDER NR BESTELLNR	BR LRG WID BR	BLADEN LAMES LEAVES BLATT.	B	C	D1	D2	PH FL FA SP	PAK EP TH PAK	DETAIL	MOD	OPMERKINGEN REMARQUES REMARKS BEMERKUNGEN
--	------------------------	-------------------------------------	---	---	----	----	----------------------	------------------------	--------	-----	--

SERIE : 140

LB 140

voor-avant-front-Vorne

A010T105ZA75	90	9	850	850	D28	D28	180	117	9/13	A01	
F010T111ZA75	90	3	850	850	D28	D28	175	68	3/20	F01	

achter-arrière-rear-Hinten

	A010T090ZB	90	11/9	0	0			0		A01S	los/séparé
A	A010T090ZA75	90	11	760	760	D36	D36	160	123	1/13+10/11	A01
H	A010T090HA80	90	9	625	625	--	--	105	90	9/10	A08
	F010T112AA76	90	3/P/2	760	760	D36	D36	135	144		F01A
A	F010T112ZA75	90	3	760	760	D36	D36	135	69	3/20	F01
H	F010T112KA80	90	2/P	625	625	--	--	100	75	2/21+P/30	F08
	F010T112ZA76	90	3/P/3	760	760	D36	D36	135	146		F01A
A	F010T112ZA75	90	3	760	760	D36	D36	135	69	3/20	F01
H	F010T112HA80	90	3/P	625	625	--	--	100	77	3/17+P/20	F08
	F010T116ZA76	90	3/P/2	890	890	D36	D36	180	183		F01A
A	F010T116ZA75	90	3	890	890	D36	D36	180	84	3/25	F01
H	F010T116HA80	90	2/P	750	750	--	--	125	99	2/25+P/20	F08
	F010T128ZA76	90	3/P/2	890	890	D36	D36	170	183		F01A
A	F010T128ZA75	90	3	890	890	D36	D36	170	84	3/25	F01
H	F010T116HA80	90	2/P	750	750	--	--	125	99	2/25+P/20	F08

BESTELNR N° COMMANDE ORDER NR BESTELNR	BR LRG WID BR	BLADEN LAMES LEAVES BLATT.	B	C	D1	D2	PH FL FA SP	PAK EP TH PAK	DETAIL	MOD	OPMERKINGEN REMARQUES REMARKS BEMERKUNGEN
---	------------------------	-------------------------------------	---	---	----	----	----------------------	------------------------	--------	-----	--

SERIE : 140**LB 140S****voor-avant-front-Vorne**

A010T105ZA75	90	9	850	850	D28	D28	180	117	9/13	A01	
F010T111ZA75	90	3	850	850	D28	D28	175	68	3/20	F01	

achter-arrière-rear-Hinten

A	A010T090ZB	90	11/9	0	0			0		A01S	los/séparé
H	A010T090ZA75	90	11	760	760	D36	D36	160	123	1/13+10/11	A01
H	A010T090HA80	90	9	625	625	--	--	105	90	9/10	A08
A	F010T112AA76	90	3/P/2	760	760	D36	D36	135	144		F01A
H	F010T112ZA75	90	3	760	760	D36	D36	135	69	3/20	F01
H	F010T112KA80	90	2/P	625	625	--	--	100	75	2/21+P/30	F08
A	F010T112ZA76	90	3/P/3	760	760	D36	D36	135	146		F01A
H	F010T112ZA75	90	3	760	760	D36	D36	135	69	3/20	F01
H	F010T112HA80	90	3/P	625	625	--	--	100	77	3/17+P/20	F08
A	F010T116ZA76	90	3/P/2	890	890	D36	D36	180	183		F01A
H	F010T116ZA75	90	3	890	890	D36	D36	180	84	3/25	F01
H	F010T116HA80	90	2/P	750	750	--	--	125	99	2/25+P/20	F08
A	F010T128ZA76	90	3/P/2	890	890	D36	D36	170	183		F01A
H	F010T128ZA75	90	3	890	890	D36	D36	170	84	3/25	F01
H	F010T116HA80	90	2/P	750	750	--	--	125	99	2/25+P/20	F08

LBS140**voor-avant-front-Vorne**

A010T105ZA75	90	9	850	850	D28	D28	180	117	9/13	A01	
F010T111ZA75	90	3	850	850	D28	D28	175	68	3/20	F01	

achter-arrière-rear-Hinten

A010T120ZB75	100	11	760	760	D36	D36	140	145	1/15+10/13	A01	
A010T108ZA75	100	12	760	760	D36	D36	160	134	1/13+11/11	A01	
F010T114ZA75	100	3	760	760	D36	D36	125	72	3/22	F01	
F010T126ZA75	100	4	760	760	D36	D36	117	98	4/22	F01	

BESTELNR N° COMMANDE ORDER NR BESTELNR	BR LRG WID BR	BLADEN LAMES LEAVES BLATT.	B	C	D1	D2	PH FL FA SP	PAK EP TH PAK	DETAIL	MOD	OPMERKINGEN REMARQUES REMARKS BEMERKUNGEN
---	------------------------	-------------------------------------	---	---	----	----	----------------------	------------------------	--------	-----	--

SERIE : 140**LBS140S****voor-avant-front-Vorne**

A010T105ZA75	90	9	850	850	D28	D28	180	117	9/13	A01	
F010T111ZA75	90	3	850	850	D28	D28	175	68	3/20	F01	

achter-arrière-rear-Hinten

A010T120ZB75	100	11	760	760	D36	D36	140	145	1/15+10/13	A01	
A010T108ZA75	100	12	760	760	D36	D36	160	134	1/13+11/11	A01	
F010T114ZA75	100	3	760	760	D36	D36	125	72	3/22	F01	
F010T126ZA75	100	4	760	760	D36	D36	117	98	4/22	F01	

LBT140**voor-avant-front-Vorne**

A010T109ZA75	90	8	850	850	D28	D28	180	104	8/13	A01	
A010T105ZA75	90	9	850	850	D28	D28	180	117	9/13	A01	

achter-arrière-rear-Hinten

A010T122ZA70	100	8	740	740	--	--	70	160	8/20	A08R	
A010Z144ZB70	100	12	740	740	--	--	75	180	12/15	A08R	

LT 140**voor-avant-front-Vorne**

A010T109ZA75	90	8	850	850	D28	D28	180	104	8/13	A01	
A010T105ZA75	90	9	850	850	D28	D28	180	117	9/13	A01	

achter-arrière-rear-Hinten

A010T122ZA70	100	8	740	740	--	--	70	160	8/20	A08R	
A010Z144ZB70	100	12	740	740	--	--	75	180	12/15	A08R	

BESTELNR N° COMMANDE ORDER NR BESTELNR	BR LRG WID BR	BLADEN LAMES LEAVES BLATT.	B	C	D1	D2	PH FL FA SP	PAK EP TH PAK	DETAIL	MOD	OPMERKINGEN REMARKS REMARKS BEMERKUNGEN
---	------------------------	-------------------------------------	---	---	----	----	----------------------	------------------------	--------	-----	--

SERIE : 141

LB 141

voor-avant-front-Vorne

F010T111ZA75	90	3	850	850	D28	D28	175	68	3/20	F01	
--------------	----	---	-----	-----	-----	-----	-----	----	------	-----	--

achter-arrière-rear-Hinten

A	F010T112AA76	90	3/P/2	760	760	D36	D36	135	144		F01A	
	F010T112ZA75	90	3	760	760	D36	D36	135	69	3/20	F01	
H	F010T112KA80	90	2/P	625	625	--	--	100	75	2/21+P/30	F08	
A	F010T112ZA76	90	3/P/3	760	760	D36	D36	135	146		F01A	
	F010T112ZA75	90	3	760	760	D36	D36	135	69	3/20	F01	
H	F010T112HA80	90	3/P	625	625	--	--	100	77	3/17+P/20	F08	
A	F010T116ZA76	90	3/P/2	890	890	D36	D36	180	183		F01A	
	F010T116ZA75	90	3	890	890	D36	D36	180	84	3/25	F01	
H	F010T116HA80	90	2/P	750	750	--	--	125	99	2/25+P/20	F08	
A	F010T128ZA76	90	3/P/2	890	890	D36	D36	170	183		F01A	
	F010T128ZA75	90	3	890	890	D36	D36	170	84	3/25	F01	
H	F010T116HA80	90	2/P	750	750	--	--	125	99	2/25+P/20	F08	

LB 141S

voor-avant-front-Vorne

F010T111ZA75	90	3	850	850	D28	D28	175	68	3/20	F01	
--------------	----	---	-----	-----	-----	-----	-----	----	------	-----	--

achter-arrière-rear-Hinten

	F010T114ZA75	100	3	760	760	D36	D36	125	72	3/22	F01	
	F010T126ZA75	100	4	760	760	D36	D36	117	98	4/22	F01	
A	F010T112AA76	90	3/P/2	760	760	D36	D36	135	144		F01A	
	F010T112ZA75	90	3	760	760	D36	D36	135	69	3/20	F01	
H	F010T112KA80	90	2/P	625	625	--	--	100	75	2/21+P/30	F08	
A	F010T112ZA76	90	3/P/3	760	760	D36	D36	135	146		F01A	
	F010T112ZA75	90	3	760	760	D36	D36	135	69	3/20	F01	
H	F010T112HA80	90	3/P	625	625	--	--	100	77	3/17+P/20	F08	
A	F010T128ZA76	90	3/P/2	890	890	D36	D36	170	183		F01A	
	F010T128ZA75	90	3	890	890	D36	D36	170	84	3/25	F01	
H	F010T116HA80	90	2/P	750	750	--	--	125	99	2/25+P/20	F08	
A	F010T116ZA76	90	3/P/2	890	890	D36	D36	180	183		F01A	
	F010T116ZA75	90	3	890	890	D36	D36	180	84	3/25	F01	
H	F010T116HA80	90	2/P	750	750	--	--	125	99	2/25+P/20	F08	

BESTELNR N° COMMANDE ORDER NR BESTELNR	BR LRG WID BR	BLADEN LAMES LEAVES BLATT.	B	C	D1	D2	PH FL FA SP	PAK EP TH PAK	DETAIL	MOD	OPMERKINGEN REMARQUES REMARKS BEMERKUNGEN
---	------------------------	-------------------------------------	---	---	----	----	----------------------	------------------------	--------	-----	--

SERIE : 141**LBS141****voor-avant-front-Vorne**

F010T111ZA75	90	3	850	850	D28	D28	175	68	3/20	F01	
--------------	----	---	-----	-----	-----	-----	-----	----	------	-----	--

achter-arrière-rear-Hinten

F010T114ZA75	100	3	760	760	D36	D36	125	72	3/22	F01	
--------------	-----	---	-----	-----	-----	-----	-----	----	------	-----	--

F010T126ZA75	100	4	760	760	D36	D36	117	98	4/22	F01	
--------------	-----	---	-----	-----	-----	-----	-----	----	------	-----	--

LBS141S**voor-avant-front-Vorne**

F010T111ZA75	90	3	850	850	D28	D28	175	68	3/20	F01	
--------------	----	---	-----	-----	-----	-----	-----	----	------	-----	--

LBT141**voor-avant-front-Vorne**

A010T109ZA75	90	8	850	850	D28	D28	180	104	8/13	A01	
--------------	----	---	-----	-----	-----	-----	-----	-----	------	-----	--

A010T105ZA75	90	9	850	850	D28	D28	180	117	9/13	A01	
--------------	----	---	-----	-----	-----	-----	-----	-----	------	-----	--

achter-arrière-rear-Hinten

A010T122ZA70	100	8	740	740	--	--	70	160	8/20	A08R	
--------------	-----	---	-----	-----	----	----	----	-----	------	------	--

A010Z144ZB70	100	12	740	740	--	--	75	180	12/15	A08R	
--------------	-----	----	-----	-----	----	----	----	-----	-------	------	--

LT 141**voor-avant-front-Vorne**

A010T109ZA75	90	8	850	850	D28	D28	180	104	8/13	A01	
--------------	----	---	-----	-----	-----	-----	-----	-----	------	-----	--

A010T105ZA75	90	9	850	850	D28	D28	180	117	9/13	A01	
--------------	----	---	-----	-----	-----	-----	-----	-----	------	-----	--

achter-arrière-rear-Hinten

A010T122ZA70	100	8	740	740	--	--	70	160	8/20	A08R	
--------------	-----	---	-----	-----	----	----	----	-----	------	------	--

A010Z144ZB70	100	12	740	740	--	--	75	180	12/15	A08R	
--------------	-----	----	-----	-----	----	----	----	-----	-------	------	--

BESTELNR N° COMMANDE ORDER NR BESTELLNR	BR LRG WID BR	BLADEN LAMES LEAVES BLATT.	B	C	D1	D2	PH FL FA SP	PAK EP TH PAK	DETAIL	MOD	OPMERKINGEN REMARQUES REMARKS BEMERKUNGEN
--	------------------------	-------------------------------------	---	---	----	----	----------------------	------------------------	--------	-----	--

SERIE : 142

R 142 E 6X4

voor-avant-front-Vorne

A010T125ZA75	90	8	910	910	D28	D28	165	120	8/15	A01	
--------------	----	---	-----	-----	-----	-----	-----	-----	------	-----	--

achter-arrière-rear-Hinten

A010T124ZA70	100	10	740	740	--	--	70	200	10/20	A08R	
--------------	-----	----	-----	-----	----	----	----	-----	-------	------	--

R 142 H 4X2

voor-avant-front-Vorne

A010T127ZA75	90	7	910	910	D28	D28	170	105	7/15	A01	
A010T125ZA75	90	8	910	910	D28	D28	165	120	8/15	A01	
F010T159ZA75	90	3	910	910	D28	D28	162	80	3/24	F01	

achter-arrière-rear-Hinten

A	A010T154ZA	90	9/6	0	0			0			A01S	los/séparé
H	A010T154ZA75	90	9	890	890	D36	D36	170	135	9/15	A01	
H	A010T156HA80	90	6	730	730	--	--	105	84	6/14	A08	
A	F010T162ZA76	90	3/P/2	890	890	D36	D36	170	199		F01A	
H	F010T162ZA75	90	3	890	890	D36	D36	170	81	3/24	F01	
H	F010T162HA80	90	2/P	730	730	--	--	98	118	2/26+P/60	F08	
A	F010T164ZA76	90	3/P/2	890	890	D36	D36	158	205		F01A	
H	F010T164ZA75	90	3	890	890	D36	D36	158	87	3/26	F01	
H	F010T162HA80	90	2/P	730	730	--	--	98	118	2/26+P/60	F08	

R 142 H 6X2

voor-avant-front-Vorne

A010T127ZA75	90	7	910	910	D28	D28	170	105	7/15	A01	
A010T125ZA75	90	8	910	910	D28	D28	165	120	8/15	A01	
F010T159ZA75	90	3	910	910	D28	D28	162	80	3/24	F01	
F010T155ZA75	90	3	910	910	D28	D28	150	86	3/26	F01	

achter-arrière-rear-Hinten

A010T120ZB75	100	11	760	760	D36	D36	140	145	1/15+10/13	A01	
F010T126ZA75	100	4	760	760	D36	D36	117	98	4/22	F01	

BESTELNR N° COMMANDE ORDER NR BESTELNR	BR LRG WID BR	BLADEN LAMES LEAVES BLATT.	B	C	D1	D2	PH FL FA SP	PAK EP TH PAK	DETAIL	MOD	OPMERKINGEN REMARQUES REMARKS BEMERKUNGEN
---	------------------------	-------------------------------------	---	---	----	----	----------------------	------------------------	--------	-----	--

SERIE : 142**R 142 H 6X4****voor-avant-front-Vorne**

A010T127ZA75	90	7	910	910	D28	D28	170	105	7/15	A01	
A010T125ZA75	90	8	910	910	D28	D28	165	120	8/15	A01	

achter-arrière-rear-Hinten

A010T122ZA70	100	8	740	740	--	--	70	160	8/20	A08R	
A010Z144ZB70	100	12	740	740	--	--	75	180	12/15	A08R	

R 142 M 4X2**voor-avant-front-Vorne**

F010T159ZA75	90	3	910	910	D28	D28	162	80	3/24	F01	
--------------	----	---	-----	-----	-----	-----	-----	----	------	-----	--

achter-arrière-rear-Hinten

A	A010T156ZA	90	7/6	0	0			0			A01S	los/séparé
A	A010T156ZA75	90	6/P	890	890	D36	D36	165	105	6/15+P/15	A01	
H	A010T154HA80	90	6	730	730	--	--	110	78	6/13	A08	
A	F010T162ZA76	90	3/P/2	890	890	D36	D36	170	199		F01A	
A	F010T162ZA75	90	3	890	890	D36	D36	170	81	3/24	F01	
H	F010T162HA80	90	2/P	730	730	--	--	98	118	2/26+P/60	F08	

R 142 M 4X2A**voor-avant-front-Vorne**

F010T159ZA75	90	3	910	910	D28	D28	162	80	3/24	F01	
--------------	----	---	-----	-----	-----	-----	-----	----	------	-----	--

achter-arrière-rear-Hinten

F010T170ZA75	120	2	705	345	S30	--	43	86	2/40	LR3211	Lenker
F010T186ZA75	120	2	705	345	S30	--	47	89	1/43+1/40	LR3211	Lenker

BESTELNR N° COMMANDE ORDER NR BESTELNR	BR LRG WID BR	BLADEN LAMES LEAVES BLATT.	B	C	D1	D2	PH FL FA SP	PAK EP TH PAK	DETAIL	MOD	OPMERKINGEN REMARKS REMARKS BEMERKUNGEN
---	------------------------	-------------------------------------	---	---	----	----	----------------------	------------------------	--------	-----	--

SERIE : 142**R 142 M 6X2A****voor-avant-front-Vorne**

F010T157ZA75	90	3	910	910	D28	D28	167	78	3/23	F01	
F010T159ZA75	90	3	910	910	D28	D28	162	80	3/24	F01	

achter-arrière-rear-Hinten

F010T170ZA75	120	2	705	345	S30	--	43	86	2/40	LR3211	Lenker
F010T186ZA75	120	2	705	345	S30	--	47	89	1/43+1/40	LR3211	Lenker

R 142 M 6X4**voor-avant-front-Vorne**

A010T127ZA75	90	7	910	910	D28	D28	170	105	7/15	A01	
--------------	----	---	-----	-----	-----	-----	-----	-----	------	-----	--

achter-arrière-rear-Hinten

A010T140ZA75	90	8	620	780	D36	D36	95	120	8/15	A01	
A010T138ZA75	90	8	780	620	D36	D36	95	120	8/15	A01	

R 142 MA 4X2**voor-avant-front-Vorne**

F010T159ZA75	90	3	910	910	D28	D28	162	80	3/24	F01	
--------------	----	---	-----	-----	-----	-----	-----	----	------	-----	--

achter-arrière-rear-Hinten

A	F010T164ZA76	90	3/P/2	890	890	D36	D36	158	205		F01A	
	F010T164ZA75	90	3	890	890	D36	D36	158	87	3/26	F01	
H	F010T162HA80	90	2/P	730	730	--	--	98	118	2/26+P/60	F08	

R 142 MA 4X2A**voor-avant-front-Vorne**

F010T159ZA75	90	3	910	910	D28	D28	162	80	3/24	F01	
--------------	----	---	-----	-----	-----	-----	-----	----	------	-----	--

achter-arrière-rear-Hinten

F010T170ZA75	120	2	705	345	S30	--	43	86	2/40	LR3211	Lenker
F010T186ZA75	120	2	705	345	S30	--	47	89	1/43+1/40	LR3211	Lenker

BESTELNR N° COMMANDE ORDER NR BESTELNR	BR LRG WID BR	BLADEN LAMES LEAVES BLATT.	B	C	D1	D2	PH FL FA SP	PAK EP TH PAK	DETAIL	MOD	OPMERKINGEN REMARQUES REMARKS BEMERKUNGEN
---	------------------------	-------------------------------------	---	---	----	----	----------------------	------------------------	--------	-----	--

SERIE : 143**143 EL 6X4****Truck - Porteur - Rigid****voor-avant-front-Vorne**

A010T127ZA75	90	7	910	910	D28	D28	170	105	7/15	A01	
A010T153ZA75	90	6/P	910	910	D28	D28	165	105	6/15+P/15	A01	
A010T125ZA75	90	8	910	910	D28	D28	165	120	8/15	A01	
A010T165ZA75	90	9	910	910	D28	D28	170	135	9/15	A01	
F010T183ZA75	90	2	910	910	D28	D28	147	62	2/28	F01	
F010T177ZA75	90	2	910	910	D28	D28	131	66	2/30	F01	
F010T181ZA75	90	2	910	910	D28	D28	128	70	2/32	F01	
F010T179ZA75	90	3	910	910	D28	D28	140	95	3/29	F01	

achter-arrière-rear-Hinten

A010T124ZA70	100	10	740	740	--	--	70	200	10/20	A08R	
A010T168ZA70	100	12	740	740	--	--	70	240	12/20	A08R	

143 EL 8X4**Truck - Porteur - Rigid****voor-avant-front-Vorne**

F010T187ZA75	90	4	715	910	D28	D28	130	97	4/22	F01	
F010T185ZA75	90	4	910	715	D28	D28	130	97	4/22	F01	

achter-arrière-rear-Hinten

A010T124ZA70	100	10	740	740	--	--	70	200	10/20	A08R	
A010T168ZA70	100	12	740	740	--	--	70	240	12/20	A08R	

BESTELNR N° COMMANDE ORDER NR BESTELNR	BR LRG WID BR	BLADEN LAMES LEAVES BLATT.	B	C	D1	D2	PH FL FA SP	PAK EP TH PAK	DETAIL	MOD	OPMERKINGEN REMARKS REMARKS BEMERKUNGEN
---	------------------------	-------------------------------------	---	---	----	----	----------------------	------------------------	--------	-----	--

SERIE : 143

143 HL 4X2

Truck - Porteur - Rigid

voor-avant-front-Vorne

A010T153ZA75	90	6/P	910	910	D28	D28	165	105	6/15+P/15	A01	
A010T127ZA75	90	7	910	910	D28	D28	170	105	7/15	A01	
A010T125ZA75	90	8	910	910	D28	D28	165	120	8/15	A01	
A010T165ZA75	90	9	910	910	D28	D28	170	135	9/15	A01	
F010T183ZA75	90	2	910	910	D28	D28	147	62	2/28	F01	
F010T181ZA75	90	2	910	910	D28	D28	128	70	2/32	F01	
F010T177ZA75	90	2	910	910	D28	D28	131	66	2/30	F01	
F010T179ZA75	90	3	910	910	D28	D28	140	95	3/29	F01	

achter-arrière-rear-Hinten

	A010T160ZA	90	7/6	0	0			0			A01S	los/séparé
A	A010T160ZA75	90	7	890	890	D36	D36	165	105	7/15	A01	
H	A010T156HA80	90	6	730	730	--	--	105	84	6/14	A08	
	A010T154ZA	90	9/6	0	0			0			A01S	los/séparé
A	A010T154ZA75	90	9	890	890	D36	D36	170	135	9/15	A01	
H	A010T156HA80	90	6	730	730	--	--	105	84	6/14	A08	
	F010T196ZA76	90	2/P/1	890	890	D36	D36	143	179		F01A	
A	F010T196ZA75	90	2	890	890	D36	D36	143	74	2/34	F01	
H	F010T196HA80	90	1/P	730	730	--	--	92	105	1/34+P/68	F08	
	F010T164ZA76	90	3/P/2	890	890	D36	D36	158	205		F01A	
A	F010T164ZA75	90	3	890	890	D36	D36	158	87	3/26	F01	
H	F010T162HA80	90	2/P	730	730	--	--	98	118	2/26+P/60	F08	
	F010T184ZA75	120	2	705	345	S30	--	-63	89	1/43+1/40	LR3221	Lenker
	F010T182ZA75	120	2	705	345	S30	--	-62	86	2/40	LR3221	Lenker

BESTELNR N° COMMANDE ORDER NR BESTELLNR	BR LRG WID BR	BLADEN LAMES LEAVES BLATT.	B	C	D1	D2	PH FL FA SP	PAK EP TH PAK	DETAIL	MOD	OPMERKINGEN REMARQUES REMARKS BEMERKUNGEN
--	------------------------	-------------------------------------	---	---	----	----	----------------------	------------------------	--------	-----	--

SERIE : 143**143 HL 6X2****Truck - Porteur - Rigid****voor-avant-front-Vorne**

A010T153ZA75	90	6/P	910	910	D28	D28	165	105	6/15+P/15	A01	
A010T127ZA75	90	7	910	910	D28	D28	170	105	7/15	A01	
A010T125ZA75	90	8	910	910	D28	D28	165	120	8/15	A01	
A010T165ZA75	90	9	910	910	D28	D28	170	135	9/15	A01	
F010T181ZA75	90	2	910	910	D28	D28	128	70	2/32	F01	
F010T183ZA75	90	2	910	910	D28	D28	147	62	2/28	F01	
F010T177ZA75	90	2	910	910	D28	D28	131	66	2/30	F01	
F010T179ZA75	90	3	910	910	D28	D28	140	95	3/29	F01	

achter-arrière-rear-Hinten

A010T120ZB75	100	11	760	760	D36	D36	140	145	1/15+10/13	A01	
A010T108ZA75	100	12	760	760	D36	D36	160	134	1/13+11/11	A01	
F010T192ZA75	100	4	760	760	D36	D36	117	104	4/23	F01	
F010T194ZA75	100	5	760	760	D36	D36	102	125	5/22	F01	
F010T188ZA75	100	2	690	260	S30	--	-52	97	1/47+1/44	LR0223	old

BESTELNR N° COMMANDE ORDER NR BESTELNR	BR LRG WID BR	BLADEN LAMES LEAVES BLATT.	B	C	D1	D2	PH FL FA SP	PAK EP TH PAK	DETAIL	MOD	OPMERKINGEN REMARKS REMARKS BEMERKUNGEN
---	------------------------	-------------------------------------	---	---	----	----	----------------------	------------------------	--------	-----	--

SERIE : 143**143 HL 6X4****Truck - Porteur - Rigid****voor-avant-front-Vorne**

A010T127ZA75	90	7	910	910	D28	D28	170	105	7/15	A01	
A010T153ZA75	90	6/P	910	910	D28	D28	165	105	6/15+P/15	A01	
A010T125ZA75	90	8	910	910	D28	D28	165	120	8/15	A01	
A010T165ZA75	90	9	910	910	D28	D28	170	135	9/15	A01	
F010T177ZA75	90	2	910	910	D28	D28	131	66	2/30	F01	
F010T183ZA75	90	2	910	910	D28	D28	147	62	2/28	F01	
F010T181ZA75	90	2	910	910	D28	D28	128	70	2/32	F01	
F010T179ZA75	90	3	910	910	D28	D28	140	95	3/29	F01	

achter-arrière-rear-Hinten

A010T122ZA70	100	8	740	740	--	--	70	160	8/20	A08R	
A010T124ZA70	100	10	740	740	--	--	70	200	10/20	A08R	
A010T118ZA70	100	10	740	740	--	--	65	150	10/15	A08R	
A010Z144ZB70	100	12	740	740	--	--	75	180	12/15	A08R	
A010T168ZA70	100	12	740	740	--	--	70	240	12/20	A08R	
F010T208ZA70	90	4	770	770	--	--		128	4/30	F08R	
F010T202ZA70	90	4	770	770	--	--	85	172	4/41	F08R	
F010T188ZA75	100	2	690	260	S30	--	-52	97	1/47+1/44	LR0223	old

143 HL 8X2**Truck - Porteur - Rigid****voor-avant-front-Vorne**

A010T176ZA75	90	9	715	910	D28	D28	145	117	9/13	A01	
A010T174ZA75	90	9	907	713	D28	D28	145	117	9/13	A01	
F010T187ZA75	90	4	715	910	D28	D28	130	97	4/22	F01	
F010T185ZA75	90	4	910	715	D28	D28	130	97	4/22	F01	

achter-arrière-rear-Hinten

A010T120ZB75	100	11	760	760	D36	D36	140	145	1/15+10/13	A01	
A010T108ZA75	100	12	760	760	D36	D36	160	134	1/13+11/11	A01	
F010T192ZA75	100	4	760	760	D36	D36	117	104	4/23	F01	
F010T194ZA75	100	5	760	760	D36	D36	102	125	5/22	F01	
F010T188ZA75	100	2	690	260	S30	--	-52	97	1/47+1/44	LR0223	old

BESTELNR N° COMMANDE ORDER NR BESTELNR	BR LRG WID BR	BLADEN LAMES LEAVES BLATT.	B	C	D1	D2	PH FL FA SP	PAK EP TH PAK	DETAIL	MOD	OPMERKINGEN REMARQUES REMARKS BEMERKUNGEN
---	------------------------	-------------------------------------	---	---	----	----	----------------------	------------------------	--------	-----	--

SERIE : 143**143 MA 4X2****Trekker - Tracteur - Tractor****voor-avant-front-Vorne**

A010T127ZA75	90	7	910	910	D28	D28	170	105	7/15	A01	
A010T153ZA75	90	6/P	910	910	D28	D28	165	105	6/15+P/15	A01	
A010T125ZA75	90	8	910	910	D28	D28	165	120	8/15	A01	
A010T165ZA75	90	9	910	910	D28	D28	170	135	9/15	A01	
F010T177ZA75	90	2	910	910	D28	D28	131	66	2/30	F01	
F010T181ZA75	90	2	910	910	D28	D28	128	70	2/32	F01	
F010T183ZA75	90	2	910	910	D28	D28	147	62	2/28	F01	
F010T179ZA75	90	3	910	910	D28	D28	140	95	3/29	F01	

achter-arrière-rear-Hinten

F010T184ZA75	120	2	705	345	S30	--	-63	89	1/43+1/40	LR3221	Lenker
F010T182ZA75	120	2	705	345	S30	--	-62	86	2/40	LR3221	Lenker

143 MA 6X2/4**Trekker - Tracteur - Tractor****voor-avant-front-Vorne**

A010T127ZA75	90	7	910	910	D28	D28	170	105	7/15	A01	
A010T153ZA75	90	6/P	910	910	D28	D28	165	105	6/15+P/15	A01	
A010T125ZA75	90	8	910	910	D28	D28	165	120	8/15	A01	
A010T165ZA75	90	9	910	910	D28	D28	170	135	9/15	A01	
F010T181ZA75	90	2	910	910	D28	D28	128	70	2/32	F01	
F010T183ZA75	90	2	910	910	D28	D28	147	62	2/28	F01	
F010T177ZA75	90	2	910	910	D28	D28	131	66	2/30	F01	
F010T179ZA75	90	3	910	910	D28	D28	140	95	3/29	F01	

achter-arrière-rear-Hinten

A	F010T196ZA76	90	2/P/1	890	890	D36	D36	143	179		F01A	
	F010T196ZA75	90	2	890	890	D36	D36	143	74	2/34	F01	
H	F010T196HA80	90	1/P	730	730	--	--	92	105	1/34+P/68	F08	
	F010T222ZA75	90	2	450	0	D36	--				LK4527	Lenker
	F010T200ZA75	90	3	450	420	D36	--	-7	110	3/24	LK4527	Lenker
	F010T182ZA75	120	2	705	345	S30	--	-62	86	2/40	LR3221	Lenker
	F010T184ZA75	120	2	705	345	S30	--	-63	89	1/43+1/40	LR3221	Lenker

BESTELNR N° COMMANDE ORDER NR BESTELNR	BR LRG WID BR	BLADEN LAMES LEAVES BLATT.	B	C	D1	D2	PH FL FA SP	PAK EP TH PAK	DETAIL	MOD	OPMERKINGEN REMARQUES REMARKS BEMERKUNGEN
---	------------------------	-------------------------------------	---	---	----	----	----------------------	------------------------	--------	-----	--

SERIE : 143**143 ML 4X2****Truck - Porteur - Rigid****voor-avant-front-Vorne**

A010T127ZA75	90	7	910	910	D28	D28	170	105	7/15	A01	
A010T153ZA75	90	6/P	910	910	D28	D28	165	105	6/15+P/15	A01	
A010T125ZA75	90	8	910	910	D28	D28	165	120	8/15	A01	
A010T165ZA75	90	9	910	910	D28	D28	170	135	9/15	A01	
F010T183ZA75	90	2	910	910	D28	D28	147	62	2/28	F01	
F010T177ZA75	90	2	910	910	D28	D28	131	66	2/30	F01	
F010T181ZA75	90	2	910	910	D28	D28	128	70	2/32	F01	
F010T179ZA75	90	3	910	910	D28	D28	140	95	3/29	F01	

achter-arrière-rear-Hinten

F010T188ZA75	100	2	690	260	S30	--	-52	97	1/47+1/44	LR0223	old
F010T182ZA75	120	2	705	345	S30	--	-62	86	2/40	LR3221	Lenker
F010T184ZA75	120	2	705	345	S30	--	-63	89	1/43+1/40	LR3221	Lenker

143 ML 6X2**Truck - Porteur - Rigid****voor-avant-front-Vorne**

A010T127ZA75	90	7	910	910	D28	D28	170	105	7/15	A01	
A010T153ZA75	90	6/P	910	910	D28	D28	165	105	6/15+P/15	A01	
A010T125ZA75	90	8	910	910	D28	D28	165	120	8/15	A01	
A010T165ZA75	90	9	910	910	D28	D28	170	135	9/15	A01	
F010T177ZA75	90	2	910	910	D28	D28	131	66	2/30	F01	
F010T181ZA75	90	2	910	910	D28	D28	128	70	2/32	F01	
F010T183ZA75	90	2	910	910	D28	D28	147	62	2/28	F01	
F010T179ZA75	90	3	910	910	D28	D28	140	95	3/29	F01	

achter-arrière-rear-Hinten

F010T190ZA75	100	2	690	260	S30	--	-42	90	2/42	LR0223	Lenker
F010T188ZA75	100	2	690	260	S30	--	-52	97	1/47+1/44	LR0223	old
F010T184ZA75	120	2	705	345	S30	--	-63	89	1/43+1/40	LR3221	Lenker
F010T182ZA75	120	2	705	345	S30	--	-62	86	2/40	LR3221	Lenker

BESTELNR N° COMMANDE ORDER NR BESTELNR	BR LRG WID BR	BLADEN LAMES LEAVES BLATT.	B	C	D1	D2	PH FL FA SP	PAK EP TH PAK	DETAIL	MOD	OPMERKINGEN REMARQUES REMARKS BEMERKUNGEN
---	------------------------	-------------------------------------	---	---	----	----	----------------------	------------------------	--------	-----	--

SERIE : 143**143 ML 6X4****Truck - Porteur - Rigid****voor-avant-front-Vorne**

A010T127ZA75	90	7	910	910	D28	D28	170	105	7/15	A01	
A010T153ZA75	90	6/P	910	910	D28	D28	165	105	6/15+P/15	A01	
A010T125ZA75	90	8	910	910	D28	D28	165	120	8/15	A01	
A010T165ZA75	90	9	910	910	D28	D28	170	135	9/15	A01	
F010T181ZA75	90	2	910	910	D28	D28	128	70	2/32	F01	
F010T183ZA75	90	2	910	910	D28	D28	147	62	2/28	F01	
F010T177ZA75	90	2	910	910	D28	D28	131	66	2/30	F01	
F010T179ZA75	90	3	910	910	D28	D28	140	95	3/29	F01	

achter-arrière-rear-Hinten

F010T188ZA75	100	2	690	260	S30	--	-52	97	1/47+1/44	LR0223	old
--------------	-----	---	-----	-----	-----	----	-----	----	-----------	--------	-----

143 ML 6X4 BB**Truck - Porteur - Rigid****voor-avant-front-Vorne**

A010T127ZA75	90	7	910	910	D28	D28	170	105	7/15	A01	
A010T153ZA75	90	6/P	910	910	D28	D28	165	105	6/15+P/15	A01	
A010T125ZA75	90	8	910	910	D28	D28	165	120	8/15	A01	
A010T165ZA75	90	9	910	910	D28	D28	170	135	9/15	A01	
F010T177ZA75	90	2	910	910	D28	D28	131	66	2/30	F01	
F010T183ZA75	90	2	910	910	D28	D28	147	62	2/28	F01	
F010T181ZA75	90	2	910	910	D28	D28	128	70	2/32	F01	
F010T179ZA75	90	3	910	910	D28	D28	140	95	3/29	F01	

achter-arrière-rear-Hinten

F010T208ZA70	90	4	770	770	--	--		128	4/30	F08R	
F010T202ZA70	90	4	770	770	--	--	85	172	4/41	F08R	

BESTELNR N° COMMANDE ORDER NR BESTELNR	BR LRG WID BR	BLADEN LAMES LEAVES BLATT.	B	C	D1	D2	PH FL FA SP	PAK EP TH PAK	DETAIL	MOD	OPMERKINGEN REMARQUES REMARKS BEMERKUNGEN
---	------------------------	-------------------------------------	---	---	----	----	----------------------	------------------------	--------	-----	--

SERIE : 143**143 ML 6X4 FB****Truck - Porteur - Rigid****voor-avant-front-Vorne**

A010T153ZA75	90	6/P	910	910	D28	D28	165	105	6/15+P/15	A01	
A010T127ZA75	90	7	910	910	D28	D28	170	105	7/15	A01	
A010T125ZA75	90	8	910	910	D28	D28	165	120	8/15	A01	
A010T165ZA75	90	9	910	910	D28	D28	170	135	9/15	A01	
F010T181ZA75	90	2	910	910	D28	D28	128	70	2/32	F01	
F010T183ZA75	90	2	910	910	D28	D28	147	62	2/28	F01	
F010T177ZA75	90	2	910	910	D28	D28	131	66	2/30	F01	
F010T179ZA75	90	3	910	910	D28	D28	140	95	3/29	F01	

achter-arrière-rear-Hinten

A010T214ZA75	90	5	620	780	D36	D36		75	5/15	A01	
A010T218ZA75	90	7	620	780	D36	D36	107	105	7/15	A01	
A010T140ZA75	90	8	620	780	D36	D36	95	120	8/15	A01	
A010T210ZA75	90	9	620	780	D36	D36	115	135	9/15	A01	
A010T212ZA75	90	5	780	620	D36	D36		75	5/15	A01	
A010T216ZA75	90	7	780	620	D36	D36	107	105	7/15	A01	
A010T138ZA75	90	8	780	620	D36	D36	95	120	8/15	A01	
A010T206ZA75	90	9	780	620	D36	D36	115	135	9/15	A01	

BESTELNR N° COMMANDE ORDER NR BESTELLNR	BR LRG WID BR	BLADEN LAMES LEAVES BLATT.	B	C	D1	D2	PH FL FA SP	PAK EP TH PAK	DETAIL	MOD	OPMERKINGEN REMARKS REMARKS BEMERKUNGEN
--	------------------------	-------------------------------------	---	---	----	----	----------------------	------------------------	--------	-----	--

SERIE : 143**143 MW 4X2****Trekker - Tracteur - Tractor****voor-avant-front-Vorne**

A010T127ZA75	90	7	910	910	D28	D28	170	105	7/15	A01	
A010T153ZA75	90	6/P	910	910	D28	D28	165	105	6/15+P/15	A01	
A010T125ZA75	90	8	910	910	D28	D28	165	120	8/15	A01	
A010T165ZA75	90	9	910	910	D28	D28	170	135	9/15	A01	
F010T177ZA75	90	2	910	910	D28	D28	131	66	2/30	F01	
F010T181ZA75	90	2	910	910	D28	D28	128	70	2/32	F01	
F010T183ZA75	90	2	910	910	D28	D28	147	62	2/28	F01	
F010T179ZA75	90	3	910	910	D28	D28	140	95	3/29	F01	

achter-arrière-rear-Hinten

F010T184ZA75	120	2	705	345	S30	--	-63	89	1/43+1/40	LR3221	Lenker
F010T182ZA75	120	2	705	345	S30	--	-62	86	2/40	LR3221	Lenker

BESTELNR N° COMMANDE ORDER NR BESTELNR	BR LRG WID BR	BLADEN LAMES LEAVES BLATT.	B	C	D1	D2	PH FL FA SP	PAK EP TH PAK	DETAIL	MOD	OPMERKINGEN REMARQUES REMARKS BEMERKUNGEN
---	------------------------	-------------------------------------	---	---	----	----	----------------------	------------------------	--------	-----	--

SERIE : 144

144 C 4X2

Truck - Porteur - Rigid

voor-avant-front-Vorne

A010T127ZA75	90	7	910	910	D28	D28	170	105	7/15	A01	
A010T165ZA75	90	9	910	910	D28	D28	170	135	9/15	A01	
F010T181ZA75	90	2	910	910	D28	D28	128	70	2/32	F01	
F010T177ZA75	90	2	910	910	D28	D28	131	66	2/30	F01	
F010T179ZA75	90	3	910	910	D28	D28	140	95	3/29	F01	

achter-arrière-rear-Hinten

A010T154ZA	90	9/6	0	0				0		A01S	los/séparé
A010T154ZA75	90	9	890	890	D36	D36	170	135	9/15	A01	
A010T156HA80	90	6	730	730	--	--	105	84	6/14	A08	
F010T164ZA76	90	3/P/2	890	890	D36	D36	158	205		F01A	
F010T164ZA75	90	3	890	890	D36	D36	158	87	3/26	F01	
F010T162HA80	90	2/P	730	730	--	--	98	118	2/26+P/60	F08	

Trekker - Tracteur - Tractor

voor-avant-front-Vorne

A010T127ZA75	90	7	910	910	D28	D28	170	105	7/15	A01	
A010T165ZA75	90	9	910	910	D28	D28	170	135	9/15	A01	
F010T177ZA75	90	2	910	910	D28	D28	131	66	2/30	F01	
F010T181ZA75	90	2	910	910	D28	D28	128	70	2/32	F01	
F010T179ZA75	90	3	910	910	D28	D28	140	95	3/29	F01	

achter-arrière-rear-Hinten

A010T154ZA	90	9/6	0	0				0		A01S	los/séparé
A010T154ZA75	90	9	890	890	D36	D36	170	135	9/15	A01	
A010T156HA80	90	6	730	730	--	--	105	84	6/14	A08	
F010T164ZA76	90	3/P/2	890	890	D36	D36	158	205		F01A	
F010T164ZA75	90	3	890	890	D36	D36	158	87	3/26	F01	
F010T162HA80	90	2/P	730	730	--	--	98	118	2/26+P/60	F08	

BESTELNR N° COMMANDE ORDER NR BESTELNR	BR LRG WID BR	BLADEN LAMES LEAVES BLATT.	B	C	D1	D2	PH FL FA SP	PAK EP TH PAK	DETAIL	MOD	OPMERKINGEN REMARKS REMARKS BEMERKUNGEN
---	------------------------	-------------------------------------	---	---	----	----	----------------------	------------------------	--------	-----	--

SERIE : 144**144 C 6X4****Truck - Porteur - Rigid****voor-avant-front-Vorne**

A010T127ZA75	90	7	910	910	D28	D28	170	105	7/15	A01	
A010T165ZA75	90	9	910	910	D28	D28	170	135	9/15	A01	
F010T181ZA75	90	2	910	910	D28	D28	128	70	2/32	F01	
F010T177ZA75	90	2	910	910	D28	D28	131	66	2/30	F01	
F010T179ZA75	90	3	910	910	D28	D28	140	95	3/29	F01	

achter-arrière-rear-Hinten

F010T232ZR75	100	2	710	400	S30	--	-65	97	1/47+1/44	LR0121.	
F010T232ZL75	100	2	710	400	S30	--	-65	97	1/47+1/44	LR0121.	

Trekker - Tracteur - Tractor**voor-avant-front-Vorne**

A010T127ZA75	90	7	910	910	D28	D28	170	105	7/15	A01	
A010T165ZA75	90	9	910	910	D28	D28	170	135	9/15	A01	
F010T177ZA75	90	2	910	910	D28	D28	131	66	2/30	F01	
F010T181ZA75	90	2	910	910	D28	D28	128	70	2/32	F01	
F010T179ZA75	90	3	910	910	D28	D28	140	95	3/29	F01	

achter-arrière-rear-Hinten

A010T226ZA70	90	12	0	0	--	--			12/20	A08R	
A010T228ZA70	90	12	0	0	--	--		0	12/20	A08R	
F010T202ZA70	90	4	770	770	--	--	85	172	4/41	F08R	
F010T208ZA70	90	4	770	770	--	--		128	4/30	F08R	

BESTELNR N° COMMANDE ORDER NR BESTELLNR	BR LRG WID BR	BLADEN LAMES LEAVES BLATT.	B	C	D1	D2	PH FL FA SP	PAK EP TH PAK	DETAIL	MOD	OPMERKINGEN REMARQUES REMARKS BEMERKUNGEN
--	------------------------	-------------------------------------	---	---	----	----	----------------------	------------------------	--------	-----	--

SERIE : 144**144 C 8X4****Truck - Porteur - Rigid****voor-avant-front-Vorne**

A010T127ZA75	90	7	910	910	D28	D28	170	105	7/15	A01	
A010T165ZA75	90	9	910	910	D28	D28	170	135	9/15	A01	
F010T177ZA75	90	2	910	910	D28	D28	131	66	2/30	F01	
F010T181ZA75	90	2	910	910	D28	D28	128	70	2/32	F01	
F010T179ZA75	90	3	910	910	D28	D28	140	95	3/29	F01	

achter-arrière-rear-Hinten

A010T228ZA70	90	12	0	0	--	--		0	12/20	A08R	
A010T226ZA70	90	12	0	0	--	--			12/20	A08R	
F010T208ZA70	90	4	770	770	--	--		128	4/30	F08R	
F010T202ZA70	90	4	770	770	--	--	85	172	4/41	F08R	

BESTELNR N° COMMANDE ORDER NR BESTELLNR	BR LRG WID BR	BLADEN LAMES LEAVES BLATT.	B	C	D1	D2	PH FL FA SP	PAK EP TH PAK	DETAIL	MOD	OPMERKINGEN REMARQUES REMARKS BEMERKUNGEN
--	------------------------	-------------------------------------	---	---	----	----	----------------------	------------------------	--------	-----	--

SERIE : 144**144 G 4X2****Truck - Porteur - Rigid****voor-avant-front-Vorne**

A010T127ZA75	90	7	910	910	D28	D28	170	105	7/15	A01	
A010T165ZA75	90	9	910	910	D28	D28	170	135	9/15	A01	
F010T181ZA75	90	2	910	910	D28	D28	128	70	2/32	F01	
F010T177ZA75	90	2	910	910	D28	D28	131	66	2/30	F01	
F010T179ZA75	90	3	910	910	D28	D28	140	95	3/29	F01	

achter-arrière-rear-Hinten

	A010T154ZA	90	9/6	0	0			0			A01S	los/séparé
A	A010T154ZA75	90	9	890	890	D36	D36	170	135	9/15	A01	
H	A010T156HA80	90	6	730	730	--	--	105	84	6/14	A08	
	F010T164ZA76	90	3/P/2	890	890	D36	D36	158	205		F01A	
A	F010T164ZA75	90	3	890	890	D36	D36	158	87	3/26	F01	
H	F010T162HA80	90	2/P	730	730	--	--	98	118	2/26+P/60	F08	
	F010T204ZA75	100	2	690	260	S30	--	-52	97	1/47+1/44	LR0223	new

Trekker - Tracteur - Tractor**voor-avant-front-Vorne**

A010T127ZA75	90	7	910	910	D28	D28	170	105	7/15	A01	
A010T165ZA75	90	9	910	910	D28	D28	170	135	9/15	A01	
F010T181ZA75	90	2	910	910	D28	D28	128	70	2/32	F01	
F010T177ZA75	90	2	910	910	D28	D28	131	66	2/30	F01	
F010T179ZA75	90	3	910	910	D28	D28	140	95	3/29	F01	

achter-arrière-rear-Hinten

	A010T154ZA	90	9/6	0	0			0			A01S	los/séparé
A	A010T154ZA75	90	9	890	890	D36	D36	170	135	9/15	A01	
H	A010T156HA80	90	6	730	730	--	--	105	84	6/14	A08	
	F010T164ZA76	90	3/P/2	890	890	D36	D36	158	205		F01A	
A	F010T164ZA75	90	3	890	890	D36	D36	158	87	3/26	F01	
H	F010T162HA80	90	2/P	730	730	--	--	98	118	2/26+P/60	F08	
	F010T204ZA75	100	2	690	260	S30	--	-52	97	1/47+1/44	LR0223	new

BESTELNR N° COMMANDE ORDER NR BESTELNR	BR LRG WID BR	BLADEN LAMES LEAVES BLATT.	B	C	D1	D2	PH FL FA SP	PAK EP TH PAK	DETAIL	MOD	OPMERKINGEN REMARQUES REMARKS BEMERKUNGEN
---	------------------------	-------------------------------------	---	---	----	----	----------------------	------------------------	--------	-----	--

SERIE : 144

144 G 6X2

Truck - Porteur - Rigid

voor-avant-front-Vorne

A010T127ZA75	90	7	910	910	D28	D28	170	105	7/15	A01	
A010T165ZA75	90	9	910	910	D28	D28	170	135	9/15	A01	
F010T177ZA75	90	2	910	910	D28	D28	131	66	2/30	F01	
F010T181ZA75	90	2	910	910	D28	D28	128	70	2/32	F01	
F010T179ZA75	90	3	910	910	D28	D28	140	95	3/29	F01	

achter-arrière-rear-Hinten

A010T120ZB75	100	11	760	760	D36	D36	140	145	1/15+10/13	A01	
F010T194ZA75	100	5	760	760	D36	D36	102	125	5/22	F01	
F010T204ZA75	100	2	690	260	S30	--	-52	97	1/47+1/44	LR0223	new

Trekker - Tracteur - Tractor

voor-avant-front-Vorne

A010T127ZA75	90	7	910	910	D28	D28	170	105	7/15	A01	
A010T165ZA75	90	9	910	910	D28	D28	170	135	9/15	A01	
F010T177ZA75	90	2	910	910	D28	D28	131	66	2/30	F01	
F010T181ZA75	90	2	910	910	D28	D28	128	70	2/32	F01	
F010T179ZA75	90	3	910	910	D28	D28	140	95	3/29	F01	

achter-arrière-rear-Hinten

A010T120ZB75	100	11	760	760	D36	D36	140	145	1/15+10/13	A01	
F010T194ZA75	100	5	760	760	D36	D36	102	125	5/22	F01	
F010T204ZA75	100	2	690	260	S30	--	-52	97	1/47+1/44	LR0223	new

BESTELNR N° COMMANDE ORDER NR BESTELLNR	BR LRG WID BR	BLADEN LAMES LEAVES BLATT.	B	C	D1	D2	PH FL FA SP	PAK EP TH PAK	DETAIL	MOD	OPMERKINGEN REMARQUES REMARKS BEMERKUNGEN
--	------------------------	-------------------------------------	---	---	----	----	----------------------	------------------------	--------	-----	--

SERIE : 144**144 G 6X2*4****Truck - Porteur - Rigid****voor-avant-front-Vorne**

A010T127ZA75	90	7	910	910	D28	D28	170	105	7/15	A01	
A010T165ZA75	90	9	910	910	D28	D28	170	135	9/15	A01	
F010T181ZA75	90	2	910	910	D28	D28	128	70	2/32	F01	
F010T177ZA75	90	2	910	910	D28	D28	131	66	2/30	F01	
F010T179ZA75	90	3	910	910	D28	D28	140	95	3/29	F01	

achter-arrière-rear-Hinten

F010T232ZL75	100	2	710	400	S30	--	-65	97	1/47+1/44	LR0121.	
F010T232ZR75	100	2	710	400	S30	--	-65	97	1/47+1/44	LR0121.	

BESTELNR N° COMMANDE ORDER NR BESTELNR	BR LRG WID BR	BLADEN LAMES LEAVES BLATT.	B	C	D1	D2	PH FL FA SP	PAK EP TH PAK	DETAIL	MOD	OPMERKINGEN REMARQUES REMARKS BEMERKUNGEN
---	------------------------	-------------------------------------	---	---	----	----	----------------------	------------------------	--------	-----	--

SERIE : 144**144 G 6X4****Truck - Porteur - Rigid****voor-avant-front-Vorne**

A010T127ZA75	90	7	910	910	D28	D28	170	105	7/15	A01	
A010T165ZA75	90	9	910	910	D28	D28	170	135	9/15	A01	
F010T181ZA75	90	2	910	910	D28	D28	128	70	2/32	F01	
F010T177ZA75	90	2	910	910	D28	D28	131	66	2/30	F01	
F010T179ZA75	90	3	910	910	D28	D28	140	95	3/29	F01	

achter-arrière-rear-Hinten

A010T228ZA70	90	12	0	0	--	--		0	12/20	A08R	
F010T208ZA70	90	4	770	770	--	--		128	4/30	F08R	
F010T202ZA70	90	4	770	770	--	--	85	172	4/41	F08R	
F010T232ZL75	100	2	710	400	S30	--	-65	97	1/47+1/44	LR0121.	
F010T232ZR75	100	2	710	400	S30	--	-65	97	1/47+1/44	LR0121.	

Trekker - Tracteur - Tractor**voor-avant-front-Vorne**

A010T127ZA75	90	7	910	910	D28	D28	170	105	7/15	A01	
A010T165ZA75	90	9	910	910	D28	D28	170	135	9/15	A01	
F010T181ZA75	90	2	910	910	D28	D28	128	70	2/32	F01	
F010T177ZA75	90	2	910	910	D28	D28	131	66	2/30	F01	
F010T179ZA75	90	3	910	910	D28	D28	140	95	3/29	F01	

achter-arrière-rear-Hinten

F010T232ZL75	100	2	710	400	S30	--	-65	97	1/47+1/44	LR0121.	
F010T232ZR75	100	2	710	400	S30	--	-65	97	1/47+1/44	LR0121.	

BESTELNR N° COMMANDE ORDER NR BESTELNR	BR LRG WID BR	BLADEN LAMES LEAVES BLATT.	B	C	D1	D2	PH FL FA SP	PAK EP TH PAK	DETAIL	MOD	OPMERKINGEN REMARKS BEMERKUNGEN
---	------------------------	-------------------------------------	---	---	----	----	----------------------	------------------------	--------	-----	---------------------------------------

SERIE : 144

144 G 8X2

Truck - Porteur - Rigid

voor-avant-front-Vorne

F010T181ZA75	90	2	910	910	D28	D28	128	70	2/32	F01	
F010T177ZA75	90	2	910	910	D28	D28	131	66	2/30	F01	
F010T179ZA75	90	3	910	910	D28	D28	140	95	3/29	F01	

achter-arrière-rear-Hinten

A010T120ZB75	100	11	760	760	D36	D36	140	145	1/15+10/13	A01	
F010T194ZA75	100	5	760	760	D36	D36	102	125	5/22	F01	
F010T232ZR75	100	2	710	400	S30	--	-65	97	1/47+1/44	LR0121.	
F010T232ZL75	100	2	710	400	S30	--	-65	97	1/47+1/44	LR0121.	

144 G 8X4

Truck - Porteur - Rigid

voor-avant-front-Vorne

A010T127ZA75	90	7	910	910	D28	D28	170	105	7/15	A01	
A010T165ZA75	90	9	910	910	D28	D28	170	135	9/15	A01	
F010T177ZA75	90	2	910	910	D28	D28	131	66	2/30	F01	
F010T181ZA75	90	2	910	910	D28	D28	128	70	2/32	F01	
F010T179ZA75	90	3	910	910	D28	D28	140	95	3/29	F01	

achter-arrière-rear-Hinten

A010T228ZA70	90	12	0	0	--	--		0	12/20	A08R	
F010T208ZA70	90	4	770	770	--	--		128	4/30	F08R	
F010T202ZA70	90	4	770	770	--	--	85	172	4/41	F08R	

BESTELNR N° COMMANDE ORDER NR BESTELNR	BR LRG WID BR	BLADEN LAMES LEAVES BLATT.	B	C	D1	D2	PH FL FA SP	PAK EP TH PAK	DETAIL	MOD	OPMERKINGEN REMARKS REMARKS BEMERKUNGEN
---	------------------------	-------------------------------------	---	---	----	----	----------------------	------------------------	--------	-----	--

SERIE : 144**144 L 4X2****Truck - Porteur - Rigid****achter-arrière-rear-Hinten**

F010T204ZA75	100	2	690	260	S30	--	-52	97	1/47+1/44	LR0223	new
--------------	-----	---	-----	-----	-----	----	-----	----	-----------	--------	-----

Trekker - Tracteur - Tractor**voor-avant-front-Vorne**

F010T181ZA75	90	2	910	910	D28	D28	128	70	2/32	F01	
F010T179ZA75	90	3	910	910	D28	D28	140	95	3/29	F01	

achter-arrière-rear-Hinten

F010T204ZA75	100	2	690	260	S30	--	-52	97	1/47+1/44	LR0223	new
--------------	-----	---	-----	-----	-----	----	-----	----	-----------	--------	-----

144 L 6X2**Truck - Porteur - Rigid****voor-avant-front-Vorne**

F010T181ZA75	90	2	910	910	D28	D28	128	70	2/32	F01	
F010T179ZA75	90	3	910	910	D28	D28	140	95	3/29	F01	

achter-arrière-rear-Hinten

F010T204ZA75	100	2	690	260	S30	--	-52	97	1/47+1/44	LR0223	new
--------------	-----	---	-----	-----	-----	----	-----	----	-----------	--------	-----

144 L 6X2*4**Truck - Porteur - Rigid****voor-avant-front-Vorne**

F010T181ZA75	90	2	910	910	D28	D28	128	70	2/32	F01	
F010T179ZA75	90	3	910	910	D28	D28	140	95	3/29	F01	

achter-arrière-rear-Hinten

F010T204ZA75	100	2	690	260	S30	--	-52	97	1/47+1/44	LR0223	new
--------------	-----	---	-----	-----	-----	----	-----	----	-----------	--------	-----

BESTELNR N° COMMANDE ORDER NR BESTELLNR	BR LRG WID BR	BLADEN LAMES LEAVES BLATT.	B	C	D1	D2	PH FL FA SP	PAK EP TH PAK	DETAIL	MOD	OPMERKINGEN REMARQUES REMARKS BEMERKUNGEN
--	------------------------	-------------------------------------	---	---	----	----	----------------------	------------------------	--------	-----	--

SERIE : 144**144 L 6X2/4****Truck - Porteur - Rigid****voor-avant-front-Vorne**

F010T181ZA75	90	2	910	910	D28	D28	128	70	2/32	F01	
F010T179ZA75	90	3	910	910	D28	D28	140	95	3/29	F01	

achter-arrière-rear-Hinten

F010T204ZA75	100	2	690	260	S30	--	-52	97	1/47+1/44	LR0223	new
--------------	-----	---	-----	-----	-----	----	-----	----	-----------	--------	-----

Trekker - Tracteur - Tractor**achter-arrière-rear-Hinten**

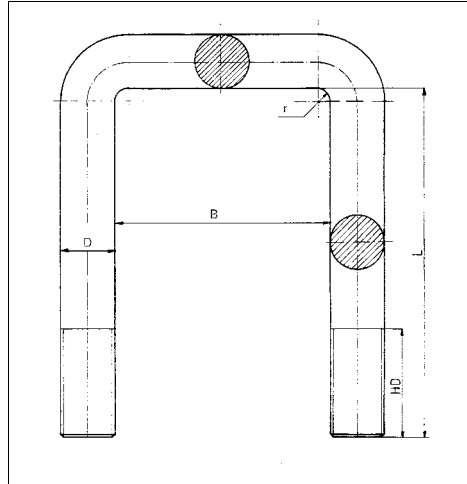
F010T204ZA75	100	2	690	260	S30	--	-52	97	1/47+1/44	LR0223	new
--------------	-----	---	-----	-----	-----	----	-----	----	-----------	--------	-----

DIAM	DR	BESTELNUMMER N° DE CDE ORDER NUMBER BESTELNR	B(1)	B(2)	L(1)	L(2)	HD(1)	HD(2)	PL	OPMERKINGEN REMARKS BEMERKUNGEN
------	----	---	------	------	------	------	-------	-------	----	---------------------------------------

SCANIA

Vorm* : B01

(*) Vorm : Forme/Schape/Form



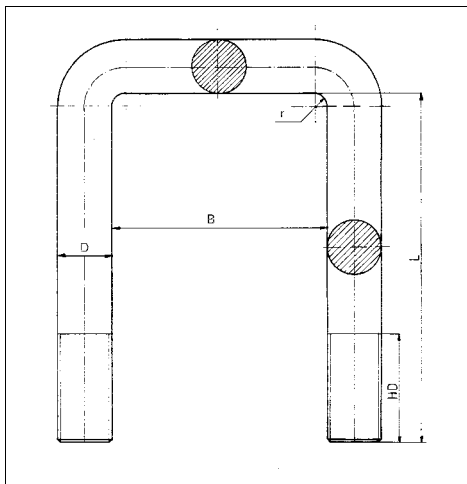
16.0	M16*1.5	B010M16A003	77		180		50			
	M16*1.5	B010M16A006	77		200		70			
18.0	M18*1.5	B010M18A003	92		190		60			
	M18*1.5	B010M18A010	92		210		70			
	M18*1.5	B010M18A017	92		220		90			
	M18*1.5	B010M18A025	92		245		90			
	M18*1.5	B010M18A057	92		260		80			
20.0	M20*1.5	B010M20A003	92		230		55			
	M20*1.5	B010M20A004	92		240		80			
	M20*1.5	B010M20A014	92		275		60			
20.0	M20*2.5	B010M20A001	104		195		55			
	M20*2.5	B010M20A002	104		220		60			
	M20*2.5	B010M20A009	104		230		70			
20.0	M20*2.5	B010M20A017	105		167		55			
	M20*2.5	B010M20A019	105		220		90			

DIAM	DR	BESTELNUMMER N° DE CDE ORDER NUMBER BESTELLNR	B(1)	B(2)	L(1)	L(2)	HD(1)	HD(2)	PL	OPMERKINGEN REMARQUES REMARKS BEMERKUNGEN
------	----	--	------	------	------	------	-------	-------	----	--

SCANIA

Vorm* : B01

(*) *Vorm : Forme/Schape/Form*



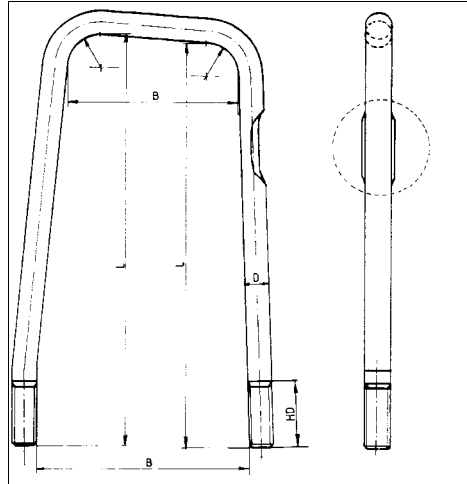
27.0	M27*3	B010M27A005	110		310		100			
------	-------	-------------	-----	--	-----	--	-----	--	--	--

DIAM	DR	BESTELNUMMER N° DE CDE ORDER NUMBER BESTELLN°	B(1)	B(2)	L(1)	L(2)	HD(1)	HD(2)	PL	OPMERKINGEN REMARQUES REMARKS BEMERKUNGEN
------	----	--	------	------	------	------	-------	-------	----	--

SCANIA

Vorm* : B0101

(*) Vorm : Forme/Schape/Form



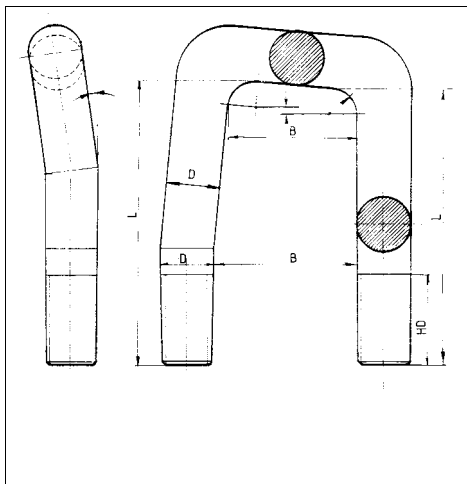
27.0	M27*3	B010M27B003	175	210	385	393	70	115		
	M27*2	B010M27B004	175	210	465	473	70	115		

DIAM	DR	BESTELNUMMER N° DE CDE ORDER NUMBER BESTELNR	B(1)	B(2)	L(1)	L(2)	HD(1)	HD(2)	PL	OPMERKINGEN REMARQUES REMARKS BEMERKUNGEN
------	----	---	------	------	------	------	-------	-------	----	--

SCANIA

Vorm* : B0102

(*) Vorm : Forme/Schape/Form



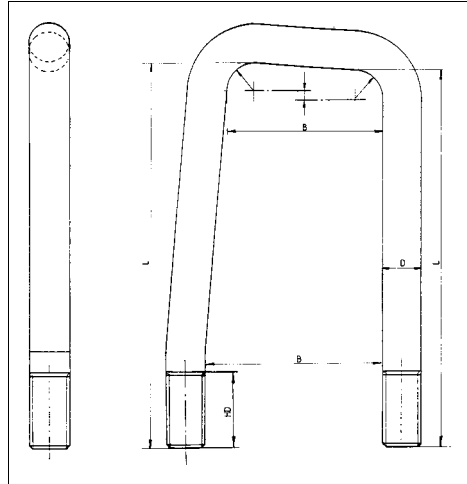
27.0	M27*3	B010M27A003	181	206	440	451	70			
	M27*3	B010M27A004	181	206	440	451	70			

DIAM	DR	BESTELNUMMER N° DE CDE ORDER NUMBER BESTELLNR	B(1)	B(2)	L(1)	L(2)	HD(1)	HD(2)	PL	OPMERKINGEN REMARQUES REMARKS BEMERKUNGEN
------	----	--	------	------	------	------	-------	-------	----	--

SCANIA

Vorm* : B0103

(*) *Vorm : Forme/Schape/Form*



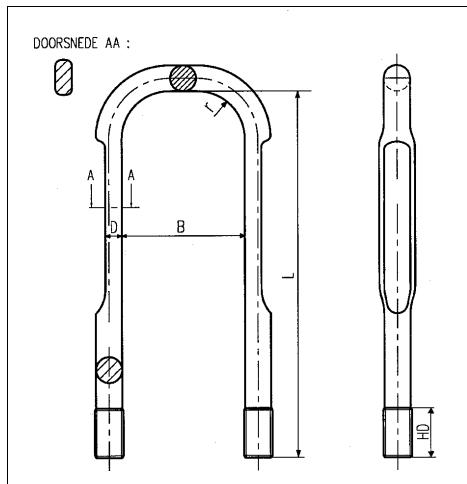
27.0	M27*3	B010M27A002	181	206	440	451	70			
------	-------	--------------------	-----	-----	-----	-----	----	--	--	--

DIAM	DR	BESTELNUMMER N° DE CDE ORDER NUMBER BESTELLNR	B(1)	B(2)	L(1)	L(2)	HD(1)	HD(2)	PL	OPMERKINGEN REMARQUES REMARKS BEMERKUNGEN
------	----	--	------	------	------	------	-------	-------	----	--

SCANIA

Vorm* : B0104

(*) *Vorm : Forme/Schape/Form*



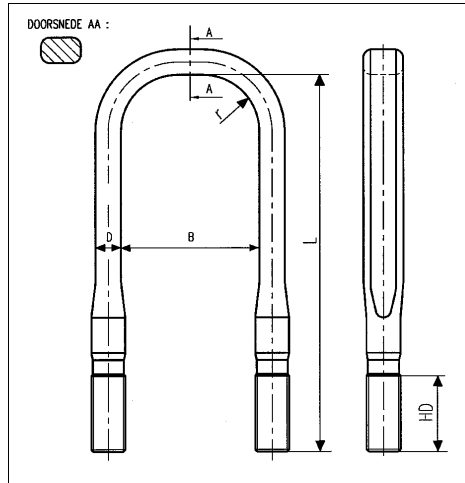
24.0	M24X3.00	B010M24B019	104		310		42			
------	----------	--------------------	-----	--	-----	--	----	--	--	--

DIAM	DR	BESTELNUMMER N° DE CDE ORDER NUMBER BESTELNR	B(1)	B(2)	L(1)	L(2)	HD(1)	HD(2)	PL	OPMERKINGEN REMARKS REMARKS BEMERKUNGEN
------	----	---	------	------	------	------	-------	-------	----	--

SCANIA

Vorm* : B0301

(*) Vorm : Forme/Schape/Form



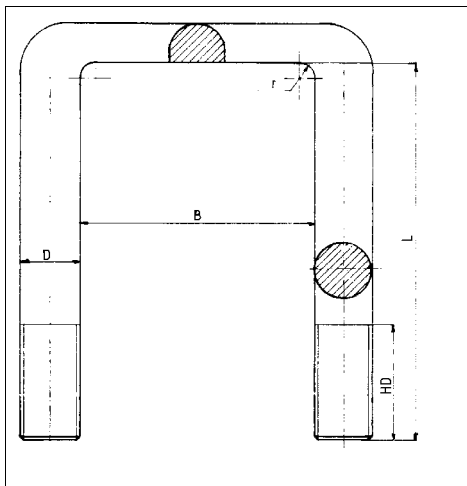
24.0	M24*3.00	B010M24B021	92	98	265		55			
	M24x3.00	B010M24B020	92	98	310		55			

DIAM	DR	BESTELNUMMER N° DE CDE ORDER NUMBER BESTELLNR	B(1)	B(2)	L(1)	L(2)	HD(1)	HD(2)	PL	OPMERKINGEN REMARQUES REMARKS BEMERKUNGEN
------	----	--	------	------	------	------	-------	-------	----	--

SCANIA

Vorm* : B04

(*) Vorm : Forme/Schape/Form



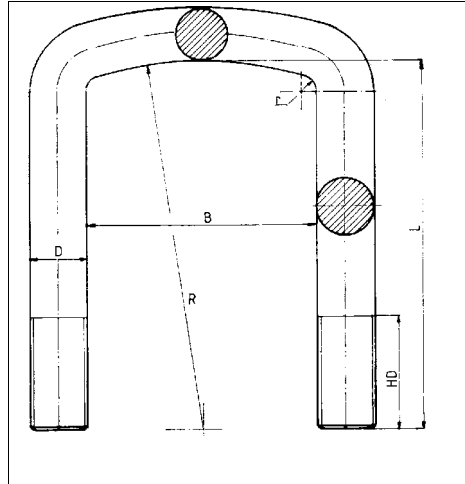
20.0	M20*2.5	B010M20B001	105		220		60			
------	---------	-------------	-----	--	-----	--	----	--	--	--

DIAM	DR	BESTELNUMMER N° DE CDE ORDER NUMBER BESTELNR	B(1)	B(2)	L(1)	L(2)	HD(1)	HD(2)	PL	OPMERKINGEN REMARQUES REMARKS BEMERKUNGEN
------	----	---	------	------	------	------	-------	-------	----	--

SCANIA

Vorm* : B05

(*) Vorm : Forme/Schape/Form



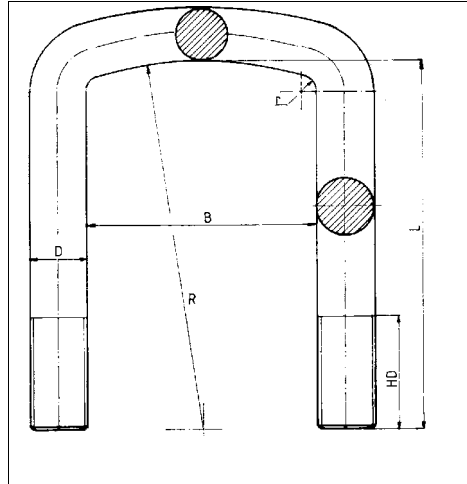
18.0	M18*1.5	B010M18A068	92		175		60			
	M18*1.5	B010M18A006	92		195		60			
	M18*1.5	B010M18A047	92		230		100			
	M18*2.5	B010M18A067	92		260		60			
	M18*1.5	B010M18A069	92		450		90			
20.0	M20*2.5	B010M20A022	92		173		60			B010M20A031
	M20*2.5	B010M20A023	92		190		70			B010M20A031
	M20*2.5	B010M20A012	92		190		55			B010M20A031
	M20*2.5	B010M20A024	92		205		65			B010M20A031
	M20*2.5	B010M20A025	92		207		55			B010M20A031
	M20*2.5	B010M20A026	92		214		65			B010M20A031
	M20*2.5	B010M20A031	92		215		110			
	M20*2.5	B010M20A027	92		227		55			
	M20*2.5	B010M20A028	92		240		65			
	M20*2.5	B010M20A029	92		260		65			

DIAM	DR	BESTELNUMMER N° DE CDE ORDER NUMBER BESTELLNR	B(1)	B(2)	L(1)	L(2)	HD(1)	HD(2)	PL	OPMERKINGEN REMARQUES REMARKS BEMERKUNGEN
------	----	--	------	------	------	------	-------	-------	----	--

SCANIA

Vorm* : B05

(*) Vorm : Forme/Schape/Form



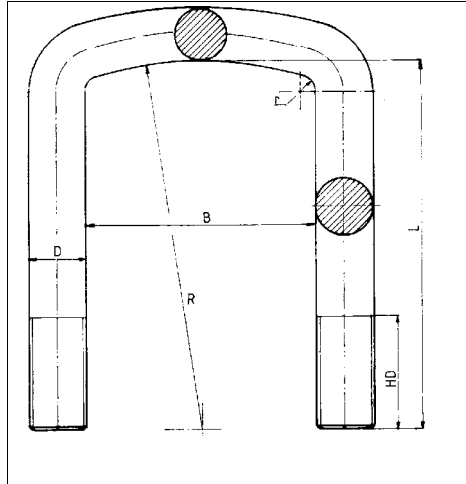
22.0	M22*2.5	B010M22A110	92		173		75			
	M22*2.5	B010M22A067	92		190		65			B010M22A103
	M22*2.5	B010M22A068	92		193		75			B010M22A103
	M22*2.5	B010M22A069	92		203		60			B010M22A059
	M22*2.5	B010M22A047	92		213		60			B010M22A059
	M22*2.5	B010M22A054	92		214		65			B010M22A059
	M22*2.5	B010M22A070	92		223		60			B010M22A059
	M22*2.5	B010M22A071	92		227		65			B010M22A059
	M22*2.5	B010M22A073	92		240		60			B010M22A059
	M22*2.5	B010M22A072	92		240		65			B010M22A059
	M22*2.5	B010M22A059	92		250		100			B010M22A103
	M22*2.5	B010M22A098	92		250		60			B010M22A059
	M22*2.5	B010M22A074	92		254		60			B010M22A105
	M22*2.5	B010M22A075	92		260		65			B010M22A105
	M22*2.5	B010M22A076	92		263		60			B010M22A105
	M22*2.5	B010M22A105	92		281		90			B010M22A103
	M22*2.5	B010M22A103	92		281		150			

DIAM	DR	BESTELNUMMER N° DE CDE ORDER NUMBER BESTELNR	B(1)	B(2)	L(1)	L(2)	HD(1)	HD(2)	PL	OPMERKINGEN REMARQUES REMARKS BEMERKUNGEN
------	----	---	------	------	------	------	-------	-------	----	--

SCANIA

Vorm* : B05

(*) Vorm : Forme/Schape/Form



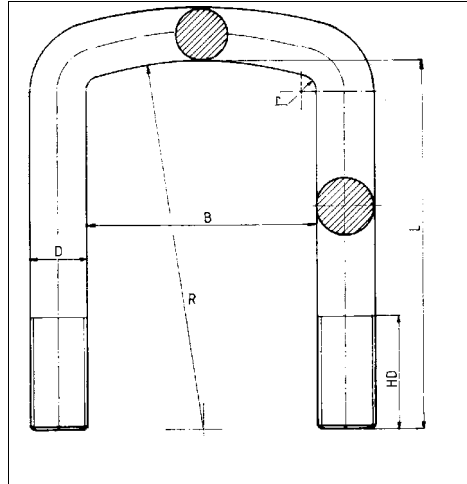
22.0	M22*2.5	B010M22A077	92		281		60			B010M22A105
	M22*1.5	B010M22A004	92		290		65			
	M22*2.5	B010M22A107	92		330		180			
	M22*1.5	B010M22A009	92		330		95			
	M22*1.5	B010M22A012	92		350		110			
	M22*1.5	B010M22A013	92		360		100			
	M22*1.5	B010M22A017	92		390		100			
	M22*1.5	B010M22A020	92		400		150			
	M22*1.5	B010M22A023	92		410		100			
	M22*1.5	B010M22A053	92		460		90			
22.0	M22*2.50	B010M22A114	94		170		60			
22.0	M22*2.5	B010M22A055	103		189		60			
	M22*2.5	B010M22A063	103		225		75			B010M22A104
	M22*2.5	B010M22A090	103		246		60			B010M22A104
	M22*2.5	B010M22A056	103		261		75			B010M22A104
	M22*2.5	B010M22A060	103		270		80			B010M22A104

DIAM	DR	BESTELNUMMER N° DE CDE ORDER NUMBER BESTELNR	B(1)	B(2)	L(1)	L(2)	HD(1)	HD(2)	PL	OPMERKINGEN REMARQUES REMARKS BEMERKUNGEN
------	----	---	------	------	------	------	-------	-------	----	--

SCANIA

Vorm* : B05

(*) Vorm : Forme/Schape/Form



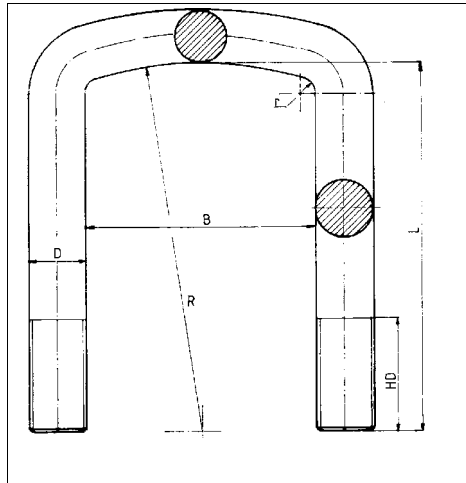
22.0	M22*2.5	B010M22A061	103		280		65			B010M22A104
	M22*2.5	B010M22A050	103		285		60			B010M22A104
	M22*2.5	B010M22A062	103		290		80			B010M22A104
	M22*2.5	B010M22A091	103		293		65			B010M22A104
	M22*2.5	B010M22A092	103		299		65			B010M22A104
	M22*2.5	B010M22A104	103		299		145			
	M22*2.5	B010M22A052	103		320		65			B010M22A109
	M22*2.5	B010M22A049	103		340		65			B010M22A109
	M22*2.5	B010M22A051	103		360		65			B010M22A109
	M22*2.5	B010M22A109	103		390		185			
	M22*2.5	B010M22A057	103		445		100			
24.0	M24*3	B010M24A013	92		325		70			
24.0	M24*3	B010M24A002	103		278		65			
	M24*3	B010M24A012	103		288		65			
	M24*3	B010M24A001	103		340		65			

DIAM	DR	BESTELNUMMER N° DE CDE ORDER NUMBER BESTELLNR	B(1)	B(2)	L(1)	L(2)	HD(1)	HD(2)	PL	OPMERKINGEN REMARQUES REMARKS BEMERKUNGEN
------	----	--	------	------	------	------	-------	-------	----	--

SCANIA

Vorm* : B05

(*) Vorm : Forme/Schape/Form



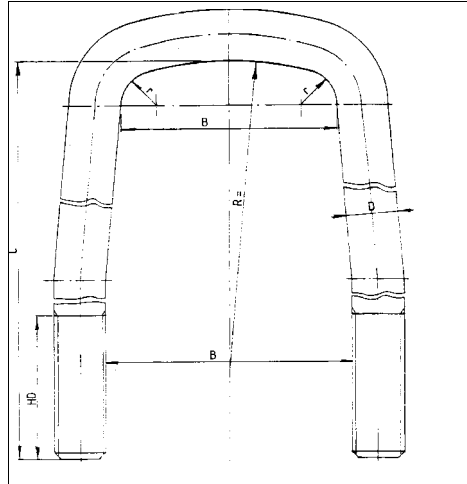
27.0	M27*	B010M27A006	92		300		65			
27.0	M27*3	B010M27A008	120		270		120			

DIAM	DR	BESTELNUMMER N° DE CDE ORDER NUMBER BESTELLNr	B(1)	B(2)	L(1)	L(2)	HD(1)	HD(2)	PL	OPMERKINGEN REMARQUES REMARKS BEMERKUNGEN
------	----	--	------	------	------	------	-------	-------	----	--

SCANIA

Vorm* : B0501

(*) Vorm : Forme/Schape/Form



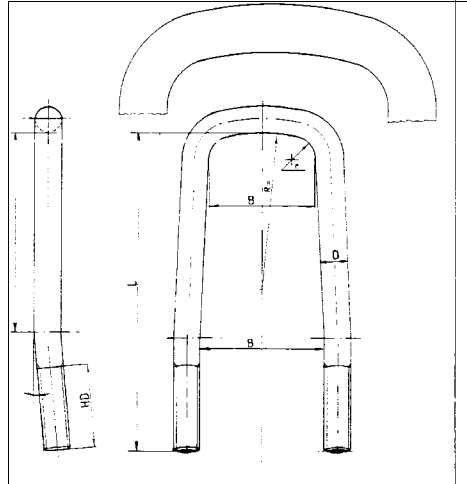
22.0	M22*2.5	B010M22A007	78	130	320		100			
22.0	M22*2.5	B010M22A100	92	104	260		75			B010M22A066
	M22*2.5	B010M22A099	92	104	271		70			B010M22A066
	M22*2.5	B010M22A078	92	104	285		60			B010M22A066
	M22*2.5	B010M22A079	92	104	312		65			B010M22A066
	M22*2.5	B010M22A066	92	104	320		120			
	M22*2.5	B010M22A036	92	104	320		65			B010M22A066
	M22*2.5	B010M22A048	92	104	330		65			
	M22*2.5	B010M22A080	92	104	335		65			

DIAM	DR	BESTELNUMMER N° DE CDE ORDER NUMBER BESTELNR	B(1)	B(2)	L(1)	L(2)	HD(1)	HD(2)	PL	OPMERKINGEN REMARQUES REMARKS BEMERKUNGEN
------	----	---	------	------	------	------	-------	-------	----	--

SCANIA

Vorm* : B0502

(*) Vorm : Forme/Schape/Form



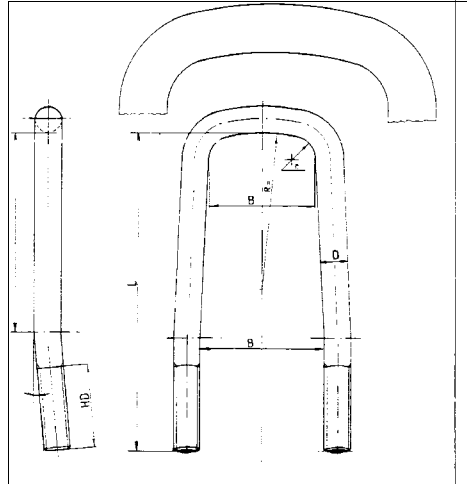
22.0	M22*2.5	B010M22A081	92	104	245		75			
	M22*2.5	B010M22A082	92	104	250		65			
	M22*2.5	B010M22A064	92	104	262		65			
	M22*2.5	B010M22A083	92	104	280		65			
	M22*2.5	B010M22A101	92	105	290		55			B010M22A084
	M22*2.5	B010M22A084	92	104	296		65			
	M22*2.5	B010M22A112	92	103	302		65			
	M22*2.5	B010M22A085	92	104	312		65			
	M22*2.5	B010M22A086	92	104	330		65			
	M22*2.5	B010M22A087	92	104	346		65			
	M22*2.5	B010M22A113	92	103	347		65			
	M22*2.5	B010M22A088	92	104	360		65			
22.0	M22*2.5	B010M22A093	103	105	265		55			B010M22A106
	M22*2.5	B010M22A102	103	105	280		55			B010M22A106
	M22*2.5	B010M22A106	103	105	280		75			
	M22*2.5	B010M22A111	103	105	295		55			B010M22A108
	M22*2.5	B010M22A094	103	105	305		55			B010M22A108

DIAM	DR	BESTELNUMMER N° DE CDE ORDER NUMBER BESTELLNR	B(1)	B(2)	L(1)	L(2)	HD(1)	HD(2)	PL	OPMERKINGEN REMARQUES REMARKS BEMERKUNGEN
------	----	--	------	------	------	------	-------	-------	----	--

SCANIA

Vorm* : B0502

(*) Vorm : Forme/Schape/Form



22.0	M22*2.5	B010M22A095	103	105	315		55			B010M22A108
------	---------	-------------	-----	-----	-----	--	----	--	--	-------------

	M22*2.5	B010M22A096	103	105	325		55			B010M22A108
--	---------	-------------	-----	-----	-----	--	----	--	--	-------------

	M22*2.5	B010M22A108	103	105	390		150			
--	---------	--------------------	-----	-----	-----	--	-----	--	--	--

24.0	M24*3	B010M24A003	103	103	268		65			
------	-------	-------------	-----	-----	-----	--	----	--	--	--

	M24*3	B010M24A004	103	103	288		65			
--	-------	-------------	-----	-----	-----	--	----	--	--	--

	M24*3	B010M24A005	103	103	318		60			
--	-------	-------------	-----	-----	-----	--	----	--	--	--

	M24*3	B010M24A006	103	103	328		60			
--	-------	-------------	-----	-----	-----	--	----	--	--	--

	M24*3	B010M24A007	103	103	338		60			
--	-------	-------------	-----	-----	-----	--	----	--	--	--

	M24*3	B010M24A008	103	103	352		65			
--	-------	-------------	-----	-----	-----	--	----	--	--	--

	M24*3	B010M24A009	103	103	378		65			
--	-------	-------------	-----	-----	-----	--	----	--	--	--

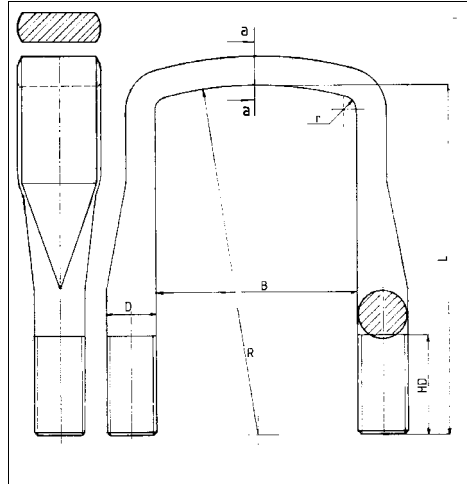
	M24*3	B010M24A010	103	103	390		65			
--	-------	-------------	-----	-----	-----	--	----	--	--	--

DIAM	DR	BESTELNUMMER N° DE CDE ORDER NUMBER BESTELLNr	B(1)	B(2)	L(1)	L(2)	HD(1)	HD(2)	PL	OPMERKINGEN REMARQUES REMARKS BEMERKUNGEN
------	----	--	------	------	------	------	-------	-------	----	--

SCANIA

Vorm* : B08

(*) Vorm : Forme/Schape/Form



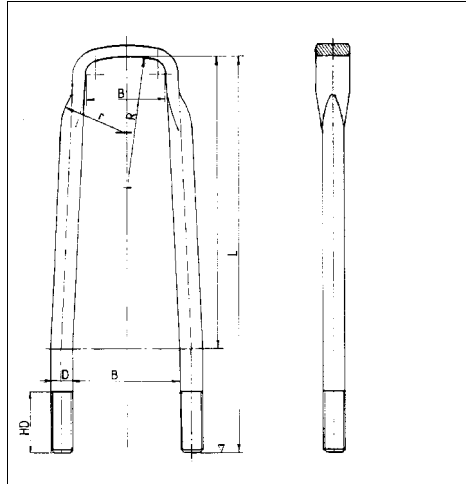
27.0	M27*3	B010M27B002	92	290	85	80				
	M27*3	B010M27B001	92	295	80	80				
	M27*2	B010M27B502	92	330	80	80				
30.0	M30*3.50	B010M30B011	94	325	80					
	M30*3.50	B010M30B012	94	405	85					
30.0	M30*3.5	B010M30B002	104	280	75	75				
	M30*3.5	B010M30B003	104	290	75	75	B010M30B009			
	M30*3.5	B010M30B001	104	310	75	75	B010M30B009			
	M30*3.5	B010M30B005	104	350	85	75	B010M30B009			
	M30*3.5	B010M30B006	104	370	70	75	B010M30B009			
	M30*3.5	B010M30B009	104	370	140	75				
	M30*3.5	B010M30B004	104	380	75	75				
	M30*3.5	B010M30B007	104	392	75	75				
	M30*3.5	B010M30B010	104	440	75	75				

DIAM	DR	BESTELNUMMER N° DE CDE ORDER NUMBER BESTELNR	B(1)	B(2)	L(1)	L(2)	HD(1)	HD(2)	PL	OPMERKINGEN REMARQUES REMARKS BEMERKUNGEN
------	----	---	------	------	------	------	-------	-------	----	--

SCANIA

Vorm* : B0801

(*) Vorm : Forme/Schape/Form



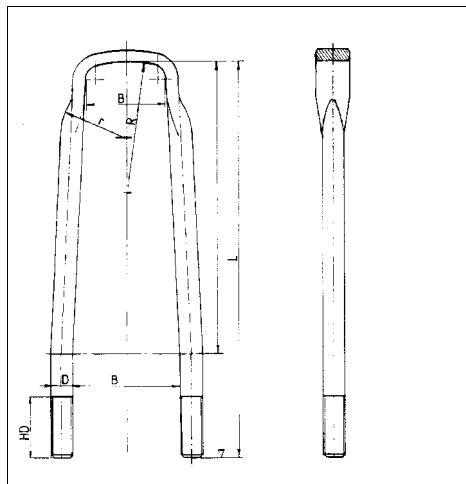
22.0	M22*2.5	B010M22B002	77	90	305		65		35	
	M22*2.5	B010M22B017	77	90	350		65		35	
	M22*2.5	B010M22B018	77	90	370		65		35	
22.0	M22*2.5	B010M22B034	92	104	300		65		35	
	M22*2.5	B010M22B035	92	104	310		65		35	
	M22*2.5	B010M22B036	92	104	317		65		35	B010M22B058
	M22*2.5	B010M22B012	92	104	323		65		35	B010M22B058
	M22*2.5	B010M22B022	92	104	343		65		35	B010M22B058
	M22*2.5	B010M22B004	92	104	350		65		35	B010M22B058
	M22*2.5	B010M22B013	92	104	370		80		35	B010M22B058
	M22*2.5	B010M22B021	92	104	390		60		35	B010M22B023
	M22*2.5	B010M22B037	92	104	398		70		35	B010M22B023
	M22*2.5	B010M22B025	92	104	398		70		35	B010M22B023
	M22*2.5	B010M22B038	92	104	418		70		35	B010M22B023
	M22*2.5	B010M22B027	92	104	430		100		35	B010M22B023
	M22*2.5	B010M22B039	92	104	435		60		35	B010M22B023
	M22*2.5	B010M22B058	92	104	438		180		35	

DIAM	DR	BESTELNUMMER N° DE CDE ORDER NUMBER BESTELLNR	B(1)	B(2)	L(1)	L(2)	HD(1)	HD(2)	PL	OPMERKINGEN REMARQUES REMARKS BEMERKUNGEN
------	----	--	------	------	------	------	-------	-------	----	--

SCANIA

Vorm* : B0801

(*) Vorm : Forme/Schape/Form



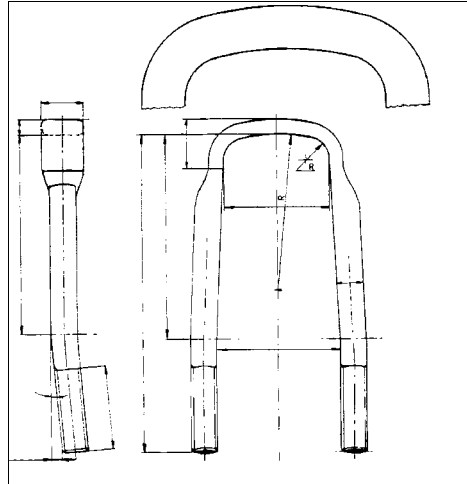
22.0	M22*2.5	B010M22B023	92	104	438		100		35	B010M22B058
	M22*2.5	B010M22B040	92	104	438		75		35	B010M22B023
	M22*2.5	B010M22B045	92	104	450		100		35	
	M22*2.5	B010M22B041	92	104	465		70		35	
	M22*2.5	B010M22B042	92	104	480		60		35	
	M22*2.5	B010M22B043	92	104	502		65		35	
	M22*2.5	B010M22B044	92	104	512		65		35	
	M22*2.5	B010M22B054	92	104	520		70		35	

DIAM	DR	BESTELNUMMER N° DE CDE ORDER NUMBER BESTELNR	B(1)	B(2)	L(1)	L(2)	HD(1)	HD(2)	PL	OPMERKINGEN REMARQUES REMARKS BEMERKUNGEN
------	----	---	------	------	------	------	-------	-------	----	--

SCANIA

Vorm* : B0802

(*) Vorm : Forme/Schape/Form



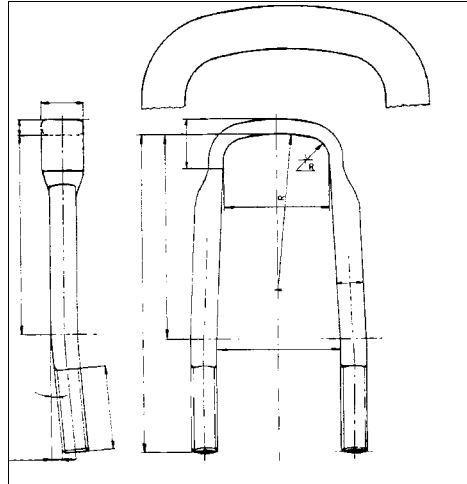
22.0	M22*2.5	B010M22B046	92	104	355		65		35	
	M22*2.5	B010M22B047	92	104	370		65		35	
	M22*2.5	B010M22B048	92	104	385		55		35	
	M22*2.5	B010M22B049	92	104	395		55		35	B010M22B059
	M22*2.5	B010M22B050	92	104	415		55		35	
	M22*2.5	B010M22B059	92	104	425		100		35	
	M22*2.5	B010M22B051	92	104	425		55		35	B010M22B059
	M22*2.5	B010M22B052	92	104	450		65		35	
	M22*2.5	B010M22B057	92	104	475		65		35	
	M22*2.5	B010M22B055	92	104	535		65		35	
	M22*2.5	B010M22B056	92	104	545		65		35	
24.0	M24*3	B010M24B002	92	104	390		75		35	
	M24*3	B010M24B003	92	104	400		75		35	
	M24*3	B010M24B004	92	104	430		75		35	B010M24B006
	M24*3	B010M24B005	92	104	430		75		35	B010M24B006
	M24*3	B010M24B006	92	104	450		100		35	

DIAM	DR	BESTELNUMMER N° DE CDE ORDER NUMBER BESTELLNR	B(1)	B(2)	L(1)	L(2)	HD(1)	HD(2)	PL	OPMERKINGEN REMARQUES REMARKS BEMERKUNGEN
------	----	--	------	------	------	------	-------	-------	----	--

SCANIA

Vorm* : B0802

(*) Vorm : Forme/Schape/Form



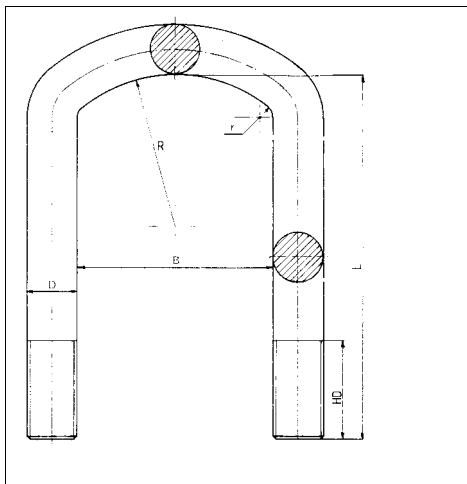
24.0	M24*3	B010M24B007	92	104	455		75		35	
	M24*3	B010M24B008	92	104	475		75		35	
	M24*3	B010M24B009	92	104	475		75		35	
	M24*3	B010M24B010	92	104	485		75		35	
	M24*3	B010M24B011	92	104	490		75		35	
	M24*3	B010M24B012	92	104	495		75		35	
	M24*3	B010M24B013	92	104	530		75		35	
	M24*3	B010M24B014	92	104	535		75		35	
	M24*3	B010M24B015	92	104	550		75		35	
	M24*3	B010M24B017	92	104	613		65		35	
	M24*3	B010M24B018	92	104	627		65		35	

DIAM	DR	BESTELNUMMER N° DE CDE ORDER NUMBER BESTELLNr	B(1)	B(2)	L(1)	L(2)	HD(1)	HD(2)	PL	OPMERKINGEN REMARQUES REMARKS BEMERKUNGEN
------	----	--	------	------	------	------	-------	-------	----	--

SCANIA

Vorm* : B10

(*) Vorm : Forme/Schape/Form



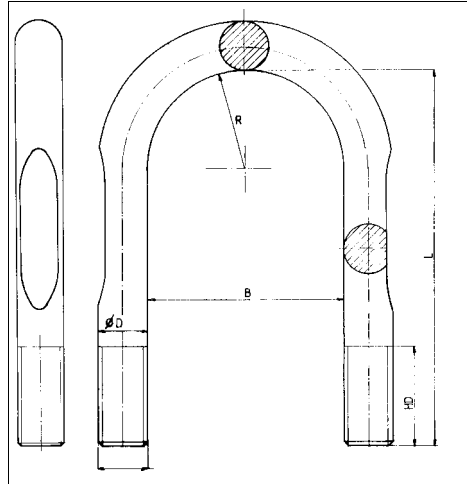
18.0	M18*1.5	B010M18A045	77		190		80			
	M18*1.5	B010M18A055	77		190		80			
	M18*1.5	B010M18A062	77		210		100			
	M18*1.5	B010M18A059	77		230		90			
	M18*1.5	B010M18A063	77		350		100			
27.0	M27*3	B010M27A001	122		760		80			

DIAM	DR	BESTELNUMMER N° DE CDE ORDER NUMBER BESTELNR	B(1)	B(2)	L(1)	L(2)	HD(1)	HD(2)	PL	OPMERKINGEN REMARQUES REMARKS BEMERKUNGEN
------	----	---	------	------	------	------	-------	-------	----	--

SCANIA

Vorm* : B16S

(*) *Vorm : Forme/Schape/Form*



20.0	M20*2.5	B010M20A048	80	90	390		90			
------	---------	-------------	----	----	-----	--	----	--	--	--

	Vorm	Dia	B(1)	B(2)	L(1)	L(2)	HD1	HD2	
A010T076ZA	<i>Veerstrop ; Bride ; U Bolt ; Federbride :</i>								
	B010M22B004	B0801	22.0	92	104	350		65	
	B010M22B058	B0801	22.0	92	104	438		180	
A010T090AB	<i>Veerstrop ; Bride ; U Bolt ; Federbride :</i>								
	B010M22B025	B0801	22.0	92	104	398		70	
	B010M22B023	B0801	22.0	92	104	438		100	
A010T091ZA75	<i>Veerstrop ; Bride ; U Bolt ; Federbride :</i>								
	B010M18A006	B05	18.0	92		195		60	
A010T094BB75	<i>Veerstrop ; Bride ; U Bolt ; Federbride :</i>								
	B010M22A012	B05	22.0	92		350		110	
A010T095ZA75	<i>Veerstrop ; Bride ; U Bolt ; Federbride :</i>								
	B010M20A012	B05	20.0	92		190		55	
	B010M20A031	B05	20.0	92		215		110	
A010T104ZA70	<i>Veerstrop ; Bride ; U Bolt ; Federbride :</i>								
	B010M27B001	B08	27.0	92		295		80	
A010T105ZA75	<i>Veerstrop ; Bride ; U Bolt ; Federbride :</i>								
	B010M22A054	B05	22.0	92		214		65	
	B010M22A059	B05	22.0	92		250		100	
A010T108ZA75	<i>Veerstrop ; Bride ; U Bolt ; Federbride :</i>								
	B010M22A056	B05	22.0	103		261		75	
	B010M22A104	B05	22.0	103		299		145	
	B010M22A095	B0502	22.0	103	105	315		55	
	B010M22A096	B0502	22.0	103	105	325		55	
	<i>Pen ; Axe ; Pin ; Bolzen :</i>								
	YC010C401155	in B, C en D							
A010T109ZA75	<i>Veerstrop ; Bride ; U Bolt ; Federbride :</i>								
	B010M22A054	B05	22.0	92		214		65	
	B010M22A059	B05	22.0	92		250		100	
	<i>Pen ; Axe ; Pin ; Bolzen :</i>								
	YC010C401200	in B, C en D							
A010T118ZA70	<i>Veerstrop ; Bride ; U Bolt ; Federbride :</i>								
	B010M30B002	B08	30.0	104		280		75	

Vorm Dia B(1) B(2) L(1) L(2) HD1 HD2

A010T120ZB75 *Veerstrop ; Bride ; U Bolt ; Federbride :*

B010M22A056	B05	22.0	103		261		75	
B010M22A062	B05	22.0	103		290		80	
B010M22A104	B05	22.0	103		299		145	
B010M22A094	B0502	22.0	103	105	305		55	
B010M22A095	B0502	22.0	103	105	315		55	
B010M22A096	B0502	22.0	103	105	325		55	
B010M24A006	B0502	24.0	103	103	328		60	
B010M24A007	B0502	24.0	103	103	338		60	

Pen ; Axe ; Pin ; Bolzen :

YC010C401155	in B, C en D
YC010FB2344	O - RING

A010T122ZA70 *Veerstrop ; Bride ; U Bolt ; Federbride :*

B010M30B003	B08	30.0	104		290		75	
B010M30B001	B08	30.0	104		310		75	
B010M30B009	B08	30.0	104		370		140	

A010T124ZA70 *Veerstrop ; Bride ; U Bolt ; Federbride :*

B010M30B005	B08	30.0	104		350		85	
B010M30B009	B08	30.0	104		370		140	

A010T125ZA75 *Veerstrop ; Bride ; U Bolt ; Federbride :*

B010M20A025	B05	20.0	92		207		55	
B010M20A031	B05	20.0	92		215		110	
B010M22A047	B05	22.0	92		213		60	
B010M22A070	B05	22.0	92		223		60	
B010M22A098	B05	22.0	92		250		60	
B010M22A059	B05	22.0	92		250		100	
B010M22A076	B05	22.0	92		263		60	
B010M22A077	B05	22.0	92		281		60	
B010M22A105	B05	22.0	92		281		90	
B010M22A103	B05	22.0	92		281		150	

Pen ; Axe ; Pin ; Bolzen :

YC010C401200	in B, C en D
YC010FB2343	O-ring

Vorm Dia B(1) B(2) L(1) L(2) HD1 HD2

A010T127ZA75 *Veerstrop ; Bride ; U Bolt ; Federbride :*

B010M20A012	B05	20.0	92		190		55	
B010M20A025	B05	20.0	92		207		55	
B010M20A031	B05	20.0	92		215		110	
B010M20A027	B05	20.0	92		227		55	
B010M22A068	B05	22.0	92		193		75	
B010M22A069	B05	22.0	92		203		60	
B010M22A047	B05	22.0	92		213		60	
B010M22A070	B05	22.0	92		223		60	
B010M22A073	B05	22.0	92		240		60	
B010M22A059	B05	22.0	92		250		100	
B010M22A076	B05	22.0	92		263		60	
B010M22A077	B05	22.0	92		281		60	
B010M22A105	B05	22.0	92		281		90	
B010M22A103	B05	22.0	92		281		150	

Pen ; Axe ; Pin ; Bolzen :

YC010C401200	in B, C en D
YC010FB2343	O - ring

A010T140ZA75 *Veerstrop ; Bride ; U Bolt ; Federbride :*

B010M22A048	B0501	22.0	92	104	330		65	
B010M22A064	B0502	22.0	92	104	262		65	

Pen ; Axe ; Pin ; Bolzen :

YC010C401201	in B, C en D
--------------	--------------

A010T150ZA75 *Veerstrop ; Bride ; U Bolt ; Federbride :*

B010M22B025	B0801	22.0	92	104	398		70	
B010M22B023	B0801	22.0	92	104	438		100	

A010T153ZA75 *Veerstrop ; Bride ; U Bolt ; Federbride :*

B010M20A012	B05	20.0	92		190		55	
B010M20A025	B05	20.0	92		207		55	
B010M20A031	B05	20.0	92		215		110	
B010M20A027	B05	20.0	92		227		55	
B010M22A068	B05	22.0	92		193		75	
B010M22A069	B05	22.0	92		203		60	
B010M22A047	B05	22.0	92		213		60	
B010M22A070	B05	22.0	92		223		60	
B010M22A073	B05	22.0	92		240		60	
B010M22A059	B05	22.0	92		250		100	
B010M22A076	B05	22.0	92		263		60	
B010M22A077	B05	22.0	92		281		60	
B010M22A105	B05	22.0	92		281		90	
B010M22A103	B05	22.0	92		281		150	

Pen ; Axe ; Pin ; Bolzen :

YC010C401200	in B, C en D
--------------	--------------

Vorm Dia B(1) B(2) L(1) L(2) HD1 HD2

A010T154ZA

Veerstrop ; Bride ; U Bolt ; Federbride :

B010M22B023	B0801	22.0
B010M22B058	B0801	22.0
B010M22B048	B0802	22.0
B010M22B049	B0802	22.0
B010M22B050	B0802	22.0
B010M22B051	B0802	22.0
B010M22B059	B0802	22.0
B010M24B004	B0802	24.0
B010M24B006	B0802	24.0

92	104	438		100	
92	104	438		180	
92	104	385		55	
92	104	395		55	
92	104	415		55	
92	104	425		55	
92	104	425		100	
92	104	430		75	
92	104	450		100	

Pen ; Axe ; Pin ; Bolzen :

YC010C401201	in C,4-s
YC010C401201	in B, C en D,3-s
YC010C401204	in B en D,4-s
YC010FB2344	O - RING

A010T156ZA

Veerstrop ; Bride ; U Bolt ; Federbride :

B010M22B013	B0801	22.0
B010M22B058	B0801	22.0

92	104	370		80	
92	104	438		180	

A010T156ZB

Veerstrop ; Bride ; U Bolt ; Federbride :

B010M22B013	B0801	22.0
B010M22B058	B0801	22.0

92	104	370		80	
92	104	438		180	

A010T158ZA

Veerstrop ; Bride ; U Bolt ; Federbride :

B010M24B008	B0802	24.0
-------------	-------	------

92	104	475		75	
----	-----	-----	--	----	--

Pen ; Axe ; Pin ; Bolzen :

YC010C401201	T113
--------------	------

A010T160ZA

Veerstrop ; Bride ; U Bolt ; Federbride :

B010M22B013	B0801	22.0
B010M22B058	B0801	22.0
B010M22B048	B0802	22.0
B010M22B049	B0802	22.0
B010M24B003	B0802	24.0

92	104	370		80	
92	104	438		180	
92	104	385		55	
92	104	395		55	
92	104	400		75	

Pen ; Axe ; Pin ; Bolzen :

YC010C401201	in C 4-s
YC010C401201	in B, C en D 3-s
YC010C401204	in B en D 4-s
YC010FB2344	O - RING

Vorm Dia B(1) B(2) L(1) L(2) HD1 HD2

A010T163ZA75 *Veerstrop ; Bride ; U Bolt ; Federbride :*

B010M22A110	B05	22.0
B010M22A068	B05	22.0
B010M22A047	B05	22.0
B010M22A054	B05	22.0
B010M22A059	B05	22.0
B010M22A103	B05	22.0

92		173		75	
92		193		75	
92		213		60	
92		214		65	
92		250		100	
92		281		150	

Pen ; Axe ; Pin ; Bolzen :

YC010C401200	in B, C en D
--------------	--------------

A010T165ZA75 *Veerstrop ; Bride ; U Bolt ; Federbride :*

B010M22A070	B05	22.0
B010M22A073	B05	22.0
B010M22A059	B05	22.0
B010M22A076	B05	22.0
B010M22A077	B05	22.0
B010M22A105	B05	22.0

92		223		60	
92		240		60	
92		250		100	
92		263		60	
92		281		60	
92		281		90	

Pen ; Axe ; Pin ; Bolzen :

YC010C401200	in B, C en D
YC010FB2343	O - ring

A010T166ZA *Veerstrop ; Bride ; U Bolt ; Federbride :*

B010M22B013	B0801	22.0
B010M22B058	B0801	22.0
B010M22B046	B0802	22.0

92	104	370		80	
92	104	438		180	
92	104	355		65	

Pen ; Axe ; Pin ; Bolzen :

YC010C401201	in B, C en D
--------------	--------------

A010T168ZA70 *Veerstrop ; Bride ; U Bolt ; Federbride :*

B010M30B004	B08	30.0
-------------	-----	------

104		380		75	
-----	--	-----	--	----	--

A010T174ZA75 *Veerstrop ; Bride ; U Bolt ; Federbride :*

B010M22A047	B05	22.0
B010M22A059	B05	22.0
B010M22A064	B0502	22.0

92		213		60	
92		250		100	
92	104	262		65	

Pen ; Axe ; Pin ; Bolzen :

YC010C401200	in B, C en D
--------------	--------------

A010T176ZA75 *Veerstrop ; Bride ; U Bolt ; Federbride :*

B010M22A047	B05	22.0
B010M22A059	B05	22.0
B010M22A064	B0502	22.0

92		213		60	
92		250		100	
92	104	262		65	

Pen ; Axe ; Pin ; Bolzen :

YC010C401200	in B, C en D
--------------	--------------

Vorm Dia B(1) B(2) L(1) L(2) HD1 HD2

A010T206ZA75 *Veerstrop ; Bride ; U Bolt ; Federbride :*

B010M22A078	B0501	22.0
B010M22A066	B0501	22.0
B010M22A112	B0502	22.0

92	104	285		60	
92	104	320		120	
92	103	302		65	

Pen ; Axe ; Pin ; Bolzen :

YC010C401201	in B, C en D
--------------	--------------

A010T210ZA75 *Veerstrop ; Bride ; U Bolt ; Federbride :*

B010M22A113	B0502	22.0
-------------	-------	------

92	103	347		65	
----	-----	-----	--	----	--

Pen ; Axe ; Pin ; Bolzen :

YC010C401201	in B, C en D
--------------	--------------

A010T212ZA75 *Veerstrop ; Bride ; U Bolt ; Federbride :*

B010M22A100	B0501	22.0
B010M22A066	B0501	22.0
B010M22A081	B0502	22.0

92	104	260		75	
92	104	320		120	
92	104	245		75	

Pen ; Axe ; Pin ; Bolzen :

YC010C401201	in B, C en D
--------------	--------------

A010T214ZA75 *Veerstrop ; Bride ; U Bolt ; Federbride :*

B010M22A078	B0501	22.0
B010M22A066	B0501	22.0

92	104	285		60	
92	104	320		120	

Pen ; Axe ; Pin ; Bolzen :

YC010C401201	in B, C en D
--------------	--------------

A010T216ZA75 *Veerstrop ; Bride ; U Bolt ; Federbride :*

B010M22A064	B0502	22.0
B010M22A083	B0502	22.0

92	104	262		65	
92	104	280		65	

Pen ; Axe ; Pin ; Bolzen :

YC010C401201	in B, C en D
--------------	--------------

A010T218ZA75 *Veerstrop ; Bride ; U Bolt ; Federbride :*

B010M22A079	B0501	22.0
B010M22A066	B0501	22.0

92	104	312		65	
92	104	320		120	

Pen ; Axe ; Pin ; Bolzen :

YC010C401201	in B, C en D
--------------	--------------

A010T220ZA75 *Veerstrop ; Bride ; U Bolt ; Federbride :*

B010M22A094	B0502	22.0
-------------	-------	------

103	105	305		55	
-----	-----	-----	--	----	--

Pen ; Axe ; Pin ; Bolzen :

YC010C401155	in B, C en D
--------------	--------------

A010T224ZA75 *Veerstrop ; Bride ; U Bolt ; Federbride :*

B010M22A094	B0502	22.0
-------------	-------	------

103	105	305		55	
-----	-----	-----	--	----	--

Pen ; Axe ; Pin ; Bolzen :

YC010C401155	in B, C en D
--------------	--------------

	Vorm	Dia	B(1)	B(2)	L(1)	L(2)	HD1	HD2
A010T226ZA70	Veerstrop ; Bride ; U Bolt ; Federbride :							
	B010M30B012	B08	30.0	94		405		85
A010T228ZA70	Veerstrop ; Bride ; U Bolt ; Federbride :							
	B010M30B012	B08	30.0	94		405		85
A010Z144ZB70	Veerstrop ; Bride ; U Bolt ; Federbride :							
	B010M30B001	B08	30.0	104		310		75
	B010M30B005	B08	30.0	104		350		85
	B010M30B009	B08	30.0	104		370		140
F010T112AA76	Veerstrop ; Bride ; U Bolt ; Federbride :							
	B010M22B024							
F010T112ZA76	Veerstrop ; Bride ; U Bolt ; Federbride :							
	B010M22B024							
F010T114ZA75	Veerstrop ; Bride ; U Bolt ; Federbride :							
	B010M22A055	B05	22.0	103		189		60
F010T116ZA76	Veerstrop ; Bride ; U Bolt ; Federbride :							
	B010M22B022	B0801	22.0	92	104	343		65
	B010M22B058	B0801	22.0	92	104	438		180
F010T126ZA75	Veerstrop ; Bride ; U Bolt ; Federbride :							
	B010M22A063	B05	22.0	103		225		75
	B010M22A104	B05	22.0	103		299		145
	Pen ; Axe ; Pin ; Bolzen :							
	YC010C401155	in B, C en D						
F010T128ZA76	Veerstrop ; Bride ; U Bolt ; Federbride :							
	B010M22B022	B0801	22.0	92	104	343		65
	B010M22B058	B0801	22.0	92	104	438		180
F010T155ZA75	Veerstrop ; Bride ; U Bolt ; Federbride :							
	B010M20A031	B05	20.0	92		215		110
	Pen ; Axe ; Pin ; Bolzen :							
	YC010C401200	in B, C en D						

Vorm Dia B(1) B(2) L(1) L(2) HD1 HD2

F010T157ZA75 *Veerstrop ; Bride ; U Bolt ; Federbride :*

B010M20A031	B05	20.0	92		215		110	
--------------------	-----	------	----	--	-----	--	-----	--

Pen ; Axe ; Pin ; Bolzen :

YC010C401200	in B, C en D
--------------	--------------

F010T159ZA75 *Veerstrop ; Bride ; U Bolt ; Federbride :*

B010M22A059	B05	22.0	92		250		100	
B010M22A103	B05	22.0	92		281		150	

Pen ; Axe ; Pin ; Bolzen :

YC010C401200	in B, C en D
--------------	--------------

F010T162ZA76 *Veerstrop ; Bride ; U Bolt ; Federbride :*

B010M22B022	B0801	22.0	92	104	343		65	
B010M22B058	B0801	22.0	92	104	438		180	

Pen ; Axe ; Pin ; Bolzen :

YC010C401201	in B, c en D,3-s
--------------	------------------

F010T164ZA76 *Veerstrop ; Bride ; U Bolt ; Federbride :*

B010M22B013	B0801	22.0	92	104	370		80	
B010M22B058	B0801	22.0	92	104	438		180	
B010M22B046	B0802	22.0	92	104	355		65	
B010M22B047	B0802	22.0	92	104	370		65	
B010M22B048	B0802	22.0	92	104	385		55	
B010M24B002	B0802	24.0	92	104	390		75	

Pen ; Axe ; Pin ; Bolzen :

YC010C401201	in C en D,4-s
YC010C401201	in B, C en D,3-s
YC010C401204	in B,4-s
YC010FB2344	O- ring

F010T170ZA75 *Veerstrop ; Bride ; U Bolt ; Federbride :*

B010M27A001	B10	27.0	122		760		80	
-------------	-----	------	-----	--	-----	--	----	--

Pen ; Axe ; Pin ; Bolzen :

YC010C401136	in B
--------------	------

F010T177ZA75 *Veerstrop ; Bride ; U Bolt ; Federbride :*

B010M20A012	B05	20.0	92		190		55	
B010M20A025	B05	20.0	92		207		55	
B010M20A031	B05	20.0	92		215		110	
B010M22A069	B05	22.0	92		203		60	
B010M22A047	B05	22.0	92		213		60	
B010M22A070	B05	22.0	92		223		60	
B010M22A059	B05	22.0	92		250		100	

Pen ; Axe ; Pin ; Bolzen :

YC010C401200	in B, C en D
YC010FB2343	O - ring

Vorm Dia B(1) B(2) L(1) L(2) HD1 HD2

F010T179ZA75 *Veerstrop ; Bride ; U Bolt ; Federbride :*

B010M22A068	B05	22.0	92		193		75	
B010M22A069	B05	22.0	92		203		60	
B010M22A047	B05	22.0	92		213		60	
B010M22A070	B05	22.0	92		223		60	
B010M22A073	B05	22.0	92		240		60	
B010M22A059	B05	22.0	92		250		100	
B010M22A103	B05	22.0	92		281		150	

Pen ; Axe ; Pin ; Bolzen :

YC010C401200	in B, C en D
YC010FB2343	O - ring

F010T181ZA75 *Veerstrop ; Bride ; U Bolt ; Federbride :*

B010M22A047	B05	22.0	92		213		60	
B010M22A073	B05	22.0	92		240		60	
B010M22A059	B05	22.0	92		250		100	

Pen ; Axe ; Pin ; Bolzen :

YC010C401200	in B, C en D
YC010FB2343	O - ring

F010T182ZA75 *Veerstrop ; Bride ; U Bolt ; Federbride :*

B010M27B003	B0101	27.0	175	210	385	393	70	115
--------------------	-------	------	-----	-----	-----	-----	----	-----

Pen ; Axe ; Pin ; Bolzen :

YC010C401136	in B
--------------	------

F010T183ZA75 *Veerstrop ; Bride ; U Bolt ; Federbride :*

B010M20A012	B05	20.0	92		190		55	
B010M20A025	B05	20.0	92		207		55	
B010M20A031	B05	20.0	92		215		110	
B010M22A069	B05	22.0	92		203		60	
B010M22A047	B05	22.0	92		213		60	
B010M22A059	B05	22.0	92		250		100	

Pen ; Axe ; Pin ; Bolzen :

YC010C401200	in B, C en D
--------------	--------------

F010T184ZA75 *Veerstrop ; Bride ; U Bolt ; Federbride :*

B010M27B003	B0101	27.0	175	210	385	393	70	115
--------------------	-------	------	-----	-----	-----	-----	----	-----

Pen ; Axe ; Pin ; Bolzen :

YC010C401136	in B
--------------	------

F010T185ZA75 *Veerstrop ; Bride ; U Bolt ; Federbride :*

B010M22A047	B05	22.0	92		213		60	
B010M22A073	B05	22.0	92		240		60	
B010M22A059	B05	22.0	92		250		100	

Pen ; Axe ; Pin ; Bolzen :

YC010C401200	in B, C en D
--------------	--------------

Vorm Dia B(1) B(2) L(1) L(2) HD1 HD2

F010T186ZA75 *Veerstrop ; Bride ; U Bolt ; Federbride :*

B010M27A001	B10	27.0	122		760		80	
-------------	-----	------	-----	--	-----	--	----	--

Pen ; Axe ; Pin ; Bolzen :

YC010C401136	in B
--------------	------

F010T187ZA75 *Veerstrop ; Bride ; U Bolt ; Federbride :*

B010M22A047	B05	22.0	92		213		60	
B010M22A073	B05	22.0	92		240		60	
B010M22A059	B05	22.0	92		250		100	

Pen ; Axe ; Pin ; Bolzen :

YC010C401200	in B, C en D
--------------	--------------

F010T188ZA75 *Veerstrop ; Bride ; U Bolt ; Federbride :*

B010M24A002	B05	24.0	103		278		65	
B010M24A012	B05	24.0	103		288		65	

Pen ; Axe ; Pin ; Bolzen :

YC010C401136	in B
--------------	------

F010T190ZA75 *Veerstrop ; Bride ; U Bolt ; Federbride :*

B010M27B003	B0101	27.0	175	210	385	393	70	115
B010M24A012	B05	24.0	103		288		65	

Pen ; Axe ; Pin ; Bolzen :

--	--

F010T192ZA75 *Veerstrop ; Bride ; U Bolt ; Federbride :*

B010M22A093	B0502	22.0	103	105	265		55	
B010M22A102	B0502	22.0	103	105	280		55	
B010M22A106	B0502	22.0	103	105	280		75	

Pen ; Axe ; Pin ; Bolzen :

YC010C401155	in B, C en D
--------------	--------------

F010T194ZA75 *Veerstrop ; Bride ; U Bolt ; Federbride :*

B010M22A111	B0502	22.0	103	105	295		55	
B010M22A094	B0502	22.0	103	105	305		55	

Pen ; Axe ; Pin ; Bolzen :

YC010C401155	in B, C en D
YC010FB2344	O - RING

F010T196ZA76 *Veerstrop ; Bride ; U Bolt ; Federbride :*

B010M22B046	B0802	22.0	92	104	355		65	
B010M22B047	B0802	22.0	92	104	370		65	

Pen ; Axe ; Pin ; Bolzen :

YC010C401201	in B, C en D
--------------	--------------

Vorm Dia B(1) B(2) L(1) L(2) HD1 HD2

F010T200ZA75 *Veerstrop ; Bride ; U Bolt ; Federbride :*

B010M22A114	B05	22.0
B010M22A110	B05	22.0

94		170		60	
92		173		75	

Pen ; Axe ; Pin ; Bolzen :

YC010C401201	in B
--------------	------

F010T202ZA70 *Veerstrop ; Bride ; U Bolt ; Federbride :*

B010M24B020	B0301	24.0
--------------------	-------	------

92	98	310		55	
----	----	-----	--	----	--

F010T204ZA75 *Veerstrop ; Bride ; U Bolt ; Federbride :*

B010M24A002	B05	24.0
B010M24A012	B05	24.0

103		278		65	
103		288		65	

Pen ; Axe ; Pin ; Bolzen :

YC010C401136	in B
--------------	------

F010T208ZA70 *Veerstrop ; Bride ; U Bolt ; Federbride :*

B010M24B021	B0301	24.0
--------------------	-------	------

92	98	265		55	
----	----	-----	--	----	--

F010T222ZA75

Pen ; Axe ; Pin ; Bolzen :

YC010C401155	in B, C en D
--------------	--------------

F010T230ZL75 *Veerstrop ; Bride ; U Bolt ; Federbride :*

B010M24B019	B0104	24.0
--------------------	-------	------

104		310		42	
-----	--	-----	--	----	--

Pen ; Axe ; Pin ; Bolzen :

YC010C401198	in C
--------------	------

F010T230ZR75 *Veerstrop ; Bride ; U Bolt ; Federbride :*

B010M24B019	B0104	24.0
--------------------	-------	------

104		310		42	
-----	--	-----	--	----	--

Pen ; Axe ; Pin ; Bolzen :

YC010C401198	in C
--------------	------

F010T232ZL75 *Veerstrop ; Bride ; U Bolt ; Federbride :*

B010M24B019	B0104	24.0
--------------------	-------	------

104		310		42	
-----	--	-----	--	----	--

F010T232ZR75 *Veerstrop ; Bride ; U Bolt ; Federbride :*

B010M24B019	B0104	24.0
--------------------	-------	------

104		310		42	
-----	--	-----	--	----	--