

## Yedek Parça Katalogu Spare Parts Catalogue

### EURO SAFARI

Substructure MAN

MS762ML (TB162J) – L:10.66m

MS762RL (TB162M) – L:12.00m

26.02.2004 Rev.5

Pub.no: TSP12100

## İçindekiler Contents

### Önsöz Foreword

Bölüm <i>Chapter</i>	A <i>A</i>	Gövde ve Şasi <i>Body &amp; Frame</i>		
		Gövde Servis Parçaları <i>Service Parts, Body</i>	MS762RL - MS762ML	<b>A00-00</b>
		Ön Şasi <i>Front Frame</i>	MS762RL	<b>A01-00</b>
		Ön Şasi <i>Front Frame</i>	MS762ML	<b>A01-01</b>
		Orta Şasi <i>Center Frame</i>	MS762RL	<b>A02-00</b>
		Orta Şasi <i>Center Frame</i>	MS762ML	<b>A02-01</b>
		Arka Şasi <i>Rear Frame</i>	MS762RL	<b>A03-00</b>
		Arka Şasi <i>RearFrame</i>	MS762ML	<b>A03-01</b>
		Ön Taban <i>Front Sill</i>	MS762RL - MS762ML	<b>A04-00</b>
		Orta Taban <i>Center Sill</i>	MS762RL	<b>A05-00</b>
		Orta Taban <i>Center Sill</i>	MS762ML	<b>A05-01</b>

Arka Taban <b>Rear Sill</b>	MS762RL - MS762ML	<b>A06-00</b>
Yan Gövde <b>Side Body</b>	MS762RL	<b>A07-00</b>
Yan Gövde <b>Side Body</b>	MS762ML	<b>A07-01</b>
Tavan <b>Roof</b>	MS762RL	<b>A08-00</b>
Tavan <b>Roof</b>	MS762ML	<b>A08-01</b>
Arka Duvar <b>Rear Wall</b>	MS762RL	<b>A09-00</b>
Arka Duvar <b>Rear Wall</b>	MS762ML	<b>A09-01</b>
Ön Gövde <b>Front Body</b>	MS762RL - MS762ML	<b>A10-00</b>
Arka Gövde <b>Rear Body</b>	MS762RL	<b>A12-00</b>
Arka Gövde <b>Rear Body</b>	MS762ML	<b>A12-01</b>
Gövde Üst Bağlantı Parçaları <b>Body Components Connection - Upper</b>	MS762RL - MS762ML	<b>A14-00</b>
Gövde Alt Bağlantı Parçaları <b>Body Components Connection - Lower</b>	MS762RL - MS762ML	<b>A15-00</b>
Taban Tahtaları <b>Flooring Boards</b>	MS762RL	<b>A17-00</b>
Taban Tahtaları <b>Flooring Boards</b>	MS762ML	<b>A17-01</b>
Çift Cam Dayama Braketleri <b>Double Glazed Glasses Frame</b>	MS762RL	<b>A19-00</b>
Çift Cam Dayama Braketleri <b>Double Glazed Glasses Frame</b>	MS762ML	<b>A19-01</b>
Yan Panel <b>Panel Side</b>	MS762RL - MS762ML	<b>A21-00</b>
Hava Kanalı İç Panelleri <b>Panel Inner, Air Duct</b>	MS762RL	<b>A35-00</b>

Bölüm B Kapılar, Kapaklar, Basamaklar  
**Chapter B Doors, Lids, Steps**

Ön Kapı  
**Front Door** MS762RL - MS762ML **B01-00**

Orta Ve Arka Kapı  
**Center And Rear Door** MS762RL - MS762ML **B02-00**

Kapı Motoru  
**Door Engine** MS762RL - MS762ML **B04-00**

Yan Kapaklar  
**Side Lids** MS762RL **B05-00**

Yan Kapaklar  
**Side Lids** MS762ML **B05-02**

Kilit  
**Lock** MS762RL **B06-00**

Kilit  
**Lock** MS762ML **B06-02**

Kapı Motoru Hava Boruları  
**Door Engine Air Piping** MS762RL - MS762ML **B09-00**

Motor Bakım Kapağı - Arka  
**Engine Inspection Lid - Rear** MS762RL - MS762ML **B10-00**

Ön Basamak  
**Front Step** MS762RL - MS762ML **B20-00**

Orta Ve Arka Basamak  
**Center And Rear Step** MS762RL - MS762ML **B21-00**

Bölüm C İç Trim  
**Chapter C Interior Trimming**

Ön Trim  
**Front Trim** MS762RL - MS762ML **C01-00**

Tavan Trimi  
**Roof Trim** MS762RL **C03-00**



Tavan Trimi <b>Roof Trim</b>	MS762ML	<b>C03-01</b>
İç Yan Trim <b>Inside Trimming</b>	MS762RL	<b>C04-00</b>
İç Yan Trim <b>Inside Trimming</b>	MS762ML	<b>C04-02</b>
Yolcu Rafları <b>Luggage Rack</b>	MS762RL	<b>C05-00</b>
Yolcu Rafları <b>Luggage Rack</b>	MS762ML	<b>C05-02</b>
Raf Kapakları <b>Rack Lids</b>	MS762RL - MS762ML	<b>C06-00</b>
Koltuk Rayı <b>Seat Rail</b>	MS762RL	<b>C08-00</b>
Koltuk Rayı <b>Seat Rail</b>	MS762ML	<b>C08-01</b>
Koltuk <b>Seats</b>	MS762RL	<b>C09-00</b>
Koltuk <b>Seats</b>	MS762ML	<b>C09-01</b>
Yan Kumanda Kutusu <b>Side Switch Box</b>	MS762RL - MS762ML	<b>C10-00</b>
Ön Kumanda Paneli Trimi <b>Front Lower Trim</b>	MS762RL - MS762ML	<b>C12-00</b>
Güneşlik, İç Ayna, Saat, Termometre <b>Sun Visor, Mirror, Clock, Thermometer</b>	MS762RL - MS762ML	<b>C13-00</b>
Bölmeler <b>Partitions</b>	MS762RL - MS762ML	<b>C16-00</b>
Perde <b>Curtain</b>	MS762RL	<b>C19-00</b>
Perde <b>Curtain</b>	MS762ML	<b>C19-01</b>
Halı <b>Carpet</b>	MS762RL	<b>C20-00</b>
Halı <b>Carpet</b>	MS762ML	<b>C20-01</b>

Bodest <b>Bodest</b>	MS762RL - MS762ML	<b>C23-00</b>
Bakım Kapađı <b>Inspection Lid</b>	MS762RL - MS762ML	<b>C30-00</b>
Şanzuman Ve Vites Şaft Bakım Kapađı <b>Transmission &amp; Gear - Shaft Inspection Lid</b>	MS762RL - MS762ML	<b>C31-00</b>
Motor Bakım Kapađı <b>Engine Inspection Lid</b>	MS762RL - MS762ML	<b>C32-00</b>
Kalorifer Bakım Kapađı <b>Heater Inspection Lid</b>	MS762RL - MS762ML	<b>C33-00</b>
Döşeme Trimi <b>Floor Trim</b>	MS762RL - MS762ML	<b>C35-00</b>
Masa <b>Table</b>	MS762RL - MS762ML	<b>C40-00</b>

Bölüm <b>Chapter</b>	D <b>D</b>	Dış Trim <b>Exterior Trimming</b>
-------------------------	---------------	--------------------------------------

Ön Cam <b>Front Window Glass</b>	MS762RL - MS762ML	<b>D01-00</b>
Arka Cam <b>Rear Window</b>	MS762RL - MS762ML	<b>D02-00</b>
Yan Camlar <b>Side Window</b>	MS762RL	<b>D03-00</b>
Yan Camlar <b>Side Window</b>	MS762ML	<b>D03-02</b>
Sürücü Camı <b>Drivers Window</b>	MS762RL - MS762ML	<b>D04-00</b>
Panorama Cam ve Yağmur Oluđu <b>Window Panorama &amp; Drip Moulding</b>	MS762RL - MS762ML	<b>D05-00</b>
Bagaj Trimi <b>Trunk Room Cover Trim</b>	MS762RL - MS762ML	<b>D08-00</b>
Lastik, Jant Ve Jant Kapađı <b>Tire, Rim &amp; Wheel Cover Disc</b>	MS762RL - MS762ML	<b>D09-00</b>
Yedek Lastik Taşıyıcı <b>Spare Tire Carrier</b>	MS762RL - MS762ML	<b>D11-00</b>

Tavan Havalandırma <b>Roof Ventilation</b>	MS762RL - MS762ML	<b>D12-00</b>
Tampon ve Çeki Kancası <b>Bumper &amp; Hook</b>	MS762RL - MS762ML	<b>D13-00</b>
Dış Dikiz Aynaları <b>Rear View Mirror Outside</b>	MS762RL - MS762ML	<b>D18-00</b>
Klima Tavan Üstü Yan Panelleri <b>A/C Roof Panel, Side</b>	MS762RL - MS762ML	<b>D19-00</b>
Tozlukslar <b>Guard Splash</b>	MS762RL - MS762ML	<b>D20-00</b>
Motor Alt Muhafazası <b>Engine Bottom Cover</b>	MS762RL - MS762ML	<b>D24-00</b>
Uyku Kabini <b>Sleeping Cabin</b>	MS762RL	<b>D45-00</b>
Etiketler <b>Label</b>	MS762RL - MS762ML	<b>D50-00</b>

Bölüm <b>Chapter</b>	E <b>E</b>	Elektrikli Ekipmanlar <b>Electrical Equipments</b>
-------------------------	---------------	---

Ön Lambalar <b>Front Lamps</b>	MS762RL - MS762ML	<b>E01-00</b>
Arka Lambalar <b>Rear Lamps</b>	MS762RL - MS762ML	<b>E02-00</b>
Yan, Bagaj, Koridor, Basamak Ve Motor Odası Lambaları <b>Side, Trunk Room, Step &amp; Aisle Lamps</b>	MS762RL	<b>E03-00</b>
Yan, Bagaj, Koridor, Basamak Ve Motor Odası Lambaları <b>Side, Trunk Room, Step Aisle Lamps</b>	MS762ML	<b>E03-01</b>
Ön Kumanda Siviçleri <b>Front Switches</b>	MS762RL - MS762ML	<b>E05-00</b>
Ön Röle Paneli <b>Relay Panel - Front</b>	MS762RL - MS762ML	<b>E08-00</b>
Arka Röle Paneli <b>Relay Panel - Rear</b>	MS762RL	<b>E09-00</b>
Orta Röle Paneli <b>Relay Panel - Center</b>	MS762ML	<b>E09-01</b>

Silecek Kolları <b>Windshield Wiper</b>	MS762RL - MS762ML	<b>E10-00</b>
Silecek Su Hortumu ve Tank <b>Windshield Waser</b>	MS762RL - MS762ML	<b>E11-00</b>
Gövde, Tavan, Şasi Kabloları <b>Body, Roof &amp; Chassis Harness Wiring</b>	MS762RL - MS762ML	<b>E14-00</b>
Akü Kabloları <b>Battery And Cable</b>	MS762RL	<b>E17-00</b>
Akü Kabloları <b>Battery And Cable</b>	MS762ML	<b>E17-01</b>
Televizyon, Video <b>Television, Video</b>	MS762RL - MS762ML	<b>E18-00</b>
Buzdolabı + Kahve Makinası <b>Refrigerator + Boiler</b>	MS762RL - MS762ML	<b>E21-00</b>
Korna Ve Düdük <b>Horn And Buzzer</b>	MS762RL - MS762ML	<b>E22-00</b>

Bölüm <b>Chapter</b>	F <b>F</b>	Soğutma Sistemi <b>Cooling System</b>	
		Klima <b>Air Conditioner</b>	MS762RL - MS762ML <b>F01-00</b>
		Klima Kompresörü <b>Compressor, Air Conditioner</b>	MS762RL - MS762ML <b>F02-00</b>
		Klima Boruları <b>A/C Piping</b>	MS762RL - MS762ML <b>F03-00</b>
		Soğutucu Boruları <b>Intercooler Pipes</b>	MS762RL - MS762ML <b>F04-00</b>
		Motor Soğutma Suyu Hattı <b>Pipes &amp; Hoses Line, Engine Cooling</b>	MS762RL - MS762ML <b>F10-00</b>
Bölüm <b>Chapter</b>	G <b>G</b>	Isıtma Sistemi <b>Heater System</b>	
		Kalorifer Ve Boruları <b>Heater And Piping</b>	MS762RL <b>G01-00</b>
		Kalorifer Ve Boruları <b>Heater And Piping</b>	MS762ML <b>G01-01</b>

Isıtıcı Kanalları  
**Heater Duct** MS762RL **G02-00**

---

Isıtıcı Kanalları  
**Heater Duct** MS762ML **G02-01**

---

Ön Isıtma Sistemi - Webasto  
**Preheater Unit - Webasto** MS762RL **G04-00**

---

Ön Isıtma Sistemi - Webasto  
**Preheater Unit - Webasto** MS762ML **G04-01**

---

Defroster  
**Defroster** MS762RL - MS762ML **G10-00**

---

Bölüm M Yakıt Sistemi  
**Chapter M Fuel System**

---

Yakıt Tankı  
**Fuel Tank** MS762RL - MS762ML **M01-00**

---

Yakıt Hortumları  
**Fuel Tubes** MS762RL **M02-00**

---

Yakıt Hortumları  
**Fuel Tubes** MS762ML **M02-01**

---

Bölüm N Emme ve Egzoz Sistemi  
**Chapter N Intake & Exhaust System**

---

Egzoz Borusu Ve Susturucu  
**Exhaust Pipe & Muffler** MS762RL **N05-00**

---

Egzoz Borusu Ve Susturucu  
**Exhaust Pipe & Muffler** MS762ML **N05-01**

---

Bölüm R Vites  
**Chapter R Gearshift**

---

Vites  
**Gearshift** MS762RL **R01-00**

---

Vites  
**Gearshift** MS762ML **R01-02**

---

Bölüm <i>Chapter</i>	V <i>V</i>	Direksiyon <i>Steering</i>		
		Direksiyon <i>Steering</i>	MS762RL - MS762ML	<i>V01-00</i>
		Çekme Ve Pıtman Kolu, Dişli Kutusu <i>Gear Box, Dragling, Arm Pitman</i>	MS762RL - MS762ML	<i>V02-00</i>
Bölüm <i>Chapter</i>	W <i>W</i>	Tuvalet <i>Toilet</i>		
		Tuvalet <i>Toilet</i>	MS762ML	<i>W01-00</i>
		Tuvalet <i>Toilet</i>	MS762RL	<i>W02-00</i>
Bölüm <i>Chapter</i>	Z <i>Z</i>	Şasi Donanımı <i>Chassis Components</i>		
		Hidrolik Hattı <i>Hydraulic Line</i>	MS762RL - MS762ML	<i>Z01-00</i>
		Debriyaj Yağ Borusu <i>Clutch Oil Piping</i>	MS762RL - MS762ML	<i>Z06-00</i>
		Direksiyon Yağ Borusu <i>Power Steering Oil Piping</i>	MS762RL - MS762ML	<i>Z07-00</i>
		Hava Tankları <i>Air Tank</i>	MS762RL - MS762ML	<i>Z08-00</i>
		Fren Boruları <i>Brake Piping</i>	MS762RL - MS762ML	<i>Z09-00</i>
		Alternatör <i>Alternator</i>	MS762RL - MS762ML	<i>Z10-00</i>
		Hava Temizleyici <i>Air Cleaner</i>	MS762RL - MS762ML	<i>Z15-00</i>
		Motor Suyu Soğutma Boruları <i>Piping, Engine Cooling</i>	MS762RL - MS762ML	<i>Z16-00</i>
		Kardan şaft <i>Propeller shaft</i>	MS762RL - MS762ML	<i>Z20-00</i>
Bölüm <i>Chapter</i>		Parça No İndeksi <i>Part Number Index</i>	MS762RL - MS762ML	
Bölüm <i>Chapter</i>		Koltuk Yedek Parçaları <i>Seat Repair Kit</i>	MS762RL - MS762ML	

## ÖNSÖZ

Bu katalog, **TEMSA A.Ş. - ADANA / TÜRKİYE** tesislerinde montajı yapılan klimalı **EURO SAFARİ (MAN) MS762RL (TB162M) L:12.00m** ve **MS762ML (TB162J) L:10.66m** otobüslerin yedek parça bilgilerini kapsamaktadır. Bu katalog, fabrikadan çıktığı şekildeki araçlar içindir.

Bu katalog, EURO SAFARİ otobüslerin yedek parça teminine yardımcı olması için, “**TEMSA A.Ş. – YEDEK PARÇA DEPART. İSTANBUL / TÜRKİYE**” tarafından hazırlanmıştır.

**Adres:**

Kısıklı Cad.Şehit Teğmen İsmail  
Moray Sk. No:2/1 81190  
Altunizade  
İSTANBUL - TÜRKİYE  
Tel. +90 (216) 326 31 10 PBX  
Faks +90 (216) 325 60 40

**<http://www.temsa.com.tr>**

**e-mail: [spareparts@temsa.com.tr](mailto:spareparts@temsa.com.tr)**

Temsa A.Ş. bu katalogda gösterilen özellikleri, dizayn ve düzenini hiçbir kayda tabi olmadan değiştirebilir.

## GENEL BİLGİ

Sayfa düzeni hakkında açıklamalar;

- |                       |  |
|-----------------------|--|
| 1. GRUP NO            | Aracın belirli bölgelerini gösteren ana grupların altındaki alt grup no'larıdır.   |
| 2. GRUP ADI           | Alt grupların adıdır.  |
| 3. SIRA NO            | Resimlerdeki her parça için verilen sembol numarasıdır.  |
| 4. PARÇA NO           | Alt gruplarda yer alan parçaların numarasıdır.   |
| 5. PARÇA ADI          | Parçaların adıdır.   |
| 6. ARAÇ NO            | Parçaların yürürlüğe girdiği ve/veya çıktığı araç no'sudur. Bazen de yürürlüğe girdiği ve/veya çıktığı tarihi belirtir.<br>Örnek: başlangıç 9908 (1998 yılının Ağustos ayı)  |
| 7. R/P DEĞİŞEBİLİRLİK | Araç değişime uğradığında, eski ve yeni parçaların birbiri ile karşılıklı değişebilirliği aşağıdaki sembollerle bu hanede ifade edilir.<br><br>‘ O ‘ Hem yeni, hem de eski parça tüm araçlarda birbiri yerine kullanılabilir.<br><br>‘ X ‘ Yeni parça sadece devreye girdiği araç ve o araçtan sonra üretilen araçlarda, eski parça sadece eski araçlarda kullanılır.<br><br>‘ Y ‘ Yeni parça hem eski, hem de yeni araçlarda kullanılır. Eski parça sadece eski araçlarda kullanılır.<br><br>‘ Z ‘ Parça revize edildiği veya beraber çalıştığı diğer parçalarla uyumlu hale getirildiği takdirde hem eski, hem de yeni araçlarda kullanılabilir. |

## FOREWORD

This parts catalog, contains spare parts information for **MS762RL (TB162M) L: 12.00m. and MS762ML (TB162J) L:10.66m, EURO SAFARI substructure MAN** buses with air conditioner , assembled by **TEMSA A.Ş. , ADANA / TURKEY.**

This catalog is prepared for vehicles originally manufactured by TEMSA A.Ş.

This catalog is prepared to assist the dealers in providing spare parts supplied by TEMSA A.Ş. – SPARE PARTS DEPARTMENT , ISTANBUL - TURKEY.

**Address:**

Kısıklı Cad.Şehit Teğmen İsmail  
Moray Sk. No:2/1 81190  
Altunizade  
ISTANBUL - TURKEY  
Phone +90 (216) 326 31 10 PBX  
Fax +90 (216) 325 60 40

**<http://www.temsa.com.tr>**

**[e-mail: spareparts@temsa.com.tr](mailto:spareparts@temsa.com.tr)**

All rights reserved . No part of this publication / CD may be reproduced , stored in a retrieval system or transmitted in any form or by any means, without permission in writing of TEMSA A.Ş. / TURKEY

## GENERAL INFORMATION

How to use the lists and illustrations;

1. GROUP NO Identifies the main-sub group no. An intimate knowledge of the main-sub groups and group titles facilitates the retrieval of parts numbers.
2. GROUP NAME Indicates the title of the main-sub group, which shows the names of the representative part, equipments or the like contained in each group.
3. ITEM NO Indicates the item no for each parts
4. PART NO Indicates the part number used for the applicable vehicle model.
5. PART NAME Indicates the part name used for the vehicle.
6. VEHICLE NO Indicates vehicle number of beginning the production of the vehicle incorporating the applicable part and that of ending their production. Sometimes indicates the date of beginning the production of the vehicle incorporating the applicable part and that of ending their production.  
Example: from 9808 (1998 from the beginning of August)
7. REPLACEABILITY When a part has been modified, the interchangeability between new and old parts are indicated by using in the following symbols.
  - ‘ O ‘ Both new and old parts are usable on new and old vehicles.
  - ‘ X ‘ New parts are usable only on new vehicles and the old parts only on old vehicles.
  - ‘ Y ‘ New parts can be used on both and new old vehicles but old parts can be used only on old vehicles.
  - ‘ Z ‘ The parts are not usable on either new or old vehicles but they are usable if they are reworked or combined with other parts.



Bölüm A Gövde ve Şasi  
Chapter A **Body & Frame**

---

Gövde Servis Parçaları  
**Service Parts, Body**

MS762RL - MS762ML **A00-00**

---

Ön Şasi  
**Front Frame**

MS762RL **A01-00**

---

Ön Şasi  
**Front Frame**

MS762ML **A01-01**

---

Orta Şasi  
**Center Frame**

MS762RL **A02-00**

---

Orta Şasi  
**Center Frame**

MS762ML **A02-01**

---

Arka Şasi  
**Rear Frame**

MS762RL **A03-00**

---

Arka Şasi  
**RearFrame**

MS762ML **A03-01**

---

Ön Taban  
**Front Sill**

MS762RL - MS762ML **A04-00**

---

Orta Taban  
**Center Sill**

MS762RL **A05-00**

---

Orta Taban  
**Center Sill**

MS762ML **A05-01**

---

Arka Taban  
**Rear Sill**

MS762RL - MS762ML **A06-00**

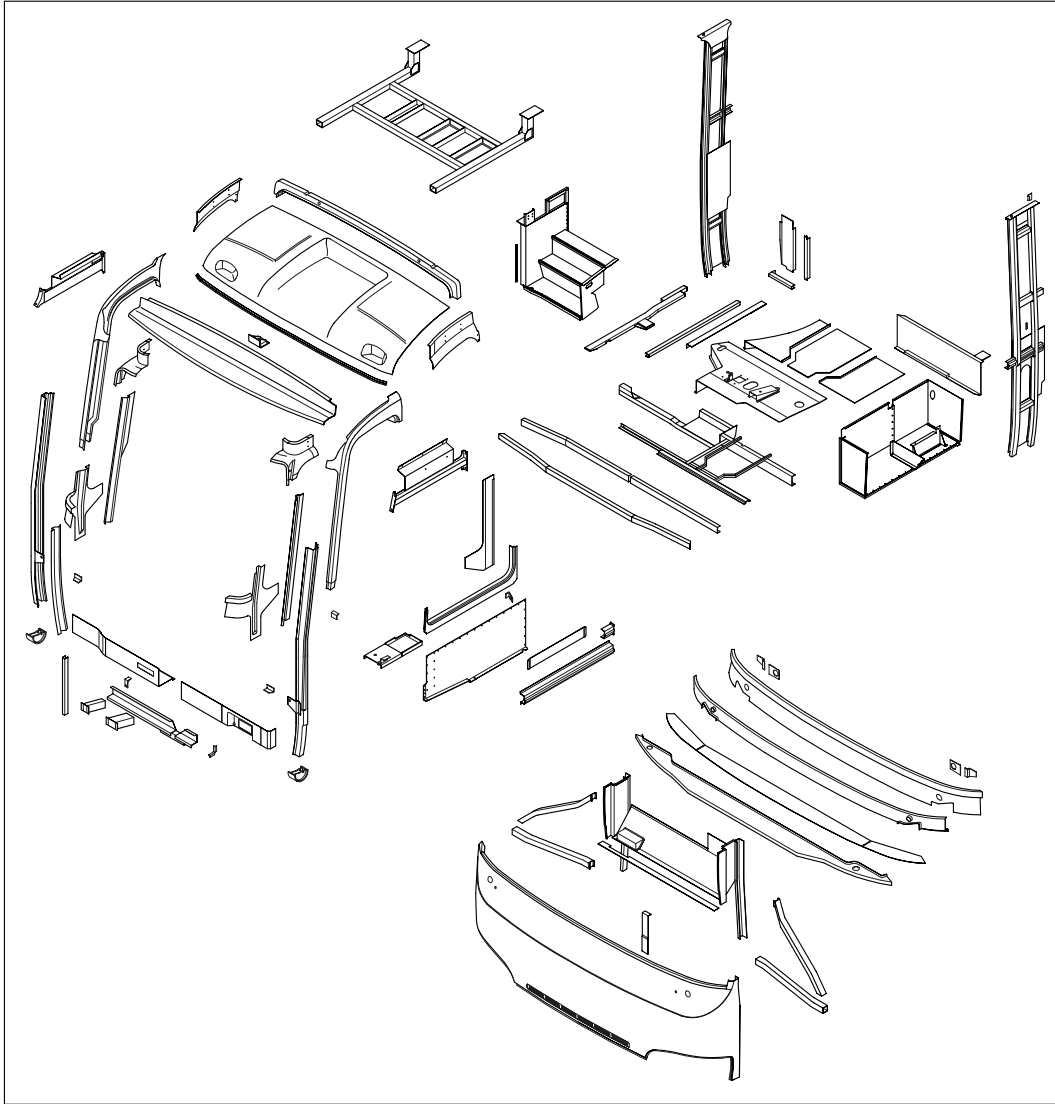
---

Yan Gövde  
**Side Body**

MS762RL **A07-00**

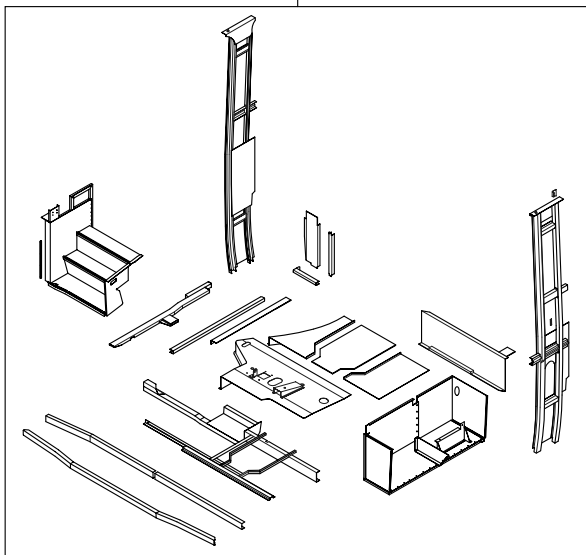
---

Yan Gvde <b>Side Body</b>	MS762ML	<b>A07-01</b>
Tavan <b>Roof</b>	MS762RL	<b>A08-00</b>
Tavan <b>Roof</b>	MS762ML	<b>A08-01</b>
Arka Duvar <b>Rear Wall</b>	MS762RL	<b>A09-00</b>
Arka Duvar <b>Rear Wall</b>	MS762ML	<b>A09-01</b>
n Gvde <b>Front Body</b>	MS762RL	<b>A10-00</b>
Arka Gvde <b>Rear Body</b>	MS762RL	<b>A12-00</b>
Arka Gvde <b>Rear Body</b>	MS762ML	<b>A12-01</b>
Gvde st Baęlantı Paraları <b>Body Components Connection - Upper</b>	MS762RL - MS762ML	<b>A14-00</b>
Gvde Alt Baęlantı Paraları <b>Body Components Connection - Lower</b>	MS762RL - MS762ML	<b>A15-00</b>
Taban Tahtaları <b>Flooring Boards</b>	MS762RL	<b>A17-00</b>
Taban Tahtaları <b>Flooring Boards</b>	MS762ML	<b>A17-01</b>
ift Cam Dayama Braketleri <b>Double Glazed Glasses Frame</b>	MS762RL	<b>A19-00</b>
ift Cam Dayama Braketleri <b>Double Glazed Glasses Frame</b>	MS762ML	<b>A19-01</b>
Yan Panel <b>Panel Side</b>	MS762RL - MS762ML	<b>A21-00</b>
Hava Kanalı İ Panelleri <b>Panel Inner, Air Duct</b>	MS762RL	<b>A35-00</b>
Hava Kanalı İ Panelleri <b>Panel Inner, Air Duct</b>	MS762ML	<b>A35-01</b>

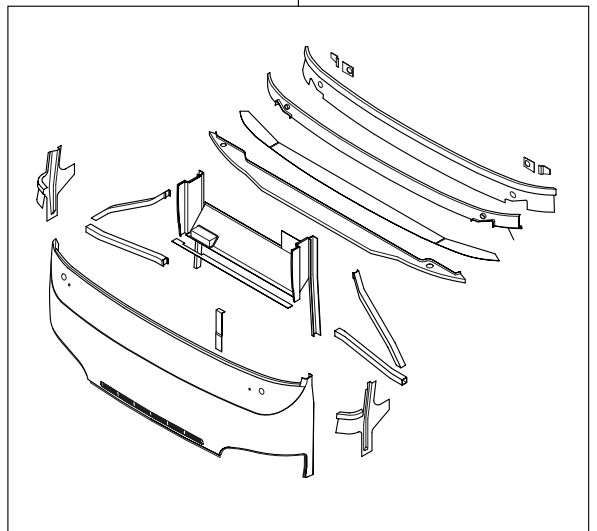


1  
3

5  
6

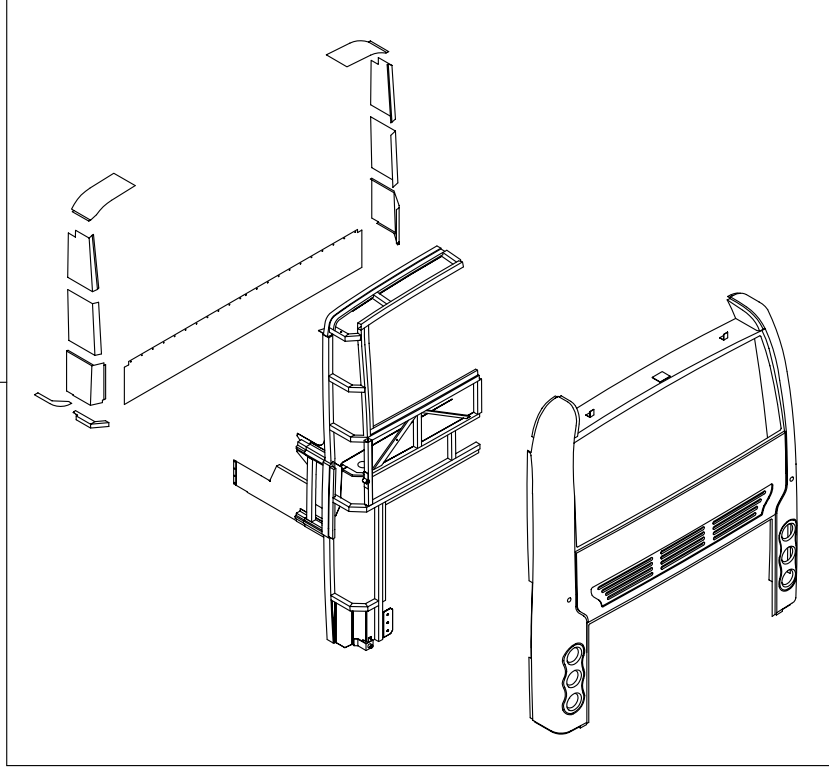


2

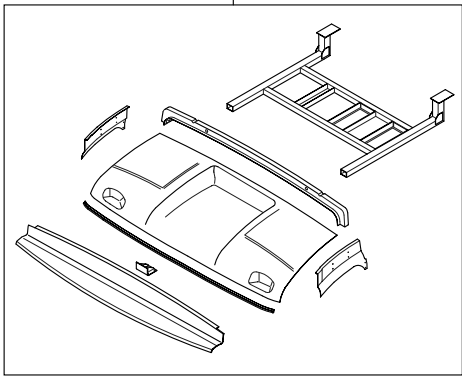


MS762

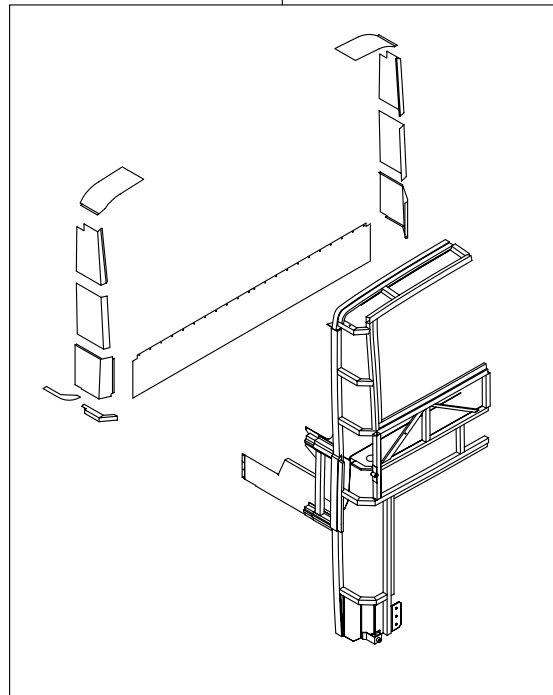
7  
8



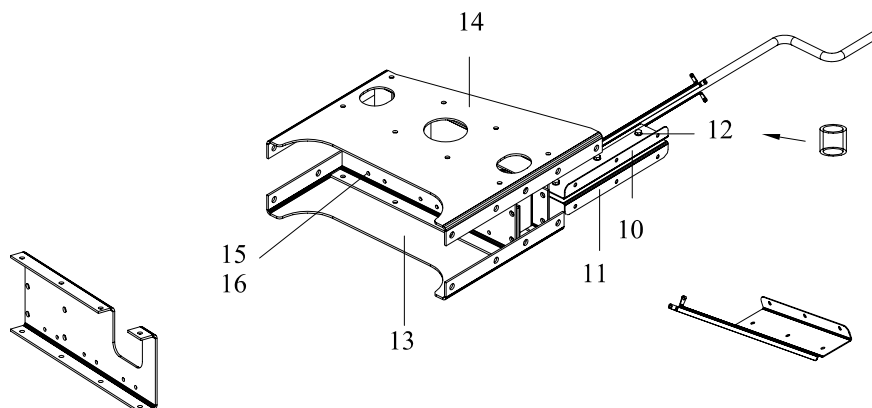
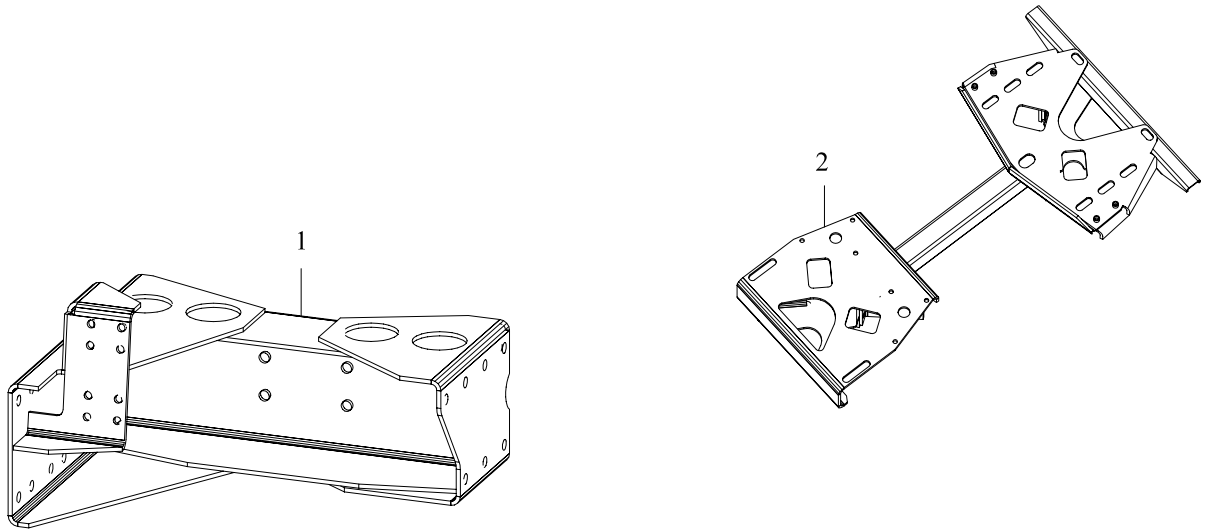
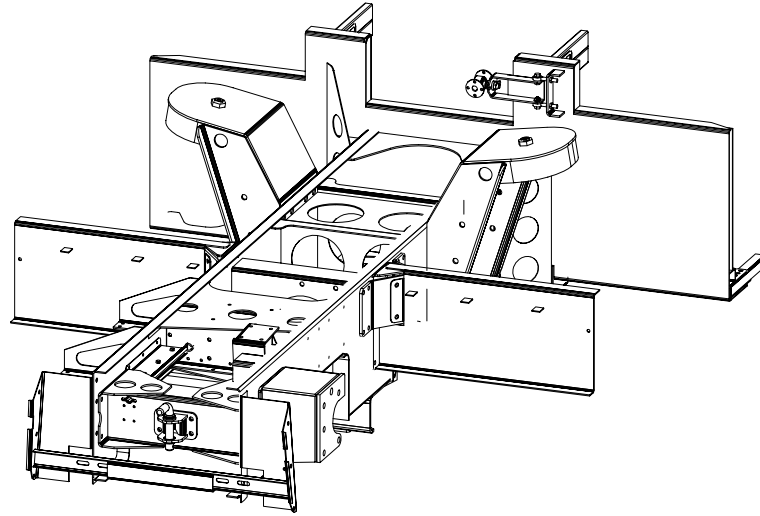
4

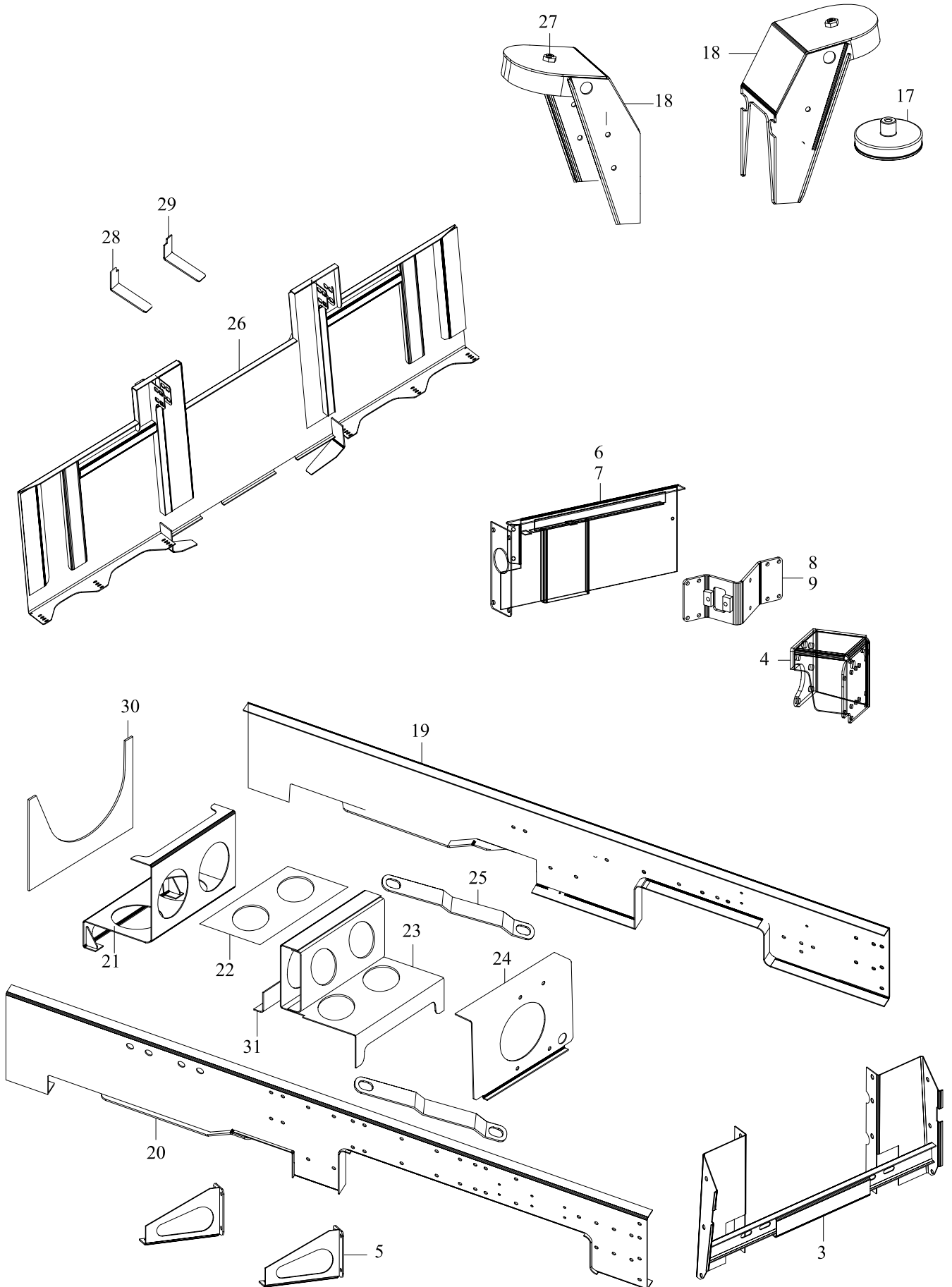


9  
10









MS762RL

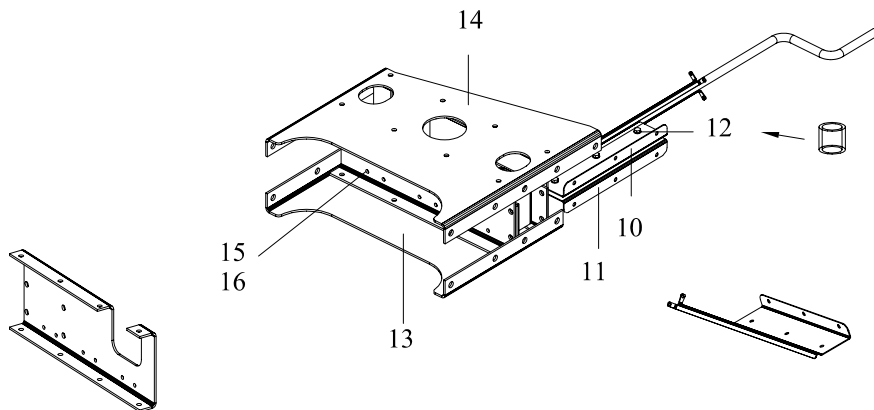
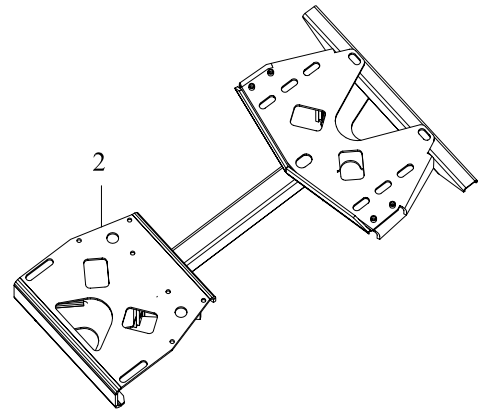
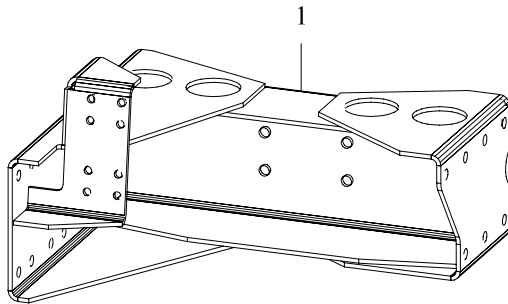
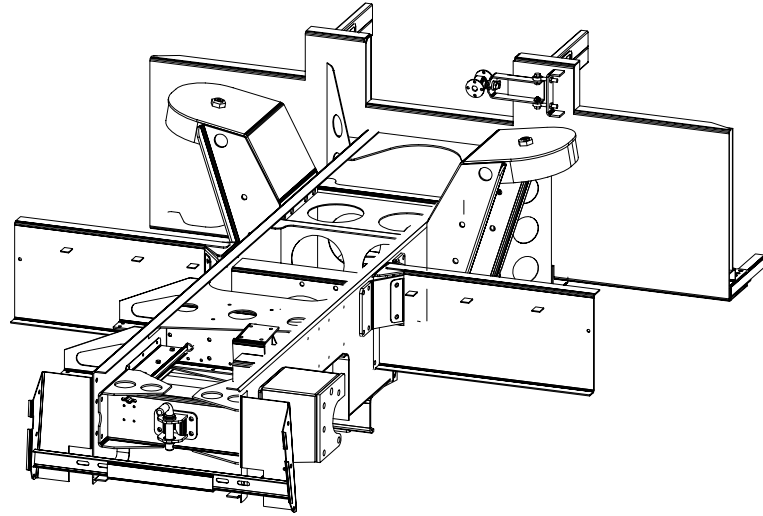
Sym.	Part Number	Part Name	Qty.	R/P	From	Up To	Remarks
1	61301-90100-71	TRAVERS CROSSMEMBER	1		1		
2	61301-90140-70B	TRAVERS CROSSMEMBER	1		1		
3	120-20-287	DESTEK SUPPORT	1		1	4	
3	61301-90340-70B	BRAKET BRACKET	1		5		
4	120-20-694	DİREKSİYON DİŞLİ BRAKETİ BRACKET, GEAR BOX	1		1	24	
4	61301-90350-70	DİREKSİYON DİŞLİ BRAKETİ BRACKET, GEAR BOX	1	X	25		
5	120-20-895	BRAKET BRACKET	2		1		
6	120-20-317A	KOL SOL RAIL LH	1		1		
7	120-20-318	KOL SAĞ RAIL RH	1		1		
8	120-20-311	BRAKET SOL BRACKET LH	1		1		
9	120-20-315	BRAKET SAĞ BRACKET RH	1		1	4	
9	120-20-311	BRAKET SAĞ BRACKET RH	1		5		
10	120-20-790A	PLAKA PLATE	1		1		
11	120-20-791A	PLAKA PLATE	1		1		
12	120-20-792A	BURÇ BUSHING	1		1		
13	120-20-878D	PLAKA PLATE	1		1		
14	120-20-888D	PLAKA PLATE	1		1		
15	120-20-889C	PLAKA PLATE	1		1		
16	120-20-911C	PLAKA SAĞ PLATE RH	1		1		
17	120-20-702	PLAKA PLATE	2		1	4	
17	61301-90310-06	PLAKA PLATE	2		5		

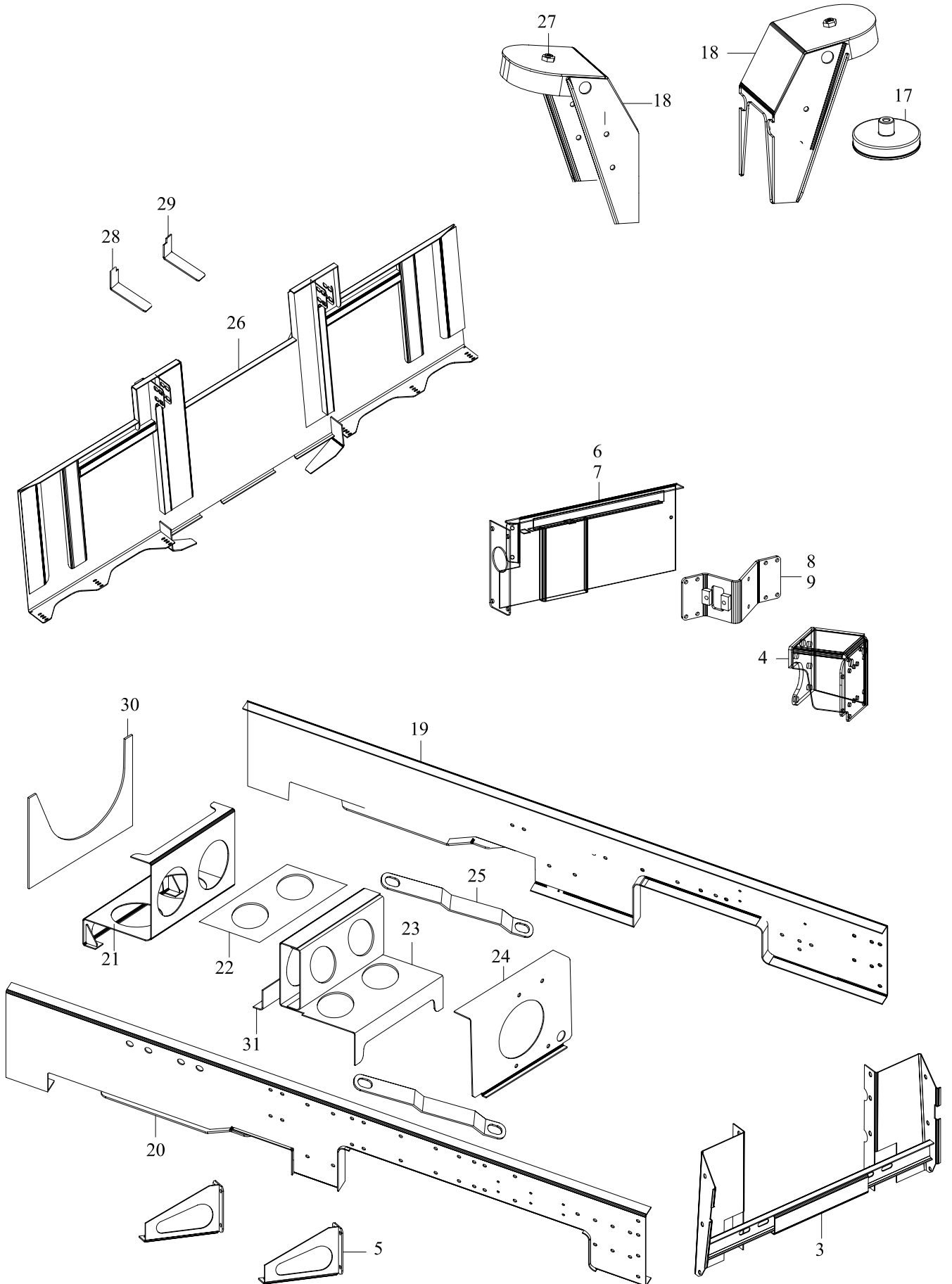


MS762RL

Sym.	Part Number	Part Name	Qty.	R/P	From	Up To	Remarks
18	120-20-277	DESTEK SUPPORT	2		1	4	
18	61301-90330-70	DESTEK SUPPORT	2		5		
19	120-20-884	KOL SOL RAIL LH	1		1	4	
19	61301-90300-01	KOL SOL RAIL LH	1		5	24	
19	61301-90300-11	KOL SOL RAIL LH	1		25		
20	120-20-885	KOL SAĞ RAIL RH	1		1	4	
20	61301-90300-02	KOL SAĞ RAIL RH	1		5	24	
20	61301-90300-12	KOL SAĞ RAIL RH	1		25		
21	61301-90120-70B	BRAKET BRACKET	1		1		
22	61301-90200-00	PLAKA PLATE	1		1		
23	61301-90120-71	TRAVERS CROSSMEMBER	1		1		
24	120-20-909	PANEL PANEL	1		1	4	
24	61301-90300-05	PANEL PANEL	1		5		
25	120-20-899	PLAKA PLATE	1		1	4	
25	61301-90300-04	PLAKA PLATE	1		5		
26	120-20-655	TRAVERS CROSSMEMBER	1		1	4	
26	61301-90320-70	TRAVERS CROSSMEMBER	1		5		
27	61301-90310-04	SOMUN NUT	2		1		
28	61301-90320-10	PLAKA PLATE	1		5		
29	61301-90320-11	PLAKA PLATE	1		5		
30	61301-90300-09	PLAKA PLATE	1		5		

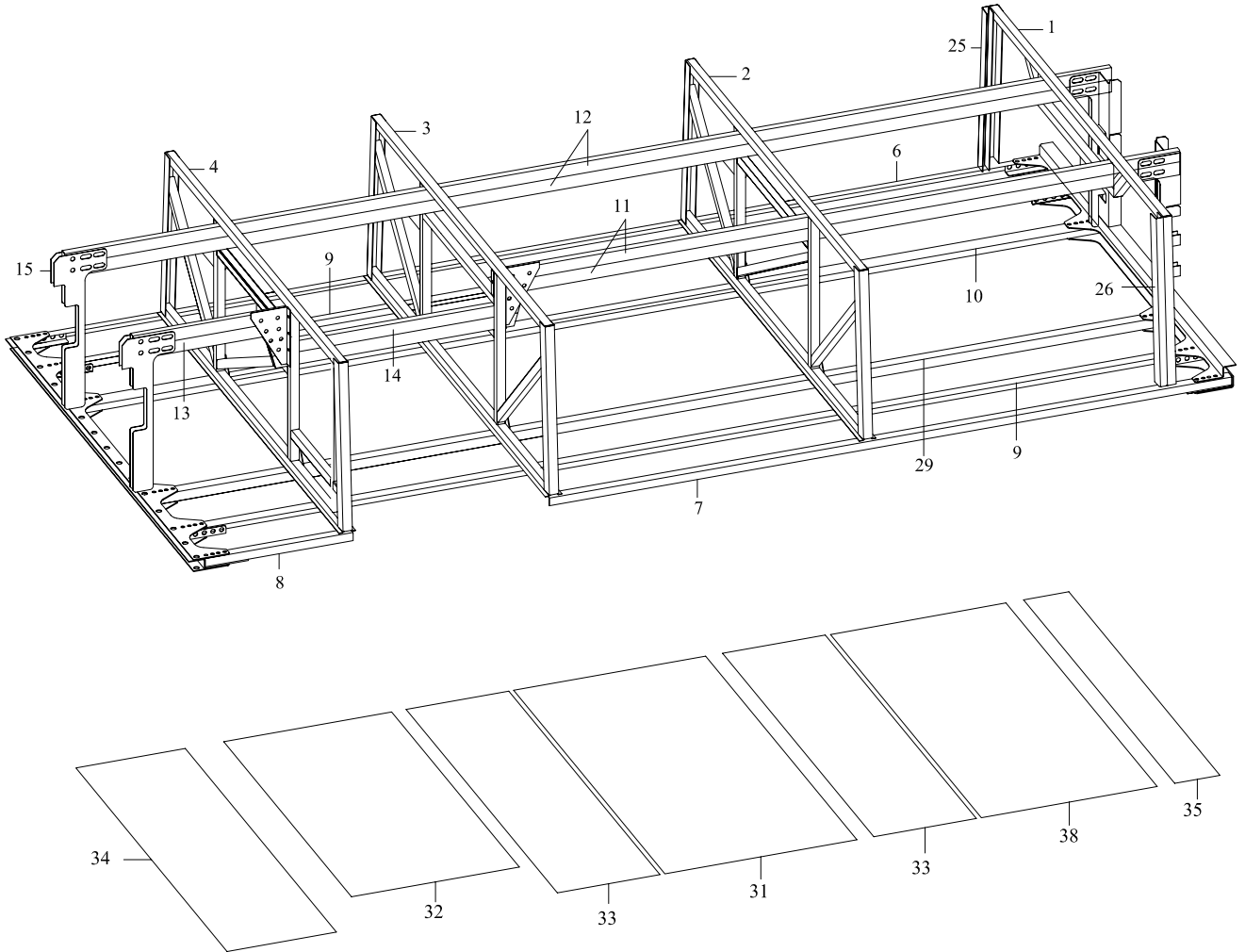






Sym.	Part Number	Part Name	Qty.	R/P	From	Up To	Remarks
1	61301-90170-70	TRAVERS CROSSMEMBER	1		1		
2	61301-90140-70	TRAVERS CROSSMEMBER	1		1		
3	120-20-287	DESTEK SUPPORT	1		1	4	
3	61301-90340-70	BRAKET BRACKET	1		5		
4	61301-90180-70	DİREKSİYON DİŞLİ BRAKETİ BRACKET, GEAR BOX	1		1	24	
4	61301-90180-71	DİREKSİYON DİŞLİ BRAKETİ BRACKET, GEAR BOX	1	X	25		
5	120-20-895	BRAKET BRACKET	2		1		
6	120-20-317	KOL SOL RAIL LH	1		1		
7	120-20-318	KOL SAĞ RAIL RH	1		1		
8	120-20-311	BRAKET SOL BRACKET LH	1		1		
9	120-20-315	BRAKET SOL BRACKET LH	1		1	4	
9	120-20-311	PLAKA PALTE	1		5		
10	61301-90160-70	PLAKA PALTE	1		1		
11	61301-90160-71	PLAKA PLATE	1		1		
12	120-20-792	BURÇ BUSH	1		1		
13	61301-90190-70	PLAKA PLATE	1		1		
14	120-20-888	PLAKA PLATE	1		1		
15	61301-90200-70	PLAKA PLATE	1		1		
16	61301-90200-71	PLAKA SAĞ PLATE RH	1		1		
17	120-20-702	PLAKA PLATE	2		1	4	
17	61301-90310-06	PLAKA PLATE	2		5		

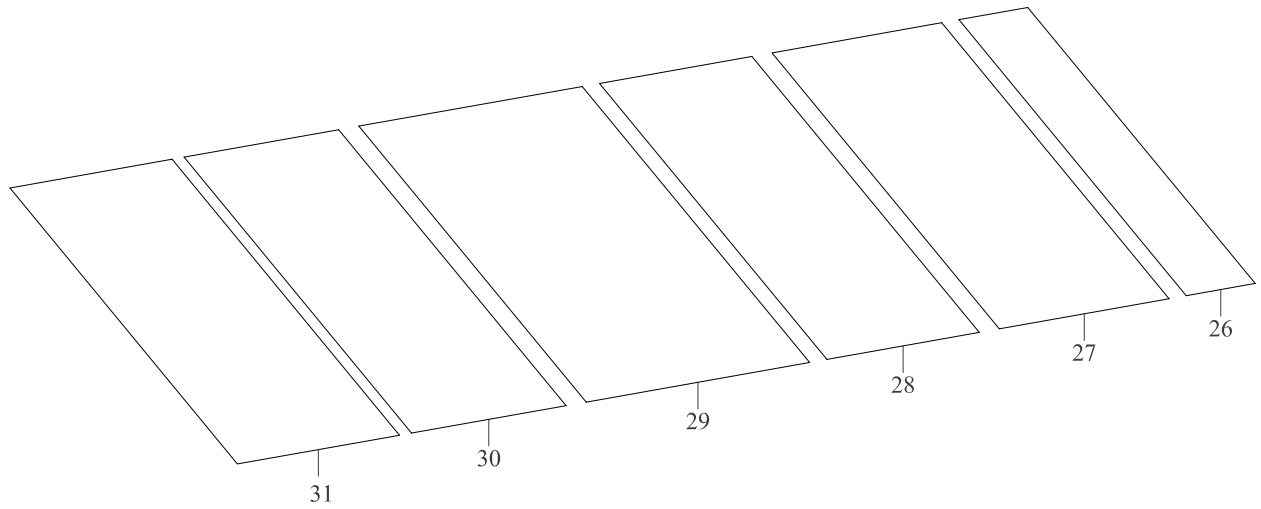
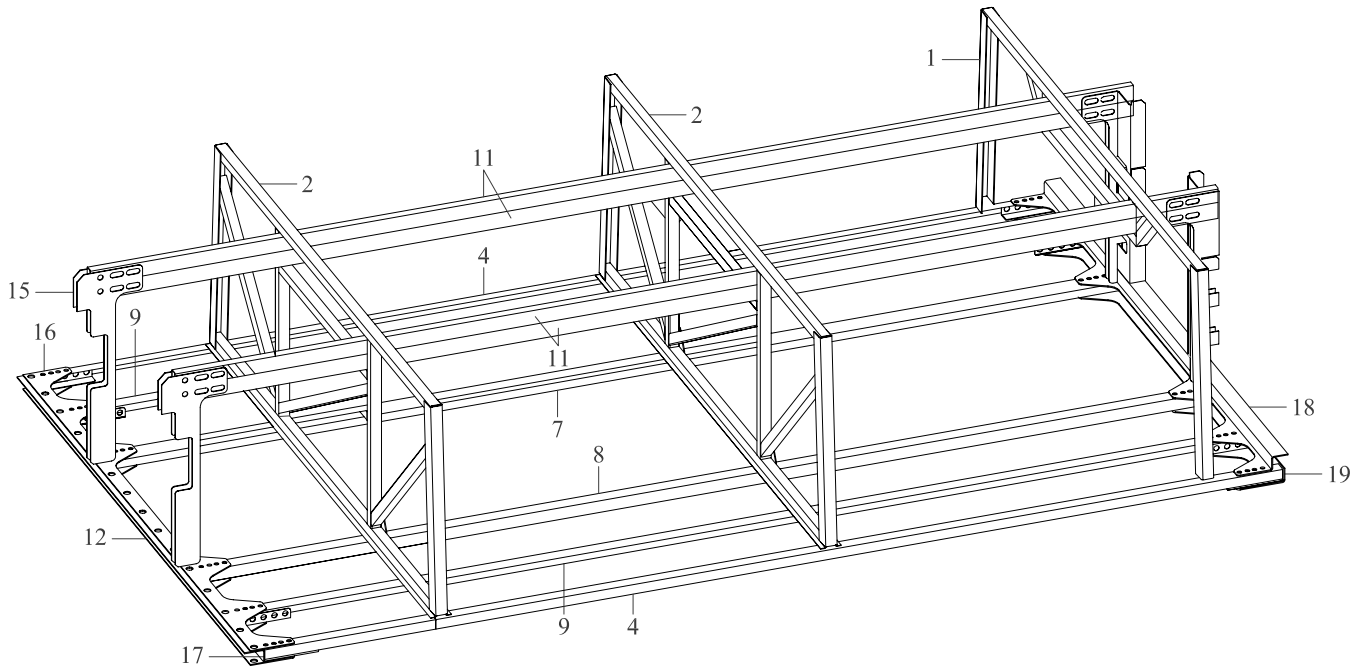




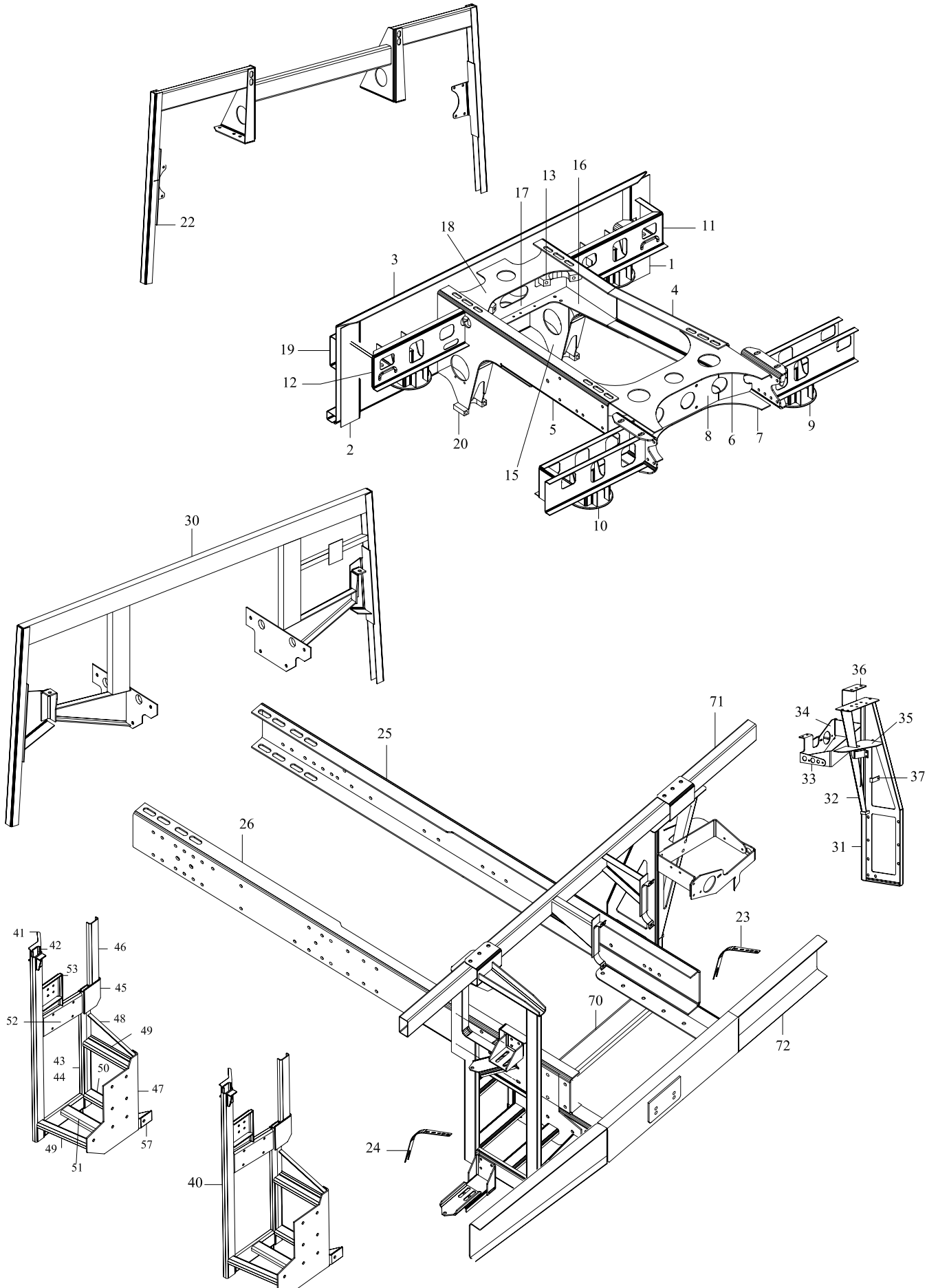
Sym.	Part Number	Part Name	Qty.	R/P	From	Up To	Remarks
1	61403-90100-71	TRAVERS CROSSMEMBER	1		1		
2	61403-90100-72	TRAVERS CROSSMEMBER	1		1		
3	61403-90100-73	TRAVERS CROSSMEMBER	1		1		
4	61403-90100-70	TRAVERS CROSSMEMBER	1		1		
6	61401-90010-06	DESTEK MEMBER	1		1		
7	61401-90010-07	DESTEK MEMBER	1		1		
8	61401-90010-08	DESTEK MEMBER	1		1		
9	61401-90010-09	RAY RAIL	2		1		
10	61401-90010-10	DESTEK MEMBER	1		1		
11	61401-90010-11	RAY RAIL	2		1		
12	61401-90010-12	RAY RAIL	2		1		
13	61401-90010-13	RAY RAIL	1		1		
14	61402-80140-73	RAY RAIL	1		1		
15	61401-90010-15	KUŞAK BLECH	4		1		
25	61403-60720-00	DİREK SUPPORT	1		1	24	
25	61403-90720-00	DİREK SUPPORT	1		25		
26	61403-60720-01	DİREK SUPPORT	1		1	24	
26	61403-90720-01	DİREK SUPPORT	1		25		
29	61401-90010-29	ALT PROFİL PROFILE	1		1		
31	61405-80100-01	PANEL PANEL	1		1		
32	61405-80100-02	PANEL PANEL	1		1		











Sym.	Part Number	Part Name	Qty.	R/P	From	Up To	Remarks
1	120-20-366	PLAKA PLATE	1		1		
2	120-20-365	PLAKA PLATE	1		1		
3	120-20-362	PANEL PANEL	1		1	4	
3	61504-90010-01	PANEL PANEL	1		5		
4	61504-90250-70	U-PROFİL PROFILE-U	1		1		
5	120-20-357	U-PROFİL PROFILE-U	1		1	4	
5	61504-90250-71	U-PROFİL PROFILE-U	1		5		
6	61504-90220-02	PLAKA PLATE	1		1		
7	61504-90210-70	PLAKA PLATE	1		1		
8	61504-90220-03	PLAKA PLATE	1		1		
9	120-20-394	DESTEK SOL SUPPORT LH	1		1		
10	120-20-387	DESTEK SAĞ SUPPORT RH	1		1		
11	120-20-382	DESTEK SAĞ SUPPORT RH	1		1		
12	120-20-383	DESTEK SOL SUPPORT LH	1		1		
13	120-20-375	BRAKET BRACKET	2		1		
15	120-20-373	PLAKA PLATE	2		1		
16	120-20-368	PLAKA PLATE	1		1		
17	120-20-370	PLAKA PLATE	1		1		
18	120-20-369	PLAKA PLATE	1		1		
19	120-20-363	PLAKA PLATE	1		1	4	
19	61504-90010-02	PLAKA PLATE	1		5		

MS762RL

Sym.	Part Number	Part Name	Qty.	R/P	From	Up To	Remarks
20	120-20-374	DESTEK SUPPORT	2	O	1	64	
20	61504-90010-03	DESTEK SUPPORT	2		65		
22	120-20-474	MOTOR ODASI PANELİ ENG. ROOM PANEL	1		1	4	
22	61504-90130-70	MOTOR ODASI PANELİ ENG. ROOM PANEL	1		5		
23	120-20-359	PLAKA PLATE	1		1		
24	120-20-360	PLAKA PLATE	1		1		
25	120-20-398	RAY RAIL	1		1	4	
25	61504-90240-04	RAY RAIL	1		5		
26	120-20-397	RAY RAIL	1		1	4	
26	61504-90240-05	RAY RAIL	1		5		
30	120-20-484	MOTOR ODASI PANELİ ENG. ROOM PANEL	1		1	4	
30	61504-90300-70	MOTOR ODASI PANELİ ENG. ROOM PANEL	1		5		
31	61501-90100-01	PLAKA PLATE	1		1		
32	61501-90100-02	BRAKET BRACKET	1		1		
33	61501-90100-03	BRAKET BRACKET	1		1		
34	61501-90100-04	BRAKET BRACKET	1		1		
35	61501-90100-05	BRAKET BRACKET	1		1		
36	61501-90100-06	BRAKET BRACKET	1		1		
37	61501-90100-07	BRAKET BRACKET	1		1		
40	61504-90140-74	ALTERNATÖR KASASI FRAME, ALTERNATOR	1		95		
41	61504-90140-01	PLAKA PLATE	1		1	94	



ARKA ŞAŞI  
REAR FRAME

Group No : **A03-00**

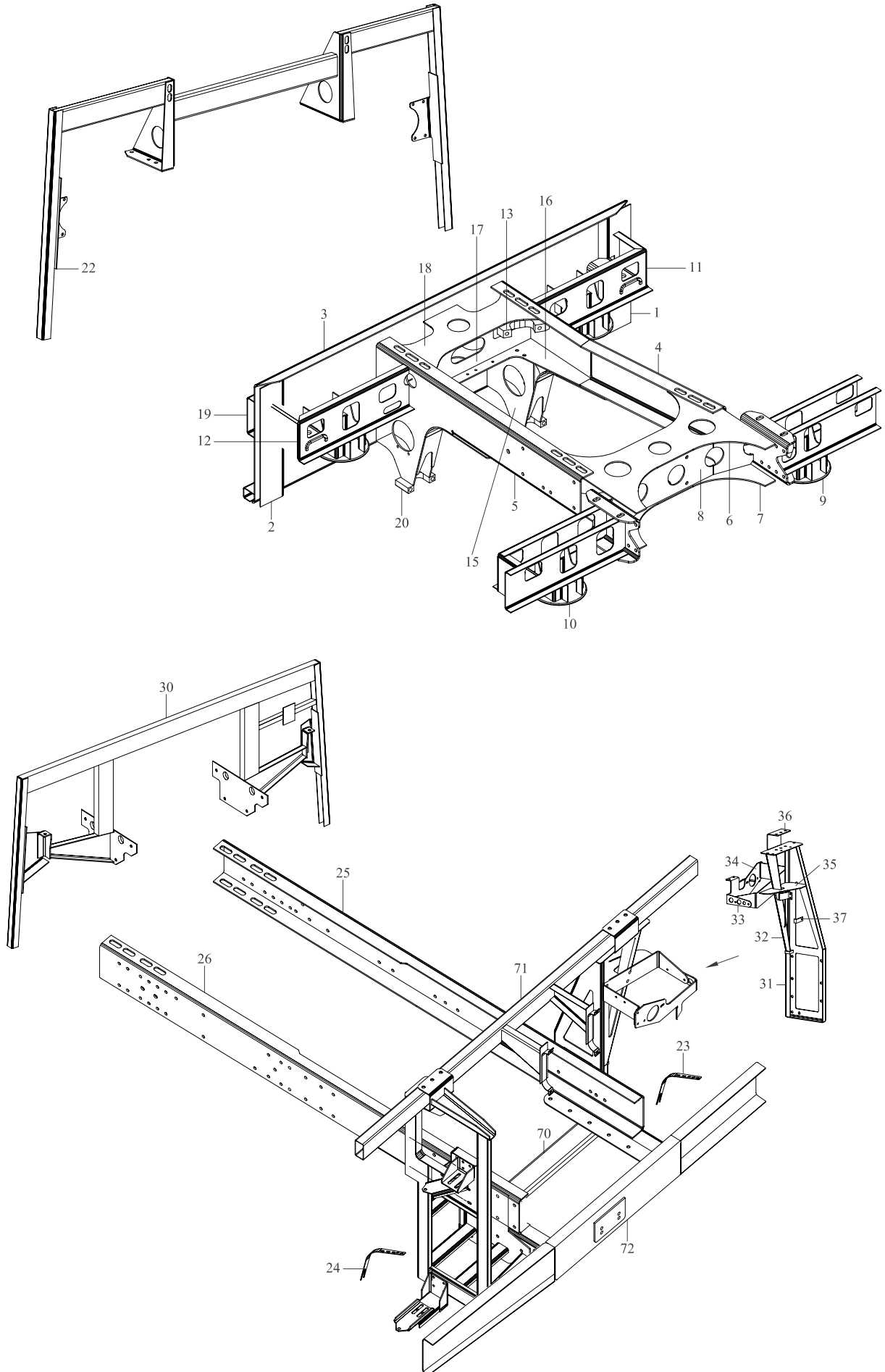
Ident. Num.: 61504-90010-71

Rev. Date:

Page: 3

MS762RL

Sym.	Part Number	Part Name	Qty.	R/P	From	Up To	Remarks
42	61504-90140-02	PLAKA PLATE	1		1	94	
43	61504-90140-03	PLAKA PLATE	1		1	94	
44	61504-90140-04	PLAKA PLATE	1		1	94	
45	61504-90140-05	PLAKA PLATE	1		1	94	
46	61504-90140-06	PLAKA PLATE	1		1	94	
47	61504-90140-07	PLAKA PLATE	1		1	94	
48	61504-90140-08	PLAKA PLATE	1		1	94	
49	61504-90140-09	PLAKA PLATE	1		1	94	
50	61504-90140-10	PLAKA PLATE	1		1	94	
51	61504-90140-11	PLAKA PLATE	1		1	94	
52	61504-90140-12	PLAKA PLATE	1		1	94	
53	61504-90140-13	PLAKA PLATE	1		1	94	
57	61504-90140-17	PLAKA PLATE	1		1	94	
70	120-22-1161	TRAVERS CROSSMEMBER	1		1		
71	120-20-415	TRAVERS CROSSMEMBER	1		1	4	
71	61504-90320-01	TRAVERS CROSSMEMBER	1		5		
72	61504-90020-73	TRAVERS CROSSMEMBER	1		1		



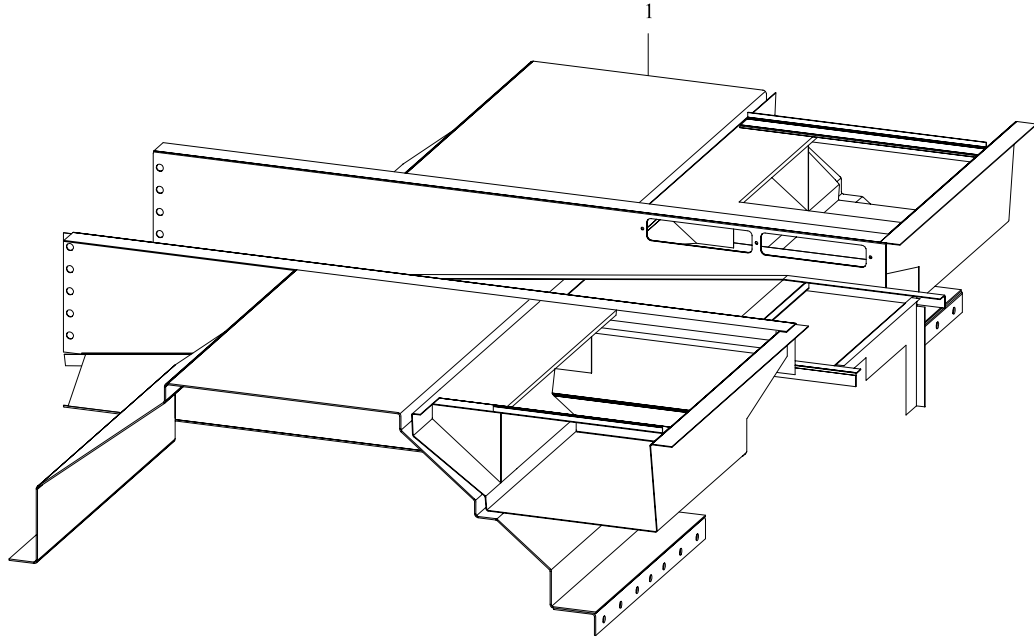


MS762ML

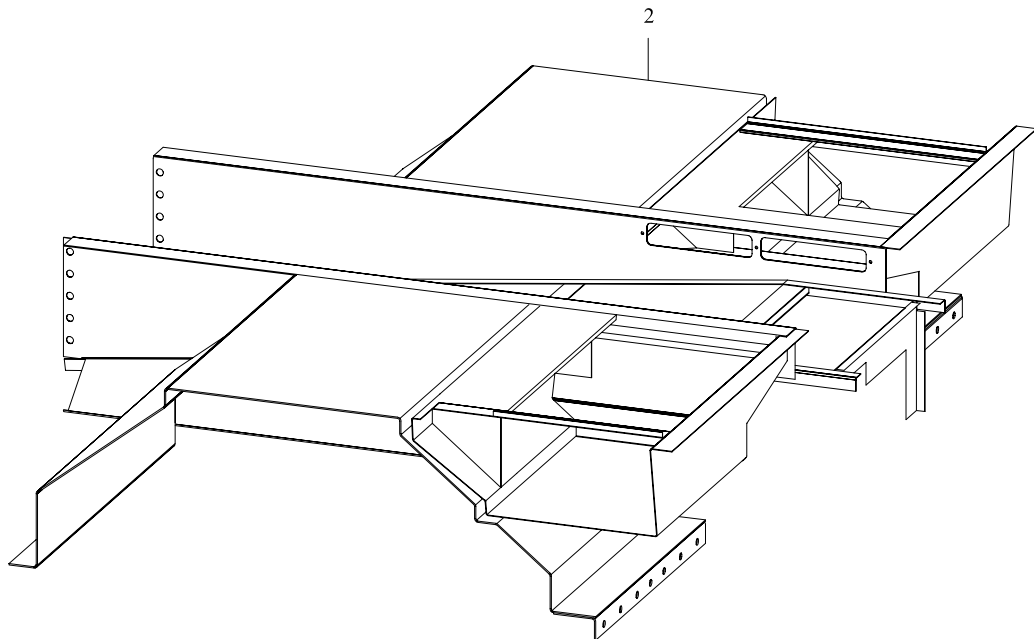
Sym.	Part Number	Part Name	Qty.	R/P	From	Up To	Remarks
1	120-20-366	PLAKA PLATE	1		1		
2	120-20-365	PLAKA PLATE	1		1		
3	61504-90010-01	PANEL PANEL	1		1		
4	61504-90250-70	U-PROFİL PROFILE-U	1		1		
5	61504-90250-71	U-PROFİL PROFILE-U	1		1		
6	61504-90220-02	PLAKA PLATE	1		1		
7	61504-90210-70	PLAKA PLATE	1		1		
8	61504-90220-03	PLAKA PLATE	1		1		
9	120-20-394	DESTEK SOL SUPPORT LH	1		1		
10	120-20-387	DESTEK SAĞ SUPPORT RH	1		1		
11	120-20-382	DESTEK SAĞ SUPPORT RH	1		1		
12	120-20-383	DESTEK SOL SUPPORT LH	1		1		
13	120-20-375	BRAKET BRACKET	2		1		
15	120-20-373	PLAKA PLATE	2		1		
16	120-20-368	PLAKA PLATE	1		1		
17	120-20-370	PLAKA PLATE	1		1		
18	120-20-369	PLAKA PLATE	1		1		
19	61504-90010-02	PLAKA PLATE	1		1		
20	61504-90010-03	DESTEK SUPPORT	2		1		
22	61504-90140-71	TRAVERS CROSSMEMBER	1		1		
23	120-20-359	PLAKA PLATE	1		1		



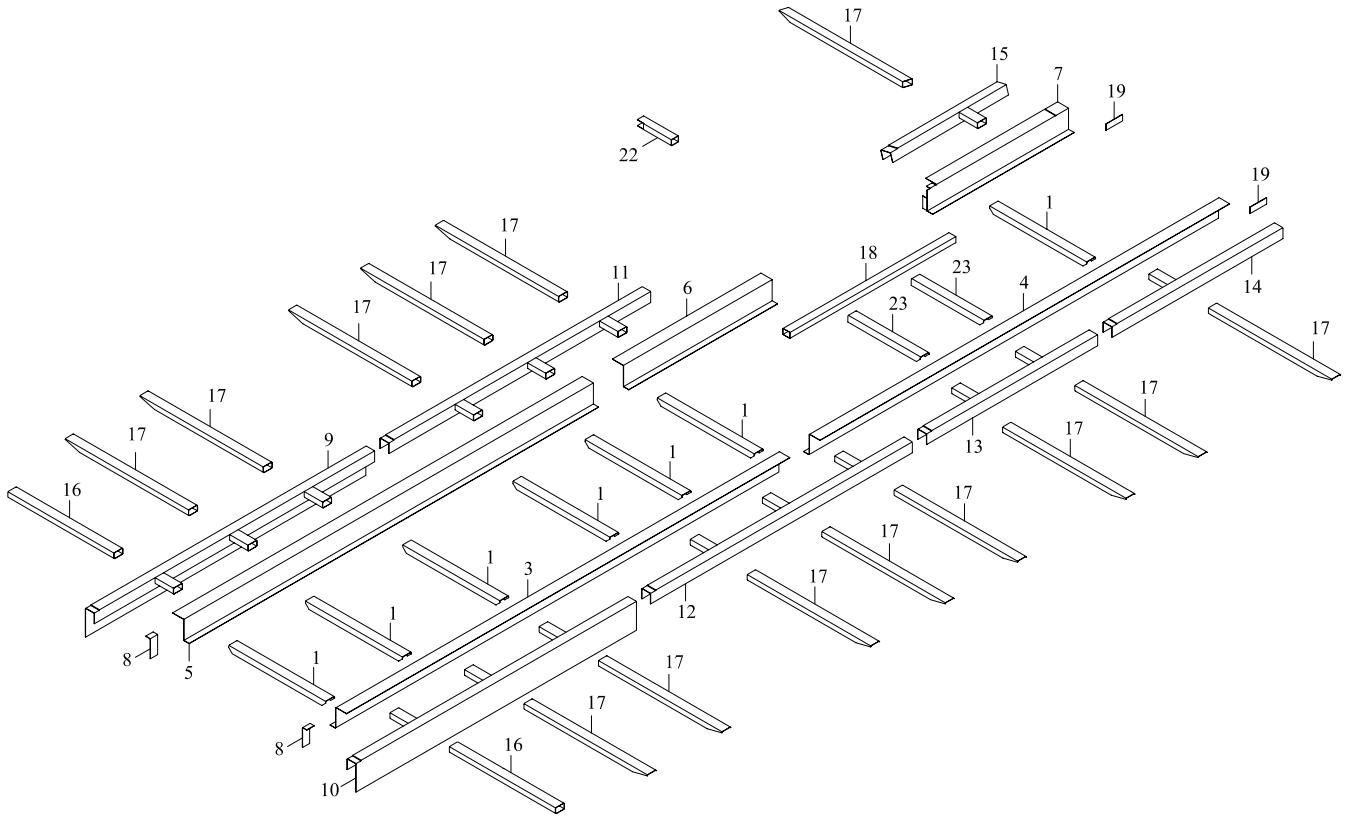
MS762RL



MS762ML









ORTA TABAN  
CENTER SILL

Group No : **A05-00**

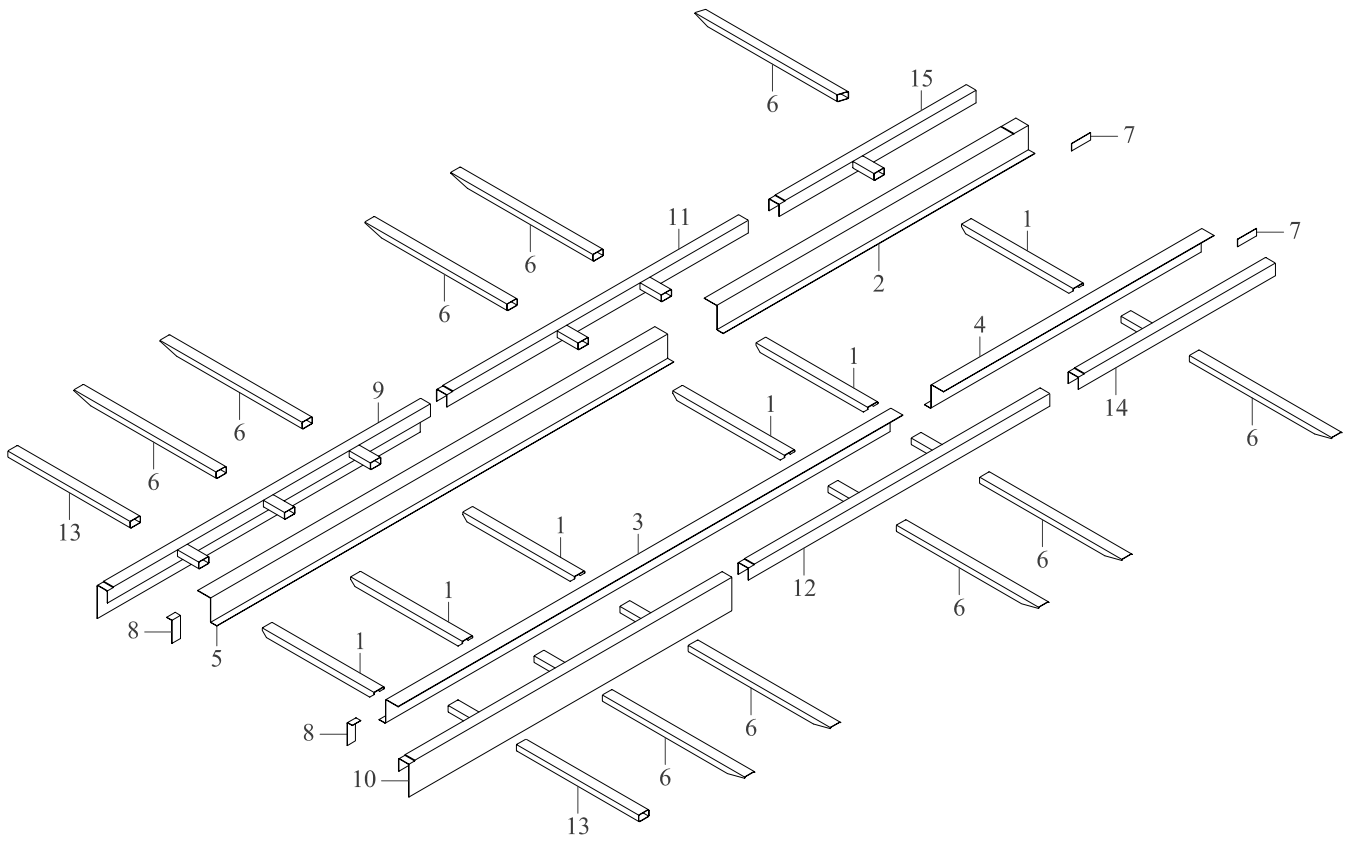
Ident. Num.: 61404-90000-80

Rev. Date:

Page: 1

MS762RL

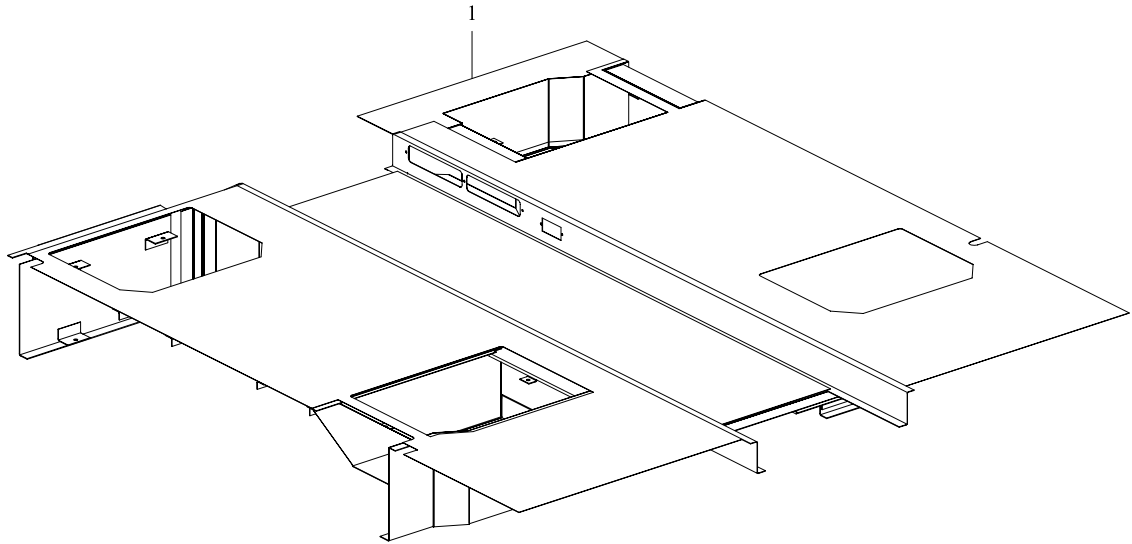
Sym.	Part Number	Part Name	Qty.	R/P	From	Up To	Remarks
1	MC274554	TABAN DESTEĞİ SILL	7		1		
3	61404-90000-03	TABAN SILL	1		1		
4	61404-80730-51	TABAN SILL	1		1		
5	61404-80730-60	TABAN SILL	1		1		
6	61404-80730-01	TABAN SILL	1		1		
7	61404-80930-03	TABAN SILL	1		1		
8	MC252600	PLAKA PLATE	2		1		
9	61404-80750-70	TABAN SILL	1		1		
10	61404-80750-71	TABAN SILL	1		1		
11	61404-80750-72	TABAN SILL	1		1		
12	61404-80750-73	TABAN SILL	1		1		
13	61404-80750-74	TABAN SILL	1		1		
14	61404-80750-75	TABAN SILL	1		1		
15	61404-80750-77	TABAN SILL	1		1		
16	61404-40110-03	TABAN SILL	2		1		
17	61404-40110-01	TABAN SILL	14		1		
18	61404-80100-18	TABAN SILL	1		1		
19	MC398009	PLAKA PLATE	2		1		
22	61404-80100-22	PROFİL PROFILE	1		1		
23	61404-90010-02	TABAN SILL	1		1		



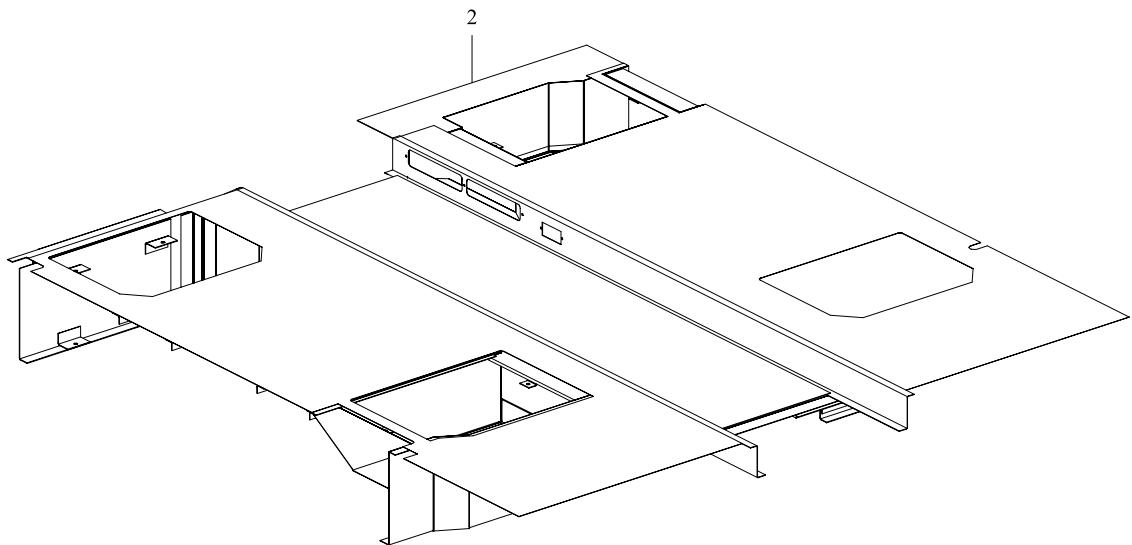




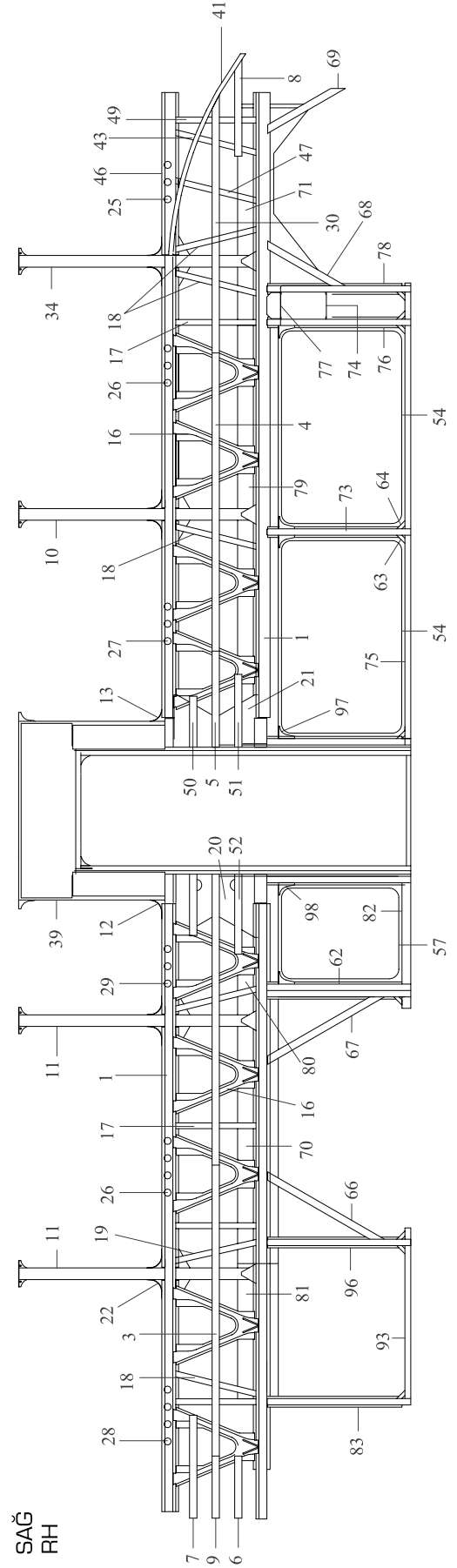
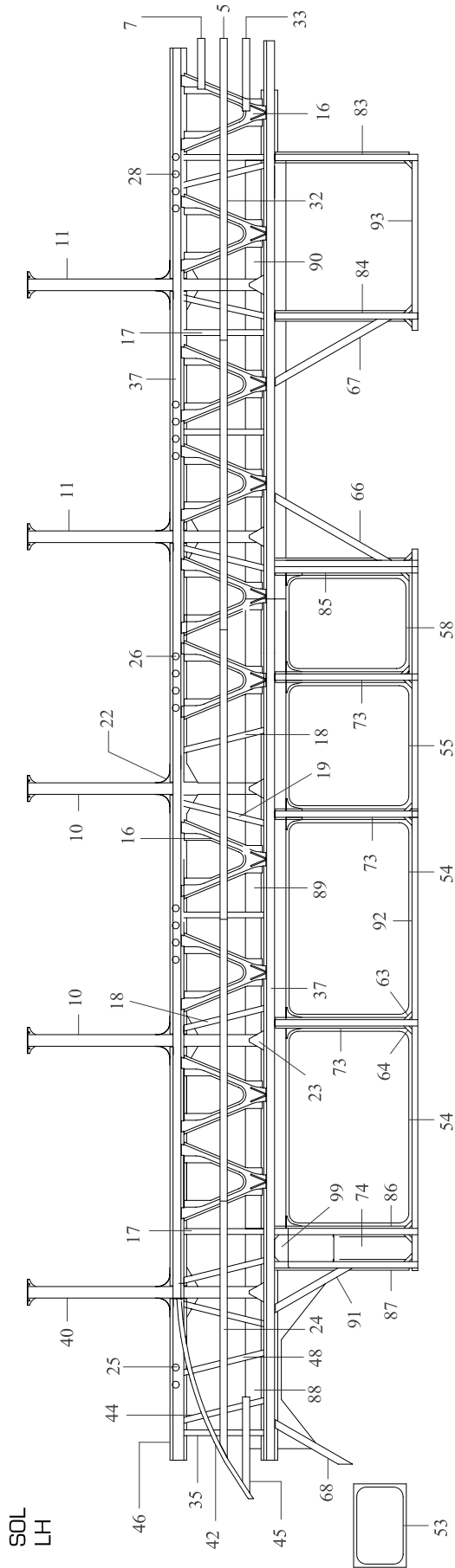
MS762RL



MS762ML







Sym.	Part Number	Part Name	Qty.	R/P	From	Up To	Remarks
1	63109-10010-01	YAN GÖVDE RAYI SIDE BODY RAIL	1		1		
3	62024-40040-10	TAKVİYE STIFFENER	1		1		
4	62024-40040-15	TAKVİYE STIFFENER	2		1		
5	62024-40040-18	TAKVİYE STIFFENER	2		1		
6	62024-40040-01	TAKVİYE STIFFENER	4		1		
7	62024-40040-21	TAKVİYE STIFFENER	2		1		
8	62031-80220-09	TAKVİYE STIFFENER	1		1		
9	62024-40040-14	TAKVİYE STIFFENER	1		1		
10	62031-80210-10	PENCERE DİREĞİ WINDOW PILLAR	1		1		
11	62031-80210-11	PENCERE DİREĞİ WINDOW PILLAR	1		1		
12	62032-60060-04	DESTEK GUSSET	1		1		
13	62032-60060-05	DESTEK GUSSET	1		1		
16	62024-70060-71	TAKVİYE STIFFENER	19		1		
17	62032-70110-01	TAKVİYE STIFFENER	9		1		
18	62032-70110-11	TAKVİYE STIFFENER	7		1		
19	62032-70110-07	TAKVİYE STIFFENER	7		1		
20	62032-70000-00	TAKVİYE GUSSET	1		1		
21	62032-70060-03	TAKVİYE GUSSET	1		1		
22	62032-60060-01	TAKVİYE GUSSET	9		1		
23	72036-00180-01	TAKVİYE GUSSET	9		1		
24	62031-80220-24	PROFİL PROFILE	1		1		

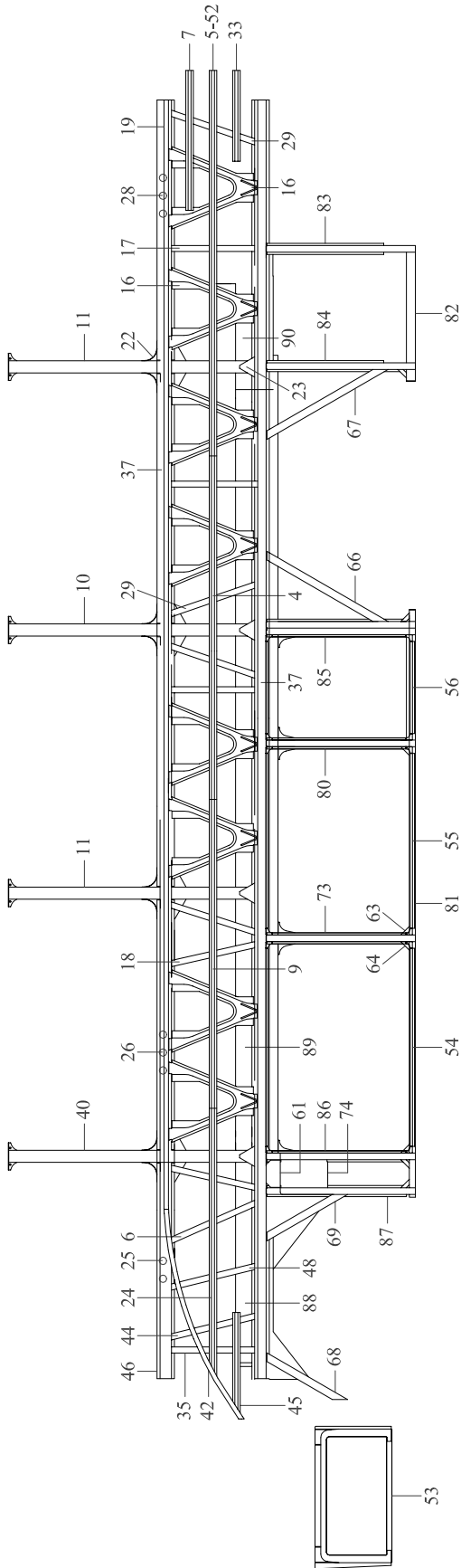
Sym.	Part Number	Part Name	Qty.	R/P	From	Up To	Remarks
25	62031-80210-25	TAKVİYE STIFFENER	2		1		
26	62031-80210-26	TAKVİYE STIFFENER	6		1		
27	62031-80210-27	TAKVİYE STIFFENER	1		1		
28	62031-80210-28	TAKVİYE STIFFENER	2		1		
29	62031-80210-29	TAKVİYE STIFFENER	1		1		
30	62031-80220-23	PROFİL PROFILE	1		1		
32	62024-40040-20	TAKVİYE STIFFENER	1		1		
33	62024-40040-12	TAKVİYE STIFFENER	9		1		
34	62031-80220-01	PENCERE DİREĞİ WINDOW PILLAR	1		1		
35	62031-80220-16	PROFİL PROFILE	1		1		
37	63109-10010-02	YAN GÖVDE RAYI SIDE BODY RAIL	1		1		
39	62076-90030-80	ORTA KAPI KASASI ENTRANCE STR ASSY	1		1		
40	62031-80220-02	PENCERE DİREĞİ WINDOW PILLAR	1		1		
41	62031-80220-04	PROFİL PROFILE	1		1		
42	62031-80220-05	PROFİL PROFILE	1		1		
43	62031-80220-07	PROFİL PROFILE	1		1		
44	62031-80220-08	PROFİL PROFILE	1		1		
45	62031-80220-10	PROFİL PROFILE	1		1		
46	62031-80220-11	RAY RAIL	2		1		
47	62031-80220-12	PROFİL PROFILE	1		1		
48	62031-80220-13	PROFİL PROFILE	1		1		

Sym.	Part Number	Part Name	Qty.	R/P	From	Up To	Remarks
49	62031-80220-15	PROFİL PROFILE	1		1		
50	62024-40040-11	TAKVİYE STIFFENER	1		1		
51	62024-40040-08	TAKVİYE STIFFENER	1		1		
52	62024-40040-17	TAKVİYE STIFFENER	1		1		
53	61714-90000-70	BAGAJ ÇERÇEVESİ LUGGAGE ROOM FRAME	1		1		
54	61714-80100-70	BAGAJ ÇERÇEVESİ LUGGAGE ROOM FRAME	4		1		
55	61714-80100-71	BAGAJ ÇERÇEVESİ LUGGAGE ROOM FRAME	1		1		
57	61714-80120-70	BAGAJ ÇERÇEVESİ LUGGAGE ROOM FRAME	1		1		
58	61714-90150-04	BAGAJ ÇERÇEVESİ LUGGAGE ROOM FRAME	1		1		
62	62033-90420-82	DİREK KOMPL PILLAR ASSY	1		1		
63	MC256527	TAKVİYE GUSSET	9		1		
64	MC256528	TAKVİYE GUSSET	9		1		
66	62033-10020-11	TAKVİYE STIFFENER	2		1		
67	62033-10020-01	TAKVİYE STIFFENER	2		1		
68	62025-10050-08	TAKVİYE STIFFENER	1		1		
69	62025-10050-18	TAKVİYE STIFFENER	1		1		
70	62033-90040-10	DESTEK SUPPORT	1		1		
71	62033-40380-72	DESTEK SUPPORT	1		1		
73	62033-70420-75	DİREK KOMPL PILLAR ASSY	4		1		
74	62032-40110-08	TAKVİYE STIFFENER	2		1		
75	62033-80040-15	DESTEK MEMBER	1		1		

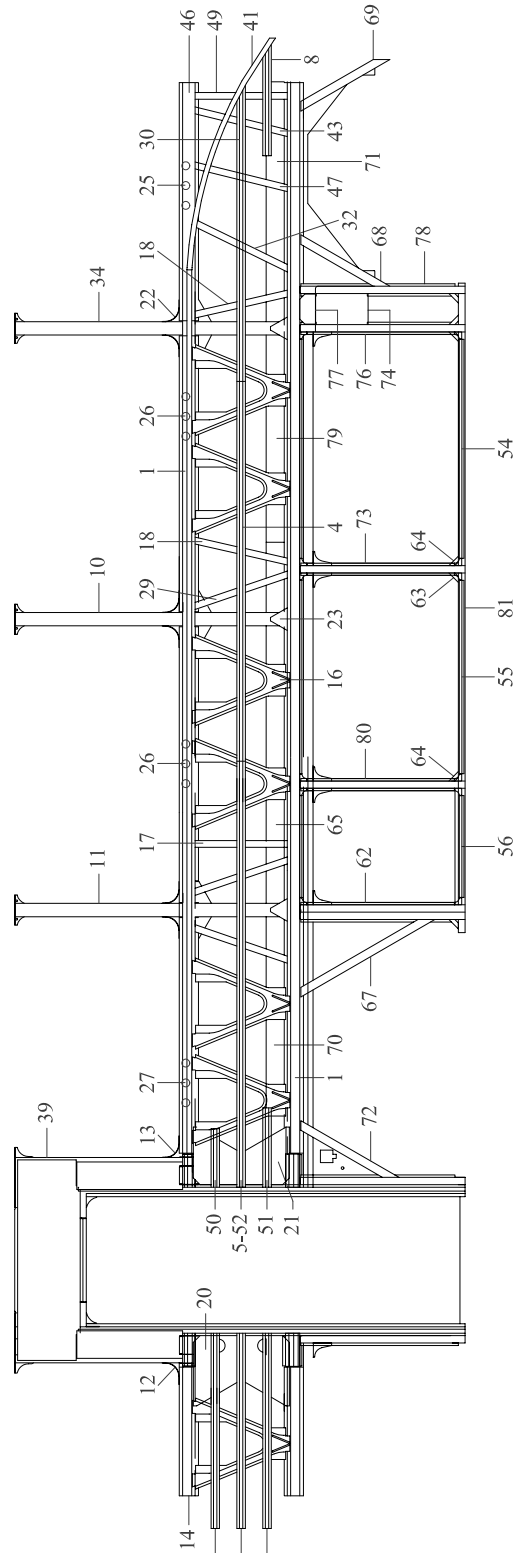
Sym.	Part Number	Part Name	Qty.	R/P	From	Up To	Remarks
76	62033-70420-80	DİREK KOMPL PILLAR ASSY	1		1		
77	62033-60330-00	TAKVİYE GUSSET	1		1		
78	62033-70030-10	DİREK KOMPL PILLAR ASSY	1		1		
79	62033-80040-19	TAKVİYE SUPPORT	1		1		
80	62033-90040-42	DESTEK SUPPORT	1		1		
81	62033-90040-21	DESTEK SUPPORT	1		1		
82	62033-80040-40	DESTEK SUPPORT	1		1		
83	62033-90050-70	DİREK KOMPL PILLAR ASSY	2		1		
84	62033-90050-71	DİREK KOMPL PILLAR ASSY	1		1		
85	62033-90420-72	DİREK KOMPL PILLAR ASSY	1		1		
86	62033-70420-81	DİREK KOMPL PILLAR ASSY	1		1		
87	62033-70030-04	DİREK KOMPL PILLAR ASSY	1		1		
88	62033-40380-73	DESTEK SUPPORT	1		1		
89	62033-40160-81	DESTEK SUPPORT	1		1		
90	62033-90370-70	DESTEK SUPPORT	1		1		
91	62025-10050-18	TAKVİYE STIFFENER	1		1		
92	62033-71310-70	KENAR ÇİTASI MEMBER SKIRT SIDE	1		1		
93	62033-90150-71	KENAR ÇİTASI MEMBER SKIRT SIDE	2		1		
96	62033-90050-72	DİREK KOMPL PILLAR ASSY	1		1		
97	62033-40450-01	BRAKET BRACKET	1		1		
98	62033-40450-02	BRAKET BRACKET	1		1		







SOL  
LH



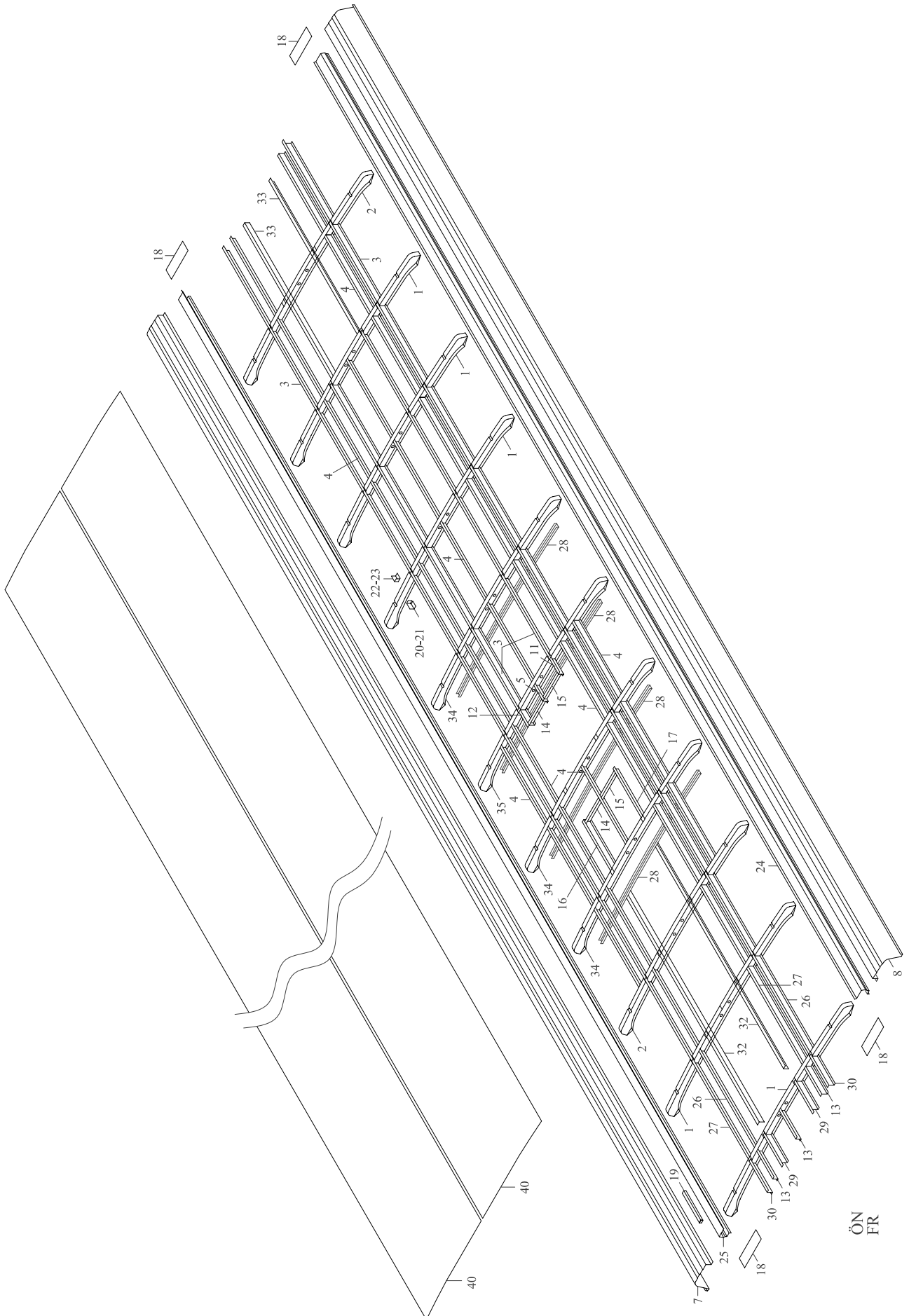
SAĞ  
RH

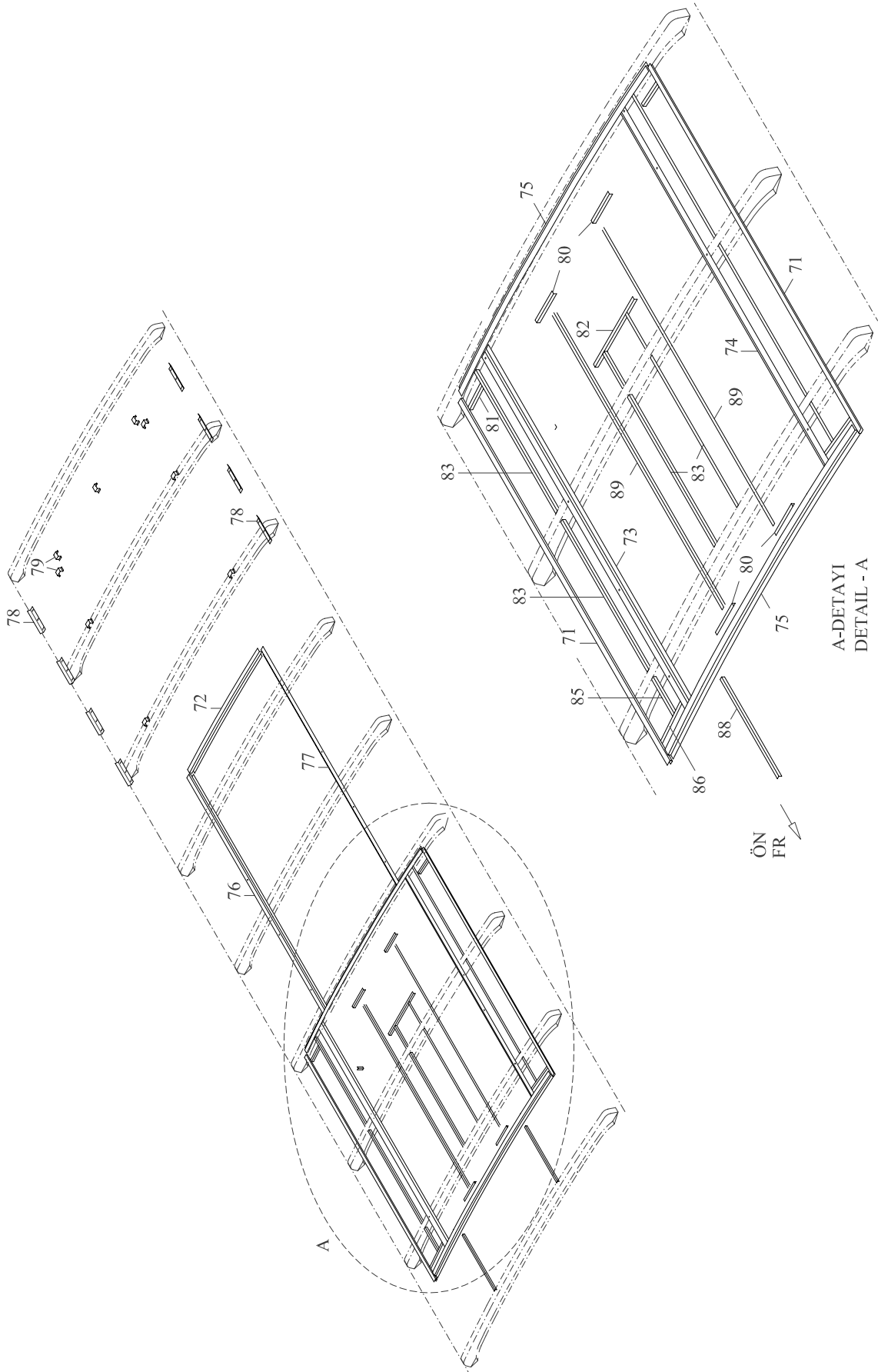
Sym.	Part Number	Part Name	Qty.	R/P	From	Up To	Remarks
1	63109-10010-01	YAN GÖVDE RAYI SIDE BODY RAIL	AR		1		
3	62024-90040-01	TAKVIYE STIFFENER	3		1		
4	62024-90040-02	TAKVIYE STIFFENER	2		1		
5	62024-90040-03	TAKVIYE STIFFENER	2		1		
6	62031-90040-01	TAKVIYE STIFFENER	1		1		
7	62024-40040-21	TAKVIYE STIFFENER	1		1		
8	62031-80220-09	TAKVIYE STIFFENER	1		1		
9	62024-90040-04	TAKVIYE STIFFENER	1		1		
10	62031-80210-10	PENCERE DİREĞİ WINDOW PILLAR	2		1		
11	62031-80210-11	PENCERE DİREĞİ WINDOW PILLAR	3		1		
12	62032-60060-04	DESTEK GUSSET	1		1		
13	62032-60060-05	DESTEK GUSSET	1		1		
14	62031-90210-01	TAKVIYE STIFFENER	1		1		
16	62024-70060-71	TAKVIYE STIFFENER	14		1		
17	62032-70110-01	TAKVIYE STIFFENER	4		1		
18	62032-70110-11	TAKVIYE STIFFENER	4		1		
19	62031-90210-03	TAKVIYE STIFFENER	1		1		
20	62032-70000-00	TAKVIYE GUSSET	1		1		
21	62032-70060-03	TAKVIYE GUSSET	1		1		
22	62032-60060-01	TAKVIYE GUSSET	7		1		
23	72036-00180-01	TAKVIYE GUSSET	7		1		

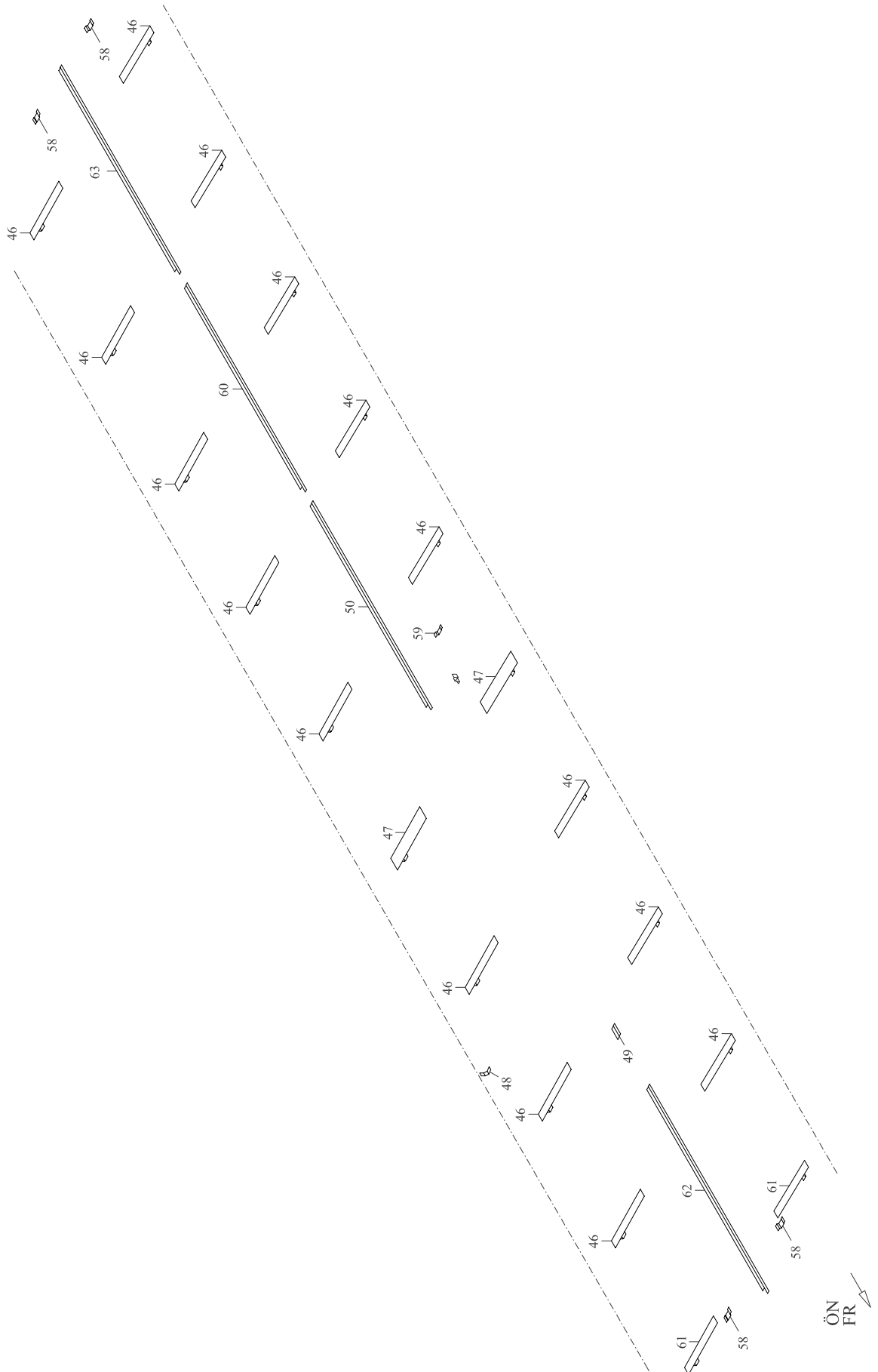
Sym.	Part Number	Part Name	Qty.	R/P	From	Up To	Remarks
24	62031-80220-24	PROFİL PROFILE	1		1		
25	62031-90210-04	TAKVİYE STIFFENER	2		1		
26	62031-80210-26	TAKVİYE STIFFENER	5		1		
27	62031-90210-05	TAKVİYE STIFFENER	1		1		
28	62031-90210-06	TAKVİYE STIFFENER	1		1		
29	62031-90040-03	PROFİL PROFILE	7		1		
30	62031-80220-23	PROFİL PROFILE	1		1		
32	62031-90040-02	PROFİL PROFILE	1		1		
33	62024-40040-12	TAKVİYE STIFFENER	1		1		
34	62031-80220-01	PENCERE DİREĞİ WINDOW PILLAR	1		1		
35	62031-80220-16	PROFİL PROFILE	1		1		
37	63109-10010-02	YAN GÖVDE RAYI SIDE BODY RAIL	AR		1		
39	62076-90030-70	ARKA KAPI KASASI ENTRANCE STRUCTURE ASSY	1		1		
40	62031-80220-02	PENCERE DİREĞİ WINDOW PILLAR	1		1		
41	62031-80220-04	PROFİL PROFILE	1		1		
42	62031-80220-05	PROFİL PROFILE	1		1		
43	62031-80220-07	PROFİL PROFILE	1		1		
44	62031-80220-08	PROFİL PROFILE	1		1		
45	62031-80220-10	PROFİL PROFILE	1		1		
46	62031-90220-10	YAN GÖVDE RAYI SIDE BODY RAIL	2		1		
47	62031-80220-12	PROFİL PROFILE	1		1		

Sym.	Part Number	Part Name	Qty.	R/P	From	Up To	Remarks
48	62031-80220-13	PROFİL PROFILE	1		1		
49	62031-80220-15	PROFİL PROFILE	1		1		
50	62024-40040-11	TAKVİYE STIFFENER	1		1		
51	62024-40040-08	TAKVİYE STIFFENER	1		1		
52	62024-90040-05	TAKVİYE STIFFENER	2		1		
53	61714-90000-70	BAGAJ ÇERÇEVESİ LUGGAGE ROOM FRAME	1		1		
54	61714-80100-70	BAGAJ ÇERÇEVESİ LUGGAGE ROOM FRAME	2		1		
55	61714-90150-03	BAGAJ ÇERÇEVESİ LUGGAGE ROOM FRAME	2		1		
56	61714-90150-04	BAGAJ ÇERÇEVESİ LUGGAGE ROOM FRAME	2		1		
61	62033-40330-00	TAKVİYE GUSSET	1		1		
62	62033-90420-82	DİREK KOMPL PILLAR ASSY	1		1		
63	MC256527	TAKVİYE GUSSET	8		1		
64	MC256528	TAKVİYE GUSSET	8		1		
65	62033-90050-42	DESTEK SUPPORT	1		1		
66	62033-10020-11	TAKVİYE STIFFENER	1		1		
67	62033-10020-01	TAKVİYE STIFFENER	2		1		
68	62025-10050-08	TAKVİYE STIFFENER	2		1		
69	62025-10050-18	TAKVİYE STIFFENER	2		1		
70	62033-90050-10B	DESTEK SUPPORT	1		1		
71	62033-90420-75	DESTEK SUPPORT	1		1		
72	62033-90020-12	TAKVİYE STIFFENER	1		1		











MS762RL

Sym.	Part Number	Part Name	Qty.	R/P	From	Up To	Remarks
1	62041-70100-70	TAVAN KUŞAĞI ROOF BOW	5		1		
2	62041-70100-72	TAVAN KUŞAĞI ROOF BOW	2		1		
3	62041-70110-70	TAKVİYE STIFFENER	18		1		
4	62041-70028-01	DESTEK STIFFENER	18		1		
5	62041-80100-70	DESTEK STIFFENER	1		1		
7	62041-90140-72	TAVAN PANELİ-SAĞ PANEL ROOF-RH	1		1		
8	62041-90140-73	TAVAN PANELİ-SOL PANEL ROOF-LH	1		1		
11	62041-80110-70	DESTEK STIFFENER	1		1		
12	62041-80120-70	DESTEK STIFFENER	1		1		
13	62041-70028-03	DESTEK STIFFENER	3		1		
14	62041-80130-70	DESTEK STIFFENER	2		1		
15	62041-80140-70	DESTEK STIFFENER	2		1		
16	62041-80150-70	DESTEK STIFFENER	1		1		
17	62041-80160-70	DESTEK STIFFENER	1		1		
18	62041-70010-24	PLAKA PLATE	4		1		
19	62041-40210-81	DESTEK STIFFENER	2		1		
20	72041-00080-00	TAKVİYE GUSSET	22		1		
21	72041-00080-10	TAKVİYE GUSSET	23		1		
22	72041-00080-13	DESTEK GUSSET	1		1		
23	72041-00080-14	DESTEK GUSSET	1		1		
24	62041-80150-29	PENCERE ÜST PROFİLİ PANEL WINDOW UPPER	1		1		

Sym.	Part Number	Part Name	Qty.	R/P	From	Up To	Remarks
25	62041-80150-30	PENCERE ÜST PROFİLİ PANEL WINDOW UPPER	1		1		
26	62041-80130-71	DESTEK STIFFENER	6		1		
27	62041-80110-80	DESTEK STIFFENER	8		1		
28	62041-80150-33	DESTEK SUPPORT	4		1		
29	62041-80150-34	DESTEK SUPPORT	2		1		
30	62041-80150-35	DESTEK SUPPORT	2		1		
32	62041-91016-06	PLAKA PLATE	6		1		
33	62041-91016-05	PLAKA PLATE	6		1		
34	62041-70100-73	TAVAN KUŞAĞI ROOF BOW	3		1		
35	62041-70100-74	TAVAN KUŞAĞI ROOF BOW	1		1		
40	62041-91016-13	TAVAN DIŞ PANELİ PANEL, OUTER ROOF	2		1		
46	62047-80110-70	RAF BRAKETİ BRACKET RACK	16		1		
47	62047-80110-71	RAF BRAKETİ BRACKET RACK	2		1		
48	62047-80130-04	BRAKET BRACKET	2		1		
49	62047-80120-03	Z-PLAKA PLATE-Z	1		1		
50	62047-80120-04	Z-PLAKA PLATE-Z	1		1		
58	62047-80130-03	BRAKET BRACKET	4		1		
59	62047-80130-05	BRAKET BRACKET	2		1		
60	62047-80120-05	Z-PLAKA PLATE-Z	1		1		
61	62047-80110-72	RAF BRAKETİ BRACKET, RACK	2		1		
62	62047-80120-06	PLAKA PLATE	1		1		



TAVAN  
ROOF

Group No : **A08-00**

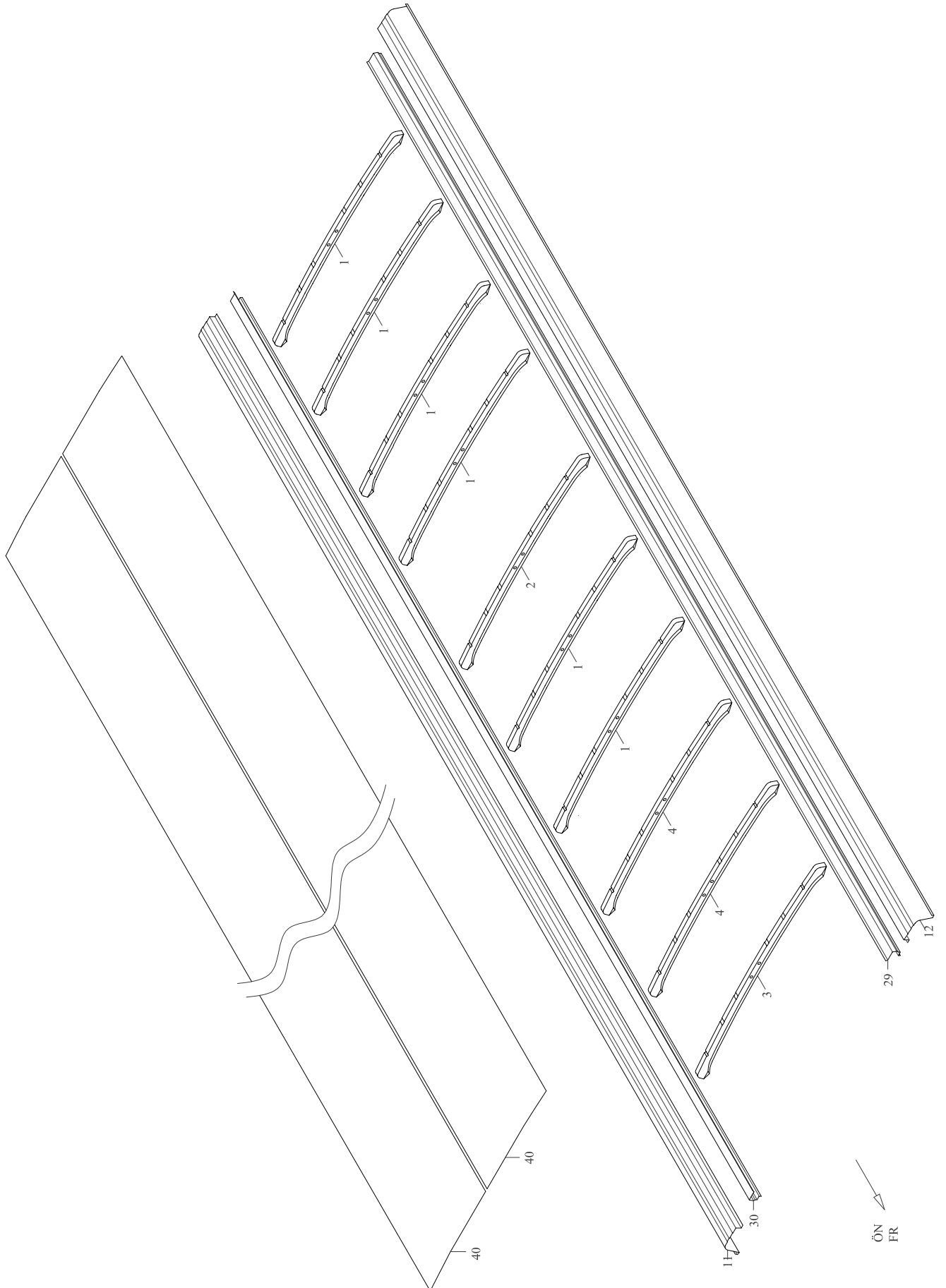
Ident. Num.: 62041-90016-70/62047-90016-70/90026-70

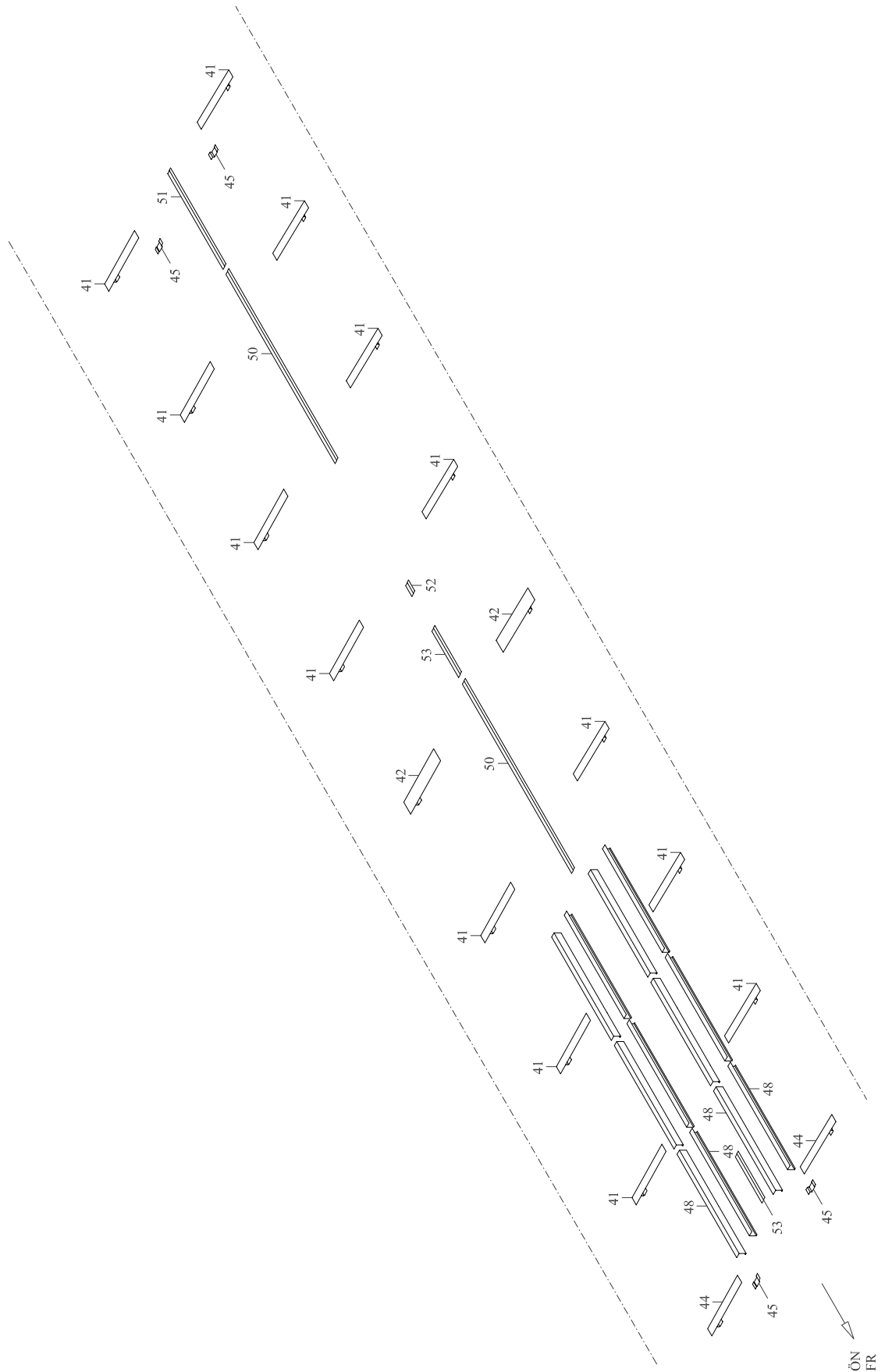
Rev. Date:

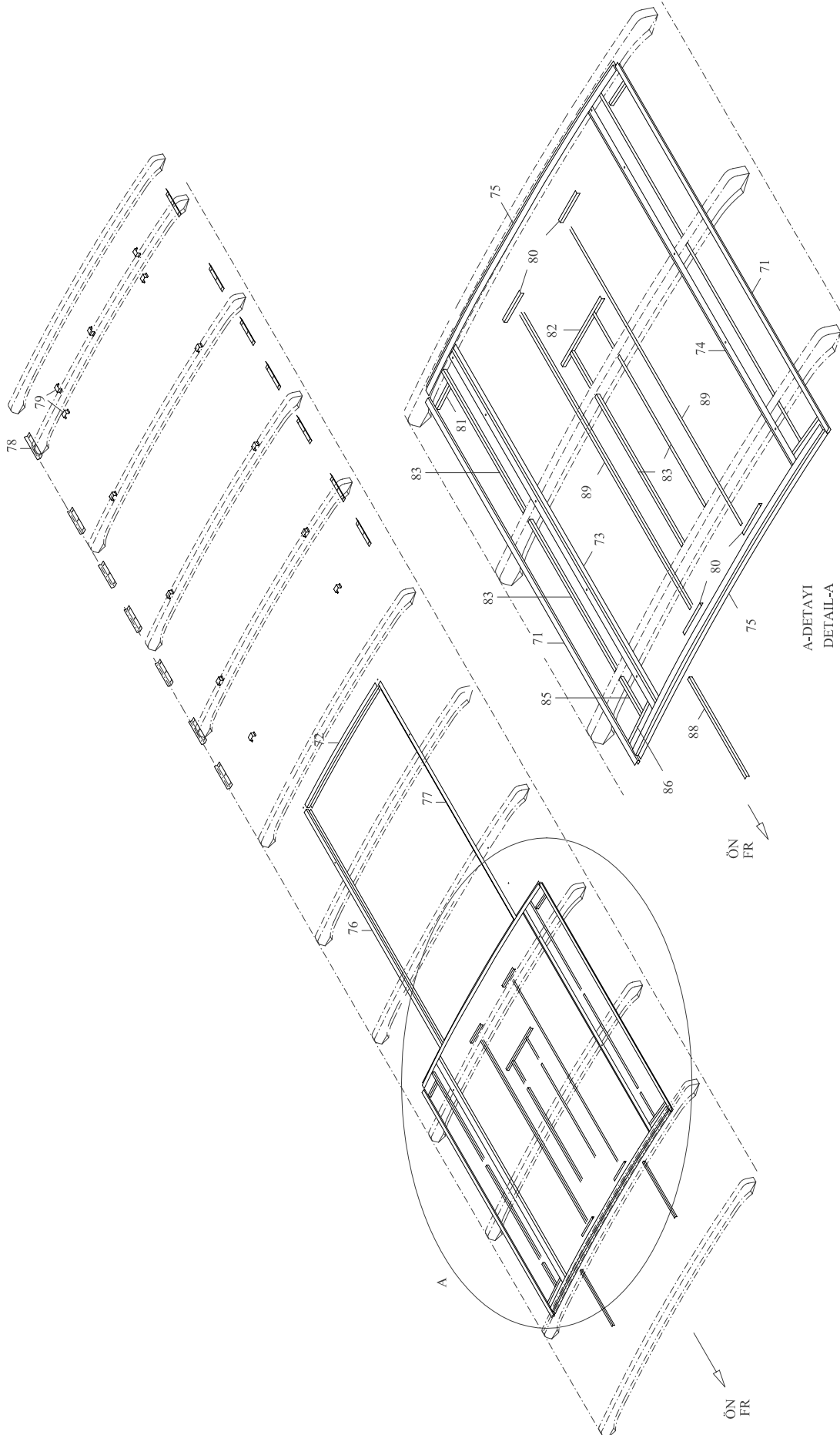
Page: 3

MS762RL

Sym.	Part Number	Part Name	Qty.	R/P	From	Up To	Remarks
63	62047-80120-07	PLAKA PLATE	1		1		
71	TU142100	U-PLAKA PLATE-U	2		1		
72	TU142105	Z-PLAKA PLATE -Z	1		1		
73	TU142118	Z-PLAKA PLATE -Z	1		1		
74	TU142119	Z-PLAKA PLATE -Z	1		1		
75	TU142122	Z-PLAKA PLATE -Z	2		1		
76	TU142120	Z-PLAKA PLATE -Z	1		1		
77	TU142121	Z-PLAKA PLATE -Z	1		1		
78	62041-70030-30	L-PLAKA PLATE-L	8		1		
79	62041-90030-33	BRAKET BRACKET	11		1		
80	62047-80016-10	L-PLAKA PLATE-L	4		1		
81	62047-80016-11	L-PLAKA PLATE-L	2		1		
82	62047-90016-02	L-PLAKA PLATE-L	1		1		
83	62047-80016-13	L-PLAKA PLATE-L	8		1		
85	62047-80016-15	L-PLAKA PLATE-L	2		1		
86	62047-80016-16	L-PLAKA PLATE-L	2		1		
88	62047-80016-18	L-PLAKA PLATE-L	2		1		
89	62047-90016-01	L-PLAKA PLATE-L	2		1		



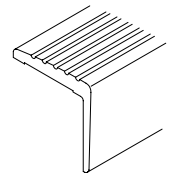
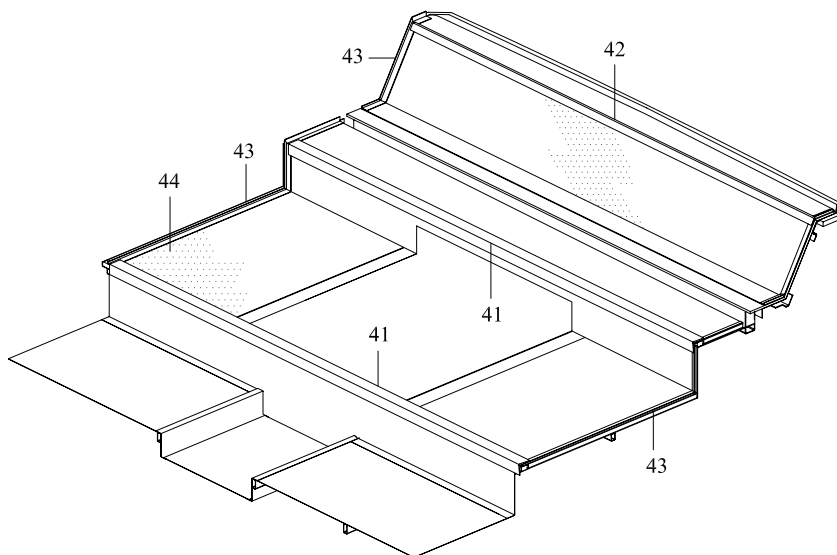
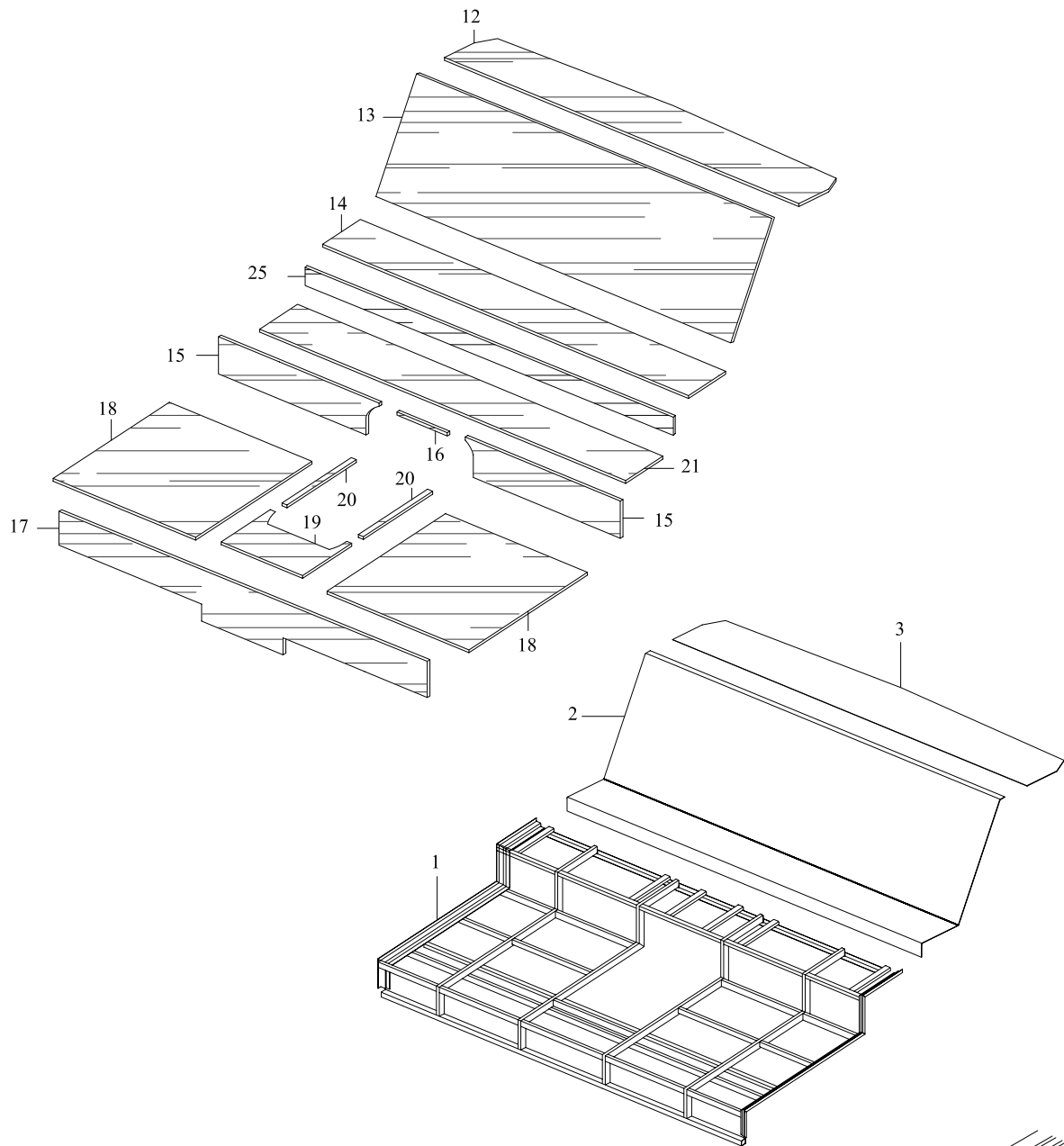




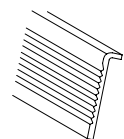
Sym.	Part Number	Part Name	Qty.	R/P	From	Up To	Remarks
1	62041-70100-70	TAVAN KUŞAĞI ROOF BOW	6		1		
2	62041-70100-72	TAVAN KUŞAĞI ROOF BOW	1		1		
3	62041-70100-73	TAVAN KUŞAĞI ROOF BOW	1		1		
4	62041-70100-74	TAVAN KUŞAĞI ROOF BOW	2		1		
11	62041-90100-76	TAVAN PANELİ-SAĞ ROOF PANEL-RH	1		1		
12	62041-90100-77	TAVAN PANELİ-SOL ROOF PANEL*LH	1		1		
29	62041-90100-78	PENCERE ÜST PROFİLİ PANEL WINDOW UPR	1		1		
30	62041-90100-79	PENCERE ÜST PROFİLİ PANEL WINDOW UPR	1		1		
40	62041-91015-13	TAVAN DIŞ PANELİ PANEL, OUTER ROOF	2		1		
41	62047-80110-70	RAF BRAKETİ BRACKET RACK	14		1		
42	62047-80110-71	RAF BRAKETİ BRACKET RACK	2		1		
44	62047-80110-72	BRAKET BRACKET	2		1		
45	62047-80130-03	BRAKET BRACKET	4		1		
50	62047-80120-06	PLAKA PLATE	2		1		
51	62047-80120-08	PLAKA PLATE	1		1		
52	62047-80120-09	PLAKA PLATE	1		1		
53	62047-80120-10	PLAKA PLATE	2		1		
71	TU142100	U-PLAKA PLATE-U	2		1		
72	TU142105	Z-PLAKA PLATE -Z	1		1		
73	TU142118	Z-PLAKA PLATE -Z	1		1		
74	TU142119	Z-PLAKA PLATE -Z	1		1		



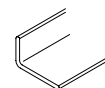




TU342134

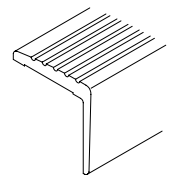
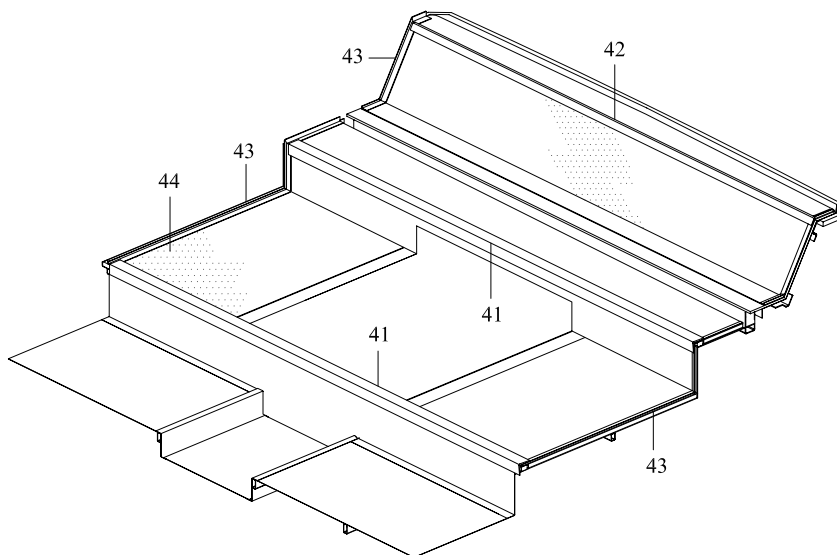
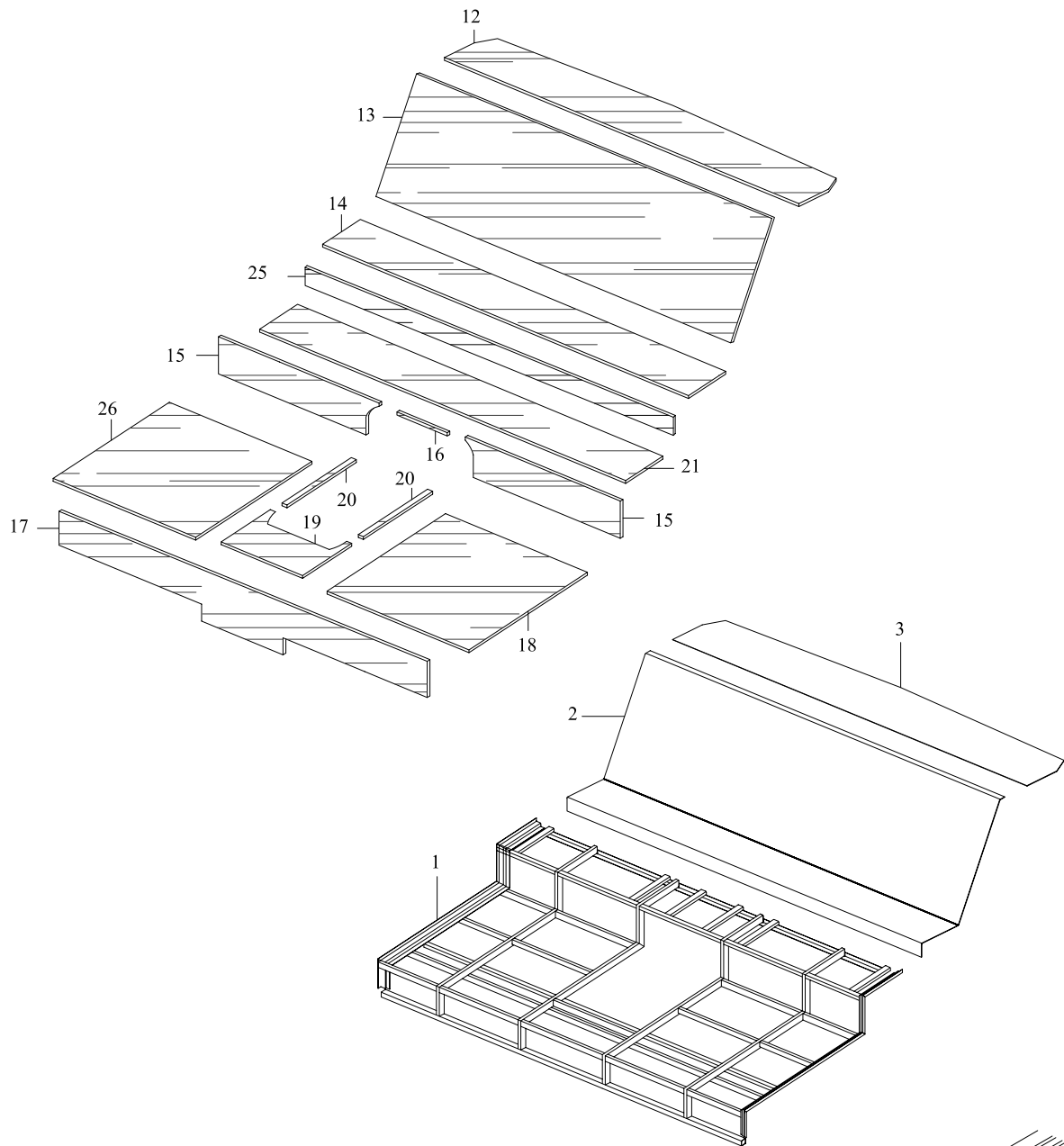


TC258427-03

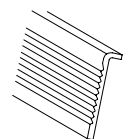


MC258503-03

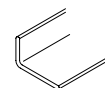




TU342134



TC258427-03



MC258503-03



ARKA DUVAR  
REAR WALL

Group No : **A09-01**

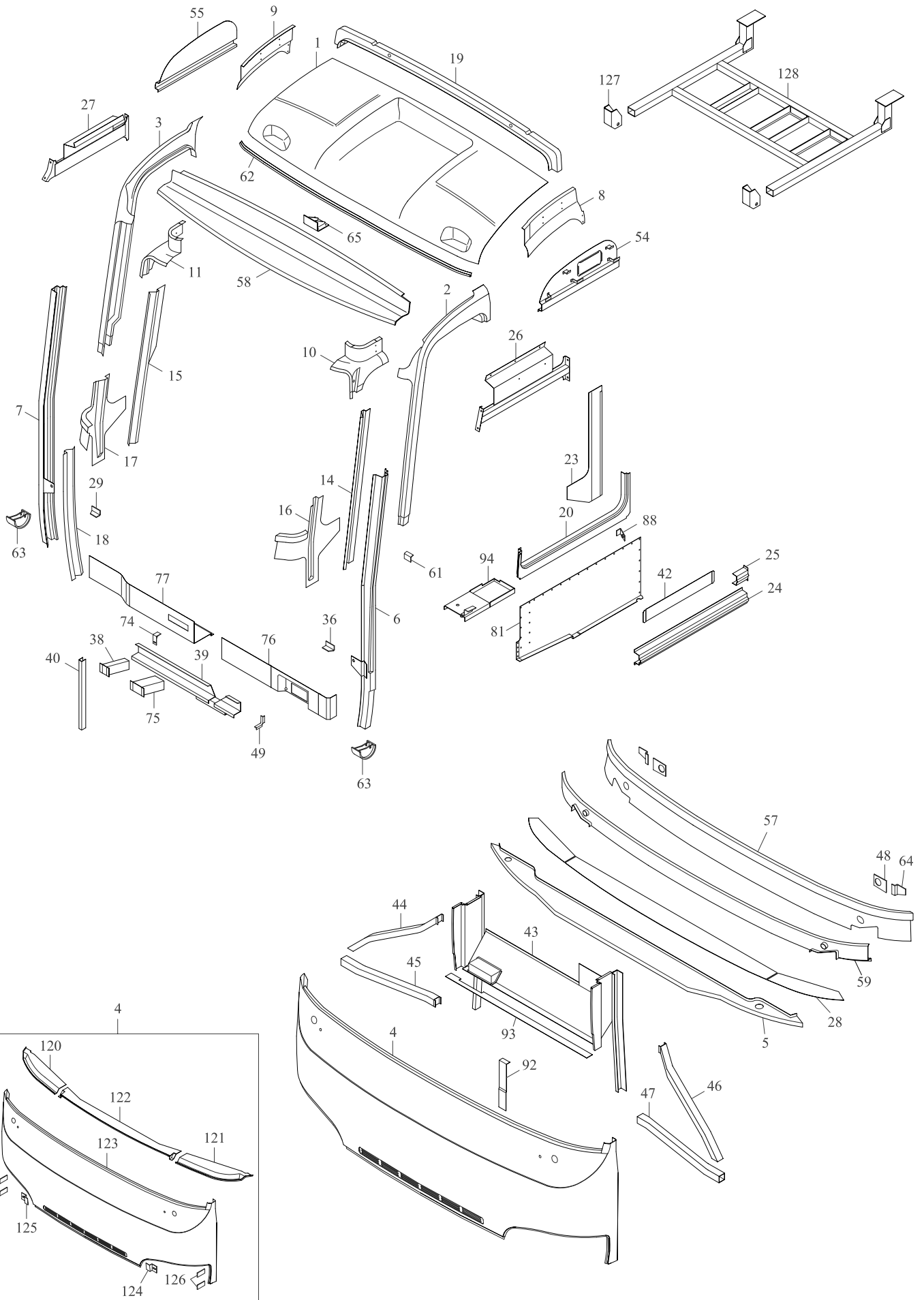
Ident. Num.: 61723-90026-70/62202-90400-72

Rev. Date:

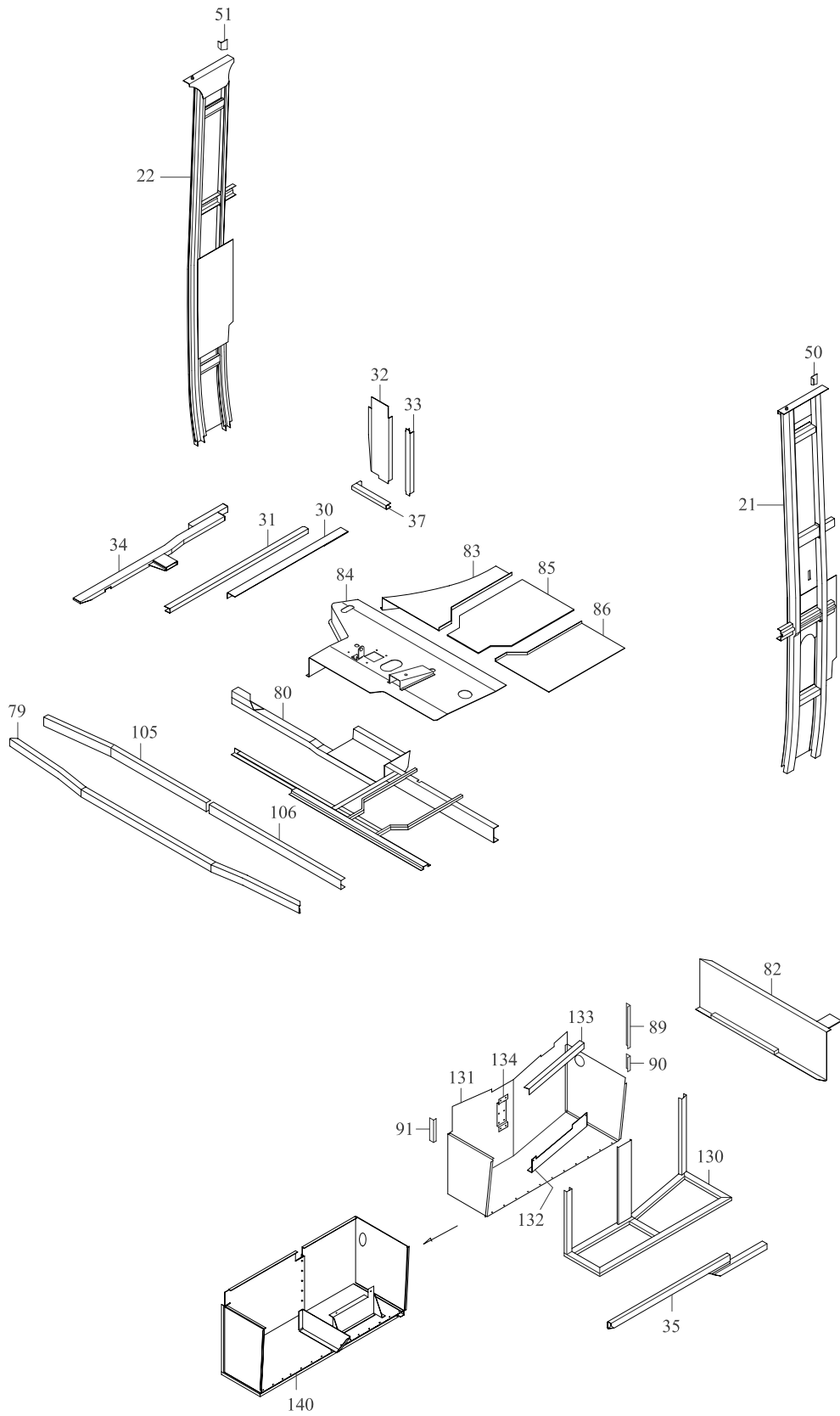
Page: 1

MS762RL

Sym.	Part Number	Part Name	Qty.	R/P	From	Up To	Remarks
1	62202-90320-70	ARKA DUVAR KOMP NO.1 REAR WALL ASSY NO.1	1		1		
2	62202-90120-73	ARKA DUVAR KOMP NO.2 REAR WALL ASSY NO.2	1		1		
3	62202-90400-30	PANEL PANEL	1		1		
12	62202-90450-07	TAHTA BOARD	1		1		
13	62202-90450-08	TAHTA BOARD	1		1		
14	62202-90450-19	TAHTA BOARD	1		1		
15	62202-90460-10	TAHTA BOARD	2		1		
16	62202-90460-11	TAHTA BOARD	1		1		
17	62202-90450-17	TAHTA BOARD	1		1		
18	62202-90460-22	TAHTA BOARD	1		1		
19	62202-90460-12	TAHTA BOARD	1		1		
20	62202-90460-13	TAHTA BOARD	2		1		
21	62202-90460-04	TAHTA BOARD	1		1		
25	62202-90450-10	TAHTA BOARD	1		1		
26	62202-90460-23	TAHTA BOARD	1		1		
41	TU342134	ÇITA PLATE EDGE	AR		1		
42	TC258427-03	ÇITA PLATE EDGE	AR		1		
43	MC258503-03	ÇITA PLATE EDGE	AR		1		
44	TES40450-14	MUŞAMBA MAT	AR		1		



MS762



Sym.	Part Number	Part Name	Qty.	R/P	From	Up To	Remarks
1	TC257496-01	ÖN TAVAN PANEL FRONT ROOF	1		1		
2	TC257492-02	DİREK NO.1 ÜST SOL PILLAR NO.1 UPR LH	1		1		
3	TC257488-03	DİREK NO.1 ÜST SAĞ PILLAR NO.1 UPR RH	1		1		
4	TC257145-80	ÖN PANEL PANEL FRONT	1		1		
5	62013-60940-70H	DESTEK STIFFENER	1		1		
6	TC272540	ORTA DİREK NO.1 SOL PILLAR NO.1 LH	1		1		
7	TC272539	ORTA DİREK NO.1 SAĞ PILLAR NO.1 RH	1		1		
8	TC257194	ÖN TAV. İÇ PANELİ SOL PANEL INR. FR ROOF LH	1		1		
9	TC257193	ÖN TAV. İÇ PANELİ SAĞ PANEL INR. FR ROOF RH	1		1		
10	TC257498	TAVAN İÇ KÖŞE PAN SOL PANEL INR. CORNER LH	1		1		
11	TC257497	TAVAN İÇ KÖŞE PAN SAĞ PANEL INR. CORNER RH	1		1		
14	TC272543	DİREK İÇ PANELİ SOL PANEL INNER LH	1		1		
15	TC272542	DİREK İÇ PANELİ SAĞ PANEL INNER RH	1		1		
16	TC258695	ALT İÇ PANEL SOL PANEL INNER LH	1		1		
17	TC258694	ALT İÇ PANEL SAĞ PANEL INNER RH	1		1		
18	TC256970	DİREK ALT İÇ PANEL SAĞ PANEL INNER RH	1		1		
19	62013-70640-70	TAVAN KUŞAĞI ROOF BOW	1		1		
20	TC272538	DESTEK STIFFENER	1		1		
21	62013-80660-71	DİREK NO.2 SOL PILLAR ASSY NO.2 LH	1		1		
22	62013-80670-71	DİREK SAĞ PILLAR ASSY NO.2 RH	1	Y	1	4	
22	62013-90670-71	DİREK SAĞ PILLAR ASSY NO.2 RH	1		5		

Sym.	Part Number	Part Name	Qty.	R/P	From	Up To	Remarks
23	TC272545	İÇ YAN PANEL SOL PANEL INNER LH	1		1		
24	63109-10010-03	DESTEK STIFFENER	1		1		
25	62013-40970-00	DESTEK GUSSET	1		1		
26	TC272682	TAKVIYE SOL STIFFENER LH	1		1	160	
26	62013-90100-01	TAKVIYE SOL STIFFENER LH	1	Y	161		
27	TC272680-02	TAKVIYE SAĞ STIFFENER RH	1		1	160	
27	62013-90100-02	TAKVIYE SAĞ STIFFENER RH	1	Y	161		
28	62017-80690-70	GÖSTERGE PANELİ PANEL INSTRUMENT	1		1		
29	MC254863	DESTEK GUSSET	1		1		
30	TC254777	EŞİK SILL	1		1	160	
30	TC254777-01	EŞİK SILL	1	Y	161		
31	MC255108	EŞİK SILL	1		1		
32	62013-70930-70	DESTEK SILL	1		1	160	
32	62013-70930-71	DESTEK SILL	1	Y	161		
33	62013-70850-01	BRAKET PLATE	1		1		
34	TC256988	EŞİK MEMBER	1		1		
35	TC256983	SOL ALT DESTEK RAIL SKIRT - LH	1		1		
36	MC254864	DESTEK GUSSET	1		1		
37	62013-40870-70	PLAKA PLATE	1		1		
38	MC255121	BRAKET BRACKET	1		1		
39	62013-91250-80	DESTEK STIFFENER	1		1		



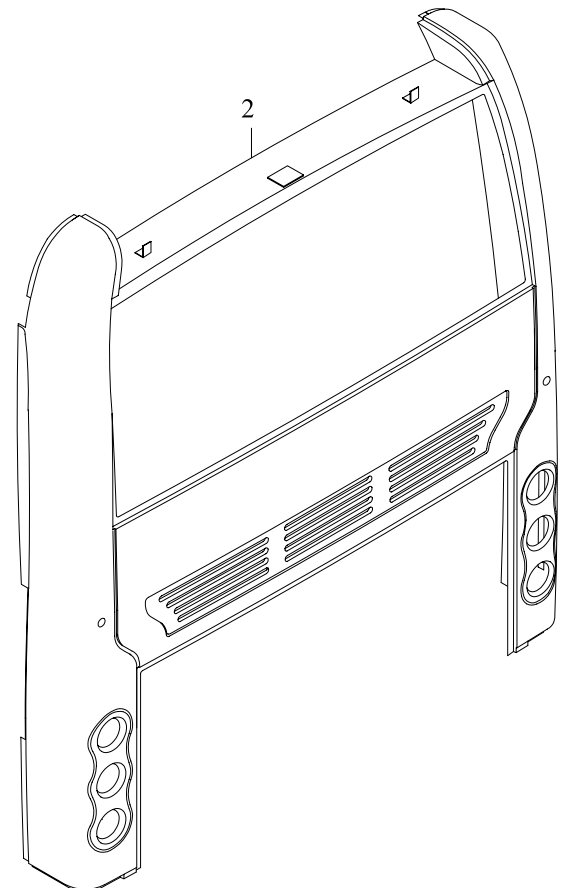
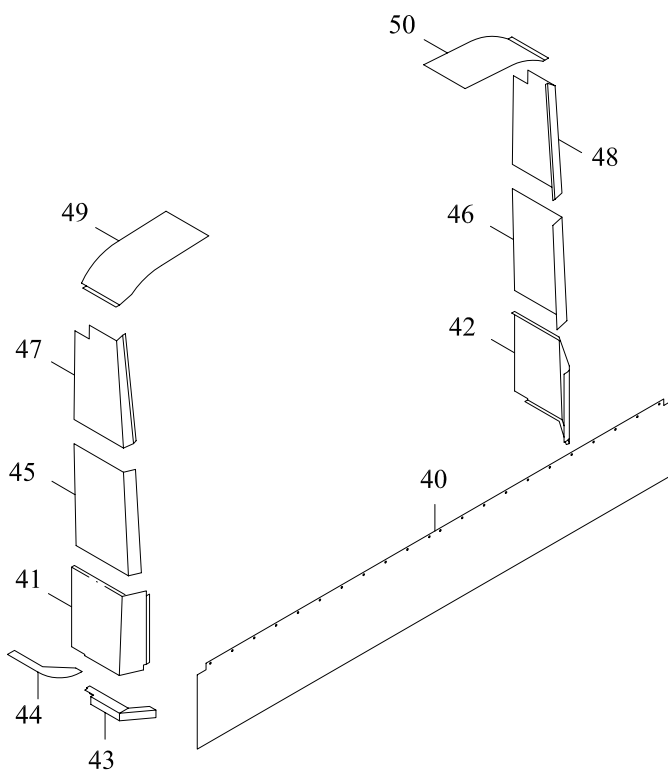
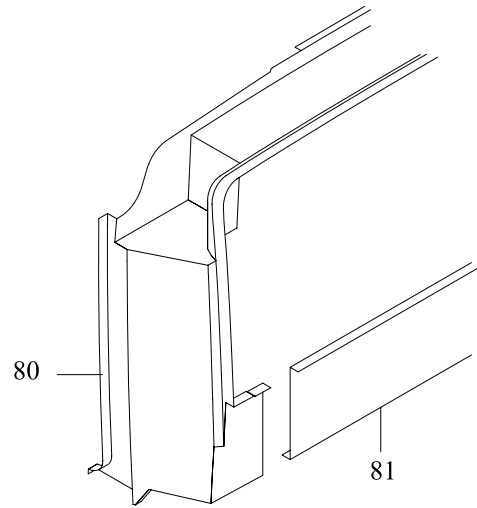
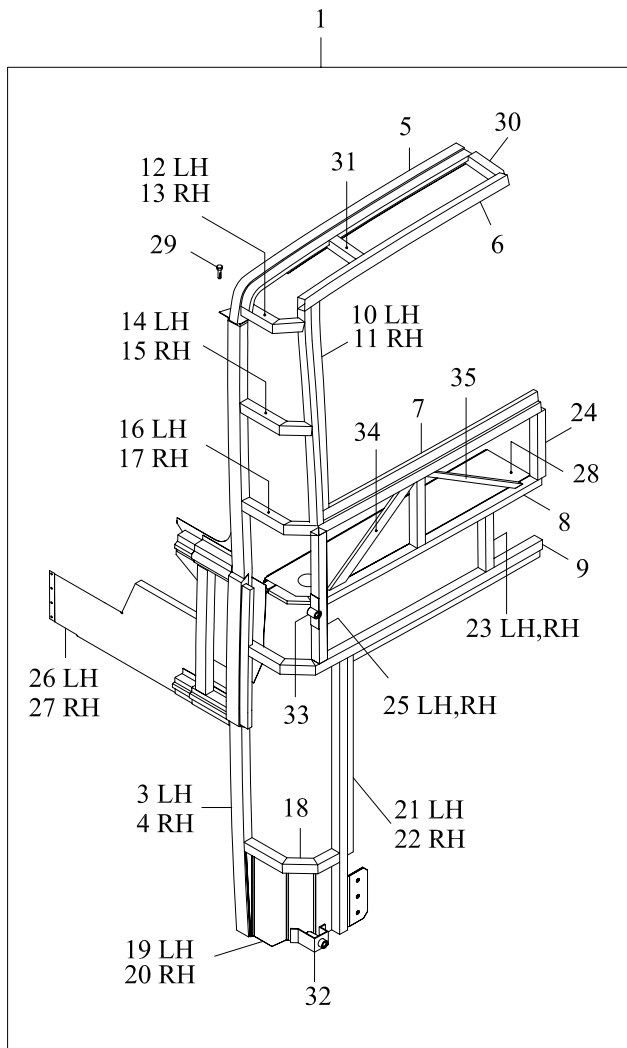
MS762

Sym.	Part Number	Part Name	Qty.	R/P	From	Up To	Remarks
40	MC255157-01	TAKVIYE REINFORCEMENT	1		1		
42	MC254848	PLAKA PLATE	1		1		
43	TC256985-71A	KUTU BOX ASSY DESTINATION	1		1		
44	TC272811-01	DESTEK SILL	1		1		
45	TC256989	DESTEK SILL	1		1		
46	TC272812	DESTEK SILL	1		1		
47	TC256987	DESTEK SILL	1		1		
48	62013-61260-00	PLAKA PLATE	2		1		
49	MC255123	DESTEK SILL	1		1		
50	62013-40980-01	DESTEK SOL GUSSET LH	1		1		
51	62013-40980-02	DESTEK SAĞ GUSSET RH	1		1		
54	TC272726-002	PANEL-SOL PANEL-LH	1	X	1	5	
55	TC272725-002	PANEL-SAĞ PANEL-RH	1	X	1	5	
57	62013-41220-70	İÇ PANEL PANEL INNER	1		1		
58	MC272544	ÖN TAVAN İÇ PANELİ PANEL INNER FR. ROOF	1		1		
59	62013-41230-70	DESTEK STIFFENER	1		1		
61	MC256971	L-PLAKA PLATE-L	1		1		
62	MC255472	TRİM ÇİTASI EDGE PLATE GARNISH	1	X	1	5	
63	62013-70000-87	TAKOZ - SOL STOPPER - LH	1		1		
63	62013-70000-88	TAKOZ - SAĞ STOPPER - RH	1		1		
64	62013-60130-00	Z-PLAKA PLATE-Z	2		1		

Sym.	Part Number	Part Name	Qty.	R/P	From	Up To	Remarks
65	62013-70017-01	BRAKET BRACKET	1		1		
74	TC337507	BRAKET BRACKET	1		1		
75	MC255026	BRAKET BRACKET	1		1		
76	62013-80150-70	EŞİK MEMBER	1		1		
77	62013-80160-70	EŞİK MEMBER	1		1		
79	MC258690	EŞİK SILL	1		1		
80	62013-90120-70	DESTEK SUPPORT	1		1		
81	62013-90100-70	DESTEK SUPPORT	1		1		
82	62013-90200-70	PANEL PANEL	1		1		
83	62013-90130-70	PANEL PANEL	1		1		
84	62013-90140-70	PANEL PANEL	1		1		
85	62013-90130-01	PLAKA PLATE	1		1		
86	62013-90130-02	PANEL PANEL	1		1		
88	62013-90180-04	PLAKA PLATE	1		1		
89	62013-90190-01	PLAKA PLATE	1		1		
90	62013-90190-02	PLAKA PLATE	1		1		
91	62013-90190-03	PLAKA PLATE	1		1		
92	62013-80180-01	BRAKET BRACKET	1		1		
93	62013-80180-02	BRAKET BRACKET	1	Z	1	5	
94	62013-80230-70	BRAKET BRACKET	1		1		
105	62013-90100-05	TABAN DESTEĞİ SILL	1		1		



MS762RL





ARKA GÖVDE  
REAR BODY

Group No : **A12-00**

Ident. Num.: 62201-90080-70/62201-90090-70

Rev. Date: 11.03.2004

Page: 1

MS762RL(TB162M)

Sym.	Part Number	Part Name	Qty.	R/P	From	Up To	Remarks
1	62201-90010-70	ARKA GÖVDE KOMPLE REAR BODY ASSY	1		1	01.02.2004	
1	62201-90015-70	ARKA GÖVDE KOMPLE REAR BODY ASSY	1		01.02.2004		
2	62201-90020-70	ARKA DIŞ PANEL REAR PANEL OUTER	1		1		
3	62201-90030-70	DİREK SOL PILLAR LH	1		1		
4	62201-90030-71	DİREK SAĞ PILLAR RH	1		1		
5	62201-90060-70	TAVAN KUŞAĞI ROOF BOW	1		1		
6	62201-90010-01	CAM DAYAMA PROFILE	1		1		
7	62201-90010-02	CAM DAYAMA PROFILE	1		1		
8	62201-90010-32	DESTEK STIFFER	1		1		
9	62201-90010-04	DESTEK STIFFER	1		1		
10	62201-90010-06	CAM DAYAMA SOL PROFILE LH	1		1		
11	62201-90010-07	CAM DAYAMA SAĞ PROFILE RH	1		1		
12	62201-90010-08	DESTEK SOL STIFFER LH	1		1	160	
12	62201-91010-08	DESTEK SOL STIFFER LH	1	Y	161		
13	62201-90010-09	DESTEK STIFFENER	2		1	160	
13	62201-91010-09	DESTEK STIFFENER	2	Y	161		
14	62201-90010-10	DESTEK STIFFENER	1		1	160	
14	62201-91010-10	DESTEK STIFFENER	1	Y	161		
15	62201-90010-11	DESTEK STIFFENER	1		1	160	
15	62201-91010-11	DESTEK STIFFENER	1	Y	161		
16	62201-90010-12	DESTEK SOL STIFFER LH	1		1	160	



ARKA GÖVDE  
REAR BODY

Group No : **A12-00**

Ident. Num.: 62201-90080-70/62201-90090-70

Rev. Date: 11.03.2004

Page: 2

MS762RL(TB162M)

Sym.	Part Number	Part Name	Qty.	R/P	From	Up To	Remarks
16	62201-91010-12	DESTEK SOL STIFFER LH	1	Y	161		
17	62201-90010-13	DESTEK STIFFENER	1		1	160	
17	62201-91010-13	DESTEK STIFFENER	1	Y	161		
18	62201-90010-14	DESTEK STIFFENER	1		1	160	
18	62201-91010-14	DESTEK STIFFENER	1	Y	161		
19	62201-90210-17	TAKVIYE SOL GUSSET LH	1		1	160	
19	62201-90210-38	TAKVIYE SOL GUSSET LH	1	Y	161		
20	62201-90210-18	TAKVIYE SAĞ GUSSET RH	1		1	160	
20	62201-90210-40	TAKVIYE SAĞ GUSSET RH	1	Y	161		
21	62201-90210-19	DİREK SOL PILLAR LH	1		1		
22	62201-90210-20	DİREK SAĞ PILLAR RH	1		1		
23	62201-90010-22	PROFİL PROFILE	2		1	160	
23	62201-91010-22	PROFİL PROFILE	2	Y	161		
24	62201-90010-23	PROFİL PROFILE	3		1	160	
24	62201-91010-23	PROFİL PROFILE	3	Y	161		
25	62201-90010-24	PROFİL PROFILE	2		1		
26	62201-90040-70	TAKVIYE SOL SUPPORT LH	1		1		
27	62201-90040-71	TAKVIYE SAĞ SUPPORT RH	1		1		
28	62201-90070-70	MOTOR ODASI PANELİ ENG ROOM PANEL	1		1		
29	MF100083	CIVATA BOLT	AR		1		
30	62201-90010-16	PROFİL PROFILE	1		1	160	



ARKA GÖVDE  
REAR BODY

Group No : **A12-00**

Ident. Num.: 62201-90080-70/62201-90090-70

Rev. Date: 11.03.2004

Page: 3

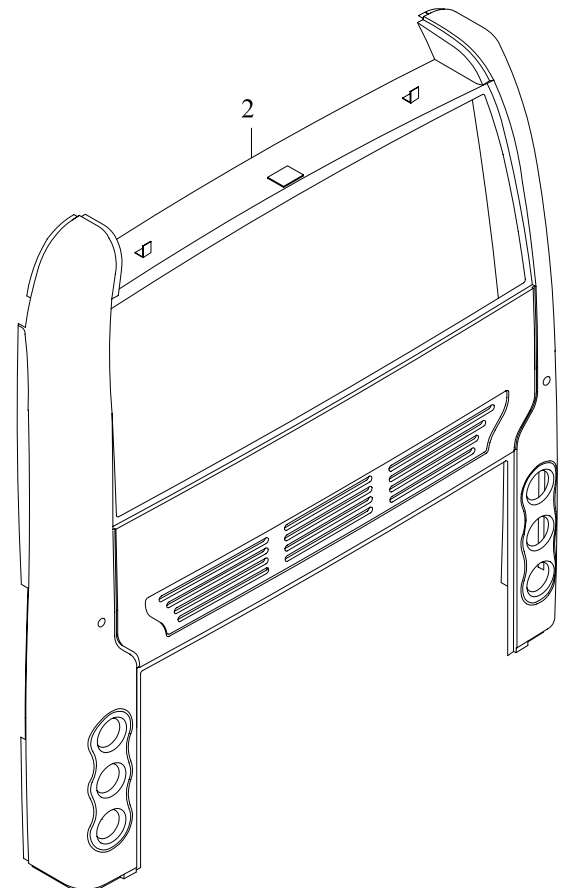
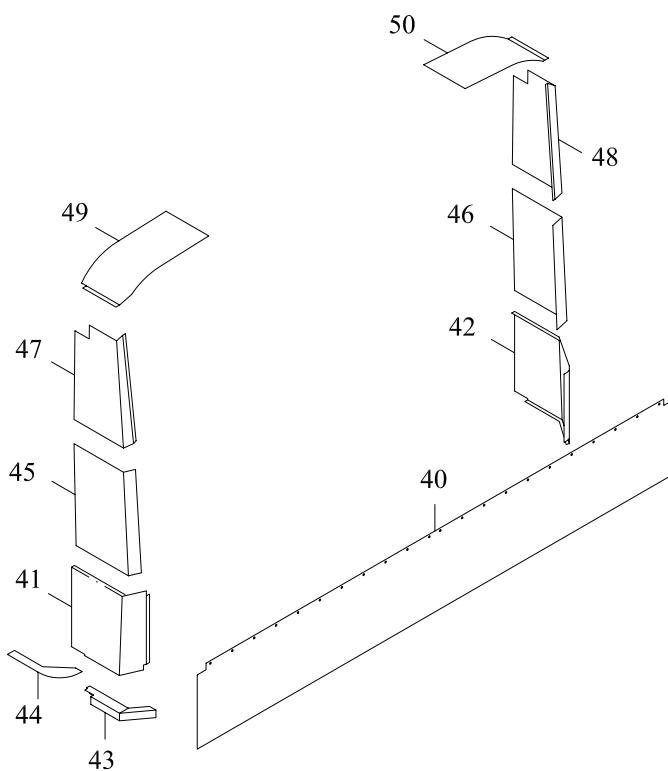
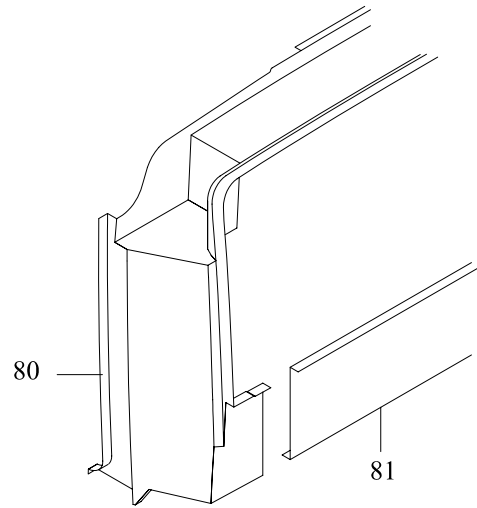
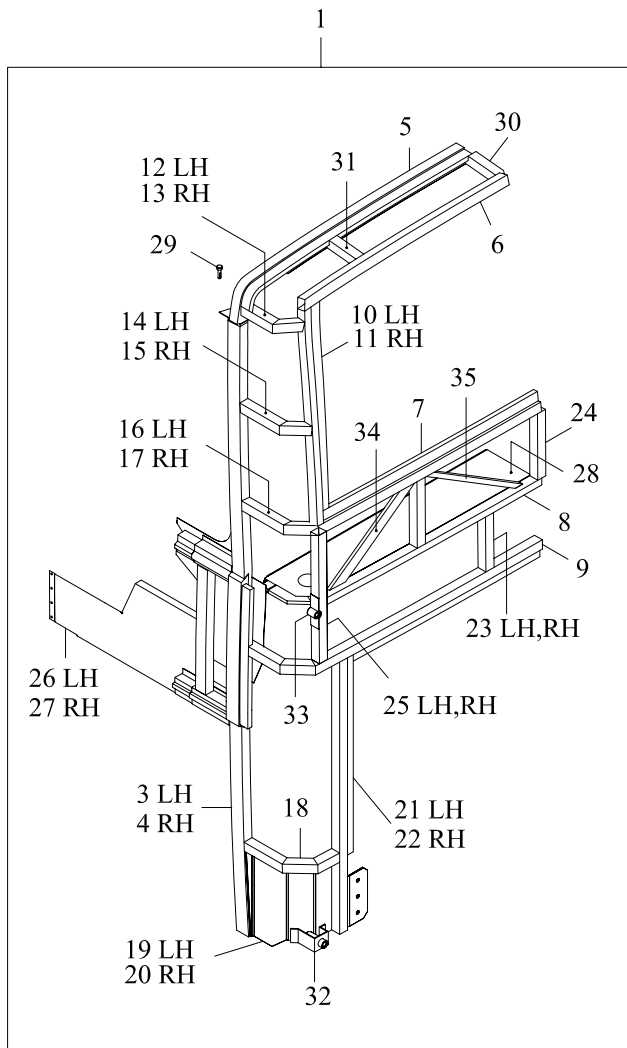
MS762RL(TB162M)

Sym.	Part Number	Part Name	Qty.	R/P	From	Up To	Remarks
30	62201-91010-16	PROFİL PROFILE	1	Y	161		
31	62201-90010-33	TAKVİYE GUSSET	2		1	160	
31	62201-91010-33	TAKVİYE GUSSET	2	Y	161		
32	62201-90210-30	BRAKET BRACKET	2		1		
33	62201-90010-25	MİL SHAFT	2		1		
34	62201-90010-35	PROFİL PROFILE	2		1	160	
34	62201-91010-35	PROFİL PROFILE	2	Y	161		
35	62201-90010-36	PROFİL PROFILE	2		1	160	
35	62201-91010-36	PROFİL PROFILE	2	Y	161		
40	62201-90080-01B	PANEL PANEL	1		1		
41	62201-90080-02	PANEL SAĞ PANEL RH	1		1		
42	62201-90080-03	PANEL SOL PANEL LH	1		1		
43	62201-90080-04	TAKVİYE STIFFENER	2		1		
44	62201-90080-12	SAC SHEET	2		1		
45	62201-90080-15	İÇ PANEL PANEL INNER	1		1		
46	62201-90080-16	İÇ PANEL PANEL INNER	1		1		
47	62201-90080-17	İÇ PANEL PANEL INNER	1		1		
48	62201-90080-18	İÇ PANEL PANEL INNER	1		1		
49	62201-90080-19	İÇ PANEL PANEL INNER	1		1		
50	62201-90080-20	İÇ PANEL PANEL INNER	1		1		
80	62201-90090-02	PANEL PANEL	1		1		





MS762ML





ARKA GÖVDE  
REAR BODY

Group No : **A12-01**

Ident. Num.: 62201-90080-71/62201-90090-70

Rev. Date: 11.03.2004

Page: 1

MS762ML(TB162J)

Sym.	Part Number	Part Name	Qty.	R/P	From	Up To	Remarks
1	62201-90210-70	ARKA GÖVDE KOMPLE REAR BODY ASSY	1		1	01.02.2004	
1	62201-90015-72	ARKA GÖVDE KOMPLE REAR BODY ASSY	1		01.02.2004		
2	62201-90020-70	ARKA DIŞ PANEL REAR PANEL OUTER	1		1		
3	62201-90130-70	DİREK SOL PILLAR LH	1		1		
4	62201-90130-71	DİREK SAĞ PILLAR RH	1		1		
5	62201-90060-70	TAVAN KUŞAĞI ROOF BOW	1		1		
6	62201-90010-01	CAM DAYAMA PROFILE	1		1		
7	62201-90010-02	CAM DAYAMA PROFILE	1		1		
8	62201-90010-32	DESTEK STIFFER	1		1		
9	62201-90010-04	DESTEK STIFFER	1		1		
10	62201-90010-06	CAM DAYAMA SOL PROFILE LH	1		1		
11	62201-90010-07	CAM DAYAMA SAĞ PROFILE RH	1		1		
12	62201-90010-08	DESTEK SOL STIFFER LH	1		1	08.10' 02	
12	62201-91010-08	DESTEK SOL STIFFER LH	1	Y	08.10' 02		
13	62201-90010-09	DESTEK STIFFENER	2		1	08.10' 02	
13	62201-91010-09	DESTEK STIFFENER	2	Y	08.10' 02		
14	62201-90010-10	DESTEK STIFFENER	1		1	08.10' 02	
14	62201-91010-10	DESTEK STIFFENER	1	Y	08.10' 02		
15	62201-90010-11	DESTEK STIFFENER	1		1	08.10' 02	
15	62201-91010-11	DESTEK STIFFENER	1	Y	08.10' 02		
16	62201-90010-12	DESTEK SOL STIFFER LH	1		1	08.10' 02	



ARKA GÖVDE  
REAR BODY

Group No : A12-01

Ident. Num.: 62201-90080-71/62201-90090-70

Rev. Date: 11.03.2004

Page: 2

MS762ML(TB162J)

Sym.	Part Number	Part Name	Qty.	R/P	From	Up To	Remarks
16	62201-91010-12	DESTEK SOL STIFFER LH	1	Y	08.10' 02		
17	62201-90010-13	DESTEK STIFFENER	1		1	08.10' 02	
17	62201-91010-13	DESTEK STIFFENER	1	Y	08.10' 02		
18	62201-90010-14	DESTEK STIFFENER	1		1	08.10' 02	
18	62201-91010-14	DESTEK STIFFENER	1	Y	08.10' 02		
19	62201-90210-17	TAKVIYE SOL GUSSET LH	1		1	08.10' 02	
19	62201-90210-38	TAKVIYE SOL GUSSET LH	1	Y	08.10' 02		
20	62201-90210-18	TAKVIYE SAĞ GUSSET RH	1		1	08.10' 02	
20	62201-90210-40	TAKVIYE SAĞ GUSSET RH	1	Y	08.10' 02		
21	62201-90210-19	DİREK SOL PILLAR LH	1		1		
22	62201-90210-20	DİREK SAĞ PILLAR RH	1		1		
23	62201-90010-22	PROFİL PROFILE	2		1	08.10' 02	
23	62201-91010-22	PROFİL PROFILE	2	Y	08.10' 02		
24	62201-90010-23	PROFİL PROFILE	3		1	08.10' 02	
24	62201-91010-23	PROFİL PROFILE	3	Y	08.10' 02		
25	62201-90010-24	PROFİL PROFILE	2		1		
26	62201-90140-70	TAKVIYE SOL SUPPORT LH	1		1		
27	62201-90140-71	TAKVIYE SAĞ SUPPORT RH	1		1		
28	62201-90070-70	MOTOR ODASI PANELİ ENG ROOM PANEL	1		1		
29	MF100083	CIVATA BOLT	AR		1		
30	62201-90010-16	PROFİL PROFILE	1		1	08.10' 02	



ARKA GÖVDE  
REAR BODY

Group No : A12-01

Ident. Num.: 62201-90080-71/62201-90090-70

Rev. Date: 11.03.2004

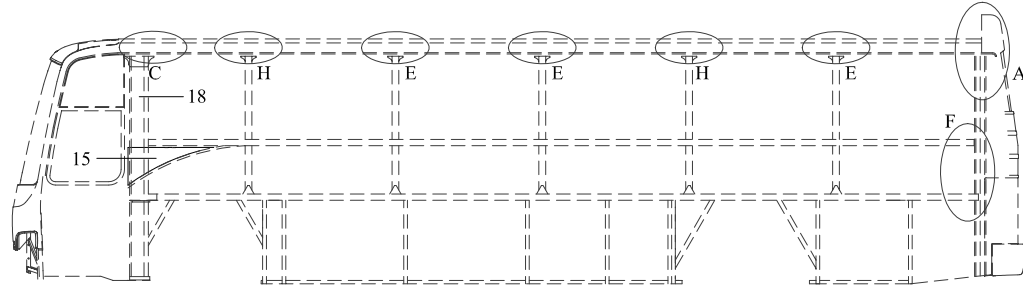
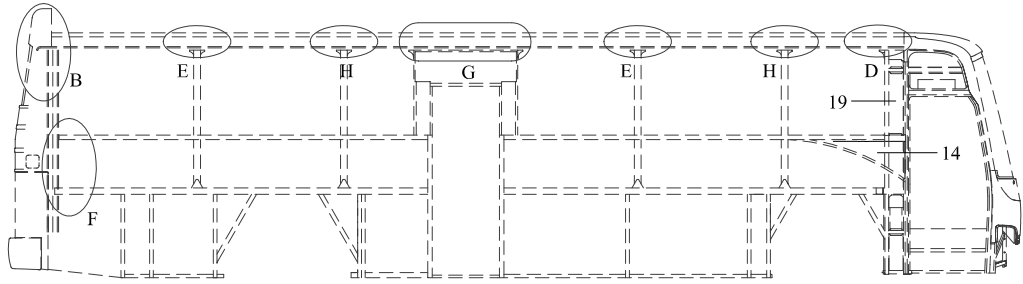
Page: 3

MS762ML(TB162J)

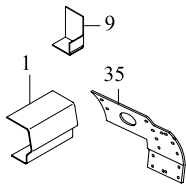
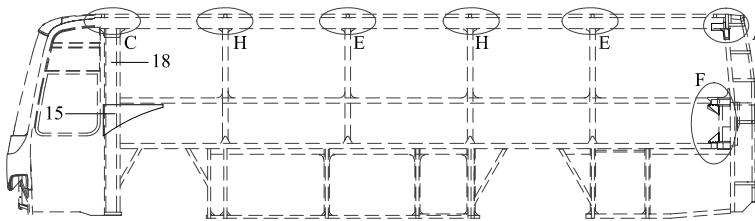
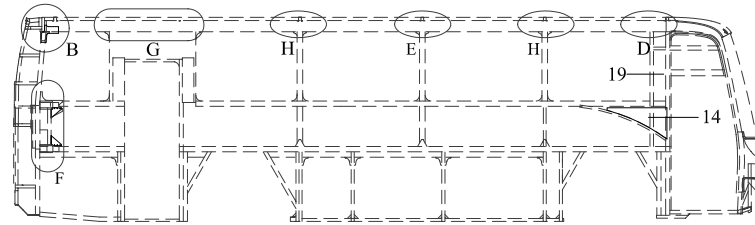
Sym.	Part Number	Part Name	Qty.	R/P	From	Up To	Remarks
30	62201-91010-16	PROFİL PROFILE	1	Y	08.10' 02		
31	62201-90010-33	TAKVİYE GUSSET	2		1	08.10' 02	
31	62201-91010-33	TAKVİYE GUSSET	2	Y	08.10' 02		
32	62201-90210-30	BRAKET BRACKET	2		1		
33	62201-90010-25	MİL SHAFT	2		1		
34	62201-90010-35	PROFİL PROFILE	2		1	08.10' 02	
34	62201-91010-35	PROFİL PROFILE	2	Y	08.10' 02		
35	62201-90010-36	PROFİL PROFILE	2		1	08.10' 02	
35	62201-91010-36	PROFİL PROFILE	2	Y	08.10' 02		
40	62201-90080-01B	PANEL PANEL	1		1		
41	62201-90080-02	PANEL SAĞ PANEL RH	1		1		
42	62201-90080-03	PANEL SOL PANEL LH	1		1		
43	62201-90080-04	TAKVİYE STIFFENER	2		1		
44	62201-90080-12	SAC SHEET	2		1		
45	62201-90080-15	İÇ PANEL PANEL INNER	1		1		
46	62201-90080-16	İÇ PANEL PANEL INNER	1		1		
47	62201-90080-17	İÇ PANEL PANEL INNER	1		1		
48	62201-90080-18	İÇ PANEL PANEL INNER	1		1		
49	62201-90080-19	İÇ PANEL PANEL INNER	1		1		
50	62201-90080-20	İÇ PANEL PANEL INNER	1		1		
80	62201-94090-02	PANEL PANEL	1		08.10' 02		



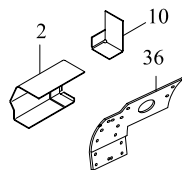
MS762RL



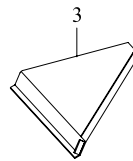
MS762ML



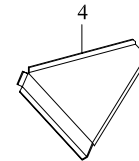
A-DETAYI  
DETAIL -A



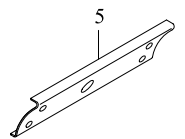
B-DETAYI  
DETAIL -B



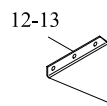
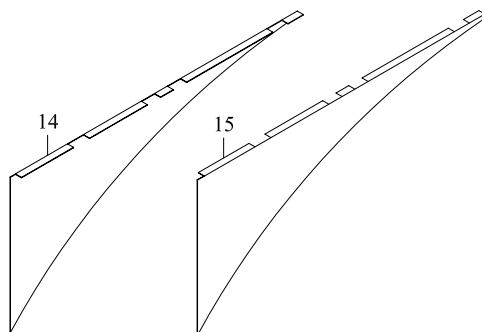
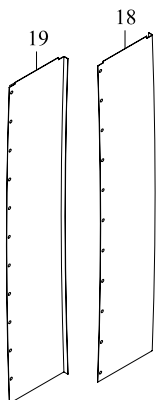
C-DETAYI  
DETAIL -C



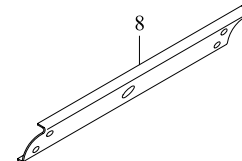
D-DETAYI  
DETAIL -D



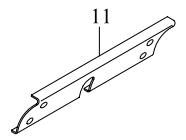
E-DETAYI  
DETAIL -E



F-DETAYI  
DETAIL -F



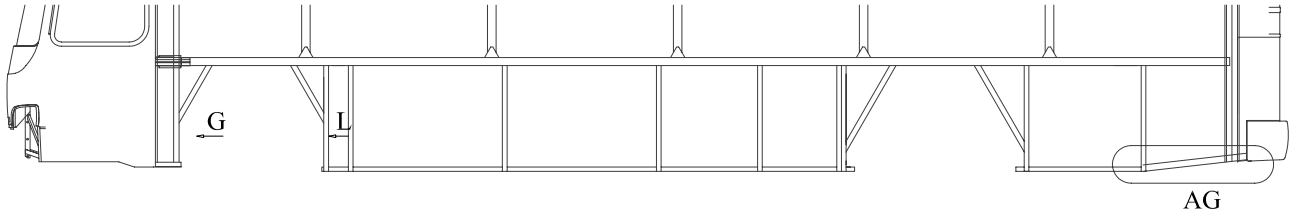
G-DETAYI  
DETAIL -G



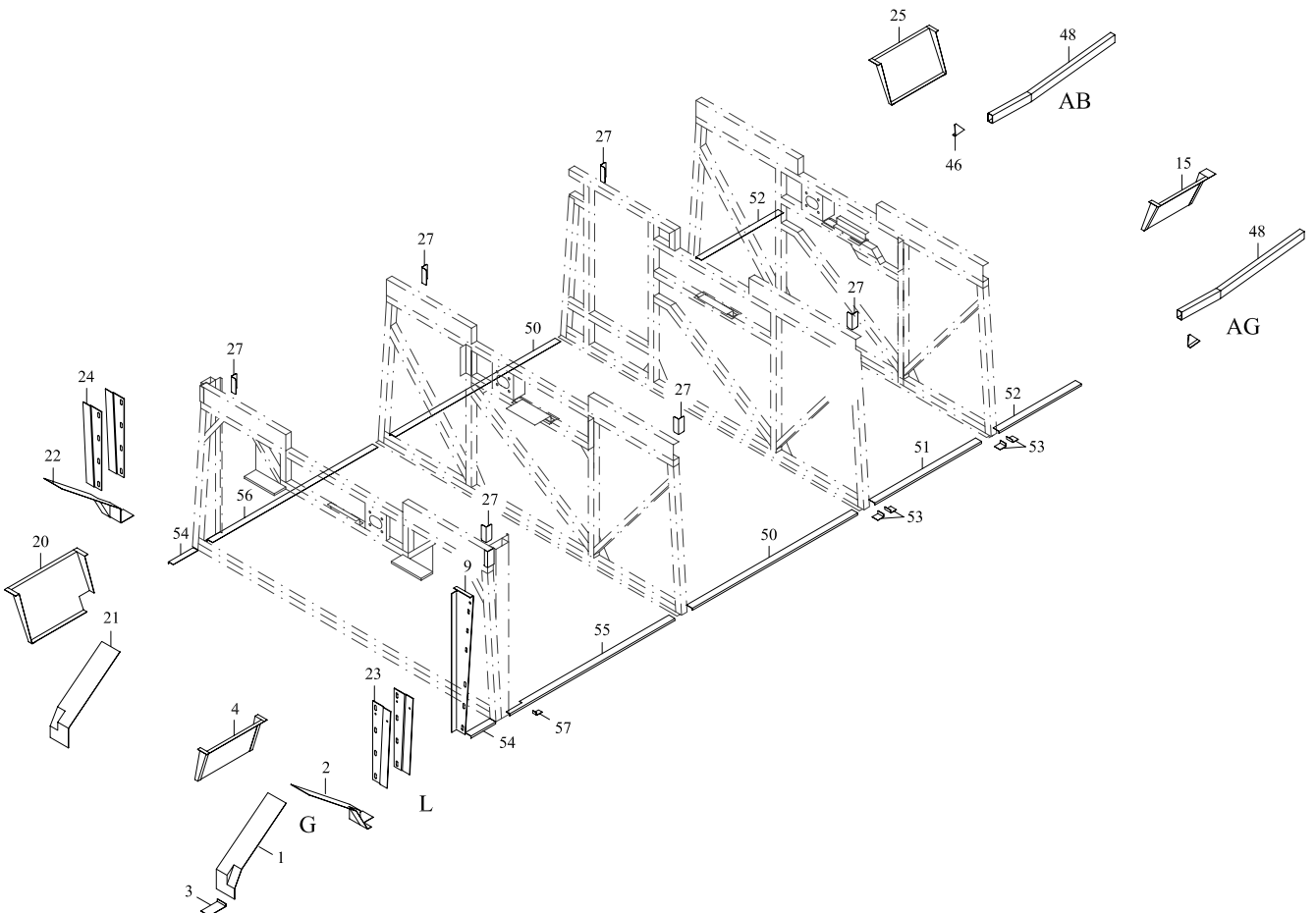
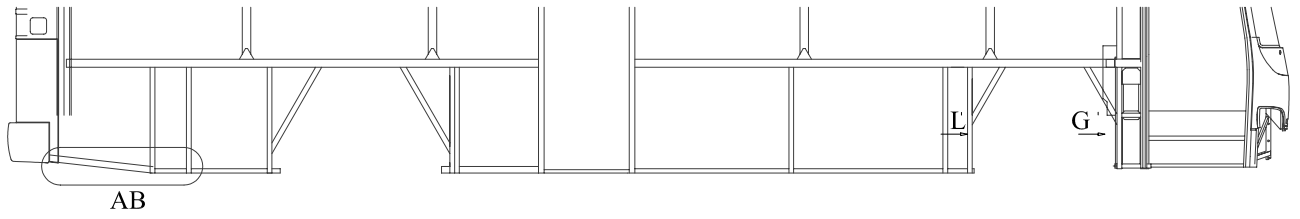
H-DETAYI  
DETAIL -H



SOL  
LH



SAG  
RH



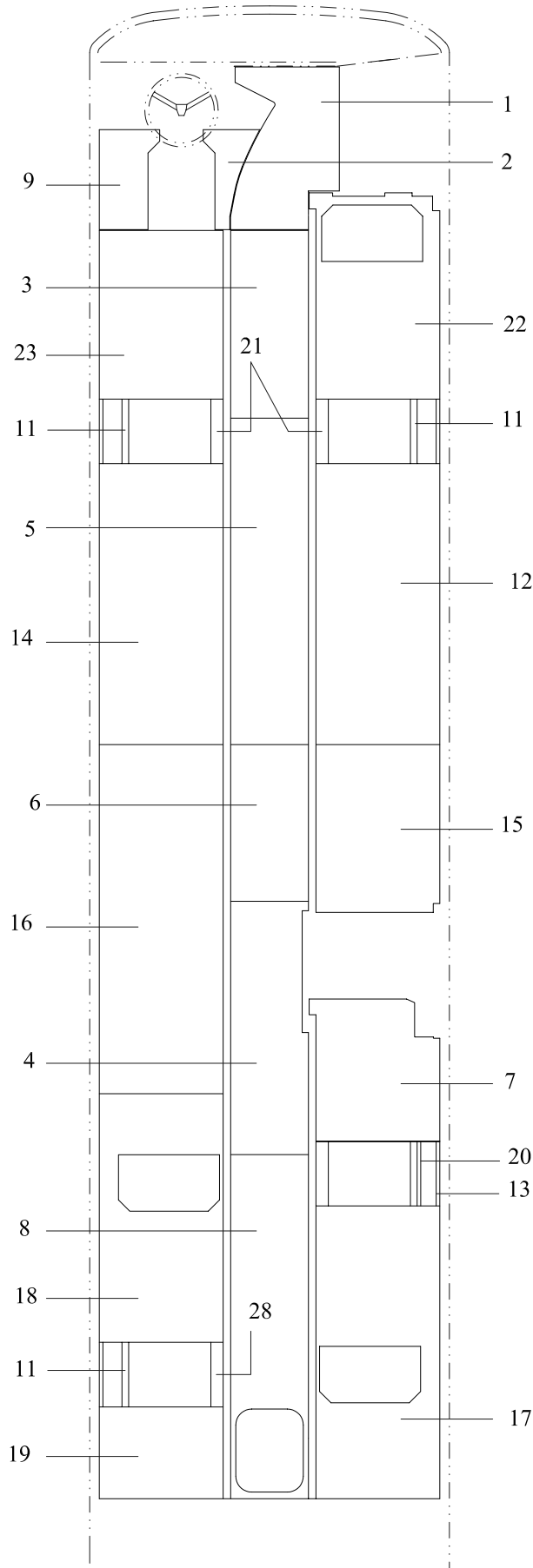


MS762RL

Sym.	Part Number	Part Name	Qty.	R/P	From	Up To	Remarks
1	62007-40200-70	PLAKA PLATE	1		1		
2	62007-40200-72	PLAKA PLATE	1		1		
3	62007-40200-09	PLAKA PLATE	2		1		
4	62007-60140-70	KAPAK COVER	1		1		
9	62076-80030-23	L-PLAKA PLATE-L	1		1		
15	62007-60160-70	KAPAK COVER	1		1		
20	62007-90010-57	KAPAK COVER	1		1		
21	62007-40200-71	PLAKA PLATE	1		1		
22	62007-40200-73	PLAKA PLATE	1		1		
23	62007-90010-63	BRAKET BRACKET	2		1		
24	62007-90010-64	BRAKET BRACKET	2		1		
25	62007-60160-80	KAPAK COVER	1		1		
27	62007-30010-42	PLAKA PLATE	5		1		
46	62007-90100-70	PLAKA PLATE	4		1		
48	62007-90100-72	PROFİL PROFILE	2		1		
50	62007-80190-01	PLAKA PLATE	2		1		
51	62007-80190-02	PLAKA PLATE	1		1		
52	62007-80190-03	PLAKA PLATE	2		1		
53	62007-40190-04	PLAKA PLATE	18		1		
54	62007-40190-15	PLAKA PLATE	2		1		
55	62007-80190-06	PLAKA PLATE	1		1		



MS762RL





TABAN TAHTALARI  
FLOORING BOARDS

Group No : **A17-00**

Ident. Num.: 61721-90420-70

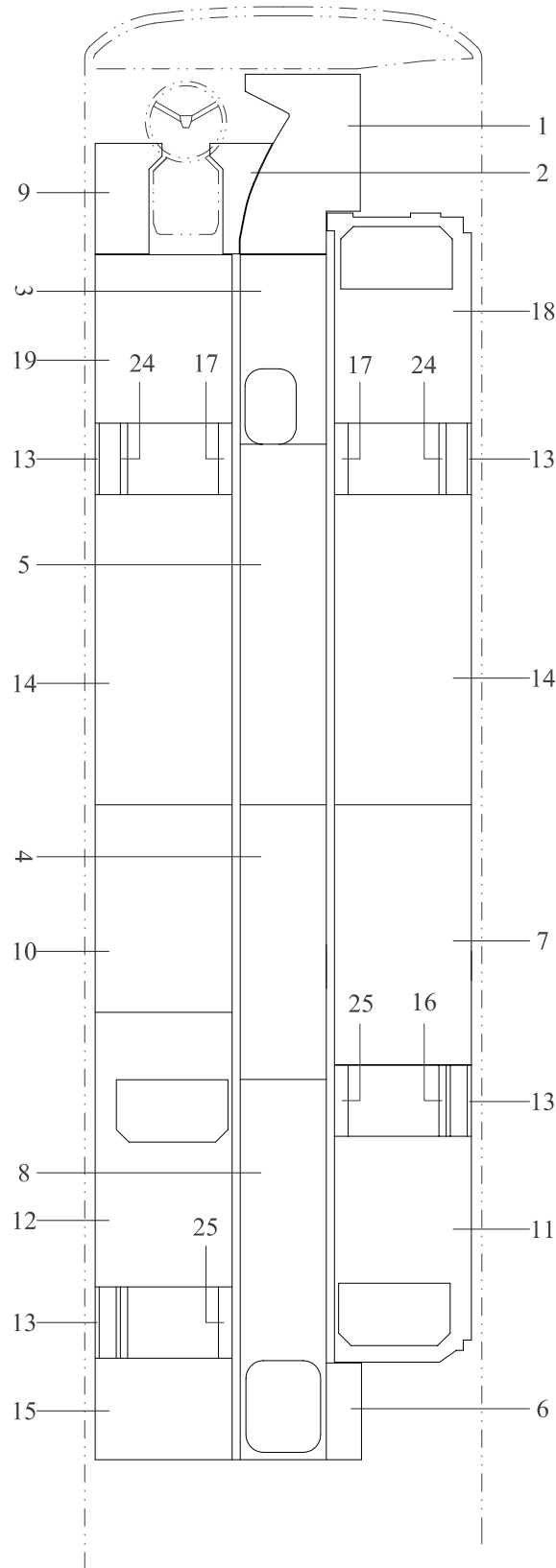
Rev. Date:

Page: 1

MS762RL

Sym.	Part Number	Part Name	Qty.	R/P	From	Up To	Remarks
1	61721-91420-01	TAHTA BOARD	1		161		
2	61721-90420-02	TAHTA BOARD	1		1		
3	61721-91420-13	TAHTA BOARD	1		161		
4	61721-91420-10	TAHTA BOARD	1		1		
5	61721-91420-20	TAHTA BOARD	1		161		
6	61721-95420-06	TAHTA BOARD	1		161		
7	61721-91420-04	TAHTA BOARD	1		161		
8	61721-91420-06	TAHTA BOARD	1		161		
9	61721-90420-09	TAHTA BOARD	1		1		
11	61721-90420-27	TAHTA BOARD	2		25		
12	61721-91420-12	TAHTA BOARD	1		161		
13	61721-60420-17	TAHTA BOARD	6		1		
14	61721-91420-14	TAHTA BOARD	2		161		
15	61721-95420-15	TAHTA BOARD	1		161		
16	61721-95420-16	TAHTA BOARD	1		161		
17	61721-91420-07	TAHTA BOARD	1		161		
18	61721-91420-03	TAHTA BOARD	1		161		
19	61721-91420-08	TAHTA BOARD	1		161		
20	61721-60420-28	TAHTA BOARD	1		1		
21	61721-95420-21	TAHTA BOARD	2		161		
22	61721-91420-05	TAHTA BOARD	1		161		







TABAN TAHTALARI  
FLOORING BOARDS

Group No : **A17-01**

Ident. Num.: 61721-90440-70

Rev. Date:

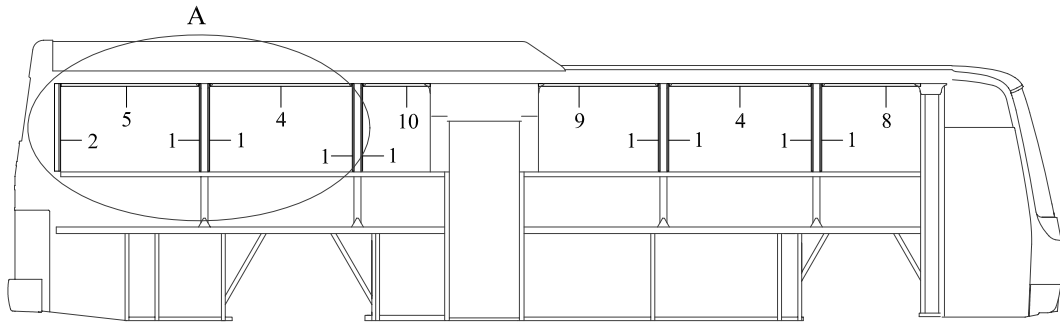
Page: 1

MS762ML

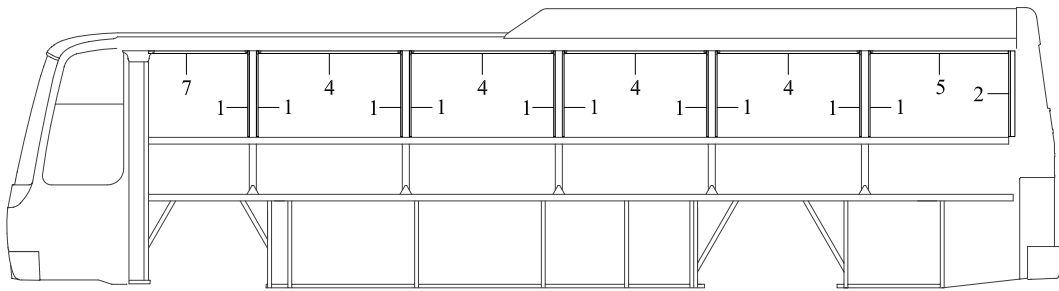
Sym.	Part Number	Part Name	Qty.	R/P	From	Up To	Remarks
1	61721-90420-01	TAHTA BOARD	1		1		
2	61721-90420-02	TAHTA BOARD	1		1		
3	61721-90440-03	TAHTA BOARD	1		1		
4	61721-90440-04	TAHTA BOARD	1		1		
5	61721-30420-05	TAHTA BOARD	1		1	4	
5	61721-90420-20	TAHTA BOARD	1		5		
6	61721-90440-06	TAHTA BOARD	1		1		
7	61721-90440-07	TAHTA BOARD	1		1		
8	61721-90420-06	TAHTA BOARD	1		1		
9	61721-90420-09	TAHTA BOARD	1		1		
10	61721-90440-10	TAHTA BOARD	1		1		
11	61721-90440-11	TAHTA BOARD	1		1		
12	61721-90420-03	TAHTA BOARD	1		1		
13	61721-60420-17	TAHTA BOARD	6		1		
14	61721-80420-14	TAHTA BOARD	2		1	4	
14	61721-90420-14	TAHTA BOARD	2		5		
15	61721-90420-08	TAHTA BOARD	1		1		
16	61721-60420-28	TAHTA BOARD	2		1		
17	61721-80420-21	TAHTA BOARD	2		1		
18	61721-90440-18	TAHTA BOARD	1		1		
19	61721-90440-19	TAHTA BOARD	1		1		



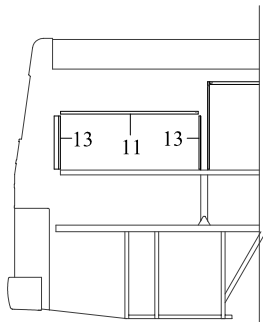




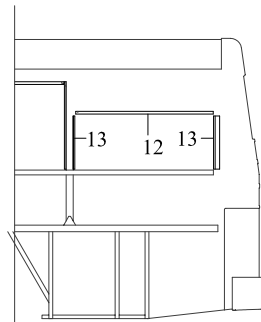
SAĞ  
RH



SOL  
LH

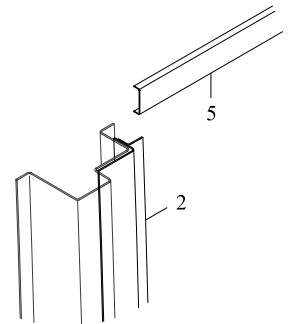


SAĞ  
RH

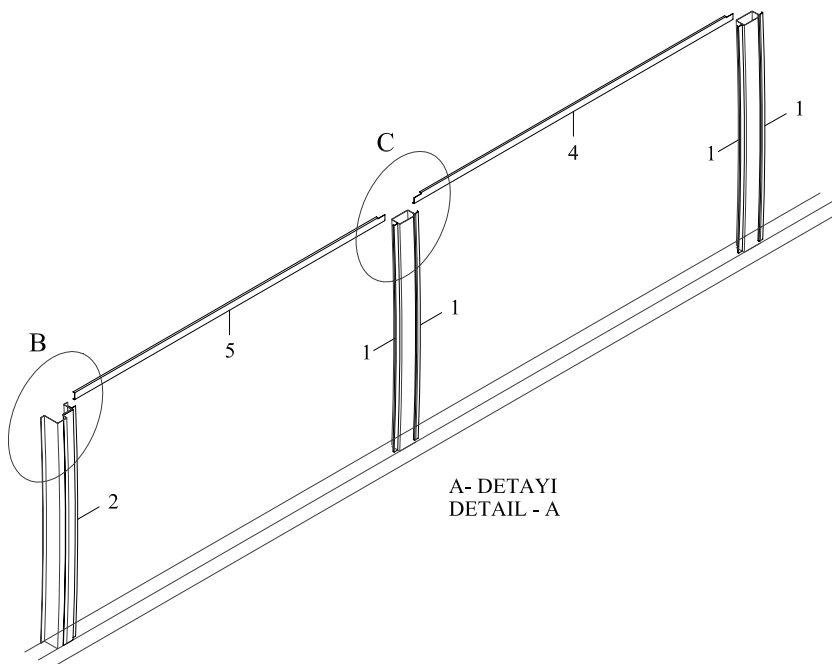


OPTION

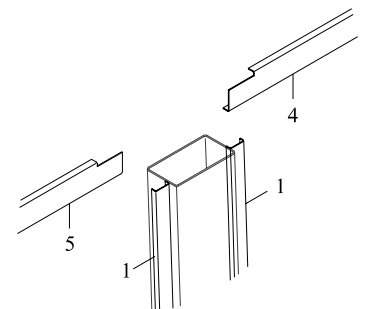
SOL  
LH



B- DETAYI  
DETAIL - B

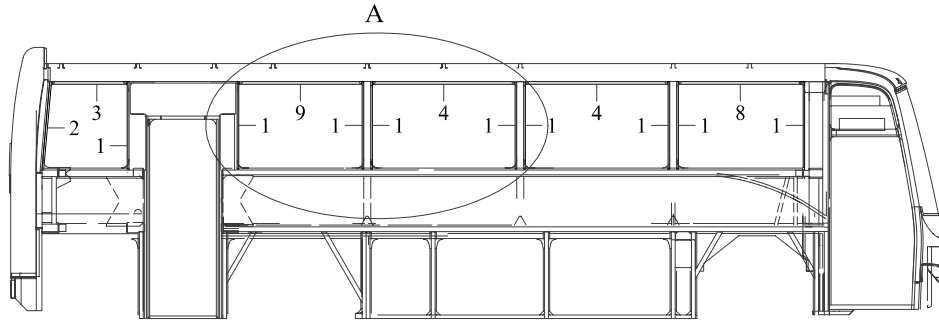


A- DETAYI  
DETAIL - A

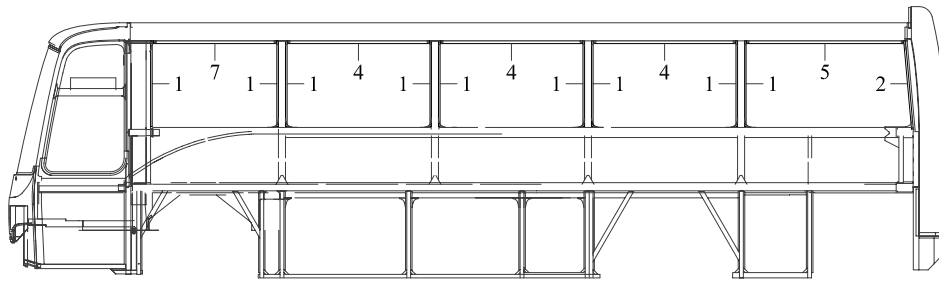


C- DETAYI  
DETAIL - C

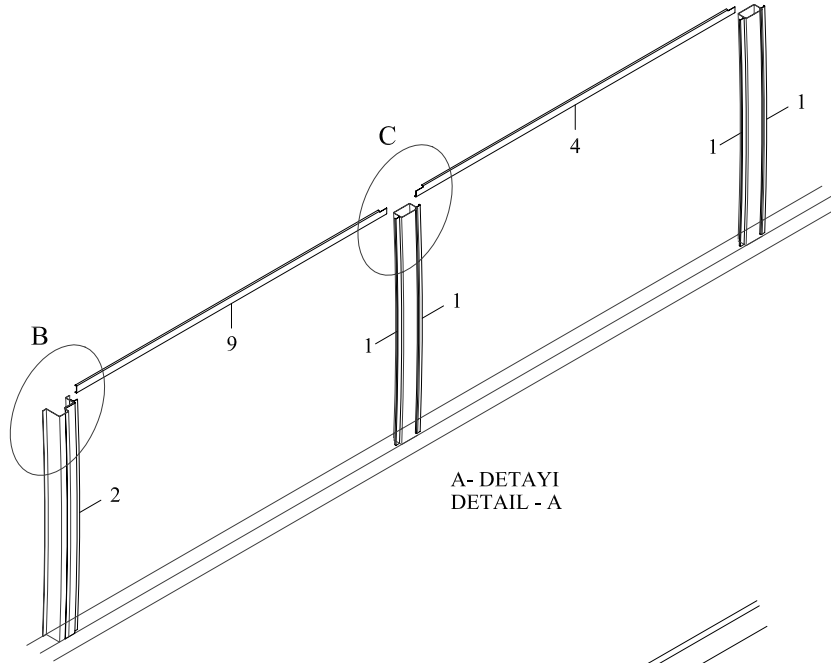




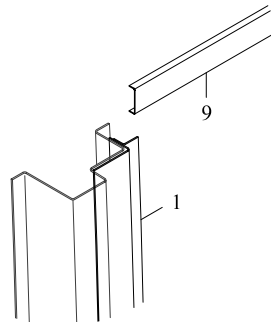
SAĞ  
RH



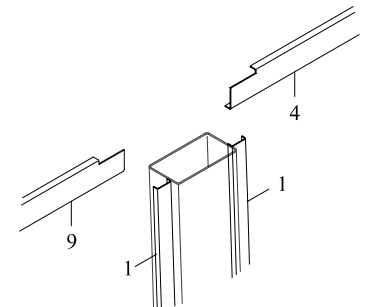
SOL  
LH



A-DETAYI  
DETAIL - A



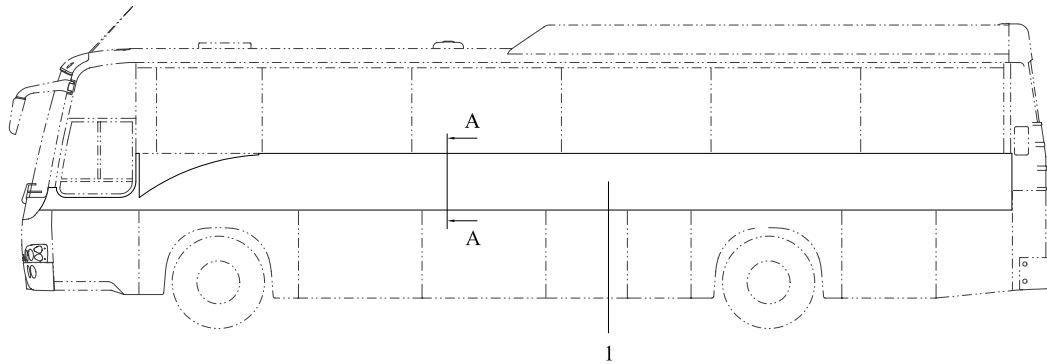
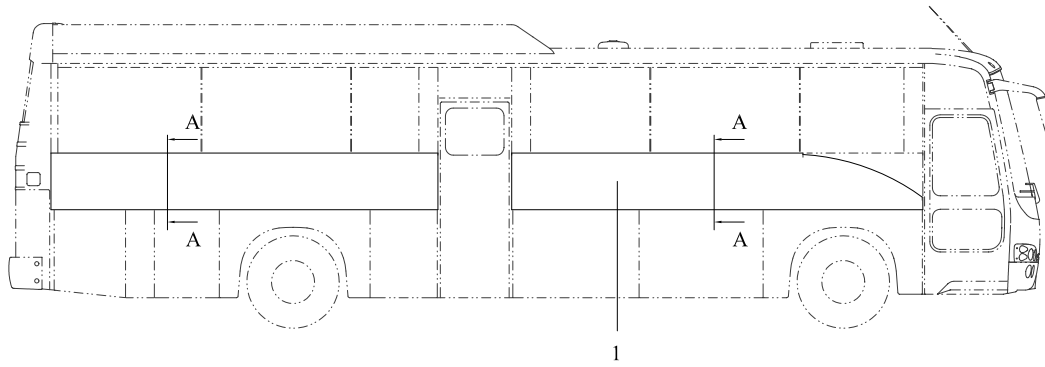
B-DETAYI  
DETAIL - B



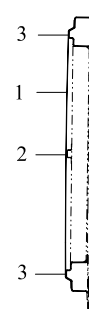
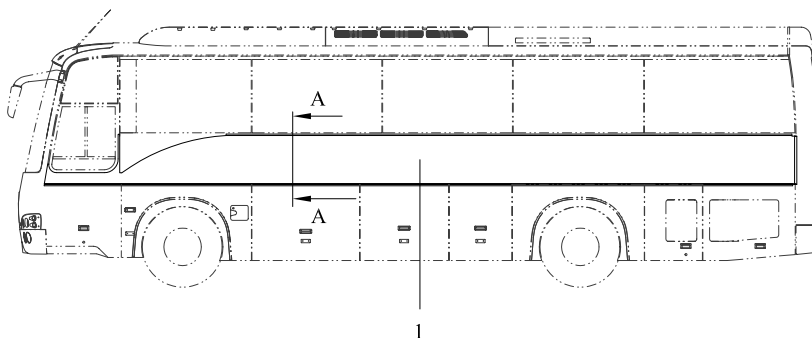
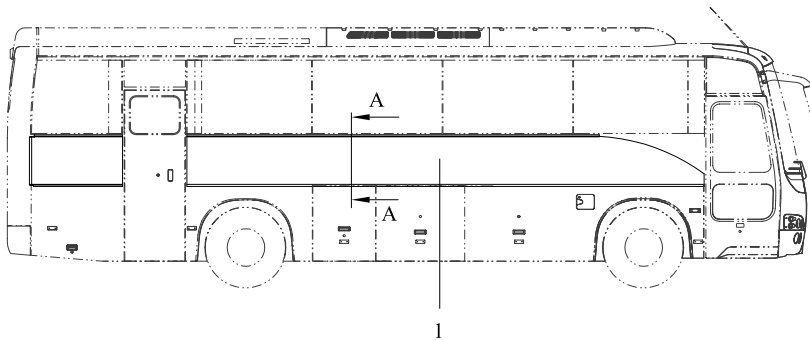
C-DETAYI  
DETAIL - C



MS762RL



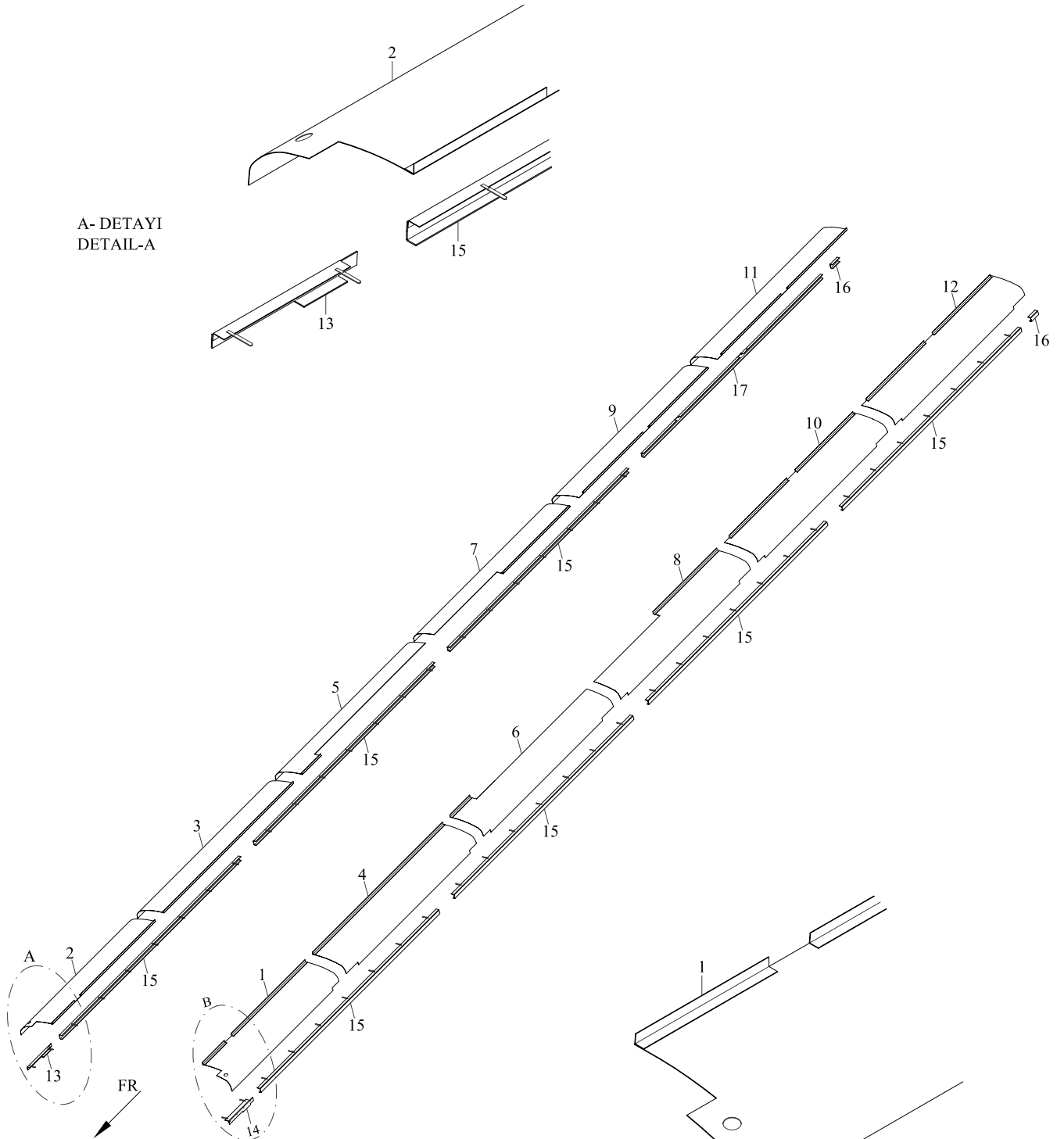
MS762ML



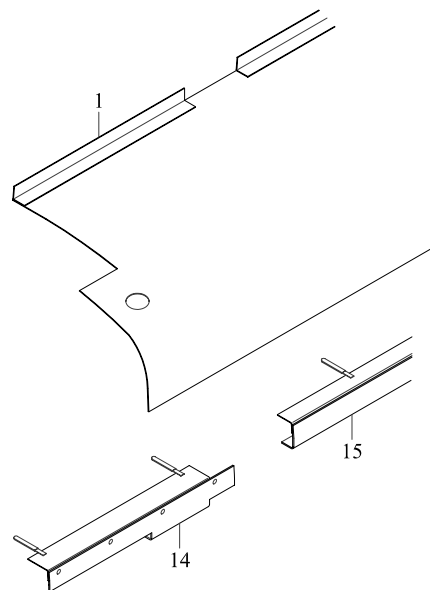
A-A KESİTİ  
SECT. A-A



A- DETAYI  
DETAIL-A



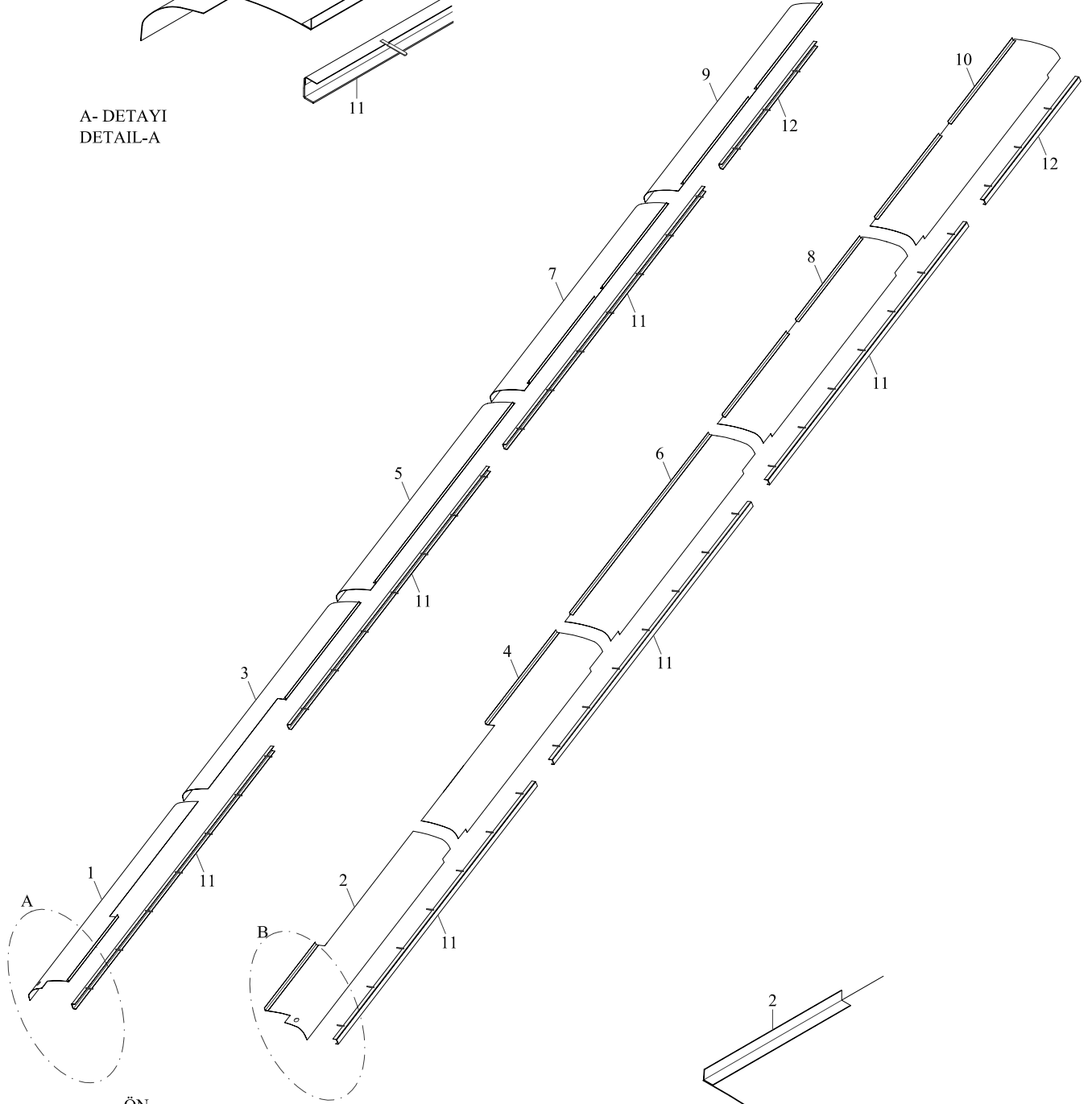
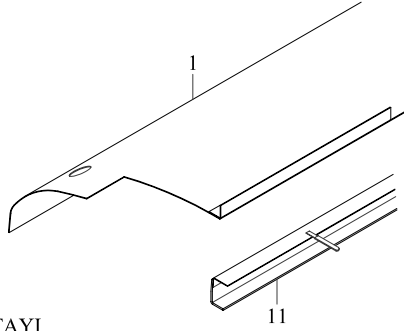
B- DETAYI  
DETAIL-B





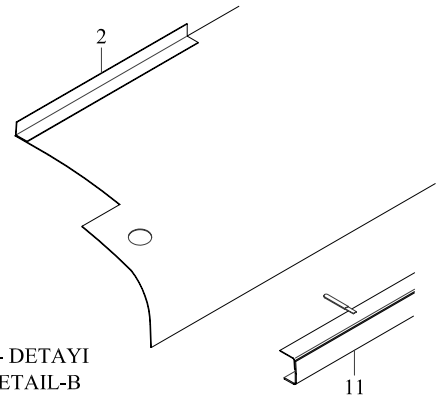


A- DETAYI  
DETAIL-A



ÖN  
FRONT

B- DETAYI  
DETAIL-B

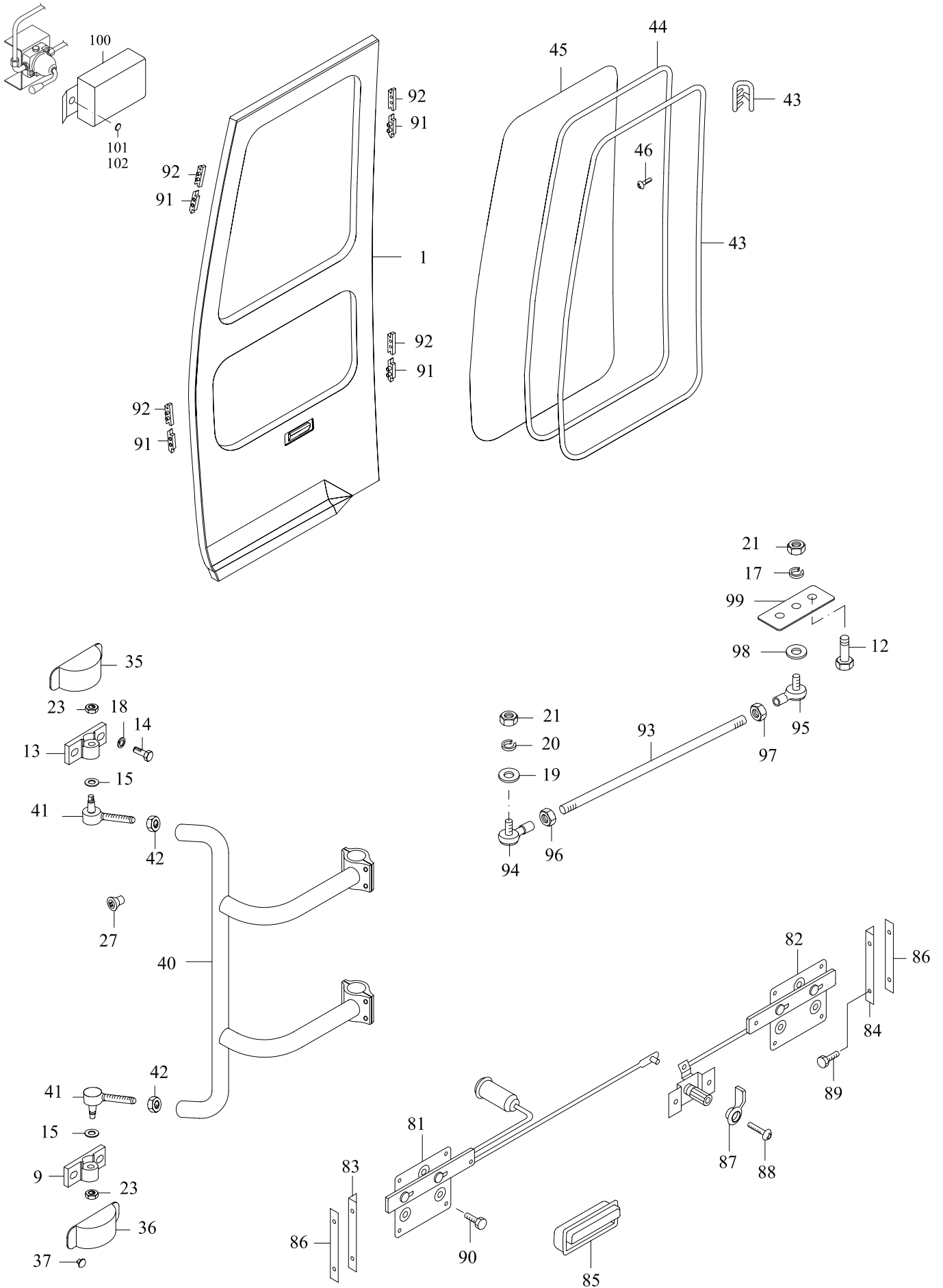


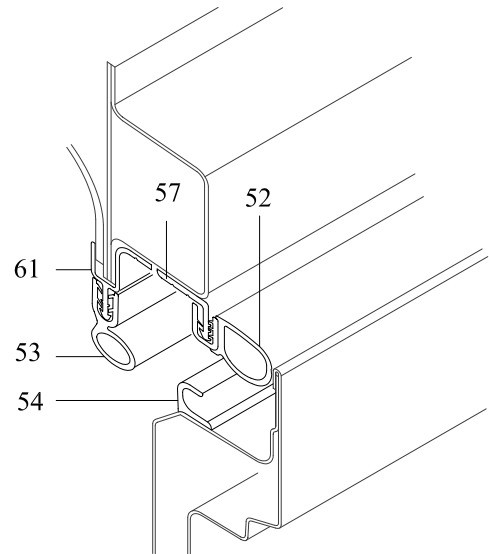
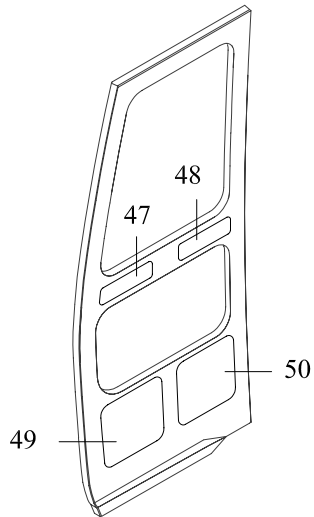
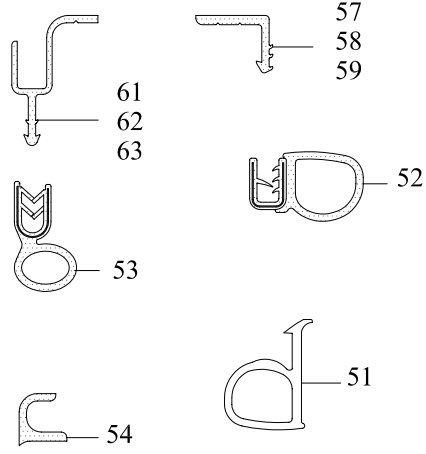
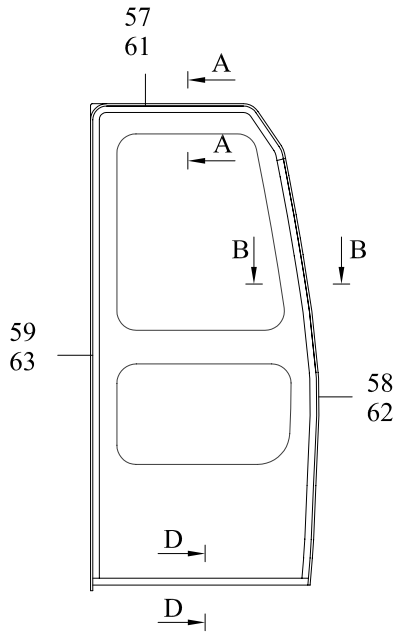


Bölüm B Kapılar, Kapaklar, Basamaklar  
Chapter B *Doors, Lids, Steps*

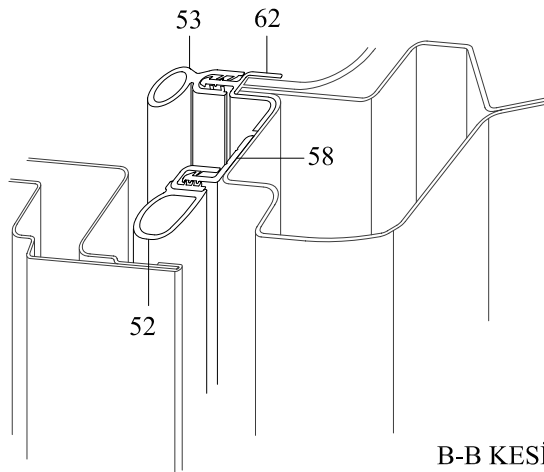
---

Ön Kapı <i>Front Door</i>	MS762RL - MS762ML	<b>B01-00</b>
Orta Ve Arka Kapı <i>Center And Rear Door</i>	MS762RL - MS762ML	<b>B02-00</b>
Kapı Motoru <i>Door Engine</i>	MS762RL - MS762ML	<b>B04-00</b>
Yan Kapaklar <i>Side Lids</i>	MS762RL	<b>B05-00</b>
Yan Kapaklar <i>Side Lids</i>	MS762ML	<b>B05-02</b>
Kilit <i>Lock</i>	MS762RL	<b>B06-00</b>
Kilit <i>Lock</i>	MS762ML	<b>B06-02</b>
Kapı Motoru Hava Boruları <i>Door Engine Air Piping</i>	MS762RL - MS762ML	<b>B09-00</b>
Motor Bakım Kapağı - Arka <i>Engine Inspection Lid - Rear</i>	MS762RL - MS762ML	<b>B10-00</b>
Ön Basamak <i>Front Step</i>	MS762RL - MS762ML	<b>B20-00</b>
Orta Ve Arka Basamak <i>Center And Rear Step</i>	MS762RL - MS762ML	<b>B21-00</b>

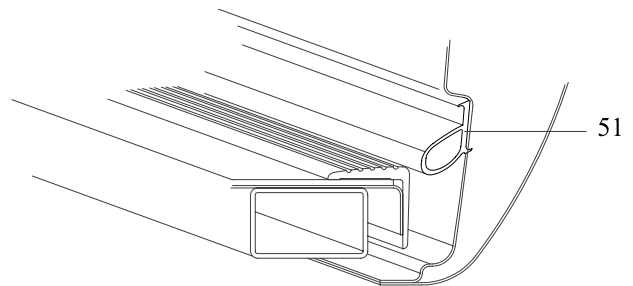




A-A KESİTİ  
SECTION A-A



B-B KESİTİ  
SECTION B-B



D-D KESİTİ  
SECTION D-D

Sym.	Part Number	Part Name	Qty.	R/P	From	Up To	Remarks
1	TC257295	ÖN KAPI PANELİ PANEL ASSY FR DOOR	1		1		
9	62077-30060-09	BRAKET BRACKET	1		1		
12	MF101227	CIVATA BOLT	AR		1		
13	62077-30060-10	BRAKET BRACKET	1		1		
14	MF101285	CIVATA BOLT	AR		1		
15	MF450006	PUL WASHER PLAIN	AR		1		
17	MF450404	RONDELA WASHER SPRING	AR		1		
18	MF450406	RONDELA WASHER SPRING	AR		1		
19	MF450005	PUL WASHER PLAIN	AR		1		
20	MF450405	RONDELA WASHER SPRING	AR		1		
21	MF430005	SOMUN NUT	AR		1		
23	62077-30130-20	SOMUN NUT	2		1		
27	TC257580	TAPA PLUG	2		1		
35	62077-80160-35	KAPAK COVER	1		1		
36	62077-70018-72	KAPAK COVER	1		1	29	
36	62077-90130-37	KAPAK COVER	1	Y	30		
37	TC395816-01	PERÇİN RIVET	AR		1	4	
37	TU344112	KLİP CLIP	AR	O	5		
40	62077-90160-03	ÖN KAPI KOLU ARM FR. DOOR	1		1		
41	TC210707	ROD BAŞI ROD END	2		1		
42	MF430845	SOMUN NUT	AR		1		

Sym.	Part Number	Part Name	Qty.	R/P	From	Up To	Remarks
43	TC395014	FİTİL WEATHER STRIP	1		1		
44	TC272555	CAM ÇERÇEVESİ WINDOW FRAME	1		1		
45	TC257574-010	ÖN KAPI CAMI GLASS FRONT DOOR	1		1		
46	MC395366	VİDA SCREW	AR		1		
47	TC340170-02	PANEL PANEL	1		1		
48	TC340171-03	PANEL PANEL	1		1		
49	TC340172-04	PANEL PANEL	1		1		
50	TC340173-05	PANEL PANEL	1		1		
51	62077-60897-80	FİTİL WEATHER STRIP	1		1	29	
52	TC257071-01	FİTİL WEATHER STRIP	1		1		
53	62077-41400-70	FİTİL WEATHER STRIP	1		1	29	
53	62077-90010-01	FİTİL WEATHER STRIP	1	Y	30		
54	MC259000	FİTİL WEATHER STRIP	1		1		
57	TC299355-08	FİTİL WEATHER STRIP	1		1		
58	TC299355-09	PLAKA PLATE	1		1		
59	TC299355-10	PLAKA PLATE	1		1		
61	TC299355-21	PLAKA PLATE	1		1		
62	TC299355-20	PLAKA PLATE	1		1		
63	TC299355-19	PLAKA PLATE	1		1		
81	TC259101	KİLİT KOMPLESİ - A LOCK ASSY - A	1		1		
82	MC259073	KİLİT KOMPLESİ - B LOCK ASSY - B	1		1		

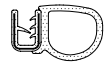
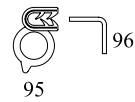
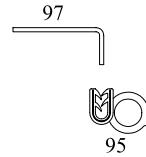
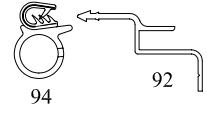
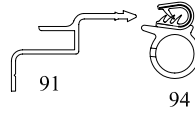
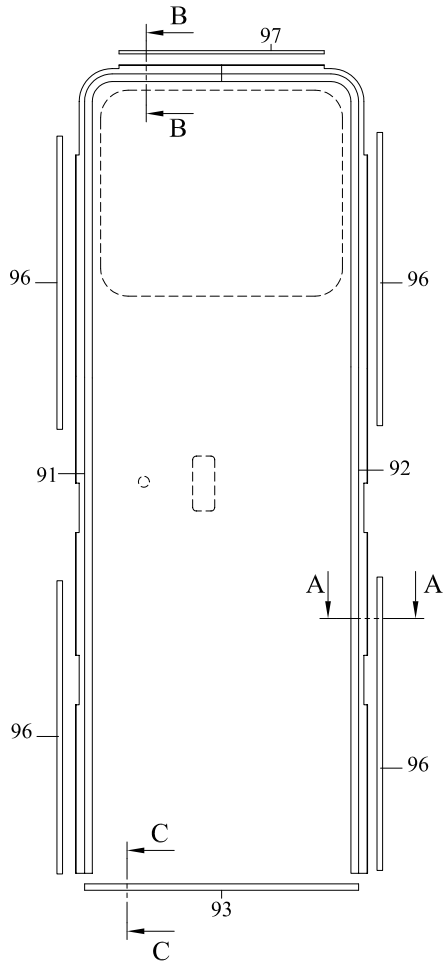
MS762

Sym.	Part Number	Part Name	Qty.	R/P	From	Up To	Remarks
83	MC258725	KİLİT BRAKETİ PLATE LOCK	1		1		
84	MC273570	KİLİT BRAKETİ PLATE LOCK	1		1		
85	MC257149	TUTAMAK HANDLE	1		1		
86	MC258726	ŞİM SHIM	AR		1		
87	MB049777	AÇMA KOLU OPEN LEVER	1		1		
88	MF200183	VİDA SCREW	AR		1		
89	MF100029	CIVATA BOLT	AR		1		
90	MF200075	VİDA SCREW	AR		1		
91	MC258721	TUTUCU RETAINER	4		1	29	
91	62077-90130-23	TUTUCU RETAINER	6		30		
91	62077-90130-24	TUTUCU RETAINER	2		30		
92	MC258722	TUTUCU RETAINER	4		1	29	
92	62077-90130-21	TUTUCU RETAINER	4		30		
92	62077-90130-22	TUTUCU RETAINER	4		30		
93	62077-60750-03	KLAVUZ KOL GUIDE ARM	1				
94	62102-71650-00	ROD BAŞI ROD END	1				
95	62102-61650-01	MAFSAL JOINT	1				
96	MF430006	SOMUN NUT	AR				
97	MS440031	SOMUN NUT	AR				
98	MF450005	PUL WASHER PLAIN	AR				
99	62077-71330-70	PLAKA PLATE	1				







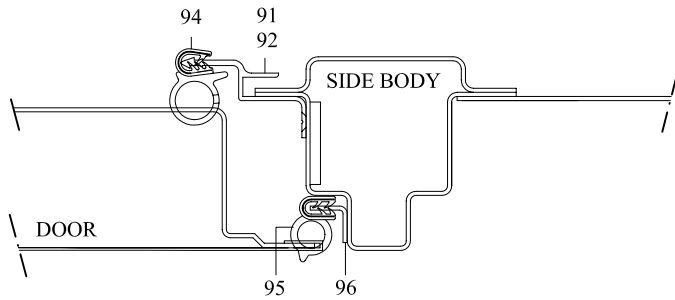


MC386099

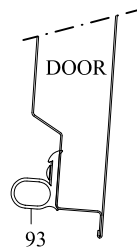
TU299109

TC257071-01

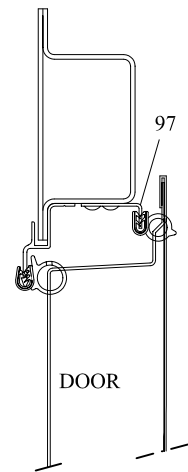
62077-60890-80



A-A KESİTİ  
SECT. A-A



C-C KESİTİ  
SECT. C-C



B-B KESİTİ  
SECT. B-B

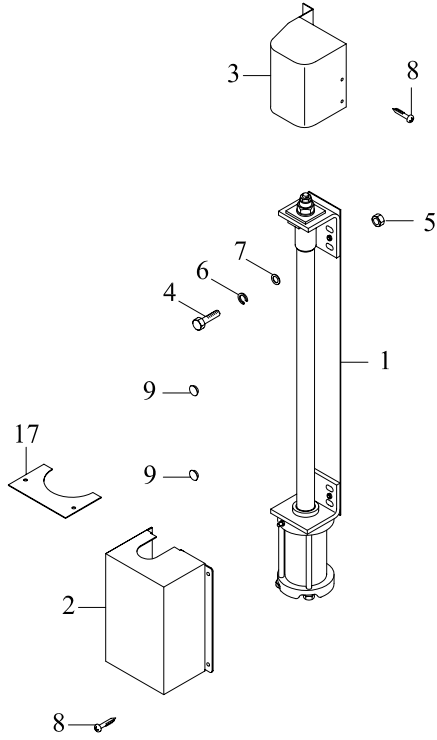
Sym.	Part Number	Part Name	Qty.	R/P	From	Up To	Remarks
1	62077-70020-70	ORTA / ARKA KAPI KOMPLE DOOR ASSY CENTER / REAR	1		1		
7	TM151372	BRAKET BRACKET	2		1		
9	62077-41270-00	BRAKET BRACKET	1		1		
12	62077-60130-15	ŞİM SHIM	4		1		
13	62077-30130-17	LASTK RUBBER	2		1		
14	62077-70090-70	CAM GLASS	1	X	1	29	
14	62077-70810-02	CAM GLASS	1	X	30		
15	62077-30130-20	SOMUN NUT	2		1		
17	TU344112	PERÇİN RIVET	10		1		
20	63108-40130-T1	FİTİL WEATHER STRIP	1	X	29		
21	TC258764	FİTİL WEATHER STRIP	1	X	29		
25	MF450005	PUL WASHER PLAIN	AR		1		
26	MF450006	PUL WASHER PLAIN	AR		1		
27	MF450405	RONDELA WASHER SPRING	AR		1		
29	MF430005	SOMUN NUT	AR		1		
31	MF100055	CIVATA BOLT	2		1		
32	TF101285	CIVATA BOLT	4		1		
34	62077-70028-71	KAPAK COVER	2		1		
36	TU344112	KLİP CLIP	10		1		
40	62077-90140-70	ORTA KAPI KOLU ARM CENTER DOOR	1		1		
41	TC210707	ROD BAŞI ROD END	2		1		

Sym.	Part Number	Part Name	Qty.	R/P	From	Up To	Remarks
42	MF430845	SOMUN NUT	2		1		
51	62077-41350-00	KİLİT KOMPLESİ LOCK ASSY	1	Y	1	29	
51	62077-91350-00	KİLİT KOMPLESİ LOCK ASSY	1		30		
52	MC259073	KİLİT KOMPLESİ-B LOCK ASSY-B	1		1		
53	MC258725	KİLİT BRAKETİ PLATE LOCK	2		1	29	
53	MC273570	KİLİT BRAKETİ PLATE LOCK	2		30		
54	MC258726	ŞİM SHIM	2		1		
55	MB049777	AÇMA KOLU OPEN LEVER	1		1		
56	TC323896	TUTAMAK HANDLE	1		1		
57	MS470431	KLİP CLIP	1		1		
58	MC258721	TUTUCU RETAINER	4	O	1	29	
58	62077-90130-23	TUTUCU RETAINER	4	O	30		
58	62077-90130-24	TUTUCU RETAINER	4	O	30		
59	MC258722	TUTUCU RETAINER	4	O	1	29	
59	62077-90130-21	TUTUCU RETAINER	4	O	30		
59	62077-90130-22	TUTUCU RETAINER	4	O	30		
60	MF100057	CIVATA BOLT	AR		1		
61	MF100029	VİDA SCREW	AR		1		
62	MF200075	VİDA SCREW	AR		1		
63	MF200183	VİDA SCREW	AR		1		
64	MF450404	RONDELA WASHER SPRING	AR		1		

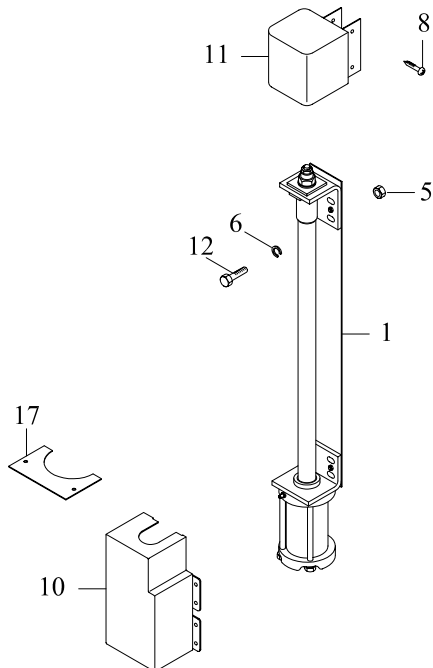
Sym.	Part Number	Part Name	Qty.	R/P	From	Up To	Remarks
65	MF450004	PUL WASHER PLAIN	AR		1		
66	MC210845	KİLİT KOLU LEVER KEY	1		1		
67	TC258798	CONTA PACKING	1		1		
70	62077-41260-51	PANEL PANEL	1		1		
71	62077-60750-02	KLAVUZ KOL GUIDE ARM	1		1		
72	62102-61650-00	MAFSAL JOINT	1		1		
73	62102-61650-01	MAFSAL JOINT	1		1		
74	MF430006	SOMUN NUT	AR		1		
75	MS440031	SOMUN NUT	AR		1		
76	62077-61750-10	PLAKA PLATE	1		1		
77	62077-61750-11	PLAKA PLATE	1		1		
78	MF450005	PUL WASHER PLAIN	1		1		
80	62077-90130-33	PANEL PANEL	1		1		
81	62077-90130-34	PANEL PANEL	1		1		
91	62077-60100-01	ALÜMİNYUM PROFİL ALUMINIUM PROFILE	1		1		
92	62077-60100-02	ALÜMİNYUM PROFİL ALUMINIUM PROFILE	1		1		
93	62077-60890-80	FİTİL WEATHER STRIP	1		1	29	
93	TC257071-01	FİTİL WEATHER STRIP	AR	O	30		L:850mm
94	MC386099	FİTİL WEATHER STRIP	1		1	29	
94	TU299109	KAPI FİTİLİ WEATHER STRIP	AR	O	30		L: 6000mm
95	TB112300	KAPI FİTİLİ WEATHER STRIP	AR		1		L: 6000mm



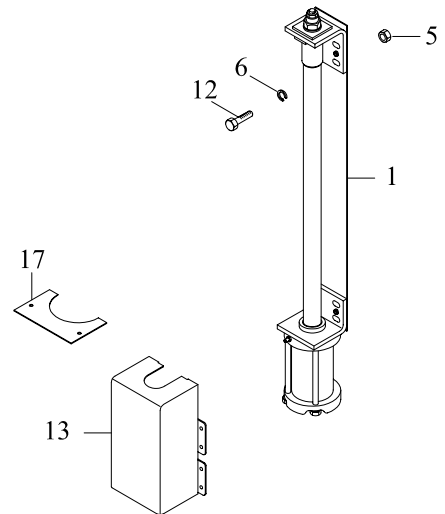
MS762RL - MS762ML  
ÖN KAPI  
FRONT DOOR



MS762RL  
ORTA KAPI  
CENTER DOOR



MS762ML  
ARKA KAPI  
REAR DOOR







KAPI MOTORU  
DOOR ENGINE

Group No : **B04-00**

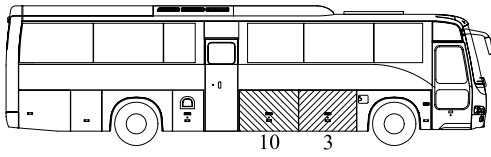
Ident. Num.:

Rev. Date:

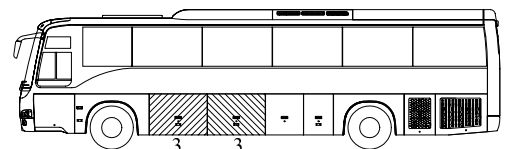
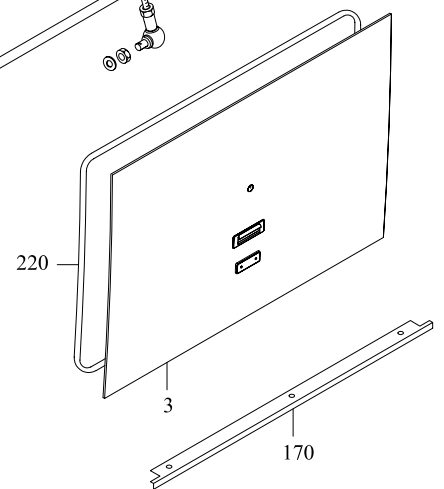
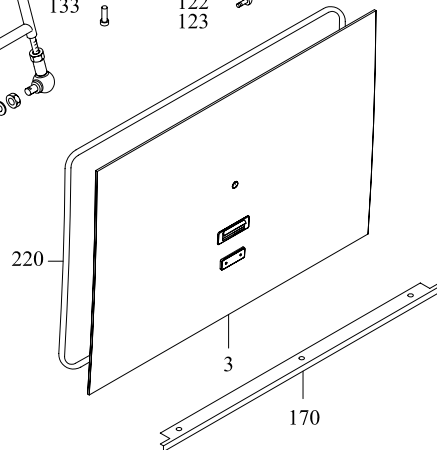
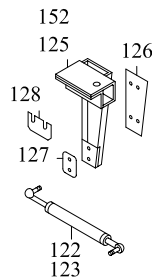
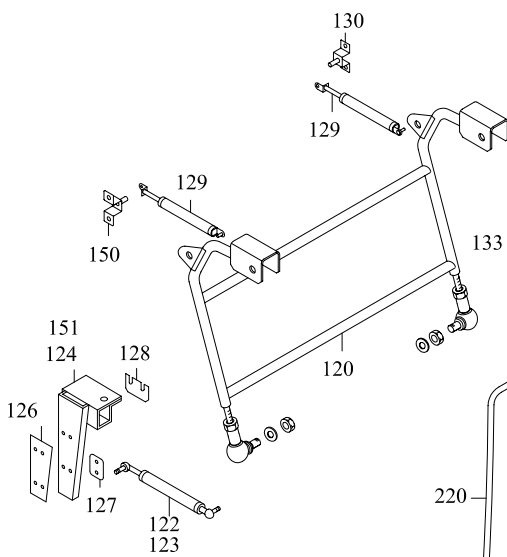
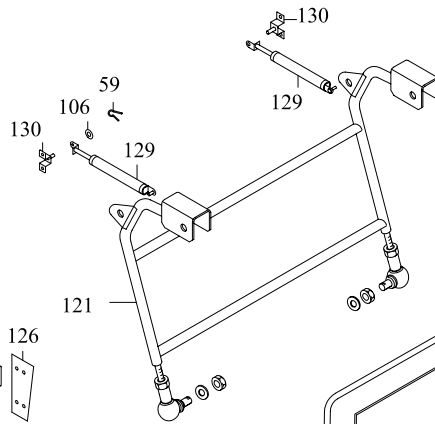
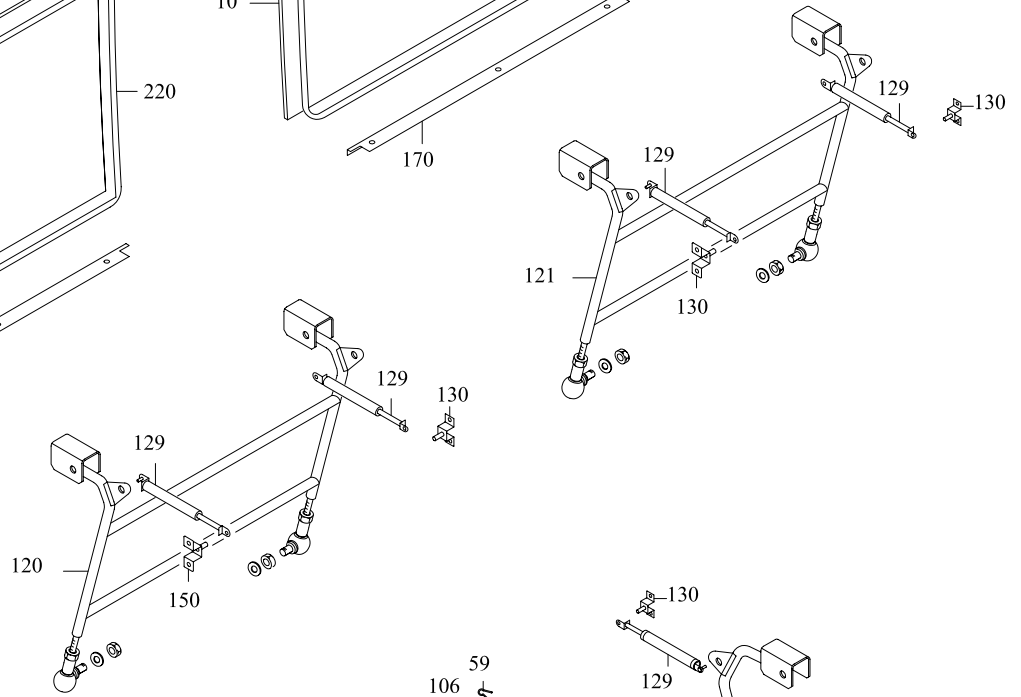
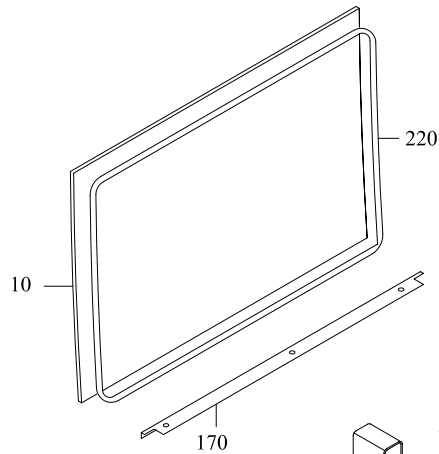
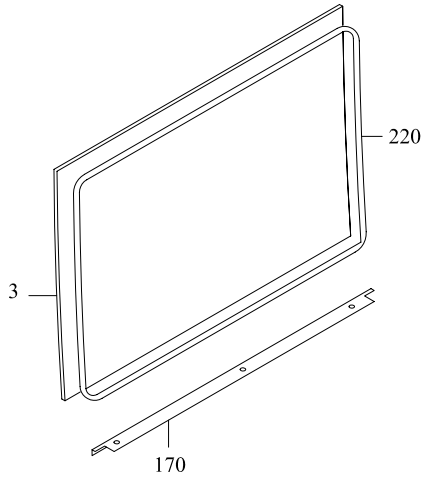
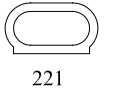
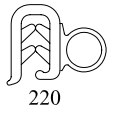
Page: 1

MS762

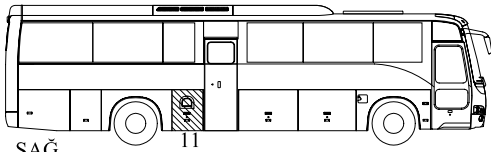
Sym.	Part Number	Part Name	Qty.	R/P	From	Up To	Remarks
1	TK260336-01	KAPI MOTORU-REVAR DOOR ENGINE- REVAR	2		1		
2	62077-80130-79	KAPAK COVER	1		1	24	
2	62077-90120-11	KAPAK COVER	1	Y	25		
3	62077-90120-01	KAPAK COVER	1		1	24	
3	62077-90120-05	KAPAK COVER	1	Y	25		
4	MF100057	CIVATA BOLT	AR		1		
5	MF430005	SOMUN NUT	AR		1		
6	MF450405	RONDELA WASHER SPRING	AR		1		
7	MF450005	PUL WASHER PLAIN	AR		1		
8	TF453079	VİDA SCREW	AR		1		
9	TC257580	TAPA PLUG	AR		1		
9	TC257582	TAPA PLUG	AR		1		
10	62077-90130-76	KAPAK COVER	1		1	24	
10	62077-90140-03	KAPAK COVER	1	Y	25		
11	62077-90140-12	KAPAK COVER	1		1		
12	MF100055	CIVATA BOLT	AR		1		
13	62077-90160-05	KAPAK COVER	1		1		
17	62077-90140-05	HİLAL KOMPLESİ PLATE ASSY	1		25		



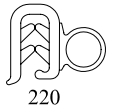
SAĞ  
RH



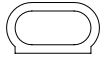
SOL  
LH



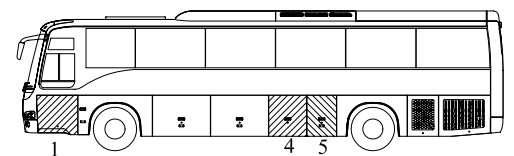
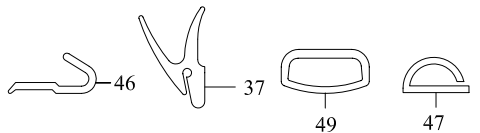
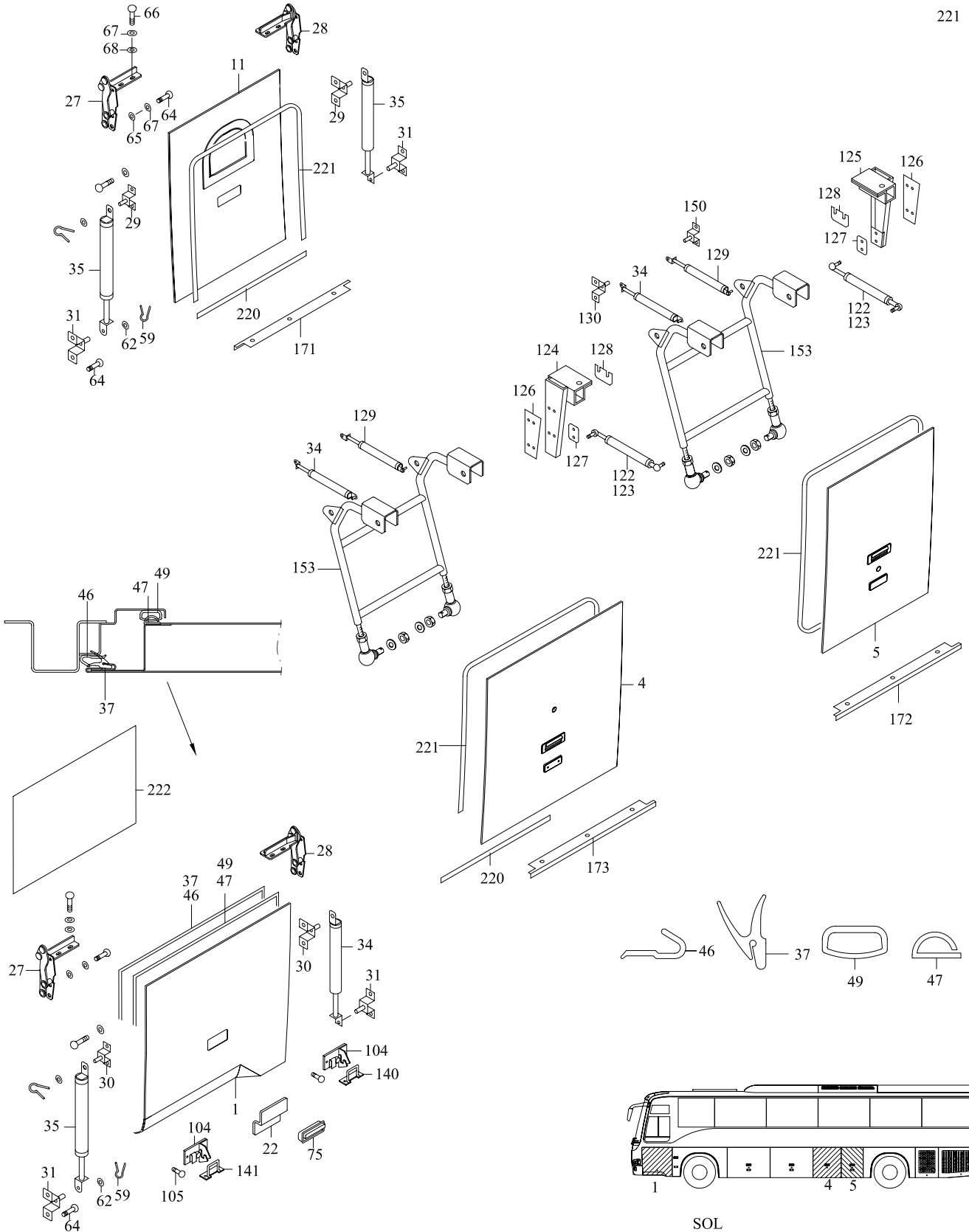
SAĞ  
RH



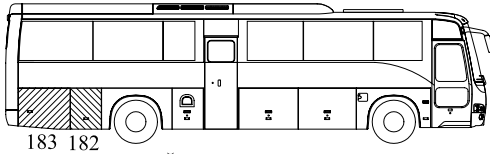
220



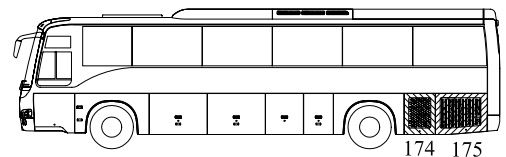
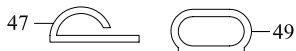
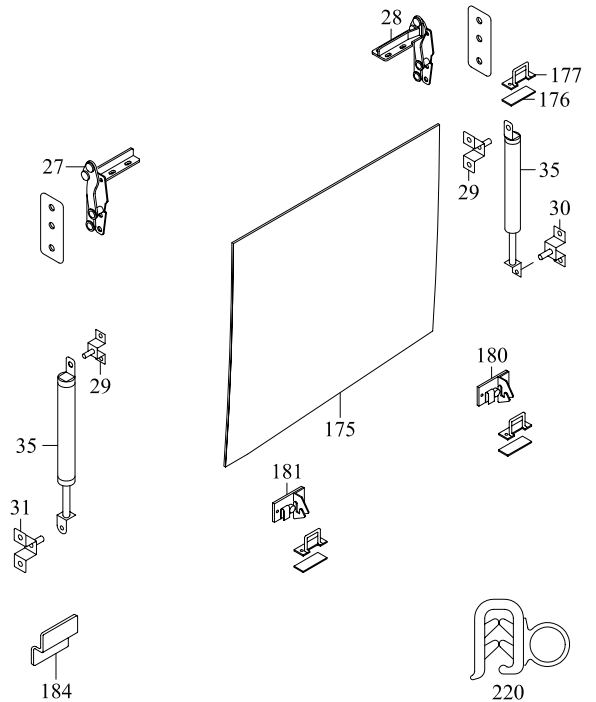
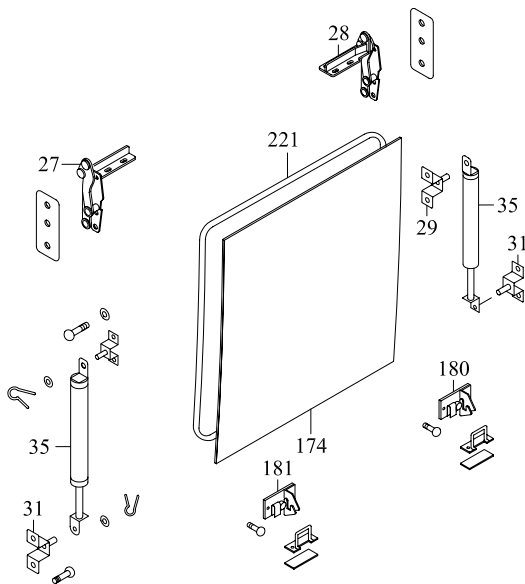
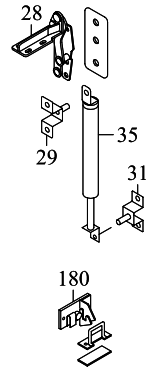
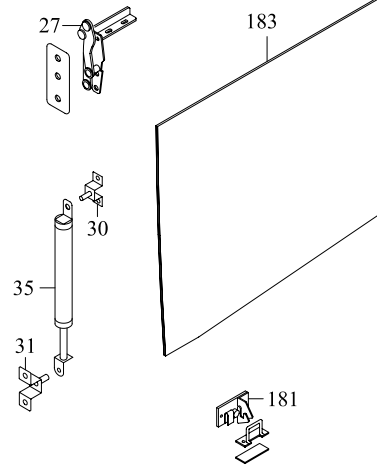
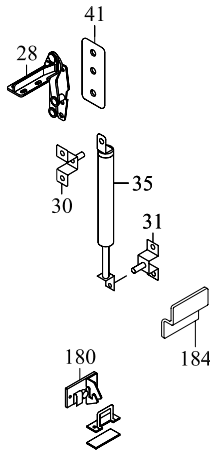
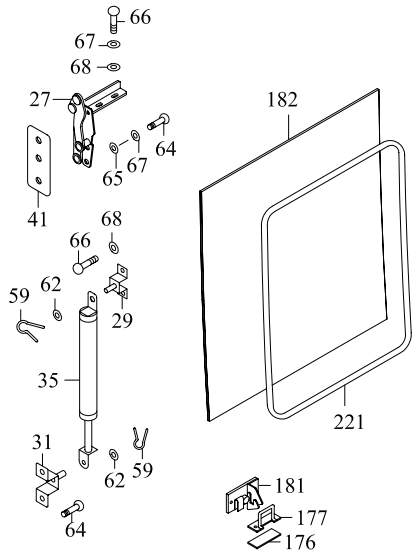
221



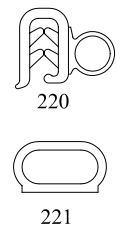
SOL  
LH



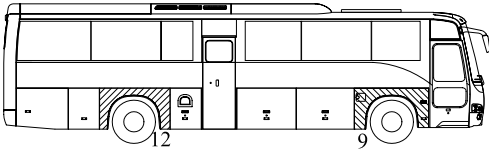
SAĞ  
RH



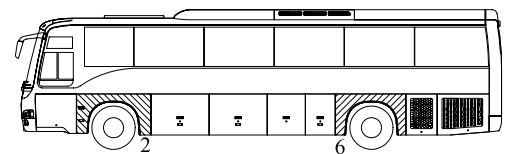
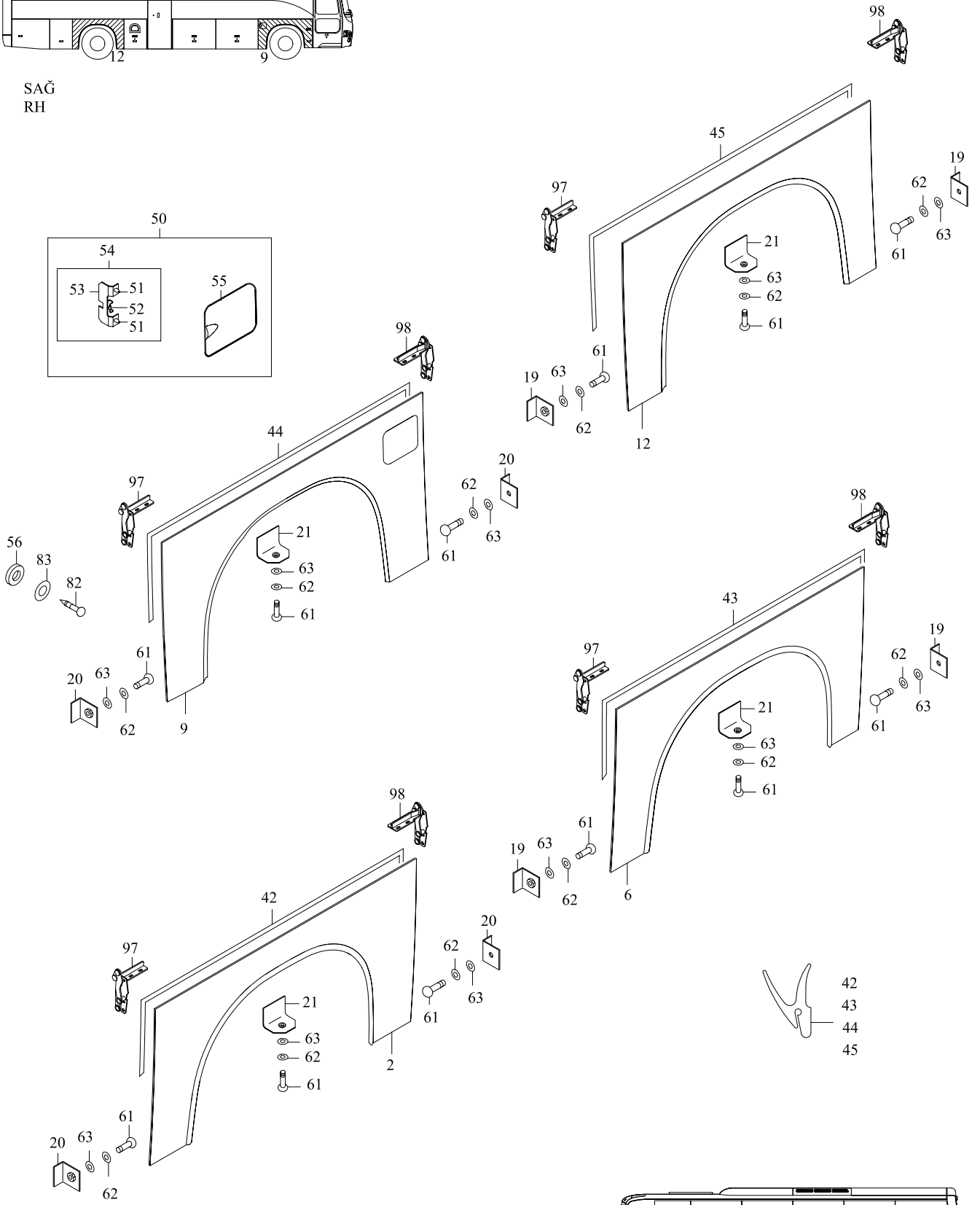
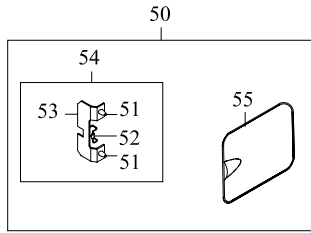
SOL  
LH



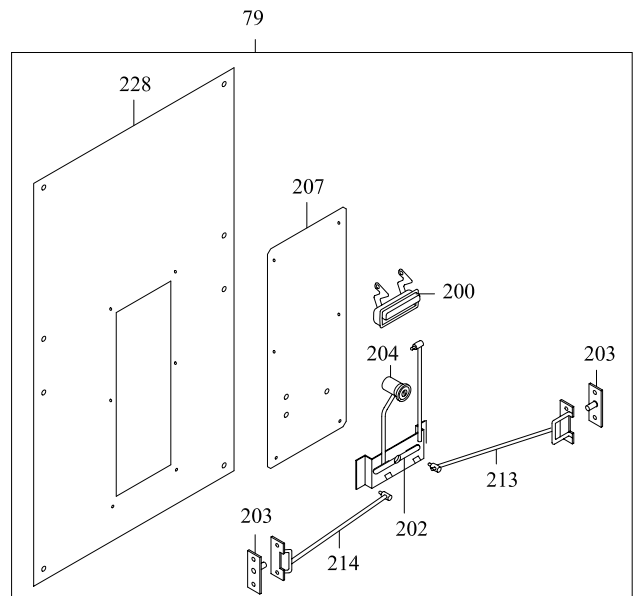
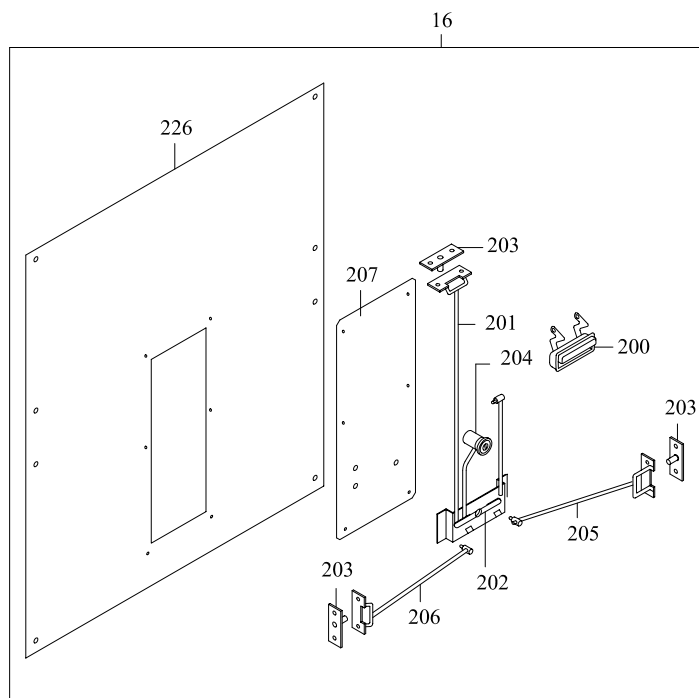
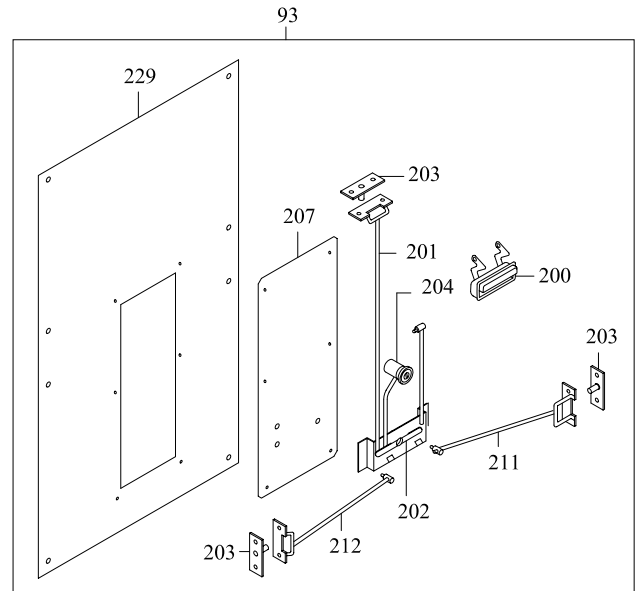
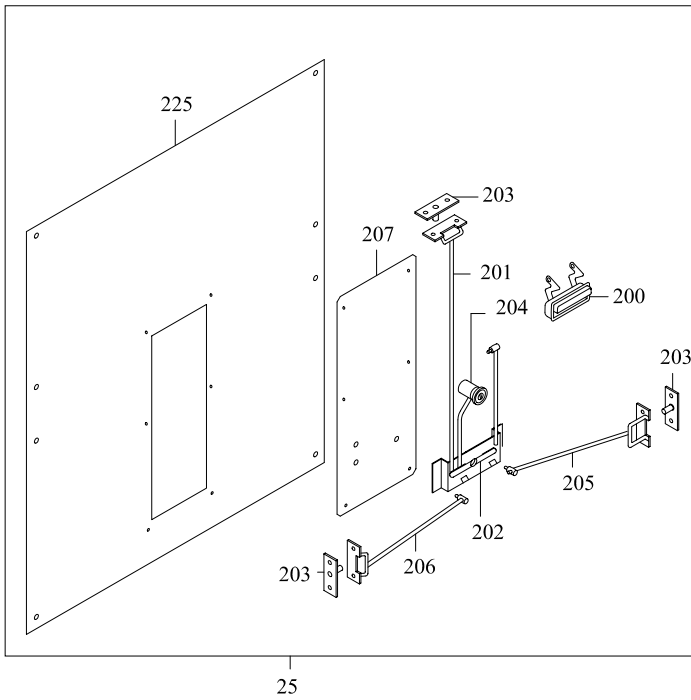
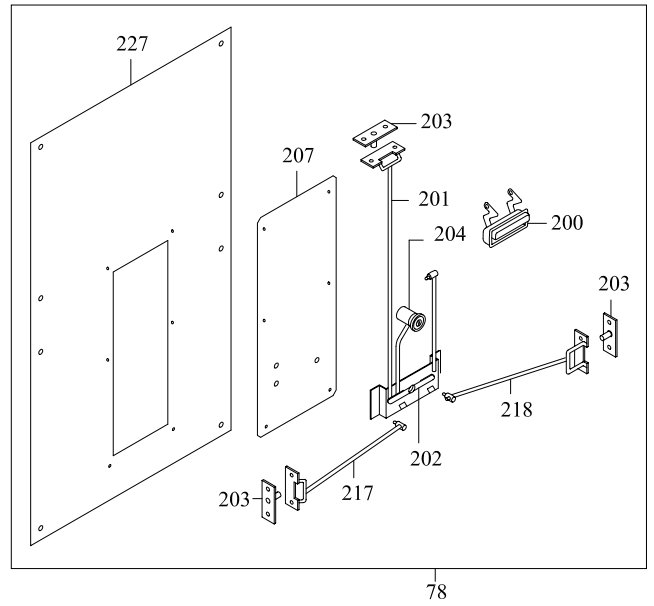
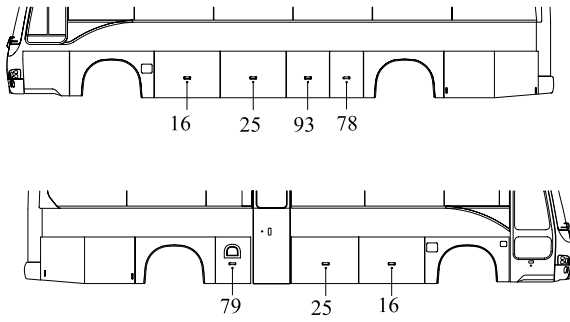
174 175



SAĞ  
RH



SOL  
LH



Sym.	Part Number	Part Name	Qty.	R/P	From	Up To	Remarks
1	62102-71000-70	YAN KAPAK SIDE LID	1		1		
2	62102-80390-81	SOL ÖN ÇAMURLUK FRONT FENDER LH	1	Y	1	94	
2	62102-90390-73	SOL ÖN ÇAMURLUK FRONT FENDER LH	1	Y	95	160	
2	62102-90880-85	SOL ÖN ÇAMURLUK FRONT FENDER LH	1	Y	161	220	
2	62102-91880-85	SOL ÖN ÇAMURLUK FRONT FENDER LH	1	X	221		
3	62102-80550-70	YAN KAPAK SIDE LID	3		1		
4	62102-80850-70	YAN KAPAK SIDE LID	1		1		
5	62102-80310-70	YAN KAPAK SIDE LID	1		1	4	
5	62102-90550-90	YAN KAPAK SIDE LID	1		5		
6	62102-90880-80	SOL ARKA ÇAMURLUK REAR FENDER LH	1		1	160	
6	62102-90880-86	SOL ARKA ÇAMURLUK REAR FENDER LH	1	Y	161		
9	62102-90390-80	SAĞ ÖN ÇAMURLUK FRONT FENDER RH	1		1	94	
9	62102-90390-74	SAĞ ÖN ÇAMURLUK FRONT FENDER RH	1		95	160	
9	62102-90880-87	SAĞ ÖN ÇAMURLUK FRONT FENDER RH	1	Y	161	220	
9	62102-91880-87	SAĞ ÖN ÇAMURLUK FRONT FENDER RH	1	X	221		
10	62102-80650-70	YAN KAPAK SIDE LID	1		1		
11	62102-80300-70	YAN KAPAK SIDE LID	1		1		
12	62102-90880-81	SAĞ ARKA ÇAMURLUK REAR FENDER RH	1		1	160	
12	62102-90880-88	SAĞ ARKA ÇAMURLUK REAR FENDER RH	1	Y	161		
16	62102-80500-70	KİLİT MEKANİZMASI KOMPL LOCK ASSY	2		1		
19	62102-40520-72	BRAKET BRACKET	4		1		

MS762RL

Sym.	Part Number	Part Name	Qty.	R/P	From	Up To	Remarks
20	62102-40520-70	BRAKET BRACKET	4		1		
21	62101-10700-02	BRAKET BRACKET	4		1		
22	62102-80010-22	BRAKET BRACKET	4		1		
25	62102-80500-71	KİLİT MEKANİZMASI KOMPL LOCK ASSY	2		1		
27	TC257622	MENTEŞE HINGE	10		1		
28	TC257623	MENTEŞE HINGE	10		1		
29	62101-10250-72	AMORTİSÖR BRAKETİ BRACKET STAY	10		1		
30	62101-10250-75	AMORTİSÖR BRAKETİ BRACKET STAY	2		1		
31	MC211379	AMORTİSÖR BRAKETİ BRACKET STAY	12		1		
34	62102-70028-01	AMORTİSÖR STAY DAMPER	4		1		
35	62102-70028-02	AMORTİSÖR STAY DAMPER	10		1		
37	62102-61040-81	FİTİL WEATHER STRIP	1		1		63108-10260-00
41	62102-61010-70	BRAKET BRACKET	8		1		
42	62102-41040-01	FİTİL WEATHER STRIP	1		1		63108-10260-00
43	62102-41040-02	FİTİL WEATHER STRIP	1		1		63108-10260-00
44	62102-41040-03	FİTİL WEATHER STRIP	1		1		63108-10260-00
45	62102-41040-04	FİTİL WEATHER STRIP	1		1		63108-10260-00
46	62102-71050-70	FİTİL WEATHER STRIP	AR		1		62102-41750-00
47	62102-71040-70	FİTİL WEATHER STRIP	AR		1		63108-40170-00
49	62102-71060-70	FİTİL WEATHER STRIP	AR		1		63108-10340-00
50	62102-40910-70	KAPAK KOMPLE LID ASSY	1		1		



MS762RL

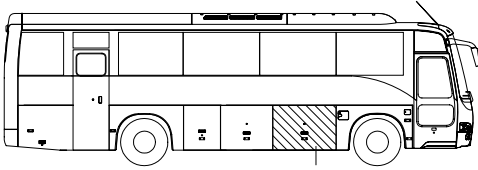
Sym.	Part Number	Part Name	Qty.	R/P	From	Up To	Remarks
51	MA141871	DAMPER TUTUCU	2		1		
52	MC236216	KANCA HOOK	1		1		
53	MC236202	STOPLAYICI STOPPER	1		1		
54	MC236201	KİLİT KOMPLESİ LOCKED	1		1		
55	62102-40910-20	KAPAK LID	1		1		
56	MA242036	LASTIK SPACER RUBBER	AR		1		
59	MF472037	KOPİLYA PIN SPLIT	AR		1		
60	MF453031	VİDA SCREW	AR		1		
61	MC204625	VİDA SCREW	AR		1		
62	MF450005	PUL WASHER PLAIN	AR		1		
63	MF450405	RONDELA WASHER SPRING	AR		1		
64	MC386109	VİDA SCREW	AR		1		
65	MF450153	PUL WASHER PLAIN	AR		1		
66	MF200079	VİDA SCREW	AR		1		
67	MF450404	RONDELA WASHER SPRING	AR		1		
68	MF450004	PUL WASHER PLAIN	AR		1		
75	TM150151	TUTAMAK HANDLE	1		1		
78	62102-80360-70	KİLİT MEKANİZMASI KOMPL LOCK ASSY	1		1	4	
78	62102-90500-70	KİLİT MEKANİZMASI KOMPL LOCK ASSY	1		5		
79	62102-80350-70	KİLİT MEKANİZMASI KOMPL LOCK ASSY	1		1		
82	MF453034	VİDA SCREW	AR		1		

Sym.	Part Number	Part Name	Qty.	R/P	From	Up To	Remarks
83	MF450003	PUL WASHER PLAIN	AR		1		
93	62102-80800-70	KİLİT MEKANİZMASI KOMPL LOCK ASSY	1		1		
97	TC257622	MENTEŞE HINGE	4		1		
98	TC257623	MENTEŞE HINGE	4		1		
104	MC201183	KİLİT KOMPLESİ LOCK ASSY	2		1		
105	MF200075	VİDA SCREW	AR		1		
106	MF450154	PUL WASHER PLAIN	AR		1		
120	62102-80160-70	BAGAJ KOLU ARM ASSY	2		1		
121	62102-80160-71	BAGAJ KOLU ARM ASSY	2		1		
122	62102-61610-70	ROD ROD	8		1	24	
122	62102-91610-70	ROD ROD	8		25		
123	62102-61610-71	ROD ROD	8		1	24	
123	62102-91610-71	ROD ROD	8		25		
124	62102-41640-70	BRAKET BRACKET	6		1		
125	62102-41640-71	BRAKET BRACKET	6		1		
126	62102-41590-01	ŞİM SHIM	AR		1		
127	62102-41590-02	ŞİM SHIM	AR		1		
128	62102-41590-03	ŞİM SHIM	AR		1		
129	62102-70038-01	AMORTİSÖR STAY DAMPER	11		1	83	
129	62102-70038-04	AMORTİSÖR STAY DAMPER	8		84	165	
129	62102-70038-05	AMORTİSÖR STAY DAMPER	8	Y	166		

Sym.	Part Number	Part Name	Qty.	R/P	From	Up To	Remarks
130	62102-11290-76	BRAKET BRACKET	9		1		
133	62102-41520-00	LASTİK RUBBER	AR		1		
140	TC201184-20	STOPLAYICI STOPPER	1		1		
141	TC201184-30	STOPLAYICI STOPPER	1		1		
150	62102-70018-01	BRAKET BRACKET	3		1		
151	62102-61640-70	BRAKET BRACKET	1		1		
152	62102-61640-71	BRAKET BRACKET	1		1		
153	62102-80160-72	BAGAJ KOLU ARM ASSY	1		1		
170	62102-81220-01	KENAR ÇITASI PLATE EDGE	4		1		
171	62102-81220-02	KENAR ÇITASI PLATE EDGE	1		1		
172	62102-81220-05	KENAR ÇITASI PLATE EDGE	1		1		
173	62102-81220-04	KENAR ÇITASI PLATE EDGE	1		1		
174	62102-90370-70	YAN KAPAK SIDE LID	1		1		
175	62102-90390-70	YAN KAPAK SIDE LID	1		1		
176	62102-90380-70	STOPLAYICI POST STOPPER	1		1	4	
176	MC381016	TUTUCU STRIKER	1		5		
177	62102-90380-71	STOPLAYICI POST STOPPER	8		1	4	
177	TM150301	STOPLAYICI POST STOPPER	8		5		
180	MC375296	KİLİT LOCK ASSY	4		1		
181	MC375615	KİLİT LOCK ASSY	4		1		
182	62102-90410-70	YAN KAPAK SIDE LID	1		1		

Sym.	Part Number	Part Name	Qty.	R/P	From	Up To	Remarks
183	62102-90400-70	YAN KAPAK SIDE LID	1		1		
184	62102-90500-01	Z-PLAKA PLATE-Z	2		1		
200	TC323896	TUTAMAK HANDLE	10		1		
201	62102-80510-83	KİLİT LATCH	8		1		
202	62102-80340-70	KİLİT LATCH	10		1		
203	MC324121	KİLİT LATCH	22		1		
204	TU323100	TUTUCU STRIKER	AR		1		
205	62102-80510-70	KİLİT LATCH	2		1		
206	62102-80510-71	KİLİT LATCH	2		1		
207	62102-80510-75	İÇ PANEL PANEL INNER	6		1		
211	62102-80810-70	KİLİT LATCH	1		1		
212	62102-80810-71	KİLİT LATCH	1		1		
213	62102-80320-70	KİLİT LATCH	1		1		
214	62102-80320-71	KİLİT LATCH	1		1		
217	62102-90510-70	KİLİT LATCH	1		1		
218	62102-91510-71	KİLİT LATCH	1		1		
220	TB112268	FİTİL WEATHER STRIP	AR		1		
221	62202-90000-23	FİTİL WEATHER STRIP	AR		1		
222	62102-71030-70	İÇ PANEL PANEL INNER	1		1		
225	62102-80510-74B	PANEL PANEL	2		1		
226	62102-80510-72B	PANEL PANEL	2		1		





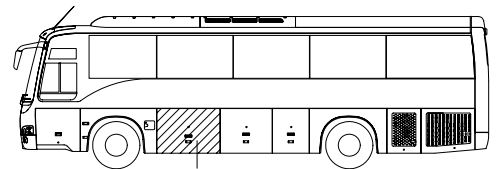
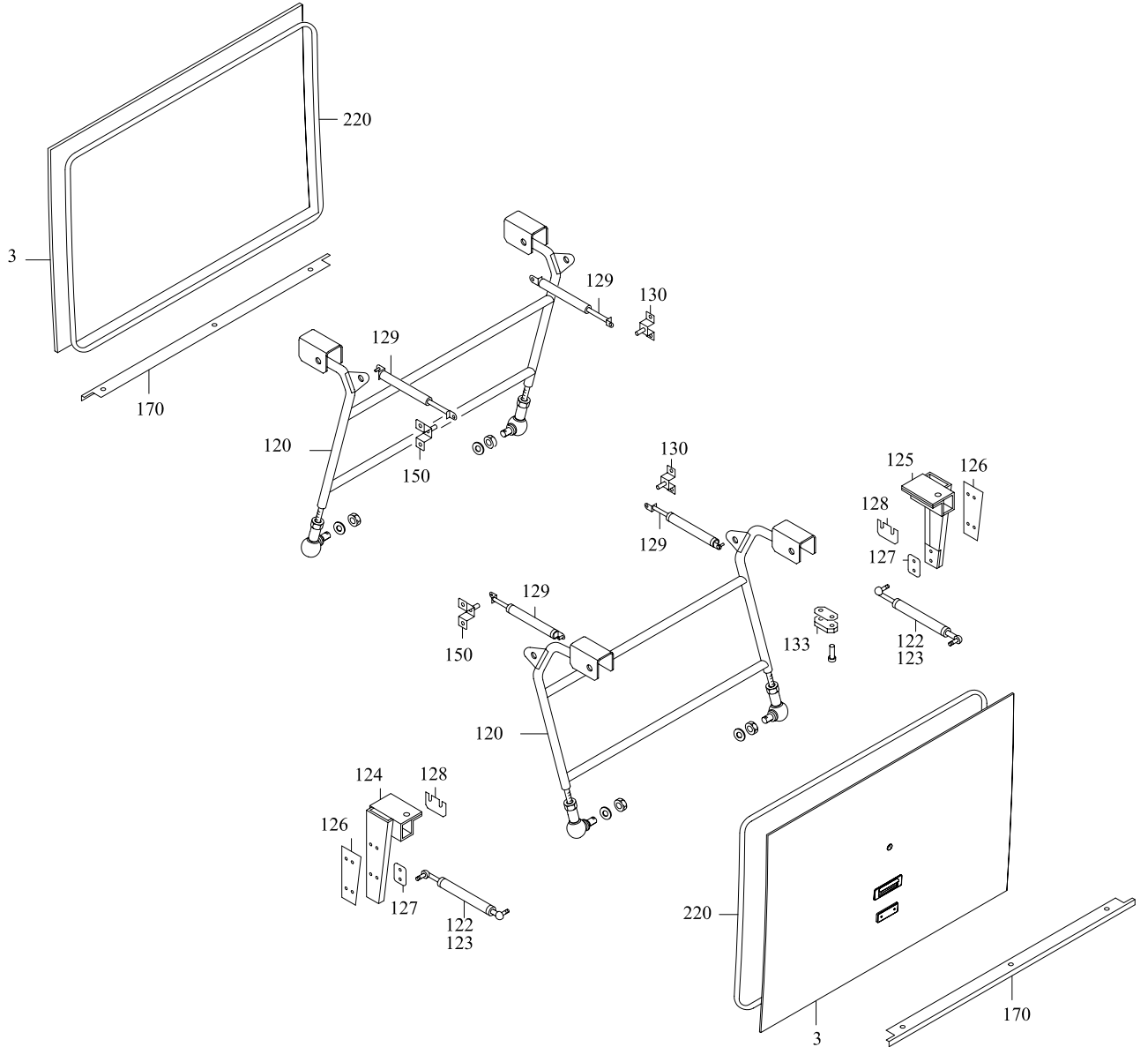
SAĞ  
RH



220

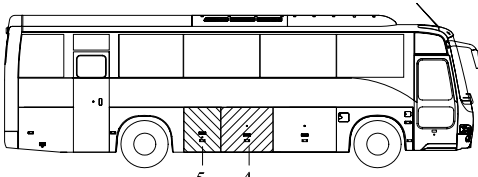


221

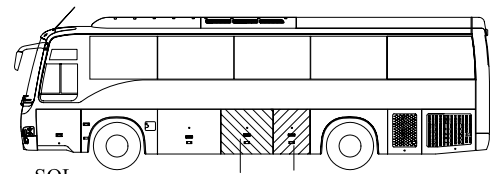
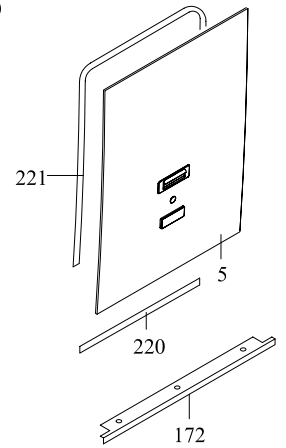
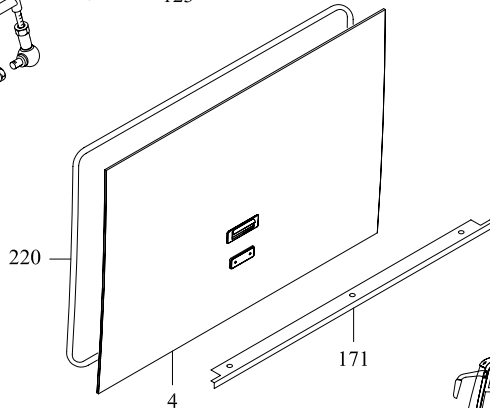
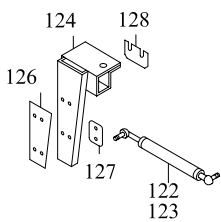
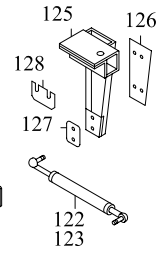
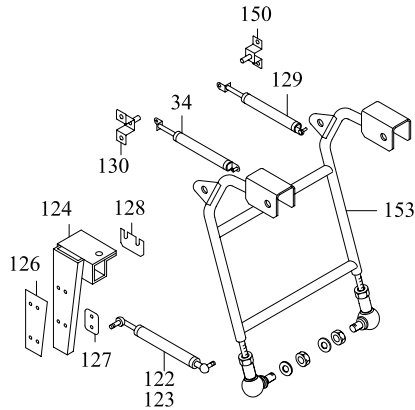
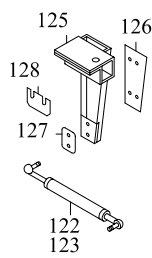
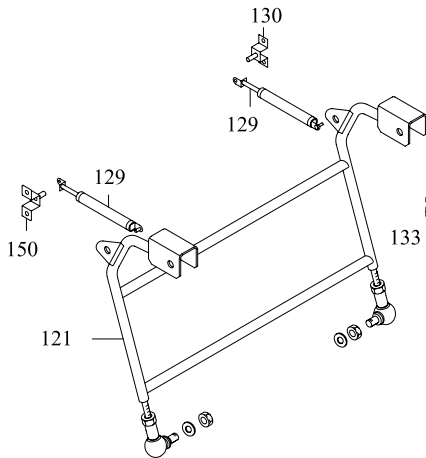
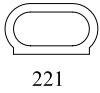
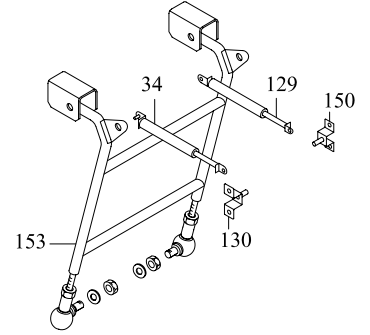
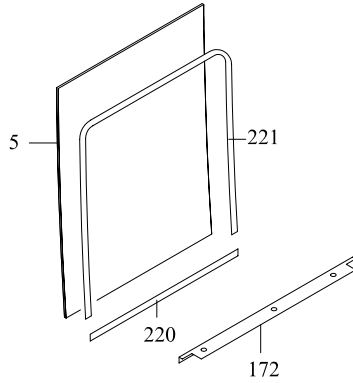
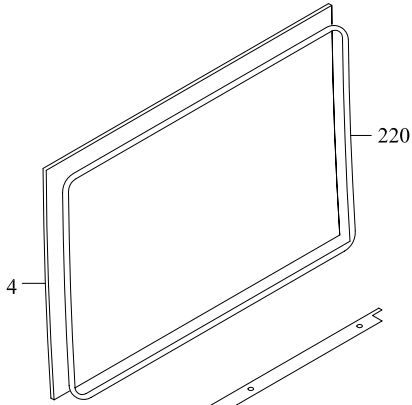


SOL  
LH

3

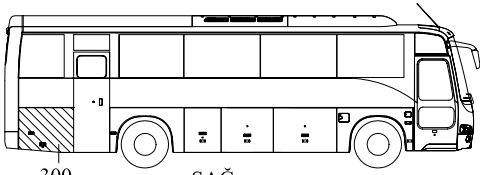


SAĞ  
RH

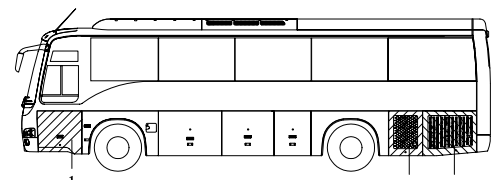
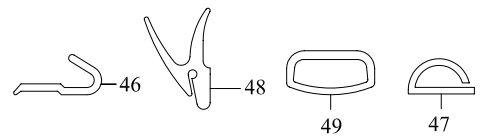
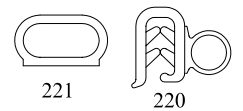
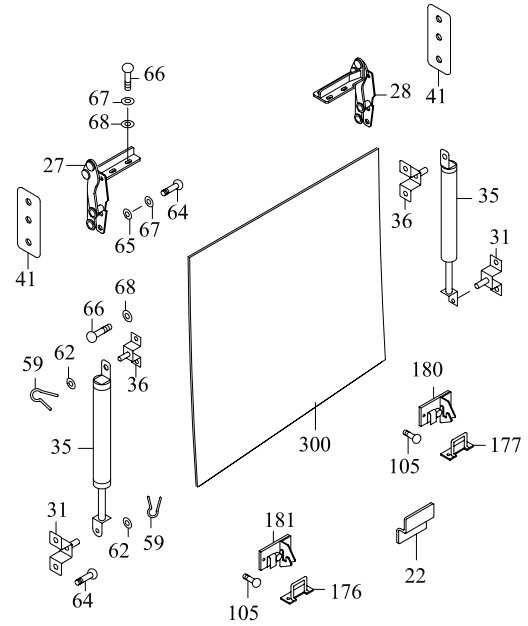
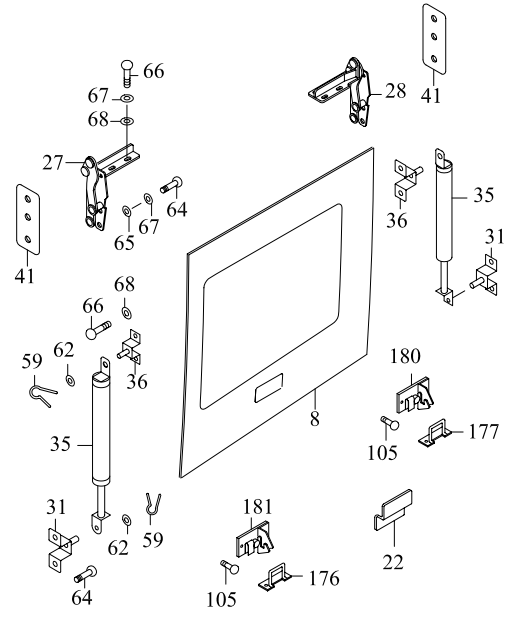
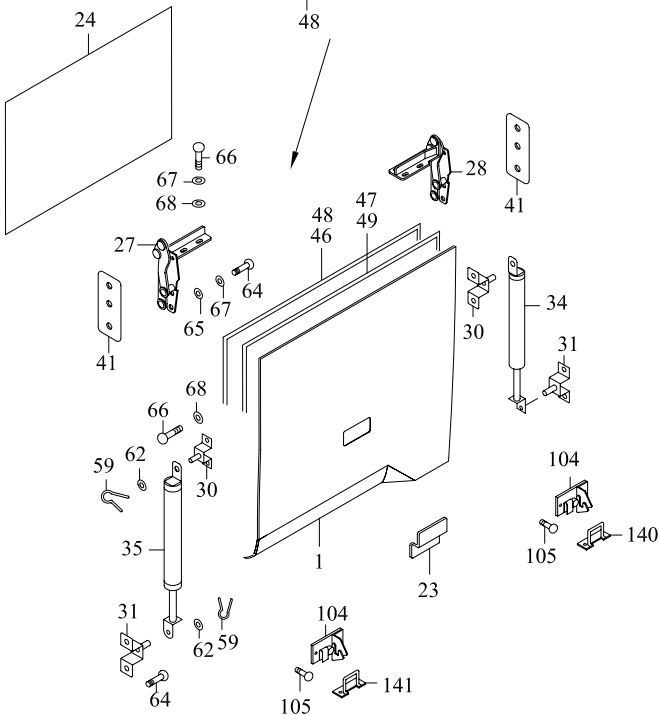
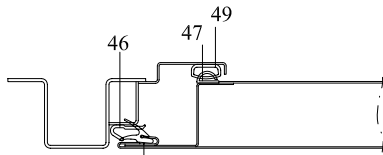
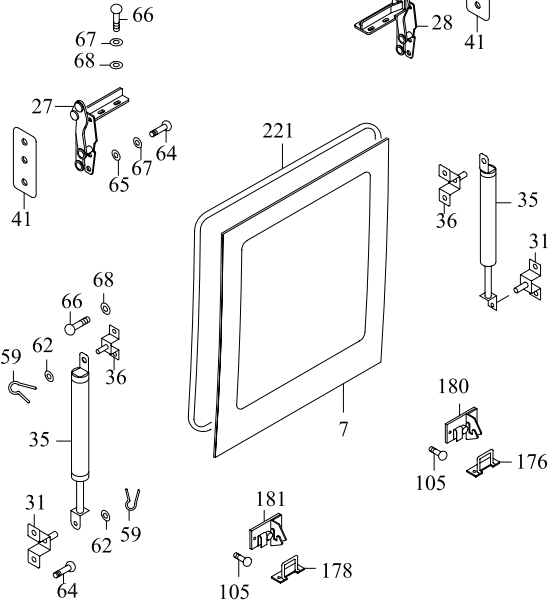


SOL  
LH

4 5

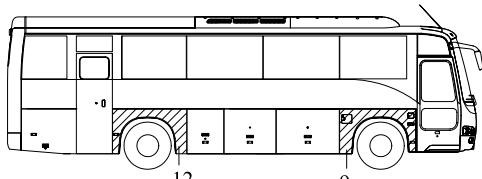


300  
SAĞ  
RH

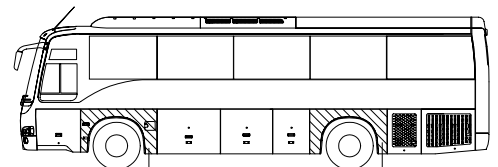
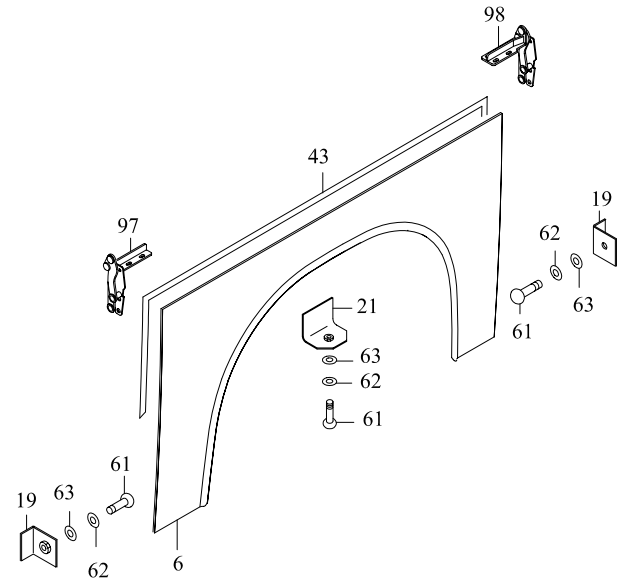
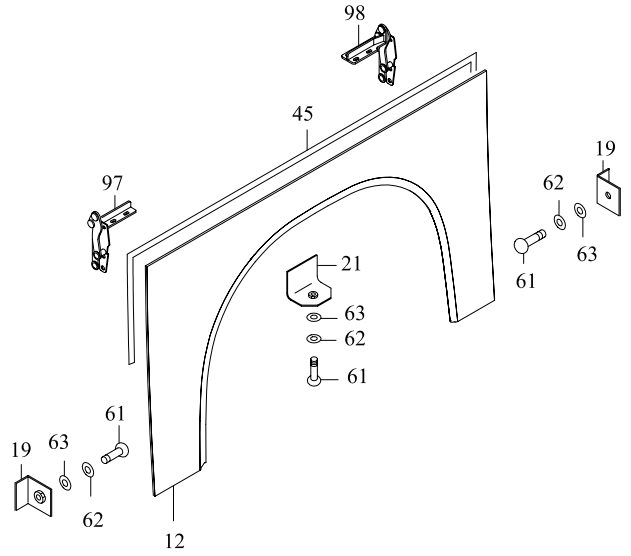
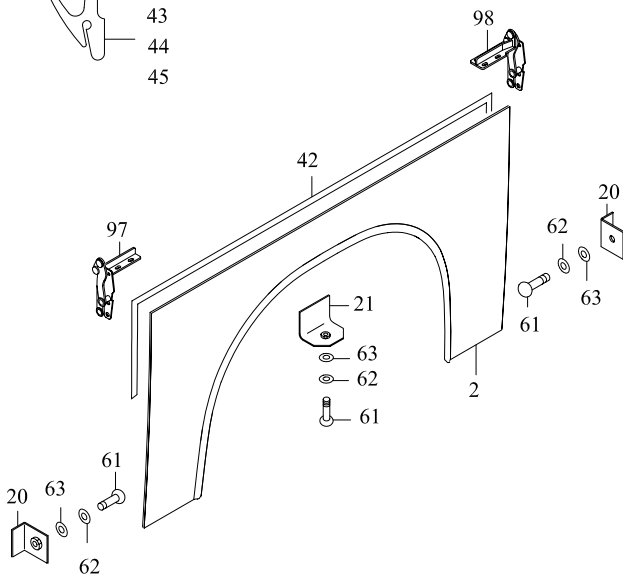
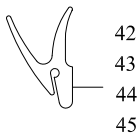
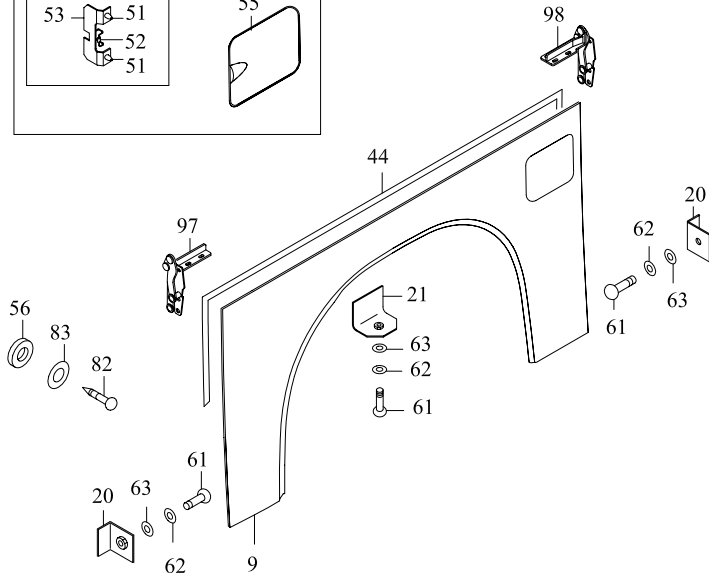
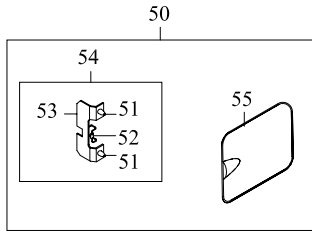


1  
SOL  
LH  
7 8

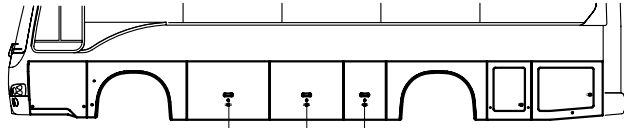




SAĞ  
RH

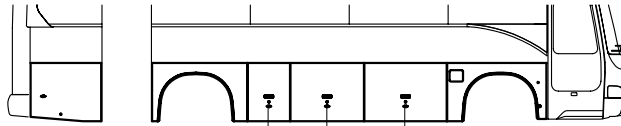


SOL  
LH



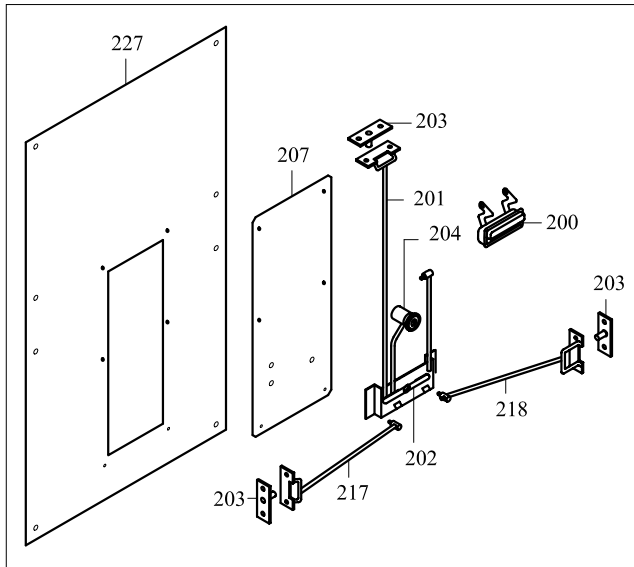
SOL  
LH

16 25 93

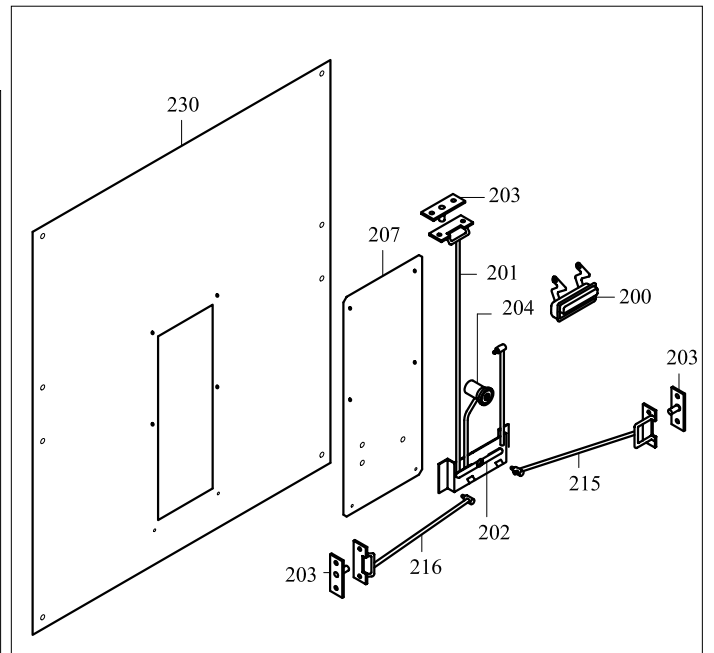


SAĞ  
RH

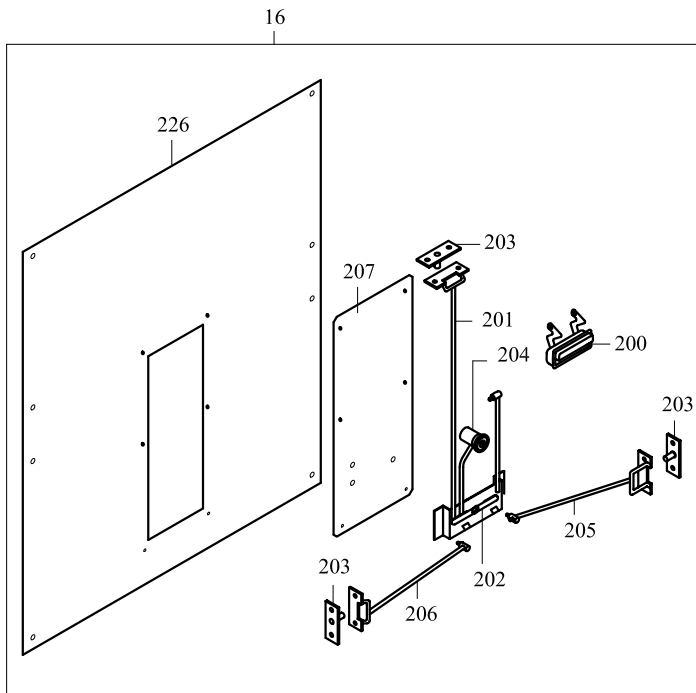
93 25 16



93



25



16

Sym.	Part Number	Part Name	Qty.	R/P	From	Up To	Remarks
1	62102-71000-70	YAN KAPAK SIDE LID	1		1		
2	62102-90390-71	SOL ÖN ÇAMURLUK FRONT FENDER LH	1		1	94	
2	62102-90390-75	SOL ÖN ÇAMURLUK FRONT FENDER LH	1		95	160	
2	62102-90880-89	SOL ÖN ÇAMURLUK FRONT FENDER LH	1		161	220	
2	62102-91880-89	SOL ÖN ÇAMURLUK FRONT FENDER LH	1	X	221		
3	62102-80550-70	YAN KAPAK SIDE LID	2		1		
4	62102-90550-70	YAN KAPAK SIDE LID	2		1		
5	62102-90550-90	YAN KAPAK SIDE LID	1		1		
6	62102-90880-80	SOL ARKA ÇAMURLUK REAR FENDER LH	1		1	160	
6	62102-90880-86	SOL ARKA ÇAMURLUK REAR FENDER LH	1		161		
7	62102-90370-70	YAN KAPAK SIDE LID	1		1		
8	62102-90420-70B	YAN KAPAK-SOL SIDE LID-LH	1		1		
9	62102-90390-90	SAĞ ÖN ÇAMURLUK FRONT FENDER RH	1		1	94	
9	62102-90390-76	SAĞ ÖN ÇAMURLUK FRONT FENDER RH	1		95	160	
9	62102-90880-90	SAĞ ÖN ÇAMURLUK FRONT FENDER RH	1		161	220	
9	62102-91880-90	SAĞ ÖN ÇAMURLUK FRONT FENDER RH	1	X	221		
12	62102-90880-82	SAĞ ARKA ÇAMURLUK REAR FENDER RH	1		1	160	
12	62102-90880-91	SAĞ ARKA ÇAMURLUK REAR FENDER RH	1		161		
16	62102-80500-70	KİLİT MEKANİZMASI KOMPL LOCK ASSY	2		1		
19	62102-40520-72	BRAKET BRACKET	4		1		
20	62102-40520-70	BRAKET BRACKET	4		1		

Sym.	Part Number	Part Name	Qty.	R/P	From	Up To	Remarks
21	62101-10700-02	BRAKET BRACKET	4		1		
22	62102-80010-22	BRAKET BRACKET	3		1		
23	62102-80010-23	BRAKET BRACKET	1		1		
24	62102-71030-70	AL. PANEL AL. PANEL	1		1		
25	62102-90500-71	KİLİT MEKANİZMASI KOMPL LOCK ASSY	2		1		
27	TC257622	MENTEŞE HINGE	8		1		
28	TC257623	MENTEŞE HINGE	8		1		
30	62101-10250-75	AMORTİSÖR BRAKETİ BRACKET STAY	2		1		
31	MC211379	AMORTİSÖR BRAKETİ BRACKET STAY	8		1		
34	62102-70028-01	AMORTİSÖR STAY DAMPER	3		1		
35	62102-70028-02	AMORTİSÖR STAY DAMPER	9		1		
36	62101-10250-72	AMORTİSÖR BRAKETİ BRACKET STAY	6		1		
41	62102-61010-70	BRAKET BRACKET	8		1		
42	62102-41040-05	FİTİL WEATHER STRIP	1		1		63108-10260-00
43	62102-41040-02	FİTİL WEATHER STRIP	1		1		63108-10260-00
44	62102-41040-06	FİTİL WEATHER STRIP	1		1		63108-10260-00
45	62102-41040-07	FİTİL WEATHER STRIP	1		1		63108-10260-00
46	62102-71050-70	FİTİL WEATHER STRIP	AR		1		62102-41750-00
47	62102-71040-70	FİTİL WEATHER STRIP	AR		1		63108-40170-00
48	62102-61040-81	FİTİL WEATHER STRIP	AR		1		63108-10260-00
49	62102-71060-70	FİTİL WEATHER STRIP	AR		1		63108-10340-00

Sym.	Part Number	Part Name	Qty.	R/P	From	Up To	Remarks
50	62102-40910-70	KAPAK KOMPLE LID ASSY	1		1		
51	MA141871	DAMPER TUTUCU	2		1		
52	MC236216	KANCA HOOK	1		1		
53	MC236202	STOPLAYICI STOPPER	1		1		
54	MC236201	KİLİT KOMPLESİ LOCKED	1		1		
55	62102-40910-20	KAPAK LID	1		1		
56	MA242036	LASTİK SPACER RUBBER	AR		1		
59	MF472037	KOPİLYA PIN SPLIT	AR		1		
61	MC204625	VİDA SCREW	AR		1		
62	MF450005	PUL WASHER PLAIN	AR		1		
63	MF450405	RONDELA WASHER SPRING	AR		1		
64	MC386109	VİDA SCREW	AR		1		
65	MF450153	PUL WASHER PLAIN	AR		1		
66	MF200079	VİDA SCREW	AR		1		
67	MF450404	RONDELA WASHER SPRING	AR		1		
68	MF450004	PUL WASHER PLAIN	AR		1		
82	MF453034	VİDA SCREW	AR		1		
83	MF450003	PUL WASHER PLAIN	AR		1		
93	62102-90500-70	KİLİT MEKANİZMASI KOMPL LOCK ASSY	1		1		
97	TC257622	MENTEŞE HINGE	4		1		
98	TC257623	MENTEŞE HINGE	4		1		

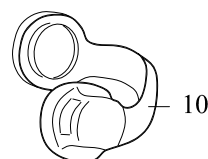
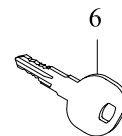
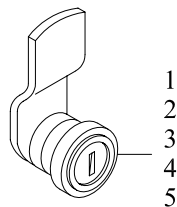
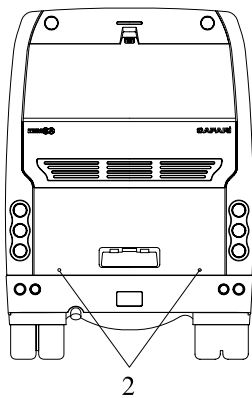
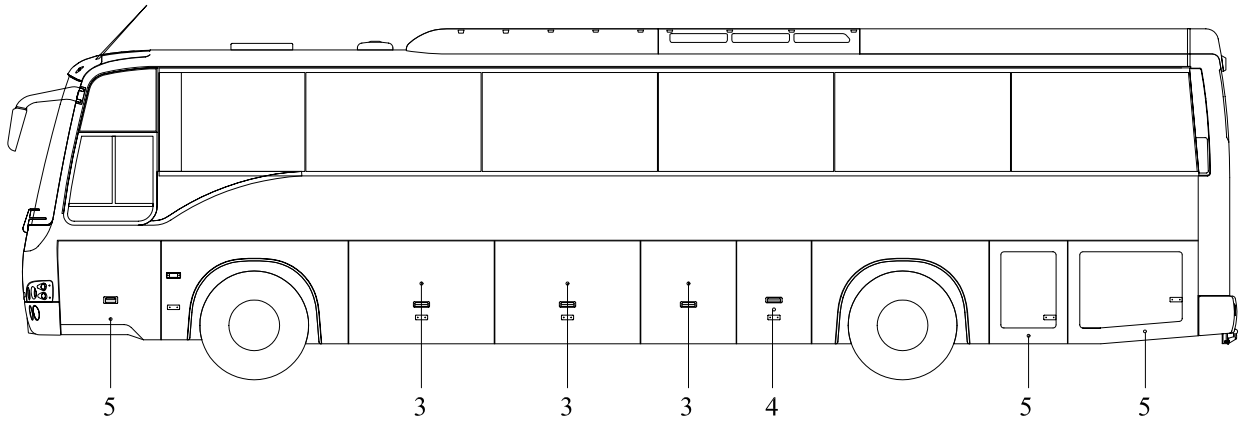
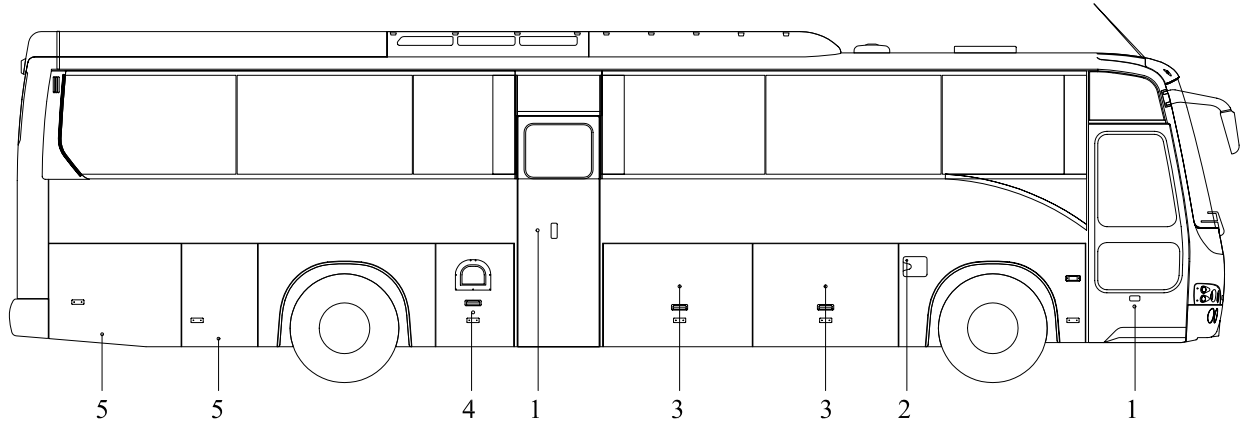
MS762ML

Sym.	Part Number	Part Name	Qty.	R/P	From	Up To	Remarks
104	MC201183	KİLİT KOMPLESİ LOCK ASSY	2		1		
105	MF200075	VİDA SCREW	AR		1		
120	62102-80160-70	BAGAJ KOLU ARM ASSY	2		1		
121	62102-90160-70	BAGAJ KOLU ARM ASSY	2		1		
122	62102-61610-70	ROD ROD	8		1	24	
122	62102-91610-70	ROD ROD	8		25		
123	62102-61610-71	ROD ROD	8		1	24	
123	62102-91610-71	ROD ROD	8		25		
124	62102-41640-70	BRAKET BRACKET	6		1		
125	62102-41640-71	BRAKET BRACKET	6		1		
126	62102-41590-01	ŞİM SHIM	AR		1		
127	62102-41590-02	ŞİM SHIM	AR		1		
128	62102-41590-03	ŞİM SHIM	AR		1		
129	62102-70038-01	AMORTİSÖR STAY DAMPER	11		1	83	
129	62102-70038-04	AMORTİSÖR STAY DAMPER	8		84	160	
129	62102-70038-05	AMORTİSÖR STAY DAMPER	8		161		
130	62102-11290-76	BRAKET BRACKET	9		1		
133	62102-41520-00	LASTİK RUBBER	AR		1		
140	TC201184-20	STOPLAYICI STOPPER	1		1		
141	TC201184-30	STOPLAYICI STOPPER	1		1		
150	62102-70018-01	BRAKET BRACKET	4		1		

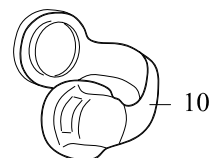
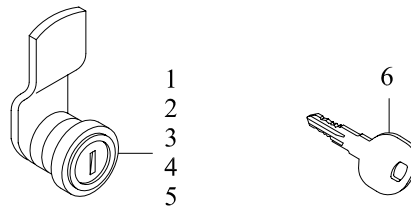
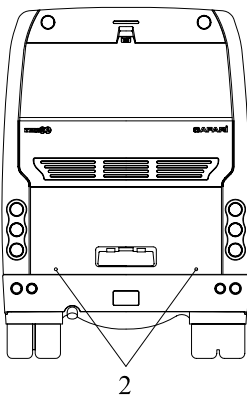
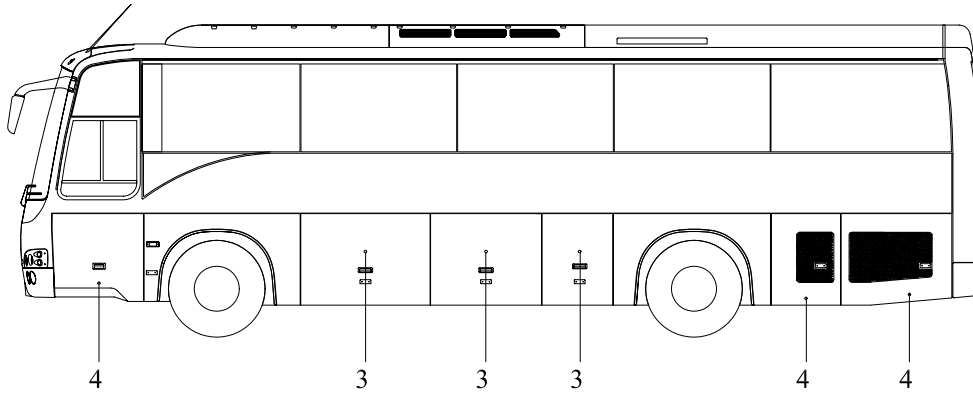
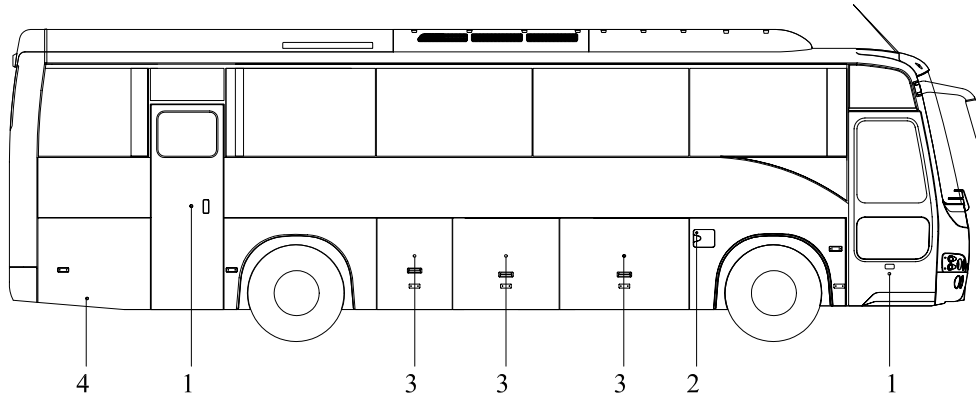
Sym.	Part Number	Part Name	Qty.	R/P	From	Up To	Remarks
153	62102-80160-72	BAGAJ KOLU ARM ASSY	1		1		
170	62102-81220-01	KENAR ÇITASI PLATE EDGE	4		1		
171	62102-81220-02	KENAR ÇITASI PLATE EDGE	1		1		
172	62102-81220-05	KENAR ÇITASI PLATE EDGE	1		1		
176	MC381016	TUTUCU STRIKER	1		1		
177	TM150301	STOPLAYICI POST STOPPER	1		1		
178	62102-90380-72	STOPLAYICI POST STOPPER	1		1		
180	MC375296	KİLİT LOCK ASSY	2		1		
181	MC375615	KİLİT LOCK ASSY	2		1		
200	TC323896	TUTAMAK HANDLE	6		1		
201	62102-80510-83	KİLİT LATCH	6		1		
202	62102-80340-70	KİLİT LATCH	6		1		
203	MC324121	KİLİT LATCH	18		1		
204	TU323100	TUTUCU STRIKER	12		1		
205	62102-80510-70	KİLİT LATCH	2		1		
206	62102-80510-71	KİLİT LATCH	2		1		
207	62102-80510-75	İÇ PANEL PANEL INNER	6		1		
215	62102-90510-73	KİLİT LATCH	2		1		
216	62102-90510-74	KİLİT LATCH	2		1		
217	62102-90510-70	KİLİT LATCH	2		1		
218	62102-90510-71	KİLİT LATCH	2		1		



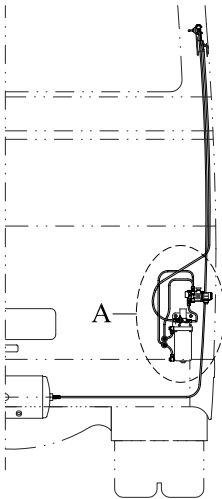
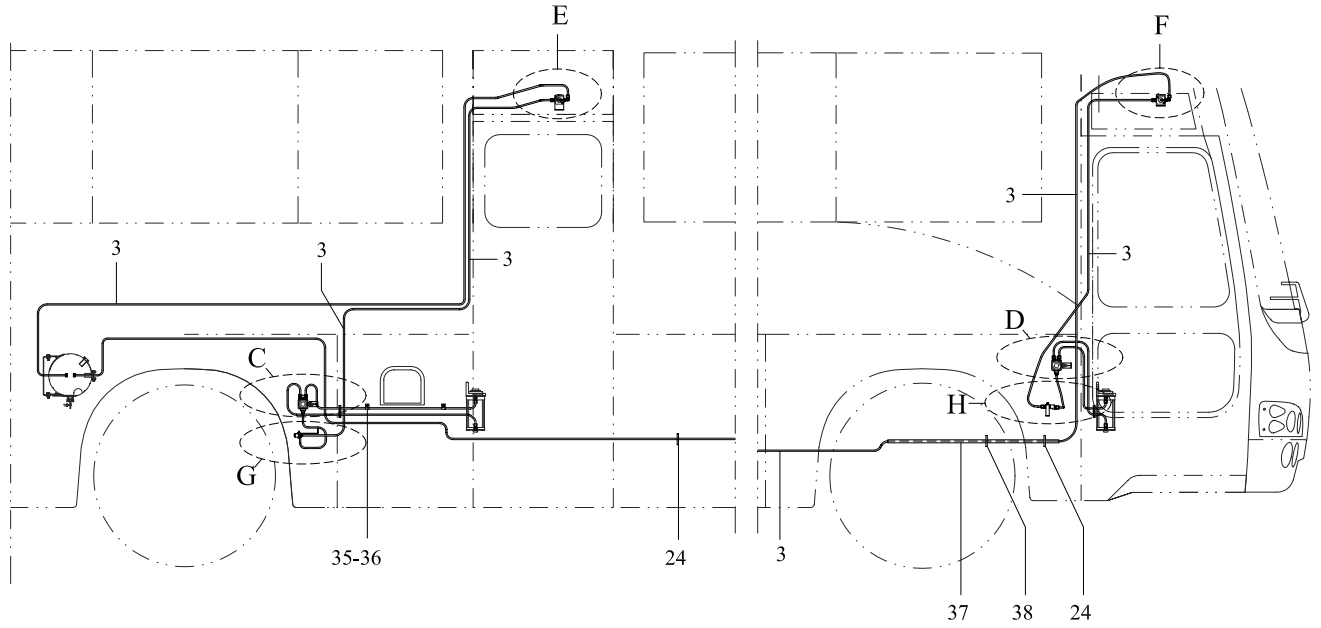




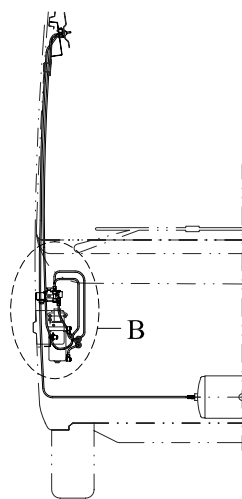




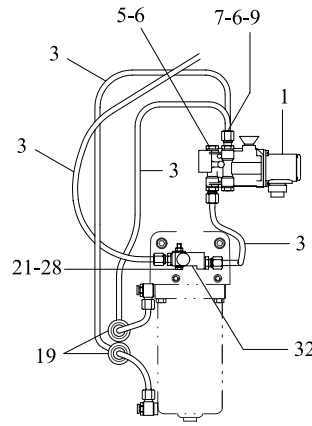




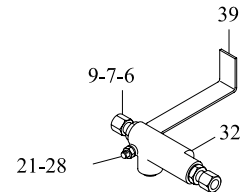
ARKA  
REAR



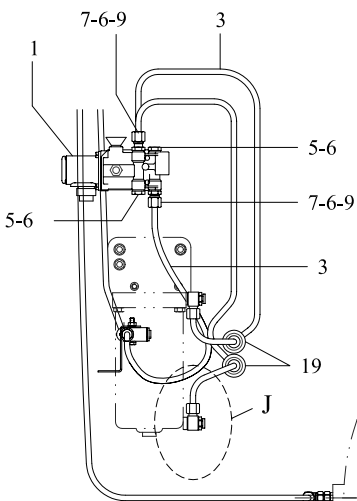
ÖN  
FRONT



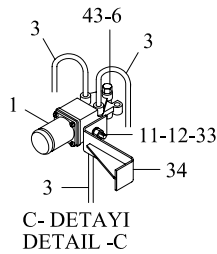
A- DETAYI  
DETAIL - A



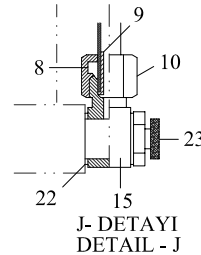
H- DETAYI  
DETAIL - H



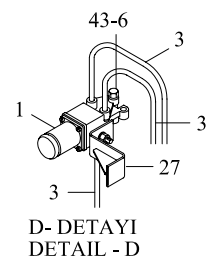
DETAIL - B



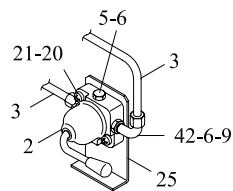
C- DETAYI  
DETAIL - C



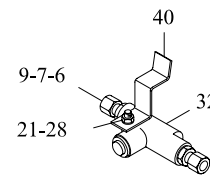
J- DETAYI  
DETAIL - J



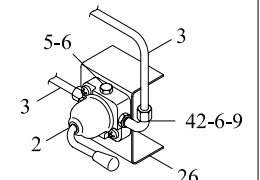
D- DETAYI  
DETAIL - D



E- DETAYI  
DETAIL - E

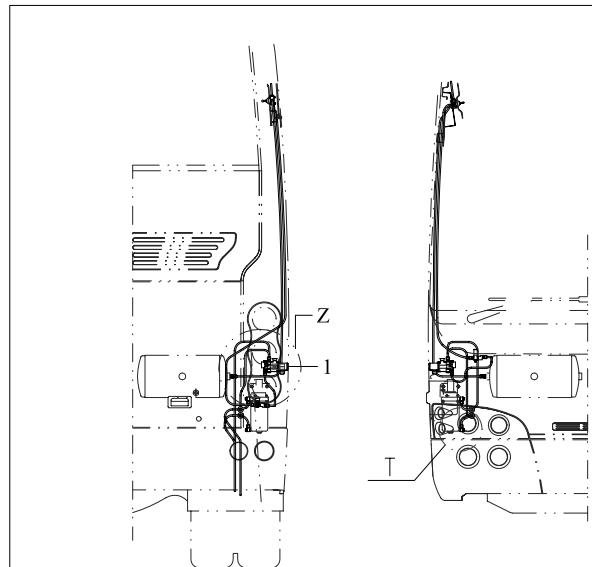
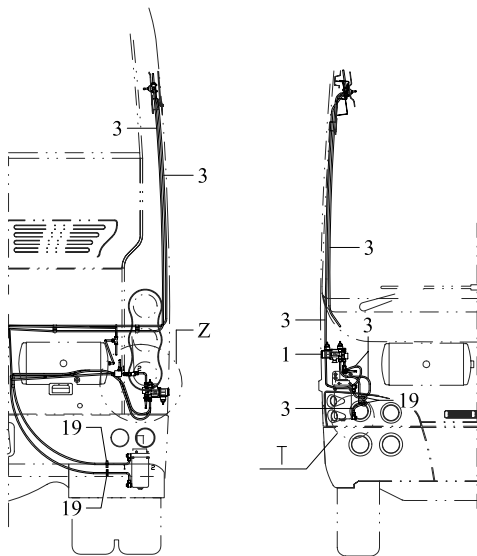
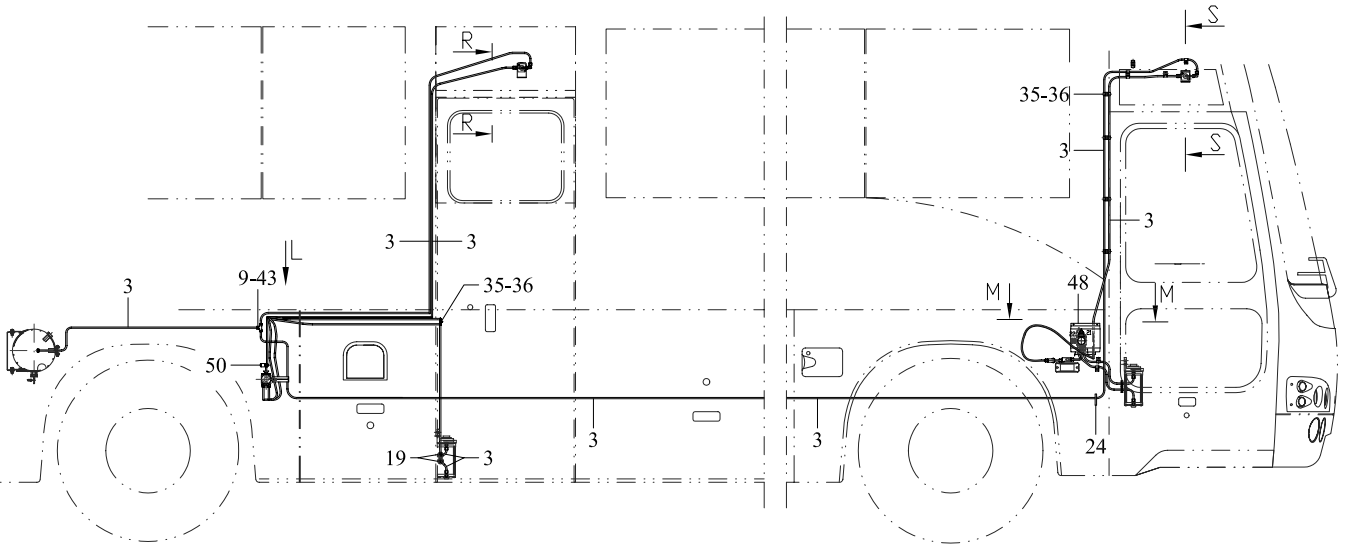


G- DETAYI  
DETAIL - G

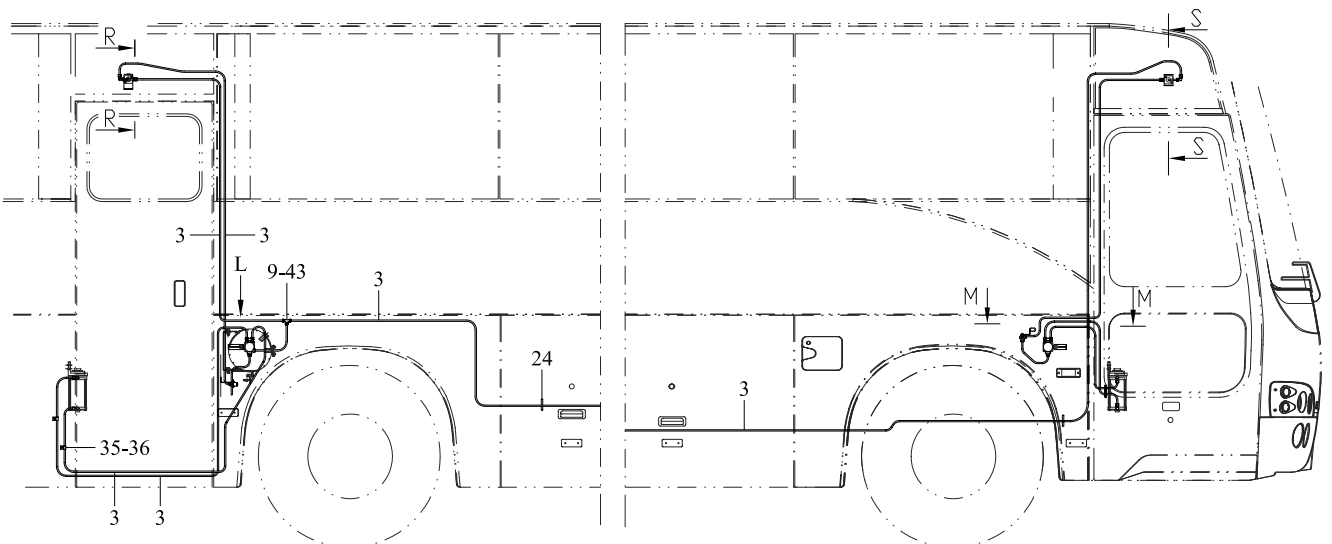


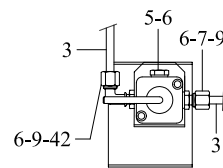
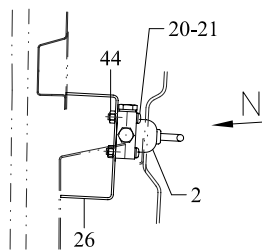
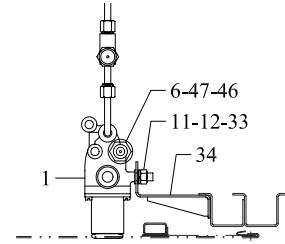
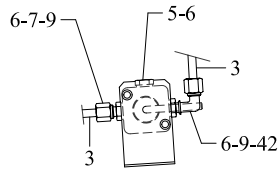
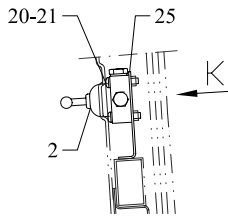
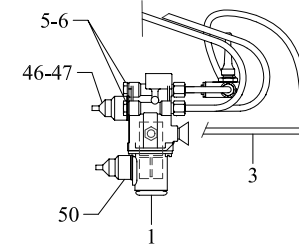
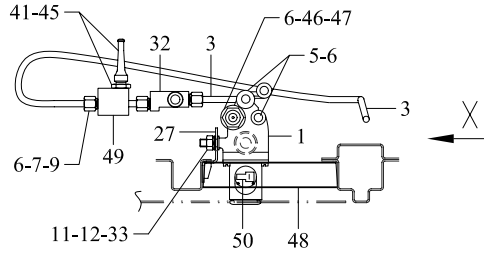
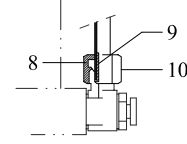
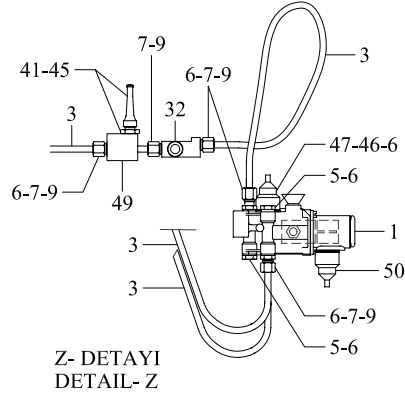
F- DETAYI  
DETAIL - F

MS762RL



MS762ML



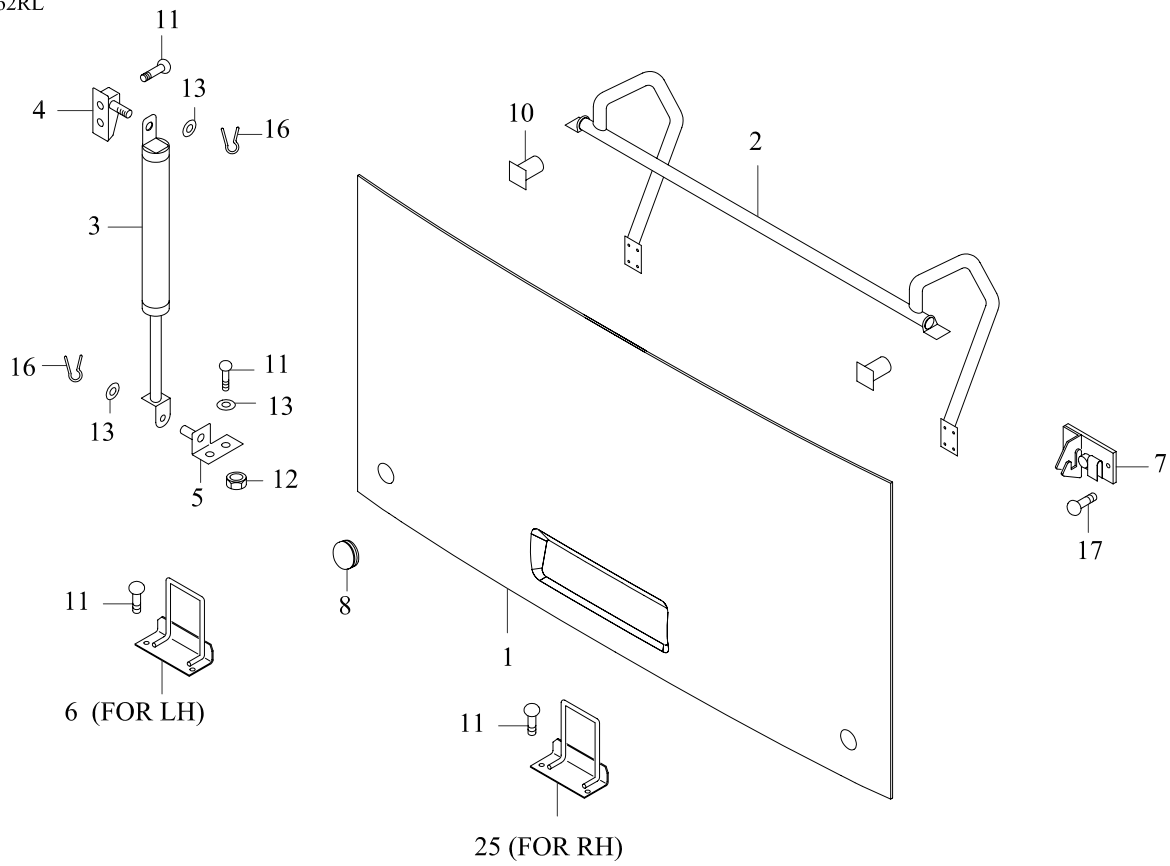


Sym.	Part Number	Part Name	Qty.	R/P	From	Up To	Remarks
1	TM153213	VALF VALVE	2		1		
2	TM153212	HAVA MUSLUĞU DRAIN VALVE	2		1		
3	TM153030	POLYAMİD HORTUM POLYAMIDE HOSE	AR		1		
5	TM153107	KÖR TAPA PLUG	6		1		
6	TC298806-53	SIZDIRMAZLIK ELEMANI THRUST RING	AR		1		
7	TM153109	KONNEKTÖR CONNECTOR	14		1		
8	TM153227	DIŞ YÜZÜK OUTER RING	4		1		
9	TM152109	İÇ YÜZÜK INNER RING	19		1		
10	TM153228	SOMUN NUT	4		1		
11	TF430006	SOMUN NUT	AR		1		
12	MF450406	RONDELA WASHER SPRING	AR		1		
15	TM153226	VANA VALVE	4		1	4	
19	MA275717	GROMET GROMMET	AR		1		
20	MF200083	VİDA SCREW	AR		1		
21	MF450404	RONDELA WASHER SPRING	AR		1		
22	TM153112	BAKIR PUL WASHER	4		1	4	
23	TM153231	HAVA KISICI RAKOR CONNECTOR	4		1	4	
24	MC398915	KABLO BANDI BAND WIRING	AR		1	4	
24	TC398915	KABLO BANDI BAND WIRING	AR		5		
25	61201-96050-25	BRAKET BRACKET	1		1		
26	61201-96050-26	BRAKET BRACKET	1		1		

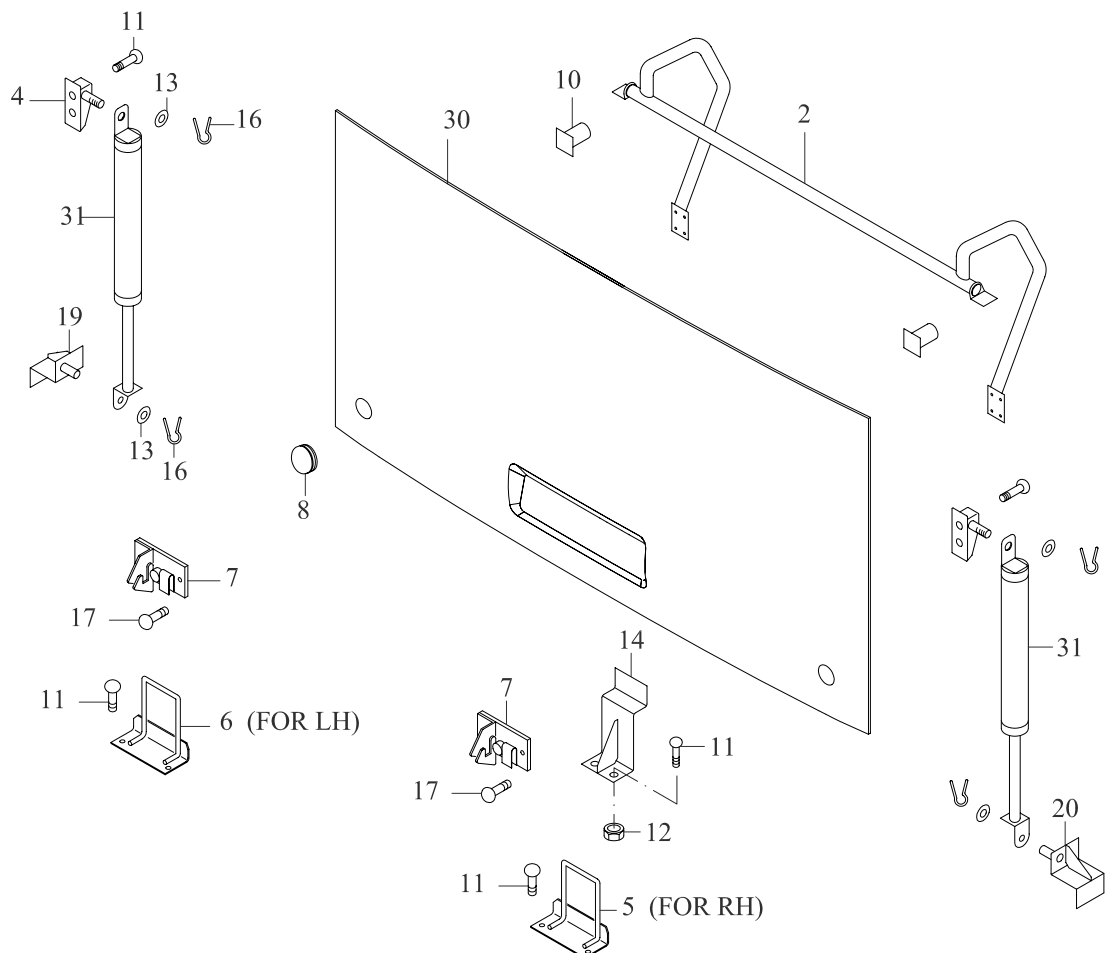




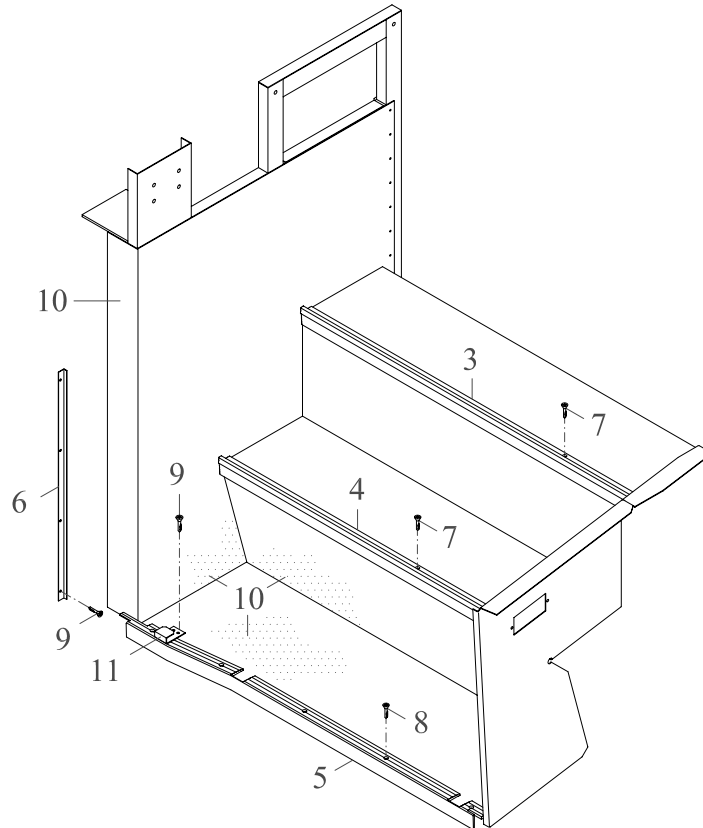
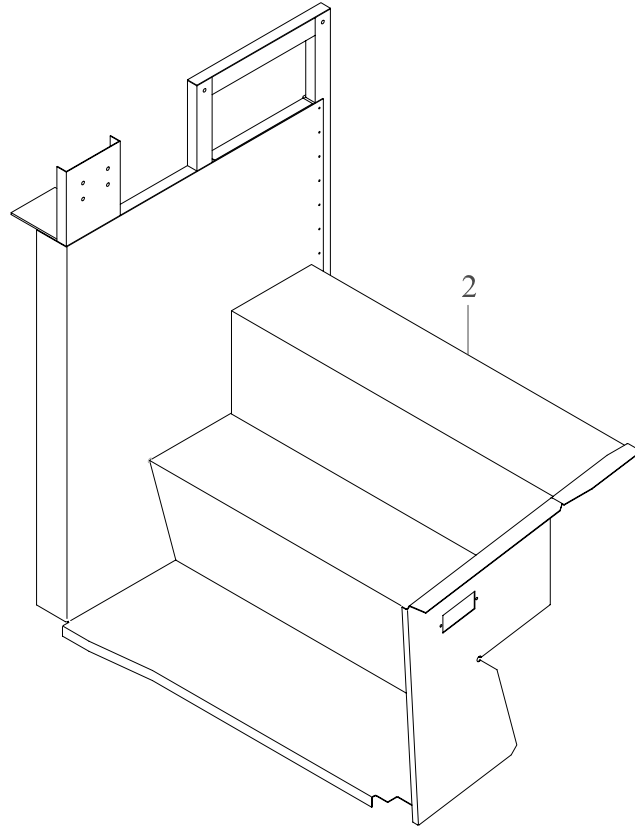
MS762RL



MS762ML

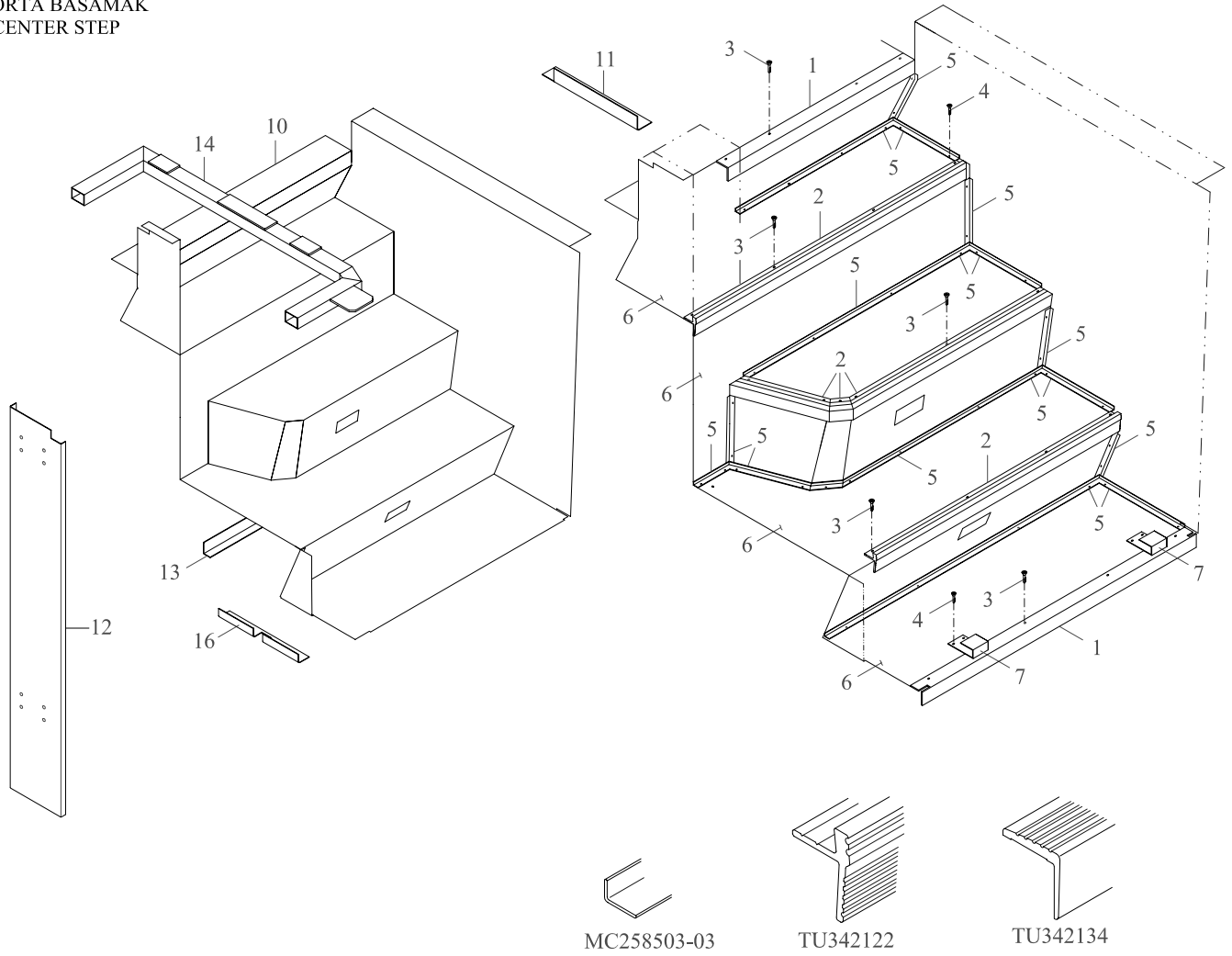


Sym.	Part Number	Part Name	Qty.	R/P	From	Up To	Remarks
1	62204-90260-90	ARKA KAPAK REAR LID	1		1		
2	62204-90270-70	MENTEŞE KOLU ARM ASSY HINGE	1		1		
3	62204-90260-71	AMORTİSÖR STAY DAMPER	2		1		
4	62204-90250-01	BRAKET BRACKET	2		1		
5	62204-90260-72	BRAKET BRACKET	2		1		
6	62204-90260-73	KİLİT STRIKER	1		1		SOL İÇİN FOR LH
7	MC375615	KİLİT STRIKER	2		1		
8	62102-60890-01	ARA PARÇA SPACER	2		1		
10	62204-90250-02	DAYAMA SUPPORT	2		1	4	
10	62204-90250-03	DAYAMA SUPPORT	2		5		
11	MF100055	CIVATA BOLT	AR		1		
12	MF430005	SOMUN NUT	AR		1		
13	MF450005	PUL WASHER PLAIN	AR		1		
14	62204-90250-05	BRAKET BRACKET	1		1		
16	MF472024	KOPİLYA PIN SPLIT	AR		1		
17	MF200076	VİDA SCREW	AR		1		
19	62204-90260-91	BRAKET BRACKET	1		1		
20	62204-90260-92	BRAKET BRACKET	1		1		
25	62204-90260-74	KİLİT STRIKER	1		1		SAĞ İÇİN FOR RH
30	62204-90260-95	ARKA KAPAK REAR LID	1		1		
31	62102-70028-02	AMORTİSÖR STAY DAMPER	2		1		

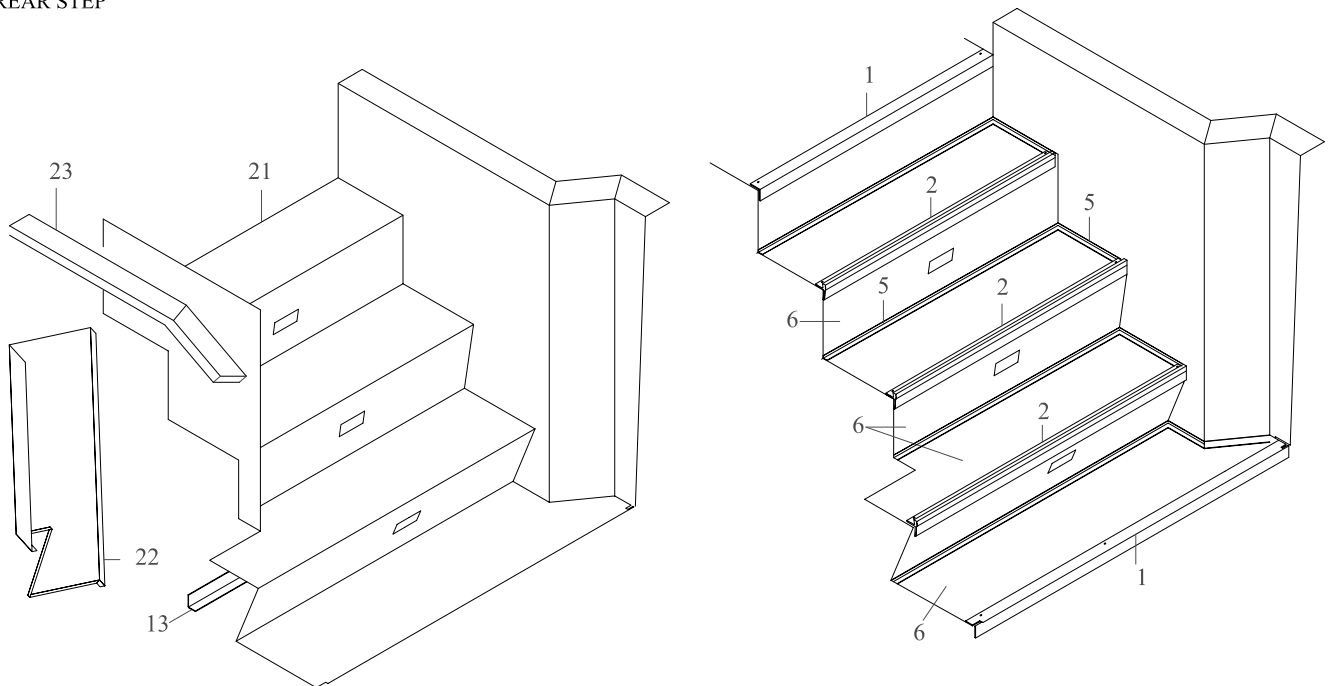




MS762RL  
ORTA BASAMAK  
CENTER STEP



MS762ML  
ARKA BASAMAK  
REAR STEP

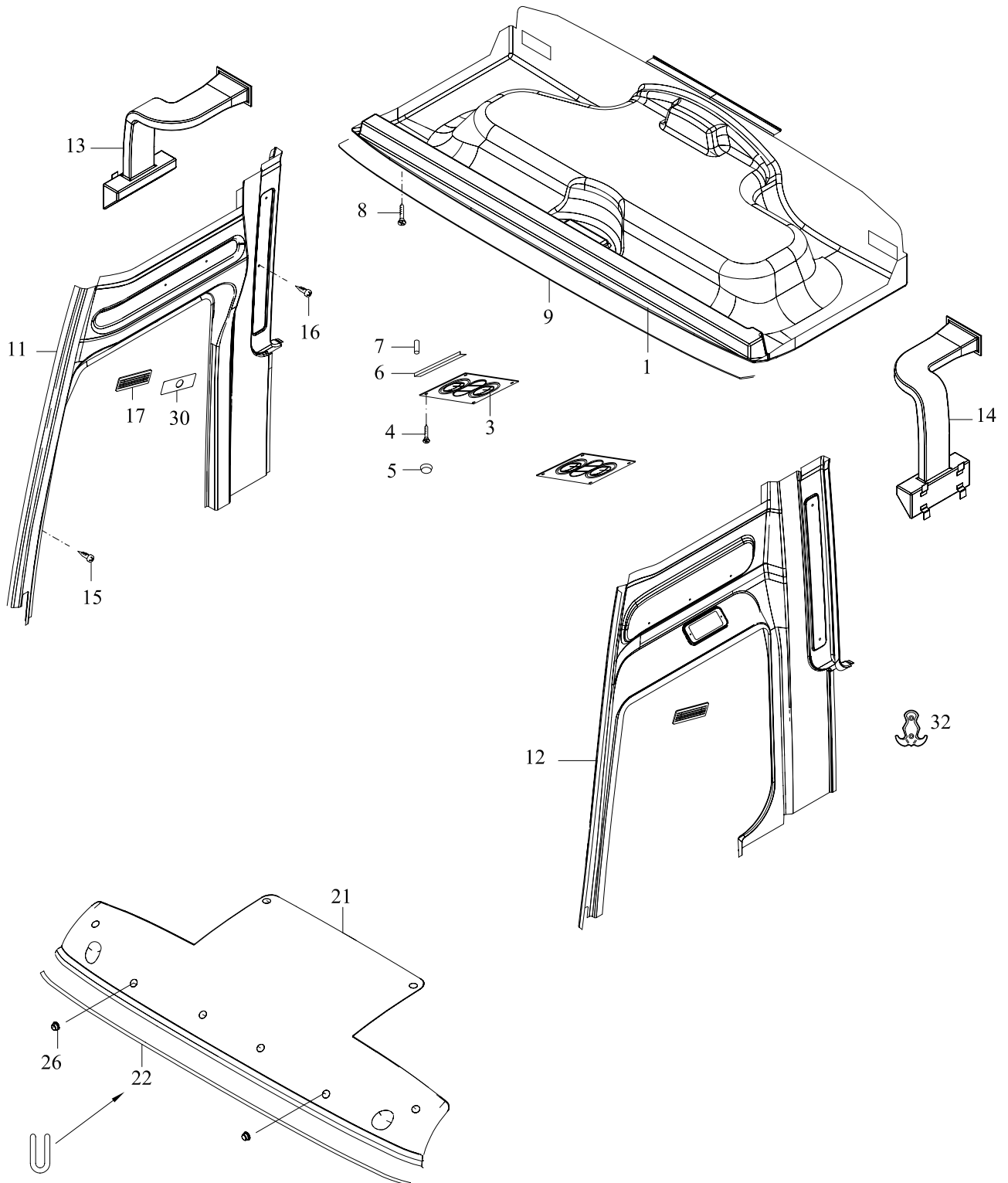





Bölüm	C	İç Trim	
Chapter	C	<i>Interior Trimming</i>	
		Ön Trim	
		<i>Front Trim</i>	MS762RL - MS762ML <b>C01-00</b>
		Tavan Trimi	
		<i>Roof Trim</i>	MS762RL <b>C03-00</b>
		Tavan Trimi	
		<i>Roof Trim</i>	MS762ML <b>C03-01</b>
		İç Yan Trim	
		<i>Inside Trimming</i>	MS762RL <b>C04-00</b>
		İç Yan Trim	
		<i>Inside Trimming</i>	MS762ML <b>C04-02</b>
		Yolcu Rafları	
		<i>Luggage Rack</i>	MS762RL <b>C05-00</b>
		Yolcu Rafları	
		<i>Luggage Rack</i>	MS762ML <b>C05-02</b>
		Raf Kapakları	
		<i>Rack Lids</i>	MS762RL - MS762ML <b>C06-00</b>
		Koltuk Rayı	
		<i>Seat Rail</i>	MS762RL <b>C08-00</b>
		Koltuk Rayı	
		<i>Seat Rail</i>	MS762ML <b>C08-01</b>
		Koltuk	
		<i>Seats</i>	MS762RL <b>C09-00</b>
		Koltuk	
		<i>Seats</i>	MS762ML <b>C09-01</b>

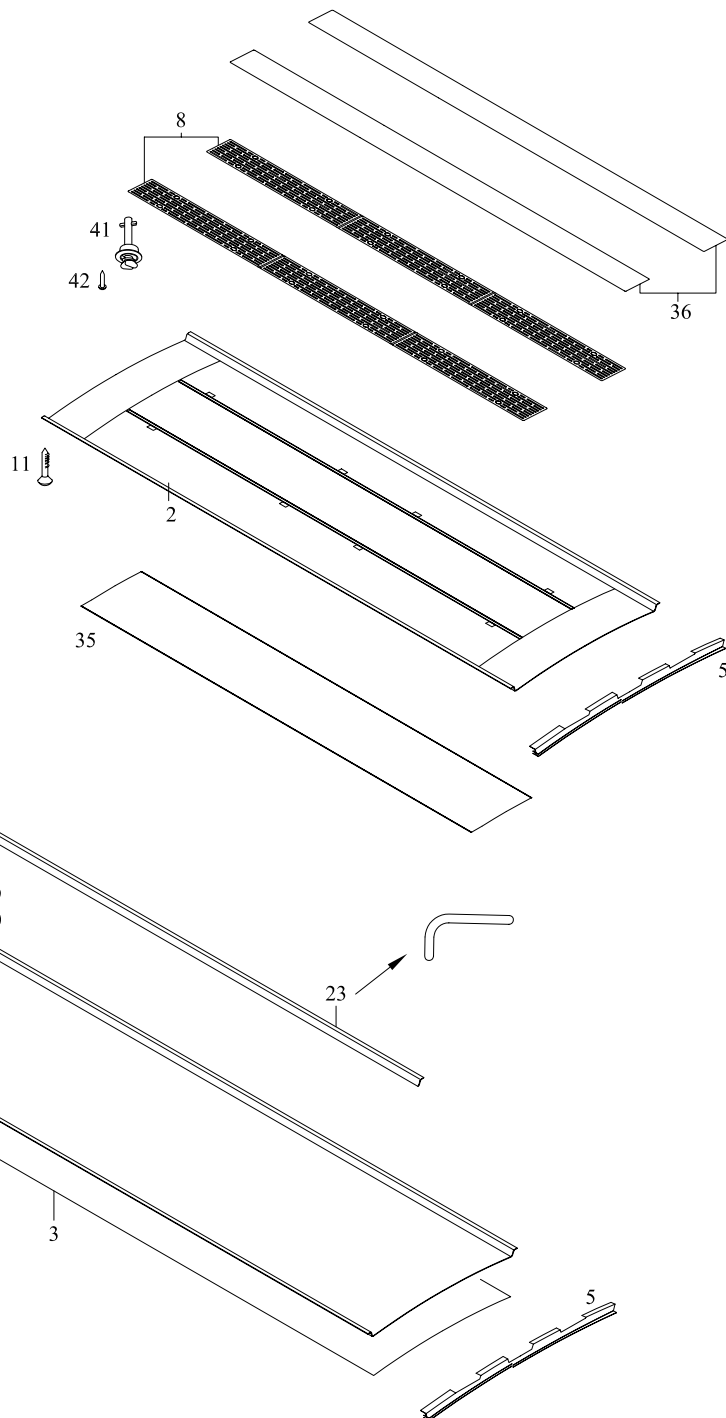
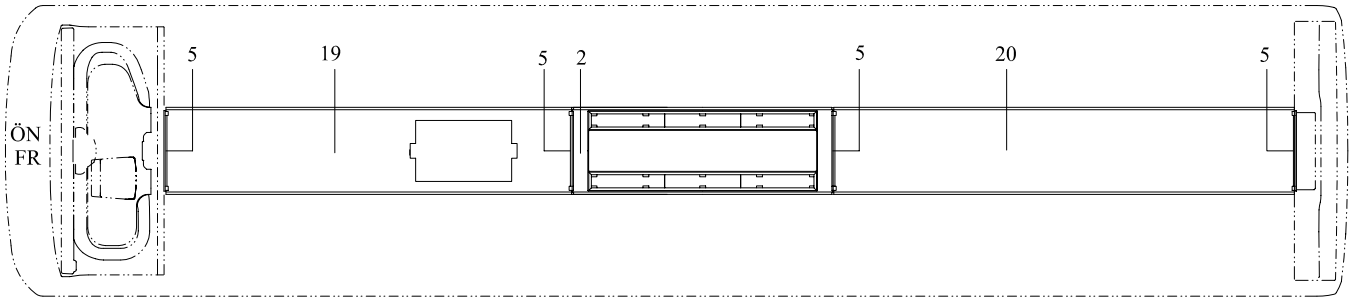


Yan Kumanda Kutusu <b>Side Switch Box</b>	MS762RL - MS762ML	<b>C10-00</b>
Ön Kumanda Paneli Trimi <b>Front Lower Trim</b>	MS762RL - MS762ML	<b>C12-00</b>
Güneşlik, İç Ayna, Saat, Termometre <b>Sun Visor, Mirror, Clock, Thermometer</b>	MS762RL - MS762ML	<b>C13-00</b>
Bölmeler <b>Partitions</b>	MS762RL - MS762ML	<b>C16-00</b>
Perde <b>Curtain</b>	MS762RL	<b>C19-00</b>
Perde <b>Curtain</b>	MS762ML	<b>C19-01</b>
Halı <b>Carpet</b>	MS762RL	<b>C20-00</b>
Halı <b>Carpet</b>	MS762ML	<b>C20-01</b>
Bodest <b>Bodest</b>	MS762RL - MS762ML	<b>C23-00</b>
Bakım Kapağı <b>Inspection Lid</b>	MS762RL - MS762ML	<b>C30-00</b>
Şanzuman Ve Vites Şaft Bakım Kapağı <b>Transmission &amp; Gear - Shaft Inspection Lid</b>	MS762RL - MS762ML	<b>C31-00</b>
Motor Bakım Kapağı <b>Engine Inspection Lid</b>	MS762RL - MS762ML	<b>C32-00</b>
Kalorifer Bakım Kapağı <b>Heater Inspection Lid</b>	MS762RL - MS762ML	<b>C33-00</b>
Döşeme Trimi <b>Floor Trim</b>	MS762RL - MS762ML	<b>C35-00</b>
Masa <b>Table</b>	MS762RL - MS762ML	<b>C40-00</b>

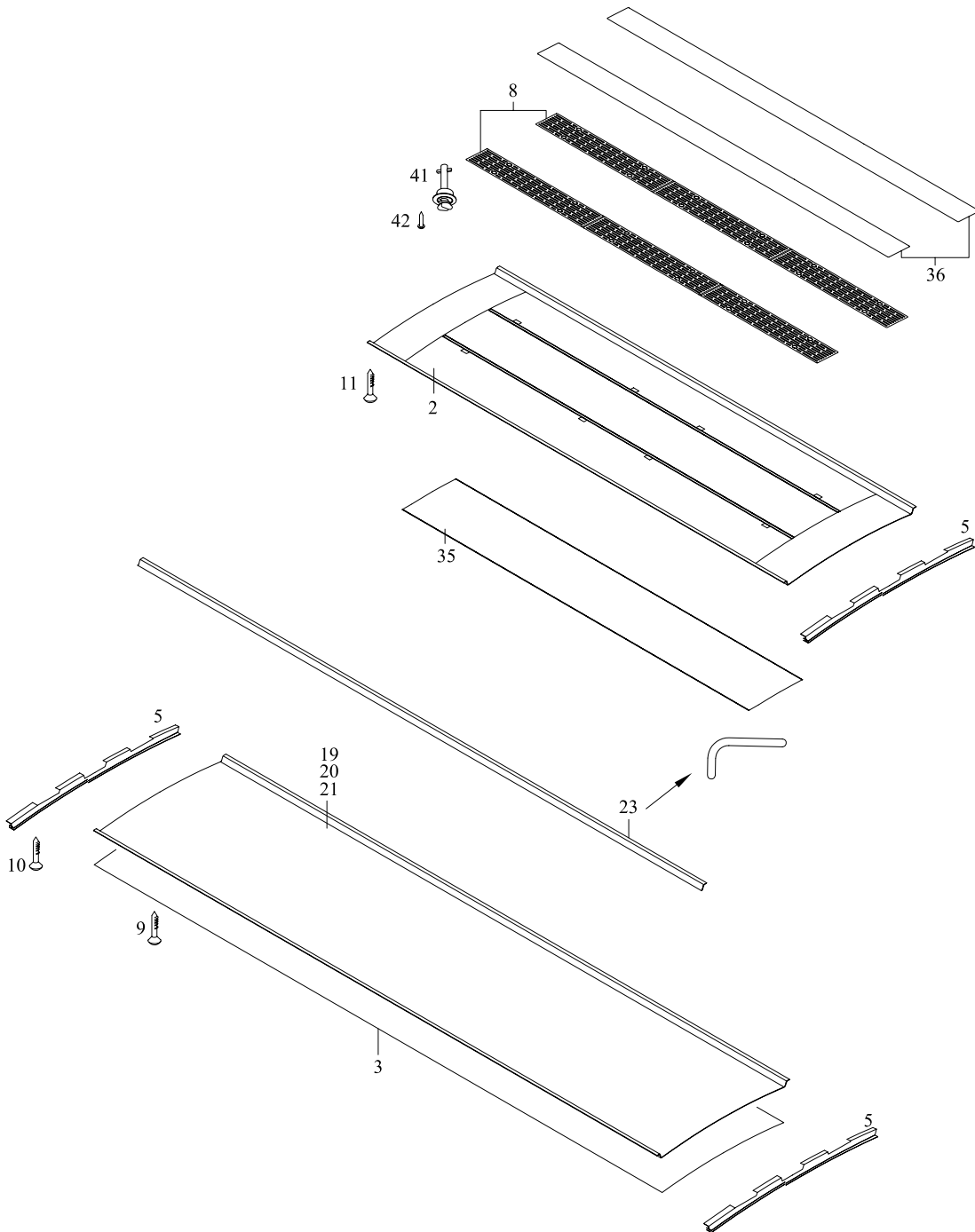
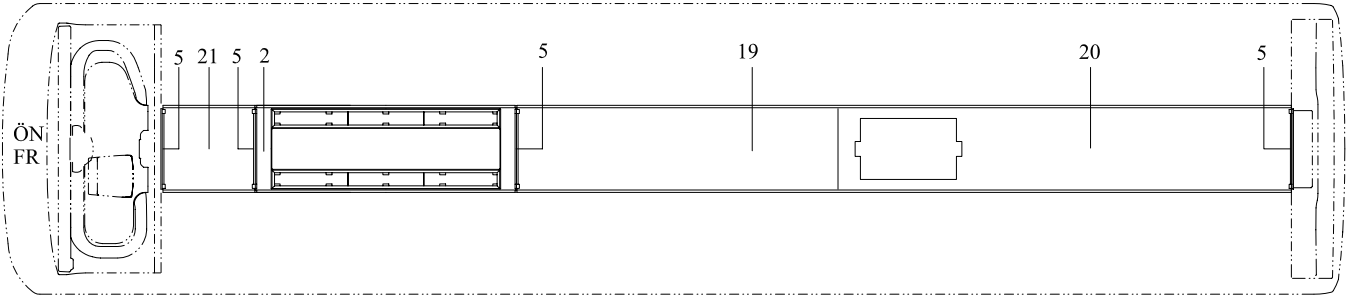


		<b>ÖN TRİM FRONT TRIM</b>				<b>Group No : C01-00</b> Ident. Num.: Rev. Date: Page: 1	
		MS762					
Sym.	Part Number	Part Name	Qty.	R/P	From	Up To	Remarks
1	3200448	ÖN TAVAN TRİMİ FRONT HEADLINING	1		1		ELLAMP
3	4997083	LAMBA LAMP	2		1		ELLAMP
4	3102257	VİDA SCREW	2		1	64	
4	TF457595	VİDA SCREW	AR	O	65		
5	3210015	VİDA BAŞLIĞI SCREW CAP	AR		1		
6	TM155107	L-PLAKA PLATE-L	4		1		
7	2140031	PEÇİN RİVET	AR		1	64	
7	TC395122	PEÇİN RİVET	AR	O	65		
8	MF455020	VİDA SCREW	AR	O	65		
9	TES40451-18	SUNİ DERİ LEATHER	AR		1		
11	TC238244-113	DİREK KAPAĞI TRIM PILLAR	1		1	30	
11	TC238244-01	DİREK KAPAĞI TRIM PILLAR	1		31	64	
11	TC238244-02	DİREK KAPAĞI TRIM PILLAR	1	O	65		
12	TC238245-113	DİREK KAPAĞI TRIM PILLAR	1		1	30	
12	TC238245-01	DİREK KAPAĞI TRIM PILLAR	1	O	31	64	
12	TC238245-02	DİREK KAPAĞI TRIM PILLAR	1		65		
13	TC243302-40	KANAL DUCT	1		1		
14	TC243303-40	KANAL DUCT	1		1		
15	MC395122	PEÇİN RİVET	AR		1	64	
15	TC395122	PEÇİN RİVET	AR	O	65		
16	TU344112	KLİP CLIP	AR		1		





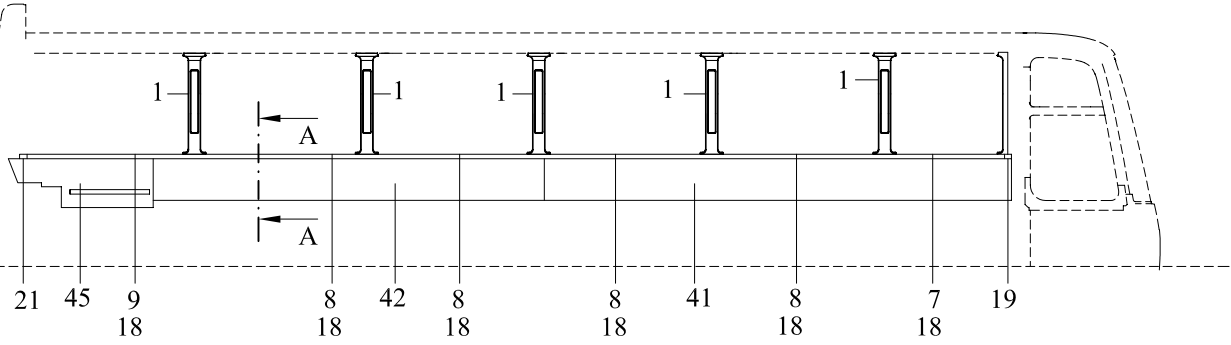




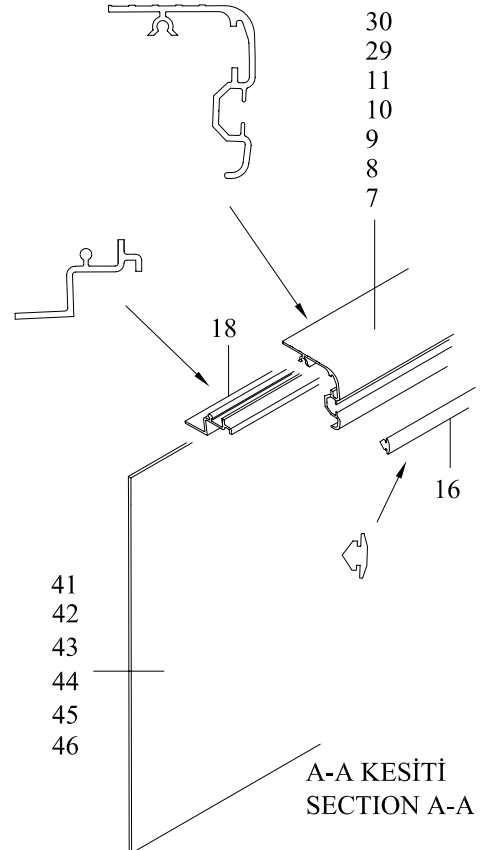
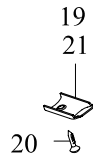
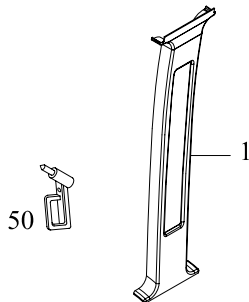
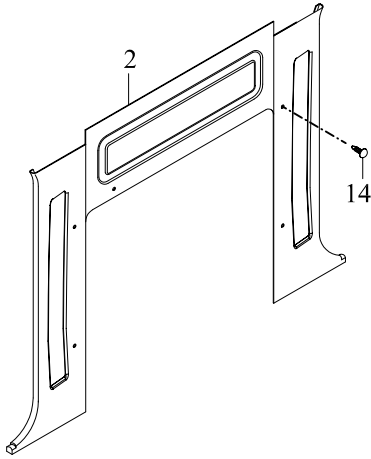
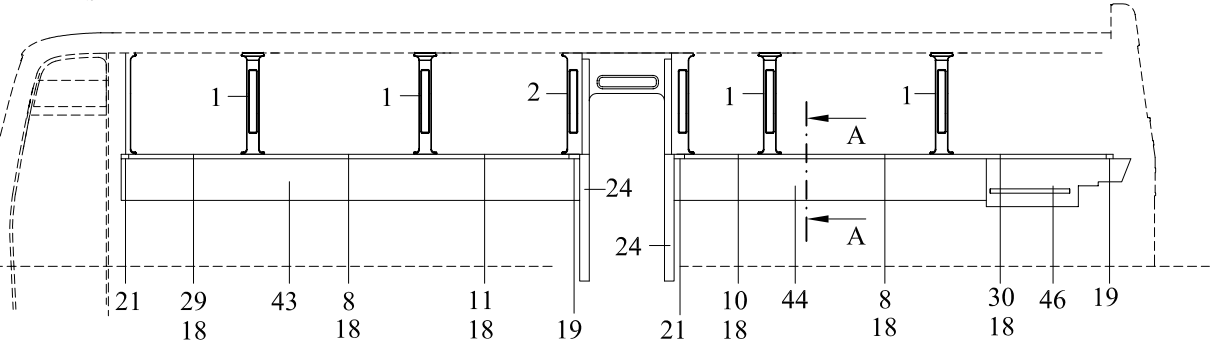




SOL İÇ  
IN SIDE - LH



SAĞ İÇ  
IN SIDE - RH

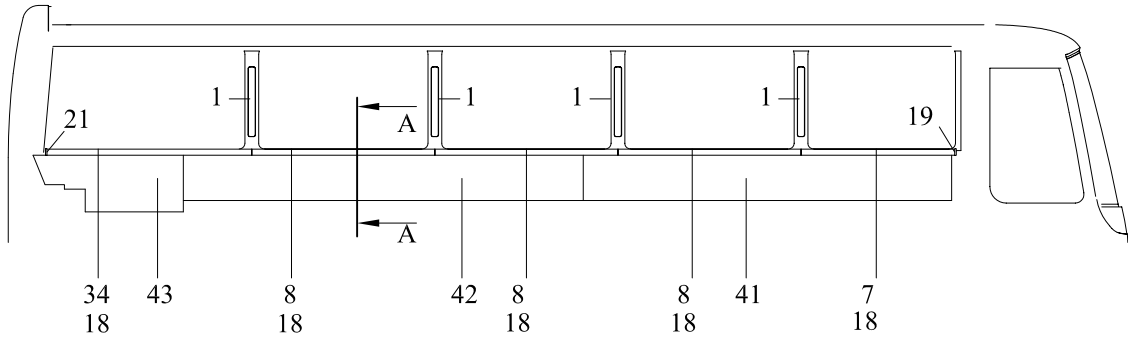


A-A KESİTİ  
SECTION A-A

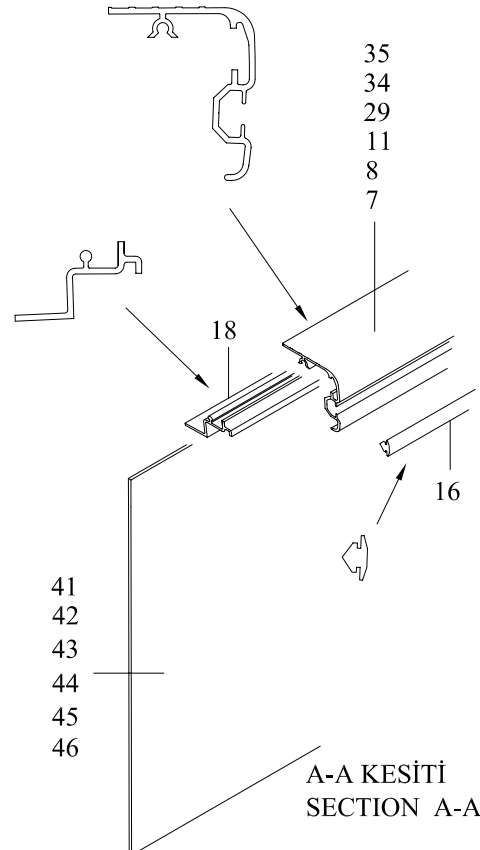
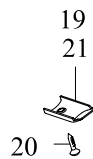
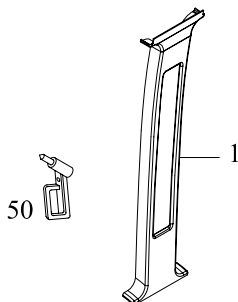
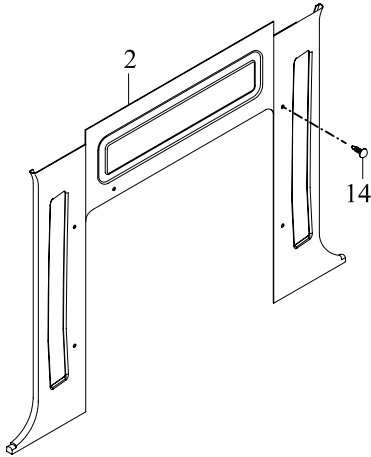
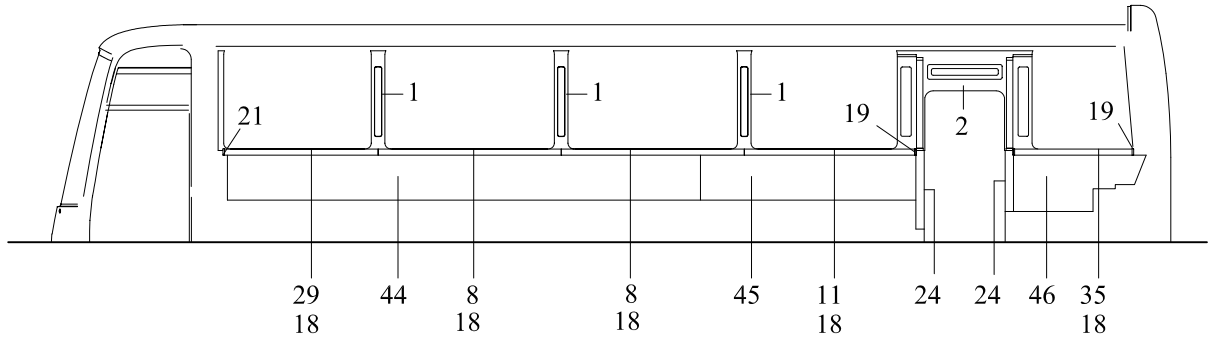
Sym.	Part Number	Part Name	Qty.	R/P	From	Up To	Remarks
1	63113-80150-01	DİREK KAPAĞI COVER PILLAR	9		1	64	
1	63113-90150-02	DİREK KAPAĞI COVER PILLAR	9		65		
2	63113-80046-01	ORTA KAPI KAPLAMASI COVER CENTER DOOR	1		1	64	
2	63113-90046-02	ORTA KAPI KAPLAMASI COVER CENTER DOOR	1		65		
7	TC326692-30	FİTİL MOULDING	1		1		
8	TC326692-31	FİTİL MOULDING	6		1		
9	TC326692-32	FİTİL MOULDING	1		1	30	
9	TC326692-45	FİTİL MOULDING	1		31		
10	TC326692-33	FİTİL MOULDING	1		1		
11	TC326692-34	FİTİL MOULDING	1		1	30	
11	TC326692-44	FİTİL MOULDING	1		31		
14	TU344112	KLİP CLIP	AR		1		
16	73108-00050-05	FİTİL MOULDING	AR		1		
18	63113-80100-00	KASA FRAME	AR		1		
19	63122-70128-03	VİDA BAŞLIĞI SCREW CAP	AR		1		
20	MF457583	VİDA SCREW	AR		1		
21	63122-70128-04	VİDA BAŞLIĞI SCREW CAP	AR		1		
24	63113-80010-24	DİREK KAPAĞI COVER PILLAR	1		1	64	
24	63113-90010-25	DİREK KAPAĞI COVER PILLAR	1		65		
29	TC326692-35	FİTİL MOULDING	1		1		
30	TC326692-36	FİTİL MOULDING	1		1	30	



SOL İÇ  
IN SIDE - LH

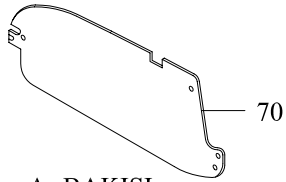
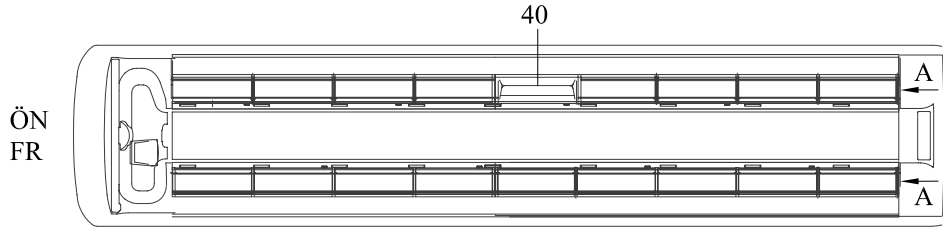


SAĞ İÇ  
IN SIDE - RH

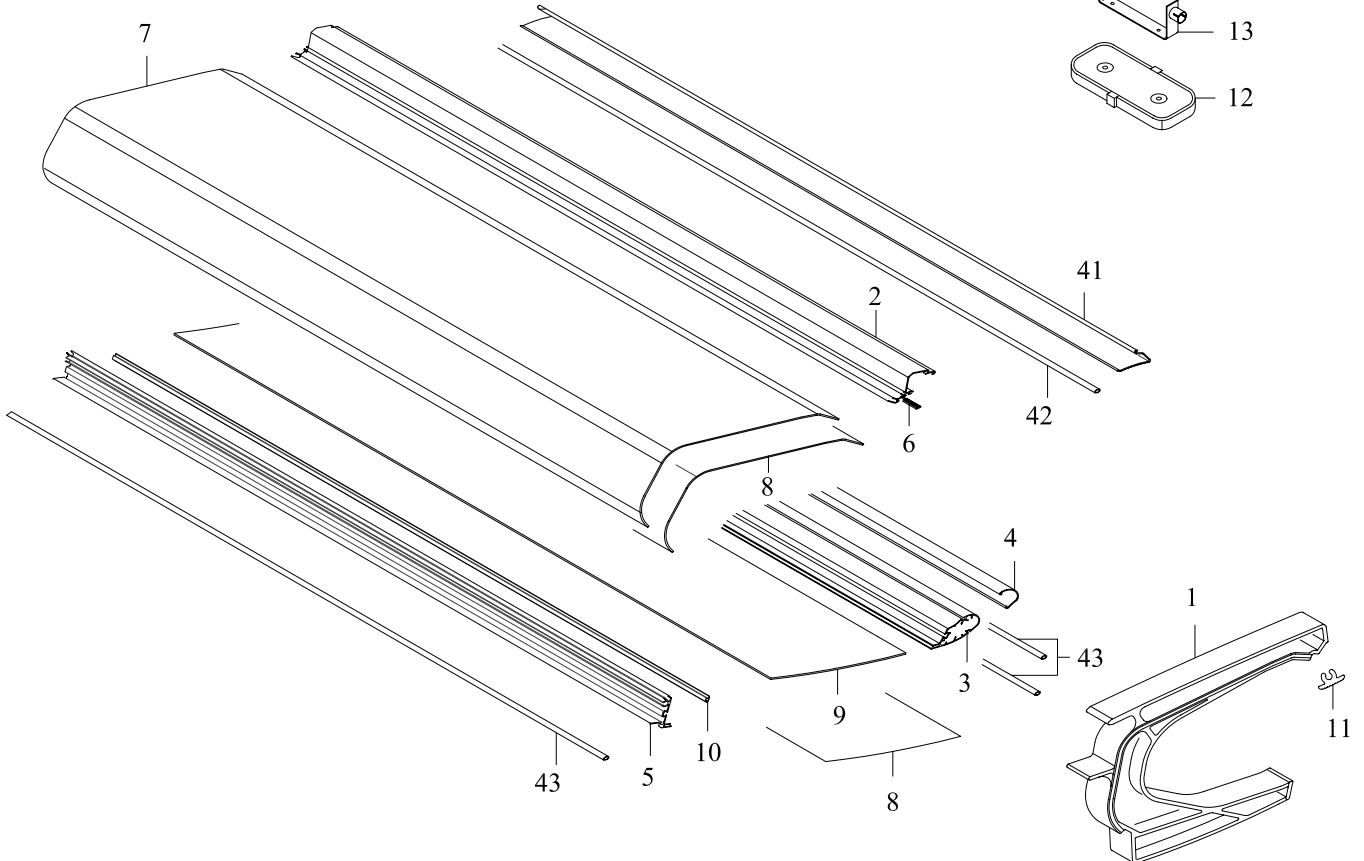
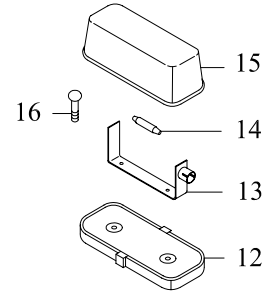
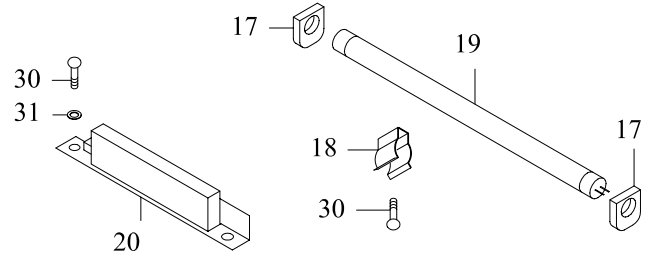
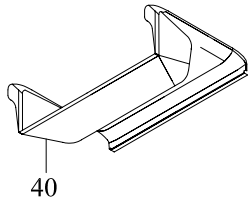


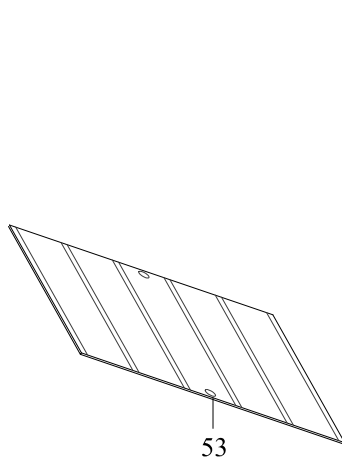
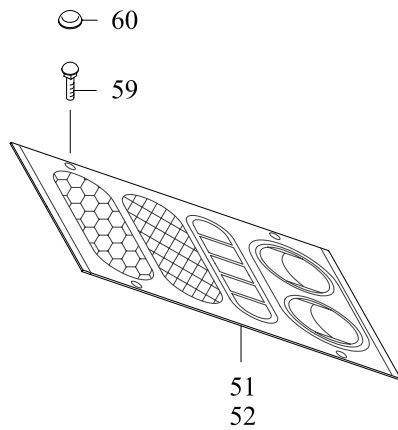
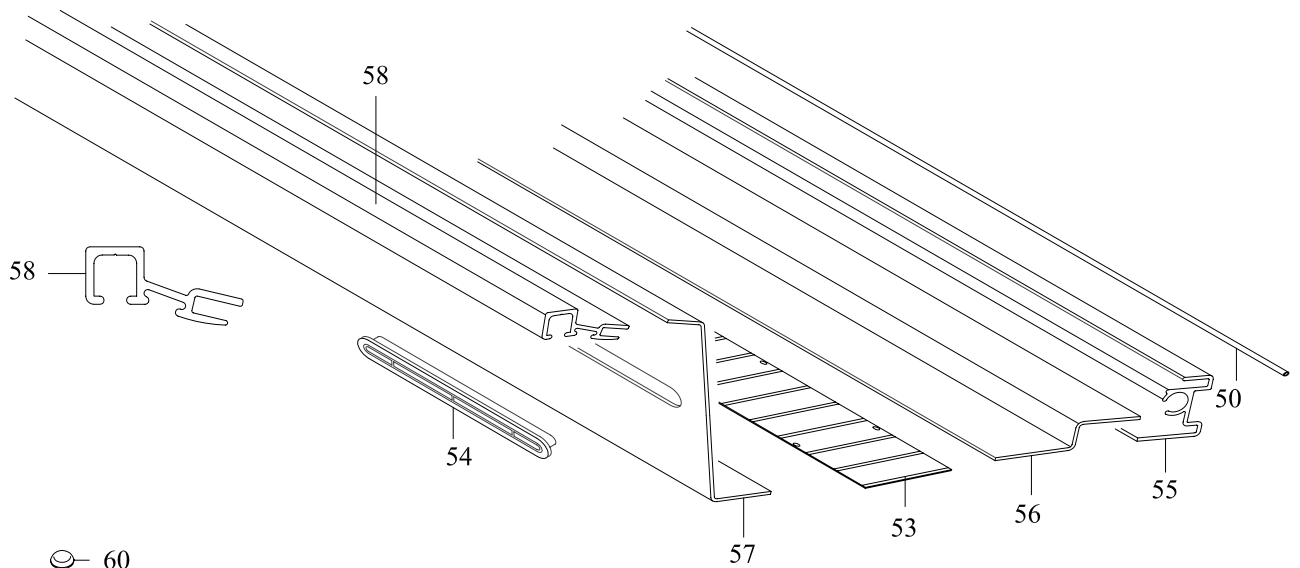
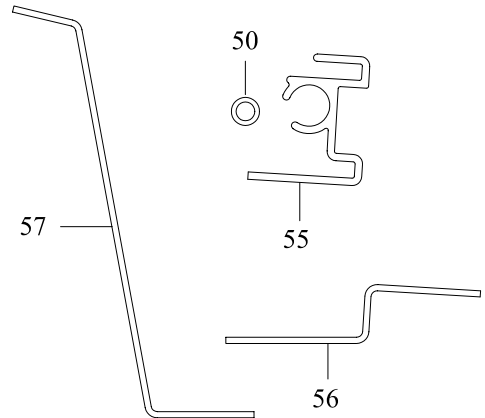
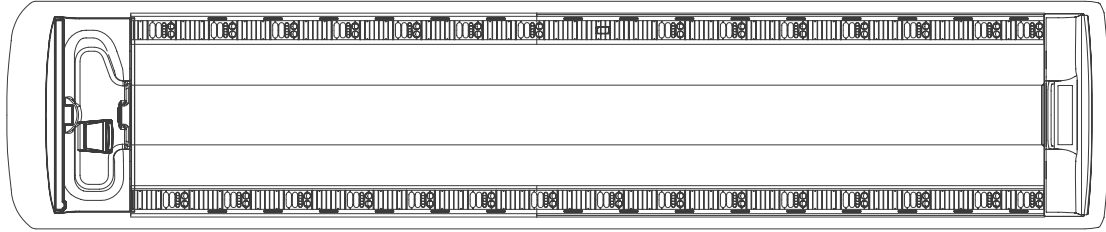
Sym.	Part Number	Part Name	Qty.	R/P	From	Up To	Remarks
1	63113-80150-01	DİREK KAPAĞI COVER PILLAR	9		1	64	
1	63113-90150-02	DİREK KAPAĞI COVER PILLAR	9		65		
2	63113-80046-01	ORTA KAPI KAPLAMASI COVER CENTER DOOR	1		1	64	
2	63113-90046-02	ORTA KAPI KAPLAMASI COVER CENTER DOOR	1		65		
7	TC326692-39	FİTİL MOULDING	1		1		
8	TC326692-31	FİTİL MOULDING	6		1		
11	TC326692-42	FİTİL MOULDING	1				
14	TU344112	KLİP CLIP	AR		1		
16	73108-00050-05	FİTİL MOULDING	AR		1		
18	63113-80100-00	KASA FRAME	AR		1		
19	63122-70128-03	VİDA BAŞLIĞI SCREW CAP	AR		1		
20	MF457583	VİDA SCREW	AR		1		
21	63122-70128-04	VİDA BAŞLIĞI SCREW CAP	AR		1		
24	63113-80010-24	DİREK KAPAĞI COVER PILLAR	1		1	64	
24	63113-90010-25	DİREK KAPAĞI COVER PILLAR	1		65		
29	TC326692-41	FİTİL MOULDING	1		1		
34	TC326692-40	FİTİL MOULDING	1		1	64	
34	TC326692-47	FİTİL MOULDING	1		65		
35	TC326692-43	FİTİL MOULDING	1		1		
41	63117-90027-01	PANEL PANEL	1		1		
42	63117-90027-02	PANEL PANEL	1		1		



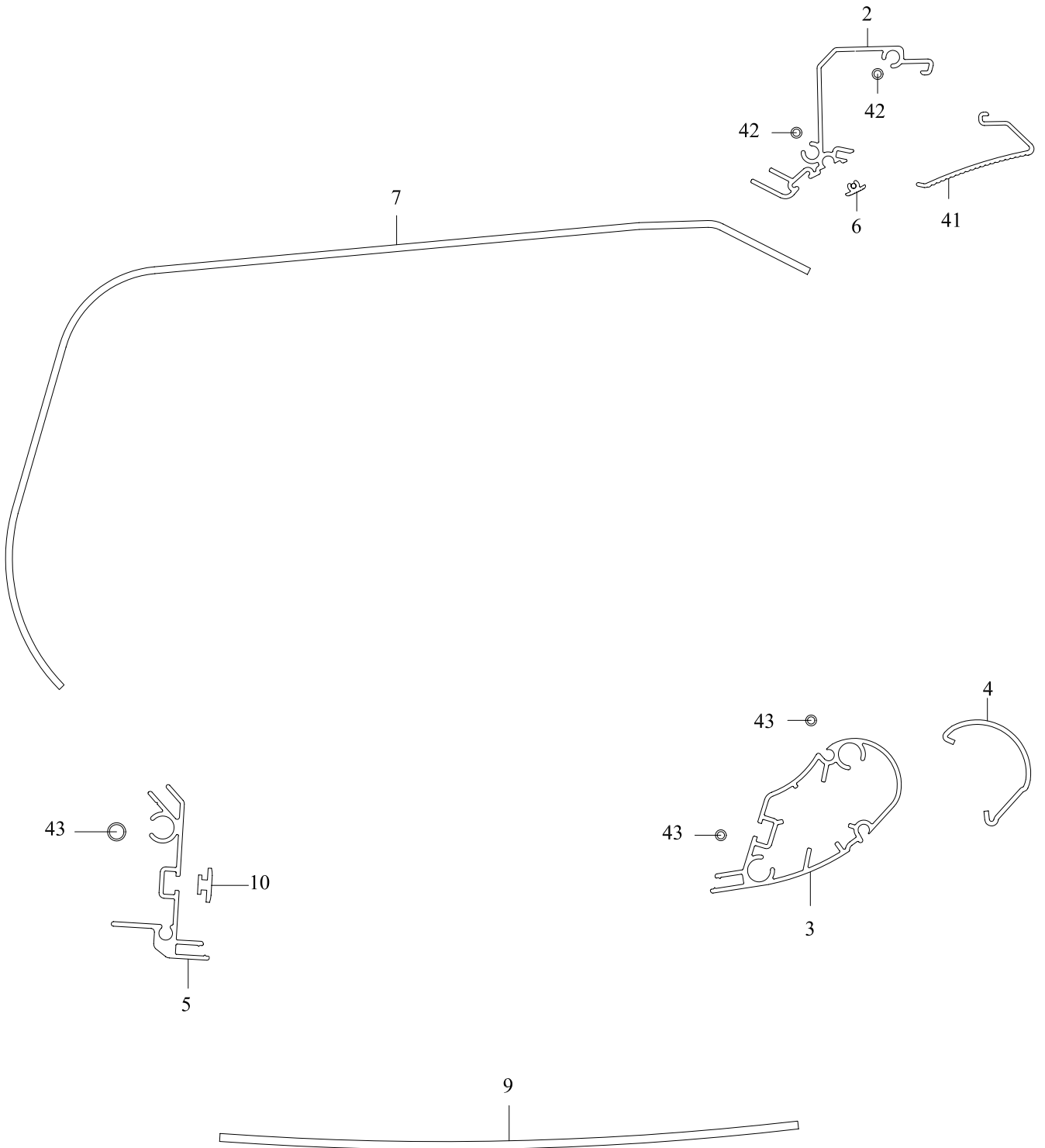


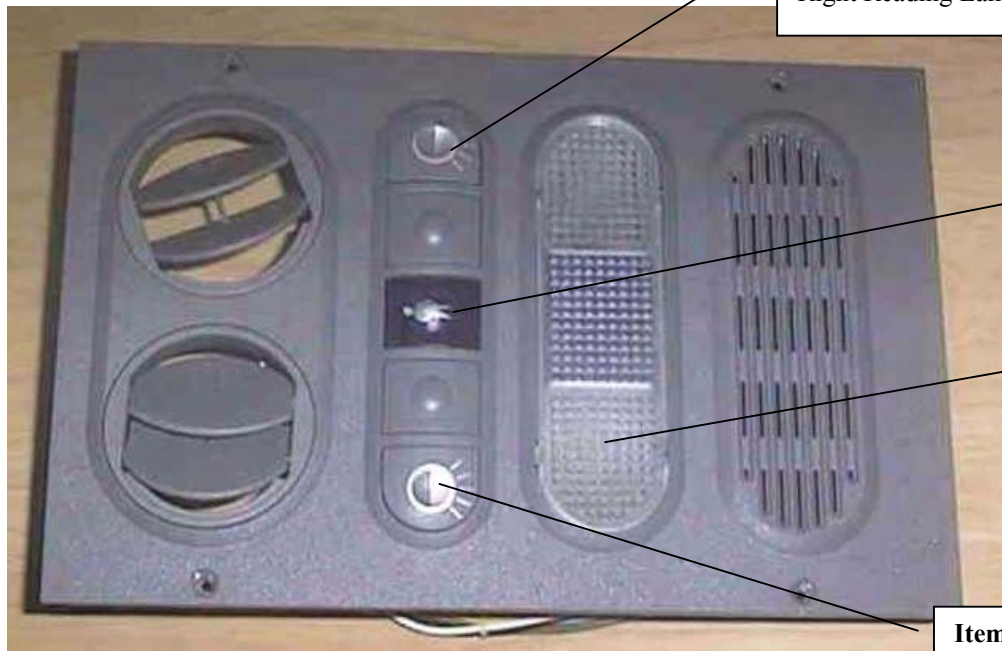
A- BAKIŞI  
VIEW- A











**Item 71: 3210174**  
Right Reading Lamp Button

**Item 72: 3410052**  
Service Lamp Button

**Item 73: 3210004**  
Reading Lamp Glass

**Item 74: 3210175**  
Left Reading Lamp Button



**Item 75 : 3020301**  
Right Reading Lamp Switch

**Item 76 : 3020303**  
Service Lamp Switch

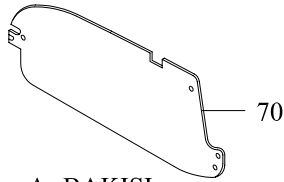
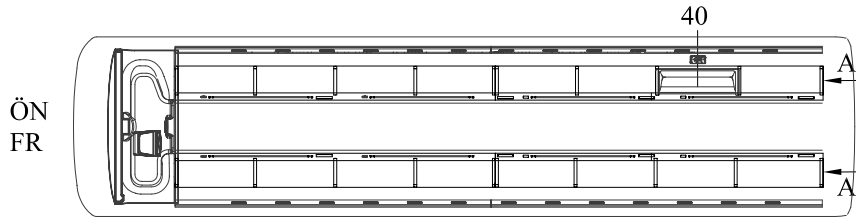
**Item 77 : 3020301**  
Left Reading Lamp Switch

**Item78: 3020110**  
Speaker

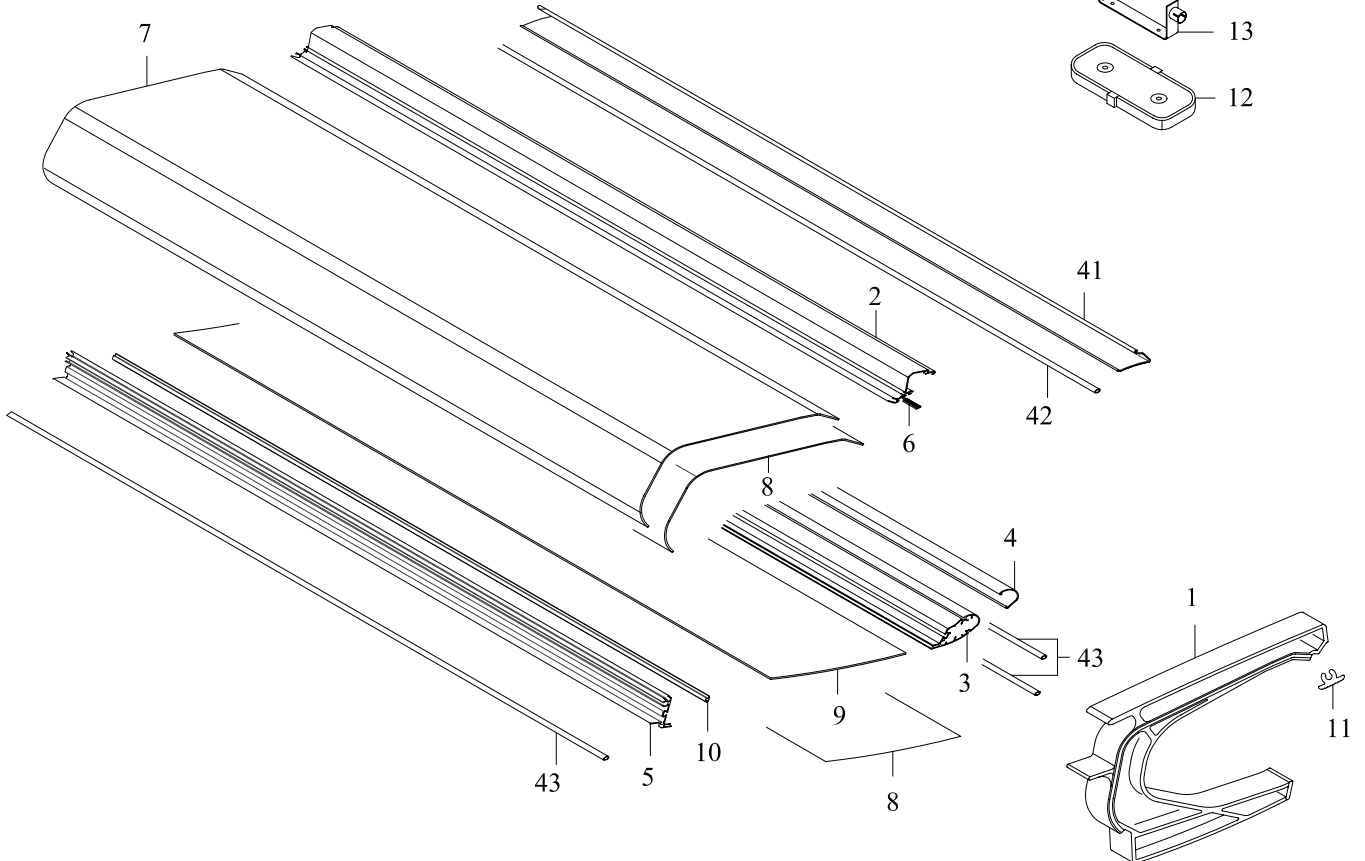
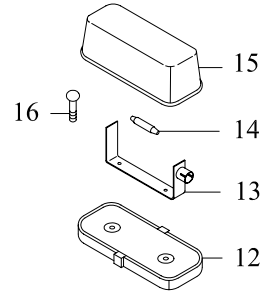
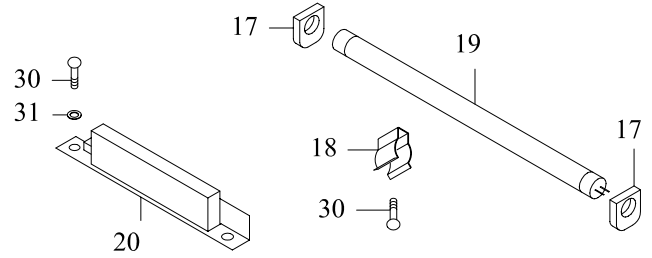
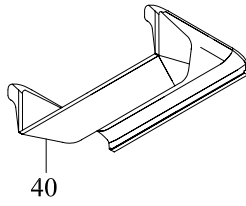
Sym.	Part Number	Part Name	Qty.	R/P	From	Up To	Remarks
1	3450053	RAF BRAKETİ SUPPORT RACK	22		1		
2	5500268	LAMBA PROFİLİ LIGHT PROFILE	4		1		
3	5500261	TRABZAN HAND RAIL	4		1		
4	3300029	TRABZAN HAND RAIL	4		1		
5	5500267	MULTI SET PROFİLİ MULTISET PROFILE	4		1		
6	3300016	LAMBA PROFİLİ LIGHT PROFILE	4		1		
7	3220040	RAF PANELİ İÇ INTERNAL EXTRUSION	4		1		
8	3010079	YÜZEY KAPLAMASI - GRİ INTERNAL FABRİC - GRAY	AR		1	64	
8	3010086	YÜZEY KAPLAMASI- KIRMIZI INTERNAL FABRİC - RED	AR		1	64	
8	3010098	YÜZEY KAPLAMASI - GRİ INTERNAL FABRİC - GRAY	AR		65		
9	3220239	RAF PANELİ İÇ INTERNAL EXTRUSION	4		1		
10	3300038	VİDA KAPAMA PROFİLİ CLOSING SCREW PROFILE	4		1		
11	3300037	FİTİL MOULDING	4		1		
12	3410019	LAMBA KAİDESİ BASE FOR BULB LAMP	8		1		
13	3020151	LAMBA YUVASI BULB LAMP HOLDER	8		1		
14	3060029	AMPUL BULB	8		1		
15	3410002	GECE LAMBASI CAMI NIGHT LIGHT COVERING	8		1		
16	3100083	VİDA SCREW	AR		1	30	
16	MF200027	VİDA SCREW	AR		31		
17	3020132	DUY LIGHT SOCKET	16		1		
18	3100157	LAMBA TUTUCU LAMP HOLDER	16		1		

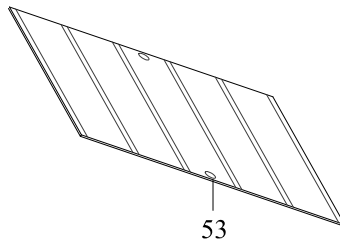
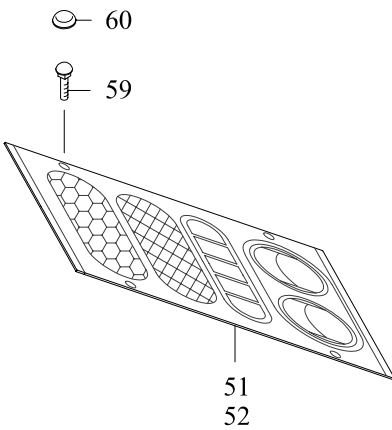
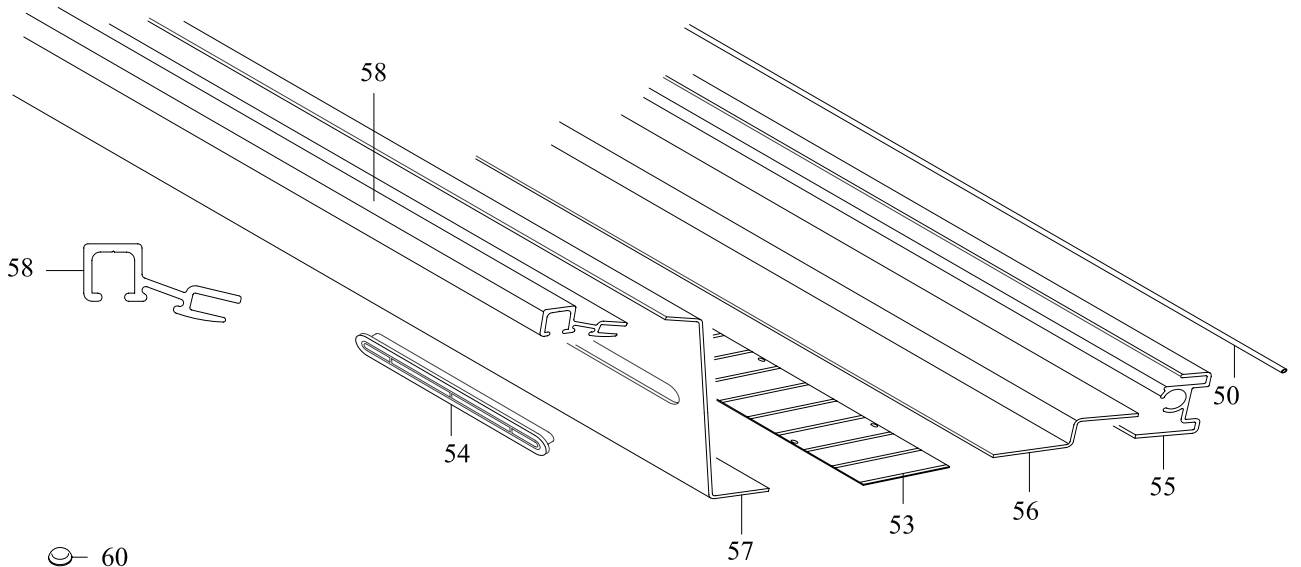
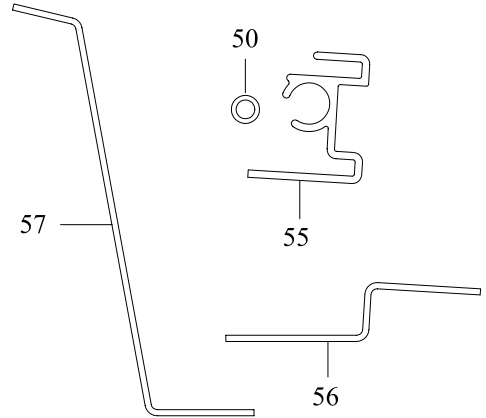
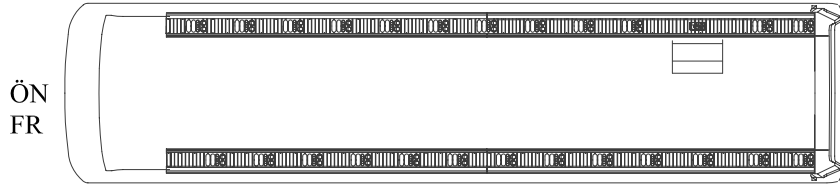
Sym.	Part Number	Part Name	Qty.	R/P	From	Up To	Remarks
19	3060054	FLUORESAN LAMBA 35W FLUORESCENT LAMBA 35W	8		1		
20	4966114	INVERTER INVERTER	8		1		
30	3100082	VİDA SCREW	AR		1	30	
30	MF200155	VİDA SCREW	AR		31		
31	3100019	PUL WASHER	AR		1	30	
31	MF450002	PUL WASHER	AR		31		
40	A70400300-001	KAPI KABİNİ DOOR CABINET	1		1		
41	3420093	LAMBA KAPAĞI LIGHT DIFFUSER	4		1		
42	3550009	MİL PIVOT	4		1		
43	2090036	KLAVUZ MİL PIM	4		1		
50	2090036	KLAVUZ MİL PIM	6		1		
51	4997003	MULTISET-HOPARLÖRSÜZ MULTISET-W.O.SPEAKER	17		1		
52	4997004	MULTISET-HOPARLÖRLÜ MULTISET-W. SPEAKER	12				
53	3210025	ARA PARÇA SPACER	30		1		
54	3450012	HAVA MENFEZİ LOSE AIR	30		1		
55	H50100340-000	HAVA KANALI PROFİLİ AIR CHANNEL PROFILE	4		1		
56	3551445-02	MULTISET LEVHASI MULTISET SHEET	4		1		3551445
57	3551445-01	MULTISET LEVHASI MULTISET SHEET	4		1		3551445
58	5500020	PERDE RAYI CURTAIN PROFILE	4		1		
59	MF457595	VİDA SCREW	AR		1		
60	3210015	VİDA BAŞLIĞI CAP SCREW	AR		1		

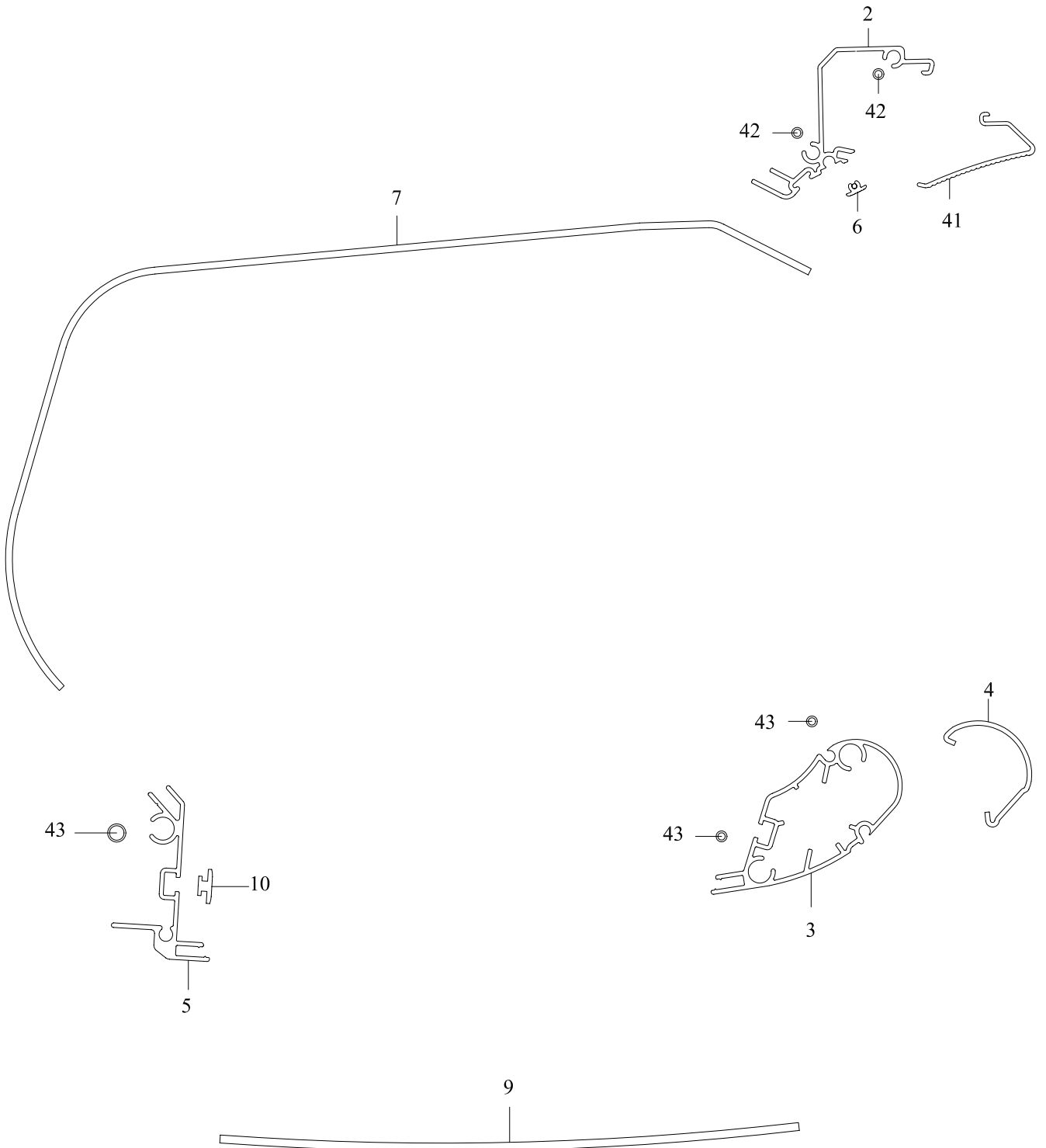




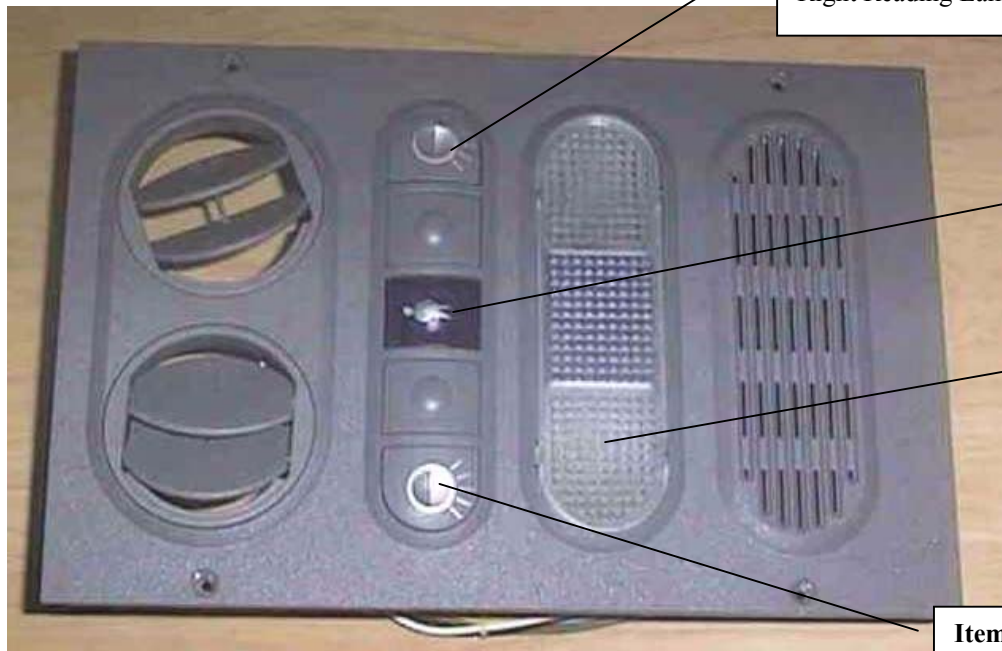
A- BAKIŞI  
VIEW- A











**Item 71: 3210174**  
Right Reading Lamp Button

**Item 72: 3410052**  
Service Lamp Button

**Item 73: 3210004**  
Reading Lamp Glass

**Item 74: 3210175**  
Left Reading Lamp Button



**Item 75 : 3020301**  
Right Reading Lamp Switch

**Item 76 : 3020303**  
Service Lamp Switch

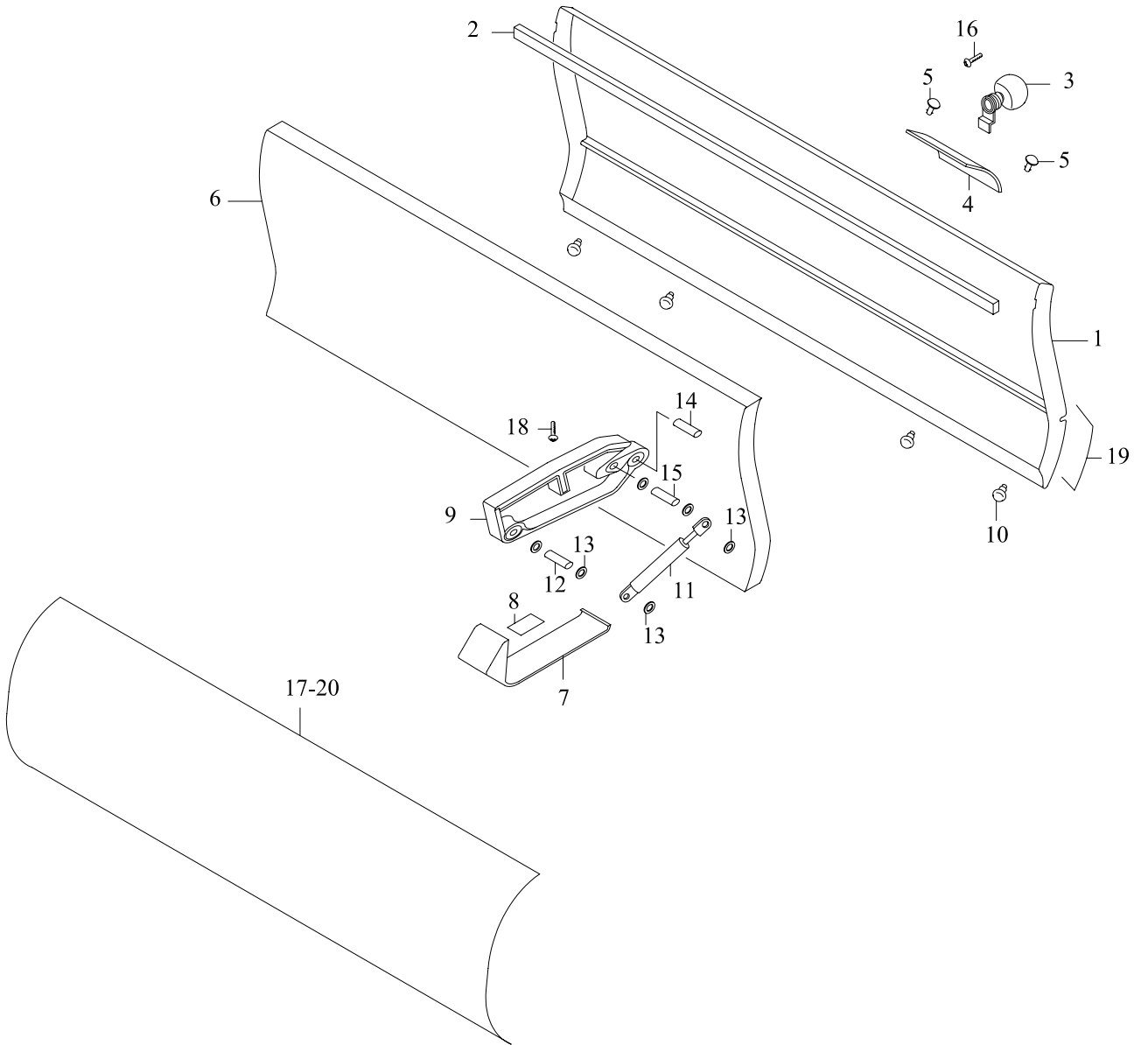
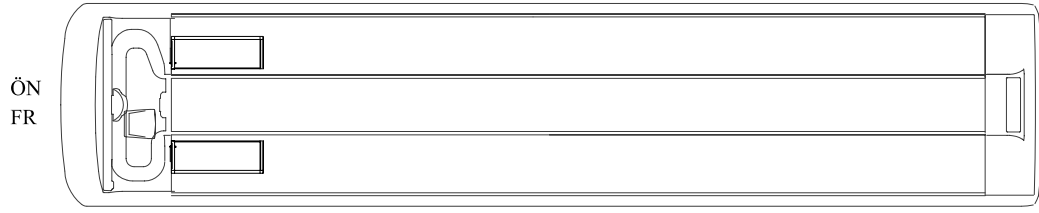
**Item 77 : 3020301**  
Left Reading Lamp Switch

**Item78: 3020110**  
Speaker

Sym.	Part Number	Part Name	Qty.	R/P	From	Up To	Remarks
1	3450053	RAF BRAKETİ SUPPORT RACK	20		1		
2	5500268	LAMBA PROFİLİ LIGHT PROFILE	4		1		
3	5500261	TRABZAN HAND RAIL	4		1		
4	3300029	TRABZAN HAND RAIL	4		1		
5	5500267	MULTI SET PROFİLİ MULTISET PROFILE	4		1		
6	3300016	LAMBA PROFİLİ LIGHT PROFILE	4		1		
7	3220040	RAF PANELİ İÇ INTERNAL EXTRUSION	4		1		
8	3010079	YÜZEY KAPLAMASI - GRİ INTERNAL FABRİC - GRAY	AR		1	64	
8	3010098	YÜZEY KAPLAMASI - GRİ INTERNAL FABRİC - GRAY	AR		65		
8	3010086	YÜZEY KAPLAMASI-KIRMIZI INTERNAL FABRİC - RED	AR		1		
9	3220239	RAF PANELİ İÇ INTERNAL EXTRUSION	4		1		
10	3300038	VİDA KAPAMA PROFİLİ CLOSING SCREW PROFILE	4		1		
11	3300037	FİTİL MOULDING	4		1		
12	3410019	LAMBA KAİDESİ BASE FOR BULB LAMP	8		1		
13	3020151	LAMBA YUVASI BULB LAMP HOLDER	8		1		
14	3060029	AMPUL BULB	8		1		
15	3410002	GECE LAMBASI CAMI NIGHT LIGHT COVERING	8		1		
16	3100083	VİDA SCREW	AR		1	30	
16	MF200027	VİDA SCREW	AR		31		
17	3020132	DUY LIGHT SOCKET	16		1		
18	3100157	LAMBA TUTUCU LAMP HOLDER	16		1		

Sym.	Part Number	Part Name	Qty.	R/P	From	Up To	Remarks
19	3060054	FLUORESAN LAMBA 35W FLUORESCENT LAMBA 35W	8		1		
20	4966114	INVERTER INVERTER	8		1		
30	3100082	VİDA SCREW	AR		1	30	
30	MF200155	VİDA SCREW	AR		31		
31	3100019	PUL WASHER	AR		1	30	
31	MF450002	PUL WASHER	AR		31		
40	A70400300-001	KAPI KABİNİ DOOR CABINET	1		1		
41	3420093	LAMBA KAPAĞI LIGHT DIFFUSER	4		1		
42	3550009	MİL PIVOT	4		1		
43	2090036	KLAVUZ MİL PIM	4		1		
50	2090036	KLAVUZ MİL PIM	6		1		
51	4997003	MULTISET-HOPARLÖRSÜZ MULTISET-W.O.SPEAKER	17		1		
52	4997004	MULTISET-HOPARLÖRLÜ MULTISET-W. SPEAKER	12		1		
53	3210025	ARA PARÇA SPACER	30		1		
54	3450012	HAVA MENFEZİ LOSE AIR	30		1		
55	H50100340-000	HAVA KANALI PROFİLİ AIR CHANNEL PROFILE	4		1		
56	3551445-02	MULTISET LEVHASI MULTISET SHEET	4		1		3551445
57	3551445-01	MULTISET LEVHASI MULTISET SHEET	4		1		3551445
58	5500020	PERDE RAYI CURTAIN PROFILE	4		1		
59	MF457595	VİDA SCREW	AR		1		
60	3210015	VİDA BAŞLIĞI CAP SCREW	AR		1		

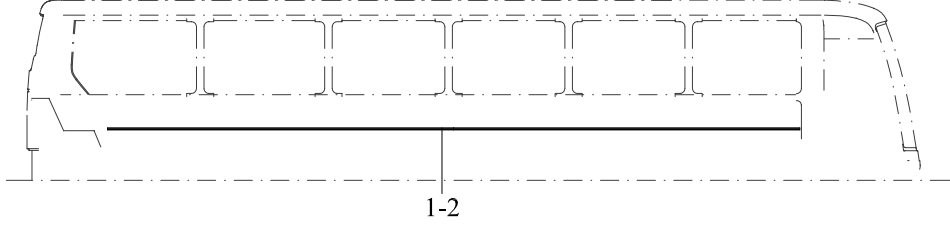




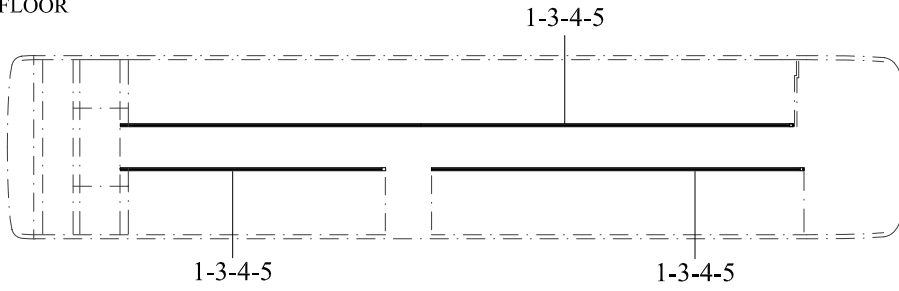
Sym.	Part Number	Part Name	Qty.	R/P	From	Up To	Remarks
1	3210084	RAF KAPAĞI RACK LID	2		1		
2	2090001	KANAT PROFİLİ FLAPS PROFILE	2		1		
3	3100034	KİLİT KOMPLE LOCK ASSY	2		1		
4	3550402	PLAKA PLATE	4		1	30	
5	3100210	VİDA BAŞLIĞI CAP	4		1	30	
6	3550509	KAPAK İÇ PANELİ INTERNAL SHEET	2		1		
7	3210125	AMORTİSÖR KAPAĞI PISTON COVER	2		1		
8	3500008	ARA PARÇA DUOTECH	4	O	1	30	ELLAMP
8	TU205100	ARA PARÇA DUOTECH	4		31		
9	3450038	PİSTON DESTEĞİ PISTON SUPPORT	2		1		
10	3140015	STOPLAYICI STOPPER	8		1		
11	3100191	AMORTİSÖR GAS SPRING	4		1		
12	3550361	MİL PIVOT	4		1		
13	3100173	SEGMAN SEIGER	12		1		
14	3550006	MİL PIVOT	4		1		
15	3551028	MİL PIVOT	4		1		
16	3100043	VİDA SCREW	AR	O	1	30	ELLAMP
16	TF453003	VİDA SCREW	AR		31		
17	3551443	KAPLAMA PANELİ FLAP CLOSING	1		1	30	
17	63314-90017-01	KAPLAMA PANELİ FLAP CLOSING	1	O	31		ELLAMP
18	3100057	VİDA SCREW	AR		1	30	



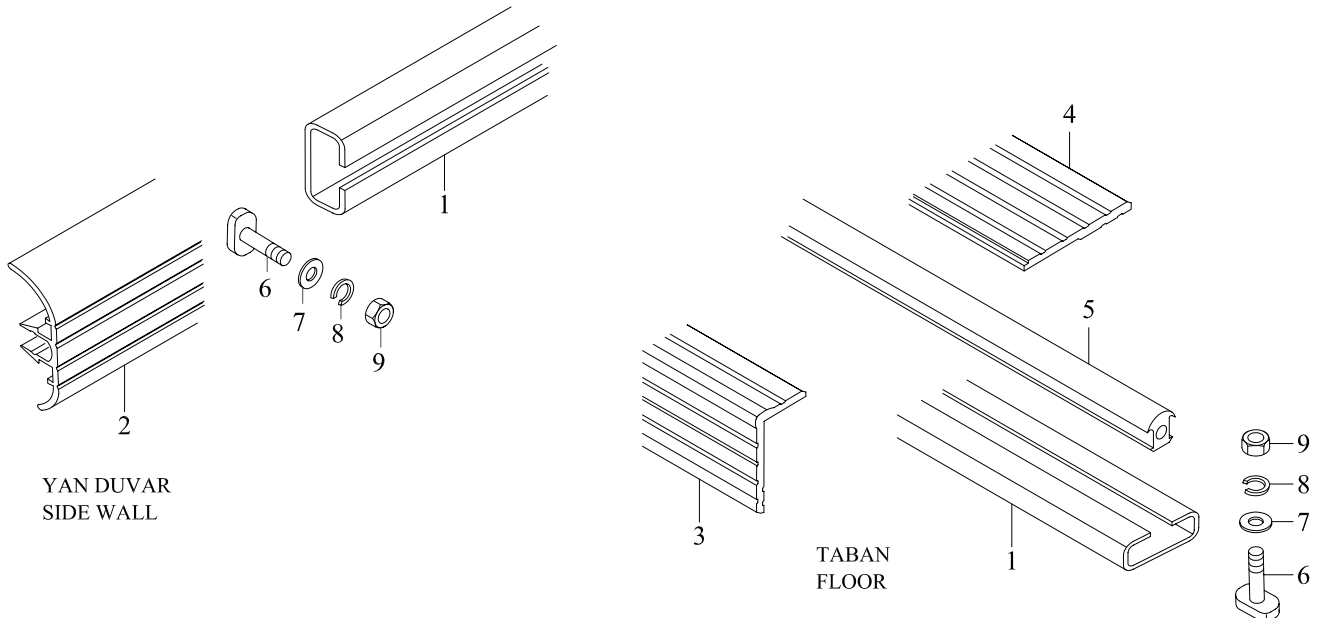
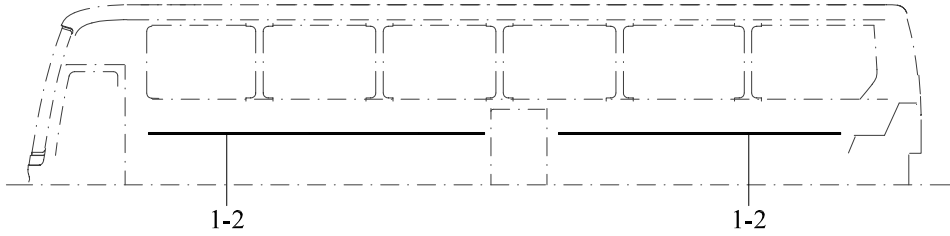
SOL İÇ GÖRÜNÜŞ  
INSIDE LH



TABAN  
FLOOR



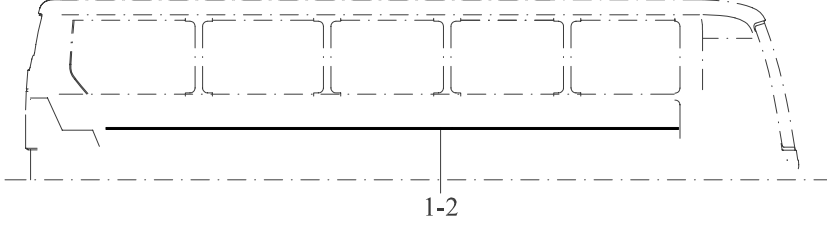
SAĞ İÇ GÖRÜNÜŞ  
INSIDE RH



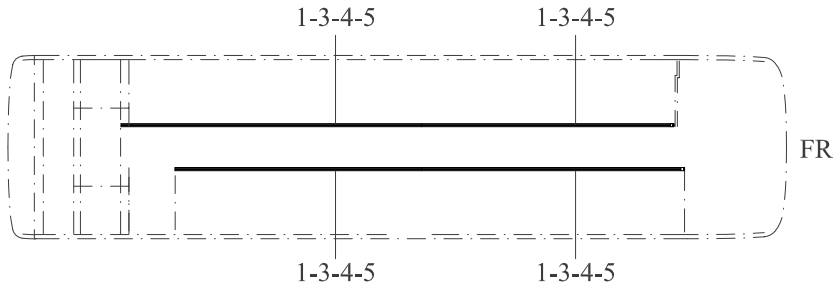




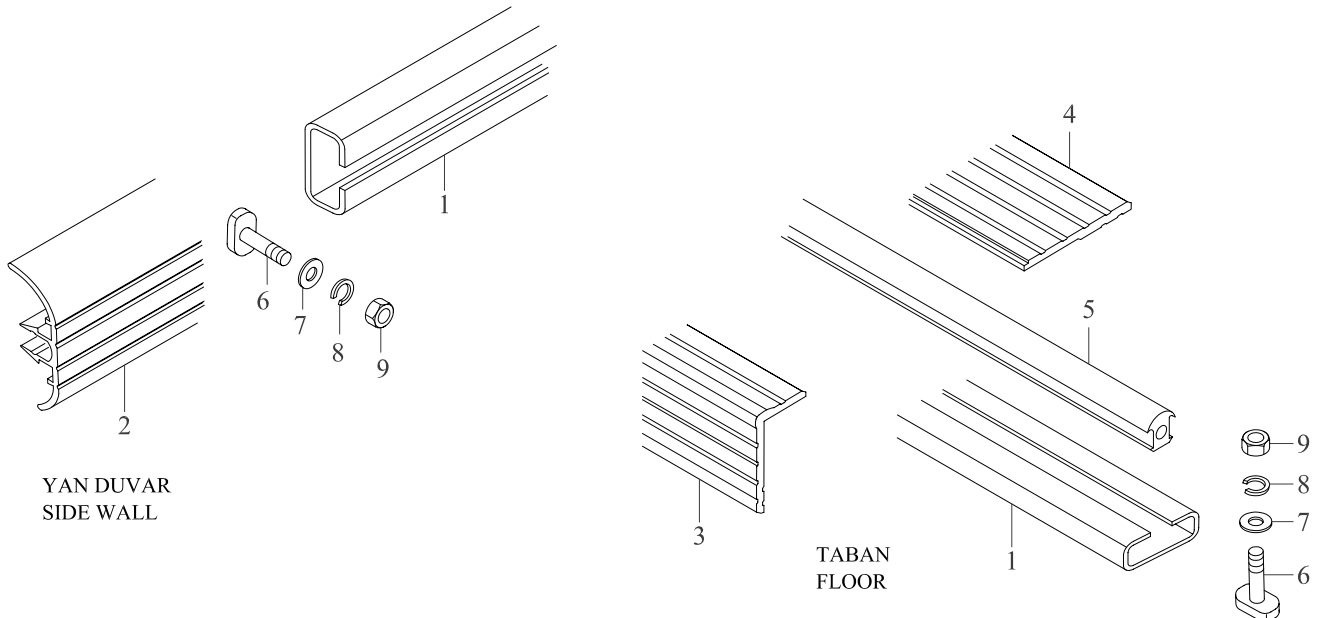
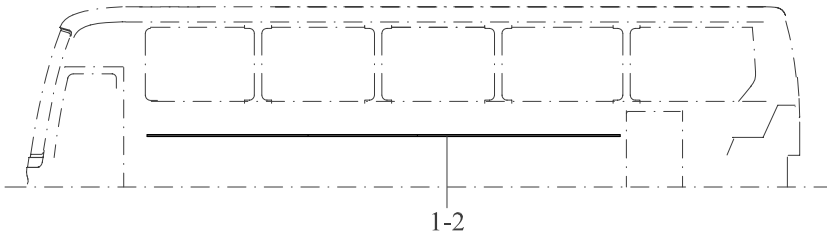
SOL İÇ GÖRÜNÜŞ  
INSIDE LH



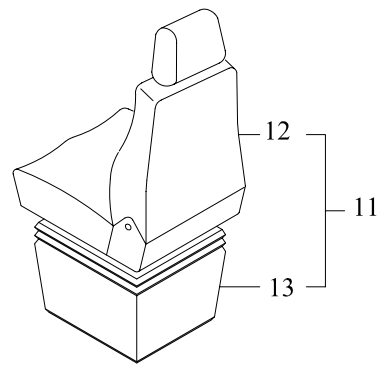
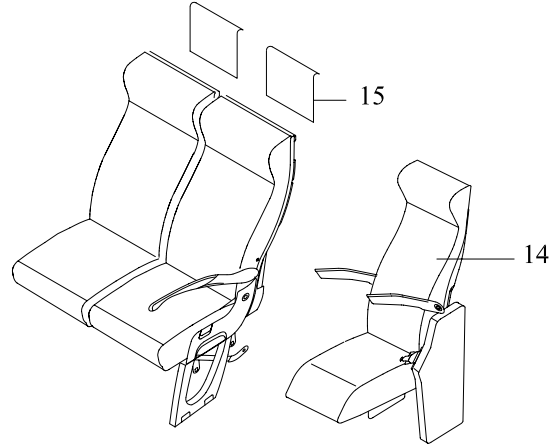
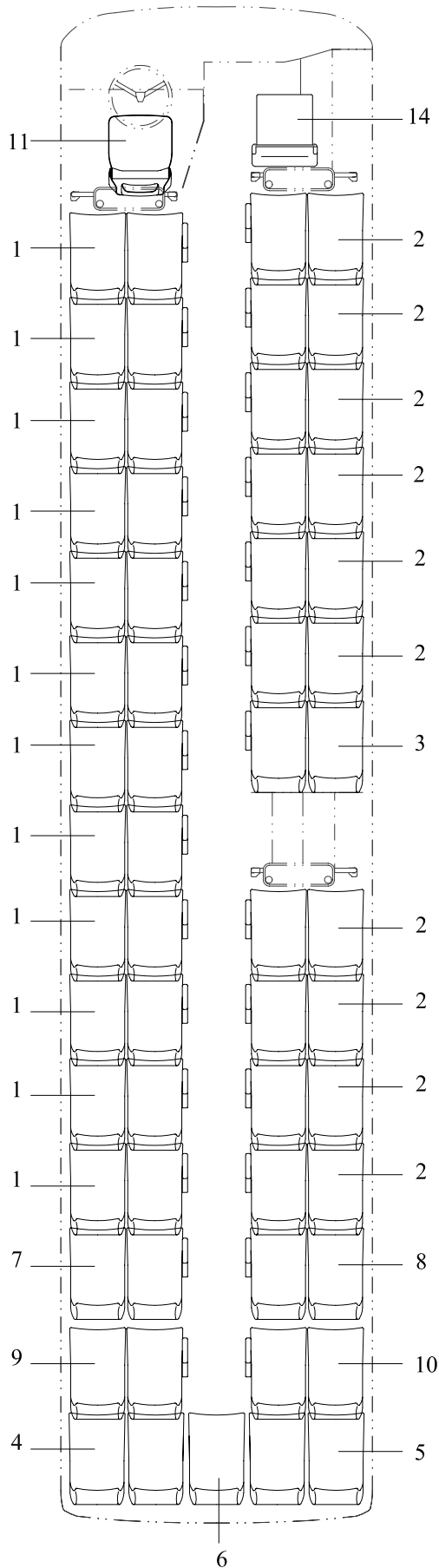
TABAN  
FLOOR



SAĞ İÇ GÖRÜNÜŞ  
INSIDE RH







TYPE OF SEAT

OPTIONS	TYPE A	TYPE B	TYPE C	TYPE D	TYPE E	TYPE F	TYPE G	TYPE H	TYPE I	TYPE J
SERVICE TRAY	-	-	-	-	+	-	-	+	+	+
AISLE HANDLE	-	-	-	-	-	-	-	-	-	-
ASH TRAY	-	-	-	-	+	-	-	-	+	-
SLIDING MECH.	-	+	-	+	+	-	-	-	+	+
FOOTREST BRACKET WITHOUT STEP	-	+	+	-	-	-	-	-	-	-
FOOTREST ASSY WITHOUT STEP	-	-	-	-	+	-	+	+	-	-
FOOTREST BRACKET WITH STEP	-	-	-	-	-	+	-	-	-	-
FOOTREST ASSY WITH STEP	-	-	-	+	-	-	-	-	-	+

Sym.	Part Number	Part Name	Qty.	R/P	From	Up To	Remarks
1	65119-90016-01	KOLTUK SOL SEAT LH	12		1		TYPE A
1	65119-90016-011	KOLTUK SOL SEAT LH	12		1		TYPE B
1	65119-90016-012	KOLTUK SOL SEAT LH	12		1		TYPE C
1	65119-90016-013	KOLTUK SOL SEAT LH	12		1		TYPE D
1	65119-90016-014	KOLTUK SOL SEAT LH	12		1		TYPE E
1	65119-90016-015	KOLTUK SOL SEAT LH	12		1		TYPE F
1	65119-90016-016	KOLTUK SOL SEAT LH	12		1		TYPE G
1	65119-90016-017	KOLTUK SOL SEAT LH	12		1		TYPE H
1	65119-90016-018	KOLTUK SOL SEAT LH	12		1		TYPE I
1	65119-90016-019	KOLTUK SOL SEAT LH	12		1		TYPE J
1	65119-90016-100	KOLTUK SOL SEAT LH	12		1		TYPE K
2	65119-90016-02	KOLTUK SAĞ SEAT RH	10		1		TYPE A
2	65119-90016-021	KOLTUK SAĞ SEAT RH	10		1		TYPE B
2	65119-90016-022	KOLTUK SAĞ SEAT RH	10		1		TYPE C
2	65119-90016-023	KOLTUK SAĞ SEAT RH	10		1		TYPE D
2	65119-90016-024	KOLTUK SAĞ SEAT RH	10		1		TYPE E
2	65119-90016-025	KOLTUK SAĞ SEAT RH	10		1		TYPE F
2	65119-90016-026	KOLTUK SAĞ SEAT RH	10		1		TYPE G
2	65119-90016-027	KOLTUK SAĞ SEAT RH	10		1		TYPE H
2	65119-90016-028	KOLTUK SAĞ SEAT RH	10		1		TYPE I
2	65119-90016-029	KOLTUK SAĞ SEAT RH	10		1		TYPE J

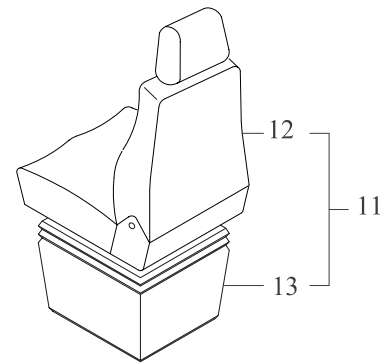
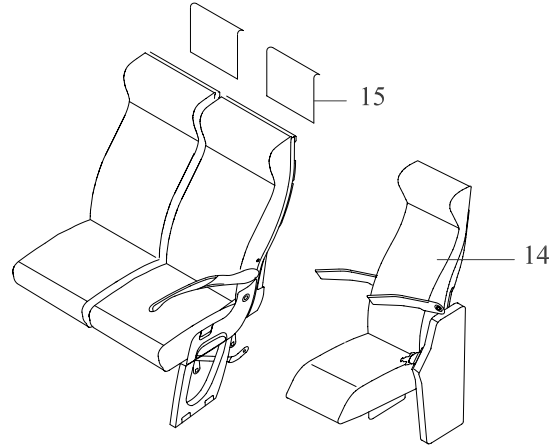
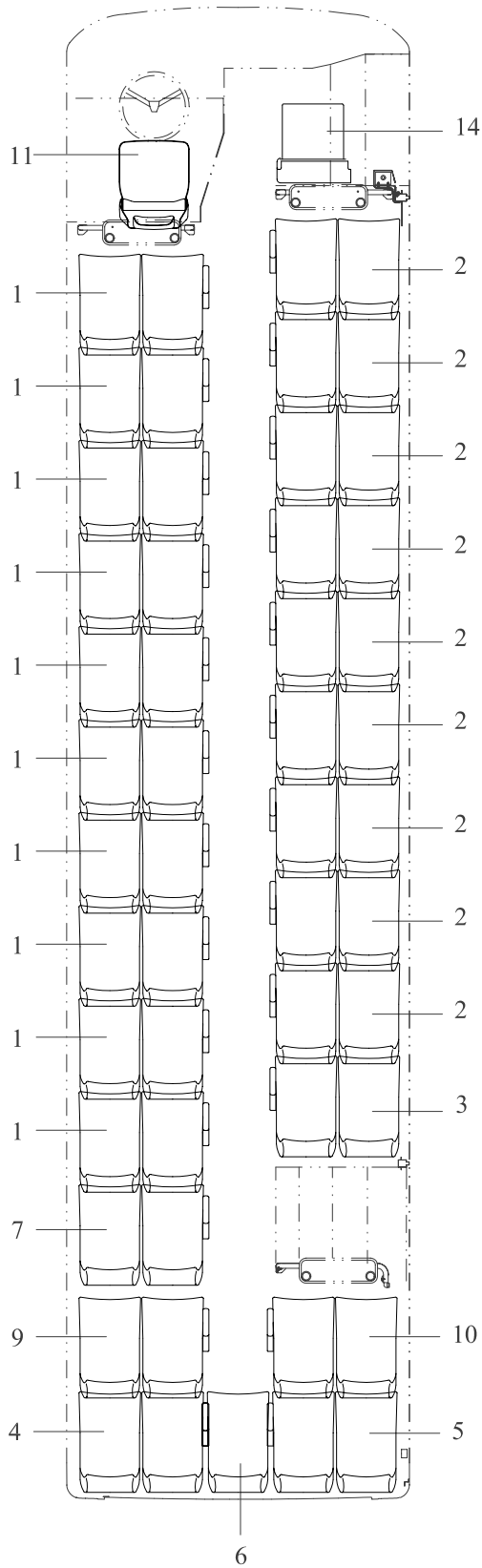
MS762RL

Sym.	Part Number	Part Name	Qty.	R/P	From	Up To	Remarks
2	65119-90016-200	KOLTUK SAĞ SEAT RH	10		1		TYPE K
3	65119-90016-03	KOLTUK SAĞ SEAT RH	1		1		TYPE A-C-F-G-H
3	65119-90016-031	KOLTUK SAĞ SEAT RH	1		1		TYPE B
3	65119-90016-033	KOLTUK SAĞ SEAT RH	1		1		TYPE D
3	65119-90016-034	KOLTUK SAĞ SEAT RH	1		1		TYPE E
3	65119-90016-038	KOLTUK SAĞ SEAT RH	1		1		TYPE I
3	65119-90016-039	KOLTUK SAĞ SEAT RH	1		1		TYPE J
3	65119-90016-300	KOLTUK SAĞ SEAT RH	1		1		TYPE K
4	65119-90017-01	EN ARKA KOLTUK SOL REAR END SEAT LH	1		1		ALL TYPE
5	65119-90017-02	EN ARKA KOLTUK SAĞ REAR END SEAT RH	1		1		ALL TYPE
6	65119-90017-03	EN ARKA KOLTUK ORTA REAR SEAT CENTER	1		1		ALL TYPE
7	65119-90056-01	KOLTUK SOL SEAT LH	1		1		TYPE A-C-F-G-H
7	65119-90056-011	KOLTUK SOL SEAT LH	1		1		TYPE B
7	65119-90056-013	KOLTUK SOL SEAT LH	1		1		TYPE D
7	65119-90056-014	KOLTUK SOL SEAT LH	1		1		TYPE E
7	65119-90056-017	KOLTUK SOL SEAT LH	1		1		TYPE H
7	65119-90056-018	KOLTUK SOL SEAT LH	1		1		TYPE I
7	65119-90056-019	KOLTUK SOL SEAT LH	1		1		TYPE J
7	65119-90056-100	KOLTUK SOL SEAT LH	1		1		TYPE K
8	65119-90056-02	KOLTUK SAĞ SEAT RH	1		1		TYPE A-C-F-G-H
8	65119-90056-021	KOLTUK SAĞ SEAT RH	1		1		TYPE B

Sym.	Part Number	Part Name	Qty.	R/P	From	Up To	Remarks
8	65119-90056-023	KOLTUK SAĞ SEAT RH	1		1		TYPE D
8	65119-90056-024	KOLTUK SAĞ SEAT RH	1		1		TYPE E
8	65119-90056-027	KOLTUK SAĞ SEAT RH	1		1		TYPE H
8	65119-90056-028	KOLTUK SAĞ SEAT RH	1		1		TYPE I
8	65119-90056-029	KOLTUK SAĞ SEAT RH	1		1		TYPE J
8	65119-90056-200	KOLTUK SAĞ SEAT RH	1		1		TYPE K
9	65119-90066-01	KOLTUK SOL SEAT LH	1		1		TYPE A
9	65119-90066-011	KOLTUK SOL SEAT LH	1		1		TYPE B
9	65119-90066-012	KOLTUK SOL SEAT LH	1		1		TYPE C
9	65119-90066-013	KOLTUK SOL SEAT LH	1		1		TYPE D
9	65119-90066-014	KOLTUK SOL SEAT LH	1		1		TYPE E
9	65119-90066-015	KOLTUK SOL SEAT LH	1		1		TYPE F
9	65119-90066-016	KOLTUK SOL SEAT LH	1		1		TYPE G
9	65119-90066-017	KOLTUK SOL SEAT LH	1		1		TYPE H
9	65119-90066-018	KOLTUK SOL SEAT LH	1		1		TYPE I
9	65119-90066-019	KOLTUK SOL SEAT LH	1		1		TYPE J
9	65119-90066-100	KOLTUK SOL SEAT LH	1		1		TYPE K
10	65119-90066-02	KOLTUK SAĞ SEAT RH	1		1		TYPE A
10	65119-90066-021	KOLTUK SAĞ SEAT RH	1		1		TYPE B
10	65119-90066-022	KOLTUK SAĞ SEAT RH	1		1		TYPE C
10	65119-90066-023	KOLTUK SAĞ SEAT RH	1		1		TYPE D







TYPE OF SEAT

OPTIONS	TYPE A	TYPE B	TYPE C	TYPE D	TYPE E	TYPE F	TYPE G	TYPE H	TYPE I	TYPE J
SERVICE TRAY	-	-	-	-	+	-	-	+	+	+
AISLE HANDLE	-	-	-	-	-	-	-	-	-	-
ASH TRAY	-	-	-	-	+	-	-	-	+	-
SLIDING MECH.	-	+	-	+	+	-	-	-	+	+
FOOTREST BRACKET WITHOUT STEP	-	+	+	-	-	-	-	-	-	-
FOOTREST ASSY WITHOUT STEP	-	-	-	-	+	-	+	+	-	-
FOOTREST BRACKET WITH STEP	-	-	-	-	-	+	-	-	-	-
FOOTREST ASSY WITH STEP	-	-	-	+	-	-	-	-	-	+

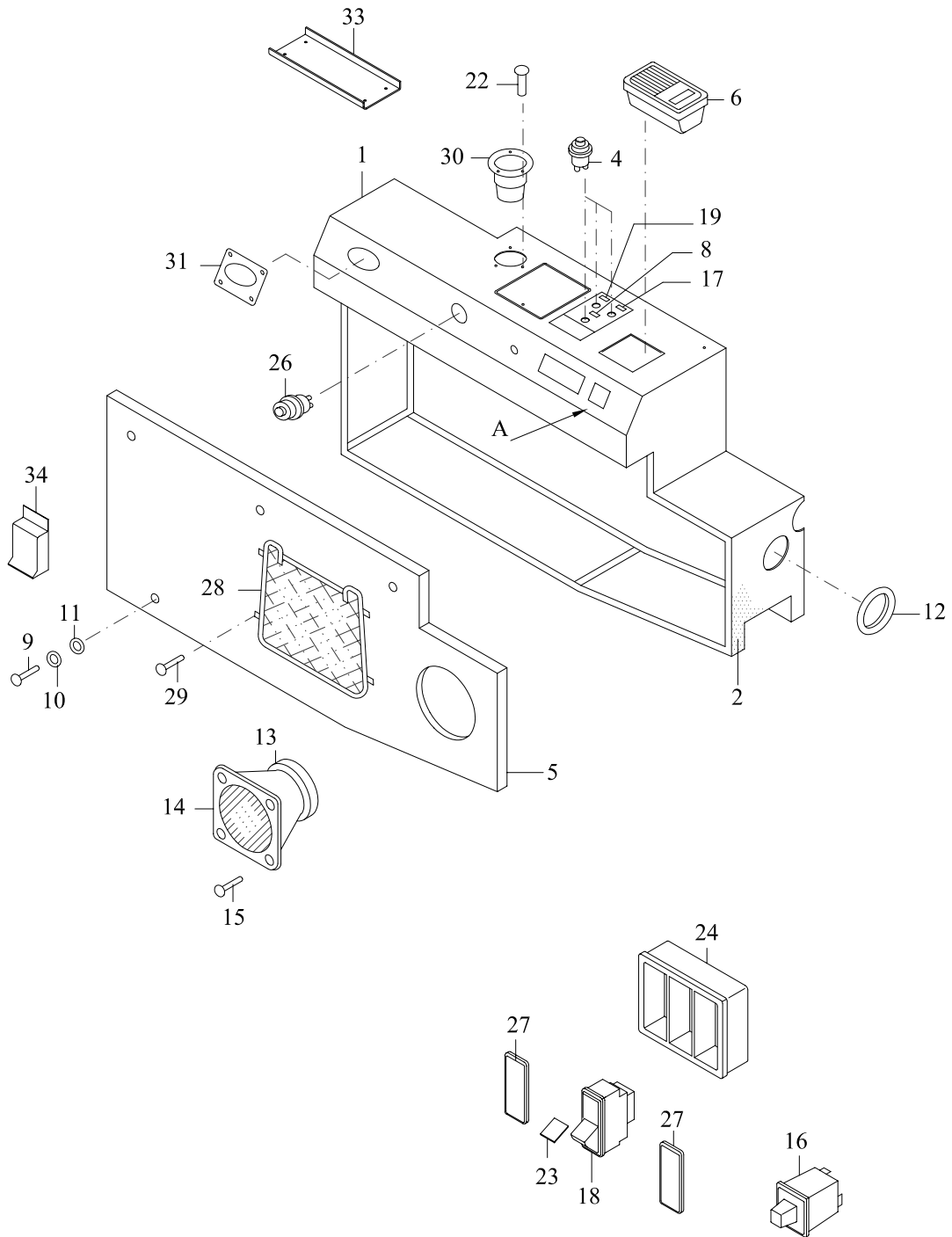
MS762ML

Sym.	Part Number	Part Name	Qty.	R/P	From	Up To	Remarks
1	65119-90016-01	KOLTUK SOL SEAT LH	10		1		TYPE A
1	65119-90016-011	KOLTUK SOL SEAT LH	10		1		TYPE B
1	65119-90016-012	KOLTUK SOL SEAT LH	10		1		TYPE C
1	65119-90016-013	KOLTUK SOL SEAT LH	10		1		TYPE D
1	65119-90016-014	KOLTUK SOL SEAT LH	10		1		TYPE E
1	65119-90016-015	KOLTUK SOL SEAT LH	10		1		TYPE F
1	65119-90016-016	KOLTUK SOL SEAT LH	10		1		TYPE G
1	65119-90016-017	KOLTUK SOL SEAT LH	10		1		TYPE H
1	65119-90016-018	KOLTUK SOL SEAT LH	10		1		TYPE I
1	65119-90016-019	KOLTUK SOL SEAT LH	10		1		TYPE J
2	65119-90016-02	KOLTUK SAĞ SEAT RH	9		1		TYPE A
2	65119-90016-021	KOLTUK SAĞ SEAT RH	9		1		TYPE B
2	65119-90016-022	KOLTUK SAĞ SEAT RH	9		1		TYPE C
2	65119-90016-023	KOLTUK SAĞ SEAT RH	9		1		TYPE D
2	65119-90016-024	KOLTUK SAĞ SEAT RH	9		1		TYPE E
2	65119-90016-025	KOLTUK SAĞ SEAT RH	9		1		TYPE F
2	65119-90016-026	KOLTUK SAĞ SEAT RH	9		1		TYPE G
2	65119-90016-027	KOLTUK SAĞ SEAT RH	9		1		TYPE H
2	65119-90016-028	KOLTUK SAĞ SEAT RH	9		1		TYPE I
2	65119-90016-029	KOLTUK SAĞ SEAT RH	9		1		TYPE J
3	65119-90016-03	KOLTUK SAĞ SEAT RH	1		1		TYPE A-C-F-G-H

MS762ML

Sym.	Part Number	Part Name	Qty.	R/P	From	Up To	Remarks
3	65119-90016-031	KOLTUK SAĞ SEAT RH	1		1		TYPE B
3	65119-90016-033	KOLTUK SAĞ SEAT RH	1		1		TYPE D
3	65119-90016-034	KOLTUK SAĞ SEAT RH	1		1		TYPE E
3	65119-90016-038	KOLTUK SAĞ SEAT RH	1		1		TYPE I
3	65119-90016-039	KOLTUK SAĞ SEAT RH	1		1		TYPE J
4	65119-90017-01	EN ARKA KOLTUK SOL REAR END SEAT LH	1		1		ALL TYPE
5	65119-90017-02	EN ARKA KOLTUK SAĞ REAR END SEAT RH	1		1		ALL TYPE
6	65119-90017-03	EN ARKA KOLTUK ORTA REAR SEAT CENTER	1		1		ALL TYPE
7	65119-90056-01	KOLTUK SOL SEAT LH	1		1		TYPE A-C-F-G-H
7	65119-90056-011	KOLTUK SOL SEAT LH	1		1		TYPE B
7	65119-90056-013	KOLTUK SOL SEAT LH	1		1		TYPE D
7	65119-90056-014	KOLTUK SOL SEAT LH	1		1		TYPE E
7	65119-90056-017	KOLTUK SOL SEAT LH	1		1		TYPE H
7	65119-90056-018	KOLTUK SOL SEAT LH	1		1		TYPE I
7	65119-90056-019	KOLTUK SOL SEAT LH	1		1		TYPE J
9	65119-90066-01	KOLTUK SOL SEAT LH	1		1		TYPE A
9	65119-90066-011	KOLTUK SOL SEAT LH	1		1		TYPE B
9	65119-90066-012	KOLTUK SOL SEAT LH	1		1		TYPE C
9	65119-90066-013	KOLTUK SOL SEAT LH	1		1		TYPE D
9	65119-90066-014	KOLTUK SOL SEAT LH	1		1		TYPE E
9	65119-90066-015	KOLTUK SOL SEAT LH	1		1		TYPE F

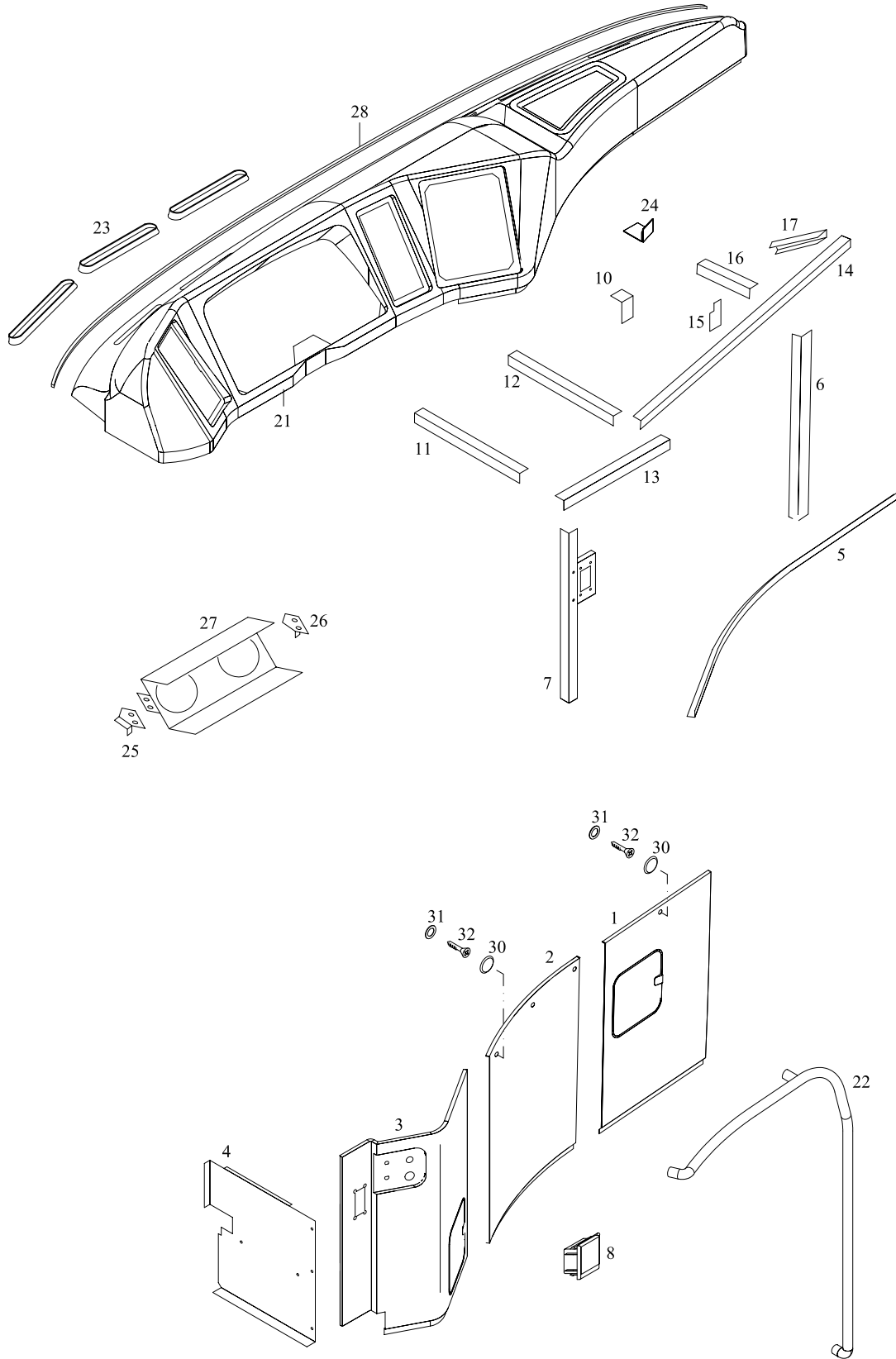




A- BAKIŞI  
VIEW - A

Sym.	Part Number	Part Name	Qty.	R/P	From	Up To	Remarks
1	64103-90026-72	KUTU BOX	1		1	4	
1	64103-90026-73	KUTU BOX	1		5		
2	TES40451-03	SUNİ DERİ LEATHER	AR		1		
4	64317-60100-10	BUTON BUTTON	3		1		
5	64103-91010-70	KAPAK LID	1		1		
6	65119-60060-40	KÜLLÜK ASH TRAY	1		1		
8	64103-90982-28	ETİKET LABEL	1		1		
9	TF200057	CIVATA BOLT	AR		1		
10	MF450403	RONDELA WASHER SPRING	AR		1		
11	MF450192	PUL WASHER PLAIN	AR		1		
12	MA275667	GROMET GROMMET	1		1		
13	MC857394	HOPARLÖR SPEAKER	1		1		
14	64103-31430-39	HOPARLÖR KAPAĞI COVER SPEAKER	1		1		
15	TC242892	VİDA SCREW	AR		1		
16	63336-70049-70	DIŞ AYNA SIVİCİ SWITCH MIRROR OUTSIDE	1		1		
17	64103-90982-50	ETİKET LABEL	1		1		
18	511018	SIVİÇ SWITCH	1		1	4	
19	64103-90982-27	ETİKET LABEL	1		1		
22	TF457583	VİDA SCREW	AR		1		
23	596651	ETİKET- KORİDOR LAMBASI INSERT - AISLE LAMP	1		1	4	
24	595502	ÇERÇEVE MOUNTING FRAME	1		1	4	

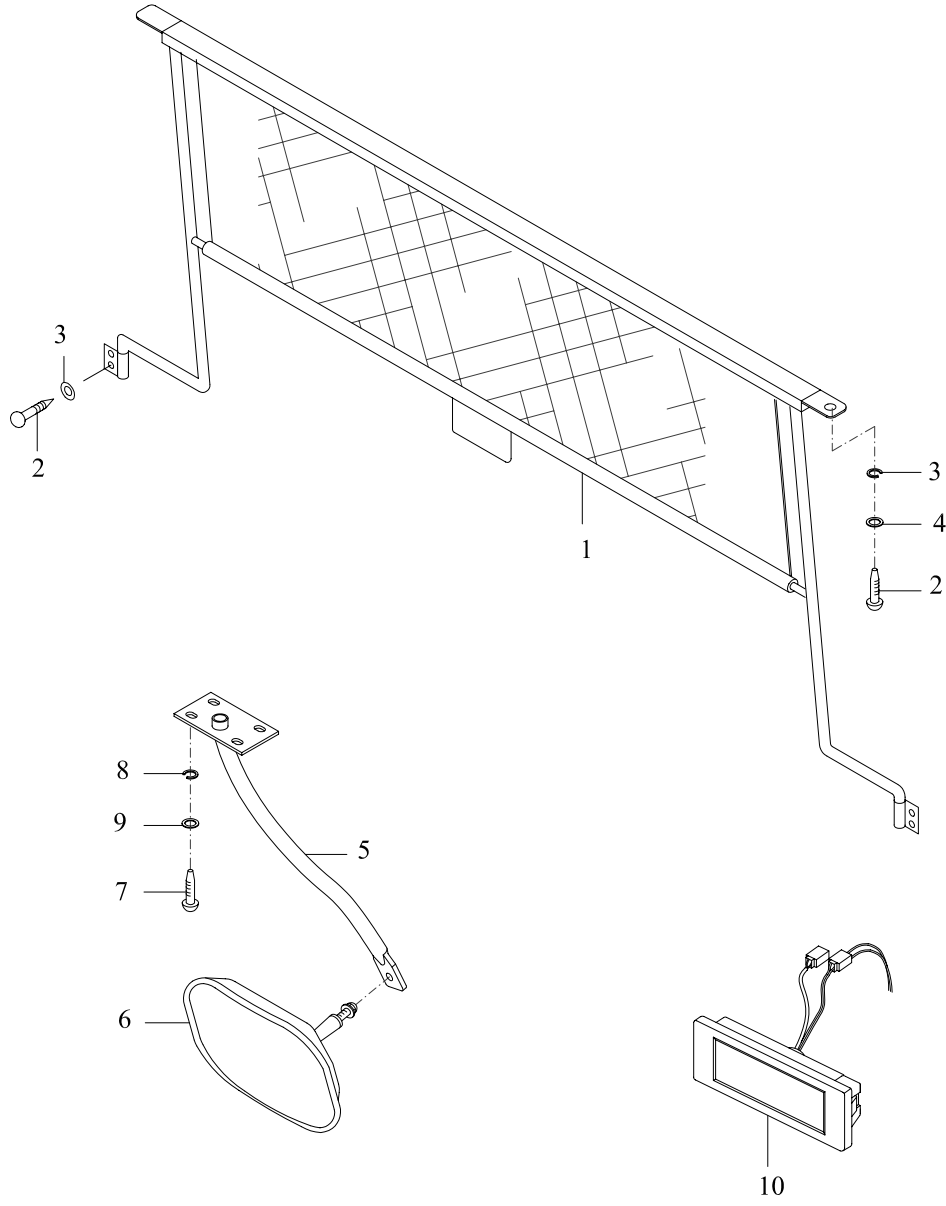






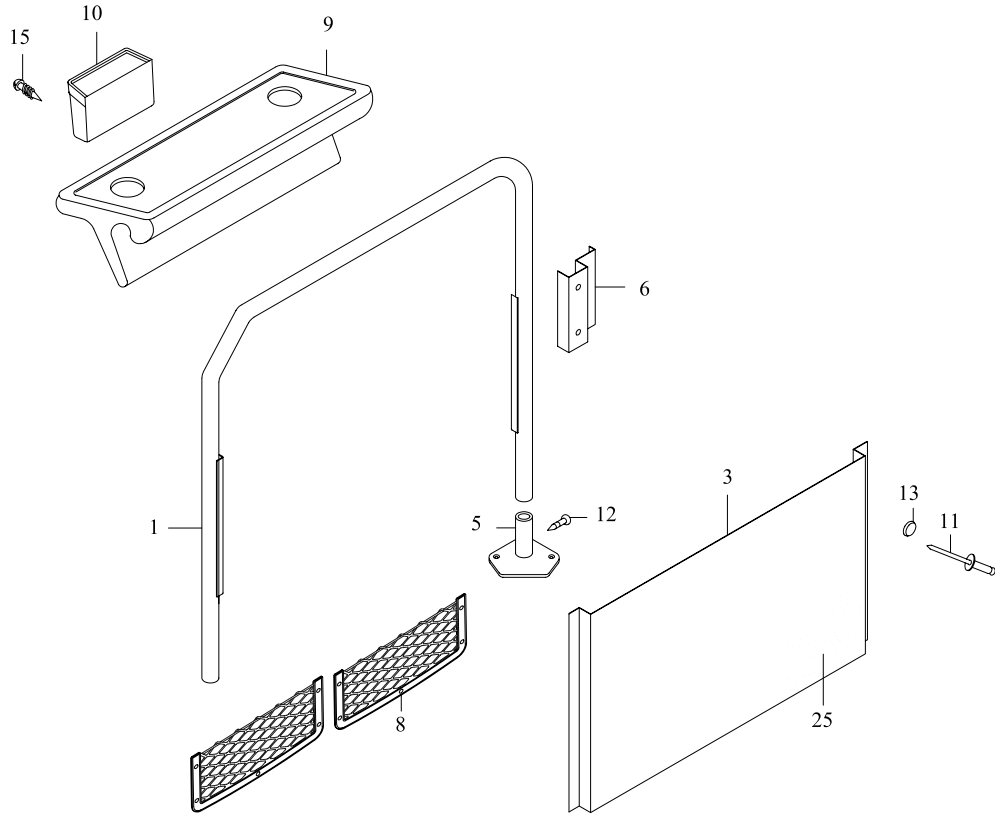
Sym.	Part Number	Part Name	Qty.	R/P	From	Up To	Remarks
1	64163-70520-70	KAPAK LID	1		1	4	
1	64163-90520-70	KAPAK LID	1		5		
2	64163-70530-70	KAPAK LID	1		1	94	
2	64163-90530-71	KAPAK LID	1		95		
3	64163-90540-70	KAPAK LID	1		1	94	
3	64163-90540-71	KAPAK LID	1		95		
4	64163-70580-70	KAPAK LID	1		1		
5	64163-70570-06	L-PLAKA PLATE-L	1		1		
6	64163-70570-02B	L-PLAKA PLATE-L	1		1		
7	64163-70570-70	L-PLAKA PLATE-L	1		1	4	
7	64163-70570-71	L-PLAKA PLATE-L	1		5		
8	64163-90570-03	KÜLLÜK ASH TRAY	1		1		
10	64163-70560-78	L-PLAKA PLATE-L	1		1		
11	62017-70840-70	L-PLAKA PLATE-L	1		1	4	
11	64163-70560-71	L-PLAKA PLATE-L	1		5		
12	TC335074	L-PLAKA PLATE-L	1		1	4	
12	64163-70560-73B	L-PLAKA PLATE-L	1		5		
13	TC335075	L-PLAKA PLATE-L	1		1	4	
13	64163-70560-72B	L-PLAKA PLATE-L	1		5		
14	MC335076	L-BRAKET BRACKET-L	1		1	4	
14	64163-70560-74B	L-BRAKET BRACKET-L	1		5		



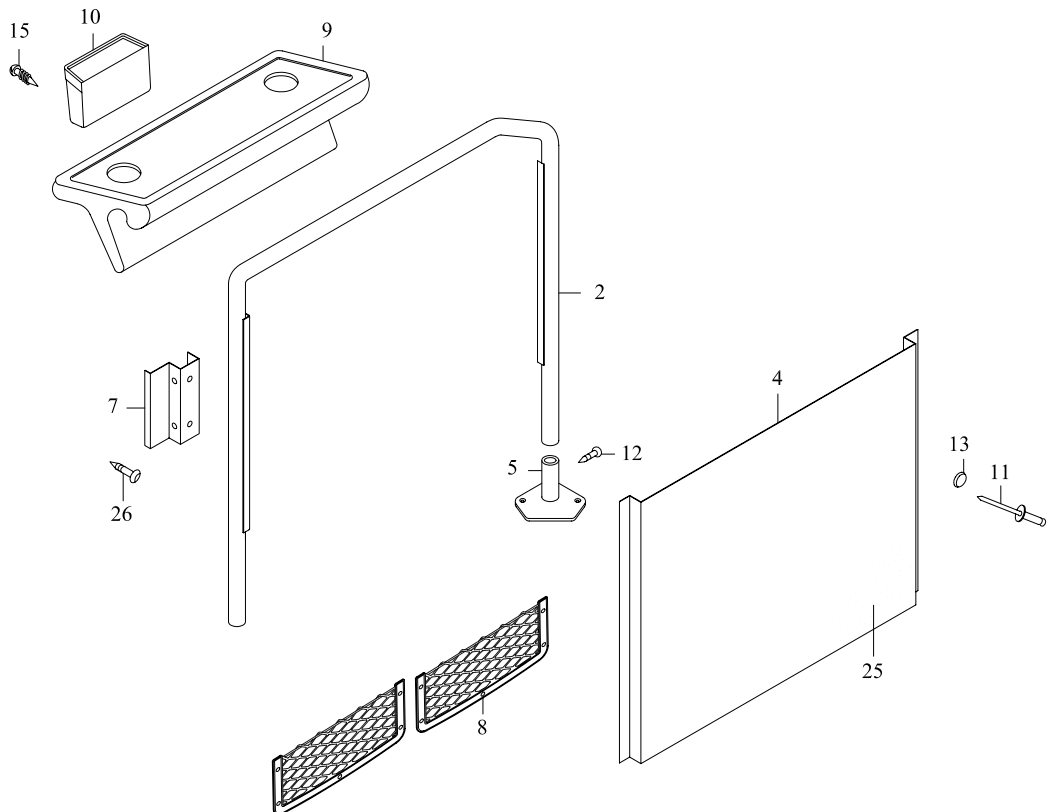




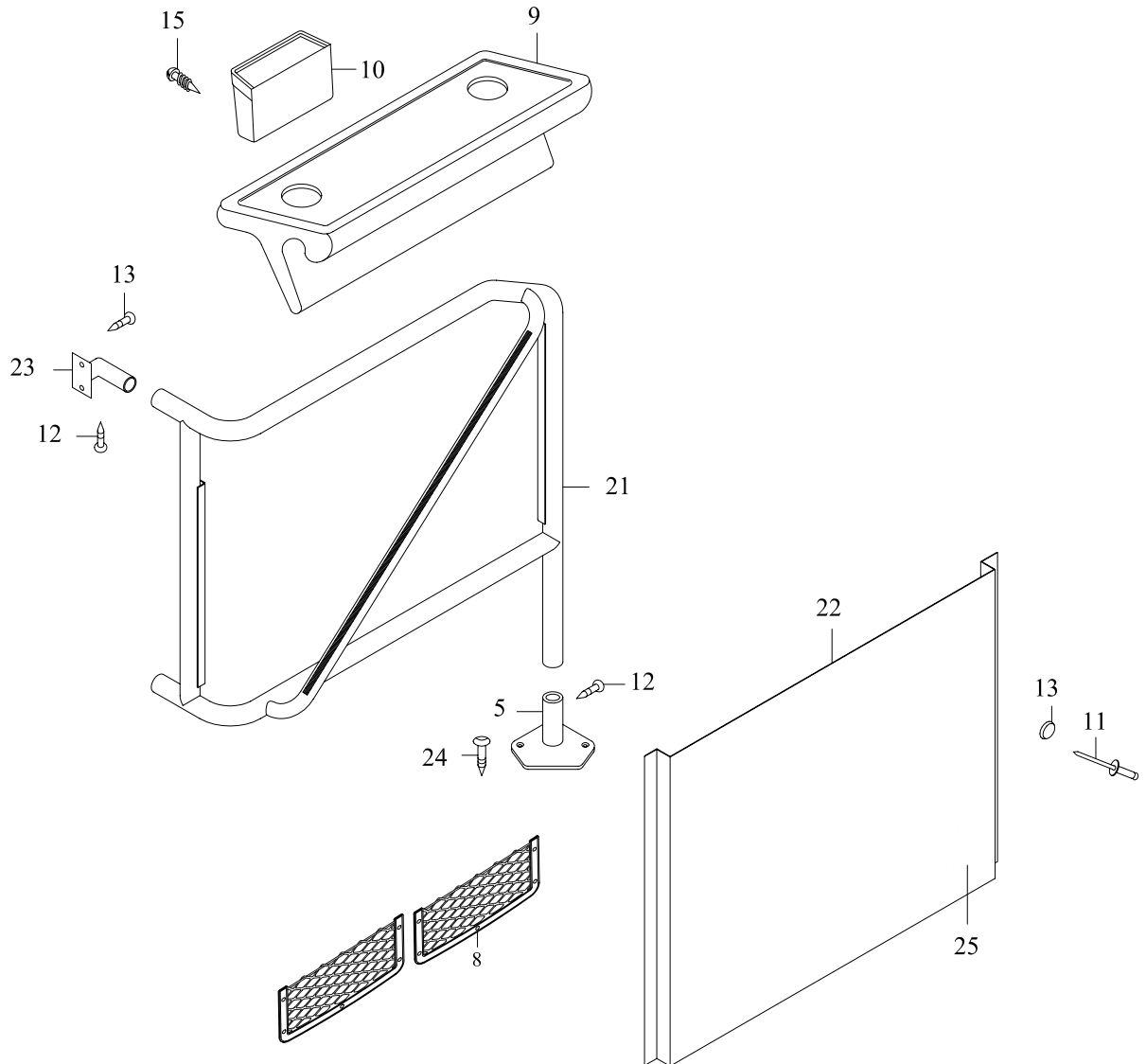
ÖN SOL  
FRONT LH



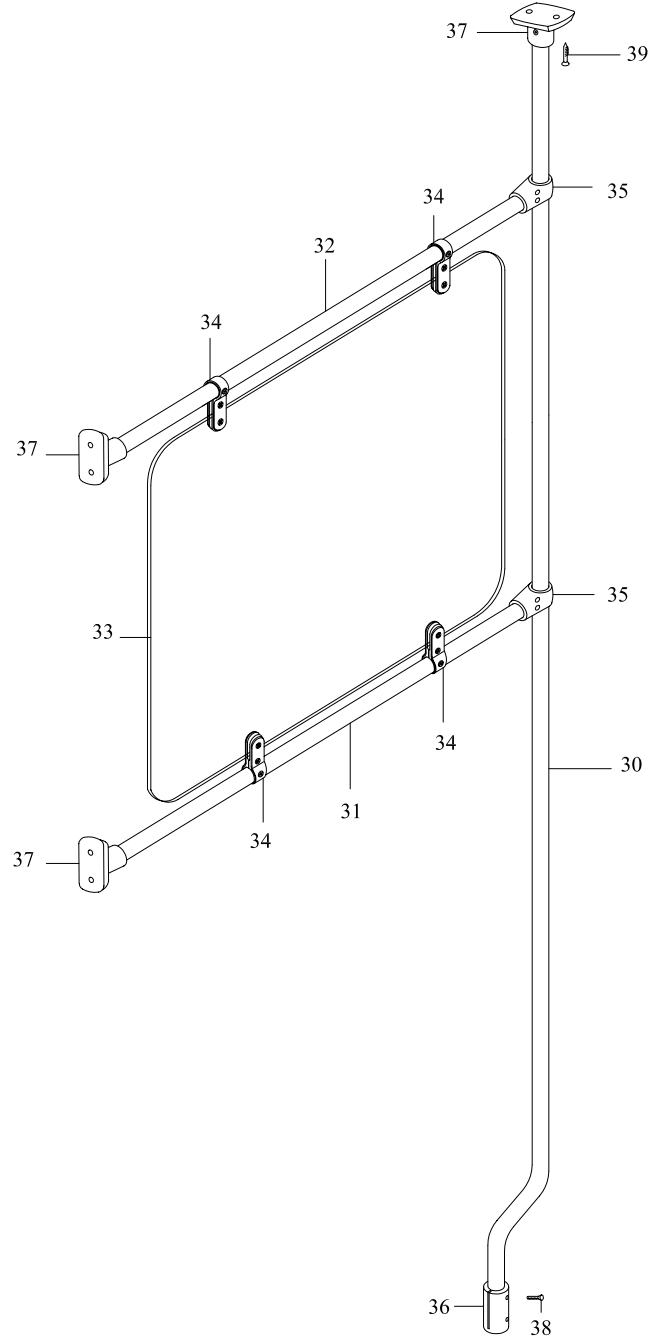
ÖN SAĞ  
FRONT RH



ORTA / ARKA  
CENTER / REAR



ÖN SOL ÜST  
UPPER FRONT LH  
OPTION



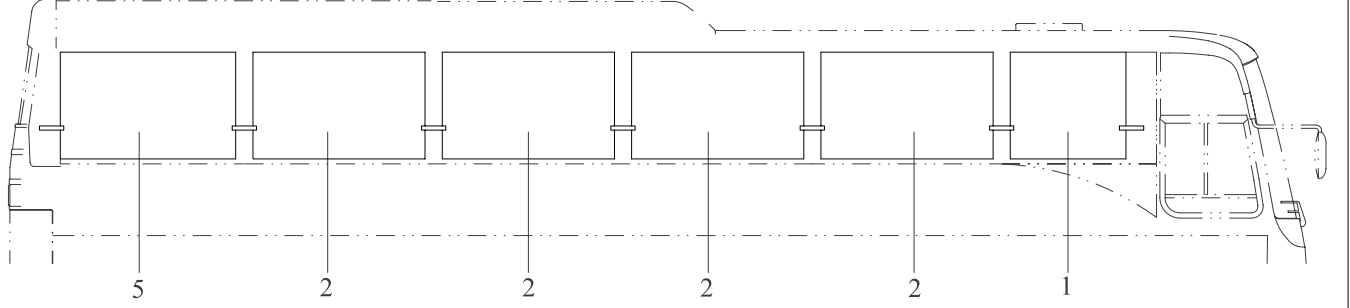
Sym.	Part Number	Part Name	Qty.	R/P	From	Up To	Remarks
1	63272-90017-01	BÖLME PANELİ BORUSU -SOL PARTITION PIPE - LH	1		1	24	
1	63272-90026-12	BÖLME PANELİ BORUSU -SOL PARTITION PIPE - LH	1		25		
2	63272-90017-02	BÖLME PANELİ BORUSU -SAĞ PARTITION PIPE -RH	1		1	24	
2	63272-90026-13	BÖLME PANELİ BORUSU -SAĞ PARTITION PIPE -RH	1		25		
3	63272-90016-02	BÖLME PANELİ - SOL PARTITION PANEL - LH	1		1	24	
3	63272-90026-06	BÖLME PANELİ - SOL PARTITION PANEL - LH	1		25	217	
3	63272-90136-01	BÖLME PANELİ - SOL PARTITION PANEL - LH	1		218		
4	63272-90016-04	BÖLME PANELİ - SAĞ PARTITION PANEL - RH	1		1	24	
4	63272-90026-08	BÖLME PANELİ - SAĞ PARTITION PANEL - RH	1		25	217	
4	63272-90136-03	BÖLME PANELİ - SAĞ PARTITION PANEL - RH	1		218		
5	63272-90018-10	BAĞLANTI JOINT	3		1		
6	63272-90018-11	PLAKA PLATE	1		1	24	
6	63272-90028-12	PLAKA PLATE	1		25		
7	63272-90018-12	PLAKA PLATE	1		1	24	
7	63272-90028-13	PLAKA PLATE	1		25	199	
7	63272-90028-14	PLAKA PLATE	1	O	200		
8	63272-90019-01	FİLE DOCUMENT NET	6		1		
9	TM280240	TEPSİ TRAY	3		1		
10	63285-30040-80	KÜLLÜK ASH TRAY	3		1		
11	MA277895	KANCA HOOK	AR		1		
12	TF200339	CIVATA BOLT	AR		1		



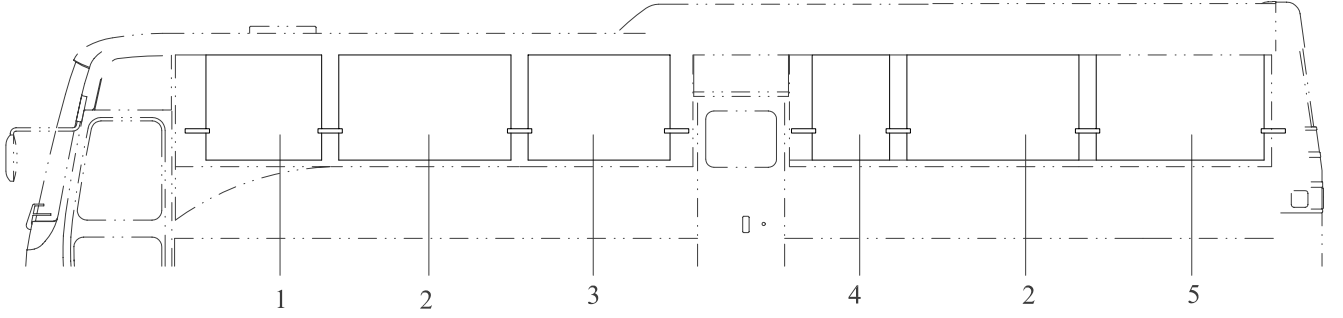
Sym.	Part Number	Part Name	Qty.	R/P	From	Up To	Remarks
13	MF457597	VİDA SCREW	AR		1		
15	MF453033	VİDA SCREW	AR		1		
21	63272-90016-01	BÖLME PANELİ BORUSU - ORT/AR PARTITION PIPE-CENTER/REAR	1		1	24	
21	63272-90016-14	BÖLME PANELİ BORUSU - ORT/AR PARTITION PIPE-CENTER/REAR	1		25		
22	63272-90017-03	BÖLME PANELİ- ORTA/ARKA PARTITION PANEL -CENTER/REAR	1		1	24	
22	63272-90016-10	BÖLME PANELİ- ORTA/ARKA PARTITION PANEL -CENTER/REAR	1		25	217	
22	62372-90136-05	BÖLME PANELİ- ORTA/ARKA PARTITION PANEL -CENTER/REAR	1		218		
23	63272-90018-13	BRAKET BRACKET	2		1		
24	TF201579	VİDA SCREW	AR		1		
25	3010079	YÜZEY KAPLAMASI - GRİ INTERNAL FABRIC - GRAY	AR		1	64	
25	3010098	YÜZEY KAPLAMASI - GRİ INTERNAL FABRIC - GRAY	AR		65		
26	MF201692	VİDA SCREW	AR		1		
30	63111-90016-24	BORU PIPE	1		161		OPTION
31	63111-90016-26	BORU PIPE	1		161		OPTION
32	63111-90016-27	BORU PIPE	1		161		OPTION
33	63111-90016-25	CAM GLASS	1		161		OPTION
34	TM280166	BRAKET BRACKET	4		161		OPTION
35	TM280164	BRAKET BRACKET	2		161		OPTION
36	TM280161	BRAKET BRACKET	1		161		OPTION
37	TM280165	BRAKET BRACKET	1		161		OPTION
38	TF101241	VİDA SCREW	AR		1		OPTION



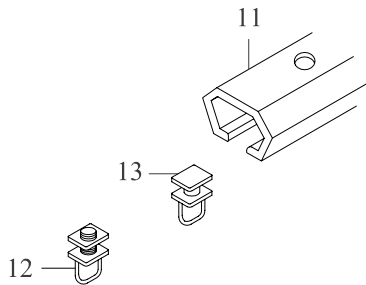
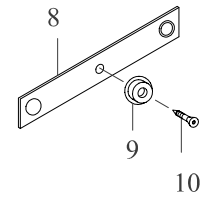
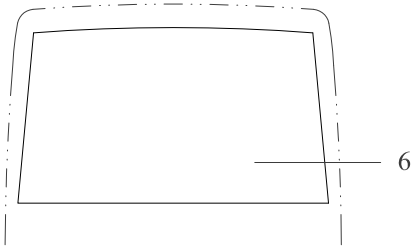
SOL İÇ GÖRÜNÜŞ  
INSIDE LH



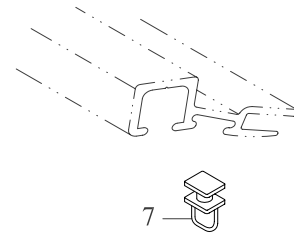
SAĞ İÇ GÖRÜNÜŞ  
INSIDE RH



ARKA İÇ GÖRÜNÜŞ  
INSIDE REAR



ARKA PERDE  
REAR CURTAIN

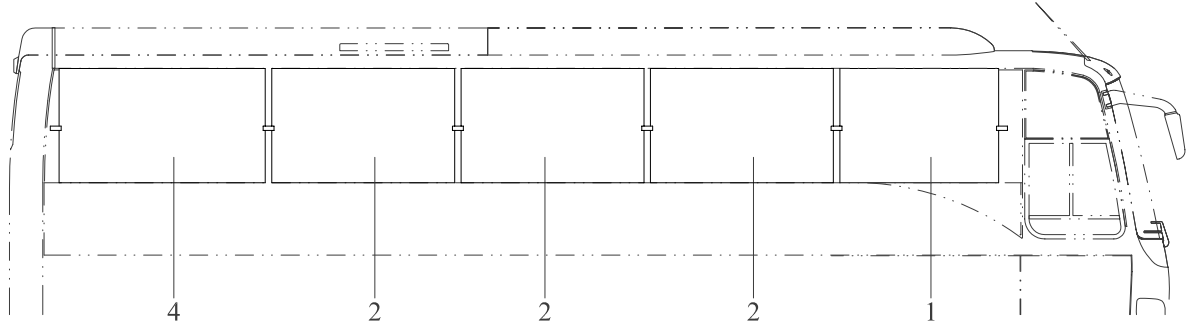


YAN PERDE  
SIDE CURTAIN

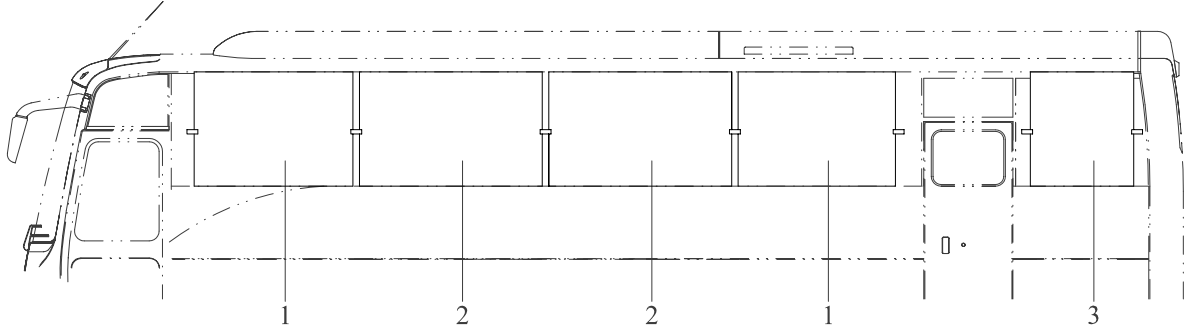
Sym.	Part Number	Part Name	Qty.	R/P	From	Up To	Remarks
*	63304-81020-70	PERDE SETİ CURTAIN SET	1		1		MAVİ BLUE
*	63304-81020-71	PERDE SETİ CURTAIN SET	1		1		PANTONE 6584
*	63304-81020-72	PERDE SETİ CURTAIN SET	1		1		MAVİ RAL 5023 BLUE
*	63304-81020-73	PERDE SETİ CURTAIN SET	1		1		GRİ GRAY
*	63304-81020-74	PERDE SETİ CURTAIN SET	1		1		KIRMIZI RED
*	63304-81020-75	PERDE SETİ CURTAIN SET	1		1		TURUNCU ORANGE
1	63304-80027-71	PERDE CURTAIN	2		1	4	
1	63304-81027-71	PERDE CURTAIN	2		5		
2	63304-80027-72	PERDE CURTAIN	6		1	4	
2	63304-81027-72	PERDE CURTAIN	6		5		
3	63304-80027-73	PERDE CURTAIN	1		1	4	
3	63304-81027-73	PERDE CURTAIN	1		5		
4	63304-80027-74	PERDE CURTAIN	1		1	4	
4	63304-81027-74	PERDE CURTAIN	1		5		
5	63304-80027-75	PERDE CURTAIN	2		1	4	
5	63304-81027-75	PERDE CURTAIN	2		5		
6	63308-71027-70	ARKA PERDE REAR CURTAIN	1		1		
7	63304-90030-01	PERDE KANCASI CURTAIN HANGER	AR		1		
8	73302-00050-00	BAND BAND	AR		1		
9	MA277895	KANCA HOOK	AR		1		
10	MF457235	VİDA SCREW	AR		1		



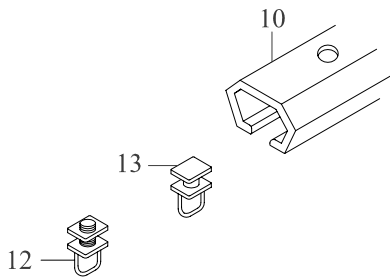
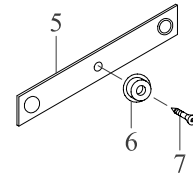
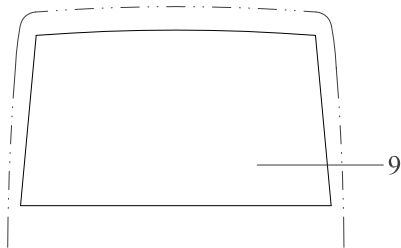
SOL İÇ GÖRÜNÜŞ  
INSIDE LH



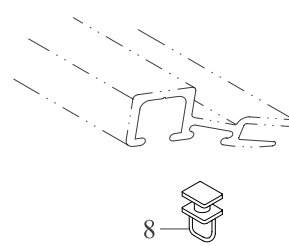
SAĞ İÇ GÖRÜNÜŞ  
INSIDE RH



ARKA İÇ GÖRÜNÜŞ  
INSIDE REAR



ARKA PERDE  
REAR CURTAIN



YAN PERDE  
SIDE CURTAIN



PERDE  
CURTAIN

Group No : **C19-01**

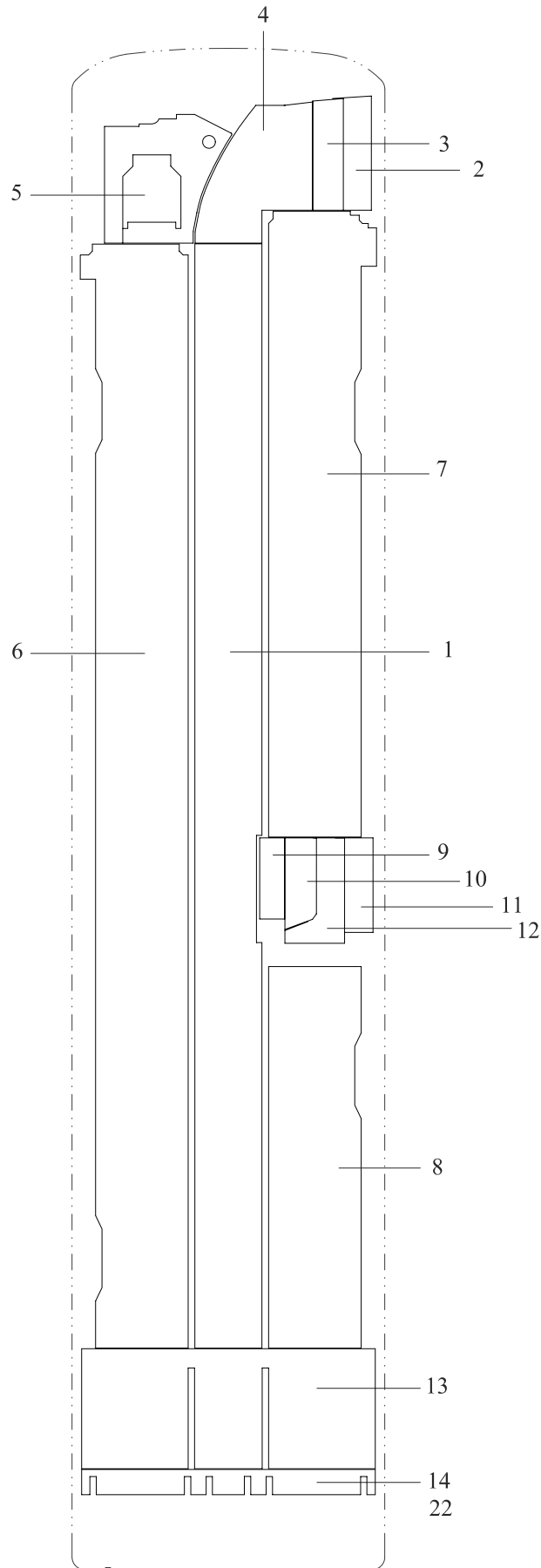
Ident. Num.: 63304-90037-70/63308-90017-70

Rev. Date: 22.08.2003

Page: 1

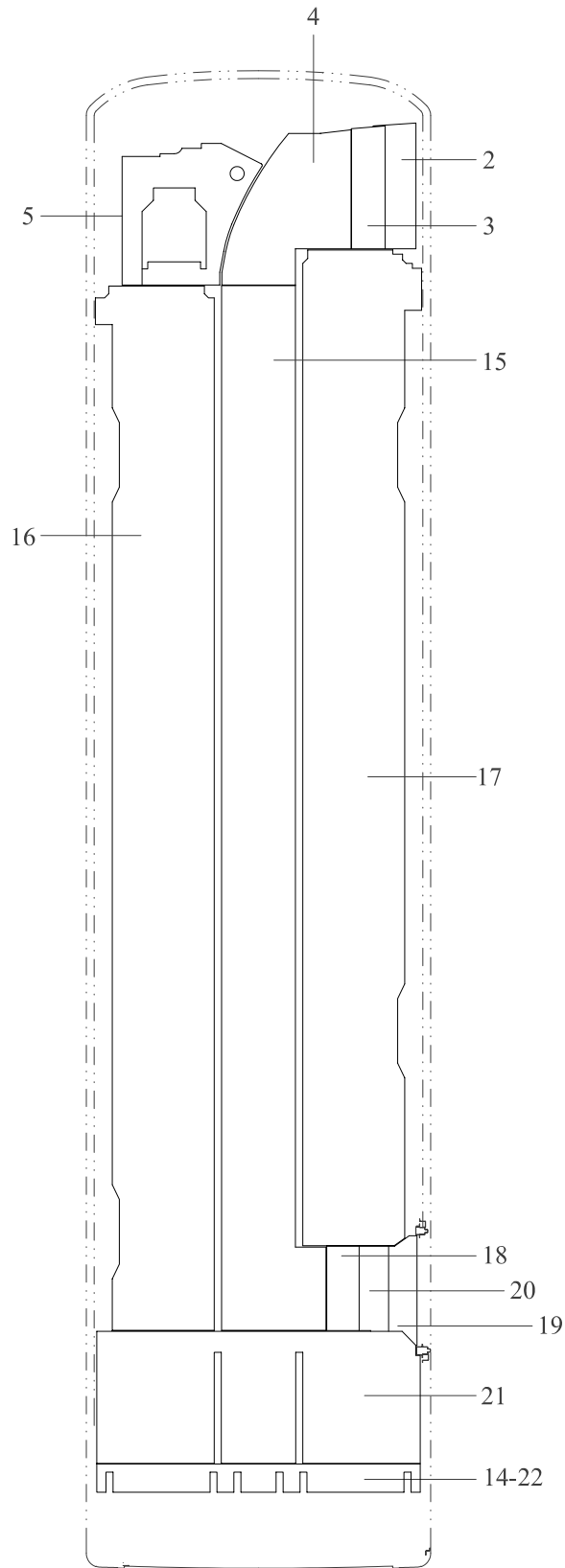
MS762ML

Sym.	Part Number	Part Name	Qty.	R/P	From	Up To	Remarks
*	63304-80020-70	PERDE SETİ CURTAIN SET	1		1		MAVİ BLUE
*	63304-80020-71	PERDE SETİ CURTAIN SET	1		1		PANTONE 6584
*	63304-80020-72	PERDE SETİ CURTAIN SET	1		1		MAVİ RAL 5023 BLUE
*	63304-80020-73	PERDE SETİ CURTAIN SET	1		1		GRİ GRAY
*	63304-80020-74	PERDE SETİ CURTAIN SET	1		1		KIRMIZI RED
*	63304-80020-75	PERDE SETİ CURTAIN SET	1		1		TURUNCU ORANGE
1	63304-90027-70	PERDE CURTAIN	3		1		
2	63304-81027-72	PERDE CURTAIN	5		1		
3	63304-81027-71	PERDE CURTAIN	1		1		
4	63304-90027-72	PERDE CURTAIN	1		1		
5	73302-00050-00	BAND BAND	AR		1		
6	MA277895	KANCA HOOK	AR		1		
7	MF457235	VİDA SCREW	AR		1		
8	63304-90030-01	PERDE KANCASI CURTAIN HANGER	AR		1		
9	63308-71027-70	ARKA PERDE REAR CURTAIN	1		1		
10	TA249291-03	ARKA PERDE RAYI RAIL REAR CURTAIN	1		1		
12	TA277897-01	STOPLAYICI STOPPER	2		1		
13	63304-40030-02	PERDE KANCASI CURTAIN HANGER	AR		1		



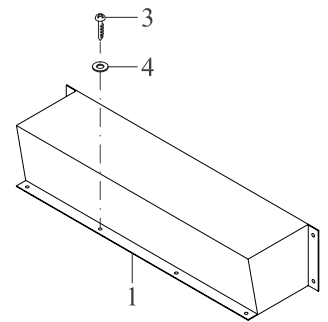
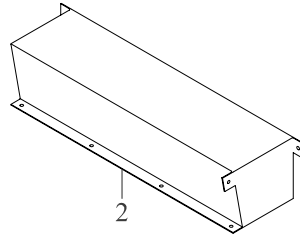
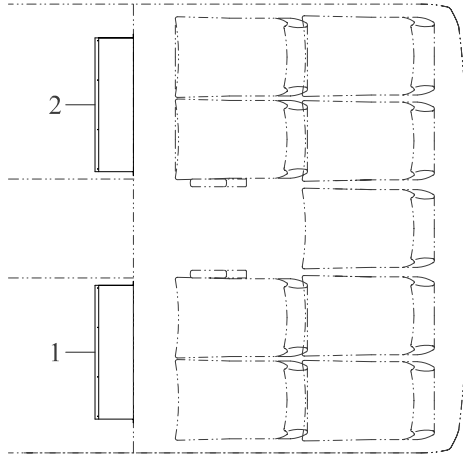




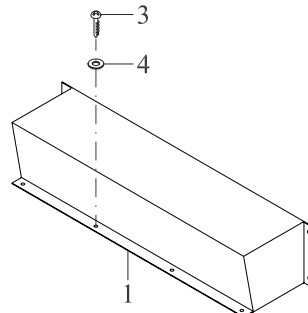
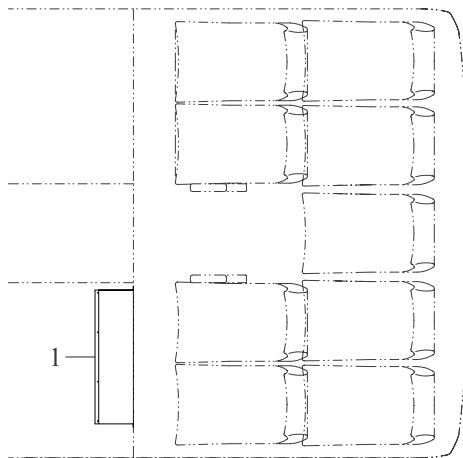




MS762RL

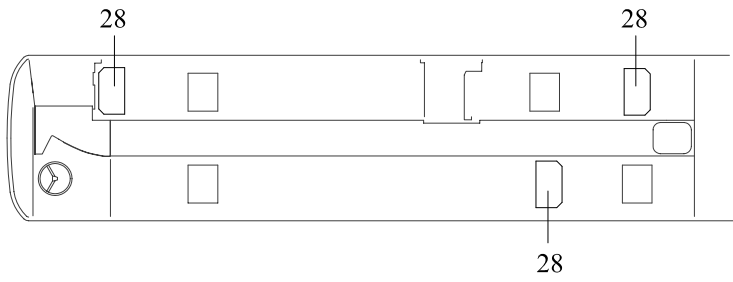


MS762ML

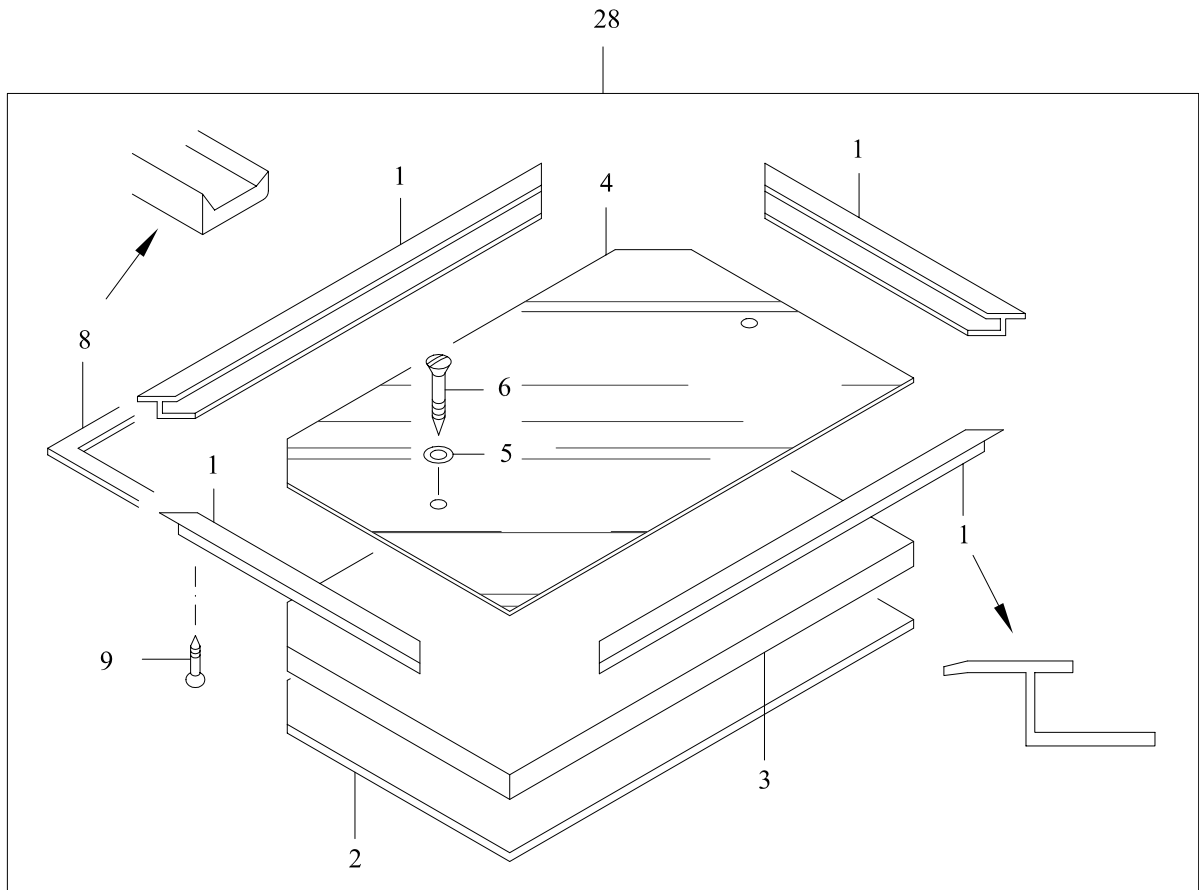
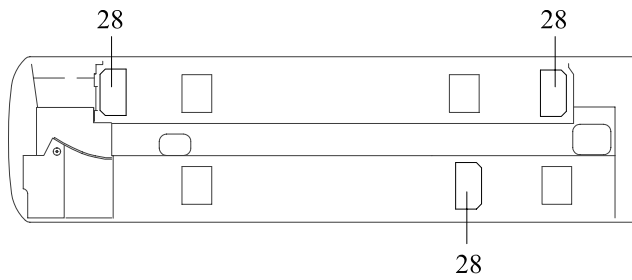




MS762RL

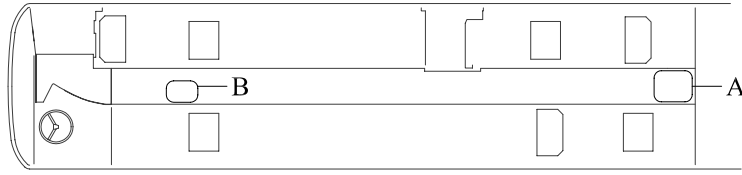


MS762ML

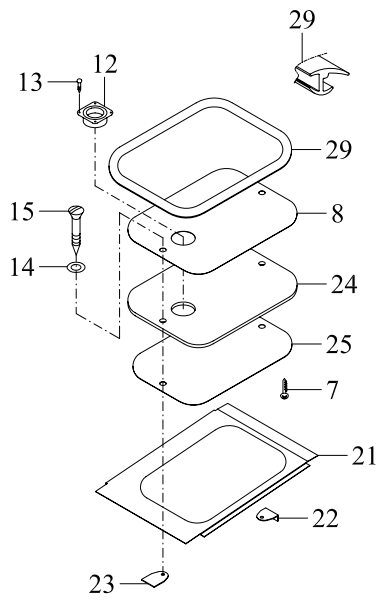
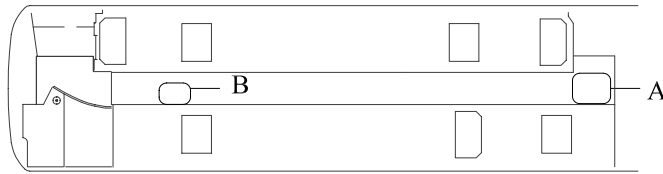




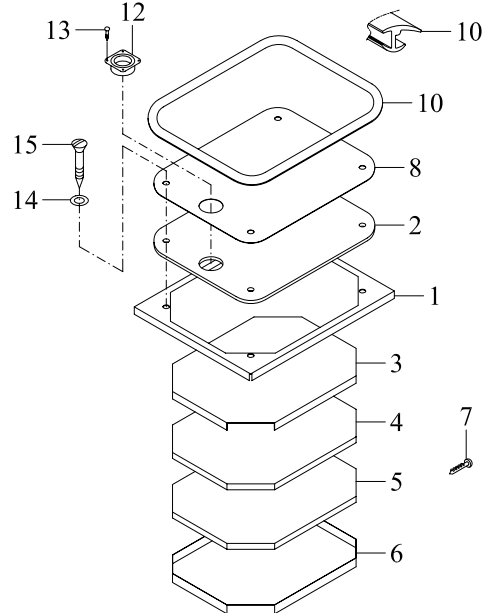
MS762RL



MS762ML



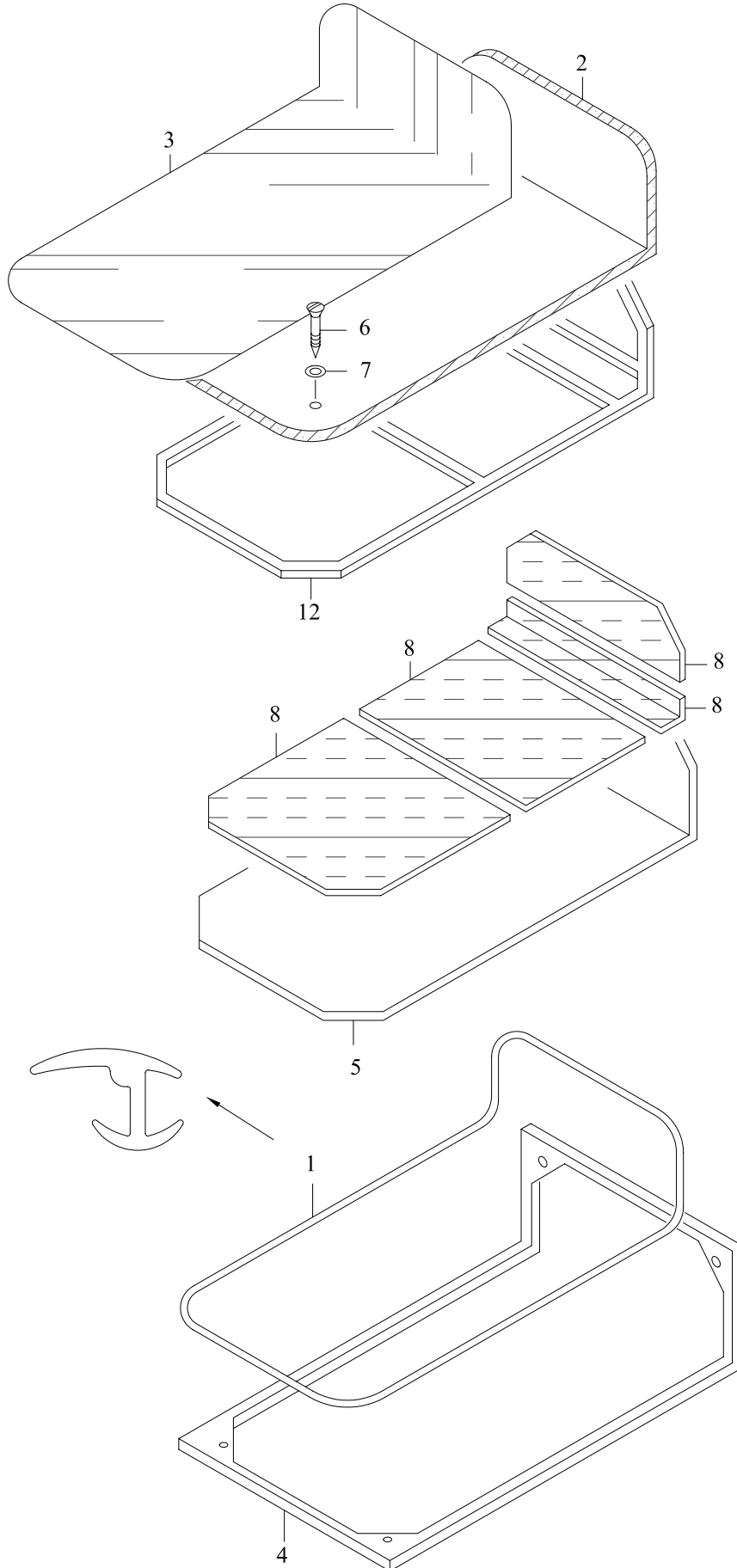
B-DETAYI  
DETAIL - B



A-DETAYI  
DETAIL - A

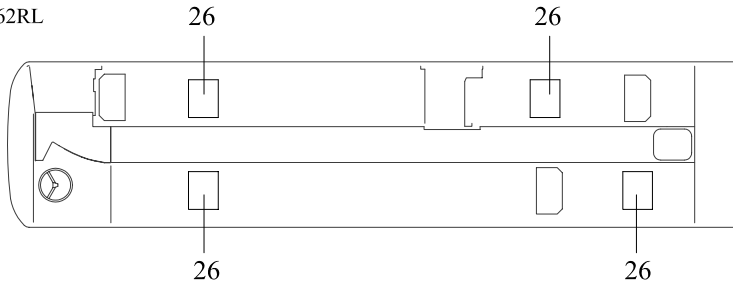




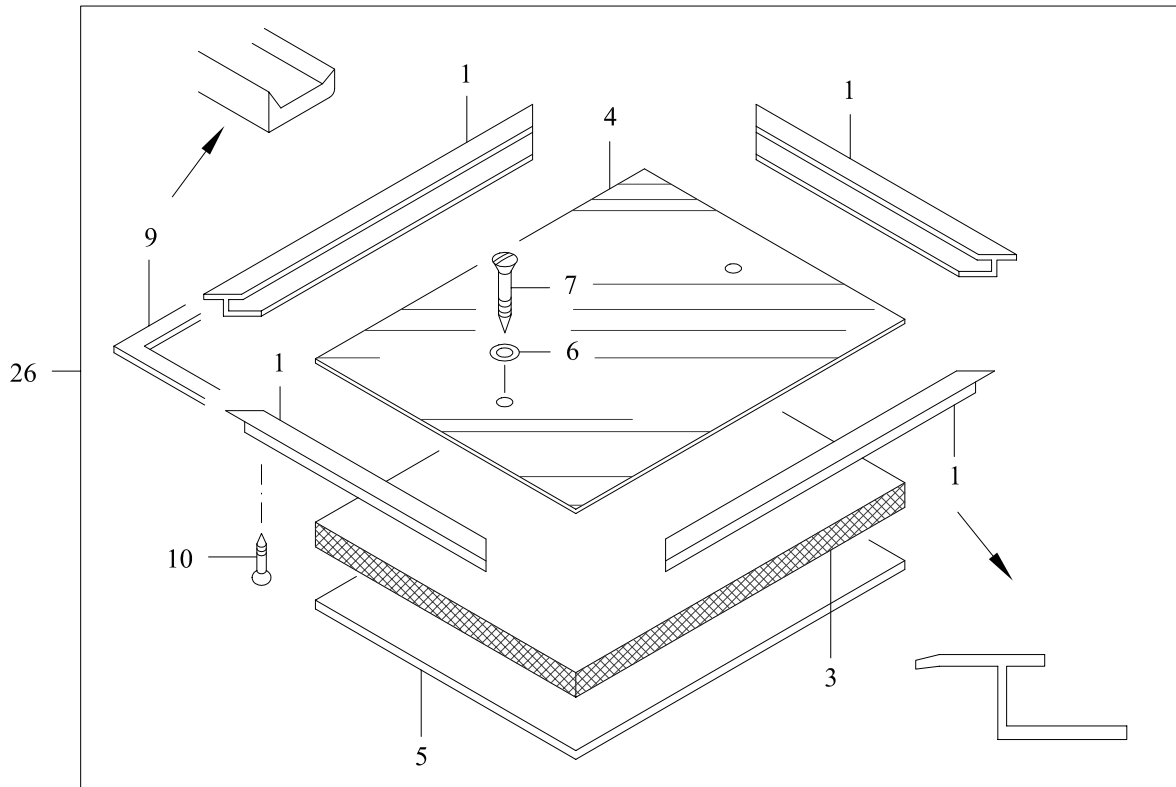
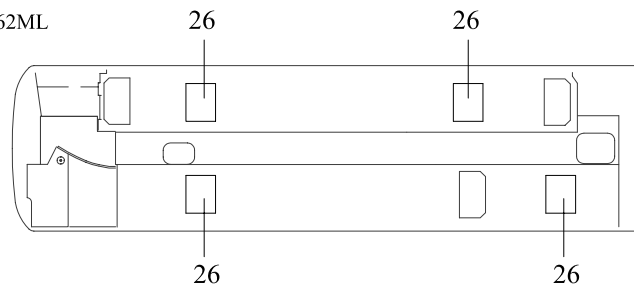




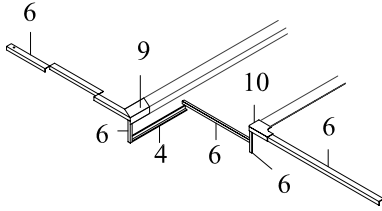
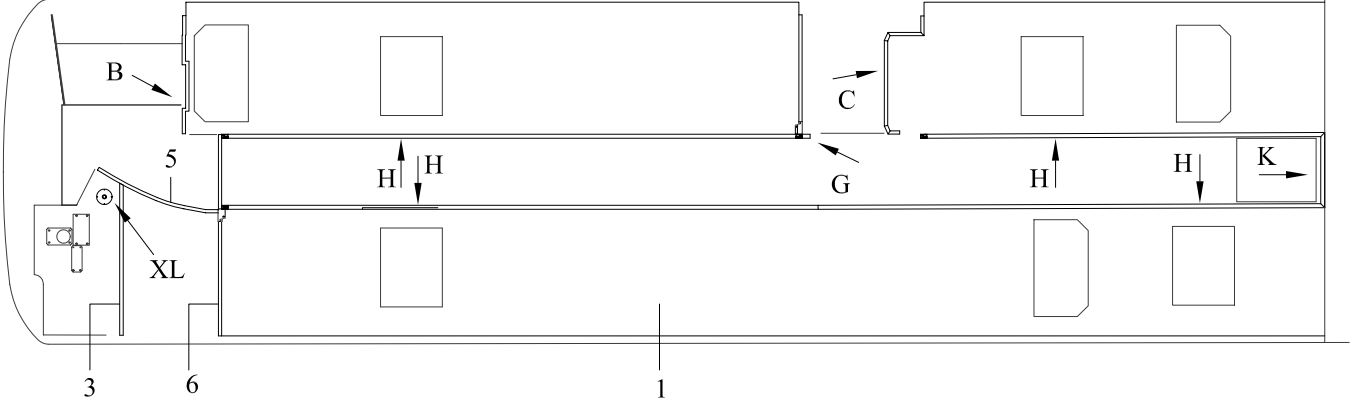
MS762RL



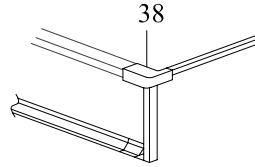
MS762ML



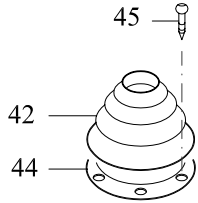




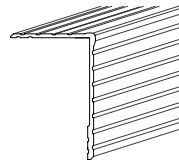
B- BAKIŞI  
VIEW- B



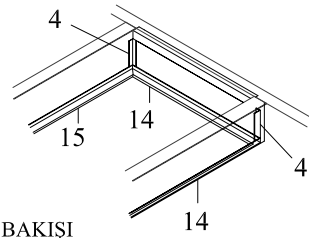
G- BAKIŞI  
VIEW- G



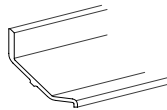
XL- BAKIŞI  
DETAIL- XL



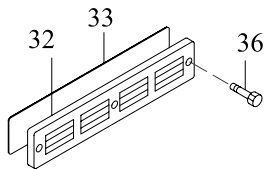
MC258338-01



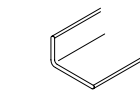
K- BAKIŞI  
VIEW- K



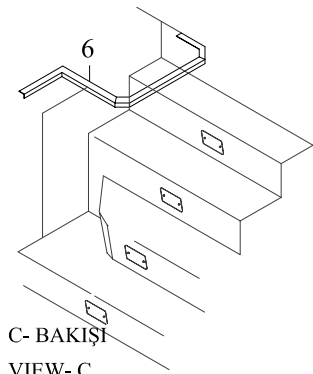
TU202100-02



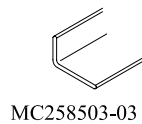
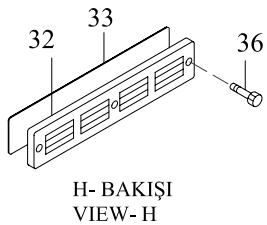
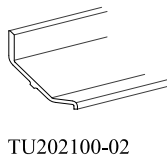
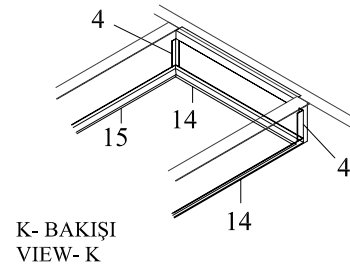
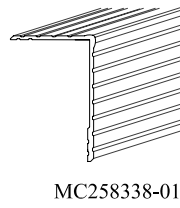
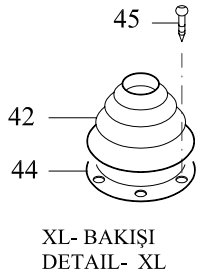
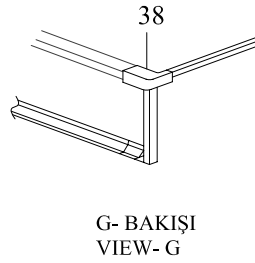
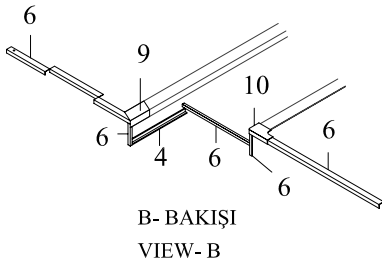
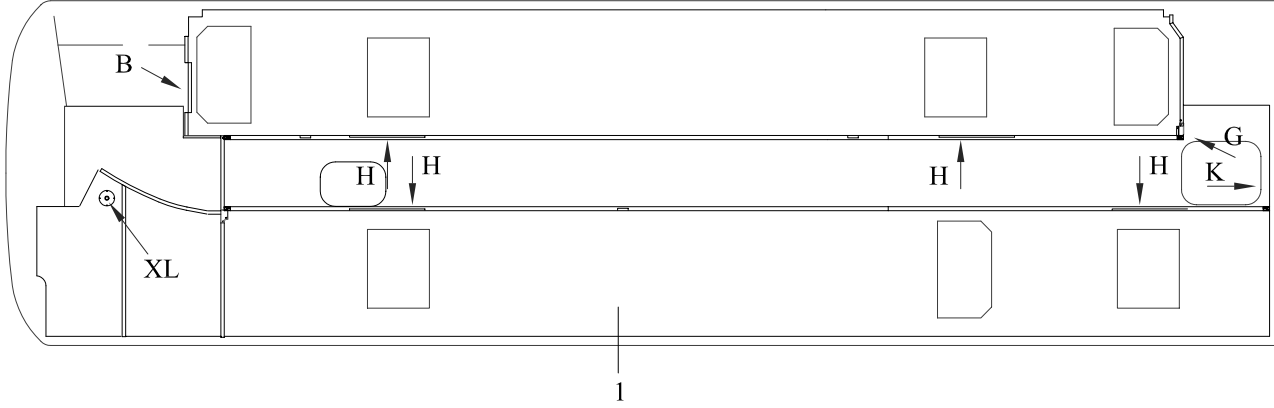
H- BAKIŞI  
VIEW- H



MC258503-03



C- BAKIŞI  
VIEW- C





DÖŞEME TRİMİ  
FLOOR TRIM

Group No : **C35-00**

Ident. Num.: 61723-90016-70

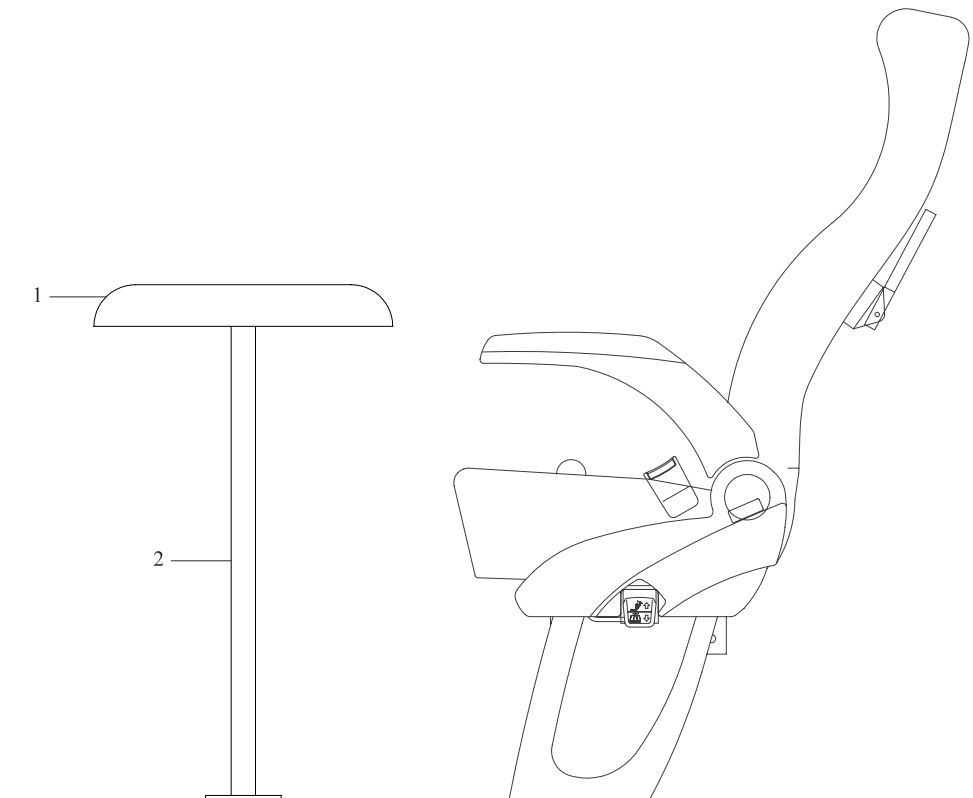
Rev. Date:

Page: 1

MS762ML(TB162J)-MS762RL(TB162M)

Sym.	Part Number	Part Name	Qty.	R/P	From	Up To	Remarks
1	TES40450-14	MUŞAMBA MAT	AR		1		
3	61723-90019-01	ÇİTA PLATE EDGE	AR		1		
4	MC258503-03	ÇİTA PLATE EDGE	AR		1	30	
4	61723-90019-01	ÇİTA PLATE EDGE	AR		31		
5	61723-90027-10	ÇİTA PLATE EDGE	1		1		
6	MC258338-02	ÇİTA PLATE EDGE	AR		1		
9	TC381317	KÖŞE CORNER	2		1		
10	TC381316	KÖŞE CORNER	2		1		
14	TU202100-02	ÇİTA PLATE EDGE	AR		1		
15	TU202100-03	ÇİTA PLATE EDGE	AR		1		
32	61723-60900-58	TOZ IZGARASI GRILLE DUST	4		1	?	old part number
32	TM212191	TOZ IZGARASI GRILLE DUST	4		?	?	old part number
32	TY133195	TOZ IZGARASI GRILLE DUST	4		?		new part number
33	61723-60420-70	KAPAK COVER	4		1		
36	MF200057	CIVATA BOLT	AR		1		
38	TU202192	KÖŞE CORNER	2		1		
42	18807-26800	VİTES KOLU TOZ LASTİĞİ COVER DUST OUTER	1		1		
44	TC258247	KAİDE BASE DUST COVER	1		1		
45	MF455022	VİDA SCREW	AR		1		







Bölüm	D	Dış Trim		
Chapter	D	<i>Exterior Trimming</i>		
		Ön Cam		
		<i>Front Window Glass</i>	MS762RL - MS762ML	<b>D01-00</b>
		Arka Cam		
		<i>Rear Window</i>	MS762RL - MS762ML	<b>D02-00</b>
		Yan Camlar		
		<i>Side Window</i>	MS762RL	<b>D03-00</b>
		Yan Camlar		
		<i>Side Window</i>	MS762ML	<b>D03-02</b>
		Sürücü Camı		
		<i>Drivers Window</i>	MS762RL - MS762ML	<b>D04-00</b>
		Panorama Cam ve Yağmur Oluğu		
		<i>Window Panorama &amp; Drip Moulding</i>	MS762RL - MS762ML	<b>D05-00</b>
		Bagaj Trimi		
		<i>Trunk Room Cover Trim</i>	MS762RL - MS762ML	<b>D08-00</b>
		Lastik, Jant Ve Jant Kapağı		
		<i>Tire, Rim &amp; Wheel Cover Disc</i>	MS762RL - MS762ML	<b>D09-00</b>
		Yedek Lastik Taşıyıcı		
		<i>Spare Tire Carrier</i>	MS762RL - MS762ML	<b>D11-00</b>
		Tavan Havalandırma		
		<i>Roof Ventilation</i>	MS762RL - MS762ML	<b>D12-00</b>
		Tampon ve Çeki Kancası		
		<i>Bumper &amp; Hook</i>	MS762RL - MS762ML	<b>D13-00</b>
		Dış Dikiz Aynaları		
		<i>Rear View Mirror Outside</i>	MS762RL - MS762ML	<b>D18-00</b>

Klima Tavan Üstü Yan Panelleri  
*A/C Roof Panel, Side*

MS762RL - MS762ML **D19-00**

---

Tozluklar  
*Guard Splash*

MS762RL - MS762ML **D20-00**

---

Motor Alt Muhafazası  
*Engine Bottom Cover*

MS762RL - MS762ML **D24-00**

---

Uyku Kabini  
*Sleeping Cabin*

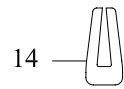
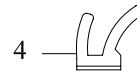
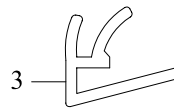
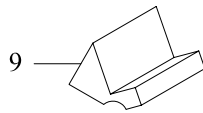
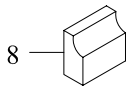
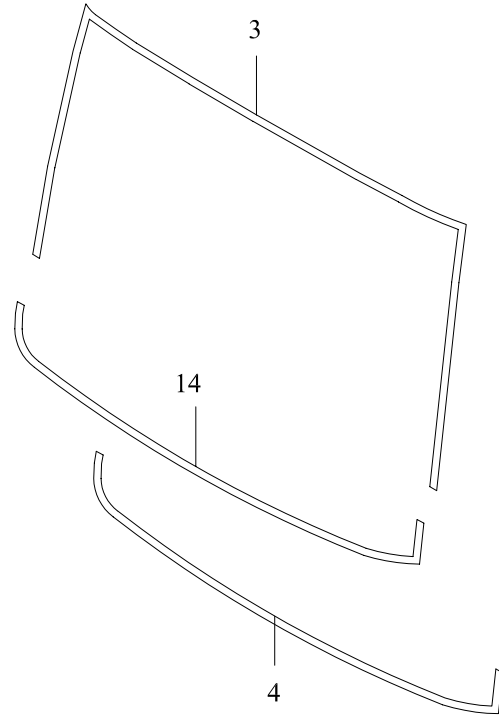
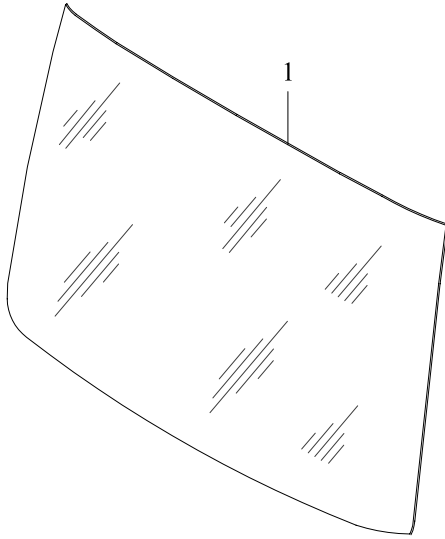
MS762RL **D45-00**

---

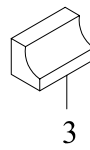
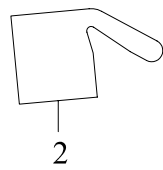
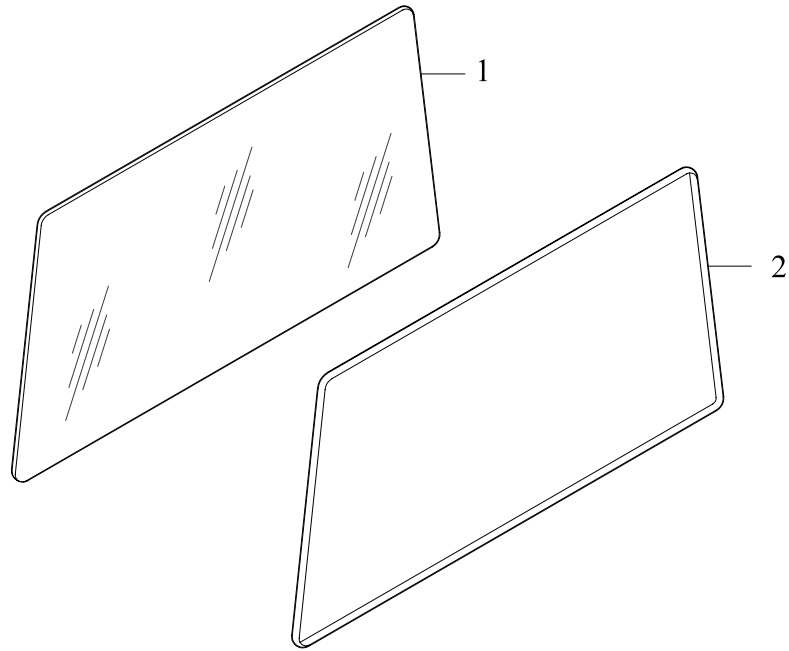
Etiketler  
*Label*

MS762RL - MS762ML **D50-00**

---



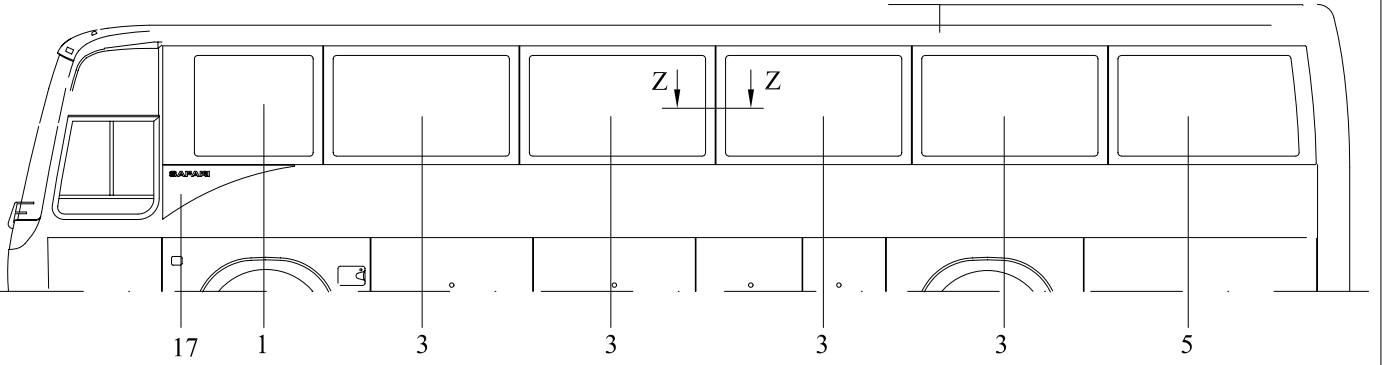




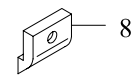
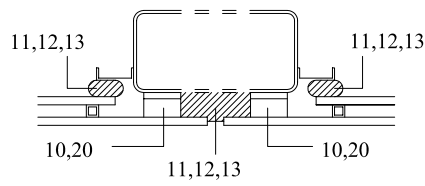
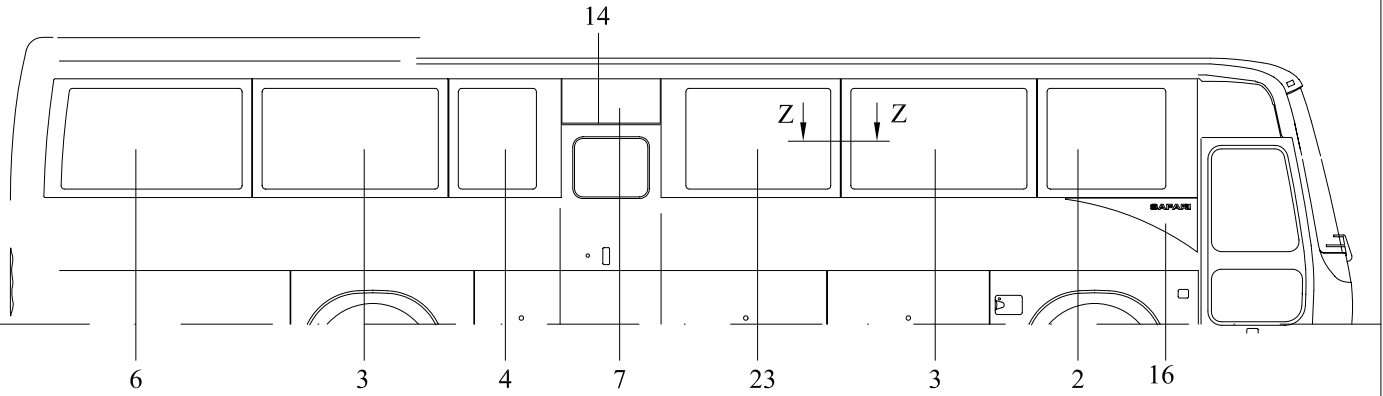




SOL  
LH

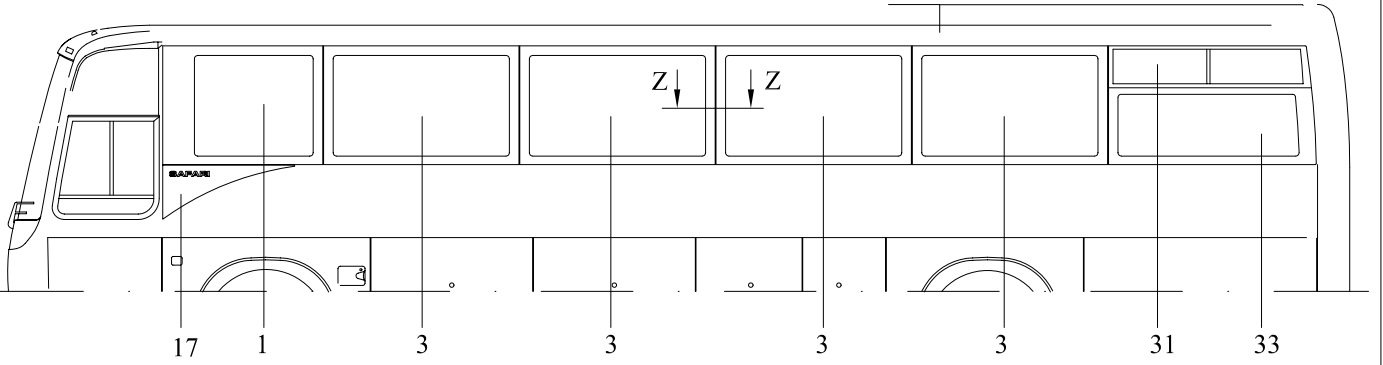


SAĞ  
RH

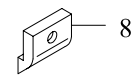
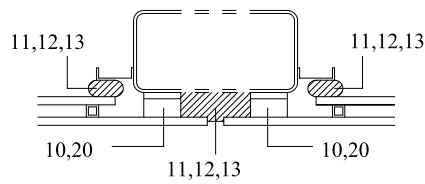
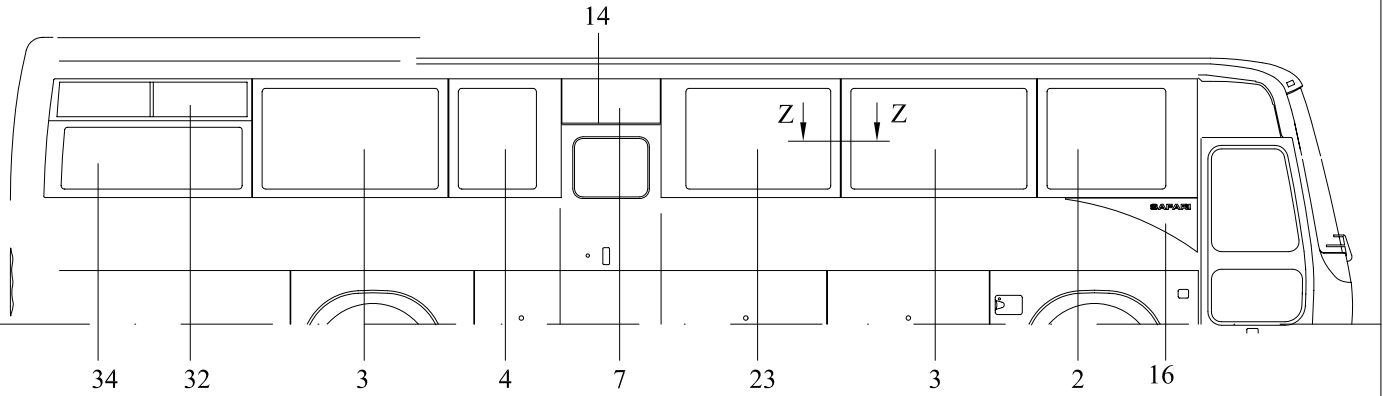


Z-Z KESİTİ  
SECTION Z-Z

SOL  
LH

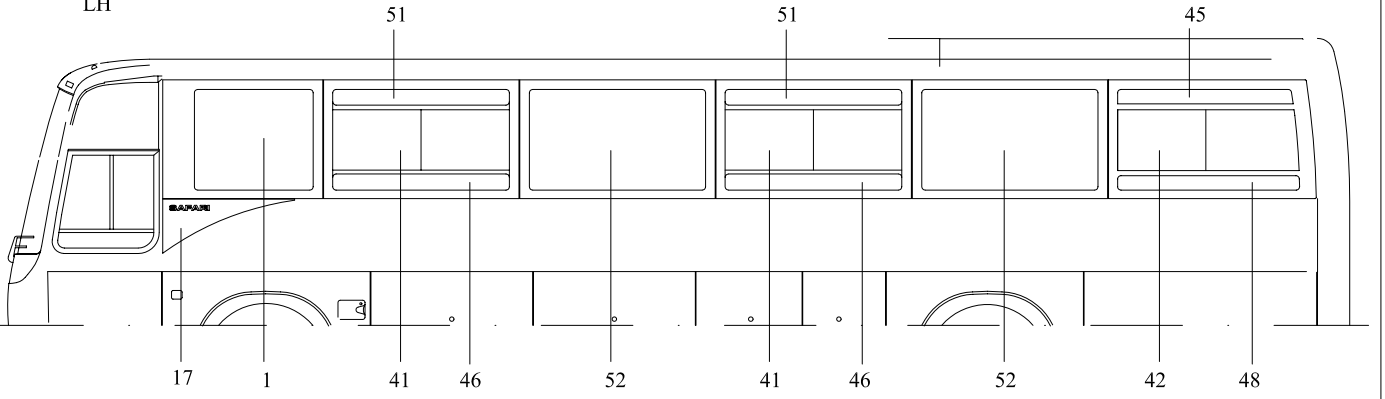


SAĞ  
RH

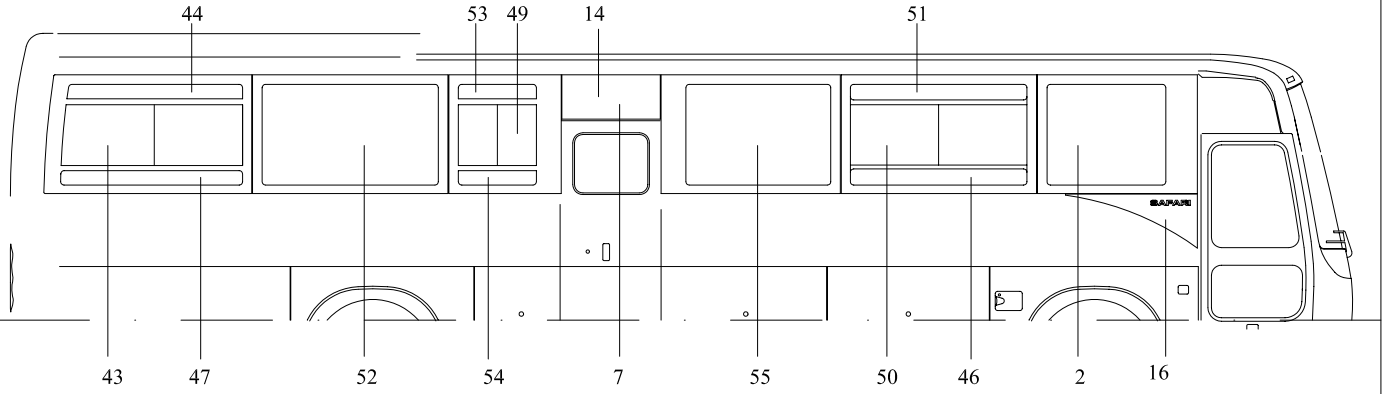


Z-Z KESİTİ  
SECTION Z-Z

SOL  
LH



SAĞ  
RH

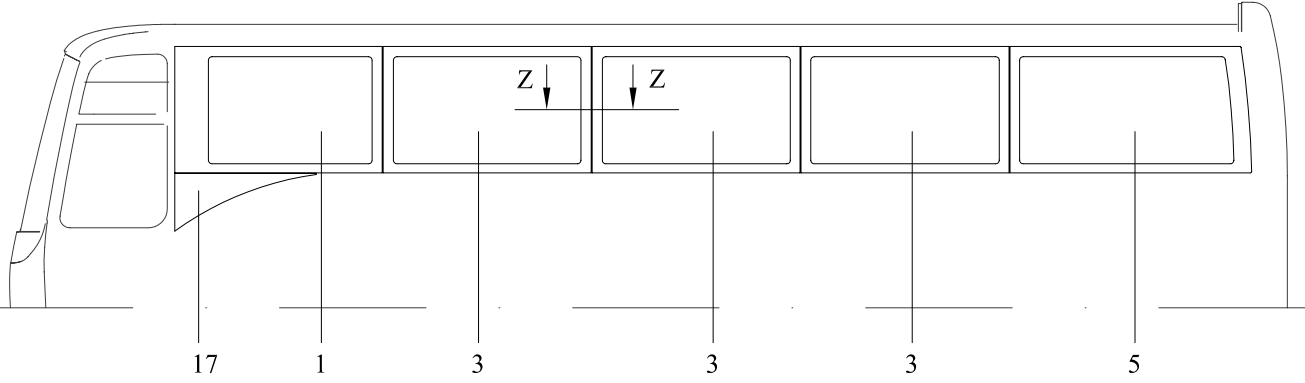


Sym.	Part Number	Part Name	Qty.	R/P	From	Up To	Remarks
1	63104-90050-01	CAM GLASS	1		1	3	
1	63104-90120-01	CAM GLASS	1		4		
2	63104-90050-02	CAM GLASS	1		1	3	
2	63104-90120-02	CAM GLASS	1		4		
3	63104-90050-05	CAM GLASS	6		1	3	
3	63104-90110-03	CAM GLASS	6		4		
4	63104-90050-07	CAM GLASS	1		1	3	
4	63104-90120-07	CAM GLASS	1		4		
5	63104-90020-03	CAM GLASS	1		1	3	
5	63104-90120-05	CAM GLASS	1		4		
6	63104-90020-04	CAM GLASS	1		1	3	
6	63104-90120-06	CAM GLASS	1		4		
7	63104-90050-08	CAM GLASS	1		1	3	
7	63104-90110-07	CAM GLASS	1		4		
8	63104-90020-09	TAKOZ SPACER	45		1		
10	TC385018	BAND TAPE	AR		1		
11	SM-07	SEALER SEALER	AR		1		
12	SM-19	PRIMER - CAM PRIMER - GLASS	AR		1		
13	SM-97	PRIMER - METAL PRIMER - METALIC	AR		1		
14	63104-40170-00	L-PLAKA PLATE-L	1		1		
16	63104-90120-16	CAM GLASS	1		1		

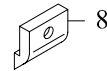
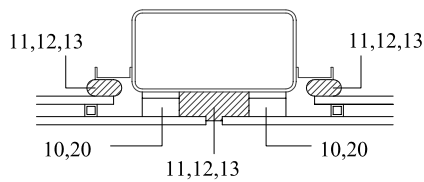
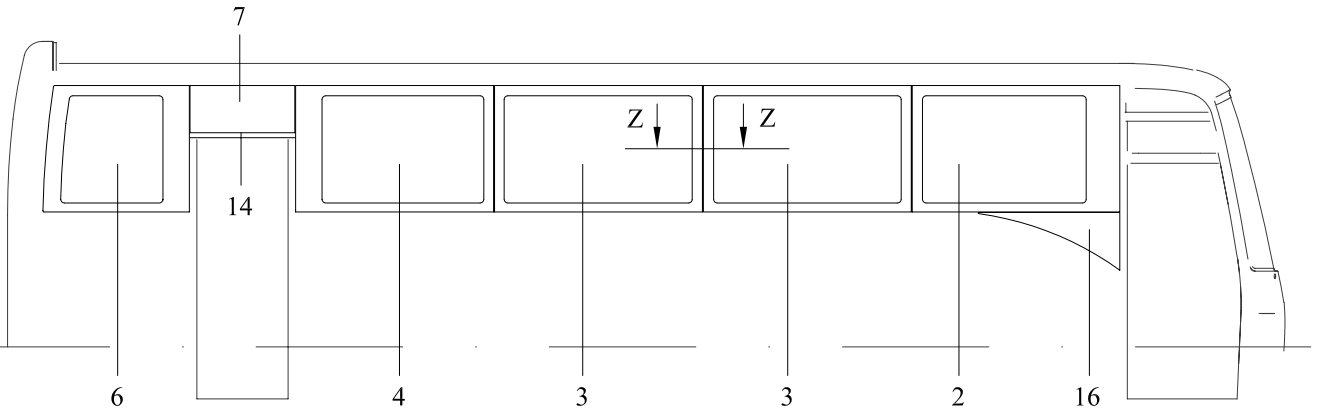
Sym.	Part Number	Part Name	Qty.	R/P	From	Up To	Remarks
17	63104-90120-17	CAM GLASS	1		1		
20	SM-36	SEALER SEALER	AR		1		
23	63104-90050-06	CAM GLASS	1		1	3	
23	63104-90120-23	CAM GLASS	1		4		
31	63104-90220-71	SÜRGÜLÜ CAM KOMPLE-SOL SLIDE WINDOWS ASSY- LH	1		1		OPTION
32	63104-90220-73	SÜRGÜLÜ CAM KOMPLE-SAĞ SLIDE WINDOWS ASSY-RH	1		1		OPTION
33	63104-90220-05	CAM - SOL GLASS - LH	1		1		OPTION
34	63104-90220-06	CAM - SAĞ GLASS - RH	1		1		OPTION
41	63104-90116-03	CAM - ORTA GLASS - MIDDLE	2		1		OPTION
42	63104-90016-05	CAM - ORTA GLASS - MIDDLE	1		1		OPTION
43	63104-90016-06	CAM - ORTA GLASS - MIDDLE	1		1		OPTION
44	63104-90016-34	ÜST KÜÇÜK CAM SMALL GLASS UPPER	1		1		OPTION
45	63104-90016-34	ÜST KÜÇÜK CAM SMALL GLASS UPPER	1		1		OPTION
46	63104-90116-23	ALT KÜÇÜK CAM SMALL GLASS LOWER	3		1		OPTION
47	63104-90016-36	ALT KÜÇÜK CAM SMALL GLASS LOWER	1		1		OPTION
48	63104-90016-37	ALT KÜÇÜK CAM SMALL GLASS LOWER	1		1		OPTION
49	63104-90016-07	CAM - ORTA GLASS - MIDDLE	1		1		OPTION
50	63104-90116-29	CAM - ORTA GLASS - MIDDLE	1		1		OPTION
51	63104-90116-30	ÜST KÜÇÜK CAM SMALL GLASS UPPER	3		1		OPTION
52	63104-90110-03	CAM GLASS	3		1		OPTION
53	63104-90016-32	ÜST KÜÇÜK CAM SMALL GLASS UPPER	1		1		OPTION



SOL  
LH

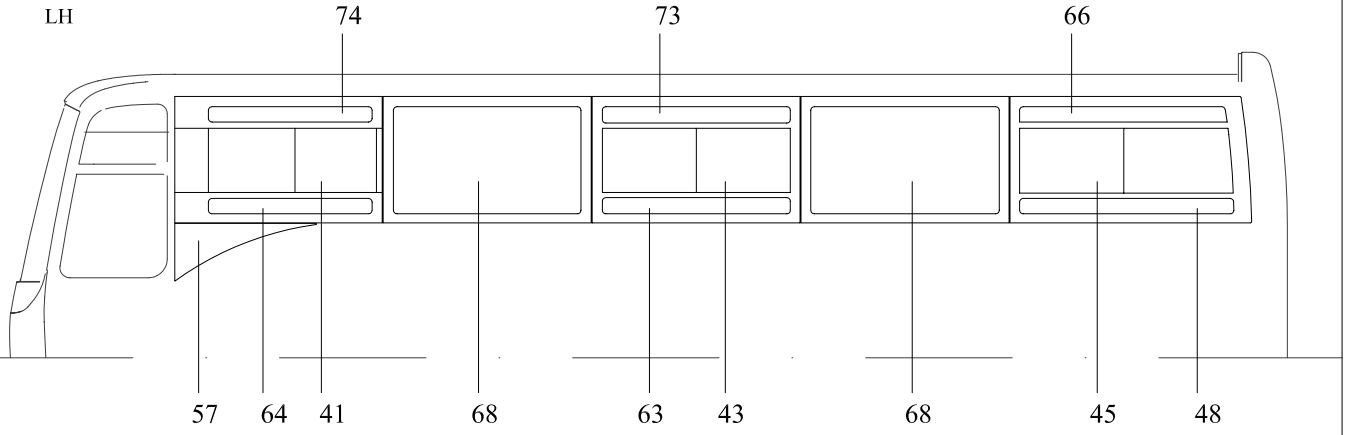


SAĞ  
RH

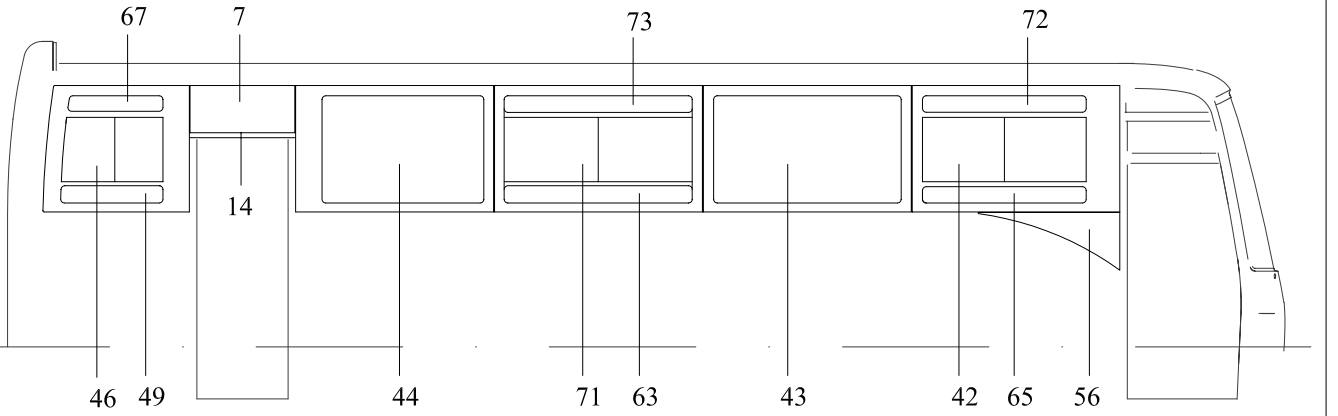


Z-Z KESİTİ  
SECTION Z-Z

SOL  
LH



SAĞ  
RH





MS762ML

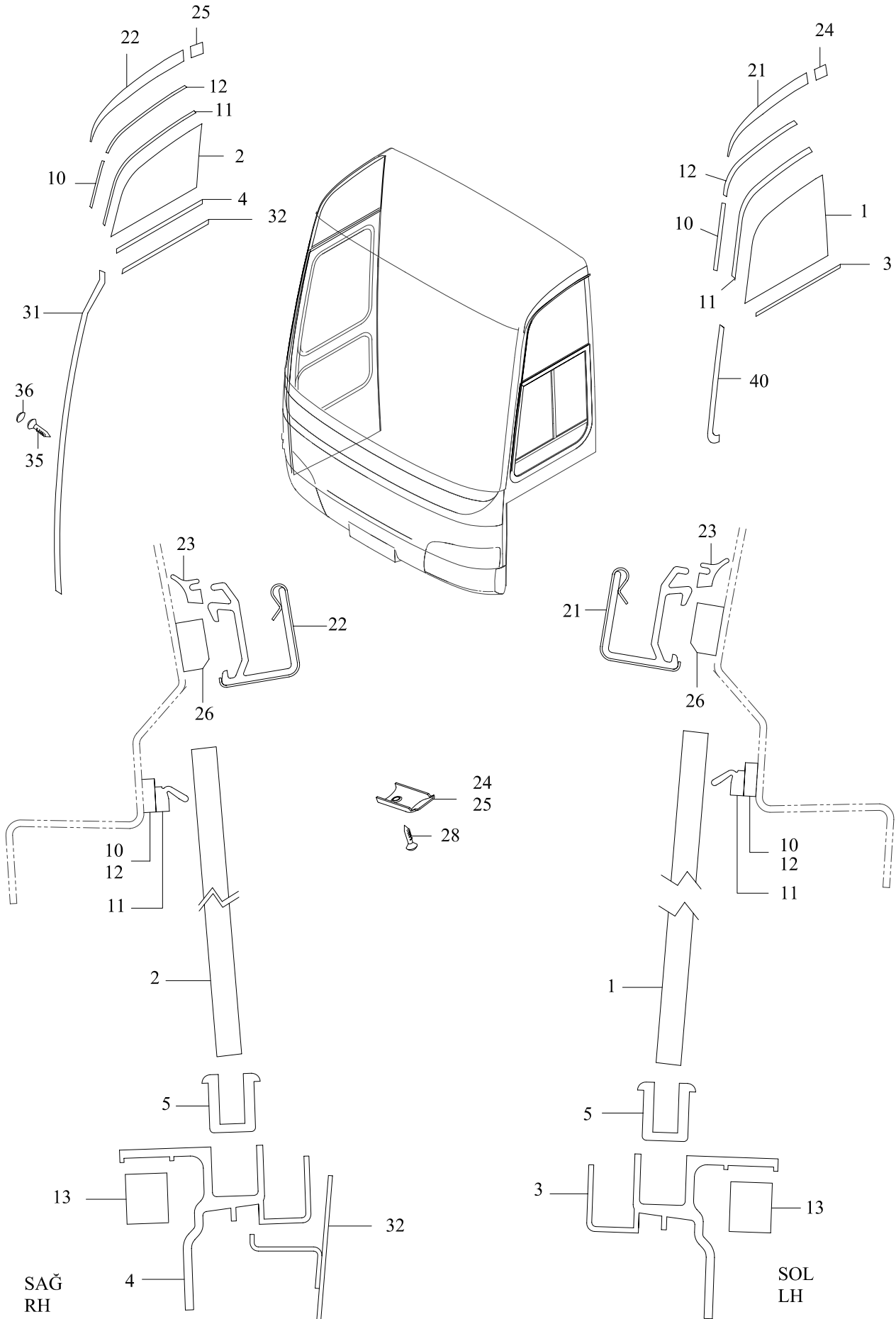
Sym.	Part Number	Part Name	Qty.	R/P	From	Up To	Remarks
1	63104-90110-08	CAM GLASS	1		1		
2	63104-90110-09	CAM GLASS	1		1		
3	63104-90110-03	CAM GLASS	5		1		
4	63104-90110-04	CAM GLASS	1		1		
5	63104-90110-05	CAM GLASS	1		1		
6	63104-90110-06	CAM GLASS	1		1		
7	63104-90110-07	CAM GLASS	1		1		
8	63104-90020-09	TAKOZ SPACER	39		1		
10	TC385018	BAND TAPE	AR		1		
11	SM-07	SEALER SEALER	AR		1		
12	SM-19	PRIMER - CAM PRIMER - GLASS	AR		1		
13	SM-97	PRIMER - METAL PRIMER - METALIC	AR		1		
14	63104-40170-00	L-PLAKA PLATE-L	1		1		
16	63104-90120-16	CAM GLASS	1		1		
17	63104-90120-17	CAM GLASS	1		1		
20	SM-36	SEALER SEALER	AR		1		
41	63104-90116-01	SÜRGÜLÜ YAN CAM KOMP - SOL SLIDE WINDOW ASSY - LH	1		1		OPTION
42	63104-90116-02	SÜRGÜLÜ YAN CAM KOMP - SAĞ SLIDE WINDOW ASSY - RH	1		1		OPTION
43	63104-90116-03	SÜRGÜLÜ YAN CAM KOMP SLIDE WINDOW ASSY	1		1		OPTION
44	63104-90110-04	YAN CAM SIDE WINDOW	1		1		OPTION
45	63104-90116-05	SÜRGÜLÜ YAN CAM KOMPLE SLIDE WINDOW ASSY	1		1		OPTION





Sym.	Part Number	Part Name	Qty.	R/P	From	Up To	Remarks
1	TC299383-372	ÇERÇEVE FRAME	1		1		
2	TC299383-210	ÜST ARA PROFİL PROFILE UPPER	1		1		
3	TC299383-211	ALT ARA PROFİL PROFILE LOWER	1		1		
4	TC299383-212	CAM GLASS	1		1	4	
4	TC299383-220	CAM GLASS	1		5		
5	TC299383-414	REZİSTANSLI CAM CAM- RESISTANCE	1		1	4	
5	TC299383-221	REZİSTANSLI CAM CAM- RESISTANCE	1		5		
6	TC299383-214	CAM GLASS	1		1		
7	TC299383-218	FİTİL WEATHER STRIP	1		1		L:4300mm
8	TC259317-06	FİTİL WEATHER STRIP	1		1		L:2020mm
9	MC259317-07	FİTİL WEATHER STRIP	1		1		L:2020mm
10	TC299383-114	ARA ÇERÇEVE FRAME CENTER	2		1		
11	TC299383-109	FİTİL WEATHER STRIP	1		1		
12	MC271380-00	DIŞ FİTİL MOULDING - OUTER	1		1		
13	MC271115-00	DIŞ FİTİL MOULDING - OUTER	1		1		
14	MC324934-27	DESTEK SUPPORT	8		1		
15	TC299383-112	FİTİL WEATHER STRIP	2		1		
17	TC299383-111	MANDAL LOCK	2		1		
18	TC299383-216	FİTİL WEATHER STRIP	1		1		
19	TC299383-217	VİDA SCREW	AR		1		
20	TC299383-373	SÜRÜCÜ CAMI VE ÇERÇEVESİ WINDOW ASSY DRIVERS	1		1	4	





Sym.	Part Number	Part Name	Qty.	R/P	From	Up To	Remarks
1	TC783763-001	PANORAMA CAM SOL WINDOWS PANORAMA LH	1		1		
2	TC783763-002	PANORAMA CAM SAG WINDOW PANORAMA RH	1		1		
3	TC783763-003	ÇERÇEVE SOL FRAME LH	1		1		
4	TC783763-004	ÇERÇEVE SAG FRAME RH	1		1		
5	63108-10730-10	FİTİL WEATHER STRIP	AR		1		
10	TM246135	FİTİL W. STRIP	1		1		
11	TC375959	FİTİL DAM WINDOW	1		1		
12	TM246141	FİTİL W. STRIP	1		1		
13	TC283762-09	TAKOZ SPACER	6		1		
21	62013-81090-01	YAĞMUR OLUĞU SOL DRIP MOULDING LH	1		1	4	
21	62013-91090-01	YAĞMUR OLUĞU DRIP MOULDING LH	1	Y	5		
22	62013-81090-02	YAĞMUR OLUĞU SAĞ DRIP MOULDING RH	1		1	4	
22	62013-91090-02	YAĞMUR OLUĞU SAĞ DRIP MOULDING RH	1		5	59	
22	62013-91190-02	YAĞMUR OLUĞU SAĞ DRIP MOULDING RH	1	Y	60		
23	MC323621-03	FİTİL WEATHER STRIP	AR		1		
24	62013-41100-01	KAPAK COVER DRIP MOULDING	1		1		
25	62013-41100-02	KAPAK COVER DRIP MOULDING	1		1		
26	MC268758	ARA PARÇA SPACER	2		1		
28	MF455020	VİDA SCREW	AR		1		
31	TC255345	YAĞMUR OLUĞU - SAĞ DRIP MOULDING - RH	1		1		
32	TC272913	YAĞMUR OLUĞU MEMBER DRIP	1		1		

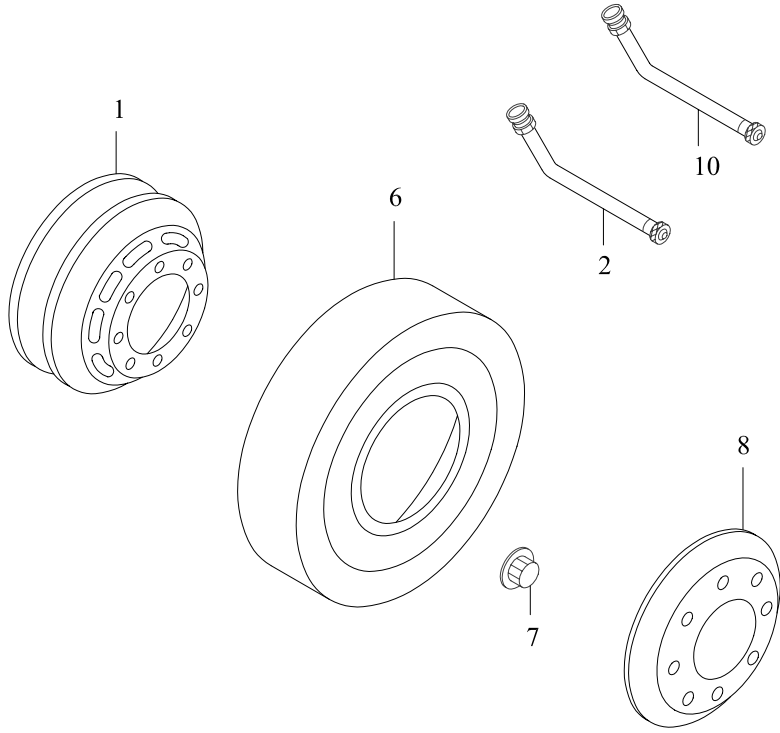




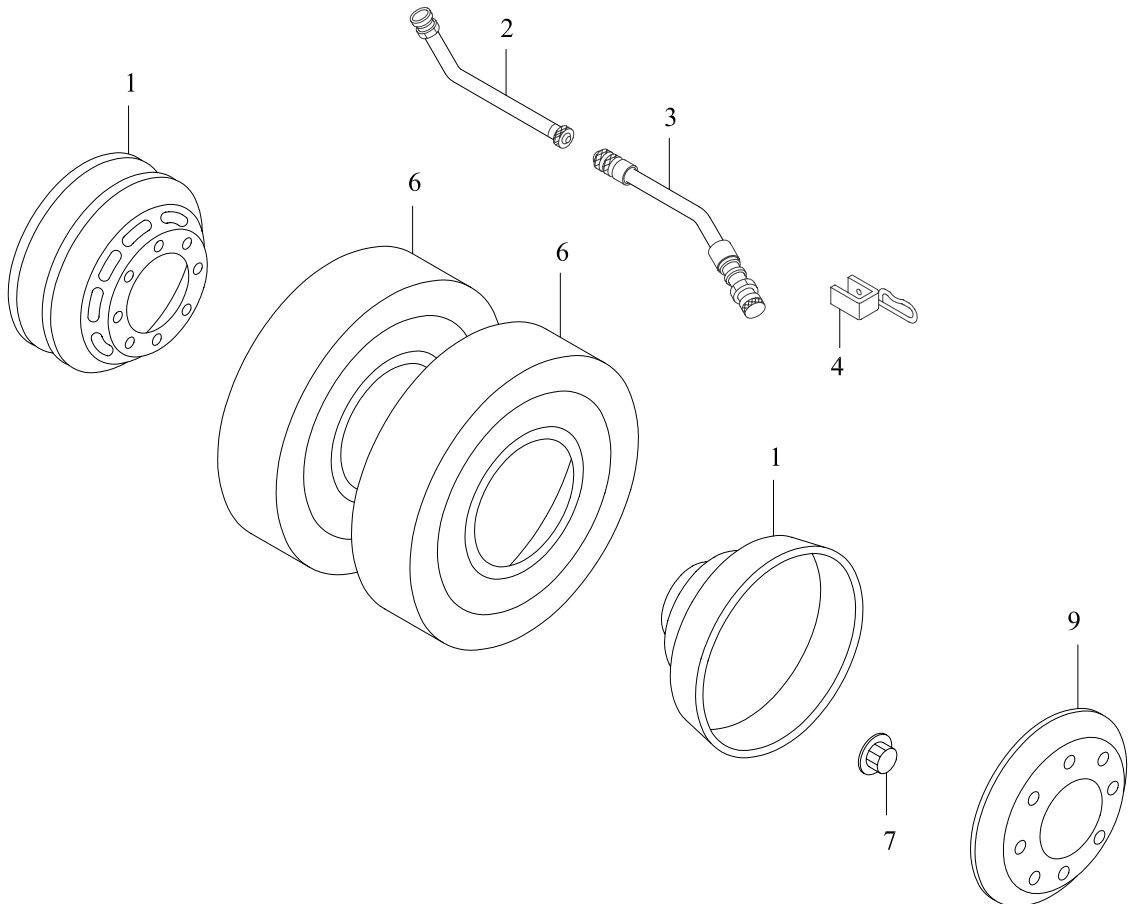




ÖN  
FRONT

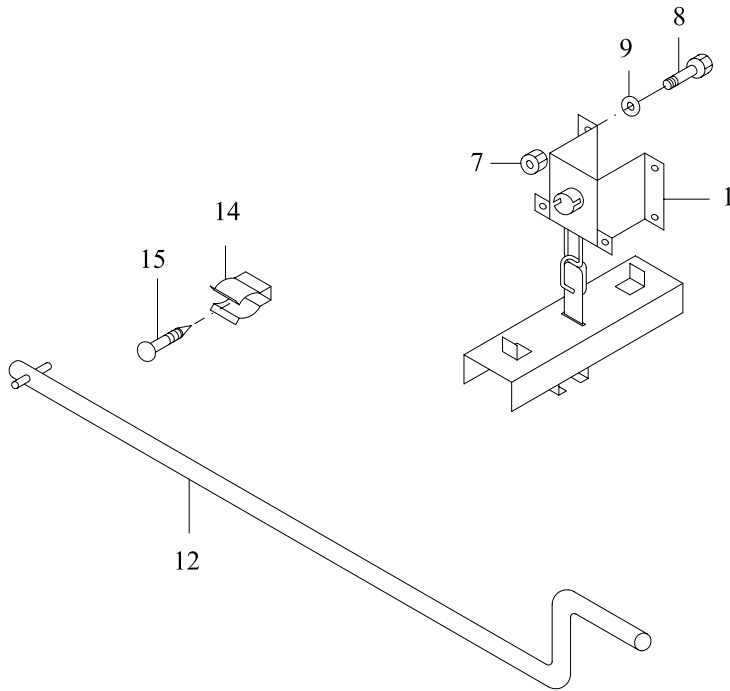


ARKA  
REAR

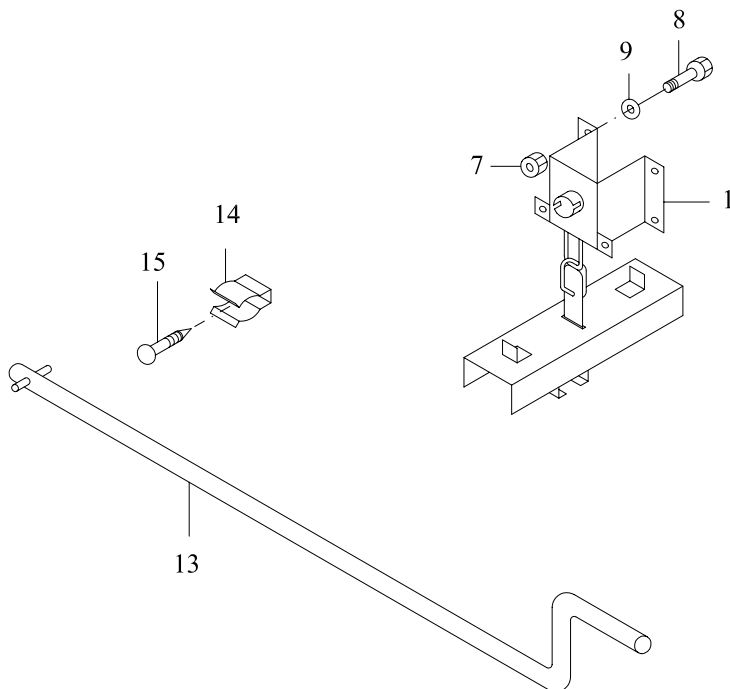




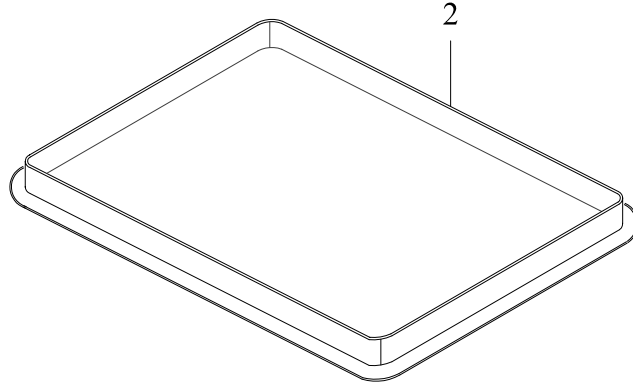
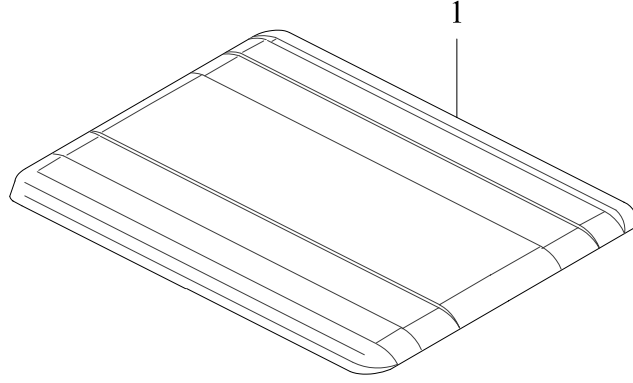
MS762RL



MS762ML



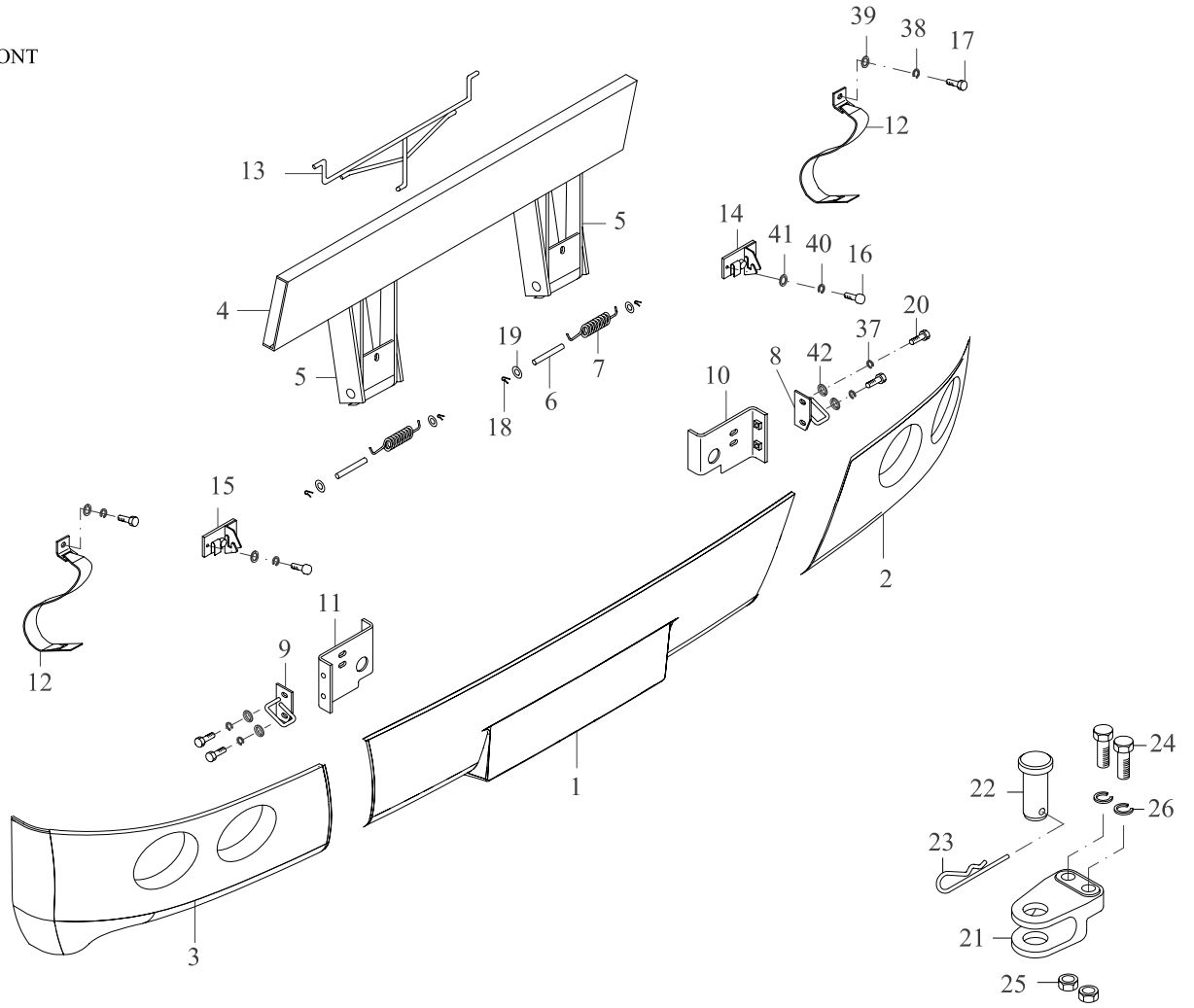




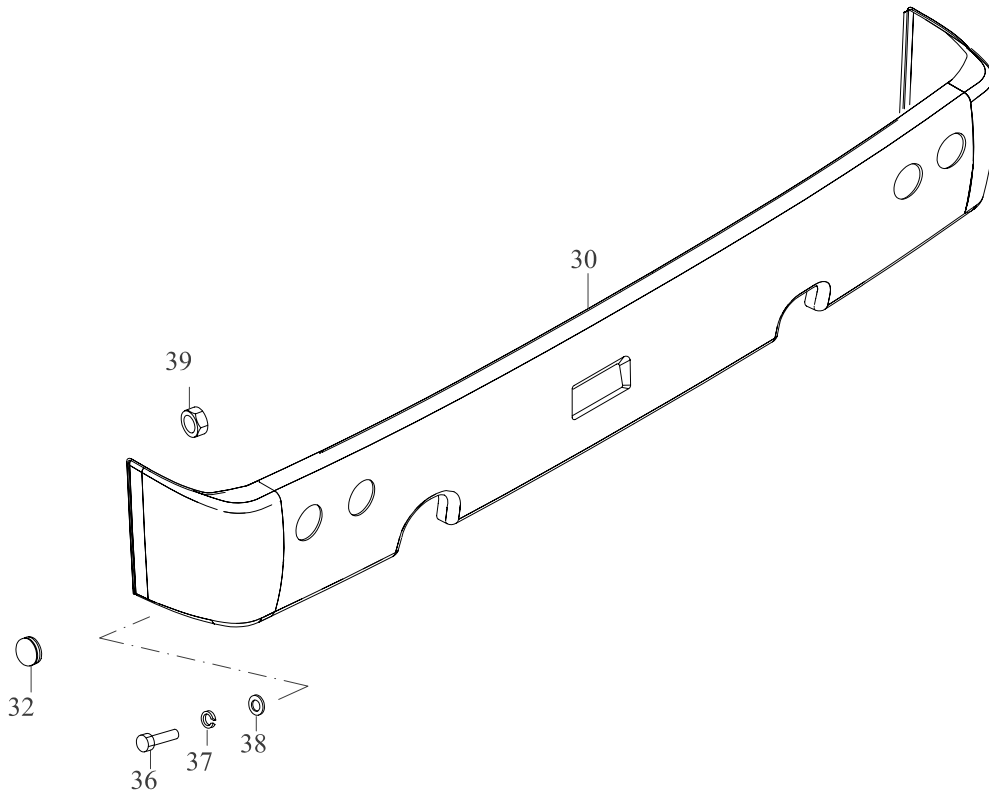




ÖN  
FRONT

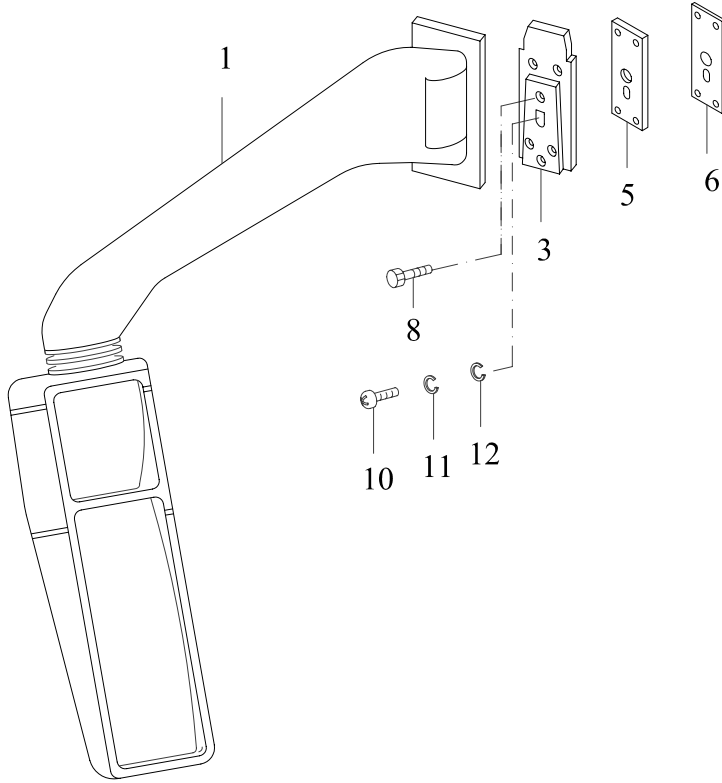


ARKA  
REAR

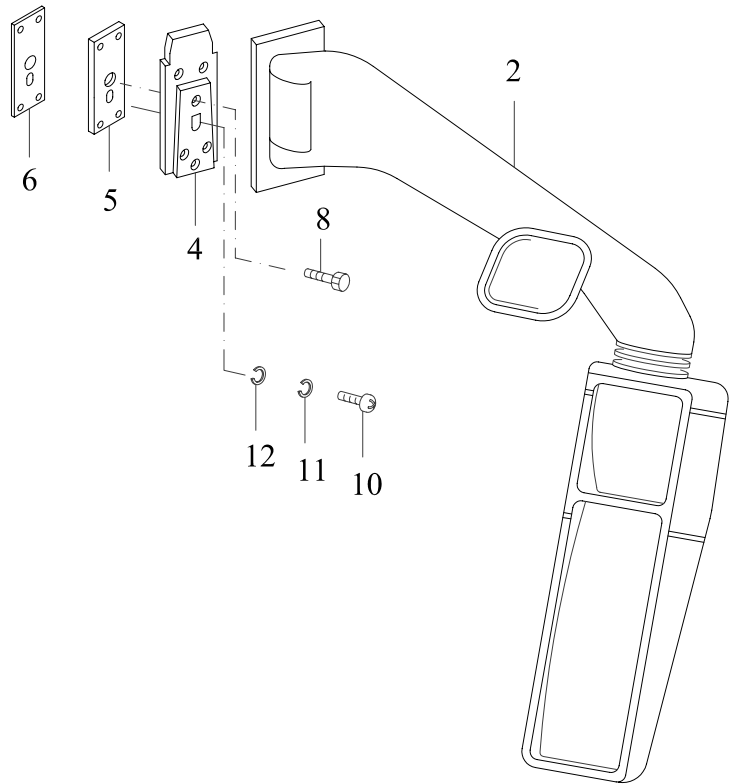


Sym.	Part Number	Part Name	Qty.	R/P	From	Up To	Remarks
1	TC299548-141	ÖN ORTA TAMPON FR BUMPER CENTER	1		1		
2	TC299548-142	ÖN SOL TAMPON FR BUMPER LH	1		1		
3	TC299548-143	ÖN SAĞ TAMPON FR BUMPER RH	1		1		
4	TC241387	BASAMAK DECK ASSY	1		1		
5	MC241391	BRAKET BRAKET	2		1		
6	MC340669	BORU PIPE	2		1		
7	MC241390	YAY SPRING	2		1		
8	MC241381	KİLİT DİLİ - SOL CATCH - LH	1		1		
9	MC241382	KİLİT DİLİ SAĞ CATCH - RH	1		1		
10	MC241383	BRAKET - SOL BRACKET - LH	1		1		
11	MC241384	BRAKET - SAĞ BRACKET - RH	1		1		
12	MC340539	KUŞAK BELT	2		1		
13	MC241380	ROD ROD	2		1		
14	MC241378	KİLİT - SOL LOCK - LH	1		1		
15	MC241379	KİLİT - SAĞ LOCK - RH	1		1		
16	MF200029	VİDA SCREW	AR		1		
17	MF101285	CIVATA BOLT	AR		1		
18	MF472089	KOPİLYA PIN SPLIT	4		1		
19	MF450012	PUL WASHER	4		1		
20	MF100027	CIVATA BOLT	AR		1		
21	TC417030	ÇEKİ KANCASI BRAKETİ HOOK, BRACKET	1		1		

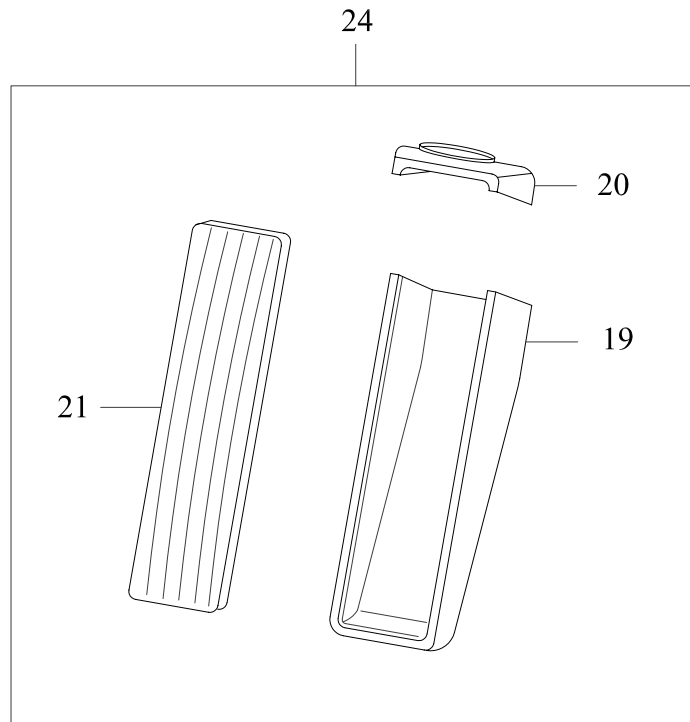
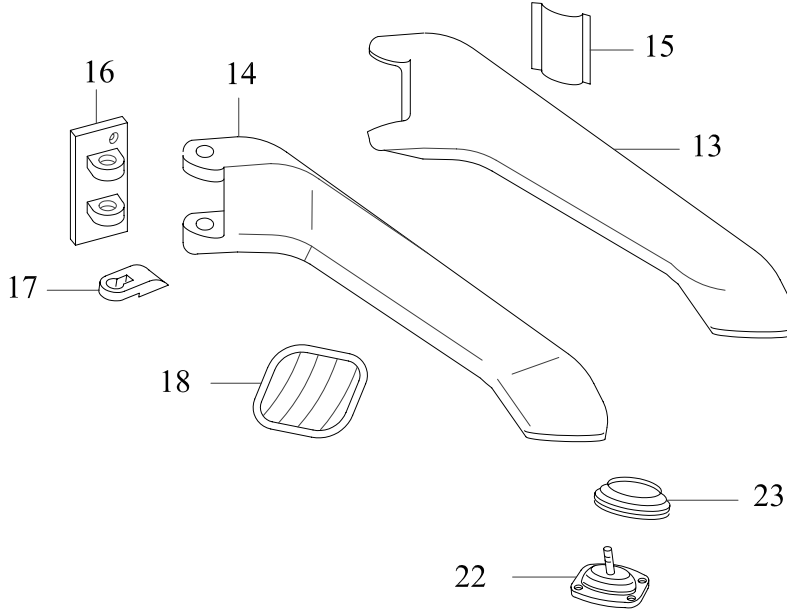




SOL  
LH



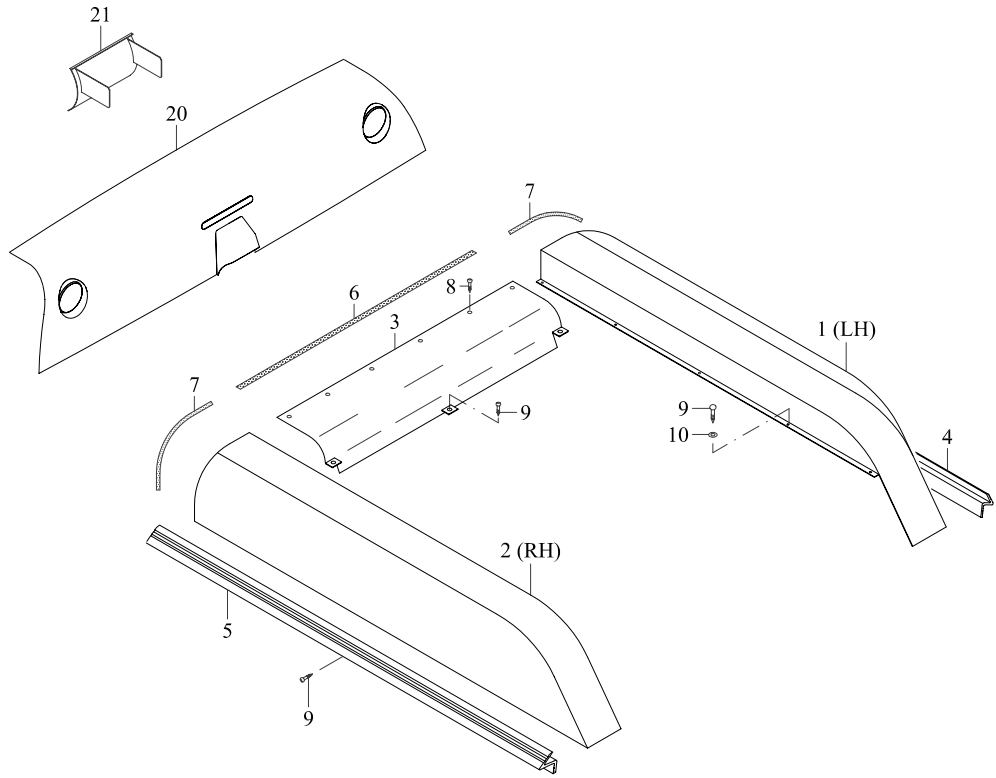
SAĞ  
RH



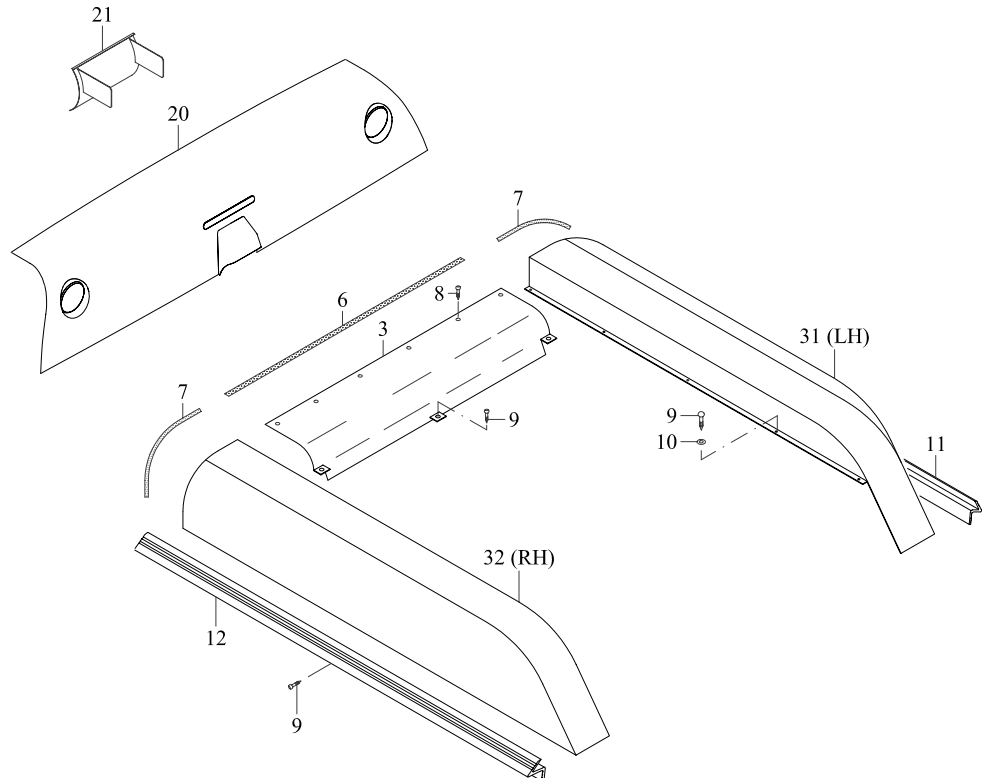
Sym.	Part Number	Part Name	Qty.	R/P	From	Up To	Remarks
1	63336-70058-70	DIŐ AYNA - SOL MIRROR OUTSIDE - LH	1		1		WİLKE 8SB 501 246 82
2	63336-70058-71	DIŐ AYNA - SAĐ MIRROR OUTSIDE - RH	1		1		WİLKE 8SB 501 246-90
3	TU301131	BRAKET SOL BRACKET LH	1		1		WİLKE 9BP 501 238-01
4	63336-70028-71	BRAKET - SAĐ BRACKET - RH	1		1		WİLKE 9BP 501 238 02
5	TC332347	AYAR PARÇASI SPACER	2		1		
6	TC332348	KORUYUCU PROTECTOR	2		1		
8	TF201597	VİDA SCREW	AR		1		
10	TF200102	VİDA SCREW	AR		1		
11	MF450405	RONDELA WASHER SPRING	AR		1		
12	MF450005	PUL WASHER PLAIN	AR		1		
13	63336-70058-30	AYNA KOLU KAPLAMASI ARM COVER ASSEMBLY	2		1		WİLKE 9HB 562 824-021
14	63336-70058-40	AYNA KOLU KOMPLE MIRROR ARM ASSEMBLY	2		1		WİLKE 8HG 562 827-001
15	63336-70058-50	KAPAK COVER	2		1		WİLKE 9HD 562 802-011
16	63336-70058-60	TUTUCU HOLDER	2		1		WİLKE 9XD 562 800 -051
17	63336-70058-61	TUTUCU ALTLIĐI SUPPORT HOLDER	2		1		WİLKE 9BP 562 821-011
18	63336-70058-65	KALDIRIM AYNASI KOMPLE MIRROR UNDER COMPLETE	1		1		WİLKE 8SB 501 346-001
19	63336-70058-01	AYNA ALT KAPAK HOUSING BOTTOM SECTION	2		1		WİLKE 9BG 562 814-001
20	63336-70058-02	AYNA ÜST KAPAĐI HOUSING UPPER SECTION	2		1		WİLKE 9BG 562 812-001
21	63336-70058-03	AYNA CAMI MIRROR GLASS CARRIER	2		1		WİLKE 9MX 562 841-001
22	63336-70058-66	AYNA AYARLAYICI LIGHT RANGE ADJ.	2		1		WİLKE 9SV 562 840-001
23	63336-70058-20	KÖRÜK BELLOWS	2		1		WİLKE 8GH 562 803-001



MS762RL

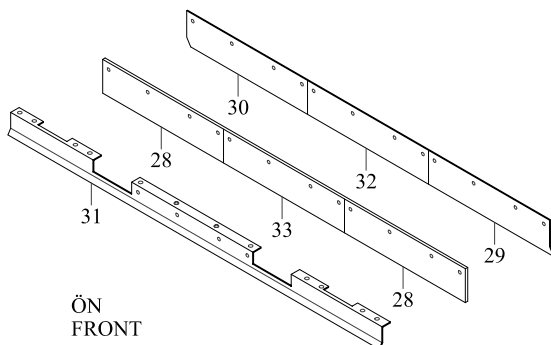
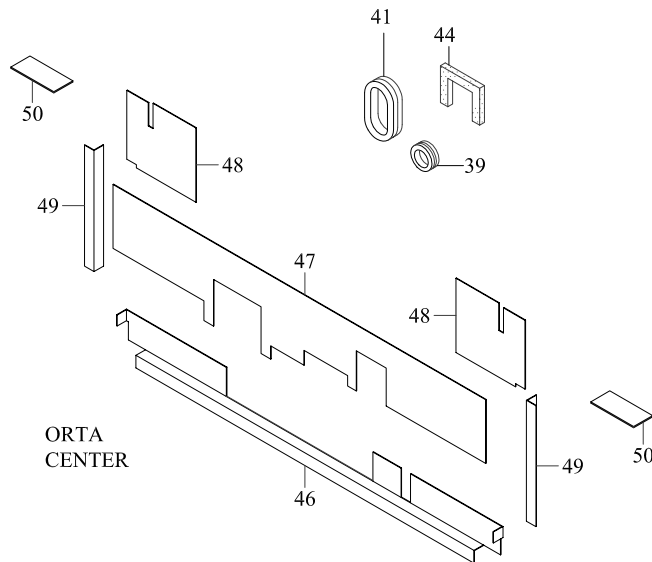
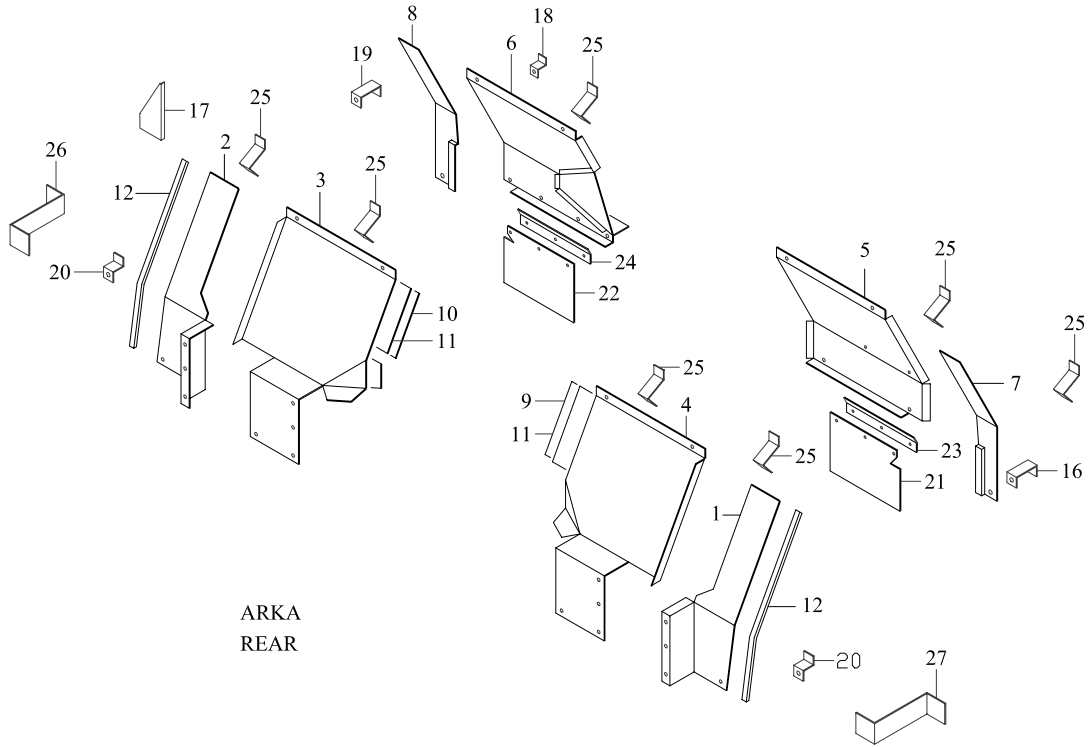


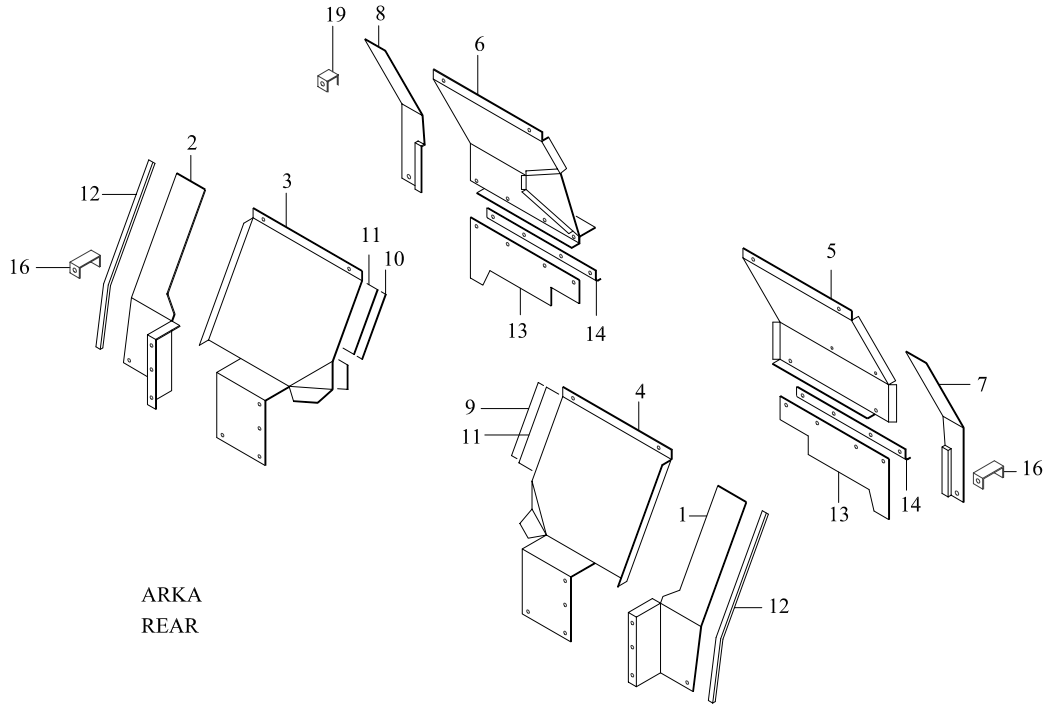
MS762ML



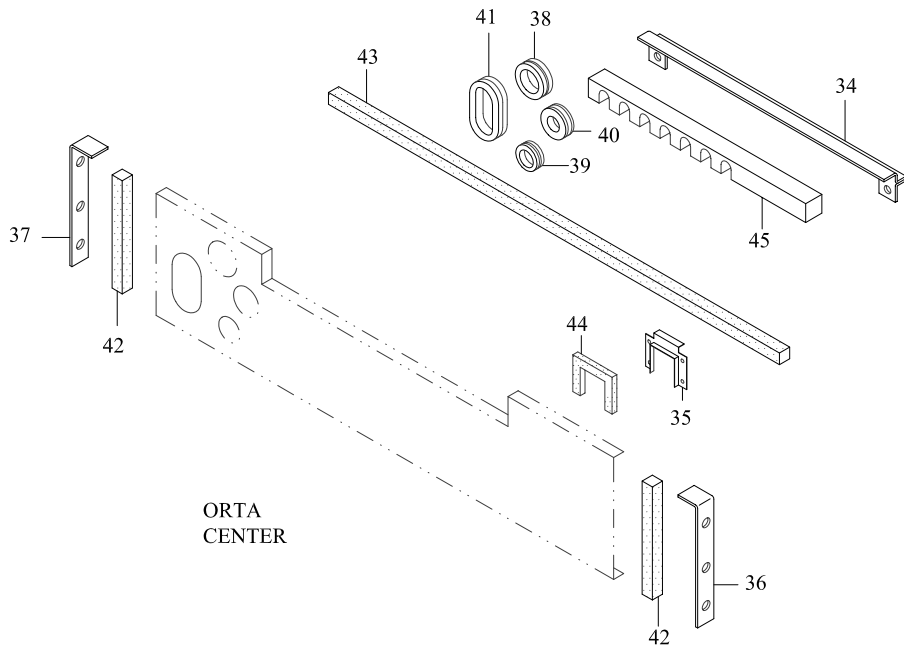




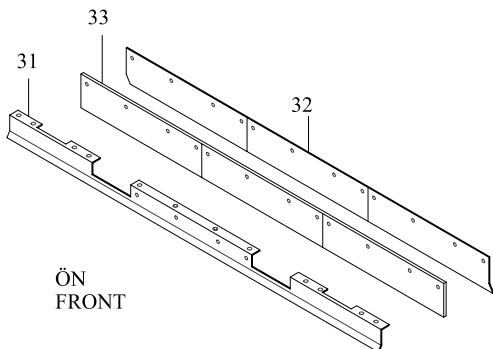




ARKA  
REAR



ORTA  
CENTER



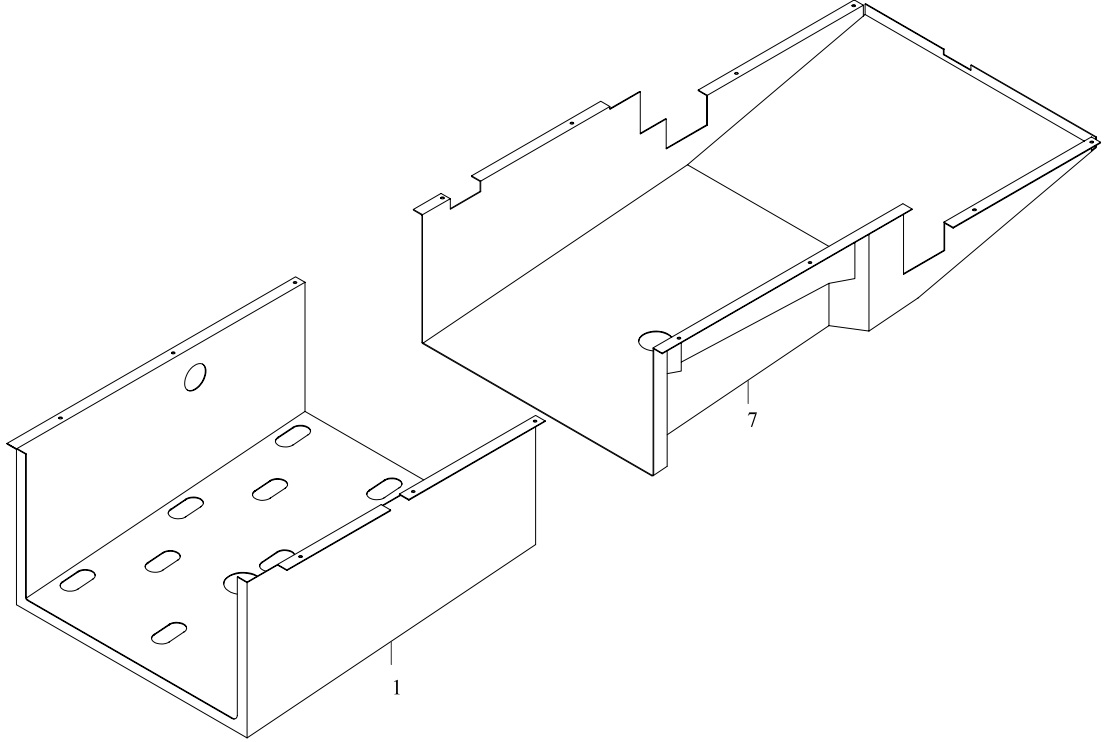
ÖN  
FRONT

Sym.	Part Number	Part Name	Qty.	R/P	From	Up To	Remarks
1	61704-90610-73	ÇAMURLUK -SOL GUARD SPLASH-LH	1		1		
2	61704-90610-72	ÇAMURLUK SAĞ GUARD SPLASH RH	1		1		
3	61704-90620-71	ÇAMURLUK SAĞ GUARD SPLASH -RH	1		1		
4	61704-90620-70	ÇAMURLUK -SOL GUARD SPLASH-LH	1		1		
5	61704-90630-70	ÇAMURLUK -SOL GUARD SPLASH-LH	1		1		
6	61704-90640-70	ÇAMURLUK SAĞ GUARD SPLASH -RH	1		1		
7	61704-90650-01	ÇAMURLUK GUARD SPLASH	1		1		
8	61704-90650-02	ÇAMURLUK GUARD SPLASH	1		1		
9	61704-90610-01	PLAKA PLATE	1		1	4	
9	61704-90660-01	PLAKA PLATE	1	O	5		
10	61704-90610-02	PLAKA PLATE	1		1	4	
10	61704-90660-02	PLAKA PLATE	1	O	5		
11	61704-90670-00	LASTİK FİTİL RUBBER SHIELD	2		1		
12	73108-01260-00	LASTİK FİTİL RUBBER SHIELD	2		1		
13	61704-70220-01	TOZLUK MUD GUARD	2		1	4	
14	61704-70230-01	TOZLUK MUD GUARD	2		1	4	
16	61704-90019-02	U PLAKA PLATE-U	2		1	4	
16	61704-90019-04	U PLAKA PLATE-U	1		5		
17	61704-90018-29	PLAKA PLATE	1		5		
18	61704-40700-71	PLAKA PLATE	1		5		
19	61704-90019-01	U PLAKA PLATE-U	2	O	1	4	

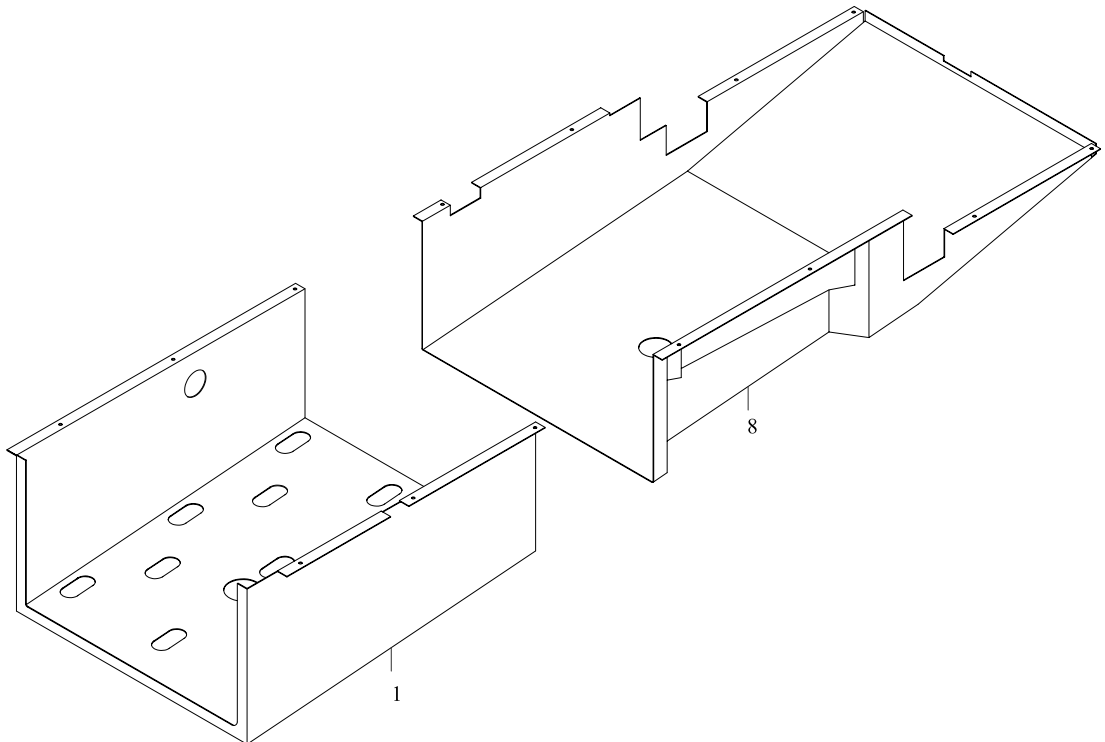
Sym.	Part Number	Part Name	Qty.	R/P	From	Up To	Remarks
19	61704-90019-05	U PLAKA PLATE-U	2		5		
20	61704-90019-07	Z- PLAKA PLATE-Z	2		5		
21	61704-90020-06	TOZLUK MUD GUARD	1		5		
22	61704-90020-05	TOZLUK MUD GUARD	1		5		
23	61704-90020-04	PLAKA PLATE	1		5		
24	61704-90020-03	PLAKA PLATE	1		5		
25	61704-90019-03	Z- PLAKA PLATE-Z	7		5		
26	61704-90018-01	Z- PLAKA PLATE-Z	1		5		
27	61704-90018-02	Z- PLAKA PLATE-Z	1		5		
28	TC253034	TOZLUK LASTIĞI RUBBER MUD GUARD	2		5		
29	TC253032	DESTEK SUPPORT	1		5		
30	TC253033	DESTEK SUPPORT	1		5		
31	61704-40710-00	DESTEK SUPPORT	1		1	4	
31	61704-90710-00	DESTEK SUPPORT	1	O	5		
32	TC253031	DESTEK SUPPORT	1		1		
33	TC253028	TOZLUK MUD GUARD	1		1		
34	MC223676	BRAKET BRACKET	1		1	4	
35	MC223687	PLAKA PLATE	1		1	4	
36	MC223681	BRAKET PLATE	1		1	4	
37	MC223682	BRAKET BRACKET	1		1	4	
38	63108-40150-00	GROMMET GROMMET	1		1	4	



MS762RL

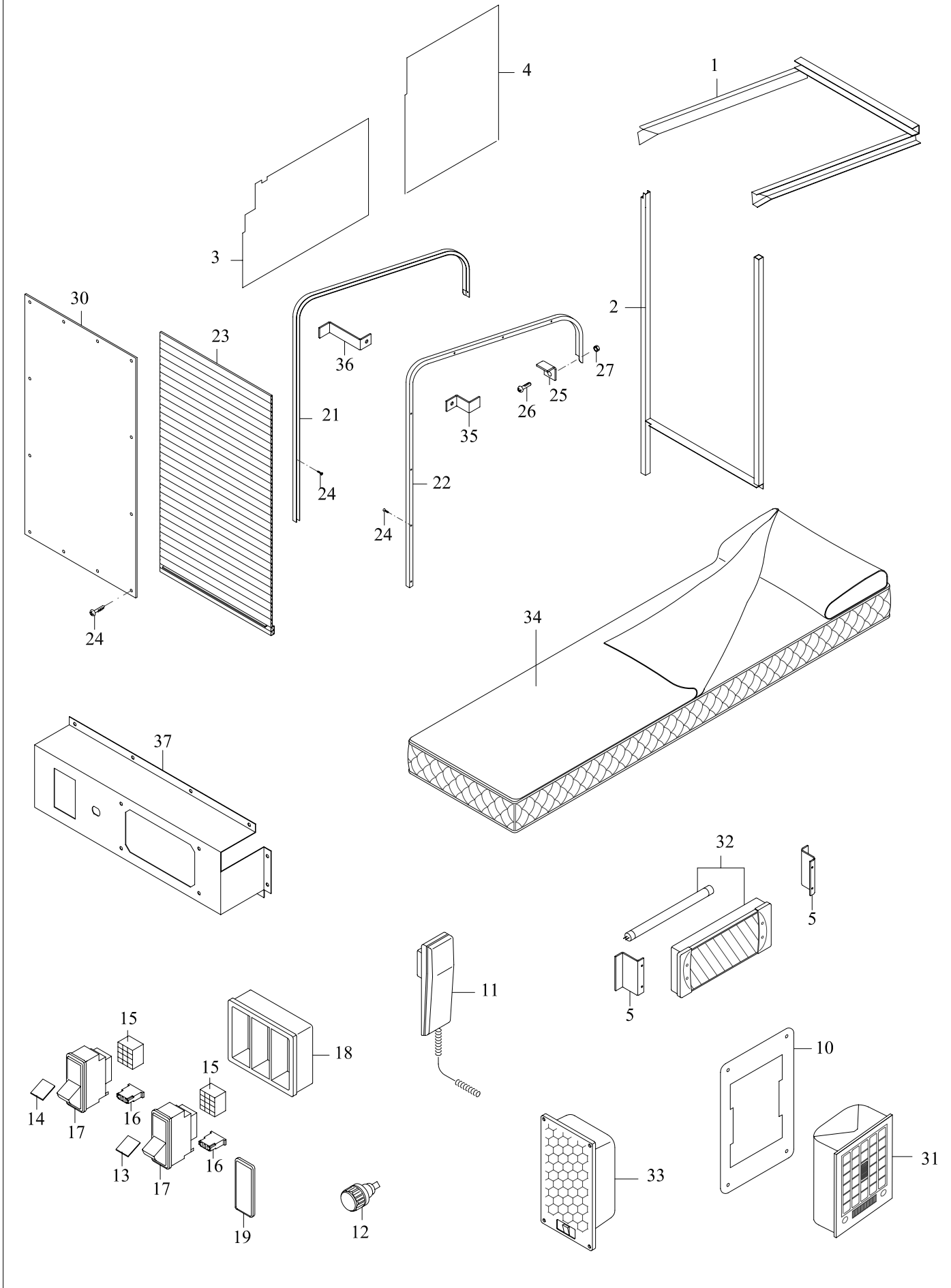


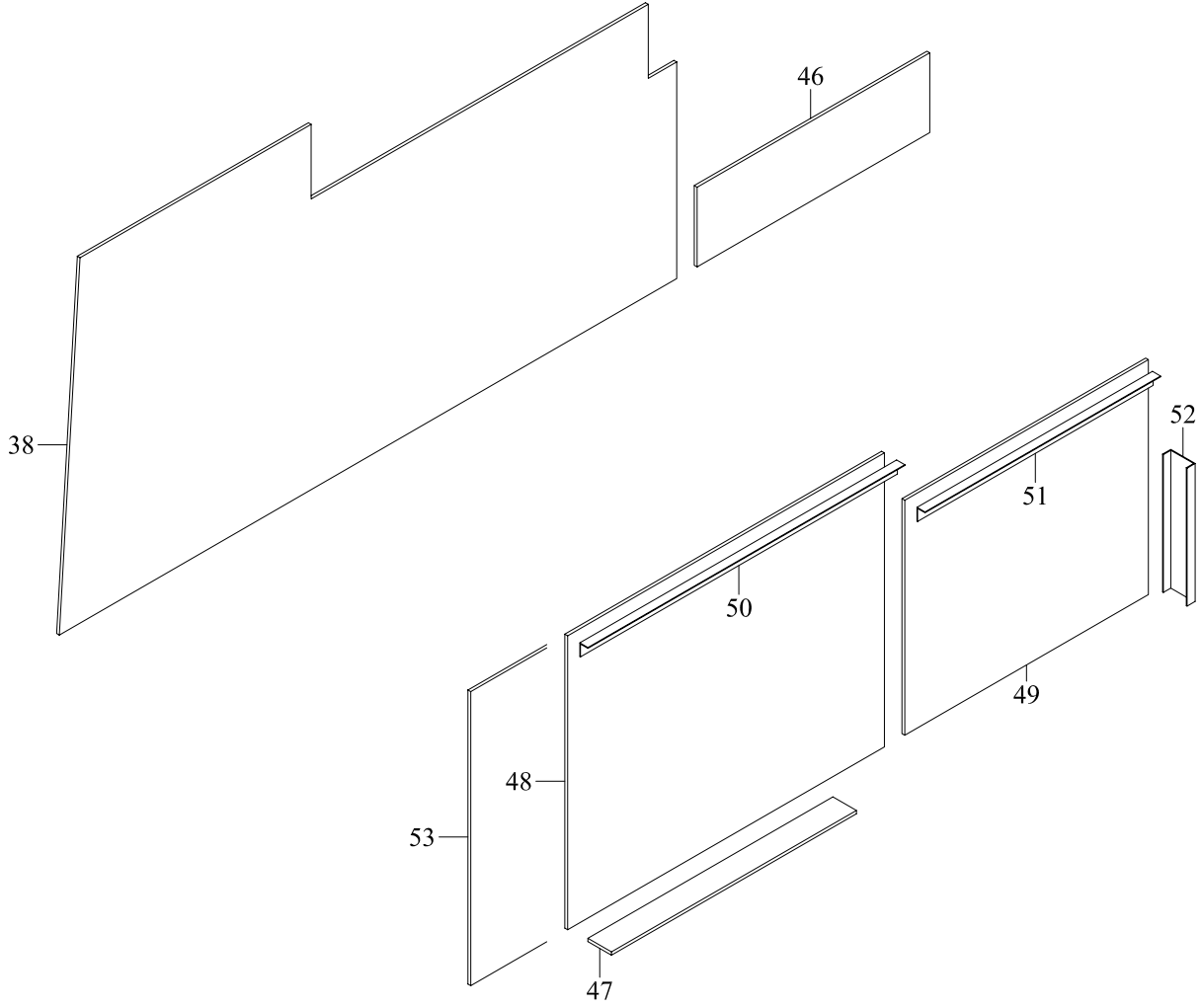
MS762ML











Sym.	Part Number	Part Name	Qty.	R/P	From	Up To	Remarks
1	62078-90010-01	ÇERÇEVE FRAME	1		1		
2	62078-90010-02	ÇERÇEVE FRAME	1		1		
3	61714-90130-03	PANEL PANEL	1		1		
4	61714-90130-04	PANEL PANEL	1		1		
5	61714-90130-05	Z-PLAKA PLATE-Z	2		1		
10	61714-80900-23	PLAKA PLATE	1		1		
11	TU286100	DİYAFON DIAPHONE	1		1	5	
12	64153-70729-03	İKAZ LAMBASI KIRMIZI WARNING LAMP RED	1		1		
13	596639	ETİKET - GECE AYDINLATMA INSERT - LAMP	1		1		
14	596651	ETİKET - KORİDOR LAMBASI INSERT - AISLE LAMP	1		1		
15	596289	SOKEL YUVASI SOCKET HOUSING	2		1		
16	913328	SOKEL YUVASI SOCKET HOUSING	2		1		
17	511018	SİVİÇ SWITCH	2		1		
18	595502	ÇERÇEVE MOUNTING FRAME	1		1		
19	596273	KAPAK COVER	1		1		
21	62078-90200-01	RAY RAIL	1		1		
22	62078-90200-02	RAY RAIL	1		1		
23	62078-90200-03	AKORDEON KAPI ROLLER	1		1		
24	MF453612	VİDA SCREW	AR		1		
25	TU341119	STOPLAYICI STOPPER	2		1		
26	MF200027	VİDA SCREW	AR		1		



UYKU KABİNİ  
SLEEPING CABIN

Group No : **D45-00**

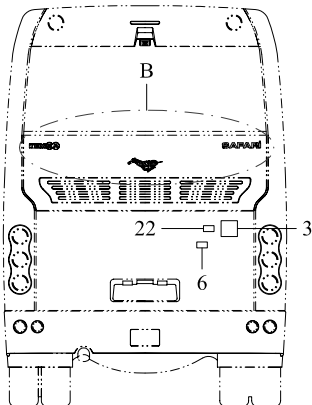
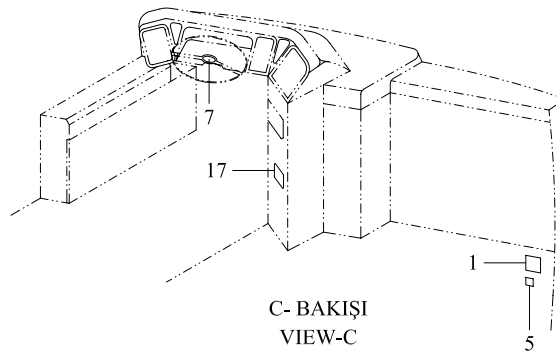
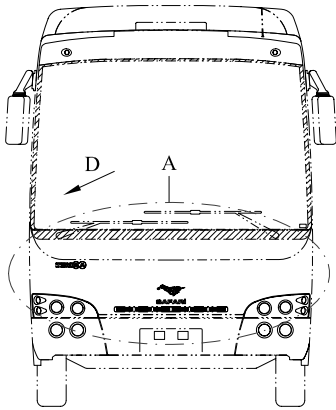
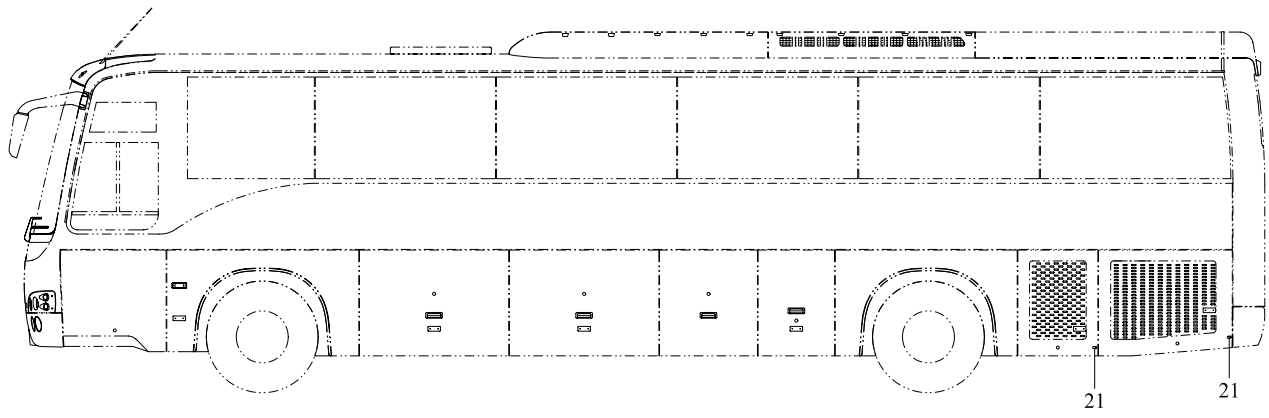
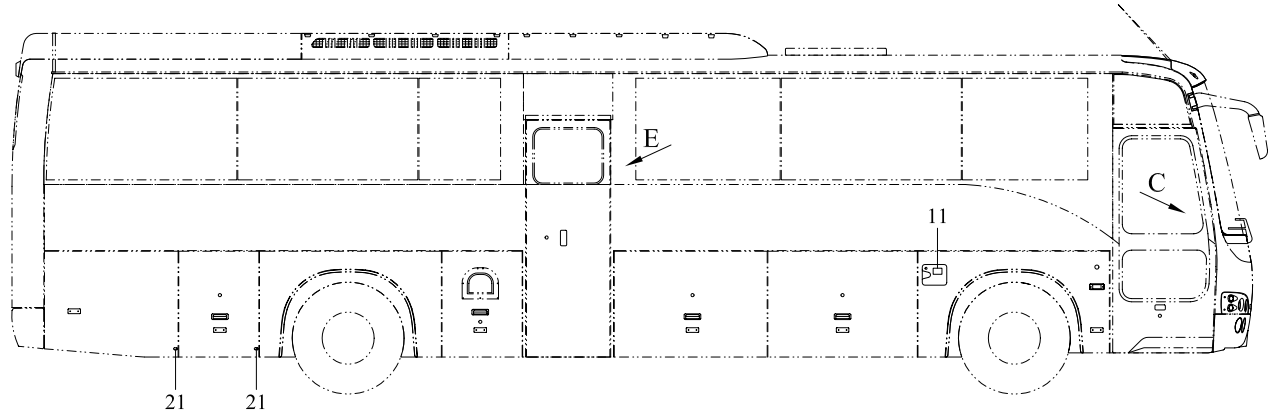
Ident. Num.:

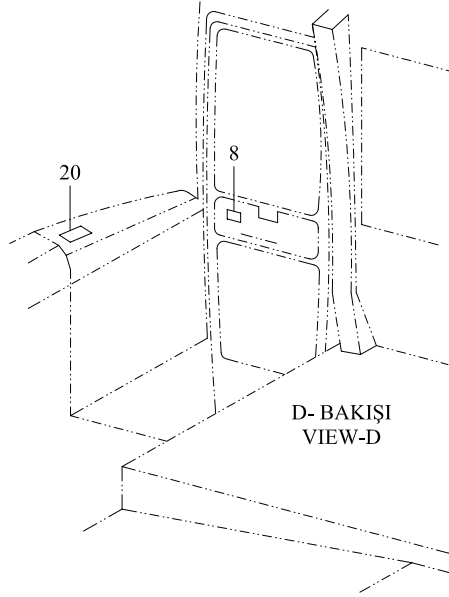
Rev. Date:

Page: 2

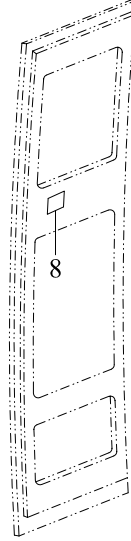
MS762RL

Sym.	Part Number	Part Name	Qty.	R/P	From	Up To	Remarks
27	MF430002	SOMUN NUT	AR		1		
30	61714-90810-01	PANEL PANEL	1		1		WITHOUT ROLLER
31	61714-80900-22	MENFEZ GRILLE	1		1		
32	TU252118	LAMBA LAMP	1		1		
33	63314-70238-01	HOPARLOR SPEAKER	1		1		
34	TU285107	YATAK SETİ BED SET	1		1		
35	62078-90200-06	L-PLAKA PLATE-L	1		1		
36	62078-90200-05	L-PLAKA PLATE-L	1		1		
37	61714-90130-02	KAPAK COVER	1		1		
38	61714-90130-06	TAHTA BOARD	1		79		
46	61714-90130-08	TAHTA BOARD	1		79		
47	61714-90130-11	TAHTA BOARD	2		79		
48	61714-90130-13	TAHTA BOARD	2		79		
49	61714-90130-14	TAHTA BOARD	1		79		
50	61714-90130-10	L-PLAKA PLATE-L	2		79		
51	61714-90130-12	L-PLAKA PLATE-L	1		79		
52	61714-90130-07	U-PLAKA PLATE-U	2		79		
53	TES40780-07	HALI CARPET	AR		1		

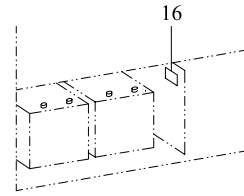




D- BAKIŞI  
VIEW-D



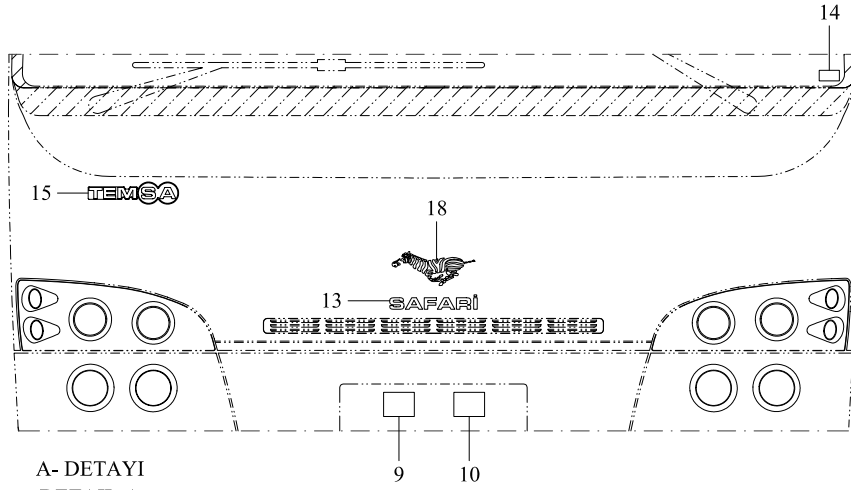
E- BAKIŞI  
VIEW-E



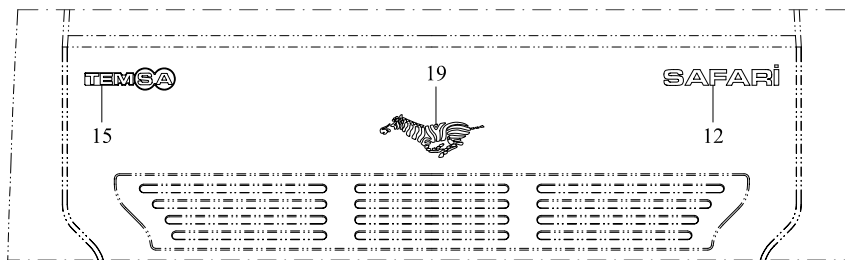
AKÜ YUVASI  
ROOM BATTERY



ABS BAKIM KUTUSU  
ELECTRONIC ABS BOX UNIT INSPC.



A- DETAYI  
DETAIL-A



B- DETAYI  
DETAIL-B



Bölüm E Elektrikli Ekipmanlar  
Chapter E *Electrical Equipments*

---

Ön Lambalar <i>Front Lamps</i>	MS762RL - MS762ML	<i>E01-00</i>
Arka Lambalar <i>Rear Lamps</i>	MS762RL - MS762ML	<i>E02-00</i>
Yan, Bagaj, Koridor, Basamak Ve Motor Odası Lambaları <i>Side, Trunk Room, Step &amp; Aisle Lamps</i>	MS762RL	<i>E03-00</i>
Yan, Bagaj, Koridor, Basamak Ve Motor Odası Lambaları <i>Side, Trunk Room, Step Aisle Lamps</i>	MS762ML	<i>E03-01</i>
Ön Kumanda Siviçleri <i>Front Switches</i>	MS762RL - MS762ML	<i>E05-00</i>
Ön Röle Paneli <i>Relay Panel - Front</i>	MS762RL - MS762ML	<i>E08-00</i>
Arka Röle Paneli <i>Relay Panel - Rear</i>	MS762RL	<i>E09-00</i>
Orta Röle Paneli <i>Relay Panel - Center</i>	MS762ML	<i>E09-01</i>
Silecek Kolları <i>Windshield Wiper</i>	MS762RL - MS762ML	<i>E10-00</i>
Silecek Su Hortumu ve Tank <i>Windshield Waser</i>	MS762RL - MS762ML	<i>E11-00</i>
Gövde, Tavan, Şasi Kabloları <i>Body, Roof &amp; Chassis Harness Wiring</i>	MS762RL - MS762ML	<i>E14-00</i>
Akü Kabloları <i>Battery And Cable</i>	MS762RL	<i>E17-00</i>



Akü Kabloları  
**Battery And Cable**

MS762ML **E17-01**

---

Televizyon, Video  
**Television, Video**

MS762RL - MS762ML **E18-00**

---

Buzdolabı + Kahve Makinası  
**Refrigerator + Boiler**

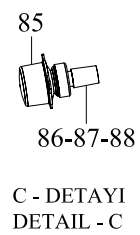
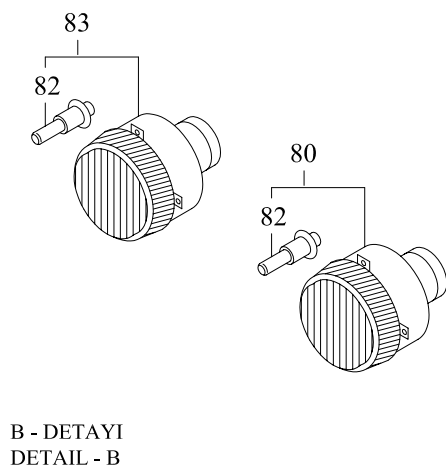
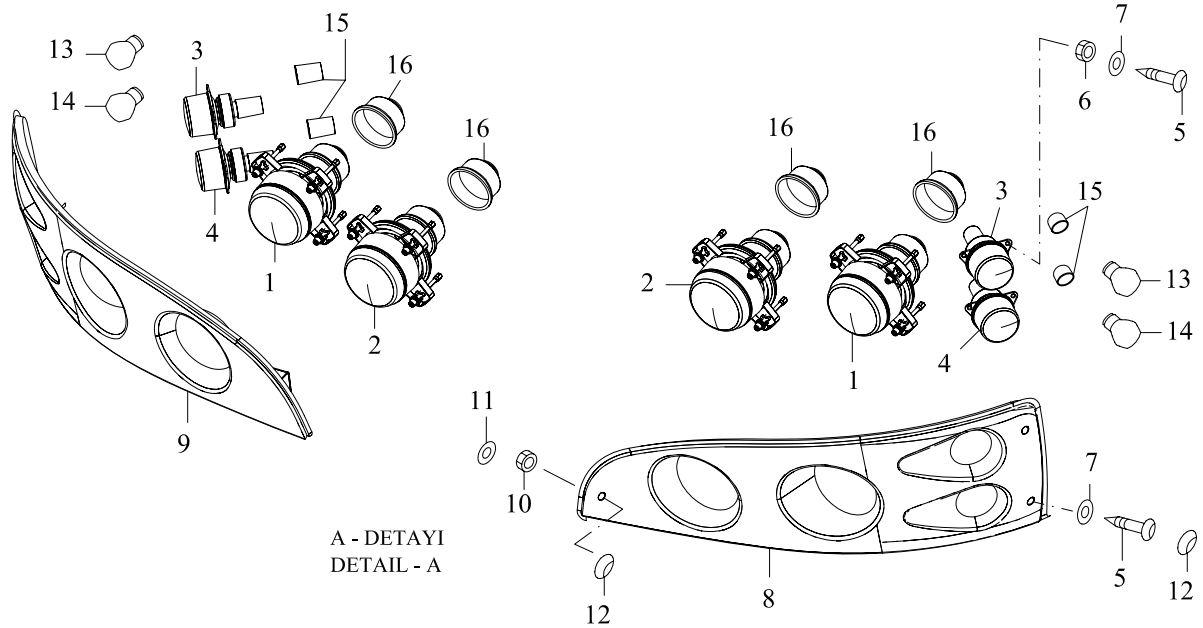
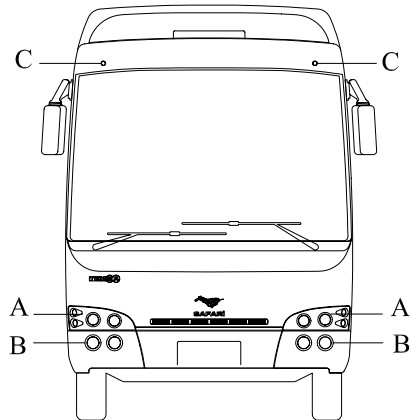
MS762RL - MS762ML **E21-00**


---

Korna Ve Ddk  
**Horn And Buzzer**

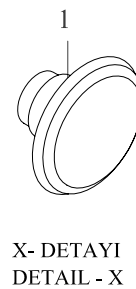
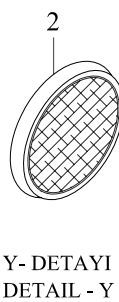
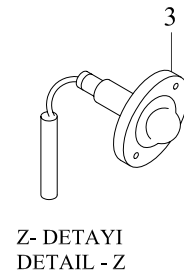
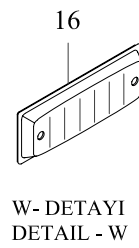
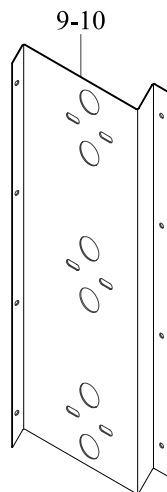
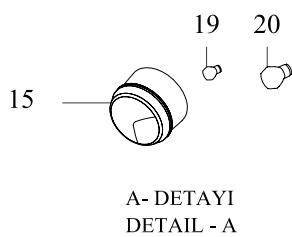
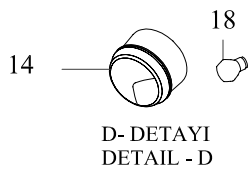
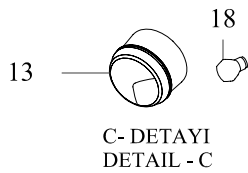
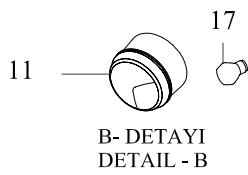
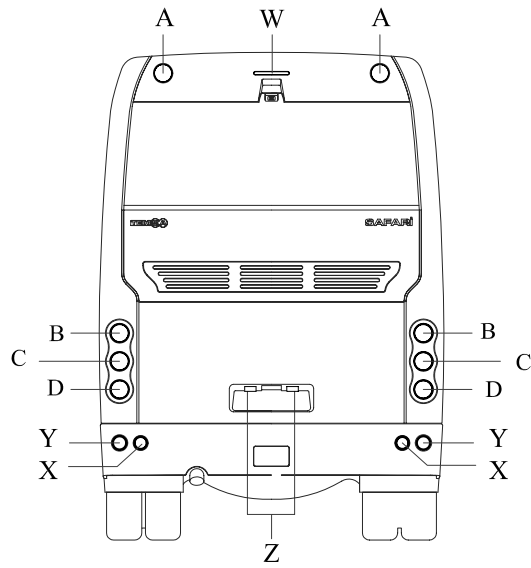
MS762RL - MS762ML **E22-00**

---

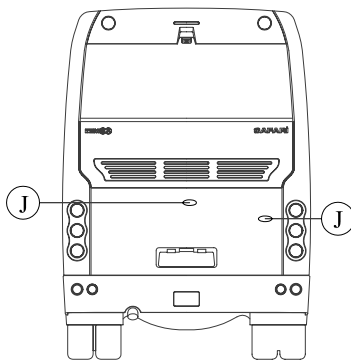
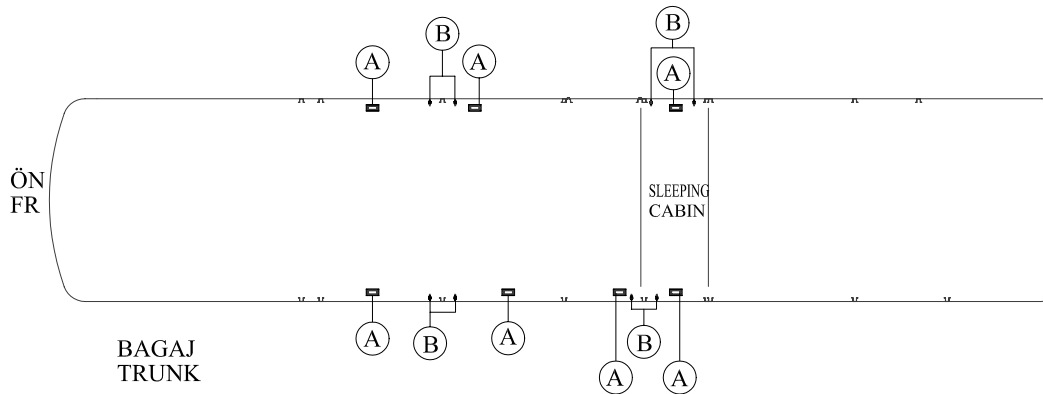
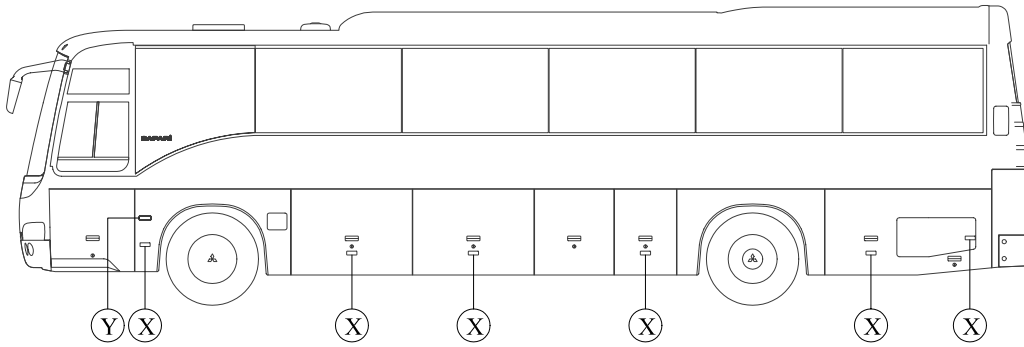
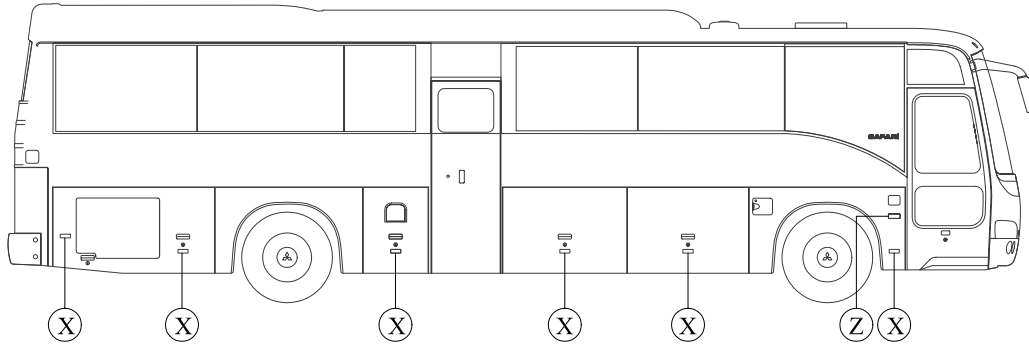


		<b>ÖN LAMBALAR FRONT LAMP</b>				<b>Group No : E01-00</b> Ident. Num.: TC299548-052/TC299860/TC299548-041 Rev. Date: 03.06.2003 Page: 1	
Sym.	Part Number	Part Name	Qty.	R/P	From	Up To	Remarks
1	TC852102	KISA FAR HEAD LAMP SHORT	2		1		HELLA 1BL008193-01
2	TC852101	UZUN FAR HEAD LAMP LONG	2		1		HELLA 1K0008191-047
3	TC852103	ÖN SİNYAL LAMBASI FRONT SIGN LAMP	2		1		HELLA 2BA008221-007
4	TC852104	POZİSYON LAMBASI POSITION LAMP	2		1		HELLA 2PF008221-017
5	MF200053	VİDA SCREW	AR		1		
6	MF430003	SOMUN NUT	AR		1		
7	MF450403	RONDELA WASHER SPRING	AR		1		
8	TC299548-264	KAPAK SOL COVER SOL	1		1		
9	TC299548-265	KAPAK SAĞ COVER RH	1		1		
10	MF430004	SOMUN NUT	AR		1		
11	MF450004	PUL WASHER PLAIN	AR		1		
12	TC299640-30	TAPA PLUG	4		1		
13	TC852113	AMPUL TURUNCU BULB ORANGE	2		1		HELLA 8GA006841-241
14	64131-61000-18	AMPUL (24V-5W) BULB	2		1		
15	TC852111	GROMET GROMMET	4		1		HELLA 8KA152134-007
16	TC852110	GROMET GROMMET	4		1		HELLA 9GH152654-007
80	TC299548-144	ÖN SİS LAMBASI LAMP ASSY FOG	2		1		FARBA
82	230220	AMPUL BULB	2		1		
83	TC299548-145	SİS LAMBASI FOG LAMP	2		1		FARBA
85	TC852112	ÖN TEPE LAMBASI MARKER LAMP FR	2		1		HELLA 2PF003563151

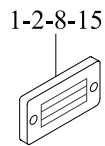




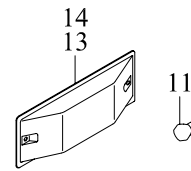




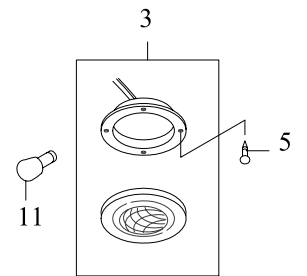
MOTOR ODASI  
ENGINE ROOM



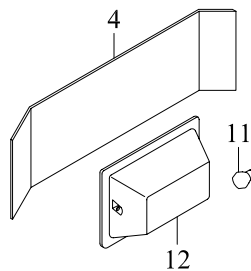
X- DETAYI  
DETAIL - X



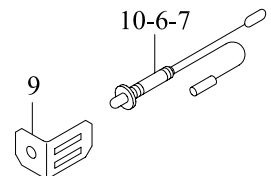
Y ve Z DETAYI  
DETAIL Y-Z



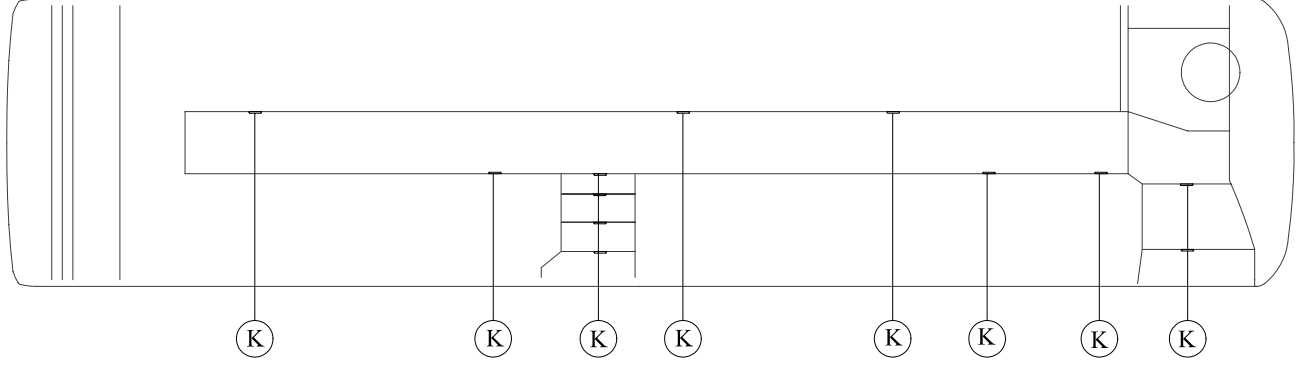
J- DETAYI  
DETAIL - J



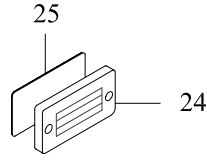
A- DETAYI  
DETAIL - A



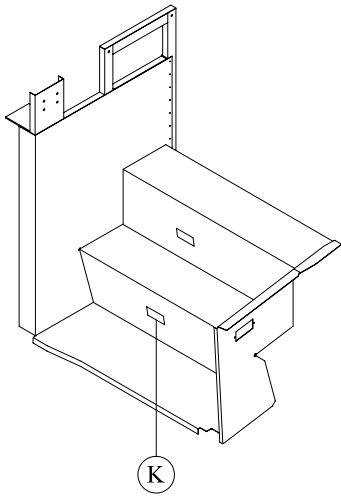
B-DETAYI  
DETAIL - B



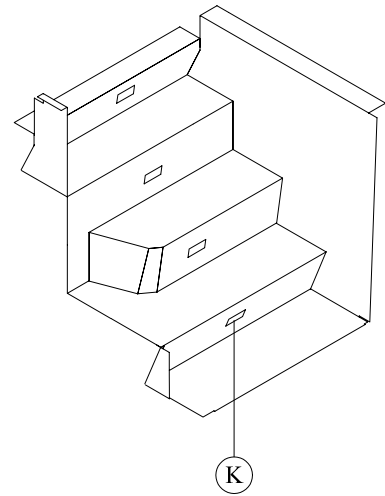
KORİDOR  
AISLE



K- DETAYI  
DETAIL - K



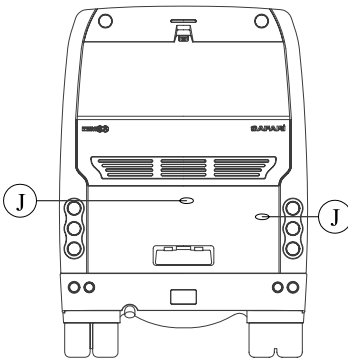
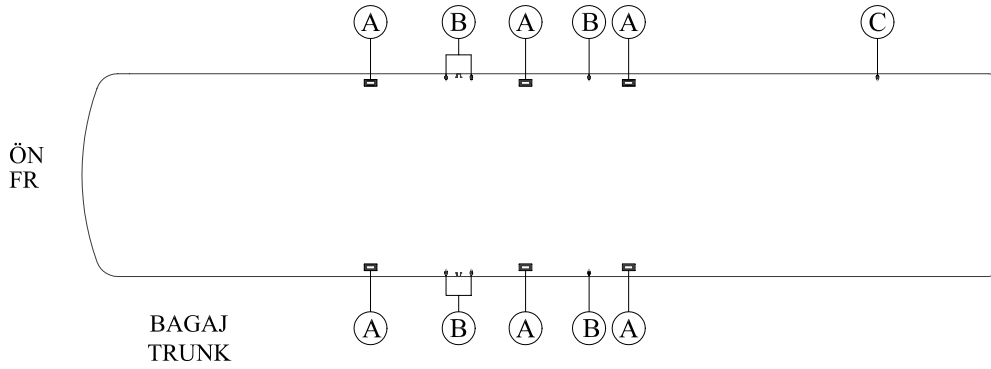
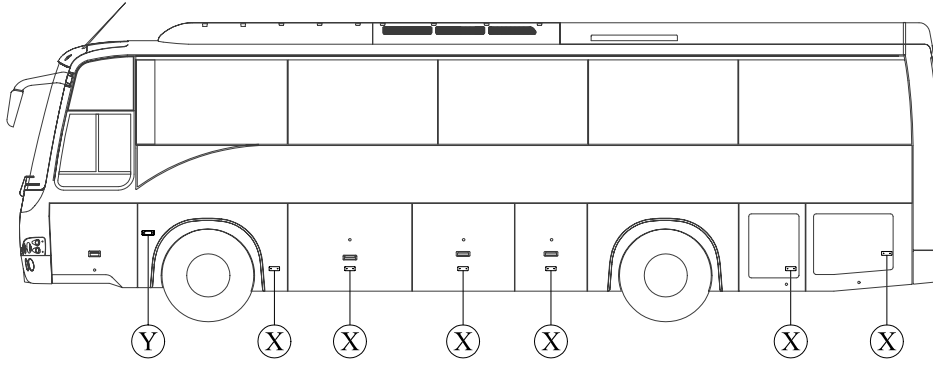
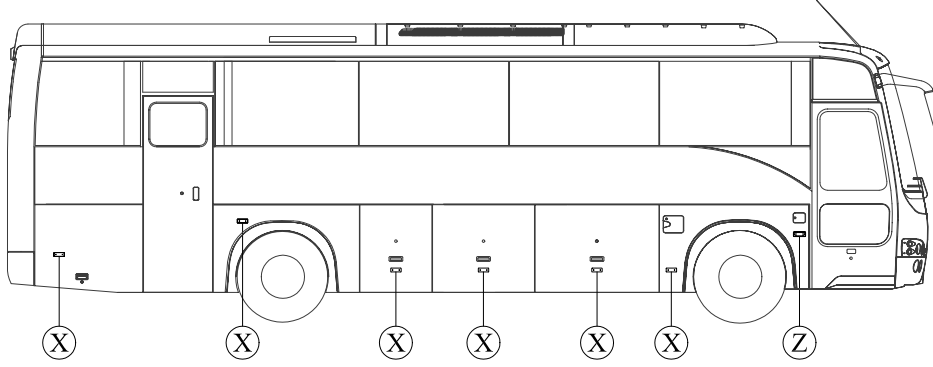
ÖN BASAMAK  
FRONT STEP



ORTA BASAMAK  
CENTER STEP

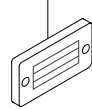






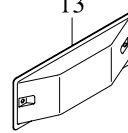
MOTOR ODASI  
ENGINE ROOM

1-2-8-15



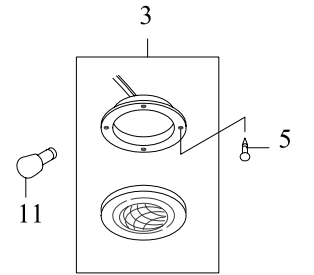
X- DETAYI  
DETAIL - X

14

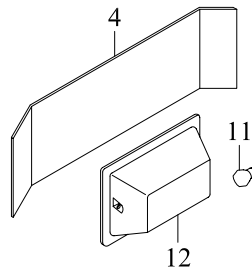


Y ve Z DETAYI  
DETAIL Y-Z

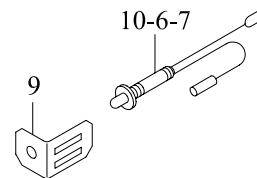
11



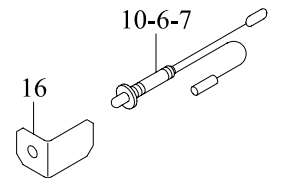
J- DETAYI  
DETAIL - J



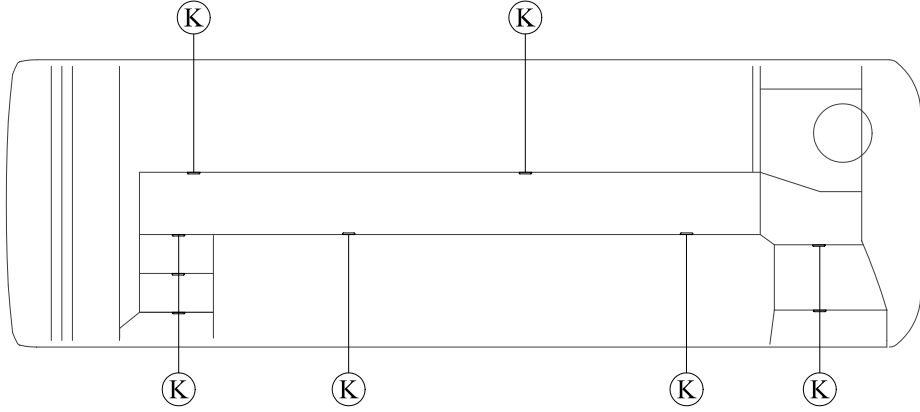
A- DETAYI  
DETAIL - A



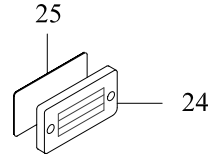
B-DETAYI  
DETAIL - B



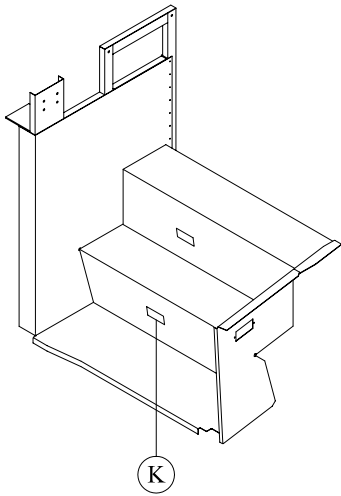
C - DETAYI  
DETAIL - C



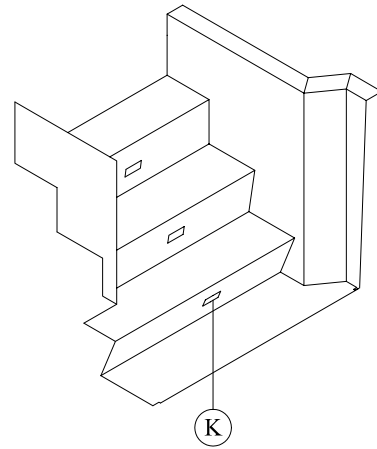
KORİDOR  
AISLE



K- DETAYI  
DETAIL - K

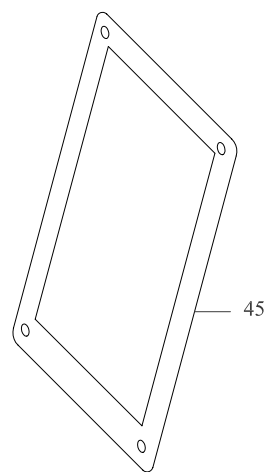
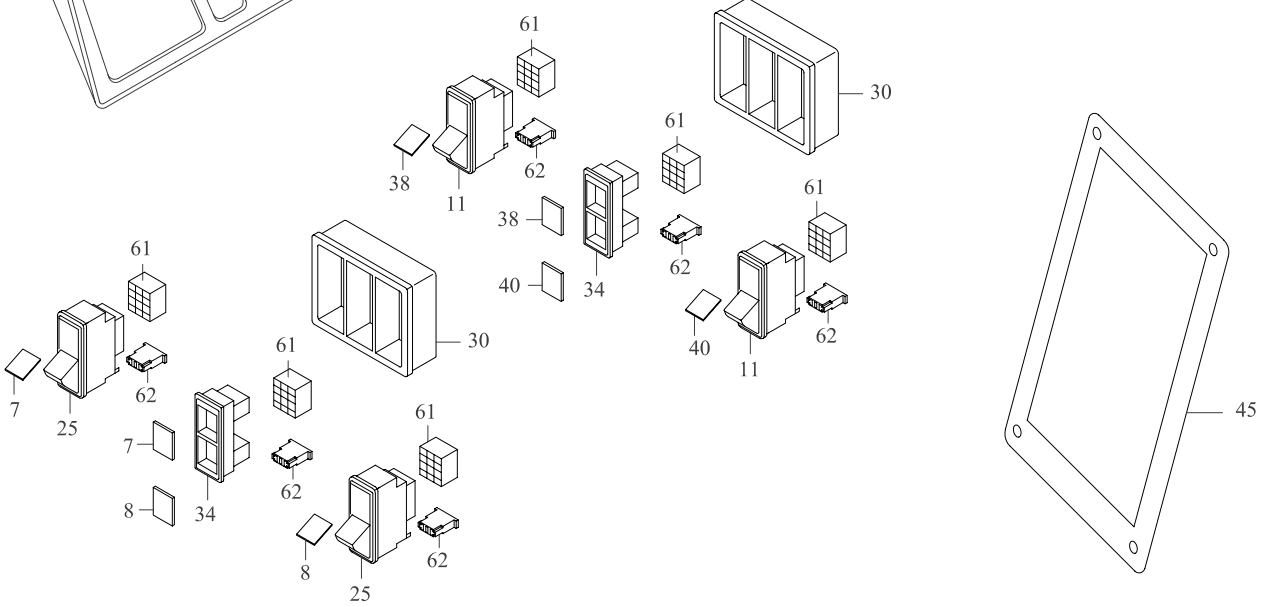
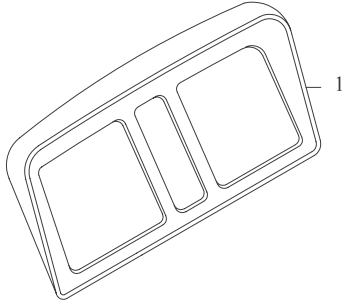
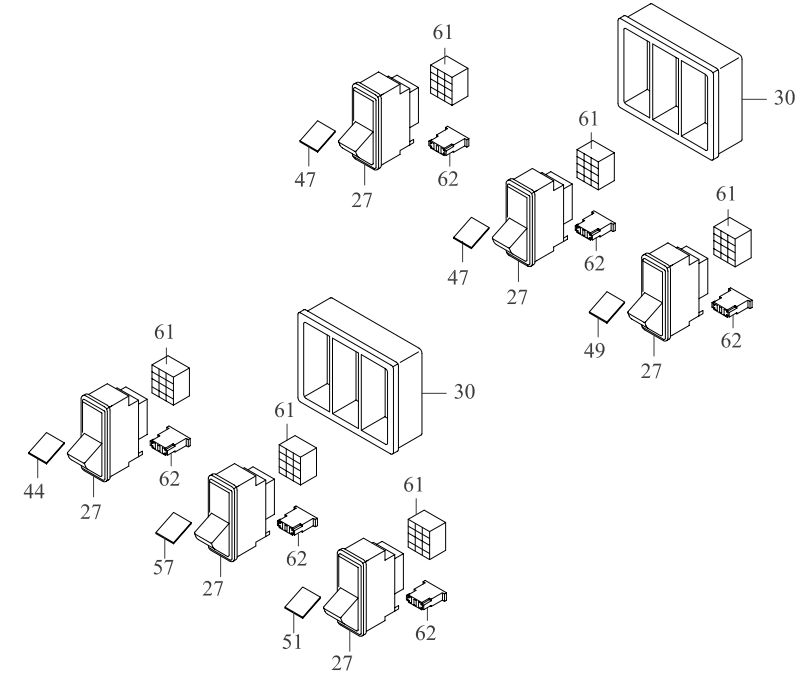
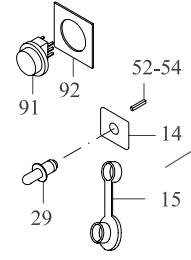
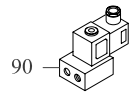
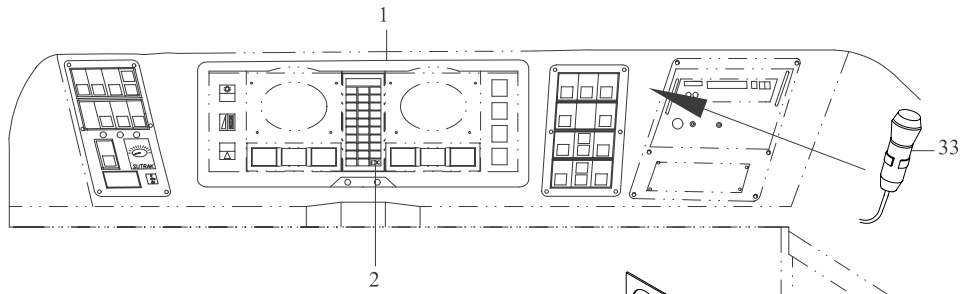


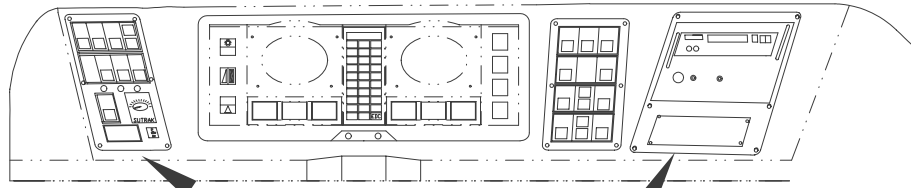
ÖN BASAMAK  
FRONT STEP



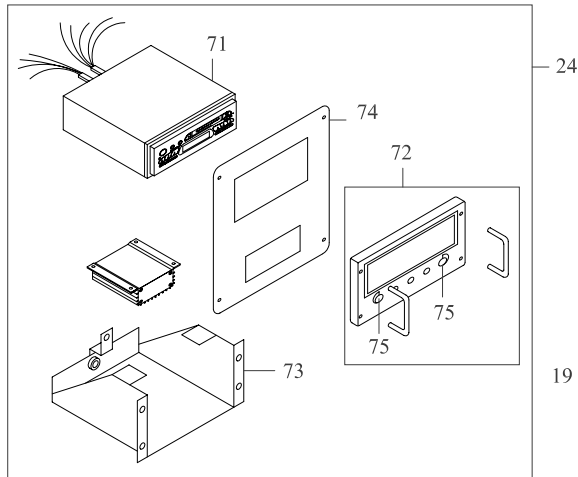
ARKA BASAMAK  
REAR STEP



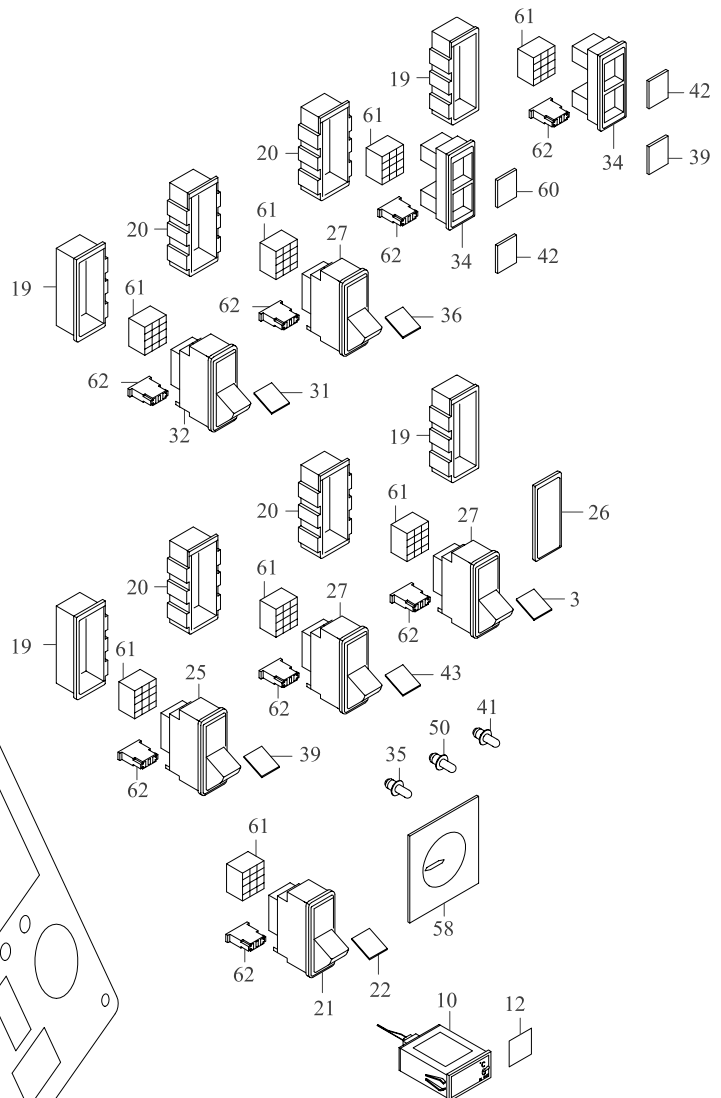




13




24



46

46

Sym.	Part Number	Part Name	Qty.	R/P	From	Up To	Remarks
1	64163-90510-70	GARNISH METER GARNISH METER	1		1		
2	81.97802-2415	ETİKET-EDC INSERT-EDC	1		1		
3	594496	ETİKET - ÖN KAPI CAMI ISITICI INSERT- FR DOOR HEATING	1		1		
7	595851	ETİKET - ÖN KAPI INSERT - FR DOOR	2		1		
8	595852	ETİKET - ARKA KAPI INSERT - RR DOOR	2		1		
10	62017-30710-26	TERMOMETRE THERMOMETER	1		1		
11	511059	SİVİÇ SWITCH	2		1		
12	64153-70720-12	ETİKET - TERMOMETRE INSERT - THRMOMETER	1		1		
13	62305-90020-10	A/C KONTROL PANELİ PANEL CONTROL A/C	1		1		SAFKAR
14	64153-70729-02	ETİKET LABEL	1		1		
15	64159-10010-T1	ÇAKMAK LIGHTER	1		1		
19	594802	UÇ ÇERÇEVE END PIECE	4		1		
20	594801	ARA ÇERÇEVE INTERMEDIARY PIECE	4		1		
21	511032	SİVİÇ SWITCH	1		1		
22	596121	ETİKET-WEBASTO INSERT - WEBASTO	1		1		
24	64183-80016-71	RADYO KOMPLESİ RADIO ASSY	1		1		
25	511201	SİVİÇ SWITCH	3		1		
26	596273	KAPAK COVER	2		1		
27	511018	SİVİÇ SWITCH	9		1		
29	64153-70729-01	İKAZ LAMBASI LAMP CAUTION	1		1		
30	595502	ÇERÇEVE MOUNTING FRAME	4		1		

		<b>ÖN KUMANDA SIVIÇLERİ</b> <b>FRONT SWITCHES</b>				<b>Group No :E05-00</b> Ident. Num.: Rev. Date: 15.04.2003 Page: 2	
		MS762					
Sym.	Part Number	Part Name	Qty.	R/P	From	Up To	Remarks
31	593624	ETİKET - KNEELING INSERT - KNEELING	1		1		
32	511150	SIVIÇ - KNEELING SWITCH - KNEELING	1		1		
33	64187-60010-72	MİKROFON MICROPHONE	1		1		
34	511503	PİLOT LAMBASI LAMP PILOT	4		1		
35	SMBD08214	YEŞİL İKAZ LAMBASI LED LAMP - GREEN	1	X	1	209	
36	591844	ETİKET - INTARDER INSERT - INTARDER	1		1		
38	596649	ETİKET - ÖN SİS INSERT - FR LAMP CLEARANCE	2		1		
39	596610	ETİKET - ASR INSERT - ASR	2		1		
40	596626	ETİKET - ARKA SİS INSERT -RR CLEARANCE	2		1		
41	SMBD08014	KIRMIZI İKAZ LAMBASI LED LAMP - RED	1	X	1	209	
42	596615	ETİKET - SEMBOLSÜZ INSERT - WITHOUT SYMBOL	2		1		
43	595440	ETİKET - AYNA ISITICI INSERT - MIRROR HEATING	1		1		
44	596639	ETİKET - GECE AYDINLATMA INSERT - LAMP	1		1		
45	64153-70720-56	PANEL PANEL	1		1		
46	64153-80720-55	PANEL PANEL	1	X	1	4	
46	64153-90720-56	PANEL PANEL	1	X	5	209	
46	64153-90720-57	PANEL PANEL	1	X	210		
47	596641	ETİKET - İÇ AYDINLATMA INSERT - ROOM LAMP	2		1		
49	596638	ETİKET -OKUMA LAMBALARI INSERT - READING LAMP	1		1		
50	SMBD08114	SARI İKAZ LAMBASI LED LAMP - YELLOW	1	X	1	209	
51	596637	ETİKET - FAR INSERT - HEAD LAMP	1		1		






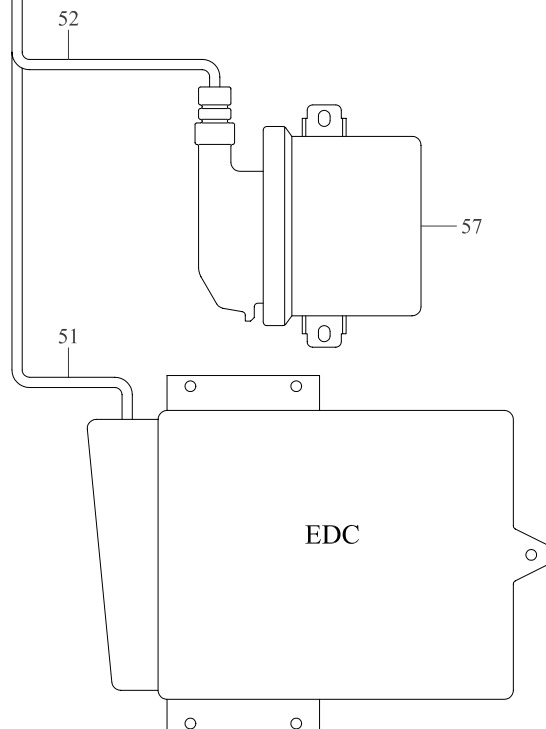
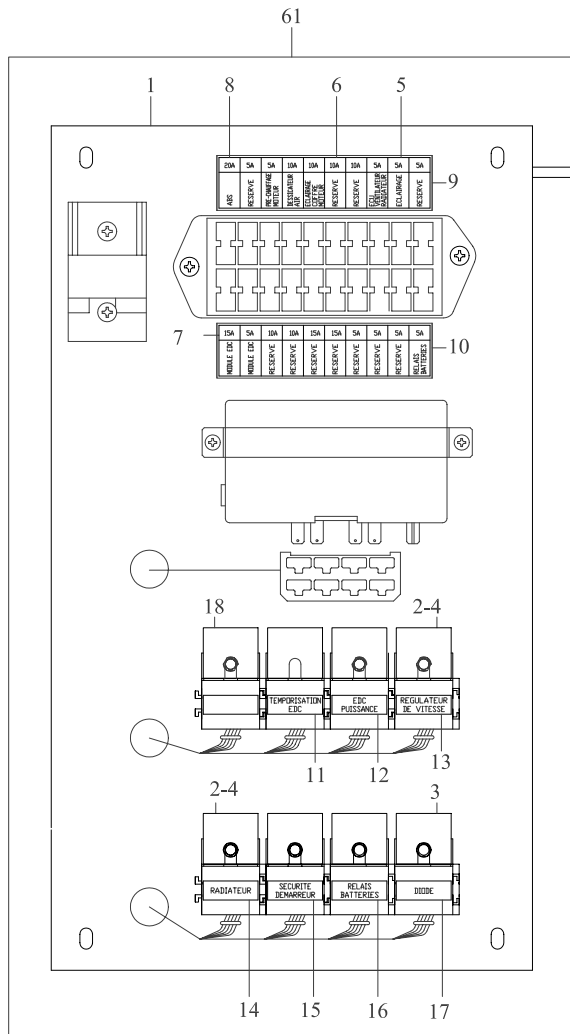
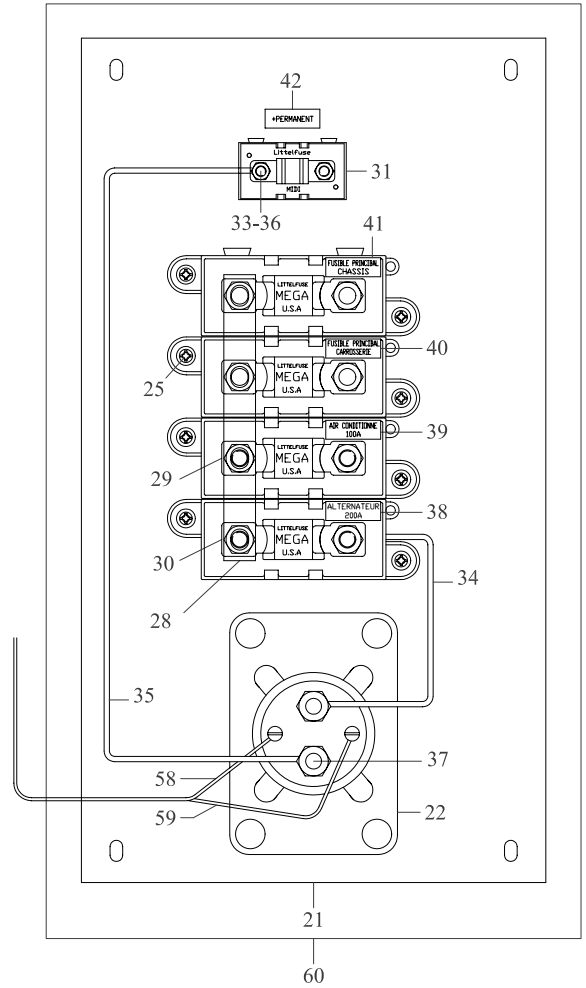
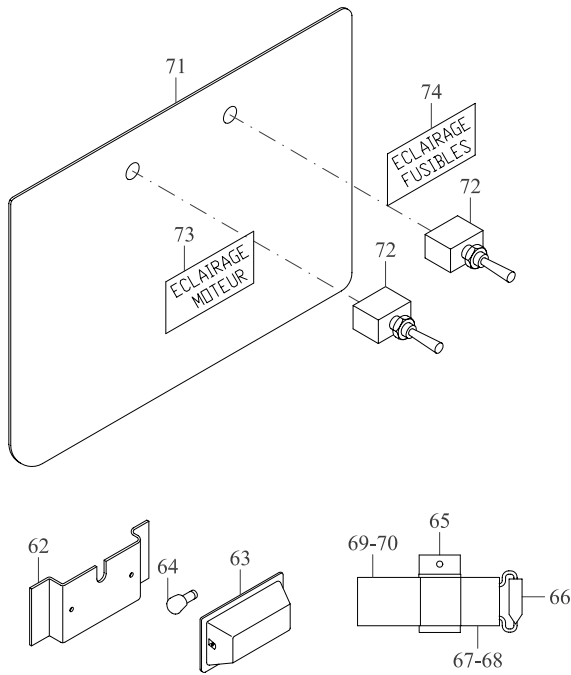


Sym.	Part Number	Part Name	Qty.	R/P	From	Up To	Remarks
1	64103-90990-70	RÖLE PANELİ - ÖN RELAY PANEL - FR	1		1		
3	311922000	BLOK BİRLEŞTİRME BLOCK JUNCTION	1		1		
5	TU252106	BAGAJ LAMBASI TRUNK ROOM LAMP	1		1		
6	MF820185	AMPUL BULB	1		1		
8	TU252124	BRAKET BRACKET	1		1		
9	TM255152	YANGIN İKAZ SENSÖRÜ FIRE WARNINIG SENSORY	1		1		
10	64426-60020-03	SOKET SOCKET	3		1		
11	TH992002	TERMINAL TERMINAL	AR		1		
12	64426-60010-03	SOKET SOCKET	3		1		
13	TH992102	TERMINAL TERMINAL	AR		1		
14	MA275757	KLİP d: 15 CLIP	1		1		
21	64103-90981-23	ETİKET LABEL	1		1		
22	64103-90981-22	ETİKET LABEL	1		1		
23	64103-90981-21	ETİKET LABEL	1		1		
24	64103-90981-20	ETİKET LABEL	1		1		
25	64103-90981-19	ETİKET LABEL	1		1		
26	64103-90981-18	ETİKET LABEL	1		1		
27	64103-90981-17	ETİKET LABEL	1		1		
28	64103-90981-16	ETİKET LABEL	1		1		
29	64317-70019-02	SİGORTA 5A FUSE 5A	36		1		
30	TS810965	SİGORTA 10A FUSE 10A	35		1		

Sym.	Part Number	Part Name	Qty.	R/P	From	Up To	Remarks
31	64317-70019-01	SIGORTA 15A FUSE 15A	8		1		
32	64103-90982-08	ETIKET LABEL	4		1		
33	64103-90982-10	ETIKET LABEL	1		1		
34	64103-90982-11	ETIKET LABEL	2		1		
35	64103-90982-04	ETIKET LABEL	2		1		
36	64103-90982-48	ETIKET LABEL	1		1		
37	64103-90982-12	ETIKET LABEL	2		1		
38	64103-90982-13	ETIKET LABEL	1		1		
39	64103-90982-14	ETIKET LABEL	1		1		
40	64103-90982-15	ETIKET LABEL	1		1		
41	64103-90982-16	ETIKET LABEL	1		1		
42	64103-90982-17	ETIKET LABEL	1		1		
43	64103-90982-18	ETIKET LABEL	1		1		
44	64103-90982-09	ETIKET LABEL	1		1		
45	64103-90982-20	ETIKET LABEL	1		1		
46	64103-90982-21	ETIKET LABEL	2		1		
47	64103-90982-22	ETIKET LABEL	4		1		
48	64103-90982-24	ETIKET LABEL	1		1		
49	64103-90982-23	ETIKET LABEL	1		1		
50	64103-90982-06	ETIKET LABEL	3		1		
51	64103-90982-25	ETIKET LABEL	1		1		

		<b>RÖLE PANELİ - ÖN RELAY PANEL - FRONT</b>				<b>Group No : E08-00</b> Ident. Num.: Rev. Date: Page: 3	
Sym.	Part Number	Part Name	Qty.	R/P	From	Up To	Remarks
52	64103-90982-26	ETİKET LABEL	2		1		
54	64103-90982-02	ETİKET LABEL	1		1		
56	64103-90982-07	ETİKET LABEL	1		1		
57	64103-90982-47	ETİKET LABEL	1		1		
58	64103-90982-05	ETİKET LABEL	1		1		
59	64103-90982-29	ETİKET LABEL	1		1		
60	64103-90982-46	ETİKET LABEL	1		1		
61	MA276132	SIVIÇ SWITCH	1		1		
62	64103-70109-02	RÖLE -SİS LAMBASI ÖN RELAY - FOG LAMP FR	1		1		
63	64103-70109-03	RÖLE - SİS LAMBASI ARKA RELAY - FOG LAMP REAR	1		1		
64	TM254193	DİYOT ÜNİTESİ DIYOT	2		1		
65	64103-70109-01	RÖLE FUSE	34		1		
66	TH992011	DİRENÇ RESISITANCE	34		1		
71	64103-90109-04	RÖLE - FREN BALATASI RELAY - BRAKE	1		1		
72	TM253124	FLAŞÖR FLASHER	1		1		
73	601195	RÖLE RELAY	1		1		
75	64103-90109-05	DİYOT ÜNİTESİ DIONE UNIT	1		1		
80	64103-90990-71	ÖN RÖLE PANELİ FRONT RELAY PANEL ASSY	1		1		
81	TU253143-04	SOKET SOCKET	1		5		
82	TM254188	KONDANSATÖR - HIZ KONTROL CONDENSER- SPEED CONTROL	4		5		
83	64372-90120-05	BRAKET BRACKET	1		5		



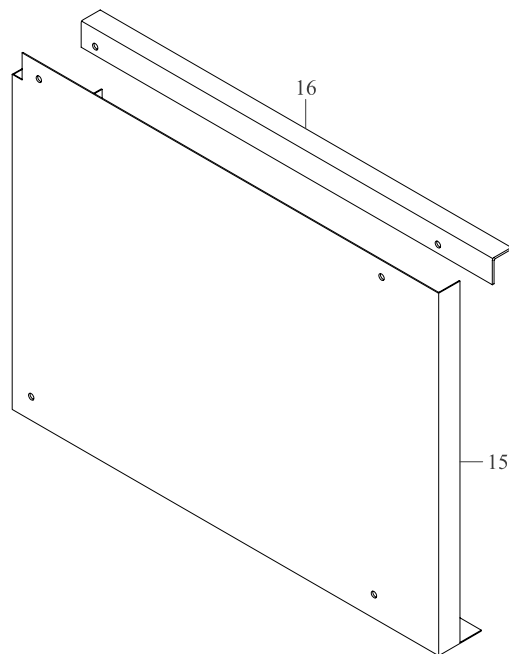
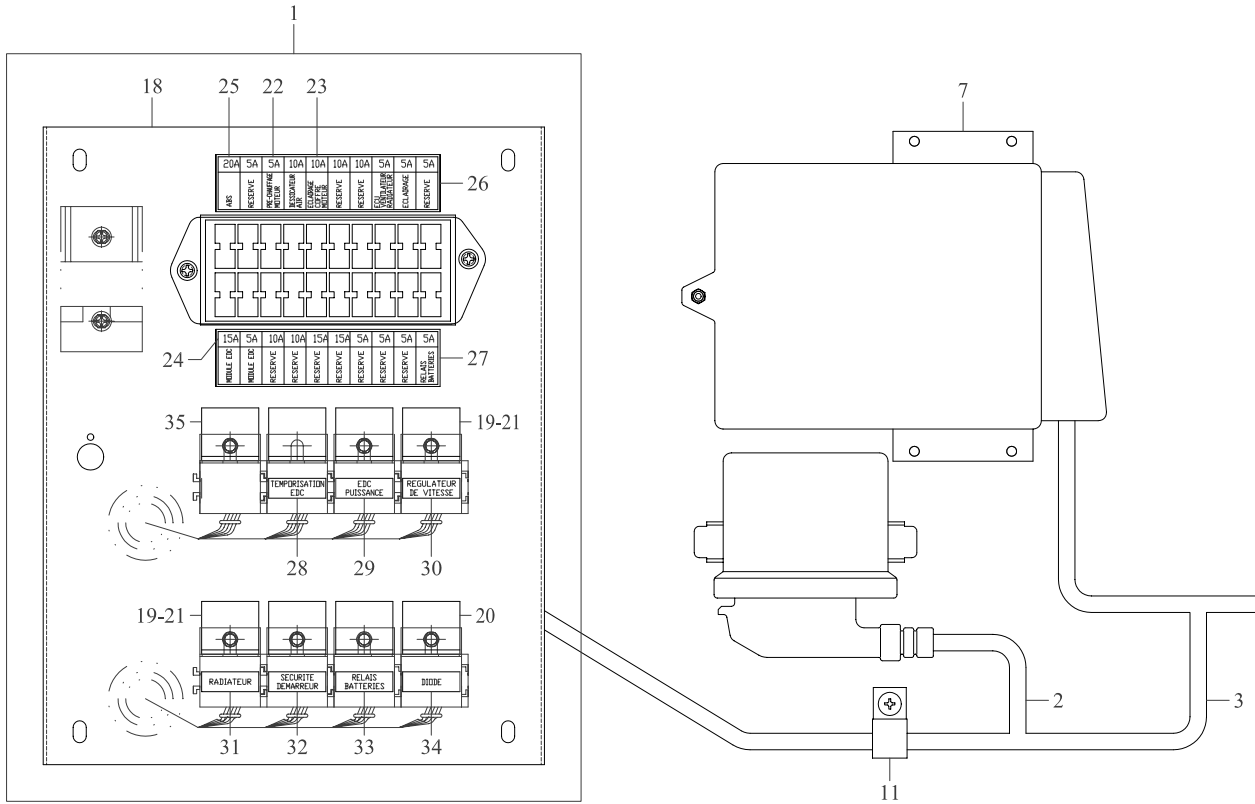


Sym.	Part Number	Part Name	Qty.	R/P	From	Up To	Remarks
1	64103-90980-81	PANEL PANEL	1		1		
2	64103-70109-01	RÖLE FUSE	6		1		
3	TM254193	DİYOT ÜNİTESİ DIYOT	1		1		
4	TH992011	DİRENÇ RESISTANCE	6		1		
5	64317-70019-02	SİGORTA 5A FUSE 5A	10		1		
6	TS810965	SİGORTA 10A FUSE 10A	6		1		
7	64317-70019-01	SİGORTA 15A FUSE 15A	3		1		
8	64294-40000-10	SİGORTA 20A FUSE	1		1		
9	64103-90981-25	ETİKET LABEL	1		1		
10	64103-90981-24	ETİKET LABEL	1		1		
11	64103-90982-37	ETİKET LABEL	1		1		
12	64103-90982-38	ETİKET LABEL	1		1		
13	64103-90982-39	ETİKET LABEL	1		1		
14	64103-90982-40	ETİKET LABEL	1		1		
15	64103-90982-42	ETİKET LABEL	1		1		
16	64103-90982-43	ETİKET LABEL	1		1		
17	64103-90982-06	ETİKET LABEL	1		1		
18	TH992011	DİRENÇ RESISTANCE	1		1		
21	64103-90980-80	PANEL PANEL	1		1		
22	81.25902-6157	AKÜ RÖLESİ BATTERY RELAY	1		1		
25	64103-90109-03	SİGORTA FUSE	4		1		



Sym	Part Number	Part Name	Qty.	R/P	From	Up To	Remarks
28	64103-90960-80	BAKIR BARA BAR	1		1		
29	64103-90109-06	SİGORTA - 100A FUSE - 100A	3		1		
30	64103-90109-07	SİGORTA - 200A FUSE - 200A	1		1		
31	TM255125	SİGORTA FUSE	1		1		
33	TM255146	SİGORTA FUSE	1		1		
34	64411-90148-01	KABLO CABLE	1		1		
35	TH995029-R	KABLO CABLE	1		1		
36	TH991503	SOKET SOCKET	1		1		
37	TH991509	SOKET SOCKET	1		1		
38	64103-90982-32	ETİKET LABEL	1		1		
39	64103-90982-34	ETİKET LABEL	1		1		
40	64103-90982-33	ETİKET LABEL	1		1		
41	64103-90982-31	ETİKET LABEL	1		1		
42	64103-90982-36	ETİKET LABEL	1		1		
51	64406-90030-80	MOTOR ELEKTİRİK TESİSATI ENGINE HARNESS WIRING	1		1		
52	64406-90100-70	ECU KABLOSU ECU CABLESİ	1		1		
57	81.25435-6494	RADYATÖR ECU ECU RADIATOR	1		1		
58	TH995002-G	KABLO - YEŞİL CABLE -GREEN	1		1		
59	TH995000-B	KABLO - SİYAH CABLE -BLACK	1		1		
60	64103-90980-83	ARKA RÖLE PANELİ PANEL ASSY RELAY REAR	1		1		
61	64406-90980-84	ARKA RÖLE PANELİ KOMP RELAY PANEL ASSY REAR	1		1		



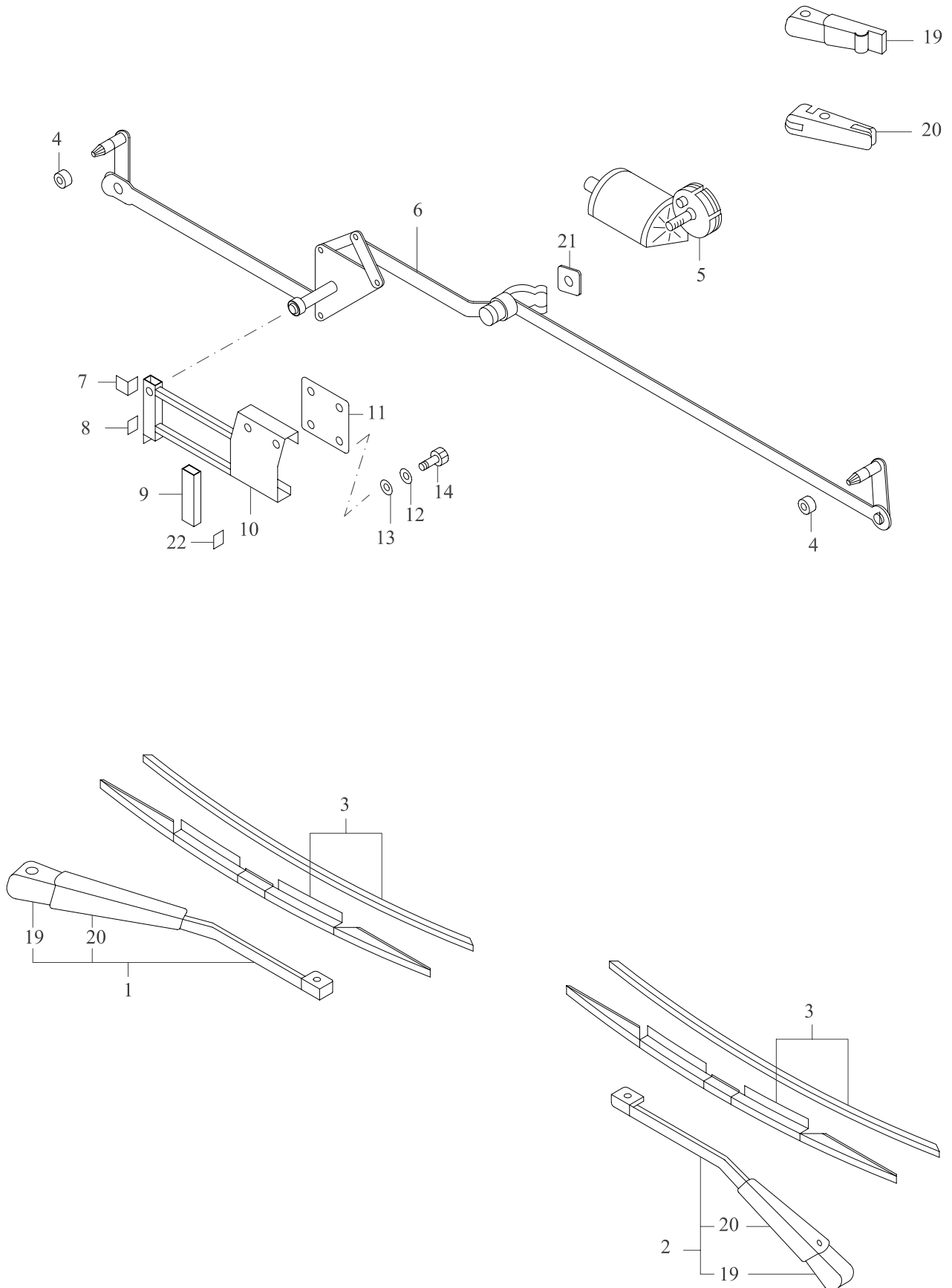




Sym.	Part Number	Part Name	Qty.	R/P	From	Up To	Remarks
1	64406-90130-80	MOTOR ELEKTRİK TESİSATI ENGINE HARNESS WIRING	1		1		
2	64406-90100-70	ECU KABLOSU ECU CABLE	1		1		
3	64103-90980-85	ORTA RÖLE PANELİ RELAY PANEL CENTER	1		1		
7	81.25435-6494	RADYATÖR ECU ECU RADIATOR	1		1		
11	MA275765	KLİP CLIP	AR		1		
15	64103-90980-34	KAPAK COVER	1		1		
16	64103-90980-35	L-PLAKA PLATE-L	1		1		
18	64103-90980-82	PANEL PANEL	1		1		
19	64103-70109-01	ROLE FUSE	6		1		
20	TM254193	DIYOT ÜNİTESİ DIYOT	1		1		
21	TH992011	DİRENÇ RESISTANCE	6		1		
22	64317-70019-02	SİGORTA 5A FUSE 5A	1		1		
23	TS810965	SİGORTA 10A FUSE 10A	6		1		
24	64317-70019-01	SİGORTA 15A FUSE 15A	3		1		
25	64294-40000-10	SİGORTA 20A FUSE 20A	1		1		
26	64103-90981-25	ETİKET LABEL	1		1		
27	64103-90981-24	ETİKET LABEL	1		1		
28	64103-90982-37	ETİKET LABEL	1		1		
29	64103-90982-38	ETİKET LABEL	1		1		
30	64103-90982-39	ETİKET LABEL	1		1		
31	64103-90982-40	ETİKET LABEL	1		1		

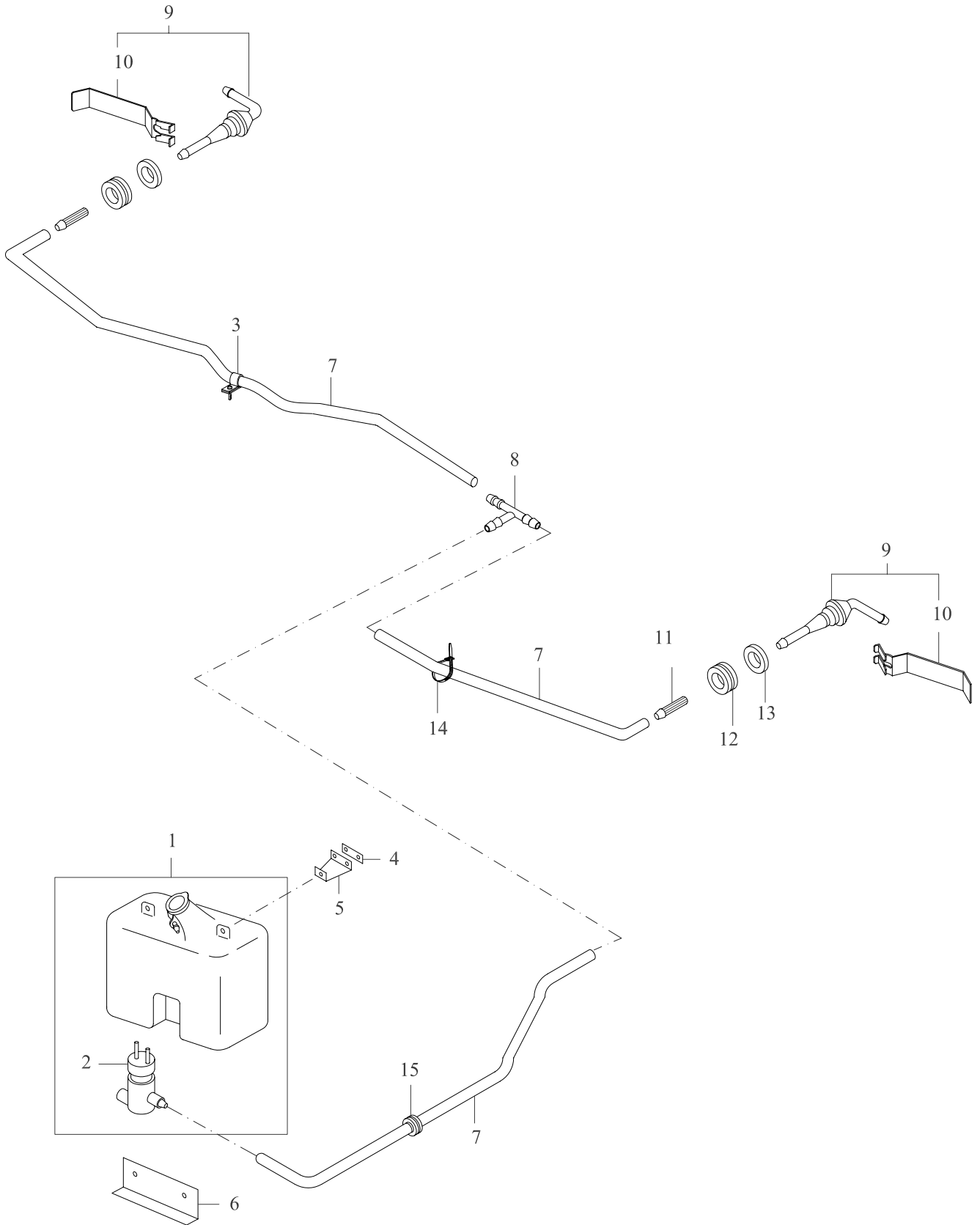
Sym.	Part Number	Part Name	Qty.	R/P	From	Up To	Remarks
32	64103-90982-42	ETİKET LABEL	1		1		
33	64103-90982-43	ETİKET LABEL	1		1		
34	64103-90982-06	ETİKET LABEL	1		1		
35	81.25907-0253	DİRENÇ RESISTANCE	1		1		
36	MA276132	SİVİÇ SWITCH	1		1		
37	64103-90982-30	ETİKET LABEL	1		1		
38	64103-90980-32	KAPAK COVER	1		1		
39	64103-90980-31	KUTU KOMPLE BOX ASSY	1		1		
40	64103-90980-33	BRAKET BRACKET	2		1		
41	64103-90980-86	ROLE KUTUSU KOMPLE ASSY BOX RELAY	1		1		
42	81.25902-6157	AKÜ ROLESİ BATTERY RELAY	1		1		
43	64103-90109-03	SİGORTA FUSE	4		1		
44	64103-90960-80	BAKIR BARA BAR	1		1		
45	64103-90109-07	SİGORTA-200A FUSE-200A	1		1		
46	64103-90109-06	SİGORTA-100A FUSE-100A	3		1		
47	64103-90982-32	ETİKET LABEL	1		1		
48	64103-90982-34	ETİKET LABEL	1		1		
49	64103-90982-33	ETİKET LABEL	1		1		
50	64103-90982-31	ETİKET LABEL	1		1		
51	TM255125	SİGORTA FUSE	3		1		
52	TM255146	SİGORTA FUSE	3		1		







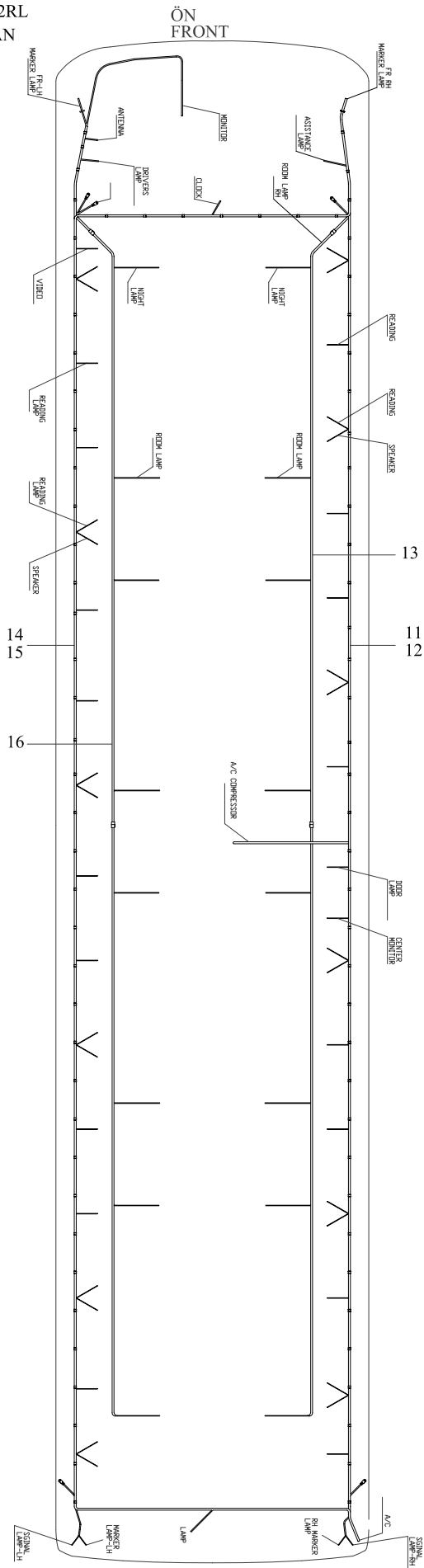




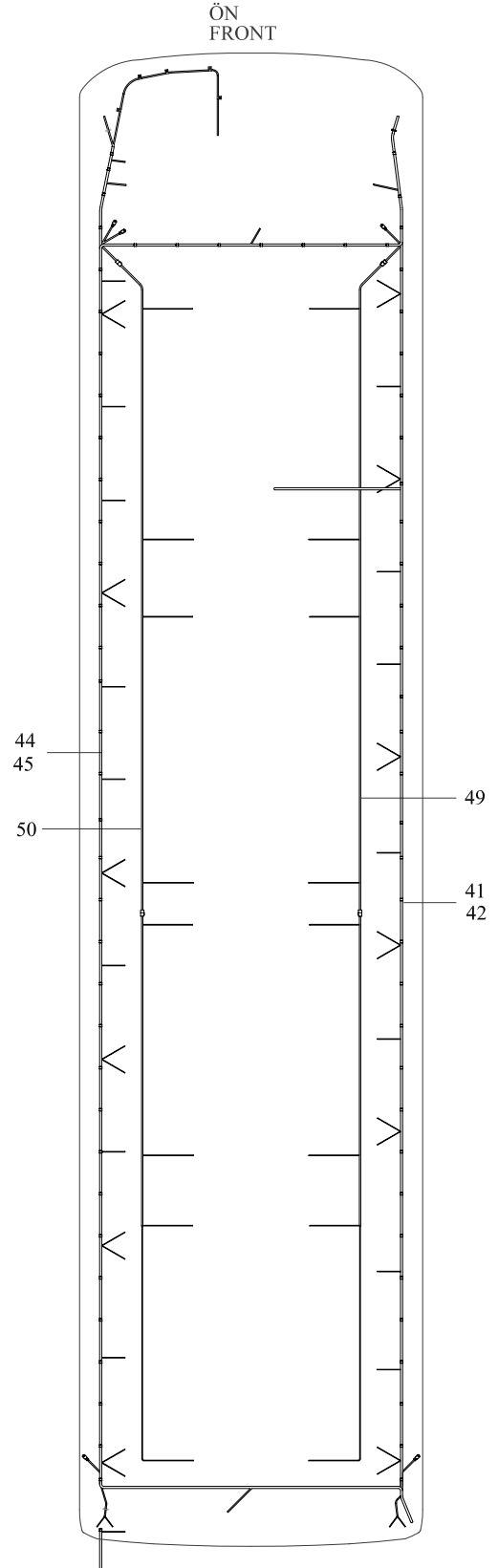




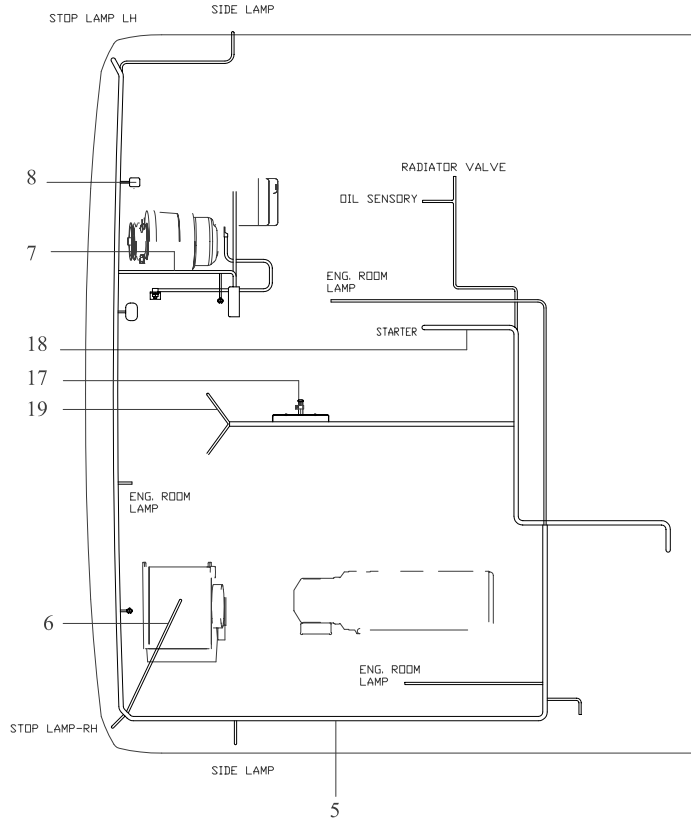
MS762RL  
TAVAN  
ROOF



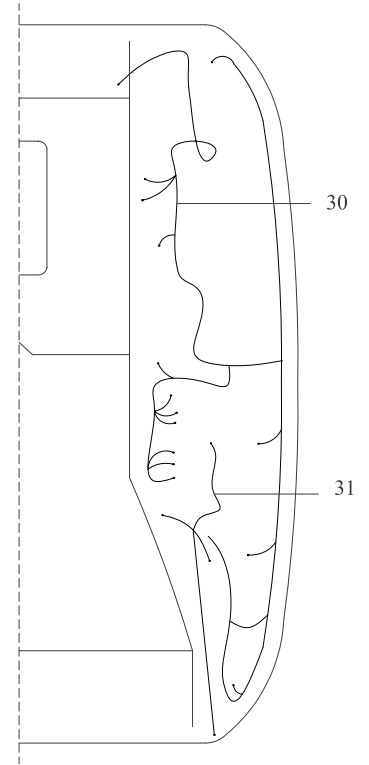
MS762ML  
TAVAN  
ROOF



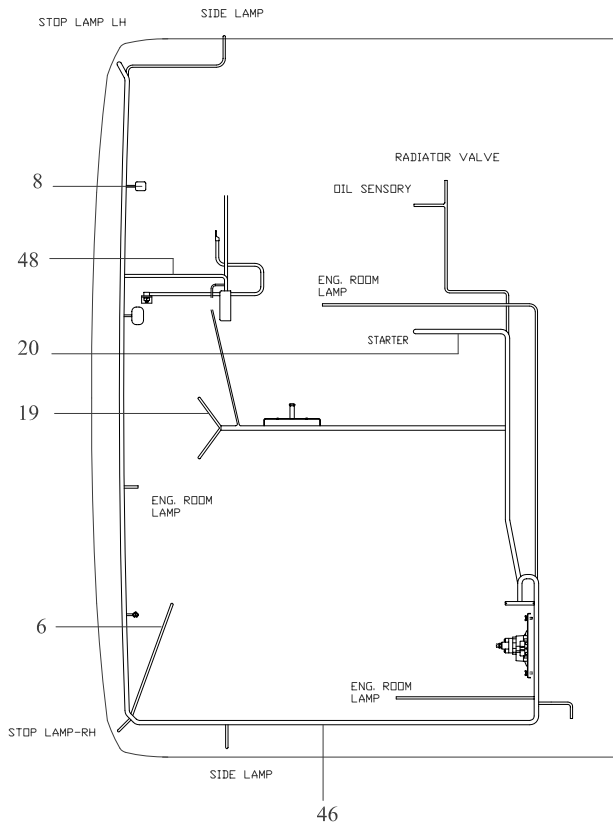
MS762RL  
ARKA GÖVDE  
REAR BODY




MS762RL - MS762ML  
ÖN GÖVDE  
FRONT BODY



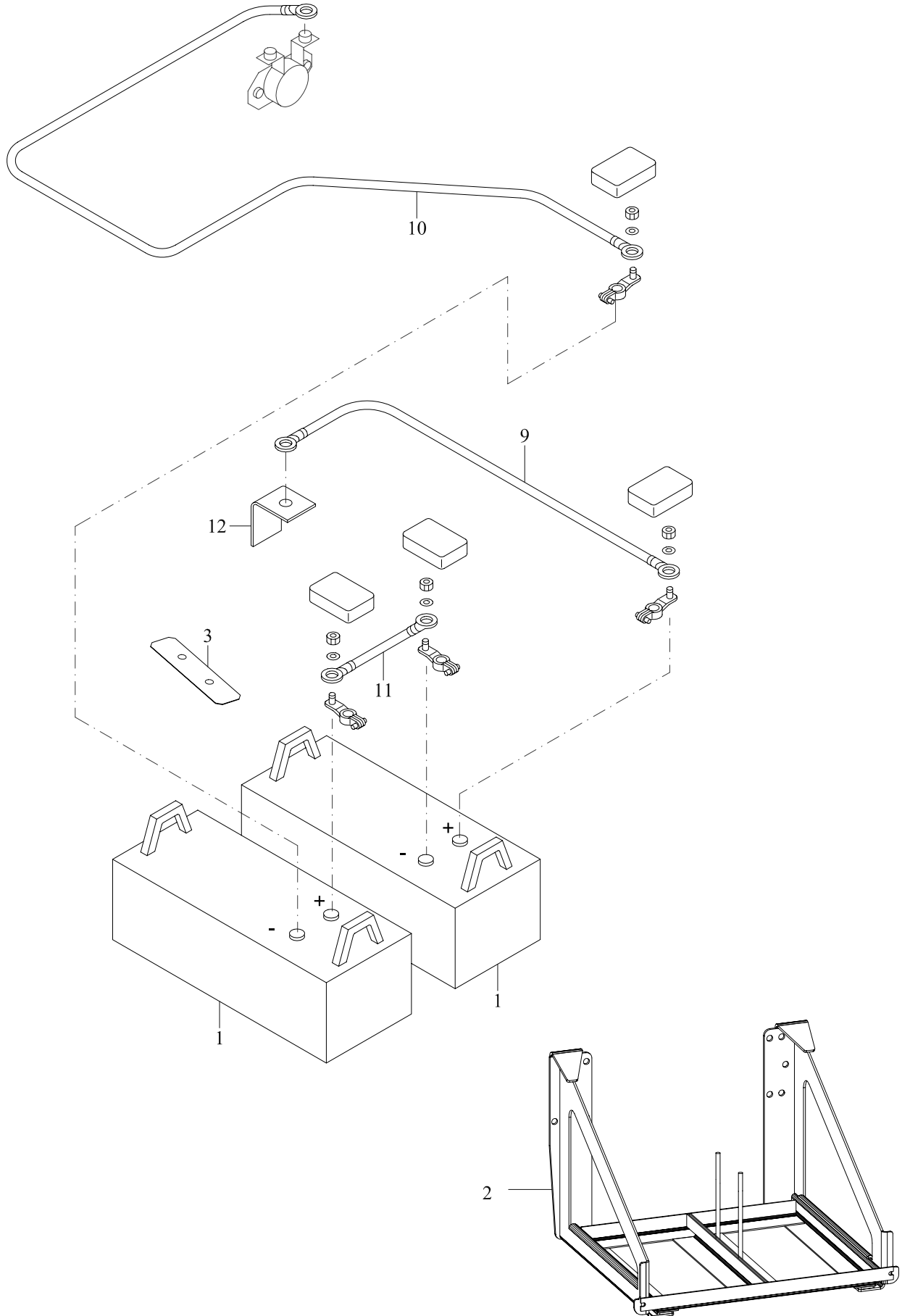
MS762ML  
ARKA GÖVDE  
REAR BODY



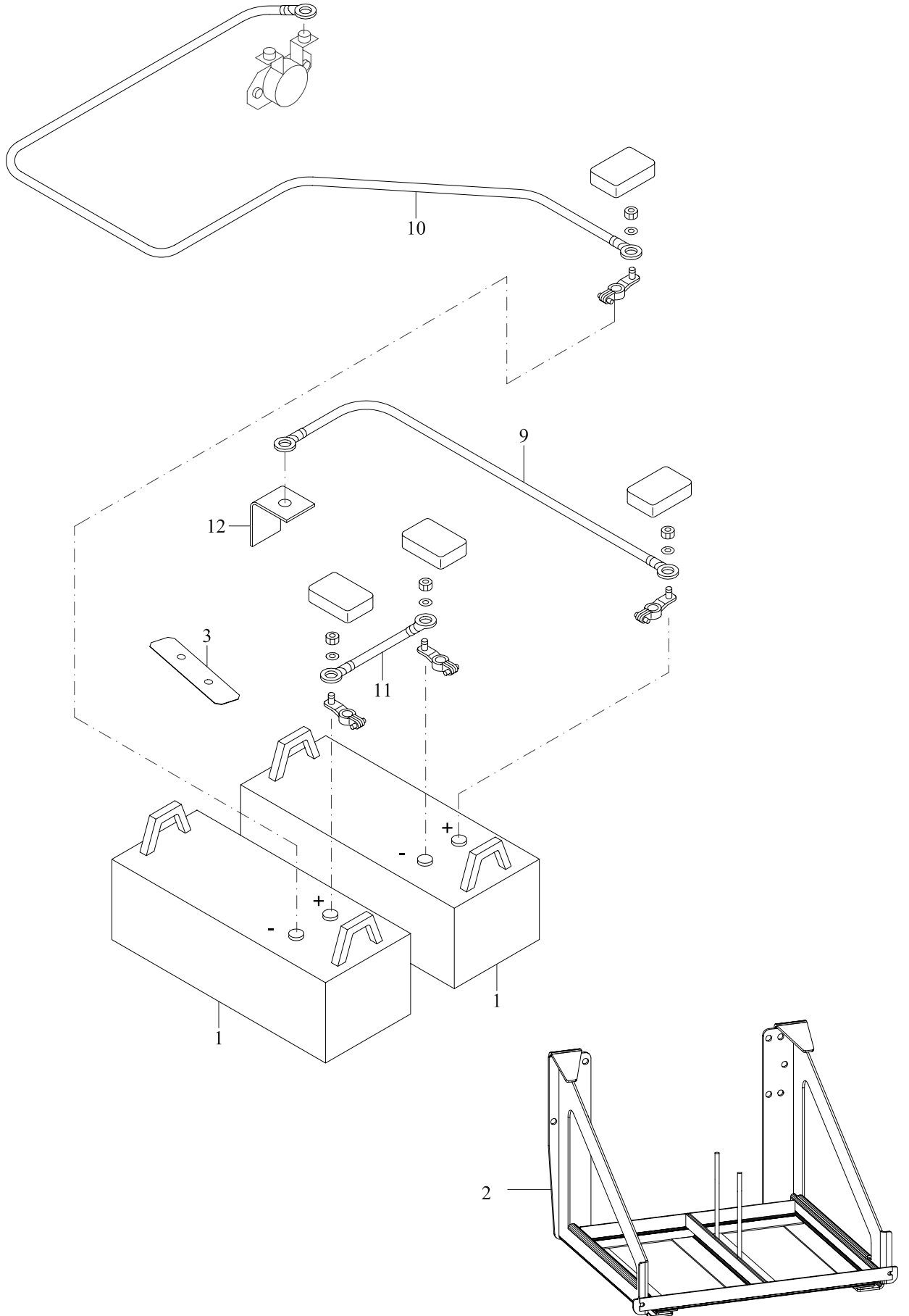
		<b>GÖVDE , TAVAN VE ŞAŞI KABLOLARI BODY , ROOF &amp; CHASSIS WIRING</b>				<b>Group No :E14 -00</b> Ident. Num.: 64372-90100-70/90110-70/90090-70/80/90120-70/80 Rev. Date: Page: 1	
		MS762					
Sym.	Part Number	Part Name	Qty.	R/P	From	Up To	Remarks
1	64406-90020-80	ŞAŞI KABLOSU HARNESS CHASSIS WIRING	1		1		
2	64406-90060-80	WEABASTO KABLOSU PREHEATER HARNESS	1		1		
3	64406-90050-80	KORİD.BASAMAK,KAPI KABLOSU AISLE,STEP,DOOR HARN WIRING	1		1		
4	64406-90040-80	ŞAŞI KABLOSU CHASSIS HARNESS WIRING	1		1		
5	64406-90070-80	MOTOR ODASI KABLOSU ENG.ROOM HARNESS	1		1		
6	64406-90120-70	KLİMA KOMPRESÖRÜ KABLOSU A/C COMPRESSOR MARNESS	1		1		
7	64411-90138-01	ALTERNATÖR KABLOSU ALTERNATOR HARNESS	1		1		
8	64372-30030-16	EMNİYET ŞALTERİ SWITCH STARTER SAFETY	1		1	4	
8	64372-90030-16	EMNİYET ŞALTERİ SWITCH STARTER SAFETY	1		5		
9	64406-90120-80	ŞAŞI KABLOSU HARNESS CHASSIS WIRING	1		1		
10	64406-90140-80	ŞAŞI KABLOSU HARNESS CHASSIS WIRING	1		1		
11	64422-90036-70	TAVAN KABLOSU SAĞ ROOF WIRING RH	1		1		
12	64422-90047-70	HOPARLÖR KABLOSU SAĞ SPEAKER WIRING RH	1		1		
13	64422-70037-90	SAĞ İÇ AYD. KABLO TES. HARNESS ROOM LAMP RH	1		1	35	
13	64422-90037-70	SAĞ İÇ AYD. KABLO TES. HARNEES ROOM LAMP RH	1		36	94	
13	64422-90037-71	SAĞ İÇ AYD. KABLO TES. HARNEES ROOM LAMP RH	1		95		
14	64422-90026-70	TAVAN KABLOSU SOL ROOF WIRING LH	1		1		
15	64422-90057-70	HOPARLÖR KABLOSU SOL SPEAKER WIRING LH	1		1		
16	64422-70027-90	SOL İÇ AYD KABLO TES HERNEES ROOM LAMP LH	1		1	35	
16	64422-90037-70	SAĞ İÇ AYD. KABLO TES. HARNESS ROOM LAMP RH	1		36	94	
16	64422-90037-72	SOL İÇ AYD KABLO TES HARNESS ROOM LAMP LH	1		95		



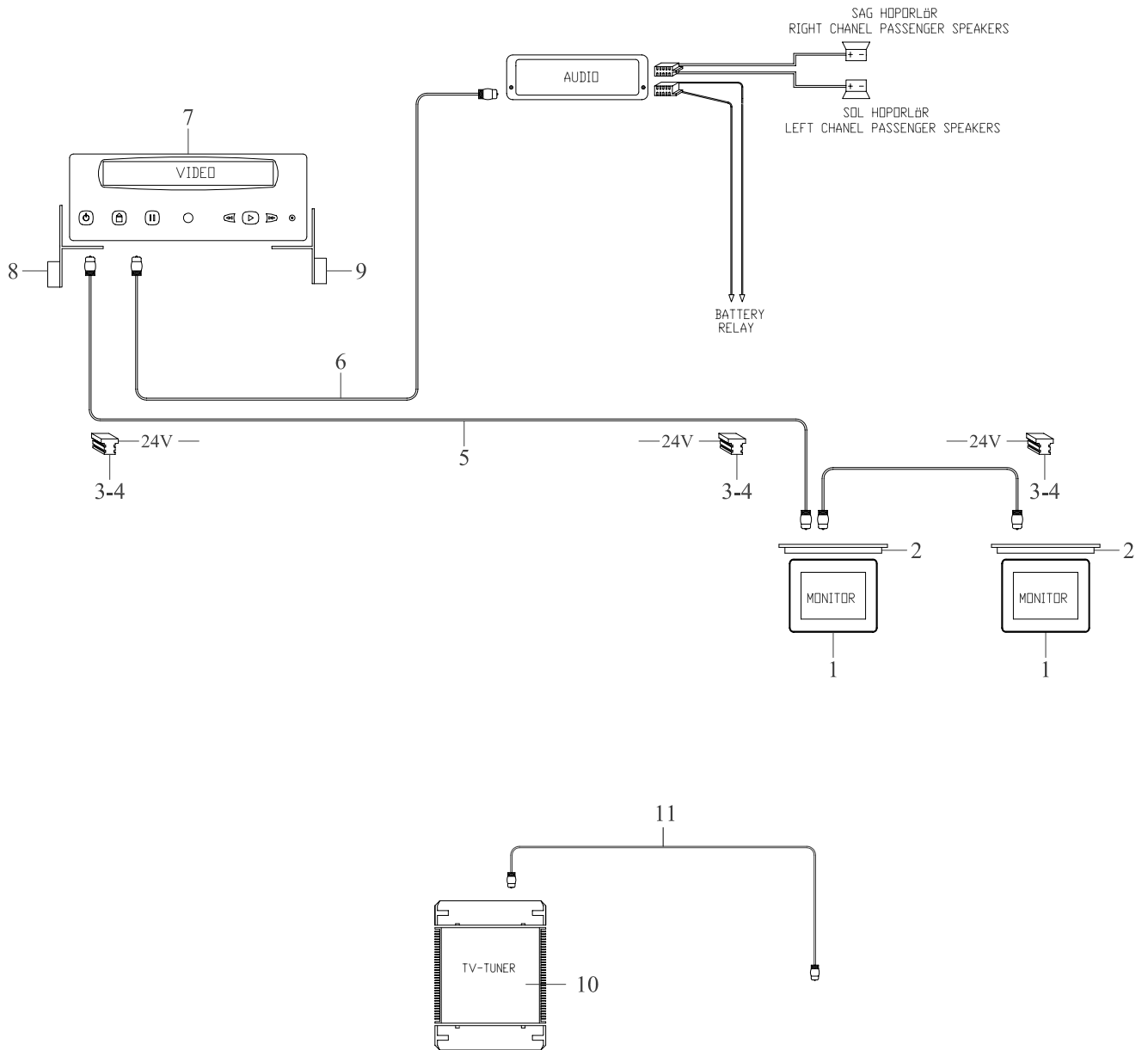






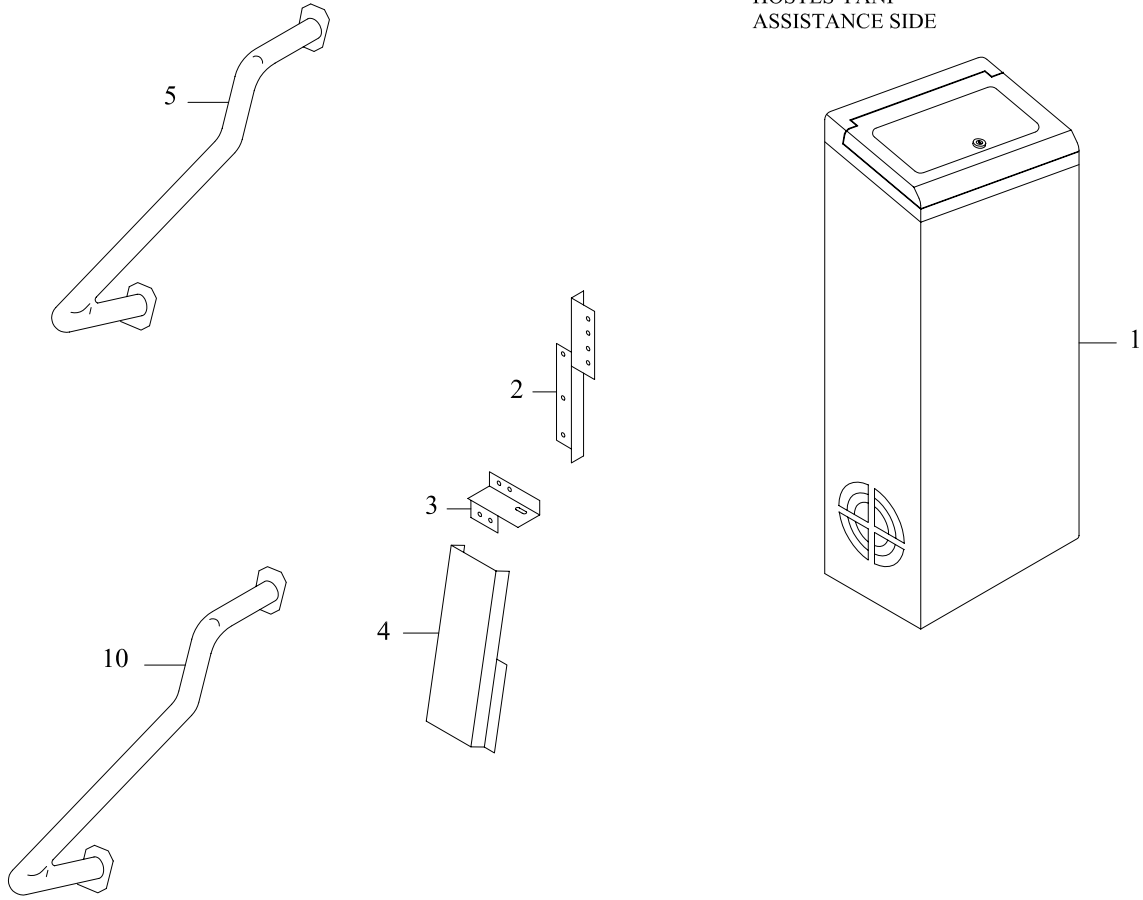




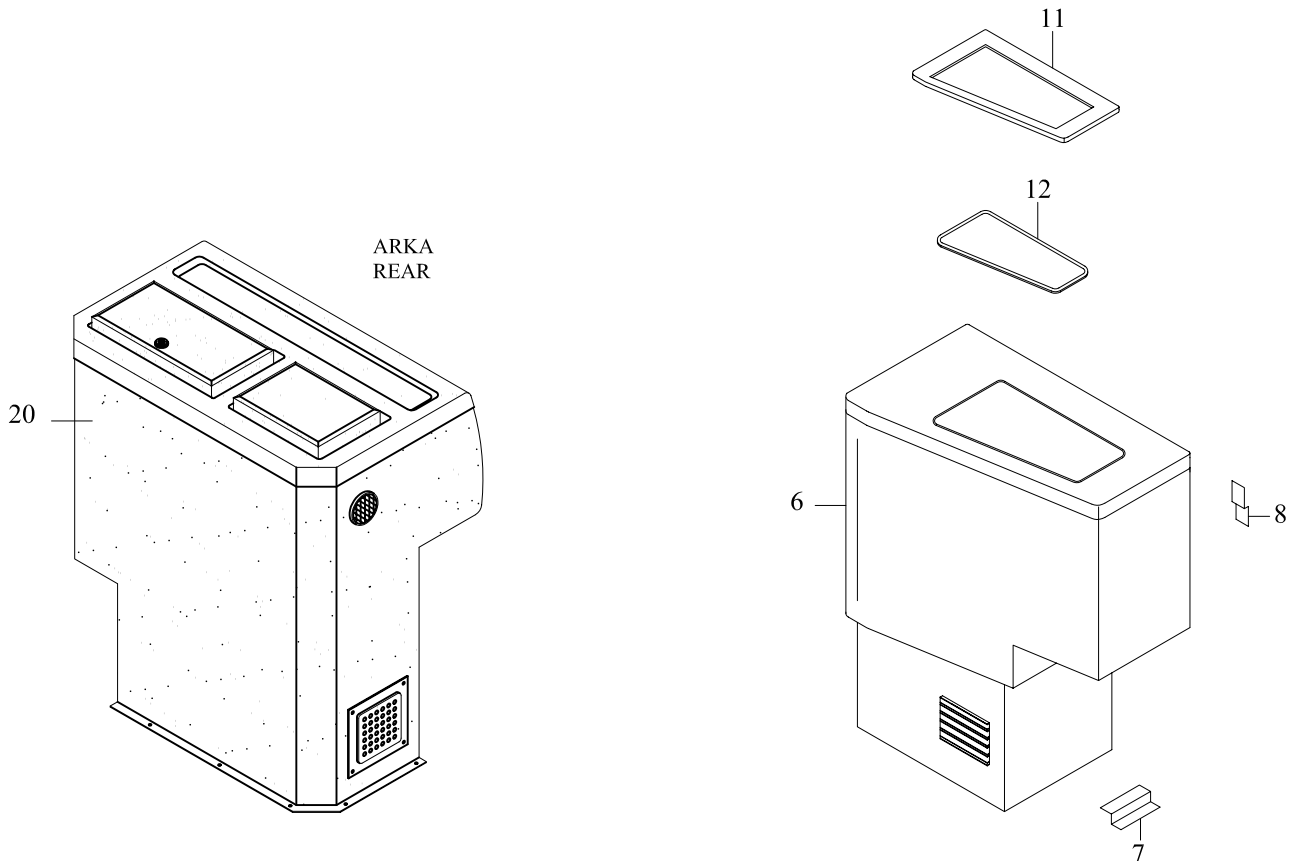




HOSTES YANI  
ASSISTANCE SIDE

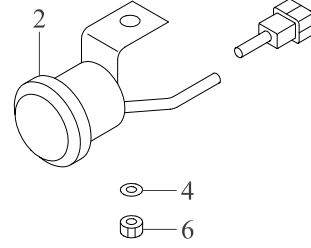
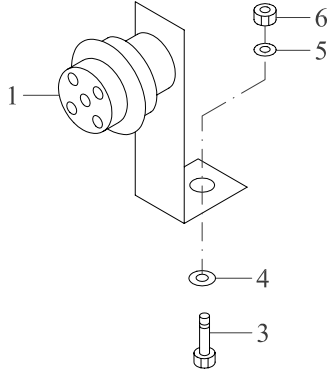


ÖN KUMANDA PANELİ İÇİ  
DASHBOARD INSIDE







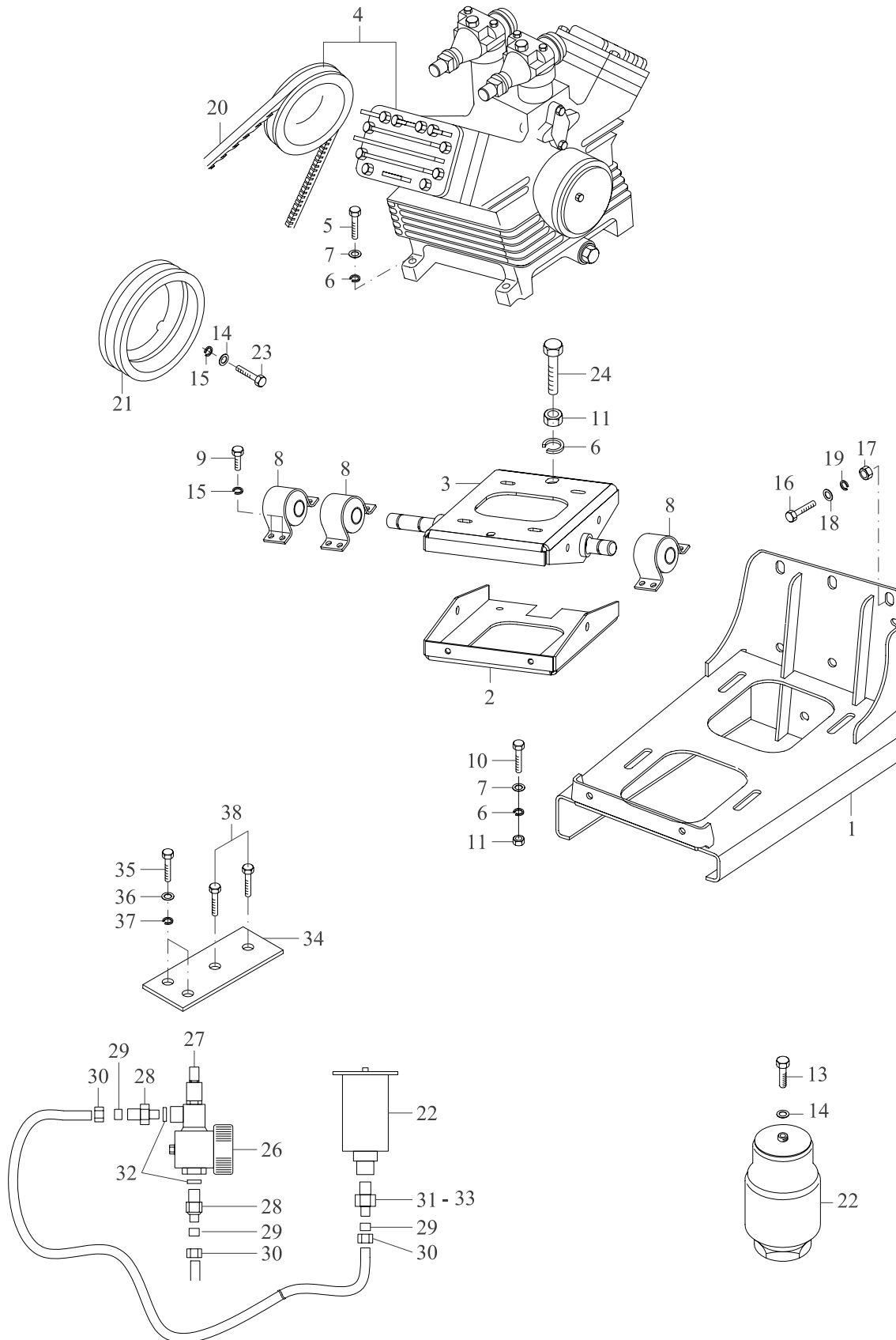




Bölüm <i>Chapter</i>	F <i>F</i>	Soğutma Sistemi <i>Cooling System</i>		
		Klima <i>Air Conditioner</i>	MS762RL - MS762ML	<b><i>F01-00</i></b>
		Klima Kompresörü <i>Compressor, Air Conditioner</i>	MS762RL - MS762ML	<b><i>F02-00</i></b>
		Klima Boruları <i>A/C Piping</i>	MS762RL - MS762ML	<b><i>F03-00</i></b>
		Soğutucu Boruları <i>Intercooler Pipes</i>	MS762RL - MS762ML	<b><i>F04-00</i></b>
		Motor Soğutma Suyu Hattı <i>Pipes &amp; Hoses Line, Engine Cooling</i>	MS762RL - MS762ML	<b><i>F10-00</i></b>







Sym.	Part Number	Part Name	Qty.	R/P	From	Up To	Remarks
1	62309-90030-70	KONSOL CONSOLE	1		1		
2	62309-90028-01	ALT KIZAK SLIDING	1		1		
3	62309-90028-02	ÜST KIZAK SLIDING	1		1		
4	62309-90020-09	KOMPESÖR+KASNAK COMPRESSOR+PULLEY	1		1		FKX40/655K LA16 284 <a href="http://www.bock.de">www.bock.de</a>
5	TF101319	CIVATA BOLT	4		1		
6	MF450407	RONDELA WASHER SPRING	9		1		
7	MF450007	PUL WASHER PLAIN	8		1		
8	62309-70037-01	YATAK HOUSE	3		1		
9	MF100051	CIVATA BOLT	12		1		
10	MF100116	CIVATA BOLT	4		1		
11	MF430007	SOMUN NUT	5		1		
13	MF100055	CIVATA BOLT	1		1		
14	MF450005	PUL WASHER PLAIN	9		1		
15	MF450405	RONDELE WASHER SPRING	20		1		
16	MF101344	CIVATA BOLT	6		1		
17	MF430008	SOMUN NUT	6		1		
18	MF450008	PUL WASHER PLAIN	6		1		
19	MF450408	RONDELA WASHER SPRING	6		1		
20	62309-90000-10	V - KAYIŞ V-BELT	1		1	114	
20	62309-90027-50	V - KAYIŞ V-BELT	1		115		
21	51.02601.0445A	KASNAK PULLEY	1		1	114	

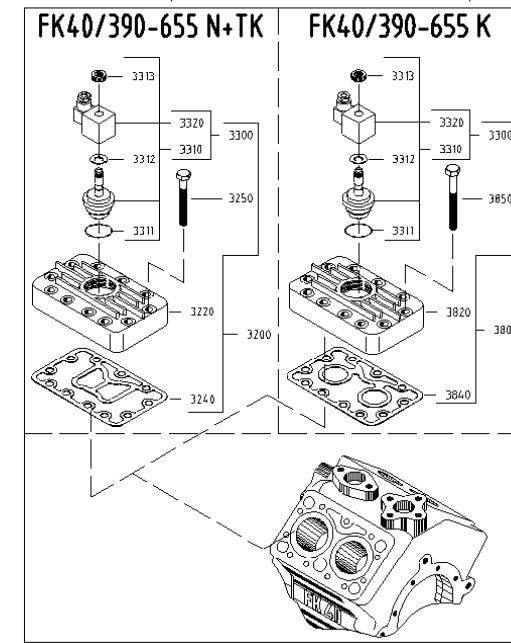
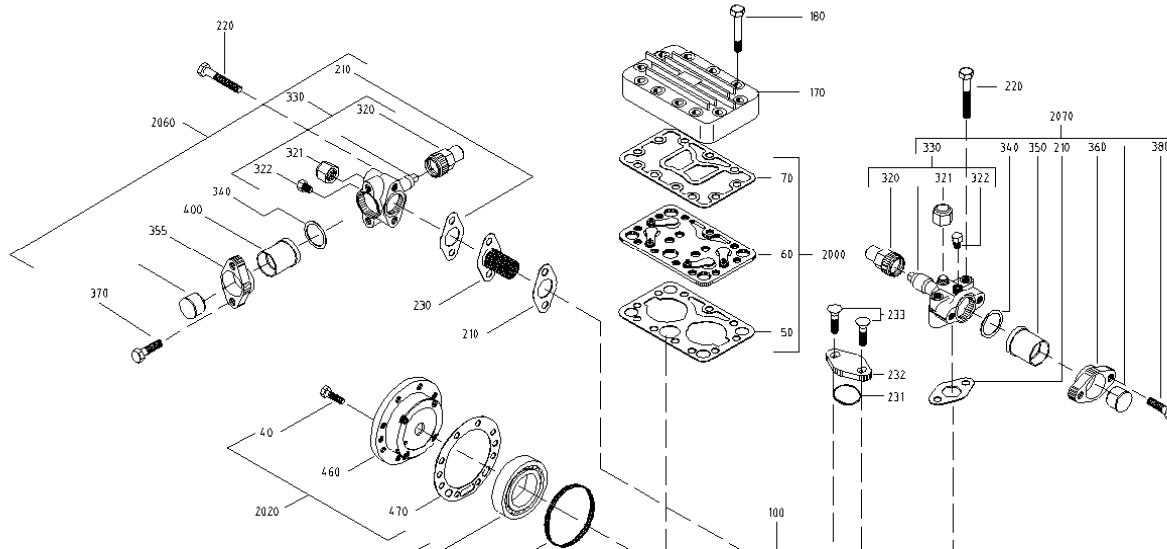
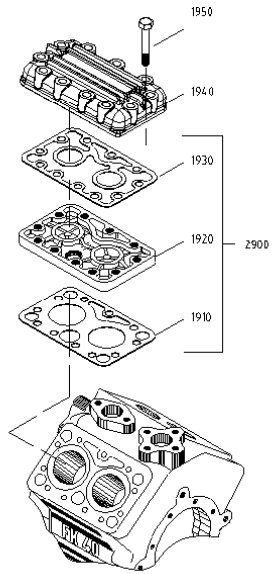




# FK40/390-655 K

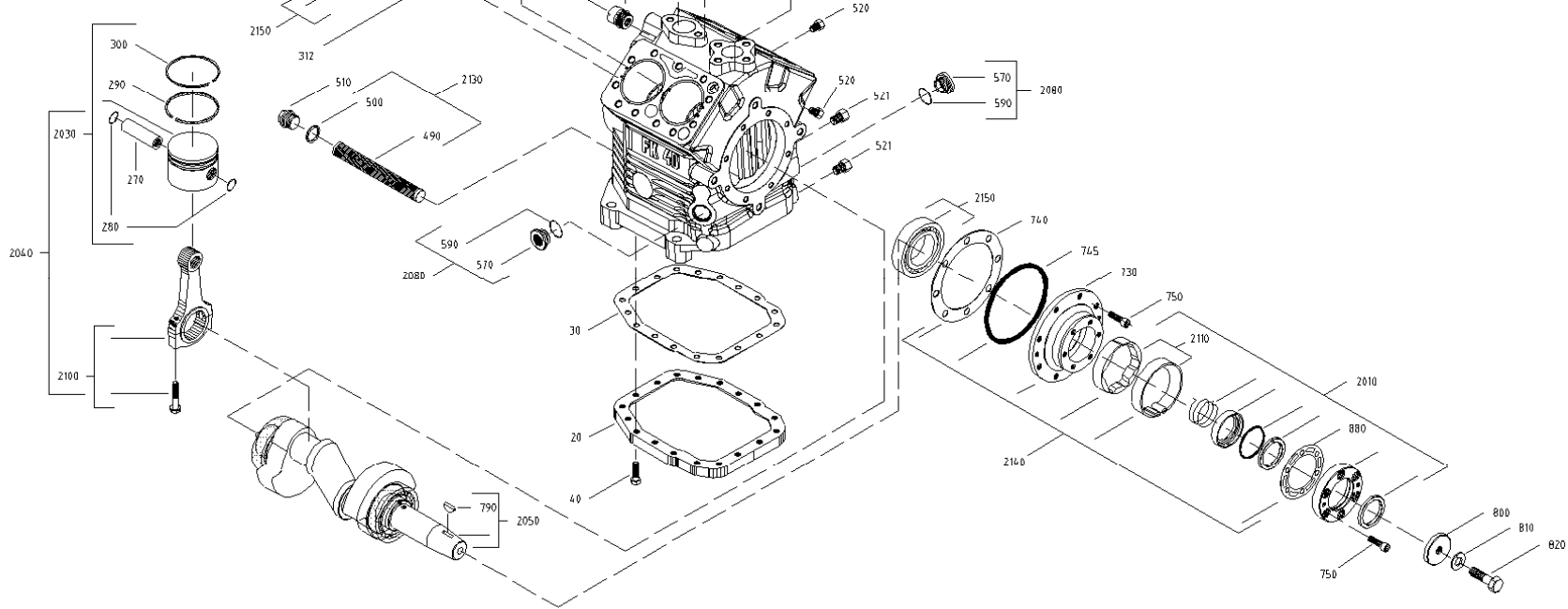
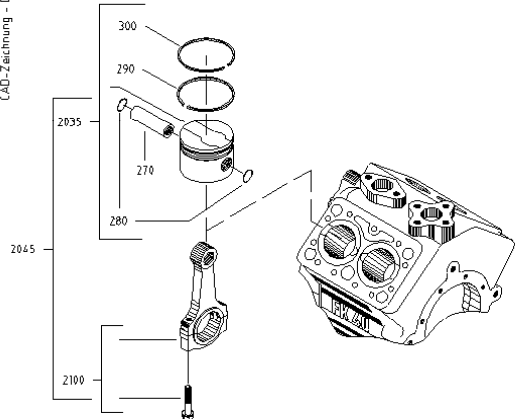
# FK40/390-655 N

Sonderzubehör / special accessories / accessoires spéciaux



# FK40/390-655 TK

CAD-Zeichnung - Darf nur maschinell geändert werden!



## Fahrzeugverdichter / Vehicle Compressor / Compresseur pour automobiles



Typ	Teile Nr.	Typ	Teile Nr.	Typ	Teile Nr.
FK(X)40/390 N	13977 (13985)	FK(X)40/390 K	13978 (13986)	FK(X)40/390 TK	14339 (14343)
FK(X)40/470 N	13979 (13987)	FK(X)40/470 K	13980 (13988)	FK(X)40/470 TK	14340 (14344)
FK(X)40/560 N	13981 (13989)	FK(X)40/560 K	13982 (13990)	FK(X)40/560 TK	14341 (14345)
FK(X)40/655 N	13983 (13991)	FK(X)40/655 K	13984 (13992)	FK(X)40/655 TK	14342 (14346)

Zeichn.-Nr./Drawing no./Numéro de plan

1.0851-13979.0 d

Stand/As of date/État: 11/03

Spareparts list

E00299

Page

1

COMPR. - FK40/655

Valid from

14.11.03

D.-Nr. 1.0851-13979.0 BL.3(D)

Date

24.11.03



Spare parts list valid for the following types:

No longer  
series since:

COMPR. - FK40/655 N	Item no. :	13983
COMPR. - FK40/655 K	Item no. :	13984
COMPR. - FKX40/655 N	Item no. :	13991
COMPR. - FKX40/655 K	Item no. :	13992
COMPR. - FK40/655 TK	Item no. :	14342
COMPR. - FKX40/655 TK	Item no. :	14346

Pos.	Part no.	Description	Quantity	QD
20	03876	BASE PLATE	1	Pc
30	06721	BASE PLATE GASKET	1	Pc
40	06244	HEX. HEAD SCREW M8X30	26	Pc
50	05697	LOWER VALVE PLATE GASKET DM65 FÜR FK(X)40/655 N+TK	2	Pc
60	07118	VALVE PLATE COMPLETE DM60 FÜR FK(X)40/655 N+TK	2	Pc
70	06730	UPPER VALVE PLATE GASKET FÜR FK(X)40/655 N+TK	2	Pc
100	07940	SAFETY VALVE F. 25BAR OPER.	1	Pc
170	03384	CYLINDER COVER FÜR FK(X)40/655 N+TK	2	Pc
180	06034	HEX. HEAD SCREW M10X65 FÜR FK(X)40/655 N+TK	22	Pc
210	05083	VALVE FLANGE GASKET	3	Pc
220	06034	HEX. HEAD SCREW M10X65	4	Pc
230	03370	FILTER SUCTION SIDE	1	Pc
231	05153	O-RING DIA.34,59X2,62	1	Pc
232	04715	BLANK FLANGE 9MM	1	Pc
233	05075	HEXAGON HEAD SCREW M10X30	2	Pc
270	07857	PISTON PIN DIA.15X50	4	Pc
280	05551	SEGER CIRCLIP 15X1	8	Pc
290	06572	OIL CONTROL RING PISTON 65	4	Pc
300	06564	COMPRESSION RING PISTON 65	4	Pc
312	05280	CLEARANCE RING F.BEARING DIA90	1	Pc
320	05784	CAP NUT M22X1,5	2	Pc
321	05789	CAP NUT UNF 7/16"	2	Pc
322	05514	LOCKING SCREW 1/8" NPTF	2	Pc
330	07128	SHUT-OFF VALVE LESS SOLD UNION	2	Pc
340	05067	GASKET SOLDERED CONNECT.	2	Pc
350	05313	BRAZED HEXAGON NIPPLE DM 35	1	Pc
355	04329	FLANGE OVAL 16MM	1	Pc
360	04329	FLANGE OVAL 16MM	1	Pc
370	05489	CYLINDER SCREW M10X35	2	Pc
380	05489	CYLINDER SCREW M10X35	2	Pc
400	05313	BRAZED HEXAGON NIPPLE DM 35	1	Pc
460	07990	OIL PUMP COMPLETE	1	Pc
470	05094	GASKET F.OILP. REAR BEAR.FL.	1	Pc
490	06723	OIL FILTER	1	Pc
500	05342	SEAL RING 27X22X2	2	Pc
510	06400	LOCKING SCREW M22X1,5	1	Pc
520	05514	LOCKING SCREW 1/8" NPTF	2	Pc
521	05801	SEAL PLUG 1/4" NPTF	2	Pc
570	06026	SIGHT GLASS-INSERT	2	Pc
590	05142	O-RING DIA.23,52X1,78	2	Pc
730	06726	FRONT BEARING FLANGE	1	Pc
740	06165	FRONT BEARING FLANGE GASKET	1	Pc
745	05169	O-RING DIA 101,19X3,53	1	Pc



Spareparts list

E00299

Page

2

COMPR. - FK40/655

Valid from

14.11.03

D.-Nr. 1.0851-13979.0 BL.3(D)

Date

24.11.03



Spare parts list valid for the following types:

No longer  
series since:

COMPR. - FK40/655 N	Item no. : 13983
COMPR. - FK40/655 K	Item no. : 13984
COMPR. - FKX40/655 N	Item no. : 13991
COMPR. - FKX40/655 K	Item no. : 13992
COMPR. - FK40/655 TK	Item no. : 14342
COMPR. - FKX40/655 TK	Item no. : 14346

Pos.	Part no.	Description	Quantity	QU
750	06067	CYLINDER SCREW M8X25	14	Pc
790	05673	WOODRUFF KEY A5X9	1	Pc
800	04425	DISC DIA. 50X12.5X8	1	Pc
810	05666	SPRING WASHER B12	1	Pc
820	05462	HEX. HEAD SCREW M12X40	1	Pc
880	05063	SHAFT SEAL COVER GASKET	1	Pc
1910	06642	LOWER VALVE PLATE GASKET	2	Pc
		FOR FK(X)40/655 K		
1920	07700	VALVE PLATE COMPLETE	2	Pc
		FOR FK(X)40/655 X		
1930	06162	UPPER VALVE PLATE GASKET	2	Pc
		FOR FK(X)40/655 K		
1940	03381	CYLINDER COVER	2	Pc
		FOR FK(X)40/655 K		
1950	05457	HEX. HEAD SCREW M10X70	22	Pc
		FOR FK(X)40/655 K		
		----- ASSEMBLY KITS -----		
2000	80241	SET VALVE PLATE	2	Pc
		FÜR FK(X)40/655 N+TK		
2010	80023	SET SHAFT SEAL	1	Pc
2020	80017	SET OIL PUMP	1	Pc
2030	80105	SET PISTON DIA 65 (OPTIMIZED)	4	Pc
		FÜR FK(X)40/655 N+K		
2035	80225	SET PISTON DM 65 (RILL.+OPT.)	4	Pc
		FÜR FK(X)40/655 TK		
2040	80111	SET PISTON-CON.ROD 2 RINGS/65	4	Pc
		FÜR FK(X)40/655 N+K		
2045	80226	SET PISTON-CON.ROD (65,R+OPT.)	4	Pc
		FÜR FK(X)40/655 TK		
2050	80154	SET CRANKSHAFT 49STROKE, OPT.	1	Pc
2060	08082	SET SHUT-OFF VALVE NW32	1	Pc
2070	08082	SET SHUT-OFF VALVE NW32	1	Pc
2080	08698	SET SIGHT GLASS	2	Pc
2090	80230	SET GASKETS	1	Pc
		FÜR FK(X)40/655 N+TK		
		NOT SHOWN		
2090	80001	SET GASKETS	1	Pc
		FOR FK(X)40/655 K		
		NOT SHOWN		
2100	08449	SET CONNECTING ROD	4	Pc
2110	80129	SET COLL.RING W.FELT INSRT	1	Pc
2130	80076	SET OIL FILTER	1	Pc
2140	80081	SET FRONT BEARING FLANGE	1	Pc
2150	80118	SET CYLINDER ROLLER BEARING	2	Pc
2900	80010	SET VALVE PLATE	2	Pc
		FOR FK(X)40/655 K		

Spareparts list

E00299

Page

3

COMPR. - FK40/655

Valid from

14.11.03

D.-Nr. 1.0851-13979.0 BL.3 (D)

Date

24.11.03



Spare parts list valid for the following types:

No longer  
series since:

COMPR. - FK40/655 N	Item no. : 13983
COMPR. - FK40/655 K	Item no. : 13984
COMPR. - FKX40/655 N	Item no. : 13991
COMPR. - FKX40/655 K	Item no. : 13992
COMPR. - FK40/655 TK	Item no. : 14342
COMPR. - FKX40/655 TK	Item no. : 14346

Pos.	Part no.	Description	Quantity	OU
------	----------	-------------	----------	----

## ----- SPECIAL ACCESORIES -----

3200	08704	SET CAP. REG. LR87 24V- WITH CYLINDER COVER FÜR FK(X)40/655 N+TK	1	Pc
3220	03383	CYLINDER COVER FOR LR FÜR FK(X)40/655 N+TK	1	Pc
3240	06730	UPPER VALVE PLATE GASKET FÜR FK(X)40/655 N+TK	1	Pc
3250	05457	HEX. HEAD SCREW M10X70 FÜR FK(X)40/655 N+TK	11	Pc
3300	08418	SET CAP. REGULATION LR87 24V-	1	Pc
3310	07541	VALVE BODY LR87	1	Pc
3311	05987	O-RING DIA.48,0X2,5 GREEN	1	Pc
3312	05143	DISC DIA. 30X16X2,0	1	Pc
3313	05885	MILLED NUT M15X1 WITH O-RING	1	Pc
3320	07526	SOLENOID COIL 24V CC	1	Pc
3600	80022	SET REPLACEMENT ADAPTER SET THE SAME SHUT-OFF VALVE POSITIONING SIMILAR TO FK4/467 NOT SHOWN	1	Pc
3800	08709	SET CAP. REGULATION LR87 24V- WITH CYLINDER COVER FOR FK(X)40/655 K	1	Pc
3820	03323	CYLINDER COVER FOR LR FOR FK(X)40/655 K	1	Pc
3840	06162	UPPER VALVE PLATE GASKET FOR FK(X)40/655 K	1	Pc
3850	06338	HEX. HEAD SCREW M10X85 FOR FK(X)40/655 K	11	Pc



## Spareparts list

E00298

Page

1

COMPR. - FK40/560

Valid from

14.11.03

D.-Nr. 1.0851-13979.0 BL.3 (D)

Date

24.11.03



Spare parts list valid for the following types:

No longer  
series since:

COMPR. - FK40/560 N	Item no. : 13981
COMPR. - FK40/560 K	Item no. : 13982
COMPR. - FKX40/560 N	Item no. : 13989
COMPR. - FKX40/560 K	Item no. : 13990
COMPR. - FK40/560 TK	Item no. : 14341
COMPR. - FKX40/560 TK	Item no. : 14345

Pos.	Part no.	Description	Quantity	QU
20	03876	BASE PLATE	1	Pc
30	06721	BASE PLATE GASKET	1	Pc
40	06244	HEX. HEAD SCREW M8X30	26	Pc
50	05696	LOWER VALVE PLATE GASKET DM60 FÜR FK(X)40/560 N+TK	2	Pc
60	07118	VALVE PLATE COMPLETE DM60 FÜR FK(X)40/560 N+TK	2	Pc
70	06730	UPPER VALVE PLATE GASKET FÜR FK(X)40/560 N+TK	2	Pc
100	07940	SAFETY VALVE F. 25BAR OPER.	1	Pc
170	03384	CYLINDER COVER FÜR FK(X)40/560 N+TK	2	Pc
180	06034	HEX. HEAD SCREW M10X65 FÜR FK(X)40/560 N+TK	22	Pc
210	05083	VALVE FLANGE GASKET	3	Pc
220	06034	HEX. HEAD SCREW M10X65	4	Pc
230	03370	FILTER SUCTION SIDE	1	Pc
231	06153	O-RING DIA. 34,59X2,62	1	Pc
232	04715	BLANK FLANGE 9MM	1	Pc
233	05075	HEXAGON HEAD SCREW M10X30	2	Pc
270	07857	PISTON PIN DIA.15X50	4	Pc
280	05551	SEGER CIRCLIP 15X1	8	Pc
290	06562	OIL SCRAPER RING PISTON 60	4	Pc
300	06563	COMPRESSION RING PISTON 60	4	Pc
312	05280	CLEARANCE RING F.BEARING DIA90	1	Pc
320	05784	CAP NUT M22X1,5	2	Pc
321	05789	CAP NUT UNF 7/16"	2	Pc
322	05514	LOCKING SCREW 1/8" NPTF	2	Pc
330	07128	SHUT-OFF VALVE LESS SOLD UNION	2	Pc
340	05067	GASKET SOLDERED CONNECT.	2	Pc
350	04367	BRAZED HEXAGON NIPPLE DM 28	1	Pc
355	04329	FLANGE OVAL 16MM	1	Pc
360	04329	FLANGE OVAL 16MM	1	Pc
370	05489	CYLINDER SCREW M10X35	2	Pc
380	05447	HEX. HEAD SCREW M10X35	2	Pc
400	05313	BRAZED HEXAGON NIPPLE DM 35	1	Pc
460	07990	OIL PUMP COMPLETE	1	Pc
470	05094	GASKET F. OILP. +REAR BEAR. FL.	1	Pc
490	06723	OIL FILTER	1	Pc
500	05342	SEAL RING 27X22X2	2	Pc
510	06400	LOCKING SCREW M22X1,5	1	Pc
520	05514	LOCKING SCREW 1/8" NPTF	2	Pc
521	05801	SEAL PLUG 1/4" NPTF	2	Pc
570	06026	SIGHT GLASS-INSERT	2	Pc
590	05142	O-RING DIA.23,52X1,78	2	Pc
730	06726	FRONT BEARING FLANGE	1	Pc
740	06165	FRONT BEARING FLANGE GASKET	1	Pc
745	05169	O-RING DIA 101,19X3,53	1	Pc

Spareparts list

E00298

COMPR. - FK40/560

Page

2

D.-Nr. 1.0851-13979.0 BL.3(D)

Valid from

14.11.03

Date

24.11.03



Spare parts list valid for the following types:

No longer  
series since:

COMPR. - FK40/560 N	Item no. : 13981
COMPR. - FK40/560 K	Item no. : 13982
COMPR. - FKX40/560 N	Item no. : 13989
COMPR. - FKX40/560 K	Item no. : 13990
COMPR. - FK40/560 TK	Item no. : 14341
COMPR. - FKX40/560 TK	Item no. : 14345

Pos.	Part no.	Description	Quantity	QU
750	06067	CYLINDER SCREW M8X25	14	Pc
790	05673	WOODRUFF KEY A5X9	1	Pc
800	04425	DISC DIA. 50X12.5X8	1	Pc
810	05666	SPRING WASHER B12	1	Pc
820	05462	HEX. HEAD SCREW M12X40	1	Pc
880	05063	SHAFT SEAL COVER GASKET	1	Pc
1910	06641	LOWER VALVE PLATE GASKET FOR FK(X)40/560 K	2	Pc
1920	07700	VALVE PLATE COMPLETE FOR FK(X)40/560 K	2	Pc
1930	06162	UPPER VALVE PLATE GASKET FOR FK(X)40/560 K	2	Pc
1940	03381	CYLINDER COVER FOR FK(X)40/560 K	2	Pc
1950	05457	HEX. HEAD SCREW M10X70 FOR FK(X)40/560 K	22	Pc
----- ASSEMBLY KITS -----				
2000	80241	SET VALVE PLATE FÜR FK(X)40/560 N+TK	2	Pc
2010	80023	SET SHAFT SEAL	1	Pc
2020	80017	SET OIL PUMP	1	Pc
2030	80104	SET PISTON DIA 60 (OPTIMIZED) FÜR FK(X)40/560 N+K	4	Pc
2035	80210	SET PISTON DM 60 FÜR FK(X)40/560 TK	4	Pc
2040	80110	SET PISTON-CON. ROD 2 RINGS/50 FÜR FK(X)40/560 N+K	4	Pc
2045	80251	SET PISTON-CON. ROD (60, R.+OPT) FÜR FK(X)40/560 TK	4	Pc
2050	80154	SET CRANKSHAFT 49STROKE, OPT.	1	Pc
2060	08082	SET SHUT-OFF VALVE NW32	1	Pc
2070	08084	SET SHUT-OFF VALVE NW25	1	Pc
2080	08698	SET SIGHT GLASS	2	Pc
2090	80230	SET GASKETS FÜR FK(X)40/560 N+TK	1	Pc
2090	80001	NOT SHOWN SET GASKETS FOR FK(X)40/560 K NOT SHOWN	1	Pc
2100	08449	SET CONNECTING ROD	4	Pc
2110	80129	SET COLL. RING W. FELT INSRT	1	Pc
2130	80076	SET OIL FILTER	1	Pc
2140	80081	SET FRONT BEARING FLANGE	1	Pc
2150	80118	SET CYLINDER ROLLER BEARING	2	Pc
2900	80010	SET VALVE PLATE FOR FK(X)40/560 K	2	Pc



Spareparts list

E00298

Page

3

COMPR. - FK40/560

Valid from

14.11.03

D.-Nr. 1.0851-13979.0 BL.3(D)

Date

24.11.03



Spare parts list valid for the following types:

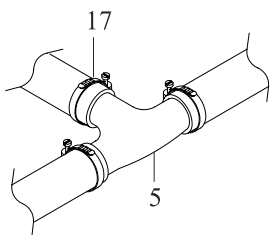
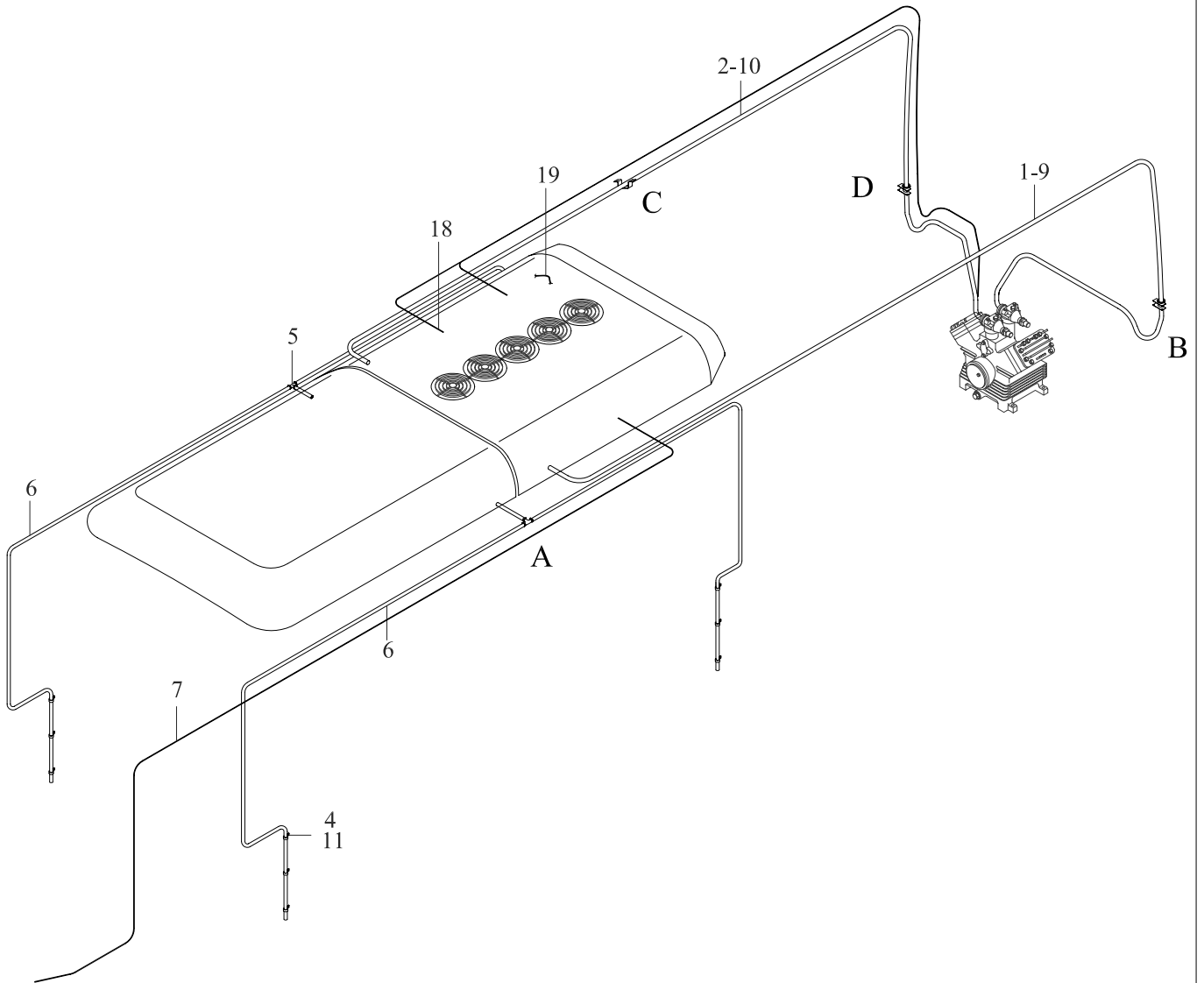
No longer series since:

COMPR. - FK40/560 N	Item no. : 13981
COMPR. - FK40/560 K	Item no. : 13982
COMPR. - FKX40/560 N	Item no. : 13989
COMPR. - FKX40/560 K	Item no. : 13990
COMPR. - FK40/560 TK	Item no. : 14341
COMPR. - FKX40/560 TK	Item no. : 14345

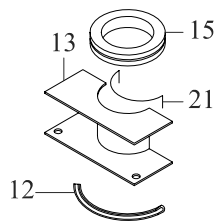
Pos.	Part no.	Description	Quantity	OU
------	----------	-------------	----------	----

----- SPECIAL ACCESORIES -----

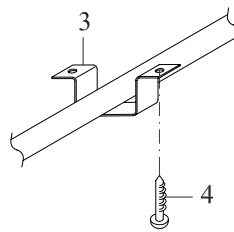
3200	08704	SET CAP. REG. LR87 24V- WITH CYLINDER COVER FOR FK(X)40/560 N+TK	1	Pc
3220	03383	CYLINDER COVER FOR LR FOR FK(X)40/560 N+TK	1	Pc
3240	06730	UPPER VALVE PLATE GASKET FOR FK(X)40/560 N+TK	1	Pc
3250	05457	HEX. HEAD SCREW M10X70 FOR FK(X)40/560 N+TK	11	Pc
3300	08418	SET CAP. REGULATION LR87 24V-	1	Pc
3310	07541	VALVE BODY LR87	1	Pc
3311	05987	O-RING DIA. 48, 0X2, 5 GREEN	1	Pc
3312	05143	DISC DIA. 30X16X2, 0	1	Pc
3313	05885	MILLED NUT M15X1 WITH O-RING	1	Pc
3320	07526	SOLENOID COIL 24V CC	1	Pc
3600	80022	SET REPLACEMENT ADAPTER SET THE SAME SHUT-OFF VALVE POSITIONING SIMILAR TO FK4/467 NOT SHOWN	1	Pc
3800	08709	SET CAP. REGULATION LR87 24V- WITH CYLINDER COVER FOR FK(X)40/560 K	1	Pc
3820	03323	CYLINDER COVER FOR LR FOR FK(X)40/560 K	1	Pc
3840	06162	UPPER VALVE PLATE GASKET FOR FK(X)40/560 K	1	Pc
3850	06338	HEX. HEAD SCREW M10X85 FOR FK(X)40/560 K	11	Pc



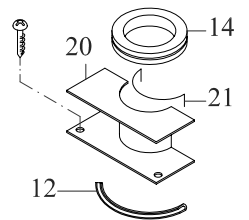
A- DETAYI  
DETAIL - A



B- DETAYI  
DETAIL - B



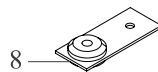
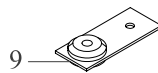
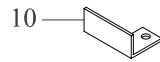
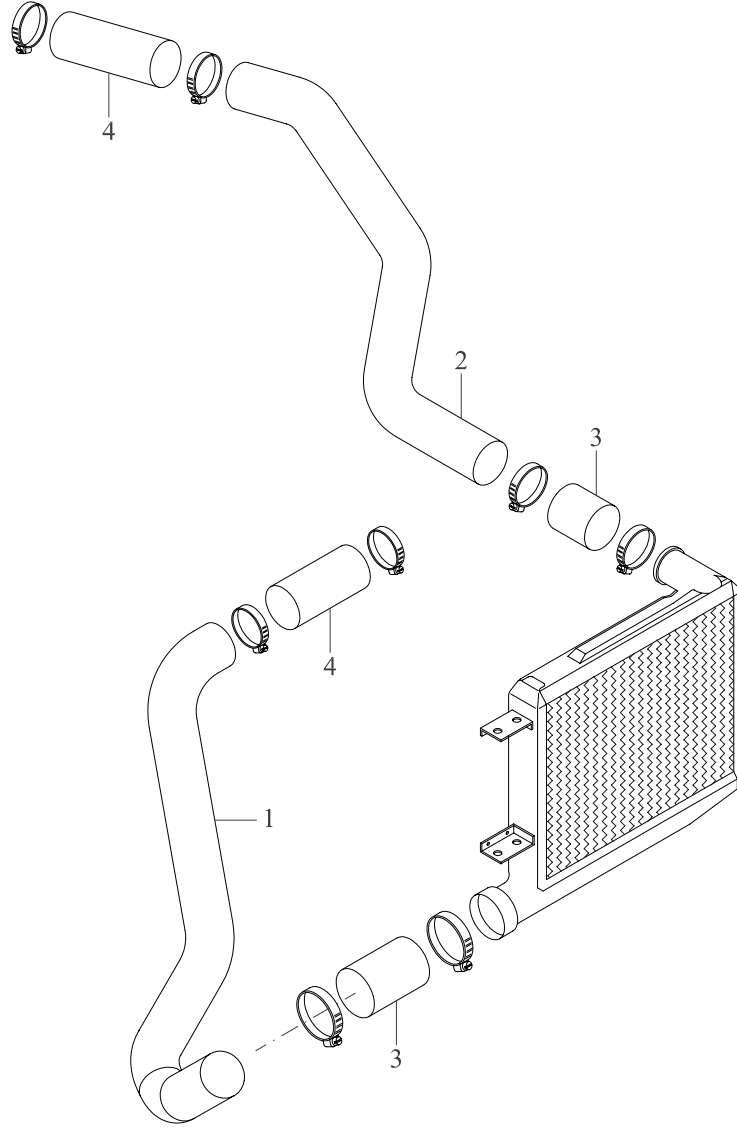
C- DETAYI  
DETAIL - C



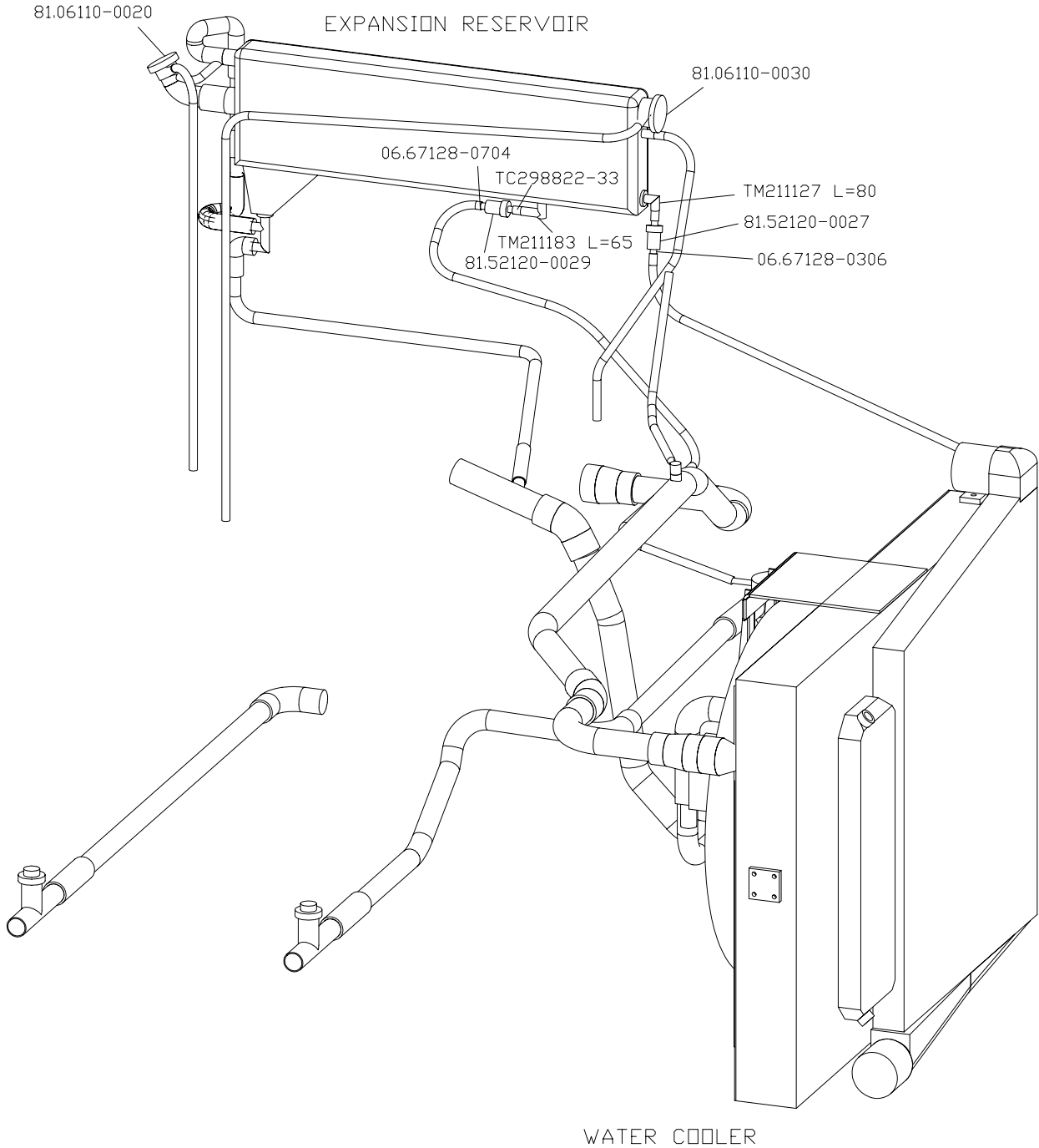
D- DETAYI  
DETAIL - D













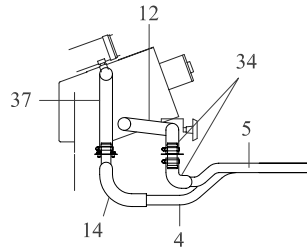
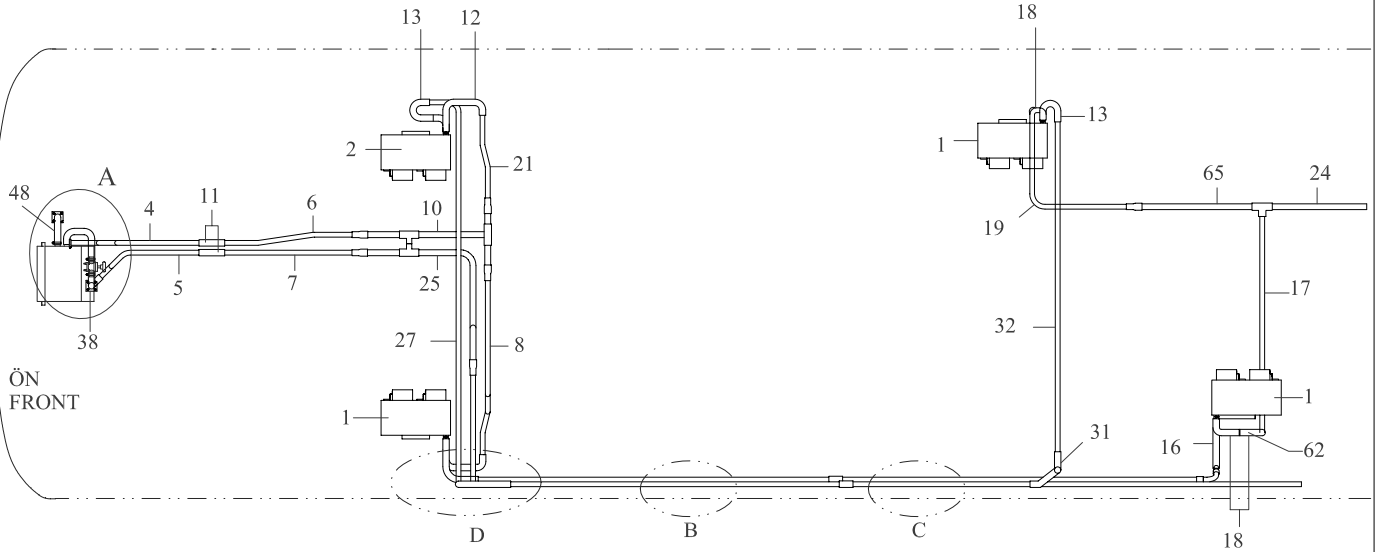
Sym.	Part Number	Part Name	Qty.	R/P	From	Up To	Remarks
*	TC298822-151	BORU PIPE	1		1		
*	TC298822-152	BORU PIPE	1		1		
*	TC298822-153	BORU PIPE	1		1		
*	TC298822-160	BORU PIPE	1		1		
*	TC298822-159	BORU PIPE	1		1		
*	TC298822-158	BORU PIPE	1		1		
*	TC298822-157	BORU PIPE	1		1		
*	TC298822-150	BORU PIPE	1		1		
*	TC298822-156	BORU PIPE	1		1		
*	TC298822-161	BORU PIPE	1		1		
*	TC298822-162	BORU PIPE	1		1		
*	MS661006	KELEPÇE CLAMP	2		1		
*	06.67128-0704	KELEPÇE CLAMP	11		1		MAN
*	06.67128-0306	KELEPÇE CLAMP	4		1		MAN
*	06.67128-0308	KELEPÇE CLAMP	5		1		MAN
*	06.67128-6311	KELEPÇE CLAMP	5		1		MAN
*	06.67128-6315	KELEPÇE CLAMP	6		1		MAN
*	06.67128-6323	KELEPÇE CLAMP	22		1		MAN
*	06.67128-6329	KELEPÇE CLAMP	2		1		MAN
*	TH362008	HORTUM HOSE	AR		1		
*	TH160038	HORTUM HOSE	AR		1		

Sym.	Part Number	Part Name	Qty.	R/P	From	Up To	Remarks
*	TH160060	HORTUM HOSE	AR		1		
*	TM211183	HORTUM HOSE	AR		1		
*	TM211127	HORTUM HOSE	AR		1		
*	81.96305-0124	HORTUM HOSE	1		1		MAN
*	81.96305-0125	HORTUM HOSE	1		1		MAN
*	81.96301-0551	HORTUM HOSE	2		1		MAN
*	81.96305-0092	HORTUM DİRSEK HOSE BEND	1		1		MAN
*	MH020804	KLİP CLIP	3		1		
*	MH020806	KLİP CLIP	3		1		
*	81.52120-0027	ÇEK VALF CHECK VALVE	1		1		MAN
*	81.52120-0029	ÇEK VALF CHECK VALVE	1		1		MAN
*	81.96305-0110	HORTUM DİRSEK HOSE BEND	1		1		MAN
*	81.06106-0010	CAM BORU PIPE GLASS	1		1		MAN
*	81.06302-5525	BORU PIPE	1		1		MAN
*	81.06110-0020	KAPAK CAP	1		1		MAN
*	TC298822-27	SU BORUSU PIPE WATER	1		1		
*	TC298822-33	SU BORUSU PIPE WATER	1		1		
*	6085.305.113	SU BORUSU PIPE WATER	1		1		ZF
*	81.06110-0030	SU BORUSU PIPE WATER	1		1		MAN
*	TM254181	HORTUM KORUYUCU HOSE PROTECTION	AR		1		
*	TH160019	HORTUM HOSE	AR		1		

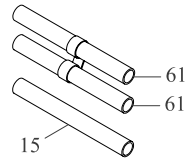




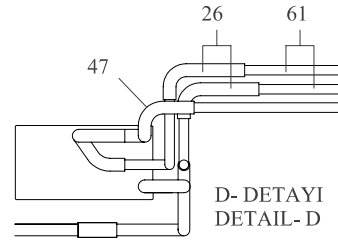
Bölüm	G	Isıtma Sistemi		
<i>Chapter</i>	<i>G</i>	<i>Heater System</i>		
<hr/>				
		Kalorifer Ve Boruları		
		<i>Heater And Piping</i>	MS762RL	<b>G01-00</b>
<hr/>				
		Kalorifer Ve Boruları		
		<i>Heater And Piping</i>	MS762ML	<b>G01-01</b>
<hr/>				
		Isıtıcı Kanalları		
		<i>Heater Duct</i>	MS762RL	<b>G02-00</b>
<hr/>				
		Isıtıcı Kanalları		
		<i>Heater Duct</i>	MS762ML	<b>G02-01</b>
<hr/>				
		Ön Isıtma Sistemi - Webasto		
		<i>Preheater Unit - Webasto</i>	MS762RL	<b>G04-00</b>
<hr/>				
		Ön Isıtma Sistemi - Webasto		
		<i>Preheater Unit - Webasto</i>	MS762ML	<b>G04-01</b>
<hr/>				
		Defroster		
		<i>Defroster</i>	MS762RL - MS762ML	<b>G10-00</b>
<hr/>				



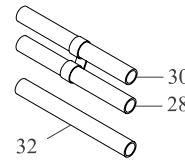
A- DETAYI  
DETAIL - A



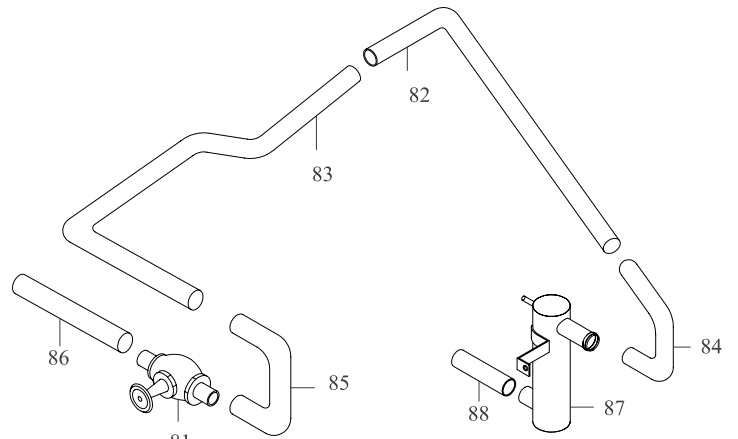
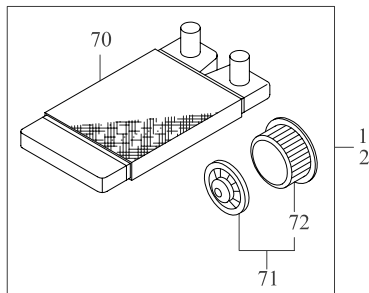
B- DETAYI  
DETAIL - B



D- DETAYI  
DETAIL- D



C- DETAYI  
DETAIL- C

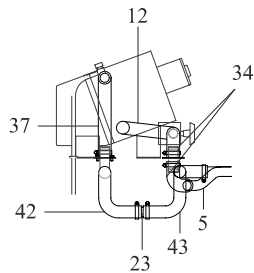
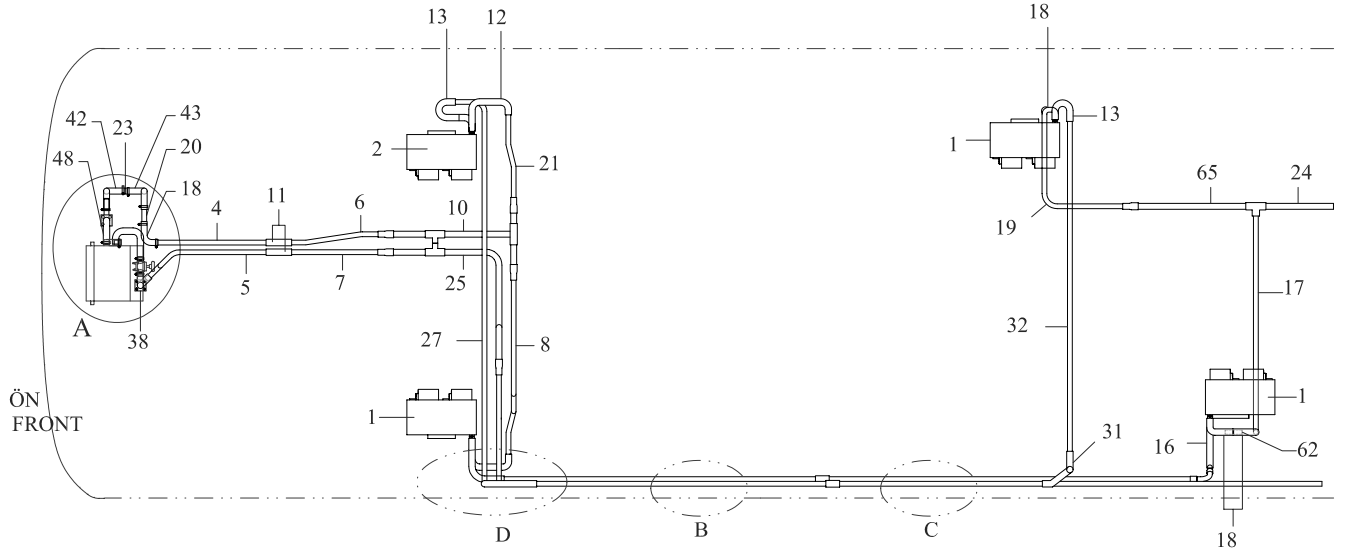


ARKA BORULAR  
REAR PIPING

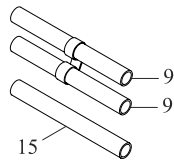
Sym.	Part Number	Part Name	Qty.	R/P	From	Up To	Remarks
1	62322-61000-70	KALORİFER HEATER ASSY	3		1		
2	62322-61000-80	KALORİFER HEATER ASSY	1		1		
4	62322-90010-04	BORU PIPE	1		1		
5	62322-90010-05	BORU PIPE	1		1		
6	62322-90020-70	BORU PIPE	1		1		
7	62322-90020-71	BORU PIPE	1		1		
8	62322-90010-08	BORU PIPE	1		1		
10	62322-90010-10	BORU PIPE	1		1		
11	TU213100	SU HORTUMU HOSE WATER	2		1		
12	62322-60720-00	SU HORTUMU HOSE WATER	3		1		
13	62322-60620-68	SU HORTUMU HOSE WATER	2		1		
14	62322-90040-70	SU HORTUMU HOSE WATER	1		1		
15	62322-60530-80	BORU PIPE	1		1		
16	62322-40710-00	BORU PIPE	1		1		
17	62322-90010-57	BORU PIPE	1		1		
18	72323-00050-02	SU HORTUMU HOSE WATER	4		1		
19	62322-90010-19	BORU PIPE	1		1		
21	62322-90010-21	BORU PIPE	1		1		
24	62322-90010-24	BORU PIPE	1		1		
25	62322-80620-70	BORU PIPE	1		1		
26	MC329057	SU HORTUMU HOSE WATER	2		1		

Sym.	Part Number	Part Name	Qty.	R/P	From	Up To	Remarks
27	62322-90010-27	BORU PIPE	1		1		
28	62322-90010-28	BORU PIPE	1		1		
30	62322-80660-70	BORU PIPE	1		1		
31	62322-80670-70	SU HORTUMU HOSE WATER	1		1		
32	62322-80680-70	BORU PIPE	1		1		
34	62322-40720-00	SU HORTUMU HOSE WATER	3		1		
37	TU213117	SU HORTUMU HOSE WATER	1		1		
38	62322-60730-70	BORU PIPE	1		1		
47	MC292119	SU HORTUMU HOSE WATER	1		1		
48	62322-90730-70	BORU PIPE	1		1		
61	72325-00130-03	BORU PIPE	8		1		
62	62322-90010-62	BORU PIPE	1		1	114	
62	62322-90010-66	BORU PIPE	1		115		
65	62322-90010-65	BORU PIPE	1		1		
70	62322-61120-71	RADYATÖR RADIATOR	1		1		
71	62322-61110-70	MOTOR VE FAN KOMPL MOTOR AND FAN	1		1		
72	62322-61110-14	FAN FAN	1		1		
81	MC393410-01	SÜRGÜLÜ VANA VALVE	1		1		
82	62322-90200-01	BORU PIPE	1		1		
83	62322-90200-02	BORU PIPE	1		1		
84	62348-61030-05	HORTUM DİRSEK ELBOW	1		1		

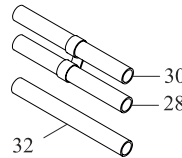




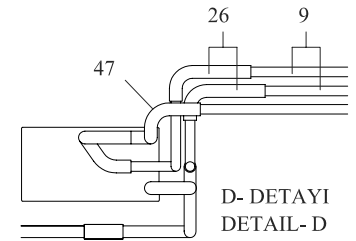
A- DETAYI  
DETAIL - A



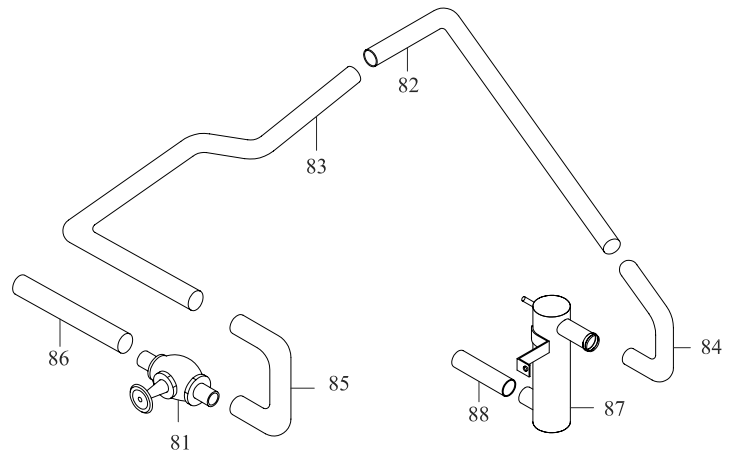
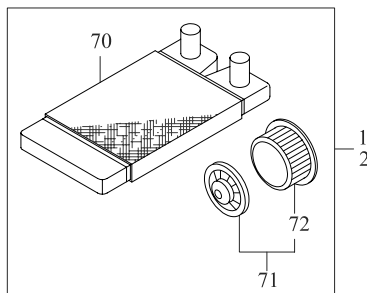
B- DETAYI  
DETAIL - B



C- DETAYI  
DETAIL - C



D- DETAYI  
DETAIL - D



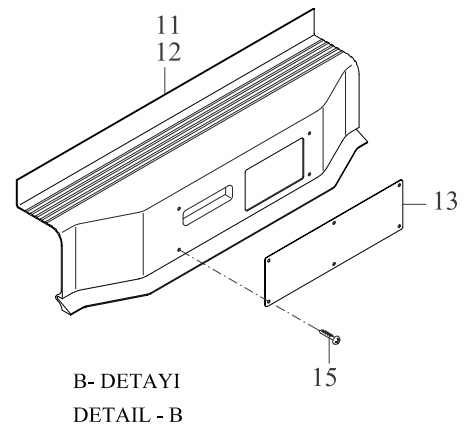
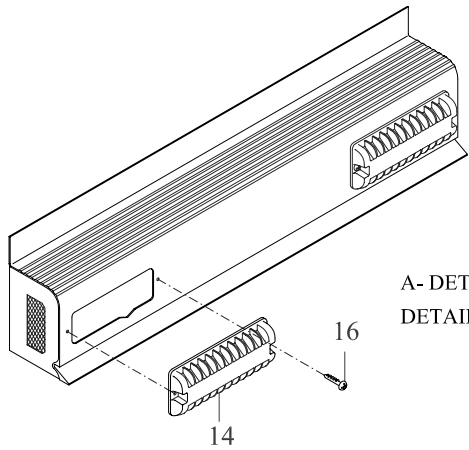
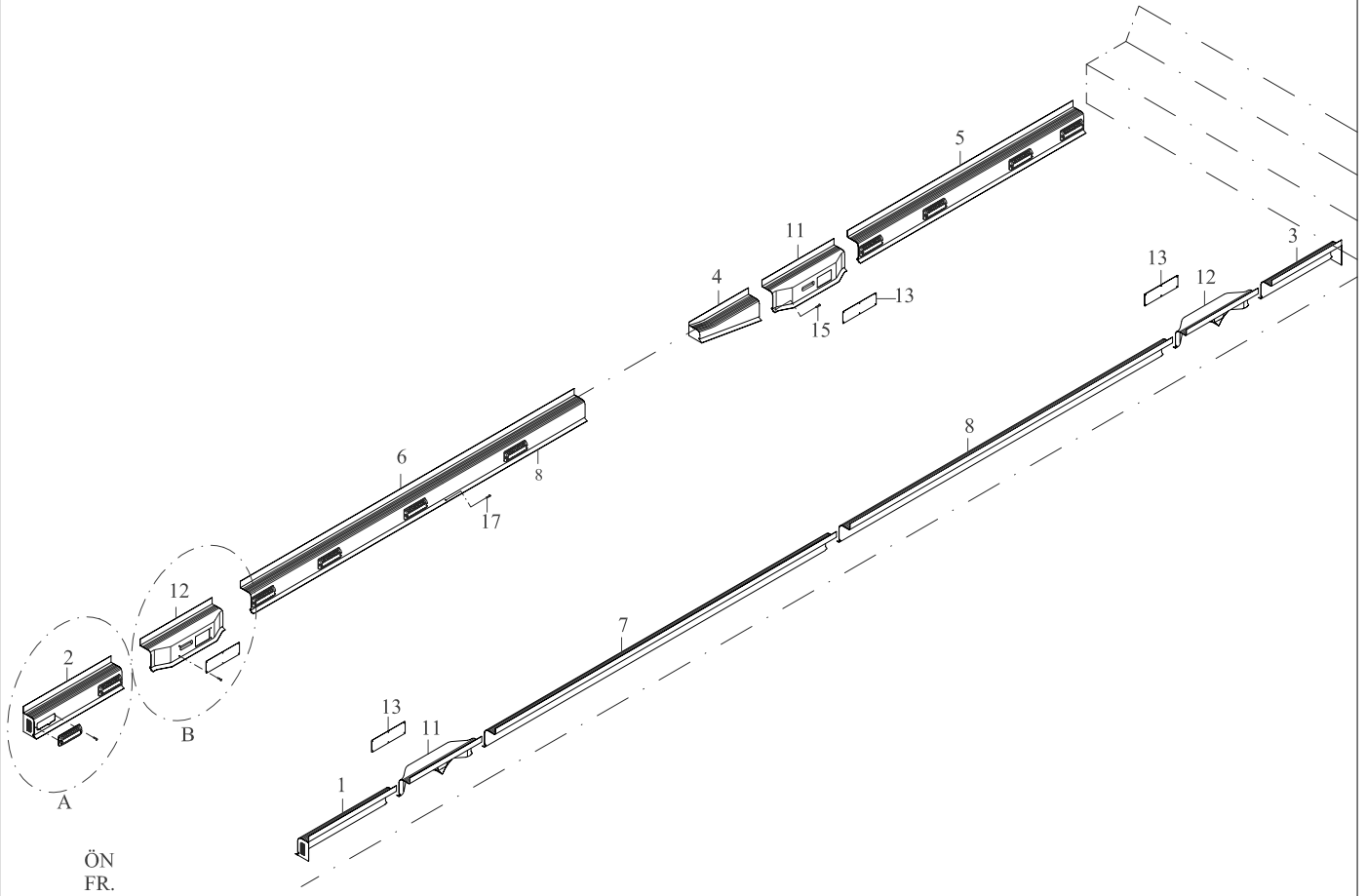
ARKA HORTUMLAR  
REAR PIPING

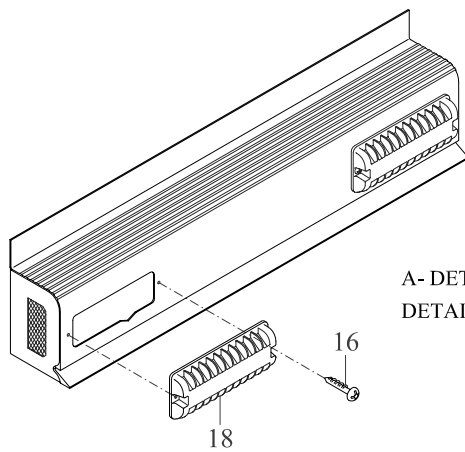
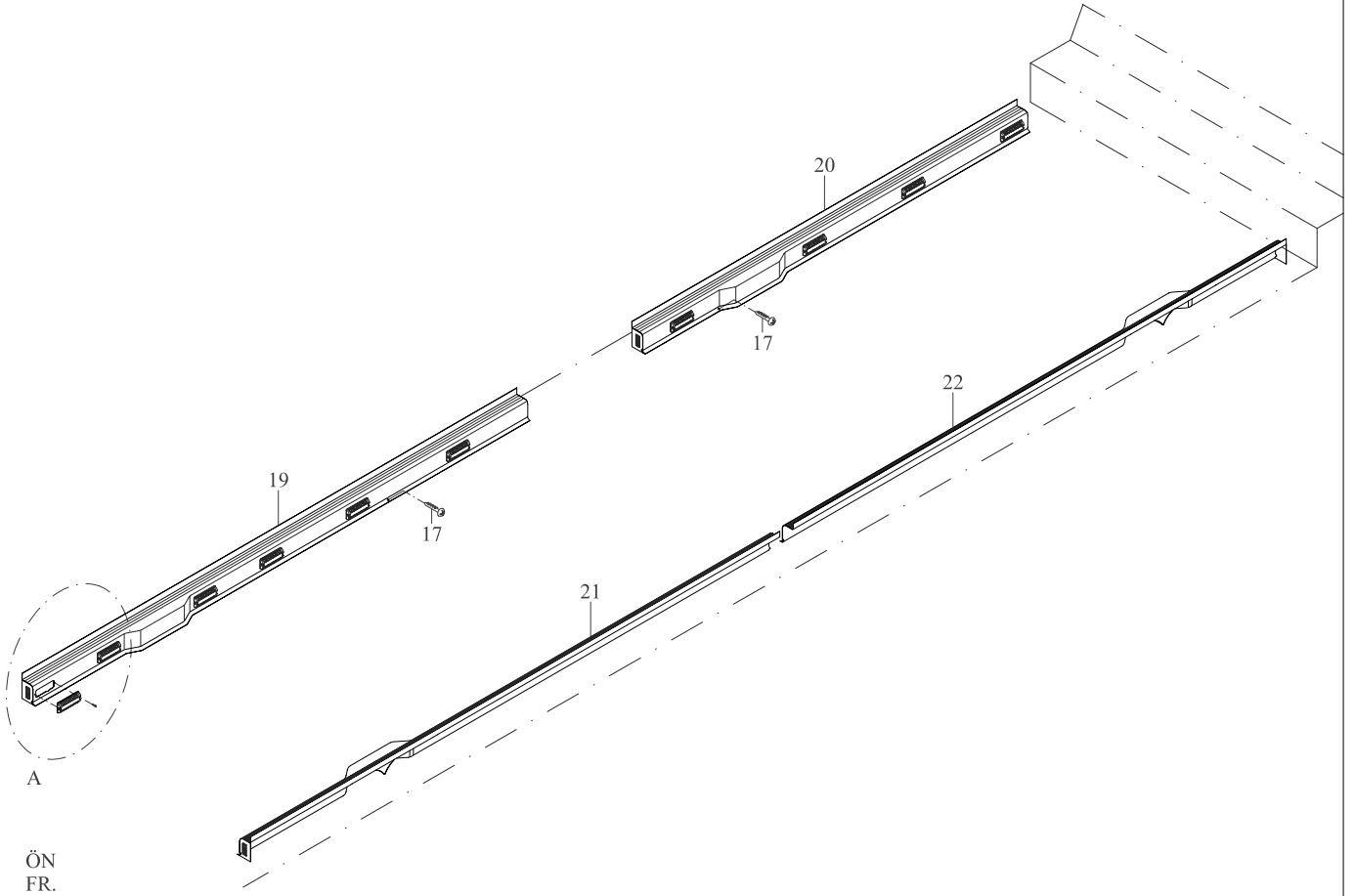
Sym.	Part Number	Part Name	Qty.	R/P	From	Up To	Remarks
1	62322-61000-70	KALORİFER HEATER ASSY	3		1		
2	62322-61000-80	KALORİFER HEATER ASSY	1		1		
4	62322-90010-04	BORU PIPE	1		1		
5	62322-90010-05	BORU PIPE	1		1		
6	62322-90110-06	BORU PIPE	1		1		
7	62322-90110-07	BORU PIPE	1		1		
8	62322-90010-08	BORU PIPE	1		1		
9	62322-90110-09	BORU PIPE	2		1		
10	62322-90010-10	BORU PIPE	1		1		
11	TU213100	SU HORTUMU HOSE WATER	2		1		
12	62322-60720-00	SU HORTUMU HOSE WATER	3		1		
13	62322-60620-68	SU HORTUMU HOSE WATER	2		1		
15	62322-90110-15	BORU PIPE	1		1		
16	62322-40710-00	BORU PIPE	1		1		
17	62322-90010-57	BORU PIPE	1		1		
18	72323-00050-02	SU HORTUMU HOSE WATER	5		1		
19	62322-90010-19	BORU PIPE	1		1		
20	62322-90100-20	BORU PIPE	1		1		
21	62322-90010-21	BORU PIPE	1		1		
23	62322-90100-23	BORU PIPE	1		1		
24	62322-90010-24	BORU PIPE	1		1		

Sym.	Part Number	Part Name	Qty.	R/P	From	Up To	Remarks
25	62322-80620-70	BORU PIPE	1		1		
26	MC329057	SU HORTUMU HOSE WATER	2		1		
27	62322-90010-27	BORU PIPE	1		1		
28	62322-90010-28	BORU PIPE	1		1		
30	62322-80660-70	BORU PIPE	1		1		
31	62322-80670-70	BORU PIPE	1		1		
32	62322-80680-70	BORU PIPE	1		1		
34	62322-40720-00	SU HORTUMU HOSE WATER	3		1		
37	TU213117	SU HORTUMU HOSE WATER	1		1		
38	62322-60730-71	BORU PIPE	1		1		
42	TU213106	SU HORTUMU HOSE WATER	1		1		
43	TU213108	SU HORTUMU HOSE WATER	1		1		
47	MC292119	SU HORTUMU HOSE WATER	1		1		
48	62322-90730-70	BORU PIPE	1		1		
62	62322-90010-62	BORU PIPE	1		1		
65	62322-90010-65	BORU PIPE	1		1		
70	62322-61120-71	RADYATÖR RADIATOR	1		1		
71	62322-61110-70	MOTOR VE FAN KOMPLESİ MOTORAND FAN	1		1		
72	62322-61110-14	FAN FAN	1		1		
81	MC393410-01	SÜRGÜLÜ VANA VALVE	1		1		
82	62322-90200-01	BORU PIPE	1		1		

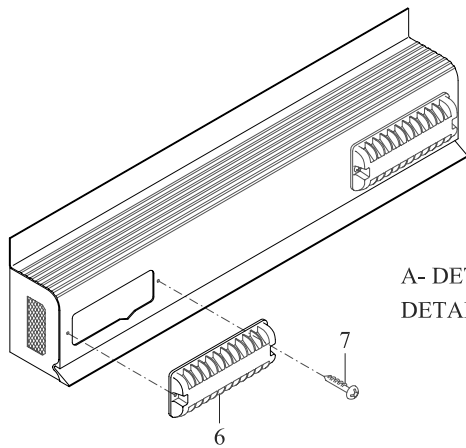
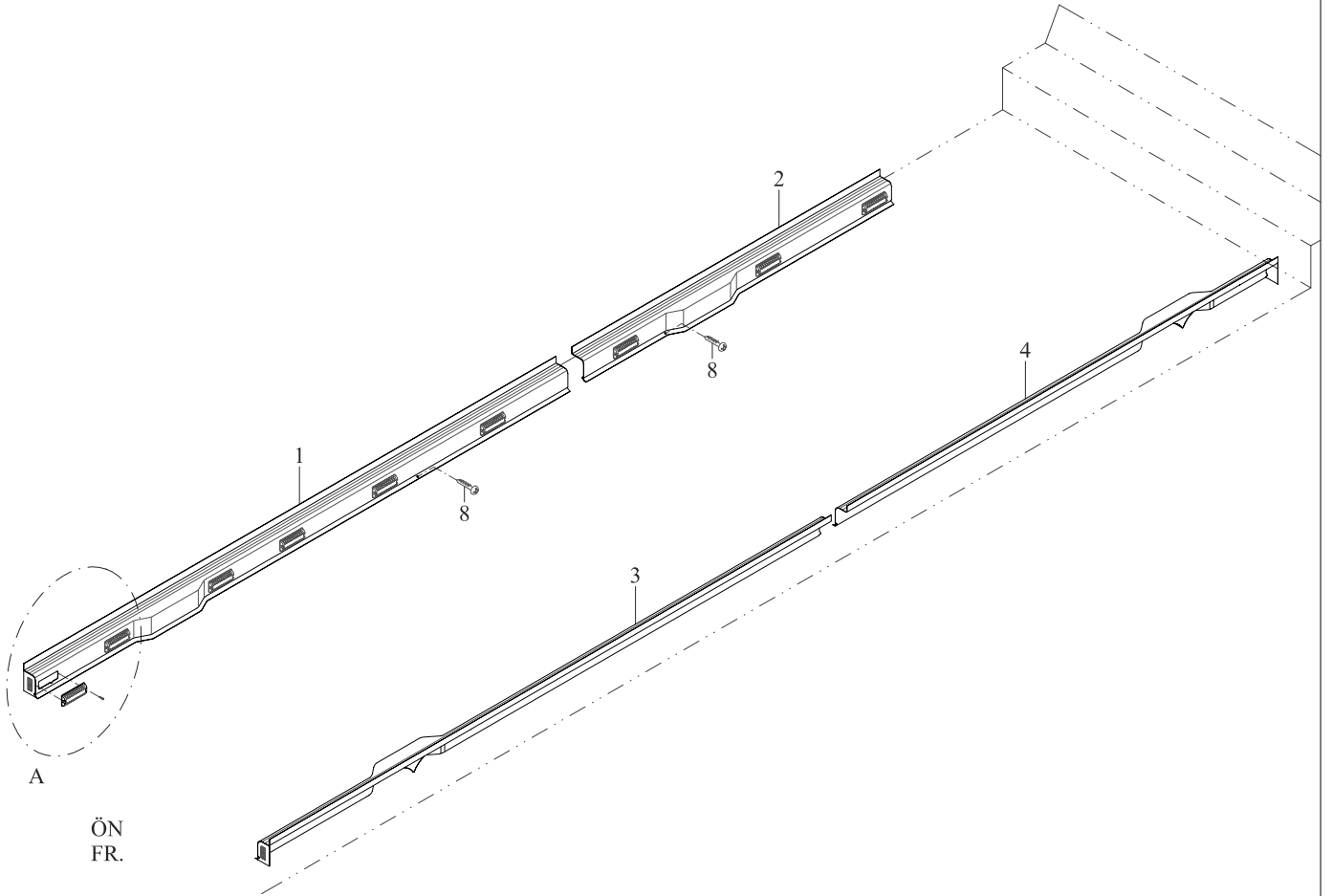






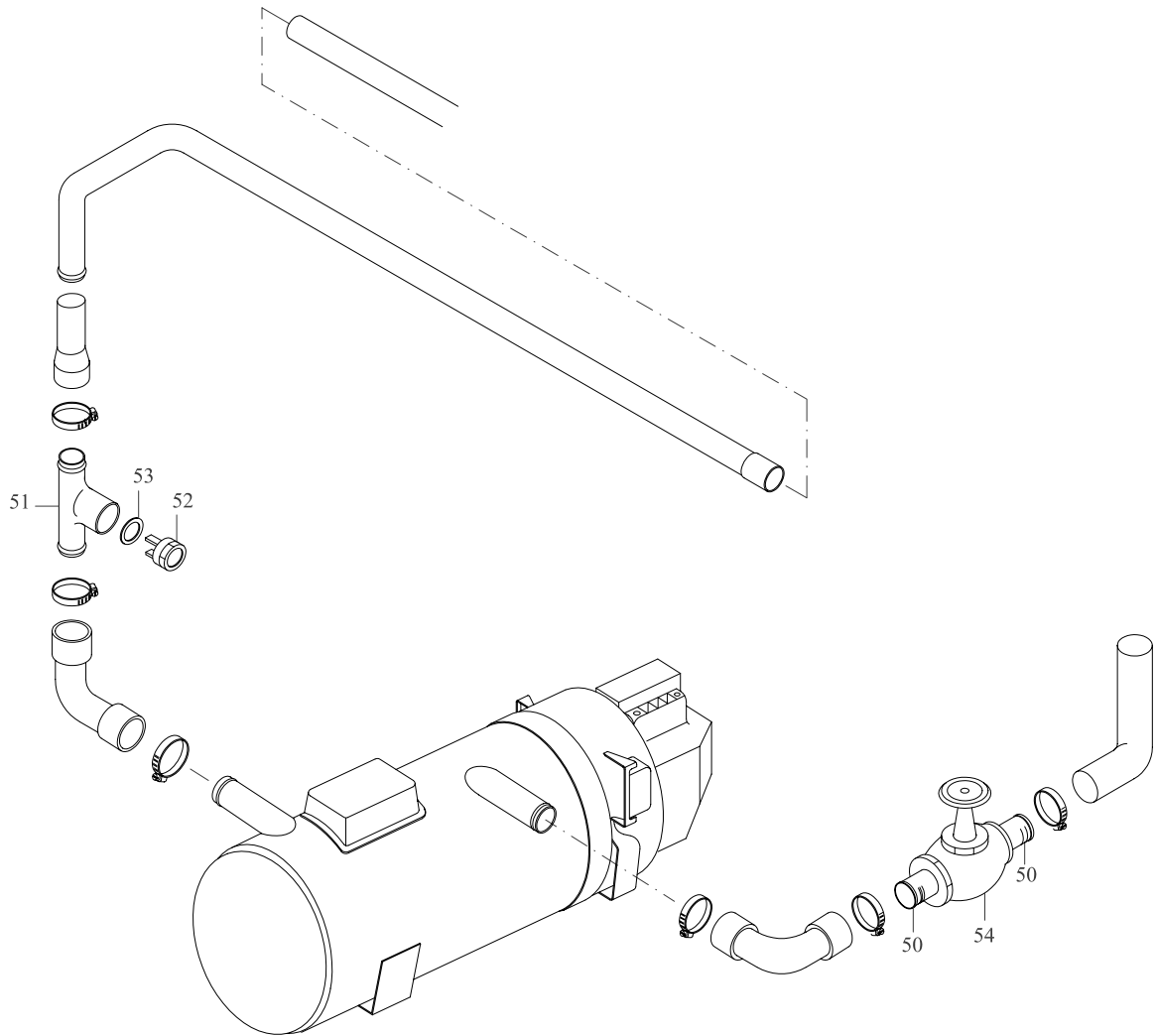


Sym.	Part Number	Part Name	Qty.	R/P	From	Up To	Remarks
1	62312-90340-01	KANAL DUCT	1		1	4	
2	62312-90340-02	KANAL DUCT	1		1	4	
3	62312-90340-03	KANAL DUCT	1		1	4	
4	62312-90340-04	KANAL DUCT	1		1	4	
5	62312-90340-05	KANAL DUCT	1		1	4	
6	62312-90340-06	KANAL DUCT	1		1	4	
7	62312-90340-07	KANAL DUCT	1		1	4	
8	62312-90340-08	KANAL DUCT	1		1	4	
11	62312-61320-81	KANAL DUCT SIDE	2		1	4	
12	62312-61320-71	YAN KANAL DUCT SIDE	2		1	4	
13	62312-61360-00	KAPAK LID	4		1	4	
14	MC329280	ISITICI KAPAĐI GRILLE HEATER	20		1	4	
15	MF200027	VİDA SCREW	AR		1	4	
16	MF453079	VİDA SCREW	AR		1		
17	MF455020	VİDA SCREW	AR		1		
18	MC329280	ISITICI KAPAĐI GRILLE HEATER	21		5	160	
18	TM210160	ISITICI KAPAĐI GRILLE HEATER	21		161		
19	62312-90340-20	KANAL DUCT	1		5		
20	62312-90340-21	KANAL DUCT	1		5		
21	62312-90340-22	KANAL DUCT	1		5		
22	62312-90340-23	KANAL DUCT	1		5		



A-DETAYI  
DETAIL - A



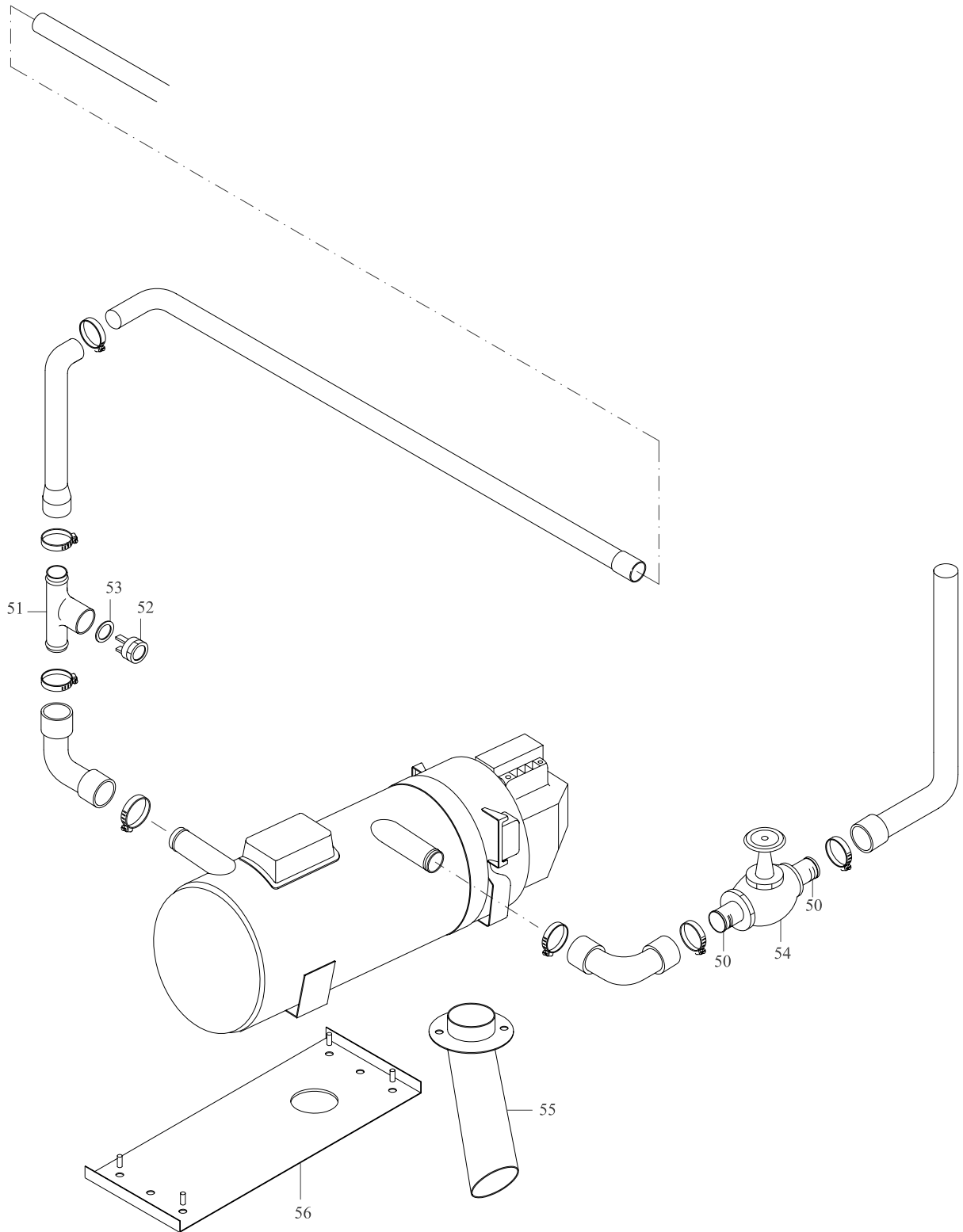


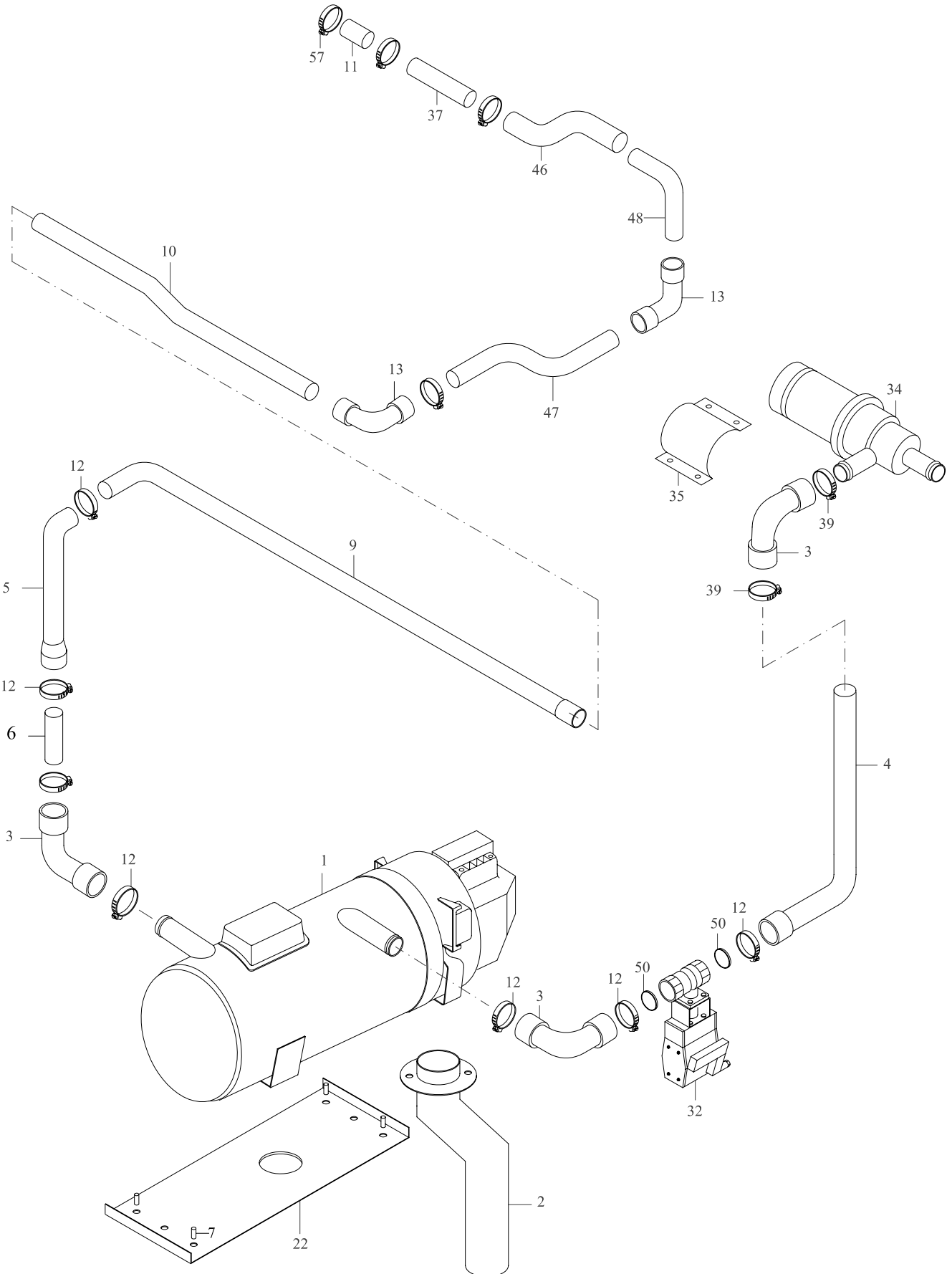




Sym.	Part Number	Part Name	Qty.	R/P	From	Up To	Remarks
1	62321-10020-50	ÖN ISITMA ÜNT. WEBASTO PREHEATER UNIT	1		1	219	
1	62321-90020-50	ÖN ISITMA ÜNT. WEBASTO PREHEATER UNIT	1		220		EBERSPACHER HYDRO-30
2	62348-61100-21	EGZOZ BORUSU PIPE EXHAUST	1		1	4	
2	62348-90100-59	EGZOZ BORUSU PIPE EXHAUST	1		5		
3	62348-61030-05	HORTUM DİRSEK HOSE ELBOW	3		1		
4	TU213119	HORTUM DİRSEK HOSE ELBOW	1		1	300	
4	62348-90100-35	HORTUM DİRSEK HOSE ELBOW	1	O	301		
5	TU213118	HORTUM HOSE	1		1		
7	61108-60900-00	ARA PARÇA SPACER	4		1		
8	62348-30030-21	BORU PIPE	1		1		
9	62348-90100-01	BORU PIPE	1		1		
10	62348-90100-02	BORU PIPE	1		1		
11	62322-60740-80	HORTUM HOSE	1		1		
12	MF661021	KELEPÇE CLAMP	AR		1		D.50
13	62348-90100-13	BORU PIPE	1		1		
22	62348-90100-22B	WEBASTO TABLASI PREHEATER, BASE	1		1		
23	62348-90100-23	WEBASTO TABLASI PREHEATER, BASE	1		1		
24	62348-90100-34	WEBASTO TABLASI PREHEATER, BASE	1		1		
29	MF661018	KELEPÇE CLAMP	AR		1		D.36
30	62348-90100-30	HORTUM HOSE	1		1		
32	TC252500	ELEKTRİKLİ VANA ELECTRICAL VALVE	1		5		

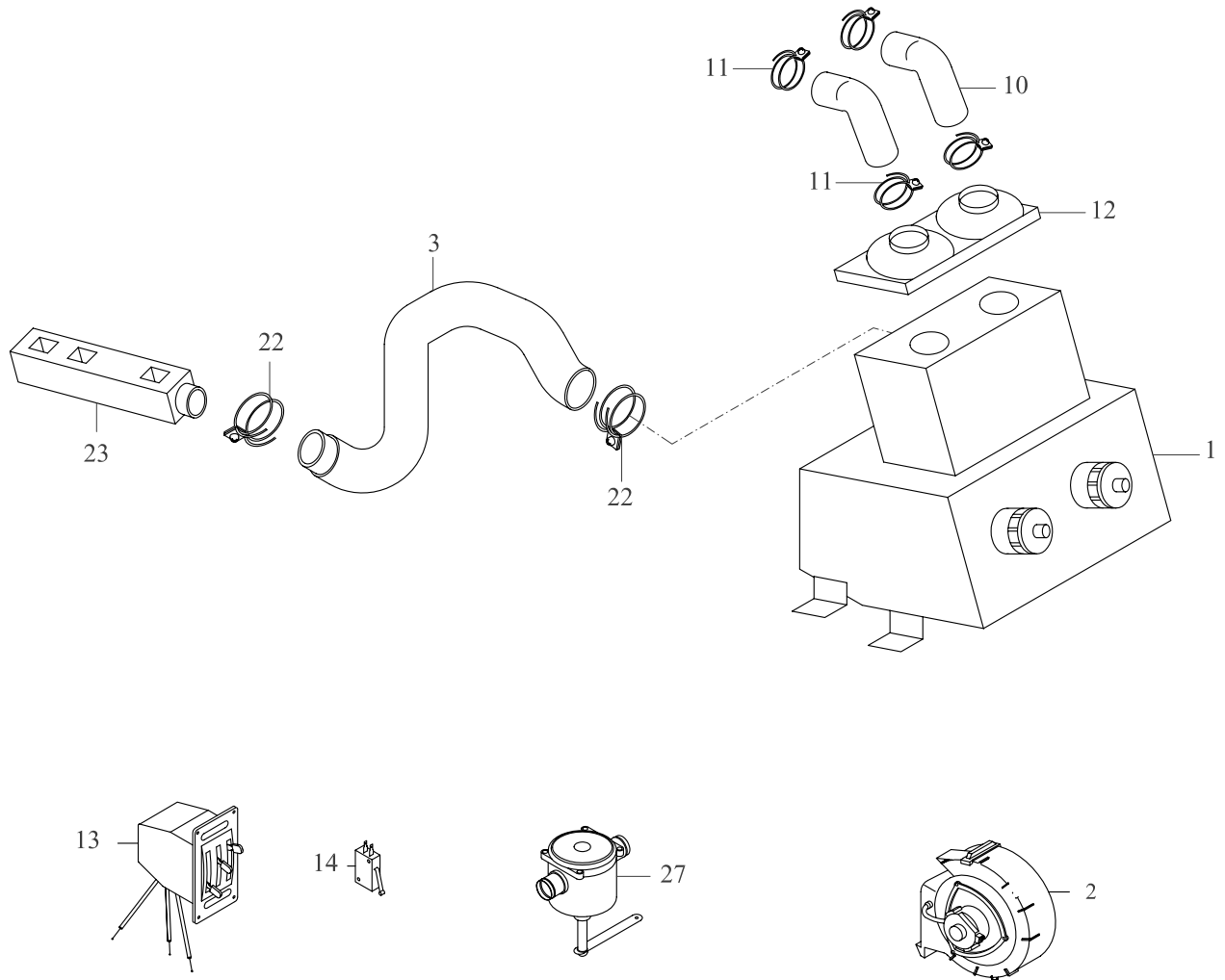






Sym.	Part Number	Part Name	Qty.	R/P	From	Up To	Remarks
1	62321-10020-50	ÖN ISITMA ÜNT. WEBASTO PREHEATER UNIT	1		1	219	
1	62321-90020-50	ÖN ISITMA ÜNT. WEBASTO PREHEATER UNIT	1		220		EBERSPACHER HYDRO-30
2	62348-90018-01	EGZOZ BORUSU PIPE EXHAUST	1		5		
3	62348-61030-05	HORTUM DİRSEK HOSE ELBOW	3		1		
4	62322-90030-81	HORTUM HOSE	1		1		
5	MK106801	HORTUM DİRSEK HOSE ELBOW	1		1		
6	62348-30030-21	BORU PIPE	1		1		
7	61108-60900-00	ARA PARÇA SPACER	4		1		
9	62348-90018-03A	BORU PIPE	1		1		
10	62348-90100-02	BORU PIPE	1		1		
11	62322-60740-80	HORTUM HOSE	1		1		
12	MF661021	KELEPÇE CLAMP	AR		1		D.50
13	62348-90100-13	BORU PIPE	1		1		
22	62348-90017-06	WEBASTO TABLASI PREHEATER, BASE	1		1		
32	TC252500	ELEKTRİKLİ VANA ELECTRICAL VALVE	1		5		
34	62322-90010-03	SU POMPASI WEATER PUMP	1		1	219	
34	62322-90010-13	SU POMPASI WEATER PUMP	1		220		EBERSPACHER
35	62322-90010-23	SU POMPASI KELEPÇESİ CLAMP, WEATER PUMP	1		1		
37	62348-90100-37	BORU PIPE	1		1		
39	MF661025	KELEPÇE CLAMP	4		1		
46	TU213108	HORTUM HOSE	1		1		









Bölüm M Yakıt Sistemi  
*Chapter M Fuel System*

---

Yakıt Tankı  
*Fuel Tank*

MS762RL - MS762ML ***M01-00***

---

Yakıt Hortumları  
*Fuel Tubes*

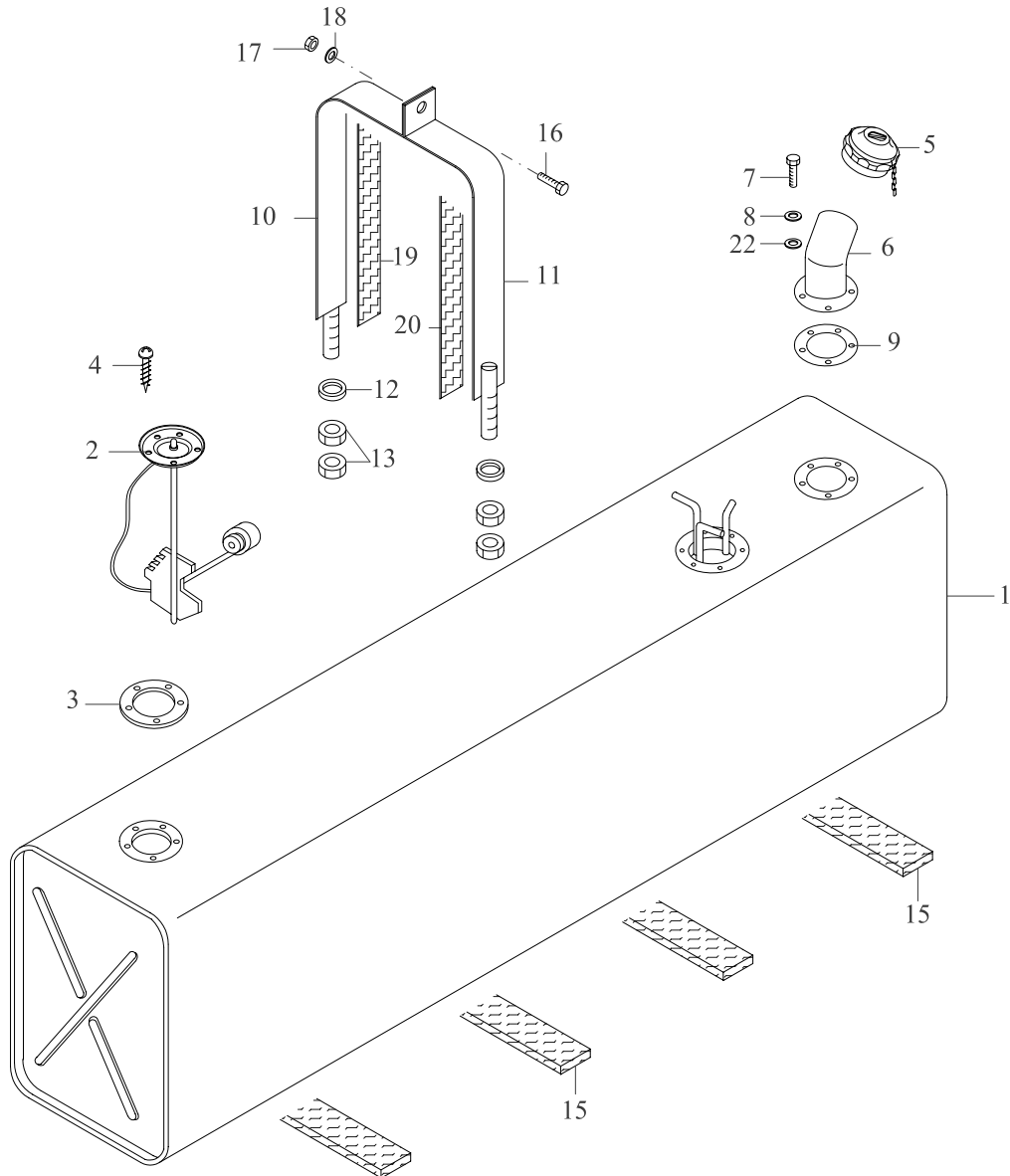
MS762RL ***M02-00***


---

Yakıt Hortumları  
*Fuel Tubes*

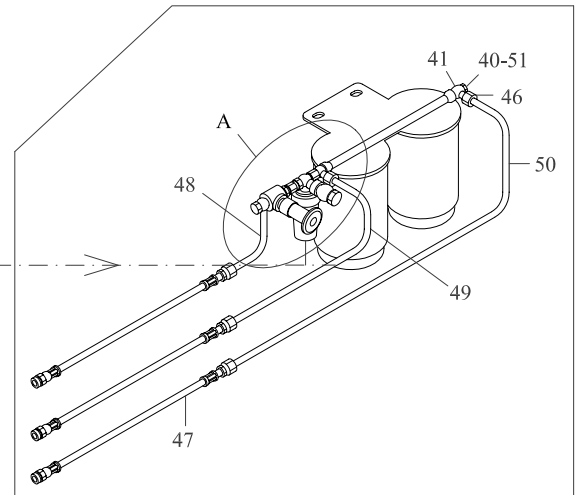
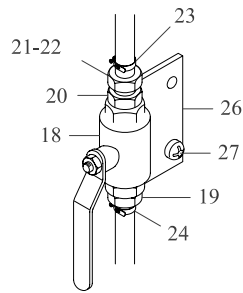
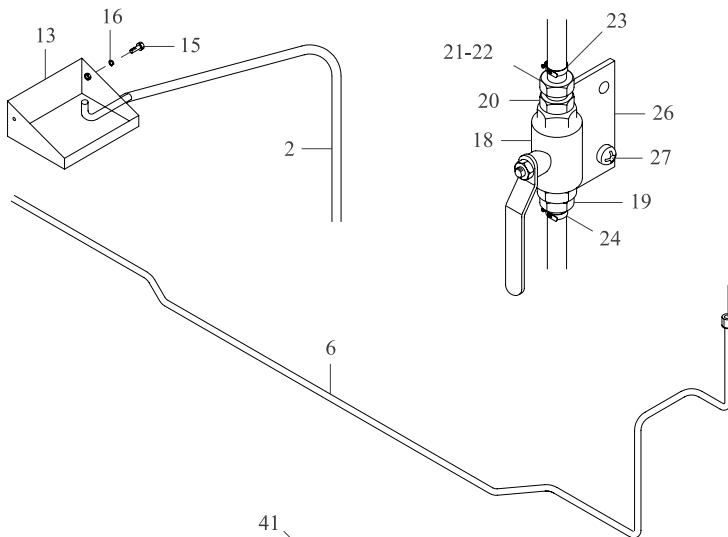
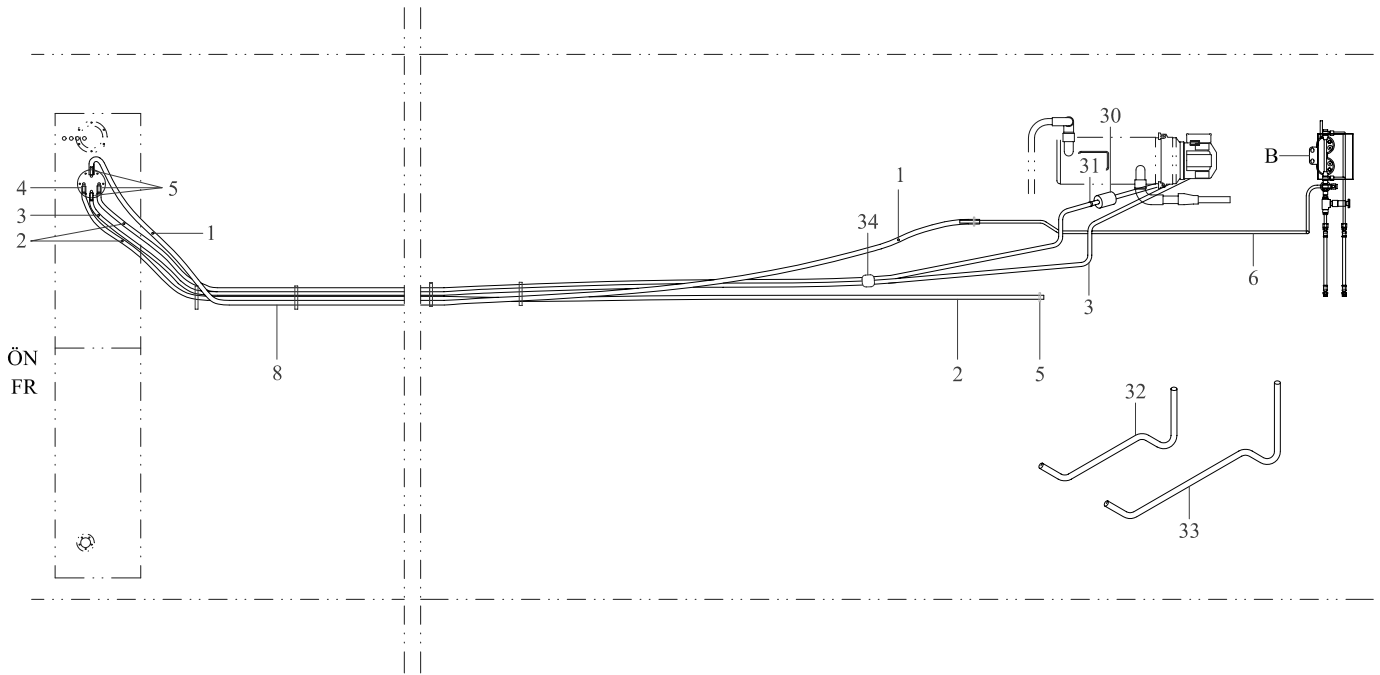
MS762ML ***M02-01***

---

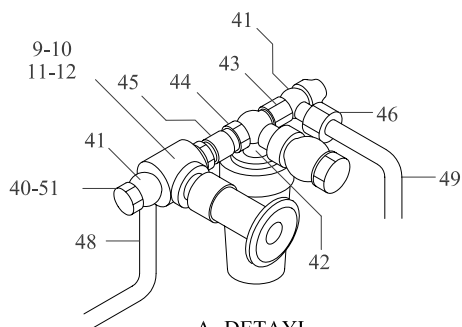


		<b>YAKIT TANKI FUEL TANK</b>				<b>Group No : M01-00</b> Ident. Num.: 61705-90050-70 Rev. Date: Page: 1	
		MS762					
Sym.	Part Number	Part Name	Qty.	R/P	From	Up To	Remarks
1	61705-60065-71	YAKIT TANKI FUEL TANK	1		1	94	
1	61705-60065-71D	YAKIT TANKI FUEL TANK	1		95		
2	61705-60050-12	ŞAMANDIRA GAUGE UNIT	1		1		
3	61705-60000-07	CONTA PACKING	1		1		
4	MC259527	VİDA SCREW	AR		1		
5	TB125426	KAPAK COVER	1		1		
6	61705-60070-70	DEPO BOĞAZI THROAT DEPO	1		1		
7	MF100027	CIVATA BOLT	AR		1		
8	MF450404	RONDELA WASHER SPRING	AR		1		
9	61705-60050-09	CONTA GASKET	1		1		
10	61705-60080-70	KUŞAK BELT	2		1		
11	61705-60090-70	KUŞAK BELT	2		1		
12	MF450006	PUL WASHER PLAIN	AR		1		
13	MF430006	SOMUN NUT	AR		1		
15	61705-60000-06	LASTİK ŞERİT RUBBER SHIELD	4		1		
16	MF100057	CIVATA BOLT	AR		1		
17	MF430005	SOMUN NUT	AR		1		
18	MF450405	RONDELA WASHER SPRING	AR		1		
19	61705-60050-19	LASTİK ŞERİT RUBBER SHIELD	2		1		
20	61705-60050-20	LASTİK ŞERİT RUBBER SHIELD	2		1		
21	SM-21	YAPIŞTIRICI ADHESIVE	AR		1		





B- DETAYI  
DETAIL - B



A- DETAYI  
DETAIL - A



YAKIT HORTUMLARI  
FUEL LINE

Group No : M02-00

Ident. Num.:

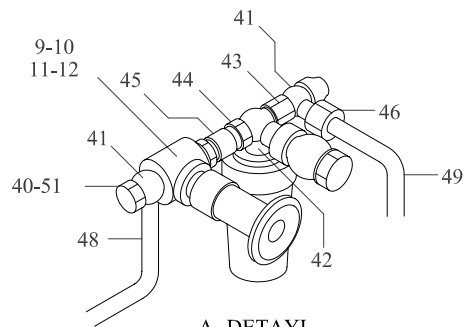
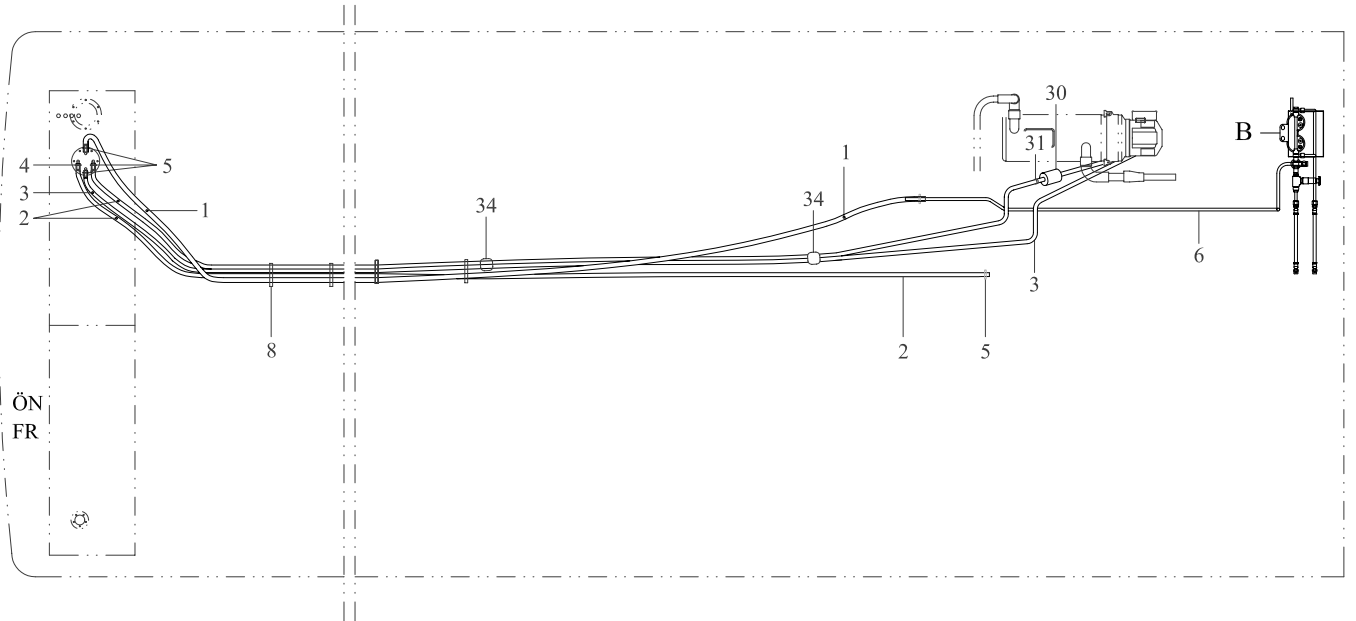
Rev. Date:

Page: 1

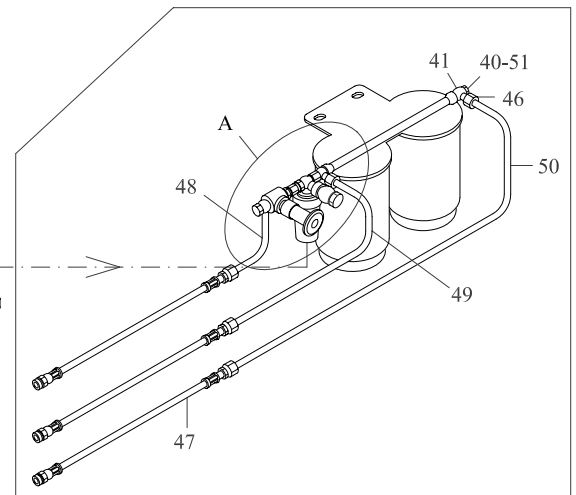
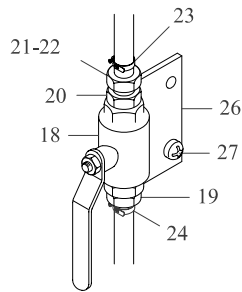
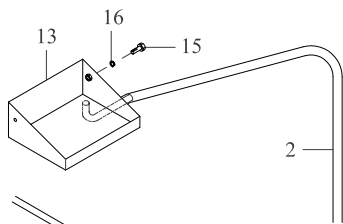
MS762RL

Sym.	Part Number	Part Name	Qty.	R/P	From	Up To	Remarks
1	TM163207	YAKIT HORTUMU FUEL HOSE	AR		1		
2	TM163153	HORTUM HOSE	AR		1		
3	TM163152	HORTUM HOSE	AR		1		
4	MF661010	KELEPÇE CLAMP	AR		1		
5	MF661009	KELEPÇE CLAMP	AR		1		
6	61705-91900-06	BORU PIPE	1		1		
8	MC395232	BAND BAND	AR		1		
9	MF100091	CIVATA BOLT	AR		1		
10	MF450406	RONDELA WASHER SPRING	AR		1		
11	MF430006	SOMUN NUT	AR		1		
12	MF450006	PUL WASHER PLAIN	AR		1		
13	61705-91900-13	BRK BRACKER	1		1		
15	MF100025	CIVATA BOLT	AR		1		
16	MF399104	RONDELA WASHER SPRING	AR		1		
18	TM214107	VANA VALVE	1		1		
19	TM214103	VİDA SCREW	1		1		
20	TM214104	VİDA SCREW	1		1		
21	MF430007	SOMUN NUT	AR		1		
22	MF450407	RONDELA WASHER SPRING	AR		1		
23	TS660165	KELEPÇE CLAMP	AR		1		
24	TS660100	KELEPÇE CLAMP	AR		1		





A- DETAYI  
DETAIL - A



B- DETAYI  
DETAIL - B





YAKIT HORTUMLARI  
FUEL LINE

Group No : M02-01

Ident. Num.:

Rev. Date:

Page: 1

MS762ML

Sym.	Part Number	Part Name	Qty.	R/P	From	Up To	Remarks
1	TM163207	YAKIT HORTUMU FUEL HOSE	AR		1		
2	TM163153	HORTUM HOSE	AR		1		
3	TM163152	HORTUM HOSE	AR		1		
4	MF661010	KELEPÇE CLAMP	AR		1		
5	MF661009	KELEPÇE CLAMP	AR		1		
6	61705-91900-06	BORU PIPE	1		1		
8	MC395232	BAND BAND	AR		1		
9	MF100091	CIVATA BOLT	AR		1		
10	MF450406	RONDELA WASHER SPRING	AR		1		
11	MF430006	SOMUN NUT	AR		1		
12	MF450006	PUL WASHER PLAIN	AR		1		
13	61705-91900-13	BRK BRACKET	1		1		
15	MF100025	CIVATA BOLT	AR		1		
16	MF399104	RONDELA WASHER SPRING	AR		1		
18	TM214107	VANA VALVE	1		1		
19	TM214103	VİDA SCREW	1		1		
20	TM214104	VİDA SCREW	1		1		
21	MF430007	SOMUN NUT	AR		1		
22	MF450407	RONDELA WASHER SPRING	AR		1		
23	TS660165	KELEPÇE CLAMP	AR		1		
24	TS660100	KELEPÇE CLAMP	AR		1		



Bölüm N Emme ve Egzoz Sistemi  
Chapter N *Intake & Exhaust System*

---

Egzoz Borusu Ve Susturucu  
*Exhaust Pipe & Muffler*

MS762RL

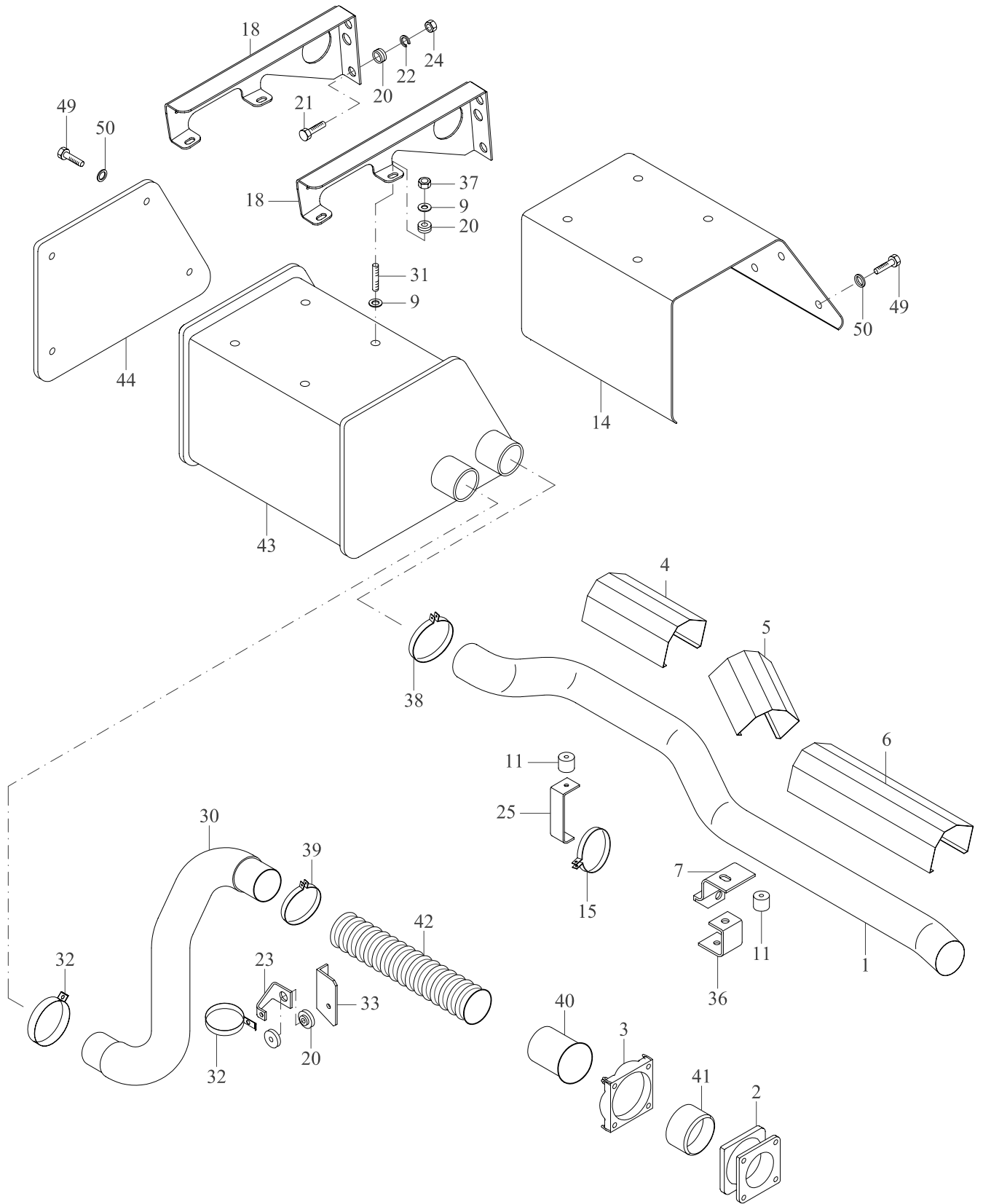
*N05-00*

---

Egzoz Borusu Ve Susturucu  
*Exhaust Pipe & Muffler*

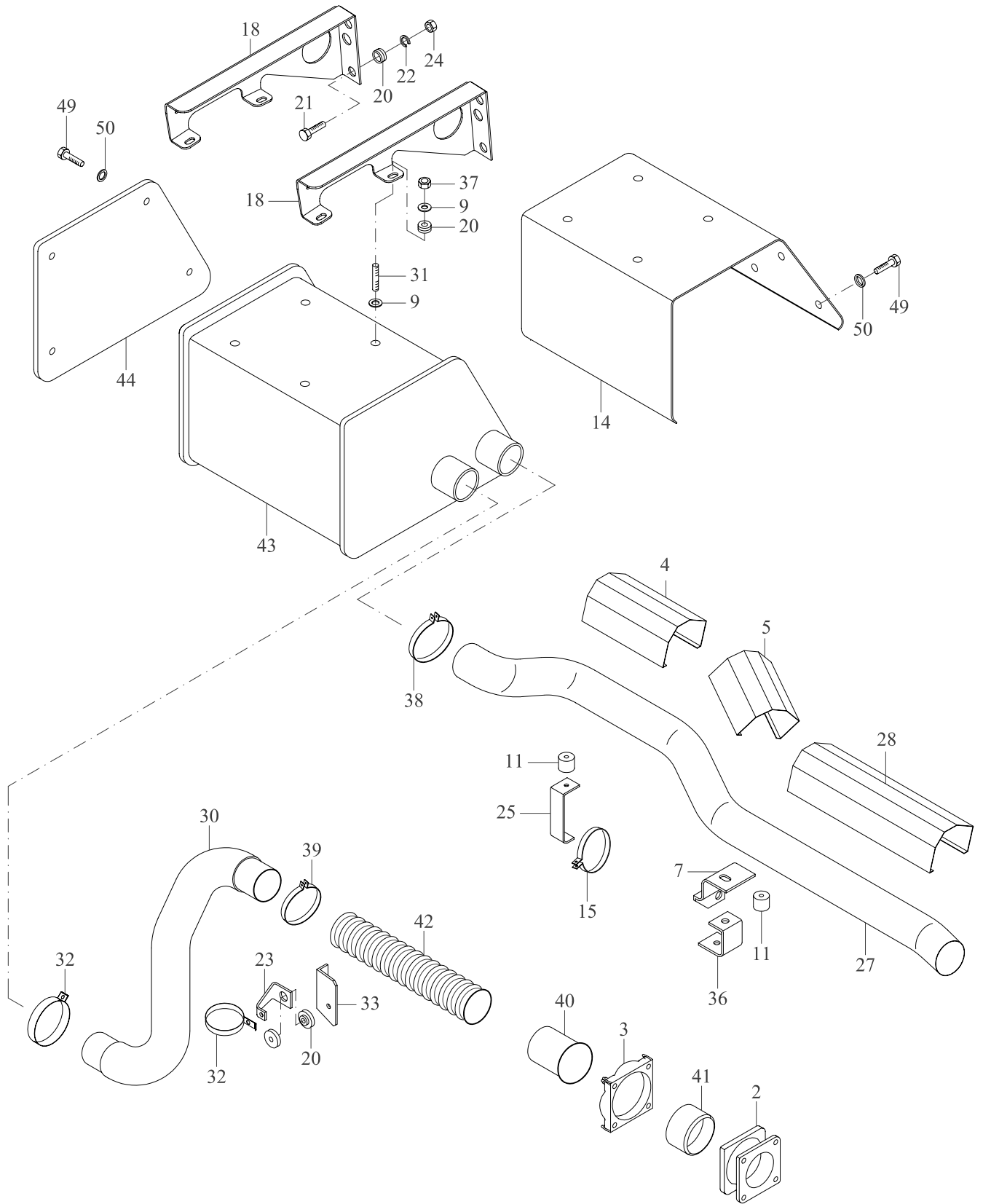
MS762ML *N05-01*


---



Sym.	Part Number	Part Name	Qty.	R/P	From	Up To	Remarks
1	TC298822-114	EGZOZ BORUSU EXHAUST PIPE	1		1	300	
1	TC298822-164	EGZOZ BORUSU EXHAUST PIPE	1	O	301		
2	81.15204-0409	EGZOZ MANİFOLDU EXHAUST MANIFOLD	1		1	114	
2	TC298822-002	BORU PIPE	1	O	115		
3	81.15204-6057	FLANŞ FLANGE	1		1	114	
3	TC298822-003	FLANŞ FLANGE	1	O	115		
4	TC298822-115	MUHAFAZA PANELİ GUARD PANEL	1		1		
5	TC298822-116	MUHAFAZA PANELİ GUARD PANEL	1		1		
6	TC298822-117	MUHAFAZA PANELİ GUARD PANEL	1		1		
7	TC298822-140	Z- BRAKET BRACKET -Z	1		1		
9	81.90713-0692	PUL WASHER	4		1	114	
9	MF450006	PUL WASHER PLAIN	AR	O	115		
11	81.96210-0101	LASTİK TAKOZ RUBBER PAD	2		1		
14	81.15110-0296	KORUMA PANELİ GUARD PANEL	1		1	114	
15	TC298822-122	KELEPÇE CLAMP	1		1		
18	81.15501-0876	SUSTURUCU BRAKETİ BRACKET, MUFFLER	2		1	114	
18	TC298822-119	SUSTURUCU BRAKETİ BRACKET, MUFFLER	2	O	115		
20	81.96210-0247	LASTİK TAKOZ RUBBER PAD	14		1		
21	MF106118	CIVATA BOLT	AR		1		
22	MF450407	RONDELA WASHER SPRING	AR		1		
23	TC298822-132	U- BRAKET BRACKET -U	1		1		

Sym.	Part Number	Part Name	Qty.	R/P	From	Up To	Remarks
24	MF430007	SOMUN NUT	AR		1		
25	TC298822-141	U- BRAKET BRACKET -U	1		1		
30	TC298822-163	GİRİŞ BORUSU PIPE INLET	1		1		
31	06.06139-0049	SAPLAMA STUD	4		1	114	
31	TC298822-131	SAPLAMA STUD	4	O	115		
32	88.15640-0007	KELEPÇE CLAMP	2		1		
33	TC298822-133	L- BRAKET BRACKET -L	1		1		
36	TC298822-142	U- BRAKET BRACKET -U	1		1		
37	06.11251-2001	SOMUN NUT	4		1	114	
37	TF430006	SOMUN NUT	AR	O	115		
38	81.97420-0076	KELEPÇE CLAMP	1		1		
39	81.97420-0157	KELEPÇE CLAMP	1		1		
40	81.15204-6057	MANİFOLD BORUSU MANIFOLD	1		1	114	
40	TC298822-040	MANİFOLD BORUSU MANIFOLD	1	O	115		
41	81.15204-0030	MANİFOLD BORUSU MANIFOLD	1		1	114	
41	TC298822-041	MANİFOLD BORUSU MANIFOLD	1	O	115		
42	81.15210-0074	ESNEK BORU FLEXIBLE TUBE	1		1		
43	81.15101-0296	EGZOZ SUSTURUCUSU MUFFLER - EXHAUST	1		1		
44	81.15110-0316	PANEL GUARD PLATE	1		1	114	
49	06.01283-4909	CIVATA BOLT	10		1	114	
50	06.15013-0409	PUL WASHER	10		1	114	



		<b>EGZOZ BORUSU VE SUSTURUCU EXHAUST PIPE &amp; MUFFLER</b>				<b>Group No : N05-01</b> Ident. Num.: TC298822-175 Rev. Date: 15.04.2003 Page: 1	
		MS762ML					
Sym.	Part Number	Part Name	Qty.	R/P	From	Up To	Remarks
2	81.15204-0409	EGZOZ MANIFOLDU EXHAUST MANIFOLD	1		1	114	
2	TC298822-002	BORU PIPE	1	O	115		
3	81.15204-6057	FLANŞ FLANGE	1		1	114	
3	TC298822-003	FLANŞ FLANGE	1	O	115		
4	TC298822-115	MUHAFAZA PANELİ GUARD PANEL	1		1		
5	TC298822-116	MUHAFAZA PANELİ GUARD PANEL	1		1		
7	TC298822-140	Z- BRAKET BRACKET -Z	1		1		
9	81.90713-0692	PUL WASHER	4		1	114	
9	MF450006	PUL WASHER PLAIN	AR	O	115		
11	81.96210-0101	LASTİK TAKOZ RUBBER PAD	2		1		
14	81.15110-0296	KORUMA PANELİ GUARD PLATE	1		1	114	
15	TC298822-122	KELEPÇE CLAMP	1		1		
18	81.15501-0876	SUSTURUCU BRAKETİ BRACKET, MUFFLER	2		1	114	
18	TC298822-119	SUSTURUCU BRAKETİ BRACKET, MUFFLER	2	O	115		
20	81.96210-0247	LASTİK TAKOZ RUBBER PAD	14		1		
21	MF106118	CIVATA BOLT	AR		1		
22	MF450407	RONDELA WASHER SPRING	AR		1		
23	TC298822-132	U- BRAKET BRACKET -U	1		1		
24	MF430007	SOMUN NUT	AR		1		
25	TC298822-141	U- BRAKET BRACKET -U	1		1		
27	TC298822-123	EGZOZ BORUSU EXHAUST PIPE	1		1	300	



Sym.	Part Number	Part Name	Qty.	R/P	From	Up To	Remarks
27	TC298822-165	EGZOZ BORUSU EXHAUST PIPE	1	O	301		
28	TC298822-124	MUHAFAZA PANELİ GUARD PANEL	1		1		
30	TC298822-163	GİRİŞ BORUSU PIPE INLET	1		1		
31	06.06139-0049	SAPLAMA STUD	4		1	114	
31	TC298822-131	SAPLAMA STUD	4	O	115		
32	88.15640-0007	KELEPÇE CLAMP	2		1		
33	TC298822-133	L- BRAKET BRACKET -L	1		1		
36	TC298822-142	U- BRAKET BRACKET -U	1		1		
37	06.11251-2001	SOMUN NUT	4		1	114	
37	TF430006	SOMUN NUT	AR	O	115		
38	81.97420-0076	KELEPÇE CLAMP	1		1		
39	81.97420-0157	KELEPÇE CLAMP	1		1		
40	81.15204-6057	MANİFOLD BORUSU MANIFOLD	1		1	114	
40	TC298822-040	MANİFOLD BORUSU MANIFOLD	1	O	115		
41	81.15204-0030	MANİFOLD BORUSU MANIFOLD	1		1	114	
41	TC298822-041	MANİFOLD BORUSU MANIFOLD	1	O	115		
42	81.15210-0074	ESNEK BORU FLEXIBLE TUBE	1		1		
43	81.15101-0296	EGZOZ SUSTURUCUSU MUFFLER - EXHAUST	1		1		
44	81.15110-0316	PANEL GUARD PLATE	1		1	114	
49	06.01283-4909	CIVATA BOLT	10		1	114	
50	06.15013-0409	PUL WASHER	10		1	114	

Bölüm	R	Vites
<i>Chapter</i>	<i>R</i>	<i>Gearshift</i>

---

Vites		
<i>Gearshift</i>		

---

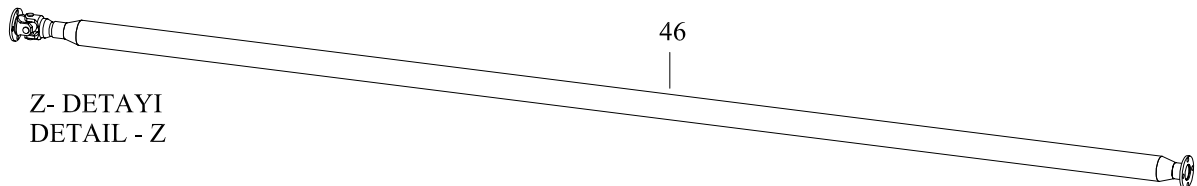
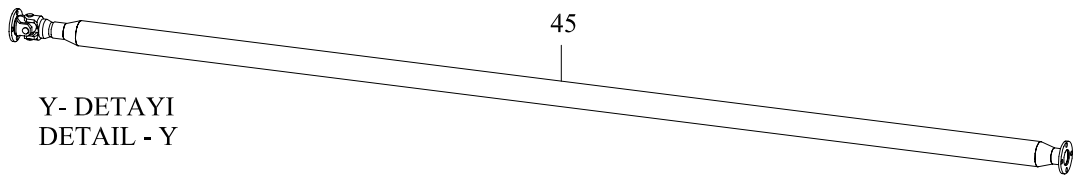
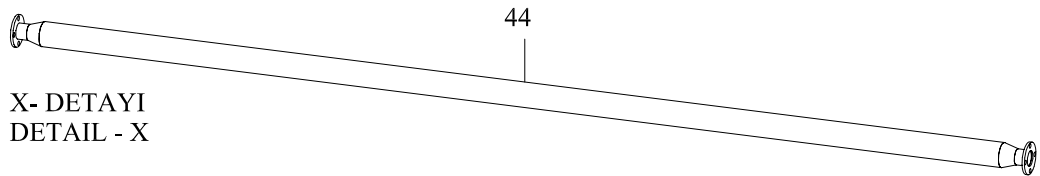
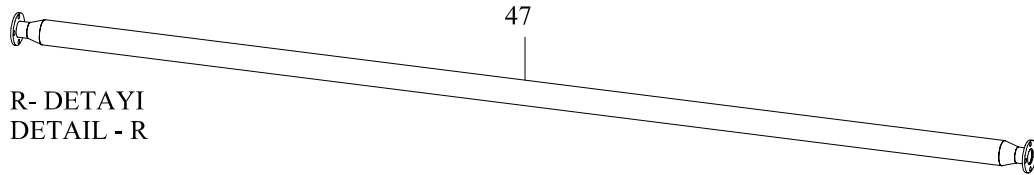
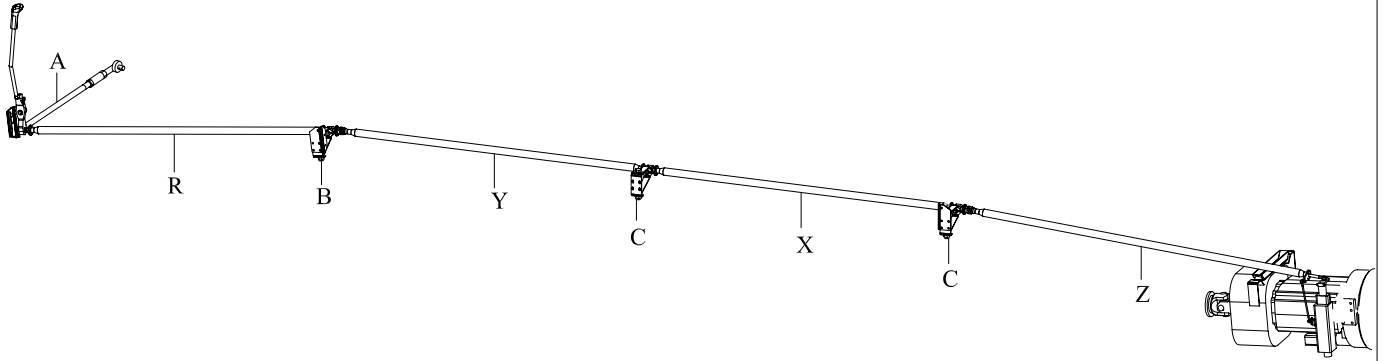
MS762RL

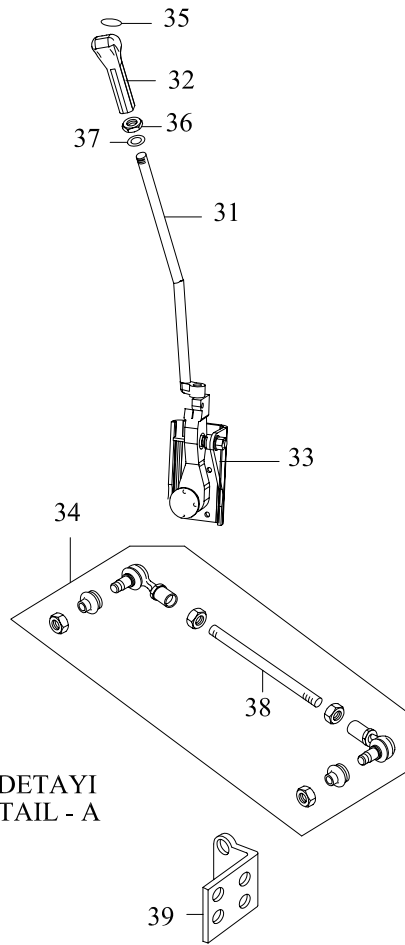
***R01-00***

Vites		
<i>Gearshift</i>		

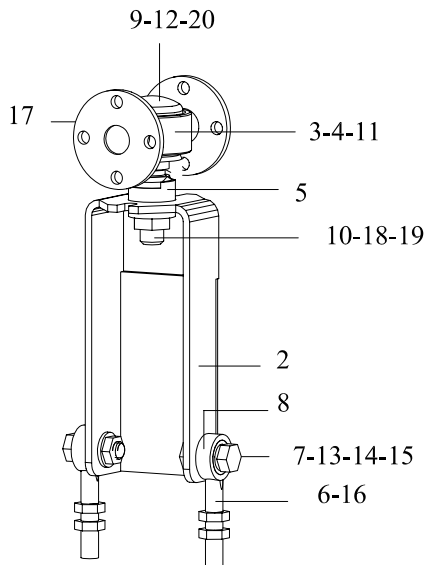
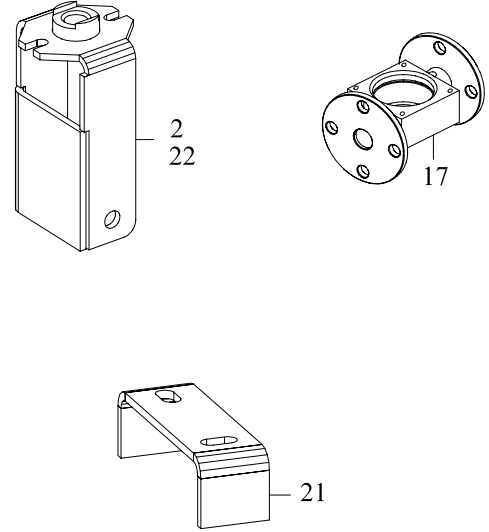
---

MS762ML ***R01-02***

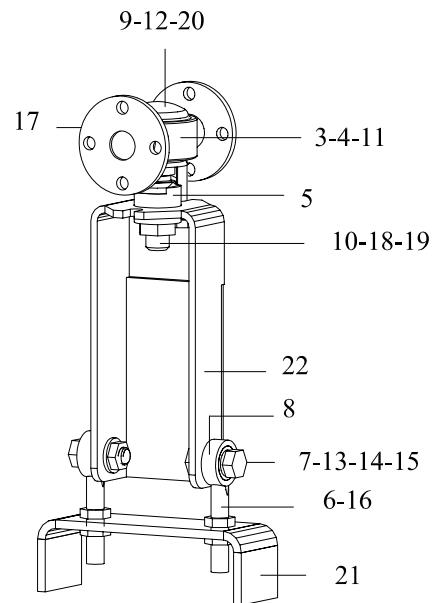




A- DETAYI  
DETAIL - A



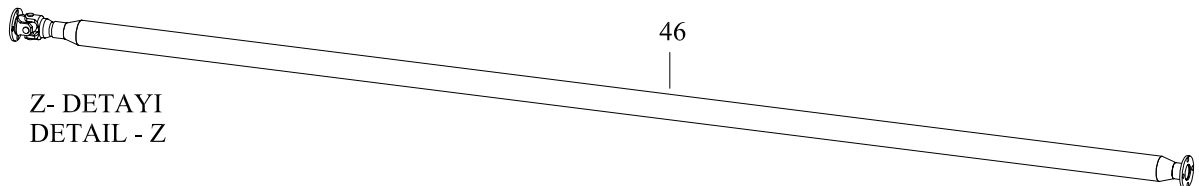
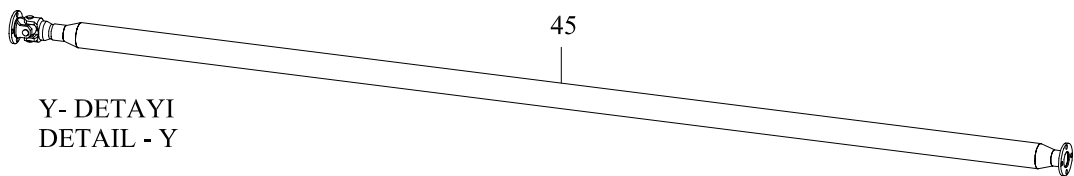
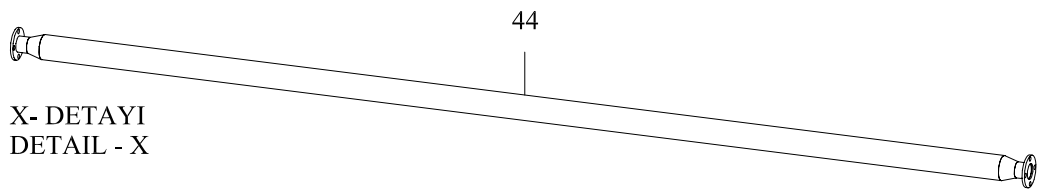
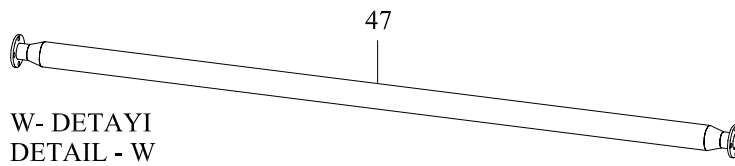
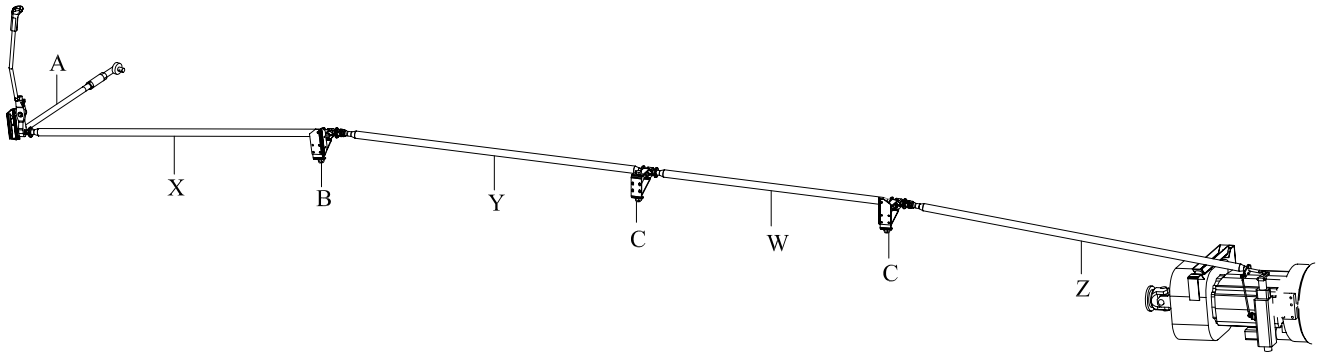
B- DETAYI  
DETAIL - B

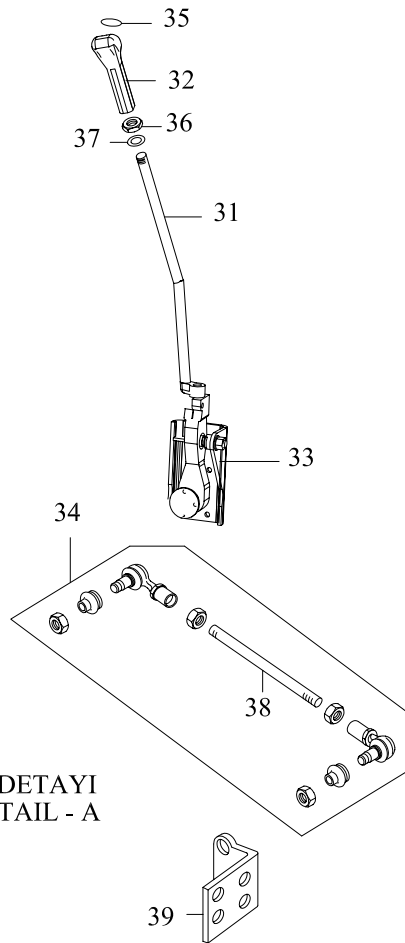


C- DETAYI  
DETAIL - C

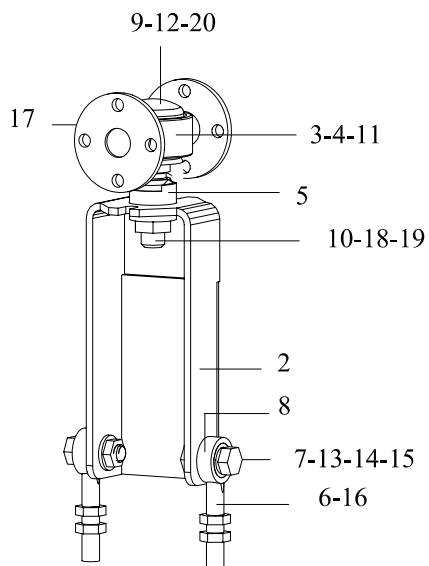
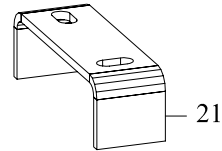
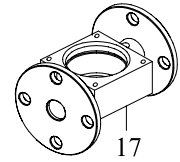
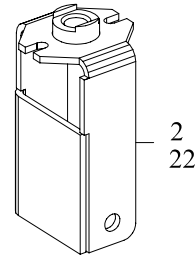
Sym.	Part Number	Part Name	Qty.	R/P	From	Up To	Remarks
1	TC299110-012	DESTEK SUPPORT	1		1	4	
2	TC299110-011	DESTEK SUPPORT	1		1		
3	TC299110-017	YATAK SEAT	3		1		
4	TC299110-016	BİLYE BALL	3		1		
5	TC299110-015	LASTİK KÖRÜK BOOT	3		1		
6	TC299110-018	ROTİL DRAGLINK	6		1		
7	TC299110-013	CIVATA BOLT	6		1		
8	TC299110-014	BURÇ BUSHING	6		1		
9	TC299110-019	KAPAK COVER	3		1		
10	TC299110-00	SAPLAMA STEM	3		1		
11	MF522226	SEGMAN RING SNAP	3		1		
12	TF100006-A	ALLEN VİDA ALLEN SCREW	12		1		
13	MF450005	PUL WASHER PLAIN	AR		1		
14	MF430121	SOMUN NUT	AR		1		
15	MF450007	PUL WASHER PLAIN	AR		1		
16	MF430007	SOMUN NUT	AR		1		
17	TC299110-010	YATAK BASE	3		1		
18	MF430845	SOMUN NUT	AR		1		
19	MF450009	PUL WASHER	AR		1		
20	MF522011	SEGMAN RING SNAP	3		1		
21	TC299110-022	BRACKET BRACKET	2		1		



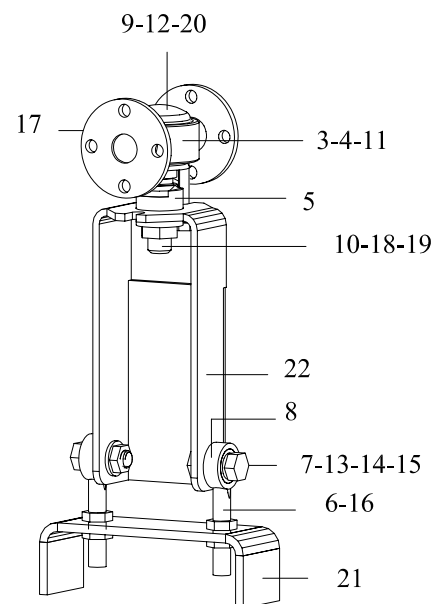




A- DETAYI  
DETAIL - A



B- DETAYI  
DETAIL - B



C- DETAYI  
DETAIL - C



Sym.	Part Number	Part Name	Qty.	R/P	From	Up To	Remarks
1	TC299110-012	BRACKET BRACKET	1		1	4	
2	TC299110-011	DESTEK SUPPORT	1		1		
3	TC299110-017	YATAK SEAT	3		1		
4	TC299110-016	BİLYE BALL	3		1		
5	TC299110-015	LASTİK KÖRÜK BOOT	3		1		
6	TC299110-018	ROTİL DRAGLINK	6		1		
7	TC299110-013	CIVATA BOLT	6		1		
8	TC299110-014	BURÇ BUSHING	6		1		
9	TC299110-019	KAPAK COVER	3		1		
10	TC299110-00	SAPLAMA STEM	3		1		
11	MF522226	SEGMAN RING SNAP	3		1		
12	TF100006-A	ALLEN VİDA ALLEN SCREW	12		1		
13	MF450005	PUL WASHER PLAIN	AR		1		
14	MF430121	SOMUN NUT	AR		1		
15	MF450007	PUL WASHER PLAIN	AR		1		
16	MF430007	SOMUN NUT	AR		1		
17	TC299110-010	YATAK BASE	3		1		
18	MF430845	SOMUN NUT	AR		1		
19	MF450009	PUL WASHER	AR		1		
20	MF522011	SEGMAN RING SNAP	3		1		
21	TC299110-022	BRACKET BRACKET	2		1		



Bölüm V Direksiyon  
*Chapter V Steering*

---

Direksiyon  
*Steering*

MS762RL-MS762ML

***V01-00***

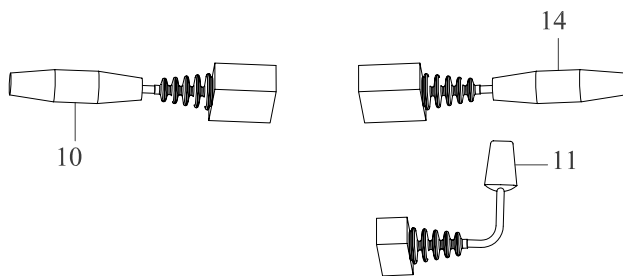
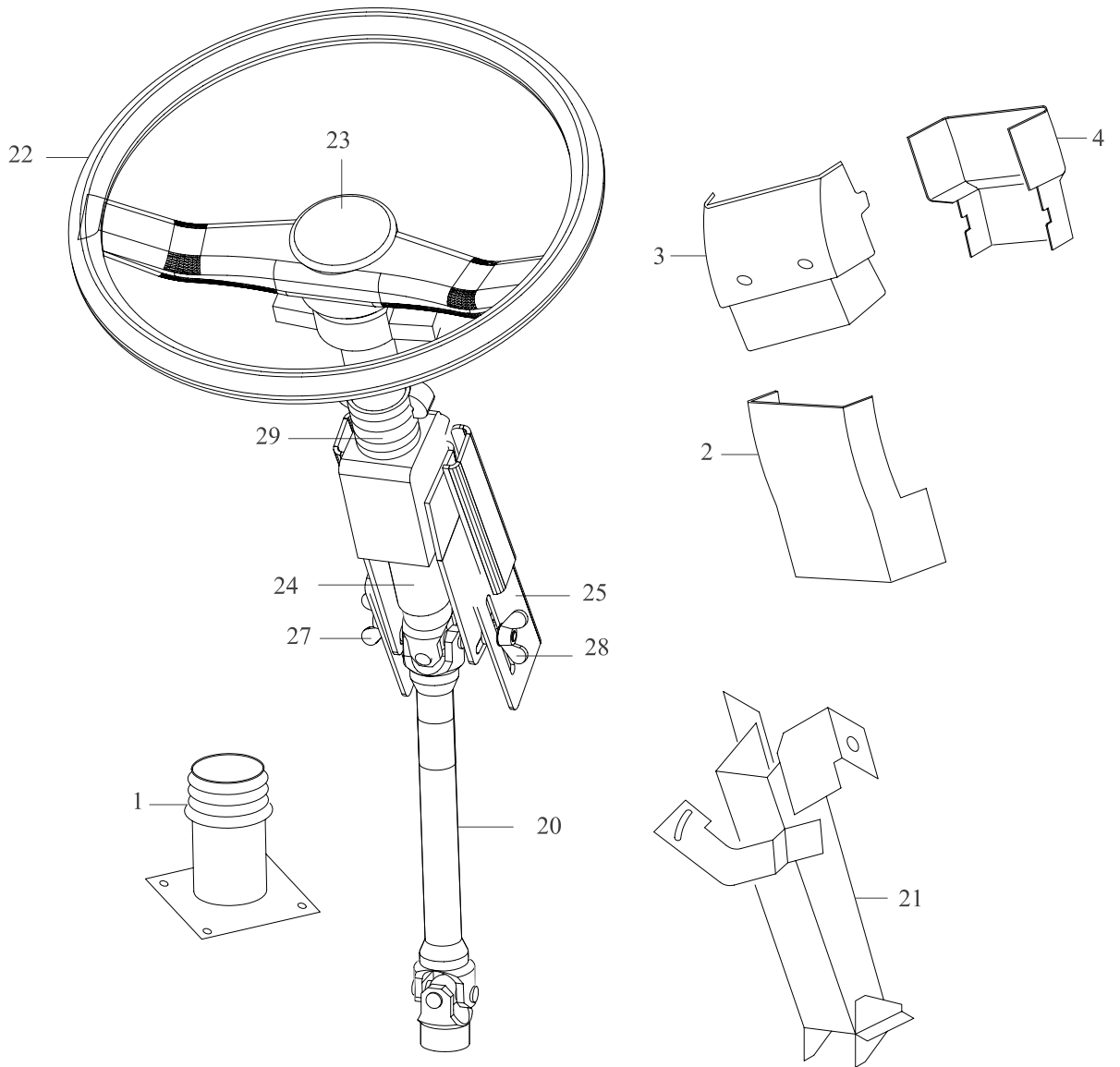
---

Çekme Ve Pıtman Kolu, Dişli Kutusu  
*Gear Box, Dragling, Arm Pitman*

MS762RL-MS762ML

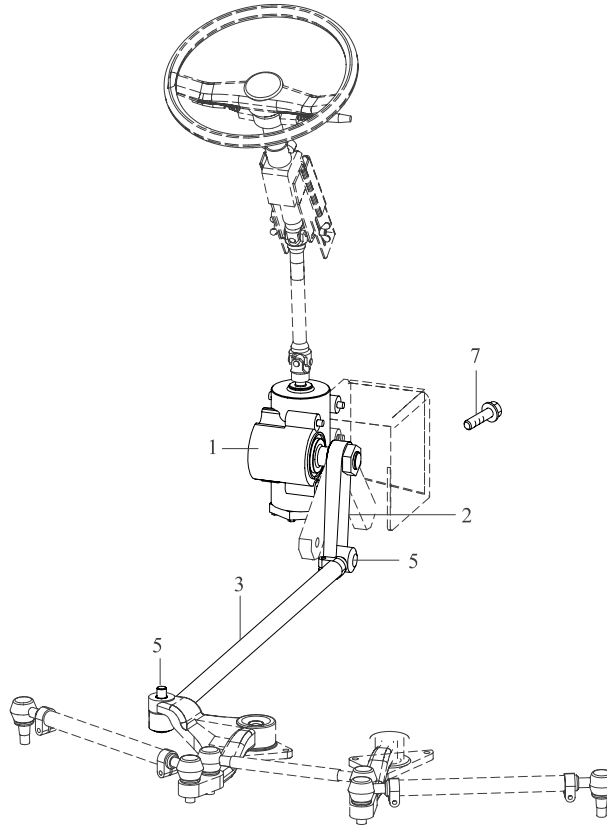
***V02-00***

---

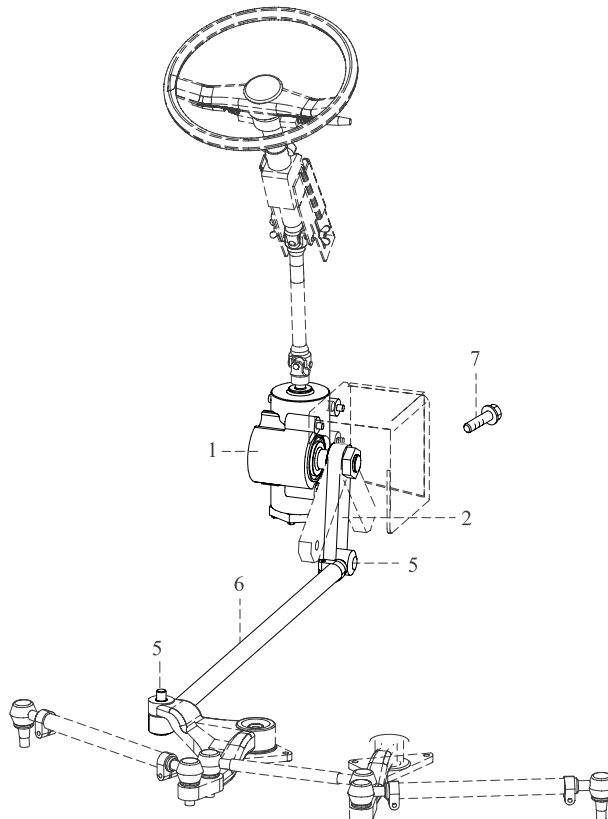




MS762RL



MS762ML





Bölüm W Tuvalet  
*Chapter W Toilet*

---

Tuvalet  
*Toilet*

MS762ML ***W01-00***

---

Tuvalet  
*Toilet*

MS762RL

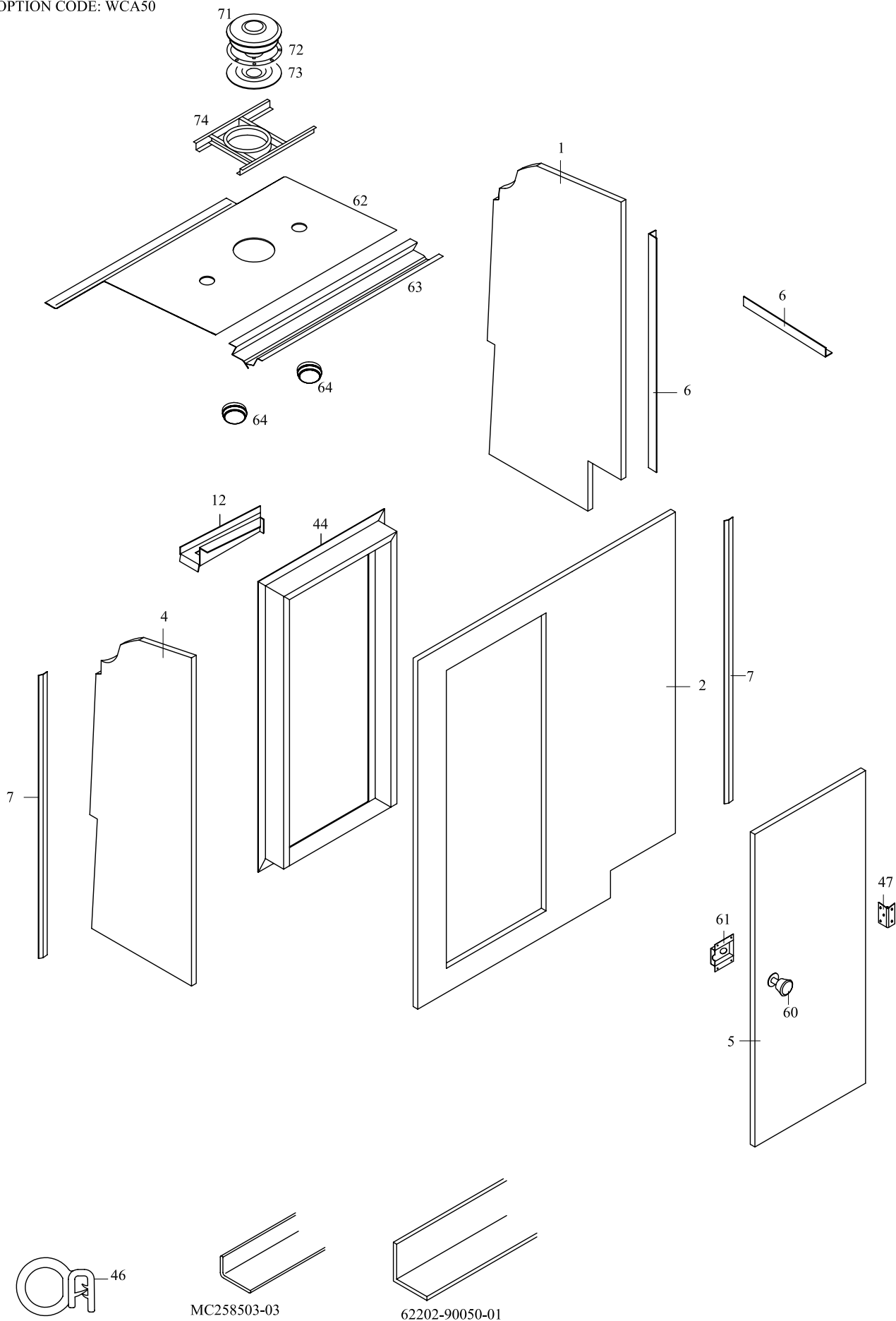
***W02-00***

---

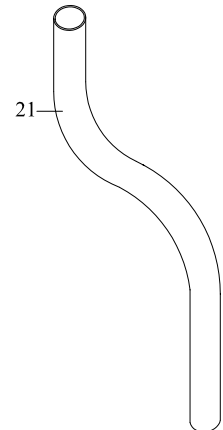
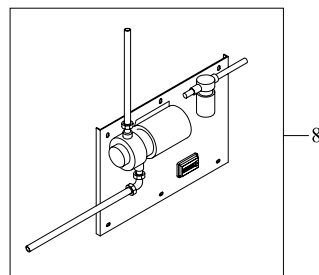
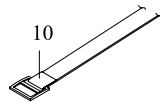
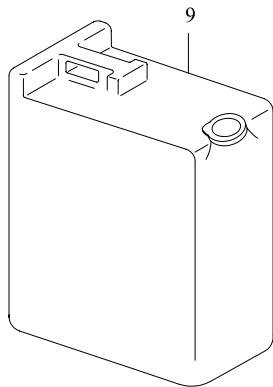
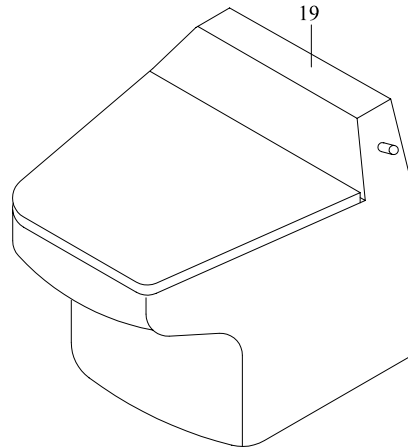
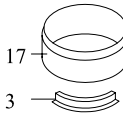
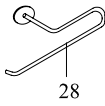
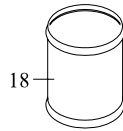
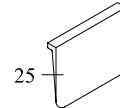
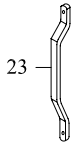
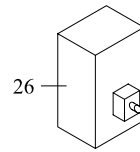
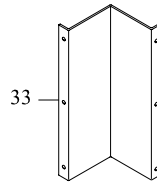
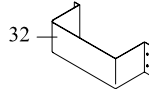
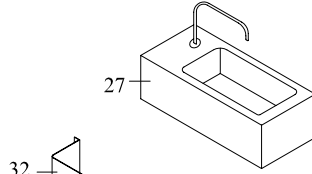
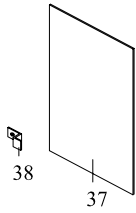


MS762ML

OPTION CODE: WCA50



OPTION CODE: WCA50



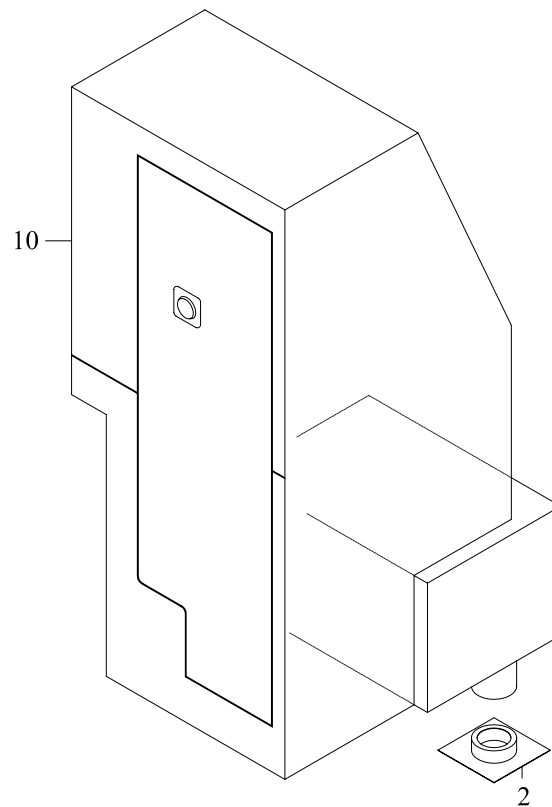
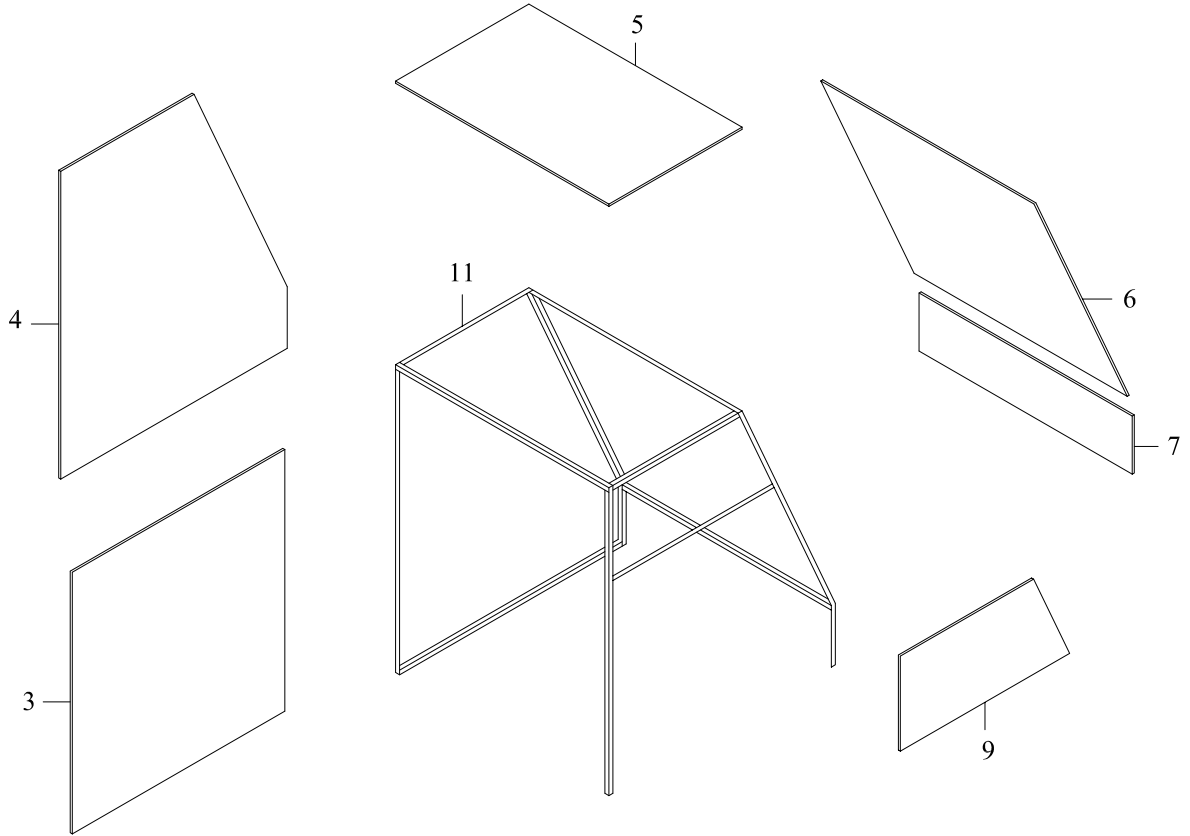
Sym.	Part Number	Part Name	Qty.	R/P	From	Up To	Remarks
1	62202-90730-01	ARKA TAHTA DUVAR BOARD WALL - RR	1	X	1	241	OPTION CODE: WCA50
1	62202-90711-01Y	ARKA TAHTA DUVAR BOARD WALL - RR		X	242		
2	62202-90720-01	SOL TAHTA DUVAR BOARD WALL - LH	1	X	1	241	OPTION CODE: WCA50
2	62202-90740-01Y	SOL TAHTA DUVAR BOARD WALL - LH	1	X	242		
3	62202-90700-19	Z-BRAKET BRACKET - Z	1		1		OPTION CODE: WCA50
4	62202-90710-01	ÖN TAHTA DUVAR BOARD WALL - FR	1	X	1	241	OPTION CODE: WCA50
4	62202-90721-01Y	ÖN TAHTA DUVAR BOARD WALL - FR	1	X	242		
5	62202-90740-03	KAPI TAHTASI BOARD DOOR	1		1		OPTION CODE: WCA50
6	62202-90050-01	L-PLAKA PLATE-L	AR		1		OPTION CODE: WCA50
7	MC258503-03	KENAR ÇITASI PLATE EDGE	AR		1		OPTION CODE: WCA50
8	62202-90014-73	POMPA ÜNİTESİ WATER PUMP UNIT	1		1		OPTION CODE: WCA50
9	62202-90014-13	SU TANKI WATER TANK	1		1		OPTION CODE: WCA50
10	TU512128	KEMER BELT	2		1		OPTION CODE: WCA50
12	62202-90130-29	BRAKET BRACKET	1		1		OPTION CODE: WCA50
16	MF455034	VİDA SCREW	AR		1		OPTION CODE: WCA50
17	62202-97000-55	ÇÖP KUTUSU YUVASI WASTEBASKET CASE	1		1		OPTION CODE: WCA50
18	62202-97000-10	ÇÖP KUTUSU WASTEBASKET	1		1		OPTION CODE: WCA50
19	62202-91014-71	KLOZET TOILET	1		1		OPTION CODE: WCA50
21	62202-90700-05	PİS SU BORUSU SEWERAGE PIPE	1		1		OPTION CODE: WCA50
23	62202-90000-14	TUTAMAK HANDLE	1		1		OPTION CODE: WCA50
25	62202-97000-09	KAĞITLIK PAPER CLIP	1		1		OPTION CODE: WCA50

Sym.	Part Number	Part Name	Qty.	R/P	From	Up To	Remarks
1	62202-90730-01	ARKA TAHTA DUVAR BOARD WALL - RR	1	X	1	241	OPTION CODE: WCA50
1	62202-90711-01Y	ARKA TAHTA DUVAR BOARD WALL - RR		X	242		
2	62202-90720-01	SOL TAHTA DUVAR BOARD WALL - LH	1	X	1	241	OPTION CODE: WCA50
2	62202-90740-01Y	SOL TAHTA DUVAR BOARD WALL - LH	1	X	242		
3	62202-90700-19	Z-BRAKET BRACKET - Z	1		1		OPTION CODE: WCA50
4	62202-90710-01	ÖN TAHTA DUVAR BOARD WALL - FR	1	X	1	241	OPTION CODE: WCA50
4	62202-90721-01Y	ÖN TAHTA DUVAR BOARD WALL - FR	1	X	242		
5	62202-90740-03	KAPI TAHTASI BOARD DOOR	1		1		OPTION CODE: WCA50
6	62202-90050-01	L-PLAKA PLATE-L	AR		1		OPTION CODE: WCA50
7	MC258503-03	KENAR ÇİTASI PLATE EDGE	AR		1		OPTION CODE: WCA50
8	62202-90014-73	POMPA ÜNİTESİ WATER PUMP UNIT	1		1		OPTION CODE: WCA50
9	62202-90014-13	SU TANKI WATER TANK	1		1		OPTION CODE: WCA50
10	TU512128	KEMER BELT	2		1		OPTION CODE: WCA50
12	62202-90130-29	BRAKET BRACKET	1		1		OPTION CODE: WCA50
16	MF455034	VİDA SCREW	AR		1		OPTION CODE: WCA50
17	62202-97000-55	ÇÖP KUTUSU YUVASI WASTEBASKET CASE	1		1		OPTION CODE: WCA50
18	62202-97000-10	ÇÖP KUTUSU WASTEBASKET	1		1		OPTION CODE: WCA50
19	62202-91014-71	KLOZET TOILET	1		1		OPTION CODE: WCA50
21	62202-90700-05	PİS SU BORUSU SEWERAGE PIPE	1		1		OPTION CODE: WCA50
23	62202-90000-14	TUTAMAK HANDLE	1		1		OPTION CODE: WCA50
25	62202-97000-09	KAĞITLIK PAPER CLIP	1		1		OPTION CODE: WCA50

MS762ML

Sym.	Part Number	Part Name	Qty.	R/P	From	Up To	Remarks
26	62202-97000-07	SABUNLUK SOAP DISH	1		1		OPTION CODE: WCA50
27	62202-91014-72	LAVABO LAVATORY	1		1		OPTION CODE: WCA50
28	62202-97000-08	HAVLULUK TOWELING	1		1		OPTION CODE: WCA50
32	62202-90700-32	PANEL PANEL	1		1		OPTION CODE: WCA50
33	62202-90700-33	PANEL PANEL	1		1		OPTION CODE: WCA50
35	62202-90000-15	ASKI HANGER	1		1		OPTION CODE: WCA50
37	62202-90000-16	AYNA MIRROR	1		1		OPTION CODE: WCA50
38	62202-90000-17	AYNA TUTUCU MIRROR HOLD	8		1		OPTION CODE: WCA50
44	62202-90720-05	KAPI KASASI DOOR FRAME	1		1		OPTION CODE: WCA50
46	62202-90000-23	FİTİL WEATHER STRIP	AR		1		OPTION CODE: WCA50
47	62202-90000-18	MENTEŞE HINGE	3		1		OPTION CODE: WCA50
60	62202-90120-30	KİLİT LOCK ASSY	1		1		OPTION CODE: WCA50
61	62202-90740-05	KİLİT YUVASI CASE, LOCK	1		1		OPTION CODE: WCA50
62	62202-90800-02Y	TUVALET TAVAN PANELİ ROOF PANEL, TOILET	1	X	1	241	
62	62202-90801-02Y	TUVALET TAVAN PANELİ ROOF PANEL, TOILET	1	X	242		
63	62202-90800-10Y	L-PLAKA PLATE-L	1		1		
64	62202-91014-74Y	SPOT LAMBA SPOT LAMP	2		1		
71	62121-60030-70Y	MOTOR FAN MOTOR FAN	1		1		
72	62121-60020-08Y	CONTA O-RING	1		1		
73	62121-60050-77Y	FAN KAPAĞI COVER FAN	1		1		
74	62047-90016-03Y	MOTOR FAN ÇERÇEVESİ FRAME MOTOR FAN	1		1		

OPTION: WCA02



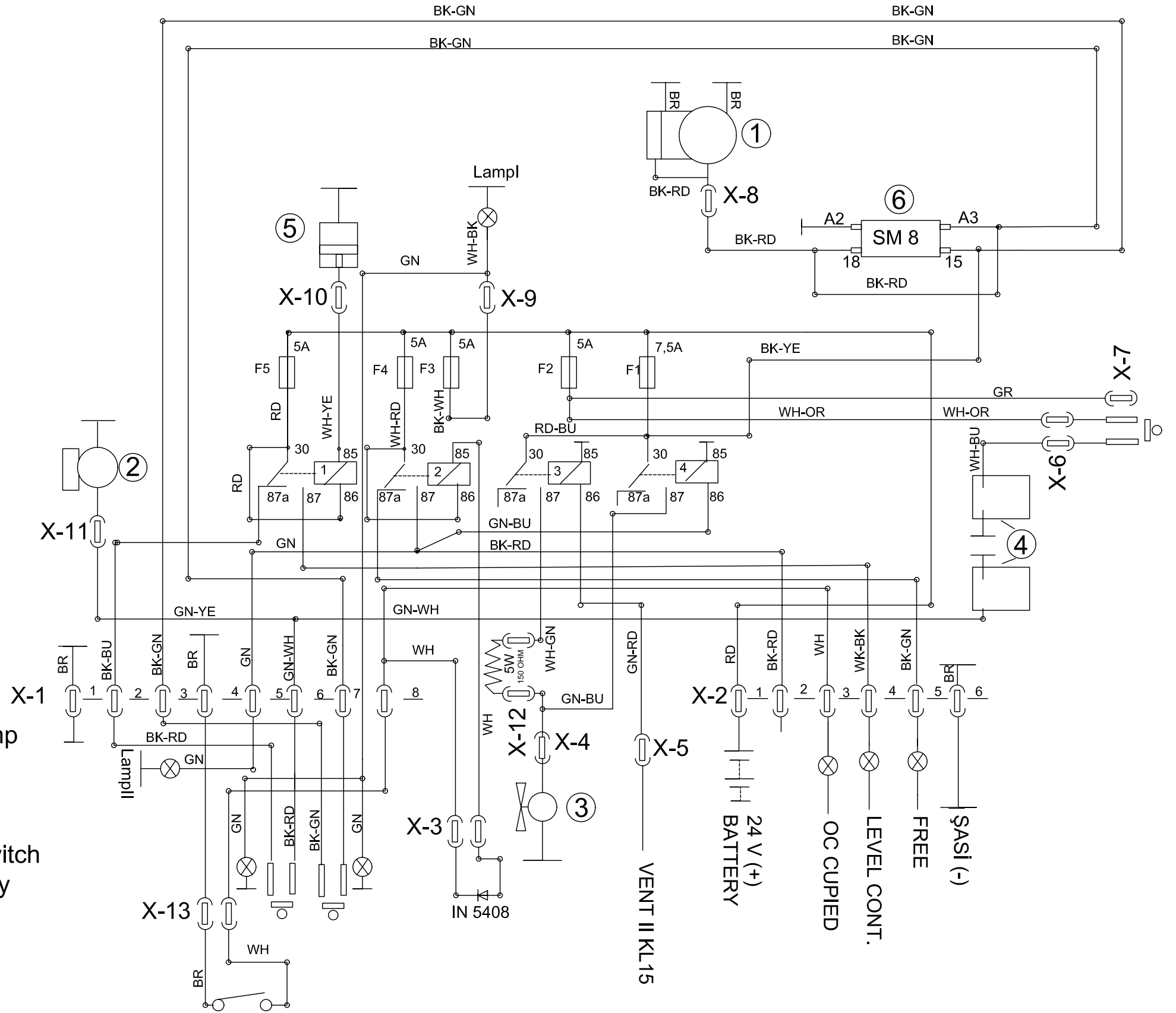


## SAFİR - SAFARİ TOILET SPARE PART LIST (SÜTRAK)

PART NO	PARÇA ADI	PART NAME
110.00.01	SHURFLO HİDROFOR 24 V	PRESSURE TANK, SHURFLO 24V
110.00.02	SELENOID VALF 24 V	SOLENOID VALVE 24V
110.00.03	PNOMATİK VALF 24 V	PNEUMATIC VALVE 24V
110.00.04	ELEK.SU MOTORU 24 V	WATER PUMP 24V
110.00.05	ELEK.FAN MOTORU (SUNON) 24 V	ELECTRIC FAN (SUNSON) 24V
110.00.06	ELEK.ZAMAN AYARLAYICI	TIMER
26.01.17.107	RÖLE 24 V	RELAY 24V
110.00.07	SPOT LAMBA	SPOT LAMP
110.00.08	SPOT AMPUL 24 V	BULB, SPOT LAMP 24V
110.00.09	KLEPE (HAVA PİSTONLU) REXROHT	FLAP (REXROHT)
110.00.10	KLEPE ÜST FLANS (PVC)	FLAP (UPPER FLANGE, PVC)
110.00.11	KLEPE ALT FLANS (PVC)	FLAP (LOWER FLANGE, PVC)
110.00.12	HİDROFOR BUTONU	BUTTON, WATER CLOSET
110.00.13	MUSLUK BUTONU	BUTTON, TAP
110.00.14	ELEK.SU SEVİYE ŞAMANDRASİ	WATER LEVEL FLOAT
110.00.15	6X6X6 T KONNEKTÖR	6x6x6 CONNECTOR
26.01.19.001	RÖLE SOKETİ	RELAY SOCKET
110.00.16	EVYE	LAVATORY
110.00.17	EVYE GİDERİ	FITTINGS, LAVATORY
110.00.18	MUSLUK	TAP
110.00.19	SABUNLUK	SOAP DISH
110.00.20	ÇÖP KOVASI	WASTEBASKET
110.00.21	FİRÇALIK	BRUSH
110.00.22	AYNA	MIRROR
110.00.23	KLOZET KAPAĞI	FLAP, WATER CLOSET
110.00.24	KLOZET FİSKİYESİ	FOUNTAIN, WATER CLOSET
110.00.25	REDİKSİYON 1/2 - 3/4	REDUCER (1/2 - 3/4)
110.00.26	SU HORTUM ARA BAĞLANTI (JAK)	CONNECTOR, WATER HOSE
110.00.27	SİGORTALIK (5'Lİ)	FUSE HOLDER
110.00.28	FAN IZGARASI	GRILL, ELECTRIC FAN
110.00.29	ELEKTRİK JAK	SOCET
110.00.30	TUVALET KABİNİ (SAFİR)	CABIN SAFİR
110.00.31	TUVALET KABİNİ (SAFARİ)	CABIN SAFARİ
110.00.32	TUVALET KABİNİ - SÖKÜLEBİLİR	CABIN SAFARİ (PORTTABLE)
110.00.33	PİS SU TANKI (SAFİR-SAFARİ)	WASTE TANK SAFİR-SAFARİ
110.00.34	PİS SU TANKI (SAFARİ - SÖKÜLEBİLİR)	WASTE TANK(SAFARİ PORTTABLE)
110.00.35	HAVALANDIRMA DİRSEĞİ	VENTILATING HOSE
110.00.36	KLOZET	WATER CLOSET
110.00.37	KAPI KİLİDİ İÇ	DOOR LOCK (INNER)
110.00.38	KAPI KİLİT YUVASI DIŞ	DOOR LOCKING HOLE (OUTER)
110.00.39	WC KAPISI	DOOR
110.00.40	WC KAPI ÇERÇEVESİ DIŞ	OUTER FRAME, DOOR
110.00.41	WC KAPI ÇERÇEVESİ	FRAME, DOOR
110.00.42	BOŞALTMA BUTONU	DISCHARGE BUTTON, WASTE TANK
110.00.43	TUVALET KAĞIDI TUTUCUSU	HOLDER, TOILET PAPER
110.00.44	RAF	SHELF
110.00.45	TABAN TAHLİYE GİDERİ	SIPHON
110.00.46	VENTİL SUSTURUCUSU	SILENCER, PNEUMATIC VALVE
110.00.47	HAVA HORTUMU BAĞLANTI REKORU	FITTINGS, AIR LINE
110.00.48	TUVALET KAPI SWİÇİ	SWITCH, DOOR
110.00.49	TABAN DÖŞEME VINYLEX	VINYLEX
110.00.50	ELEKTRİK KABLO DEMETİ	HARNESS
110.00.51	SİGORTA	FUSE
110.00.52	HAVA HORTUMU 6MM	TUBE, SOFT VINLY (6mm)
110.00.53	SU HORTUMU 8 MM	HOSE, WATER (8mm)
110.00.54	SU HORTUMU 13 MM	HOSE, WATER (12mm)
110.00.55	RÖLE-POMPA PANELİ ALÜMİNYUM PLAKA	SUPPORT PLATE, RELAY&PUMP



# SAFARI VE EURO SAFARI ELECTRIC WIRING DIAGRAM



- 1 Handwashpump
- 2 Wc pump
- 3 Elec.ventilator
- 4 Mag.valve
- 5 Water level switch
- 6 Elektronik relay

SÜTRAK AŞ	
Tarih	02.7.2002
Çizen	A.SÖNMEZ
Onay	N.SÖNMEZ
Parça ismi	TOILET ASSY
Parça no	
Açıklama	

Bölüm	Z	Şasi Donanımı
Chapter	Z	<i>Chassis Components</i>

---

Hidrolik Hattı  
*Hydraulic Line*

MS762RL - MS762ML **Z01-00**

---

Debriyaj Yağ Borusu  
*Clutch Oil Piping*

MS762RL - MS762ML **Z06-00**

---

Direksiyon Yağ Borusu  
*Power Steering Oil Piping*

MS762RL - MS762ML **Z07-00**

---

Hava Tankları  
*Air Tank*

MS762RL - MS762ML **Z08-00**

---

Fren Boruları  
*Brake Piping*

MS762RL - MS762ML **Z09-00**

---

Alternatör  
*Alternator*

MS762RL - MS762ML **Z10-00**

---

Hava Temizleyici  
*Air Cleaner*

MS762RL - MS762ML **Z15-00**

---

Motor Suyu Soğutma Boruları  
*Piping, Engine Cooling*

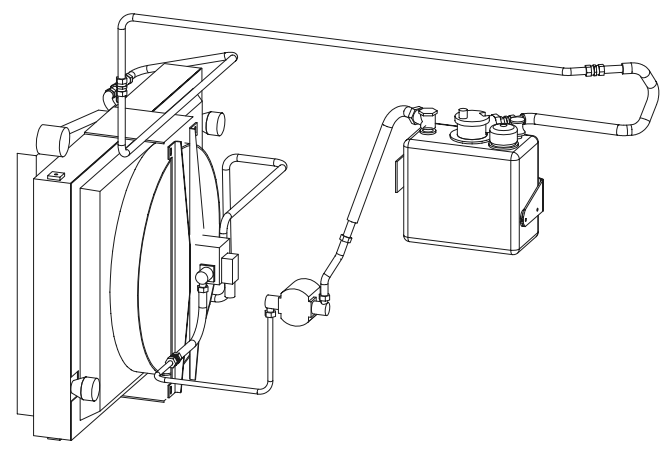
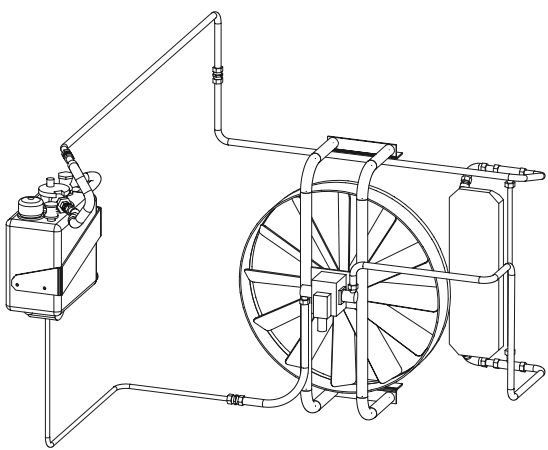
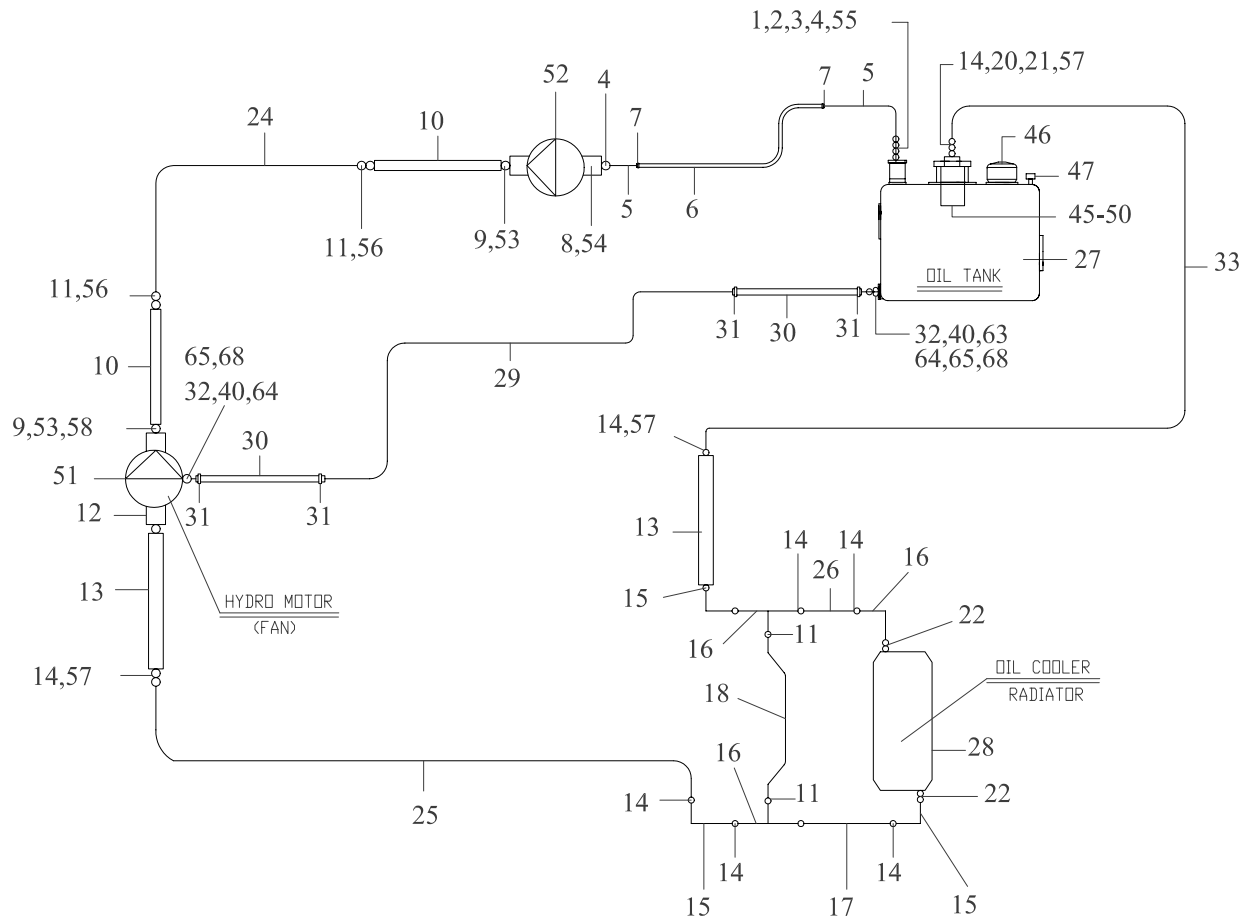
MS762RL - MS762ML **Z16-00**

---

Kardan şaft  
*Propeller shaft*

MS762RL - MS762ML **Z20-00**

---



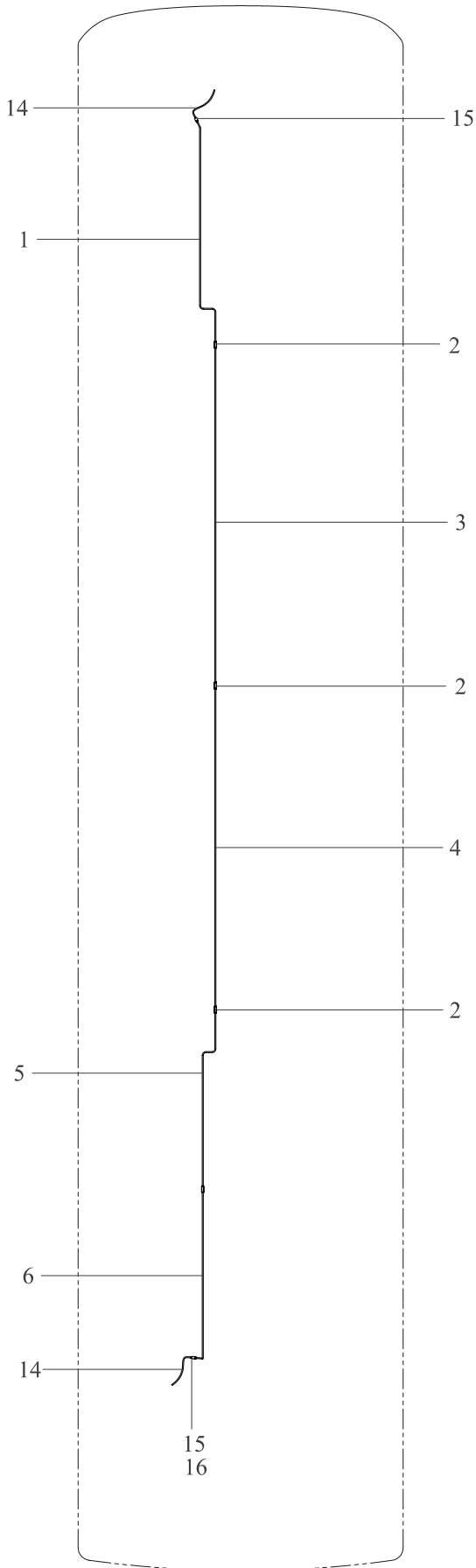
Sym.	Part Number	Part Name	Qty.	R/P	From	Up To	Remarks
1	81.98130-0473	NİPEL NIPPLE	1		1		
2	06.56190-0736	CONTA O-RING	1		1		
3	61102-90020-03	DİRSEK JOINT	1		1		
4	61102-90020-04	RAKOR CONNECTOR	2		1		
5	61102-90020-05	ÇELİK BORU STEEL PIPE	2		1		
6	61102-90020-06	HORTUM HOSE	1		1		
7	MF661024	KELEPÇE CLAMP	2		5		
7	TS660113	KELEPÇE CLAMP	2		1	4	
8	61102-90020-66	KONNEKTÖR CONNECTOR	1		5		
8	81.98110-0046	FLANŞ FLANGE	1		1	4	
9	61102-90020-67	KONNEKTÖR CONNECTOR	2		5		
9	81.98110-0044	FLANŞ FLANGE	2		1	4	
10	TC298303	HORTUM HOSE	2		1		
11	61102-90020-11	RAKOR CONNECTOR	4		1		
12	81.98112-0108	FLANŞ FLANGE	1		1		
13	61102-90020-13	HORTUM HOSE	2		1		
14	61102-90020-14	RAKOR CONNECTOR	10		1		
15	61102-90020-15	DİRSEK JOINT	4		1		
16	61102-90020-16	T-KONNEKTÖR T-CONNECTOR	2		1		
17	61102-90020-17	ÇELİK BORU STEEL PIPE	1		1		
18	61102-90020-18	ÇELİK BORU STEEL PIPE	1		1		

Sym.	Part Number	Part Name	Qty.	R/P	From	Up To	Remarks
20	61102-90020-20	CONTA O-RING	1		1		
21	61102-90020-21	NİPEL NIPPLE	1		1		
22	61102-90020-22	NİPEL NIPPLE	2		1	4	
22	81.98130-0398	NİPEL NIPPLE	2		5		MAN
23	61102-90020-23	CONTA O-RING	2		1		
24	61102-90020-24	ÇELİK BORU STEEL PIPE	1		1		
25	61102-90020-25	ÇELİK BORU STEEL PIPE	1		1		
26	61102-90020-26	ÇELİK BORU PIPE	1		1		
27	81.06664-6021	YAĞ TANKI OIL TANK	1		1		
29	61102-90020-29	ÇELİK BORU STEEL PIPE	1		1		
30	61102-90020-30	HORTUM HOSE	1		1		
31	TS660100	KELEPÇE CLAMP	4		1		
32	06.78200-0813	KONNEKTÖR CONNECTOR	2		5		
32	61102-90020-32	RAKOR CONNECTOR	2		1	4	
33	61102-90020-33	ÇELİK BORU STEEL PIPE	1		1		
40	06.56331-2245	CONTA O-RING	2		1	4	
40	61102-90020-40	CONTA O-RING	2		5		
45	81.06668-0006	FİLTRE FILTER	1		1		
46	81.06670-6003	KAPAK CAP	1		1		
47	81.47303-0039	YAĞ SEVİYE ÇUBUĞU GAUGE OIL	1		1		
50	81.06670-6002	FİLTRE KABI CASE FILTER	1		1		



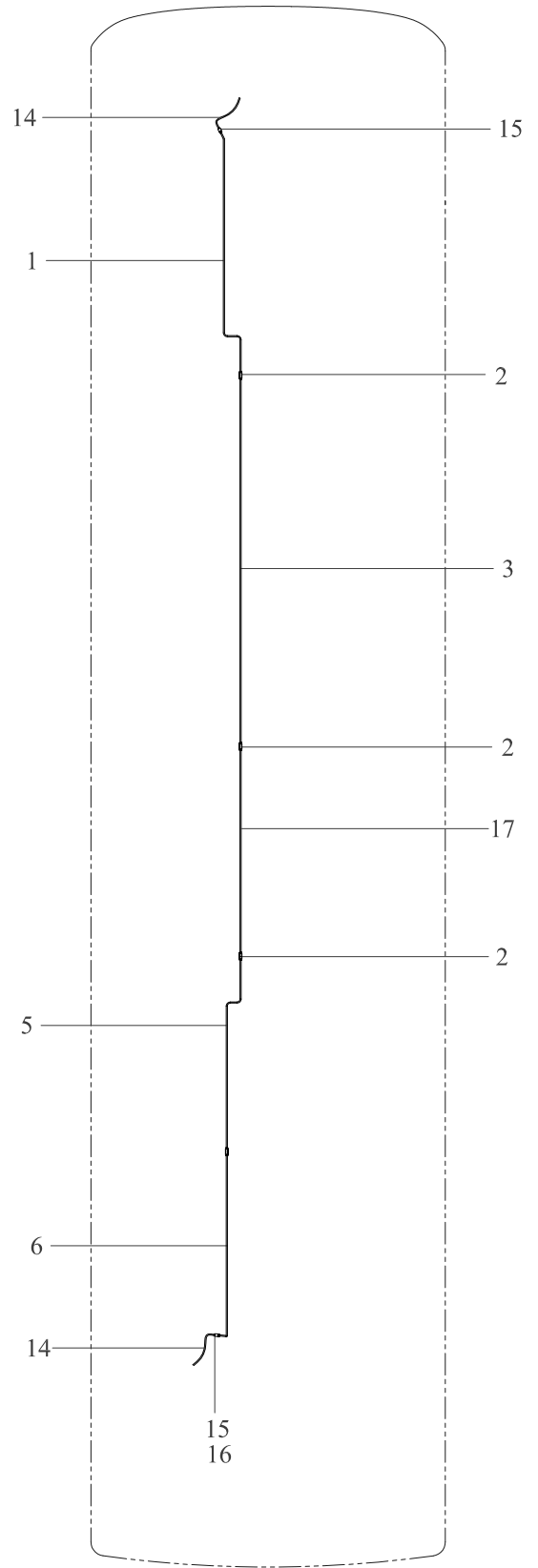
MS762RL

ÖN  
FR.



MS762ML

ÖN  
FR.

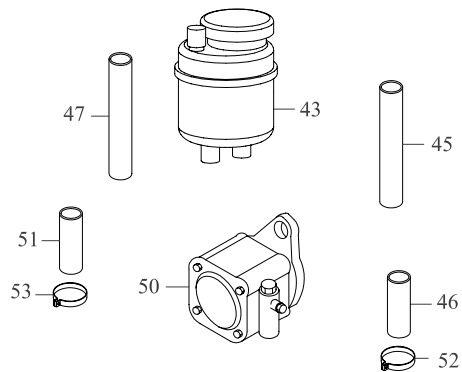
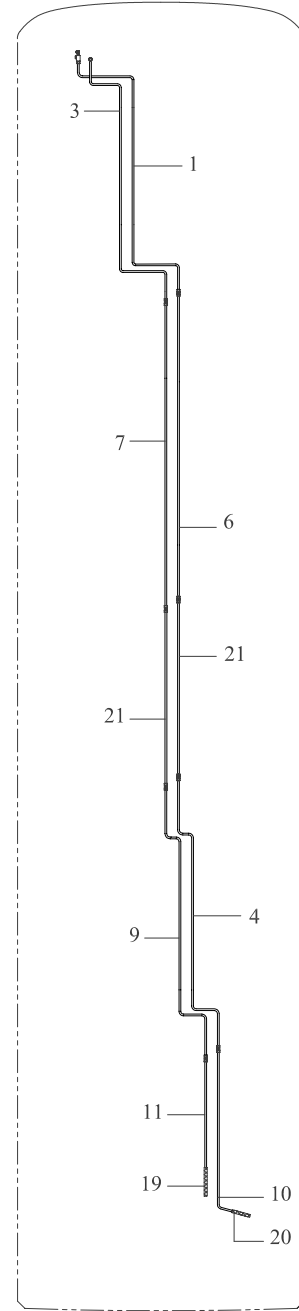
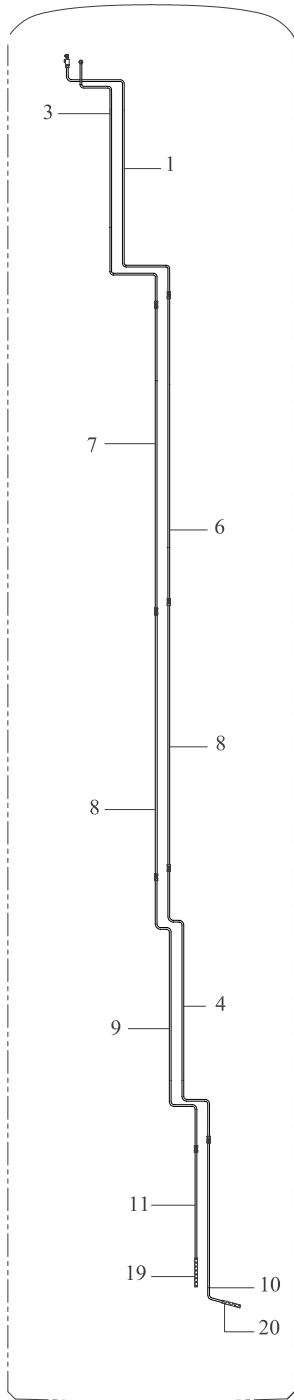






MS762RL

MS762ML







Sym.	Part Number	Part Name	Qty.	R/P	From	Up To	Remarks
1	TC363214-01	HAVA TANKI AIR TANK	3		1		
4	61706-60070-03	BORU PIPE	1		1	4	
4	61706-90010-16	BORU PIPE	1		5		
5	61706-90010-05	BORU PIPE	2		1		
6	61706-90010-06	BORU PIPE	1		1	4	
6	61706-90010-15	BORU PIPE	1		5		
7	MC252640	MUSLUK WIRE ASSY	2		1	4	
7	TC252639	MUSLUK WIRE ASSY	2		5		
8	MC252639	MUSLUK WIRE ASSY	1		1	4	
8	TC252639	MUSLUK WIRE ASSY	1		5		
9	TM153287	MUSLUK WIRE ASSY	1		1	4	
9	TC252639	MUSLUK WIRE ASSY	1		5		
10	MA275755	KLİP-10 CLIP	AR		1	4	
10	MH020803	KLİP CLIP	AR		5		
11	MF100027	CIVATA BOLT	AR		1		
12	MF430004	SOMUN NUT	AR		1		
13	MF450404	RONDELA WASHER SPRING	AR		1		
14	MC360013	TANK KUŞAĞI BAND BRACKET	16		1	4	
14	MC372031	TANK KUŞAĞI BAND BRACKET	16		5		
15	14843-99200	KUŞAK BRAKETİ BRACKET, BAND	8		1		
16	MF140258	CIVATA BOLT	AR		1	4	





Sym.	Part Number	Part Name	Qty.	R/P	From	Up To	Remarks
1	TC298100	L-KONNEKTÖR L-CONNECTOR	4		1		WIRA 405.1524.2
2	TC298101	TEST POINT TEST POINT	4		1		WIRA 465.0722.2
3	TC298102	T-KONNEKTÖR T-CONNECTOR	1		1		WIRA 111.1510.2
4	TC298806-50	DÜZ KONNEKTÖR STRAIGHT COUPLING	17		1		WIRA 401.1022.2
5	TC298103	KONNEKTÖR CONNECTOR	3		1		WIRA 401.1523
7	TM320134	KONNEKTÖR CONNECTOR	10		1		WIRA 405.1016
8	TM320136	KONNEKTÖR CONNECTOR	16		1		WIRA 401.1016
9	TC298806-15	KONNEKTÖR CONNECTOR	19		1		WIRA 405.1022
10	TM153277	KÖR TAPA PLUG	3		1		WIRA 462.0322
11	TM152111	TAHLİYE VALFİ DRAIN VALVE	5		1		WIRA 466.1122.5
12	TM320137	T-KONNEKTÖR T-CONNECTOR	10		1		WIRA 111.1010
13	TC298806-31	KAPLIN L-COUPLIN	2		1		WIRA 405.1014
14	TC298105	T-KONNEKTÖR T-CONNECTOR	3		1		WIRA 111.1008
15	TC298106	L-KONNEKTÖR L-CONNECTOR	8		1		WIRA 405.0812
16	TC298107	KONNEKTÖR CONNECTOR	4		1		WIRA 401.0822
17	TC298108	KONNEKTÖR CONNECTOR	2		1		WIRA 103.1210
18	TC298109	KONNEKTÖR CONNECTOR	2		1		WIRA 465.1212
19	TM152107	KONNEKTÖR CONNECTOR	4		1		WIRA 401.1222
20	TM152108	KONNEKTÖR CONNECTOR	9		1		WIRA 405.1222
21	TC298110	L KONNEKTÖR L CONNECTOR	1		1		WIRA 465.1412
22	TC298111	L KONNEKTÖR L CONNECTOR	7		1		WIRA 405.0816

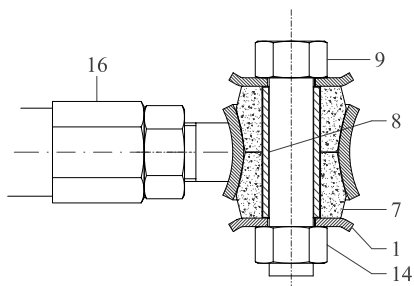
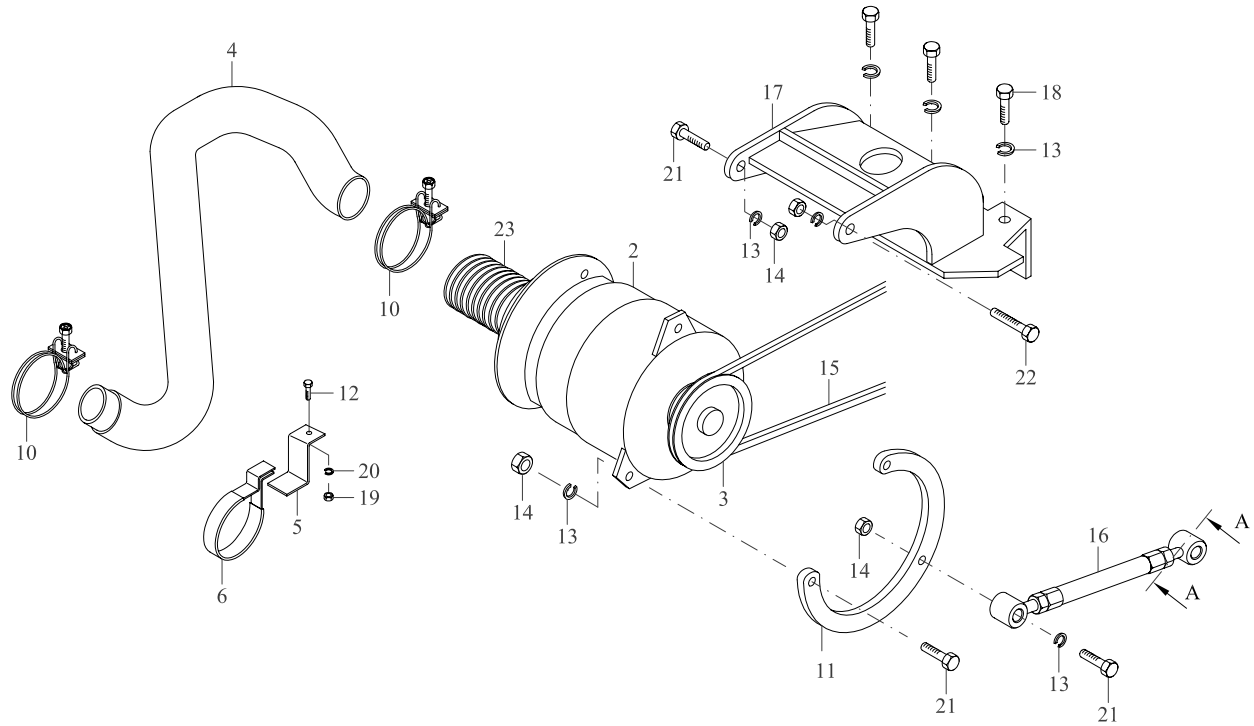
Sym.	Part Number	Part Name	Qty.	R/P	From	Up To	Remarks
23	TC298112	TEST POINT TEST POINT	1		1		WIRA 465.1310
24	TC298113	L KONNEKTÖR L CONNECTOR	1		1		WIRA 405.0822
25	TM153262	KONNEKTÖR CONNECTOR	2		1		WIRA 101.0810
26	TC298114	KONNEKTÖR CONNECTOR	1		1		WIRA 101.1216
27	TC298806-54	DÜZ KONNEKTÖR STRAIGHT COUPLING	10		1		WIRA 401.1012
29	TC298115	KONNEKTÖR CONNECTOR	2		1		WIRA 401.0816
30	TM153109	KONNEKTÖR CONNECTOR	5		1		WIRA 101.0812
31	TM153107	KÖR TAPA PLUG	3		1		WIRA 462.0012
32	TM153243	T KONNEKTÖR T CONNECTÖR	1		1		WIRA 111.0806.2
33	TC298116	KONNEKTÖR CONNECTOR	2		1		WIRA 103.1212.2
34	TC298119	L KONNEKTÖR L CONNECTOR	1		1		WIRA 405.1526.2
35	TC298120	O-RING O-RING	1		1		WIRA 478.0026.5
36	TC298302-50	HORTUM HOSE	1		1		
37	TC298301	HORTUM HOSE	6		1		
38	TC298306	HORTUM HOSE	1		1		
39	TC298117	L KONNEKTÖR L CONNECTOR	1		1	4	WIRA 405.0612
39	TC298122	ADAPTÖR ADAPTER	1		5		
40	TC298806-03	SIZDIRMAZLIK ELEMANI THRUST RING	77		1		WIRA 478.0016.5
41	TC298806-02	SIZDIRMAZLIK ELEMANI THRUST RING	38		1		WIRA 478.0022.5
42	TC298806-30	SIZDIRMAZLIK ELEMANI THRUST RING	2		1		WIRA 478.0014.5
43	TC298806-53	SIZDIRMAZLIK ELEMANI THRUST RING	45		1		WIRA 478.0012.5



Sym.	Part Number	Part Name	Qty.	R/P	From	Up To	Remarks
44	TM153263	SIZDIRMAZLIK ELEMANI RING	2		1		WIRA 478.0010.5
45	TU313101	RING RING	8		1		WIRA 982.1215.5
46	TM320135	İÇ YÜZÜK RING	98		1		WIRA 982.1010.5
47	TM152109	İÇ YÜZÜK RING INNER	26		1		WIRA 682.0810.5
48	TU310117	O-RING O-RING	1		1		WIRA 982.0610.5
49	TM153261	T-KONNEKTOR T-CONNECTOR	1		5		
50	TC298121	T-KONNEKTOR T-CONNECTOR	1		1		
51	TC298806-51	KONNEKTÖR BULK HEAD CONNECTOR	2		1		
52	TC298123	ADAPTÖR ADAPTER	1		1		
53	TC298124	POLYAMİD HORTUM POLYAMIDE HOSE	1		1		
55	TC298200	HAVA KURUTUCU AIR DRYER	1		1		KNORR LA8004
56	TK355574	4 CIR PROTER VALVE 4 CIR PROTER VALVE	1		1		KNORR AE4612
57	TC298201	LIMITING VALVE LIMITING VALVE	2		1		KNORR DB1143
58	TM153250	ÇEK VALF CHECK VALVE	3		1		KNORR AE5115
59	TC804585	EL FREN VALFİ HAND CONTROL VALVE	1		1		KNORR HB1258
60	03364-28001-00	HAVA FİLTRESİ AIR FILTER	2		1		KNORR LA2103
61	TC298202	RELAY VALF RELAY VALVE	3		1		KNORR AC574AXY
62	TC298203	AYAK FREN VALFİ FOOT BRAKE VALVE	1		1		KNORR MB4761
63	TC298806-24	2 YOLLU VALF VALVE	2		1		KNORR AE4105
64	TC298204	SEVİYE VALFİ LEVELING VALVE	3		1		WITHOUT KNEELING
65	TC298205	PİLOT VALF PILOT	1		1		KNORR AE1136

Sym.	Part Number	Part Name	Qty.	R/P	From	Up To	Remarks
66	TC298206	LOW PRESS SW LOW PRES SWITCH	3		1		KNORR WE2135
67	TC298207	STOP LAMP SW STOP LAMP SW	2		1		KNORR WE2131
68	TC298806-01	BASINÇ KONTROL VALFI CONTROL VALVE	4		1		KNORR BR9152
69	TK101452	VALF SOLENI. VALVE	2		1		KNORR EA1152
71	TC298208	MULTI KONN MULTI CONNEC	1		1		
72	TC 298310	HAVA TANKI AIR TANK	1		1		
74	TC298209	EXHAUST SELONOID VALVE EXHAUST SELONOID VALVE	1		1		KNORR WE2135
75	81.27421-0151	PRESSURE SİVİÇ PRESSURE SWITCH	2		1		MAN
76	61406-90000-18	ADAPTÖR ADAPTER	2		1		
77	TU310170	VALF KOLU ARM VALVE	2		1		
78	TC310170	VALF KOLU ARM VALVE	1		1		
79	TM260276	ROD SEVİYE AYAR ROD, LEVELING	2		1		
80	03360-89000-00	ROD SEVİYE AYAR ROD, LEVELING	1		1		
81	TU311004	VALF OVERFLOW VALVE	2		1		WITH KNEELING-KNORR DR4502
82	TU311001	SELENOID VALVE SELENOID VALVE	2		1		WITH KNEELING-0501100038
83	TU311010	SEVİYE VALFİ LEVELING VALVE	3		1	220	WITH KNEELING-KNORR SV1323
83	TU311003	SEVİYE VALFİ LEVELING VALVE	3		221		WITH KNEELING-KNORR SV1321
85	TM153299	BAKIR BORU PIPE - COPPER	10		1		15*1
86	TM153030	POLYAMİD HORTUM POLYAMIDE HOSE	50		1		8*1
87	TM153040	POLYAMİD HORTUM POLYAMIDE HOSE	99		1		10*1
88	TC153080	POLYAMİD HORTUM POLYAMIDE HOSE	50		1		12*1.5

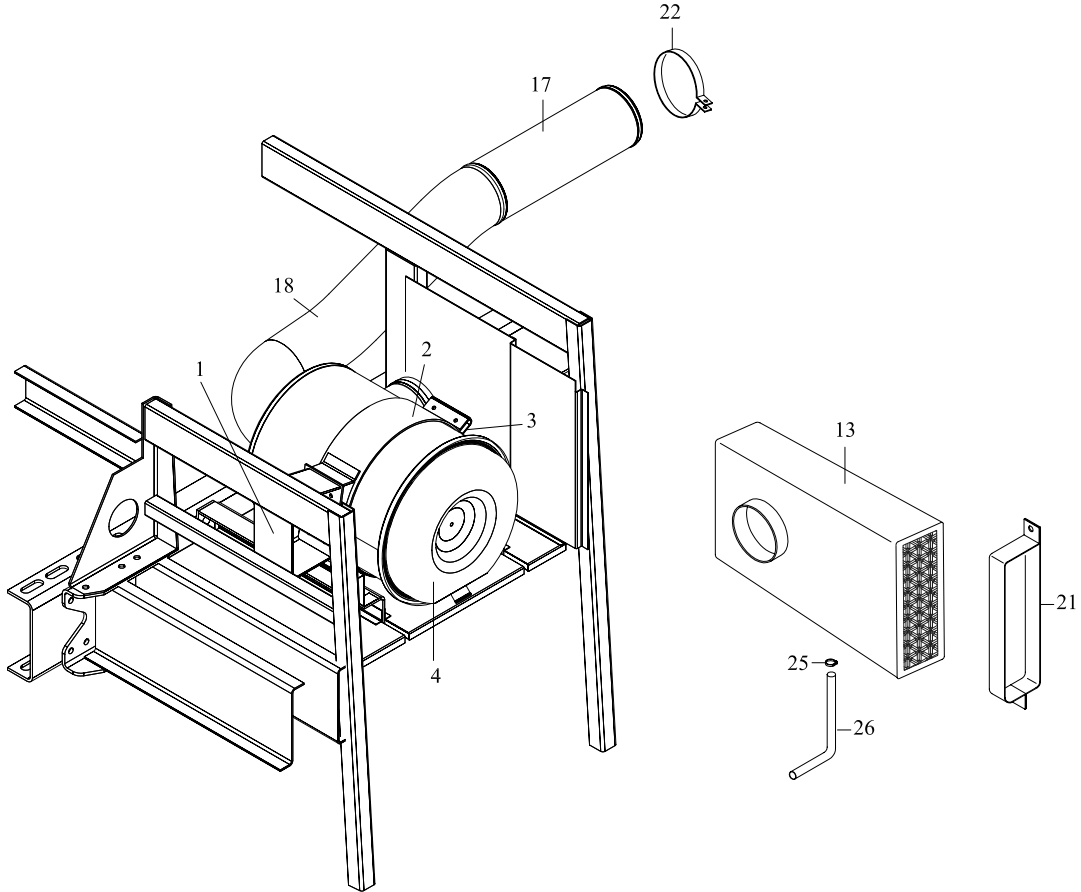




A-A KESİTİ  
SECTION A-A

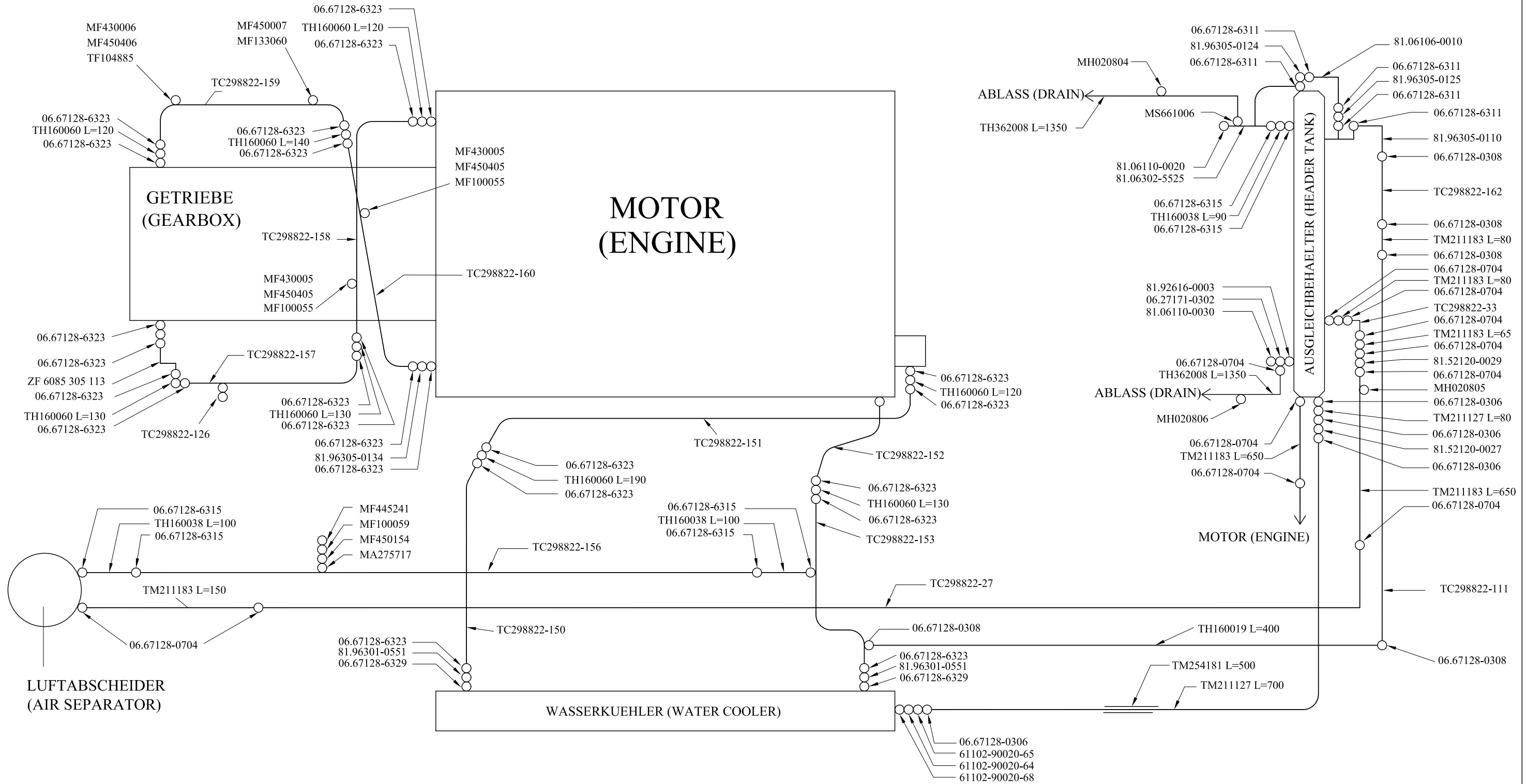
Sym.	Part Number	Part Name	Qty.	R/P	From	Up To	Remarks
1	MF450407	PUL WASHER	8		1		
2	81.26101-6084	ALTERNATÖR ALTERNATOR	1		1		
3	81.95820-0267	KASNAK PULLEY	1		1		
4	61504-90030-32	HORTUM HOSE	1		1		
5	61504-90030-27	PLAKA PLATE	1		1		
6	TM161259	KLİP CLIP	1		1		
7	61504-90016-35	LASTİK BURÇ RUBBER BUSHING	2		1		
8	61504-90016-32	BURÇ BUSHING	1		1		
9	TF106122	CIVATA BOLT	2		1		
10	MF661039	KELEPÇE CLAMP	2		1		
11	61504-90018-18	ALTERNATÖR GERĞİ BRAKETİ BRC ADJUSTING ALTERNATOR	1		1		
12	MF100029	CIVATA BOLT	1		1		
13	MF450407	RONDELA WASHER SPRING	7		1		
14	TF445282	SOMUN NUT	5		1		
15	61504-90016-30	V-KAYIŞ V-BELT	3		1		
16	61504-90016-31	GERĞİ KOMPLE ADJUSTING ASSY	1		1		
17	61504-90016-01	ALTERNATOR BRAKETİ BRACKET ALTERNATOR	1		1		
18	MF10312	CIVATA BOLT	3		1		
19	MF430004	SOMUN NUT	1		1		
21	TF103220	CIVATA BOLT	AR		1		
22	TF106122	CIVATA BOLT	AR		1		













MOTOR SUYU SOĞUTMA BORULARI  
PIPING, ENGINE COOLING

Group No : **Z16-00**

Ident. Num.: TC298822-000

Rev. Date:

Page: 1

MS762ML-MS762RL

Sym.	Part Number	Part Name	Qty.	R/P	From	Up To	Remarks
1	TC298822-151	RADYATÖR BORUSU PIPE RADIATOR	1		1		
2	TC298822-152	BORU PIPE	1		1		
3	TC298822-153	BORU PIPE	1		1		
4	TC298822-160	BORU PIPE	1		1		
5	TC298822-159	BORU PIPE	1		1		
6	TC298822-158	BORU PIPE	1		1		
7	TC298822-157	BORU PIPE	1		1		
8	TC298822-150	BORU PIPE	1		1		
9	TC298822-156	BORU PIPE	1		1		
10	TC298822-161	BORU PIPE	1		1		
11	TC298822-162	BORU PIPE	1		1		
12	MS661006	KELEPÇE CLAMP	2		1		
13	06.67128-0704	KELEPÇE CLAMP	11		1		MAN
14	06.67128-0306	KELEPÇE CLAMP	4		1		MAN
15	06.67128-0308	KELEPÇE CLAMP	5		1		MAN
16	06.67128-6311	KELEPÇE CLAMP	5		1		MAN
17	06.67128-6315	KELEPÇE CLAMP	6		1		MAN
18	06.067128-6323	KELEPÇE CLAMP	22		1		MAN
19	06.67128-6329	KELEPÇE CLAMP	2		1		MAN
20	TH362008	HORTUM-8 HOSE	AR		1		
21	TH160038	HORTUM-38 HOSE	AR		1		



MOTOR SUYU SOĞUTMA BORULARI  
PIPING, ENGINE COOLING

Group No : Z16-00

Ident. Num.: TC298822-000

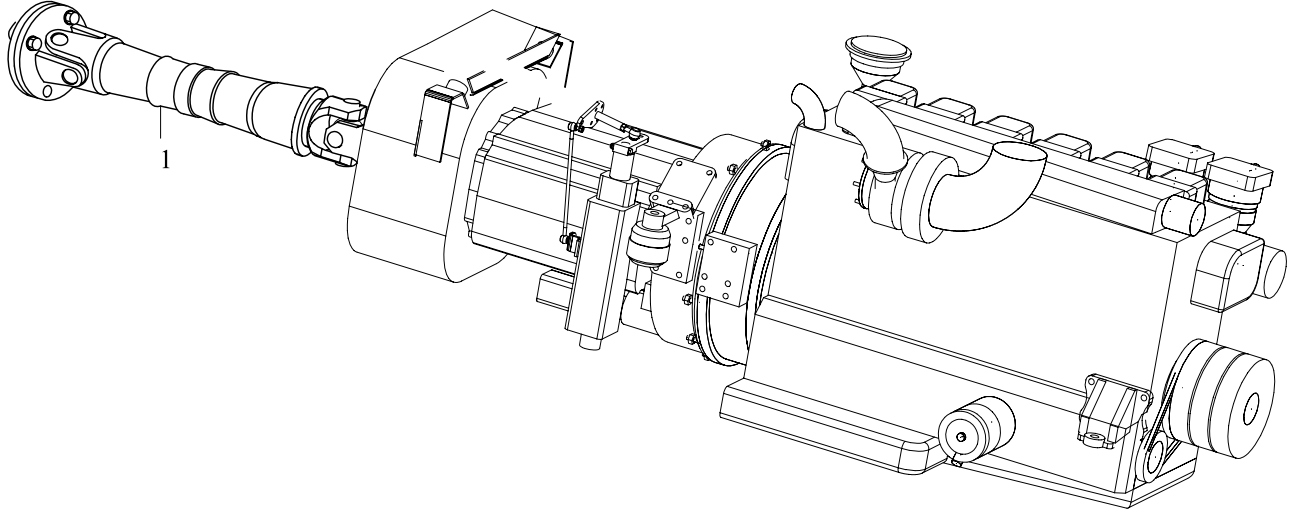
Rev. Date:

Page: 2

MS762ML-MS762RL

Sym.	Part Number	Part Name	Qty.	R/P	From	Up To	Remarks
22	TH160060	HORTUM-60 HOSE	AR		1		
23	TM211183	HORTUM-10 HOSE	AR		1		
24	TM211127	HORTUM HOSE	AR		1		
25	81.96305-0124	HORTUM HOSE	1		1		MAN
26	81.96305-0125	HORTUM HOSE	1		1		MAN
27	81.96301-0551	HORTUM HOSE	2		1		MAN
28	81.96305-0092	ŞEKİLLİ HORTUM SHAPED HOSE	1		1		MAN
29	MH020804	KLİP CLIP	AR		1		
30	MH020806	KLİP CLIP	AR		1		
31	81.52120-0027	ÇEK VALF CHECK VALVE	1		1		MAN
32	81.52120-0029	ÇEK VALF CHECK VALVE	1		1		MAN
33	81.96305-0110	ŞEKİLLİ HORTUM SHAPED HOSE	1		1		MAN
34	81.06106-0010	CAM HORTUM SIGHT GLASS	1		1		MAN
35	81.06302-5525	BORU COOLANT PIPE	1		1		MAN
36	81.06110-0020	KAPAK CAP	1		1		MAN
37	MF100059	CIVATA BOLT	AR		1		
38	MF450154	PUL WASHER	AR		1		
39	MA275717	GROMET GROMMET	1		1		
40	MF445241	SOMUN NUT	AR		1		
41	TC298822-27	SU BORUSU PIPE WATER	1		1		
42	TC298822-33	SU BORUSU PIPE WATER	1		1		







Bölüm  
*Chapter*

Parça No Indexi  
*Part Number Index*

MS762RL - MS762ML

---

Part Number	Group No	Sym.
230220	E01-00	82
511018	E05-00	27
511018	D45-00	17
511018	C10-00	18
511032	E05-00	21
511059	E05-00	11
511150	E05-00	32
511201	E05-00	25
511503	E05-00	34
591844	E05-00	36
593624	E05-00	31
594496	E05-00	3
594801	E05-00	20
594802	E05-00	19
595440	E05-00	43
595502	E05-00	30
595502	D45-00	18
595502	C10-00	24
595851	E05-00	7
595852	E05-00	8
596121	E05-00	22
596273	E05-00	26
596273	D45-00	19
596273	C10-00	27
596289	E05-00	61
596289	D45-00	15
596610	E05-00	39
596615	E05-00	42
596620	E05-00	60
596626	E05-00	40
596637	E05-00	51
596638	E05-00	49
596639	E05-00	44
596639	D45-00	13
596641	E05-00	47
596649	E05-00	38
596651	E05-00	57
596651	D45-00	14
596651	C10-00	23
601195	E08-00	73
913328	E05-00	62
913328	D45-00	16
2090001	C06-00	2
2090036	C05-00	43
2090036	C05-00	50
2090036	C05-02	43
2090036	C05-02	50
2140031	C01-00	7
3010079	C03-00	3
3010079	C03-01	3
3010079	C05-00	8
3010079	C05-02	8
3010079	C06-00	19
3010079	C16-00	25
3010086	C05-00	8
3010086	C05-02	8
3010098	C03-00	3
3010098	C03-01	3
3010098	C05-00	8
3010098	C05-02	8
3010098	C06-00	19
3010098	C16-00	25
3010301	C05-00	77
3010301	C05-02	77
3020110	C05-00	78
3020110	C05-02	78
3020132	C05-00	17
3020132	C05-02	17
3020151	C05-00	13
3020151	C05-02	13



<b>Part Number</b>	<b>Group No</b>	<b>Sym.</b>
3020301	C05-00	75
3020301	C05-02	75
3020303	C05-00	76
3020303	C05-02	76
3060029	C05-00	14
3060029	C05-02	14
3060054	C05-00	19
3060054	C05-02	19
3100019	C05-00	31
3100019	C05-02	31
3100034	C06-00	3
3100043	C06-00	16
3100057	C06-00	18
3100082	C05-00	30
3100082	C05-02	30
3100083	C05-00	16
3100083	C05-02	16
3100157	C05-00	18
3100157	C05-02	18
3100173	C06-00	13
3100191	C06-00	11
3100210	C06-00	5
3102257	C01-00	4
3140015	C06-00	10
3200422	C03-00	22
3200422	C03-01	22
3200448	C01-00	1
3200449	C03-00	2
3200449	C03-01	2
3210004	C05-00	73
3210004	C05-02	73
3210015	C01-00	5
3210015	C05-00	60
3210015	C05-02	60
3210025	C05-00	53
3210025	C05-02	53
3210084	C06-00	1
3210125	C06-00	7
3210174	C05-00	71
3210174	C05-02	71
3210175	C05-00	74
3210175	C05-02	74
3220040	C05-00	7
3220040	C05-02	7
3220239	C05-00	9
3220239	C05-02	9
3220247	C03-00	19
3220247	C03-00	20
3220247	C03-01	19
3220247	C03-01	20
3220247	C03-01	21
3300016	C05-00	6
3300016	C05-02	6
3300029	C05-00	4
3300029	C05-02	4
3300037	C05-00	11
3300037	C05-02	11
3300038	C05-00	10
3300038	C05-02	10
3410002	C05-00	15
3410002	C05-02	15
3410019	C05-00	12
3410019	C05-02	12
3410052	C05-00	72
3410052	C05-02	72
3420093	C05-00	41
3420093	C05-02	41
3450012	C05-00	54
3450012	C05-02	54
3450038	C06-00	9

Part Number	Group No	Sym.
3450053	C05-00	1
3450053	C05-02	1
3500008	C06-00	8
3550006	C06-00	14
3550009	C05-00	42
3550009	C05-02	42
3550361	C06-00	12
3550402	C06-00	4
3550509	C06-00	6
3551028	C06-00	15
3551443	C06-00	17
4966114	C05-00	20
4966114	C05-02	20
4991038	C13-00	10
4997003	C05-00	51
4997003	C05-02	51
4997004	C05-00	52
4997004	C05-02	52
4997083	C01-00	3
5500020	C05-00	58
5500020	C05-02	58
5500261	C05-00	3
5500261	C05-02	3
5500267	C05-00	5
5500267	C05-02	5
5500268	C05-00	2
5500268	C05-02	2
311922000	E08-00	3
4580072275	D12-00	2
7607005715	E18-00	2
7607006316	E18-00	11
7607275005	E18-00	1
7607276001	E18-00	7
7607919020	E18-00	10
7608602720	E18-00	3
7608603120	E18-00	4
03360-89000-00	Z09-00	80
03364-28001-00	Z09-00	60
06.01283-4909	N05-00	49
06.01283-4909	N05-01	49
06.06139-0049	N05-00	31
06.06139-0049	N05-01	31
06.067128-6323	Z16-00	18
06.11251-2001	N05-00	37
06.11251-2001	N05-01	37
06.15013-0409	N05-00	50
06.15013-0409	N05-01	50
06.16160-2104	Z01-00	58
06.54100-4085	Z06-00	14
06.56190-0706	F10-00	*
06.56190-0706	Z16-00	58
06.56190-0736	Z01-00	2
06.56331-0256	Z01-00	54
06.56331-2245	Z01-00	40
06.56331-2247	Z01-00	53
06.67128-0306	Z07-00	53
06.67128-0306	F10-00	*
06.67128-0306	Z16-00	14
06.67128-0308	F10-00	*
06.67128-0308	Z16-00	15
06.67128-0704	F10-00	*
06.67128-0704	Z16-00	13
06.67128-6311	Z07-00	52
06.67128-6311	F10-00	*
06.67128-6311	Z16-00	16
06.67128-6315	F10-00	*
06.67128-6315	Z16-00	17
06.67128-6323	F10-00	*
06.67128-6329	F10-00	*
06.67128-6329	Z16-00	19

Part Number	Group No	Sym.
06.67128-6341	Z15-00	22
06.78200-0813	Z01-00	32
06.78370-2105	Z06-00	2
0630-001-048	R01-00	37
0630-001-048	R01-02	37
0637-006-125	R01-00	36
0637-006-125	R01-02	36
120-20-277	A01-00	18
120-20-277	A01-01	18
120-20-287	A01-00	3
120-20-287	A01-01	3
120-20-311	A01-00	8
120-20-311	A01-00	9
120-20-311	A01-01	8
120-20-311	A01-01	9
120-20-315	A01-00	9
120-20-315	A01-01	9
120-20-317	A01-01	6
120-20-317A	A01-00	6
120-20-318	A01-00	7
120-20-318	A01-01	7
120-20-357	A03-00	5
120-20-359	A03-00	23
120-20-359	A03-01	23
120-20-360	A03-00	24
120-20-360	A03-01	24
120-20-362	A03-00	3
120-20-363	A03-00	19
120-20-365	A03-00	2
120-20-365	A03-01	2
120-20-366	A03-00	1
120-20-366	A03-01	1
120-20-368	A03-00	16
120-20-368	A03-01	16
120-20-369	A03-00	18
120-20-369	A03-01	18
120-20-370	A03-00	17
120-20-370	A03-01	17
120-20-373	A03-00	15
120-20-373	A03-01	15
120-20-374	A03-00	20
120-20-375	A03-00	13
120-20-375	A03-01	13
120-20-382	A03-00	11
120-20-382	A03-01	11
120-20-383	A03-00	12
120-20-383	A03-01	12
120-20-387	A03-00	10
120-20-387	A03-01	10
120-20-394	A03-00	9
120-20-394	A03-01	9
120-20-397	A03-00	26
120-20-398	A03-00	25
120-20-415	A03-00	71
120-20-474	A03-00	22
120-20-484	A03-00	30
120-20-655	A01-00	26
120-20-655	A01-01	26
120-20-694	A01-00	4
120-20-702	A01-00	17
120-20-702	A01-01	17
120-20-790A	A01-00	10
120-20-791A	A01-00	11
120-20-792	A01-01	12
120-20-792A	A01-00	12
120-20-878D	A01-00	13
120-20-884	A01-00	19
120-20-885	A01-00	20
120-20-888	A01-01	14
120-20-888D	A01-00	14

Part Number	Group No	Sym.
120-20-889C	A01-00	15
120-20-895	A01-00	5
120-20-895	A01-01	5
120-20-899	A01-00	25
120-20-899	A01-01	25
120-20-909	A01-00	24
120-20-909	A01-01	24
120-20-911C	A01-00	16
120-22-1161	A03-00	70
120-22-1161	A03-01	70
14843-99200	Z08-00	15
18807-26800	C35-00	42
3551445-01	C05-00	57
3551445-01	C05-02	57
3551445-02	C05-00	56
3551445-02	C05-02	56
51.02601.0445A	F02-00	21
51.06650-6003	Z01-00	52
55032710	G10-00	2
6005-010-111	R01-00	33
6005-010-111	R01-02	33
6005-010-111-1	R01-00	38
6005-010-111-1	R01-02	38
6005-200-238	R01-00	32
6005-200-238	R01-02	32
6007-301-175	R01-00	31
6007-301-175	R01-02	31
6038-323-082	R01-00	35
6038-323-082	R01-02	35
6085.305.113	F10-00	*
6085.305.113	Z16-00	43
61101-36170-07	E22-00	1
61102-90000-01	Z07-00	1
61102-90000-03	Z07-00	3
61102-90000-04	Z07-00	4
61102-90000-06	Z07-00	6
61102-90000-07	Z07-00	7
61102-90000-08	Z07-00	8
61102-90000-09	Z07-00	9
61102-90000-10	Z07-00	10
61102-90000-11	Z07-00	11
61102-90000-12	Z07-00	50
61102-90010-01	Z06-00	1
61102-90010-03	Z06-00	3
61102-90010-04	Z06-00	4
61102-90010-05	Z06-00	5
61102-90010-06	Z06-00	6
61102-90010-17	Z06-00	17
61102-90020-03	Z01-00	3
61102-90020-04	Z01-00	4
61102-90020-05	Z01-00	5
61102-90020-06	Z01-00	6
61102-90020-08	Z07-00	21
61102-90020-09	Z07-00	46
61102-90020-11	Z01-00	11
61102-90020-13	Z01-00	13
61102-90020-14	Z01-00	14
61102-90020-15	Z01-00	15
61102-90020-16	Z01-00	16
61102-90020-17	Z01-00	17
61102-90020-18	Z01-00	18
61102-90020-20	Z01-00	20
61102-90020-21	Z01-00	21
61102-90020-22	Z01-00	22
61102-90020-23	Z01-00	23
61102-90020-24	Z01-00	24
61102-90020-25	Z01-00	25
61102-90020-26	Z01-00	26
61102-90020-29	Z01-00	29
61102-90020-30	Z01-00	30

Part Number	Group No	Sym.
61102-90020-32	Z01-00	32
61102-90020-33	Z01-00	33
61102-90020-40	Z01-00	40
61102-90020-53	Z01-00	53
61102-90020-55	Z01-00	55
61102-90020-56	Z01-00	56
61102-90020-57	Z01-00	57
61102-90020-63	Z01-00	63
61102-90020-64	Z01-00	64
61102-90020-65	Z01-00	65
61102-90020-66	Z01-00	8
61102-90020-67	Z01-00	9
61102-90020-68	Z01-00	68
61108-60900-00	G04-00	7
61108-60900-00	G04-01	7
61201-96050-22	B09-00	45
61201-96050-23	B09-00	46
61201-96050-25	B09-00	25
61201-96050-26	B09-00	26
61201-96050-27	B09-00	27
61201-96050-34	B09-00	34
61201-96050-39	B09-00	39
61201-96050-40	B09-00	40
61201-96050-48	B09-00	48
61301-90100-71	A01-00	1
61301-90120-70	A01-01	21
61301-90120-70B	A01-00	21
61301-90120-71	A01-00	23
61301-90120-71	A01-01	23
61301-90140-70	A01-01	2
61301-90140-70B	A01-00	2
61301-90150-70	A01-01	19
61301-90150-71	A01-01	20
61301-90160-70	A01-01	10
61301-90160-71	A01-01	11
61301-90170-70	A01-01	1
61301-90180-70	A01-01	4
61301-90180-71	A01-01	4
61301-90190-70	A01-01	13
61301-90200-00	A01-00	22
61301-90200-00	A01-01	22
61301-90200-70	A01-01	15
61301-90200-71	A01-01	16
61301-90300-01	A01-00	19
61301-90300-02	A01-00	20
61301-90300-03	A01-00	31
61301-90300-03	A01-01	31
61301-90300-04	A01-00	25
61301-90300-04	A01-01	25
61301-90300-05	A01-00	24
61301-90300-05	A01-01	24
61301-90300-09	A01-00	30
61301-90300-09	A01-01	30
61301-90300-11	A01-00	19
61301-90300-12	A01-00	20
61301-90310-04	A01-00	27
61301-90310-04	A01-01	27
61301-90310-06	A01-00	17
61301-90310-06	A01-01	17
61301-90320-10	A01-00	28
61301-90320-10	A01-01	28
61301-90320-11	A01-00	29
61301-90320-11	A01-01	29
61301-90320-70	A01-00	26
61301-90320-70	A01-01	26
61301-90330-70	A01-00	18
61301-90330-70	A01-01	18
61301-90340-70	A01-01	3
61301-90340-70B	A01-00	3
61301-90350-70	A01-00	4

Part Number	Group No	Sym.
61304-90000-70	A04-00	1
61304-90000-75	A04-00	2
61401-90010-06	A02-00	6
61401-90010-07	A02-00	7
61401-90010-08	A02-00	8
61401-90010-09	A02-00	9
61401-90010-10	A02-00	10
61401-90010-11	A02-00	11
61401-90010-12	A02-00	12
61401-90010-13	A02-00	13
61401-90010-15	A02-00	15
61401-90010-15	A02-01	15
61401-90010-16	A02-01	16
61401-90010-17	A02-01	17
61401-90010-18	A02-01	18
61401-90010-19	A02-01	19
61401-90010-28	A02-01	12
61401-90010-29	A02-00	29
61401-90020-04	A02-01	4
61401-90020-07	A02-01	7
61401-90020-08	A02-01	8
61401-90020-09	A02-01	9
61401-90020-11	A02-01	11
61402-80140-73	A02-00	14
61403-60720-00	A02-00	25
61403-60720-01	A02-00	26
61403-90100-70	A02-00	4
61403-90100-71	A02-00	1
61403-90100-71	A02-01	1
61403-90100-72	A02-00	2
61403-90100-72	A02-01	2
61403-90100-73	A02-00	3
61403-90720-00	A02-00	25
61403-90720-01	A02-00	26
61404-40110-01	A05-00	17
61404-40110-01	A05-01	6
61404-40110-03	A05-00	16
61404-40110-03	A05-01	13
61404-80100-18	A05-00	18
61404-80100-22	A05-00	22
61404-80730-01	A05-00	6
61404-80730-51	A05-00	4
61404-80730-60	A05-00	5
61404-80730-60	A05-01	5
61404-80750-70	A05-00	9
61404-80750-70	A05-01	9
61404-80750-71	A05-00	10
61404-80750-71	A05-01	10
61404-80750-72	A05-00	11
61404-80750-73	A05-00	12
61404-80750-74	A05-00	13
61404-80750-75	A05-00	14
61404-80750-75	A05-01	14
61404-80750-77	A05-00	15
61404-80750-77	A05-01	15
61404-80930-03	A05-00	7
61404-90000-03	A05-00	3
61404-90010-02	A05-00	23
61404-90140-02	A05-01	2
61404-90140-03	A05-01	3
61404-90140-04	A05-01	4
61404-90140-11	A05-01	11
61404-90140-12	A05-01	12
61405-80100-01	A02-00	31
61405-80100-01	A02-01	29
61405-80100-02	A02-00	32
61405-80100-03	A02-00	33
61405-80100-03	A02-01	28
61405-80100-18	A02-00	38
61405-80100-18	A02-01	27

<b>Part Number</b>	<b>Group No</b>	<b>Sym.</b>
61405-90010-04	A02-00	34
61405-90010-04	A02-01	31
61405-90010-05	A02-00	35
61405-90010-05	A02-01	26
61405-90020-09	A02-01	30
61406-90000-18	Z09-00	76
61501-36090-32	E17-00	12
61501-36090-32	E17-01	12
61501-90100-01	A03-00	31
61501-90100-01	A03-01	31
61501-90100-02	A03-00	32
61501-90100-02	A03-01	32
61501-90100-03	A03-00	33
61501-90100-03	A03-01	33
61501-90100-04	A03-00	34
61501-90100-04	A03-01	34
61501-90100-05	A03-00	35
61501-90100-05	A03-01	35
61501-90100-06	A03-00	36
61501-90100-06	A03-01	36
61501-90100-07	A03-00	37
61501-90100-07	A03-01	37
61504-90000-70	A06-00	1
61504-90000-75	A06-00	2
61504-90010-01	A03-00	3
61504-90010-01	A03-01	3
61504-90010-02	A03-00	19
61504-90010-02	A03-01	19
61504-90010-03	A03-00	20
61504-90010-03	A03-01	20
61504-90016-01	Z10-00	17
61504-90016-30	Z10-00	15
61504-90016-31	Z10-00	16
61504-90016-32	Z10-00	8
61504-90016-35	Z10-00	7
61504-90018-18	Z10-00	11
61504-90020-73	A03-00	72
61504-90020-74	A03-01	72
61504-90030-27	Z10-00	5
61504-90030-32	Z10-00	4
61504-90030-39	Z10-00	23
61504-90130-70	A03-00	22
61504-90140-01	A03-00	41
61504-90140-02	A03-00	42
61504-90140-03	A03-00	43
61504-90140-04	A03-00	44
61504-90140-05	A03-00	45
61504-90140-06	A03-00	46
61504-90140-07	A03-00	47
61504-90140-08	A03-00	48
61504-90140-09	A03-00	49
61504-90140-10	A03-00	50
61504-90140-11	A03-00	51
61504-90140-12	A03-00	52
61504-90140-13	A03-00	53
61504-90140-17	A03-00	57
61504-90140-71	A03-01	22
61504-90140-73	A03-01	30
61504-90140-74	A03-00	40
61504-90210-70	A03-00	7
61504-90210-70	A03-01	7
61504-90220-02	A03-00	6
61504-90220-02	A03-01	6
61504-90220-03	A03-00	8
61504-90220-03	A03-01	8
61504-90240-04	A03-00	25
61504-90240-04	A03-01	25
61504-90240-05	A03-00	26
61504-90240-05	A03-01	26
61504-90250-70	A03-00	4

Part Number	Group No	Sym.
61504-90250-70	A03-01	4
61504-90250-71	A03-00	5
61504-90250-71	A03-01	5
61504-90300-70	A03-00	30
61504-90320-01	A03-00	71
61504-90320-01	A03-01	71
61703-40040-70	D11-00	13
61704-40590-01	D20-00	45
61704-40700-71	D20-00	18
61704-40710-00	D20-00	31
61704-70220-01	D20-00	13
61704-70230-01	D20-00	14
61704-70438-01	D20-00	48
61704-70449-01	D20-00	49
61704-70479-01	D20-00	50
61704-90018-01	D20-00	26
61704-90018-02	D20-00	27
61704-90018-29	D20-00	17
61704-90019-01	D20-00	19
61704-90019-02	D20-00	16
61704-90019-03	D20-00	25
61704-90019-04	D20-00	16
61704-90019-05	D20-00	19
61704-90019-07	D20-00	20
61704-90020-03	D20-00	24
61704-90020-04	D20-00	23
61704-90020-05	D20-00	22
61704-90020-06	D20-00	21
61704-90417-01	D20-00	46
61704-90417-02	D20-00	47
61704-90610-01	D20-00	9
61704-90610-02	D20-00	10
61704-90610-72	D20-00	2
61704-90610-73	D20-00	1
61704-90620-70	D20-00	4
61704-90620-71	D20-00	3
61704-90630-70	D20-00	5
61704-90640-70	D20-00	6
61704-90650-01	D20-00	7
61704-90650-02	D20-00	8
61704-90660-01	D20-00	9
61704-90660-02	D20-00	10
61704-90670-00	D20-00	11
61704-90710-00	D20-00	31
61705-60000-06	M01-00	15
61705-60000-07	M01-00	3
61705-60050-09	M01-00	9
61705-60050-12	M01-00	2
61705-60050-19	M01-00	19
61705-60050-20	M01-00	20
61705-60065-71	M01-00	1
61705-60065-71D	M01-00	1
61705-60070-70	M01-00	6
61705-60080-70	M01-00	10
61705-60090-70	M01-00	11
61705-90010-71	D24-00	1
61705-90010-73	D24-00	7
61705-90010-75	D24-00	8
61705-91900-06	M02-00	6
61705-91900-06	M02-01	6
61705-91900-09	M02-00	40
61705-91900-09	M02-01	40
61705-91900-10	M02-00	41
61705-91900-10	M02-01	41
61705-91900-11	M02-00	42
61705-91900-11	M02-01	42
61705-91900-12	M02-00	43
61705-91900-12	M02-01	43
61705-91900-13	M02-00	13
61705-91900-13	M02-01	13



<b>Part Number</b>	<b>Group No</b>	<b>Sym.</b>
61705-91900-14	M02-00	45
61705-91900-14	M02-01	45
61705-91900-15	M02-00	46
61705-91900-15	M02-01	46
61705-91900-16	M02-00	44
61705-91900-16	M02-01	44
61705-91900-17	M02-00	47
61705-91900-17	M02-01	47
61705-91900-18	M02-00	48
61705-91900-18	M02-01	48
61705-91900-19	M02-00	49
61705-91900-19	M02-01	49
61705-91900-20	M02-00	50
61705-91900-20	M02-01	50
61705-91900-21	M02-00	51
61705-91900-21	M02-01	51
61705-91900-32	M02-00	32
61705-91900-33	M02-00	33
61706-60070-03	Z08-00	4
61706-90010-05	Z08-00	5
61706-90010-06	Z08-00	6
61706-90010-15	Z08-00	6
61706-90010-16	Z08-00	4
61707-90100-03	Z07-00	43
61711-71319-01	E17-00	3
61711-71319-01	E17-01	3
61714-60910-81	D08-00	4
61714-60910-82	D08-00	5
61714-80100-70	A07-00	54
61714-80100-70	A07-01	54
61714-80100-71	A07-00	55
61714-80120-70	A07-00	57
61714-80900-22	D45-00	31
61714-80900-23	D45-00	10
61714-90000-70	A07-00	53
61714-90000-70	A07-01	53
61714-90130-02	D45-00	37
61714-90130-03	D45-00	3
61714-90130-04	D45-00	4
61714-90130-05	D45-00	5
61714-90130-06	D45-00	38
61714-90130-07	D45-00	52
61714-90130-08	D45-00	46
61714-90130-10	D45-00	50
61714-90130-11	D45-00	47
61714-90130-12	D45-00	51
61714-90130-13	D45-00	48
61714-90130-14	D45-00	49
61714-90150-03	A07-01	55
61714-90150-04	A07-00	58
61714-90150-04	A07-01	56
61714-90810-01	D45-00	30
61714-90900-01	D08-00	1
61714-90900-03	D08-00	2
61721-30420-05	A17-01	5
61721-60420-17	A17-00	13
61721-60420-17	A17-01	13
61721-60420-28	A17-00	20
61721-60420-28	A17-01	16
61721-80420-14	A17-01	14
61721-80420-21	A17-01	17
61721-90420-01	A17-01	1
61721-90420-02	A17-00	2
61721-90420-02	A17-01	2
61721-90420-03	A17-01	12
61721-90420-06	A17-01	8
61721-90420-08	A17-01	15
61721-90420-09	A17-00	9
61721-90420-09	A17-01	9
61721-90420-14	A17-01	14

<b>Part Number</b>	<b>Group No</b>	<b>Sym.</b>
61721-90420-20	A17-01	5
61721-90420-27	A17-00	11
61721-90420-27	A17-01	24
61721-90420-29	A17-01	25
61721-90440-03	A17-01	3
61721-90440-04	A17-01	4
61721-90440-06	A17-01	6
61721-90440-07	A17-01	7
61721-90440-10	A17-01	10
61721-90440-11	A17-01	11
61721-90440-18	A17-01	18
61721-90440-19	A17-01	19
61721-90450-03	C23-00	1
61721-90450-04	C23-00	2
61721-91420-01	A17-00	1
61721-91420-03	A17-00	18
61721-91420-04	A17-00	7
61721-91420-05	A17-00	22
61721-91420-06	A17-00	8
61721-91420-07	A17-00	17
61721-91420-08	A17-00	19
61721-91420-10	A17-00	4
61721-91420-11	A17-00	23
61721-91420-12	A17-00	12
61721-91420-13	A17-00	3
61721-91420-14	A17-00	14
61721-91420-20	A17-00	5
61721-91420-29	A17-00	28
61721-95420-06	A17-00	6
61721-95420-15	A17-00	15
61721-95420-16	A17-00	16
61721-95420-21	A17-00	21
61722-60817-02	C33-00	5
61722-60817-03	C33-00	3
61723-60420-70	C35-00	33
61723-60800-55	E03-00	24
61723-60800-55	E03-01	24
61723-60800-56	E03-00	25
61723-60800-56	E03-01	25
61723-60900-58	C35-00	32
61723-80800-03	C20-01	3
61723-80800-11	C20-00	10
61723-80800-12	C20-00	11
61723-80800-13	C20-00	12
61723-81100-73	C33-00	26
61723-90019-01	C35-00	3
61723-90019-01	C35-00	4
61723-90027-10	C35-00	5
61723-90800-03	C20-00	3
61723-90850-01	C20-00	1
61723-90850-02	C20-00	2
61723-90850-02	C20-01	2
61723-90850-04	C20-00	4
61723-90850-04	C20-01	4
61723-90850-05	C20-00	5
61723-90850-05	C20-01	5
61723-90850-06	C20-00	6
61723-90850-07	C20-00	7
61723-90850-08	C20-00	8
61723-90850-09	C20-00	9
61723-90850-13	C20-00	13
61723-90850-14	C20-00	14
61723-90850-14	C20-01	14
61723-90850-15	C20-01	15
61723-90850-16	C20-01	16
61723-90850-17	C20-01	17
61723-90850-18	C20-01	18
61723-90850-19	C20-01	19
61723-90850-20	C20-01	20
61723-90850-21	C20-01	21

<b>Part Number</b>	<b>Group No</b>	<b>Sym.</b>
61723-90850-22	C20-00	22
61723-90850-22	C20-01	22
61723-91100-02	C30-00	2
61723-91100-03	C30-00	3
61723-91100-70	C30-00	28
61802 - 90130-70	D13-00	30
61802-80030-22	E02-00	1
61802-80030-23	E02-00	2
62006-40320-01	A14-00	3
62006-40320-02	A14-00	4
62006-70000-00	A14-00	1
62006-70000-10	A14-00	2
62006-80090-00	A14-00	5
62006-80090-01	A14-00	8
62006-80090-02	A14-00	11
62006-80120-70	A35-00	13
62006-80120-71	A35-00	14
62006-80120-72	A35-00	15
62006-80120-72	A35-01	11
62006-80120-73	A35-00	16
62006-80120-74	A35-00	17
62006-80290-01	A14-00	18
62006-80290-02	A14-00	19
62006-80560-18	A14-00	14
62006-80560-19	A14-00	15
62006-80570-01	A19-00	1
62006-80570-01	A19-01	1
62006-80570-04	A19-00	4
62006-80570-04	A19-01	4
62006-90020-01	A35-01	1
62006-90020-02	A35-01	2
62006-90020-03	A35-01	3
62006-90020-04	A35-01	4
62006-90020-07	A35-01	7
62006-90020-08	A35-01	8
62006-90020-09	A35-01	9
62006-90020-10	A35-01	10
62006-90020-12	A35-01	12
62006-90030-01	A35-00	1
62006-90030-02	A35-00	2
62006-90030-03	A35-00	3
62006-90030-04	A35-00	4
62006-90030-05	A35-00	5
62006-90030-06	A35-00	6
62006-90030-07	A35-00	7
62006-90030-08	A35-00	8
62006-90030-09	A35-00	12
62006-90030-10	A35-00	10
62006-90030-10	A35-01	6
62006-90030-11	A35-00	11
62006-90030-12	A35-00	9
62006-90030-12	A35-01	5
62006-90260-01	A14-00	35
62006-90260-02	A14-00	36
62006-90570-02	A19-00	2
62006-90570-02	A19-01	2
62006-90570-05	A19-00	5
62006-90570-07	A19-00	7
62006-90570-08	A19-00	8
62006-90570-09	A19-00	9
62006-90570-10	A19-00	10
62006-90570-11	A19-01	7
62006-90570-12	A19-01	8
62006-90570-13	A19-01	9
62006-90570-14	A19-01	3
62006-90570-15	A19-01	5
62006-90670-02	A19-00	13
62006-90670-11	A19-00	11
62006-90670-12	A19-00	12
62007-30010-42	A15-00	27

Part Number	Group No	Sym.
62007-40190-04	A15-00	53
62007-40190-15	A15-00	54
62007-40190-16	A15-00	57
62007-40200-09	A15-00	3
62007-40200-70	A15-00	1
62007-40200-71	A15-00	21
62007-40200-72	A15-00	2
62007-40200-73	A15-00	22
62007-60140-70	A15-00	4
62007-60160-70	A15-00	15
62007-60160-80	A15-00	25
62007-80190-01	A15-00	50
62007-80190-02	A15-00	51
62007-80190-03	A15-00	52
62007-80190-06	A15-00	55
62007-80190-07	A15-00	56
62007-90010-57	A15-00	20
62007-90010-63	A15-00	23
62007-90010-64	A15-00	24
62007-90100-70	A15-00	46
62007-90100-72	A15-00	48
62012-90510-73	B05-02	215
62013-40870-70	A10-00	37
62013-40970-00	A10-00	25
62013-40980-01	A10-00	50
62013-40980-02	A10-00	51
62013-41100-01	D05-00	24
62013-41100-02	D05-00	25
62013-41220-70	A10-00	57
62013-41230-70	A10-00	59
62013-60130-00	A10-00	64
62013-60940-70H	A10-00	5
62013-61260-00	A10-00	48
62013-70000-87	A10-00	63
62013-70000-88	A10-00	63
62013-70017-01	A10-00	65
62013-70300-00	A10-00	127
62013-70640-70	A10-00	19
62013-70850-01	A10-00	33
62013-70930-70	A10-00	32
62013-70930-71	A10-00	32
62013-80150-70	A10-00	76
62013-80160-70	A10-00	77
62013-80180-01	A10-00	92
62013-80180-02	A10-00	93
62013-80230-70	A10-00	94
62013-80310-70	A10-00	128
62013-80660-71	A10-00	21
62013-80670-71	A10-00	22
62013-81090-01	D05-00	21
62013-81090-02	D05-00	22
62013-90100-01	A10-00	26
62013-90100-02	A10-00	27
62013-90100-05	A10-00	105
62013-90100-06	A10-00	106
62013-90100-70	A10-00	81
62013-90120-70	A10-00	80
62013-90130-01	A10-00	85
62013-90130-02	A10-00	86
62013-90130-70	A10-00	83
62013-90140-70	A10-00	84
62013-90170-01	A10-00	130
62013-90170-02	A10-00	131
62013-90170-03	A10-00	132
62013-90170-04	A10-00	133
62013-90170-05	A10-00	134
62013-90175-71	A10-00	140
62013-90180-04	A10-00	88
62013-90190-01	A10-00	89
62013-90190-02	A10-00	90

<b>Part Number</b>	<b>Group No</b>	<b>Sym.</b>
62013-90190-03	A10-00	91
62013-90200-70	A10-00	82
62013-90670-71	A10-00	22
62013-91010-70	A00-00	1
62013-91010-75	A00-00	2
62013-91010-80	A00-00	3
62013-91010-85	A00-00	4
62013-91010-90	A00-00	5
62013-91010-95	A00-00	6
62013-91090-01	D05-00	21
62013-91090-02	D05-00	22
62013-91190-02	D05-00	22
62013-91250-80	A10-00	39
62017-30710-26	E05-00	10
62017-40700-70	C12-00	15
62017-40700-71	C12-00	16
62017-70840-70	C12-00	11
62017-80690-70	A10-00	28
62021-10030-01	A14-00	12
62021-10030-02	A14-00	13
62024-40040-01	A07-00	6
62024-40040-08	A07-00	51
62024-40040-08	A07-01	51
62024-40040-10	A07-00	3
62024-40040-11	A07-00	50
62024-40040-11	A07-01	50
62024-40040-12	A07-00	33
62024-40040-12	A07-01	33
62024-40040-14	A07-00	9
62024-40040-15	A07-00	4
62024-40040-17	A07-00	52
62024-40040-18	A07-00	5
62024-40040-20	A07-00	32
62024-40040-21	A07-00	7
62024-40040-21	A07-01	7
62024-70060-71	A07-00	16
62024-70060-71	A07-01	16
62024-90040-01	A07-01	3
62024-90040-02	A07-01	4
62024-90040-03	A07-01	5
62024-90040-04	A07-01	9
62024-90040-05	A07-01	52
62025-10050-08	A07-00	68
62025-10050-08	A07-01	68
62025-10050-18	A07-00	69
62025-10050-18	A07-00	91
62025-10050-18	A07-01	69
62031-80210-10	A07-00	10
62031-80210-10	A07-01	10
62031-80210-11	A07-00	11
62031-80210-11	A07-01	11
62031-80210-25	A07-00	25
62031-80210-26	A07-00	26
62031-80210-26	A07-01	26
62031-80210-27	A07-00	27
62031-80210-28	A07-00	28
62031-80210-29	A07-00	29
62031-80220-01	A07-00	34
62031-80220-01	A07-01	34
62031-80220-02	A07-00	40
62031-80220-02	A07-01	40
62031-80220-04	A07-00	41
62031-80220-04	A07-01	41
62031-80220-05	A07-00	42
62031-80220-05	A07-01	42
62031-80220-07	A07-00	43
62031-80220-07	A07-01	43
62031-80220-08	A07-00	44
62031-80220-08	A07-01	44
62031-80220-09	A07-00	8

<b>Part Number</b>	<b>Group No</b>	<b>Sym.</b>
62031-80220-09	A07-01	8
62031-80220-10	A07-00	45
62031-80220-10	A07-01	45
62031-80220-11	A07-00	46
62031-80220-12	A07-00	47
62031-80220-12	A07-01	47
62031-80220-13	A07-00	48
62031-80220-13	A07-01	48
62031-80220-15	A07-00	49
62031-80220-15	A07-01	49
62031-80220-16	A07-00	35
62031-80220-16	A07-01	35
62031-80220-23	A07-00	30
62031-80220-23	A07-01	30
62031-80220-24	A07-00	24
62031-80220-24	A07-01	24
62031-90040-01	A07-01	6
62031-90040-02	A07-01	32
62031-90040-03	A07-01	29
62031-90210-01	A07-01	14
62031-90210-03	A07-01	19
62031-90210-04	A07-01	25
62031-90210-05	A07-01	27
62031-90210-06	A07-01	28
62031-90220-10	A07-01	46
62032-40110-08	A07-00	74
62032-40110-08	A07-01	74
62032-60060-01	A07-00	22
62032-60060-01	A07-01	22
62032-60060-04	A07-00	12
62032-60060-04	A07-01	12
62032-60060-04	A14-00	6
62032-60060-05	A07-00	13
62032-60060-05	A07-01	13
62032-60060-05	A14-00	7
62032-70000-00	A07-00	20
62032-70000-00	A07-01	20
62032-70060-03	A07-00	21
62032-70060-03	A07-01	21
62032-70110-01	A07-00	17
62032-70110-01	A07-01	17
62032-70110-07	A07-00	19
62032-70110-11	A07-00	18
62032-70110-11	A07-01	18
62033-10020-01	A07-00	67
62033-10020-01	A07-01	67
62033-10020-11	A07-00	66
62033-10020-11	A07-01	66
62033-40160-81	A07-00	89
62033-40330-00	A07-00	99
62033-40330-00	A07-01	61
62033-40380-72	A07-00	71
62033-40380-73	A07-00	88
62033-40420-74	A07-01	80
62033-40450-01	A07-00	97
62033-40450-02	A07-00	98
62033-60330-00	A07-00	77
62033-60330-00	A07-01	77
62033-70030-04	A07-00	87
62033-70030-04	A07-01	87
62033-70030-10	A07-00	78
62033-70030-10	A07-01	78
62033-70420-75	A07-00	73
62033-70420-75	A07-01	73
62033-70420-80	A07-00	76
62033-70420-80	A07-01	76
62033-70420-81	A07-00	86
62033-70420-81	A07-01	86
62033-71310-70	A07-00	92
62033-80040-15	A07-00	75

<b>Part Number</b>	<b>Group No</b>	<b>Sym.</b>
62033-80040-19	A07-00	79
62033-80040-40	A07-00	82
62033-90020-12	A07-01	72
62033-90040-10	A07-00	70
62033-90040-19	A07-01	79
62033-90040-21	A07-00	81
62033-90040-42	A07-00	80
62033-90050-10B	A07-01	70
62033-90050-42	A07-01	65
62033-90050-70	A07-00	83
62033-90050-70	A07-01	83
62033-90050-71	A07-00	84
62033-90050-71B	A07-01	84
62033-90050-72	A07-00	96
62033-90150-71	A07-00	93
62033-90150-71	A07-01	82
62033-90160-70	A07-01	89
62033-90310-70	A07-01	81
62033-90370-70	A07-00	90
62033-90370-75	A07-01	90
62033-90420-72	A07-00	85
62033-90420-72	A07-01	85
62033-90420-74	A07-01	88
62033-90420-75	A07-01	71
62033-90420-82	A07-00	62
62033-90420-82	A07-01	62
62041-40210-81	A08-00	19
62041-70010-24	A08-00	18
62041-70028-01	A08-00	4
62041-70028-03	A08-00	13
62041-70030-30	A08-00	78
62041-70030-30	A08-01	78
62041-70100-70	A08-00	1
62041-70100-70	A08-01	1
62041-70100-72	A08-00	2
62041-70100-72	A08-01	2
62041-70100-73	A08-00	34
62041-70100-73	A08-01	3
62041-70100-74	A08-00	35
62041-70100-74	A08-01	4
62041-70110-70	A08-00	3
62041-80100-70	A08-00	5
62041-80110-70	A08-00	11
62041-80110-80	A08-00	27
62041-80120-70	A08-00	12
62041-80130-70	A08-00	14
62041-80130-71	A08-00	26
62041-80140-70	A08-00	15
62041-80150-29	A08-00	24
62041-80150-30	A08-00	25
62041-80150-33	A08-00	28
62041-80150-34	A08-00	29
62041-80150-35	A08-00	30
62041-80150-70	A08-00	16
62041-80160-70	A08-00	17
62041-90030-33	A08-00	79
62041-90030-33	A08-01	79
62041-90100-76	A08-01	11
62041-90100-77	A08-01	12
62041-90100-78	A08-01	29
62041-90100-79	A08-01	30
62041-90140-72	A08-00	7
62041-90140-73	A08-00	8
62041-91015-13	A08-01	40
62041-91016-05	A08-00	33
62041-91016-06	A08-00	32
62041-91016-13	A08-00	40
62047-80016-10	A08-00	80
62047-80016-10	A08-01	80
62047-80016-11	A08-00	81

<b>Part Number</b>	<b>Group No</b>	<b>Sym.</b>
62047-80016-11	A08-01	81
62047-80016-13	A08-00	83
62047-80016-13	A08-01	83
62047-80016-15	A08-00	85
62047-80016-15	A08-01	85
62047-80016-16	A08-00	86
62047-80016-16	A08-01	86
62047-80016-18	A08-00	88
62047-80016-18	A08-01	88
62047-80110-70	A08-00	46
62047-80110-70	A08-01	41
62047-80110-71	A08-00	47
62047-80110-71	A08-01	42
62047-80110-72	A08-00	61
62047-80110-72	A08-01	44
62047-80120-03	A08-00	49
62047-80120-04	A08-00	50
62047-80120-05	A08-00	60
62047-80120-06	A08-00	62
62047-80120-06	A08-01	50
62047-80120-07	A08-00	63
62047-80120-08	A08-01	51
62047-80120-09	A08-01	52
62047-80120-10	A08-01	53
62047-80130-03	A08-00	58
62047-80130-03	A08-01	45
62047-80130-04	A08-00	48
62047-80130-05	A08-00	59
62047-80140-01	A08-01	48
62047-90016-01	A08-00	89
62047-90016-01	A08-01	89
62047-90016-02	A08-00	82
62047-90016-02	A08-01	82
62047-90016-03Y	W01-00	74
62047-90016-03Y	W01-00	74
62076-80030-23	A15-00	9
62076-90030-70	A07-01	39
62076-90030-80	A07-00	39
62077-30060-09	B01-00	9
62077-30060-10	B01-00	13
62077-30130-17	B02-00	13
62077-30130-20	B01-00	23
62077-30130-20	B02-00	15
62077-41260-51	B02-00	70
62077-41270-00	B02-00	9
62077-41350-00	B02-00	51
62077-41400-70	B01-00	53
62077-60100-01	B02-00	47
62077-60100-02	B02-00	48
62077-60100-03	B02-00	46
62077-60130-15	B02-00	12
62077-60750-02	B02-00	71
62077-60750-03	B01-00	93
62077-60890-80	B02-00	16
62077-60897-80	B01-00	51
62077-61750-10	B02-00	76
62077-61750-11	B02-00	77
62077-70018-72	B01-00	36
62077-70020-70	B02-00	1
62077-70028-71	B02-00	34
62077-70090-70	B02-00	14
62077-70810-02	B02-00	14
62077-71330-70	B01-00	99
62077-80130-79	B04-00	2
62077-80160-35	B01-00	35
62077-90010-01	B01-00	53
62077-90120-01	B04-00	3
62077-90120-05	B04-00	3
62077-90120-11	B04-00	2
62077-90130-21	B01-00	92



<b>Part Number</b>	<b>Group No</b>	<b>Sym.</b>
62077-90130-21	B02-00	59
62077-90130-22	B01-00	92
62077-90130-22	B02-00	59
62077-90130-23	B01-00	91
62077-90130-23	B02-00	58
62077-90130-24	B01-00	91
62077-90130-24	B02-00	58
62077-90130-33	B02-00	80
62077-90130-34	B02-00	81
62077-90130-37	B01-00	36
62077-90130-76	B04-00	10
62077-90140-03	B04-00	10
62077-90140-05	B04-00	17
62077-90140-12	B04-00	11
62077-90140-70	B02-00	40
62077-90160-03	B01-00	40
62077-90160-05	B04-00	13
62077-91350-00	B02-00	51
62078-70130-10	B20-00	9
62078-80140-01	B20-00	3
62078-80140-02	B21-00	11
62078-80140-03	B20-00	5
62078-80140-04	B21-00	13
62078-80140-08	B21-00	16
62078-80140-14	B20-00	4
62078-90000-70	B20-00	2
62078-90000-71	B21-00	14
62078-90010-01	D45-00	1
62078-90010-02	D45-00	2
62078-90016-70	B20-00	2
62078-90200-01	D45-00	21
62078-90200-02	D45-00	22
62078-90200-03	D45-00	23
62078-90200-05	D45-00	36
62078-90200-06	D45-00	35
62078-90220-70	B21-00	10
62078-90220-80	B21-00	21
62078-90220-81	B21-00	22
62078-90220-82	B21-00	23
62078-90310-00	B21-00	12
62101-10250-72	B05-00	29
62101-10250-72	B05-02	36
62101-10250-75	B05-00	30
62101-10250-75	B05-02	30
62101-10700-02	B05-00	21
62101-10700-02	B05-02	21
62102-11290-76	B05-00	130
62102-11290-76	B05-02	130
62102-40520-70	B05-00	20
62102-40520-70	B05-02	20
62102-40520-72	B05-00	19
62102-40520-72	B05-02	19
62102-40910-70	B05-00	17
62102-40910-70	B05-02	17
62102-41040-01	B05-00	42
62102-41040-02	B05-00	43
62102-41040-02	B05-02	43
62102-41040-03	B05-00	44
62102-41040-04	B05-00	45
62102-41040-05	B05-02	42
62102-41040-06	B05-02	44
62102-41040-07	B05-02	45
62102-41520-00	B05-00	133
62102-41520-00	B05-02	133
62102-41590-01	B05-00	126
62102-41590-01	B05-02	126
62102-41590-02	B05-00	127
62102-41590-02	B05-02	127
62102-41590-03	B05-00	128
62102-41590-03	B05-02	128

<b>Part Number</b>	<b>Group No</b>	<b>Sym.</b>
62102-41640-70	B05-00	124
62102-41640-70	B05-02	124
62102-41640-71	B05-00	125
62102-41640-71	B05-02	125
62102-60890-01	B10-00	8
62102-60890-70	B06-00	5
62102-60890-70	B06-02	4
62102-61010-70	B05-00	41
62102-61010-70	B05-02	41
62102-61040-81	B05-00	37
62102-61040-81	B05-02	48
62102-61610-70	B05-00	122
62102-61610-70	B05-02	122
62102-61610-71	B05-00	123
62102-61610-71	B05-02	123
62102-61640-70	B05-00	151
62102-61640-71	B05-00	152
62102-61650-00	B02-00	72
62102-61650-01	B01-00	95
62102-61650-01	B02-00	73
62102-70018-01	B05-00	150
62102-70018-01	B05-02	150
62102-70027-05	B06-00	6
62102-70027-05	B06-02	5
62102-70028-01	B05-00	34
62102-70028-01	B05-02	34
62102-70028-02	B05-00	35
62102-70028-02	B05-02	35
62102-70028-02	B10-00	31
62102-70038-01	B05-00	129
62102-70038-01	B05-02	129
62102-70038-04	B05-00	129
62102-70038-04	B05-02	129
62102-70038-05	B05-00	129
62102-70038-05	B05-02	129
62102-70047-71	B06-00	2
62102-70047-71	B06-02	2
62102-70047-72	B06-00	1
62102-70047-72	B06-02	1
62102-70047-73	B06-00	3
62102-70047-73	B06-02	3
62102-71000-70	B05-00	1
62102-71000-70	B05-02	1
62102-71030-70	B05-02	24
62102-71040-70	B05-00	47
62102-71040-70	B05-02	47
62102-71050-70	B05-00	46
62102-71050-70	B05-02	46
62102-71060-70	B05-00	49
62102-71060-70	B05-02	49
62102-71650-00	B01-00	94
62102-80010-22	B05-00	22
62102-80010-22	B05-02	22
62102-80010-23	B05-02	23
62102-80160-70	B05-00	120
62102-80160-70	B05-02	120
62102-80160-71	B05-00	121
62102-80160-72	B05-00	153
62102-80160-72	B05-02	153
62102-80300-70	B05-00	11
62102-80310-70	B05-00	5
62102-80320-70	B05-00	213
62102-80320-71	B05-00	214
62102-80340-70	B05-00	202
62102-80340-70	B05-02	202
62102-80350-70	B05-00	79
62102-80360-70	B05-00	78
62102-80390-81	B05-00	2
62102-80500-70	B05-00	16
62102-80500-70	B05-02	16

<b>Part Number</b>	<b>Group No</b>	<b>Sym.</b>
62102-80500-71	B05-00	25
62102-80510-70	B05-00	205
62102-80510-70	B05-02	205
62102-80510-71	B05-00	206
62102-80510-71	B05-02	206
62102-80510-74	B05-00	208
62102-80510-75	B05-00	207
62102-80510-75	B05-02	207
62102-80510-83	B05-00	201
62102-80510-83	B05-02	201
62102-80550-70	B05-00	3
62102-80550-70	B05-02	3
62102-80650-70	B05-00	10
62102-80800-70	B05-00	93
62102-80810-70	B05-00	211
62102-80810-71	B05-00	212
62102-80850-70	B05-00	4
62102-81220-01	B05-00	170
62102-81220-01	B05-02	170
62102-81220-02	B05-00	171
62102-81220-02	B05-02	171
62102-81220-04	B05-00	173
62102-81220-05	B05-00	172
62102-81220-05	B05-02	172
62102-90160-70	B05-02	121
62102-90370-70	B05-00	174
62102-90370-70	B05-02	7
62102-90380-70	B05-00	176
62102-90380-71	B05-00	177
62102-90380-72	B05-02	178
62102-90390-70	B05-00	175
62102-90390-71	B05-02	2
62102-90390-73	B05-00	2
62102-90390-74	B05-00	9
62102-90390-75	B05-02	2
62102-90390-76	B05-02	9
62102-90390-80	B05-00	9
62102-90390-90	B05-02	9
62102-90400-70	B05-00	183
62102-90410-70	B05-00	182
62102-90420-70B	B05-02	8
62102-90430-70B	B05-02	300
62102-90500-01	B05-00	184
62102-90500-70	B05-00	78
62102-90500-70	B05-02	93
62102-90500-71	B05-02	25
62102-90510-70	B05-00	217
62102-90510-70	B05-02	217
62102-90510-71	B05-02	218
62102-90510-74	B05-02	216
62102-90510-75	B05-02	208
62102-90550-70	B05-02	4
62102-90550-90	B05-00	5
62102-90550-90	B05-02	5
62102-90880-80	B05-00	6
62102-90880-80	B05-02	6
62102-90880-81	B05-00	12
62102-90880-82	B05-02	12
62102-90880-85	B05-00	2
62102-90880-86	B05-00	6
62102-90880-86	B05-02	6
62102-90880-87	B05-00	9
62102-90880-88	B05-00	12
62102-90880-89	B05-02	2
62102-90880-90	B05-02	9
62102-90880-91	B05-02	12
62102-91510-71	B05-00	218
62102-91610-70	B05-00	122
62102-91610-70	B05-02	122
62102-91610-71	B05-00	123

Part Number	Group No	Sym.
62102-91610-71	B05-02	123
62121-60020-08Y	W01-00	72
62121-60020-08Y	W01-00	72
62121-60030-70Y	W01-00	71
62121-60030-70Y	W01-00	71
62121-60050-77Y	W01-00	73
62121-60050-77Y	W01-00	73
62201-90010-01	A12-00	6
62201-90010-01	A12-01	6
62201-90010-02	A12-00	7
62201-90010-02	A12-01	7
62201-90010-04	A12-00	9
62201-90010-04	A12-01	9
62201-90010-06	A12-00	10
62201-90010-06	A12-01	10
62201-90010-07	A12-00	11
62201-90010-07	A12-01	11
62201-90010-08	A12-00	12
62201-90010-08	A12-01	12
62201-90010-09	A12-00	13
62201-90010-09	A12-01	13
62201-90010-10	A12-00	14
62201-90010-10	A12-01	14
62201-90010-11	A12-00	15
62201-90010-11	A12-01	15
62201-90010-12	A12-00	16
62201-90010-12	A12-01	16
62201-90010-13	A12-00	17
62201-90010-13	A12-01	17
62201-90010-14	A12-00	18
62201-90010-14	A12-01	18
62201-90010-16	A12-00	30
62201-90010-16	A12-01	30
62201-90010-22	A12-00	23
62201-90010-22	A12-01	23
62201-90010-23	A12-00	24
62201-90010-23	A12-01	24
62201-90010-24	A12-00	25
62201-90010-24	A12-01	25
62201-90010-25	A12-00	33
62201-90010-25	A12-01	33
62201-90010-32	A12-00	8
62201-90010-32	A12-01	8
62201-90010-33	A12-00	31
62201-90010-33	A12-01	31
62201-90010-35	A12-00	34
62201-90010-35	A12-01	34
62201-90010-36	A12-00	35
62201-90010-36	A12-01	35
62201-90010-70	A12-00	1
62201-90020-70	A12-00	2
62201-90020-70	A12-01	2
62201-90030-70	A12-00	3
62201-90030-71	A12-00	4
62201-90040-70	A12-00	26
62201-90040-71	A12-00	27
62201-90050-70	D19-00	20
62201-90060-70	A12-00	5
62201-90060-70	A12-01	5
62201-90070-70	A12-00	28
62201-90070-70	A12-01	28
62201-90080-01B	A12-00	40
62201-90080-01B	A12-01	40
62201-90080-02	A12-00	41
62201-90080-02	A12-01	41
62201-90080-03	A12-00	42
62201-90080-03	A12-01	42
62201-90080-04	A12-00	43
62201-90080-04	A12-01	43
62201-90080-12	A12-00	44

<b>Part Number</b>	<b>Group No</b>	<b>Sym.</b>
62201-90080-12	A12-01	44
62201-90080-15	A12-00	45
62201-90080-15	A12-01	45
62201-90080-16	A12-00	46
62201-90080-16	A12-01	46
62201-90080-17	A12-00	47
62201-90080-17	A12-01	47
62201-90080-18	A12-00	48
62201-90080-18	A12-01	48
62201-90080-19	A12-00	49
62201-90080-19	A12-01	49
62201-90080-20	A12-00	50
62201-90080-20	A12-01	50
62201-90090-01	A12-00	81
62201-90090-01	A12-01	81
62201-90090-02	A12-00	80
62201-90130-70	A12-01	3
62201-90130-71	A12-01	4
62201-90140-70	A12-01	26
62201-90140-71	A12-01	27
62201-90210-17	A12-00	19
62201-90210-17	A12-01	19
62201-90210-18	A12-00	20
62201-90210-18	A12-01	20
62201-90210-19	A12-00	21
62201-90210-19	A12-01	21
62201-90210-20	A12-00	22
62201-90210-20	A12-01	22
62201-90210-30	A12-00	32
62201-90210-30	A12-01	32
62201-90210-38	A12-00	19
62201-90210-38	A12-01	19
62201-90210-40	A12-00	20
62201-90210-40	A12-01	20
62201-90210-70	A12-01	1
62201-90240-01	D19-00	21
62201-91010-08	A12-00	12
62201-91010-08	A12-01	12
62201-91010-09	A12-00	13
62201-91010-09	A12-01	13
62201-91010-10	A12-00	14
62201-91010-10	A12-01	14
62201-91010-11	A12-00	15
62201-91010-11	A12-01	15
62201-91010-12	A12-00	16
62201-91010-12	A12-01	16
62201-91010-13	A12-00	17
62201-91010-13	A12-01	17
62201-91010-14	A12-00	18
62201-91010-14	A12-01	18
62201-91010-16	A12-00	30
62201-91010-16	A12-01	30
62201-91010-22	A12-00	23
62201-91010-22	A12-01	23
62201-91010-23	A12-00	24
62201-91010-23	A12-01	24
62201-91010-33	A12-00	31
62201-91010-33	A12-01	31
62201-91010-35	A12-00	34
62201-91010-35	A12-01	34
62201-91010-36	A12-00	35
62201-91010-36	A12-01	35
62201-91010-70	A00-00	7
62201-91010-75	A00-00	8
62201-91010-80	A00-00	9
62201-91010-85	A00-00	10
62201-94090-02	A12-01	80
62202-90000-14	W01-00	23
62202-90000-14	W01-00	23
62202-90000-15	W01-00	35

Part Number	Group No	Sym.
62202-90000-15	W01-00	35
62202-90000-16	W01-00	37
62202-90000-16	W01-00	37
62202-90000-17	W01-00	38
62202-90000-17	W01-00	38
62202-90000-18	W01-00	47
62202-90000-18	W01-00	47
62202-90000-23	W01-00	46
62202-90000-23	B05-00	221
62202-90000-23	B05-02	221
62202-90000-23	W01-00	46
62202-90014-13	W01-00	9
62202-90014-13	W01-00	9
62202-90014-73	W01-00	8
62202-90014-73	W01-00	8
62202-90050-01	W01-00	6
62202-90050-01	W01-00	6
62202-90120-30	W01-00	60
62202-90120-30	W01-00	60
62202-90120-70	A09-00	2
62202-90120-73	A09-01	2
62202-90130-29	W01-00	12
62202-90130-29	W01-00	12
62202-90310-72	A09-00	1
62202-90320-70	A09-01	1
62202-90400-10	C31-00	4
62202-90400-30	A09-00	3
62202-90400-30	A09-01	3
62202-90450-06	A09-00	17
62202-90450-07	A09-00	12
62202-90450-07	A09-01	12
62202-90450-08	A09-00	13
62202-90450-08	A09-01	13
62202-90450-09	A09-00	14
62202-90450-10	A09-00	25
62202-90450-10	A09-01	25
62202-90450-17	A09-01	17
62202-90450-19	A09-01	14
62202-90460-01	A09-00	18
62202-90460-04	A09-00	21
62202-90460-04	A09-01	21
62202-90460-10	A09-00	15
62202-90460-10	A09-01	15
62202-90460-11	A09-00	16
62202-90460-11	A09-01	16
62202-90460-12	A09-00	19
62202-90460-12	A09-01	19
62202-90460-13	A09-00	20
62202-90460-13	A09-01	20
62202-90460-22	A09-01	18
62202-90460-23	A09-01	26
62202-90481-01	C31-00	23
62202-90481-02	C31-00	22
62202-90481-03	C31-00	24
62202-90481-05	C31-00	25
62202-90481-07	C31-00	29
62202-90481-08	C31-00	21
62202-90495-01	C31-00	2
62202-90495-02	C31-00	6
62202-90495-03	C31-00	10
62202-90495-04	C31-00	3
62202-90495-07	C31-00	1
62202-90600-00	C32-00	1
62202-90600-02	C32-00	2
62202-90600-04	C32-00	4
62202-90600-05	C32-00	5
62202-90600-12	C32-00	12
62202-90700-05	W01-00	21
62202-90700-05	W01-00	21
62202-90700-19	W01-00	3

<b>Part Number</b>	<b>Group No</b>	<b>Sym.</b>
62202-90700-19	W01-00	3
62202-90700-32	W01-00	32
62202-90700-32	W01-00	32
62202-90700-33	W01-00	33
62202-90700-33	W01-00	33
62202-90710-01	W01-00	4
62202-90710-01	W01-00	4
62202-90711-01Y	W01-00	1
62202-90711-01Y	W01-00	1
62202-90720-01	W01-00	2
62202-90720-01	W01-00	2
62202-90720-05	W01-00	44
62202-90720-05	W01-00	44
62202-90721-01Y	W01-00	4
62202-90721-01Y	W01-00	4
62202-90730-01	W01-00	1
62202-90730-01	W01-00	1
62202-90740-01Y	W01-00	2
62202-90740-01Y	W01-00	2
62202-90740-03	W01-00	5
62202-90740-03	W01-00	5
62202-90740-05	W01-00	61
62202-90740-05	W01-00	61
62202-90800-02Y	W01-00	62
62202-90800-02Y	W01-00	62
62202-90800-10Y	W01-00	63
62202-90800-10Y	W01-00	63
62202-90801-02Y	W01-00	62
62202-90801-02Y	W01-00	62
62202-91014-05	W02-00	2
62202-91014-09	W02-00	3
62202-91014-16	W02-00	11
62202-91014-71	W01-00	19
62202-91014-71	W01-00	19
62202-91014-72	W01-00	27
62202-91014-72	W01-00	27
62202-91014-74Y	W01-00	64
62202-91014-74Y	W01-00	64
62202-91014-75	W02-00	10
62202-91015-01B	W02-00	8
62202-91015-11	W02-00	4
62202-91015-12	W02-00	5
62202-91015-13	W02-00	9
62202-91015-14	W02-00	6
62202-91015-15	W02-00	7
62202-91016-70	W02-00	1
62202-97000-07	W01-00	26
62202-97000-07	W01-00	26
62202-97000-08	W01-00	28
62202-97000-08	W01-00	28
62202-97000-09	W01-00	25
62202-97000-09	W01-00	25
62202-97000-10	W01-00	18
62202-97000-10	W01-00	18
62202-97000-55	W01-00	17
62202-97000-55	W01-00	17
62204-90250-01	B10-00	4
62204-90250-02	B10-00	10
62204-90250-03	B10-00	10
62204-90250-05	B10-00	14
62204-90260-71	B10-00	3
62204-90260-72	B10-00	5
62204-90260-73	B10-00	6
62204-90260-74	B10-00	25
62204-90260-90	B10-00	1
62204-90260-91	B10-00	19
62204-90260-92	B10-00	20
62204-90260-95	B10-00	30
62204-90270-70	B10-00	2
62305-60010-14	F03-00	19

Part Number	Group No	Sym.
62305-80020-03	F03-00	18
62305-80020-05	F03-00	13
62305-90020-00	F01-00	*
62305-90020-01	F03-00	1
62305-90020-02	F03-00	2
62305-90020-03	F03-00	9
62305-90020-04	F03-00	10
62305-90020-05	F03-00	5
62305-90020-06	F03-00	6
62305-90020-07	F01-00	1
62305-90020-08	F01-00	2
62305-90020-10	E05-00	13
62309-60110-03	F01-00	8
62309-60110-03	E21-00	11
62309-70037-01	F02-00	8
62309-70278-01	F02-00	26
62309-90000-10	F02-00	20
62309-90000-11	F02-00	22
62309-90016-01	F02-00	21
62309-90020-09	F02-00	4
62309-90027-31	F02-00	31
62309-90027-34	F02-00	34
62309-90027-38	F02-00	28
62309-90027-50	F02-00	20
62309-90027-51	F02-00	24
62309-90028-01	F02-00	2
62309-90028-02	F02-00	3
62309-90030-70	F02-00	1
62310-80100-04	D19-00	4
62310-80100-05	D19-00	5
62310-80150-70	D19-00	1
62310-80150-71	D19-00	2
62310-80160-70	D19-00	3
62310-90100-04	D19-00	11
62310-90100-05	D19-00	12
62310-90100-06	D19-00	4
62310-90100-07	D19-00	5
62310-90150-70	D19-00	31
62310-90150-71	D19-00	32
62312-61320-71	G02-00	12
62312-61320-81	G02-00	11
62312-61360-00	G02-00	13
62312-90340-01	G02-00	1
62312-90340-02	G02-00	2
62312-90340-03	G02-00	3
62312-90340-04	G02-00	4
62312-90340-05	G02-00	5
62312-90340-06	G02-00	6
62312-90340-07	G02-00	7
62312-90340-08	G02-00	8
62312-90340-20	G02-00	19
62312-90340-21	G02-00	20
62312-90340-22	G02-00	21
62312-90340-22	G02-01	3
62312-90340-23	G02-00	22
62312-90340-24	G02-01	2
62312-90340-25	G02-01	4
62312-90340-26	G02-01	1
62321-10020-50	G04-00	1
62321-10020-50	G04-01	1
62321-90020-50	G04-00	1
62321-90020-50	G04-01	1
62322-40710-00	G01-00	16
62322-40710-00	G01-01	16
62322-40720-00	G01-00	34
62322-40720-00	G01-01	34
62322-60530-80	G01-00	15
62322-60620-68	G01-00	13
62322-60620-68	G01-01	13
62322-60720-00	G01-00	12



Part Number	Group No	Sym.
62322-60720-00	G01-01	12
62322-60730-70	G01-00	38
62322-60730-71	G01-01	38
62322-60740-80	G04-00	11
62322-60740-80	G04-01	11
62322-61000-70	G01-00	1
62322-61000-70	G01-01	1
62322-61000-80	G01-00	2
62322-61000-80	G01-01	2
62322-61110-14	G01-00	72
62322-61110-14	G01-01	72
62322-61110-70	G01-00	71
62322-61110-70	G01-01	71
62322-61120-71	G01-00	70
62322-61120-71	G01-01	70
62322-80620-70	G01-00	25
62322-80620-70	G01-01	25
62322-80660-70	G01-00	30
62322-80660-70	G01-01	30
62322-80670-70	G01-00	31
62322-80670-70	G01-01	31
62322-80680-70	G01-00	32
62322-80680-70	G01-01	32
62322-90010-03	G04-00	34
62322-90010-03	G04-01	34
62322-90010-04	G01-00	4
62322-90010-04	G01-01	4
62322-90010-05	G01-00	5
62322-90010-05	G01-01	5
62322-90010-08	G01-00	8
62322-90010-08	G01-01	8
62322-90010-10	G01-00	10
62322-90010-10	G01-01	10
62322-90010-13	G04-00	34
62322-90010-13	G04-01	34
62322-90010-19	G01-00	19
62322-90010-19	G01-01	19
62322-90010-21	G01-00	21
62322-90010-21	G01-01	21
62322-90010-23	G04-00	35
62322-90010-23	G04-01	35
62322-90010-24	G01-00	24
62322-90010-24	G01-01	24
62322-90010-27	G01-00	27
62322-90010-27	G01-01	27
62322-90010-28	G01-00	28
62322-90010-28	G01-01	28
62322-90010-57	G01-00	17
62322-90010-57	G01-01	17
62322-90010-62	G01-00	62
62322-90010-62	G01-01	62
62322-90010-65	G01-00	65
62322-90010-65	G01-01	65
62322-90010-66	G01-00	62
62322-90020-70	G01-00	6
62322-90020-71	G01-00	7
62322-90030-71	G04-00	38
62322-90030-81	G04-01	4
62322-90040-70	G01-00	14
62322-90100-20	G01-01	20
62322-90100-23	G01-01	23
62322-90100-36	G04-00	36
62322-90110-06	G01-01	6
62322-90110-07	G01-01	7
62322-90110-09	G01-01	9
62322-90110-15	G01-01	15
62322-90200-00	G01-00	85
62322-90200-00	G01-01	85
62322-90200-01	G01-00	82
62322-90200-01	G01-01	82

Part Number	Group No	Sym.
62322-90200-02	G01-00	83
62322-90200-02	G01-01	83
62322-90200-03	G01-00	88
62322-90200-03	G01-01	88
62322-90210-70	G01-00	87
62322-90210-70	G01-01	87
62322-90730-70	G01-00	48
62322-90730-70	G01-01	48
62332-30100-35	G10-00	27
62332-30100-38	G10-00	22
62332-60100-39	G10-00	23
62332-80100-01	G10-00	10
62332-80100-02	G10-00	11
62332-80100-03	G10-00	12
62335-70060-82	G10-00	1
62335-70060-83	G10-00	1
62335-90020-01	G10-00	13
62348-30030-21	G04-00	8
62348-30030-21	G04-01	6
62348-30030-22	G04-00	51
62348-30030-22	G04-01	51
62348-30030-23	G04-00	52
62348-30030-23	G04-01	52
62348-30030-24	G04-00	53
62348-30030-24	G04-01	53
62348-30030-26	M02-00	30
62348-30030-26	M02-01	30
62348-61030-05	G01-00	84
62348-61030-05	G01-01	84
62348-61030-05	G04-00	3
62348-61030-05	G04-01	3
62348-61100-21	G04-00	2
62348-61100-21	G04-01	55
62348-90017-06	G04-01	22
62348-90018-01	G04-01	2
62348-90018-03A	G04-01	9
62348-90100-01	G04-00	9
62348-90100-02	G04-00	10
62348-90100-02	G04-01	10
62348-90100-13	G04-00	13
62348-90100-13	G04-01	13
62348-90100-22	G04-01	56
62348-90100-22B	G04-00	22
62348-90100-23	G04-00	23
62348-90100-30	G04-00	30
62348-90100-31	G04-00	31
62348-90100-33	G04-00	33
62348-90100-34	G04-00	24
62348-90100-37	G04-00	37
62348-90100-37	G04-01	37
62348-90100-48	G04-00	48
62348-90100-48	G04-01	48
62348-90100-59	G04-00	2
62372-90136-05	C16-00	22
63104-40170-00	D03-00	14
63104-40170-00	D03-02	14
63104-90016-05	D03-00	42
63104-90016-06	D03-00	43
63104-90016-07	D03-00	49
63104-90016-32	D03-00	53
63104-90016-33	D03-00	54
63104-90016-34	D03-00	44
63104-90016-34	D03-00	45
63104-90016-36	D03-00	47
63104-90016-37	D03-00	48
63104-90020-03	D03-00	5
63104-90020-04	D03-00	6
63104-90020-09	D03-00	8
63104-90020-09	D03-02	8
63104-90050-01	D03-00	1

<b>Part Number</b>	<b>Group No</b>	<b>Sym.</b>
63104-90050-02	D03-00	2
63104-90050-05	D03-00	3
63104-90050-06	D03-00	23
63104-90050-07	D03-00	4
63104-90050-08	D03-00	7
63104-90110-03	D03-00	3
63104-90110-03	D03-02	3
63104-90110-03	D03-02	68
63104-90110-03	D03-00	52
63104-90110-04	D03-02	4
63104-90110-04	D03-02	44
63104-90110-05	D03-02	5
63104-90110-06	D03-02	6
63104-90110-07	D03-00	7
63104-90110-07	D03-02	7
63104-90110-08	D03-02	1
63104-90110-09	D03-02	2
63104-90116-01	D03-02	41
63104-90116-02	D03-02	42
63104-90116-03	D03-02	43
63104-90116-03	D03-00	41
63104-90116-05	D03-02	45
63104-90116-06	D03-02	46
63104-90116-08	D03-02	48
63104-90116-09	D03-02	49
63104-90116-23	D03-02	63
63104-90116-23	D03-00	46
63104-90116-24	D03-02	64
63104-90116-25	D03-02	65
63104-90116-26	D03-02	66
63104-90116-27	D03-02	67
63104-90116-29	D03-02	71
63104-90116-29	D03-00	50
63104-90116-30	D03-02	73
63104-90116-30	D03-00	51
63104-90116-31	D03-02	74
63104-90116-32	D03-02	72
63104-90120-01	D03-00	1
63104-90120-02	D03-00	2
63104-90120-05	D03-00	5
63104-90120-06	D03-00	6
63104-90120-07	D03-00	4
63104-90120-16	D03-00	16
63104-90120-16	D03-02	16
63104-90120-16	D03-02	56
63104-90120-17	D03-00	17
63104-90120-17	D03-02	17
63104-90120-17	D03-02	57
63104-90120-23	D03-00	23
63104-90120-23	D03-00	55
63104-90220-05	D03-00	33
63104-90220-06	D03-00	34
63104-90220-71	D03-00	31
63104-90220-73	D03-00	32
63108-10730-10	D05-00	5
63108-40130-T1	B02-00	20
63108-40150-00	D20-00	38
63109-10010-01	A07-00	1
63109-10010-01	A07-01	1
63109-10010-02	A07-00	37
63109-10010-02	A07-01	37
63109-10010-03	A10-00	24
63109-70000-01	A21-00	1
63111-80260-01	C03-00	5
63111-80260-01	C03-01	5
63111-90016-16	C03-00	36
63111-90016-16	C03-01	36
63111-90016-24	C16-00	30
63111-90016-25	C16-00	33
63111-90016-26	C16-00	31

Part Number	Group No	Sym.
63111-90016-27	C16-00	32
63111-90018-01	E18-00	8
63111-90018-02	E18-00	9
63111-90116-06	C03-01	8
63113-80010-24	C04-00	24
63113-80010-24	C04-02	24
63113-80046-01	C04-00	2
63113-80046-01	C04-02	2
63113-80100-00	C04-00	18
63113-80100-00	C04-02	18
63113-80150-01	C04-00	1
63113-80150-01	C04-02	1
63113-90010-25	C04-00	24
63113-90010-25	C04-02	24
63113-90017-04	B01-00	100
63113-90017-04	B02-00	100
63113-90017-08	B01-00	101
63113-90017-08	B02-00	101
63113-90017-09	B01-00	102
63113-90017-09	B02-00	102
63113-90046-02	C04-00	2
63113-90046-02	C04-02	2
63113-90049-02	C01-00	30
63113-90150-02	C04-00	1
63113-90150-02	C04-02	1
63113-90379-02A	C01-00	17
63117-90017-05	C04-00	41
63117-90017-06	C04-00	42
63117-90017-07	C04-00	43
63117-90017-08	C04-00	44
63117-90017-09	C04-00	45
63117-90017-10	C04-00	46
63117-90027-01	C04-02	41
63117-90027-02	C04-02	42
63117-90027-03	C04-02	43
63117-90027-04	C04-02	44
63117-90027-05	C04-02	45
63117-90027-06	C04-02	46
63122-70128-03	C04-00	19
63122-70128-03	C04-02	19
63122-70128-04	C04-00	21
63122-70128-04	C04-02	21
63258-30120-70	C10-00	28
63258-90017-01	E21-00	2
63258-90017-02	E21-00	3
63258-90017-03	E21-00	4
63258-90017-04	E21-00	5
63258-90017-06	E21-00	10
63258-90017-07	E21-00	3
63258-90130-02	E21-00	7
63258-90130-03	E21-00	8
63258-90130-80	E21-00	6
63258-90130-85	E21-00	6
63272-60040-80	C10-00	30
63272-90016-01	C16-00	21
63272-90016-02	C16-00	3
63272-90016-04	C16-00	4
63272-90016-10	C16-00	22
63272-90016-14	C16-00	21
63272-90017-01	C16-00	1
63272-90017-02	C16-00	2
63272-90017-03	C16-00	22
63272-90018-10	C16-00	5
63272-90018-11	C16-00	6
63272-90018-12	C16-00	7
63272-90018-13	C16-00	23
63272-90019-01	C16-00	8
63272-90026-06	C16-00	3
63272-90026-08	C16-00	4
63272-90026-12	C16-00	1

Part Number	Group No	Sym.
63272-90026-13	C16-00	2
63272-90028-12	C16-00	6
63272-90028-13	C16-00	7
63272-90028-14	C16-00	7
63272-90136-01	C16-00	3
63272-90136-03	C16-00	4
63285-30040-80	C16-00	10
63304-40030-02	C19-00	13
63304-40030-02	C19-01	13
63304-80027-71	C19-00	1
63304-80027-72	C19-00	2
63304-80027-73	C19-00	3
63304-80027-74	C19-00	4
63304-80027-75	C19-00	5
63304-81020-70	C19-00	*
63304-81020-70	C19-01	*
63304-81020-71	C19-00	*
63304-81020-71	C19-01	*
63304-81020-72	C19-00	*
63304-81020-72	C19-01	*
63304-81020-73	C19-00	*
63304-81020-73	C19-01	*
63304-81020-74	C19-00	*
63304-81020-74	C19-01	*
63304-81020-75	C19-00	*
63304-81020-75	C19-01	*
63304-81027-71	C19-00	1
63304-81027-71	C19-01	3
63304-81027-72	C19-00	2
63304-81027-72	C19-01	2
63304-81027-73	C19-00	3
63304-81027-74	C19-00	4
63304-81027-75	C19-00	5
63304-90019-01	C09-00	15
63304-90019-01	C09-01	15
63304-90027-70	C19-01	1
63304-90027-72	C19-01	4
63304-90030-01	C19-00	7
63304-90030-01	C19-01	8
63308-71027-70	C19-00	6
63308-71027-70	C19-01	9
63314-70238-01	D45-00	33
63314-90016-07	C05-00	70
63314-90016-07	C05-02	70
63314-90017-01	C06-00	17
63314-90017-02	C06-00	20
63336-70028-71	D18-00	4
63336-70049-70	C10-00	16
63336-70058-01	D18-00	19
63336-70058-02	D18-00	20
63336-70058-03	D18-00	21
63336-70058-10	D18-00	24
63336-70058-20	D18-00	23
63336-70058-30	D18-00	13
63336-70058-40	D18-00	14
63336-70058-50	D18-00	15
63336-70058-60	D18-00	16
63336-70058-61	D18-00	17
63336-70058-65	D18-00	18
63336-70058-66	D18-00	22
63336-70058-70	D18-00	1
63336-70058-71	D18-00	2
63355-70116-01	C13-00	5
63355-70126-01	C13-00	1
63355-70126-02	C13-00	1
63406-60100-89	D50-00	16
63406-61260-01	D50-00	9
63406-61260-02	D50-00	10
63406-80100-48	D50-00	20
63406-90100-02	D50-00	3

<b>Part Number</b>	<b>Group No</b>	<b>Sym.</b>
63406-90100-03	D50-00	22
63406-90100-14	D50-00	14
63406-90100-17	D50-00	17
63406-90100-50	D50-00	5
64103-31430-39	C10-00	14
64103-70109-01	E08-00	65
64103-70109-01	E09-00	2
64103-70109-01	E09-01	19
64103-70109-02	E08-00	62
64103-70109-03	E08-00	63
64103-90026-72	C10-00	1
64103-90026-73	C10-00	1
64103-90109-03	E09-00	25
64103-90109-03	E09-01	43
64103-90109-04	E08-00	71
64103-90109-05	E08-00	75
64103-90109-06	E09-00	29
64103-90109-06	E09-01	46
64103-90109-07	E09-00	30
64103-90109-07	E09-01	45
64103-90109-08	C10-00	26
64103-90109-15	E05-00	91
64103-90960-80	E09-00	28
64103-90960-80	E09-01	44
64103-90980-26	E08-00	86
64103-90980-28	E08-00	85
64103-90980-31	E09-01	39
64103-90980-32	E09-01	38
64103-90980-33	E09-01	40
64103-90980-34	E09-01	15
64103-90980-35	E09-01	16
64103-90980-80	E09-00	21
64103-90980-81	E09-00	1
64103-90980-82	E09-01	18
64103-90980-83	E09-00	60
64103-90980-85	E09-01	3
64103-90980-86	E09-01	41
64103-90981-16	E08-00	28
64103-90981-17	E08-00	27
64103-90981-18	E08-00	26
64103-90981-19	E08-00	25
64103-90981-20	E08-00	24
64103-90981-21	E08-00	23
64103-90981-22	E08-00	22
64103-90981-23	E08-00	21
64103-90981-24	E09-00	10
64103-90981-24	E09-01	27
64103-90981-25	E09-00	9
64103-90981-25	E09-01	26
64103-90982-02	E08-00	54
64103-90982-04	E08-00	35
64103-90982-05	E08-00	58
64103-90982-06	E08-00	50
64103-90982-06	E09-00	17
64103-90982-06	E09-01	34
64103-90982-07	E08-00	56
64103-90982-08	E08-00	32
64103-90982-09	E08-00	44
64103-90982-10	E08-00	33
64103-90982-11	E08-00	34
64103-90982-12	E08-00	37
64103-90982-13	E08-00	38
64103-90982-14	E08-00	39
64103-90982-15	E08-00	40
64103-90982-16	E08-00	41
64103-90982-17	E08-00	42
64103-90982-18	E08-00	43
64103-90982-20	E08-00	45
64103-90982-21	E08-00	46
64103-90982-22	E08-00	47

<b>Part Number</b>	<b>Group No</b>	<b>Sym.</b>
64103-90982-23	E08-00	49
64103-90982-24	E08-00	48
64103-90982-25	E08-00	51
64103-90982-26	E08-00	52
64103-90982-27	C10-00	19
64103-90982-28	C10-00	8
64103-90982-29	E08-00	59
64103-90982-29	E09-00	74
64103-90982-30	E09-00	73
64103-90982-30	E09-01	37
64103-90982-31	E09-00	41
64103-90982-31	E09-01	50
64103-90982-32	E09-00	38
64103-90982-32	E09-01	47
64103-90982-33	E09-00	40
64103-90982-33	E09-01	49
64103-90982-34	E09-00	39
64103-90982-34	E09-01	48
64103-90982-36	E09-00	42
64103-90982-36	E09-01	53
64103-90982-37	E09-00	11
64103-90982-37	E09-01	28
64103-90982-38	E09-00	12
64103-90982-38	E09-01	29
64103-90982-39	E09-00	13
64103-90982-39	E09-01	30
64103-90982-40	E09-00	14
64103-90982-40	E09-01	31
64103-90982-41	E09-01	54
64103-90982-42	E09-00	15
64103-90982-42	E09-01	32
64103-90982-43	E09-00	16
64103-90982-43	E09-01	33
64103-90982-46	E08-00	60
64103-90982-47	E08-00	57
64103-90982-48	E08-00	36
64103-90982-50	C10-00	17
64103-90982-51	E08-00	84
64103-90990-70	E08-00	1
64103-90990-71	E08-00	80
64103-91010-70	C10-00	5
64103-91440-33	C10-00	33
64103-91440-35	C10-00	34
64131-61000-18	E01-00	14
64131-61000-18	E02-00	19
64153-70720-12	E05-00	12
64153-70720-56	E05-00	45
64153-70729-01	E05-00	29
64153-70729-02	E05-00	14
64153-70729-03	D45-00	12
64153-80720-55	E05-00	46
64153-90720-56	E05-00	46
64153-90720-57	E05-00	46
64153-90729-01	E05-00	92
64159-10010-T1	E05-00	15
64163-70500-70	C12-00	21
64163-70520-70	C12-00	1
64163-70530-70	C12-00	2
64163-70560-70	C12-00	23
64163-70560-71	C12-00	11
64163-70560-72B	C12-00	13
64163-70560-73B	C12-00	12
64163-70560-74B	C12-00	14
64163-70560-75A	C12-00	16
64163-70560-76A	C12-00	17
64163-70560-77	C12-00	15
64163-70560-78	C12-00	10
64163-70570-02B	C12-00	6
64163-70570-06	C12-00	5
64163-70570-70	C12-00	7

Part Number	Group No	Sym.
64163-70570-71	C12-00	7
64163-70580-70	C12-00	4
64163-70620-70	C12-00	24
64163-90510-70	E05-00	1
64163-90520-70	C12-00	1
64163-90530-71	C12-00	2
64163-90540-70	C12-00	3
64163-90540-71	C12-00	3
64163-90550-70	C12-00	22
64163-90570-01	C12-00	26
64163-90570-02	C12-00	25
64163-90570-03	C12-00	8
64163-90570-72A	C12-00	27
64183-70026-70	E05-00	71
64183-70030-08	E05-00	72
64183-70030-11	E05-00	73
64183-80016-16	E05-00	75
64183-80016-71	E05-00	24
64183-80017-15	E05-00	74
64187-60010-72	E05-00	33
64194-90100-01	E02-00	9
64194-90100-02	E02-00	10
64195-60000-70	E03-00	4
64195-60000-70	E03-01	4
64195-60030-55	E03-00	9
64195-60030-55	E03-01	9
64211-30260-10	E10-00	21
64211-40050-02	E10-00	10
64211-40060-00	E10-00	11
64211-40110-00	E10-00	8
64211-40120-00	E10-00	22
64211-40130-00	E10-00	9
64211-40140-00	E10-00	7
64294-40000-10	E08-00	87
64294-40000-10	E09-00	8
64294-40000-10	E09-01	25
64317-60100-10	C10-00	4
64317-70019-01	E08-00	31
64317-70019-01	E09-00	7
64317-70019-01	E09-01	24
64317-70019-02	E08-00	29
64317-70019-02	E09-00	5
64317-70019-02	E09-01	22
64372-30030-16	E14-00	8
64372-90030-16	E14-00	8
64372-90120-05	E08-00	83
64372-90120-07	E03-01	16
64372-90140-01	E09-00	71
64406-90010-80	E14-00	30
64406-90020-01	F03-00	7
64406-90020-80	E14-00	1
64406-90030-80	E09-00	51
64406-90040-70	E14-00	19
64406-90040-80	E14-00	4
64406-90050-80	E14-00	3
64406-90060-80	E14-00	2
64406-90070-80	E14-00	5
64406-90100-70	E09-00	52
64406-90100-70	E09-01	2
64406-90110-70	E14-00	31
64406-90120-70	E14-00	6
64406-90120-80	E14-00	9
64406-90128-01	E14-00	18
64406-90130-80	E09-01	1
64406-90140-80	E14-00	10
64406-90150-80	E14-00	22
64406-90160-80	E14-00	21
64406-90170-81	E14-00	46
64406-90980-84	E09-00	61
64411-60039-01	E17-00	1



Part Number	Group No	Sym.
64411-60039-01	E17-01	1
64411-70010-77	E17-00	9
64411-70010-77	E17-01	9
64411-70010-78	E17-00	11
64411-70010-78	E17-01	11
64411-90100-70	E17-00	2
64411-90110-70	E17-01	2
64411-90118-01	E17-00	10
64411-90118-01	E17-01	10
64411-90138-01	E14-00	7
64411-90148-01	E09-00	34
64411-90148-01	E09-01	58
64411-90228-01	E14-00	20
64411-90238-01	E14-00	48
64422-70027-90	E14-00	16
64422-70027-90	E14-00	50
64422-70037-90	E14-00	13
64422-70037-90	E14-00	49
64422-90026-70	E14-00	14
64422-90036-70	E14-00	11
64422-90037-70	E14-00	13
64422-90037-70	E14-00	16
64422-90037-71	E14-00	13
64422-90037-72	E14-00	16
64422-90047-70	E14-00	12
64422-90057-70	E14-00	15
64422-90126-70	E14-00	44
64422-90136-70	E14-00	41
64422-90137-70	E14-00	49
64422-90137-70	E14-00	50
64422-90137-71	E14-00	49
64422-90137-72	E14-00	50
64422-90147-70	E14-00	42
64422-90157-70	E14-00	45
64426-60010-03	E01-00	87
64426-60010-03	E08-00	12
64426-60010-03	E09-00	69
64426-60020-03	E08-00	10
64426-60020-03	E09-00	68
65119-60060-40	C10-00	6
65119-90016-01	C09-00	1
65119-90016-01	C09-01	1
65119-90016-011	C09-00	1
65119-90016-011	C09-01	1
65119-90016-012	C09-00	1
65119-90016-012	C09-01	1
65119-90016-013	C09-00	1
65119-90016-013	C09-01	1
65119-90016-014	C09-00	1
65119-90016-014	C09-01	1
65119-90016-015	C09-00	1
65119-90016-015	C09-01	1
65119-90016-016	C09-00	1
65119-90016-016	C09-01	1
65119-90016-017	C09-00	1
65119-90016-017	C09-01	1
65119-90016-018	C09-01	1
65119-90016-019	C09-00	1
65119-90016-019	C09-01	1
65119-90016-02	C09-00	2
65119-90016-02	C09-01	2
65119-90016-021	C09-00	2
65119-90016-021	C09-01	2
65119-90016-022	C09-00	2
65119-90016-022	C09-01	2
65119-90016-023	C09-00	2
65119-90016-023	C09-01	2
65119-90016-024	C09-00	2
65119-90016-024	C09-01	2
65119-90016-025	C09-00	2

Part Number	Group No	Sym.
65119-90016-025	C09-01	2
65119-90016-026	C09-00	2
65119-90016-026	C09-01	2
65119-90016-027	C09-00	2
65119-90016-027	C09-01	2
65119-90016-028	C09-00	2
65119-90016-028	C09-01	2
65119-90016-029	C09-00	2
65119-90016-029	C09-01	2
65119-90016-03	C09-00	3
65119-90016-03	C09-01	3
65119-90016-031	C09-00	3
65119-90016-031	C09-01	3
65119-90016-033	C09-00	3
65119-90016-033	C09-01	3
65119-90016-034	C09-00	3
65119-90016-034	C09-01	3
65119-90016-038	C09-00	3
65119-90016-038	C09-01	3
65119-90016-039	C09-00	3
65119-90016-039	C09-01	3
65119-90016-100	C09-00	1
65119-90016-118	C09-00	1
65119-90016-200	C09-00	2
65119-90016-300	C09-00	3
65119-90017-01	C09-00	4
65119-90017-01	C09-01	4
65119-90017-02	C09-00	5
65119-90017-02	C09-01	5
65119-90017-03	C09-00	6
65119-90017-03	C09-01	6
65119-90026-05	C08-00	3
65119-90026-06	C08-00	3
65119-90026-07	C08-00	3
65119-90026-08	C08-00	3
65119-90029-01	C08-00	5
65119-90029-01	C08-01	5
65119-90046-01	C09-00	14
65119-90046-01	C09-01	14
65119-90056-01	C09-00	7
65119-90056-01	C09-01	7
65119-90056-011	C09-00	7
65119-90056-011	C09-01	7
65119-90056-013	C09-00	7
65119-90056-013	C09-01	7
65119-90056-014	C09-00	7
65119-90056-014	C09-01	7
65119-90056-017	C09-00	7
65119-90056-017	C09-01	7
65119-90056-018	C09-00	7
65119-90056-018	C09-01	7
65119-90056-019	C09-00	7
65119-90056-019	C09-01	7
65119-90056-02	C09-00	8
65119-90056-021	C09-00	8
65119-90056-023	C09-00	8
65119-90056-024	C09-00	8
65119-90056-027	C09-00	8
65119-90056-028	C09-00	8
65119-90056-029	C09-00	8
65119-90056-100	C09-00	7
65119-90056-200	C09-00	8
65119-90066-01	C09-00	9
65119-90066-01	C09-01	9
65119-90066-011	C09-00	9
65119-90066-011	C09-01	9
65119-90066-012	C09-00	9
65119-90066-012	C09-01	9
65119-90066-013	C09-00	9
65119-90066-013	C09-01	9

Part Number	Group No	Sym.
65119-90066-014	C09-00	9
65119-90066-014	C09-01	9
65119-90066-015	C09-00	9
65119-90066-015	C09-01	9
65119-90066-016	C09-00	9
65119-90066-016	C09-01	9
65119-90066-017	C09-00	9
65119-90066-017	C09-01	9
65119-90066-018	C09-00	9
65119-90066-018	C09-01	9
65119-90066-019	C09-00	9
65119-90066-019	C09-01	9
65119-90066-02	C09-00	10
65119-90066-02	C09-01	10
65119-90066-021	C09-00	10
65119-90066-021	C09-01	10
65119-90066-022	C09-00	10
65119-90066-022	C09-01	10
65119-90066-023	C09-00	10
65119-90066-023	C09-01	10
65119-90066-024	C09-00	10
65119-90066-024	C09-01	10
65119-90066-025	C09-00	10
65119-90066-025	C09-01	10
65119-90066-026	C09-00	10
65119-90066-026	C09-01	10
65119-90066-027	C09-00	10
65119-90066-027	C09-01	10
65119-90066-028	C09-00	10
65119-90066-028	C09-01	10
65119-90066-029	C09-00	10
65119-90066-029	C09-01	10
65119-90066-100	C09-00	9
65119-90066-200	C09-00	10
65119-90076-01	C08-00	4
65119-90076-01	C08-01	4
65119-90076-02	C08-00	4
65119-90076-02	C08-01	4
65119-90076-03	C08-00	4
65119-90076-04	C08-01	4
65119-90076-05	C08-01	4
65119-90086-01	C08-00	3
65119-90086-01	C08-01	3
65119-90086-02	C08-00	3
65119-90086-02	C08-01	3
65119-90086-03	C08-00	3
65119-90086-04	C08-01	3
65119-90086-05	C08-01	3
65161-90017-01	C09-00	11
65161-90017-01	C09-01	11
65161-90017-02	C09-00	12
65161-90017-02	C09-01	12
65161-90017-03	C09-00	13
65161-90017-03	C09-01	13
72036-00180-01	A07-00	23
72036-00180-01	A07-01	23
72041-00080-00	A08-00	20
72041-00080-00	A14-00	9
72041-00080-10	A08-00	21
72041-00080-10	A14-00	10
72041-00080-13	A08-00	22
72041-00080-14	A08-00	23
72323-00050-02	G01-00	18
72323-00050-02	G01-01	18
72325-00130-03	G01-00	61
73103-90000-01	D02-00	1
73103-90000-02	D02-00	1
73103-90000-03	D02-00	3
73108-00050-05	C04-00	16
73108-00050-05	C04-02	16

Part Number	Group No	Sym.
73108-01260-00	D20-00	12
73109-00160-03	C30-00	1
73109-00160-03	C33-00	1
73302-00050-00	C19-00	8
73302-00050-00	C19-01	5
74121-00300-81	E10-00	5
74121-00310-80	E10-00	6
74121-00320-06	E10-00	19
74121-00320-15	E10-00	20
74121-00320-80	E10-00	2
74121-00320-81	E10-00	1
74121-00330-72	E10-00	3
74139-60020-73	E22-00	2
81.06106-0010	F10-00	*
81.06106-0010	Z16-00	34
81.06110-0020	F10-00	*
81.06110-0020	Z16-00	36
81.06110-0030	F10-00	*
81.06110-0030	Z16-00	44
81.06302-5525	F10-00	*
81.06302-5525	Z16-00	35
81.06660-6058	Z01-00	51
81.06664-6021	Z01-00	27
81.06668-0006	Z01-00	45
81.06670-6002	Z01-00	50
81.06670-6003	Z01-00	46
81.08401-6220	Z15-00	4
81.15101-0296	N05-00	43
81.15101-0296	N05-01	43
81.15110-0296	N05-00	14
81.15110-0296	N05-01	14
81.15110-0316	N05-00	44
81.15110-0316	N05-01	44
81.15204-0030	N05-00	41
81.15204-0030	N05-01	41
81.15204-0409	N05-00	2
81.15204-0409	N05-01	2
81.15204-6057	N05-00	3
81.15204-6057	N05-00	40
81.15204-6057	N05-01	3
81.15204-6057	N05-01	40
81.15210-0074	N05-00	42
81.15210-0074	N05-01	42
81.15501-0876	N05-00	18
81.15501-0876	N05-01	18
81.25435-6494	E09-00	57
81.25435-6494	E09-01	7
81.25509-0050	V01-00	14
81.25509-0069	V01-00	11
81.25509-0119	V01-00	10
81.25902-6157	E09-00	22
81.25902-6157	E09-01	42
81.25907-0253	E09-01	35
81.26101-6084	Z10-00	2
81.27421-0151	Z09-00	75
81.45503-0049	D09-00	7
81.46113-0070	V01-00	24
81.46113-0085	V01-00	2
81.46113-0094	V01-00	3
81.46113-0095	V01-00	4
81.46118-0049	V01-00	25
81.46122-6123	V01-00	20
81.46430-6021	V01-00	22
81.46431-0013	V01-00	23
81.47303-0039	Z01-00	47
81.52120-0027	F10-00	*
81.52120-0027	Z16-00	31
81.52120-0029	F10-00	*
81.52120-0029	Z16-00	32
81.90713-0692	N05-00	9

Part Number	Group No	Sym.
81.90713-0692	N05-01	9
81.95820-0267	Z10-00	3
81.96210-0101	N05-00	11
81.96210-0101	N05-01	11
81.96210-0247	N05-00	20
81.96210-0247	N05-01	20
81.96301-0551	F10-00	*
81.96301-0551	Z16-00	27
81.96301-0594	F04-00	3
81.96301-0657	F04-00	4
81.96305-0092	F10-00	*
81.96305-0092	Z16-00	28
81.96305-0110	F10-00	*
81.96305-0110	Z16-00	33
81.96305-0124	F10-00	*
81.96305-0124	Z16-00	25
81.96305-0125	F10-00	*
81.96305-0125	Z16-00	26
81.96410-0614	C10-00	31
81.96420-0436	V01-00	1
81.96420-0503	Z15-00	17
81.97005-0047	V01-00	28
81.97005-0048	V01-00	27
81.97420-0076	N05-00	38
81.97420-0076	N05-01	38
81.97420-0157	N05-00	39
81.97420-0157	N05-01	39
81.97602-0729	V01-00	29
81.97802-2415	E05-00	2
81.98110-0044	Z01-00	9
81.98110-0046	Z01-00	8
81.98112-0108	Z01-00	12
81.98130-0398	Z01-00	22
81.98130-0473	Z01-00	1
81.98130-6037	Z06-00	15
81.98130-6038	Z06-00	16
88.15640-0007	N05-00	32
88.15640-0007	N05-01	32
A70400300-001	C05-00	40
A70400300-001	C05-02	40
H50100340-000	C05-00	55
H50100340-000	C05-02	55
J3200422-0001	C03-00	35
J3200422-0001	C03-01	35
MA224804	E11-00	8
MA242036	B05-00	56
MA242036	B05-02	56
MA248353	E03-00	3
MA248353	E03-01	3
MA275667	C10-00	12
MA275702	E11-00	12
MA275707	F03-00	14
MA275709	F03-00	15
MA275717	D20-00	39
MA275717	B09-00	19
MA275717	Z16-00	39
MA275722	D20-00	41
MA275729	E11-00	15
MA275753	E11-00	3
MA275754	B09-00	35
MA275755	Z08-00	10
MA275757	E08-00	14
MA275757	E09-00	65
MA275761	F03-00	11
MA275765	M02-00	34
MA275765	M02-01	34
MA275765	E09-01	11
MA276132	E08-00	61
MA276132	E09-00	72
MA276132	E09-01	36

Part Number	Group No	Sym.
MA277895	C16-00	11
MA277895	C19-00	9
MA277895	C19-01	6
MB049777	B01-00	87
MB049777	B02-00	55
MB106791	D01-00	4
MB140941	E11-00	11
MC090065	D09-00	6
MC116316	F04-00	9
MC116317	F04-00	8
MC201183	B05-00	104
MC201183	B05-02	104
MC204625	B05-00	61
MC204625	B05-02	61
MC208910	D01-00	3
MC211379	B05-00	31
MC211379	B05-02	31
MC223517	Z08-00	30
MC223676	D20-00	34
MC223680	D20-00	42
MC223681	D20-00	36
MC223682	D20-00	37
MC223684	D20-00	40
MC223687	D20-00	35
MC223693	D20-00	43
MC236856	D50-00	21
MC240714	D50-00	6
MC241378	D13-00	14
MC241379	D13-00	15
MC241380	D13-00	13
MC241381	D13-00	8
MC241382	D13-00	9
MC241383	D13-00	10
MC241384	D13-00	11
MC241390	D13-00	7
MC241391	D13-00	5
MC252600	A05-00	8
MC252600	A05-01	8
MC252639	Z08-00	8
MC252640	Z08-00	7
MC254848	A10-00	42
MC254863	A10-00	29
MC254864	A10-00	36
MC255026	A10-00	75
MC255108	A10-00	31
MC255121	A10-00	38
MC255123	A10-00	49
MC255157-01	A10-00	40
MC255472	A10-00	62
MC256527	A07-00	63
MC256527	A07-01	63
MC256528	A07-00	64
MC256528	A07-01	64
MC256947	A10-00	120
MC256948	A10-00	121
MC256971	A10-00	61
MC257149	B01-00	85
MC258338-02	C35-00	6
MC258503-00	C03-00	23
MC258503-00	C03-01	23
MC258503-03	W01-00	7
MC258503-03	C35-00	4
MC258503-03	B20-00	6
MC258503-03	B21-00	5
MC258503-03	A09-00	43
MC258503-03	A09-01	43
MC258503-03	W01-00	7
MC258530	C30-00	5
MC258530	C31-00	14
MC258530	C32-00	7

Part Number	Group No	Sym.
MC258530	C33-00	6
MC258690	A10-00	79
MC258721	B01-00	91
MC258721	B02-00	58
MC258722	B01-00	92
MC258722	B02-00	59
MC258725	B01-00	83
MC258725	B02-00	53
MC258726	B01-00	86
MC258726	B02-00	54
MC258727	B02-00	18
MC258735	B02-00	19
MC259000	B01-00	54
MC259073	B01-00	82
MC259073	B02-00	52
MC259203	D01-00	8
MC259204	D01-00	9
MC259317-07	D04-00	9
MC259527	M01-00	4
MC268758	D05-00	26
MC271115-00	D04-00	13
MC271380-00	D04-00	12
MC272544	A10-00	58
MC272875	D05-00	36
MC273570	B01-00	84
MC274554	A05-00	1
MC274554	A05-01	1
MC281681	D01-00	1
MC281682	D01-00	1
MC292119	G01-00	47
MC292119	G01-01	47
MC323621-03	D05-00	23
MC324121	B05-00	203
MC324121	B05-02	203
MC324934-27	D04-00	14
MC327717	E10-00	4
MC327840-01	E11-00	9
MC327840-02	E11-00	10
MC327840-05	E11-00	13
MC327841-02	E11-00	7
MC329011	G04-00	50
MC329011	G04-01	50
MC329057	G01-00	26
MC329057	G01-01	26
MC329063	G01-00	86
MC329063	G01-01	86
MC329280	G02-00	14
MC329280	G02-00	18
MC329280	G02-01	6
MC335076	C12-00	14
MC335079	C12-00	17
MC336085-03	E11-00	2
MC336434	C01-00	17
MC339638-05	D01-00	14
MC339638-05	C01-00	22
MC339638-05	C12-00	28
MC340539	D13-00	12
MC340669	D13-00	6
MC360013	Z08-00	14
MC372031	Z08-00	14
MC373563	D11-00	1
MC373565	D11-00	1
MC373935	D11-00	12
MC375296	B05-00	180
MC375296	B05-02	180
MC375615	B05-00	181
MC375615	B05-02	181
MC375615	B10-00	7
MC381016	B05-00	176
MC381016	B05-02	176

Part Number	Group No	Sym.
MC386099	B02-00	46
MC386109	B05-00	64
MC386109	B05-02	64
MC390600+533	C30-00	8
MC390600-533	C33-00	9
MC393410-01	G01-00	81
MC393410-01	G01-01	81
MC393410-01	G04-00	54
MC393410-01	G04-01	54
MC395122	C01-00	15
MC395232	M02-00	8
MC395232	M02-01	8
MC395260	D20-00	44
MC395296	D05-00	35
MC395366	B01-00	46
MC395401	C13-00	2
MC395445	C30-00	6
MC395445	C33-00	7
MC395448	C31-00	15
MC395448	C32-00	6
MC395920	D04-00	21
MC398009	A05-00	19
MC398009	A05-01	7
MC398914	E11-00	14
MC398915	E11-00	14
MC398915	B09-00	24
MC857394	C10-00	13
MF100025	M02-00	15
MF100025	M02-01	15
MF100027	Z08-00	11
MF100027	M01-00	7
MF100027	F02-00	35
MF100027	D13-00	20
MF100027	Z16-00	46
MF100029	Z10-00	12
MF100029	B01-00	89
MF100033	B09-00	28
MF100051	F02-00	9
MF100053	E22-00	3
MF100053	D08-00	6
MF100055	F02-00	13
MF100055	B02-00	31
MF100055	B04-00	12
MF100055	B10-00	11
MF100057	M01-00	16
MF100057	B02-00	63
MF100057	B04-00	4
MF100059	Z16-00	37
MF100083	Z08-00	16
MF100083	A12-00	29
MF100083	A12-01	29
MF100091	M02-00	9
MF100091	M02-01	9
MF100116	F02-00	10
MF101227	B01-00	12
MF101255	E10-00	14
MF101257	F01-00	4
MF101263	F02-00	23
MF101285	D13-00	17
MF101285	B01-00	14
MF101312	D11-00	8
MF101344	F02-00	16
MF101348	D13-00	24
MF10312	Z10-00	18
MF104885	Z16-00	52
MF106118	N05-00	21
MF106118	N05-01	21
MF133060	Z16-00	45
MF140258	Z08-00	16
MF200027	G02-00	15



Part Number	Group No	Sym.
MF200027	D45-00	26
MF200027	C05-00	16
MF200027	C05-02	16
MF200029	D13-00	16
MF200053	E01-00	5
MF200057	C35-00	36
MF200075	B01-00	90
MF200075	B05-00	105
MF200075	B05-02	105
MF200076	B10-00	17
MF200077	D13-00	36
MF200079	C13-00	7
MF200079	B05-00	66
MF200079	B05-02	66
MF200083	B09-00	20
MF200088	F02-00	38
MF200155	C05-00	30
MF200155	C05-02	30
MF200180	B02-00	61
MF200183	B01-00	88
MF200183	B02-00	60
MF201554	C16-00	39
MF201692	C16-00	26
MF399004	C23-00	4
MF399104	M02-00	16
MF399104	M02-01	16
MF430002	D45-00	27
MF430003	E01-00	6
MF430004	Z08-00	12
MF430004	Z10-00	19
MF430004	E01-00	10
MF430004	B09-00	44
MF430004	Z16-00	48
MF430005	Z08-00	22
MF430005	M01-00	17
MF430005	E22-00	6
MF430005	B01-00	21
MF430005	B02-00	29
MF430005	B04-00	5
MF430005	B10-00	12
MF430006	Z08-00	17
MF430006	M01-00	13
MF430006	M02-00	11
MF430006	M02-01	11
MF430006	C08-00	9
MF430006	C08-01	9
MF430006	B01-00	96
MF430006	B02-00	74
MF430007	R01-00	16
MF430007	R01-02	16
MF430007	N05-00	24
MF430007	N05-01	24
MF430007	M02-00	21
MF430007	M02-01	21
MF430007	F02-00	11
MF430007	D11-00	7
MF430008	F02-00	17
MF430008	D13-00	25
MF430121	R01-00	14
MF430121	R01-02	14
MF430845	R01-00	18
MF430845	R01-02	18
MF430845	B01-00	42
MF430845	B02-00	42
MF434105	Z08-00	17
MF445241	Z16-00	40
MF450002	C05-00	31
MF450002	C05-02	31
MF450002	C13-00	4
MF450003	B05-00	83

Part Number	Group No	Sym.
MF450003	B05-02	83
MF450004	M01-00	22
MF450004	F02-00	36
MF450004	E01-00	11
MF450004	D13-00	42
MF450004	C13-00	9
MF450004	B02-00	62
MF450004	B05-00	68
MF450004	B05-02	68
MF450005	R01-00	13
MF450005	R01-02	13
MF450005	F02-00	14
MF450005	E22-00	5
MF450005	D18-00	12
MF450005	B01-00	19
MF450005	B01-00	98
MF450005	B02-00	25
MF450005	B02-00	78
MF450005	B04-00	7
MF450005	B05-00	62
MF450005	B05-02	62
MF450005	B10-00	13
MF450006	N05-00	9
MF450006	N05-01	9
MF450006	M01-00	12
MF450006	M02-00	12
MF450006	M02-01	12
MF450006	D13-00	39
MF450006	B01-00	15
MF450006	B02-00	26
MF450007	R01-00	15
MF450007	R01-02	15
MF450007	F02-00	7
MF450008	F02-00	18
MF450009	R01-00	19
MF450009	R01-02	19
MF450012	D13-00	19
MF450153	B05-00	65
MF450153	B05-02	65
MF450154	F01-00	5
MF450154	E10-00	13
MF450154	B05-00	106
MF450154	Z16-00	38
MF450155	C08-00	7
MF450155	C08-01	7
MF450192	D19-00	10
MF450192	C10-00	11
MF450273	B09-00	33
MF450402	D13-00	40
MF450402	C13-00	3
MF450403	E01-00	7
MF450403	C10-00	10
MF450404	Z08-00	13
MF450404	M01-00	8
MF450404	F02-00	37
MF450404	D13-00	37
MF450404	C13-00	8
MF450404	B01-00	17
MF450404	B05-00	67
MF450404	B05-02	67
MF450404	B09-00	21
MF450404	Z16-00	47
MF450405	M01-00	18
MF450405	F01-00	6
MF450405	F02-00	15
MF450405	E10-00	12
MF450405	E22-00	4
MF450405	D08-00	7
MF450405	D18-00	11
MF450405	B01-00	20

Part Number	Group No	Sym.
MF450405	B02-00	27
MF450405	B04-00	6
MF450405	B05-00	63
MF450405	B05-02	63
MF450406	M02-00	10
MF450406	M02-01	10
MF450406	D13-00	38
MF450406	C08-00	8
MF450406	C08-01	8
MF450406	B01-00	18
MF450406	B09-00	12
MF450407	Z10-00	1
MF450407	Z10-00	13
MF450407	N05-00	22
MF450407	N05-01	22
MF450407	M02-00	22
MF450407	M02-01	22
MF450407	F02-00	6
MF450407	D11-00	9
MF450408	F02-00	19
MF450408	D13-00	26
MF453015	C31-00	7
MF453016	D11-00	15
MF453017	F03-00	4
MF453019	D19-00	9
MF453029	M02-00	27
MF453029	M02-01	27
MF453031	B05-00	60
MF453031	B09-00	36
MF453033	C03-00	11
MF453033	C03-01	11
MF453033	C16-00	15
MF453034	B05-00	82
MF453034	B05-02	82
MF453079	G02-00	16
MF453079	G02-01	7
MF453079	C03-00	10
MF453079	C03-01	10
MF453093	D08-00	8
MF453612	D45-00	24
MF453612	C30-00	9
MF453612	C33-00	10
MF453615	C03-00	9
MF453615	C03-01	9
MF453628	B20-00	8
MF453903	E03-00	5
MF453903	E03-01	5
MF455020	G02-00	17
MF455020	G02-01	8
MF455020	D05-00	28
MF455020	C01-00	8
MF455022	C35-00	45
MF455034	W01-00	16
MF455034	W01-00	16
MF455093	C23-00	3
MF457235	C19-00	10
MF457235	C19-01	7
MF457236	C10-00	29
MF457583	C04-00	20
MF457583	C04-02	20
MF457595	C05-00	59
MF457595	C05-02	59
MF457597	D19-00	8
MF457597	C16-00	13
MF472024	B10-00	16
MF472037	B05-00	59
MF472037	B05-02	59
MF472089	D13-00	18
MF472102	V02-00	5
MF522011	R01-00	20

Part Number	Group No	Sym.
MF522011	R01-02	20
MF522226	R01-00	11
MF522226	R01-02	11
MF661008	M02-00	31
MF661008	M02-01	31
MF661009	M02-00	5
MF661009	M02-01	5
MF661010	M02-00	4
MF661010	M02-01	4
MF661018	G04-00	29
MF661018	G04-01	57
MF661021	G04-00	12
MF661021	G04-01	12
MF661024	Z01-00	7
MF661025	G04-00	39
MF661025	G04-01	39
MF661039	Z10-00	10
MF820185	E02-00	20
MF820185	E03-00	11
MF820185	E03-01	11
MF820185	E08-00	6
MF820185	E09-00	64
MF820336	E02-00	18
MF820364	E02-00	17
MH020803	Z08-00	10
MH020804	F10-00	*
MH020804	Z16-00	29
MH020806	F10-00	*
MH020806	Z16-00	30
MK106801	G04-01	5
MS440031	B01-00	97
MS440031	B02-00	75
MS456555	B02-00	24
MS470051	E11-00	3
MS470431	B02-00	57
MS661006	F10-00	*
MS661006	Z16-00	12
MT101224	D11-00	14
SM-07	D03-00	11
SM-07	D03-02	11
SM-19	D03-00	12
SM-19	D03-02	12
SM-21	M01-00	21
SM36	A21-00	2
SM-36	D03-00	20
SM-36	D03-02	20
SM37	A21-00	3
SM-97	D03-00	13
SM-97	D03-02	13
SMBD08014	E05-00	41
SMBD08114	E05-00	50
SMBD08214	E05-00	35
TA248808	E03-00	12
TA248808	E03-01	12
TA249291-03	C19-01	10
TA249291-04	C19-00	11
TA277897-01	C19-00	12
TA277897-01	C19-01	12
TB112268	B05-00	220
TB112268	B05-02	220
TB112300	B02-00	45
TB125426	M01-00	5
TB392462-51	D50-00	1
TC 298310	Z09-00	72
TC153080	Z09-00	88
TC201184-20	B05-00	140
TC201184-20	B05-02	140
TC201184-30	B05-00	141
TC201184-30	B05-02	141
TC210707	B01-00	41

Part Number	Group No	Sym.
TC210707	B02-00	41
TC214238	E05-00	82
TC214239	E18-00	5
TC214241	E18-00	6
TC234900	C31-00	12
TC238244-01	C01-00	11
TC238244-02	C01-00	11
TC238244-113	C01-00	11
TC238245-01	C01-00	12
TC238245-02	C01-00	12
TC238245-113	C01-00	12
TC240718	D50-00	11
TC241387	D13-00	4
TC242892	C10-00	15
TC242900	C01-00	26
TC243302-40	C01-00	13
TC243303-40	C01-00	14
TC252500	G04-00	32
TC252500	G04-01	32
TC252639	Z08-00	7
TC252639	Z08-00	8
TC252639	Z08-00	9
TC253028	D20-00	33
TC253031	D20-00	32
TC253032	D20-00	29
TC253033	D20-00	30
TC253034	D20-00	28
TC254777	A10-00	30
TC254777-01	A10-00	30
TC255345	D05-00	31
TC256949	A10-00	122
TC256970	A10-00	18
TC256983	A10-00	35
TC256985-71A	A10-00	43
TC256987	A10-00	47
TC256988	A10-00	34
TC256989	A10-00	45
TC257071-01	B01-00	52
TC257071-01	B02-00	16
TC257145-10	A10-00	126
TC257145-11	A10-00	124
TC257145-12	A10-00	125
TC257145-80	A10-00	4
TC257193	A10-00	9
TC257194	A10-00	8
TC257295	B01-00	1
TC257488-03	A10-00	3
TC257492-02	A10-00	2
TC257496-01	A10-00	1
TC257497	A10-00	11
TC257498	A10-00	10
TC257574-010	B01-00	45
TC257580	B01-00	27
TC257580	B04-00	9
TC257582	B04-00	9
TC257622	B05-00	27
TC257622	B05-00	97
TC257622	B05-02	27
TC257622	B05-02	97
TC257623	B05-00	28
TC257623	B05-00	98
TC257623	B05-02	28
TC257623	B05-02	98
TC258247	C35-00	44
TC258427-03	A09-00	42
TC258427-03	A09-01	42
TC258526-01	D19-00	6
TC258526-01	D19-00	7
TC258694	A10-00	17
TC258695	A10-00	16

Part Number	Group No	Sym.
TC258764	B02-00	21
TC259101	B01-00	81
TC259317-06	D04-00	8
TC272538	A10-00	20
TC272539	A10-00	7
TC272540	A10-00	6
TC272541-80	A10-00	123
TC272542	A10-00	15
TC272543	A10-00	14
TC272545	A10-00	23
TC272555	B01-00	44
TC272680-02	A10-00	27
TC272682	A10-00	26
TC272725-002	A10-00	55
TC272726-002	A10-00	54
TC272811-01	A10-00	44
TC272812	A10-00	46
TC272861-010	D05-00	40
TC272913	D05-00	32
TC283762-09	D05-00	13
TC298100	Z09-00	1
TC298101	Z09-00	2
TC298102	Z09-00	3
TC298103	Z09-00	5
TC298105	Z09-00	14
TC298106	Z09-00	15
TC298106	B09-00	42
TC298107	Z09-00	16
TC298108	Z09-00	17
TC298109	Z09-00	18
TC298110	Z09-00	21
TC298111	Z09-00	22
TC298112	Z09-00	23
TC298113	Z09-00	24
TC298114	Z09-00	26
TC298115	Z09-00	29
TC298116	Z09-00	33
TC298117	Z09-00	39
TC298119	Z09-00	34
TC298120	Z09-00	35
TC298121	Z09-00	50
TC298122	Z09-00	39
TC298123	Z09-00	52
TC298124	Z09-00	53
TC298200	Z09-00	55
TC298201	Z09-00	57
TC298202	Z09-00	61
TC298203	Z09-00	62
TC298204	Z09-00	64
TC298205	Z09-00	65
TC298206	Z09-00	66
TC298207	Z09-00	67
TC298208	Z09-00	71
TC298209	Z09-00	74
TC298210	Z09-00	90
TC298301	Z09-00	37
TC298302-50	Z09-00	36
TC298303	Z01-00	10
TC298303	Z07-00	19
TC298304	Z07-00	20
TC298306	Z09-00	38
TC298806-01	Z09-00	68
TC298806-02	Z09-00	41
TC298806-03	Z09-00	40
TC298806-03	Z09-00	92
TC298806-15	Z09-00	9
TC298806-24	Z09-00	63
TC298806-30	Z09-00	42
TC298806-31	Z09-00	13
TC298806-50	Z09-00	4

Part Number	Group No	Sym.
TC298806-51	Z09-00	51
TC298806-53	Z09-00	43
TC298806-53	B09-00	6
TC298806-54	Z09-00	27
TC298806-55	Z09-00	93
TC298822-002	N05-00	2
TC298822-002	N05-01	2
TC298822-003	N05-00	3
TC298822-003	N05-01	3
TC298822-040	N05-00	40
TC298822-040	N05-01	40
TC298822-041	N05-00	41
TC298822-041	N05-01	41
TC298822-113	F04-00	1
TC298822-114	N05-00	1
TC298822-115	N05-00	4
TC298822-115	N05-01	4
TC298822-116	N05-00	5
TC298822-116	N05-01	5
TC298822-117	N05-00	6
TC298822-119	N05-00	18
TC298822-119	N05-01	18
TC298822-122	N05-00	15
TC298822-122	N05-01	15
TC298822-123	N05-01	27
TC298822-124	N05-01	28
TC298822-126	F10-00	*
TC298822-126	Z16-00	57
TC298822-130	Z15-00	18
TC298822-131	N05-00	31
TC298822-131	N05-01	31
TC298822-132	N05-00	23
TC298822-132	N05-01	23
TC298822-133	N05-00	33
TC298822-133	N05-01	33
TC298822-140	N05-00	7
TC298822-140	N05-01	7
TC298822-141	N05-00	25
TC298822-141	N05-01	25
TC298822-142	N05-00	36
TC298822-142	N05-01	36
TC298822-143	Z16-00	56
TC298822-144	F04-00	10
TC298822-145	Z16-00	54
TC298822-150	F10-00	*
TC298822-150	Z16-00	8
TC298822-151	F10-00	*
TC298822-151	Z16-00	1
TC298822-152	F10-00	*
TC298822-152	Z16-00	2
TC298822-153	F10-00	*
TC298822-153	Z16-00	3
TC298822-155	F04-00	2
TC298822-156	F10-00	*
TC298822-156	Z16-00	9
TC298822-157	F10-00	*
TC298822-157	Z16-00	7
TC298822-158	F10-00	*
TC298822-158	Z16-00	6
TC298822-159	F10-00	*
TC298822-159	Z16-00	5
TC298822-160	F10-00	*
TC298822-160	Z16-00	4
TC298822-161	F10-00	*
TC298822-161	Z16-00	10
TC298822-162	F10-00	*
TC298822-162	Z16-00	11
TC298822-163	N05-00	30
TC298822-163	N05-01	30
TC298822-164	N05-01	1

Part Number	Group No	Sym.
TC298822-165	N05-01	27
TC298822-27	F10-00	*
TC298822-27	Z16-00	41
TC298822-33	F10-00	*
TC298822-33	Z16-00	42
TC298822-55	Z16-00	50
TC298822-56	Z16-00	51
TC298827-190	V01-00	21
TC299000-100	V02-00	1
TC299000-101	V02-00	2
TC299000-102	V02-00	3
TC299000-103	V02-00	6
TC299000-104	V02-00	7
TC299100	Z08-00	26
TC299101	Z08-00	27
TC299102	Z08-00	28
TC299103	Z08-00	29
TC299110-00	R01-00	10
TC299110-00	R01-02	10
TC299110-010	R01-00	17
TC299110-010	R01-02	17
TC299110-011	R01-00	2
TC299110-011	R01-02	2
TC299110-012	R01-00	1
TC299110-012	R01-02	1
TC299110-013	R01-00	7
TC299110-013	R01-02	7
TC299110-014	R01-00	8
TC299110-014	R01-02	8
TC299110-015	R01-00	5
TC299110-015	R01-02	5
TC299110-016	R01-00	4
TC299110-016	R01-02	4
TC299110-017	R01-00	3
TC299110-017	R01-02	3
TC299110-018	R01-00	6
TC299110-018	R01-02	6
TC299110-019	R01-00	9
TC299110-019	R01-02	9
TC299110-021	R01-00	22
TC299110-021	R01-02	22
TC299110-022	R01-00	21
TC299110-022	R01-02	21
TC299110-03	R01-00	44
TC299110-04	R01-00	45
TC299110-04	R01-02	45
TC299110-05	R01-00	46
TC299110-05	R01-02	46
TC299110-06	R01-00	47
TC299110-113	R01-00	31
TC299110-113	R01-02	31
TC299110-273	R01-00	34
TC299110-273	R01-02	34
TC299110-274	R01-00	39
TC299110-274	R01-02	39
TC299110-275	R01-02	38
TC299110-276	R01-00	39
TC299110-277	R01-00	38
TC299110-278	R01-00	34
TC299110-278	R01-02	34
TC299110-30	R01-02	44
TC299110-374	R01-02	39
TC299110-40	R01-02	47
TC299355-08	B01-00	57
TC299355-09	B01-00	58
TC299355-10	B01-00	59
TC299355-19	B01-00	63
TC299355-20	B01-00	62
TC299355-21	B01-00	61
TC299383-109	D04-00	11



Part Number	Group No	Sym.
TC299383-111	D04-00	17
TC299383-112	D04-00	15
TC299383-114	D04-00	10
TC299383-210	D04-00	2
TC299383-211	D04-00	3
TC299383-212	D04-00	4
TC299383-214	D04-00	6
TC299383-216	D04-00	18
TC299383-217	D04-00	19
TC299383-218	D04-00	7
TC299383-220	D04-00	4
TC299383-221	D04-00	5
TC299383-372	D04-00	1
TC299383-373	D04-00	20
TC299383-376	D04-00	20
TC299383-414	D04-00	5
TC299392-01	D04-00	21
TC299392-02	D04-00	22
TC299548-141	D13-00	1
TC299548-142	D13-00	2
TC299548-143	D13-00	3
TC299548-144	E01-00	80
TC299548-145	E01-00	83
TC299548-264	E01-00	8
TC299548-265	E01-00	9
TC299640-30	E01-00	12
TC299640-30	D13-00	32
TC303100	D09-00	8
TC303101	D09-00	9
TC306101	E05-00	90
TC310170	Z09-00	78
TC319480	C13-00	6
TC323896	B02-00	56
TC323896	B05-00	200
TC323896	B05-02	200
TC326692-30	C04-00	7
TC326692-31	C04-00	8
TC326692-31	C04-02	8
TC326692-32	C04-00	9
TC326692-33	C04-00	10
TC326692-34	C04-00	11
TC326692-35	C04-00	29
TC326692-36	C04-00	30
TC326692-39	C04-02	7
TC326692-40	C04-02	34
TC326692-41	C04-02	29
TC326692-42	C04-02	11
TC326692-43	C04-02	35
TC326692-44	C04-00	11
TC326692-45	C04-00	9
TC326692-46	C04-00	30
TC326692-47	C04-02	34
TC327840-06	E11-00	5
TC327840-07	E11-00	6
TC327840-08	E11-00	4
TC329189	G10-00	3
TC332347	D18-00	5
TC332348	D18-00	6
TC335074	C12-00	12
TC335075	C12-00	13
TC335089	D50-00	8
TC336085	E11-00	1
TC337507	A10-00	74
TC339621	C01-00	21
TC340170-02	B01-00	47
TC340171-03	B01-00	48
TC340172-04	B01-00	49
TC340173-05	B01-00	50
TC350125	D50-00	13
TC350173	D50-00	12

Part Number	Group No	Sym.
TC350265	D50-00	7
TC363214-01	Z08-00	1
TC363214-01	Z08-00	24
TC363214-01T	Z08-00	24
TC375959	D02-00	2
TC375959	D05-00	11
TC381316	C35-00	10
TC381317	C35-00	9
TC385018	D03-00	10
TC385018	D03-02	10
TC395014	F03-00	12
TC395014	B01-00	43
TC395122	C01-00	7
TC395122	C01-00	15
TC395816-01	B01-00	37
TC398915	B09-00	24
TC399000-01	D50-00	18
TC399000-02	D50-00	19
TC417030	D13-00	21
TC417031	D13-00	22
TC417033	D13-00	23
TC771905-20	D09-00	2
TC771905-25	D09-00	10
TC771905-30	D09-00	3
TC771905-40	D09-00	4
TC783763-001	D05-00	1
TC783763-002	D05-00	2
TC783763-003	D05-00	3
TC783763-004	D05-00	4
TC804585	Z09-00	59
TC808776-40	D09-00	1
TC808776-50	D09-00	1
TC808776-60	D09-00	1
TC828120	E03-00	2
TC828120	E03-01	2
TC828121	E03-00	8
TC828121	E03-01	8
TC828122	E03-00	15
TC828122	E03-01	15
TC852101	E01-00	2
TC852102	E01-00	1
TC852103	E01-00	3
TC852104	E01-00	4
TC852105	E02-00	13
TC852106	E02-00	15
TC852107	E02-00	14
TC852108	E02-00	11
TC852110	E01-00	16
TC852111	E01-00	15
TC852112	E01-00	85
TC852113	E01-00	13
TC852115	E01-00	86
TC852120	E03-00	3
TC852120	E03-01	3
TC856563	E03-00	14
TC856563	E03-01	14
TC856564	E03-00	13
TC856564	E03-01	13
TC856565	E03-00	1
TC856565	E03-01	1
TES40450-14	D08-00	11
TES40450-14	C30-00	4
TES40450-14	C31-00	8
TES40450-14	C32-00	3
TES40450-14	C33-00	4
TES40450-14	C35-00	1
TES40450-14	B20-00	10
TES40450-14	B21-00	6
TES40450-14	A09-00	44
TES40450-14	A09-01	44

Part Number	Group No	Sym.
TES40451-03	C10-00	2
TES40451-18	C01-00	9
TES40701-05	C31-00	5
TES40701-05	C32-00	8
TES40780-07	D45-00	53
TF100006-A	R01-00	12
TF100006-A	R01-02	12
TF101241	C16-00	38
TF101270	Z08-00	21
TF101285	B02-00	32
TF101319	F02-00	5
TF103220	Z10-00	21
TF106122	Z10-00	9
TF106122	Z10-00	22
TF130570	Z16-00	53
TF200057	C10-00	9
TF200102	D18-00	10
TF200339	C16-00	12
TF201579	C16-00	24
TF201597	D18-00	8
TF430006	N05-00	37
TF430006	N05-01	37
TF430006	B09-00	11
TF445282	Z10-00	14
TF450191	D13-00	41
TF453003	C06-00	16
TF453079	B04-00	8
TF453615	B20-00	7
TF453615	B21-00	3
TF457583	C10-00	22
TF457583	B21-00	4
TF457595	C01-00	4
TF457595	C06-00	18
TF457595	C31-00	13
TH160019	F04-00	4
TH160019	F10-00	*
TH160019	Z16-00	55
TH160038	F10-00	*
TH160038	Z16-00	21
TH160060	F10-00	*
TH160060	Z16-00	22
TH362006	F04-00	3
TH362008	F10-00	*
TH362008	Z16-00	20
TH362016	Z07-00	47
TH362022	Z07-00	45
TH991008	E03-00	7
TH991008	E03-01	7
TH991008	E05-00	54
TH991503	E09-00	36
TH991503	E09-01	56
TH991509	E09-00	37
TH991509	E09-01	57
TH992002	E03-00	6
TH992002	E03-01	6
TH992002	E05-00	52
TH992002	E08-00	11
TH992002	E09-00	67
TH992011	E08-00	66
TH992011	E09-00	4
TH992011	E09-00	18
TH992011	E09-01	21
TH992102	E01-00	88
TH992102	E08-00	13
TH992102	E09-00	70
TH995000-B	E09-00	59
TH995002-G	E09-00	58
TH995029-R	E09-00	35
TH995029-R	E09-01	55
TK101452	Z09-00	69

Part Number	Group No	Sym.
TK188055-104	Z15-00	1
TK188055-106	Z15-00	3
TK188055-107	Z15-00	2
TK188055-121	Z15-00	13
TK188055-125	Z15-00	21
TK260336-01	B04-00	1
TK355574	Z09-00	56
TM150151	B05-00	75
TM150301	B05-00	177
TM150301	B05-02	177
TM151372	B02-00	7
TM152107	Z09-00	19
TM152108	Z09-00	20
TM152109	Z09-00	47
TM152109	B09-00	9
TM152111	Z09-00	11
TM153030	Z09-00	86
TM153030	B09-00	3
TM153040	Z09-00	87
TM153040	Z15-00	26
TM153101	F02-00	30
TM153102	F02-00	29
TM153107	Z09-00	31
TM153107	B09-00	5
TM153109	Z09-00	30
TM153109	B09-00	7
TM153112	B09-00	22
TM153199	B09-00	41
TM153203	B09-00	32
TM153212	B09-00	2
TM153213	B09-00	1
TM153220	B09-00	47
TM153226	B09-00	15
TM153227	B09-00	8
TM153228	B09-00	10
TM153231	B09-00	23
TM153243	Z09-00	32
TM153250	Z09-00	58
TM153261	Z09-00	49
TM153261	B09-00	43
TM153262	Z09-00	25
TM153263	Z09-00	44
TM153277	Z09-00	10
TM153287	Z08-00	9
TM153299	Z09-00	85
TM153308	B09-00	49
TM155107	C01-00	6
TM161259	Z10-00	6
TM163152	M02-00	3
TM163152	M02-01	3
TM163153	M02-00	2
TM163153	M02-01	2
TM163207	M02-00	1
TM163207	M02-01	1
TM209348	B09-00	37
TM210160	G02-00	18
TM210160	G02-01	6
TM211127	F10-00	*
TM211127	Z16-00	24
TM211183	Z07-00	51
TM211183	F10-00	*
TM211183	Z16-00	23
TM214103	M02-00	19
TM214103	M02-01	19
TM214104	M02-00	20
TM214104	M02-01	20
TM214106	M02-00	26
TM214106	M02-01	26
TM214107	M02-00	18
TM214107	M02-01	18

Part Number	Group No	Sym.
TM220522	E21-00	12
TM246135	D05-00	10
TM246141	D05-00	12
TM252134	E02-00	3
TM252165	G10-00	14
TM253124	E08-00	72
TM254115	B09-00	50
TM254181	F10-00	*
TM254181	Z16-00	49
TM254184	E05-00	58
TM254188	E08-00	82
TM254193	E08-00	64
TM254193	E09-00	3
TM254193	E09-01	20
TM255125	E09-00	31
TM255125	E09-01	51
TM255146	E09-00	33
TM255146	E09-01	52
TM255152	E08-00	9
TM255152	E09-00	66
TM255152	E14-00	17
TM260276	Z09-00	79
TM280161	C16-00	36
TM280164	C16-00	35
TM280165	C16-00	37
TM280166	C16-00	34
TM280240	C16-00	9
TM290324-01	C40-00	1
TM290324-02	C40-00	2
TM300104	E05-00	81
TM320134	Z09-00	7
TM320135	Z09-00	46
TM320136	Z09-00	8
TM320137	Z09-00	12
TS660100	Z01-00	31
TS660100	Z15-00	25
TS660100	M02-00	24
TS660100	M02-01	24
TS660113	Z01-00	7
TS660165	M02-00	23
TS660165	M02-01	23
TS810965	E08-00	30
TS810965	E09-00	6
TS810965	E09-01	23
TU142100	A08-00	71
TU142100	A08-01	71
TU142105	A08-00	72
TU142105	A08-01	72
TU142118	A08-00	73
TU142118	A08-01	73
TU142119	A08-00	74
TU142119	A08-01	74
TU142120	A08-00	76
TU142120	A08-01	76
TU142121	A08-00	77
TU142121	A08-01	77
TU142122	A08-00	75
TU142122	A08-01	75
TU180107	F01-00	10
TU181001-48	F02-00	27
TU181001-48	F02-00	33
TU181134	F03-00	3
TU181136	F03-00	17
TU181159	F02-00	32
TU181162	F03-00	21
TU181169	F03-00	20
TU190100	D12-00	1
TU202100-02	C35-00	14
TU202100-03	C35-00	15
TU202192	C35-00	38

Part Number	Group No	Sym.
TU205100	C06-00	8
TU213100	G01-00	11
TU213100	G01-01	11
TU213106	G01-01	42
TU213108	G01-01	43
TU213108	G04-00	46
TU213108	G04-01	46
TU213113	G04-00	47
TU213113	G04-01	47
TU213117	G01-00	37
TU213117	G01-01	37
TU213118	G04-00	5
TU213119	G04-00	4
TU230100-02	C03-00	8
TU230100-06	C03-00	8
TU232110	F01-00	13
TU252106	E08-00	5
TU252106	E09-00	63
TU252118	D45-00	32
TU252124	E08-00	8
TU252124	E09-00	62
TU252136	E02-00	16
TU252137	E03-00	10
TU252137	E03-01	10
TU253143-04	E08-00	81
TU285107	D45-00	34
TU286100	D45-00	11
TU290121-01	C08-00	2
TU290121-01	C08-01	2
TU290160	C08-00	6
TU290160	C08-01	6
TU296113	C08-00	1
TU296113	C08-01	1
TU296114	C08-00	1
TU296114	C08-01	1
TU299109	F01-00	11
TU301131	D18-00	3
TU309109	Z09-00	91
TU310117	Z09-00	48
TU310170	Z09-00	77
TU311001	Z09-00	82
TU311003	Z09-00	83
TU311004	Z09-00	81
TU311010	Z09-00	83
TU313101	Z09-00	45
TU313101	Z09-00	94
TU323100	B05-00	204
TU323100	B05-02	204
TU323100	B06-00	4
TU341119	D45-00	25
TU342122	B21-00	2
TU342134	B21-00	1
TU342134	A09-00	41
TU342134	A09-01	41
TU342137	B20-00	11
TU342137	B21-00	7
TU344112	C01-00	16
TU344112	C04-00	14
TU344112	C04-02	14
TU344112	B01-00	37
TU344112	B02-00	17
TU344112	B02-00	36
TU350127	D50-00	15
TU512128	W01-00	10
TU512128	W01-00	10
TU512134	E21-00	1
TV251100	E11-00	11

Bölüm  
*Chapter*

Koltuk Yedek Parçaları  
*Seat Repair Kit*

MS762RL - MS762ML

---





**YEDEK PARÇALAR**

TARİH:19.10.2001

MODÜLER PARÇA LİSTESİ

: 796031 İKİLİ Y.K SOL

RESİM NO

: 797686

MÜŞTERİ

: TEMSA EURO SAFARI

MÜŞTERİ

: 65119-90016-01

POZ	KOD NO	AÇIKLAMA/BENENNUNG	ADET
1	797776	ŞAŞI KAYNAKLI LA İKİLİ SOL Y.P	1
2	794902	KIZAK AÇMA MEKANİZMASI KPL.SAĞ Y.P	1
3	793847	KIZAK MEKANİZMASI BAĞLANTI ELEMANLARI SAĞ Y.P	1
4	788743	BUTON SERİGRAFLI KPL. (SABİT :BUTON YATARLI) Y.P	1
5	792538	GAZLI PİSTON Y.P	1
6	794394	ARKALIK YATIRMA MEKANİZMASI (KORİDOR) Y.P	1
7	794246	GAZLI PİSTON+BAĞL.CİVATASI (KORİDOR) Y.P	1
8	791880	KOLÇAK GRUBU SAĞ	1
9	791681	KOLÇAK KİT GRUBU SAĞ	1
10	797652	PLASTİK YAN KAPAK KPL.SAĞ (RAL 7011) Y.P	1
11	797778	MITSUBISHI LOGO (YAPISMALI) Y.P.	2
12	797780	ARKALIK DÖŞEMELİ KPL. SOL	1
12	797779	ARKALIK DÖŞEMELİ KPL. SAĞ	1
13	794479	ARKALIK SÜNGERLİ GRUP.SAĞ Y.P	1
13	794480	ARKALIK SÜNGERLİ GRUP.SOL Y.P	1
14	797787	ARKALIK KILIFI Y.P	2
15	787116	ARKALIK MERKEZLEME PİM GRUBU Y.P	2
16	797781	OTURAK DÖŞEMELİ KPL.	2
17	797782	KEMER YÖNLENDİRİCİ PARÇA SAĞ (RAL 9005) Y.P	1

17	797783	KEMER YÖNLENDİRİCİ PARÇA SOL (RAL 9005) Y.P	1
18	797784	AYAK KAYNAKLI KPL.SAĞ	1
19	797786	KÜLLÜK BAĞLANTI PARÇASI (RAL 9005)	2
20	787095	KÜLLÜK KPL( MİNİ DÖNERLİ) Y.P.(RAL 7024)	2
21	797655	TUTAMAK BAĞLANTI PLASTİĞİ (RAL 7011)	2
22	787110	TUTAMAK KPL. (RAL 7024) Y.P	2
23	797654	FİLE KPL (KAPAKLI) Y.P.(PLASTİK RAL 7024)	2
24	785960	EMNİYET KEMERİ (MAKARALI İKİ NOKT.BAĞL.) Y.K	2

**YEDEK PARÇALAR**

TARİH:19.10.2001

MODÜLER PARÇA LİSTESİ

: 796032 İKİLİ Y.K SAĞ

RESİM NO

: 797686

MÜŞTERİ

: TEMSA EURO SAFARI

MÜŞTERİ

: 65119-90016-02

POZ	KOD NO	AÇIKLAMA/BENENNUNG	ADET
1	797777	ŞASİ KAYNAKLI LA İKİLİ SAĞ Y.P	1
2	794901	KIZAK AÇMA MEKANİZMASI KPL.SOL Y.P	1
3	793848	KIZAK MEKANİZMASI BAĞLANTI ELEMANLARI SOL Y.P	1
4	788743	BUTON SERİGRAFLI KPL. (SABİT :BUTON YATARLI) Y.P	1
5	792538	GAZLI PİSTON Y.P	1
6	794394	ARKALIK YATIRMA MEKANİZMASI (KORİDOR) Y.P	1
7	794246	GAZLI PİSTON+BAĞL.CİVATASI (KORİDOR) Y.P	1
8	791879	KOLÇAK GRUBU SOL	1
9	792526	KOLÇAK KİT GRUBU SOL	1
10	797653	PLASTİK YAN KAPAK KPL.SOL (RAL 7011) Y.P	1
11	797778	MITSUBISHI LOGO (YAPISMALI) Y.P.	2
12	797780	ARKALIK DÖŞEMELİ KPL. SOL	1
12	797779	ARKALIK DÖŞEMELİ KPL. SAĞ	1
13	794479	ARKALIK SÜNGERLİ GRUP.SAĞ Y.P	1
13	794480	ARKALIK SÜNGERLİ GRUP.SOL Y.P	1
14	797787	ARKALIK KILIFI Y.P	2
15	787116	ARKALIK MERKEZLEME PİM GRUBU Y.P	2
16	797781	OTURAK DÖŞEMELİ KPL.	2
17	797782	KEMER YÖNLENDİRİCİ PARÇA SAĞ (RAL 9005) Y.P	1

17	797783	KEMER YÖNLENDİRİCİ PARÇA SOL (RAL 9005) Y.P	1
18	797785	AYAK KAYNAKLI KPL.SOL	1
19	797786	KÜLLÜK BAĞLANTI PARÇASI (RAL 9005)	2
20	787095	KÜLLÜK KPL( MİNİ DÖNERLİ) Y.P.(RAL 7024)	2
21	797655	TUTAMAK BAĞLANTI PLASTİĞİ (RAL 7011)	2
22	787110	TUTAMAK KPL. (RAL 7024) Y.P	2
23	797654	FİLE KPL (KAPAKLI) Y.P.(PLASTİK RAL 7024)	2
24	785960	EMNİYET KEMERİ (MAKARALI İKİ NOKT.BAĞL.) Y.K	2

**YEDEK PARÇALAR**

TARİH:19.10.2001

MODÜLER PARÇA LİSTESİ

: 796033 İKİLİ Y.K SAĞ AKS.SIZ

RESİM NO

: 797686

MÜŞTERİ

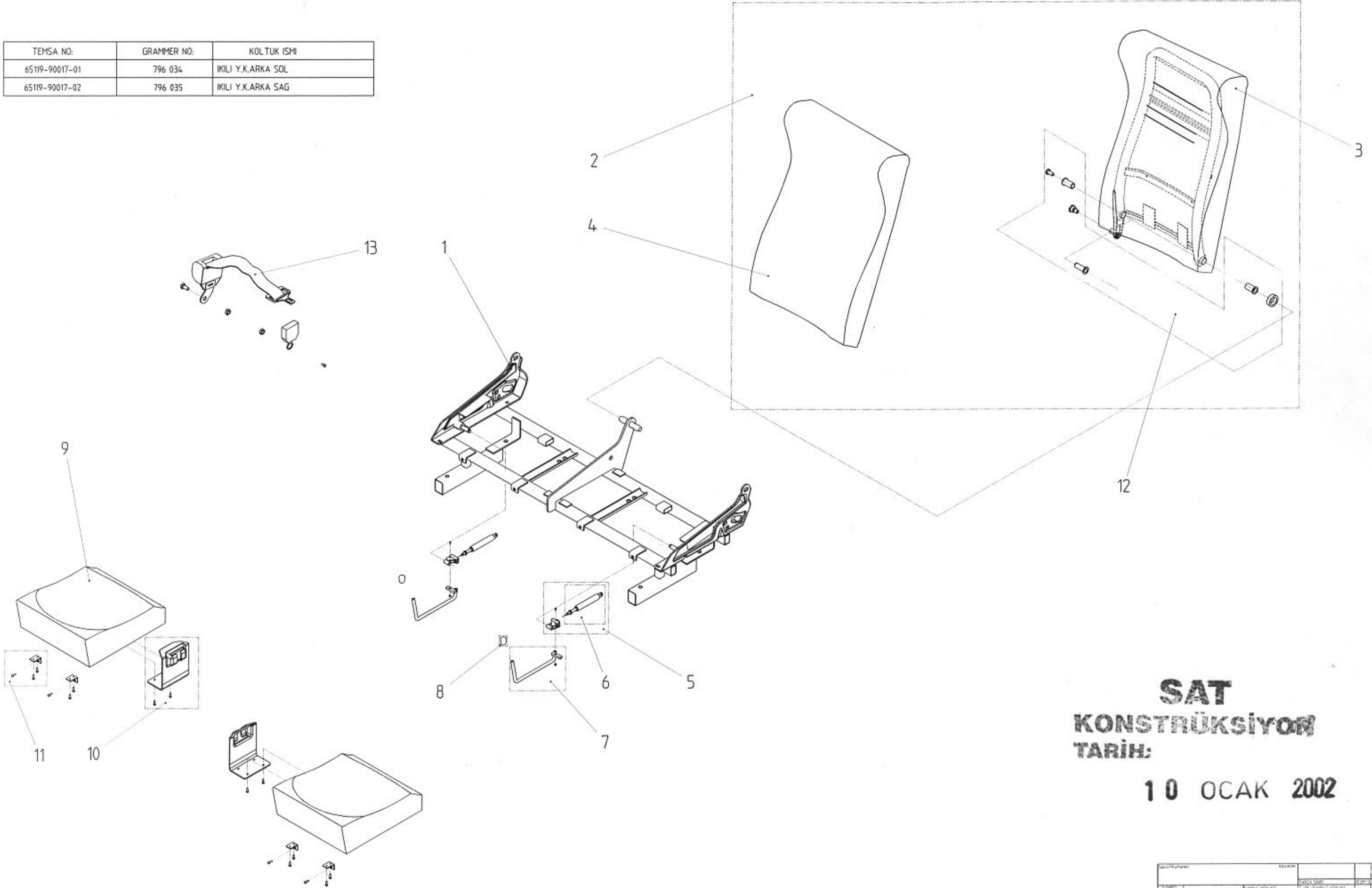
: TEMSA EURO SAFARI

MÜŞTERİ

: 65119-90016-03

POZ	KOD NO	AÇIKLAMA/BENENNUNG	ADET
1	797777	ŞASI KAYNAKLI LA İKİLİ SAĞ Y.P	1
2	794901	KIZAK AÇMA MEKANİZMASI KPL.SOL Y.P	1
3	793848	KIZAK MEKANİZMASI BAĞLANTI ELEMANLARI SOL Y.P	1
4	788743	BUTON SERİGRAFLI KPL. (SABİT :BUTON YATARLI) Y.P	1
5	792538	GAZLI PİSTON Y.P	1
6	794394	ARKALIK YATIRMA MEKANİZMASI (KORİDOR) Y.P	1
7	794246	GAZLI PİSTON+BAĞL.CİVATASI (KORİDOR) Y.P	1
8	791879	KOLÇAK GRUBU SOL	1
9	792526	KOLÇAK KİT GRUBU SOL	1
10	797653	PLASTİK YAN KAPAK KPL.SOL (RAL 7011) Y.P	1
11	797778	MITSUBISHI LOGO (YAPISMALI) Y.P.	2
12	797780	ARKALIK DÖŞEMELİ KPL. SOL	1
12	797779	ARKALIK DÖŞEMELİ KPL. SAĞ	1
13	794479	ARKALIK SÜNGERLİ GRUP.SAĞ Y.P	1
13	794480	ARKALIK SÜNGERLİ GRUP.SOL Y.P	1
14	797787	ARKALIK KILIFI Y.P	2
15	787116	ARKALIK MERKEZLEME PİM GRUBU Y.P	2
16	797781	OTURAK DÖŞEMELİ KPL.	2
17	797782	KEMER YÖNLENDİRİCİ PARÇA SAĞ (RAL 9005) Y.P	1
17	797783	KEMER YÖNLENDİRİCİ PARÇA SOL (RAL 9005) Y.P	1
18	797785	AYAK KAYNAKLI KPL.SOL	1

TEMSA NO:	GRAMMER NO:	KOLTUK ISMI
65119-90017-01	796 034	IKILI Y.K.ARKA SOL
65119-90017-02	796 035	IKILI Y.K.ARKA SAG



**SAT**  
**KONSTRÜKSİYON**  
**TARİH:**

**10 OCAK 2002**

SAYI		TARİH		YERİ	
797 740	10 OCAK 2002	TR-0043 BURSA	TR-0043 BURSA	TR-0043 BURSA	TR-0043 BURSA
KURUM		KURUM		KURUM	
GRAMMER A.Ş.		GRAMMER A.Ş.		GRAMMER A.Ş.	
TR-0043 BURSA		TR-0043 BURSA		TR-0043 BURSA	
797 740		797 740		797 740	
İKİLİ YOLCU KOLTUK ARKA (YEDEK PARÇA)		İKİLİ YOLCU KOLTUK ARKA (YEDEK PARÇA)		İKİLİ YOLCU KOLTUK ARKA (YEDEK PARÇA)	

10-01-02-07-03-46 0-235

**YEDEK PARÇALAR**

TARİH:19.10.2001

MODÜLER PARÇA LİSTESİ

: 796034 İKİLİ Y.K SOL ARKA

RESİM NO

: 797740

MÜŞTERİ

: TEMSA EURO SAFARI

MÜŞTERİ

: 65119-90017-01

POZ	KOD NO	AÇIKLAMA/BENENNUNG	ADET
1	797788	ŞASİ KAYNAKLI LA İKİLİ SOL ARKA Y.P	1
2	797780	ARKALIK DÖŞEMELİ KPL. SOL	1
2	797779	ARKALIK DÖŞEMELİ KPL. SAĞ	1
3	794479	ARKALIK SÜNGERLİ GRUP.SAĞ Y.P	1
3	794480	ARKALIK SÜNGERLİ GRUP.SOL Y.P	1
4	797787	ARKALIK KILIFI Y.P	2
5	788535	GAZLI PİSTON GRUBU (PENCERE TARAFI) Y.P	1
6	792538	GAZLI PİSTON Y.P	2
7	790081	AÇMA KOLU KAYNAKLI SAĞ Y.P	1
7	790082	AÇMA KOLU KAYNAKLI SOL Y.P	1
8	793824	ARKALIK YATIRMA KOLU TOPUZU Y.P (RAL 9005)	2
9	797790	OTURAK DÖŞEMELİ SAĞ KPL.	1
9	797791	OTURAK DÖŞEMELİ SOL KPL.	1
10	797782	KEMER YÖNLENDİRİCİ PARÇA SAĞ (RAL 9005) Y.P	1
10	797783	KEMER YÖNLENDİRİCİ PARÇA SOL (RAL 9005) Y.P	1
11	794 401	OTURAK BAĞLANTI SACI KPL.Y.P	4
12	794 674	ARKALIK BAĞLANTI PİM GRUP	2
13	785960	EMNİYET KEMERİ (MAKARALI İKİ NOKT.BAĞL.) Y.K	2

**YEDEK PARÇALAR**

TARİH:19.10.2001

MODÜLER PARÇA LİSTESİ

: 796035 İKİLİ Y.K SAĞ ARKA

RESİM NO

: 797740

MÜŞTERİ

: TEMSA EURO SAFARI

MÜŞTERİ

: 65119-90017-02

POZ	KOD NO	AÇIKLAMA/BENENNUNG	ADET
1	797789	ŞASI KAYNAKLI LA İKİLİ SAĞ ARKA Y.P	1
2	797780	ARKALIK DÖŞEMELİ KPL. SOL	1
2	797779	ARKALIK DÖŞEMELİ KPL. SAĞ	1
3	794479	ARKALIK SÜNGERLİ GRUP.SAĞ Y.P	1
3	794480	ARKALIK SÜNGERLİ GRUP.SOL Y.P	1
4	797787	ARKALIK KILIFI Y.P	2
5	788535	GAZLI PİSTON GRUBU (PENCERE TARAFI) Y.P	1
6	792538	GAZLI PİSTON Y.P	2
7	790081	AÇMA KOLU KAYNAKLI SAĞ Y.P	1
7	790082	AÇMA KOLU KAYNAKLI SOL Y.P	1
8	793824	ARKALIK YATIRMA KOLU TOPUZU Y.P (RAL 9005)	2
9	797790	OTURAK DÖŞEMELİ SAĞ KPL.	1
9	797791	OTURAK DÖŞEMELİ SOL KPL.	1
10	797782	KEMER YÖNLENDİRİCİ PARÇA SAĞ (RAL 9005) Y.P	1
10	797783	KEMER YÖNLENDİRİCİ PARÇA SOL (RAL 9005) Y.P	1
11	794 401	OTURAK BAĞLANTI SACI KPL.Y.P	4
12	794 674	ARKALIK BAĞLANTI PİM GRUP	2
13	785960	EMNİYET KEMERİ (MAKARALI İKİ NOKT.BAĞL.) Y.K	2



**YEDEK PARÇALAR**

TARİH:19.10.2001

MODÜLER PARÇA LİSTESİ

: 796036 TEKLİ Y.K ARKA

RESİM NO

: 797740

MÜŞTERİ

: TEMSA EURO SAFARI

MÜŞTERİ

: 65119-90017-03

POZ	KOD NO	AÇIKLAMA/BENENNUNG	ADET
1	797792	ŞASİ KAYNAKLI LA ARKA TEKLİ Y.P	1
2	797780	ARKALIK DÖŞEMELİ KPL. SOL	1
3	794480	ARKALIK SÜNGERLİ GRUP.SOL Y.P	1
4	797787	ARKALIK KILIFI Y.P	1
5	794 674	ARKALIK BAĞLANTI PİM GRUP	1
6	788535	GAZLI PİSTON GRUBU (PENCERE TARAFI) Y.P	1
7	792538	GAZLI PİSTON Y.P	1
8	790082	AÇMA KOLU KAYNAKLI SOL Y.P	1
9	793824	ARKALIK YATIRMA KOLU TOPUZU Y.P (RAL 9005)	1
10	797790	OTURAK DÖŞEMELİ SAĞ KPL.	1
11	797783	KEMER YÖNLENDİRİCİ PARÇA SOL (RAL 9005) Y.P	1
12	794 401	OTURAK BAĞLANTI SACI KPL.Y.P	2
13	785960	EMNİYET KEMERİ (MAKARALI İKİ NOKT.BAĞL.) Y.K	1



GRAMMER

# Ersatzteilzeichnung

SPARE PARTS DRAWING

## MSG 90.3G-00

# Sammelzeichnung

COLLECTIVE DRAWING

Zutreffende Positionen

siehe Ersatzteilliste !

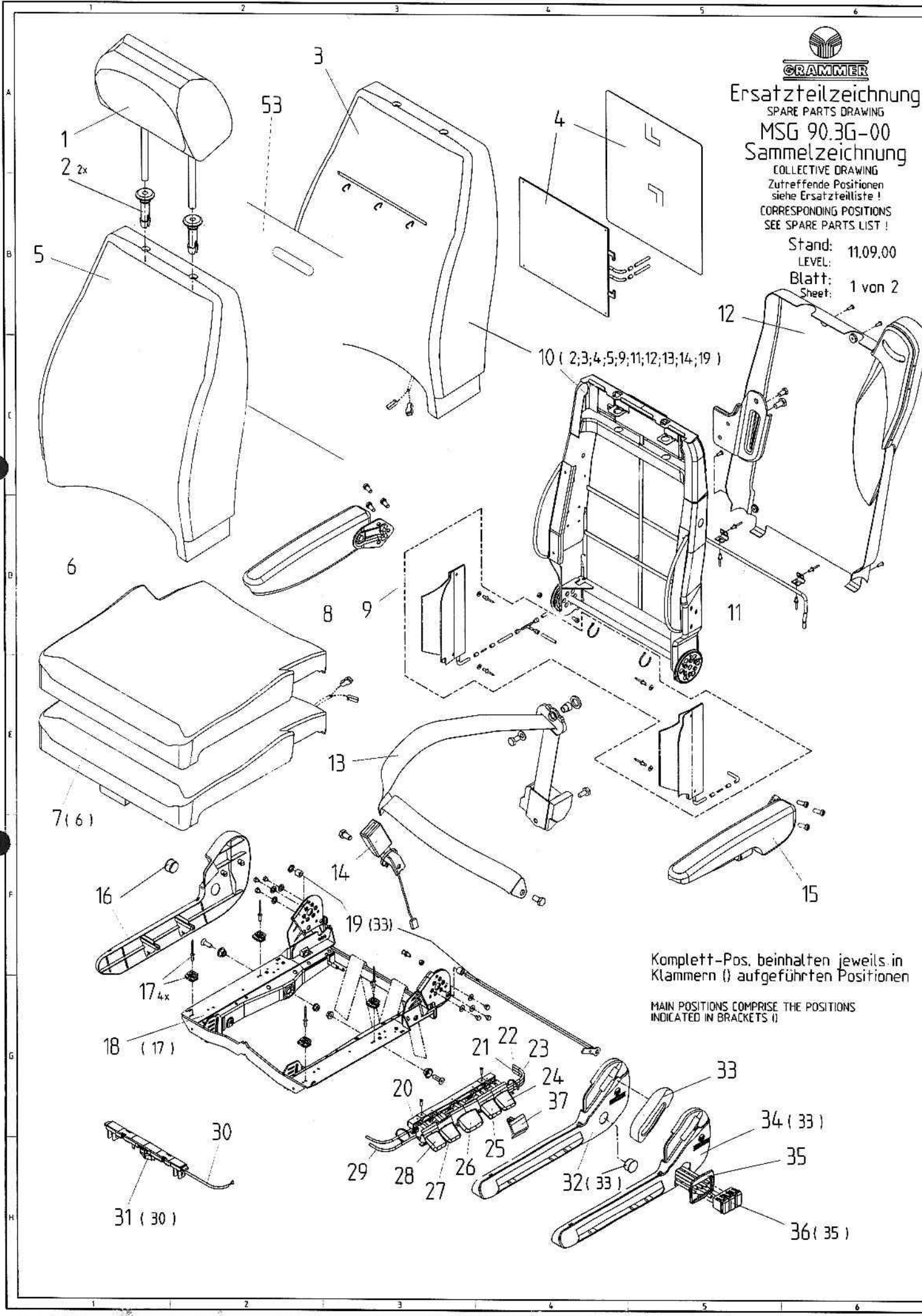
CORRESPONDING POSITIONS  
SEE SPARE PARTS LIST !

Stand: 11.09.00

LEVEL:

Blatt: 1 von 2

Sheet:



Komplett-Pos. beinhalten jeweils in Klammern ( ) aufgeführten Positionen

MAIN POSITIONS COMPRISE THE POSITIONS INDICATED IN BRACKETS ( )



GRAMMER

# Ersatzteilzeichnung

SPARE PARTS DRAWING

## MSG 90.3G-00

# Sammelzeichnung

COLLECTIVE DRAWING

Zutreffende Positionen

siehe Ersatzteilliste!

CORRESPONDING POSITIONS

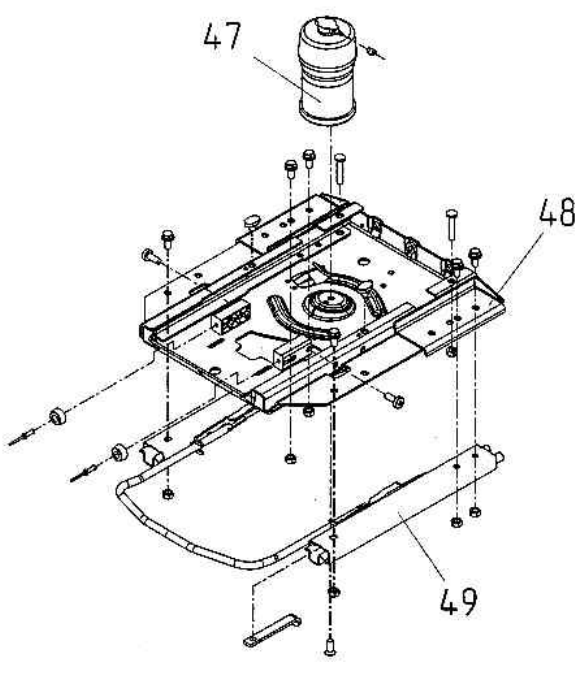
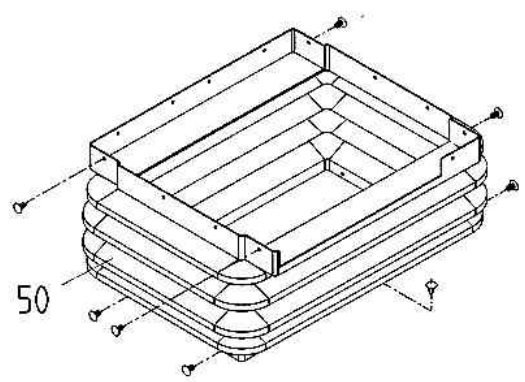
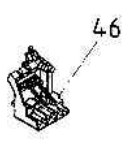
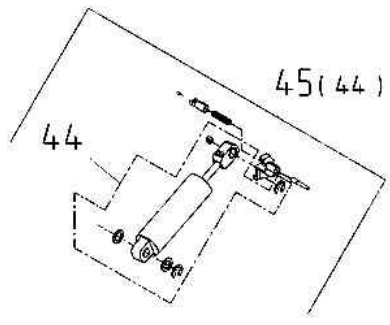
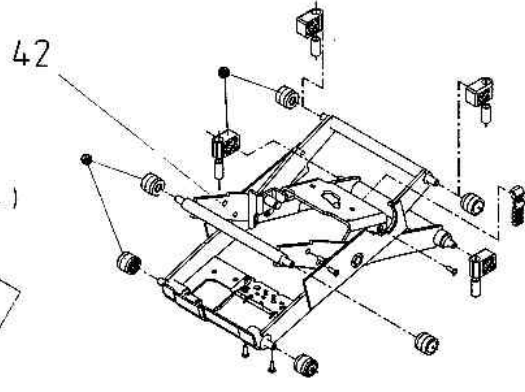
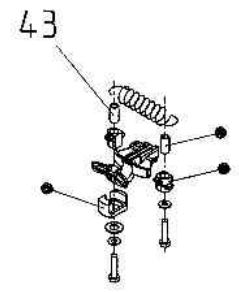
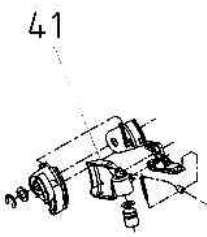
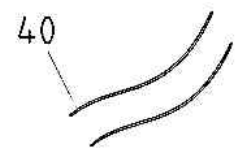
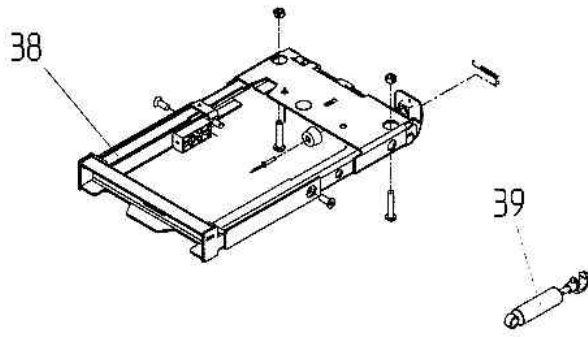
SEE SPARE PARTS LIST!

Stand: 11.09.00

LEVEL:

Blatt: 2 von 2

Sheet:



Komplett-Pos. beinhalten jeweils in Klammern ( ) aufgeführten Positionen

MAIN POSITIONS COMPRISE THE POSITIONS INDICATED IN BRACKETS ( )

51 ( 40;44 ) Steuerung Kpl.

52 So ● gekennzeichnete Teile sind als Verschleißteile erhältlich.

THIS ● MARKED PARTS ARE AVAILABLE AS WEARING PARTS.

POS.	KOD NO SACHNUMMER	AÇIKLAMA / BENENNUNG	ADET MENGE	Seri no itibaren geçerli/Gültig bis seriennummer	Seri no itibaren geçersiz/Ungültig ab seriennummer
1	753 560	KAFALIK KPL.(KILIFSIZ)	1		
2	136 951	KOPFSTÜTZE KPL.(OHNE BEZUG)	1		
3		KAFALIK PLASTIK BURCU	1		
5		FÜHRUNG KPL.F.KOPFSTÜTZE	1		
6		ARKALIK SÜNGERİ KPL.	1		
7		RUECKENSCHAUMTEIL KPL.	1		
8	131 989	ARKALIK KILIFI	1		
10		BEZUG F.RUECKEN	1		
11	137 749	OTURAK KILIFI	1		
12	137 750	BEZUG F.SITZ	1		
13	137 752	OTURAK SACI KPL.	1		
14	137 754	SITZPLATTE KPL.	1		
15	131 988	KOLÇAK KPL.SAĞ	1		
16	134 346	ARMLEHNE KPL.RE	1		
17	133 390	ARKALIK KPL. SOL	1		
18	137 755	RUECKEN KPL.	1		
19	137 756	ARKALIK YAYI KPL.SOL	1		
20	137 758	FEDER F.RÜCKEN KPL.Lİ	1		
21	134 361	ARKALIK KAPAĞI KPL.SOL	1		
22	134 081	ABDECKUNGSATZ KPL.Lİ	1		
23	134 080	EMNİYET KEMERİ KPL.SOL	1		
24	133 091	GURT Lİ.OHNE GURTSCHLOSS KPL.	1		
26	133 087	EMNİYET KEMER KİLİDİ KPL.	1		
27	133 085	GURTSCHLOSS KPL.	1		
28	137 762	KOLÇAK KPL.SOL	1		
29	137 765	ARMLEHNE KPL.Lİ	1		
30	137 764	PLASTİK KAPAK KOMPLE SAĞ	1		
31	137 765	ABDECKUNG RE	1		
32	134 073	OTURAK SACI KAYICI TAKOZ KOMPLE	1		
33	137 767	FÜHRUNG F. SITZPLATTE	1		
34	133 182	OTURAK TAŞIYICI KOMPLE	1		
35	137 777	SITZRAHMEN KPL.	1		
36	133 047	ARKALIK YATIRMA MİLİ KPL.SOL	1		
37	133 037	ACHSE F.RNV.KPL.Lİ	1		
38	137 779	BUTON TAŞIYICI KOMPLE SOL	1		
39	133 042	GRİFFLEISTE KPL. Lİ	1		
40	133 046	HIZLI İNDİRME ÇEKTİRME TELİ KPL.SOL	1		
41	133 048	BOWDENZUG F. SCHNELLABSENKUNG KPL. Lİ.	1		
42	133 049	YÜKSEKLİK AYAR ÇEKTİRME TELİ KPL.SOL	1		
43	133 050	BOWDENZUG F. HV. KPL. Lİ	1		
44	133 051	AMORTİSÖR AYARI ÇEKTİRME TELİ KPL.SOL	1		
45	133 052	BOWDENZUG F.DAEMPFER KPL.Lİ	1		
46	133 053	HIZLI İNDİRME BUTONU KPL.SOL	1		
47	133 054	GRİFF F. SCHNELLABSENKUNG KPL.Lİ	1		
48	133 055	YÜKSEKLİK AYAR BUTONU KPL.	1		
49	133 056	GRİFF F. HV. KPL.	1		
50	133 057	AMORTİSÖR AYAR BUTONU KPL.	1		
51	133 058	GRİFF F.DAEMPFER KPL.	1		
52	133 059	EĞİKLİK AYAR BUTONU KPL.SOL	1		
53	133 060	GRİFF F. NV. KPL. Lİ.	1		
54	133 061	EĞİKLİK AYAR ÇEKTİRME TELİ KPL.	1		
55	133 062	BOWDENZUG F. NV. KPL.	1		
56	133 063	EĞİKLİK AYARI KPL.SOL	1		
57	133 064	NEİGUNGSVERSTELLUNG KPL.Lİ	1		
58	133 065	PLASTİK KAPAK KOMPLE SOL	1		
59	133 066	ABDECKUNG Lİ	1		
60	133 067	ARKALIK EĞİKLİK AYAR BUTONU KPL.SOL	1		
61	133 068	GRİFF F. RNV KPL. Lİ.	1		
62	133 069	KÖR BUTON	1		
63	133 070	ABDECKUNG F. GRİFFLEISTE	1		
64	133 071	ÜST ESNEME KPL.SOL	1		
65	133 072	FEDERUNGS-OT KPL.Lİ	1		
66	133 073	HORTUM TAKIMI	1		
67	133 074	LUFTSCHLAUCHSATZ	1		
68	133 075	NİVO AYARI KOMPLE	1		
69	133 076	NİVEAUSTEURUNG KPL.	1		
70	133 077	MAKAS KOMPLE	1		
71	133 078	SCHWINGE KPL.	1		
72	133 079	YÜKSEKLİK AYAR AMORTİSÖRÜ	1		
73	133 080	STOSSDAEMPFER VERTİKAL	1		
74	133 081	NİVO AYAR VENTİLİ KPL.	1		
75	133 082	VENTİL FÜR NİVEAU-REGELUNG KPL.	1		
76	133 083	HAVA KÖRÜĞÜ KPL.	1		
77	133 084	LUFTFEDER KPL.	1		
78	133 085	ALT ESNEME KPL.	1		
79	133 086	FEDERUNGS UT. KPL.	1		
80	133 087	İLİRİ GERİ AYARI KPL.	1		
81	133 088	LAENGSVERSTELLUNG	1		
82	133 089	KÖRÜK KPL.SOL	1		
83	133 090	FALTENBALG KPL. Lİ.	1		
84	133 091	KUMANDA ÜNİTESİ KPL.	1		
85	133 092	STEUERUNG KPL.	1		
86	133 093	AŞINAN PARÇALAR TAKIMI	1		
87	133 094	VERSCHLEISSTEILSATZ	1		







Ersatzteilliste / Spare part list

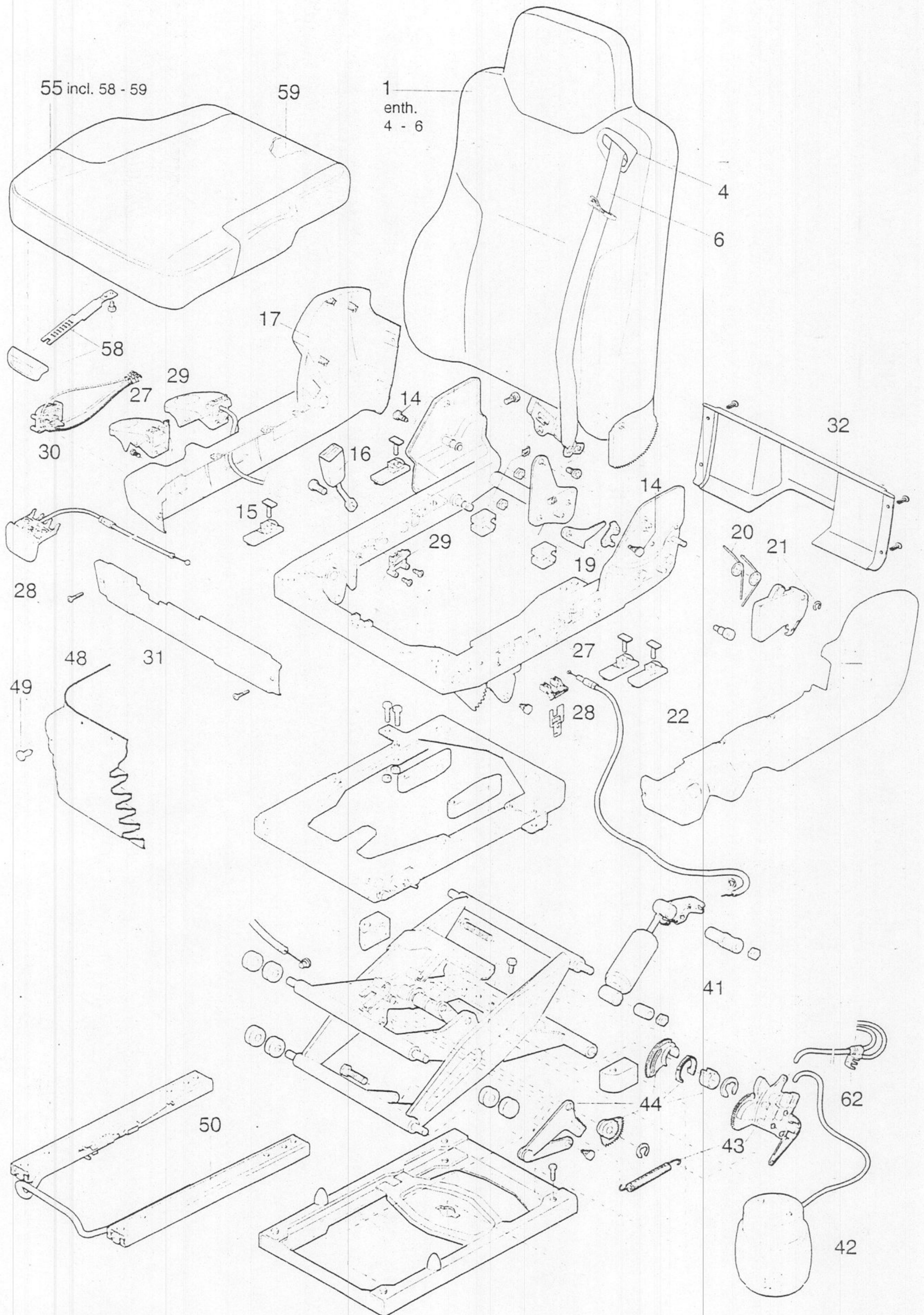
Benennung / term

ISRI 6860 / 875

Ident- Nr. / Ident-no

V00147

V00120 = Spiegelbild





**Ersatzteilliste / Spare part list**

**Benennung / term**  
 ISRI 6860 / 875, li.

**Ident- Nr. / Ident-no**

V001470001

**Kunden-Nr. / customers no.:**

 ohne Dreheinrichtung, IPS und Heizung, mit integriertem Gurt  
 Lehnenbedienung links, Hebel Höheneinstellung etc. rechts

**Stand / stand** 10.2003

Pos pos	Bezeichnung description	Stk pc	Ident-Nr. ident-no.	Kunden-Nr. customers no.	Bemerkung remark
1	Rückenteil kpl. mit Gurt li., ohne Bezug	1	010037-01		
4	Gurtführung kompl. li./ re.	1	929527-94		war 29385-01, 16.10.03; bei Lehnenbezugwechsel mitbestellen
6	3-Pkt.-Gurt kpl. li.	1	929527-23		
14	Schrauben für Rückenlehne	1	929527-62		
15	Gleiter für Sitzkissen	1	914516-04		
16	Gurtschloß	1	929527-21		
17	Seitenabdeckung re.	1	929527-89		für Sitze mit und ohne Gurtschloss / Dreheinrichtungsschalter Kappen zum Verschließen entspr. Öffnungen liegen bei.
19	Rückenlehnenrastung li.	1	929527-11		
21	Rückenlehnengriff	1	929527-54		
22	Seitenabdeckung li.	1	929527-69		für Sitze mit und ohne Heizungsschalter Kappen zum Verschließen entspr. Öffnungen liegen bei.
27	Verstelleinheit Dämpfer li.	1	929527-43		
28	Neigungseinstellung	1	929527-40		
29	Verstelleinheit Höhe li.	1	929527-45		
30	Absenkung li.	1	929527-47		
31	Frontabdeckung	1	929527-50		
32	Heckabdeckung	1	929527-51		
33	Ventilwippen	1	929527-75		
41	Stoßdämpfer	1	98889-08		
42	Luftfeder	1	98872-19		
43	Ventil für Höheneinstellung	1	928474-48		
44	Teilesatz mitf.Höhenanschlag	1	928462-47		
48	Faltenbalg	1	03177-01		
49	Bef.-material Faltenbalg	1	928462-44		
50	Schienenpaar mit Bügel	1	29378-01		
51	Bügel für Schienen	1	112358D01		
55	Sitzkissen kompl., ohne Bezug	1	113791-01		
58	Griff für SKTE	1	929527-77		
59	Sitzpolster	1	09211-01		
62	Reparatursatz	1	929527-22		





### MODÜLER PARÇA LİSTESİ

Stk. ADET	ISRI Ident-Nr. ISRI PARÇA NO	KIEL Ident-Nr. KIEL PARÇA NO	Pos POZ	Bezeichnung PARÇA ADI	Bemerkung AÇIKLAMA
1	010037-01	360 001	1	RÜCKENTEIL KPL. MIT GURT LI. (OHNE BEZUG) ARKALIK EMNİYET KEMERLİ KPL. (DÖŞEMESİZ)	
1	929527-94	360 002	4	GURTFÜHRUNG KPL. LI./RE. KEMER YÖNLENDİRİCİ KPL. SOL/SAĞ	
1	929527-23	360 003	6	3-PUNKT-GURT KPL. LI. 3-NOKTA EMNİYET KEMERİ KPL. SOL	
1	929527-62	360 004	14	SCHRAUBEN FÜR RÜCKENLEHNE ARKALIK BAĞLANTI CIVATASI	
1	914516-04	360 005	15	GLEITER FÜR SITZKISSEN OTURAK KAYICI PLASTİĞİ	
1	929527-21	360 006	16	GURTSCHLOSS EMNİYET KEMER KİLİDİ	
1	929527-89	360 007	17	SEITENABDECKUNG RE. YAN KAPAK SAĞ	
1	929527-11	360 008	19	RÜCKENLEHNENRASTUNG LI. ARKALIK AYAR PARÇALARI SOL KPL.	
1	929527-54	360 009	21	RÜCKENLEHNENGRİFF ARKALIK YATIRMA BUTONU KPL.	
1	929527-69	360 010	22	SEITENABDECKUNG LI. YAN KAPAK SOL	
1	929527-43	360 011	27	VERSTELLEINHEIT DAEMPFER LI. KADEMELİ AMORTİSÖR ÇEKME TELİ SOL	
1	929527-40	360 012	28	NEIGUNGEINSTELLUNG KPL. EĞİKLİK AYARI KPL.	
1	929527-45	360 013	29	VERSTELLEINHEIT HOHE LI. YÜKSEKLİK AYAR ÇEKME TELİ SOL	
1	929527-47	360 014	30	ABSENKUNG LI. HIZLI İNDİRME SOL	
1	929527-50	360 015	31	FRONTABDECKUNG ÖN KAPAK	
1	929527-51	360 016	32	HECKABDECKUNG ARKA KAPAK	
1	929527-75	360 017	33	VENTILWIPPEN VENTİL SALINCAĞI	
1	98889-08	360 018	41	STOSSDAEMPFER KADEMELİ AMORTİSÖR	
1	98872-19	360 019	42	LUFTFEDER HAVA KÖRÜĞÜ	
1	928474-48	360 020	43	VENTIL FÜR HOHENEINSTELLUNG YÜKSEKLİK AYAR VENTİLİ	
1	928462-47	360 021	44	TEILESATZ MIT FÜR HOHENANSCHLAG YÜKSEKLİK AYAR PARÇA GRUBU	
1	03177-01	360 022	48	FALTENBALG KÖRÜK	
1	928462-44	360 023	49	BEF.-MATERIAL FALTENBALG AGRAF	
1	29378-01	360 024	50	SCHIENENPAAR MIT BUGEL İLERİ GERİ AYAR GRUBU KPL.	
1	112358D01	360 025	51	BUGEL FÜR SCHIENEN İLERİ GERİ AYAR KOLU	
1	113791-01	360 026	55	SITZKISSEN KPL., OHNE BEZUG OTURAK KPL., DÖŞEMESİZ	
1	929527-77	360 027	58	GRIFF FÜR SKTE OTURAK DERİNLİK AYAR KOLU KPL.	
1	09211-01	360 028	59	SITZPOLSTER OTURAK SÜNGERİ	
1	929527-22	360 029	62	REPARATURSATZ HORTUM TUTUCU PARÇA	
				T E M S A	
				SAYFA : 1/1	
				AÇIKLAMA	
				İSİM	
				TARİH	
				HAZIR KILINÇ 13.01.2004	
				ONAY NURKAYA 14.01.2004	
				ADI	
				ISRI 6860/875 SÜRÜCÜ KOLTUGU SOL YEDEK PARÇA LİSTESİ	
Ind.	İsim	Onay	Tarih	Değişiklik	360 045