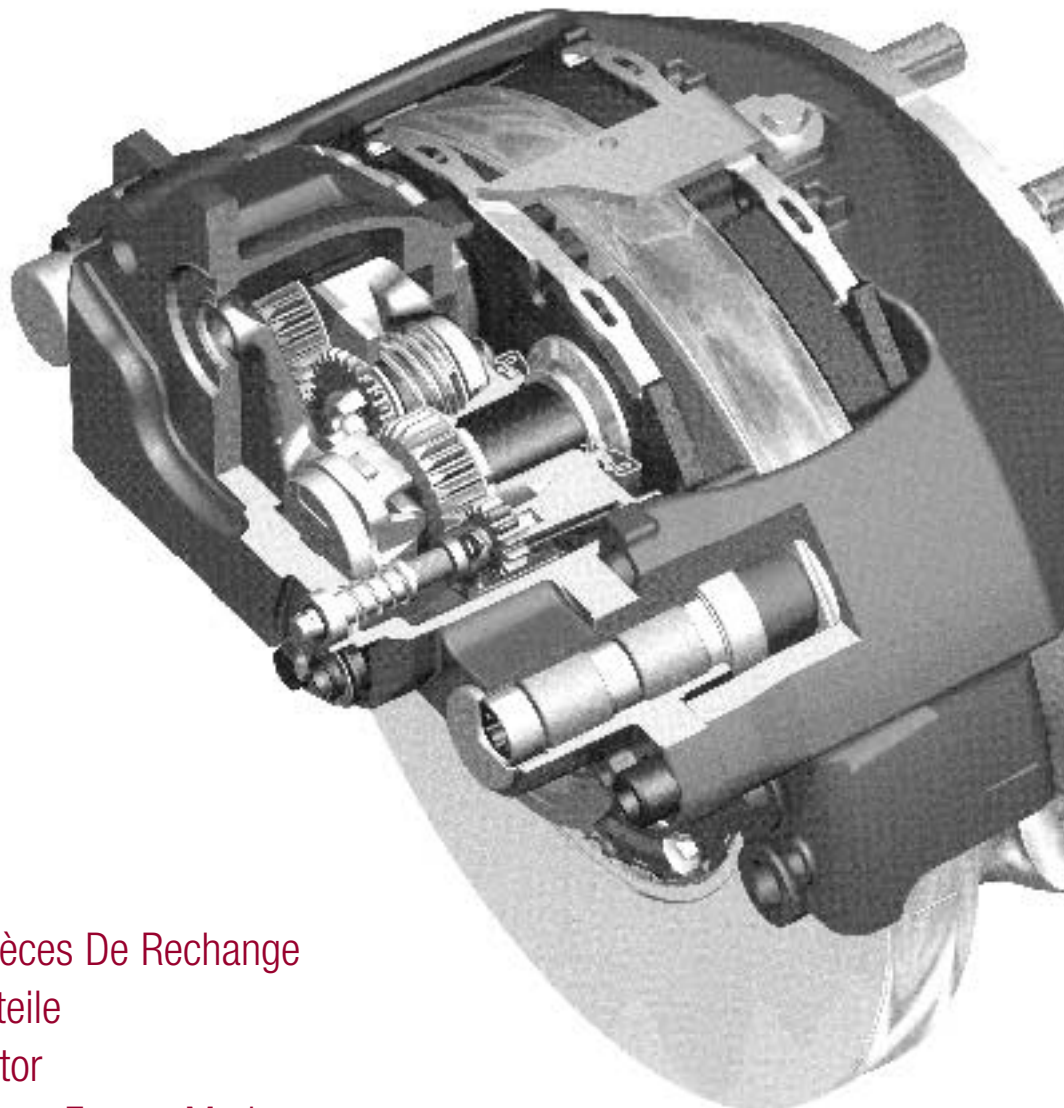
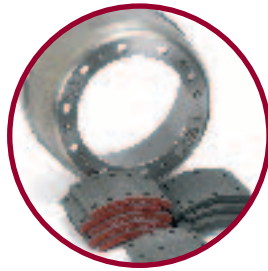




MERITOR™

Meritor Brake Spares



Les Freins Meritor – Pièces De Rechange
Meritor Bremsenersatzteile
Ricambi Per Freni Meritor
Piezas De Repuestos Para Frenos Meritor
Meritor Remonderdelen

ArvinMeritor™



Contents / Sommaire / Inhalt / Indice / Inhoud / Conenido

Glossary 2

Vocabulaire

Glossar

Vocabolario

Verklarende woordenlijst

Glosario

Disc Brake Applications 5

Pièces de rechange pour le frein à disque

Scheibenbremsen-Ersatzteile

Pezzi di ricambi per i freni

Schijfrem vervangingsonderdelen

Recambios para frenos de disco

Brake Pad and Disc Applications 179

Pièces de rechange pour les plaquettes et disques de frein

Scheibenbremsen und Bremsscheiben-Ersatzteile

Pezzi di ricambi per le pastiglie e per il disco del freno

Remblok en -schijf toepassingen

Recambios para frenos de disco y discos de freno

Drum Brake Lining Applications 195

Pièces de rechange pour les garnitures de frein

Trommelbremsbeläge-Ersatzteile

Guarnizioni per il freno a tamburo

Remvoering toepassingen

Recubrimientos de frenos

Brake Drum Applications 241

Pièces de rechange pour les tambours de frein

Bremstrommeln-Ersatzteile

Pezzi di ricambio per il freno a tamburo

Remtrommel toepassingen

Recambios tambores de frenos

Buyers Guide 253

Guide Acheteurs

Teileverwendung

Guida degli Acquisti

Kopersgids

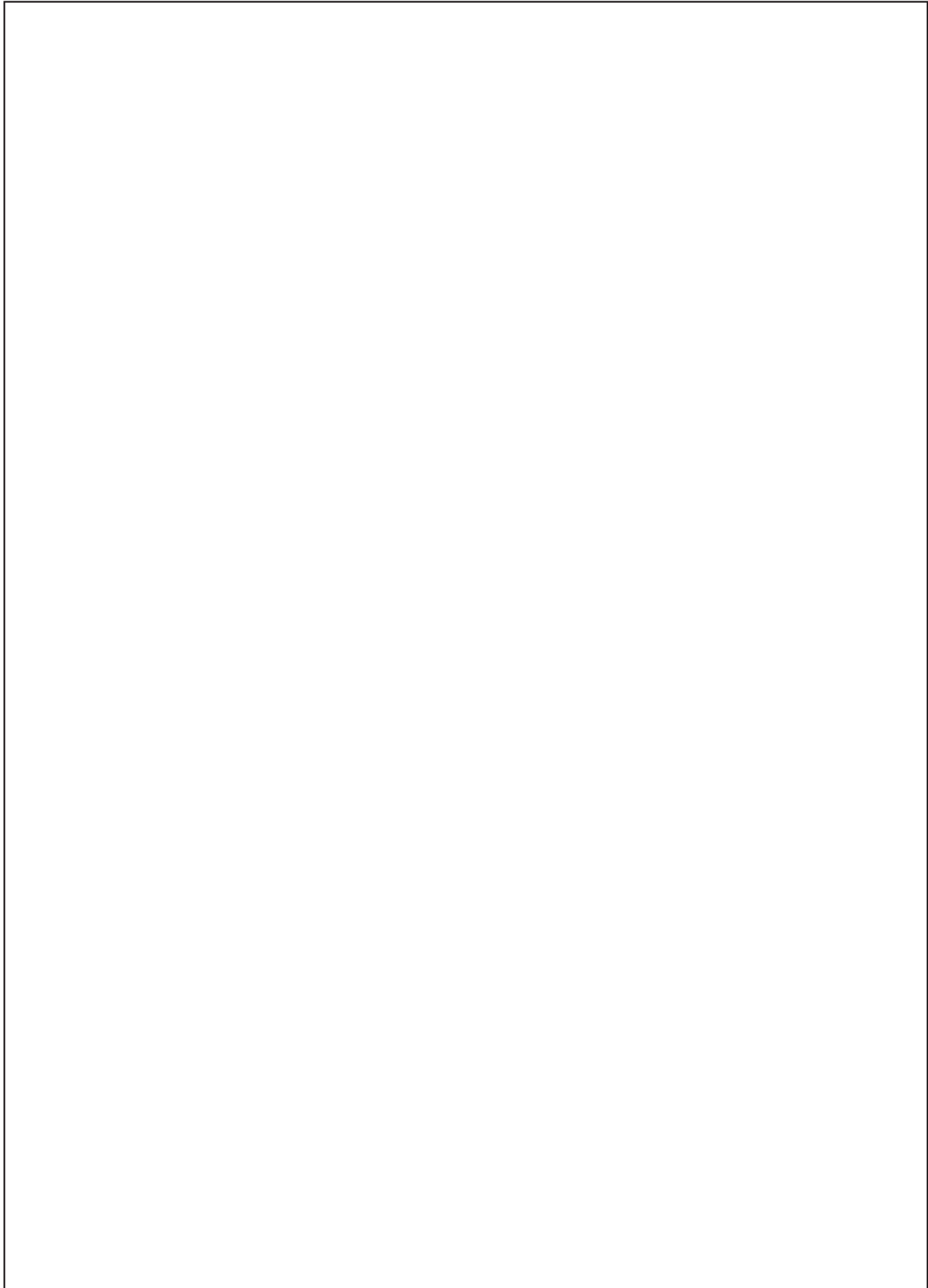
Guía de compras

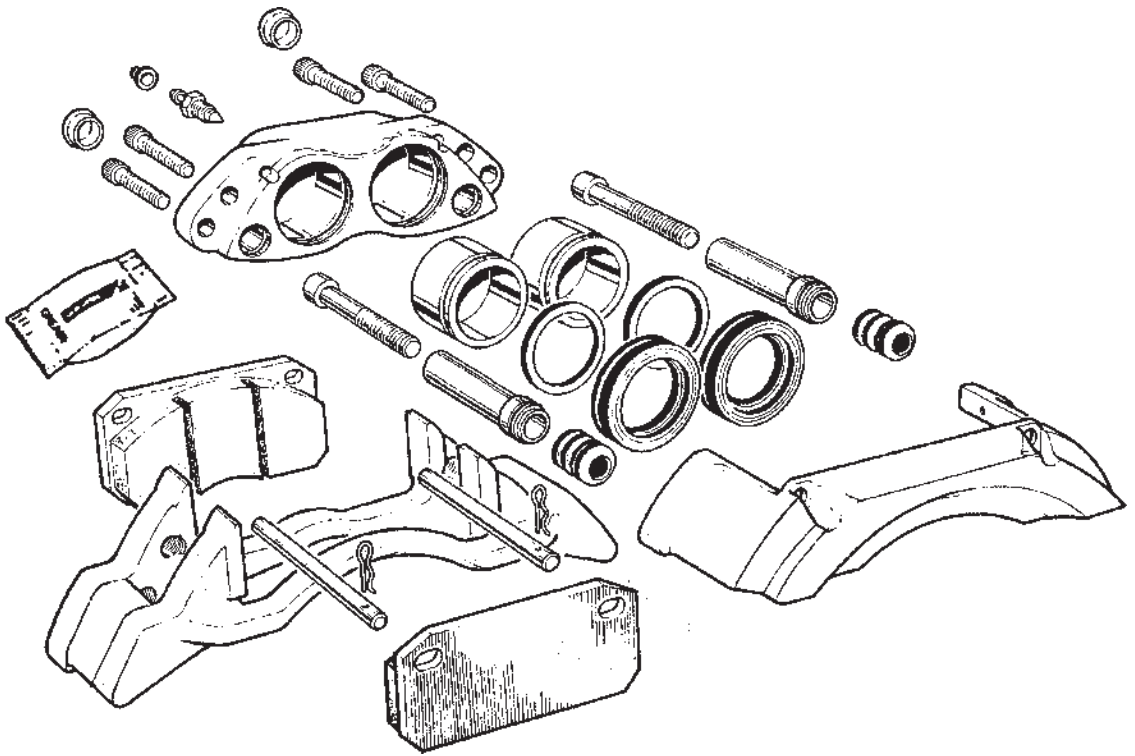


	English	French	German	Italian	Dutch	Spanish
	Bus	Autobus	Autobus	Bus urbano	Bus	Autobus
	Dust Cart	Benne à ordures ménagères	Müllwagen	Dust Cart	Vuilniswagen	Camion de residuos
	Fire Engine	Camion de Pompiers	Feuerwehrwagen	Camio dei Pompieri	Brandweerauto	Camión de bomberos
	Truck	Porteur	LKW	Motrice	Vrachtauto	Camion
	Trailer	Remorque	Anhänger	Rimorchio	Aanhangwagen	Remolque
	Front	Avant	Vorne	Anteriore	Voor	Delantero
	Rear	Arrière	Hinten	Posteriore	Achter	Trasero
	Left Hand	Gauche	Links	Sinistro	Links	Izquierdo
	Right Hand	Droite	Rechts	Destro	Rechts	Derecho
	Adjuster Tappet Kit	Kit de réglage de poussoir	Rep. Satz Druckstößel	Kit ricambio	Hydraulische klepstoter kit	Juego de taqués reguladores
	Auto Adjust Kit	Kit de réglage automatique	Rep. Satz automatische Nachstelleinheit	Kit recupero automatico gioco	Automatische afstelset	Juego de ajuste automático
	Bearing Kit	Kit pour roulements	Lager	Kit cuscinetti	Lager set	Juego de cojinetes
	Brake Pad Kit - Oversize	Jeu de plaquettes de frein surdimensionnées	Satz Scheibenbremsbeläge Übermaß	Kit pastiglie maggiorate	Schijfremblok set - overmaat	Juego de pastillas de frenos - sobredimensionadas
	Brake Pad Kit	Kit de plaquettes de frein	Satz Scheibenbremsbeläge	Kit pastiglie freno	Remblokset	Juego de pastillas de frenos
	Bridge Kit	Kit pont	Brückenbausatz	Kit ponte	Brug kit	Juego de puente
	Bush & Bearing Kit	Kit douille et roulement	Rep. Satz Buchse und Lager	Kit bolcclle e cuscinetti	Bus/lager set	Juego de casquillo y cojinete
	Caliper Kit	Kit d'étrier	Rep.Satz Bremssattel	Kit ricambio freno	Reparatie set	Juego de pinza
	Carrier Kit	Kit de support	Bremsträger	Kit icamba freno	Drager set	Juego de soporte
	Cover Plate Seal Kit	Kit de joints d'étanchéité de la plaque couvercle	Dichtungssatz	Kit guarnizione coperchio	Afdeklpaat afdichtkit	Juego de juntas de placa protectora
	Dust Cover Kit	Kit cache-poussière	Satz Staubschutzteile	Kit riparo polvere	Stofkapkit	Juego de guardapolvo
	Eccentric Shaft Kit	Kit arbre excentrique	Exzenterwellenbausatz	Kit guarnizione ecentrico	Excentriche lageras kit	Juego de ejes excéntricos
	Guide Pin & Seal Kit	Kit axe de guidage et joint d'étanchéité	Führungssystem- und Dichtungsbausatz	Kit perno guida e tenuta	Geleidepen en afdichtkit	Juego de pasador de guía y junta



	English	French	German	Italian	Dutch	Spanish
	Guide Pin Bolt & Dust Cover Kit	Kit boulon axe de guidage et cache-poussière	Führungssystem-Bolzen- und Staubschutzbausatz	Kit bullone perno guida e parapolvere	Geleidepenbout en stofkapkit	Juego de pernos de pasadores de guía y guardapolvos
	Guide Pin Bolt Kit	Kit de boulons pour axe de guidage	Kit de boulons pour axe de guidage	Kit bulloni guida	Geleidepen bout kit	Juego de pernos de pasadores de guía
	Guide Pin Cover Kit	Kit enveloppe axe de guidage	Rep. Satz Staubmanschette Führungssystem	Kit riparo perno guida	Geleidepen set	Juego de protección del pasador de guía
	Guide Pin Kit	Kit d'axe de guidage	Rep. Satz Führungssystem	Kit perno guida	Geleidepen set	Juego de pasadores de guía
	Hand Brake Kit	Kit pour frein à main	Rep. Satz Handbremse	Kit freno a mano	Handremset	Juego de freno de mano
	Housing Overhaul Kit	Kit de remise en état de carter	Rep. Satz Gehäuse	Kit riprzione completo	Behuizing reparatiekit	Juego de revisión general de la carcasa
	Intermediate Gear & Spring Kit	Kit de l'engrenage intermédiaire et du ressort	Zwischenrad- & Federsatz	Ingranaggio intermedio e kit molle	Tussentandwiel & veer kit	Juego de piñón intermedio y muelle
	Lever Kit	Kit levier	Bremshebel kpl.	Kit leva	Hendel set	Juego de palanca
	Manual Adjuster Kit	Kit de réglage manuel	Rep. Satz manuelle Nachstellung	Kit aggiustamento manuale	Set tbv manuele afstelling	Juego de regulador manual
	Operating Shaft Kit	Kit d'arbre de commande	Rep. Satz Betätigungswelle	Kit alberino attuazione	Aandrijfkit	Juego de eje de operación
	Overhaul Seal Kit	Kit de joints d'étanchéité pour révision	Dichtungssatz	Kit guarnizione	Keerring set	Juego de juntas para revisión general
	Pad Fitting Kit	Kit de montage de plaquettes	Montagesatz für Bremsbelag	Kit accessori	Set TBV schijfremblok	Juego de instalación de pastillas
	Pad Retainer Kit	Kit retenues de plaquettes	Klotzhalterungsbausatz	Kit per ritegno pastiglia	Remblok bevestigingskit	Juego de retención de pastillas
	Pad Spring Kit	Kit pour ressort de plaquette	Rep.Satz Belaghalterfedern	Kit molle per pastiglie	Reparatie set veer tbv schijfremvoering	Juego de muelles de las pastillas
	Pad Wear Indicator Kit	Kit indicateur d'usure de plaquette	Belagverschleißanzeigerbausatz	Kit indicatore usura pastiglie	Remblokslijtagesensorkit	Juego de indicador de desgaste de pastillas
	Service Caliper	Etrier	Bremssattel kpl o. Belag	Pinza freno	Remklau verwisselen	Pinza de servicio
	Spreader Plate Kit	Kit Plaque d'Ecartement	Verteilerplatten-Rep.Satz	Kit distanziali	Speidplaat kit	Juego de la placa esparcidora
	Tappet Head Kit	Kit tête de poussoir	Stößeltellersatz	Kit testa punterie	Klepstoter Kit	Juego de cabezales de taqué
	Visual Pad Wear Assembly Kit	Kit indicateur visuel d'usure de plaquettes	Verschleißanzeigerbausatz	Kit gruppo indicatore visivo usura pastiglie	Visuele remblokslijtagesensorkit	Juego de conjunto visual de desgaste de pastillas
	1 Only major kits are shown - for full details see Electronic CD Version 2	Seulement les kits principaux sont montrés-pour plus de détails, voir le CD, 2ème version	Es sind nur die wichtigsten Reparatursätze aufgeführt - zusätzliche Informationen sind im elektronischen Katalog aufgeführt.	Sono mostrati solo i kit principali - per maggiori dettagli vedere il CD Elettronico Versione 2	Alleen the belangrijkste kits zijn afgebeeld -voor meer informatie zie de CD Versie 2	Solo se muestran los kits principales-para detalles ver el CD Versión 2
	2 Manufacturers' numbers are for reference only	Les références constructeurs sont indiquées pour information uniquement	Die Fahrzeughersteller-Angaben dienen nur zu Vergleichszwecken	I dati della casa costruttrice servono solo a scopo comparativo	Fabrieksnummers dienen alleen ter informatie	Las referencias de los fabricantes son para consulta únicamente







Manufacturers Index

AWD	7
CZEPEL	8
DENNIS	10
ERF	17
IKARUS	19
IRISBUS	20
IVECO	22
KÄSSBOHRER	30
MAN	35
MCI	58
MERCEDES	60
NISSAN	67
OPTARE	70
ORION	73
RENAULT TRUCK	74
ROR	83
SOR	91
TIMONEY/TELEDYNE	93
VAN HOOL	94
VOLVO	95
ZF	177



AWD

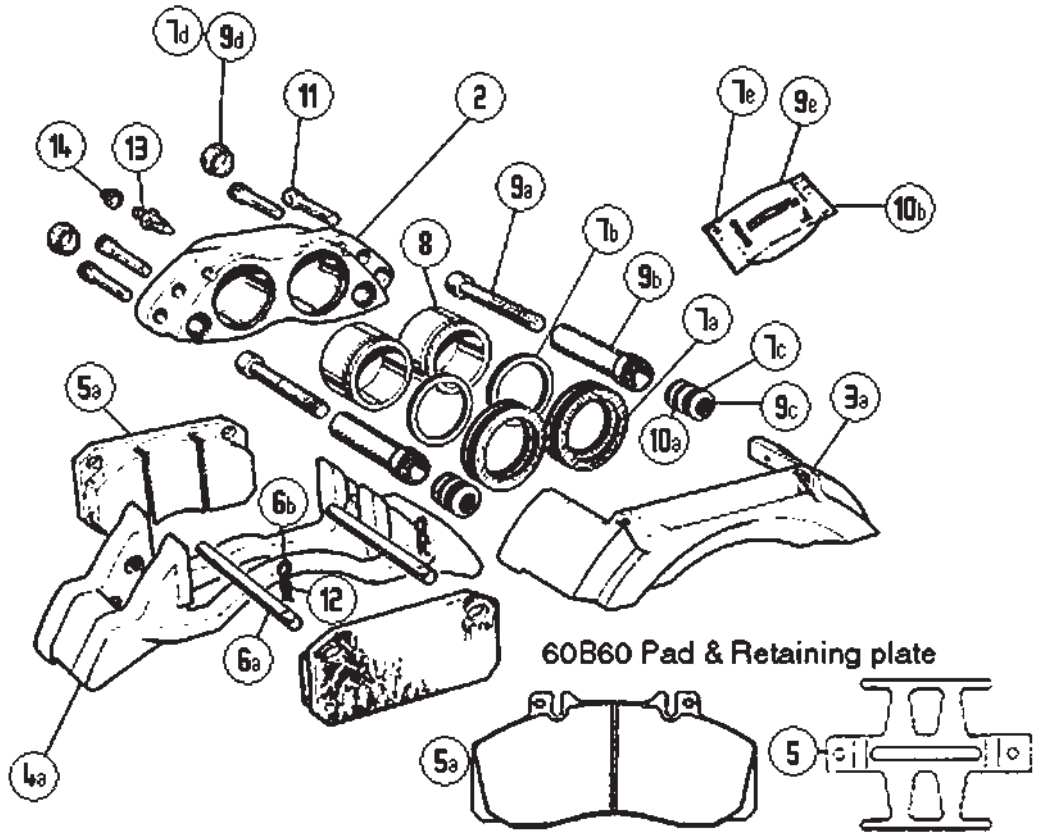


Mini-Bus (Rockwell Axles) 17.5" Wheel Dia.



7/92→

	← LRG512	
	→ LRG513	
	↔ BDA333	③
	← BDA363	④
	→ BDA364	④
	↔ MDP5030	⑤
	↔ SP8563	⑥
	↔ SJ1048	⑦
	↔ SP8565	⑨
	↔ SP8566	⑩

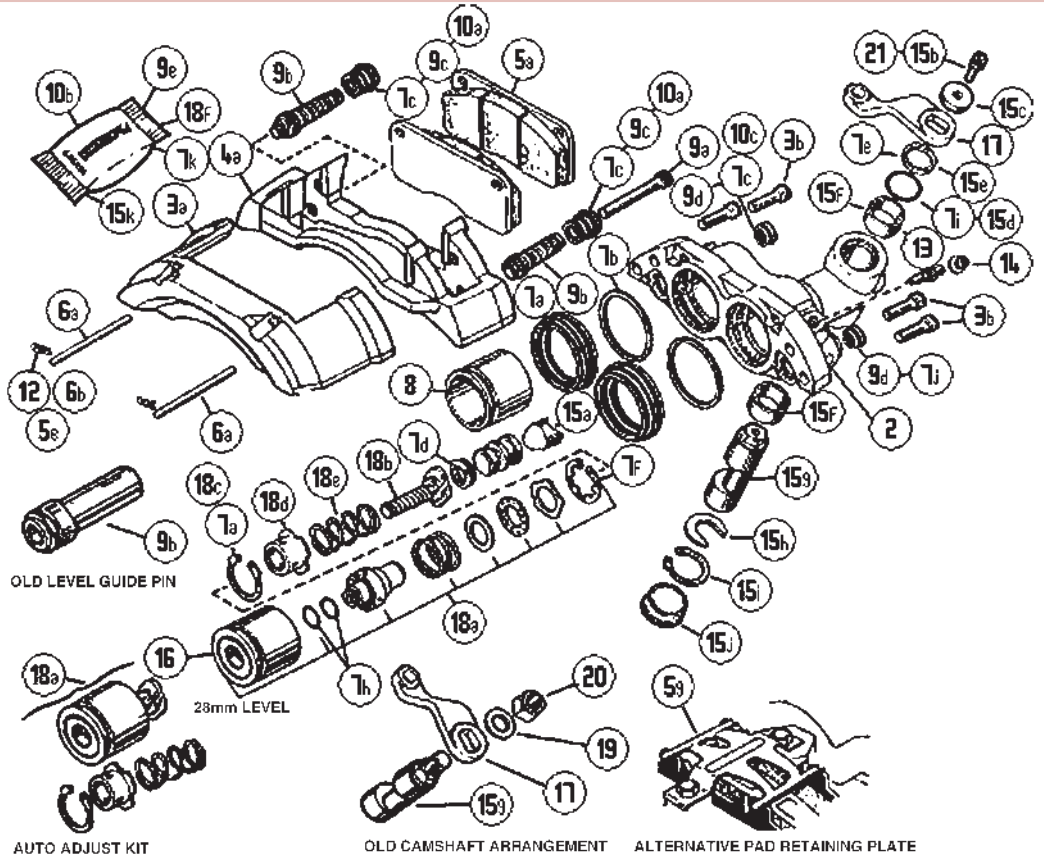


Mini-Bus (Rockwell Axles) 17.5" Wheel Dia.



7/92→

	← LRG628	
	→ LRG629	
	← BDA333	③
	← BDA363	④
	→ BDA364	④
	↔ MDP5030	⑤
	↔ SP8563	⑥
	↔ SP9670	⑦
	↔ SP8565	⑨
	↔ SJ1092	⑱
	↔ SP8566	⑩
	↔ SP8570	⑮





CZEPEL

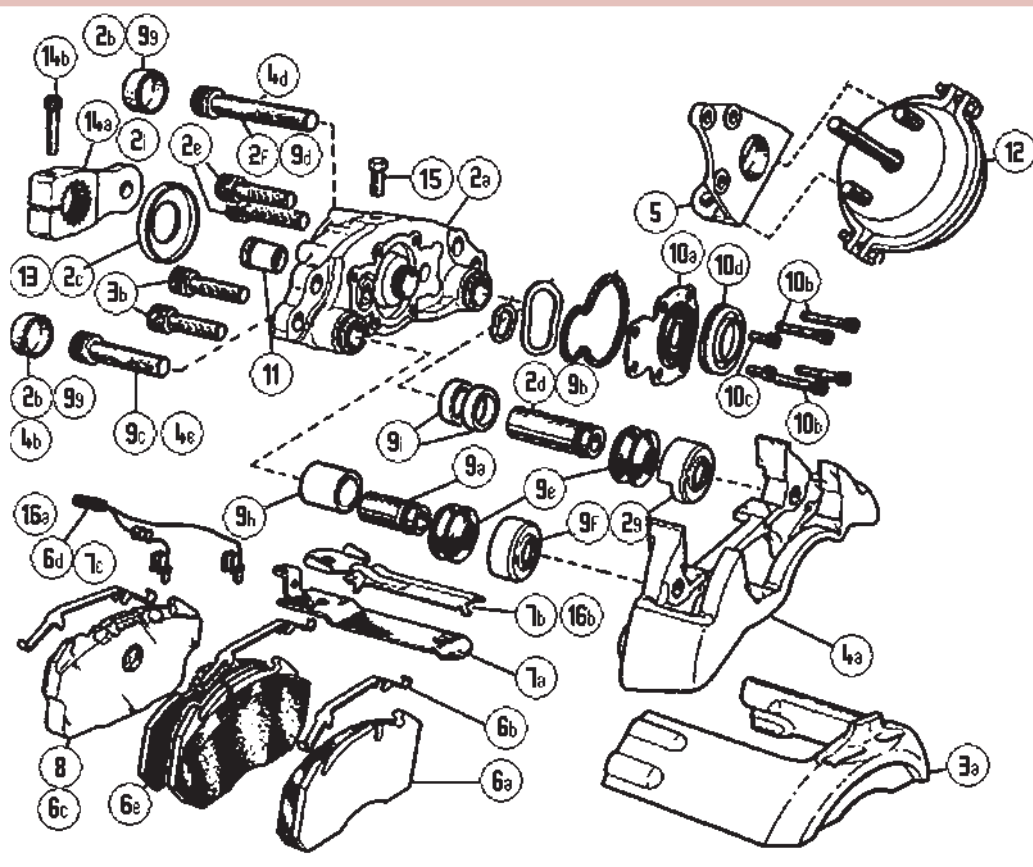


Bus (Raba Axle) 22.5" Wheel Dia.



1/93→10/93

	← LRG562	
	→ LRG563	
	↔ 31932052	③
	↔ BDA444	④
	↔ MDP5031	⑥
	↔ MDP5032	⑥
	↔ SJ1228	⑨
	↔ SJ1212	⑩
	↔ 31932070	⑭

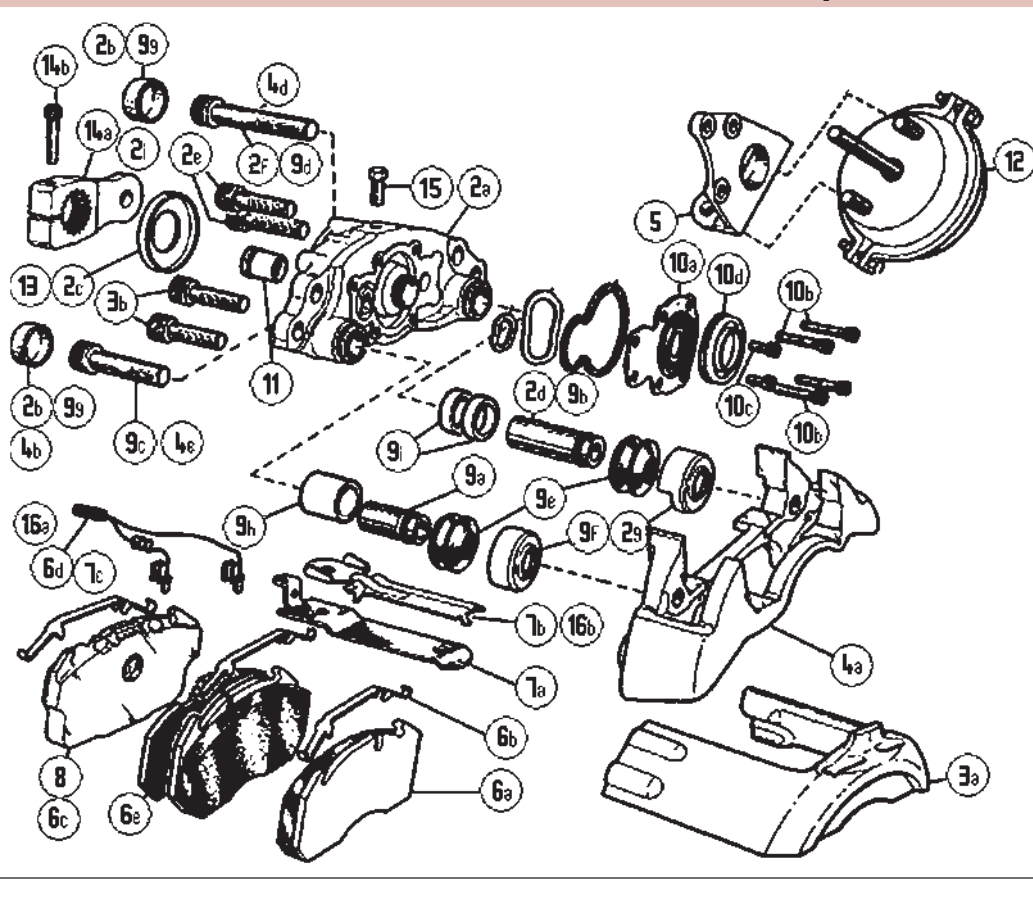


Bus (Raba Axle) 22.5" Wheel Dia.



11/93→

	← LRG562	
	→ LRG563	
	↔ 31932052	③
	↔ BDA444	④
	↔ MDP5033	⑥
	↔ MDP5034	⑥
	↔ SJ4012	⑨
	↔ SJ1212	⑩
	↔ 31932070	⑭





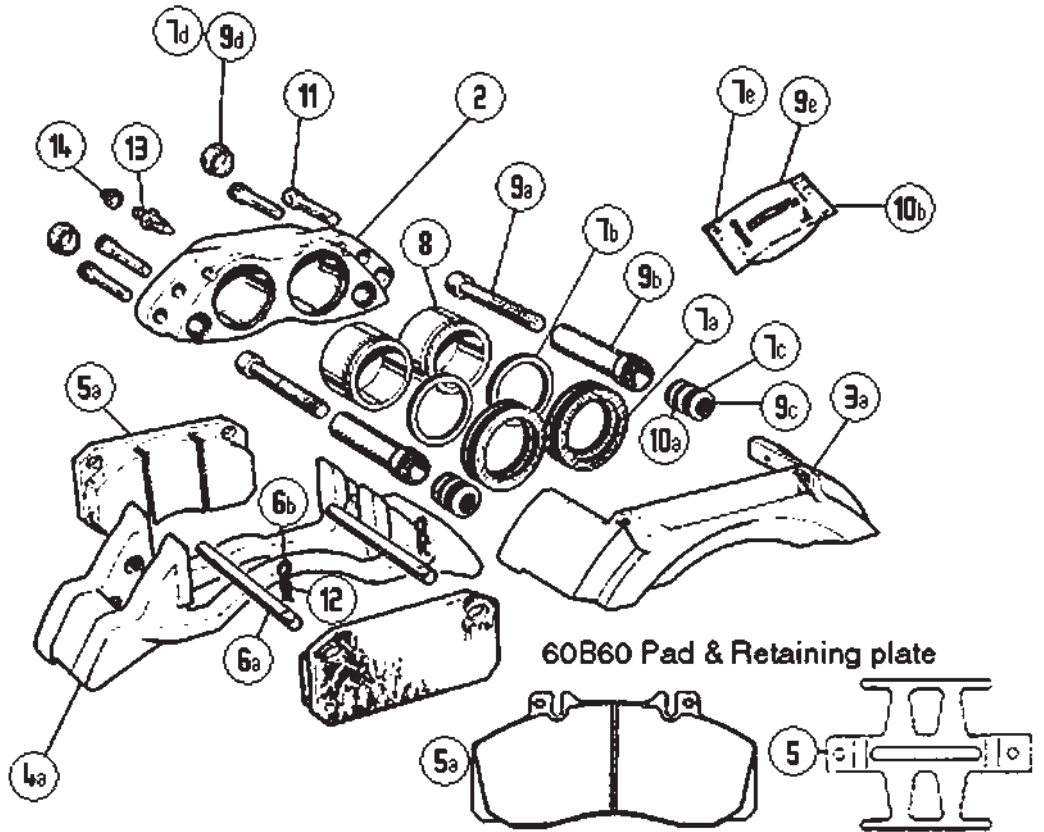
... CZEPEL

Bus (Raba Axle) 17.5" Wheel Dia.



1/94→

	← LRG566	
	→ LRG567	
	↔ 31932015	③
	← BDA105	④
	→ BDA106	④
	↔ MDP5481	⑤
	↔ SP8597	⑦
	↔ SP8902	⑨
	↔ SP8566	⑩





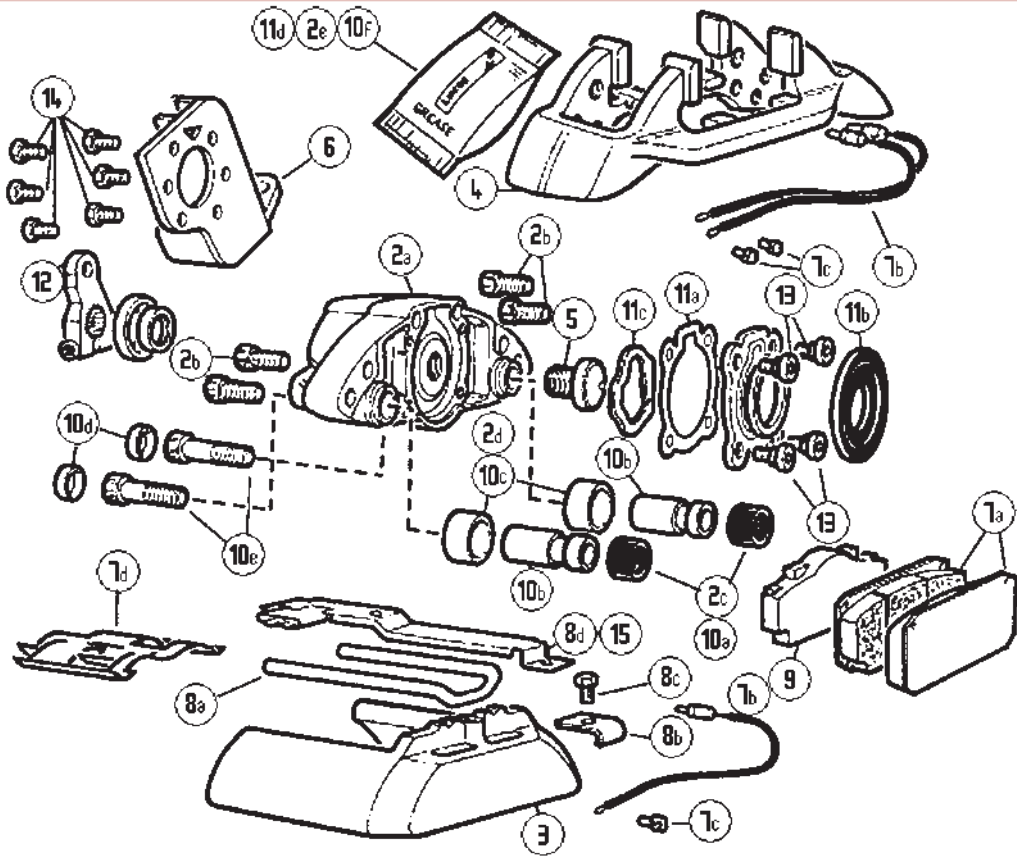
DENNIS



Javelin MK II Coach 22.5" Wheel Dia.

10/91→95

	← LRG530	
	→ LRG531	
	↔ SJ1018	⑩
	↔ MDP5027	⑦
	↔ ST1206	⑥
	↔ SP8999	⑩





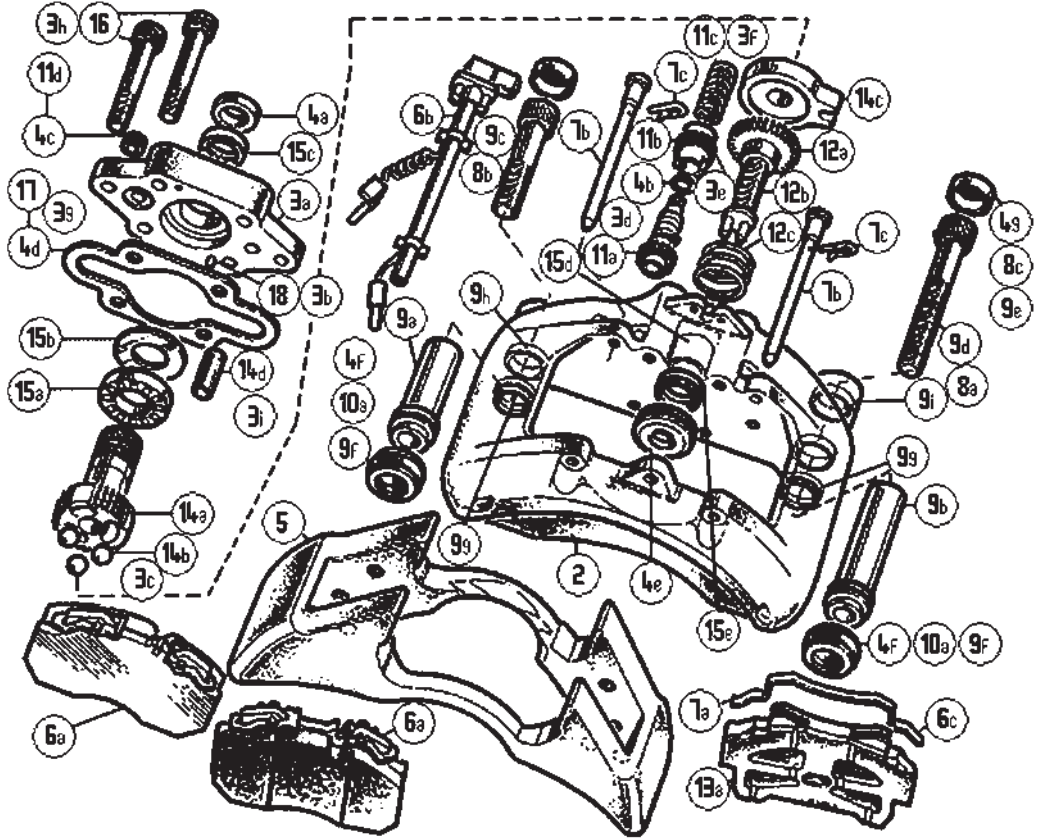
... DENNIS

Javelin MK III Coach 22.5" Wheel Dia.



95→

	← LRG550 → LRG551	
	↔ MDP5019	⑥
	↔ SJ4022	⑦
	↔ MCK1104 ¹ ↔ SJ4076 ²	⑨
	← MCK1017 → MCK1018	⑪
	↔ SJ4077	⑩
	← SJ4073 → SJ4074	⑫
	↔ SJ4021	⑧
	← MCK1021 ³ → MCK1022 ³	⑭
	← 68915070 → 68915071	⑲
	↔ SJ4031	⑮
	↔ SJ4078 ¹ ↔ SJ4032 ²	④
	← MCK1019 → MCK1020	③
	↔ SJ4117	⑬



- 1: New Level
- 2: Old Level
- 3: Latest Level Brakes only



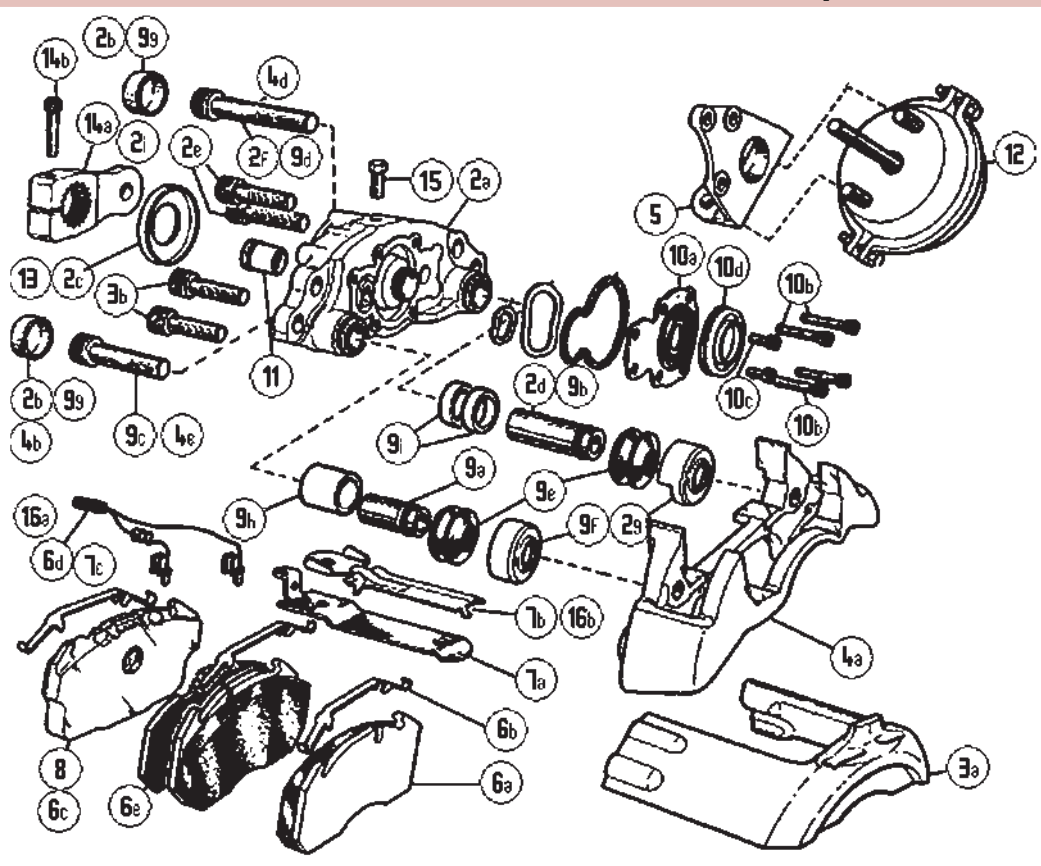
... DENNIS

Lance (Low Floor) - ZF Axle. 22.5" Wheel Dia.



4/92→

	← LRG528	
	→ LRG529	
	↔ 31932052	③
	↔ BDA444	④
	↔ MDP5000	⑥
	↔ SJ4012	⑨
	← SJ4077	⑩
	↔ SJ1212	⑩
	→ SJ4077	⑩
	↔ 31932059	⑭





... DENNIS

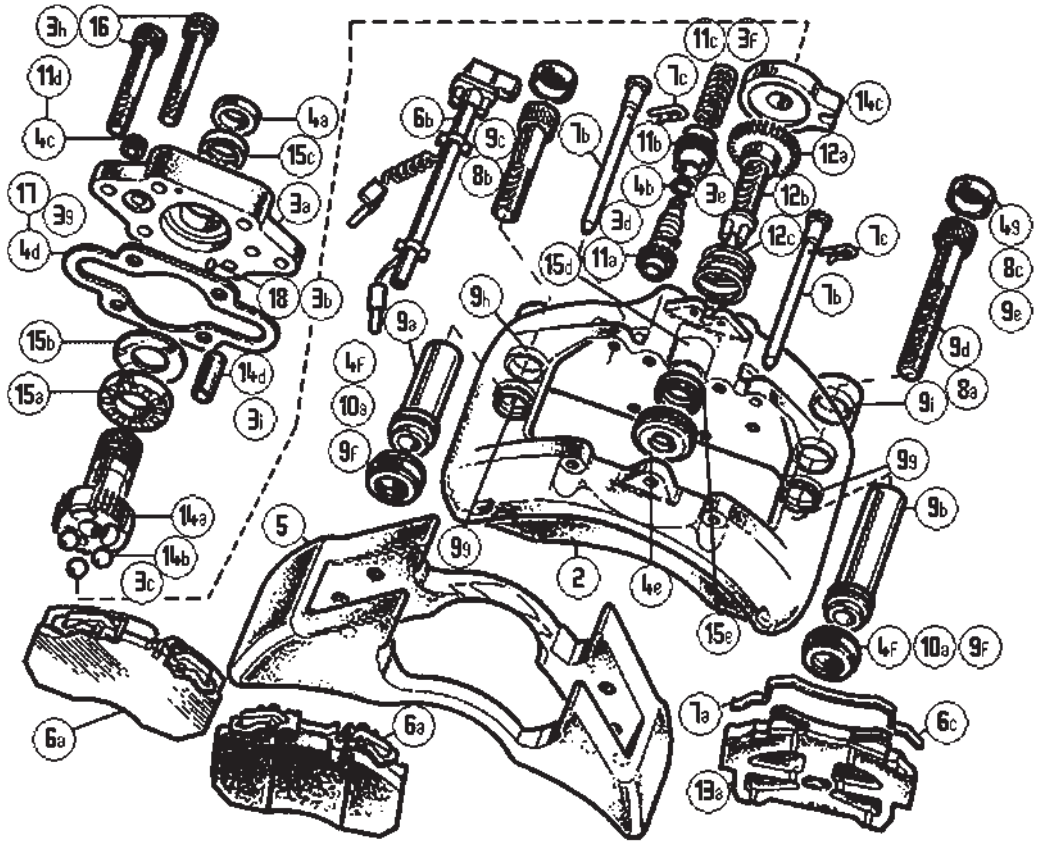


Sabre 22.5" Wheel Dia.



1/95→

	← LRG550 → LRG551	
	↔ MDP5019	⑥
	↔ SJ4022	⑦
	↔ SJ4076 ¹	⑨
	↔ MCK1104 ¹	⑨
	← MCK1017	⑪
	→ MCK1018	⑪
	↔ SJ4077	⑩
	← SJ4073	⑫
	→ SJ4074	⑫
	↔ SJ4021	⑧
	← MCK1021 ³	⑭
	→ MCK1022 ³	⑭
	← 68915070	⑲
	→ 68915071	⑲
	↔ SJ4031	⑮
	↔ SJ4078 ¹	④
	↔ SJ4032 ²	④
	← MCK1019	③
	→ MCK1020	③
	↔ SJ4117	⑬



1: New Level
 2: Old Level
 3: Latest Level Brakes Only

--	--	--



... DENNIS

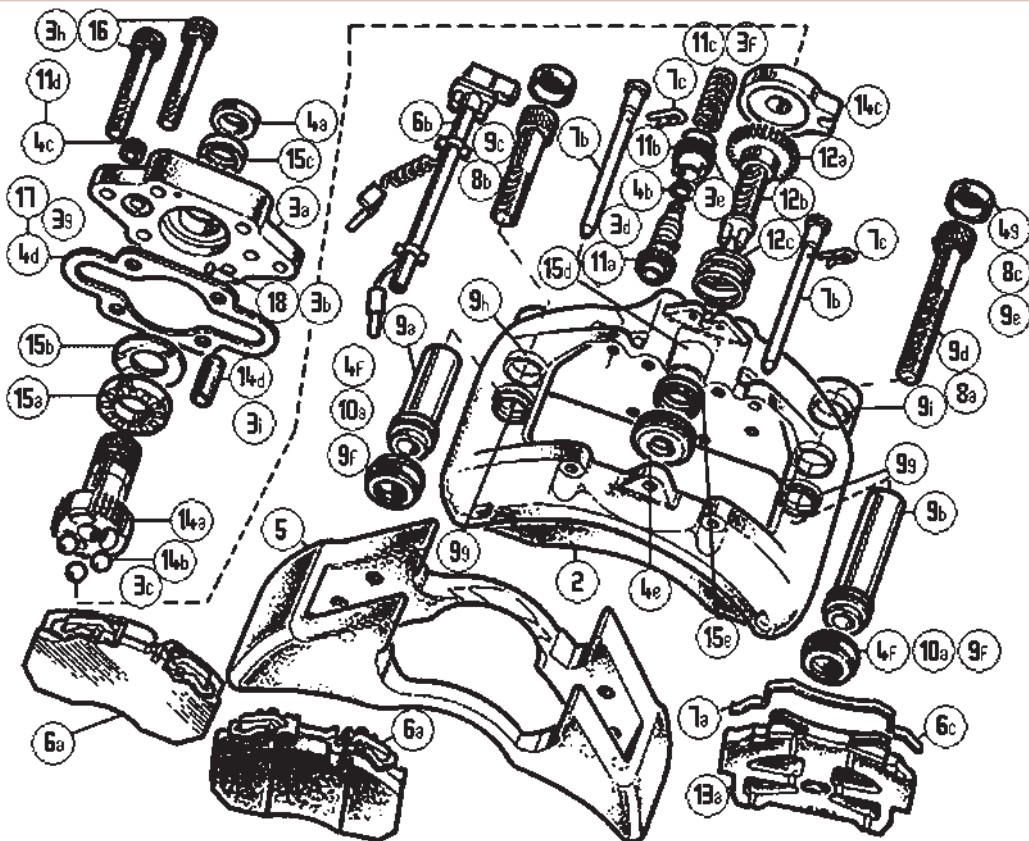


Elite 6 x 2 Link Steer Mid Axle & Rear Steer Axle



06/02→

	← LRG630 → LRG631	
	↔ MDP5071	⑥
	↔ SJ4022	⑦
	↔ MCK1104	⑨
	← SJ4113 → SJ4114	⑪
	↔ SJ4077	⑩
	← SJ4073 → SJ4074	⑫
	↔ SJ4021	⑧
	← MCK1023 → MCK1024	⑭
	← 68915075 → 68915074	
	↔ SJ4031	⑮
	↔ SJ4078	④
	← MCK1234 → MCK1235	
	↔ SJ4117	⑬





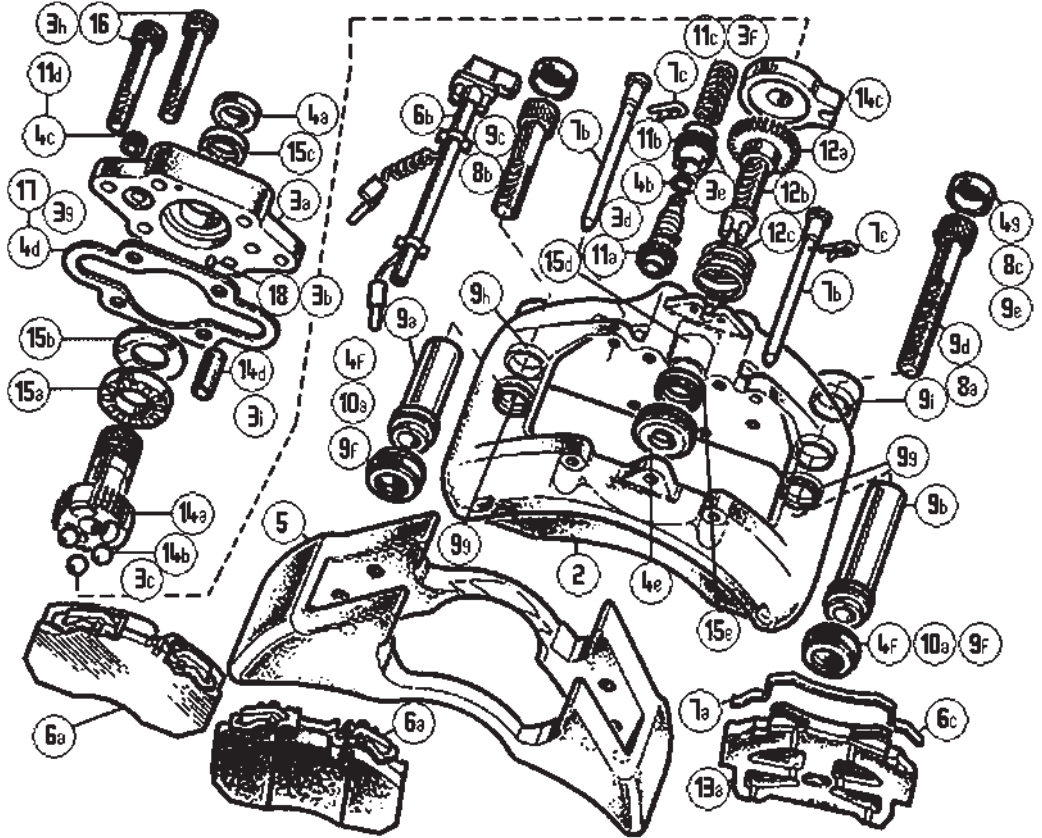
... DENNIS

Elite 6 x 2 Link Steer Mid Axle & Rear Steer Axle



06/02→

	← LRG630 → LRG631	
	↔ MDP5071	⑥
	↔ SJ4022	⑦
	↔ MCK1104	⑨
	← SJ4113 → SJ4114	⑪
	↔ SJ4077	⑩
	← SJ4073 → SJ4074	⑫
	↔ SJ4021	⑧
	← MCK1023 → MCK1024	⑭
	← 68915075 → 68915074	
	↔ SJ4031	⑮
	↔ SJ4078	④
	← MCK1234 → MCK1235	
	↔ SJ4117	⑬

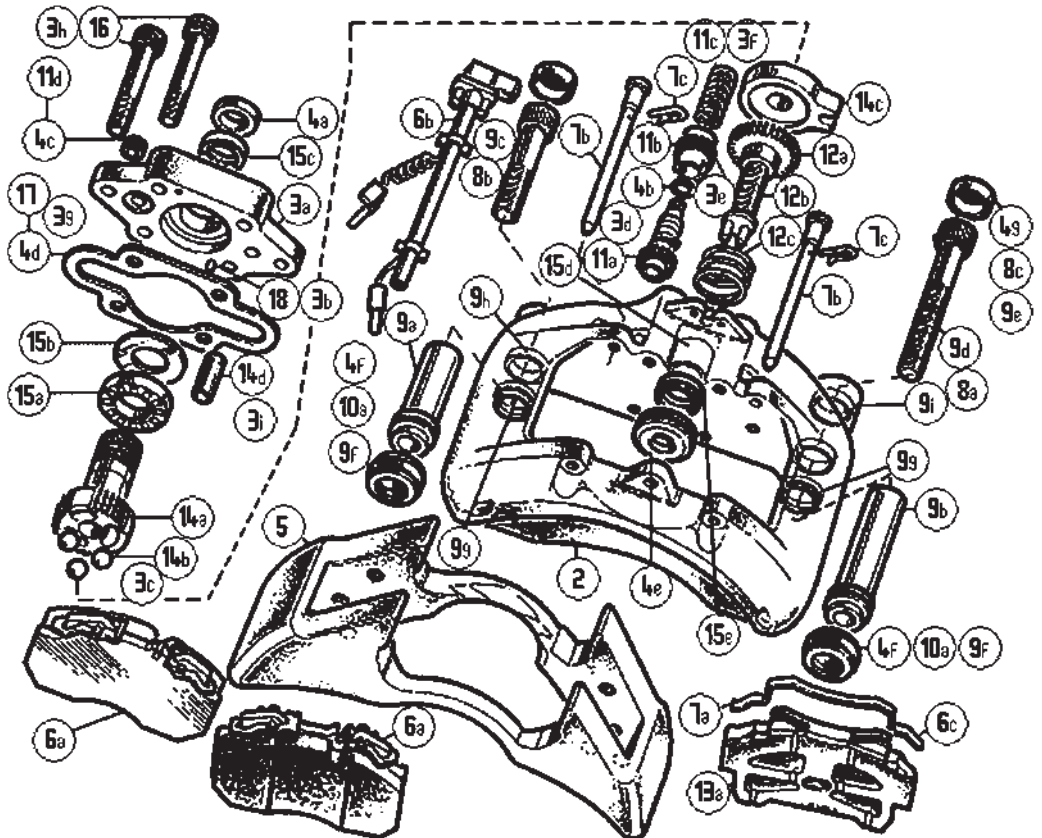


Elite Wide Track Axle



06/02→

	← LRG630 → LRG631	
	↔ MDP5071	⑥
	↔ SJ4022	⑦
	↔ MCK1104	⑨
	← SJ4113 → SJ4114	⑪
	↔ SJ4077	⑩
	← SJ4073 → SJ4074	⑫
	↔ SJ4021	⑧
	← MCK1023 → MCK1024	⑭
	← 68915075 → 68915074	
	↔ SJ4031	⑮
	↔ SJ4078	④
	← MCK1234 → MCK1235	③
	↔ SJ4117	⑬





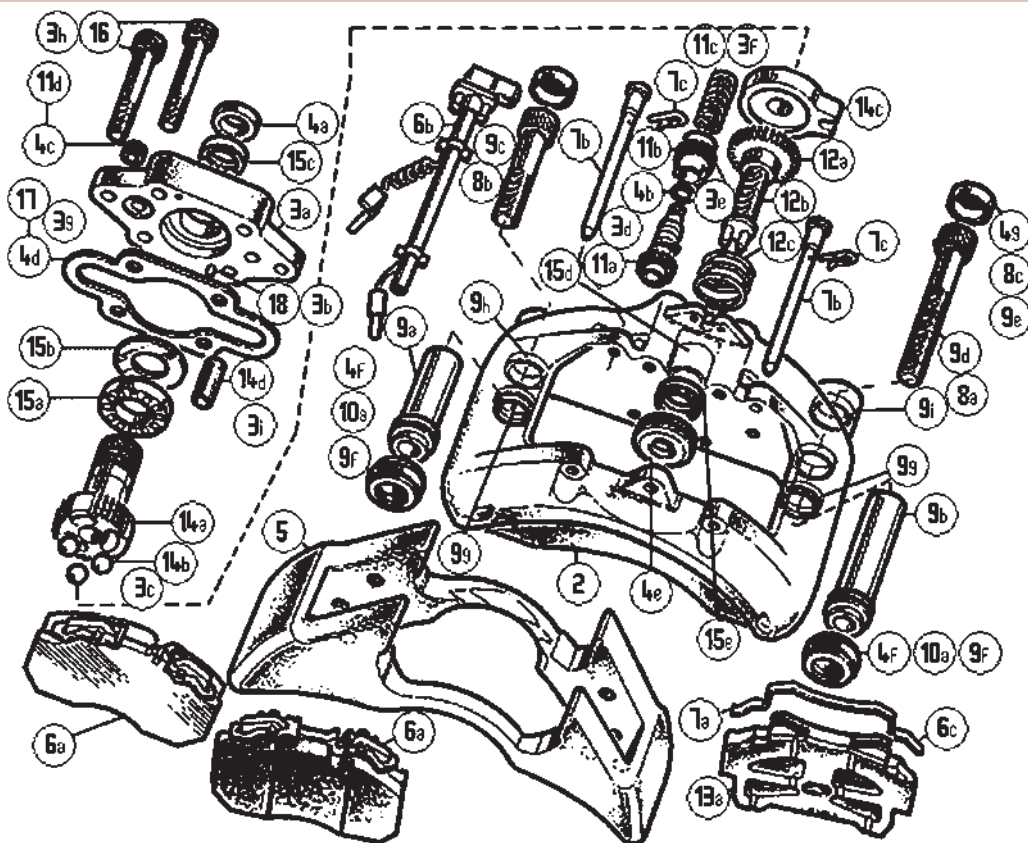
... DENNIS

Elite Narrow Track Axle



06/02→

	← LRG630	
	→ LRG631	
	↔ MDP5071	⑥
	↔ SJ4022	⑦
	↔ MCK1104	⑨
	← SJ4113	⑩
	→ SJ4114	⑩
	↔ SJ4077	⑩
	← SJ4073	⑫
	→ SJ4074	⑫
	↔ SJ4021	⑥
	← MCK1023	⑭
	→ MCK1024	⑭
	↔ SJ4031	⑮
	↔ SJ4078	④
	← MCK1234	③
	→ MCK1235	③
	↔ SJ4117	⑮





ERF

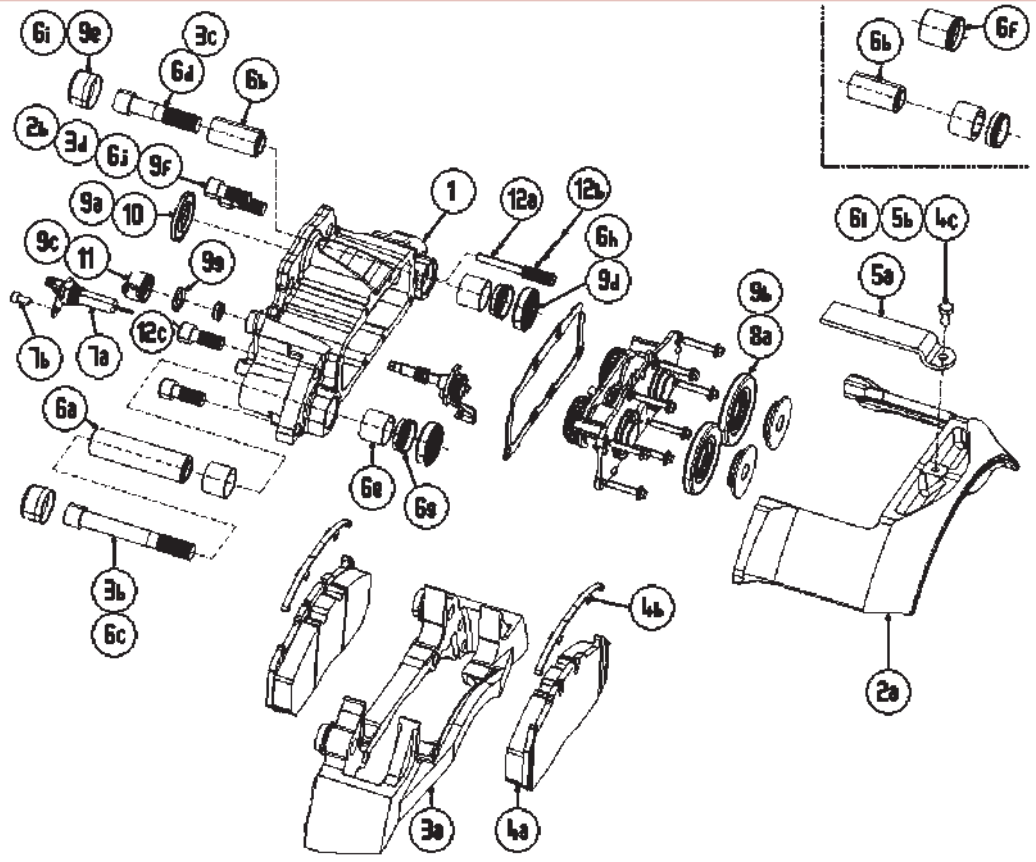


ECS All model - Elsa 2



10/01→

	← LRG544	
	→ LRG545	
	↔ MCK1138	③
	↔ MDP5059	④
	↔ MCK1147	⑦
	↔ MCK1140	⑥
	↔ MCK1139	⑧
	↔ MCK1174	⑤

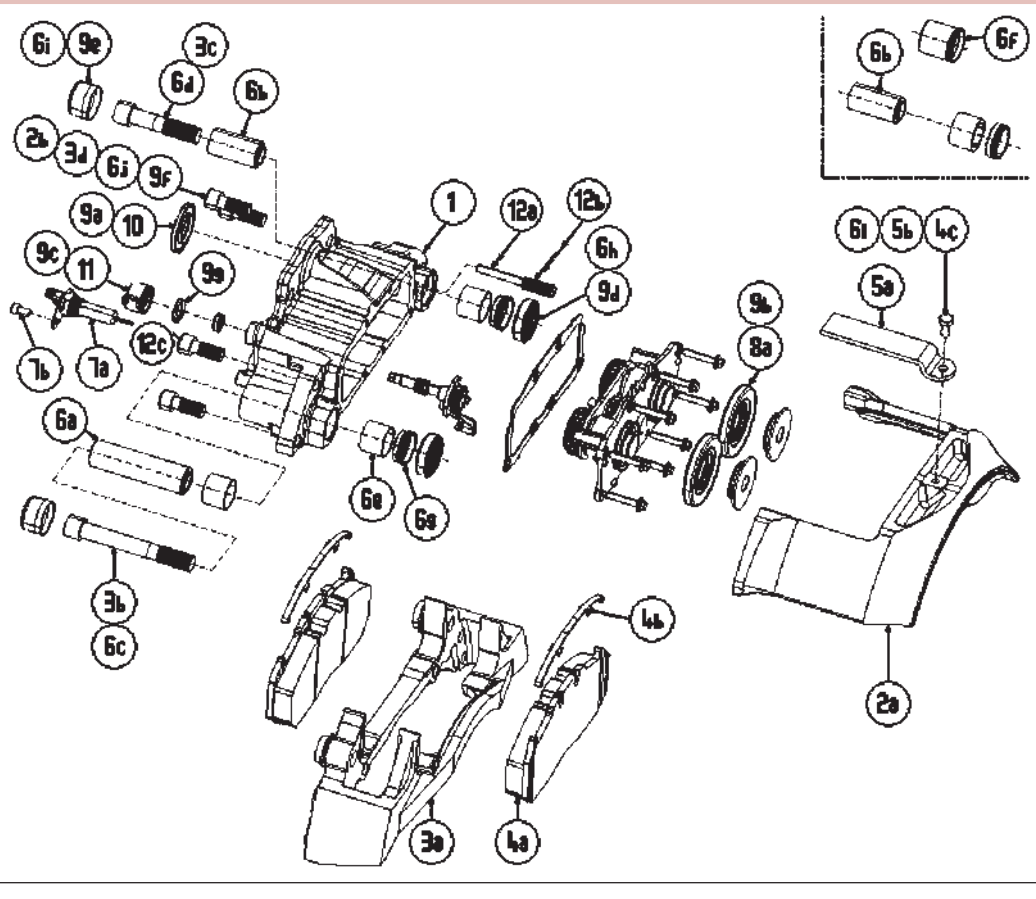


ECS All model - Elsa 2



10/01→

	← LRG638	
	→ LRG639	
	↔ MCK1138	③
	↔ MDP5059	④
	↔ MCK1147	⑦
	↔ MCK1140	⑥
	↔ MCK1139	⑧
	↔ MCK1174	⑤





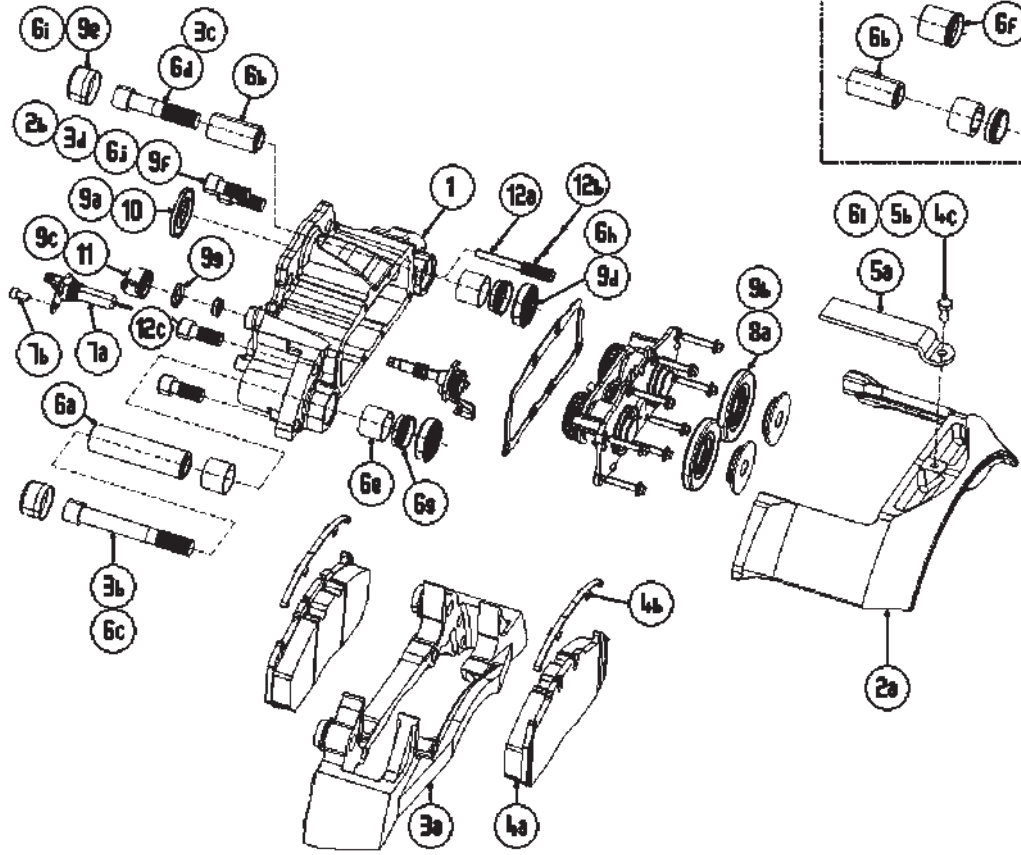
... ERF

ECX All Models - Elsa 2



10/01→

	← LRG544	
	→ LRG545	
	↔ MCK1138	③
	↔ MDP5059	④
	↔ MCK1147	⑦
	↔ MCK1140	⑥
	↔ MCK1139	⑧
	↔ MCK1174	⑤

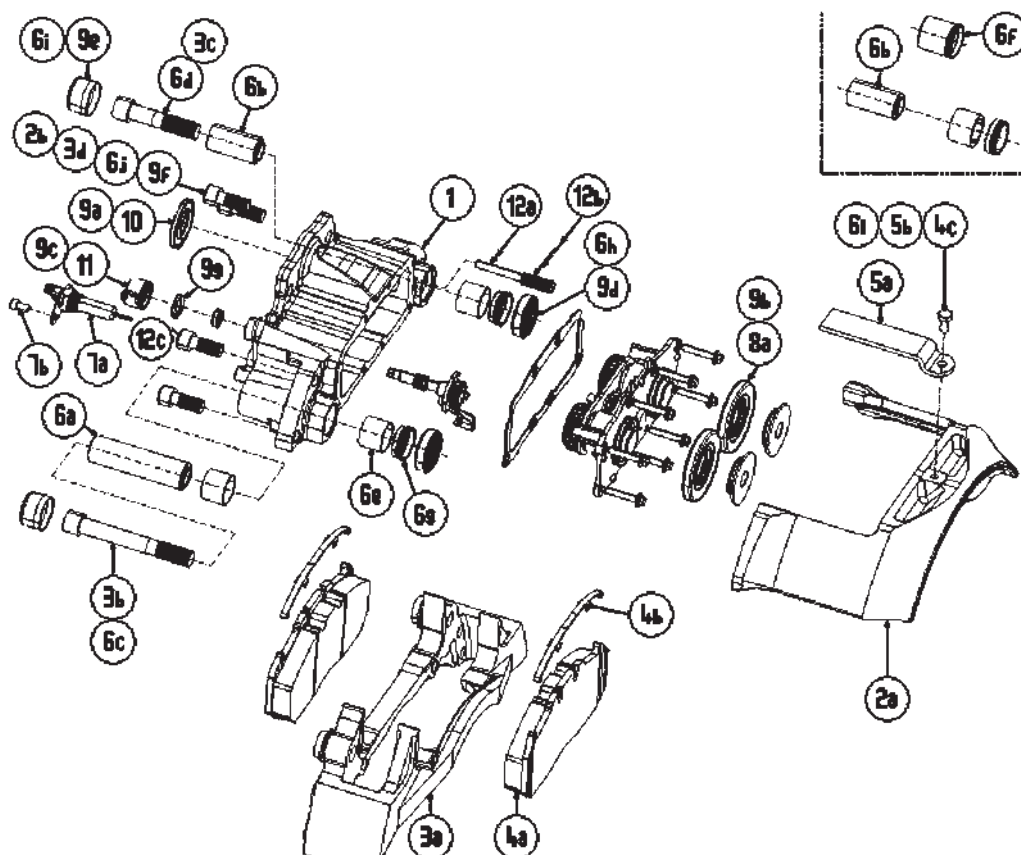


ECX All Models - Elsa 2



10/01→

	← LRG638	
	→ LRG639	
	↔ MCK1138	③
	↔ MDP5059	④
	↔ MCK1147	⑦
	↔ MCK1140	⑥
	↔ MCK1139	⑧
	↔ MCK1174	⑤





IKARUS

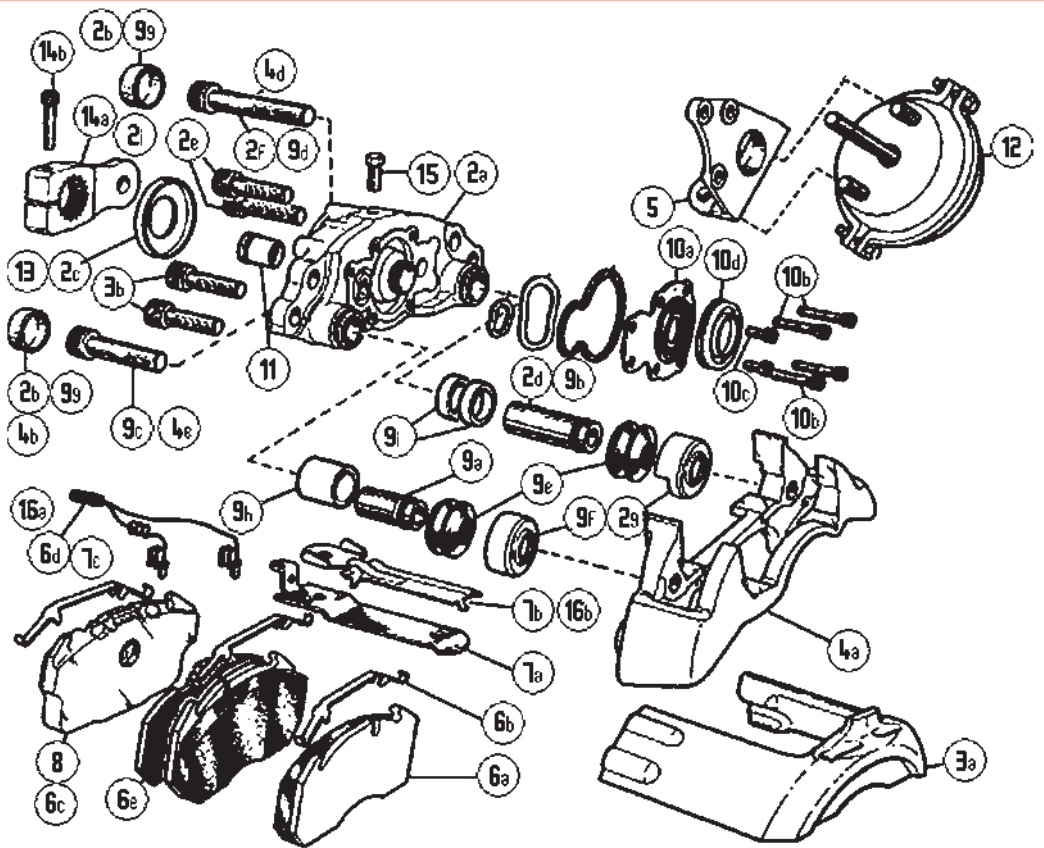


Bus (Raba Axle)



1/93→10/93

	← LRG562	
	→ LRG563	
	↔ 31932052	③
	↔ BDA444	④
	↔ MDP5031	⑥
	↔ MDP5032	⑥
	↔ SJ1228	⑨
	↔ SJ1212	⑩
	↔ 31932070	⑭

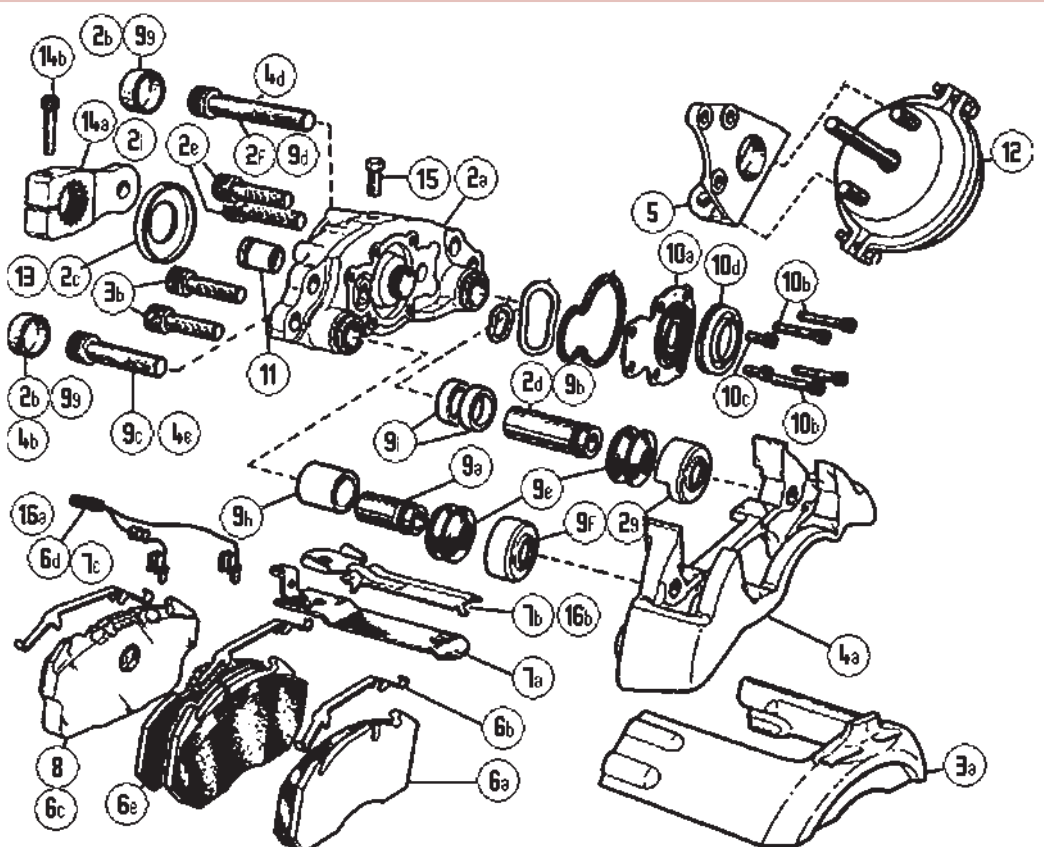


Bus (Raba Axle)



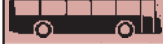
11/93→

	← LRG562	
	→ LRG563	
	↔ 31932052	③
	↔ BDA444	④
	↔ MDP5033	⑥
	↔ MDP5034	⑥
	↔ SJ4012	⑨
	↔ SJ1212	⑩
	↔ 31932070	⑭





IRISBUS

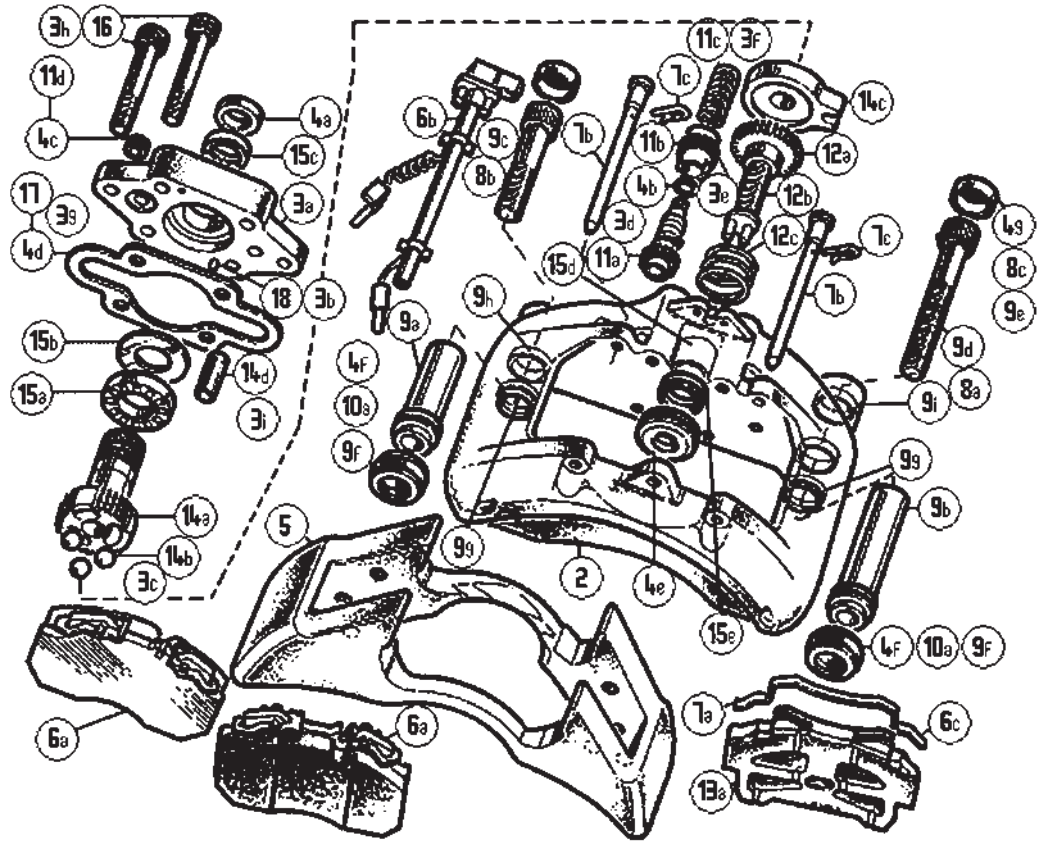


Agora D Lisa 22.5" Wheel Dia.



11/97→

	← LRG548	
	→ LRG549	
	↔ MDP5042	⑥
	↔ SJ4022	⑦
	↔ MCK1104	⑨
	← SJ4113	⑪
	→ SJ4114	⑪
	↔ SJ4077	⑩
	← SJ4073	⑫
	→ SJ4074	⑫
	↔ SJ4021	⑧
	← MCK1021	⑭
	→ MCK1022	⑭
	← 68915080	
	→ 68915081	
	↔ SJ4031	⑮
	↔ SJ4078	④
	← MCK1075	③
	→ MCK1076	③
	↔ SJ4117	⑬





... IRISBUS

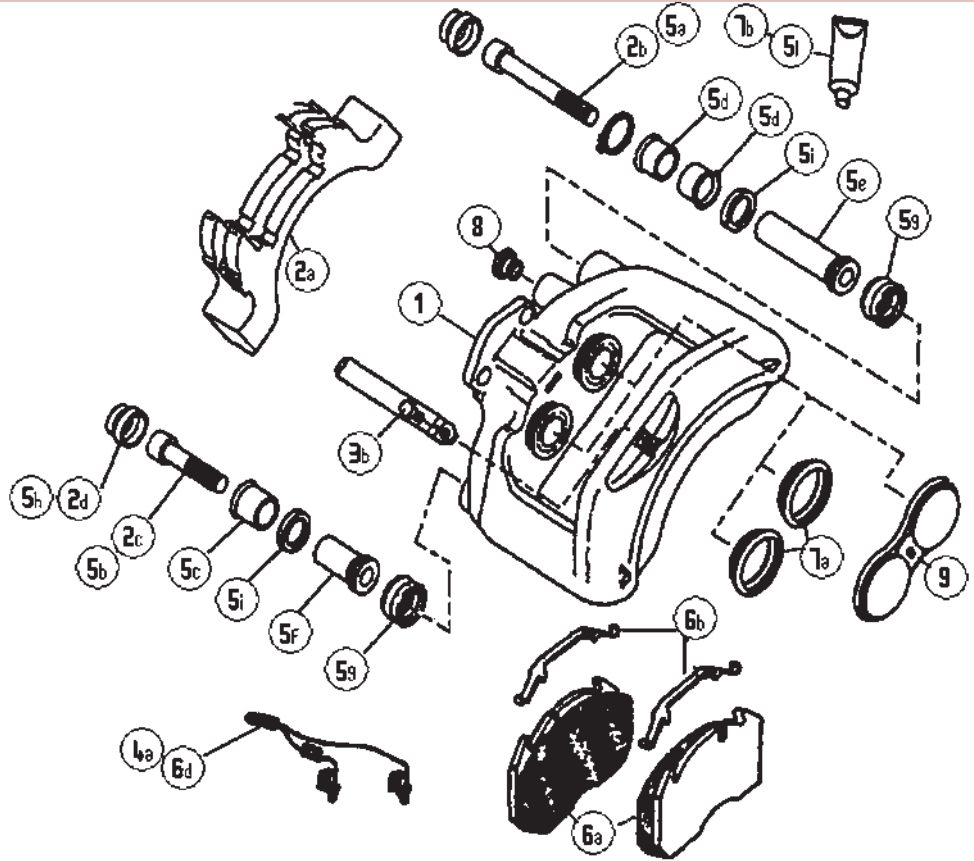
Cronus / Agora Line Elsa 1 22.5" Wheel Dia.



10/98→



← LRG642
→ LRG643



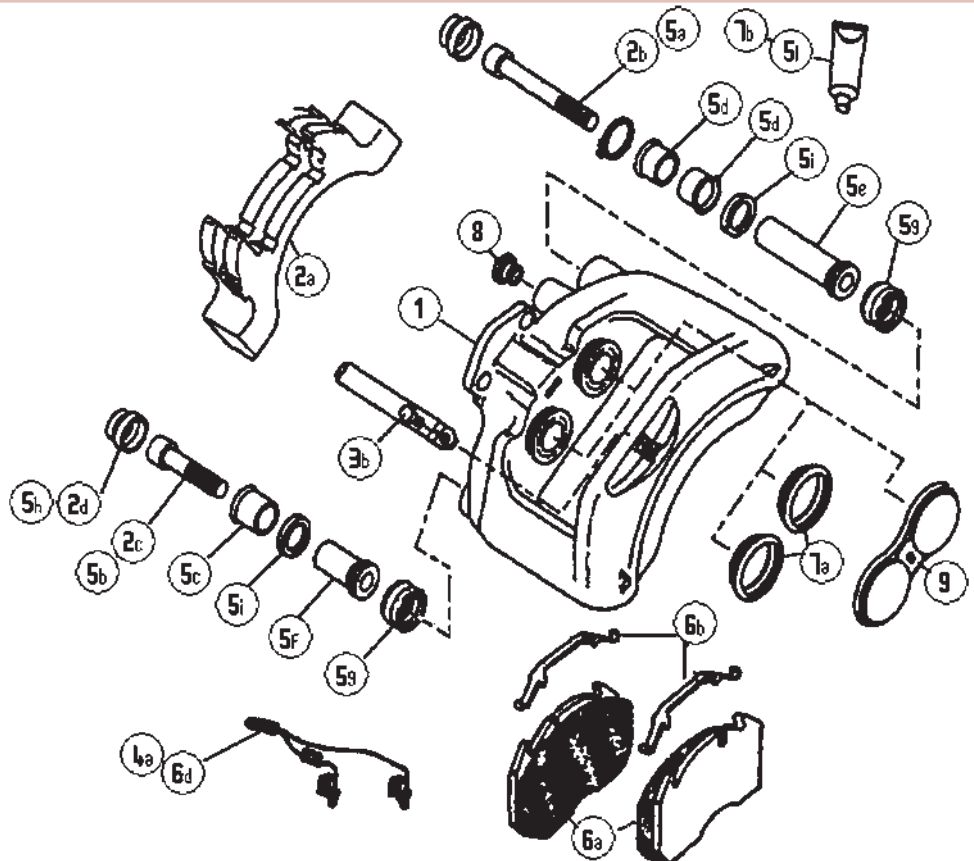
Agora Elsa 1 22.5" Wheel Dia.



10/98→



← LRG642
→ LRG643





IVECO

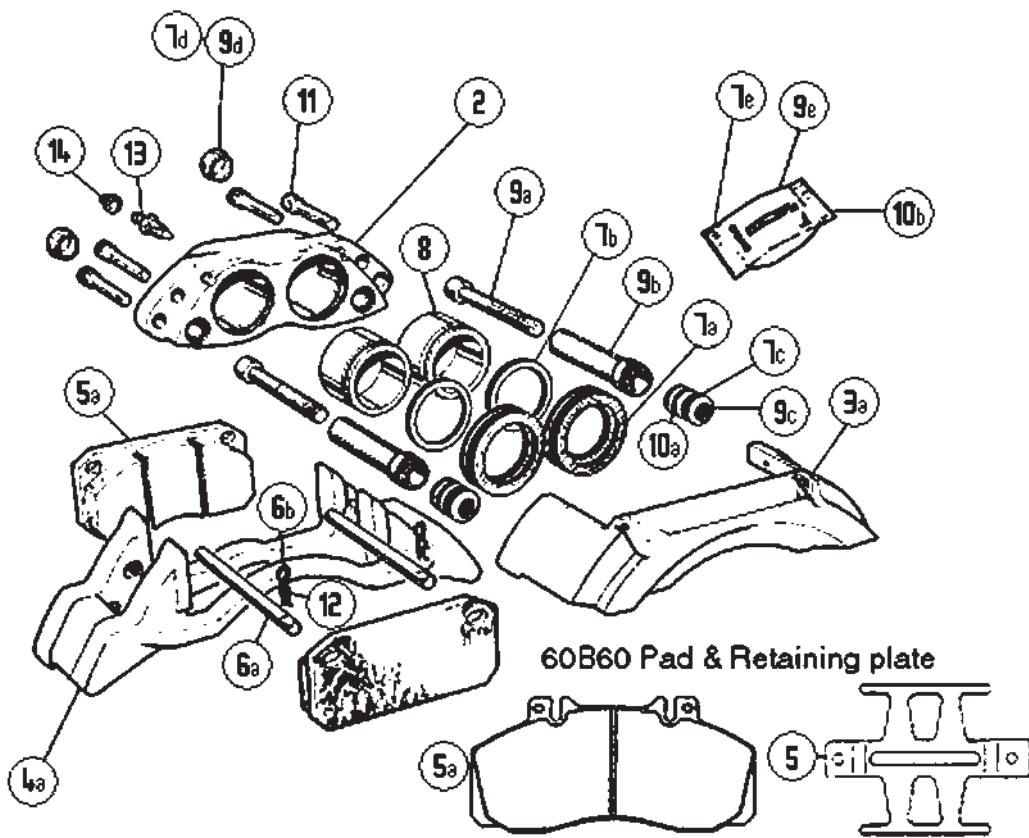


Iveco Euroturbo (U.S.A.)



→6/94

	← LRG508	
	→ LRG509	
	↔ BDA333	③
	← BDA363	④
	→ BDA364	④
	↔ MDP5453	⑤
	↔ SP8563	⑥
	↔ SP8564	⑦
	↔ SP8565	⑨
	↔ SP8566	⑩

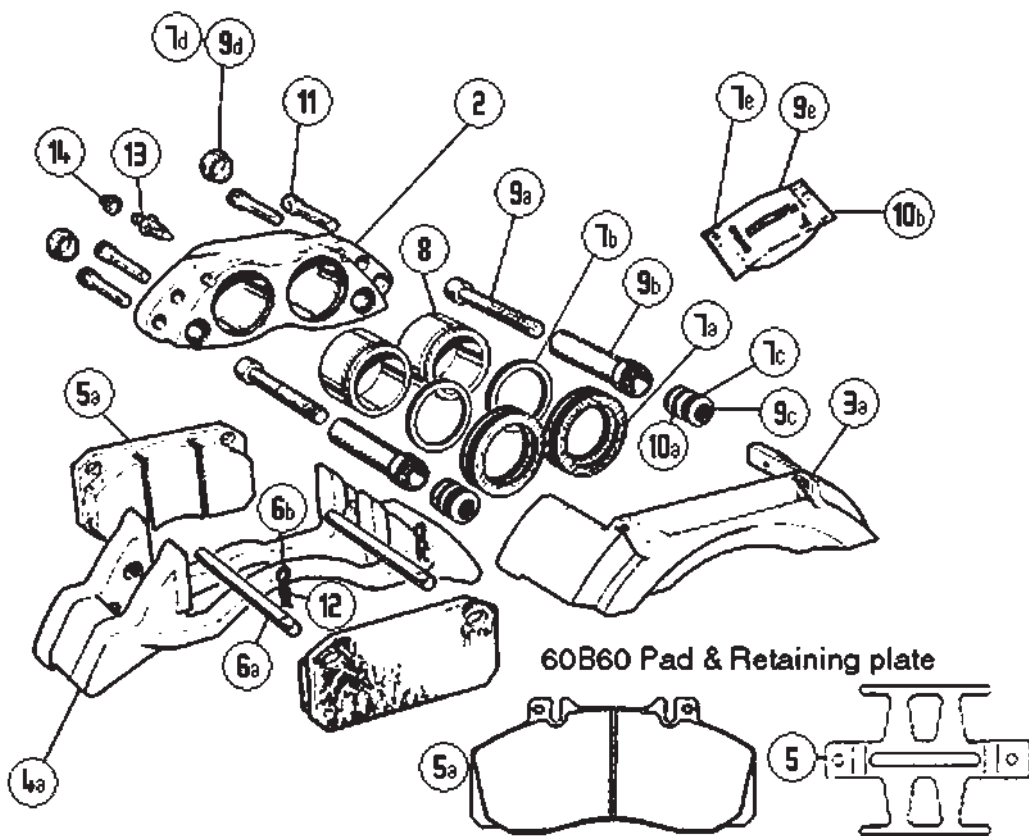


Iveco Euroturbo (U.S.A.)



7/94→

	← LRG508	
	→ LRG509	
	↔ BDA333	③
	← BDA363	④
	→ BDA364	④
	↔ MDP5020	⑤
	↔ SP8563	⑥
	↔ SP8564	⑦
	↔ SP8565	⑨
	↔ SP8566	⑩





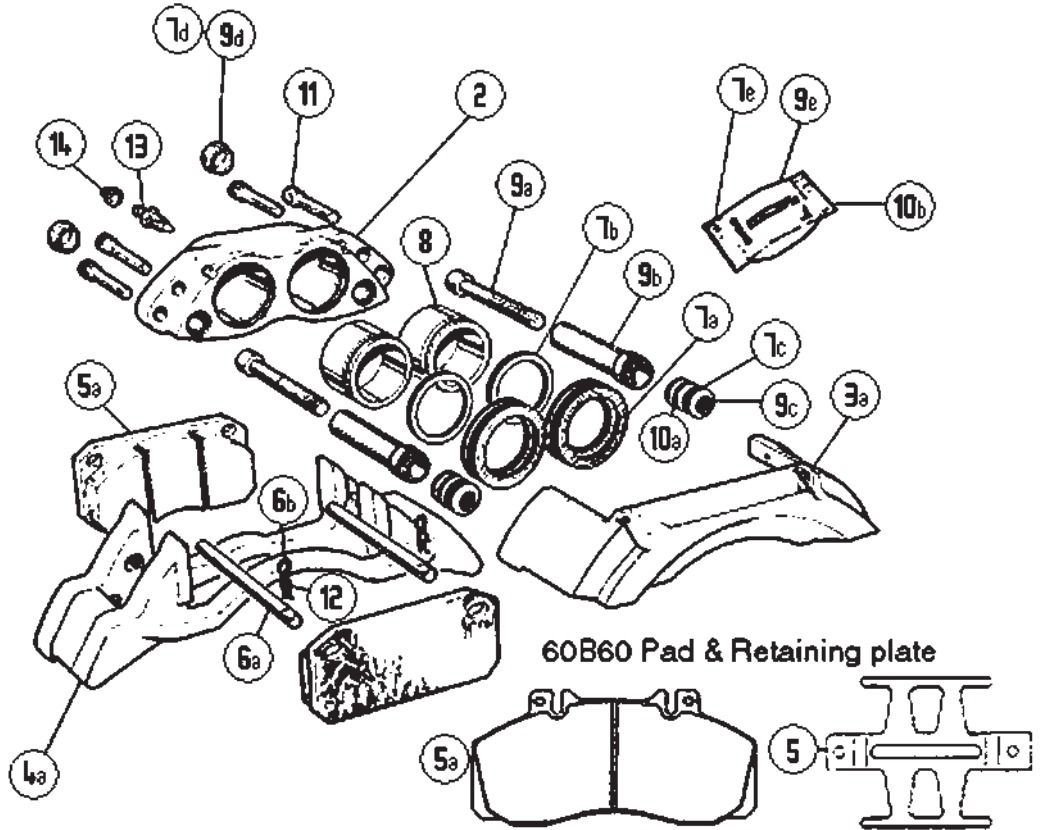
... IVECO

Cargo 0608 - 0815 LWB 17.5" Wheel Dia.



3/87→12/91

	← LRG500 → LRG501	
	↔ BDA333	③
	← BDA364 → BDA363	④
	↔ MDP5429	⑤
	↔ SP8563	⑥
	↔ SP8564	⑦
	↔ SP8565	⑨
	↔ SP8566	⑩

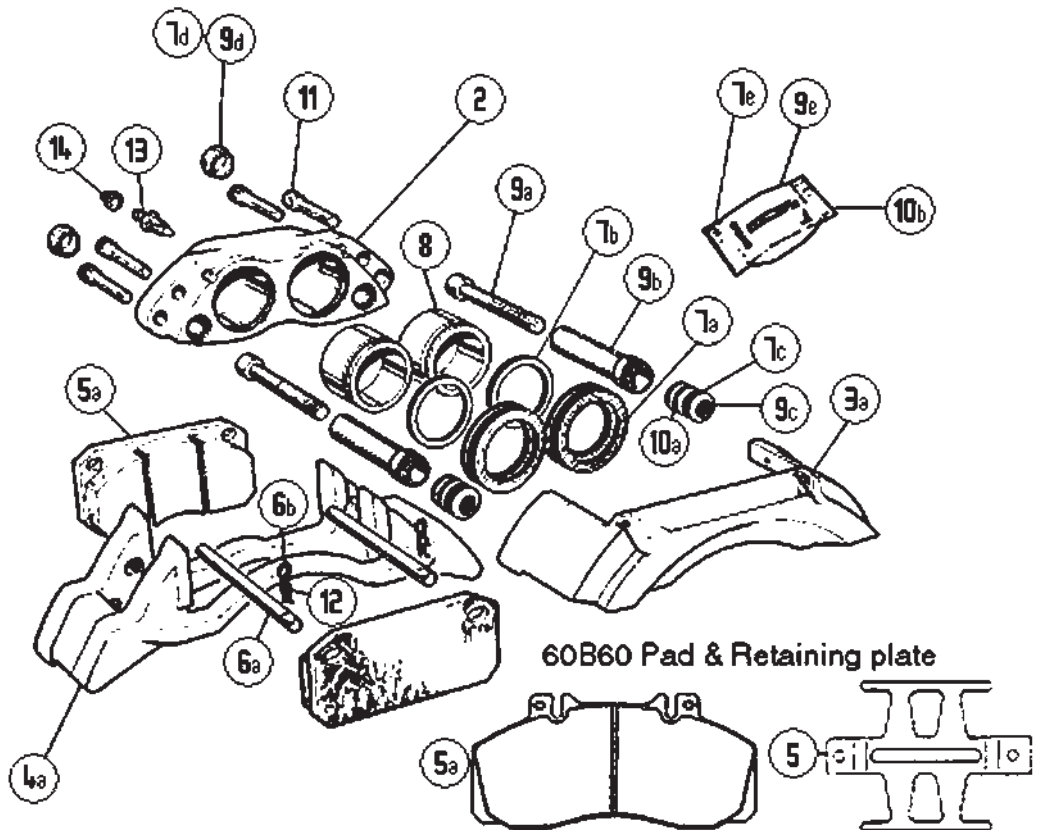


Cargo 0608 - 0815 SWB 17.5" Wheel Dia.



3/87→12/91

	← LRG500 → LRG501	
	↔ BDA333	③
	← BDA364 → BDA363	④
	↔ MDP5429	⑤
	↔ SP8563	⑥
	↔ SP8564	⑦
	↔ SP8565	⑨
	↔ SP8566	⑩





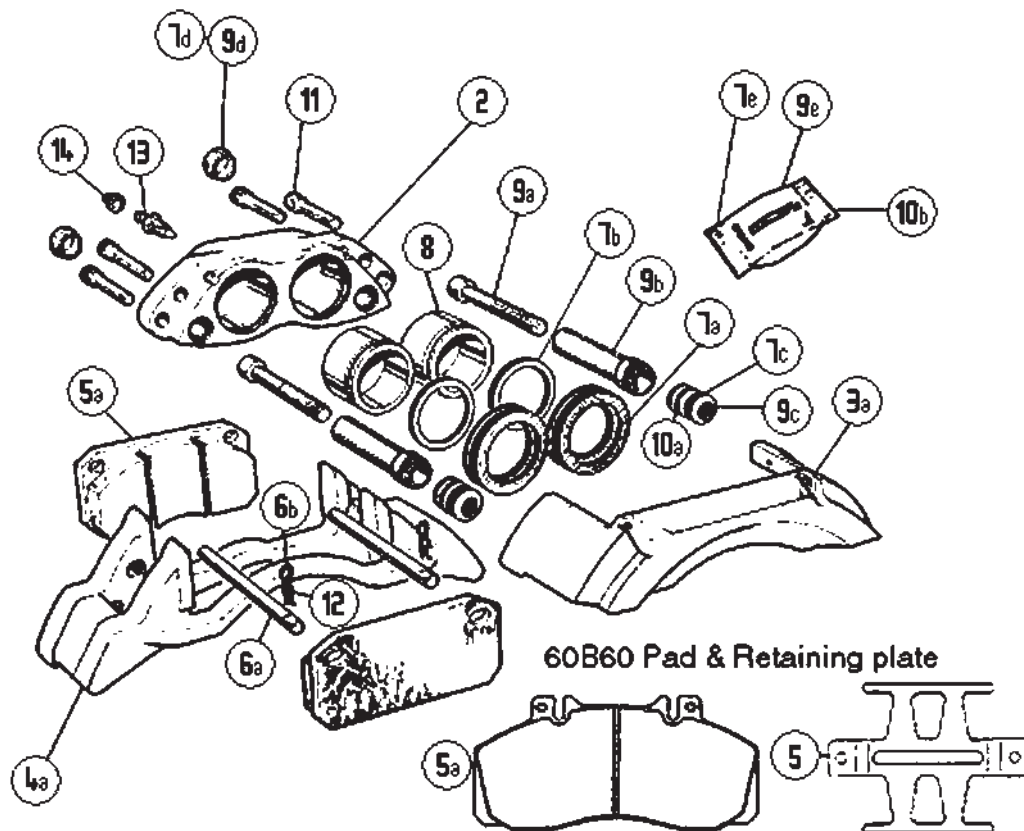
... IVECO

Eurocargo 65E12, 75E12, 75E14, 75E15 16" Wheel Dia.



6/91→6/93

	← LRG506	
	→ LRG507	
	↔ BDA336	③
	← BDA437	④
	→ BDA438	④
	↔ MDP5842	⑤
	↔ SJ1037	⑦
	↔ SJ1035	⑨
	↔ SP8566	⑩

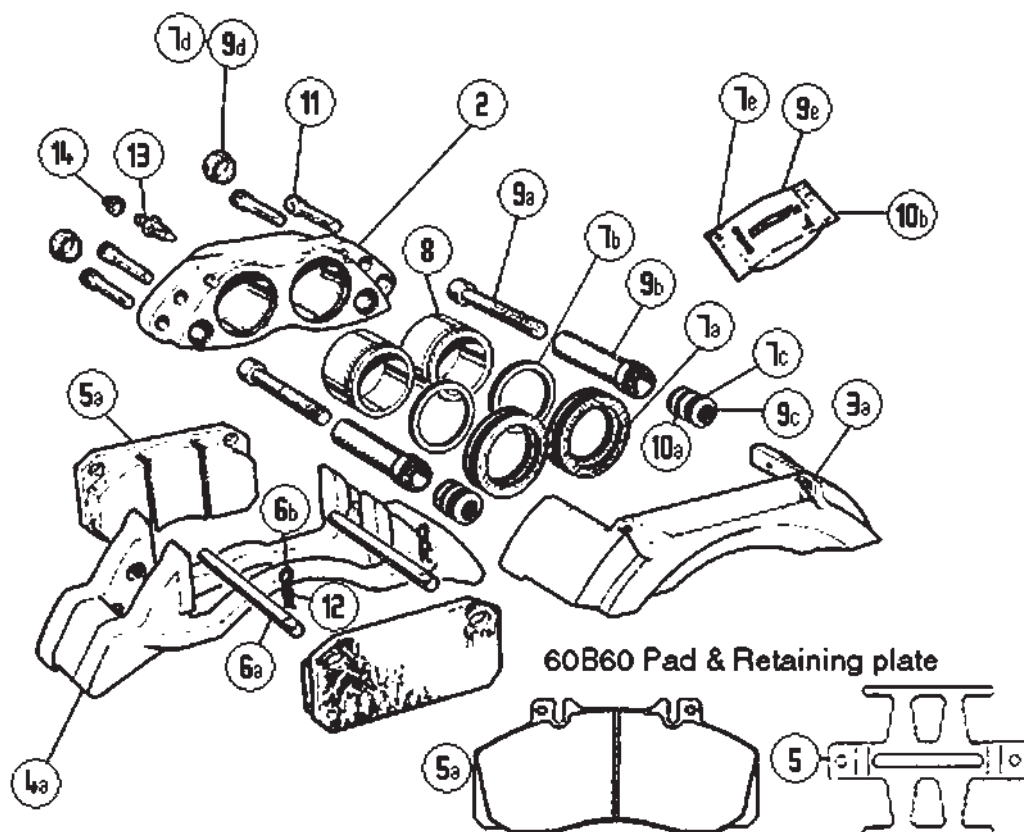


Eurocargo 65E12, 75E12, 75E14, 75E15 16" Wheel Dia.



7/93→5/97

	← LRG506	
	→ LRG507	
	↔ BDA336	③
	← BDA437	④
	→ BDA438	④
	↔ MDP5021	⑤
	↔ SJ1037	⑦
	↔ SJ1035	⑨
	↔ SP8566	⑩





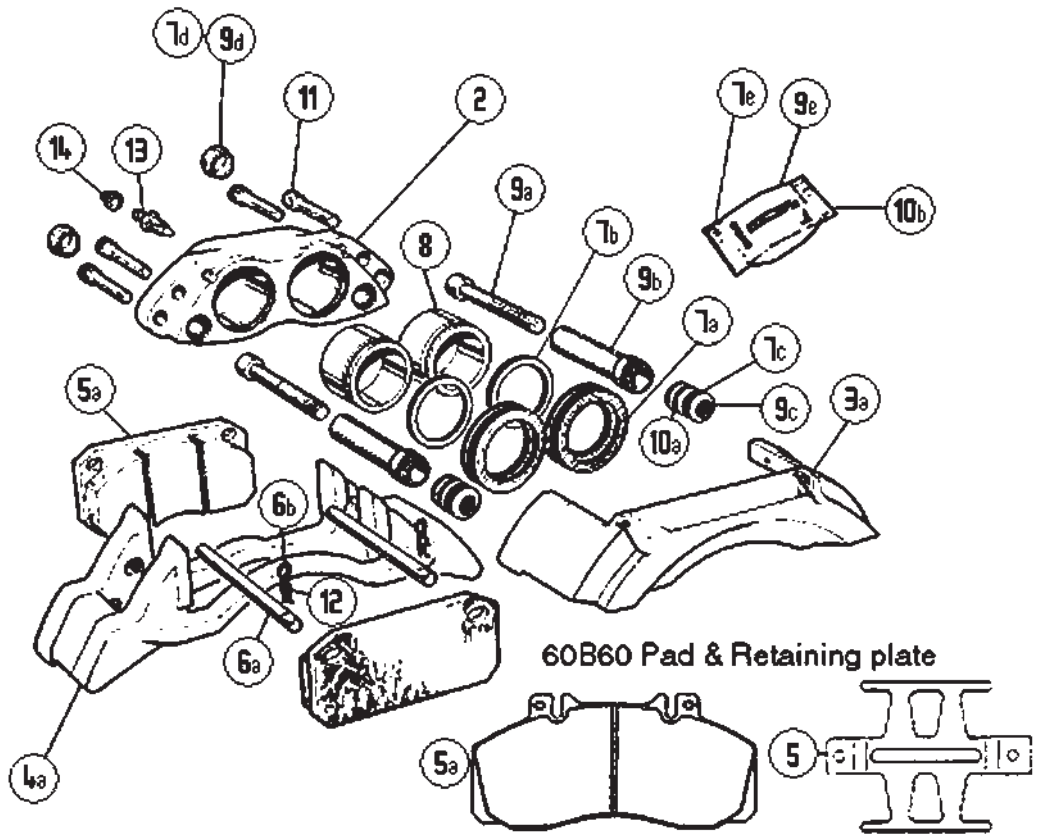
... IVECO

Eurocargo 80E15, 100E15, 100E18, 109E14 & ZETA 95.14 17.5" Wheel Dia.



6/91→6/94

	← LRG508	
	→ LRG509	
	↔ BDA333	③
	← BDA363	④
	→ BDA364	④
	↔ MDP5453	⑤
	↔ SP8563	⑥
	↔ SP8564	⑦
	↔ SP8565	⑨
	↔ SP8566	⑩

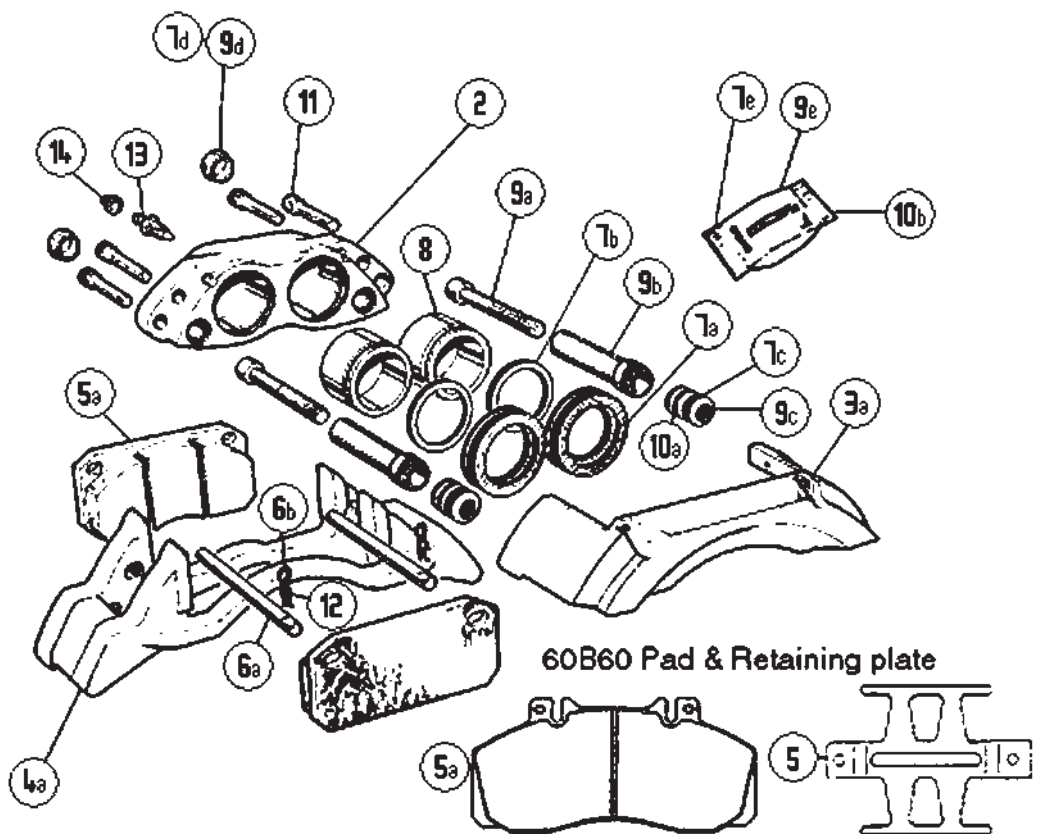


Eurocargo 80E15, 100E15, 100E18, 109E14 & ZETA 95.14 17.5" Wheel Dia.



7/94→5/97

	← LRG508	
	→ LRG509	
	↔ BDA333	③
	← BDA363	④
	→ BDA364	④
	↔ MDP5020	⑤
	↔ SP8563	⑥
	↔ SP8564	⑦
	↔ SP8565	⑨
	↔ SP8566	⑩



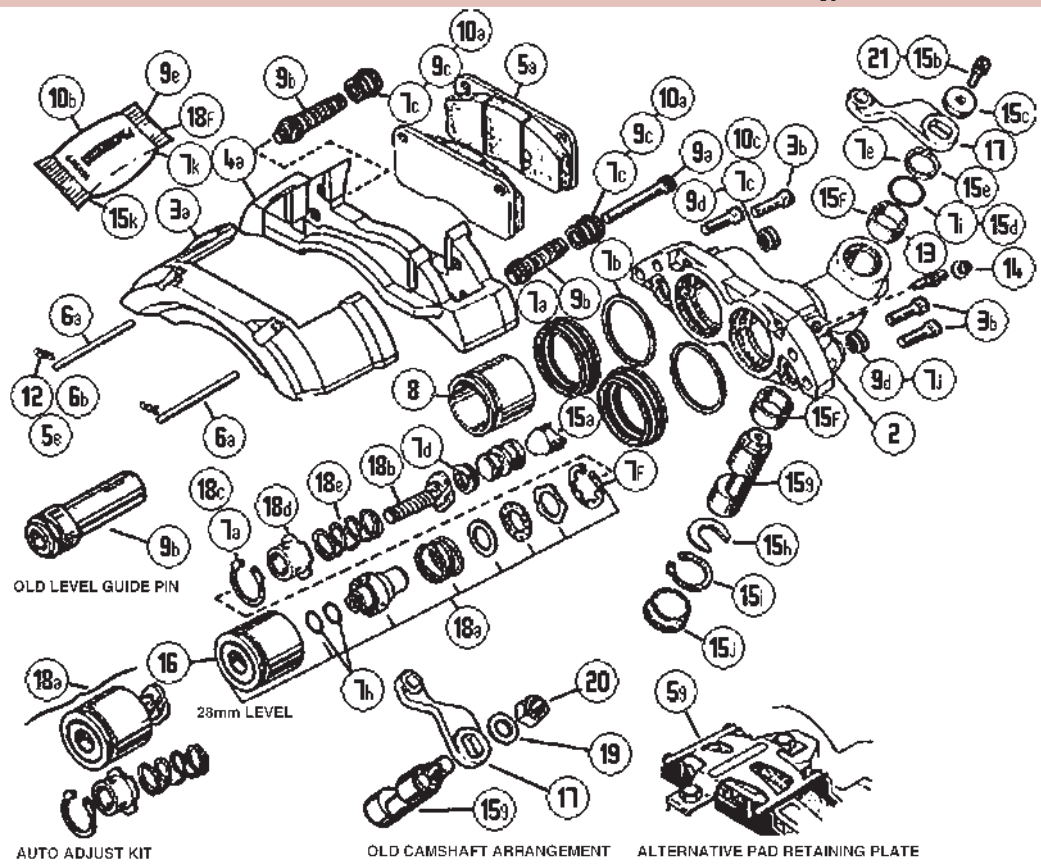


... IVECO

Cargo 0608 - 0815 LWB 17.5" Wheel Dia.

3/87→12/91

	← LRG602	
	→ LRG603	
	↔ BDA333	③
	← BDA363	④
	→ BDA364	④
	↔ MDP5429 ¹	⑤
	↔ SP8563	⑥
	↔ SP9670	⑦
	↔ SP8565	⑨
	↔ SJ1092	⑩
	↔ SP8566	⑩
	↔ SP8570	⑮



1: Lucas



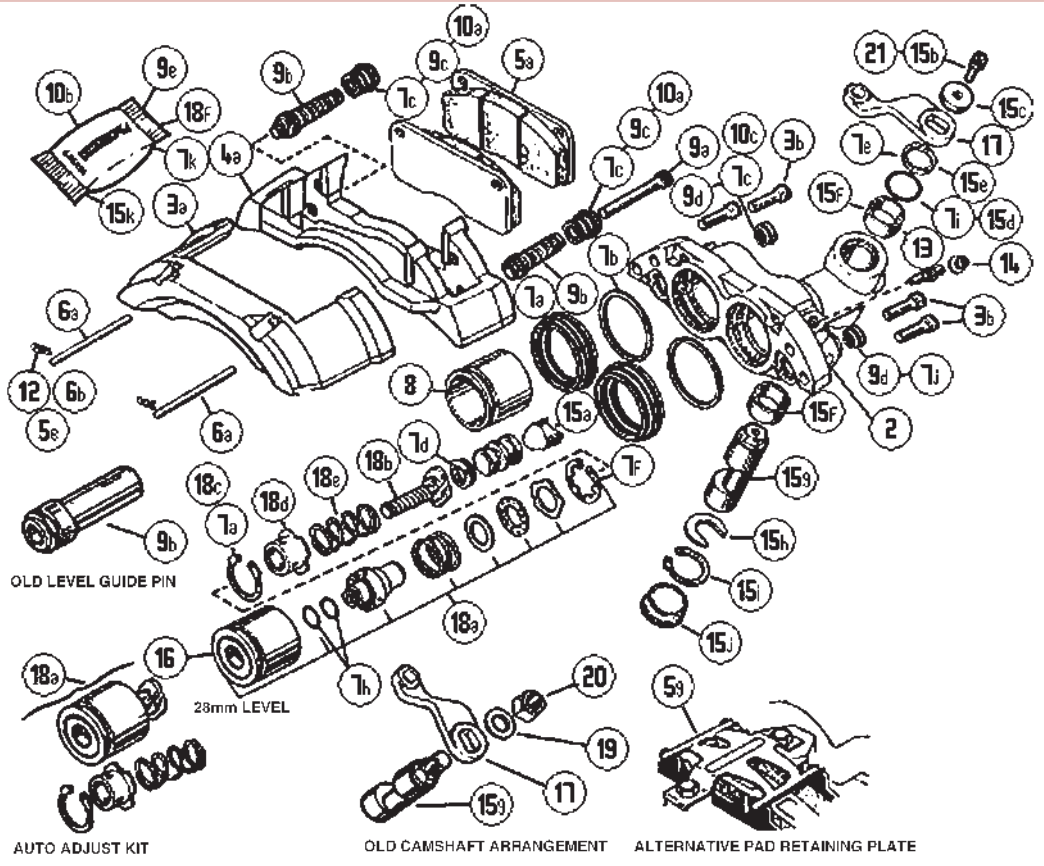
... IVECO

Cargo 0608 - 0815 SWB 17.5" Wheel Dia.



3/87→12/91

	← LRG600 → LRG601	
	↔ BDA333	③
	← BDA363 → BDA364	④
	↔ MDP5429'	⑤
	↔ SP8563	⑥
	↔ SP9669	⑦
	↔ SP8565	⑨
	↔ SJ1091	⑱
	↔ SP8566	⑩
	↔ SP8570	⑮



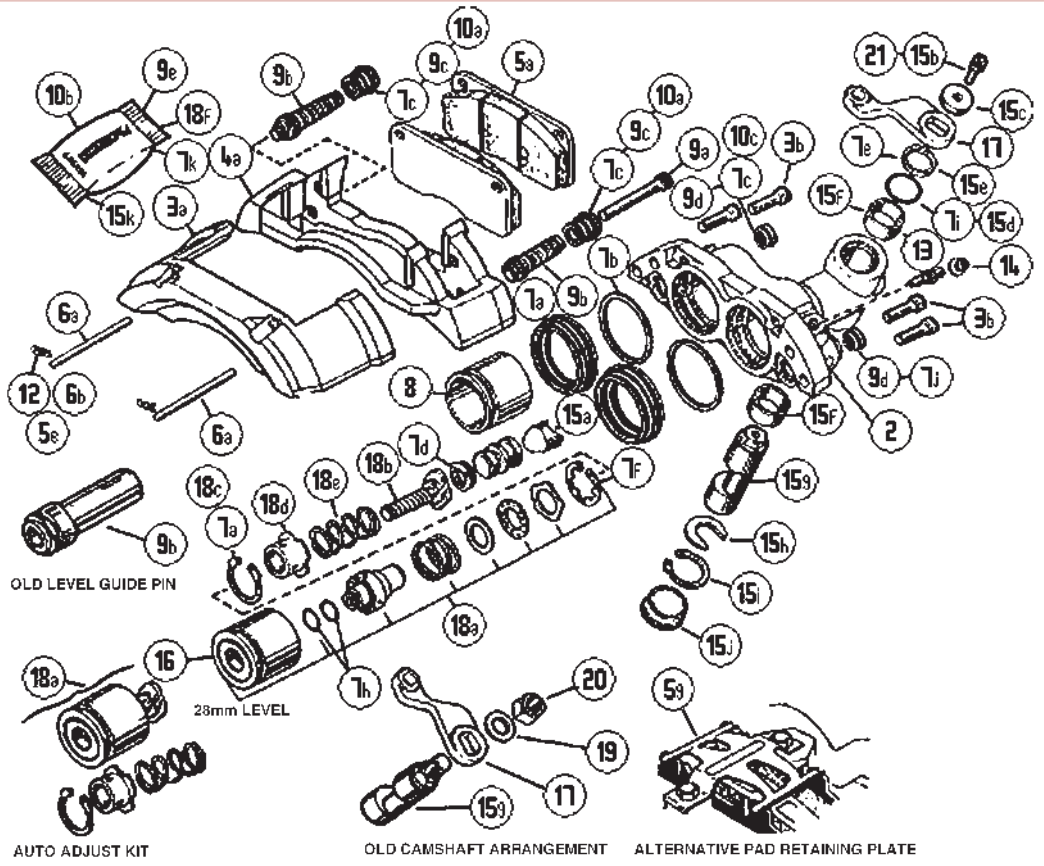
1: Lucas

Eurocargo 65E12, 75E12, 75E14, 75E15 16" Wheel Dia.



6/91→6/93

	← LRG612 → LRG613	
	↔ BDA336	③
	← BDA437 → BDA438	④
	↔ MDP5842	⑤
	↔ SJ1030	⑦
	↔ SJ1034	⑨
	↔ SJ1215	⑱
	↔ SP8566	⑩
	↔ SJ1032	⑮



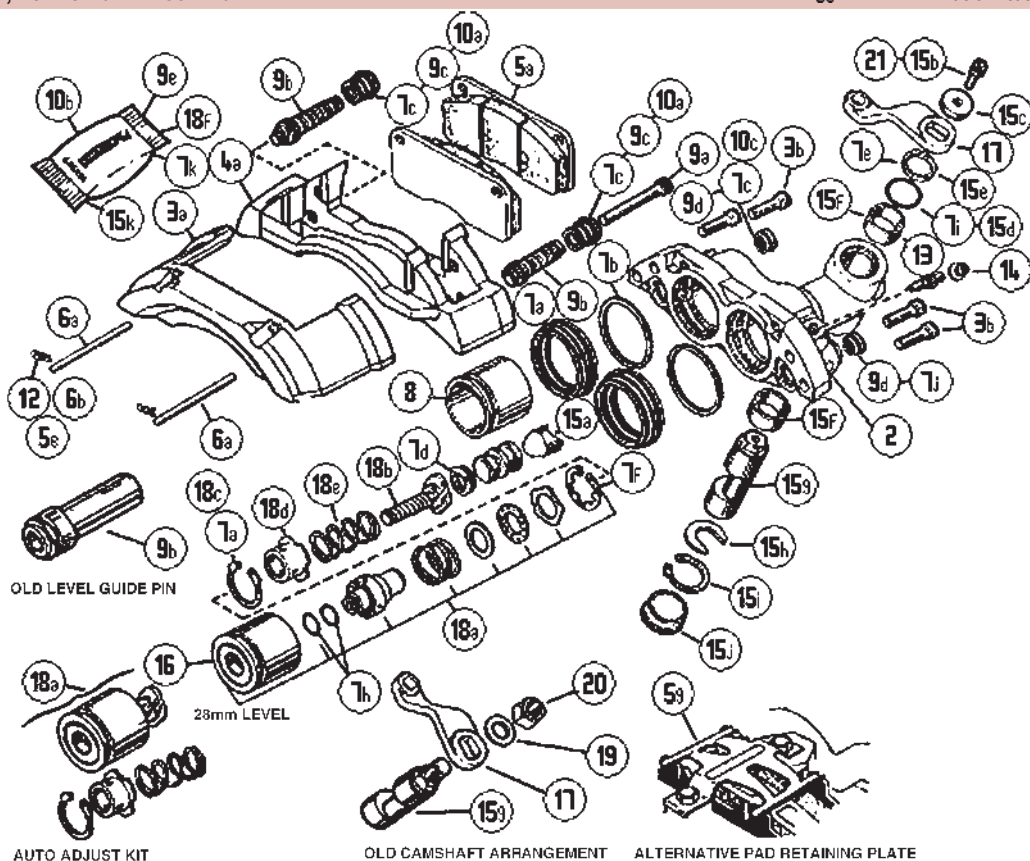


... IVECO

Eurocargo 65E12, 75E12, 75E14, 75E15 16" Wheel Dia.

7/93→5/97

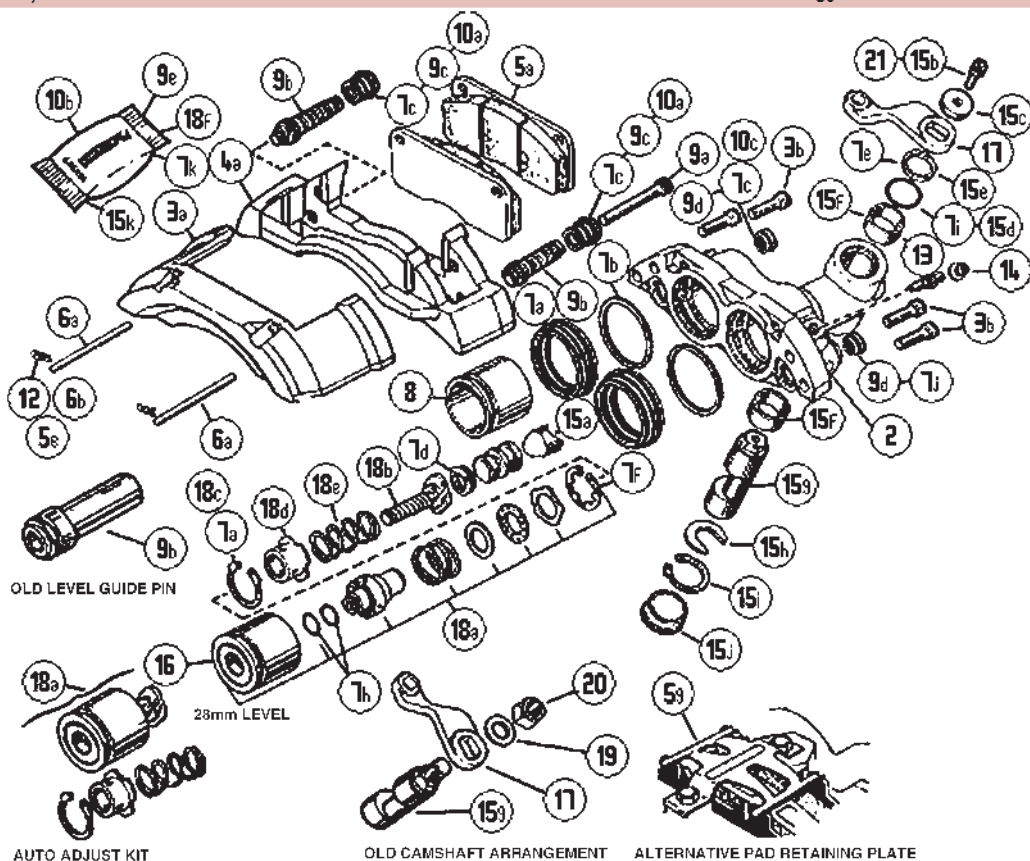
	← LRG612	
	→ LRG613	
	↔ BDA336	③
	← BDA437	④
	→ BDA438	④
	↔ MDP5021	⑤
	↔ SJ1030	⑦
	↔ SJ1034	⑨
	↔ SJ1215	⑱
	↔ SP8566	⑩
	↔ SJ1032	⑮



Eurocargo 80E15, 100E15, 100E18, 109E14 & ZETA 95.14 17.5" Wheel Dia.

6/91→6/94

	← LRG614	
	→ LRG615	
	↔ BDA333	③
	← BDA363	④
	→ BDA364	④
	↔ MDP5453	⑤
	↔ SP8563	⑥
	↔ SJ1033	⑦
	↔ SJ1022	⑨
	↔ SJ1214	⑱
	↔ SP8566	⑩
	↔ SJ1032	⑮





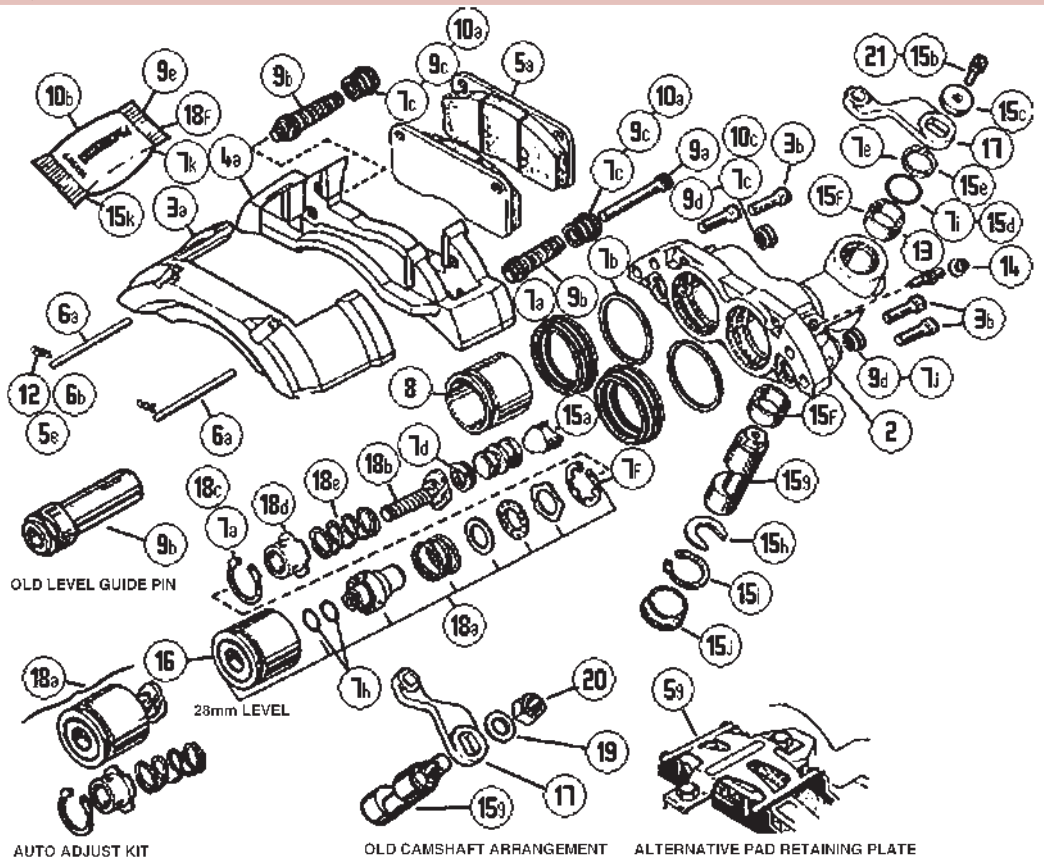
... IVECO

Eurocargo 80E15, 100E15, 100E18, 109E14 & ZETA 95.14 17.5" Wheel Dia.



7/94→5/97

	← LRG614	
	→ LRG615	
	↔ BDA333	③
	← BDA363	④
	→ BDA364	④
	↔ MDP5020	⑤
	↔ SP8563	⑥
	↔ SJ1033	⑦
	↔ SJ1022	⑨
	↔ SJ1214	⑱
	↔ SP8566	⑩
	↔ SJ1032	⑮





... KÄSSBOHRER

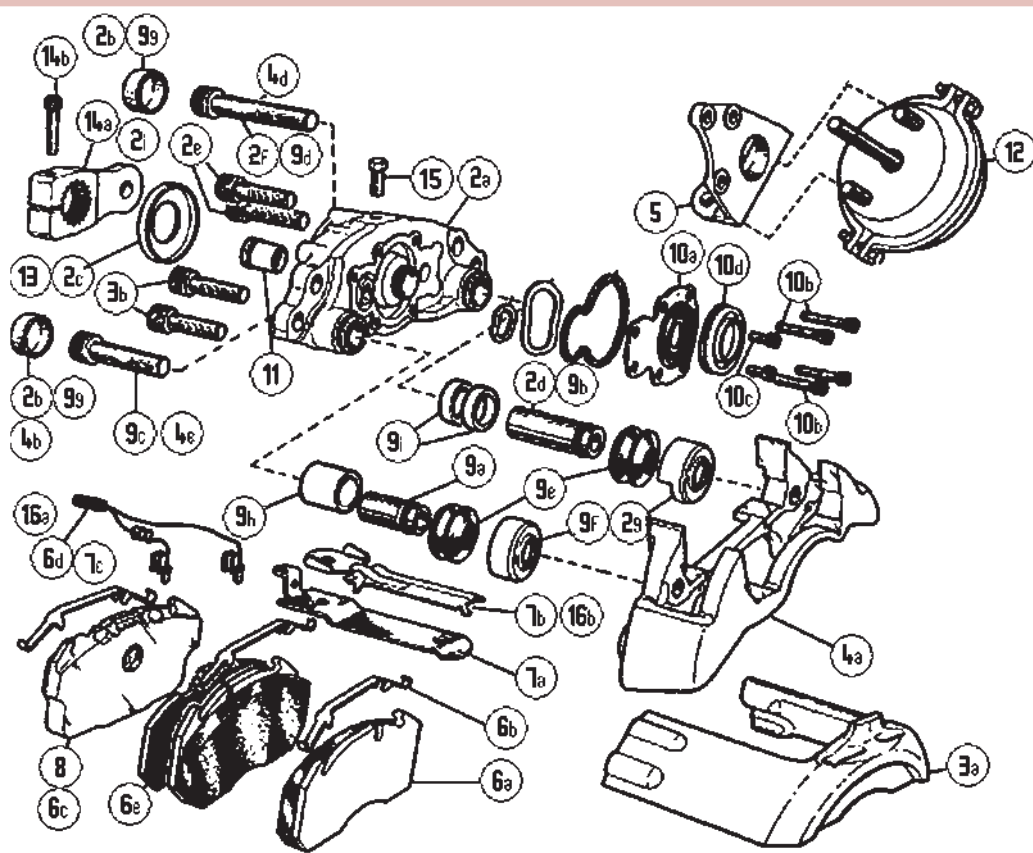


Setra City Bus S215HDH/S215NR 22.5" Wheel Dia.



92→

	← LRG528	
	→ LRG529	
	↔ 31932052	③
	↔ BDA444	④
	↔ MDP5000	⑥
	↔ MDP5031	⑥
	↔ MDP5033	⑥
	↔ MDP5001	⑥
	↔ MDP5034	⑥
	↔ MDP5032	⑥
	↔ SJ1228 ¹	⑨
	↔ SJ4012	⑨
	↔ SJ1212	⑩
	↔ 31932070	⑭



1: vehicles up to 6/93



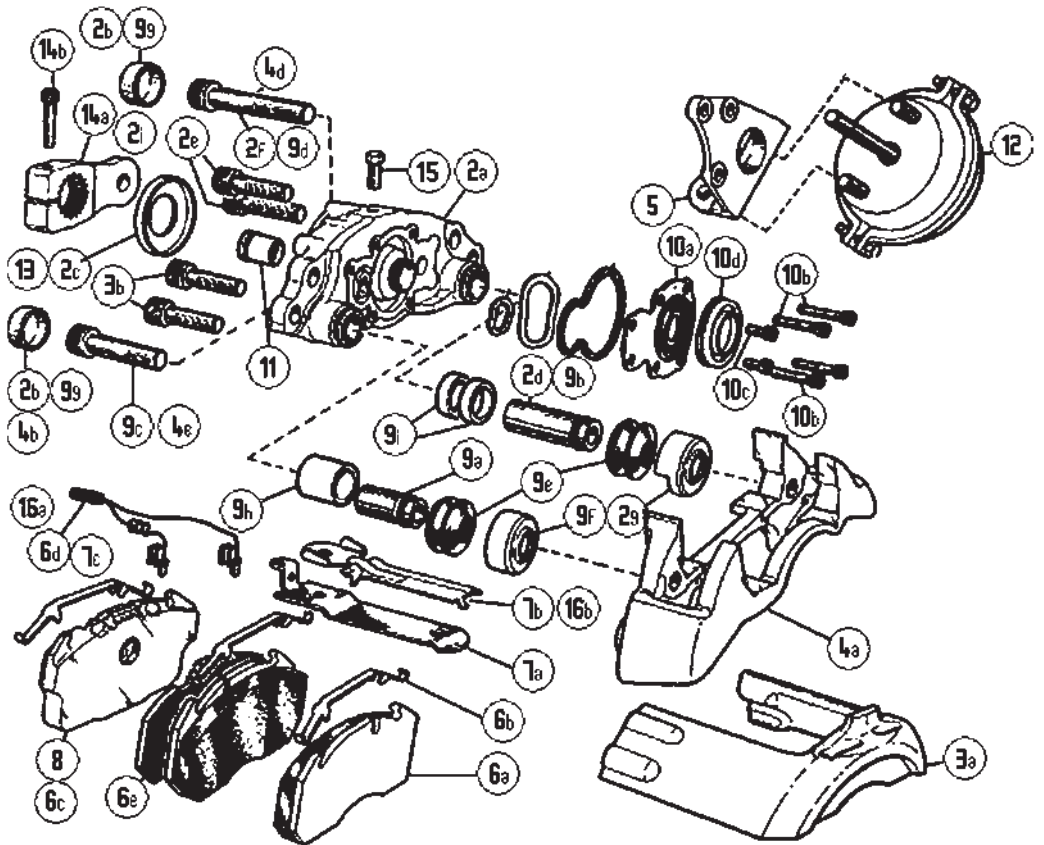
... KÄSSBOHRER

Setra City Bus S215HDH/S215NR 22.5" Wheel Dia.



1/92→

	← LRG528	
	→ LRG529	
	↔ 31932052	③
	↔ BDA444	④
	↔ MDP5000	⑥
	↔ MDP5031	⑥
	↔ MDP5033	⑥
	↔ MDP5001	⑥
	↔ MDP5032	⑥
	↔ MDP5034	⑥
	↔ SJ4012	⑨
	↔ SJ1212	⑩
	↔ 31932056	⑭

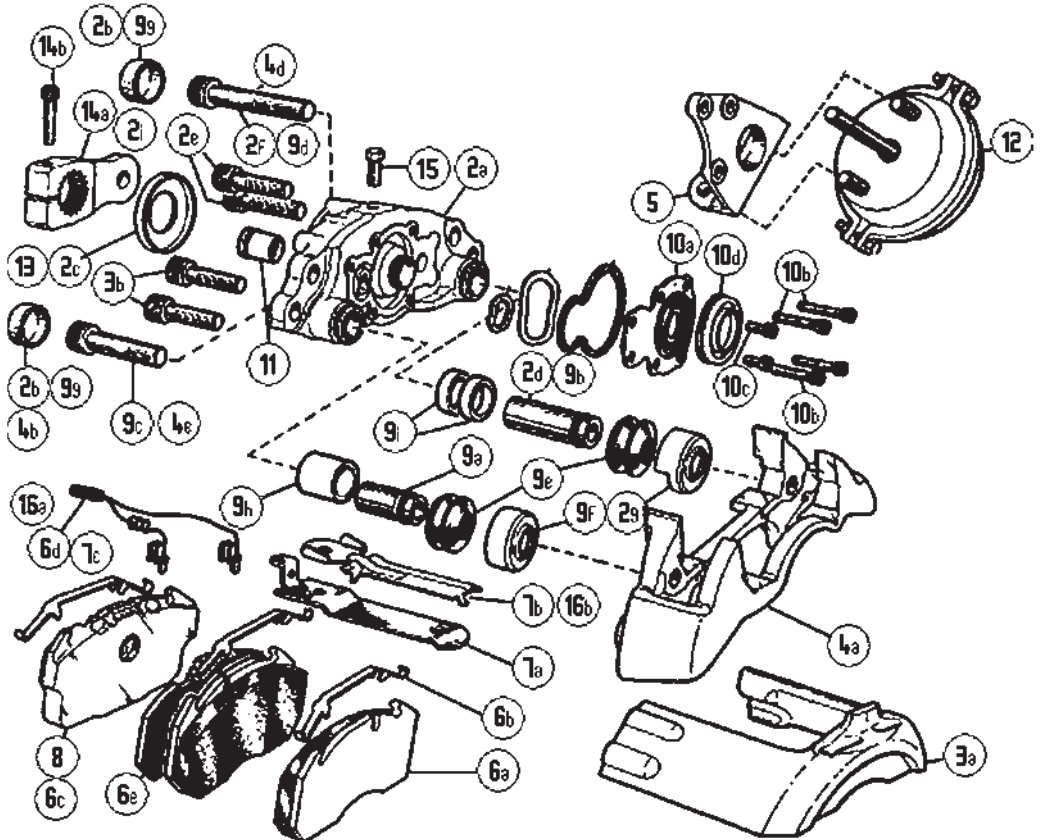


Setra City Bus S300NC 22.5" Wheel Dia.



1/91→

	← LRG528	
	→ LRG529	
	↔ 31932052	③
	↔ BDA444	④
	↔ MDP5000	⑥
	↔ SJ4000	⑦
	↔ MDP5001	⑥
	↔ SJ4012	⑨
	↔ SJ1228'	⑨
	↔ SJ1212	⑩
	↔ 31932059	⑭



1: up to 06/93



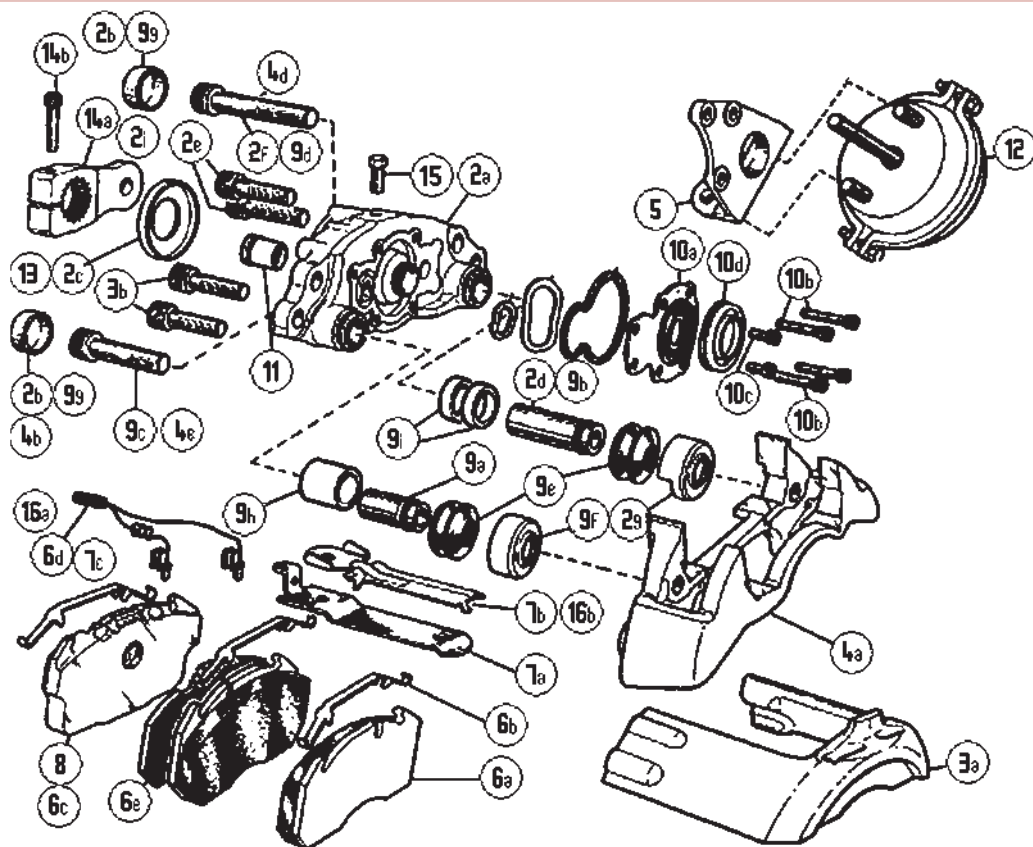
... KÄSSBOHRER

Setra City Bus S300NC 22.5" Wheel Dia.



91→

	← LRG528	
	→ LRG529	
	↔ 31932052	③
	↔ BDA444	④
	↔ MDP5033	⑥
	↔ MDP5034	⑥
	↔ SJ1228 ¹	⑨
	↔ SJ4012	⑨
	↔ SJ1212	⑩
	↔ 31932059	⑭



1: vehicles up to 6/93



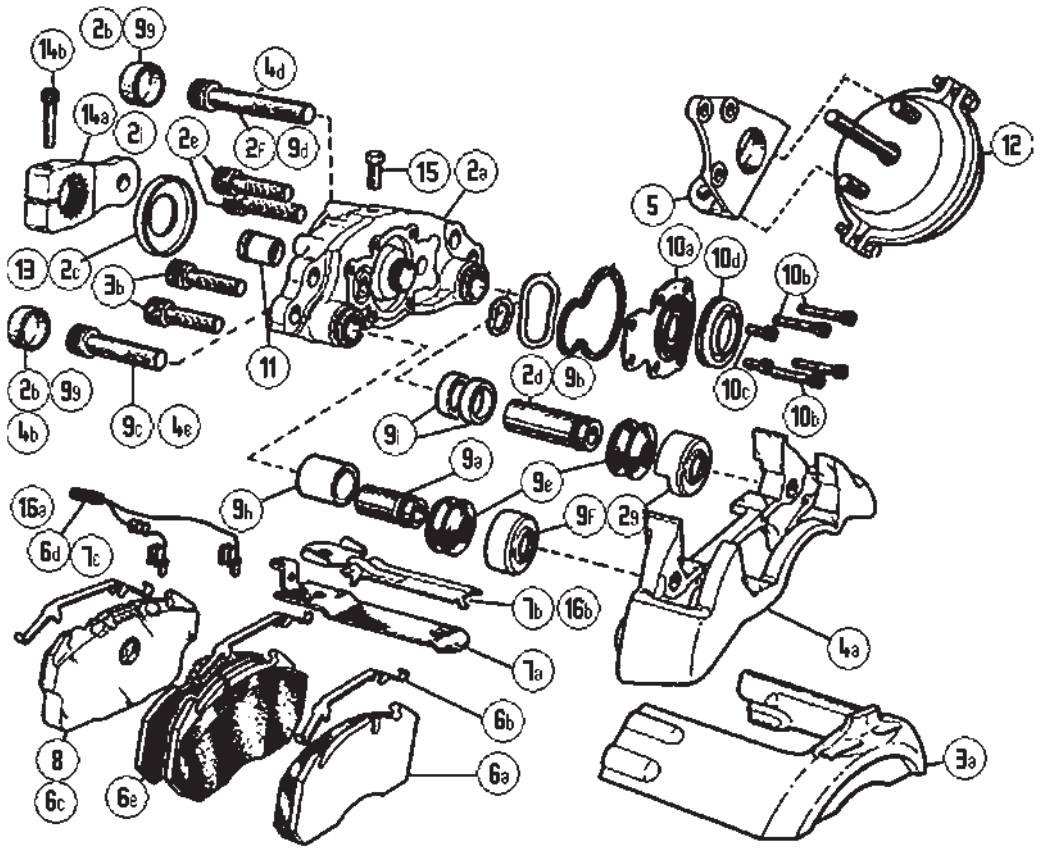
... KÄSSBOHRER

Setra City Bus S315HD 22.5" Wheel Dia.



1/91→

	← LRG528	
	→ LRG529	
	↔ 31932052	③
	↔ BDA444	④
	↔ MDP5000	⑥
	↔ MDP5001	⑥
	↔ SJ1228'	⑨
	↔ SJ4012	⑨
	↔ SJ1212	⑩
	↔ 31932056	⑭



1: vehicles up to 10/93



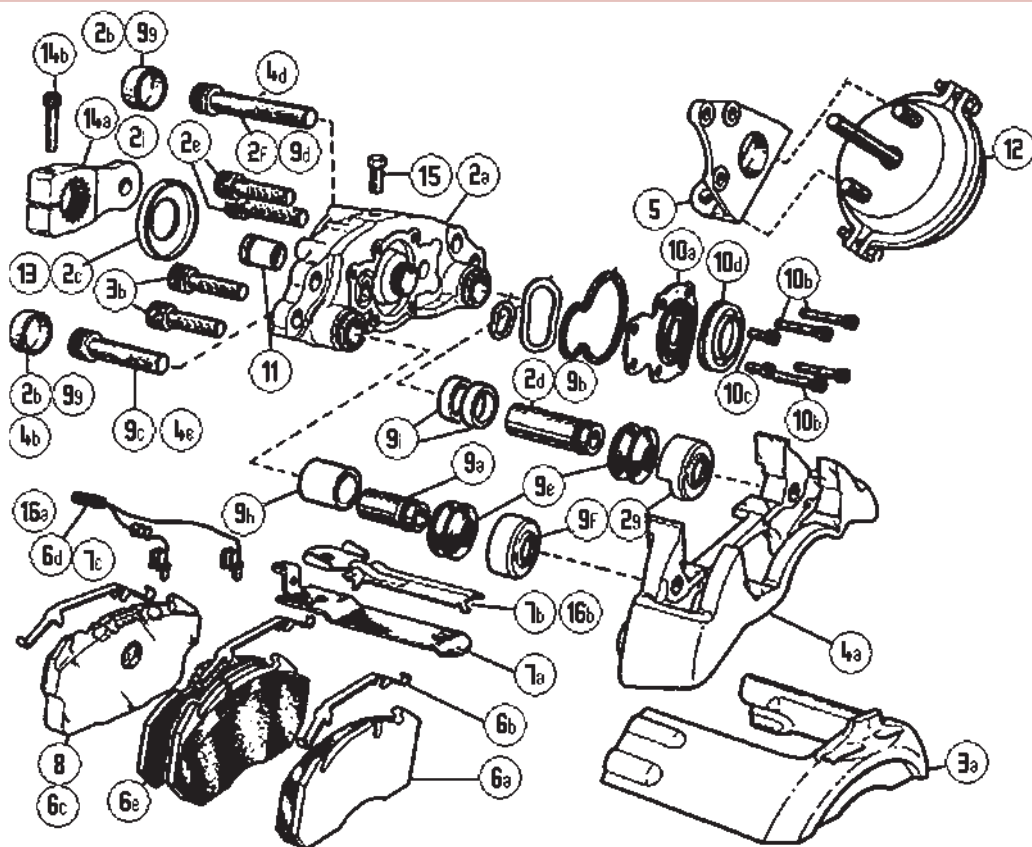
... KÄSSBOHRER

Setra City Bus S315HD 22.5" Wheel Dia.



91→

	← LRG528	
	→ LRG529	
	↔ 31932052	③
	↔ BDA444	④
	↔ MDP5038	⑥
	↔ MDP5039	⑥
	↔ SJ4012	⑨
	↔ SJ1228 ¹	⑨
	↔ SJ1212	⑩
	↔ 31932056	⑭



1: vehicles up to 06/93



MAN

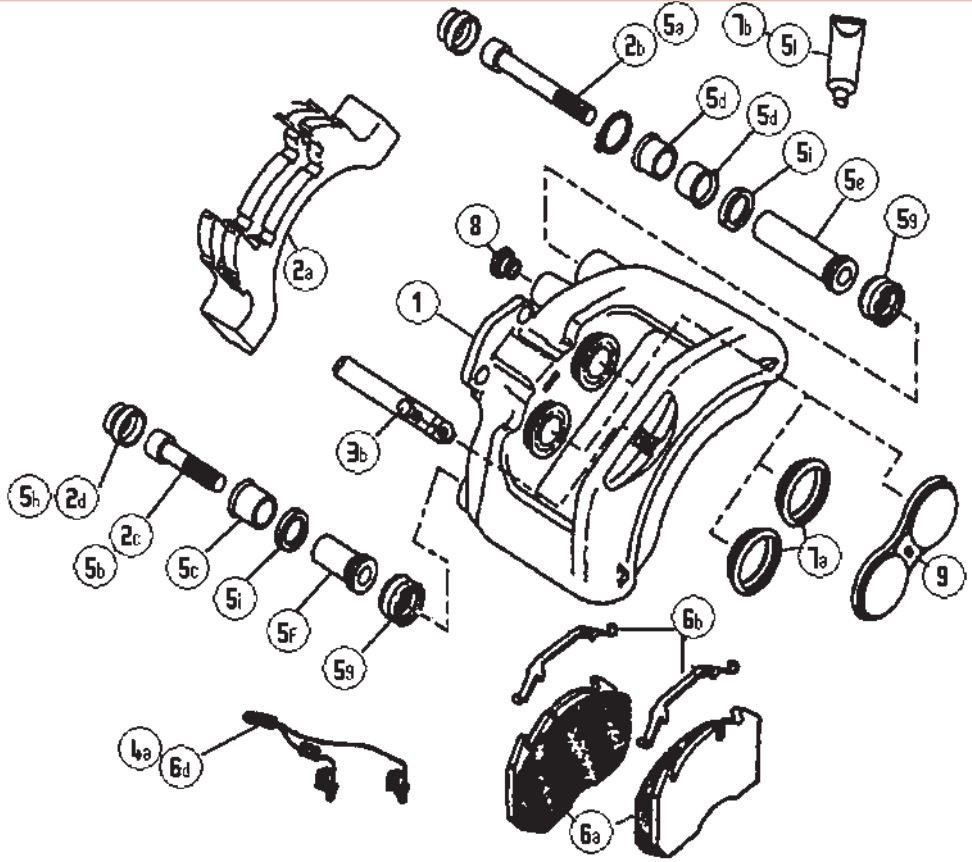


F2000 Elsa 1 22.5" Wheel Dia.



7/96→4/02

	← LRG570	
	→ LRG571	
	↔ BDA445	②
	↔ MDP5038	⑥
	↔ MCK1070	④
	↔ MDP5039	⑥
	↔ MCK1102	⑤

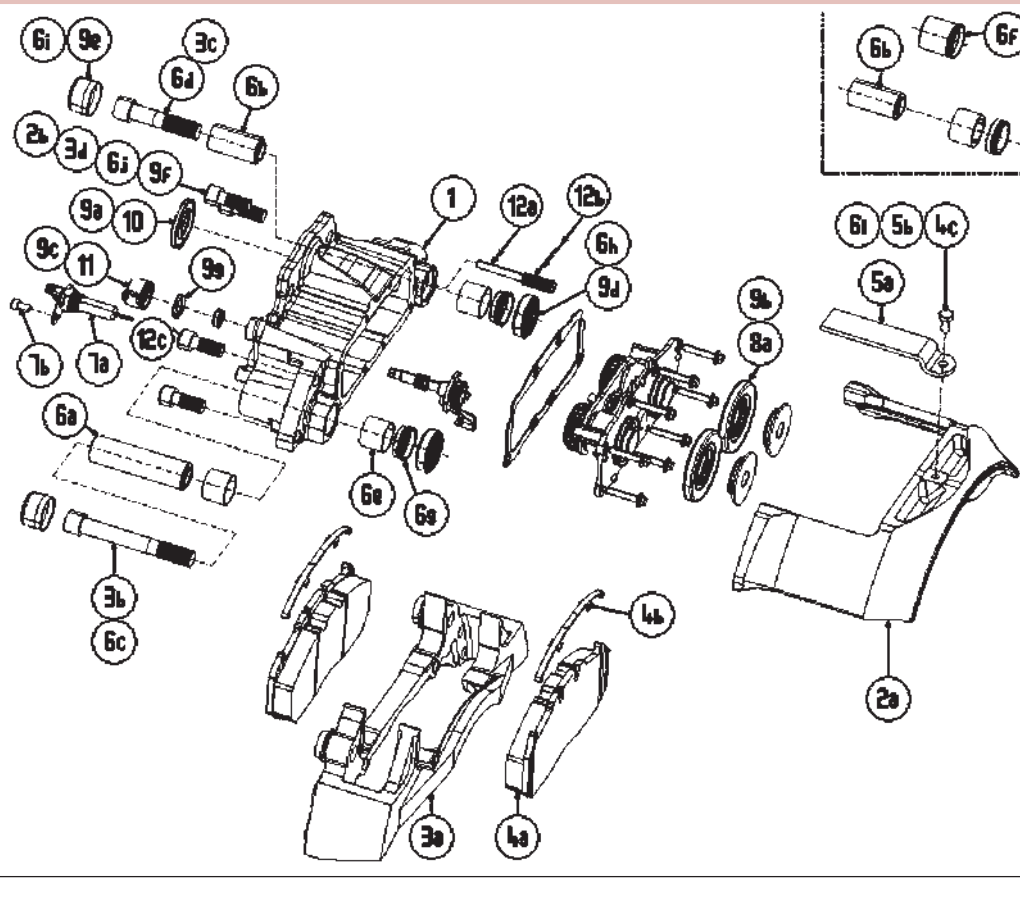


F2000 Elsa 2 22.5" Wheel Dia.



4/02→

	← LRG546	
	→ LRG547	
	↔ MCK1138	③
	← MDP5060	④
	↔ MCK1141	⑦
	↔ MCK1086	⑥
	↔ MCK1174	⑤
	↔ MCK1088	⑨





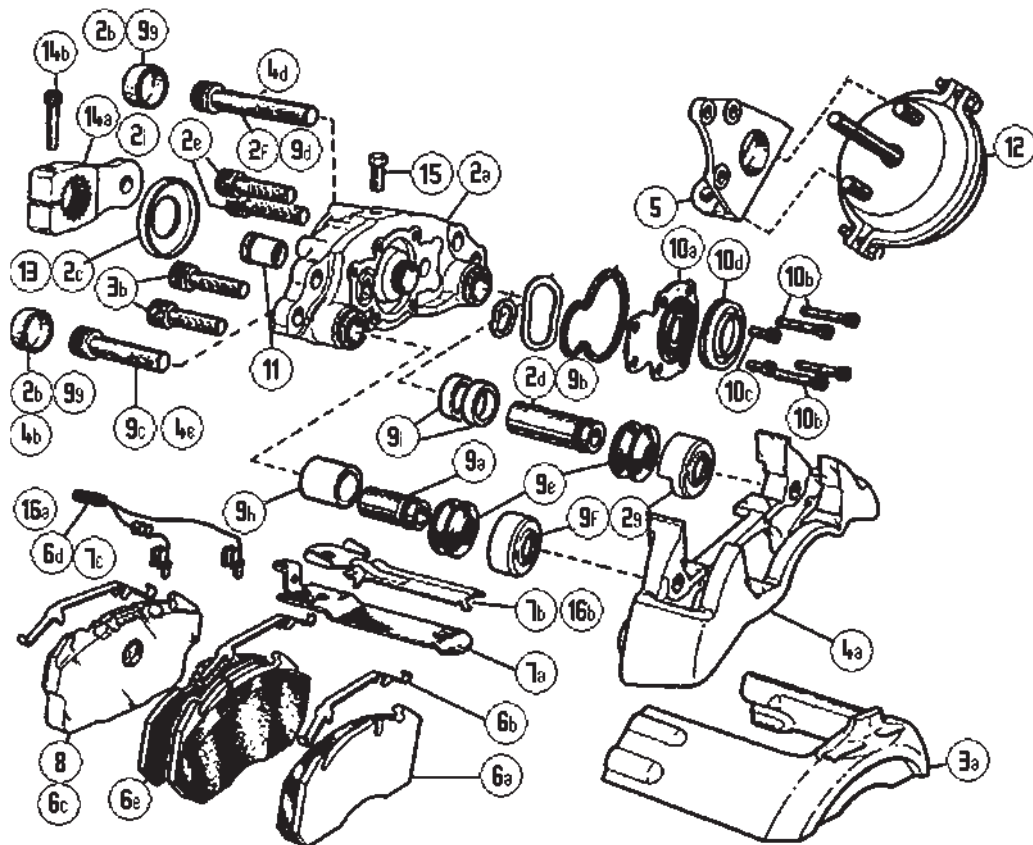
... MAN

F2000 D3 22.5" Wheel Dia.



4/95→

	← LRG524	
	→ LRG525	
	↔ 31932042	③
	↔ BDA107	④
	↔ MDP5054¹	⑥
	↔ MDP5038	⑥
	↔ MDP5039	⑥
	↔ MDP5055¹	⑥
	↔ ST1189	⑩
	↔ SJ4011	⑨
	↔ SJ1212	⑩
	← 68321507²	⑭
	↔ 68321502³	⑭
	→ 68321508²	⑭



- 1: with heatplate
- 2: Shranked
- 3: Straight



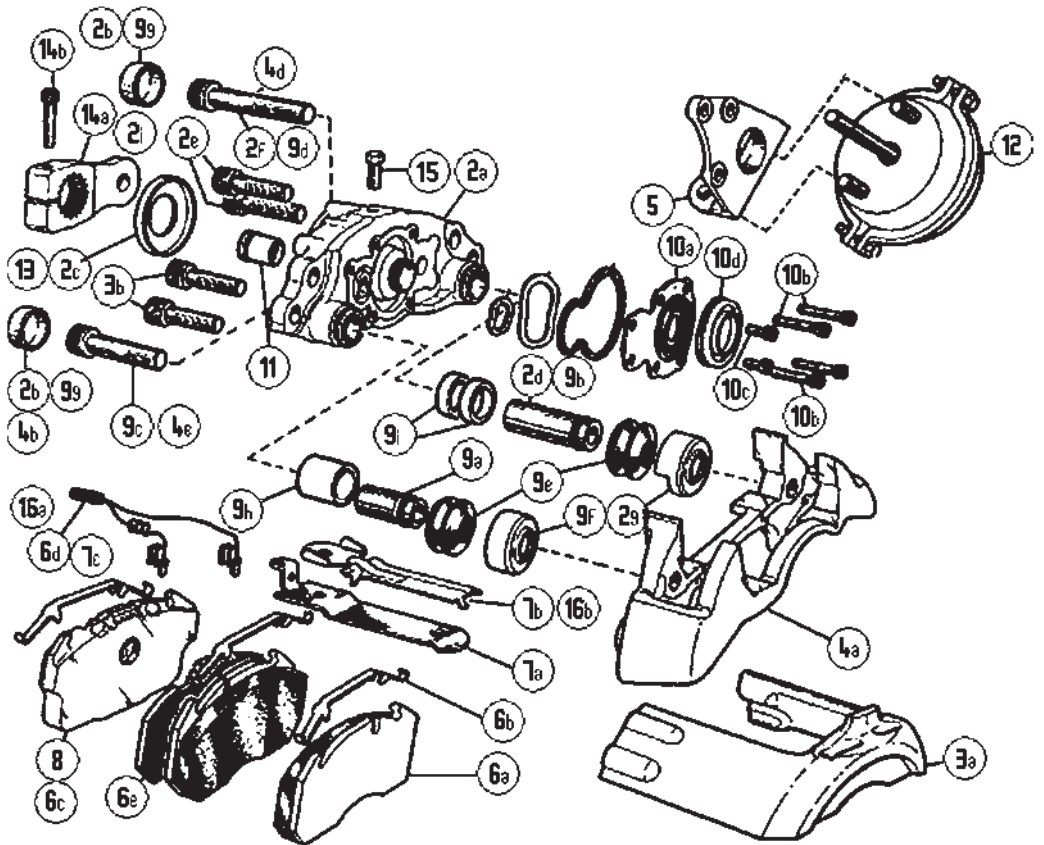
... MAN

F90 D3 22.5" Wheel Dia.



4/95→

	← LRG524	
	→ LRG525	
	↔ 31932042	③
	↔ BDA107	④
	↔ MDP5038	⑥
	↔ MDP5039	⑥
	↔ ST1189	⑯
	↔ SJ4011	⑨
	↔ SJ1212	⑩
	↔ 68321502 ¹	⑭
	← 68321507 ²	⑭
	→ 68321508 ²	⑭



1: Straight
2: Shranked



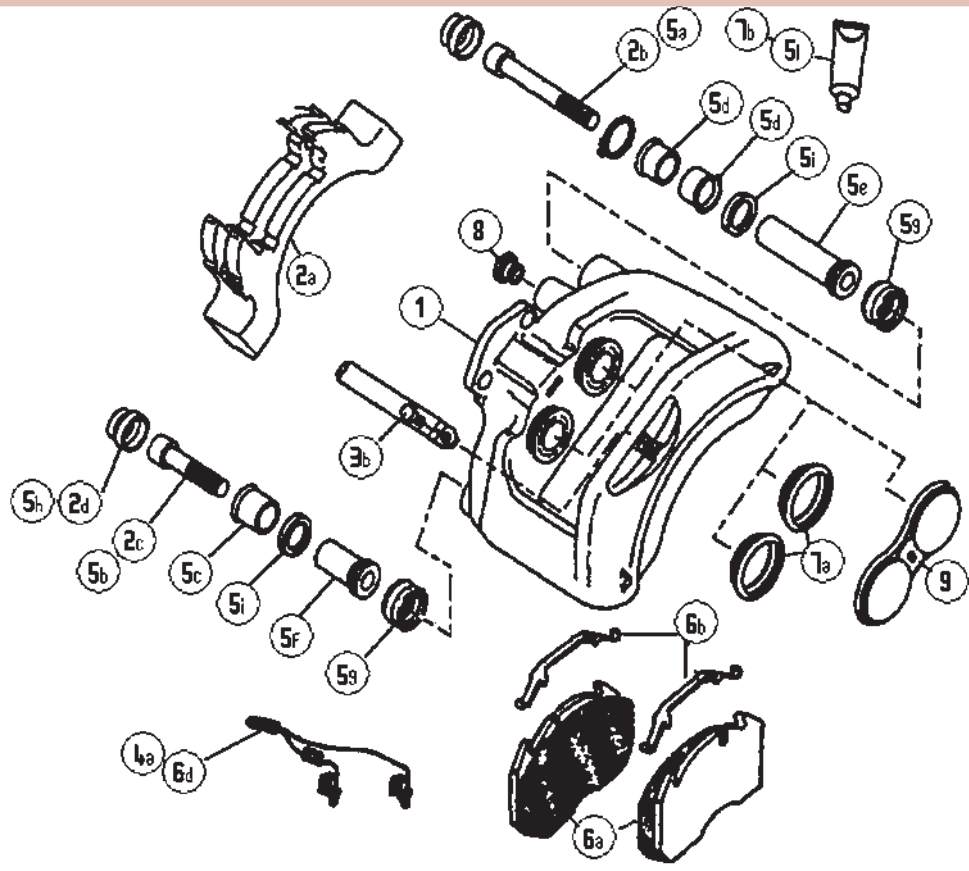
... MAN



FRH - Lion Range FRH322, FRH422 22.5" Wheel Dia.

5/95→

	← LRG570	
	→ LRG571	
	↔ BDA445	②
	↔ MDP5038	⑥
	↔ MCK1070	④
	↔ MDP5039	⑥
	↔ MCK1102	⑤





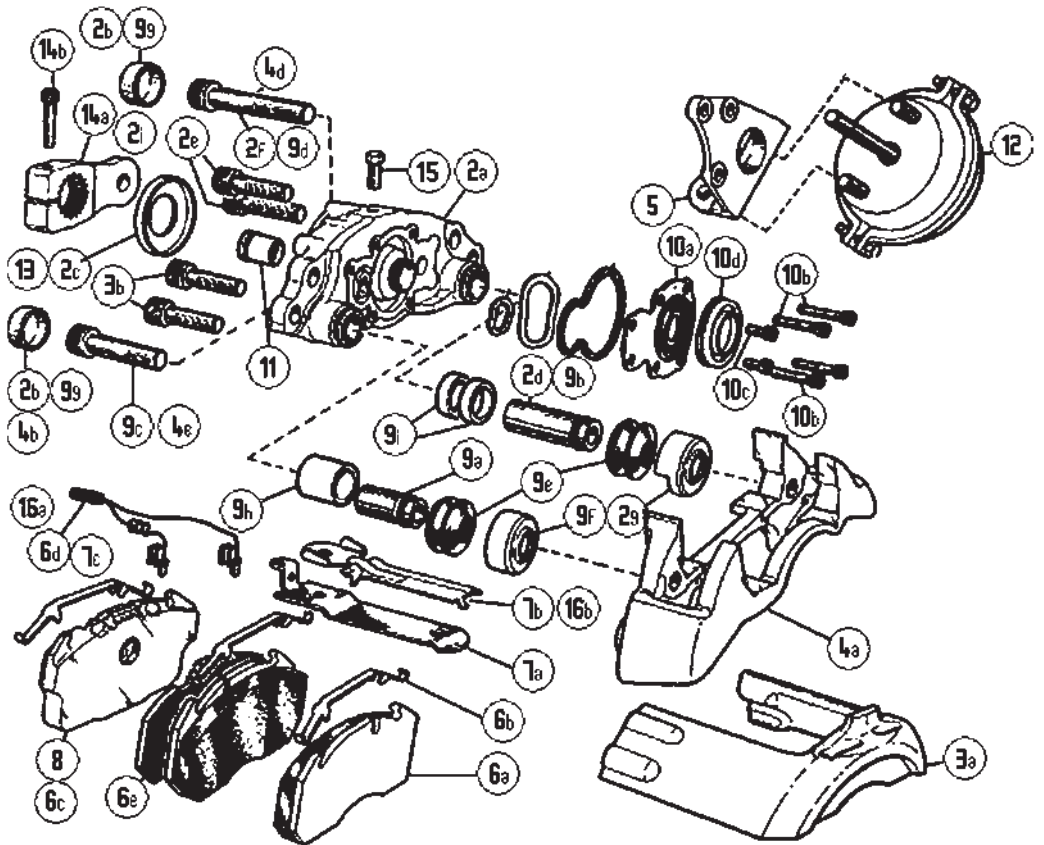
... MAN

FRH FRH422 BUS (Coach) 22.5" Wheel Dia.



1/93→4/95

	← LRG524 ¹ → LRG525 ²	
	↔ 31932042	③
	↔ BDA107	④
	↔ MDP5038	⑥
	↔ MDP5054 ³	⑥
	↔ MDP5039	⑥
	↔ MDP5055 ³	⑥
	↔ ST1189	⑯
	↔ SJ4011	⑨
	↔ SJ1212	⑩
	↔ 68321502 ⁴	⑭



- 1: 68032348
- 2: 68032349
- 3: with heatplate
- 4: Straight



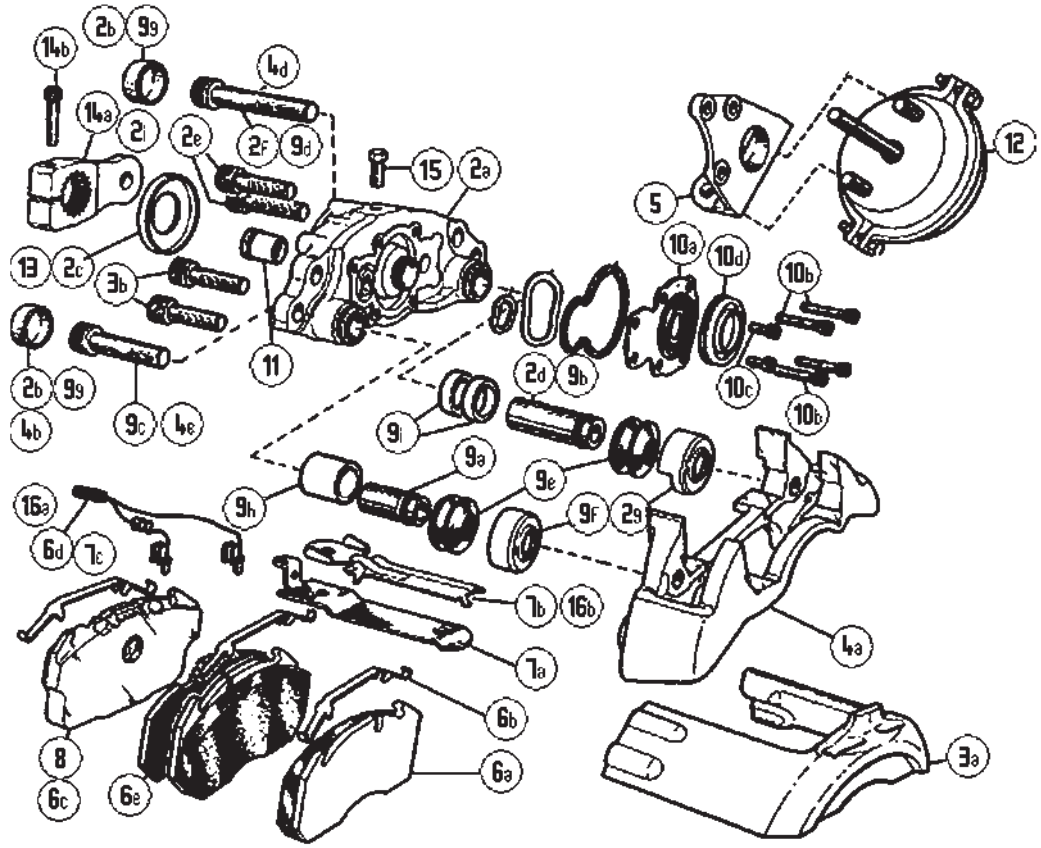
... MAN

FRH FRH422 BUS (City bus) 22.5" Wheel Dia.



4/95→

	← LRG524	
	→ LRG525	
	↔ 31932042	③
	↔ BDA107	④
	↔ MDP5038	⑥
	↔ MDP5054¹	⑥
	↔ ST1189	⑩
	↔ MDP5039	⑥
	↔ MDP5055¹	⑥
	↔ SJ4011	⑨
	↔ SJ1212	⑩
	↔ 68321502²	⑭



1: with heatplate
2: Straight



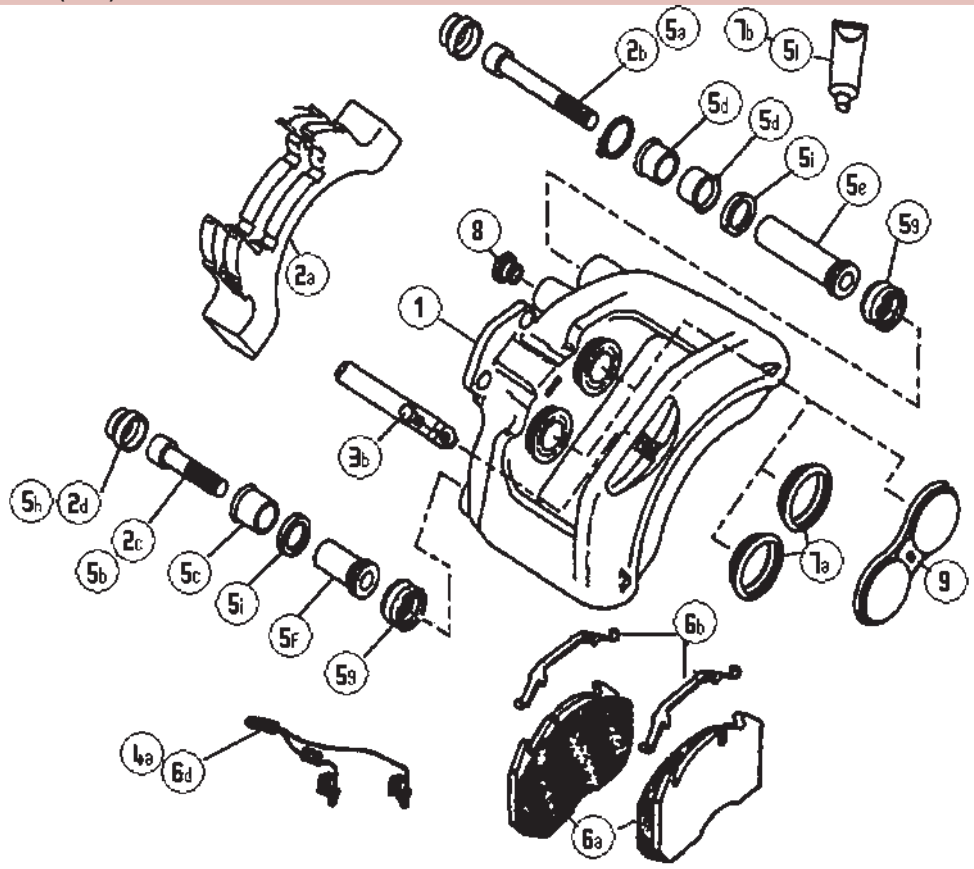
... MAN

Stadt-City Bus Stadtbusse EBS A35 (Midi) - Elsa 1



5/01→9/02

	← LRG704 → LRG705	
	↔ BDA445	②
	↔ MDP5065	⑥
	↔ MDP5066	⑥
	↔ MCK1103	⑤
	↔ MCK1262	③



1: 68032788

2: 68032789

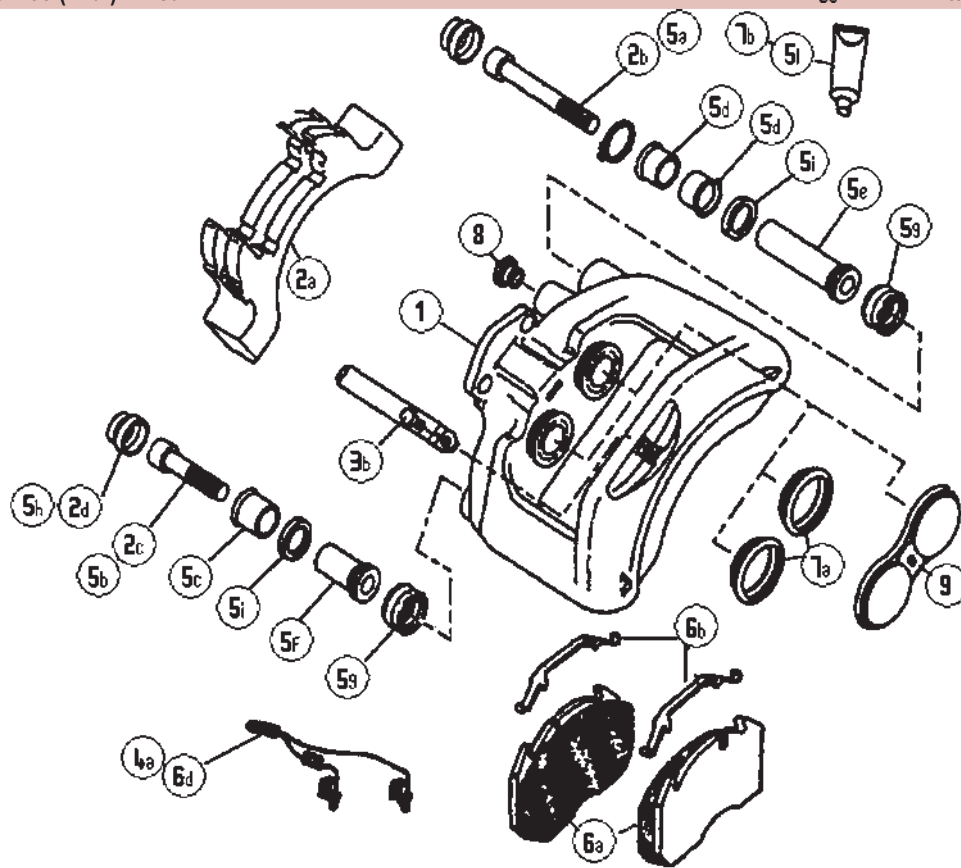


... MAN

Stadt-City Bus Stadtbusse EBS A35 (Midi) - Elsa 1

5/01→9/02

	← LRG542 ¹	
	→ LRG543 ²	
	↔ BDA445	②
	↔ MDP5065	⑥
	↔ MDP5066	⑥
	↔ MCK1102	⑤
	↔ MCK1262	③



1: 68032788

2: 68032789



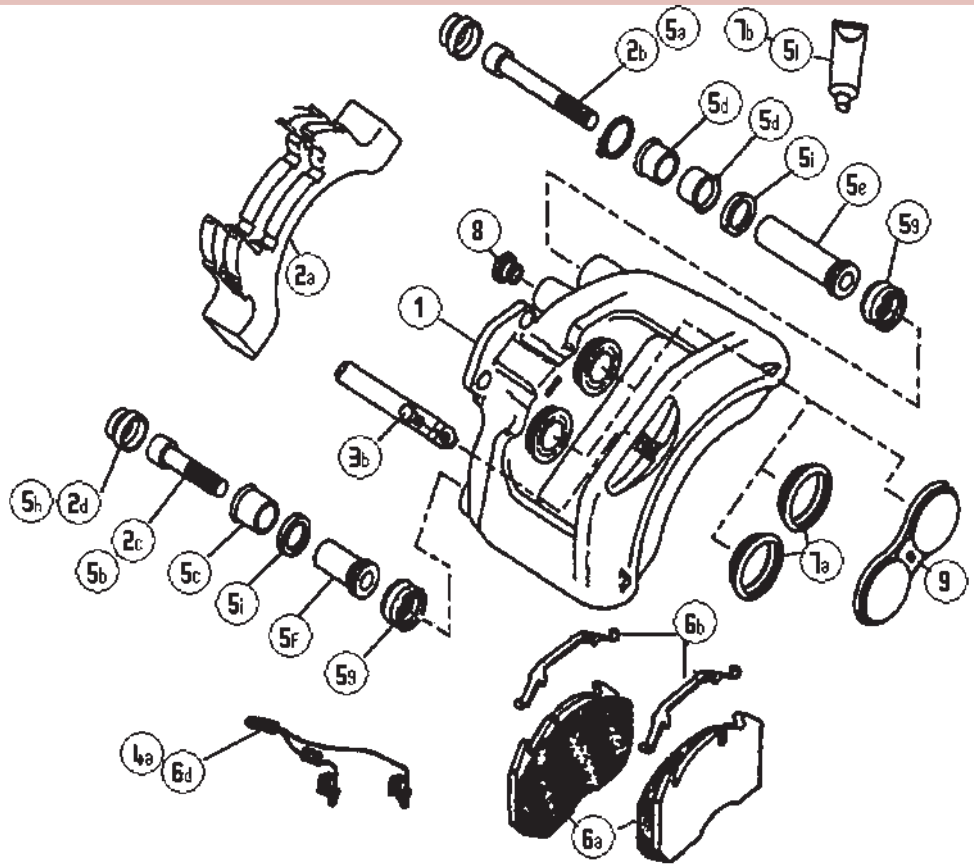
... MAN

Reisebusse BVA Elsa 1



4/01→9/02

	← LRG590 → LRG591	
	↔ BDA445	②
	↔ MDP5038	⑥
	↔ MCK1070	④
	↔ MDP5039	⑥
	↔ MCK1103	⑤
	↔ MCK1262	③

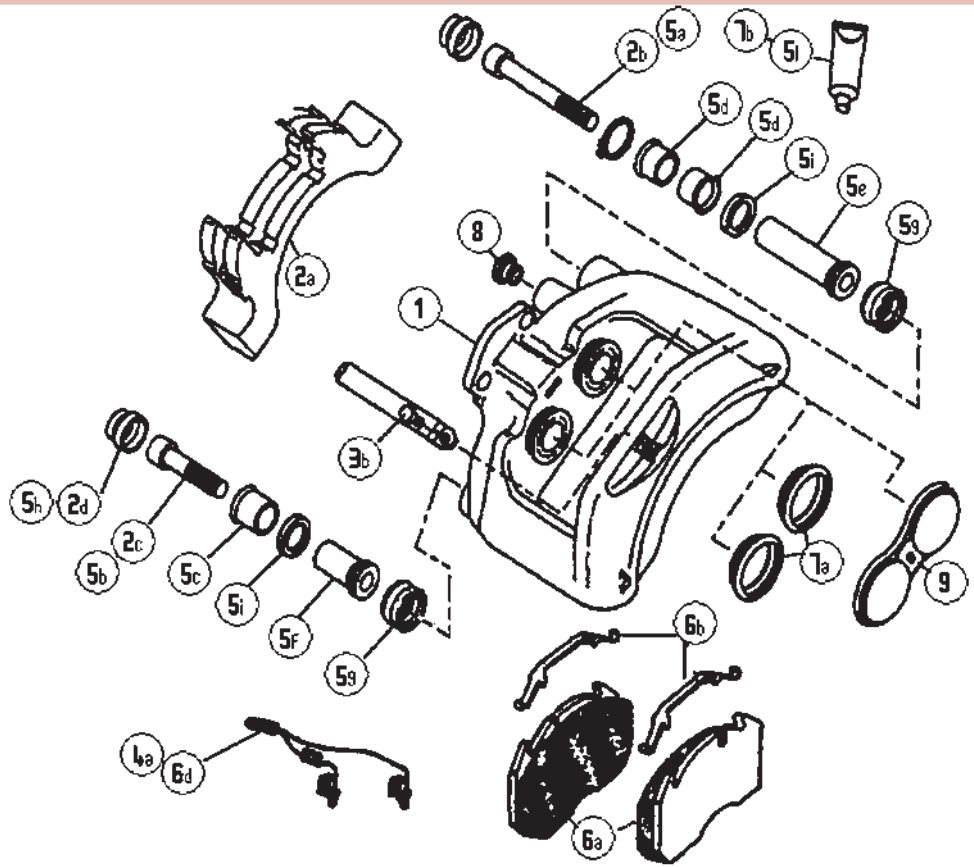


Reisebusse BVA A13 Elsa 1



7/99→9/02

	← LRG590 → LRG591	
	↔ BDA445	②
	↔ MDP5038	⑥
	↔ MCK1070	④
	↔ MDP5039	⑥
	↔ MCK1103	⑤
	↔ MCK1262	③



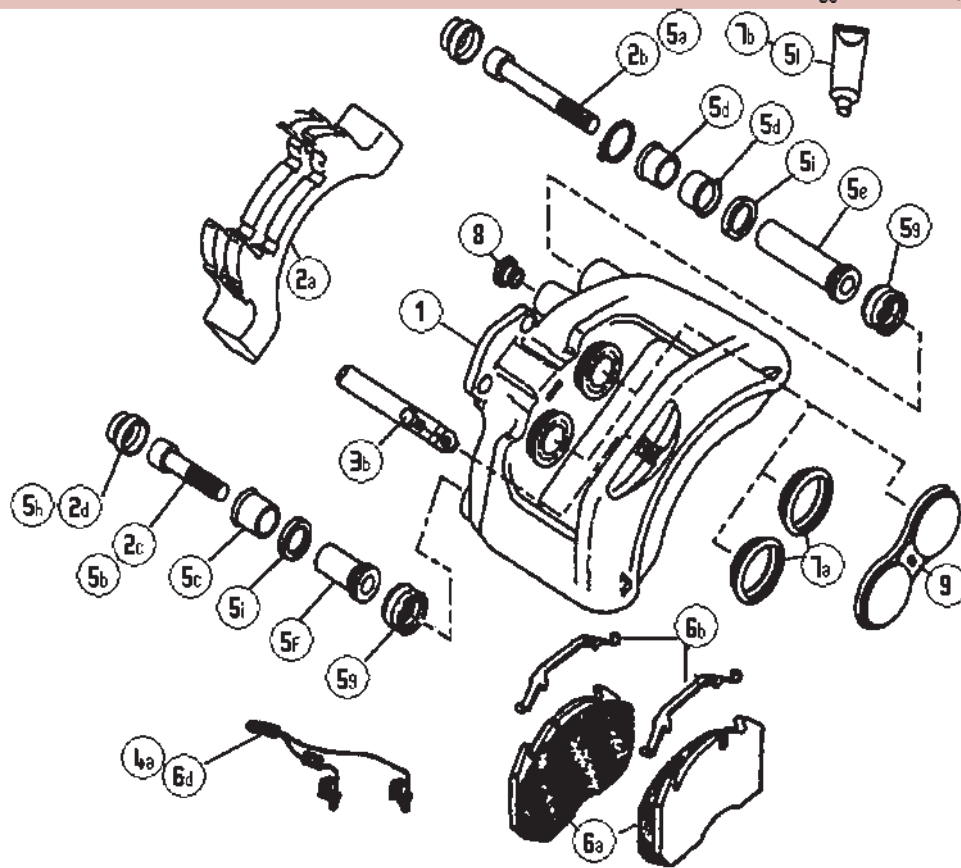


... MAN

Reisebusse BVA A13 Elsa 1

7/99→9/02

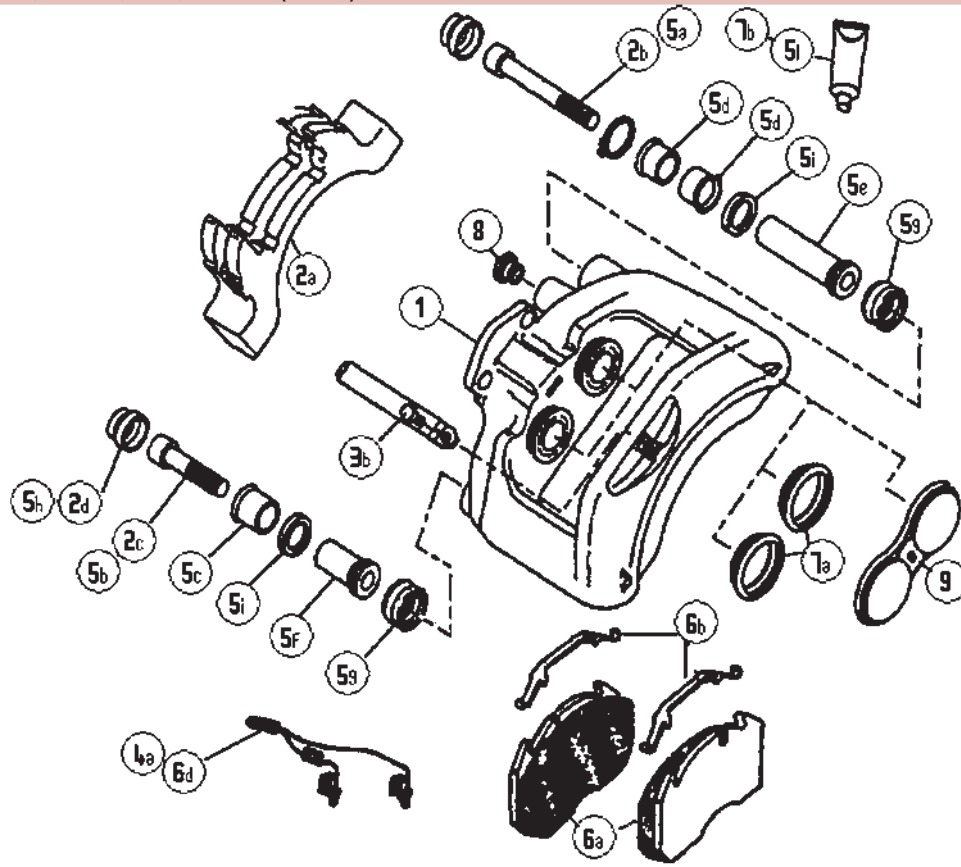
	← LRG591	
	→ LRG590	
	↔ BDA445	②
	↔ MDP5038	⑥
	↔ MDP5039	⑥
	↔ MCK1070	④
	↔ MCK1102	⑤
	↔ MCK1262	③



Stadt-City Bus NG313, NL223, 313, NL223F, 313F, NUE 313(Elsa 1)

99→

	← LRG574	
	→ LRG575	
	↔ BDA445	②
	↔ MDP5065	⑥
	↔ MDP5066	⑥
	↔ MCK1070	④
	↔ MCK1103	⑤
	↔ MCK1262	③





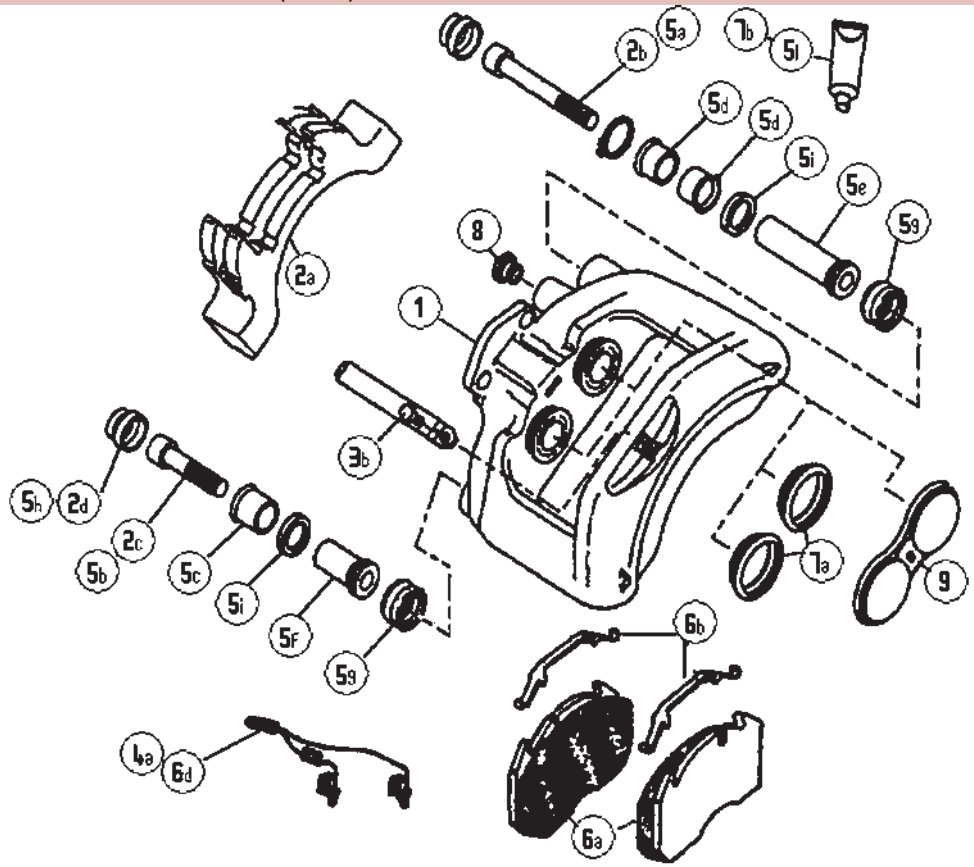
... MAN

Stadt-City Bus NG313, NL223, 313, NL223F, 313F, NUE 313(Elsa 1)



99→

	← LRG632	
	→ LRG633	
	↔ BDA445	②
	↔ MDP5065	⑥
	↔ MDP5066	⑥
	↔ MCK1071	④
	↔ MCK1102	⑤
	↔ MCK1262	③

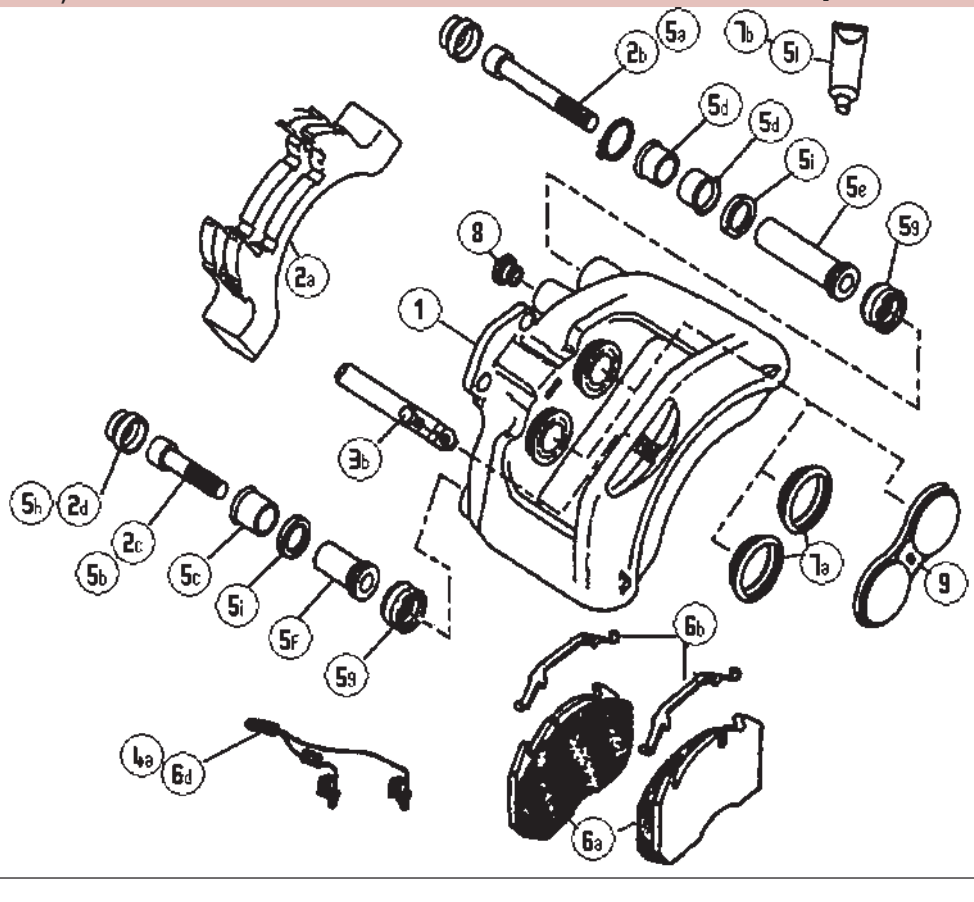


TGA H02,05,09,12,17,20,23,25 (Elsa 1) 22.5" Wheel Dia.



4/99→3/02

	← LRG586	
	→ LRG587	
	↔ BDA445	②
	↔ MDP5038	⑥
	↔ MDP5039	⑥
	↔ MCK1102	⑤
	↔ MCK1262	③



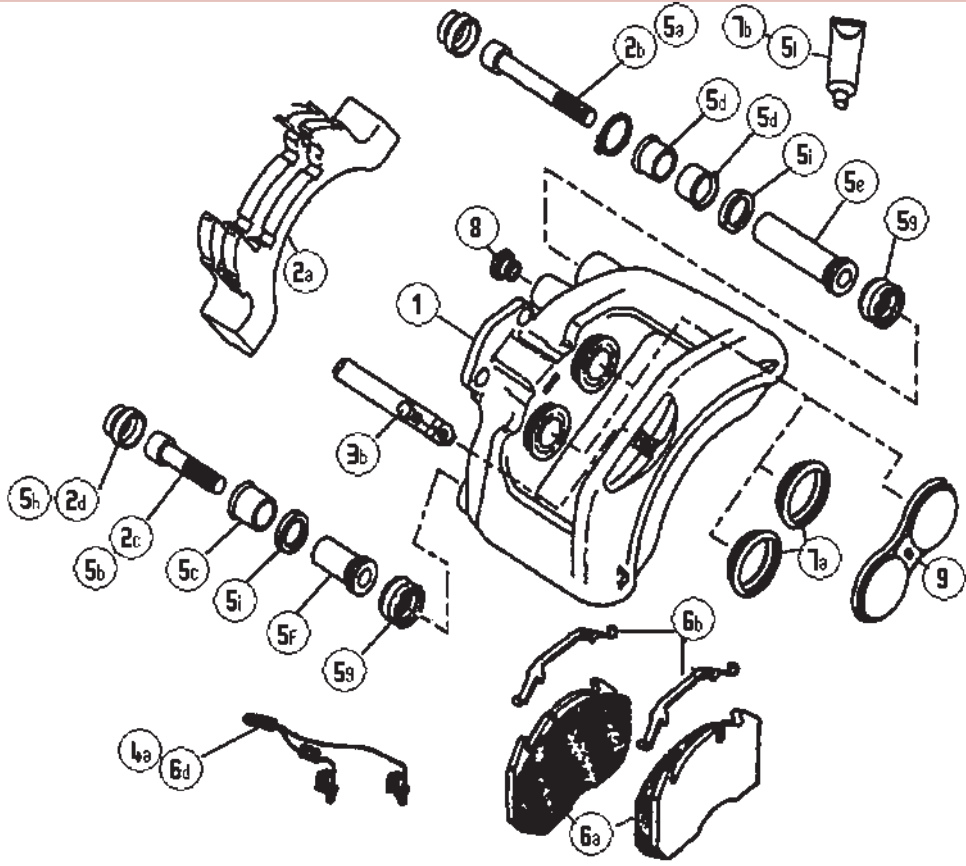


... MAN

TGA H02,05,09,12,17,20,23,25 (Elsa 1) 22.5" Wheel Dia.

12/98→03/02

	← LRG588	
	→ LRG589 ¹	
	↔ BDA445	②
	↔ MDP5038	⑥
	↔ MDP5039	⑥
	↔ MCK1102	⑤
	↔ MCK1262	③

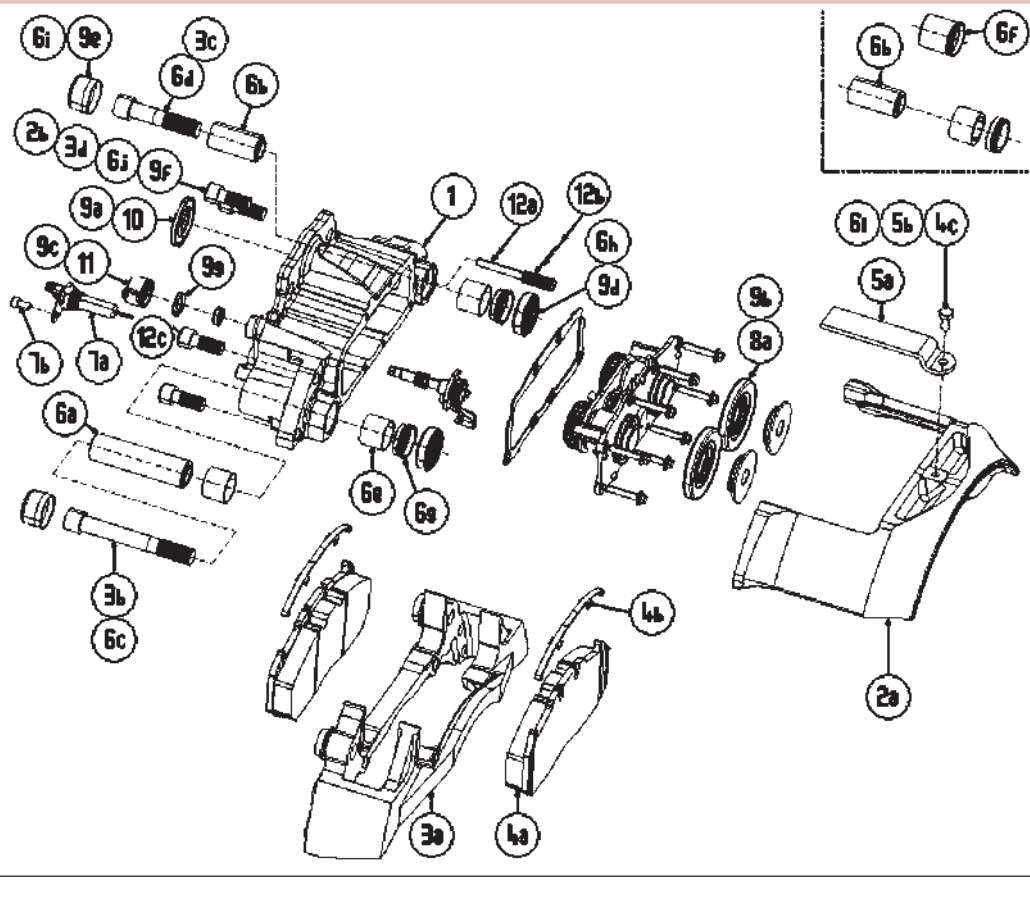


1: 68032821

TGA H12, 17 (Elsa 2) 22.5" Wheel Dia.

10/01→

	← LRG638	
	→ LRG639	
	↔ MCK1138	③
	↔ MDP5060	④
	↔ MCK1140	⑥
	↔ MCK1139	⑧
	↔ MCK1174	⑤





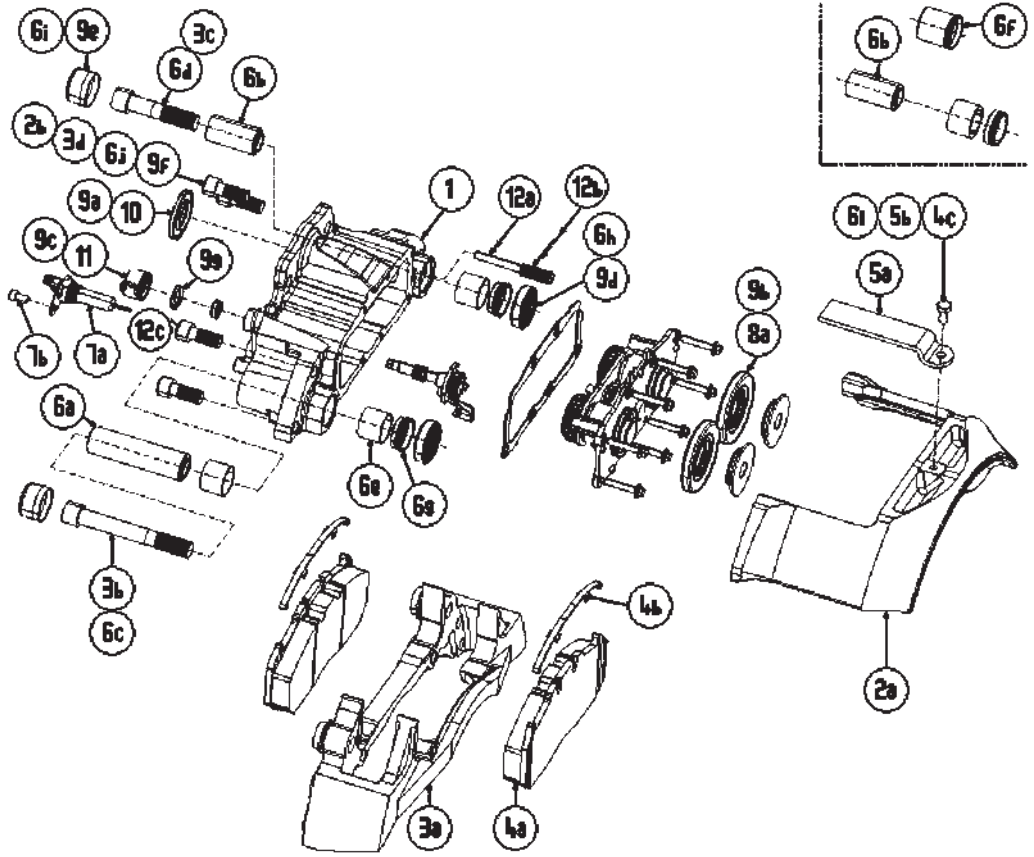
... MAN

TGA H12, 17 (Elsa 2) 22.5" Wheel Dia.



10/01→

	← LRG544	
	→ LRG545	
	↔ MCK1138	③
	↔ MDP5060	④
	↔ MCK1140	⑥
	↔ MCK1139	⑧
	↔ MCK1174	⑤





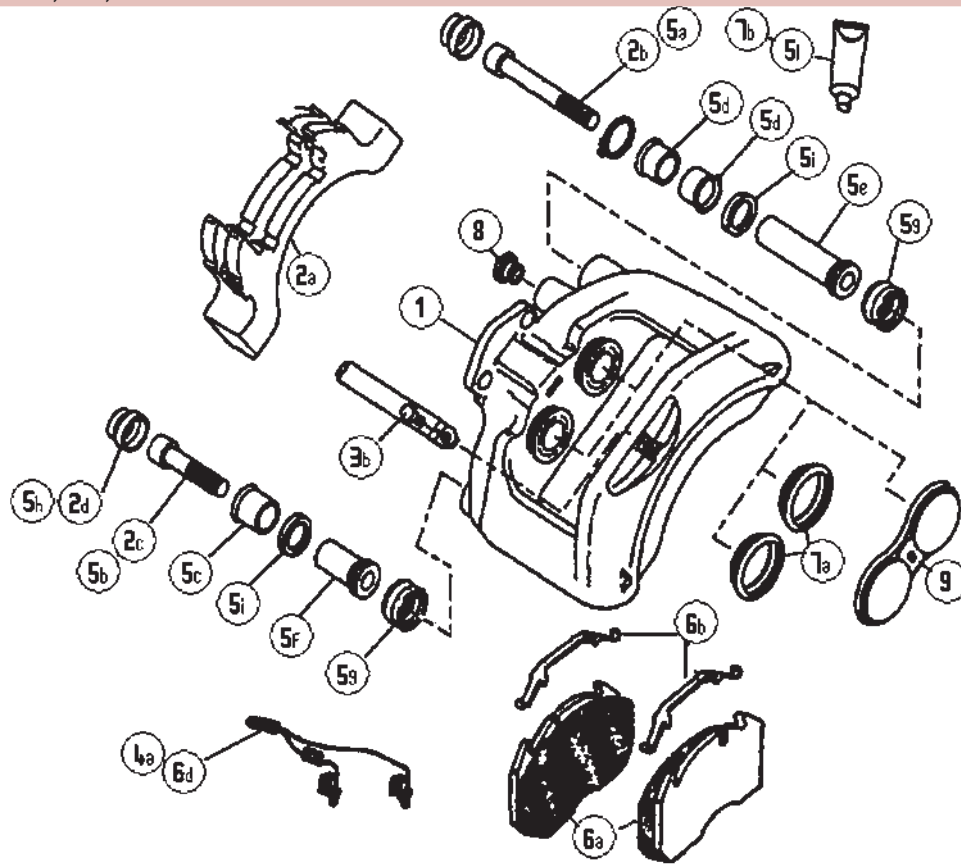
... MAN



Stadt-City Bus Stadtbusse EBS A25, A26, A30 - Elsa 1

5/01→9/02

	← LRG704	
	→ LRG705	
	↔ BDA445	⊙
	↔ MDP5065	⊙
	↔ MDP5066	⊙
	↔ MCK1103	⊙
	↔ MCK1262	⊙



1: 68032788
2: 68032789



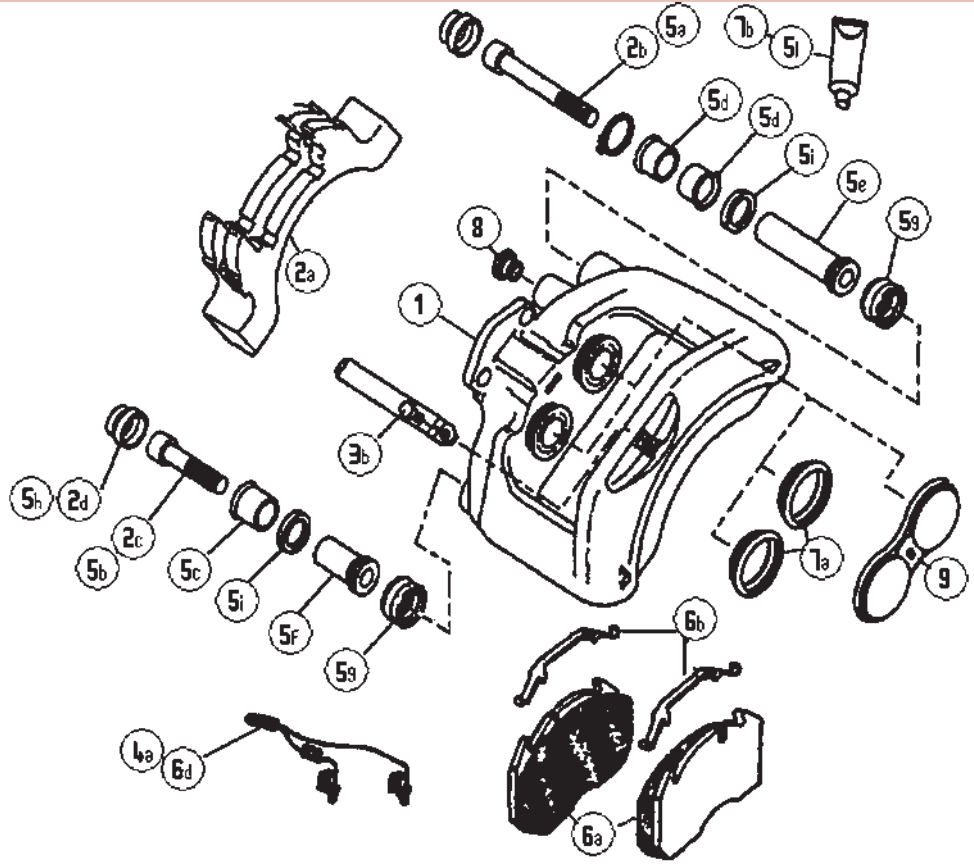
... MAN

Stadt-City Bus Stadtbusse EBS A25, A26, A30 - Elsa 1



5/01→9/02

	← LRG542 ¹ → LRG543 ²	
	↔ BDA445	②
	↔ MDP5065	⑥
	↔ MDP5066	⑥
	↔ MCK1102	⑤
	↔ MCK1262	③



1: 68032788

2: 68032789

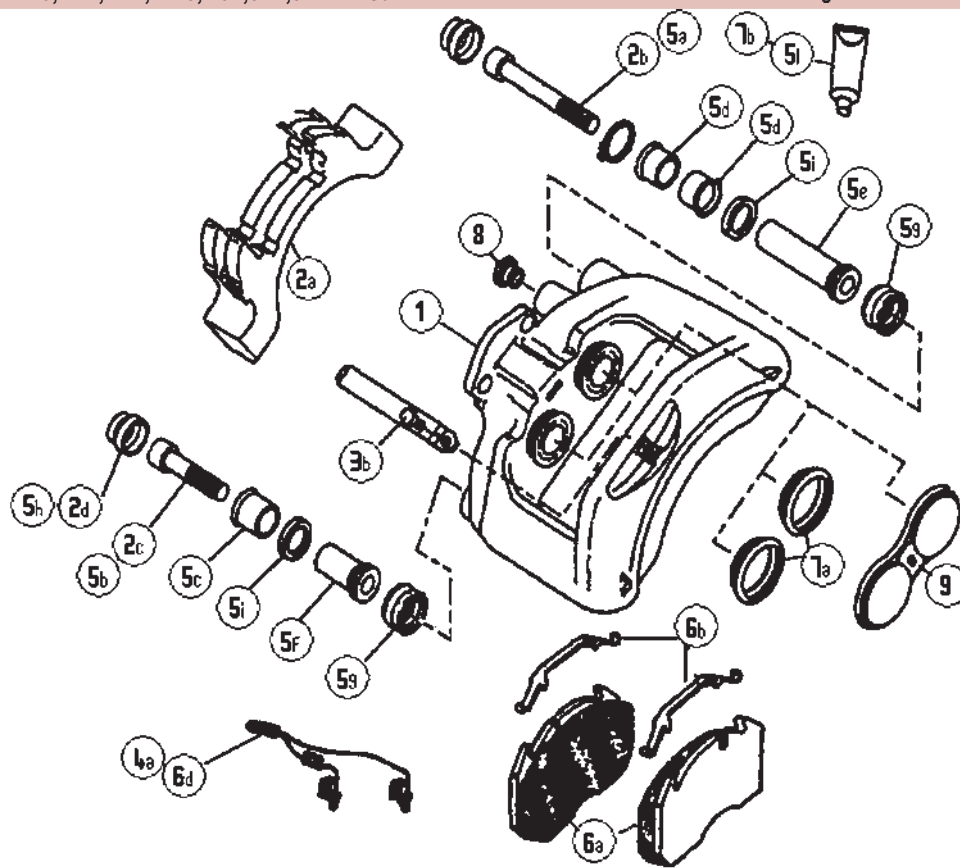


... MAN

Stadt-City Bus Stadtbusse BVA A20,A21,A22, A28,A31,J21,J22 - Elsa 1

99→

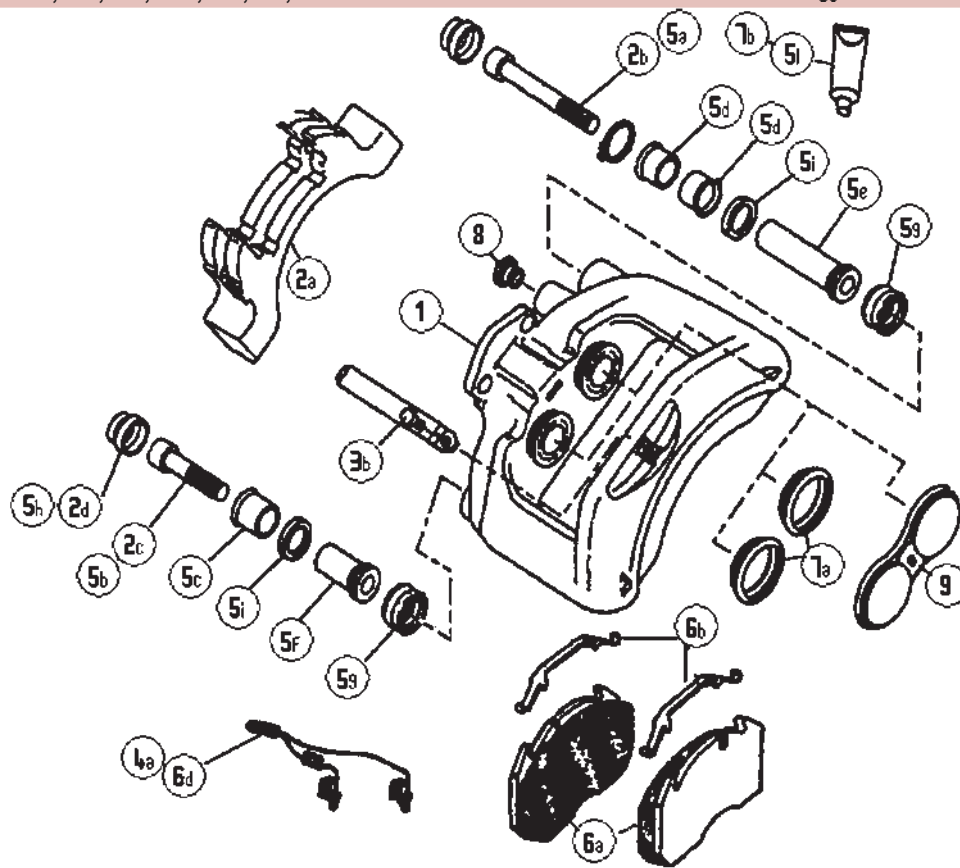
	← LRG574	
	→ LRG575	
	↔ BDA445	②
	↔ MDP5065	⑥
	↔ MDP5066	⑥
	↔ MCK1070	④
	↔ MCK1103	⑤
	↔ MCK1262	③



Stadt-City Bus Stadtbusse BVA A20,A21,A22, A28,A31,J21,J22 - Elsa 1

99→

	← LRG632	
	→ LRG633	
	↔ BDA445	②
	↔ MDP5065	⑥
	↔ MCK1071	④
	↔ MDP5066	⑥
	↔ MCK1102	⑤
	↔ MCK1262	③





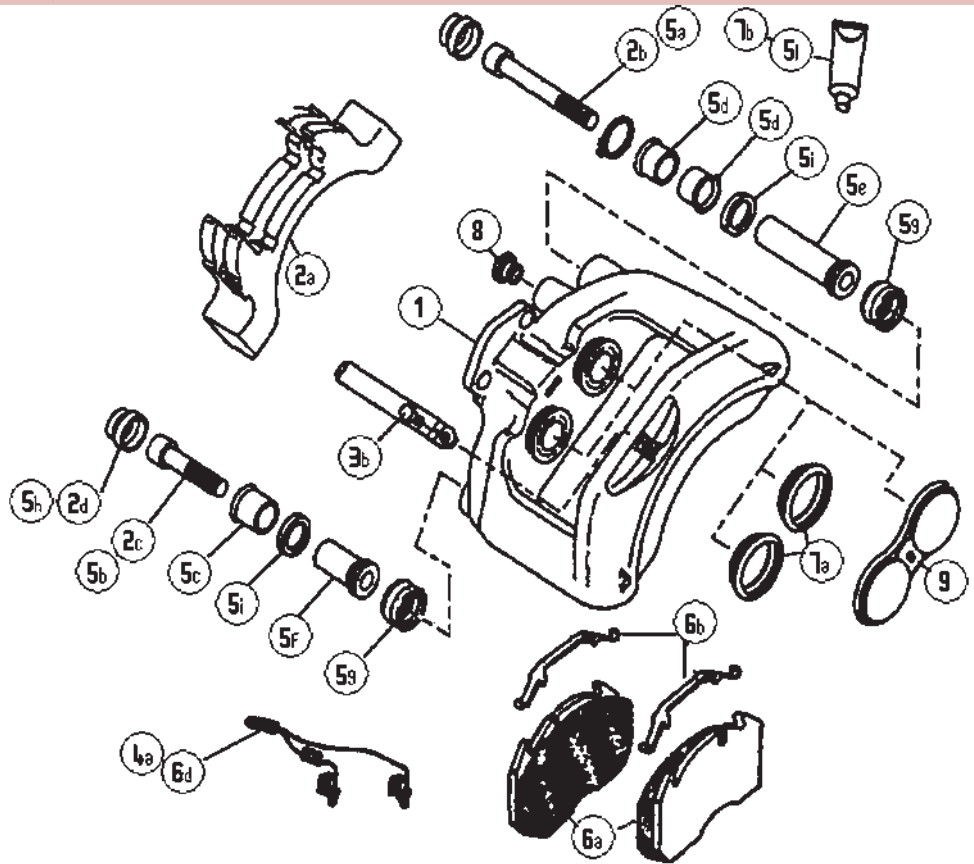
... MAN

Stadt-City Bus Stadtbusse BVA A23,A24 - Elsa 1



99→

	← LRG574	
	→ LRG575	
	↔ BDA445	②
	↔ MDP5065	⑥
	↔ MDP5066	⑥
	↔ MCK1070	④
	↔ MCK1103	⑤
	↔ MCK1262	③

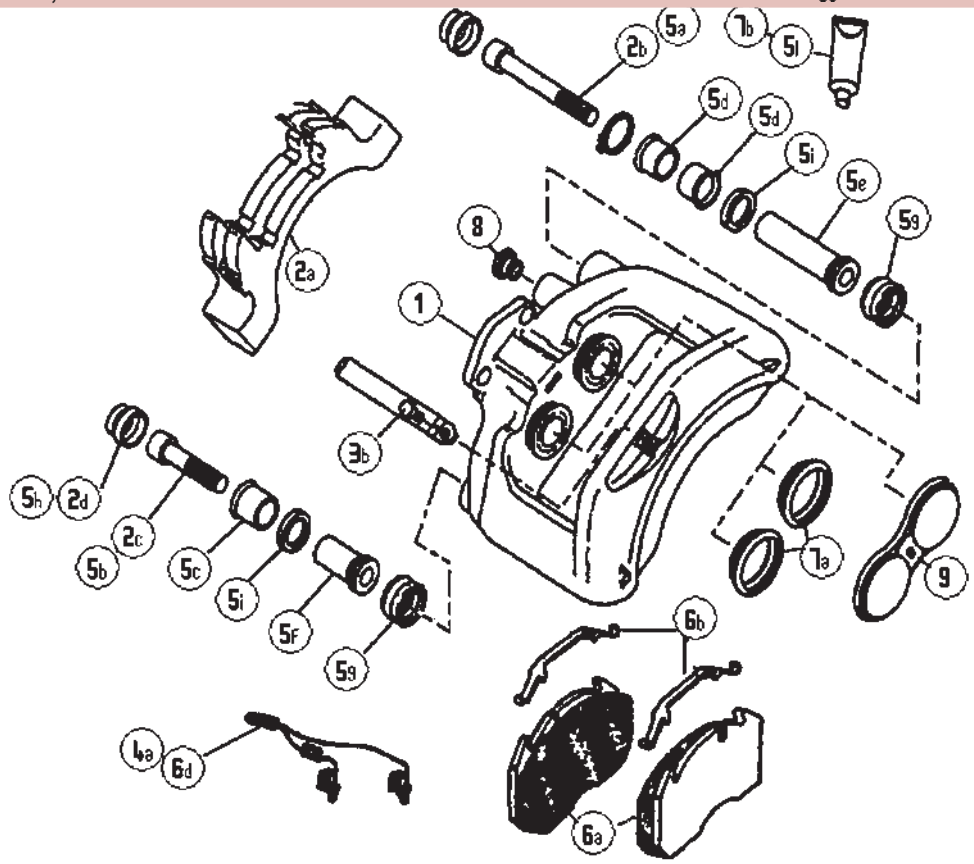


Stadt-City Bus Stadtbusse BVA A23,A24 - Elsa 1



99→

	← LRG632	
	→ LRG633	
	↔ BDA445	②
	↔ MDP5065	⑥
	↔ MDP5066	⑥
	↔ MCK1071	④
	↔ MCK1102	⑤
	↔ MCK1262	③



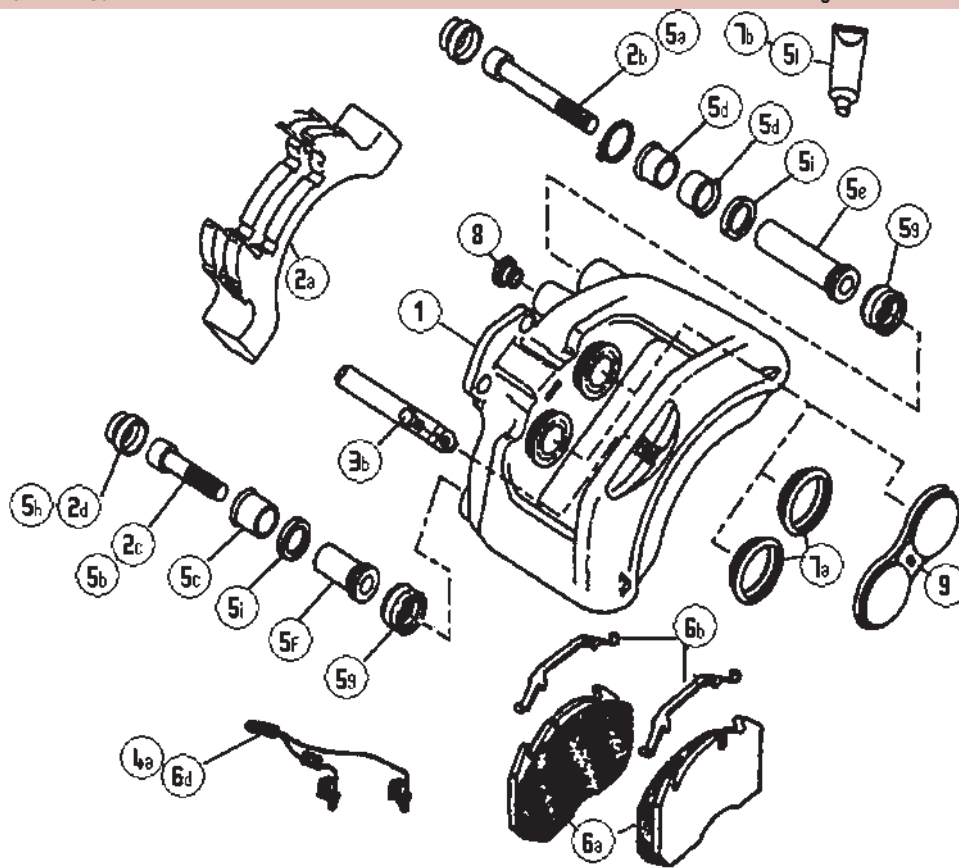


... MAN

Stadt-City Bus Stadtbuse BVA J14 - Elsa 1

99→

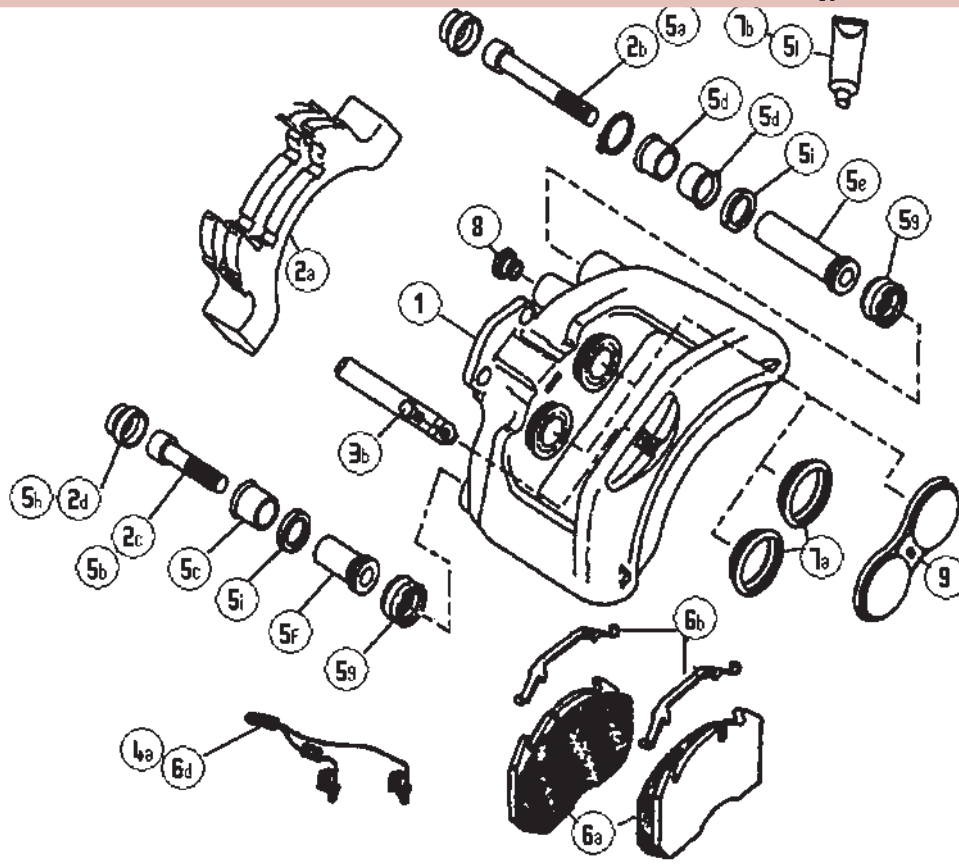
	← LRG574	
	→ LRG575	
	↔ BDA445	②
	↔ MDP5065	⑥
	↔ MDP5066	⑥
	↔ MCK1070	④
	↔ MCK1103	⑤
	↔ MCK1262	③



Stadt-City Bus Stadtbuse BVA J14 - Elsa 1

99→

	← LRG632	
	→ LRG633	
	↔ BDA445	②
	↔ MDP5065	⑥
	↔ MDP5066	⑥
	↔ MCK1071	④
	↔ MCK1102	⑤
	↔ MCK1262	③





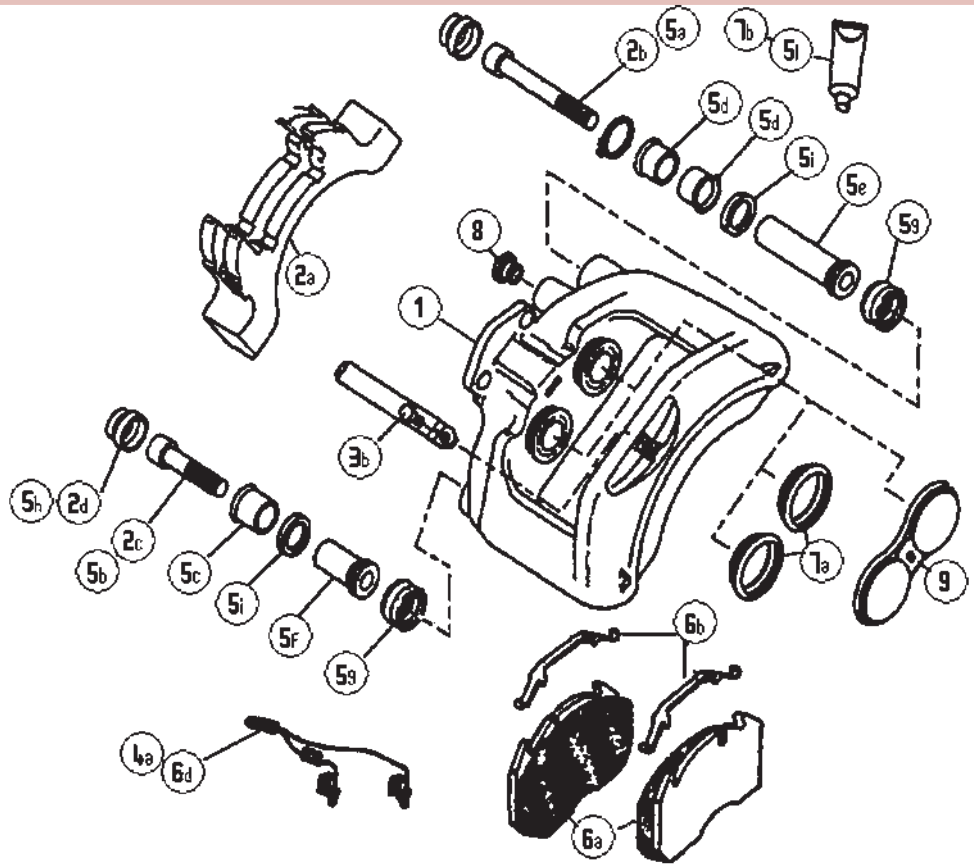
... MAN

Reisebusse BVA A51 Elsa 1



99→

	← LRG574	
	→ LRG575	
	↔ BDA445	②
	↔ MDP5038	⑥
	↔ MCK1070	④
	↔ MDP5039	⑥
	↔ MCK1103	⑤
	↔ MCK1262	③

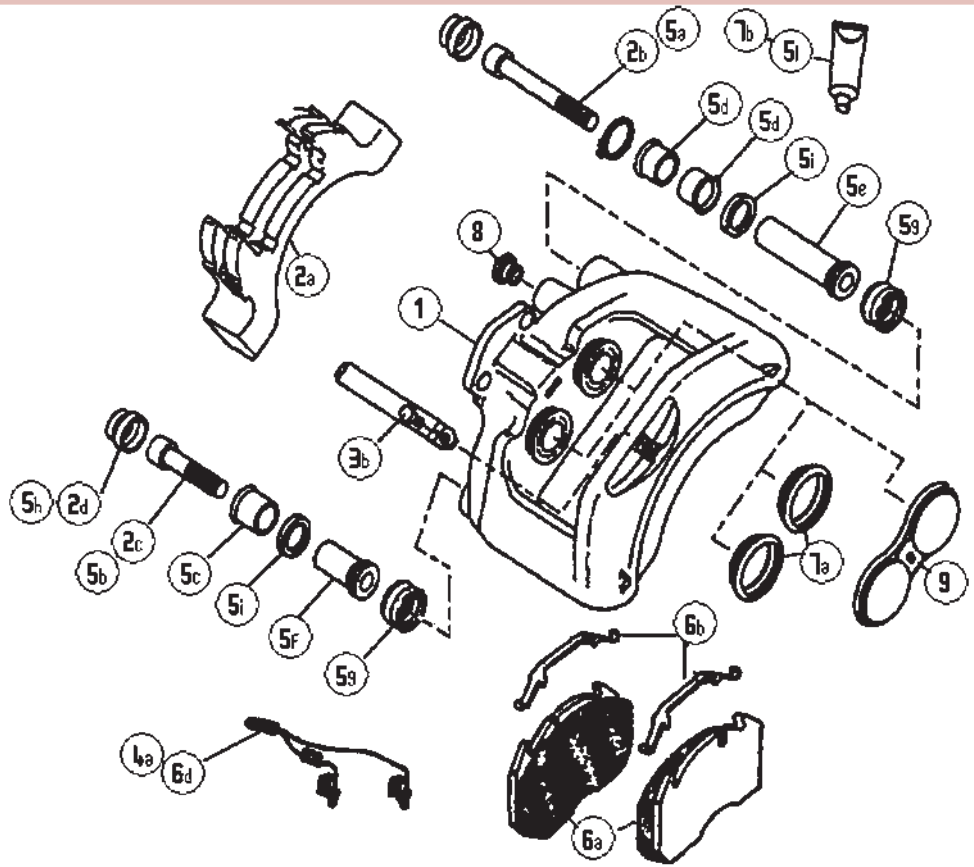


Reisebusse EBS A01,A03,A13,A33 Elsa 1



99→

	← LRG704	
	→ LRG705	
	↔ BDA445	②
	↔ MDP5038	⑥
	↔ MDP5039	⑥
	↔ MCK1103	⑤
	↔ MCK1262	③



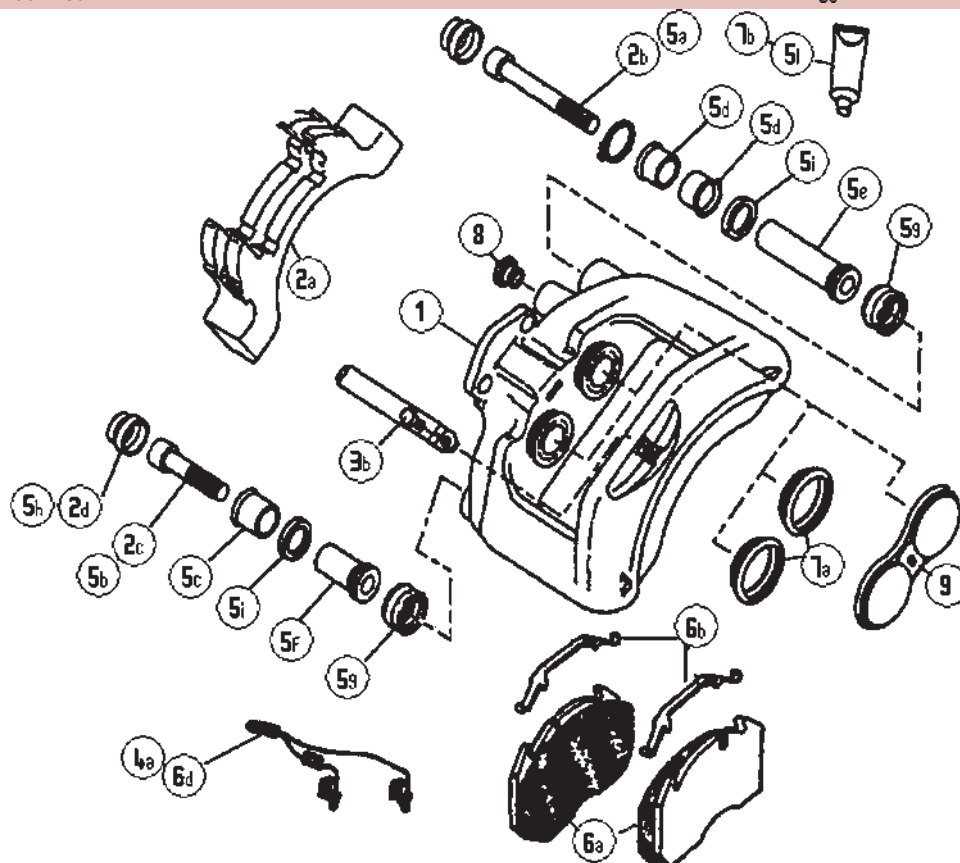


... MAN

Reisebusse EBS A01,A03,A13,A33 Elsa 1

99→

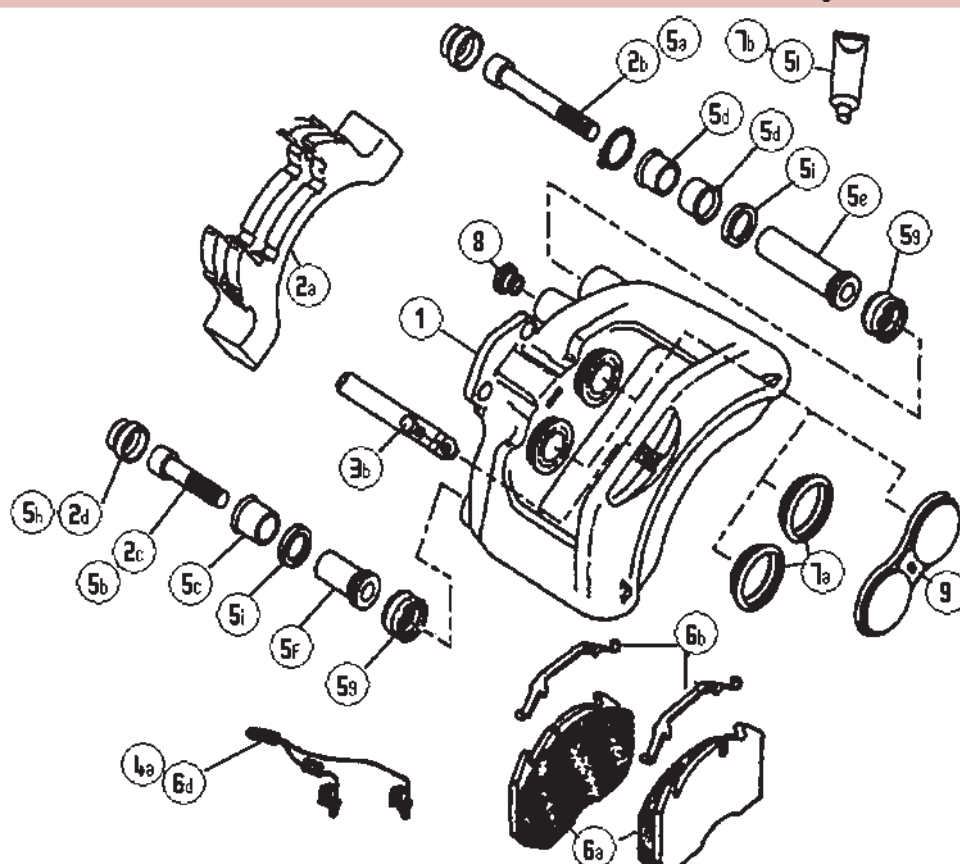
	← LRG589	
	→ LRG588	
	↔ BDA445	②
	↔ MDP5038	⑥
	↔ MDP5039	⑥
	↔ MCK1102	⑤
	↔ MCK1262	③



Reisebusse EBS A04,A32 Elsa 1

99→

	← LRG704	
	→ LRG705	
	↔ BDA445	②
	↔ MDP5038	⑥
	↔ MDP5039	⑥
	↔ MCK1103	⑤
	↔ MCK1262	③





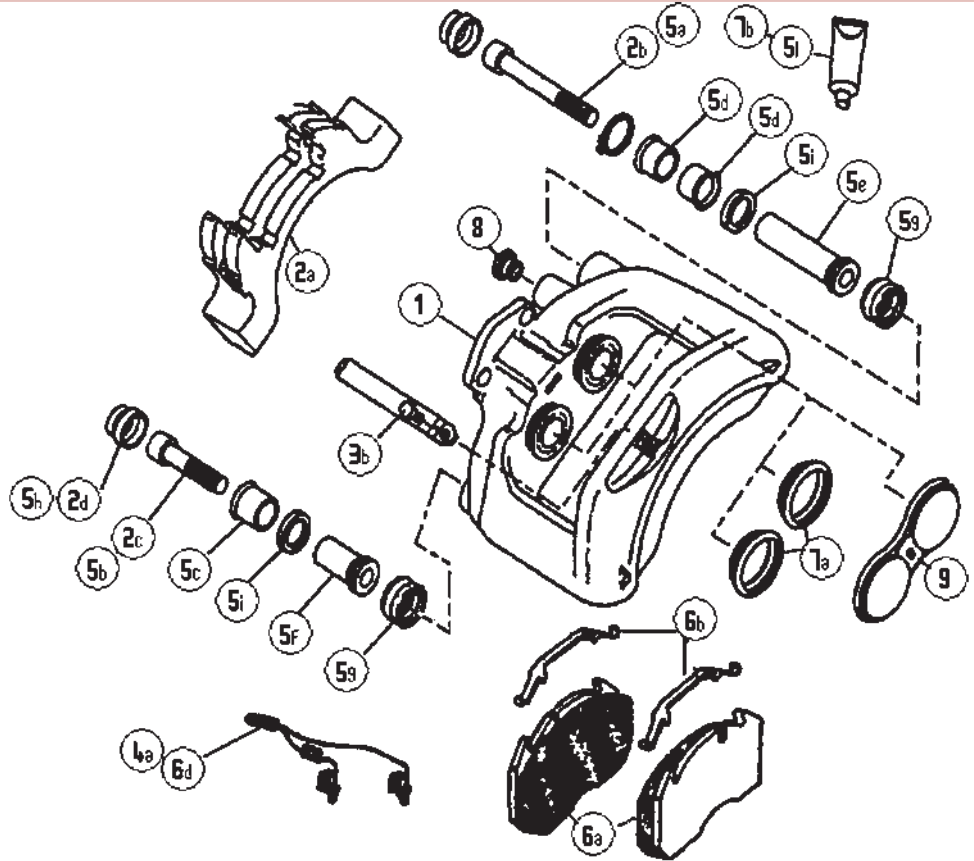
... MAN

Reisebusse EBS A04,A32 Elsa 1



99→

	← LRG589	
	→ LRG588	
	↔ BDA445	②
	↔ MDP5038	⑥
	↔ MDP5039	⑥
	↔ MCK1102	⑤
	↔ MCK1262	③

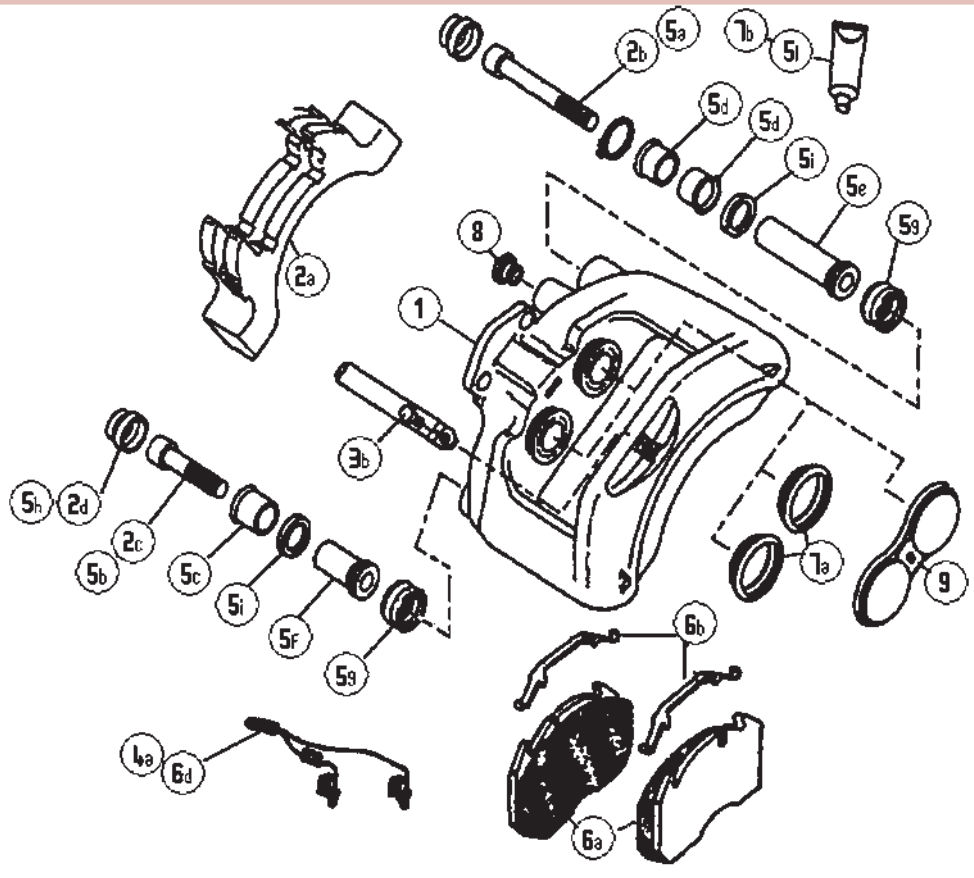


Reisebusse BVA A32



99→

	← LRG590	
	→ LRG591	
	↔ BDA445	②
	↔ MDP5038	⑥
	↔ MDP5039	⑥
	↔ MCK1070	④
	↔ MCK1103	⑤
	↔ MCK1262	③



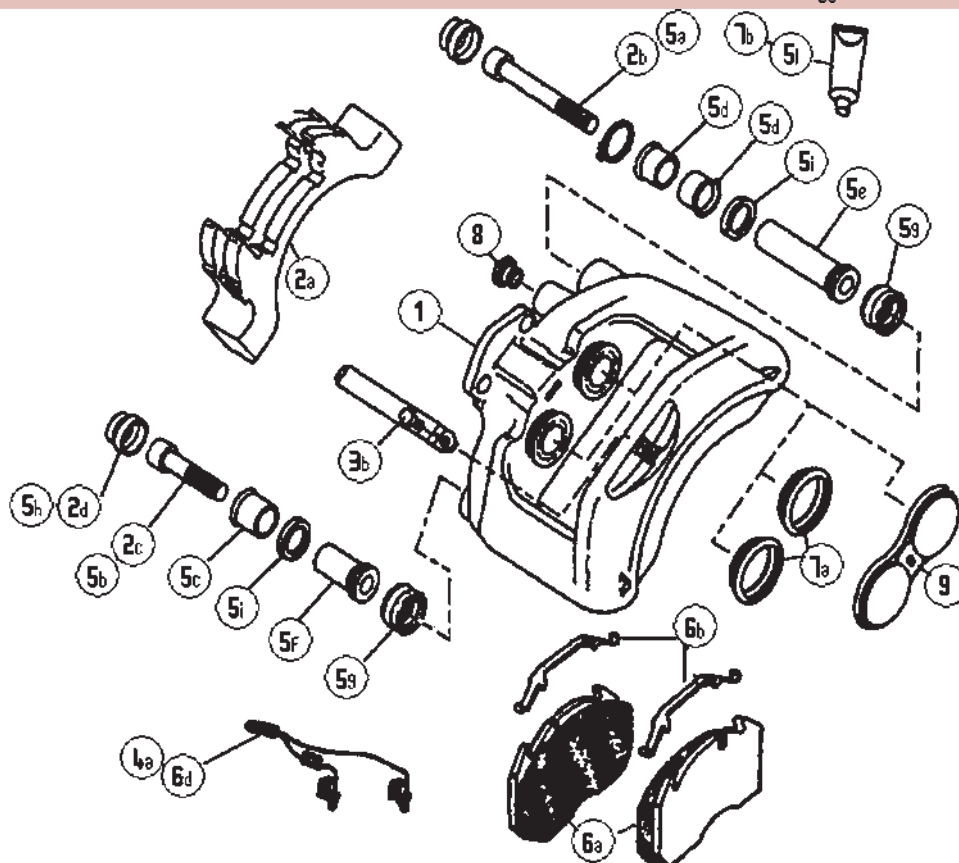


... MAN

Reisebusse BVA A32

99→

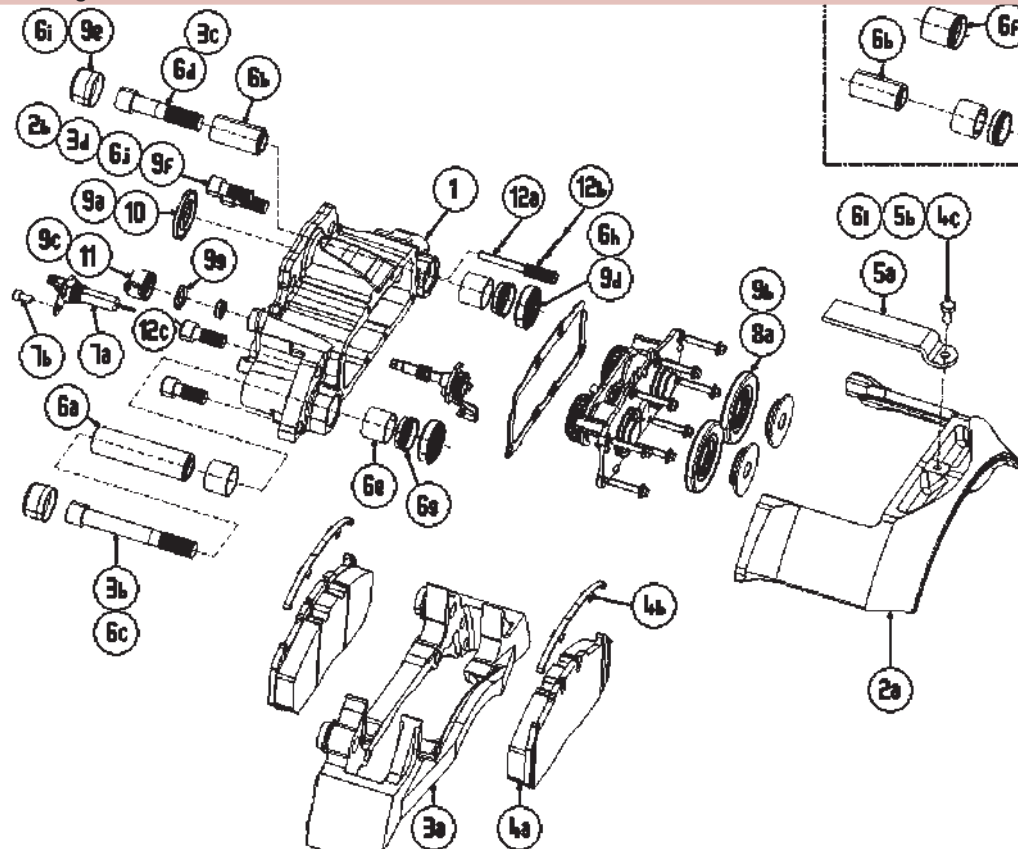
	← LRG591	
	→ LRG590	
	↔ BDA445	②
	↔ MDP5039	⑥
	↔ MCK1070	④
	↔ MCK1102	⑤
	↔ MCK1262	③



Stadt-City Bus Sensor Stadtbuss 90 Degree version

03/04→

	← LRG662	
	→ LRG663	
	↔ MCK1138	③
	↔ MDP5097	④
	↔ MCK1141	⑦
	↔ MCK1140	⑥
	↔ MCK1174	⑤





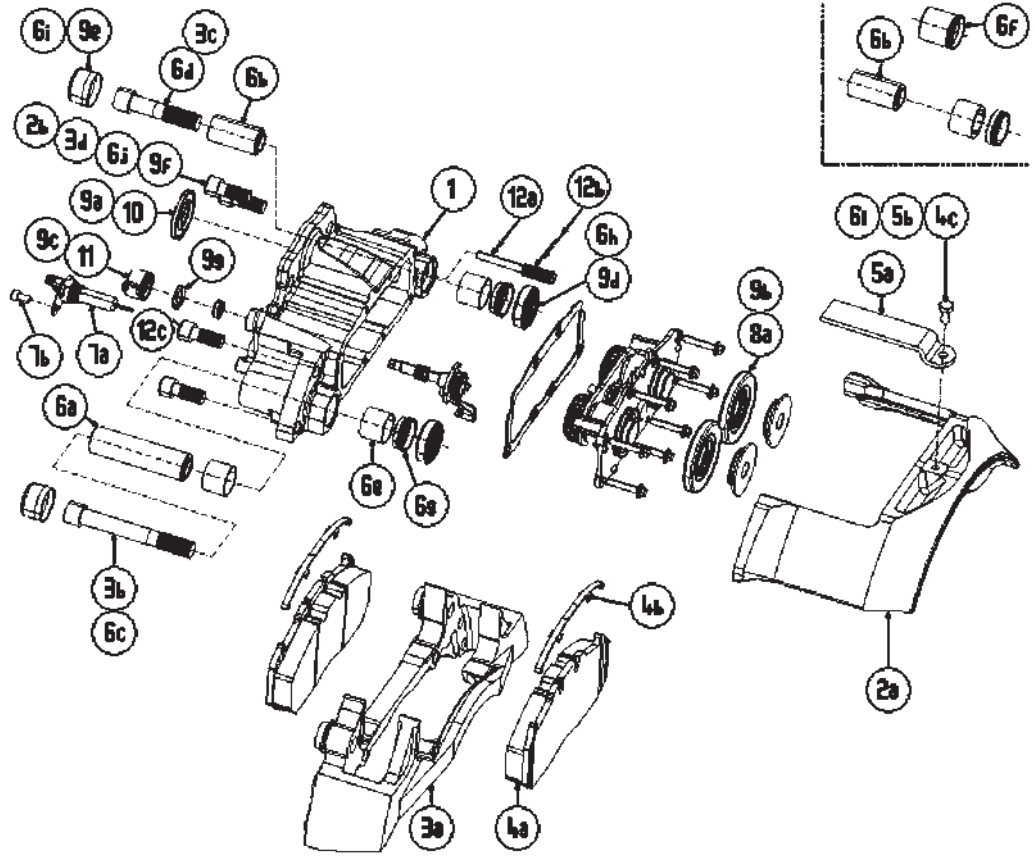
... MAN

Stadt-City Bus PWI Stadibus 90 Degree version



03/04→

	← LRG662	
	→ LRG663	
	↔ MCK1138	③
	↔ MDP5097	④
	↔ MCK1141	⑦
	↔ MCK1140	⑥
	↔ MCK1174	⑤





MCI



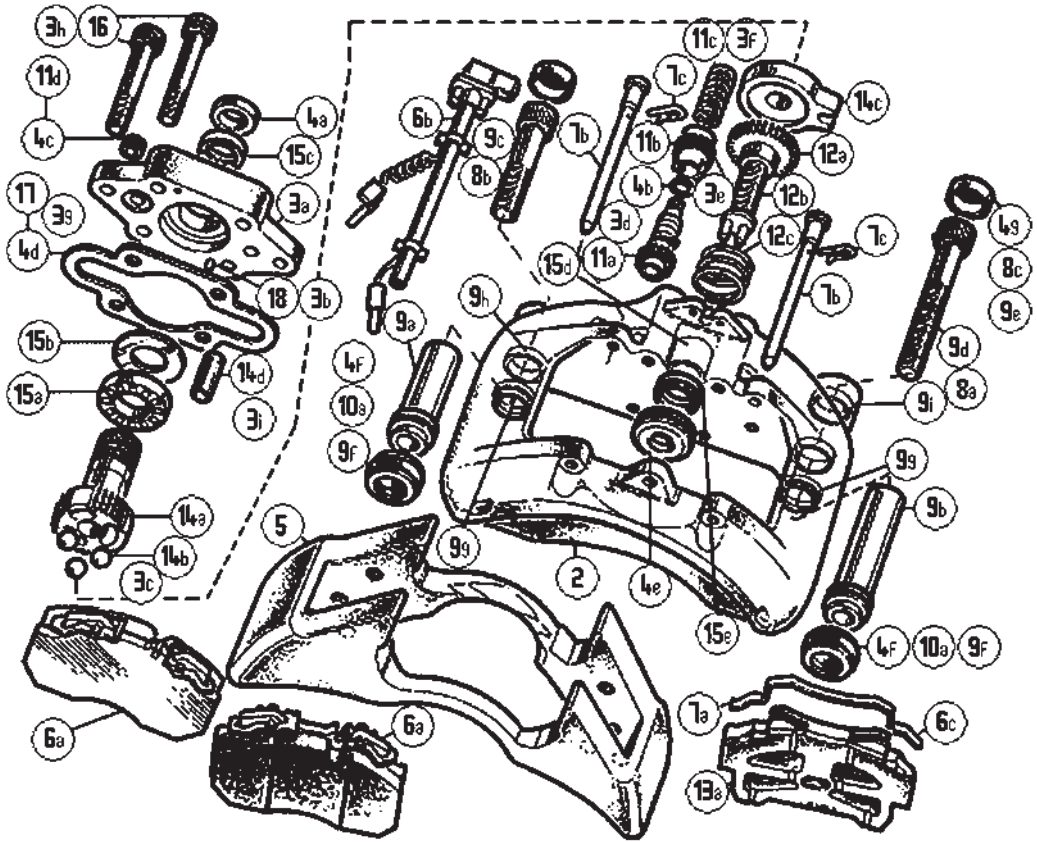
'E' Series Renaissance Coach Rockwell Steering & Trailing Axles

	← LRG6301	
	→ LRG6312	
	↔ MDP5044	⑥
	↔ SJ4022	⑦
	↔ MCK11043	⑨
	← SJ4113	⑪
	→ SJ4114	⑪
	↔ SJ4077	⑩
	← SJ4073	⑫
	→ SJ4074	⑫
	↔ SJ4021	⑥
	← MCK1023	⑭
	→ MCK1024	⑭
	← 68915075	
	→ 68915074	
	↔ SJ4031	⑮
	↔ SJ4078	④
	← MCK1234	③
	→ MCK1235	③
	↔ SJ4117	⑬

1: 68032917

2: 68032918

3: Axle set

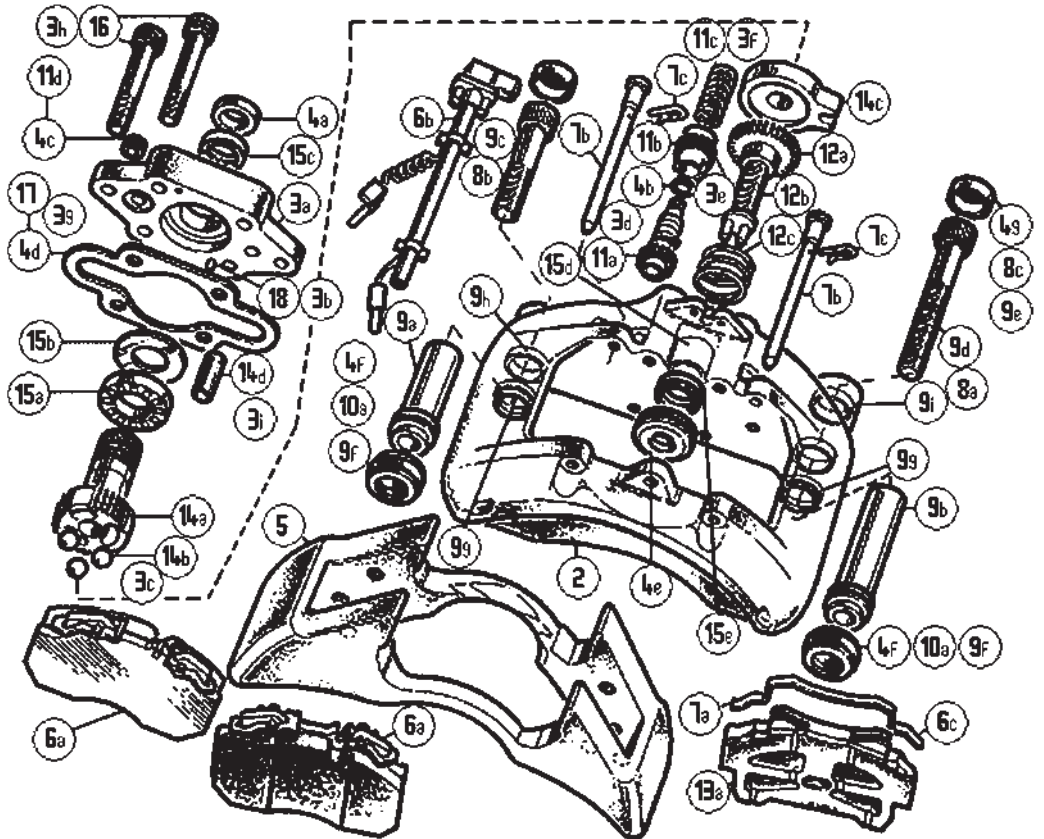




... MCI

'E' Series Renaissance Coach Rockwell Drive Axles

	← LRG630 ¹ → LRG631 ²	
	↔ MDP5044	⑥
	↔ SJ4022	⑦
	↔ MCK1104	⑨
	← SJ4113 → SJ4114	⑩ ⑩
	↔ SJ4077	⑩
	← SJ4073 → SJ4074	⑫ ⑫
	↔ SJ4021	⑧
	← MCK1023 → MCK1024	⑭ ⑭
	← 68915075 → 68915074	
	↔ SJ4031	⑮
	↔ SJ4078	④
	← MCK1234 → MCK1235	③ ③
	↔ SJ4117	⑬



1: 68032919
2: 68032920



MERCEDES

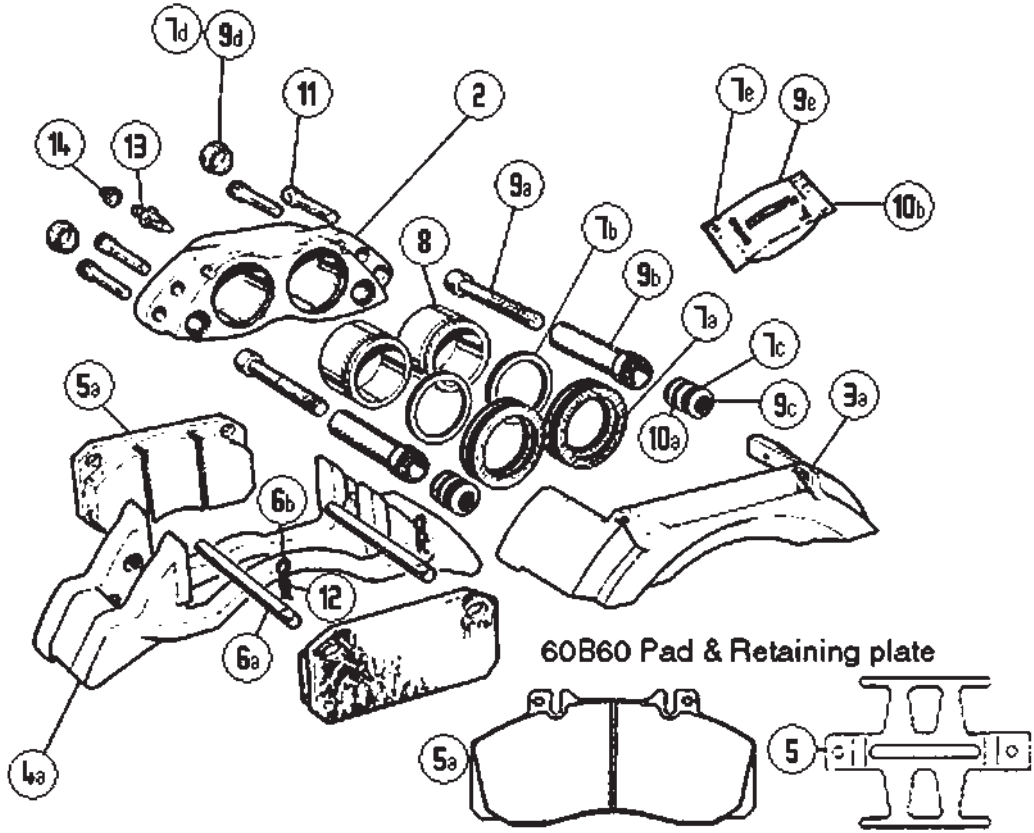


609D, 709D, 711D, 809DA, 809DT 16" Wheel Dia.



4/86→97

	← LRG510 → LRG511	
	↔ 31932015	③
	← BDA403 → BDA104	④
	↔ MDP5481	⑤
	↔ SP8597	⑦
	↔ SP8902	⑨
	↔ SP8566	⑩

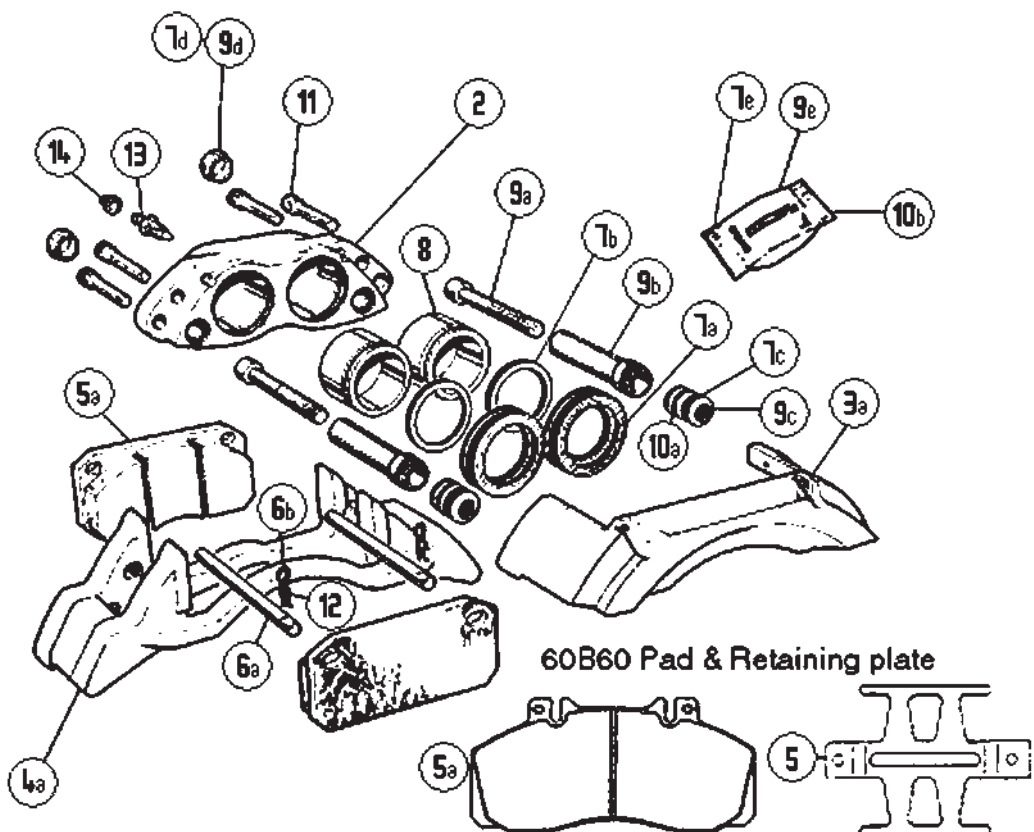


809D, 811D, 814D 16" Wheel Dia.



4/86→97

	← LRG520 → LRG521	
	↔ 31932015	③
	← BDA105 → BDA106	④
	↔ MDP5481	⑤
	↔ SP8597	⑦
	↔ SP8902	⑨
	↔ SP8566	⑩





... MERCEDES

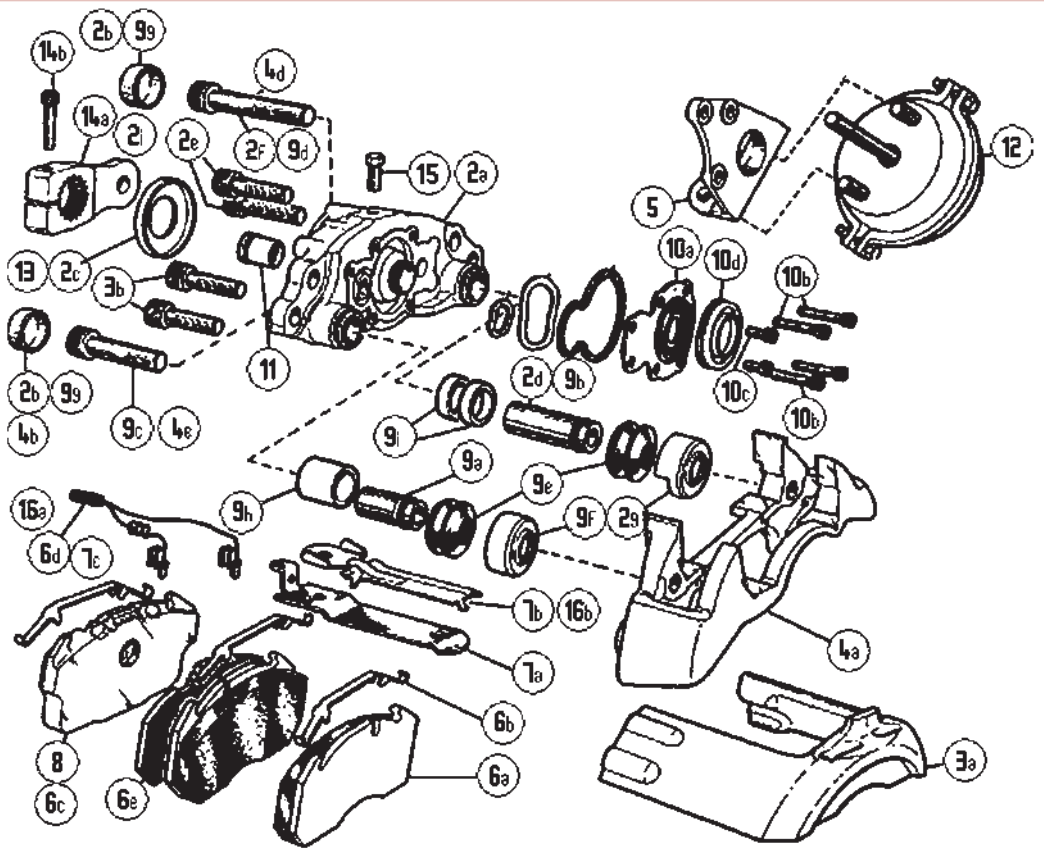


Omnibus O404 22.5" Wheel Dia.



91→

	← LRG532	
	→ LRG533	
	↔ 31932042	③
	↔ BDA443	④
	↔ MDP5017	⑥
	↔ SJ4011	⑨
	↔ SJ1213'	⑨
	↔ SJ1212	⑩



1: For vehicles up to 05/93

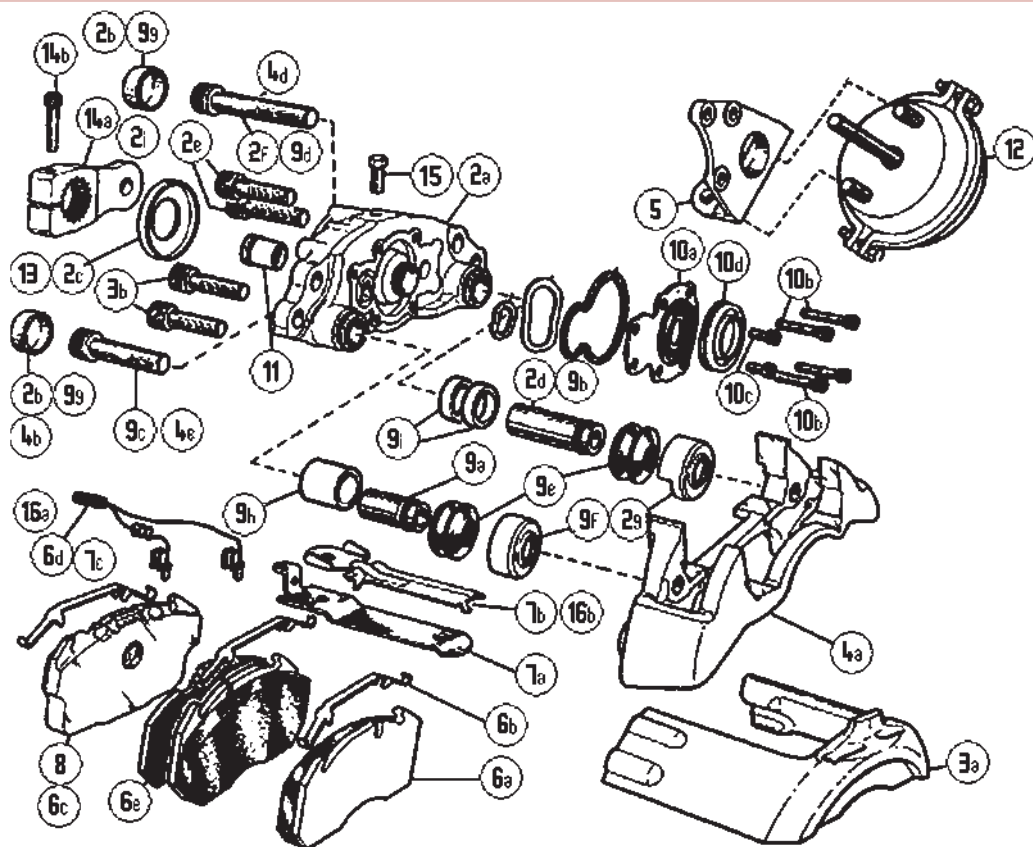


... MERCEDES

Omnibus O404 22.5" Wheel Dia.

91→

	← LRG622	
	→ LRG623	
	↔ 31932042	③
	↔ BDA443	④
	↔ MDP5017	⑥
	↔ SJ1213²	⑨
	↔ SJ4011	⑨
	↔ SJ1212	⑩



1: For vehicles up to 05/93



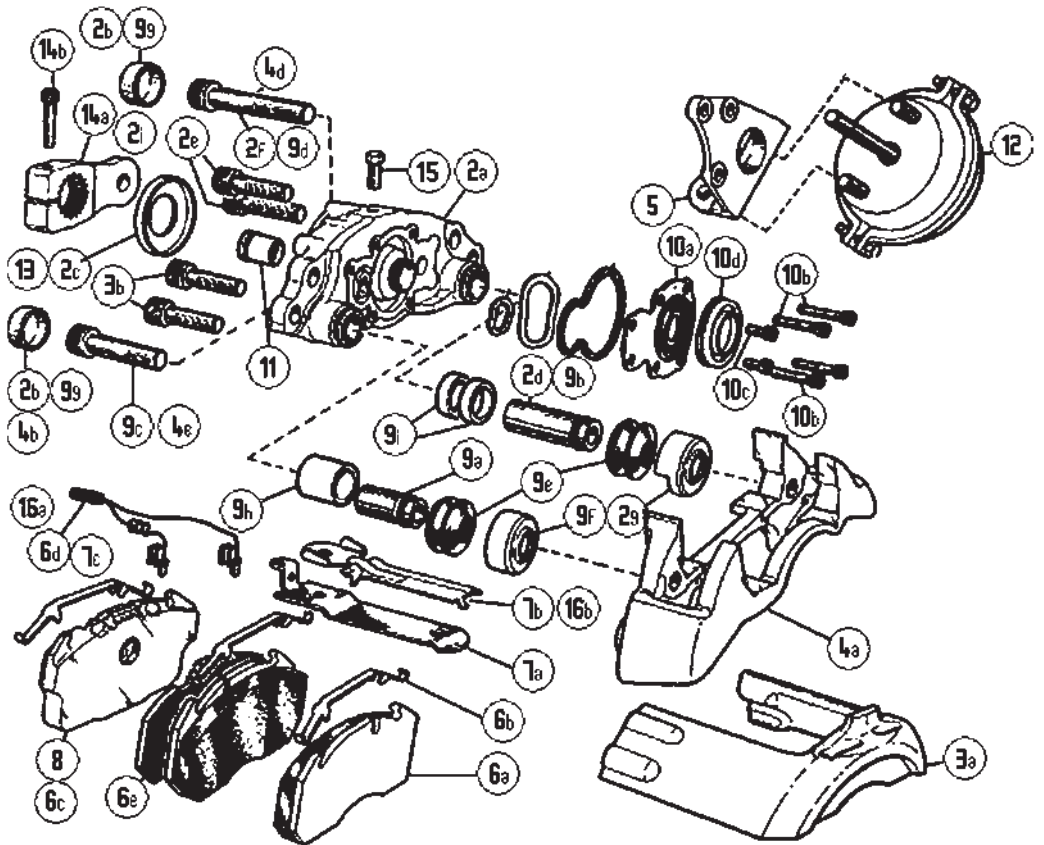
... MERCEDES

Omnibus O350, O403 (Turkey) 22.5" Wheel Dia.



94→

	← LRG532	
	→ LRG533	
	↔ 31932042	③
	↔ BDA443	④
	↔ MDP5017	⑥
	↔ SJ4011	⑨
	↔ SJ1212'	⑩



1: Vehicles up to 5/93

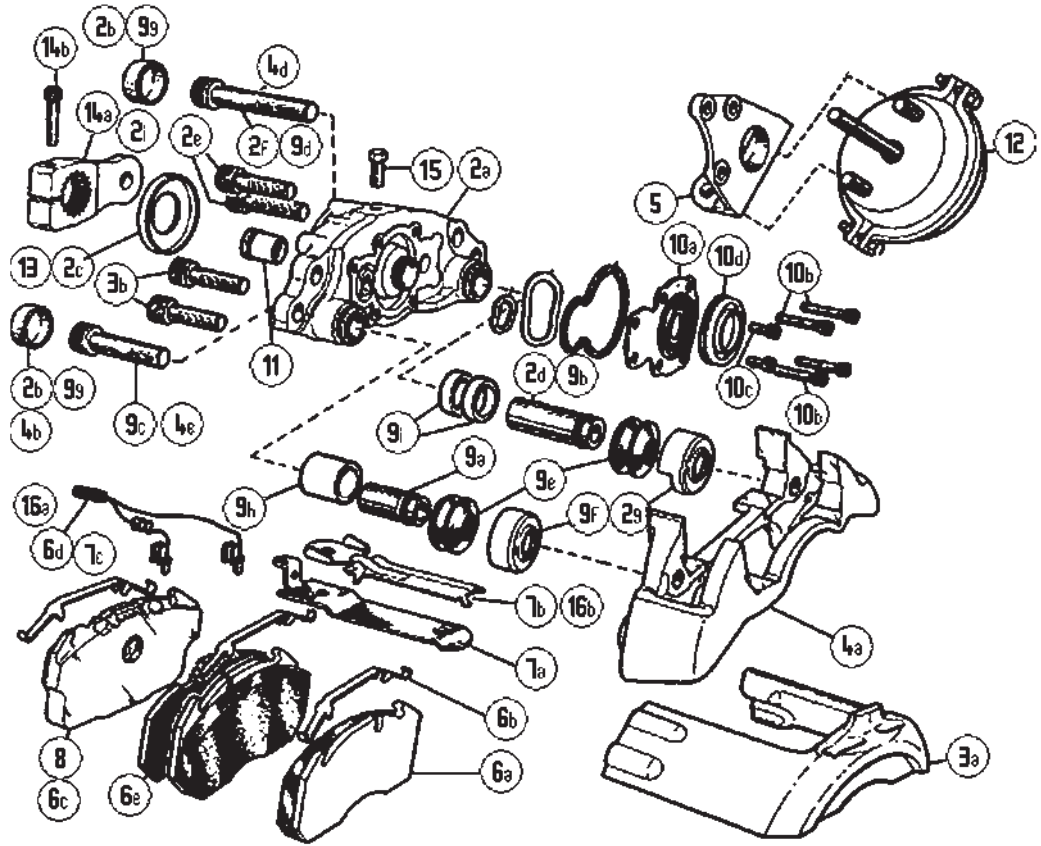


... MERCEDES

Omnibus O350, O403 (Turkey) 22.5" Wheel Dia.

94→

	← LRG622	
	→ LRG623	
	↔ 31932042	③
	↔ BDA443	④
	↔ MDP5017	⑥
	↔ SJ4011	⑨
	↔ SJ1212'	⑩



1: Vehicles up to 5/93



... MERCEDES

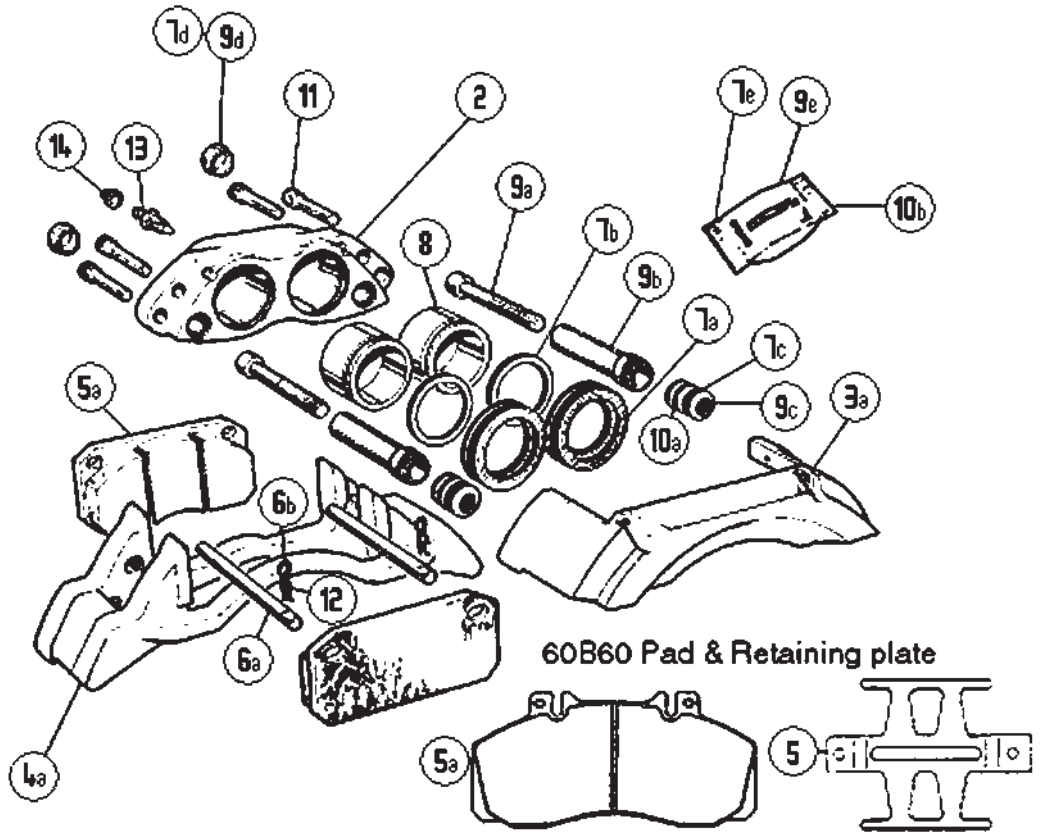


Vario 512D, 514D, 612D, 614D 16" Wheel Dia.



7/96→

	← LRG510 → LRG511	
	↔ 31932015	③
	← BDA403 → BDA104	④
	↔ MDP5040	⑤
	↔ SP8597	⑦
	↔ SP8902	⑨
	↔ SP8566	⑩

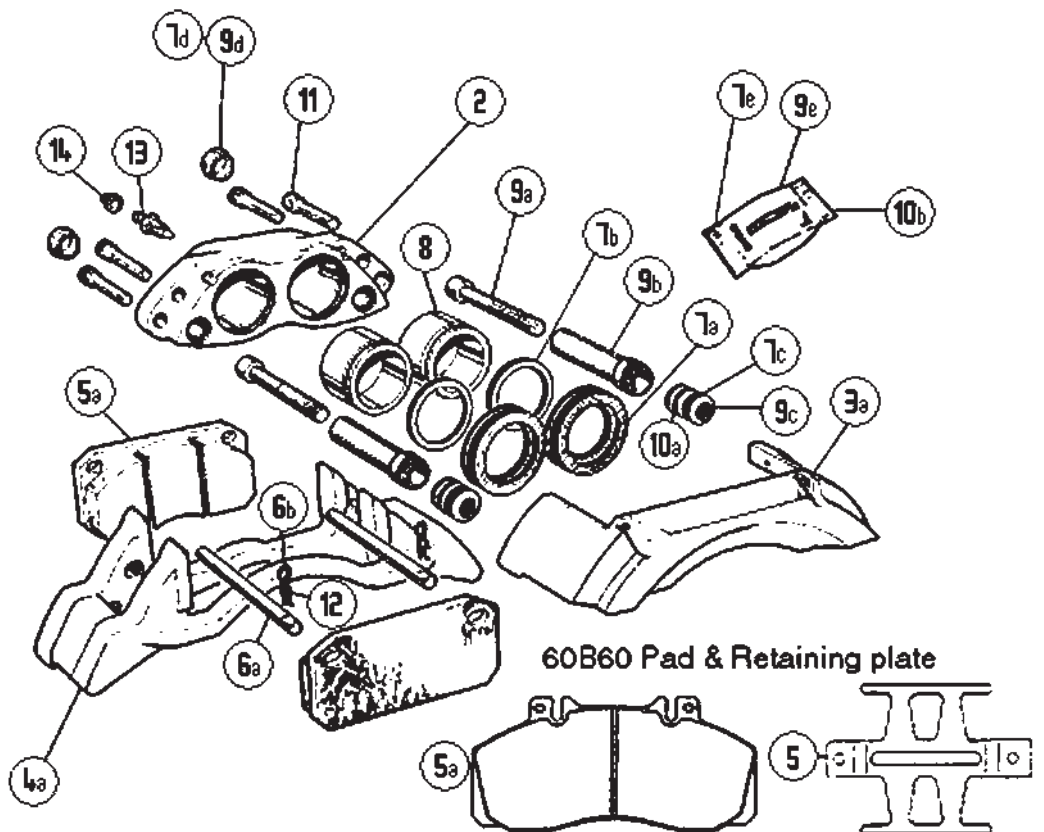


Vario 812D, 814D 17.5" Wheel Dia.



7/96→

	← LRG520 → LRG521	
	↔ 31932015	③
	← BDA105 → BDA106	④
	↔ MDP5040	⑤
	↔ SP8597	⑦
	↔ SP8902	⑨
	↔ SP8566	⑩



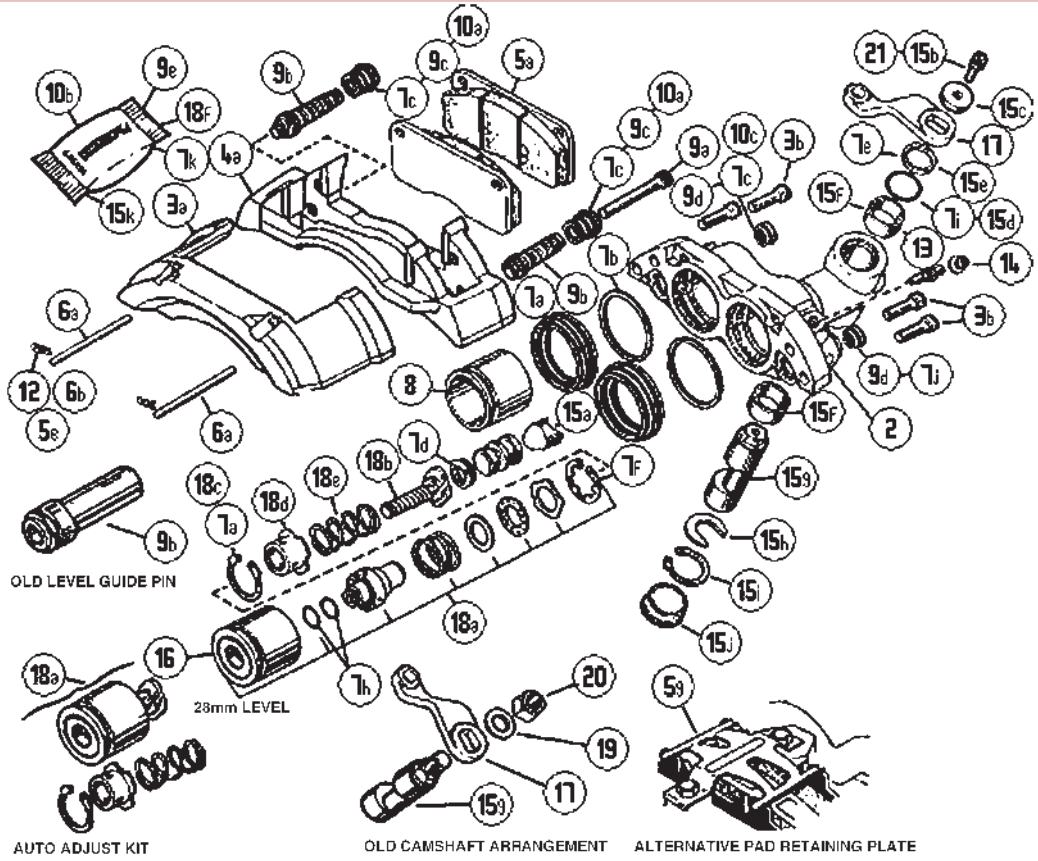


... MERCEDES

Vario 512D, 514D, 612D, 614D 16" Wheel Dia.

7/96→

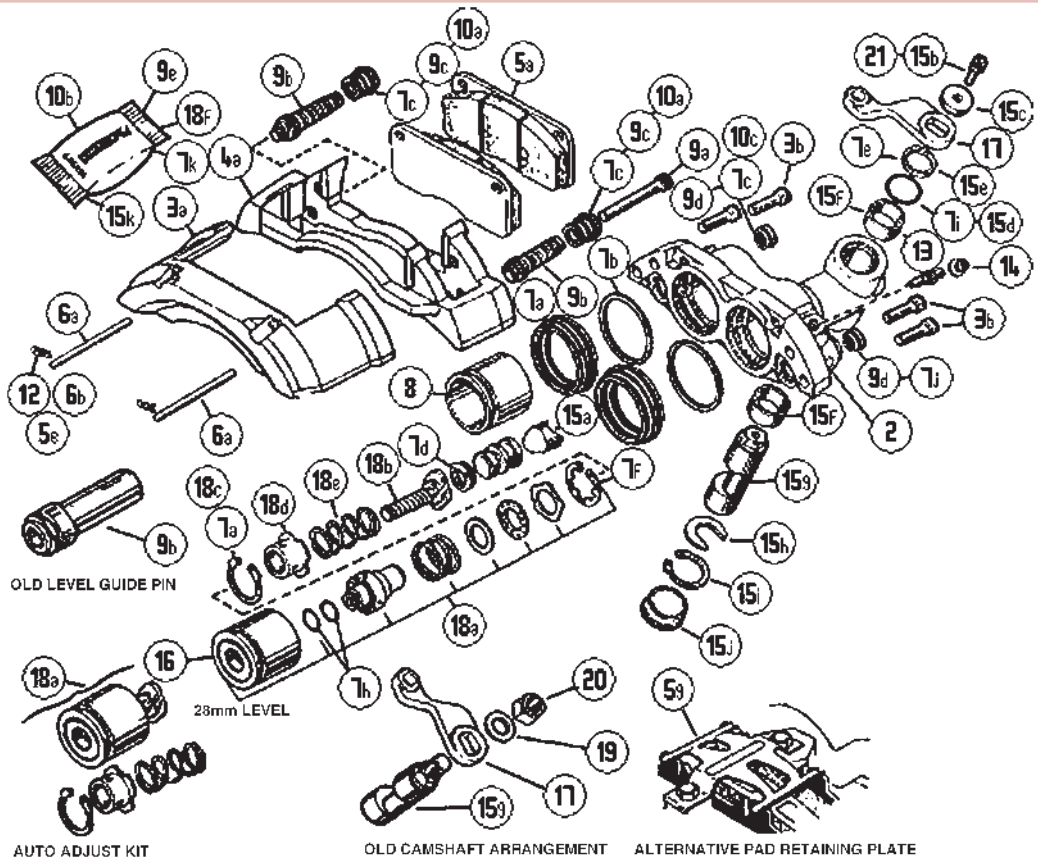
	← LRG624	
	→ LRG625	
	↔ 31932015	③
	← BDA403	④
	→ BDA104	④
	↔ MDP5040	⑤
	↔ SJ1035	⑨
	↔ SP8566	⑩



Vario 812D, 814D 17.5" Wheel Dia.

7/96→

	← LRG626	
	→ LRG627	
	↔ 31932015	③
	← BDA105	④
	→ BDA106	④
	↔ MDP5040	⑤
	↔ SJ1035	⑨
	↔ SP8566	⑩





NISSAN

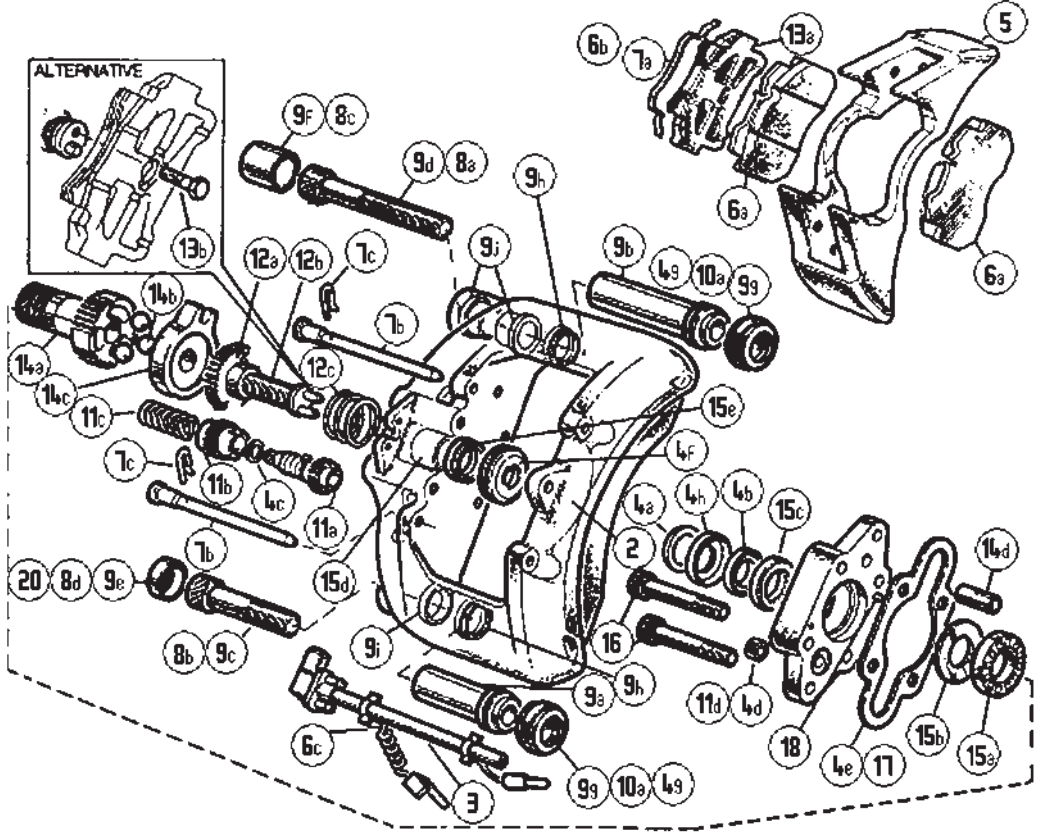


Eco T M140 15 Tonne Truck 19.5" Wheel Dia.



4/96→

	← LRG554 → LRG555 ↔ MDP5035	⑥
	↔ SJ4051	⑦
	↔ SJ4052	⑨
	← SJ4113 → SJ4114	⑪
	↔ SJ4053	⑩
	← SJ4056 → SJ4057	⑫
	← MCK1021 → MCK1022	⑭
	← 68915072 → 68915073	⑲
	↔ SJ4031	⑮
	↔ SJ4061	④

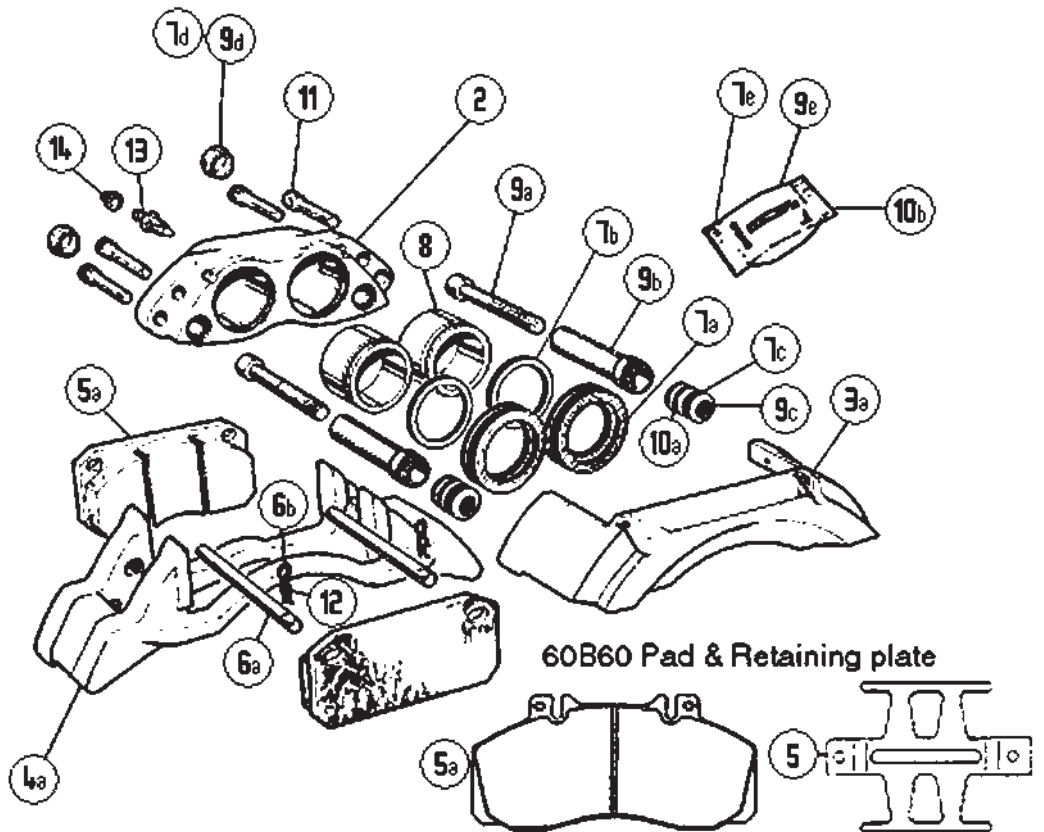


Motor Iberica, Ebro, L60 & L80 Range



1/92→12/95

	← LRG512 → LRG513	
	↔ BDA333	③
	← BDA363 → BDA364	④
	↔ MDP5429	⑤
	↔ SP8563	⑥
	↔ SJ1048	⑦
	↔ SP8565	⑨
	↔ SP8566	⑩





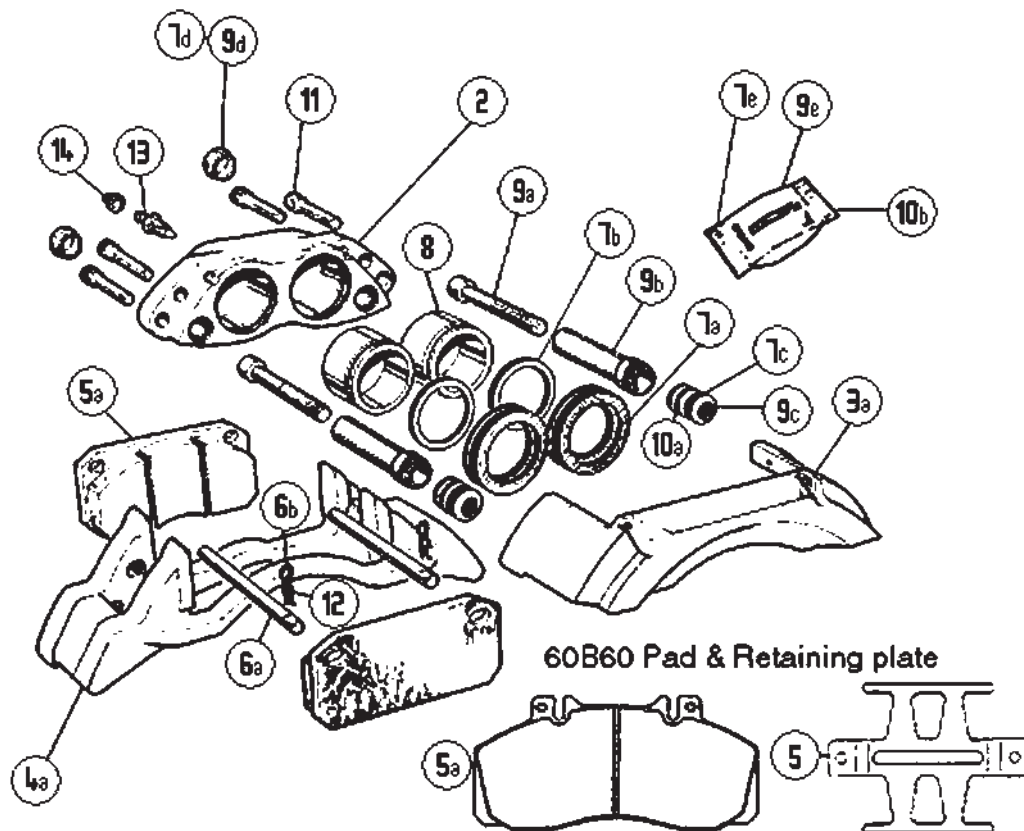
... NISSAN

Motor Iberica, Ebro, L60 & L80 Range



1/96→

	← LRG512	
	→ LRG513	
	↔ BDA333	③
	← BDA363	④
	→ BDA364	④
	↔ MDP5030	⑤
	↔ SP8563	⑥
	↔ SJ1048	⑦
	↔ SP8565	⑨
	↔ SP8566	⑩

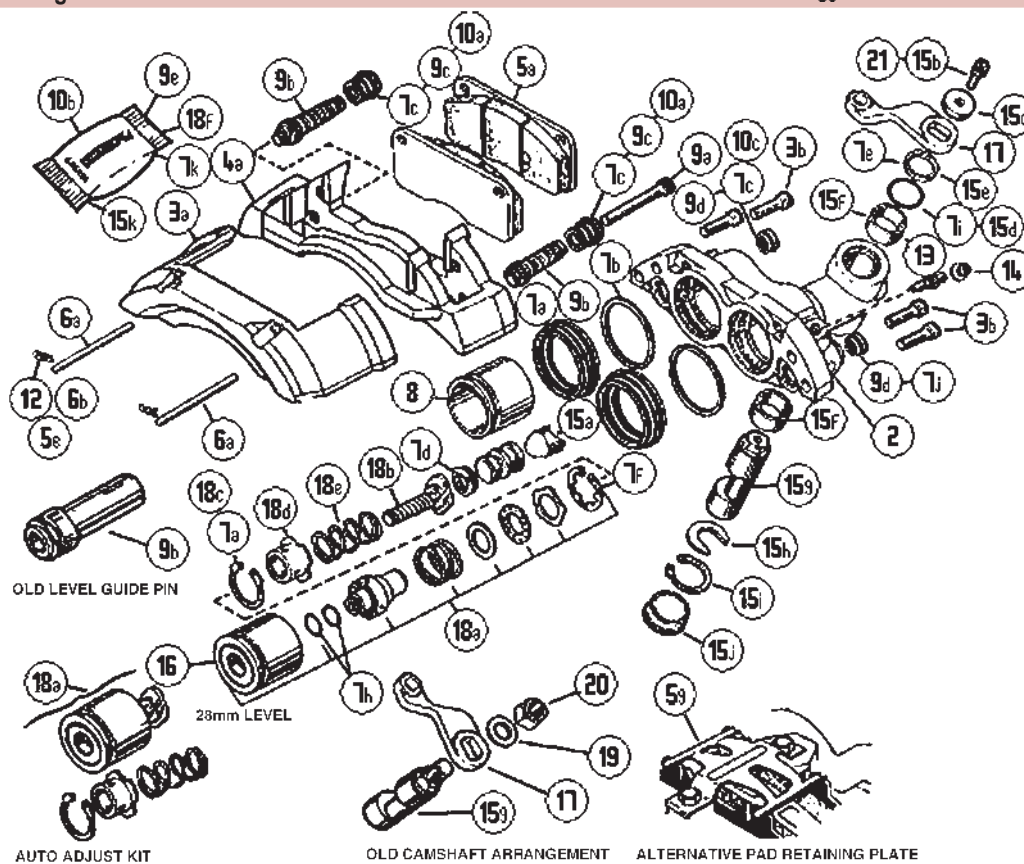


Motor Iberica, Ebro, L60 & L80 Range



1/92→12/95

	← LRG603	
	→ LRG602	
	↔ BDA333	③
	← BDA363	④
	→ BDA364	④
	↔ MDP5429	⑤
	↔ SP8563	⑥
	↔ SP9670	⑦
	↔ SP8565	⑨
	↔ SJ1092	⑱
	↔ SP8566	⑩
	↔ SP8570	⑮





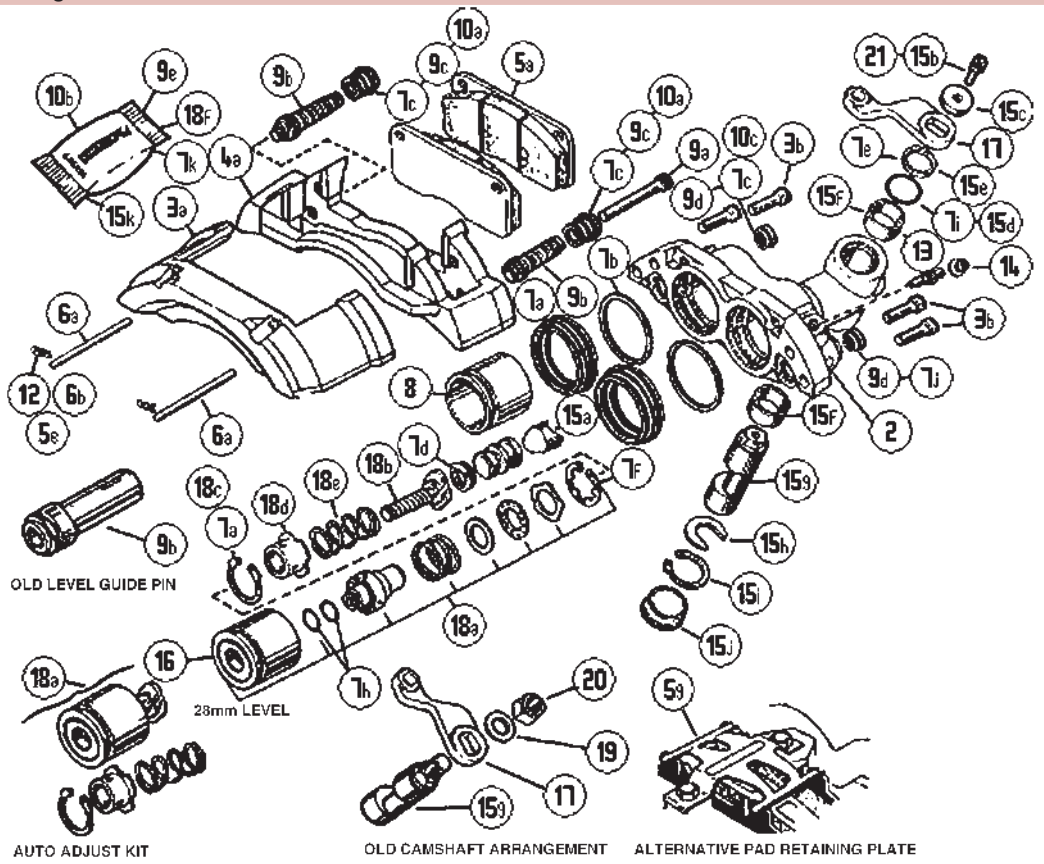
... NISSAN

Motor Iberica, Ebro, L60 & L80 Range



1/96→

	← LRG603	
	→ LRG602	
	↔ BDA333	③
	← BDA363	④
	→ BDA364	④
	↔ MDP5030	⑤
	↔ SP8563	⑥
	↔ SP9670	⑦
	↔ SP8565	⑨
	↔ SJ1092	⑱
	↔ SP8566	⑩
	↔ SP8570	⑮





OPTARE

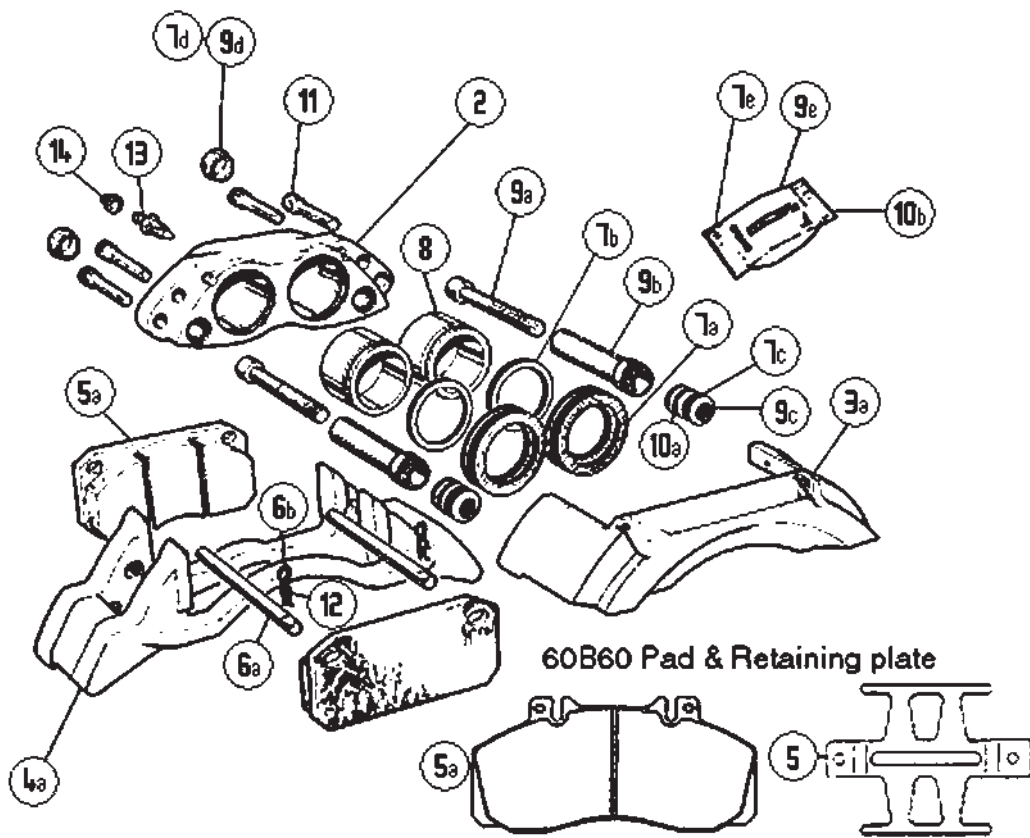


Metrorider 17.5" Wheel Dia.



1/98→

	← LRG514	
	→ LRG515	
	↔ BDA333	③
	← BDA363	④
	→ BDA364	④
	↔ MDP5429	⑤
	↔ SP8563	⑥
	↔ SP9884	⑦
	↔ SP8565	⑨
	↔ SP8566	⑩

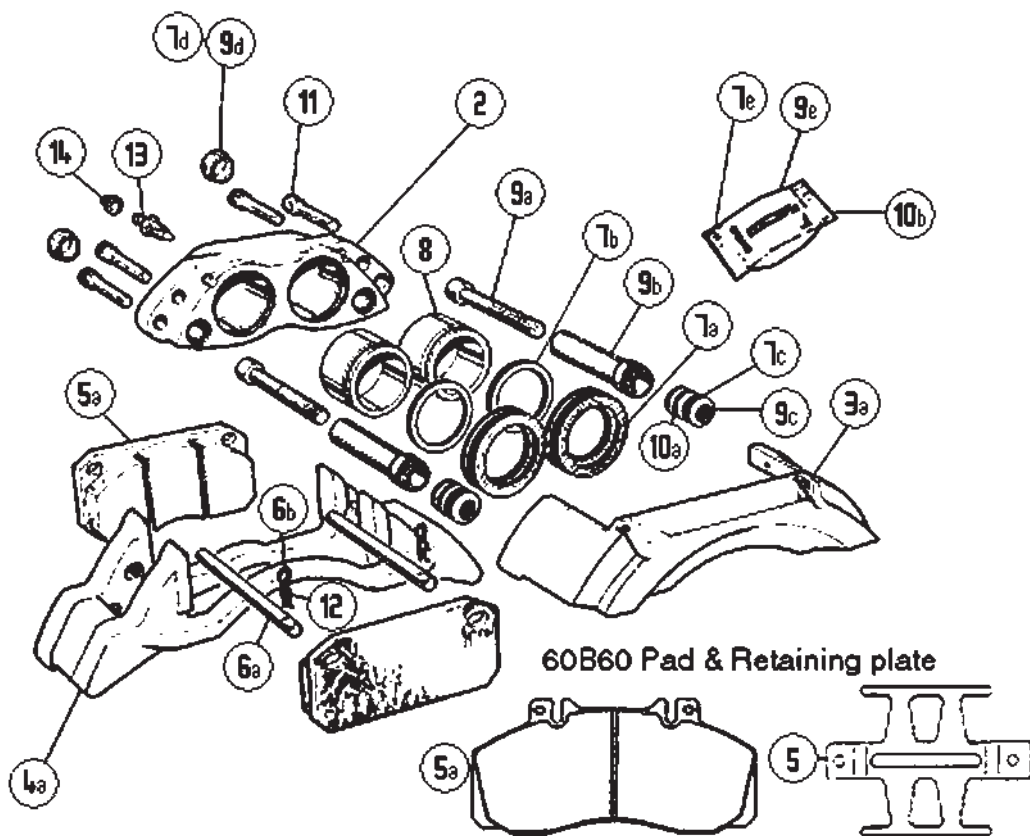


Solo ('M' Series)



1/98→

	← LRG568	
	→ LRG569	
	↔ BDA333	③
	← BDA363	④
	→ BDA364	④
	↔ MDP5049	⑤
	↔ SP8563	⑥
	↔ SJ1048	⑦
	↔ SP8565	⑨
	↔ SP8566	⑩





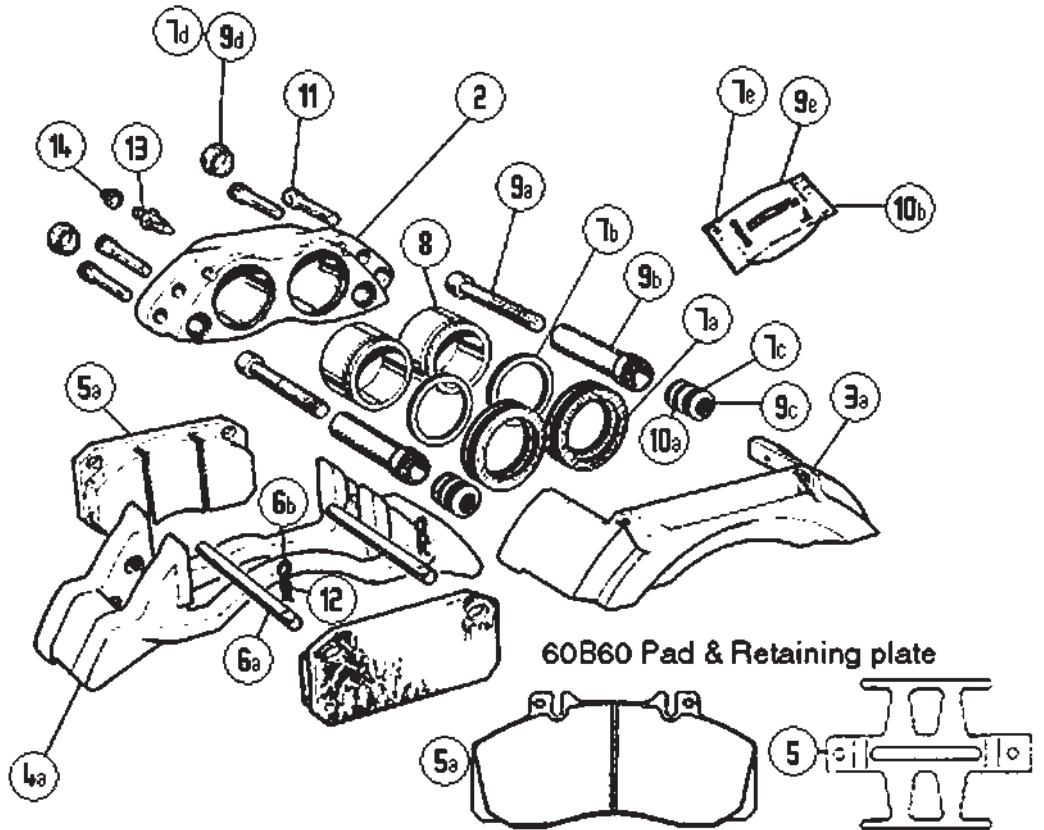
... OPTARE

Star Rider 17.5" Wheel Dia.



1/85→

	← LRG520	
	→ LRG521	
	↔ 31320084	③
	← BDA105	④
	→ BDA106	④
	↔ MDP5481	⑤
	↔ SP8597	⑦
	↔ SP8902	⑨
	↔ SP8566	⑩

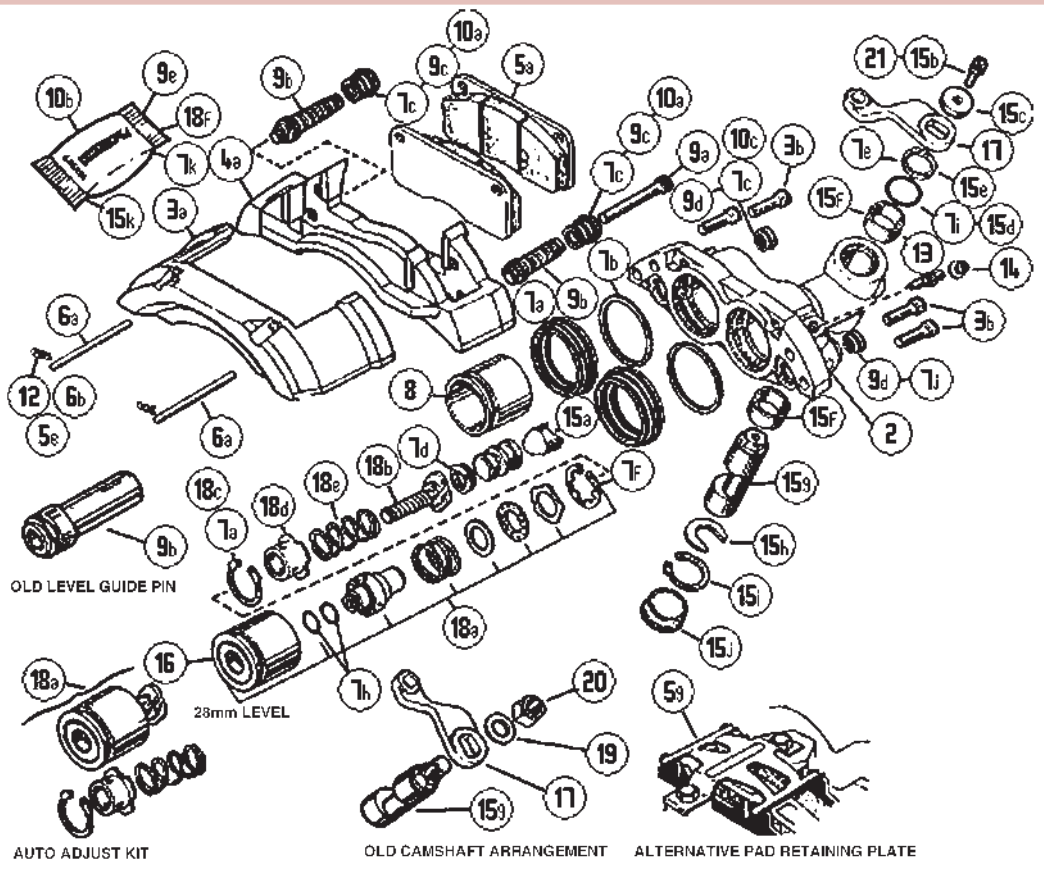


Metrorider 17.5" Wheel Dia.



1/88→

	← LRG620	
	→ LRG621	
	↔ BDA333	③
	← BDA363	④
	→ BDA364	④
	↔ MDP5429	⑤
	↔ SP8563	⑥
	↔ SP9669	⑦
	↔ SP8565	⑨
	↔ SJ1091	⑱
	↔ SP8566	⑩
	↔ SP8570	⑮



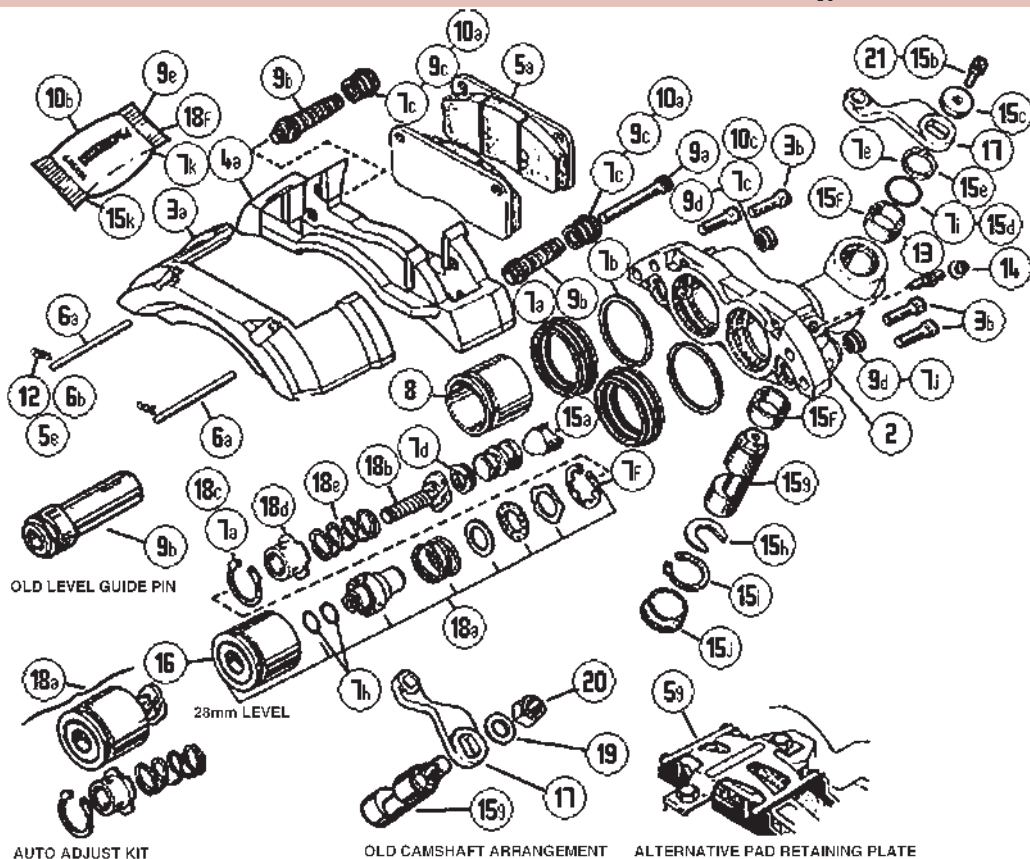


... OPTARE

Solo ('M' Series)

1/98 →

	← LRG634	
	→ LRG635	
	↔ BDA333	③
	← BDA363	④
	→ BDA364	④
	↔ MDP5049	⑤
	↔ SP8563	⑥
	↔ SP9670	⑦
	↔ SP8565	⑨
	↔ SJ1092	⑩
	↔ SP8566	⑩
	↔ SP8570	⑮





ORION

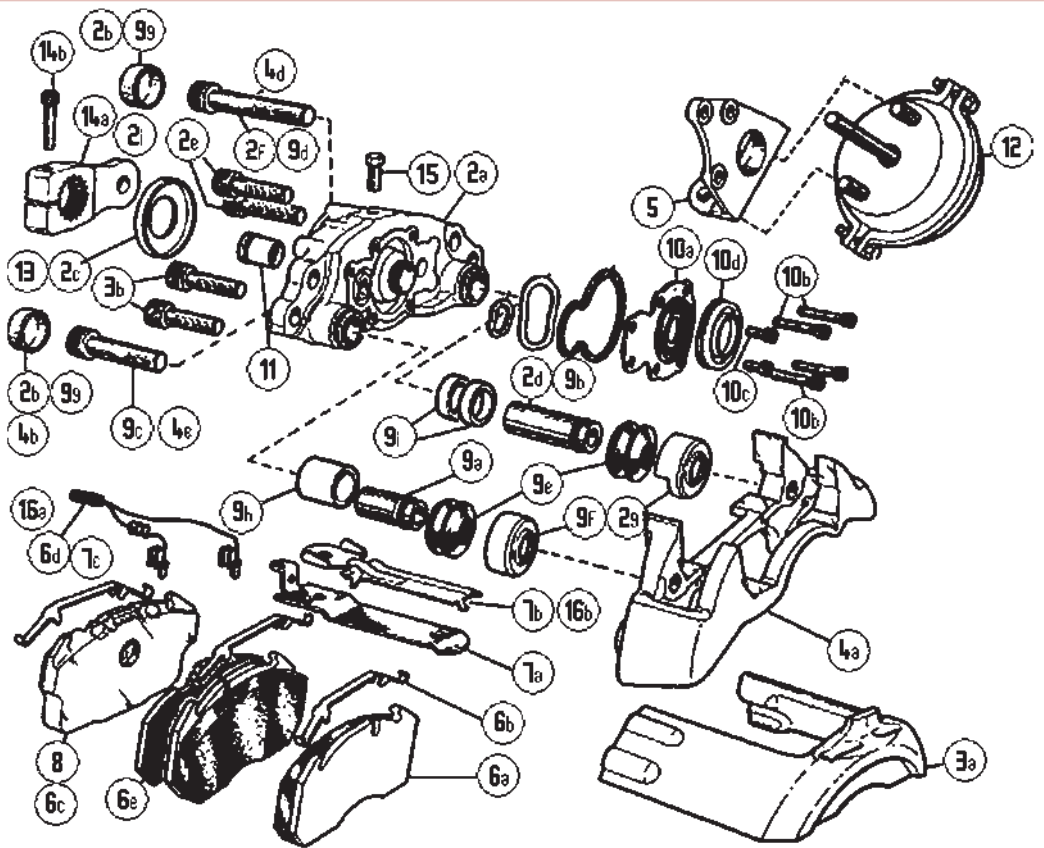


Transit Bus (ZF Axle)



→6/93

	← LRG528	
	→ LRG529	
	↔ 31932052	③
	↔ BDA444	④
	↔ MDP5031	⑥
	↔ MDP5032	⑥
	↔ SJ1228	⑨
	↔ SJ1212	⑩
	↔ 31932059	⑭

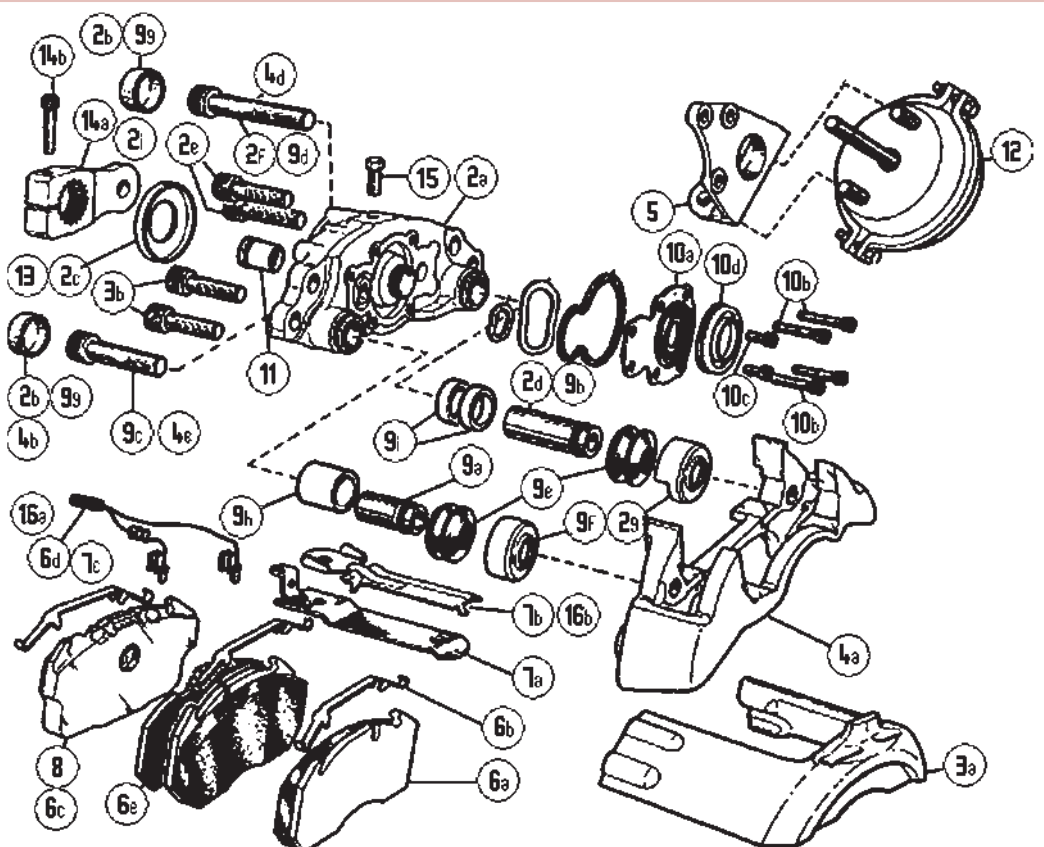


Transit Bus (ZF Axle)



7/93→12/98

	← LRG528	
	→ LRG529	
	↔ 31932052	③
	↔ BDA444	④
	↔ MDP5031	⑥
	↔ MDP5032	⑥
	↔ SJ4012	⑨
	↔ SJ1212	⑩
	↔ 31932059	⑭





RENAULT TRUCK

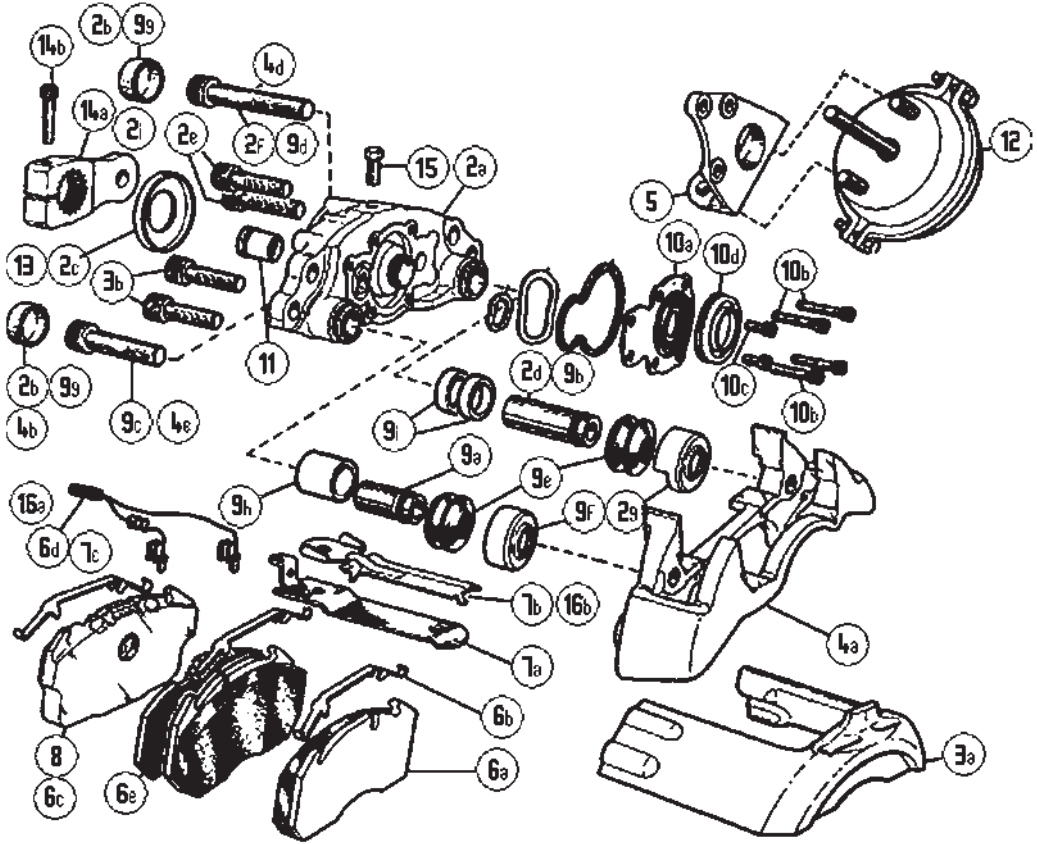


Magnum AE Range 22.5" Wheel Dia.

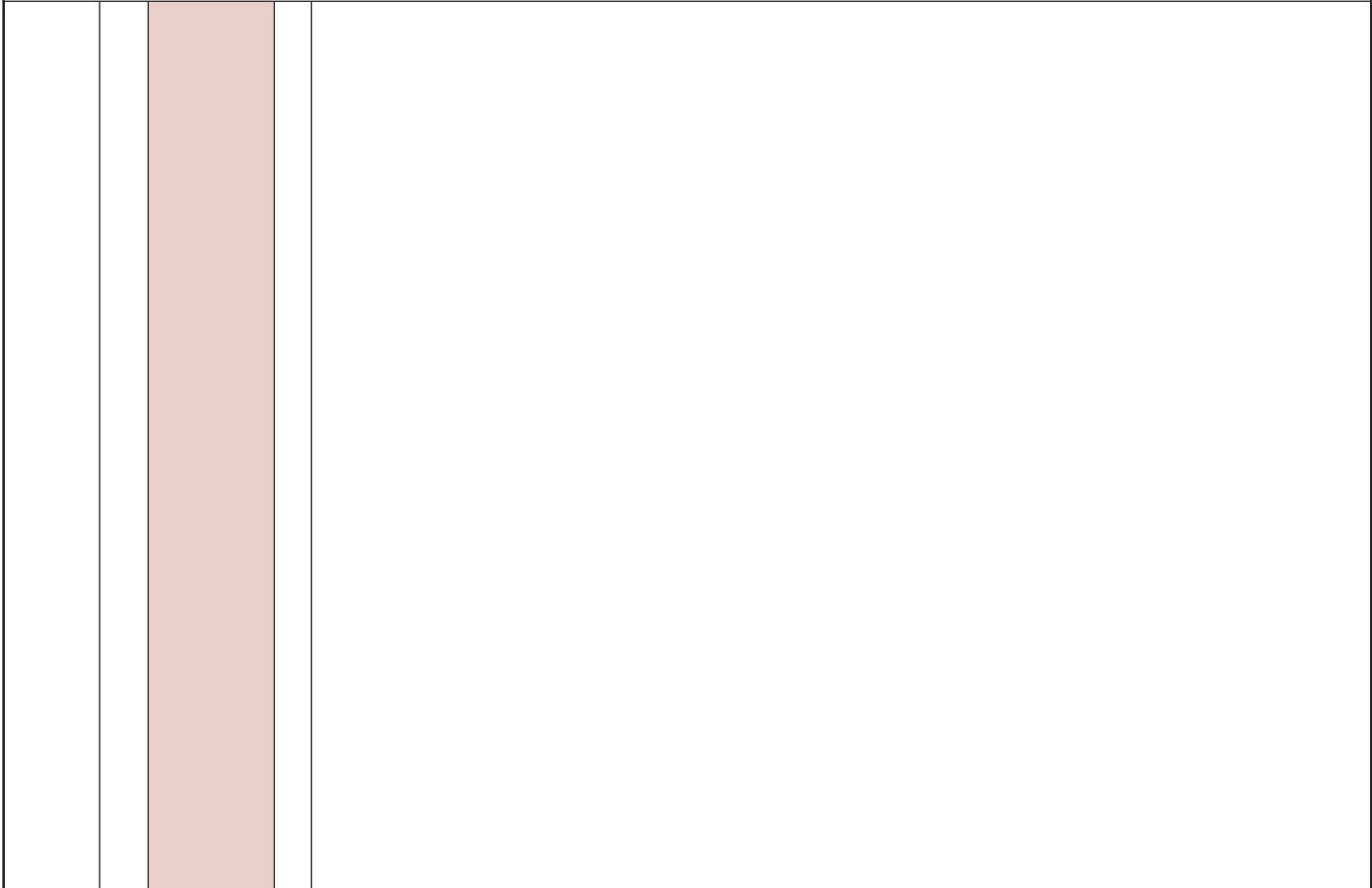


11/92→10/95

	← LRG526	
	→ LRG527	
	↔ 31932052	③
	↔ BDA452	④
	↔ MDP5050	⑥
	↔ SJ4000	⑦
	↔ SJ4001	⑨
	↔ 68320835¹	⑩



1: 26 teeth





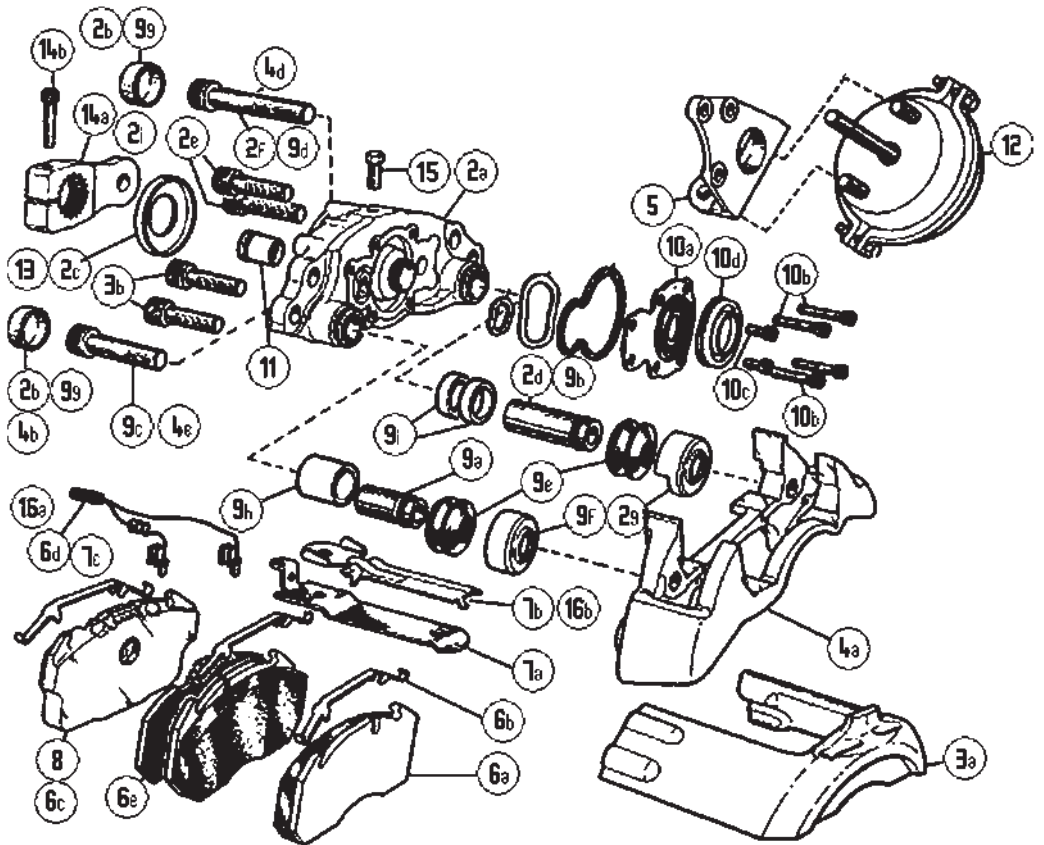
... RENAULT TRUCK

Magnum AE Range 22.5" Wheel Dia.



11/95→3/97

	← LRG526	
	→ LRG527	
	↔ 31932052	③
	↔ BDA452	④
	↔ MDP5051	⑥
	↔ SJ4000	⑦
	↔ SJ4001	⑨
	↔ 68321569 ¹	⑭
	↔ 68320835 ²	⑭



1: 48 teeth
2: 26 teeth



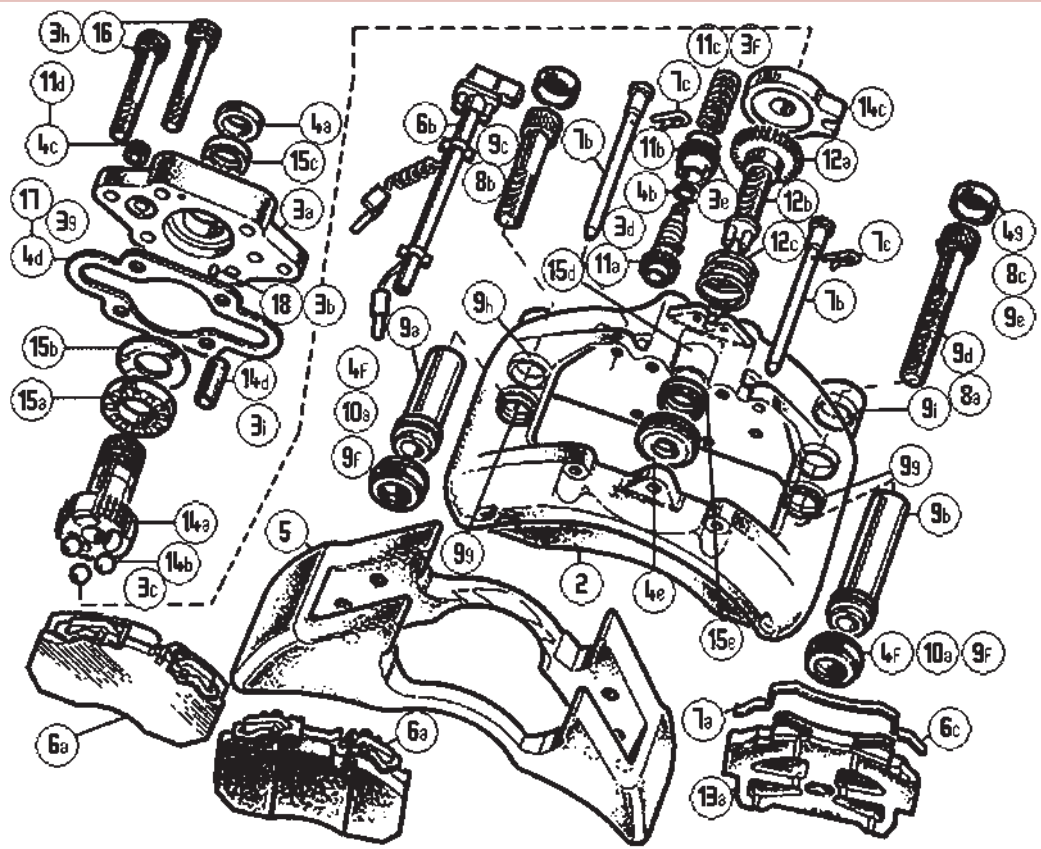
... RENAULT TRUCK

Magnum AE Range AE385 22.5" Wheel Dia.



4/97→2/01

	← LRG548	
	→ LRG549	
	↔ MDP5042	⑥
	↔ SJ4022	⑦
	↔ SJ4076	⑨
	← SJ4113	⑩
	→ SJ4114	⑩
	↔ SJ4077	⑩
	← SJ4073	⑫
	→ SJ4074	⑫
	↔ SJ4021	⑥
	← MCK1021	⑭
	→ MCK1022	⑭
	↔ SJ4031	⑮
	↔ SJ4078	④

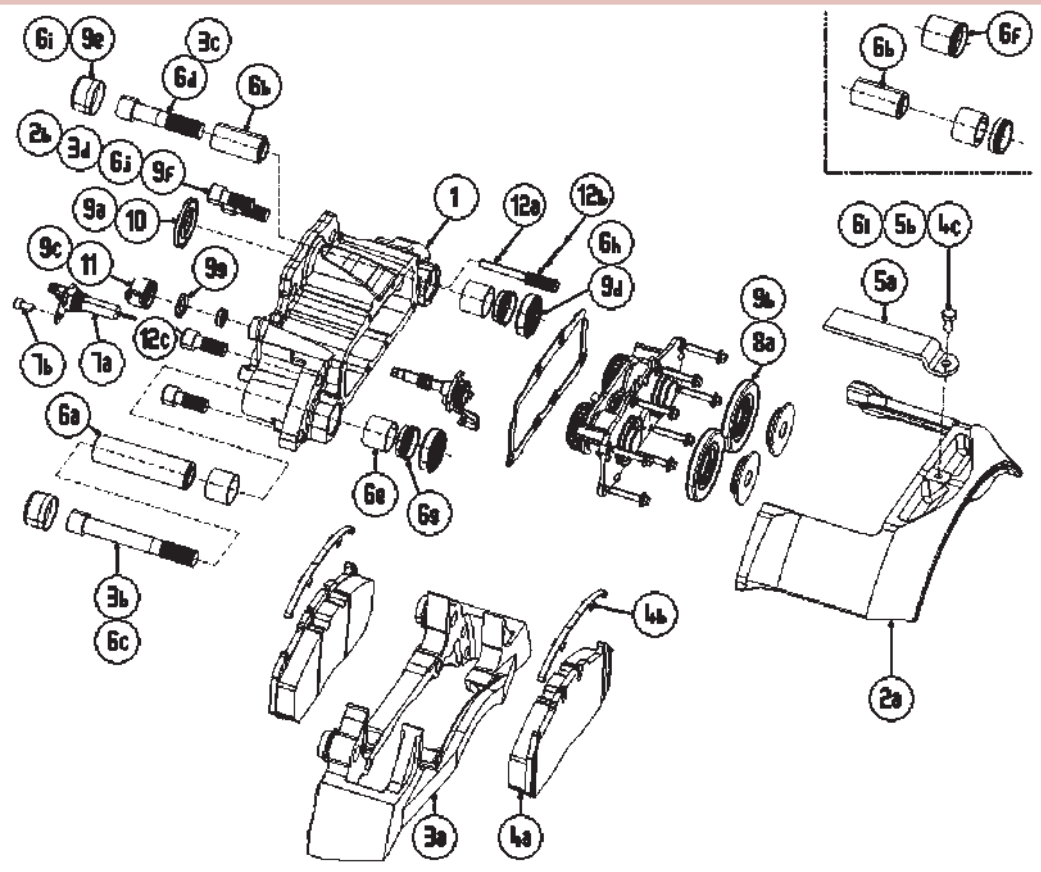


Premium Range (D Elsa 2) 22.5" Wheel Dia.



4/00→2/02

	← LRG580	
	→ LRG581	
	↔ MCK1085	②
	→ 68323673	③
	↔ MDP5056	④
	↔ MCK1086	⑥



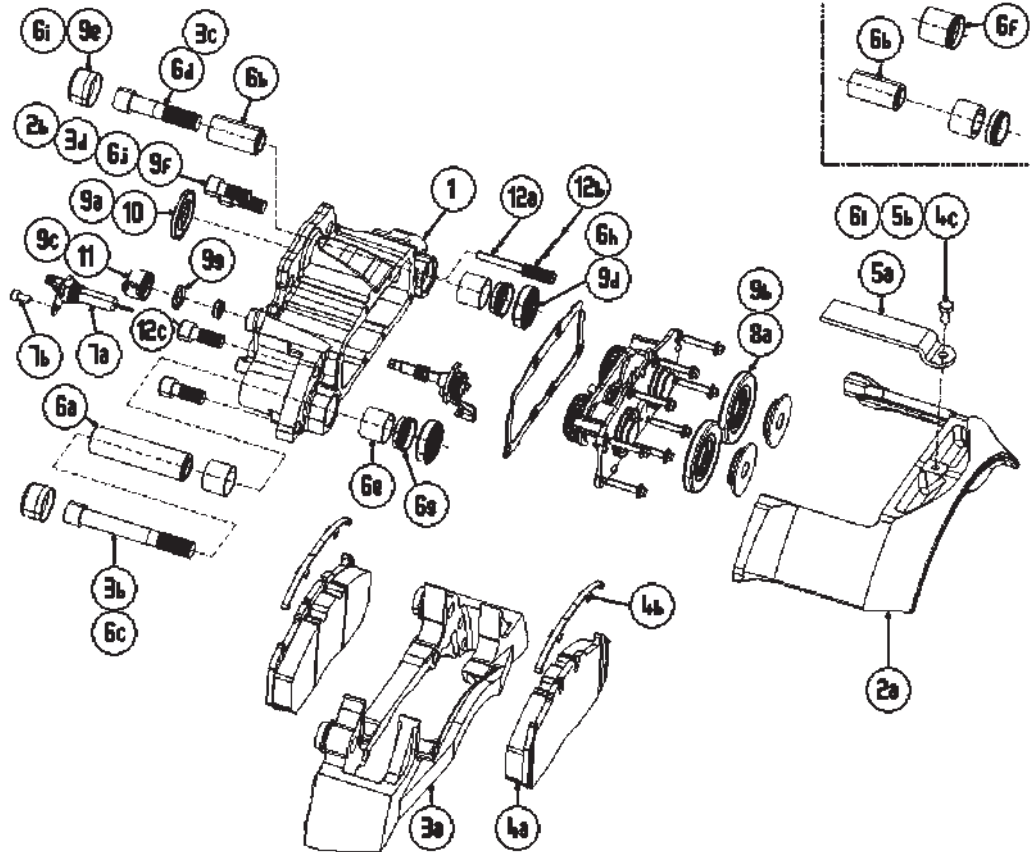


... RENAULT TRUCK

Magnum AE Range(D Elsa 2) 22.5" Wheel Dia.

4/00→02/02

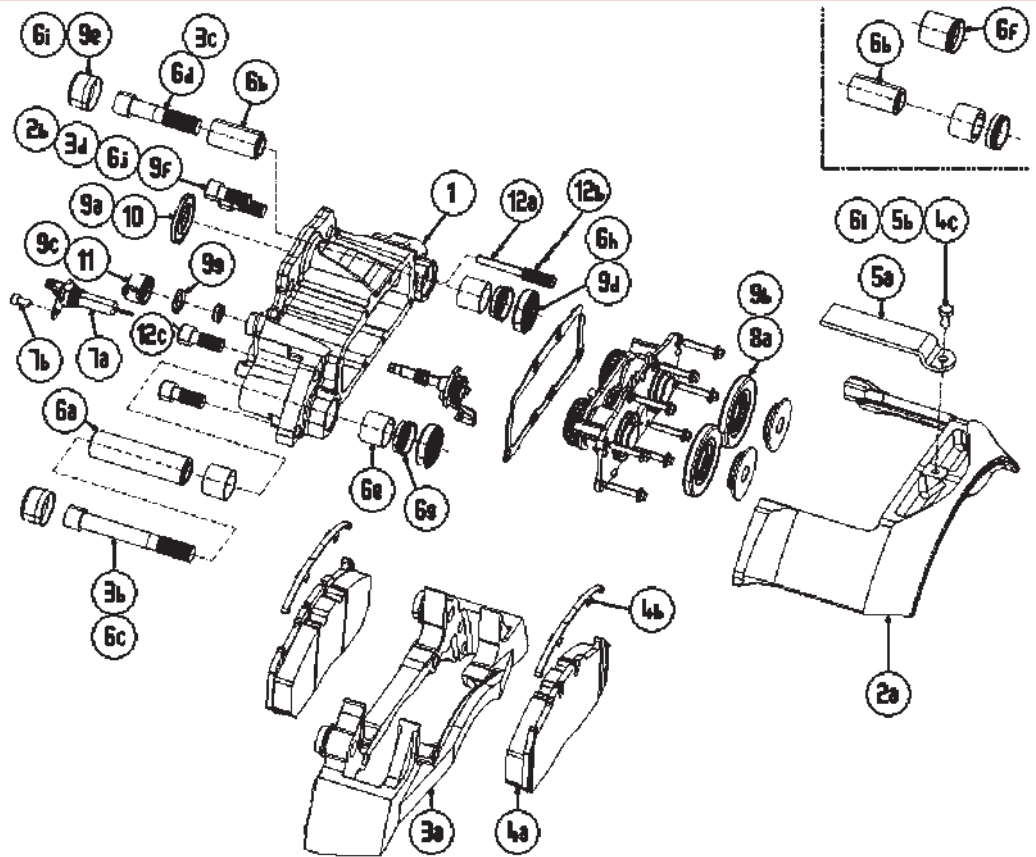
	← LRG580	
	→ LRG581	
	↔ MCK1085	②
	→ 68323673	③
	↔ MDP5056	④
	↔ MCK1086	⑥



Premium , Magnum AE Range (D Elsa 2) 22.5" Wheel Dia.

4/00→2/02

	← LRG582	
	→ LRG583	
	↔ MCK1085	②
	↔ MDP5056	④
	↔ MCK1086	⑥



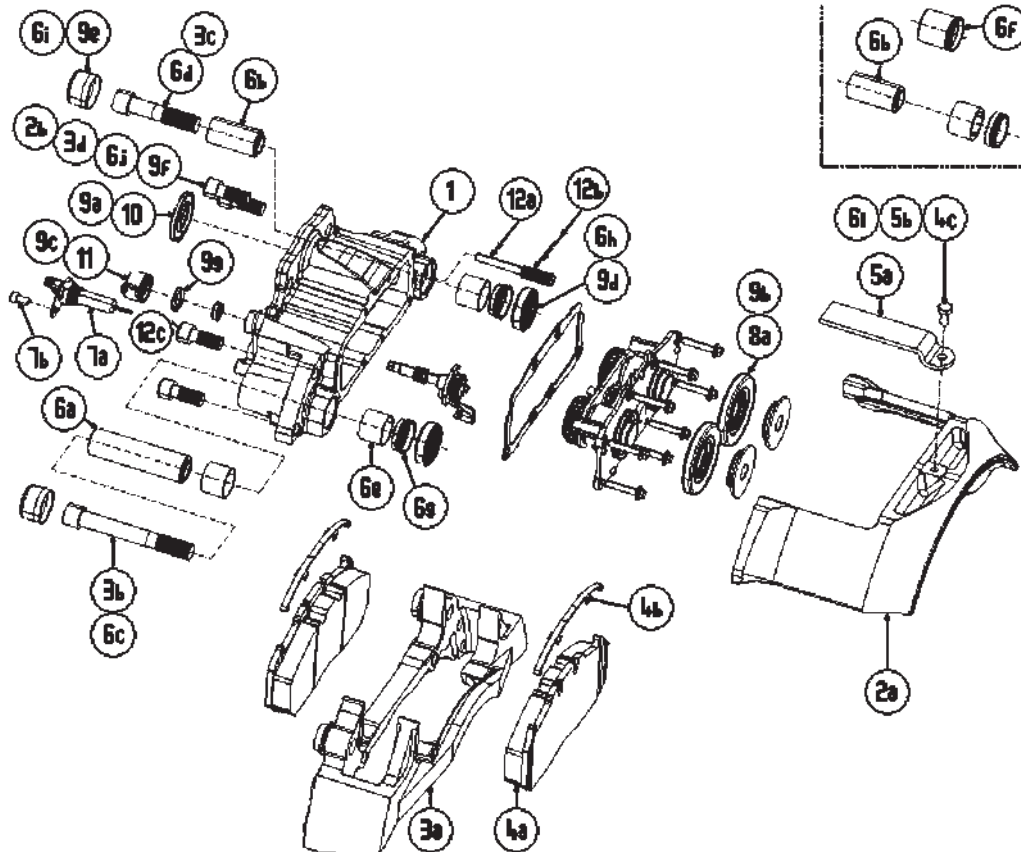


... RENAULT TRUCK

Magnum Grand Volume(D Elsa 2) 22.5" Wheel Dia.

4/00→02/02

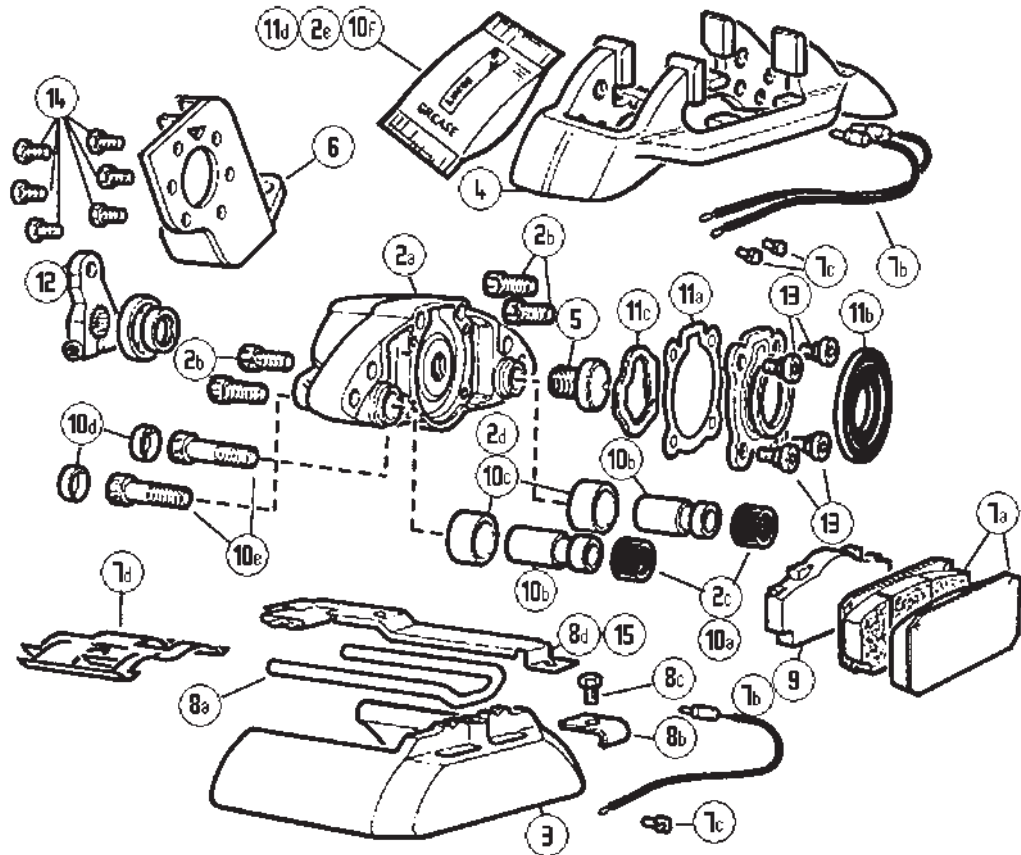
	← LRG582	
	→ LRG583	
	↔ MCK1085	②
	↔ MDP5056	④
	↔ MCK1086	⑥



Major R Range 22.5" Wheel Dia.

6/90→9/92

	← LRG522	
	→ LRG523	
	↔ SJ1018	⑩
	↔ MDP5762	⑦
	↔ ST1206	⑧
	↔ SP8999	⑩





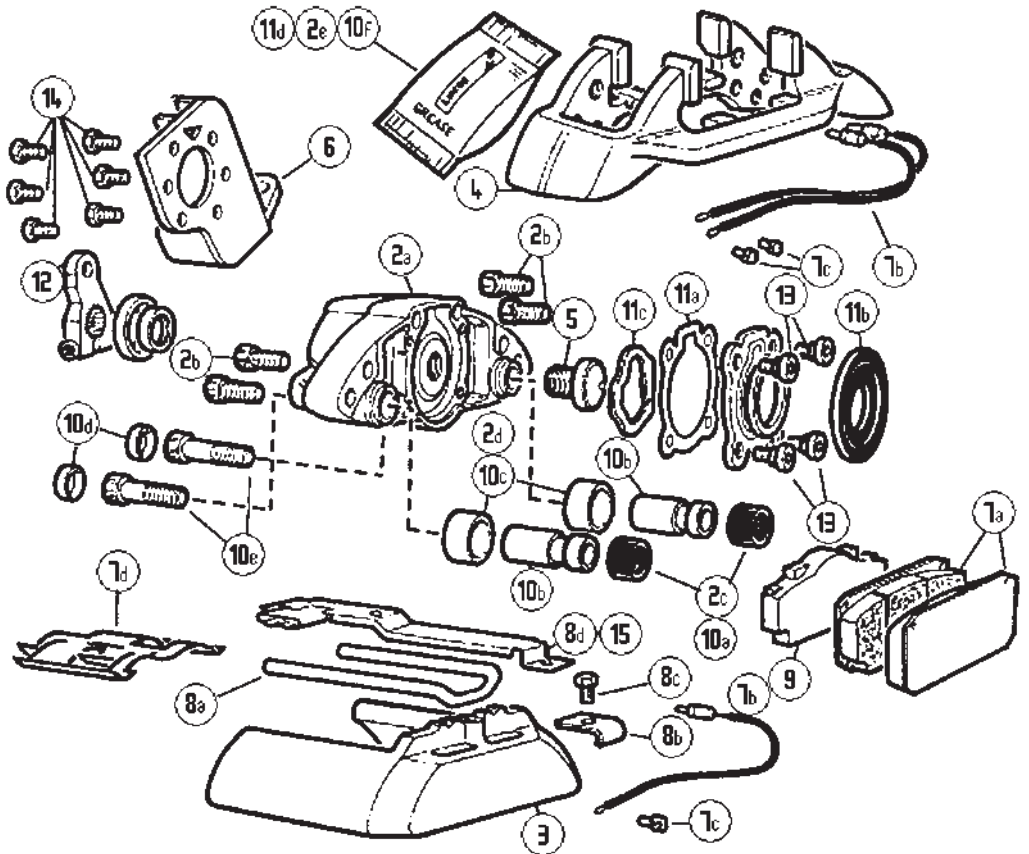
... RENAULT TRUCK

Major R Range 22.5" Wheel Dia.



10/92→12/93

	← LRG522	
	→ LRG523	
	↔ SJ1018	⑩
	↔ MDP5008	⑦
	↔ ST1206	⑧
	↔ SP8999	⑩

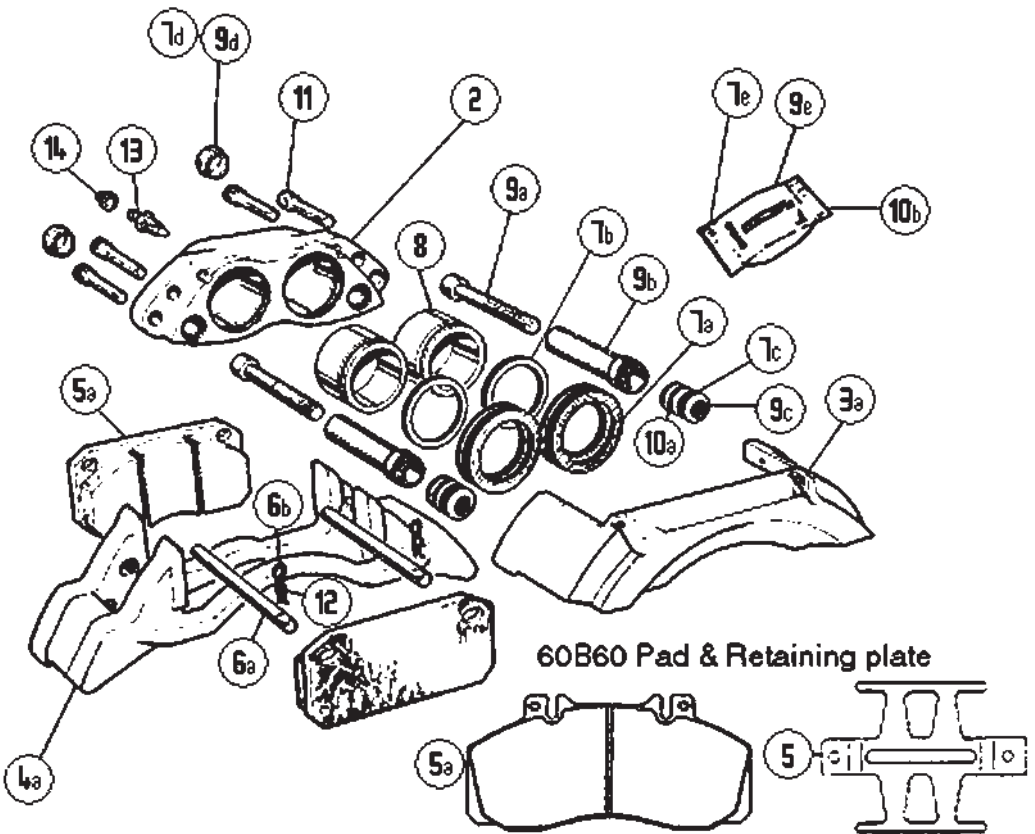


Midliner Range S150, S160, S180 17.5" Wheel Dia.



3/92→

	← LRG518	
	→ LRG519	
	↔ BDA333	③
	← BDA439	④
	→ BDA440	④
	↔ MDP5005	⑤
	↔ SP8563	⑥
	↔ SP8564	⑦
	↔ SP8565	⑨
	↔ SP8566	⑩





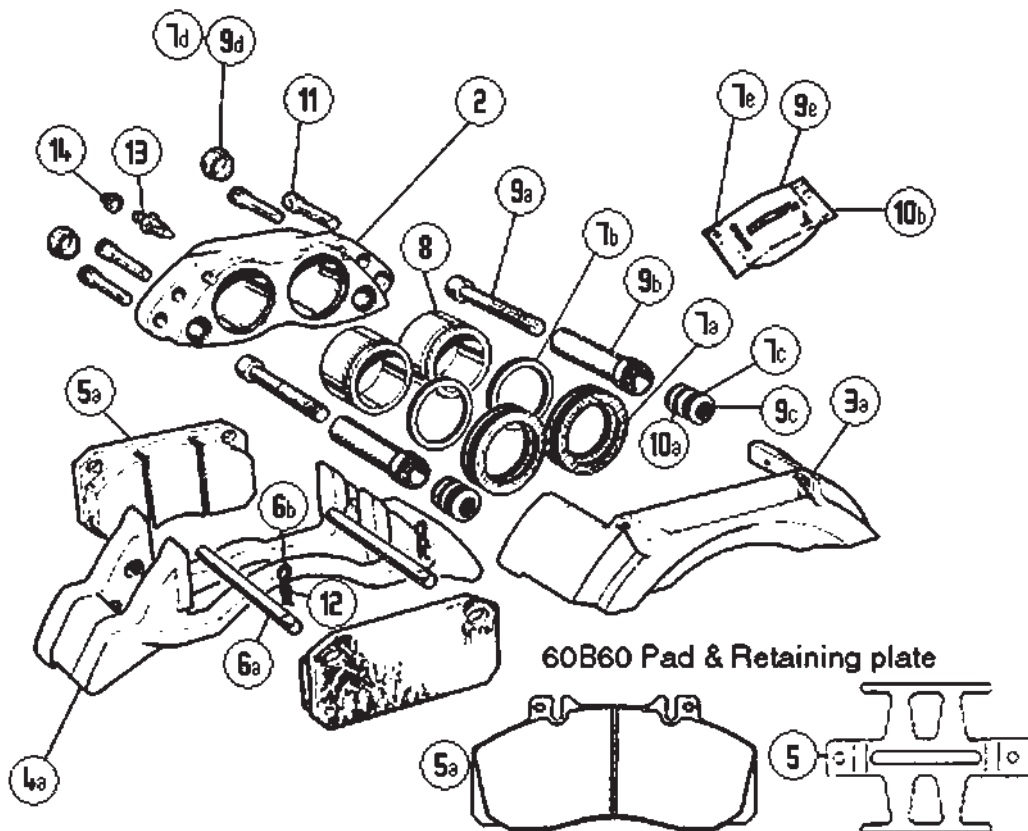
... RENAULT TRUCK

Midliner Range S120, S140 16" Wheel Dia.



3/92→

	← LRG516	
	→ LRG517	
	↔ BDA336	③
	← BDA437	④
	→ BDA438	④
	↔ MDP5004	⑤
	↔ SP8597	⑦
	↔ SP8902	⑨
	↔ SP8566	⑩

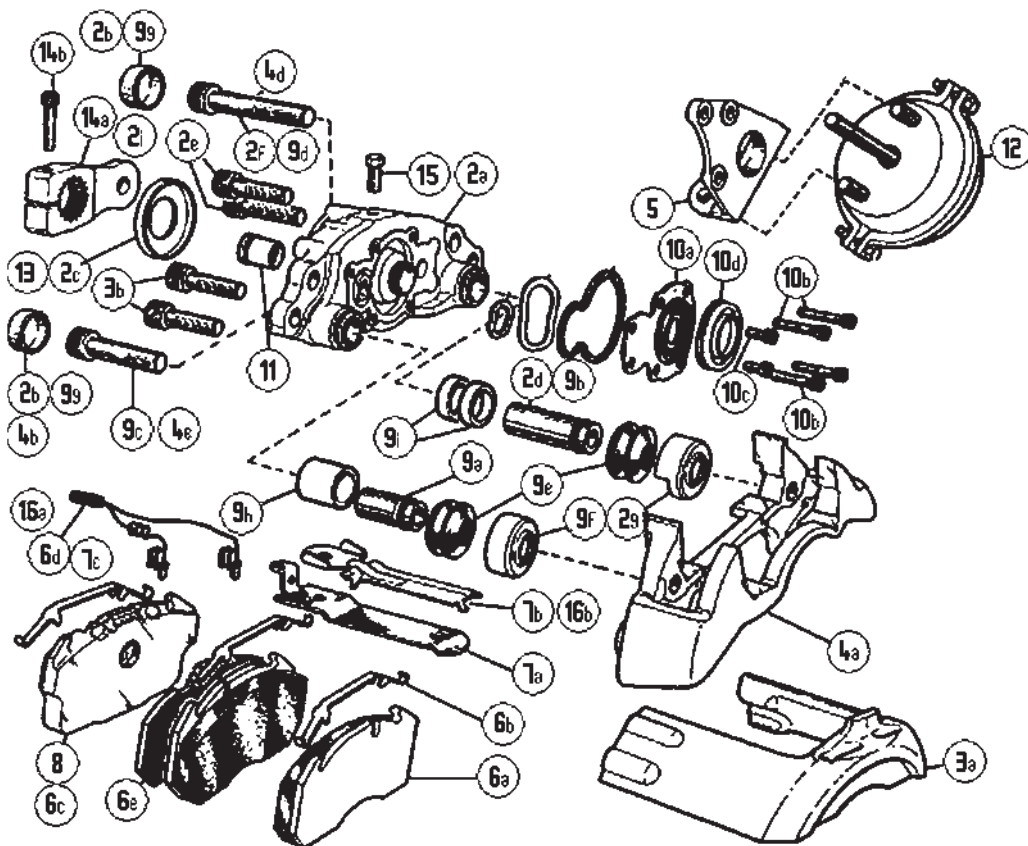


Premium 210, 250, 260, 300, 340 385, 400, 420 22.5" Wheel Dia.



6/96→5/97

	← LRG526	
	→ LRG527	
	↔ 31932052	③
	↔ BDA452	④
	↔ MDP5051	⑥
	↔ SJ4000	⑦
	↔ SJ4001	⑨





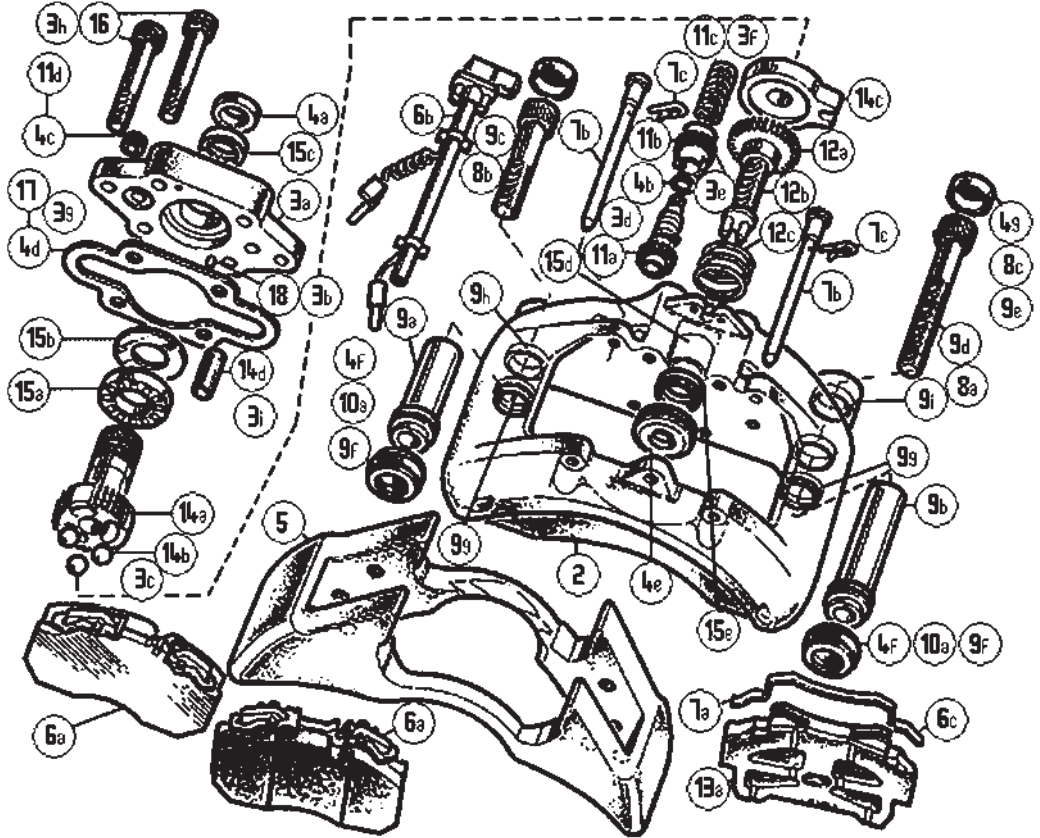
... RENAULT TRUCK

Premium 210, 250, 260, 300, 340 385, 400, 420 22.5" Wheel Dia.



6/97→1/01

	← LRG548	
	→ LRG549	
	↔ MDP5042	⑥
	↔ MDP5019	⑥
	↔ SJ4022	⑦
	↔ SJ4076	⑨
	← SJ4113	⑪
	→ SJ4114	⑪
	↔ SJ4077	⑩
	← SJ4073	⑫
	→ SJ4074	⑫
	↔ SJ4021	⑧
	← MCK1021	⑭
	→ MCK1022	⑭
	↔ SJ4031	⑮
	↔ SJ4032	④



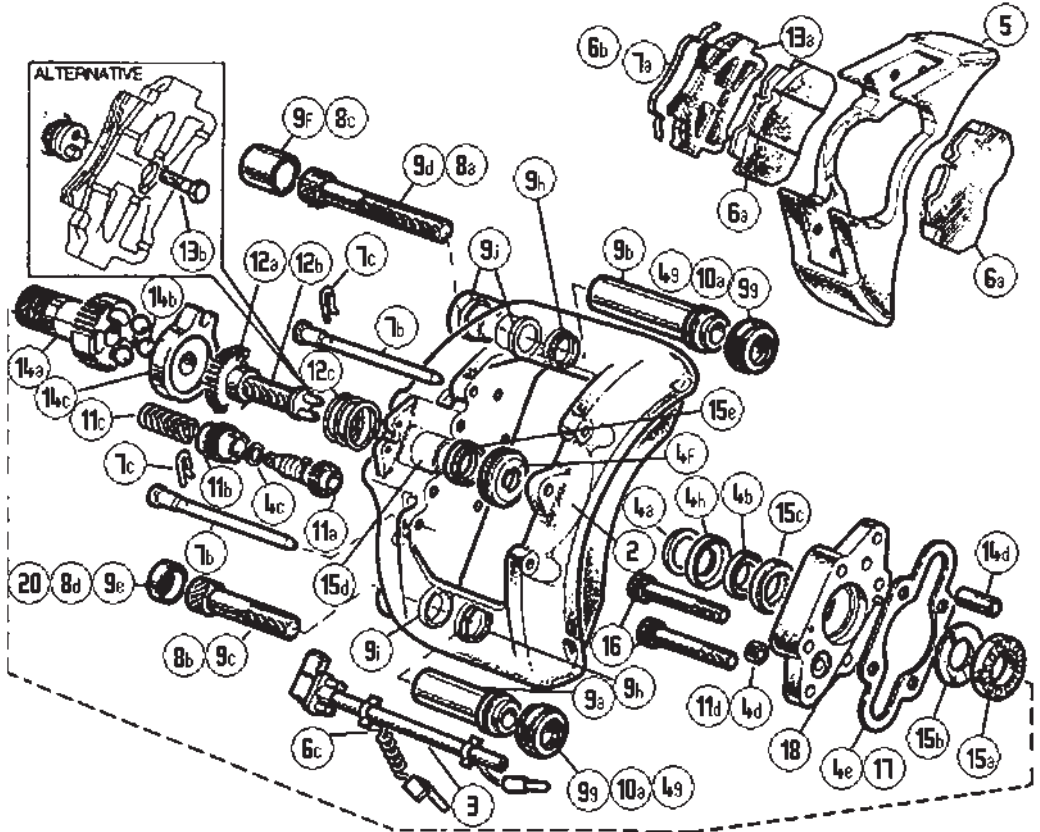
1: For vehicles up to 7/99

Midliner Range M250 (C Lisa) 19.5" Wheel Dia.



5/01→

	← LRG554	
	→ LRG555	
	↔ MDP5037	⑥
	↔ SJ4051	⑦
	↔ SJ4052	⑨
	← SJ4113	⑪
	→ SJ4114	⑪
	↔ SJ4053	⑩
	← SJ4073	⑫
	→ SJ4074	⑫
	↔ SJ4058	⑧
	← MCK1021	⑭
	→ MCK1022	⑭
	← 68915080	
	→ 68915081	
	↔ SJ4031	⑮
	↔ SJ4061	④





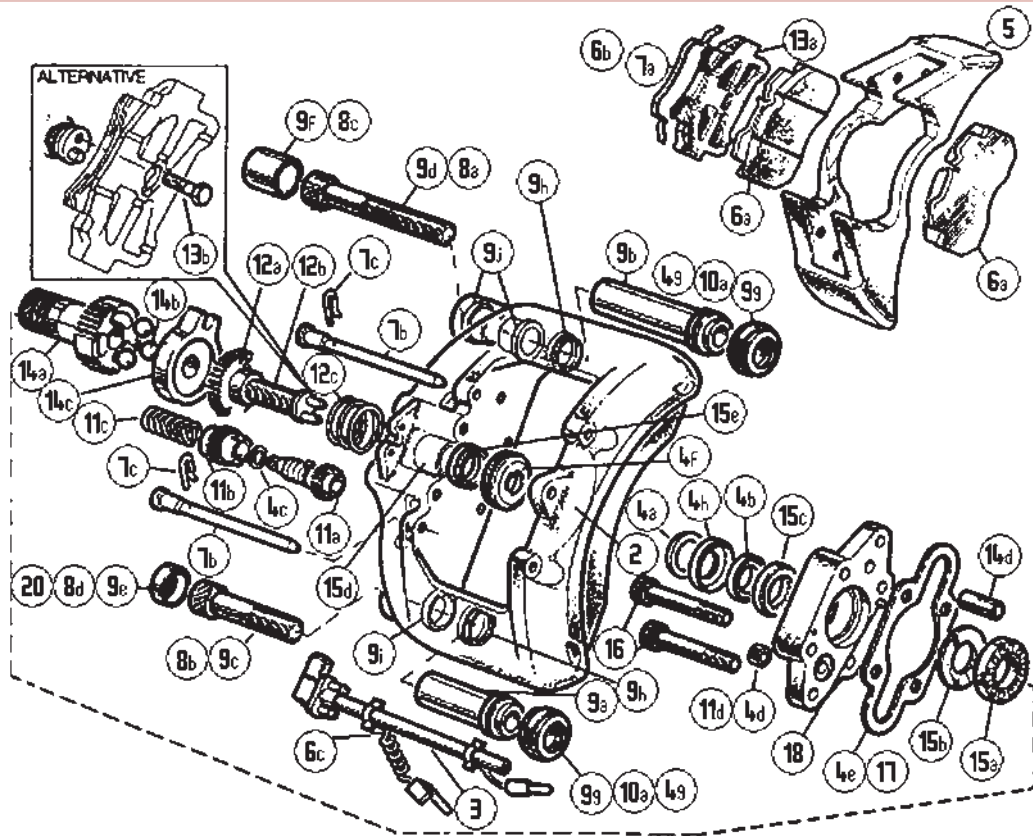
... RENAULT TRUCK

Midliner Range M250 (C Lisa) 19.5" Wheel Dia.



97→4/01

	← LRG554	
	→ LRG555	
	↔ MDP5037	⑥
	↔ SJ4051	⑦
	↔ SJ4052	⑨
	← SJ4113	⑩
	→ SJ4114	⑩
	↔ SJ4053	⑩
	← SJ4073	⑫
	→ SJ4074	⑫
	↔ SJ4058	⑬
	← MCK1021	⑭
	→ MCK1022	⑭
	← 68915080	
	→ 68915081	
	↔ SJ4031	⑮
	↔ SJ4061	④





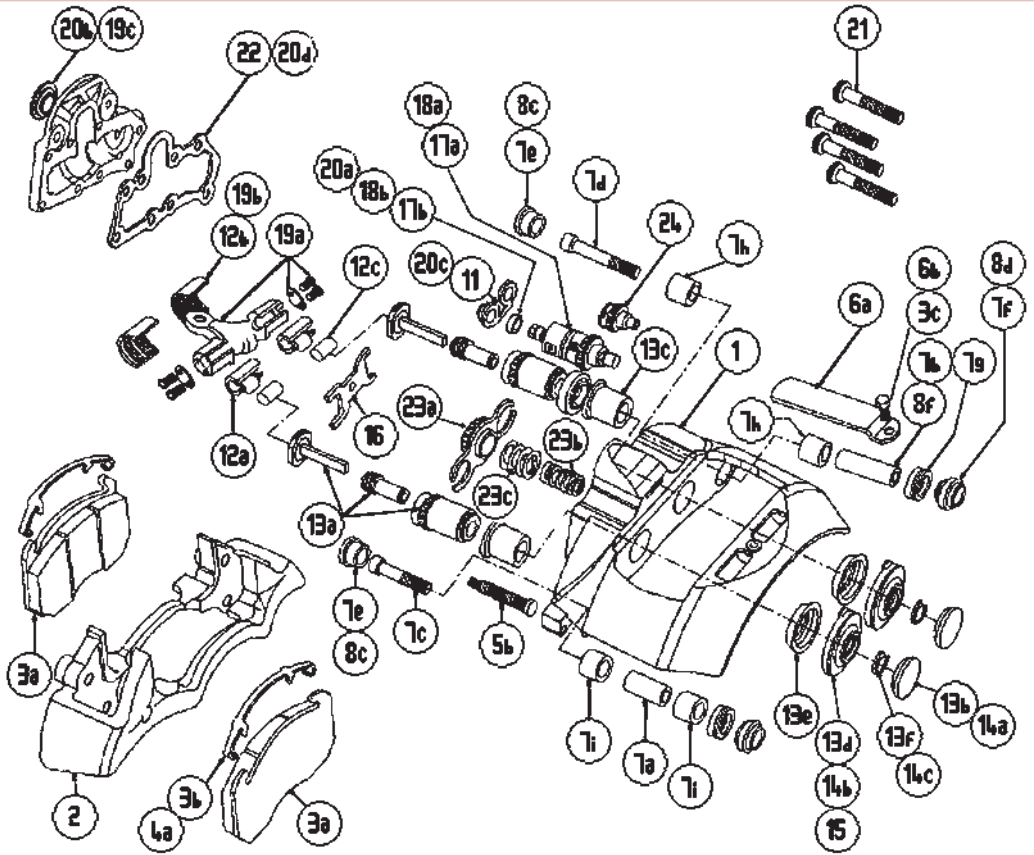
ROR



LM D Duco Axial (M20)

02/00→06/01

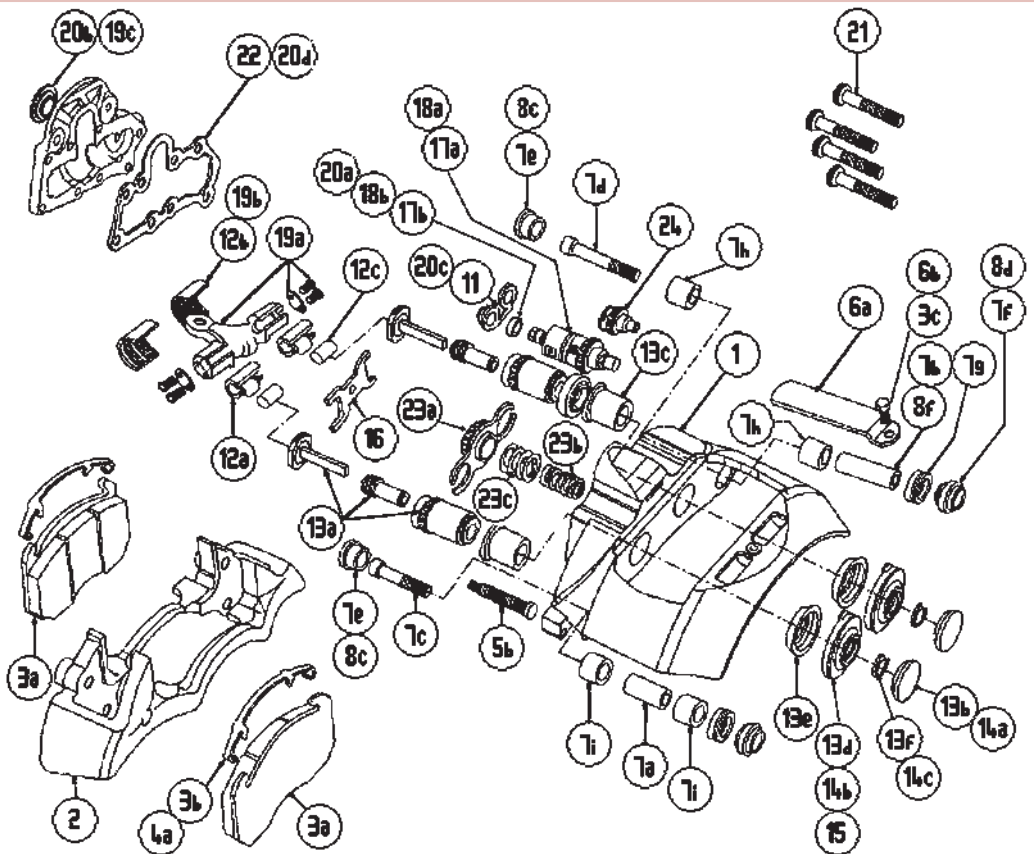
	← LRG536	
	→ LRG537	
	↔ 68322778	②
	↔ MDP5057	③
	↔ MCK1134	⑦
	← SJ4102	⑰
	→ SJ4103	⑰
	↔ MCK1238	⑭
	← MCK1236	⑬
	→ MCK1237	⑬
	← SJ4096	⑰
	→ SJ4097	⑰
	↔ MCK1264	⑥
	↔ SJ4112	⑫
	↔ SJ4105	⑳
	↔ MCK1067	㉓
	↔ MCK1299	⑧



LM D Duco Axial (M20)

06/01→01/02

	← LRG536	
	→ LRG537	
	↔ 68322778	②
	↔ MDP5057	③
	↔ MCK1116	⑦
	← MCK1111	⑰
	→ MCK1112	⑰
	↔ MCK1238	⑭
	← MCK1236	⑬
	→ MCK1237	⑬
	← SJ4096	⑰
	→ SJ4097	⑰
	↔ MCK1264	⑥
	↔ SJ4112	⑫
	↔ SJ4105	⑳
	↔ MCK1067	㉓
	↔ MCK1299	⑧



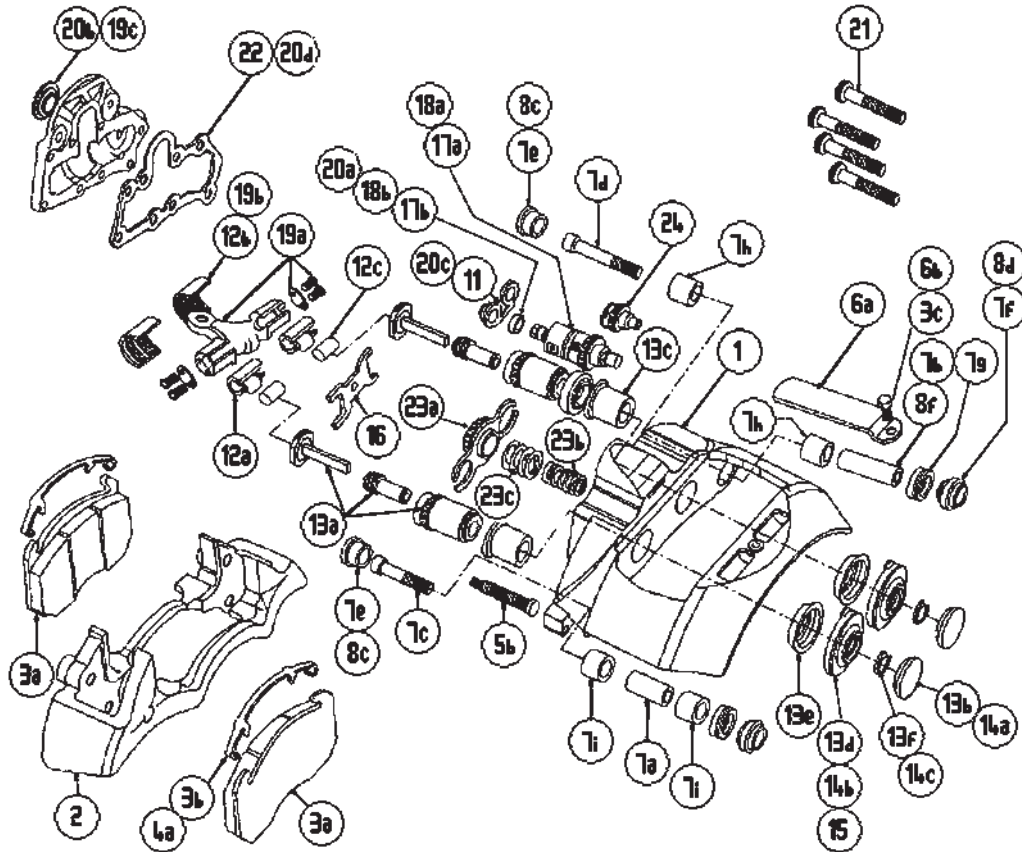


... ROR

LM D Duco Axial (M18)

01/02→

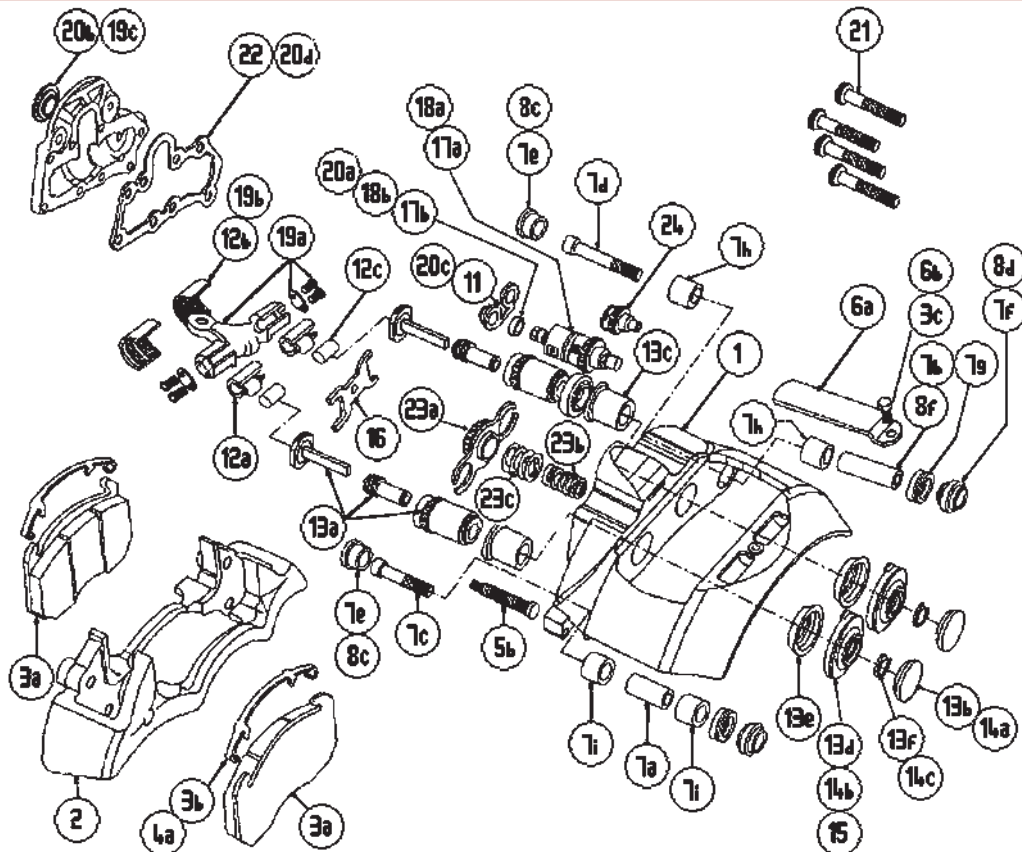
	← LRG578	
	→ LRG579	
	↔ 68324552	②
	↔ MDP5057	③
	↔ MCK1116	⑦
	← MCK1111	⑰
	→ MCK1112	⑰
	↔ MCK1238	⑭
	← MCK1236	⑮
	→ MCK1237	⑮
	← SJ4096	⑲
	→ SJ4097	⑲
	↔ MCK1264	⑥
	↔ SJ4112	⑫
	↔ SJ4105	⑳
	↔ MCK1067	㉓
	↔ MCK1299	⑧



TA D Duco Axial (M18)

01/02→

	← LRG578	
	→ LRG579	
	↔ 68324552	②
	↔ MDP5057	③
	↔ MCK1116	⑦
	← MCK1111	⑰
	→ MCK1112	⑰
	↔ MCK1238	⑭
	← MCK1236	⑮
	→ MCK1237	⑮
	← SJ4096	⑲
	→ SJ4097	⑲
	↔ MCK1264	⑥
	↔ SJ4112	⑫
	↔ SJ4105	⑳
	↔ MCK1067	㉓
	↔ MCK1299	⑧



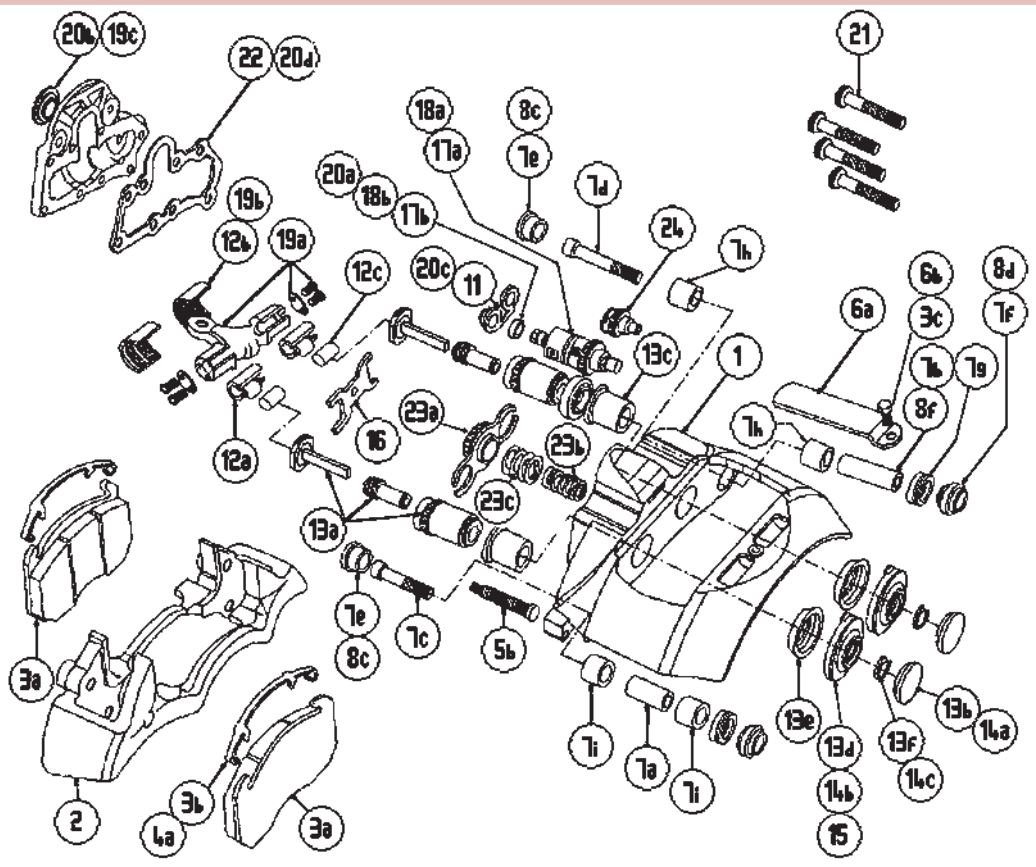


... ROR

TA D Duco Axial (M20)

06/01→01/02

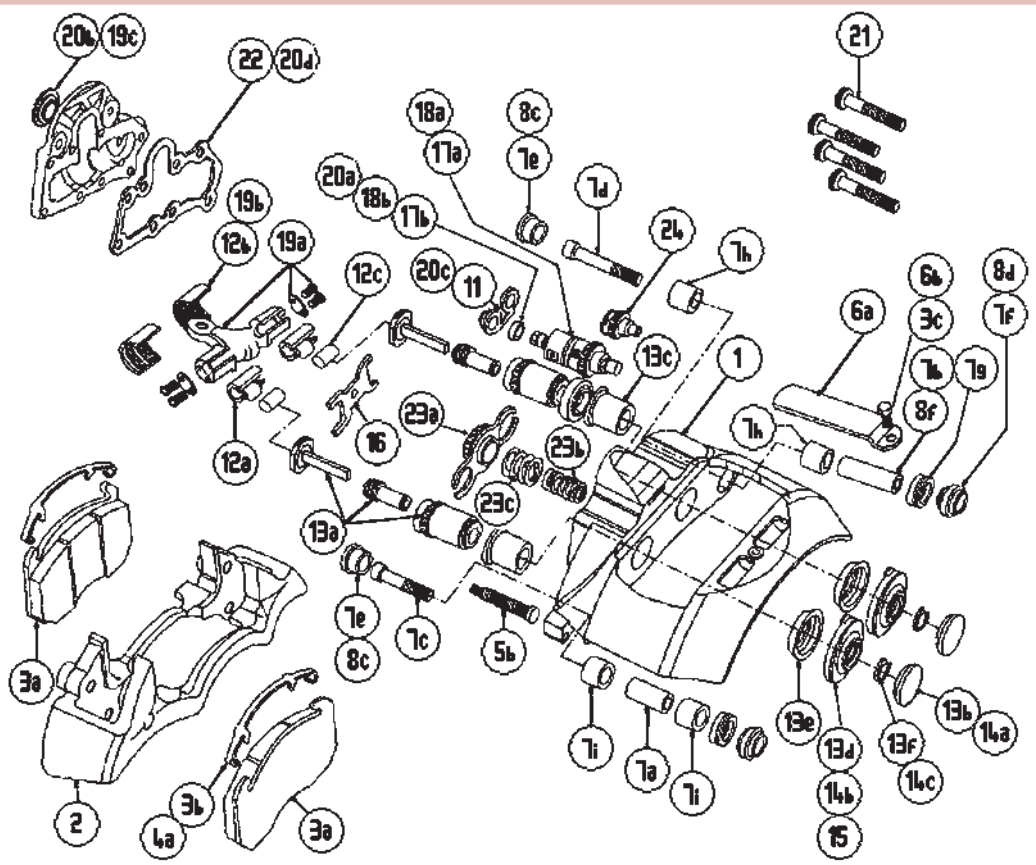
	← LRG536	
	→ LRG537	
	↔ 68322778	②
	↔ MDP5057	③
	↔ MCK1116	⑦
	← MCK1111	⑰
	→ MCK1112	⑰
	↔ MCK1238	⑭
	← MCK1236	⑬
	→ MCK1237	⑬
	← SJ4096	⑲
	→ SJ4097	⑲
	↔ MCK1264	⑥
	↔ SJ4112	⑫
	↔ SJ4105	⑳
	↔ MCK1067	㉓
	↔ MCK1299	⑧



TA D Duco Axial (M20)

02/00→06/01

	← LRG536	
	→ LRG537	
	↔ 68322778	②
	↔ MDP5057	③
	↔ MCK1134	⑦
	↔ SJ4102	⑰
	↔ MCK1238	⑭
	← MCK1236	⑬
	→ MCK1237	⑬
	← SJ4096	⑲
	→ SJ4097	⑲
	↔ MCK1264	⑥
	↔ SJ4112	⑫
	↔ SJ4105	⑳
	↔ MCK1067	㉓
	↔ MCK1299	⑧



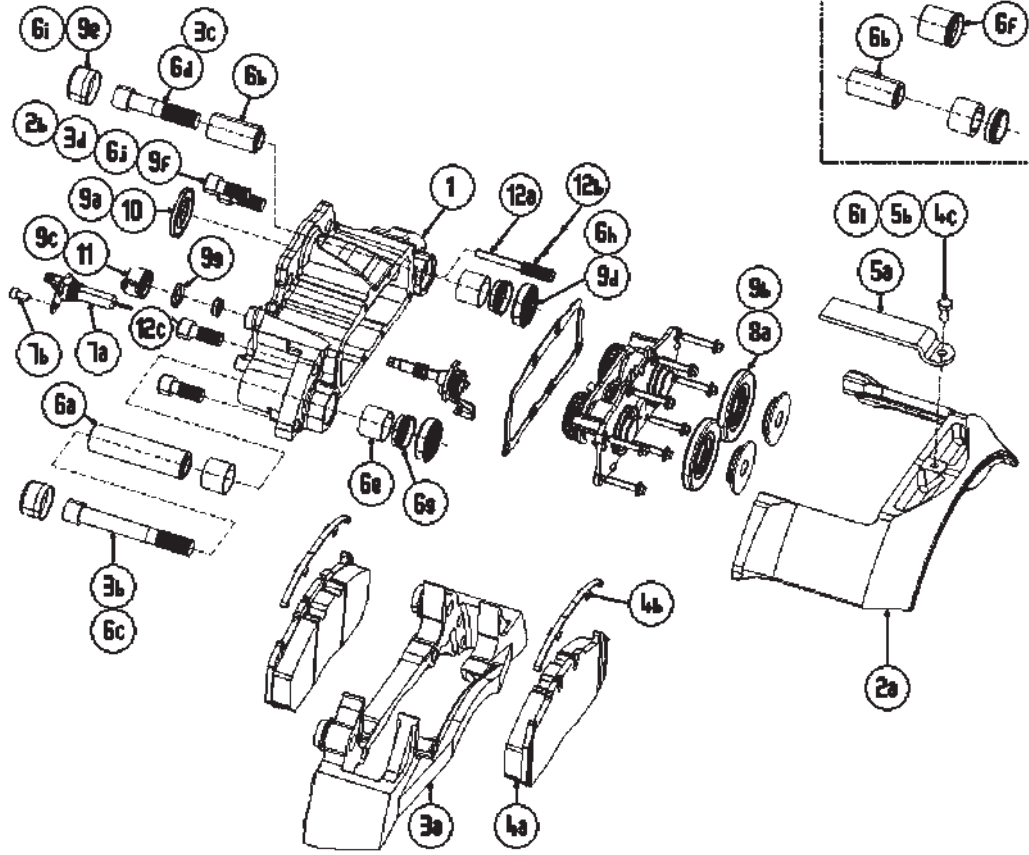


... ROR

LM Elsa 2 22.5 Wheel Dia.

07/01→

	← LRG572	
	→ LRG573	
	↔ MCK1146	③
	↔ MDP5073	④
	↔ MCK1140	⑥
	↔ MCK1139	⑧
	↔ MCK1174	⑤
	↔ MCK1240	⑫

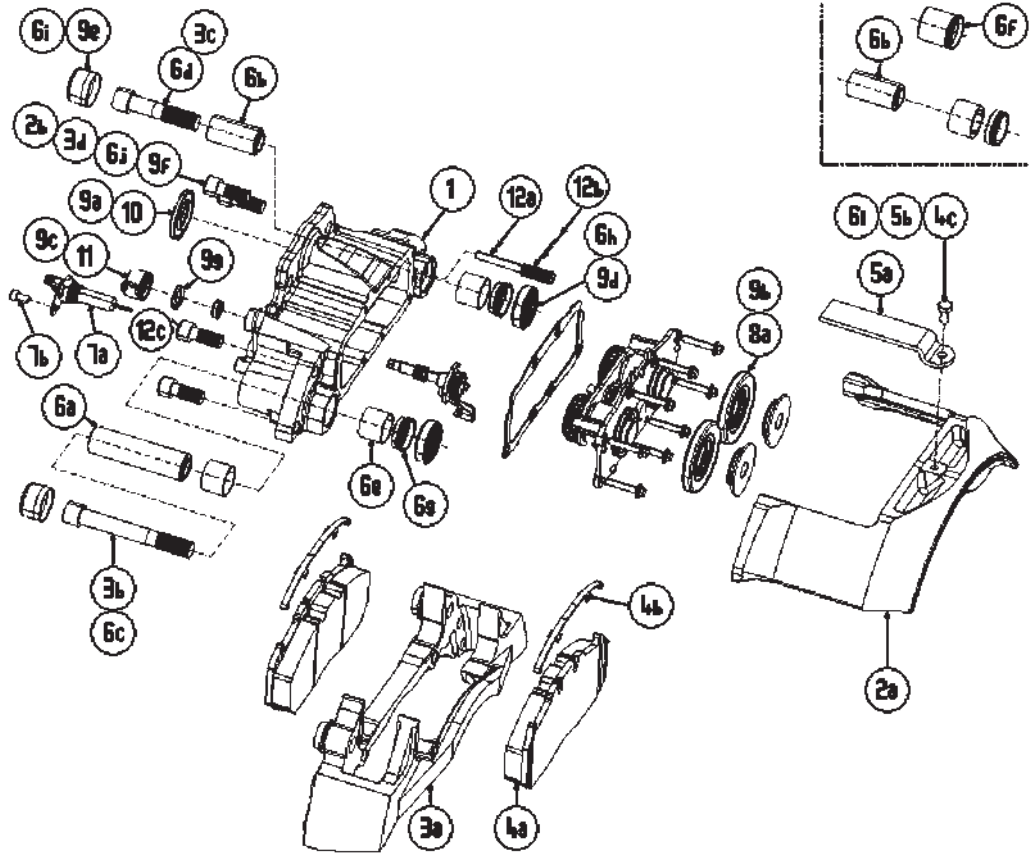


TA Elsa 2



07/01→

	← LRG572	
	→ LRG573	
	↔ MCK1146	③
	↔ MDP5073	④
	↔ MCK1140	⑥
	↔ MCK1139	⑧
	↔ MCK1174	⑤
	↔ MCK1240	⑫



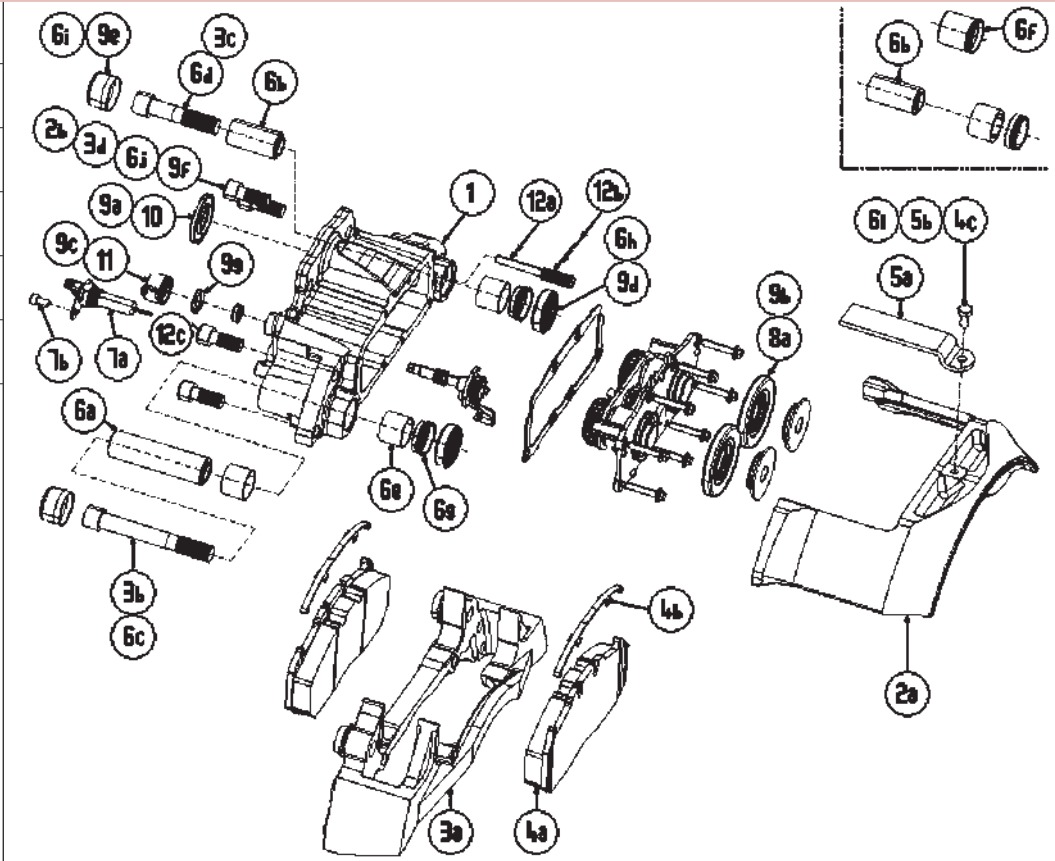


... ROR

TA Elsa 2

07/01→

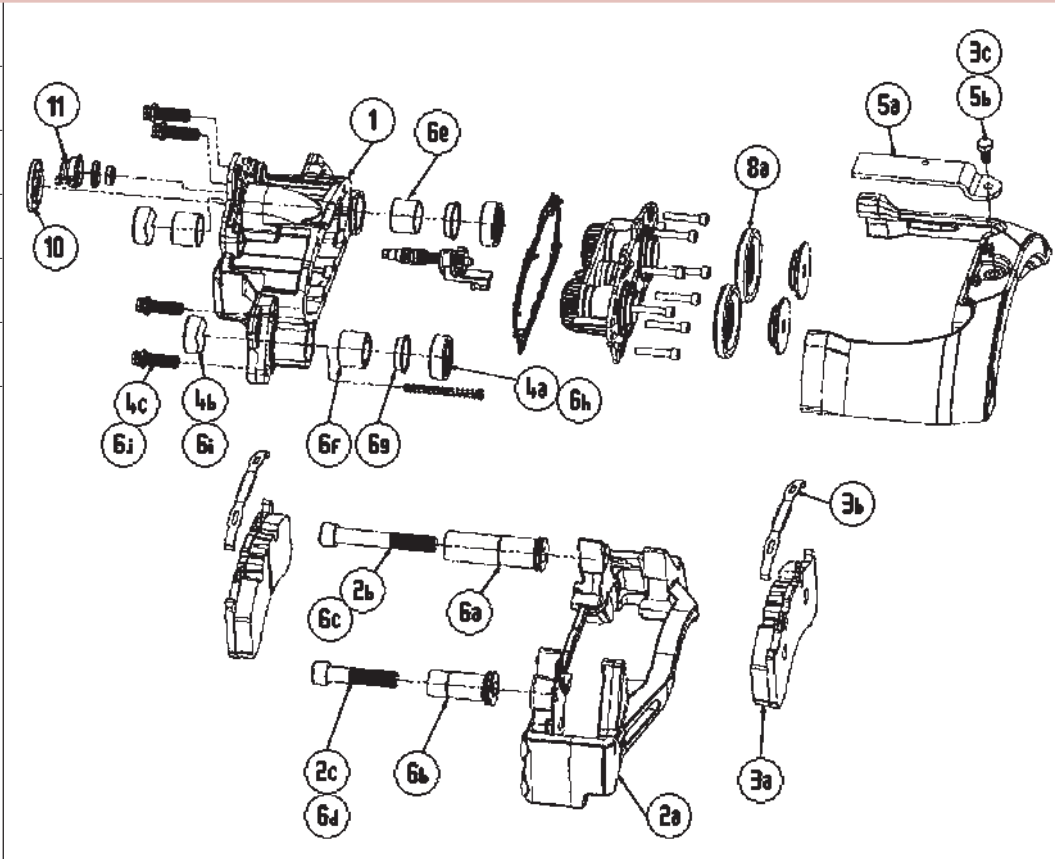
	← LRG572	
	→ LRG573	
	↔ MCK1146	③
	↔ MDP5073	④
	↔ MCK1140	⑥
	↔ MCK1139	⑧
	↔ MCK1174	⑤
	↔ MCK1240	⑫



LM Elsa 195 19.5 Wheel Dia.

01/03→06/04

	← LRG703	
	→ LRG702	
	↔ MCK1252	②
	↔ MDP5093	③
	↔ MBAKIT1051	⑦
	↔ MCK1254	⑥
	↔ MCK1139	⑧
	↔ MCK1174	⑤



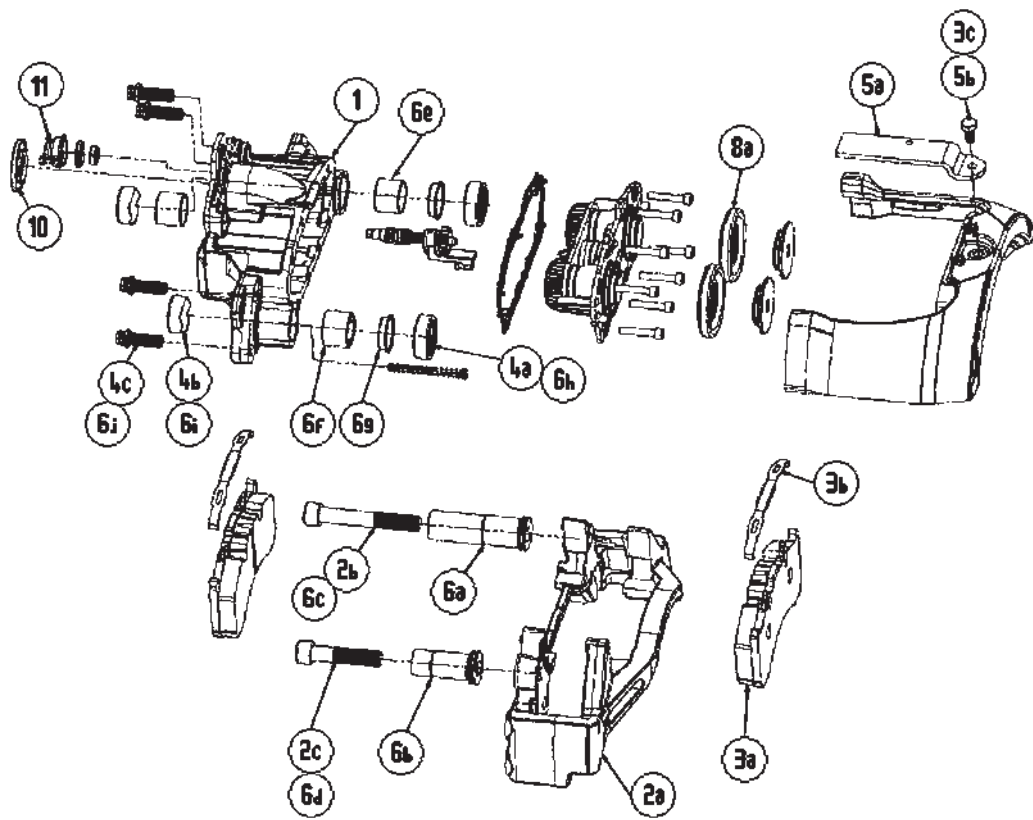


... ROR

TM Elsa 195

01/03→06/04

	← LRG703	
	→ LRG702	
	↔ MCK1252	②
	↔ MDP5093	③
	↔ MBAKIT1051	⑦
	↔ MCK1254	⑥
	↔ MCK1139	⑧
	↔ MCK1174	⑤

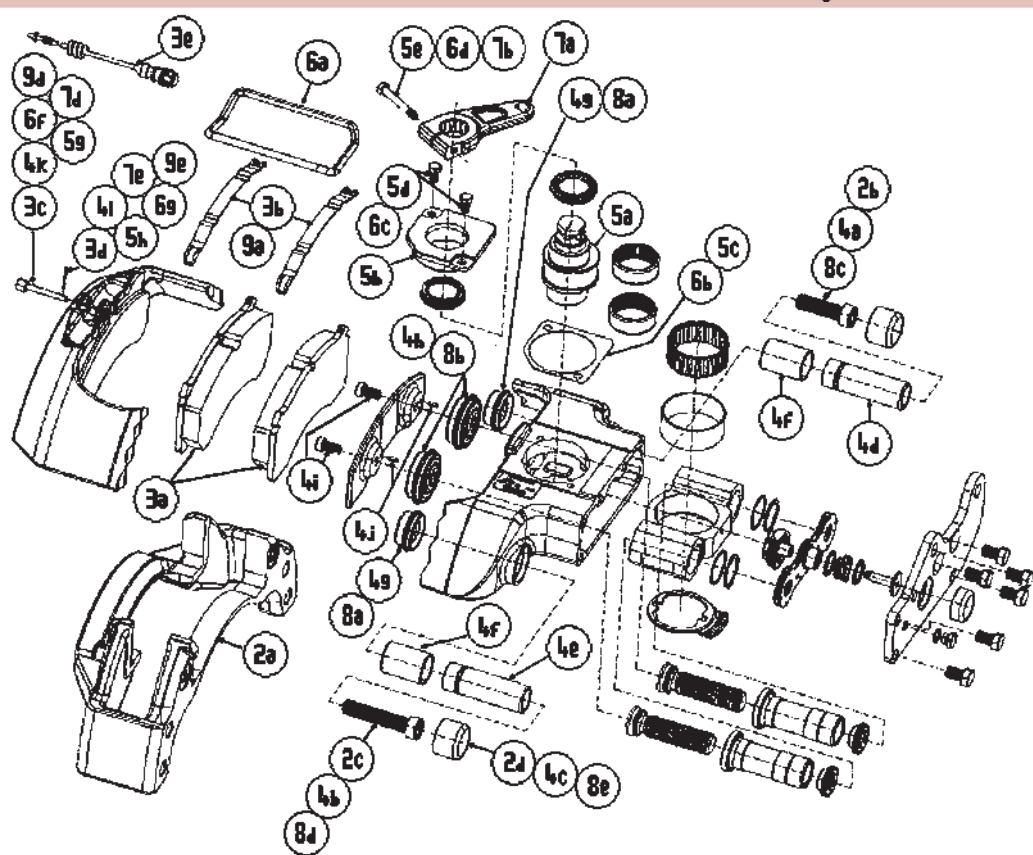


LM DX 195 19.5 Wheel Dia.



1998→

	← 15224836SR	
	→ 15224837SR	
	↔ MDP5076	③
	↔ MBA100	⑨
	↔ MBA1050	
	↔ MCK1171	④
	↔ MCK1168	⑤





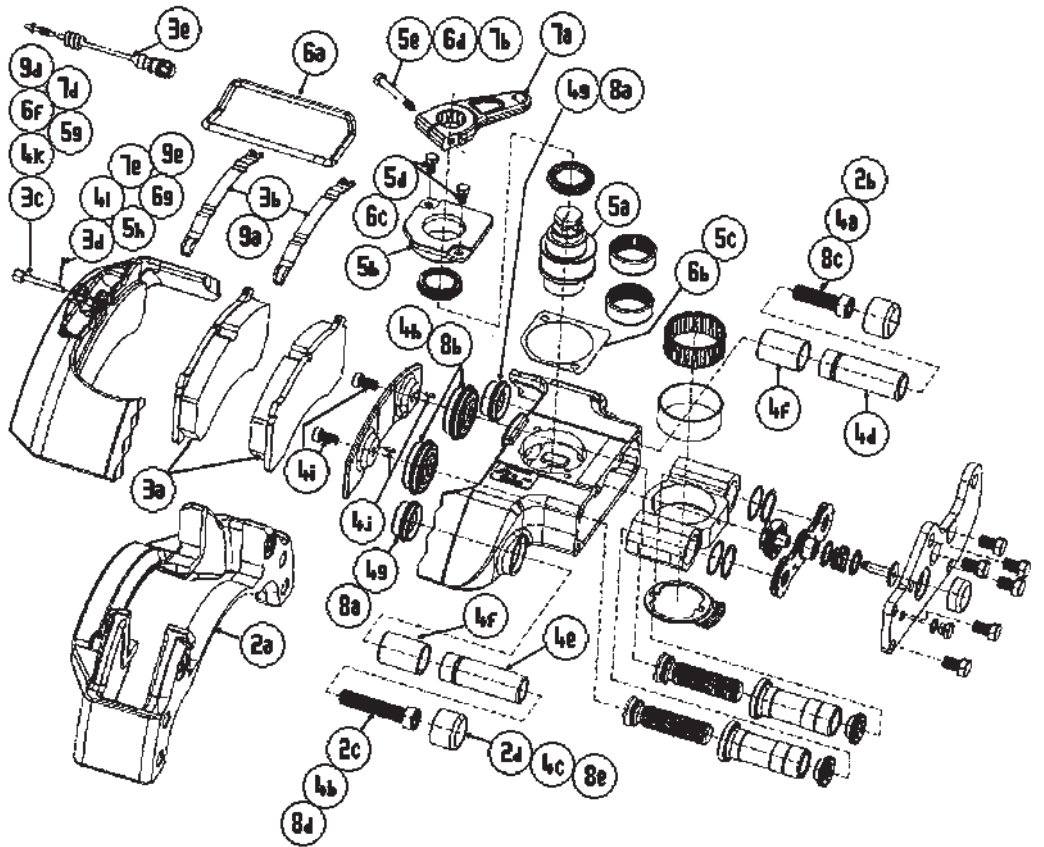
... ROR

LM DX 195 19.5 Wheel Dia.



1998→

	← 15224836SR → 15224837SR	
	↔ MDP5076	③
	↔ MBA100	⑨
	↔ MBA1050	
	↔ MCK1171	④
	↔ MCK1168	⑤

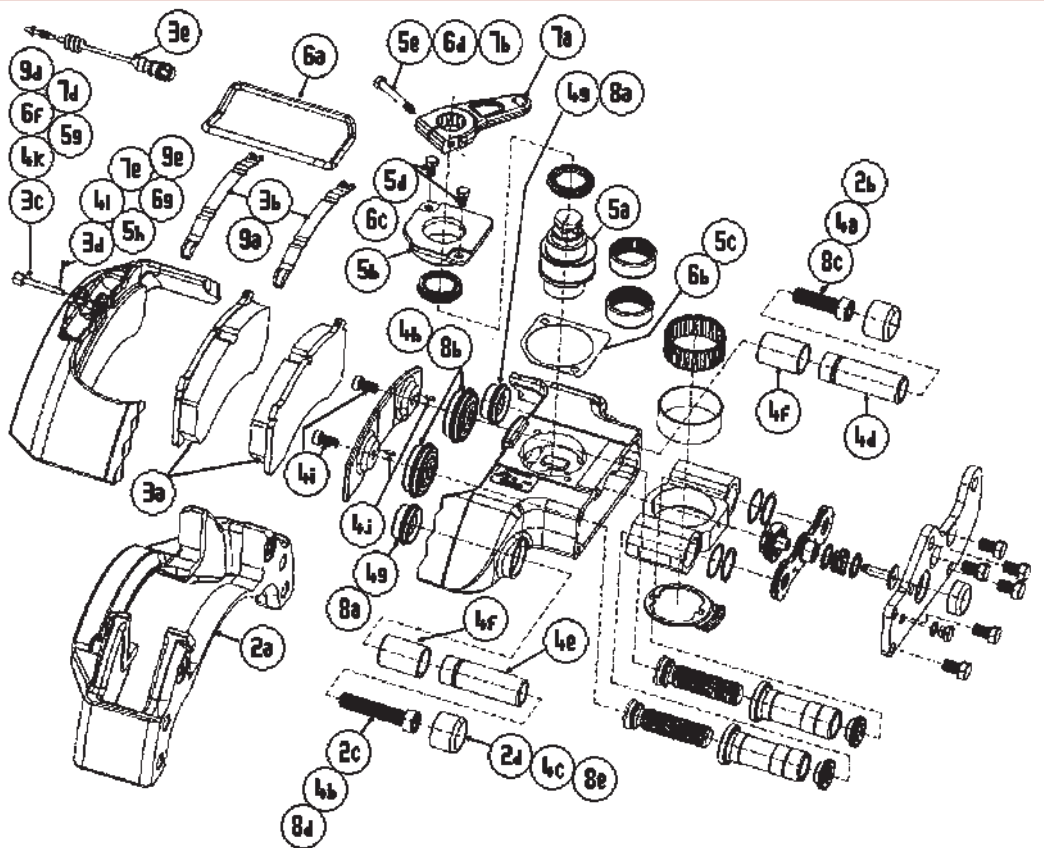


TM DX195



1998→

	← 15224836SR → 15224837SR	
	↔ MDP5076	③
	↔ MBA100	⑨
	↔ MBA1050	
	↔ MCK1171	④
	↔ MCK1168	⑤



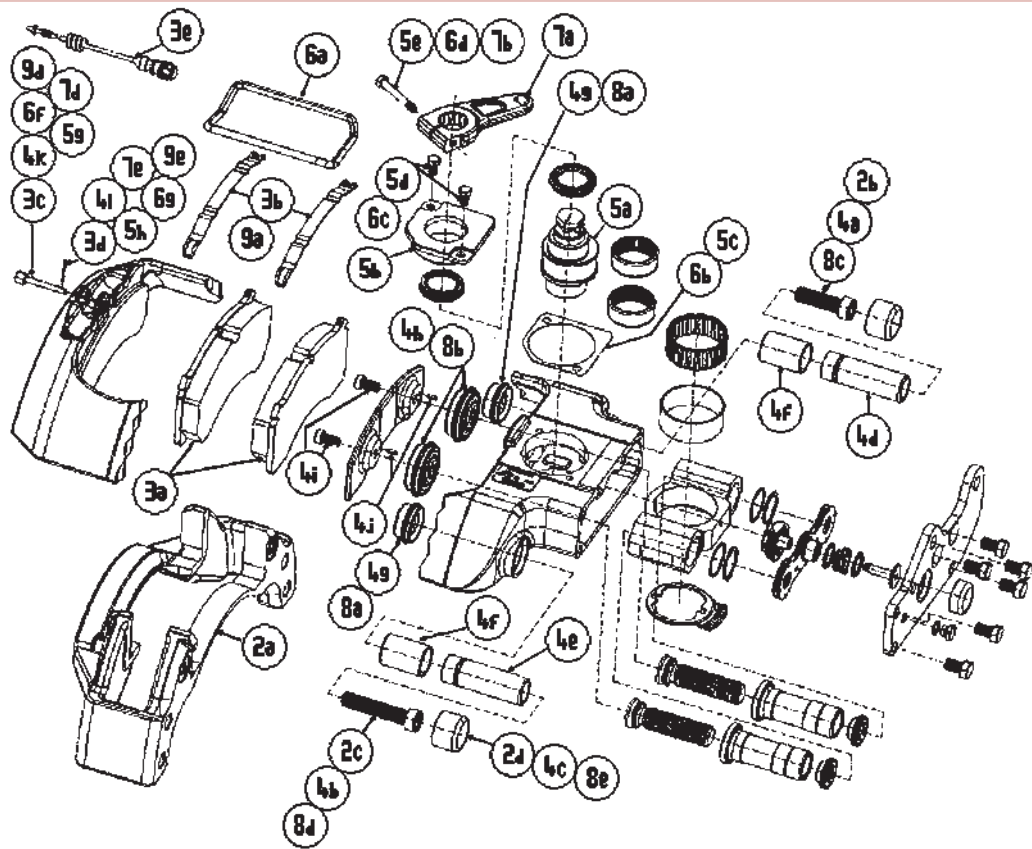


... ROR

TM DX195

1998→

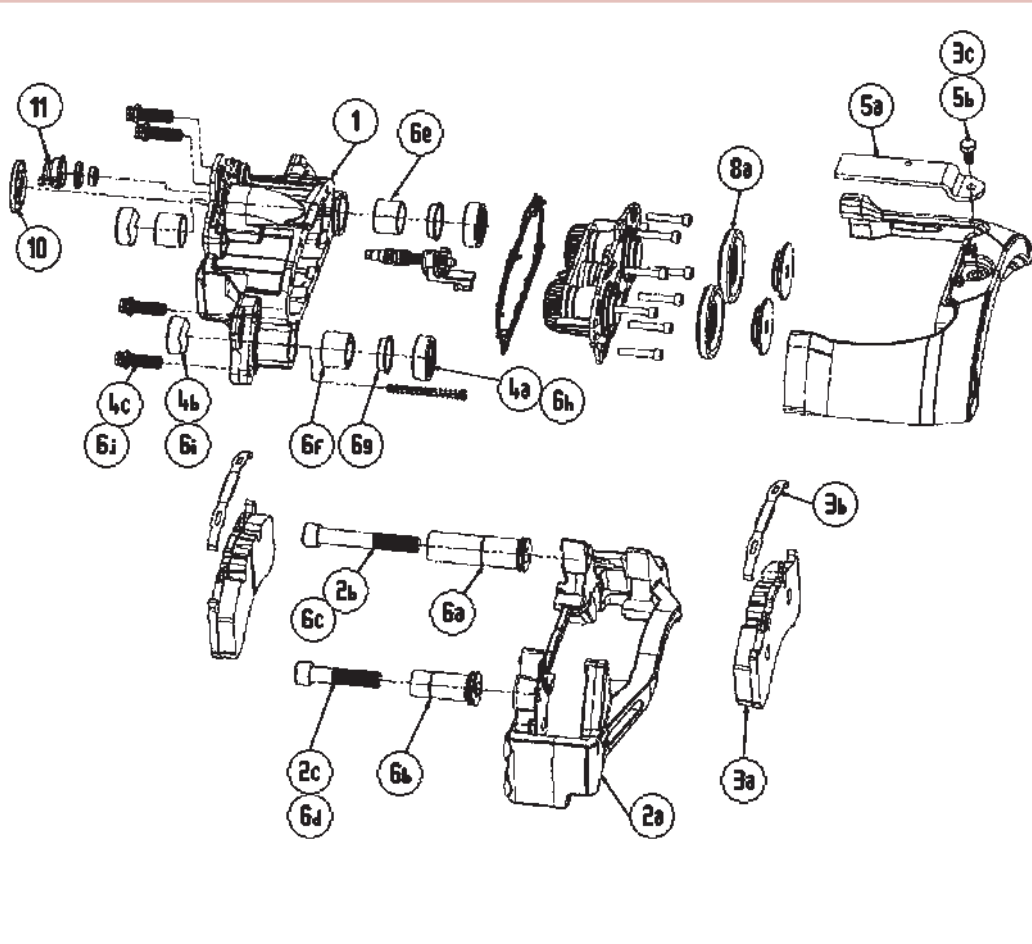
	← 15224836SR	
	→ 15224837SR	
	↔ MDP5076	③
	↔ MBA1050	
	↔ MCK1171	④
	↔ MCK1168	⑤



TM Elsa 195

06/04→

	← LRG703	
	→ LRG702	
	↔ MCK1252	②
	↔ MDP5100	③
	↔ MCK1254	⑥
	↔ MCK1139	⑧
	↔ MCK1174	⑤





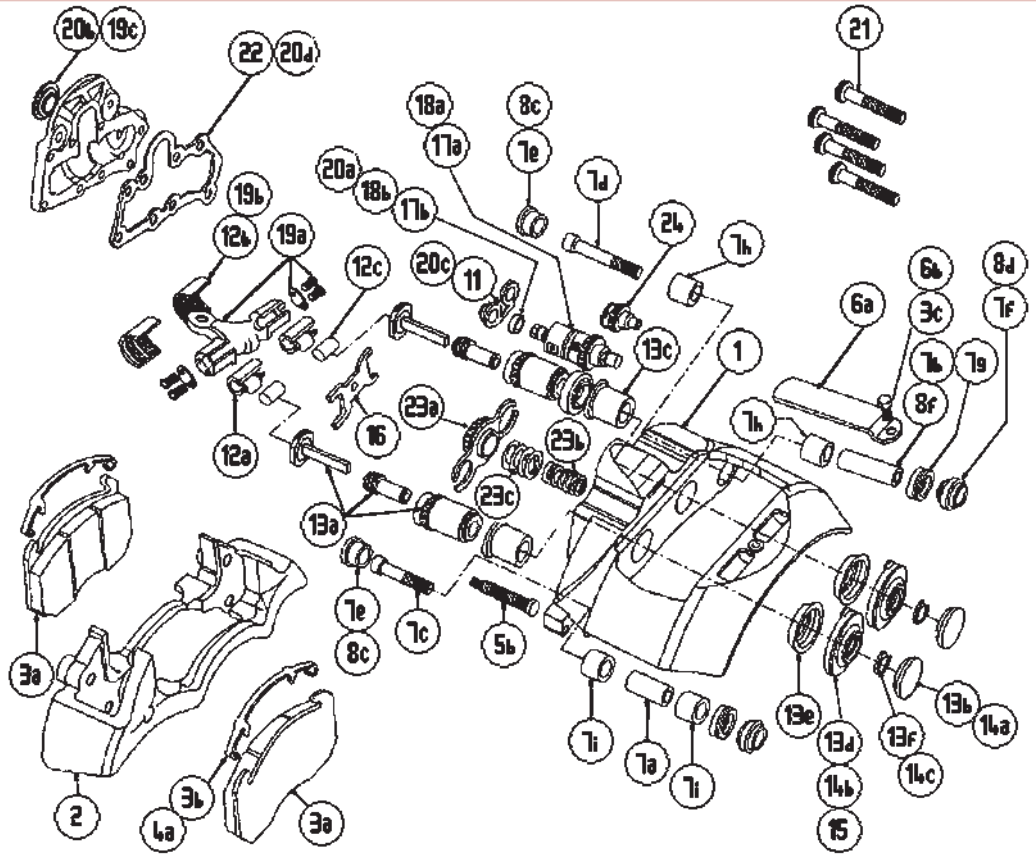
SOR



C9,5 C Ducro

04/02→

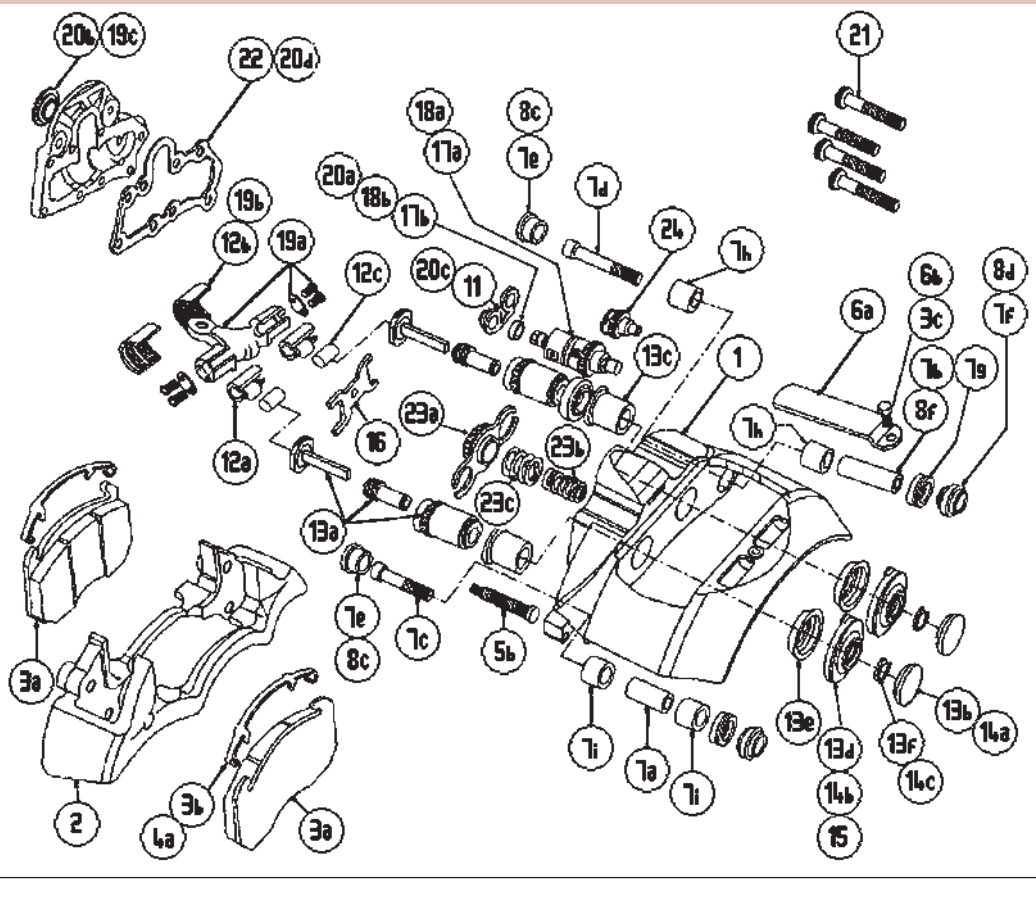
	← LRG561	
	→ LRG560	
	↔ 68323546	②
	↔ MDP5089	③
	↔ MCK1116	⑦
	← MCK1111	⑰
	→ MCK1112	⑰
	↔ MCK1238	⑭
	← MCK1237	⑬
	→ MCK1236	⑬
	← MCK1127	⑰
	→ MCK1128	⑰
	↔ MCK1264	⑥
	↔ SJ4112	⑫
	↔ MCK1041	⑳
	↔ MCK1129	㉓
	↔ MCK1299	⑧



B9,5 C Ducro

04/02→

	← LRG561	
	→ LRG560	
	↔ 68323546	②
	↔ MDP5089	③
	↔ MCK1116	⑦
	← MCK1111	⑰
	→ MCK1112	⑰
	↔ MCK1238	⑭
	← MCK1237	⑬
	→ MCK1236	⑬
	← MCK1127	⑰
	→ MCK1128	⑰
	↔ MCK1264	⑥
	↔ SJ4112	⑫
	↔ MCK1041	⑳
	↔ MCK1129	㉓
	↔ MCK1299	⑧



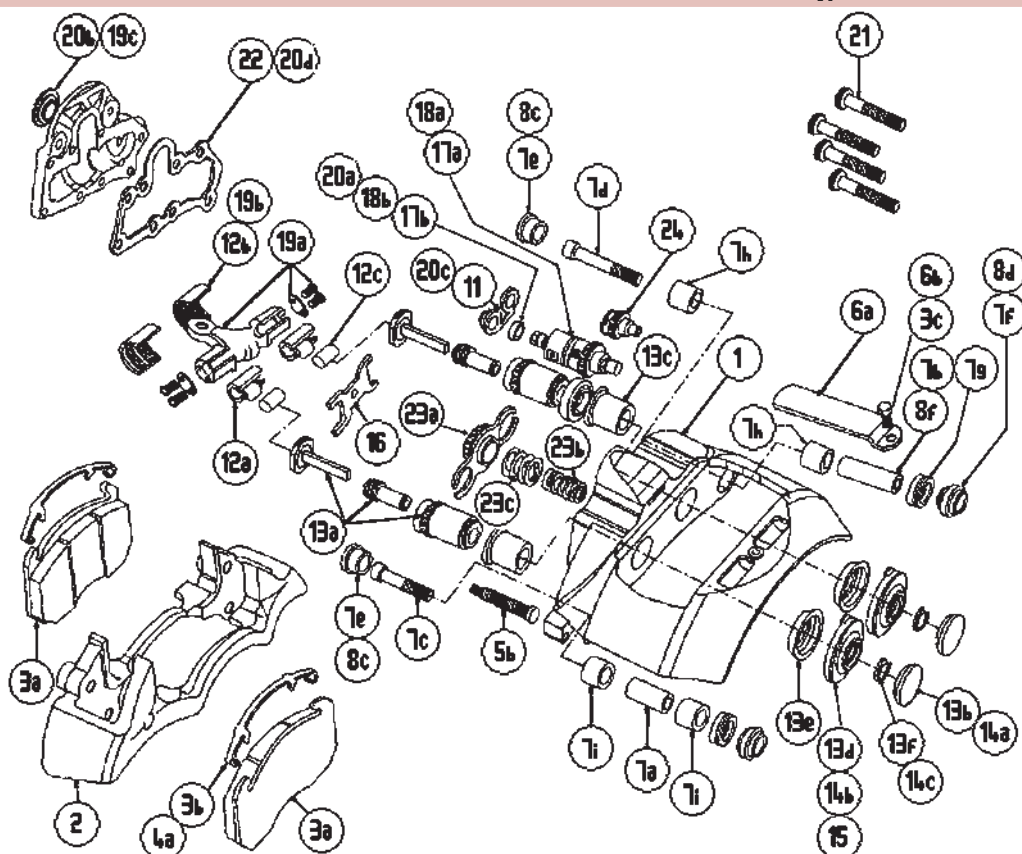


... SOR

LC9,5 C Duco

04/02→

	← LRG561 → LRG560	
	↔ 68323546	②
	↔ MDP5089	③
	↔ MCK1116	⑦
	← MCK1111 → MCK1112	⑰
	↔ MCK1238	⑭
	← MCK1237 → MCK1236	⑬
	← MCK1127 → MCK1128	⑱
	↔ MCK1264	⑥
	↔ SJ4112	⑫
	↔ MCK1041	⑩
	↔ MCK1129	⑩
	↔ MCK1299	⑧





TIMONEY/TELEDYNE

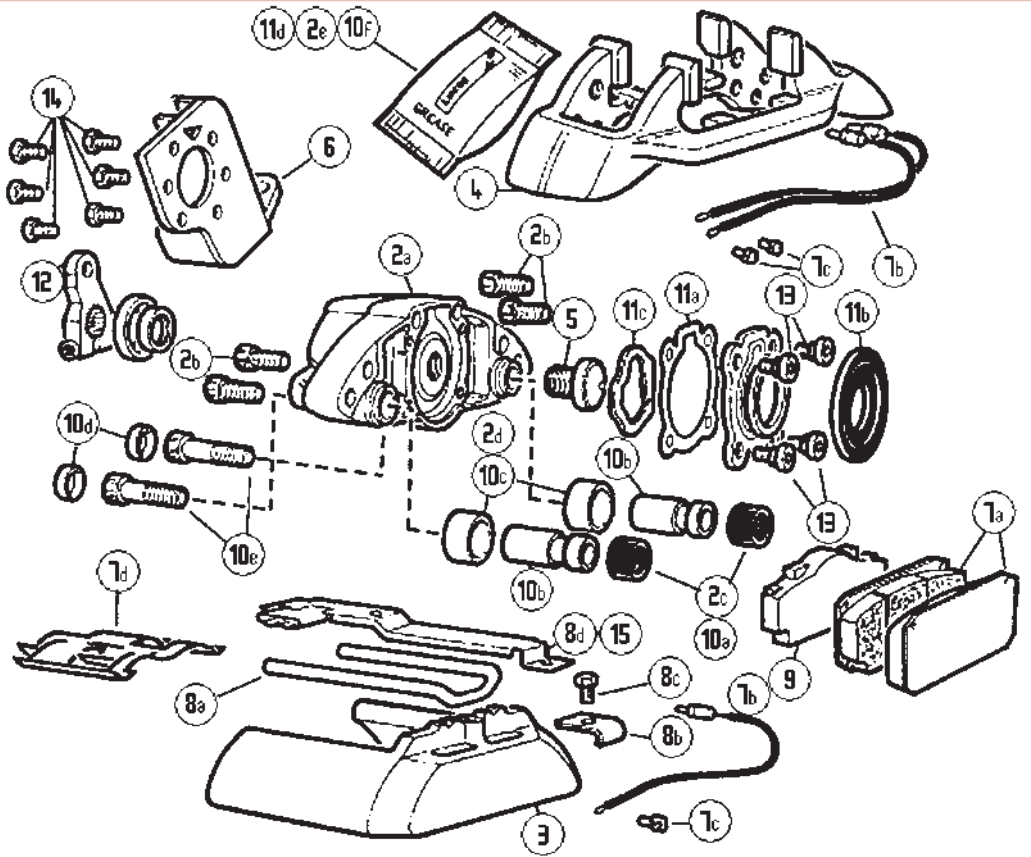


P23 Crash Fire Tender (8 x 8)



8/92→

	← LRG538	
	→ LRG539	
	↔ MDP5016	⑦
	↔ ST1206	⑧
	↔ SP8999	⑩





VAN HOOL

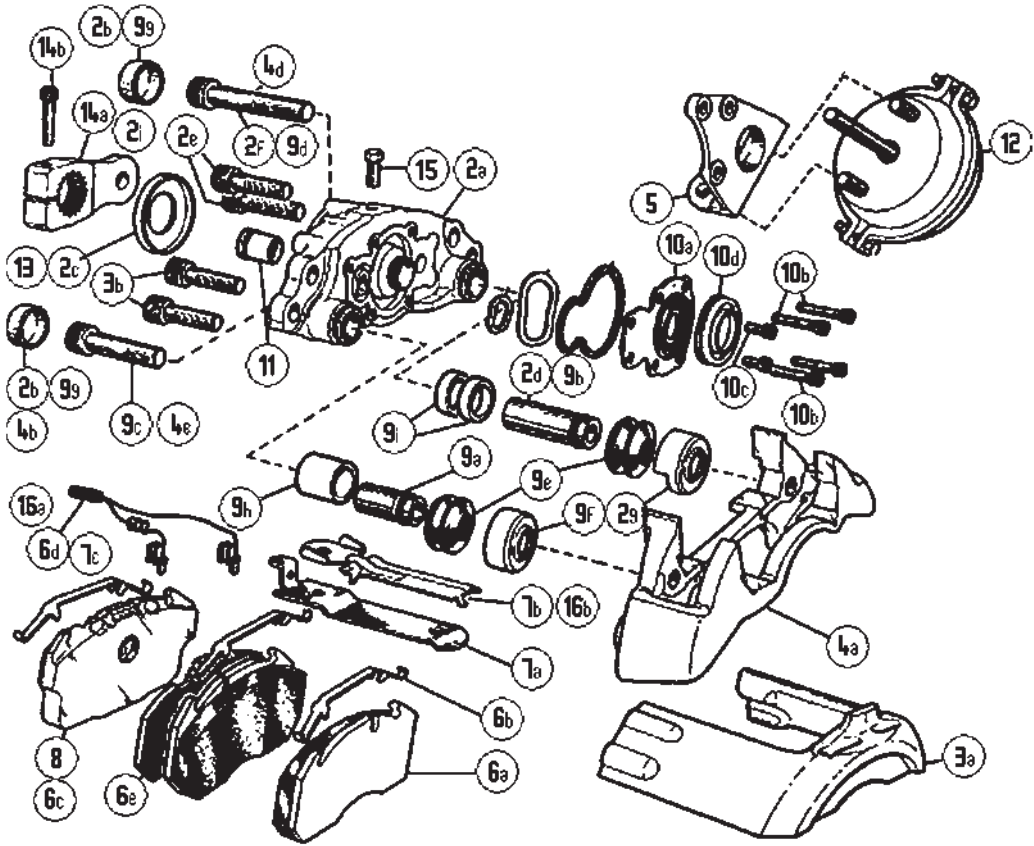


900 & T2100 Coaches MAN Axles 22.5" Wheel Dia.



1/97→12/98

	← LRG524	
	→ LRG525	
	↔ 31932042	③
	↔ BDA107	④
	↔ MDP5038	⑥
	↔ MDP5039	⑥
	↔ SJ4011	⑨
	↔ SJ1212	⑩

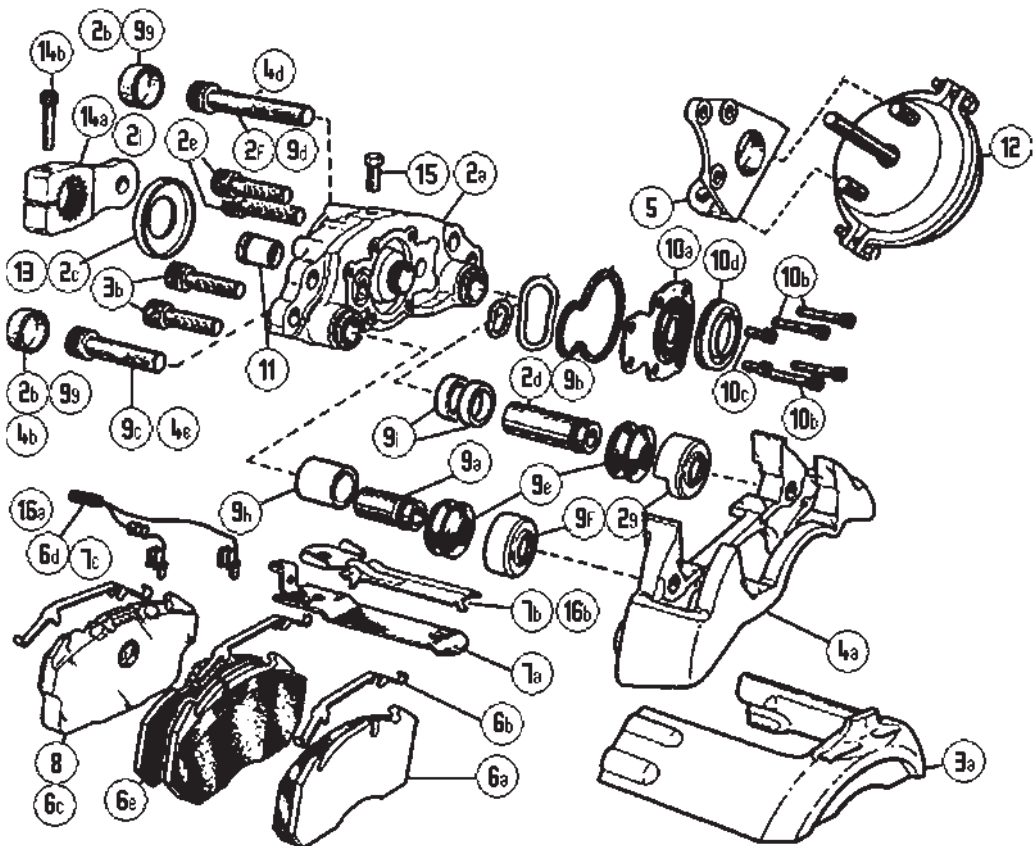


900 & T2100 Coaches MAN Axles 22.5" Wheel Dia.



1/97→12/98

	← LRG524	
	→ LRG525	
	↔ 31932042	③
	↔ BDA107	④
	↔ MDP5038	⑥
	↔ MDP5039	⑥
	↔ SJ4011	⑨
	↔ SJ1212	⑩





VOLVO

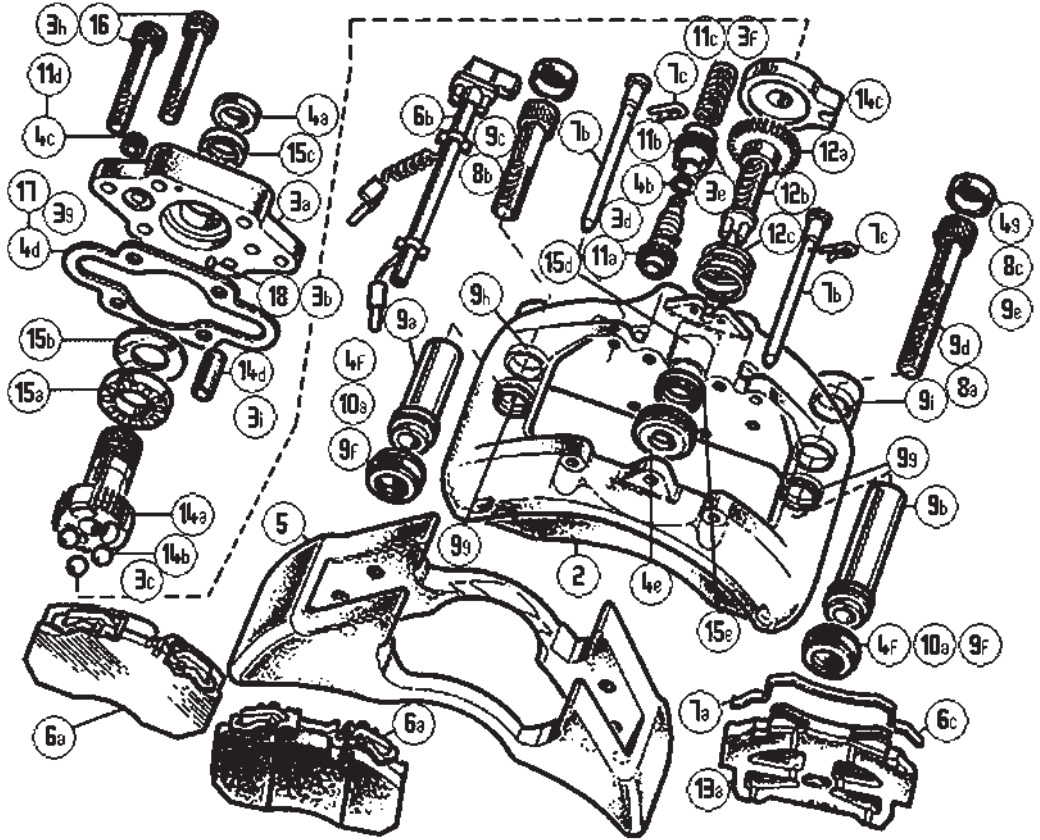


B10B, B10BLE & Olympian Bus 22.5" Wheel Dia.



→05/00

	← LRG592 → LRG593	
	↔ MDP5061	⑥
	↔ SJ4022	⑦
	↔ SJ4076	⑨
	← SJ4113 → SJ4114	⑪
	↔ SJ4077	⑩
	← SJ4073 → SJ4074	⑫
	↔ SJ4021	⑧
	← MCK1021 → MCK1022	⑭
	↔ SJ4031	⑮
	↔ SJ4078	④

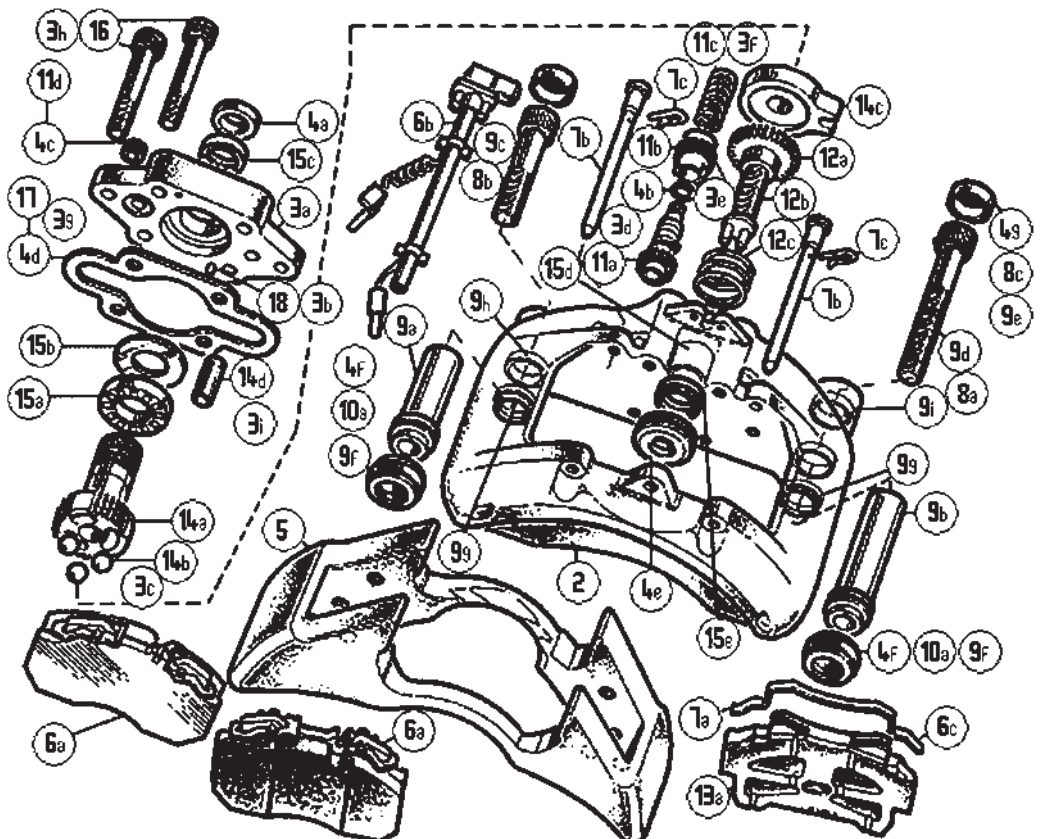


B10L, B10LE Bus 22.5" Wheel Dia.



06/00→

	← LRG592 → LRG593	
	↔ MDP5061	⑥
	↔ SJ4022	⑦
	← MCK1104	⑨
	→ SJ4076	⑨
	← SJ4113 → SJ4114	⑪
	↔ SJ4077	⑩
	← SJ4073 → SJ4074	⑫
	↔ SJ4021	⑧
	← MCK1151 → MCK1152	⑭
	↔ SJ4031	⑮
	↔ SJ4078	④
	← MCK1144 → MCK1145	③





... VOLVO

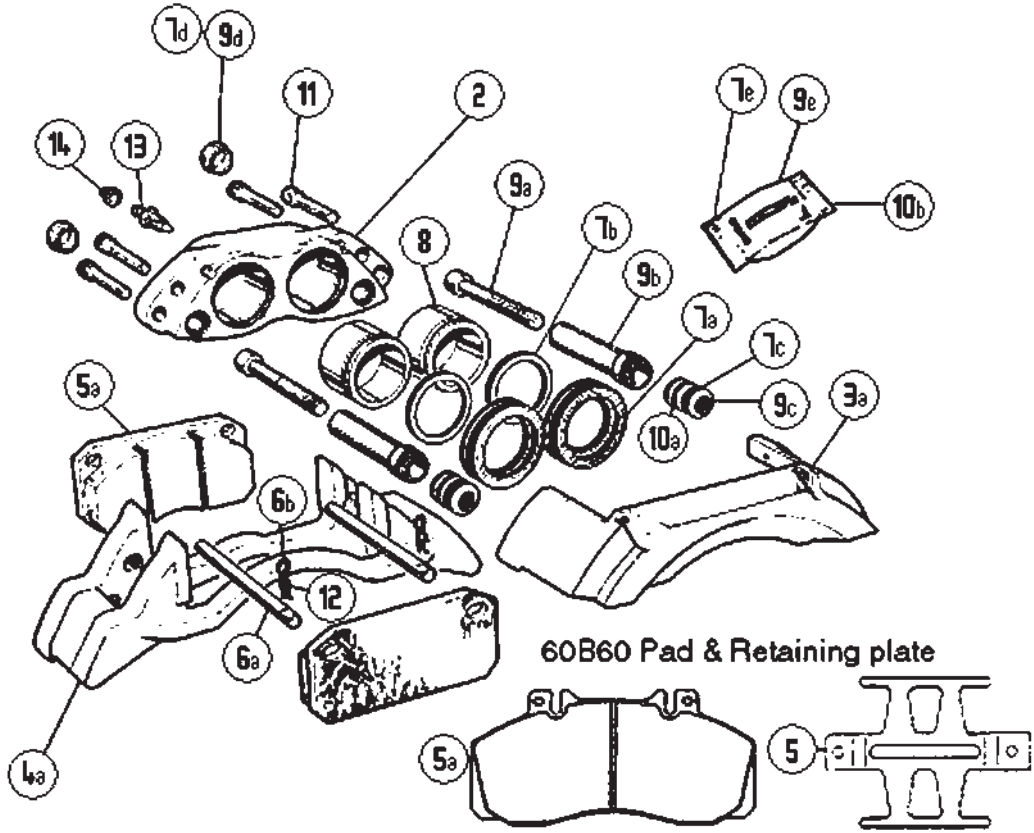


FL4 Range, FL 6 Range 17.5" Wheel Dia.



1/87→2/90

	← LRG502 ¹	
	← LRG504 ²	
	→ LRG503 ¹	
	→ LRG505 ²	
	↔ 68320196	③
	← BDA334	④
	→ BDA335	④
	↔ MDP5429	⑤
	↔ SP8563	⑥
	↔ SP8567	⑦
	↔ SP8564	⑦
	↔ SP8565	⑨
	↔ SP8566	⑩



1: 58mm
2: 68mm



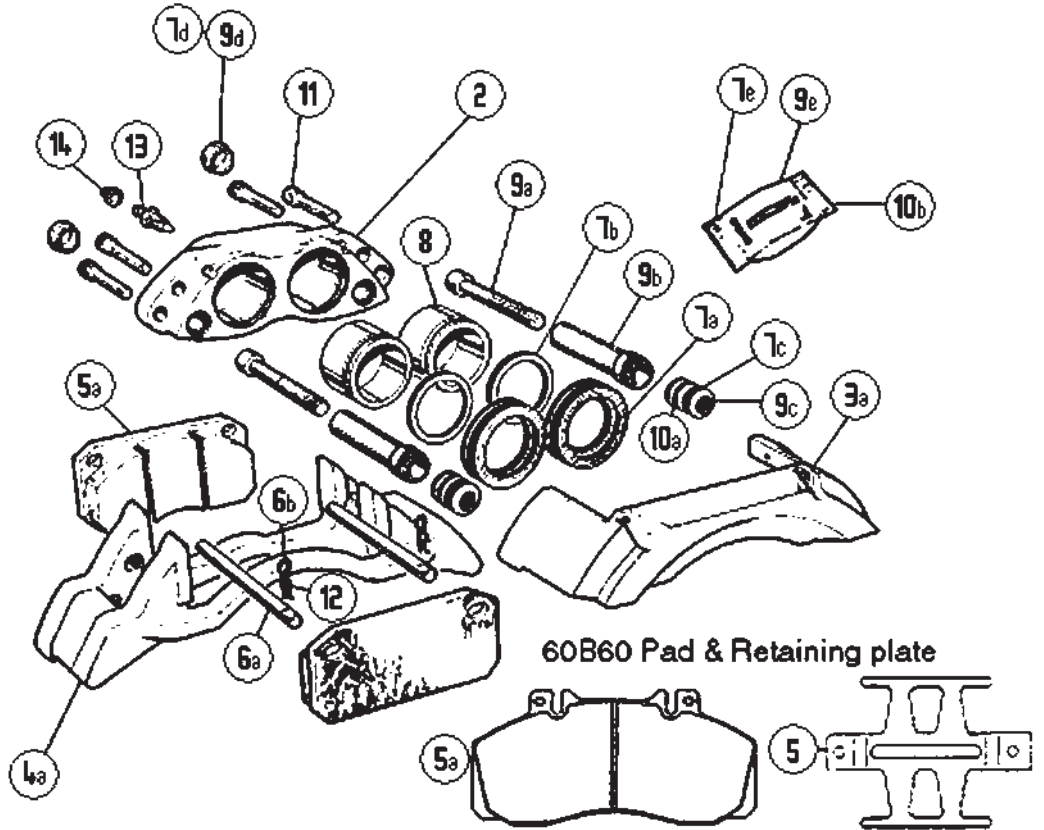
... VOLVO

FL4 Range, FL 6 Range 17.5" Wheel Dia.



3/90→

	← LRG502	
	← 68320196	③
	← BDA334	④
	← MDP5761	⑤
	← SP8563	⑥
	← SP8567	⑦
	← SP8565	⑧
	← SP8566	⑩





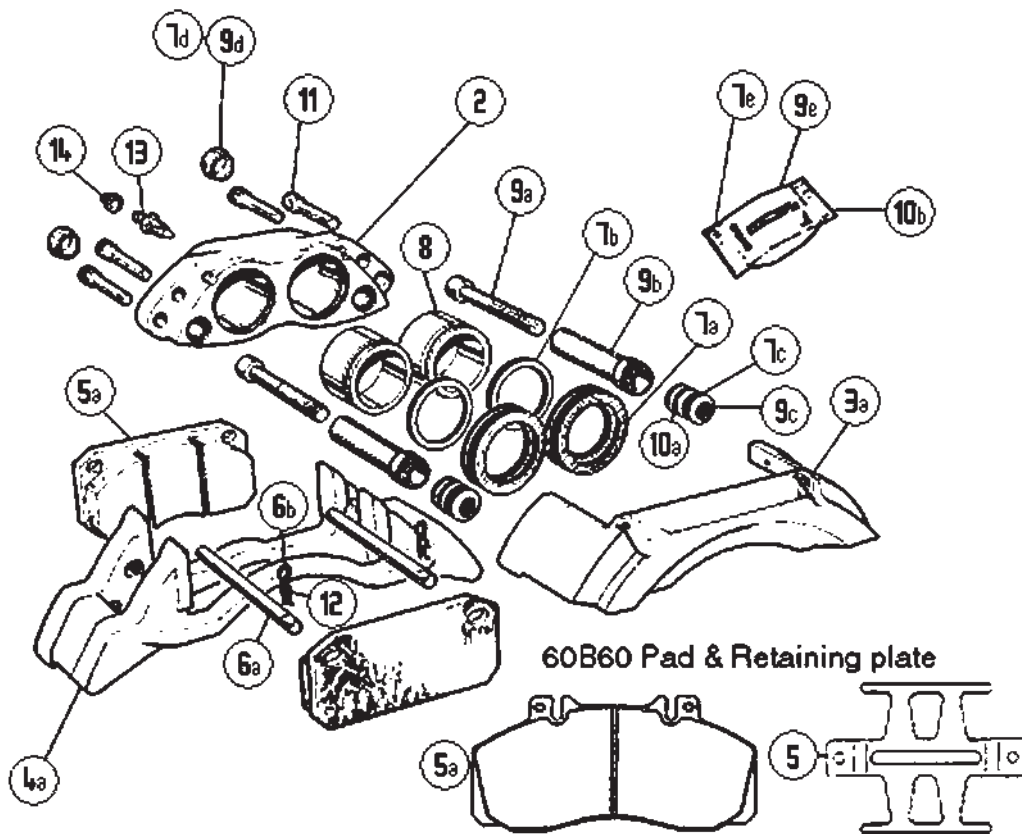
... VOLVO

FL4 Range, FL 6 Range 17.5" Wheel Dia.



3/90→

	← LRG502 ¹	
	← LRG504 ²	
	→ LRG503 ¹	
	→ LRG505 ²	
	↔ 68320196	③
	← BDA334	④
	→ BDA335	④
	↔ MDP5761	⑤
	↔ SP8563	⑥
	↔ SP8564 ²	⑦
	↔ SP8567 ¹	⑦
	↔ SP8565	⑨
	↔ SP8566	⑩



1: 58mm

2: 68mm



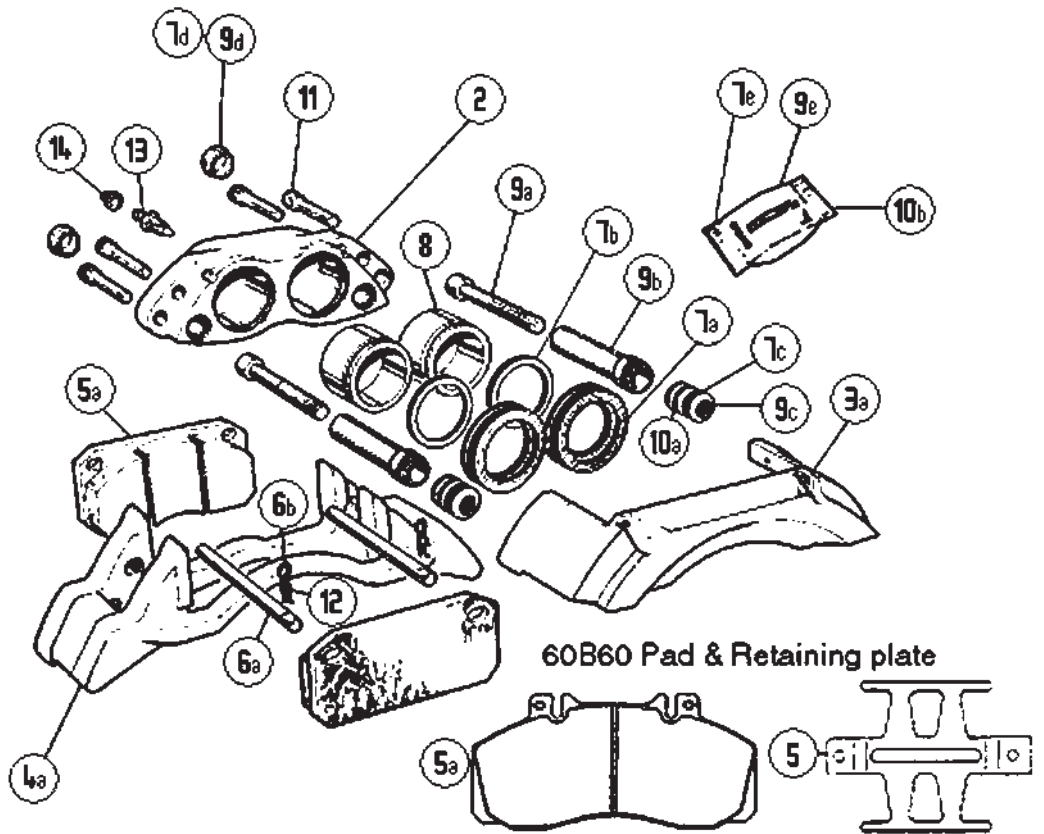
... VOLVO

FL4 Range, FL 6 Range With ABS 17.5" Wheel Dia.



1/87→2/90

	← LRG502 ¹ ← LRG504 ² → LRG503 ¹ → LRG505 ²	
	↔ 68320196	③
	← BDA334 → BDA335	④ ④
	↔ MDP5429	⑤
	↔ SP8563	⑥
	↔ SP8567 ¹ ↔ SP8564 ²	⑦ ⑦
	↔ SP8565	⑧
	↔ SP8566	⑩



1: 58mm
2: 68mm



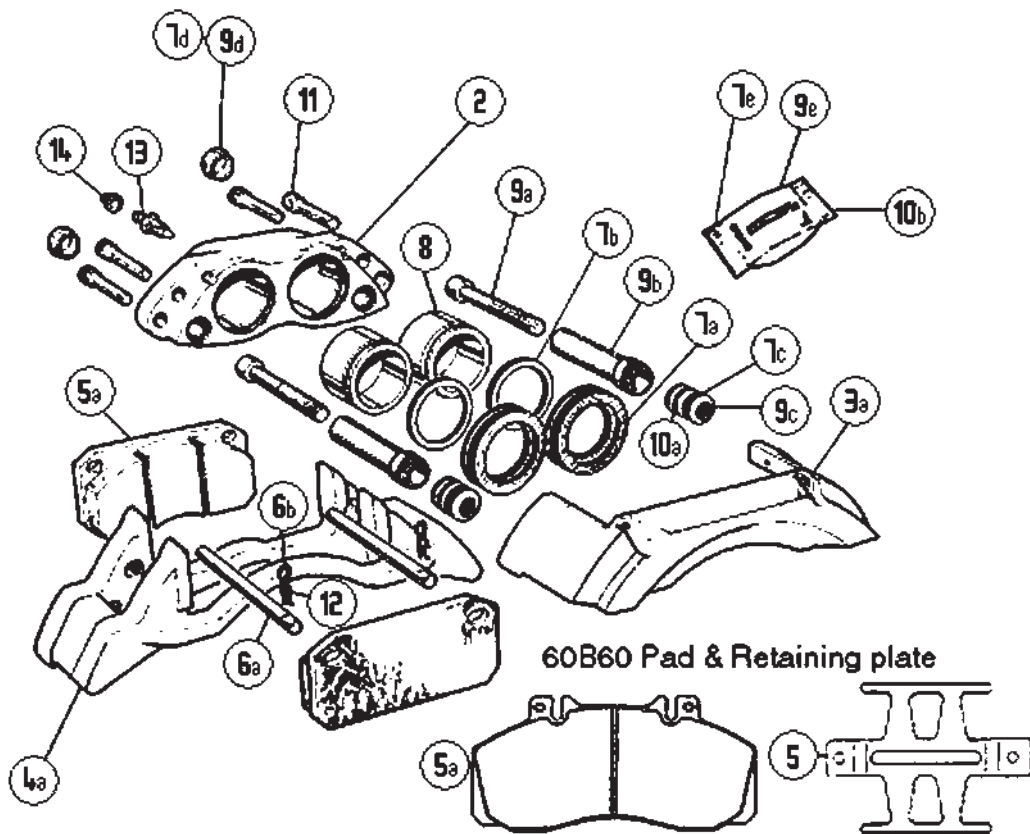
... VOLVO

FL4 Range, FL 6 Range With ABS 17.5" Wheel Dia.



3/90→

	← LRG502 ¹	
	← LRG504 ²	
	→ LRG505 ¹	
	→ LRG503 ²	
	↔ 68320196	③
	← BDA334	④
	→ BDA335	④
	↔ MDP5761	⑤
	↔ SP8563	⑥
	↔ SP8567 ¹	⑦
	↔ SP8564 ²	⑦
	↔ SP8565	⑨
	↔ SP8566	⑩



1: 58mm

2: 68mm



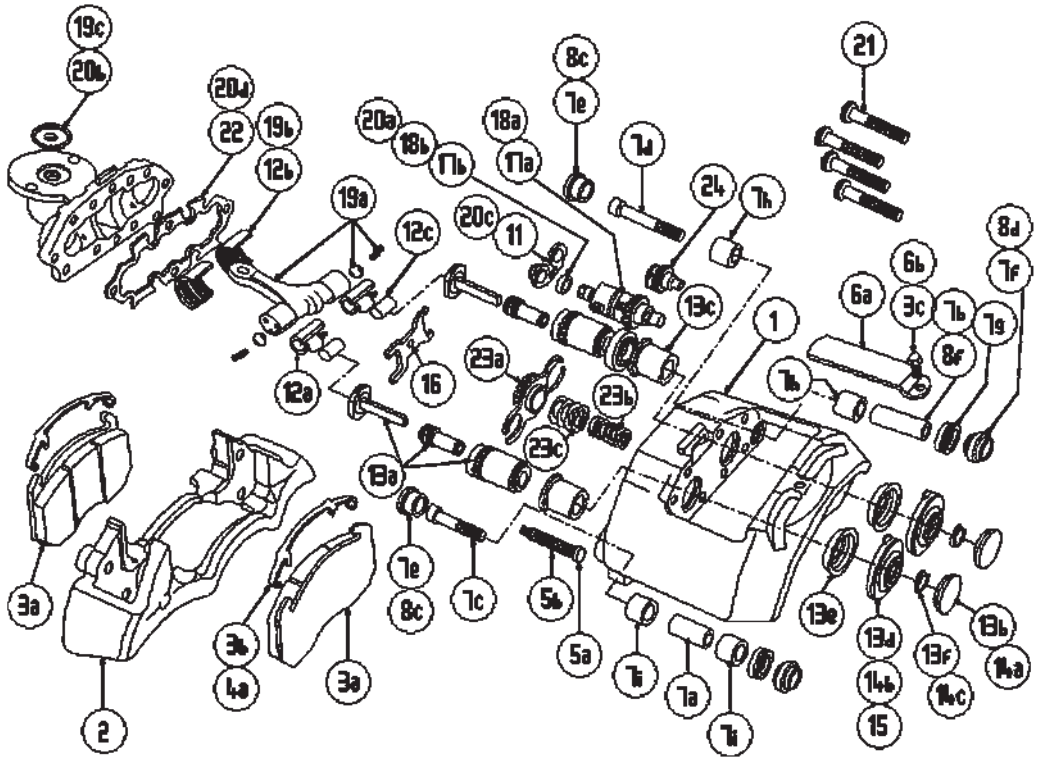
... VOLVO

FM7 Gen 2 (D Duco Radial)



→4/00

	← LRG598 ¹	
	→ LRG599 ²	
	↔ 68322778	②
	↔ MDP5057	③
	↔ SJ4107	⑦
	↔ SJ4110	⑰
	↔ MCK1238	⑭
	↔ MCK1237	⑮
	↔ SJ4108	⑰
	↔ MCK1264	⑥
	↔ SJ4093	④
	↔ SJ4098	⑫
	↔ SJ4109	⑳
	↔ MCK1067	㉓
	↔ MCK1299	⑧



1: 68032580

2: 68032581



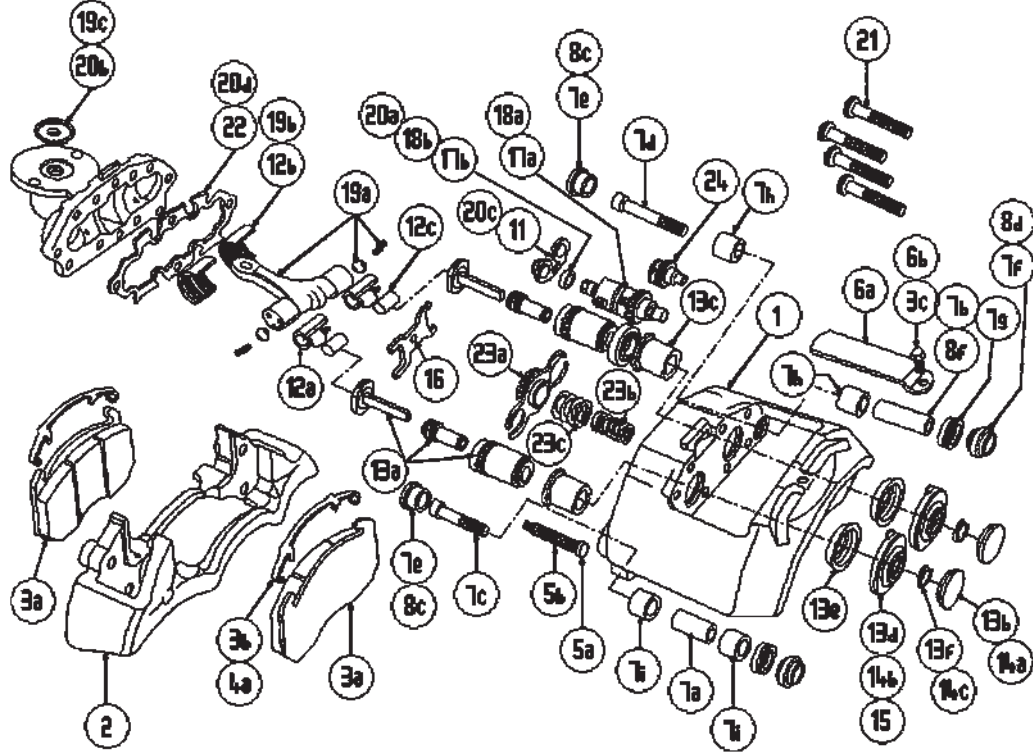
... VOLVO

FM7 Gen 3 (D Duco Radial)



→4/00

	← LRG598 ¹	
	→ LRG599 ²	
	↔ 68322778	②
	↔ MDP5057	③
	↔ SJ4107	⑦
	↔ SJ4110	⑰
	↔ MCK1238	⑱
	↔ MCK1237	⑲
	↔ SJ4108	⑲
	↔ MCK1264	⑥
	↔ SJ4093	④
	↔ SJ4098	⑫
	↔ SJ4109	⑳
	↔ MCK1067	⑳
	↔ MCK1299	⑥



1: 68032580

2: 68032581



... VOLVO

FH16 Gen 2 D Duco Radial) CHID A291152-

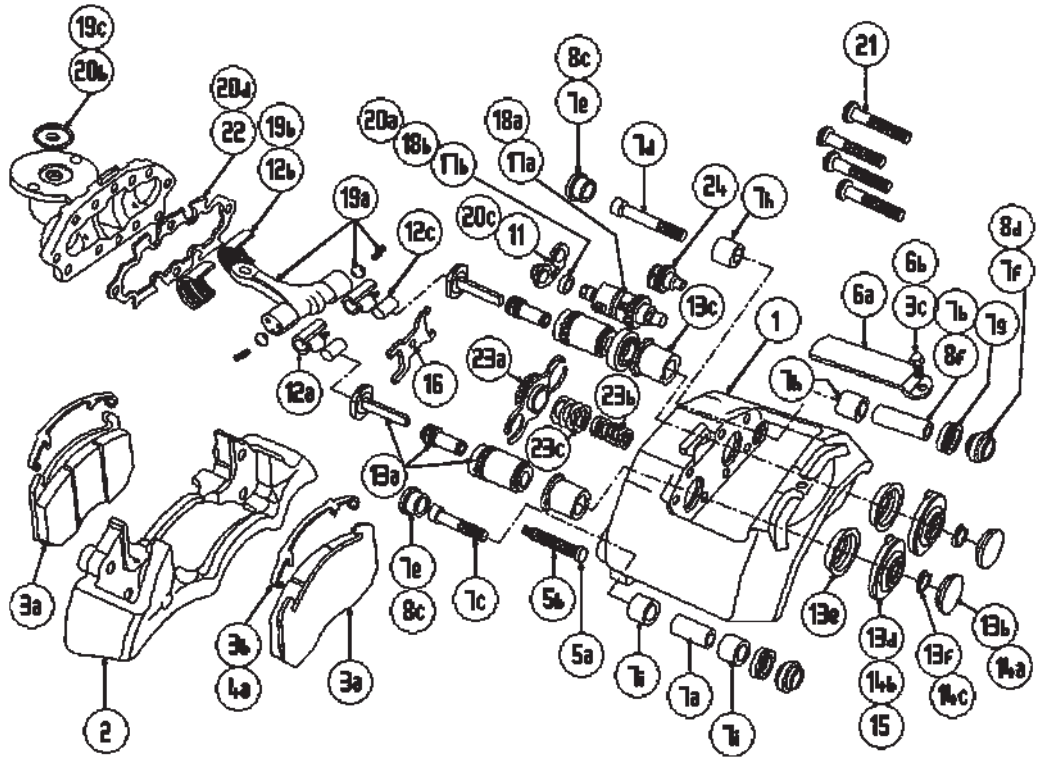


→4/00

	← LRG598 ¹	
	→ LRG599 ²	
	↔ 68322778	②
	↔ MDP5057	③
	↔ SJ4107	⑦
	↔ SJ4110	⑰
	↔ MCK1238	⑭
	↔ MCK1237	⑬
	↔ SJ4108	⑱
	↔ MCK1264	⑥
	↔ SJ4093	④
	↔ SJ4098	⑫
	↔ SJ4109	⑳
	↔ MCK1067	㉓
	↔ MCK1299	⑧

1: 68032580

2: 68032581





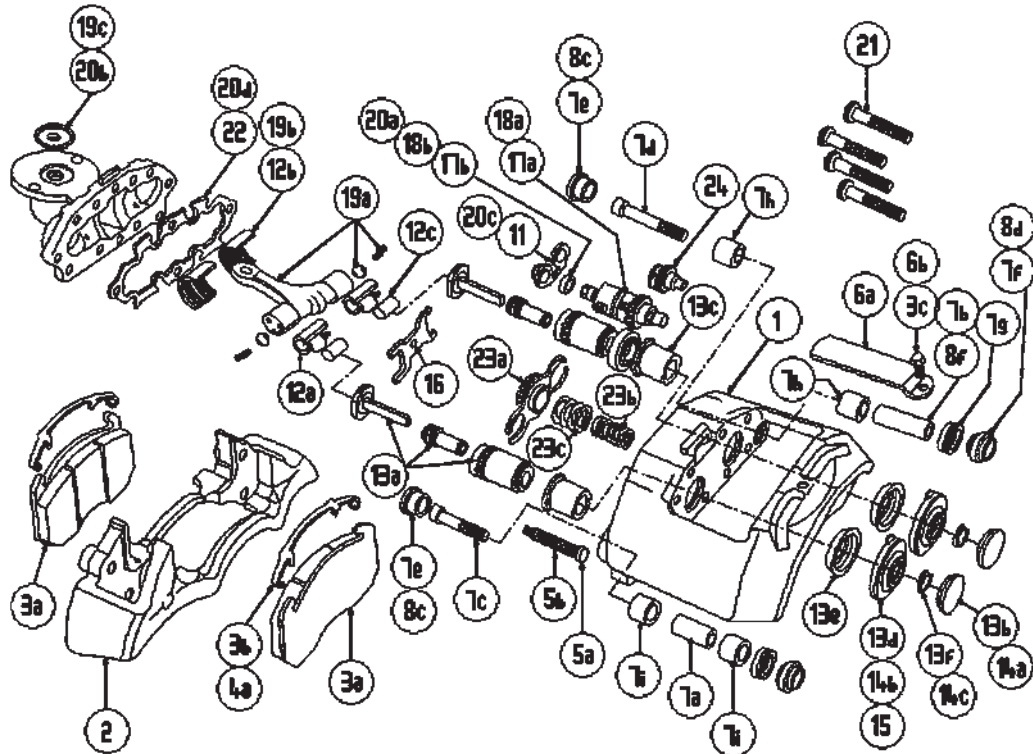
... VOLVO

FM12 Gen 2 (D Duco Radial)



→4/00

	← LRG598 ¹	
	→ LRG599 ²	
	↔ 68322778	②
	↔ MDP5057	③
	↔ SJ4107	⑦
	↔ SJ4110	⑰
	↔ MCK1238	⑱
	↔ MCK1237	⑲
	↔ SJ4108	⑲
	↔ MCK1264	⑥
	↔ SJ4093	④
	↔ SJ4098	⑫
	↔ SJ4109	⑳
	↔ MCK1067	⑳
	↔ MCK1299	⑥



- 1: 68032580
- 2: 68032581
- 3: 68032582
- 4: 68032583



... VOLVO

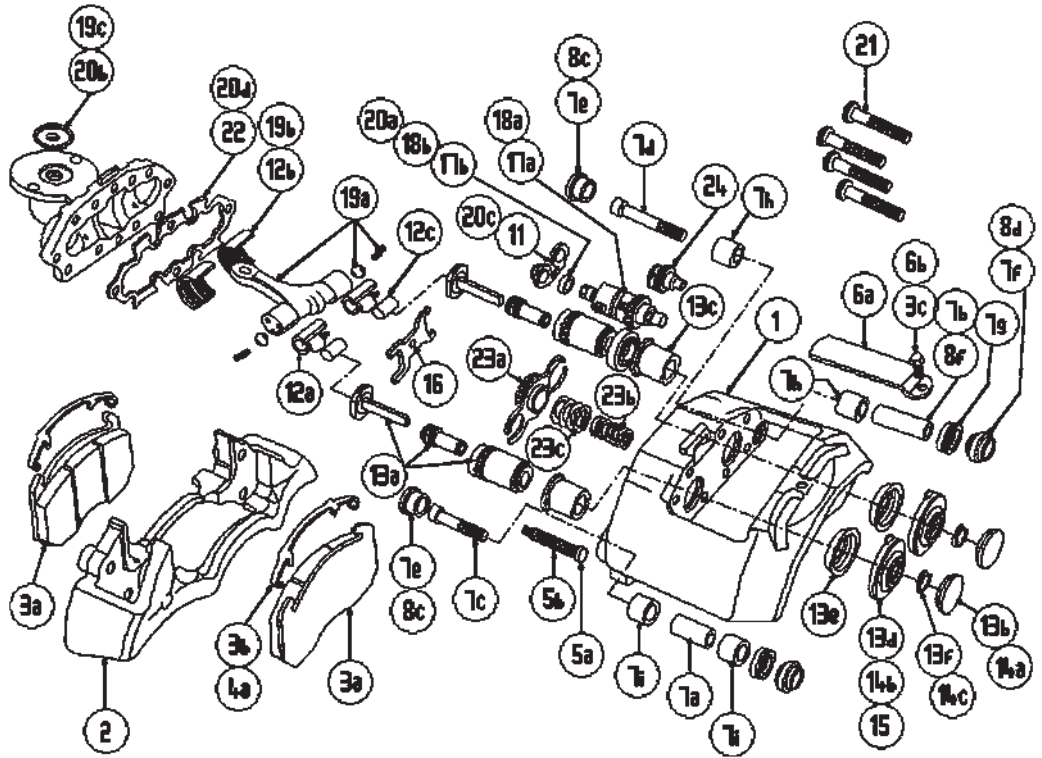
FM12 Gen 2 (D Duco Radial)



→4/00

	← LRG536 ³	
	→ LRG537 ⁴	
	↔ 6832278	②
	↔ MDP5057	③
	↔ SJ4094	⑦
	← SJ4102	⑰
	→ SJ4103	⑰
	↔ MCK1238	⑭
	← MCK1236	⑬
	→ MCK1237	⑬
	← SJ4096	⑲
	→ SJ4097	⑲
	↔ MCK1264	⑥
	↔ SJ4093	④
	↔ SJ4112	⑫
	↔ SJ4105	⑳
	↔ MCK1067	㉓
	↔ MCK1299	⑧

- 1: 68032580
- 2: 68032581
- 3: 68032582
- 4: 68032583





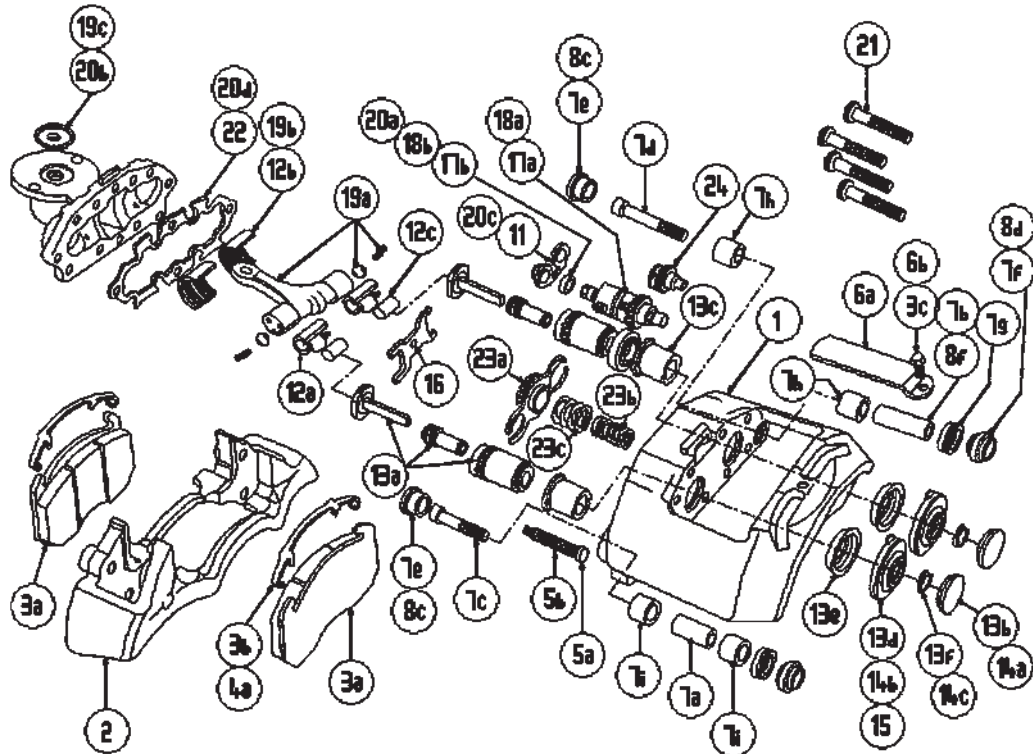
... VOLVO

FM10 Gen 2 (D Duco Radial)



→4/00

	← LRG598 ¹	
	→ LRG599 ²	
	↔ 68322778	②
	↔ MDP5057	③
	↔ SJ4107	⑦
	↔ SJ4110	⑰
	↔ MCK1238	⑱
	↔ MCK1237	⑲
	↔ SJ4108	⑲
	↔ MCK1264	⑥
	↔ SJ4093	④
	↔ SJ4098	⑫
	↔ SJ4109	⑳
	↔ MCK1067	⑳
	↔ MCK1299	⑥



1: 68032580
2: 68032581



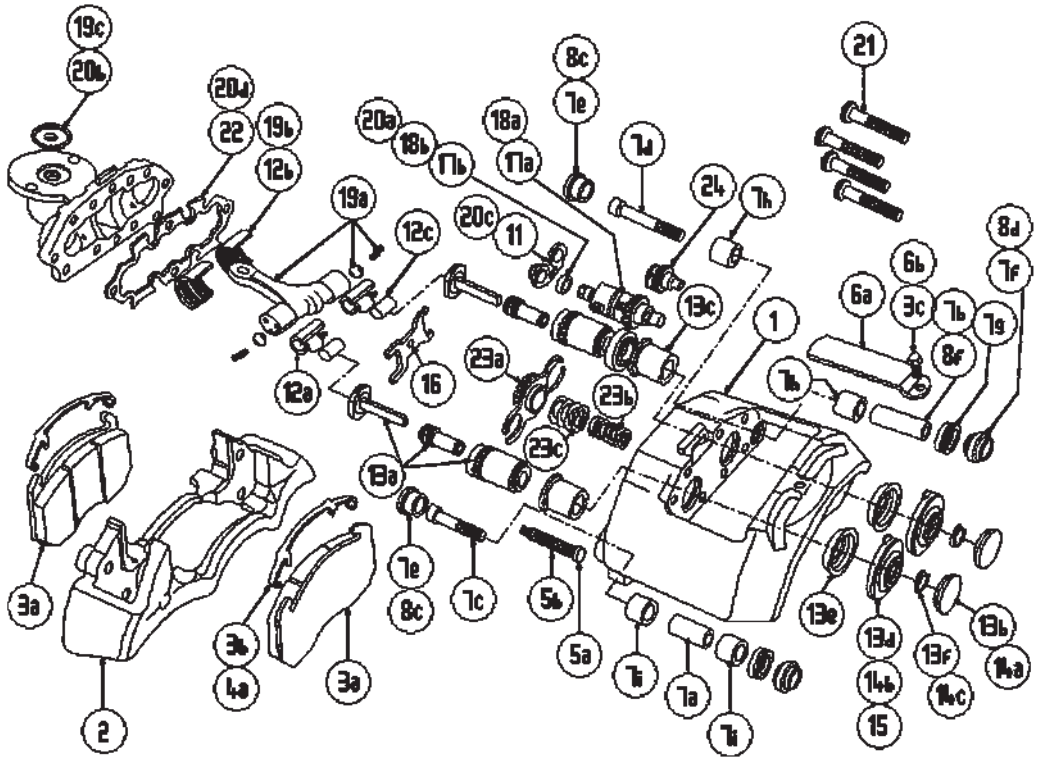
... VOLVO

FH12 Gen 2 (D Duco Radial) CHID A291152-



→4/00

	← LRG598 ¹	
	→ LRG599 ²	
	↔ 68322778	②
	↔ MDP5057	③
	↔ SJ4107	⑦
	↔ SJ4110	⑰
	↔ MCK1238	⑭
	↔ MCK1237	⑮
	↔ SJ4108	⑰
	↔ MCK1264	⑥
	↔ SJ4093	④
	↔ SJ4098	⑫
	↔ SJ4109	⑳
	↔ MCK1067	㉓
	↔ MCK1299	⑧



1: 68032580
2: 68032581

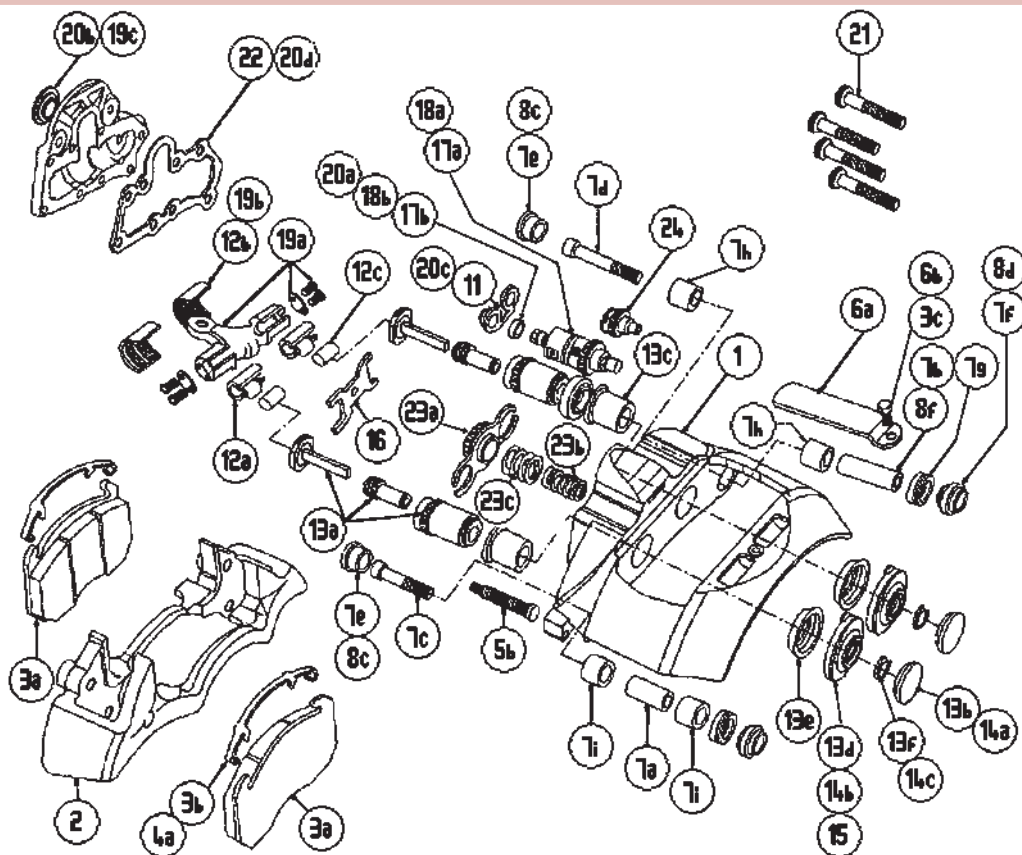


... VOLVO

FM7 Gen 2 (Axial Flip) RAD-L90

→4/00

	← LRG536 ¹	
	→ LRG537 ²	
	↔ 68322778	②
	↔ MDP5057	③
	↔ SJ4094	⑦
	← SJ4102	⑰
	→ SJ4103	⑰
	↔ MCK1238	⑭
	← MCK1236	⑬
	→ MCK1237	⑬
	← SJ4096	⑱
	→ SJ4097	⑱
	↔ MCK1264	⑥
	↔ SJ4093	④
	↔ SJ4112	⑫
	↔ SJ4105	②
	↔ MCK1067	②
	↔ MCK1299	⑥



1: 68032582

2: 68032583



... VOLVO

FH16 Gen 2 (D Duco Axial Flip) RAD-A4, CHID A291152-

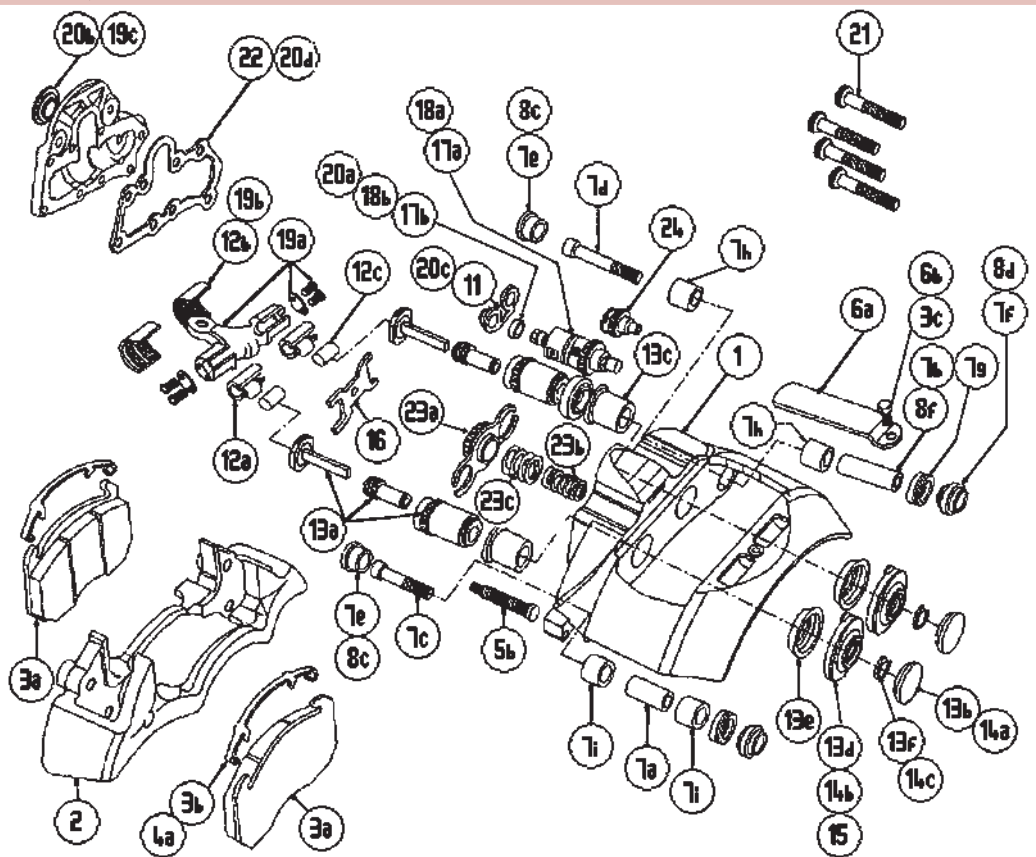


→4/00

	← LRG596 ¹	
	→ LRG597 ²	
	↔ 68322778	②
	↔ MDP5057	③
	↔ SJ4094	⑦
	← SJ4102	⑰
	→ SJ4103	⑰
	↔ MCK1238	⑭
	← MCK1236	⑬
	→ MCK1237	⑬
	← SJ4096	⑲
	→ SJ4097	⑲
	↔ MCK1264	⑥
	↔ SJ4093	④
	↔ SJ4112	⑫
	↔ SJ4105	⑳
	↔ MCK1067	㉓
	↔ MCK1299	⑧

1: 68032584

2: 68032585



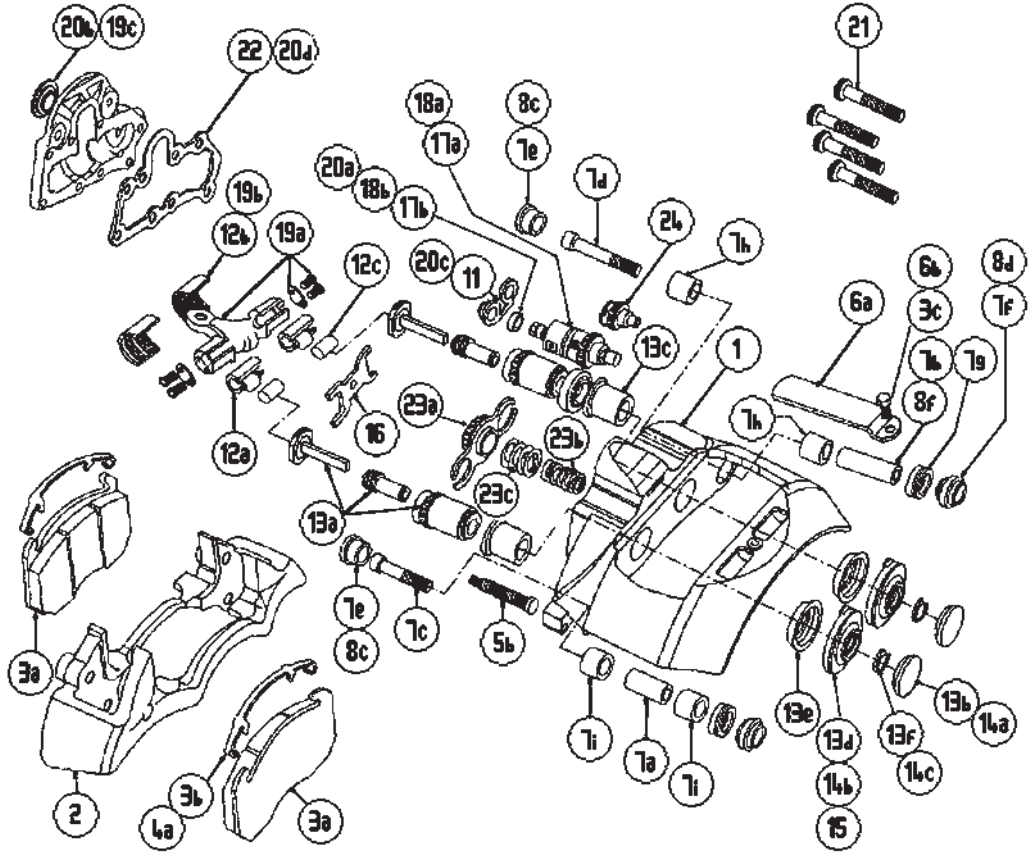


... VOLVO

FH12 Gen 2 (D Duco Axial) RAD-L90, CHID A291152-

→4/00

	← LRG536 ¹	
	→ LRG537 ²	
	↔ 68322778	②
	↔ MDP5057	③
	↔ SJ4094	⑦
	← SJ4102	⑰
	→ SJ4103	⑰
	↔ MCK1238	⑭
	← MCK1236	⑬
	→ MCK1237	⑬
	← SJ4096	⑲
	→ SJ4097	⑲
	↔ MCK1264	⑥
	↔ SJ4093	④
	↔ SJ4112	⑫
	↔ SJ4105	⑩
	↔ MCK1067	⑩
	↔ MCK1299	⑧



1: 68032582

2: 68032583



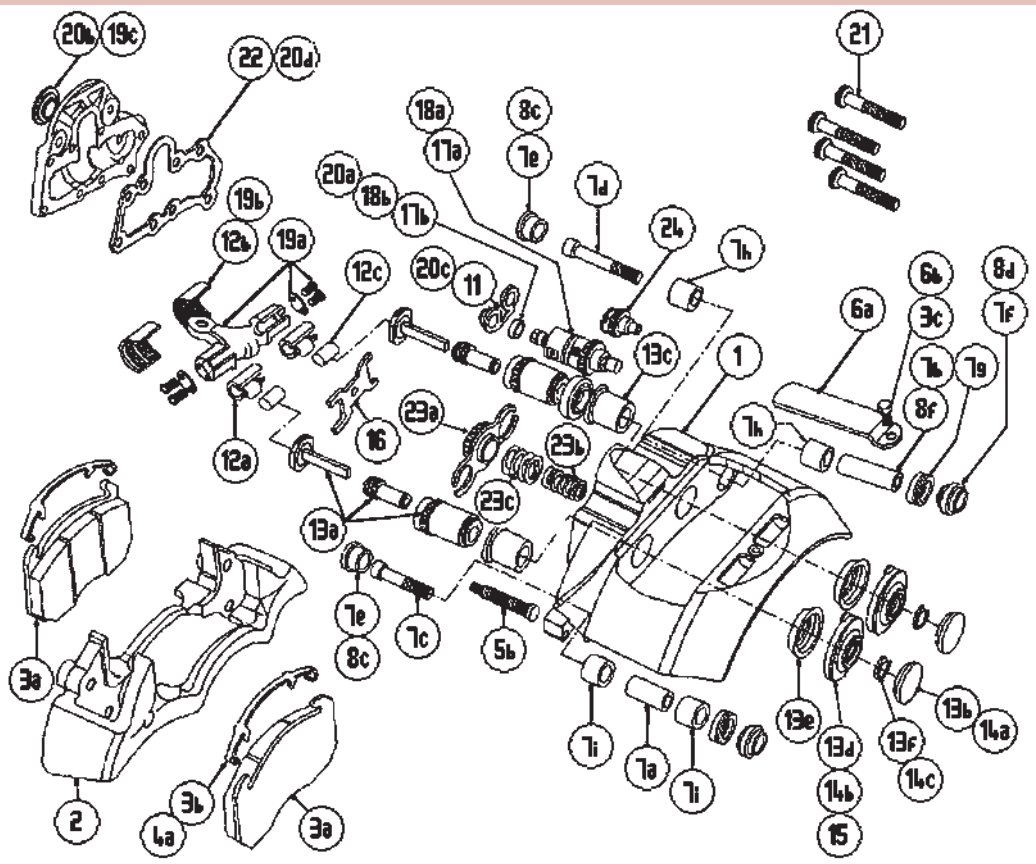
... VOLVO

FM7 Gen 2 (D Duco Axial Flip) RAD-A4



→4/00

	← LRG596 ¹	
	→ LRG597 ²	
	↔ 68322778	②
	↔ MDP5057	③
	↔ SJ4094	⑦
	← SJ4103	⑰
	→ SJ4102	⑰
	↔ MCK1238	⑭
	← MCK1237	⑬
	→ MCK1236	⑬
	← SJ4097	⑲
	→ SJ4096	⑲
	↔ MCK1264	⑥
	↔ SJ4093	④
	↔ SJ4112	⑫
	↔ SJ4105	⑳
	↔ MCK1067	㉓
	↔ MCK1299	⑧



1: 68032584

2: 68032585

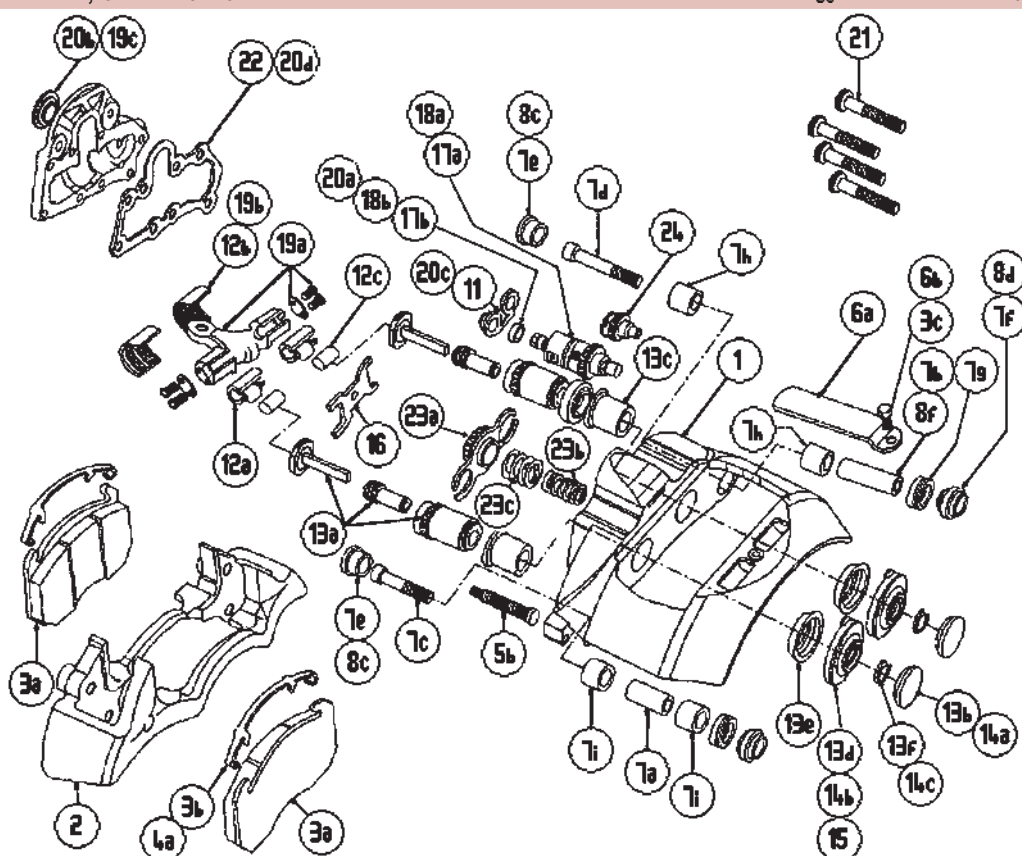


... VOLVO

FH16 Gen 2 (D Duco Axial Flip) RAD-A4, CHID A291152-

→4/00

	← LRG596 ¹	
	→ LRG597 ²	
	↔ 68322778	②
	↔ MDP5057	③
	↔ SJ4094	⑦
	← SJ4103	⑰
	→ SJ4102	⑰
	↔ MCK1238	⑭
	← MCK1237	⑬
	→ MCK1236	⑬
	← SJ4097	⑲
	→ SJ4096	⑲
	↔ MCK1264	⑥
	↔ SJ4093	④
	↔ SJ4112	⑫
	↔ SJ4105	⑩
	↔ MCK1067	⑩
	↔ MCK1299	⑧



1: 68032584
2: 68032585



... VOLVO

FM10 Gen 2 (D Duco Axial Flip) RAD-A4

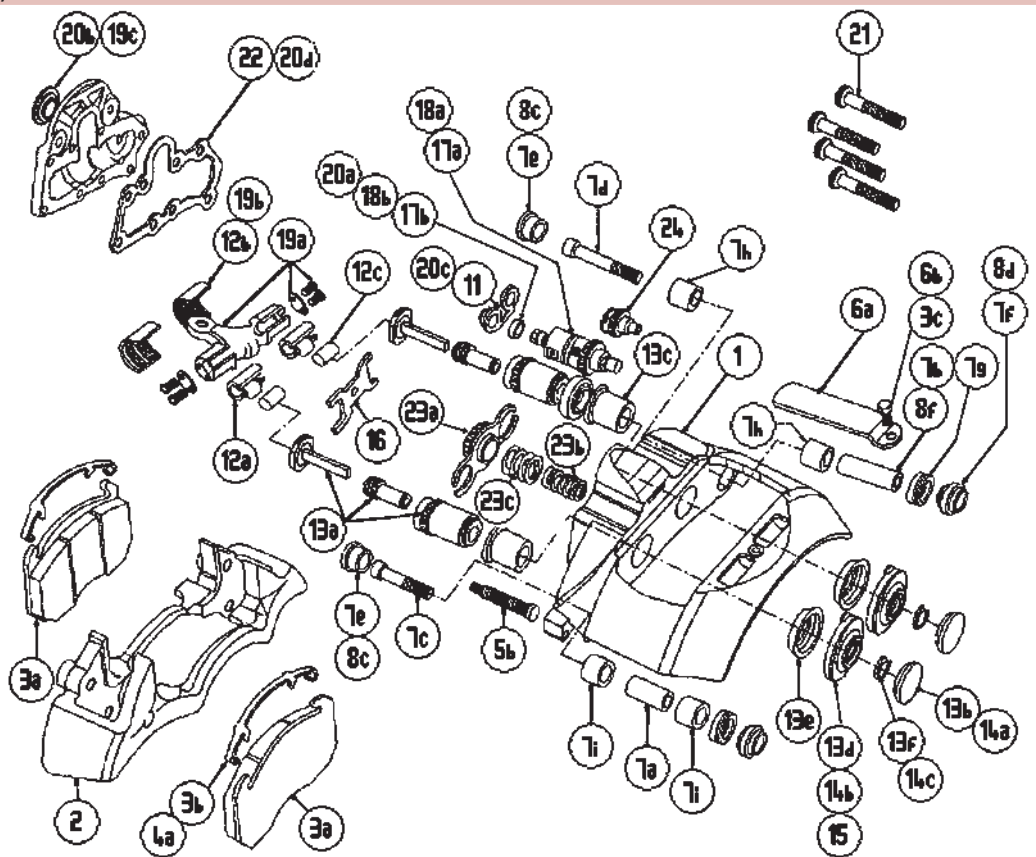


→4/00

	← LRG596 ¹	
	→ LRG597 ²	
	↔ 68322778	②
	↔ MDP5057	③
	↔ SJ4094	⑦
	← SJ4103	⑰
	→ SJ4102	⑰
	↔ MCK1238	⑭
	← MCK1237	⑬
	→ MCK1236	⑬
	← SJ4097	⑲
	→ SJ4096	⑲
	↔ MCK1264	⑥
	↔ SJ4093	④
	↔ SJ4112	⑫
	↔ SJ4105	⑳
	↔ MCK1067	㉓
	↔ MCK1299	⑧

1: 68032584

2: 68032585





... VOLVO

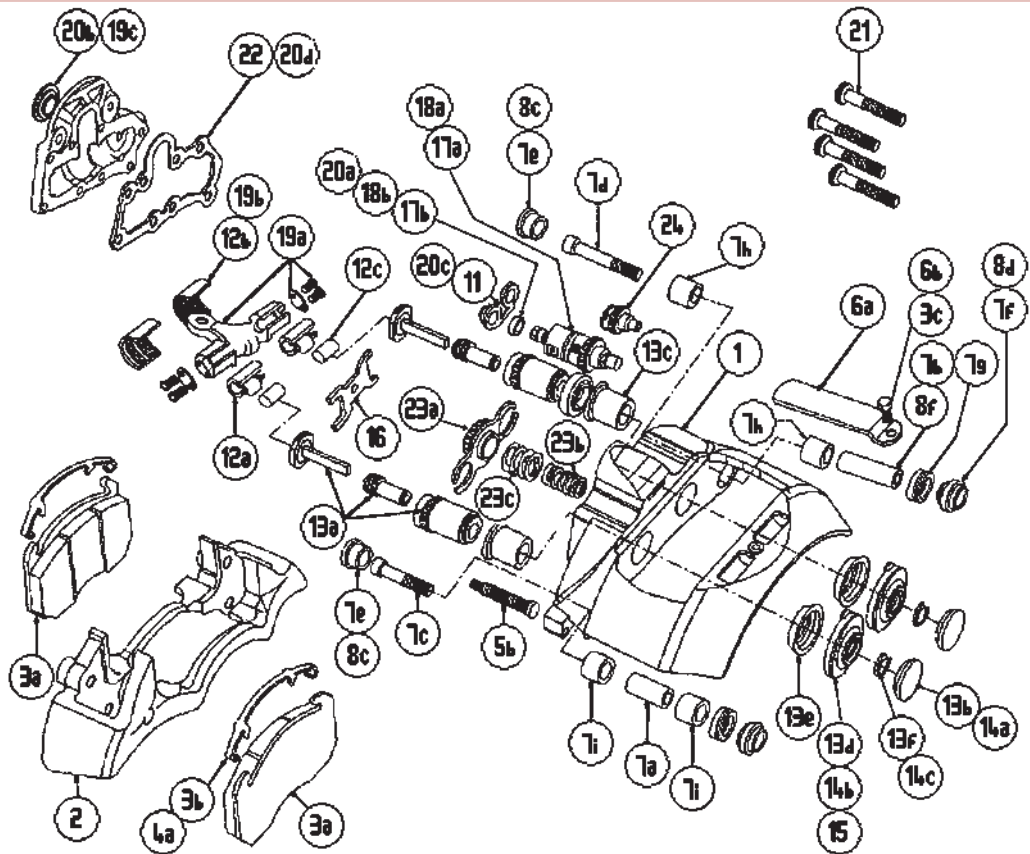
FH12 Gen 2 (D Duco Axial Flip) RAD-A4, CHID A291152-

→4/00

	← LRG596 ¹	
	→ LRG597 ²	
	↔ 68322778	②
	↔ MDP5057	③
	↔ SJ4094	⑦
	← SJ4103	⑰
	→ SJ4102	⑰
	↔ MCK1238	⑭
	← MCK1237	⑬
	→ MCK1236	⑬
	← SJ4097	⑲
	→ SJ4096	⑲
	↔ MCK1264	⑥
	↔ SJ4093	④
	↔ SJ4112	⑫
	↔ SJ4105	⑩
	↔ MCK1067	⑩
	↔ MCK1299	⑧

1: 68032584

2: 68032585





... VOLVO

FM7 Gen 3 (D Duco Radial)

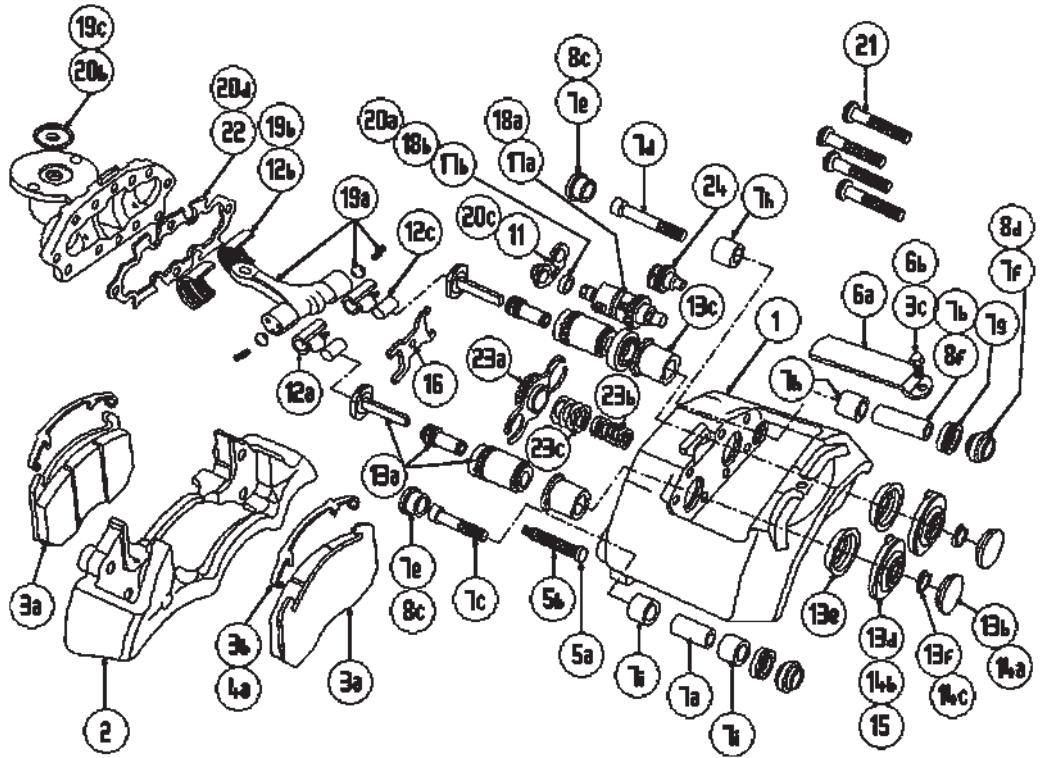


5/00→6/00

	← LRG598 ¹	
	→ LRG599 ²	
	↔ 68322778	②
	↔ MDP5057	③
	↔ MCK1135	⑦
	↔ SJ4110	⑰
	↔ MCK1238	⑭
	↔ MCK1237	⑬
	↔ SJ4108	⑱
	↔ MCK1264	⑥
	↔ SJ4093	④
	↔ SJ4098	⑫
	↔ SJ4109	⑳
	↔ MCK1067	㉓
	↔ MCK1299	⑧

1: 68032862

2: 68032863





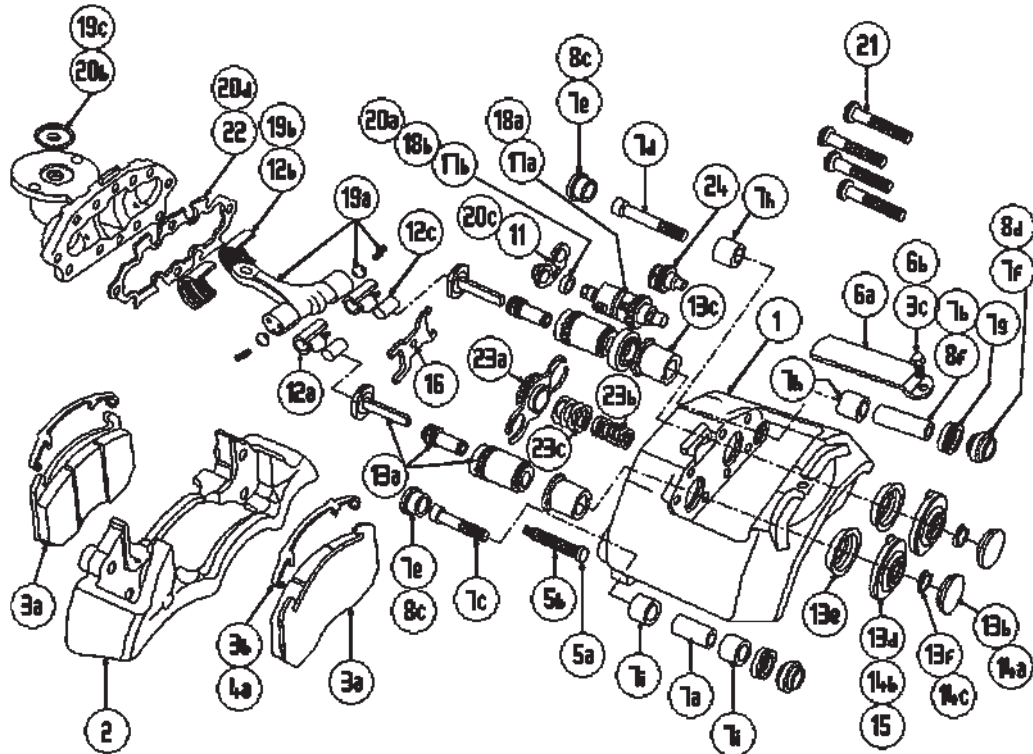
... VOLVO

FH16 Gen 3 (D Duco Radial) CHID A291152-



5/00→6/00

	← LRG598 ¹	
	→ LRG599	
	↔ 68322778	②
	↔ MDP5057	③
	↔ MCK1135	⑦
	↔ SJ4110	⑰
	↔ MCK1238	⑱
	↔ MCK1237	⑲
	↔ SJ4108	⑲
	↔ MCK1264	⑥
	↔ SJ4093	④
	↔ SJ4098	⑫
	↔ SJ4109	⑳
	↔ MCK1067	⑳
	↔ MCK1299	⑥



1: 68032862



... VOLVO

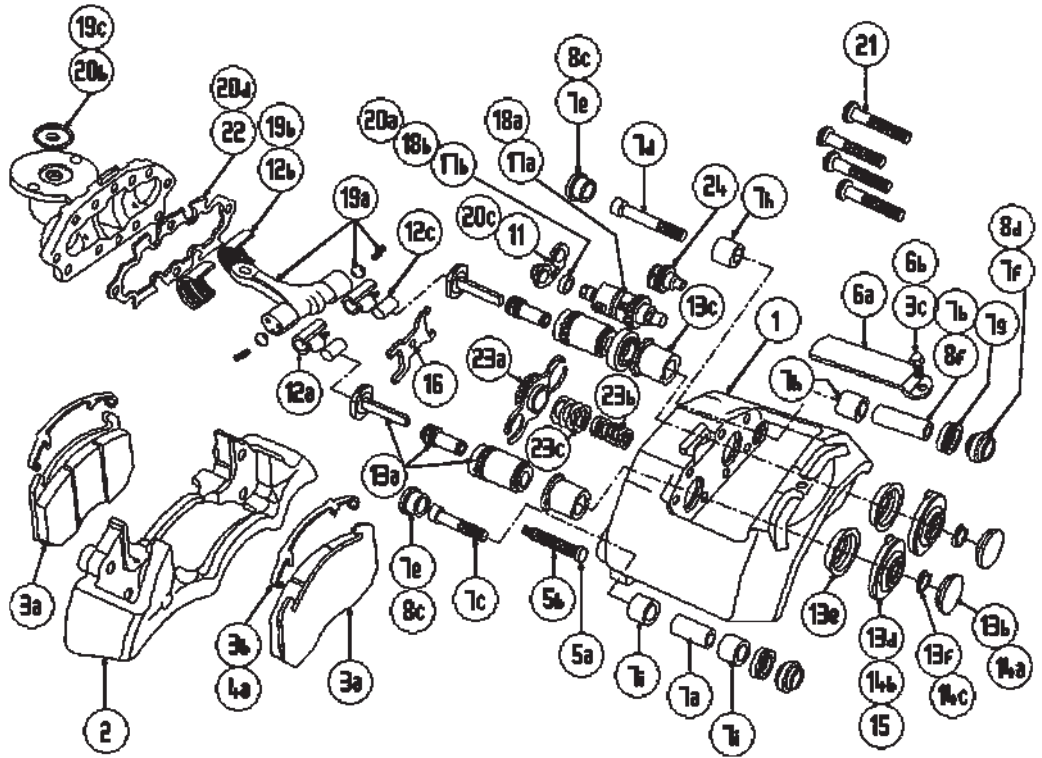
FM12 Gen 3 (D Duco Radial)



5/00→6/00

	← LRG598 ¹	
	→ LRG599 ²	
	↔ 68322778	②
	↔ MDP5057	③
	↔ MCK1135	⑦
	↔ SJ4110	⑰
	↔ MCK1238	⑭
	↔ MCK1237	⑮
	↔ SJ4108	⑲
	↔ MCK1264	⑥
	↔ SJ4093	④
	↔ SJ4098	⑫
	↔ SJ4109	⑳
	↔ MCK1067	㉓
	↔ MCK1299	⑧

- 1: 68032862
- 2: 68032863
- 3: 68032858
- 4: 68032859



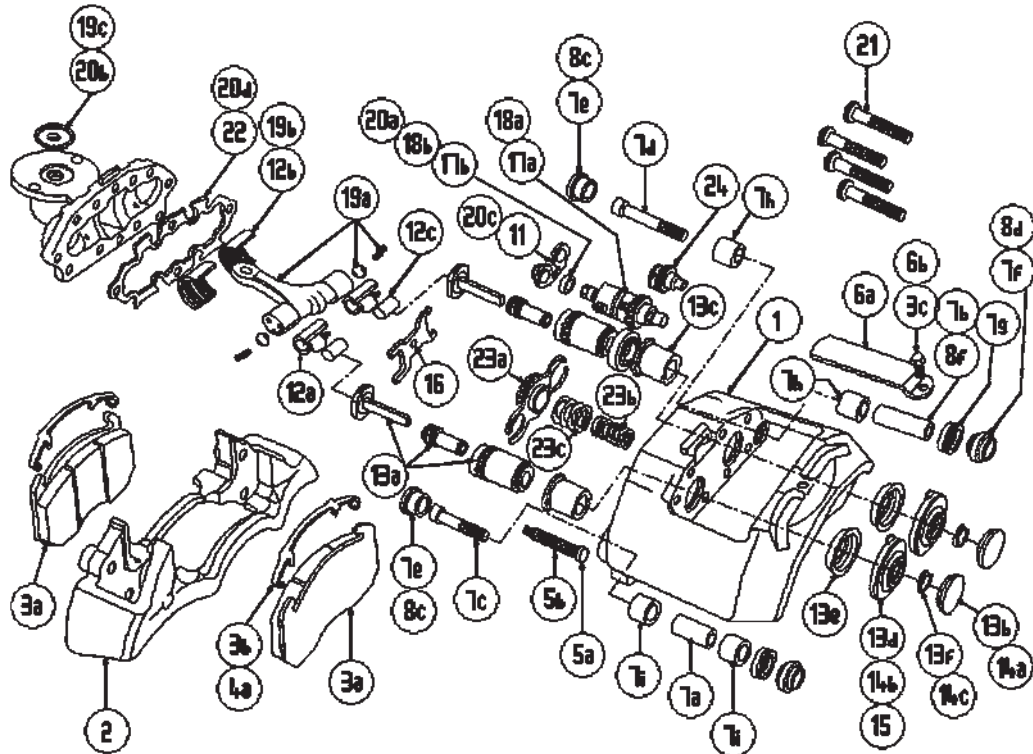


... VOLVO

FM12 Gen 3 (D Duco Radial)

5/00→6/00

	← LRG536³ → LRG537⁴	
	↔ 68322778	②
	↔ MDP5057	③
	↔ MCK1134	⑦
	← SJ4102 → SJ4103	⑰
	↔ MCK1238	⑭
	← MCK1236 → MCK1237	⑮
	← SJ4096 → SJ4097	⑲
	↔ MCK1264	⑥
	↔ SJ4093	④
	↔ SJ4112	⑫
	↔ SJ4105	⑩
	↔ MCK1067	⑩
	↔ MCK1299	⑧



- 1: 68032862
- 2: 68032863
- 3: 68032858
- 4: 68032859



... VOLVO

FM10 Gen 3 (D Duco Radial)

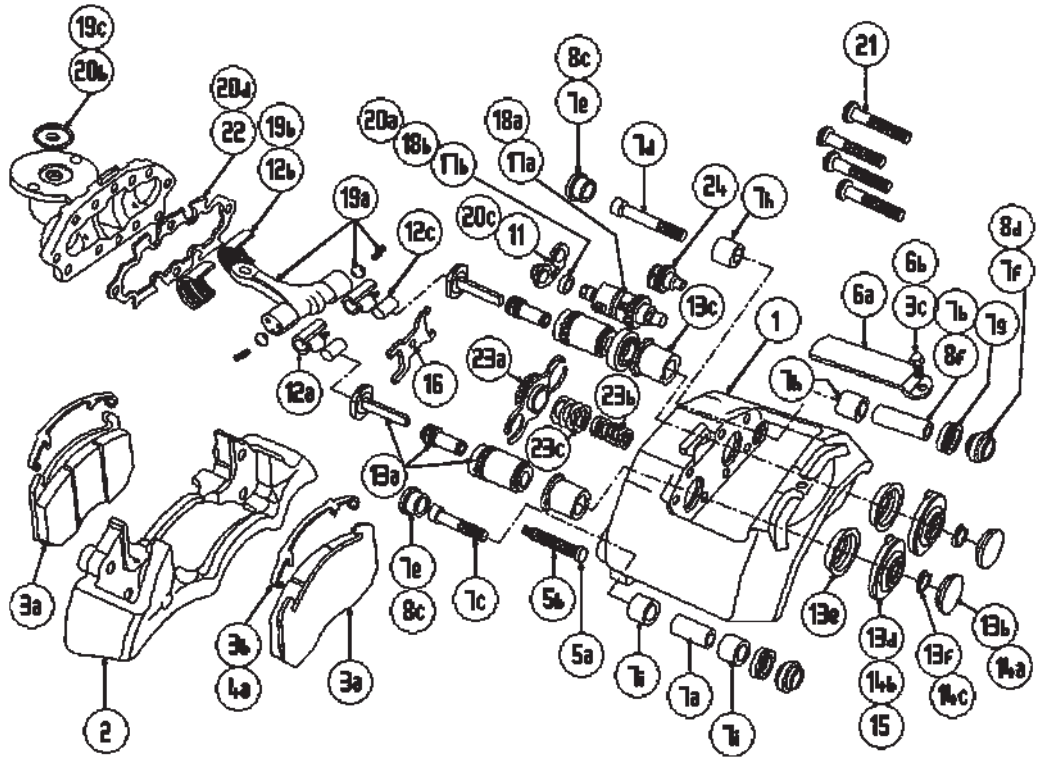


5/00→6/00

	← LRG598 ¹	
	→ LRG599 ²	
	↔ 68322778	②
	↔ MDP5057	③
	↔ MCK1135	⑦
	↔ SJ4110	⑰
	↔ MCK1238	⑭
	↔ MCK1237	⑮
	↔ SJ4108	⑲
	↔ MCK1264	⑥
	↔ SJ4093	④
	↔ SJ4098	⑫
	↔ SJ4109	⑳
	↔ MCK1067	㉓
	↔ MCK1299	⑧

1: 68032862

2: 68032863





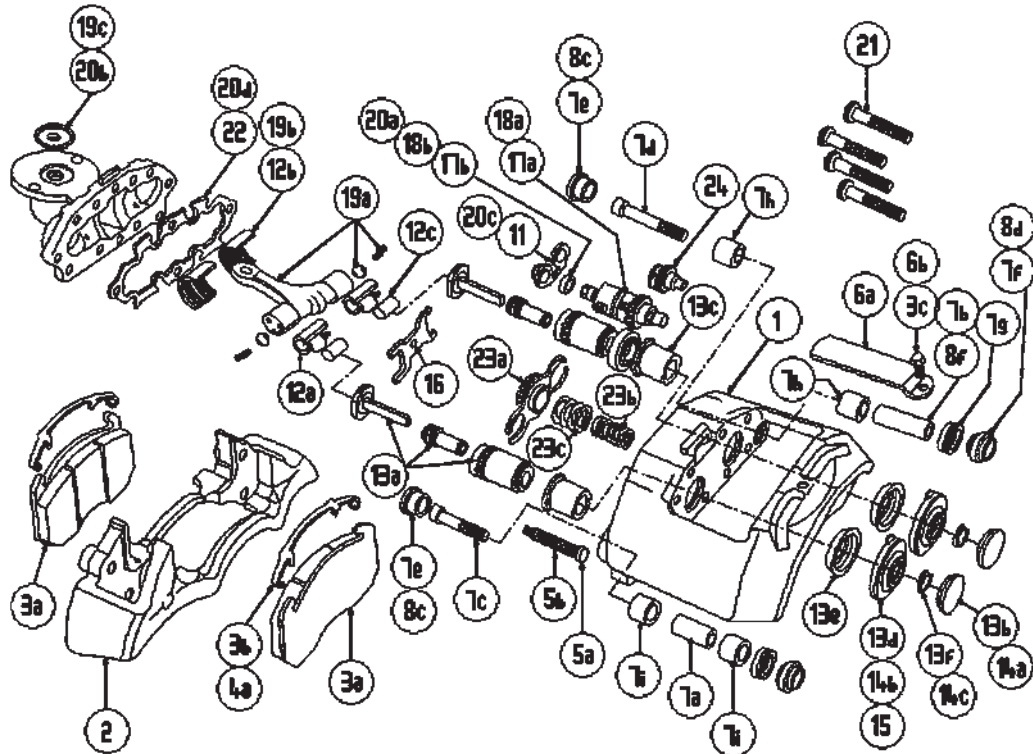
... VOLVO

FH12 Gen 3 (D Duco Radial) CHID A291152-



5/00→6/00

	← LRG598 ¹	
	→ LRG599 ²	
	↔ 68322778	②
	↔ MDP5057	③
	↔ MCK1135	⑦
	↔ SJ4110	⑰
	↔ MCK1238	⑱
	↔ MCK1237	⑲
	↔ SJ4108	⑲
	↔ MCK1264	⑥
	↔ SJ4093	④
	↔ SJ4098	⑫
	↔ SJ4109	⑳
	↔ MCK1067	⑳
	↔ MCK1299	⑥



1: 68032862
2: 68032863



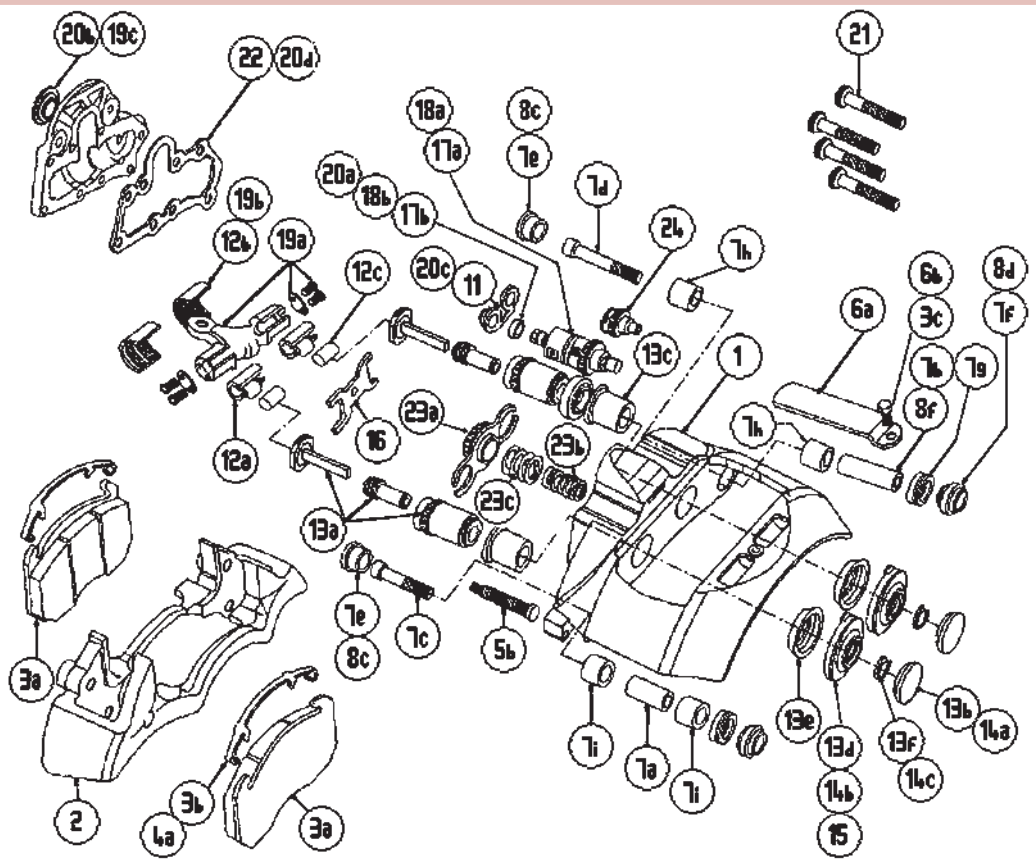
... VOLVO

FM7 Gen 3 (D Duco Axial) RAD-L90



5/00→6/00

	← LRG536 ¹	
	→ LRG537 ²	
	↔ 68322778	②
	↔ MDP5057	③
	↔ MCK1134	⑦
	← SJ4102	⑰
	→ SJ4103	⑰
	↔ MCK1238	⑭
	← MCK1236	⑬
	→ MCK1237	⑬
	← SJ4096	⑲
	→ SJ4097	⑲
	↔ MCK1264	⑥
	↔ SJ4093	④
	↔ SJ4112	⑫
	↔ SJ4105	⑳
	↔ MCK1067	㉓
	↔ MCK1299	⑧



1: 68032858

2: 68032859



... VOLVO

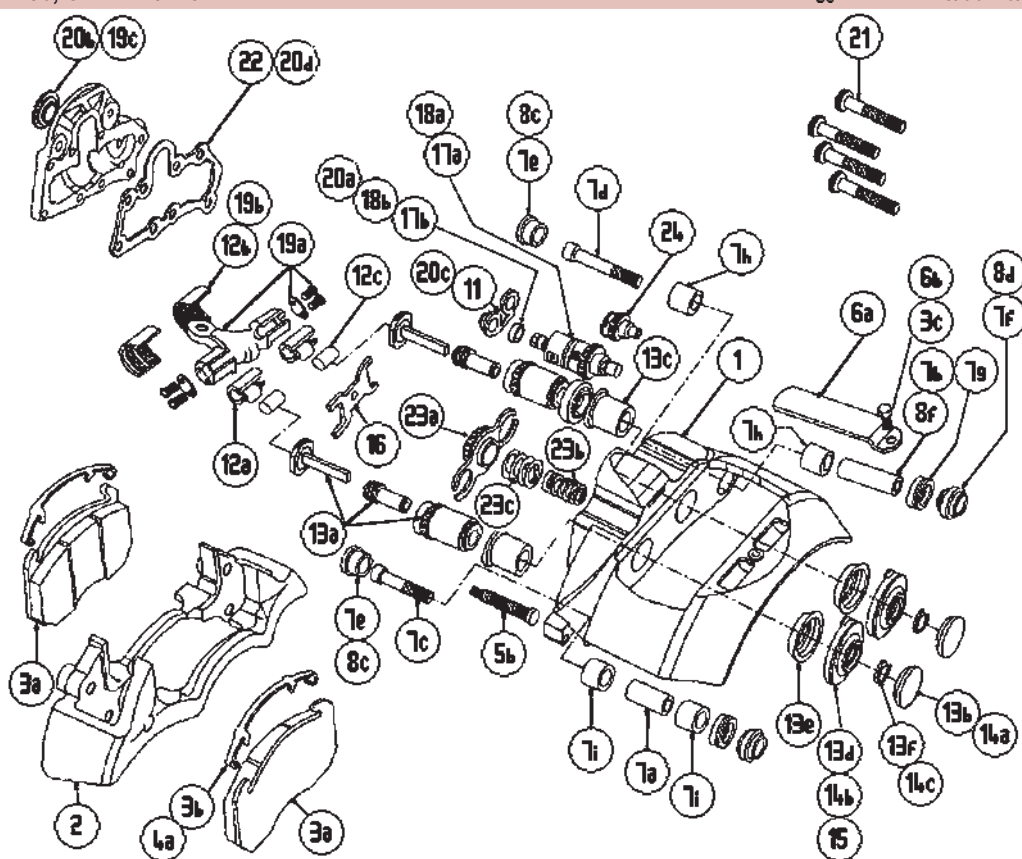
FH16 Gen 3 (D Duco Axial) RAD-L90, CHID A291152-

5/00→6/00

	← LRG536 ¹	
	→ LRG537 ²	
	↔ 68322778	②
	↔ MDP5057	③
	↔ MCK1134	⑦
	← SJ4102	⑰
	→ SJ4103	⑰
	↔ MCK1238	⑭
	← MCK1236	⑬
	→ MCK1237	⑬
	← SJ4096	⑲
	→ SJ4097	⑲
	↔ MCK1264	⑥
	↔ SJ4093	④
	↔ SJ4112	⑫
	↔ SJ4105	⑩
	↔ MCK1067	⑩
	↔ MCK1299	⑧

1: 68032858

2: 68032859





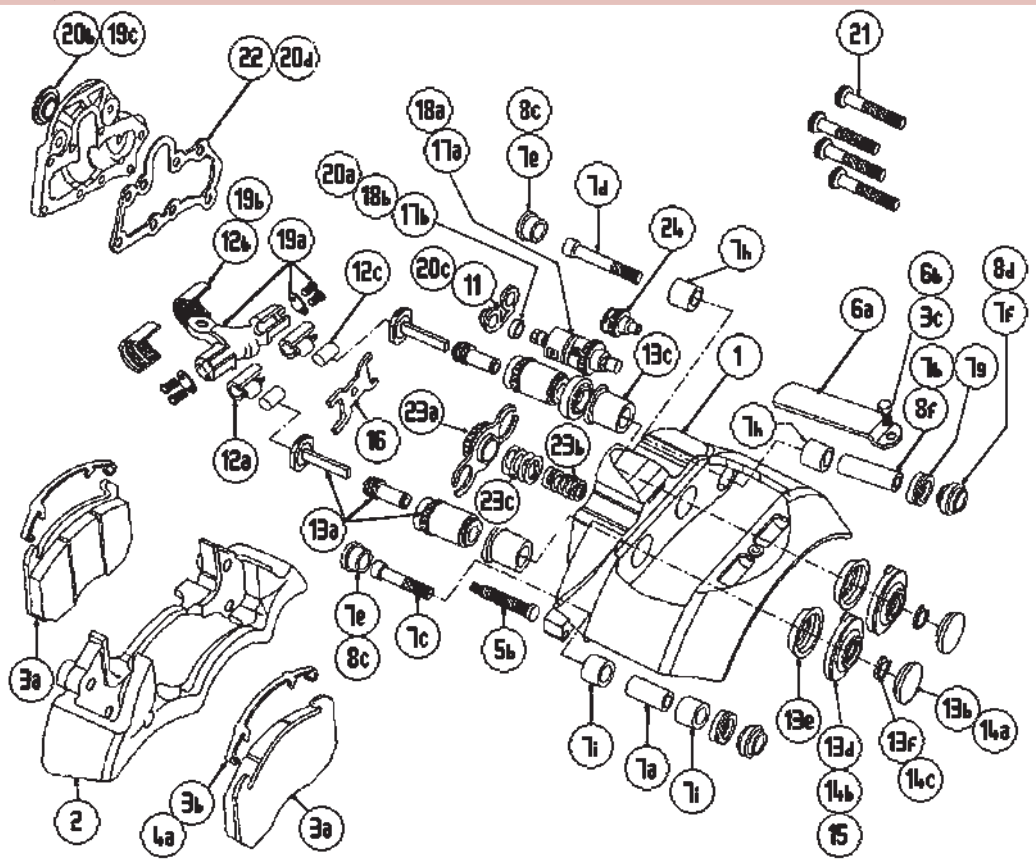
... VOLVO

FH12 Gen 3 (D Duco Axial) RAD-L90, CHID A291152-



5/00→6/00

	← LRG536 ¹	
	→ LRG537 ²	
	↔ 68322778	②
	↔ MDP5057	③
	↔ MCK1134	⑦
	← SJ4102	⑰
	→ SJ4103	⑰
	↔ MCK1238	⑭
	← MCK1236	⑬
	→ MCK1237	⑬
	← SJ4096	⑲
	→ SJ4097	⑲
	↔ MCK1264	⑥
	↔ SJ4093	④
	↔ SJ4112	⑫
	↔ SJ4105	⑳
	↔ MCK1067	㉓
	↔ MCK1299	⑧



1: 68032858

2: 68032859



... VOLVO

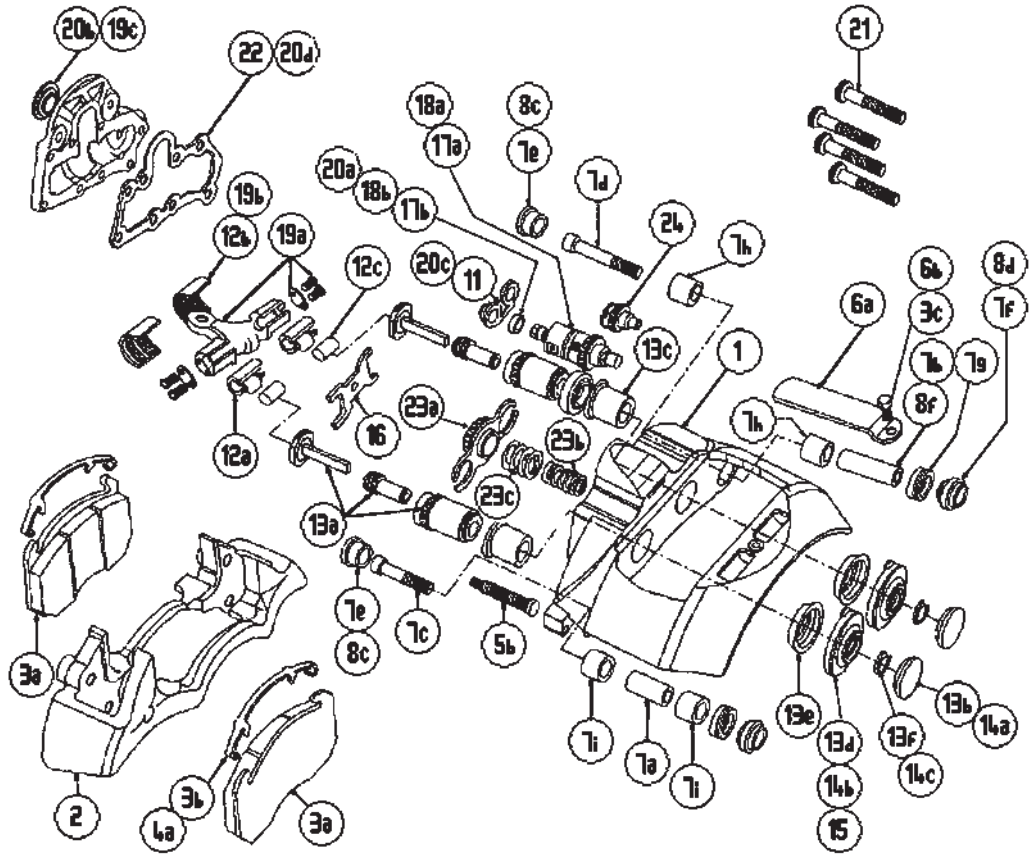
FM7 Gen 3 (D Duco Axial Flip) Rad-A4

5/00→6/00

	← LRG596 ¹	
	→ LRG597 ²	
	↔ 68322778	②
	↔ MDP5057	③
	↔ MCK1134	⑦
	← SJ4103	⑰
	→ SJ4102	⑰
	↔ MCK1238	⑭
	← MCK1237	⑬
	→ MCK1236	⑬
	← SJ4097	⑲
	→ SJ4096	⑲
	↔ MCK1264	⑥
	↔ SJ4093	④
	↔ SJ4112	⑫
	↔ SJ4105	⑩
	↔ MCK1067	⑩
	↔ MCK1299	⑧

1: 68032860

2: 68032861





... VOLVO

FH16 Gen 3 (D Duco Axial Flip) RAD-A4, CHID A291152-

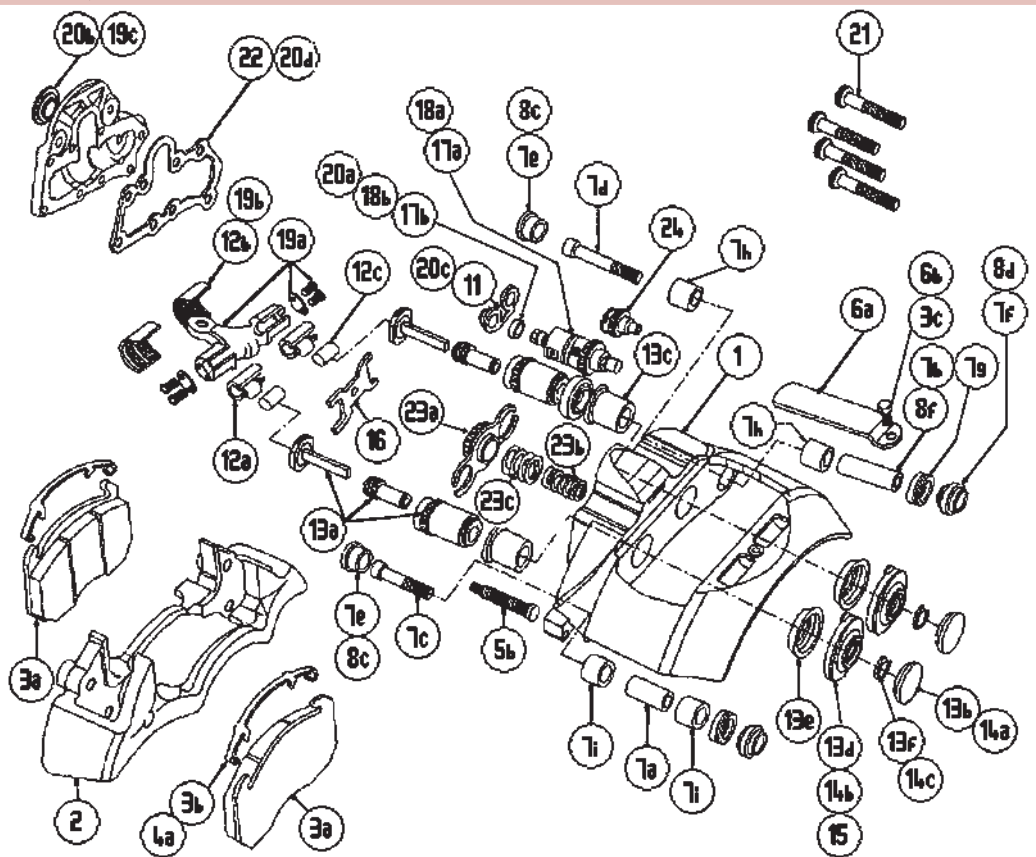


5/00→6/00

	← LRG596 ¹	
	→ LRG597 ²	
	↔ 68322778	②
	↔ MDP5057	③
	↔ MCK1134	⑦
	← SJ4103	⑰
	→ SJ4102	⑰
	↔ MCK1238	⑭
	← MCK1237	⑬
	→ MCK1236	⑬
	← SJ4097	⑲
	→ SJ4096	⑲
	↔ MCK1264	⑥
	↔ SJ4093	④
	↔ SJ4112	⑫
	↔ SJ4105	⑳
	↔ MCK1067	㉓
	↔ MCK1299	⑧

1: 68032860

2: 68032861





... VOLVO

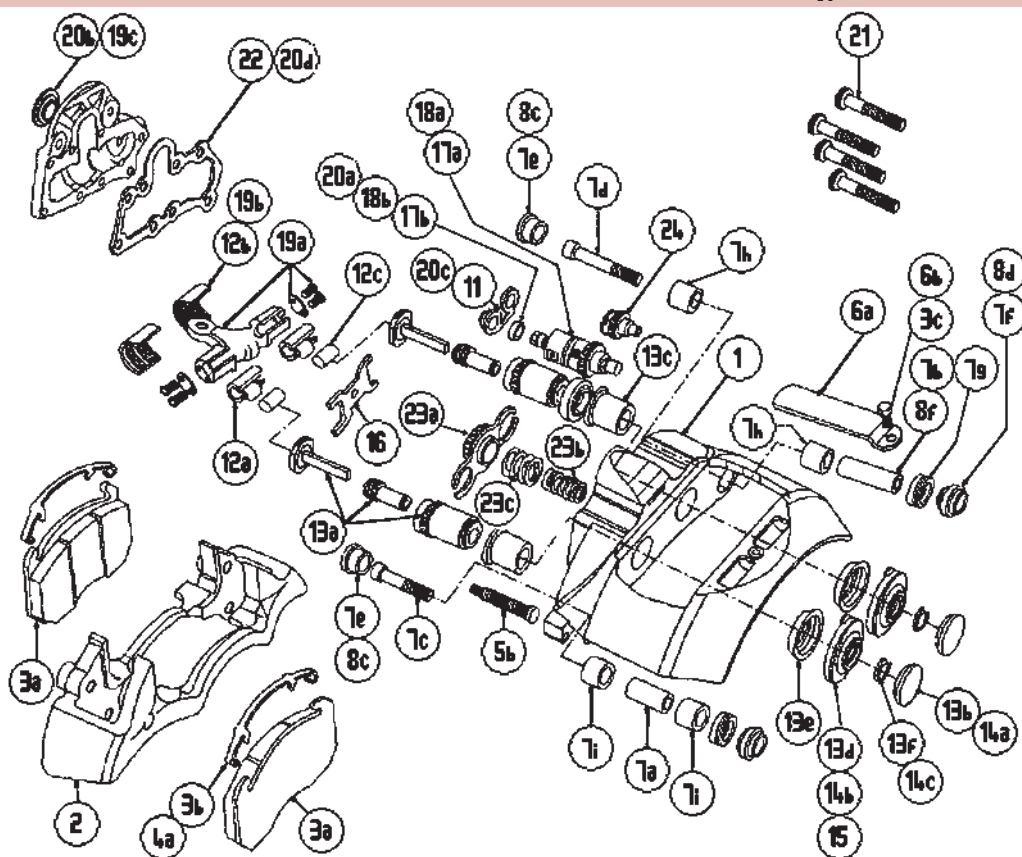
FM10 Gen 3 (D Duco Axial Flip) RAD-A4

5/00→6/00

	← LRG596 ¹	
	→ LRG597 ²	
	↔ 68322778	②
	↔ MDP5057	③
	↔ MCK1134	⑦
	← SJ4103	⑰
	→ SJ4102	⑰
	↔ MCK1238	⑭
	← MCK1237	⑬
	→ MCK1236	⑬
	← SJ4097	⑲
	→ SJ4096	⑲
	↔ MCK1264	⑥
	↔ SJ4093	④
	↔ SJ4112	⑫
	↔ SJ4105	⑩
	↔ MCK1067	⑩
	↔ MCK1299	⑧

1: 68032860

2: 68032861





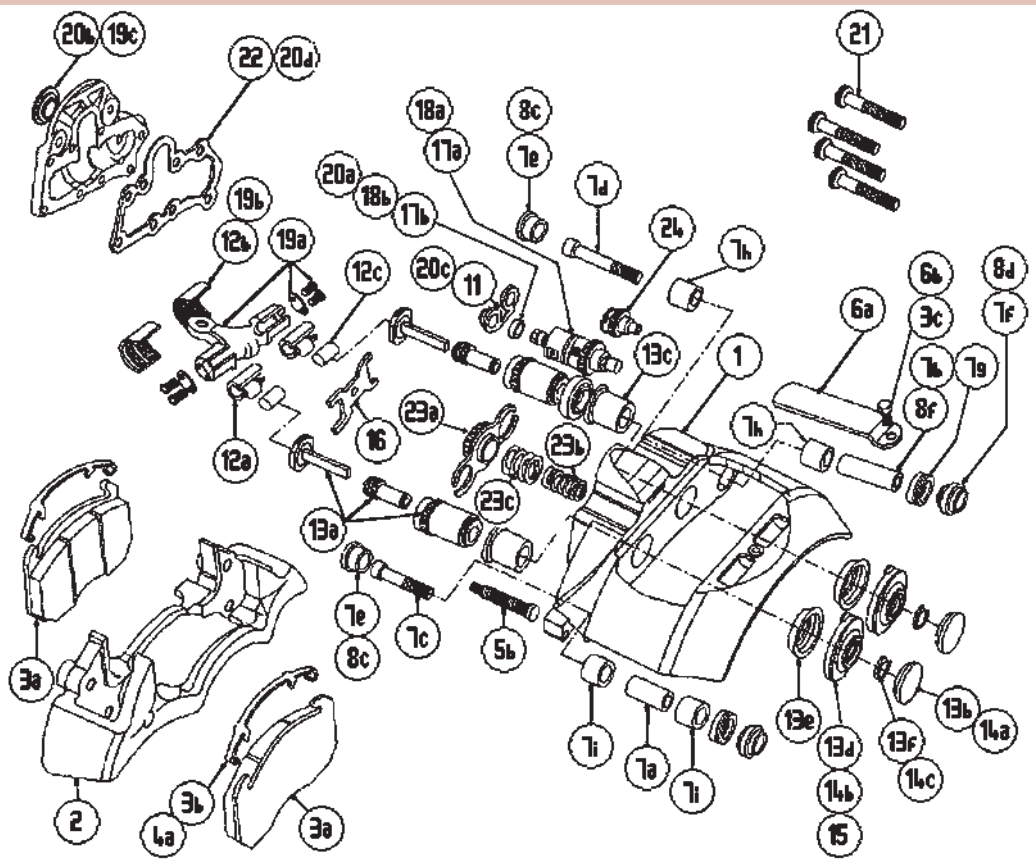
... VOLVO

FH12 Gen 3 (D Duco Axial Flip) RAD-A4, CHID A291152-



5/00→6/00

	← LRG596 ¹	
	→ LRG597 ²	
	↔ 68322778	②
	↔ MDP5057	③
	↔ MCK1134	⑦
	← SJ4103	⑰
	→ SJ4102	⑰
	↔ MCK1238	⑭
	← MCK1237	⑬
	→ MCK1236	⑬
	← SJ4097	⑲
	→ SJ4096	⑲
	↔ MCK1264	⑥
	↔ SJ4093	④
	↔ SJ4112	⑫
	↔ SJ4105	⑳
	↔ MCK1067	㉓
	↔ MCK1299	⑧



1: 68032860

2: 68032861



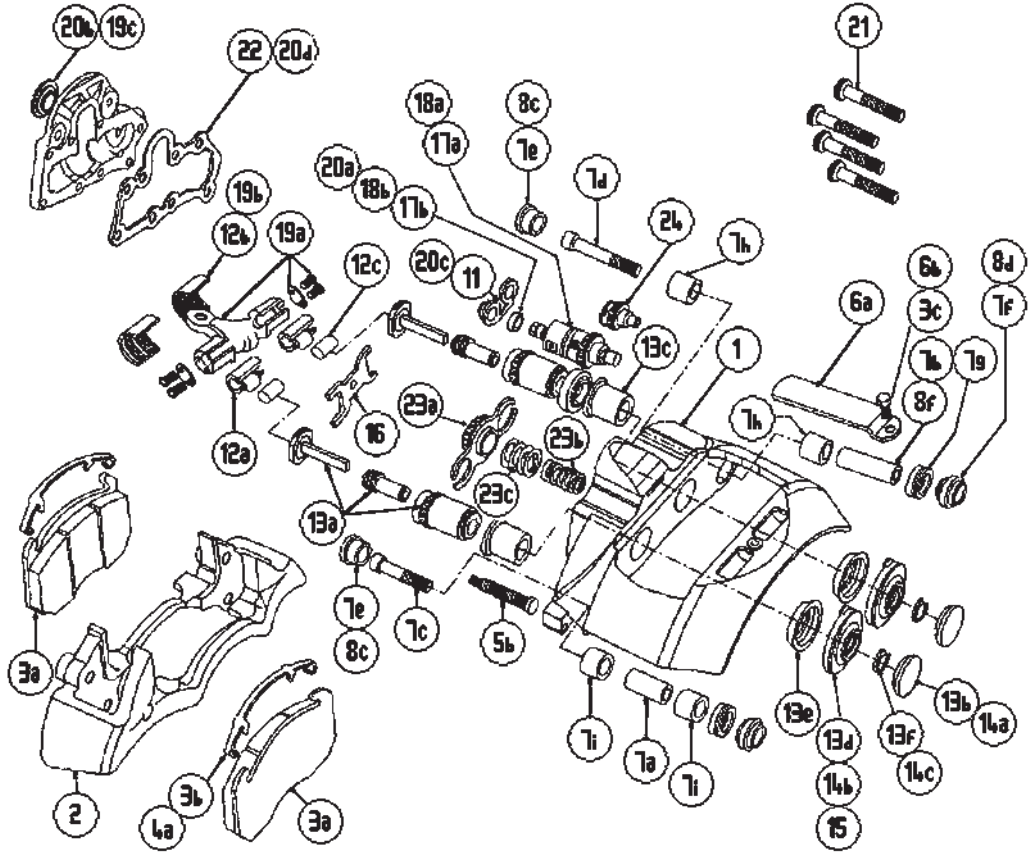
... VOLVO

FL6 E-Medium 4X2 (D Duco Axial) Chid B265000-

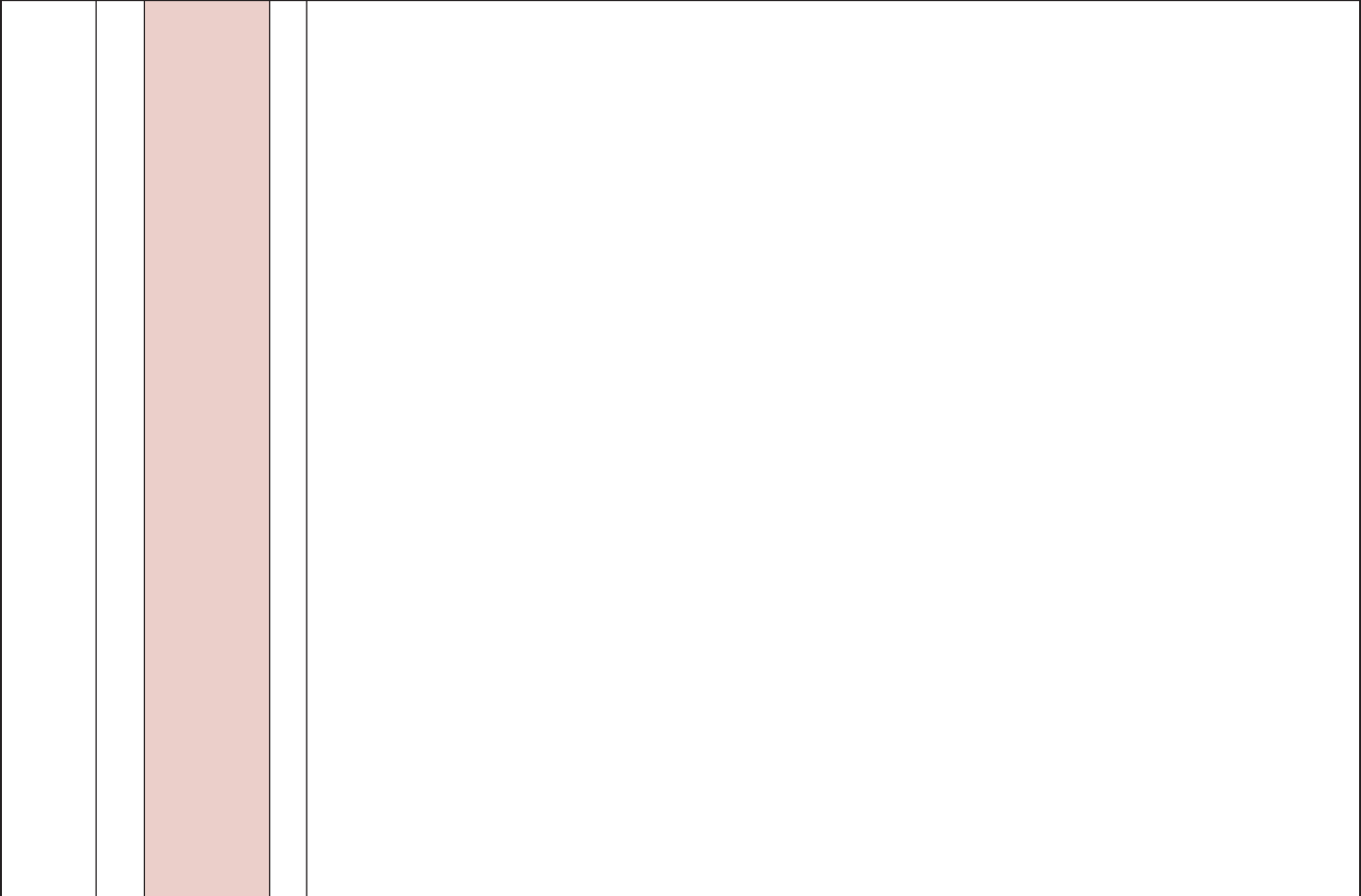


→6/00

	← LRG536 ¹	
	→ LRG537	
	↔ 68322778	②
	↔ MDP5057	③
	↔ MCK1134	⑦
	← SJ4102	⑰
	→ SJ4103	⑰
	↔ MCK1238	⑭
	← MCK1236	⑬
	→ MCK1237	⑬
	← SJ4096	⑲
	→ SJ4097	⑲
	↔ MCK1264	⑥
	↔ SJ4093	④
	↔ SJ4112	⑫
	↔ SJ4105	⑳
	↔ MCK1067	⑳
	↔ MCK1299	⑥



1: 68032994





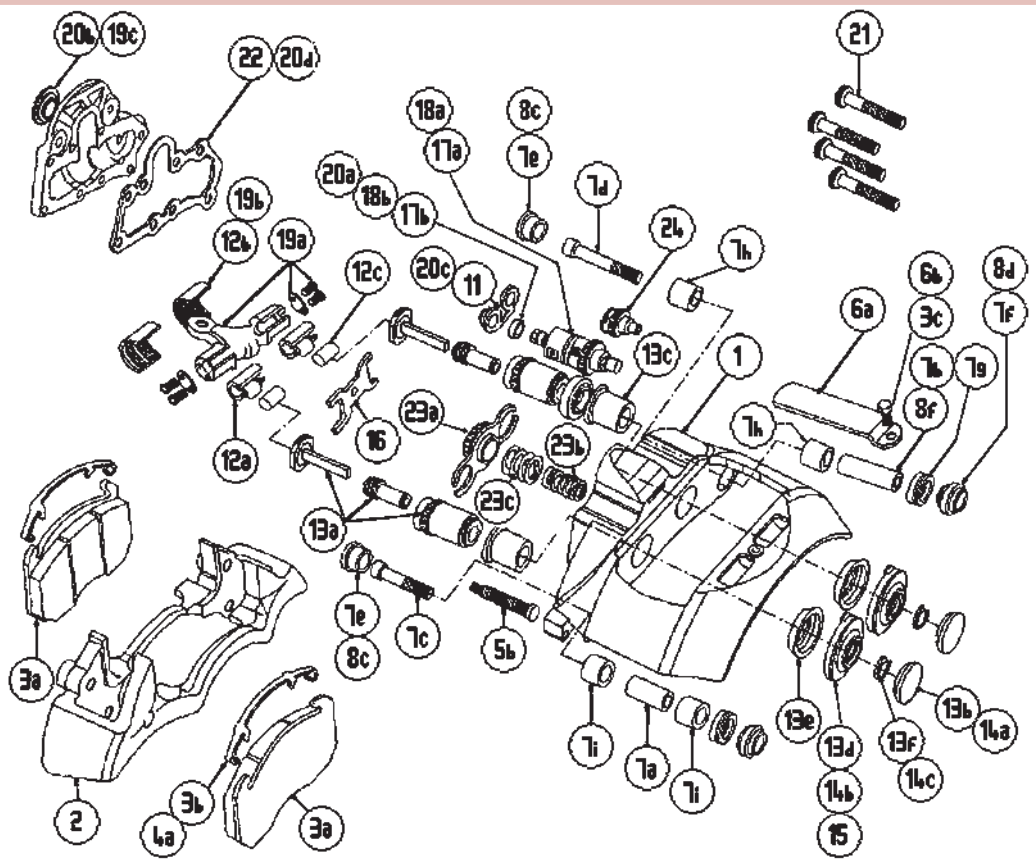
... VOLVO

FL6 BLF-B (D Duco Axial) Chid B265000-



→6/00

	← LRG536 ¹ → LRG537 ²	
	↔ 68322778	②
	↔ MDP5057	③
	↔ MCK1134	⑦
	← SJ4102 → SJ4103	⑰
	↔ MCK1238	⑭
	← MCK1236 → MCK1237	⑬
	← SJ4096 → SJ4097	⑲
	↔ MCK1264	⑥
	↔ SJ4093	④
	↔ SJ4112	⑫
	↔ SJ4105	⑳
	↔ MCK1067	㉓
	↔ MCK1299	⑧



1: 68032994

2: 68032995



... VOLVO

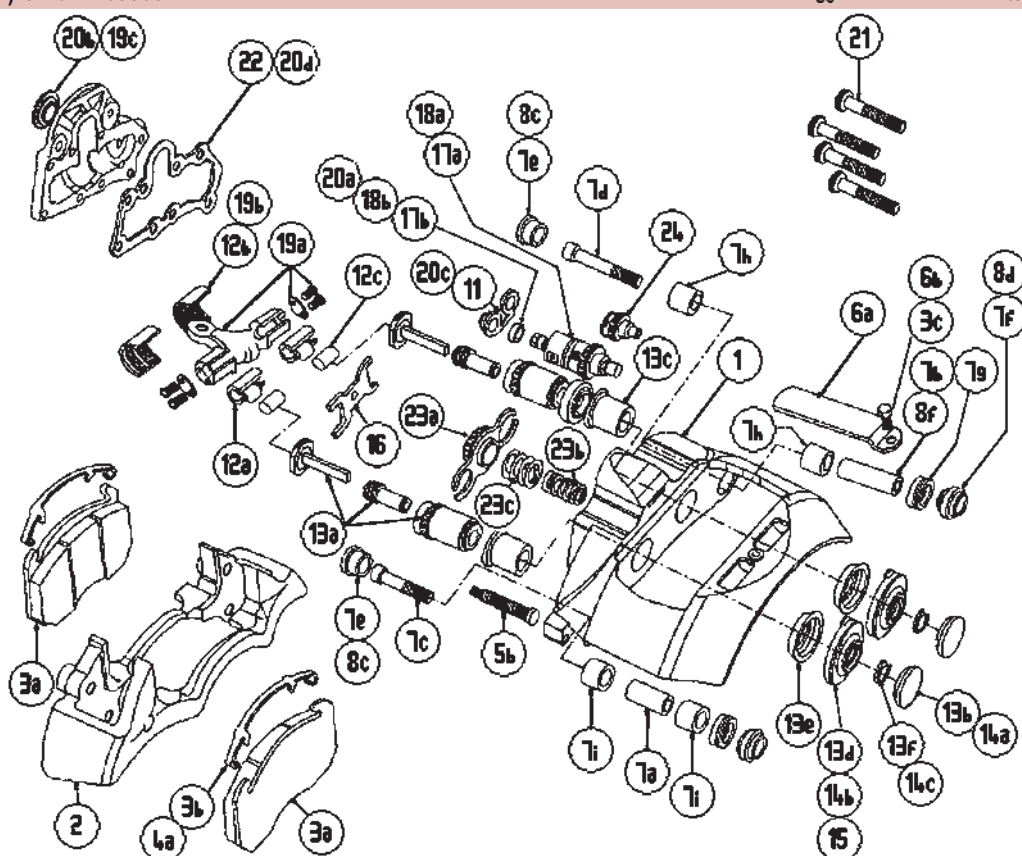
FL6 E-Medium 6X2 D Duco Axial) Chid B265000-

→6/00

	← LRG536 ¹	
	→ LRG537 ²	
	↔ 68322778	②
	↔ MDP5057	③
	↔ MCK1134	⑦
	← SJ4102	⑰
	→ SJ4103	⑰
	↔ MCK1238	⑭
	← MCK1236	⑬
	→ MCK1237	⑬
	← SJ4096	⑲
	→ SJ4097	⑲
	↔ MCK1264	⑥
	↔ SJ4093	④
	↔ SJ4112	⑫
	↔ SJ4105	⑩
	↔ MCK1067	⑩
	↔ MCK1299	⑧

1: 68032994

2: 68032995





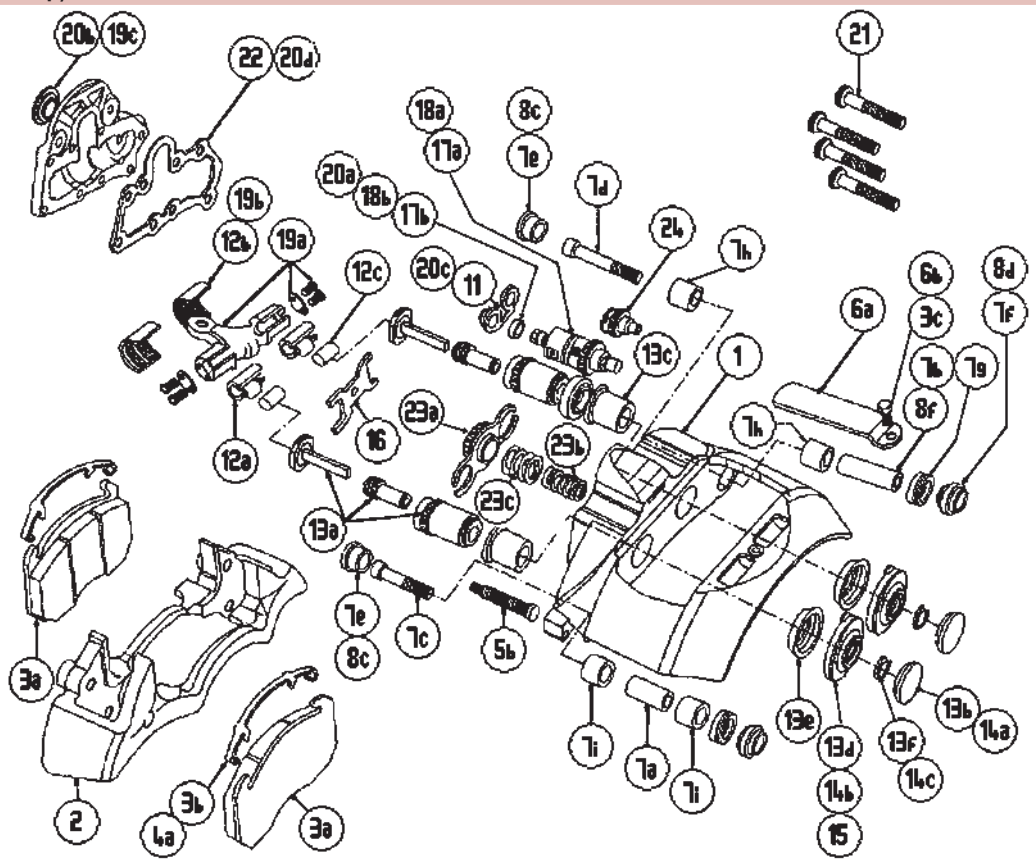
... VOLVO

FL6 E-Medium 4X2 (D Duco Axial Flip) Chid B265000-



→6/01

	← LRG596 ¹	
	→ LRG597 ²	
	↔ 68322778	②
	↔ MDP5057	③
	↔ MCK1134	⑦
	← SJ4103	⑰
	→ SJ4102	⑰
	↔ MCK1238	⑭
	← MCK1237	⑬
	→ MCK1236	⑬
	← SJ4097	⑲
	→ SJ4096	⑲
	↔ MCK1264	⑥
	↔ SJ4093	④
	↔ SJ4112	⑫
	↔ SJ4105	⑳
	↔ MCK1067	㉓
	↔ MCK1299	⑧



1: 68032996
2: 68032997



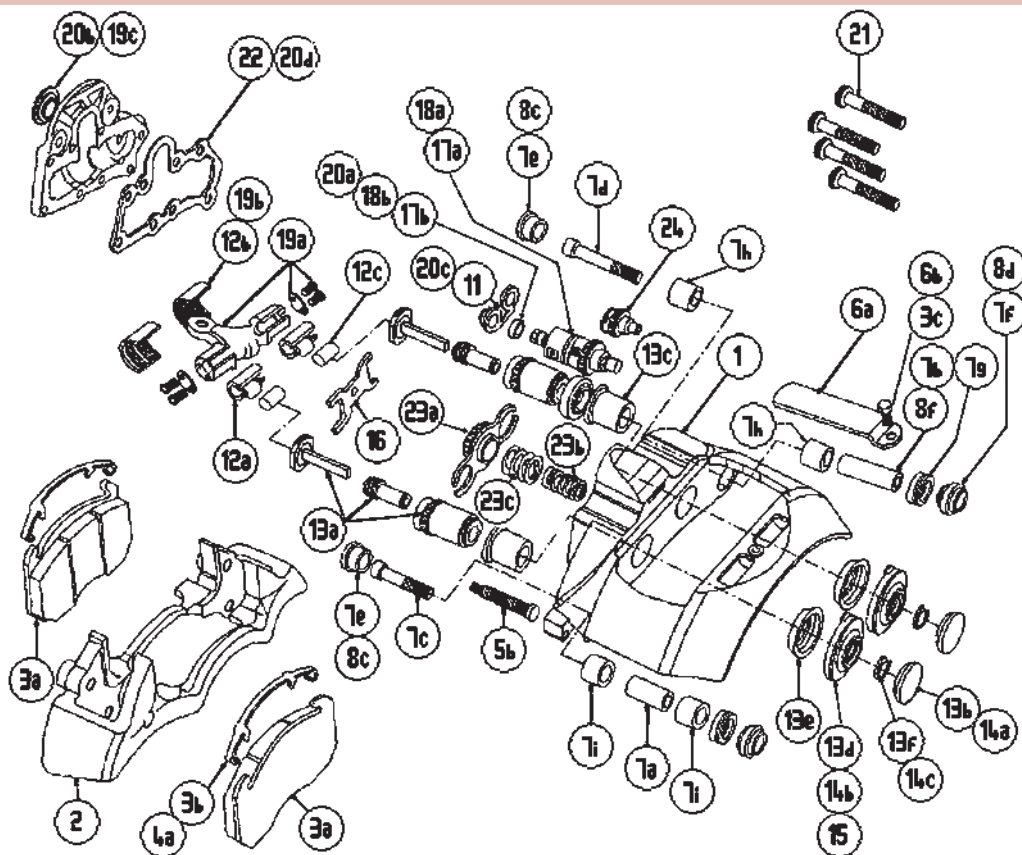
... VOLVO

FL6 L-Midium (B Duco) Chid B265000-



→6/01

	← LRG552 ¹	
	→ LRG553 ²	
	↔ 68323539	②
	↔ MDP5052	③
	↔ MCK1134	⑦
	↔ MCK1050	⑰
	↔ MCK1238	⑭
	↔ MCK1239	⑬
	↔ MCK1048	⑱
	↔ MCK1263	⑥
	↔ SJ4112	⑫
	↔ MCK1107	⑱
	↔ MCK1053	⑳
	↔ MCK1299	⑧



1: 68032988

2: 68032989



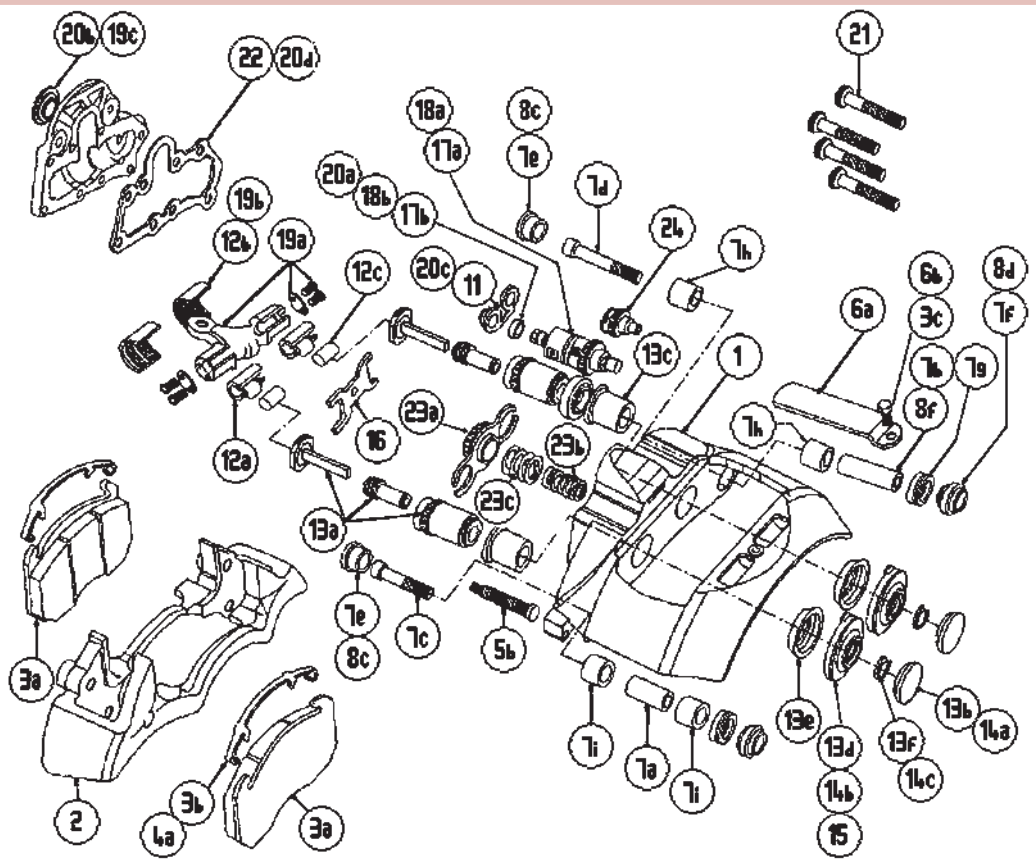
... VOLVO

FL6 L-Midium (B Duco) Chid B265000-



→6/01

	← LRG552 ¹	
	→ LRG553 ²	
	↔ 68323539	②
	↔ MDP5052	③
	↔ MCK1134	⑦
	↔ MCK1050	⑰
	↔ MCK1238	⑭
	↔ MCK1239	⑮
	↔ MCK1048	⑲
	↔ MCK1263	⑥
	↔ SJ4112	⑫
	↔ MCK1107	⑱
	↔ MCK1053	⑳
	↔ MCK1299	⑧



1: 68032988

2: 68032989



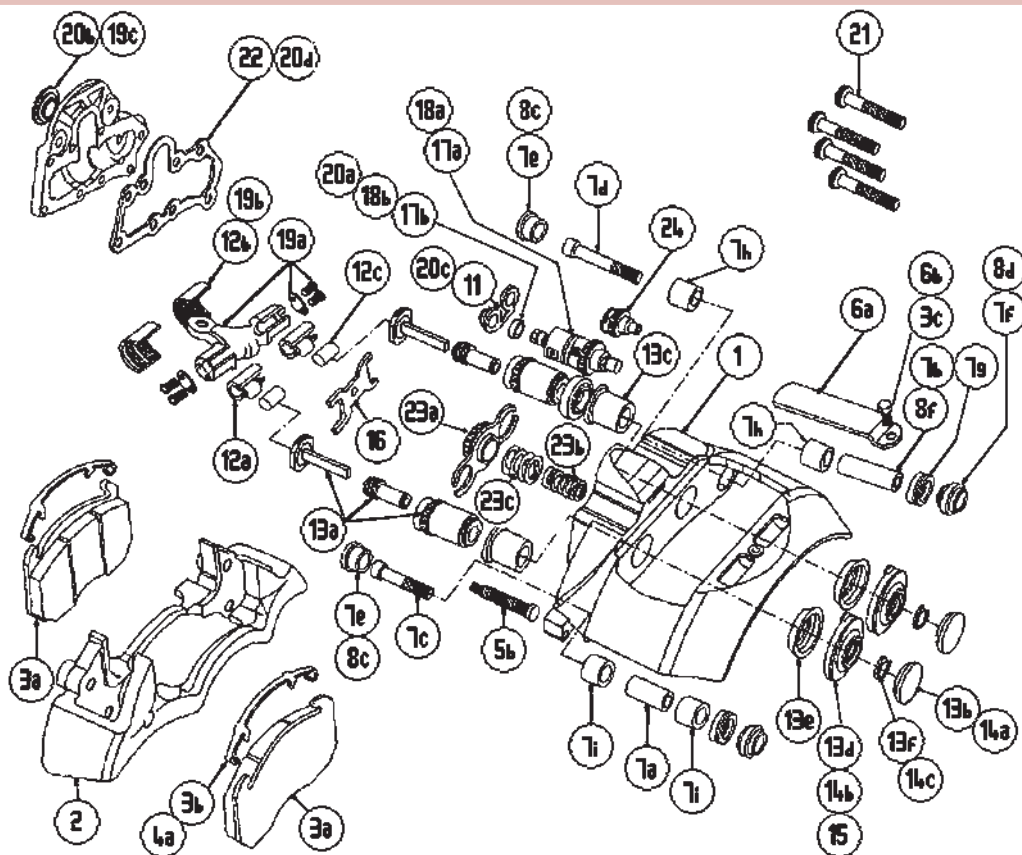
... VOLVO

FL6 H-Midium (C Duco) Chid B265000-



→6/01

	← LRG648 ¹	
	→ LRG649 ²	
	↔ 68323546	②
	↔ MDP5053	③
	↔ MCK1134	⑦
	← SJ4102	⑰
	→ SJ4103	⑰
	↔ MCK1238	⑭
	← MCK1236	⑬
	→ MCK1237	⑬
	← MCK1032	⑲
	→ MCK1033	⑲
	↔ MCK1264	⑥
	↔ SJ4112	⑫
	↔ MCK1041	⑩
	↔ MCK1129	⑩
	↔ MCK1299	⑧



1: 68032990

2: 68032991



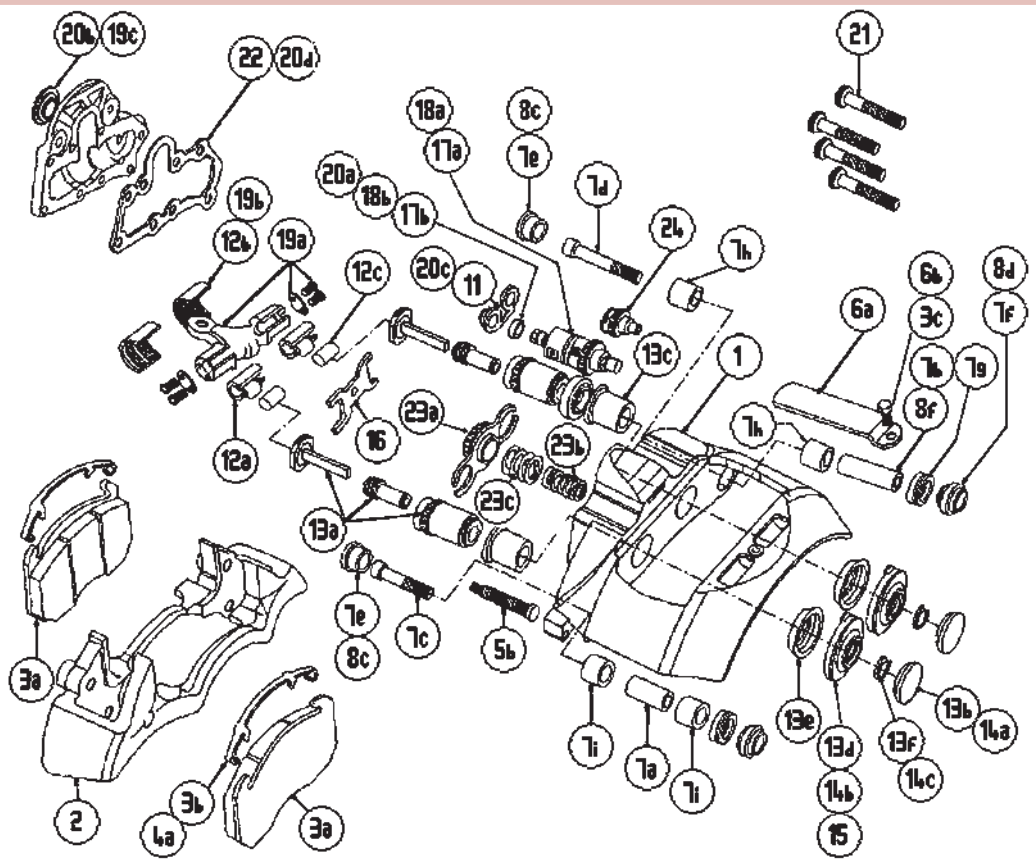
... VOLVO

FL6 H-Midium (C Duco) Chid B265000-



→6/01

	← LRG648 ¹	
	→ LRG649 ²	
	↔ 68323546	②
	↔ MDP5053	③
	↔ MCK1134	⑦
	← SJ4102	⑰
	→ SJ4103	⑰
	↔ MCK1238	⑭
	← MCK1236	⑮
	→ MCK1237	⑮
	← MCK1032	⑲
	→ MCK1033	⑲
	↔ MCK1264	⑥
	↔ SJ4112	⑫
	↔ MCK1041	⑳
	↔ MCK1129	㉓
	↔ MCK1299	⑧



1: 68032990

2: 68032991

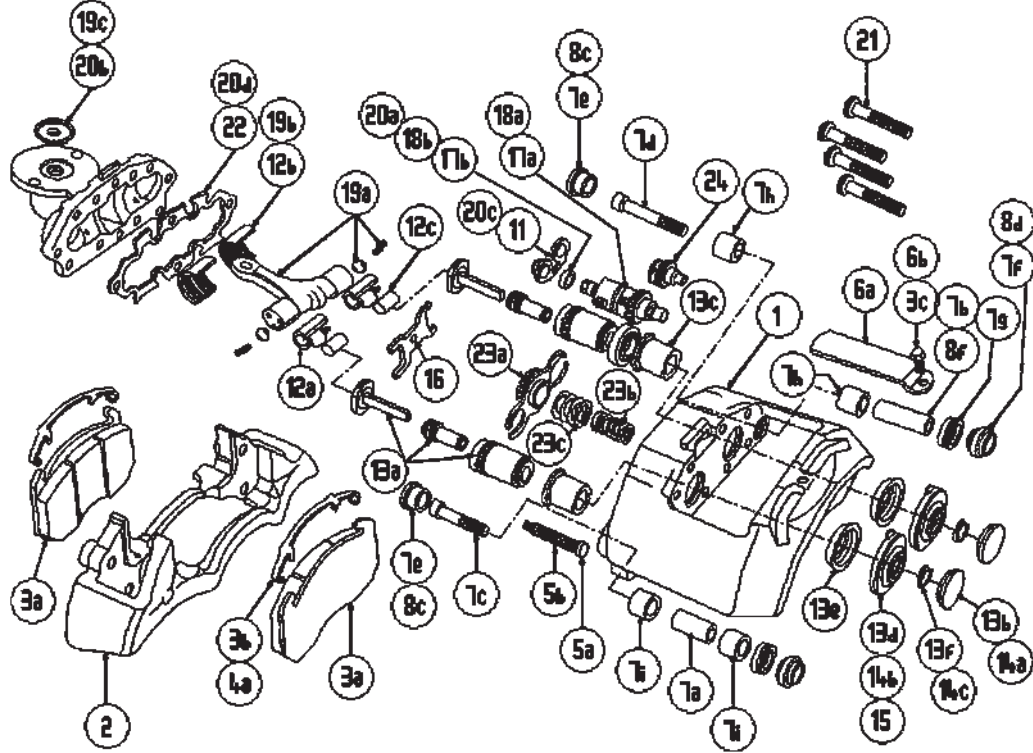


... VOLVO

FM9 (D Duco Radial) FBRA-D43, FAA10



	← LRG598 ¹	
	→ LRG599 ²	
	↔ 68322778	②
	↔ MDP5057	③
	↔ MCK1118	⑦
	↔ MCK1113	⑰
	↔ MCK1238	⑱
	↔ MCK1237	⑲
	↔ SJ4108	⑲
	↔ MCK1264	⑥
	↔ SJ4093	④
	↔ SJ4098	⑫
	↔ SJ4109	⑳
	↔ MCK1067	⑳
	↔ MCK1299	⑥



1: 68033077
2: 68033078

--	--	--



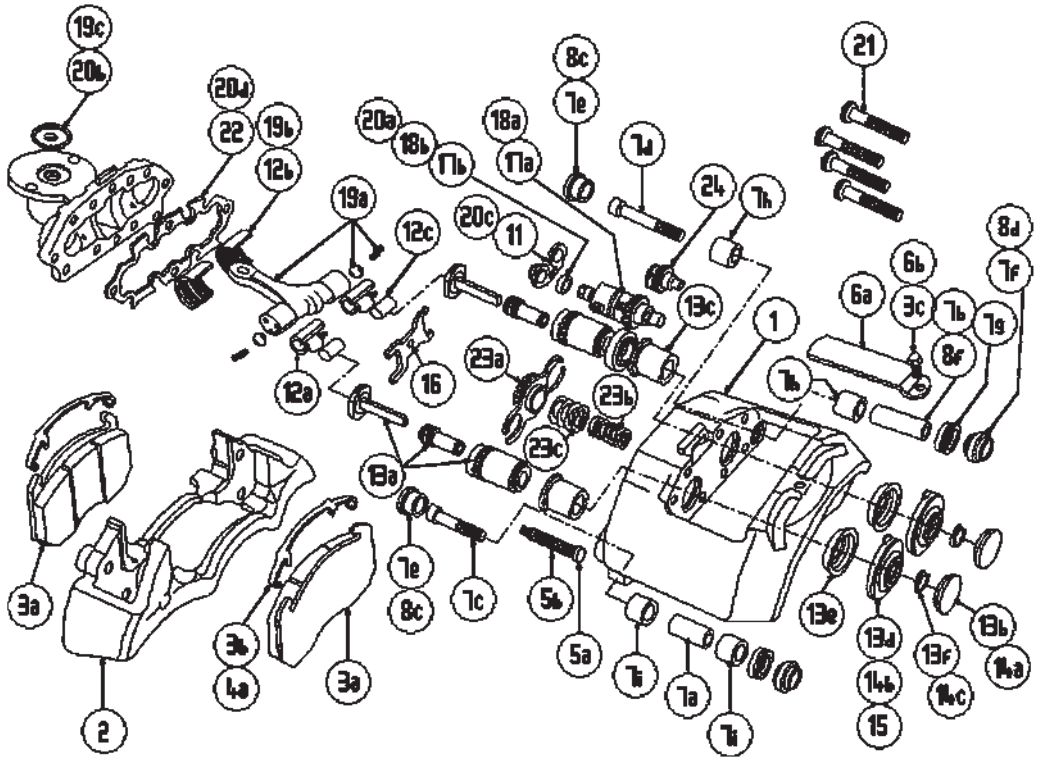
... VOLVO

FM7 Gen 4 (D Duco Radial)



7/01→

	← LRG598 ¹	
	→ LRG599 ²	
	↔ 68322778	②
	↔ MDP5057	③
	↔ MCK1118	⑦
	↔ MCK1113	⑰
	↔ MCK1238	⑭
	↔ MCK1237	⑮
	↔ SJ4108	⑰
	↔ MCK1264	⑥
	↔ SJ4093	④
	↔ SJ4098	⑫
	↔ SJ4109	⑳
	↔ MCK1067	㉓
	↔ MCK1299	⑧



1: 68033077

2: 68033078



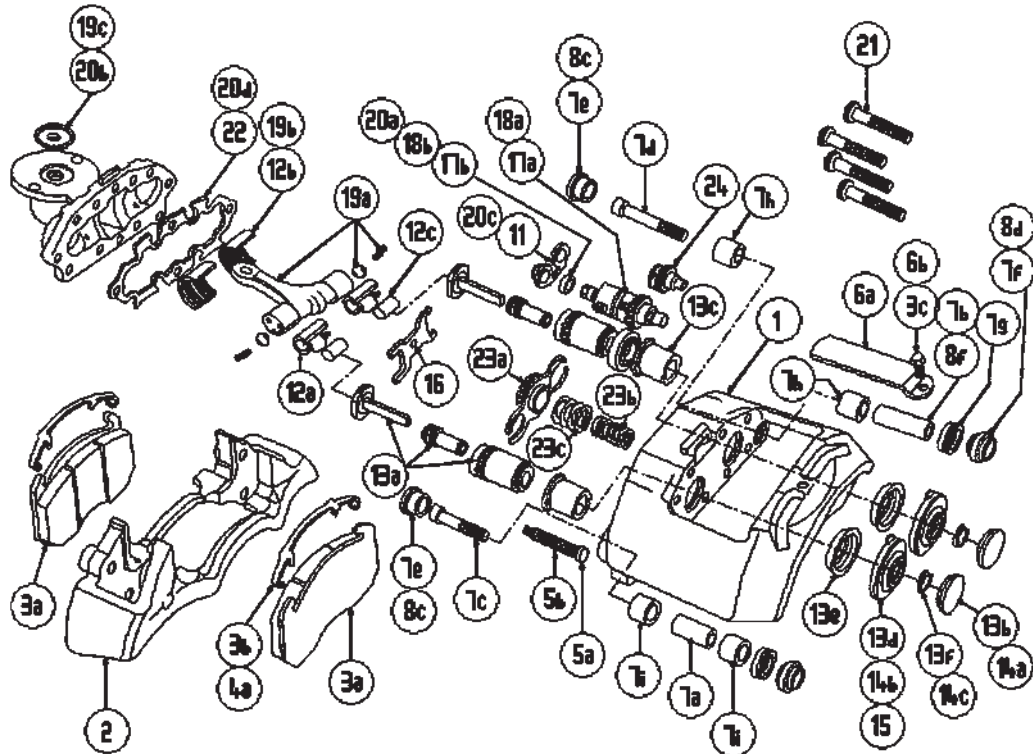
... VOLVO

FH16 Gen 4 (D Duco Radial) CHID A291152-



7/01→

	← LRG598 ¹	
	→ LRG599 ²	
	↔ 68322778	②
	↔ MDP5057	③
	↔ MCK1118	⑦
	↔ MCK1113	⑰
	↔ MCK1238	⑱
	↔ MCK1237	⑲
	↔ SJ4108	⑲
	↔ MCK1264	⑥
	↔ SJ4093	④
	↔ SJ4098	⑫
	↔ SJ4109	⑳
	↔ MCK1067	⑳
	↔ MCK1299	⑥



1: 68033077
2: 68033078



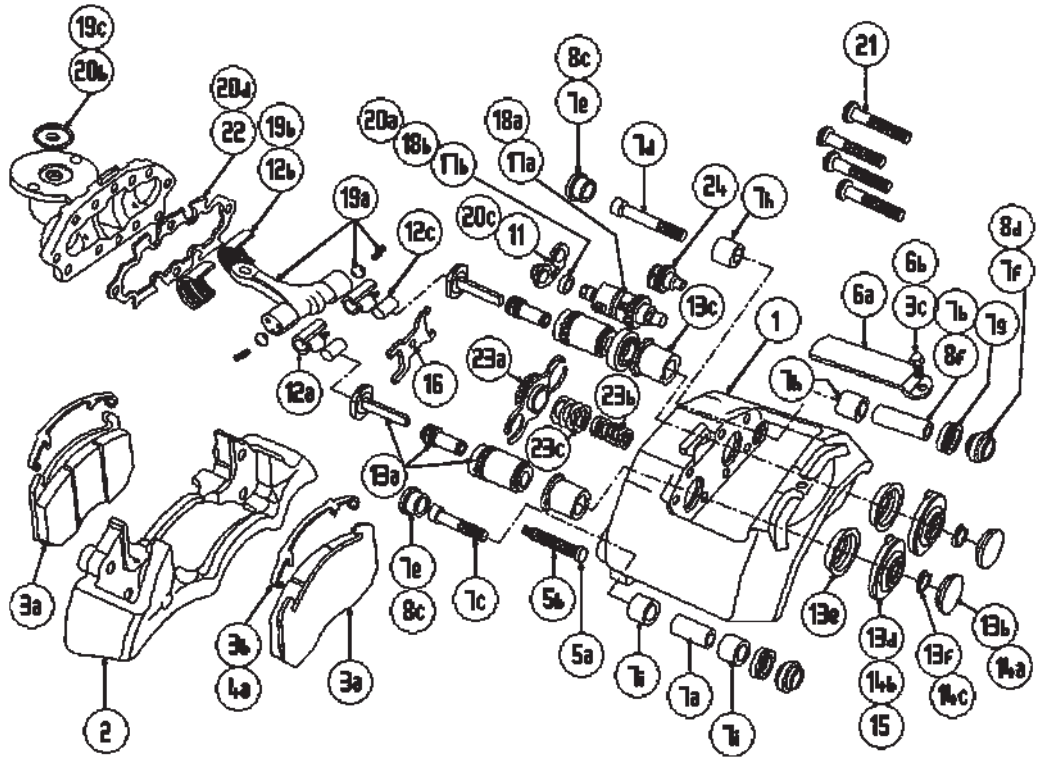
... VOLVO

FM12 (D Duco Radial) FAA10, CHID A544696-



7/01→

	← LRG598 ¹	
	→ LRG599 ²	
	↔ 68322778	②
	↔ MDP5057	③
	↔ MCK1118	⑦
	↔ MCK1113	⑰
	↔ MCK1238	⑭
	↔ MCK1237	⑮
	↔ SJ4108	⑰
	↔ MCK1264	⑥
	↔ SJ4093	④
	↔ SJ4098	⑫
	↔ SJ4109	⑳
	↔ MCK1067	㉓
	↔ MCK1299	⑧



1: 68033077

2: 68033078

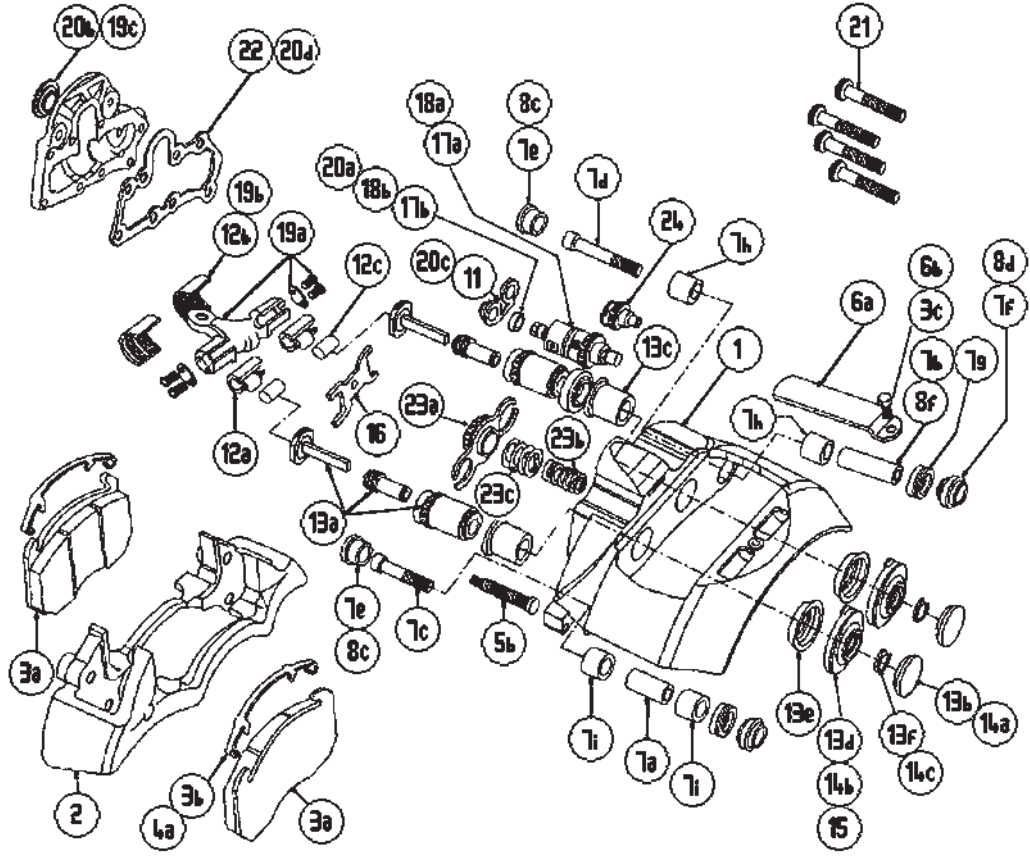


... VOLVO

FM12 Gen 4 (D Duco Axial)

	← LRG598 ¹	
	→ LRG599 ²	
	↔ 68322778	②
	↔ MDP5057	③
	↔ MCK1118	⑦
	↔ MCK1113	⑰
	↔ MCK1238	⑭
	↔ MCK1237	⑮
	↔ SJ4108	⑲
	↔ MCK1264	⑥
	↔ SJ4093	④
	↔ SJ4098	⑫
	↔ SJ4109	⑳
	↔ MCK1067	㉓
	↔ MCK1299	⑧

- 1: 68033077
- 2: 68033078
- 3: 68033073
- 4: 68033074



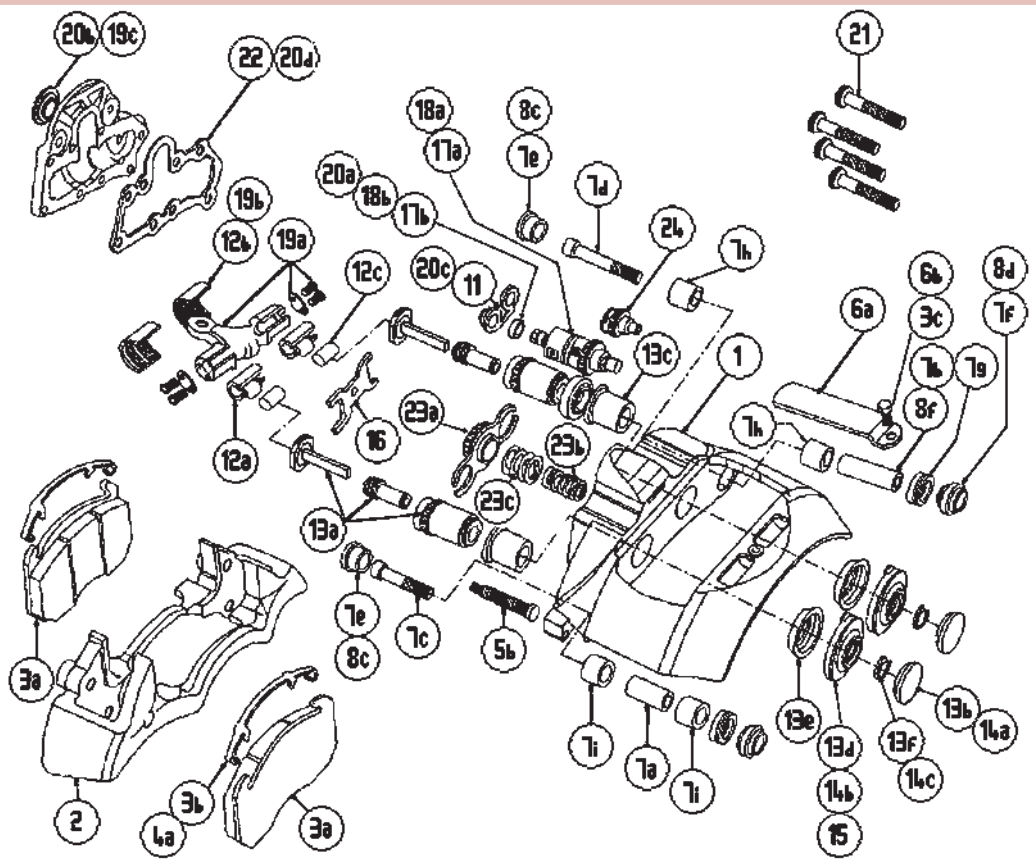


... VOLVO

FM12 Gen 4 (D Duco Axial)

	← LRG536 ³	
	→ LRG537 ⁴	
	↔ 68322778	②
	↔ MDP5057	③
	↔ MCK1116	⑦
	← MCK1111	⑰
	→ MCK1112	⑰
	↔ MCK1238	⑭
	← MCK1236	⑬
	→ MCK1237	⑬
	← SJ4096	⑲
	→ SJ4097	⑲
	↔ MCK1264	⑥
	↔ SJ4093	④
	↔ SJ4112	⑫
	↔ SJ4105	⑳
	↔ MCK1067	㉓
	↔ MCK1299	⑧

- 1: 68033077
- 2: 68033078
- 3: 68033073
- 4: 68033074





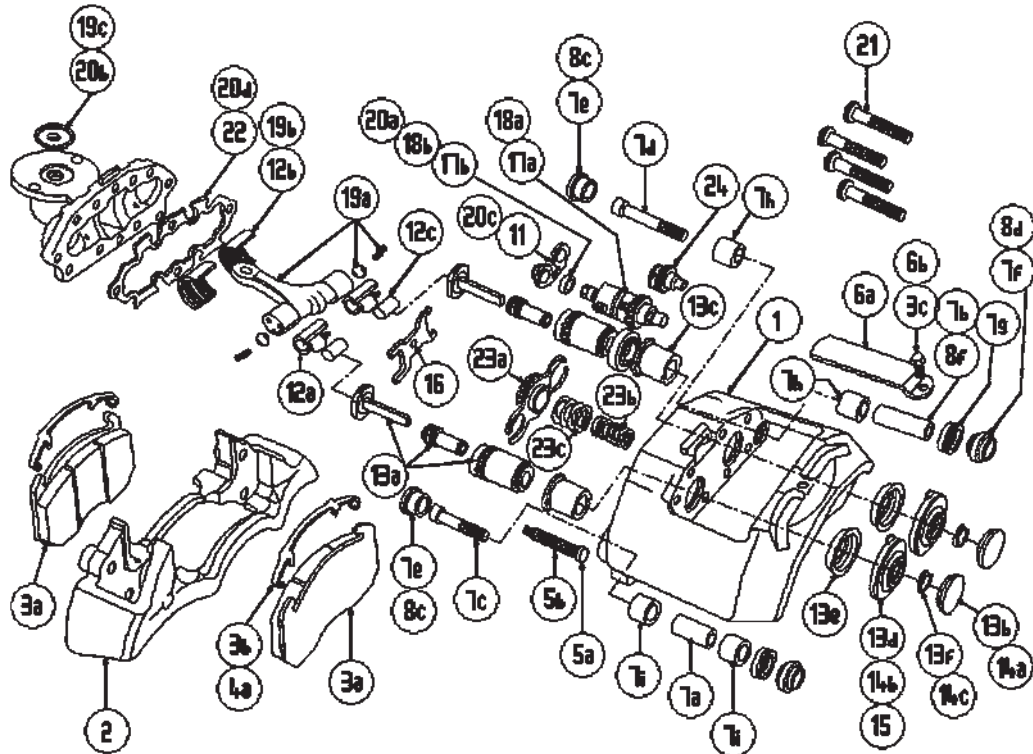
... VOLVO

FM10 Gen 4 (D Duco Radial)



07/01→

	← LRG598 ¹	
	→ LRG599	
	↔ 68322778	②
	↔ MDP5057	③
	↔ MCK1118	⑦
	↔ MCK1113	⑰
	↔ MCK1238	⑭
	↔ MCK1237	⑮
	↔ SJ4108	⑰
	↔ MCK1264	⑥
	↔ SJ4093	④
	↔ SJ4098	⑫
	↔ SJ4109	⑳
	↔ MCK1067	㉑
	↔ MCK1299	⑧



1: 68033077

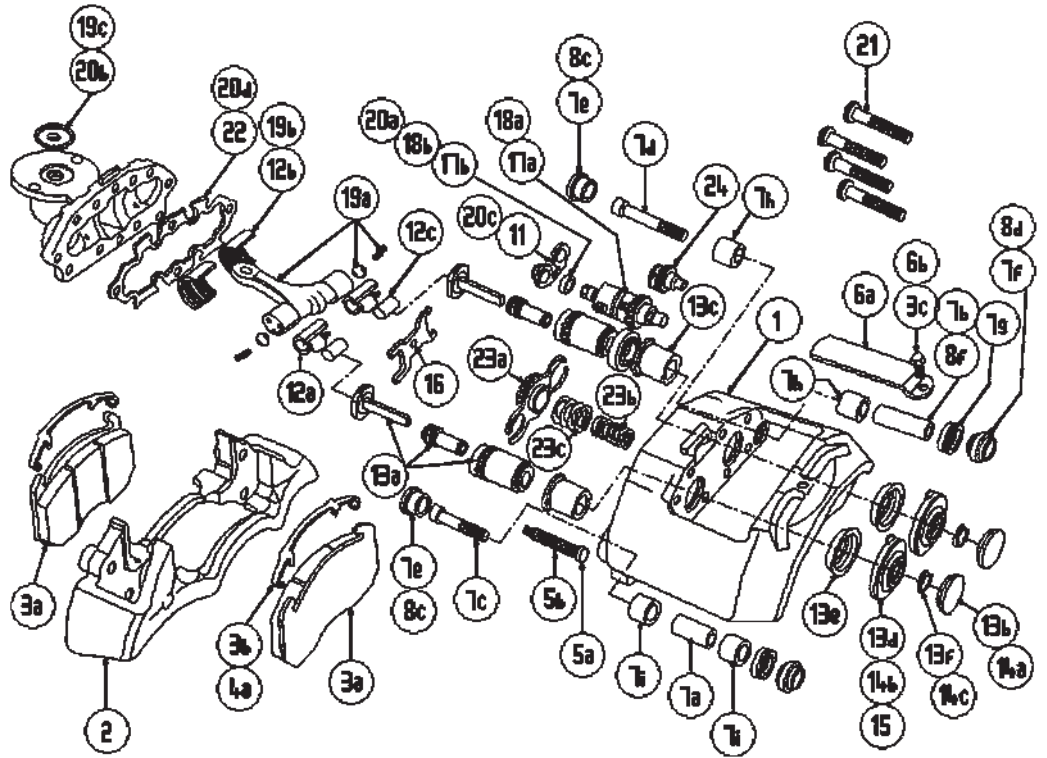


... VOLVO

FH12 FAA10, CHID A544696-



	← LRG598	
	→ LRG599	
	↔ 68322778	②
	↔ MDP5057	③
	↔ MCK1118	⑦
	↔ MCK1113	⑰
	↔ MCK1238	⑭
	↔ MCK1237	⑮
	↔ SJ4108	⑰
	↔ MCK1264	⑥
	↔ SJ4093	④
	↔ SJ4098	⑫
	↔ SJ4109	⑳
	↔ MCK1067	㉓
	↔ MCK1299	⑧



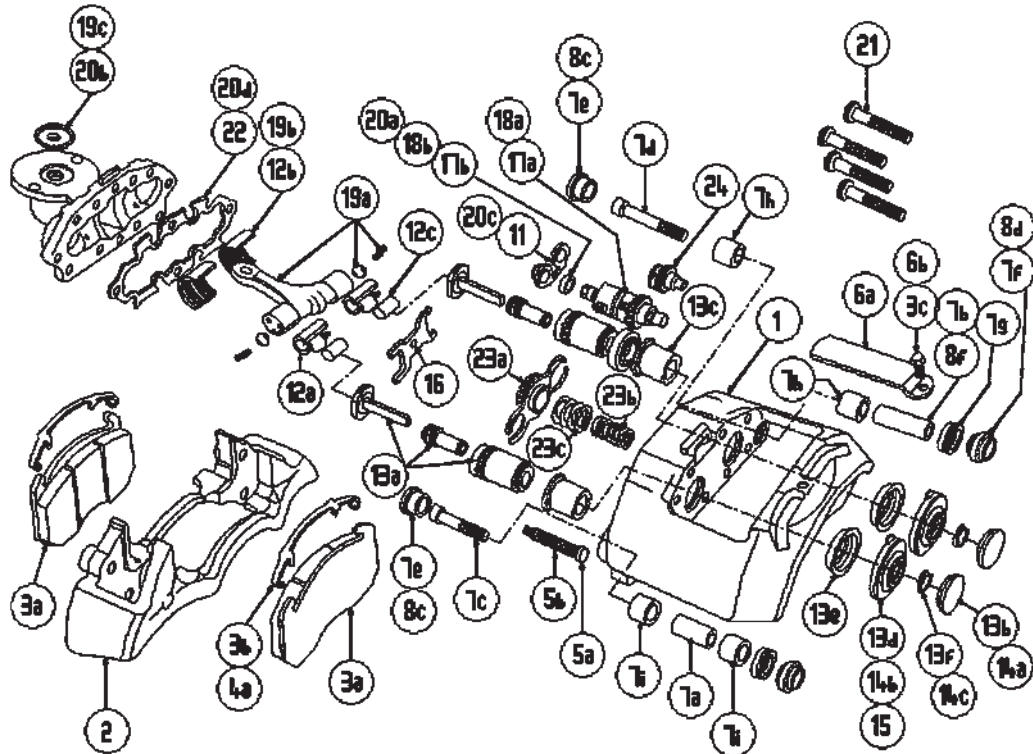


... VOLVO

FH12 Gen 4 (D Duco Radial) CHID A291152-



	← LRG598 ¹	
	→ LRG599 ²	
	↔ 68322778	②
	↔ MDP5057	③
	↔ MCK1118	⑦
	↔ MCK1113	⑰
	↔ MCK1238	⑱
	↔ MCK1237	⑲
	↔ SJ4108	⑲
	↔ MCK1264	⑥
	↔ SJ4093	④
	↔ SJ4098	⑫
	↔ SJ4109	⑳
	↔ MCK1067	⑳
	↔ MCK1299	⑥



1: 68033077
2: 68033078

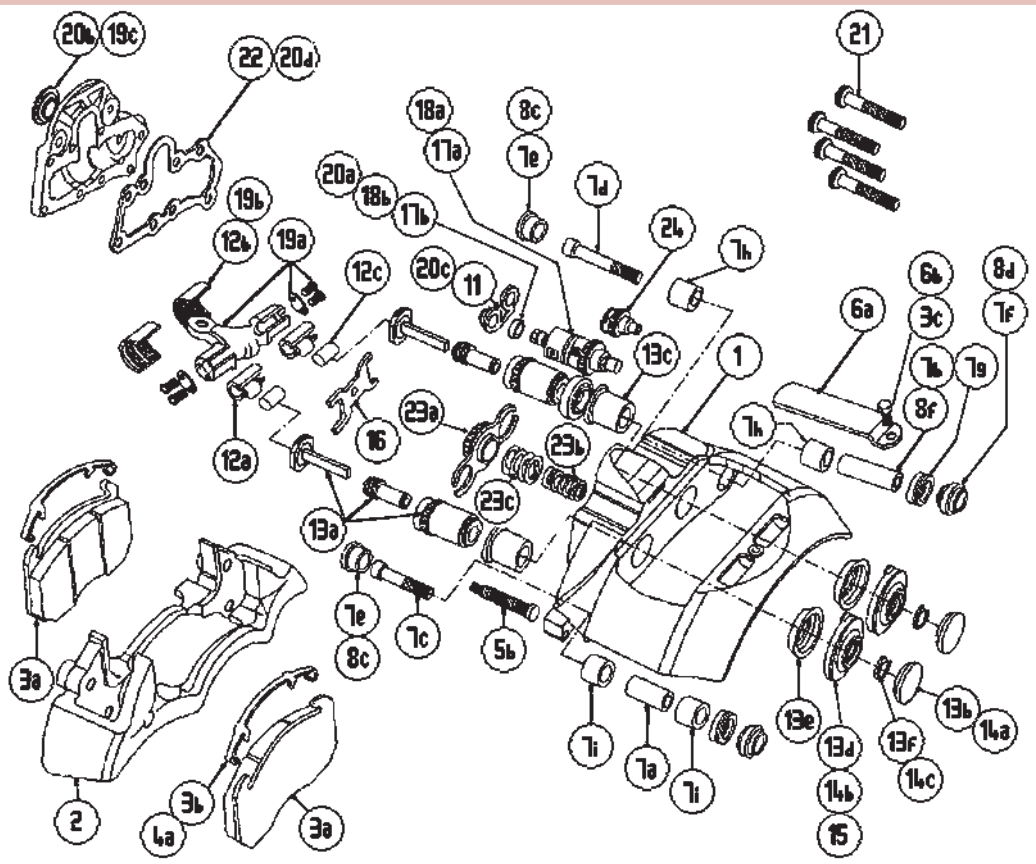
--	--	--



... VOLVO

FM9 (D Duco Axial) FBRA-D43, RAD -L90

	← LRG536 ¹	
	→ LRG537 ²	
	↔ 68322778	②
	↔ MDP5057	③
	↔ MCK1116	⑦
	← MCK1111	⑰
	→ MCK1112	⑰
	↔ MCK1238	⑭
	← MCK1236	⑬
	→ MCK1237	⑬
	← SJ4096	⑲
	→ SJ4097	⑲
	↔ MCK1264	⑥
	↔ SJ4093	④
	↔ SJ4112	⑫
	↔ SJ4105	⑳
	↔ MCK1067	㉓
	↔ MCK1299	⑧



1: 68033073
2: 68033074

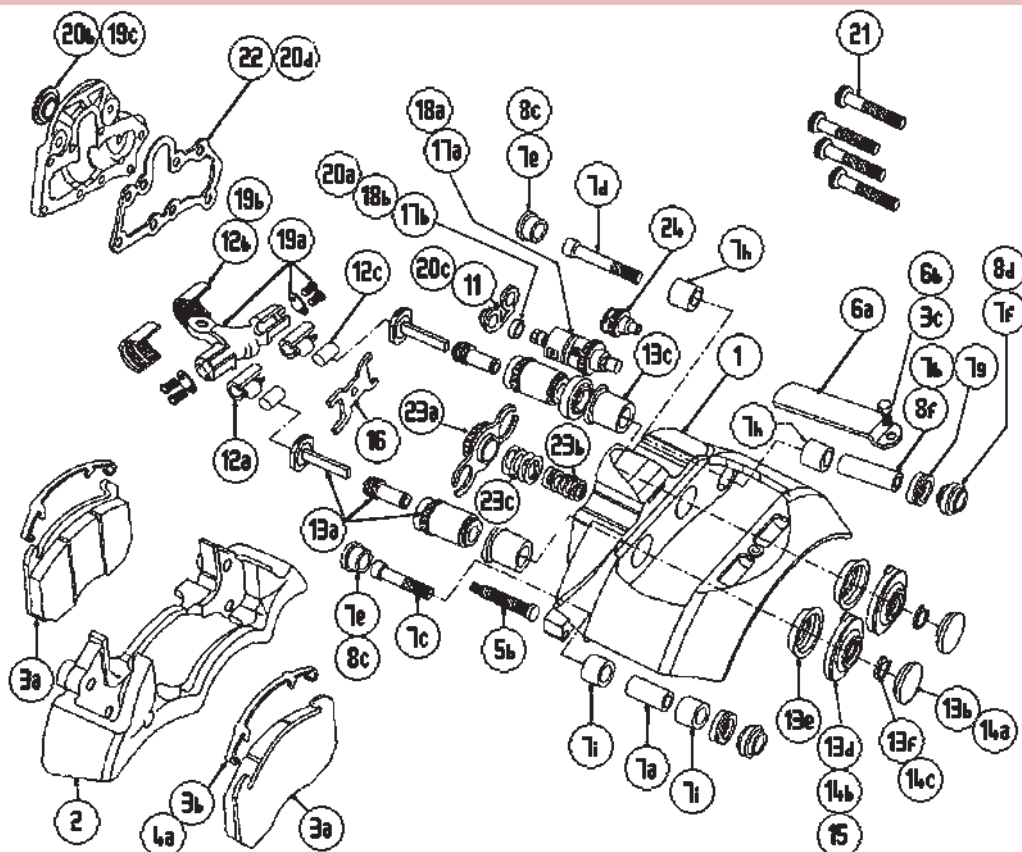


... VOLVO

FM7 Gen 4 (D Duco Axial) RAD-L90

7/01→

	← LRG536 ¹	
	→ LRG537 ²	
	↔ 68322778	②
	↔ MDP5057	③
	↔ MCK1116	⑦
	← MCK1111	⑰
	→ MCK1112	⑰
	↔ MCK1238	⑭
	← MCK1236	⑬
	→ MCK1237	⑬
	← SJ4096	⑲
	→ SJ4097	⑲
	↔ MCK1264	⑥
	↔ SJ4093	④
	↔ SJ4112	⑫
	↔ SJ4105	⑳
	↔ MCK1067	⑳
	← MCK1299	⑥



1: 68033073
2: 68033074



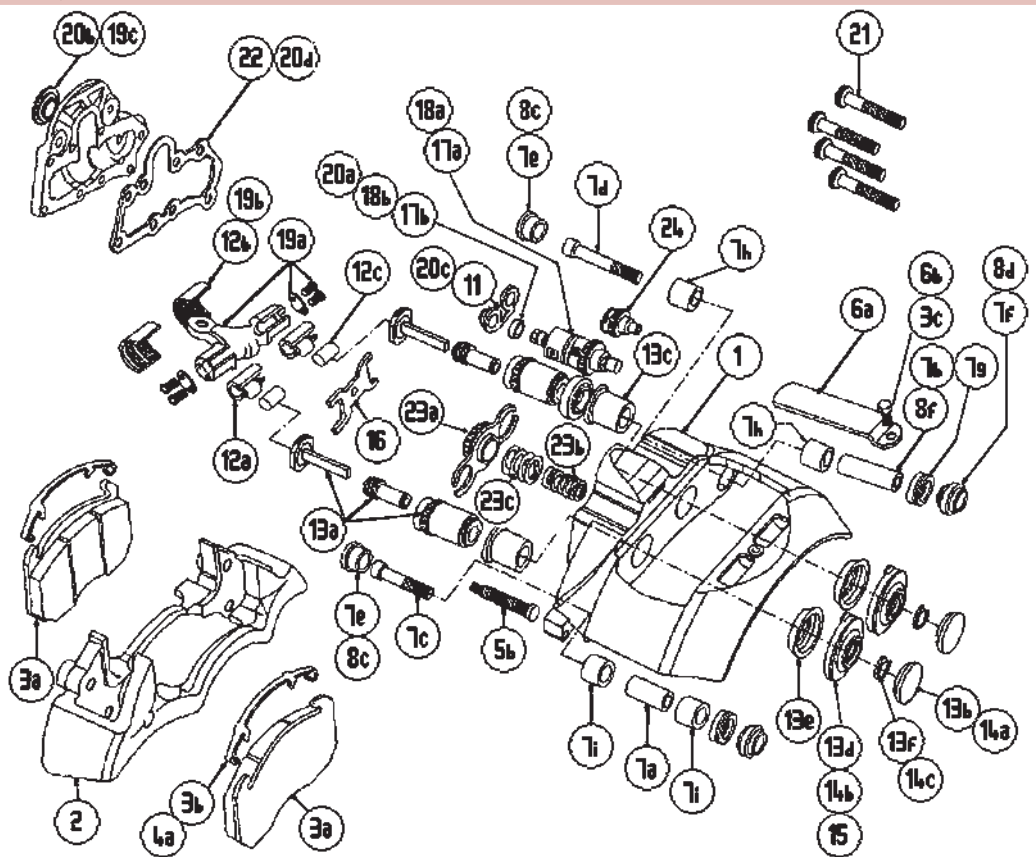
... VOLVO

FH16 Gen 4 (D Duco Axial) RAD-L90, CHID A291152-

	← LRG536 ¹	
	→ LRG537 ²	
	↔ 68322778	②
	↔ MDP5057	③
	↔ MCK1116	⑦
	← MCK1111	⑰
	→ MCK1112	⑰
	↔ MCK1238	⑭
	← MCK1236	⑬
	→ MCK1237	⑬
	← SJ4096	⑲
	→ SJ4097	⑲
	↔ MCK1264	⑥
	↔ SJ4093	④
	↔ SJ4112	⑫
	↔ SJ4105	⑳
	↔ MCK1067	㉓
	↔ MCK1299	⑧

1: 68033073

2: 68033074





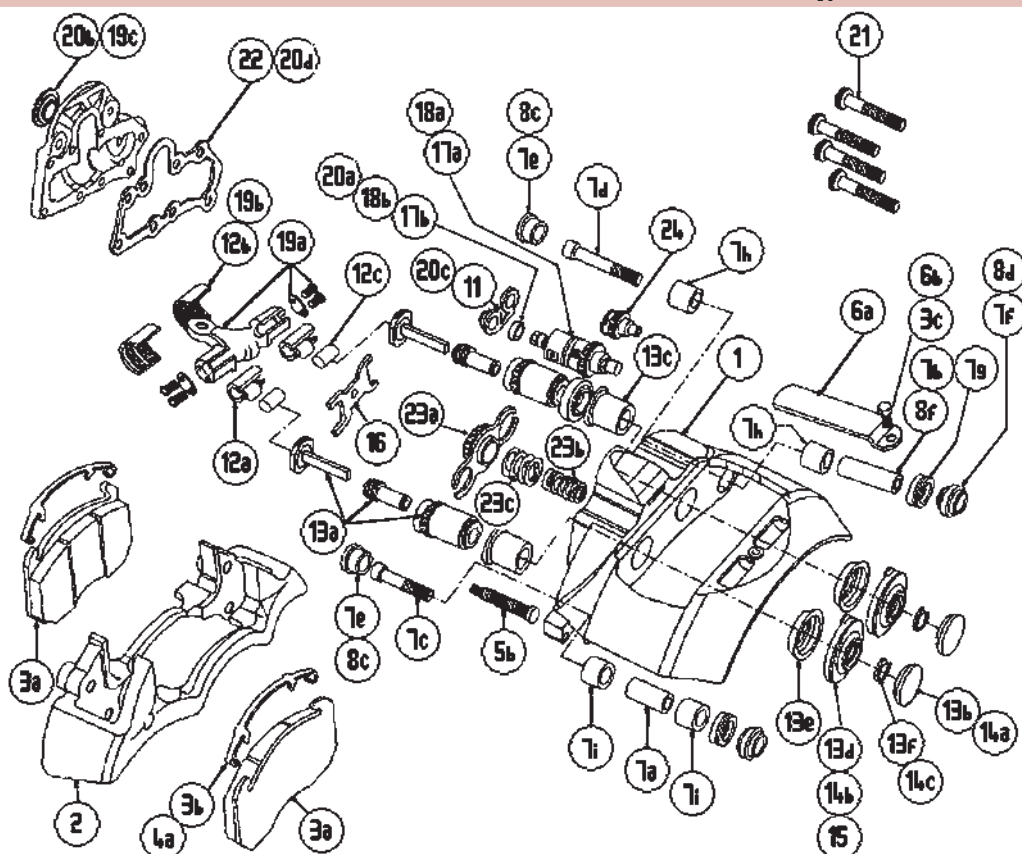
... VOLVO

FM12 (D Duco Axial) RAD-L90, CHID A544696-

	← LRG536 ¹	
	→ LRG537 ²	
	↔ 68322778	②
	↔ MDP5057	③
	↔ MCK1116	⑦
	← MCK1111	⑰
	→ MCK1112	⑰
	↔ MCK1238	⑭
	← MCK1236	⑮
	→ MCK1237	⑮
	← SJ4096	⑲
	→ SJ4097	⑲
	↔ MCK1264	⑥
	↔ SJ4093	④
	↔ SJ4112	⑫
	↔ SJ4105	⑩
	↔ MCK1067	⑩
	↔ MCK1299	⑧

1: 68033073

2: 68033074





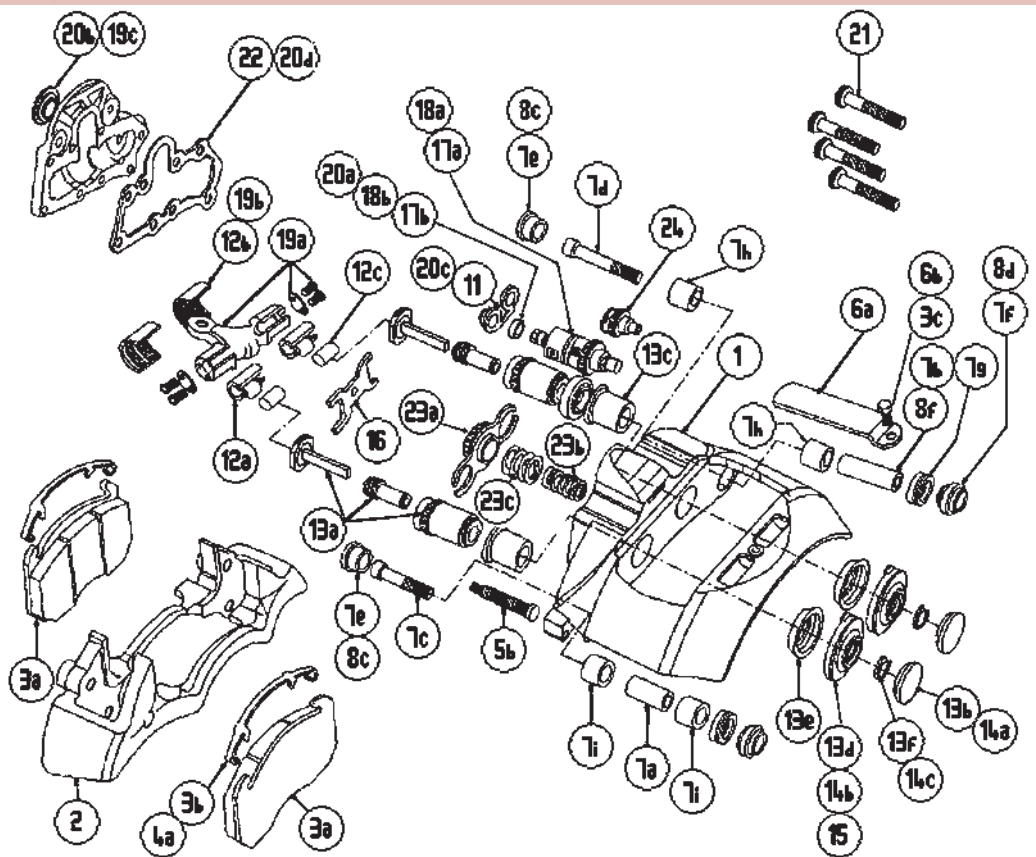
... VOLVO

FH12 Gen 4 (D Duco Axial) RAD-L90, CHID A291152-

	← LRG536 ¹	
	→ LRG537 ²	
	↔ 68322778	②
	↔ MDP5057	③
	↔ MCK1116	⑦
	← MCK1111	⑰
	→ MCK1112	⑰
	↔ MCK1238	⑭
	← MCK1236	⑬
	→ MCK1237	⑬
	← SJ4096	⑲
	→ SJ4097	⑲
	↔ MCK1264	⑥
	↔ SJ4093	④
	↔ SJ4112	⑫
	↔ SJ4105	⑳
	↔ MCK1067	㉓
	↔ MCK1299	⑧

1: 68033073

2: 68033074

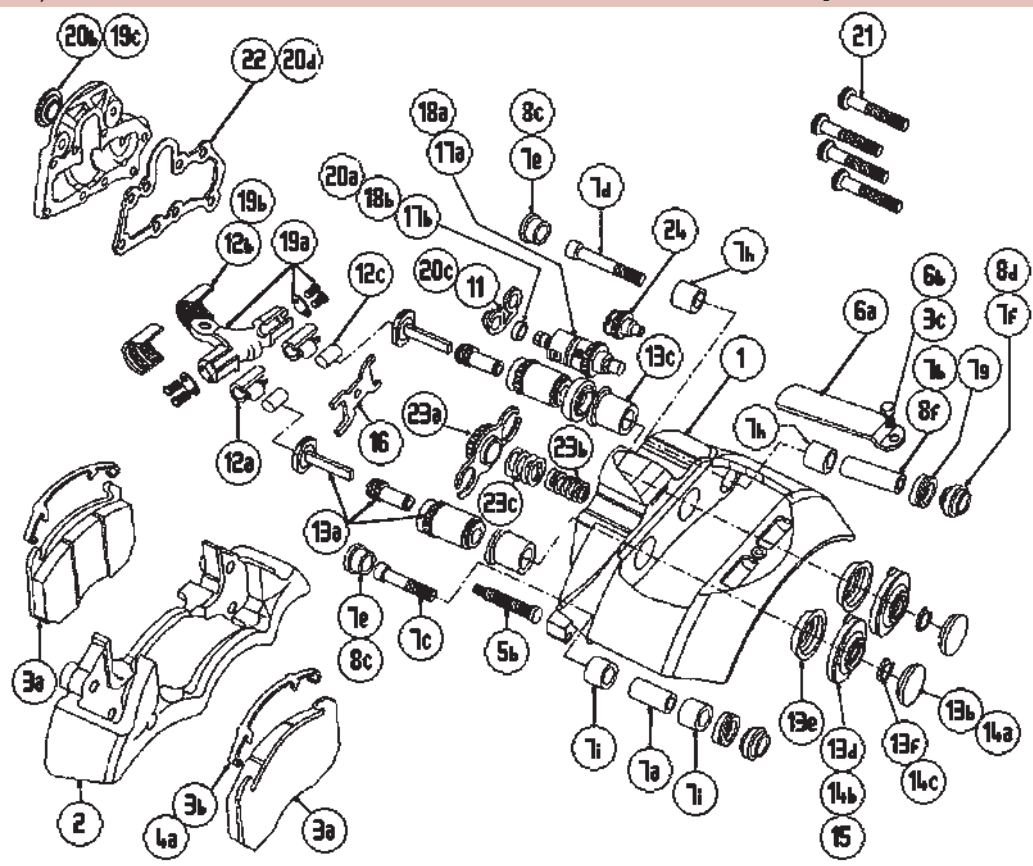




... VOLVO

FM9 (D Duco Axial Flip) FBRA-D43, FAA20

	← LRG596	
	→ LRG597	
	↔ 68322778	②
	↔ MDP5057	③
	↔ MCK1116	⑦
	← MCK1112	⑰
	→ MCK1111	⑰
	↔ MCK1238	⑭
	← MCK1237	⑮
	→ MCK1236	⑮
	← SJ4097	⑲
	→ SJ4096	⑲
	↔ MCK1264	⑥
	↔ SJ4093	④
	↔ SJ4112	⑫
	↔ SJ4105	⑩
	↔ MCK1067	⑩
	↔ MCK1299	⑧





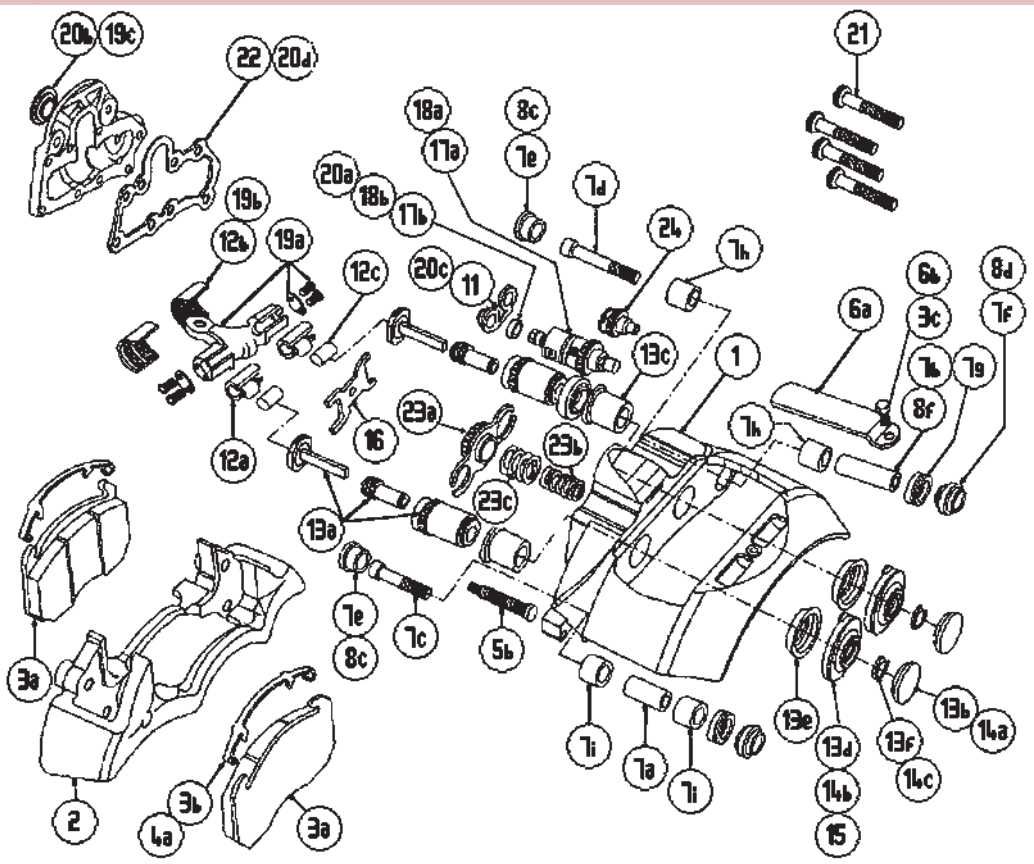
... VOLVO

FM9 (D Duco Axial Flip) FBRA-D43, RAD -A4

	← LRG596 ¹	
	→ LRG597 ²	
	↔ 68322778	②
	↔ MDP5057	③
	↔ MCK1116	⑦
	← MCK1112	⑰
	→ MCK1111	⑰
	↔ MCK1238	⑭
	← MCK1237	⑮
	→ MCK1236	⑮
	← SJ4097	⑲
	→ SJ4096	⑲
	↔ MCK1264	⑥
	↔ SJ4093	④
	↔ SJ4112	⑫
	↔ SJ4105	⑳
	↔ MCK1067	㉓
	↔ MCK1299	⑧

1: 68033075

2: 68033076



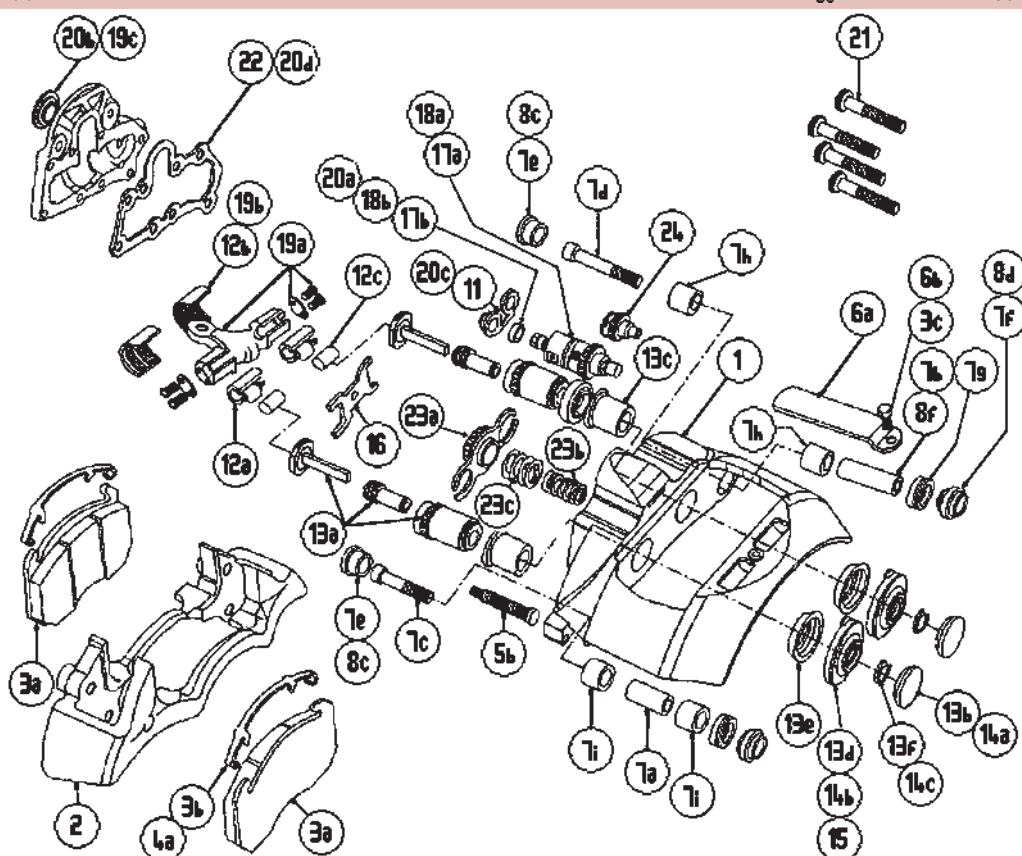


... VOLVO

FM7 Gen 4 (D Duco Axial Flip) Rad-A4

7/01→

	← LRG596 ¹	
	→ LRG597 ²	
	↔ 68322778	②
	↔ MDP5057	③
	↔ MCK1116	⑦
	← MCK1112	⑰
	→ MCK1111	⑰
	↔ MCK1238	⑭
	← MCK1237	⑬
	→ MCK1236	⑬
	← SJ4097	⑲
	→ SJ4096	⑲
	↔ MCK1264	⑥
	↔ SJ4093	④
	↔ SJ4112	⑫
	↔ SJ4105	⑩
	↔ MCK1067	⑩
	↔ MCK1299	⑧



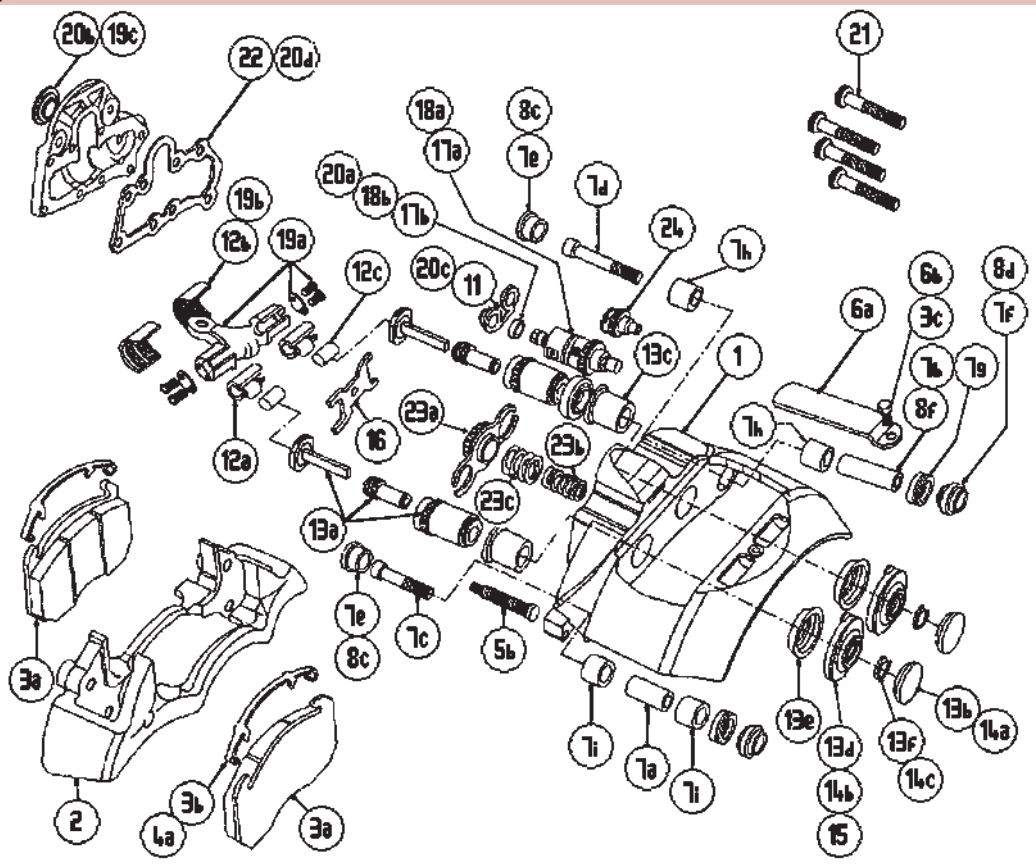
1: 68033075
2: 68033076



... VOLVO

FH16 Gen 4 (D Duco Axial Flip) RAD-A4, CHID A291152-

	← LRG596 ¹	
	→ LRG597 ²	
	↔ 68322778	②
	↔ MDP5057	③
	↔ MCK1116	⑦
	← MCK1112	⑰
	→ MCK1111	⑰
	↔ MCK1238	⑭
	← MCK1237	⑮
	→ MCK1236	⑮
	← SJ4097	⑲
	→ SJ4096	⑲
	↔ MCK1264	⑥
	↔ SJ4093	④
	↔ SJ4112	⑫
	↔ SJ4105	⑳
	↔ MCK1067	㉓
	↔ MCK1299	⑧



1: 68033075
2: 68033076



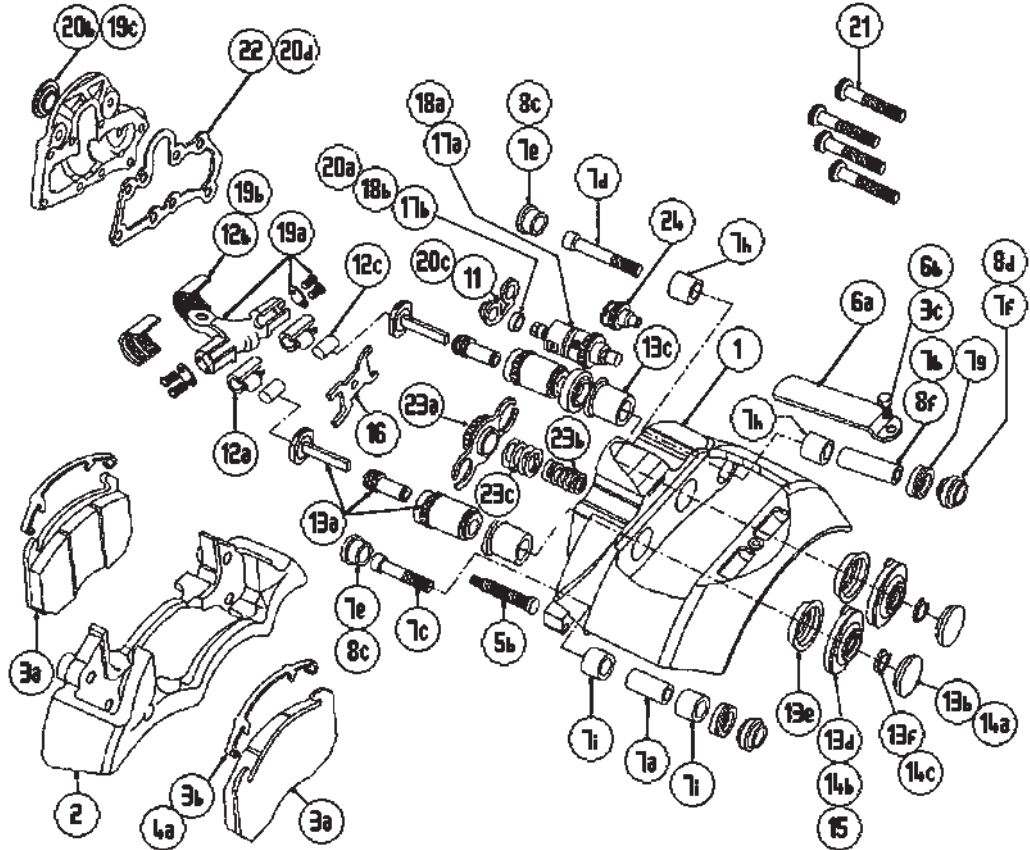
... VOLVO

FM12 (D Duco Axial Flip) FAA20, CHID A544696-

	← LRG596 ¹	
	→ LRG597 ²	
	↔ 68322778	②
	↔ MDP5057	③
	↔ MCK1116	⑦
	← MCK1112	⑰
	→ MCK1111	⑰
	↔ MCK1238	⑭
	← MCK1237	⑬
	→ MCK1236	⑬
	← SJ4097	⑲
	→ SJ4096	⑲
	↔ MCK1264	⑥
	↔ SJ4093	④
	↔ SJ4112	⑫
	↔ SJ4105	⑳
	↔ MCK1067	⑳
	↔ MCK1299	⑥

1: 68033075

2: 68033076



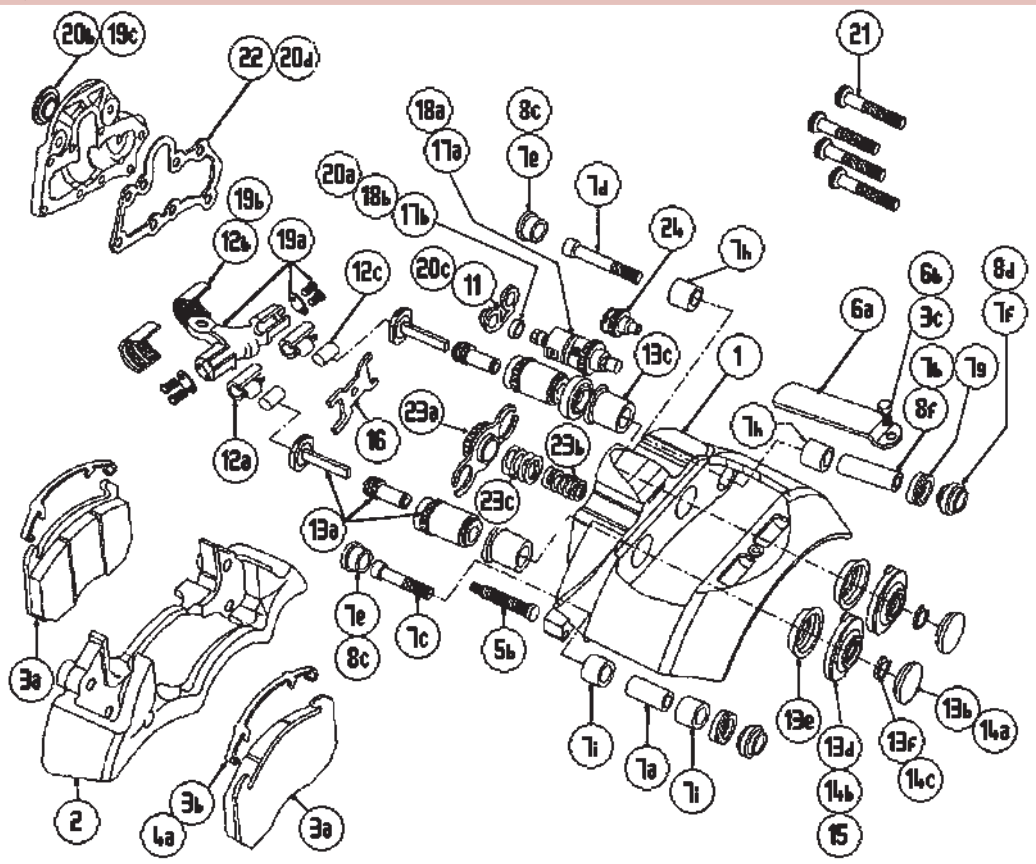


... VOLVO

FM12 (D Duco Axial Flip) RAD-A4, CHID A544696-

	← LRG596 ¹	
	→ LRG597 ²	
	↔ 68322778	②
	↔ MDP5057	③
	↔ MCK1116	⑦
	← MCK1112	⑰
	→ MCK1111	⑰
	↔ MCK1238	⑭
	← MCK1237	⑬
	→ MCK1236	⑬
	← SJ4097	⑲
	→ SJ4096	⑲
	↔ MCK1264	⑥
	↔ SJ4093	④
	↔ SJ4112	⑫
	↔ SJ4105	⑳
	↔ MCK1067	㉓
	↔ MCK1299	⑧

1: 68033075
2: 68033076



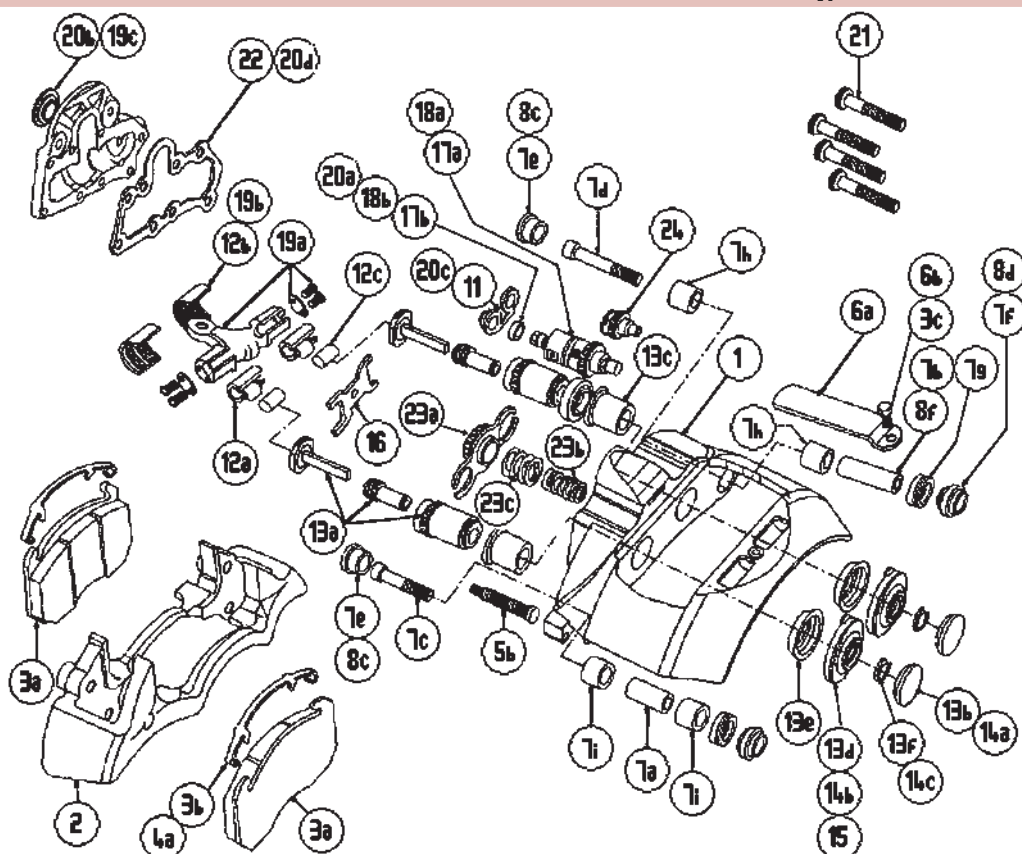


... VOLVO

FM10 Gen 4(D Duco Axial Flip) RAD-A4

	← LRG596 ¹	
	→ LRG597 ²	
	↔ 68322778	②
	↔ MDP5057	③
	↔ MCK1116	⑦
	← MCK1112	⑰
	→ MCK1111	⑰
	↔ MCK1238	⑭
	← MCK1237	⑮
	→ MCK1236	⑮
	← SJ4097	⑲
	→ SJ4096	⑲
	↔ MCK1264	⑥
	↔ SJ4093	④
	↔ SJ4112	⑫
	↔ SJ4105	⑩
	↔ MCK1067	⑩
	↔ MCK1299	⑧

1: 68033075
2: 68033076





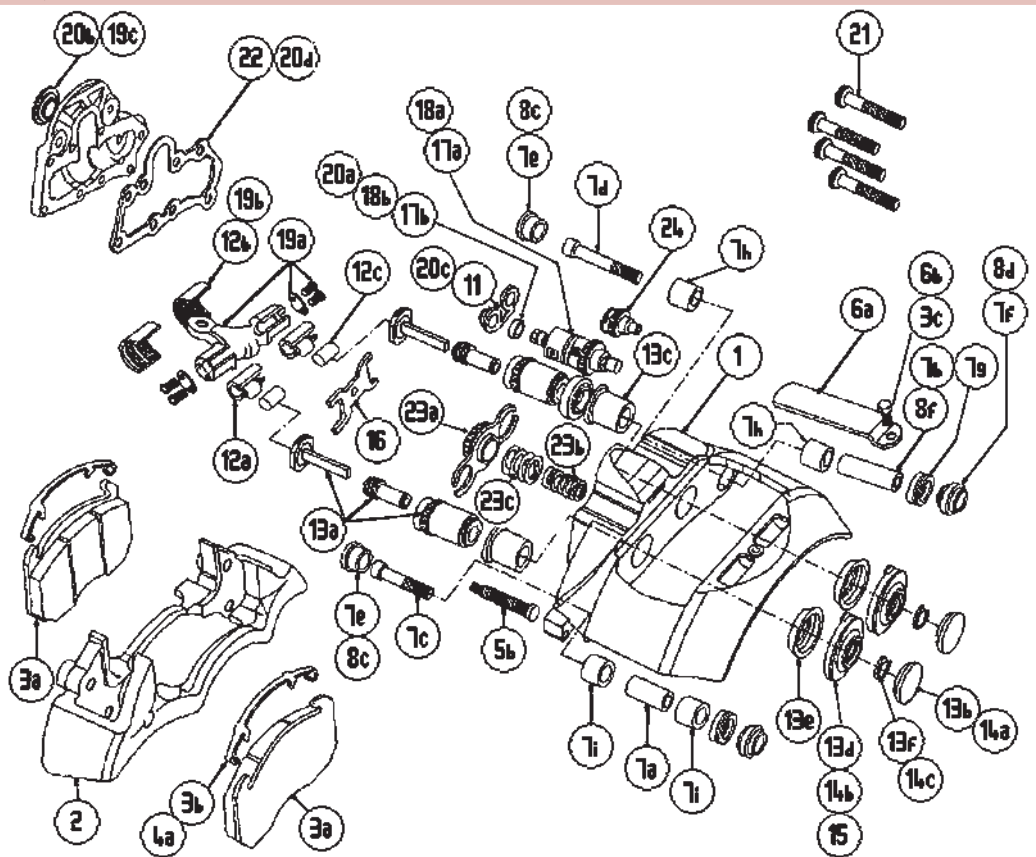
... VOLVO

FH12 Gen 4 (D Duco Axial) RAD-A4, CHID A291152-

	← LRG596 ¹	
	→ LRG597 ²	
	↔ 68322778	②
	↔ MDP5057	③
	↔ MCK1116	⑦
	← MCK1112	⑰
	→ MCK1111	⑰
	↔ MCK1238	⑭
	← MCK1237	⑬
	→ MCK1236	⑬
	← SJ4097	⑲
	→ SJ4096	⑲
	↔ MCK1264	⑥
	↔ SJ4093	④
	↔ SJ4112	⑫
	↔ SJ4105	⑳
	↔ MCK1067	㉓
	↔ MCK1299	⑧

1: 68033075

2: 68033076





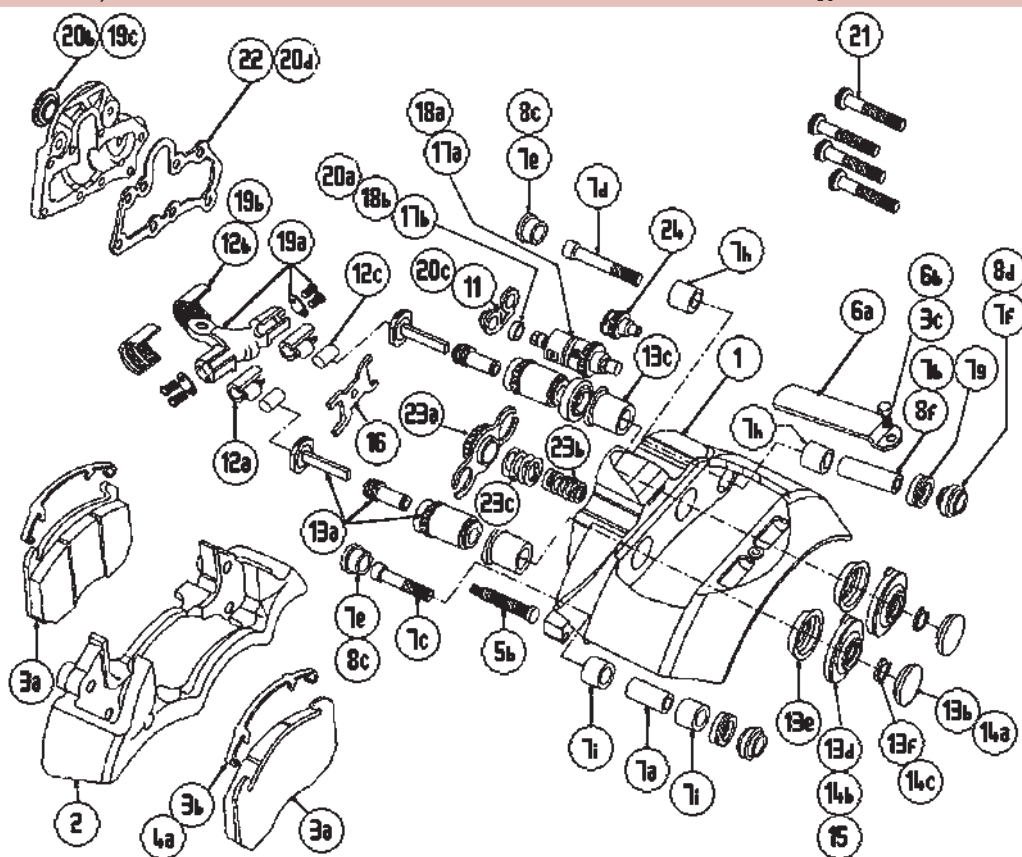
... VOLVO

FM9 - Schleppachse (C Duco) TBRA-D37, P /PA-HYDRS

	← LRG560 ¹	
	→ LRG561 ²	
	↔ 68323546	②
	↔ MDP5053	③
	↔ MCK1116	⑦
	← MCK1111	⑰
	→ MCK1112	⑰
	↔ MCK1238	⑭
	← MCK1236	⑬
	→ MCK1237	⑬
	← MCK1127	⑲
	→ MCK1128	⑲
	↔ MCK1264	⑥
	↔ SJ4112	⑫
	↔ MCK1041	⑩
	↔ MCK1129	⑩
	↔ MCK1299	⑧

1: 68033109

2: 68033110

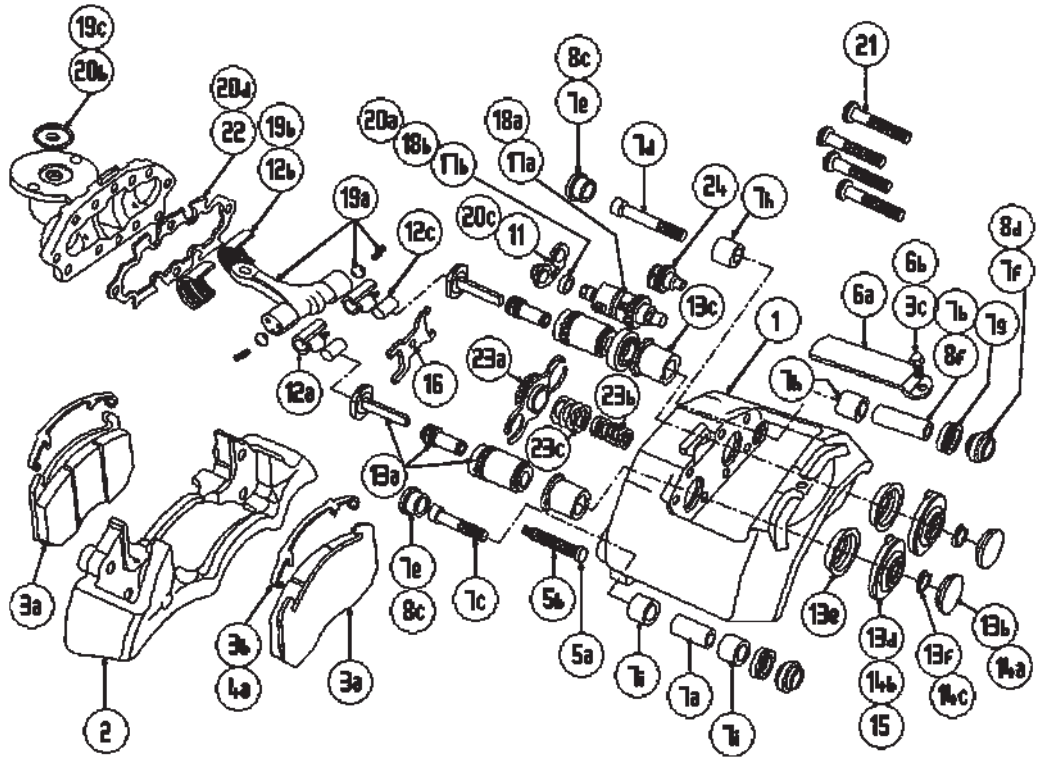




... VOLVO

FM7 Gen 4 (D Duco Radial)

	← LRG598	
	→ LRG599	
	↔ 68322778	②
	↔ MDP5057	③
	↔ MCK1118	⑦
	↔ MCK1113	⑰
	↔ MCK1238	⑭
	↔ MCK1237	⑮
	↔ SJ4108	⑰
	↔ MCK1264	⑥
	↔ SJ4093	④
	↔ SJ4098	⑫
	↔ SJ4109	⑳
	↔ MCK1067	㉓
	↔ MCK1299	⑧





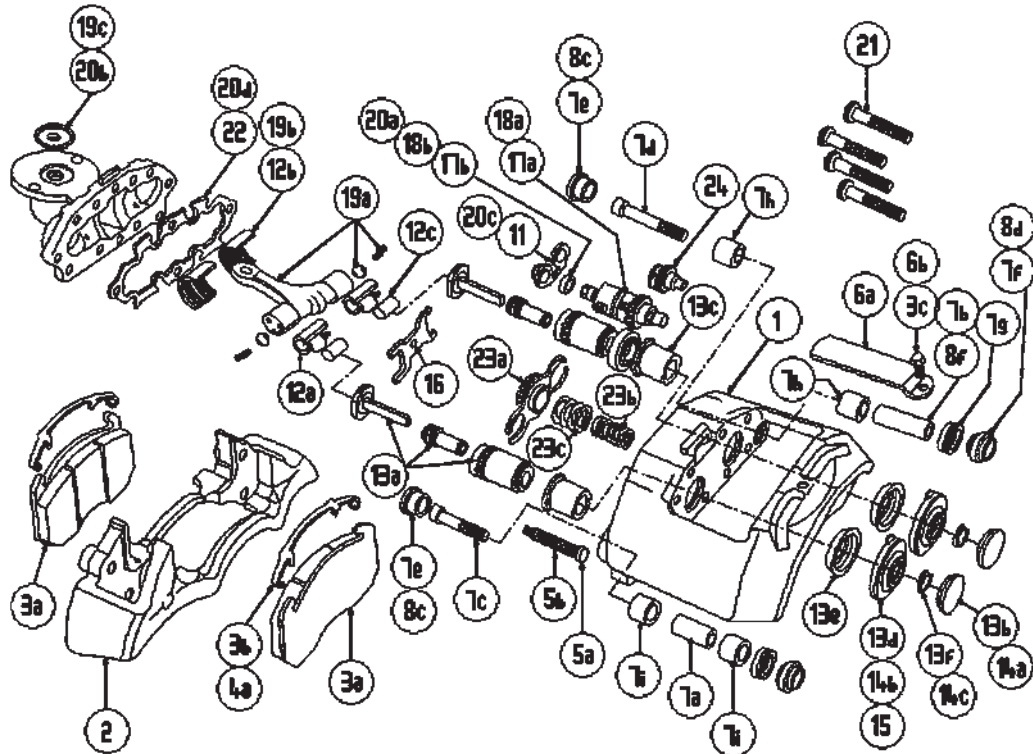
... VOLVO

FL6 E-Medium 6X2 (D Duco Radial) Chid B265000-



6/01→

	← LRG598 ¹	
	→ LRG599 ²	
	↔ 68322778	②
	↔ MDP5057	③
	↔ MCK1118	⑦
	↔ MCK1113	⑰
	↔ MCK1238	⑭
	↔ MCK1237	⑮
	↔ SJ4108	⑰
	↔ MCK1264	⑥
	↔ SJ4093	④
	↔ SJ4098	⑫
	↔ SJ4109	⑳
	↔ MCK1067	㉑
	↔ MCK1299	⑥



1: 68033122
2: 68033123



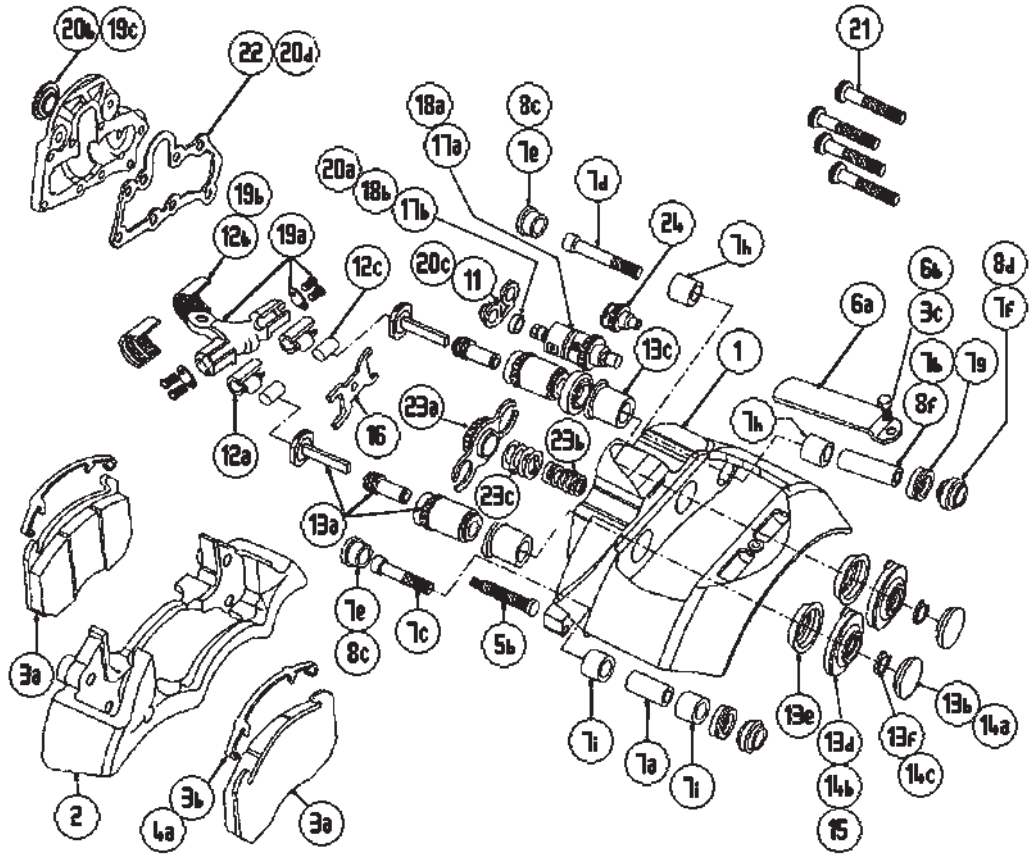
... VOLVO

FL6 (B Duco)



6/01→

	← LRG552 ¹	
	→ LRG553 ²	
	↔ 68323539	②
	↔ MDP5052	③
	↔ MCK1116	⑦
	↔ MCK1050	⑰
	↔ MCK1238	⑭
	↔ MCK1239	⑮
	↔ MCK1048	⑲
	↔ MCK1264	⑥
	↔ SJ4112	⑫
	↔ MCK1107	⑱
	↔ MCK1053	⑳
	↔ MCK1299	⑧



1: 68033158

2: 68033159

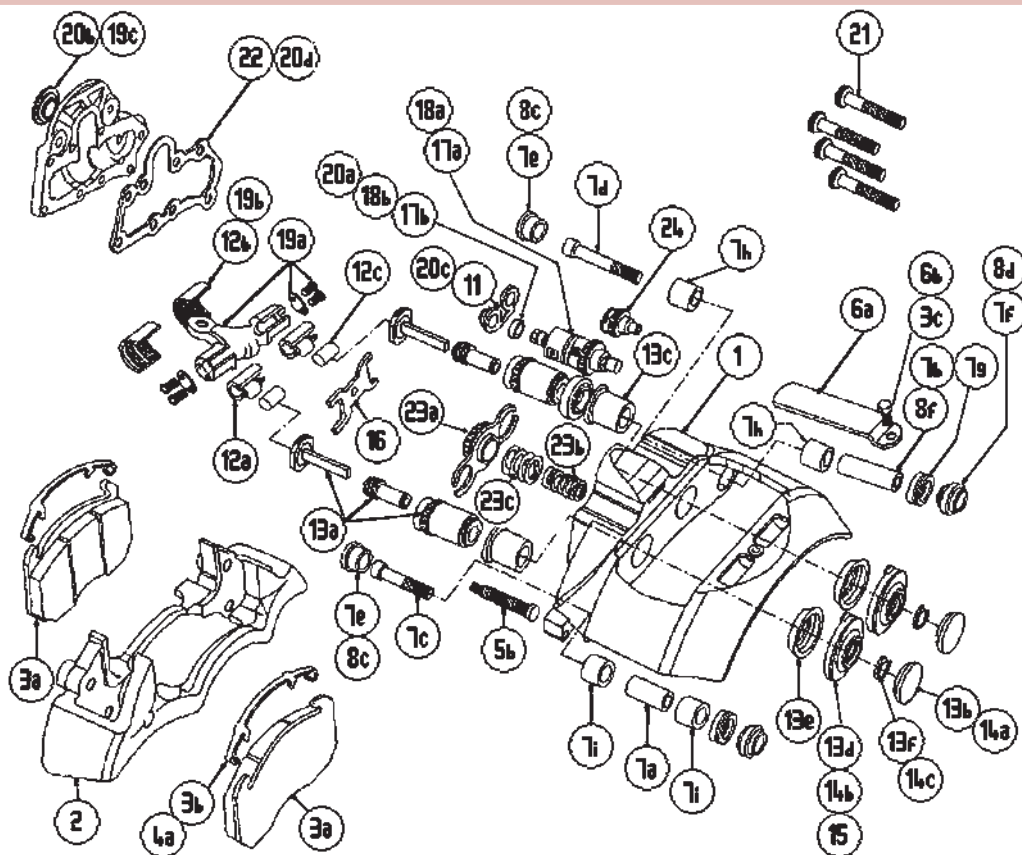


... VOLVO

FL6 (B Duco)

6/01→

	← LRG552 ¹	
	→ LRG553 ²	
	↔ 68323539	②
	↔ MDP5052	③
	↔ MCK1116	⑦
	↔ MCK1050	⑰
	↔ MCK1238	⑭
	↔ MCK1239	⑬
	↔ MCK1048	⑱
	↔ MCK1264	⑥
	↔ SJ4112	⑫
	↔ MCK1107	⑱
	↔ MCK1053	⑳
	↔ MCK1299	⑧



1: 68033158

2: 68033159



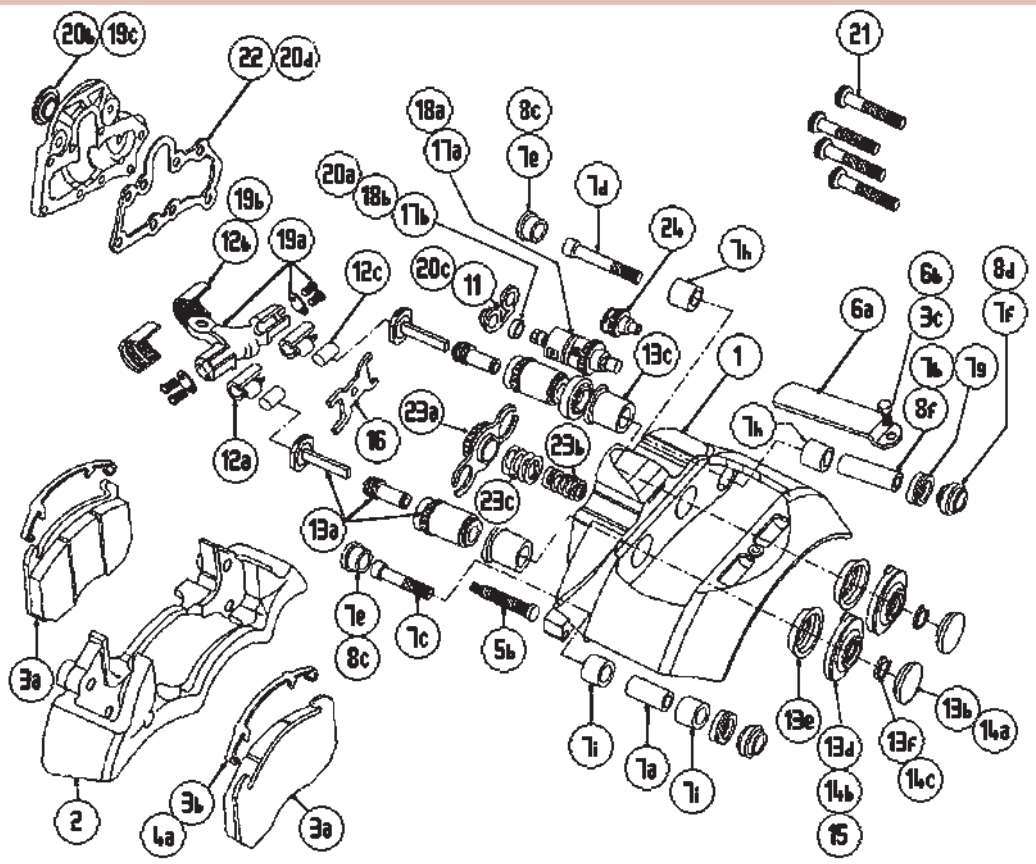
... VOLVO

Volvo Europa (C Duco)



6/01→

	← LRG560 ¹	
	→ LRG561 ²	
	↔ 68323546	②
	↔ MDP5053	③
	↔ MCK1116	⑦
	← MCK1111	⑰
	→ MCK1112	⑰
	↔ MCK1238	⑭
	← MCK1236	⑮
	→ MCK1237	⑮
	← MCK1127	⑲
	→ MCK1128	⑲
	↔ MCK1264	⑥
	↔ SJ4112	⑫
	↔ MCK1041	⑳
	↔ MCK1129	㉓
	↔ MCK1299	⑧



1: 68033214

2: 68033215

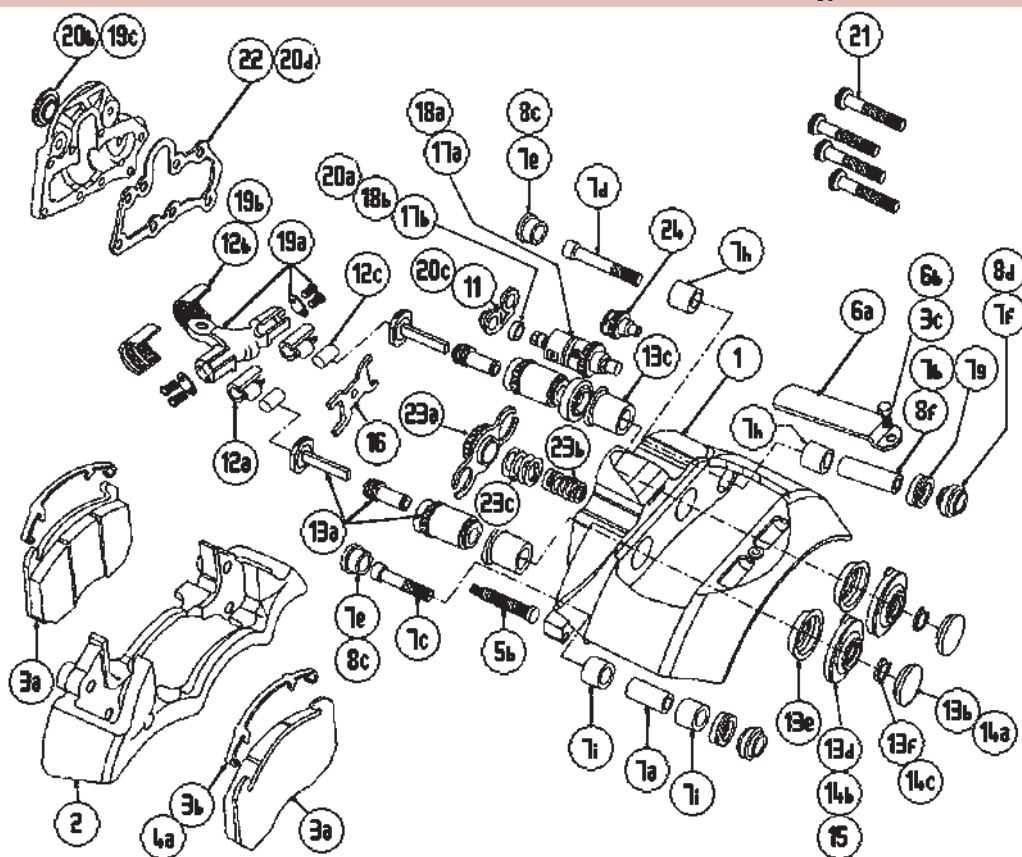


... VOLVO

Volvo Europa (C Duco)

6/01→

	← LRG560 ¹	
	→ LRG561 ²	
	↔ 68323546	②
	↔ MDP5053	③
	↔ MCK1116	⑦
	← MCK1111	⑰
	→ MCK1112	⑰
	↔ MCK1238	⑭
	← MCK1236	⑬
	→ MCK1237	⑬
	← MCK1127	⑲
	→ MCK1128	⑲
	↔ MCK1264	⑥
	↔ SJ4112	⑫
	↔ MCK1041	⑩
	↔ MCK1129	⑩
	↔ MCK1299	⑧



1: 68033214

2: 68033215



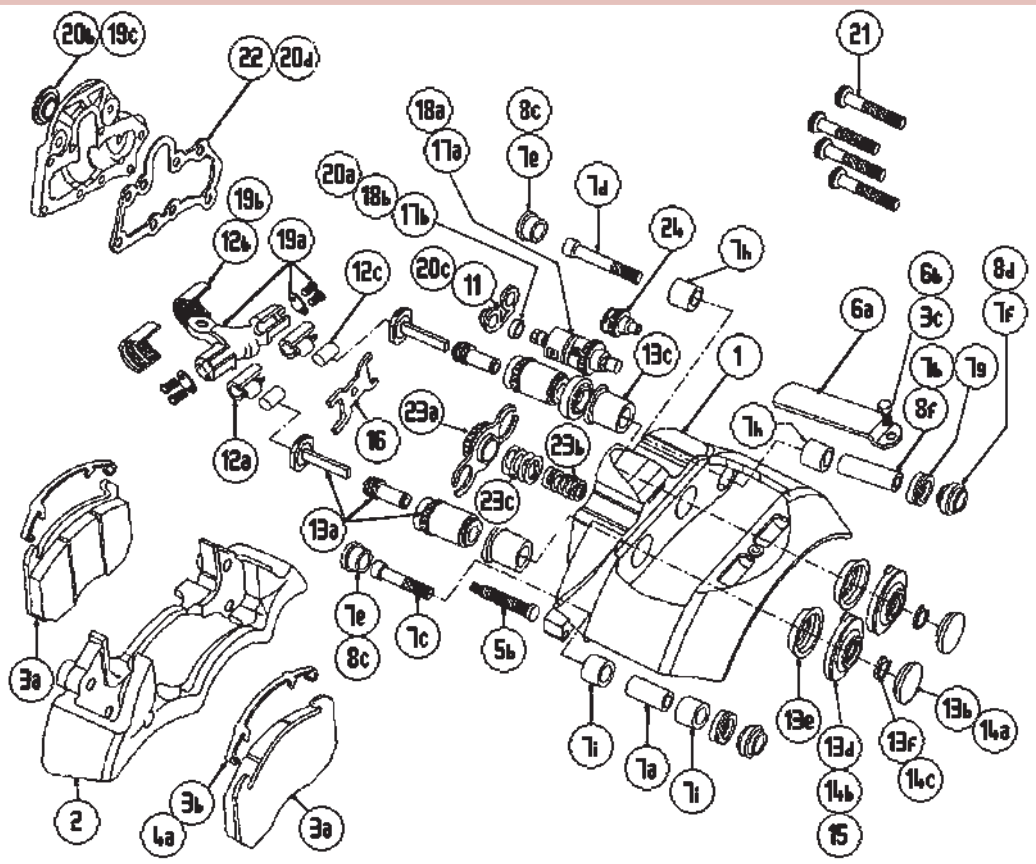
... VOLVO

Volvo Europa FL(C Duco)



→6/01

	← LRG649 ¹	
	→ LRG648 ²	
	↔ 68323546	②
	↔ MDP5053	③
	↔ MCK1134	⑦
	← SJ4103	⑰
	→ SJ4102	⑰
	↔ MCK1238	⑭
	← MCK1237	⑬
	→ MCK1236	⑬
	← MCK1033	⑲
	→ MCK1032	⑲
	↔ MCK1264	⑥
	↔ SJ4112	⑫
	↔ MCK1041	⑳
	↔ MCK1129	㉓
	↔ MCK1299	⑧



1: 68033097

2: 68033098



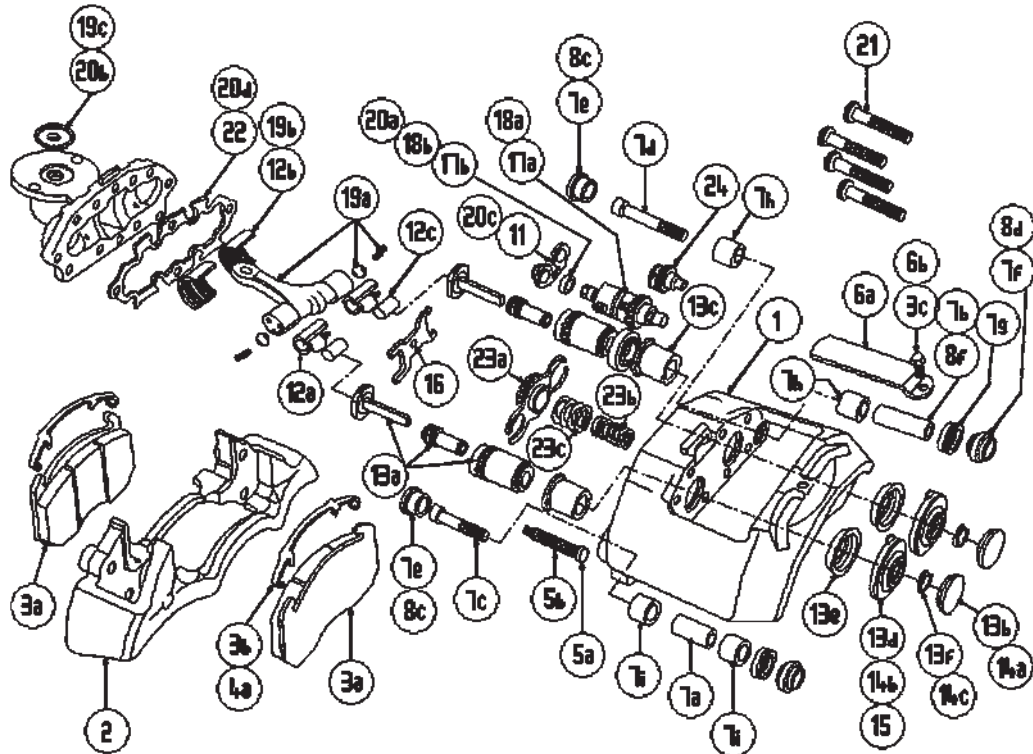
... VOLVO

FL6E (D Duco Radial)



→6/01

	← LRG598 ¹	
	→ LRG599 ²	
	↔ 68322778	②
	↔ MDP5057	③
	↔ MCK1118	⑦
	↔ MCK1113	⑰
	↔ MCK1238	⑭
	↔ MCK1237	⑮
	↔ SJ4108	⑰
	↔ MCK1264	⑥
	↔ SJ4093	④
	↔ SJ4098	⑫
	↔ SJ4109	⑳
	↔ MCK1067	⑳
	↔ MCK1299	⑥



1: 68032998
2: 68032999



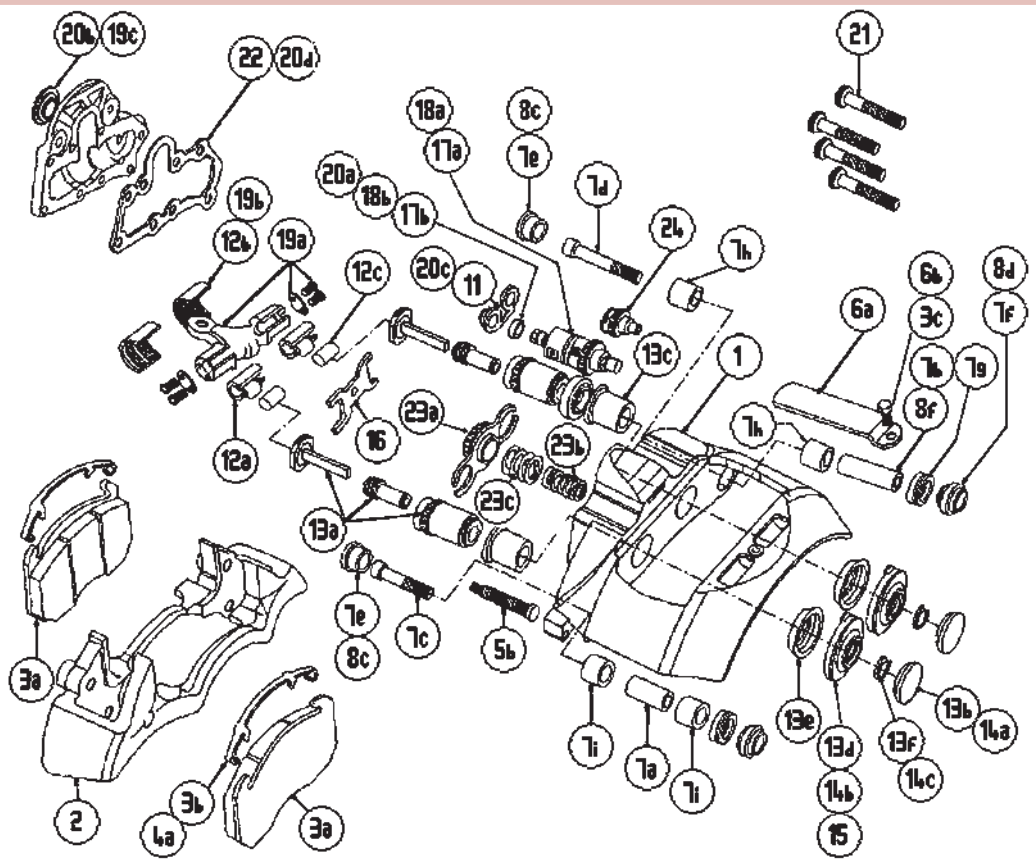
... VOLVO

FH12 D Duco (axial)



7/01→

	← LRG536 ¹	
	→ LRG537 ²	
	↔ 68322778	②
	↔ MDP5057	③
	↔ MCK1116 ³	⑦
	← MCK1111	⑰
	→ MCK1112	⑰
	↔ MCK1238	⑭
	← MCK1236	⑬
	→ MCK1237	⑬
	← SJ4096	⑲
	→ SJ4097	⑲
	↔ MCK1264	⑥
	↔ SJ4093	④
	↔ SJ4112	⑫
	↔ SJ4105	⑳
	↔ MCK1067	㉓
	↔ MCK1299	⑧



- 1: 68033118
- 2: 68033119
- 3: Wheel Set

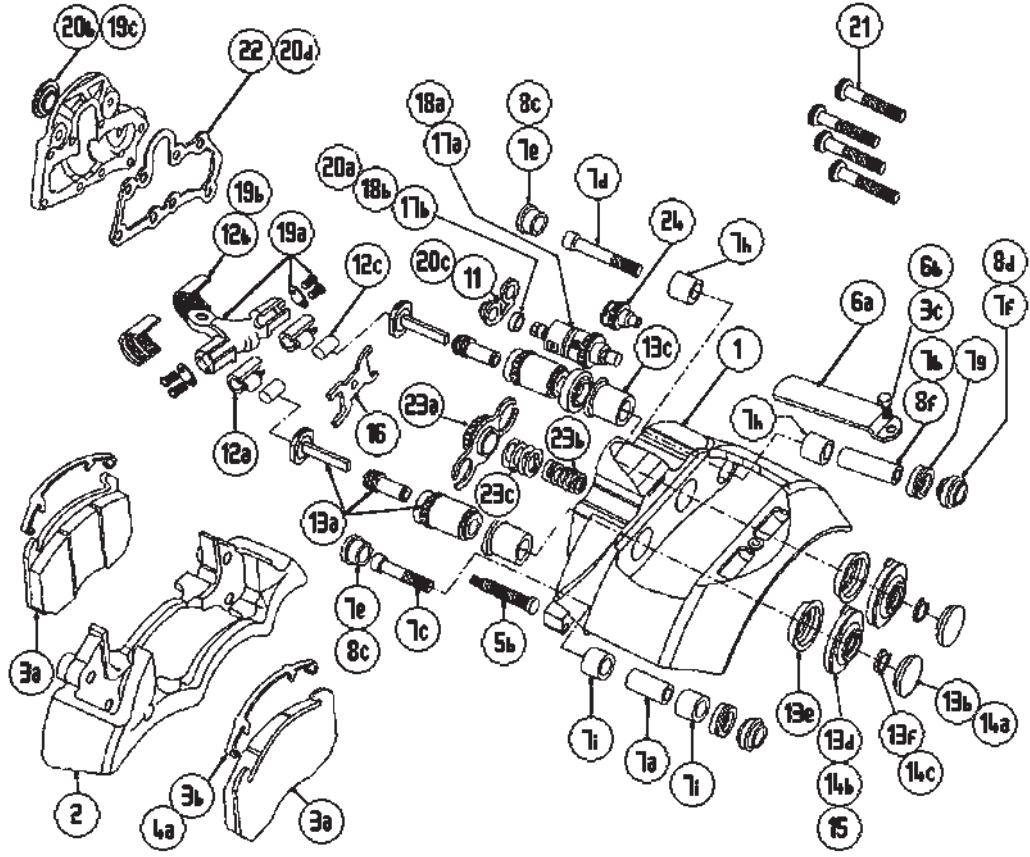


... VOLVO

FM9 - Schleppachse (Le Duco)

5/01→

	← LRG650 ¹	
	→ LRG651 ²	
	↔ 68323828	②
	↔ MDP5072	③
	↔ MCK1116	⑦
	← MCK1111	⑰
	→ MCK1112	⑰
	↔ MCK1238	⑭
	← MCK1236	⑮
	→ MCK1237	⑮
	← MCK1127	⑲
	→ MCK1128	⑲
	↔ SJ4112	⑫
	↔ MCK1041	⑳
	↔ MCK1129	㉓
	↔ MCK1299	⑧



1: 68033233

2: 68033234



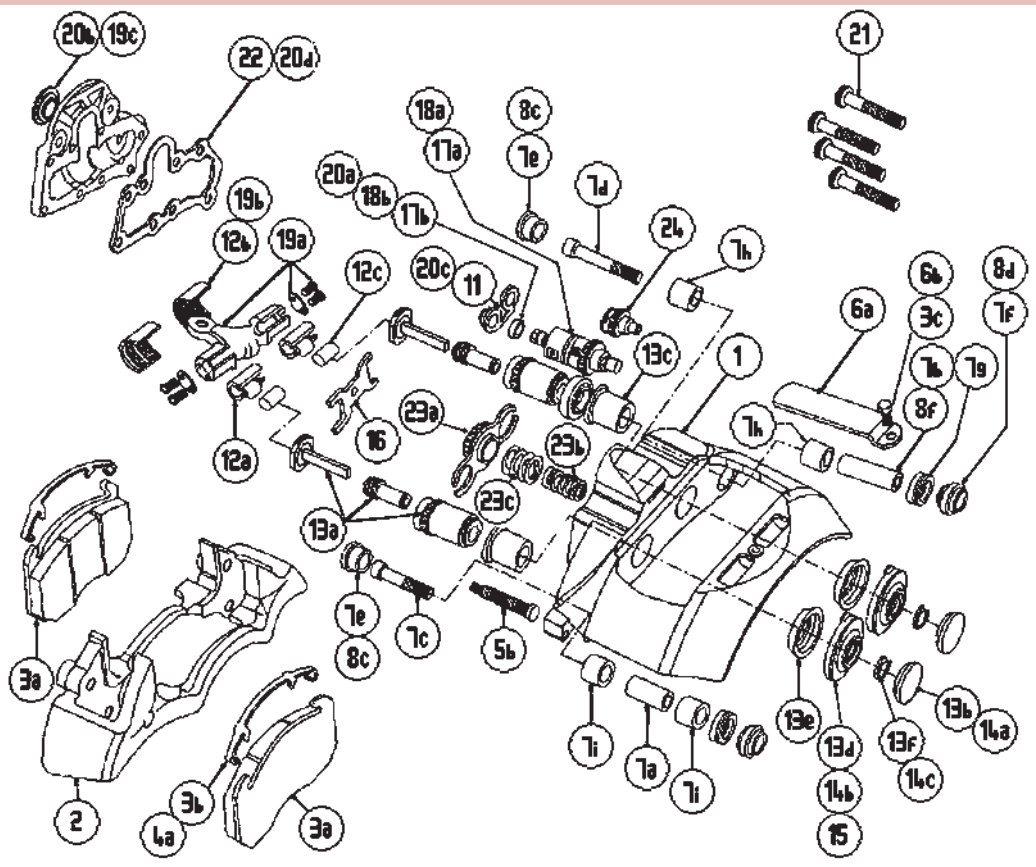
... VOLVO

Volvo Truck (C Duco)



→6/01

	← LRG560 ¹	
	→ LRG561 ²	
	↔ 68323546	②
	↔ MDP5053	③
	↔ MCK1134	⑦
	← SJ4102	⑰
	→ SJ4103	⑰
	↔ MCK1238	⑭
	← MCK1236	⑬
	→ MCK1237	⑬
	← MCK1032	⑲
	→ MCK1033	⑲
	↔ MCK1264	⑥
	↔ SJ4112	⑫
	↔ MCK1041	⑳
	↔ MCK1129	㉓
	← MCK1299	⑧



- 1: 68032992
- 2: 68032993
- 3: 68032991



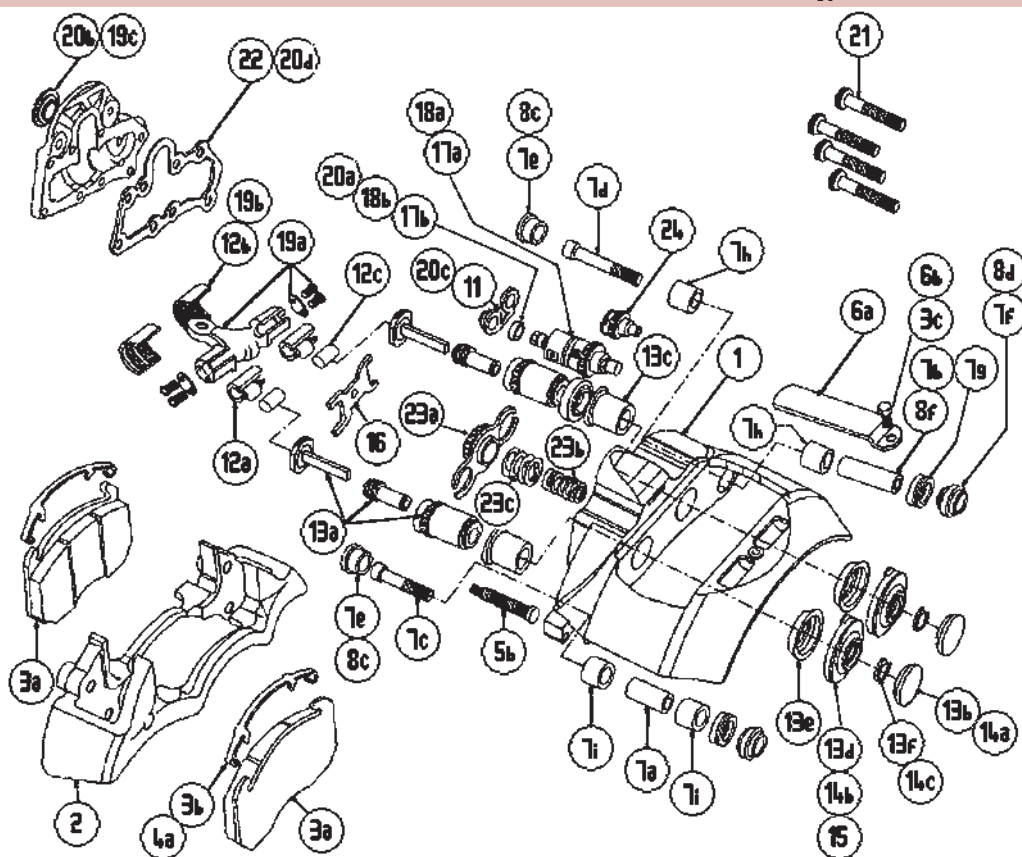
... VOLVO

Volvo Truck (C Duco)

→6/01

	← LRG560 ¹	
	→ LRG561 ³	
	↔ 68323546	②
	↔ MDP5053	③
	↔ MCK1134	⑦
	← SJ4102	⑰
	→ SJ4103	⑰
	↔ MCK1238	⑭
	← MCK1236	⑬
	→ MCK1237	⑬
	← MCK1032	⑲
	→ MCK1033	⑲
	↔ MCK1264	⑥
	↔ SJ4112	⑫
	↔ MCK1041	⑩
	↔ MCK1129	⑩
	→ MCK1299	⑧

1: 68032992
 2: 68032993
 3: 68032991





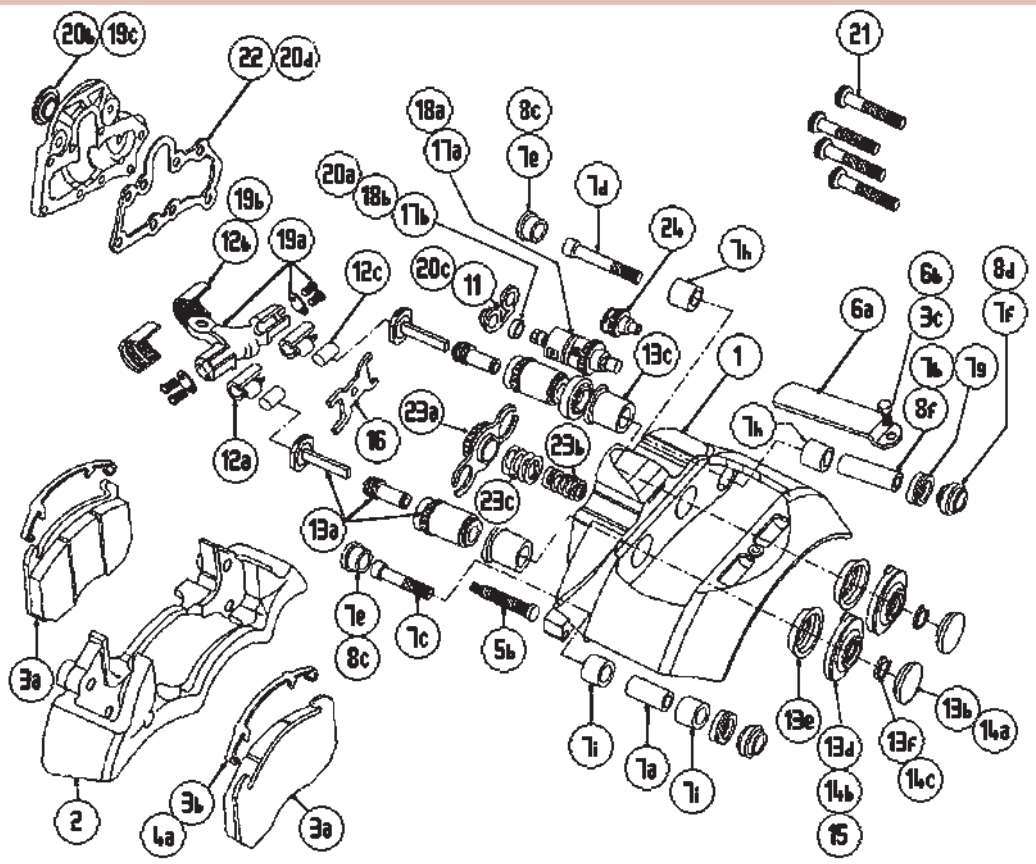
... VOLVO

Volvo Europa FL (C Duco)



6/01→

	← LRG561 ¹	
	→ LRG560 ²	
	↔ 68323546	②
	↔ MDP5053	③
	↔ MCK1116	⑦
	← MCK1112	⑰
	→ MCK1111	⑰
	↔ MCK1238	⑭
	← MCK1237	⑮
	→ MCK1236	⑮
	← MCK1128	⑲
	→ MCK1127	⑲
	↔ MCK1264	⑥
	↔ SJ4112	⑫
	↔ MCK1041	⑳
	↔ MCK1129	⑳
	↔ MCK1299	⑧



1: 68033216

2: 68033217



... VOLVO

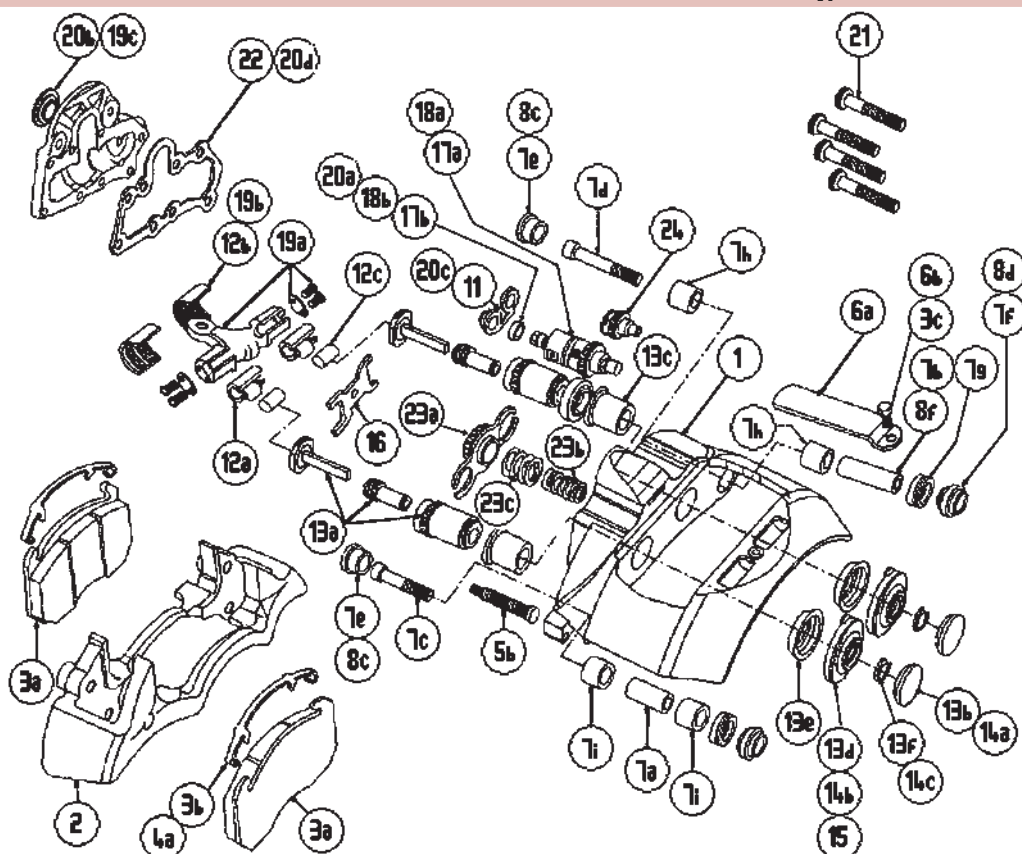
FH12 D Duco (axial flip)

7/01→

	← LRG596 ¹	
	→ LRG597 ²	
	↔ 68322778	②
	↔ MDP5057	③
	↔ MCK1116	⑦
	← MCK1112	⑰
	→ MCK1111	⑰
	↔ MCK1238	⑭
	← MCK1237	⑬
	→ MCK1236	⑬
	← SJ4097	⑲
	→ SJ4096	⑲
	↔ MCK1264	⑥
	↔ SJ4093	④
	↔ SJ4112	⑫
	↔ SJ4105	⑩
	↔ MCK1067	⑩
	↔ MCK1299	⑧

1: 68033120

2: 68033121





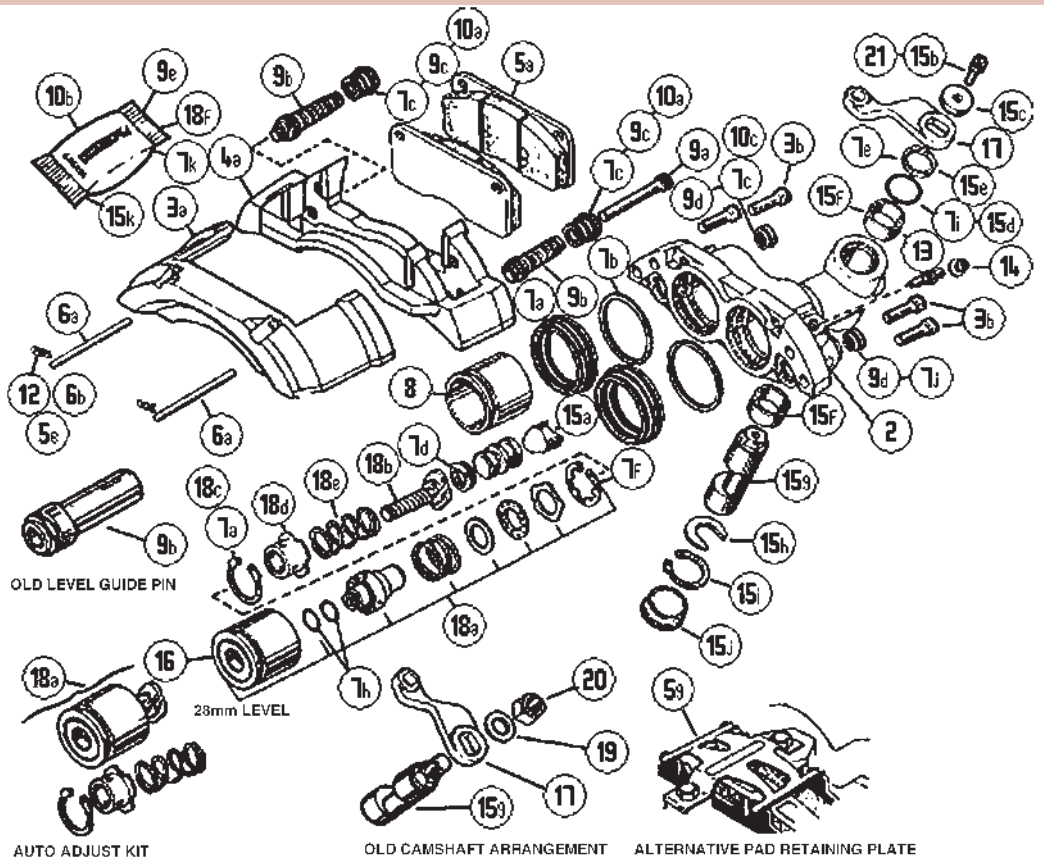
... VOLVO

FL4 Range, FL 6 Range 17.5" Wheel Dia.



1/87→2/90

	← LRG608 ¹ ← LRG610 ² → LRG609 ¹ → LRG611 ²	
	↔ 68320196	③
	← BDA334 → BDA335	④ ④
	↔ MDP5429	⑤
	↔ SP8563	⑥
	↔ SP9669 ↔ SP9670	⑦ ⑦
	↔ SP8565	⑨
	↔ SJ1091 ¹ ↔ SJ1092 ²	⑱ ⑱
	↔ SP8566	⑩
	↔ SP8570	⑮



1: 58mm
2: 68mm



... VOLVO

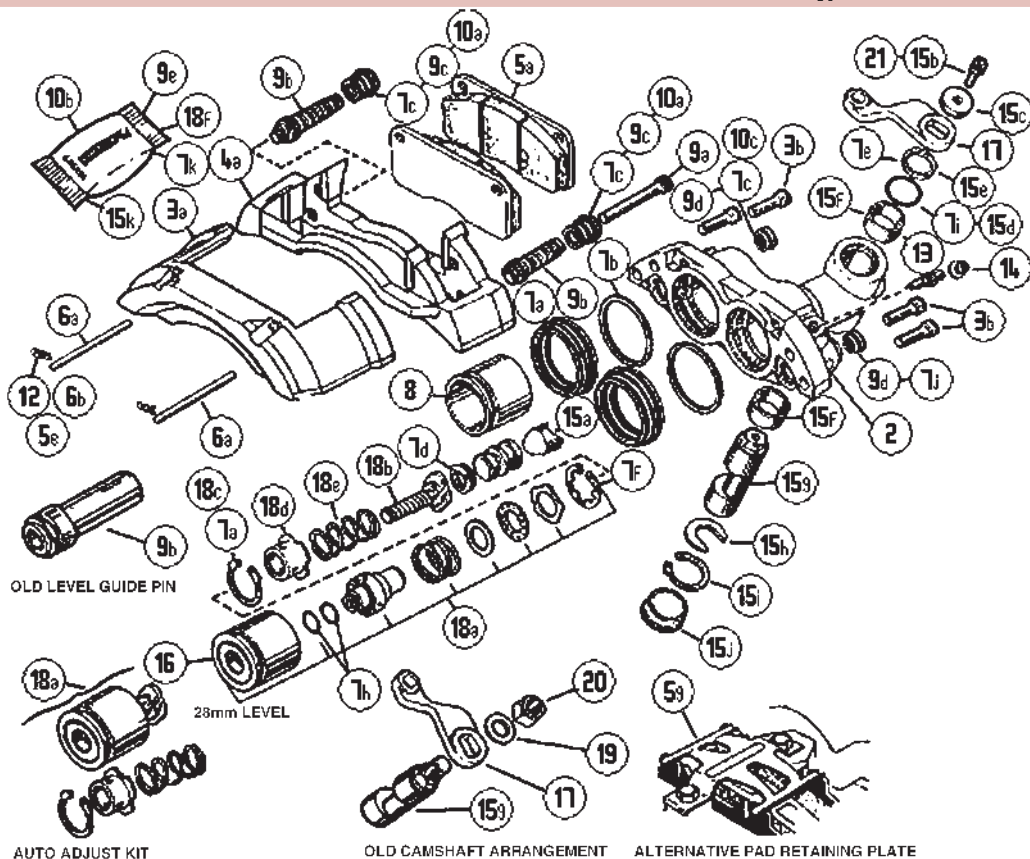
FL4 Range, FL 6 Range 17.5" Wheel Dia.

3/90→

	← LRG608 ¹	
	← LRG610 ²	
	→ LRG609 ¹	
	→ LRG611 ²	
	↔ 68320196	③
	← BDA334	④
	→ BDA335	④
	↔ MDP5761	⑤
	↔ SP8563	⑥
	↔ SP9669 ¹	⑦
	↔ SP9670 ²	⑦
	↔ SP8565	⑨
	↔ SJ1092 ²	⑩
	↔ SJ1091 ¹	⑩
	↔ SP8566	⑩
	↔ SP8570	⑮

1: 58mm

2: 68mm





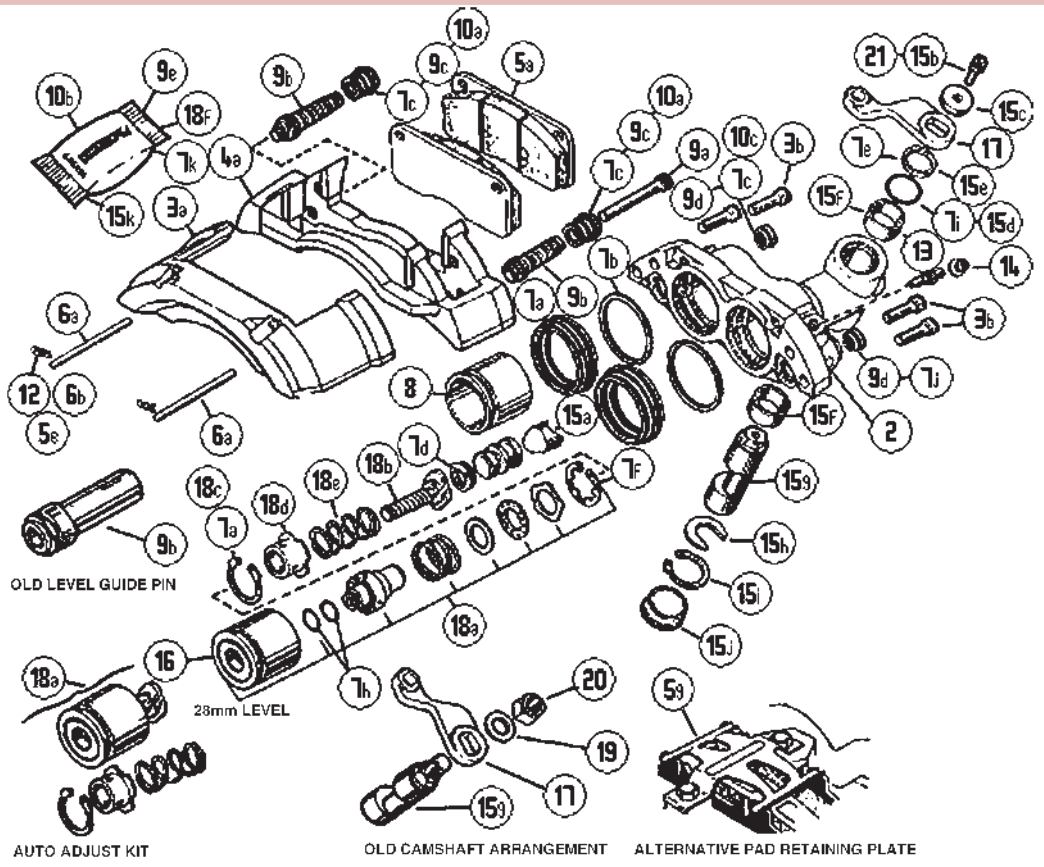
... VOLVO

FL4 Range, FL 6 Range With ABS 17.5" Wheel Dia.



1/87→2/90

	← LRG608 ¹	
	← LRG610 ²	
	→ LRG609 ¹	
	→ LRG611 ²	
	↔ 68320196	③
	← BDA334	④
	→ BDA335	④
	↔ MDP5429	⑤
	↔ SP8563	⑥
	↔ SP9669 ¹	⑦
	↔ SP9670 ²	⑦
	↔ SP8565	⑨
	↔ SJ1091 ¹	⑱
	↔ SJ1092 ²	⑱
	↔ SP8566	⑩
	↔ SP8570	⑮



1: 58mm
2: 68mm



... VOLVO

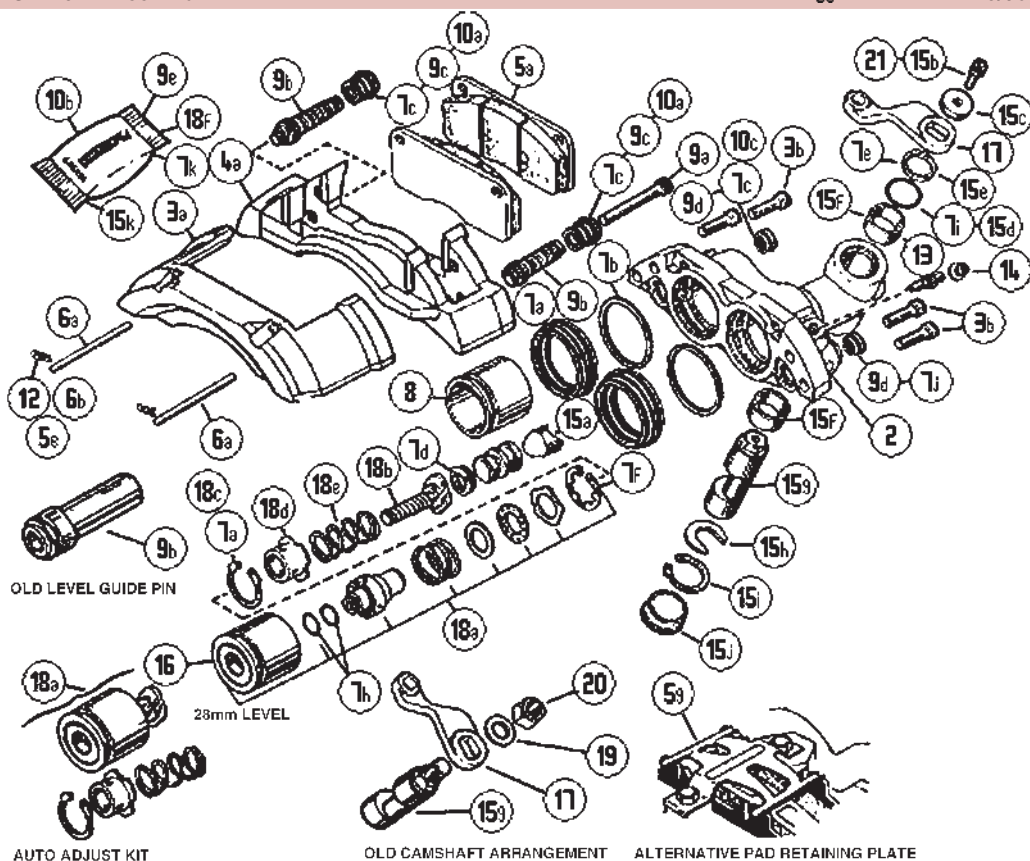
FL4 Range, FL 6 Range With ABS 17.5" Wheel Dia.

3/90→

	← LRG608 ¹	
	← LRG610 ²	
	→ LRG609 ¹	
	→ LRG611 ²	
	↔ 68320196	③
	← BDA334	④
	→ BDA335	④
	↔ MDP5761	⑤
	↔ SP8563	⑥
	↔ SP9669 ¹	⑦
	↔ SP9670 ²	⑦
	↔ SP8565	⑨
	↔ SJ1091 ¹	⑱
	↔ SJ1092 ²	⑱
	↔ SP8566	⑩
	↔ SP8570	⑮

1: 58mm

2: 68mm





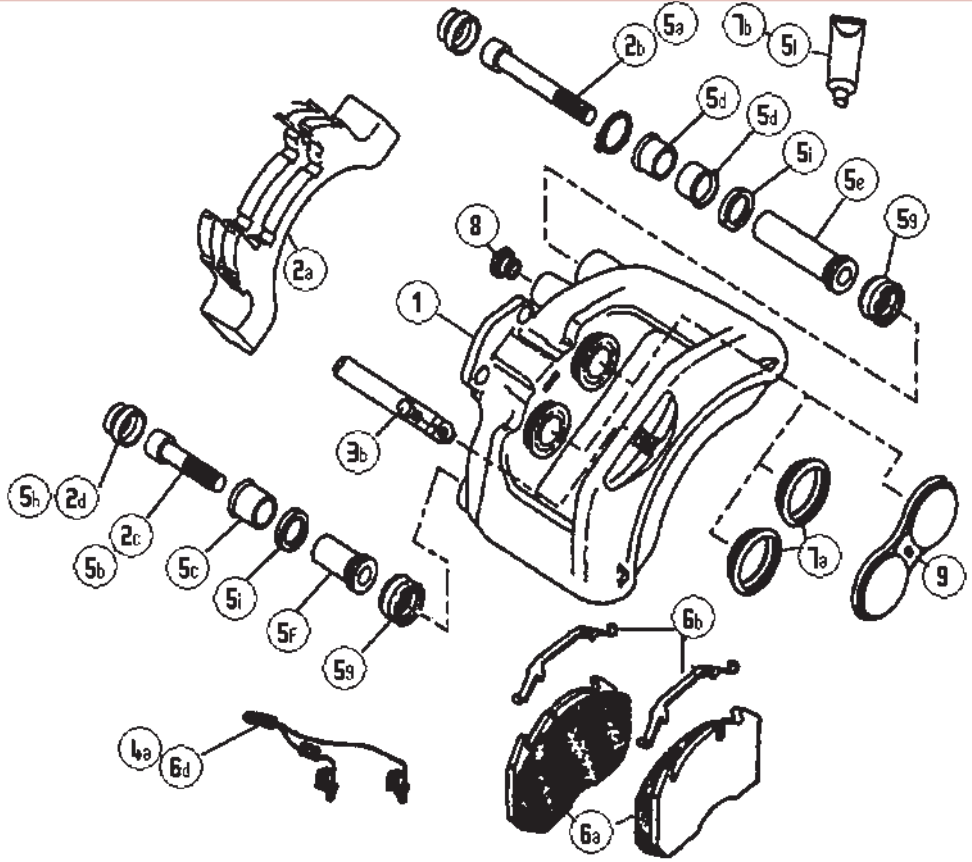
ZF



Portal Axel AV 132 Elsa 1 22.5" Wheel Dia.

2/99→12/01

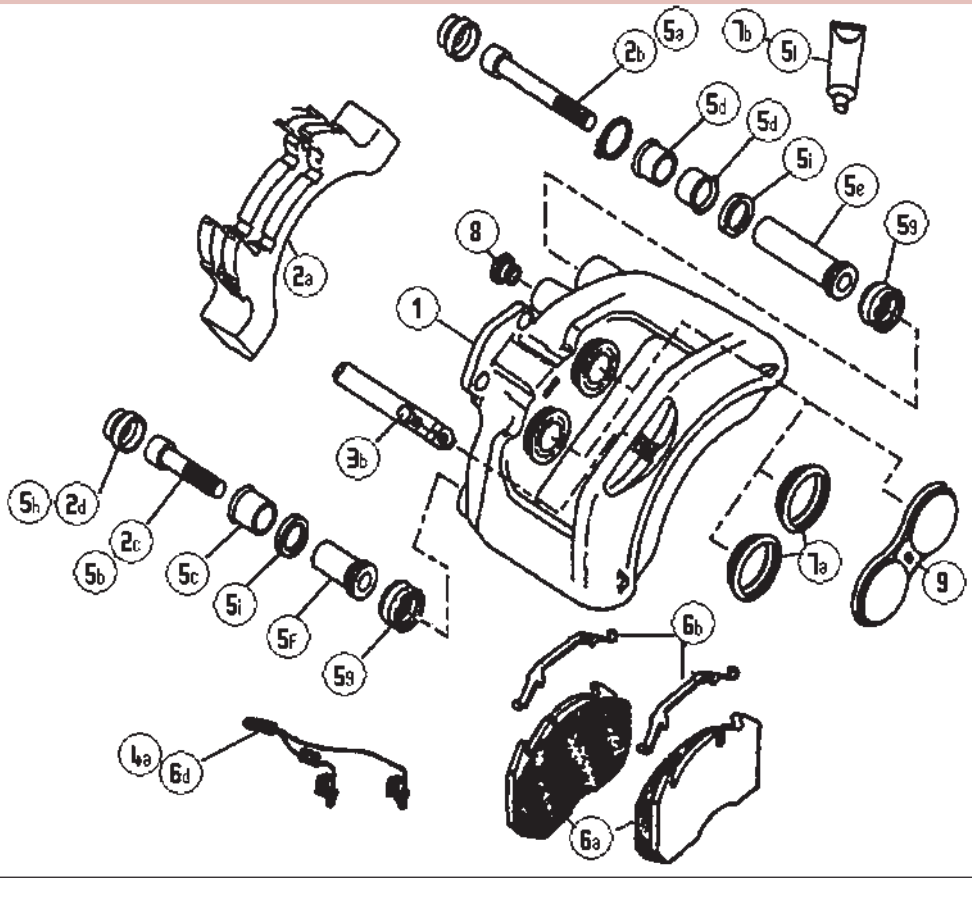
	← LRG642	
	→ LRG643	
	↔ BDA445	②
	↔ MDP5090	⑥
	↔ 68322887	④
	↔ MCK1102	⑤
	↔ MCK1262	③



Portal Axel AV 132 Elsa 1 22.5" Wheel Dia.

12/99→

	← LRG642	
	→ LRG643	
	↔ BDA445	②
	↔ MCK1071	④
	↔ MCK1102	⑤
	↔ MCK1262	③





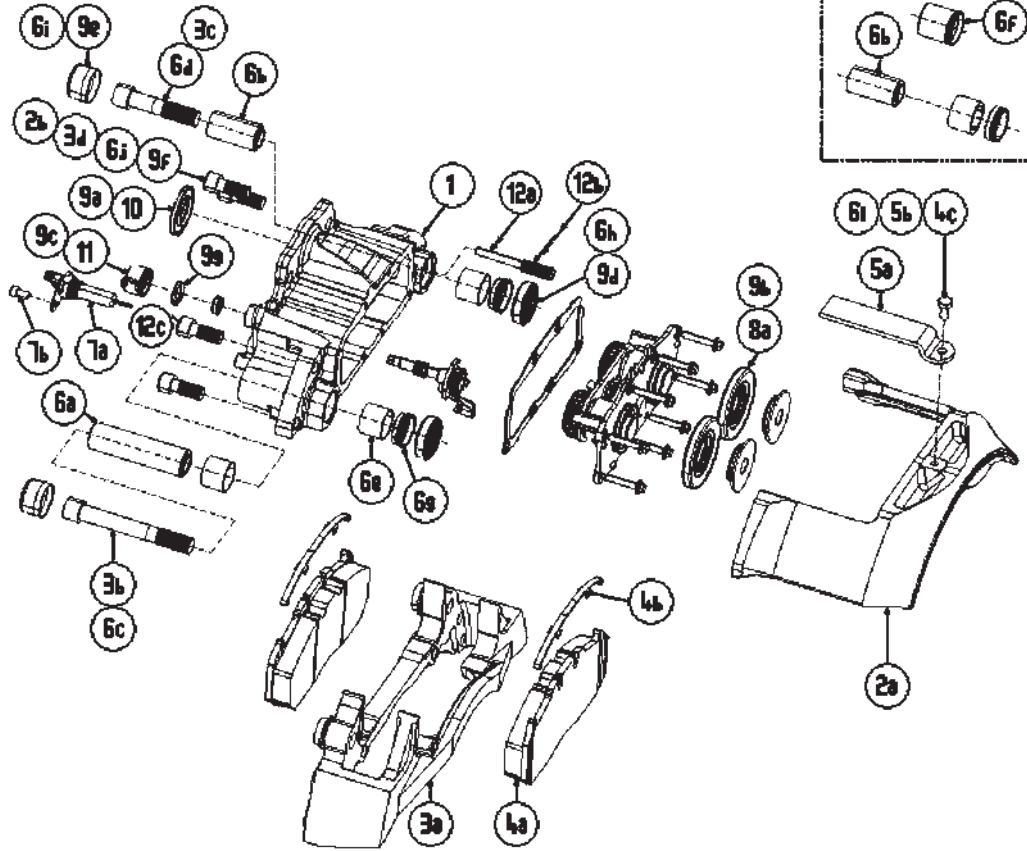
... ZF



Citybus Citybus 90 Degree version with Electronic Sensor

03/04→

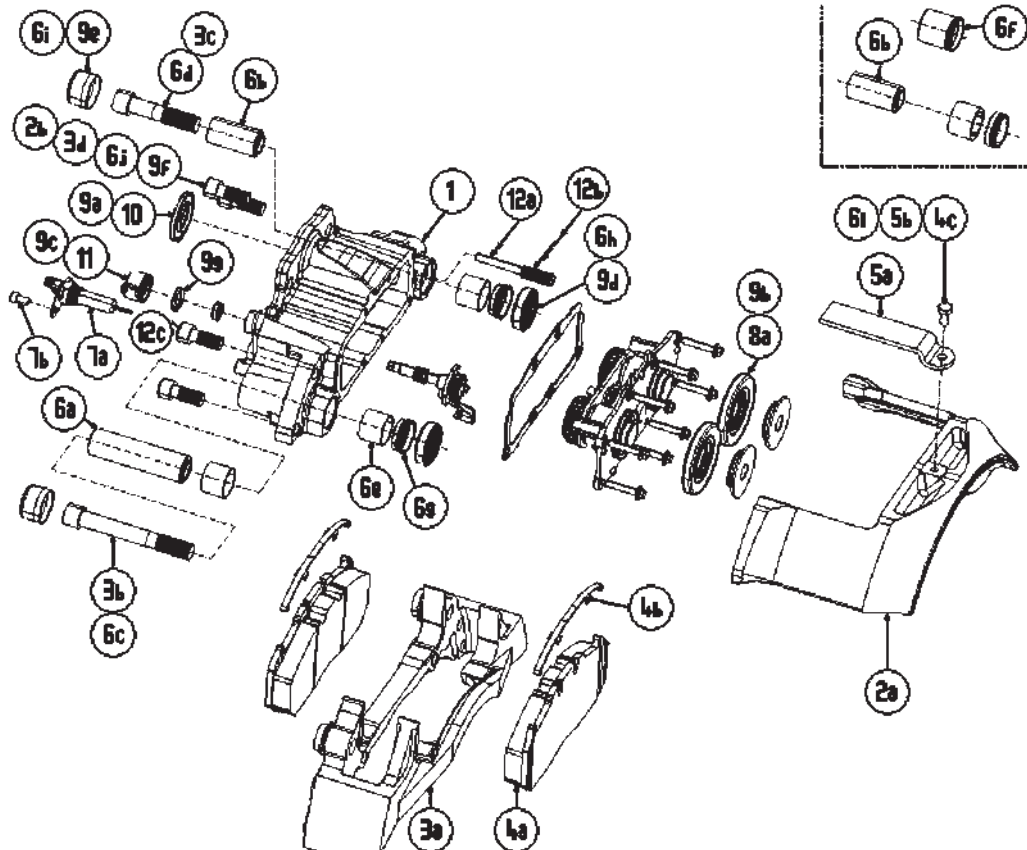
	← LRG662	
	→ LRG663	
	↔ MCK1138	③
	↔ MDP5098	④
	↔ MCK1141	⑦
	↔ MCK1140	⑥
	↔ MCK1174	⑤



Stadtbus Stadtbus 90 Degee version with Electronic Sensor

03/04→

	← LRG662	
	→ LRG663	
	↔ MCK1138	③
	↔ MDP5098	④
	↔ MCK1141	⑦
	↔ MCK1140	⑥
	↔ MCK1174	⑤

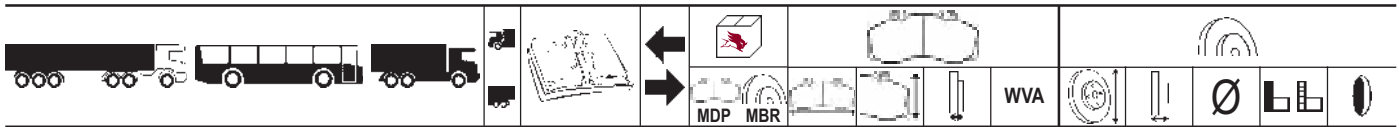






Manufacturers Index

AÜWARTER (NEOPLAN)	181
AWD	181
BOVA	181
BPW	181
CZEPEL	182
DENNIS	182
DISCOS	182
ERF	182
GRANNING	183
IKARUS	183
IRISBUS	183
IVECO	183
KAROSA	185
KÄSSBOHRER	186
LEYLAND DAF	186
MAN	186
MCI	187
MERCEDES	187
NISSAN	188
OPTARE	188
ORION	188
RENAULT TRUCK	188
ROR	189
SAE	190
SAF	191
SCANIA	191
SMB	191
SOR	191
TIMONEY/TELEDYNE	191
VAN HOOL	191
VOLVO	191
ZF	193



AÜWARTER (NEOPLAN)

Cityliner N116, N116H, N116/3, N116/3H 22.5" Wheel Dia. 1: SB7000	1/92 →		MDP9005 ¹										
Clubstar SB6000	1/98 →		MDP9002										
Euroliner SB7000	1/92 →		MDP9005										
Skyliner N122/3 22.5" Wheel Dia. 1: SB7000	1/92 →		MDP9005 ¹										
Spaceliner N117/2, N117/3 1: SB7000	1/92 →		MDP9005 ¹										

AWD

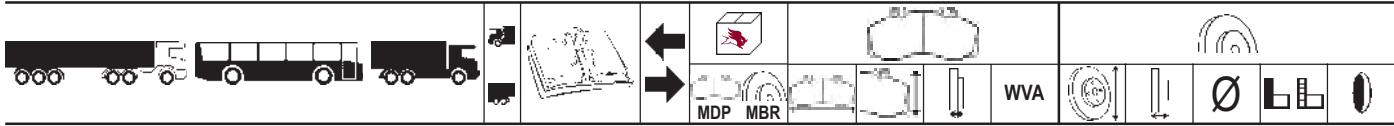
Mini-Bus (Rockwell Axles) 17.5" Wheel Dia.	7/92 →		MDP5030	176	78	22							
	7/92 →		MDP5030	176	78	22							

BOVA

Futura All 2 Axle Buses 22.5" Wheel Dia. 1: SB7000	1/96 →		MDP9005 ¹										
Futura FLD14 22.5" Wheel Dia. 1: SB7000	1/96 →		MDP9005 ¹										
Futura Knorr 22.5" Wheel Dia. 1: Knorr 2: Perrott	1/90 →	↔	MBR2695 ¹				119	48	460			10	
	1/90 →	↔	MBR5033 ²				131	45	429			20	
ZF Axle 22.5" Wheel Dia. 1: Perrott	1/90 →	↔	MBR5032 ¹				129	45	430			10	

BPW

H Series Ecomax 22.5" Wheel Dia.	1/97 - 12/97	↔	MBR5048				160	35	430				
	1/97 - 12/97	↔	MBR5048				160	35	430				
H Series Non Ecomax (SHSM9) 22.5" Wheel Dia. 1: Knorr SB7000	1/96 - 12/96	↔	MBR5047 ¹				160	45	430			10	
	1/96 - 12/96	↔	MBR5047 ¹				160	45	430			10	
H Series SHSF101-15 (without ABS) 22.5" Wheel Dia. 1: SB7000	1/99 →	↔	MBR5047 ¹				160	45	430			10	
	1/99 →		MDP9001 ¹										
	1/99 →	↔	MBR5047 ¹				160	45	430			10	
	1/99 →		MDP9001 ¹										
H Series SHSF9 (with ABS) 22.5" Wheel Dia. 1: SB7000	1/99 →	↔	MBR5048 ¹				160	35	430				
	1/99 →		MDP9001 ¹										
	1/99 →	↔	MBR5048 ¹				160	35	430				
	1/99 →		MDP9001 ¹										
H Series SHSF9 (without ABS) 22.5" Wheel Dia. H Series SHSM101-15 (without ABS) 22.5" Wheel Dia. H Series SHSM9 (without ABS) 22.5" Wheel Dia. H Series SHSMA9 (without ABS) 22.5" Wheel Dia. H Series SHZF101-15 (without ABS) 22.5" Wheel Dia. 1: SB7000	1/99 →	↔	MBR5047 ¹				160	45	430			10	
	1/99 →		MDP9001 ¹										
	1/99 →	↔	MBR5047 ¹				160	45	430			10	
	1/99 →		MDP9001 ¹										
	1/99 →		MDP9001 ¹										



CZEPEL



Bus (Raba Axle) 17.5" Wheel Dia.		1/94 →		MDP5481	175	85	22	29835						
Bus (Raba Axle) 22.5" Wheel Dia.		1/93 - 10/93		MDP5031	250	118	28	29030						
		1/93 - 10/93		MDP5032	250	118	30	29053						
		11/93 →		MDP5033	250	118	28	29030						
		11/93 →		MDP5034	250	118	30	29053						

DENNIS



Javelin MK II Coach 22.5" Wheel Dia.		10/91 - 12/95		MDP5027	204	96	24	29043						
Javelin MK III Coach 22.5" Wheel Dia.		1/95 →		MDP5019	250	114	28	29090						
Lance (Low Floor) - ZF Axle. 22.5" Wheel Dia.		4/92 →		MDP5000	250	118	28	29030						
R Series SB7000 22.5" Wheel Dia.		1/01 →		MDP9005 ¹										
		1/01 →		MDP9005 ¹										
1: SB7000														
Trident II SB7000 22.5" Wheel Dia.		1/01 →		MDP9005 ¹										
		1/01 →		MDP9005 ¹										
1: SB7000														



Elite 6 x 2 Link Steer Mid Axle & Rear Steer Axle		6/02 →	←	MBR9010										
		6/02 →	→	MBR9010										
		6/02 →		MDP5071	250	114	28							
		6/02 →	←	MBR9010										
		6/02 →	→	MBR9010										
		6/02 →		MDP5071	250	114	28							
Elite Narrow Track Axle		6/02 →		MDP5071	250	114	28							
Elite Wide Track Axle		6/02 →	←→	MBR9010										
		6/02 →		MDP5071	250	114	28							



Sabre 22.5" Wheel Dia.		1/95 →		MDP5019	250	114	28	29090						
------------------------	--	--------	--	---------	-----	-----	----	-------	--	--	--	--	--	--

DISCOS

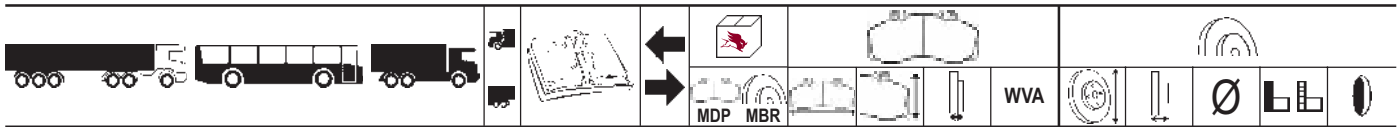


Knorr Brakes NR5/10DCL-10.5 22.5" Wheel Dia.		1/99 →	←→	MBR5016 ¹					132	45	430		10
Knorr Brakes NR5/10DCL-9 22.5" Wheel Dia.		1/99 →		MDP9001 ¹									
Knorr Brakes NR5/11DCLG-9 22.5" Wheel Dia.		1/99 →	←→	MBR5016 ¹					132	45	430		10
		1/99 →		MDP9001 ¹									
1: SB7000		1/00 →	←→	MBR5016 ¹					132	45	430		10
		1/00 →		MDP9001 ¹									
		1/00 →	←→	MBR5016 ¹					132	45	430		10
		1/00 →		MDP9001 ¹									
TZ Series with Knorr Brakes TZ/1C7-10.5 22.5" Wheel Dia.		1/99 →		MDP9003 ¹									
		1/99 →		MDP9003 ¹									
1: SB6000													

ERF



ECS All - Elsa 2		10/01 →	←→	MBR9006										
ECX All s - Elsa 2		10/01 →		MDP5059	250	118	30							
		10/01 →	←→	MBR9005										
		10/01 →		MDP5059	250	118	30							



GRANNING



Knorr Brakes SB6000 19.5" Wheel Dia.		1/00 →		MDP9003 ¹														
Knorr Brakes SB6000 22.5" Wheel Dia.		1/00 →		MDP9003 ¹														
¹ : SB6000																		
Knorr Brakes SB7000 22.5" Wheel Dia.		1/00 →		MDP9003 ¹														
¹ : SB7000																		



Knorr Brakes SB7000 19.5" Wheel Dia.		1/00 →		MDP9003 ¹														
¹ : SB7000																		

IKARUS



Bus (Raba Axle)		1/93 - 10/93		MDP5031	250	118	28	29030										
		1/93 - 10/93		MDP5032	250	118	30	29053										
		11/93 →		MDP5033	250	118	28	29030										
		11/93 →		MDP5034	250	118	30	29053										

IRISBUS

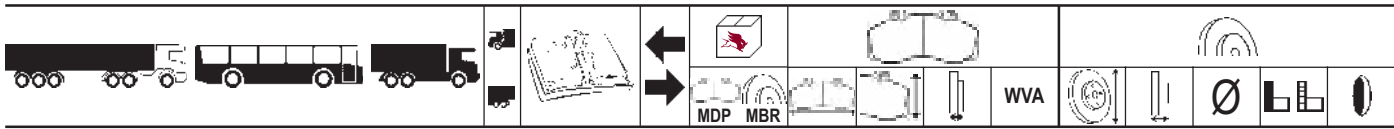


Agora D Lisa 22.5" Wheel Dia.		11/97 →		MDP5042	250	114	28	29090										
Agora Elsa 1 22.5" Wheel Dia.		10/98 →	↔	68323012														
Ares / Intercity and Choach Elsa 1 22.5" Wheel Dia.		3/99 - 9/01	↔	MBR9008														
Ares / Intercity and Choach Elsa 2 22.5" Wheel Dia.		10/01 - 4/02	↔	MBR9008														
		5/02 →	↔	MBR9008														
Cronus / Agora Line Elsa 1 22.5" Wheel Dia.		10/98 →	↔	68323012														
Illiade Elsa 1 22.5" Wheel Dia.		9/98 - 9/01	↔	MBR9008														
Illiade Elsa 2 22.5" Wheel Dia.		10/01 - 4/02	↔	MBR9008														
		5/02 →	↔	MBR9008														
		9/01 - 5/02	↔	3218P1342														
		5/02 →	↔	3218P1342														

IVECO

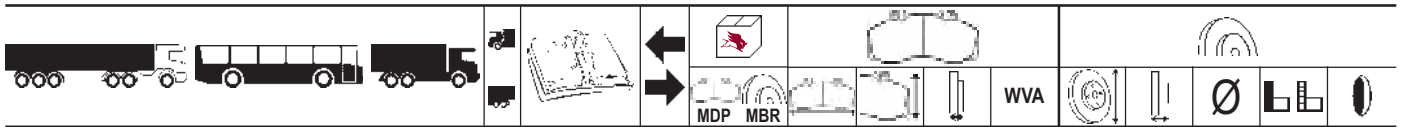


Cargo 0608 - 0815 LWB 17.5" Wheel Dia.		3/87 - 12/91		MDP5429	175	78	22	29302										
Cargo 0608 - 0815 SWB 17.5" Wheel Dia.		3/87 - 12/91		MDP5429 ¹	175	78	22	29302										
¹ : Lucas																		
Cargo 0609 17.5" Wheel Dia.		1/87 →		MDP5429 ¹	175	78	22	29302										
¹ : Lucas																		
Cargo 0709 17.5" Wheel Dia.		1/87 →	↔	MBR1762					126	30	322		6					
Cargo 0711 17.5" Wheel Dia.		1/87 →	↔	MDP5429 ¹	175	78	22	29302										
		1/87 →	↔	MBR1762					126	30	322		6					
		1/87 →		MDP5429 ¹	175	78	22	29302										
¹ : Lucas																		
Cargo 0713 17.5" Wheel Dia.		1/87 →		MDP5429 ¹	175	78	22	29302										
¹ : Lucas																		
Cargo 0809 17.5" Wheel Dia.		1/87 →	↔	MBR1762					126	30	322		6					
Cargo 0811 17.5" Wheel Dia.		1/87 →		MDP5429 ¹	175	78	22	29302										
Cargo 0813 17.5" Wheel Dia.		1/87 →	↔	MBR1762					126	30	322		6					
Cargo 0815 17.5" Wheel Dia.		1/87 →		MDP5429 ¹	175	78	22	29302										
¹ : Lucas																		
Eurocargo 110E, 120E, 130E 17.5" Wheel Dia.		1/91 →	↔	MBR5002					150	45	370		8					
Eurocargo 150E, 210E, 250E, 280E, 320E 17.5" Wheel Dia.		1/91 →	↔	MBR5001					181	45	370		8					



... IVECO

Eurocargo 170E18, 170E23, 170E23R Eurocargo 175E24, 175E27 Eurocargo 176E30, 176E34 Eurocargo 179E24, 179E27, 179E30 Eurocargo 325E27 Eurocargo 390E30, 390E34		8/98 →		MDP9004															
Eurocargo 60E10	 	1/91 → 1/91 →	 	MBR2648 MBR2648						129	30	304	 	6 6					
Eurocargo 60E10, 12, 14, 65E10, 12, 14 75E10, 12, 14 16" Wheel Dia.	 	1/91 - 12/94 1/91 → 1/95 → 1/91 - 12/94 1/91 → 1/95 →	 	MBR2648 MBR2648 MBR2648 MBR2648 MBR2648 MBR2648						129	30	304	 	6 6 6 6 6 6					
Eurocargo 65E12, 75E12, 75E14, 75E15 16" Wheel Dia.	 	6/91 - 6/93 7/93 - 5/97 6/91 - 6/93 7/93 - 5/97		MDP5842 MDP5021 MDP5842 MDP5021	175	85	22	29065											
Eurocargo 80E15, 100E15, 100E18, 109E14 & ZETA 95.14 17.5" Wheel Dia.	 	6/91 - 6/94 7/94 - 5/97 6/91 - 6/94 7/94 - 5/97		MDP5453 MDP5020 MDP5453 MDP5020	176	78	22	29302											
Eurocargo 80E15, 18, 21, 100E15, 18, 21, 180E21 17.5" Wheel Dia.	 	1/91 → 1/91 →	 	MBR2649 MBR2649						134	30	322	 	8 8					
Eurostar All s		1/91 →		MBR2711						102	50	430		12					
Eurostar Cursor 10 22.5" Wheel Dia.	 	1/99 → 1/99 →		MDP9004 ¹ MDP9004 ¹															
1: SB7600																			
Eurostar LD180-LD190 22.5" Wheel Dia.	 	1/97 → 1/99 →		MDP9004 MDP9004 ¹															
1: SB7600																			
Eurostar LD190E38, LD190E42, LD190E47, LD190E52 22.5" Wheel Dia.		1/97 →		MDP9004															
Eurostar LD240E, 6x2 22.5" Wheel Dia.																			
Eurostar LD240E, 6x2 Twinsteer 22.5" Wheel Dia.																			
Eurostar LD240-LD260 22.5" Wheel Dia.		1/99 →		MDP9004 ¹															
1: SB7600																			
Eurostar LD380E 6x2 22.5" Wheel Dia.		1/97 →		MDP9004															
Eurostar LD380E 6x4 22.5" Wheel Dia.																			
Eurostar LD390E30, LD390E34 22.5" Wheel Dia.																			
Eurostar LD400E38, LD400 E42 6x2/4 22.5" Wheel Dia.																			
Eurostar LD400-LD440 22.5" Wheel Dia.		1/98 →		MDP9004 ¹															
1: SB7600																			
Eurostar LD430E38, LD430E42, 4x2 Tractors 22.5" Wheel Dia.		1/97 →		MDP9004															
Eurostar LD440E38, LD440E42, LD440E47, LD440E52 6x4 22.5" Wheel Dia.																			
Eurostar LD470E 6x2 Twinsteer 22.5" Wheel Dia.																			
Eurostar LD520E 6x2 Twinsteer 22.5" Wheel Dia.																			
Eurostar LD520E 6x4 22.5" Wheel Dia.																			
Eurotech 180-430 (E24, E27, E30, E34, E38, E42) 4x2 Tractors 22.5" Wheel Dia.																			
Eurotech 240(E38,E42) 6x2 Rigid 22.5" Wheel Dia.																			
Eurotech 260 (E38, E42) 6x4 Rigid 22.5" Wheel Dia.																			
Eurotech 325-430 (E27,E30,E34,E38,E42) 4x2 Tractors 22.5" Wheel Dia																			



... IVECO

... IVECO													
Eurotech 400 (E34, E38) 6x2 Twinsteer 22.5" Wheel Dia.		1/97 →		MDP9004									
Eurotech 400 (E34, E38) 6x4 Twinsteer 22.5" Wheel Dia.		1/97 →		MDP9004									
Eurotech 400-440 (E38,E42) 6x2 Tractors 22.5" Wheel Dia.		1/97 →		MDP9004									
Eurotech All s		1/91 →	↔	MBR2711				102	50	430		12	
Eurotech Cursor 10 22.5" Wheel Dia.		1/99 →		MDP9004 ¹									
¹ : SB7600		1/99 →		MDP9004 ¹									
Eurotech Eutotech		1/99 →	↔	MBR5055				138	45	436		12	
Eurotech MP180-MP190, MP240-260 22.5" Wheel Dia.		1/98 →		MDP9004 ¹									
Eurotech MP4000-MP440 22.5" Wheel Dia.		1/98 →		MDP9004 ¹									
Eurotech MT Series 22.5" Wheel Dia.													
¹ : SB7600													
Eurotrakker Cursor 13 22.5" Wheel Dia.		9/99 →		MDP9004 ¹									
Eurotrakker Cursor 8 22.5" Wheel Dia.													
¹ : SB7600													
Iveco Euroturbo (U.S.A.)		→ 6/94		MDP5453	176	78	22	29302					
		7/94 →		MDP5020	175	77	22	29067					
Supercargo All s		1/91 →	↔	MBR2711					102	50	430		12
Zeta 65.12 - 79.14 17.5" Wheel Dia.		1/87 →	↔	MBR1761					119	26	315		6
Zeta 95.14 - 109.14, 90.14(bus) 17.5" Wheel Dia.		1/83 →	↔	MBR5000					129	30	322		8

KAROSA

KAROSA												
930E 22.5" Wheel Dia.		1/97 →		MDP9005 ¹								
940E 22.5" Wheel Dia.												
¹ : SB7600												

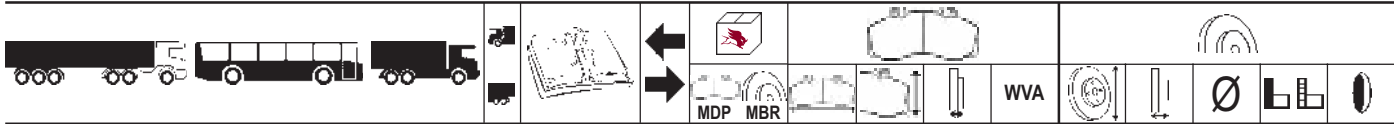
KÄSSBOHRER

KÄSSBOHRER														
P.C.V. Applications 22.5" Wheel Dia.		1/89 →		MBR5003						175	48	409		10
Setra City Bus Coach 22.5" Wheel Dia.		1/96 →		MDP9005 ¹										
Setra City Bus Intercity Low Floor Bus 22.5" Wheel Dia.		1/96 →		MDP9005 ¹										
¹ : SB7600														
Setra City Bus S215HDH/S215NR 22.5" Wheel Dia.		1/92 →		MDP5000	250	118	28	29030						
		1/92 →		MDP5001	250	118	30	29053						
		1/92 →		MDP5031	250	118	28	29030						
		1/92 →		MDP5032	250	118	30	29053						
		1/92 →		MDP5033	250	118	28	29030						
		1/92 →		MDP5034	250	118	30	29053						
Setra City Bus S300NC 22.5" Wheel Dia.		1/91 →		MDP5000	250	118	28	29030						
		1/91 →		MDP5001	250	118	30	29053						
		1/91 →		MDP5033	250	118	28	29030						
		1/91 →		MDP5034	250	118	30	29053						
Setra City Bus S315HD 22.5" Wheel Dia.		1/91 →		MDP5000	250	118	28	29030						
		1/91 →		MDP5001	250	118	30	29053						
		1/91 →		MDP5038	250	118	28	29113						
		1/91 →		MDP5039	250	118	30	29114						
Setra City Bus S328DT 22.5" Wheel Dia.		1/94 →		MDP9005 ¹										
		1/94 →		MDP9005 ¹										
¹ : SB7600														

LEYLAND DAF

LEYLAND DAF													
Futura Bova, FHD, FVD Twin Axle s SB6000		1/96 →		MDP9002									
MB200,230, SB2000, 2300, 3000, DHS, DHTD, DKSB		1/86 - 12/86	↔	MBR2695					119	48	460		10

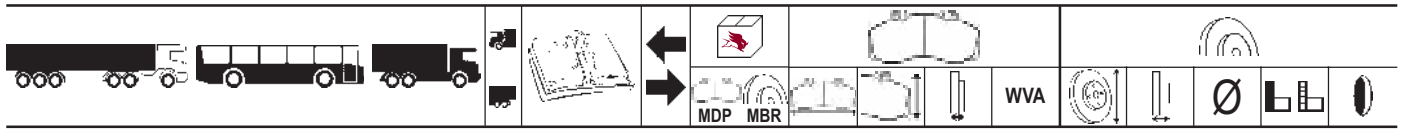
... LEYLAND DAF



	CF Series FACF75.310 22.5" Wheel Dia.		9/00 →		MDP9000 ¹														
	CF Series FACF85.430 22.5" Wheel Dia.		9/00 →		MDP9000 ¹														
	CF Series FACF95.430 22.5" Wheel Dia.																		
	1: SB7000																		
	DAF 45 10 Ton		1/86 - 12/91	↔	MBR5006						137	30	311		12				
	DAF 45 7.5 Ton		1/86 - 12/91	↔	MBR1832						122	26	315		10				
	DAF 55		1/95 →	↔	MBR5049						128	44	375		10				
	Roadrunner 10.12-10.15		1/86 - 12/91	↔	MBR5006						137	30	311		12				
	Roadrunner 6.10-8.15		1/86 - 12/91	↔	MBR1832						122	26	315		10				

MAN

	FRH - Lion Range FRH322, FRH422 22.5" Wheel Dia.		5/95 →		MDP5038	250	118	28	29113										
			5/95 →		MDP5039	250	118	30	29114										
	FRH FRH422 BUS (City bus) 22.5" Wheel Dia.		4/95 →		MDP5038	250	118	28	29113										
			4/95 →		MDP5039	250	118	30	29114										
			4/95 →		MDP5054 ¹	250	118	28	29113										
			4/95 →		MDP5055 ¹	250	118	30	29114										
	1: with heatplate																		
	FRH FRH422 BUS (Coach) 22.5" Wheel Dia.		1/93 - 4/95		MDP5038	250	118	28	29113										
			1/93 - 4/95		MDP5039	250	118	30	29114										
			1/93 - 4/95		MDP5054 ¹	250	118	28	29113										
			1/93 - 4/95		MDP5055 ¹	250	118	30	29114										
	1: with heatplate																		
	Reisebusse BVA A13 Elsa 1		7/99 - 9/02		MDP5038	250	118	28	29113										
			7/99 - 9/02		MDP5039	250	118	30	29114										
			7/99 - 9/02		MDP5038	250	118	28	29113										
			7/99 - 9/02		MDP5039	250	118	30	29114										
	Reisebusse BVA A32		1/99 →		MDP5038	250	118	28	29113										
			1/99 →		MDP5039	250	118	30	29114										
			1/99 →		MDP5039	250	118	30	29114										
	Reisebusse BVA A51 Elsa 1		1/99 →		MDP5038	250	118	28	29113										
			1/99 →		MDP5039	250	118	30	29114										
	Reisebusse BVA Elsa 1		4/01 - 9/02		MDP5038	250	118	28	29113										
			4/01 - 9/02		MDP5039	250	118	30	29114										
	Reisebusse EBS A01,A03,A13,A33 Elsa 1		1/99 →		MDP5038	250	118	28	29113										
	Reisebusse EBS A04,A32 Elsa 1		1/99 →		MDP5039	250	118	30	29114										
			1/99 →		MDP5038	250	118	28	29113										
			1/99 →		MDP5039	250	118	30	29114										
	Stadt-City Bus 11.220 HOCL 19.5 Wheel Dia.		1/98 →		MDP9002														
			1/98 →		MDP9002														
	Stadt-City Bus NG313, NL223, 313, NL223F, 313F, NUE 313(Elsa 1)		1/99 →		MDP5065	250	118	28	29113										
			1/99 →		MDP5066	250	118	30	29114										
			1/99 →		MDP5065	250	118	28	29113										
			1/99 →		MDP5066	250	118	30	29114										
	Stadt-City Bus PWI Stadtbus 90 Degree version		3/04 →		MDP5097														
	Stadt-City Bus Sensor Stadtbus 90 Degree version		3/04 →		MDP5097														
	Stadt-City Bus Stadtbusse BVA A20,A21,A22, A28,A31,J21, J22 - Elsa 1		1/99 →		MDP5065	250	118	28	29113										
			1/99 →		MDP5066	250	118	30	29114										
	Stadt-City Bus Stadtbusse BVA A23,A24 - Elsa 1		1/99 →		MDP5065	250	118	28	29113										
	Stadt-City Bus Stadtbusse BVA J14 - Elsa 1		1/99 →		MDP5066	250	118	30	29114										
	Stadt-City Bus Stadtbusse EBS A25, A26, A30 - Elsa 1		5/01 - 9/02		MDP5065	250	118	28	29113										
	Stadt-City Bus Stadtbusse EBS A35 (Midi) - Elsa 1		5/01 - 9/02		MDP5066	250	118	30	29114										
			5/01 - 9/02		MDP5065	250	118	28	29113										
			5/01 - 9/02		MDP5066	250	118	30	29114										



... MAN

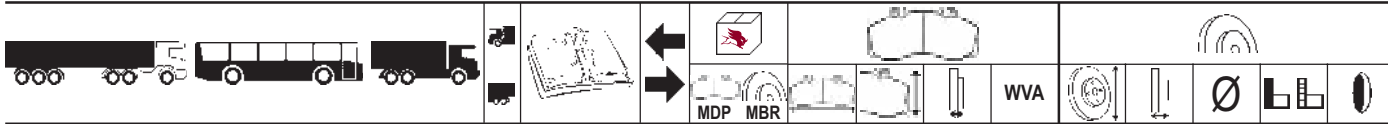
	F2000 D3 22.5" Wheel Dia.		4/95 →		MDP5038	250	118	28	29113						
			4/95 →		MDP5039	250	118	30	29114						
			4/95 →		MDP5054 ¹	250	118	28	29113						
			4/95 →		MDP5055 ¹	250	118	30	29114						
	¹ : with heatplate														
	F2000 Elsa 1 22.5" Wheel Dia.		7/96 - 4/02		MDP5038	250	118	28	29113						
			7/96 - 4/02		MDP5039	250	118	30	29114						
	F2000 Elsa 2 22.5" Wheel Dia.		4/02 →		MDP5060	250	118	30	29131						
	F2000 Series 22.5" Wheel Dia.		1/94 →	↔	MBR5011					135	45	438		10	
			1/94 →	↔	MBR5034					130	45	438		12	
			1/94 →	↔	MBR5035					135	45	432		10	
	F2000 Series with ABS 22.5" Wheel Dia.		1/94 →	↔	MBR5036					135	45	432		10	
	F90 D3 22.5" Wheel Dia.		4/95 →		MDP5038	250	118	28	29113						
			4/95 →		MDP5039	250	118	30	29114						
	L2000 10.153-10.154		1/93 →	↔	MBR5013					124	34	330		12	
	L2000 8.103-8.223		1/96 →	↔	MBR5012					103	34	330		10	
	L2000 9.153-9.223		1/93 →	↔	MBR5013					124	34	330		12	
	L2000 Series 17.5" Wheel Dia.		1/93 - 12/96	↔	MBR5010					103	30	325		10	
	M2000 14 Series, 14T GVW		11/96 →		MDP9002										
	M2000 14 Series, 33T GCW		11/96 →		MDP9002										
	M2000 17.5" Wheel Dia.			↔	MBR5014					128	45	377		10	
	TGA H02,05,09,12,17,20,23,25 (Elsa 1) 22.5" Wheel Dia.		4/99 - 3/02		MDP5038	250	118	28	29113						
			4/99 - 3/02		MDP5039	250	118	30	29114						
			12/98 - 3/02		MDP5038	250	118	28	29113						
			12/98 - 3/02		MDP5039	250	118	30	29114						
	TGA H12, 17 (Elsa 2) 22.5" Wheel Dia.		10/01 →		MDP5060	250	118	30	29131						
			10/01 →		MDP5060	250	118	30	29131						

MCI

	'E' Series Renaissance Coach Rockwell Drive Axles				MDP5044	250	114	28	29090						
	'E' Series Renaissance Coach Rockwell Steering & Trailing Axles				MDP5044	250	114	28	29090						

MERCEDES

	0404 22.5" Wheel Dia.		10/91 →	↔	MBR5015					135	45	438		10	
			10/91 →	↔	MBR5015					135	45	438		10	
	0409 22.5" Wheel Dia.			↔	MBR1588					91	30	304		6	
	0609D, 0611D, 0614D, 0711D			↔	MBR1589					91	30	324		6	
	Omnibus O350, O403 (Turkey) 22.5" Wheel Dia.		1/94 →		MDP5017	250	118	28	29083						
	Omnibus O404 22.5" Wheel Dia.		1/94 →		MDP5017	250	118	28	29083						
	609D, 709D, 711D		1/86 →	↔	MBR1588					91	30	304		6	
	609D, 709D, 711D, 809DA, 809DT 16" Wheel Dia.		4/86 - 12/97		MDP5481	175	85	22	29835						
	809D, 811D, 814D		1/86 →	↔	MBR1589					91	30	324		6	
	809D, 811D, 814D 16" Wheel Dia.		4/86 - 12/97		MDP5481	175	85	22	29835						
	814 (8.5 ton)		1/87 →	↔	MBR5050					111	30	324		6	
	Actros 1837-1857 22.5" Wheel Dia.		1/96 →	↔	MBR5016					132	45	430		10	
	Actros 2531-2557 22.5" Wheel Dia.		1/96 →	↔	MBR5016					132	45	430		10	
	Vario 512D, 514D, 612D, 614D 16" Wheel Dia.		7/96 →	↔	MBR5037 ¹					91	30	304		6	
			7/96 →		MDP5040	175	85	22	29835						
			7/96 →	↔	MBR5038 ¹					120	30	304		6	
			7/96 →		MDP5040	175	85	22	29835						
	¹ : from 01/96														



... MERCEDES



Vario 812D, 814D 17.5" Wheel Dia.		7/96 →	↔	MDP5039 ¹ MDP5040	175	85	22	29835	91	30	324		6
		7/96 →											
		7/96 →	↔	MDP5040 MDP5040	175	85	22	29835	120	30	324		6
		7/96 →											

¹: from 01/96

NISSAN



Eco T M140 15 Tonne Truck 19.5" Wheel Dia.		4/96 →		MDP5035	214	112	25	29100					
Motor Iberica, Ebro, L60 & L80 Range		1/92 - 12/95		MDP5429	175	78	22	29302					
		1/96 →		MDP5030	176	78	22						
		1/92 - 12/95		MDP5429	175	78	22	29302					
		1/96 →		MDP5030	176	78	22						

OPTARE



Metronider 17.5" Wheel Dia.		1/88 →	↔	MBR1831 ¹ MDP5429	175	78	22	29302	110	30	322		12
		1/88 →											
		1/88 →	↔	MBR1831 ¹ MDP5429	175	78	22	29302	110	30	322		12
		1/88 →											
Solo ('M' Series)		1/98 →		MDP5049	175	78	22	29039					
		1/98 →		MDP5049	175	78	22	29039					
Star Rider 17.5" Wheel Dia.		1/85 →		MDP5481	175	85	22	29835					
		1/87 →	↔	MBR1589					91	30	324		6

ORION



Transit Bus (ZF Axle)		→ 6/93		MDP5031	250	118	28	29030					
		→ 6/93		MDP5032	250	118	30	29053					
		7/93 - 12/98		MDP5031	250	118	28	29030					
		7/93 - 12/98		MDP5032	250	118	30	29053					

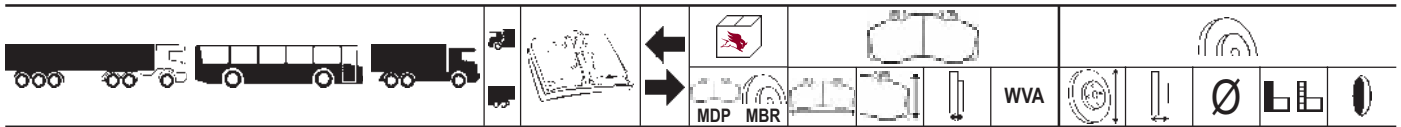
RENAULT TRUCK



PCV , C250, R312,C382		1/89 →	↔	MBR5004					73	30	350		16
PCV R312		1/89 →	↔	MBR5004					73	30	350		16
		1/89 →	↔										
PSCV ,C387,R312		1/89 →	↔	MBR5004					73	30	350		16



Magnum AE Range 22.5" Wheel Dia.		11/92 - 10/95	↔	MBR9008 MDP5050	250	118	28	29030					
		11/92 - 10/95											
		11/95 - 3/97	↔	MBR9008 MDP5051	250	118	28	29053					
		11/95 - 3/97											
Magnum AE Range AE385 22.5" Wheel Dia.		4/97 - 2/01	↔	MBR9008 MDP5042	250	114	28	29090					
		4/97 - 2/01											
Magnum AE Range(D Elsa 2) 22.5" Wheel Dia.		4/00 - 2/02	↔	MBR9008 MDP5056	250	118	30	29131					
		4/00 - 2/02											
Magnum AE380, 500, 520, 550 22.5" Wheel Dia.		1/93 →	↔	MBR5005					97	45	438		10
Magnum AE380.19TD, 380.22TD 22.5" Wheel Dia.		1/90 - 12/93	↔	MBR2694					100	45	440		10
Magnum AE385TI, 420TI 22.5" Wheel Dia.		1/93 →	↔	MBR5005					97	45	438		10
Magnum AE500.19TD, 500.22TD 22.5" Wheel Dia.		1/90 - 12/93	↔	MBR2694					100	45	440		10
Magnum Grand Volume(D Elsa 2) 22.5" Wheel Dia.		4/00 - 2/02	↔	MBR9007 MDP5056	250	118	30	29131					
		4/00 - 2/02											

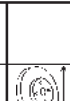
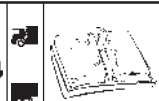
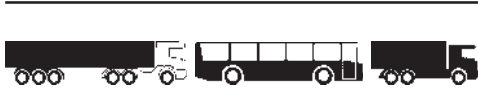


... RENAULT TRUCK

Truck Model	Year Range	Configuration	Part No.	204	96	24	29043						
Major R Range 22.5" Wheel Dia.	10/92 - 12/93		MDP5008	204	96	24	29043						
	6/90 - 9/92		MDP5762	204	95	24	29043						
Midliner Range M120-M230 19.5" Wheel Dia.	1/89 →	↔	MBR2693					82	30	354		10	
Midliner Range M250 (C Lisa) 19.5" Wheel Dia.	5/01 →		MDP5037	204	96	24	29100						
Midliner Range M250 (C Lisa) 19.5" Wheel Dia.	1/97 - 4/01		MDP5037	204	96	24	29100						
Midliner Range S100, 120, 140, 160, 180 19.5" Wheel Dia.	1/91 →	↔	MBR5053					135	30	304		6	
	1/91 →	↔	MBR5054					140	30	322		6	
Midliner Range S120, S140 16" Wheel Dia.	3/92 →		MDP5004	175	86	22	29065						
Midliner Range S130, 150.11/13/14 19.5" Wheel Dia.	1/89 →	↔	MBR2693					82	30	354		10	
Midliner Range S150, S160, S180 17.5" Wheel Dia.	3/92 →		MDP5005	176	78	22	29067						
Midliner Range S170.11/13 19.5" Wheel Dia.	1/89 →	↔	MBR2693					82	30	354		10	
Premium , Magnum AE Range (D Elsa 2) 22.5" Wheel Dia.	4/00 - 2/02	↔	MBR9007										
	4/00 - 2/02		MDP5056	250	118	30	29131						
Premium 210, 250, 260, 300, 340 385, 400, 420 22.5" Wheel Dia.	6/96 - 5/97	↔	MBR9008										
	6/96 - 5/97		MDP5051	250	118	28	29053						
	6/97 - 1/01	↔	MBR9008										
	6/97 - 1/01		MDP5019 ¹	250	114	28	29090						
	6/97 - 1/01		MDP5042	250	114	28	29090						
¹ : For vehicles up to 7/99													
Premium Range (D Elsa 2) 22.5" Wheel Dia.	4/00 - 2/02	↔	MBR9008										
	4/00 - 2/02		MDP5056	250	118	30	29131						

ROR

Truck Model	Year Range	Configuration	Part No.	250	110	30	29125					
LM D Duco Axial (M18)	1/02 →	↔	68323825									
	1/02 →		MDP5057	250	110	30	29125					
	1/02 →	↔	68323825									
	1/02 →		MDP5057	250	110	30	29125					
LM D Duco Axial (M20)	2/00 - 6/01	↔	68323825									
	2/00 - 6/01		MDP5057	250	110	30	29125					
	6/01 - 1/02	↔	68323825									
	6/01 - 1/02		MDP5057	250	110	30	29125					
	2/00 - 6/01	↔	68323825									
	2/00 - 6/01		MDP5057	250	110	30	29125					
	6/01 - 1/02	↔	68323825									
	6/01 - 1/02		MDP5057	250	110	30	29125					
LM DX 195 19.5 Wheel Dia.	1/98 →	↔	21224263 ¹									
	1/98 →	↔	21227349 ²									
	1/98 →	↔	MBR9014 ³									
	1/98 →		MDP5076	205	100	27	29124					
	1/98 →	↔	21224263 ¹									
	1/98 →	↔	21227349 ²									
	1/98 →	↔	MBR9014 ³									
	1/98 →		MDP5076	205	100	27	29124					
¹ : 8 Stud Non ABS ² : 10 Stud ABS & Non ABS ³ : 8 Stud ABS												
LM Elsa 195 19.5 Wheel Dia.	1/03 - 6/04	↔	21224263 ¹									
	1/03 - 6/04	↔	21227349 ²									
	1/03 - 6/04	↔	MBR9014 ³									
	1/03 - 6/04		MDP5093	210	104	30	26169					
	1/03 - 6/04	↔	21224263 ¹									
	1/03 - 6/04	↔	21227349 ²									
	1/03 - 6/04	↔	MBR9014 ³									
	1/03 - 6/04		MDP5093	210	104	30	26169					
¹ : 8 Stud Non ABS ² : 10 Stud ABS & Non ABS ³ : 8 Stud ABS												



... ROR



LM Elsa 2 22.5 Wheel Dia.

LM Elsa 2 22.5 Wheel Dia.		7/01 →	↔	MBR9004	250	118	30	29131						
		7/01 →	↔	MDP5073										
		7/01 →	↔	MBR9004										
		7/01 →	↔	MDP5073										

TA D Duco Axial (M18)

TA D Duco Axial (M18)		1/02 →	↔	68323825	250	110	30	29125						
		1/02 →	↔	MBR9004										
		1/02 →	↔	MDP5057										
		1/02 →	↔	68323825										
		1/02 →	↔	MBR9004										
		1/02 →	↔	MDP5057										

TA D Duco Axial (M20)

TA D Duco Axial (M20)		6/01 - 1/02	↔	68323825	250	110	30	29125						
		6/01 - 1/02	↔	MDP5057										
		6/01 - 1/02	↔	68323825										
		6/01 - 1/02	↔	MDP5057										

TA D Duco Axial (M20)

TA D Duco Axial (M20)		2/00 - 6/01	↔	68323825	250	110	30	29125						
		2/00 - 6/01	↔	MDP5057										
		2/00 - 6/01	↔	68323825										
		2/00 - 6/01	↔	MDP5057										

TA Elsa 2

TA Elsa 2		7/01 →	↔	MBR9004	250	118	30	29131						
		7/01 →	↔	MDP5073										
		7/01 →	↔	MBR9004										
		7/01 →	↔	MDP5073										

TM DX195

TM DX195		1/98 →	↔	21224263 ¹	205	100	27	29124						
		1/98 →	↔	21227349 ²										
		1/98 →	↔	MBR9014 ³										
		1/98 →	↔	MDP5076										
		1/98 →	↔	21224263 ¹										
		1/98 →	↔	21227349 ²										
		1/98 →	↔	MBR9014 ³										
		1/98 →	↔	MDP5076										

¹: 8 Stud Non ABS

²: 10 Stud ABS & Non ABS

³: 8 Stud ABS

TM Elsa 195

TM Elsa 195		1/03 - 6/04	↔	21224263 ¹	210	104	30	26169						
		1/03 - 6/04	↔	21227349 ²										
		1/03 - 6/04	↔	MBR9014 ³										
		1/03 - 6/04	↔	MDP5093										
		6/04 →	↔	21224263 ²										
		6/04 →	↔	21224263 ¹										
		6/04 →	↔	MBR9014 ³										
		6/04 →	↔	MDP5100										
		1/03 - 6/04	↔	21224263 ¹										
		1/03 - 6/04	↔	21227349 ²										
		1/03 - 6/04	↔	MBR9014 ³										
		1/03 - 6/04	↔	MDP5093										
		6/04 →	↔	21224263 ²										
		6/04 →	↔	21224263 ¹										
		6/04 →	↔	MBR9014 ³										
		6/04 →	↔	MDP5100										

¹: 8 Stud Non ABS

²: 10 Stud ABS & Non ABS

³: 8 Stud ABS

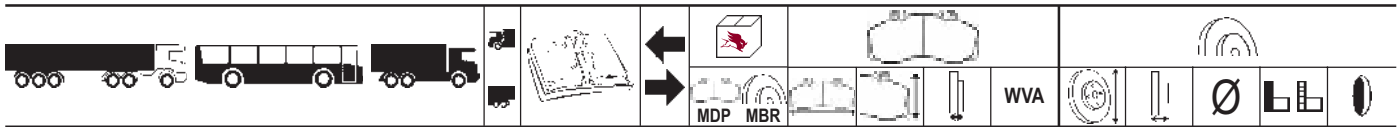
SAE



Knorr Brakes SB7000 22.5" Wheel Dia.

Knorr Brakes SB7000 22.5" Wheel Dia.		1/00 →		MDP9001 ¹										
		1/00 →		MDP9001 ¹										

¹: SB7000



SAF

Knorr Brakes SB6000 17.5" Wheel Dia.		1/00 →		MDP9003¹															
Knorr Brakes SB6000 22.5" Wheel Dia.		1/00 →		MDP9003¹															
¹ : SB6000																			
Knorr Brakes SB7000 22.5" Wheel Dia.		1/00 →		MDP9001¹															
¹ : SB7000				MDP9001¹															
SAF (Trailer Axles)			↔	MBR5044					160	45	430		10						
			↔	MBR5045					158	45	377		8						
			↔	MBR5046					130	43	430		12						
			↔	MBR5044					160	45	430		10						
			↔	MBR5045					158	45	377		8						
			↔	MBR5046					130	43	430		12						

SCANIA

K124, L94 Series 22.5" Wheel Dia.		1/96 →		MDP9000¹															
		1/96 →		MDP9000¹															
¹ : SB7000																			
P124LA(6X2), N94, N114, N124		1/96 →	↔	MBR5025					131	45	430		10						
Series 4 94, 114, 124, 144L 22.5" Wheel Dia.		1/99 →		MDP9000¹															
Series 4 R144 LA Tractor 22.5" Wheel Dia.		1/99 →		MDP9000¹															
¹ : SB7000																			

SMB

Knorr Brakes SB7000 22.5" Wheel Dia.		1/00 →		MDP9001¹															
		1/00 →		MDP9001¹															
¹ : SB7000																			

SOR

B9,5 C Duco		04/02 →	↔	MBR9001															
C9,5 C Duco		04/02 →		MDP5089	210	112	30												
LC9,5 C Duco																			

TIMONEY/TELEDYNE

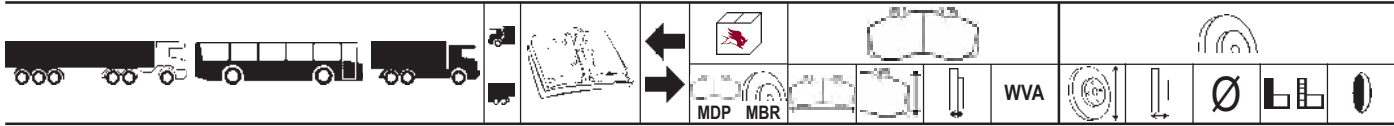
P23 Crash Fire Tender (8 x 8)		8/92 →		MDP5016	204	96	24	29043											
-------------------------------	--	--------	--	----------------	-----	----	----	-------	--	--	--	--	--	--	--	--	--	--	--

VAN HOOL

900 & T2100 Coaches MAN Axles 22.5" Wheel Dia.		1/97 - 12/98		MDP5038	250	118	28	29113											
		1/97 - 12/98		MDP5039	250	118	30	29114											
		1/97 - 12/98		MDP5038	250	118	28	29113											
		1/97 - 12/98		MDP5039	250	118	30	29114											
EOS 90, 100, 200, 230, 233			↔	MBR5026					120	48	410		12						

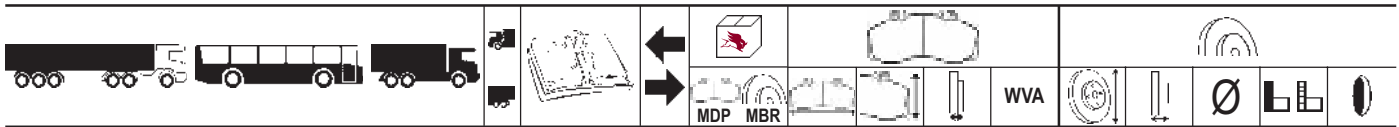
VOLVO

B10B, B10BLE & Olympian Bus 22.5" Wheel Dia.		→ 5/00		MDP5061	250	114	28	29090											
B10L, B10LE Bus 22.5" Wheel Dia.		6/00 →		MDP5061	250	114	28	29090											
FH12 D Duco (axial flip)		7/01 →		MDP5057	250	110	30	29125											
FH12 D Duco (axial)		7/01 →		MDP5057	250	110	30	29125											
FH12 FAA10, CHID A544696-																			



... VOLVO

FH12 Gen 2 (D Duco Axial Flip) RAD-A4, CHID A291152-		→ 4/00		MDP5057	250	110	30	29125										
FH12 Gen 2 (D Duco Radial) CHID A291152-		→ 4/00		MDP5057	250	110	30	29125										
FH12 Gen 2 (D Duco Axial) RAD-L90, CHID A291152-		→ 4/00		MDP5057	250	110	30	29125										
FH12 Gen 3 (D Duco Radial) CHID A291152-		5/00 - 6/00		MDP5057	250	110	30	29125										
FH12 Gen 3 (D Duco Axial Flip) RAD-A4, CHID A291152-		5/00 - 6/00		MDP5057	250	110	30	29125										
FH12 Gen 3 (D Duco Axial) RAD-L90, CHID A291152-																		
FH12 Gen 4 (D Duco Axial) RAD-A4, CHID A291152-				MDP5057	250	110	30	29125										
FH12 Gen 4 (D Duco Axial) RAD-L90, CHID A291152-																		
FH12 Gen 4 (D Duco Radial) CHID A291152-				MDP5057	250	110	30	29125										
FH16 Gen 2 (D Duco Axial Flip) RAD-A4, CHID A291152-		→ 4/00		MDP5057	250	110	30	29125										
FH16 Gen 2 D Duco Radial) CHID A291152-		→ 4/00		MDP5057	250	110	30	29125										
FH16 Gen 3 (D Duco Radial) CHID A291152-		5/00 - 6/00		MDP5057	250	110	30	29125										
FH16 Gen 3 (D Duco Axial Flip) RAD-A4, CHID A291152-		5/00 - 6/00		MDP5057	250	110	30	29125										
FH16 Gen 3 (D Duco Axial) RAD-L90, CHID A291152-																		
FH16 Gen 4 (D Duco Axial Flip) RAD-A4, CHID A291152-				MDP5057	250	110	30	29125										
FH16 Gen 4 (D Duco Axial) RAD-L90, CHID A291152-																		
FH16 Gen 4 (D Duco Radial) CHID A291152-		7/01 →		MDP5057	250	110	30	29125										
FL4 Range, FL 6 Range 17.5" Wheel Dia.		1/87 - 2/90		MDP5429	175	78	22	29302										
FL4 Range, FL 6 Range With ABS 17.5" Wheel Dia.		3/90 →		MDP5761	175	78	22	29039										
		1/87 - 2/90		MDP5429	175	78	22	29302										
		3/90 →		MDP5761	175	78	22	29039										
FL4.06, FL4.08, FL4.11 17.5" Wheel Dia.		1/85 - 12/88	↔	MBR5029					90	30	322		6					
		1/85 - 12/88	↔	MBR5030					115	30	322		6					
FL6 (B Duco)		6/01 ->	↔	MBR9002														
		6/01 →		MDP5052	176	89	29	29136										
		6/01 →	↔	MBR9003														
		6/01 →		MDP5052	176	89	29	29136										
FL6 BLF-B (D Duco Axial) Chid B265000-		→ 6/00		MDP5057	250	110	30	29125										
FL6 E-Midium 4X2 (D Duco Axial Flip) Chid B265000-		→ 6/01		MDP5057	250	110	30	29125										
FL6 E-Midium 4X2 (D Duco Axial) Chid B265000-		→ 6/00		MDP5057	250	110	30	29125										
FL6 E-Midium 6X2 (D Duco Radial) Chid B265000-		6/01 →		MDP5057	250	110	30	29125										
FL6 E-Midium 6X2 D Duco Axial) Chid B265000-		→ 6/00		MDP5057	250	110	30	29125										
FL6 H-Midium (C Duco) Chid B265000-		→ 6/01	↔	MBR9000														
		→ 6/01		MDP5053	210	102	30	29137										
		→ 6/01	↔	MBR9001														
		→ 6/01		MDP5053	210	102	30	29137										
FL6 L-Midium (B Duco) Chid B265000-		→ 6/01	↔	MBR9002														
		→ 6/01		MDP5052	176	89	29	29136										
		→ 6/01	↔	MBR9003														
		→ 6/01		MDP5052	176	89	29	29136										
FL6.08 - FL6.14 17.5" Wheel Dia.		1/87 →	↔	MBR5021					90	30	322		8					
		1/87 →	↔	MBR5031					138	30	322		8					
FL6E (D Duco Radial)		→ 6/01		MDP5057	250	110	30	29125										
FM10 Gen 2 (D Duco Axial Flip) RAD-A4		→ 4/00		MDP5057	250	110	30	29125										
FM10 Gen 2 (D Duco Radial)		→ 4/00		MDP5057	250	110	30	29125										
FM10 Gen 3 (D Duco Radial)		5/00 - 6/00		MDP5057	250	110	30	29125										
FM10 Gen 3 (D Duco Axial Flip) RAD-A4		5/00 - 6/00		MDP5057	250	110	30	29125										
FM10 Gen 4 (D Duco Radial)		7/01 →		MDP5057	250	110	30	29125										
FM10 Gen 4(D Duco Axial Flip) RAD-A4				MDP5057	250	110	30	29125										
FM12 (D Duco Axial Flip) FAA20, CHID A544696-				MDP5057	250	110	30	29125										
FM12 (D Duco Axial Flip) RAD-A4, CHID A544696-				MDP5057	250	110	30	29125										
FM12 (D Duco Axial) RAD-L90, CHID A544696-																		
FM12 (D Duco Radial) FAA10, CHID A544696-		7/01 →		MDP5057	250	110	30	29125										
FM12 Gen 2 (D Duco Radial)		→ 4/00		MDP5057	250	110	30	29125										
		→ 4/00		MDP5057	250	110	30	29125										
FM12 Gen 3 (D Duco Radial)		5/00 - 6/00		MDP5057	250	110	30	29125										
FM12 Gen 4 (D Duco Axial)		5/00 - 6/00		MDP5057	250	110	30	29125										



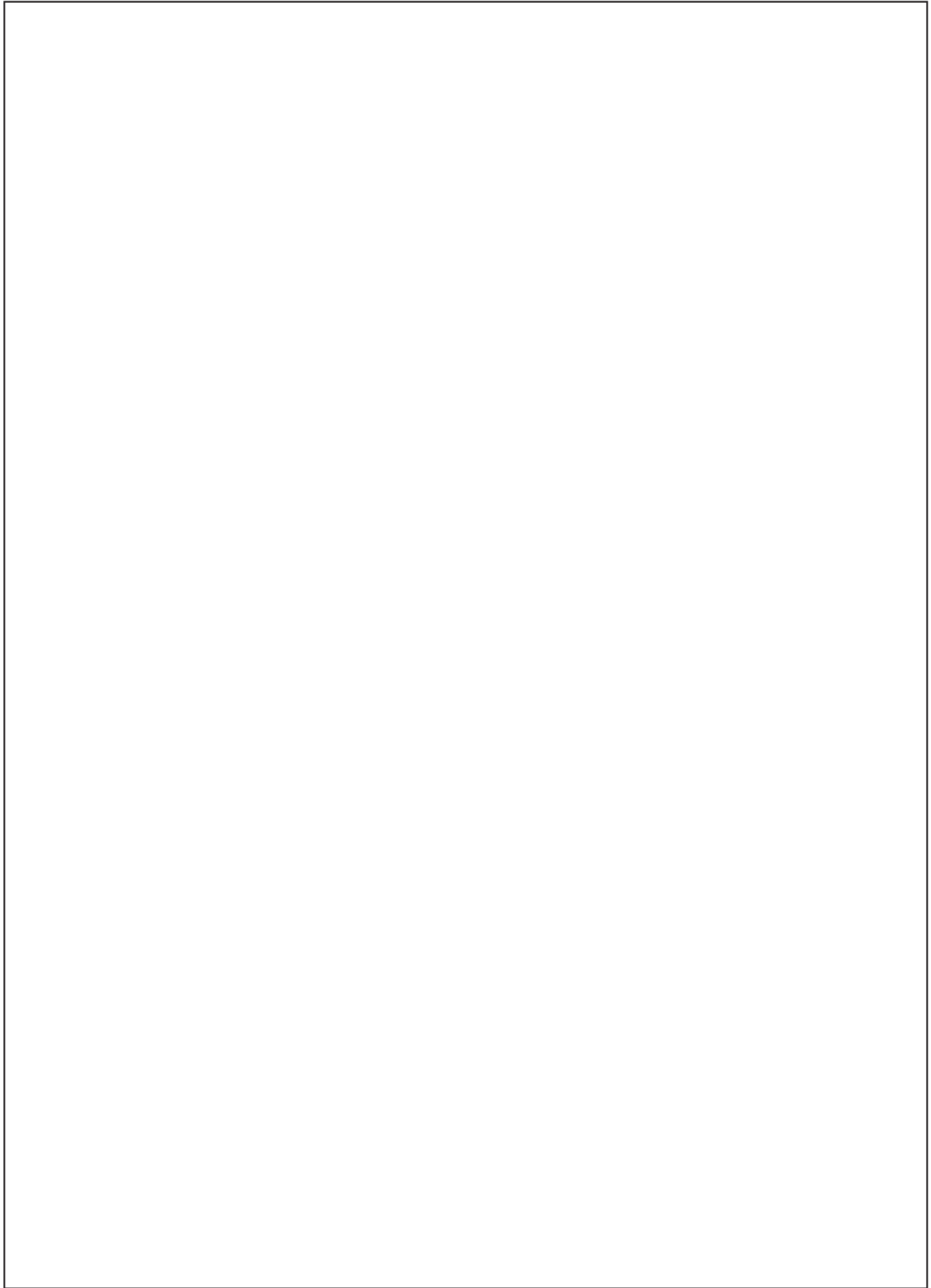
... VOLVO

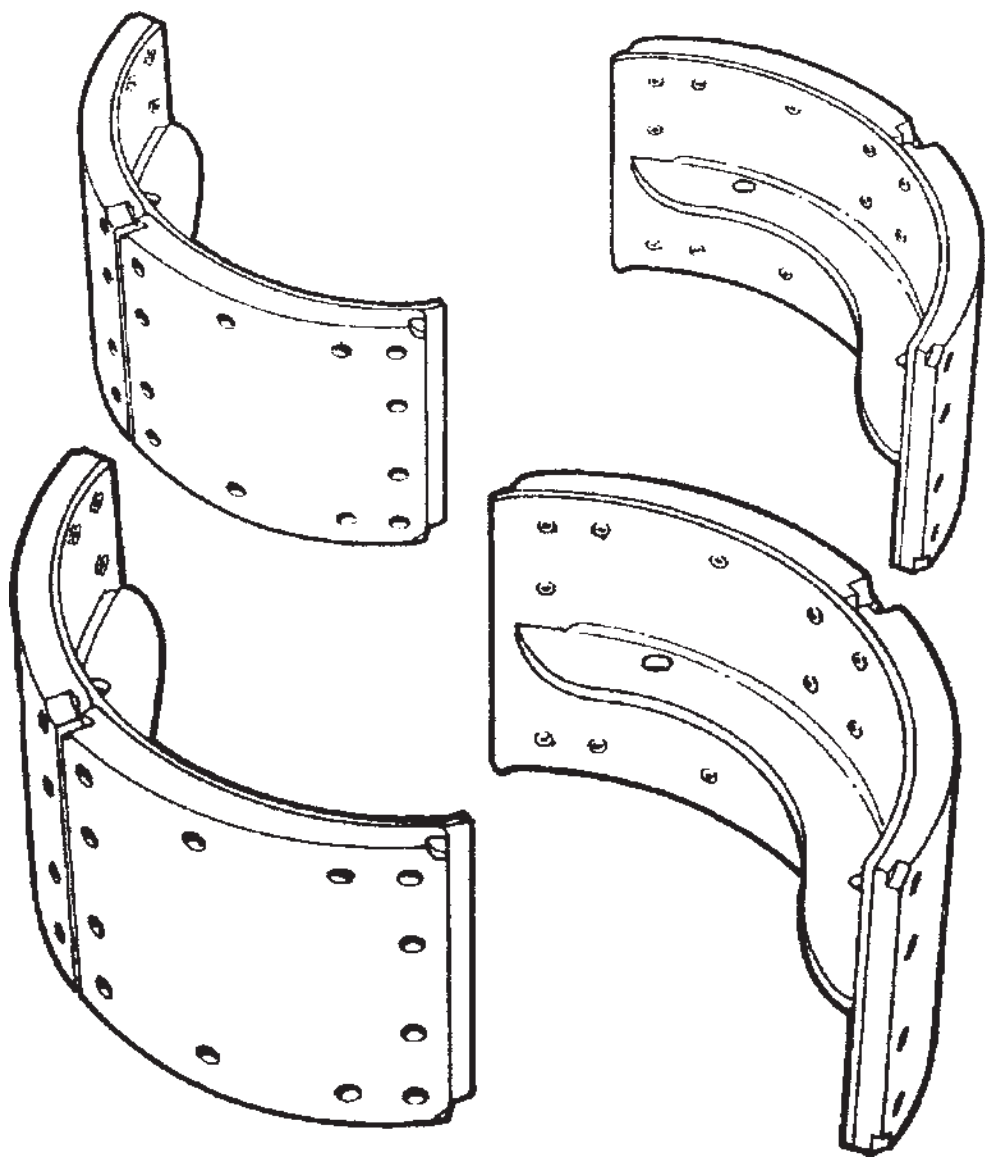
Vehicle Model	Configuration	Code	W	L	H	Wt	Wt	Wt	Wt	Wt	Wt	Wt	Wt	Wt	Wt
FM7 Gen 2 (D Duco Radial)	→ 4/00	MDP5057	250	110	30	29125									
FM7 Gen 2 (Axial Flip) RAD-L90	→ 4/00	MDP5057	250	110	30	29125									
FM7 Gen 2 (D Duco Axial Flip) RAD-A4															
FM7 Gen 3 (D Duco Radial)	→ 4/00	MDP5057	250	110	30	29125									
	5/00 - 6/00	MDP5057	250	110	30	29125									
FM7 Gen 3 (D Duco Axial Flip) Rad-A4	5/00 - 6/00	MDP5057	250	110	30	29125									
FM7 Gen 3 (D Duco Axial) RAD-L90															
FM7 Gen 4 (D Duco Radial)	7/01 →	MDP5057	250	110	30	29125									
FM7 Gen 4 (D Duco Axial Flip) Rad-A4	7/01 →	MDP5057	250	110	30	29125									
FM7 Gen 4 (D Duco Axial) RAD-L90	7/01 →	MDP5057	250	110	30	29125									
FM7 Gen 4 (D Duco Radial)		MDP5057	250	110	30	29125									
FM9 - Schleppachse (Le Duco)	5/01 →	MDP5072	216	97	29										
FM9 - Schleppachse (C Duco) TBRA-D37, P /PA-HYDRS		MDP5053	210	102	30	29137									
FM9 (D Duco Axial Flip) FBRA-D43, FAA20		MDP5057	250	110	30	29125									
FM9 (D Duco Axial Flip) FBRA-D43, RAD -A4		MDP5057	250	110	30	29125									
FM9 (D Duco Axial) FBRA-D43, RAD -L90															
FM9 (D Duco Radial) FBRA-D43, FAA10		MDP5057	250	110	30	29125									
Volvo Europa (C Duco)	6/01 →	↔	MBR9000												
	6/01 →		MDP5053	210	102	30	29137								
	6/01 →	↔	MBR9001												
	6/01 →		MDP5053	210	102	30	29137								
Volvo Europa FL (C Duco)	6/01 →	↔	MBR9001												
	6/01 →		MDP5053	210	102	30	29137								
Volvo Europa FL(C Duco)	→ 6/01	↔	MBR9001												
	→ 6/01		MDP5053	210	102	30	29137								
Volvo Truck (C Duco)	→ 6/01	↔	MBR9000												
	→ 6/01		MDP5053	210	102	30	29137								
	→ 6/01	↔	MBR9001												
	→ 6/01		MDP5053	210	102	30	29137								

ZF

Citybus Citybus 90 Degree version with Electronic Sensor	3/04 →	MDP5098													
Stadtbus Stadtbus 90 Degee version with Electronic Sensor	3/04 →	MDP5098													

Portal Axel AV 132 Elsa 1 22.5" Wheel Dia.	2/99 - 12/01	MDP5090	250	118	28	29030									
--	--------------	---------	-----	-----	----	-------	--	--	--	--	--	--	--	--	--


















Manufacturers Index

AÜWARTER (NEOPLAN)	197
AWD	197
BEDFORD	197
BPW	198
CARDI	198
DAF	198
ERF	203
FODEN	205
FORD	205
FRUEHAUF	206
GORICA	207
IVECO	207
LEYLAND DAF	209
MAN	209
MERCEDES	219
PEGASO	226
PERROT (WABCO)	228
RENAULT TRUCK	228
ROR	233
SAF	234
SCANIA	234
SEDDON ATKINSON	236
SETRA	236
SISU	237
STEYR	237
TRAILOR	237
VAN HOOL	238
VIBERTI	238
VOLVO	238
YORK	240





















AÜWARTER (NEOPLAN)

												
Cityliner N 116		1/92 →	MBLK2230	8	PB/18/1	19847	4	196	220	48	10x17	410
Cityliner N 116 H					PB/19/1	19848	4	196	220	48	10x17	410
Cityliner N 116/3												
Cityliner N 116/3H												
Jetliner N 212 H												
Jetliner N 213 H, SHD												
Jetliner N 214 H, SHD												
Jetliner N 416		1/83 →	MBLK2230	8	PB/18/1	19847	4	196	220	48	10x17	410
					PB/19/1	19848	4	196	220	48	10x17	410
Kneel bus N 4008		1/92 →	MBLK2230	8	PB/18/1	19847	4	196	220	48	10x17	410
Kneel bus N 4009					PB/19/1	19848	4	196	220	48	10x17	410
Kneel bus N 4010												
Kneel bus N 4011												
Kneel bus N 4014												
Kneel bus N 4016												
Kneel bus N 4024												
Kneel bus N 4026												
Metroliner MIC 4008		1/90 →	MBLK2230	8	PB/18/1	19847	4	196	220	48	10x17	410
Metroliner MIC 4012					PB/19/1	19848	4	196	220	48	10x17	410
Metroliner MIC 4017												
Skyliner N 122/3		1/92 →	MBLK2230	8	PB/18/1	19847	4	196	220	48	10x17	410
Spaceliner N 117/2					PB/19/1	19848	4	196	220	48	10x17	410
Spaceliner N 117/3												
Transliner N 312												
Transliner N 316												

AWD

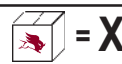
												
6x4 Rigids & Tipper TL 24.27		1/91 - 6/92	MBLK1190	8	VL/88/2	19071	8	178	200	112	L10	410
8x6 Multi-Drives MTL 33.27		1/91 - 6/92	MBLK1190	8	VL/88/2	19071	8	178	200	112	L10	410
TL Series TL 17.27		1/91 - 6/92	MBLK1190	8	VL/88/2	19071	8	178	200	112	L10	410
TL Series TL 24.27 6x4		1/91 - 6/92	MBLK1180	8	VL/87/2	19938	8	178	175	112	L9	410

BEDFORD

												
KM KM		1/66 - 12/87	MBLK1090	4	GG/92/1	19111	4	360	177	72	L9	394
			MBLK1100	4	GG/142/1	19371	4	363	203	72	L9	394
TK-Series TK 1630 / DOV		1/77 - 12/87	MBLK1090	4	GG/92/1	19111	4	360	177	72	L9	394
			MBLK1100	4	GG/142/1	19371	4	363	203	72	L9	394
TL Series TL 1630 DMY8		1/80 - 12/87	MBLK1100	4	GG/142/1	19371	4	363	203	72	L9	394
		1/80 - 12/87	MBLK1100	4	GG/142/1	19371	4	363	203	72	L9	394
TL Series TL 24-27		2/93 →	MBLK1190	8	VL/88/2	19071	8	178	200	112	L10	410
		2/93 →	MBLK1180	8	VL/87/2	19938	8	178	175	112	L9	410
TM-Series TM 2250 & 2600 (6x2, 6x4)		1/74 - 12/87	MBLK1090	4	GG/92/1	19111	4	360	177	72	L9	394
		1/74 - 12/87	MBLK1100¹	4	GG/142/1	19371	4	363	203	72	L9	394
		1/74 - 12/87	MBLK1100²	4	GG/142/1	19371	4	363	203	72	L9	394
1: Axle 1												
2: Axle 2												
TM-Series TM 2300		1/77 - 12/87	MBLK1080	4	GG/83/1	19072	4	363	152	48	L9	394
		1/77 - 12/87	MBLK1080	4	GG/83/1	19072	4	363	152	48	L9	394
TM-Series TM 2500		1/77 - 12/87	MBLK1100	4	GG/142/1	19371	4	363	203	72	L9	394
		1/77 - 12/87	MBLK1100	4	GG/142/1	19371	4	363	203	72	L9	394
TM-Series TM 3250		1/74 - 12/87	MBLK1100	4	GG/142/1	19371	4	363	203	72	L9	394
		1/74 - 12/87	MBLK1100	4	GG/142/1	19371	4	363	203	72	L9	394
TM-Series TM1500		1/74 - 12/87	MBLK1090	4	GG/92/1	19111	4	360	177	72	L9	394
		1/74 - 12/87	MBLK1090	4	GG/92/1	19111	4	360	177	72	L9	394

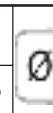


QTY



BFMC

WVA



... BEDFORD



TM-Series TM1700

	1/74 - 12/87	MBLK1090	4	GG/92/1	19111	4	360	177	72	L9	394
		MBLK1100	4	GG/142/1	19371	4	363	203	72	L9	394

BPW



300 x 200 S Cam

		MBLK2430	8	BC/80/1	19574	8	144	200	64	8 x 15	300
		MBLK2430	8	BC/80/1	19574	8	144	200	64	8 x 15	300

360 x 200 S Cam

		MBLK2440	8	BC/100/1	19902	4	159	200	32	8x15	360
		MBLK2440	8	BC/101/1	19903	4	190	200	40	8x15	360
		MBLK2440	8	BC/100/1	19902	4	159	200	32	8x15	360
		MBLK2440	8	BC/101/1	19903	4	190	200	40	8x15	360

420 x 180 S Cam

		MBLK2000	8	BC/98/1 (BC/36/1)	19032	8	204	180	80	8 x 15	420
		MBLK2000	8	BC/98/1 (BC/36/1)	19032	8	204	180	80	8 x 15	420

420 x 200 S Cam

		MBLK2010	8	BC/97/1 (BC/37/1)	19094	8	204	200	80	8 x 15	420
		MBLK2010	8	BC/97/1 (BC/37/1)	19094	8	204	200	80	8 x 15	420

CARDI



300 x 200 S Cam

		MBLK2430	8	BC/80/1	19574	8	144	200	64	8 x 15	300
		MBLK2430	8	BC/80/1	19574	8	144	200	64	8 x 15	300

420 x 180 S Cam

		MBLK2000	8	BC/98/1 (BC/36/1)	19032	8	204	180	80	8 x 15	420
		MBLK2000	8	BC/98/1 (BC/36/1)	19032	8	204	180	80	8 x 15	420

420 x 200 S Cam

		MBLK2010	8	BC/97/1 (BC/37/1)	19094	8	204	200	80	8 x 15	420
		MBLK2010	8	BC/97/1 (BC/37/1)	19094	8	204	200	80	8 x 15	420

DAF



SB- Series SB 201

	1/74 - 12/80	MBLK2040	8	DF/30/1	19617	4	211	203	80	L10	419
				DF/31/1	19618	4	218	203	80	L10	419

SB- Series SB 210

SB- Series SB 220

	1/75 - 12/80	MBLK2040	8	DF/30/1	19617	4	211	203	80	L10	419
				DF/31/1	19618	4	218	203	80	L10	419

SB- Series SB 220, LD, LC

	1/87 - 12/89	MBLK2050	8	DF/34/1	19900	4	176	150	32	L10	420
				DF/35/1	19901	4	179	150	32	L10	420
	1/87 - 12/89	MBLK2040	8	DF/30/1	19617	4	211	203	80	L10	419
				DF/31/1	19618	4	218	203	80	L10	419

SB- Series SB 2300, DHTD

SB- Series SB 2305 DHS, DHTD

SB- Series SB 2705

	1/87 →	MBLK2010	8	BC/97/1 (BC/37/1)	19094	8	204	200	80	8 x 15	420
	1/87 →	MBLK2040	8	DF/30/1	19617	4	211	203	80	L10	419
				DF/31/1	19618	4	218	203	80	L10	419

SB- Series SB 3000 DKSB, DSKB

	1/84 - 12/89	MBLK2040	8	DF/30/1	19617	4	211	203	80	L10	419
				DF/31/1	19618	4	218	203	80	L10	419

SB- Series SB 3000 DKV

	1/87 →	MBLK2010	8	BC/97/1 (BC/37/1)	19094	8	204	200	80	8 x 15	420
--	--------	-----------------	---	-------------------	-------	---	-----	-----	----	--------	-----

SB- Series SB220

SB- Series SBG 220

	1/89 →	MBLK2070	8	DF/44/1	19011	4	179	150	32	L11	420
				DF/45/1	19010	4	176	150	32	L11	420
	1/89 →	MBLK2090	8	DF/48/1	19063	4	179	200	64	L11	420
				DF/49/1	19064	4	176	200	64	L11	420





















SB- Series SBR 3000 DKSB

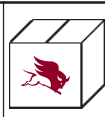
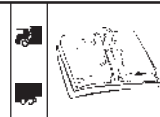
SB- Series SBR 3000 DKZ

	1/87 - 12/89	MBLK2010	8	BC/97/1 (BC/37/1)	19094	8	204	200	80	8 x 15	420
--	--------------	-----------------	---	-------------------	-------	---	-----	-----	----	--------	-----

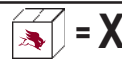
TB2100 TB 2100

		MBLK2090	8	DF/48/1	19063	4	179	200	64	L11	420
				DF/49/1	19064	4	176	200	64	L11	420

... DAF													
 F 95 Series 420 x 150 mm		9/87 - 12/89	MBLK2050	8	DF/34/1	19900	4	176	150	32	L10	420	
					DF/35/1	19901	4	179	150	32	L10	420	
		1/90 →	MBLK2070	8	DF/44/1	19011	4	179	150	32	L11	420	
					DF/45/1	19010	4	176	150	32	L11	420	
		9/87 - 12/89	MBLK2050	8	DF/34/1	19900	4	176	150	32	L10	420	
					DF/35/1	19901	4	179	150	32	L10	420	
		1/90 →	MBLK2070	8	DF/44/1	19011	4	179	150	32	L11	420	
					DF/45/1	19010	4	176	150	32	L11	420	
F 95 Series 420 x 175 mm		1/90 →	MBLK2080	8	DF/46/1	19052	4	179	175	48	L11	420	
					DF/47/1	19055	4	176	175	48	L11	420	
		9/87 - 12/89	MBLK2060	8	DF/36/1	19888	4	179	175	48	L10	420	
					DF/37/1	19889	4	176	175	48	L10	420	
		1/90 →	MBLK2080	8	DF/46/1	19052	4	179	175	48	L11	420	
					DF/47/1	19055	4	176	175	48	L11	420	
		1/90 →	MBLK2090	8	DF/48/1	19063	4	179	200	64	L11	420	
					DF/49/1	19064	4	176	200	64	L11	420	
Trailer			MBLK2010	8	BC/97/1 (BC/37/1)	19094	8	204	200	80	8 x 15	420	
					BC/97/1 (BC/37/1)	19094	8	204	200	80	8 x 15	420	
Trailer BPW- Axles Trailer LVW 1616, 16 ton Gros Trailer Trailer LVW 1616 12-13 net load			MBLK2010	8	BC/97/1 (BC/37/1)	19094	8	204	200	80	8 x 15	420	
 65 CF Series FA 65 CF 180 65 CF Series FA 65 CF 210 65 CF Series FA 65 CF 240 65 CF Series FAV 65 CF 180 (4x4) 65 CF Series FAV 65 CF 210		2/98 →	MBLK2070	8	DF/44/1	19011	4	179	150	32	L11	420	
					DF/45/1	19010	4	176	150	32	L11	420	
		2/98 →	MBLK2090	8	DF/48/1	19063	4	179	200	64	L11	420	
					DF/49/1	19064	4	176	200	64	L11	420	
65 CF Series FAV 65.210		3/93 - 2/98	MBLK2090	8	DF/48/1	19063	4	179	200	64	L11	420	
					DF/49/1	19064	4	176	200	64	L11	420	
75 CF-Series FA 75 CF 250 75 CF-Series FA 75 CF 250 (4x2) 75 CF-Series FA 75 CF 320 75 CF-Series FAG, FAN 75 CF 2500 (6x2/4) 75 CF-Series FAG, FAN 75 CF 290 (6x2/4) 75 CF-Series FAG, FAN 75 CF 320 (6x2/4) 75 CF-Series FAR, FAS 75 CF 250 (6x2) 75 CF-Series FAR, FAS 75 CF 290 (6x2) 75 CF-Series FAR, FAS 75 CF 320 (6x2) 75 CF-Series FAT 75 CF 250 75 CF-Series FAT 75 CF 290 (6x4) 75 CF-Series FAT 75 CF 320 (6x4) 75 CF-Series FT 75 CF 250 (4x2) 75 CF-Series FT 75 CF 290 (4x2) 75 CF-Series FT 75 CF 320 (4x2)		2/98 →	MBLK2070	8	DF/44/1	19011	4	179	150	32	L11	420	
					DF/45/1	19010	4	176	150	32	L11	420	
		2/98 →	MBLK2080	8	DF/46/1	19052	4	179	175	48	L11	420	
					DF/47/1	19055	4	176	175	48	L11	420	
		2/98 →	MBLK2090	8	DF/48/1	19063	4	179	200	64	L11	420	
					DF/49/1	19064	4	176	200	64	L11	420	
	F 65 Series FA 65.180 (4x2) F 65 Series FA 65.210		3/93 - 2/98	MBLK2070	8	DF/44/1	19011	4	179	150	32	L11	420
						DF/45/1	19010	4	176	150	32	L11	420
	F 65 Series FA 65.240 F 65 Series FAV 65.180 (4x4) F 65 Series FAV 65.210		3/93 - 2/98	MBLK2090	8	DF/48/1	19063	4	179	200	64	L11	420
						DF/49/1	19064	4	176	200	64	L11	420



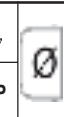
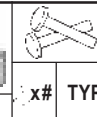
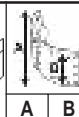
QTY



= X

BFMC

WVA



A















B

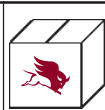
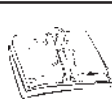
x#

TYP

... DAF

F 75 Series FA 75.240 ATi (4x2)		7/92 - 2/98	MBLK2070	8	DF/44/1	19011	4	179	150	32	L11	420
F 75 Series FA 75.270 ATi (4x2)					DF/45/1	19010	4	176	150	32	L11	420
F 75 Series FA 75.300 (4x2)		7/92 - 2/98	MBLK2080	8	DF/46/1	19052	4	179	175	48	L11	420
F 75 Series FAG 75.240 ATi (6x2/4)					DF/47/1	19055	4	176	175	48	L11	420
F 75 Series FAG 75.270, FAN 75.270 (6x2/4)		7/92 - 2/98	MBLK2090	8	DF/48/1	19063	4	179	200	64	L11	420
F 75 Series FAG 75.300, FAN 75.300 (6x2/4)					DF/49/1	19064	4	176	200	64	L11	420
F 75 Series FAN 75.240 (6x2/4)												
F 75 Series FAR 75.240 (6x2)												
F 75 Series FAR 75.270, FAS 75.270 (6x2)												
F 75 Series FAR 75.300 (6x2)												
F 75 Series FAS 75.240 (6x2)												
F 75 Series FAS 75.300 (6x2)												
F 75 Series FAT 75.270 (6x4)												
F 75 Series FAV 75.240 (4x4)												
F 75 Series FAV 75.270 (6x4)												
F 75 Series FT 75.240 ATi (4x2)												
F 75 Series FT 75.270 (4x2)												
F 75 Series FT 75.300 (4x2)												
F 800 - Series FA 800		12/86 - 8/91	MBLK2220	4	MP/37/1	15817	2	301	97	24	8x20	325
					MP/38/1	15823	2	251	97	20	8x20	325
F 85 CF Series FA 85 CF 340 (4x2)		2/98 →	MBLK2070	8	DF/44/1	19011	4	179	150	32	L11	420
F 85 CF Series FA 85 CF 380 (4x2)					DF/45/1	19010	4	176	150	32	L11	420
F 85 CF Series FA 85 CF 430 (4x2)		2/98 →	MBLK2090	8	DF/48/1	19063	4	179	200	64	L11	420
F 85 CF Series FT 85 CF 340 (4x2)					DF/49/1	19064	4	176	200	64	L11	420
F 85 CF Series FT 85 CF 380 (4x2)												
F 85 CF Series FT 85 CF 430 (4x2)												
F 85 Series FA 85.330 ATi (4x2)		7/92 - 2/98	MBLK2070	8	DF/44/1	19011	4	179	150	32	L11	420
F 85 Series FA 85.360 ATi (4x2)					DF/45/1	19010	4	176	150	32	L11	420
		7/92 - 2/98	MBLK2090	8	DF/48/1	19063	4	179	200	64	L11	420
					DF/49/1	19064	4	176	200	64	L11	420
F 85 Series FA 85.400 ATi (4x2)		3/95 - 2/98	MBLK2070	8	DF/44/1	19011	4	179	150	32	L11	420
					DF/45/1	19010	4	176	150	32	L11	420
		3/95 - 2/98	MBLK2090	8	DF/48/1	19063	4	179	200	64	L11	420
					DF/49/1	19064	4	176	200	64	L11	420
F 85 Series FAD 85.330 ATi (8x4)		7/92 - 2/98	MBLK2070	8	DF/44/1	19011	4	179	150	32	L11	420
F 85 Series FAD 85.360 ATi (8x4)					DF/45/1	19010	4	176	150	32	L11	420
		7/92 - 2/98	MBLK2080	8	DF/46/1	19052	4	179	175	48	L11	420
					DF/47/1	19055	4	176	175	48	L11	420
		7/92 - 2/98	MBLK2080	8	DF/46/1	19052	4	179	175	48	L11	420
					DF/47/1	19055	4	176	175	48	L11	420
		7/92 - 2/98	MBLK2090	8	DF/48/1	19063	4	179	200	64	L11	420
					DF/49/1	19064	4	176	200	64	L11	420
F 85 Series FAD 85.400 ATi (8x4)		3/95 - 2/98	MBLK2070	8	DF/44/1	19011	4	179	150	32	L11	420
					DF/45/1	19010	4	176	150	32	L11	420
		3/95 - 2/98	MBLK2080	8	DF/46/1	19052	4	179	175	48	L11	420
					DF/47/1	19055	4	176	175	48	L11	420
		3/95 - 2/98	MBLK2080	8	DF/46/1	19052	4	179	175	48	L11	420
					DF/47/1	19055	4	176	175	48	L11	420
		3/95 - 2/98	MBLK2090	8	DF/48/1	19063	4	179	200	64	L11	420
					DF/49/1	19064	4	176	200	64	L11	420
F 85 Series FAG 85.330 (6x2/2/4)		7/92 - 2/98	MBLK2080	8	DF/46/1	19052	4	179	175	48	L11	420
F 85 Series FAG 85.360 (6x2/2/4)					DF/47/1	19055	4	176	175	48	L11	420
		7/92 - 2/98	MBLK2070	8	DF/44/1	19011	4	179	150	32	L11	420
					DF/45/1	19010	4	176	150	32	L11	420
		7/92 - 2/98	MBLK2090	8	DF/48/1	19063	4	179	200	64	L11	420
					DF/49/1	19064	4	176	200	64	L11	420

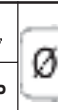
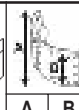
... DAF												
F 85 Series FAG 85.400 (6x2/2/4)		3/95 - 2/98	MBLK2080	8	DF/46/1	19052	4	179	175	48	L11	420
					DF/47/1	19055	4	176	175	48	L11	420
	3/95 - 2/98	MBLK2070	8	DF/44/1	19011	4	179	150	32	L11	420	
F 85 Series FAR 85.330 (6x2/2/4) F 85 Series FAR 85.360 (6x2/2/4)		7/92 - 2/98	MBLK2080	8	DF/46/1	19052	4	179	175	48	L11	420
					DF/47/1	19055	4	176	175	48	L11	420
	7/92 - 2/98	MBLK2070	8	DF/44/1	19011	4	179	150	32	L11	420	
F 85 Series FAR 85.400 (6x2/2/4)		7/92 - 2/98	MBLK2080	8	DF/46/1	19052	4	179	175	48	L11	420
					DF/47/1	19055	4	176	175	48	L11	420
	3/95 - 2/98	MBLK2070	8	DF/44/1	19011	4	179	150	32	L11	420	
F 85 Series FAS 85.330 (6x2/2/4) F 85 Series FAS 85.360 (6x2/2/4)		7/92 - 2/98	MBLK2080	8	DF/46/1	19052	4	179	175	48	L11	420
					DF/47/1	19055	4	176	175	48	L11	420
	7/92 - 2/98	MBLK2070	8	DF/44/1	19011	4	179	150	32	L11	420	
F 85 Series FAS 85.400 (6x2/2/4)		7/92 - 2/98	MBLK2080	8	DF/46/1	19052	4	179	175	48	L11	420
					DF/47/1	19055	4	176	175	48	L11	420
	3/95 - 2/98	MBLK2070	8	DF/44/1	19011	4	179	150	32	L11	420	
F 85 Series FAT 85.330 ATi (6x4) F 85 Series FAT 85.360 ATi (6x4)		7/92 - 2/98	MBLK2080	8	DF/46/1	19052	4	179	175	48	L11	420
					DF/47/1	19055	4	176	175	48	L11	420
	7/92 - 2/98	MBLK2090	8	DF/48/1	19063	4	179	200	64	L11	420	
F 85 Series FAT 85.400 ATi (6x4)		7/92 - 2/98	MBLK2080	8	DF/46/1	19052	4	179	175	48	L11	420
					DF/47/1	19055	4	176	175	48	L11	420
	3/95 - 2/98	MBLK2090	8	DF/48/1	19063	4	179	200	64	L11	420	
F 85 Series FT 85.330 ATi (4x2) F 85 Series FT 85.360 ATi (4x2)		7/92 - 2/98	MBLK2070	8	DF/44/1	19011	4	179	150	32	L11	420
					DF/45/1	19010	4	176	150	32	L11	420
	7/92 - 2/98	MBLK2090	8	DF/48/1	19063	4	179	200	64	L11	420	
F 85 Series FT 85.400 ATi (4x2)		7/92 - 2/98	MBLK2070	8	DF/44/1	19011	4	179	150	32	L11	420
					DF/45/1	19010	4	176	150	32	L11	420
	3/95 - 2/98	MBLK2090	8	DF/48/1	19063	4	179	200	64	L11	420	
F 85 Series FTG 85.330 (6x2/2/4) F 85 Series FTG 85.360 (6x2/2/4)		7/92 - 2/98	MBLK2080	8	DF/46/1	19052	4	179	175	48	L11	420
					DF/47/1	19055	4	176	175	48	L11	420
	7/92 - 2/98	MBLK2070	8	DF/44/1	19011	4	179	150	32	L11	420	
F 85 Series FTG 85.400 ATi (4x2)		7/92 - 2/98	MBLK2080	8	DF/46/1	19052	4	179	175	48	L11	420
					DF/47/1	19055	4	176	175	48	L11	420
	7/92 - 2/98	MBLK2070	8	DF/44/1	19011	4	179	150	32	L11	420	
F 85 Series FTG 85.400 ATi (4x2)		7/92 - 2/98	MBLK2080	8	DF/46/1	19052	4	179	175	48	L11	420
					DF/47/1	19055	4	176	175	48	L11	420
	7/92 - 2/98	MBLK2070	8	DF/44/1	19011	4	179	150	32	L11	420	
F 85 Series FTG 85.400 ATi (4x2)		7/92 - 2/98	MBLK2080	8	DF/46/1	19052	4	179	175	48	L11	420
					DF/47/1	19055	4	176	175	48	L11	420
	7/92 - 2/98	MBLK2070	8	DF/44/1	19011	4	179	150	32	L11	420	
F 85 Series FTG 85.400 ATi (4x2)		7/92 - 2/98	MBLK2080	8	DF/46/1	19052	4	179	175	48	L11	420
					DF/47/1	19055	4	176	175	48	L11	420
	7/92 - 2/98	MBLK2070	8	DF/44/1	19011	4	179	150	32	L11	420	



QTY



= X



BFMC

WVA

A

B

x#






TYP










... DAF

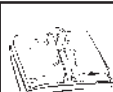
F 85 Series FTG 85.400 (6x2/2/4)		3/95 - 2/98	MBLK2080	8	DF/46/1 DF/47/1	19052 19055	4 4	179 176	175 175	48 48	L11 L11	420 420
		3/95 - 2/98	MBLK2070	8	DF/44/1 DF/45/1	19011 19010	4 4	179 176	150 150	32 32	L11 L11	420 420
		3/95 - 2/98	MBLK2090	8	DF/48/1 DF/49/1	19063 19064	4 4	179 176	200 200	64 64	L11 L11	420 420
F 85 Series FTT 85.330 (6x4) F 85 Series FTT 85.360 ATi (6x4)		7/92 - 2/98	MBLK2080	8	DF/46/1 DF/47/1	19052 19055	4 4	179 176	175 175	48 48	L11 L11	420 420
		7/92 - 2/98	MBLK2090	8	DF/48/1 DF/49/1	19063 19064	4 4	179 176	200 200	64 64	L11 L11	420 420
F 85 Series FTT 85.400 ATi (6x4)		3/95 - 2/98	MBLK2080	8	DF/46/1 DF/47/1	19052 19055	4 4	179 176	175 175	48 48	L11 L11	420 420
		3/95 - 2/98	MBLK2090	8	DF/48/1 DF/49/1	19063 19064	4 4	179 176	200 200	64 64	L11 L11	420 420
F- Series FA 1900		11/89 - 9/93	MBLK2070	8	DF/44/1 DF/45/1	19011 19010	4 4	179 176	150 150	32 32	L11 L11	420 420
		11/89 - 9/93	MBLK2080	8	DF/46/1 DF/47/1	19052 19055	4 4	179 176	175 175	48 48	L11 L11	420 420
F- Series FA 1900 DNS, Topsleeper F- Series FA 1900 DNT		1/87 - 12/89	MBLK2050	8	DF/34/1 DF/35/1	19900 19901	4 4	176 179	150 150	32 32	L10 L10	420 420
		1/87 - 12/89	MBLK2060	8	DF/36/1 DF/37/1	19888 19889	4 4	179 176	175 175	48 48	L10 L10	420 420
F- Series FA 1905, FT 1905		1/87 - 12/89	MBLK2050	8	DF/34/1 DF/35/1	19900 19901	4 4	176 179	150 150	32 32	L10 L10	420 420
		11/89 - 9/93	MBLK2070	8	DF/44/1 DF/45/1	19011 19010	4 4	179 176	150 150	32 32	L11 L11	420 420
		1/87 - 12/89	MBLK2060	8	DF/36/1 DF/37/1	19888 19889	4 4	179 176	175 175	48 48	L10 L10	420 420
		11/89 - 9/93	MBLK2080	8	DF/46/1 DF/47/1	19052 19055	4 4	179 176	175 175	48 48	L11 L11	420 420
F- Series FA 2100, FAR 2100		1/87 - 12/89	MBLK2050	8	DF/34/1 DF/35/1	19900 19901	4 4	176 179	150 150	32 32	L10 L10	420 420
		1/87 - 12/89	MBLK2060	8	DF/36/1 DF/37/1	19888 19889	4 4	179 176	175 175	48 48	L10 L10	420 420
F- Series FA 2105 F- Series FA 2500		11/89 →	MBLK2080	8	DF/46/1 DF/47/1	19052 19055	4 4	179 176	175 175	48 48	L11 L11	420 420
		1/87 →	MBLK2050	8	DF/34/1 DF/35/1	19900 19901	4 4	176 179	150 150	32 32	L10 L10	420 420
F- Series FA 2500, FAR 2500		1/87 →	MBLK2060	8	DF/36/1 DF/37/1	19888 19889	4 4	179 176	175 175	48 48	L10 L10	420 420
		11/89 →	MBLK2080	8	DF/46/1 DF/47/1	19052 19055	4 4	179 176	175 175	48 48	L11 L11	420 420
F- Series FA 600		1/87 - 12/91	MBLK2220	4	MP/37/1 MP/38/1	15817 15823	2 2	301 251	97 97	24 20	8x20 8x20	325 325
		1/87 →	MBLK2050	8	DF/34/1 DF/35/1	19900 19901	4 4	176 179	150 150	32 32	L10 L10	420 420
F- Series FAD 2500, FAS 2500		1/87 →	MBLK2060	8	DF/36/1 DF/37/1	19888 19889	4 4	179 176	175 175	48 48	L10 L10	420 420
		1/87 - 12/89	MBLK2050	8	DF/34/1 DF/35/1	19900 19901	4 4	176 179	150 150	32 32	L10 L10	420 420
F- Series FAS 2100, FAT 2100 F- Series FD 2100		1/87 - 12/89	MBLK2060	8	DF/36/1 DF/37/1	19888 19889	4 4	179 176	175 175	48 48	L10 L10	420 420
		1/87 →	MBLK2050	8	DF/34/1 DF/35/1	19900 19901	4 4	176 179	150 150	32 32	L10 L10	420 420
F- Series FD 2800		1/87 →	MBLK2060	8	DF/36/1 DF/37/1	19888 19889	4 4	179 176	175 175	48 48	L10 L10	420 420
		1/87 →	MBLK2050	8	DF/34/1 DF/35/1	19900 19901	4 4	176 179	150 150	32 32	L10 L10	420 420

BFMC **WVA**

A B x# TYP

... DAF												
												
F- Series FT 1900		11/89 - 9/93	MBLK2070	8	DF/44/1	19011	4	179	150	32	L11	420
					DF/45/1	19010	4	176	150	32	L11	420
		11/89 - 9/93	MBLK2080	8	DF/46/1	19052	4	179	175	48	L11	420
					DF/47/1	19055	4	176	175	48	L11	420
F- Series FT 2500		1/87 →	MBLK2050	8	DF/34/1	19900	4	176	150	32	L10	420
					DF/35/1	19901	4	179	150	32	L10	420
		1/87 →	MBLK2060	8	DF/36/1	19888	4	179	175	48	L10	420
					DF/37/1	19889	4	176	175	48	L10	420

ERF												
												
E Series E 10.25		1/91 - 9/93	MBLK1190	8	VL/88/2	19071	8	178	200	112	L10	410
E Series E 10.27		1/91 - 9/93	MBLK1190	8	VL/88/2	19071	8	178	200	112	L10	410
E Series E 10.32												
E Series E 10.32 DT												
E Series E 10.32 TT												
E Series E 12.30												
E Series E 12.32												
E Series E 12.32 ST												
E Series E 12.32 TT												
E Series E 12.37 ST												
E Series E 12.37 TT												
E Series E 12.40 ST												
E Series E 12.40 TT												
E Series E 14.32 ST												
E Series E 14.32 TT												
E Series E 14.36 ST												
E Series E 14.36 TT												
E Series E 14.41 DT												
E Series E 14.41 ST												
E Series E 14.46 DT												
E Series E 14.46 ST												
E Series E 6.18												
E Series E 6.21												
E Series E 8.26												
E Series E 8.27												
E Series ES 6.18												
E Series ES 6.18 (Euro1)		9/93 - 4/96	MBLK1155	8	RW/29/1	19553	4	196	200	48	8 x 15	410
E Series ES 6.21 (Euro2)					RW32/1	19717	2	196	200	24	8 x 15	410
					RW33/1	19716	2	196	200	24	8 x 15	410
		5/96 →	MBLK1155	8	RW/29/1	19553	4	196	200	48	8 x 15	410
					RW32/1	19717	2	196	200	24	8 x 15	410
		9/93 - 4/96	MBLK1155	8	RW/29/1	19553	4	196	200	48	8 x 15	410
					RW32/1	19717	2	196	200	24	8 x 15	410
		5/96 →	MBLK1155	8	RW/29/1	19553	4	196	200	48	8 x 15	410
					RW32/1	19717	2	196	200	24	8 x 15	410
E Series ES 8.21 (6 x 4 Rigid)		1/91 - 9/93	MBLK1190	8	VL/88/2	19071	8	178	200	112	L10	410
		1/91 - 9/93	MBLK1190	8	VL/88/2	19071	8	178	200	112	L10	410



QTY



= X



BFMC

WVA

A















B

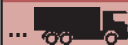
























x#

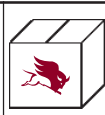
TYP

... ERF

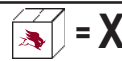
... 

E Series ES 8.24 (Euro1)		5/96 →	MBLK1155	8	RW/29/1	19553	4	196	200	48	8 x 15	410		
						RW32/1	19717	2	196	200	24	8 x 15	410	
						RW33/1	19716	2	196	200	24	8 x 15	410	
		9/93 →	MBLK1190	8	VL/88/2	19071	8	178	200	112	L10	410		
		9/93 - 4/96		MBLK1155	8	RW/29/1	19553	4	196	200	48	8 x 15	410	
								RW32/1	19717	2	196	200	24	8 x 15
						RW33/1	19716	2	196	200	24	8 x 15	410	
	E Series ES 8.27 (6 x 4 Rigid)		5/96 →	MBLK1155	8	RW/29/1	19553	4	196	200	48	8 x 15	410	
							RW32/1	19717	2	196	200	24	8 x 15	410
							RW33/1	19716	2	196	200	24	8 x 15	410
			9/93 →	MBLK1190	8	VL/88/2	19071	8	178	200	112	L10	410	
			9/93 - 4/96		MBLK1155	8	RW/29/1	19553	4	196	200	48	8 x 15	410
								RW32/1	19717	2	196	200	24	8 x 15
						RW33/1	19716	2	196	200	24	8 x 15	410	
E Series ES 8.27 (Euro2)			5/96 →	MBLK1155	8	RW/29/1	19553	4	196	200	48	8 x 15	410	
							RW32/1	19717	2	196	200	24	8 x 15	410
							RW33/1	19716	2	196	200	24	8 x 15	410
			9/93 →	MBLK1190	8	VL/88/2	19071	8	178	200	112	L10	410	
			9/93 - 4/96		MBLK1155	8	RW/29/1	19553	4	196	200	48	8 x 15	410
								RW32/1	19717	2	196	200	24	8 x 15
						RW33/1	19716	2	196	200	24	8 x 15	410	
	EC 11 Series EC 11.305 EC 11 Series EC 11.340 EC 11 Series EC 11.380		1/95 →	MBLK1190	8	VL/88/2	19071	8	178	200	112	L10	410	
			1/95 - 4/96		MBLK1155	8	RW/29/1	19553	4	196	200	48	8 x 15	410
									RW32/1	19717	2	196	200	24
			5/96 →	MBLK1155	8	RW/29/1	19553	4	196	200	48	8 x 15	410	
							RW32/1	19717	2	196	200	24	8 x 15	410
						RW33/1	19716	2	196	200	24	8 x 15	410	
EC Series EC 10.30			1/95 →	MBLK1190	8	VL/88/2	19071	8	178	200	112	L10	410	
			1/95 - 4/96		MBLK1155	8	RW/29/1	19553	4	196	200	48	8 x 15	410
									RW32/1	19717	2	196	200	24
			5/96 →	MBLK1155	8	RW/29/1	19553	4	196	200	48	8 x 15	410	
							RW32/1	19717	2	196	200	24	8 x 15	410
							RW33/1	19716	2	196	200	24	8 x 15	410
	EC Series EC 10.30		9/93 →	MBLK1190	8	VL/88/2	19071	8	178	200	112	L10	410	
			9/93 - 4/96		MBLK1155	8	RW/29/1	19553	4	196	200	48	8 x 15	410
									RW32/1	19717	2	196	200	24
			5/96 →	MBLK1155	8	RW/29/1	19553	4	196	200	48	8 x 15	410	
							RW32/1	19717	2	196	200	24	8 x 15	410
							RW33/1	19716	2	196	200	24	8 x 15	410
EC Series EC 10.30			9/93 →	MBLK1190	8	VL/88/2	19071	8	178	200	112	L10	410	
			9/93 - 4/96		MBLK1155	8	RW/29/1	19553	4	196	200	48	8 x 15	410
									RW32/1	19717	2	196	200	24
			5/96 →	MBLK1155	8	RW/29/1	19553	4	196	200	48	8 x 15	410	
							RW32/1	19717	2	196	200	24	8 x 15	410
							RW33/1	19716	2	196	200	24	8 x 15	410

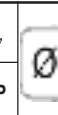
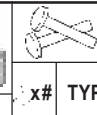
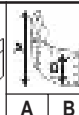
... ERF											
... 											
				QTY	BFMC	WVA	A	B	x#	TYP	
EC Series EC 10.32		9/93 →	MBLK1190	8	VL/88/2	19071	8	178	200	112	L10 410
EC Series EC 10.35		9/93 - 4/96	MBLK1155	8	RW/29/1	19553	4	196	200	48	8 x 15 410
EC Series EC 12.33					RW32/1	19717	2	196	200	24	8 x 15 410
EC Series EC 12.37					RW33/1	19716	2	196	200	24	8 x 15 410
EC Series EC 12.40		5/96 →	MBLK1155	8	RW/29/1	19553	4	196	200	48	8 x 15 410
EC Series EC 14.34					RW32/1	19717	2	196	200	24	8 x 15 410
EC Series EC 14.38					RW33/1	19716	2	196	200	24	8 x 15 410
EC Series EC 14.41		9/93 →	MBLK1190	8	VL/88/2	19071	8	178	200	112	L10 410
EC Series EC 14.50		9/93 - 4/96	MBLK1155	8	RW/29/1	19553	4	196	200	48	8 x 15 410
EC Series EC 14.52					RW32/1	19717	2	196	200	24	8 x 15 410
					RW33/1	19716	2	196	200	24	8 x 15 410
		5/96 →	MBLK1155	8	RW/29/1	19553	4	196	200	48	8 x 15 410
					RW32/1	19717	2	196	200	24	8 x 15 410
					RW33/1	19716	2	196	200	24	8 x 15 410
EC Series EC 6.18		1/95 - 4/96	MBLK1155	8	RW/29/1	19553	4	196	200	48	8 x 15 410
					RW32/1	19717	2	196	200	24	8 x 15 410
					RW33/1	19716	2	196	200	24	8 x 15 410
		5/96 →	MBLK1155	8	RW/29/1	19553	4	196	200	48	8 x 15 410
					RW32/1	19717	2	196	200	24	8 x 15 410
					RW33/1	19716	2	196	200	24	8 x 15 410
		1/95 - 4/96	MBLK1155	8	RW/29/1	19553	4	196	200	48	8 x 15 410
					RW32/1	19717	2	196	200	24	8 x 15 410
					RW33/1	19716	2	196	200	24	8 x 15 410
		5/96 →	MBLK1155	8	RW/29/1	19553	4	196	200	48	8 x 15 410
					RW32/1	19717	2	196	200	24	8 x 15 410
					RW33/1	19716	2	196	200	24	8 x 15 410
EC Series EC 6.21		9/93 →	MBLK1190	8	VL/88/2	19071	8	178	200	112	L10 410
EC Series EC 8.24		9/93 - 4/96	MBLK1155	8	RW/29/1	19553	4	196	200	48	8 x 15 410
EC Series EC 8.27					RW32/1	19717	2	196	200	24	8 x 15 410
					RW33/1	19716	2	196	200	24	8 x 15 410
		5/96 →	MBLK1155	8	RW/29/1	19553	4	196	200	48	8 x 15 410
					RW32/1	19717	2	196	200	24	8 x 15 410
					RW33/1	19716	2	196	200	24	8 x 15 410
		9/93 →	MBLK1190	8	VL/88/2	19071	8	178	200	112	L10 410
		9/93 - 4/96	MBLK1155	8	RW/29/1	19553	4	196	200	48	8 x 15 410
					RW32/1	19717	2	196	200	24	8 x 15 410
					RW33/1	19716	2	196	200	24	8 x 15 410
		5/96 →	MBLK1155	8	RW/29/1	19553	4	196	200	48	8 x 15 410
					RW32/1	19717	2	196	200	24	8 x 15 410
					RW33/1	19716	2	196	200	24	8 x 15 410
EC Series ES 6.18		1/95 →	MBLK1190	8	VL/88/2	19071	8	178	200	112	L10 410
		1/95 →	MBLK1190	8	VL/88/2	19071	8	178	200	112	L10 410
FODEN											
											
381 x 177mm			MBLK1050	8	CW/4/2	19384	8	189	177	96	L9 381
419 x 203 mm			MBLK1120		RW/1/3	19366	4	189	203	64	L9 419
					RW/2/5	19365	4	194	203	64	L9 419
FORD											
											
Cargo (With ROR Stopmaster) 1624		1/82 →	MBLK1070	8	CW/11/1	19887	8	195	178	128	L8 394
Cargo (With ROR Stopmaster) 4x2 Rigid 13.300 kgs GVW		1/82 →	MBLK1060	8	CW/10/1	19905	8	195	152	64	L8 394
Cargo (With ROR Stopmaster) 4x2 Rigid 16.250 kgs GVW											
Cargo (With ROR Stopmaster) 4x2 Tipper 13.300 kgs GVW											
Cargo (With ROR Stopmaster) 4x2 Tipper 16.250 kgs GVW											
Cargo (With ROR Stopmaster) 6x2 Rigid 24.500 kgs GVW											
Cargo (With ROR Stopmaster) 6x2 Tipper 24.500 kgs GVW											
Cargo (With ROR Stopmaster) 6x4 Rigid 24.500 kgs GVW											
Cargo (With ROR Stopmaster) 6x4 Tipper 24.500 kgs GVW											



QTY



= X



BFMC

WVA

A

B

x#

TYP

... FORD




Cargo 1411, 1413, 1415, 1417 C		1/87 →	MBLK1090	4	GG/92/1	19111	4	360	177	72	L9	394
Cargo 1417 P		1/87 - 12/88	MBLK1090	4	GG/92/1	19111	4	360	177	72	L9	394
Cargo 1418 C, 1513, 1515			MBLK1090	4	GG/92/1	19111	4	360	177	72	L9	394
Cargo 1424 C		1/87 →	MBLK1070	8	CW/11/1	19887	8	195	178	128	L8	394
		1/87 →	MBLK1070	8	CW/11/1	19887	8	195	178	128	L8	394
Cargo 1512, 1514, 1517 C, 1517 P		1/81 - 12/86	MBLK1090	4	GG/92/1	19111	4	360	177	72	L9	394
Cargo 1517 C, 1517 P		1/87 →	MBLK1090	4	GG/92/1	19111	4	360	177	72	L9	394
Cargo 1614		1/87 - 12/87	MBLK1090	4	GG/92/1	19111	4	360	177	72	L9	394
Cargo 1614, 1617 C, 1617 P		1/81 - 12/86	MBLK1090	4	GG/92/1	19111	4	360	177	72	L9	394
Cargo 1615												
Cargo 1617 C, 1617 P		1/81 - 12/86	MBLK1090	4	GG/92/1	19111	4	360	177	72	L9	394
Cargo 1617 C, P		1/87 - 12/87	MBLK1090	4	GG/92/1	19111	4	360	177	72	L9	394
Cargo 1620		1/83 - 12/86	MBLK1090	4	GG/92/1	19111	4	360	177	72	L9	394
Cargo 1620, 1624		1/87 →	MBLK1070	8	CW/11/1	19887	8	195	178	128	L8	394
		1/87 →	MBLK1060	8	CW/10/1	19905	8	195	152	64	L8	394
Cargo 1713, 1714, 1717		1/87 →	MBLK1070	8	CW/11/1	19887	8	195	178	128	L8	394
Cargo 1713, 1715		1/88 →	MBLK1070	8	CW/11/1	19887	8	195	178	128	L8	394
Cargo 1718, 1721		1/88 →	MBLK1060	8	CW/10/1	19905	8	195	152	64	L8	394
Cargo 1720, 1724, 1728		1/87 →	MBLK1070	8	CW/11/1	19887	8	195	178	128	L8	394
Cargo 1724 C, 1728 C		1/88 →	MBLK1070	8	CW/11/1	19887	8	195	178	128	L8	394
		1/88 →	MBLK1060	8	CW/10/1	19905	8	195	152	64	L8	394
Cargo 2118 C		1/89 →	MBLK1070	8	CW/11/1	19887	8	195	178	128	L8	394
		1/89 →	MBLK1070	8	CW/11/1	19887	8	195	178	128	L8	394
Cargo 2147 C, 2417 P		1/81 - 12/86	MBLK1090	4	GG/92/1	19111	4	360	177	72	L9	394
Cargo 2417		1/87 →	MBLK1070	8	CW/11/1	19887	8	195	178	128	L8	394
		1/87 →	MBLK1060	8	CW/10/1	19905	8	195	152	64	L8	394
Cargo 2417 C		1/87 - 12/88	MBLK1090	4	GG/92/1	19111	4	360	177	72	L9	394
Cargo 2417 P		1/87 →	MBLK1090	4	GG/92/1	19111	4	360	177	72	L9	394
Cargo 2424		1/87 →	MBLK1070	8	CW/11/1	19887	8	195	178	128	L8	394
		1/87 →	MBLK1060	8	CW/10/1	19905	8	195	152	64	L8	394
Cargo 2428 C		1/89 →	MBLK1070	8	CW/11/1	19887	8	195	178	128	L8	394
		1/89 →	MBLK1070	8	CW/11/1	19887	8	195	178	128	L8	394
Cargo 2517 C		1/87 →	MBLK1070	8	CW/11/1	19887	8	195	178	128	L8	394
		1/87 →	MBLK1070	8	CW/11/1	19887	8	195	178	128	L8	394
Cargo 2517 P, 2817 P		1/87 - 12/89	MBLK1070	8	CW/11/1	19887	8	195	178	128	L8	394
		1/87 - 12/89	MBLK1070	8	CW/11/1	19887	8	195	178	128	L8	394
Cargo 2521 C, 2817 C		1/87 →	MBLK1070	8	CW/11/1	19887	8	195	178	128	L8	394
Cargo 2820 D, P		1/87 →	MBLK1070	8	CW/11/1	19887	8	195	178	128	L8	394
Cargo 2824		1/87 - 12/89	MBLK1070	8	CW/11/1	19887	8	195	178	128	L8	394
		1/87 - 12/89	MBLK1070	8	CW/11/1	19887	8	195	178	128	L8	394
Cargo 2921 C		1/89 →	MBLK1070	8	CW/11/1	19887	8	195	178	128	L8	394
		1/89 →	MBLK1070	8	CW/11/1	19887	8	195	178	128	L8	394
Cargo 3224		1/84 →	MBLK1070	8	CW/11/1	19887	8	195	178	128	L8	394
		1/84 →	MBLK1070	8	CW/11/1	19887	8	195	178	128	L8	394
Cargo 3224 C		1/87 →	MBLK1070	8	CW/11/1	19887	8	195	178	128	L8	394
Cargo 3424		1/87 →	MBLK1070	8	CW/11/1	19887	8	195	178	128	L8	394
Cargo 4x2 Rigid 15.000 kgs GVW		1/82 →	MBLK1070	8	CW/11/1	19887	8	195	178	128	L8	394
Cargo 4x2 Rigid 17.500 kgs GVW		1/82 →	MBLK1070	8	CW/11/1	19887	8	195	178	128	L8	394
Cargo 4x2 Tipper 15.000 & 17.500 kgs GVW												
Cargo 4x2 Tractor 15.000 & 16.250 kgs GVW												

FRUEHAUF



311 x 190mm MER-Axle			BLKAR	8	RW/9/2	19604	4	126	190	40	L10	311
					RW/13/2	19605	4	158	190	40	L10	311
391 x 177.8mm			MBLK1050	8	CW/4/2	19384	8	189	177	96	L9	381



... FRUEHAUF

												
419 x 178mm			BLKQR	8	IL/66/3	19036	4	189	178	48	L10	419
				8	IL/67/3	19037	4	194	178	48	L10	419
419 x 178mm MM Axle SMB C 2			MBLK2490	8	FT/11/1	19614	4	194	178	64	5x15	419
					FT/12/1	19613	4	189	178	64	5x15	419
419 x 203 mm			MBLK1115	8	RW/1/3	19366	4	194	203	48	L10	419
				8	RW/2/3	19367	4	189	203	48	L10	419
419 x 203 mm Axle SMB C1			MBLK2500	8	FT/6/1	19606	4	189	203	64	5x15	419
					FT/7/1	19557	4	194	203	64	5x15	419

GORICA

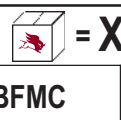
												
360 x 200mm Jumbo			MBLK2440	8	BC/100/1	19902	4	159	200	32	8x15	360
					BC/101/1	19903	4	190	200	40	8x15	360

IVECO

												
Coach Magirus Coach M 2000 (R 119 II)		4/80 →	MBLK1050	8	CW/4/2	19384	8	189	177	96	L9	381
		4/80 →	MBLK1050	8	CW/4/2	19384	8	189	177	96	L9	381
Coach Magirus Coach M 2000 (R 119 I)		1/78 →	MBLK1050	8	CW/4/2	19384	8	189	177	96	L9	381
		1/78 →	MBLK1050	8	CW/4/2	19384	8	189	177	96	L9	381
												
Eurocargo 110E, 120E, 130E		1/91 →	MBLK2240	4	PB/22/1	19503	4	314	170	72	8x15	360
		1/91 →	MBLK2240	4	PB/22/1	19503	4	314	170	72	8x15	360
Eurocargo 150E, 170E, 320E		7/98 →	MBLK2240	4	PB/22/1	19503	4	314	170	72	8x15	360
		7/98 →	MBLK2240	4	PB/22/1	19503	4	314	170	72	8x15	360
Eurocargo 150E, 210E, 250E, 280E, 320E		1/91 →	MBLK2240	4	PB/22/1	19503	4	314	170	72	8x15	360
		1/91 →	MBLK2240	4	PB/22/1	19503	4	314	170	72	8x15	360
Eurocargo 170E, 180E		1/94 →	MBLK1050	8	CW/4/2	19384	8	189	177	96	L9	381
		1/94 →	MBLK1050	8	CW/4/2	19384	8	189	177	96	L9	381
Eurocargo 175E, 176E, 179E		1/91 - 6/98	MBLK1050	8	CW/4/2	19384	8	189	177	96	L9	381
		7/98 →	MBLK1050	8	CW/4/2	19384	8	189	177	96	L9	381
		1/91 - 6/98	MBLK1050	8	CW/4/2	19384	8	189	177	96	L9	381
		7/98 →	MBLK1050	8	CW/4/2	19384	8	189	177	96	L9	381
Eurocargo 325E, 390E		1/91 →	MBLK1050	8	CW/4/2	19384	8	189	177	96	L9	381
		1/91 →	MBLK1050	8	CW/4/2	19384	8	189	177	96	L9	381
Eurostar LD190E, LD240E, LD260E, LD400E, LD440E, LD440R		1/93 - 4/96	MBLK1155	8	RW/29/1	19553	4	196	200	48	8 x 15	410
					RW32/1	19717	2	196	200	24	8 x 15	410
					RW33/1	19716	2	196	200	24	8 x 15	410
Eurostar LD190E, LD260E, LD440E, LD440R		5/96 - 8/98	MBLK1155	8	RW/29/1	19553	4	196	200	48	8 x 15	410
					RW32/1	19717	2	196	200	24	8 x 15	410
					RW33/1	19716	2	196	200	24	8 x 15	410
Eurotech MP 180E, 180E52, MP 190E, 190E52 (- chassis 4206700)		5/96 - 8/98	MBLK1155	8	RW/29/1	19553	4	196	200	48	8 x 15	410
					RW32/1	19717	2	196	200	24	8 x 15	410
					RW33/1	19716	2	196	200	24	8 x 15	410
Eurotech MP240E, 240E52, MP260, 260E53		5/96 - 8/98	MBLK1155	8	RW/29/1	19553	4	196	200	48	8 x 15	410
					RW32/1	19717	2	196	200	24	8 x 15	410
					RW33/1	19716	2	196	200	24	8 x 15	410
Eurotech MP240E, 240E52, MP260, 260E53 (Rear Axle)		5/96 - 8/98	MBLK1155	8	RW/29/1	19553	4	196	200	48	8 x 15	410
					RW32/1	19717	2	196	200	24	8 x 15	410
					RW33/1	19716	2	196	200	24	8 x 15	410
Eurotech MP400E34, MP400E38, MP400E42, 400E52, MP440E34, MP440E38, MP440E42		5/96 - 8/98	MBLK1155	8	RW/29/1	19553	4	196	200	48	8 x 15	410
					RW32/1	19717	2	196	200	24	8 x 15	410
					RW33/1	19716	2	196	200	24	8 x 15	410
Eurotech MT 180E, MT 190E		1/92 →	MBLK1050	8	CW/4/2	19384	8	189	177	96	L9	381
Eurotech MT325E27, MT400E30, MT400E34		1/92 - 8/98	MBLK1050	8	CW/4/2	19384	8	189	177	96	L9	381

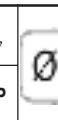
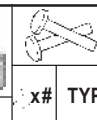
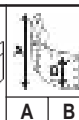


QTY



BFMC

WVA







































... IVECO



EuroTrakker MP190E, MP260E, MP340E, MP380E, MP400E, MP410E, MP440E, MP720E

		5/96 →	MBLK1155	8	RW/29/1 RW32/1 RW33/1	19553 19717 19716	4 2 2	196 200 200	200 24 24	48 8 x 15 8 x 15	410 410 410
		5/96 →	MBLK1155	8	RW/29/1 RW32/1 RW33/1	19553 19717 19716	4 2 2	196 200 200	200 24 24	48 8 x 15 8 x 15	410 410 410
M- Series 130 NR, NT		1/73 →	MBLK1080	4	GG/83/1	19072	4	363	152	48	L9 394
M- Series 130 NT/14 & NT/20		1/78 →	MBLK1050	8	CW/4/2	19384	8	189	177	96	L9 381
		1/78 →	MBLK1050	8	CW/4/2	19384	8	189	177	96	L9 381
M- Series 135.14 (4x2)		1/84 →	MBLK1050	8	CW/4/2	19384	8	189	177	96	L9 381
		1/84 →	MBLK1050	8	CW/4/2	19384	8	189	177	96	L9 381
M- Series 150.16 AN Turbo, ANW Turbo		1/87 →	MBLK1050	8	CW/4/2	19384	8	189	177	96	L9 381
		1/87 →	MBLK1050	8	CW/4/2	19384	8	189	177	96	L9 381
M- Series 159.17 (4x2)		1/84 - 12/90	MBLK1050	8	CW/4/2	19384	8	189	177	96	L9 381
		1/84 - 12/90	MBLK1050	8	CW/4/2	19384	8	189	177	96	L9 381
M- Series 159.20		1/80 - 12/90	MBLK1050	8	CW/4/2	19384	8	189	177	96	L9 381
M- Series 159.20 R, 159.20 T		1/80 - 12/90	MBLK1050	8	CW/4/2	19384	8	189	177	96	L9 381
M- Series 165.24											
M- Series 175.17 (4x2)		1/87 - 12/92	MBLK1050	8	CW/4/2	19384	8	189	177	96	L9 381
M- Series 175.24 (4x2)		1/87 - 12/92	MBLK1050	8	CW/4/2	19384	8	189	177	96	L9 381
T / P / PA- Series		1/79 - 12/91	MBLK1050	8	CW/4/2	19384	8	189	177	96	L9 381
		1/79 - 12/91	MBLK1050	8	CW/4/2	19384	8	189	177	96	L9 381
T / P / PA- Series 170 F 26, T26, F 35 T		1/81 - 12/91	MBLK1050	8	CW/4/2	19384	8	189	177	96	L9 381
T / P / PA- Series 170 F 30 Turbo		1/81 - 12/91	MBLK1050	8	CW/4/2	19384	8	189	177	96	L9 381
T / P / PA- Series 190 F 26, FT 26, F 35, F 35 T		→ 12/91	MBLK1050	8	CW/4/2	19384	8	189	177	96	L9 381
		→ 12/91	MBLK1050	8	CW/4/2	19384	8	189	177	96	L9 381
T / P / PA- Series 190 PAC 20 & 26		1/78 - 12/92	MBLK1050	8	CW/4/2	19384	8	189	177	96	L9 381
		1/78 - 12/92	MBLK1050	8	CW/4/2	19384	8	189	177	96	L9 381
T / P / PA- Series 190 PAT 26		→ 12/91	MBLK1050	8	CW/4/2	19384	8	189	177	96	L9 381
T / P / PA- Series 190 PC 26 (4x2), PT 26 (4x2)		→ 12/91	MBLK1050	8	CW/4/2	19384	8	189	177	96	L9 381
T / P / PA- Series 190 PC 26 (4x4)											
T / P / PA- Series 190 PC 35, PT 35 (4x2)											
T / P / PA- Series 190.25 (4x2)		1/87 - 12/91	MBLK1050	8	CW/4/2	19384	8	189	177	96	L9 381
		1/87 - 12/91	MBLK1050	8	CW/4/2	19384	8	189	177	96	L9 381
T / P / PA- Series 190.29 Turbo (4x2)		1/82 - 12/91	MBLK1050	8	CW/4/2	19384	8	189	177	96	L9 381
T / P / PA- Series 190.30 Turbo (6x2, 6x4)		1/82 - 12/91	MBLK1050	8	CW/4/2	19384	8	189	177	96	L9 381
T / P / PA- Series 190.30 Turbo, T Turbo											
T / P / PA- Series 190.32 (4x2)		1/89 - 12/92	MBLK1050	8	CW/4/2	19384	8	189	177	96	L9 381
		1/89 - 12/92	MBLK1050	8	CW/4/2	19384	8	189	177	96	L9 381
T / P / PA- Series 190.33 T Turbo Star		1/84 - 12/92	MBLK1050	8	CW/4/2	19384	8	189	177	96	L9 381
		1/84 - 12/92	MBLK1050	8	CW/4/2	19384	8	189	177	96	L9 381
T / P / PA- Series 190.36 TurboStar		1/87 - 12/92	MBLK1050	8	CW/4/2	19384	8	189	177	96	L9 381
		1/87 - 12/92	MBLK1050	8	CW/4/2	19384	8	189	177	96	L9 381
T / P / PA- Series 190.38 Turbo, T Turbo		1/92 - 12/91	MBLK1050	8	CW/4/2	19384	8	189	177	96	L9 381
		1/92 - 12/91	MBLK1050	8	CW/4/2	19384	8	189	177	96	L9 381
T / P / PA- Series 190.42 T Turbostar		1/84 - 12/92	MBLK1050	8	CW/4/2	19384	8	189	177	96	L9 381
		1/84 - 12/92	MBLK1050	8	CW/4/2	19384	8	189	177	96	L9 381
T / P / PA- Series 190.44 T, Turbostar		1/86 - 12/92	MBLK1050	8	CW/4/2	19384	8	189	177	96	L9 381
		1/86 - 12/92	MBLK1050	8	CW/4/2	19384	8	189	177	96	L9 381
T / P / PA- Series 190.48 TurboStar		1/89 - 12/92	MBLK1050	8	CW/4/2	19384	8	189	177	96	L9 381
		1/89 - 12/92	MBLK1050	8	CW/4/2	19384	8	189	177	96	L9 381
T / P / PA- Series 220 F 35 T (6x2, 6x4)		1/79 - 12/91	MBLK1050	8	CW/4/2	19384	8	189	177	96	L9 381
		1/79 - 12/91	MBLK1050	8	CW/4/2	19384	8	189	177	96	L9 381
T / P / PA- Series 220.30 Turbo (6x2, 6x4)		1/82 - 12/91	MBLK1050	8	CW/4/2	19384	8	189	177	96	L9 381
		1/82 - 12/91	MBLK1050	8	CW/4/2	19384	8	189	177	96	L9 381
T / P / PA- Series 220.32 (6x2)		1/89 - 12/92	MBLK1050	8	CW/4/2	19384	8	189	177	96	L9 381
		1/89 - 12/92	MBLK1050	8	CW/4/2	19384	8	189	177	96	L9 381





... IVECO

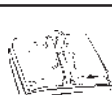
Model	Icon	Date	Code	QTY	Part	Year	A	B	x#	TYP		
T / P / PA- Series 220.36 (6x2)		1/87 - 12/92	MBLK1050	8	CW/4/2	19384	8	189	177	96	L9	381
		1/87 - 12/92	MBLK1050	8	CW/4/2	19384	8	189	177	96	L9	381
T / P / PA- Series 220.38 P (6x2)		1/82 - 12/91	MBLK1050	8	CW/4/2	19384	8	189	177	96	L9	381
		1/82 - 12/91	MBLK1050	8	CW/4/2	19384	8	189	177	96	L9	381
T / P / PA- Series 220.38 T Turbo		1/86 - 12/91	MBLK1050	8	CW/4/2	19384	8	189	177	96	L9	381
		1/86 - 12/91	MBLK1050	8	CW/4/2	19384	8	189	177	96	L9	381
T / P / PA- Series 240 F 26		1/78 - 12/91	MBLK1050	8	CW/4/2	19384	8	189	177	96	L9	381
T / P / PA- Series 240 F 35		1/78 - 12/91	MBLK1050	8	CW/4/2	19384	8	189	177	96	L9	381
T / P / PA- Series 240.30/38 Turbo		→ 12/91	MBLK1050	8	CW/4/2	19384	8	189	177	96	L9	381
		→ 12/91	MBLK1050	8	CW/4/2	19384	8	189	177	96	L9	381
T / P / PA- Series 240.38 P (6x2)		1/82 - 12/92	MBLK1050	8	CW/4/2	19384	8	189	177	96	L9	381
		1/82 - 12/92	MBLK1050	8	CW/4/2	19384	8	189	177	96	L9	381
T / P / PA- Series 260 F 26		1/78 - 12/91	MBLK1050	8	CW/4/2	19384	8	189	177	96	L9	381
T / P / PA- Series 260 F 35		1/78 - 12/91	MBLK1050	8	CW/4/2	19384	8	189	177	96	L9	381
T / P / PA- Series 260 PAC 26												
T / P / PA- Series 260 PC 26 (6x6)		→ 12/91	MBLK1050	8	CW/4/2	19384	8	189	177	96	L9	381
T / P / PA- Series 260 PC 26, PT 26 (6x4)		→ 12/91	MBLK1050	8	CW/4/2	19384	8	189	177	96	L9	381
T / P / PA- Series 260 PC 35 (6x6)												
T / P / PA- Series 260 PC 35, PT 35 (6x4)		1/79 - 12/91	MBLK1050	8	CW/4/2	19384	8	189	177	96	L9	381
		1/79 - 12/91	MBLK1050	8	CW/4/2	19384	8	189	177	96	L9	381
T / P / PA- Series 260.25 AN (6x4)		→ 12/91	MBLK1050	8	CW/4/2	19384	8	189	177	96	L9	381
		→ 12/91	MBLK1050	8	CW/4/2	19384	8	189	177	96	L9	381
T / P / PA- Series 260.48		1/87 - 12/92	MBLK1050	8	CW/4/2	19384	8	189	177	96	L9	381
		1/87 - 12/92	MBLK1050	8	CW/4/2	19384	8	189	177	96	L9	381
T / P / PA- Series 300.23 (8x4)		1/84 →	MBLK1050	8	CW/4/2	19384	8	189	177	96	L9	381
		1/84 →	MBLK1050	8	CW/4/2	19384	8	189	177	96	L9	381
T / P / PA- Series 300.25 (8x4)		1/86 →	MBLK1050	8	CW/4/2	19384	8	189	177	96	L9	381
		1/86 →	MBLK1050	8	CW/4/2	19384	8	189	177	96	L9	381
T / P / PA- Series 300.30 (8x4)		1/87 →	MBLK1050	8	CW/4/2	19384	8	189	177	96	L9	381
		1/87 →	MBLK1050	8	CW/4/2	19384	8	189	177	96	L9	381
T / P / PA- Series 300.32 (8x4)		1/89 →	MBLK1050	8	CW/4/2	19384	8	189	177	96	L9	381
T / P / PA- Series 300.34 (8x4)		1/89 →	MBLK1050	8	CW/4/2	19384	8	189	177	96	L9	381
T / P / PA- Series 330 F 26		→ 12/91	MBLK1050	8	CW/4/2	19384	8	189	177	96	L9	381
		→ 12/91	MBLK1050	8	CW/4/2	19384	8	189	177	96	L9	381
T / P / PA- Series 330 F P, PT (6x4)		1/79 - 12/91	MBLK1050	8	CW/4/2	19384	8	189	177	96	L9	381
		1/79 - 12/91	MBLK1050	8	CW/4/2	19384	8	189	177	96	L9	381
T / P / PA- Series 330 PC 26, 35 (6x4)		→ 12/91	MBLK1050	8	CW/4/2	19384	8	189	177	96	L9	381
T / P / PA- Series 330 PT 35 (6x4), PC 35 (6x6)		→ 12/91	MBLK1050	8	CW/4/2	19384	8	189	177	96	L9	381

LEYLAND DAF

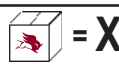
Roadrunner 6.10-8.15		1/86 - 12/91	MBLK2220	4	MP/37/1	15817	2	301	97	24	8x20	325
					MP/38/1	15823	2	251	97	20	8x20	325

MAN

14 to-series 14.220		4/78 - 12/90	MBLK2200	8	MP/32/2	19495	8	178	183	64	8x18	410
14 to-series 14.240		4/78 - 12/90	MBLK2210	8	MP/36/2	19496	8	178	223	64	8x18	410
17 to-series 17.220		6/81 - 12/90	MBLK2200	8	MP/32/2	19495	8	178	183	64	8x18	410
					MP/36/2	19496	8	178	223	64	8x18	410
19 to series 19.240		1/79 - 12/90	MBLK2210	8	MP/36/2	19496	8	178	223	64	8x18	410
19 to series 19.281												
19 to series 19.291												
19 to series 19.321												
19 to series 19.331												
19 to series 19.361												



QTY



= X

BFMC

WVA



A














































B

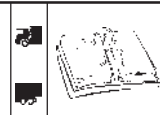
x#

TYP

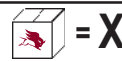


... MAN												
20/22 to-series 20.240		5/78 - 12/90	MBLK2200	8	MP/32/2	19495	8	178	183	64	8x18	410
20/22 to-series 20.280		5/78 - 12/90	MBLK2210	8	MP/36/2	19496	8	178	223	64	8x18	410
20/22 to-series 20.331												
24 to-series 23.361		2/80 - 12/90	MBLK2200	8	MP/32/2	19495	8	178	183	64	8x18	410
24 to-series 24.192		2/80 - 12/90	MBLK2210	8	MP/36/2	19496	8	178	223	64	8x18	410
24 to-series 24.240												
24 to-series 24.291		2/80 - 12/90	MBLK2200	8	MP/32/2	19495	8	178	183	64	8x18	410
24 to-series 24.331		2/80 - 12/90	MBLK2200	8	MP/32/2	19495	8	178	183	64	8x18	410
		2/80 - 12/90	MBLK2210	8	MP/36/2	19496	8	178	223	64	8x18	410
24 to-series 24291		2/80 - 12/90	MBLK2210	8	MP/36/2	19496	8	178	223	64	8x18	410
EL-Series EL202		1/96 - 6/97	MBLK2210	8	MP/36/2	19496	8	178	223	64	8x18	410
EL-Series EL222		1/93 - 6/97	MBLK2210	8	MP/36/2	19496	8	178	223	64	8x18	410
EL-Series EL262		4/94 - 6/97	MBLK2210	8	MP/36/2	19496	8	178	223	64	8x18	410
		7/98 →	MBLK2210	8	MP/36/2	19496	8	178	223	64	8x18	410
F 2000 series (19 to -) 19.233 FCNG		9/96 →	MBLK2210	8	MP/36/2	19496	8	178	223	64	8x18	410
F 2000 series (19 to -) 19.273 F, FL, FLL, FS, FLS		1/94 - 12/95	MBLK2210	8	MP/36/2	19496	8	178	223	64	8x18	410
F 2000 series (19 to -) 19.273 FA, FK, FAK		1/94 - 12/95	MBLK2200	8	MP/32/2	19495	8	178	183	64	8x18	410
		1/94 - 12/95	MBLK2210	8	MP/36/2	19496	8	178	223	64	8x18	410
F 2000 series (19 to -) 19.293 FC, FLC, FL, FS, FLS		1/94 →	MBLK2210	8	MP/36/2	19496	8	178	223	64	8x18	410
F 2000 series (19 to -) 19.293 FK, FLK, FAC, FAS, FAK		1/94 →	MBLK2200	8	MP/32/2	19495	8	178	183	64	8x18	410
		1/94 →	MBLK2210	8	MP/36/2	19496	8	178	223	64	8x18	410
F 2000 series (19 to -) 19.323 FAC, FAS, FK, FLK, FAK		1/94 - 12/95	MBLK2200	8	MP/32/2	19495	8	178	183	64	8x18	410
		1/94 - 12/95	MBLK2210	8	MP/36/2	19496	8	178	223	64	8x18	410
F 2000 series (19 to -) 19.323 FC, FLC, FL, FS, FLS		1/94 - 12/95	MBLK2210	8	MP/36/2	19496	8	178	223	64	8x18	410
F 2000 series (19 to -) 19.343 FAC, FAS, FK, FLK, FAK		1/94 →	MBLK2200	8	MP/32/2	19495	8	178	183	64	8x18	410
		1/94 →	MBLK2210	8	MP/36/2	19496	8	178	223	64	8x18	410
F 2000 series (19 to -) 19.343 FC, FLC, FL, FS, FLS		1/94 - 12/95	MBLK2210	8	MP/36/2	19496	8	178	223	64	8x18	410
F 2000 series (19 to -) 19.373 FAC, FAS, FK, FLK, FAK		1/94 - 12/95	MBLK2200	8	MP/32/2	19495	8	178	183	64	8x18	410
		1/94 - 12/95	MBLK2210	8	MP/36/2	19496	8	178	223	64	8x18	410
F 2000 series (19 to -) 19.373 FC, FLC, FL, FS, FLS		1/94 →	MBLK2210	8	MP/36/2	19496	8	178	223	64	8x18	410
F 2000 series (19 to -) 19.403 FAC, FAS, FK, FLK, FAK		1/94 →	MBLK2200	8	MP/32/2	19495	8	178	183	64	8x18	410
		1/94 →	MBLK2210	8	MP/36/2	19496	8	178	223	64	8x18	410
F 2000 series (19 to -) 19.403 FC, FLC, FL, FS, FLS		1/94 →	MBLK2210	8	MP/36/2	19496	8	178	223	64	8x18	410
F 2000 series (19 to -) 19.423 FAC, FAS, FK, FLK, FAK		1/94 - 12/95	MBLK2200	8	MP/32/2	19495	8	178	183	64	8x18	410
		1/94 - 12/95	MBLK2210	8	MP/36/2	19496	8	178	223	64	8x18	410
F 2000 series (19 to -) 19.423 FC, FLC, FL, FS, FLS		1/94 - 12/95	MBLK2210	8	MP/36/2	19496	8	178	223	64	8x18	410
F 2000 series (19 to -) 19.463 FAC, FAS, FK, FLK, FAK		1/94 →	MBLK2200	8	MP/32/2	19495	8	178	183	64	8x18	410
F 2000 series (19 to -) 19.463 FC, FLC, FL, FS, FLS		1/94 →	MBLK2210	8	MP/36/2	19496	8	178	223	64	8x18	410
F 2000 series (19 to -) 19.603 FLS		4/96 →	MBLK2210	8	MP/36/2	19496	8	178	223	64	8x18	410
F 2000 series (23 to -) 19.463 FAC, FAS, FK, FLK, FAK		1/94 →	MBLK2210	8	MP/36/2	19496	8	178	223	64	8x18	410
F 2000 series (23 to -) 23.293 FNLLC												
F 2000 series (23 to -) 23.343 FNLLC												
F 2000 series (23 to -) 23.403 FNLLC												
F 2000 series (23 to -) 23.463 FNLLC												
F 2000 series (24 to -) 24.273 FNLLC		1/94 - 12/95	MBLK2200	8	MP/32/2	19495	8	178	183	64	8x18	410
		1/94 - 12/95	MBLK2210	8	MP/36/2	19496	8	178	223	64	8x18	410
F 2000 series (24 to -) 24.293 FNLLC		1/94 →	MBLK2200	8	MP/32/2	19495	8	178	183	64	8x18	410
		1/94 →	MBLK2210	8	MP/36/2	19496	8	178	223	64	8x18	410
F 2000 series (24 to -) 24.323 FNLLC		1/94 - 12/95	MBLK2200	8	MP/32/2	19495	8	178	183	64	8x18	410
		1/94 - 12/95	MBLK2210	8	MP/36/2	19496	8	178	223	64	8x18	410
F 2000 series (24 to -) 24.343 FNLLC		1/94 →	MBLK2200	8	MP/32/2	19495	8	178	183	64	8x18	410
F 2000 series (24 to -) 24.403 FNLLS		1/94 →	MBLK2210	8	MP/36/2	19496	8	178	223	64	8x18	410
F 2000 series (24 to -) 24.423 FNLLC		1/94 - 12/95	MBLK2200	8	MP/32/2	19495	8	178	183	64	8x18	410
		1/94 - 12/95	MBLK2210	8	MP/36/2	19496	8	178	223	64	8x18	410
F 2000 series (24 to -) 24.463 FNLLC		1/94 →	MBLK2200	8	MP/32/2	19495	8	178	183	64	8x18	410
		1/94 →	MBLK2210	8	MP/36/2	19496	8	178	223	64	8x18	410

... MAN												
... 												
F 2000 series (26 to -) 26.233 FVLCNG		9/96 →	MBLK2210	8	MP/36/2	19496	8	178	223	64	8x18	410
F 2000 series (26 to -) 26.273 DFC, DFLC, DFS, DFLS		1/94 - 12/95	MBLK2200	8	MP/32/2	19495	8	178	183	64	8x18	410
F 2000 series (26 to -) 26.273 DFK, DFLK		1/94 - 12/95	MBLK2200	8	MP/32/2	19495	8	178	183	64	8x18	410
F 2000 series (26 to -) 26.273 FNLK, FNLLC		1/94 - 12/95	MBLK2210	8	MP/36/2	19496	8	178	223	64	8x18	410
F 2000 series (26 to -) 26.273 FNLS, FVLS		1/94 - 12/95	MBLK2210	8	MP/36/2	19496	8	178	223	64	8x18	410
F 2000 series (26 to -) 26.293 DFC, DFLC, DFS, DFLS		1/94 →	MBLK2200	8	MP/32/2	19495	8	178	183	64	8x18	410
F 2000 series (26 to -) 26.293 DFK, DFLK		1/94 →	MBLK2200	8	MP/32/2	19495	8	178	183	64	8x18	410
F 2000 series (26 to -) 26.293 FNLC, FNLLC		1/94 →	MBLK2210	8	MP/36/2	19496	8	178	223	64	8x18	410
F 2000 series (26 to -) 26.293 FNLS, FVLS		1/94 →	MBLK2210	8	MP/36/2	19496	8	178	223	64	8x18	410
F 2000 series (26 to -) 26.323 DFC, DFLC, DFS, DFLS		1/94 - 12/95	MBLK2200	8	MP/32/2	19495	8	178	183	64	8x18	410
F 2000 series (26 to -) 26.323 DFK, DFLK		1/94 - 12/95	MBLK2200	8	MP/32/2	19495	8	178	183	64	8x18	410
F 2000 series (26 to -) 26.323 FNLC, FNLLC		1/94 - 12/95	MBLK2210	8	MP/36/2	19496	8	178	223	64	8x18	410
F 2000 series (26 to -) 26.323 FNLS, FVLS		1/94 - 12/95	MBLK2210	8	MP/36/2	19496	8	178	223	64	8x18	410
F 2000 series (26 to -) 26.343 DFC, DFLC, DFS, DFLS		1/94 →	MBLK2200	8	MP/32/2	19495	8	178	183	64	8x18	410
F 2000 series (26 to -) 26.343 DFK, DFLK		1/94 →	MBLK2200	8	MP/32/2	19495	8	178	183	64	8x18	410
F 2000 series (26 to -) 26.343 FNLC, FNLLC		1/94 →	MBLK2210	8	MP/36/2	19496	8	178	223	64	8x18	410
F 2000 series (26 to -) 26.343 FNLC, FVLS		1/94 →	MBLK2210	8	MP/36/2	19496	8	178	223	64	8x18	410
F 2000 series (26 to -) 26.373 DFC, DFLS, DFS, DFLS		1/94 - 12/95	MBLK2200	8	MP/32/2	19495	8	178	183	64	8x18	410
F 2000 series (26 to -) 26.373 DFK, DFLK		1/94 - 12/95	MBLK2200	8	MP/32/2	19495	8	178	183	64	8x18	410
F 2000 series (26 to -) 26.373 FNLC, FNLLC		1/94 - 12/95	MBLK2210	8	MP/36/2	19496	8	178	223	64	8x18	410
F 2000 series (26 to -) 26.373 FNLC, FVLS		1/94 - 12/95	MBLK2210	8	MP/36/2	19496	8	178	223	64	8x18	410
F 2000 series (26 to -) 26.403 DFC, DFLS, DFS, DFLS		1/94 →	MBLK2200	8	MP/32/2	19495	8	178	183	64	8x18	410
F 2000 series (26 to -) 26.403 DFK, DFLK		1/94 →	MBLK2200	8	MP/32/2	19495	8	178	183	64	8x18	410
F 2000 series (26 to -) 26.403 FNLC, FNLLC		1/94 →	MBLK2210	8	MP/36/2	19496	8	178	223	64	8x18	410
F 2000 series (26 to -) 26.403 FNLC, FVLS		1/94 →	MBLK2210	8	MP/36/2	19496	8	178	223	64	8x18	410
F 2000 series (26 to -) 26.423 DFC, DFLS, DFS, DFLS		1/94 - 12/95	MBLK2200	8	MP/32/2	19495	8	178	183	64	8x18	410
F 2000 series (26 to -) 26.423 DFK, DFLK		1/94 - 12/95	MBLK2200	8	MP/32/2	19495	8	178	183	64	8x18	410
F 2000 series (26 to -) 26.423 FNLC, FNLLC		1/94 - 12/95	MBLK2210	8	MP/36/2	19496	8	178	223	64	8x18	410
F 2000 series (26 to -) 26.423 FNLC, FVLS		1/94 - 12/95	MBLK2210	8	MP/36/2	19496	8	178	223	64	8x18	410
F 2000 series (26 to -) 26.463 DFK, DFLK		1/94 →	MBLK2200	8	MP/32/2	19495	8	178	183	64	8x18	410
F 2000 series (26 to -) 26.463 FNLC, FNLLC		1/94 →	MBLK2210	8	MP/36/2	19496	8	178	223	64	8x18	410
F 2000 series (26 to -) 26.463 FNLC, FVLS		1/94 →	MBLK2210	8	MP/36/2	19496	8	178	223	64	8x18	410
F 2000 series (26 to -) 26.603 DFC, DFLS, DFS, DFLS		6/96 →	MBLK2200	8	MP/32/2	19495	8	178	183	64	8x18	410
F 2000 series (26 to -) 26.603 DFK, DFLK		6/96 →	MBLK2200	8	MP/32/2	19495	8	178	183	64	8x18	410
F 2000 series (26 to -) 46.463 DFC, DFLS, DFS, DFLS		1/94 →	MBLK2200	8	MP/32/2	19495	8	178	183	64	8x18	410
F 2000 series (27 to -) 27.273 DFAC, DFAS, DFAK		1/94 - 12/95	MBLK2200	8	MP/32/2	19495	8	178	183	64	8x18	410
F 2000 series (27 to -) 27.273 DFC, DFS		1/94 - 12/95	MBLK2200	8	MP/32/2	19495	8	178	183	64	8x18	410
F 2000 series (27 to -) 27.273 DFK		1/94 →	MBLK2200	8	MP/32/2	19495	8	178	183	64	8x18	410
F 2000 series (27 to -) 27.293 DFAC, DFAS, DFAK		1/94 →	MBLK2200	8	MP/32/2	19495	8	178	183	64	8x18	410
F 2000 series (27 to -) 27.293 DFC, DFS		1/94 →	MBLK2200	8	MP/32/2	19495	8	178	183	64	8x18	410
F 2000 series (27 to -) 27.323 DFC, DFS		1/94 - 12/95	MBLK2200	8	MP/32/2	19495	8	178	183	64	8x18	410
F 2000 series (27 to -) 27.323 DFK, DFAC, DFAS, DFAK		1/94 - 12/95	MBLK2200	8	MP/32/2	19495	8	178	183	64	8x18	410
F 2000 series (27 to -) 27.343 DFC, DFS		1/94 →	MBLK2200	8	MP/32/2	19495	8	178	183	64	8x18	410
F 2000 series (27 to -) 27.343 DFK, DFAC, DFAS, DFAK		1/94 →	MBLK2200	8	MP/32/2	19495	8	178	183	64	8x18	410
F 2000 series (27 to -) 27.373 DFC, DFS		1/94 - 12/95	MBLK2200	8	MP/32/2	19495	8	178	183	64	8x18	410



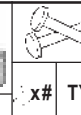
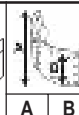
QTY



= X

BFMC

WVA



A

B














































x#

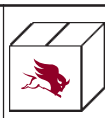
TYP

... MAN

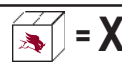


F 2000 series (27 to -) 27.373 DFK, DFAK		1/94 - 12/95	MBLK2200	8	MP/32/2	19495	8	178	183	64	8x18	410
		1/94 - 12/95	MBLK2200	8	MP/32/2	19495	8	178	183	64	8x18	410
F 2000 series (27 to -) 27.403 DFC, DFS		1/94 →	MBLK2200	8	MP/32/2	19495	8	178	183	64	8x18	410
F 2000 series (27 to -) 27.403 DFK, DFAC, DFAS, DFAK		1/94 →	MBLK2200	8	MP/32/2	19495	8	178	183	64	8x18	410
		1/94 →	MBLK2200	8	MP/32/2	19495	8	178	183	64	8x18	410
F 2000 series (27 to -) 27.423 DFC, DFS		1/94 - 12/95	MBLK2200	8	MP/32/2	19495	8	178	183	64	8x18	410
F 2000 series (27 to -) 27.423 DFK, DFAC, DFAS, DFAK		1/94 - 12/95	MBLK2200	8	MP/32/2	19495	8	178	183	64	8x18	410
		1/94 - 12/95	MBLK2200	8	MP/32/2	19495	8	178	183	64	8x18	410
F 2000 series (27 to -) 27.463 DFC, DFS		1/94 →	MBLK2200	8	MP/32/2	19495	8	178	183	64	8x18	410
F 2000 series (27 to -) 27.463 DFK, DFAC, DFAS, DFAK		1/94 →	MBLK2200	8	MP/32/2	19495	8	178	183	64	8x18	410
		1/94 →	MBLK2200	8	MP/32/2	19495	8	178	183	64	8x18	410
F 2000 series (27 to -) 27.603 DFC, DFS		1/96 →	MBLK2200	8	MP/32/2	19495	8	178	183	64	8x18	410
F 2000 series (32 to -) 32.293 VFC		8/95 →	MBLK2200	8	MP/32/2	19495	8	178	183	64	8x18	410
F 2000 series (32 to -) 32.343 VFC, VFK		8/95 →	MBLK2200	8	MP/32/2	19495	8	178	183	64	8x18	410
F 2000 series (32 to -) 32.403 VFC, VFK												
F 2000 series (32 to -) 32.463 VFC, VFK												
F 2000 series (33 to -) 33.323 DFAC, DFAS, DFAK		1/94 - 12/95	MBLK2200	8	MP/32/2	19495	8	178	183	64	8x18	410
		1/94 - 12/95	MBLK2200	8	MP/32/2	19495	8	178	183	64	8x18	410
F 2000 series (33 to -) 33.323 DFC, DFS, DFK		1/94 - 12/95	MBLK2200	8	MP/32/2	19495	8	178	183	64	8x18	410
F 2000 series (33 to -) 33.343 DFAC, DFAS, DFAK		1/94 →	MBLK2200	8	MP/32/2	19495	8	178	183	64	8x18	410
		1/94 →	MBLK2200	8	MP/32/2	19495	8	178	183	64	8x18	410
F 2000 series (33 to -) 33.343 DFC, DFS, DFK		1/94 →	MBLK2200	8	MP/32/2	19495	8	178	183	64	8x18	410
F 2000 series (33 to -) 33.373 DFAC, DFAS, DFAK		1/94 - 12/95	MBLK2200	8	MP/32/2	19495	8	178	183	64	8x18	410
		1/94 - 12/95	MBLK2200	8	MP/32/2	19495	8	178	183	64	8x18	410
F 2000 series (33 to -) 33.373 DFC, DFS, DFK		1/94 - 12/95	MBLK2200	8	MP/32/2	19495	8	178	183	64	8x18	410
F 2000 series (33 to -) 33.403 DFAC, DFAS, DFAK		1/94 →	MBLK2200	8	MP/32/2	19495	8	178	183	64	8x18	410
		1/94 →	MBLK2200	8	MP/32/2	19495	8	178	183	64	8x18	410
F 2000 series (33 to -) 33.403 DFC, DFS, DFK		1/94 →	MBLK2200	8	MP/32/2	19495	8	178	183	64	8x18	410
F 2000 series (33 to -) 33.423 DFAC, DFAS, DFAK		1/94 - 12/95	MBLK2200	8	MP/32/2	19495	8	178	183	64	8x18	410
		1/94 - 12/95	MBLK2200	8	MP/32/2	19495	8	178	183	64	8x18	410
F 2000 series (33 to -) 33.423 DFC, DFS, DFK		1/94 - 12/95	MBLK2200	8	MP/32/2	19495	8	178	183	64	8x18	410
F 2000 series (33 to -) 33.463 DFAC, DFAS, DFAK		1/94 →	MBLK2200	8	MP/32/2	19495	8	178	183	64	8x18	410
		1/94 →	MBLK2200	8	MP/32/2	19495	8	178	183	64	8x18	410
F 2000 series (33 to -) 33.463 DFC, DFS, DFK		1/94 →	MBLK2200	8	MP/32/2	19495	8	178	183	64	8x18	410
F 2000 series (33 to -) 33.603 DFAC, DFAS		6/96 →	MBLK2200	8	MP/32/2	19495	8	178	183	64	8x18	410
		6/96 →	MBLK2200	8	MP/32/2	19495	8	178	183	64	8x18	410
F 2000 series (33 to -) 33.603 DFC, DFS		6/96 →	MBLK2200	8	MP/32/2	19495	8	178	183	64	8x18	410
F 2000 series (35 to -) 35.343 VFC, VFK		8/95 →	MBLK2200	8	MP/32/2	19495	8	178	183	64	8x18	410
F 2000 series (35 to -) 35.403 VFC, VFK		8/95 →	MBLK2210	8	MP/36/2	19496	8	178	223	64	8x18	410
F 2000 series (35 to -) 35.463 VFC, VFK												
F 2000 series (40 to -) 40.403 DFAK, DFAS, DFK		1/94 →	MBLK2200	8	MP/32/2	19495	8	178	183	64	8x18	410
		1/94 →	MBLK2200	8	MP/32/2	19495	8	178	183	64	8x18	410
F 2000 series (40 to -) 40.403 DFS		1/94 →	MBLK2200	8	MP/32/2	19495	8	178	183	64	8x18	410
F 2000 series (40 to -) 40.463 DFAK, DFAS, DFK		1/94 →	MBLK2200	8	MP/32/2	19495	8	178	183	64	8x18	410
		1/94 →	MBLK2200	8	MP/32/2	19495	8	178	183	64	8x18	410
F 2000 series (40 to -) 40.463 DFS		1/94 →	MBLK2200	8	MP/32/2	19495	8	178	183	64	8x18	410
F 2000 series (41 to -) 41.343 VFC, VFK		8/95 →	MBLK2200	8	MP/32/2	19495	8	178	183	64	8x18	410
F 2000 series (41 to -) 41.403 VFC, VFK		8/95 →	MBLK2210	8	MP/36/2	19496	8	178	223	64	8x18	410
F 2000 series (41 to -) 41.463 VFC, VFK												
F 2000 series (48 to -) 48.343 VF, VFA		1/94 →	MBLK2200	8	MP/32/2	19495	8	178	183	64	8x18	410
F 2000 series (48 to -) 48.403 VF, VFA		1/94 →	MBLK2210	8	MP/36/2	19496	8	178	223	64	8x18	410
F 2000 series (48 to -) 48.463 VF, VFA												
F90-series (19 to) 19.262 F, FL, FLL		1/88 - 2/90	MBLK2200	8	MP/32/2	19495	8	178	183	64	8x18	410
F90-series (19 to) 19.262 FS, FLS, FK		1/88 - 2/90	MBLK2210	8	MP/36/2	19496	8	178	223	64	8x18	410
F90-series (19 to) 19.272 F, FL, FLL		2/90 - 5/95	MBLK2200	8	MP/32/2	19495	8	178	183	64	8x18	410
F90-series (19 to) 19.272 FS, FLS, FK		2/90 - 5/95	MBLK2210	8	MP/36/2	19496	8	178	223	64	8x18	410

... MAN												
... 												
F90-series (19 to) 19.292 F, FL, FLL		7/86 - 5/95	MBLK2200	8	MP/32/2	19495	8	178	183	64	8x18	410
F90-series (19 to) 19.292 FS, FLS, FK		7/86 - 5/95	MBLK2210	8	MP/36/2	19496	8	178	223	64	8x18	410
F90-series (19 to) 19.322 F, FL, FLL		2/90 - 5/95	MBLK2200	8	MP/32/2	19495	8	178	183	64	8x18	410
F90-series (19 to) 19.322 FS, FLS, FK		2/90 - 5/95	MBLK2210	8	MP/36/2	19496	8	178	223	64	8x18	410
F90-series (19 to) 19.322 U, ULL		2/90 - 5/94	MBLK2200	8	MP/32/2	19495	8	178	183	64	8x18	410
		7/86 - 2/90	MBLK2200	8	MP/32/2	19495	8	178	183	64	8x18	410
		2/90 - 5/94	MBLK2210	8	MP/36/2	19496	8	178	223	64	8x18	410
		7/86 - 2/90	MBLK2210	8	MP/36/2	19496	8	178	223	64	8x18	410
F90-series (19 to) 19.332 F, FL, FLL		2/90 - 5/94	MBLK2200	8	MP/32/2	19495	8	178	183	64	8x18	410
F90-series (19 to) 19.332 FS, FLS, FK		2/90 - 5/94	MBLK2210	8	MP/36/2	19496	8	178	223	64	8x18	410
F90-series (19 to) 19.342 F, FL, FLL		7/86 - 2/90	MBLK2200	8	MP/32/2	19495	8	178	183	64	8x18	410
		7/86 - 2/90	MBLK2210	8	MP/36/2	19496	8	178	223	64	8x18	410
F90-series (19 to) 19.342 FS, FLS, FK		5/94 - 5/95	MBLK2200	8	MP/32/2	19495	8	178	183	64	8x18	410
F90-series (19 to) 19.362 F, FK, FL, FLL		5/94 - 5/95	MBLK2210	8	MP/36/2	19496	8	178	223	64	8x18	410
F90-series (19 to) 19.362 FS, FLS, U, ULL		7/86 - 2/90	MBLK2200	8	MP/32/2	19495	8	178	183	64	8x18	410
F90-series (19 to) 19.372 F, FL, FLL, U, ULL		7/86 - 2/90	MBLK2210	8	MP/36/2	19496	8	178	223	64	8x18	410
F90-series (19 to) 19.402 F, FL, C3484FLL		2/90 - 5/95	MBLK2200	8	MP/32/2	19495	8	178	183	64	8x18	410
		2/90 - 5/95	MBLK2210	8	MP/36/2	19496	8	178	223	64	8x18	410
F90-series (19 to) 19.402 FS, FLS, FK		5/94 - 5/95	MBLK2200	8	MP/32/2	19495	8	178	183	64	8x18	410
F90-series (19 to) 19.422 F, FL, FLL		5/94 - 5/95	MBLK2210	8	MP/36/2	19496	8	178	223	64	8x18	410
F90-series (19 to) 19.422 FS, FLS, FK, U, ULL		2/90 - 5/95	MBLK2200	8	MP/32/2	19495	8	178	183	64	8x18	410
		2/90 - 5/95	MBLK2210	8	MP/36/2	19496	8	178	223	64	8x18	410
F90-series (19 to) 19.462 F, FL, FS, FLS, FK		5/87 - 2/90	MBLK2200	8	MP/32/2	19495	8	178	183	64	8x18	410
		5/87 - 2/90	MBLK2210	8	MP/36/2	19496	8	178	223	64	8x18	410
F90-series (19 to) 19.502 F, FL, FLL		2/90 - 6/96	MBLK2200	8	MP/32/2	19495	8	178	183	64	8x18	410
		2/90 - 6/96	MBLK2210	8	MP/36/2	19496	8	178	223	64	8x18	410
F90-series (19 to) 19.502 FK		8/89 →	MBLK2200	8	MP/32/2	19495	8	178	183	64	8x18	410
		8/89 →	MBLK2210	8	MP/36/2	19496	8	178	223	64	8x18	410
F90-series (19 to) 19.502 FS, FLS		2/90 - 6/96	MBLK2200	8	MP/32/2	19495	8	178	183	64	8x18	410
		2/90 - 6/96	MBLK2210	8	MP/36/2	19496	8	178	223	64	8x18	410
F90-series (23 to) 23.272 FNL		9/86 - 12/94	MBLK2200	8	MP/32/2	19495	8	178	183	64	8x18	410
F90-series (23 to) 23.322 FNL		9/86 - 12/94	MBLK2210	8	MP/36/2	19496	8	178	223	64	8x18	410
F90-series (23 to) 23.372 FNL												
F90-series (23 to) 23.422 FNL												
F90-series (24 to) 24.242 FNL, FNLL		1/88 - 6/96	MBLK2200	8	MP/32/2	19495	8	178	183	64	8x18	410
		1/88 - 6/96	MBLK2210	8	MP/36/2	19496	8	178	223	64	8x18	410
F90-series (24 to) 24.262 DF, DFS, DFSL, DFK		1/88 - 2/90	MBLK2200	8	MP/32/2	19495	8	178	183	64	8x18	410
F90-series (24 to) 24.262 FNL, FNLL		1/88 - 2/90	MBLK2210	8	MP/36/2	19496	8	178	223	64	8x18	410
F90-series (24 to) 24.272 DF, DFS, DFSL, DFK		2/90 - 12/90	MBLK2200	8	MP/32/2	19495	8	178	183	64	8x18	410
		2/90 - 12/90	MBLK2210	8	MP/36/2	19496	8	178	223	64	8x18	410
F90-series (24 to) 24.272 FNL, FNLL		2/90 - 5/95	MBLK2200	8	MP/32/2	19495	8	178	183	64	8x18	410
F90-series (24 to) 24.272 FNLS, FVLS		2/90 - 5/95	MBLK2210	8	MP/36/2	19496	8	178	223	64	8x18	410
F90-series (24 to) 24.292 DF, DFS, DFSL, DFK		4/87 - 2/90	MBLK2200	8	MP/32/2	19495	8	178	183	64	8x18	410
		4/87 - 2/90	MBLK2210	8	MP/36/2	19496	8	178	223	64	8x18	410
F90-series (24 to) 24.292 FNL, FNLL		10/86 - 2/90	MBLK2200	8	MP/32/2	19495	8	178	183	64	8x18	410
F90-series (24 to) 24.292 FNLS, FVLS		10/86 - 2/90	MBLK2210	8	MP/36/2	19496	8	178	223	64	8x18	410
F90-series (24 to) 24.302 DF, DFS, DFSL, DFK		5/90 - 4/95	MBLK2200	8	MP/32/2	19495	8	178	183	64	8x18	410
		5/90 - 4/95	MBLK2210	8	MP/36/2	19496	8	178	223	64	8x18	410
F90-series (24 to) 24.302 FNL, FNLL		5/90 - 10/90	MBLK2200	8	MP/32/2	19495	8	178	183	64	8x18	410
		5/90 - 10/90	MBLK2210	8	MP/36/2	19496	8	178	223	64	8x18	410
F90-series (24 to) 24.322 DF, DFS, DFSL, DFK		2/90 - 12/90	MBLK2200	8	MP/32/2	19495	8	178	183	64	8x18	410
		2/90 - 12/90	MBLK2210	8	MP/36/2	19496	8	178	223	64	8x18	410
F90-series (24 to) 24.322 FNL, FNLL		2/90 - 5/95	MBLK2200	8	MP/32/2	19495	8	178	183	64	8x18	410
F90-series (24 to) 24.322 FNLS, FLS		2/90 - 5/95	MBLK2210	8	MP/36/2	19496	8	178	223	64	8x18	410
F90-series (24 to) 24.322 UNL, UNLL		2/90 - 12/90	MBLK2200	8	MP/32/2	19495	8	178	183	64	8x18	410
		2/90 - 12/90	MBLK2210	8	MP/36/2	19496	8	178	223	64	8x18	410



QTY



BFMC

WVA






















































A














































B

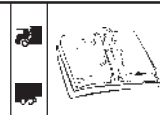
x#

TYP

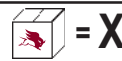
... MAN												
... 												
F90-series (24 to) 24.332 DF, DFS, DFSL, DFK		4/87 - 2/90	MBLK2200	8	MP/32/2	19495	8	178	183	64	8x18	410
		4/87 - 2/90	MBLK2210	8	MP/36/2	19496	8	178	223	64	8x18	410
F90-series (24 to) 24.332 FNL, FNLL		10/86 - 2/90	MBLK2200	8	MP/32/2	19495	8	178	183	64	8x18	410
		10/86 - 2/90	MBLK2210	8	MP/36/2	19496	8	178	223	64	8x18	410
F90-series (24 to) 24.332 FNLS, FVLS		10/86 - 2/90	MBLK2210	8	MP/36/2	19496	8	178	223	64	8x18	410
F90-series (24 to) 24.332 UNL, UNLL												
F90-series (24 to) 24.342 FNL, FNLL		5/94 - 5/95	MBLK2200	8	MP/32/2	19495	8	178	183	64	8x18	410
		5/94 - 5/95	MBLK2210	8	MP/36/2	19496	8	178	223	64	8x18	410
F90-series (24 to) 24.362 DF, DFS, DFSL, DFK		4/87 - 2/90	MBLK2200	8	MP/32/2	19495	8	178	183	64	8x18	410
		4/87 - 2/90	MBLK2210	8	MP/36/2	19496	8	178	223	64	8x18	410
F90-series (24 to) 24.362 FNL, FNLL		10/86 - 2/90	MBLK2200	8	MP/32/2	19495	8	178	183	64	8x18	410
		10/86 - 2/90	MBLK2210	8	MP/36/2	19496	8	178	223	64	8x18	410
F90-series (24 to) 24.362 FNLS, FVLS		10/86 - 2/90	MBLK2210	8	MP/36/2	19496	8	178	223	64	8x18	410
F90-series (24 to) 24.362 UNL, UNLL												
F90-series (24 to) 24.372 DF, DFS, DFSL, DFK		2/90 - 4/95	MBLK2200	8	MP/32/2	19495	8	178	183	64	8x18	410
		2/90 - 4/95	MBLK2210	8	MP/36/2	19496	8	178	223	64	8x18	410
F90-series (24 to) 24.372 FNL, FNLL		2/90 - 5/95	MBLK2200	8	MP/32/2	19495	8	178	183	64	8x18	410
F90-series (24 to) 24.372 FNLS, FVLS		2/90 - 5/95	MBLK2210	8	MP/36/2	19496	8	178	223	64	8x18	410
F90-series (24 to) 24.372 FVL, FVLS		5/90 - 12/90	MBLK2200	8	MP/32/2	19495	8	178	183	64	8x18	410
		5/90 - 12/90	MBLK2210	8	MP/36/2	19496	8	178	223	64	8x18	410
F90-series (24 to) 24.372 UNL, UNLL		2/90 - 12/90	MBLK2200	8	MP/32/2	19495	8	178	183	64	8x18	410
		2/90 - 12/90	MBLK2210	8	MP/36/2	19496	8	178	223	64	8x18	410
F90-series (24 to) 24.402 FNL, FNLL		5/94 - 5/95	MBLK2200	8	MP/32/2	19495	8	178	183	64	8x18	410
		5/94 - 5/95	MBLK2210	8	MP/36/2	19496	8	178	223	64	8x18	410
F90-series (24 to) 24.422 DF, DFS, DFSL, DFK		2/90 - 12/90	MBLK2200	8	MP/32/2	19495	8	178	183	64	8x18	410
F90-series (24 to) 24.422 UNL, UNLL		2/90 - 12/90	MBLK2210	8	MP/36/2	19496	8	178	223	64	8x18	410
F90-series (24 to) 24.462 DF, DFS, DFSL, DFK		2/89 - 2/90	MBLK2200	8	MP/32/2	19495	8	178	183	64	8x18	410
		2/89 - 2/90	MBLK2210	8	MP/36/2	19496	8	178	223	64	8x18	410
F90-series (24 to) 24.462 FNL		4/89 - 2/90	MBLK2200	8	MP/32/2	19495	8	178	183	64	8x18	410
		4/89 - 2/90	MBLK2210	8	MP/36/2	19496	8	178	223	64	8x18	410
F90-series (24 to) 24.462 FVLS		5/87 - 7/87	MBLK2200	8	MP/32/2	19495	8	178	183	64	8x18	410
		5/87 - 7/87	MBLK2210	8	MP/36/2	19496	8	178	223	64	8x18	410
F90-series (24 to) 24.502 DF		2/90 - 12/90	MBLK2200	8	MP/32/2	19495	8	178	183	64	8x18	410
F90-series (24 to) 24.502 FNL		2/90 - 12/90	MBLK2210	8	MP/36/2	19496	8	178	223	64	8x18	410
F90-series (24 to) 24422 FNL, FNLL		2/90 - 5/95	MBLK2200	8	MP/32/2	19495	8	178	183	64	8x18	410
		2/90 - 5/95	MBLK2210	8	MP/36/2	19496	8	178	223	64	8x18	410
F90-series (25 to) 25.272 DF, DFS, DFSL, DFK		9/90 - 12/92	MBLK2200	8	MP/32/2	19495	8	178	183	64	8x18	410
		9/90 - 12/92	MBLK2210	8	MP/36/2	19496	8	178	223	64	8x18	410
F90-series (25 to) 25.272 FNL, FNLL		9/90 - 10/93	MBLK2200	8	MP/32/2	19495	8	178	183	64	8x18	410
		9/90 - 10/93	MBLK2210	8	MP/36/2	19496	8	178	223	64	8x18	410
F90-series (25 to) 25.302 DF, DFS, DFSL, DFK		9/90 - 12/92	MBLK2200	8	MP/32/2	19495	8	178	183	64	8x18	410
		9/90 - 12/92	MBLK2210	8	MP/36/2	19496	8	178	223	64	8x18	410
F90-series (25 to) 25.302 FNL, FNLL		9/90 - 12/91	MBLK2200	8	MP/32/2	19495	8	178	183	64	8x18	410
F90-series (25 to) 25.302 FNLS, FVLS		9/90 - 12/91	MBLK2210	8	MP/36/2	19496	8	178	223	64	8x18	410
F90-series (25 to) 25.322 DF, DFS, DFSL, DFK		9/90 - 12/92	MBLK2200	8	MP/32/2	19495	8	178	183	64	8x18	410
F90-series (25 to) 25.322 FNL, FNLL		9/90 - 12/92	MBLK2210	8	MP/36/2	19496	8	178	223	64	8x18	410
F90-series (25 to) 25.322 FNLS, FVLS												
F90-series (25 to) 25.322 UNL, UNLL												
F90-series (25 to) 25.372 DF, DFS, DFSL, DFK												
F90-series (25 to) 25.372 FNLS, FVLS		9/90 - 10/93	MBLK2200	8	MP/32/2	19495	8	178	183	64	8x18	410
		9/90 - 10/93	MBLK2210	8	MP/36/2	19496	8	178	223	64	8x18	410
F90-series (25 to) 25.372 UNL, UNLL		9/90 - 12/92	MBLK2200	8	MP/32/2	19495	8	178	183	64	8x18	410
F90-series (25 to) 25.422 DF, DFS, DFSL, DFK		9/90 - 12/92	MBLK2210	8	MP/36/2	19496	8	178	223	64	8x18	410
F90-series (25 to) 25.422 FNL, FNLL												
F90-series (25 to) 25.422 FNLS, FVLS												
F90-series (25 to) 25.422 UNL, UNLL												
F90-series (25 to) 25.502 DF, DFS		9/90 - 12/90	MBLK2200	8	MP/32/2	19495	8	178	183	64	8x18	410
		9/90 - 12/90	MBLK2210	8	MP/36/2	19496	8	178	223	64	8x18	410

... MAN												
...												
F90-series (25 to) 25.502 FNL		9/90 - 12/92	MBLK2200	8	MP/32/2	19495	8	178	183	64	8x18	410
		9/90 - 12/92	MBLK2210	8	MP/36/2	19496	8	178	223	64	8x18	410
F90-series (26 to) 25.502 DF, DFS		1/89 →	MBLK2210	8	MP/36/2	19496	8	178	223	64	8x18	410
F90-series (26 to) 26.262 DF, DFS DFK		1/88 - 2/90	MBLK2210	8	MP/36/2	19496	8	178	223	64	8x18	410
F90-series (26 to) 26.262 DFA, DFAS, DFAK		2/89 - 2/90	MBLK2210	8	MP/36/2	19496	8	178	223	64	8x18	410
F90-series (26 to) 26.272 DF, DFS, DFSL, DFK		2/90 - 6/96	MBLK2210	8	MP/36/2	19496	8	178	223	64	8x18	410
F90-series (26 to) 26.272 DFA, DFAS, DFAK		2/90 - 12/92	MBLK2210	8	MP/36/2	19496	8	178	223	64	8x18	410
F90-series (26 to) 26.272 FNL, FNLL, FNLS, FVLS		9/90 - 12/95	MBLK2200	8	MP/32/2	19495	8	178	183	64	8x18	410
		9/90 - 12/95	MBLK2210	8	MP/36/2	19496	8	178	223	64	8x18	410
F90-series (26 to) 26.292 DF, DFS, DFK		9/87 - 2/90	MBLK2210	8	MP/36/2	19496	8	178	223	64	8x18	410
F90-series (26 to) 26.292 DFA, DFAS, DFAK		5/88 - 2/90	MBLK2210	8	MP/36/2	19496	8	178	223	64	8x18	410
F90-series (26 to) 26.302 DF, DFS, DFK		5/90 - 12/91	MBLK2210	8	MP/36/2	19496	8	178	223	64	8x18	410
F90-series (26 to) 26.302 DFA, DFAS, DFAK		5/90 - 12/91	MBLK2210	8	MP/36/2	19496	8	178	223	64	8x18	410
F90-series (26 to) 26.302 FNL, FNLL, FNLS, FVLS		9/90 - 12/91	MBLK2200	8	MP/32/2	19495	8	178	183	64	8x18	410
		9/90 - 12/91	MBLK2210	8	MP/36/2	19496	8	178	223	64	8x18	410
F90-series (26 to) 26.322 DF, DFS, DFSL, DFK		2/90 - 6/96	MBLK2210	8	MP/36/2	19496	8	178	223	64	8x18	410
F90-series (26 to) 26.322 DFA, DFAS, DFAK		2/90 - 12/90	MBLK2210	8	MP/36/2	19496	8	178	223	64	8x18	410
F90-series (26 to) 26.322 FNL, FNLL, FNLS, FVLS		9/90 - 12/95	MBLK2200	8	MP/32/2	19495	8	178	183	64	8x18	410
		9/90 - 12/95	MBLK2210	8	MP/36/2	19496	8	178	223	64	8x18	410
F90-series (26 to) 26.322 UNL, 26.322 UNLL		9/90 - 5/94	MBLK2210	8	MP/36/2	19496	8	178	223	64	8x18	410
F90-series (26 to) 26.332 DF, DFS, DFK		9/87 - 2/90	MBLK2210	8	MP/36/2	19496	8	178	223	64	8x18	410
F90-series (26 to) 26.332 DFA, DFAS, DFAK		5/88 - 2/90	MBLK2210	8	MP/36/2	19496	8	178	223	64	8x18	410
F90-series (26 to) 26.342 DF, DFL, DFS, DFK, DFLK		4/94 - 6/96	MBLK2210	8	MP/36/2	19496	8	178	223	64	8x18	410
F90-series (26 to) 26.372 DFA, DFAS, DFAK		1/89 - 12/94	MBLK2210	8	MP/36/2	19496	8	178	223	64	8x18	410
F90-series (26 to) 26.372 DFN,FVL, FVLS, FNL, FN		1/89 - 12/94	MBLK2200	8	MP/32/2	19495	8	178	183	64	8x18	410
		1/89 - 12/94	MBLK2210	8	MP/36/2	19496	8	178	223	64	8x18	410
F90-series (26 to) 26.422 D, DFS DFK		1/89 - 12/94	MBLK2210	8	MP/36/2	19496	8	178	223	64	8x18	410
F90-series (26 to) 26.422 DFA, DFAK, DFAS		1/89 - 12/94	MBLK2210	8	MP/36/2	19496	8	178	223	64	8x18	410
F90-series (26 to) 26.422 DFN,FVL, FVLS, FNL, FN		1/89 - 12/94	MBLK2200	8	MP/32/2	19495	8	178	183	64	8x18	410
		1/89 - 12/94	MBLK2210	8	MP/36/2	19496	8	178	223	64	8x18	410
F90-series (26 to) 26.502 DFA, DFAS		1/89 →	MBLK2210	8	MP/36/2	19496	8	178	223	64	8x18	410
F90-series (26 to) 26.502 FNL		1/89 →	MBLK2200	8	MP/32/2	19495	8	178	183	64	8x18	410
		1/89 - 12/94	MBLK2210	8	MP/36/2	19496	8	178	223	64	8x18	410
F90-series (26 to) 26.732 DF, DFS, DFK		1/89 - 12/94	MBLK2210	8	MP/36/2	19496	8	178	223	64	8x18	410
F90-series (27 to) 27.272		1/89 - 12/94	MBLK2210	8	MP/36/2	19496	8	178	223	64	8x18	410
F90-series (27 to) 27.322		1/89 - 12/94	MBLK2210	8	MP/36/2	19496	8	178	223	64	8x18	410
F90-series (27 to) 27.372		1/89 - 12/94	MBLK2210	8	MP/36/2	19496	8	178	223	64	8x18	410
F90-series (27 to) 27.422		1/89 - 12/94	MBLK2210	8	MP/36/2	19496	8	178	223	64	8x18	410
F90-series (27 to) 27.502 DF, DFS		1/89 →	MBLK2210	8	MP/36/2	19496	8	178	223	64	8x18	410
F90-series (27 to) 27.502 DFA, DFAS		1/89 →	MBLK2210	8	MP/36/2	19496	8	178	223	64	8x18	410
F90-series (30 to) 30.292		1/88 - 12/94	MBLK2200	8	MP/32/2	19495	8	178	183	64	8x18	410
		1/88 - 12/94	MBLK2200	8	MP/32/2	19495	8	178	183	64	8x18	410
		1/88 - 12/97	MBLK2210	8	MP/36/2	19496	8	178	223	64	8x18	410
F90-series (30 to) 30.332 VFNL (8x2)		1/88 - 12/94	MBLK2200	8	MP/32/2	19495	8	178	183	64	8x18	410
		1/88 - 12/94	MBLK2210	8	MP/36/2	19496	8	178	223	64	8x18	410
F90-series (32 to) 32.242		1/88 - 12/94	MBLK2200	8	MP/32/2	19495	8	178	183	64	8x18	410
F90-series (32 to) 32.262		1/88 - 12/94	MBLK2200	8	MP/32/2	19495	8	178	183	64	8x18	410
		1/88 - 12/94	MBLK2210	8	MP/36/2	19496	8	178	223	64	8x18	410
F90-series (32 to) 32.272 VF, VFK		1/89 - 12/94	MBLK2200	8	MP/32/2	19495	8	178	183	64	8x18	410
		1/89 - 12/94	MBLK2210	8	MP/36/2	19496	8	178	223	64	8x18	410
F90-series (32 to) 32.292 VFNL (8x2)		1/88 - 12/94	MBLK2200	8	MP/32/2	19495	8	178	183	64	8x18	410
		1/88 - 12/94	MBLK2200	8	MP/32/2	19495	8	178	183	64	8x18	410
		1/88 - 12/94	MBLK2210	8	MP/36/2	19496	8	178	223	64	8x18	410
F90-series (32 to) 32.322 VF,VFK		1/89 - 12/94	MBLK2200	8	MP/32/2	19495	8	178	183	64	8x18	410
		1/89 - 12/94	MBLK2210	8	MP/36/2	19496	8	178	223	64	8x18	410

... MAN												
... 												
F90-series (35 to) 35.372 VFA, VFAK		1/89 - 12/94	MBLK2210	8	MP/36/2	19496	8	178	223	64	8x18	410
F90-series (35 to) 35.422 VF, VFK		1/89 - 12/94	MBLK2200	8	MP/32/2	19495	8	178	183	64	8x18	410
		1/89 - 12/94	MBLK2210	8	MP/36/2	19496	8	178	223	64	8x18	410
F90-series (35 to) 35.422 VFA, VFAK		1/89 - 12/94	MBLK2210	8	MP/36/2	19496	8	178	223	64	8x18	410
F90-series (40 to) 40.242		1/87 →	MBLK2200	8	MP/32/2	19495	8	178	183	64	8x18	410
F90-series (40 to) 40.262		1/87 →	MBLK2210	8	MP/36/2	19496	8	178	223	64	8x18	410
F90-series (40 to) 40.292												
F90-series (40 to) 40.332												
F90-series (40 to) 40.362												
F90-series (40 to) 40.372 DFAK, DFAS		1/89 - 12/94	MBLK2210	8	MP/36/2	19496	8	178	223	64	8x18	410
F90-series (40 to) 40.372 DFS, DFK		1/89 - 12/94	MBLK2200	8	MP/32/2	19495	8	178	183	64	8x18	410
		1/89 - 12/94	MBLK2210	8	MP/36/2	19496	8	178	223	64	8x18	410
F90-series (40 to) 40.422 DFAK, DFAS		1/89 - 12/94	MBLK2210	8	MP/36/2	19496	8	178	223	64	8x18	410
F90-series (40 to) 40.422 DFS, DFK		1/89 - 12/94	MBLK2200	8	MP/32/2	19495	8	178	183	64	8x18	410
		1/89 - 12/94	MBLK2210	8	MP/36/2	19496	8	178	223	64	8x18	410
F90-series (40 to) 40.462 DFAK, DFAS		1/89 - 12/94	MBLK2210	8	MP/36/2	19496	8	178	223	64	8x18	410
F90-series (40 to) 40.502 6x6		1/89 →	MBLK2200	8	MP/32/2	19495	8	178	183	64	8x18	410
F90-series (40 to) 40.502 8x8		1/89 →	MBLK2210	8	MP/36/2	19496	8	178	223	64	8x18	410
F90-series (41 to) 41.262 VF, VFK		1/89 - 12/94	MBLK2200	8	MP/32/2	19495	8	178	183	64	8x18	410
		1/89 - 12/94	MBLK2210	8	MP/36/2	19496	8	178	223	64	8x18	410
F90-series (41 to) 41.262 VFAK		1/89 - 12/94	MBLK2210	8	MP/36/2	19496	8	178	223	64	8x18	410
F90-series (41 to) 41.292 VF, VFK		1/89 - 12/94	MBLK2200	8	MP/32/2	19495	8	178	183	64	8x18	410
		1/89 - 12/94	MBLK2210	8	MP/36/2	19496	8	178	223	64	8x18	410
F90-series (41 to) 41.292 VFAK		1/89 - 12/94	MBLK2210	8	MP/36/2	19496	8	178	223	64	8x18	410
F90-series (41 to) 41.322 VF, VFK		1/89 - 12/94	MBLK2200	8	MP/32/2	19495	8	178	183	64	8x18	410
		1/89 - 12/94	MBLK2210	8	MP/36/2	19496	8	178	223	64	8x18	410
F90-series (41 to) 41.322 VFAK		1/89 - 12/94	MBLK2210	8	MP/36/2	19496	8	178	223	64	8x18	410
F90-series (41 to) 41.332 VF, VFK		1/89 - 12/94	MBLK2200	8	MP/32/2	19495	8	178	183	64	8x18	410
		1/89 - 12/94	MBLK2210	8	MP/36/2	19496	8	178	223	64	8x18	410
F90-series (41 to) 41.332 VFAK		1/89 - 12/94	MBLK2210	8	MP/36/2	19496	8	178	223	64	8x18	410
F90-series (41 to) 41.362 VF, VFK		1/89 - 12/94	MBLK2200	8	MP/32/2	19495	8	178	183	64	8x18	410
		1/89 - 12/94	MBLK2210	8	MP/36/2	19496	8	178	223	64	8x18	410
F90-series (41 to) 41.362 VFAK		1/89 - 12/94	MBLK2210	8	MP/36/2	19496	8	178	223	64	8x18	410
F90-series (41 to) 41.372 VF, VFK		1/89 - 12/94	MBLK2200	8	MP/32/2	19495	8	178	183	64	8x18	410
		1/89 - 12/94	MBLK2210	8	MP/36/2	19496	8	178	223	64	8x18	410
F90-series (41 to) 41.372 VFAK		1/89 - 12/94	MBLK2210	8	MP/36/2	19496	8	178	223	64	8x18	410
F90-series (41 to) 41.422 VF, VFK		1/89 - 12/94	MBLK2200	8	MP/32/2	19495	8	178	183	64	8x18	410
		1/89 - 12/94	MBLK2210	8	MP/36/2	19496	8	178	223	64	8x18	410
F90-series (41 to) 41.422 VFAK		1/89 - 12/94	MBLK2210	8	MP/36/2	19496	8	178	223	64	8x18	410
F90-series (48 to) 48.292 VFA, VFAK												
F90-series (48 to) 48.322 VF		1/89 - 12/94	MBLK2200	8	MP/32/2	19495	8	178	183	64	8x18	410
		1/89 - 12/94	MBLK2210	8	MP/36/2	19496	8	178	223	64	8x18	410
F90-series (48 to) 48.322 VFA, VFAK		1/89 - 12/94	MBLK2210	8	MP/36/2	19496	8	178	223	64	8x18	410
F90-series (48 to) 48.332 VFA, VFAK												
F90-series (48 to) 48.362 VFA, VFAK												
F90-series (48 to) 48.372 VF		1/89 - 12/94	MBLK2200	8	MP/32/2	19495	8	178	183	64	8x18	410
		1/89 - 12/94	MBLK2210	8	MP/36/2	19496	8	178	223	64	8x18	410
F90-series (48 to) 48.372 VFA, VFAK		1/89 - 12/94	MBLK2210	8	MP/36/2	19496	8	178	223	64	8x18	410
F90-series (48 to) 48.422 VF		1/89 - 12/94	MBLK2200	8	MP/32/2	19495	8	178	183	64	8x18	410
		1/89 - 12/94	MBLK2210	8	MP/36/2	19496	8	178	223	64	8x18	410
F90-series (48 to) 48.422 VFA, VFAK		1/89 - 12/94	MBLK2210	8	MP/36/2	19496	8	178	223	64	8x18	410
F90-series (48 to) 48.462 VFA, VFAK												
F90-series (48 to) 48.502 VF		1/89 →	MBLK2200	8	MP/32/2	19495	8	178	183	64	8x18	410
		1/89 →	MBLK2210	8	MP/36/2	19496	8	178	223	64	8x18	410
F90-series (48 to) 48.502 VFA, VFAK		1/89 →	MBLK2210	8	MP/36/2	19496	8	178	223	64	8x18	410
F90-series 4x4(19 to) 19.262 FA, FAK, FAS		2/89 - 2/90	MBLK2210	8	MP/36/2	19496	8	178	223	64	8x18	410
F90-series 4x4(19 to) 19.272 FA, FAK, FAS		2/90 - 5/95	MBLK2210	8	MP/36/2	19496	8	178	223	64	8x18	410



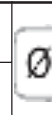
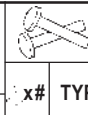
QTY



= X

BFMC

WVA



A

B









x#

TYP




... MAN








F90-series 4x4(19 to) 19.292 FA, FAK, FAS		5/88 - 2/90	MBLK2210	8	MP/36/2	19496	8	178	223	64	8x18	410
F90-series 4x4(19 to) 19.322 FA, FAK, FAS												
F90-series 4x4(19 to) 19.332 FA, FAK, FAS												
F90-series 4x4(19 to) 19.342 FA, FAK, FAS												
F90-series 4x4(19 to) 19.362 FA, FAK, FAS												
F90-series 4x4(19 to) 19.372 FA, FAK, FAS												
F90-series 4x4(19 to) 19.402 FA, FAK, FAS												
F90-series 4x4(19 to) 19.422 FA, FAK, FAS												
G.90 10.150		1/87 - 12/93	MBLK2220	4	MP/37/1	15817	2	301	97	24	8x20	325
G.90 6.100					MP/38/1	15823	2	251	97	20	8x20	325
G.90 8.100		1/87 - 12/93	MBLK2220	4	MP/37/1	15817	2	301	97	24	8x20	325
G.90 8.150					MP/38/1	15823	2	251	97	20	8x20	325
G.90 9.150												
M2000-series 15.163 LC, LLC		8/95 →	MBLK2200	8	MP/32/2	19495	8	178	183	64	8x18	410
		8/95 →	MBLK2210	8	MP/36/2	19496	8	178	223	64	8x18	410
M2000-series 15.163 LK		8/95 →	MBLK2200	8	MP/32/2	19495	8	178	183	64	8x18	410
M2000-series 15.224 LC, LLC, LL		8/95 →	MBLK2200	8	MP/32/2	19495	8	178	183	64	8x18	410
		8/95 →	MBLK2210	8	MP/36/2	19496	8	178	223	64	8x18	410
M2000-series 15.224 LK		8/95 →	MBLK2200	8	MP/32/2	19495	8	178	183	64	8x18	410
M2000-series 15.264 LC, LLC, LL		8/95 →	MBLK2200	8	MP/32/2	19495	8	178	183	64	8x18	410
		8/95 →	MBLK2210	8	MP/36/2	19496	8	178	223	64	8x18	410
M2000-series 15.264 LK		8/95 →	MBLK2200	8	MP/32/2	19495	8	178	183	64	8x18	410
M2000-series 18.224 LC, LLC, LL		8/95 →	MBLK2200	8	MP/32/2	19495	8	178	183	64	8x18	410
		8/95 →	MBLK2210	8	MP/36/2	19496	8	178	223	64	8x18	410
M2000-series 18.224 LK, LLK, LAK		8/95 →	MBLK2200	8	MP/32/2	19495	8	178	183	64	8x18	410
M2000-series 18.224 MC, MLC, ML, MLS		8/95 →	MBLK2200	8	MP/32/2	19495	8	178	183	64	8x18	410
		8/95 →	MBLK2210	8	MP/36/2	19496	8	178	223	64	8x18	410
M2000-series 18.224 MK, MLK, MAK		8/95 →	MBLK2200	8	MP/32/2	19495	8	178	183	64	8x18	410
M2000-series 18.264 LC, LLC, LL		8/95 →	MBLK2200	8	MP/32/2	19495	8	178	183	64	8x18	410
		8/95 →	MBLK2210	8	MP/36/2	19496	8	178	223	64	8x18	410
M2000-series 18.264 LK, LLK, LAK		8/95 →	MBLK2200	8	MP/32/2	19495	8	178	183	64	8x18	410
M2000-series 18.264 MC, MLC, ML, MLS		8/95 →	MBLK2200	8	MP/32/2	19495	8	178	183	64	8x18	410
		8/95 →	MBLK2210	8	MP/36/2	19496	8	178	223	64	8x18	410
M2000-series 18.264 MK, MLK, MAK		8/95 →	MBLK2200	8	MP/32/2	19495	8	178	183	64	8x18	410
M2000-series 25.224 MNLC, MNLLC		8/95 →	MBLK2200	8	MP/32/2	19495	8	178	183	64	8x18	410
M2000-series 25.264 MNLC, MNLL		8/95 →	MBLK2210	8	MP/36/2	19496	8	178	223	64	8x18	410
M90-series (17to) 17.192		8/88 - 6/96	MBLK2190	8	MP/31/2	19494	8	178	163	64	8x18	410
M90-series (17to) 17.222		5/94 - 6/96	MBLK2190	8	MP/31/2	19494	8	178	163	64	8x18	410
		5/94 - 6/96	MBLK2210	8	MP/36/2	19496	8	178	223	64	8x18	410
		8/88 - 6/96	MBLK2210	8	MP/36/2	19496	8	178	223	64	8x18	410
M90-series (17to) 17.232		8/88 - 6/96	MBLK2190	8	MP/31/2	19494	8	178	163	64	8x18	410
		8/88 - 6/96	MBLK2210	8	MP/36/2	19496	8	178	223	64	8x18	410
M90-series (17to) 17.272		9/91 - 5/95	MBLK2190	8	MP/31/2	19494	8	178	163	64	8x18	410
		9/91 - 5/95	MBLK2210	8	MP/36/2	19496	8	178	223	64	8x18	410
M90-series (17to) 17.322		1/90 - 6/96	MBLK2190	8	MP/31/2	19494	8	178	163	64	8x18	410
M90-series (17to) 17.332		1/90 - 6/96	MBLK2210	8	MP/36/2	19496	8	178	223	64	8x18	410
M90-series (17to) 17.373												
M90-series (17to) 17.422												
M90-series (17to) 17.502		1/90 - 6/96	MBLK2190	8	MP/31/2	19494	8	178	163	64	8x18	410
M90-series (18to) 18.192		9/90 - 6/96	MBLK2200	8	MP/32/2	19495	8	178	183	64	8x18	410
M90-series (18to) 18.222		5/94 - 6/96	MBLK2200	8	MP/32/2	19495	8	178	183	64	8x18	410
M90-series (18to) 18.232		9/90 - 6/96	MBLK2200	8	MP/32/2	19495	8	178	183	64	8x18	410
M90-series (18to) 18.262		8/95 - 6/96	MBLK2200	8	MP/32/2	19495	8	178	183	64	8x18	410
M90-series (18to) 18.272		9/91 - 6/96	MBLK2200	8	MP/32/2	19495	8	178	183	64	8x18	410
M90-series (24to) 24.192		7/89 - 6/96	MBLK2200	8	MP/32/2	19495	8	178	183	64	8x18	410
M90-series (24to) 24.222		5/94 - 6/96	MBLK2200	8	MP/32/2	19495	8	178	183	64	8x18	410
M90-series (24to) 24.232		7/89 - 6/96	MBLK2200	8	MP/32/2	19495	8	178	183	64	8x18	410
























... MAN

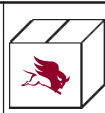
												
M90-series (24to) 24.272		9/91 - 6/96	MBLK2200	8	MP/32/2	19495	8	178	183	64	8x18	410
Underfloor-Series (U 90) 14.272 U		5/89 →	MBLK2200	8	MP/32/2	19495	8	178	183	64	8x18	410
Underfloor-Series (U 90) 19.322 U, UL		5/89 →	MBLK2210	8	MP/36/2	19496	8	178	223	64	8x18	410
Underfloor-Series (U 90) 19.372 U, UL												
Underfloor-Series (U 90) 19.422 U, UL												
Underfloor-Series 24.332 U, UL		1/86 →	MBLK2200	8	MP/32/2	19495	8	178	183	64	8x18	410
Underfloor-Series 24.362 U, UL		1/86 →	MBLK2210	8	MP/36/2	19496	8	178	223	64	8x18	410
Underfloor-Series 26.322 UNL		5/89 →	MBLK2200	8	MP/32/2	19495	8	178	183	64	8x18	410
Underfloor-Series 26.372 UNL		5/89 →	MBLK2210	8	MP/36/2	19496	8	178	223	64	8x18	410
Underfloor-Series 26.422 UNL												

MERCEDES

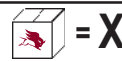
												
O 814 (8/8.6 to) (8/8.6 to)		1/84 →	MBLK2170	8	MB/110/2	17280	8	259	120	40	8x12	308
O 817 L (BM676)		1/84 →	MBLK2170	8	MB/110/2	17280	8	259	120	40	8x12	308

												
Aussenplanetenachsen (AP-Axle) 410 x 160/163 mm			MBLK2190	8	MP/31/2	19494	8	178	163	64	8x18	410
			MBLK2190	8	MP/31/2	19494	8	178	163	64	8x18	410
Aussenplanetenachsen (AP-Axle) 410 x 180/183 mm			MBLK2200	8	MP/32/2	19495	8	178	183	64	8x18	410
			MBLK2200	8	MP/32/2	19495	8	178	183	64	8x18	410
Aussenplanetenachsen (AP-Axle) 410 x 220/223 mm			MBLK2210	8	MP/36/2	19496	8	178	223	64	8x18	410
			MBLK2210	8	MP/36/2	19496	8	178	223	64	8x18	410

												
Actros (2-Axle) 1831		9/96 →	MBLK2200	8	MP/32/2	19495	8	178	183	64	8x18	410
Actros (2-Axle) 1835		9/96 →	MBLK2210	8	MP/36/2	19496	8	178	223	64	8x18	410
Actros (2-Axle) 1840												
Actros (2-Axle) 1843												
Actros (2-Axle) 1848												
Actros (2-Axle) 1853												
Actros (2-Axle) 1857		4/97 →	MBLK2200	8	MP/32/2	19495	8	178	183	64	8x18	410
		4/97 →	MBLK2210	8	MP/36/2	19496	8	178	223	64	8x18	410
Actros (2-Axle) 2031		4/96 →	MBLK2200	8	MP/32/2	19495	8	178	183	64	8x18	410
		4/96 →	MBLK2210	8	MP/36/2	19496	8	178	223	64	8x18	410
Actros (2-Axle) 2035		4/97 →	MBLK2200	8	MP/32/2	19495	8	178	183	64	8x18	410
		4/97 →	MBLK2210	8	MP/36/2	19496	8	178	223	64	8x18	410
Actros (2-Axle) 2040		9/96 →	MBLK2200	8	MP/32/2	19495	8	178	183	64	8x18	410
		9/96 →	MBLK2210	8	MP/36/2	19496	8	178	223	64	8x18	410
Actros (2-Axle) 2053		4/96 →	MBLK2200	8	MP/32/2	19495	8	178	183	64	8x18	410
		4/96 →	MBLK2210	8	MP/36/2	19496	8	178	223	64	8x18	410
Actros (3-Axle) 2531		9/96 →	MBLK2200	8	MP/32/2	19495	8	178	183	64	8x18	410
Actros (3-Axle) 2535		9/96 →	MBLK2210	8	MP/36/2	19496	8	178	223	64	8x18	410
Actros (3-Axle) 2540												
Actros (3-Axle) 2543												
Actros (3-Axle) 2548												
Actros (3-Axle) 2553												
Actros (3-Axle) 2557												
Actros (3-Axle) 2631												
Actros (3-Axle) 2635		4/97 →	MBLK2200	8	MP/32/2	19495	8	178	183	64	8x18	410
Actros (3-Axle) 2640		4/97 →	MBLK2210	8	MP/36/2	19496	8	178	223	64	8x18	410
Actros (3-Axle) 2643		9/96 →	MBLK2200	8	MP/32/2	19495	8	178	183	64	8x18	410
		9/96 →	MBLK2210	8	MP/36/2	19496	8	178	223	64	8x18	410
Actros (3-Axle) 2648		4/97 →	MBLK2200	8	MP/32/2	19495	8	178	183	64	8x18	410
		4/97 →	MBLK2210	8	MP/36/2	19496	8	178	223	64	8x18	410
Actros (3-Axle) 2653		9/96 →	MBLK2200	8	MP/32/2	19495	8	178	183	64	8x18	410
Actros (3-Axle) 2657		9/96 →	MBLK2210	8	MP/36/2	19496	8	178	223	64	8x18	410



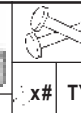
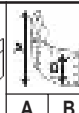
QTY



= X

BFMC

WVA



A

B














































x#

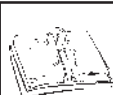
TYP

... MERCEDES



Actros (3-Axle) 3331		4/97 →	MBLK2200	8	MP/32/2	19495	8	178	183	64	8x18	410
Actros (3-Axle) 3335		4/97 →	MBLK2210	8	MP/36/2	19496	8	178	223	64	8x18	410
Actros (3-Axle) 3340												
Actros (3-Axle) 3343												
Actros (3-Axle) 3348												
Actros (3-Axle) 3353												
Actros (3-Axle) 3357												
Actros (4-Axle) 3231												
Actros (4-Axle) 3235												
Actros (4-Axle) 3240												
Actros (4-Axle) 3243												
Actros (4-Axle) 4140												
Actros (4-Axle) 4143												
Actros (4-Axle) 4148												
Atego II 1823		1/98 →	MBLK2200	8	MP/32/2	19495	8	178	183	64	8x18	410
		1/98 →	MBLK2210	8	MP/36/2	19496	8	178	223	64	8x18	410
Atego II 1828		5/98 →	MBLK2200	8	MP/32/2	19495	8	178	183	64	8x18	410
Atego II 2523		5/98 →	MBLK2210	8	MP/36/2	19496	8	178	223	64	8x18	410
Atego II 2528												
Atego II 2628												
LK/LN2-Series (8 & 8,6 to) 809, K		7/87 →	MBLK2170	8	MB/110/2	17280	8	259	120	40	8x12	308
LK/LN2-Series (8 & 8,6 to) 811, K		7/87 →	MBLK2170	8	MB/110/2	17280	8	259	120	40	8x12	308
LK/LN2-Series (8 & 8,6 to) 814 F		7/87 →	MBLK2170	8	MB/110/2	17280	8	259	120	40	8x12	308
LK/LN2-Series (8 & 8,6 to) 814, L, K, S												
LK/LN2-Series (8 & 8,6 to) 817 F												
LK/LN2-Series (8 & 8,6 to) 817, L, K, S, LS												
MK/SK-Series (17 to) 1717 AK		9/89 - 8/94	MBLK2190	8	MP/31/2	19494	8	178	163	64	8x18	410
MK/SK-Series (17 to) 1717, L, K		9/89 - 8/94	MBLK2210	8	MP/36/2	19496	8	178	223	64	8x18	410
MK/SK-Series (17 to) 1720 S		2/90 - 8/94	MBLK2200	8	MP/32/2	19495	8	178	183	64	8x18	410
		2/90 - 8/94	MBLK2210	8	MP/36/2	19496	8	178	223	64	8x18	410
MK/SK-Series (17 to) 1720, L		2/90 →	MBLK2200	8	MP/32/2	19495	8	178	183	64	8x18	410
		2/90 →	MBLK2210	8	MP/36/2	19496	8	178	223	64	8x18	410
MK/SK-Series (17 to) 1722 AK		12/88 - 8/94	MBLK2190	8	MP/31/2	19494	8	178	163	64	8x18	410
MK/SK-Series (17 to) 1722, L, S, K		12/88 - 8/94	MBLK2210	8	MP/36/2	19496	8	178	223	64	8x18	410
MK/SK-Series (17 to) 1726 AK		6/89 - 8/94	MBLK2190	8	MP/31/2	19494	8	178	163	64	8x18	410
		6/89 - 8/94	MBLK2210	8	MP/36/2	19496	8	178	223	64	8x18	410
MK/SK-Series (17 to) 1726, L, S, LS, K		12/88 - 8/94	MBLK2200	8	MP/32/2	19495	8	178	183	64	8x18	410
		12/88 - 8/94	MBLK2210	8	MP/36/2	19496	8	178	223	64	8x18	410
MK/SK-Series (17 to) 1729 AK		7/88 - 9/93	MBLK2190	8	MP/31/2	19494	8	178	163	64	8x18	410
MK/SK-Series (17 to) 1729, L, S, LS, K		7/88 - 9/93	MBLK2210	8	MP/36/2	19496	8	178	223	64	8x18	410
MK/SK-Series (17 to) 1733, L, S, LS		1/89 - 7/92	MBLK2200	8	MP/32/2	19495	8	178	183	64	8x18	410
		1/89 - 7/92	MBLK2210	8	MP/36/2	19496	8	178	223	64	8x18	410
MK/SK-Series (17 to) 1735 AK		8/89 - 8/94	MBLK2190	8	MP/31/2	19494	8	178	163	64	8x18	410
		8/89 - 8/94	MBLK2210	8	MP/36/2	19496	8	178	223	64	8x18	410
MK/SK-Series (17 to) 1735, L, S, LS, K		7/88 - 8/94	MBLK2200	8	MP/32/2	19495	8	178	183	64	8x18	410
		7/88 - 8/94	MBLK2210	8	MP/36/2	19496	8	178	223	64	8x18	410
MK/SK-Series (17 to) 1748, L, S, LS,		7/88 - 7/92	MBLK2200	8	MP/32/2	19495	8	178	183	64	8x18	410
		7/88 - 7/92	MBLK2210	8	MP/36/2	19496	8	178	223	64	8x18	410
MK/SK-Series (18 to) 1820 AK		7/93 →	MBLK2190	8	MP/31/2	19494	8	178	163	64	8x18	410
		7/93 →	MBLK2210	8	MP/36/2	19496	8	178	223	64	8x18	410
MK/SK-Series (18 to) 1820 S		5/92 →	MBLK2200	8	MP/32/2	19495	8	178	183	64	8x18	410
		5/92 →	MBLK2210	8	MP/36/2	19496	8	178	223	64	8x18	410
MK/SK-Series (18 to) 1820, L		1/94 →	MBLK2200	8	MP/32/2	19495	8	178	183	64	8x18	410
		1/94 →	MBLK2210	8	MP/36/2	19496	8	178	223	64	8x18	410
MK/SK-Series (18 to) 1824 AK		1/94 →	MBLK2190	8	MP/31/2	19494	8	178	163	64	8x18	410
		1/94 →	MBLK2210	8	MP/36/2	19496	8	178	223	64	8x18	410

... MERCEDES											
... 											
MK/SK-Series (18 to) 1824 K		8/92 →	MBLK2190	8	MP/31/2	19494	8	178	163	64	8x18 410
		8/92 →	MBLK2210	8	MP/36/2	19496	8	178	223	64	8x18 410
MK/SK-Series (18 to) 1824, L		8/92 →	MBLK2200	8	MP/32/2	19495	8	178	183	64	8x18 410
MK/SK-Series (18 to) 1827, L, S, LS		8/92 →	MBLK2210	8	MP/36/2	19496	8	178	223	64	8x18 410
MK/SK-Series (18 to) 1831 AK		5/91 →	MBLK2190	8	MP/31/2	19494	8	178	163	64	8x18 410
		5/91 →	MBLK2210	8	MP/36/2	19496	8	178	223	64	8x18 410
MK/SK-Series (18 to) 1831 K		7/92 →	MBLK2190	8	MP/31/2	19494	8	178	163	64	8x18 410
		7/92 →	MBLK2210	8	MP/36/2	19496	8	178	223	64	8x18 410
MK/SK-Series (18 to) 1831, L, S, LS		12/90 →	MBLK2200	8	MP/32/2	19495	8	178	183	64	8x18 410
		12/90 →	MBLK2210	8	MP/36/2	19496	8	178	223	64	8x18 410
MK/SK-Series (18 to) 1834, L, S, LS		1/91 →	MBLK2200	8	MP/32/2	19495	8	178	183	64	8x18 410
		1/91 →	MBLK2210	8	MP/36/2	19496	8	178	223	64	8x18 410
MK/SK-Series (18 to) 1838 AK		12/92 →	MBLK2190	8	MP/31/2	19494	8	178	163	64	8x18 410
		12/92 →	MBLK2210	8	MP/36/2	19496	8	178	223	64	8x18 410
MK/SK-Series (18 to) 1838 K		12/90 →	MBLK2190	8	MP/31/2	19494	8	178	163	64	8x18 410
		6/95 →	MBLK2190	8	MP/31/2	19494	8	178	163	64	8x18 410
		12/90 →	MBLK2210	8	MP/36/2	19496	8	178	223	64	8x18 410
		6/95 →	MBLK2210	8	MP/36/2	19496	8	178	223	64	8x18 410
MK/SK-Series (18 to) 1838, L, S, LS		12/90 →	MBLK2200	8	MP/32/2	19495	8	178	183	64	8x18 410
		12/90 →	MBLK2210	8	MP/36/2	19496	8	178	223	64	8x18 410
MK/SK-Series (18 to) 1840 LS		7/91 - 7/92	MBLK2200	8	MP/32/2	19495	8	178	183	64	8x18 410
		7/91 - 7/92	MBLK2210	8	MP/36/2	19496	8	178	223	64	8x18 410
MK/SK-Series (18 to) 1844, L, S, LS		11/91 →	MBLK2200	8	MP/32/2	19495	8	178	183	64	8x18 410
		11/91 →	MBLK2210	8	MP/36/2	19496	8	178	223	64	8x18 410
MK/SK-Series (18 to) 1850, L, S, LS		12/90 →	MBLK2200	8	MP/32/2	19495	8	178	183	64	8x18 410
		12/90 →	MBLK2210	8	MP/36/2	19496	8	178	223	64	8x18 410
MK/SK-Series (18 to) 1853 AK		1/96 →	MBLK2190	8	MP/31/2	19494	8	178	163	64	8x18 410
		1/96 →	MBLK2210	8	MP/36/2	19496	8	178	223	64	8x18 410
MK/SK-Series (18 to) 1853, L, S, LS		1/96 →	MBLK2200	8	MP/32/2	19495	8	178	183	64	8x18 410
		1/96 →	MBLK2210	8	MP/36/2	19496	8	178	223	64	8x18 410
MK/SK-Series (19 to) 1922 AK		8/89 - 8/94	MBLK2200	8	MP/32/2	19495	8	178	183	64	8x18 410
		8/89 - 8/94	MBLK2210	8	MP/36/2	19496	8	178	223	64	8x18 410
MK/SK-Series (19 to) 1922, S, K		5/89 - 8/94	MBLK2190	8	MP/31/2	19494	8	178	163	64	8x18 410
		5/89 - 8/94	MBLK2210	8	MP/36/2	19496	8	178	223	64	8x18 410
MK/SK-Series (19 to) 1929 A		7/88 - 8/94	MBLK2200	8	MP/32/2	19495	8	178	183	64	8x18 410
MK/SK-Series (19 to) 1929 AS, AK		7/88 - 8/94	MBLK2210	8	MP/36/2	19496	8	178	223	64	8x18 410
MK/SK-Series (19 to) 1929, L, S, K											
MK/SK-Series (19 to) 1935 AS, AK		5/89 - 8/94	MBLK2200	8	MP/32/2	19495	8	178	183	64	8x18 410
		5/89 - 8/94	MBLK2210	8	MP/36/2	19496	8	178	223	64	8x18 410
MK/SK-Series (19 to) 1935 K		5/89 - 8/94	MBLK2190	8	MP/31/2	19494	8	178	163	64	8x18 410
MK/SK-Series (19 to) 1935, S		5/89 - 8/94	MBLK2210	8	MP/36/2	19496	8	178	223	64	8x18 410
MK/SK-Series (19 to) 1948		9/88 - 7/92	MBLK2190	8	MP/31/2	19494	8	178	163	64	8x18 410
		9/88 - 7/92	MBLK2210	8	MP/36/2	19496	8	178	223	64	8x18 410
MK/SK-Series (20 to) 2024, K, AK		2/93 →	MBLK2190	8	MP/31/2	19494	8	178	163	64	8x18 410
		2/93 →	MBLK2200	8	MP/32/2	19495	8	178	183	64	8x18 410
MK/SK-Series (20 to) 2031 A		3/92 →	MBLK2190	8	MP/31/2	19494	8	178	163	64	8x18 410
MK/SK-Series (20 to) 2031, A, S, AS		3/92 →	MBLK2200	8	MP/32/2	19495	8	178	183	64	8x18 410
MK/SK-Series (20 to) 2038 AS		12/92 →	MBLK2190	8	MP/31/2	19494	8	178	163	64	8x18 410
		12/92 →	MBLK2200	8	MP/32/2	19495	8	178	183	64	8x18 410
MK/SK-Series (20 to) 2038, S, AS		11/91 →	MBLK2190	8	MP/31/2	19494	8	178	163	64	8x18 410
		11/91 →	MBLK2200	8	MP/32/2	19495	8	178	183	64	8x18 410
MK/SK-Series (20 to) 2044, S		1/92 →	MBLK2190	8	MP/31/2	19494	8	178	163	64	8x18 410
		1/92 →	MBLK2200	8	MP/32/2	19495	8	178	183	64	8x18 410
MK/SK-Series (20 to) 2050, S		1/91 →	MBLK2190	8	MP/31/2	19494	8	178	163	64	8x18 410
		1/91 →	MBLK2200	8	MP/32/2	19495	8	178	183	64	8x18 410
MK/SK-Series (22 to) 2220 L (6x2/4)		1/89 →	MBLK2190	8	MP/31/2	19494	8	178	163	64	8x18 410
		1/89 →	MBLK2200	8	MP/32/2	19495	8	178	183	64	8x18 410



QTY



= X

BFMC

WVA



A

B














































x#

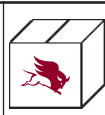
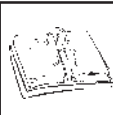
TYP

... MERCEDES



MK/SK-Series (24 to) 2422, K, B 6x4		8/89 - 8/94	MBLK2200	8	MP/32/2	19495	8	178	183	64	8x18	410
		8/89 - 8/94	MBLK2200	8	MP/32/2	19495	8	178	183	64	8x18	410
MK/SK-Series (24 to) 2426, B 6x4		1/90 - 8/94	MBLK2200	8	MP/32/2	19495	8	178	183	64	8x18	410
		1/90 - 8/94	MBLK2200	8	MP/32/2	19495	8	178	183	64	8x18	410
MK/SK-Series (24 to) 2429, L 6x2		7/88 - 8/94	MBLK2200	8	MP/32/2	19495	8	178	183	64	8x18	410
MK/SK-Series (24 to) 2429, S, K 6x4		7/88 - 8/94	MBLK2200	8	MP/32/2	19495	8	178	183	64	8x18	410
		7/88 - 8/94	MBLK2200	8	MP/32/2	19495	8	178	183	64	8x18	410
MK/SK-Series (24 to) 2433 K 6x4		9/89 - 7/92	MBLK2200	8	MP/32/2	19495	8	178	183	64	8x18	410
		9/89 - 7/92	MBLK2200	8	MP/32/2	19495	8	178	183	64	8x18	410
MK/SK-Series (24 to) 2433, L 6x2		5/89 - 7/92	MBLK2200	8	MP/32/2	19495	8	178	183	64	8x18	410
		5/89 - 7/92	MBLK2190	8	MP/31/2	19494	8	178	163	64	8x18	410
		5/89 - 7/92	MBLK2210	8	MP/36/2	19496	8	178	223	64	8x18	410
MK/SK-Series (24 to) 2435, L 6x2		7/88 - 8/94	MBLK2200	8	MP/32/2	19495	8	178	183	64	8x18	410
		7/88 - 8/94	MBLK2190	8	MP/31/2	19494	8	178	163	64	8x18	410
		7/88 - 8/94	MBLK2210	8	MP/36/2	19496	8	178	223	64	8x18	410
MK/SK-Series (24 to) 2435, S, K 6x4		7/88 - 8/94	MBLK2200	8	MP/32/2	19495	8	178	183	64	8x18	410
		7/88 - 8/94	MBLK2200	8	MP/32/2	19495	8	178	183	64	8x18	410
MK/SK-Series (24 to) 2448, L 6x2		7/88 - 7/92	MBLK2190	8	MP/31/2	19494	8	178	163	64	8x18	410
		7/88 - 7/92	MBLK2200	8	MP/32/2	19495	8	178	183	64	8x18	410
		7/88 - 7/92	MBLK2210	8	MP/36/2	19496	8	178	223	64	8x18	410
MK/SK-Series (24 to) 2420, L (6x2/2/4)		2/90 - 8/94	MBLK2200	8	MP/32/2	19495	8	178	183	64	8x18	410
		2/90 - 8/94	MBLK2200	8	MP/32/2	19495	8	178	183	64	8x18	410
		2/90 - 8/94	MBLK2210	8	MP/36/2	19496	8	178	223	64	8x18	410
MK/SK-Series (24 to) 2422, L (6x2/2/4)		9/89 - 8/94	MBLK2200	8	MP/32/2	19495	8	178	183	64	8x18	410
		9/89 - 8/94	MBLK2200	8	MP/32/2	19495	8	178	183	64	8x18	410
		9/89 - 8/94	MBLK2210	8	MP/36/2	19496	8	178	223	64	8x18	410
MK/SK-Series (24 to) 2426 L (6x2/4)		2/90 - 8/94	MBLK2200	8	MP/32/2	19495	8	178	183	64	8x18	410
		2/90 - 8/94	MBLK2200	8	MP/32/2	19495	8	178	183	64	8x18	410
		2/90 - 8/94	MBLK2210	8	MP/36/2	19496	8	178	223	64	8x18	410
MK/SK-Series (24 to) 2429 S, LS (6x2/4)		7/88 - 8/94	MBLK2200	8	MP/32/2	19495	8	178	183	64	8x18	410
		7/88 - 8/94	MBLK2200	8	MP/32/2	19495	8	178	183	64	8x18	410
		7/88 - 8/94	MBLK2210	8	MP/36/2	19496	8	178	223	64	8x18	410
MK/SK-Series (24 to) 2429, L 6x2		7/88 - 8/94	MBLK2190	8	MP/31/2	19494	8	178	163	64	8x18	410
		7/88 - 8/94	MBLK2210	8	MP/36/2	19496	8	178	223	64	8x18	410
MK/SK-Series (24 to) 2433 S, LS (6x2/4)		5/89 - 7/92	MBLK2200	8	MP/32/2	19495	8	178	183	64	8x18	410
		5/89 - 7/92	MBLK2200	8	MP/32/2	19495	8	178	183	64	8x18	410
		5/89 - 7/92	MBLK2210	8	MP/36/2	19496	8	178	223	64	8x18	410
MK/SK-Series (24 to) 2435 S, LS (6x2/2/4)		7/88 - 8/94	MBLK2200	8	MP/32/2	19495	8	178	183	64	8x18	410
		7/88 - 8/94	MBLK2200	8	MP/32/2	19495	8	178	183	64	8x18	410
		7/88 - 8/94	MBLK2210	8	MP/36/2	19496	8	178	223	64	8x18	410
MK/SK-Series (24 to) 2448 LS (6x2/4)		7/88 - 7/92	MBLK2200	8	MP/32/2	19495	8	178	183	64	8x18	410
		7/88 - 7/92	MBLK2200	8	MP/32/2	19495	8	178	183	64	8x18	410
		7/88 - 7/92	MBLK2210	8	MP/36/2	19496	8	178	223	64	8x18	410
MK/SK-Series (24 to) 2448 S 6x4		7/88 - 7/92	MBLK2200	8	MP/32/2	19495	8	178	183	64	8x18	410
		7/88 - 7/92	MBLK2200	8	MP/32/2	19495	8	178	183	64	8x18	410
MK/SK-Series (25 to) 6X4 2524, K		6/92 →	MBLK2200	8	MP/32/2	19495	8	178	183	64	8x18	410
		6/92 →	MBLK2200	8	MP/32/2	19495	8	178	183	64	8x18	410
MK/SK-Series (25 to) 6X4 2527 B		3/91 →	MBLK2200	8	MP/32/2	19495	8	178	183	64	8x18	410
		3/91 →	MBLK2200	8	MP/32/2	19495	8	178	183	64	8x18	410
MK/SK-Series (25 to) 6X4 2527, K		10/93 →	MBLK2200	8	MP/32/2	19495	8	178	183	64	8x18	410
		10/93 →	MBLK2200	8	MP/32/2	19495	8	178	183	64	8x18	410
MK/SK-Series (25 to) 6X4 2534 K		1/91 →	MBLK2200	8	MP/32/2	19495	8	178	183	64	8x18	410
		1/91 →	MBLK2200	8	MP/32/2	19495	8	178	183	64	8x18	410
MK/SK-Series (25 to) 6X4 2538		3/91 →	MBLK2200	8	MP/32/2	19495	8	178	183	64	8x18	410
		1/94 →	MBLK2200	8	MP/32/2	19495	8	178	183	64	8x18	410
		3/91 →	MBLK2200	8	MP/32/2	19495	8	178	183	64	8x18	410
		1/94 →	MBLK2200	8	MP/32/2	19495	8	178	183	64	8x18	410

... MERCEDES											
... 											
MK/SK-Series (25 to) 6X4 2538 K		3/91 →	MBLK2200	8	MP/32/2	19495	8	178	183	64	8x18 410
		3/91 →	MBLK2200	8	MP/32/2	19495	8	178	183	64	8x18 410
MK/SK-Series (25 to) 6X4 2550 S		1/91 →	MBLK2200	8	MP/32/2	19495	8	178	183	64	8x18 410
		1/91 →	MBLK2200	8	MP/32/2	19495	8	178	183	64	8x18 410
MK/SK-Series (25 to) 6X4 2553 S		1/96 →	MBLK2200	8	MP/32/2	19495	8	178	183	64	8x18 410
		1/96 →	MBLK2200	8	MP/32/2	19495	8	178	183	64	8x18 410
MK/SK-Series (25 to) 2524, L (6x2/2/4)		6/92 →	MBLK2200	8	MP/32/2	19495	8	178	183	64	8x18 410
		6/92 →	MBLK2200	8	MP/32/2	19495	8	178	183	64	8x18 410
		6/92 →	MBLK2210	8	MP/36/2	19496	8	178	223	64	8x18 410
MK/SK-Series (25 to) 2527 L (6x2/4)		9/92 →	MBLK2200	8	MP/32/2	19495	8	178	183	64	8x18 410
		9/92 →	MBLK2200	8	MP/32/2	19495	8	178	183	64	8x18 410
		9/92 →	MBLK2210	8	MP/36/2	19496	8	178	223	64	8x18 410
MK/SK-Series (25 to) 2531, L (6x2/2/4)		12/90 →	MBLK2200	8	MP/32/2	19495	8	178	183	64	8x18 410
		12/90 →	MBLK2200	8	MP/32/2	19495	8	178	183	64	8x18 410
		12/90 →	MBLK2210	8	MP/36/2	19496	8	178	223	64	8x18 410
MK/SK-Series (25 to) 2534 S, LS (6x2/4)		1/91 →	MBLK2200	8	MP/32/2	19495	8	178	183	64	8x18 410
MK/SK-Series (25 to) 2534, L (6x2)		1/91 →	MBLK2200	8	MP/32/2	19495	8	178	183	64	8x18 410
		1/91 →	MBLK2210	8	MP/36/2	19496	8	178	223	64	8x18 410
MK/SK-Series (25 to) 2538 (6x2)		3/91 →	MBLK2200	8	MP/32/2	19495	8	178	183	64	8x18 410
MK/SK-Series (25 to) 2538 S (6x2/4)		3/91 →	MBLK2190	8	MP/31/2	19494	8	178	163	64	8x18 410
		3/91 →	MBLK2210	8	MP/36/2	19496	8	178	223	64	8x18 410
MK/SK-Series (25 to) 2538 S, LS (6x2/4)		3/91 →	MBLK2200	8	MP/32/2	19495	8	178	183	64	8x18 410
		3/91 →	MBLK2200	8	MP/32/2	19495	8	178	183	64	8x18 410
		3/91 →	MBLK2210	8	MP/36/2	19496	8	178	223	64	8x18 410
MK/SK-Series (25 to) 2538, L (6x2)		3/91 →	MBLK2200	8	MP/32/2	19495	8	178	183	64	8x18 410
MK/SK-Series (25 to) 2538, L (6x4 / 6x2)		3/91 →	MBLK2190	8	MP/31/2	19494	8	178	163	64	8x18 410
		3/91 →	MBLK2210	8	MP/36/2	19496	8	178	223	64	8x18 410
MK/SK-Series (25 to) 2544, L, S (6x2)		1/92 →	MBLK2200	8	MP/32/2	19495	8	178	183	64	8x18 410
		1/92 →	MBLK2190	8	MP/31/2	19494	8	178	163	64	8x18 410
		1/92 →	MBLK2210	8	MP/36/2	19496	8	178	223	64	8x18 410
MK/SK-Series (25 to) 2550, L (6x2)		1/91 →	MBLK2200	8	MP/32/2	19495	8	178	183	64	8x18 410
		1/91 →	MBLK2190	8	MP/31/2	19494	8	178	163	64	8x18 410
		1/91 →	MBLK2210	8	MP/36/2	19496	8	178	223	64	8x18 410
MK/SK-Series (25 to) 2553, L (6x2)		1/96 →	MBLK2200	8	MP/32/2	19495	8	178	183	64	8x18 410
		1/96 →	MBLK2190	8	MP/31/2	19494	8	178	163	64	8x18 410
		1/96 →	MBLK2210	8	MP/36/2	19496	8	178	223	64	8x18 410
MK/SK-Series (26 to) 6X4 2629 B		7/88 - 8/94	MBLK2200	8	MP/32/2	19495	8	178	183	64	8x18 410
MK/SK-Series (26 to) 6X4 2629 K		7/88 - 8/94	MBLK2200	8	MP/32/2	19495	8	178	183	64	8x18 410
MK/SK-Series (26 to) 6X4 2629, S											
MK/SK-Series (26 to) 6X4 2631		6/92 →	MBLK2200	8	MP/32/2	19495	8	178	183	64	8x18 410
MK/SK-Series (26 to) 6X4 2631 S, B		6/92 →	MBLK2200	8	MP/32/2	19495	8	178	183	64	8x18 410
MK/SK-Series (26 to) 6X4 2635, S, K		7/88 - 8/94	MBLK2200	8	MP/32/2	19495	8	178	183	64	8x18 410
		7/88 - 8/94	MBLK2200	8	MP/32/2	19495	8	178	183	64	8x18 410
MK/SK-Series (26 to) 6X4 2638, S, K		9/91 →	MBLK2200	8	MP/32/2	19495	8	178	183	64	8x18 410
		9/91 →	MBLK2200	8	MP/32/2	19495	8	178	183	64	8x18 410
MK/SK-Series (26 to) 6X4 2644, S		1/92 →	MBLK2200	8	MP/32/2	19495	8	178	183	64	8x18 410
		1/92 →	MBLK2200	8	MP/32/2	19495	8	178	183	64	8x18 410
MK/SK-Series (26 to) 6X4 2648 S		12/88 - 7/92	MBLK2200	8	MP/32/2	19495	8	178	183	64	8x18 410
		12/88 - 7/92	MBLK2200	8	MP/32/2	19495	8	178	183	64	8x18 410
MK/SK-Series (26 to) 6X4 2650, S		7/92 →	MBLK2200	8	MP/32/2	19495	8	178	183	64	8x18 410
		7/92 →	MBLK2200	8	MP/32/2	19495	8	178	183	64	8x18 410
MK/SK-Series (26 to) 6X6 2629 A		7/88 - 8/94	MBLK2190	8	MP/31/2	19494	8	178	163	64	8x18 410
MK/SK-Series (26 to) 6X6 2629 AK		7/88 - 8/94	MBLK2200	8	MP/32/2	19495	8	178	183	64	8x18 410
MK/SK-Series (26 to) 6X6 2631 A		6/92 →	MBLK2190	8	MP/31/2	19494	8	178	163	64	8x18 410
MK/SK-Series (26 to) 6X6 2631 AK		6/92 →	MBLK2200	8	MP/32/2	19495	8	178	183	64	8x18 410
MK/SK-Series (26 to) 6X6 2631 AS											



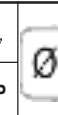
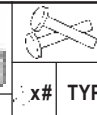
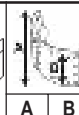
QTY



= X

BFMC

WVA



A

B














































x#

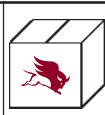
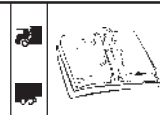
TYP

... MERCEDES

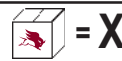


MK/SK-Series (26 to) 6X6 2635 A		2/90 - 8/94	MBLK2190	8	MP/31/2	19494	8	178	163	64	8x18	410
MK/SK-Series (26 to) 6X6 2635 AK		2/90 - 8/94	MBLK2200	8	MP/32/2	19495	8	178	183	64	8x18	410
MK/SK-Series (26 to) 6X6 2635 AS		2/90 →	MBLK2190	8	MP/31/2	19494	8	178	163	64	8x18	410
		2/90 →	MBLK2200	8	MP/32/2	19495	8	178	183	64	8x18	410
MK/SK-Series (26 to) 6X6 2638 AK		9/91 →	MBLK2190	8	MP/31/2	19494	8	178	163	64	8x18	410
		9/91 →	MBLK2200	8	MP/32/2	19495	8	178	183	64	8x18	410
MK/SK-Series (26 to) 6X6 2638 AS		7/92 →	MBLK2190	8	MP/31/2	19494	8	178	163	64	8x18	410
		7/92 →	MBLK2200	8	MP/32/2	19495	8	178	183	64	8x18	410
MK/SK-Series (26 to) 6X6 2929 AS		7/88 - 8/94	MBLK2190	8	MP/31/2	19494	8	178	163	64	8x18	410
		7/88 - 8/94	MBLK2200	8	MP/32/2	19495	8	178	183	64	8x18	410
MK/SK-Series (32 to) 3228 B, K (8x4/4)		1/89 →	MBLK2190	8	MP/31/2	19494	8	178	163	64	8x18	410
MK/SK-Series (32 to) 3236 A (6x6)		1/89 →	MBLK2190	8	MP/31/2	19494	8	178	163	64	8x18	410
MK/SK-Series (32 to) 3250 A (6x6)		1/89 →	MBLK2190	8	MP/31/2	19494	8	178	163	64	8x18	410
MK/SK-Series (32-35 to) 3229		9/89 - 8/94	MBLK2200	8	MP/32/2	19495	8	178	183	64	8x18	410
		9/89 - 8/94	MBLK2200	8	MP/32/2	19495	8	178	183	64	8x18	410
MK/SK-Series (32-35 to) 3229 K, B		9/89 - 7/92	MBLK2200	8	MP/32/2	19495	8	178	183	64	8x18	410
		9/89 - 7/92	MBLK2200	8	MP/32/2	19495	8	178	183	64	8x18	410
MK/SK-Series (32-35 to) 3233 K, B		10/90 - 7/92	MBLK2200	8	MP/32/2	19495	8	178	183	64	8x18	410
		10/90 - 7/92	MBLK2200	8	MP/32/2	19495	8	178	183	64	8x18	410
MK/SK-Series (32-35 to) 3234 K, B		2/92 →	MBLK2200	8	MP/32/2	19495	8	178	183	64	8x18	410
		2/92 →	MBLK2200	8	MP/32/2	19495	8	178	183	64	8x18	410
MK/SK-Series (32-35 to) 3235		10/88 - 7/92	MBLK2200	8	MP/32/2	19495	8	178	183	64	8x18	410
		10/88 - 7/92	MBLK2200	8	MP/32/2	19495	8	178	183	64	8x18	410
MK/SK-Series (32-35 to) 3235 K		7/87 - 7/92	MBLK2200	8	MP/32/2	19495	8	178	183	64	8x18	410
		7/87 - 7/92	MBLK2200	8	MP/32/2	19495	8	178	183	64	8x18	410
MK/SK-Series (32-35 to) 3238		10/90 →	MBLK2200	8	MP/32/2	19495	8	178	183	64	8x18	410
		10/90 →	MBLK2200	8	MP/32/2	19495	8	178	183	64	8x18	410
MK/SK-Series (32-35 to) 3253		1/96 →	MBLK2200	8	MP/32/2	19495	8	178	183	64	8x18	410
		1/96 →	MBLK2200	8	MP/32/2	19495	8	178	183	64	8x18	410
MK/SK-Series (32-35 to) 3534 K		10/93 →	MBLK2200	8	MP/32/2	19495	8	178	183	64	8x18	410
		10/93 →	MBLK2200	8	MP/32/2	19495	8	178	183	64	8x18	410
MK/SK-Series (32-35 to) 3535 AK		2/90 - 8/94	MBLK2200	8	MP/32/2	19495	8	178	183	64	8x18	410
		2/90 - 8/94	MBLK2200	8	MP/32/2	19495	8	178	183	64	8x18	410
MK/SK-Series (32-35 to) 3535 K, B		10/88 - 8/94	MBLK2200	8	MP/32/2	19495	8	178	183	64	8x18	410
		10/88 - 8/94	MBLK2200	8	MP/32/2	19495	8	178	183	64	8x18	410
MK/SK-Series (32-35 to) 3538 AK		3/91 →	MBLK2200	8	MP/32/2	19495	8	178	183	64	8x18	410
MK/SK-Series (32-35 to) 3538 K		3/91 →	MBLK2200	8	MP/32/2	19495	8	178	183	64	8x18	410
MK/SK-Series (32-35 to) 3550 S		3/92 →	MBLK2200	8	MP/32/2	19495	8	178	183	64	8x18	410
		3/92 →	MBLK2200	8	MP/32/2	19495	8	178	183	64	8x18	410
MK/SK-Series (32-38 to) 3250 AF (6x6)		1/89 →	MBLK2190	8	MP/31/2	19494	8	178	163	64	8x18	410
MK/SK-Series (32-38 to) 3850 A (6x6)		1/89 →	MBLK2200	8	MP/32/2	19495	8	178	183	64	8x18	410
MK/SK-Series (32-38 to) 3850 AS (6x6)												
MK-Series (14 to) 1417 A, AK		9/89 →	MBLK2190	8	MP/31/2	19494	8	178	163	64	8x18	410
		9/89 →	MBLK2190	8	MP/31/2	19494	8	178	163	64	8x18	410
MK-Series (14 to) 1417, K		7/89 →	MBLK2190	8	MP/31/2	19494	8	178	163	64	8x18	410
		7/89 →	MBLK2190	8	MP/31/2	19494	8	178	163	64	8x18	410
MK-Series (14 to) 1420, L, LS		2/90 →	MBLK2190	8	MP/31/2	19494	8	178	163	64	8x18	410
		2/90 →	MBLK2190	8	MP/31/2	19494	8	178	163	64	8x18	410
MK-Series (14 to) 1422		2/93 - 8/94	MBLK2190	8	MP/31/2	19494	8	178	163	64	8x18	410
		2/93 - 8/94	MBLK2190	8	MP/31/2	19494	8	178	163	64	8x18	410
MK-Series (14 to) 1422 F		2/93 - 8/94	MBLK2190	8	MP/31/2	19494	8	178	163	64	8x18	410
		7/89 - 9/93	MBLK2190	8	MP/31/2	19494	8	178	163	64	8x18	410
		2/93 - 8/94	MBLK2190	8	MP/31/2	19494	8	178	163	64	8x18	410
		7/89 - 9/93	MBLK2190	8	MP/31/2	19494	8	178	163	64	8x18	410
MK-Series (14 to) 1422 LS		2/93 - 8/94	MBLK2190	8	MP/31/2	19494	8	178	163	64	8x18	410
		2/93 - 8/94	MBLK2190	8	MP/31/2	19494	8	178	163	64	8x18	410

... MERCEDES												
... 												
MK-Series (14 to) 1422, L, S, LS		6/89 - 8/94	MBLK2190	8	MP/31/2	19494	8	178	163	64	8x18	410
		6/89 - 8/94	MBLK2190	8	MP/31/2	19494	8	178	163	64	8x18	410
MK-Series (14 to) 1424, L, S, LS		2/93 →	MBLK2190	8	MP/31/2	19494	8	178	163	64	8x18	410
		2/93 →	MBLK2190	8	MP/31/2	19494	8	178	163	64	8x18	410
MK-Series (14 to) 1426 S, LS		6/89 - 9/93	MBLK2190	8	MP/31/2	19494	8	178	163	64	8x18	410
		6/89 - 9/93	MBLK2190	8	MP/31/2	19494	8	178	163	64	8x18	410
MK-Series (14 to) 1427 F		2/93 →	MBLK2190	8	MP/31/2	19494	8	178	163	64	8x18	410
		2/93 →	MBLK2190	8	MP/31/2	19494	8	178	163	64	8x18	410
NG-Series (16 to) 1614, K		4/84 - 3/91	MBLK2190	8	MP/31/2	19494	8	178	163	64	8x18	410
		4/84 - 3/91	MBLK2190	8	MP/31/2	19494	8	178	163	64	8x18	410
NG-Series (16 to) 1617 C, CL, CS, CK, CAK		4/84 - 3/91	MBLK2190	8	MP/31/2	19494	8	178	163	64	8x18	410
NG-Series (16 to) 1617, C, S, K, L		1/89 - 12/91	MBLK2190	8	MP/31/2	19494	8	178	163	64	8x18	410
		1/89 - 12/91	MBLK2190	8	MP/31/2	19494	8	178	163	64	8x18	410
NG-Series (16 to) 1620, L		7/85 - 3/91	MBLK2190	8	MP/31/2	19494	8	178	163	64	8x18	410
		7/85 - 3/91	MBLK2190	8	MP/31/2	19494	8	178	163	64	8x18	410
NG-Series (16 to) 1622 S		5/82 - 3/91	MBLK2190	8	MP/31/2	19494	8	178	163	64	8x18	410
NG-Series (16 to) 1622, L		5/82 - 3/91	MBLK2190	8	MP/31/2	19494	8	178	163	64	8x18	410
NG-Series (16 to) 1636, L, S, LS		12/83 - 3/91	MBLK2190	8	MP/31/2	19494	8	178	163	64	8x18	410
		12/83 - 3/91	MBLK2190	8	MP/31/2	19494	8	178	163	64	8x18	410
		12/83 - 3/91	MBLK2200	8	MP/32/2	19495	8	178	183	64	8x18	410
NG-Series (16 to) 1922		10/81 - 10/90	MBLK2190	8	MP/31/2	19494	8	178	163	64	8x18	410
		10/81 - 10/90	MBLK2200	8	MP/32/2	19495	8	178	183	64	8x18	410
NG-Series (19 to) 1922 S, K, AK		10/81 - 3/91	MBLK2190	8	MP/31/2	19494	8	178	163	64	8x18	410
		10/81 - 3/91	MBLK2200	8	MP/32/2	19495	8	178	183	64	8x18	410
NG-Series (19 to) 1928 A, S, LS, AS, K, AK		1/80 - 3/91	MBLK2190	8	MP/31/2	19494	8	178	163	64	8x18	410
		1/80 - 3/91	MBLK2200	8	MP/32/2	19495	8	178	183	64	8x18	410
NG-Series (19 to) 1933, S, LS		11/80 - 3/91	MBLK2190	8	MP/31/2	19494	8	178	163	64	8x18	410
		11/80 - 3/91	MBLK2200	8	MP/32/2	19495	8	178	183	64	8x18	410
NG-Series (19 to) 1935 AK		9/87 - 3/91	MBLK2190	8	MP/31/2	19494	8	178	163	64	8x18	410
		9/87 - 3/91	MBLK2200	8	MP/32/2	19495	8	178	183	64	8x18	410
NG-Series (19 to) 1936, S, LS, AS, K, AK		10/81 - 3/91	MBLK2190	8	MP/31/2	19494	8	178	163	64	8x18	410
		10/81 - 3/91	MBLK2200	8	MP/32/2	19495	8	178	183	64	8x18	410
NG-Series (19 to) 1938, S, LS		11/80 - 6/90	MBLK2190	8	MP/31/2	19494	8	178	163	64	8x18	410
		11/80 - 6/90	MBLK2200	8	MP/32/2	19495	8	178	183	64	8x18	410
NG-Series (20 to) 2025 S		8/83 - 3/91	MBLK2190	8	MP/31/2	19494	8	178	163	64	8x18	410
		8/83 - 3/91	MBLK2200	8	MP/32/2	19495	8	178	183	64	8x18	410
NG-Series (20 to) 2028 A (6x6)		1/80 - 12/91	MBLK2190	8	MP/31/2	19494	8	178	163	64	8x18	410
		1/80 - 12/91	MBLK2190	8	MP/31/2	19494	8	178	163	64	8x18	410
NG-Series (20 to) 2036 LS		3/84 - 3/91	MBLK2190	8	MP/31/2	19494	8	178	163	64	8x18	410
		3/84 - 3/91	MBLK2200	8	MP/32/2	19495	8	178	183	64	8x18	410
NG-Series (22 to) 2220, L		7/85 - 3/91	MBLK2190	8	MP/31/2	19494	8	178	163	64	8x18	410
		7/85 - 3/91	MBLK2200	8	MP/32/2	19495	8	178	183	64	8x18	410
NG-Series (22 to) 2222 B, K		5/82 - 3/91	MBLK2190	8	MP/31/2	19494	8	178	163	64	8x18	410
NG-Series (22 to) 2222, L		5/82 - 3/91	MBLK2190	8	MP/31/2	19494	8	178	163	64	8x18	410
		5/82 - 3/91	MBLK2190	8	MP/31/2	19494	8	178	163	64	8x18	410
NG-Series (22 to) 2225		4/85 - 3/91	MBLK2190	8	MP/31/2	19494	8	178	163	64	8x18	410
NG-Series (22 to) 2225 B		8/83 - 3/91	MBLK2190	8	MP/31/2	19494	8	178	163	64	8x18	410
NG-Series (22 to) 2228, L		12/79 - 3/91	MBLK2190	8	MP/31/2	19494	8	178	163	64	8x18	410
		12/79 - 3/91	MBLK2190	8	MP/31/2	19494	8	178	163	64	8x18	410
		12/79 - 3/91	MBLK2200	8	MP/32/2	19495	8	178	183	64	8x18	410
NG-Series (22 to) 2228, S		12/79 - 3/91	MBLK2190	8	MP/31/2	19494	8	178	163	64	8x18	410
		12/79 - 3/91	MBLK2190	8	MP/31/2	19494	8	178	163	64	8x18	410
NG-Series (22 to) 2236		9/82 - 3/91	MBLK2190	8	MP/31/2	19494	8	178	163	64	8x18	410
		9/82 - 3/91	MBLK2190	8	MP/31/2	19494	8	178	163	64	8x18	410
		9/82 - 3/91	MBLK2200	8	MP/32/2	19495	8	178	183	64	8x18	410
NG-Series (22 to) 2236 S		12/84 - 3/91	MBLK2190	8	MP/31/2	19494	8	178	163	64	8x18	410
		12/84 - 3/91	MBLK2190	8	MP/31/2	19494	8	178	163	64	8x18	410

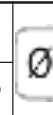
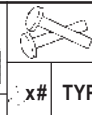


QTY



BFMC

WVA



A

B

x#

TYP

... MERCEDES


















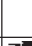
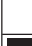












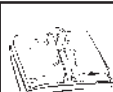
NG-Series (24 to) 2419, K (6x4)		1/75 →	MBLK2190	8	MP/31/2	19494	8	178	163	64	8x18	410
NG-Series (24 to) 2421, K (6x4)		1/82 →	MBLK2190	8	MP/31/2	19494	8	178	163	64	8x18	410
NG-Series (26 to) 2628 A, AS, AK		1/90 - 3/91	MBLK2190	8	MP/31/2	19494	8	178	163	64	8x18	410
		2/80 - 3/91	MBLK2190	8	MP/31/2	19494	8	178	163	64	8x18	410
		1/90 - 3/91	MBLK2190	8	MP/31/2	19494	8	178	163	64	8x18	410
		2/80 - 3/91	MBLK2190	8	MP/31/2	19494	8	178	163	64	8x18	410
NG-Series (26 to) 2632			MBLK2190	8	MP/31/2	19494	8	178	163	64	8x18	410
NG-Series (26 to) 2635 S, AS, AK		9/87 - 3/91	MBLK2190	8	MP/31/2	19494	8	178	163	64	8x18	410
		9/87 - 3/91	MBLK2190	8	MP/31/2	19494	8	178	163	64	8x18	410
NG-Series (26 to) 2635, S		4/86 - 3/91	MBLK2190	8	MP/31/2	19494	8	178	163	64	8x18	410
		4/86 - 3/91	MBLK2190	8	MP/31/2	19494	8	178	163	64	8x18	410
NG-Series (26 to) 2636 A		11/81 - 3/91	MBLK2190	8	MP/31/2	19494	8	178	163	64	8x18	410
NG-Series (26 to) 2636, S, K		11/81 - 3/91	MBLK2190	8	MP/31/2	19494	8	178	163	64	8x18	410
NG-Series (26 to) 2644 S		10/85 - 2/90	MBLK2190	8	MP/31/2	19494	8	178	163	64	8x18	410
		10/85 - 2/90	MBLK2190	8	MP/31/2	19494	8	178	163	64	8x18	410
NG-Series (26 to) 26936 AS, AK		11/81 - 3/91	MBLK2190	8	MP/31/2	19494	8	178	163	64	8x18	410
		11/81 - 3/91	MBLK2190	8	MP/31/2	19494	8	178	163	64	8x18	410
NG-Series (26 to) 2828, S, K		2/80 - 3/91	MBLK2190	8	MP/31/2	19494	8	178	163	64	8x18	410
		2/80 - 3/91	MBLK2190	8	MP/31/2	19494	8	178	163	64	8x18	410
NG-Series (30/32 to) 3038 S (6x4)		1/89 - 12/91	MBLK2200	8	MP/32/2	19495	8	178	183	64	8x18	410
		1/89 - 12/91	MBLK2200	8	MP/32/2	19495	8	178	183	64	8x18	410
NG-Series (30/32 to) 3228 B		7/87 - 3/91	MBLK2190	8	MP/31/2	19494	8	178	163	64	8x18	410
NG-Series (30/32 to) 3228 K		7/87 - 3/91	MBLK2190	8	MP/31/2	19494	8	178	163	64	8x18	410
		7/87 - 3/91	MBLK2190	8	MP/31/2	19494	8	178	163	64	8x18	410
NG-Series (30/32 to) 3229 B, K (8x4/4)		1/89 - 12/91	MBLK2190	8	MP/31/2	19494	8	178	163	64	8x18	410
NG-Series (30/32 to) 3235, K (8x4/4)		1/89 - 12/91	MBLK2190	8	MP/31/2	19494	8	178	163	64	8x18	410
NG-Series (30/32 to) 3236 A (8x8)												
NG-Series (30/32 to) 3250 A		9/85 - 8/94	MBLK2190	8	MP/31/2	19494	8	178	163	64	8x18	410
		9/85 - 8/94	MBLK2190	8	MP/31/2	19494	8	178	163	64	8x18	410
NG-Series (32 to) 3250 AF		9/85 - 8/94	MBLK2190	8	MP/31/2	19494	8	178	163	64	8x18	410
		9/85 - 8/94	MBLK2200	8	MP/32/2	19495	8	178	183	64	8x18	410
NG-Series (32/48 to) 3336 AK		9/86 - 11/91	MBLK2190	8	MP/31/2	19494	8	178	163	64	8x18	410
NG-Series (32/48 to) 3336, S, K		9/86 - 11/91	MBLK2190	8	MP/31/2	19494	8	178	163	64	8x18	410
NG-Series (32/48 to) 3528 B, K (8x4/4)		1/89 - 12/91	MBLK2190	8	MP/31/2	19494	8	178	163	64	8x18	410
		1/89 - 12/91	MBLK2190	8	MP/31/2	19494	8	178	163	64	8x18	410
NG-Series (35 to) 3535 AK		9/87 - 2/90	MBLK2200	8	MP/32/2	19495	8	178	183	64	8x18	410
		9/87 - 2/90	MBLK2200	8	MP/32/2	19495	8	178	183	64	8x18	410
NG-Series (35 to) 3850 A		9/85 - 8/94	MBLK2200	8	MP/32/2	19495	8	178	183	64	8x18	410
		9/85 - 8/94	MBLK2200	8	MP/32/2	19495	8	178	183	64	8x18	410
NG-Series (38 to) 3824 (6x4, 6x6)		1/84 →	MBLK2190	8	MP/31/2	19494	8	178	163	64	8x18	410
		1/84 →	MBLK2190	8	MP/31/2	19494	8	178	163	64	8x18	410

PEGASO



1061 A		1/87 →	MBLK2250	8	PD/3/1	19881	4	176	200	52	6x15	410
1063 A					PD/4/1	19879	4	176	200	52	6x15	410
1064 A												
1135		1/87 →	MBLK2260	8	PD/7/1	19877	4	178	160	52	6x15	410
				8	PD/8/1	19878	4	176	160	52	6x15	410
		1/87 →	MBLK2250	8	PD/3/1	19881	4	176	200	52	6x15	410
					PD/4/1	19879	4	176	200	52	6x15	410
2011 A		1/87 →	MBLK2250	8	PD/3/1	19881	4	176	200	52	6x15	410
					PD/4/1	19879	4	176	200	52	6x15	410

... PEGASO												
... 												
2135		1/87 →	MBLK2260	8	PD/7/1	19877	4	178	160	52	6x15	410
2180					PD/8/1	19878	4	176	160	52	6x15	410
2181		1/87 →	MBLK2250	8	PD/3/1	19881	4	176	200	52	6x15	410
2182					PD/4/1	19879	4	176	200	52	6x15	410
5030 L		1/87 →	MBLK2250	8	PD/3/1	19881	4	176	200	52	6x15	410
5074 A					PD/4/1	19879	4	176	200	52	6x15	410
5076 N												
5317 Minibus		1/87 →	MBLK2260	8	PD/7/1	19877	4	178	160	52	6x15	410
					PD/8/1	19878	4	176	160	52	6x15	410
		1/87 →	MBLK2260	8	PD/7/1	19877	4	178	160	52	6x15	410
					PD/8/1	19878	4	176	160	52	6x15	410
6038		1/87 →	MBLK2250	8	PD/3/1	19881	4	176	200	52	6x15	410
6420					PD/4/1	19879	4	176	200	52	6x15	410
												
1214.14		1/87 →	MBLK2260	8	PD/7/1	19877	4	178	160	52	6x15	410
1214.17					PD/8/1	19878	4	176	160	52	6x15	410
1217.17												
1217.20		1/87 →	MBLK2260	8	PD/7/1	19877	4	178	160	52	6x15	410
1223.20					PD/8/1	19878	4	176	160	52	6x15	410
1231 R		1/87 →	MBLK2250	8	PD/3/1	19881	4	176	200	52	6x15	410
1234 R					PD/4/1	19879	4	176	200	52	6x15	410
1323.26		1/87 →	MBLK2260	8	PD/7/1	19877	4	178	160	52	6x15	410
					PD/8/1	19878	4	176	160	52	6x15	410
		1/87 →	MBLK2250	8	PD/3/1	19881	4	176	200	52	6x15	410
					PD/4/1	19879	4	176	200	52	6x15	410
		1/87 →	MBLK2260	8	PD/7/1	19877	4	178	160	52	6x15	410
					PD/8/1	19878	4	176	160	52	6x15	410
1331.26		1/87 →	MBLK2260	8	PD/7/1	19877	4	178	160	52	6x15	410
1331.38 R					PD/8/1	19878	4	176	160	52	6x15	410
1343.38		1/87 →	MBLK2250	8	PD/3/1	19881	4	176	200	52	6x15	410
1436.38 G					PD/4/1	19879	4	176	200	52	6x15	410
2323.26 K		1/87 →	MBLK2250	8	PD/3/1	19881	4	176	200	52	6x15	410
2331.26 K					PD/4/1	19879	4	176	200	52	6x15	410
		1/87 →	MBLK2260	8	PD/7/1	19877	4	178	160	52	6x15	410
					PD/8/1	19878	4	176	160	52	6x15	410
2331.38 R		1/87 →	MBLK2260	8	PD/7/1	19877	4	178	160	52	6x15	410
2331.38 T					PD/8/1	19878	4	176	160	52	6x15	410
2334.38 T		1/87 →	MBLK2250	8	PD/3/1	19881	4	176	200	52	6x15	410
					PD/4/1	19879	4	176	200	52	6x15	410
2431.36 K		1/87 →	MBLK2250	8	PD/3/1	19881	4	176	200	52	6x15	410
2434.36 K					PD/4/1	19879	4	176	200	52	6x15	410
		1/87 →	MBLK2250	8	PD/3/1	19881	4	176	200	52	6x15	410
					PD/4/1	19879	4	176	200	52	6x15	410
		1/87 →	MBLK2260	8	PD/7/1	19877	4	178	160	52	6x15	410
					PD/8/1	19878	4	176	160	52	6x15	410
3060 D		1/87 →	MBLK1090	4	GG/92/1	19111	4	360	177	72	L9	394
3060 Turbo		1/87 →	MBLK1090	4	GG/92/1	19111	4	360	177	72	L9	394
Troner 1234.38 T		1/87 →	MBLK2250	8	PD/3/1	19881	4	176	200	52	6x15	410
Troner 1234.39 R					PD/4/1	19879	4	176	200	52	6x15	410
		1/87 →	MBLK2250	8	PD/3/1	19881	4	176	200	52	6x15	410
					PD/4/1	19879	4	176	200	52	6x15	410
Troner 1236.38 R		1/87 →	MBLK2260	8	PD/7/1	19877	4	178	160	52	6x15	410
Troner 1236.38 T					PD/8/1	19878	4	176	160	52	6x15	410
		1/87 →	MBLK2250	8	PD/3/1	19881	4	176	200	52	6x15	410
					PD/4/1	19879	4	176	200	52	6x15	410



QTY



= X

BFMC

WVA



A

B

x#

TYP

PERROT (WABCO)



325 x 97 mm			MBLK2220	4	MP/37/1	15817	2	301	97	24	8x20	325
			MBLK2220	4	MP/38/1	15823	2	251	97	20	8x20	325
360 x 170 mm			MBLK2240	4	MP/37/1	15817	2	301	97	24	8x20	325
			MBLK2240	4	MP/38/1	15823	2	251	97	20	8x20	325
410 x 220 mm			MBLK2230	8	PB/18/1	19847	4	196	220	48	10x17	410
			MBLK2230	8	PB/19/1	19848	4	196	220	48	10x17	410
410 x 220 mm			MBLK2230	8	PB/18/1	19847	4	196	220	48	10x17	410
			MBLK2230	8	PB/19/1	19848	4	196	220	48	10x17	410

























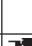







RENAULT TRUCK

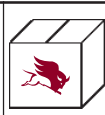
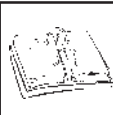


FR-Bus FR 1 - T 1 FR-Bus FR 1 - T 2 FR-Bus FR 1 - TX - GTX		5/84 - 12/92	MBLK2280	8	RN/101/1	19935	8	185	175	64	8x18	414
FR-Bus FR 1 GT 1 - GT2		5/84 - 12/92	MBLK2280	8	RN/101/1	19935	8	185	175	64	8x18	414
FR-Bus FR1		1/93 →	MBLK2280	8	RN/101/1	19935	8	185	175	64	8x18	414
PR-Bus PR 100.3		1/89 →	MBLK2270	8	RN/100/1	19934	8	185	150	64	8x18	414
		1/94 →	MBLK2280	8	RN/101/1	19935	8	185	175	64	8x18	414
		1/89 →	MBLK2270	8	RN/100/1	19934	8	185	150	64	8x18	414
		1/89 →	MBLK2280	8	RN/101/1	19935	8	185	175	64	8x18	414
PR-Bus PR 180.3		1/94 →	MBLK2280	8	RN/101/1	19935	8	185	175	64	8x18	414
Tracer Tracer		1/92 →	MBLK2280	8	RN/101/1	19935	8	185	175	64	8x18	414
		1/92 →	MBLK2280	8	RN/101/1	19935	8	185	175	64	8x18	414



C Series C 210.19		3/89 →	MBLK2270	8	RN/100/1	19934	8	185	150	64	8x18	414
		3/89 →	MBLK2280	8	RN/101/1	19935	8	185	175	64	8x18	414
C Series C 230 TI 19		6/88 →	MBLK2270	8	RN/100/1	19934	8	185	150	64	8x18	414
		6/88 →	MBLK2280	8	RN/101/1	19935	8	185	175	64	8x18	414
C Series C 260.19		3/89 →	MBLK2270	8	RN/100/1	19934	8	185	150	64	8x18	414
		6/88 →	MBLK2270	8	RN/100/1	19934	8	185	150	64	8x18	414
		6/88 →	MBLK2280	8	RN/101/1	19935	8	185	175	64	8x18	414
C Series C 280.19		3/89 →	MBLK2270	8	RN/100/1	19934	8	185	150	64	8x18	414
		3/89 →	MBLK2280	8	RN/101/1	19935	8	185	175	64	8x18	414
C Series C 290.19		6/88 →	MBLK2270	8	RN/100/1	19934	8	185	150	64	8x18	414
C Series C 300 PM		6/88 →	MBLK2280	8	RN/101/1	19935	8	185	175	64	8x18	414
C Series C 300.19												
C Series C 319												
C Series C 340 TI												
C Series CBH 280												
C Series CBH 320 (6x6)		6/88 →	MBLK2270	8	RN/100/1	19934	8	185	150	64	8x18	414
		→ 5/97	MBLK2280	8	RN/101/1	19935	8	185	175	64	8x18	414
		6/88 →	MBLK2280	8	RN/101/1	19935	8	185	175	64	8x18	414
		→ 5/97	MBLK2280	8	RN/101/1	19935	8	185	175	64	8x18	414
C Series CBH 340		6/88 →	MBLK2270	8	RN/100/1	19934	8	185	150	64	8x18	414
C Series CBH 350		6/88 →	MBLK2280	8	RN/101/1	19935	8	185	175	64	8x18	414
C Series CBH 380												
C Series CBH 385 (6x4)		→ 5/97	MBLK2280	8	RN/101/1	19935	8	185	175	64	8x18	414
		→ 5/97	MBLK2280	8	RN/101/1	19935	8	185	175	64	8x18	414

... RENAULT TRUCK											
... 											
C Series CBH 385 (6x6)		6/88 →	MBLK2270	8	RN/100/1	19934	8	185	150	64	8x18 414
C Series CCH 300		6/88 →	MBLK2280	8	RN/101/1	19935	8	185	175	64	8x18 414
C Series CCH 300.26											
C Series CLM 280											
C Series CLM 320											
C Series CLM 340											
C Series CLM 350											
C Series CLM 380											
C Series CLM 380 T											
C Series CLM 385											
C Series CLR 220		3/89 →	MBLK2270	8	RN/100/1	19934	8	185	150	64	8x18 414
		3/89 →	MBLK2280	8	RN/101/1	19935	8	185	175	64	8x18 414
Commando (Dodge) Series G 13		1/86 - 12/90	MBLK1080	4	GG/83/1	19072	4	363	152	48	L9 394
Commando (Dodge) Series G 15		1/86 - 12/90	MBLK1080	4	GG/83/1	19072	4	363	152	48	L9 394
Commando (Dodge) Series G 16		1/86 - 12/90	MBLK1090	4	GG/92/1	19111	4	360	177	72	L9 394
		1/86 - 12/90	MBLK1090	4	GG/92/1	19111	4	360	177	72	L9 394
Commando (Dodge) Series G 24		1/86 - 12/90	MBLK1090	4	GG/92/1	19111	4	360	177	72	L9 394
Commando (Dodge) Series G 26		1/86 - 12/90	MBLK1090	4	GG/92/1	19111	4	360	177	72	L9 394
		1/86 - 12/90	MBLK1090	4	GG/92/1	19111	4	360	177	72	L9 394
Kerax Series 260.18/B		6/97 →	MBLK2280	8	RN/101/1	19935	8	185	175	64	8x18 414
Kerax Series 300.18/B		6/97 →	MBLK2280	8	RN/101/1	19935	8	185	175	64	8x18 414
Kerax Series 300.26/A/B											
Kerax Series 340.18/B											
Kerax Series 340.26/A/B											
Kerax Series 340.32/A											
Kerax Series 385.18/B											
Kerax Series 385.18T											
Kerax Series 385.26/A/B/C											
Kerax Series 385.26/B											
Kerax Series 385.26T											
Kerax Series 385.32A/B/C											
Magnum/Series AE AE 380		1/90 - 12/92	MBLK2280	8	RN/101/1	19935	8	185	175	64	8x18 414
Magnum/Series AE AE 380.19 TD											
Magnum/Series AE AE 380.22 TD											
Magnum/Series AE AE 385 ti											
Magnum/Series AE AE 420 ti.26T		6/00 →	MBLK2270	8	RN/100/1	19934	8	185	150	64	8x18 414
Magnum/Series AE AE 430.26T		6/00 →	MBLK2280	8	RN/101/1	19935	8	185	175	64	8x18 414
Magnum/Series AE AE 470.26T											
Magnum/Series AE AE 50.22 TD		1/90 - 12/92	MBLK2280	8	RN/101/1	19935	8	185	175	64	8x18 414
Magnum/Series AE AE 500		1/90 - 12/92	MBLK2280	8	RN/101/1	19935	8	185	175	64	8x18 414
Magnum/Series AE AE 500.19 TD		1/90 - 12/92	MBLK2280	8	RN/101/1	19935	8	185	175	64	8x18 414
Magnum/Series AE AE 520.26T		6/00 →	MBLK2270	8	RN/100/1	19934	8	185	150	64	8x18 414
Magnum/Series AE AE 560.26T		6/00 →	MBLK2280	8	RN/101/1	19935	8	185	175	64	8x18 414
Major/Series G G 160		1/90 →	MBLK2280	8	RN/101/1	19935	8	185	175	64	8x18 414
		1/90 →	MBLK2280	8	RN/101/1	19935	8	185	175	64	8x18 414
Major/Series G G 170		4/86 - 10/88	MBLK2270	8	RN/100/1	19934	8	185	150	64	8x18 414
Major/Series G G 210.15/17 T		4/86 - 10/88	MBLK2270	8	RN/100/1	19934	8	185	150	64	8x18 414
Major/Series G G 230.15/17 T											
Major/Series G G 230.SPn Turbo											
Major/Series G G 260.15		→ 10/88	MBLK2270	8	RN/100/1	19934	8	185	150	64	8x18 414
Major/Series G G 260.17 Turbo		→ 10/88	MBLK2270	8	RN/100/1	19934	8	185	150	64	8x18 414
Major/Series G G 290.17											
Major/Series R R 310		9/84 →	MBLK2270	8	RN/100/1	19934	8	185	150	64	8x18 414
		9/84 →	MBLK2280	8	RN/101/1	19935	8	185	175	64	8x18 414
Major/Series R R 310.26 T (6x4)		9/84 →	MBLK2270	8	RN/100/1	19934	8	185	150	64	8x18 414
		9/84 →	MBLK2270	8	RN/100/1	19934	8	185	150	64	8x18 414



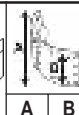
QTY



= X

BFMC

WVA



A

B

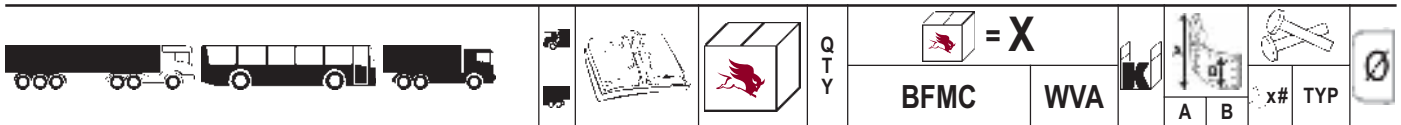
x#

TYP

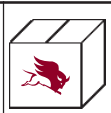
... RENAULT TRUCK



Major/Series R R 310.33 T (6x4)		9/84 →	MBLK2270	8	RN/100/1	19934	8	185	150	64	8x18	414
		9/84 →	MBLK2280	8	RN/101/1	19935	8	185	175	64	8x18	414
Major/Series R R 330		1/89 →	MBLK2270	8	RN/100/1	19934	8	185	150	64	8x18	414
		1/89 →	MBLK2280	8	RN/101/1	19935	8	185	175	64	8x18	414
Major/Series R R 340		1/86 →	MBLK2270	8	RN/100/1	19934	8	185	150	64	8x18	414
		1/86 →	MBLK2280	8	RN/101/1	19935	8	185	175	64	8x18	414
Major/Series R R 340 Ti		5/93 →	MBLK2280	8	RN/101/1	19935	8	185	175	64	8x18	414
		5/93 →	MBLK2280	8	RN/101/1	19935	8	185	175	64	8x18	414
Major/Series R R 340 Ti (Porteur 6x2)		1/90 - 10/93	MBLK2280	8	RN/101/1	19935	8	185	175	64	8x18	414
		11/93 →	MBLK2280	8	RN/101/1	19935	8	185	175	64	8x18	414
		1/90 - 10/93	MBLK2280	8	RN/101/1	19935	8	185	175	64	8x18	414
		11/93 →	MBLK2280	8	RN/101/1	19935	8	185	175	64	8x18	414
Major/Series R R 340 TI (Tracteur)		1/90 - 4/93	MBLK2270	8	RN/100/1	19934	8	185	150	64	8x18	414
		1/90 - 4/93	MBLK2280	8	RN/101/1	19935	8	185	175	64	8x18	414
Major/Series R R 340.26 T (6x4)		1/85 - 12/88	MBLK2270	8	RN/100/1	19934	8	185	150	64	8x18	414
		1/89 →	MBLK2270	8	RN/100/1	19934	8	185	150	64	8x18	414
		1/85 - 12/88	MBLK2270	8	RN/100/1	19934	8	185	150	64	8x18	414
		1/89 →	MBLK2280	8	RN/101/1	19935	8	185	175	64	8x18	414
Major/Series R R 340.33 T (6x4)		1/85 →	MBLK2270	8	RN/100/1	19934	8	185	150	64	8x18	414
		1/85 →	MBLK2280	8	RN/101/1	19935	8	185	175	64	8x18	414
Major/Series R R 350		1/90 →	MBLK2270	8	RN/100/1	19934	8	185	150	64	8x18	414
		1/90 →	MBLK2280	8	RN/101/1	19935	8	185	175	64	8x18	414
		1/90 →	MBLK2280	8	RN/101/1	19935	8	185	175	64	8x18	414
Major/Series R R 365		10/87 →	MBLK2270	8	RN/100/1	19934	8	185	150	64	8x18	414
		10/87 →	MBLK2280	8	RN/101/1	19935	8	185	175	64	8x18	414
Major/Series R R 365.26 T (6x4)		10/87 - 12/88	MBLK2270	8	RN/100/1	19934	8	185	150	64	8x18	414
		1/89 →	MBLK2270	8	RN/100/1	19934	8	185	150	64	8x18	414
		10/87 - 12/88	MBLK2270	8	RN/100/1	19934	8	185	150	64	8x18	414
		1/89 →	MBLK2280	8	RN/101/1	19935	8	185	175	64	8x18	414
Major/Series R R 365.33 T (6x4)		1/87 →	MBLK2270	8	RN/100/1	19934	8	185	150	64	8x18	414
		1/87 →	MBLK2280	8	RN/101/1	19935	8	185	175	64	8x18	414
Major/Series R R 370		9/84 →	MBLK2270	8	RN/100/1	19934	8	185	150	64	8x18	414
		9/84 →	MBLK2280	8	RN/101/1	19935	8	185	175	64	8x18	414
Major/Series R R 370.26 T (6x4)		9/84 →	MBLK2270	8	RN/100/1	19934	8	185	150	64	8x18	414
		9/84 →	MBLK2270	8	RN/100/1	19934	8	185	150	64	8x18	414
Major/Series R R 370.33 T (6x4)		9/84 →	MBLK2270	8	RN/100/1	19934	8	185	150	64	8x18	414
		9/84 →	MBLK2280	8	RN/101/1	19935	8	185	175	64	8x18	414
Major/Series R R 380		1/89 →	MBLK2270	8	RN/100/1	19934	8	185	150	64	8x18	414
		1/90 →	MBLK2280	8	RN/101/1	19935	8	185	175	64	8x18	414
		1/89 →	MBLK2280	8	RN/101/1	19935	8	185	175	64	8x18	414
		1/90 →	MBLK2280	8	RN/101/1	19935	8	185	175	64	8x18	414
Major/Series R R 380 (6x4)		1/90 →	MBLK2270	8	RN/100/1	19934	8	185	150	64	8x18	414
		1/90 →	MBLK2280	8	RN/101/1	19935	8	185	175	64	8x18	414
Major/Series R R 385 Ti		5/93 →	MBLK2280	8	RN/101/1	19935	8	185	175	64	8x18	414
		5/93 →	MBLK2280	8	RN/101/1	19935	8	185	175	64	8x18	414
Major/Series R R 385 TI (6x4)		1/90 - 10/93	MBLK2270	8	RN/100/1	19934	8	185	150	64	8x18	414
		11/93 →	MBLK2280	8	RN/101/1	19935	8	185	175	64	8x18	414
		1/90 - 10/93	MBLK2280	8	RN/101/1	19935	8	185	175	64	8x18	414
		11/93 →	MBLK2280	8	RN/101/1	19935	8	185	175	64	8x18	414
Major/Series R R 385 Ti (Porteur 6x2)		1/90 - 10/93	MBLK2280	8	RN/101/1	19935	8	185	175	64	8x18	414
		11/93 →	MBLK2280	8	RN/101/1	19935	8	185	175	64	8x18	414
		1/90 - 10/93	MBLK2280	8	RN/101/1	19935	8	185	175	64	8x18	414
		11/93 →	MBLK2280	8	RN/101/1	19935	8	185	175	64	8x18	414
Major/Series R R 385 TI (Tracteur)		1/90 - 4/93	MBLK2270	8	RN/100/1	19934	8	185	150	64	8x18	414
		1/90 - 4/93	MBLK2280	8	RN/101/1	19935	8	185	175	64	8x18	414



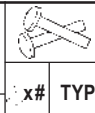
... RENAULT TRUCK												
...												
		10/85 →	MBLK2270	8	RN/100/1	19934	8	185	150	64	8x18	414
Major/Series R R 390		10/85 →	MBLK2270	8	RN/100/1	19934	8	185	150	64	8x18	414
		10/85 →	MBLK2280	8	RN/101/1	19935	8	185	175	64	8x18	414
Major/Series R R 390.26 T (6x4)		5/85 →	MBLK2270	8	RN/100/1	19934	8	185	150	64	8x18	414
		5/85 →	MBLK2270	8	RN/100/1	19934	8	185	150	64	8x18	414
Major/Series R R 390.33 T (6x4)		→ 5/85	MBLK2270	8	RN/100/1	19934	8	185	150	64	8x18	414
		→ 5/85	MBLK2280	8	RN/101/1	19935	8	185	175	64	8x18	414
Major/Series R R 420 (Porteur)		1/89 →	MBLK2270	8	RN/100/1	19934	8	185	150	64	8x18	414
		1/89 →	MBLK2280	8	RN/101/1	19935	8	185	175	64	8x18	414
Major/Series R R 420 (Tracteur)		1/89 - 12/92	MBLK2280	8	RN/101/1	19935	8	185	175	64	8x18	414
Major/Series R R 420 TI		1/90 - 4/93	MBLK2270	8	RN/100/1	19934	8	185	150	64	8x18	414
		5/93 →	MBLK2280	8	RN/101/1	19935	8	185	175	64	8x18	414
		1/90 - 4/93	MBLK2280	8	RN/101/1	19935	8	185	175	64	8x18	414
		5/93 →	MBLK2280	8	RN/101/1	19935	8	185	175	64	8x18	414
Major/Series R R 420.26 T (6x4)		1/88 - 12/88	MBLK2270	8	RN/100/1	19934	8	185	150	64	8x18	414
		→ 1/89	MBLK2270	8	RN/100/1	19934	8	185	150	64	8x18	414
		1/88 - 12/88	MBLK2270	8	RN/100/1	19934	8	185	150	64	8x18	414
		→ 1/89	MBLK2280	8	RN/101/1	19935	8	185	175	64	8x18	414
Major/Series R R 420.33 T (6x4)		→ 12/88	MBLK2270	8	RN/100/1	19934	8	185	150	64	8x18	414
		→ 12/88	MBLK2280	8	RN/101/1	19935	8	185	175	64	8x18	414
Manager/Series G G 170		10/88 →	MBLK2270	8	RN/100/1	19934	8	185	150	64	8x18	414
		10/88 →	MBLK2280	8	RN/101/1	19935	8	185	175	64	8x18	414
Manager/Series G G 200		→ 4/90	MBLK2270	8	RN/100/1	19934	8	185	150	64	8x18	414
		→ 4/90	MBLK2280	8	RN/101/1	19935	8	185	175	64	8x18	414
Manager/Series G G 200317/18		4/90 →	MBLK2280	8	RN/101/1	19935	8	185	175	64	8x18	414
		4/90 →	MBLK2280	8	RN/101/1	19935	8	185	175	64	8x18	414
Manager/Series G G 210 (17 to-)		10/88 →	MBLK2270	8	RN/100/1	19934	8	185	150	64	8x18	414
		10/88 →	MBLK2280	8	RN/101/1	19935	8	185	175	64	8x18	414
Manager/Series G G 210.19 Turbo		4/86 →	MBLK2270	8	RN/100/1	19934	8	185	150	64	8x18	414
		4/86 →	MBLK2280	8	RN/101/1	19935	8	185	175	64	8x18	414
Manager/Series G G 220.19 BOM		1/92 →	MBLK2280	8	RN/101/1	19935	8	185	175	64	8x18	414
		1/92 →	MBLK2280	8	RN/101/1	19935	8	185	175	64	8x18	414
Manager/Series G G 230 (17 to-)		10/88 →	MBLK2270	8	RN/100/1	19934	8	185	150	64	8x18	414
		10/88 →	MBLK2280	8	RN/101/1	19935	8	185	175	64	8x18	414
Manager/Series G G 230 Ti		→ 4/90	MBLK2270	8	RN/100/1	19934	8	185	150	64	8x18	414
		→ 4/90	MBLK2280	8	RN/101/1	19935	8	185	175	64	8x18	414
Manager/Series G G 230.17		4/90 →	MBLK2280	8	RN/101/1	19935	8	185	175	64	8x18	414
Manager/Series G G 230.18		4/90 →	MBLK2280	8	RN/101/1	19935	8	185	175	64	8x18	414
Manager/Series G G 230.19												
Manager/Series G G 230.19 Turbo		4/86 →	MBLK2270	8	RN/100/1	19934	8	185	150	64	8x18	414
		4/86 →	MBLK2280	8	RN/101/1	19935	8	185	175	64	8x18	414
Manager/Series G G 260 (17 to-)		10/88 →	MBLK2270	8	RN/100/1	19934	8	185	150	64	8x18	414
		10/88 →	MBLK2280	8	RN/101/1	19935	8	185	175	64	8x18	414
Manager/Series G G 260.19 (4x4) Turbo		7/86 →	MBLK2270	8	RN/100/1	19934	8	185	150	64	8x18	414
Manager/Series G G 260.24 (6x2) Turbo		7/86 →	MBLK2280	8	RN/101/1	19935	8	185	175	64	8x18	414
Manager/Series G G 260.26 (6x2) Turbo												
Manager/Series G G 270		1/94 →	MBLK2280	8	RN/101/1	19935	8	185	175	64	8x18	414
		1/94 →	MBLK2280	8	RN/101/1	19935	8	185	175	64	8x18	414
Manager/Series G G 280			MBLK2270	8	RN/100/1	19934	8	185	150	64	8x18	414
		→ 4/90	MBLK2270	8	RN/100/1	19934	8	185	150	64	8x18	414
			MBLK2280	8	RN/101/1	19935	8	185	175	64	8x18	414
		→ 4/90	MBLK2280	8	RN/101/1	19935	8	185	175	64	8x18	414
Manager/Series G G 280.17		4/90 →	MBLK2280	8	RN/101/1	19935	8	185	175	64	8x18	414
Manager/Series G G 280.18		4/90 →	MBLK2280	8	RN/101/1	19935	8	185	175	64	8x18	414
Manager/Series G G 280.19												
Manager/Series G G 290 (17 to-)		10/88 →	MBLK2270	8	RN/100/1	19934	8	185	150	64	8x18	414
		10/88 →	MBLK2280	8	RN/101/1	19935	8	185	175	64	8x18	414



QTY



= X



BFMC

WVA

A

B

x#

TYP

... RENAULT TRUCK



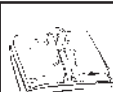
Manager/Series G G 290.19 A Turbo Intercooler			MBLK2270	8	RN/100/1	19934	8	185	150	64	8x18	414
			MBLK2280	8	RN/101/1	19935	8	185	175	64	8x18	414
Manager/Series G G 290.19 GT Turbo Intercooler		4/86 →	MBLK2270	8	RN/100/1	19934	8	185	150	64	8x18	414
Manager/Series G G 290.19 T Turbo Intercooler		4/86 →	MBLK2280	8	RN/101/1	19935	8	185	175	64	8x18	414
Manager/Series G G 290.19 Turbo Intercooler												
Manager/Series G G 290.24 (6x2)		7/87 →	MBLK2270	8	RN/100/1	19934	8	185	150	64	8x18	414
		7/87 →	MBLK2280	8	RN/101/1	19935	8	185	175	64	8x18	414
Manager/Series G G 290.26 (6x2, 6x4)			MBLK2270	8	RN/100/1	19934	8	185	150	64	8x18	414
			MBLK2280	8	RN/101/1	19935	8	185	175	64	8x18	414
Manager/Series G G 290.30		7/87 →	MBLK2270	8	RN/100/1	19934	8	185	150	64	8x18	414
		7/87 →	MBLK2280	8	RN/101/1	19935	8	185	175	64	8x18	414
Manager/Series G G 300			MBLK2270	8	RN/100/1	19934	8	185	150	64	8x18	414
		→ 4/90	MBLK2270	8	RN/100/1	19934	8	185	150	64	8x18	414
			MBLK2280	8	RN/101/1	19935	8	185	175	64	8x18	414
		→ 4/90	MBLK2280	8	RN/101/1	19935	8	185	175	64	8x18	414
Manager/Series G G 300.17		4/90 →	MBLK2280	8	RN/101/1	19935	8	185	175	64	8x18	414
Manager/Series G G 300.18		4/90 →	MBLK2280	8	RN/101/1	19935	8	185	175	64	8x18	414
Manager/Series G G 300.19												
Manager/Series G G 300.24												
Manager/Series G G 300.26												
Manager/Series G G 320.19 (6x2)		1/88 →	MBLK2270	8	RN/100/1	19934	8	185	150	64	8x18	414
Manager/Series G G 320.24 (6x2)		1/88 →	MBLK2280	8	RN/101/1	19935	8	185	175	64	8x18	414
Manager/Series G G 320.26 (6x2)												
Manager/Series G G 330		→ 4/90	MBLK2270	8	RN/100/1	19934	8	185	150	64	8x18	414
		→ 4/90	MBLK2280	8	RN/101/1	19935	8	185	175	64	8x18	414
Manager/Series G G 330.17		4/90 →	MBLK2280	8	RN/101/1	19935	8	185	175	64	8x18	414
Manager/Series G G 330.18		4/90 →	MBLK2280	8	RN/101/1	19935	8	185	175	64	8x18	414
Manager/Series G G 330.19												
Manager/Series G G 330.19 (6x2)		1/88 →	MBLK2270	8	RN/100/1	19934	8	185	150	64	8x18	414
Manager/Series G G 330.24 (6x2)		1/88 →	MBLK2280	8	RN/101/1	19935	8	185	175	64	8x18	414
Manager/Series G G 330.26 (6x2)												
Manager/Series G G 340 Ti		→ 4/90	MBLK2270	8	RN/100/1	19934	8	185	150	64	8x18	414
		→ 4/90	MBLK2280	8	RN/101/1	19935	8	185	175	64	8x18	414
Manager/Series G G 340.18		4/90 →	MBLK2280	8	RN/101/1	19935	8	185	175	64	8x18	414
		4/90 →	MBLK2280	8	RN/101/1	19935	8	185	175	64	8x18	414
Manager/Series G G 340.19 (6x2)		1/88 →	MBLK2270	8	RN/100/1	19934	8	185	150	64	8x18	414
Manager/Series G G 340.24 (6x2)		1/88 →	MBLK2280	8	RN/101/1	19935	8	185	175	64	8x18	414
Manager/Series G G 340.26 (6x2)												
Manager/Series G Turbo Intercooler												
Maxter/Series G G 230 ti		1/90 →	MBLK2280	8	RN/101/1	19935	8	185	175	64	8x18	414
Maxter/Series G G 235		1/90 →	MBLK2280	8	RN/101/1	19935	8	185	175	64	8x18	414
Maxter/Series G G 270												
Maxter/Series G G 280												
Maxter/Series G G 300												
Maxter/Series G G 340 ti												

... RENAULT TRUCK

...				QTY									
Midliner/Series M M 150.14		1/89 →	MBLK2270	8	RN/100/1	19934	8	185	150	64	8x18	414	
Midliner/Series M M 160.15		1/89 →	MBLK2270	8	RN/100/1	19934	8	185	150	64	8x18	414	
Midliner/Series M M 180.15		1/89 →	MBLK2280	8	RN/101/1	19935	8	185	175	64	8x18	414	
Midliner/Series M M 180.16													
Midliner/Series M M 200.15													
Midliner/Series M M 200.16													
Midliner/Series M M 210.14													
Midliner/Series M M 210.15													
Midliner/Series M M 210.16													
Midliner/Series M M 220.16													
Midliner/Series M M 230.15													
Midliner/Series M M 230.16													
Midliner/Series M M 250.15													
Midliner/Series M PA 160/180 Maroc (15/16 to)													

ROR

12.1/4 x 7"			MBLK1110	8	MQ/3/3	19783	4	148	178	48	L9	311	
					MQ/4/3	19784	4	148	178	48	L9	311	
12.1/4 x 7.1/2"			BLKAR	8	RW/9/2	19604	4	126	190	40	L10	311	
					RW/13/2	19605	4	158	190	40	L10	311	
16.1/2 x 7"			BLKQ+R	8	RW/34/1	19030	4	189	177	48	L9	419	
					RW/35/1	19033	4	195	177	48	L9	419	
			BLKQR	8	IL/66/3	19036	4	189	178	48	L10	419	
					IL/67/3	19037	4	194	178	48	L10	419	
16.1/2 x 8"			MBLK1120		RW/1/3	19366	4	189	203	64	L9	419	
					RW/2/5	19365	4	194	203	64	L9	419	
16.1/2 x 8.5/8"			BLKZR	8	FU/5/3	19369	4	194	219	48	L10	419	
					FU/4/3	19370	4	189	219	48	L10	419	
311 x 177.8 mm			MBLK1110	8	MQ/3/3	19783	4	148	178	48	L9	311	
					MQ/4/3	19784	4	148	178	48	L9	311	
311 x 190.5 mm			BLKAR	8	RW/9/2	19604	4	126	190	40	L10	311	
					RW/13/2	19605	4	158	190	40	L10	311	
350 x 200 mm			BLKBR	8	RW/21/1	19908	4	151	200	40	L10	350	
					RW/22/1	19909	4	151	200	40	L10	350	
381 x 177.88 mm			MBLK1050	8	CW/4/2	19384	8	189	177	96	L9	381	
419 x 178 mm			BLKQR	8	IL/66/3	19036	4	189	178	48	L10	419	
					IL/67/3	19037	4	194	178	48	L10	419	
419 x 178 mm Type Q			BLKQ+R	8	RW/34/1	19030	4	189	177	48	L9	419	
					RW/35/1	19033	4	195	177	48	L9	419	
419 x 203 mm			MBLK1120		RW/1/3	19366	4	189	203	64	L9	419	
					RW/2/5	19365	4	194	203	64	L9	419	
419 x 219 mm			BLKZR	8	FU/5/3	19369	4	194	219	48	L10	419	
					FU/4/3	19370	4	189	219	48	L10	419	
LM new brake Q plus LM-Axle			BLKQ+R	8	RW/34/1	19030	4	189	177	48	L9	419	
					RW/35/1	19033	4	195	177	48	L9	419	
			BLKQR	8	IL/66/3	19036	4	189	178	48	L10	419	
					IL/67/3	19037	4	194	178	48	L10	419	
		6/97 →	BLKQR	8	IL/66/3	19036	4	189	178	48	L10	419	
					IL/67/3	19037	4	194	178	48	L10	419	
S- Nockenbremse			MBLK1110	8	MQ/3/3	19783	4	148	178	48	L9	311	
					MQ/4/3	19784	4	148	178	48	L9	311	
Type AC Type AC			BLKAR	8	RW/9/2	19604	4	126	190	40	L10	311	
					RW/13/2	19605	4	158	190	40	L10	311	
Type B Type B			BLKBR	8	RW/21/1	19908	4	151	200	40	L10	350	
					RW/22/1	19909	4	151	200	40	L10	350	



QTY



BFMC

WVA



A

B

x#

TYP

SAF



300 x 200 mm			MBLK2300	8	SJ/23/1	19515	4	129	200	32	8x18	300
			MBLK2300		SJ/22/1	19516	4	131	200	32	8X18	300
355 x 200 mm			MBLK2310	8	SJ/26/1	19892	4	159	200	40	8x18	355
					SJ/27/1	19893	4	169	200	40	8x18	355
491 203.2mm			MBLK2500	8	FT/6/1	19606	4	189	203	64	5x15	419
					FT/7/1	19557	4	194	203	64	5x15	419

SCANIA



Bus BR 111 DH		1/74 →	MBLK2330	8	SV/34/1	19647	8	192	254	96	L12	413
Bus BR 112		1/79 →	MBLK2330	8	SV/34/1	19647	8	192	254	96	L12	413
Bus BR 112 A			MBLK2320	8	SV/8/1	19075	8	195	178	96	L12	413
Bus BR 116		1/78 →	MBLK2330	8	SV/34/1	19647	8	192	254	96	L12	413
Bus BR 86		1/79 →	MBLK2330	8	SV/34/1	19647	8	192	254	96	L12	413
Bus CN 112		8/88 →	MBLK2350	8	SV/40/2	19931	8	235	178	64	6.65x18	413
		8/88 →	MBLK2370	4	SV/42/2	19933	4	235	254	64	6.65x18	413
Bus CR 111 M		1/75 →	MBLK2330	8	SV/34/1	19647	8	192	254	96	L12	413
Bus CR 112		8/88 →	MBLK2350	8	SV/40/2	19931	8	235	178	64	6.65x18	413
		8/88 →	MBLK2370	4	SV/42/2	19933	4	235	254	64	6.65x18	413
Bus K 113 DRB, TRS		1/88 →	MBLK2350	8	SV/40/2	19931	8	235	178	64	6.65x18	413
		1/88 →	MBLK2370	4	SV/42/2	19933	4	235	254	64	6.65x18	413
Bus K 82		1/82 →	MBLK2320	8	SV/8/1	19075	8	195	178	96	L12	413
		1/82 →	MBLK2330	8	SV/34/1	19647	8	192	254	96	L12	413
Bus K 93 CRB		1/88 →	MBLK2350	8	SV/40/2	19931	8	235	178	64	6.65x18	413
		1/88 →	MBLK2370	4	SV/42/2	19933	4	235	254	64	6.65x18	413
Bus N 112 CLB		8/88 →	MBLK2350	8	SV/40/2	19931	8	235	178	64	6.65x18	413
		8/88 →	MBLK2370	4	SV/42/2	19933	4	235	254	64	6.65x18	413
Bus N 113 CRB, DRB		1/88 →	MBLK2350	8	SV/40/2	19931	8	235	178	64	6.65x18	413
		1/88 →	MBLK2370	4	SV/42/2	19933	4	235	254	64	6.65x18	413
Gelenkbus N 112 AL		8/88 →	MBLK2350	8	SV/40/2	19931	8	235	178	64	6.65x18	413
		8/88 →	MBLK2360	8	SV/41/2	19932	8	235	203	64	6.65x18	413
		8/88 →	MBLK2370	4	SV/42/2	19933	4	235	254	64	6.65x18	413

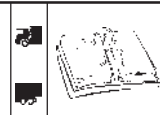


413 x 127 mm			MBLK2320	8	SV/8/1	19075	8	195	178	96	L12	413
			MBLK2340	4	SV/39/2	17991	4	235	127	32	6.65x18	413
			MBLK2350	8	SV/40/2	19931	8	235	178	64	6.65x18	413
413 x 203 mm			MBLK2360	8	SV/41/2	19932	8	235	203	64	6.65x18	413
413 x 254 mm			MBLK2370	4	SV/42/2	19933	4	235	254	64	6.65x18	413

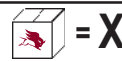


Baureihe 4 (Type Series 4) 114 C/340		5/96 →	MBLK2350	8	SV/40/2	19931	8	235	178	64	6.65x18	413
		5/96 →	MBLK2360	8	SV/41/2	19932	8	235	203	64	6.65x18	413
		5/96 →	MBLK2340	4	SV/39/2	17991	4	235	127	32	6.65x18	413
		5/96 →	MBLK2360	8	SV/41/2	19932	8	235	203	64	6.65x18	413
		5/96 →	MBLK2370	4	SV/42/2	19933	4	235	254	64	6.65x18	413
Baureihe 4 (Type Series 4) 114 C/380		3/98 →	MBLK2350	8	SV/40/2	19931	8	235	178	64	6.65x18	413
		3/98 →	MBLK2360	8	SV/41/2	19932	8	235	203	64	6.65x18	413
		3/98 →	MBLK2340	4	SV/39/2	17991	4	235	127	32	6.65x18	413
		3/98 →	MBLK2360	8	SV/41/2	19932	8	235	203	64	6.65x18	413
		3/98 →	MBLK2370	4	SV/42/2	19933	4	235	254	64	6.65x18	413
Baureihe 4 (Type Series 4) 114 G/340		5/96 →	MBLK2350	8	SV/40/2	19931	8	235	178	64	6.65x18	413
		5/96 →	MBLK2360	8	SV/41/2	19932	8	235	203	64	6.65x18	413
		5/96 →	MBLK2340	4	SV/39/2	17991	4	235	127	32	6.65x18	413
		5/96 →	MBLK2360	8	SV/41/2	19932	8	235	203	64	6.65x18	413
		5/96 →	MBLK2370	4	SV/42/2	19933	4	235	254	64	6.65x18	413

... SCANIA												
...												
Baureihe 4 (Type Series 4) 114 G/380		3/98 →	MBLK2350	8	SVI40/2	19931	8	235	178	64	6.65x18	413
		3/98 →	MBLK2360	8	SVI41/2	19932	8	235	203	64	6.65x18	413
		3/98 →	MBLK2340	4	SVI39/2	17991	4	235	127	32	6.65x18	413
		3/98 →	MBLK2360	8	SVI41/2	19932	8	235	203	64	6.65x18	413
		3/98 →	MBLK2370	4	SVI42/2	19933	4	235	254	64	6.65x18	413
Baureihe 4 (Type Series 4) 114 L/340		5/96 →	MBLK2350	8	SVI40/2	19931	8	235	178	64	6.65x18	413
		5/96 →	MBLK2360	8	SVI41/2	19932	8	235	203	64	6.65x18	413
		5/96 →	MBLK2340	4	SVI39/2	17991	4	235	127	32	6.65x18	413
		5/96 →	MBLK2360	8	SVI41/2	19932	8	235	203	64	6.65x18	413
		5/96 →	MBLK2370	4	SVI42/2	19933	4	235	254	64	6.65x18	413
Baureihe 4 (Type Series 4) 114 L/380		3/98 →	MBLK2350	8	SVI40/2	19931	8	235	178	64	6.65x18	413
		3/98 →	MBLK2360	8	SVI41/2	19932	8	235	203	64	6.65x18	413
		3/98 →	MBLK2340	4	SVI39/2	17991	4	235	127	32	6.65x18	413
		3/98 →	MBLK2360	8	SVI41/2	19932	8	235	203	64	6.65x18	413
		3/98 →	MBLK2370	4	SVI42/2	19933	4	235	254	64	6.65x18	413
Baureihe 4 (Type Series 4) 124 C/360 Baureihe 4 (Type Series 4) 124 C/400		9/96 →	MBLK2350	8	SVI40/2	19931	8	235	178	64	6.65x18	413
		9/96 →	MBLK2360	8	SVI41/2	19932	8	235	203	64	6.65x18	413
		9/96 →	MBLK2340	4	SVI39/2	17991	4	235	127	32	6.65x18	413
		9/96 →	MBLK2360	8	SVI41/2	19932	8	235	203	64	6.65x18	413
		9/96 →	MBLK2370	4	SVI42/2	19933	4	235	254	64	6.65x18	413
Baureihe 4 (Type Series 4) 124 G/360 Baureihe 4 (Type Series 4) 124 G/400		5/96 →	MBLK2350	8	SVI40/2	19931	8	235	178	64	6.65x18	413
		5/96 →	MBLK2360	8	SVI41/2	19932	8	235	203	64	6.65x18	413
		5/96 →	MBLK2340	4	SVI39/2	17991	4	235	127	32	6.65x18	413
		5/96 →	MBLK2360	8	SVI41/2	19932	8	235	203	64	6.65x18	413
		5/96 →	MBLK2370	4	SVI42/2	19933	4	235	254	64	6.65x18	413
Baureihe 4 (Type Series 4) 124 L/360 Baureihe 4 (Type Series 4) 124 L/400		9/96 →	MBLK2350	8	SVI40/2	19931	8	235	178	64	6.65x18	413
		9/96 →	MBLK2360	8	SVI41/2	19932	8	235	203	64	6.65x18	413
		9/96 →	MBLK2340	4	SVI39/2	17991	4	235	127	32	6.65x18	413
		9/96 →	MBLK2360	8	SVI41/2	19932	8	235	203	64	6.65x18	413
		9/96 →	MBLK2370	4	SVI42/2	19933	4	235	254	64	6.65x18	413
Baureihe 4 (Type Series 4) 124 L/420		9/97 →	MBLK2350	8	SVI40/2	19931	8	235	178	64	6.65x18	413
		9/97 →	MBLK2360	8	SVI41/2	19932	8	235	203	64	6.65x18	413
		9/97 →	MBLK2340	4	SVI39/2	17991	4	235	127	32	6.65x18	413
		9/97 →	MBLK2360	8	SVI41/2	19932	8	235	203	64	6.65x18	413
		9/97 →	MBLK2370	4	SVI42/2	19933	4	235	254	64	6.65x18	413
Baureihe 4 (Type Series 4) 144 C/460 Baureihe 4 (Type Series 4) 144 C/530		9/96 →	MBLK2350	8	SVI40/2	19931	8	235	178	64	6.65x18	413
		9/96 →	MBLK2360	8	SVI41/2	19932	8	235	203	64	6.65x18	413
		9/96 →	MBLK2340	4	SVI39/2	17991	4	235	127	32	6.65x18	413
		9/96 →	MBLK2360	8	SVI41/2	19932	8	235	203	64	6.65x18	413
		9/96 →	MBLK2370	4	SVI42/2	19933	4	235	254	64	6.65x18	413
Baureihe 4 (Type Series 4) 144 G/460 Baureihe 4 (Type Series 4) 144 G/530		4/96 →	MBLK2350	8	SVI40/2	19931	8	235	178	64	6.65x18	413
		4/96 →	MBLK2360	8	SVI41/2	19932	8	235	203	64	6.65x18	413
		4/96 →	MBLK2340	4	SVI39/2	17991	4	235	127	32	6.65x18	413
		4/96 →	MBLK2360	8	SVI41/2	19932	8	235	203	64	6.65x18	413
		4/96 →	MBLK2370	4	SVI42/2	19933	4	235	254	64	6.65x18	413
Baureihe 4 (Type Series 4) 144 L/460 Baureihe 4 (Type Series 4) 144 L/530		11/95 →	MBLK2350	8	SVI40/2	19931	8	235	178	64	6.65x18	413
		11/95 →	MBLK2360	8	SVI41/2	19932	8	235	203	64	6.65x18	413
		11/95 →	MBLK2340	4	SVI39/2	17991	4	235	127	32	6.65x18	413
		11/95 →	MBLK2360	8	SVI41/2	19932	8	235	203	64	6.65x18	413
		11/95 →	MBLK2370	4	SVI42/2	19933	4	235	254	64	6.65x18	413
Baureihe 4 (Type Series 4) 94 C/260		12/96 →	MBLK2350	8	SVI40/2	19931	8	235	178	64	6.65x18	413
		12/96 →	MBLK2360	8	SVI41/2	19932	8	235	203	64	6.65x18	413
		12/96 →	MBLK2340	4	SVI39/2	17991	4	235	127	32	6.65x18	413
		12/96 →	MBLK2360	8	SVI41/2	19932	8	235	203	64	6.65x18	413
		12/96 →	MBLK2370	4	SVI42/2	19933	4	235	254	64	6.65x18	413



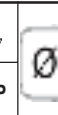
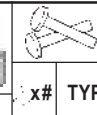
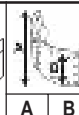
QTY



= X

BFMC

WVA



A

B

x#

TYP

... SCANIA



Baureihe 4 (Type Series 4) 94 C/310		8/96 →	MBLK2350	8	SV/40/2	19931	8	235	178	64	6.65x18	413
Baureihe 4 (Type Series 4) 94 D/220		8/96 →	MBLK2360	8	SV/41/2	19932	8	235	203	64	6.65x18	413
Baureihe 4 (Type Series 4) 94 D/260		8/96 →	MBLK2340	4	SV/39/2	17991	4	235	127	32	6.65x18	413
		8/96 →	MBLK2360	8	SV/41/2	19932	8	235	203	64	6.65x18	413
		8/96 →	MBLK2370	4	SV/42/2	19933	4	235	254	64	6.65x18	413
Baureihe 4 (Type Series 4) 94 D/310		12/96 →	MBLK2350	8	SV/40/2	19931	8	235	178	64	6.65x18	413
		12/96 →	MBLK2360	8	SV/41/2	19932	8	235	203	64	6.65x18	413
		12/96 →	MBLK2340	4	SV/39/2	17991	4	235	127	32	6.65x18	413
		12/96 →	MBLK2360	8	SV/41/2	19932	8	235	203	64	6.65x18	413
		12/96 →	MBLK2370	4	SV/42/2	19933	4	235	254	64	6.65x18	413
Baureihe 4 (Type Series 4) 94 G/220		8/96 →	MBLK2350	8	SV/40/2	19931	8	235	178	64	6.65x18	413
Baureihe 4 (Type Series 4) 94 G/260		8/96 →	MBLK2360	8	SV/41/2	19932	8	235	203	64	6.65x18	413
Baureihe 4 (Type Series 4) 94 G/310		8/96 →	MBLK2340	4	SV/39/2	17991	4	235	127	32	6.65x18	413
Baureihe 4 (Type Series 4) 94 L/310		8/96 →	MBLK2360	8	SV/41/2	19932	8	235	203	64	6.65x18	413
		8/96 →	MBLK2370	4	SV/42/2	19933	4	235	254	64	6.65x18	413
Baureihe 4 (Type Series 4) T 114 G/340		5/96 →	MBLK2350	8	SV/40/2	19931	8	235	178	64	6.65x18	413
Baureihe 4 (Type Series 4) T 114 L/340		5/96 →	MBLK2360	8	SV/41/2	19932	8	235	203	64	6.65x18	413
		5/96 →	MBLK2340	4	SV/39/2	17991	4	235	127	32	6.65x18	413
		5/96 →	MBLK2360	8	SV/41/2	19932	8	235	203	64	6.65x18	413
		5/96 →	MBLK2370	4	SV/42/2	19933	4	235	254	64	6.65x18	413
Baureihe 4 (Type Series 4) T 124 G/360		3/97 →	MBLK2350	8	SV/40/2	19931	8	235	178	64	6.65x18	413
Baureihe 4 (Type Series 4) T 124 G/400		3/97 →	MBLK2360	8	SV/41/2	19932	8	235	203	64	6.65x18	413
Baureihe 4 (Type Series 4) T 124 G/460		3/97 →	MBLK2340	4	SV/39/2	17991	4	235	127	32	6.65x18	413
		3/97 →	MBLK2360	8	SV/41/2	19932	8	235	203	64	6.65x18	413
		3/97 →	MBLK2370	4	SV/42/2	19933	4	235	254	64	6.65x18	413
Baureihe 4 (Type Series 4) T 124 L/360		2/97 →	MBLK2350	8	SV/40/2	19931	8	235	178	64	6.65x18	413
Baureihe 4 (Type Series 4) T 124 L/400		2/97 →	MBLK2360	8	SV/41/2	19932	8	235	203	64	6.65x18	413
		2/97 →	MBLK2340	4	SV/39/2	17991	4	235	127	32	6.65x18	413
		2/97 →	MBLK2360	8	SV/41/2	19932	8	235	203	64	6.65x18	413
		2/97 →	MBLK2370	4	SV/42/2	19933	4	235	254	64	6.65x18	413
Baureihe 4 (Type Series 4) T 144 G/530		3/97 →	MBLK2350	8	SV/40/2	19931	8	235	178	64	6.65x18	413
Baureihe 4 (Type Series 4) T 144 L/460		3/97 →	MBLK2360	8	SV/41/2	19932	8	235	203	64	6.65x18	413
Baureihe 4 (Type Series 4) T 144 L/530		3/97 →	MBLK2340	4	SV/39/2	17991	4	235	127	32	6.65x18	413
		3/97 →	MBLK2360	8	SV/41/2	19932	8	235	203	64	6.65x18	413
		3/97 →	MBLK2370	4	SV/42/2	19933	4	235	254	64	6.65x18	413
G, P, R, T-Series 113 E, H, M		1/88 →	MBLK2340	4	SV/39/2	17991	4	235	127	32	6.65x18	413
G, P, R, T-Series 143 E, H, M		1/88 →	MBLK2350	8	SV/40/2	19931	8	235	178	64	6.65x18	413
G, P, R, T-Series 93 E, H, M		1/88 →	MBLK2360	8	SV/41/2	19932	8	235	203	64	6.65x18	413
		1/88 →	MBLK2370	4	SV/42/2	19933	4	235	254	64	6.65x18	413
G, P, R, T-Series R 143 MA Intercooler		1/83 →	MBLK2320	8	SV/8/1	19075	8	195	178	96	L12	413

SEDDON ATKINSON














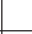
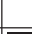




394 x 152 mm			MBLK1080	4	GG/83/1	19072	4	363	152	48	L9	394
394 x 177 mm			MBLK1090	4	GG/92/1	19111	4	360	177	72	L9	394
410 x 200 mm			MBLK1190	8	VL/88/2	19071	8	178	200	112	L10	410

SETRA




Bus S 140		1/83 →	MBLK2230	8	PB/18/1	19847	4	196	220	48	10x17	410
					PB/19/1	19848	4	196	220	48	10x17	410
Bus S 211		1/83 - 12/89	MBLK2230	8	PB/18/1	19847	4	196	220	48	10x17	410
					PB/19/1	19848	4	196	220	48	10x17	410
		1/89 →	MBLK2230	8	PB/18/1	19847	4	196	220	48	10x17	410
					PB/19/1	19848	4	196	220	48	10x17	410
Bus S 212 HUE		1/83 - 12/89	MBLK2230	8	PB/18/1	19847	4	196	220	48	10x17	410
					PB/19/1	19848	4	196	220	48	10x17	410



... SETRA

		QTY	= X		A		B		x#	TYP		
Bus S 213		1/83 - 12/89	MBLK2230	8	PB/18/1	19847	4	196	220	48	10x17	410
Bus S 214					PB/19/1	19848	4	196	220	48	10x17	410
Bus S 215		1/89 →	MBLK2230	8	PB/18/1	19847	4	196	220	48	10x17	410
					PB/19/1	19848	4	196	220	48	10x17	410
Bus S 215 HDS		1/89 →	MBLK2230	8	PB/18/1	19847	4	196	220	48	10x17	410
					PB/19/1	19848	4	196	220	48	10x17	410
Bus S 215 NR		1/91 →	MBLK2230	8	PB/18/1	19847	4	196	220	48	10x17	410
					PB/19/1	19848	4	196	220	48	10x17	410
Bus S 215 UL, SL		1/83 - 12/89	MBLK2230	8	PB/18/1	19847	4	196	220	48	10x17	410
					PB/19/1	19848	4	196	220	48	10x17	410
Bus S 216 HDS		1/89 →	MBLK2230	8	PB/18/1	19847	4	196	220	48	10x17	410
					PB/19/1	19848	4	196	220	48	10x17	410
		9/83 - 12/89	MBLK2230	8	PB/18/1	19847	4	196	220	48	10x17	410
					PB/19/1	19848	4	196	220	48	10x17	410
Bus S 216 HDSI		1/89 →	MBLK2230	8	PB/18/1	19847	4	196	220	48	10x17	410
					PB/19/1	19848	4	196	220	48	10x17	410
Bus S 228 DT		1/84 →	MBLK2230	8	PB/18/1	19847	4	196	220	48	10x17	410
					PB/19/1	19848	4	196	220	48	10x17	410
Bus S 300 N		1/89 →	MBLK2230	8	PB/18/1	19847	4	196	220	48	10x17	410
					PB/19/1	19848	4	196	220	48	10x17	410
Bus SG 219 SL		1/84 →	MBLK2230	8	PB/18/1	19847	4	196	220	48	10x17	410
Bus SG 221 UL					PB/19/1	19848	4	196	220	48	10x17	410
ComfortClass (Series 300) S 309 HD		1/91 →	MBLK2230	8	PB/18/1	19847	4	196	220	48	10x17	410
ComfortClass (Series 300) S 312 HD					PB/19/1	19848	4	196	220	48	10x17	410
ComfortClass (Series 300) S 315 GT			MBLK2230	8	PB/18/1	19847	4	196	220	48	10x17	410
ComfortClass (Series 300) S 315 GT-HD					PB/19/1	19848	4	196	220	48	10x17	410
ComfortClass (Series 300) S 315 HD		1/91 →	MBLK2230	8	PB/18/1	19847	4	196	220	48	10x17	410
ComfortClass (Series 300) S 315 HDH					PB/19/1	19848	4	196	220	48	10x17	410
ComfortClass (Series 300) S 315 HDH-3			MBLK2230	8	PB/18/1	19847	4	196	220	48	10x17	410
ComfortClass (Series 300) S 316 HDS					PB/19/1	19848	4	196	220	48	10x17	410
ComfortClass (Series 300) S 317 GT-HD												
ComfortClass (Series 300) S 317 HDH-3												
ComfortClass (Series 300) S 319 GT-HD												
MultiClass (Series300) S 313 UL		1/91 →	MBLK2230	8	PB/18/1	19847	4	196	220	48	10x17	410
MultiClass (Series300) S 315 H				8	PB/19/1	19848	4	196	220	48	10x17	410
MultiClass (Series300) S 315 UL			MBLK2230	8	PB/18/1	19847	4	196	220	48	10x17	410
MultiClass (Series300) SG 321 UL					PB/19/1	19848	4	196	220	48	10x17	410



SISU

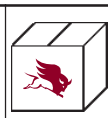
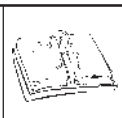
394 x 178 mm			MBLK1090	4	GG/92/1	19111	4	360	177	72	L9	394
--------------	---	--	----------	---	---------	-------	---	-----	-----	----	----	-----

STEYR

19 S to 42 S		1/94 →	MBLK2200	8	MP/32/2	19495	8	178	183	64	8x18	410
		1/94 →	MBLK2210	8	MP/36/2	19496	8	178	223	64	8x18	410

TRAILOR

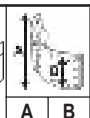
419 x 178 mm SMB C 2			MBLK2490	8	FT/11/1	19614	4	194	178	64	5x15	419
					FT/12/1	19613	4	189	178	64	5x15	419
419 X 203 mm SMB C 1			MBLK2500	8	FT/6/1	19606	4	189	203	64	5x15	419
					FT/7/1	19557	4	194	203	64	5x15	419



QTY

= X
BFMC

WVA



A B x# TYP



VAN HOOL



A-Series A 308		1/80 →	MBLK1050	8	CW/4/2	19384	8	189	177	96	L9	381
		1/80 →	MBLK1050	8	CW/4/2	19384	8	189	177	96	L9	381
A-Series A 420			MBLK2040	8	DF/30/1	19617	4	211	203	80	L10	419
A-Series A 440				8	DF/31/1	19618	4	218	203	80	L10	419
A-Series A 508		1/80 →	MBLK1050	8	CW/4/2	19384	8	189	177	96	L9	381
		1/80 →	MBLK1050	8	CW/4/2	19384	8	189	177	96	L9	381
A-Series A 600 Urbain			MBLK2040	8	DF/30/1	19617	4	211	203	80	L10	419
				8	DF/31/1	19618	4	218	203	80	L10	419
EOS EOS s 80-223			MBLK2230	8	PB/18/1	19847	4	196	220	48	10x17	410
				8	PB/19/1	19848	4	196	220	48	10x17	410
G280 G 280.2 Urbain			MBLK2040	8	DF/30/1	19617	4	211	203	80	L10	419
G280 G 280.3 Urbain				8	DF/31/1	19618	4	218	203	80	L10	419
G280 G 280.4 Urbain			MBLK2040	8	DF/30/1	19617	4	211	203	80	L10	419
				8	DF/31/1	19618	4	218	203	80	L10	419
T SERIES T 811, T 812, T 813		1/80 →	MBLK2200	8	MP/32/2	19495	8	178	183	64	8x18	410
T SERIES T 814, T 815												
T-Series T 811, T 812, T 813		1/80 →	MBLK1050	8	CW/4/2	19384	8	189	177	96	L9	381
T-Series T 814, T 815			MBLK1050	8	CW/4/2	19384	8	189	177	96	L9	381



420 x 200mm BPW Axle			MBLK2010	8	BC/97/1 (BC/37/1)	19094	8	204	200	80	8 x 15	420
----------------------	--	--	-----------------	---	-------------------	-------	---	-----	-----	----	--------	-----

VIBERTI



420 x 200 mm			MBLK2010	8	BC/97/1 (BC/37/1)	19094	8	204	200	80	8 x 15	420
--------------	--	--	-----------------	---	-------------------	-------	---	-----	-----	----	--------	-----














































VOLVO

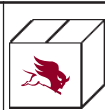
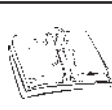


B 10-Series B 10 B		1/92 →	MBLK1190	8	VL/88/2	19071	8	178	200	112	L10	410
		1/92 →	MBLK1200	8	VL/89/2	19068	8	178	223	112	L10	410
B 10-Series B 10 L		1/95 →	MBLK1200	8	VL/89/2	19068	8	178	223	112	L10	410
B 12-Series B 12		1/86 →	MBLK1190	8	VL/88/2	19071	8	178	200	112	L10	410
		1/86 →	MBLK1200	8	VL/89/2	19068	8	178	223	112	L10	410
B 12-Series B 12 L		1/95 →	MBLK1200	8	VL/89/2	19068	8	178	223	112	L10	410
B 6-Series B6, FA		1/83 →	MBLK1050	8	CW/4/2	19384	8	189	177	96	L9	381
		1/83 →	MBLK1050	8	CW/4/2	19384	8	189	177	96	L9	381
B 7 Series B 7		1/87 →	MBLK1170	8	VL/86/1	19941	8	178	150	96	L10	410
		1/87 →	MBLK1190	8	VL/88/2	19071	8	178	200	112	L10	410
		1/87 →	MBLK1180	8	VL/87/2	19938	8	178	175	112	L9	410
		1/87 →	MBLK1200	8	VL/89/2	19068	8	178	223	112	L10	410
Olympian MK2 Olympian MK2		1/93 →	MBLK1180	8	VL/87/2	19938	8	178	175	112	L9	410
		1/93 →	MBLK1200	8	VL/89/2	19068	8	178	223	112	L10	410



F 12 / F 16 Series 4x2 (17-18 to)		1/87 - 12/94	MBLK1180	8	VL/87/2	19938	8	178	175	112	L9	410
		1/87 - 12/94	MBLK1190	8	VL/88/2	19071	8	178	200	112	L10	410
		1/87 - 12/94	MBLK1200	8	VL/89/2	19068	8	178	223	112	L10	410
F 12 / F 16 Series 6x2 (24-25to)		1/87 - 12/94	MBLK1180	8	VL/87/2	19938	8	178	175	112	L9	410
		1/87 - 12/94	MBLK1190	8	VL/88/2	19071	8	178	200	112	L10	410
		1/87 - 12/94	MBLK1160	8	VL/85/1	17992	8	178	150	64	L10	410
		1/87 - 12/94	MBLK1170	8	VL/86/1	19941	8	178	150	96	L10	410
		1/87 - 12/94	MBLK1190	8	VL/88/2	19071	8	178	200	112	L10	410
		1/87 - 12/94	MBLK1200	8	VL/89/2	19068	8	178	223	112	L10	410
F 12 / F 16 Series 6x4 (24to)		1/87 - 12/94	MBLK1180	8	VL/87/2	19938	8	178	175	112	L9	410
		1/87 - 12/94	MBLK1190	8	VL/88/2	19071	8	178	200	112	L10	410
		1/87 - 12/94	MBLK1190	8	VL/88/2	19071	8	178	200	112	L10	410

... VOLVO												
... 												
F 12 / F 16 Series 8x2		1/86 →	MBLK1170	8	VL/86/1	19941	8	178	150	96	L10	410
		1/86 →	MBLK1180	8	VL/87/2	19938	8	178	175	112	L9	410
		1/86 →	MBLK1160	8	VL/85/1	17992	8	178	150	64	L10	410
		1/86 →	MBLK1170	8	VL/86/1	19941	8	178	150	96	L10	410
		1/86 →	MBLK1190	8	VL/88/2	19071	8	178	200	112	L10	410
		1/86 →	MBLK1200	8	VL/89/2	19068	8	178	223	112	L10	410
F 7 - Series F 7 with ROR Brake		1/78 - 12/85	MBLK1050	8	CW/4/2	19384	8	189	177	96	L9	381
		1/78 - 12/85	MBLK1050	8	CW/4/2	19384	8	189	177	96	L9	381
FH-Series FH12 (6x2)		1/93 →	MBLK1180	8	VL/87/2	19938	8	178	175	112	L9	410
		1/93 →	MBLK1190	8	VL/88/2	19071	8	178	200	112	L10	410
		1/93 →	MBLK1170	8	VL/86/1	19941	8	178	150	96	L10	410
		1/93 →	MBLK1190	8	VL/88/2	19071	8	178	200	112	L10	410
FH-Series FH12-340		8/93 →	MBLK1180	8	VL/87/2	19938	8	178	175	112	L9	410
FH-Series FH12-380		8/93 →	MBLK1190	8	VL/88/2	19071	8	178	200	112	L10	410
FH-Series FH12-420		8/93 →	MBLK1160	8	VL/85/1	17992	8	178	150	64	L10	410
FH-Series FH12-460		8/93 →	MBLK1190	8	VL/88/2	19071	8	178	200	112	L10	410
FH-Series FH12-520		8/93 →	MBLK1200	8	VL/89/2	19068	8	178	223	112	L10	410
FH-Series FH16 (6x2)		1/93 →	MBLK1180	8	VL/87/2	19938	8	178	175	112	L9	410
		1/93 →	MBLK1190	8	VL/88/2	19071	8	178	200	112	L10	410
		1/93 →	MBLK1170	8	VL/86/1	19941	8	178	150	96	L10	410
		1/93 →	MBLK1190	8	VL/88/2	19071	8	178	200	112	L10	410
FL 10-Series 6x4 s (FAT6.5) T-Ride (20to Axle)		9/85 →	MBLK1170	8	VL/86/1	19941	8	178	150	96	L10	410
		9/85 →	MBLK1180	8	VL/87/2	19938	8	178	175	112	L9	410
		9/85 →	MBLK1180	8	VL/87/2	19938	8	178	175	112	L9	410
FL 10-Series 6x4 s (FAT6.5) T-Ride (26to Axle)		9/85 →	MBLK1170	8	VL/86/1	19941	8	178	150	96	L10	410
FL 10-Series 6x4 s (FAT7.5) T-Ride (20to Axle)		9/85 →	MBLK1190	8	VL/88/2	19071	8	178	200	112	L10	410
FL 10-Series 6x4 s (FAT7.5) T-Ride (26to Axle)		9/85 →	MBLK1190	8	VL/88/2	19071	8	178	200	112	L10	410
FL 6-Series FL 614		1/94 →	MBLK1050	8	CW/4/2	19384	8	189	177	96	L9	381
		1/94 →	MBLK1050	8	CW/4/2	19384	8	189	177	96	L9	381
FL 6-Series FL 615		1/86 - 12/94	MBLK1050	8	CW/4/2	19384	8	189	177	96	L9	381
		1/86 - 12/94	MBLK1140	8	RW/24/1	19492	8	184	180	96	L9	381
		1/86 - 12/94	MBLK1050	8	CW/4/2	19384	8	189	177	96	L9	381
		1/86 - 12/94	MBLK1140	8	RW/24/1	19492	8	184	180	96	L9	381
FL 6-Series FL 616		1/86 - 10/91	MBLK1050	8	CW/4/2	19384	8	189	177	96	L9	381
		1/86 - 10/91	MBLK1140	8	RW/24/1	19492	8	184	180	96	L9	381
		1/86 - 10/91	MBLK1050	8	CW/4/2	19384	8	189	177	96	L9	381
		1/86 - 10/91	MBLK1140	8	RW/24/1	19492	8	184	180	96	L9	381
FL 6-Series FL 617		1/86 →	MBLK1050	8	CW/4/2	19384	8	189	177	96	L9	381
		1/86 →	MBLK1140	8	RW/24/1	19492	8	184	180	96	L9	381
		1/86 →	MBLK1050	8	CW/4/2	19384	8	189	177	96	L9	381
		1/86 →	MBLK1140	8	RW/24/1	19492	8	184	180	96	L9	381
FL 6-Series FL 618		1/90 →	MBLK1140	8	RW/24/1	19492	8	184	180	96	L9	381
		1/90 →	MBLK1150	8	RW/25/1	19542	8	183	200	96	L9	381
		1/90 →	MBLK1140	8	RW/24/1	19492	8	184	180	96	L9	381
		1/90 →	MBLK1150	8	RW/25/1	19542	8	183	200	96	L9	381
FL 6-Series FL 619		1/90 →	MBLK1140	8	RW/24/1	19492	8	184	180	96	L9	381
		1/90 →	MBLK1140	8	RW/24/1	19492	8	184	180	96	L9	381
		1/90 →	MBLK1150	8	RW/25/1	19542	8	183	200	96	L9	381
FL 7 / FL 10-Series		9/85 →	MBLK1170	8	VL/86/1	19941	8	178	150	96	L10	410
		9/85 →	MBLK1180	8	VL/87/2	19938	8	178	175	112	L9	410
		9/85 →	MBLK1160	8	VL/85/1	17992	8	178	150	64	L10	410
		9/85 →	MBLK1180	8	VL/87/2	19938	8	178	175	112	L9	410
		9/85 →	MBLK1180	8	VL/87/2	19938	8	178	175	112	L9	410
FL 7 / FL 10-Series 4x2 s with 6.5 to Hubload		9/85 →	MBLK1170	8	VL/86/1	19941	8	178	150	96	L10	410
		9/85 →	MBLK1190	8	VL/88/2	19071	8	178	200	112	L10	410
FL 7 / FL 10-Series 4X2 s with 7.5/8.0 to Hubload		9/85 →	MBLK1180	8	VL/87/2	19938	8	178	175	112	L9	410
		9/85 →	MBLK1190	8	VL/88/2	19071	8	178	200	112	L10	410



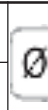
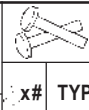
QTY



= X

BFMC

WVA



A

B

x#

TYP

... VOLVO



FL 7 / FL 10-Series 6x2 & 6x2/2/4 s with 6.5 to Hubload
 FL 7 / FL 10-Series 6x2 & 6x2/2/4 s with 7.5/8.0 to Hubload

FL 7 / FL 10-Series 8x4 s

FS Series FS 718

YORK



311 x 178 mm

335 x 210 mm

394 x 152.4 mm

419 x 219 mm

	9/85 →	MBLK1170	8	VL/86/1	19941	8	178	150	96	L10	410
	9/85 →	MBLK1160	8	VL/85/1	17992	8	178	150	64	L10	410
	9/85 →	MBLK1190	8	VL/88/2	19071	8	178	200	112	L10	410
	9/85 →	MBLK1170	8	VL/86/1	19941	8	178	150	96	L10	410
	9/85 →	MBLK1160	8	VL/85/1	17992	8	178	150	64	L10	410
	9/85 →	MBLK1180	8	VL/87/2	19938	8	178	175	112	L9	410
	9/85 →	MBLK1200	8	VL/89/2	19068	8	178	223	112	L10	410
	1/92 →	MBLK1140	8	RW/24/1	19492	8	184	180	96	L9	381
	1/92 →	MBLK1150	8	RW/25/1	19542	8	183	200	96	L9	381
	1/92 →	MBLK1140	8	RW/24/1	19492	8	184	180	96	L9	381
	1/92 →	MBLK1150	8	RW/25/1	19542	8	183	200	96	L9	381

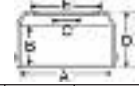
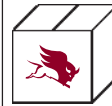
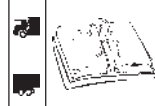
		MBLK1110	8	MQ/3/3	19783	4	148	178	48	L9	311
		MBLK1110	8	MQ/4/3	19784	4	148	178	48	L9	311
		MBLK1110	8	MQ/3/3	19783	4	148	178	48	L9	311
		MBLK1110	8	MQ/4/3	19784	4	148	178	48	L9	311
		MBLK2420	8	YK/12/1	19700	8	156	210	128	L9	335
		MBLK2420	8	YK/12/1	19700	8	156	210	128	L9	335
		MBLK1080	4	GG/83/1	19072	4	363	152	48	L9	394
		MBLK1080	4	GG/83/1	19072	4	363	152	48	L9	394
		BLKZR	8	FU/5/3	19369	4	194	219	48	L10	419
		BLKZR	8	FU/4/3	19370	4	189	219	48	L10	419
		BLKZR	8	FU/5/3	19369	4	194	219	48	L10	419
		BLKZR	8	FU/4/3	19370	4	189	219	48	L10	419





Manufacturers Index

ALEXANDER PSV	243
AÜWARTER (NEOPLAN)	243
AWD	243
BERKHOF PSV	243
BOVA	243
BPW	243
CAETANO	243
DAF	244
DENNIS	245
ERF	245
FODEN	245
FRUEHAUF	246
IVECO	246
KÄSSBOHRER	246
LEYLAND DAF	246
LÖHR	247
MAN	247
MERCEDES	247
OPTARE	248
RENAULT TRUCK	248
ROR	248
SAE	248
SAF	248
SCANIA	249
SEDDON ATKINSON	249
SMB	249
STEYR	249
VAN HOOL	249
VOLVO	249
YORK	251



A B C D E x Ø

ALEXANDER PSV



AXL200		1/92 →	MBD1027	360	184	228	248	275	8x21.5
		1/92 →	MBD1027	360	184	228	248	275	8x21.5
AXL300			MBD1161	410	205	282	274	335	10x28
AXL300 12M			MBD1021	410	229	282	307	335	10x28
AXL500 Ultra 12m		1/95 →	MBD1021	410	229	282	307	335	10x28

AÜWARTER (NEOPLAN)



CITYLINER N116			MBD1010	410	168	298	213	335	10x23
			MBD1004	410	238	298	306	335	10x23
CITYLINER N116, N116/3 & N122		1/74 →	MBD1010	410	168	298	213	335	10x23
CITYLINER N314, N316 & N326		1/74 →	MBD1111	410	172	298	228	335	10x23
CITYLINER N4007 NF		1/83 →	MBD1130	410	229	282	275	335	10x23
CITYLINER N414, N416, N426		1/74 →	MBD1112	410	239	298	306	335	10x23
		1/74 →	MBD1010	410	168	298	213	335	10x23
METROLINER Metroliner Mic 4008			MBD1130	410	229	282	275	335	10x23
TRANSLINER SHD 12M MAN AXLE			MBD1104	410	190	298	280	335	10x23
			MBD1105	410	237	298	300	335	10x23

AWD



MTL Series MTL 33.27 (8x6)		1/91 →	MBD5013	410	210	285	268	335	10x24
TL Series TL17.27									
TL Series TL24.27									

BERKHOF PSV



Axial 50 12m Coach			MBD1030	394	219	282	268	335	10x28
Excellence 3000HD			MBD1161	410	205	282	274	335	10x28
			MBD1021	410	229	282	307	335	10x28
Excellence 3000HD Scania Chassis			MBD1140	413	210	295	274	335	10x23.5
			MBD1140	413	210	295	274	335	10x23.5
Radial 12m Coach			MBD1030	394	219	282	268	335	10x28

BOVA



Futura FHM 12.29		1/83 →	MBD1010	410	168	298	213	335	10x23
		1/83 →	MBD1111	410	172	298	228	335	10x23
		1/83 →	MBD1112	410	239	298	306	335	10x23

BPW

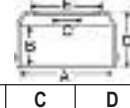
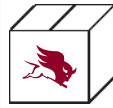


300 x 200			MBD1052	300	203	190	295	225	10x23
			MBD1050	300	211	190	262	225	10x23
			MBD1052	300	203	190	295	225	10x23
			MBD1050	300	211	190	262	225	10x23
420 x 180			MBD1034	420	190	290	225	335	10x23
			MBD1034	420	190	290	225	335	10x23
420 x 200			MBD1029	420	219	290	284	335	10x23
			MBD1029	420	219	290	284	335	10x23

CAETANO



Enigma 12m			MBD1030	394	219	282	268	335	10x28
------------	--	--	----------------	-----	-----	-----	-----	-----	-------



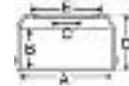
A B C D E x Ø

DAF



SB SB220		1/87 - 12/89	MBD1018	420	165	285	228	335	10x24
SB SB220, SBG220		11/89 →	MBD1018	420	165	285	228	335	10x24
SB SB3000, SBR3000, SKB3000 TAG		1/89 →	MBD1018	420	165	285	228	335	10x24

55 SERIES FA55.150, FA55.180, FA55.210, FA55.230		6/95 →	MBD1060	420	190	285	240	335	10x24
60 SERIES FREIGHTERS FA60.180/210		6/90 →	MBD1098	410	189	282	235	335	10x23.5
		6/90 →	MBD1099	410	176	282	241	335	10x23.5
65 SERIES F65.180/210/240 & Ati		6/93 →	MBD1018	420	165	285	228	335	10x24
		6/93 →	MBD1061	420	217	285	288	335	10x24
70 SERIES CONSTRUCTORS FAT70.230		1/90 - 12/94	MBD1098	410	189	282	235	335	10x23.5
		1/90 - 12/94	MBD1099	410	176	282	241	335	10x23.5
75 SERIES FA,FT & Ati 75.240, 75.270,FA, FT 75.300		1/92 →	MBD1018	420	165	285	228	335	10x24
		1/92 →	MBD1061	420	217	285	288	335	10x24
75 SERIES FAG 75.240 & Ati, FAG 75.270, FAG 75.300		1/92 →	MBD1062	420	190	285	251	335	10x24
		1/92 →	MBD1060	420	190	285	240	335	10x24
75 SERIES FAG 75.240 & Ati, FAG 75.270, FAG 75.300, Axle 1		1/92 →	MBD1060	420	190	285	240	335	10x24
75 SERIES FAG 75.240 & Ati, FAG 75.270, FAG 75.300, Axle 2		1/92 →	MBD1061	420	217	285	288	335	10x24
75 SERIES FAS 75.240/M, FAS 75.270 & Ati, FAR, FA 75.270 & Ati, FAR, FAS, FAT 75.300M & Ati		1/92 →	MBD1018	420	165	285	228	335	10x24
75 SERIES FAS 75.240/M, FAS 75.270 & Ati, FAR, FA 75.270 & Ati, FAR, FAS, FAT 75.300M & Ati, Axle 1		1/92 →	MBD1061	420	217	285	288	335	10x24
75 SERIES FAS 75.240/M, FAS 75.270 & Ati, FAR, FA 75.270 & Ati, FAR, FAS, FAT 75.300M & Ati, Axle 2		1/93 →	MBD1062	420	190	285	251	335	10x24
80 SERIES CONSTRUCTOR FAD 80.250		1/90 - 12/94	MBD1098	410	189	282	235	335	10x23.5
80 SERIES CONSTRUCTOR FAD 80.270		1/90 - 12/94	MBD5016	410	191	281	268	335	10x23.5
80 SERIES CONSTRUCTOR FAT 80.260		1/90 - 12/94	MBD1099	410	176	282	241	335	10x23.5
85 SERIES CONSTRUCTOR FA, FT 85.330 & Ati		1/93 →	MBD1018	420	165	285	228	335	10x24
85 SERIES CONSTRUCTOR FA, FT 85.360/400 & Ati		1/93 →	MBD1018	420	165	285	228	335	10x24
		1/93 →	MBD1061	420	217	285	288	335	10x24
85 SERIES CONSTRUCTOR FA, FT85.330 & Ati		1/93 →	MBD1061	420	217	285	288	335	10x24
85 SERIES CONSTRUCTOR FA,FAG,FAR,FAS,FTG85.330,85.360,85.400 & Ati		1/93 →	MBD1062	420	190	285	251	335	10x24
		1/93 →	MBD1060	420	190	285	240	335	10x24
85 SERIES CONSTRUCTOR FA,FAG,FAR,FAS,FTG85.330,85.360,85.400 & Ati, Axle 1		1/93 →	MBD1060	420	190	285	240	335	10x24
85 SERIES CONSTRUCTOR FA,FAG,FAR,FAS,FTG85.330,85.360,85.400 & Ati, Axle 2		1/93 →	MBD1061	420	217	285	288	335	10x24
85 SERIES CONSTRUCTOR FAD85.300/330/360/400, Axle 1		1/93 →	MBD1060	420	190	285	240	335	10x24
		1/93 →	MBD1062	420	190	285	251	335	10x24
		1/93 →	MBD1061	420	217	285	288	335	10x24
85 SERIES CONSTRUCTOR FAD85.300/330/360/400, Axle 2		1/93 →	MBD1018	420	165	285	228	335	10x24
		1/93 →	MBD1062	420	190	285	251	335	10x24
85 SERIES CONSTRUCTOR FAT,FTT 85.330/360/400		1/93 →	MBD1062	420	190	285	251	335	10x24
85 SERIES CONSTRUCTOR FAT,FTT 85.330/360/400, Axle 1		1/93 →	MBD1061	420	217	285	288	335	10x24
85 SERIES CONSTRUCTOR FAT,FTT 85.330/360/400, Axle 2									
95 SERIES		1/87 - 12/90	MBD1062	420	190	285	251	335	10x24
		1/87 - 12/90	MBD1060	420	190	285	240	335	10x24
		1/87 - 12/90	MBD1018	420	165	285	228	335	10x24
		1/90 →	MBD1062	420	190	285	251	335	10x24
		1/90 →	MBD1060	420	190	285	240	335	10x24
		1/90 →	MBD1018	420	165	285	228	335	10x24
		1/87 - 12/90	MBD1023	420	214	285	286	335	10x24
		1/87 - 12/90	MBD1061	420	217	285	288	335	10x24
		1/90 →	MBD1062	420	190	285	251	335	10x24
		1/90 →	MBD1061	420	217	285	288	335	10x24
F SERIES F1900		1/87 - 12/89	MBD1018	420	165	285	228	335	10x24
F SERIES F1905		1/87 →	MBD1018	420	165	285	228	335	10x24
F SERIES F2100		1/80 - 12/86	MBD1057	419	168	285	228	335	10x25
F SERIES F2100, F2300, F2500, F2700		1/87 - 12/89	MBD1018	420	165	285	228	335	10x24



A	B	C	D	E	Ø x Ø
---	---	---	---	---	-------

... DAF



F SERIES F2100, F2300, F2500, F2700, F2900

F SERIES F2800, F3300

F SERIES F3300

F SERIES F3600

	11/89 →	MBD1018	420	165	285	228	335	10x24
	11/89 →	MBD1023	420	214	285	286	335	10x24
	1/86 - 12/89	MBD1023	420	214	285	286	335	10x24
	1/80 - 12/86	MBD1059	419	178	285	262	335	10x24
	1/87 - 12/89	MBD1018	420	165	285	228	335	10x24
	1/87 - 12/89	MBD1023	420	214	285	286	335	10x24

DENNIS



R SERIES

S SERIES

	1/76 →	MBD5001	394	203	281	273	335	10x24
	1/76 →	MBD5004	394	178	281	244	335	10x24

ERF



C Series C36, C38, C40

CP Series CP28.250, CP32.250, CP32.290 4 X 2

CP Series CP32.290

CP Series CP38.250 TwinS

CP Series CP38.250, CP38.290 4 X 2

CP Series CP38.290 TwinS

E Series E10.25 E10.29 4x2

E Series E10.25, E10.27,

E Series E10.25D5

E Series E10.25ST, E10.29ST 4x2

E Series E10.25T2

E Series E10.29D5

E Series E10.29TT

E Series E10.32TT, E12.32TT

E Series E12.26ST, E12.27ST

E Series E12.34DT

E Series E14.35DT

E Series E14.41DT

E Series E6.18 E16

E Series E6.18 M16 &

E Series E8.26

E Series E8.27

E Series ES6.18

E Series ES8.24 (EURO 1)

E Series Rockwell Brakes

EC Series EC10.32, EC1035,

EC Series EC6.18, EC6.21

EC Series EC8.27

EC Series ES6.18

EC Series ES8.24, ES8.27,

EC11 Series EC11.340

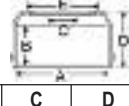
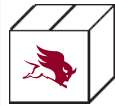
	1/82 - 12/86	MBD5001	394	203	281	273	335	10x24
	1/84 - 12/86	MBD5024	394	222	281	267	335	10x23.5
	1/84 - 12/86	MBD5001	394	203	281	273	335	10x24
	1/84 - 12/86	MBD5024	394	222	281	267	335	10x23.5
	1/86 - 12/90	MBD5001	394	203	281	273	335	10x24
	1/86 - 12/90	MBD5021	410	208	285	252	335	10x23.5
	1/86 - 12/90	MBD5001	394	203	281	273	335	10x24
	1/86 - 12/90	MBD5024	394	222	281	267	335	10x23.5
	1/91 - 9/93	MBD5021	410	208	285	252	335	10x23.5
	1/86 - 12/90	MBD5024	394	222	281	267	335	10x23.5
	1/86 - 12/90	MBD5001	394	203	281	273	335	10x24
	1/86 - 12/90	MBD5024	394	222	281	267	335	10x23.5
	1/91 - 9/93	MBD5021	410	208	285	252	335	10x23.5
	1/87 - 12/90	MBD5001	394	203	281	273	335	10x24
		MBD5004	394	178	281	244	335	10x24
	1/91 - 9/93	MBD5021	410	208	285	252	335	10x23.5
	1/91 - 9/93	MBD5021	410	208	285	252	335	10x23.5
	9/93 →	MBD5021	410	208	285	252	335	10x23.5
	1/95 →	MBD5021	410	208	285	252	335	10x23.5
	5/93 →	MBD5021	410	208	285	252	335	10x23.5
	1/95 →	MBD5021	410	208	285	252	335	10x23.5
	9/95 →	MBD5021	410	208	285	252	335	10x23.5

FODEN



2000 SERIES 2200

	1/90 →	MBD5028	419	189	281	241	335	10x26
	1/90 →	MBD5006	419	186	285	258	335	10x23.5
	1/90 →	MBD5019	419	187	281	260	335	10x23.5
	1/90 →	MBD5017						
	1/91 →	MBD5011	419	211	281	272	335	10x23.5
	1/91 →	MBD5000	419	211	281	267	335	10x23.5
	1/91 →	MBD5020	419	211	285	270	335	10x23.5



A B C D E x Ø

... FODEN



3000 SERIES 3049, 3053, 3063, 3250, 3300

	1/88 →	MBD5028	419	189	281	241	335	10x26
	1/88 →	MBD5006	419	186	285	258	335	10x23.5
	1/88 →	MBD5017						
	1/88 →	MBD5019	419	187	281	260	335	10x23.5
	1/91 →	MBD5020	419	211	285	270	335	10x23.5
	1/91 →	MBD5011	419	211	281	272	335	10x23.5
	1/91 →	MBD5000	419	211	281	267	335	10x23.5

4000 SERIES 4250, 4300, 4350, 4400, 4500

	1/82 →	MBD5028	419	189	281	241	335	10x26
	1/82 →	MBD5020	419	211	285	270	335	10x23.5
	1/82 →	MBD5017						
	1/82 →	MBD5006	419	186	285	258	335	10x23.5
	1/82 →	MBD5000	419	211	281	267	335	10x23.5
	1/82 →	MBD5011	419	211	281	272	335	10x23.5
	1/82 →	MBD5019	419	187	281	260	335	10x23.5

HAULMASTER Stopmaster Brakes

	1/79 - 12/83	MBD5034	381	216	281	256	335	10x23.5
	1/79 - 12/83	MBD5034	381	216	281	256	335	10x23.5

S104/S106/S108

	1/82 - 12/87	MBD5028	419	189	281	241	335	10x26
	1/82 - 12/87	MBD5019	419	187	281	260	335	10x23.5
	1/82 - 12/87	MBD5000	419	211	281	267	335	10x23.5
	1/82 - 12/87	MBD5017						
	1/82 - 12/87	MBD5006	419	186	285	258	335	10x23.5
	1/82 - 12/87	MBD5011	419	211	281	272	335	10x23.5

FRUEHAUF



419 X 178 Propar PSL

		MBD1000	419	191	288	229	335	10x26.6
		MBD1000	419	191	288	229	335	10x26.6

419 x 203 SMB C1

		MBD1071	419	211	288	256	335	10x26
		MBD1071	419	211	288	256	335	10x26

IVECO



PSV 571.12.20

	1/83 →	MBD1087	381	200	285	248	335	10x23
--	--------	----------------	-----	-----	-----	-----	-----	-------

85 SERIES FAT, FTT 85.330/360/
EUROTRAKKER RANGE 400E29

	1/93 →	MBD1060	420	190	285	240	335	10x24
	1/93 →	MBD1090	410	206	285	283	335	10x23

KÄSSBOHRER



PSV S110, S120, S130, S140, S150, S200

	→ 12/79	MBD1036	410	230	290	280	335	10x23
--	---------	----------------	-----	-----	-----	-----	-----	-------

PSV S210 HD,HDV

	1/83 →	MBD1036	410	230	290	280	335	10x23
--	--------	----------------	-----	-----	-----	-----	-----	-------

PSV S216 HDS

	1/80 - 12/83	MBD1036	410	230	290	280	335	10x23
	1/89 →	MBD1036	410	230	290	280	335	10x23

LEYLAND DAF



CONSTRUCTOR 24.15, 24.17, 24.20, 24.21, 24.23

	1/84 - 12/90	MBD1098	410	189	282	235	335	10x23.5
--	--------------	----------------	-----	-----	-----	-----	-----	---------

CONSTRUCTOR 24.26

	1/87 - 12/90	MBD1099	410	176	282	241	335	10x23.5
--	--------------	----------------	-----	-----	-----	-----	-----	---------

CONSTRUCTOR 30.23, 30.25, 30.26, 30.27

	1/85 - 12/90	MBD1098	410	189	282	235	335	10x23.5
--	--------------	----------------	-----	-----	-----	-----	-----	---------

CONSTRUCTOR 30.23, 30.25, 30.26, 30.27, 30.30

	1/87 - 12/90	MBD1099	410	176	282	241	335	10x23.5
--	--------------	----------------	-----	-----	-----	-----	-----	---------

CONSTRUCTOR 30.23, 30.25, 30.26, 30.27, 30.30 Stopmaster

	1/87 - 12/90	MBD5016	410	191	281	268	335	10x23.5
--	--------------	----------------	-----	-----	-----	-----	-----	---------

CONSTRUCTOR 30.23, 30.25, 30.26, 30.27, 30.30 Stopmaster

	1/87 - 12/90	MBD5005	410	191	281	265	335	10x23.5
--	--------------	----------------	-----	-----	-----	-----	-----	---------

CRUISER RANGE 16.15, 16.17

	1/84 - 12/90	MBD1098	410	189	282	235	335	10x23.5
--	--------------	----------------	-----	-----	-----	-----	-----	---------

CRUISER RANGE 16.26

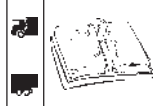
	1/87 - 12/90	MBD1099	410	176	282	241	335	10x23.5
--	--------------	----------------	-----	-----	-----	-----	-----	---------

FREIGHTER RANGE 16.13, 16.15

	1/84 - 12/90	MBD1098	410	189	282	235	335	10x23.5
--	--------------	----------------	-----	-----	-----	-----	-----	---------

FREIGHTER RANGE 17.14, 17.16, 17.18

	1/88 - 12/90	MBD1099	410	176	282	241	335	10x23.5
--	--------------	----------------	-----	-----	-----	-----	-----	---------



A B C D E 10xØ

LÖHR



305 x 200 SAE Axle S3320

		MBD1007	305	210	176	256	225	10x26
		MBD1007	305	210	176	256	225	10x26

MAN



PSV

		MBD1104	410	190	298	280	335	10x23
		MBD1105	410	237	298	300	335	10x23



F90 SERIES 13.168 - 48.362

	1/73 →	MBD1107	410	184	298	232	335	10x23
	1/73 →	MBD1105	410	237	298	300	335	10x23
	1/73 →	MBD1104	410	190	298	280	335	10x23
	1/73 →	MBD1103	410	172	298	270	335	10x23

G90 SERIES 16.362 - 22.362

	1/86 →	MBD1107	410	184	298	232	335	10x23
	1/86 →	MBD1105	410	237	298	300	335	10x23
	1/86 →	MBD1103	410	172	298	270	335	10x23
	1/86 →	MBD1104	410	190	298	280	335	10x23

M2000 SERIES 25.224 - 25.264

		MBD1105	410	237	298	300	335	10x23
		MBD1104	410	190	298	280	335	10x23

M90 SERIES Non ABS/ABS

	1/89 - 12/96	MBD1105	410	237	298	300	335	10x23
	1/89 - 12/96	MBD1104	410	190	298	280	335	10x23

MERCEDES



PSV 0301

	10/88 →	MBD1028	364	172	238	210	275	8x21
	10/88 →	MBD1028	364	172	238	210	275	8x21

PSV 0303 - 0307

	1/73 →	MBD1111	410	172	298	228	335	10x23
		MBD1112	410	239	298	306	335	10x23

PSV 0303 13R, 14R & 15R

	1/74 - 12/91	MBD1126	410	170	298	238	335	10x23
--	--------------	----------------	-----	-----	-----	-----	-----	-------

PSV 0305 G

	1/77 - 12/87	MBD1126	410	170	298	238	335	10x23
--	--------------	----------------	-----	-----	-----	-----	-----	-------

PSV 0402

	10/88 →	MBD1028	364	172	238	210	275	8x21
	10/88 →	MBD1028	364	172	238	210	275	8x21

PSV 0405 - 0407

	1/84 →	MBD1111	410	172	298	228	335	10x23
		MBD1112	410	239	298	306	335	10x23

PSV 0405 City Bus

	1/89 →	MBD1126	410	170	298	238	335	10x23
--	--------	----------------	-----	-----	-----	-----	-----	-------

PSV 0405 G Bus



ACTROS

	1/97 →	MBD1003	410	190	298	280	335	10x23
--	--------	----------------	-----	-----	-----	-----	-----	-------

ACTROS 6 x 2, 6 x 4

		MBD1004	410	238	298	306	335	10x23
	1/97 →	MBD1112	410	239	298	306	335	10x23
	1/97 →	MBD1003	410	190	298	280	335	10x23

ACTROS 6 x 6

	1/97 →	MBD1112	410	239	298	306	335	10x23
	1/97 →	MBD1003	410	190	298	280	335	10x23

POWERLINER 1717 AK BM655

	1/89 →	MBD1010	410	168	298	213	335	10x23
--	--------	----------------	-----	-----	-----	-----	-----	-------

POWERLINER 1717, 1720, 1722

		MBD1124	410	191	298	236	335	10x23
--	--	----------------	-----	-----	-----	-----	-----	-------

POWERLINER 1726 AK BM652

	1/89 →	MBD1112	410	239	298	306	335	10x23
--	--------	----------------	-----	-----	-----	-----	-----	-------

POWERLINER 1729 AK BM655

	8/89 →	MBD1004	410	238	298	306	335	10x23
--	--------	----------------	-----	-----	-----	-----	-----	-------

POWERLINER 1732, 1733, 1734

		MBD1112	410	239	298	306	335	10x23
--	--	----------------	-----	-----	-----	-----	-----	-------

POWERLINER 1735 S, L,LS, K 4x2

		MBD1004	410	238	298	306	335	10x23
	1/88 →	MBD1003	410	190	298	280	335	10x23

POWERLINER 1735 S,L,LS,K

	1/88 →	MBD1124	410	191	298	236	335	10x23
	1/88 →	MBD1112	410	239	298	306	335	10x23

POWERLINER 1735, 1748, 1750

		MBD1004	410	238	298	306	335	10x23
--	--	----------------	-----	-----	-----	-----	-----	-------

POWERLINER 1820

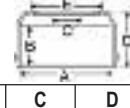
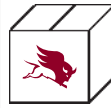
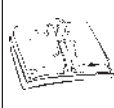
	1/91 →	MBD1124	410	191	298	236	335	10x23
--	--------	----------------	-----	-----	-----	-----	-----	-------

POWERLINER 1827

	1/91 →	MBD1112	410	239	298	306	335	10x23
--	--------	----------------	-----	-----	-----	-----	-----	-------

POWERLINER 1831

	1/91 →	MBD1004	410	238	298	306	335	10x23
--	--------	----------------	-----	-----	-----	-----	-----	-------



A B C D E 10 x Ø

OPTARE



Delta 11.5m		1/88 →	MBD1018	420	165	285	228	335	10x24
-------------	--	--------	----------------	-----	-----	-----	-----	-----	-------

RENAULT TRUCK



PSV FR1 (6.20-L1)			MBD1131	414	233	281	277	335	10x26
-------------------	--	--	----------------	-----	-----	-----	-----	-----	-------



			MBD1001	414	181	281	231	335	10x25
		1/90 →	MBD1001	414	181	281	231	335	10x25
AE 550		10/92 →	MBD1001	414	181	281	231	335	10x25
C RANGE C260		1/84 →	MBD1033	414	181	281	231	335	10x25
C290.26 Ti (6x4)		9/86 →	MBD1001	414	181	281	231	335	10x25
G RANGE G160.17D		1/90 →	MBD1033	414	181	281	231	335	10x25
G RANGE G260.24D		1/88 →	MBD1033	414	181	281	231	335	10x25
MAGNUM RANGE AE 420 Ti		1/93 →	MBD1131	414	233	281	277	335	10x26
MAGNUM RANGE AE 520		1/93 - 12/96	MBD1131	414	233	281	277	335	10x26
MAJOR RANGE			MBD1033	414	181	281	231	335	10x25
PREMIUM RANGE			MBD1033	414	181	281	231	335	10x25
			MBD1131	414	233	281	277	335	10x26

ROR



9000 SERIES 419 x 178 9000 Series			21220183V	419	187	282	237	335	10x24.5
			21220183V	419	187	282	237	335	10x24.5
TA/TC 420 x 180 (Q) 10 Bolt			21018986S	419	200	282	248	335	10x 24
			21018986S	419	200	282	248	335	10x 24
TA/TC 420 x 220 (Z) 10 Bolt			21021114AV	419	229	282	271	335	10x24.5
			21021114AV	419	229	282	271	335	10x24.5
TM 310 x 190 (AC) 10 Bolt			21209723S	311	202	183	260	225	10x25
			21209723S	311	202	183	260	225	10x25
TM 310 x 190 (AC) 8 Bolt			21020448S	311	205	225	260	275	8x25
			21020448S	311	205	225	260	275	8x25
TM 350 x 200 (B) 10 Bolt			21211030S	350	210	183	264	225	10x24.5
			21211030S	350	210	183	264	225	10x24.5
TM 350 X 200 (B) 8 Bolt			21211966S	350	214	225	265	275	8x24.5
			21211966S	350	214	225	265	275	8x24.5
TM 420 x 180 (Q) 10 Bolt			21018986S	419	200	282	248	335	10x 24
			21018986S	419	200	282	248	335	10x 24
TM 420 x 220 (Z) 10 Bolt			21021114AV	419	229	282	271	335	10x24.5
			21021114AV	419	229	282	271	335	10x24.5

SAE

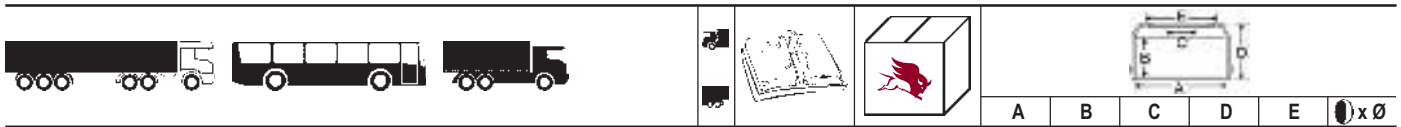


305 x 200			MBD1011	305	203	175	286	225	10x26
			MBD1007	305	210	176	256	225	10x26
			MBD1011	305	203	175	286	225	10x26
			MBD1007	305	210	176	256	225	10x26

SAF



300 X 200 WEZ6030, 8030, 10030			MBD1137	300	213	190	280	225	10x23
			MBD1137	300	213	190	280	225	10x23
420 X 180			MBD1009	420	194	290	227	335	10x23
			MBD1136	420	191	290	227	335	10x23
			MBD1138	420	194	300	227	335	10x23
			MBD1138	420	194	300	227	335	10x23
			MBD1009	420	194	290	227	335	10x23
			MBD1136	420	191	290	227	335	10x23



... SAF

...										
420 X 200			MBD1008	420	213	290	256	335	10x23	
			MBD1008	420	213	290	256	335	10x23	

SCANIA

PSV B112A			MBD1035	413	211	295	296	335	10x23.5
PSV B116									
PSV BR86		1/79 →	MBD1035	413	211	295	296	335	10x23.5
PSV C76 & CR76		1/69 - 12/76	MBD1035	413	211	295	296	335	10x23.5
PSV K93 CRB		1/88 →	MBD1016	413	189	295	252	335	10x23.5
PSV N113 CRB									

SEDDON ATKINSON

300 SERIES R24 M466 (6 X 4)		1/79 - 12/82	MBD5024	394	222	281	267	335	10x23.5
300 SERIES R30 M466 (8X4 Rigid)		1/79 - 12/81	MBD5017						
311 SERIES 3.11		1/91 →	MBD5011	419	211	281	272	335	10x23.5
400 SERIES R24 C220		1/75 - 12/83	MBD5024	394	222	281	267	335	10x23.5
400 SERIES R30 M466 (IHRA-472 Axle)		1/79 →	MBD5017						
400 SERIES T38 G8XB		1/75 - 12/83	MBD5024	394	222	281	267	335	10x23.5
411 SERIES 4.11		1/86 →	MBD5014	419	186	285	252	335	10x23.5
		1/91 →	MBD5011	419	211	281	272	335	10x23.5
PACER/STRATO 17.30L		1/88 →	MBD5014	419	186	285	252	335	10x23.5
PACER/STRATO 17.33L, 17.33P		1/88 →	MBD5003	419	188	285	245	335	10x23.5

SMB

419 x 203 SMB C1			MBD1071	419	211	288	256	335	10x26
			MBD1071	419	211	288	256	335	10x26

STEYR

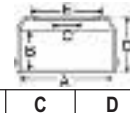
419 x 178			MBD1037	419	182	290	225	335	10x27
			MBD1037	419	182	290	225	335	10x27
419 x 203 419 x 203 N400 TEM Twin			MBD1006	419	207	290	266	335	10x27
			MBD1006	419	207	290	266	335	10x27

VAN HOOL

Acron			MBD1130	410	229	282	275	335	10x23
AG700 AG700			MBD1130	410	229	282	275	335	10x23
Alizee 10m			MBD1030	394	219	282	268	335	10x28
Alizee 12m			MBD1140	413	210	295	274	335	10x23.5
			MBD1030	394	219	282	268	335	10x28
			MBD1140	413	210	295	274	335	10x23.5
Aststrobel 12m			MBD1161	410	205	282	274	335	10x28
			MBD1021	410	229	282	307	335	10x28
EOS 90,100,200,230,233			MBD1130	410	229	282	275	335	10x23

VOLVO

PSV B10 M		1/79 →	MBD1030	394	219	282	268	335	10x28
		1/79 →	MBD1030	394	219	282	268	335	10x28
PSV B10 R		1/78 →	MBD1030	394	219	282	268	335	10x28
PSV B10B		1/92 →	MBD1161	410	205	282	274	335	10x28
PSV B12			MBD1161	410	205	282	274	335	10x28

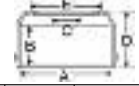
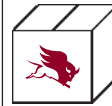


A B C D E x Ø

... VOLVO



PSV B6		1/92 →	MBD1027	360	184	228	248	275	8x21.5
		1/92 →	MBD1027	360	184	228	248	275	8x21.5
PSV B7		1/87 →	MBD1161	410	205	282	274	335	10x28
		1/87 →	MBD1157	410	183	282	249	335	10x28
		1/87 →	MBD1156	410	203	282	282	335	10x28
PSV C10M Highliner		1/78 →	MBD1030	394	219	282	268	335	10x28
			MBD1020	410	192	282	262	335	10x28
			MBD1017	410	215	282	294	335	10x28
F SERIES 716 470 Intercooler		1/87 →	MBD1161	410	205	282	274	335	10x28
F SERIES 716 470 Intercooler 4x2 & 6x2		1/87 →	MBD1021	410	229	282	307	335	10x28
F SERIES F10 & F12		1/85 →	MBD1161	410	205	282	274	335	10x28
		1/85 →	MBD1156	410	203	282	282	335	10x28
		1/85 →	MBD1021	410	229	282	307	335	10x28
F SERIES F10 (4x2 & 6x2)		1/77 - 12/84	MBD1152	413	163	282	241	335	10x33
F SERIES F10 and F12 Models		1/85 →	MBD1157	410	183	282	249	335	10x28
F SERIES F12 (4x2)		1/81 - 12/85	MBD1152	413	163	282	241	335	10x33
F SERIES F16		1/87 →	MBD1161	410	205	282	274	335	10x28
		1/87 →	MBD1021	410	229	282	307	335	10x28
		1/88 →	MBD1156	410	203	282	282	335	10x28
F SERIES F16 (6x2)		1/88 →	MBD1161	410	205	282	274	335	10x28
		1/88 →	MBD1156	410	203	282	282	335	10x28
F SERIES F16 6x2		1/88 →	MBD1021	410	229	282	307	335	10x28
F SERIES F7		1/77 - 12/84	MBD1152	413	163	282	241	335	10x33
F SERIES F89 (6x2)		1/70 - 12/77	MBD1152	413	163	282	241	335	10x33
FH 16		1/93 →	MBD1020	410	192	282	262	335	10x28
FH SERIES FH		1/96 →	MBD1163	410	218	282	294	335	10x28
FH SERIES FH12 & 16		1/93 →	MBD1157	410	183	282	249	335	10x28
		1/93 - 12/96	MBD1161	410	205	282	274	335	10x28
		1/93 - 12/96	MBD1156	410	203	282	282	335	10x28
		1/93 - 12/96	MBD1021	410	229	282	307	335	10x28
FL SERIES FL		→ 12/96	MBD1163	410	218	282	294	335	10x28
FL SERIES FL10		1/85 →	MBD1157	410	183	282	249	335	10x28
		1/85 →	MBD1161	410	205	282	274	335	10x28
		1/85 →	MBD1156	410	203	282	282	335	10x28
		1/85 →	MBD1021	410	229	282	307	335	10x28
FL SERIES FL10 RS (6x2)		1/85 →	MBD1157	410	183	282	249	335	10x28
		1/85 →	MBD1021	410	229	282	307	335	10x28
FL SERIES FL6.08/9/10/11 13		1/87 →	MBD1027	360	184	228	248	275	8x21.5
FL SERIES FL6.12		1/86 →	MBD1027	360	184	228	248	275	8x21.5
FL SERIES FL6.13		1/86 →	MBD1027	360	184	228	248	275	8x21.5
FL SERIES FL7		1/85 →	MBD1157	410	183	282	249	335	10x28
		1/85 →	MBD1156	410	203	282	282	335	10x28
		1/86 →	MBD1156	410	203	282	282	335	10x28
FL SERIES FL7 & FL10		1/85 →	MBD1157	410	183	282	249	335	10x28
		1/85 →	MBD1156	410	203	282	282	335	10x28r
FL SERIES FL7 PA		1/85 →	MBD1157	410	183	282	249	335	10x28
FL7		1/86 →	MBD1020	410	192	282	262	335	10x28
N SERIES N7 (4X2)		1/74 - 12/79	MBD1152	413	163	282	241	335	10x33
N SERIES N7 (6X2)		1/74 - 12/79	MBD1152	413	163	282	241	335	10x33
N SERIES N10 & N12		1/85 →	MBD1021	410	229	282	307	335	10x28
N SERIES N10 (4x2)		1/74 - 12/79	MBD1152	413	163	282	241	335	10x33
N SERIES N10 (6x4)		1/74 - 12/80	MBD1152	413	163	282	241	335	10x33
N SERIES N10 and N12 Models		1/85 →	MBD1157	410	183	282	249	335	10x28
N SERIES N12 (4x2)		1/80 - 12/85	MBD1152	413	163	282	241	335	10x33
N SERIES N12 Mk2 (6x2)		1/80 - 12/85	MBD1152	413	163	282	241	335	10x33



A B C D E x Ø

YORK



394 394 (15.50") x 178 (7.00")



MBD1168

394

195

283

235

335

10x24



MBD1168

394

195

283

235

335

10x24

394 394 (15.50") x 203 (8.00")



MBD1167

394

225

283

251

335

10x24



MBD1167

394

225

283

251

335

10x24

419 419 (16.50") x 178 (7.00")



→ 12/93

MBD1076

419

188

281

236

335

10x23



→ 12/93

MBD1076

419

188

281

236

335

10x23

H2000 Series



1/93 →

MBD1072

419

180

283

236

335

10x23



1/93 →

MBD1072

419

180

283

236

335

10x23

H2000 Series H2000 Series



1/93 →

MBD1072

419

180

283

236

335

10x23



1/93 →

MBD1072

419

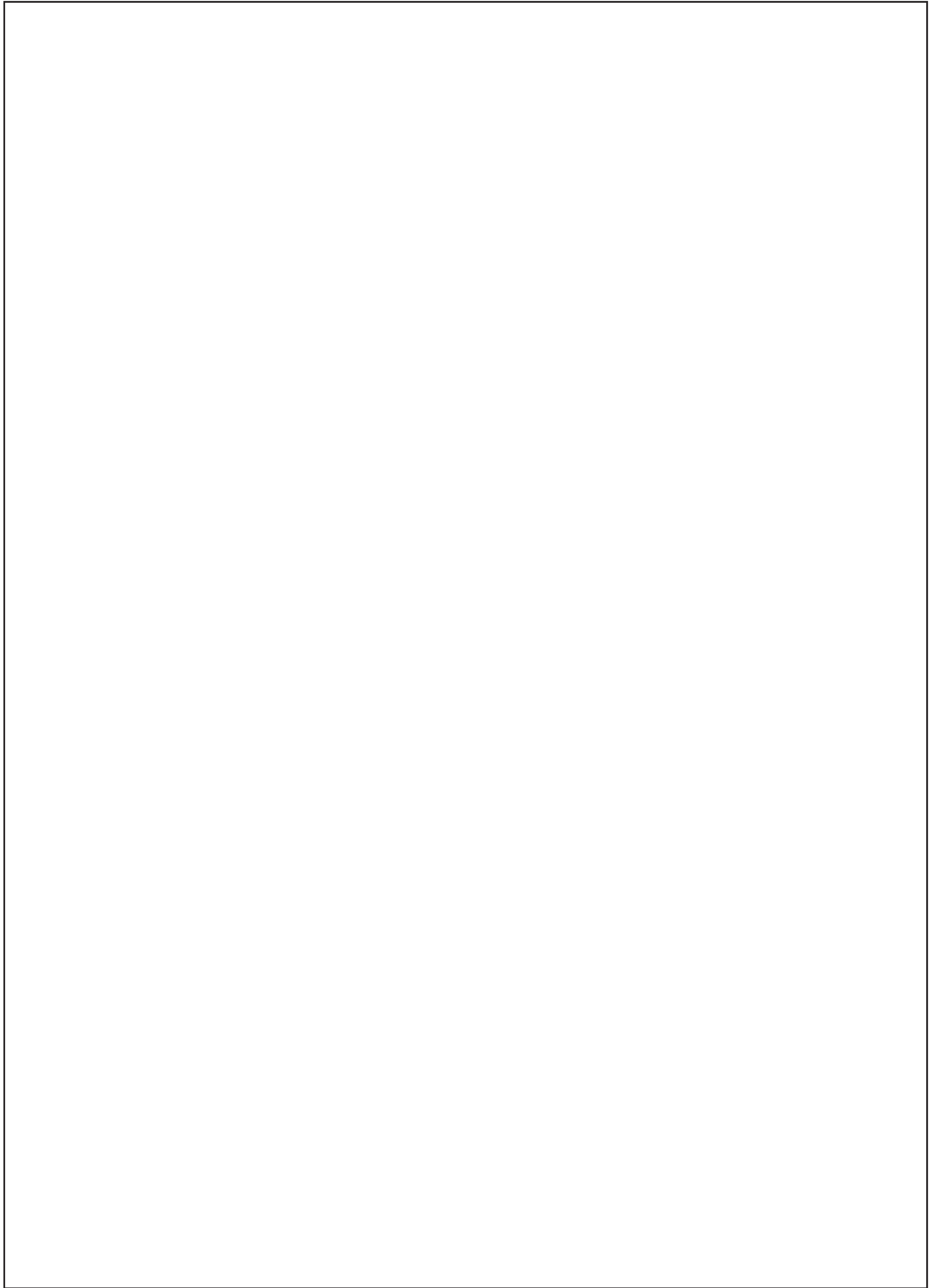
180

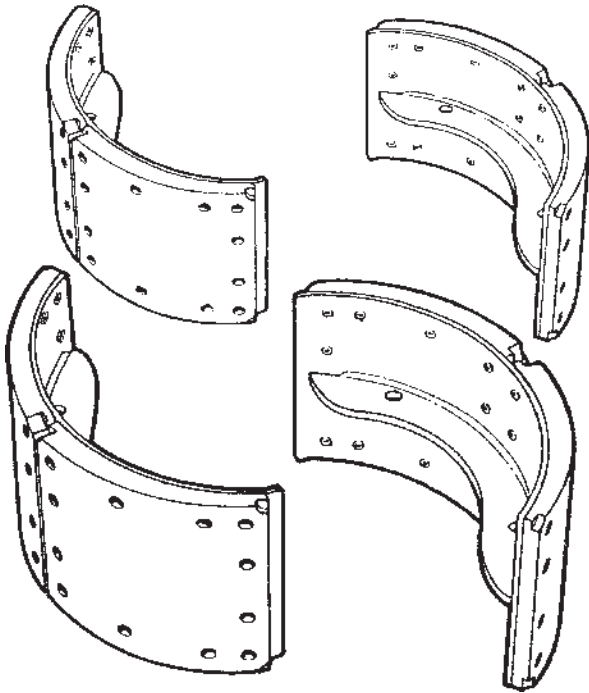
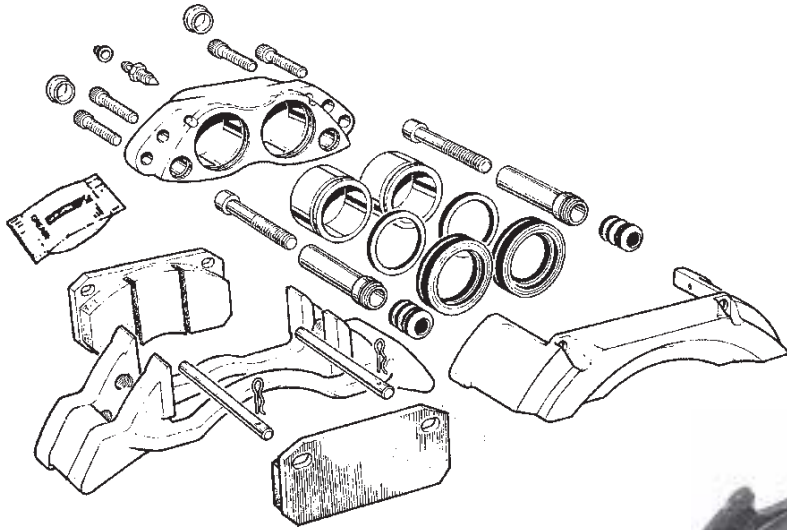
283

236

335

10x23







15224836SR
ROR
15224837SR
ROR
21018986S
ROR
21020448S
ROR
21021114AV
ROR
21209723S
ROR
21211030S
ROR
21211966S
ROR
21220183V
ROR
21224263
ROR
21227349
ROR
31320084
OPTARE
31932015
CZEPEL
MERCEDES
31932042
MAN
MERCEDES
VAN HOOL
31932052
CZEPEL
DENNIS
IKARUS
KÄSSBOHRER
ORION
RENAULT TRUCK
31932056
KÄSSBOHRER
31932059
DENNIS
KÄSSBOHRER
ORION
31932070
CZEPEL
IKARUS
KÄSSBOHRER
3218P1342
IRISBUS
68320196
VOLVO
68320835
RENAULT TRUCK

68321502
MAN
68321507
MAN
68321508
MAN
68321569
RENAULT TRUCK
68322778
ROR
VOLVO
68322887
ZF
68323012
IRISBUS
68323539
VOLVO
68323546
SOR
VOLVO
68323673
RENAULT TRUCK
68323825
ROR
68323828
VOLVO
68324552
ROR
68915070
DENNIS
68915071
DENNIS
68915072
NISSAN
68915073
NISSAN
68915074
DENNIS
MCI
68915075
DENNIS
MCI
68915080
IRISBUS
RENAULT TRUCK
68915081
IRISBUS
RENAULT TRUCK
BDA104
MERCEDES
BDA105
CZEPEL
MERCEDES
OPTARE

BDA106
CZEPEL
MERCEDES
OPTARE
BDA107
MAN
VAN HOOL
BDA333
AWD
IVECO
NISSAN
OPTARE
RENAULT TRUCK
BDA334
VOLVO
BDA335
VOLVO
BDA336
IVECO
RENAULT TRUCK
BDA363
AWD
IVECO
NISSAN
OPTARE
BDA364
AWD
IVECO
NISSAN
OPTARE
BDA403
MERCEDES
BDA437
IVECO
RENAULT TRUCK
BDA438
IVECO
RENAULT TRUCK
BDA439
RENAULT TRUCK
BDA440
RENAULT TRUCK
BDA443
MERCEDES
BDA444
CZEPEL
DENNIS
IKARUS
KÄSSBOHRER
ORION
BDA445
MAN
ZF
BDA452
RENAULT TRUCK

BLKAR
FRUEHAUF
ROR
BLKBR
ROR
BLKQ+R
ROR
BLKQR
FRUEHAUF
ROR
BLKZR
ROR
YORK
LRG500
IVECO
LRG501
IVECO
LRG502
VOLVO
LRG503
VOLVO
LRG504
VOLVO
LRG505
VOLVO
LRG506
IVECO
LRG507
IVECO
LRG508
IVECO
LRG509
IVECO
LRG510
MERCEDES
LRG511
MERCEDES
LRG512
AWD
NISSAN
LRG513
AWD
NISSAN
LRG514
OPTARE
LRG515
OPTARE
LRG516
RENAULT TRUCK
LRG517
RENAULT TRUCK
LRG518
RENAULT TRUCK



LRG519	RENAULT TRUCK
LRG520	MERCEDES OPTARE
LRG521	MERCEDES OPTARE
LRG522	RENAULT TRUCK
LRG523	RENAULT TRUCK
LRG524	MAN VAN HOOL
LRG525	MAN VAN HOOL
LRG526	RENAULT TRUCK
LRG527	RENAULT TRUCK
LRG528	DENNIS KÄSSBOHRER ORION
LRG529	DENNIS KÄSSBOHRER ORION
LRG530	DENNIS
LRG531	DENNIS
LRG532	MERCEDES
LRG533	MERCEDES
LRG536	ROR VOLVO
LRG537	ROR VOLVO
LRG538	TIMONEY/TELEDYNE
LRG539	TIMONEY/TELEDYNE
LRG542	MAN
LRG543	MAN
LRG544	ERF MAN
LRG545	ERF MAN
LRG546	MAN
LRG547	MAN
LRG548	IRISBUS RENAULT TRUCK
LRG549	IRISBUS RENAULT TRUCK
LRG550	DENNIS
LRG551	DENNIS
LRG552	VOLVO
LRG553	VOLVO
LRG554	NISSAN RENAULT TRUCK
LRG555	NISSAN RENAULT TRUCK
LRG560	SOR VOLVO
LRG561	SOR VOLVO
LRG562	CZEPEL IKARUS
LRG563	CZEPEL IKARUS
LRG566	CZEPEL
LRG567	CZEPEL
LRG568	OPTARE
LRG569	OPTARE
LRG570	MAN
LRG571	MAN
LRG572	ROR
LRG573	ROR
LRG574	MAN
LRG575	MAN
LRG578	ROR
LRG579	ROR
LRG580	RENAULT TRUCK
LRG581	RENAULT TRUCK
LRG582	RENAULT TRUCK
LRG583	RENAULT TRUCK
LRG586	MAN
LRG587	MAN
LRG588	MAN
LRG589	MAN
LRG590	MAN
LRG591	MAN
LRG592	VOLVO
LRG593	VOLVO
LRG596	VOLVO
LRG597	VOLVO
LRG598	VOLVO
LRG599	VOLVO
LRG600	IVECO
LRG601	IVECO
LRG602	IVECO NISSAN
LRG603	IVECO NISSAN
LRG608	VOLVO
LRG609	VOLVO
LRG610	VOLVO
LRG611	VOLVO
LRG612	IVECO
LRG613	IVECO
LRG614	IVECO
LRG615	IVECO
LRG620	OPTARE
LRG621	OPTARE
LRG622	MERCEDES
LRG623	MERCEDES
LRG624	MERCEDES
LRG625	MERCEDES
LRG626	MERCEDES
LRG627	MERCEDES
LRG628	AWD
LRG629	AWD
LRG630	DENNIS MCI
LRG631	DENNIS MCI
LRG632	MAN
LRG633	MAN
LRG634	OPTARE
LRG635	OPTARE
LRG638	ERF MAN
LRG639	ERF MAN



LRG642	MBD1010	MBD1061	MBD1140
IRISBUS	AÜWARTER (NEOPLAN)	DAF	BERKHOF PSV
ZF	BOVA	MBD1062	VAN HOOL
LRG643	MERCEDES	DAF	MBD1152
IRISBUS	MBD1011	MBD1071	VOLVO
ZF	SAE	FRUEHAUF	MBD1156
LRG648	MBD1016	SMB	VOLVO
VOLVO	SCANIA	MBD1072	MBD1157
LRG649	MBD1017	YORK	VOLVO
VOLVO	VOLVO	MBD1076	MBD1161
LRG650	MBD1018	YORK	ALEXANDER PSV
VOLVO	DAF	MBD1087	BERKHOF PSV
LRG651	OPTARE	MBD1090	VAN HOOL
VOLVO	MBD1020	IVECO	VOLVO
LRG662	VOLVO	MBD1098	MBD1163
MAN	MBD1021	DAF	VOLVO
ZF	ALEXANDER PSV	LEYLAND DAF	MBD1167
LRG663	BERKHOF PSV	MBD1099	YORK
MAN	VAN HOOL	DAF	MBD1168
ZF	VOLVO	LEYLAND DAF	YORK
LRG702	MBD1023	MBD1103	MBD5000
ROR	DAF	MAN	FODEN
LRG703	MBD1027	MBD1104	MBD5001
ROR	ALEXANDER PSV	AÜWARTER (NEOPLAN)	DENNIS
LRG704	VOLVO	MAN	ERF
MAN	MBD1028	MBD1105	MBD5003
LRG705	MERCEDES	AÜWARTER (NEOPLAN)	SEDDON ATKINSON
MAN	MBD1029	MAN	MBD5004
MBA100	BPW	MBD1107	DENNIS
ROR	MBD1030	MAN	ERF
MBA1050	BERKHOF PSV	MBD1111	MBD5005
ROR	CAETANO	AÜWARTER (NEOPLAN)	LEYLAND DAF
MBAKIT1051	VAN HOOL	BOVA	MBD5006
ROR	VOLVO	MERCEDES	FODEN
MBD1000	MBD1033	MBD1112	MBD5011
FRUEHAUF	RENAULT TRUCK	AÜWARTER (NEOPLAN)	FODEN
MBD1001	MBD1034	BOVA	SEDDON ATKINSON
RENAULT TRUCK	BPW	MERCEDES	MBD5013
MBD1003	MBD1035	MBD1124	AWD
MERCEDES	SCANIA	MERCEDES	MBD5014
MBD1004	MBD1036	MBD1126	SEDDON ATKINSON
AÜWARTER (NEOPLAN)	KÄSSBOHRER	MERCEDES	MBD5016
MERCEDES	MBD1037	MBD1130	DAF
MBD1006	STEYR	AÜWARTER (NEOPLAN)	LEYLAND DAF
STEYR	MBD1050	VAN HOOL	MBD5017
MBD1007	BPW	MBD1131	FODEN
LÖHR	MBD1052	RENAULT TRUCK	SEDDON ATKINSON
SAE	BPW	MBD1136	MBD5019
MBD1008	MBD1057	SAF	FODEN
SAF	DAF	MBD1137	MBD5020
MBD1009	MBD1059	SAF	FODEN
SAF	DAF	MBD1138	MBD5021
	MBD1060	SAF	ERF
	DAF		
	IVECO		



MBD5024	MBLK1190	MBLK2240	MBR1832
ERF	AWD	IVECO	LEYLAND DAF
SEDDON ATKINSON	Bedford	PERROT (WABCO)	MBR2648
MBD5028	ERF	MBLK2250	IVECO
FODEN	Seddon Atkinson	Pegaso	MBR2649
MBD5034	Volvo	MBLK2260	IVECO
FODEN	MBLK1200	Pegaso	MBR2693
MBLK1050	Volvo	MBLK2270	RENAULT TRUCK
Foden	MBLK2000	RENAULT TRUCK	MBR2694
FRUEHAUF	BPW	MBLK2280	RENAULT TRUCK
IVECO	Cardi	RENAULT TRUCK	MBR2695
ROR	MBLK2010	MBLK2300	BOVA
VAN HOOL	BPW	SAF	LEYLAND DAF
Volvo	Cardi	MBLK2310	MBR2711
MBLK1060	DAF	SAF	IVECO
FORD	VAN HOOL	MBLK2320	MBR5000
MBLK1070	Viberti	SCANIA	IVECO
FORD	MBLK2040	MBLK2330	MBR5001
MBLK1080	DAF	SCANIA	IVECO
Bedford	VAN HOOL	MBLK2340	MBR5002
IVECO	MBLK2050	SCANIA	IVECO
RENAULT TRUCK	DAF	MBLK2350	MBR5003
Seddon Atkinson	MBLK2060	SCANIA	KÄSSBOHRER
YORK	DAF	MBLK2360	MBR5004
MBLK1090	MBLK2070	SCANIA	RENAULT TRUCK
Bedford	DAF	MBLK2370	MBR5005
FORD	MBLK2080	SCANIA	RENAULT TRUCK
Pegaso	DAF	MBLK2420	MBR5006
RENAULT TRUCK	MBLK2090	YORK	LEYLAND DAF
Seddon Atkinson	DAF	MBLK2430	MBR5010
SISU	MBLK2170	BPW	MAN
MBLK1100	MERCEDES	Cardi	MBR5011
Bedford	MBLK2190	MBLK2440	MAN
MBLK1110	MAN	BPW	MBR5012
ROR	MERCEDES	Gorica	MAN
YORK	MBLK2200	MBLK2490	MBR5013
MBLK1115	MAN	FRUEHAUF	MAN
FRUEHAUF	MERCEDES	Trailor	MBR5014
MBLK1120	STEYR	MBLK2500	MAN
Foden	VAN HOOL	FRUEHAUF	MBR5015
ROR	MBLK2210	SAF	MERCEDES
MBLK1140	MAN	Trailor	MBR5016
Volvo	MERCEDES	MBR1588	DISCOS
MBLK1150	STEYR	MERCEDES	MERCEDES
Volvo	MBLK2220	MBR1589	MBR5021
MBLK1155	DAF	MERCEDES	VOLVO
ERF	LEYLAND DAF	OPTARE	MBR5025
IVECO	MAN	MBR1761	SCANIA
MBLK1160	PERROT (WABCO)	IVECO	MBR5026
Volvo	MBLK2230	MBR1762	VAN HOOL
MBLK1170	AÜWARTER (NEOPLAN)	IVECO	MBR5029
Volvo	PERROT (WABCO)	MBR1831	VOLVO
MBLK1180	SETRA	OPTARE	MBR5030
AWD	VAN HOOL		VOLVO
Bedford			
Volvo			



MBR5031
VOLVO
MBR5032
BOVA
MBR5033
BOVA
MBR5034
MAN
MBR5035
MAN
MBR5036
MAN
MBR5037
MERCEDES
MBR5038
MERCEDES
MBR5039
MERCEDES
MBR5040
MERCEDES
MBR5044
SAF
MBR5045
SAF
MBR5046
SAF
MBR5047
BPW
MBR5048
BPW
MBR5049
LEYLAND DAF
MBR5050
MERCEDES
MBR5053
RENAULT TRUCK
MBR5054
RENAULT TRUCK
MBR5055
IVECO
MBR9000
VOLVO
MBR9001
SOR
VOLVO
MBR9002
VOLVO
MBR9003
VOLVO
MBR9004
ROR
MBR9005
ERF

MBR9006
ERF
MBR9007
RENAULT TRUCK
MBR9008
IRISBUS
RENAULT TRUCK
MBR9010
DENNIS
MBR9014
ROR
MCK1017
DENNIS
MCK1018
DENNIS
MCK1019
DENNIS
MCK1020
DENNIS
MCK1021
DENNIS
IRISBUS
NISSAN
RENAULT TRUCK
VOLVO
MCK1022
DENNIS
IRISBUS
NISSAN
RENAULT TRUCK
VOLVO
MCK1023
DENNIS
MCI
MCK1024
DENNIS
MCI
MCK1032
VOLVO
MCK1033
VOLVO
MCK1041
SOR
VOLVO
MCK1048
VOLVO
MCK1050
VOLVO
MCK1053
VOLVO
MCK1067
ROR
VOLVO
MCK1070
MAN

MCK1071
MAN
ZF
MCK1075
IRISBUS
MCK1076
IRISBUS
MCK1085
RENAULT TRUCK
MCK1086
MAN
RENAULT TRUCK
MCK1088
MAN
MCK1102
MAN
ZF
MCK1103
MAN
MCK1104
DENNIS
IRISBUS
MCI
VOLVO
MCK1107
VOLVO
MCK1111
ROR
SOR
VOLVO
MCK1112
ROR
SOR
VOLVO
MCK1113
VOLVO
MCK1116
ROR
SOR
VOLVO
MCK1118
VOLVO
MCK1127
SOR
VOLVO
MCK1128
SOR
VOLVO
MCK1129
SOR
VOLVO
MCK1134
ROR
VOLVO

MCK1135
VOLVO
MCK1138
ERF
MAN
ZF
MCK1139
ERF
MAN
ROR
MCK1140
ERF
MAN
ROR
ZF
MCK1141
MAN
ZF
MCK1144
VOLVO
MCK1145
VOLVO
MCK1146
ROR
MCK1147
ERF
MCK1151
VOLVO
MCK1152
VOLVO
MCK1168
ROR
MCK1171
ROR
MCK1174
ERF
MAN
ROR
ZF
MCK1234
DENNIS
MCI
MCK1235
DENNIS
MCI
MCK1236
ROR
SOR
VOLVO
MCK1237
ROR
SOR
VOLVO



MCK1238	MDP5031	MDP5057	MDP9001
ROR	CZEPEL	ROR	BPW
SOR	IKARUS	VOLVO	DISCOS
VOLVO	KÄSSBOHRER	MDP5059	SAE
MCK1239	ORION	ERF	SAF
VOLVO	MDP5032	MDP5060	SMB
MCK1240	CZEPEL	MAN	MDP9002
ROR	IKARUS	MDP5061	AÜWARTER (NEOPLAN)
MCK1252	KÄSSBOHRER	VOLVO	LEYLAND DAF
ROR	ORION	MDP5065	MAN
MCK1254	MDP5033	MAN	MDP9003
ROR	CZEPEL	MDP5066	DISCOS
MCK1262	IKARUS	MAN	GRANNING
MAN	KÄSSBOHRER	MDP5071	SAF
ZF	MDP5034	DENNIS	MDP9004
MCK1263	CZEPEL	MDP5072	IVECO
VOLVO	IKARUS	VOLVO	MDP9005
MCK1264	KÄSSBOHRER	MDP5073	AÜWARTER (NEOPLAN)
ROR	MDP5035	ROR	BOVA
SOR	NISSAN	MDP5076	DENNIS
VOLVO	MDP5037	MAN	KAROSA
MCK1299	RENAULT TRUCK	ROR	KÄSSBOHRER
ROR	MDP5038	MDP5089	SJ1018
SOR	KÄSSBOHRER	SOR	DENNIS
VOLVO	MAN	MDP5090	RENAULT TRUCK
MDP5000	VAN HOOL	ZF	SJ1022
DENNIS	MDP5039	MDP5093	IVECO
KÄSSBOHRER	KÄSSBOHRER	ROR	SJ1030
MDP5001	MAN	MDP5097	IVECO
KÄSSBOHRER	VAN HOOL	MAN	SJ1032
MDP5004	MDP5040	MDP5098	IVECO
RENAULT TRUCK	MERCEDES	ZF	SJ1033
MDP5005	MDP5042	MDP5100	IVECO
RENAULT TRUCK	IRISBUS	ROR	SJ1034
MDP5008	RENAULT TRUCK	MDP5429	IVECO
RENAULT TRUCK	MDP5044	IVECO	SJ1035
MDP5016	MCI	NISSAN	IVECO
TIMONEY/TELEDYNE	MDP5049	OPTARE	MERCEDES
MDP5017	OPTARE	VOLVO	SJ1037
MERCEDES	MDP5050	MDP5453	IVECO
MDP5019	RENAULT TRUCK	IVECO	SJ1048
DENNIS	MDP5051	MDP5481	AWD
RENAULT TRUCK	RENAULT TRUCK	CZEPEL	NISSAN
MDP5020	MDP5052	MERCEDES	OPTARE
IVECO	VOLVO	OPTARE	SJ1091
MDP5021	MDP5053	MDP5761	IVECO
IVECO	VOLVO	VOLVO	OPTARE
MDP5027	MDP5054	MDP5762	VOLVO
DENNIS	MAN	RENAULT TRUCK	SJ1092
MDP5030	MDP5055	MDP5842	AWD
AWD	MAN	IVECO	IVECO
NISSAN	MDP5056	MDP9000	NISSAN
	RENAULT TRUCK	LEYLAND DAF	OPTARE
		SCANIA	VOLVO

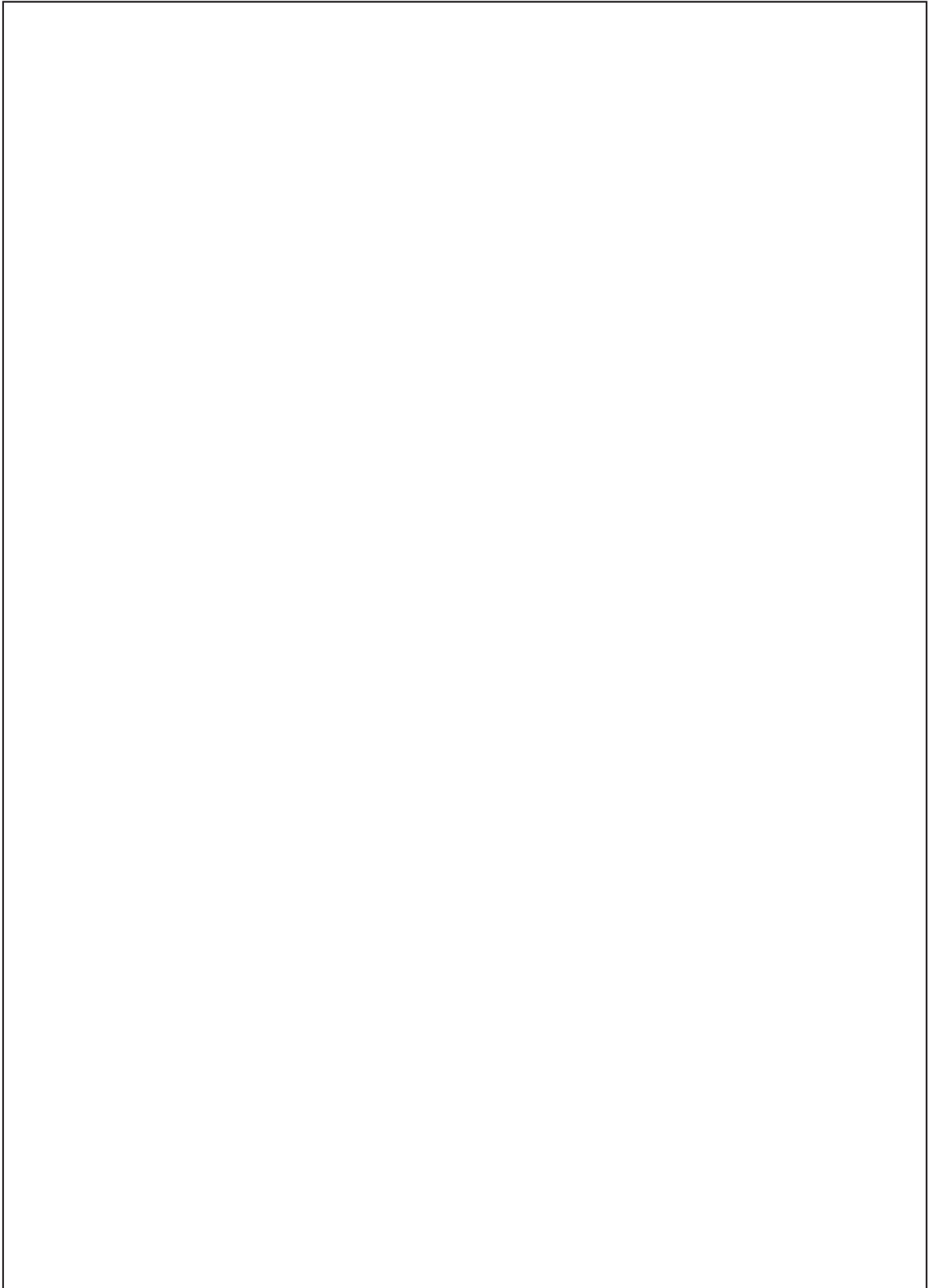


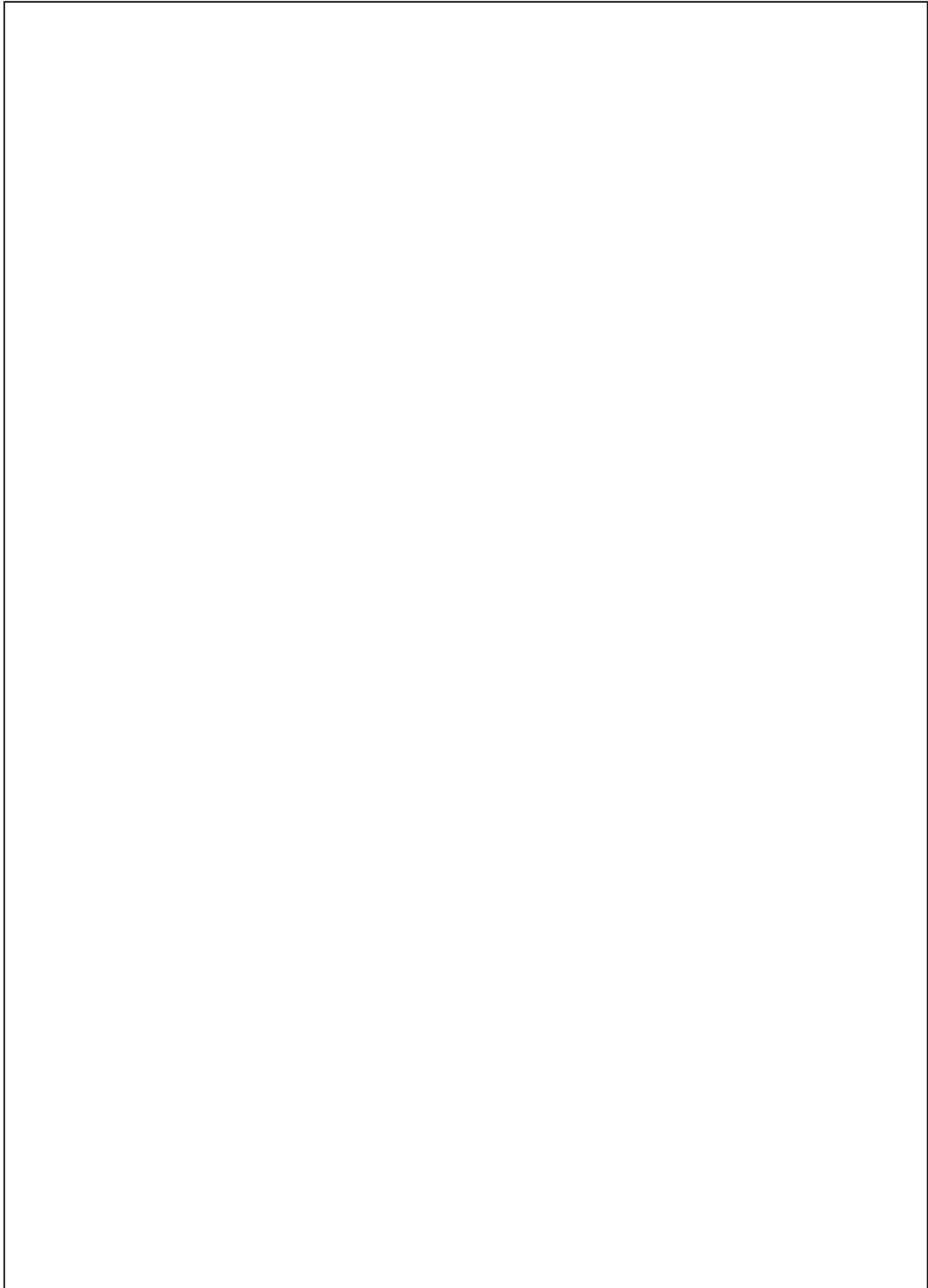
SJ1212
CZEPEL
DENNIS
IKARUS
KÄSSBOHRER
MAN
MERCEDES
ORION
VAN HOOL
SJ1213
MERCEDES
SJ1214
IVECO
SJ1215
IVECO
SJ1228
CZEPEL
IKARUS
KÄSSBOHRER
ORION
SJ4000
KÄSSBOHRER
RENAULT TRUCK
SJ4001
RENAULT TRUCK
SJ4011
MAN
MERCEDES
VAN HOOL
SJ4012
CZEPEL
DENNIS
IKARUS
KÄSSBOHRER
ORION
SJ4021
DENNIS
IRISBUS
MCI
RENAULT TRUCK
VOLVO
SJ4022
DENNIS
IRISBUS
MCI
RENAULT TRUCK
VOLVO
SJ4031
DENNIS
IRISBUS
MCI
NISSAN
RENAULT TRUCK
VOLVO
SJ4032
DENNIS
RENAULT TRUCK

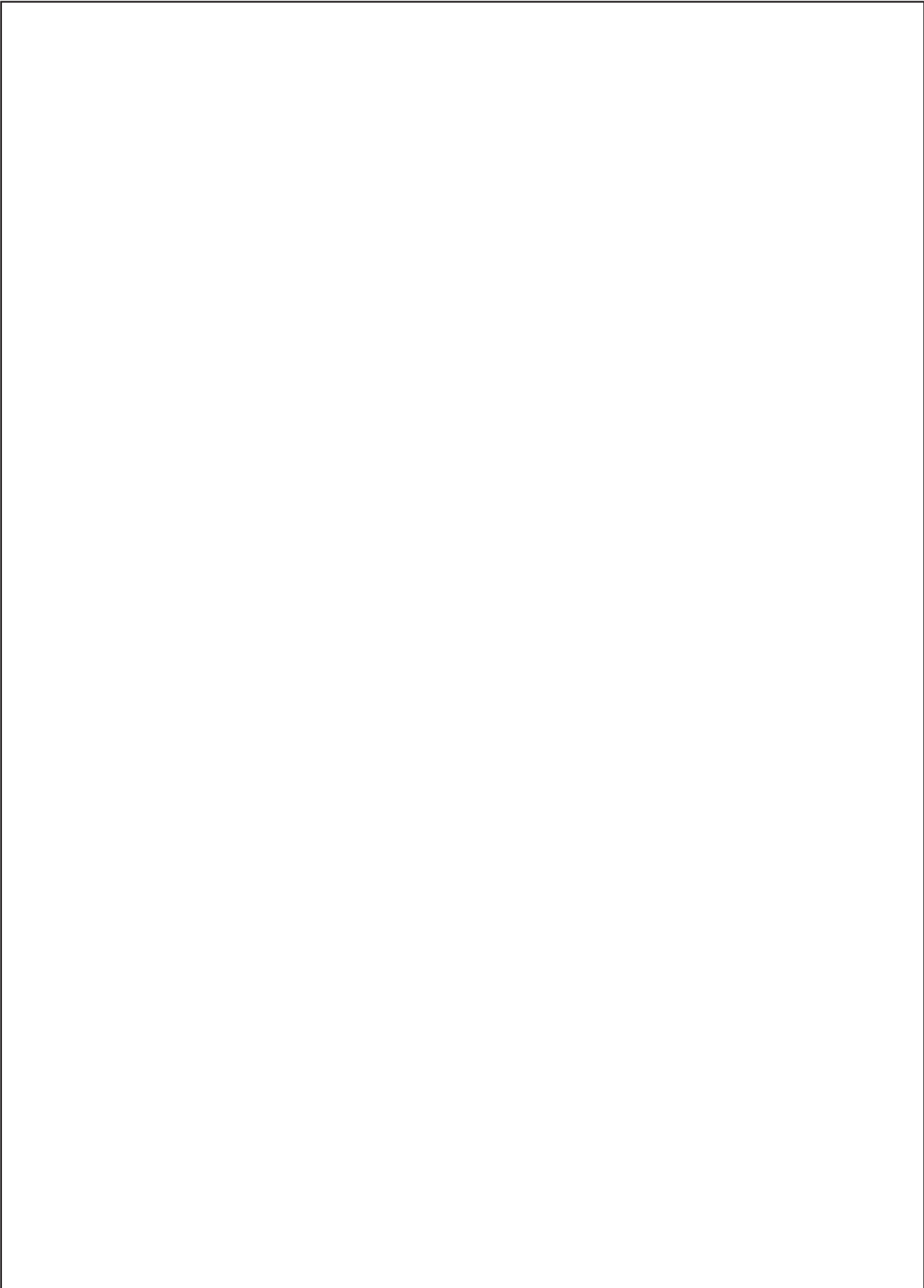
SJ4051
NISSAN
RENAULT TRUCK
SJ4052
NISSAN
RENAULT TRUCK
SJ4053
NISSAN
RENAULT TRUCK
SJ4056
NISSAN
SJ4057
NISSAN
SJ4058
RENAULT TRUCK
SJ4061
NISSAN
RENAULT TRUCK
SJ4073
DENNIS
IRISBUS
MCI
RENAULT TRUCK
VOLVO
SJ4074
DENNIS
IRISBUS
MCI
RENAULT TRUCK
VOLVO
SJ4076
DENNIS
RENAULT TRUCK
VOLVO
SJ4077
DENNIS
IRISBUS
MCI
RENAULT TRUCK
VOLVO
SJ4078
DENNIS
IRISBUS
MCI
RENAULT TRUCK
VOLVO
SJ4093
VOLVO
SJ4094
VOLVO
SJ4096
ROR
VOLVO
SJ4097
ROR
VOLVO

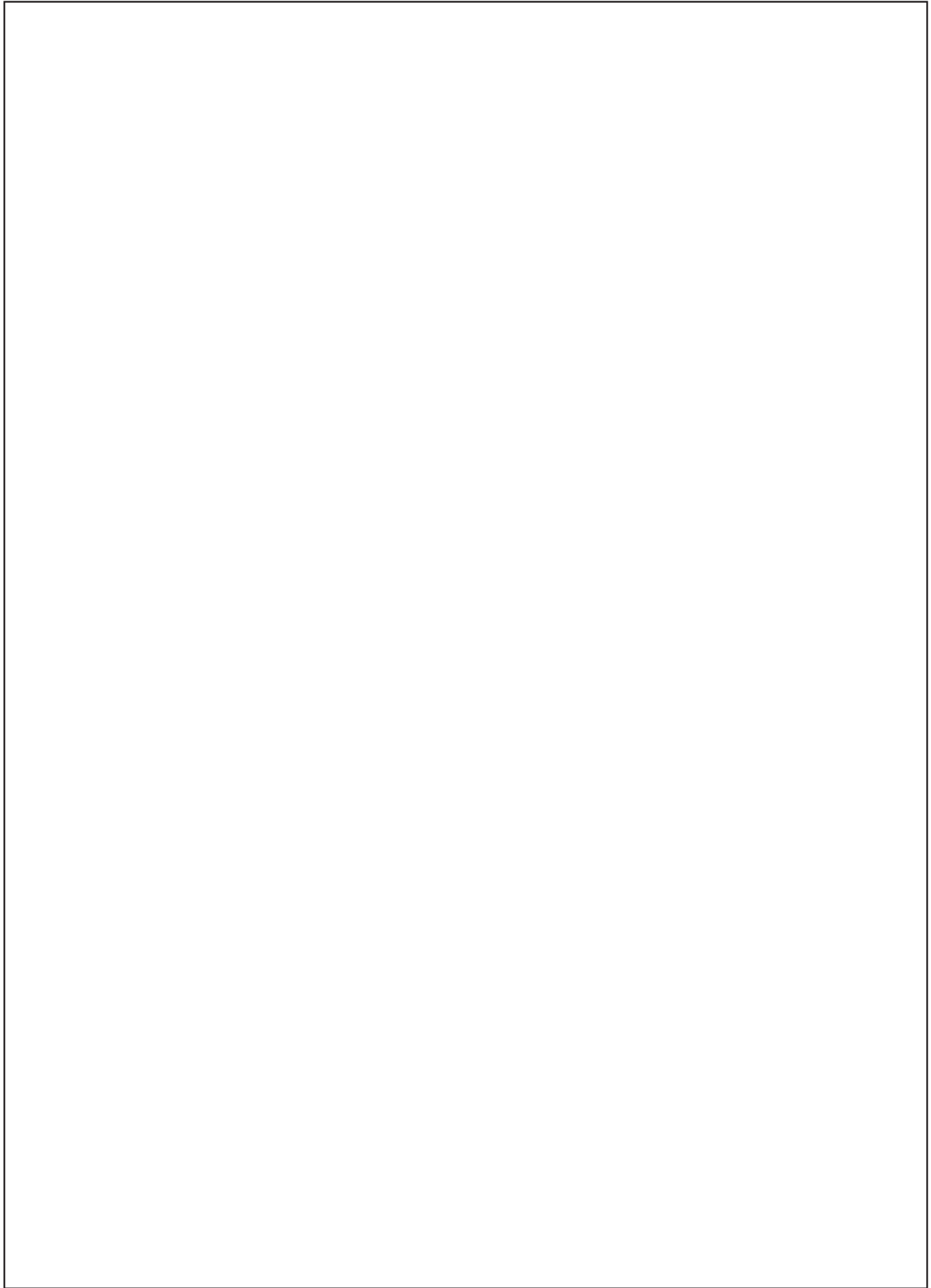
SJ4098
VOLVO
SJ4102
ROR
VOLVO
SJ4103
ROR
VOLVO
SJ4105
ROR
VOLVO
SJ4107
VOLVO
SJ4108
VOLVO
SJ4109
VOLVO
SJ4110
VOLVO
SJ4112
ROR
SOR
VOLVO
SJ4113
DENNIS
IRISBUS
MCI
NISSAN
RENAULT TRUCK
VOLVO
SJ4114
DENNIS
IRISBUS
MCI
NISSAN
RENAULT TRUCK
VOLVO
SJ4117
DENNIS
IRISBUS
MCI
SP8563
AWD
IVECO
NISSAN
OPTARE
RENAULT TRUCK
VOLVO
SP8564
IVECO
RENAULT TRUCK
VOLVO

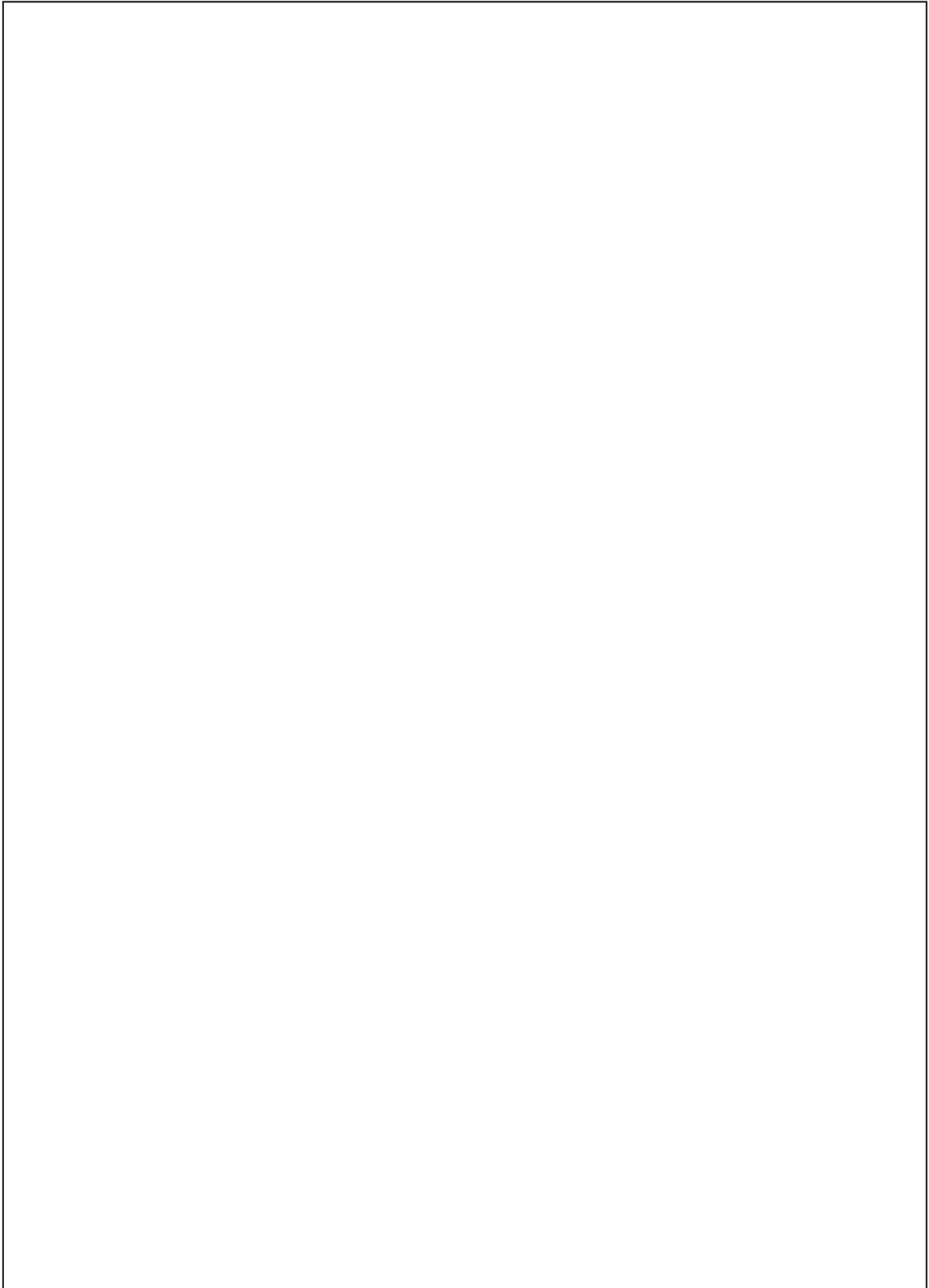
SP8565
AWD
IVECO
NISSAN
OPTARE
RENAULT TRUCK
VOLVO
SP8566
AWD
CZEPEL
IVECO
MERCEDES
NISSAN
OPTARE
RENAULT TRUCK
VOLVO
SP8567
VOLVO
SP8570
AWD
IVECO
NISSAN
OPTARE
VOLVO
SP8597
CZEPEL
MERCEDES
OPTARE
RENAULT TRUCK
SP8902
CZEPEL
MERCEDES
OPTARE
RENAULT TRUCK
SP8999
DENNIS
RENAULT TRUCK
TIMONEY/TELEDYNE
SP9669
IVECO
OPTARE
VOLVO
SP9670
AWD
IVECO
NISSAN
OPTARE
VOLVO
SP9884
OPTARE
ST1189
MAN
ST1206
DENNIS
RENAULT TRUCK
TIMONEY/TELEDYNE

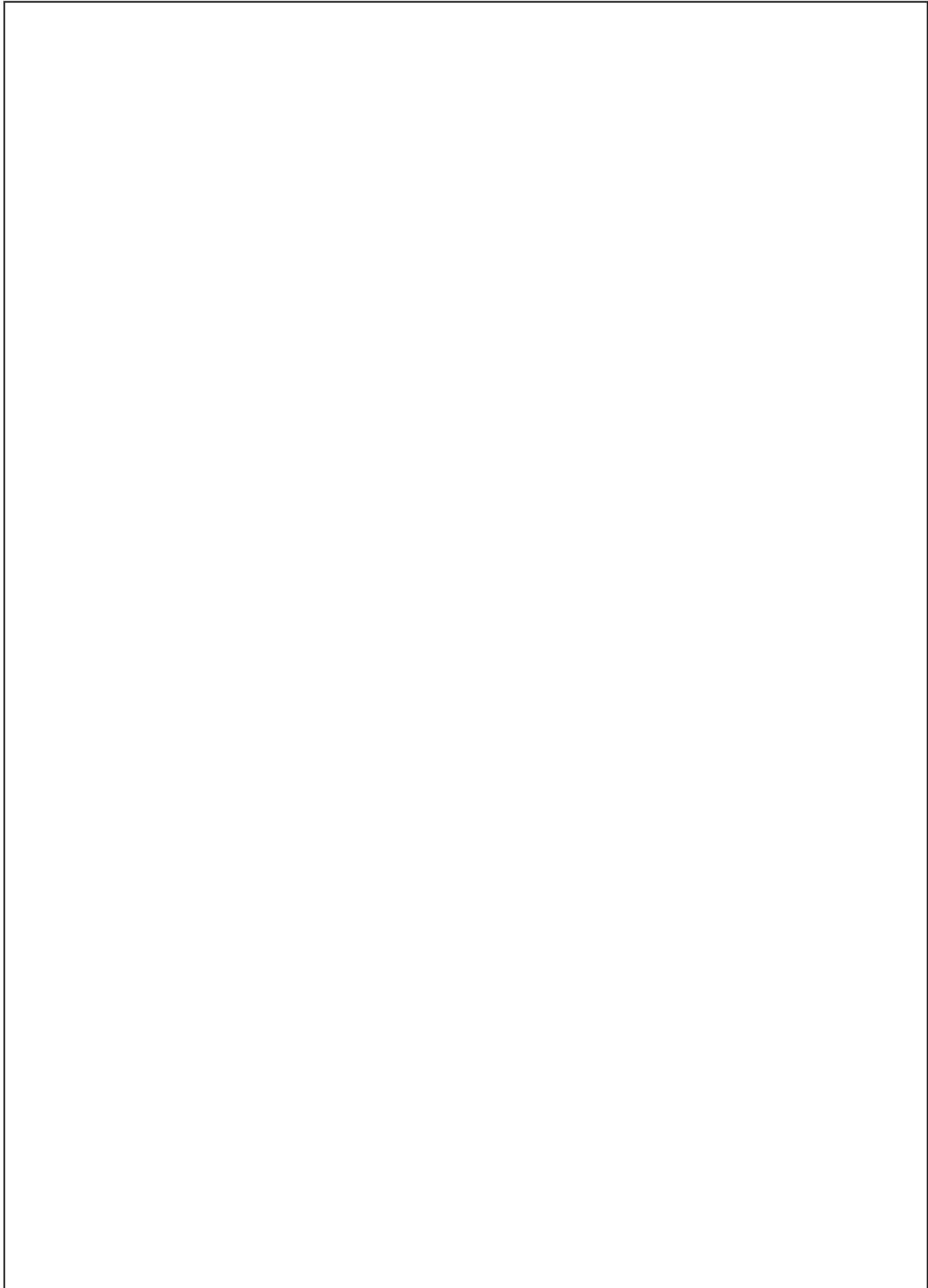


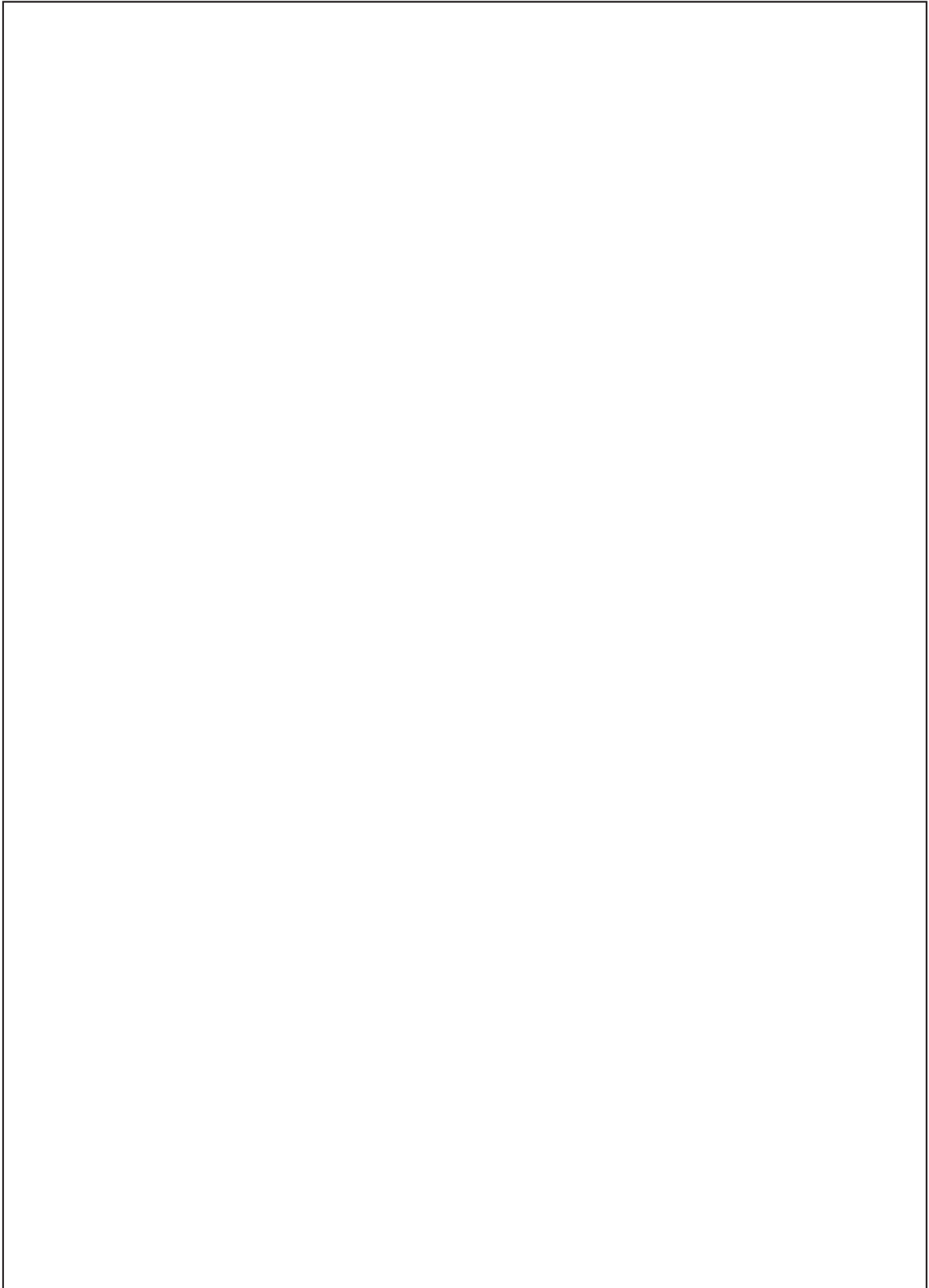


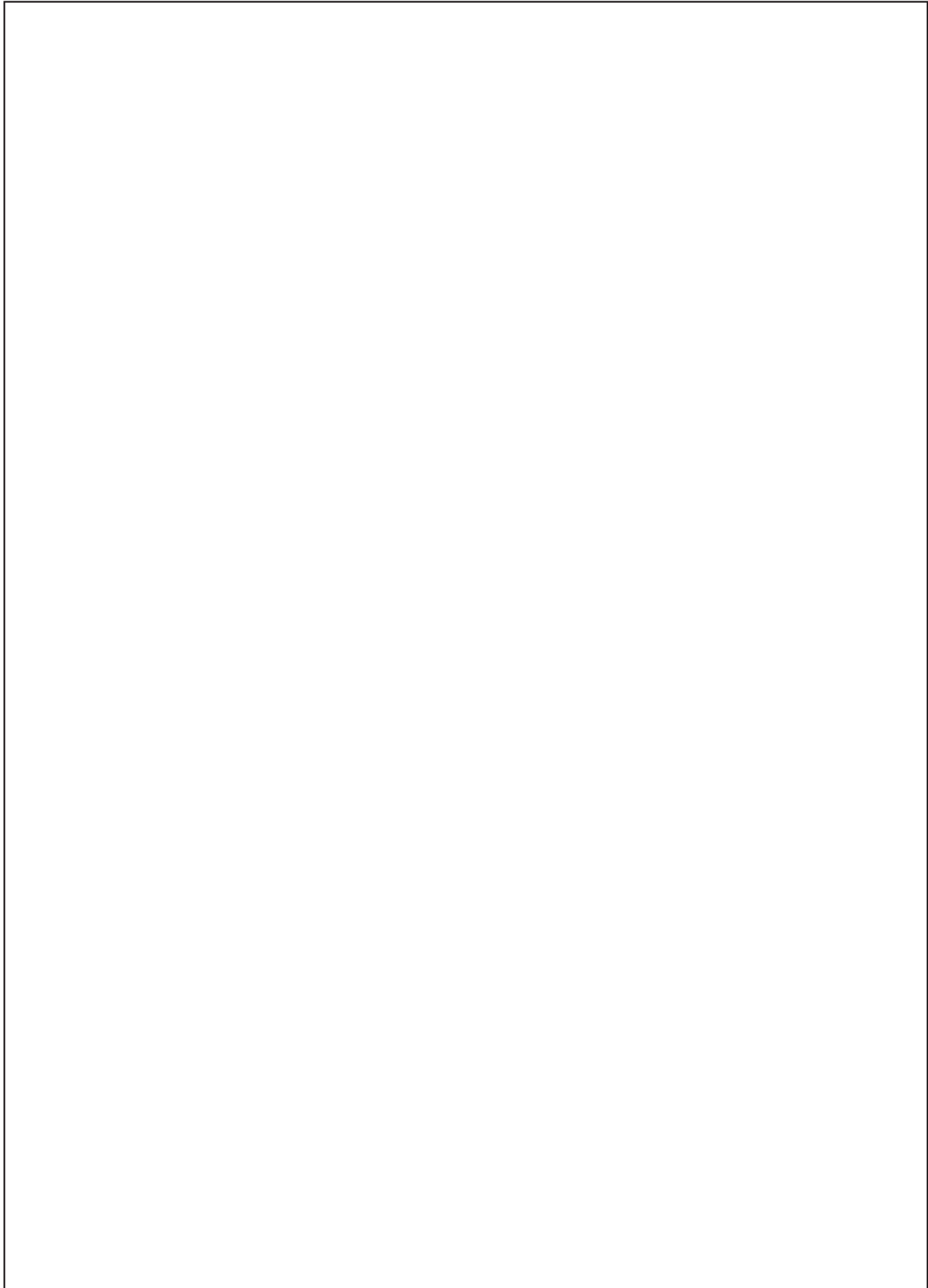


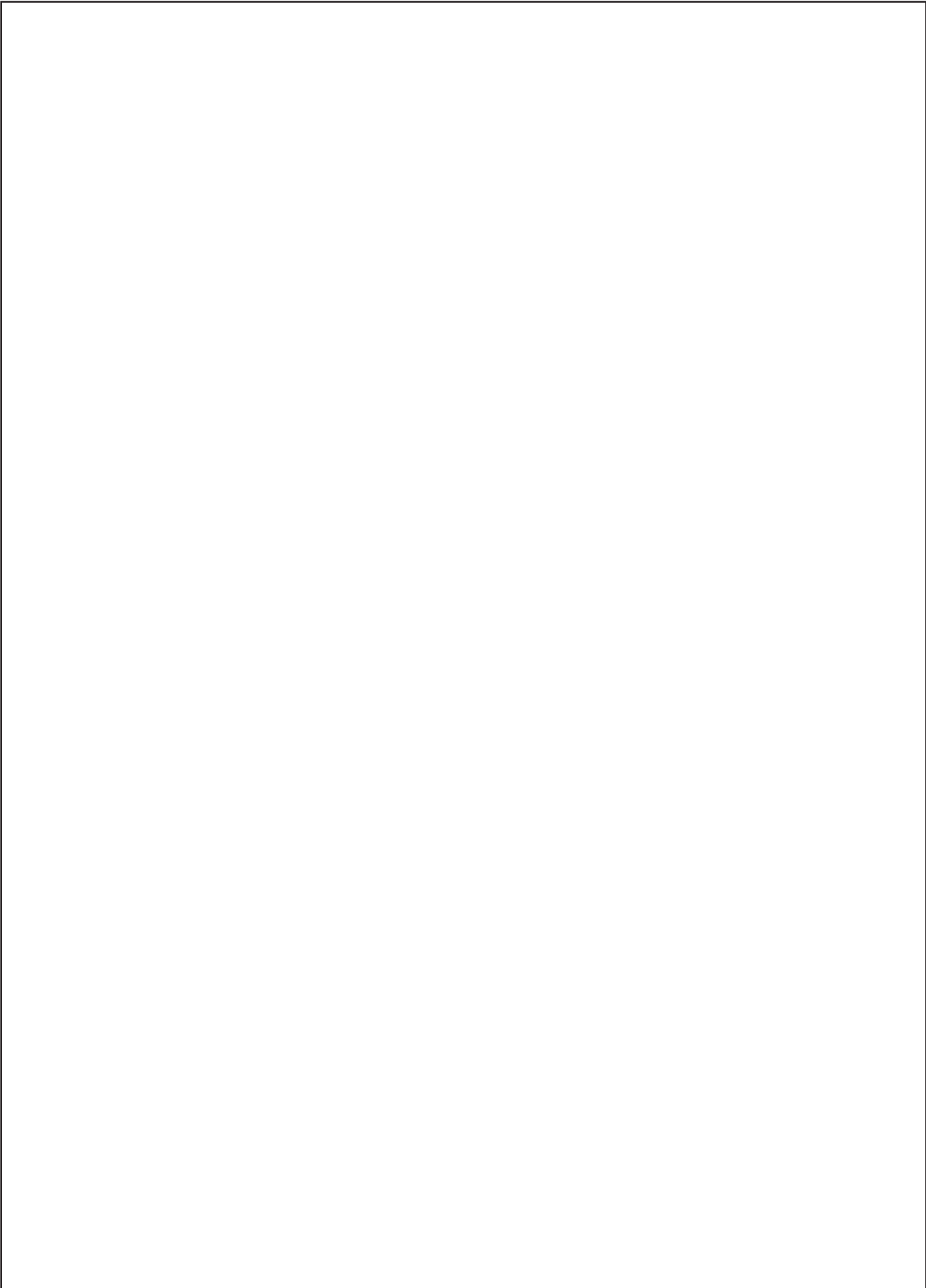


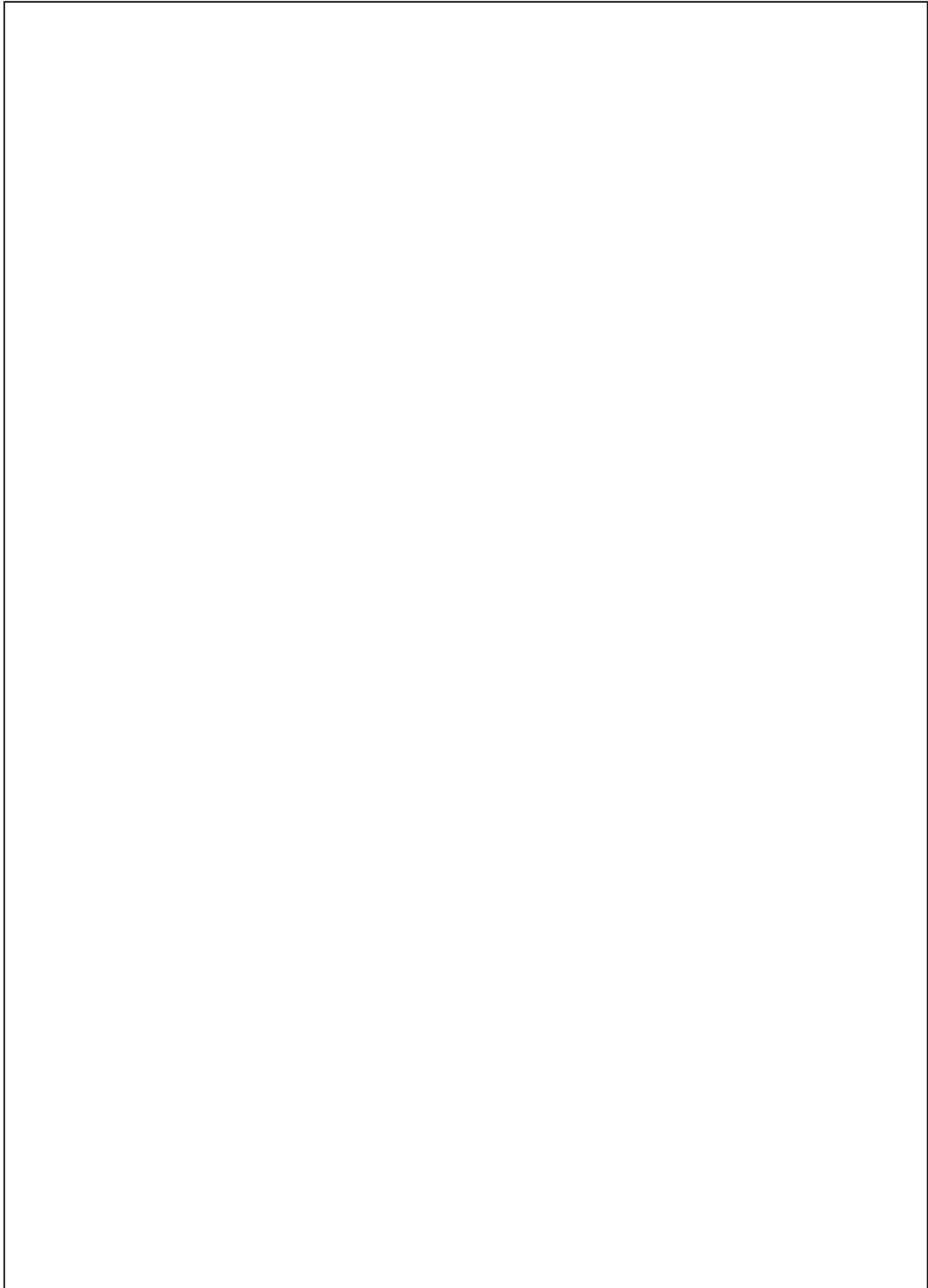


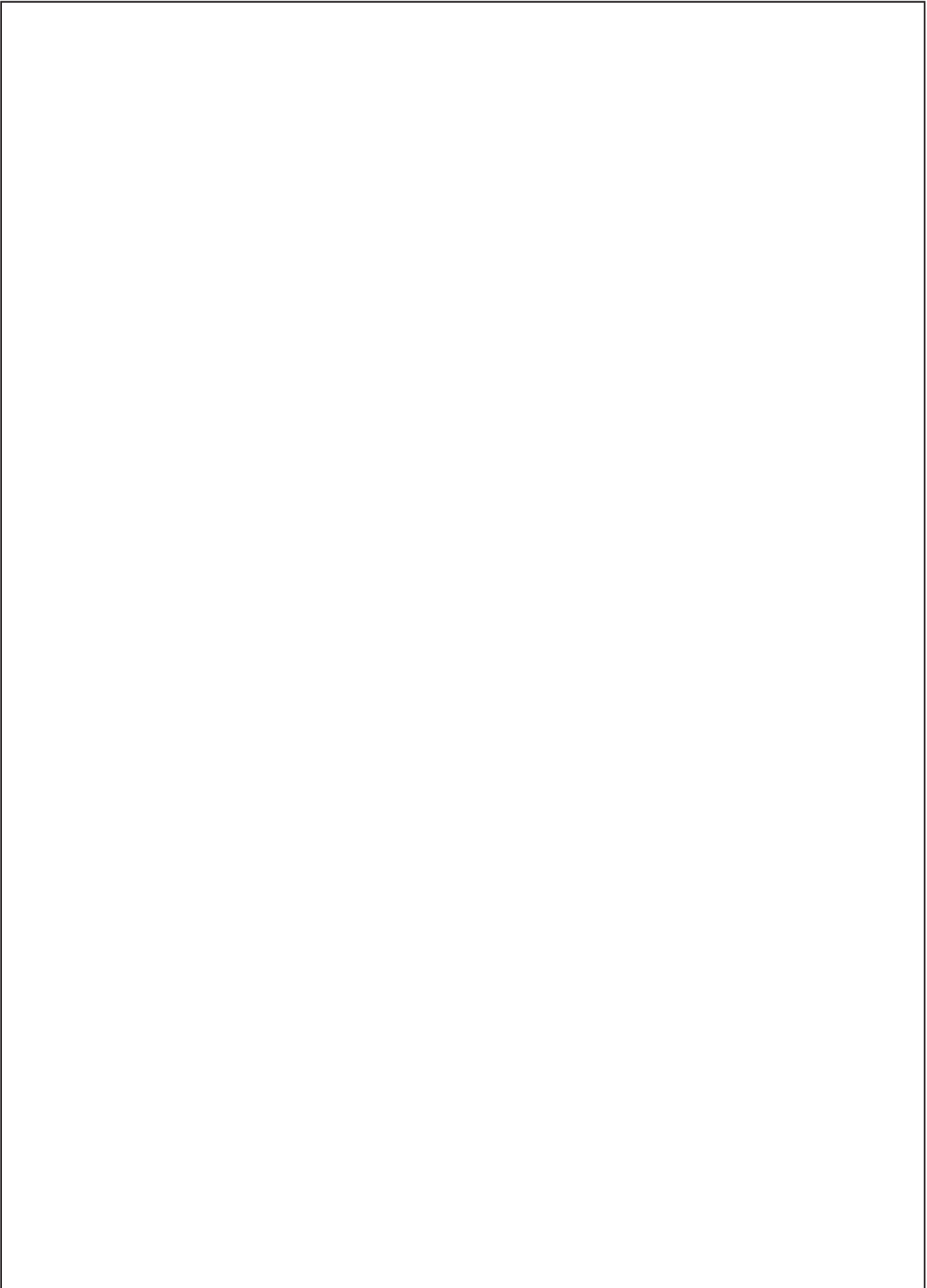


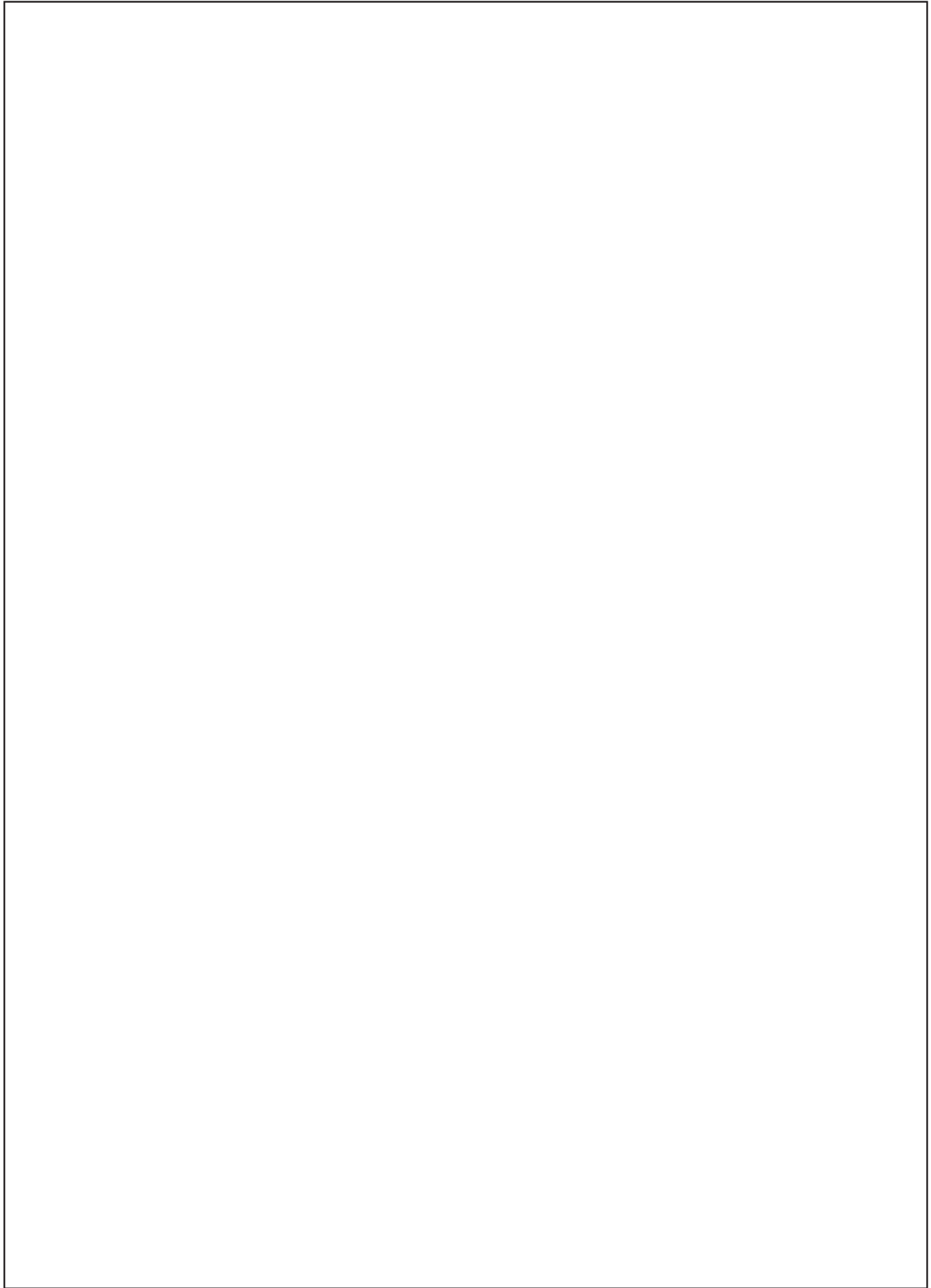














MERITOR™

© 2006 ArvinMeritor
This catalogue may be used only to specify and sell products of ArvinMeritor, its subsidiaries and affiliated companies. Use to specify and sell any other products is a copyright violation.

**ArvinMeritor Commercial
Vehicle Aftermarket Ltd**
Park Lane, Great Alne, Alcester,
Warwickshire, B49 6HT, England
Telephone Number : 0845 6067733

**ArvinMeritor Commercial
Vehicle Aftermarket AG**
Neugutstrasse 89,
8600 Dübendorf, Switzerland
Telephone Number : +41 44 824 8200 MPN 1057

ArvinMeritor™