

# SPARE PARTS LIST

## AIRTRONIC S2 COMMERCIAL

## AIRTRONIC M2 COMMERCIAL / AIRTRONIC M2 RECREATIONAL



**This spare parts list is valid for the following engine-independent water heaters:**

<b>Air heaters for diesel fuel</b>	<b>Order No.</b>	<b>Order No. incl. EasyStart Pro</b>
Airtronic S2, D2L, 12 V	25.2721.05.0000	25.2753.05.0000
Airtronic S2, D2L, 24 V	25.2726.05.0000	25.2754.05.0000
Airtronic M2, D4L, 12 V	25.2720.05.0000	25.2755.05.0000
Airtronic M2, D4L, 24 V	25.2729.05.0000	25.2756.05.0000
Airtronic M2, D4R, 12 V	25.2746.05.0000	25.2757.05.0000
<b>Air heaters for petrol</b>	<b>Order No.</b>	<b>Order No. incl. EasyStart Pro</b>
Airtronic M2, B4L, 12 V	20.1987.05.0000	20.2032.05.0000

Chapter	Chapter title	Page
	Chapter contents	
<b>1</b>	<b>Information</b>	
1.1	General information	3
1.2	Reference Documents	3
1.3	Determining the quantity required for the order	3
<b>2</b>	<b>Heater</b>	
2.1	Spare parts diagram	4
2.2	Spare parts list	5
<b>3</b>	<b>Electrics, fuel, hot air and combustion air system</b>	
3.1	Spare parts diagram	6
3.2	Spare parts list	7

## 1 Information

### 1.1 General information

This document is to be used when ordering spare parts for the heaters listed on the title page, to the exclusion of all liability claims.

Depending on the version or revision status of the heater, differences may occur compared to this documentation. Please check this before ordering the spare parts and take any possible differences into account.

### 1.2 Reference Documents

#### **Technical description**

Describes the function and proper installation and contains all information necessary for safe operation of the heater.

#### **Repair instructions**

Contains the necessary information for troubleshooting and for repair of the heater.

#### **Installation recommendation**

Describes vehicle-specific installation situations.

#### **Installation Instructions Plus**

Supplementary information on heaters and control units.

### 1.3 Determining the quantity required for the order

The information in the “quantity per unit” and “quantity per SU” (sales unit) columns is used to determine the quantity of a spare part required and the SU (sales units) to be ordered.

#### **Quantity per unit**

The number in this column indicates how many of the spare part concerned are installed in the whole unit.

#### **Quantity per SU**

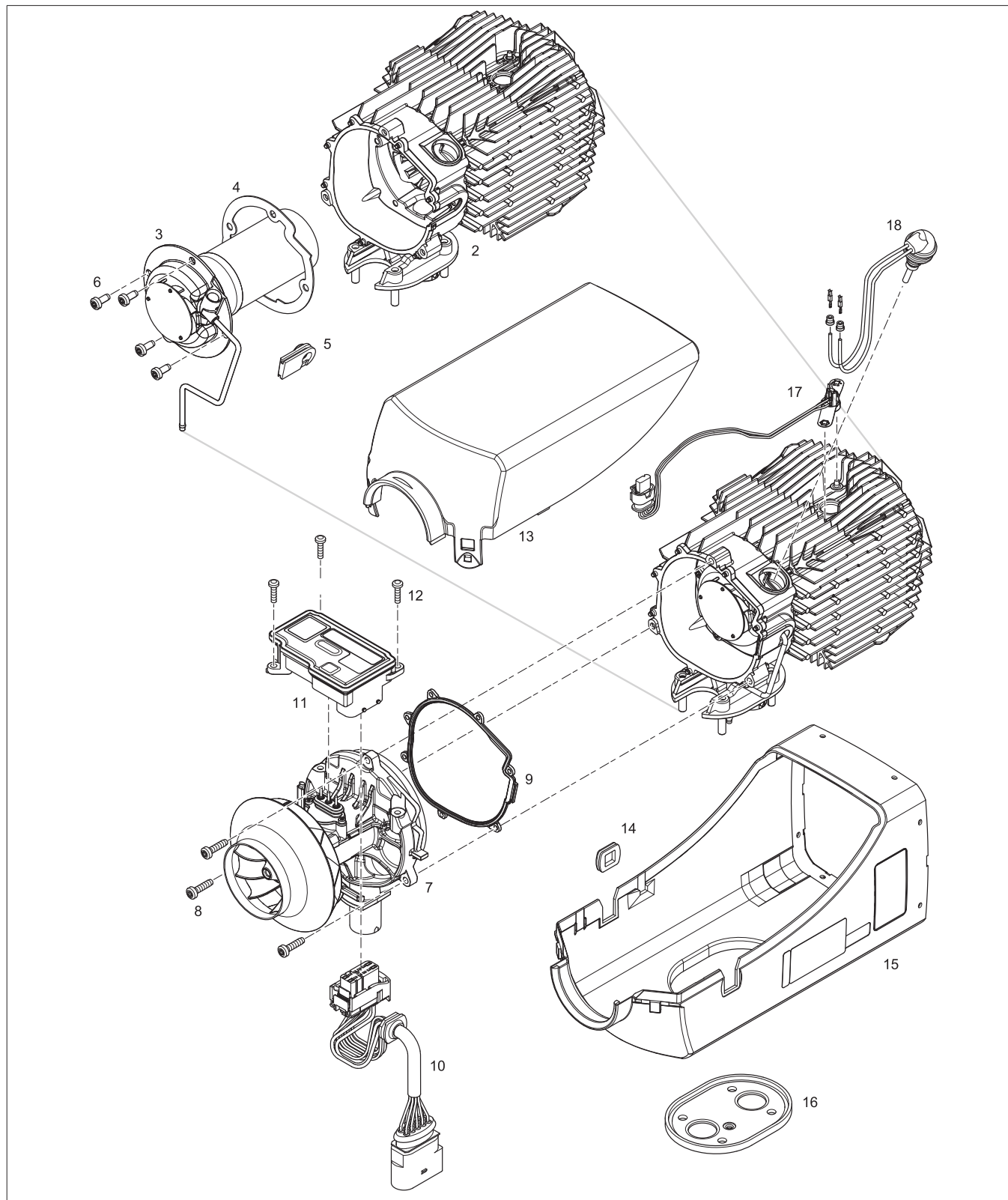
The number in this column indicates how many of the spare part concerned are contained in one SU (sales unit).

#### **Order No. (SU)**

The order number refers to an SU.

## 2 Heater

### 2.1 Spare parts diagram

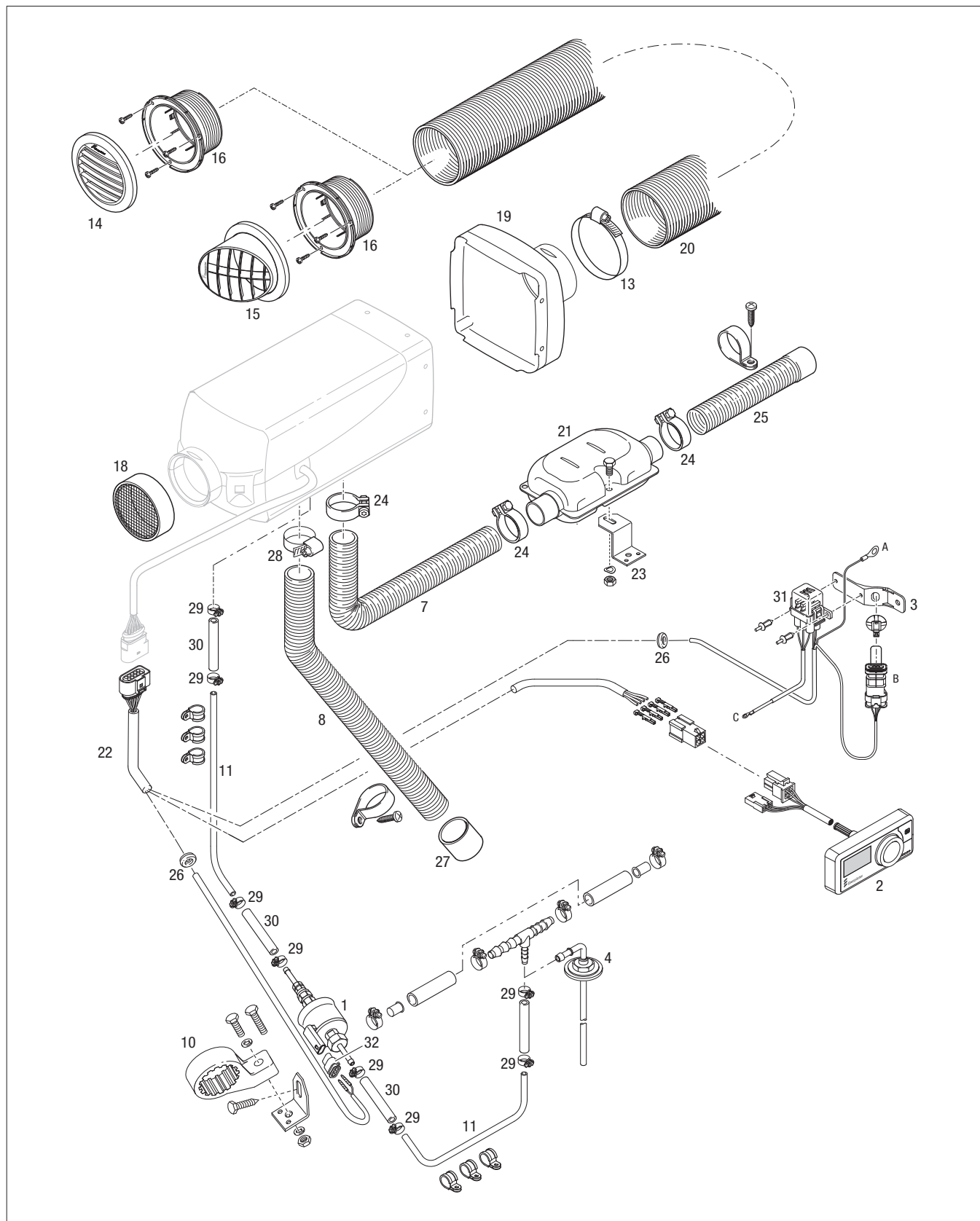


## 2.2 Spare parts list

Item No.	Quantity per unit	Quantity per SU	Designation	Order No. (SU)	For unit											
					B 4 L, 12 V – 20.1987.05	B 4 L, 12 V – 20.2032.05	D 2 L, 12 V – 25.2721.05	D 2 L, 12 V – 25.2753.05	D 2 L, 24 V – 25.2726.05	D 2 L, 24 V – 25.2754.05	D 4 L, 12 V – 25.2720.05	D 4 L, 12 V – 25.2755.05	D 4 L, 24 V – 25.2729.05	D 4 L, 24 V – 25.2756.05	D 4 R, 12 V – 25.2746.05	D 4 R, 12 V – 25.2757.05
2	1	1	Heat exchanger incl. seal	25.2720.99.0601 25.2721.99.0601 20.1987.99.0601	•	•	•	•	•	•	•	•	•	•	•	•
3	1	1	Combustion chamber incl. screws, <a href="#">Item 6</a>	25.2720.99.1000 25.2721.99.1000 20.1987.99.1000	•	•	•	•	•	•	•	•	•	•	•	•
4	1	1	Combustion chamber seal	25.2113.06.0001 25.2069.06.0001	•	•	•	•	•	•	•	•	•	•	•	•
5	1	1	Grommet	25.2720.06.0002	•	•	•	•	•	•	•	•	•	•	•	•
6	4	100	Cheese-head screw M 5 x 12 Torx	<a href="#">Item 3</a>	•	•	•	•	•	•	•	•	•	•	•	•
7	1	1	Blower 12 V incl. screws, <a href="#">Item 8</a>	25.2720.99.1500 25.2721.99.1500 25.2746.99.1500	•	•	•	•	•	•	•	•	•	•	•	•
			Blower 24 V incl. screws, <a href="#">Item 8</a>	25.2726.99.1500 25.2729.99.1500	•	•	•	•	•	•	•	•	•	•	•	•
8	3	100	Cheese-head screw M 4 x 10 Torx	<a href="#">Item 7</a>	•	•	•	•	•	•	•	•	•	•	•	•
9	1	1	Seal, blower	25.2720.01.0003 25.2721.01.0003	•	•	•	•	•	•	•	•	•	•	•	•
10	1	1	Cable harness heater	25.2720.99.0103	•	•	•	•	•	•	•	•	•	•	•	•
11	1	1	Control box 12 V	20.1987.99.5000 25.2721.99.5000 25.2720.99.5000 25.2746.99.5000	•	•	•	•	•	•	•	•	•	•	•	•
	1	1	Control box 24 V	25.2726.99.5000 25.2729.99.5000	•	•	•	•	•	•	•	•	•	•	•	•
12	3	100	Cheese-head screw M 4 x 16 Torx	25.2281.01.0031	•	•	•	•	•	•	•	•	•	•	•	•
13	1	1	Jacket shell, top	25.2113.01.0001 25.2069.01.0600	•	•	•	•	•	•	•	•	•	•	•	•
14	1	1	Grommet	25.2069.01.0001	•	•	•	•	•	•	•	•	•	•	•	•
15	1	1	Jacket shell, bottom	25.2113.01.0100 25.2069.01.0100	•	•	•	•	•	•	•	•	•	•	•	•
16	1	1	Seal, flange	25.2069.01.0002	•	•	•	•	•	•	•	•	•	•	•	•
17	1	1	Sensor, flame monitoring, overheating incl. connector	25.2720.99.4000	•	•	•	•	•	•	•	•	•	•	•	•
18	1	1	Glow plug with socket spanner, 12 V	25.2720.99.0106	•	•	•	•	•	•	•	•	•	•	•	•
			Glow plug with socket spanner, 24 V	25.2729.99.0106	•	•	•	•	•	•	•	•	•	•	•	•

### 3 Electrics, fuel, hot air and combustion air system

#### 3.1 Spare parts diagram



## 3.2 Spare parts list

Item No.	Quantity per unit	Quantity per SU	Designation	Order No. (SU)	For unit											
					B 4 L, 12 V – 20.1987.05	B 4 L, 12 V – 20.2032.05	D 2 L, 12 V – 25.2721.05	D 2 L, 12 V – 25.2753.05	D 2 L, 24 V – 25.2726.05	D 2 L, 24 V – 25.2754.05	D 4 L, 12 V – 25.2720.05	D 4 L, 12 V – 25.2755.05	D 4 L, 24 V – 25.2729.05	D 4 L, 24 V – 25.2756.05	D 4 R, 12 V – 25.2746.05	D 4 R, 12 V – 25.2757.05
1	1	1	Fuel metering pump, 12 V	22.4552.03.0000	•	•	•	•			•	•			•	•
not ill.			Fuel metering pump, 24 V	22.4553.01.0000					•	•			•	•		
2	1	1	Control unit EasyStart Pro (optional)	22.1000.35.2200	•	•	•	•	•	•	•	•	•	•	•	•
3	1	1	Bracket diagnostic connector, combi-clip	22.1000.51.4900	•	•	•	•	•	•	•	•	•	•	•	•
4	1	1	Fuel remover	360.75.400	•	•	•	•	•	•	•	•	•	•	•	•
7	1	1	Exhaust pipe, flexible di = 24 mm, L = 900 mm	360.61.274	•	•	•	•	•	•	•	•	•	•	•	•
8	1	1	Flexible pipe Ø 25 mm	360.00.006	•	•	•	•	•	•	•	•	•	•	•	•
10	1	1	Bracket fuel metering pump	22.1000.50.0300	•	•	•	•	•	•	•	•	•	•	•	•
11	1	8 m	Pipe 4 x 1 mm	890.31.054	•	•	•	•	•	•	•	•	•	•	•	•
13	1	1	Hose clip 50 – 70 mm	10.2067.05.0070	•	•	•	•	•	•	•	•	•	•	•	•
			70 – 90 mm	10.2067.07.0090	•	•	•	•	•	•	•	•	•	•	•	•
14	1	1	Air outlet, straight, rotatable Ø 60 mm	22.1000.01.0044			•	•	•	•						
			Ø 75 mm, Ø 90 mm	22.1000.01.0052	•	•					•	•	•	•	•	•
15	1	1	Air outlet, angled, rotatable Ø 60 mm	22.1000.01.0056			•	•	•	•						
			Ø 75 mm, Ø 90 mm	22.1000.01.0060	•	•					•	•	•	•	•	•
16	1	1	Connection socket Ø 60 mm	22.1000.01.0035			•	•	•	•						
			Ø 90 mm	22.1000.01.0037	•	•					•	•	•	•	•	•
			Ø 75 mm	22.1000.01.0036	•	•	•	•	•	•	•	•	•	•	•	•
18	1	1	Grille Ø 60 mm	25.1688.80.0600			•	•	•	•						
			Ø 75 mm	25.1552.05.0100	•	•					•	•	•	•	•	•
19	1	1	Hood Ø 60 mm	22.1000.01.0016			•	•	•	•						
			Ø 90 mm	22.1000.01.0019	•	•					•	•	•	•	•	•
			Ø 75 mm	22.1000.01.0018	•	•	•	•	•	•	•	•	•	•	•	•
20	1	1	Flexible pipe Ø 60 mm	10.2114.31.0000			•	•	•	•						
			Ø 90 mm	10.2114.37.0000	•	•					•	•	•	•	•	•
			Ø 75 mm	10.2114.34.0000	•	•	•	•	•	•	•	•	•	•	•	•
21	1	1	Exhaust silencer	25.1864.81.0100	•	•	•	•	•	•	•	•	•	•	•	•
22	1	1	Cable harness heater	25.2720.80.1100	•	•	•	•			•	•			•	•
23	1	1	Bracket exhaust silencer, Z shape	20.1533.88.0007	•	•	•	•	•	•	•	•	•	•	•	•
not ill.			Bracket exhaust silencer, L shape	20.1348.03.0004	•	•	•	•	•	•	•	•	•	•	•	•
24	3	10	Pipe clip	22.1000.51.4400	•	•	•	•	•	•	•	•	•	•	•	•
25	1	1	Exhaust pipe with end sleeve, flexible di = 24 mm, L = 300 mm	20.1731.80.0400	•	•	•	•	•	•	•	•	•	•	•	•
26	2	100	Grommet	20.1280.09.0103	•	•	•	•	•	•	•	•	•	•	•	•
27	1	1	End sleeve, combustion air	25.1729.89.0002	•	•	•	•	•	•	•	•	•	•	•	•
28	1	10	Hose clip Ø 20 – 32 mm	10.2067.02.0032	•	•	•	•	•	•	•	•	•	•	•	•

Item No.	Quantity		Designation	Order No. (SU)	For unit												
	per unit	per SU			B 4 L, 12 V – 20.1987.05	B 4 L, 12 V – 20.2032.05	D 2 L, 12 V – 25.2721.05	D 2 L, 12 V – 25.2753.05	D 2 L, 24 V – 25.2726.05	D 2 L, 24 V – 25.2754.05	D 4 L, 12 V – 25.2720.05	D 4 L, 12 V – 25.2755.05	D 4 L, 24 V – 25.2729.05	D 4 L, 24 V – 25.2756.05	D 4 R, 12 V – 25.2746.05	D 4 R, 12 V – 25.2757.05	
29	8	100	Hose clip	∅ 9 mm	10.2068.00.9098	•	•	•	•	•	•	•	•	•	•	•	•
30	1	1	Hose	3.5 x 3 mm	360.75.300	•	•	•	•	•	•	•	•	•	•	•	•
31	1	1	Fuse bracket		22.1000.31.0602	•	•	•	•	•	•	•	•	•	•	•	•
32	1	1	Connector metering pump		206.31.294	•	•	•	•	•	•	•	•	•	•	•	•



