

**Product
Catalogue
2010**



dastech[®]
AIR SPRING

Index

Das Air Suspension Systems Co.	1
--------------------------------	---

Product Information	2
---------------------	---

Working Conditaiion	3
---------------------	---



Roll Air Springs	R1 - R15
------------------	----------



Service Assembly Air Springs	M1 - M24
------------------------------	----------



Complete Air Springs	K1 - K37
----------------------	----------



Convolutated Air Springs	D1 - D9
--------------------------	---------



Cabin and Seat Air Springs	C1 - C22
----------------------------	----------

Oem Applications	OE1 - OE7
------------------	-----------

Cross Applications	CR1 - CR7
--------------------	-----------

Products List	PR1 - PR3
---------------	-----------

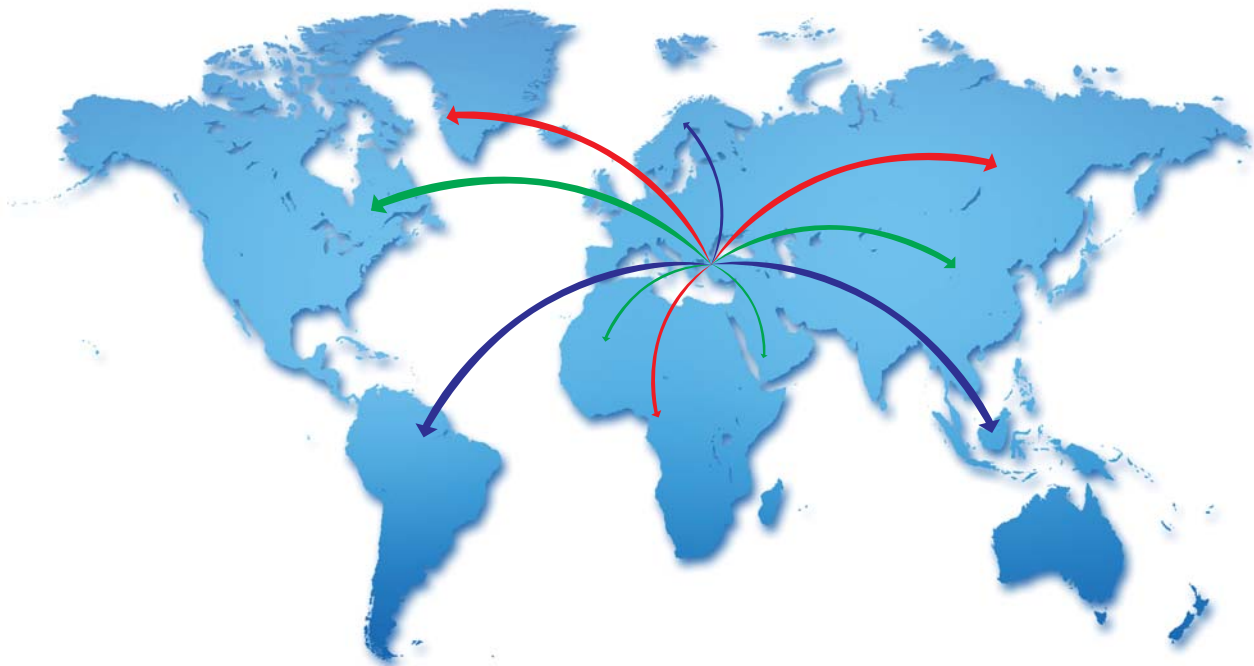
IMPORTANT.

Dastech Co does not undertake the responsibility of the accuracy and completeness of the product specification and all the information taking place in this catalogue. Dastech does not assume any liability for damages caused relevant to information given in this catalogue and has the right to make any alteration without prior notices.



DAS AIR SUSPENSION SYSTEMS CO.

Das Air Suspension System Co. continues to produce air springs for transportation vehicle and industrial machines under 20 years experience which located in Kayapa /Bursa with increasing capacity. The company continues to R&D process for a new productions and getting the best quality. In sector it is one of company has the ISO TS 16949 quality certificate. Under all specifications Das Air Suspension System Co. is supplier of the air spring for many vehicle manufacturer company. 'Dastech' trademark airsprings that produced by Das Air Suspension System Co. are exported of %70 to over 20 countries in all over the world.



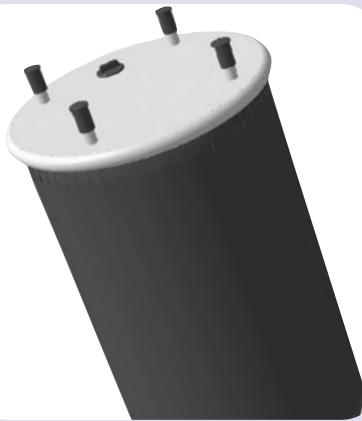


Roll Air Springs

It is type of airsprings which generally used on light commercial vehicles and buses.

These airsprings have conic type of two clamps that can be assembled and unassembled easily with suitable diameter and conic shape plates and pistons .

Available cylindrical and conic types depends on the using purposes.



Assembly and Complete Air Springs

Roll airsprings with metal are used usually for vehicle of trailer group and towing vehicles.

Roll air springs with metal is also used some model of buses. At the same time they can be used third axle or lifting equipment. In this type of airspring fastening with spring and chassis supplied by plate that mounted of the air spring. For fastening to piston supplied by bottom bowl that vulcanized to air spring or separate spanner plate. These productions are produced cylindrical or conic types. They are used heavy transportation according to without metal airsprings. Each capability of heavy carrying up to 4,5 tones. On the other hand working height can be up to 700 mm .

All airspring types run between -40°C to 70°C without any problem. For different using area available different working pressure, working spaces, lifting power and working frequency



Convoluted and Cabin Air Springs

Convoluted Air Springs Are used in a large variety of application areas. Mostly they are used in industrial pneumatic applications as pneumatic lifting cylinders or in vibration isolation as spring elements.

Cabin Air Springs reduce the vibration levels of the cabin and their ride height and stiffness can be changed to adjust for different cabin loading or road surfaces.



Working Condition

Air spring surface and installation area should be free of petroleum oil and solvents.



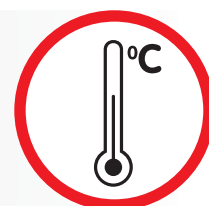
Hydrolic and pneumatic line of the air supply systems should be leakproof.



The air pressure applied to airspring must be max 7 bar.



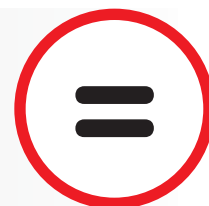
The working temperature is between -40°C and +70°C



Air spring bellow must not touch any parts on the vehicle.



The connection bolts and nuts should have required torque values (not loose or over tight.)



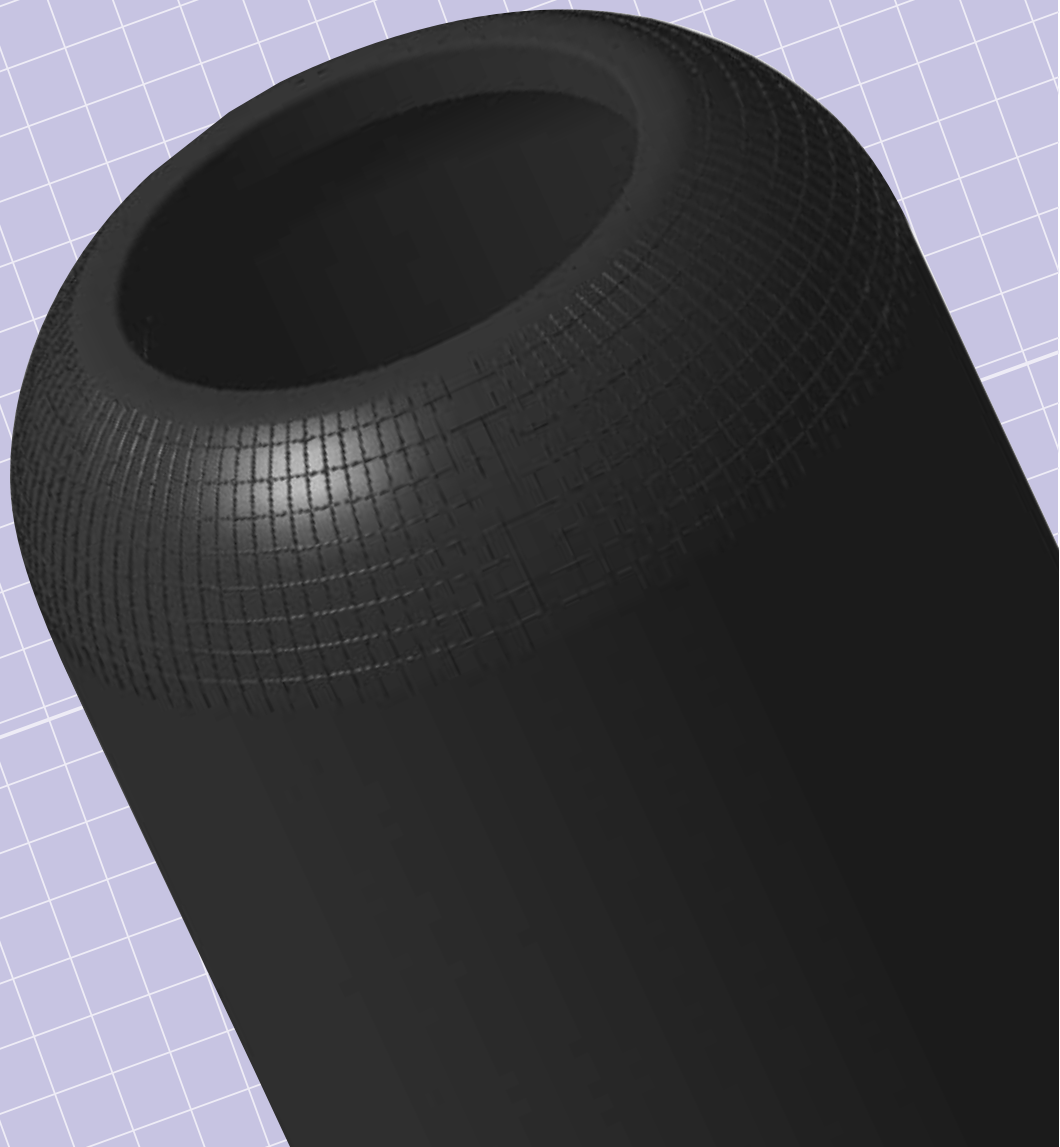
Avoid overloading. Loads should be tidy on the vehicle.



Air springs must be kept clean. Use water and soap for cleaning.

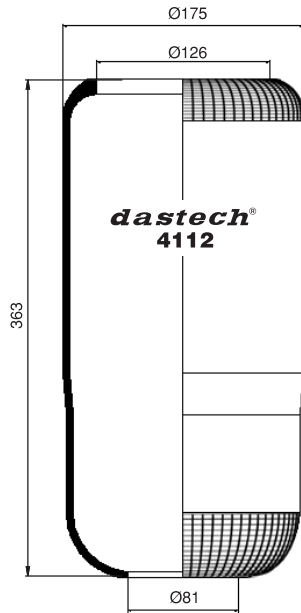


Roll Air Springs



dastech® 4112

Roll Air Springs



• Cross Reference

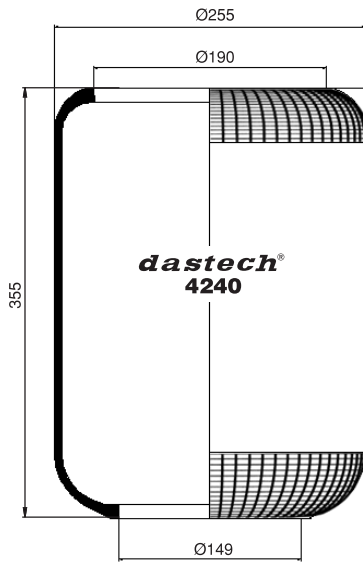
- PHOENIX 1G 12

• Oem Reference

- ISUZU (LUX)

dastech® 4240

Roll Air Springs



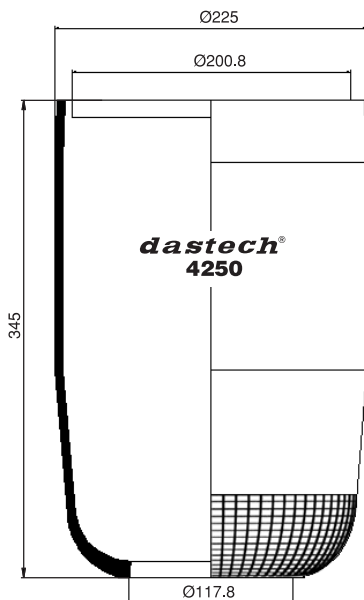
• Cross Reference

• Oem Reference

- MITSUBISHI (SAFIR)

dastech® 4250

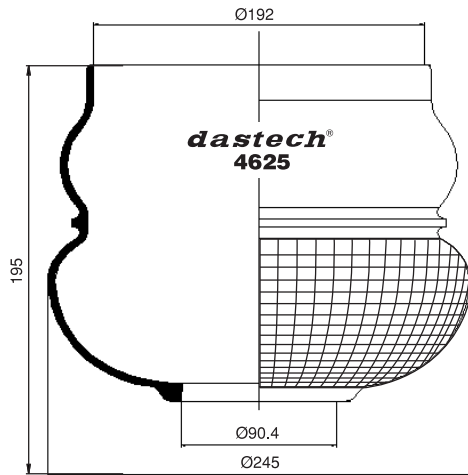
Roll Air Springs



• Cross Reference

• Oem Reference

- MITSUBISHI (SAFIR)

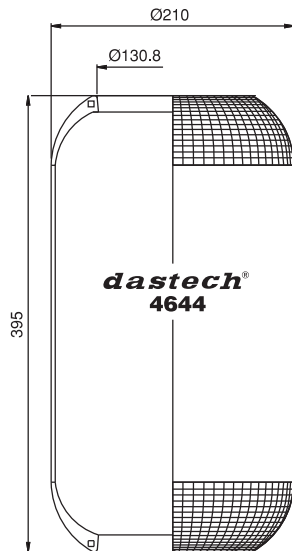


• Cross Reference

- CONTITECH 625 N

• Oem Reference

- MITSUBISHI (MARATON)

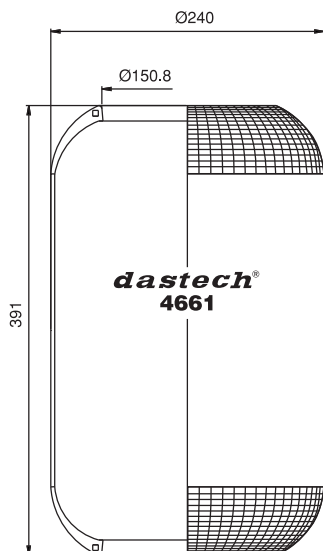


• Cross Reference

- CONTITECH 644 N
- FIRESTONE 1R1A 390 295
W01 095 0118
- PHOENIX 1 E 21
- TAURUS B 121
- DUNLOP UK PNP301470101
PNP301470102
- DUNLOP FR D11S01
- GOODYEAR 8017
- CF GOMMA 1S 285-24
92574
- VIBRACOUSTIC V 1 E 21 (-2)

• Oem Reference

- BPW 02.200.24.40.0
- BUSSING 536 905 265
0 689 677
- DAF A 000 327 01 01
A 000 328 00 01
4.771.170.000
4.771.441.000
4.771.143.000
- GRANNING 15622
- HANOMAG-HENSCHEL 546 905 134
- M.A.N. 81.43601.0017
- MAGIRUS-DEUTZ 536 905 265
- MENARINI 199196
000 327 0101
A 613 327 0001
1001-12-254
1001-10-300
- VAN HOOL 624319-610
624319-420
- VOLVO 1 134 445
1 199 893
0 134 445
1 622 111



• Cross Reference

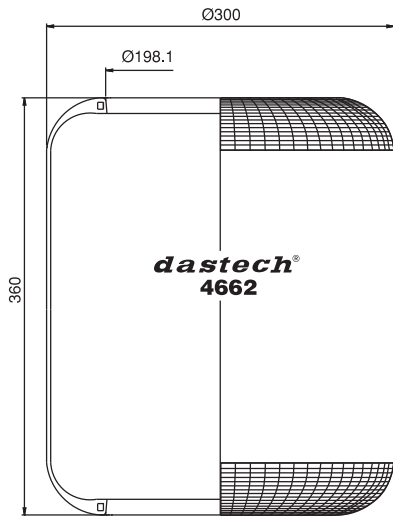
- CONTITECH 661 N
- FIRESTONE 1R1C 390 310
W01 095 0021
- PHOENIX 1 E 25
- TAURUS B 114
- DUNLOP UK PNP304980101/IC3309
- DUNLOP FR D12S02
- GOODYEAR 8018
- CF GOMMA 1S 310-28
91016
- VIBRACOUSTIC V 1 E 25 (-2)

• Oem Reference

- BUSSING 831 120 144
- DROGMOELLER 440320200002-00
4.731.012.000
- EVO BUS 4.731.031.000
4.771.427.000
4.771.440.000
4.731.042.000
- GRANNING 15621
- HANOMAG-HENSCHEL 536 905 265
536 905 266
- IVECO 4182.2227
4746733
- KASS BOHRER 4.731.012.000
4.771.427.000
- M.A.N. 90.83112.0144
- MAGIRUS-DEUTZ 041 822 247
02498667
- NEOPLAN 10 01-12-250
AA 10-01-001
- RVI 5.001.829.866
- SCHMITZ 750 208
- VAN HOOL 624319-690
624319-670
- VOLVO 1 137 882
1 137 888
3 159 253

dastech® 4662

Roll Air Springs



• Cross Reference

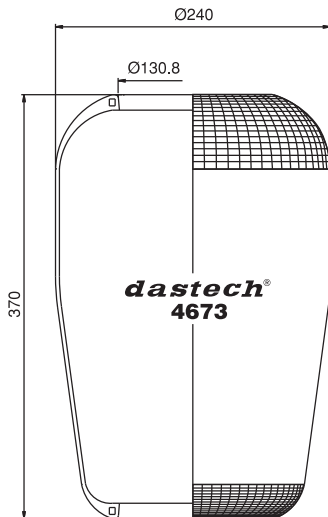
• CONTITECH	662 N
• FIRESTONE	1R1D 355 355 W01 095 0207
• PHOENIX	1 E 32
• TAURUS	BL 143
• DUNLOP UK	PNP302730101
• DUNLOP FR	D13S01
• GOODYEAR	9007
• CF GOMMA	1SC 360-30 92594
• VIBRACOUSTIC	V 1 E 32

• Oem Reference

• BPW	02.200.24.60.0
• DAF	0 578 361
• GRANNING	15623
• M.A.N.	81.43601.0018 81.43601.0051
• NEOPLAN	AA 10-01-002 1001 122 51 1001 102 00
• SCHMITZ	750 209
• WARSTEINER	501

dastech® 4673

Roll Air Springs



• Cross Reference

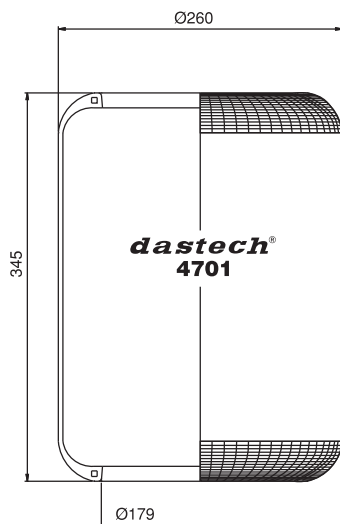
• CONTITECH	673 N
• FIRESTONE	1R1A 370 285 W01 095 0198
• PHOENIX	1 F 21 A
• TAURUS	B 141
• GOODYEAR	9051
• CF GOMMA	1S 285-22 88786

• Oem Reference

• BERTOJA	45402001
• DAF	0 627 584
• DAIMLER CHRYSLER	A 383 327 00 01
• EVO BUS	A 383 327 00 01
• INBUS	5001098
• MAGIRUS-DEUTZ	0249 1566
• VAN HOOB	624319-860
• VOLVO	1.611 776 6 135 049

dastech® 4701

Roll Air Springs



• Cross Reference

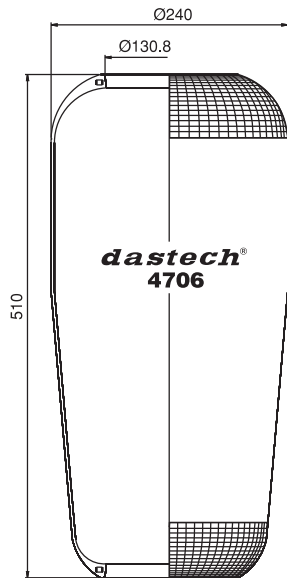
• CONTITECH	701 N
• FIRESTONE	1R3M 340 340 W01 095 0205
• PHOENIX	1 E 26-1
• TAURUS	B 116-1
• GOODYEAR	9006

• Oem Reference

• AUWARTER	B 510040
• IKARUS	B 510040

dastech® 4706

Roll Air Springs



• Cross Reference

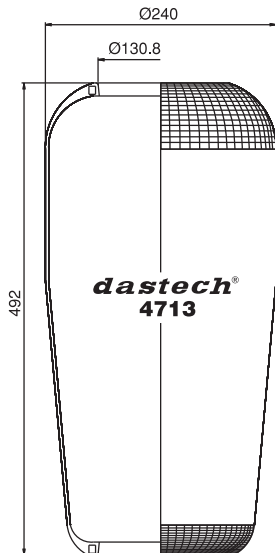
- CONTITECH 706 N1
- GOODYEAR 9067

• Oem Reference

- M.A.N. 81.43601.0127
- 81.43601.0139
- 81.43601.0096
- 81.43601.0098
- 81.43601.0101

dastech® 4713

Roll Air Springs



• Cross Reference

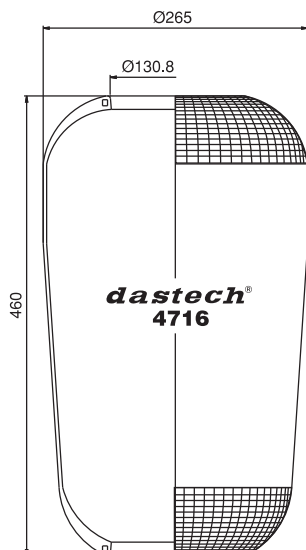
- CONTITECH 713 N
- PHOENIX 1 F 21 D
- GOODYEAR 9066

• Oem Reference

- VOLVO 6 797 169
- 1 622 116

dastech® 4716

Roll Air Springs



• Cross Reference

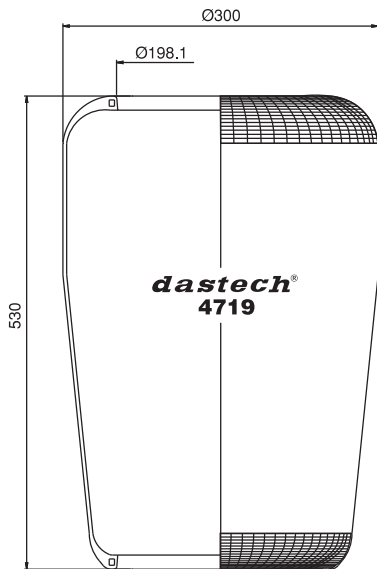
- CONTITECH 716 N
- FIRESTONE 1R2A 450 305
- W01 095 0145
- PHOENIX 1 F 26 B-1
- TAURUS B 197
- GOODYEAR 9073
- CF GOMMA 1SC 300-34
- 92548

• Oem Reference

- M.A.N. 81.43601.0039
- 81.43601.0040
- VOLVO 1 075 290
- 1 593 842

dastech® 4719

Roll Air Springs



• Cross Reference

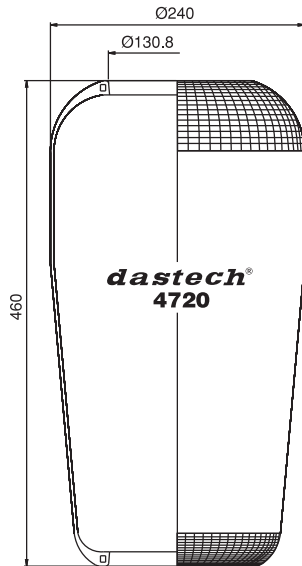
• CONTITECH	719 N
• FIRESTONE	1R2D 530 360 W01 095 0192
• PHOENIX	1 F 32 B
• TAURUS	B 153
• DUNLOP UK	PNP304620101
• GOODYEAR	8118
• CF GOMMA	1SC 360-43 92593

• Oem Reference

• BPW	02.200.24.00.0
• DAF	0 818 225
• EVO BUS	4.731.032.000
• GIGANT	196036 166205
• KASSBOHRER	4.731.032.000 4.731.030.000
• NEOPLAN	1001-101-00 1021-002-00
• SCHMITZ	750215

dastech® 4720

Roll Air Springs



• Cross Reference

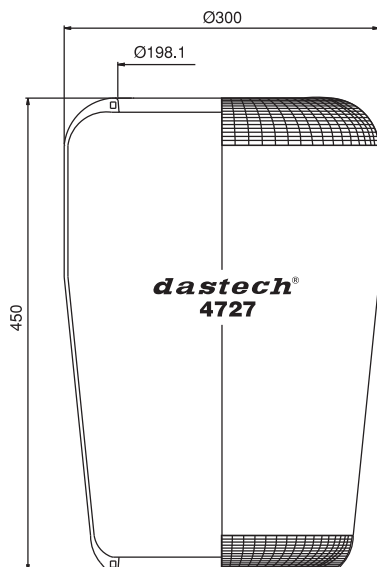
• CONTITECH	720 N
• FIRESTONE	1R2A 460 295 W01 095 0195
• PHOENIX	1 F 21
• TAURUS	B 152
• DUNLOP UK	PNP301000100
• DUNLOP FR	D12S04
• GOODYEAR	9008
• CF GOMMA	1SC 290-30 88802

• Oem Reference

• BPW	02.200.24.10.0
• DAIMLER CHRYSLER	A 387 328 01 01
• DENNIS	650 292/8 650 883/7 650 883/4
• M.A.N.	81.43601.0033 81.43601.0036 81.43601.0037
• NEOPLAN	1001 123 00
• VOLVO	6 797 169 1 629 193 1 590 136

dastech® 4727

Roll Air Springs



• Cross Reference

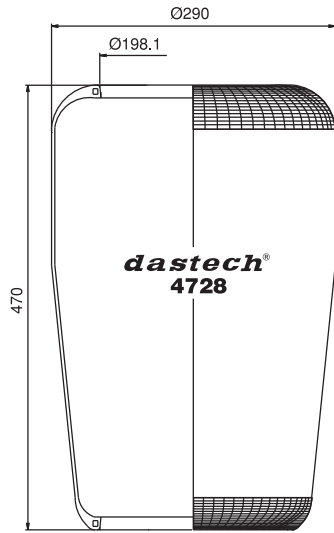
• CONTITECH	727 N
• FIRESTONE	1R2D 460 360 W01 095 0191
• PHOENIX	1 F 32 A
• TAURUS	B 149
• DUNLOP UK	PNP306420100
• DUNLOP FR	D13S04
• GOODYEAR	8117
• CF GOMMA	1SC 360-34 92575

• Oem Reference

• DAF	0 638 148 0 166 226 0 196 043
• GIGANT	166226 196043
• M.A.N.	81.43601.0056 81.43601.0057 81.43601.0058 81.43601.0076 81.43601.0079 81.43601.0082 81.43601.0084 81.43601.0091 81.43601.0114 81.43601.0116 A 307 328 0101
• MERCEDES	750 212
• SCHMITZ	624319-640
• VAN HOOL	1 134 446
• VOLVO	

dastech® 4728

Roll Air Springs



• Cross Reference

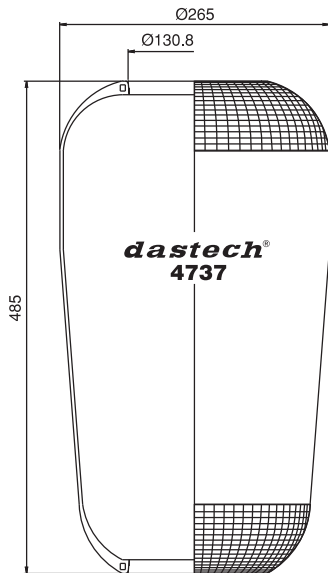
- CONTITECH 728 N
- FIRESTONE 1R2D 470 360
W01 095 0419
- PHOENIX 1 F 32 A
- TAURUS B 149
- DUNLOP UK PNP306420100
- GOODYEAR 8117
- CF GOMMA 1SC 360-34
92575

• Oem Reference

- SCHMITZ 750 212

dastech® 4737

Roll Air Springs



• Cross Reference

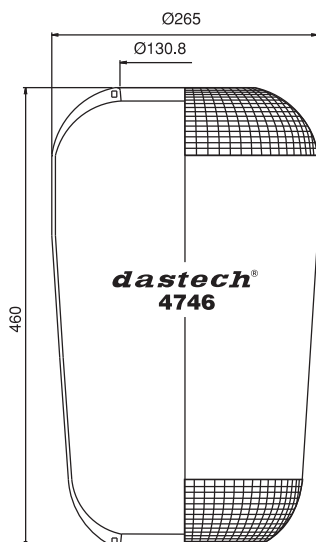
- CONTITECH 737 N
- FIRESTONE 1R1A 480 330
W01 095 0211
- PHOENIX 1 F 26
- TAURUS B 127
- GOODYEAR 9075
- CF GOMMA 1S 323-23
89756

• Oem Reference

- CHEREAU VSR U5 00211F
- DAIMLER CHRYSLER A 393 328 01 01
- MENARINI 178739

dastech® 4746

Roll Air Springs



• Cross Reference

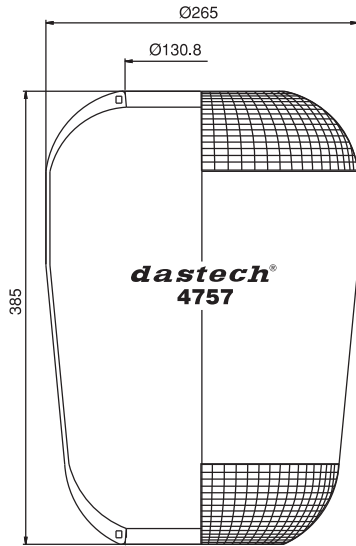
- CONTITECH 746 N
- GOODYEAR 9076

• Oem Reference

- DAIMLER CHRYSLER A 318 328 00 01

dastech® 4757

Roll Air Springs



• Cross Reference

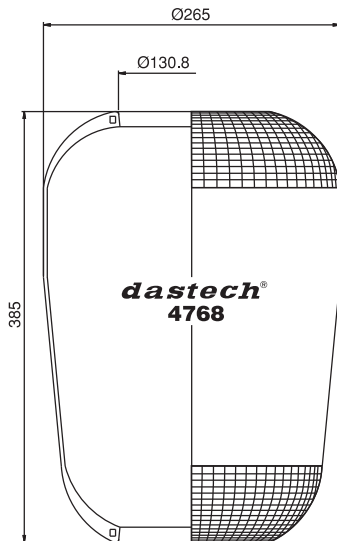
- CONTITECH 757 N
- FIRESTONE 1R2A 380 305
W01 095 0212
- PHOENIX 1 F 26 C
- TAURUS B 126
- GOODYEAR 9077

• Oem Reference

- DAIMLER CHRYSLER A 363 328 02 01

dastech® 4768

Roll Air Springs



• Cross Reference

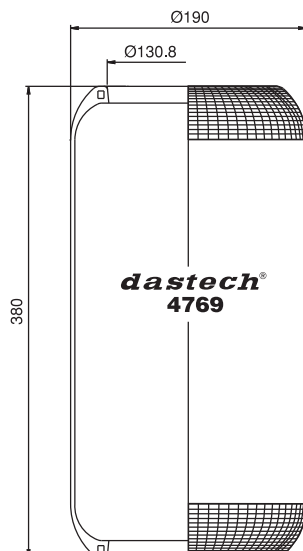
- CONTITECH 768 N
- FIRESTONE 1R2A 380 330
W01 095 0213
- TAURUS B 125
- GOODYEAR 9078

• Oem Reference

- RVI 5.000.954.175
- VOLVO 1 612 455

dastech® 4769

Roll Air Springs



• Cross Reference

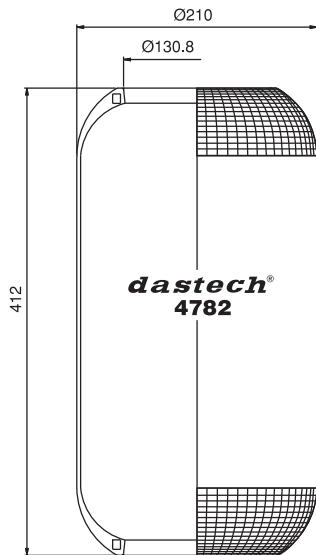
- CONTITECH 769 N
- FIRESTONE 1R1A 380 260
W01 095 0204
- PHOENIX 1 E 18
- TAURUS B 156
- DUNLOP UK PNP305140100
- DUNLOP FR D10S02
- GOODYEAR 8053
- CF GOMMA 1SC 240-30
97326

• Oem Reference

- MENARINI 252933
- RVI 5.000.805.284
- VAN HOOL 624319-860

dastech® 4782

Roll Air Springs



• Cross Reference

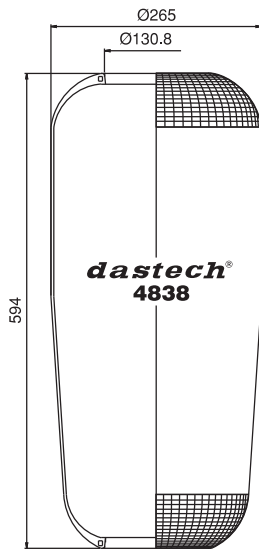
- CONTITECH 782 N
- FIRESTONE 1R1A.415 285
W01 095 0197
- TAURUS B 124
- DUNLOP FR D11S02
- GOODYEAR 9013
- CF GOMMA 1S 285-25
97555

• Oem Reference

- IVECO 470.3904
470.3972
471.6989
931 95 986
- MERCEDES A 382 327 7201
- RVI 5.000.954.176

dastech® 4838

Roll Air Springs



• Cross Reference

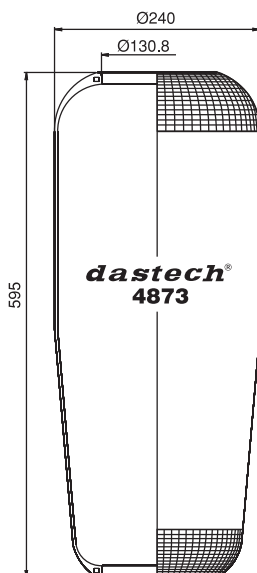
- CONTITECH 838 N
- PHOENIX 1 F 26 D
- GOODYEAR 9074

• Oem Reference

- DAIMLER CHRYSLER A 674 328 00 01

dastech® 4873

Roll Air Springs



• Cross Reference

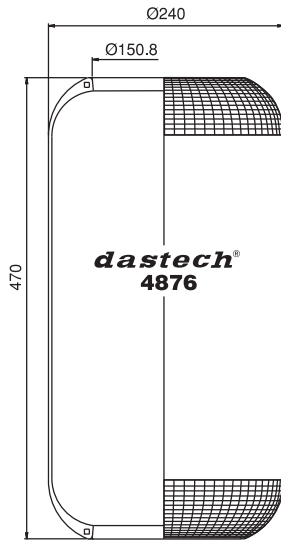
- CONTITECH 873 N

• Oem Reference

- DAIMLER CHRYSLER A 674 328 01 01

dastech® 4876

Roll Air Springs



• Cross Reference

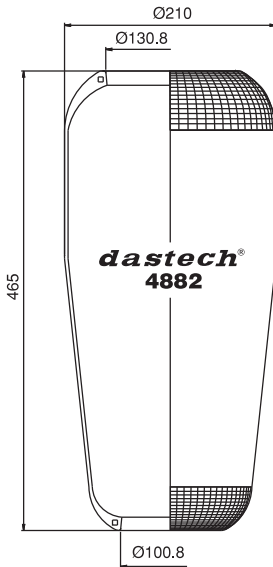
- CONTITECH 876 N
- GOODYEAR 8314

• Oem Reference

- IVECO 410.22620
- RVI 5.000.296.816

dastech® 4882

Roll Air Springs



• Cross Reference

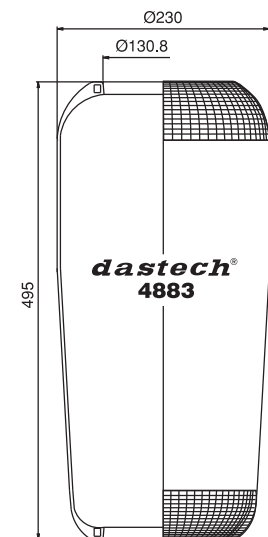
- CONTITECH 882 N1
- PHOENIX 1 F 16
- TAURUS B 155
- GOODYEAR 9048
- CF GOMMA 1SC 250-28
97042

• Oem Reference

- DAIMLER CHRYSLER A 699 328 01 01
A 658 328 01 01
- M.A.N. 81.43601.0065
81.43601.0067
81.43601.0070
81.43601.0092
81.43601.0099
81.43601.0100
81.43601.0103
81.43601.0121
81.43601.0132

dastech® 4883

Roll Air Springs



• Cross Reference

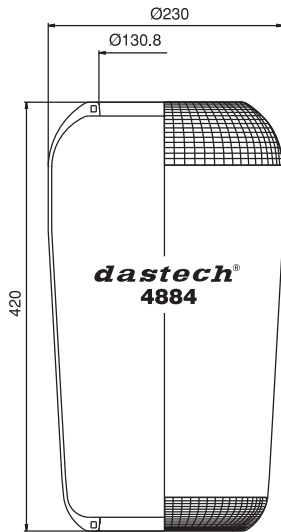
- CONTITECH 883 N1
- FIRESTONE 1R4R 465 260
W01 095 0435
- PHOENIX 1 F 21 C-2
- GOODYEAR 9012
- CF GOMMA 1SC 250-29
204250

• Oem Reference

- M.A.N. 81.43601.0071
81.43601.0072
81.43601.0110
81.43601.0128
- VOLVO 1 082 085
1 082 130

dastech® 4884

Roll Air Springs



• Cross Reference

• CONTITECH	884 N
• FIRESTONE	1R1B 415 270 W01 095 0295
• PHOENIX	1 F 20 A
• TAURUS	BL 249
• DUNLOP FR	D12S06
• GOODYEAR	9002
• CF GOMMA	1S 270-25C 97608

• Oem Reference

• DAIMLER CHRYSLER	A 658 328 00 01 818.8539
• IVECO	97108363 500301452 818.4025
• M.A.N.	81.43601.0066 81.43601.0068 81.43601.0069 81.43601.0106 81.43601.0108
• RVI	5.010.294.385

dastech® 4896

Roll Air Springs



• Cross Reference

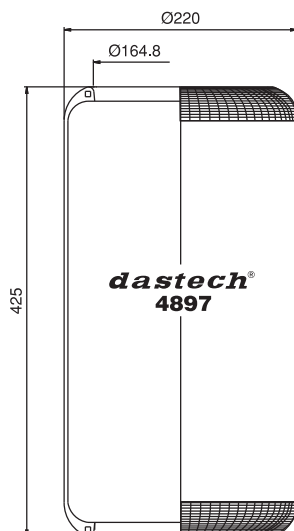
• CONTITECH	896 N
• FIRESTONE	1R1J 520 285 W01 095 0245
• PHOENIX	1 E 18 A
• TAURUS	B 166
• DUNLOP UK	PNP305140100
• DUNLOP FR	SP 2191
• GOODYEAR	8040

• Oem Reference

• DENNIS	656 300/2
• SCANIA	411627

dastech® 4897

Roll Air Springs



• Cross Reference

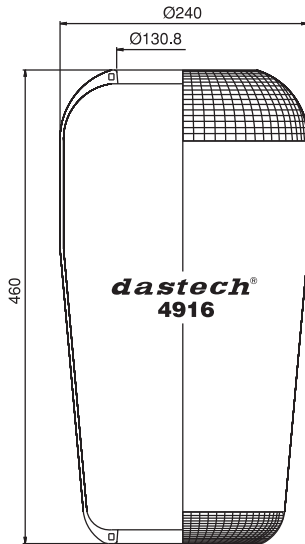
• CONTITECH	897 N
• FIRESTONE	1R1K 440 320 W01 095 0229
• PHOENIX	2 E 23
• TAURUS	B 165
• DUNLOP UK	PNP305210100 PNP305210101
• DUNLOP FR	SP2192
• GOODYEAR	8028
• CF GOMMA	1S 320 30 88788

• Oem Reference

• DENNIS	656 289/2
• SCANIA	411622 411623 402315

dastech® 4916

Roll Air Springs



• Cross Reference

• CONTITECH	916 N1
• PHOENIX	1 F 21 C-5
• TAURUS	B 154
• DUNLOP FR	D12S05
• GOODYEAR	9015

• Oem Reference

• M.A.N.	81.43601.0095
	81.43601.0097
	81.43601.0102
	81.43601.0105
	81.43601.0100
	81.43601.0126

dastech® 4921

Roll Air Springs



• Cross Reference

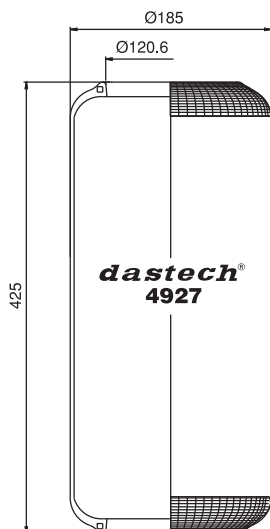
• CONTITECH	921 N
• FIRESTONE	1R1A 415 260
	W01 095 0226
• PHOENIX	1 E 18
• TAURUS	B 158
• DUNLOP FR	D10S04
• GOODYEAR	8043
• CF GOMMA	1S 285-23
	202728

• Oem Reference

• EVO-BUS	A 000 328 00 01
• IVECO	9945.9166
• RVI	5.000.288.982
	5.010.151.378
	5.010.151.379

dastech® 4927

Roll Air Springs



• Cross Reference

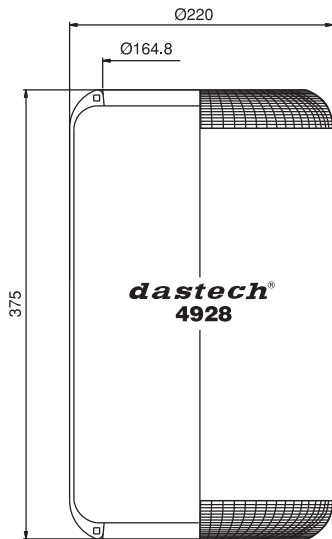
• CONTITECH	927 N
• FIRESTONE	1R1J 415 285
	W01 095 0244
• PHOENIX	2 E 18 B
• TAURUS	B 179
• DUNLOP UK	PNP300080100
• GOODYEAR	8037

• Oem Reference

• DENNIS	611 896/12
• LEYLAND	AAU2542
• VOLVO	3 116 354

dastech® 4928

Roll Air Springs



• Cross Reference

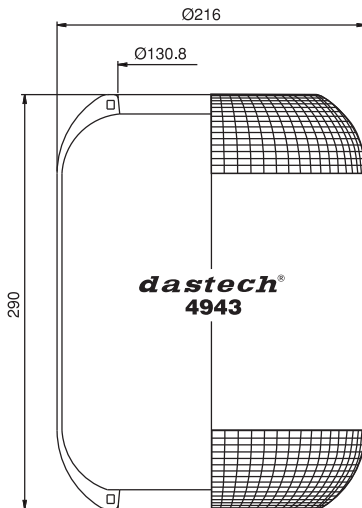
• CONTITECH	928 N
• FIRESTONE	1R1K 380 320 W01 095 0228
• PHOENIX	2 E 23 A
• TAURUS	B 178
• DUNLOP UK	IC 3308
• DUNLOP FR	D12S03
• GOODYEAR	8042

• Oem Reference

• IVECO	645.3741
• LEYLAND	AAU2544
• SCANIA	434932
• VOLVO	3 116 983

dastech® 4943

Roll Air Springs



• Cross Reference

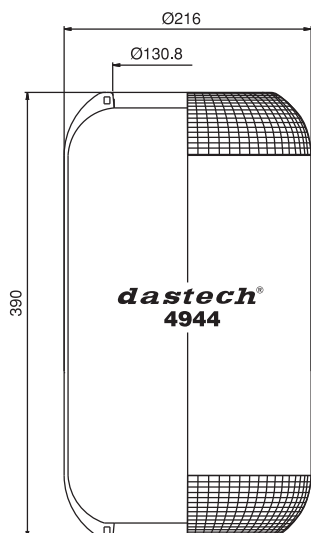
• CONTITECH	943 N
• FIRESTONE	1R1A 260 285 W01 095 0189
• TAURUS	B 194
• DUNLOP UK	PNP316720100
• DUNLOP FR	D11S03
• GOODYEAR	9001
• CF GOMMA	1S 285-18 88809

• Oem Reference

• INBUS	5001051
• IVECO	614.4040 816.0165

dastech® 4944

Roll Air Springs



• Cross Reference

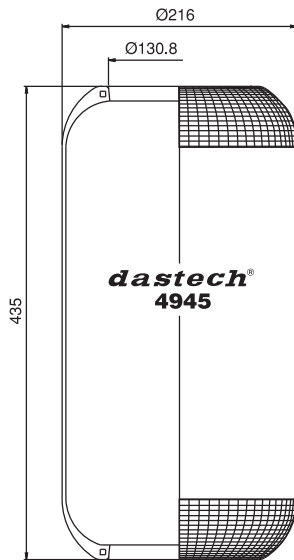
• CONTITECH	944 N
• FIRESTONE	1R1A 370 285 W01 095 0198
• TAURUS	B 141
• DUNLOP UK	PNP316720100
• DUNLOP FR	SP1217
• GOODYEAR	8012
• CF GOMMA	1S 285-22 88786

• Oem Reference

• DAF	0 627 584
• INBUS	4890001 4840005
• IVECO	473.8008 472.2525 471.4025 473.6728
• MENARINI	178623 325993
• PORTESI	700 176
• VAN HOOL	624319-860
• VOLVO	1 611 776 1 999 893

dastech® 4945

Roll Air Springs



• Cross Reference

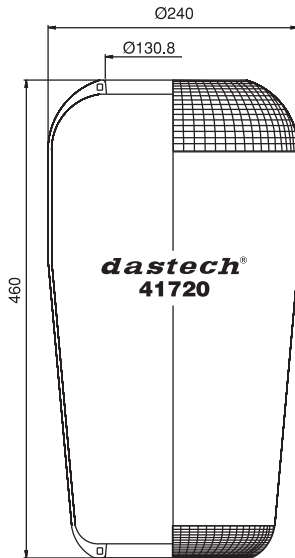
• CONTITECH	945 N
• FIRESTONE	1R1A 460 290 W01 095 0063
• PHOENIX	1 E 21 C
• TAURUS	K 152
• DUNLOP UK	PNP301000101
• DUNLOP FR	D11S02
• GOODYEAR	9014
• CF GOMMA	1S 285-25 97555

• Oem Reference

• IVECO	471.6989
• MENARINI	178741
• SCANIA BUSSAR	523229

dastech® 41720

Roll Air Springs



• Cross Reference

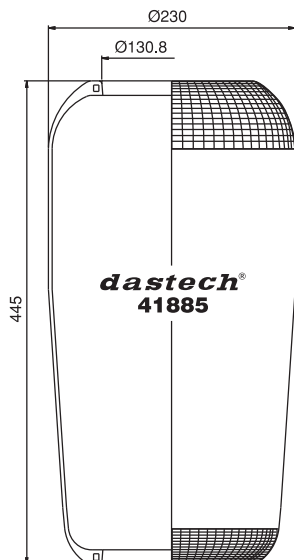
• CONTITECH	1720 N
• GOODYEAR	9068

• Oem Reference

• DAIMLER CHRYSLER	A 655 327 00 01
--------------------	-----------------

dastech® 41885

Roll Air Springs



• Cross Reference

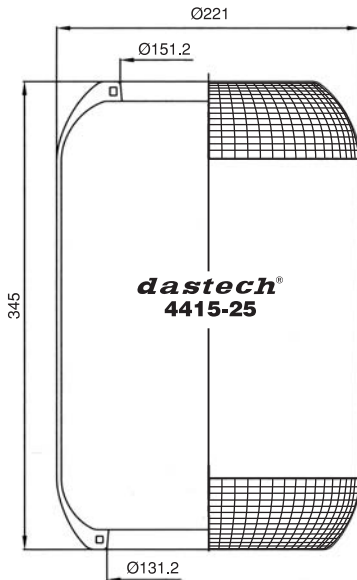
• CONTITECH	1885 N1
• FIRESTONE	1R2A 445 280 W01 095 0429
• PHOENIX	1 F 20 B
• DUNLOP FR	D12S07
• GOODYEAR	9003
• CF GOMMA	1SC 270-28 97043

• Oem Reference

• IVECO	984.78799
• M.A.N.	81.43601.0125 81.43601.0150 81.43601.0111 81.43601.0123 81.43601.0104 81.43601.0109

dastech® 4415-25

Roll Air Springs



• Cross Reference

• CONTITECH	RZ 415-25
• FIRESTONE	1R5P 345 290 W01 095 0381
• PHOENIX	2 G 20
• TAURUS	B 271
• DUNLOP FR	D12S08
• GOODYEAR	9004
• CF GOMMA	1S 280-25 203000

• Oem Reference

• VOLVO	3 027 271
---------	-----------

dastech® 4415-28

Roll Air Springs



• Cross Reference

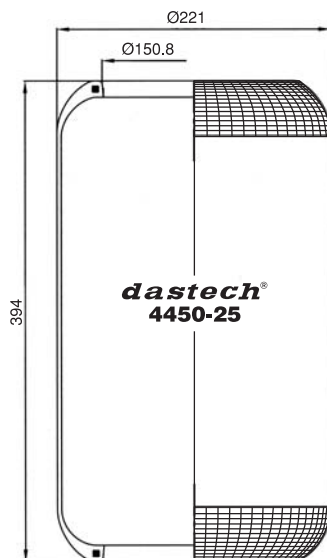
• CONTITECH	RZ 415-28
• FIRESTONE	1R5P 410 290 W01 095 0382
• PHOENIX	2 G 20 A
• TAURUS	B 272
• DUNLOP FR	D12S09
• GOODYEAR	9005
• CF GOMMA	1S 280-28 203001

• Oem Reference

• VOLVO	3 027 272
---------	-----------

dastech® 4450-25

Roll Air Springs



• Cross Reference

• CONTITECH	RZ 450-25
• PHOENIX	1E 23
• TAURUS	BL 128
• DUNLOP FR	D12S13
• GOODYEAR	9050
• CF GOMMA	1S 300-27 203386

• Oem Reference

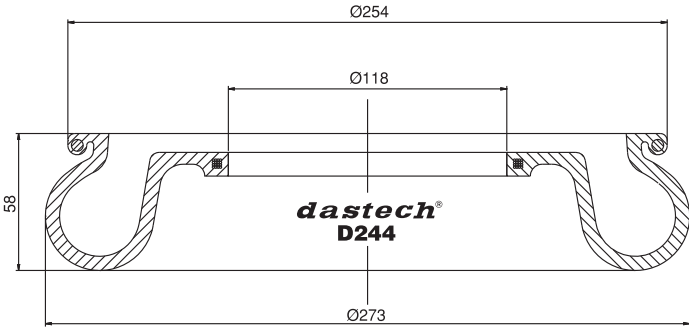
• EVO BUS	A 356.327.0001
• IVECO	931.97594
• MERCEDES	A 356 327 0001 A 613 327 0101

dastech[®] D244

Roll Air Springs

- Cross Reference
 - PHOENIX 1 A0 18 A

• Oem Reference

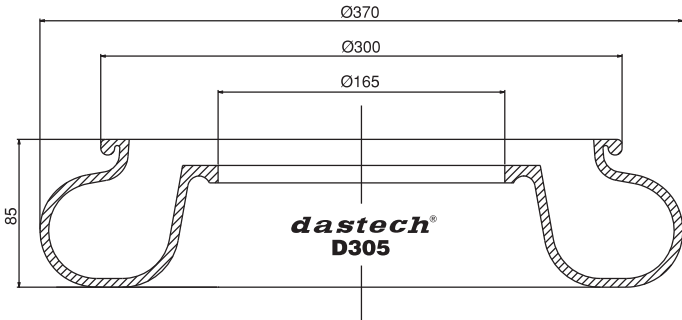


dastech[®] D305

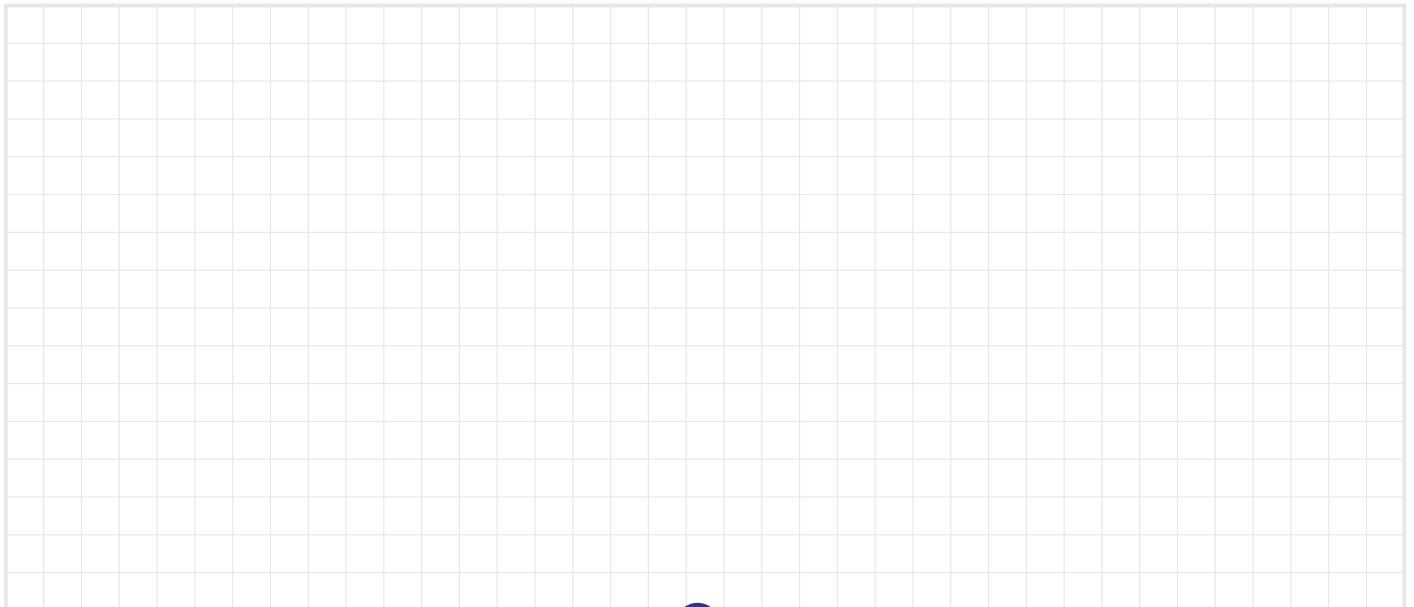
Roll Air Springs

- Cross Reference
 - PHOENIX 1 A0 38 A

• Oem Reference



Notes:



Service Assembly Air Springs



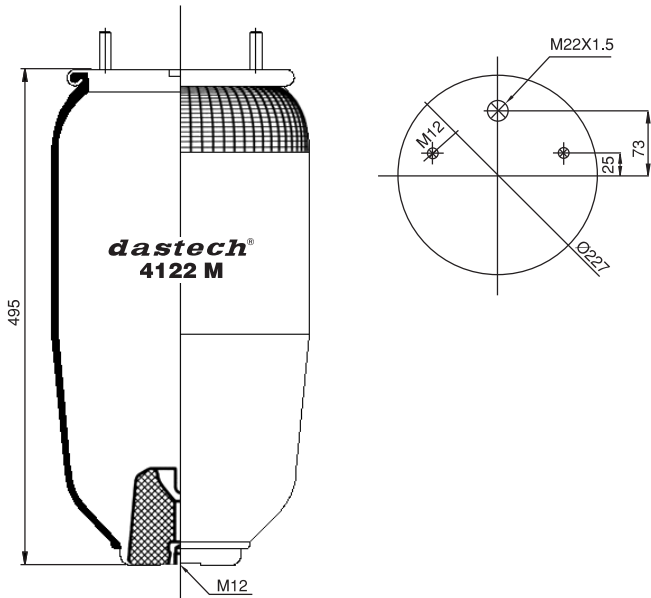
dastech® 4122 M

Service Assembly



- Cross Reference
- FIRESTONE 1T 15 MW-9

- Oem Reference
- ISUZU (TURKUAZ)



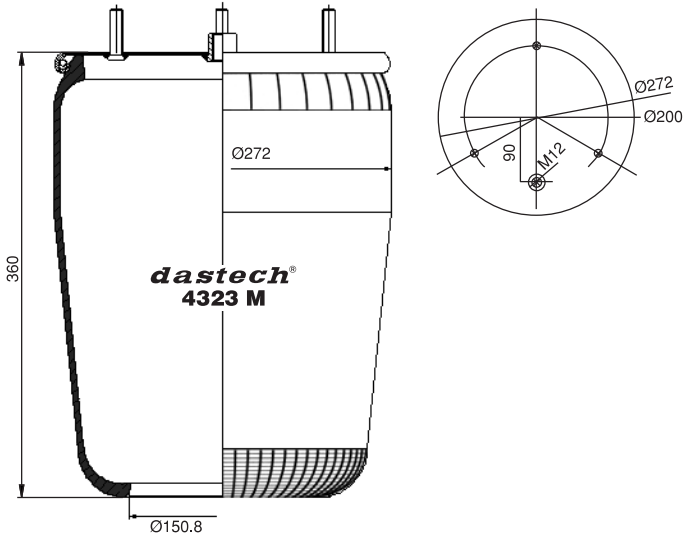
dastech® 4323 M

Service Assembly

- Cross Reference

- Oem Reference

- BMC 7B 100323



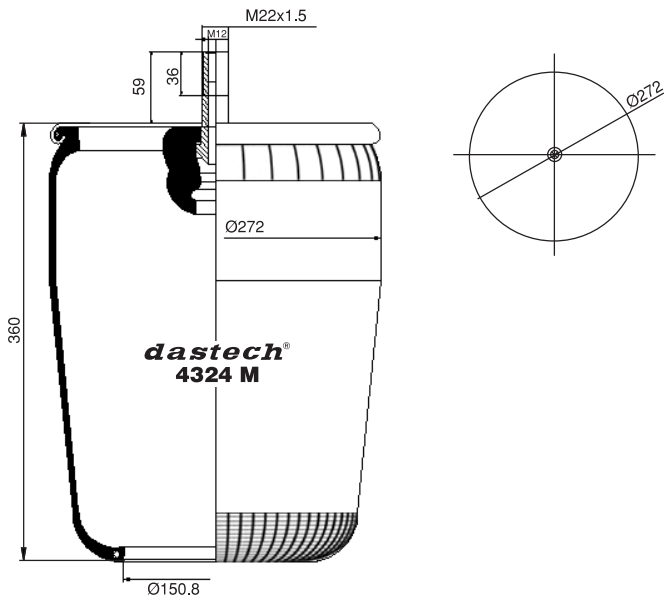
dastech® 4324 M

Service Assembly

- Cross Reference

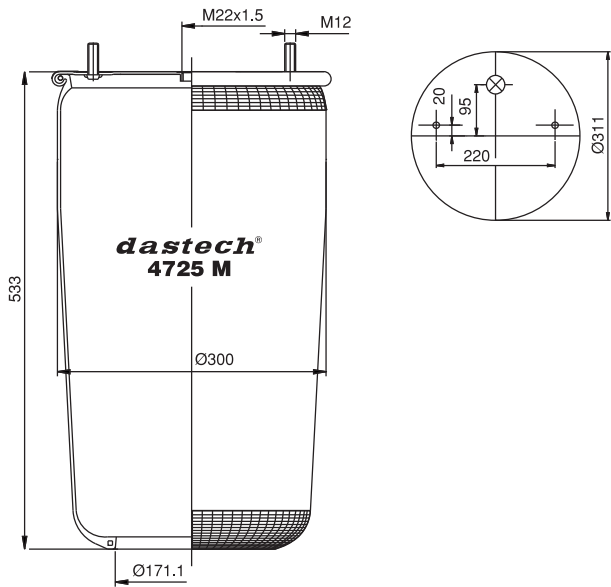
- Oem Reference

- BMC 53RS900004



dastech® 4725 M

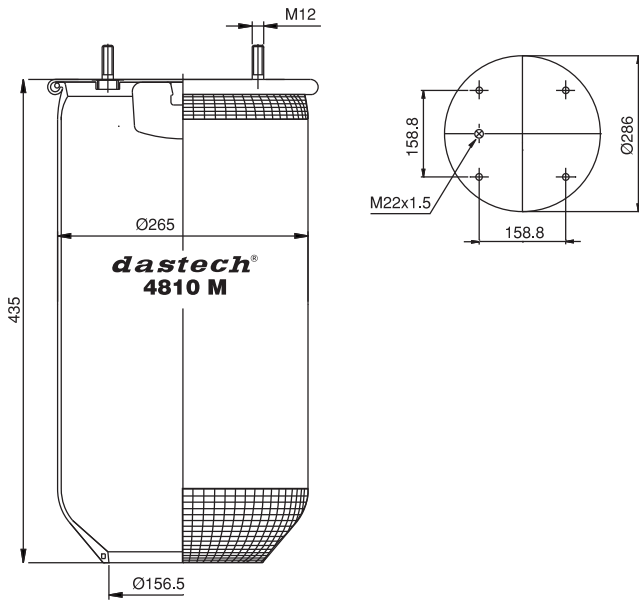
Service Assembly



• Cross Reference		• Oem Reference	
• CONTITECH	725 N P01	• GIGANT	246149
• FIRESTONE	1T66F-10.8		3653
	W01 M58 8969		
• PHOENIX	1 DF 32		
• TAURUS	UR 836-11		
• DUNLOP FR	D14U38		
• GOODYEAR	1R14-704		
• CF GOMMA	1TCS 360-45		
	202964		

dastech® 4810 M

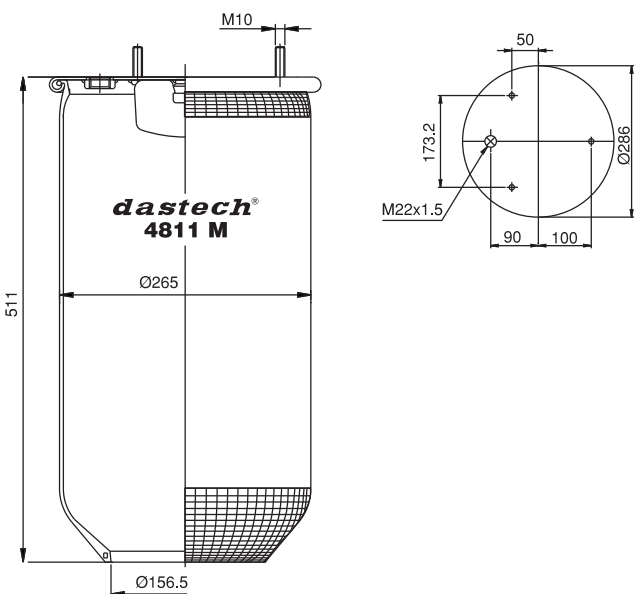
Service Assembly



• Cross Reference		• Oem Reference	
• CONTITECH	810 N		
• FIRESTONE	1T19L-7		
	W01 095 7237		
• PHOENIX	1 D 28 A-5 NP		
• DUNLOP UK	PNP307520000		

dastech® 4811 M

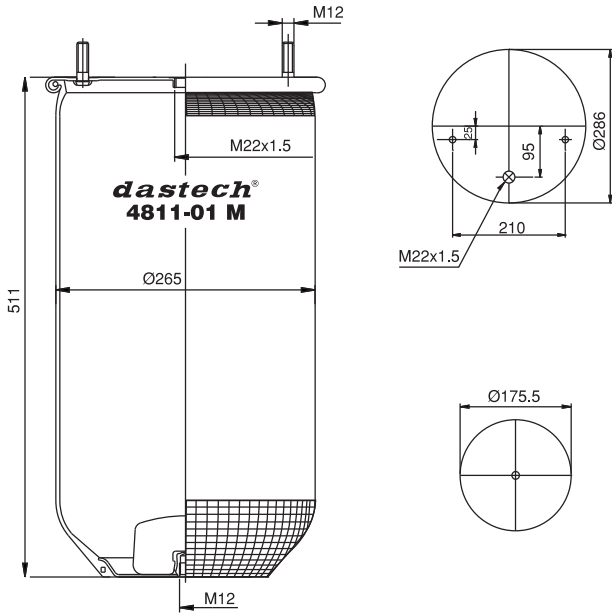
Service Assembly



• Cross Reference		• Oem Reference	
• CONTITECH	811 MB/0	• DAF	0 526 823
• FIRESTONE	1T19L-11	• EVO BUS	4.731.029.000
	W01 M58 6359		

dastech® 4811-01 M

Service Assembly

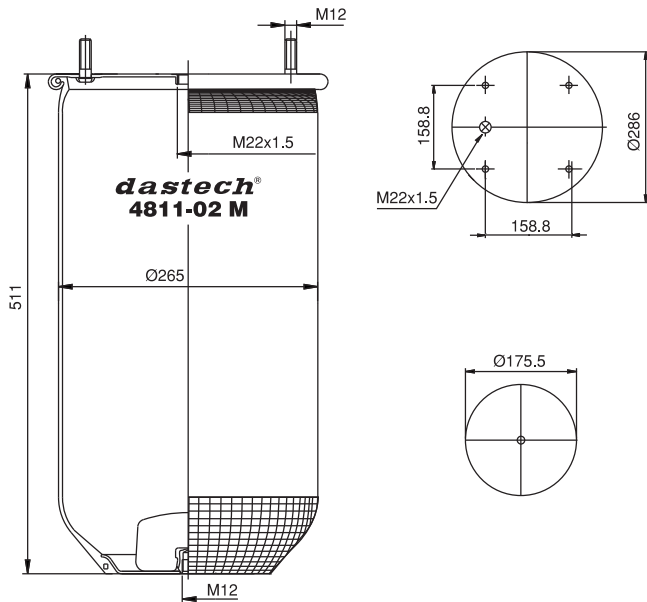


- Cross Reference
- FIRESTONE 1T19L-11

- Oem Reference

dastech® 4811-02 M

Service Assembly

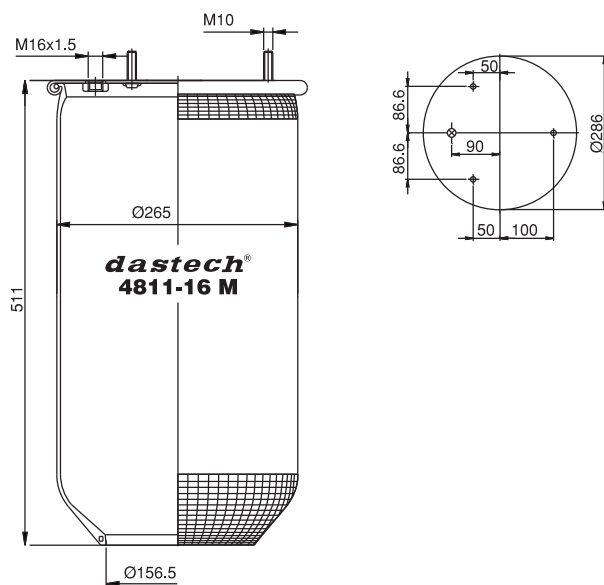


- Cross Reference
- FIRESTONE 1T19L-11

- Oem Reference

dastech® 4811-16 M

Service Assembly

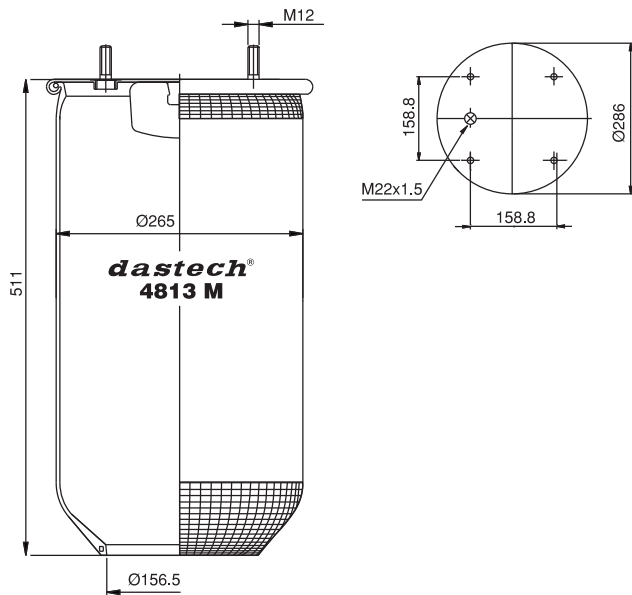


- Cross Reference
- CONTITECH 811 M16 N
- FIRESTONE 1T19L-11

- Oem Reference

dastech® 4813 M

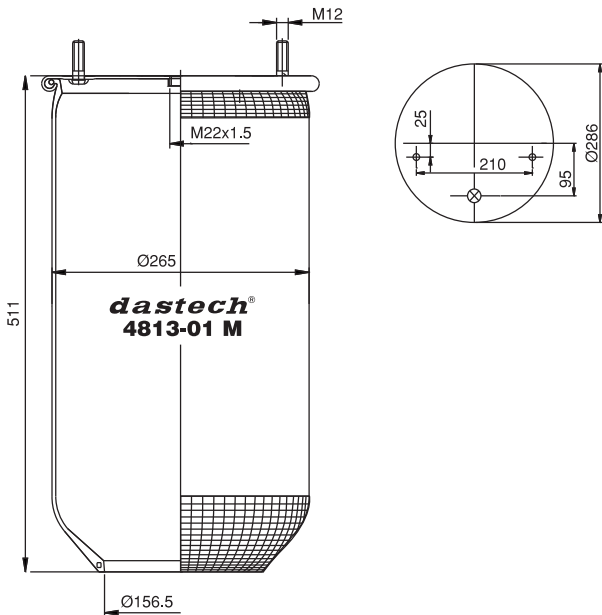
Service Assembly



• Cross Reference		• Oem Reference
• CONTITECH	813 MB/0	
• FIRESTONE	1T19L-11	
	W01 M58 7238	
• PHOENIX	1 D 28 B-5 NP	

dastech® 4813-01 M

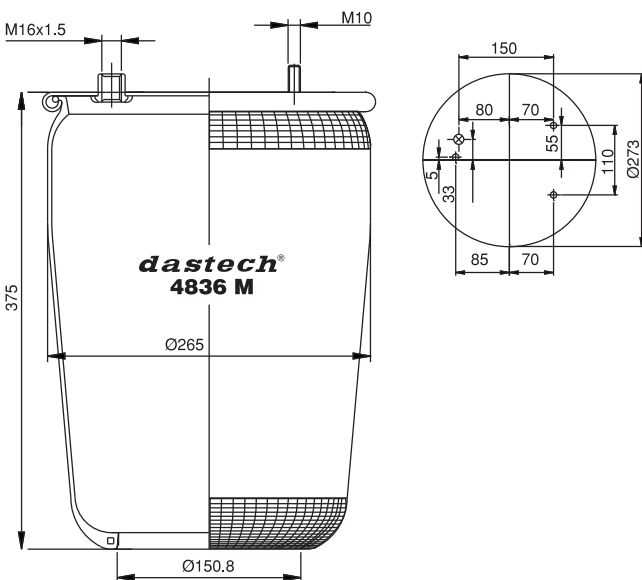
Service Assembly



• Cross Reference		• Oem Reference
• FIRESTONE	1T19L-11	

dastech® 4836 M

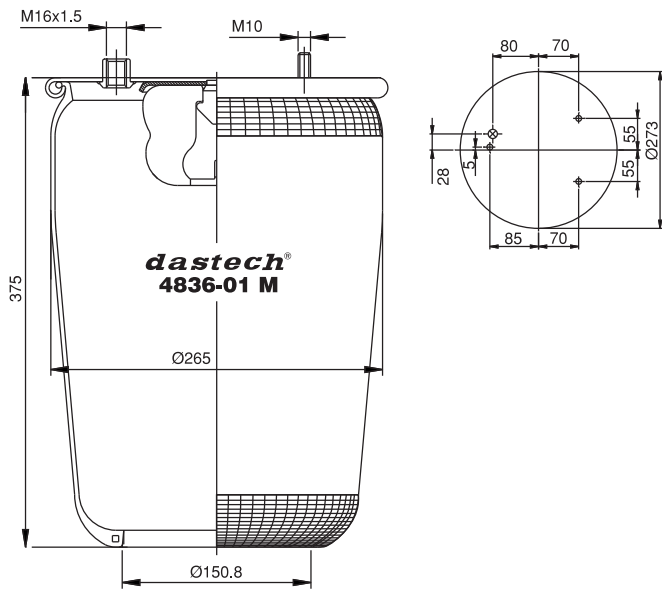
Service Assembly



• Cross Reference		• Oem Reference
• CONTITECH	836 M	• DAF
• FIRESTONE	1T17AR-4.5	0 067 504
	W01 M58 0776	
• PHOENIX	1 DF 25-1 NP	
• TAURUS	UR 721-01T	
• DUNLOP FR	D13U32	
• GOODYEAR	1R12-700	

dastech® 4836-01 M

Service Assembly



• Cross Reference

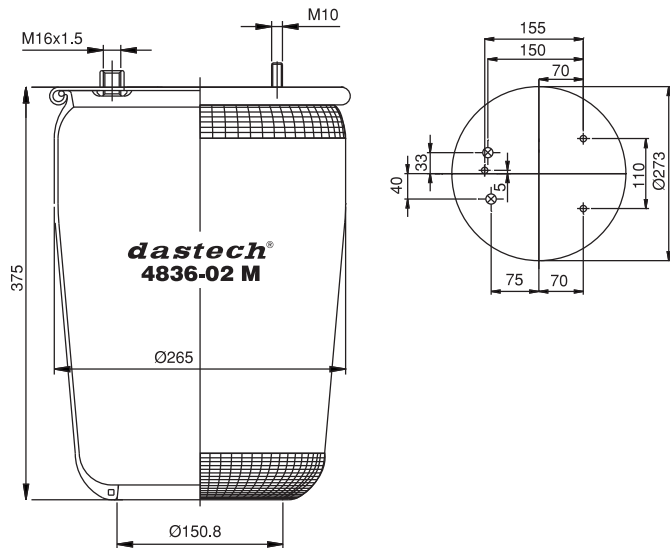
- CONTITECH 836 MB
- FIRESTONE 1T17AR-4.5
W01 M58 0775

• Oem Reference

- DAF 0 513 985

dastech® 4836-02 M

Service Assembly



• Cross Reference

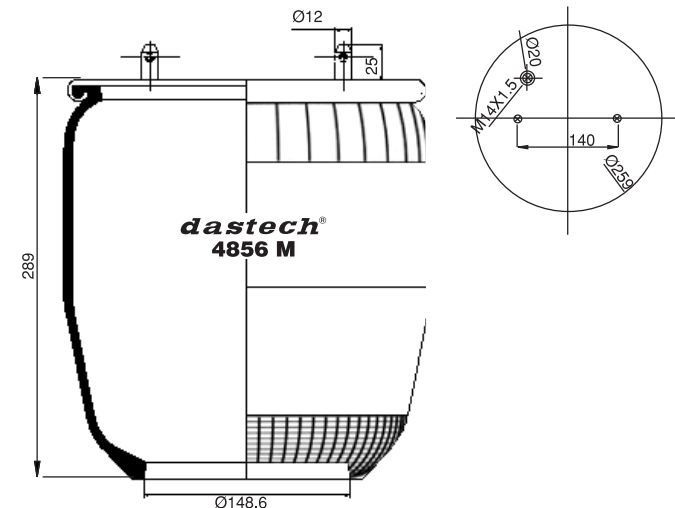
- CONTITECH 836 M2
- FIRESTONE 1T17AR-4.5
W01 M58 0777
- PHOENIX 1 DF 25-3 NP
- TAURUS UR 721-03T
- DUNLOP FR D13U31
- GOODYEAR 1R12-710

• Oem Reference

- DAF 0 513 982

dastech® 4856 M

Service Assembly



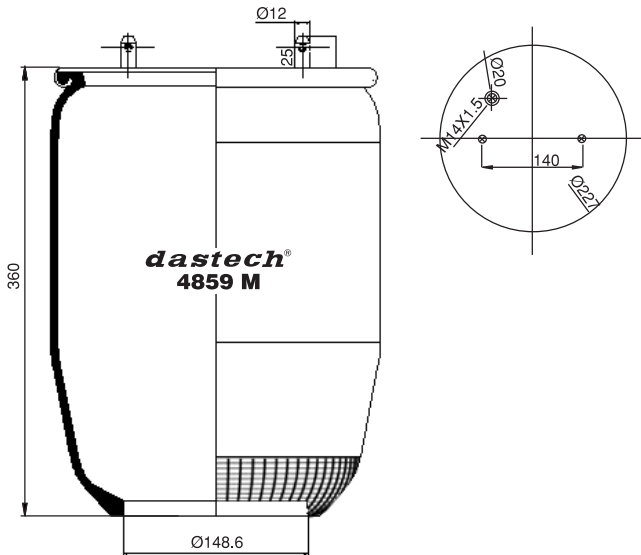
• Cross Reference

• Oem Reference

- SCANIA 1440856

dastech® 4859 M

Service Assembly



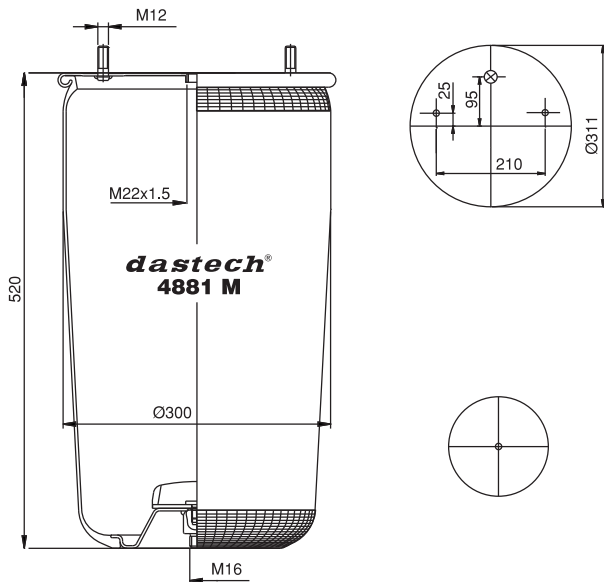
• Cross Reference

• Oem Reference

• SCANIA 1440859

dastech® 4881 M

Service Assembly



• Cross Reference

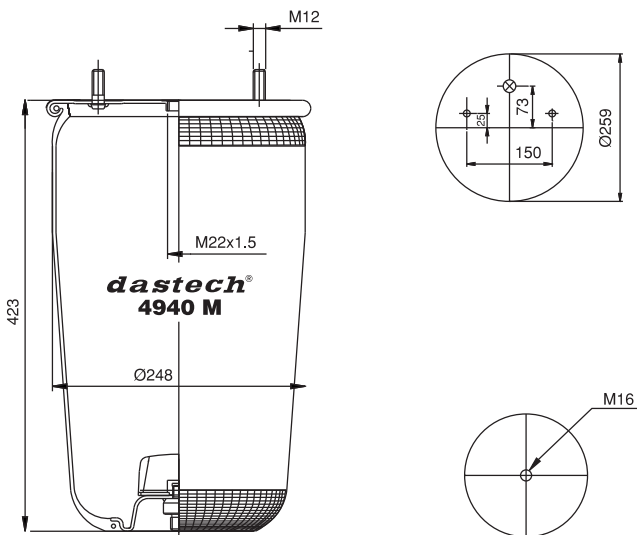
• Oem Reference

• CONTITECH 881 MB
 • FIRESTONE 1T66F-10.8
 W01 M58 8978
 • PHOENIX 1 DK 32
 • TAURUS KR 836-01T
 • DUNLOP FR D14U36
 • GOODYEAR 1R14-708
 • CF GOMMA 1TC 360-45
 204530

• BPW 05.429.40.01.0
 • BPW TYPE BPW 36

dastech® 4940 M

Service Assembly



• Cross Reference

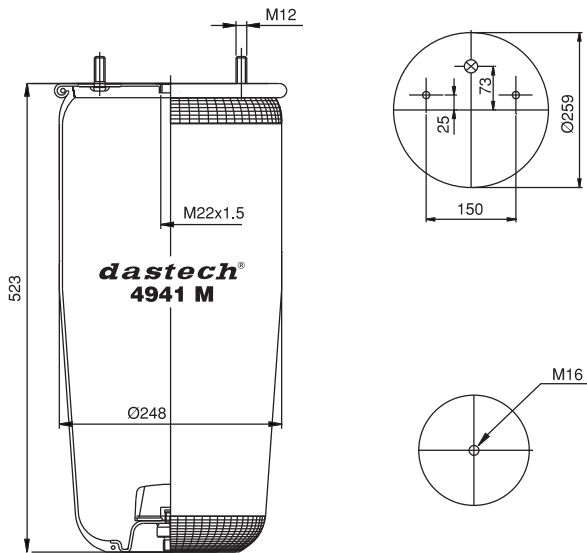
• Oem Reference

• CONTITECH 940 MB
 • FIRESTONE 1T17D-4.3
 W01 M58 8613
 • PHOENIX 1 DK 21 K
 • TAURUS UR 732-01T
 • DUNLOP FR D11U31
 • GOODYEAR 1R11-703
 • CF GOMMA 1TC 300-30
 205536

• BPW 05.429.40.91.0
 • BPW TYPE BPW 30 K
 • GRANNING 15916

dastech® 4941 M

Service Assembly



• Cross Reference

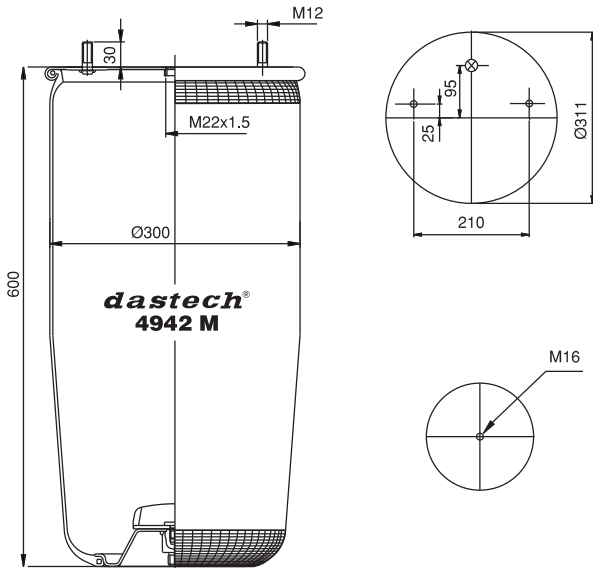
• CONTITECH	941 MB
• FIRESTONE	1T17D-8.3 W01 M58 8620
• PHOENIX	1 DK 21
• TAURUS	UR 730-01T
• DUNLOP FR	D11U30
• GOODYEAR	1R11-700
• CF GOMMA	1TC 300-36 204466

• Oem Reference

• BPW	05.429.40.03.0
• BPW TYPE	BPW 30

dastech® 4942 M

Service Assembly



• Cross Reference

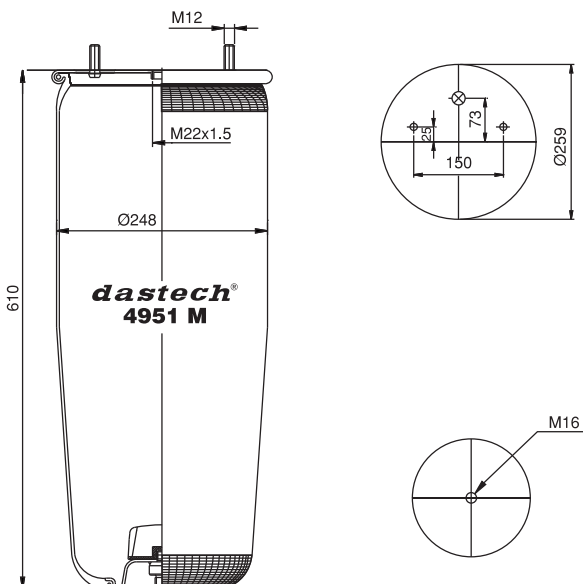
• CONTITECH	942 MB
• FIRESTONE	1T66F-13.5 W01 M58 8611
• PHOENIX	1 DK 32L
• TAURUS	UR 837-01T
• GOODYEAR	1R14-700

• Oem Reference

• BPW	05.429.40.05.0
• BPW TYPE	BPW 36-1

dastech® 4951 M

Service Assembly



• Cross Reference

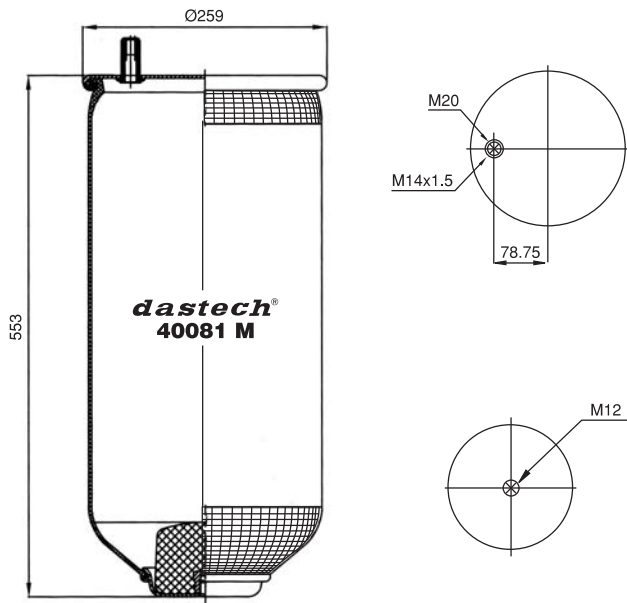
• CONTITECH	951 MB
• FIRESTONE	1T17D-12 W01 M58 8621
• GOODYEAR	1R11-704

• Oem Reference

• BPW	05.429.40.72.0
• BPW TYPE	BPW 30-1

dastech® 40081 M

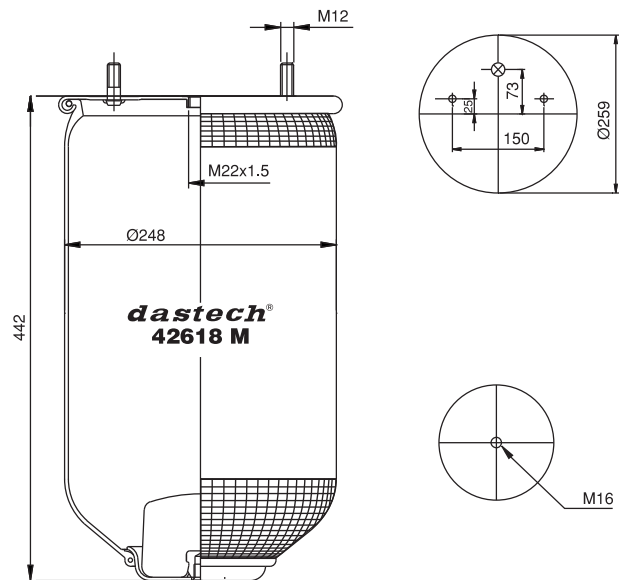
Service Assembly



• Cross Reference		• Oem Reference	
• FIRESTONE	1T17B-11		

dastech® 42618 M

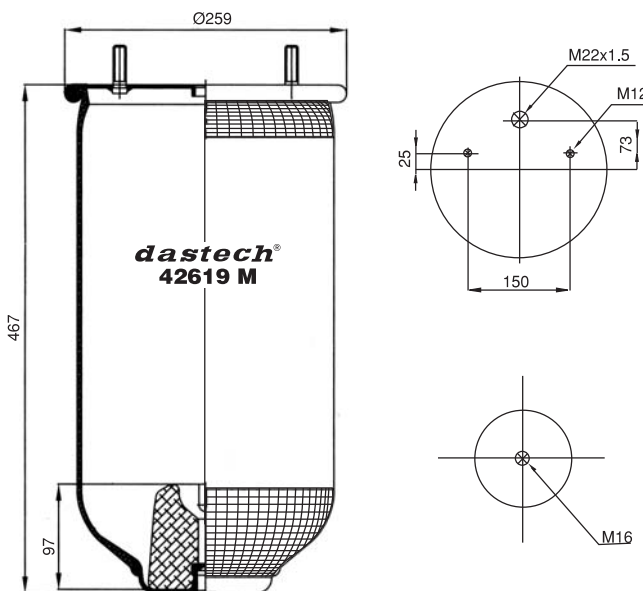
Service Assembly



• Cross Reference		• Oem Reference	
• CONTITECH	4022 N P03	• SAF	3.229.0029.00
• FIRESTONE	1T17BS-6		3.229.2129.00
	W01 M58 6367		3.229.2229.00
• PHOENIX	1 DK 22 E-9		3.229.2429.00
• TAURUS	KR 725-28		2618 V
• DUNLOP FR	D12B14		
• GOODYEAR	1R11-714		

dastech® 42619 M

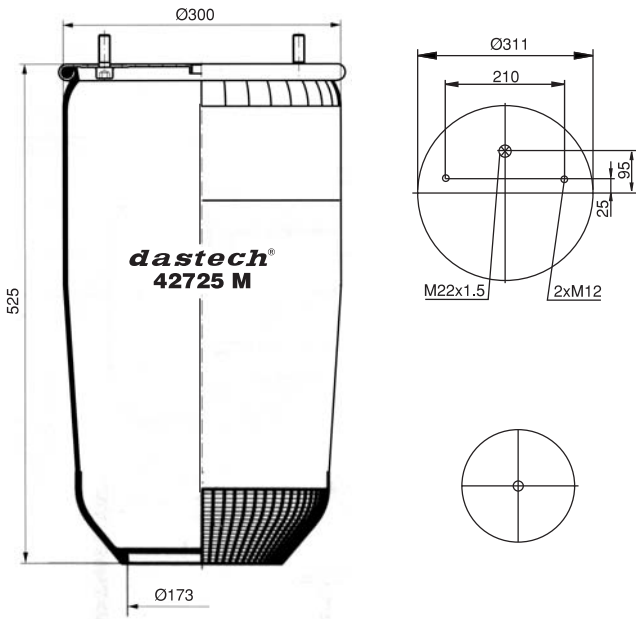
Service Assembly



• Cross Reference		• Oem Reference	
• CONTITECH	4022 N P02	• SAF	4.284.3006.00
• FIRESTONE	1T17BS-6		2618 V
	W01 M58 0756		
• PHOENIX	1 DK 22 E-9 NP		
• TAURUS	UR 725-28T		
• DUNLOP FR	D11U40		
• GOODYEAR	1R11-709		

dastech® 42725 M

Service Assembly



• Cross Reference

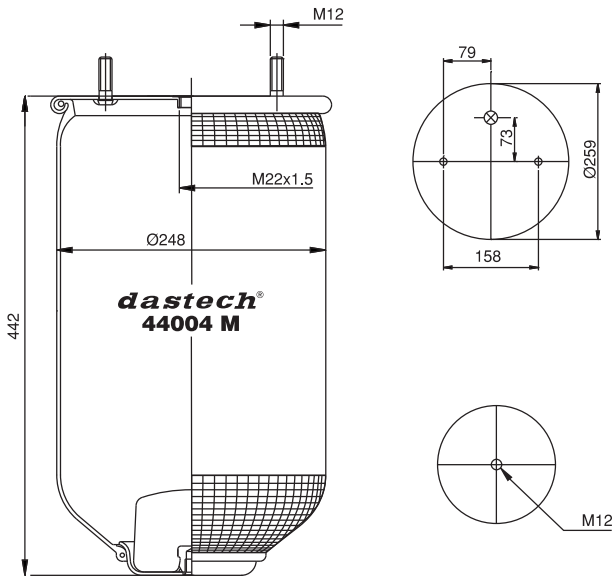
• CONTITECH 2725 MB

• Oem Reference

• TIRSAN

dastech® 44004 M

Service Assembly



• Cross Reference

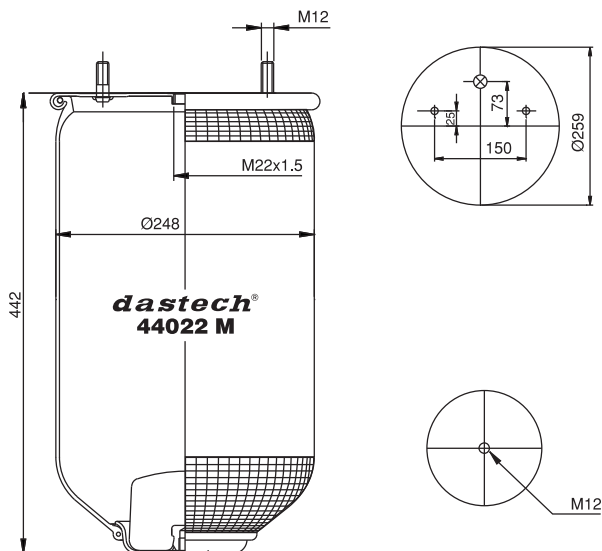
• CONTITECH 4004 N P02
 • FIRESTONE 1T17BS-6
 W01 M58 0919
 • PHOENIX 1 DK 22 E-5 NP
 • TAURUS UR 725-27T
 • DUNLOP FR D12U13
 • GOODYEAR 1R11-705

• Oem Reference

• SAF 4.284.3003.01
 2618

dastech® 44022 M

Service Assembly



• Cross Reference

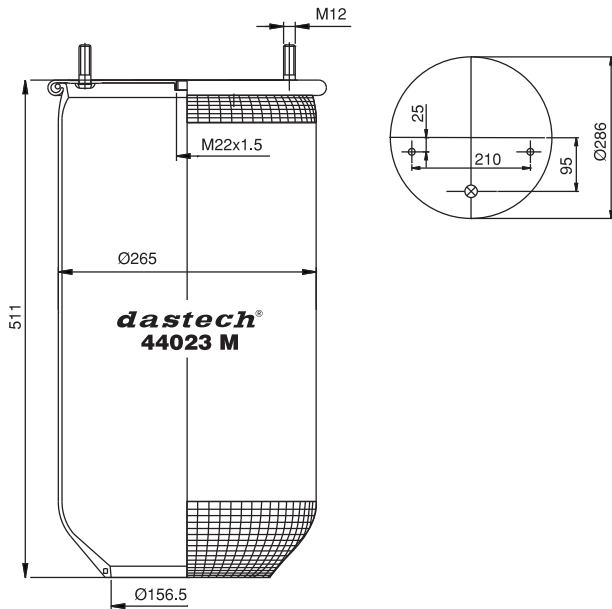
• CONTITECH 4022 N P02
 • FIRESTONE 1T17BS-6
 W01 M58 0756
 • PHOENIX 1 DK 22 E-9 NP
 • TAURUS UR 725-28T
 • DUNLOP FR D11U40
 • GOODYEAR 1R11-709

• Oem Reference

• SAF 4.284.3006.00
 2618 V
 2619 V

dastech® 44023 M

Service Assembly



• Cross Reference

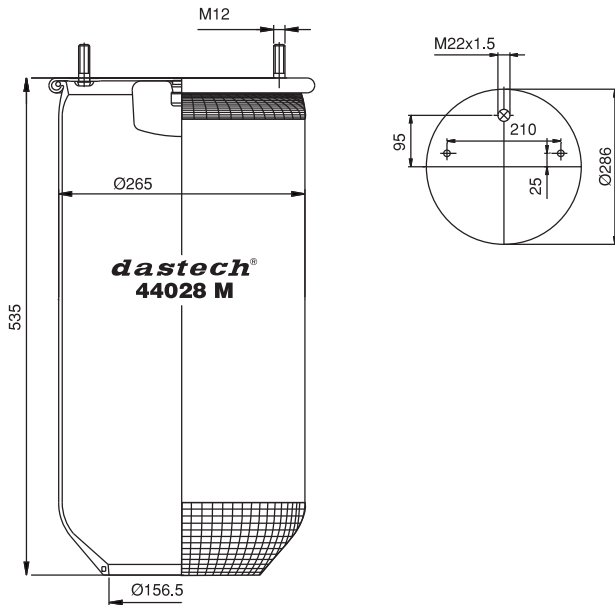
- CONTITECH 4023 N
- FIRESTONE 1T19F-11
W01 M58 6348
- GOODYEAR 1R14-729
- CF GOMMA 1T 19E-2
204676

• Oem Reference

- SAF 3.229.0031.00

dastech® 44028 M

Service Assembly



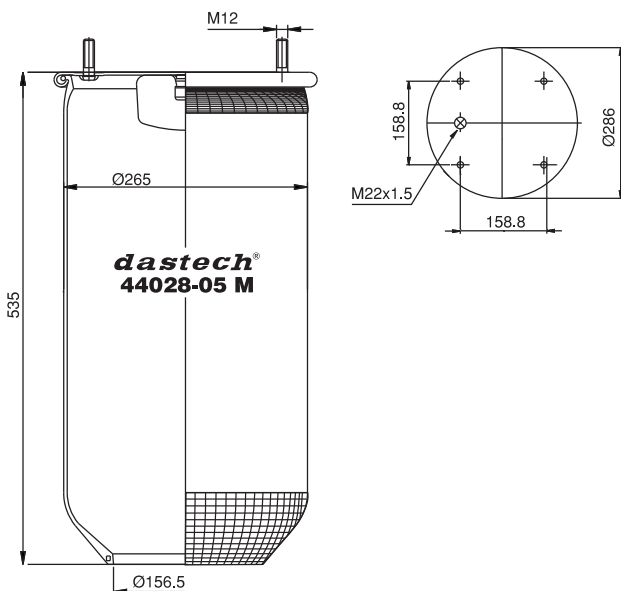
• Cross Reference

- CONTITECH 4028 N P02
(Without Piston)

• Oem Reference

dastech® 44028-05 M

Service Assembly



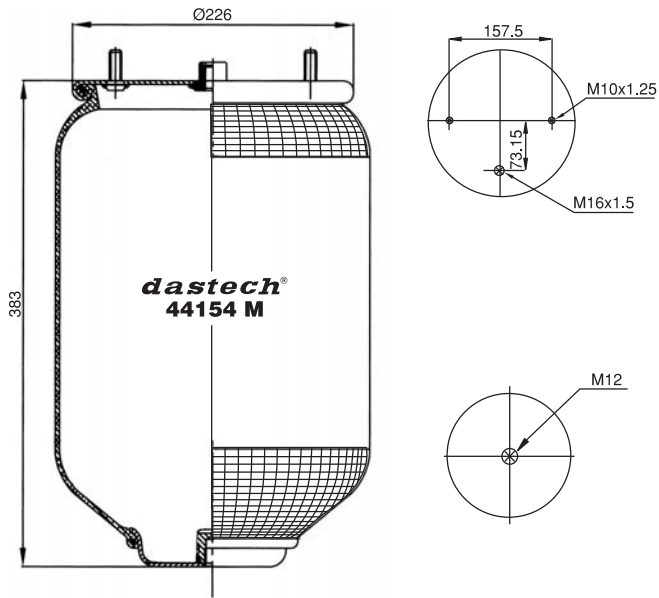
• Cross Reference

- CONTITECH 4028 N P05
(Without Piston)

• Oem Reference

dastech® 44154 M

Service Assembly



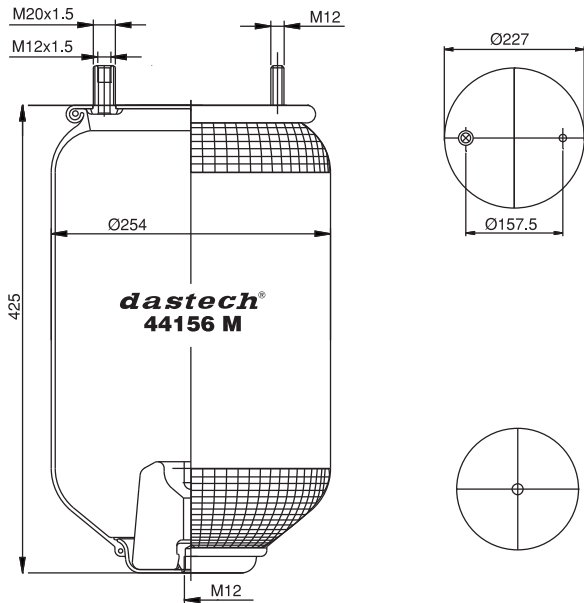
• Cross Reference

• CONTITECH 4154 N

• Oem Reference

dastech® 44156 M

Service Assembly



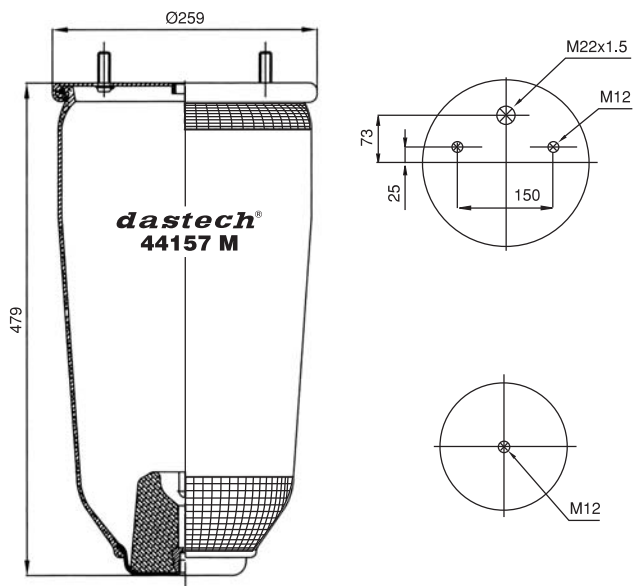
• Cross Reference

• CONTITECH 4156 N P05
• FIRESTONE 1T15M-6

• Oem Reference

dastech® 44157 M

Service Assembly



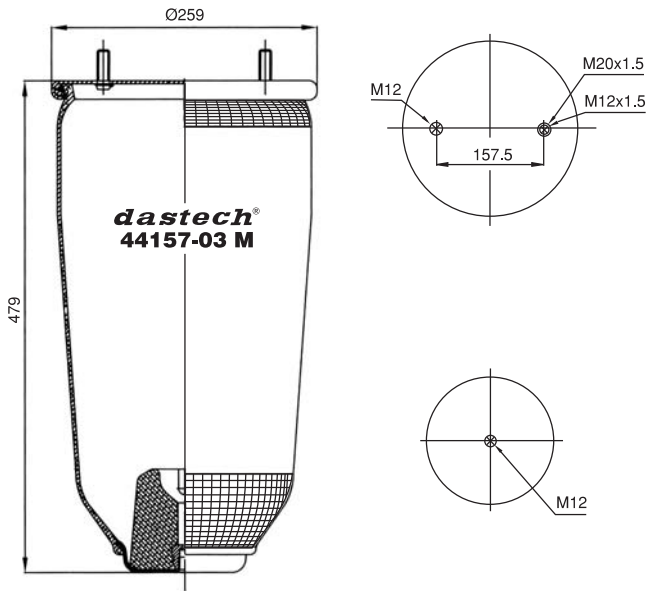
• Cross Reference

• CONTITECH 4157 N P04
(Without Piston)

• Oem Reference

dastech® 44157-03 M

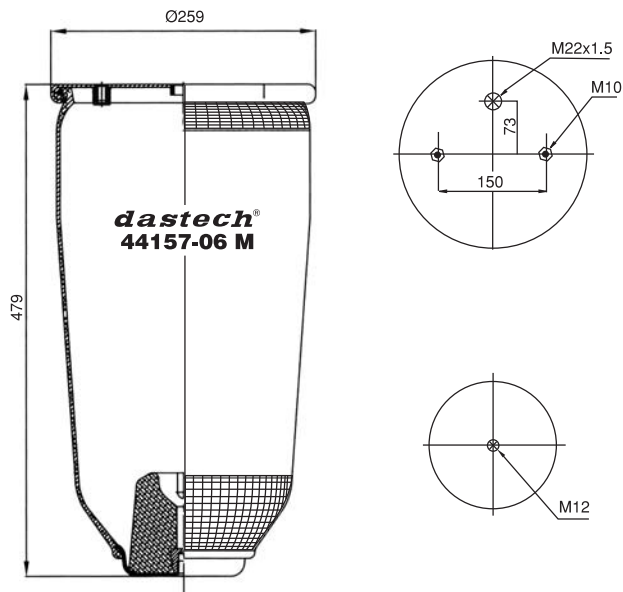
Service Assembly



• Cross Reference		• Oem Reference
• CONTITECH	4157 N P03 (Without Piston)	

dastech® 44157-06 M

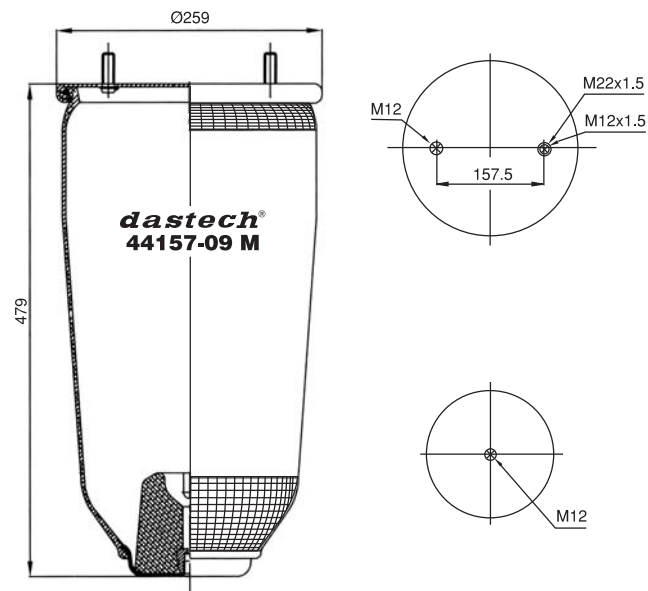
Service Assembly



• Cross Reference		• Oem Reference
• CONTITECH	4157 N P06 (Without Piston)	

dastech® 44157-09 M

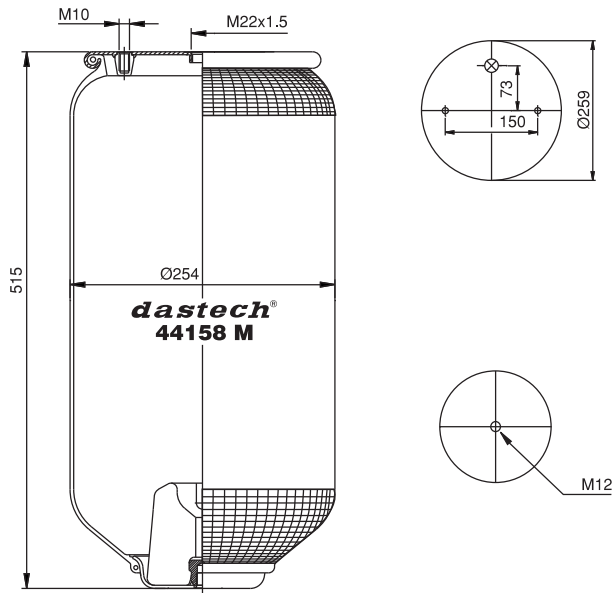
Service Assembly



• Cross Reference		• Oem Reference
• CONTITECH	4157 N P09 (Without Piston)	

dastech® 44158 M

Service Assembly



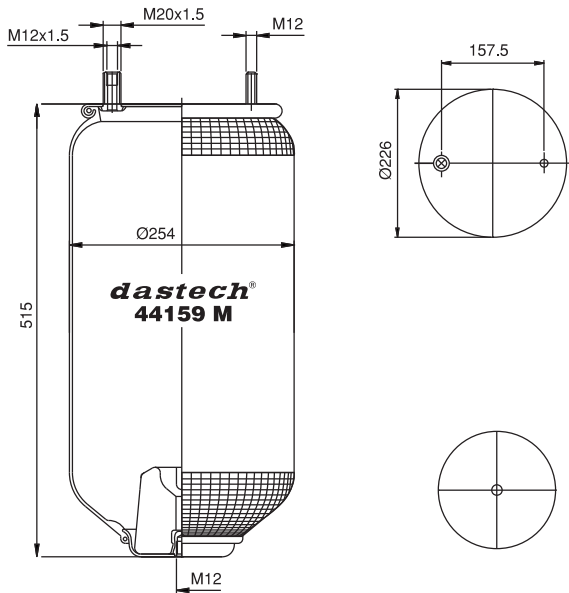
• Cross Reference

- CONTITECH 4158 N P02
- PHOENIX 1 DK 20 B-1 MP
- DUNLOP FR D12U23

• Oem Reference

dastech® 44159 M

Service Assembly



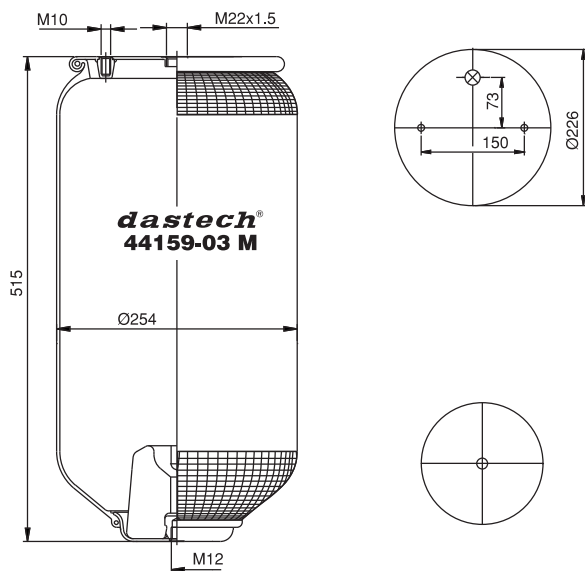
• Cross Reference

- CONTITECH 4159 N P05
- FIRESTONE 1T15M-9
W01 M58 0736

• Oem Reference

dastech® 44159-03 M

Service Assembly



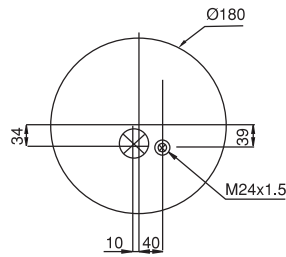
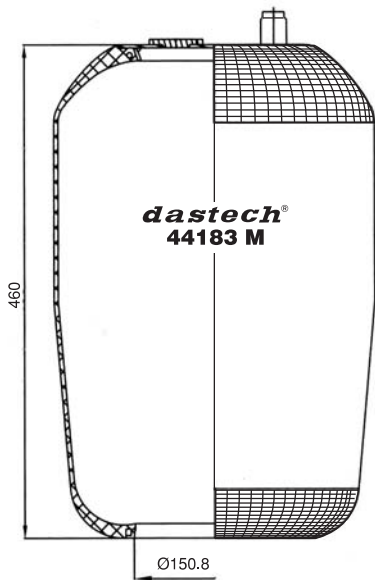
• Cross Reference

- FIRESTONE 1T15M-9

• Oem Reference

dastech® 44183 M

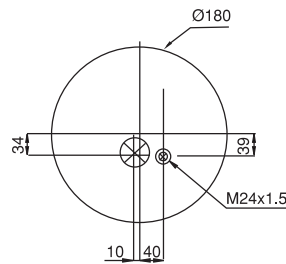
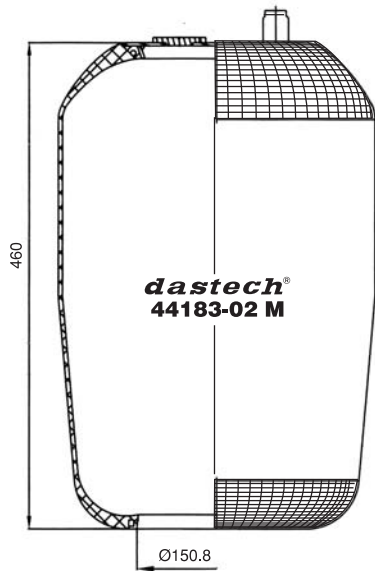
Service Assembly



• Cross Reference		• Oem Reference
• CONTITECH	4183 N2	

dastech® 44183-02 M

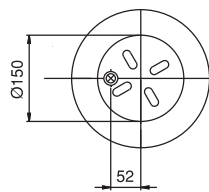
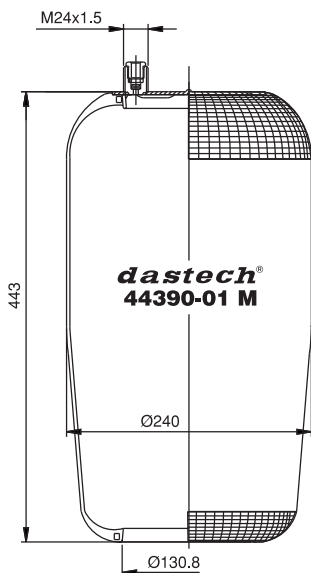
Service Assembly



• Cross Reference		• Oem Reference

dastech® 44390-01 M

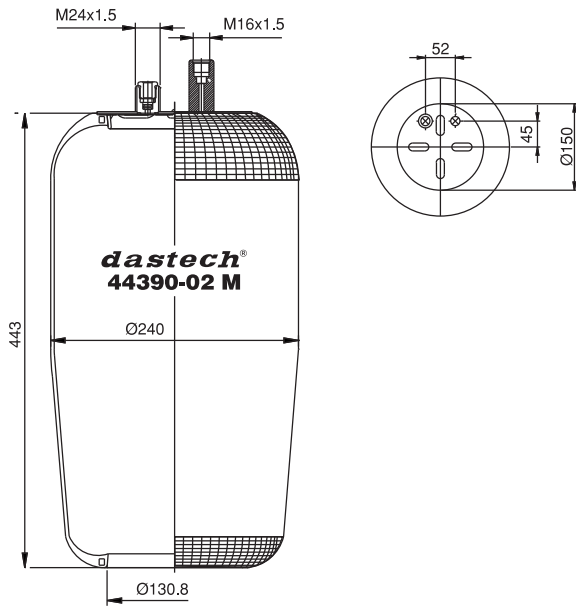
Service Assembly



• Cross Reference		• Oem Reference
• CONTITECH	4390 N1	• DAIMLER CHRYSLER A 942 328 00 01
• DUNLOP FR	D12U25	• EVO BUS A 942.327.0001
• GOODYEAR	9507	
• CF GOMMA	1VSC 285-30	

dastech® 44390-02 M

Service Assembly



• Cross Reference

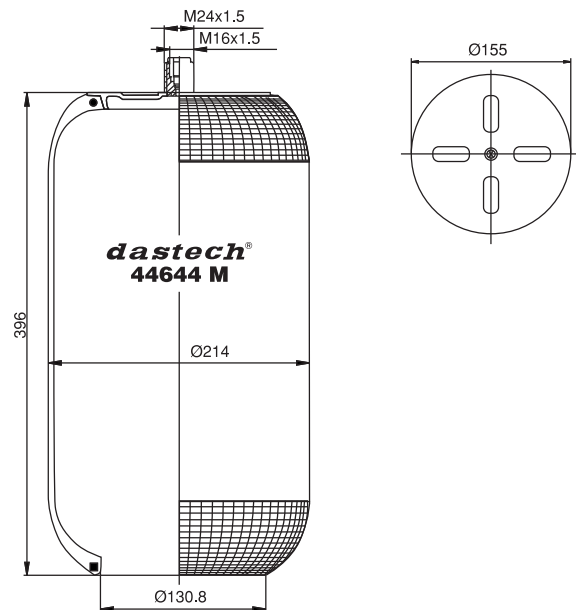
- CONTITECH 4390 N2
- DUNLOP FR D12U26
- GOODYEAR 9508
- CF GOMMA 1VSC 285-30

• Oem Reference

- DAIMLER CHRYSLER A 942 328 01 01

dastech® 44644 M

Service Assembly



• Cross Reference

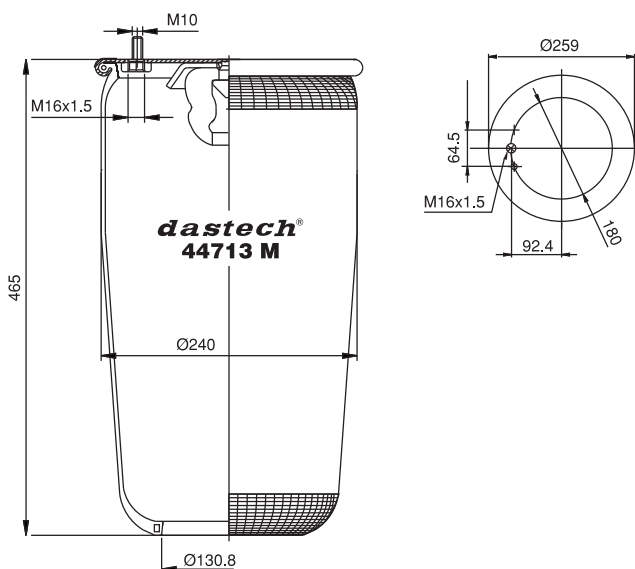
- CONTITECH 4644 N

• Oem Reference

- DAIMLER CHRYSLER A 629 327 00 01
- EVO BUS A 629 320 00 25

dastech® 44713 M

Service Assembly



• Cross Reference

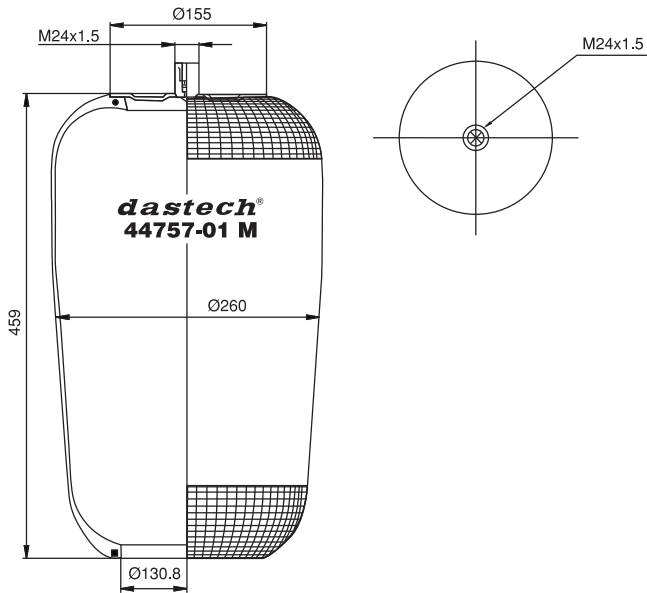
- CONTITECH 4713 N
- DUNLOP FR D12U24
- GOODYEAR 1R12-763
- CF GOMMA 1TS 300-28 206778

• Oem Reference

- VOLVO 1 076 595

dastech® 44757-01 M

Service Assembly



• Cross Reference

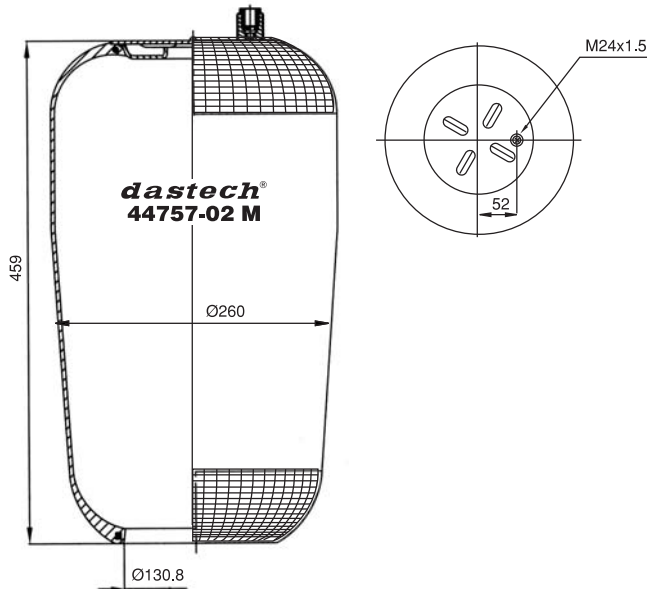
• CONTITECH	4757 N1
• DUNLOP FR	D12U42
• GOODYEAR	9517

• Oem Reference

• DAIMLER CHRYSLER	A 942 327 00 01
--------------------	-----------------

dastech® 44757-02 M

Service Assembly



• Cross Reference

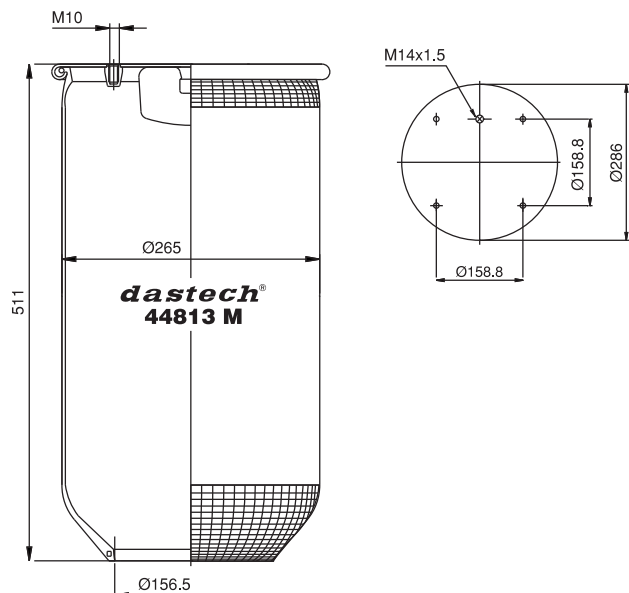
• CONTITECH	4757 N2
• DUNLOP FR	D12U43
• GOODYEAR	9518

• Oem Reference

• DAIMLER CHRYSLER	A 974 328 01 01
	A 974 328 00 01

dastech® 44813 M

Service Assembly



• Cross Reference

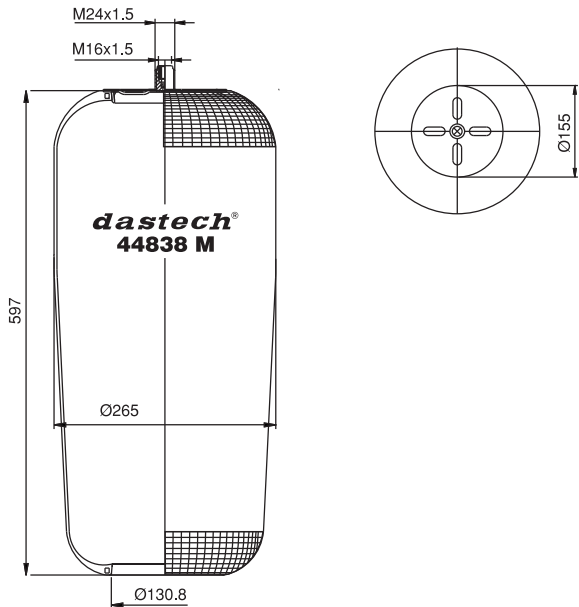
• CONTITECH	4813 N07
• FIRESTONE	1T19L-11
	W01 M58 7358
• PHOENIX	1D28B-9
• TAURUS	KR 622-01
• DUNLOP FR	D13B10
• CF GOMMA	1T 19E-2 BR

• Oem Reference

• SCANIA	1314906
	1107674
	325748
	298568
	255265
	255293

dastech® 44838 M

Service Assembly



• Cross Reference

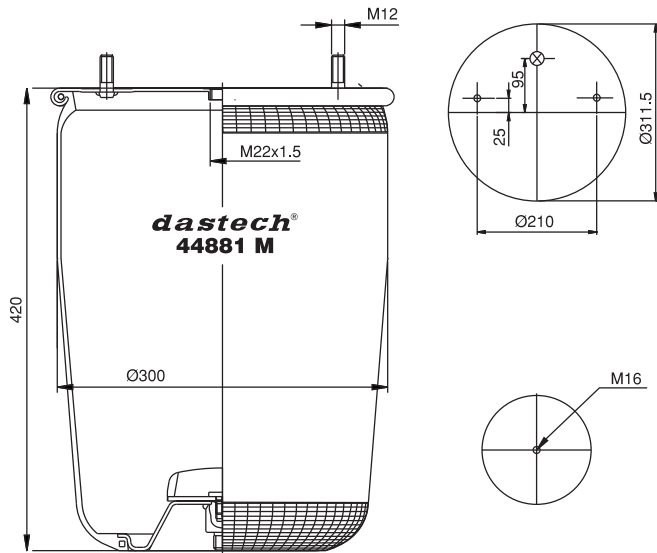
• CONTITECH 4838 N

• Oem Reference

• DAIMLER CHRYSLER A 946 328 00 01

dastech® 44881 M

Service Assembly



• Cross Reference

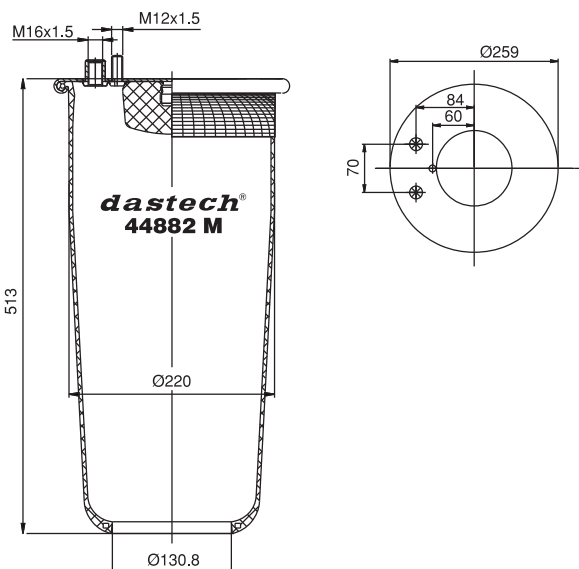
• CONTITECH 4881 N P02
 • FIRESTONE 1T66D-7.0
 W01 M58 8601
 • PHOENIX 1 DK 32 K
 • TAURUS UR 838-01T
 • DUNLOP FR D14U37
 • GOODYEAR 1R14-701

• Oem Reference

• BPW 05.419.41.01.0
 • BPW TYPE BPW 36 K

dastech® 44882 M

Service Assembly



• Cross Reference

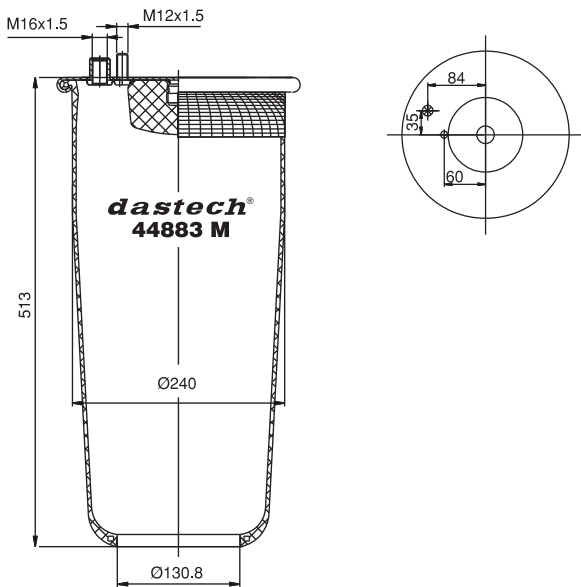
• CONTITECH 4882 N1 P01
 • DUNLOP FR D10U10
 • GOODYEAR 1R10-702

• Oem Reference

• M.A.N. 81.43601.0151

dastech® 44883 M

Service Assembly



• Cross Reference

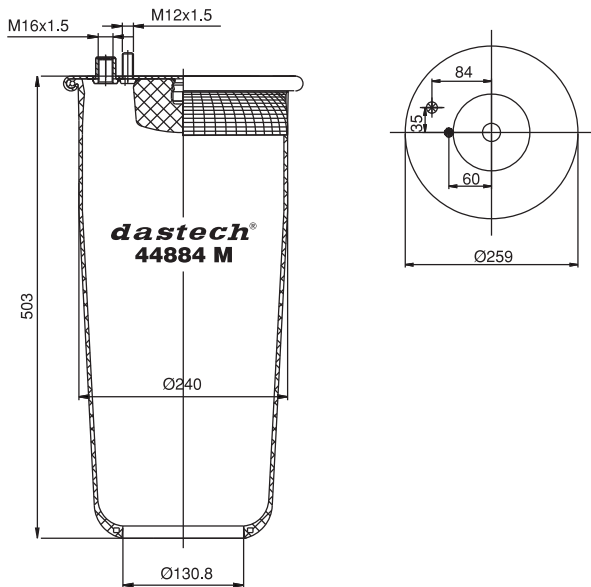
- CONTITECH 4883 N1 P01
- DUNLOP FR D11U47
- GOODYEAR 1R11-804

• Oem Reference

- M.A.N. 81.43601.0153

dastech® 44884 M

Service Assembly



• Cross Reference

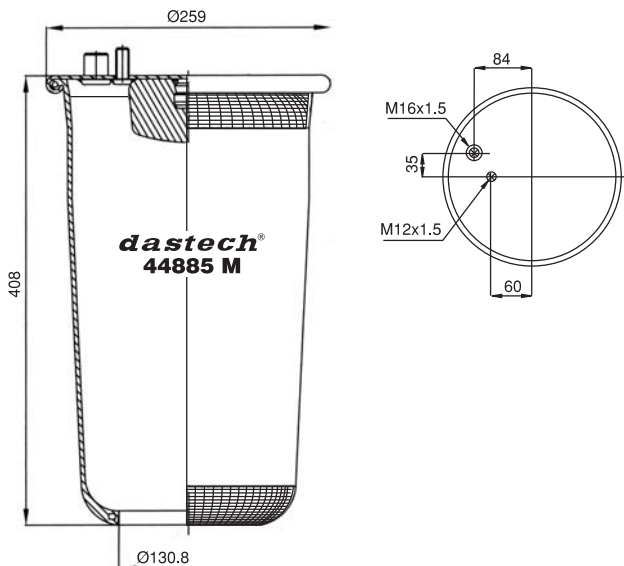
- CONTITECH 4884 N1 P01
- DUNLOP FR D11U48
- GOODYEAR 1R11-820
- CF GOMMA 1TS 290-28

• Oem Reference

- M.A.N. 81.43601.0152

dastech® 44885 M

Service Assembly



• Cross Reference

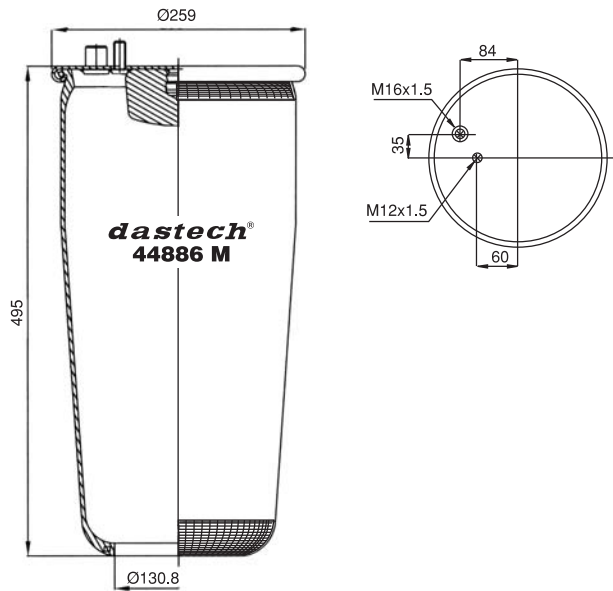
- CONTITECH 4885 N1 P01

• Oem Reference

- M.A.N. 81.43601.6071
- 81.43601.0160

dastech® 44886 M

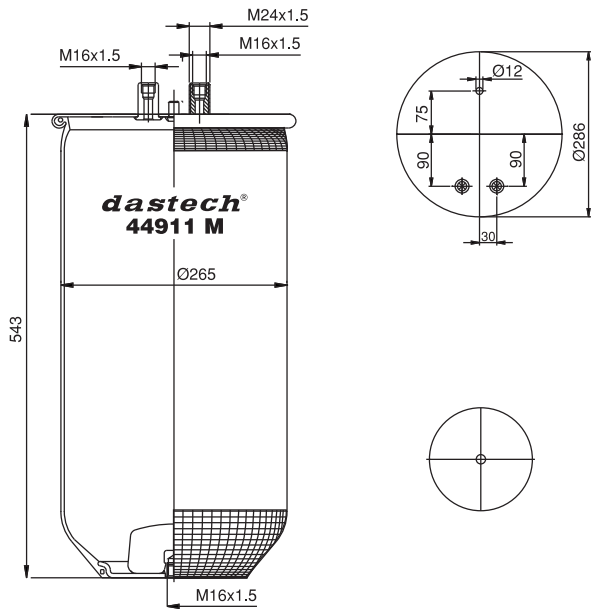
Service Assembly



• Cross Reference		• Oem Reference	
• CONTITECH	4886 N P02	• M.A.N.	81.43601.0165

dastech® 44911 M

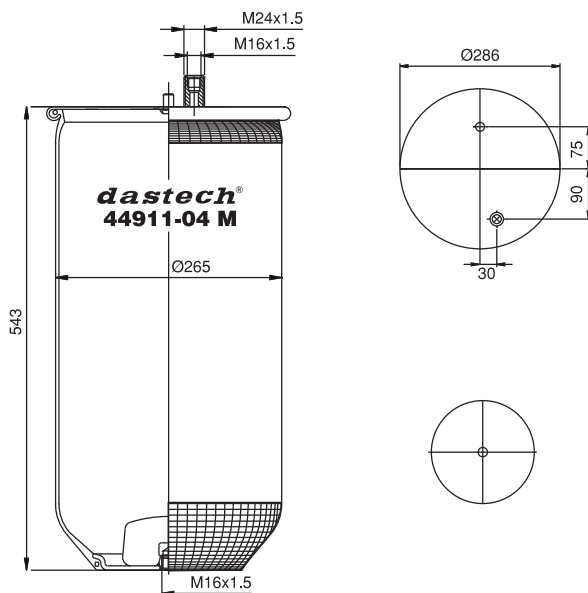
Service Assembly



• Cross Reference		• Oem Reference	
• CONTITECH	4911 N	• RVI	5.011.294.308

dastech® 44911-04 M

Service Assembly

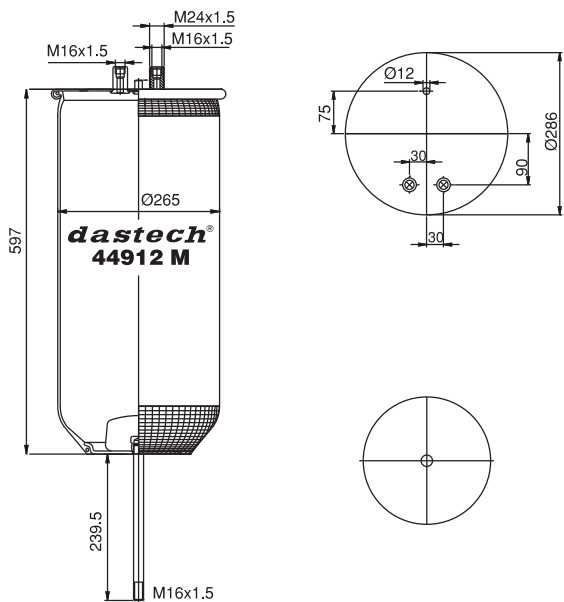


• Cross Reference		• Oem Reference	
• CONTITECH	4911 N P06 4911 N P04 (Without Piston)		



dastech® 44912 M

Service Assembly



• Cross Reference

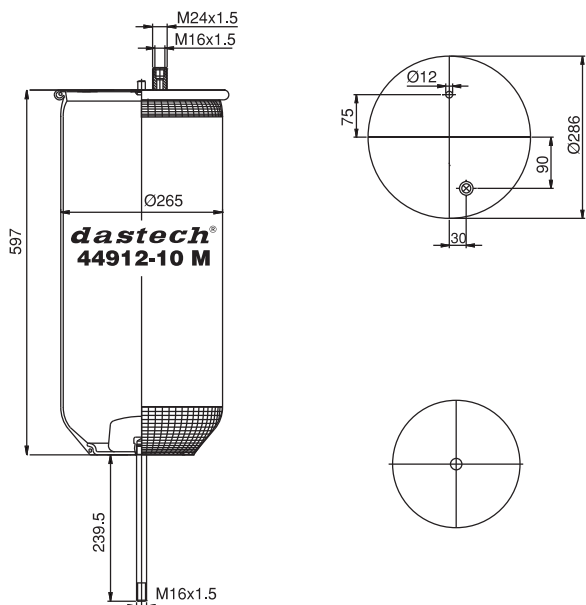
- CONTITECH 4912 N P08
- GOODYEAR 1R13-713
- CF GOMMA 1TS 19E-4

• Oem Reference

- RVI 5.001.8320.67

dastech® 44912-10 M

Service Assembly



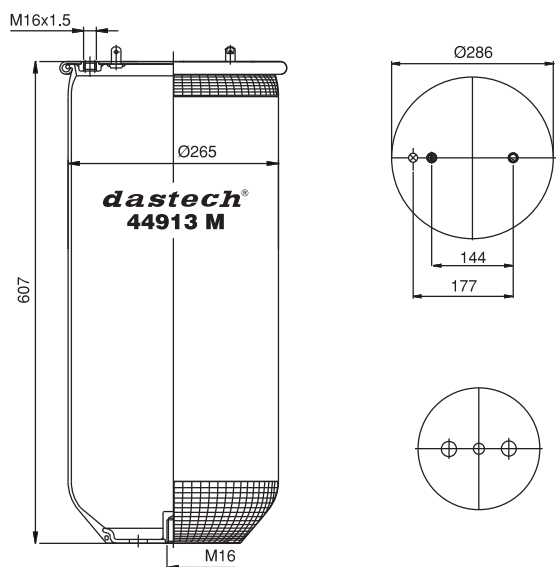
• Cross Reference

- CONTITECH 4912 N P10
- 4912 N P13 (Without Piston)

• Oem Reference

dastech® 44913 M

Service Assembly



• Cross Reference

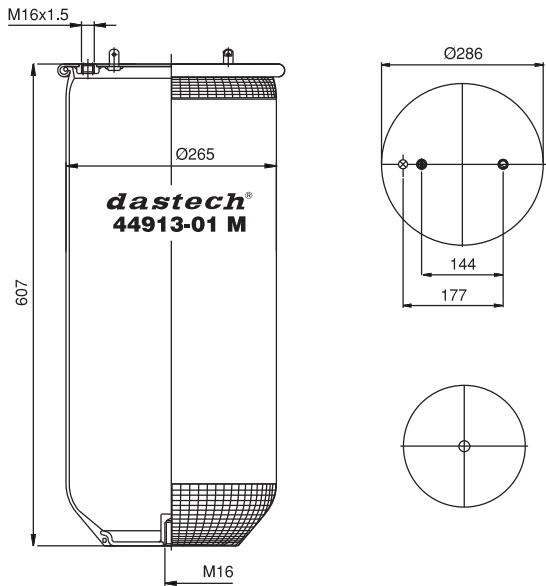
- CONTITECH 4913 N P04
- FIRESTONE 1T19F-14

• Oem Reference

- SCANIA 1379393

dastech® 44913-01 M

Service Assembly



• Cross Reference

- CONTITECH 4913 N P04
- FIRESTONE 1T19F-14

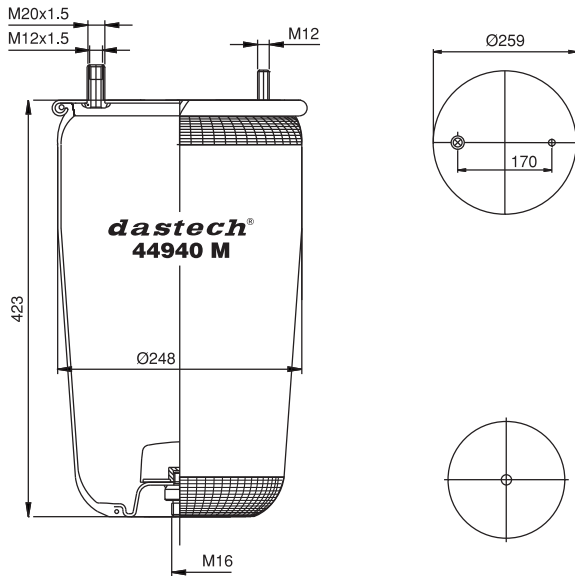
• Oem Reference

- SCANIA 1379393

- Closed Bottom

dastech® 44940 M

Service Assembly



• Cross Reference

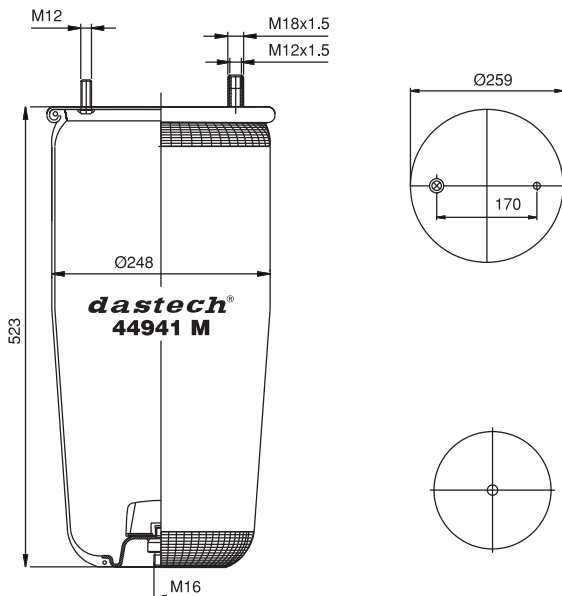
- CONTITECH 4940 N P02
- GOODYEAR 1R11-799

• Oem Reference

- BPW 05.429.41.56.0
- BPW TYPE BPW 30 K

dastech® 44941 M

Service Assembly



• Cross Reference

- CONTITECH 4941 N P02
- GOODYEAR 1R11-802

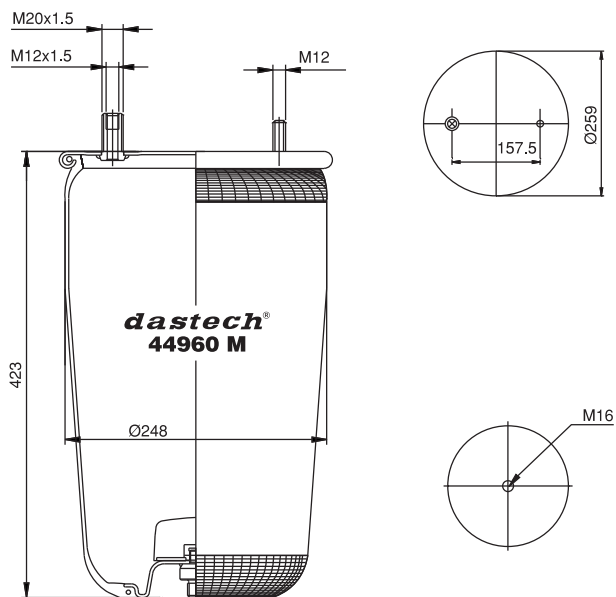
• Oem Reference

- BPW 05.429.41.25.0
- BPW TYPE BPW 30



dastech® 44960 M

Service Assembly



• Cross Reference

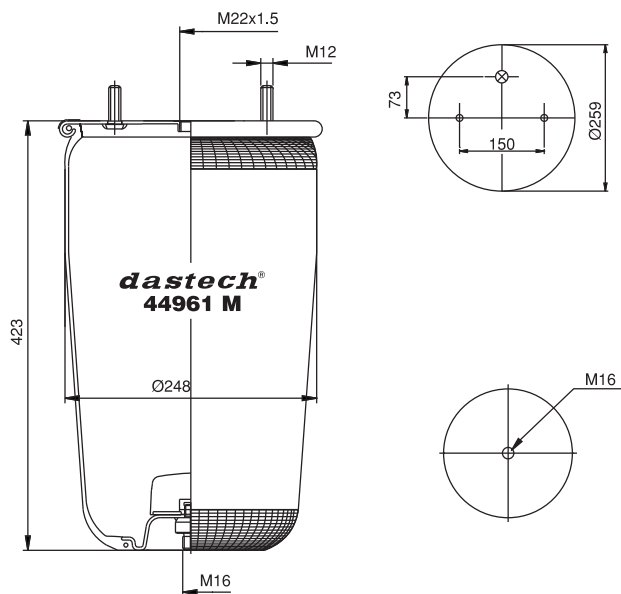
- CONTITECH 4960 N P02
- GOODYEAR 1R11-801

• Oem Reference

- BPW 05.429.41.77.0
- BPW TYPE BPW 30 K

dastech® 44961 M

Service Assembly



• Cross Reference

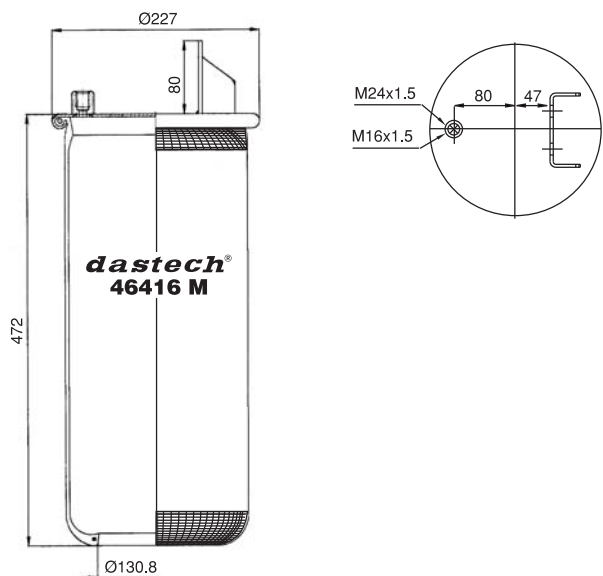
- CONTITECH 4961 N P02
- GOODYEAR 1R11-800

• Oem Reference

- BPW 05.429.42.04.0
- BPW TYPE BPW 30 K

dastech® 46416 M

Service Assembly



• Cross Reference

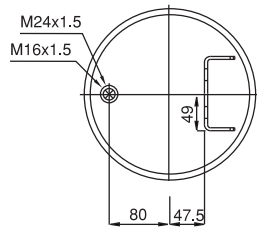
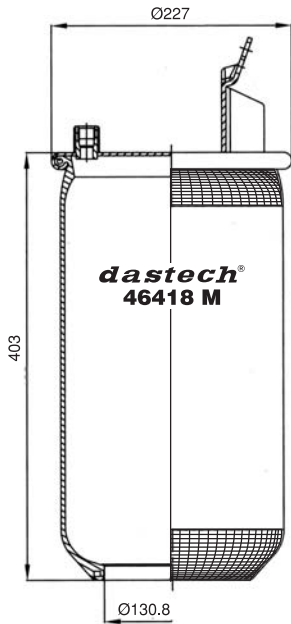
- CONTITECH 6608 N P01 (Without Piston)

• Oem Reference

- VOLVO 20 582 215
- 20 531 985
- 20 456 152
- 20 374 510
- 3 171 693
- 1 076 416

dastech® 46418 M

Service Assembly



• Cross Reference

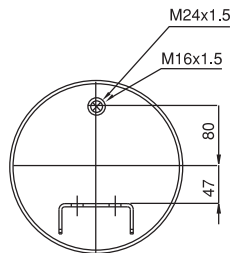
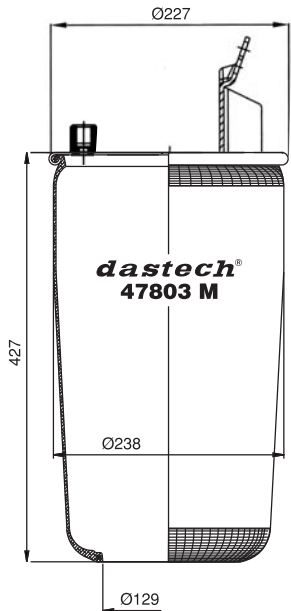
• CONTITECH 6607 N P01
(Without Piston)

• Oem Reference

• VOLVO 20 582 214
20 531 987
20 456 156
20 374 511
3 171 695
1 076 418

dastech® 47803 M

Service Assembly



• Cross Reference

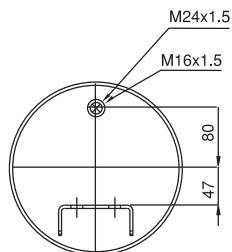
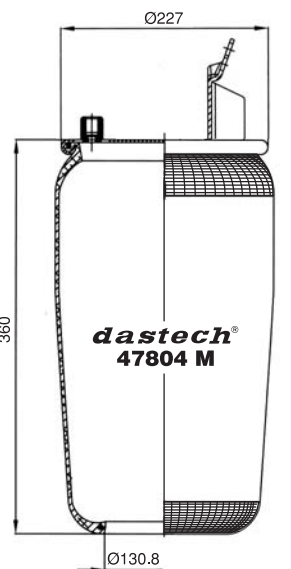
• CONTITECH 6605 N P01
(Without Piston)

• Oem Reference

• VOLVO 20 582 206
20 531 984
20 456 150
20 427 800
3 171 692
20 427 803

dastech® 47804 M

Service Assembly

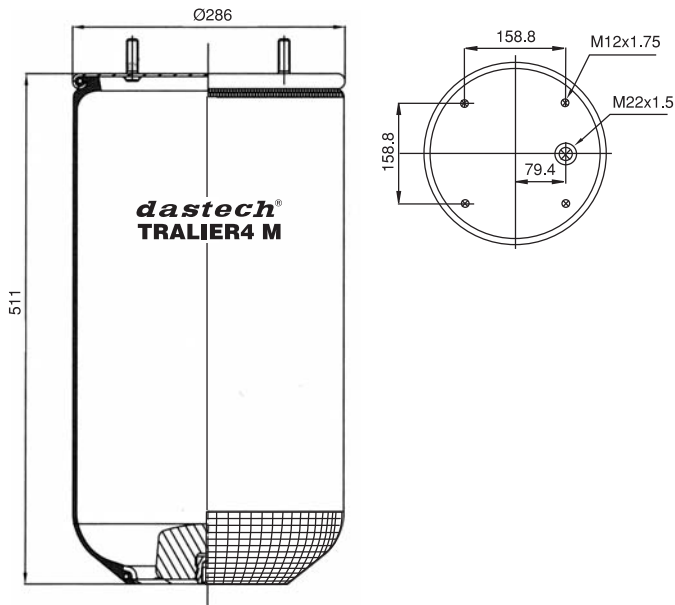


• Cross Reference

• CONTITECH 6606 N P01
(Without Piston)

• Oem Reference

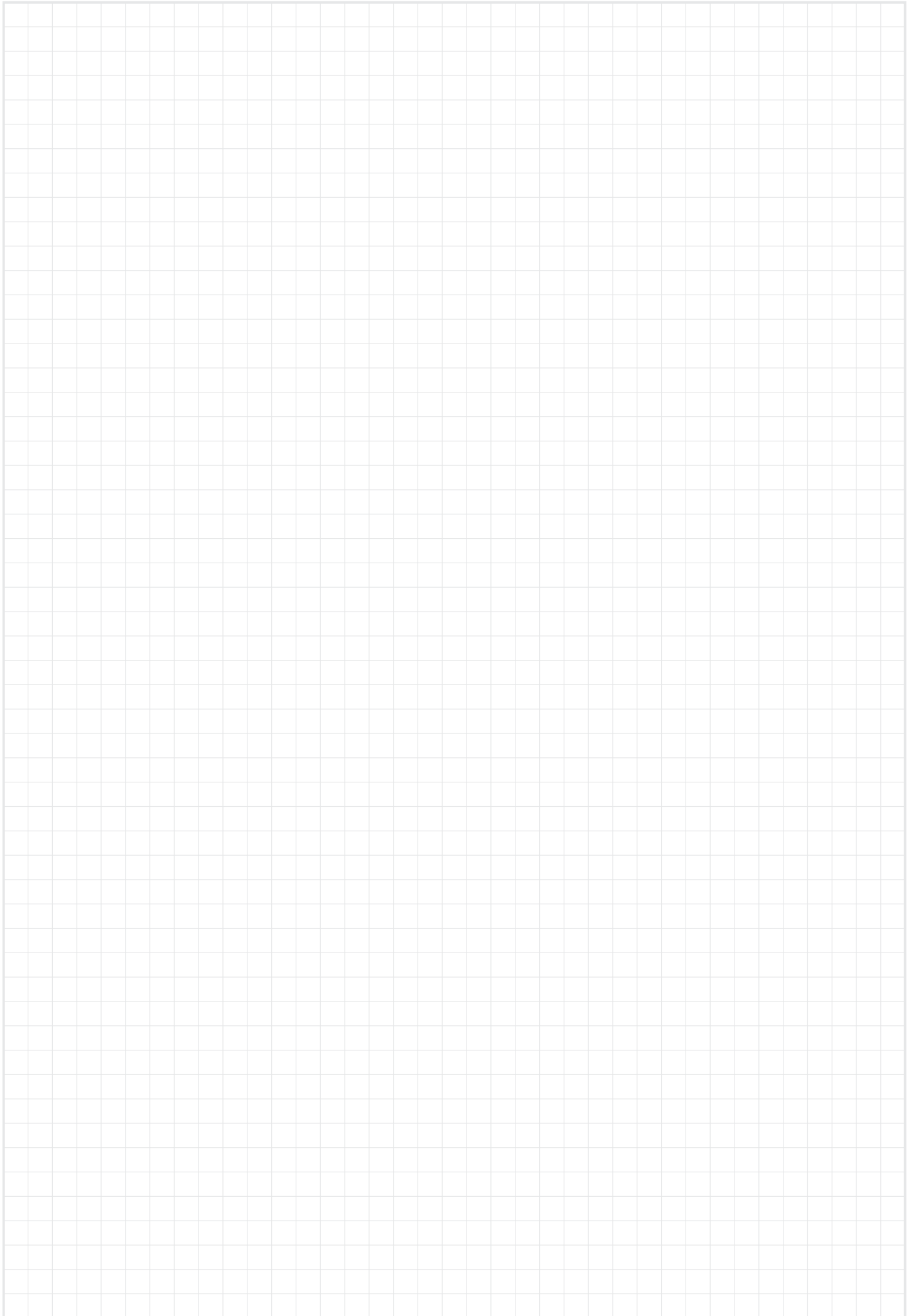
• VOLVO 20 582 209
20 531 986
20 456 154
20 427 801
20 427 804



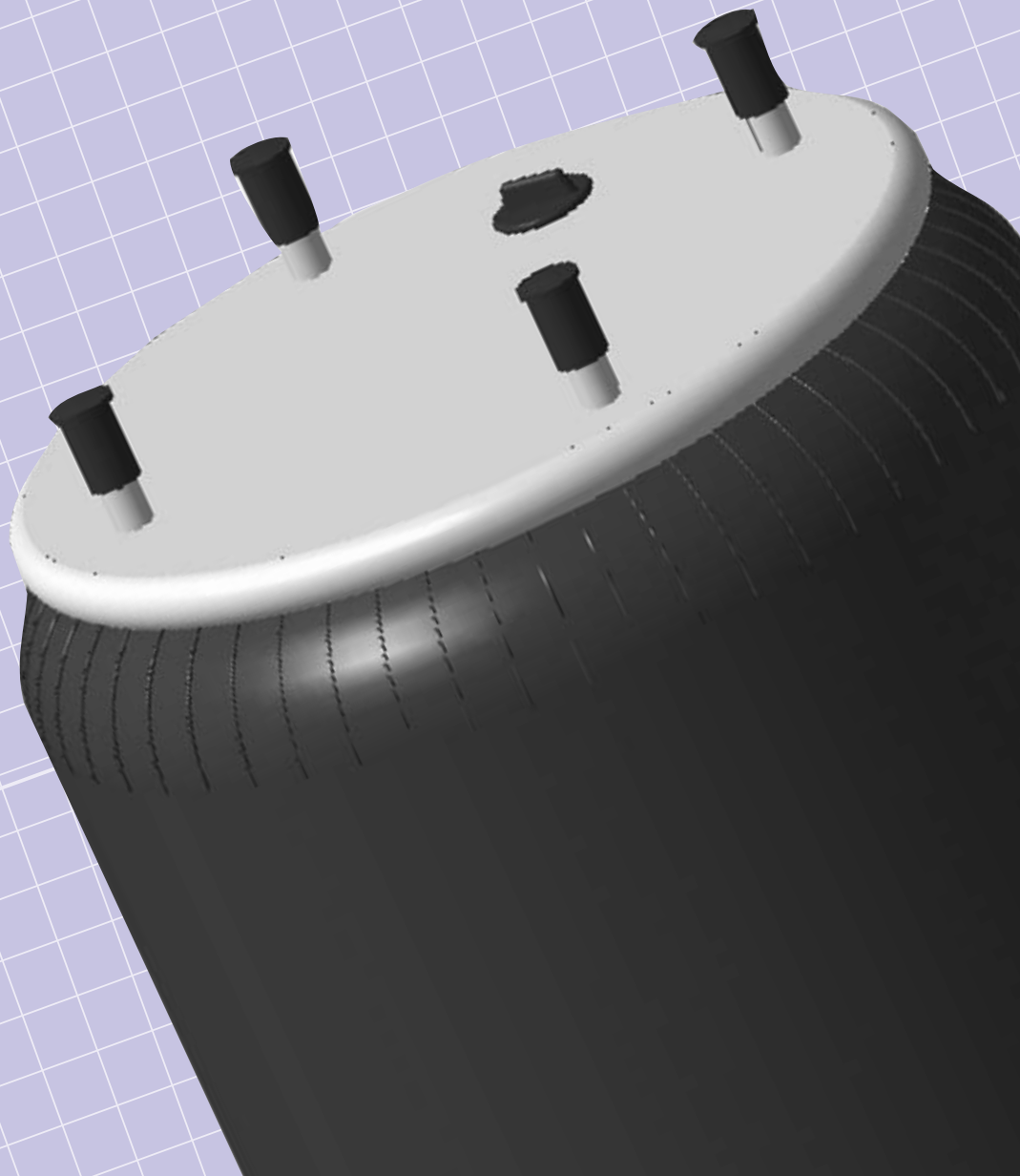
• Cross Reference	• Oem Reference

Notes:

Notes:

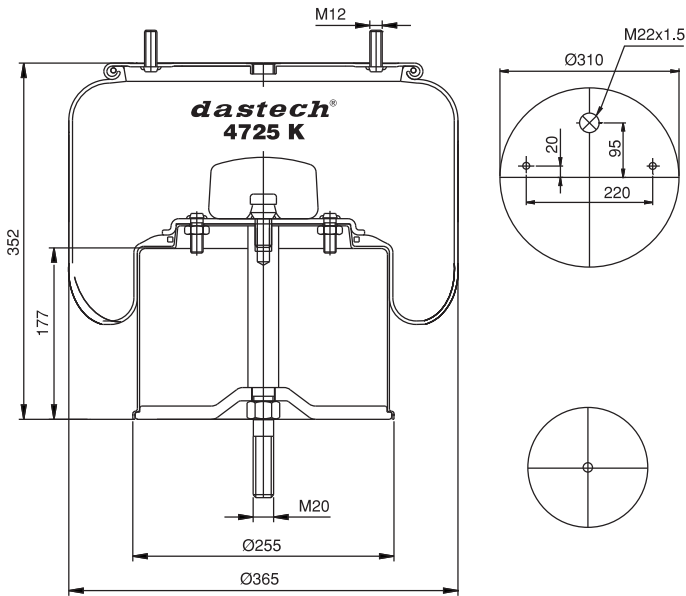


Complete Air Springs



dastech® 4725 K

Complete Air Springs



• Cross Reference

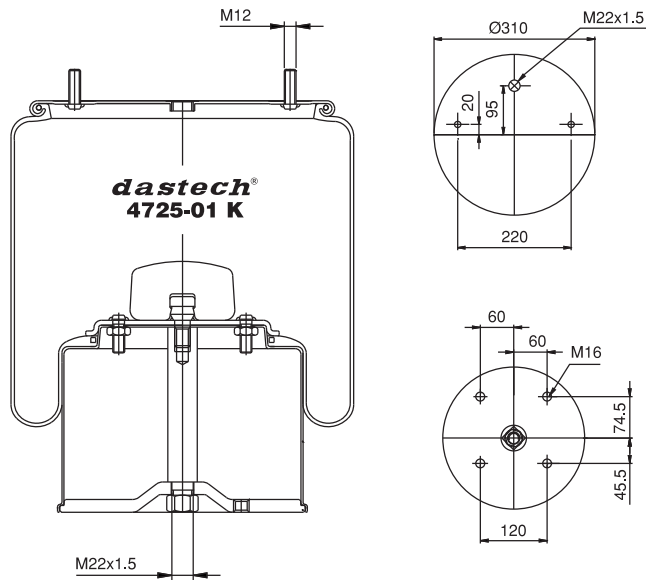
- CONTITECH 725 N P02
- FIRESTONE 1T66F-10.8
W01 M58 8969
- PHOENIX 1 DF 32
- TAURUS UR 836-11
- DUNLOP FR D14U38
- CF GOMMA 1 TCS 360-45
202964

• Oem Reference

- GIGANT 166217
246149

dastech® 4725-01 K

Complete Air Springs



• Cross Reference

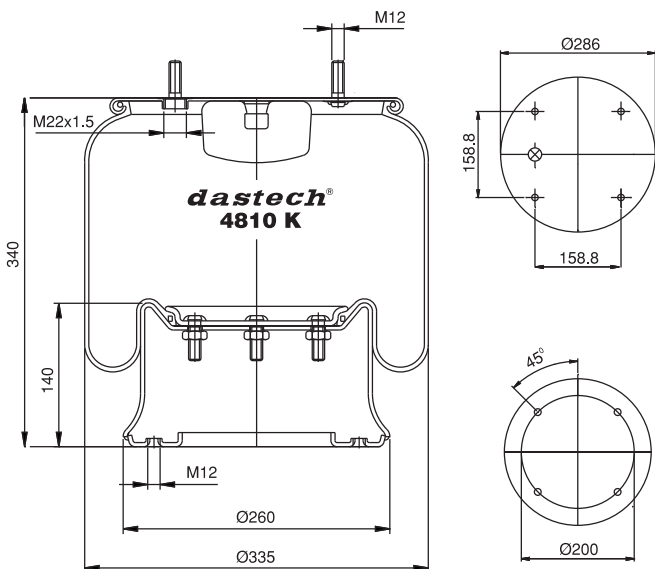
- CONTITECH 725 N P03
- FIRESTONE 1T66F-10.8
W01 M58 8610

• Oem Reference

- GIGANT 166252

dastech® 4810 K

Complete Air Springs



• Cross Reference

- CONTITECH 810 MB
- FIRESTONE 1T19L-7
W01 M58 6345
- PHOENIX 1 D 28 A-2
- TAURUS KR 621-26
- DUNLOP UK PNP311780000
- DUNLOP FR D13B20
- GOODYEAR 1R14-716
- CF GOMMA 1T 19 E-1
87413/1

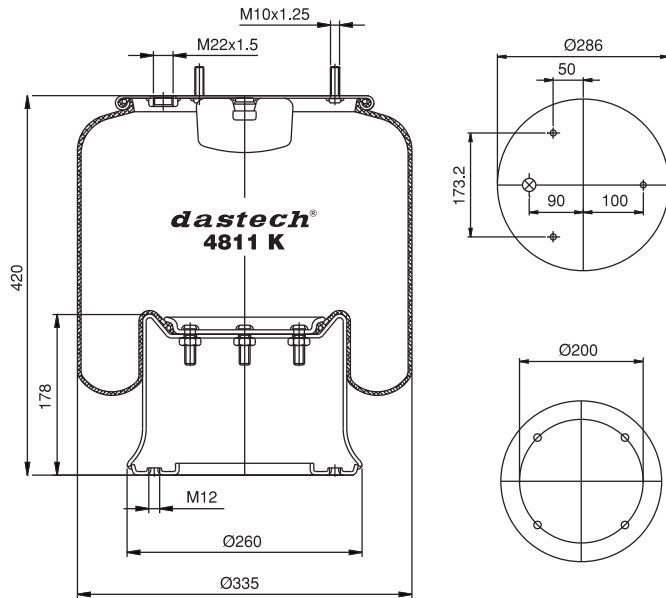
• Oem Reference

- BARTOLETTI 91619007
- BERTOJA 45402002
- DAF 1 384 273
- GRANNING 15635
- HENDRICKSON B 2065
- IVECO 9988467
- NEWAY 211 586
21215632
21215632
21208082
17204517
- R.O.R./MERITOR 5.000.452.939
- RVI 2.228.0002.00
- S.A.F. 2.228.2402.00
2.228.2602.00
2.228.2202.00
2.228.2102.00
25008
- SAMRO 506243/01
- T.E.C. 1 080 707
- VOLVO US87413
- WEWELER US07337
- YORK 785168



dastech® 4811 K

Complete Air Springs



• Cross Reference

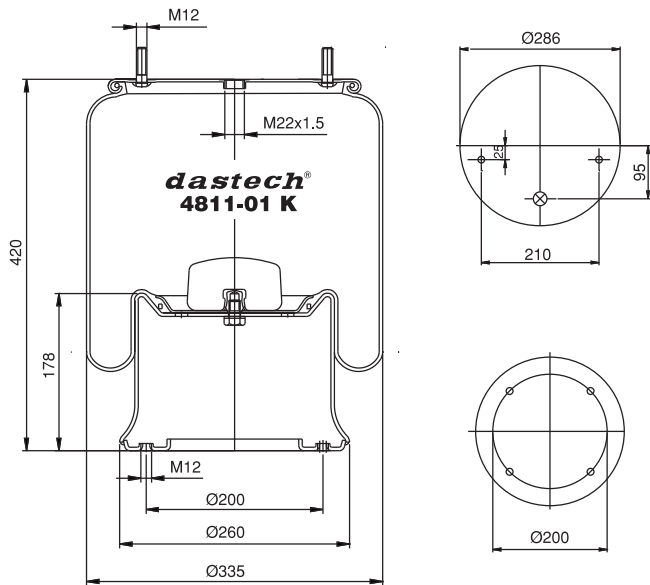
- CONTITECH 811 MB
- FIRESTONE 1T19L-11
- DUNLOP FR D13B34
- GOODYEAR 1R14-718
- CF GOMMA 1T 19 E-2 203878

• Oem Reference

- RVI 5.000.745.91.8

dastech® 4811-01 K

Complete Air Springs



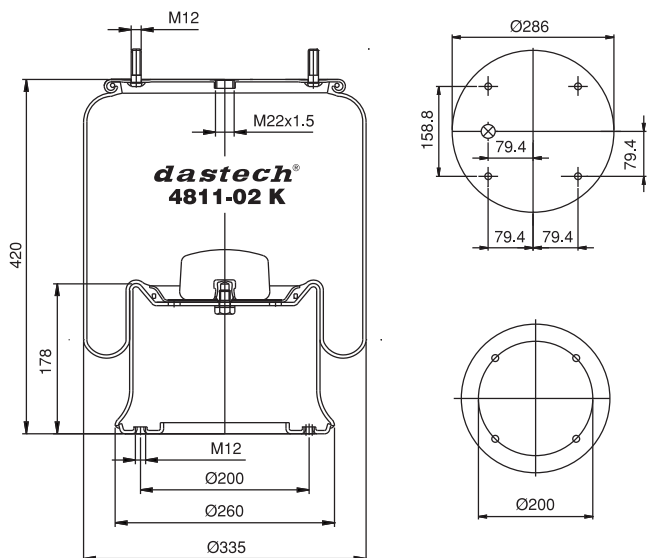
• Cross Reference

- FIRESTONE 1T19L-11

• Oem Reference

dastech® 4811-02 K

Complete Air Springs



• Cross Reference

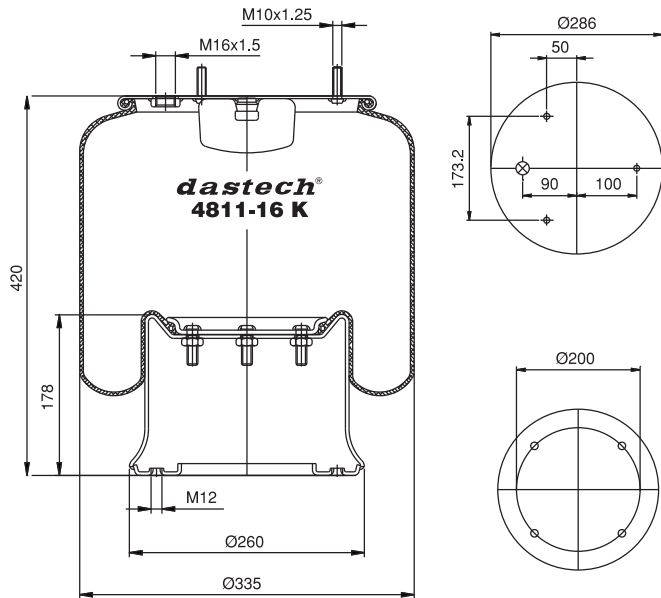
- FIRESTONE 1T19L-11 W01 M58 7370 W01 M58 6339
- DUNLOP FR D14B51
- GOODYEAR 1R14-721

• Oem Reference

- R.O.R./MERITOR 21215633

dastech® 4811-16 K

Complete Air Springs



• Cross Reference

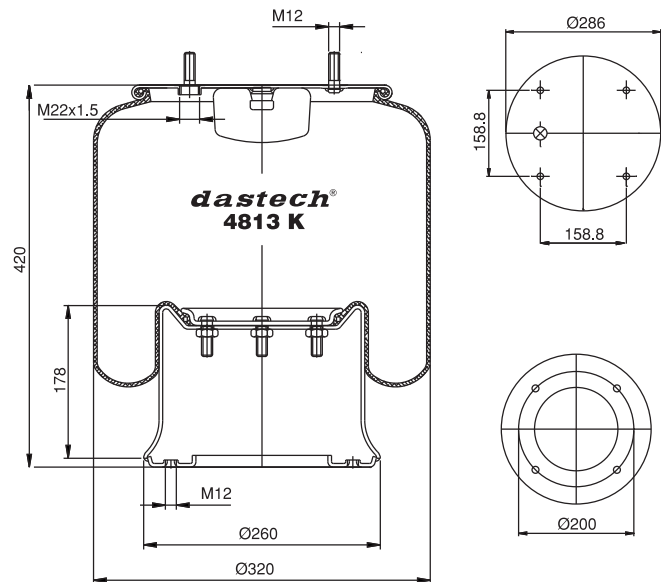
- CONTITECH 811 M16 K1
- FIRESTONE 1T19L-11
- W01 M58 6334
- PHOENIX 1 D 28 B-7
- DUNLOP FR D13B36
- GOODYEAR 1R14-719

• Oem Reference

- DAF 0 067 306

dastech® 4813 K

Complete Air Springs



• Cross Reference

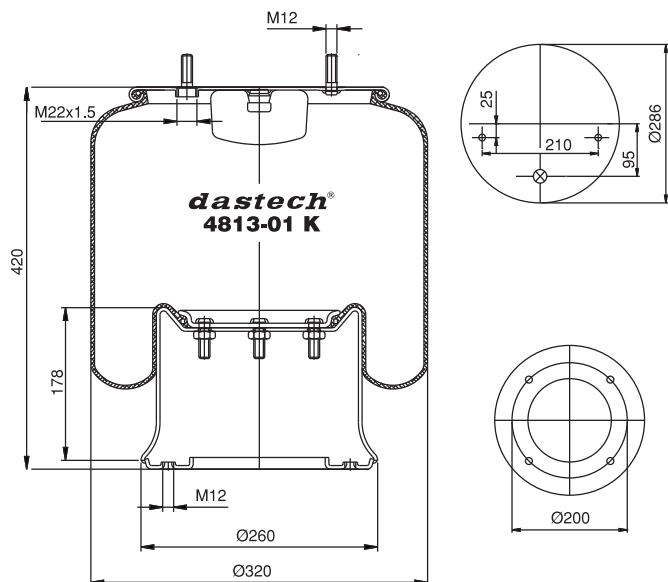
- CONTITECH 813 MB
- FIRESTONE 1T19L-11
- W01 M58 6364
- PHOENIX 1 D 28 B-2
- TAURUS KR 622-26
- DUNLOP UK PNP311770000
- DUNLOP FR D13B19
- GOODYEAR 1R14-705
- CF GOMMA 1T 19 E-2

• Oem Reference

- BARTOLETTI 91619005
- BATTAGLINO 2211400
- CARDI 58051000
- DAF 1 384 274
- E.R.F. 143908-3
- EVO BUS 4.731.030.000 / 4.731.033.000
- FRUEHAUF 003615E
- GRANNING 15634
- HENDRICKSON B 2063 / Y505859
- 785170
- KASSBOHRER 4.731.033.000
- NEWAY 22 282 / 21215633
- R.O.R./MERITOR 21215633
- RVI 5.010.130.925
- 5.000.790.692
- S.A.F. 2.229.0003.00
- 2.229.2103.00
- 2.229.2403.00
- 2.229.2603.00
- 2500009
- SAMRO 505859/01
- T.E.C. 21071483
- TERBERG 91687700000
- TITAN 0036158E / 650234Y
- VIBERTI 128147122
- WEWELER US 87408 / US 07345
- YORK 785170

dastech® 4813-01 K

Complete Air Springs

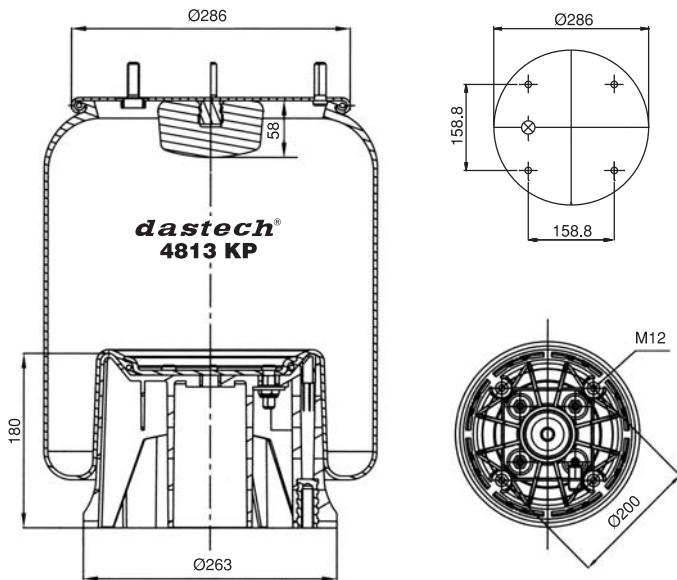


• Cross Reference

• Oem Reference

dastech® 4813 KP

Complete Air Springs



• Cross Reference

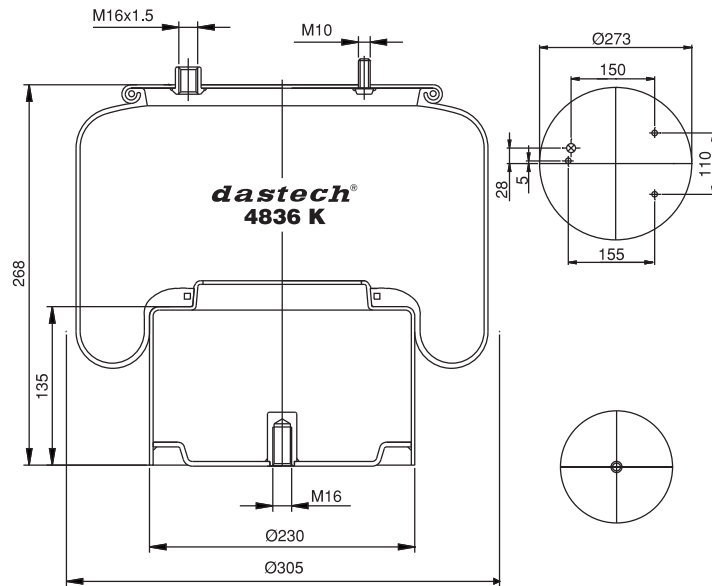
• CONTITECH	813 MB
• FIRESTONE	1T19L-11 W01 M58 6364
• PHOENIX	1 D 28 B-2
• TAURUS	KR 622-26
• DUNLOP UK	PNP311770000
• DUNLOP FR	D13B19
• GOODYEAR	1R14-705
• CF GOMMA	1T 19 E-2 87408

• Oem Reference

• BARTOLETTI	91619005
• BATTAGLINO	2211400
• CARDI	58051000
• DAF	1 384 274
• E.R.F.	143908-3
• EVO BUS	4.731.030.000 / 4.731.033.000
• FRUEHAUF	003615E
• GRANNING	15634
• HENDRICKSON	B 2063 / Y505859 785170
• KASSBOHRER	4.731.033.000
• NEWAY	22.282 / 21215633
• R.O.R./MERITOR	21215633
• RVI	5.010.130.925 5.000.790.692
• S.A.F.	2.229.0003.00 2.229.2103.00 2.229.2403.00 2.229.2603.00
• SAMRO	2500009
• T.E.C.	505859/01
• TERBERG	21071483
• TITAN	91687700000
• TRAILOR	0036158E / 650234Y
• VIBERTI	128147122
• WEWELER	US 87408 / US 07345
• YORK	785170

dastech® 4836 K

Complete Air Springs



• Cross Reference

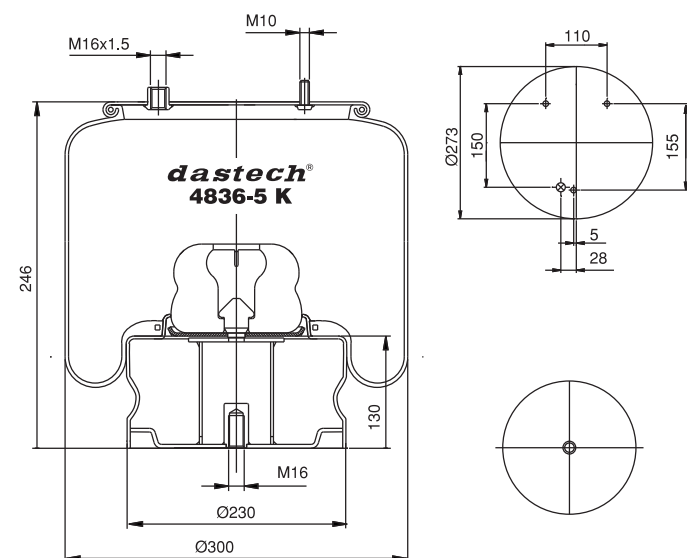
• CONTITECH	836 M K1
• FIRESTONE	1T17AR-4.5 W01 M58 8722
• PHOENIX	1 DF 25-11
• TAURUS	KR 721-06
• DUNLOP FR	D13B32
• GOODYEAR	1R12-712

• Oem Reference

• DAF	0 388 165 1 697 678
-------	------------------------

dastech® 4836-5 K

Complete Air Springs



• Cross Reference

• CONTITECH	836 N P05
-------------	-----------

• Oem Reference

• DAF	1 153 933
-------	-----------

dastech® 4836-6 K

Complete Air Springs

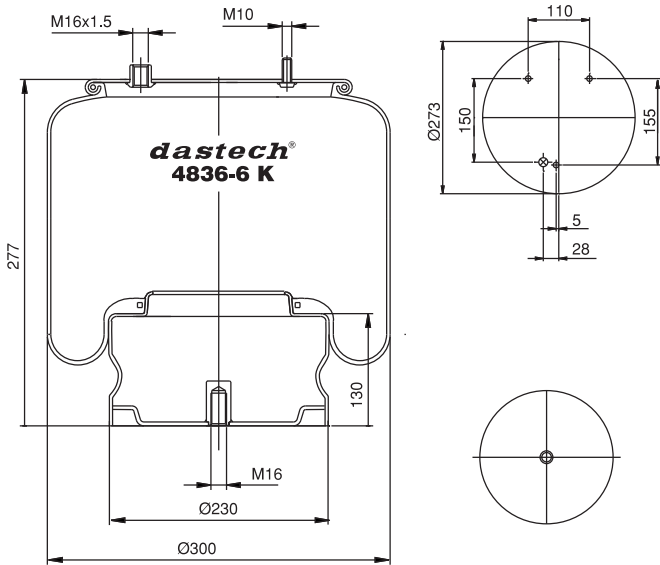


• Cross Reference

• CONTITECH 836 N P06

• Oem Reference

• DAF 1 153 934



dastech® 4836-02 K

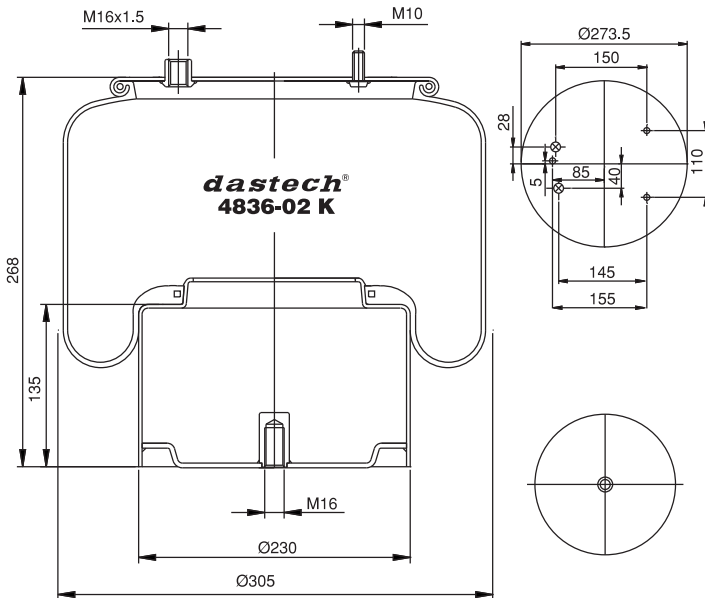
Complete Air Springs

• Cross Reference

• CONTITECH 836 M2 K1
 • FIRESTONE 1T17AR-4.5
 W01 M58 8721
 • PHOENIX 1 DF 25-13
 • TAURUS KR 721-03
 • DUNLOP FR D13B31
 • GOODYEAR 1R12-711

• Oem Reference

• DAF 0 388 167



dastech® 4836-04 K

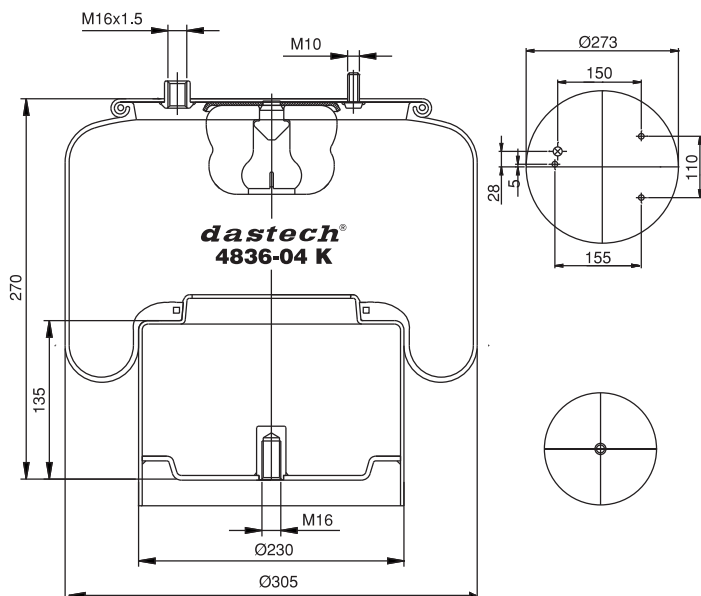
Complete Air Springs

• Cross Reference

• CONTITECH 836 MB K4
 • FIRESTONE 1T17AR-4.5
 W01 M58 8721
 • PHOENIX 1 DF 25-13
 • TAURUS KR 721-03
 • DUNLOP FR D13B31
 • GOODYEAR 1R12-711

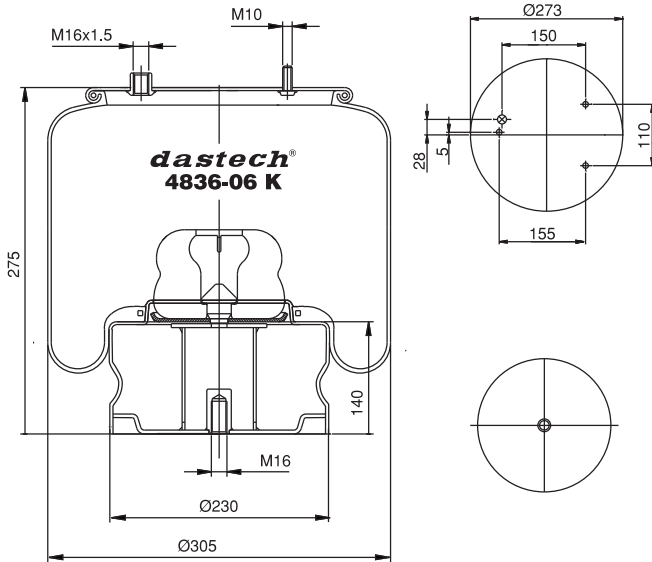
• Oem Reference

• DAF 0 377 498



dastech® 4836-06 K

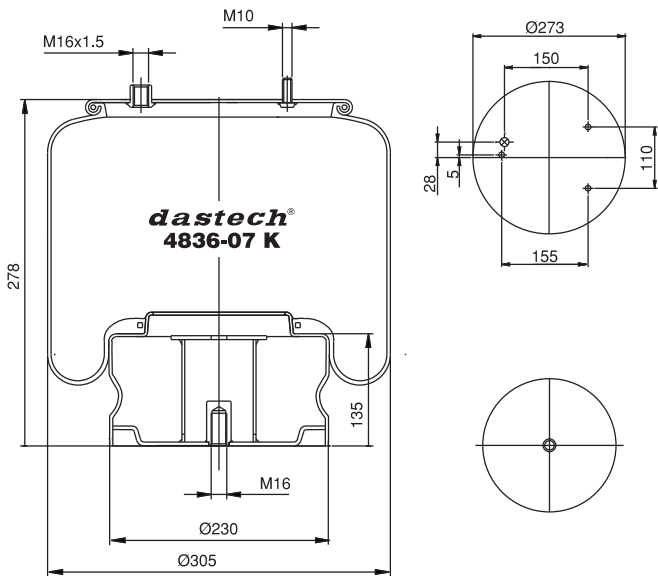
Complete Air Springs



• Cross Reference		• Oem Reference	
• CONTITECH	836 MB K6	• DAF	0 526 651

dastech® 4836-07 K

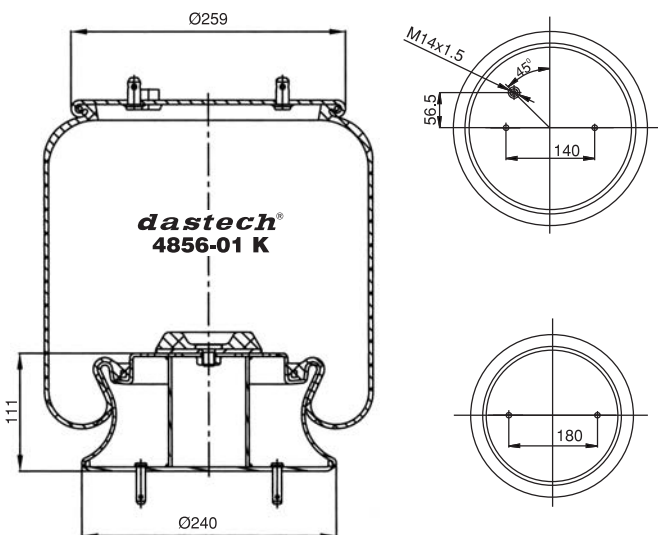
Complete Air Springs



• Cross Reference		• Oem Reference	
• CONTITECH	836 M K7	• DAF	0 297 721

dastech® 4856-01 K

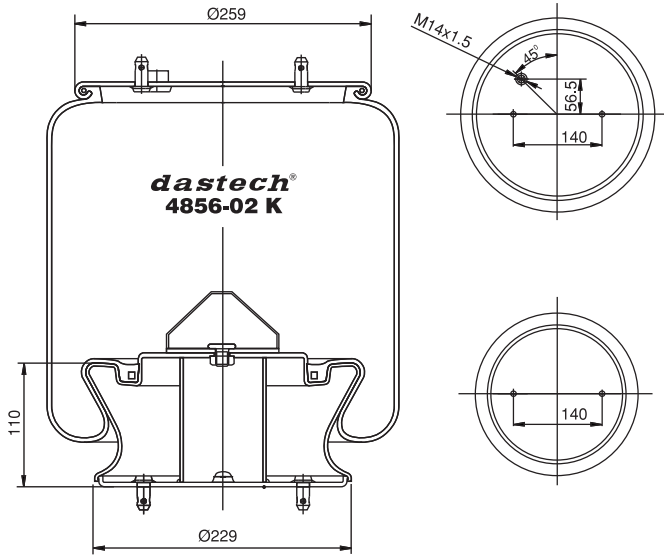
Complete Air Springs



• Cross Reference		• Oem Reference	
• FIRESTONE	1T15VR-3 W01 S15 8192	• SCANIA	470920 488265 1440301

dastech® 4856-02 K

Complete Air Springs



• Cross Reference

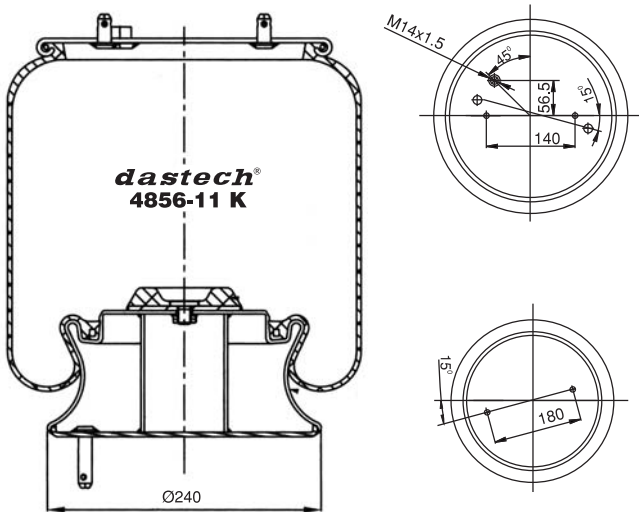
• FIRESTONE 1T15VPR-3
W01 M58 8193

• Oem Reference

• SCANIA 470921
1440302

dastech® 4856-11 K

Complete Air Springs



• Cross Reference

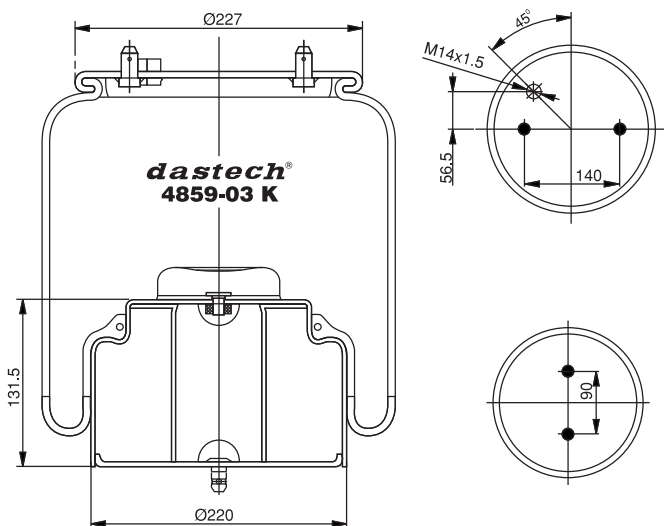
• FIRESTONE 1T15VR-3
W01 S15 8192

• Oem Reference

• SCANIA 470920
488265
1440301

dastech® 4859-03 K

Complete Air Springs



• Cross Reference

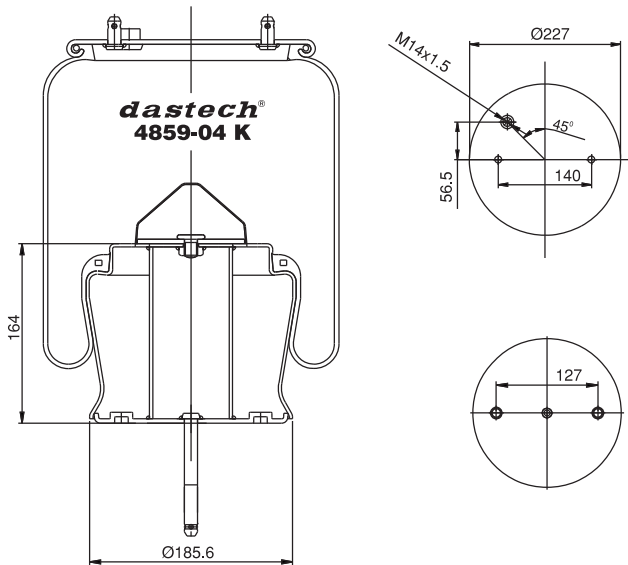
• Oem Reference

• SCANIA 1440303
1521114
1475106
488263



dastech® 4859-04 K

Complete Air Springs



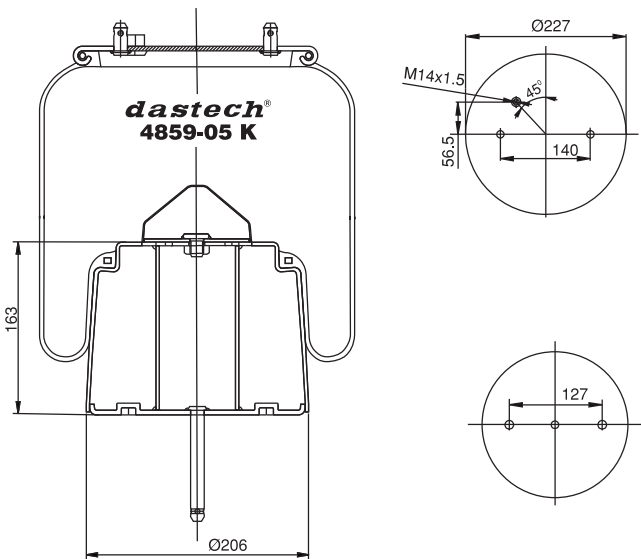
• Cross Reference

• Oem Reference

- SCANIA 470922
1440304

dastech® 4859-05 K

Complete Air Springs



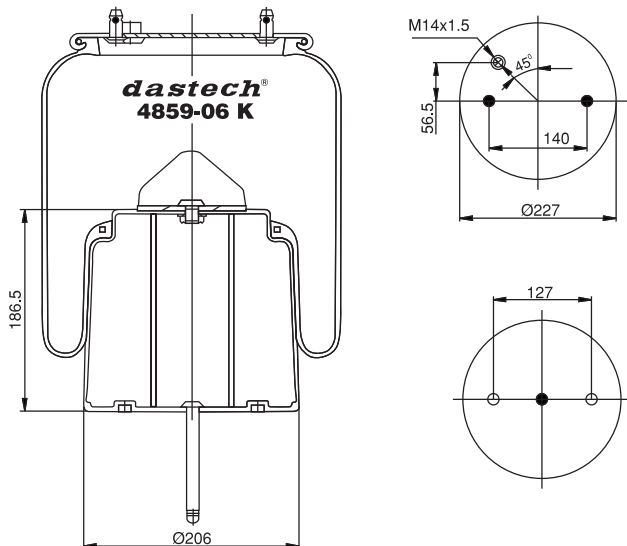
• Cross Reference

• Oem Reference

- SCANIA 492680
1440305

dastech® 4859-06 K

Complete Air Springs



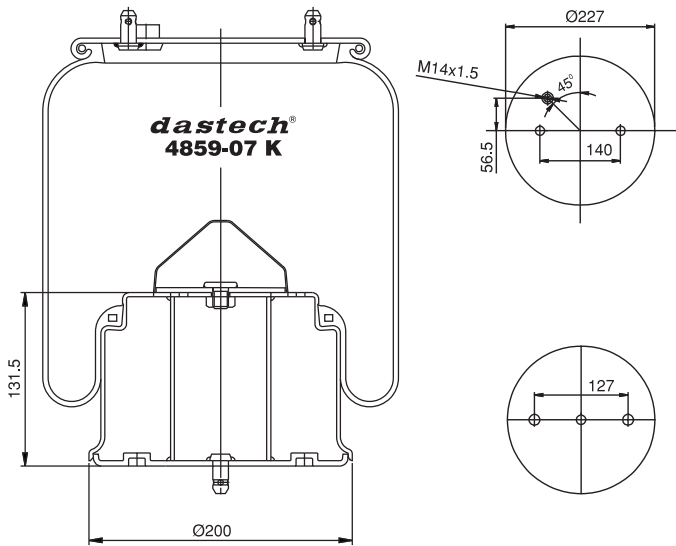
• Cross Reference

• Oem Reference

- SCANIA 492678
1440306

dastech® 4859-07 K

Complete Air Springs



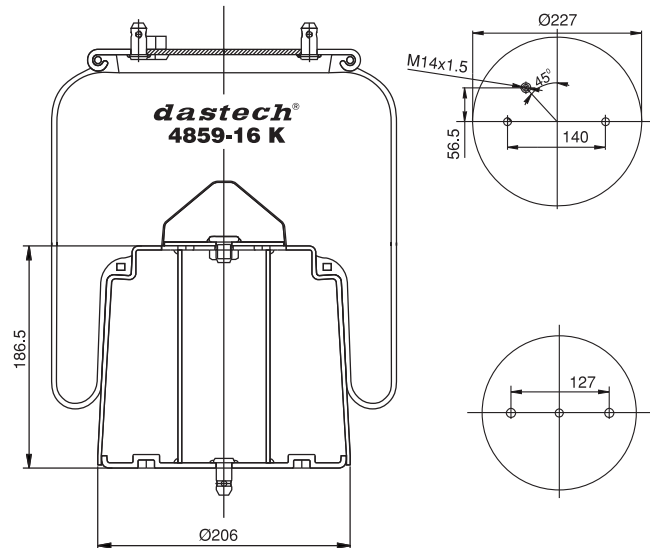
• Cross Reference

• Oem Reference

- SCANIA 475149
- 470919
- 1440307

dastech® 4859-16 K

Complete Air Springs



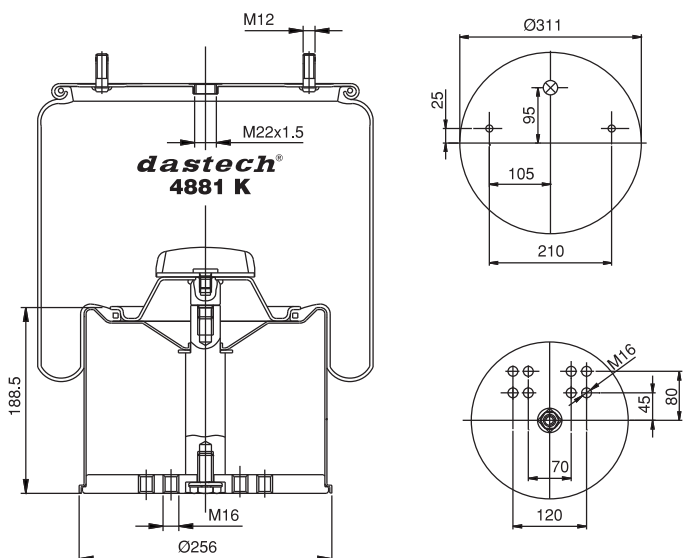
• Cross Reference

• Oem Reference

- SCANIA 473868
- 488264
- 1434506

dastech® 4881 K

Complete Air Springs



• Cross Reference

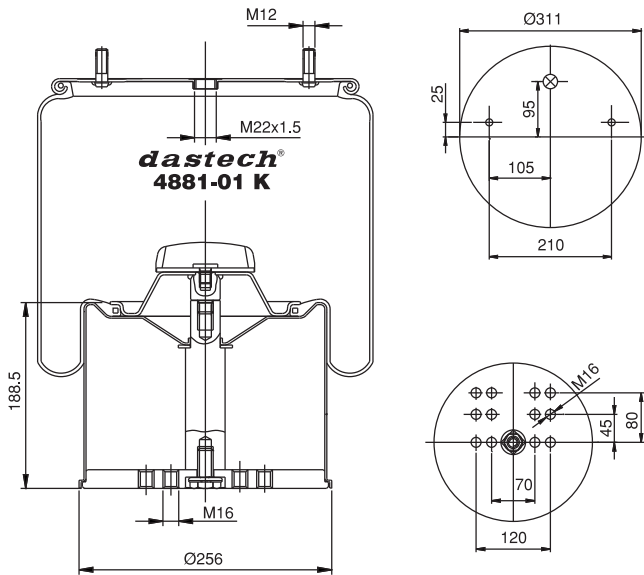
• Oem Reference

- CONTITECH 881 MB (With Metal Piston)

- BPW 05.429.40.01.0
- BPW TYPE BPW 36

dastech® 4881-01 K

Complete Air Springs



• Cross Reference

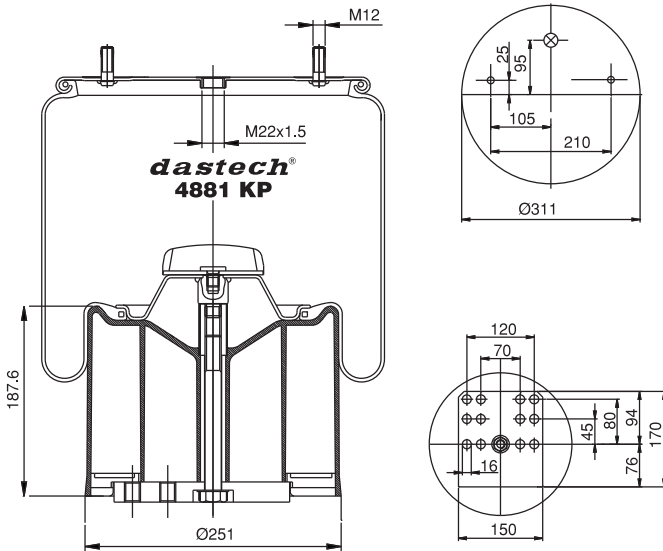
- FIRESTONE 1T66F-10.8
W01 M58 8966
- DUNLOP FR D14B36
- GOODYEAR 1R14-712
- CF GOMMA 1TC 360-45

• Oem Reference

- BPW 05.429.40.01.0
- BPW TYPE BPW 36

dastech® 4881 KP

Complete Air Springs



• Cross Reference

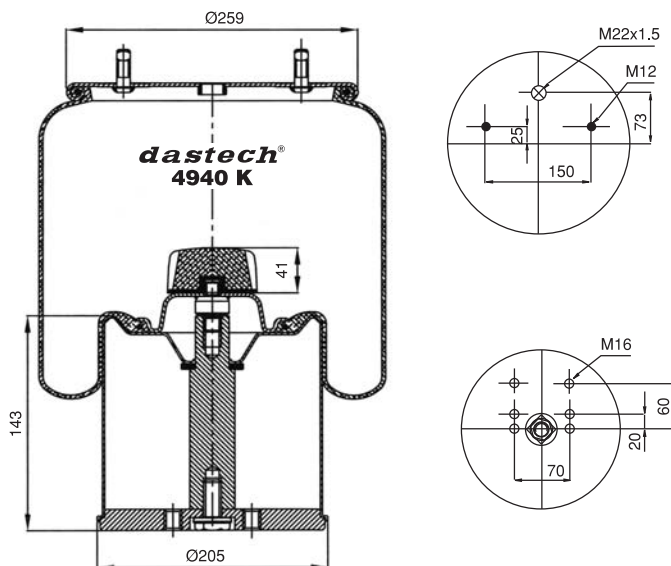
- CONTITECH 881 MB
- FIRESTONE 1T66D-10.8
W01 M58 8966
- PHOENIX 1 DK 32-01
- TAURUS KR 836-05
- DUNLOP FR D14B36
- GOODYEAR 1 R14-703
- CF GOMMA 1 TC 360-45

• Oem Reference

- BPW 05.429.43.51.0
- BPW TYPE BPW 36

dastech® 4940 K

Complete Air Springs



• Cross Reference

- CONTITECH 940 MB
(With Metal Piston)

• Oem Reference

- BPW 05.429.40.93.1
- BPW TYPE BPW 30 K

dastech® 4940 KP

Complete Air Springs

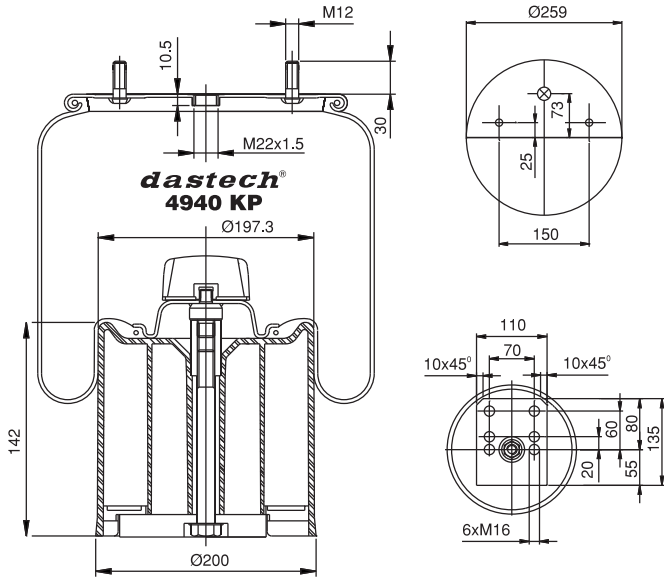


• Cross Reference

- CONTITECH 940 MB (With Plastic Piston)
- DUNLOP FR D11B36
- GOODYEAR 1R11-752

• Oem Reference

- BPW 05.429.43.21.0
- BPW TYPE BPW 30 K
- GRANNING 16919
- WEWELER US 510030 UD



dastech® 4941 K

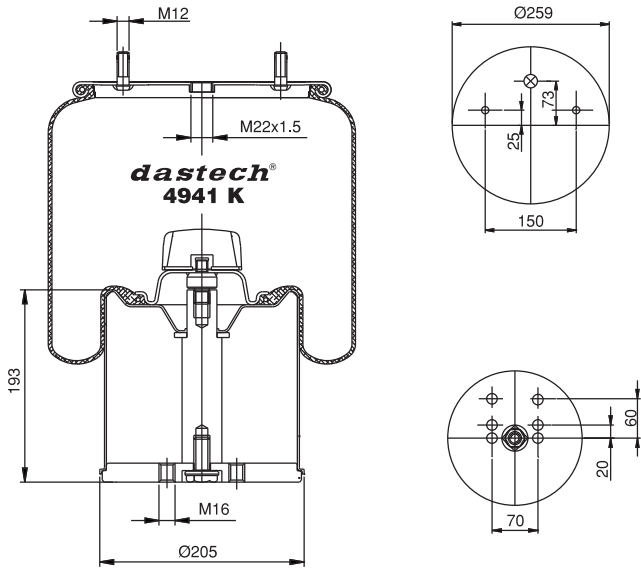
Complete Air Springs

• Cross Reference

- CONTITECH 941 MB (With Metal Piston)
- FIRESTONE 1T17D-8.3
W01 M58 8619
- PHOENIX 1 DK 21
- TAURUS KR-730-01
- DUNLOP FR D11B38
- GOODYEAR 1R11-762

• Oem Reference

- BPW 05.429.40.59.1
- BPW TYPE BPW 30



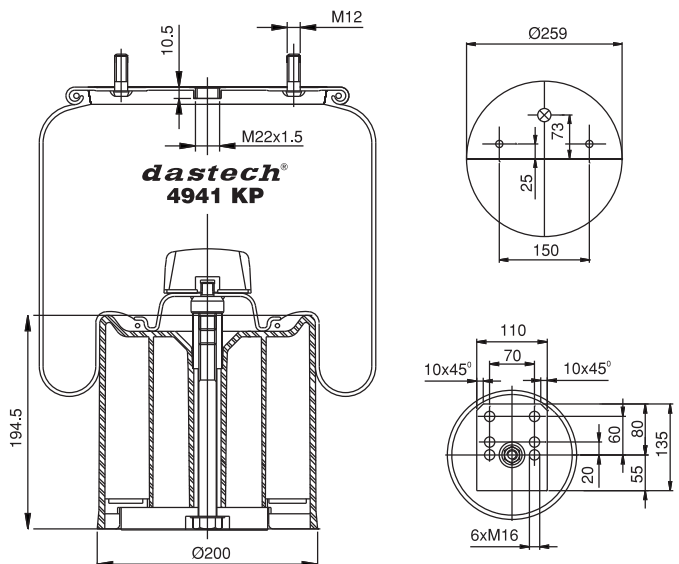
dastech® 4941 KP

Complete Air Springs

• Cross Reference

- CONTITECH 941 MB (With Plastic Piston)

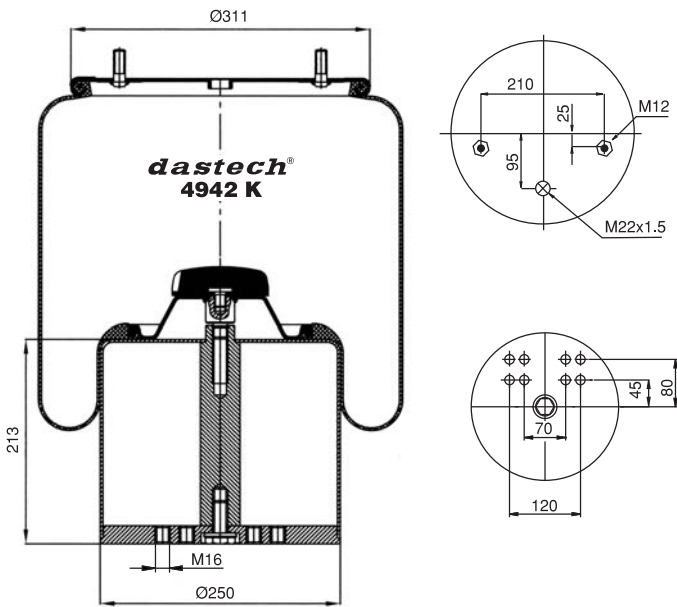
• Oem Reference





dastech® 4942 K

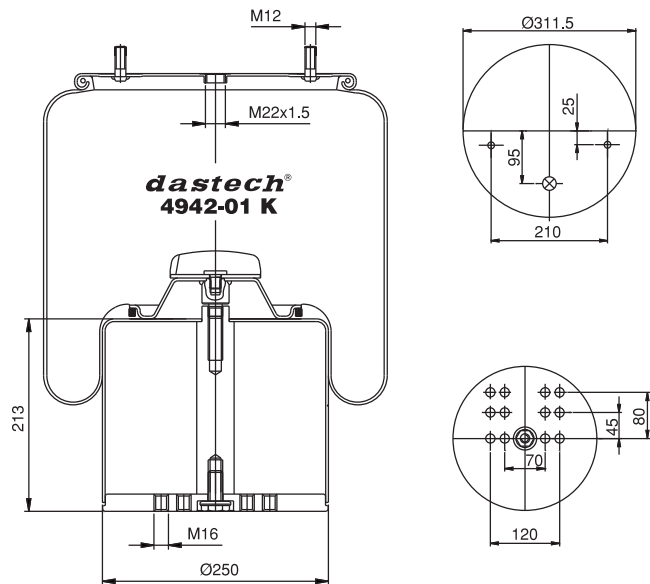
Complete Air Springs



• Cross Reference		• Oem Reference	
• CONTITECH	942 MB (With Metal Piston)	• BPW TYPE	BPW 36-1

dastech® 4942-01 K

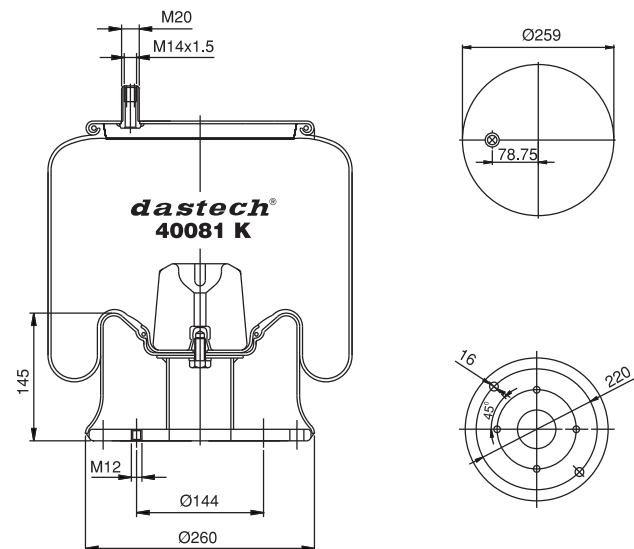
Complete Air Springs



• Cross Reference		• Oem Reference	
• GOODYEAR	1R14-781	• BPW	05.429.41.71.1
		• BPW TYPE	BPW 36-1

dastech® 40081 K

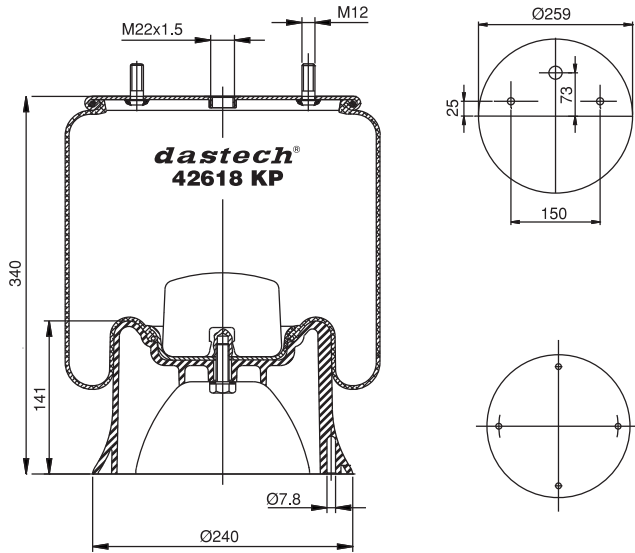
Complete Air Springs



• Cross Reference		• Oem Reference	
• FIRESTONE	1T17B-11 W01 M58 8747	• DISCOS / MERCEDES	A 946 328 04 01
• GOODYEAR	1R13-150	• HENDRICKSON	HS 251087
		• SAMRO	2500915

dastech® 42618 KP

Complete Air Springs



• Cross Reference

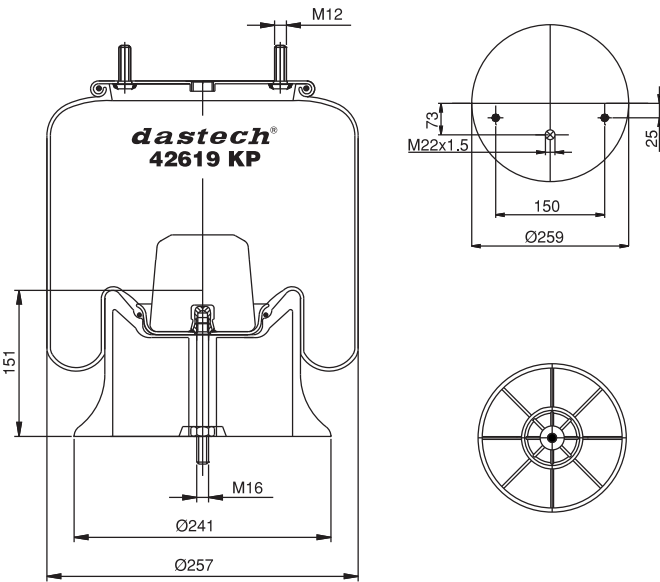
- CONTITECH 4022 N P03
- FIRESTONE 1T17BS-6
W01 M58 6367
- PHOENIX 1 DK 22 E-9
- TAURUS KR 725-28
- DUNLOP FR D12B14
- GOODYEAR 1R11-714

• Oem Reference

- S.A.F. 3.229.0029.00
2618 V
3.229.2129.00
3.229.2229.00
3.229.2429.00

dastech® 42619 KP

Complete Air Springs



• Cross Reference

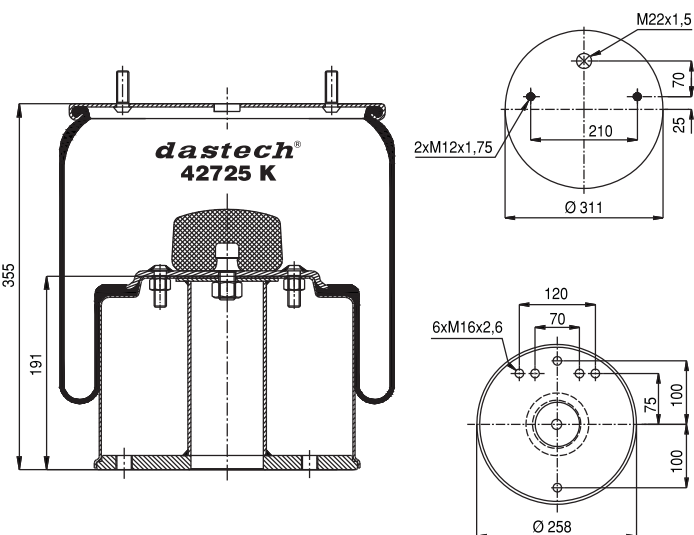
- CONTITECH 4022 N P05
- FIRESTONE 1T17BS-6
W01 M58 8612
- DUNLOP FR D11B41
- GOODYEAR 1R11-781

• Oem Reference

- S.A.F. 3.229.0033.00
2619 V

dastech® 42725 K

Complete Air Springs



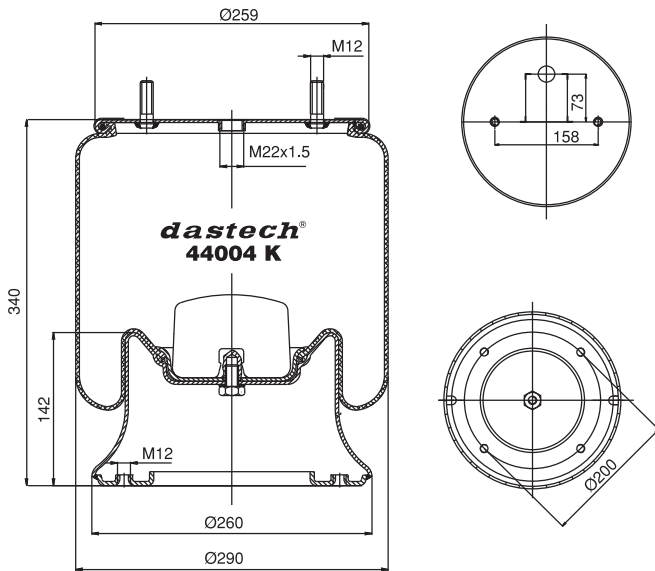
• Cross Reference

- CONTITECH 2725 MB N P01
(With Metal Piston)

• Oem Reference

dastech® 44004 K

Complete Air Springs



• Cross Reference

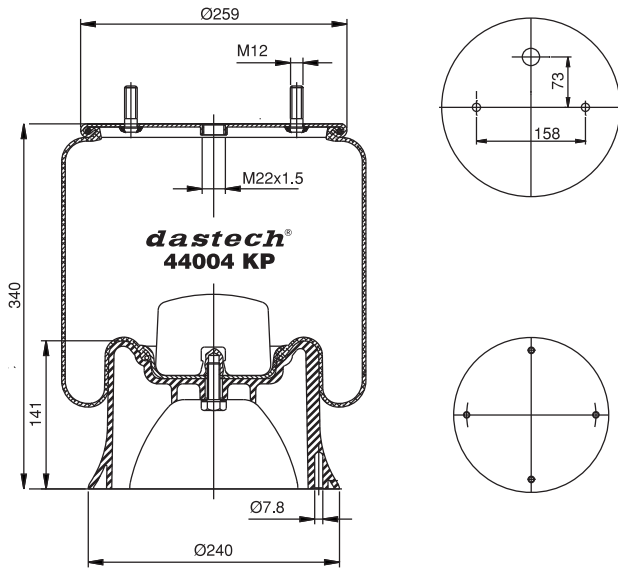
- CONTITECH 4004 N P03 (With Metal Piston)
- FIRESTONE 1T17BS-6 W01 M58 6366 (With Metal Piston)
- PHOENIX 1 DK 22 E-5
- TAURUS KR505-27 SM
- DUNLOP FR D12B25
- GOODYEAR 1R11-706
- CF GOMMA 1T 300-33

• Oem Reference

- S.A.F. 3.229.0007.00 2618 3.229.0007.01 3.229.0007.02

dastech® 44004 KP

Complete Air Springs



• Cross Reference

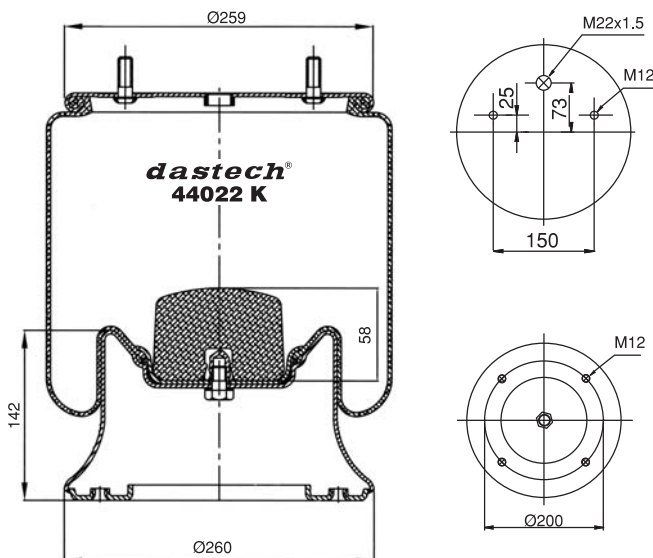
- CONTITECH 4004 N P03
- FIRESTONE 1T17BS-6 W01 M58 6366
- PHOENIX 1 DK 22 E-8
- DUNLOP FR D12B13
- GOODYEAR 1R11-713

• Oem Reference

- S.A.F. 3.229.0007.00 2618 3.229.0007.01 3.229.0007.02

dastech® 44022 K

Complete Air Springs



• Cross Reference

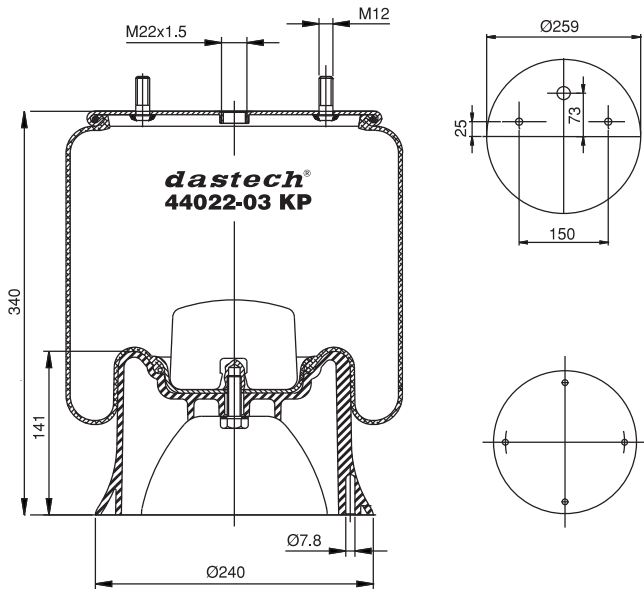
- CONTITECH 4022 N P03 (With Metal Piston)
- FIRESTONE 1T17BS-6 W01 M58 6367 (With Metal Piston)
- CF GOMMA 1T 300-37

• Oem Reference

- S.A.F. 3.229.0029.00 2618 V 3.229.2129.00 3.229.2229.00 3.229.2429.00

dastech® 44022-03 KP

Complete Air Springs



• Cross Reference

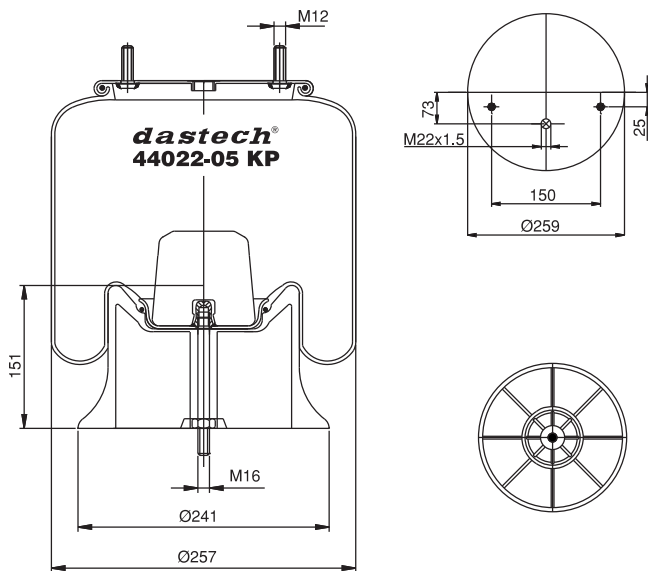
- CONTITECH 4022 N P03
- FIRESTONE 1T17BS-6
W01 M58 6367
- PHOENIX 1 DK 22 E-9
- TAURUS KR 725-28
- DUNLOP FR D12B14
- GOODYEAR 1R11-714

• Oem Reference

- S.A.F. 3.229.0029.00
2618 V
3.229.2129.00
3.229.2229.00
3.229.2429.00

dastech® 44022-05 KP

Complete Air Springs



• Cross Reference

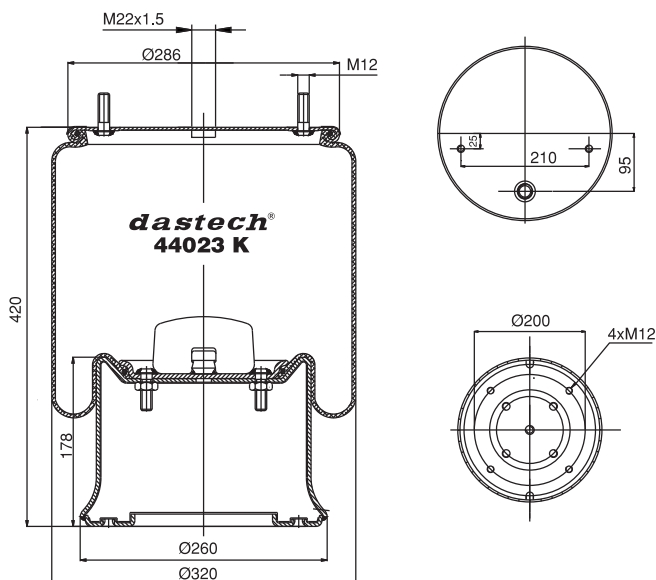
- CONTITECH 4022 N P05
- FIRESTONE 1T17BS-6
W01 M58 8612
- DUNLOP FR D11B41
- GOODYEAR 1R11-781

• Oem Reference

- S.A.F. 3.229.0033.00
2619 V

dastech® 44023 K

Complete Air Springs



• Cross Reference

- CONTITECH 4023 N P03
- FIRESTONE 1T19F-11
W01 M58 6348
- PHOENIX 1 D 28 A-10
- TAURUS KR 624-18
- DUNLOP FR D13B26
- GOODYEAR 1R14-729
1T 19 E-2
204676
- CF GOMMA

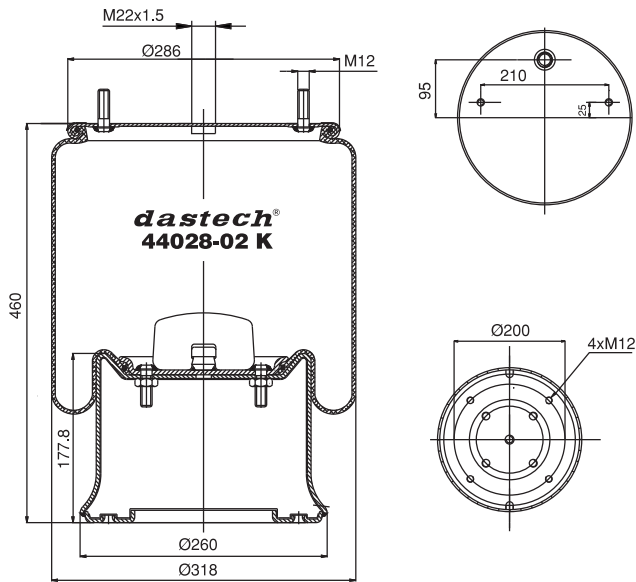
• Oem Reference

- S.A.F. 3.229.0031.00
3.229.2131.00
3.229.2231.00
3.229.2431.00



dastech® 44028-02 K

Complete Air Springs



• Cross Reference

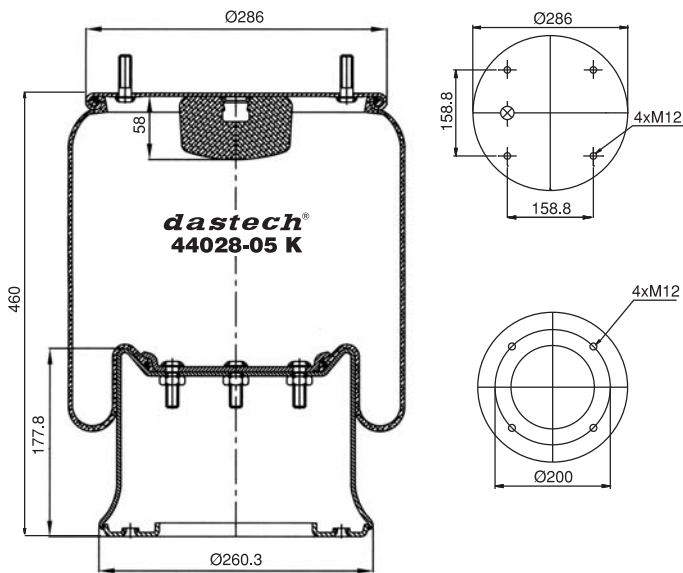
• CONTITECH 4028 N P02

• Oem Reference

• SCHMITZ 015 323
• WEWELLER US 04028

dastech® 44028-05 K

Complete Air Springs



• Cross Reference

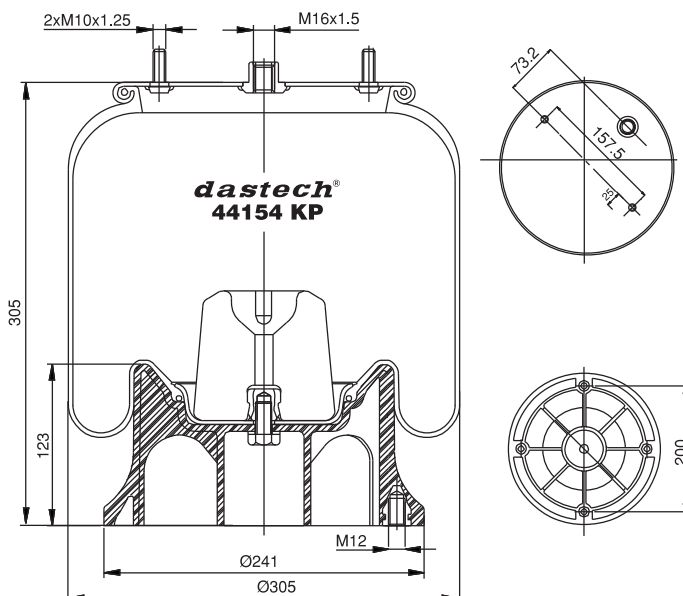
• CONTITECH 4028 N P05

• Oem Reference

• R.O.R./MERITOR 2122 2239

dastech® 44154 KP

Complete Air Springs



• Cross Reference

• CONTITECH 4154 N P05
• PHOENIX 1 DK 23 F-1

• Oem Reference

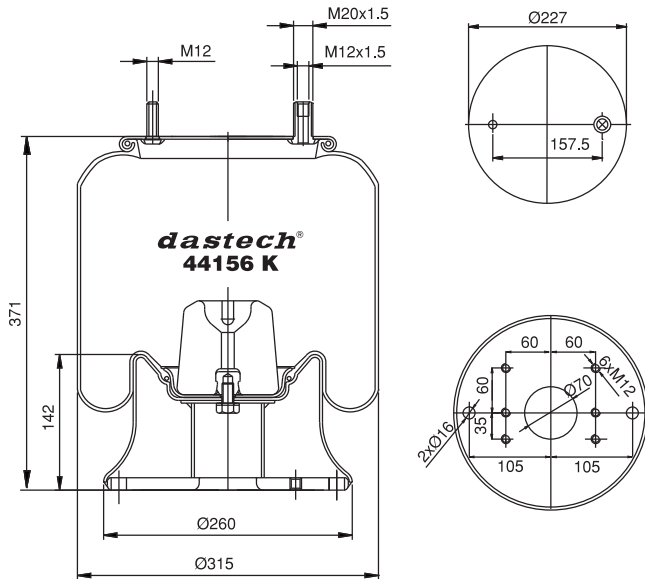
• RVI 5.010.294.252.B
5.010.488.071
5.010.239.252

dastech® 44156 K

Complete Air Springs



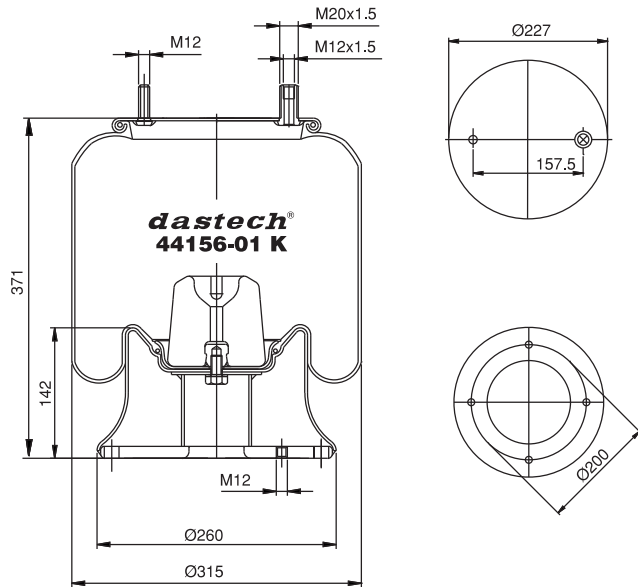
• Cross Reference	• Oem Reference



dastech® 44156-01 K

Complete Air Springs

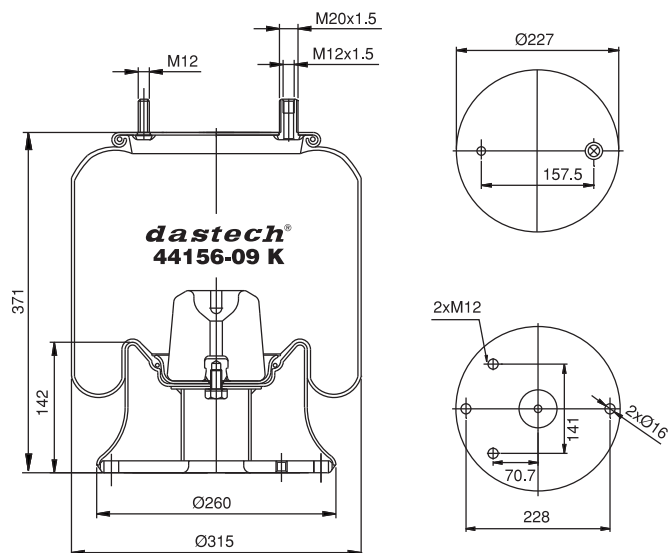
• Cross Reference	• Oem Reference
<ul style="list-style-type: none"> • CONTITECH 4156 N P07 	



dastech® 44156-09 K

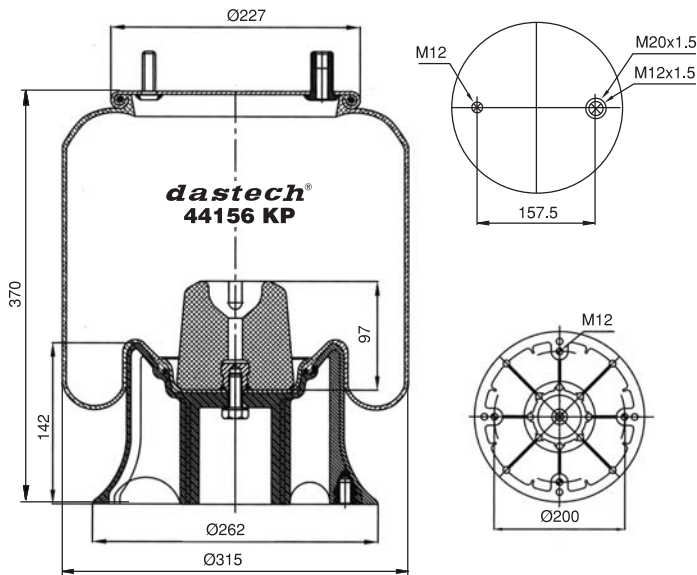
Complete Air Springs

• Cross Reference	• Oem Reference
<ul style="list-style-type: none"> • CONTITECH 4156 N P09 • FIRESTONE 1T15M-6 • TAURUS KR 506-28 • DUNLOP FR D12B16 • GOODYEAR 1R12-706 	<ul style="list-style-type: none"> • FRUEHAUF M001472 1525267 UJA 0930 UJB-0207-001 21216135 • R.O.R./MERITOR 21216135



dastech® 44156 KP

Complete Air Springs



• Cross Reference

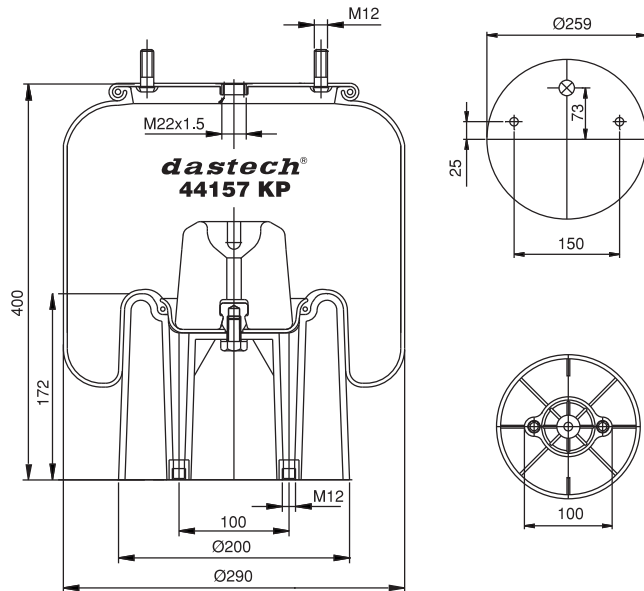
- CONTITECH 4156 N P15
4156 N P06
- FIRESTONE 1T15M-6
W01 358 9361
- PHOENIX 1 DK 21 A-2
- DUNLOP FR D12B19
- GOODYEAR 1R12-719
- CF GOMMA 1T 323-33

• Oem Reference

- HENDRICKSON HA100001
21215761
- R.O.R./MERITOR 21215762
21226046
- WEWELER US 35864

dastech® 44157 KP

Complete Air Springs



• Cross Reference

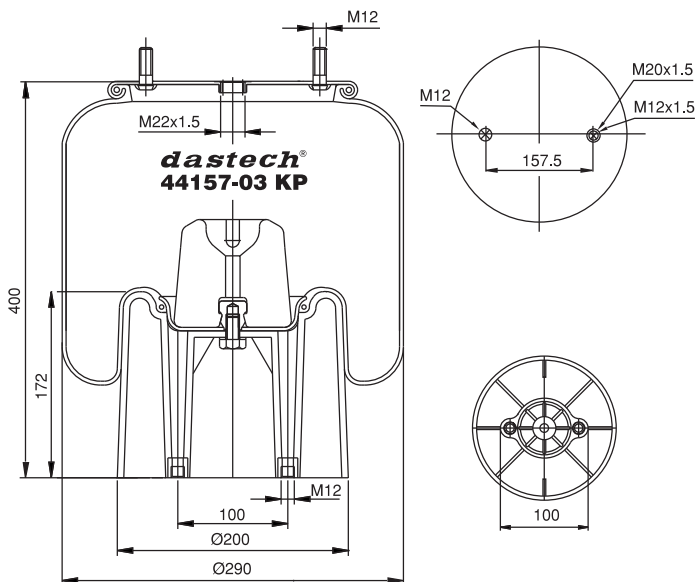
- CONTITECH 4157 N P04
- PHOENIX 1 DK 21 A-8
- TAURUS KR 915-54
- DUNLOP FR D12B18

• Oem Reference

- DISCOS / MERCEDES A 946 328 14 01
- R.O.R./MERITOR 21221307
- WEWELLER US 06287
US 07364

dastech® 44157-03 KP

Complete Air Springs



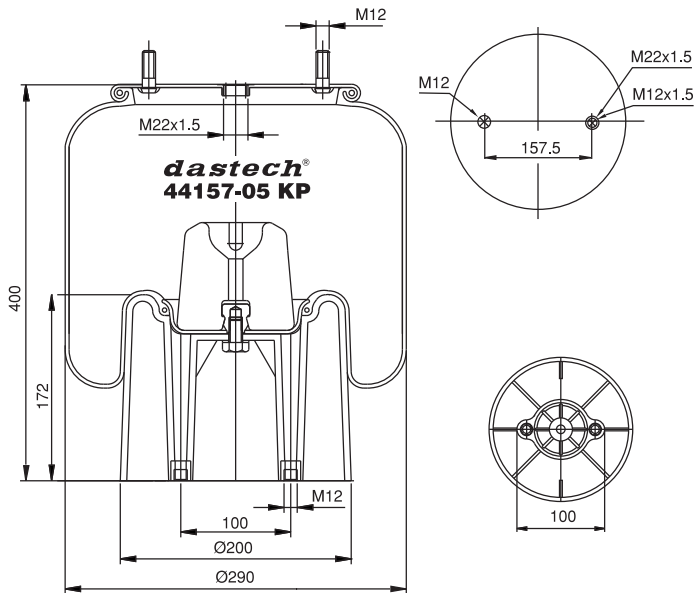
• Cross Reference

- CONTITECH 4157 N P03

• Oem Reference

dastech® 44157-05 KP

Complete Air Springs



• Cross Reference

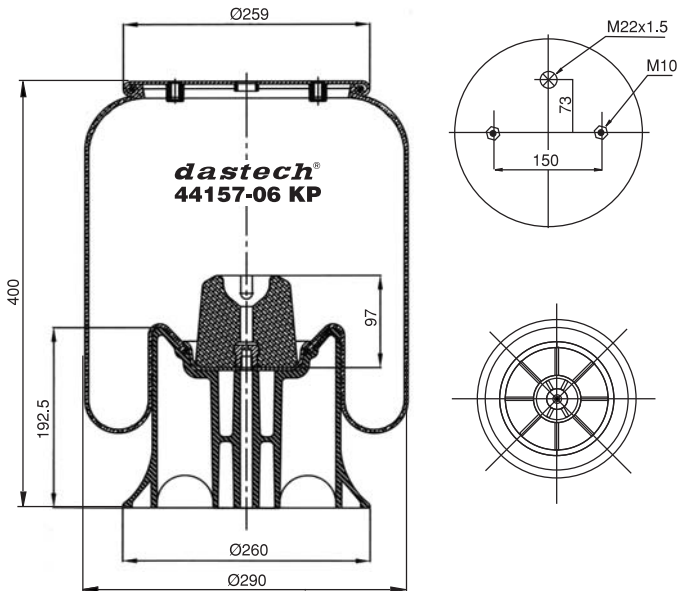
- CONTITECH 4157 N P05
- PHOENIX 1 DK 21 A-3

• Oem Reference

- WEWELLER US 07074C
US 07074P

dastech® 44157-06 KP

Complete Air Springs



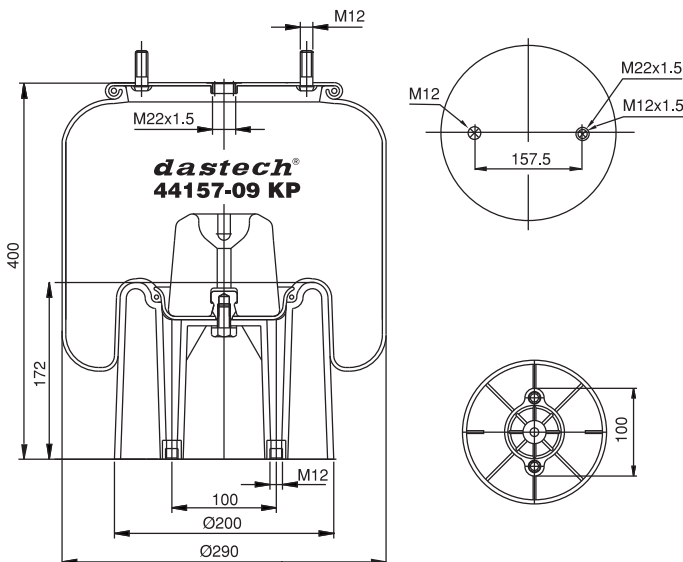
• Cross Reference

- CONTITECH 4157 N P06

• Oem Reference

dastech® 44157-09 KP

Complete Air Springs



• Cross Reference

- CONTITECH 4157 N P09

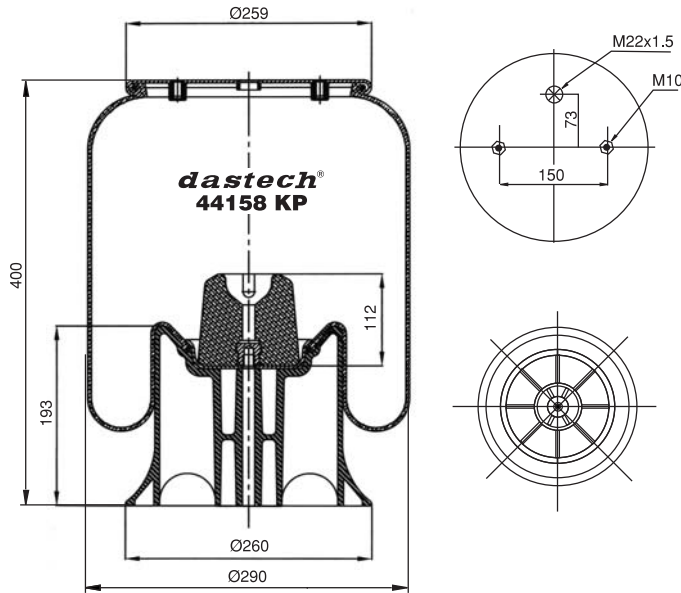
• Oem Reference

- R.O.R./MERITOR 2122 2442



dastech® 44158 KP

Complete Air Springs



• Cross Reference

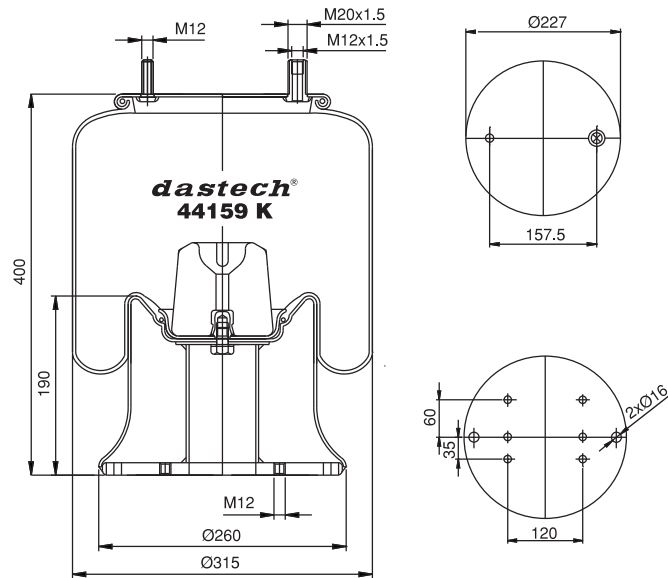
- CONTITECH 4158 N P03
- PHOENIX 1 DK 20 B-1
- DUNLOP FR D12B22
- VIBRACOUSTIC V 1 DK 20 B-1

• Oem Reference

- SCHMITZ 750 999
- WEWELLER US 06285

dastech® 44159 K

Complete Air Springs

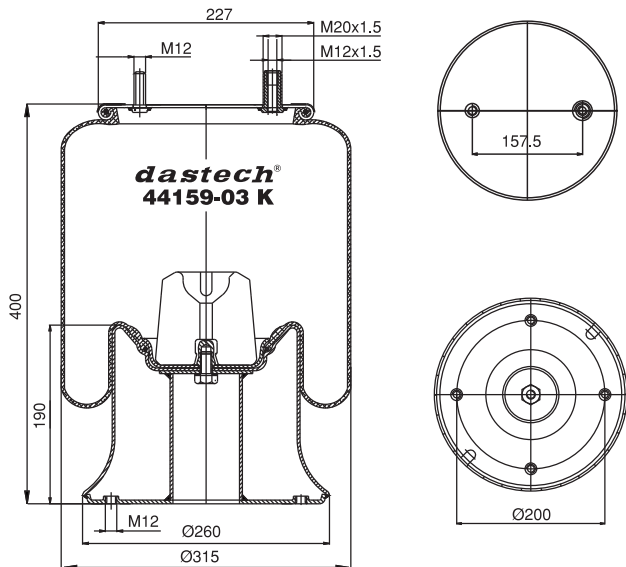


• Cross Reference

• Oem Reference

dastech® 44159-03 K

Complete Air Springs



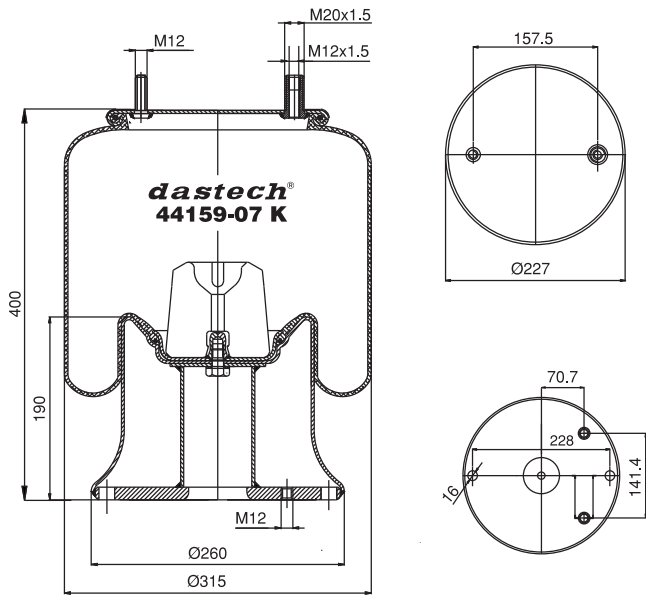
• Cross Reference

- CONTITECH 4159 N P03
- Alternative to 4159 N P14

• Oem Reference

dastech® 44159-07 K

Complete Air Springs



• Cross Reference

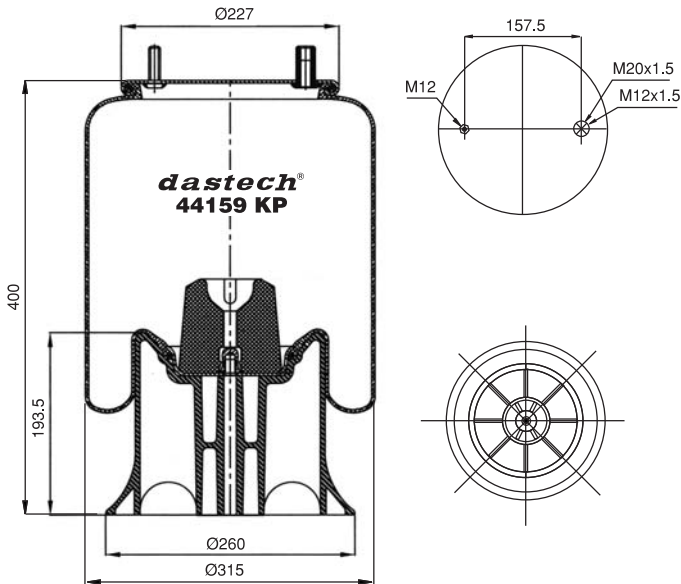
- CONTITECH 4159 N P07
- FIRESTONE 1T15M-9
W01 M58 8859
- PHOENIX 1 DK 21 B-6
- TAURUS KR 509-9091

• Oem Reference

- FRUEHAUF UJB 0203

dastech® 44159 KP

Complete Air Springs



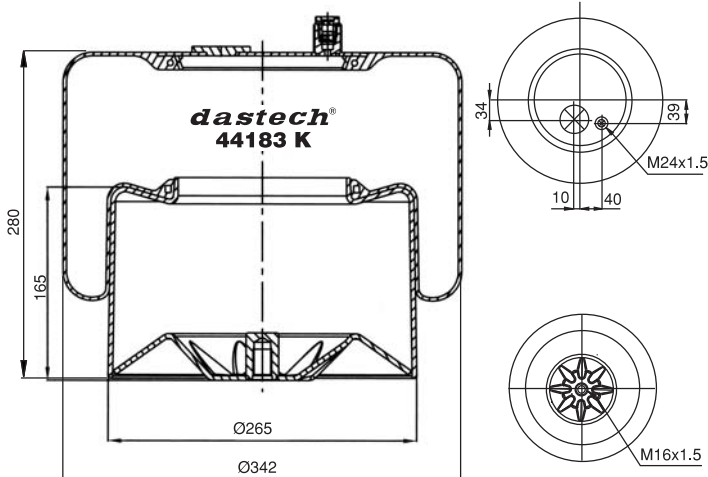
• Cross Reference

- CONTITECH 4159 N P09

• Oem Reference

dastech® 44183 K

Complete Air Springs



• Cross Reference

- CONTITECH 4183 N P23

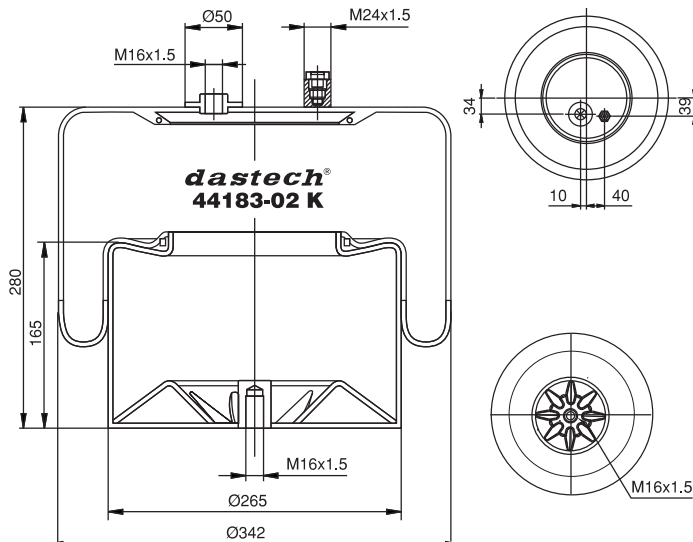
• Oem Reference

- DAIMLER CHRYSLER A 942 320 22 21



dastech® 44183-02 K

Complete Air Springs



• Cross Reference

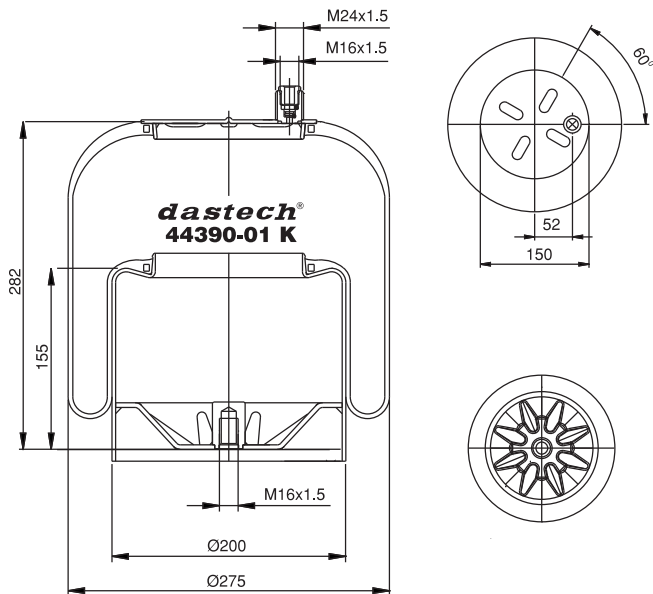
• CONTITECH 4183 N P24

• Oem Reference

• DAIMLER CHRYSLER A 942 320 23 21

dastech® 44390-01 K

Complete Air Springs



• Cross Reference

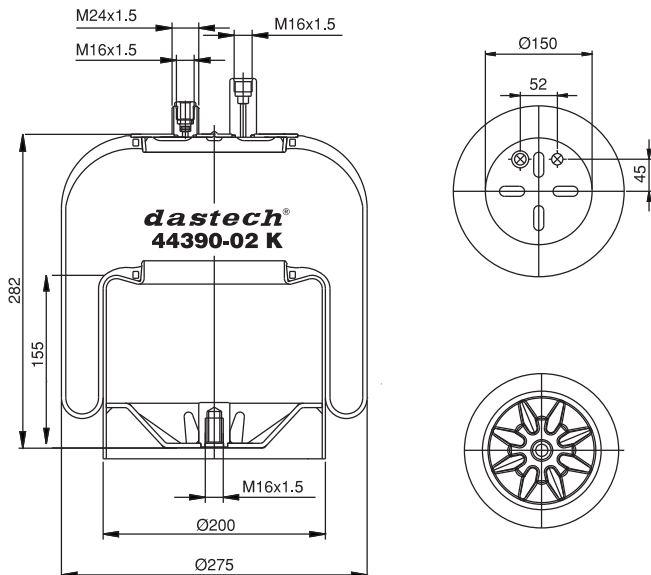
• CONTITECH 4390 N P01
• DUNLOP FR D12T10
• GOODYEAR 9505

• Oem Reference

• DAIMLER CHRYSLER A 942 320 01 21

dastech® 44390-02 K

Complete Air Springs



• Cross Reference

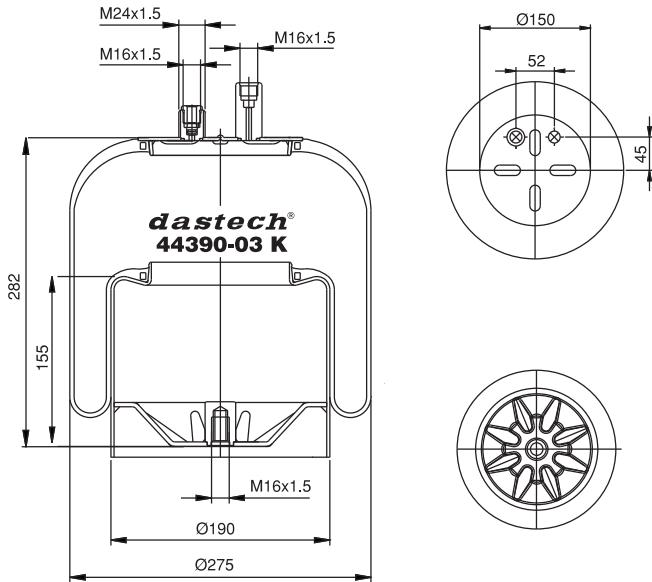
• CONTITECH 4390 N P02
• DUNLOP FR D12T11
• GOODYEAR 9506

• Oem Reference

• DAIMLER CHRYSLER A 942 320 02 21

dastech® 44390-03 K

Complete Air Springs



• Cross Reference

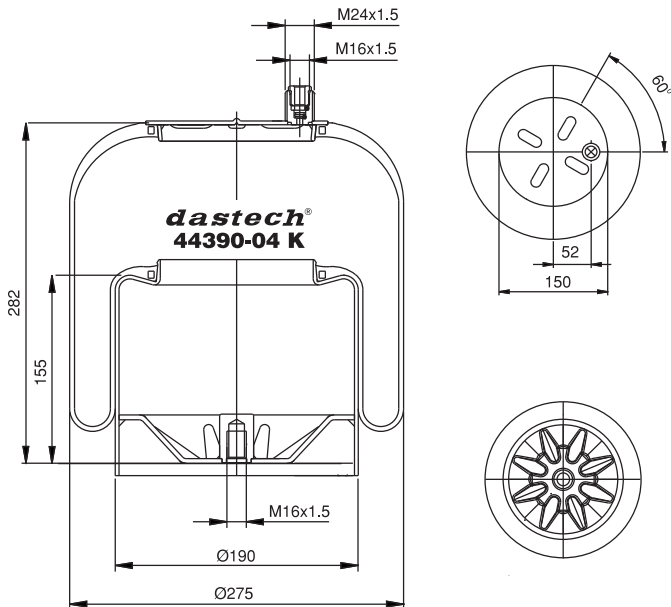
- CONTITECH 4390 N P03
- CF GOMMA 1VSC 285-30
206783

• Oem Reference

- DAIMLER CHRYSLER A 942 320 04 21

dastech® 44390-04 K

Complete Air Springs



• Cross Reference

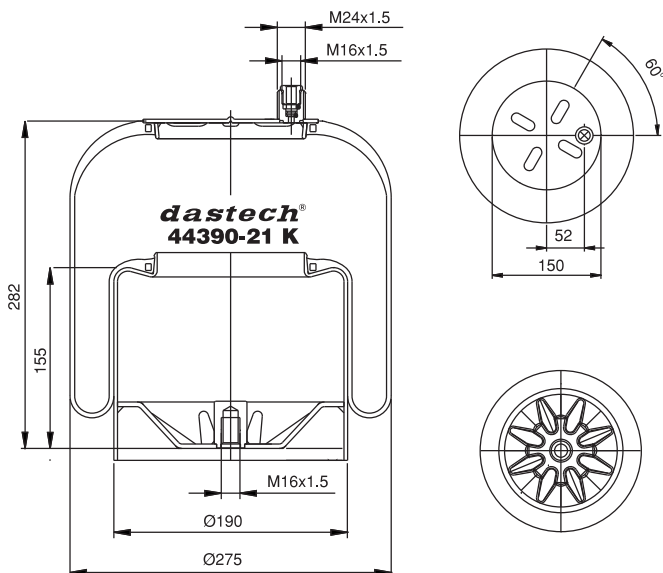
- CONTITECH 4390 N P04
- CF GOMMA 1VSC 285-30
206781

• Oem Reference

- DAIMLER CHRYSLER A 942 320 03 21

dastech® 44390-21 K

Complete Air Springs



• Cross Reference

- CONTITECH 4390 N P21

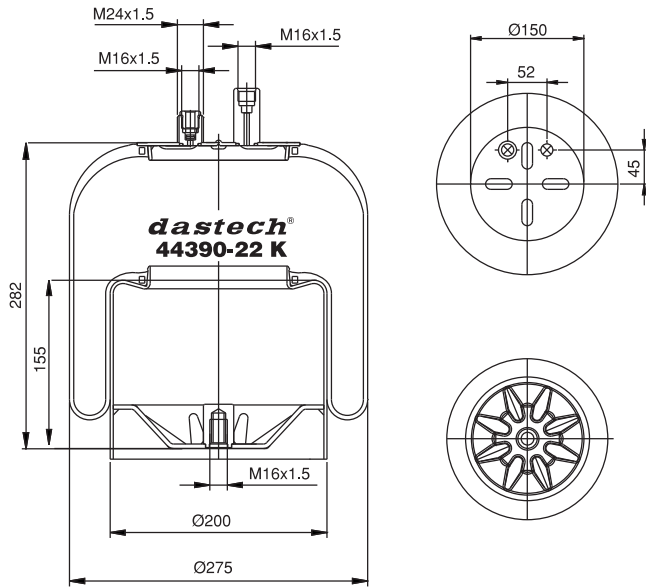
• Oem Reference

- DAIMLER CHRYSLER A 942 320 49 21
A 942 320 28 21



dastech® 44390-22 K

Complete Air Springs



• Cross Reference

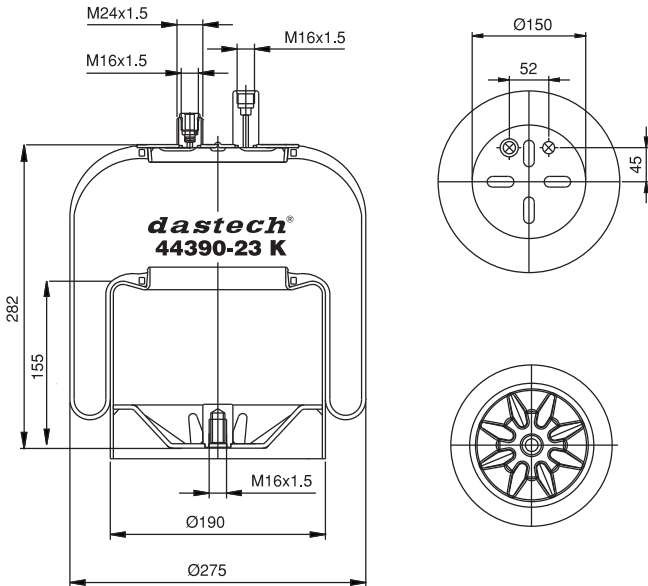
• CONTITECH 4390 N P22

• Oem Reference

• DAIMLER CHRYSLER A 942 320 50 21
A 942 320 29 21

dastech® 44390-23 K

Complete Air Springs



• Cross Reference

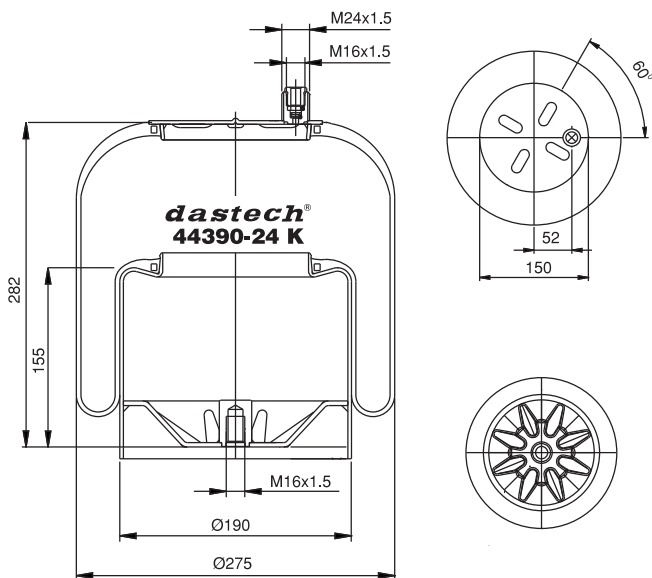
• CONTITECH 4390 N P23

• Oem Reference

• DAIMLER CHRYSLER A 942 320 52 21

dastech® 44390-24 K

Complete Air Springs



• Cross Reference

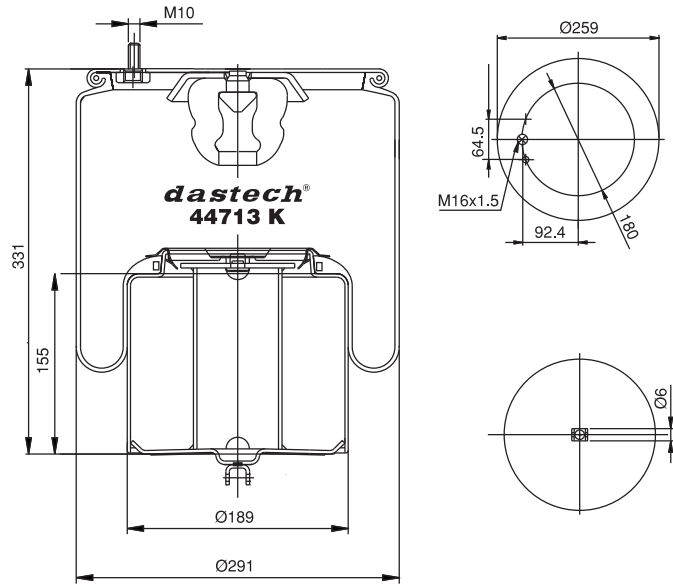
• CONTITECH 4390 N P24

• Oem Reference

• DAIMLER CHRYSLER A 942 320 51 21

dastech® 44713 K

Complete Air Springs



• Cross Reference

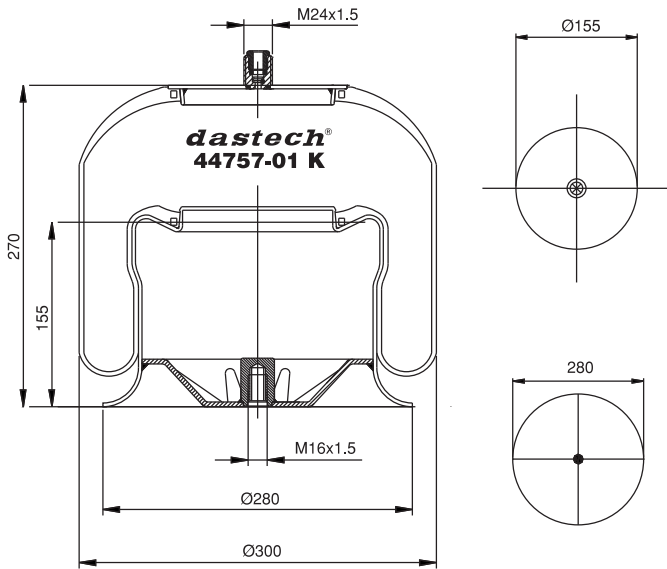
- CONTITECH 4713 N P02
- DUNLOP FR D12B24
- GOODYEAR 1R12-762
- CF GOMMA 1 TS 300-28

• Oem Reference

- VOLVO 1 076 594

dastech® 44757-01 K

Complete Air Springs



• Cross Reference

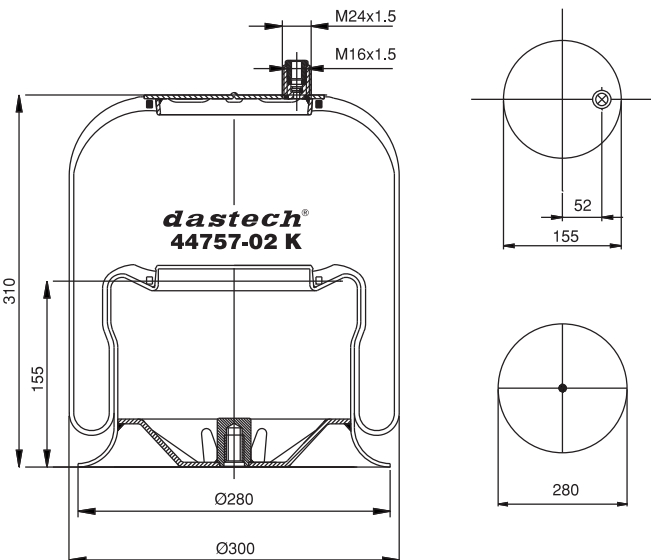
- CONTITECH 4757 N P01
- DUNLOP FR D13T01
- GOODYEAR 9519
- CF GOMMA 1VSC 300-26
206785

• Oem Reference

- DAIMLER CHRYSLER A 942 320 01 17

dastech® 44757-02 K

Complete Air Springs



• Cross Reference

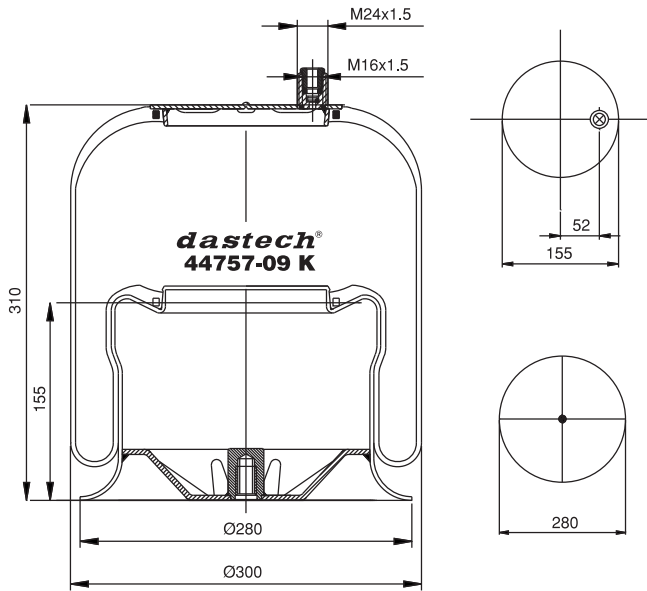
- CONTITECH 4757 N P02

• Oem Reference



dastech® 44757-09 K

Complete Air Springs



• Cross Reference

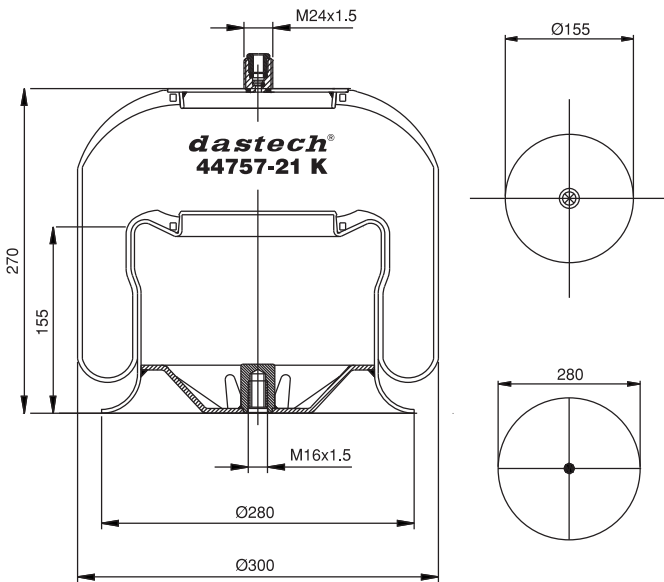
- CONTITECH 4757 N P09
- DUNLOP FR D13T02
- GOODYEAR 9520
- CF GOMMA 1VSC 300-26
206786

• Oem Reference

- DAIMLER CHRYSLER A 942 320 04 17

dastech® 44757-21 K

Complete Air Springs



• Cross Reference

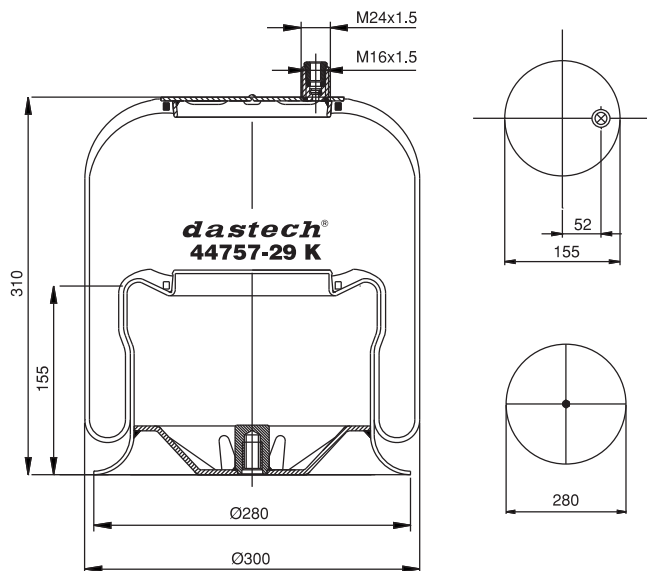
- CONTITECH 4757 N P21

• Oem Reference

- DAIMLER CHRYSLER A 942 320 43 21

dastech® 44757-29 K

Complete Air Springs



• Cross Reference

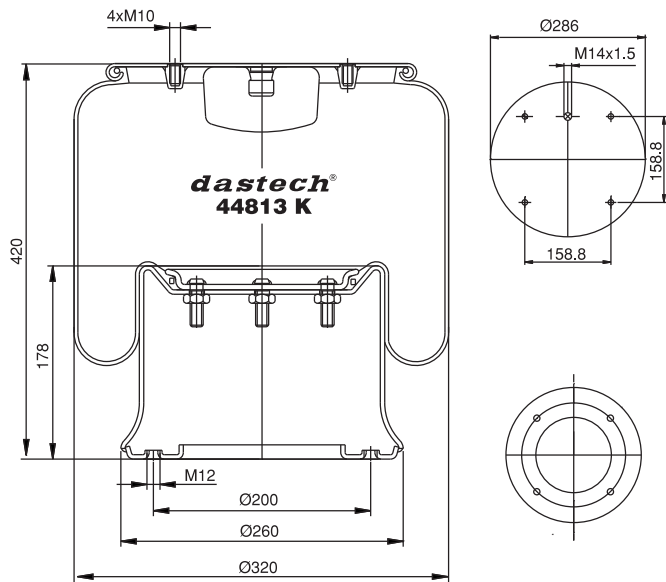
- CONTITECH 4757 N P29

• Oem Reference

- DAIMLER CHRYSLER A 942 320 32 17

dastech® 44813 K

Complete Air Springs



• Cross Reference

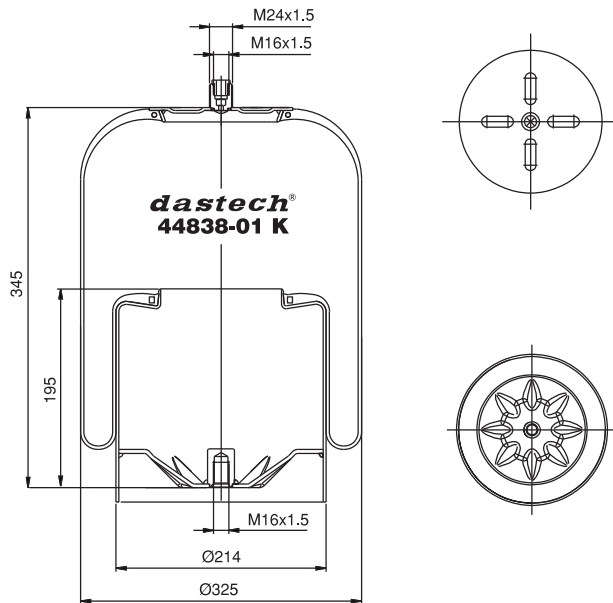
- CONTITECH 4813 N P07
- FIRESTONE 1T19L-11
- W01 M58 7358
- PHOENIX 1 D 28 B-9
- TAURUS KR 622-01
- DUNLOP FR D13B10
- GOODYEAR 1R14-727
- CF GOMMA 1T 19E-2 BR 97764

• Oem Reference

- S.A.F. 3.229.0005.00
- 255295
- SCANIA 325748
- 298568
- 255293
- 1107674
- 1314906

dastech® 44838-01 K

Complete Air Springs



• Cross Reference

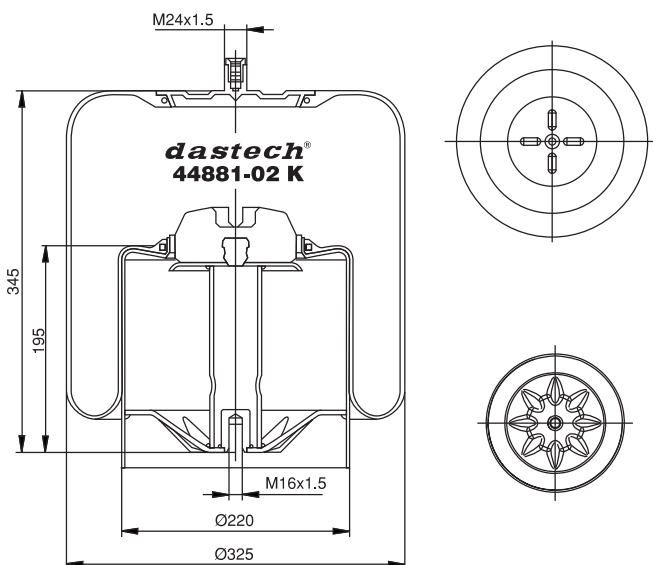
- CONTITECH 4838 N P01

• Oem Reference

- DAIMLER CHRYSLER A 946 320 04 21

dastech® 44838-02 K

Complete Air Springs



• Cross Reference

- CONTITECH 4838 N P02
- DUNLOP FR D13T03
- GOODYEAR 9522

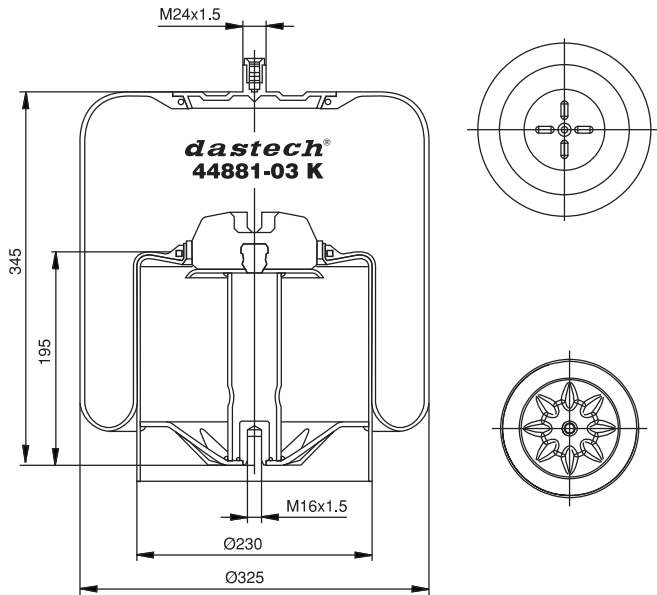
• Oem Reference

- DAIMLER CHRYSLER A 946 320 02 21



dastech® 44838-03 K

Complete Air Springs



• Cross Reference

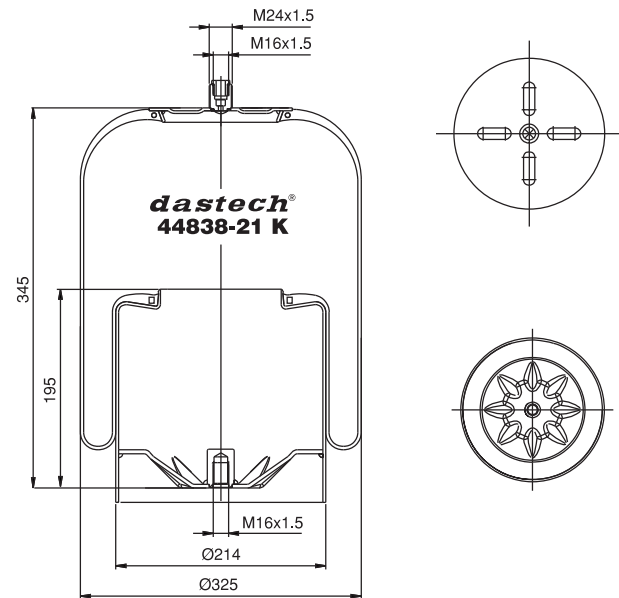
• CONTITECH 4838 N P03

• Oem Reference

• DAIMLER CHRYSLER A 946 320 01 21

dastech® 44838-21 K

Complete Air Springs



• Cross Reference

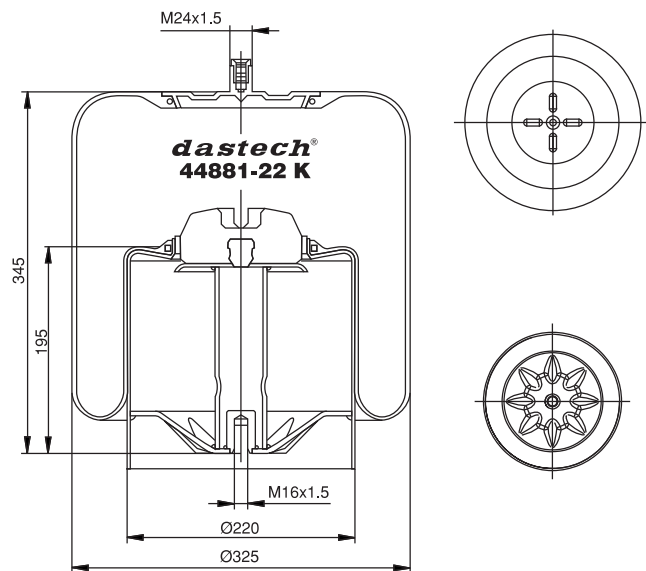
• CONTITECH 4838 N P21

• Oem Reference

• DAIMLER CHRYSLER A 942 320 38 21

dastech® 44838-22 K

Complete Air Springs



• Cross Reference

• CONTITECH 4838 N P22

• Oem Reference

• DAIMLER CHRYSLER A 942 320 36 21

dastech® 44838-23 K

Complete Air Springs

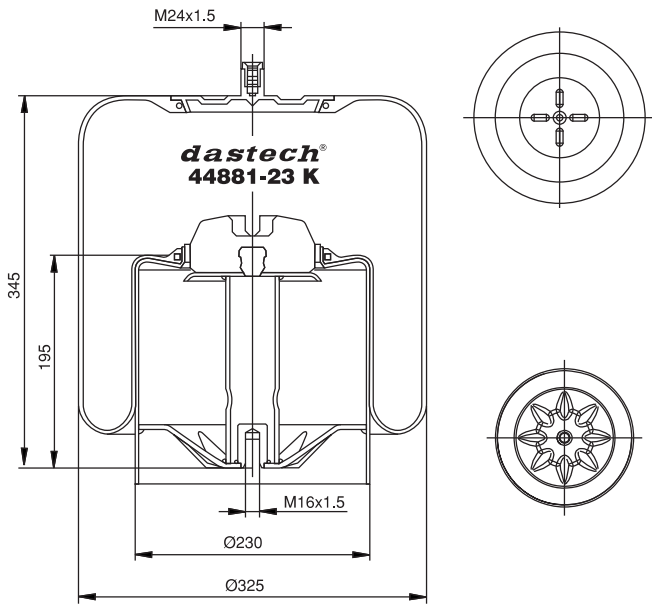


• Cross Reference

• CONTITECH 4838 N P23

• Oem Reference

• DAIMLER CHRYSLER A 942 320 35 21



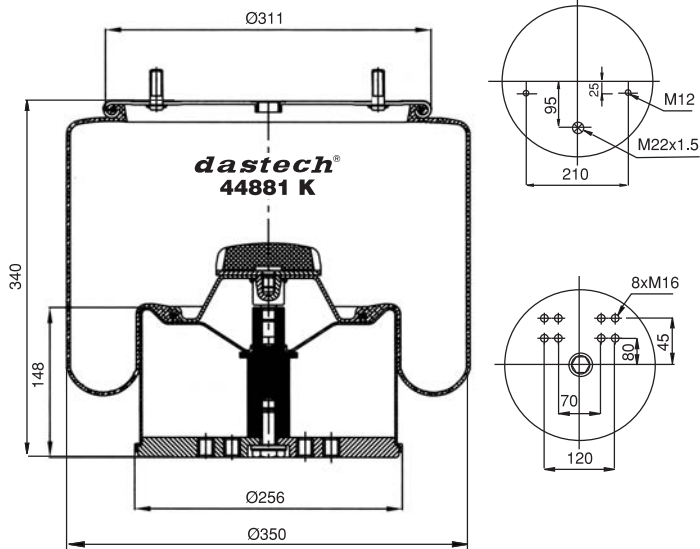
dastech® 44881 K

Complete Air Springs

• Cross Reference

• CONTITECH 4881 N P02
(With Metal Piston)

• Oem Reference



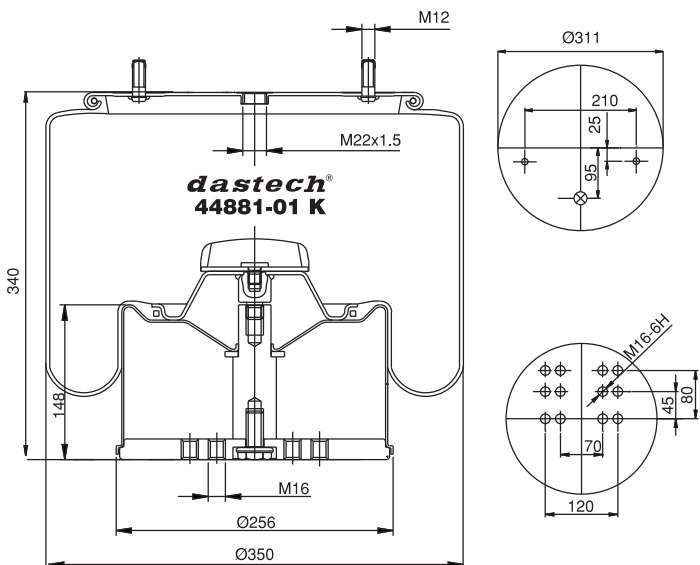
dastech® 44881-01 K

Complete Air Springs

• Cross Reference

• CONTITECH 4881 N P02
(With Metal Piston)

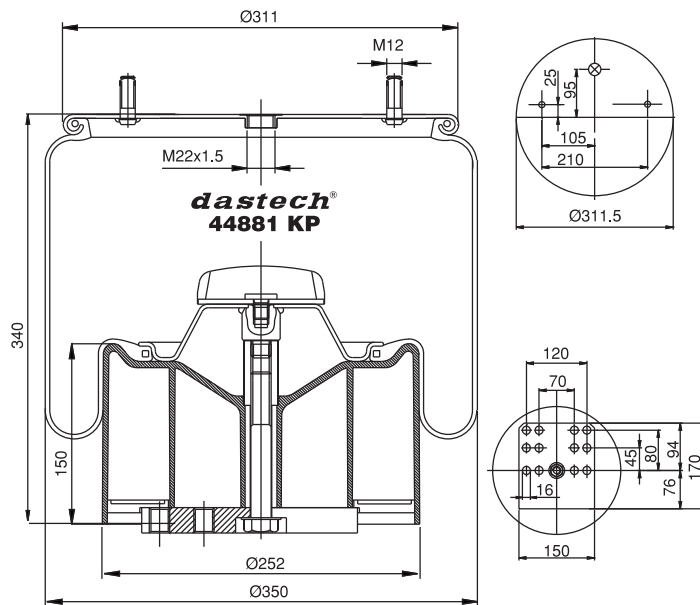
• Oem Reference





dastech® 44881 KP

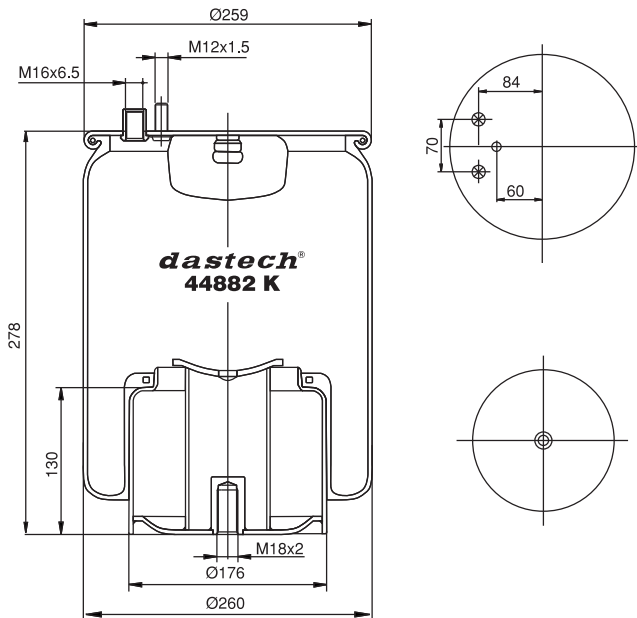
Complete Air Springs



• Cross Reference		• Oem Reference
• CONTITECH	4881 N P02 (With Plastic Piston)	

dastech® 44882 K

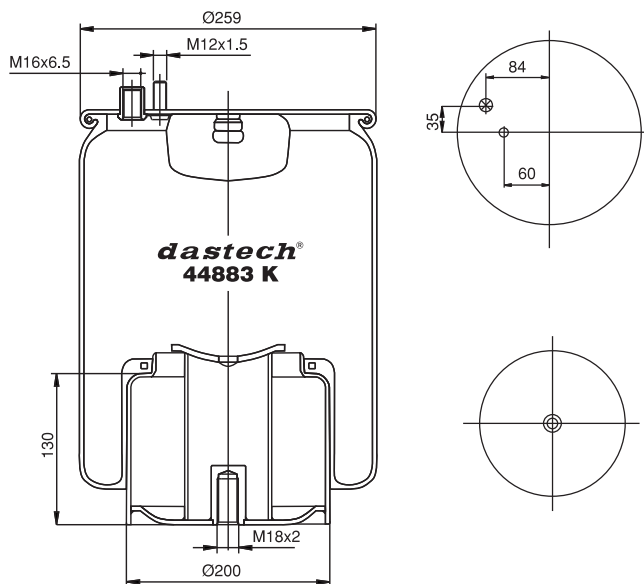
Complete Air Springs



• Cross Reference		• Oem Reference
• CONTITECH	4882 N1 P05	• M.A.N. 81.43600.6036

dastech® 44883 K

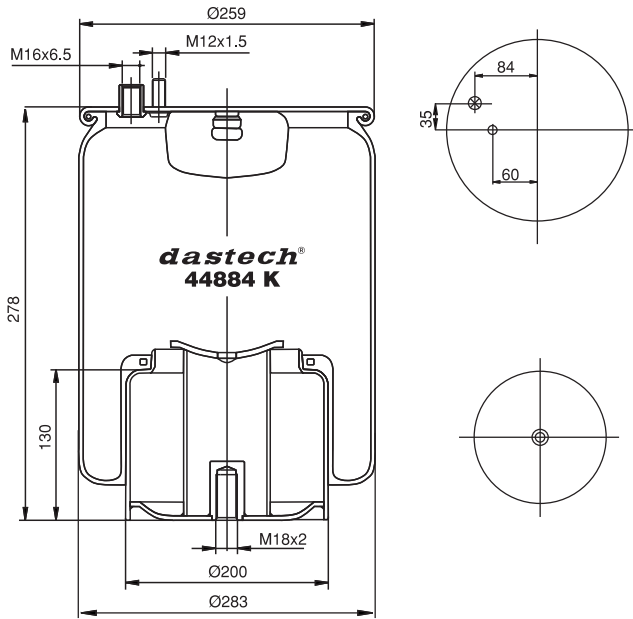
Complete Air Springs



• Cross Reference		• Oem Reference
• CONTITECH	4883 N1 P07	• M.A.N. 81.43600.6038

dastech® 44884 K

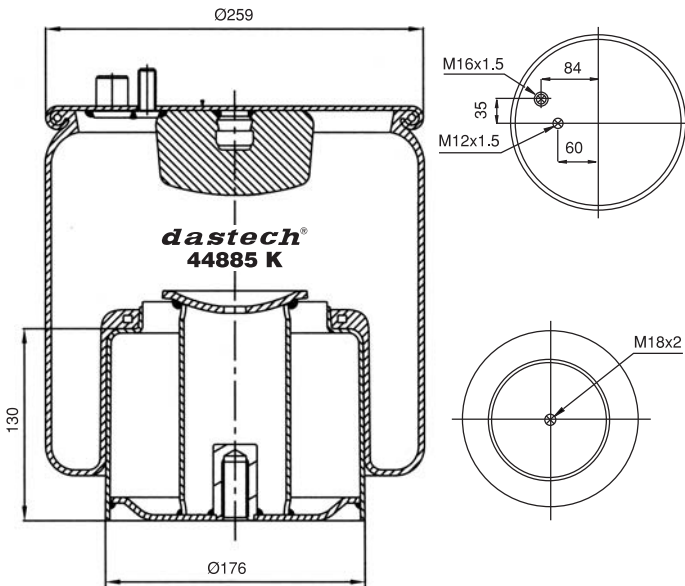
Complete Air Springs



• Cross Reference		• Oem Reference	
• CONTITECH	4884 N1 P06	• M.A.N.	81.43600.6035

dastech® 44885 K

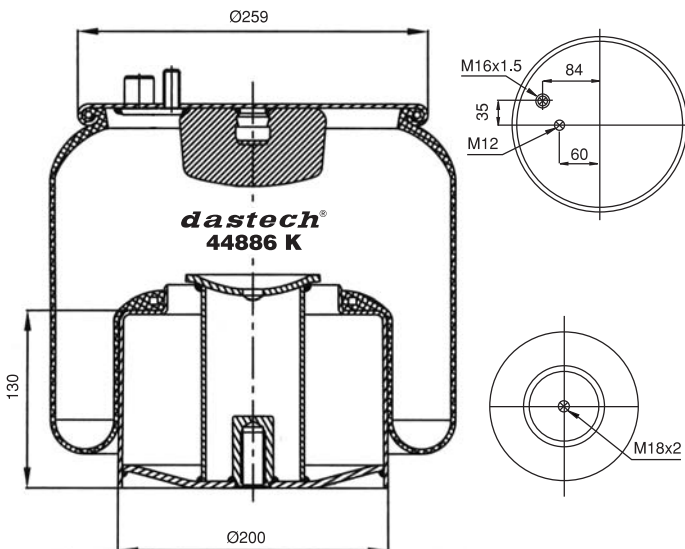
Complete Air Springs



• Cross Reference		• Oem Reference	
• CONTITECH	4885 N1 P02	• M.A.N.	81.43600.6044

dastech® 44886 K

Complete Air Springs

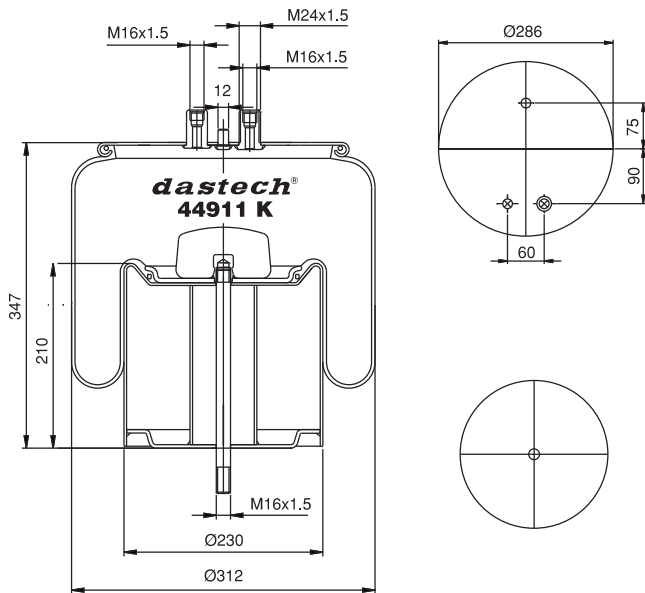


• Cross Reference		• Oem Reference	
• CONTITECH	4886 N1 P01	• M.A.N.	81.43600.6046



dastech® 44911 K

Complete Air Springs



• Cross Reference

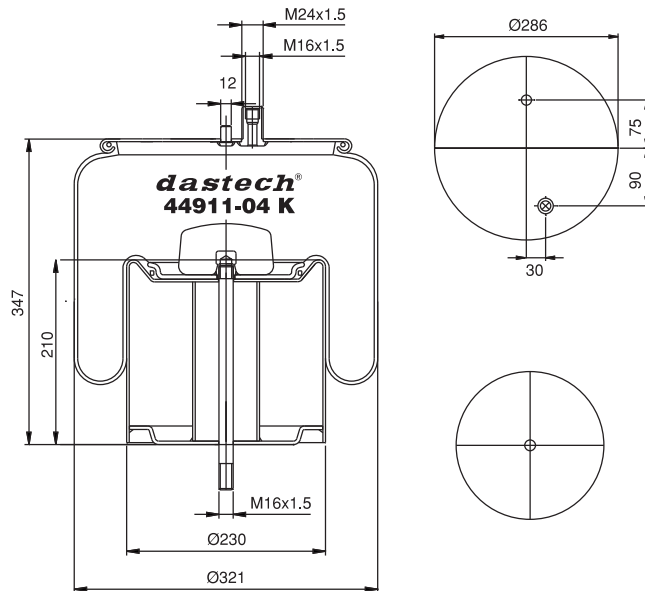
- CONTITECH 4911 N P03
- GOODYEAR 1R13-714

• Oem Reference

- RVI 5.010.294.308.C

dastech® 44911-04 K

Complete Air Springs



• Cross Reference

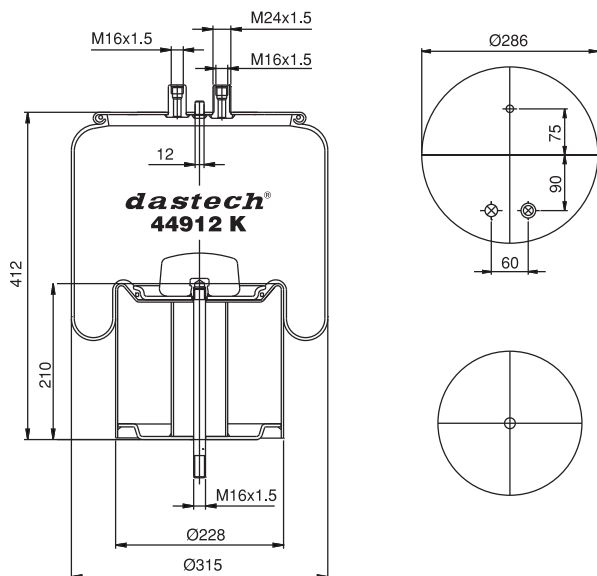
- CONTITECH 4911 N P04

• Oem Reference

- RVI 5.010.557.356

dastech® 44912 K

Complete Air Springs



• Cross Reference

- CONTITECH 4912 N P07

• Oem Reference

- GRANNING 15910
- RVI 5.010.294.307

dastech® 44912-10 K

Complete Air Springs

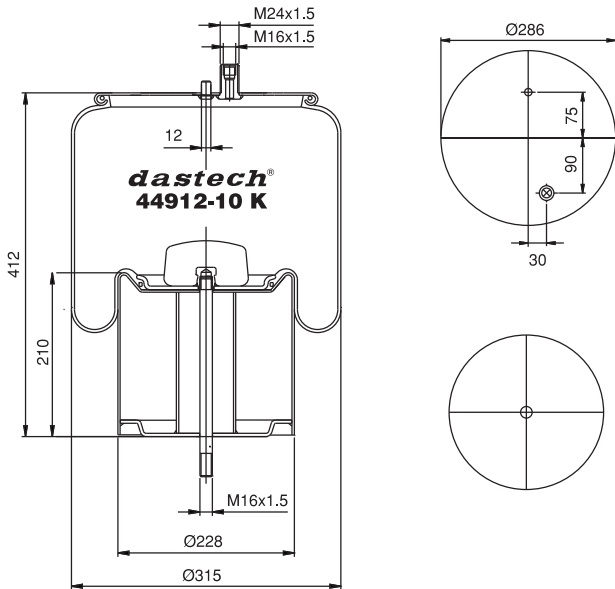


• Cross Reference

• CONTITECH 4912 N P010

• Oem Reference

• RVI 5.010.557.355



dastech® 44913 K

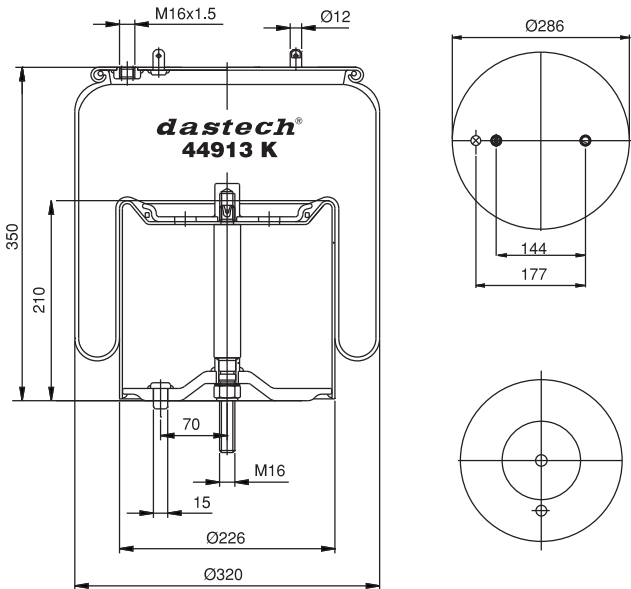
Complete Air Springs

• Cross Reference

• CONTITECH 4913 N P02
 • FIRESTONE 1T19F-14
 W01 095 0366
 • TAURUS KR 625-16
 • CF GOMMA 1T 19E-93

• Oem Reference

• SCANIA 1379392
 1440294



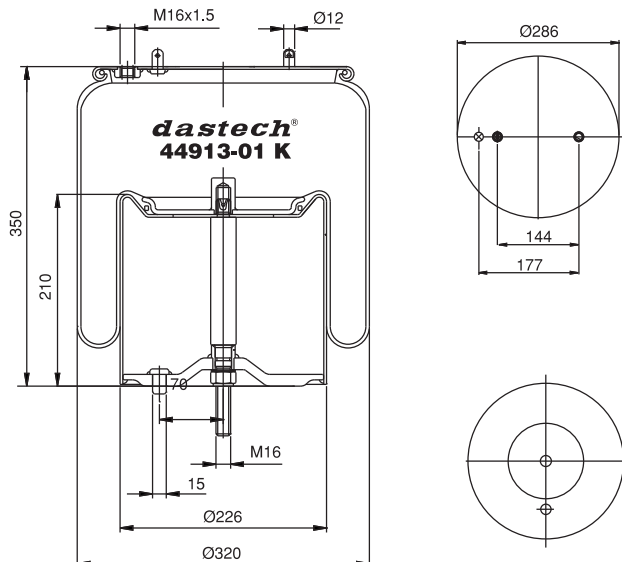
dastech® 44913-01 K

Complete Air Springs

• Cross Reference

• CONTITECH 4913 N P02

• Oem Reference

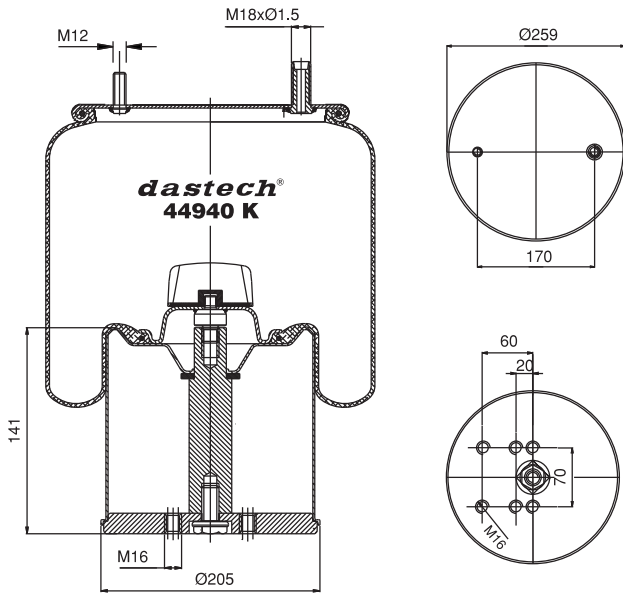


- Closed Bottom



dastech® 44940 K

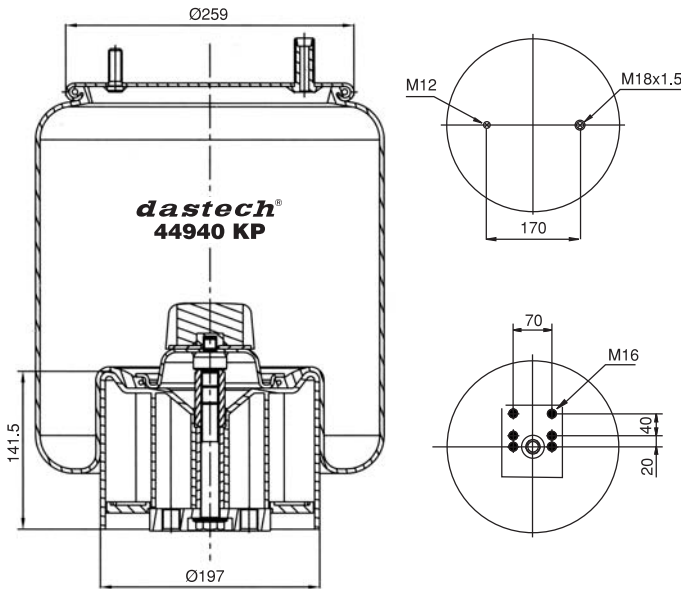
Complete Air Springs



• Cross Reference		• Oem Reference	
• CONTITECH	4940 N P02 (With Metal Piston)		

dastech® 44940 KP

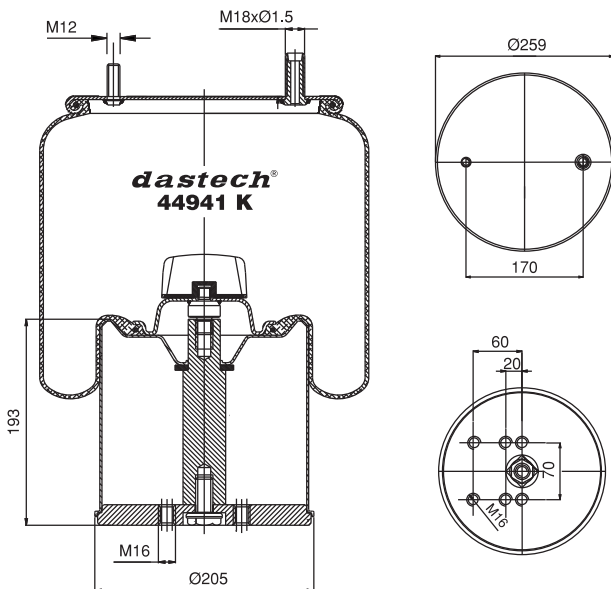
Complete Air Springs



• Cross Reference		• Oem Reference	
• CONTITECH	4940 N P02 (With Plastic Piston)	• BPW	05.429.43.24.0
		• BPW TYPE	BPW 30 K

dastech® 44941 K

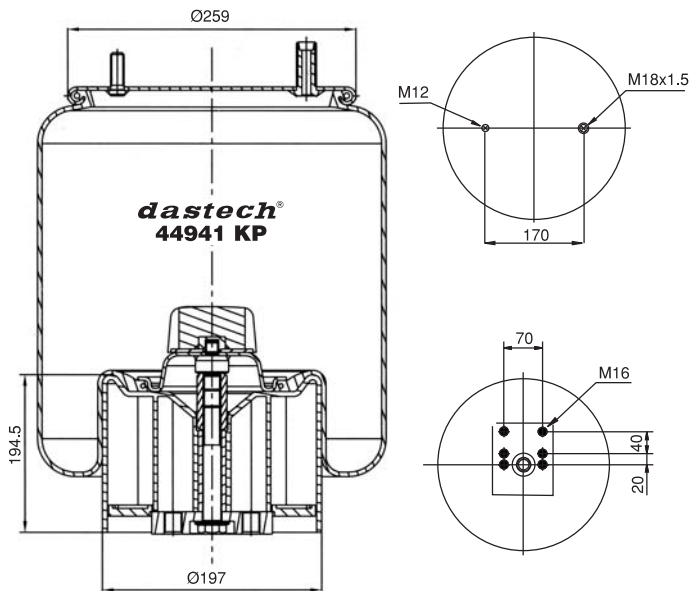
Complete Air Springs



• Cross Reference		• Oem Reference	
• CONTITECH	4941 N P02 (With Metal Piston)	• BPW	05.429.43.25.0
		• BPW TYPE	BPW 30

dastech® 44941 KP

Complete Air Springs



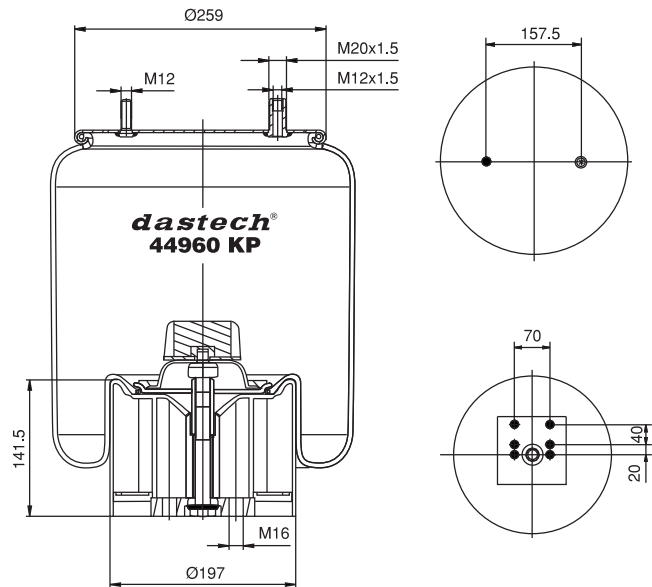
• Cross Reference

- CONTITECH 4941 N P02 (With Plastic Piston)

• Oem Reference

dastech® 44960 KP

Complete Air Springs



• Cross Reference

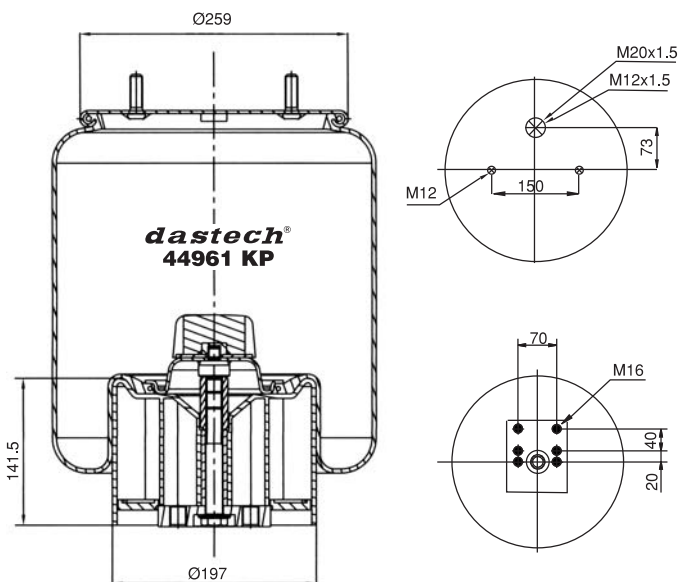
- CONTITECH 4960 N P02 (With Plastic Piston)

• Oem Reference

- BPW 05.429.43.23.0
- BPW TYPE BPW 30 K

dastech® 44961 KP

Complete Air Springs



• Cross Reference

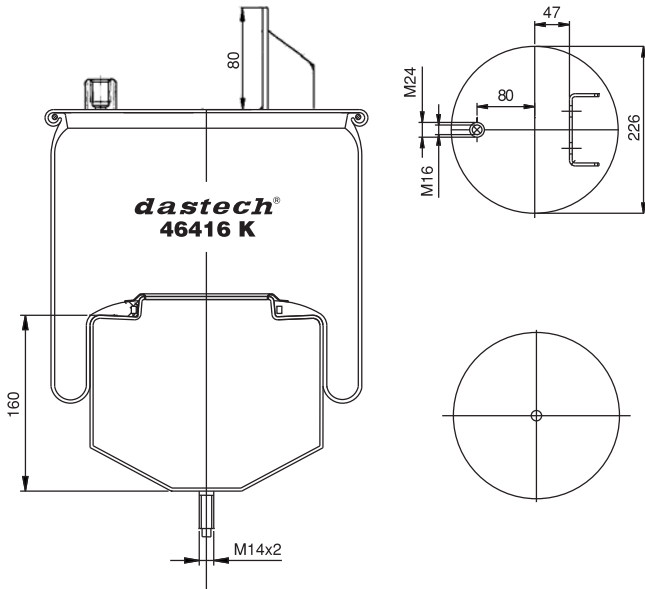
- CONTITECH 4961 N P02 (With Plastic Piston)

• Oem Reference

- BPW 05.429.43.27.0
- BPW TYPE BPW 30 K

dastech® 46416 K

Complete Air Springs



• Cross Reference

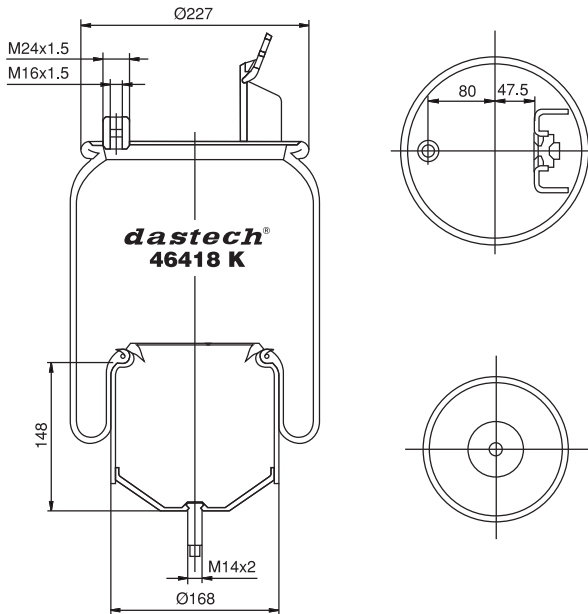
• CONTITECH 6608 N P01

• Oem Reference

• VOLVO
20 582 215
20 531 985
20 456 152
20 374 510
3 171 693
1 076 416

dastech® 46418 K

Complete Air Springs



• Cross Reference

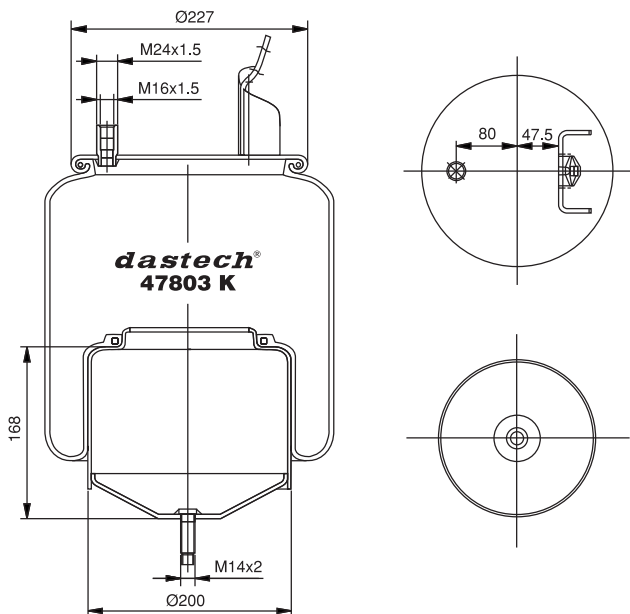
• CONTITECH 6607 N P01

• Oem Reference

• VOLVO
20 582 214
20 531 987
20 456 156
20 374 511
3 171 695
1 076 418

dastech® 47803 K

Complete Air Springs



• Cross Reference

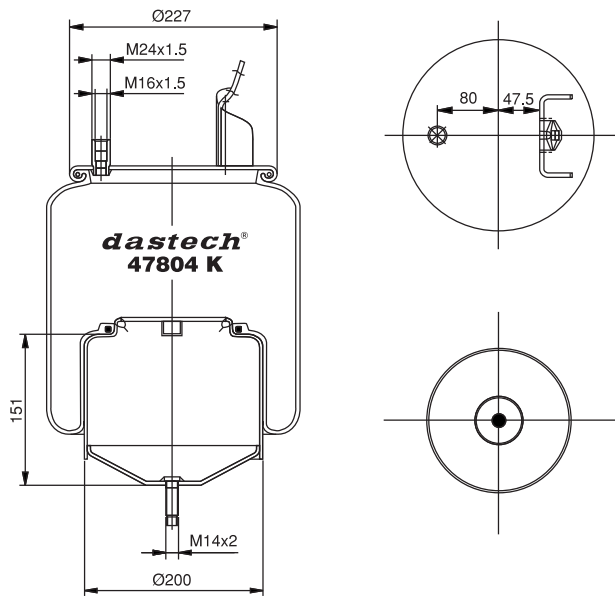
• CONTITECH 6605 N P01

• Oem Reference

• VOLVO
20 582 206
20 531 984
20 456 150
20 427 800
20 427 803
3 171 692

dastech® 47804 K

Complete Air Springs



• Cross Reference

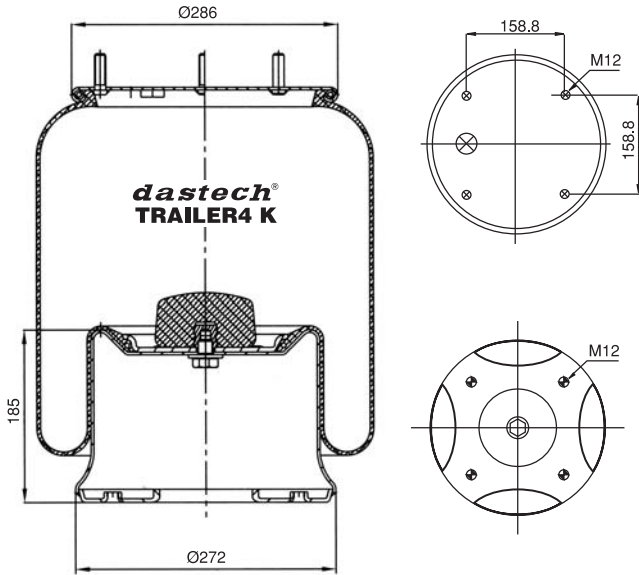
• CONTITECH 6606 N P01

• Oem Reference

• VOLVO
 20 582 209
 20 531 986
 20 456 154
 20 427 801
 20 427 804
 3 171 694

dastech® TRAILER4 K

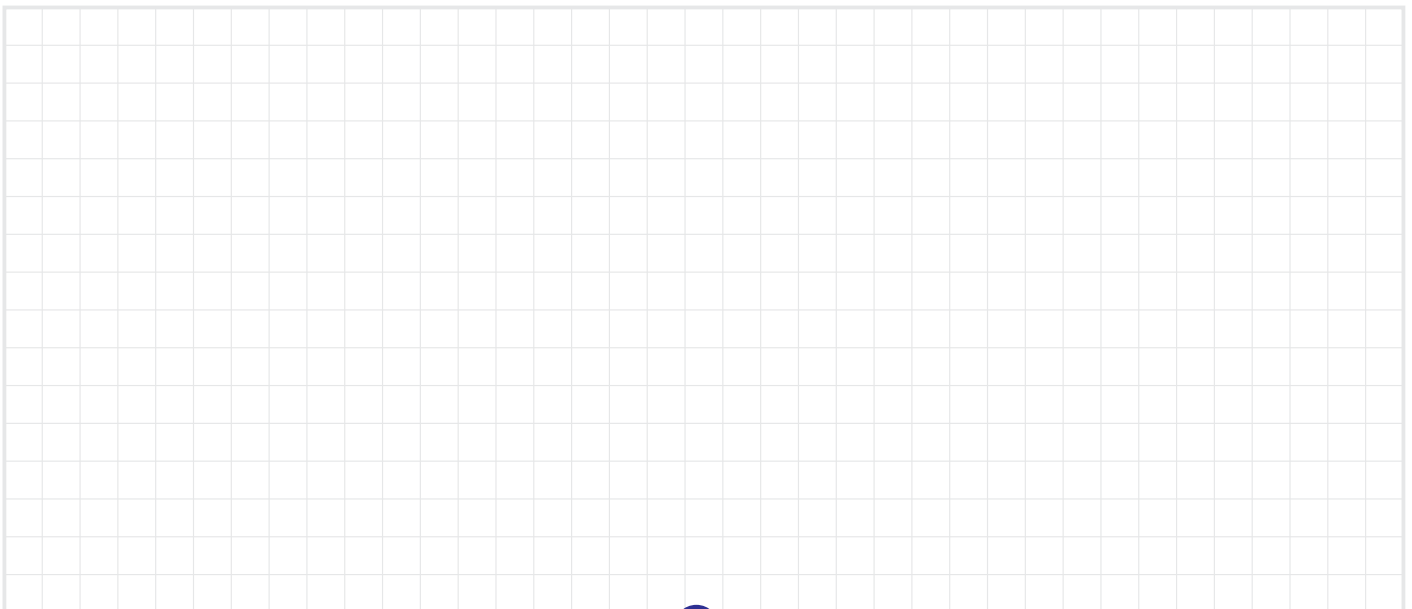
Complete Air Springs



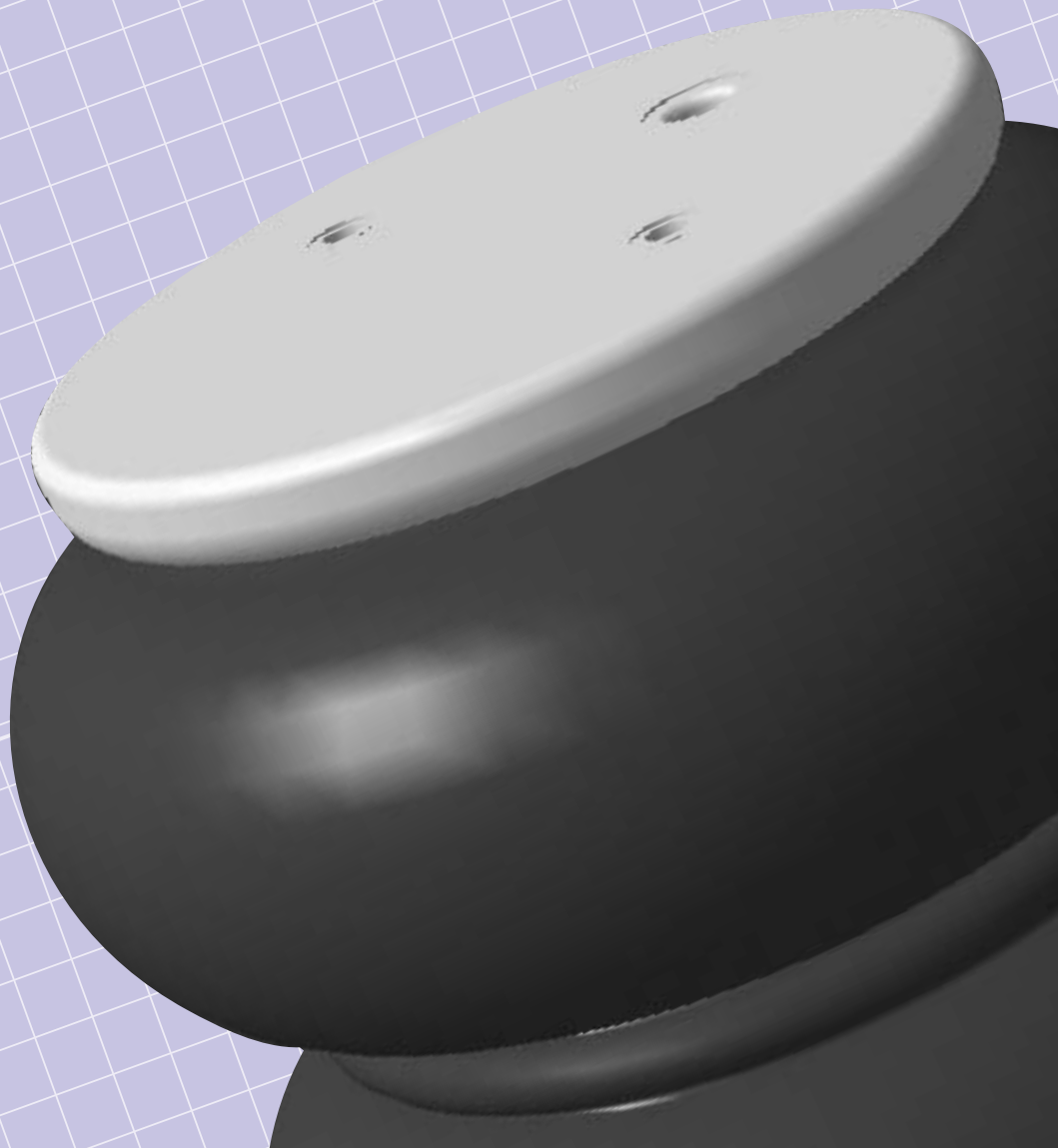
• Cross Reference

• Oem Reference

Notes:



Convoluteds Air Springs



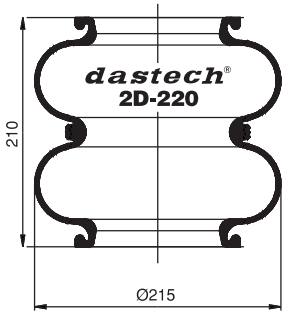


• Cross Reference

- CONTITECH FD 200-19 S (895 N)
- FIRESTONE STYLE 20
- FIRESTONE ORDER W01 095 0009
- PHOENIX 2 B 12 R

• Oem Reference

- VOLVO 0 365 431
- VOLVO 0 365 461
- VOLVO 6 882 797

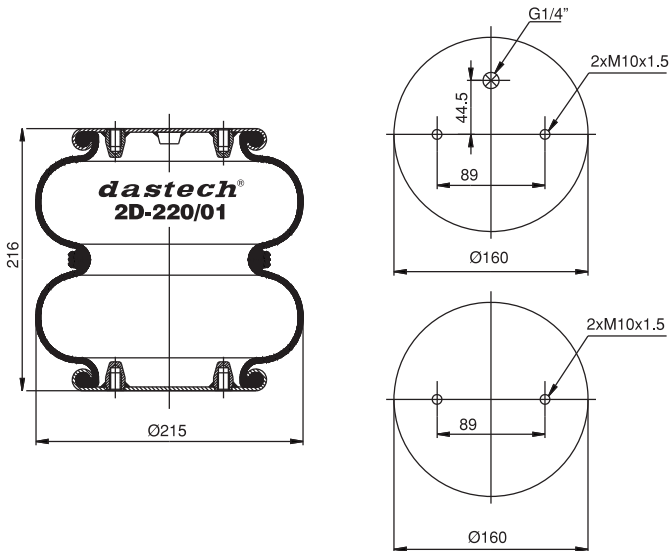


• Cross Reference

- CONTITECH FD 200-19 1/4 M10

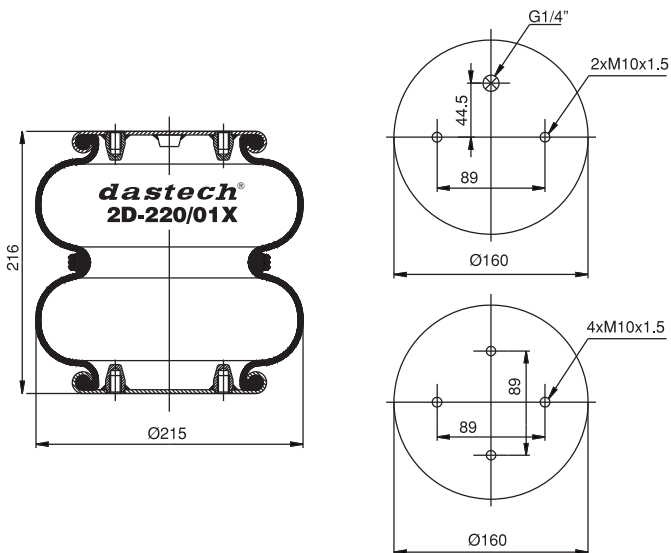
• Oem Reference

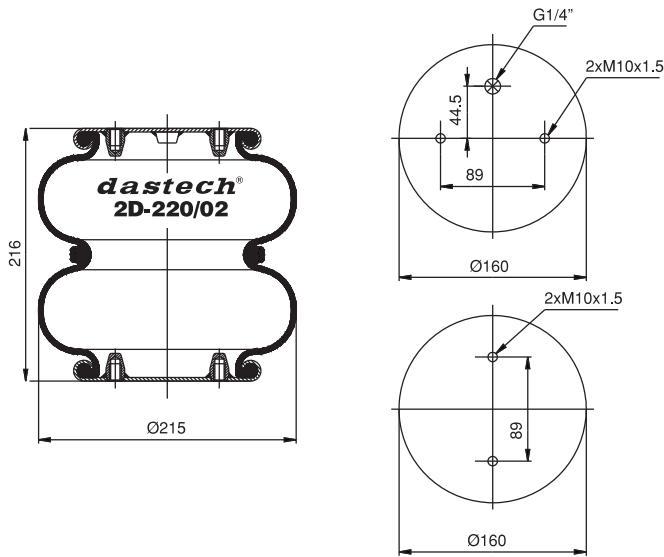
- HENDRICKSON NA 1827
- MERITOR (ROR) 2122 1395
- MERITOR (ROR) 2122 2663



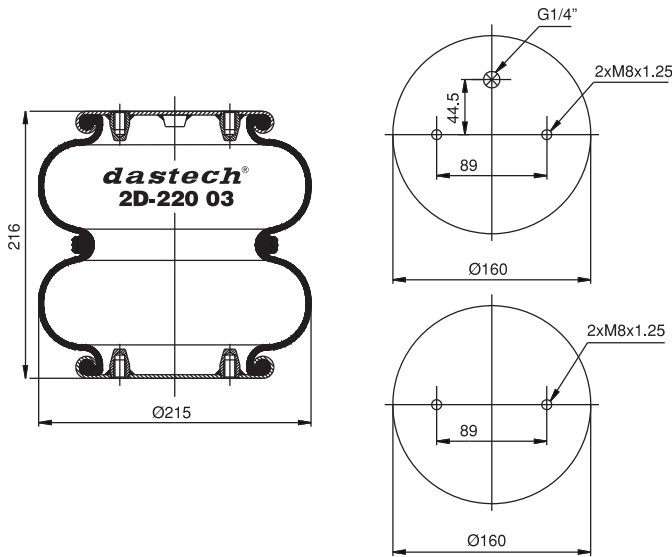
• Cross Reference

• Oem Reference

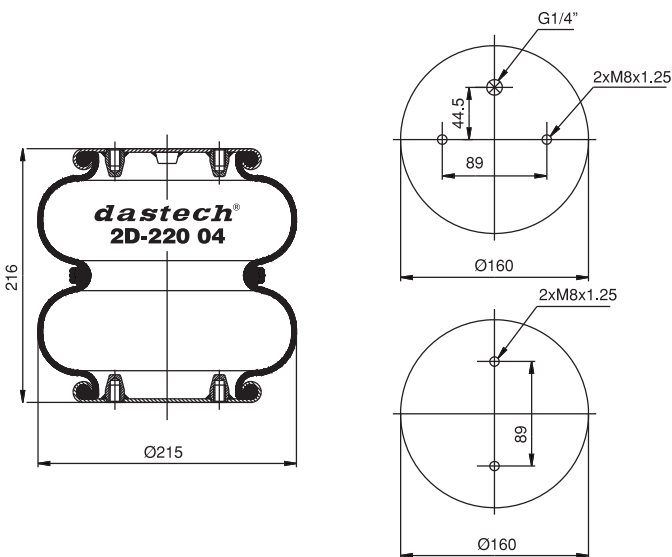




• Cross Reference	• Oem Reference



• Cross Reference	• Oem Reference
<ul style="list-style-type: none"> • CONTITECH FD 200-19 1/4 M8 • FIRESTONE STYLE 20C2 • FIRESTONE ORDER W01 M58 7679 	<ul style="list-style-type: none"> • VOLVO 365 461 • GRANNING 15 603 • GIGANT 19 01 30



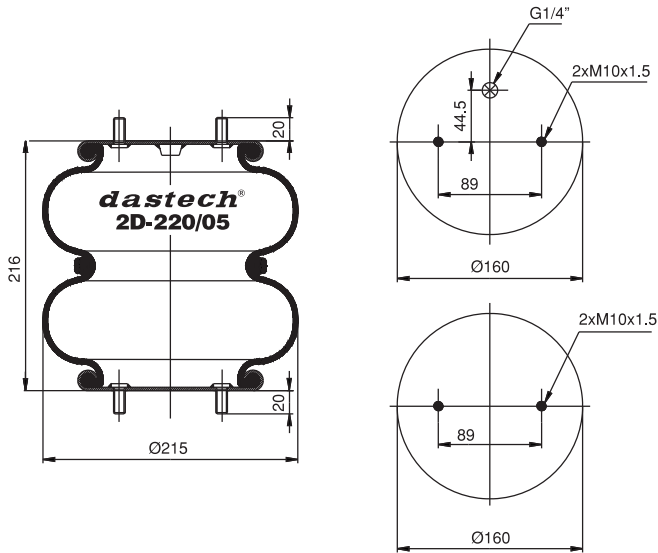
• Cross Reference	• Oem Reference

dastech® 2D-220/05

Convoluted Air Springs



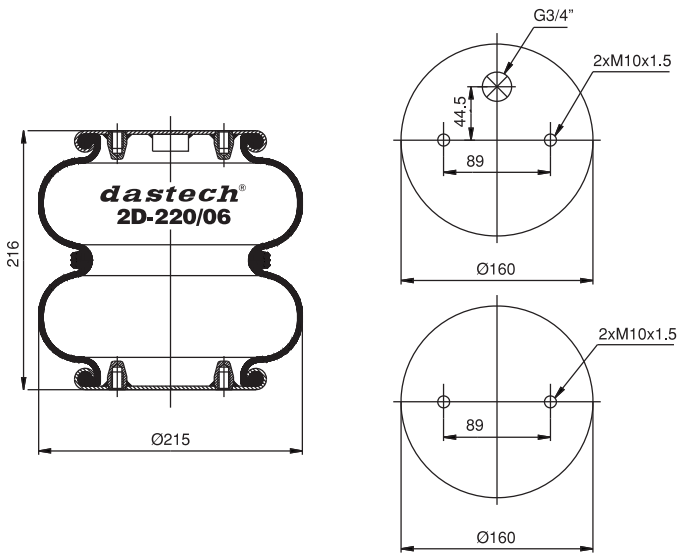
• Cross Reference	• Oem Reference



dastech® 2D-220/06

Convoluted Air Springs

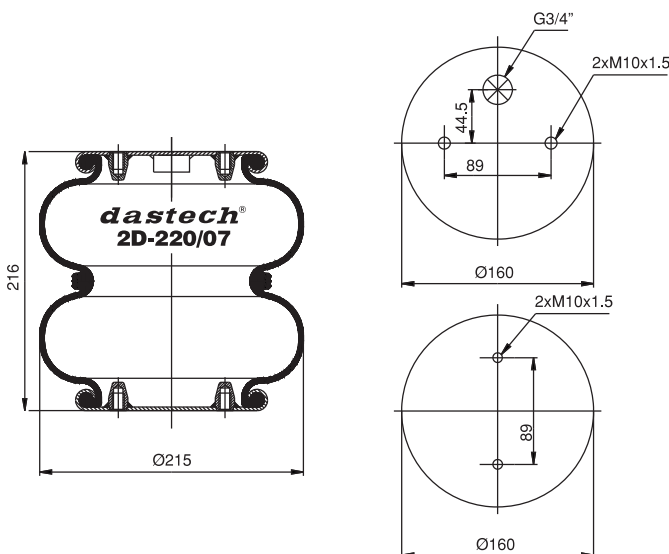
• Cross Reference	• Oem Reference
• CONTITECH FD 200-19 3/4 M10	



dastech® 2D-220/07

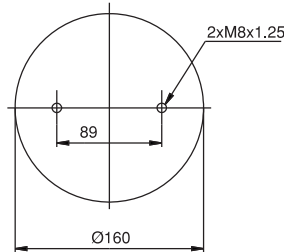
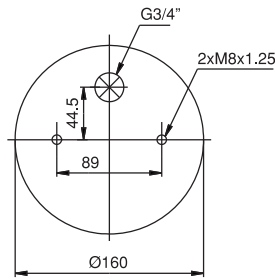
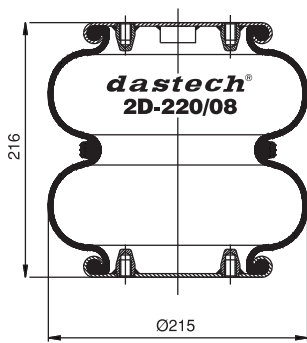
Convoluted Air Springs

• Cross Reference	• Oem Reference



dastech® 2D-220/08

Convuluted Air Springs



• Cross Reference

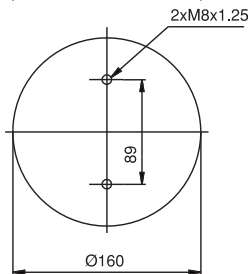
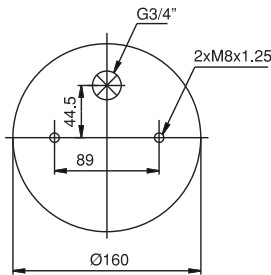
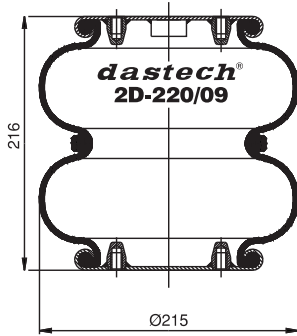
- CONTITECH FD 200-19 3/4 M8
- PHOENIX SP 2 B 12 R-1
- GOODYEAR 2B9-223

• Oem Reference

- GIGANT 190130

dastech® 2D-220/09

Convuluted Air Springs

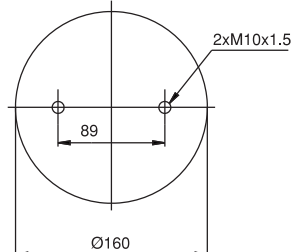
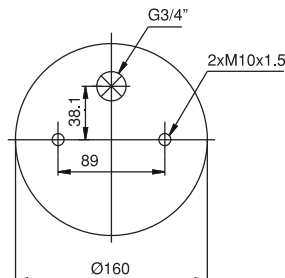
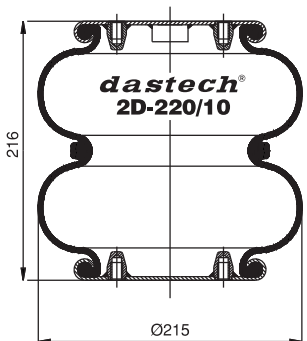


• Cross Reference

• Oem Reference

dastech® 2D-220/10

Convuluted Air Springs

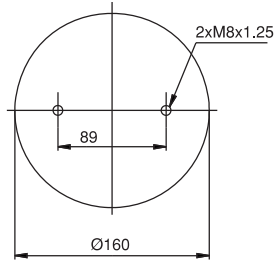
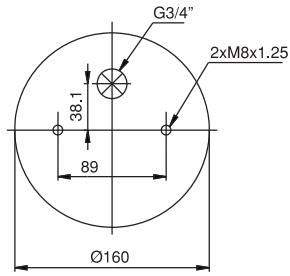
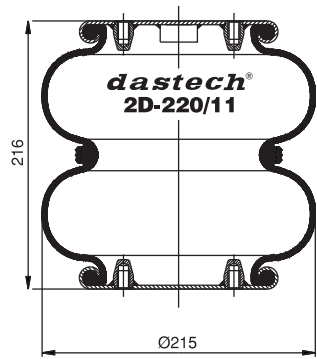


• Cross Reference

• Oem Reference

dastech® 2D-220/11

Convoluted Air Springs



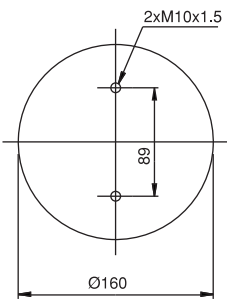
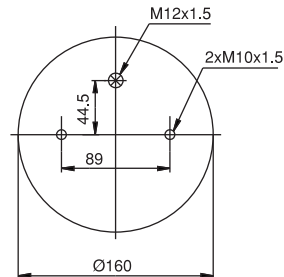
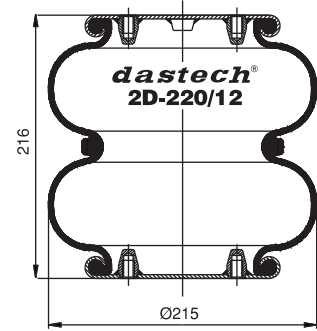
• Cross Reference

• CONTITECH FD 200-22 3/4 M8

• Oem Reference

dastech® 2D-220/12

Convoluted Air Springs



• Cross Reference

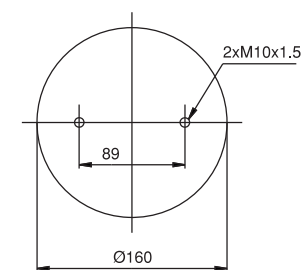
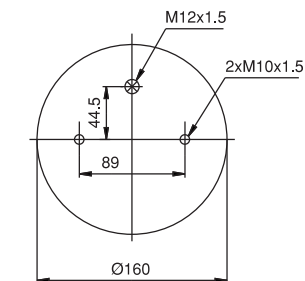
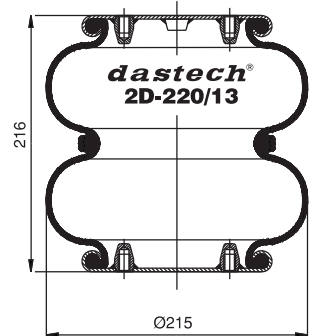
• CONTITECH FD 200-19 P04
 • FIRESTONE 20F
 W01 M58 7894
 • PHOENIX SP 2 B 12 R-5
 • TAURUS T20L 207065
 • GOODYEAR 2B9-287
 • SPRINGRIDE S09208 (9"1/4 x 2 NB)

• Oem Reference

• GRANNING 15599
 • SAF 4.229.1004.00

dastech® 2D-220/13

Convoluted Air Springs



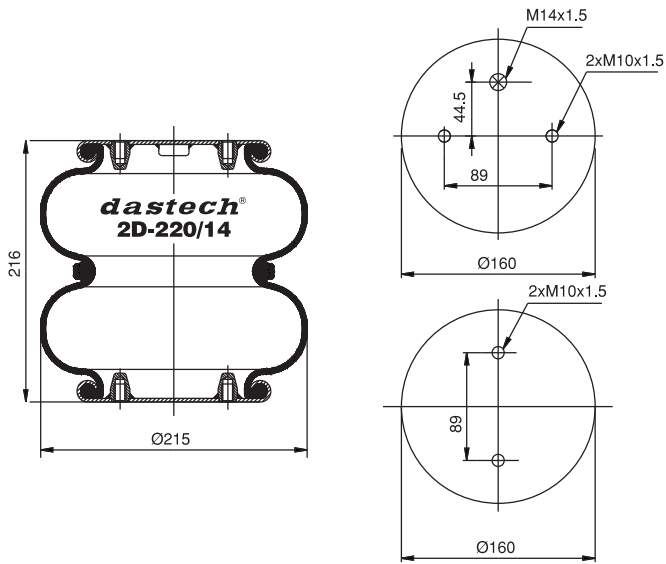
• Cross Reference

• PHOENIX SP2B12R-A-4

• Oem Reference

dastech® 2D-220/14

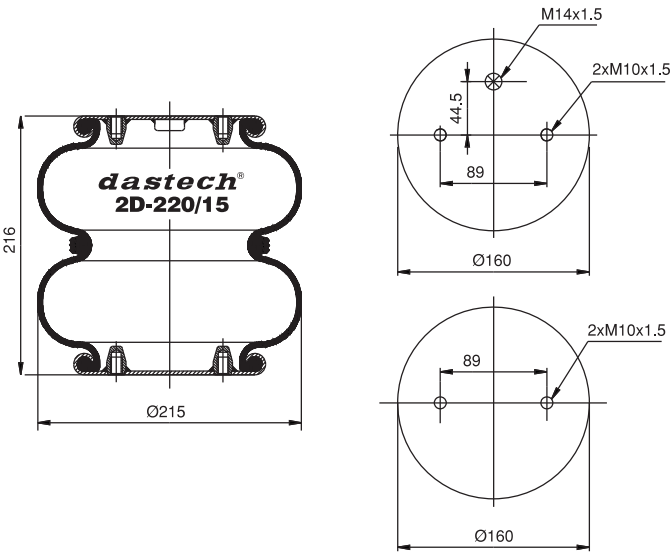
Convuluted Air Springs



• Cross Reference	• Oem Reference

dastech® 2D-220/15

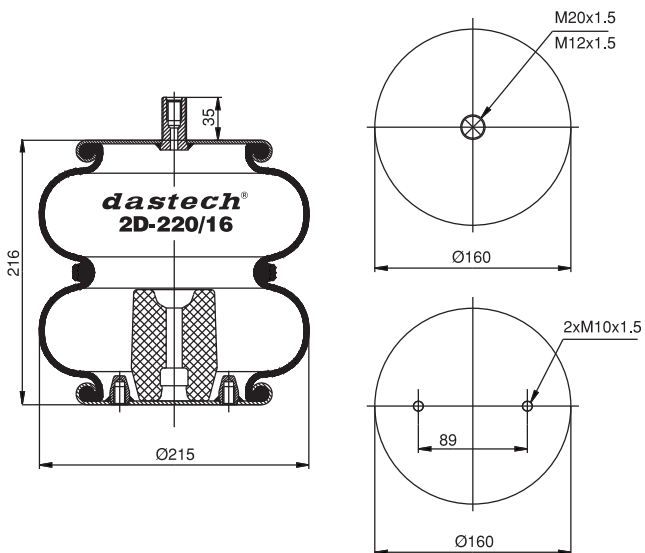
Convuluted Air Springs



• Cross Reference	• Oem Reference

dastech® 2D-220/16

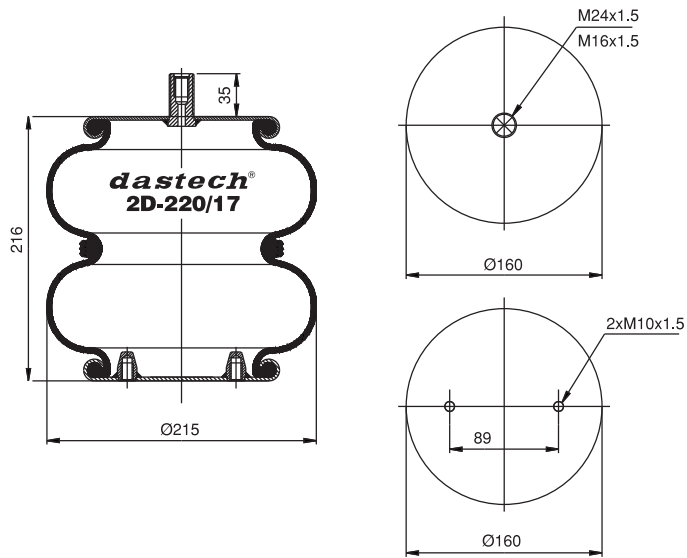
Convuluted Air Springs



• Cross Reference	• Oem Reference

dastech® 2D-220/17

Convoluted Air Springs



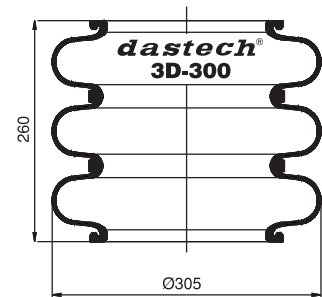
• Cross Reference

- CONTITECH FD 200-19 P02
20F
- FIRESTONE W01 M58 7756

• Oem Reference

dastech® 3D-300

Convoluted Air Springs



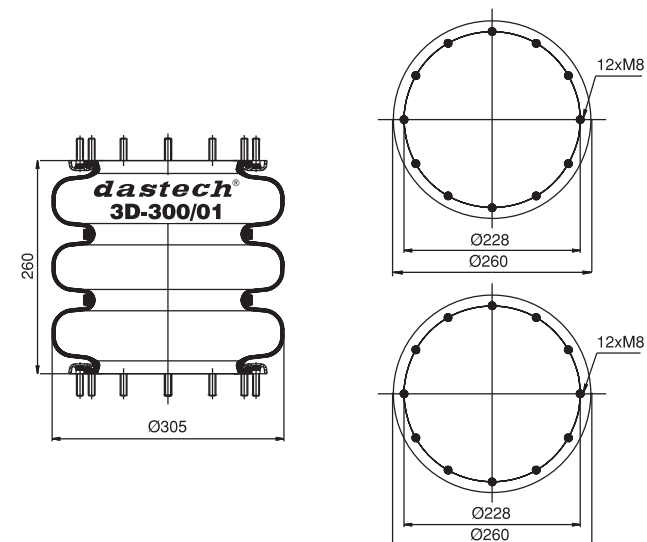
• Cross Reference

- CONTITECH FT 330-29 S

• Oem Reference

dastech® 3D-300/01

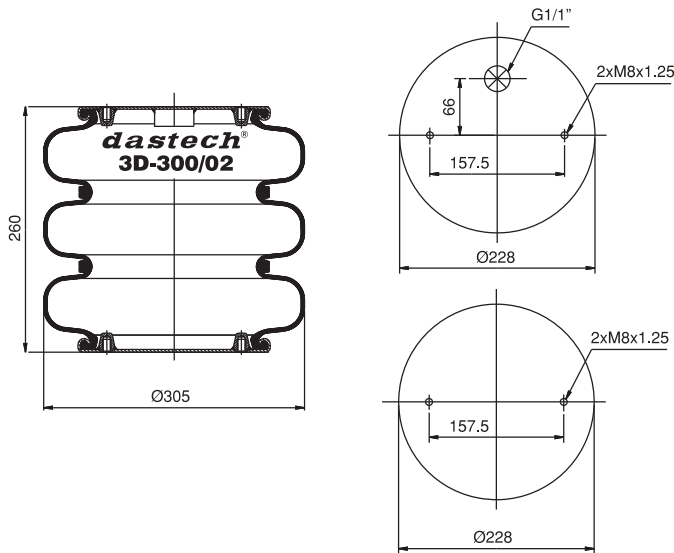
Convoluted Air Springs



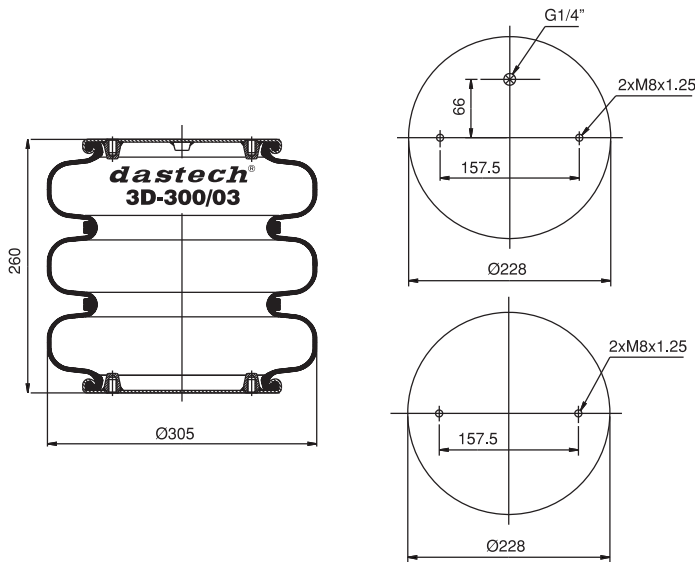
• Cross Reference

- SPRINGRIDE SP 2597 NB (12" x 3 NB)

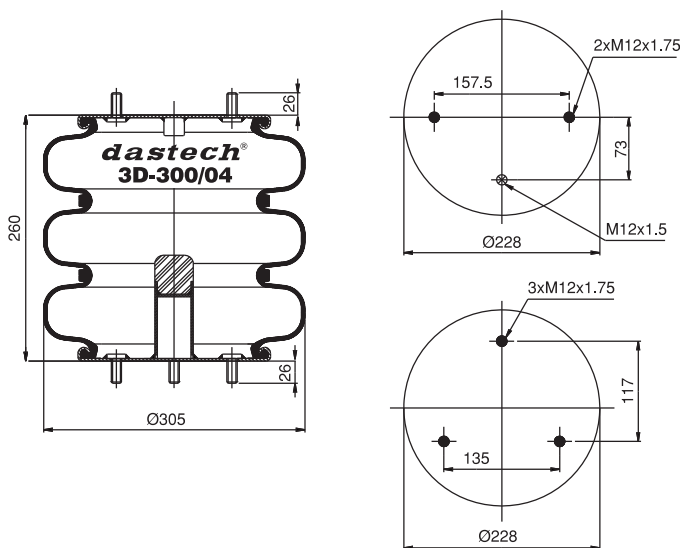
• Oem Reference



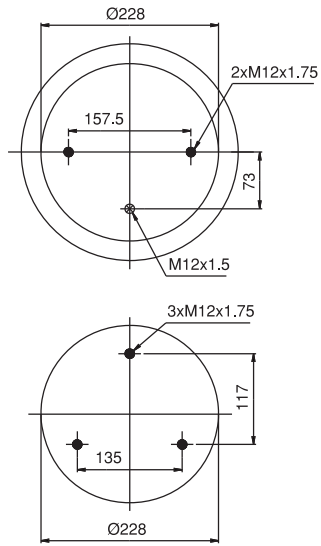
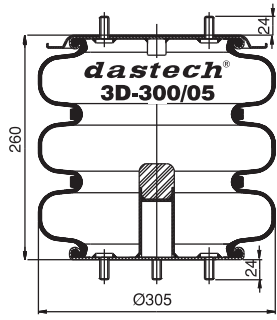
• Cross Reference		• Oem Reference	
• CONTITECH	FT 330-29 1/1 M8	• AUWARTER	B 510040
		• IKARUS	B 510040



• Cross Reference		• Oem Reference	
• CONTITECH	FT 330-29 1/4 M8		



• Cross Reference		• Oem Reference	

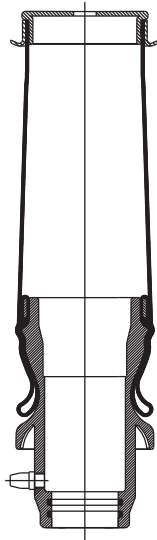


• Cross Reference	• Oem Reference

Notes:

Cabin and Seat Air Springs



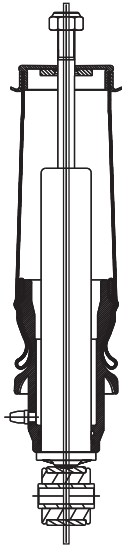


• Cross Reference

• SACHS 481 002

• Oem Reference

• SCANIA 3 Series 93-113-143
1348121
(Spring Type)

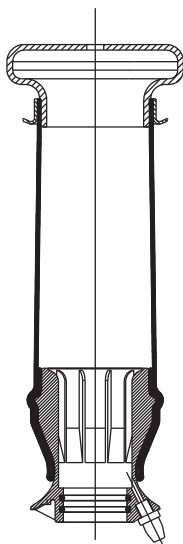


• Cross Reference

• SACHS 105831
105845
105875
105876
481 002
• MONROE CB0065
(Unit Without Air Spring)
CB0066
(Air Spring)
• GRANNING 50159

• Oem Reference

• SCANIA 3 Series 93-113-143
370227
393257
550365
1116535
1117320
1117334
1331620
1331621
1331634
1331635
1348117
1348118
1348119
1348120
1348121
1340581
(Spring Type)



• Cross Reference

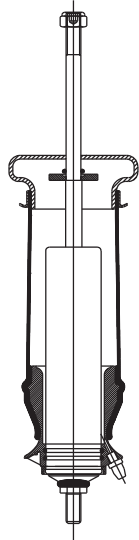
• SACHS 557 001
• MONROE CB0067
• GRANNING 50501

• Oem Reference

• SCANIA 4 Series 94-114-144
1349840
1424231
(Spring Type)

dastech® 401180 K

Cabin and Seat Air Springs



• Cross Reference

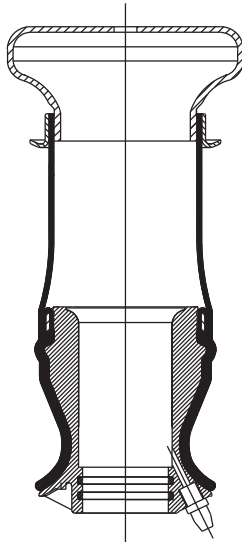
- SACHS 290 201
290 203
290 987
310 619
(Old Part Number 557 001)
- MONROE CB0058
(Unit Without Air Spring)
CB0067
(Air Spring)
- GRANNING 50157

• Oem Reference

- SCANIA 4 Series 94-114-144
1363120
1381904
1397386
1397388
1397390
1397392
1397396
1397400
1424227
1435859
1349840
(Spring Type)
1424231
(Spring Type)

dastech® 401181 M

Cabin and Seat Air Springs

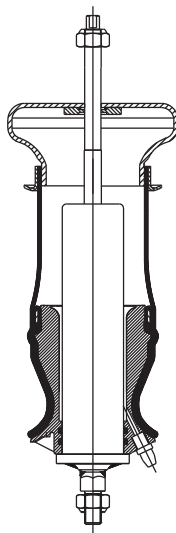


• Cross Reference

• Oem Reference

dastech® 401181 K

Cabin and Seat Air Springs



• Cross Reference

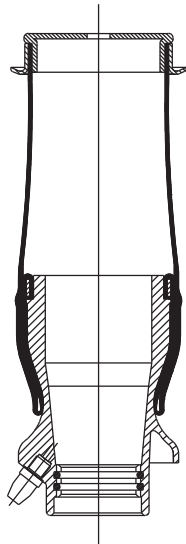
- SACHS 290 989
311 619
(Old Part Number 557 001)
- MONROE CB0059
(Unit Without Air Spring)
CB0067
(Air Spring)
- GRANNING 50158

• Oem Reference

- SCANIA 4 Series 94-114-144
1349844
1382827
1424229
1349840
(Spring Type)
1424231
(Spring Type)

dastech® 401208 M

Cabin and Seat Air Springs



• Cross Reference

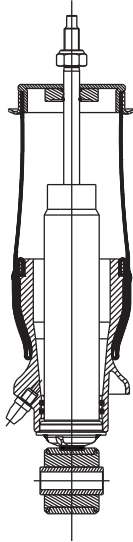
• MONROE CB0074

• Oem Reference

• SCANIA R Serie 1502468
1502471

dastech® 401208 K

Cabin and Seat Air Springs



• Cross Reference

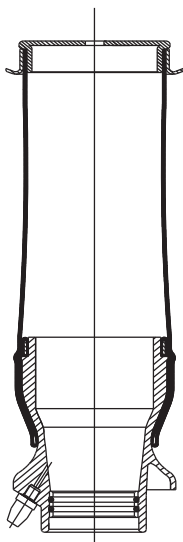
• MONROE CB0078
(Unit Without Air Spring)
CB0074
(Air Spring)

• Oem Reference

• SCANIA R Serie 1502470
1502471
1502474
1502468
(Spring Type)
1502471
(Spring Type)

dastech® 402186 M

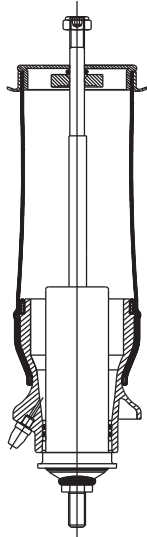
Cabin and Seat Air Springs



• Cross Reference

• Oem Reference

• SCANIA 4 Series 94-114-144
1381919
1476415
(Air Spring)

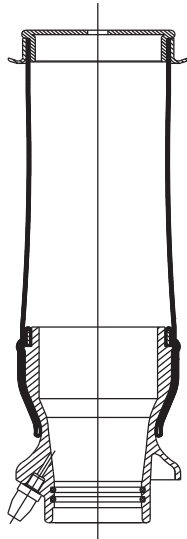


• Cross Reference

- MONROE CB0010 (Unit Without Air Spring)
CB0066 (Air Spring)
- GRANNING 50155

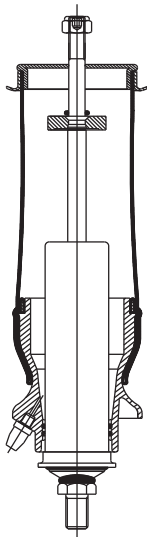
• Oem Reference

- SCANIA 4 Series 94-114-144
1381904
1381919
1397396
1397400
1435859
1476415
1381919 (Spring Type)
1476415 (Spring Type)



• Cross Reference

• Oem Reference



• Cross Reference

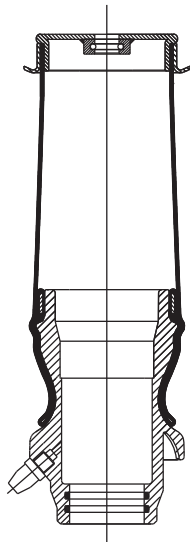
- SACHS 290204
- MONROE CB0009 (Unit Without Air Spring)
CB0030 (Air Spring)
- GRANNING 50156

• Oem Reference

- SCANIA 4 Series 94-114-144
1381906
1397394
1397398
1402271
1435856
1381919 (Air Spring)
1476415 (Air Spring)

dastech® 403001 M

Cabin and Seat Air Springs



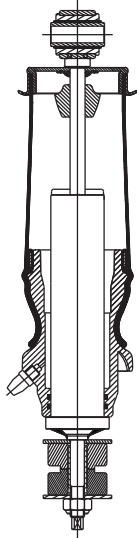
• Cross Reference

- GRANNING 50162
Without Shock Absorber

• Oem Reference

dastech® 403001 K

Cabin and Seat Air Springs



• Cross Reference

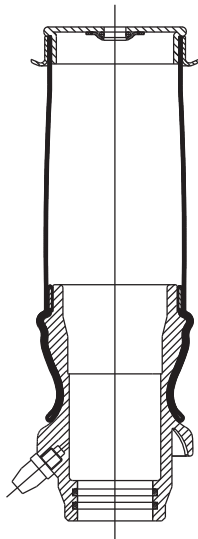
- SACHS 105 855
- GRANNING 50162

• Oem Reference

- M.A.N. F2000 81.41722.6048
- 81.41722.6051

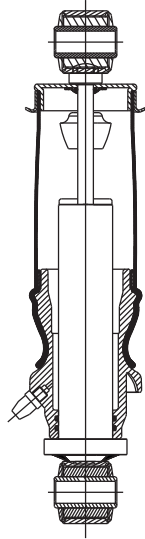
dastech® 404001 M

Cabin and Seat Air Springs



• Cross Reference

• Oem Reference

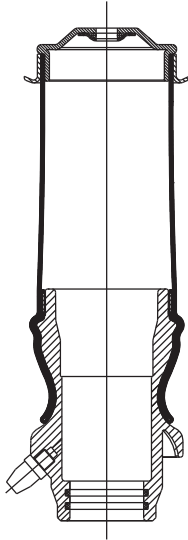


• Cross Reference

- SACHS 105 856
- GRANNING 50163

• Oem Reference

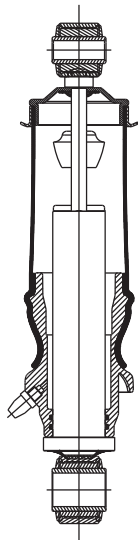
- M.A.N. F2000 81.41722.6049
- 81.41722.6052



• Cross Reference

- GRANNING 50511
- Without Shock Absorber

• Oem Reference



• Cross Reference

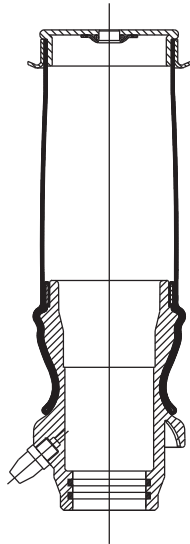
- SACHS 105 392
- GRANNING 50511

• Oem Reference

- MERCEDES Actros 9428902919

dastech[®] 406001 M

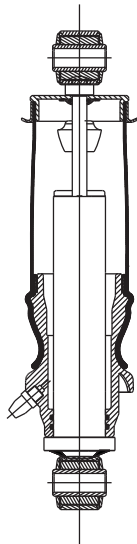
Cabin and Seat Air Springs



• Cross Reference		• Oem Reference
• GRANNING	50512 Without Shock Absorber	

dastech[®] 406001 K

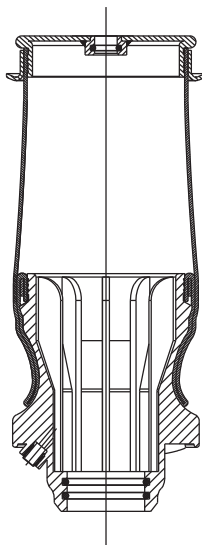
Cabin and Seat Air Springs



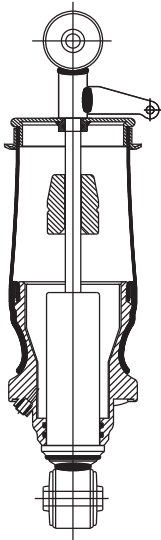
• Cross Reference		• Oem Reference
• SACHS	290 997	• MERCEDES Actros 9428900219
• GRANNING	50512	9428906019

dastech[®] 406014 M

Cabin and Seat Air Springs



• Cross Reference		• Oem Reference
-------------------	--	-----------------

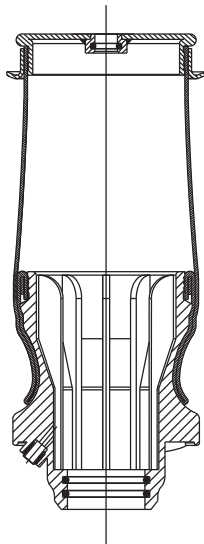


• Cross Reference

• SACHS 135 197

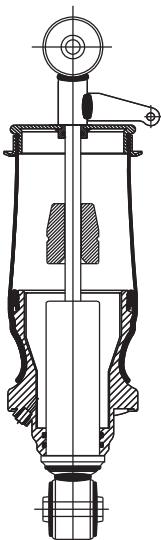
• Oem Reference

• M.A.N. TGA 81.41722.6015
81.41722.6023



• Cross Reference

• Oem Reference

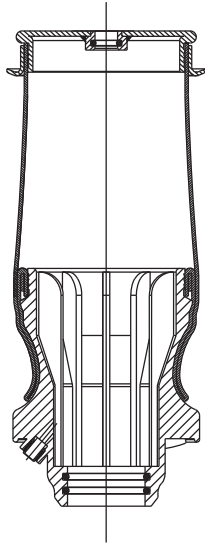


• Cross Reference

• SACHS 135 196

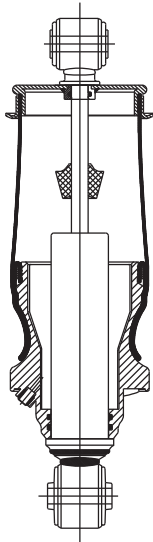
• Oem Reference

• M.A.N. TGA 81.41722.6014
81.41722.6022



• Cross Reference

• Oem Reference

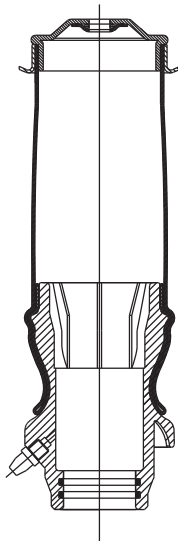


• Cross Reference

• Oem Reference

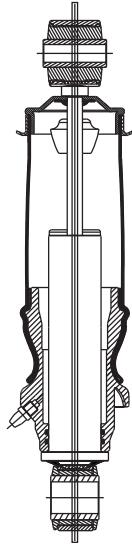
• SACHS 135 198

• M.A.N. TGA 81.41722.6057
81.41722.6006
81.41722.6012



• Cross Reference

• Oem Reference

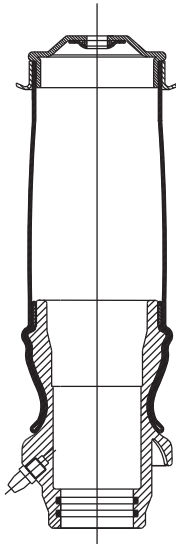


• Cross Reference

• SACHS 311 663

• Oem Reference

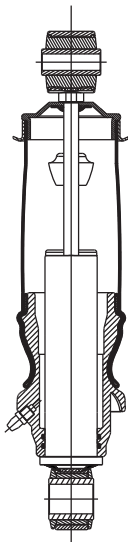
• MERCEDES 9438903819



• Cross Reference

• SACHS 290 998

• Oem Reference

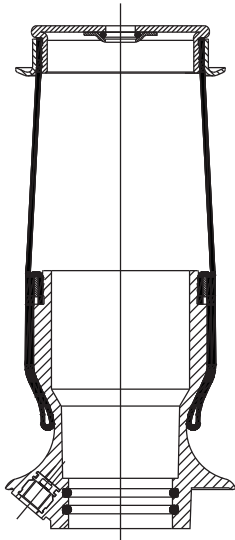


• Cross Reference

• SACHS 290 998

• Oem Reference

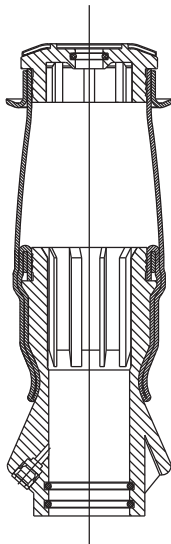
• MERCEDES 9428905319
9428905919



• Cross Reference

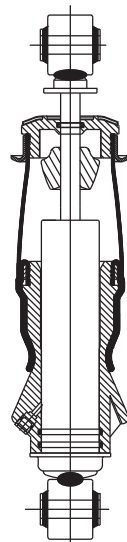
• Oem Reference

• IVECO Stralis 500340706



• Cross Reference

• Oem Reference

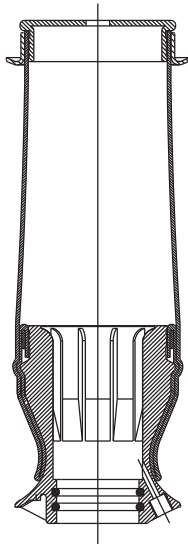


• Cross Reference

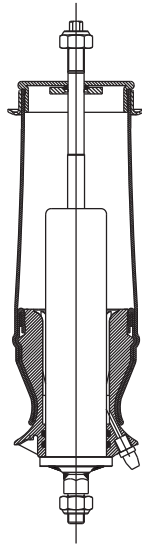
• Oem Reference

• SACHS 310 957
• CONTITECH SZ 36-10
• GRANNING 15519

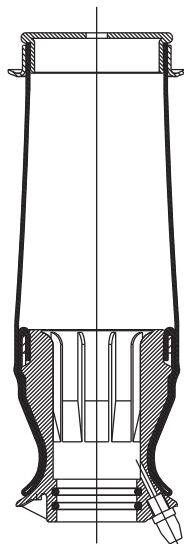
• RENAULT Premium 5010 228 908
5010 228 908A
5010 228 908B
5010 228 908C
5010 269 674
5010 316 873
5010 316 873A



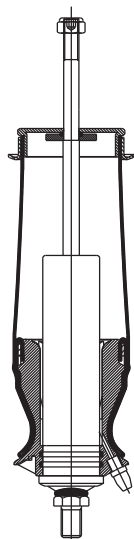
• Cross Reference		• Oem Reference	
• MONROE	CB0003		
• GRANNING	50509		



• Cross Reference		• Oem Reference	
• SACHS	290 987	• SCANIA R Serie	1363120
	310 619		1397386
• MONROE	CB0058		1397388
	(Unit Without Air Spring)		1397390
	CB0067		1397392
	(Air Spring)		1424227
			1349840
			(Spring Type)
			1424231
			(Spring Type)



• Cross Reference		• Oem Reference	

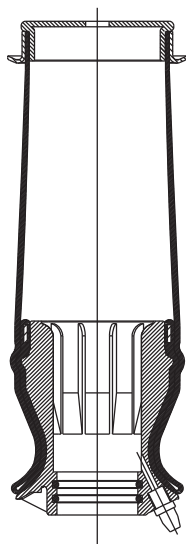


• Cross Reference

- SACHS 290 989
310 619

• Oem Reference

- SCANIA R Serie 1349844
1382827
1424229
1349840
(Spring Type)
1424231
(Spring Type)

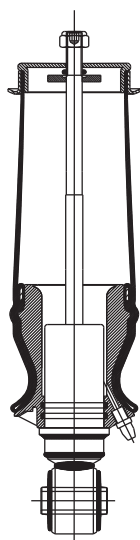


• Cross Reference

- SACHS 310 619
- MONROE CB0067

• Oem Reference

- SCANIA R Serie 1349840
1424231
(Spring Type)

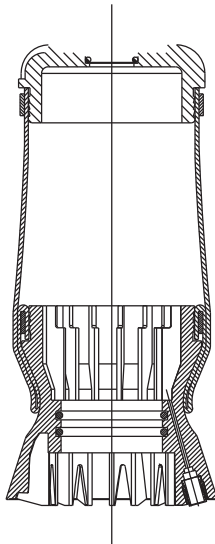


• Cross Reference

- SACHS 310 619
310 620
(Shock Absorber)

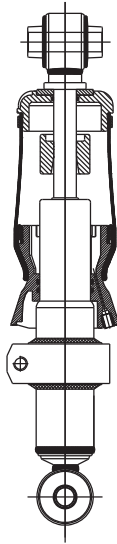
• Oem Reference

- SCANIA R Serie 1502470
1502471
1502472
1502474
1505563
1595642
1349840
(Spring Type)
1424231
(Spring Type)



• Cross Reference
• SACHS 115 743

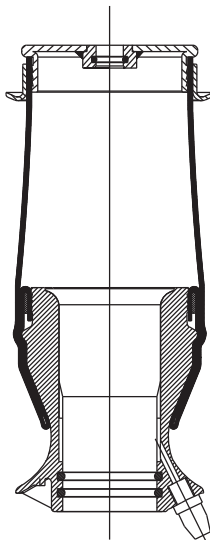
• Oem Reference



• Cross Reference
• SACHS 115 743

• Oem Reference

- IVECO Eurotech-Eurostar Type2
4102 8763
4102 8764
500348793
500377878
- IVECO Eurotech-Eurostar TypeL
500307338
500352808
500379698
9943 8514
9945 5937
9847 2734

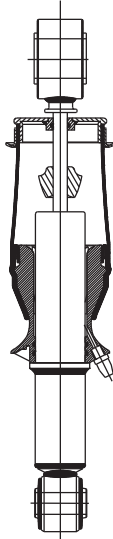


• Cross Reference

• Oem Reference

dastech[®] 428012 K

Cabin and Seat Air Springs



• Cross Reference

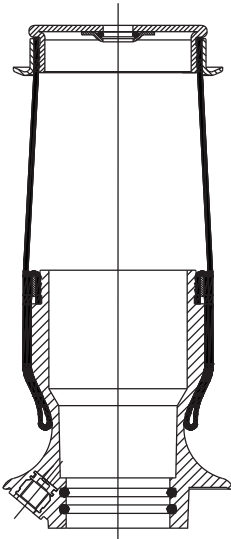
• SACHS 310 820

• Oem Reference

• IVECO Stralis 500.357.351

dastech[®] 428013 M

Cabin and Seat Air Springs

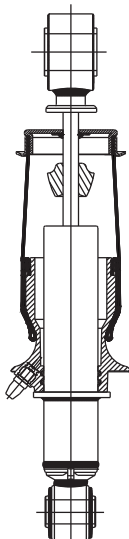


• Cross Reference

• Oem Reference

dastech[®] 428013 K

Cabin and Seat Air Springs

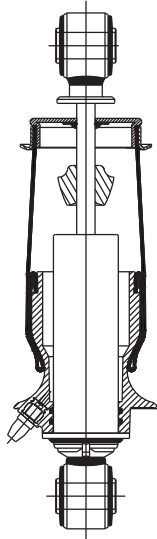


• Cross Reference

• ARVINMERITOR 908322985

• Oem Reference

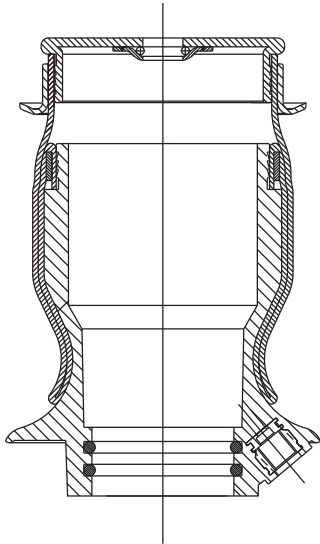
• IVECO Stralis 500.340.705



• Cross Reference

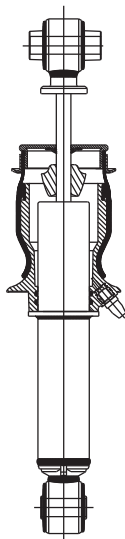
• Oem Reference

• IVECO Stralis 500340706



• Cross Reference

• Oem Reference



• Cross Reference

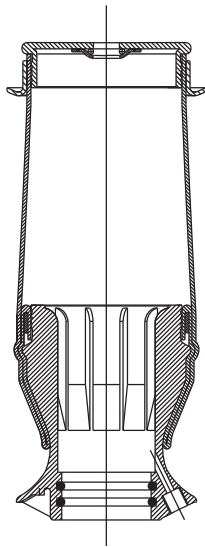
• Oem Reference

• ARVINMERITOR 908323140

• IVECO Stralis 504.060.233

dastech[®] 428016 M

Cabin and Seat Air Springs

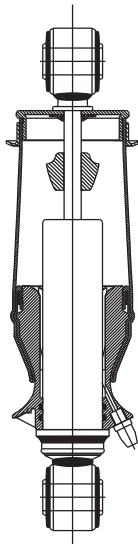


• Cross Reference

• Oem Reference

dastech[®] 428016 K

Cabin and Seat Air Springs



• Cross Reference

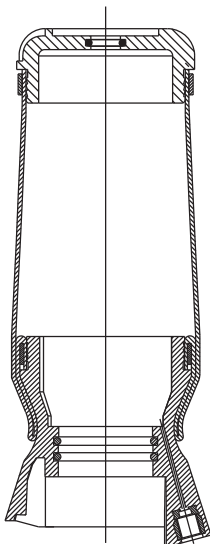
• Oem Reference

• SACHS 310 821

• IVECO Stralis 500.357.352

dastech[®] 428017 M

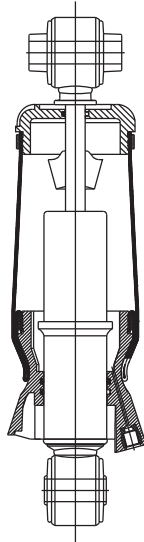
Cabin and Seat Air Springs



• Cross Reference

• Oem Reference

• IVECO Stralis 504.060.241

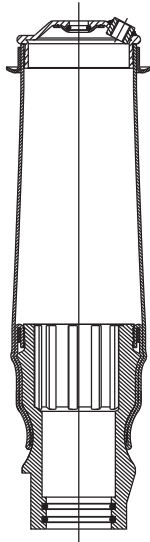


• Cross Reference

• SACHS 731700000277

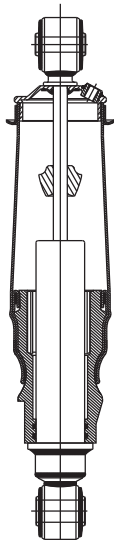
• Oem Reference

• IVECO Stralis 504.060.241



• Cross Reference

• Oem Reference



• Cross Reference

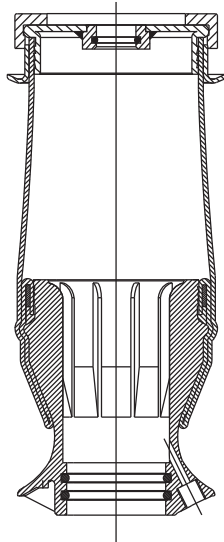
• MONROE CB0003
• GRANNING 50509

• Oem Reference

• VOLVO FH12-FH16 1629719
1629724
3172984

dastech[®] 428021 M

Cabin and Seat Air Springs

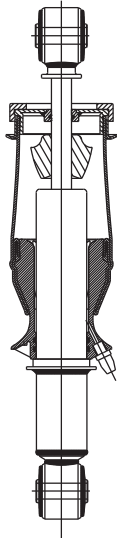


• Cross Reference

• Oem Reference

dastech[®] 428021 K

Cabin and Seat Air Springs



• Cross Reference

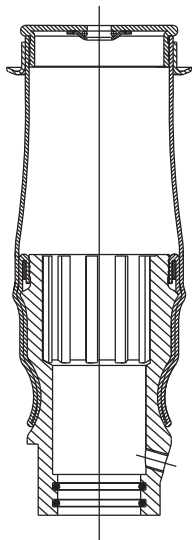
• Oem Reference

• MONROE CB0006

• VOLVO FH12-FH16 20427897
20721169

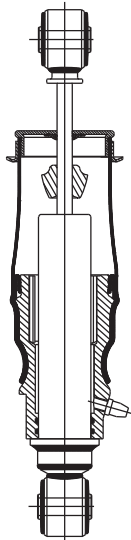
dastech[®] 428022 M

Cabin and Seat Air Springs



• Cross Reference

• Oem Reference

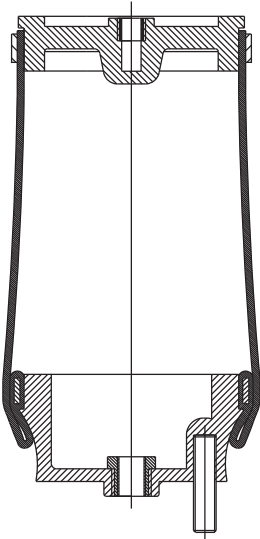


• Cross Reference

- MONROE CB0002
- GRANNING 50510

• Oem Reference

- VOLVO FH12-FH16 1075076
- 1075077

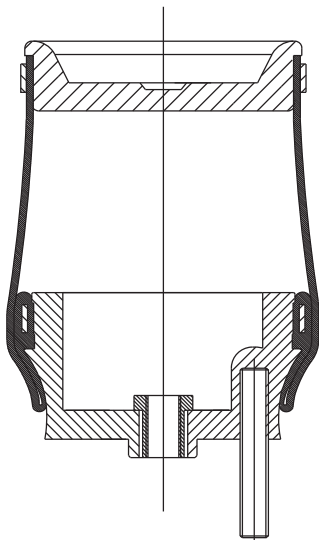


• Cross Reference

- CONTITECH SZ 50-8
- GRANNING 15512

• Oem Reference

- RENAULT G 340 Ti 5010092916E

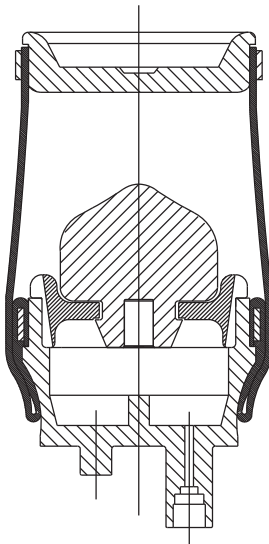


• Cross Reference

- CONTITECH SZ 50-10
- GRANNING 15513

• Oem Reference

- RENAULT G 340 Ti 5010266845A
- 5010313619A

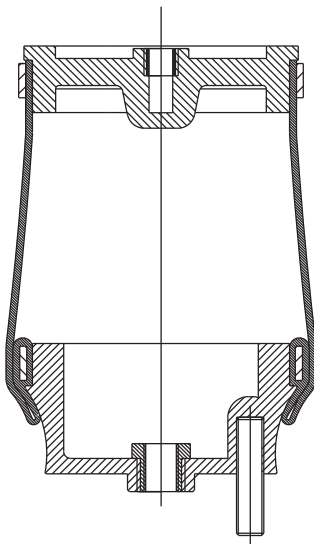
dastech® 421414**Cabin and Seat Air Springs**

• Cross Reference

- CONTITECH SZ 50-9
- GRANNING 15515

• Oem Reference

- RENAULT Premium 501013079G

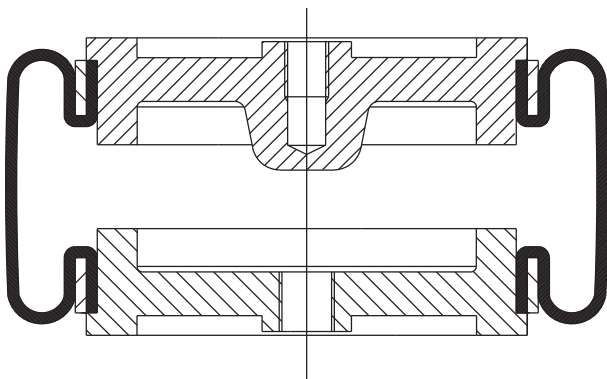
dastech® 421506**Cabin and Seat Air Springs**

• Cross Reference

- CONTITECH SZ 50-6
- GRANNING 15514

• Oem Reference

- RENAULT Gamme G 5010133079D

dastech® 421514**Cabin and Seat Air Springs**

• Cross Reference

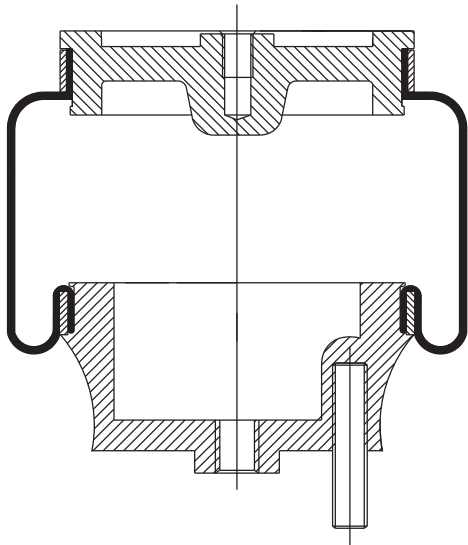
- CONTITECH SZ 51-4
- GRANNING 90000

• Oem Reference



dastech® 425101

Cabin and Seat Air Springs



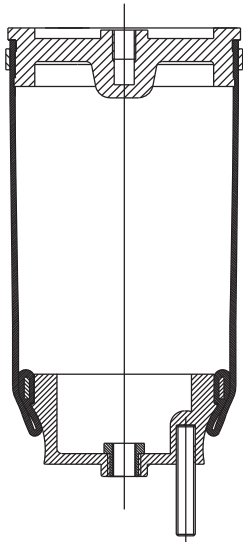
• Cross Reference

- CONTITECH SZ 51-7
- GRANNING 90002

• Oem Reference

dastech® 425110

Cabin and Seat Air Springs



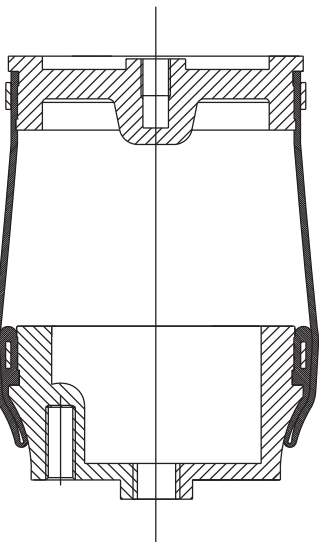
• Cross Reference

- CONTITECH SZ 51-10

• Oem Reference

dastech® 425121

Cabin and Seat Air Springs

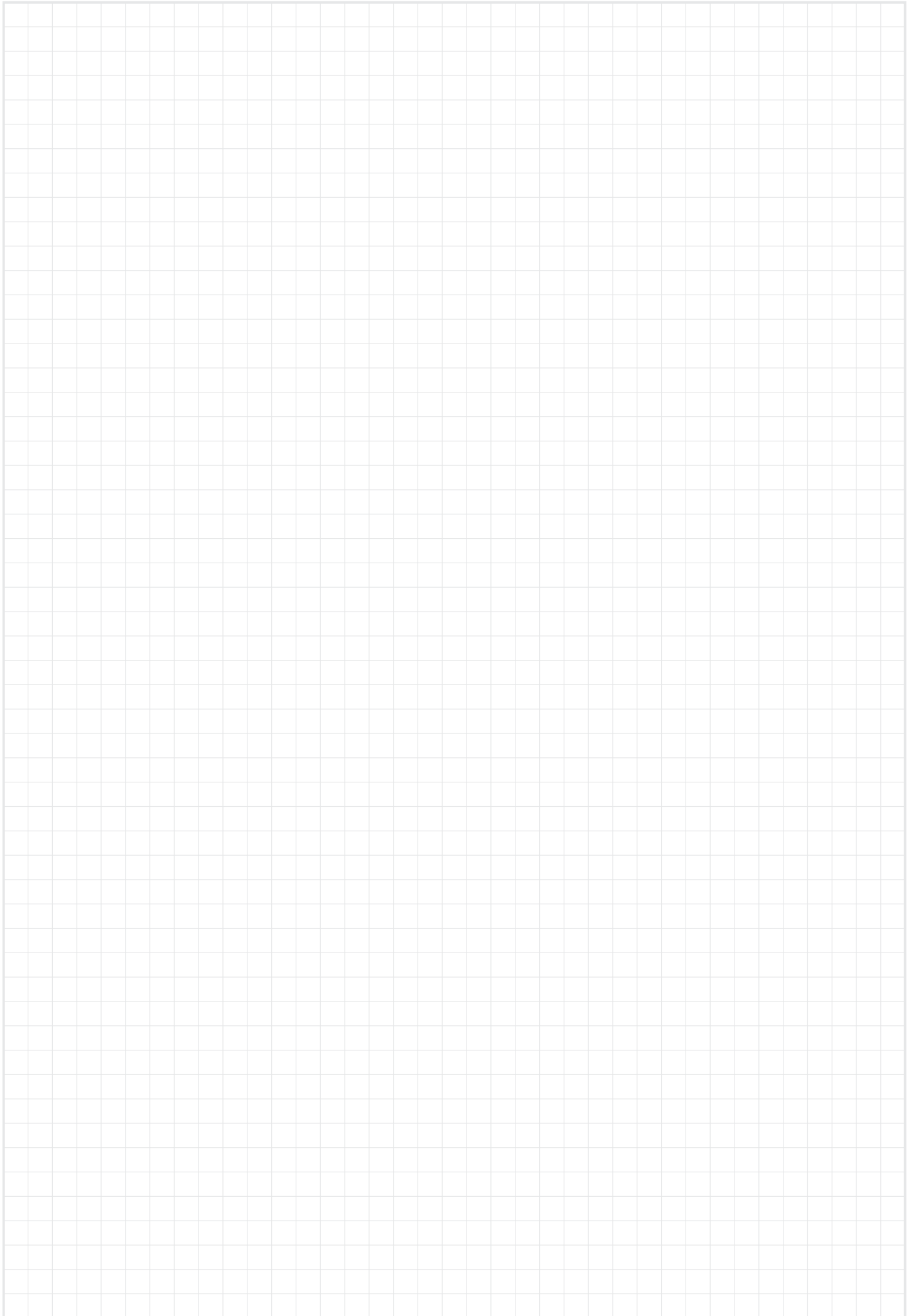


• Cross Reference

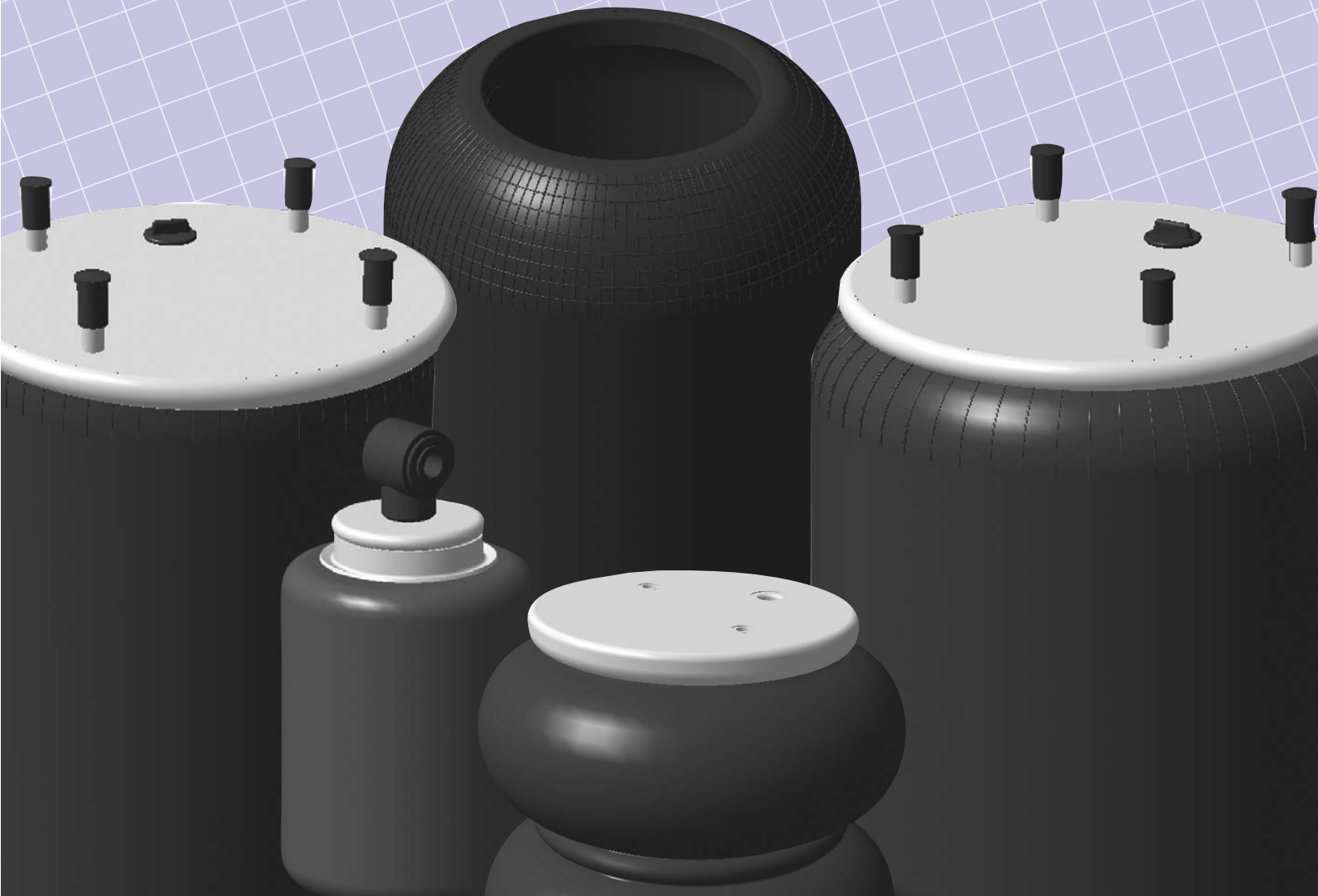
- CONTITECH SZ 51-5
- GRANNING 90001

• Oem Reference

Notes:



Oem List



OEM LIST

OEM NUMBER	DASTECH PRODUCT NR.	REMARK	PAGE
A 942 320 22 21	44183 K	Complete	K21
A 942 320 23 21	44183-02 K	Complete	K22
A 942 320 01 21	44390-01 K	Complete	K22
A 942 320 02 21	44390-02 K	Complete	K22
A 942 320 04 21	44390-03 K	Complete	K23
A 942 320 03 21	44390-04 K	Complete	K23
A 942 320 49 21	44390-21 K	Complete	K23
A 942 320 28 21	44390-21 K	Complete	K23
A 942 320 50 21	44390-22 K	Complete	K24
A 942 320 29 21	44390-22 K	Complete	K24
A 942 320 52 21	44390-23 K	Complete	K24
A 942 320 51 21	44390-24 K	Complete	K24
A 942 320 01 17	44757-01 K	Complete	K25
A 942 320 04 17	44757-09 K	Complete	K26
A 942 320 43 21	44757-21 K	Complete	K26
A 942 320 32 17	44757-29 K	Complete	K26
A 946 320 04 21	44838-01 K	Complete	K27
A 946 320 02 21	44838-02 K	Complete	K27
A 946 320 01 21	44838-03 K	Complete	K28
A 942 320 38 21	44838-21 K	Complete	K28
A 942 320 36 21	44838-22 K	Complete	K28
A 942 320 35 21	44838-23 K	Complete	K29

DENNIS

650292/ 8	4720	Roll	R5
650883/ 7	4720	Roll	R5
650883/ 4	4720	Roll	R5
656 300/ 2	4896	Roll	R10
656 289/ 2	4897	Roll	R10
611896/ 12	4927	Roll	R11

DISCOS MERCEDES

A 946 328 04 01	40081 K	Complete	K12
A 946 328 14 01	44157 KP	Complete	K18

DROGMOELLER

440320200002-00	4661	Roll	R2
-----------------	------	------	----

E.R.F.

143908-3	4813 K	Complete	K3
143908-3	4813 KP	Complete	K4

EVO BUS

A 000 327 01 01	4644	Roll	R2
A 000 328 00 01	4644	Roll	R2
4.771.170.000	4644	Roll	R2
4.771.441.000	4644	Roll	R2
4.771.143.000	4644	Roll	R2
4.731.012.000	4661	Roll	R2
4.731.031.000	4661	Roll	R2
4.771.427.000	4661	Roll	R2
4.771.440.000	4661	Roll	R2
4.731.042.000	4661	Roll	R2
A 383 327 00 01	4673	Roll	R3
4 .731.032.000	4719	Roll	R5
A 000 328 00 01	4921	Roll	R11
A 356.327.0001	4450-25	Roll	R14
4.731.029.000	4811 M	Service Assembly	M2
A 942.327.0001	44390-01 M	Service Assembly	M14
A 629 320 00 25	44644 M	Service Assembly	M15
4.731.030.000	4813 K	Complete	K3
4.731.033.000	4813 K	Complete	K3
4.731.030.000	4813 KP	Complete	K4
4.731.033.000	4813 KP	Complete	K4

OEM LIST

OEM NUMBER	DASTECH PRODUCT NR.	REMARK	PAGE
FRUEHAUF			
003615E	4813 K	Complete	K3
003615E	4813 KP	Complete	K4
M001472	44156-09 K	Complete	K17
1525267	44156-09 K	Complete	K17
UJA 0930	44156-09 K	Complete	K17
UJB 0207 001	44156-09 K	Complete	K17
UJB 0203	44159-07 K	Complete	K21

GIGANT

196036	4719	Roll	R5
166205	4719	Roll	R5
166226	4727	Roll	R5
196043	4727	Roll	R5
246149	4725 M	Service Assembly	M2
3653	4725 M	Service Assembly	M2
166217	4725 K	Complete	K1
246149	4725 K	Complete	K1
166252	4725-01 K	Complete	K1
190130	2D-220/03	Convolutud	D2
190130	2D-220/08	Convolutud	D4

GRANNING

15622	4644	Roll	R2
15621	4661	Roll	R2
15623	4662	Roll	R3
15916	4940 M	Service Assembly	M6
15635	4810 K	Complete	K1
15634	4813 K	Complete	K3
15634	4813 KP	Complete	K4
16919	4940 KP	Complete	K11
15910	44912 K	Complete	K32
15603	2D-220/03	Convolutud	D2
15599	2D-220/12	Convolutud	D5

HANOMAG-HENSCHEL

546 905 134	4644	Roll	R2
536 905 265	4661	Roll	R2
536 905 266	4661	Roll	R2

HENDRICKSON

B 2065	4810 K	Complete	K1
B 2063	4813 K	Complete	K3
Y505859	4813 K	Complete	K3
785170	4813 K	Complete	K3
B 2063	4813 KP	Complete	K4
Y505859	4813 KP	Complete	K4
785170	4813 KP	Complete	K4
HS 251087	40081 K	Complete	K12
HA 100001	44156 KP	Complete	K18
NA 1827	2D-220/01	Convolutud	D1

IKARUS

B 510040	4701	Roll	R3
B 510040	3D-300/02	Convolutud	D8

INBUS

5001098	4673	Roll	R3
5001051	4943	Roll	R12
4890001	4944	Roll	R12
4840005	4944	Roll	R12

ISUZU

LUX	4112	Roll	R1
TURKUVAZ	4122 M	Service Assembly	M1

OEM LIST

OEM NUMBER	DASTECH PRODUCT NR.	REMARK	PAGE
IVECO			
4182227	4661	Roll	R2
474.6733	4661	Roll	R2
470.3904	4782	Roll	R8
470.3972	4782	Roll	R8
471.6989	4782	Roll	R8
931 95 986	4782	Roll	R8
410.22620	4876	Roll	R9
818.8539	4884	Roll	R10
971 08 363	4884	Roll	R10
500 301 452	4884	Roll	R10
818.4025	4884	Roll	R10
994 59 166	4921	Roll	R11
645.3741	4928	Roll	R12
614.4040	4943	Roll	R12
816.0165	4943	Roll	R12
473.8008	4944	Roll	R12
472.2525	4944	Roll	R12
471.4025	4944	Roll	R12
473.6728	4944	Roll	R12
471.6989	4945	Roll	R13
984.78799	41885	Roll	R13
931.97594	4450-25	Roll	R14
9988467	4810 K	Complete	K1
500340706	408014 M	Cabin and Seat	C11
4102 8763	428011 K	Cabin and Seat	C14
4102 8764	428011 K	Cabin and Seat	C14
500349793	428011 K	Cabin and Seat	C14
500377878	428011 K	Cabin and Seat	C14
500307338	428011 K	Cabin and Seat	C14
500352808	428011 K	Cabin and Seat	C14
500379698	428011 K	Cabin and Seat	C14
9943 8514	428011 K	Cabin and Seat	C14
9945 5937	428011 K	Cabin and Seat	C14
9847 2734	428011 K	Cabin and Seat	C14
500357351	428012 K	Cabin and Seat	C15
500340705	428013 K	Cabin and Seat	C15
500340706	428014 K	Cabin and Seat	C16
504060233	428015 K	Cabin and Seat	C16
500357352	428016 K	Cabin and Seat	C17
504060241	428017 M	Cabin and Seat	C17
504060241	428017 K	Cabin and Seat	C18

KASSBOHRER

4.731.012.000	4661	Roll	R2
4.771.427.000	4661	Roll	R2
4.731.032.000	4719	Roll	R5
4.731.030.000	4719	Roll	R5
4.731.033.000	4813 K	Complete	K3
4.731.033.000	4813 KP	Complete	K4

LEYLAND

AAU2542	4927	Roll	R11
AAU2544	4928	Roll	R12

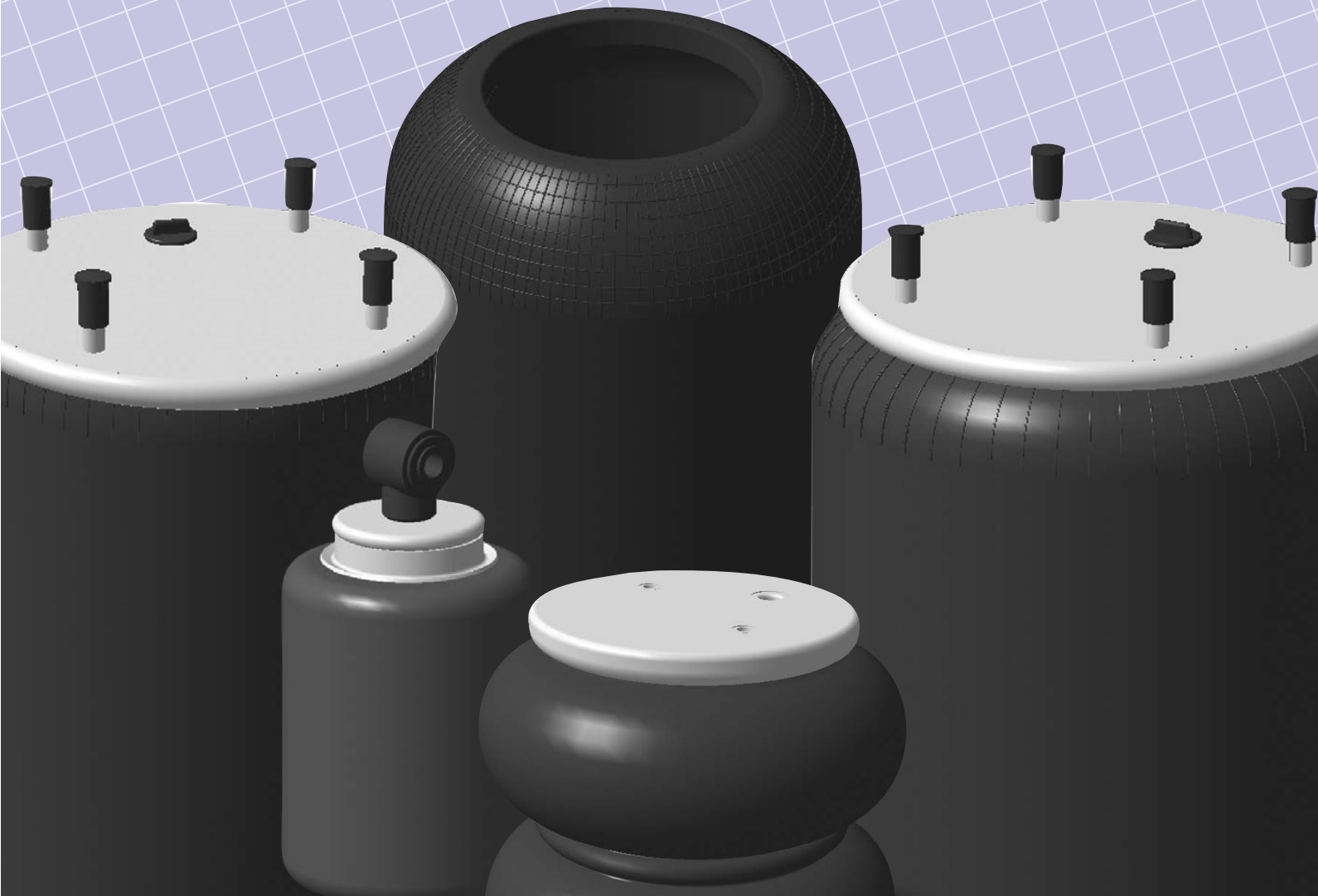
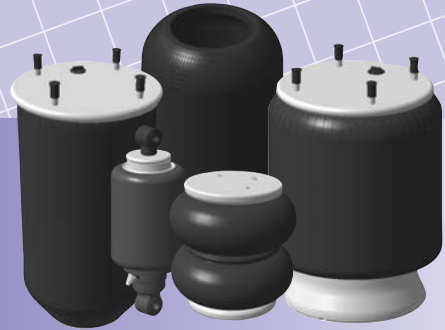
M.A.N.

81.43601.0017	4644	Roll	R2
90.83112.0144	4661	Roll	R2
81.43601.0018	4662	Roll	R3
81.43601.0051	4662	Roll	R3
81.43601.0127	4706	Roll	R4
81.43601.0139	4706	Roll	R4
81.43601.0096	4706	Roll	R4
81.43601.0098	4706	Roll	R4

OEM LIST

OEM NUMBER	DASTECH PRODUCT NR.	REMARK	PAGE
81.43601.0101	4706	Roll	R4
81.43601.0039	4716	Roll	R4
81.43601.0040	4716	Roll	R4
81.43601.0033	4720	Roll	R5
81.43601.0036	4720	Roll	R5
81.43601.0037	4720	Roll	R5
81.43601.0056	4727	Roll	R5
81.43601.0057	4727	Roll	R5
81.43601.0058	4727	Roll	R5
81.43601.0076	4727	Roll	R5
81.43601.0079	4727	Roll	R5
81.43601.0082	4727	Roll	R5
81.43601.0084	4727	Roll	R5
81.43601.0091	4727	Roll	R5
81.43601.0114	4727	Roll	R5
81.43601.0116	4727	Roll	R5
81.43601.0065	4882	Roll	R9
81.43601.0067	4882	Roll	R9
81.43601.0070	4882	Roll	R9
81.43601.0092	4882	Roll	R9
81.43601.0099	4882	Roll	R9
81.43601.0100	4882	Roll	R9
81.43601.0103	4882	Roll	R9
81.43601.0121	4882	Roll	R9
81.43601.0132	4882	Roll	R9
81.43601.0071	4883	Roll	R9
81.43601.0072	4883	Roll	R9
81.43601.0110	4883	Roll	R9
81.43601.0128	4883	Roll	R9
81.43601.0066	4884	Roll	R10
81.43601.0068	4884	Roll	R10
81.43601.0069	4884	Roll	R10
81.43601.0106	4884	Roll	R10
81.43601.0108	4884	Roll	R10
81.43601.095	4916	Roll	R11
81.43601.097	4916	Roll	R11
81.43601.102	4916	Roll	R11
81.43601.105	4916	Roll	R11
81.43601.100	4916	Roll	R11
81.43601.126	4916	Roll	R11
81.43601.0125	41885	Roll	R13
81.43601.0150	41885	Roll	R13
81.43601.0111	41885	Roll	R13
81.43601.0123	41885	Roll	R13
81.43601.0104	41885	Roll	R13
81.436.010.109	41885	Roll	R13
81.43601.0151	44882 M	Service Assembly	M17
81.43601.0153	44883 M	Service Assembly	M18
81.43601.0152	44884 M	Service Assembly	M18
81.43601.6071	44885 M	Service Assembly	M18
81.43601.0160	44885 M	Service Assembly	M18
81.43601.0165	44886 M	Service Assembly	M19
81.43600.6036	44882 K	Complete	K30
81.43600.6038	44883 K	Complete	K30
81.43600.6035	44884 K	Complete	K31
81.43600.6044	44885 K	Complete	K31
81.43600.6046	44886 K	Complete	K31
81.41722.6048	403001 K	Cabin and Seat	C5
81.41722.6051	403001 K	Cabin and Seat	C5
81.41722.6049	404001 K	Cabin and Seat	C6
81.41722.6052	404001 K	Cabin and Seat	C6
81.41722.6015	406014 K	Cabin and Seat	C8
81.41722.6023	406014 K	Cabin and Seat	C8
81.41722.6014	406015 K	Cabin and Seat	C8

Cross List



OEM LIST

OEM NUMBER	DASTECH PRODUCT NR.	REMARK	PAGE
81.41722.6022	406015 K	Cabin and Seat	C8
81.41722.6057	406057 K	Cabin and Seat	C9
81.41722.6006	406057 K	Cabin and Seat	C9
81.41722.6012	406057 K	Cabin and Seat	C9

MAGIRUS-DEUTZ

536 905 265	4644	Roll	R2
041 822 247	4661	Roll	R2
0249 8667	4661	Roll	R2
0249 1566	4673	Roll	R3

MENARINI

199196	4644	Roll	R2
178739	4737	Roll	R6
252933	4769	Roll	R7
178623	4944	Roll	R12
325993	4944	Roll	R12
178741	4945	Roll	R13

MERCEDES

A 000 327 0101	4644	Roll	R2
A 613 327 0001	4644	Roll	R2
A 307 328 0101	4727	Roll	R5
A 382 327 7201	4782	Roll	R8
A 356 327 0001	4450-25	Roll	R14
A 613 327 0101	4450-25	Roll	R14
9428902919	405001 K	Cabin and Seat	C6
9428900219	406001 K	Cabin and Seat	C7
9428906019	406001 K	Cabin and Seat	C6
9438903819	407001 K	Cabin and Seat	C10
9428905319	408001 K	Cabin and Seat	C10
9428905919	408001 K	Cabin and Seat	C10

MITSUBISHI

SAFIR	4240	Roll	R1
SAFIR	4250	Roll	R1
MARATON	4625	Roll	R2

NEOPLAN

1001 12 254	4644	Roll	R2
1001 10 300	4644	Roll	R2
1001 12 250	4661	Roll	R2
AA 10-01-001	4661	Roll	R2
AA 10-01-002	4662	Roll	R3
1001 122 51	4662	Roll	R3
1001 102 00	4662	Roll	R3
1001 101 00	4719	Roll	R5
1021 002 00	4719	Roll	R5
1001 123 00	4720	Roll	R5

NEWAY

211 586	4810 K	Complete	K1
21215632	4810 K	Complete	K1
22 282	4813 K	Complete	K3
21215633	4813 K	Complete	K3
22 282	4813 KP	Complete	K4
212 156 33	4813 KP	Complete	K4

PORTESI

700 176	4944	Roll	R12
---------	------	------	-----

R.O.R / MERITOR

21215632	4810 K	Complete	K1
21208082	4810 K	Complete	K1

OEM LIST

OEM NUMBER	DASTECH PRODUCT NR.	REMARK	PAGE
17204517	4810 K	Complete	K1
21225633	4811-02 K	Complete	K2
21215633	4813 K	Complete	K3
21215633	4813 KP	Complete	K4
21222239	44028-05 K	Complete	K16
21216135	44156-09 K	Complete	K17
21215761	44156 KP	Complete	K18
21215762	44156 KP	Complete	K18
21226046	44156 KP	Complete	K18
21221307	44157 KP	Complete	K18
21222442	44157-09 KP	Complete	K19
21221395	2D-220/01	Convolutud	D1
21222663	2D220/01	Convolutud	D1

RENAULT V.I

5.001.829.866	4661	Roll	R2
5.000.954.175	4768	Roll	R7
5.000.805.284	4769	Roll	R7
5.000.954.176	4782	Roll	R8
5.000.296.816	4876	Roll	R9
5.010.294.385	4884	Roll	R10
5.000.288.982	4921	Roll	R11
5.010.151.378	4921	Roll	R11
5.010.151.379	4921	Roll	R11
5.011.294.308	44911 M	Service Assembly	M19
5.001.8320.67	44912 M	Service Assembly	M20
5.000.452.939	4810 K	Complete	K1
5.000.745.918	4811 K	Complete	K2
5.010.130.925	4813 K	Complete	K3
5.000.790.692	4813 K	Complete	K3
5.010.130.925	4813 KP	Complete	K4
5.000.790.692	4813 KP	Complete	K4
5.010.294.252.B	44154 KP	Complete	K16
5.010.488.071	44154 KP	Complete	K16
5.010.239.252	44154 KP	Complete	K16
5.010.294.308.C	44911 K	Complete	K32
5.010.557.356	44911-04 K	Complete	K32
5.010.294.307	44912 K	Complete	K32
5.010.557.355	44912-10 K	Complete	K33
510228908	408908 K	Cabin and Seat	C11
510228908A	408908 K	Cabin and Seat	C11
510228908B	408908 K	Cabin and Seat	C11
510228908C	408908 K	Cabin and Seat	C11
510269674	408908 K	Cabin and Seat	C11
510316873	408908 K	Cabin and Seat	C11
510316873A	408908 K	Cabin and Seat	C11
5010092916E	421053	Cabin and Seat	C20
5010266845A	421054	Cabin and Seat	C20
5010313619A	421054	Cabin and Seat	C20
5010130797G	421414	Cabin and Seat	C21
5010133079D	421506	Cabin and Seat	C21

S.A.F

3.229.0029.00	42618 M	Service Assembly	M8
3.229.2129.00	42618 M	Service Assembly	M8
3.229.2229.00	42618 M	Service Assembly	M8
3.229.2429.00	42618 M	Service Assembly	M8
2618 V	42618 M	Service Assembly	M8
4.284.3006.00	42619 M	Service Assembly	M8
2618 V	42619 M	Service Assembly	M8
4.284.3003.01	44004 M	Service Assembly	M9
2618	44004 M	Service Assembly	M9
4.284.3006.00	44022 M	Service Assembly	M9
2618 V	44022 M	Service Assembly	M9

OEM LIST

OEM NUMBER	DASTECH PRODUCT NR.	REMARK	PAGE
2619 V	44022 M	Service Assembly	M9
3.229.0031.00	44023 M	Service Assembly	M10
2.228.0002.00	4810 K	Complete	K1
2.228.2402.00	4810 K	Complete	K1
2.228.2602.00	4810 K	Complete	K1
2.228.2202.00	4810 K	Complete	K1
2.228.2102.00	4810 K	Complete	K1
2.229.0003.00	4813 K	Complete	K3
2.229.2103.00	4813 K	Complete	K3
2.229.2403.00	4813 K	Complete	K3
2.229.2603.00	4813 K	Complete	K3
2.229.0003.00	4813 KP	Complete	K4
2.229.2103.00	4813 KP	Complete	K4
2.229.2403.00	4813 KP	Complete	K4
2.229.2603.00	4813 KP	Complete	K4
3.229.0029.00	42618 KP	Complete	K13
3.229.2129.00	42618 KP	Complete	K13
3.229.2229.00	42618 KP	Complete	K13
3.229.2429.00	42618 KP	Complete	K13
2618 V	42618 KP	Complete	K13
3.229.0033.00	42619 KP	Complete	K13
2619 V	42619 KP	Complete	K13
3.229.0007.00	44004 K	Complete	K14
2618	44004 K	Complete	K14
3.229.0007.01	44004 K	Complete	K14
3.229.0007.02	44004 K	Complete	K14
3.229.0007.00	44004 KP	Complete	K14
2618	44004 KP	Complete	K14
3.229.0007.02	44004 KP	Complete	K14
3.229.0007.01	44004 KP	Complete	K14
3.229.0029.00	44022 K	Complete	K14
2618 V	44022 K	Complete	K14
3.229.2129.00	44022 K	Complete	K14
3.229.2229.00	44022 K	Complete	K14
3.229.2429.00	44022 K	Complete	K14
3.229.0029.00	44022-03KP	Complete	K15
2618 V	44022-03KP	Complete	K15
3.229.2129.00	44022-03KP	Complete	K15
3.229.2229.00	44022-03KP	Complete	K15
3.229.2429.00	44022-03KP	Complete	K15
3.229.0033.00	44022-05KP	Complete	K15
2619 V	44022-05KP	Complete	K15
3.229.0031.00	44023 K	Complete	K15
3.229.2131.00	44023 K	Complete	K15
3.229.2231.00	44023 K	Complete	K15
3.229.2431.00	44023 K	Complete	K15
3.229.0005.00	44813 K	Complete	K27
4.229.1004.00	2D-220/12	Convuluted	D5

SAMRO

25008	4810 K	Complete	K1
2500009	4813 K	Complete	K3
2500009	4813 KP	Complete	K4
2500915	40081K	Complete	K12

SCANIA

411627	4896	Roll	R10
411622	4897	Roll	R10
411623	4897	Roll	R10
402315	4897	Roll	R10
434932	4928	Roll	R12
1440856	4856 M	Service Assembly	M5
1440859	4859 M	Service Assembly	M6
1314906	44813 M	Service Assembly	M16

OEM LIST

OEM NUMBER	DASTECH PRODUCT NR.	REMARK	PAGE
1107674	44813 M	Service Assembly	M16
325748	44813 M	Service Assembly	M16
298568	44813 M	Service Assembly	M16
255265	44813 M	Service Assembly	M16
255293	44813 M	Service Assembly	M16
1379393	44913 M	Service Assembly	M20
1379393	44913-01 M	Service Assembly	M21
470920	4856-01 K	Complete	K6
488265	4856-01 K	Complete	K6
1440301	4856-01 K	Complete	K6
470921	4856-02 K	Complete	K7
1440302	4856-02 K	Complete	K7
470920	4856-11 K	Complete	K7
488265	4856-11 K	Complete	K7
1440301	4856-11 K	Complete	K7
1440303	4859-03 K	Complete	K7
1521114	4859-03 K	Complete	K7
1475106	4859-03 K	Complete	K7
488263	4859-03 K	Complete	K7
470922	4859-04 K	Complete	K8
1440304	4859-04 K	Complete	K8
492680	4859-05 K	Complete	K8
1440305	4859-05 K	Complete	K8
492678	4859-06 K	Complete	K8
1440306	4859-06 K	Complete	K8
475149	4859-07 K	Complete	K9
470919	4859-07 K	Complete	K9
1440307	4859-07 K	Complete	K9
473868	4859-16 K	Complete	K9
488264	4859-16 K	Complete	K9
1434506	4859-16 K	Complete	K9
255295	44813 K	Complete	K27
325748	44813 K	Complete	K27
298568	44813 K	Complete	K27
255293	44813 K	Complete	K27
1107674	44813 K	Complete	K27
1314906	44813 K	Complete	K27
1379392	44913 K	Complete	K33
1440294	44913 K	Complete	K33
93-113-143	401169 M	Cabin and Seat	C1
1348121	401169 M	Cabin and Seat	C1
(Spring Type)			
93-113-143	401169 K	Cabin and Seat	C1
370227	401169 K	Cabin and Seat	C1
393257	401169 K	Cabin and Seat	C1
550365	401169 K	Cabin and Seat	C1
1116535	401169 K	Cabin and Seat	C1
1117320	401169 K	Cabin and Seat	C1
1117334	401169 K	Cabin and Seat	C1
1331620	401169 K	Cabin and Seat	C1
1331621	401169 K	Cabin and Seat	C1
1331634	401169 K	Cabin and Seat	C1
1331635	401169 K	Cabin and Seat	C1
1348117	401169 K	Cabin and Seat	C1
1348118	401169 K	Cabin and Seat	C1
1348119	401169 K	Cabin and Seat	C1
1348120	401169 K	Cabin and Seat	C1
1348121	401169 K	Cabin and Seat	C1
1340181	401169 K	Cabin and Seat	C1
(Spring Type)			
94-114-144	401180 M	Cabin and Seat	C1
1349840	401180 M	Cabin and Seat	C1
1424231	401180 M	Cabin and Seat	C1

OEM LIST

OEM NUMBER	DASTECH PRODUCT NR.	REMARK	PAGE
(Spring Type)			
94-114-144	401180 K	Cabin and Seat	C2
1363120	401180 K	Cabin and Seat	C2
1381904	401180 K	Cabin and Seat	C2
1397386	401180 K	Cabin and Seat	C2
1397388	401180 K	Cabin and Seat	C2
1397390	401180 K	Cabin and Seat	C2
1397392	401180 K	Cabin and Seat	C2
1397396	401180 K	Cabin and Seat	C2
1397400	401180 K	Cabin and Seat	C2
1424227	401180 K	Cabin and Seat	C2
1435859	401180 K	Cabin and Seat	C2
1349840	401180 K	Cabin and Seat	C2
(Spring Type)			
1424231	401180 K	Cabin and Seat	C2
(Spring Type)			
94-114-144	401181 K	Cabin and Seat	C2
1349844	401181 K	Cabin and Seat	C2
1382827	401181 K	Cabin and Seat	C2
1424229	401181 K	Cabin and Seat	C2
1349840	401181 K	Cabin and Seat	C2
(Spring Type)			
1424231	401181 K	Cabin and Seat	C2
(Spring Type)			
1502468	401208 M	Cabin and Seat	C3
1502471	401208 M	Cabin and Seat	C3
1502470	401208 K	Cabin and Seat	C3
1502471	401208 K	Cabin and Seat	C3
1502474	401208 K	Cabin and Seat	C3
1502468	401208 K	Cabin and Seat	C3
(Spring Type)			
1502471	401208 K	Cabin and Seat	C3
(Spring Type)			
94-114-144	402186 M	Cabin and Seat	C3
1381919	402186 M	Cabin and Seat	C3
1476415	402186 M	Cabin and Seat	C3
(Air Spring)			
94-114-144	402186 K	Cabin and Seat	C4
1381904	402186 K	Cabin and Seat	C4
1381919	402186 K	Cabin and Seat	C4
1397396	402186 K	Cabin and Seat	C4
1397400	402186 K	Cabin and Seat	C4
1435859	402186 K	Cabin and Seat	C4
1476415	402186 K	Cabin and Seat	C4
1381919	402186 K	Cabin and Seat	C4
(Spring Type)			
1476415	402186 K	Cabin and Seat	C4
(Spring Type)			
94-114-144	402187 K	Cabin and Seat	C4
1391906	402187 K	Cabin and Seat	C4
1397394	402187 K	Cabin and Seat	C4
1397398	402187 K	Cabin and Seat	C4
1402271	402187 K	Cabin and Seat	C4
1435856	402187 K	Cabin and Seat	C4
1381919	402187 K	Cabin and Seat	C4
(Air Spring)			
1476415	402187 K	Cabin and Seat	C4
(Air Spring)			
1363120	409007 K	Cabin and Seat	C12
1397386	409007 K	Cabin and Seat	C12
1397388	409007 K	Cabin and Seat	C12

OEM LIST

OEM NUMBER	DASTECH PRODUCT NR.	REMARK	PAGE
1397390	409007 K	Cabin and Seat	C12
1397392	409007 K	Cabin and Seat	C12
1424227	409007 K	Cabin and Seat	C12
1349840	409007 K	Cabin and Seat	C12
(Spring Type)			
1424231	409007 K	Cabin and Seat	C12
(Spring Type)			
1349844	409008 K	Cabin and Seat	C13
1382827	409008 K	Cabin and Seat	C13
1424229	409008 K	Cabin and Seat	C13
1349840	409008 K	Cabin and Seat	C13
(Spring Type)			
1424231	409008 K	Cabin and Seat	C13
(Spring Type)			
1349840	428101 M	Cabin and Seat	C13
1424231	428101 M	Cabin and Seat	C13
(Spring Type)			
1502470	428101 K	Cabin and Seat	C13
1502471	428101 K	Cabin and Seat	C13
1502472	428101 K	Cabin and Seat	C13
1502474	428101 K	Cabin and Seat	C13
1505563	428101 K	Cabin and Seat	C13
1595642	428101 K	Cabin and Seat	C13
1349840	428101 K	Cabin and Seat	C13
(Spring Type)			
1424231	428101 K	Cabin and Seat	C13
(Spring Type)			
SCANIA BUSSAR (South America)			
523229	4945	Roll	R13
SCHMITZ			
750 208	4661	Roll	R2
750 209	4662	Roll	R3
750 212	4727	Roll	R5
750 215	4719	Roll	R5
750 212	4728	Roll	R6
015323	44028-02 K	Complete	K16
750 999	44158 KP	Complete	K20
T.E.C			
506243/ 01	4810 K	Complete	K1
505859/ 01	4813 K	Complete	K3
505859/ 01	4813 KP	Complete	K4
TERBERG			
21071483	4813 K	Complete	K3
21071483	4813 KP	Complete	K4
TIRSAN			
TIRSAN	42725 M	Service Assembly	M9
TITAN			
91687700000	4813 K	Complete	K3
91687700000	4813 KP	Complete	K4
TRAILOR			
0036158E	4813 K	Complete	K3
650234Y	4813 K	Complete	K3
0036158E	4813 KP	Complete	K4
650234Y	4813 KP	Complete	K4

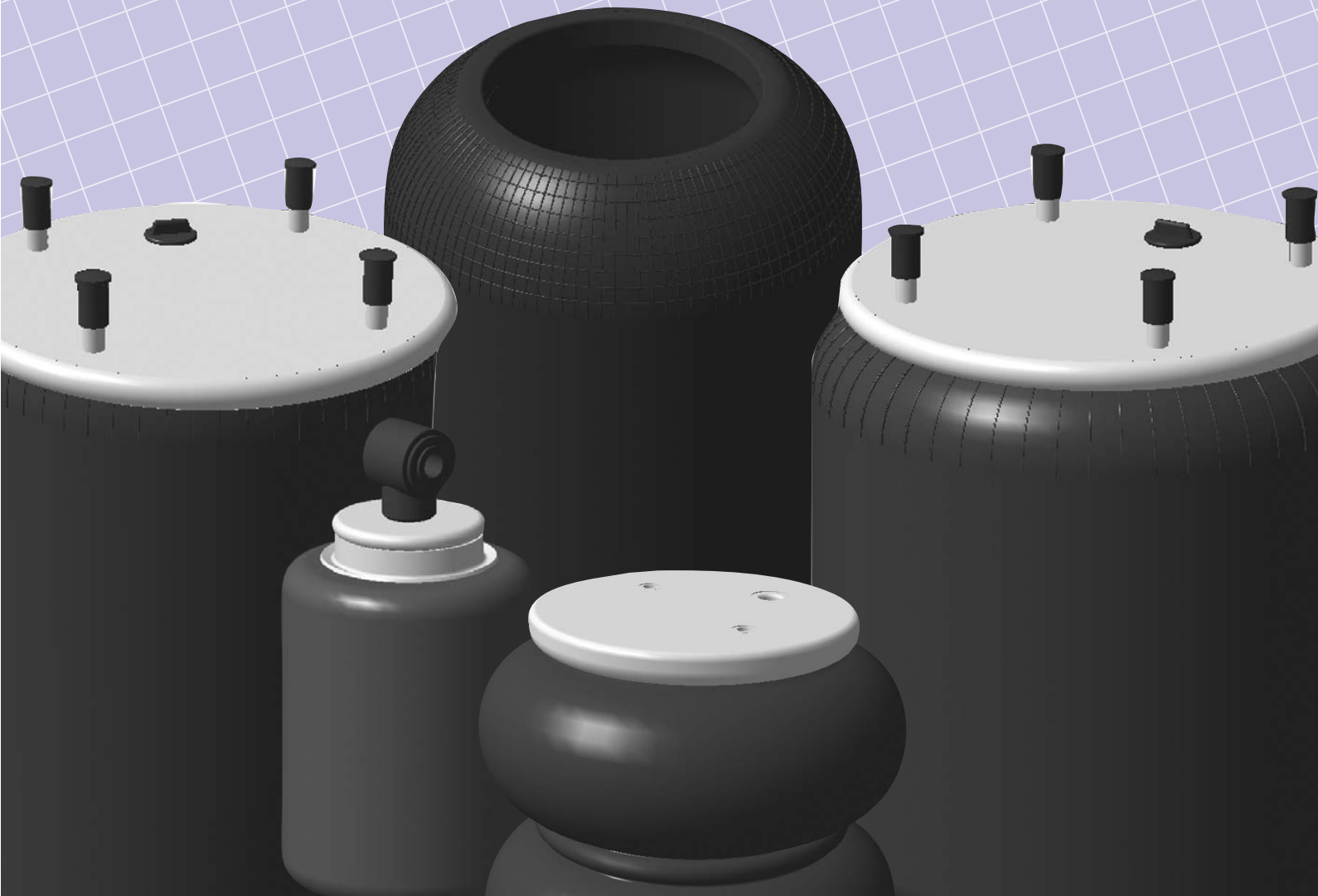
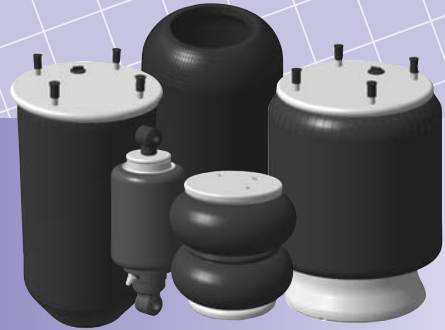
OEM LIST

OEM NUMBER	DASTECH PRODUCT NR.	REMARK	PAGE
VAN HOOL			
624319-610	4644	Roll	R2
624319-420	4644	Roll	R2
624319-690	4661	Roll	R2
624319-670	4661	Roll	R2
624319-860	4673	Roll	R3
624319-640	4727	Roll	R5
624319-860	4769	Roll	R7
6243 19-860	4944	Roll	R12
VIBERTI			
128147122	4813 K	Complete	K3
128147122	4813 KP	Complete	K4
VOLVO			
1 134 445	4644	Roll	R2
1 199 893	4644	Roll	R2
0 134 445	4644	Roll	R2
1 622 111	4644	Roll	R2
1 137 882	4661	Roll	R2
1 137 888	4661	Roll	R2
3 159 253	4661	Roll	R2
1 611 776	4673	Roll	R3
6 135 049	4673	Roll	R3
6 797 169	4713	Roll	R4
1 622 116	4713	Roll	R4
1 075 290	4716	Roll	R4
1 593 842	4716	Roll	R4
6 797 169	4720	Roll	R5
1 629 193	4720	Roll	R5
1 590 136	4720	Roll	R5
1 134 446	4727	Roll	R5
1 612 455	4768	Roll	R7
1 082 085	4883	Roll	R9
1 082 130	4883	Roll	R9
3 116 354	4927	Roll	R11
3 116 983	4928	Roll	R12
1 611 776	4944	Roll	R12
1 999 893	4944	Roll	R12
3 027 271	4415-25	Roll	R14
3 027 272	4415-28	Roll	R14
1 076 595	44713 M	Service Assembly	M15
20 582 215	46416 M	Service Assembly	M22
20 531 985	46416 M	Service Assembly	M22
20 456 152	46416 M	Service Assembly	M22
20 374 510	46416 M	Service Assembly	M22
3 171 693	46416 M	Service Assembly	M22
1 076 416	46416 M	Service Assembly	M22
20 582 214	46418 M	Service Assembly	M23
20 531 987	46418 M	Service Assembly	M23
20 456 156	46418 M	Service Assembly	M23
20 374 511	46418 M	Service Assembly	M23
3 171 695	46418 M	Service Assembly	M23
1 076 418	46418 M	Service Assembly	M23
20 582 206	47803 M	Service Assembly	M23
20 531 984	47803 M	Service Assembly	M23
20 456 150	47803 M	Service Assembly	M23
20 427 800	47803 M	Service Assembly	M23
3 171 692	47803 M	Service Assembly	M23
20 427 803	47803 M	Service Assembly	M23
20 582 209	47804 M	Service Assembly	M23
20 531 986	47804 M	Service Assembly	M23
20 456 154	47804 M	Service Assembly	M23

OEM LIST

OEM NUMBER	DASTECH PRODUCT NR.	REMARK	PAGE
20 427 801	47804 M	Service Assembly	M23
20 427 804	47804 M	Service Assembly	M23
1 080 707	4810 K	Complete	K1
1 076 594	44713 K	Complete	K25
20 582 215	46416 K	Complete	K36
20 531 985	46416 K	Complete	K36
20 456 152	46416 K	Complete	K36
20 374 510	46416 K	Complete	K36
3 171 693	46416 K	Complete	K36
1 076 416	46416 K	Complete	K36
20 582 214	46418 K	Complete	K36
20 531 987	46418 K	Complete	K36
20 456 156	46418 K	Complete	K36
20 374 511	46418 K	Complete	K36
3 171 695	46418 K	Complete	K36
1 076 418	46418 K	Complete	K36
20 582 206	47803 K	Complete	K36
20 531 984	47803 K	Complete	K36
20 456 150	47803 K	Complete	K36
20 427 800	47803 K	Complete	K36
20 427 803	47803 K	Complete	K36
3 171 692	47803 K	Complete	K36
20 582 209	47804 K	Complete	K37
20 531 986	47804 K	Complete	K37
20 456 154	47804 K	Complete	K37
20 427 801	47804 K	Complete	K37
20 427 804	47804 K	Complete	K37
3 171 694	47804 K	Complete	K37
0 365 431	2D-220	Convuluted	D1
0 365 461	2D-220	Convuluted	D1
6 882 797	2D-220	Convuluted	D1
365 461	2D-220/03	Convuluted	D2
1629719	428020 K	Cabin and Seat	C18
1629724	428020 K	Cabin and Seat	C18
3172984	428020 K	Cabin and Seat	C18
20427897	428021 K	Cabin and Seat	C19
20721169	428021 K	Cabin and Seat	C19
1075076	428022 K	Cabin and Seat	C20
1075077	428022 K	Cabin and Seat	C20
WARSTEINER			
501	4662	Roll	R3
WEWELER			
US 87413	4810 K	Complete	K1
US 07337	4810 K	Complete	K1
US 87408	4813 K	Complete	K3
US 07345	4813 K	Complete	K3
US 87408	4813 KP	Complete	K4
US 07345	4813 KP	Complete	K4
US 510030 UD	4940 KP	Complete	K11
US 04028	44028-02 K	Complete	K16
US 35864	44156 KP	Complete	K18
US 06287	44157 KP	Complete	K18
US 07364	44157 KP	Complete	K18
US 07074C	44157-05KP	Complete	K19
US 07074P	44157-05KP	Complete	K19
US 06285	44158 KP	Complete	K20
YORK			
785168	4810 K	Complete	K1
785170	4813 K	Complete	K3
785170	4813 KP	Complete	K4

Cross List



CROSS LIST

CROSS NUMBER	DASTECH PRODUCT NR.	REMARK	PAGE
CONTITECH			
625 N	4625	Roll	R2
644 N	4644	Roll	R2
661 N	4661	Roll	R2
662 N	4662	Roll	R3
673 N	4673	Roll	R3
701 N	4701	Roll	R3
706 N1	4706	Roll	R4
713 N	4713	Roll	R4
716 N	4716	Roll	R4
719 N	4719	Roll	R5
720 N	4720	Roll	R5
727 N	4727	Roll	R5
728 N	4728	Roll	R6
737 N	4737	Roll	R6
746 N	4746	Roll	R6
757 N	4757	Roll	R7
768 N	4768	Roll	R7
769 N	4769	Roll	R7
782 N	4782	Roll	R8
838 N	4838	Roll	R8
873 N	4873	Roll	R8
876 N	4876	Roll	R9
882 N1	4882	Roll	R9
883 N1	4883	Roll	R9
884 N	4884	Roll	R10
896 N	4896	Roll	R10
897 N	4897	Roll	R10
916 N1	4916	Roll	R11
921 N	4921	Roll	R11
927 N	4927	Roll	R11
928 N	4928	Roll	R12
943 N	4943	Roll	R12
944 N	4944	Roll	R12
945 N	4945	Roll	R13
1720 N	41720	Roll	R13
1885 N1	41885	Roll	R13
RZ 415-25	4415-25	Roll	R14
RZ 415-28	4415-28	Roll	R14
RZ 450-25	4450-25	Roll	R14
725 N P01	4725 M	Service Assembly	M2
810 N	4810 M	Service Assembly	M2
811 MB/0	4811 M	Service Assembly	M2
811 M16 N	4811-16 M	Service Assembly	M3
813 MB/0	4813 M	Service Assembly	M4
836 M	4836 M	Service Assembly	M4
836 MB	4836-01 M	Service Assembly	M5
836 M2	4836-02 M	Service Assembly	M5
881 MB	4881 M	Service Assembly	M6
940 MB	4940 M	Service Assembly	M6
941 MB	4941 M	Service Assembly	M7
942 MB	4942 M	Service Assembly	M7
951 MB	4951 M	Service Assembly	M7
4022 N P03	42618 M	Service Assembly	M8
4022 N P02	42619 M	Service Assembly	M8
2725 MB	42725 M	Service Assembly	M9
4004 N P02	44004 M	Service Assembly	M9
4022 N P02	44022 M	Service Assembly	M9
4023 N	44023 M	Service Assembly	M10
4028 N P02	44028 M	Service Assembly	M10
(Without Piston)			
4028 N P05	44028-05 M	Service Assembly	M10
(Without Piston)			

CROSS LIST

CROSS NUMBER	DASTECH PRODUCT NR.	REMARK	PAGE
4154 N	44154 M	Service Assembly	M11
4156 N P05	44156 M	Service Assembly	M11
4157 N P04	44157 M	Service Assembly	M11
(Without Piston)			
4157 N P03	44157-03 M	Service Assembly	M12
(Without Piston)			
4157 N P06	44157-06 M	Service Assembly	M12
(Without Piston)			
4157 N P09	44157-09 M	Service Assembly	M12
(Without Piston)			
4158 N P02	44158 M	Service Assembly	M13
4159 N P05	44159 M	Service Assembly	M13
4183 N2	44183 M	Service Assembly	M14
4390 N1	44390-01 M	Service Assembly	M14
4390 N2	44390-02 M	Service Assembly	M15
4644 N	44644 M	Service Assembly	M15
4713 N	44713 M	Service Assembly	M15
4757 N1	44757-01 M	Service Assembly	M16
4757 N2	44757-02 M	Service Assembly	M16
4813 N07	44813 M	Service Assembly	M16
4838 N	44838 M	Service Assembly	M17
4881 N P02	44881 M	Service Assembly	M17
4882 N1 P01	44882 M	Service Assembly	M17
4883 N1 P01	44883 M	Service Assembly	M18
4884 N1 P01	44884 M	Service Assembly	M18
4885 N1 P01	44885 M	Service Assembly	M18
4886 N P02	44886 M	Service Assembly	M19
4911 N	44911 M	Service Assembly	M19
4911 N P06	44911-04 M	Service Assembly	M19
4911 N P04	44911-04 M	Service Assembly	M19
(Without Piston)			
4912 N P08	44912 M	Service Assembly	M20
4912 N P10	44912-10 M	Service Assembly	M20
4912 N P13	44912-10 M	Service Assembly	M20
(Without Piston)			
4913 N P04	44913 M	Service Assembly	M20
4913 N P04	44913-01 M	Service Assembly	M21
4940 N P02	44940 M	Service Assembly	M21
4941 N P02	44941 M	Service Assembly	M21
4960 N P02	44960 M	Service Assembly	M22
4961 N P02	44961 M	Service Assembly	M22
6608 N P01	46416 M	Service Assembly	M22
(Without Piston)			
6607 N P01	46418 M	Service Assembly	M23
(Without Piston)			
6605 N P01	47803 M	Service Assembly	M23
(Without Piston)			
6606 N P01	47804 M	Service Assembly	M23
(Without Piston)			
725 N P02	4725 K	Complete	K1
725 N P03	4725-01 K	Complete	K1
810 MB	4810 K	Complete	K1
811 MB	4811 K	Complete	K2
811 M16 K1	4811-16 K	Complete	K3
813 MB	4813 K	Complete	K3
813 MB	4813 KP	Complete	K4
836 M K1	4836 K	Complete	K4
836 N P05	4836-5 K	Complete	K4
836 N P06	4836-6 K	Complete	K5
836 M2 K1	4836-02 K	Complete	K5
836 MB K4	4836-04 K	Complete	K5
836 MB K6	4836-06 K	Complete	K6
836 M K7	4836-07 K	Complete	K6

CROSS LIST

CROSS NUMBER	DASTECH PRODUCT NR.	REMARK	PAGE
881 MB	4881 K	Complete	K9
(With Metal Piston)			
881 MB	4881 KP	Complete	K10
940 MB	4940 K	Complete	K10
(With Metal Piston)			
940 MB	4940 KP	Complete	K11
(With Plastic Piston)			
941 MB	4941 K	Complete	K11
(With Metal Piston)			
941 MB	4941 KP	Complete	K11
(With Plastic Piston)			
942 MB	4942 K	Complete	K12
(With Metal Piston)			
4022 N P03	42618 KP	Complete	K13
4022 N P05	42619 KP	Complete	K13
2725 MB N P01	42725 K	Complete	K13
(With Metal Piston)			
4004 N P03	44004 K	Complete	K14
(With Metal Piston)			
4004 N P03	44004 KP	Complete	K14
4022 N P03	44022 K	Complete	K14
(With Metal Piston)			
4022 N P03	44022-03KP	Complete	K15
4022 N P05	44022-05KP	Complete	K15
4023 N P03	44023 K	Complete	K15
4028 N P02	44028-02 K	Complete	K16
4028 N P05	44028-05 K	Complete	K16
4154 N P05	44154 KP	Complete	K16
4156 N P07	44156-01 K	Complete	K17
4156 N P09	44156-09 K	Complete	K17
4156 N P15	44156 KP	Complete	K18
4156 N P06	44156 KP	Complete	K18
4157 N P04	44157 KP	Complete	K18
4157 N P03	44157-03KP	Complete	K18
4157 N P05	44157-05KP	Complete	K19
4157 N P06	44157-06KP	Complete	K19
4157 N P09	44157-09KP	Complete	K19
4158 N P03	44158 KP	Complete	K20
4159 N P03	44159-03 K	Complete	K20
Alternative to 4159 N P14			
4159 N P07	44159-07 K	Complete	K21
4159 N P09	44159 KP	Complete	K21
4183 N P23	44183 K	Complete	K21
4183 N P24	44183-02 K	Complete	K22
4390 N P01	44390-01 K	Complete	K22
4390 N P02	44390-02 K	Complete	K22
4390 N P03	44390-03 K	Complete	K23
4390 N P04	44390-04 K	Complete	K23
4390 N P21	44390-21 K	Complete	K23
4390 N P22	44390-22 K	Complete	K24
4390 N P23	44390-23 K	Complete	K24
4390 N P24	44390-24 K	Complete	K24
4713 N P02	44713 K	Complete	K25
4757 N P01	44757-01 K	Complete	K25
4757 N P02	44757-02 K	Complete	K25
4757 N P09	44757-09 K	Complete	K26
4757 N P21	44757-21 K	Complete	K26
4757 N P29	44757-29 K	Complete	K26
4813 N P07	44813 K	Complete	K27
4838 N P01	44838-01 K	Complete	K27
4838 N P02	44838-02 K	Complete	K27
4838 N P03	44838-03 K	Complete	K28
4838 N P21	44838-21 K	Complete	K28

CROSS LIST

CROSS NUMBER	DASTECH PRODUCT NR.	REMARK	PAGE
4838 N P22	44838-22 K	Complete	K28
4838 N P23	44838-23 K	Complete	K29
4881 N P02	44881 K	Complete	K29
(With Metal Piston)			
4881 N P02	44881-01 K	Complete	K29
(With Metal Piston)			
4881 N P02	44881 KP	Complete	K30
(With Plastic Piston)			
4882 N1 P05	44882 K	Complete	K30
4883 N1 P07	44883 K	Complete	K30
4884 N1 P06	44884 K	Complete	K31
4885 N1 P02	44885 K	Complete	K31
4886 N P01	44886 K	Complete	K31
4911 N P03	44911 K	Complete	K32
4911 N P04	44911-04 K	Complete	K32
4912 N P07	44912 K	Complete	K32
4912 N P010	44912-10 K	Complete	K33
4913 N P02	44913 K	Complete	K33
4913 N P02	44913-01 K	Complete	K33
4940 N P02	44940 K	Complete	K34
(With Metal Piston)			
4940 N P02	44940 KP	Complete	K34
(With Plastic Piston)			
4941 N P02	44941 K	Complete	K34
(With Metal Piston)			
4941 N P02	44941 KP	Complete	K35
(With Plastic Piston)			
4960 N P02	44960 KP	Complete	K35
(With Plastic Piston)			
4961 N P02	44961 KP	Complete	K35
(With Plastic Piston)			
6608 N P01	46416 K	Complete	K36
6607 N P01	46418 K	Complete	K36
6605 N P01	47803 K	Complete	K36
6606 N P01	47804 K	Complete	K37
FD 200-19 S (895 N)	2D-220	Convuluted	D1
FD 200-19 1/4 M10	2D-220/01	Convuluted	D1
FD 200-19 1/4 M8	2D-220/03	Convuluted	D2
FD 200-19 3/4 M10	2D-220/06	Convuluted	D3
FD 200-19 3/4 M8	2D-220/08	Convuluted	D4
FD 200-22 3/4 M8	2D-220/11	Convuluted	D5
FD 200-19 P04	2D-220/12	Convuluted	D5
FD 200-19 P02	2D-220/17	Convuluted	D7
FT 330-29 S	3D-300	Convuluted	D7
FT 330-29 1/1 M8	3D-300/02	Convuluted	D8
FT 330-29 1/4 M8	3D-300/03	Convuluted	D8
SZ 36-10	408908K	Cabin and Seat	C11
SZ 50-8	421053	Cabin and Seat	C20
SZ 50-10	421054	Cabin and Seat	C20
SZ 50-9	421414	Cabin and Seat	C21
SZ 50-06	421506	Cabin and Seat	C21
SZ 51-4	421514	Cabin and Seat	C21
SZ 51-7	425101	Cabin and Seat	C22
SZ 51-10	425110	Cabin and Seat	C22
SZ 51-5	425121	Cabin and Seat	C22
FIRESTONE			
1R1A 390 295 W01 095 0118	4644	Roll	R2
1R1C 390 310 W01 095 0021	4661	Roll	R2
1R1D 355 355 W01 095 0207	4662	Roll	R3
1R1A 370 285 W01 095 0198	4673	Roll	R3
1R3M 340 340 W01 095 0205	4701	Roll	R3
1R2A 450 305 W01 095 0145	4716	Roll	R4

CROSS LIST

CROSS NUMBER	DASTECH PRODUCT NR.	REMARK	PAGE
1R2D 530 360 W01 095 0192	4719	Roll	R5
1R2A 460 295 W01 095 0195	4720	Roll	R5
1R2D 460 360 W01 095 0191	4727	Roll	R5
1R2D 470 360 W01 095 0419	4728	Roll	R6
1R1A 480 330 W01 095 0211	4737	Roll	R6
1R2A 380 305 W01 095 0212	4757	Roll	R7
1R2A 380 330 W01 095 0213	4768	Roll	R7
1R1A 380 260 W01 095 0204	4769	Roll	R7
1R1A 415 285 W01 095 0197	4782	Roll	R8
1R4R 465 260 W01 095 0435	4883	Roll	R9
1R1B 415 270 W01 095 0295	4884	Roll	R10
1R1J 520 285 W01 095 0245	4896	Roll	R10
1R1K 440 320 W01 095 0229	4897	Roll	R10
1R1A 415 260 W01 095 0226	4921	Roll	R11
1R1J 415 285 W01 095 0244	4927	Roll	R11
1R1K 380 320 W01 095 0228	4928	Roll	R12
1R1A 260 285 W01 095 0189	4943	Roll	R12
1R1A 370 285 W01 095 0198	4944	Roll	R12
1R1A 460 290 W01 095 0063	4945	Roll	R13
1R2A 445 280 W01 095 0429	41885	Roll	R13
1R5P 345 290 W01 095 0381	4415-25	Roll	R14
1R5P 410 290 W01 095 0382	4415-28	Roll	R14
1T 15 MW-9	4122 M	Service Assembly	M1
1T66F-10.8 W01 M58 8969	4725 M	Service Assembly	M2
1T19L-7 W01 095 7237	4810 M	Service Assembly	M2
1T19L-11 W01 M58 6359	4811 M	Service Assembly	M2
1T19L-11	4811-01 M	Service Assembly	M3
1T19L-11	4811-02 M	Service Assembly	M3
1T19L-11	4811-16 M	Service Assembly	M3
1T19L-11 W01 M58 7238	4813 M	Service Assembly	M4
1T19L-11	4813-01 M	Service Assembly	M4
1T17AR-4.5 W01 M58 0776	4836 M	Service Assembly	M4
1T17AR-4.5 W01 M58 0775	4836-01 M	Service Assembly	M5
1T17AR-4.5 W01 M58 0777	4836-02 M	Service Assembly	M5
1T66F-10.8 W01 M58 8978	4881 M	Service Assembly	M6
1T17D-4.3 W01 M58 8613	4940 M	Service Assembly	M6
1T17D-8.3 W01 M58 8620	4941 M	Service Assembly	M7
1T66F-13.5 W01 M58 8611	4942 M	Service Assembly	M7
1T17D-12 W01 M58 8621	4951 M	Service Assembly	M7
1T17B-11	40081 M	Service Assembly	M8
1T17BS-6 W01 M58 6367	42618 M	Service Assembly	M8
1T17BS-6 W01 M58 0756	42619 M	Service Assembly	M8
1T17BS-6 W01 M58 0919	44004 M	Service Assembly	M9
1T17BS-6 W01 M58 0756	44022 M	Service Assembly	M9
1T19F-11 W01 M58 6348	44023 M	Service Assembly	M10
1T15M-6	44156 M	Service Assembly	M11
1T15M-9 W01 M58 0736	44159 M	Service Assembly	M13
1T15M-9	44159-03 M	Service Assembly	M13
1T19L-11 W01 M58 7358	44813 M	Service Assembly	M16
1T66D-7.0 W01 M58 8601	44881 M	Service Assembly	M17
1T19F-14	44913 M	Service Assembly	M20
1T19F-14	44913-01 M	Service Assembly	M21
1T66F-10.8 W01 M58 8969	4725 K	Complete	K1
1T66F-10.8 W01 M58 8610	4725-01 K	Complete	K1
1T19L-7 W01 M58 6345	4810 K	Complete	K1
1T19L-11	4811 K	Complete	K2
1T19L-11	4811-01 K	Complete	K2
1T19L-11 W01 M58 7370	4811-02 K	Complete	K2
W01 M58 6339			
1T19L-11 W01 M58 6334	4811-16 K	Complete	K3
1T19L-11 W01 M58 6364	4813 K	Complete	K3
1T19L-11 W01 M58 6364	4813 KP	Complete	K4
1T17AR-4.5 W01 M58 8722	4836 K	Complete	K4

CROSS LIST

CROSS NUMBER	DASTECH PRODUCT NR.	REMARK	PAGE
1T17AR-4.5 W01 M58 8721	4836-02 K	Complete	K5
1T17AR-4.5 W01 M58 8721	4836-04 K	Complete	K5
1T15VR-3 W01 S15 8192	4856-01 K	Complete	K6
1T15VPR-3 W01 M58 8193	4856-02 K	Complete	K7
1T15VR-3 W01 S15 8192	4856-11 K	Complete	K7
1T66F-10.8 W01 M58 8966	4881-01 K	Complete	K10
1T66D-10.8 W01 M58 8966	4881KP	Complete	K10
1T17D-8.3 W01 M58 8619	4941 K	Complete	K11
1T17B-11 W01 M58 8747	40081 K	Complete	K12
1T17BS-6 W01 M58 6367	42618 KP	Complete	K13
1T17BS-6 W01 M58 8612	42619 KP	Complete	K13
1T17BS-6 W01 M58 6366	44004 K	Complete	K14
(With Metal Piston)			
1T17BS-6 W01 M58 6366	44004 KP	Complete	K14
1T17BS-6 W01 M58 6367	44022 K	Complete	K14
(With Metal Piston)			
1T17BS-6 W01 M58 6367	44022-03KP	Complete	K15
1T17BS-6 W01 M58 8612	44022-05KP	Complete	K15
1T19F-11 W01 M58 6348	44023 K	Complete	K15
1T15M-6 W01 358 9089	44156-09 K	Complete	K17
1T15M-6 W01 358 9361	44156 KP	Complete	K18
1T15M-9 W01 M58 8859	44159-07 K	Complete	K21
1T19L-11 W01 M58 7358	44813 K	Complete	K27
1T19F-14 W01 095 0366	44913 K	Complete	K33
20 W01 095 000 9	2D-220	Convolutud	D1
20C2 W01 M58 7679	2D-220/03	Convolutud	D2
20F W01 M58 7894	2D-220/12	Convolutud	D5
20F W01 M58 7756	2D-220/17	Convolutud	D7

PHOENIX

1 G 12	4112	Roll	R1
1 E 21	4644	Roll	R2
1 E 25	4661	Roll	R2
1 E 32	4662	Roll	R3
1 F 21 A	4673	Roll	R3
1 E 26-1	4701	Roll	R3
1 F 21 D	4713	Roll	R4
1 F 26 B-1	4716	Roll	R4
1 F 32 B	4719	Roll	R5
1 F 21	4720	Roll	R5
1 F 32 A	4727	Roll	R5
1 F 32 A	4728	Roll	R6
1 F 26	4737	Roll	R6
1 F 26 C	4757	Roll	R7
1 E 18	4769	Roll	R7
1 F 26 D	4838	Roll	R8
1 F 16	4882	Roll	R9
1 F 21 C-2	4883	Roll	R9
1 F 20 A	4884	Roll	R10
2 E 18 A	4896	Roll	R10
2 E 23	4897	Roll	R10
1 F 21 C-5	4916	Roll	R11
1 E 18	4921	Roll	R11
2 E 18 B	4927	Roll	R11
2 E 23 A	4928	Roll	R12
1 E 21-C	4945	Roll	R13
1F 20 B	41885	Roll	R13
2 G 20	4415-25	Roll	R14
2 G 20 A	4415-28	Roll	R14
1 E 23	4450-25	Roll	R14
1 A0 18 A	D-244	Roll	R15
1 A0 38 A	D-305	Roll	R15
1 DF 32	4725 M	Service Assembly	M2

CROSS LIST

CROSS NUMBER	DASTECH PRODUCT NR.	REMARK	PAGE
1 D 28 A-5 NP	4810 M	Service Assembly	M2
1 D 28 B-5 NP	4813 M	Service Assembly	M4
1 DF 25-1 NP	4836 M	Service Assembly	M4
1 DF 25-3 NP	4836-02 M	Service Assembly	M5
1 DK 32	4881 M	Service Assembly	M6
1 DK 21 K	4940 M	Service Assembly	M6
1 DK 21	4941 M	Service Assembly	M7
1 DK 32L	4942 M	Service Assembly	M7
1 DK 22 E-9	42618 M	Service Assembly	M8
1 DK 22 E-9 NP	42619 M	Service Assembly	M8
1 DK 22 E-5 NP	44004 M	Service Assembly	M9
1 DK 22 E-9 NP	44022 M	Service Assembly	M9
1 DK 20 B-1 MP	44158 M	Service Assembly	M13
1 D28B-9	44813 M	Service Assembly	M16
1 DK 32 K	44881 M	Service Assembly	M17
1 DF 32	4725 K	Complete	K1
1 D 28 A-2	4810 K	Complete	K1
1 D 28 B-7	4811-16 K	Complete	K3
1 D 28 B-2	4813 K	Complete	K3
1 D 28 B-2	4813 KP	Complete	K4
1 DF 25-11	4836 K	Complete	K4
1 DF 25-13	4836-02 K	Complete	K5
1 DF 25-13	4836-04 K	Complete	K5
1 DK 32-01	4881 KP	Complete	K10
1 DK 21	4941 K	Complete	K11
1 DK 22 E-9	42618 KP	Complete	K13
1 DK 22 E-5	44004 K	Complete	K14
1 DK 22 E-8	44004 KP	Complete	K14
1 DK 22 E-9	44022-03 KP	Complete	K15
1 D 28 A-10	44023 K	Complete	K15
1 DK 23 F-1	44154 KP	Complete	K16
1 DK 21 A-2	44156 KP	Complete	K18
1 DK 21 A-8	44157 KP	Complete	K18
1 DK 21 A-3	44157-05 KP	Complete	K19
1 DK 20 B-1	44158 KP	Complete	K20
1 DK 21 B-6	44159-07 K	Complete	K21
1 D 28 B-9	44813 K	Complete	K27
2 B 12 R	2D-220	Convoluted	D1
SP 2 B 12 R-1	2D-220/08	Convoluted	D4
SP 2 B 12 R-5	2D-220/12	Convoluted	D5
SP 2 B 12 R-A-4	2D-220/13	Convoluted	D5

TAURUS

B 121	4644	Roll	R2
B 114	4661	Roll	R2
BL 143	4662	Roll	R3
B 141	4673	Roll	R3
B 116-1	4701	Roll	R3
B 197	4716	Roll	R4
B 153	4719	Roll	R5
B 152	4720	Roll	R5
B 149	4727	Roll	R5
B 149	4728	Roll	R6
B 127	4737	Roll	R6
B 126	4757	Roll	R7
B 125	4768	Roll	R7
B 156	4769	Roll	R7
B 124	4782	Roll	R8
B 155	4882	Roll	R9
BL 249	4884	Roll	R10
B 166	4896	Roll	R10
B 165	4897	Roll	R10
B 154	4916	Roll	R11

CROSS LIST

CROSS NUMBER	DASTECH PRODUCT NR.	REMARK	PAGE
B 158	4921	Roll	R11
B 179	4927	Roll	R11
B 178	4928	Roll	R12
B 194	4943	Roll	R12
B 141	4944	Roll	R12
K 152	4945	Roll	R13
B 271	4415-25	Roll	R14
B 272	4415-28	Roll	R14
BL 128	4450-25	Roll	R14
UR 836- 11	4725 M	Service Assembly	M2
UR 721-01T	4836 M	Service Assembly	M4
UR 721-03T	4836-02 M	Service Assembly	M5
KR 836-01T	4881 M	Service Assembly	M6
UR 732-01T	4940 M	Service Assembly	M6
UR 730-01T	4941 M	Service Assembly	M7
UR 837-01T	3942 M	Service Assembly	M7
KR 725-28	42618 M	Service Assembly	M8
UR 725-28T	42619 M	Service Assembly	M8
UR 725-27T	44004 M	Service Assembly	M9
UR 725-28T	44022 M	Service Assembly	M9
KR 622-01	44813 M	Service Assembly	M16
UR 838-01 T	44881 M	Service Assembly	M17
UR 836- 11	4725 K	Complete	K1
KR 621-26	4810 K	Complete	K1
KR 622-26	4813 K	Complete	K3
KR 622-26	4813 KP	Complete	K4
KR 721-06	4836 K	Complete	K4
KR 721-03	4836-02 K	Complete	K5
KR 721-03	4836-04 K	Complete	K5
KR 836-05	4881 KP	Complete	K10
KR-730-01	4941 K	Complete	K11
KR-725-28	42618 KP	Complete	K13
K 505-27 SM	44004 K	Complete	K14
KR 725-28	44022-03 KP	Complete	K15
KR 624-18	44023 K	Complete	K15
KR 506-28	44156-09 K	Complete	K17
KR915-54	44157 KP	Complete	K18
KR 509-9091	44159-07 K	Complete	K21
KR 622-01	44813 K	Complete	K27
KR 625-16	44913 K	Complete	K33
T20L 207065	2D-220/12	Convoluted	D5

DUNLOP UK

PNP301470101	4644	Roll	R2
PNP301470102	4644	Roll	R2
PNP304980101	4661	Roll	R2
IC3309			
PNP302730101	4662	Roll	R3
PNP304620101	4719	Roll	R5
PNP301000100	4720	Roll	R5
PNP306420100	4727	Roll	R5
PNP306420100	4728	Roll	R6
PNP305140100	4769	Roll	R7
PNP305140100	4896	Roll	R10
PNP305210100	4897	Roll	R10
PNP305210101	4897	Roll	R10
PNP300080100	4927	Roll	R11
IC 3308	4928	Roll	R12
PNP316720100	4943	Roll	R12
PNP316720100	4944	Roll	R12
PNP301000101	4945	Roll	R13
PNP307520000	4810 M	Service Assembly	M2
PNP311780000	4810 K	Complete	K1
PNP311770000	3813 K	Complete	K3
PNP311770000	4813 KP	Complete	K4

CROSS LIST

CROSS NUMBER	DASTECH PRODUCT NR.	REMARK	PAGE
DUNLOP FR			
D11S01	4644	Roll	R2
D12S02	4661	Roll	R2
D13S01	4662	Roll	R3
D12S04	4720	Roll	R5
D13S04	4727	Roll	R5
D10S02	4769	Roll	R7
D11S02	4782	Roll	R8
D12S06	4884	Roll	R10
SP2191	4896	Roll	R10
SP2192	4897	Roll	R10
D12S05	4916	Roll	R11
D10S04	4921	Roll	R11
D12S03	4928	Roll	R12
D11S03	4943	Roll	R12
SP1217	4944	Roll	R12
D11S02	4945	Roll	R13
D12S07	41885	Roll	R13
D12S08	4415-25	Roll	R14
D12S09	4415-28	Roll	R14
D12S13	4450-25	Roll	R14
D14U38	4725 M	Service Assembly	M2
D13U32	4836 M	Service Assembly	M4
D13U31	4836-02 M	Service Assembly	M5
D14U36	4881 M	Service Assembly	M6
D11U31	4940 M	Service Assembly	M6
D11U30	4941 M	Service Assembly	M7
D12B14	42618 M	Service Assembly	M8
D11U40	42619 M	Service Assembly	M8
D12U13	44004 M	Service Assembly	M9
D11U40	44022 M	Service Assembly	M9
D12U23	44158 M	Service Assembly	M13
D12U25	44390-01 M	Service Assembly	M14
D12U26	44390-02 M	Service Assembly	M15
D12U24	44713 M	Service Assembly	M15
D12U42	44757-01 M	Service Assembly	M16
D12U43	44757-02 M	Service Assembly	M16
D13B10	44813 M	Service Assembly	M16
D14U37	44881 M	Service Assembly	M17
D10U10	44882 M	Service Assembly	M17
D11U47	44883 M	Service Assembly	M18
D11U48	44884 M	Service Assembly	M18
D14U38	4725 K	Complete	K1
D13B20	4810 K	Complete	K1
D13B34	4811 K	Complete	K2
D14B51	4811-02 K	Complete	K2
D13B36	4811-16 K	Complete	K3
D13B19	4813 K	Complete	K3
D13B19	4813 KP	Complete	K4
D13B32	4836 K	Complete	K4
D13B31	4836-02 K	Complete	K5
D13B31	4836-04 K	Complete	K5
D14B36	4881-01 K	Complete	K10
D14B36	4881 KP	Complete	K10
D11B36	4940 KP	Complete	K11
D11B38	4941 K	Complete	K11
D12B14	42618 KP	Complete	K13
D11B41	42619 KP	Complete	K13
D12B25	44004 K	Complete	K14
D12B13	44004 KP	Complete	K14
D12B14	44022-03 KP	Complete	K15
D11B41	44022-05 KP	Complete	K15
D13B26	44023 K	Complete	K15

CROSS LIST

CROSS NUMBER	DASTECH PRODUCT NR.	REMARK	PAGE
D12B16	44156-09 K	Complete	K17
D12B19	44156 KP	Complete	K18
D12B18	44157 KP	Complete	K18
D12B22	44158 KP	Complete	K20
D12T10	44390-01 K	Complete	K22
D12T11	44390-02 K	Complete	K22
D12B24	44713 K	Complete	K25
D13T01	44757-01 K	Complete	K25
D13T02	44757-09 K	Complete	K26
D13B10	44813 K	Complete	K27
D13T03	44838-02 K	Complete	K27
GOODYEAR			
8017	4644	Roll	R2
8018	4661	Roll	R2
9007	4662	Roll	R3
9051	4673	Roll	R3
9006	4701	Roll	R3
9067	4706	Roll	R4
9066	4713	Roll	R4
9073	4716	Roll	R4
8118	4719	Roll	R5
9008	4720	Roll	R5
8117	4727	Roll	R5
8117	4728	Roll	R6
9075	4737	Roll	R6
9076	4746	Roll	R6
9077	4757	Roll	R7
9078	4768	Roll	R7
8053	4769	Roll	R7
9013	4782	Roll	R8
9074	4838	Roll	R8
8314	4876	Roll	R9
9048	4882	Roll	R9
9012	4883	Roll	R9
9002	4884	Roll	R10
8040	4896	Roll	R10
8028	4897	Roll	R10
9015	4916	Roll	R11
8043	4921	Roll	R11
8037	4927	Roll	R11
8042	4928	Roll	R12
9001	4943	Roll	R12
8012	4944	Roll	R12
9014	4945	Roll	R13
9068	41720	Roll	R13
9003	41885	Roll	R13
9004	4415-25	Roll	R14
9005	4415-28	Roll	R14
9050	4450-25	Roll	R14
1R14-704	4725 M	Service Assembly	M2
1R12-700	4836 M	Service Assembly	M4
1R12-710	4836-02 M	Service Assembly	M5
1R14-708	4881 M	Service Assembly	M6
1R11-703	4940 M	Service Assembly	M6
1R11-700	4941 M	Service Assembly	M7
1R14-700	4942 M	Service Assembly	M7
1R11-704	4951 M	Service Assembly	M7
1R11-704	42618 M	Service Assembly	M8
1R11-709	42619 M	Service Assembly	M8
1R11-705	44004 M	Service Assembly	M9
1R11-709	44022 M	Service Assembly	M9
1R14-729	44023 M	Service Assembly	M10

CROSS LIST

CROSS NUMBER	PRODUCT NR.	REMARK	PAGE
9507	44390-01 M	Service Assembly	M14
9508	44390-02 M	Service Assembly	M15
1R12-763	44713 M	Service Assembly	M15
9517	44757-01 M	Service Assembly	M16
9518	44757-02 M	Service Assembly	M16
1R14-701	44881 M	Service Assembly	M17
1R10-702	44882 M	Service Assembly	M17
1R11-804	44883 M	Service Assembly	M18
1R11-820	44884 M	Service Assembly	M18
1R13-713	44912 M	Service Assembly	M20
1R11-799	44940 M	Service Assembly	M21
1R11-802	44941 M	Service Assembly	M21
1R11-801	44960 M	Service Assembly	M22
1R11-800	44961 M	Service Assembly	M22
1R14-716	4810 K	Complete	K1
1R14-718	4811 K	Complete	K2
1R14-721	4811-02 K	Complete	K2
1R14-719	4811-16 K	Complete	K3
1R14-705	4813 K	Complete	K3
1R14-705	4813 KP	Complete	K4
1R12-712	4836 K	Complete	K4
1R12-711	4836-02 K	Complete	K5
1R12-711	4836-04 K	Complete	K5
1R14-712	4881-01 K	Complete	K10
1R14-703	4881 KP	Complete	K10
1R11-752	4940 KP	Complete	K11
1R11-762	4941 K	Complete	K11
1R14-781	4942-01 K	Complete	K12
1R13-150	40081 K	Complete	K12
1R11-714	42618 KP	Complete	K13
1R11-781	42619 KP	Complete	K13
1R11-706	44004 K	Complete	K14
1R11-713	44004 KP	Complete	K14
1R11-714	44022-03 KP	Complete	K15
1R11-781	44022-05 KP	Complete	K15
1R14-729	44023 K	Complete	K15
1R12-706	44156-09 K	Complete	K17
1R12-719	44156 KP	Complete	K18
9505	44390-01 K	Complete	K22
9506	44390-02 K	Complete	K22
1R12-762	44713 K	Complete	K25
9519	44757-01 K	Complete	K25
9520	44757-09 K	Complete	K26
1R14-727	44813 K	Complete	K27
9522	44838-02 K	Complete	K27
1R13-714	44911 K	Complete	K32
2B9-223	2D-220/08	Convolutad	D4
2B9-287	2D-220/12	Convolutad	D5

CF GOMMA

1S 285-24 92574	4644	Roll	R2
1S 310-28 91016	4661	Roll	R2
1SC 360-30 92594	4662	Roll	R3
1S 285-22 88786	4673	Roll	R3
1SC 300-34 92548	4716	Roll	R4
1SC 360-43 92593	4719	Roll	R5
1SC 290-30 88802	4720	Roll	R5
1SC 360-34 92575	4727	Roll	R5
1SC 360-34 92575	4728	Roll	R6
1S 323-23 89756	4737	Roll	R6
1SC 240-30 97326	4769	Roll	R7
1S 285-25 97555	4782	Roll	R7
1SC 250-28 97042	4882	Roll	R8

CROSS LIST

CROSS NUMBER	PRODUCT NR.	REMARK	PAGE
1SC 250-29 204250	4883	Roll	R9
1S 270-25C 97608	4884	Roll	R10
1S 320 30 88788	4897	Roll	R10
1S 285-23 202728	4921	Roll	R11
1S 285-18 88809	4943	Roll	R12
1S 285-22 88786	4944	Roll	R12
1S 285-25 97555	4945	Roll	R13
1SC 270-28 97043	41885	Roll	R13
1S 280-25 203000	4415-25	Roll	R14
1S 280-28 203001	4415-28	Roll	R14
1S 300-27 203386	4450-25	Roll	R14
1TCS 360-45 202964	4725 M	Service Assembly	M2
1TC 360-45 204530	4881 M	Service Assembly	M6
1TC 300-30 205536	4940 M	Service Assembly	M6
1TC 300-36 204466	4941 M	Service Assembly	M7
1T 19E-2 204676	44023 M	Service Assembly	M10
1VSC 285-30	44390-01 M	Service Assembly	M14
1VSC 285-30	44390-02 M	Service Assembly	M15
1TS 300-28 206778	44713 M	Service Assembly	M15
1T 19E-2 BR	44813 M	Service Assembly	M16
1TS 290-28	44884 M	Service Assembly	M18
1TS 19E-4	44912 M	Service Assembly	M20
1 TCS 360-45 202964	4725 K	Complete	K1
1T 19E-1 87413/1	4810 K	Complete	K1
1T 19E-2 203878	4811 K	Complete	K2
1T 19E-2	4813 K	Complete	K3
1T 19E-2 87408	4813 KP	Complete	K4
1TC 360-45	4881-01 K	Complete	K10
1TC 360-45	4881 KP	Complete	K10
1T 300-33	44004 K	Complete	K14
1T 300-37	44022 K	Complete	K14
1T 19E-2 204676	44023 K	Complete	K15
1T 323-33	44156 KP	Complete	K18
1VSC 285-30 206783	44390-03 K	Complete	K23
1VSC 285-30 206781	44390-04 K	Complete	K23
1TS 300-28	44713 K	Complete	K25
1VSC 300-26 206785	44757-01 K	Complete	K25
1VSC 300-26 206786	44757-09 K	Complete	K26
1T 19E-2 BR 97764	44813 K	Complete	K27
1T 19E-93	44913 K	Complete	K33

VIBRACOUSTIC

V 1 E 21 (-2)	4644	Roll	R2
V 1 E 25 (-2)	4661	Roll	R2
V 1 E 32	4662	Roll	R3

VIBRACOUSTIC

V 1 DK 20 B-1	44158 KP	Complete	K20
---------------	----------	----------	-----

SPRINGRIDE

S09208 (9"1/4 x 2 NB)	2D-220/12	Convolutad	D5
SP 2597 NB (12"x3 NB)	3D-300/01	Convolutad	D7

SACHS

481002	401169 M	Cabin and Seat	C1
105831	401169 K	Cabin and Seat	C1
105845	401169 K	Cabin and Seat	C1
105875	401169 K	Cabin and Seat	C1
105876	401169 K	Cabin and Seat	C1
481 002	401169 K	Cabin and Seat	C1
557001	401180 M	Cabin and Seat	C1
290 201	401180 K	Cabin and Seat	C2

CROSS LIST

CROSS NUMBER	DASTECH PRODUCT NR.	REMARK	PAGE
290 203	401180 K	Cabin and Seat	C2
290 987	401180 K	Cabin and Seat	C2
310 619	401180 K	Cabin and Seat	C2
(Old Part Number 557 001)			
290 989	401181 K	Cabin and Seat	C2
311 619	401181 K	Cabin and Seat	C2
(Old Part Number 557 001)			
290204	402187 K	Cabin and Seat	C4
105 855	403001 K	Cabin and Seat	C5
105 856	404001 K	Cabin and Seat	C6
105 392	405001 K	Cabin and Seat	C6
290997	406001 K	Cabin and Seat	C7
135197	406014 K	Cabin and Seat	C8
135196	406015 K	Cabin and Seat	C8
135198	406057 K	Cabin and Seat	C9
311663	407001 K	Cabin and Seat	C10
290998	408001 M	Cabin and Seat	C10
290998	408001 K	Cabin and Seat	C10
310957	408908 K	Cabin and Seat	C11
290987	409007 K	Cabin and Seat	C12
310619	409007 K	Cabin and Seat	C12
290989	409008 K	Cabin and Seat	C13
310619	409008 K	Cabin and Seat	C13
310619	428101 M	Cabin and Seat	C13
310619	428101 K	Cabin and Seat	C13
310620	428101 K	Cabin and Seat	C13
(Shock Absorber)			
115743	428011 M	Cabin and Seat	C14
115743	428011 K	Cabin and Seat	C14
310820	428012 K	Cabin and Seat	C15
310821	428016 K	Cabin and Seat	C17
73100000277	428017 K	Cabin and Seat	C18

MONROE

CB0065	401169 K	Cabin and Seat	C1
(Unit Without Air Spring)			
CB0066 (Air Spring)	401169 K	Cabin and Seat	C1
CB0067	401180 M	Cabin and Seat	C1
557001	401180 M	Cabin and Seat	C1
CB0058	401180 K	Cabin and Seat	C2
(Unit Without Air Spring)			
CB0067 (Air Spring)	401180 K	Cabin and Seat	C2
CB0059	401181 K	Cabin and Seat	C2
(Unit Without Air Spring)			
CB0067 (Air Spring)	401181 K	Cabin and Seat	C2
CB0074	401208 M	Cabin and Seat	C3
CB0078	401208 K	Cabin and Seat	C3
(Unit Without Air Spring)			
CB0074 (Air Spring)	401208 K	Cabin and Seat	C3
CB0010	402186 K	Cabin and Seat	C4
(Unit Without Air Spring)			
CB0066 (Air Spring)	402186 K	Cabin and Seat	C4
CB0009	402187 K	Cabin and Seat	C4
(Unit Without Air Spring)			
CB0030 (Air Spring)	402187 K	Cabin and Seat	C4
CB0003	409007 M	Cabin and Seat	C12
CB0058	409007 K	Cabin and Seat	C12
(Unit Without Air Spring)			
CB0067 (Air Spring)	409007 K	Cabin and Seat	C12
CB0067	428101 M	Cabin and Seat	C13
CB0003	428020 K	Cabin and Seat	C18
CB0006	428021 K	Cabin and Seat	C19
CB0002	428022 K	Cabin and Seat	C20

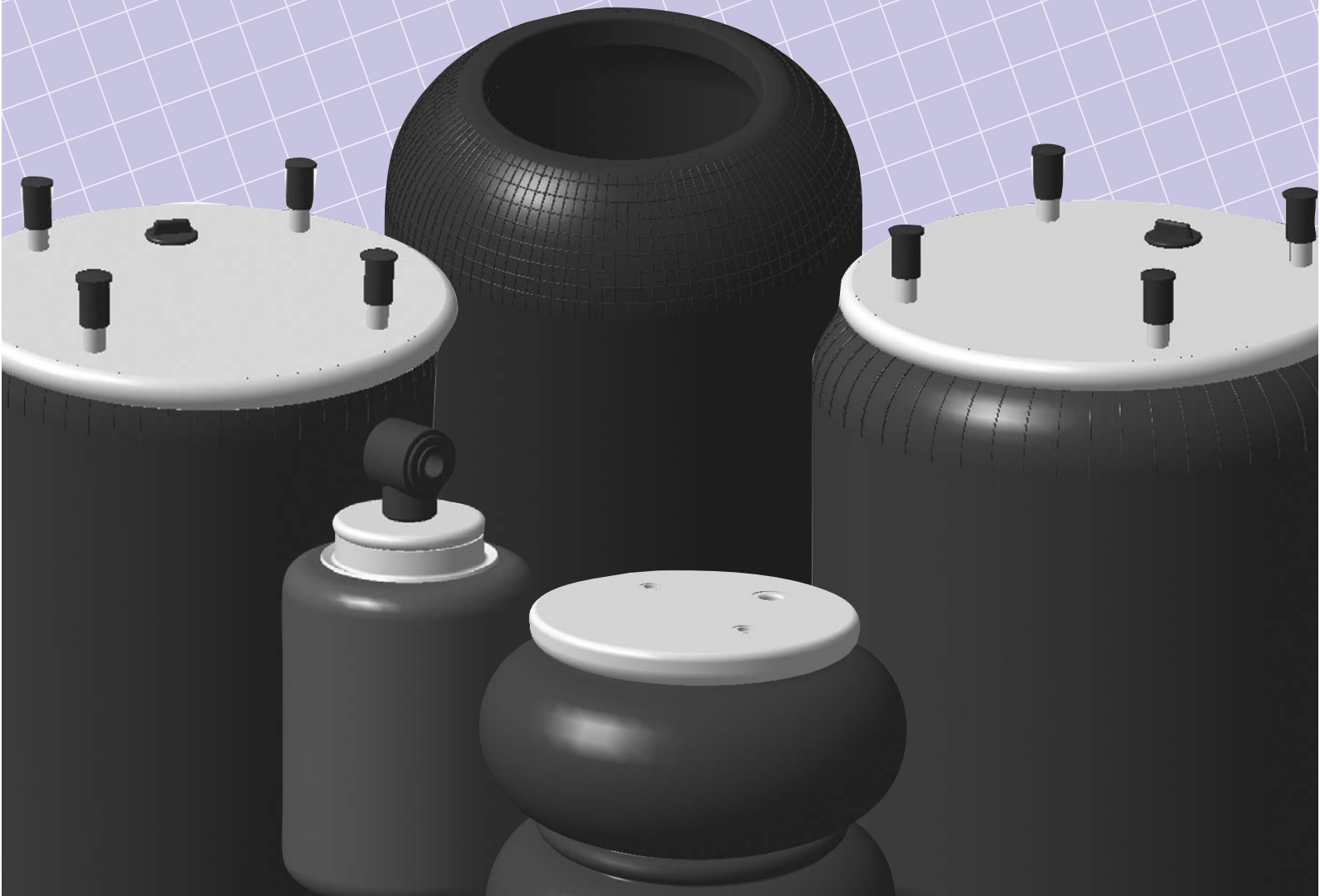
CROSS LIST

CROSS NUMBER	DASTECH PRODUCT NR.	REMARK	PAGE
GRANNING			
50159	401169 K	Cabin and Seat	C1
50501	401180 M	Cabin and Seat	C1
50157	401180 K	Cabin and Seat	C2
50158	401181 K	Cabin and Seat	C2
50155	402186 K	Cabin and Seat	C4
50156	402187 K	Cabin and Seat	C4
50162	403001 M	Cabin and Seat	C5
(Without Shock Absorber)			
50162	403001 K	Cabin and Seat	C5
50163	404001 K	Cabin and Seat	C6
50511	405001 M	Cabin and Seat	C6
(Without Shock Absorber)			
50511	405001 K	Cabin and Seat	C6
50512	406001 M	Cabin and Seat	C7
(Without Shock Absorber)			
50512	406001 K	Cabin and Seat	C7
15519	408908 K	Cabin and Seat	C11
50509	409007 M	Cabin and Seat	C12
50509	428020 K	Cabin and Seat	C18
50510	428022 K	Cabin and Seat	C20
15512	421053	Cabin and Seat	C20
15513	421054	Cabin and Seat	C20
15515	421414	Cabin and Seat	C21
15514	421506	Cabin and Seat	C21
90000	421514	Cabin and Seat	C21
90002	425101	Cabin and Seat	C22
90001	425121	Cabin and Seat	C22

ARVINMOTOR

908322985	428013 K	Cabin and Seat	C15
908323140	428015 K	Cabin and Seat	C16

Product List



dastech® PRODUCT LIST

DASTECH PRODUCT NR.	REMARK	PAGE
4112	Roll	R1
4240	Roll	R1
4250	Roll	R1
4625	Roll	R2
4644	Roll	R2
4661	Roll	R2
4662	Roll	R3
4673	Roll	R3
4701	Roll	R3
4706	Roll	R4
4713	Roll	R4
4716	Roll	R4
4719	Roll	R5
4720	Roll	R5
4727	Roll	R5
4728	Roll	R6
4737	Roll	R6
4746	Roll	R6
4757	Roll	R7
4768	Roll	R7
4769	Roll	R7
4782	Roll	R8
4838	Roll	R8
4873	Roll	R8
4876	Roll	R9
4882	Roll	R9
4883	Roll	R9
4884	Roll	R10
4896	Roll	R10
4897	Roll	R10
4916	Roll	R11
4921	Roll	R11
4927	Roll	R11
4928	Roll	R12
4943	Roll	R12
4944	Roll	R12
4945	Roll	R13
41720	Roll	R13
41885	Roll	R13
4415-25	Roll	R14
4415-28	Roll	R14
4450-25	Roll	R14
D-244	Roll	R15
D-305	Roll	R15
4122 M	Service Assembly	M1
4323 M	Service Assembly	M1
4324 M	Service Assembly	M1
4725 M	Service Assembly	M2
4810 M	Service Assembly	M2
4811 M	Service Assembly	M2
4811-01 M	Service Assembly	M3
4811-02 M	Service Assembly	M3
4811-16 M	Service Assembly	M3
4813 M	Service Assembly	M4
4813-01 M	Service Assembly	M4
4836 M	Service Assembly	M4
4836-01 M	Service Assembly	M5
4836-02 M	Service Assembly	M5
4856 M	Service Assembly	M5
4859 M	Service Assembly	M6
4881 M	Service Assembly	M6
4940 M	Service Assembly	M6
4941 M	Service Assembly	M7

dastech® PRODUCT LIST

DASTECH PRODUCT NR.	REMARK	PAGE
4942 M	Service Assembly	M7
4951 M	Service Assembly	M7
40081 M	Service Assembly	M8
42618 M	Service Assembly	M8
42619 M	Service Assembly	M8
42725 M	Service Assembly	M9
44004 M	Service Assembly	M9
44022 M	Service Assembly	M9
44023 M	Service Assembly	M10
44028 M	Service Assembly	M10
44028-05 M	Service Assembly	M10
44154 M	Service Assembly	M11
44156 M	Service Assembly	M11
44157 M	Service Assembly	M11
44157-03 M	Service Assembly	M12
44157-06 M	Service Assembly	M12
44157-09 M	Service Assembly	M12
44158 M	Service Assembly	M13
44159 M	Service Assembly	M13
44159-03 M	Service Assembly	M13
44183 M	Service Assembly	M14
44183-02 M	Service Assembly	M14
44390-01 M	Service Assembly	M14
44390-02 M	Service Assembly	M15
44644 M	Service Assembly	M15
44713 M	Service Assembly	M15
44757-01 M	Service Assembly	M16
44757-02 M	Service Assembly	M16
44813 M	Service Assembly	M16
44838 M	Service Assembly	M17
44881 M	Service Assembly	M17
44882 M	Service Assembly	M17
44883 M	Service Assembly	M18
44884 M	Service Assembly	M18
44885 M	Service Assembly	M18
44886 M	Service Assembly	M19
44911 M	Service Assembly	M19
44911-04 M	Service Assembly	M19
44912 M	Service Assembly	M20
44912-10 M	Service Assembly	M20
44913 M	Service Assembly	M20
44913-01 M	Service Assembly	M21
44940 M	Service Assembly	M21
44941 M	Service Assembly	M21
44960 M	Service Assembly	M22
44961 M	Service Assembly	M22
46416 M	Service Assembly	M22
46418 M	Service Assembly	M23
47803 M	Service Assembly	M23
47804 M	Service Assembly	M23
TRAILER4 M	Service Assembly	M24
4725 K	Complete	K1
4725-01 K	Complete	K1
4810 K	Complete	K1
4811 K	Complete	K2
4811-01 K	Complete	K2
4811-02 K	Complete	K2
4811-16 K	Complete	K3
4813 K	Complete	K3
4813-01 K	Complete	K3
4813 KP	Complete	K4
4836 K	Complete	K4
4836-5 K	Complete	K4

dastech® PRODUCT LIST

DASTECH PRODUCT NR.	REMARK	PAGE
4836-6 K	Complete	K5
4836-02 K	Complete	K5
4836-04 K	Complete	K5
4836-06 K	Complete	K6
4836-07 K	Complete	K6
4856-01 K	Complete	K6
4856-02 K	Complete	K7
4856-11 K	Complete	K7
4859-03 K	Complete	K7
4859-04 K	Complete	K8
4859-05 K	Complete	K8
4859-06 K	Complete	K8
4859-07 K	Complete	K9
4859-16 K	Complete	K9
4881 K	Complete	K9
4881-01 K	Complete	K10
4881 KP	Complete	K10
4940 K	Complete	K10
4940 KP	Complete	K11
4941 K	Complete	K11
4941 KP	Complete	K11
4942 K	Complete	K12
4942-01 K	Complete	K12
40081 K	Complete	K12
42618 KP	Complete	K13
42619 KP	Complete	K13
42725 K	Complete	K13
44004 K	Complete	K14
44004 KP	Complete	K14
44022 K	Complete	K14
44022-03 KP	Complete	K15
44022-05 KP	Complete	K15
44023 K	Complete	K15
44028-02 K	Complete	K16
44028-05 K	Complete	K16
44154 KP	Complete	K16
44156 K	Complete	K17
44156-01 K	Complete	K17
44156-09 K	Complete	K17
44156 KP	Complete	K18
44157 KP	Complete	K18
44157-03 KP	Complete	K18
44157-05 KP	Complete	K19
44157-06 KP	Complete	K19
44157-09 KP	Complete	K19
44158 KP	Complete	K20
44159 K	Complete	K20
44159-03 K	Complete	K20
44159-07 K	Complete	K21
44159 KP	Complete	K21
44183 K	Complete	K21
44183-02 K	Complete	K22
44390-01 K	Complete	K22
44390-02 K	Complete	K22
44390-03 K	Complete	K23
44390-04 K	Complete	K23
44390-21 K	Complete	K23
44390-22 K	Complete	K24
44390-23 K	Complete	K24
44390-24 K	Complete	K24
44713 K	Complete	K25
44757-01 K	Complete	K25
44757-02 K	Complete	K25

dastech® PRODUCT LIST

DASTECH PRODUCT NR.	REMARK	PAGE
44757-09 K	Complete	K26
44757-21 K	Complete	K26
44757-29 K	Complete	K26
44813 K	Complete	K27
44838-01 K	Complete	K27
44838-02 K	Complete	K27
44838-03 K	Complete	K28
44838-21 K	Complete	K28
44838-22 K	Complete	K28
44838-23 K	Complete	K29
44881 K	Complete	K29
44881-01 K	Complete	K29
44881 KP	Complete	K30
44882 K	Complete	K30
44883 K	Complete	K30
44884 K	Complete	K31
44885 K	Complete	K31
44886 K	Complete	K31
44911 K	Complete	K32
44911-04 K	Complete	K32
44912 K	Complete	K32
44912-10 K	Complete	K33
44913 K	Complete	K33
44913-01 K	Complete	K33
44940 K	Complete	K34
44940 KP	Complete	K34
44941 K	Complete	K34
44941 KP	Complete	K35
44960 KP	Complete	K35
44961 KP	Complete	K35
46416 K	Complete	K36
46418 K	Complete	K36
47803 K	Complete	K36
47804 K	Complete	K37
TRAILER4 K	Complete	K37
2D-220	Convolutet	D1
2D-220/01	Convolutet	D1
2D-220/01X	Convolutet	D1
2D-220/02	Convolutet	D2
2D-220/03	Convolutet	D2
2D-220/04	Convolutet	D2
2D-220/05	Convolutet	D3
2D-220/06	Convolutet	D3
2D-220/07	Convolutet	D3
2D-220/08	Convolutet	D4
2D-220/09	Convolutet	D4
2D-220/10	Convolutet	D4
2D-220/11	Convolutet	D5
2D-220/12	Convolutet	D5
2D-220/13	Convolutet	D5
2D-220/14	Convolutet	D6
2D-220/15	Convolutet	D6
2D-220/16	Convolutet	D6
2D-220/17	Convolutet	D7
3D-300	Convolutet	D7
3D-300/01	Convolutet	D7
3D-300/02	Convolutet	D8
3D-300/03	Convolutet	D8
3D-300/04	Convolutet	D8
3D-300/05	Convolutet	D9
401169 M	Cabin and Seat	C1
401169 K	Cabin and Seat	C1
401180 M	Cabin and Seat	C1

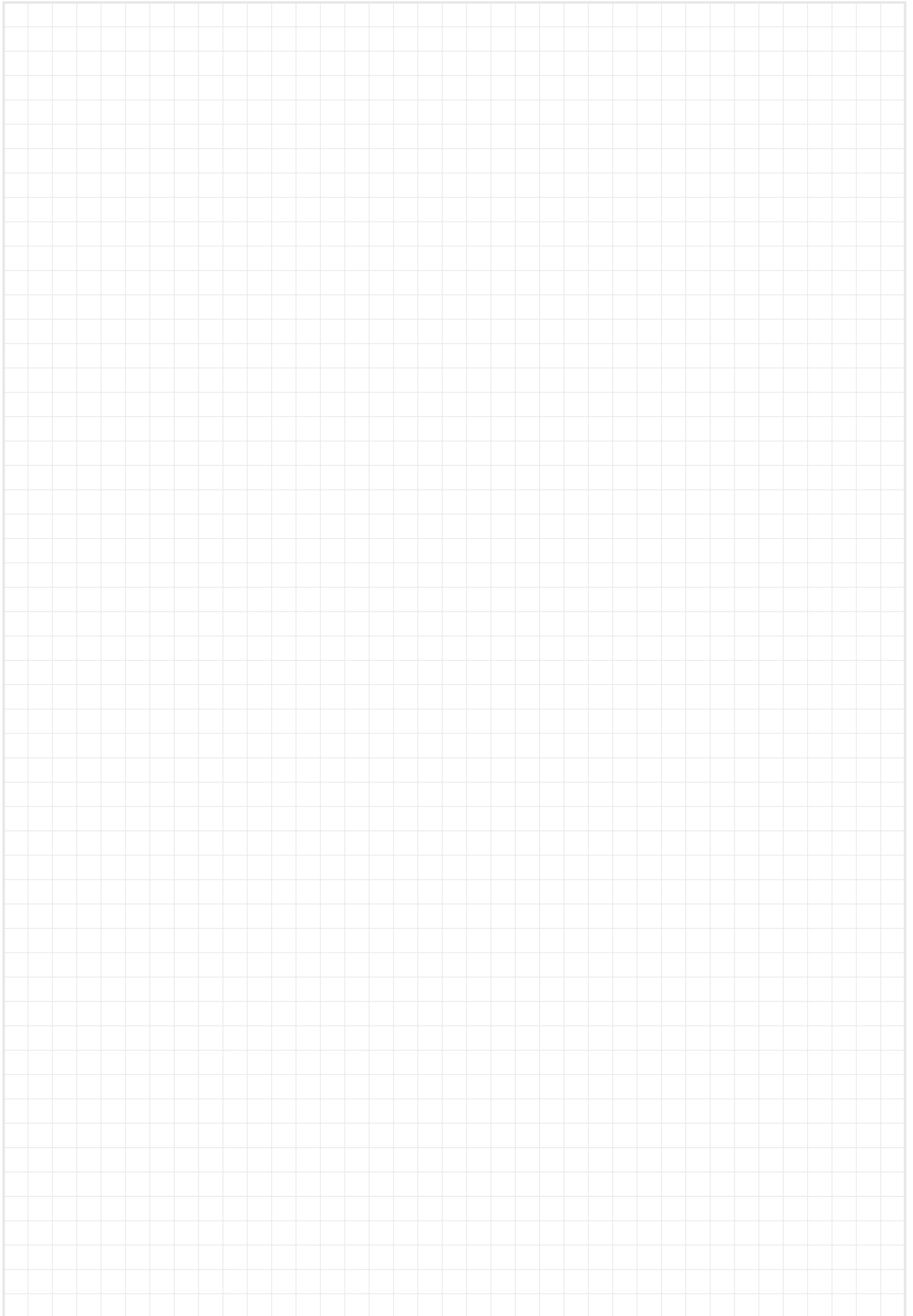
dastech® PRODUCT LIST

DASTECH PRODUCT NR.	REMARK	PAGE
401180 K	Cabin and Seat	C2
401181 M	Cabin and Seat	C2
401181 K	Cabin and Seat	C2
401208 M	Cabin and Seat	C3
401208 K	Cabin and Seat	C3
402186 M	Cabin and Seat	C3
402186 K	Cabin and Seat	C4
402187 M	Cabin and Seat	C4
402187 K	Cabin and Seat	C4
403001 M	Cabin and Seat	C5
403001 K	Cabin and Seat	C5
404001 M	Cabin and Seat	C5
404001 K	Cabin and Seat	C6
405001 M	Cabin and Seat	C6
405001 K	Cabin and Seat	C6
406001 M	Cabin and Seat	C7
406001 K	Cabin and Seat	C7
406014 M	Cabin and Seat	C7
406014 K	Cabin and Seat	C8
406015 M	Cabin and Seat	C8
406015 K	Cabin and Seat	C8
406057 M	Cabin and Seat	C9
406057 K	Cabin and Seat	C9
407001 M	Cabin and Seat	C9
407001 K	Cabin and Seat	C10
408001 M	Cabin and Seat	C10
408001 K	Cabin and Seat	C10
408014 M	Cabin and Seat	C11
408908 M	Cabin and Seat	C11
408908 K	Cabin and Seat	C11
409007 M	Cabin and Seat	C12
409007 K	Cabin and Seat	C12
409008 M	Cabin and Seat	C12
409008 K	Cabin and Seat	C13
428101 M	Cabin and Seat	C13
428101 K	Cabin and Seat	C13
428011 M	Cabin and Seat	C14
428011 K	Cabin and Seat	C14
428012 M	Cabin and Seat	C14
428012 K	Cabin and Seat	C15
428013 M	Cabin and Seat	C15
428013 K	Cabin and Seat	C15
428014 K	Cabin and Seat	C16
428015 M	Cabin and Seat	C16
428015 K	Cabin and Seat	C16
428016 M	Cabin and Seat	C17
428016 K	Cabin and Seat	C17
428017 M	Cabin and Seat	C17
428017 K	Cabin and Seat	C18
428020 M	Cabin and Seat	C18
428020 K	Cabin and Seat	C18
428021 M	Cabin and Seat	C19
428021 K	Cabin and Seat	C19
428022 M	Cabin and Seat	C19
428022 K	Cabin and Seat	C20
421053	Cabin and Seat	C20
421054	Cabin and Seat	C20
421414	Cabin and Seat	C21
421506	Cabin and Seat	C21
421514	Cabin and Seat	C21
425101	Cabin and Seat	C22
425110	Cabin and Seat	C22
425121	Cabin and Seat	C22

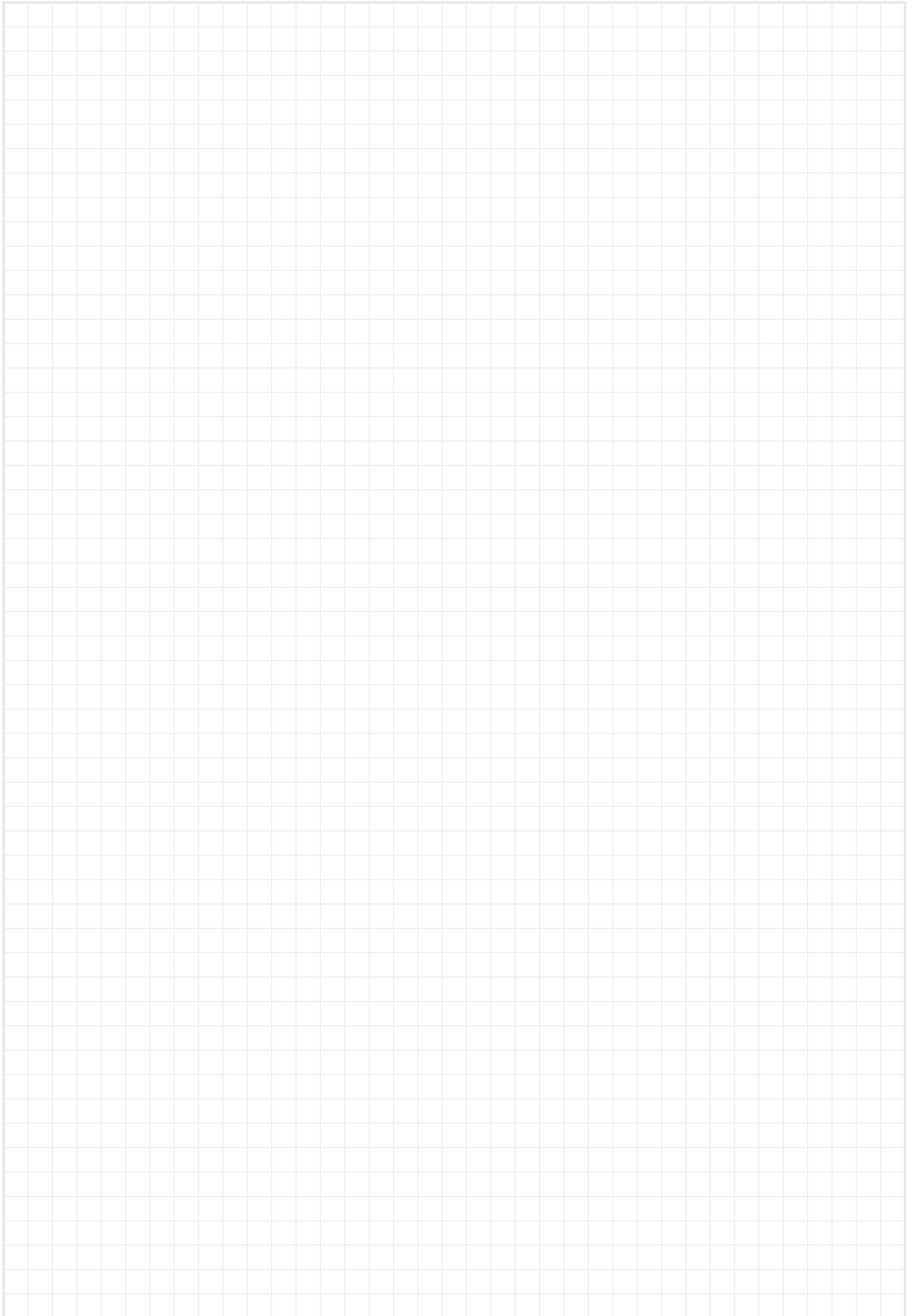
dastech® PRODUCT LIST

DASTECH PRODUCT NR.	REMARK	PAGE
-------------------------------	--------	------

Notes:



Notes:





www.dastechnairspring.com