

Designed
Strong and
Durable

blacktech

A Brand of Vibracoustic



Product
Catalogue
2021-22

www.blacktech-airsprings.com

INDEX

ROLL AIR SPRINGS

7 - 61



COMPLETE & SERVICE AIR SPRINGS

63 - 343



CONVOLUTED AIR SPRINGS

345 - 397



CABIN & SEAT & LIFT AIR SPRINGS

399-443





▪ **Vibracoustic CV Air Springs GmbH** is specialized in the design and manufacturing of commercial vehicle air springs. Our company is headquartered in Hamburg (Germany) and has facilities in Hungary, Turkey, China. The combination of German engineering and our standardized best in class processes ensures that Vibracoustic CV Air Springs consistently provide the highest level of quality and service to our customers, everywhere in the world. All our production locations are certified according the required standards of the automotive industry, such as TS16949, ISO14001, ISO18001 and EAC certificate. With its own rubber mixing facility,

Vibracoustic CV Air Springs is able to control the complete production process from raw material until the finished product, all under one roof Our modern plant in Bursa has a total floor space of 22,000sq metres and produces more than two million Air Springs per year. The Blacktech brand has a high reputation within the global replacement market. The matching product design, constant quality and design to cost philosophy combined with a wide range of products ensures that Blacktech remains as a leading brand within the global air spring replacement market.



Vibracoustic CV Air Springs

Blacktech Air Spring Product Range

- **Rolling Lobe Air Springs** most common air springs for truck, trailer, bus and light commercial vehicles.
- **Convolute Air Springs** used in a large variety of application areas. Mostly they are used in industrial pneumatic applications as pneumatic lifting cylinders or in vibration isolation as spring elements.
- **Cabin Air Springs** to reduce the vibration of the cabin and to control the ride height and stiffness. These are adjustable depending to the loading and road conditions.
- **Seat Air Springs** designed to provide maximum comfort for the driver and to decrease driver's fatigue, increase road safety and to decrease fuel consumption due to increasing driver's comfort.



blacktech™



BLACKTECH AIR SUSPENSION SYSTEMS:

- Provide equal suspension comfort under all kinds of load and road surface conditions.
- Do not need maintenance.
- Have easy and economical replacement.
- Ease loading and unloading by adjusting chassis height of the vehicle.
- Ease getting on and off the bus especially for disabled people and children in some bus types.
- Protect the vehicle and the road from vibrations while driving.
- Prevent the vehicle from leaning to one side in unbalanced loading conditions.
- Increase road holding of the vehicle.
- Protect fragile loads from vibration.
- Used in cabins and driver's seat to provide more comfortable driving.

Blacktech Air Springs are put through wide-ranging tests procedures to ensure that the air springs operate correctly and comply with required quality standards. Combining its experience with the aim of being known as a worldwide company and supplying high quality products we direct our infrastructure investments covering the following quality tests and consequently creating most suitable production conditions.

PRODUCT LIFE TEST



Based on annual audit plans and innovations in new product development, the products are put through a life test in order to determine the performance of the air springs on the vehicle. During this test the air springs are installed to a see-saw replicating the movement of the vehicle, and then set to work in proper ride height and under maximum pressure conditions specified in product specifications. Pressure and expansion levels are recorded, at the same time all the modifications of air springs are traced by computer. Test results are summarized in graphs and tables, then the accuracy and compliance of the results to the specifications verified by engineers. The out-put data from the life-test results are used as an indicator in Research & Development activities, product improvements, corrective and preventive actions. Blacktech Air Springs are tested for millions of cycles without product failure or performance degradation during the tests.

EXPANSION AND LIFTING TEST



The air springs are designed to prove balanced transportation of the heavy loads. Therefore it should be checked whether the air springs have required expansion and lifting rates. By generating load lifting conditions of air spring in the vehicle, it is checked if the air spring is reached intended lifting rates and diameter change under escalating load is observed. Since the tests are performed by computer automatically, it is possible to determine the diameter expansion according to the lifting force in every pressure level. Test results are summarized in graphs and tables, then compliance of the results to the specifications verified by engineers.

BURST TEST



Burst tests are performed to determine maximum resistance pressure of air springs. In order to ensure work safety, air springs are inflated in a closed chamber. Consequent burst pressure is verified in accordance with product test specifications. Burst tests are also performed with computer control.

FREQUENCY TEST



Products are tested for resistance on different frequencies. Frequency test is performed to calculate frequency under a certain pressure and certain load. Between 0.4 hz and 8.5 hz frequency are applied. Also it is possible to see the air spring's pressure and load level between bound and rebound movements by the frequency test.

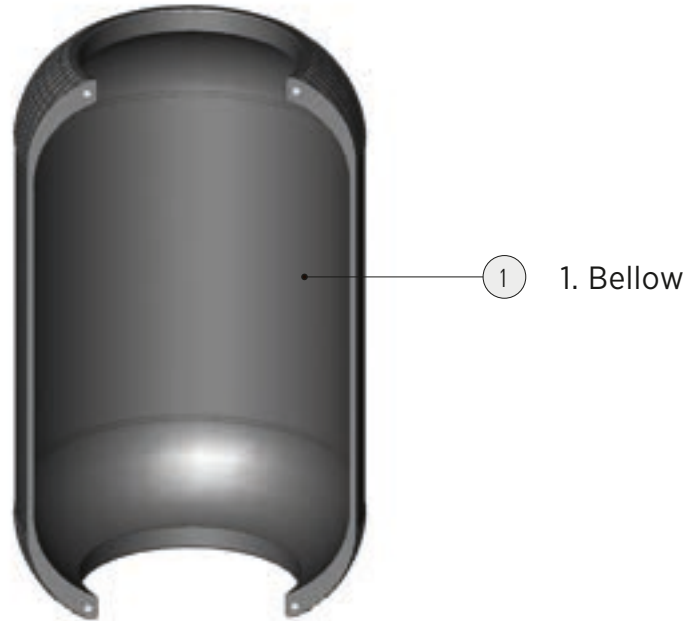


ROLL AIR SPRINGS

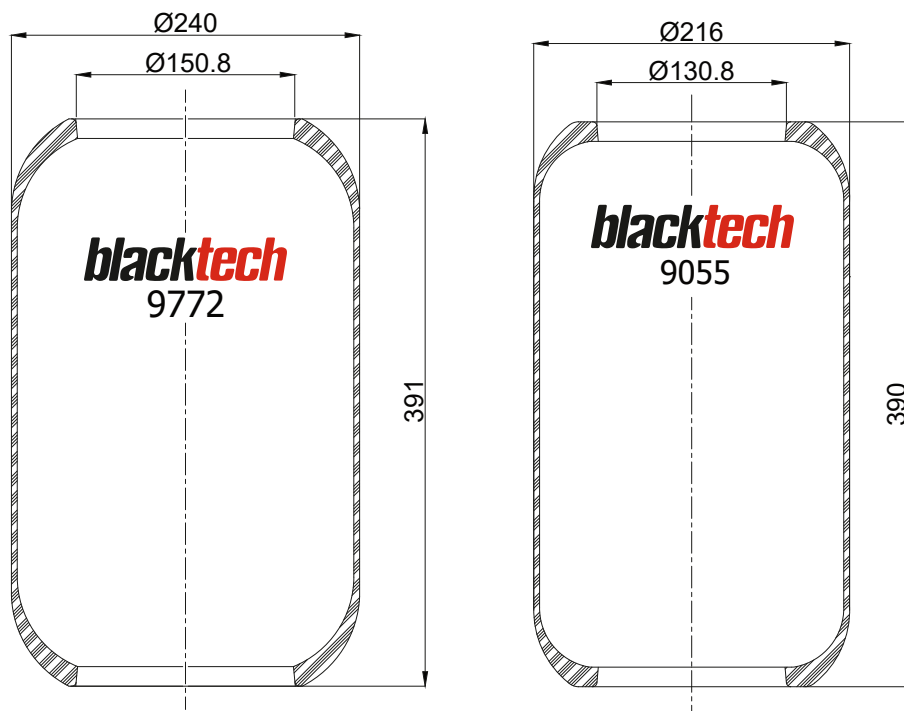


Vibracoustic
CVAir Springs

Components of Air Springs



Product Identification / Roll Air Springs



RL 9772
rubber bellows only
(tapered / conical or cylindrical)

RL 9055
rubber bellows only
(tapered / conical or cylindrical)

ROLL AIR SPRINGS OEM LIST					
MANUFACTURER	OEM PART NO	PART NO	TYPE	REMARKS	PAGE
AUTODROMO MODENA	577472	95471	Roll	Rolling Lobe	45
BARTOLETTI	91644001	92023	Roll	Rolling Lobe	38
BOVA	8510040	9812	Roll	Rolling Lobe	25
BUSSING	536905265	9755	Roll	Rolling Lobe	24
	546905134	9772	Roll	Rolling Lobe	24
	831120144	9772	Roll	Rolling Lobe	24
	100110200	9773	Roll	Rolling Lobe	25
	100112251	9773	Roll	Rolling Lobe	25
BREDAMENARINIBUS	S5001051	9054	Roll	Rolling Lobe	22
	178741	9056	Roll	Rolling Lobe	23
	199196	9755	Roll	Rolling Lobe	24
	178623	9784	Roll	Rolling Lobe	25
	325993	9784	Roll	Rolling Lobe	25
	192709	9920	Roll	Rolling Lobe	32
	252933	9928	Roll	Rolling Lobe	33
	D031115	9993	Roll	Rolling Lobe	34
	D020990	91994	Roll	Rolling Lobe	37
	178739	92023	Roll	Rolling Lobe	38
192709	95471	Roll	Rolling Lobe	45	
BPW	0220024400	9755	Roll	Rolling Lobe	24
	0220024600	9773	Roll	Rolling Lobe	25
	0220024000	9820	Roll	Rolling Lobe	26
	0220024100	9831	Roll	Rolling Lobe	27
	0220024200	9873	Roll	Rolling Lobe	30
	0220024700	9886	Roll	Rolling Lobe	30
	0220024300	92885	Roll	Rolling Lobe	41
CARDI	58050315	9908	Roll	Rolling Lobe	32
DAF	0818225	9820	Roll	Rolling Lobe	26
	0638148	9838	Roll	Rolling Lobe	28
DAIMLER CHRYSLER	A3183280001	9857	Roll	Rolling Lobe	29
DENNIS	611896/12	9038	Roll	Rolling Lobe	21
	686 1/2	9039	Roll	Rolling Lobe	22
	870 3/4	9039	Roll	Rolling Lobe	22
	776 1/7	9039	Roll	Rolling Lobe	22
	655 606 / 1	9907	Roll	Rolling Lobe	32
	656 300 / 2	9907	Roll	Rolling Lobe	32
	8001/2	9908	Roll	Rolling Lobe	32
	657489-2	97489	Roll	Rolling Lobe	49
DAEWOO	96708574	9870	Roll	Rolling Lobe	29
		9893	Roll	Rolling Lobe	31
EVO-BUS	A0003280001	9032	Roll	Rolling Lobe	21

ROLL AIR SPRINGS OEM LIST

MANUFACTURER	OEM PART NO	PART NO	TYPE	REMARKS	PAGE
EVO-BUS	A6283230092	9057	Roll	Rolling Lobe	23
	A0003270101	9755	Roll	Rolling Lobe	24
	A3073280001	9755	Roll	Rolling Lobe	24
	A6133270001	9755	Roll	Rolling Lobe	24
	A4103270001	9772	Roll	Rolling Lobe	24
	A3833270001	9784	Roll	Rolling Lobe	25
	A3833280001	9784	Roll	Rolling Lobe	25
	A3823277101	9873	Roll	Rolling Lobe	30
	A3563270001	9561-36	Roll	Rolling Lobe	55
	A3563270201	9561-36	Roll	Rolling Lobe	55
	A6133270101	9561-36	Roll	Rolling Lobe	55
FLOOR	848	9773	Roll	Rolling Lobe	25
	862	9838	Roll	Rolling Lobe	28
GIGANT	166205	9820	Roll	Rolling Lobe	26
	196036	9820	Roll	Rolling Lobe	26
	196043	9838	Roll	Rolling Lobe	28
	196035	9873	Roll	Rolling Lobe	30
	196038	9886	Roll	Rolling Lobe	30
	196039	92885	Roll	Rolling Lobe	41
HANOMAG	546 905 134	9755	Roll	Rolling Lobe	24
	536 905 265	9772	Roll	Rolling Lobe	24
HEULEZ	5000288982	9032	Roll	Rolling Lobe	21
	5000805284	9870	Roll	Rolling Lobe	29
HYUNDAI		9056	Roll	Rolling Lobe	23
		9870	Roll	Rolling Lobe	29
		9893	Roll	Rolling Lobe	31
KARUS		9755	Roll	Rolling Lobe	24
		9772	Roll	Rolling Lobe	24
		9773	Roll	Rolling Lobe	25
	B510040	9812	Roll	Rolling Lobe	25
		9873	Roll	Rolling Lobe	30
INBUS	5001051	9054	Roll	Rolling Lobe	22
	4890001	9055	Roll	Rolling Lobe	22
IRIS BUS	5000288982	9032	Roll	Rolling Lobe	21
	5010151378	9032	Roll	Rolling Lobe	21
	5010151379	9032	Roll	Rolling Lobe	21
	5000819517	9826	Roll	Rolling Lobe	27
	5000786640	9870	Roll	Rolling Lobe	29
	5000805284	9870	Roll	Rolling Lobe	29
	5000954176	9893	Roll	Rolling Lobe	31
	5000324098	9893	Roll	Rolling Lobe	31

ROLL AIR SPRINGS OEM LIST					
MANUFACTURER	OEM PART NO	PART NO	TYPE	REMARKS	PAGE
IRIS BUS	5000805998	9928	Roll	Rolling Lobe	33
	5810805998	9928	Roll	Rolling Lobe	33
	5000768641	9928	Roll	Rolling Lobe	33
	5000296816	9987	Roll	Rolling Lobe	34
	5000296827	9987	Roll	Rolling Lobe	34
	5000301452	9995	Roll	Rolling Lobe	35
	5010294385	9995	Roll	Rolling Lobe	35
	5001843640	92035	Roll	Rolling Lobe	38
	5001021414	92526	Roll	Rolling Lobe	39
	5001857612	92893	Roll	Rolling Lobe	41
	5000296816	92336	Roll	Rolling Lobe	38
	5000296827	92336	Roll	Rolling Lobe	38
IVECO/IVECO BUS	99459166	9032	Roll	Rolling Lobe	21
	6453741	9039	Roll	Rolling Lobe	22
	6414040	9054	Roll	Rolling Lobe	22
	8160165	9054	Roll	Rolling Lobe	22
	4738008	9055	Roll	Rolling Lobe	22
	8188526	9055	Roll	Rolling Lobe	22
	4714025	9055	Roll	Rolling Lobe	22
	4722525	9055	Roll	Rolling Lobe	22
	5254025	9055	Roll	Rolling Lobe	22
	6657150	9055	Roll	Rolling Lobe	22
	4716989	9056	Roll	Rolling Lobe	23
	4746733	9772	Roll	Rolling Lobe	24
	41822247	9772	Roll	Rolling Lobe	24
	4763473	9826	Roll	Rolling Lobe	27
	4456111	9826	Roll	Rolling Lobe	27
	500324098	9893	Roll	Rolling Lobe	31
	8139068	9987	Roll	Rolling Lobe	34
	41022620	9987	Roll	Rolling Lobe	34
	8188539	9995	Roll	Rolling Lobe	35
	500301452	9995	Roll	Rolling Lobe	35
	97108363	9995	Roll	Rolling Lobe	35
	500310931	90931	Roll	Rolling Lobe	36
	500341494	91494	Roll	Rolling Lobe	37
	500301776	91523	Roll	Rolling Lobe	37
	42531994	91994	Roll	Rolling Lobe	37
	41022620	92336	Roll	Rolling Lobe	38
	503130261	92527	Roll	Rolling Lobe	39
503130506	92526	Roll	Rolling Lobe	39	
503129220	92528	Roll	Rolling Lobe	39	

ROLL AIR SPRINGS OEM LIST

MANUFACTURER	OEM PART NO	PART NO	TYPE	REMARKS	PAGE
IVECO/IVECO BUS	5000787632	92844	Roll	Rolling Lobe	40
	5000869179	92844	Roll	Rolling Lobe	40
	5000954176	92844	Roll	Rolling Lobe	40
	5010073847	92844	Roll	Rolling Lobe	40
	5010151699	92844	Roll	Rolling Lobe	40
	0501210851	92844	Roll	Rolling Lobe	40
	93166132	92899	Roll	Rolling Lobe	41
	93166129	92920	Roll	Rolling Lobe	42
	98478799	92996	Roll	Rolling Lobe	42
	4843220	93220	Roll	Rolling Lobe	43
	42549268	93351	Roll	Rolling Lobe	43
	500324098	94098	Roll	Rolling Lobe	44
	500364663	94663	Roll	Rolling Lobe	45
	41006926	95019	Roll	Rolling Lobe	45
	ZEV13541	95019	Roll	Rolling Lobe	45
	98445471	95471	Roll	Rolling Lobe	45
	931661129	95471	Roll	Rolling Lobe	45
	4843255	95789	Roll	Rolling Lobe	46
	98411807	96032	Roll	Rolling Lobe	46
	8139467	96037	Roll	Rolling Lobe	47
	41008929	97019	Roll	Rolling Lobe	47
	500364686	97026	Roll	Rolling Lobe	47
	500319479	97027	Roll	Rolling Lobe	48
	8137291	97291	Roll	Rolling Lobe	49
	4716989 (Old)	97743	Roll	Rolling Lobe	50
	2997743 (New)	97743	Roll	Rolling Lobe	50
	42549268	97756	Roll	Rolling Lobe	50
	42568183	98183	Roll	Rolling Lobe	50
8160165	98518	Roll	Rolling Lobe	51	
93197594	9561-36	Roll	Rolling Lobe	55	
8139466	99466	Roll	Rolling Lobe	54	
JONCKHEERE		9038	Roll	Rolling Lobe	21
KAESSBOHRER	4771503000	9032	Roll	Rolling Lobe	21
	4771441000	9755	Roll	Rolling Lobe	24
	4731012000	9772	Roll	Rolling Lobe	24
	4731031000	9772	Roll	Rolling Lobe	24
	4731032000	9820	Roll	Rolling Lobe	26
	4731013000	9873	Roll	Rolling Lobe	30
	4731040000	9886	Roll	Rolling Lobe	30
	4731038000	92885	Roll	Rolling Lobe	41
KARSAN		99207	Roll	Rolling Lobe	53

ROLL AIR SPRINGS OEM LIST					
MANUFACTURER	OEM PART NO	PART NO	TYPE	REMARKS	PAGE
KARSAN		99208	Roll	Rolling Lobe	53
		99209	Roll	Rolling Lobe	53
KOGEL	4731040000	9886	Roll	Rolling Lobe	30
		9773	Roll	Rolling Lobe	25
		9838	Roll	Rolling Lobe	28
LAG		9908	Roll	Rolling Lobe	32
MB TUERK	A0003270101	9755	Roll	Rolling Lobe	24
	A3563270001	9561-36	Roll	Rolling Lobe	55
	A3563270101	9561-36	Roll	Rolling Lobe	55
MAN	81436010095	9027	Roll	Rolling Lobe	21
	81436010097	9027	Roll	Rolling Lobe	21
	81436010100	9027	Roll	Rolling Lobe	21
	81436010102	9027	Roll	Rolling Lobe	21
	81436010105	9027	Roll	Rolling Lobe	21
	81436010126	9027	Roll	Rolling Lobe	21
	81436010138	9027	Roll	Rolling Lobe	21
	81436010017	9755	Roll	Rolling Lobe	24
	90831120144	9772	Roll	Rolling Lobe	24
	81436010018	9773	Roll	Rolling Lobe	25
	81436010051	9773	Roll	Rolling Lobe	25
	81436010096	9817	Roll	Rolling Lobe	26
	81436010098	9817	Roll	Rolling Lobe	26
	81436010101	9817	Roll	Rolling Lobe	26
	81436010127	9817	Roll	Rolling Lobe	26
	81436010139	9817	Roll	Rolling Lobe	26
	81436010059	9826	Roll	Rolling Lobe	27
	81436010060	9826	Roll	Rolling Lobe	27
	81436010061	9826	Roll	Rolling Lobe	27
	81436010075	9826	Roll	Rolling Lobe	27
	81436010078	9826	Roll	Rolling Lobe	27
	81436010081	9826	Roll	Rolling Lobe	27
	81436010083	9826	Roll	Rolling Lobe	27
	81436010090	9826	Roll	Rolling Lobe	27
	81436010113	9826	Roll	Rolling Lobe	27
	81436010115	9826	Roll	Rolling Lobe	27
	81436010039	9827	Roll	Rolling Lobe	27
	81436010040	9827	Roll	Rolling Lobe	27
	81436010033	9831	Roll	Rolling Lobe	27
	81436010036	9831	Roll	Rolling Lobe	27
	81436010037	9831	Roll	Rolling Lobe	27
	81436010056	9838	Roll	Rolling Lobe	28

ROLL AIR SPRINGS OEM LIST

MANUFACTURER	OEM PART NO	PART NO	TYPE	REMARKS	PAGE
MAN	81436010057	9838	Roll	Rolling Lobe	28
	81436010058	9838	Roll	Rolling Lobe	28
	81436010076	9838	Roll	Rolling Lobe	28
	81436010079	9838	Roll	Rolling Lobe	28
	81436010082	9838	Roll	Rolling Lobe	28
	81436010084	9838	Roll	Rolling Lobe	28
	81436010091	9838	Roll	Rolling Lobe	28
	81436010114	9838	Roll	Rolling Lobe	28
	81436010116	9838	Roll	Rolling Lobe	28
	81436010049	9873	Roll	Rolling Lobe	30
	81436010052	9873	Roll	Rolling Lobe	30
	81436010053	9897	Roll	Rolling Lobe	31
	81436010065	9993	Roll	Rolling Lobe	34
	81436010067	9993	Roll	Rolling Lobe	34
	81436010070	9993	Roll	Rolling Lobe	34
	81436010092	9993	Roll	Rolling Lobe	34
	81436010103	9993	Roll	Rolling Lobe	34
	81436010121	9993	Roll	Rolling Lobe	34
	81436010132	9993	Roll	Rolling Lobe	34
	81436010071	9994	Roll	Rolling Lobe	34
	81436010072	9994	Roll	Rolling Lobe	34
	81436010110	9994	Roll	Rolling Lobe	34
	81436010128	9994	Roll	Rolling Lobe	34
	81436010137	9994	Roll	Rolling Lobe	34
	81436010066	9995	Roll	Rolling Lobe	35
	81436010068	9995	Roll	Rolling Lobe	35
	81436010069	9995	Roll	Rolling Lobe	35
	81436010106	9995	Roll	Rolling Lobe	35
	81436010108	9995	Roll	Rolling Lobe	35
	81436010104	92996	Roll	Rolling Lobe	42
	81436010109	92996	Roll	Rolling Lobe	42
	81436010111	92996	Roll	Rolling Lobe	42
	81436010123	92996	Roll	Rolling Lobe	42
81436010125	92996	Roll	Rolling Lobe	42	
81436010140	92996	Roll	Rolling Lobe	42	
81436010150	92996	Roll	Rolling Lobe	42	
81436010161	92997	Roll	Rolling Lobe	42	
81436010163	92999	Roll	Rolling Lobe	43	
MAGIRUS-DEUTZ	538905265	9755	Roll	Rolling Lobe	24
	02498667	9772	Roll	Rolling Lobe	24
	02491566	9784	Roll	Rolling Lobe	25

ROLL AIR SPRINGS OEM LIST					
MANUFACTURER	OEM PART NO	PART NO	TYPE	REMARKS	PAGE
MAGIRUS-DEUTZ	0445611	9826	Roll	Rolling Lobe	27
MCW	X 664 1056	9039	Roll	Rolling Lobe	22
MERCEDES	A3833270001	9784	Roll	Rolling Lobe	25
	A3633280001	9826	Roll	Rolling Lobe	27
	A3873280101	9831	Roll	Rolling Lobe	27
	A3873280101	9831	Roll	Rolling Lobe	27
	A3933280101	9848	Roll	Rolling Lobe	28
	A3633280201	9868	Roll	Rolling Lobe	29
	A6743280301	9899	Roll	Rolling Lobe	31
	A0003280101	9920	Roll	Rolling Lobe	32
	A6743280001	9949	Roll	Rolling Lobe	33
	A6743280101	9984	Roll	Rolling Lobe	33
	A6993280101	9993	Roll	Rolling Lobe	34
	A6553270001	92831	Roll	Rolling Lobe	40
	A6673280001	95471	Roll	Rolling Lobe	45
	A6673280101	95471	Roll	Rolling Lobe	45
A0003280101	95471	Roll	Rolling Lobe	45	
NEOPLAN		9032	Roll	Rolling Lobe	21
	100112254	9755	Roll	Rolling Lobe	24
	100110300	9755	Roll	Rolling Lobe	24
	AA1001001	9772	Roll	Rolling Lobe	24
	100112251	9773	Roll	Rolling Lobe	25
	11016348	9773	Roll	Rolling Lobe	25
	100110200	9773	Roll	Rolling Lobe	25
	AA1001002	9773	Roll	Rolling Lobe	25
	AA1021300	9773	Roll	Rolling Lobe	25
	102100200	9820	Roll	Rolling Lobe	26
	100110100	9820	Roll	Rolling Lobe	26
	100112300	9831	Roll	Rolling Lobe	27
	102100300	9873	Roll	Rolling Lobe	30
	100112100	9899	Roll	Rolling Lobe	31
OPTARE	L5820005	9027	Roll	Rolling Lobe	21
	5800001	9086	Roll	Rolling Lobe	23
	R5800001	9086	Roll	Rolling Lobe	23
	R5800068	9086	Roll	Rolling Lobe	23
	UN15966	9920	Roll	Rolling Lobe	32
OTOKAR	16H00-03654-AA	99201	Roll	Rolling Lobe	51
		99202	Roll	Rolling Lobe	52
	16M0003654AA	99203	Roll	Rolling Lobe	52
	16F0003654AB	99205	Roll	Rolling Lobe	52
	13H0003654AA	99206	Roll	Rolling Lobe	53

ROLL AIR SPRINGS OEM LIST

MANUFACTURER	OEM PART NO	PART NO	TYPE	REMARKS	PAGE
OTOKAR	16N0303648AA	99209	Roll	Rolling Lobe	54
PEGASO	199563	9054	Roll	Rolling Lobe	22
		9054	Roll	Rolling Lobe	22
	197145	9056	Roll	Rolling Lobe	23
	4716989	9056	Roll	Rolling Lobe	23
	4716989	9056	Roll	Rolling Lobe	23
	769388	9056	Roll	Rolling Lobe	23
		9831	Roll	Rolling Lobe	27
		9848	Roll	Rolling Lobe	28
	794686	9908	Roll	Rolling Lobe	32
	795097	9908	Roll	Rolling Lobe	32
		9994	Roll	Rolling Lobe	34
	8188539	9995	Roll	Rolling Lobe	37
	93166129	92920	Roll	Rolling Lobe	42
PORTESI	700176	9055	Roll	Rolling Lobe	22
RENAULT	5000819517	9826	Roll	Rolling Lobe	27
	5000954175	9879	Roll	Rolling Lobe	30
SCANIA+SCANIA BUSSAR	523229	9055	Roll	Rolling Lobe	22
		9826	Roll	Rolling Lobe	27
		9870	Roll	Rolling Lobe	29
	411627	9907	Roll	Rolling Lobe	32
	411623	9908	Roll	Rolling Lobe	32
SCHMITZ	750209	9773	Roll	Rolling Lobe	25
	750215	9820	Roll	Rolling Lobe	26
	750212	9839	Roll	Rolling Lobe	28
	750225	92885	Roll	Rolling Lobe	41
SICCA	4890001	9054	Roll	Rolling Lobe	22
	4840005	9055	Roll	Rolling Lobe	22
SMB		9773	Roll	Rolling Lobe	25
TEMSA		9001	Roll	Rolling Lobe	20
		9002	Roll	Rolling Lobe	20
	TE771107Y	9027	Roll	Rolling Lobe	21
		9032	Roll	Rolling Lobe	21
		9893	Roll	Rolling Lobe	31
		9920	Roll	Rolling Lobe	32
VAN HOOL	624319-610	9755	Roll	Rolling Lobe	24
	624319-420	9755	Roll	Rolling Lobe	24
	624319-690	9772	Roll	Rolling Lobe	24
	624319-860	9784	Roll	Rolling Lobe	25
	624319-640	9838	Roll	Rolling Lobe	28
	624319-860	9870	Roll	Rolling Lobe	29

ROLL AIR SPRINGS OEM LIST					
MANUFACTURER	OEM PART NO	PART NO	TYPE	REMARKS	PAGE
VAN HOOL	624319-460	9873	Roll	Rolling Lobe	30
	624319-680	9873	Roll	Rolling Lobe	30
	624319-560	9899	Roll	Rolling Lobe	31
VDL BUS	0689677	9755	Roll	Rolling Lobe	24
	0578361	9773	Roll	Rolling Lobe	25
	0627584	9784	Roll	Rolling Lobe	25
	0659561	9826	Roll	Rolling Lobe	27
	0638148	9838	Roll	Rolling Lobe	28
	0644425	9873	Roll	Rolling Lobe	30
VOITH		93856	Roll	Rolling Lobe	44
		93857	Roll	Rolling Lobe	44
		98739	Roll	Rolling Lobe	51
VOLVO / LEYLAND	3116354	9038	Roll	Rolling Lobe	21
	AAU2542	9038	Roll	Rolling Lobe	21
	3116983	9039	Roll	Rolling Lobe	22
	AAU2544	9039	Roll	Rolling Lobe	22
	10904403	9039	Roll	Rolling Lobe	22
	1134445	9755	Roll	Rolling Lobe	24
	1199893	9755	Roll	Rolling Lobe	24
	1622111	9755	Roll	Rolling Lobe	24
	3159252	9755	Roll	Rolling Lobe	24
	1137888	9772	Roll	Rolling Lobe	24
	1611776	9784	Roll	Rolling Lobe	25
	1622116	9824	Roll	Rolling Lobe	26
	6797169	9824	Roll	Rolling Lobe	26
	6885533	9826	Roll	Rolling Lobe	27
	1593842	9827	Roll	Rolling Lobe	27
	1590136	9831	Roll	Rolling Lobe	27
	1134446	9838	Roll	Rolling Lobe	28
	1612455	9879	Roll	Rolling Lobe	30
	21102227	9893	Roll	Rolling Lobe	31
	6782726	9899	Roll	Rolling Lobe	31
	1082085	9994	Roll	Rolling Lobe	34
	20540789	90789	Roll	Rolling Lobe	35
	3111277	91277	Roll	Rolling Lobe	36
	3112775291	91277	Roll	Rolling Lobe	36
	1075290	92532	Roll	Rolling Lobe	40
	20553875	95875	Roll	Rolling Lobe	46
	70377054	97054	Roll	Rolling Lobe	48
20540792	97075	Roll	Rolling Lobe	48	
21347075	97075	Roll	Rolling Lobe	48	

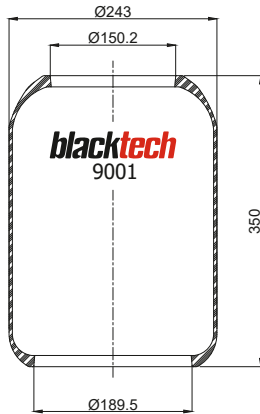
ROLL AIR SPRINGS OEM LIST						
MANUFACTURER	OEM PART NO	PART NO	TYPE	REMARKS	PAGE	
VOLVO / LEYLAND	21836531	97075	Roll	Rolling Lobe	48	
	21836533	97733	Roll	Rolling Lobe	49	
	3027271	9526-36	Roll	Rolling Lobe	54	
	3027272	9526-39	Roll	Rolling Lobe	55	
WACKENHUT		9773	Roll	Rolling Lobe	25	
ZF SACHS	001748000160	9027	Roll	Rolling Lobe	21	
	001770000160	9027	Roll	Rolling Lobe	21	
	0502312548	9086	Roll	Rolling Lobe	23	
		90931	Roll	Rolling Lobe	36	
		92336	Roll	Rolling Lobe	38	
		92336	Roll	Rolling Lobe	38	
	001748451100	92999	Roll	Rolling Lobe	43	
		97026	Roll	Rolling Lobe	47	
		97027	Roll	Rolling Lobe	48	
		97027	Roll	Rolling Lobe	48	



RL 9001

Cross Section View

Top View



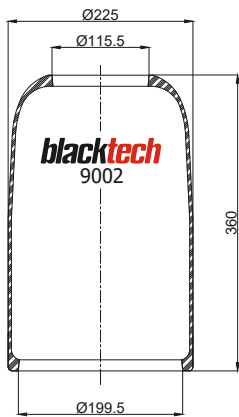
OEM PART NUMBER	MODEL NO	CROSS REFERENCES
TEMSA (Safir BUS Front)		TOYO TRL 240

RL 9002



Cross Section View

Top View



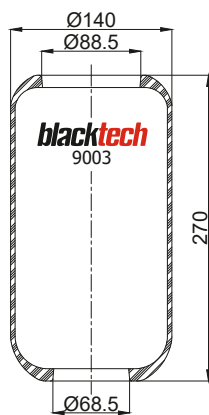
OEM PART NUMBER	MODEL NO	CROSS REFERENCES
TEMSA (Safir BUS Rear)		TOYO F25

RL 9003



Cross Section View

Top View



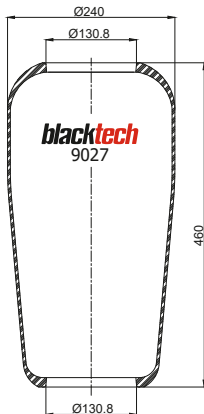
OEM PART NUMBER	MODEL NO	CROSS REFERENCES
		Phoenix 1G 08



RL 9027

Cross Section View

Top View

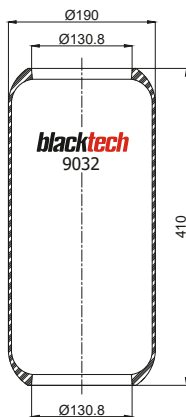


OEM PART NUMBER		MODEL NO	CROSS REFERENCES	
MAN	81436010095	EL 202	Contitech	916 N1
MAN	81436010097	MAN 322/422	Phoenix	1 F 21 C-5
MAN	81436010100	NL 202 München	Phoenix	1 F 21 C-6
MAN	81436010102	NG 272 Podestlos	Firestone Style	2R2A460-295
MAN	81436010105	NL 202 F	Firestone No.	W01-095-0555
MAN	81436010126	NL 202 Podestlos	Goodyear	9015
MAN	81436010126	NL CNG Podestl.	Taurus	B154
MAN	81436010126	NM 152 Midibus	Vibracoustic	V1F21C-5
MAN	81436010126	SL 250	Dunlop F	D12S05
MAN	81436010126	UEL 242	Gart Ref.	C289/C1
MAN	81436010138		Gart No.	289.0.455
Optare	L5820005	Bus and Coach		
Temsa	TE771107Y	Safari		
Temsa	TE771107Y	Diamond		
Temsa	TE771107Y	Euro safari		
ZF Sachs	00 17 70 000 160	MAN Bus		
ZF Sachs	00 17 48 000 160	MAN Bus		

RL 9032

Cross Section View

Top View

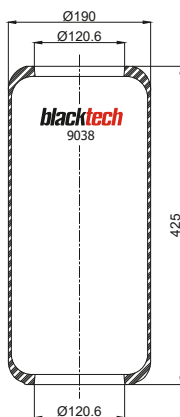


OEM PART NUMBER		MODEL NO	CROSS REFERENCES	
EvoBus	A 000 328 00 01	O 580 Travego 16/17 RHD	Contitech	921 N
Heuliez	5 000 288 982	PR 100-GX 107, PR 180-GX 187	Phoenix	1 E 17
IRISBUS	5.000.288.982	PR 100	Firestone Style	1R1A415-260
IRISBUS	5.010.151.378	PR 100	Firestone No.	W01-095-0226
IRISBUS	5.010.151.379	PR 100	Goodyear	8043
IVECO Bus	99459166		Taurus	B158
Neoplan			Vibracoustic	V1E17
Temsa			CF Gomma Ref.	1S285-23V
Kässbohrer	4.771.503.000	Setra S 415/416/417 HDH	CF Gomma No.	202728
			Dunlop F	D10S04
			Gart Ref.	D276/BS
			Gart No.	276.0.391

RL 9038

Cross Section View

Top View



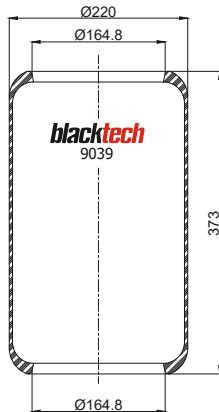
OEM PART NUMBER		MODEL NO	CROSS REFERENCES	
Dennis	611 896 /12	Dart	Contitech	927 N
Dennis	611 896 /12	Domino	Phoenix	2 E 18 B
Dennis	611 896 /12	Dragon	Primeride	2927 A
Dennis	611 896 /12	Javelin	Firestone Style	1R1J415-285
Dennis	611 896 /12	Lancet	Firestone No.	W01-095-0244
Jonckheere		041 City Bus	Goodyear	8037
Jonckheere		046 City Bus	Taurus	B179
Volvo Leyland	3 116 354	Lynx	Vibracoustic	V2E18B
Volvo Leyland	3 116 354	Olympian	Dunlop UK	PNP300080100
Volvo Leyland	3 116 354	Royal Tiger		
Volvo Leyland	3 116 354	Super Volvo		
Volvo Leyland	3 116 354	Tiger		
Volvo Leyland	3 116 354	Titan		
Volvo Leyland	AAU 2542	Lynx		

RL 9039



Cross Section View

Top View



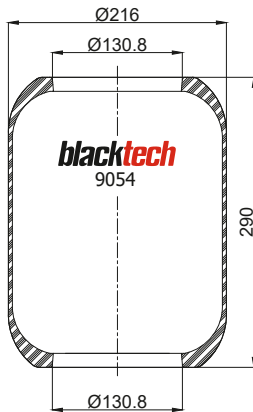
OEM PART NUMBER	MODEL NO	CROSS REFERENCES
Dennis 650 292 /8	Dart	Contitech 928 N
Dennis 650 292 /8	Dominator	Phoenix 2 E 23 A
Dennis 650 292 /8	Falcon	Primeride 2928 A
Dennis 650 883 /4	Integral	Firestone Style 1R1K380-320
Dennis 650 883 /7	Duple 425	Firestone No. W01-095-0228
IVECO Bus 6453741		Goodyear 8042
MCW X 664 1056	Metro Bus Mk I / II	Taurus B178
MCW X 664 1056	Metro Liner	Vibracoustic V2E23A
Volvo Leyland 10 904 403	Lion	Dunlop F D12S03
Volvo Leyland 3 116 983	National MK I / II	Dunlop UK IC3308
Volvo Leyland 3 116 983	Olympian	
Volvo Leyland 3 116 983	Tiger	
Volvo Leyland AAU2544	Lion	

RL 9054



Cross Section View

Top View



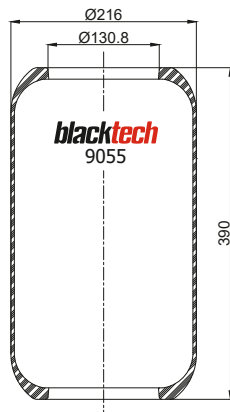
OEM PART NUMBER	MODEL NO	CROSS REFERENCES
BredaMenarini S5001051		Contitech 943 N
Inibus 500 1051	150-210-240-2001	Firestone Style 1R1A260-285
IVECO 6144040		Firestone No. W01-095-0189
IVECO 8160165	MP 400 E	Goodyear 9001
IVECO Bus 6144040		CF Gomma Ref. 1S285-18
Pegaso 199563	5316	CF Gomma No. 88809
Sicca 4890 001		Dunlop F D11S05
Pegaso		Dunlop UK PNP316730100
		Gart Ref. D276/D
		Gart No. 276.0.260
		Taurus B194
		Vibracoustic V1E21-54

RL 9055



Cross Section View

Top View



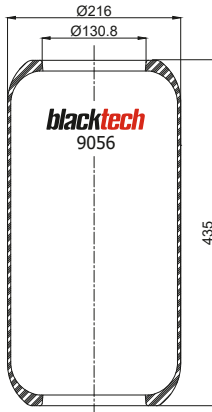
OEM PART NUMBER	MODEL NO	CROSS REFERENCES
Inibus 484 0005		Contitech 944 N
Inibus 489 0001		Phoenix 1 E 21-6
IVECO 4714025		Firestone Style 1R1B390-270
IVECO 4738008		Firestone No. W01-095-0121
IVECO 8188526	Eurotech	Goodyear 9009
IVECO Bus 4714025	Bus 220	Vibracoustic V1E21-6
IVECO Bus 4722525	Bus 220	Vibracoustic V1E19
IVECO Bus 4722525	Bus 320	CF Gomma Ref. 1S270-23C
IVECO Bus 4722525	Carrozeria	CF Gomma Ref. 1S285-22
IVECO Bus 5254025		CF Gomma No. 97619
IVECO Bus 6657150		CF Gomma No. 88786
Portesi 700 176		Dunlop F D11S04
Scania 523229	Bus (South America)	Gart Ref. D290/B
Sicca 4840 005		Gart No. 290.0.390
		Taurus B113



RL 9056

Cross Section View

Top View

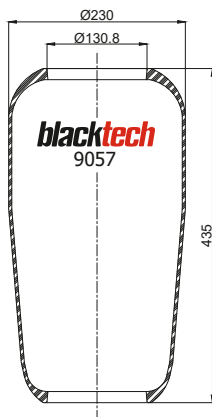


OEM PART NUMBER	MODEL NO	CROSS REFERENCES
BredaMenarini 178 741	110 L	Contitech 945 N
BredaMenarini 178 741	120-101	Phoenix 1 E 21 C
IVECO 4716989		Firestone Style 1R1A460-290
IVECO Bus 4716989	Bus 370	Firestone No. W01-095-0063
IVECO Bus 4716989	Bus 421 A	Goodyear 9014
Pegaso 197145		CF Gomma Ref. 1S285-25
Pegaso 4716989	5036 S	CF Gomma No. 97555
Pegaso 4716989	6100	Dunlop UK PNP301000101
Pegaso 769388		Gart Ref. D276
Hyundai		Gart No. 276.D.420
Scania	BF 86/110/111	Taurus B124
Scania	BR CR 110	Dunlop F D11S01
Scania	BR/CR 111/111 DH	
Scania	BR/CR 112	
Scania	BR/CR 116	
Scania	BR/CR 145	
Scania	CR 76	

RL 9057

Cross Section View

Top View

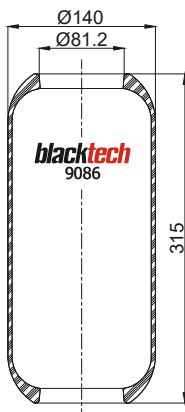


OEM PART NUMBER	MODEL NO	CROSS REFERENCES
EvoBus A 628 323 00 92	Citaro	Contitech 946 N
		Phoenix 1 F 20 C
		Vibracoustic VIF210-6
		CF Gomma Ref. 1SC290-28
		CF Gomma No. 207725

RL 9086

Cross Section View

Top View



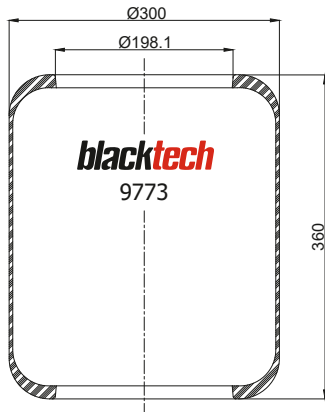
OEM PART NUMBER	MODEL NO	CROSS REFERENCES
Optare 5800001	Bus and Coach	Contitech 976 N
Zf Sachs 0502 312 548		Phoenix 1 E 10 C
Optare 5800001	Bus and Coach	Firestone Style 1R1T320195
Optare R5800001	Bus and Coach	Firestone No. W01-095-0437
Optare R5800068		Vibracoustic VIE10
		Dunlop UK 00628A-AP
		Gart Ref. D305
		Gart No. 305.0.320



RL 9773

Cross Section View

Top View

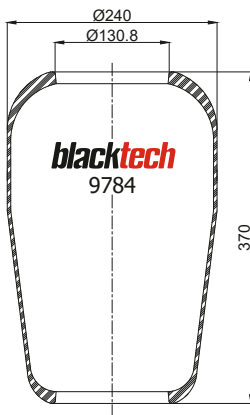


OEM PART NUMBER		MODEL NO	CROSS REFERENCES	
BPW	02.200.24.60.0		Contitech	662 N
Bussing	100.110.200	L16 / 22	Phoenix	1 E 32
Bussing	100.112.251	L16 / 22	Primeride	2662 A
Floor	848		Firestone Style	1R1D365-365
MAN	81.436.010.018		Firestone No.	W01-095-0207
MAN	81.436.010.051		Goodyear	9007
Neoplan	100110.200		Taurus	BL143
Neoplan	100112.251	Cityliner/N 116, N 117/2, /3, N 122/3/N 326/3/N 424, N 426/N 912, N 940/N 940/NB 26 L/Skyliner/TR 8, TR 12 / N/N 117/2/3/N 116/N 122/N 122/2/3/N 138/N 212/H/N 213/H/N 214/H/N 216/H/N 221/N 314, N 316/N 316/MK/N 326/3/N 414, N 416, N 421/N 424, N 426/N 912/N 922/N 940/NH 12 L - NH 25 L	Vibracoustic	VE32
Neoplan	AA 10-01-002		CF Gomma Ref.	13C360-30
Neoplan	AA 10-21-300		CF Gomma No.	92594
Neoplan	110.16348	Skyliner	Dunlop F	D13S01
Schmitz	750.209		Dunlop UK	PWP302730101
SMB		Truck alteration		
VDL Bus	0.578.361	SB 2000		
VDL Bus	0.578.361	SB 201		
Wackenhut		10 t axle		
Ikarus		19001		
Ikarus		Vov - Bus		
Kögel				

RL 9784

Cross Section View

Top View

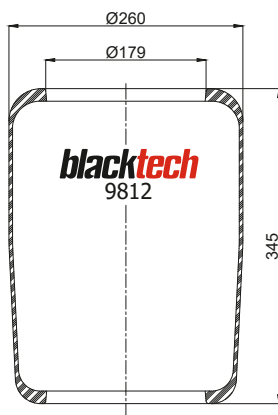


OEM PART NUMBER		MODEL NO	CROSS REFERENCES	
BredaMenarini	178.623	201-201/1LU	Contitech	673 N
BredaMenarini	325.993		Phoenix	1 F 21 A
EvoBus	A.383.327.00.01		Primeride	2673 A
EvoBus	A.621.328.00.01		Firestone Style	1R1A370-285
Magirus-Deutz	0249.1566		Firestone No.	W01-095-0198
Mercedes	A.383.327.00.01	2028 LS	Goodyear	9051
Van Hool	624319-860		Taurus	B141
VDL Bus	0.627.584		Vibracoustic	VIF21A
Volvo	1.611.776		CF Gomma Ref.	13C285-22
			CF Gomma No.	88786
			Dunlop F	D11S06
			Gart Ref.	F276/C
			Gart No.	276.0.370

RL 9812

Cross Section View

Top View



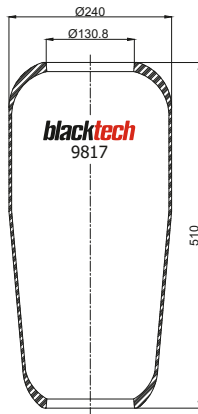
OEM PART NUMBER		MODEL NO	CROSS REFERENCES	
Bova	B.510040	Futura FLD	Contitech	701 N
Ikarus	B.510040	256, 260, 280	Phoenix	1 E 26
			Primeride	2701 A
			Firestone Style	1R3M340-340
			Firestone No.	W01-095-0205
			Goodyear	9006
			Taurus	B116
			Vibracoustic	VE26
			Gart Ref.	D276/C
			Gart No.	276.0.370

RL 9817



Cross Section View

Top View



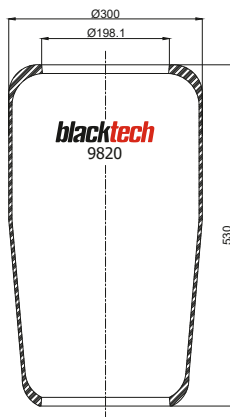
OEM PART NUMBER	MODEL NO	CROSS REFERENCES
MAN 81436010096		Contitech 706 N1
MAN 81.436.010.098		Goodyear 9067
MAN 81.436.010.101		Dunlop F D12S16
MAN 81.436.010.127	FNL/FNL-2000	Vibracoustic VIE22
MAN 81.436.010.139		

RL 9820



Cross Section View

Top View



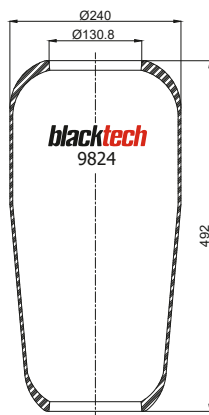
OEM PART NUMBER	MODEL NO	CROSS REFERENCES
BPW 02.200.24.000		Contitech 719 N
DAF 0 818 225	FA 1300	Phoenix 1F 32 B
DAF 0 818 225	FA 2125	Firestone Style IR2D530-360
DAF 0 818 225	FA 2305 DHS	Firestone No. W01-095-0192
DAF 0 818 225	FA 2305 DHT	Goodyear 8118
DAF 0 818 225	FA 2500 DHS	Vibracoustic VIF32B
DAF 0 818 225	FA 2500 DHT	CF Gomma Ref. 1SC360-43
DAF 0 818 225	FA 2505 DHS	CF Gomma No. 92593
DAF 0 818 225	FA 3300	Dunlop UK PNP304620101
DAF 0 818 225	FA 3605	Gart Ref. C292/E
DAF 0 818 225	FA G2505 DHS	Gart No. 292.0.520
DAF 0 818 225	FT 2100	Taurus B153
DAF 0 818 225	FT 2125	
DAF 0 818 225	FT 3300	
DAF 0 818 225	FT 3600	
Gigant 196036	NLRM / NLRS Se	
Gigant 166205	NLRM / NLRS Series	
Neoplan 102100 200		
Kassbohrer 4.731.032.000		
Schmitz 750 215		
Neoplan 100110 100		

RL 9824



Cross Section View

Top View



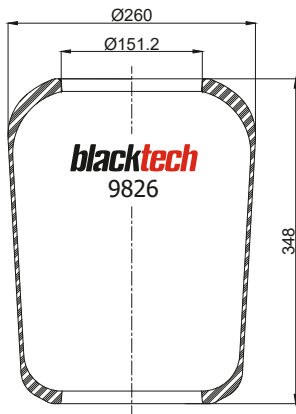
OEM PART NUMBER	MODEL NO	CROSS REFERENCES
Volvo 1622 116	FH 10 / FH 12	Contitech 713 N
Volvo 6 797 169	F 10/12	Phoenix 1F 21 D
Volvo 6 797 169	FH 10/12	Primeride 2713 A
		Goodyear 9066
		Vibracoustic VIF21D
		Dunlop F D12S16
		Gart Ref. C304/B
		Gart No. 304.0.490



RL 9826

Cross Section View

Top View

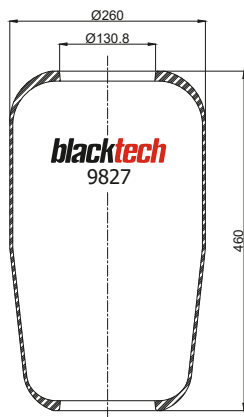


OEM PART NUMBER	MODEL NO	CROSS REFERENCES
IRISEBUS 5.000.819.517	R 310/R 340/R 420	Contitech 715 N
MERCEDES A 363 328 00 01	1632 LPSL/1924 LS/1928 LS/1933	Phoenix 1F 25
MERCEDES	LS/1936 LS/1938 LS/2232 L/2232 LPL	
IVECO Bus 4456111	Carro 30-240/Carro 38	Firestone Style 1R1C335-310
IVECO Bus 4763473		Firestone No. W01-095-0087
Magirus-Deutz 0.445 6111	310 D 22 FSL	Goodyear 8015
MAN 81.436.010.059	MAN 292 /F	Vibracoustic VIF25
MAN 81.436.010.060	MAN 292/362 H	CF Gamma Ref. 1SC310-16
MAN 81.436.010.061	MAN 362 F	CF Gamma No. 93518
MAN 81.436.010.075	SD 242	Dunlop UK PNP304890101
MAN 81.436.010.078	SG 242/282	Gart Ref. C292/C
MAN 81.436.010.081	SG 242/292	Gart No. 292.0.380
MAN 81.436.010.083	SG 242/292 F	Taurus B144
MAN 81.436.010.090	SG 292 F Israel	
MAN 81.436.010.113	SL 200 F Israel	
MAN 81.436.010.115	SL 200 F Portugal	
MAN 81.436.010.117	SL 202/SL 202 F/SL 242 M 11 FLPG/SL 252/SR 292/362/SUE 242/SUE	
Scania	290 F Israel	
Scania	BR/CR 112	
VDL Bus 0 659 561	BR/CR 116	
Volvo 6 885 533	SB/R 2300	
Renault 5.000.819.517		

RL 9827

Cross Section View

Top View

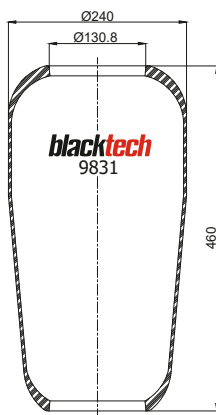


OEM PART NUMBER	MODEL NO	CROSS REFERENCES
MAN 81.436.010.039		Contitech 716 N
MAN 81.436.010.040		Phoenix 1F 26 B-1
Volvo 1593 842	FL 710	Firestone Style 1R2A450-305
		Firestone No. W01-095-0145
		Goodyear 9073
		Taurus B197
		Vibracoustic VIF26B-1
		CF Gamma Ref. 1SC300-34
		CF Gamma No. 92548
		Dunlop F D12S19

RL 9831

Cross Section View

Top View



OEM PART NUMBER	MODEL NO	CROSS REFERENCES
BPW 02.200.241.0		Contitech 720 N
MAN 81.436.010.033	13 168 FL/S/BL	Phoenix 1F 21
MAN 81.436.010.033	BG 120 N	Primeride 2720 A
MAN 81.436.010.036	13 192 F-OC	Firestone Style 1R2A460-295
MAN 81.436.010.037	13 192 FL	Firestone No. W01-095-0195
MAN 81.436.010.037	13 192 H-OC	Goodyear 9008
MAN 81.436.010.037	14 168 FL/S/BL	Taurus B152
MAN 81.436.010.037	14 192 FL/S/BL	Vibracoustic VIF21
MAN 81.436.010.037	14 192 UL/BL	CF Gamma Ref. 1SC290-30
MAN 81.436.010.037	15 168 FL/S/BL	CF Gamma No. 88802
MAN 81.436.010.037	15 192 FL/S/BL	Dunlop F D12S04
MAN 81.436.010.037	15 240 FL/S/BL	Dunlop UK PNP301000100
MAN 81.436.010.037	16 168 FL/S/BL	Gart Ref. C299
Mercedes A 387 328 01 01	813 LPL	Gart No. 299.0.450
Mercedes A 387 328 01 01	813 LPS/LPLS	
Neoplan 1001 12 300		
Pegaso	B55	
Volvo 1590 136	B 58	
Volvo 1590 136	F 10/12	
Volvo 1590 136	National Mk 1 / 11	

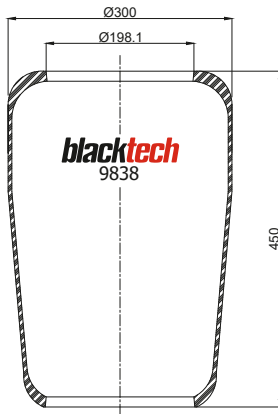




RL 9838

Cross Section View

Top View

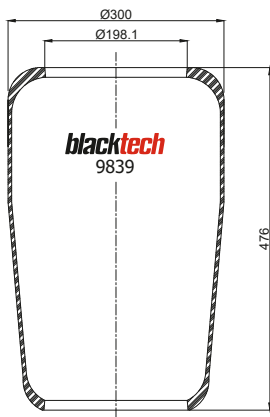


OEM PART NUMBER		MODEL NO	CROSS REFERENCES	
DAF	0 638 148	FA 2135/FA 2200/FA 2800/FA 2805/	Contitech	727 N
DAF		FT 2300/FT 2800	Phoenix	1F 32A
Kogel			Primeride	2727 A
Floor	862			
Gigant	196043		Firestone Style	1R2D460-360
MAN	81.436.010.056	Bus 362 H	Firestone No.	W01-095-0191
MAN	81.436.010.057	MAN 292 /F	Goodyear	817
MAN	81.436.010.058	MAN 292/362 H	Taurus	B149
MAN	81.436.010.076	MAN 362 F	Vibracoustic	V1F 32 A
MAN	81.436.010.079	SD 242	CF Gamma Ref.	1S3360-34
MAN	81.436.010.082	SG 242/282	CF Gamma No.	92575
MAN	81.436.010.084	SG 242/292	Dunlop F	D13S04
MAN	81.436.010.091	SG 242/292 F	Dunlop UK	PNP306420100
MAN	81.436.010.114	SG 292 F Israel	Cart Ref.	C292/D
MAN	81.436.010.116	SL 200/SL 200 F Israel/SL 200 F	Cart No.	292.0.450
MAN		Portugal/SL 202 /F/SL 242 M 11 FLPG/		
MAN		SR 292/362/SUE 242/SUE 290 F Israel		
Van Hool	624319-640	TD 824 Astromega/VHAU 115/1/VHCAU		
Van Hool		124/VHD 119/VHDAI 114/VHDAI 119.		
Van Hool		119/2/VHF 332/VHF 440 B		
VDL Bus	0 638 148	MB 200/ MB 230/ SB 1602/ SB 1603/		
VDL Bus		SB 1604/SB 1605		
Volvo	1134 446	B 10 R		

RL 9839

Cross Section View

Top View

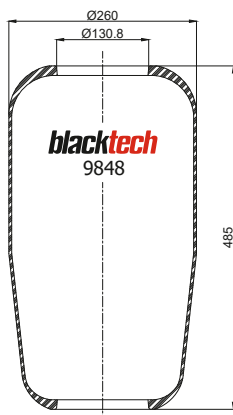


OEM PART NUMBER		MODEL NO	CROSS REFERENCES	
Schmitz	750 212		Contitech	728 N
			Phoenix	1F 32 A
			Firestone Style	1R2S470-360
			Firestone No.	W01-095-0419
			Goodyear	817
			Vibracoustic	V1F32A
			CF Gamma Ref.	1S3360-34
			CF Gamma No.	92575
			Dunlop UK	PNP306420100

RL 9848

Cross Section View

Top View



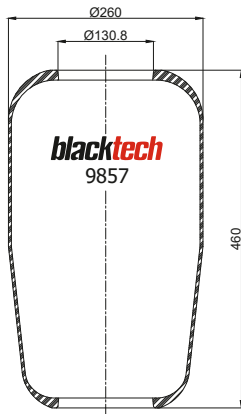
OEM PART NUMBER		MODEL NO	CROSS REFERENCES	
Mercedes	A 393 328 01 01		Contitech	737 N
Pegaso		5316	Phoenix	1F 26
Pegaso		5317	Firestone Style	1R2A480-330
			Firestone No.	W01-095-0211
			Goodyear	9075
			Taurus	BL127 / B 127
			Vibracoustic	V1F26
			CF Gamma Ref.	1S320-23
			CF Gamma No.	89756
			Dunlop F	D13S06



RL 9857

Cross Section View

Top View

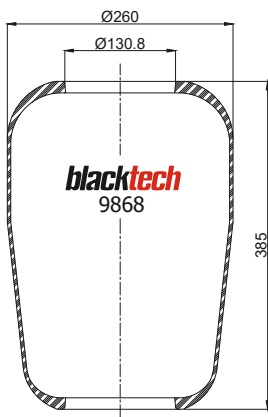


OEM PART NUMBER		MODEL NO	CROSS REFERENCES	
Daimler Chrysler	A 318 328 00 01		Contitech	746 N
			Dunlop F	D13 S07
			Goodyear	9076

RL 9868

Cross Section View

Top View

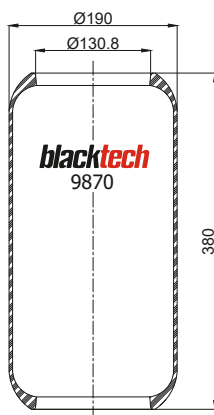


OEM PART NUMBER		MODEL NO	CROSS REFERENCES	
Mercedes	A 363 328 02 01		Contitech	757 N
			Phoenix	1 F 26 C
			Firestone Style	1R2A380-305
			Firestone No.	W01-095-0212
			Goodyear	9077
			Taurus	B126
			Vibracoustic	V1F26C
			Dunlop F	D12S20

RL 9870

Cross Section View

Top View



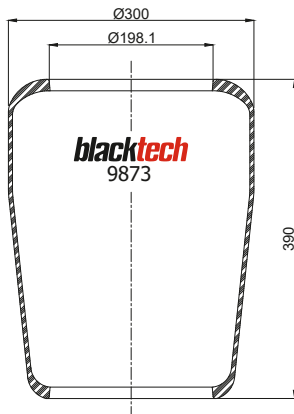
OEM PART NUMBER		MODEL NO	CROSS REFERENCES	
Daewoo	96708574		Contitech	769 N
Heuliez	5 000 805 284	PR 100-GX 107	Phoenix	1 E 18
Heuliez	5 000 805 284	PR 180-GX 187	Firestone Style	1R1A380-260
IRISBUS	5.000.786.640	ER/PR 180	Firestone No.	W01-095-0204
IRISBUS	5.000.805.284	PR 100	Goodyear	8053
IRISBUS	5.000.805.284	PR 100-GX 107 Heuliez	Taurus	B156
IRISBUS	5.000.805.284	PR 14	Vibracoustic	V1E18
IRISBUS	5.000.805.284	PR 180-GX 187 Heuliez	Dunlop F	D10S02
Van Hool	624319-860		Dunlop UK	PNP037690200
Hyundai				
Scania		BF 86/110/111		
Scania		BR CR 110		
Scania		BR/CR 111/111 DH		
Scania		BR/CR 112		
Scania		BR/CR 116		
Scania		BR/CR 145		
Scania		CR 76		



RL 9873

Cross Section View

Top View

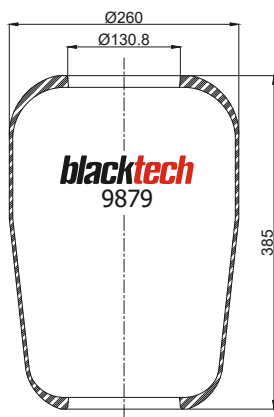


OEM PART NUMBER		MODEL NO	CROSS REFERENCES	
BPW	02.200.24.200		Contitech	762 N
Gigant	196035		Phoenix	1F 32
Kässbohrer	4731013000		Firestone Style	1R2D390-360
MAN	81.436.010.049		Firestone No.	W01-095-0190
MAN	81.436.010.052		Goodyear	9010
Neoplan	102100 300		Vibracoustic	VIF32
Van Hool	624319-460	T9	CF Gomma Ref.	1SC360-30
Van Hool	624319-680		CF Gomma No.	92594
VDL Bus	0.644.425	SB 201	Dunlop F	D13S02
Ikarus		19001	Dunlop UK	PNP307800100
Ikarus		19002	Taurus	BL143
Ikarus		Vöv - Bus		
EvoBus	A.382.327.71.01			

RL 9879

Cross Section View

Top View

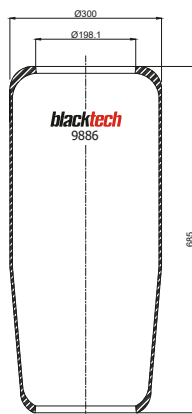


OEM PART NUMBER		MODEL NO	CROSS REFERENCES	
Volvo	1612.455		Contitech	768 N
Renault	5.000.954175		Phoenix	1E 27
			Firestone Style	1R2A380-330
			Firestone No.	W01-095-0213
			Goodyear	9078
			Taurus	B125
			Dunlop F	D13S08
			Gart Ref.	C302/A
			Gart No.	302.0.385
			Vibracoustic	VI E27

RL 9886

Cross Section View

Top View



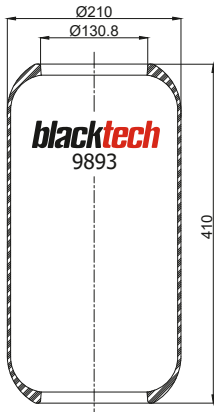
OEM PART NUMBER		MODEL NO	CROSS REFERENCES	
BPW	02.200.24.70.0		Contitech	775 N
Gigant	196038			
Kässbohrer	4.731.040.000			
Kögel	4.731.040.000			



RL 9893

Cross Section View

Top View

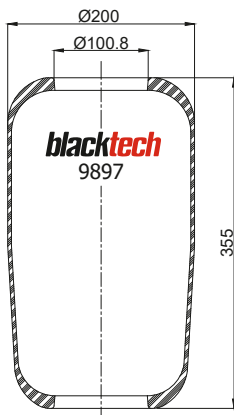


OEM PART NUMBER	MODEL NO	CROSS REFERENCES
IRISBUS 5000954176	FR1	Contitech 782 N
IRISBUS 5.000.954.176	Tracer	Phoenix 1E21D
IRISBUS 5.000.324.098	Cityclass	Firestone Style 1R1A415-285
IVECO Bus 5003 24098	Bus 491 (Cityclass)	Firestone No. W01-095-0197
Volvo 21102 227		Goodyear 9013
Hyundai		Taurus B124
Daewoo		Vibracoustic V1E21D
Temsa		CF Gomma Ref. 1S290-23V
		CF Gomma No. 204427
		CF Gomma No. 204493
		Dunlop F D11S02
		Gart Ref. D290 / D286
		Gart No. 2860.420

RL 9897

Cross Section View

Top View

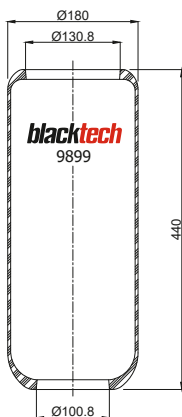


OEM PART NUMBER	MODEL NO	CROSS REFERENCES
MAN 81.436.010.053	11.190	Contitech 786 N
		Phoenix 1F14
		Firestone Style 1R1A355-245
		Firestone No. W01-095-0436
		Vibracoustic V1F14

RL 9899

Cross Section View

Top View



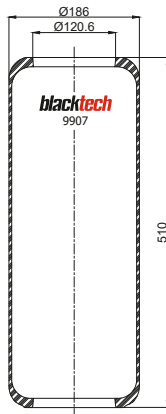
OEM PART NUMBER	MODEL NO	CROSS REFERENCES
Mercedes A 674 328 03 01	817 D	Contitech 788 N
Neoplan 1001 12 100		CF Gomma Ref. 1SC240-30
Van Hool 624319-560		Vibracoustic V1E15
Volvo 6 782 726		

RL 9907



Cross Section View

Top View



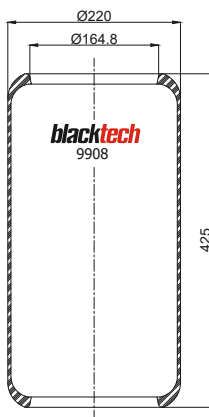
OEM PART NUMBER	MODEL NO	CROSS REFERENCES
Dennis 656.606/1	Dart SLF	Contitech 896 N
Dennis 656.300/2	Javelin	Phoenix 2 E 18 A
Dennis 656.300/2	Trident	Primeride 2896 A
Scania 411.627	K 112 DR	Firestone Style 1R1J520-285
Scania 411.627	K 112 OR	Firestone No. W01-095-0173 / W01-095-0245
Scania 411.627	K 112 TR	Goodyear 8040
Scania 411.627	K112 HDR	Taurus B166
Scania 411.627	K113 DR	Dunlop F SP2191
		Dunlop UK PNP305140100

RL 9908



Cross Section View

Top View



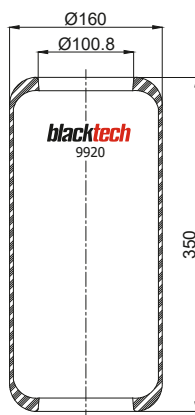
OEM PART NUMBER	MODEL NO	CROSS REFERENCES
Cardi 58050315		Contitech 897 N
Dennis 800.1/2	Trident	Phoenix 2 E 23
Pegaso 794686	5231	Primeride 2897 A
Pegaso 795097	5231	Firestone Style 1R1K440-320
Scania 411.623	BR 116	Firestone No. W01-095-0229
Scania 411.623	CR76 VA	Firestone No. W01-095-0174
Scania 411.623	K 112 DR	Goodyear 8028
Scania 411.623	K 112 OR	Goodyear 8313
Scania 411.623	K 112 TR	Taurus B165
Scania 411.623	K 113 T	Vibracoustic V2E23
Scania 411.623	K 113 TLA	CF Gomma Ref. 1S320-30
Scania 411.623	K 82-112	CF Gomma No. 88788
Scania 411.623	K 93 / K113	Dunlop F SP2192
Scania 411.623	L 113	Dunlop UK PNP305210101
Scania 411.623	L 113 GLD	Gart Ref. D278
Scania 411.623	L 92 / K 112	Gart No. 278.0.430
LAG	E 180 Z	
LAG	EOS	
LAG	Galaxy / Panoramic	

RL 9920



Cross Section View

Top View



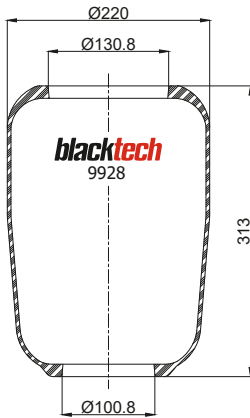
OEM PART NUMBER	MODEL NO	CROSS REFERENCES
BredaMenarini 192.709		Contitech 819 N
Mercedes A 000 328 01 01	Vario / TO	CF Gomma Ref. 1S215-22
Optare UN15966	Bus and Coach	CF Gomma No. 90609
Temsa		CF Gomma No. 206730
		Gart Ref. C296/D / C296
		Gart No. 296.0.340/296.0.360
		Vibracoustic V 1E14
		Firestone Style 1R1S350-0543



RL 9928

Cross Section View

Top View

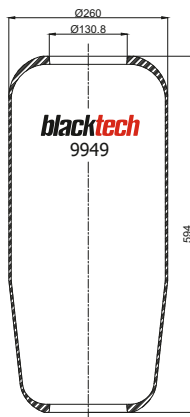


OEM PART NUMBER		MODEL NO	CROSS REFERENCES	
BredaMenarini	252.933	Bus 230	Contitech	817 N
IRISBUS	5.000.805.998		CF Gomma Ref.	1SC 260-30
IRISBUS	5.810.805.998		CF Gomma No.	97613
IRISBUS	5.000.768.641	PR 100 Algérie	Gart Ref.	C289/BS
			Gart No.	289.0.301
			Vibracoustic	VIE17s-839

RL 9949

Cross Section View

Top View

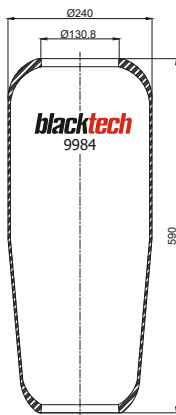


OEM PART NUMBER		MODEL NO	CROSS REFERENCES	
Mercedes	A 674 328 00 01		Contitech	838 N
			Phoenix	1F 26 D
			Goodyear	9074
			Vibracoustic	VIF26D
			Dunlop F	D13S05

RL 9984

Cross Section View

Top View



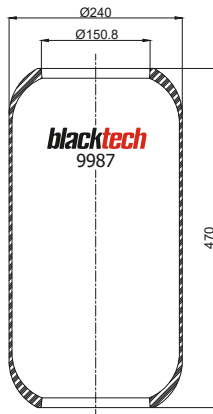
OEM PART NUMBER		MODEL NO	CROSS REFERENCES	
Mercedes	A 674 328 01 01		Contitech	873 N



RL 9987

Cross Section View

Top View

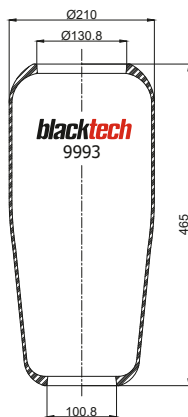


OEM PART NUMBER		MODEL NO	CROSS REFERENCES	
IRISBUS	5.000.296.816	R 312	Contitech	876 N
IRISBUS	5.000.296.816	Tracer	Goodyear	8314
IRISBUS	5.000.296.827	Tracer R 333	CF Gomma Ref.	1S323-34/1S323-36
IVECO	8139068		CF Gomma No.	92477
IVECO	41022620		CF Gomma No.	203833
			Gart Ref.	D298/C/D298/B
			Gart No.	298.0.460 / 298.0.515
			Vibracoustic	VIE28

RL 9993

Cross Section View

Top View

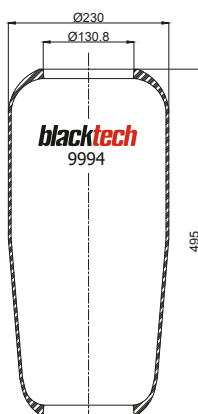


OEM PART NUMBER		MODEL NO	CROSS REFERENCES	
BredaMenarini	D031115		Contitech	882 N1
MAN	81.436.010.065	10150	Phoenix	1F 16
MAN	81.436.010.067	F 90. F2000	Primeride	2882 A
MAN	81.436.010.070	F 90. F2000	Firestone Style	1R4R465-260
MAN	81.436.010.092	F 90. F2000	Firestone No.	W01-095-0435
MAN	81.436.010.099	F 90. F2000	Goodyear	9048
MAN	81.436.010.103	F 90. F2000	Taurus	B155
MAN	81.436.010.121	F 90. F2000	Vibracoustic	VIF16
MAN	81.436.010.132	F 90. F2000	CF Gomma Ref.	1SC250-28
Mercedes	A 699 328 01 01	F 90. F2000	CF Gomma No.	97042
			Dunlop F	D12S12
			Gart Ref.	C289/D
			Gart No.	289.0.400

RL 9994

Cross Section View

Top View



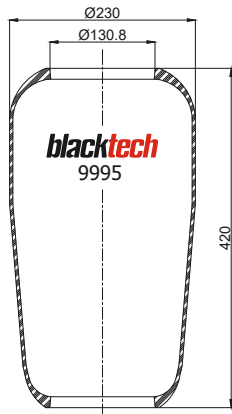
OEM PART NUMBER		MODEL NO	CROSS REFERENCES	
MAN	81.436.010.071	F 90	Contitech	883 N1
MAN	81.436.010.072		Phoenix	1F 21 C-2
MAN	81.436.010.110		Goodyear	9012
MAN	81.436.010.128		Vibracoustic	VIF21C-2
MAN	81.436.010.137		CF Gomma Ref.	1SC250-29
Volvo	1082 085		CF Gomma No.	204250
Pegaso			Dunlop F	D13S03



RL 9995

Cross Section View

Top View

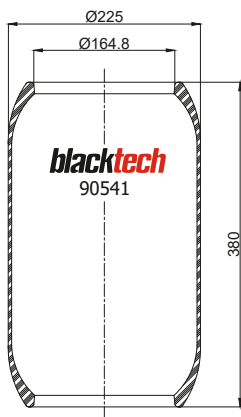


OEM PART NUMBER		MODEL NO	CROSS REFERENCES	
IRISBUS	5.000.301.452		Contitech	884 N
IRISBUS	5.010.294.385		Phoenix	1F 20 A
IVECO	8188539	Eurotech MP/LP 180 E	Primeride	2884 A
IVECO	8188539	Eurotech MP/LP 190 E	Goodyear	9002
IVECO	8188.539	Eurotech MP/LP 240 E	Taurus	BL249
IVECO	8188.539	Eurotech MP/LP 260 E	Vibracoustic	VIF20A
IVECO	8188.539	Eurotech MP/LP 400 E	CF Gomma Ref.	1SC270-25C / 1SC270-28
IVECO	8188.539	Eurotech MP/LP 440 E	CF Gomma No.	97608
IVECO Bus	5009.01452		CF Gomma No.	97043
IVECO Bus	97108.363	Bus 5522	Dunlop F	D12S06
MAN	81.436.010.066	14 232	Gart Ref.	D290
MAN	81.436.010.068	15 168 FL/BL	Gart No.	290.0.420
MAN	81.436.010.069	15 200/40 FL		
MAN	81.436.010.106	15 240 FL/BL		
MAN	81.436.010.108	NL 202 München		
MAN	81.436.010.108	NL 202 Podestlos		
MAN	81.436.010.108	NL CNG Podestl.		
Pegaso	8188539	5035 N		
Pegaso	8188539	6031		
Pegaso	8188539	6035		

RL 90541

Cross Section View

Top View

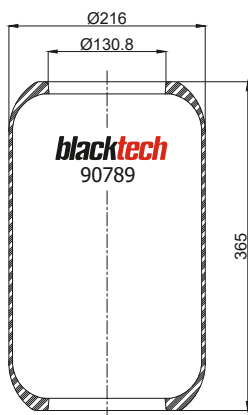


OEM PART NUMBER		MODEL NO	CROSS REFERENCES	
			Firestone Style	1R1K-380-300
			Firestone Style	W01 095 0541

RL 90789

Cross Section View

Top View



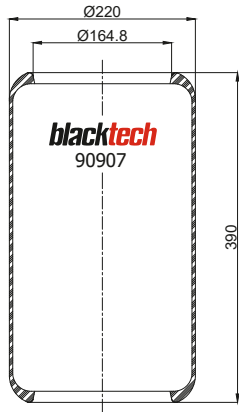
OEM PART NUMBER		MODEL NO	CROSS REFERENCES	
Volvo	20540789		Goodyear	9081

RL 90907



Cross Section View

Top View



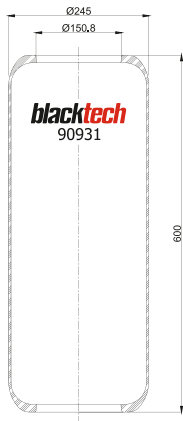
OEM PART NUMBER		MODEL NO	CROSS REFERENCES	
			Dunlop UK	PNP 309070100

RL 90931



Cross Section View

Top View



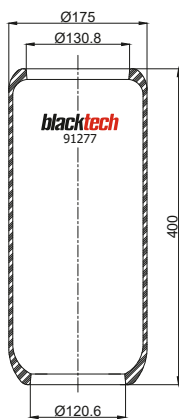
OEM PART NUMBER		MODEL NO	CROSS REFERENCES	
Iveco	500310931	Eurotech	CF Gomma Ref.	1S 323-40
		Eurostar (2000)	CF Gomma No.	204290

RL 91277



Cross Section View

Top View



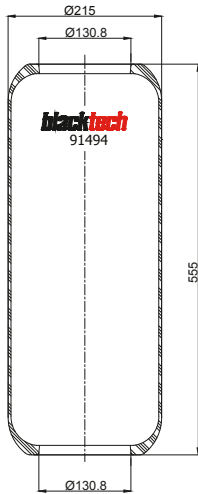
OEM PART NUMBER		MODEL NO	CROSS REFERENCES	
Volvo	3.111.277		Dunlop UK	A 310950013
Volvo	3.112.775.291		Firestone Style	1R4U 395-260
			Firestone Order	W01 095 0453



RL 91494

Cross Section View

Top View

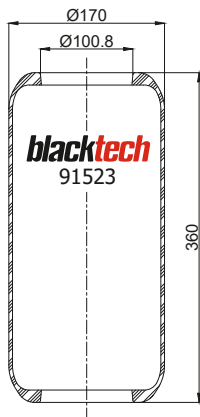


OEM PART NUMBER		MODEL NO	CROSS REFERENCES	
Iveco	500341494	Lift Axle-Eurotech-Eurostar	CF Gomma Ref.	1S 270-30 C
			CF Gomma No.	204268

RL 91523

Cross Section View

Top View

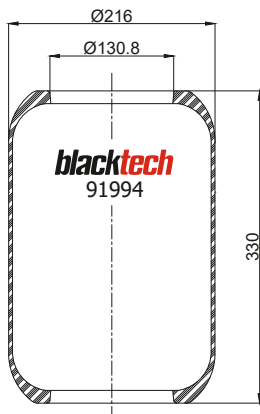


OEM PART NUMBER		MODEL NO	CROSS REFERENCES	
Iveco	50030176	Eurocargo 120 - 150	CF Gomma Ref.	1S 215-23
			CF Gomma No.	202189

RL 91994

Cross Section View

Top View



OEM PART NUMBER		MODEL NO	CROSS REFERENCES	
Iveco	42531994	Bus 491	CF Gomma Ref.	1S 270-20V
Iveco	42531994	Cityclass	CF Gomma No.	202773
BredaMenarini Bus	D020990		Gart Ref.	D290E
			Gart No.	290.0.340

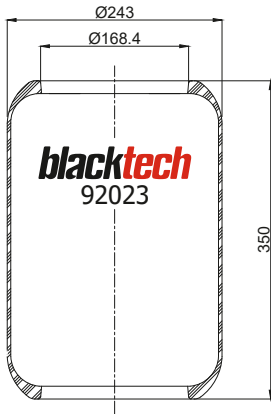


RL 92023



Cross Section View

Top View



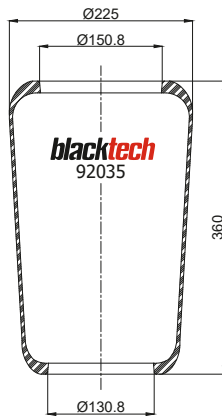
OEM PART NUMBER		MODEL NO	CROSS REFERENCES	
Bredamenaribus	178739	101-102-110L-120	CF Gamma Ref.	1S 320-23
Bartoletti	91644001		CF Gamma No.	88806

RL 92035



Cross Section View

Top View



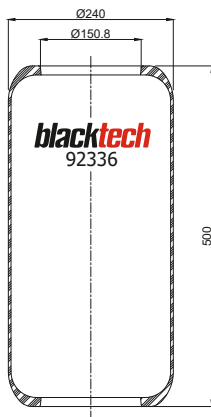
OEM PART NUMBER		MODEL NO	CROSS REFERENCES	
IRISBUS	5.001.843.640	Agora/Crystallis < 2004	Contitech	1924 NI
			Gart Ref.	C298/E
			Gart No.	289.0.360
			Phoenix	2F 18
			Vibracoustic	VIE23s-1946

RL 92336



Cross Section View

Top View



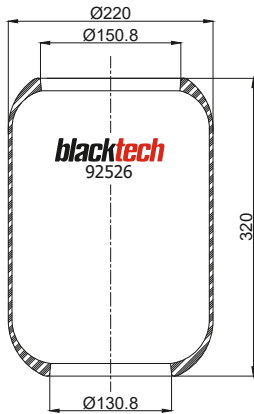
OEM PART NUMBER		MODEL NO	CROSS REFERENCES	
Iveco	41022620/8139068	Eurotech MP 240E-440E	CF Gamma Ref.	1S 323-36
Iveco		Eurostar 1997	CF Gamma No.	203833
Iveco		Eurorider	Contitech	876 N
Irisbus	5.000.296.816	Tracer / R 312	Vibracoustic	VIE21h
Irisbus	5.000.296.827	Tracer R 333		



RL 92526

Cross Section View

Top View

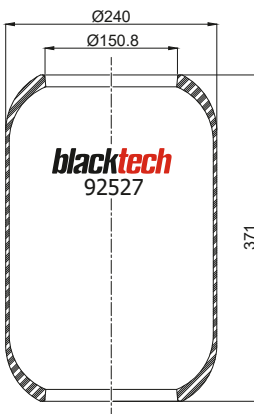


OEM PART NUMBER		MODEL NO	CROSS REFERENCES	
IRISBUS	5.001.021.414	Agora/Crystallis 2004	Contitech	1415 N
Iveco Bus	503130506		Phoenix	1E 23 A
			Goodyear	9113
			Vibracoustic	VIE20A

RL 92527

Cross Section View

Top View

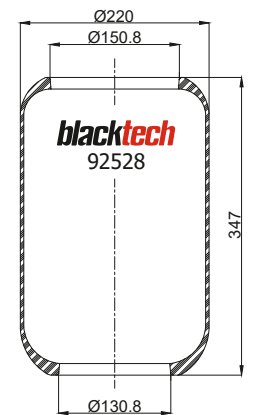


OEM PART NUMBER		MODEL NO	CROSS REFERENCES	
Iveco	503130261		Contitech	1416 NP01
			Vibracoustic	VIE25s

RL 92528

Cross Section View

Top View



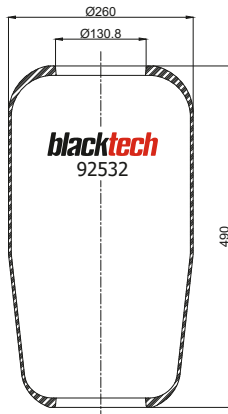
OEM PART NUMBER		MODEL NO	CROSS REFERENCES	
Iveco	503129220		Contitech	1417 N
			Vibracoustic	VIE18s



RL 92532

Cross Section View

Top View



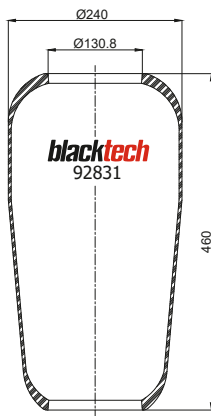
OEM PART NUMBER	MODEL NO	CROSS REFERENCES
Volvo 1075 290		Contitech 1421 N Firestone Style 1R2A490-305 Firestone No. W01-095-0472 Goodyear 9072 Dunlop F D12S18 Gart Ref. C299/E Gart No. 299.0.490

RL 92831



Cross Section View

Top View



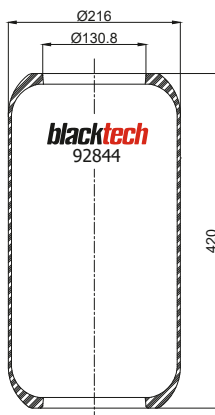
OEM PART NUMBER	MODEL NO	CROSS REFERENCES
Mercedes A 655 327 00 01		Contitech 1720 N Goodyear 9068 Dunlop F D12S17

RL 92844



Cross Section View

Top View



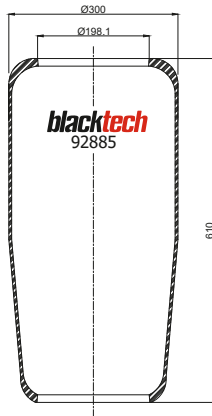
OEM PART NUMBER	MODEL NO	CROSS REFERENCES
Iveco 5000787632	Eurotech 180 E	CF Gomma Ref. 1S 270-25 C
Iveco 5000869179	Eurotech 190 E	CF Gomma No. 97608
Iveco 5000954176	Eurotech 240 E	
Iveco 5010073847	Eurotech 260 E	
Iveco 5010151699	Eurotech 400 E	
Iveco 0501210851	Eurotech 440 E	
Iveco	Eurostar	

RL 92885



Cross Section View

Top View



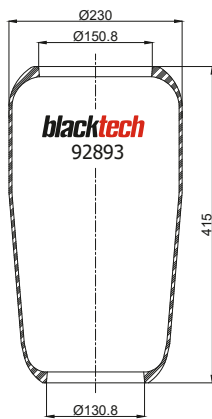
OEM PART NUMBER		MODEL NO	CROSS REFERENCES	
BPW	02.200.24.30.0		Contitech	1774 N
Gigant	196039		Vibracoustic	VIE31
Kassbohrer	4.731.038.000			
Schmitz	750.225			

RL 92893



Cross Section View

Top View



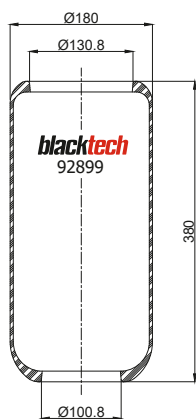
OEM PART NUMBER		MODEL NO	CROSS REFERENCES	
IRISBUS	5.001.857.612	Illade/Ares	Contitech	1782 N1
			CF Gomma Ref.	1SC285-30
			CF Gomma No.	207726
			Gart Ref.	C289/G
			Gart No.	289.0.460
			Vibracoustic	VIG19s-5

RL 92899



Cross Section View

Top View



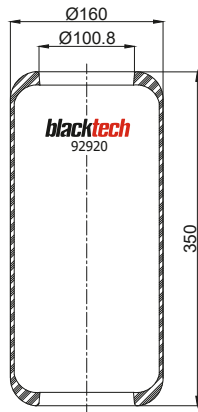
OEM PART NUMBER		MODEL NO	CROSS REFERENCES	
IVECO Bus	93166132	Bus 490 (Sicca)	Contitech	1788 N
			CF Gomma Ref.	1SC260-31
			CF Gomma No.	97569
			Vibracoustic	VIE17-1810

RL 92920



Cross Section View

Top View



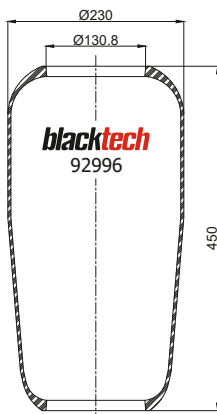
OEM PART NUMBER		MODEL NO	CROSS REFERENCES	
IVECO Bus	93166129	Bus 490 (Sicca)	Contitech	1819 N
Pegaso	93166129	5522	Phoenix	1E 14
Pegaso	93166129	6522	Firestone Style	1R1S350-225
			Firestone No.	W01-095-0543
			CF Gomma Ref.	VIE14IS215-23
			CF Gomma No.	202189
			Gart Ref.	D296/C
			Gart No.	296.0.360
			Vibracoustic	VIE14-920

RL 92996



Cross Section View

Top View



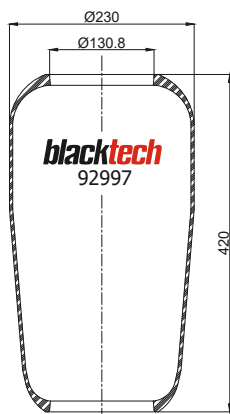
OEM PART NUMBER		MODEL NO	CROSS REFERENCES	
IVECO	98478799		Contitech	1885 N1
MAN	81.436.010.104		Phoenix	1F 20 B
MAN	81.436.010.109		Primeride	21885 A
MAN	81.436.010.111	18 310	Firestone Style	1R2A445-280
MAN	81.436.010.123	18 313	Firestone No.	W01-095-0429
MAN	81.436.010.125	F2000 (24 232)	Goodyear	9003
MAN	81.436.010.125	FL (24 232)	Vibracoustic	VIF20B
MAN	81.436.010.125	FLAS (24 232)	CF Gomma Ref.	1SC270-28
MAN	81.436.010.125	FLL (24 232)	CF Gomma No.	97043
MAN	81.436.010.125	FLLS (24 232)	CF Gomma No.	202265
MAN	81.436.010.125	FLS (24 232)	Dunlop F	D12S07
MAN	81.436.010.140	F2000 (24 272)	Gart Ref.	C289/C
MAN	81.436.010.140	FNL (24 272)	Gart No.	289.0.450
MAN	81.436.010.140	FNLL (24 272)		
MAN	81.436.010.150	24 372		

RL 92997



Cross Section View

Top View



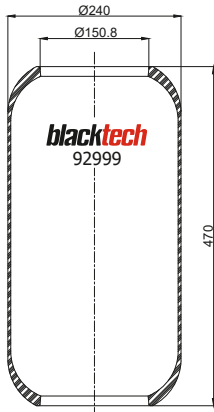
OEM PART NUMBER		MODEL NO	CROSS REFERENCES	
MAN	81.436.010.161	NEOMAN Bus	Contitech	1886 N
			Vibracoustic	VIF20A



RL 92999

Cross Section View

Top View

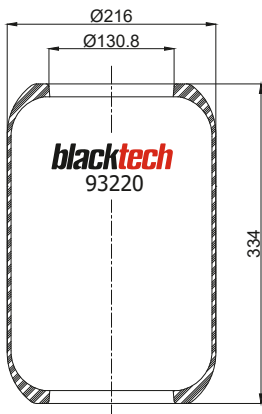


OEM PART NUMBER		MODEL NO	CROSS REFERENCES	
MAN	81.436.010.163		Contitech	1888 N
ZF Sachs	00 1748 451 100		Goodyear	9123

RL 93220

Cross Section View

Top View

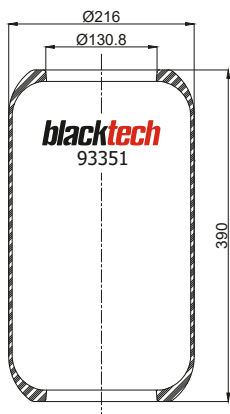


OEM PART NUMBER		MODEL NO	CROSS REFERENCES	
Iveco	4843220	Bus 480 - 580 - 680	CF Gomma Ref.	1S 285-20V
			CF Gomma No.	96534
			Gart Ref.	276 / E
			Gart No.	276.0.330
			Vibracoustic	VIE20s

RL 93351

Cross Section View

Top View



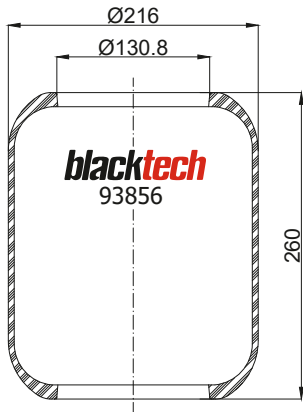
OEM PART NUMBER		MODEL NO	CROSS REFERENCES	
Iveco	42549268	Cityclass TT	CF Gomma Ref.	1S 270 23 V
			CF Gomma No.	206662
			Vibracoustic	VIE21z-6

RL 93856



Cross Section View

Top View



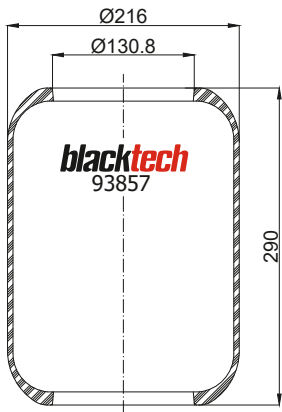
OEM PART NUMBER	MODEL NO	CROSS REFERENCES
Voith		

RL 93857



Cross Section View

Top View



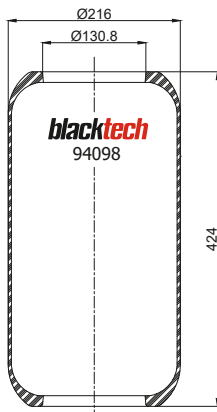
OEM PART NUMBER	MODEL NO	CROSS REFERENCES
Voith		

RL 94098



Cross Section View

Top View



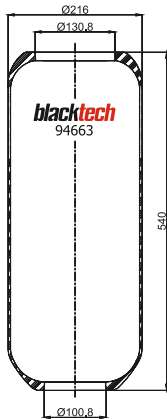
OEM PART NUMBER	MODEL NO	CROSS REFERENCES
Iveco 500324098	Bus 491	CF Gamma Ref. 1S 290-23V
Iveco 500324098	Cityclass	CF Gamma No. 204427
		Gart D286/ 286.0.420
		Vibracoustic VIE19-20



RL 94663

Cross Section View

Top View

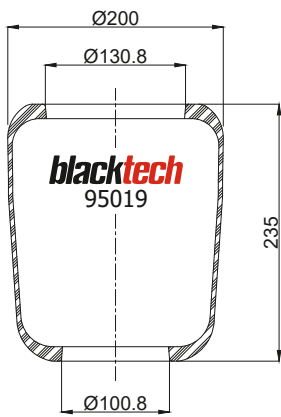


OEM PART NUMBER	MODEL NO	CROSS REFERENCES
Iveco 500364663	Eurotech	CF Gomma Ref. 1S 290 30 V CF Gomma No. 205074 Vibracoustic VIE21t

RL 95019

Cross Section View

Top View

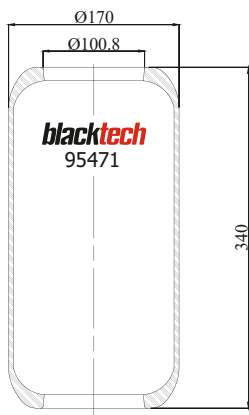


OEM PART NUMBER	MODEL NO	CROSS REFERENCES
Iveco 41006926	Eurotech	CF Gomma Ref. 1SC 250-19
Iveco ZEV13541	Modena-Rampini-ZEV	CF Gomma No. 201727 Gart C301/B - 301.0.235 Vibracoustic VIE18a

RL 95471

Cross Section View

Top View



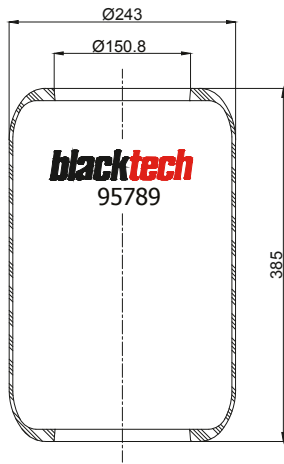
OEM PART NUMBER	MODEL NO	CROSS REFERENCES
Iveco 98445471	Bus 490	CF Gomma Ref. 1S 215 22
Autodromo Modena 577472	Bus Ale	CF Gomma No. 90609 (206730)
Iveco 93166129	Bus 490	
Bredamenaribus 192709	Bus 230	
Mercedes Benz A6673280001		
Mercedes Benz A6673280101		
Mercedes Benz A0003280101		

RL 95789



Cross Section View

Top View



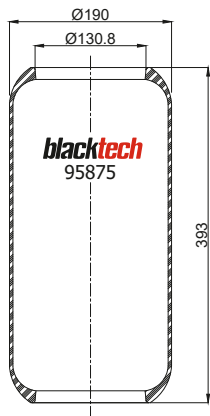
OEM PART NUMBER		MODEL NO	CROSS REFERENCES	
Iveco	4843255	Front_Bus 380-480-580-680	CF Gomma Ref.	IS 323-25 C
			CF Gomma No.	96541

RL 95875



Cross Section View

Top View



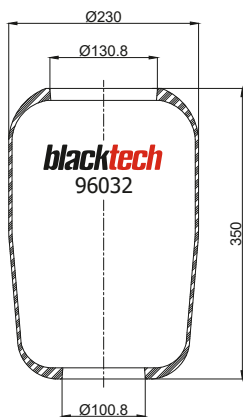
OEM PART NUMBER		MODEL NO	CROSS REFERENCES	
Volvo	20535875		Goodyear	9080
			Phoenix	1E 18D

RL 96032



Cross Section View

Top View



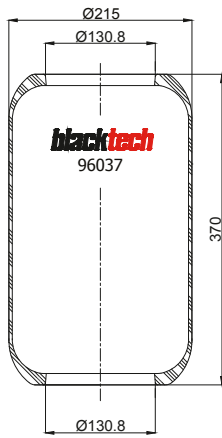
OEM PART NUMBER		MODEL NO	CROSS REFERENCES	
Iveco	98411807	Eurocargo 120E-150E	CF Gomma Ref.	1SC 260-32
			CF Gomma No.	96987
			Gart Ref.	C289
			Gart No.	289.0.350
			Vibracoustic	VIDF16r



RL 96037

Cross Section View

Top View

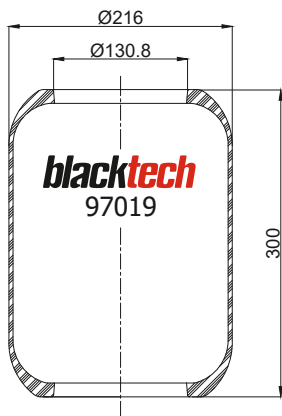


OEM PART NUMBER		MODEL NO	CROSS REFERENCES	
Iveco	8139467	Eurotech MP 240E-440E_Rear	CF Gomma Ref.	IS 285-22 C
		Bredamenarinibus M220_front	CF Gomma No.	97585

RL 97019

Cross Section View

Top View

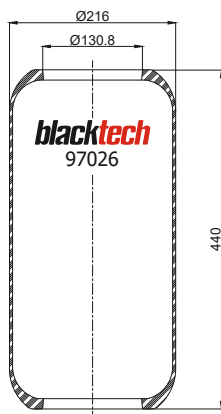


OEM PART NUMBER		MODEL NO	CROSS REFERENCES	
Iveco	41008929	Eurotech	CF Gomma Ref.	1SC 270-19
			CF Gomma No.	201732
			Gart Ref.	D 276/F
			Gart No	276.0.300
			Vibracoustic.	VIE21f

RL 97026

Cross Section View

Top View



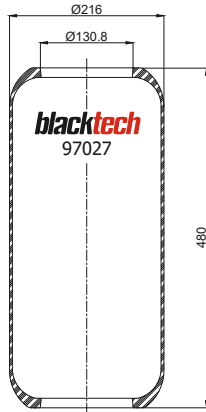
OEM PART NUMBER		MODEL NO	CROSS REFERENCES	
Iveco	500364686	Eurotech	CF Gomma Ref.	1SC 270-26
		Eurostar	CF Gomma No.	203933
			Gart Ref.	D 290/G
			Gart No.	290.0.440
			Vibracoustic.	VIE21e-7026



RL 97027

Cross Section View

Top View



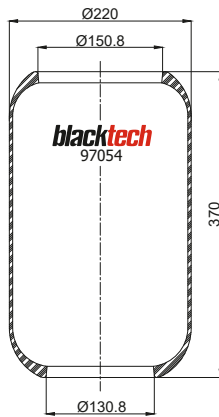
OEM PART NUMBER		MODEL NO	CROSS REFERENCES	
Iveco	500319479	Eurotech	CF Gomma Ref.	1SC 270-27
		Eurostar	CF Gomma No.	203698
		Stralis	Gart Ref.	D 290/D
			Gart No.	290.0.480
			Vibracoustic.	VIE21g

RL 97054



Cross Section View

Top View



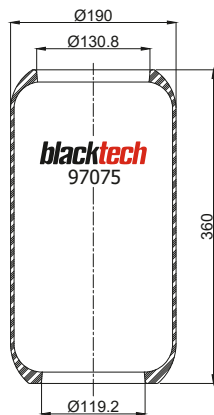
OEM PART NUMBER		MODEL NO	CROSS REFERENCES	
VOLVO	70377054	B7R/B9R/B11R/B13R	Contitech	6611 N
			Goodyear	9138

RL 97075



Cross Section View

Top View



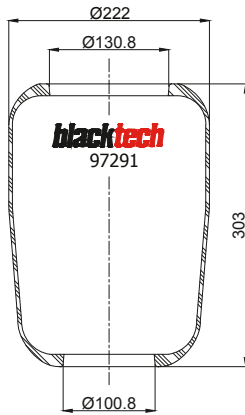
OEM PART NUMBER		MODEL NO	CROSS REFERENCES	
Volvo	20540792		Goodyear	9133
Volvo	21347075			
Volvo	21836531			



RL 97291

Cross Section View

Top View



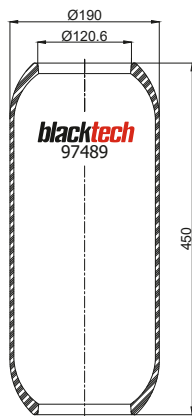
OEM PART NUMBER		MODEL NO	CROSS REFERENCES	
Iveco	8137291	Front-Eurotech MP / LD Eurostar	CF Gamma Ref.	ISC 260-30
			CF Gamma No.	97613

RL 97489



Cross Section View

Top View



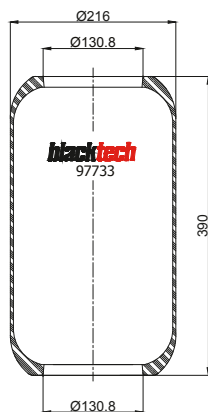
OEM PART NUMBER		MODEL NO	CROSS REFERENCES	
Denis	657489-2			

RL 97733



Cross Section View

Top View



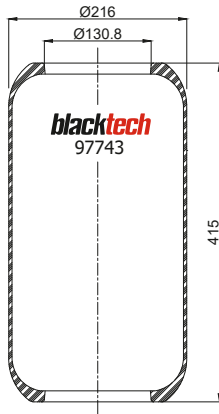
OEM PART NUMBER		MODEL NO	CROSS REFERENCES	
Volvo	21836533	B6R / B7R / B9R	Contitech	6622 N
			Phoenix	1E21F
			Goodyear	9134

RL 97743



Cross Section View

Top View



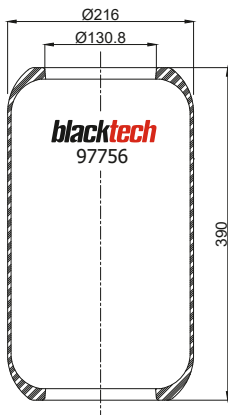
OEM PART NUMBER	MODEL NO	CROSS REFERENCES
Iveco 4716989 (Old)	Bus 370 -380	CF Gomma Ref. 1S 285 25 C
Iveco 2997743 (New)	Bus 370 -380	

RL 97756



Cross Section View

Top View



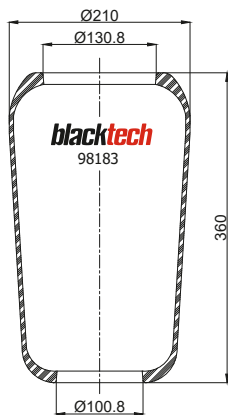
OEM PART NUMBER	MODEL NO	CROSS REFERENCES
Iveco 42549268	IVECO Cityclass TT	CF Gomma Ref. 1S 270-23V

RL 98183



Cross Section View

Top View



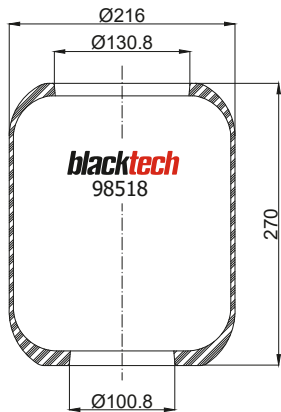
OEM PART NUMBER	MODEL NO	CROSS REFERENCES
Iveco 425668183	Astra	CF Gomma Ref. 1SC 230-25



RL 98518

Cross Section View

Top View

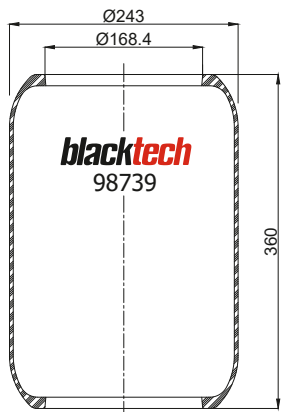


OEM PART NUMBER		MODEL NO	CROSS REFERENCES	
Iveco	8160165	Eurotech MP 400 E	CF Gomma Ref.	1S 285-18 C
			CF Gomma No.	97261
			Vibracoustic	VIE21s

RL 98739

Cross Section View

Top View

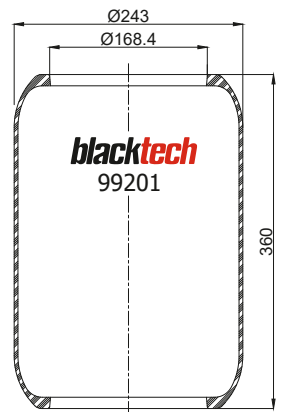


OEM PART NUMBER		MODEL NO	CROSS REFERENCES	
Voith			Vibracoustic	VIE24

RL 99201

Cross Section View

Top View



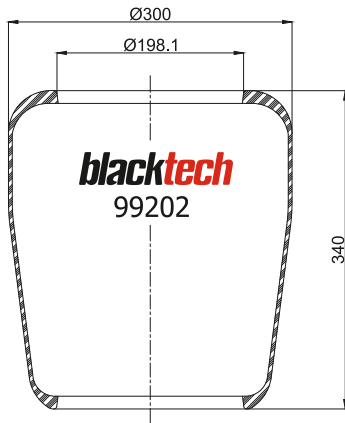
OEM PART NUMBER		MODEL NO	CROSS REFERENCES	
Otokar	16H00-03654-AA			

RL 99202



Cross Section View

Top View



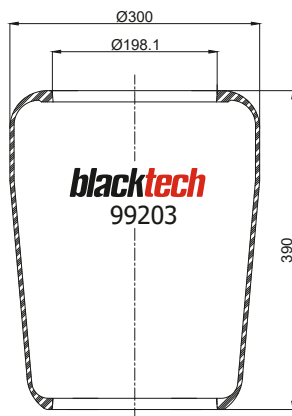
OEM PART NUMBER	MODEL NO	CROSS REFERENCES
Otokar		Vibracoustic VIF34

RL 99203



Cross Section View

Top View



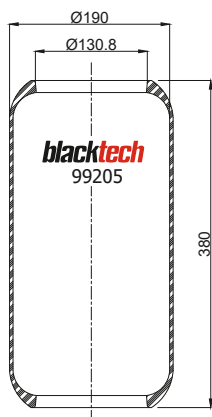
OEM PART NUMBER	MODEL NO	CROSS REFERENCES
Otokar	16M00-03654-AA	

RL 99205



Cross Section View

Top View



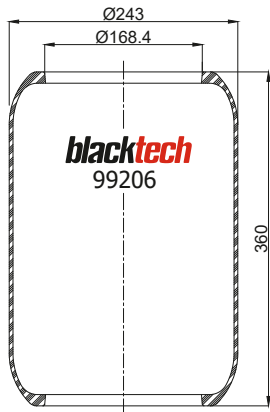
OEM PART NUMBER	MODEL NO	CROSS REFERENCES
Otokar	16F00-03654-AB	



RL 99206

Cross Section View

Top View

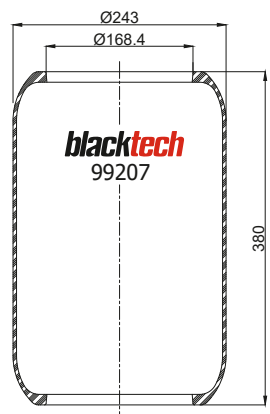


OEM PART NUMBER	MODEL NO	CROSS REFERENCES
Otokar	13H00-03654-AA	

RL 99207

Cross Section View

Top View

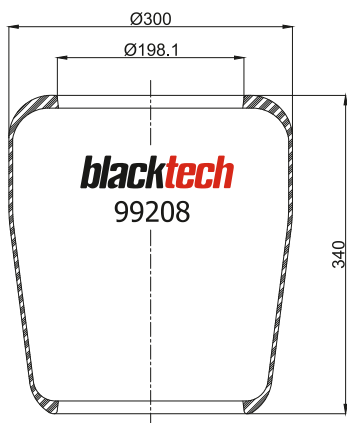


OEM PART NUMBER	MODEL NO	CROSS REFERENCES
Karsan		

RL 99208

Cross Section View

Top View



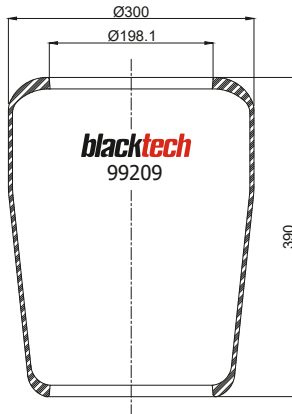
OEM PART NUMBER	MODEL NO	CROSS REFERENCES
Karsan		Vibracoustic VIF34-10

RL 99209



Cross Section View

Top View



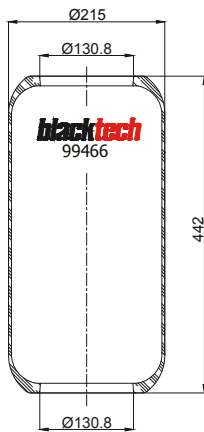
OEM PART NUMBER	MODEL NO	CROSS REFERENCES
Otokar Karsan	16N03-03648-AA	

RL 99466



Cross Section View

Top View



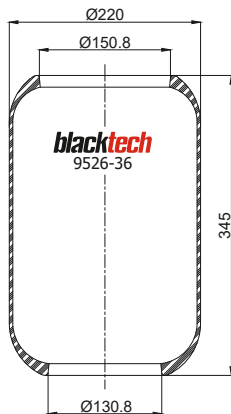
OEM PART NUMBER	MODEL NO	CROSS REFERENCES
Ivecor	8139466	Eurotech MP 240E - 440E - Rear CF Gomma Ref. 1S 285-26 CF Gomma No. 97612

RL 9526-36



Cross Section View

Top View



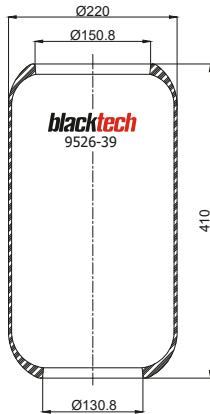
OEM PART NUMBER	MODEL NO	CROSS REFERENCES
Volvo	3 027 271	B 10 M Contitech RZ 415-25
Volvo	3 027 271	B 10 M MK 4 Phoenix 2 G 20
Volvo	3 027 271	B 10 M MK III G Primeride 2415-25 A Firestone Style 1R5P345-290 Firestone No. W01-095-0381 Goodyear 9004 Taurus B271 Vibracoustic V2G20 CF Gomma Ref. 1S280-25 CF Gomma No. 203000 Dunlop F D12S08 Dunlop UK 00986A-AP



RL 9526-39

Cross Section View

Top View

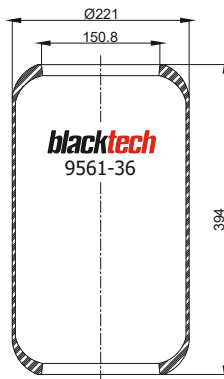


OEM PART NUMBER	MODEL NO	CROSS REFERENCES
Volvo 3 027 272	B 10 B	Contitech RZ 415-28
Volvo 3 027 272	B 10 M 4	Phoenix 2 G 20 A
Volvo 3 027 272	B 10 M MK III G	Primeride 2415-28 A
Volvo 3 027 272	B 10 M MK IV	Firestone Style 1R5P410-290
Volvo 3 027 272	B 12	Firestone No. W01-095-0382
		Goodyear 9005
		Taurus B272
		Vibracoustic V2G20A
		CF Gomma Ref. 1S280-25
		CF Gomma No. 203001
		Dunlop F D12S09

RL 9561-36

Cross Section View

Top View



OEM PART NUMBER	MODEL NO	CROSS REFERENCES
EvoBus A 356 327 00 01	O 404	Contitech RZ 450-25
EvoBus A 356 327 02 01	O 403 RHD, SHD EURO 2/3	Phoenix 1 E 23
IVECO Bus 93197594		Primeride 2450-25 A
MB Tuerk A 356 327 00 01	O 404	Goodyear 9050
MB Tuerk A 613 327 01 01	O 404	Taurus BL128
EvoBus A 613 327 01 01	O 350 Turismo O 403	Vibracoustic V1E23
		CF Gomma Ref. 1S300-27
		CF Gomma No. 203386
		Dunlop F D12S13

ROLL AIR SPRINGS CROSS LIST

	Blacktech	ContiTech	Phoenix	Firestone Style	Firestone No.	Goodyear	CF Gomma Ref. / CF Gomma No.
RL	9001						
RL	9002						
RL	9003		1G 08				
RL	9027	916 N1	1F 21 C-5/1F 21 C-6	2R2A460-295	W01 095 0555	9015	
RL	9032	921 N	1E 17	1R1A 415 260	W01 095 0226	8043	1S 285-23 / 202728
RL	9038	927 N	2 E 18 B	1R1J 415 285	W01 095 0244	8037	
RL	9039	928 N	2 E 23 A	1R1K 380 320	W01 095 0228	8042	
RL	9054	943 N		1R1A 260 285	W01 095 0189	9001	1S 285-18 / 88809
RL	9055	944 N	1E 21-6	1R1B 390 270	W01 095 0121	9009	1S 285-22 / 97619
RL	9056	945 N	1E 21 C	1R1A 460 290	W01 095 0063	9014	1S 285-25 / 97555
RL	9057	946 N	1F 20 C				1S 290-28 / 207725
RL	9086	976 N	1E 10 C	1R1T 320 195	W01 095 0437		
RL	9755	644 N	1 E 21	1R1A 390-295	W01 095 0118	8017	1S 285-24 / 92574
RL	9756						
RL	9772	661 N	1E 25	1R1C 390-310	W01 095 0021	8018	1S 310-28RF / 91016
RL	9773	662 N	1E 32	1R1D 355-355	W01 095 0207	9007	1S 360-30 / 92594
RL	9784	673 N	1F 21 A	1R1A 370-285	W01 095 0198	9051	1S 285-22 / 88786
RL	9812	701 N	1E 26	1R3M 340-340	W01 095 0205	9006	
RL	9817	706 N1				9067	
RL	9820	719 N	1F 32 B	1R2D 530-360	W01 095 0192	8118	1S 360-43 / 92593
RL	9824	713 N	1F 21 D			9066	
RL	9826	715 N	1F 25	1R1C 335-310	W01 095 0087	8015	1S 310-16 / 93518
RL	9827	716 N	1F 26 B-1	1R2A 450-305	W01 095 0145	9073	1S 310-16 / 92548
RL	9831	720 N	1F 21	1R2A 460-295	W01 095 0195	9008	1S 290-30 / 88802
RL	9838	727 N	1F 32 A	1R2D 460-360	W01 095 0191	8117	1S 360-34 / 92575
RL	9839	728 N	1F 32 A	1R2S 470-360	W01 095 0419	8117	1S 360-34 / 92575
RL	9848	737 N	1F 26	1R2A 480-330	W01 095 0211	9075	1S 320-23 / 89756
RL	9857	746 N				9076	
RL	9868	757 N	1F 26 C	1R2A 380-305	W01 095 0212	9077	
RL	9870	769 N	1E 18	1R1A 380-260	W01 095 0204	8053	
RL	9873	762 N	1F 32	1R2D 390-360	W01 095 0190	9010	1S 360-30 / 92594
RL	9879	768 N	1E 27	1R2A 380-330	W01 095 0213	9078	
RL	9886	775 N					
RL	9893	782 N	1E 21 D	1R1A 415-285	W01 095 0197	9013	1S 290-23 V / 204427 - 204493
RL	9897	786 N	1F 14	1R2S 355 245	W01 095 0436		
RL	9899	788 N					1S 240-30
RL	9907	896 N	2 E 18 A	1R1J 520-285	W01-095-0173 - W01-095-0245	8040	
RL	9908	897 N	2 E 23	1R1K 440-320	W01 095 0229 - W01-095-0174	8028 / 8313	1S 320 30 / 88788
RL	9920	819 N					1S 215-22 / 90609 - 206730
RL	9928	817 N					1S 260-30 / 97613
RL	9949	838 N	1F 26 D			9074	

Vibracoustic	Gart Ref. /Gart No	Dunlop UK	Dunlop F	Taurus	Toyo	Page
					TRL 240	20
					F 25	20
						20
V1F21C-5	C289/C1-289.0.455		D12S05	B154		21
V1E17	D276BS-276.0.391	D10S04	D10S04	B158		21
V2E18B		PNP300080100				21
V2E23A		1C3308	D12S03	B178		22
V1E21-54	D276/D-276.0.260	PNP316730100	D11S05	B194		22
V1E21-6	D290/B-290.0.390		D11S04	B113		22
	D276-276.0.420	PNP301000101	D11S01	B124		23
V1F20C-6						23
V1E10	D305-305.0.320	00628A-AP				23
V1E21	D276/B-276.0.390	PNP301470102	D11S01	BL121		24
						24
V1E25(-2)	D297-297.0.390	304980101	D12S02 RE	BL114		24
V1E32		PNP302730101	D13S01	BL143		25
V1F21A	F276/C-276.0.370		D11S06	B141		25
V1E26	D276/C-276.0.370			B116		25
V1E22			D12S16			26
V1F32B	C292/E-292.0.520	PNP304620101		B153		26
V1F21D	C304/B-304.0.490		D12S15			26
V1F25	C292/C-292.0.380	PNP304890101		B144		27
V1F26B1			D12S19	B197		27
V1F21	C299-299.0.450	PNP301000100	D12S04	B152		27
V1F32A	C292D-292.0.450	PNP306420100	D13S04	B149		28
V1F32A		PNP306420100				28
V1F26			D13S06	BL127-B127		28
			D13S07			29
V1F26C			D12S20	B126		29
V1E18		PNP037690200	D10S02	B156		29
V1F32		PNP307800100	D13S02	BL143		30
V1E27	C302/A-302.0.385		D13S08	B125		30
						30
V1E21D	D290-290.0.420		D11S02	B124		31
V1F14						31
V1E15						31
		PNP305140100	SP2191	B166		32
V2E23	D278-278.0.430	PNP305210101	SP2192	B165		32
V1E14	296/C-296.0.360-296.0.340					32
V1E17s-839	C289/BS-289.0.301					33
V1F26D			D13S05			33

ROLL AIR SPRINGS CROSS LIST

	Blacktech	ContiTech	Phoenix	Firestone Style	Firestone No.	Goodyear	CF Gomma Ref. / CF Gomma No.
RL	9984	873 N					
RL	9987	876 N				8314	1S 323 34 / 92477 - 203833
RL	9993	882 N1	1F 16	1R4R 465 260	W01 095 0435	9048	1SC 250-28 / 97042
RL	9994	883 N1	1F 21 C-2			9012	1SC250-29 / 204250
RL	9995	884 N	1F 20A			9002	1SC270-25C / 1SC270-28 / 97043 - 97608
RL	90541			1R1K380-300	W01 095 0541		
RL	90789					9081	
RL	90907						
RL	90931						1S 323-40 / 204290
RL	91277			1R4U 395 260	W01 095 0453		
RL	91494						1S 270-30 C / 204268
RL	91523						1S 215-23 / 202189
RL	91994						1S 270-20 V / 202773
RL	92023						1S 320-23 / 88806
RL	92035	1924 N1	2F 18				
RL	92336	876 N					1S 323 -36 / 203833
RL	92526	1415 N	1E 23 A			9113	
RL	92527	1416 N P01					
RL	92528	1417 N					
RL	92532	1421 N		1R2A 490 305	W01 095 0472	9072	
RL	92831	1720 N				9068	
RL	92844						1S 270 25 C / 97608
RL	92885	1774 N					
RL	92893	1782 N1					1SC 285-30 / 207726
RL	92899	1788 N					1SC 260-31 / 97569
RL	92920	1819 N	1E 14	1R1S 350-225	W01 095 0543		1S 215-23 / 202189
RL	92996	1885 N1	1F 20 B	1R2A445 280	W01 095 0429	9003	1SC 270-28 / 97043 - 202265
RL	92997	1886 N					
RL	92999	1888 N				9123	
RL	93220						1S 285-20 V / 96534
RL	93351						1S 270-23 V / 206662
RL	93856						
RL	93857						
RL	94098						1S 290-23V / 204427
RL	94663						1S 290-30 V / 205074
RL	95019						1SC 250 19 / 201727
RL	95471						1S 215-22 / 90609 - 206730
RL	95789						1S 323-25 C / 96541
RL	95875		1E 18 D			9080	
RL	96032						1SC 260 32 / 96987
RL	96037						1S 285-22 C / 97585

Vibracoustic	Gart Ref. /Gart No	Dunlop UK	Dunlop F	Taurus	Toyo	Page
						33
VIE28	D 298/C 298.0.460 / 298.0.515					34
V1F16	C 298 / D - 298.0.400		D12S12	B 155		34
V1F21C-2			D13S03			34
V1F20A	D290 - 290.0.420		D12S06	BL 249		35
						35
						35
		PNP 30907100				36
						36
		A 310950013				36
						37
						37
	D 290/E 290.0.340					37
						38
VIE23s-1946	C 298/E 298.0.360					38
VIE21h	D 298/B 298.0.515					38
VIE20A						39
VIE25s						39
VIE18s						39
	C 299/E 299.0.490		D12S18			40
			D12S17			40
						40
VIE31						41
VIG19s-5	C289/G - 289.0.460					41
VIE17t-1810						41
VIE14-920	D296/C - 296.0.360					42
V1F20B	C289/C - 289.0.450		D12S07			42
V1F20A						42
						43
VIE20s	276/E - 276.0.330					43
VIE21z-6						43
						44
						44
VIE19-20	D286 - 286.0.420					44
VIE21t						45
VIE18a	C 301/B - 301.0.235					45
						45
						46
						46
V1DF16r	C289 - 289.0.350					46
						47

ROLL AIR SPRINGS CROSS LIST

	Blacktech	ContiTech	Phoenix	Firestone Style	Firestone No.	Goodyear	CF Gomma Ref. / CF Gomma No.
RL	97019						1SC270 19 / 201732
RL	97026						1SC270 26 / 203933
RL	97027						1SC270 27 / 203698
RL	97054	6611N				9138	
RL	97075					9133	
RL	97291						1SC260-30 / 97613
RL	97489						
RL	97733	6622N	1E21F			9134	
RL	97743						1S 285-25 C
RL	97756						1S 270-23 V
RL	98183						1SC 230 25
RL	98518						1S 285-18 C / 97261
RL	98739						
RL	99201						
RL	99202						
RL	99203						
RL	99205						
RL	99206						
RL	99207						
RL	99208						
RL	99209						
RL	99466						1S 285-26 / 97612
RL	9526-36	RZ 415-25	2 G 20	1R5P 345-290	W01 095 0381	9004	1S 280-25 / 203000
RL	9526-39	RZ 415-28	2 G 20 A	1R5P 410-290	W01 095 0382	9005	1S 280-25 / 203001
RL	9561-36	RZ 450-25	1E 23			9050	1S 300-27 / 203386

Vibracoustic	Gart Ref. /Gart No	Dunlop UK	Dunlop F	Taurus	Toyo	Page
V1E21f	D 276/F 276.0.300					47
V1E21e-7026	D 290/G 290.0.440					47
V1E21g	D 290/D 290.0.480					48
						48
						48
						49
						49
						49
						49
						50
						50
						50
V1E21s						51
V1E24						51
						51
V1F34						52
						52
						52
						53
						53
V1F34-10						53
						54
						54
V 2 G 20		00986A-AP	D12 S08	B 271		54
V 2 G 20 A			D12 S09	B 272		55
V 1 E 23			D12 S13	BL 128		55

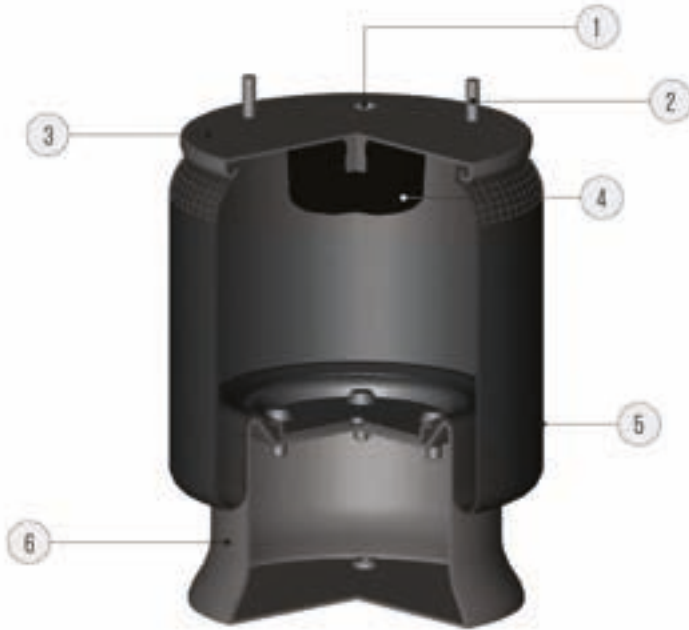


■
COMPLETE & SERVICE AIR SPRINGS



Vibracoustic
CV Air Springs

Components of Air Springs

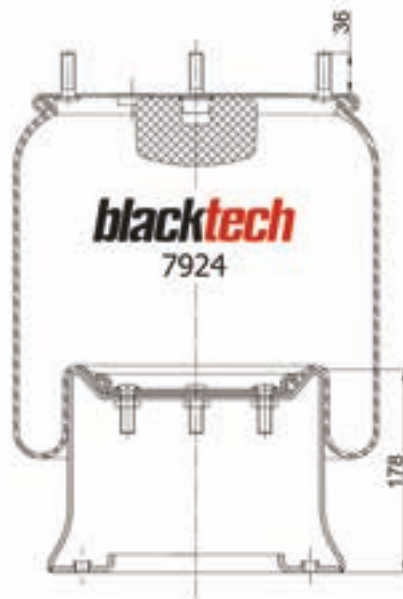


1. Air inlet
2. Mounting stud
3. Plate
4. Bumper (Generally used in air suspension applications as fail-safe device.)
5. Rubber air spring body
6. Piston (There two different complete applications such as with metal piston or plastic piston.)

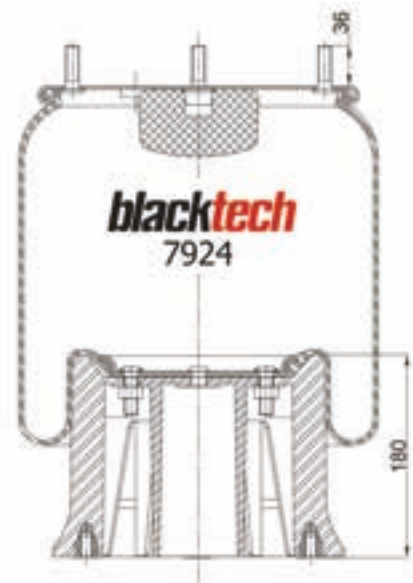
Product Identification / Roll Air Springs



RML 7924
Air spring system without piston



RML 7924 C
Complete air spring assembly with crimped top plate and metal piston



RML 7924 CP
Complete air spring assembly with crimped top plate and plastic piston

COMPLETE & SERVICE AIR SPRINGS OEM LIST

MANUFACTURER	OEM PART NO	PART NO	TYPE	REMARKS	PAGE
ACERBI	128140028	RML 75268 CP10	Complete	Plastic piston	198
	800449526	RML 75268 CP10	Complete	Plastic piston	198
ACERBI / VIBERTI		RML 7923	Service Assy	Service	116
	12814007	RML 7923 C	Complete	Metal piston	116
	800448024	RML 71840 C	Complete	Metal piston	142
	128147109	RML 76884 C	Complete	Metal piston	225
	800448024	RML 71304 C	Complete	Metal piston	138
	800448024	RML 71304 C1	Complete	Metal piston	138
ARVIN MERITOR	201869	RML 75267 C4	Complete	Metal piston	189
	21215761	RML 75267 C6	Complete	Metal piston	190
	21215762	RML 75267 C6	Complete	Metal piston	190
	21226046	RML 75267 C6	Complete	Metal piston	190
AUSTERAS	99381009	RML 71420 C	Complete	Metal piston	140
	99381010	RML 71480 C	Complete	Metal piston	140
	99381031	RML 72520 C	Complete	Metal piston	145
AUSTRAL DENING		RML 70742	Service Assy	Service	136
		RML 70742 C	Complete	Metal piston	136
AYATS	31001569	RML 9772 C1	Complete	Metal piston	260
	30201085	RML 9987 C	Complete	Metal piston	266
BATTAGLINO	91101895	RML 75139 C5	Complete	Metal piston	181
	91101894	RML 75139 C5	Complete	Metal piston	181
	2211400	RML 75139 C5	Complete	Metal piston	181
	22119.07	RML 71421 C	Complete	Metal piston	140
	22119.00	RML 72421 C	Complete	Metal piston	143
BELLE TRAILERS	BT0319	RML 75266 C	Complete	Metal piston	188
BERTOJA	45402004	RML 75266 C	Complete	Metal piston	188
	45402004	RML 75267 C9	Complete	Metal piston	190
	46311001	RML 76884 C	Complete	Metal piston	225
BMC		RML 7573	Service Assy	Service	104
	9P914897	RML 7573 C	Complete	Metal piston	104
	53RS900061	RML 7947-11	Service Assy	Service	120
	53RS900061	RML 7947 C11	Complete	Metal piston	123
	57RS308887	RML 78887 C	Complete	Metal piston	245
	57RS308888	RML 78888 C	Complete	Metal piston	245
	53RS900131	RML 9032 C3	Complete	Metal piston	258
	53RS900144	RML 9032 C4	Complete	Metal piston	258
	53RS900083	RML 9755 C3	Complete	Metal piston	259
		RML 9755 C4	Complete	Metal piston	260
	53RS900155	RML 9772 C4	Complete	Metal piston	261
	53RS900142	RML 9772 C8	Complete	Metal piston	262
	53RS900069	RML 95101 C	Complete	Metal piston	274

COMPLETE & SERVICE AIR SPRINGS OEM LIST

MANUFACTURER	OEM PART NO	PART NO	TYPE	REMARKS	PAGE
BMC	53RS900072	RML 95101 C2	Complete	Metal piston	274
BPW	05.429.40.91.0	RML 7051	Service Assy	Service	99
	05.429.41.51.0	RML 7051	Service Assy	Service	99
	05.429.41.14.1	RML 7051 C	Complete	Metal piston	99
	05.429.41.23.1	RML 7051 C	Complete	Metal piston	99
	05.429.41.27.1	RML 7051 C	Complete	Metal piston	99
	05.429.41.53.1	RML 7051 C	Complete	Metal piston	99
	05.429.42.19.1	RML 7051 C	Complete	Metal piston	99
		RML 7051 C1	Complete	Metal piston	100
	05.429.43.21.0	RML 7051 CP	Complete	Plastic piston	100
	05.429.43.37.0	RML 7051 CP	Complete	Plastic piston	100
		RML 7051 CP1	Complete	Plastic piston	100
	05.429.40.03.0	RML 7052	Service Assy	Service	101
	05.429.42.28.1	RML 7052 C	Complete	Metal piston	101
	05.429.40.10.1	RML 7052 C	Complete	Metal piston	101
	05.429.40.36.1	RML 7052 C	Complete	Metal piston	101
	05.429.40.52.1	RML 7052 C	Complete	Metal piston	101
	05.429.40.64.1	RML 7052 C	Complete	Metal piston	101
	05.429.41.24.1	RML 7052 C	Complete	Metal piston	101
	05.429.42.18.1	RML 7052 C	Complete	Metal piston	101
	05.429.43.20.0	RML 7052 CP	Complete	Plastic piston	101
	05.429.40.05.0	RML 7053	Service Assy	Service	102
	05.429.41.71.1	RML 7053 C	Complete	Metal piston	102
	05.429.41.69.0	RML 7053 C	Complete	Metal piston	102
	05.429.40.72.0	RML 7062	Service Assy	Service	103
	05.429.42.72.0	RML 7062	Service Assy	Service	103
		RML 7062 C	Complete	Metal piston	103
		RML 7062 CP	Complete	Plastic piston	103
	05.429.40.01.0	RML 7992	Service Assy	Service	124
	36 05.429.40.07.1	RML 7992 C	Complete	Metal piston	125
	36 05.429.40.14.1	RML 7992 C	Complete	Metal piston	125
	36 05.429.40.24.1	RML 7992 C	Complete	Metal piston	125
	36 05.429.40.39.1	RML 7992 C	Complete	Metal piston	125
	36 05.429.40.47.1	RML 7992 C	Complete	Metal piston	125
	36 05.429.40.50.1	RML 7992 C	Complete	Metal piston	125
	36 05.429.40.61.1	RML 7992 C	Complete	Metal piston	125
	36 05.429.41.21.1	RML 7992 C	Complete	Metal piston	125
	36 05.429.41.36.1	RML 7992 C	Complete	Metal piston	125
	36 05.429.41.42.1	RML 7992 C	Complete	Metal piston	125
	05.429.43.51.0	RML 7992 CP	Complete	Plastic piston	125
	0.41.04.001.0	RML 72430 C	Complete	Metal piston	143

COMPLETE & SERVICE AIR SPRINGS OEM LIST

MANUFACTURER	OEM PART NO	PART NO	TYPE	REMARKS	PAGE
BPW	041.03.007.0	RML 74512 C	Complete	Metal piston	153
	041.03.003.0	RML 74520 C	Complete	Metal piston	154
	041.03.009.0	RML 74521 C	Complete	Metal piston	154
	041.03.016.0	RML 74523 C	Complete	Metal piston	154
	05.429.41.56.0	RML 75051	Service Assy	Service	165
		RML 75051 C	Complete	Metal piston	165
	05.429.43.24.0	RML 75051 CP	Complete	Plastic piston	165
	05.429.41.25.0	RML 75052	Service Assy	Service	166
		RML 75052 C	Complete	Metal piston	166
		RML 75052 CP	Complete	Plastic piston	166
	05.429.41.09.0	RML 75053	Service Assy	Service	167
	05.429.41.86.0	RML 75053 C1	Complete	Metal piston	167
	05.429.41.77.0	RML 75071	Service Assy	Service	168
		RML 75071 C	Complete	Metal piston	168
	05.429.43.23.0	RML 75071 CP	Complete	Plastic piston	169
	05.429.42.04.0	RML 75072	Service Assy	Service	169
		RML 75072 CP	Complete	Plastic piston	169
	05.429.42.03.0	RML 75073	Service Assy	Service	170
	05.429.43.29.0	RML 75073 CP	Complete	Plastic piston	170
	05.429.41.01.0	RML 75992	Service Assy	Service	210
05.429.41.22.1	RML 75992 C	Complete	Metal piston	210	
05.429.43.41.0	RML 75992 CP	Complete	Plastic piston	210	
BREDAMENARINI	178739	RML 7910 SP	Service Assy	Service	110
	178 739	RML 7010 SP	Service Assy	Service	95
CAMPANA	05.020.0105	RML 7922 C2	Complete	Metal piston	115
	28100006	RML 7922 C2	Complete	Metal piston	115
	05.020.0105	RML 7922 C3	Complete	Metal piston	115
	28100006	RML 7922 C3	Complete	Metal piston	115
	05.020.0105	RML 7922 CP2	Complete	Plastic piston	116
	28100006	RML 7922 CP2	Complete	Plastic piston	116
	05.040.0200	RML 71421 C	Complete	Metal piston	140
	05.040.0100	RML 72430 C	Complete	Metal piston	143
	05.050.0100	RML 74512 C	Complete	Metal piston	153
	28100002	RML 74512 C	Complete	Metal piston	153
	05.020.0100	RML 74520 C	Complete	Metal piston	154
CARDI	58051210	RML 75260 CP9	Complete	Plastic piston	185
	58051400	RML 75266 C	Complete	Metal piston	188
	58050700	RML 7923 C1	Complete	Metal piston	117
	58050910	RML 75120 C	Complete	Metal piston	172
	58050900	RML 75270 C	Complete	Metal piston	199
DAF	1622 849	RML 7683 C	Complete	Metal piston	104

COMPLETE & SERVICE AIR SPRINGS OEM LIST

MANUFACTURER	OEM PART NO	PART NO	TYPE	REMARKS	PAGE
DAF	1697 683	RML 7683 C	Complete	Metal piston	104
		RML 7803	Service Assy	Service	105
	1448 543	RML 7803 CP	Complete	Plastic piston	105
	1698 436	RML 7803 CP	Complete	Plastic piston	105
	1698 436	RML 7803 CP	Complete	Plastic piston	105
	1698 436	RML 7803 CP	Complete	Plastic piston	105
	1698 436	RML 7803 CP	Complete	Plastic piston	105
	1698 436	RML 7803 CP	Complete	Plastic piston	105
	1529 836	RML 7803 CP	Complete	Plastic piston	105
	1384 273	RML 7921 C	Complete	Metal piston	111
	67306	RML 7922	Service Assy	Service	113
	676122	RML 7922	Service Assy	Service	113
		RML 7922-1	Service Assy	Service	113
		RML 7922-2	Service Assy	Service	113
	1384 274	RML 7922 C	Complete	Metal piston	114
		RML 7922 C1	Complete	Metal piston	115
	67306	RML 7923 C1	Complete	Metal piston	117
	0 067 504	RML 7947	Service Assy	Service	119
	0 513 985	RML 7947-1	Service Assy	Service	120
	0 513 982	RML 7947-2	Service Assy	Service	120
	0 388 165	RML 7947 C1	Complete	Metal piston	121
	1697 678	RML 7947 C1	Complete	Metal piston	121
	1697 678	RML 7947 C1	Complete	Metal piston	121
	1697 678	RML 7947 C1	Complete	Metal piston	121
	1697 678	RML 7947 C1	Complete	Metal piston	121
	1529 833	RML 7947 C1	Complete	Metal piston	121
	0 388 167	RML 7947-2 C1	Complete	Metal piston	121
	0 526 651	RML 7947 C6	Complete	Metal piston	122
	0 297 721	RML 7947 C7	Complete	Metal piston	122
	1152221	RML 7947 C9	Complete	Metal piston	123
	1794420	RML 7947 C10	Complete	Metal piston	123
	1276 846	RML 7990	Service Assy	Service	124
	1279 141	RML 7990 C2	Complete	Metal piston	124
	1698 434	RML 7990 C2	Complete	Metal piston	124
	1698 434	RML 7990 C2	Complete	Metal piston	124
	1698 434	RML 7990 C2	Complete	Metal piston	124
	1698 434	RML 7990 C2	Complete	Metal piston	124
	0 513 983	RML 7998	Service Assy	Service	125
	0 392 022	RML 7998 C1	Complete	Metal piston	126
	1697 684	RML 7998 C1	Complete	Metal piston	126
	1697 684	RML 7998 C1	Complete	Metal piston	126

COMPLETE & SERVICE AIR SPRINGS OEM LIST

MANUFACTURER	OEM PART NO	PART NO	TYPE	REMARKS	PAGE
DAF	1697 684	RML 7998 C1	Complete	Metal piston	126
	0 392 011	RML 7998 C1	Complete	Metal piston	126
	1529 834	RML 7998 C1	Complete	Metal piston	126
		RML 7998-2 C1	Complete	Metal piston	126
	1286 251	RML 7998 C4	Complete	Metal piston	127
	1697 680	RML 7998 C4	Complete	Metal piston	127
	1697 680	RML 7998 C4	Complete	Metal piston	127
	1697 680	RML 7998 C4	Complete	Metal piston	127
	1697 680	RML 7998 C4	Complete	Metal piston	127
	1529 837	RML 7998 C4	Complete	Metal piston	127
DAIMLER TAS	A 946 328 25 01	RML 75273 CP	Complete	Plastic piston	200
	A 946 328 04 01	RML 70081 C	Complete	Metal piston	128
	A 946 328 15 01	RML 71501 C	Complete	Metal piston	141
	A 946 328 19 01	RML 71901 C	Complete	Metal piston	142
	A 946 328 14 01	RML 75268 CP14	Complete	Plastic piston	198
	A 946 328 14 01	RML 75268 CP14	Complete	Plastic piston	198
DISCOS		RML 75268-4	Service Assy	Service	193
ERF	139275-4	RML 75260 C4	Complete	Metal piston	183
EVOBUS	A 629 327 00 01	RML 95755	Service Assy	Service	288
	A 629 320 00 25	RML 95755 C2	Complete	Metal piston	288
	A 629 320 00 25	RML 95755 C22	Complete	Metal piston	288
	A 629 320 00 25	RML 95755 C22	Complete	Metal piston	288
	A 629 320 00 25	RML 95755 C22	Complete	Metal piston	288
	A 629 320 00 25	RML 95755 C22	Complete	Metal piston	288
	A 629 320 00 25	RML 95755 C22	Complete	Metal piston	288
	A 629 320 00 25	RML 95755 C22	Complete	Metal piston	288
	A 629 320 00 25	RML 95755 C22	Complete	Metal piston	288
FORD	DC46-5580-CA	RML 72961 C	Complete	Metal piston	146
	DC46-5580-DA	RML 72990 C	Complete	Metal piston	146
FRUEHAUF	UJB 0305-001	RML 71303 C	Complete	Metal piston	137
		RML 74544 CP	Complete	Plastic piston	155
	UJB 0305	RML 74580 C	Complete	Metal piston	156
	UJB 0305-001	RML 75119 C	Complete	Metal piston	172
		RML 75260-5	Service Assy	Service	182
		RML 75260 C3	Complete	Metal piston	182
	UJB 0203-001	RML 75260 C7	Complete	Metal piston	183
		RML 75260 C10	Complete	Metal piston	184
		RML 75260 C16	Complete	Metal piston	184
	UJB 0358-001	RML 75260 CP9	Complete	Plastic piston	185
	UJA 09030	RML 75260 CP9	Complete	Plastic piston	185
	UJA 0894-001	RML 75260 CP14	Complete	Plastic piston	186

COMPLETE & SERVICE AIR SPRINGS OEM LIST

MANUFACTURER	OEM PART NO	PART NO	TYPE	REMARKS	PAGE
FRUEHAUF	M001472	RML 75267 C7	Complete	Metal piston	190
	UJB 0207-001	RML 75267 C9	Complete	Metal piston	190
	UJB 0207	RML 75267 C9	Complete	Metal piston	190
		RML 75267 CP14	Complete	Plastic piston	192
	M001472	RML 75267 CP15	Complete	Plastic piston	192
		RML 75268 CP3	Complete	Plastic piston	196
	UJB 0975	RML 75268 CP10	Complete	Plastic piston	198
Fruehauf / SMB	M001464	RML 71840 C	Complete	Metal piston	142
	M001464/UJB0129001	RML 71304 C	Complete	Metal piston	138
	M001464/UJB0129001	RML 71304 C1	Complete	Metal piston	138
GIGANT	246169	RML 7835	Service Assy	Service	105
	3053	RML 7835	Service Assy	Service	105
		RML 7835 C1	Complete	Metal piston	106
	166259	RML 7835 C2	Complete	Metal piston	106
	166225	RML 7835 C3	Complete	Metal piston	106
	246149	RML 7836	Service Assy	Service	107
	3653	RML 7836	Service Assy	Service	107
	166217	RML 7836 C2	Complete	Metal piston	107
	3653 compl.	RML 7836 C2	Complete	Metal piston	107
	166252	RML 7836 C3	Complete	Metal piston	107
	3653 compl.	RML 7836 C3	Complete	Metal piston	107
	166252	RML 7836 C4	Complete	Metal piston	108
	3653 compl.	RML 7836 C4	Complete	Metal piston	108
	166217	RML 7836 C5	Complete	Metal piston	108
	3653 compl.	RML 7836 C5	Complete	Metal piston	108
	246192	RML 7837	Service Assy	Service	108
	3661	RML 7837	Service Assy	Service	108
	247100	RML 7863	Service Assy	Service	109
	3671	RML 7863	Service Assy	Service	109
	166228	RML 7863 C	Complete	Metal piston	109
	247104	RML 73042	Service Assy	Service	147
	3042	RML 73042	Service Assy	Service	147
	166271	RML 73042 C	Complete	Metal piston	147
	RML 73836	Service Assy	Service	150	
	RML 73836 C	Complete	Metal piston	150	
GOLDSCHMITT	DLB 5339	RML 75339 CP	Complete	Plastic piston	200
	DLB 5343	RML 75343 CA	Complete	Metal piston	201
	DLB 8599	RML 78599 CP	Complete	Plastic piston	242
GRANNING	1359	RML 75267 CP14	Complete	Plastic piston	192
	1528	RML 75267 CP14	Complete	Plastic piston	192
HENDRICKSON		RML 75260-1	Service Assy	Service	182

COMPLETE & SERVICE AIR SPRINGS OEM LIST

MANUFACTURER	OEM PART NO	PART NO	TYPE	REMARKS	PAGE
HENDRICKSON		RML 75260 C8	Complete	Metal piston	184
	B 3842	RML 75260 CP11	Complete	Plastic piston	185
	NA 1817	RML 75260 CP13	Complete	Plastic piston	186
	508439-H	RML 78887 C	Complete	Metal piston	244
	HS507922/P	RML 78887 C	Complete	Metal piston	245
	HS507923/P	RML 78888 C	Complete	Metal piston	245
	507 782	RML 7023 C2	Complete	Metal piston	97
		RML 7921	Service Assy	Service	110
	506 243	RML 7921 C	Complete	Metal piston	111
	506 243 / 01	RML 7921 C	Complete	Metal piston	111
	785 168	RML 7921 C	Complete	Metal piston	111
		RML 7921 C1	Complete	Metal piston	111
		RML 7921 C2	Complete	Metal piston	112
		RML 7924	Service Assy	Service	117
	505 859	RML 7924 C	Complete	Metal piston	117
	505 859 / 01	RML 7924 C	Complete	Metal piston	117
	785 170	RML 7924 C	Complete	Metal piston	117
		RML 70081 C	Complete	Metal piston	128
		RML 70082	Service Assy	Service	128
		RML 70082 C	Complete	Metal piston	128
	HA 100310	RML 70310 C	Complete	Metal piston	132
	B2066	RML 75267 C4	Complete	Metal piston	189
	HA 1000001	RML 75267 C6	Complete	Metal piston	190
	HA100016	RML 75267 CP10	Complete	Plastic piston	191
		RML 75267 CP13	Complete	Plastic piston	192
	B 2066	RML 75267 CP14	Complete	Plastic piston	192
	HA100001	RML 75267 CP15	Complete	Plastic piston	192
		RML 76260	Service Assy	Service	221
		RML 76260 C	Complete	Metal piston	221
	59053-2F	RML 76260 CP	Complete	Plastic piston	221
		RML 76269	Service Assy	Service	222
	505552	RML 76269 CP	Complete	Plastic piston	222
		RML 78263	Service Assy	Service	240
	HS508263	RML 78263 C	Complete	Metal piston	240
		RML 78385	Service Assy	Service	240
	HS508385	RML 78385 C	Complete	Metal piston	241
		RML 78586	Service Assy	Service	241
		RML 78586 CP	Complete	Plastic piston	242
		RML 78643	Service Assy	Service	243
	QE 100004/F	RML 78643 C	Complete	Metal piston	244
	HS509328	RML 79328 C	Complete	Metal piston	253

COMPLETE & SERVICE AIR SPRINGS OEM LIST

MANUFACTURER	OEM PART NO	PART NO	TYPE	REMARKS	PAGE
HEULIEZ	0001066001	RML 92035 C	Complete	Metal piston	267
	5 006 172 377B	RML 92526 C	Complete	Metal piston	268
	5 006 172 527B	RML 92526 C1	Complete	Metal piston	268
HUFFERMANN	6-AB8003-0100	RML 7992 CP	Complete	Plastic piston	125
	6-AB8003-0200	RML 75992 CP	Complete	Plastic piston	210
IRISBUS	5.010.190.888	RML 9893 C3	Complete	Metal piston	264
	5.010.073.846	RML 9772 C1	Complete	Metal piston	260
	5.010.073.846	RML 9772 C1	Complete	Metal piston	260
	5.000.785.792	RML 9870 C	Complete	Metal piston	262
	5.000.805.999	RML 9870 C1	Complete	Metal piston	263
	5.000.786.516	RML 9879 C	Complete	Metal piston	263
	5.000.786.516	RML 9879 C	Complete	Metal piston	263
	5.000.786.641	RML 9928 C	Complete	Metal piston	265
	5.810.111.355	RML 9928 C	Complete	Metal piston	265
	5.000.786.641	RML 9928 C	Complete	Metal piston	265
	5.810.111.355	RML 9928 C	Complete	Metal piston	265
	5.006.172.377	RML 92526 C	Complete	Metal piston	268
	5.006.172.527	RML 92526 C1	Complete	Metal piston	268
	504.097615	RML 92528 C	Complete	Metal piston	268
	5.010.531.180	RML 92893 C	Complete	Metal piston	270
	504.157038	RML 92893 C1	Complete	Metal piston	270
ISUZU	387019766001	RML 93856 C	Complete	Metal piston	272
		RML 93857 C	Complete	Metal piston	272
	387020205001	RML 98739 C	Complete	Metal piston	306
IVECO	42559765	RML 70462	Service Assy	Service	133
	41270462	RML 70462 CP	Complete	Plastic piston	133
	42559766	RML 70463	Service Assy	Service	133
	41270463	RML 70463 CP	Complete	Plastic piston	134
	42559767	RML 70465	Service Assy	Service	134
	41270465	RML 70465 CP	Complete	Plastic piston	134
	42559768	RML 70466	Service Assy	Service	135
	41270466	RML 70466 CP	Complete	Plastic piston	135
	41289370	RML 70739 C	Complete	Metal piston	135
	42559721	RML 72478	Service Assy	Service	144
	41272478	RML 72478 C	Complete	Metal piston	144
	504035755	RML 75343 CA1	Complete	Metal piston	201
	42566303	RML 77179	Service Assy	Service	226
	41297179	RML 77179 CP	Complete	Plastic piston	226
	42566304	RML 77180	Service Assy	Service	226
	41297180	RML 77180 CP	Complete	Plastic piston	227
	RML 77313	Service Assy	Service	229	

COMPLETE & SERVICE AIR SPRINGS OEM LIST

MANUFACTURER	OEM PART NO	PART NO	TYPE	REMARKS	PAGE
IVECO	99458555	RML 77313 CP	Complete	Plastic piston	229
	99458557	RML 77313 CP	Complete	Plastic piston	229
	504117415	RML 77415 C	Complete	Metal piston	231
	41289367	RML 77639 C	Complete	Metal piston	234
	41289366	RML 77639 C1	Complete	Metal piston	234
	42568188	RML 78188	Service Assy	Service	239
	41289377	RML 78188 C	Complete	Metal piston	239
	504108867	RML 78867 C	Complete	Metal piston	244
	41568190	RML 79198	Service Assy	Service	251
	41298919	RML 79198 C	Complete	Metal piston	252
	41298917	RML 79198 C1	Complete	Metal piston	252
	41289369	RML 79369 C	Complete	Metal piston	254
	42559720	RML 79720	Service Assy	Service	254
	41298716	RML 79720 C	Complete	Metal piston	254
	42559722	RML 79722-1	Service Assy	Service	255
	42559776	RML 79722-2	Service Assy	Service	255
	504190916	RML 79722 CP1	Complete	Plastic piston	255
	504190917	RML 79722 CP2	Complete	Plastic piston	256
	42568189	RML 79739	Service Assy	Service	256
	41289379	RML 79739 C	Complete	Metal piston	256
	5010151378	RML 9032 C5	Complete	Metal piston	258
	41026257	RML 9055 C5	Complete	Metal piston	259
	5010151698	RML 9987 C	Complete	Metal piston	266
	41297177	RML 90931 C	Complete	Metal piston	266
	500308614	RML 90931 C1	Complete	Metal piston	266
	5.010.347.891	RML 92035 C	Complete	Metal piston	267
	41026312	RML 92336 C	Complete	Metal piston	267
	41297178	RML 92336 CP	Complete	Plastic piston	267
	99462844	RML 92844 C	Complete	Metal piston	269
	41026260	RML 92844 C1	Complete	Metal piston	269
	99462840	RML 92844 C2	Complete	Metal piston	269
	99462841	RML 92844 C9	Complete	Metal piston	270
	5006223351	RML 93351 C	Complete	Metal piston	271
	5006223352	RML 93351 C1	Complete	Metal piston	271
	5006204505	RML 94098 C	Complete	Metal piston	272
	5006204504	RML 94098 C1	Complete	Metal piston	273
	500355474	RML 95019 C	Complete	Metal piston	273
	500355475	RML 95019 C1	Complete	Metal piston	273
	98490464	RML 96032 C	Complete	Metal piston	299
	5006306037	RML 96037 C	Complete	Metal piston	299
	41218567	RML 97019 C2	Complete	Metal piston	300

COMPLETE & SERVICE AIR SPRINGS OEM LIST

MANUFACTURER	OEM PART NO	PART NO	TYPE	REMARKS	PAGE
IVECO	41218559	RML 97019 C3	Complete	Metal piston	300
	41218560	RML 97019 C4	Complete	Metal piston	300
	41218563	RML 97019 C5	Complete	Metal piston	301
	41218562	RML 97019 C6	Complete	Metal piston	301
	500364685	RML 97026 C	Complete	Metal piston	301
	93195986	RML 97743 C	Complete	Metal piston	303
	98488605	RML 97743 C1	Complete	Metal piston	303
	41026771	RML 97756 C	Complete	Metal piston	304
	41026772	RML 97756 C1	Complete	Metal piston	304
	93195789	RML 95789 C	Complete	Metal piston	289
	42568183	RML 98183	Service Assy	Service	304
	41288309	RML 98183 C	Complete	Metal piston	305
	41026263	RML 98518 C	Complete	Metal piston	305
	41026262	RML 98518 C1	Complete	Metal piston	305
	JOST	3010502501	RML 75273 CP	Complete	Plastic piston
KAISER	F01008697	RML 71315 C	Complete	Metal piston	139
	F01008697	RML 71315 C1	Complete	Metal piston	139
	F01004307	RML 74307 C	Complete	Metal piston	152
KASSBOHRER	4.731.029.000	RML 7922 SP	Service Assy	Service	114
	4.731.030.000	RML 7924 C	Complete	Metal piston	117
	4.731.033.000	RML 7924 C	Complete	Metal piston	117
KÖGEL	360112	RML 75132 CP	Complete	Plastic piston	173
LAZ		RML 9893 C3	Complete	Metal piston	264
LOHR	29790-01	RML 75924 C1	Complete	Metal piston	209
MAN	81.43601.6029	RML 7010 S	Service Assy	Service	95
	81.43601.0073	RML 7010 S	Service Assy	Service	95
	81.43601.0054	RML 7010 S	Service Assy	Service	95
	81.43601.0050	RML 7010 S	Service Assy	Service	95
	81.43601.6023	RML 7010 SP	Service Assy	Service	95
	81.43601.0025	RML 7910 S	Service Assy	Service	109
	81.43601.6002	RML 7910 SP	Service Assy	Service	110
	81.43601.6023	RML 7910 SP	Service Assy	Service	110
	81.43601.6029	RML 7910 SP	Service Assy	Service	110
	81.43601.0050	RML 7910 SP	Service Assy	Service	110
	81.43601.0047	RML 7921 S	Service Assy	Service	110
	81.43601.6019	RML 7921 SP	Service Assy	Service	111
	81.43601.0035	RML 7922 S	Service Assy	Service	114
	81.43601.0048	RML 7922 S	Service Assy	Service	114
	81.43601.0035	RML 7922 SP	Service Assy	Service	114
	81.43601.0048	RML 7922 SP	Service Assy	Service	114
	81.43601.0158	RML 75027	Service Assy	Service	163

COMPLETE & SERVICE AIR SPRINGS OEM LIST

MANUFACTURER	OEM PART NO	PART NO	TYPE	REMARKS	PAGE	
MAN	81.43600.6042	RML 75027 C7	Complete	Metal piston	163	
		RML 75267-12	Service Assy	Service	189	
	81.43601.0155	RML 75816-1	Service Assy	Service	203	
	81.43600.6039	RML 75816 C3	Complete	Metal piston	203	
	81.43600.6040	RML 75816 C4	Complete	Metal piston	203	
	81.43601.0168	RML 75973	Service Assy	Service	209	
	81.43600.6049	RML 75973 C2	Complete	Metal piston	209	
	81.43601.0151	RML 75993	Service Assy	Service	211	
	81.43601.0176	RML 75993	Service Assy	Service	211	
	81.43600.6036	RML 75993 C5	Complete	Metal piston	211	
	81.43600.6056	RML 75993 C5	Complete	Metal piston	211	
		RML 75993 CP5	Complete	Plastic piston	211	
	81.43601.0153	RML 75994	Service Assy	Service	212	
	81.43600.6037	RML 75994 C	Complete	Metal piston	212	
	81.43601.0174	RML 75995	Service Assy	Service	212	
	81.43601.0175	RML 75995	Service Assy	Service	212	
	81.43601.0173	RML 75995-2	Service Assy	Service	213	
	81.43600.6035	RML 75995 C6	Complete	Metal piston	213	
	81.43600.6055	RML 75995 C6	Complete	Metal piston	213	
	81.43600.6041	RML 75995 C7	Complete	Metal piston	213	
		RML 75995 CP6	Complete	Plastic piston	214	
	81.43601.0160	RML 75996	Service Assy	Service	214	
	81.43601.6071	RML 75996	Service Assy	Service	214	
	81.43600.6044	RML 75996 C2	Complete	Metal piston	214	
	81.43601.0165	RML 75997	Service Assy	Service	215	
	81.43600.6046	RML 75997 C1	Complete	Metal piston	215	
		RML 9027 C	Complete	Metal piston	257	
		RML 92996 C	Complete	Metal piston	271	
	MERCEDES	A 946 328 14 01	RML 75268 CP4	Complete	Plastic piston	196
		A 667 328 01 01	RML 9920 C	Complete	Metal piston	265
		RML 95294-1	Service Assy	Service	274	
		RML 95294-1	Service Assy	Service	274	
		RML 95294-2	Service Assy	Service	275	
		RML 95294-2	Service Assy	Service	275	
A 942 320 22 21		RML 95294 C1	Complete	Metal piston	275	
A 942 320 23 21		RML 95294 C21	Complete	Metal piston	275	
A 942 320 22 21		RML 95294 C23	Complete	Metal piston	276	
A 942 320 68 21		RML 95294 C23	Complete	Metal piston	276	
A 942 320 13 21		RML 95294 C23	Complete	Metal piston	276	
A 942 320 23 21		RML 95294 C24	Complete	Metal piston	276	
A 942 320 69 21		RML 95294 C24	Complete	Metal piston	276	

COMPLETE & SERVICE AIR SPRINGS OEM LIST

MANUFACTURER	OEM PART NO	PART NO	TYPE	REMARKS	PAGE
MERCEDES	A 942 320 14 21	RML 95294 C24	Complete	Metal piston	276
	A 974 328 02 01	RML 95296	Service Assy	Service	276
	A 974 320 00 21	RML 95296 C1	Complete	Metal piston	277
	A 942 320 30 21	RML 95296 C21	Complete	Metal piston	277
	A 974 320 00 21	RML 95296 C21	Complete	Metal piston	277
		RML 95297-3	Service Assy	Service	277
		RML 95297-4	Service Assy	Service	278
	A 942 320 24 21	RML 95297 C23	Complete	Metal piston	278
	A 942 320 70 21	RML 95297 C23	Complete	Metal piston	278
	A 942 320 16 21	RML 95297 C23	Complete	Metal piston	278
	A 942 320 25 21	RML 95297 C24	Complete	Metal piston	278
	A 942 320 71 21	RML 95297 C24	Complete	Metal piston	278
	A 942 320 17 21	RML 95297 C24	Complete	Metal piston	278
	A 942 320 06 57	RML 95297 C24	Complete	Metal piston	278
		RML 95298-1	Service Assy	Service	279
		RML 95298-1	Service Assy	Service	279
		RML 95298-2	Service Assy	Service	279
		RML 95298-2	Service Assy	Service	279
	A 942 320 18 21	RML 95298 C1	Complete	Metal piston	279
	A 942 320 27 21	RML 95298 C2	Complete	Metal piston	280
	A 942 320 18 21	RML 95298 C21	Complete	Metal piston	280
	A 942 320 26 21	RML 95298 C21	Complete	Metal piston	280
	A 942 320 72 21	RML 95298 C21	Complete	Metal piston	280
	A 942 320 27 21	RML 95298 C22	Complete	Metal piston	280
	A 942 320 73 21	RML 95298 C22	Complete	Metal piston	280
	A 942 320 19 21	RML 95298 C22	Complete	Metal piston	280
	A 942 328 00 01	RML 95401-1	Service Assy	Service	281
	A 942 328 01 01	RML 95401-2	Service Assy	Service	281
		RML 95401-3	Service Assy	Service	281
	A 942 320 01 21	RML 95401 C1	Complete	Metal piston	282
	A 942 320 02 21	RML 95401 C2	Complete	Metal piston	282
	A 942 320 04 21	RML 95401 C3	Complete	Metal piston	282
	A 942 320 03 21	RML 95401 C4	Complete	Metal piston	283
	A 942 320 01 21	RML 95401 C21	Complete	Metal piston	283
	A 942 320 28 21	RML 95401 C21	Complete	Metal piston	283
	A 942 320 49 21	RML 95401 C21	Complete	Metal piston	283
	A 942 320 02 21	RML 95401 C22	Complete	Metal piston	283
	A 942 320 29 21	RML 95401 C22	Complete	Metal piston	283
	A 942 320 50 21	RML 95401 C22	Complete	Metal piston	283
	A 942 320 04 21	RML 95401 C23	Complete	Metal piston	284
	A 942 320 52 21	RML 95401 C23	Complete	Metal piston	284

COMPLETE & SERVICE AIR SPRINGS OEM LIST

MANUFACTURER	OEM PART NO	PART NO	TYPE	REMARKS	PAGE
MERCEDES	A 942 320 03 21	RML 95401 C24	Complete	Metal piston	284
	A 942 320 51 21	RML 95401 C24	Complete	Metal piston	284
	A 942 328 06 01	RML 95402-1	Service Assy	Service	284
	A 942 328 07 01	RML 95402-2	Service Assy	Service	285
	A 942 320 06 21	RML 95402 C1	Complete	Metal piston	285
	A 942 320 07 21	RML 95402 C2	Complete	Metal piston	285
	A 942 320 06 21	RML 95402 C21	Complete	Metal piston	286
	A 942 320 53 21	RML 95402 C21	Complete	Metal piston	286
	A 942 320 07 21	RML 95402 C22	Complete	Metal piston	286
	A 942 320 54 21	RML 95402 C22	Complete	Metal piston	286
	A 000 323 05 92	RML 95471 C2	Complete	Metal piston	287
	A 000 323 03 92	RML 95471 C3	Complete	Metal piston	287
		RML 95848-1	Service Assy	Service	289
	A 946 320 03 21	RML 95848 C1	Complete	Metal piston	289
	A 946 320 05 21	RML 95848 C2	Complete	Metal piston	290
	A 957 320 01 17	RML 95848 C5	Complete	Metal piston	290
	A 942 320 37 21	RML 95848 C21	Complete	Metal piston	290
	A 946 320 03 21	RML 95848 C21	Complete	Metal piston	290
	A 942 320 39 21	RML 95848 C22	Complete	Metal piston	291
	A 946 320 05 21	RML 95848 C22	Complete	Metal piston	291
	A 957 320 01 17	RML 95848 C25	Complete	Metal piston	291
	A 957 320 03 17	RML 95848 C25	Complete	Metal piston	291
	A 942 327 04 01	RML 95860	Service Assy	Service	291
	A 942 320 02 17	RML 95860 C1	Complete	Metal piston	292
	A 942 320 02 17	RML 95860 C21	Complete	Metal piston	292
	A 942 320 44 21	RML 95860 C21	Complete	Metal piston	292
	A 942 327 00 01	RML 95868-1	Service Assy	Service	292
	A 974 328 00 01	RML 95868-2	Service Assy	Service	293
	A 974 328 01 01	RML 95868-2	Service Assy	Service	293
	A 974 320 01 17	RML 95868 C1	Complete	Metal piston	293
	A 974 327 04 17	RML 95868 C9	Complete	Metal piston	293
	A 942 320 01 17	RML 95868 C21	Complete	Metal piston	294
	A 942 320 43 21	RML 95868 C21	Complete	Metal piston	294
	A 942 320 32 21	RML 95868 C29	Complete	Metal piston	294
	A 942 320 32 21	RML 95868 C29	Complete	Metal piston	294
	A 974 320 02 17	RML 95868 C29	Complete	Metal piston	294
	A 974 320 04 17	RML 95868 C29	Complete	Metal piston	294
	A 945 327 00 01	RML 95869-1	Service Assy	Service	294
	A 945 320 00 17	RML 95869 C1	Complete	Metal piston	295
	A 942 320 48 21	RML 95869 C21	Complete	Metal piston	295
	A 945 320 00 17	RML 95869 C21	Complete	Metal piston	295

COMPLETE & SERVICE AIR SPRINGS OEM LIST

MANUFACTURER	OEM PART NO	PART NO	TYPE	REMARKS	PAGE
MERCEDES	A 942 320 33 21	RML 95869 C23	Complete	Metal piston	295
	A 942 320 06 17	RML 95869 C23	Complete	Metal piston	295
		RML 95897	Service Assy	Service	296
	A 444 320 02 17	RML 95897 C22	Complete	Metal piston	296
	A 444 320 01 25	RML 95897 C23	Complete	Metal piston	296
	A 946 328 00 01	RML 95949-1	Service Assy	Service	297
	A 946 320 04 21	RML 95949 C1	Complete	Metal piston	297
	A 946 320 02 21	RML 95949 C2	Complete	Metal piston	297
	A 946 320 01 21	RML 95949 C3	Complete	Metal piston	298
	A 942 320 38 21	RML 95949 C21	Complete	Metal piston	298
	A 946 320 04 21	RML 95949 C21	Complete	Metal piston	298
	A 942 320 36 21	RML 95949 C22	Complete	Metal piston	298
	A 946 320 02 21	RML 95949 C22	Complete	Metal piston	298
	A 942 320 35 21	RML 95949 C23	Complete	Metal piston	299
	A 946 320 01 21	RML 95949 C23	Complete	Metal piston	299
	A 942 320 59 21	RML 78263 C	Complete	Metal piston	240
MITSUBISHI	MK 432789	RML 72789	Service Assy	Service	146
MONTENEGRO		RML 75260 CP14	Complete	Plastic piston	186
NEOPLAN	102121500	RML 7010 S	Service Assy	Service	95
	102100 500	RML 7010 S	Service Assy	Service	95
NEWAY	21215632	RML 7921 C	Complete	Metal piston	111
		RML 74544 CP	Complete	Plastic piston	155
	905 57 009	RML 75260 C4	Complete	Metal piston	183
	905 570 27	RML 75267 CP14	Complete	Plastic piston	192
	905 570 27	RML 75267 CP14	Complete	Plastic piston	192
	905 570 27	RML 75267 CP14	Complete	Plastic piston	192
	905 570 27	RML 75267 CP14	Complete	Plastic piston	192
	905 570 27	RML 75267 CP14	Complete	Plastic piston	192
	905 570 33	RML 75267 CP14	Complete	Plastic piston	192
	905 570 37	RML 75267 CP14	Complete	Plastic piston	192
	905 570 54	RML 75267 CP14	Complete	Plastic piston	192
	905 570 75	RML 75267 CP14	Complete	Plastic piston	192
	905 572 33	RML 75268 CP8	Complete	Plastic piston	192
		RML 77313	Service Assy	Service	229
	M0557019	RML 77313 CP	Complete	Plastic piston	229
	M0557020	RML 77313 CP	Complete	Plastic piston	229
	M0557030	RML 77313 CP	Complete	Plastic piston	229
	M0557031	RML 77313 CP	Complete	Plastic piston	229
	M0057000G	RML 79910 C	Complete	Metal piston	257
	OMAR	11804	RML 7923 C1	Complete	Metal piston
11815		RML 72670 C	Complete	Metal piston	145

COMPLETE & SERVICE AIR SPRINGS OEM LIST

MANUFACTURER	OEM PART NO	PART NO	TYPE	REMARKS	PAGE
OMAR	11808	RML 75270 C	Complete	Metal piston	199
OTOKAR		RML 9772 C6	Complete	Metal piston	261
	16N00-03650-AB	RML 9772 C7	Complete	Metal piston	261
	16N07-03650-AA	RML 9772 C10	Complete	Metal piston	262
	16L00-03650-AA	RML 9928 C1	Complete	Metal piston	265
	16H00-05484-AB	RML 99201 C	Complete	Metal piston	307
	16M00-03652-AA	RML 99203 C	Complete	Metal piston	308
	16F00-03652-AC	RML 99205 C	Complete	Metal piston	308
	13H00-05484-AA	RML 99206 C	Complete	Metal piston	308
	9900-33888-AA	RML 99206 C1	Complete	Metal piston	309
	9900-62894-AA	RML 99207 C	Complete	Metal piston	309
	16N03-03652-AA	RML 99209 C	Complete	Metal piston	310
	PAUL NFZ	P2700MB0813	RML 7924 C	Complete	Metal piston
A 667 328 01 01		RML 9920 C	Complete	Metal piston	265
PEGASO	174933	RML 7921 SP	Service Assy	Service	111
	175005	RML 7924 C	Complete	Metal piston	117
PEZZAIOLI	70100027	RML 72670 C	Complete	Metal piston	145
	1006550	RML 75266 C	Complete	Metal piston	188
RENAULT	5.010.052.722	RML 7012 C	Complete	Metal piston	96
	5.010.130.683	RML 7012 C	Complete	Metal piston	96
	5.010.211.724	RML 7013 C	Complete	Metal piston	96
	5.000.815.749	RML 7013 C	Complete	Metal piston	96
	5.000.452.939	RML 7921 C	Complete	Metal piston	111
	5.000.745.918	RML 7922 C	Complete	Metal piston	114
	5.000.790.692	RML 7924 C	Complete	Metal piston	117
	5.010.130.925	RML 7924 C	Complete	Metal piston	117
	5.010.557.622	RML 75020 C	Complete	Metal piston	158
	5.010.630.457	RML 75020 C	Complete	Metal piston	158
	7421.978.484	RML 75020 C	Complete	Metal piston	158
		RML 75022	Service Assy	Service	158
	5.010.294.308.C	RML 75022 C3	Complete	Metal piston	159
	5.010.294.308.C	RML 75022 C3	Complete	Metal piston	159
	5.010.239.971	RML 75022 C3	Complete	Metal piston	159
	5.010.557.356	RML 75022 C4	Complete	Metal piston	159
	22 190 560	RML 75022 C4	Complete	Metal piston	159
	7422.190.560	RML 75022 C4	Complete	Metal piston	159
	5.010.600.439	RML 75022 C6	Complete	Metal piston	160
	5.010.305.464	RML 75022 C6	Complete	Metal piston	160
	7421.978.495	RML 75022 C6	Complete	Metal piston	160
	7425.372.810	RML 75022 C6	Complete	Metal piston	160
	5.001.832.067	RML 75023	Service Assy	Service	160

COMPLETE & SERVICE AIR SPRINGS OEM LIST

MANUFACTURER	OEM PART NO	PART NO	TYPE	REMARKS	PAGE
RENAULT	5.010.294.307	RML 75023 C7	Complete	Metal piston	161
	5.010.557.355	RML 75023 C10	Complete	Metal piston	161
	5.010.557.355	RML 75023 C10	Complete	Metal piston	161
	7.422.025.556	RML 75023 C10	Complete	Metal piston	161
	5.010.600.328	RML 75023 C13	Complete	Metal piston	161
	7.421.978.494	RML 75023 C13	Complete	Metal piston	161
	5.001.855.856	RML 75026	Service Assy	Service	162
	5.010.294.309	RML 75026 C6	Complete	Metal piston	163
	7.421.978.500	RML 75026 C6	Complete	Metal piston	163
	5.010.600.578	RML 75026 C6	Complete	Metal piston	163
	5.010.557.991	RML 75026 C6	Complete	Metal piston	163
	7.422.190.563	RML 75026 C6	Complete	Metal piston	163
	5.010.488.070	RML 75026 C6	Complete	Metal piston	163
	5.010.600.172	RML 75031 CP	Complete	Plastic piston	164
		RML 75033	Service Assy	Service	164
	5 010 600 262	RML 75033 CP	Complete	Plastic piston	164
	5.010.630.800	RML 75038 CP	Complete	Plastic piston	168
	22 025 580	RML 75038 CP	Complete	Plastic piston	168
	5.010.305.391	RML 75038 CP	Complete	Plastic piston	168
		RML 75265	Service Assy	Service	187
	5.010.239.252	RML 75265 C5	Complete	Metal piston	187
	5.010.488.071	RML 75265 C5	Complete	Metal piston	187
	5.010.600.570	RML 75265 CP6	Complete	Plastic piston	187
	5.010.305.438	RML 75265 CP6	Complete	Plastic piston	187
	7.421.978.506	RML 75265 CP6	Complete	Plastic piston	187
	7.422.071.639	RML 77527 C	Complete	Metal piston	233
		RML 78914	Service Assy	Service	245
	7.422.071.638	RML 78914 C	Complete	Metal piston	246
	21 978 492	RML 79153 C	Complete	Metal piston	251
	7421978492	RML 79153 C	Complete	Metal piston	251
	20 909 153	RML 79153 C	Complete	Metal piston	251
	7420909153	RML 79153 C	Complete	Metal piston	251
21 321 521	RML 79153 C1	Complete	Metal piston	251	
7421321521	RML 79153 C1	Complete	Metal piston	251	
5.000.869.135	RML 9879 C	Complete	Metal piston	263	
5.000.869.135	RML 9879 C	Complete	Metal piston	263	
5.000.640.399	RML 9987 C	Complete	Metal piston	266	
	RML 7012	Service Assy	Service	95	
	RML 7013	Service Assy	Service	96	
ROLFO	112060	RML 7923 C1	Complete	Metal piston	117
	112010	RML 72670 C	Complete	Metal piston	145

COMPLETE & SERVICE AIR SPRINGS OEM LIST

MANUFACTURER	OEM PART NO	PART NO	TYPE	REMARKS	PAGE
ROR	2122 2673	RML 7023 C2	Complete	Metal piston	97
		RML 7921	Service Assy	Service	110
	2120 8082	RML 7921 C	Complete	Metal piston	111
	2121 5632	RML 7921 C	Complete	Metal piston	111
		RML 7924	Service Assy	Service	117
	21215633	RML 7924 C	Complete	Metal piston	117
	2122 1349	RML 71303 C	Complete	Metal piston	137
	2122 1349	RML 75119 C	Complete	Metal piston	172
	2122 2239	RML 75139 C5	Complete	Metal piston	181
	2121 5891	RML 75260 CP14	Complete	Plastic piston	186
	2121 5762	RML 75260 CP14	Complete	Plastic piston	186
	2122 6039	RML 75260 CP14	Complete	Plastic piston	186
	2120 8939	RML 75267 CP14	Complete	Plastic piston	192
	2121 5761	RML 75267 CP15	Complete	Plastic piston	192
	2121 5761	RML 75267 CP15	Complete	Plastic piston	192
	2121 5761	RML 75267 CP15	Complete	Plastic piston	192
	2121 5761	RML 75267 CP15	Complete	Plastic piston	192
	2122 2442	RML 75268 CP9	Complete	Plastic piston	195
	ROR MERITOR	21221349	RML 74580 C	Complete	Metal piston
		RML 75267 CP16	Complete	Plastic piston	193
		RML 75268-4	Service Assy	Service	193
21221307		RML 75268 CP4	Complete	Plastic piston	196
		RML 78608	Service Assy	Service	242
21229214		RML 78608 CP	Complete	Plastic piston	243
		RML 79003 A3	Service Assy	Service	248
21222442		RML 79003 A3 CP1	Complete	Plastic piston	249
		RML 79003 A8	Service Assy	Service	249
21221307		RML 79003 A8 CP	Complete	Plastic piston	250
	RML 79003 A8 CP1	Complete	Plastic piston	250	
RVI	5.010.073.847	RML 9893 C4	Complete	Metal piston	264
S.T. SYSTEM TRUCK	05101006	RML 71481 C	Complete	Metal piston	141
SAE	8403 /102	RML 7924 C	Complete	Metal piston	117
SAF	3 229 0030 00	RML 7023 C1	Complete	Metal piston	97
	3 229 0013 00	RML 7023 C2	Complete	Metal piston	97
	3 228 1030 00	RML 7023 C3	Complete	Metal piston	97
	3 229 0047 00	RML 7023 CP	Complete	Plastic piston	98
	3 228 0047 00	RML 7023 CP1	Complete	Plastic piston	98
	3 228 1047 00	RML 7023 CP2	Complete	Plastic piston	99
	2 229 0003 00	RML 7924 C	Complete	Metal piston	117
	2 229 0010 00	RML 7924 C4	Complete	Metal piston	119

COMPLETE & SERVICE AIR SPRINGS OEM LIST

MANUFACTURER	OEM PART NO	PART NO	TYPE	REMARKS	PAGE
SAF	4 284 3004 00	RML 75054	Service Assy	Service	167
	4 284 3003 01	RML 75115	Service Assy	Service	170
	2 229 0007 00	RML 75115 C	Complete	Metal piston	171
	3 229 0007 02	RML 75115 CP	Complete	Plastic piston	171
	3 229 0024 00	RML 75119 C	Complete	Metal piston	172
	3 229 0035 00	RML 75131 C	Complete	Metal piston	172
	3 228 0035 00	RML 75131 C1	Complete	Metal piston	173
		RML 75132	Service Assy	Service	173
	3 229 0039 00	RML 75132 CP	Complete	Plastic piston	173
	4 284 3006 00	RML 75133	Service Assy	Service	174
	4 284 3007 00	RML 75133-1	Service Assy	Service	174
		RML 75133 C3	Complete	Metal piston	175
		RML 75133 CP2	Complete	Plastic piston	175
	3 229 0029 00	RML 75133 CP3	Complete	Plastic piston	175
	3 229 0033 00	RML 75133 CP5	Complete	Plastic piston	176
	3 229 1043 00	RML 75133 CP11	Complete	Plastic piston	176
		RML 75134	Service Assy	Service	177
	3 229 0031 00	RML 75134 C	Complete	Metal piston	177
	3 229 0025 01	RML 75134 C1	Complete	Metal piston	177
	3 228 0031 00	RML 75134 C2	Complete	Metal piston	178
	3 228 1031 00	RML 75134 C3	Complete	Metal piston	178
	3 229 0028 00	RML 75134 CP1	Complete	Plastic piston	179
	3 229 0041 00	RML 75134 CP2	Complete	Plastic piston	179
	3 228 0041 00	RML 75134 CP3	Complete	Plastic piston	179
	3 228 1041 00	RML 75134 CP4	Complete	Plastic piston	180
		RML 75138	Service Assy	Service	180
	3 229 0038 00	RML 75138 CP	Complete	Plastic piston	180
		RML 75921	Service Assy	Service	205
	3 228 0027 00	RML 75921 C	Complete	Metal piston	205
	3 228 1027 00	RML 75921 C1	Complete	Metal piston	206
	3 229 0036 00	RML 75921 C2	Complete	Metal piston	206
	3 229 0027 00	RML 75921 C5	Complete	Metal piston	206
	2 229 0002 00	RML 75921 C7	Complete	Metal piston	207
	3 229 0042 00	RML 75921 CP	Complete	Plastic piston	207
	3 228 0042 00	RML 75921 CP1	Complete	Plastic piston	207
	3 228 1042 00	RML 75921 CP2	Complete	Plastic piston	208
		RML 7921	Service Assy	Service	110
	2.228.2402.00 / 2.228.2602.00 / 2.229.0002.00	RML 7921 C	Complete	Metal piston	111
	2.228.0002.00 / 2.228.2102.00 / 2.228.2202.00				111
	SAMRO		RML 70081 C	Complete	Metal piston
H25000361		RML 71302 C	Complete	Metal piston	137

COMPLETE & SERVICE AIR SPRINGS OEM LIST

MANUFACTURER	OEM PART NO	PART NO	TYPE	REMARKS	PAGE
SAMRO		RML 74544 CP	Complete	Plastic piston	155
	H25000361	RML 74580 C	Complete	Metal piston	156
	H2501122	RML 75026 C6	Complete	Metal piston	163
	H2500361	RML 75119 C	Complete	Metal piston	172
	H2500425	RML 75260 C3	Complete	Metal piston	182
		RML 75260 C6	Complete	Metal piston	183
	2500425	RML 75260 CA18	Complete	Metal piston	185
	H2500324	RML 75260 CP9	Complete	Plastic piston	185
	2500425	RML 75260 CP14	Complete	Plastic piston	186
	H2501869	RML 75268 CP8	Complete	Plastic piston	197
SCANIA	1434506	RML 74506 C	Complete	Metal piston	152
	1723273	RML 75115 CP	Complete	Plastic piston	171
	1873856	RML 75119 C	Complete	Metal piston	172
	1713277	RML 75133 CP2	Complete	Plastic piston	175
	1723277	RML 75133 CP3	Complete	Plastic piston	175
	1723281	RML 75133 CP5	Complete	Plastic piston	176
	1723280	RML 75134 C	Complete	Metal piston	177
	2198335	RML 75139 C2	Complete	Metal piston	181
	2406164	RML 7051	Service Assy	Service	99
	2198483	RML 7051 CP	Complete	Plastic piston	99
	2338887	RML 7052 CP	Complete	Plastic piston	101
	2198330	RML 7992 CP	Complete	Plastic piston	125
	1510195	RML 70195 C	Complete	Metal piston	129
	1440301	RML 70301 C	Complete	Metal piston	129
	1440302	RML 70302 C	Complete	Metal piston	129
		RML 70303	Service Assy	Service	130
	1440303	RML 70303 C	Complete	Metal piston	130
	1521114	RML 70303 C	Complete	Metal piston	130
	1726239	RML 70303 C1	Complete	Metal piston	130
	1726257	RML 70303 C1	Complete	Metal piston	130
		RML 70304	Service Assy	Service	131
	1440304	RML 70304 C	Complete	Metal piston	131
	1440305	RML 70305 C	Complete	Metal piston	131
	1440306	RML 70306 C	Complete	Metal piston	132
	1440307	RML 70307 C	Complete	Metal piston	132
	1440860	RML 70307 C	Complete	Metal piston	132
		RML 71113	Service Assy	Service	136
	1731113	RML 71113 C	Complete	Metal piston	137
	1873856	RML 71303 C	Complete	Metal piston	137
	1726239	RML 71896 C	Complete	Metal piston	142
	1726257	RML 71896 C	Complete	Metal piston	142

COMPLETE & SERVICE AIR SPRINGS OEM LIST

MANUFACTURER	OEM PART NO	PART NO	TYPE	REMARKS	PAGE
SCANIA	2024284	RML 71896 C	Complete	Metal piston	142
	2024283	RML 71896 C	Complete	Metal piston	142
	2024285	RML 71896 C	Complete	Metal piston	142
	2024289	RML 71896 C	Complete	Metal piston	142
	1903608	RML 73608 C	Complete	Metal piston	149
	1944314	RML 73608 C	Complete	Metal piston	149
	2024284	RML 74283 C	Complete	Metal piston	151
	2024287	RML 74287 C	Complete	Metal piston	151
	2024288	RML 74288 C	Complete	Metal piston	151
	1877356	RML 74580 C	Complete	Metal piston	158
	1379393	RML 75024	Service Assy	Service	156
	1379392	RML 75024 C	Complete	Metal piston	162
	1440294	RML 75024 C	Complete	Metal piston	162
	2198334	RML 75269 CP	Complete	Plastic piston	162
		RML 75924	Service Assy	Service	208
	1107674	RML 75924 C	Complete	Metal piston	208
	1314906	RML 75924 C	Complete	Metal piston	208
	1865755	RML 75924 C	Complete	Metal piston	208
	255293	RML 75924 C	Complete	Metal piston	208
	298568	RML 75924 C	Complete	Metal piston	208
	325748	RML 75924 C	Complete	Metal piston	208
	2198331	RML 75992 CP	Complete	Plastic piston	210
		RML 76199	Service Assy	Service	216
	1386199	RML 76199 C	Complete	Metal piston	216
	1362145	RML 76199 C	Complete	Metal piston	216
	1372146	RML 76199 C	Complete	Metal piston	216
		RML 76200	Service Assy	Service	216
	1386200	RML 76200 C	Complete	Metal piston	217
	1362147	RML 76200 C	Complete	Metal piston	217
	1370744	RML 76200 C	Complete	Metal piston	217
		RML 76200 C1	Complete	Metal piston	217
	1726237	RML 76237 C	Complete	Metal piston	217
	2024281	RML 76237 C	Complete	Metal piston	217
	1726238	RML 76238 C	Complete	Metal piston	218
	1726240	RML 76240 C	Complete	Metal piston	218
	1726241	RML 76241 C	Complete	Metal piston	218
	1726242	RML 76242 C	Complete	Metal piston	219
	1726243	RML 76243 C	Complete	Metal piston	219
	1726246	RML 76246 C	Complete	Metal piston	219
		RML 76251	Service Assy	Service	220
	1394997	RML 76251 C	Complete	Metal piston	220

COMPLETE & SERVICE AIR SPRINGS OEM LIST

MANUFACTURER	OEM PART NO	PART NO	TYPE	REMARKS	PAGE	
SCANIA	1314903	RML 76251 C	Complete	Metal piston	220	
	1402423	RML 76251 C	Complete	Metal piston	220	
	1865759	RML 76251 C	Complete	Metal piston	220	
		RML 76251 C	Complete	Metal piston	220	
	255295	RML 76251 C	Complete	Metal piston	220	
		RML 76251 CP	Complete	Plastic piston	220	
		RML 77283	Service Assy	Service	227	
		RML 77283 C	Complete	Metal piston	227	
	1320151	RML 77283 CP	Complete	Plastic piston	228	
		RML 77308	Service Assy	Service	228	
		RML 77308 C	Complete	Metal piston	228	
	1314905	RML 77308 CP	Complete	Plastic piston	229	
	1327144	RML 77308 CP	Complete	Plastic piston	229	
	255294	RML 77308 CP	Complete	Plastic piston	229	
	345879	RML 77308 CP	Complete	Plastic piston	229	
		RML 77315	Service Assy	Service	230	
	1314904	RML 77315 C	Complete	Metal piston	230	
	277696	RML 77315 C	Complete	Metal piston	230	
		RML 77315 CP	Complete	Plastic piston	230	
		RML 77348	Service Assy	Service	231	
	1865757	RML 77348 C	Complete	Metal piston	231	
	2198324	RML 77685 C	Complete	Metal piston	234	
	1865756	RML 77818 CP	Complete	Metal piston	238	
	1434933	RML 78633 C	Complete	Metal piston	243	
	1932593	RML 78633 C	Complete	Metal piston	243	
	1434930	RML 78653 CP	Complete	Plastic piston	244	
	1932592	RML 78653 CP	Complete	Plastic piston	244	
	SCHMITZ	017 228	RML 75073	Service Assy	Service	170
		751 082	RML 75134 C	Complete	Metal piston	177
		015 323	RML 75139 C2	Complete	Metal piston	181
013 769		RML 7051	Service Assy	Service	99	
751 084		RML 7051 CP	Complete	Plastic piston	100	
017 331		RML 7051 CP	Complete	Plastic piston	100	
015 514		RML 7052	Service Assy	Service	101	
015 502		RML 7052 CP	Complete	Plastic piston	101	
017 109		RML 7052 CP	Complete	Plastic piston	101	
750 496		RML 7992 CP	Complete	Plastic piston	125	
751 549		RML 7992 CP	Complete	Plastic piston	125	
		RML 71501	Service Assy	Service	141	
017 924		RML 71501 C	Complete	Metal piston	141	
FAGO41-0087		RML 71501 C	Complete	Metal piston	141	

COMPLETE & SERVICE AIR SPRINGS OEM LIST

MANUFACTURER	OEM PART NO	PART NO	TYPE	REMARKS	PAGE
SCHMITZ	17685	RML 74031 C	Complete	Metal piston	150
	751 065	RML 75268 CP6	Complete	Plastic piston	197
		RML 75269	Service Assy	Service	198
	750999	RML 75269 C	Complete	Metal piston	199
	750999	RML 75269 CP	Complete	Plastic piston	199
	014892	RML 75269 CP	Complete	Plastic piston	199
	750 570	RML 75992	Service Assy	Service	210
	750 491	RML 75992 CP	Complete	Plastic piston	210
	751 356	RML 75992 CP	Complete	Plastic piston	210
		RML 76286	Service Assy	Service	222
	751020 HP	RML 76286 CP	Complete	Plastic piston	223
		RML 76318	Service Assy	Service	224
	016512	RML 76318 CP	Complete	Plastic piston	224
	017 685	RML 77685 C	Complete	Metal piston	234
	017 089	RML 77685 C	Complete	Metal piston	234
	1077929	RML 77929 CP	Complete	Plastic piston	239
		RML 79296	Service Assy	Service	252
	750999	RML 79296 C	Complete	Metal piston	253
	750999	RML 79296 CP	Complete	Plastic piston	253
	014892	RML 79296 CP	Complete	Plastic piston	253
SMB	M100152	RML 71314 C	Complete	Metal piston	139
		RML 74544 CP	Complete	Plastic piston	155
		RML 75260 C3	Complete	Metal piston	182
	1518779	RML 75260 C7	Complete	Metal piston	183
	1520356	RML 75260 C7	Complete	Metal piston	183
	1524873	RML 75260 C7	Complete	Metal piston	183
	M001782	RML 75260 C7	Complete	Metal piston	183
	UJB 0203	RML 75260 C7	Complete	Metal piston	183
	UJA 0894-1	RML 75260 C7	Complete	Metal piston	183
	202302	RML 75260 C7	Complete	Metal piston	183
	1525199	RML 75260 CP9	Complete	Plastic piston	185
	M001774	RML 75260 CP9	Complete	Plastic piston	185
	UJB 0358	RML 75260 CP9	Complete	Plastic piston	185
	UJY 0099	RML 75260 CP9	Complete	Plastic piston	185
		RML 75267-5	Service Assy	Service	189
		RML 75267 C7	Complete	Metal piston	190
		RML 75267 CP15	Complete	Plastic piston	192
	M078580	RML 75268 CP8	Complete	Plastic piston	197
	M060924	RML 75268 CP10	Complete	Plastic piston	198
	SNVI	5.000.785.792	RML 9870 C	Complete	Metal piston
5.000.786.641		RML 9870 C	Complete	Metal piston	262

COMPLETE & SERVICE AIR SPRINGS OEM LIST

MANUFACTURER	OEM PART NO	PART NO	TYPE	REMARKS	PAGE
STEFEN	MO4010670	RML 75266 C	Complete	Metal piston	188
	MO4010495	RML 76884 C	Complete	Metal piston	225
TEMSA		RML 9027 C	Complete	Metal piston	257
		RML 9032 C	Complete	Metal piston	257
	TM260133Y	RML 9920 C	Complete	Metal piston	267
TITAN	916 8770 0000	RML 7924 C	Complete	Metal piston	117
TRAILOR	650 4646 G	RML 7921 C	Complete	Metal piston	111
	003 6158 E	RML 7924 C	Complete	Metal piston	117
	6502 3482	RML 7924 C	Complete	Metal piston	117
TRANSPART	531233	RML 75260 C4	Complete	Metal piston	183
	531233	RML 75260 CP12	Complete	Plastic piston	186
	520 728	RML 75266 C	Complete	Metal piston	188
	520 728	RML 75267 CP14	Complete	Plastic piston	192
TRAS CAR	03003000070	RML 71421 C	Complete	Metal piston	140
	03003000060	RML 71481 C	Complete	Metal piston	141
	03003000080	RML 72432 C	Complete	Metal piston	144
TROUILLET	HT 18002	RML 75260 CP9	Complete	Plastic piston	185
	HB 10 315	RML 7921 C	Complete	Metal piston	111
	ST 225-675	RML 7924 C	Complete	Metal piston	117
	F01008696	RML 71309 C	Complete	Metal piston	138
VDL	0 067 504	RML 7947	Service Assy	Service	119
	1153 933	RML 7947 C8	Complete	Metal piston	122
	1153 934	RML 7947 C9	Complete	Metal piston	123
	0 513 985	RML 7947-1	Service Assy	Service	120
	0 513 982	RML 7947-2	Service Assy	Service	120
	0 377 498	RML 7947 C4	Complete	Metal piston	121
VDL BUS	0 526 651	RML 7947 C6	Complete	Metal piston	122
	0 513 983	RML 7998	Service Assy	Service	125
	1153 935	RML 7998 C3	Complete	Metal piston	126
	1153 935	RML 7998 C3	Complete	Metal piston	126
	1153 935	RML 7998 C3	Complete	Metal piston	126
	1141 525	RML 7998 C6	Complete	Metal piston	127
	1154 761	RML 7998 C6	Complete	Metal piston	127
	41141 525	RML 7998 C6	Complete	Metal piston	127
41154 761	RML 7998 C6	Complete	Metal piston	127	
VIBERTI	128147123	RML 75260 CP9	Complete	Plastic piston	185
		RML 7923	Service Assy	Service	116
	128147124	RML 7923 C	Complete	Metal piston	116
	128147102	RML 7923 C1	Complete	Metal piston	117
	128 147 122	RML 7924 C	Complete	Metal piston	117
	644 285	RML 7924 C	Complete	Metal piston	117

COMPLETE & SERVICE AIR SPRINGS OEM LIST

MANUFACTURER	OEM PART NO	PART NO	TYPE	REMARKS	PAGE
VIBERTI	128147109	RML 74514 C	Complete	Metal piston	153
	128147129	RML 79026 CP1	Complete	Plastic piston	250
VOITH	H68.237001	RML 93856 C	Complete	Metal piston	272
	H68.219201	RML 98739 C	Complete	Metal piston	306
	311.00038701	RML 98739 C1	Complete	Metal piston	306
	311.00044801	RML 98739 C2	Complete	Metal piston	306
	311.00038501	RML 99202 C	Complete	Metal piston	307
	311.00054901	RML 99202 C1	Complete	Metal piston	307
VOLVO	1 080 707	RML 7921 C	Complete	Metal piston	111
	20352247	RML 72247 CP	Complete	Plastic piston	143
	20386228	RML 72247 CP	Complete	Plastic piston	143
	20 573 108	RML 73108 C	Complete	Metal piston	148
	70 321 692	RML 73108 C	Complete	Metal piston	148
	70 376 919	RML 73108 C	Complete	Metal piston	148
	70 321 690	RML 73108 C	Complete	Metal piston	148
		RML 73311	Service Assy	Service	148
	20 573 311	RML 73311 C	Complete	Metal piston	148
	20 573 311	RML 73311 C	Complete	Metal piston	148
	3 195 240	RML 73311 C	Complete	Metal piston	148
		RML 73312	Service Assy	Service	149
	20 573 312	RML 73312 C	Complete	Metal piston	149
	3 171 693	RML 73312 C	Complete	Metal piston	149
	3 178 706	RML 73312 C	Complete	Metal piston	149
	3 195 240	RML 73312 C	Complete	Metal piston	149
	20 737 947	RML 74543 C	Complete	Metal piston	155
	21 961 458	RML 74543 C	Complete	Metal piston	155
	20 583 420	RML 74543 C	Complete	Metal piston	155
	20 737 943	RML 74543 C	Complete	Metal piston	155
	20 424 543	RML 74543 C	Complete	Metal piston	155
	20 554 760	RML 74760 C	Complete	Metal piston	156
	20 580 705	RML 74760 C	Complete	Metal piston	156
	21 961 472	RML 74760 C	Complete	Metal piston	156
	20 479 800	RML 74760 C	Complete	Metal piston	156
	20 452 142	RML 74760 C	Complete	Metal piston	156
	20 554 762	RML 74762 C	Complete	Metal piston	157
	21 811 323	RML 74762 C	Complete	Metal piston	157
	21 961 475	RML 74762 C	Complete	Metal piston	157
	20 452 144	RML 74762 C	Complete	Metal piston	157
	20554770	RML 74770 C	Complete	Metal piston	157
		RML 74925	Service Assy	Service	157
1075 365	RML 74925 C	Complete	Metal piston	158	

COMPLETE & SERVICE AIR SPRINGS OEM LIST

MANUFACTURER	OEM PART NO	PART NO	TYPE	REMARKS	PAGE
VOLVO	1629 782	RML 74925 C	Complete	Metal piston	158
	20 452 138	RML 74925 C	Complete	Metal piston	158
	20 554 761	RML 74925 C	Complete	Metal piston	158
	21 978 490	RML 75020 C	Complete	Metal piston	158
	20 735 220	RML 75020 C	Complete	Metal piston	158
	20 726 769	RML 75022 C6	Complete	Metal piston	160
	21 978 502	RML 75022 C6	Complete	Metal piston	160
	20 722 412	RML 75023 C10	Complete	Metal piston	161
	22 025 568	RML 75023 C10	Complete	Metal piston	161
	20 726 768	RML 75023 C13	Complete	Metal piston	161
	21 978 504	RML 75023 C13	Complete	Metal piston	161
	20 757 541	RML 75026 C6	Complete	Metal piston	163
	22 025 613	RML 75026 C6	Complete	Metal piston	163
	20 757 451	RML 75026 C6	Complete	Metal piston	163
	22 025 612	RML 75038 CP	Complete	Plastic piston	168
	25 379 286	RML 75038 CP	Complete	Plastic piston	168
	20 722 409	RML 75038 CP	Complete	Plastic piston	168
	20 758 818	RML 75265 CP6	Complete	Plastic piston	187
	21 978 510	RML 75265 CP6	Complete	Plastic piston	187
	3130491	RML 75267 C4	Complete	Metal piston	189
		RML 75531	Service Assy	Service	201
	1076 075	RML 75531 C	Complete	Metal piston	202
	1076 076	RML 75531 C	Complete	Metal piston	202
	20 554 756	RML 75531 C	Complete	Metal piston	202
	22 058 737	RML 75671 C	Complete	Metal piston	202
	21 224 745	RML 75671 C	Complete	Metal piston	202
	22 058 741	RML 75681 C	Complete	Metal piston	202
	21 224 749	RML 75681 C	Complete	Metal piston	202
	1076 595	RML 75824	Service Assy	Service	204
	1076 594	RML 75824 C	Complete	Metal piston	204
	20 554 755	RML 75824 C	Complete	Metal piston	204
	1079 718	RML 75829	Service Assy	Service	204
	1079 718	RML 75829	Service Assy	Service	204
	1075 363	RML 75829 C	Complete	Metal piston	205
	20 452 136	RML 75829 C	Complete	Metal piston	205
	20 554 759	RML 75829 C	Complete	Metal piston	205
	20 480 202	RML 76113 C	Complete	Metal piston	215
	20 573 113	RML 76113 C	Complete	Metal piston	215
	21 041 697	RML 76113 C	Complete	Metal piston	215
	21 041 697	RML 76113 C	Complete	Metal piston	215
	21 097 453	RML 76113 C	Complete	Metal piston	215

COMPLETE & SERVICE AIR SPRINGS OEM LIST

MANUFACTURER	OEM PART NO	PART NO	TYPE	REMARKS	PAGE
VOLVO	70 313 734	RML 76113 C	Complete	Metal piston	215
	70 397 453	RML 76113 C	Complete	Metal piston	215
	70 321 079	RML 76113 C	Complete	Metal piston	215
		RML 76420	Service Assy	Service	224
	20 582 213	RML 76420 C	Complete	Metal piston	225
	21 961 448	RML 76420 C	Complete	Metal piston	225
	1 076 420	RML 76420 C	Complete	Metal piston	225
	20 531 989	RML 76420 C	Complete	Metal piston	225
	20 456 160	RML 76420 C	Complete	Metal piston	225
	20 374 512	RML 76420 C	Complete	Metal piston	225
	20703452	RML 77433	Service Assy	Service	232
	21013010	RML 77433	Service Assy	Service	232
	21513836	RML 77433	Service Assy	Service	232
	21057939	RML 77433	Service Assy	Service	232
	21044268	RML 77433	Service Assy	Service	232
	70311683	RML 77433 C	Complete	Metal piston	232
	21097433	RML 77433 C	Complete	Metal piston	232
	21513833	RML 77433 C	Complete	Metal piston	232
	21160951	RML 77433 C	Complete	Metal piston	232
	21057936	RML 77433 C	Complete	Metal piston	232
		RML 77527	Service Assy	Service	232
	1 075 891	RML 77527 C	Complete	Metal piston	233
	1 076 416	RML 77527 C	Complete	Metal piston	233
	20 374 510	RML 77527 C	Complete	Metal piston	233
	20 456 152	RML 77527 C	Complete	Metal piston	233
	20 531 985	RML 77527 C	Complete	Metal piston	233
	20 582 215	RML 77527 C	Complete	Metal piston	233
	70 321 693	RML 77527 C	Complete	Metal piston	233
	21 961 456	RML 77527 C	Complete	Metal piston	233
		RML 77529	Service Assy	Service	233
	1 076 418	RML 77529 C	Complete	Metal piston	233
	20 374 511	RML 77529 C	Complete	Metal piston	233
	20 456 156	RML 77529 C	Complete	Metal piston	233
	20 531 987	RML 77529 C	Complete	Metal piston	233
	20 582 214	RML 77529 C	Complete	Metal piston	233
	3 171 695	RML 77529 C	Complete	Metal piston	233
	70 321 695	RML 77529 C	Complete	Metal piston	233
	21 961 451	RML 77529 C	Complete	Metal piston	233
	21 961 478	RML 77728 C	Complete	Metal piston	235
	21 119 077	RML 77728 C	Complete	Metal piston	235
	21 161 555	RML 77728 C	Complete	Metal piston	235

COMPLETE & SERVICE AIR SPRINGS OEM LIST

MANUFACTURER	OEM PART NO	PART NO	TYPE	REMARKS	PAGE
VOLVO	21 977 973	RML 77741 C	Complete	Metal piston	235
	20 909 150	RML 77741 C	Complete	Metal piston	235
	21 321 515	RML 77741 C1	Complete	Metal piston	235
	21 977 974	RML 77742 C	Complete	Metal piston	236
	20 909 152	RML 77742 C	Complete	Metal piston	236
	21 325 234	RML 77744 C	Complete	Metal piston	236
	21 325 230	RML 77745 C	Complete	Metal piston	236
	21 321 520	RML 77746 C	Complete	Metal piston	237
		RML 77804	Service Assy	tService	237
	20 375 227	RML 77804 C	Complete	Metal piston	237
	20 456 154	RML 77804 C	Complete	Metal piston	237
	20 531 986	RML 77804 C	Complete	Metal piston	237
	20 582 209	RML 77804 C	Complete	Metal piston	237
	3 171 694	RML 77804 C	Complete	Metal piston	237
	70 321 694	RML 77804 C	Complete	Metal piston	237
	20 427 801	RML 77804 C	Complete	Metal piston	237
	21 961 443	RML 77804 C	Complete	Metal piston	237
	20 427 805	RML 77804 C	Complete	Metal piston	237
	20 427 804	RML 77804 C	Complete	Metal piston	237
		RML 77805	Service Assy	Service	238
	20 531 988	RML 77805 C	Complete	Metal piston	238
	20 582 212	RML 77805 C	Complete	Metal piston	238
	21 961 447	RML 77805 C	Complete	Metal piston	238
	20 427 805	RML 77805 C	Complete	Metal piston	238
	20 427 804	RML 77805 C	Complete	Metal piston	238
	20 456 158	RML 77805 C	Complete	Metal piston	238
	20 427 802	RML 77805 C	Complete	Metal piston	238
	20 375 228	RML 77805 C	Complete	Metal piston	238
	1 076 417	RML 77805 C	Complete	Metal piston	238
		RML 78914	Service Assy	Service	245
	1 075 890	RML 78914 C	Complete	Metal piston	246
	1 076 415	RML 78914 C	Complete	Metal piston	246
	20 375 226	RML 78914 C	Complete	Metal piston	246
	20 427 800	RML 78914 C	Complete	Metal piston	246
	20 456 150	RML 78914 C	Complete	Metal piston	246
	20 531 984	RML 78914 C	Complete	Metal piston	246
	20 582 206	RML 78914 C	Complete	Metal piston	246
	21 961 374	RML 78914 C	Complete	Metal piston	246
	20 427 803	RML 78914 C	Complete	Metal piston	246
	70377052	RML 97054 C	Complete	Metal piston	302
	20 535 876	RML 97732 C	Complete	Metal piston	302

COMPLETE & SERVICE AIR SPRINGS OEM LIST

MANUFACTURER	OEM PART NO	PART NO	TYPE	REMARKS	PAGE
VOLVO	20 725 459	RML 97732 C2	Complete	Metal piston	302
	21 836 530	RML 97734 C	Complete	Metal piston	303
	21 426 708	RML 97734 C	Complete	Metal piston	303
WEWELER	US 96681	RML 7023 C2	Complete	Metal piston	97
		RML 7921	Service Assy	Service	110
	2120 8082	RML 7921 C	Complete	Metal piston	111
	US 00622	RML 7921 C	Complete	Metal piston	111
	US 07337	RML 7921 C	Complete	Metal piston	111
	US 87413	RML 7921 C	Complete	Metal piston	111
	US 87413	RML 7921 C	Complete	Metal piston	111
	US 874131	RML 7921 C	Complete	Metal piston	111
	US 07337F	RML 7921 CP	Complete	Plastic piston	112
		RML 7924	Service Assy	Service	117
	US 07345	RML 7924 C	Complete	Metal piston	117
	US 87408	RML 7924 C	Complete	Metal piston	117
	US 07380	RML 71303 C	Complete	Metal piston	137
	US07385F	RML 71314 C	Complete	Metal piston	139
	US96681F	RML 71314 C	Complete	Metal piston	139
		RML 71501	Service Assy	Service	141
		RML 71501	Service Assy	Service	141
	US 04030P	RML 71501 C	Complete	Metal piston	141
	US 04030G	RML 71501 C	Complete	Metal piston	141
	US 07337RP	RML 71901 C	Complete	Metal piston	142
	US04031	RML 74031 C	Complete	Metal piston	150
	US04031F	RML 74031 C	Complete	Metal piston	150
	US 07380F	RML 74580 C	Complete	Metal piston	156
	US 07380	RML 75119 C	Complete	Metal piston	172
	US 04028	RML 75139 C2	Complete	Metal piston	181
	US 35864F	RML 75267 C6	Complete	Metal piston	190
	US 09361F	RML 75267 CP14	Complete	Plastic piston	192
	US 97306	RML 75267 CP14	Complete	Plastic piston	192
	US 35864	RML 75267 CP15	Complete	Plastic piston	192
	US 35864	RML 75267 CP15	Complete	Plastic piston	192
		RML 75268	Service Assy	Service	193
		RML 75268-4	Service Assy	Service	193
	US 06287	RML 75268 CP4	Complete	Plastic piston	196
	US 07364	RML 75268 CP4	Complete	Plastic piston	196
	US 07074C	RML 75268 CP5	Complete	Plastic piston	196
	US 07074P	RML 75268 CP5	Complete	Plastic piston	196
	US 08840	RML 75268 CP5	Complete	Plastic piston	196
	US 06316	RML 75268 CP6	Complete	Plastic piston	197

COMPLETE & SERVICE AIR SPRINGS OEM LIST

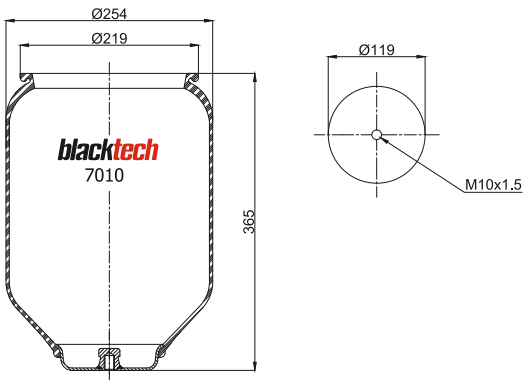
MANUFACTURER	OEM PART NO	PART NO	TYPE	REMARKS	PAGE	
WEWELER	US 07074F	RML 75268 CP9	Complete	Plastic piston	197	
	US 07364	RML 75268 CP14	Complete	Plastic piston	198	
	US 06285	RML 75269 C	Complete	Metal piston	199	
	US 06285	RML 75269 CP	Complete	Plastic piston	199	
		RML 76286	Service Assy	Service	222	
	US 06286 F	RML 76286 CP	Complete	Plastic piston	223	
	US06287F	RML 76287 CP	Complete	Plastic piston	223	
	US06288F	RML 76288 CP	Complete	Plastic piston	223	
		RML 76318	Service Assy	Service	224	
	US06318F	RML 76318 CP	Complete	Plastic piston	224	
		RML 77308	Service Assy	Service	228	
		RML 77308 C	Complete	Metal piston	228	
	US07348	RML 77308 CP	Complete	Plastic piston	229	
	US 04031P	RML 77685 C	Complete	Metal piston	234	
	US 04029P	RML 77685 C	Complete	Metal piston	234	
	US04200F	RML 78540 CP	Complete	Plastic piston	241	
	US04200BF	RML 78540 CP	Complete	Plastic piston	241	
		RML 79002 A3	Service Assy	Service	246	
	US 08840	RML 79002 A3 CP	Complete	Plastic piston	246	
		RML 79002 A3 CP1	Complete	Plastic piston	247	
		RML 79002 A8	Service Assy	Service	247	
	US 07364	RML 79002 A8 CP	Complete	Plastic piston	247	
	US 07074C	RML 79003 A3 CP	Complete	Plastic piston	249	
	US 07074P	RML 79003 A3 CP	Complete	Plastic piston	249	
	US 07074F	RML 79003 A3 CP 1	Complete	Plastic piston	249	
	US 06285	RML 79296 CP	Complete	Plastic piston	253	
	ZF SACHS	0501210 851	RML 9883 C3	Complete	Metal piston	264
			RML 9886 C	Complete	Metal piston	264
ZORZI		RML 7923	Service Assy	Service	116	
	1006565	RML 7923 C	Complete	Metal piston	116	
	1006550	RML 75266 C	Complete	Metal piston	188	
	1006553	RML 7923 C1	Complete	Metal piston	117	
	1006552	RML 71304 C	Complete	Metal piston	138	
	1006552	RML 71304 C1	Complete	Metal piston	138	
	1006557	RML 72670 C	Complete	Metal piston	145	
	1006559	RML 74514 C	Complete	Metal piston	153	
	1006551	RML 75270 C	Complete	Metal piston	199	
	1006546	RML 76884 C	Complete	Metal piston	225	
	1006545	RML 76885 C	Complete	Metal piston	225	



RML 7010 S

Cross Section View

Top View



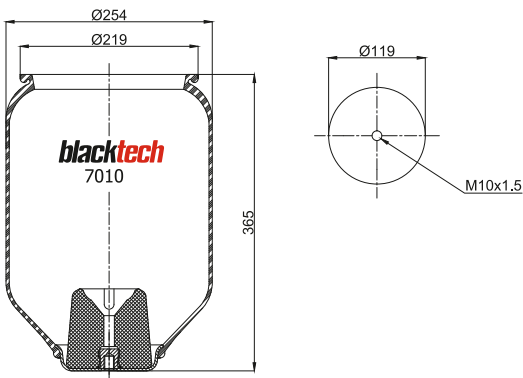
● Bolt of Stud ○ Threaded hole ⊗ Combination Stud ⊗ Air Inlet

	OEM PART NUMBER	MODEL NO	CROSS REFERENCES	
Man	81.43601.6029		Contitech	909 NT
Man	81.43601.0073		Firestone Style	1T15L-6
Man	81.43601.0054		Firestone No.	W01 M68 0031
Man	81.43601.0050		Phoenix	1D 23 C
Neoplan	102121500			
Neoplan	102100500			

RML 7010 SP

Cross Section View

Top View



● Bolt of Stud ○ Threaded hole ⊗ Combination Stud ⊗ Air Inlet

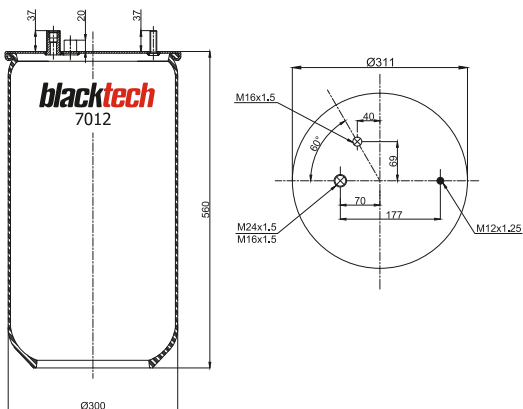
	OEM PART NUMBER	MODEL NO	CROSS REFERENCES	
BredaMenarini	178 739	110 L-120-101	Contitech	909 NTB
Man	81.43601.6023		Firestone Style	1T15L-6
			Firestone No.	W01 M68 0687
			Phoenix	1D 23 C-1
			Goodyear	1R12-709
			CF Gomma Ref.	1T 320 SP
			CF Gomma No.	89753



RML 7012

Cross Section View

Top View



● Bolt of Stud ○ Threaded hole ⊗ Combination Stud ⊗ Air Inlet

	OEM PART NUMBER	MODEL NO	CROSS REFERENCES	
Renault				

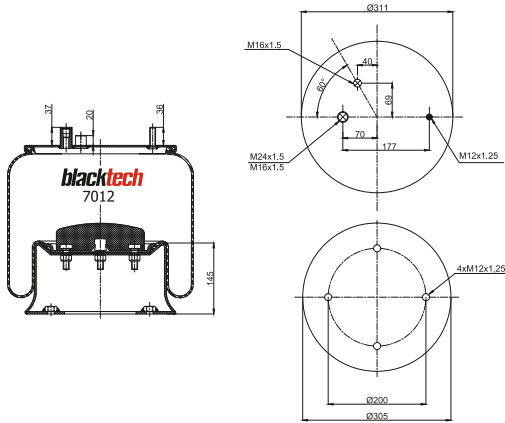




RML 7012 C

Cross Section View

Top View



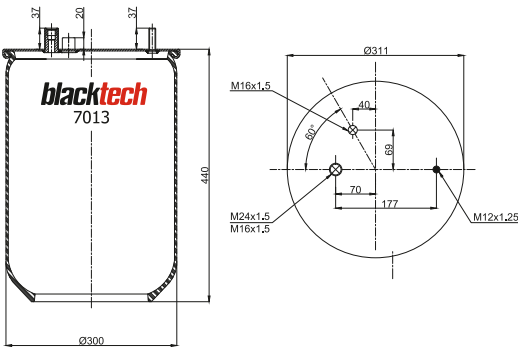
- Bolt of Stud
- Threaded hole
- ⊗ Combination Stud
- ⊗ Air Inlet

OEM PART NUMBER		MODEL NO	CROSS REFERENCES	
Renault	5.010.052.722	Premium. Magnum	Contitech	901MB
Renault	5.010.130.683	Premium. Magnum	Vibracoustic	VIDK38-923

RML 7013

Cross Section View

Top View



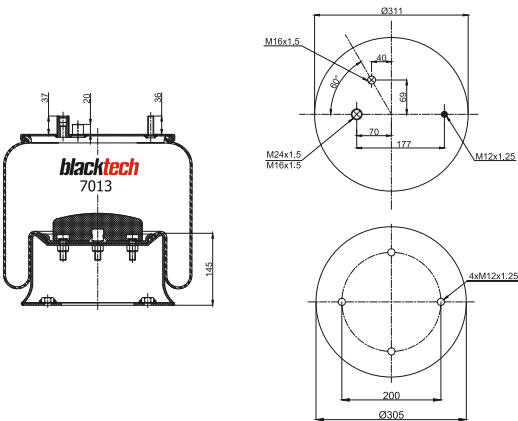
- Bolt of Stud
- Threaded hole
- ⊗ Combination Stud
- ⊗ Air Inlet

OEM PART NUMBER		MODEL NO	CROSS REFERENCES	
Renault				

RML 7013 C

Cross Section View

Top View



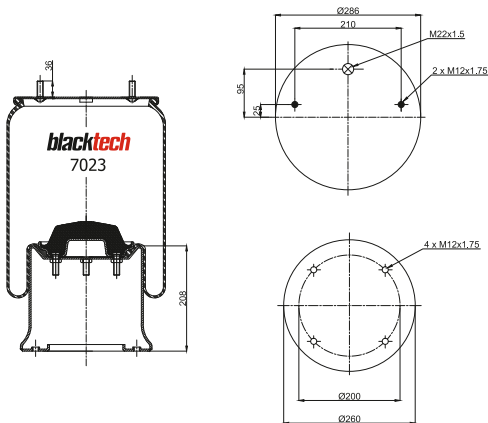
- Bolt of Stud
- Threaded hole
- ⊗ Combination Stud
- ⊗ Air Inlet

OEM PART NUMBER		MODEL NO	CROSS REFERENCES	
Renault	5.010.211.724	Premium. Magnum R380	Contitech	902MB
Renault	5.000.815.749	Magnum	Firestone Style	1T19G-12
			Firestone No.	W01-M58-9910
			Vibracoustic	VIDK35-924

RML 7023 C1

Cross Section View

Top View



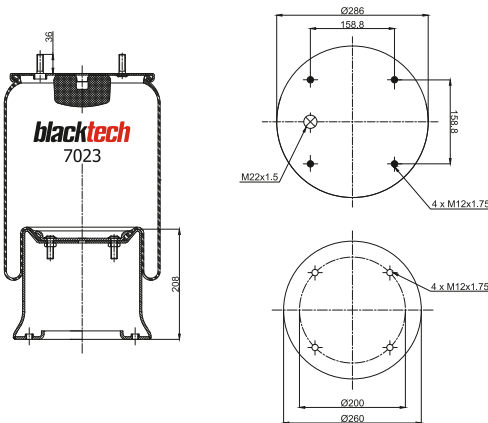
- Bolt of Stud
- Threaded hole
- ⊗ Combination Stud
- ⊗ Air Inlet

OEM PART NUMBER	MODEL NO	CROSS REFERENCES
SAF	2926 V	Contitech 912 N P01 Phoenix 1D 28 D-10 Firestone Style 1T19L-14 Firestone No. W01-M58-8502 Goodyear 1R14-728 Vibracoustic VID28D-10 CF Gomma Ref. 1T19E-2L CF Gomma Ref. 1T19E-2L CF Gomma Ref. 1T19E-L CF Gomma No. 207737 CF Gomma No. 207736 CF Gomma No. 206333 Dunlop F D14852 Gart Ref. D287/C Gart No. 2874.601 Gart No. 2874.601/1

RML 7023 C2

Cross Section View

Top View



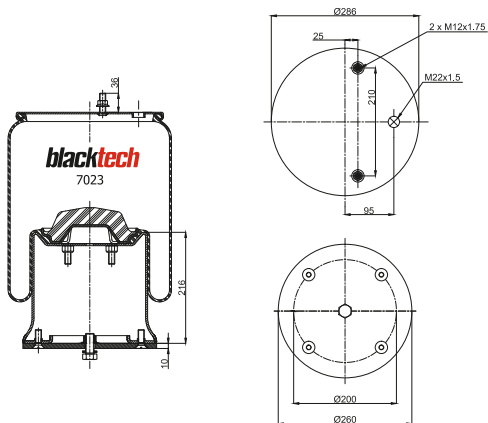
- Bolt of Stud
- Threaded hole
- ⊗ Combination Stud
- ⊗ Air Inlet

OEM PART NUMBER	MODEL NO	CROSS REFERENCES
Hendrickson 507 782 ROR 2122 2673 Weweler US 96681 SAF	2926 N P02	Contitech 912 N P02 Phoenix 1D 28 D-2 Firestone Style 1T19L-14 Firestone No. W01-M58-8766 Firestone No. W01-M58-7385 Goodyear 1R14-758 Vibracoustic VID28D-4 CF Gomma Ref. 1T19E-4 CF Gomma No. 96997 CF Gomma No. 202442 Dunlop F D13B14 Gart Ref. D287/C Gart No. 2874.600

RML 7023 C3

Cross Section View

Top View



- Bolt of Stud
- Threaded hole
- ⊗ Combination Stud
- ⊗ Air Inlet

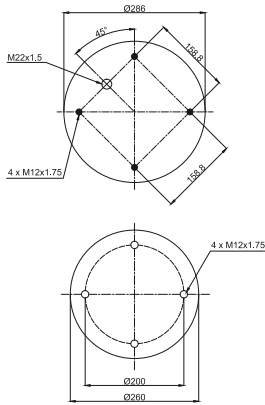
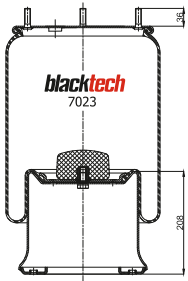
OEM PART NUMBER	MODEL NO	CROSS REFERENCES
SAF	2926 V INTRA	Vibracoustic VID28d-101

RML 7023 C5



Cross Section View

Top View



- Bolt of Stud
- Threaded hole
- ⊗ Combination Stud
- ⊗ Air Inlet

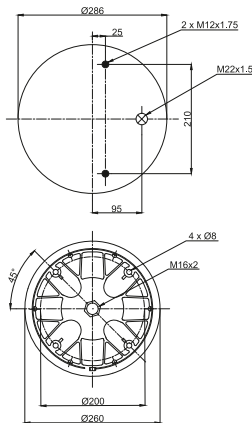
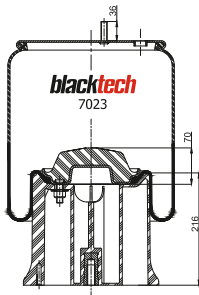
OEM PART NUMBER	MODEL NO	CROSS REFERENCES

RML 7023 CP



Cross Section View

Top View



- Bolt of Stud
- Threaded hole
- ⊗ Combination Stud
- ⊗ Air Inlet

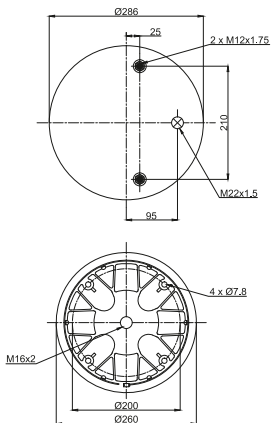
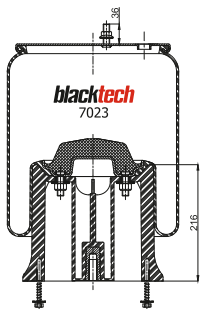
OEM PART NUMBER	MODEL NO	CROSS REFERENCES
SAF	2927 V	Vibracoustic VID28d-111

RML 7023 CP1



Cross Section View

Top View



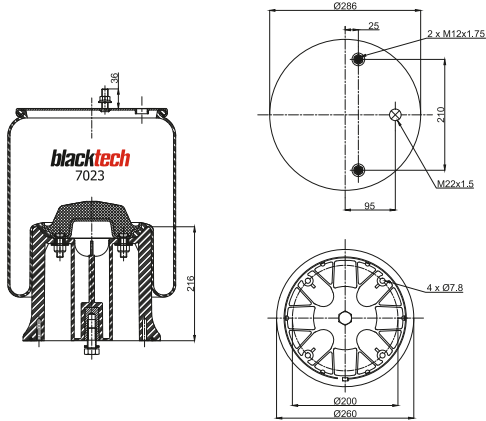
- Bolt of Stud
- Threaded hole
- ⊗ Combination Stud
- ⊗ Air Inlet

OEM PART NUMBER	MODEL NO	CROSS REFERENCES
SAF	2927 V MODUL	Vibracoustic VID28d-111V-1

RML 7023 CP2

Cross Section View

Top View



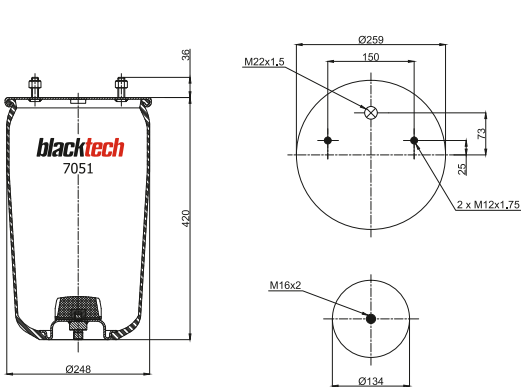
● Bolt of Stud ○ Threaded hole ⊗ Combination Stud ⊗ Air Inlet

OEM PART NUMBER	MODEL NO	CROSS REFERENCES	
SAF	2927 VINTRA	Vibracoustic	VID28d-11V-2

RML 7051

Cross Section View

Top View



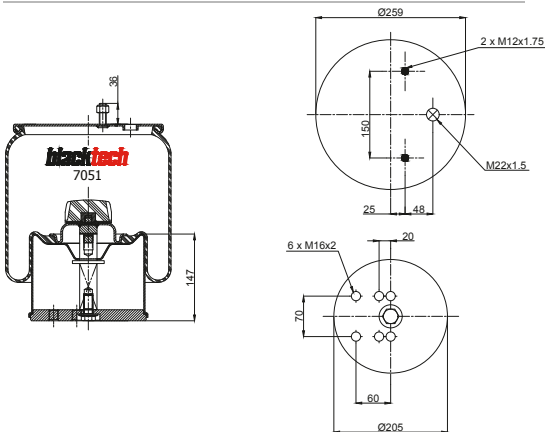
● Bolt of Stud ○ Threaded hole ⊗ Combination Stud ⊗ Air Inlet

OEM PART NUMBER	MODEL NO	CROSS REFERENCES	
BPW 05.429.40.91.0	30 K	Contitech	940 MB
BPW 05.429.41.51.0	30 K	Phoenix	1DK 21K
Schmitz 013 769	30 K	Primeride	5940 A P02
Scania 2406164	30 K	Firestone Style	1T17D-4.3
		Firestone No.	W01M68-8613
		Goodyear	1R11-703
		Taurus	UR732-01
		Vibracoustic	V1DK21K
		CF Gomma Ref.	1TC300-30
		CF Gomma No.	205536
		Dunlop F	D11U31
		Gart Ref.	C293/A
		Gart No.	293.0.411

RML 7051 C

Cross Section View

Top View

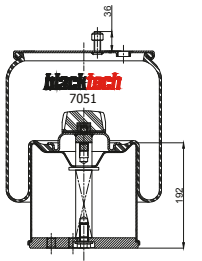


● Bolt of Stud ○ Threaded hole ⊗ Combination Stud ⊗ Air Inlet

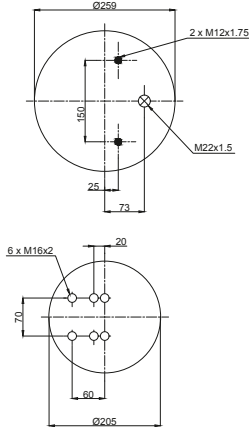
OEM PART NUMBER	MODEL NO	CROSS REFERENCES	
BPW 05.429.41.14.1	30 K	Contitech	940 MB P30 (Metal piston)
BPW 05.429.41.23.1	30 K	Firestone Style	1T17D-4.3
BPW 05.429.41.27.1	30 K	Firestone No.	W01M68-8609
BPW 05.429.41.53.1	30 K	Phoenix	1DK 21K1
BPW 05.429.42.19.1	30 K	Dunlop F	D11B39
		Goodyear	1R11-763
		Taurus	KR 732-01
		Vibracoustic	V1DK 21K

RML 7051 C1

Cross Section View



Top View

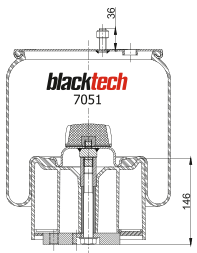


● Bolt of Stud ○ Threaded hole ⊗ Combination Stud ⊗ Air Inlet

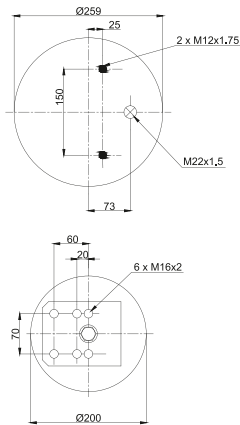
OEM PART NUMBER	MODEL NO	CROSS REFERENCES
BPW	30K	

RML 7051 CP

Cross Section View



Top View

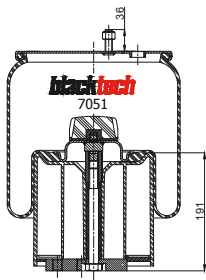


● Bolt of Stud ○ Threaded hole ⊗ Combination Stud ⊗ Air Inlet

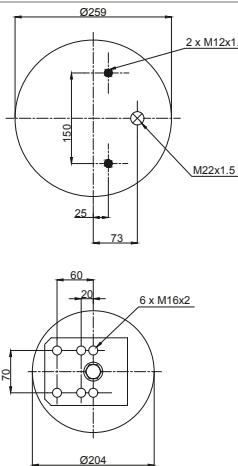
OEM PART NUMBER	MODEL NO	CROSS REFERENCES
BPW 05.429.43.210	30K	Contitech 940 MB P30
BPW 05.429.43.370	30K	Phoenix 1DK 21K2
Schmitz 761 084	30K	Primeride 5940 A P04
Schmitz 017 331	30K	Firestone Style 1T17D-4.3
Scania 2198483		Firestone No. W01M58-8585
		Goodyear 1R11-752
		Vibracoustic VIDK21K Y4
		CF Gomma Ref. 1TC300-30K
		CF Gomma No. 207308
		Dunlop F D11B36
		Dunlop UK 00936A-AP
		Gart Ref. C293/A
		Gart No. 293.2.412

RML 7051 CP1

Cross Section View



Top View



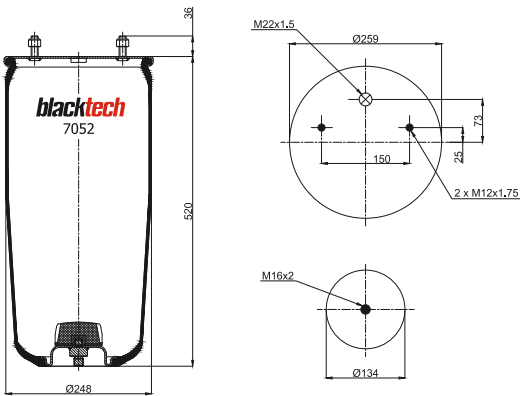
● Bolt of Stud ○ Threaded hole ⊗ Combination Stud ⊗ Air Inlet

OEM PART NUMBER	MODEL NO	CROSS REFERENCES
BPW	30K	

RML 7052

Cross Section View

Top View



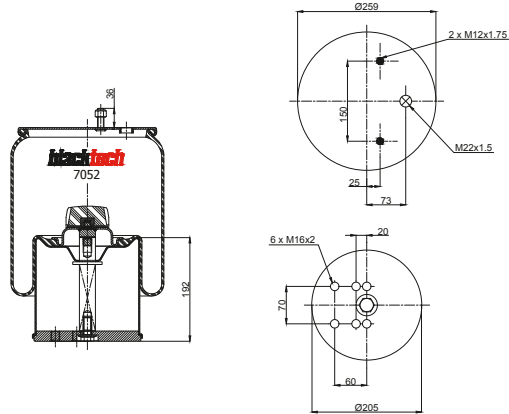
● Bolt of Stud ○ Threaded hole ⊗ Combination Stud ⊗ Air Inlet

OEM PART NUMBER	MODEL NO	CROSS REFERENCES
BPW 05.429.40.030	30	Contitech 941 MB
Schmitz 015 514	30	Phoenix 1DK 21
		Primeride 5941 A P02
		Firestone Style 1117D-8.3
		Firestone No. W01-M58-8620
		Goodyear 1R11-700
		Taurus UR730-01
		Vibracoustic VIDK21
		CF Gomma Ref. 1TC300-36
		CF Gomma No. 204466
		Dunlop F D11U30
		Gart Ref. C293
		Gart No. 293.0.511

RML 7052 C

Cross Section View

Top View



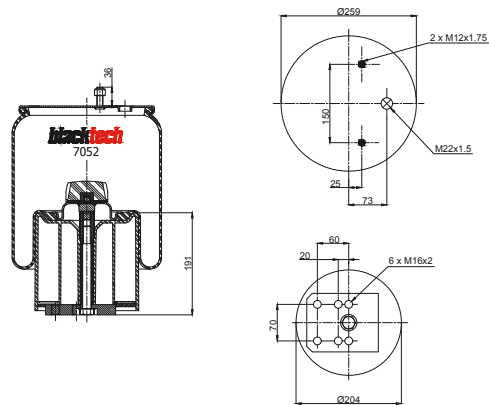
● Bolt of Stud ○ Threaded hole ⊗ Combination Stud ⊗ Air Inlet

OEM PART NUMBER	MODEL NO	CROSS REFERENCES
BPW 05.429.42.281	30	Contitech 941 MB P30 (metal piston)
BPW 05.429.40.101	30	Firestone Style 1117D-8.3
BPW 05.429.40.361	30	Firestone No. W01 M58 8619
BPW 05.429.40.521	30	Phoenix 1DK 21
BPW 05.429.40.641	30	Dunlop F D11B38
BPW 05.429.41.241	30	Goodyear 1R11-762
BPW 05.429.42.181	30	CF Gomma Ref. 1TC 300-36
		CF Gomma No. 205170
		Taurus UR 730-01

RML 7052 CP

Cross Section View

Top View



● Bolt of Stud ○ Threaded hole ⊗ Combination Stud ⊗ Air Inlet

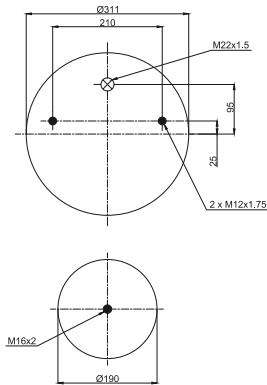
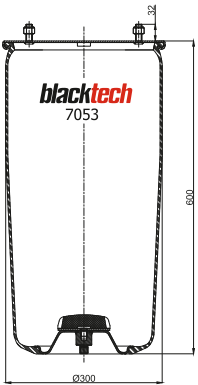
OEM PART NUMBER	MODEL NO	CROSS REFERENCES
BPW 05.429.43.200	30	Contitech 941 MB P30
Schmitz 015 502	30	Phoenix 1DK 21-2
Schmitz 017 109	30	Primeride 5941 A P04
Scania 2338887	30	Firestone Style 1117D-8.3
		Firestone Style 1117J-10.3
		Firestone No. W01-M58-8618
		Firestone No. W01-M58-8668
		Goodyear 1R11-743
		Vibracoustic VIDK21 Y1
		CF Gomma Ref. 1TC300-36
		CF Gomma No. 206356
		Dunlop F D11B33
		Dunlop UK 00935A-AP
		Gart Ref. C293
		Gart No. 293.2.512

RML 7053



Cross Section View

Top View



- Bolt of Stud
- Threaded hole
- ⊗ Combination Stud
- ⊗ Air Inlet

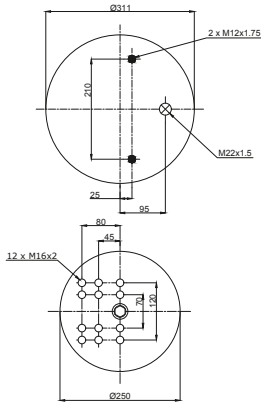
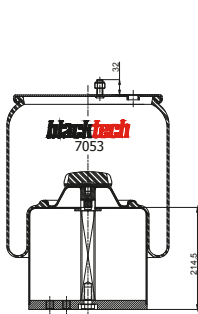
OEM PART NUMBER		MODEL NO	CROSS REFERENCES	
BPW	05.429.40.05.0	36-1	Contitech	942 MB
			Phoenix	1DK 32L
			Firestone Style	1T66D13.5
			Firestone No.	W01M68-8611
			Goodyear	1R14-700
			Vibracoustic	VIDK32L

RML 7053C



Cross Section View

Top View



- Bolt of Stud
- Threaded hole
- ⊗ Combination Stud
- ⊗ Air Inlet

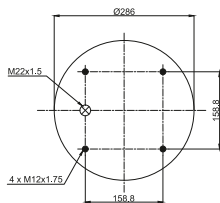
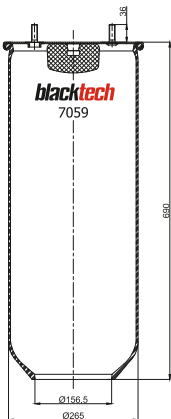
OEM PART NUMBER		MODEL NO	CROSS REFERENCES	
BPW	05.429.41.71.1	36-1	Contitech	942 MB
BPW	05.429.41.69.0	36-1	Firestone Style	1T66F-13.5
			Firestone No.	W01M68 8584
			Goodyear	1R14-781

RML 7059



Cross Section View

Top View



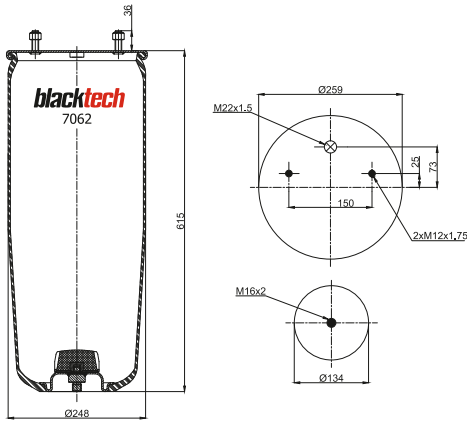
- Bolt of Stud
- Threaded hole
- ⊗ Combination Stud
- ⊗ Air Inlet

OEM PART NUMBER		MODEL NO	CROSS REFERENCES	
			Contitech	948 MB

RML 7062

Cross Section View

Top View



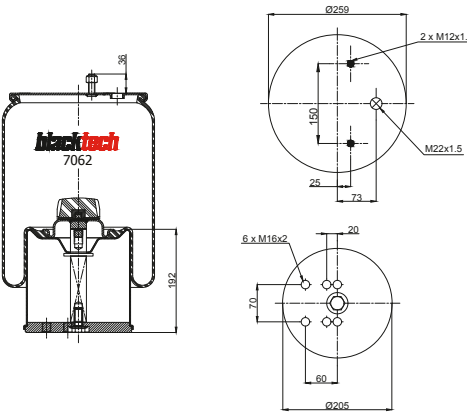
● Bolt of Stud ○ Threaded hole ⊗ Combination Stud ⊗ Air Inlet

OEM PART NUMBER	MODEL NO	CROSS REFERENCES
BPW 05.429.40.72.0	30-1	Contitech 951 MB
BPW 05.429.42.72.0	30-1	Firestone Style 1170-12
		Firestone No. W01-M68-8621
		Goodyear 1R11-704
		Gart Ref. C293/B
		Gart No. 293.0.611

RML 7062 C

Cross Section View

Top View



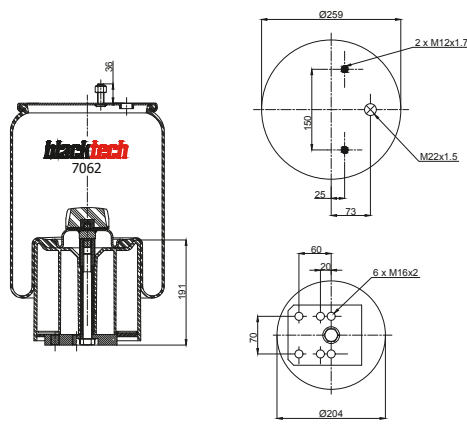
● Bolt of Stud ○ Threaded hole ⊗ Combination Stud ⊗ Air Inlet

OEM PART NUMBER	MODEL NO	CROSS REFERENCES
BPW	30-1	

RML 7062 CP

Cross Section View

Top View



● Bolt of Stud ○ Threaded hole ⊗ Combination Stud ⊗ Air Inlet

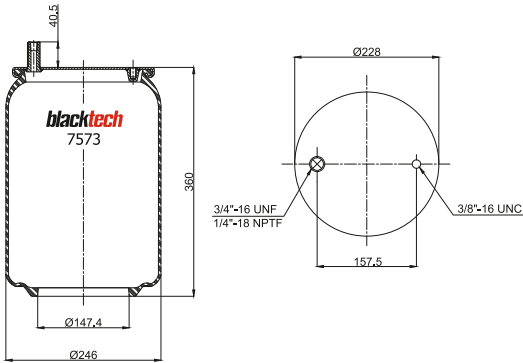
OEM PART NUMBER	MODEL NO	CROSS REFERENCES
BPW	30-1	



RML 7573

Cross Section View

Top View



- Bolt of Stud
- Threaded hole
- ⊗ Combination Stud
- ⊗ Air Inlet

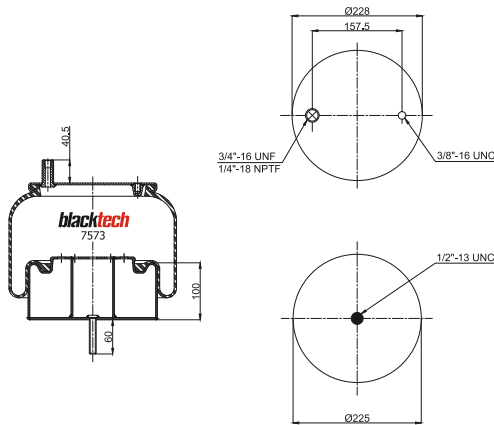
OEM PART NUMBER	MODEL NO	CROSS REFERENCES
BMC	Truck	

RML 7573C



Cross Section View

Top View



- Bolt of Stud
- Threaded hole
- ⊗ Combination Stud
- ⊗ Air Inlet

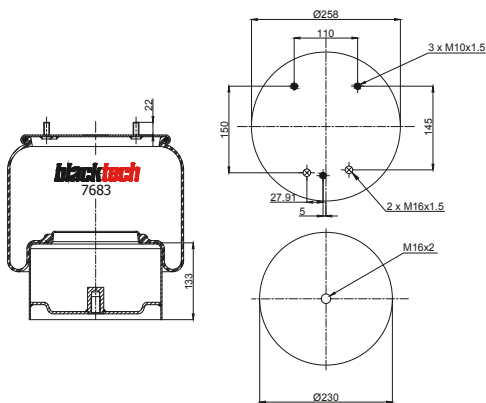
OEM PART NUMBER	MODEL NO	CROSS REFERENCES
BMC	9P914897	Truck

RML 7683C



Cross Section View

Top View



- Bolt of Stud
- Threaded hole
- ⊗ Combination Stud
- ⊗ Air Inlet

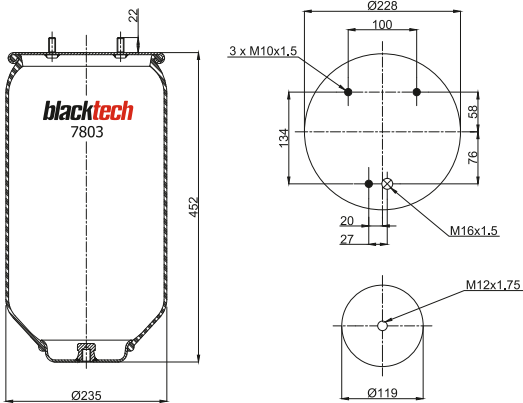
OEM PART NUMBER	MODEL NO	CROSS REFERENCES
DAF	1622 849	Contitech 836 N P09
DAF	1697 683	CF 75-85 Firestone Style 1T17AR-4.5
DAF	1697 683	XF 75-85 Firestone No. W01M58-8364



RML 7803

Cross Section View

Top View



● Bolt of Stud ○ Threaded hole ⊗ Combination Stud ⊗ Air Inlet

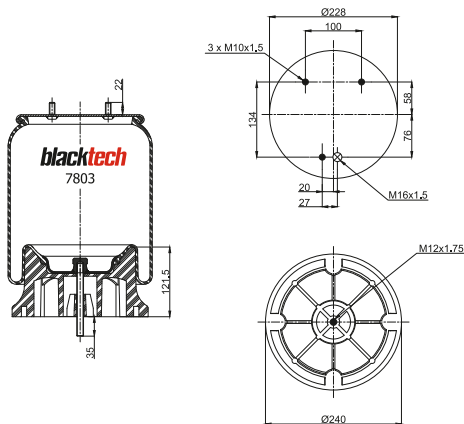
OEM PART NUMBER	MODEL NO	CROSS REFERENCES
DAF		

RML 7803 CP



Cross Section View

Top View



● Bolt of Stud ○ Threaded hole ⊗ Combination Stud ⊗ Air Inlet

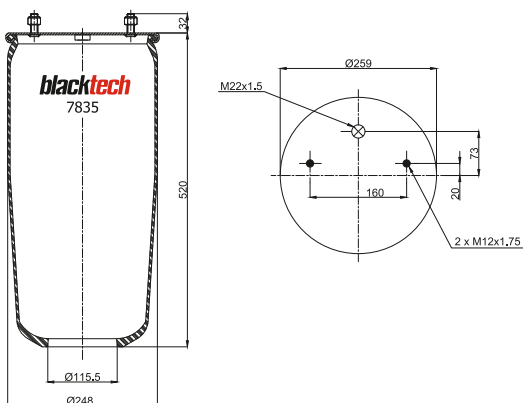
OEM PART NUMBER	MODEL NO	CROSS REFERENCES
DAF	1448 543	Contitech 792 N P01
DAF	1698 436	
DAF	1698 436	CF 65
DAF	1698 436	CF 75-85
DAF	1698 436	LF 45-55
DAF	1698 436	XF 95-105
DAF	1529 836	

RML 7835



Cross Section View

Top View



● Bolt of Stud ○ Threaded hole ⊗ Combination Stud ⊗ Air Inlet

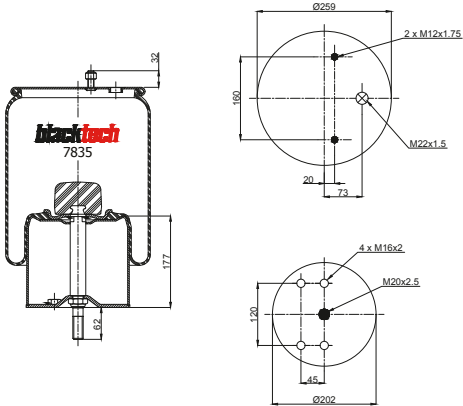
OEM PART NUMBER	MODEL NO	CROSS REFERENCES
Gigant	246169	Contitech 724 N P01
Gigant	3053	724 N Goodyear 1R11-711



RML 7835 C1

Cross Section View

Top View



● Bolt of Stud ○ Threaded hole ⊗ Combination Stud ⊗ Air Inlet

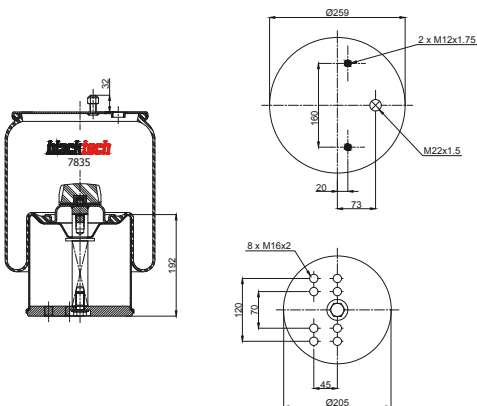
OEM PART NUMBER	MODEL NO	CROSS REFERENCES
Gigant		

RML 7835 C2



Cross Section View

Top View



● Bolt of Stud ○ Threaded hole ⊗ Combination Stud ⊗ Air Inlet

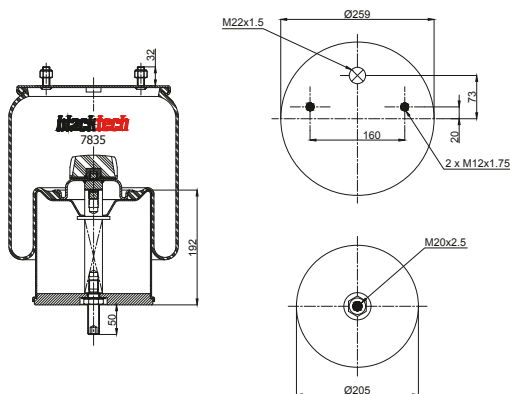
OEM PART NUMBER	MODEL NO	CROSS REFERENCES
Gigant	166259	3053

RML 7835 C3



Cross Section View

Top View



● Bolt of Stud ○ Threaded hole ⊗ Combination Stud ⊗ Air Inlet

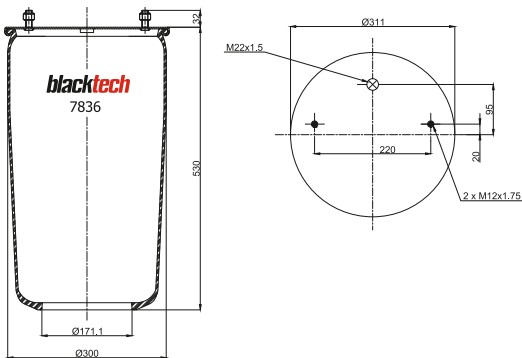
OEM PART NUMBER	MODEL NO	CROSS REFERENCES
Gigant	166225	3053



RML 7836

Cross Section View

Top View



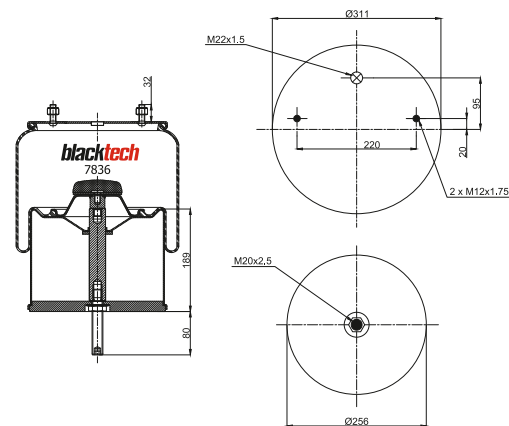
● Bolt of Stud ○ Threaded hole ⊗ Combination Stud ⊗ Air Inlet

OEM PART NUMBER	MODEL NO	CROSS REFERENCES
Gigant 246149	NLRM / NLRs Series	Contitech 725 NP01
Gigant 3653	725 N	Primeride 5725 A PD1
		Goodyear 1R14-704
		Vibracoustic VIDF32-246149
		CF Gomma Ref. 1TGS360-45
		CF Gomma No. 202964
		Dunlop F D14U38
		Gart Ref. C292/S
		Gart No. 292.0533

RML 7836 C2

Cross Section View

Top View



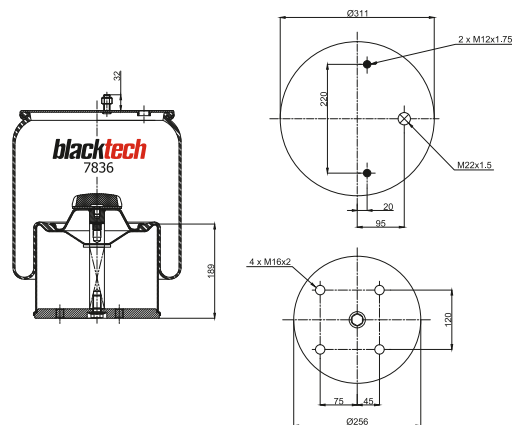
● Bolt of Stud ○ Threaded hole ⊗ Combination Stud ⊗ Air Inlet

OEM PART NUMBER	MODEL NO	CROSS REFERENCES
Gigant 166217		Goodyear 1R14-813
Gigant 3653 compl.		

RML 7836 C3

Cross Section View

Top View



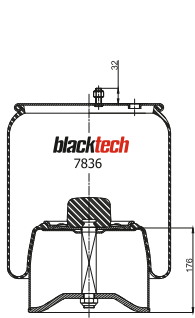
● Bolt of Stud ○ Threaded hole ⊗ Combination Stud ⊗ Air Inlet

OEM PART NUMBER	MODEL NO	CROSS REFERENCES
Gigant 166252		Goodyear 1R14-814
Gigant 3653 compl.		

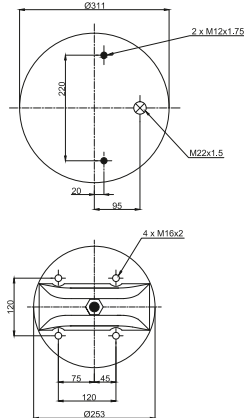


RML 7836 C4

Cross Section View



Top View

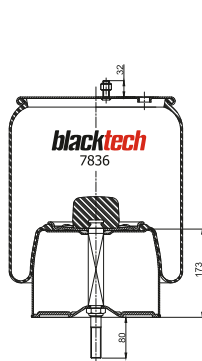


- Bolt of Stud
- Threaded hole
- ⊗ Combination Stud
- ⊗ Air Inlet

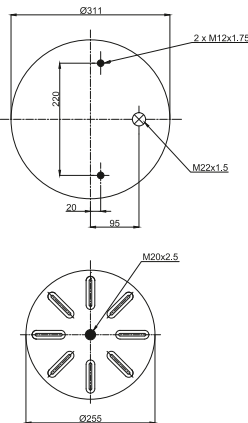
OEM PART NUMBER	MODEL NO	CROSS REFERENCES
Gigant 166252		Contitech 725 N P03
Gigant 3653 compl.		Primeride 5725 A P03
		Firestone Style 1T66D-10.8
		Firestone No. W01-M58-8610
		Vibracoustic VIDF32-166252
		Dunlop F D14B43
		Gart Ref. C292/S

RML 7836 C5

Cross Section View



Top View

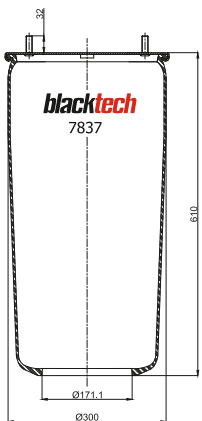


- Bolt of Stud
- Threaded hole
- ⊗ Combination Stud
- ⊗ Air Inlet

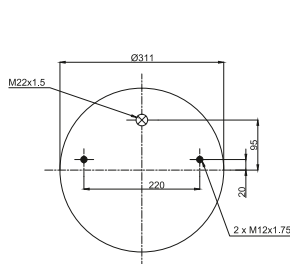
OEM PART NUMBER	MODEL NO	CROSS REFERENCES
Gigant 166217		Contitech 725 N P02
Gigant 3653 compl.		Primeride 5725 A P02
		Firestone Style 1T66E-10.8
		Firestone No. W01-M58-8969
		Vibracoustic VIDF32-166217
		Dunlop F D14B40
		Gart Ref. C292/S
		Gart No. 292.1534

RML 7837

Cross Section View



Top View



- Bolt of Stud
- Threaded hole
- ⊗ Combination Stud
- ⊗ Air Inlet

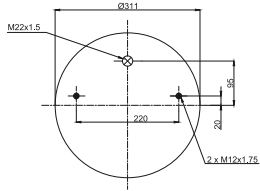
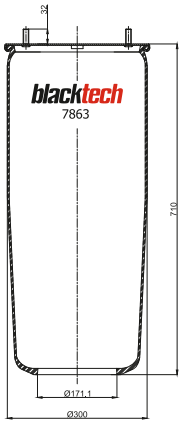
OEM PART NUMBER	MODEL NO	CROSS REFERENCES
Gigant 246192		Contitech 726 N P01
Gigant 3661	726 N	Vibracoustic VIDF32C-166253



RML 7863

Cross Section View

Top View



- Bolt of Stud
- Threaded hole
- ⊗ Combination Stud
- ⊗ Air Inlet

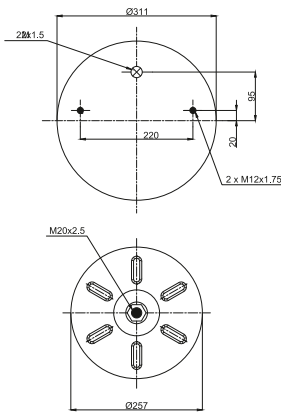
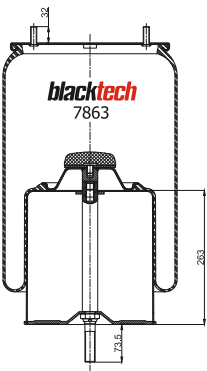
OEM PART NUMBER	MODEL NO	CROSS REFERENCES
Gigant 247100		Contitech 752 N P01
Gigant 3671		Vibracoustic V1DF32-166228

RML 7863 C



Cross Section View

Top View



- Bolt of Stud
- Threaded hole
- ⊗ Combination Stud
- ⊗ Air Inlet

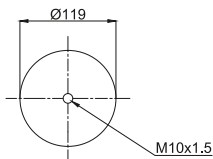
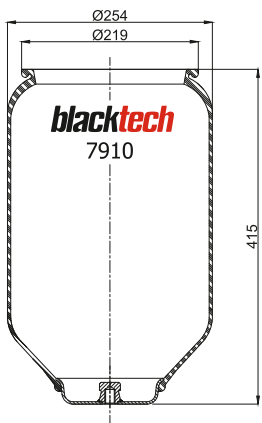
OEM PART NUMBER	MODEL NO	CROSS REFERENCES
Gigant 166228		Contitech 752 N P02

RML 7910 S



Cross Section View

Top View



- Bolt of Stud
- Threaded hole
- ⊗ Combination Stud
- ⊗ Air Inlet

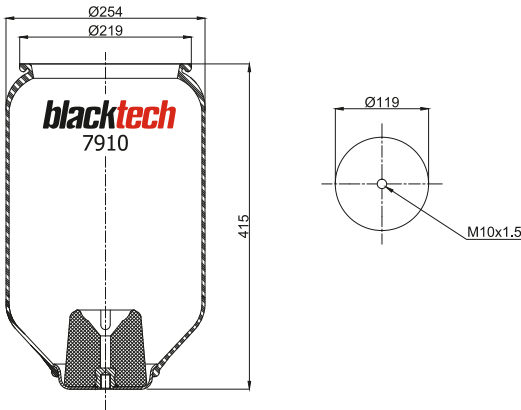
OEM PART NUMBER	MODEL NO	CROSS REFERENCES
Man 81.43601.0025	BUS	Contitech 809 NT
		Firestone Style 1T15L-6
		Firestone No. W01 M68 0031
		Phoenix 1D 23 B2
		CF Gomma Ref. 1T 320 SP
		CF Gomma No. 89753



RML 7910 SP

Cross Section View

Top View



● Bolt of Stud ○ Threaded hole ⊗ Combination Stud ⊗ Air Inlet

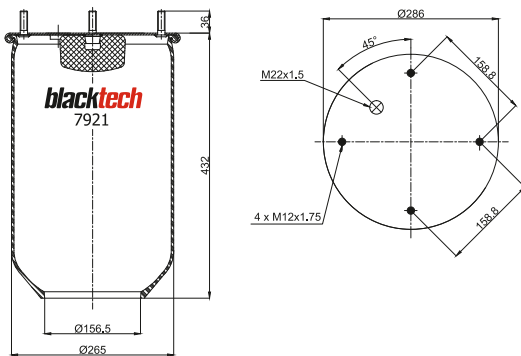
OEM PART NUMBER		MODEL NO	CROSS REFERENCES	
Man	81.43601.6002	SG 220/R - SL200 - SR240 R	Contitech	809 NTB
Man	81.43601.6023		Firestone Style	1T15L-6
Man	81.43601.6029		Firestone No.	W01M58 0687
Man	81.43601.0050		Phoenix	1D 23 C-1
BredaMenarini	178739		Goodyear	1R12-709
			Taurus	UR 504-13
			CF Gomma Ref.	1T 320 SP
			CF Gomma No.	89753

RML 7921



Cross Section View

Top View



● Bolt of Stud ○ Threaded hole ⊗ Combination Stud ⊗ Air Inlet

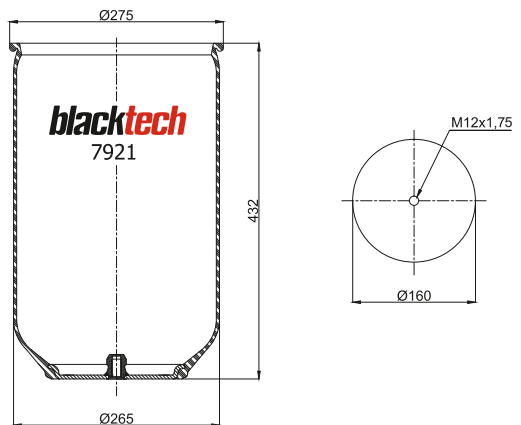
OEM PART NUMBER		MODEL NO	CROSS REFERENCES	
ROR		Service Assembly	Phoenix	1D 28 A-5 NP
SAF		2918 Service Assembly	Primeride	5810 A P02
Hendrickson		Service Assembly	Firestone Style	1T19L-7
Weweler		Service Assembly	Firestone No.	W01M58-7237
			Goodyear	1R14-868
			Taurus	RU621-26
			Vibracoustic	VID28A-5 NP
			Dunlop UK	PNP307520000

RML 7921S



Cross Section View

Top View



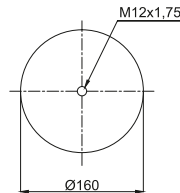
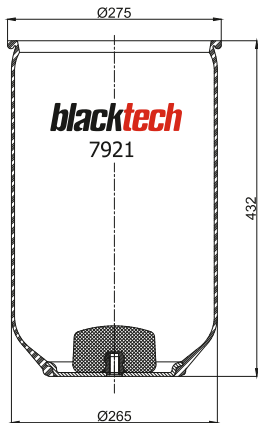
● Bolt of Stud ○ Threaded hole ⊗ Combination Stud ⊗ Air Inlet

OEM PART NUMBER		MODEL NO	CROSS REFERENCES	
Man	81.43601.0047		Contitech	810 NT
			Phoenix	1DK 28 A
			Firestone Style	1T19L-7
			Firestone No.	W01M58-0491
			Goodyear	1R14-714
			CF Gomma Ref.	1T19E-1S

RML 7921 SP

Cross Section View

Top View



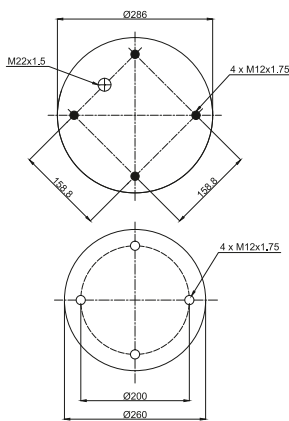
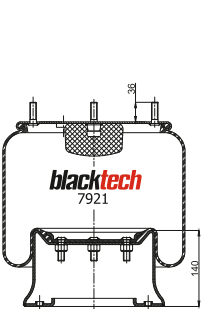
● Bolt of Stud ○ Threaded hole ⊗ Combination Stud ⊗ Air Inlet

OEM PART NUMBER	MODEL NO	CROSS REFERENCES
Man 81.43601.6019		Contitech 810 NTB
Pegaso 174933	6420/6424/6425/6430	Phoenix 1DK 28 A-4
		Firestone Style 1T19L7
		Firestone No. W01M58-0749
		Goodyear 1R14-713
		CF Gomma Ref. 1T19E-1
		CF Gomma No. 93702
		Dunlop UK PNP311380000


RML 7921 C

Cross Section View

Top View



● Bolt of Stud ○ Threaded hole ⊗ Combination Stud ⊗ Air Inlet

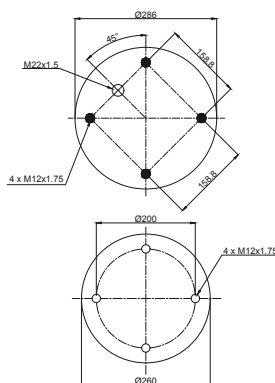
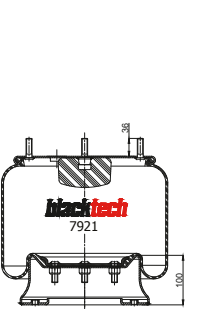


OEM PART NUMBER	MODEL NO	CROSS REFERENCES
DAF 1384 273		Contitech 810 MB
Hendrickson 506 243	Tecair	Phoenix 1 D 28 A-2
Hendrickson 506 243 / 01	Tecair	Primeride 5810 A P03
Hendrickson 785 168		Firestone Style 1T19L7
Neway 21215632		Firestone No. W01M58-6345
Renault 5.000.452.939		Firestone No. W01M58-8775
ROR 2120 8082		Goodyear 1R14-716
ROR 2121 5632	WFL 041	Taurus KR621-26
Trailor 650 4646 G		Vibracoustic VID28A-2
Trouillet HB 10 315		CF Gomma Ref. 1T19E-1
Volvo 1 080 707		CF Gomma No. 8743/1
Weweler 2120 8082		Dunlop F D13820
Weweler US 00622		Dunlop F D13801
Weweler US 07337		Dunlop UK 00984A-AP
Weweler US 87413	AC 041/115/134	
Weweler US 87413	AC 134 L/138	
Weweler US 874131		
SAF	2918 N P02	

RML 7921 C1

Cross Section View

Top View



● Bolt of Stud ○ Threaded hole ⊗ Combination Stud ⊗ Air Inlet

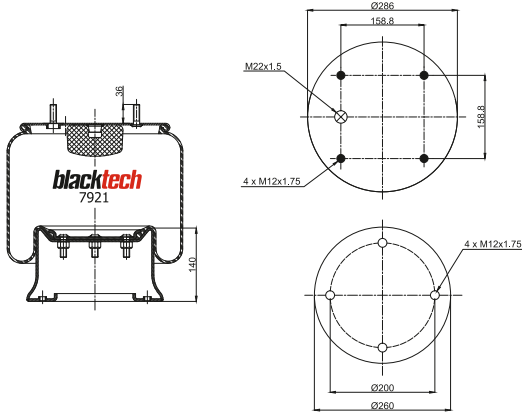
OEM PART NUMBER	MODEL NO	CROSS REFERENCES
Hendrickson		

RML 7921 G2



Cross Section View

Top View



● Bolt of Stud ○ Threaded hole ⊗ Combination Stud ⊗ Air Inlet

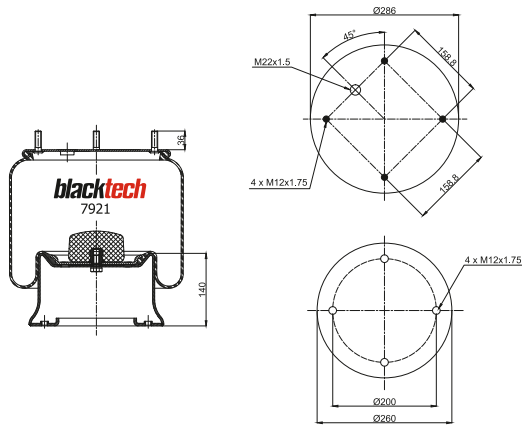
OEM PART NUMBER	MODEL NO	CROSS REFERENCES
Hendrickson		

RML 7921 G3



Cross Section View

Top View



● Bolt of Stud ○ Threaded hole ⊗ Combination Stud ⊗ Air Inlet

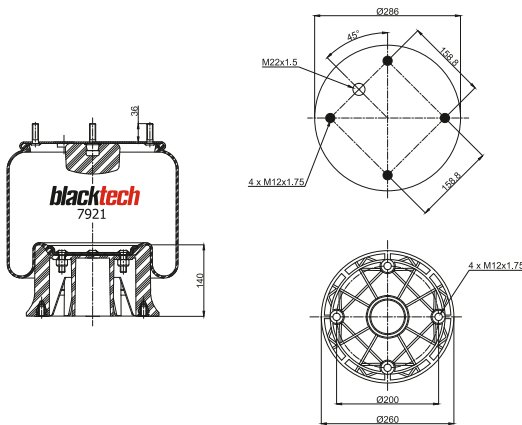
OEM PART NUMBER	MODEL NO	CROSS REFERENCES

RML 7921 CP



Cross Section View

Top View



● Bolt of Stud ○ Threaded hole ⊗ Combination Stud ⊗ Air Inlet

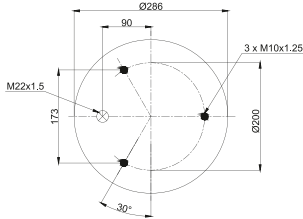
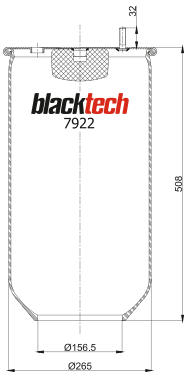
OEM PART NUMBER	MODEL NO	CROSS REFERENCES
Weweler	US 07337F	Contitech 810 MB Plastic Piston Firestone Style 1T19 L-7 Firestone No. W01 M68 8775



RML 7922

Cross Section View

Top View



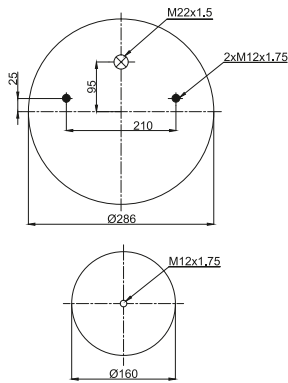
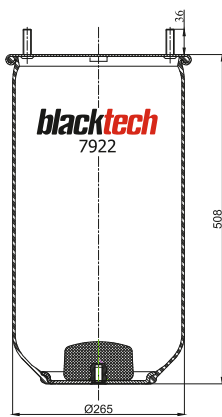
- Bolt of Stud
- Threaded hole
- ⊗ Combination Stud
- ⊗ Air Inlet

OEM PART NUMBER	MODEL NO	CROSS REFERENCES
DAF 67306		CF Gamma Ref. 1T 19E-2
DAF 676122		CF Gamma No. 207758

RML 7922-1

Cross Section View

Top View



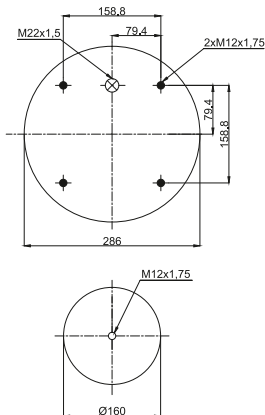
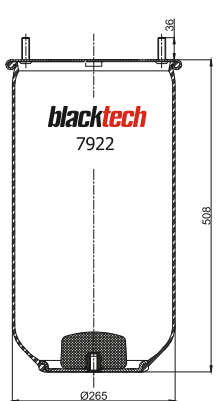
- Bolt of Stud
- Threaded hole
- ⊗ Combination Stud
- ⊗ Air Inlet

OEM PART NUMBER	MODEL NO	CROSS REFERENCES
DAF		

RML 7922-2

Cross Section View

Top View



- Bolt of Stud
- Threaded hole
- ⊗ Combination Stud
- ⊗ Air Inlet

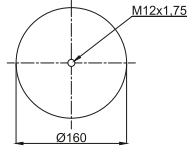
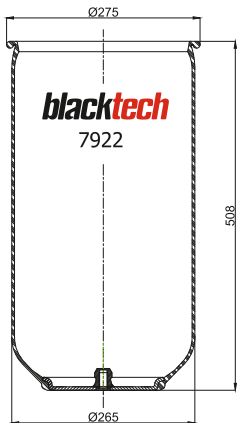
OEM PART NUMBER	MODEL NO	CROSS REFERENCES
DAF		



RML 7922 S

Cross Section View

Top View



● Bolt of Stud ○ Threaded hole ⊗ Combination Stud ⊗ Air Inlet

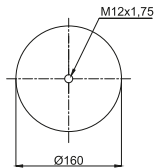
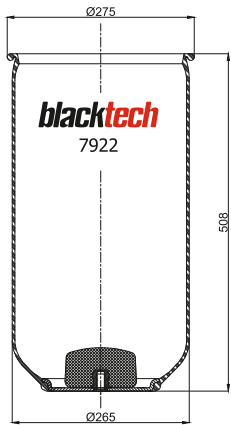
OEM PART NUMBER		MODEL NO	CROSS REFERENCES	
Man	81.43601.0035	SG 220	Contitech	811 NT
Man	81.43601.0048	SG 220 R	Goodyear	1R14 715

RML 7922 SP



Cross Section View

Top View



● Bolt of Stud ○ Threaded hole ⊗ Combination Stud ⊗ Air Inlet

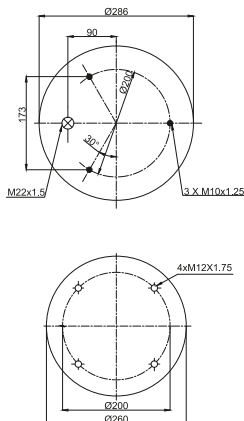
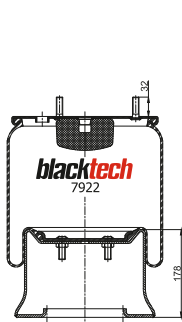
OEM PART NUMBER		MODEL NO	CROSS REFERENCES	
Man	81.43601.0035		Contitech	811 NTB
Man	81.43601.0048		Firestone Style	1T19L-10
Kassbohrer	4.731.029.000		Firestone No.	W01 M68 0747

RML 7922 C



Cross Section View

Top View



● Bolt of Stud ○ Threaded hole ⊗ Combination Stud ⊗ Air Inlet

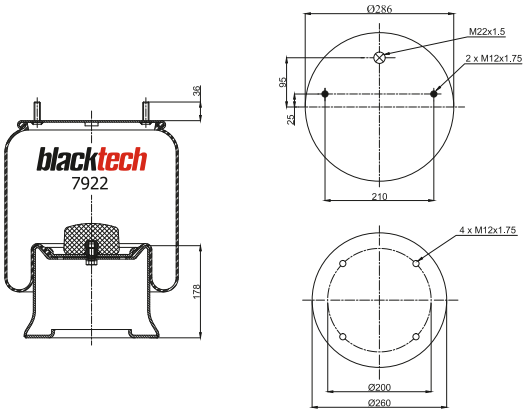
OEM PART NUMBER		MODEL NO	CROSS REFERENCES	
DAF	1384.274	FA 3000	Contitech	811 MB
Renault	5.000.745.918		Goodyear	1R14-718
			CF Gomma Ref.	1T19E-2
			CF Gomma No.	203878
			Dunlop F	D13B34
			Dunlop UK	PNP31167/0000
			Gart Ref.	D277
			Gart No.	2774.506



RML 7922 C1

Cross Section View

Top View



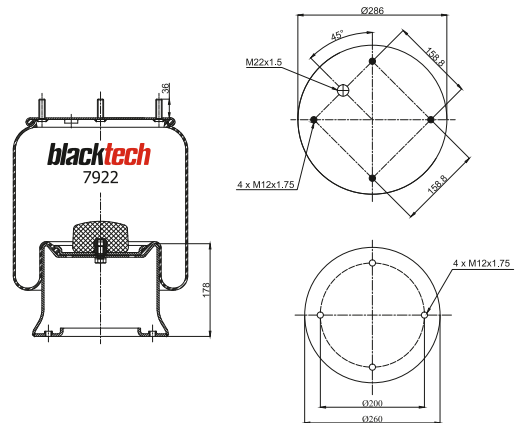
● Bolt of Stud ○ Threaded hole ⊗ Combination Stud ⊗ Air Inlet

OEM PART NUMBER	MODEL NO	CROSS REFERENCES
DAF		

RML 7922 C2

Cross Section View

Top View



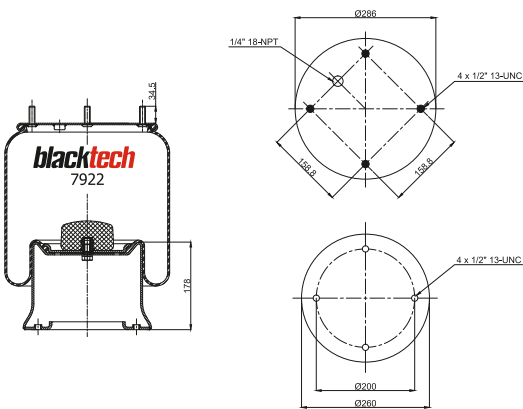
● Bolt of Stud ○ Threaded hole ⊗ Combination Stud ⊗ Air Inlet

OEM PART NUMBER	MODEL NO	CROSS REFERENCES
Campana 05.020.0105		Gart Ref. D287
Campana 28100006		Gart No. 2874.522

RML 7922 C3

Cross Section View

Top View



● Bolt of Stud ○ Threaded hole ⊗ Combination Stud ⊗ Air Inlet

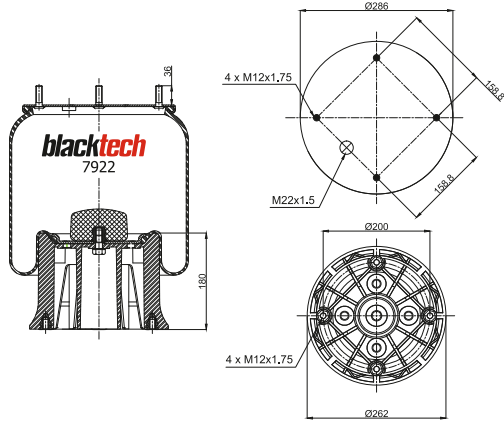
OEM PART NUMBER	MODEL NO	CROSS REFERENCES
Campana 05.020.0105		Gart Ref. D287
Campana 28100006		Gart No. 2874.522 (UNC)

RML 7922 CP2



Cross Section View

Top View



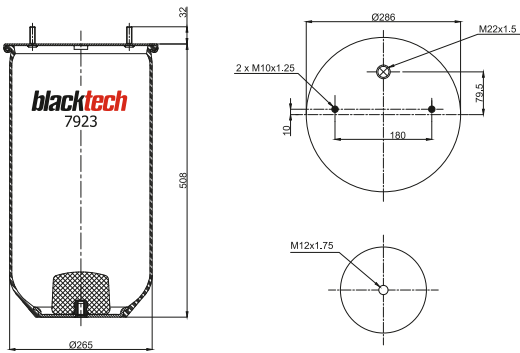
● Bolt of Stud ○ Threaded hole ⊗ Combination Stud ⊗ Air Inlet

OEM PART NUMBER	MODEL NO	CROSS REFERENCES
Campana 05.020.0105		Gart Ref. D287
Campana 28100006		Gart No. 2874522 (Plastic Piston)

RML 7923

Cross Section View

Top View



● Bolt of Stud ○ Threaded hole ⊗ Combination Stud ⊗ Air Inlet

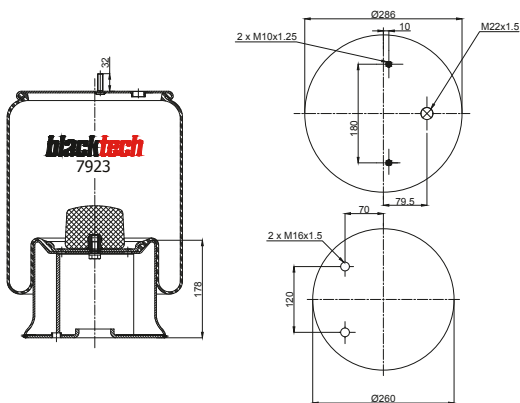
OEM PART NUMBER	MODEL NO	CROSS REFERENCES
Viberti		
Acerbi / Viberti		
Zorzi		

RML 7923 C



Cross Section View

Top View



● Bolt of Stud ○ Threaded hole ⊗ Combination Stud ⊗ Air Inlet

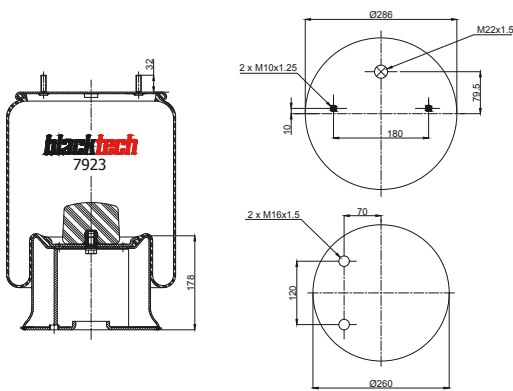
OEM PART NUMBER	MODEL NO	CROSS REFERENCES
Viberti 128147124		CF Gamma Ref. 1119 E2
Acerbi / Viberti 12814007		CF Gamma No. 97730
Zorzi 1006565		



RML 7923 C1

Cross Section View

Top View



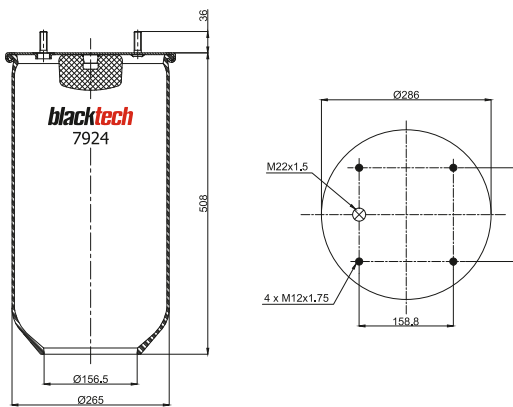
● Bolt of Stud ○ Threaded hole ⊗ Combination Stud ⊗ Air Inlet

OEM PART NUMBER	MODEL NO	CROSS REFERENCES
Cardi 58050700		Gart Ref. D277/2F
DAF 67306		Gart No. 2772.500
Omar 11804		
Rolfo 112060		
Viberti 128147102		
Zorzi 1006553		

RML 7924

Cross Section View

Top View



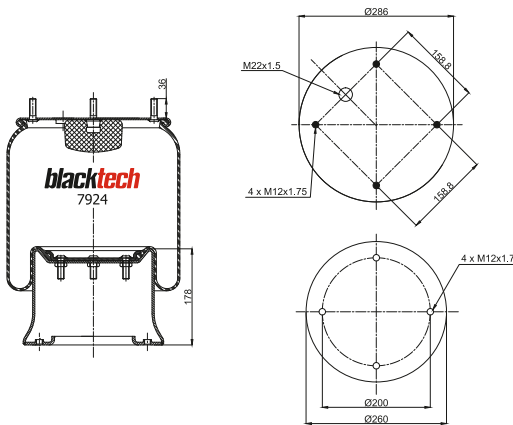
● Bolt of Stud ○ Threaded hole ⊗ Combination Stud ⊗ Air Inlet

OEM PART NUMBER	MODEL NO	CROSS REFERENCES
ROR	Service Assembly	Contitech 813 MB/O
Hendrickson	Service Assembly	Phoenix 1 D 28 B-5 NP
Weweler	Service Assembly	Primeride 5813 A P02
		Firestone Style 1T19L-11
		Firestone No. W01-M58-7238
		Goodyear 1R14-867
		Taurus UR622-26
		Vibracoustic VID28B-2 NP

RML 7924 C

Cross Section View

Top View



● Bolt of Stud ○ Threaded hole ⊗ Combination Stud ⊗ Air Inlet

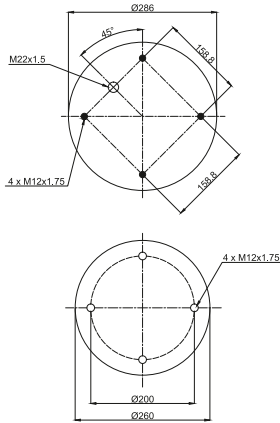
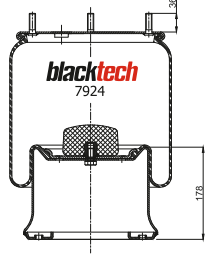
OEM PART NUMBER	MODEL NO	CROSS REFERENCES
Hendrickson 505 859	Airpoise <86	Contitech 813 MB
Hendrickson 505 859 / 01	Tecair	Phoenix 1 D 28 B-2
Hendrickson 785 170		Primeride 5813 A P03
Kässbohrer 4.731.030.000		Firestone Style 1T19L-11
Kässbohrer 4.731.033.000		Firestone No. W01-M58-6364
Paul NFZ P2700MB0813		Firestone No. W01-M58-6339
Pegaso 175005	Troner	Goodyear 1R14-705
Renault 5.000.790.692		Goodyear 1R14-867
Renault 5.010.130.925		Taurus KR622-26
SAE 8403 / 102		Vibracoustic VID28B-2
Titan 916 8770 0000		CF Gamma Ref. 1T19E-2
Trailor 003 6158 E		CF Gamma No. 87408
Trailor 6502 3482		Dunlop F D13B19
Trouillet ST 225-675		Dunlop F D13B02
Viberti 128 147 122		Dunlop UK 00985A-AP
Viberti 644 285		Gart Ref. D277/B
Weweler US 07345		Gart Ref. D287/A
Weweler US 87408		Gart No. 2774.500
ROR 21215633		Gart No. 2874.510
SAF	2923	



RML 7924 C1

Cross Section View

Top View



- Bolt of Stud
- Threaded hole
- ⊗ Combination Stud
- ⊗ Air Inlet

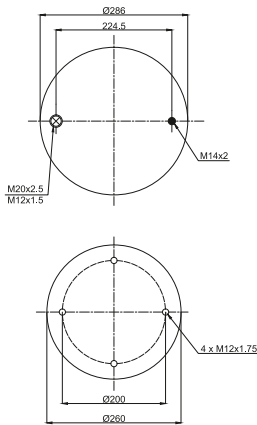
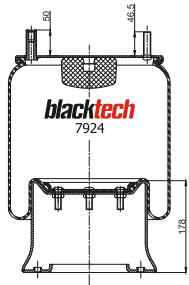
OEM PART NUMBER	MODEL NO	CROSS REFERENCES

RML 7924 C2



Cross Section View

Top View



- Bolt of Stud
- Threaded hole
- ⊗ Combination Stud
- ⊗ Air Inlet

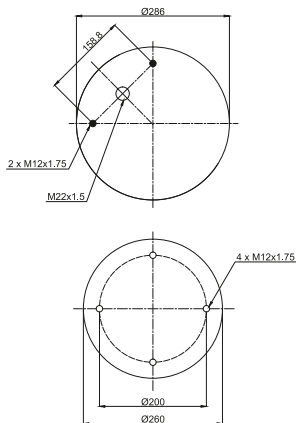
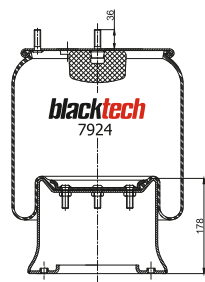
OEM PART NUMBER	MODEL NO	CROSS REFERENCES

RML 7924 C3



Cross Section View

Top View



- Bolt of Stud
- Threaded hole
- ⊗ Combination Stud
- ⊗ Air Inlet

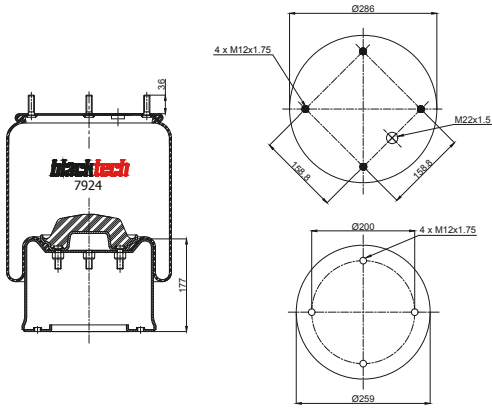
OEM PART NUMBER	MODEL NO	CROSS REFERENCES

RML 7924 C4



Cross Section View

Top View



- Bolt of Stud
- Threaded hole
- ⊗ Combination Stud
- ⊗ Air Inlet

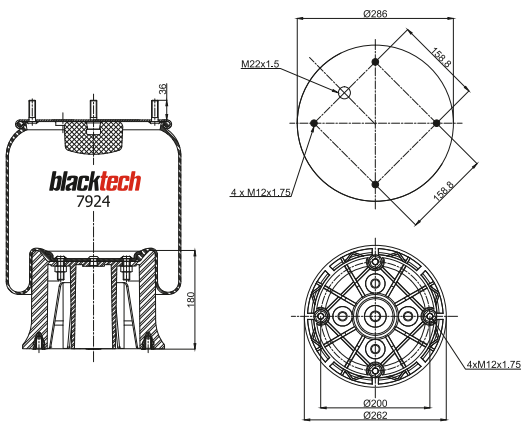
OEM PART NUMBER	MODEL NO	CROSS REFERENCES
SAF	2923 D 250	

RML 7924 CP



Cross Section View

Top View



- Bolt of Stud
- Threaded hole
- ⊗ Combination Stud
- ⊗ Air Inlet

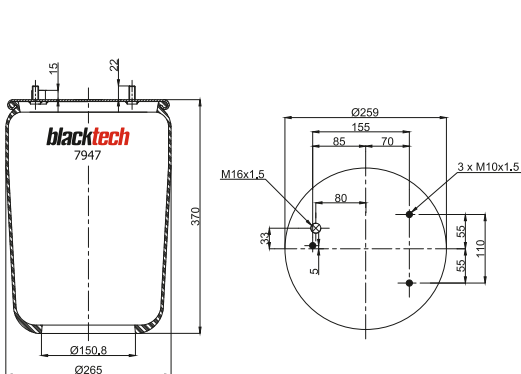
OEM PART NUMBER	MODEL NO	CROSS REFERENCES

RML 7947



Cross Section View

Top View



- Bolt of Stud
- Threaded hole
- ⊗ Combination Stud
- ⊗ Air Inlet

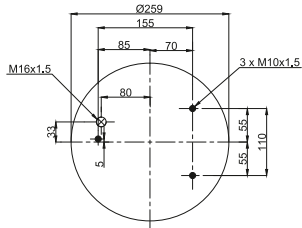
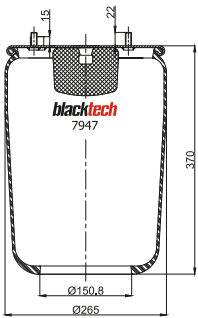
OEM PART NUMBER	MODEL NO	CROSS REFERENCES
DAF	0 067 504	Contitech 836 M
VDL	0 067 504	Bus Phoenix 1 DF 25-1 NP
		Primeride 5836 A1
		Firestone Style 1T17AR-4.5
		Firestone No. W01-D08-0776
		Firestone No. W01-M58-0776
		Goodyear 1R12-700
		Taurus UR721-01
		Vibracoustic V1DF25-1
		Dunlop F D13U32
		Gart Ref. C302
		Gart No. 302.0.376



RML 7947-1

Cross Section View

Top View



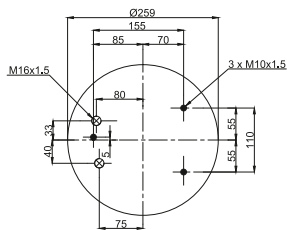
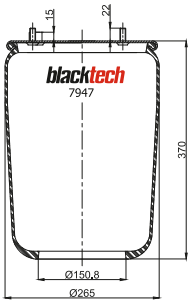
● Bolt of Stud ○ Threaded hole ⊗ Combination Stud ⊗ Air Inlet

OEM PART NUMBER		MODEL NO	CROSS REFERENCES	
DAF	0 513 985		Contitech	836 MB
VDL	0 513 985	Bus	Phoenix	1DF 25-4 NP
			Firestone Style	1T17AR-4.5
			Firestone No.	W01-M58-0775
			Goodyear	1R12-764
			Taurus	UR721-04
			Vibracoustic	V1DF25-4
			Dunlop F	D12U27

RML 7947-2

Cross Section View

Top View



● Bolt of Stud ○ Threaded hole ⊗ Combination Stud ⊗ Air Inlet

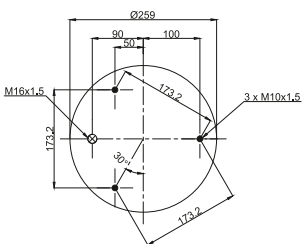
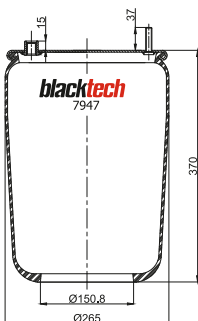
OEM PART NUMBER		MODEL NO	CROSS REFERENCES	
DAF	0 513 982		Contitech	836 M2
VDL	0 513 982	Bus	Phoenix	1DF 25-3 NP
			Primeride	5836 A2
			Firestone Style	1T17AR-4.5
			Firestone No.	W01-D08-0777
			Firestone No.	W01-M58-0777
			Goodyear	1R12-710
			Taurus	UR721-03
			Vibracoustic	V1DF25-3
			Dunlop F	D13U31
			Gart Ref.	C302
			Gart No.	302.0.376/2



RML 7947-11

Cross Section View

Top View



● Bolt of Stud ○ Threaded hole ⊗ Combination Stud ⊗ Air Inlet

OEM PART NUMBER		MODEL NO	CROSS REFERENCES	
BMC	53RS900061	Bus	Vibracoustic	V1DF26-4711

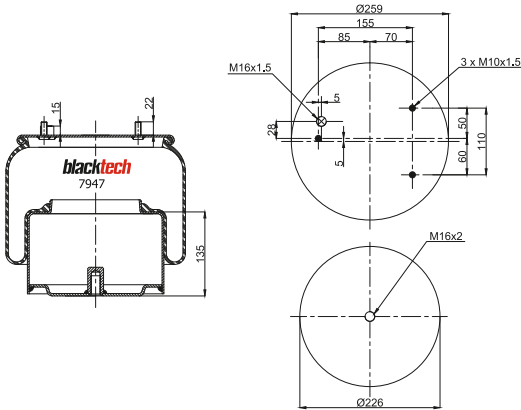




RML7947C1

Cross Section View

Top View



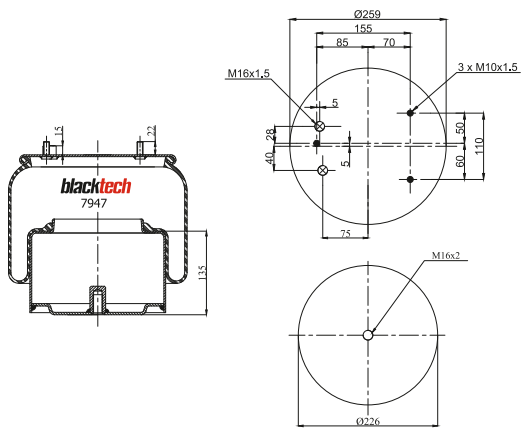
● Bolt of Stud ○ Threaded hole ⊗ Combination Stud ⊗ Air Inlet

OEM PART NUMBER		MODEL NO	CROSS REFERENCES	
DAF	0 388 165		Contitech	836 M K1
DAF	1 697 678	CF 65	Phoenix	1DF 25-11
DAF	1 697 678	CF 75-85	Primeride	5836 A1P01
DAF	1 697 678	LF 45-55	Firestone Style	1T17AR-4.5
DAF	1 697 678	XF 95-105	Firestone No.	W01-M58-8722
DAF	1529 833		Goodyear	1R12-712
			Taurus	KR721-06
			Vibracoustic	V1DF25-11
			Dunlop F	D13B32
			Gart Ref.	C302
			Gart No.	302.1375

RML7947-2 C1

Cross Section View

Top View



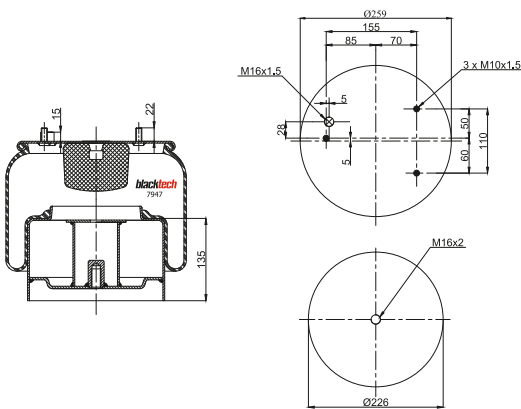
● Bolt of Stud ○ Threaded hole ⊗ Combination Stud ⊗ Air Inlet

OEM PART NUMBER		MODEL NO	CROSS REFERENCES	
DAF	0 388 167		Contitech	836 M2 K1
			Phoenix	1DF 25-13
			Primeride	5836 A2 P01
			Firestone Style	1T17AR-4.5
			Firestone No.	W01-M58-8721
			Goodyear	1R12-711
			Taurus	KR721-03
			Vibracoustic	V1DF25-13
			Dunlop F	D13B31
			Gart Ref.	C302
			Gart No.	302.1375/2

RML7947C4

Cross Section View

Top View



● Bolt of Stud ○ Threaded hole ⊗ Combination Stud ⊗ Air Inlet

OEM PART NUMBER		MODEL NO	CROSS REFERENCES	
VDL	0 377 498	Bus	Contitech	836 MB K4
			Phoenix	1DF 25-14
			Firestone Style	1T17AR-4.5
			Firestone No.	W01-D08-8705
			Vibracoustic	V1DF25-14

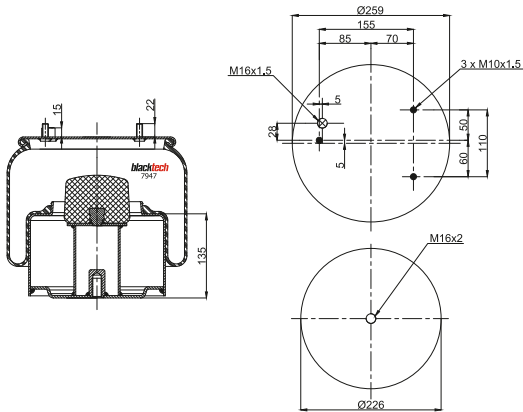




RML 7947 C6

Cross Section View

Top View



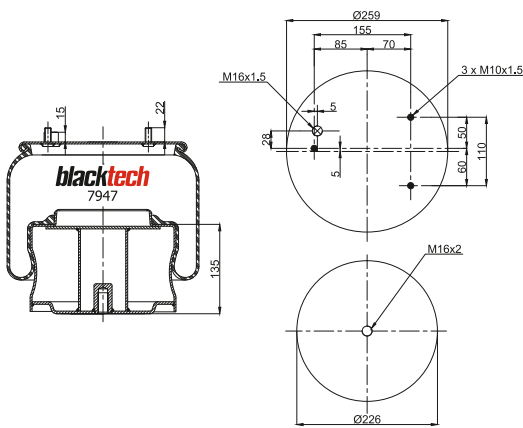
- Bolt of Stud
- Threaded hole
- ⊗ Combination Stud
- ⊗ Air Inlet

OEM PART NUMBER		MODEL NO	CROSS REFERENCES	
DAF	0 526 651		Contitech	836 MB K6
VDL Bus	0 526 651		Phoenix	1DF 25-15
			Firestone Style	1T17AR-4.5
			Firestone No.	W01 M58-8701
			Goodyear	1R12-768
			Taurus	KR721-05
			Vibracoustic	V1DF25-15
			Dunlop F	D13B43

RML 7947 C7

Cross Section View

Top View



- Bolt of Stud
- Threaded hole
- ⊗ Combination Stud
- ⊗ Air Inlet

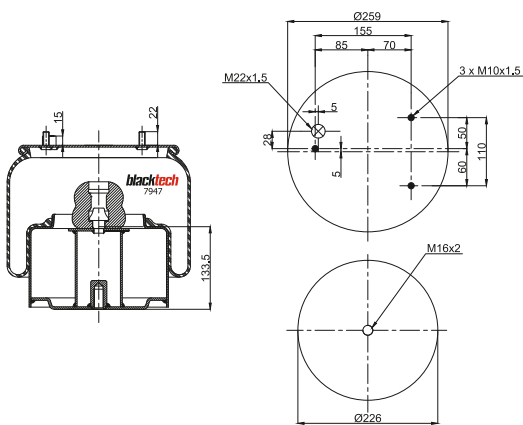
OEM PART NUMBER		MODEL NO	CROSS REFERENCES	
DAF	0 297 721		Contitech	836 M K7
			Firestone Style	1T17AR-4.5
			Firestone No.	W01 M58-8715
			Phoenix	1DF 25-12
			Dunlop F	D13B33
			Goodyear	1R12-723
			Vibracoustic	V1DF 25-12



RML 7947 C8

Cross Section View

Top View



- Bolt of Stud
- Threaded hole
- ⊗ Combination Stud
- ⊗ Air Inlet

OEM PART NUMBER		MODEL NO	CROSS REFERENCES	
VDL	1153 933	Bus	Contitech	836 N P05
			Vibracoustic	V1DF26-85805

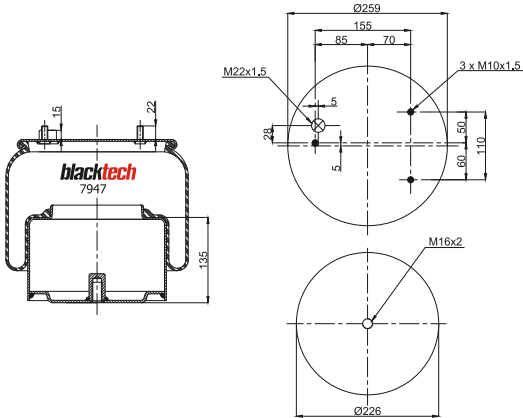




RML 7947 C9

Cross Section View

Top View



- Bolt of Stud
- Threaded hole
- ⊗ Combination Stud
- ⊗ Air Inlet

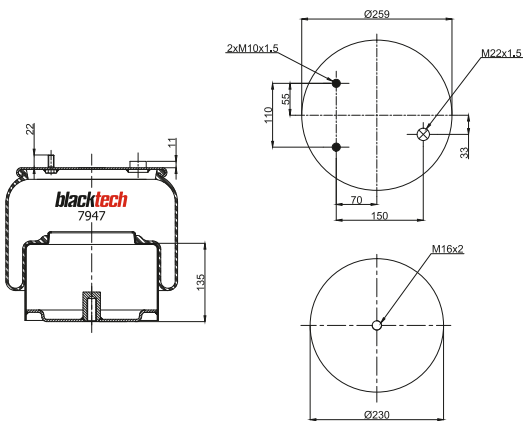
OEM PART NUMBER		MODEL NO	CROSS REFERENCES	
VDL	1153 934	Bus	Contitech	836 N P06
DAF	1152221		Vibracoustic	VIDF26-85806

RML 7947 C10



Cross Section View

Top View



- Bolt of Stud
- Threaded hole
- ⊗ Combination Stud
- ⊗ Air Inlet

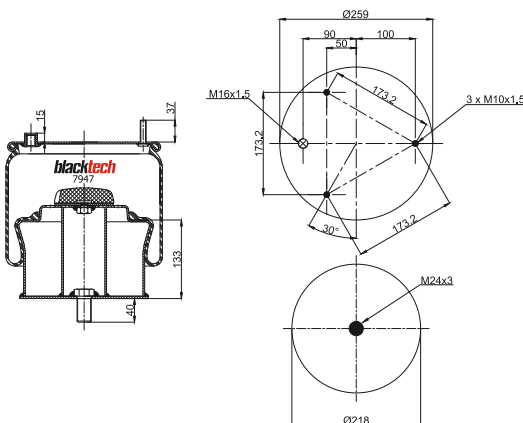
OEM PART NUMBER		MODEL NO	CROSS REFERENCES	
DAF	1794420		Contitech	836 N P10
			Vibracoustic	VIDF26-85810

RML 7947 C11



Cross Section View

Top View



- Bolt of Stud
- Threaded hole
- ⊗ Combination Stud
- ⊗ Air Inlet

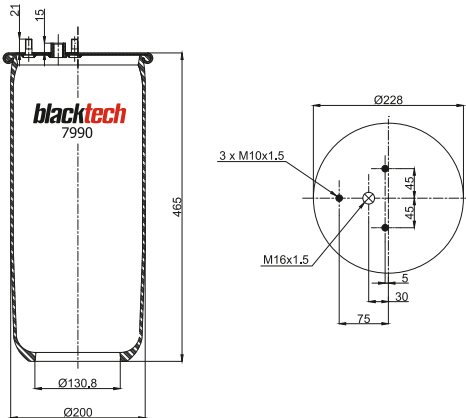
OEM PART NUMBER		MODEL NO	CROSS REFERENCES	
BMC	53RS900061	Bus		



RML 7990

Cross Section View

Top View



● Bolt of Stud ○ Threaded hole ⊗ Combination Stud ⊗ Air Inlet

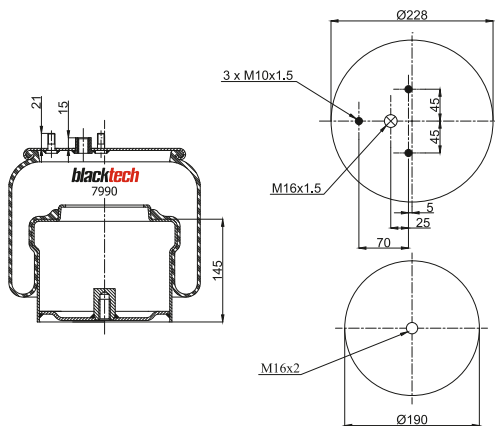
OEM PART NUMBER		MODEL NO	CROSS REFERENCES	
DAF	1276 846	XF 95-105	Contitech	889 M
			Firestone Style	1T15LLR-5
			Firestone No.	W01-M58-0781
			Goodyear	1R11-842
			Vibracoustic	V1DF16d-911NP

RML 7990 C2



Cross Section View

Top View



● Bolt of Stud ○ Threaded hole ⊗ Combination Stud ⊗ Air Inlet

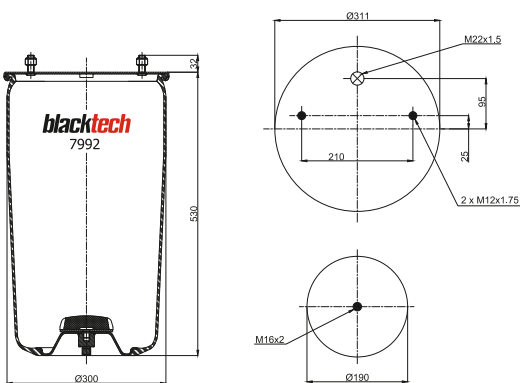
OEM PART NUMBER		MODEL NO	CROSS REFERENCES	
DAF	1279 141		Contitech	889 M K2
DAF	1698 434	CF 65	Firestone Style	1T15LLR-5
DAF	1698 434	CF 75-85	Firestone No.	W01-M58-8679
DAF	1698 434	LF 45-55	Goodyear	1R11-843
DAF	1698 434	XF 95-105	Vibracoustic	V1DF16d-911

RML 7992



Cross Section View

Top View



● Bolt of Stud ○ Threaded hole ⊗ Combination Stud ⊗ Air Inlet

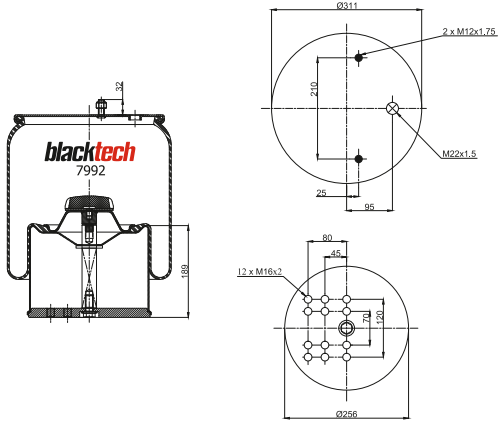
OEM PART NUMBER		MODEL NO	CROSS REFERENCES	
BPW	05.429.40.010	36	Contitech	881 MB
			Phoenix	1DK 32
			Primeride	5881 A P02
			Firestone Style	1T166D-10.8
			Firestone No.	W01-M58-8978
			Goodyear	1R14-708
			Taurus	UR836-01
			Vibracoustic	V1DK32
			CF Gamma Ref.	1TC360-45
			CF Gamma No.	204530
			Dunlop F	D14U36
			Gart Ref.	C292
			Gart No.	292.0.531

RML 7992 C



Cross Section View

Top View



● Bolt of Stud ○ Threaded hole ⊗ Combination Stud ⊗ Air Inlet

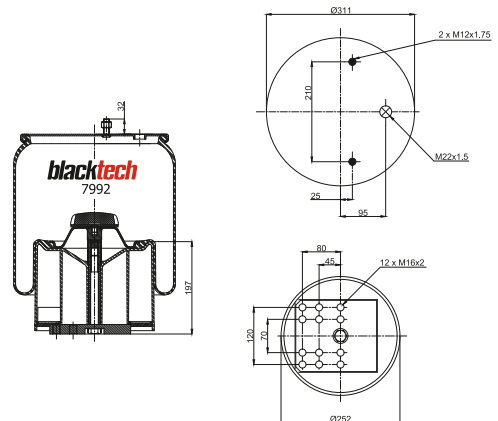
OEM PART NUMBER	MODEL NO	CROSS REFERENCES
BPW 36 05.429.40.071		Contitech 881 MB P30 (Metal)
BPW 36 05.429.40.141		Firestone Style 1T66F-10.8
BPW 36 05.429.40.241		Firestone No. W01M58 8966
BPW 36 05.429.40.391		Phoenix 1DK 32-1
BPW 36 05.429.40.471		Dunlop F D14B36
BPW 36 05.429.40.501		Goodyear 1R14-712
BPW 36 05.429.40.611		
BPW 36 05.429.41.211		
BPW 36 05.429.41.361		
BPW 36 05.429.41.421		

RML 7992 CP



Cross Section View

Top View



● Bolt of Stud ○ Threaded hole ⊗ Combination Stud ⊗ Air Inlet

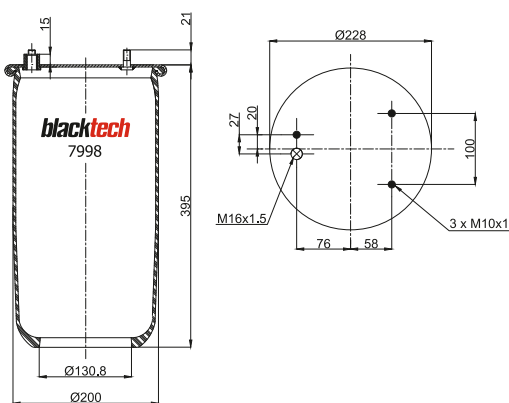
OEM PART NUMBER	MODEL NO	CROSS REFERENCES
BPW 05.429.43.51.0		Contitech 881 MB P30
HüfferMann 6-AB8003-0100		Phoenix 1DK 32-2
Schmitz 750 496		Primeride 5881 A P04
Schmitz 751 549		Firestone Style 1T66F-10.8
Scania 2198330		Firestone No. W01M58-8667
		Goodyear 1R14-748
		Vibracoustic VIDK32 Y9
		CF Gamma Ref. 1TC360-45
		CF Gamma No. 206357
		Dunlop F D14B41
		Gart Ref. C292
		Gart No. 292.2.532

RML 7998



Cross Section View

Top View



● Bolt of Stud ○ Threaded hole ⊗ Combination Stud ⊗ Air Inlet

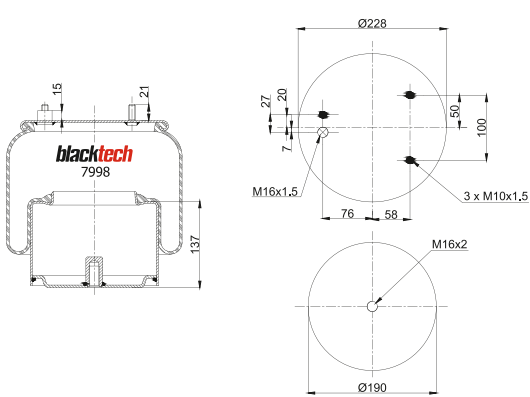
OEM PART NUMBER	MODEL NO	CROSS REFERENCES
DAF 0 513 983		Contitech 887 M
VDL Bus 0 513 983		Firestone Style 1T15LNR-3
		Firestone No. W01M58-0780
		Goodyear 1R11-796
		Dunlop F D11U41



RML 7998 C1

Cross Section View

Top View



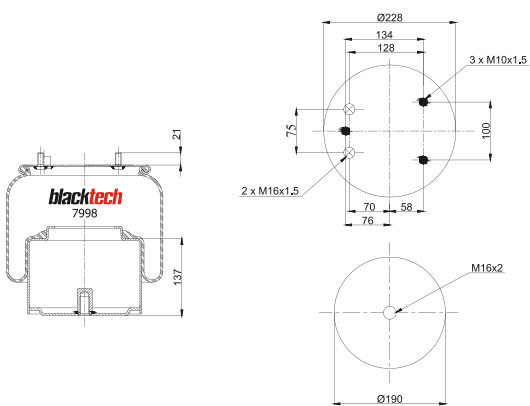
● Bolt of Stud ○ Threaded hole ⊗ Combination Stud ⊗ Air Inlet

OEM PART NUMBER		MODEL NO	CROSS REFERENCES	
DAF	0 392 022		Contitech	887 MK1
DAF	1697 684		Firestone Style	1T15LNR-3
DAF	1697 684	CF 75-85	Firestone No.	W01-M58-8683
DAF	1697 684	XF 95-105	Goodyear	1R11-798
DAF	0 392 011		Vibracoustic	VIDF18-2
DAF	1529 834			

RML 7998-2 C1

Cross Section View

Top View



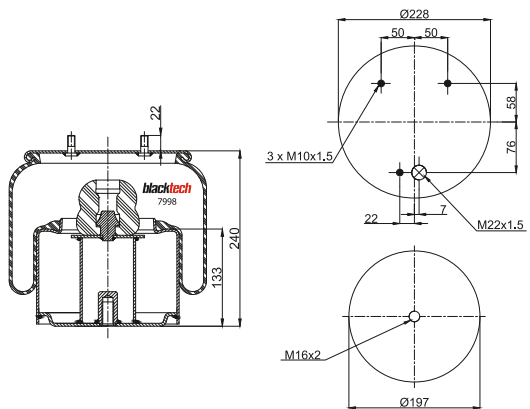
● Bolt of Stud ○ Threaded hole ⊗ Combination Stud ⊗ Air Inlet

OEM PART NUMBER		MODEL NO	CROSS REFERENCES	
DAF				

RML 7998 C3

Cross Section View

Top View



● Bolt of Stud ○ Threaded hole ⊗ Combination Stud ⊗ Air Inlet

OEM PART NUMBER		MODEL NO	CROSS REFERENCES	
VDL Bus	1153 935	SB 120	Contitech	887 N P03
VDL Bus	1153 935	SB 180	Firestone No.	W01-M58-5786
VDL Bus	1153 935	SB 200	Goodyear	1R11-888

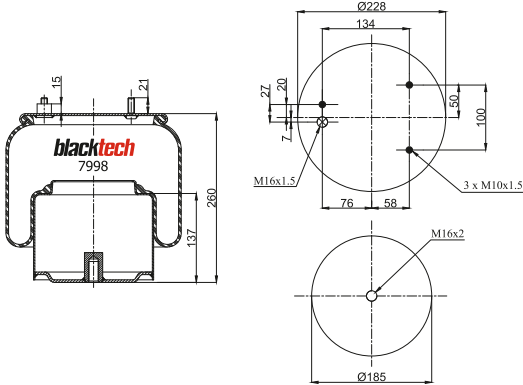




RML 7998 C4

Cross Section View

Top View



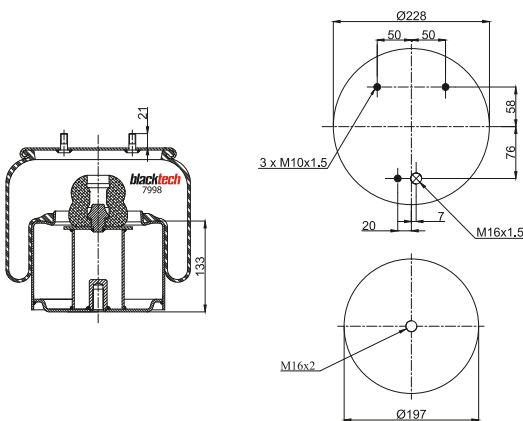
● Bolt of Stud ○ Threaded hole ⊗ Combination Stud ⊗ Air Inlet

OEM PART NUMBER	MODEL NO	CROSS REFERENCES
DAF 1286 251		Contitech 887 MK4
DAF 1697 680	CF 65	Firestone Style 1T15LNR-3
DAF 1697 680	CF 75-85	Firestone No. W01-M58-8681
DAF 1697 680	LF 45-55	
DAF 1697 680	XF 95-105	
DAF 1529 837		

RML 7998 C6

Cross Section View

Top View



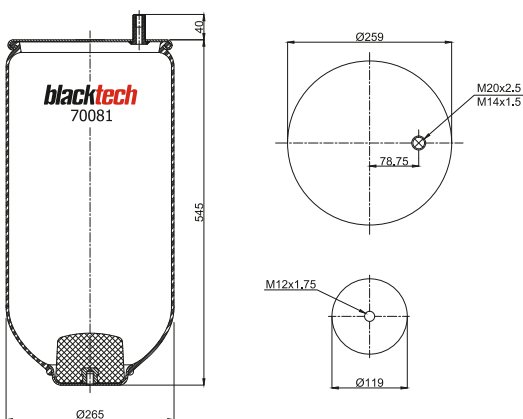
● Bolt of Stud ○ Threaded hole ⊗ Combination Stud ⊗ Air Inlet

OEM PART NUMBER	MODEL NO	CROSS REFERENCES
VDL Bus 1141 525		Contitech 887 N PD4
VDL Bus 1154 761		Firestone Style
VDL Bus 41 141 525		Firestone No. W01-M58-5785
VDL Bus 41 154 761		Goodyear 1R11-797
		Vibracoustic VIDF18-3

RML 70081

Cross Section View

Top View



● Bolt of Stud ○ Threaded hole ⊗ Combination Stud ⊗ Air Inlet

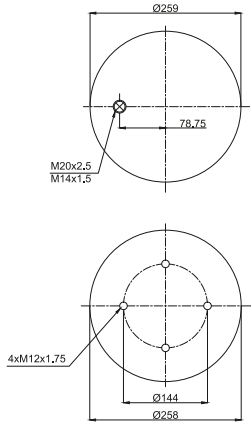
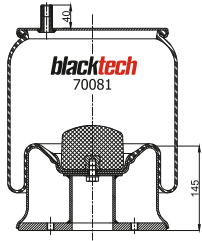
OEM PART NUMBER	MODEL NO	CROSS REFERENCES

RML70081C



Cross Section View

Top View



- Bolt of Stud
- Threaded hole
- ⊗ Combination Stud
- ⊗ Air Inlet

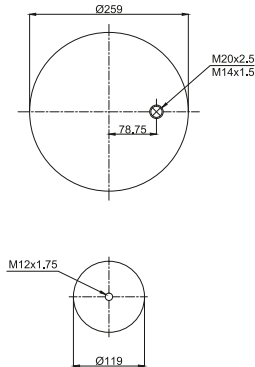
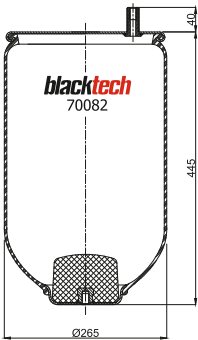
OEM PART NUMBER		MODEL NO	CROSS REFERENCES	
Daimler Tas	A 946 328 04 01	HT250	Firestone Style	1T17B-11
Hendrickson	HS 251087		Firestone No.	W01 M68 8747
Samro	H2500915		Dunlop F	D13B42
			Goodyear	1R13-150
			Goodyear	1R13-148
			Vibracoustic	V1 DK25-8747
			Phoenix	1 DK 25-1 (old 1 DK 25-8747)

RML70082



Cross Section View

Top View



- Bolt of Stud
- Threaded hole
- ⊗ Combination Stud
- ⊗ Air Inlet

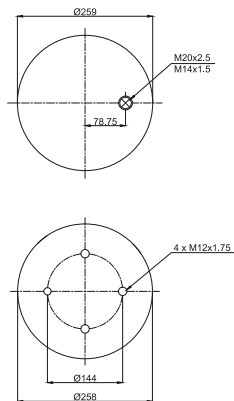
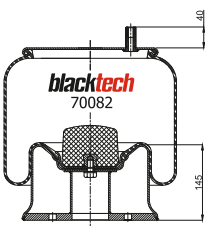
OEM PART NUMBER		MODEL NO	CROSS REFERENCES	
Hendrickson				

RML70082C



Cross Section View

Top View



- Bolt of Stud
- Threaded hole
- ⊗ Combination Stud
- ⊗ Air Inlet

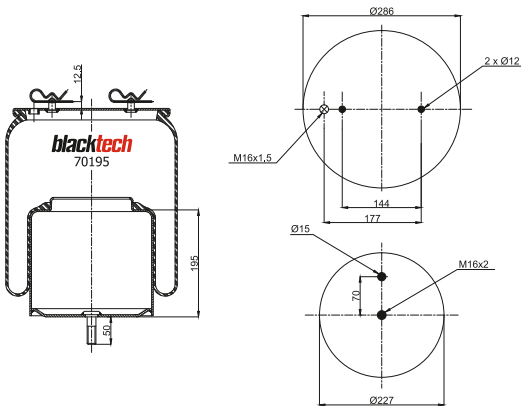
OEM PART NUMBER		MODEL NO	CROSS REFERENCES	
Hendrickson			Vibracoustic	VIDK25s-082



RML 70195 C

Cross Section View

Top View



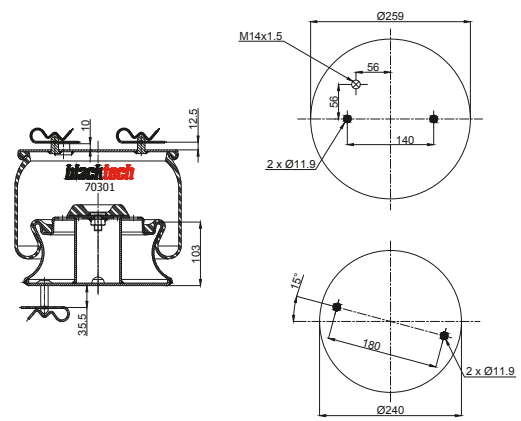
● Bolt of Stud ○ Threaded hole ⊗ Combination Stud ⊗ Air Inlet

OEM PART NUMBER		MODEL NO	CROSS REFERENCES	
Scania	1510195		Vibracoustic	VDF25s-195

RML 70301C

Cross Section View

Top View



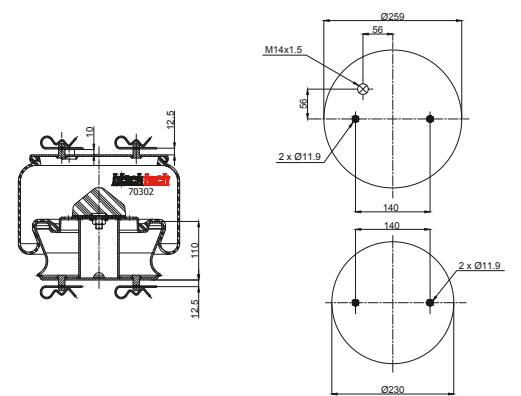
● Bolt of Stud ○ Threaded hole ⊗ Combination Stud ⊗ Air Inlet

OEM PART NUMBER		MODEL NO	CROSS REFERENCES	
Scania	1440301	Bus	Firestone Style	1T15M-4
			Firestone No.	W01-095-0389
			Goodyear	1R13-746
			Phoenix	1DF23 B-1
			Gart Ref.	D278/NA
			Gart No.	278.2.300

RML 70302C

Cross Section View

Top View



● Bolt of Stud ○ Threaded hole ⊗ Combination Stud ⊗ Air Inlet

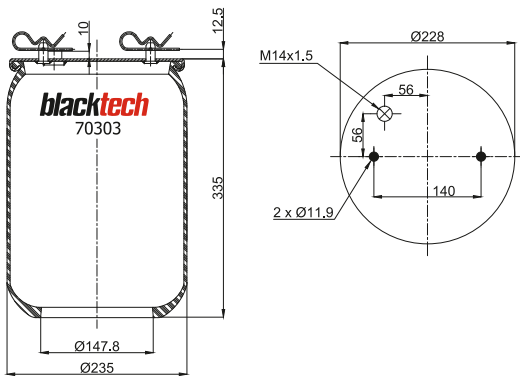
OEM PART NUMBER		MODEL NO	CROSS REFERENCES	
Scania	1440302	Bus	Firestone Style	1T15VPR-3
			Firestone No.	W01-M58-8193
			Goodyear	1R12-809
			Phoenix	1DF23 A-1
			Gart Ref.	D278/N
			Gart No.	278.2.330
			Vibracoustic	VDF23a-302



RML 70303

Cross Section View

Top View



- Bolt of Stud
- Threaded hole
- ⊗ Combination Stud
- ⊗ Air Inlet

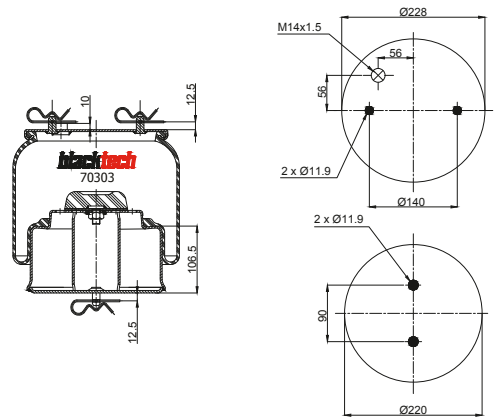
OEM PART NUMBER	MODEL NO	CROSS REFERENCES
Scania		

RML 70303C



Cross Section View

Top View



- Bolt of Stud
- Threaded hole
- ⊗ Combination Stud
- ⊗ Air Inlet

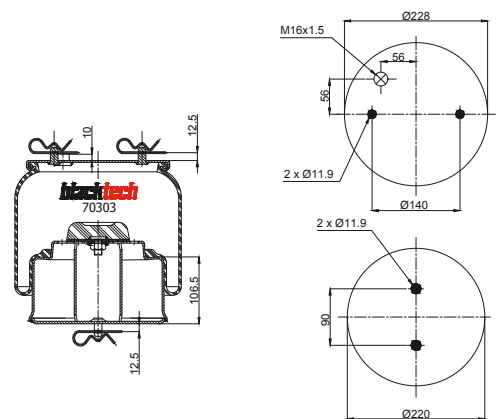
OEM PART NUMBER	MODEL NO	CROSS REFERENCES
Scania 1440303	Bus	Firestone Style 1T15L-4
Scania 1521114	Bus	Firestone No. W01-095-0422
		Goodyear 1R11-833
		Phoenix 1DF 20 C-1
		Gart Ref. D297/A
		Gart No. 2972.315

RML 70303C1



Cross Section View

Top View



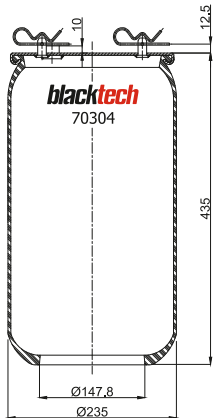
- Bolt of Stud
- Threaded hole
- ⊗ Combination Stud
- ⊗ Air Inlet

OEM PART NUMBER	MODEL NO	CROSS REFERENCES
Scania 1726239	AMA780	Goodyear 1R11-837
Scania 1726257		Phoenix 1DF 20 C-2
		Gart Ref. D297/A
		Gart No. 2972.315/1
		Vibracoustic VIDF20d-859

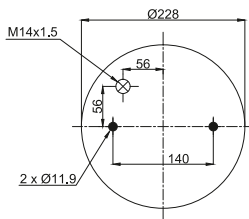


RML 70304

Cross Section View



Top View



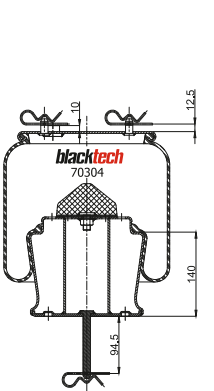
- Bolt of Stud
- Threaded hole
- ⊗ Combination Stud
- ⊗ Air Inlet

OEM PART NUMBER	MODEL NO	CROSS REFERENCES
Scania		

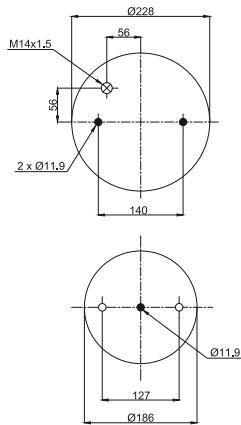
RML 70304 C



Cross Section View



Top View



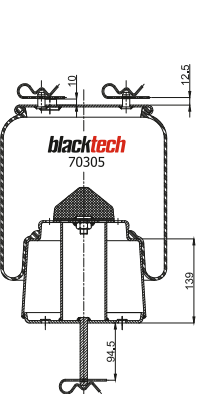
- Bolt of Stud
- Threaded hole
- ⊗ Combination Stud
- ⊗ Air Inlet

OEM PART NUMBER	MODEL NO	CROSS REFERENCES
Scania	1440304	Goodyear 1R11-829 Phoenix 1 DF 20 A-3 Dunlop UK 01399A-AP Gart Ref. D297/B Gart No. 2971.430

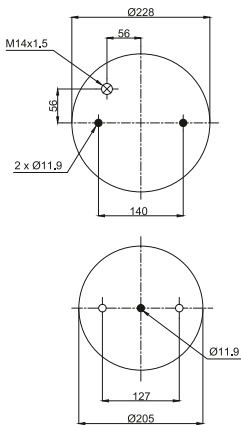
RML 70305 C



Cross Section View



Top View



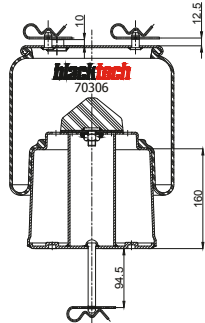
- Bolt of Stud
- Threaded hole
- ⊗ Combination Stud
- ⊗ Air Inlet

OEM PART NUMBER	MODEL NO	CROSS REFERENCES
Scania	1440305	Goodyear 1R11-830 Phoenix 1 DF 20 A-2 Dunlop UK 01398A-AP Gart Ref. D297/B Gart No. 2971.431 Firestone Style 1T15LR-4 Firestone No. W01-095-0481

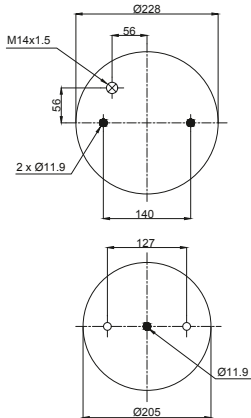


RML70306C

Cross Section View



Top View



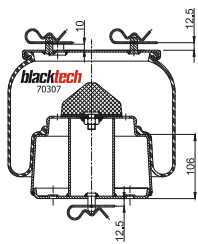
● Bolt of Stud ○ Threaded hole ⊗ Combination Stud ⊗ Air Inlet

OEM PART NUMBER	MODEL NO	CROSS REFERENCES
Scania 1440306		Goodyear 1R11-831 Phoenix 1DF 20 A-1 Dunlop UK 01397A-AP

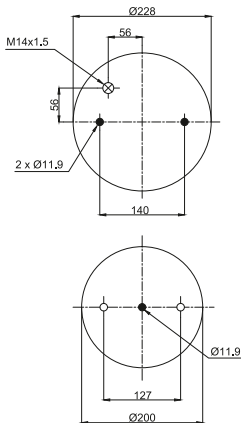
RML70307C



Cross Section View



Top View



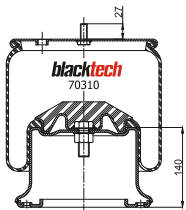
● Bolt of Stud ○ Threaded hole ⊗ Combination Stud ⊗ Air Inlet

OEM PART NUMBER	MODEL NO	CROSS REFERENCES
Scania 1440307		Phoenix 1DF 23 B-2
Scania 1440860		Firestone Style 1T16L-4(3) Firestone No. W01-095-0405 Goodyear 1R11-845 Gart Ref. D297/C Gart No. 2971.300 Vibracoustic VIDF20d-859

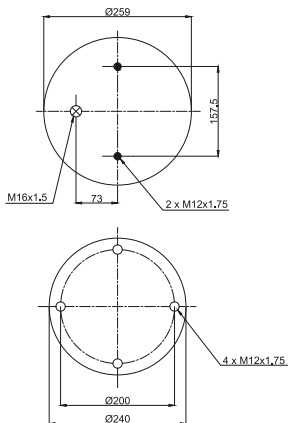
RML70310C



Cross Section View



Top View



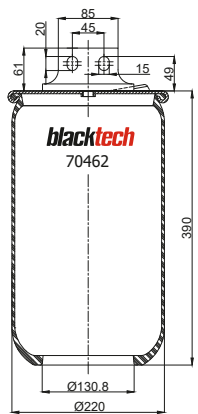
● Bolt of Stud ○ Threaded hole ⊗ Combination Stud ⊗ Air Inlet

OEM PART NUMBER	MODEL NO	CROSS REFERENCES
Hendrickson HA 100310		Goodyear 1R11-740

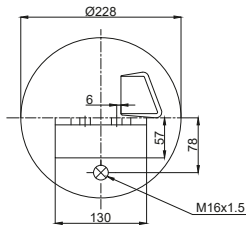


RML 70462

Cross Section View



Top View

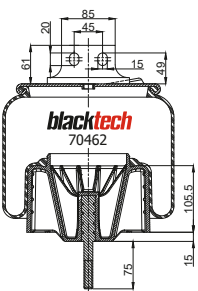


- Bolt of Stud
- Threaded hole
- ⊗ Combination Stud
- ⊗ Air Inlet

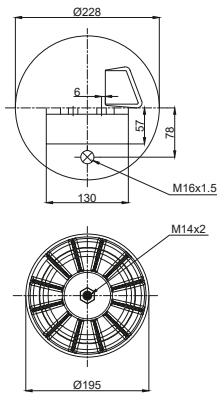
OEM PART NUMBER	MODEL NO	CROSS REFERENCES
Neco 42559765	Stralis 40Q/440E FP e P4x2	CF Gamma Ref. 1TS 270-23
	Front	CF Gamma No. 207172

RML 70462 CP

Cross Section View



Top View

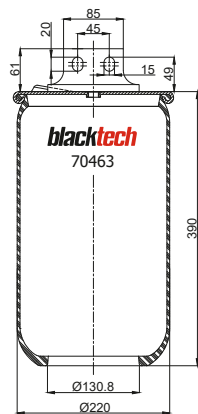


- Bolt of Stud
- Threaded hole
- ⊗ Combination Stud
- ⊗ Air Inlet

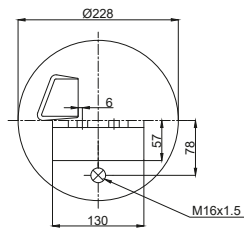
OEM PART NUMBER	MODEL NO	CROSS REFERENCES
Neco 41270462	Stralis 40Q/440E FP / P4x2	CF Gamma Ref. 1TS 270-23
	Front	CF Gamma No. 206686
		Vibracoustic VIDF191-462

RML 70463

Cross Section View



Top View



- Bolt of Stud
- Threaded hole
- ⊗ Combination Stud
- ⊗ Air Inlet

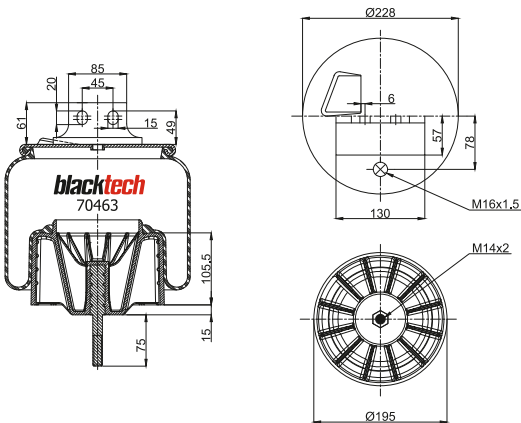
OEM PART NUMBER	MODEL NO	CROSS REFERENCES
Neco 42559766	Stralis 40Q/440E FP e P4x2	CF Gamma Ref. 1TS 270-23
	Front	CF Gamma No. 207173



RML 70463 CP

Cross Section View

Top View



● Bolt of Stud ○ Threaded hole ⊗ Combination Stud ⊗ Air Inlet

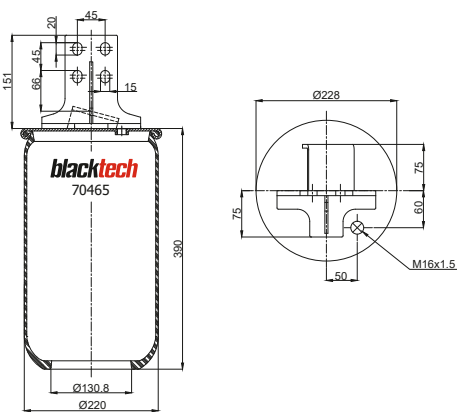
OEM PART NUMBER		MODEL NO	CROSS REFERENCES	
Iveco	41270463	Stralis 400/440E FP / P4x2	CF Gomma Ref.	1TS 270-23
		Front	CF Gomma No.	206687
			Vibracoustic	V1DF19-463

RML 70465



Cross Section View

Top View



● Bolt of Stud ○ Threaded hole ⊗ Combination Stud ⊗ Air Inlet

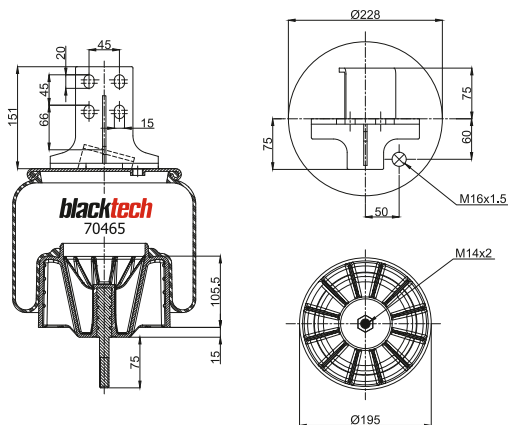
OEM PART NUMBER		MODEL NO	CROSS REFERENCES	
Iveco	42559767	Stralis 400/440E FP e P4x2	CF Gomma Ref.	1TS 270-23
		Rear	CF Gomma No.	207170

RML 70465 CP



Cross Section View

Top View



● Bolt of Stud ○ Threaded hole ⊗ Combination Stud ⊗ Air Inlet

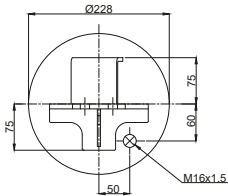
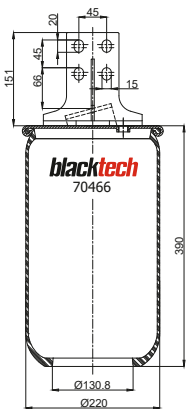
OEM PART NUMBER		MODEL NO	CROSS REFERENCES	
Iveco	41270465	Stralis 400/440E FP / P4x2	CF Gomma Ref.	1TS 270-23
		Rear	CF Gomma No.	206684
			Vibracoustic	V1DF19-465



RML70466

Cross Section View

Top View



● Bolt of Stud ○ Threaded hole ⊗ Combination Stud ⊗ Air Inlet

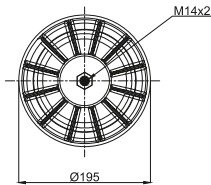
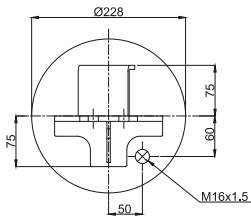
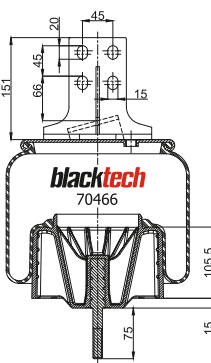
OEM PART NUMBER		MODEL NO	CROSS REFERENCES	
veco	42559768	Strails 400/440E FP e P4x2	CF Gomma Ref.	1TS 270-23
		Rear	CF Gomma No.	207171

RML70466 CP



Cross Section View

Top View



● Bolt of Stud ○ Threaded hole ⊗ Combination Stud ⊗ Air Inlet

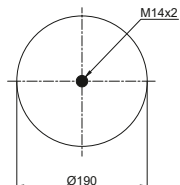
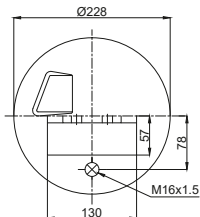
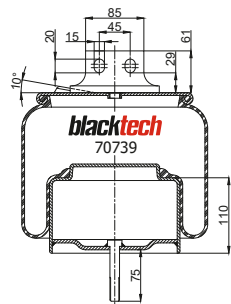
OEM PART NUMBER		MODEL NO	CROSS REFERENCES	
veco	41270466	Strails 400/440E FP / P4x2	CF Gomma Ref.	1TS 270-23
			CF Gomma No.	206685
			Vibracoustic	V1DF19I-466

RML70739 C



Cross Section View

Top View



● Bolt of Stud ○ Threaded hole ⊗ Combination Stud ⊗ Air Inlet

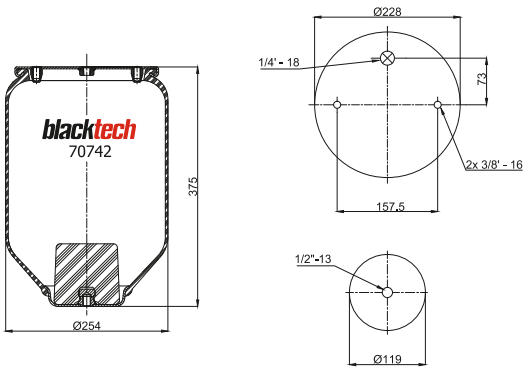
OEM PART NUMBER		MODEL NO	CROSS REFERENCES	
veco	41289370	Irisbus	CF Gomma Ref.	1TS 270-23
			CF Gomma No.	207536
			Vibracoustic	V1DF18S-739



RML 70742

Cross Section View

Top View



- Bolt of Stud
- Threaded hole
- ⊗ Combination Stud
- ⊗ Air Inlet

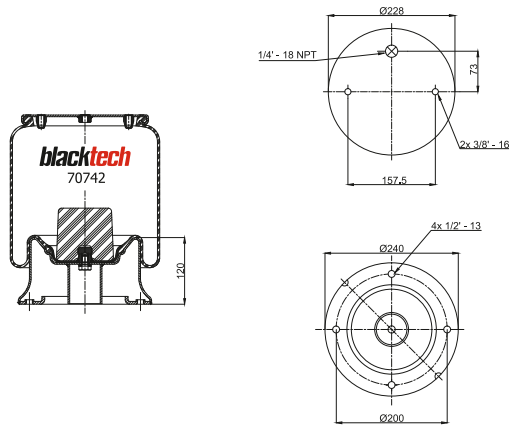
OEM PART NUMBER	MODEL NO	CROSS REFERENCES
AustralDening	Service Assembly	Phoenix 1DK 23 H-0742 NP

RML 70742C



Cross Section View

Top View



- Bolt of Stud
- Threaded hole
- ⊗ Combination Stud
- ⊗ Air Inlet

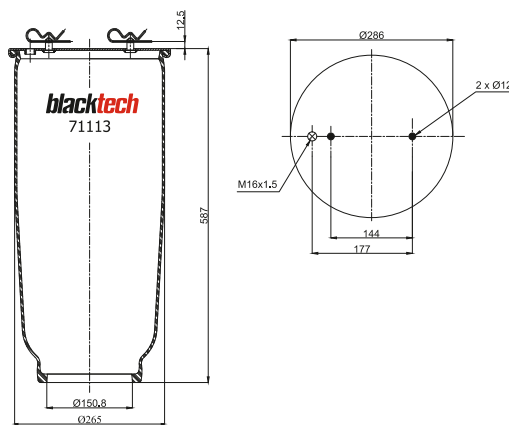
OEM PART NUMBER	MODEL NO	CROSS REFERENCES
AustralDening		Phoenix 1DK 23 H-0742

RML 71113



Cross Section View

Top View



- Bolt of Stud
- Threaded hole
- ⊗ Combination Stud
- ⊗ Air Inlet

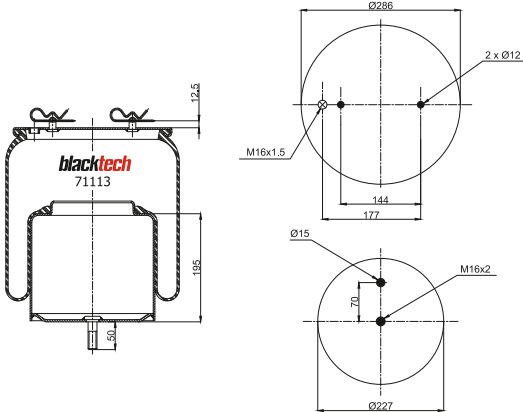
OEM PART NUMBER	MODEL NO	CROSS REFERENCES
Scania		



RML 71113 C

Cross Section View

Top View



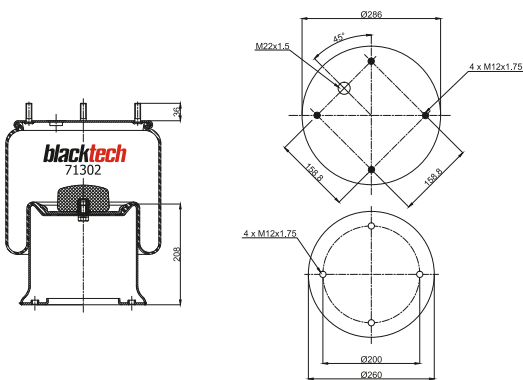
● Bolt of Stud ○ Threaded hole ⊗ Combination Stud ⊗ Air Inlet

OEM PART NUMBER		MODEL NO	CROSS REFERENCES	
Scania	1731113	R-Series low, extra low	Contitech	6700 NP01
			Vibracoustic	VIDK281-113501

RML 71302 C

Cross Section View

Top View



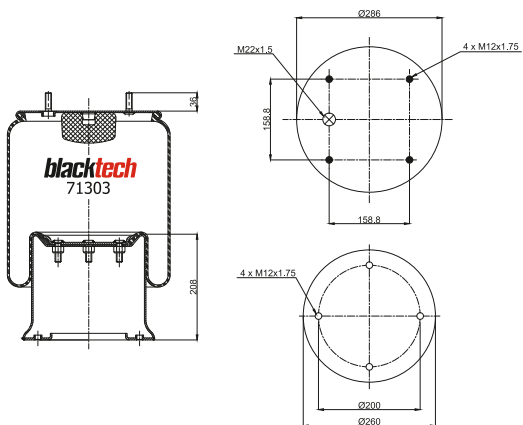
● Bolt of Stud ○ Threaded hole ⊗ Combination Stud ⊗ Air Inlet

OEM PART NUMBER		MODEL NO	CROSS REFERENCES	
Samro	H25000361		Gart Ref.	D287/B
			Gart No.	2874.580

RML 71303 C

Cross Section View

Top View



● Bolt of Stud ○ Threaded hole ⊗ Combination Stud ⊗ Air Inlet

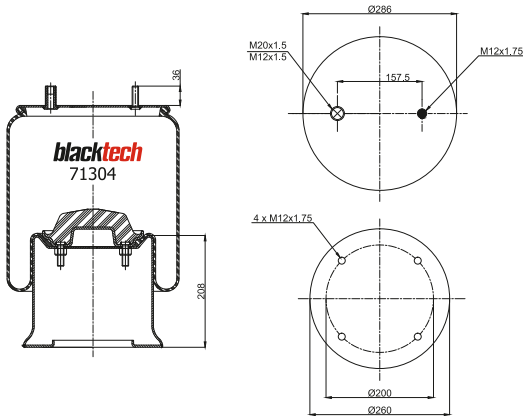
OEM PART NUMBER		MODEL NO	CROSS REFERENCES	
Fruehauf	UJB 0305-001		Firestone Style	1119 L-12
RDR	2122 1349		Firestone No.	W01M58 7380 / 8765
Weweler	US 07380		Phoenix	1028 C12
Scania	1873856		Dunlop F	D13 B03

RML 71304 C



Cross Section View

Top View



- Bolt of Stud
- Threaded hole
- ⊗ Combination Stud
- ⊗ Air Inlet

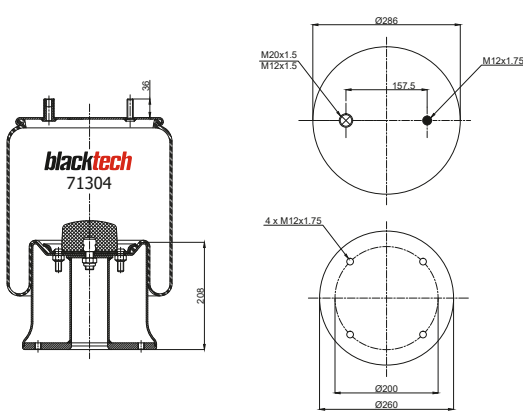
OEM PART NUMBER		MODEL NO	CROSS REFERENCES	
Zorzi	1006552		Firestone Style	1T19 L-14
Fruehauf / SMB	M001464/UJB0129001		Firestone No.	W01 M58 8762
Acerbi / Viberti	800448024		Dunlop F	D13 B04
			CF Gomma Ref.	1T19 E-3
			CF Gomma No.	201840

RML 71304 C1



Cross Section View

Top View



- Bolt of Stud
- Threaded hole
- ⊗ Combination Stud
- ⊗ Air Inlet

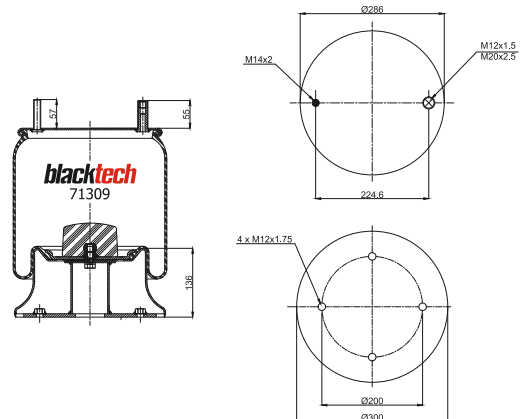
OEM PART NUMBER		MODEL NO	CROSS REFERENCES	
Zorzi	1006552		Firestone Style	1T19 L-14
Fruehauf / SMB	M001464/UJB0129001		Firestone No.	W01 M58 8762
Acerbi / Viberti	800448024		Dunlop F	D13 B04
			CF Gomma Ref.	1T19 E-3
			CF Gomma No.	201840

RML 71309 C



Cross Section View

Top View



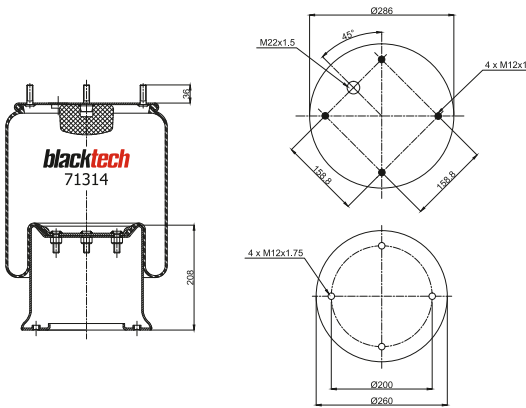
- Bolt of Stud
- Threaded hole
- ⊗ Combination Stud
- ⊗ Air Inlet

OEM PART NUMBER		MODEL NO	CROSS REFERENCES	
Trouillet	F01008696		Dunlop F	D13 B09
			Goodyear	1R13-726

RML 71314 C

Cross Section View

Top View



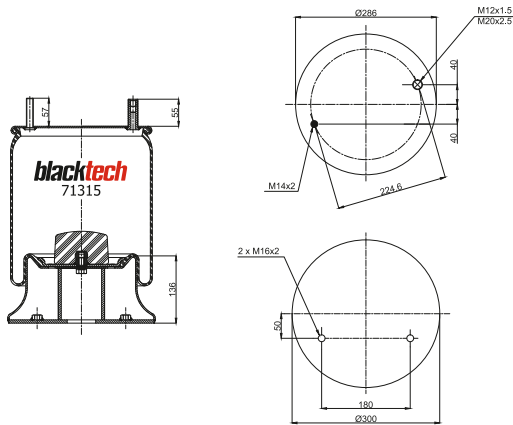
● Bolt of Stud ○ Threaded hole ⊗ Combination Stud ⊗ Air Inlet

OEM PART NUMBER		MODEL NO	CROSS REFERENCES	
SMB	M100152		Firestone Style	1T19 L-14
Weweler	US07385F		Firestone No.	W01 M68 8/66
Weweler	US96681F		Dunlop F	D13 B14
			Phoenix	1028 D-2

RML 71315 C

Cross Section View

Top View



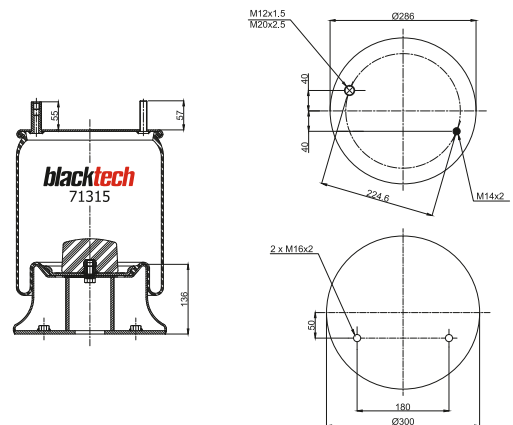
● Bolt of Stud ○ Threaded hole ⊗ Combination Stud ⊗ Air Inlet

OEM PART NUMBER		MODEL NO	CROSS REFERENCES	
Kaiser	F01008697		Dunlop F	D13 B15D
			Goodyear	1R13-724

RML 71315 C1

Cross Section View

Top View



● Bolt of Stud ○ Threaded hole ⊗ Combination Stud ⊗ Air Inlet

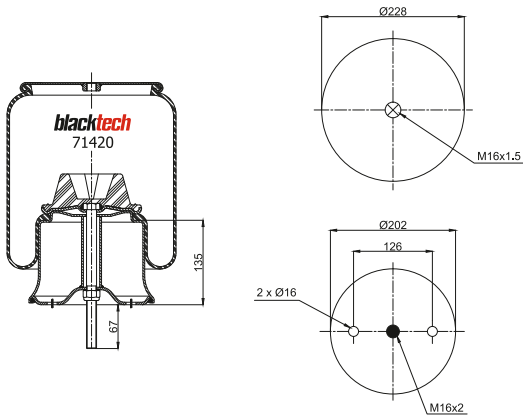
OEM PART NUMBER		MODEL NO	CROSS REFERENCES	
Kaiser	F01008697		Dunlop F	D13 B15G
			Goodyear	1R13-728

RML 71420 C



Cross Section View

Top View



- Bolt of Stud
- Threaded hole
- ⊗ Combination Stud
- ⊗ Air Inlet

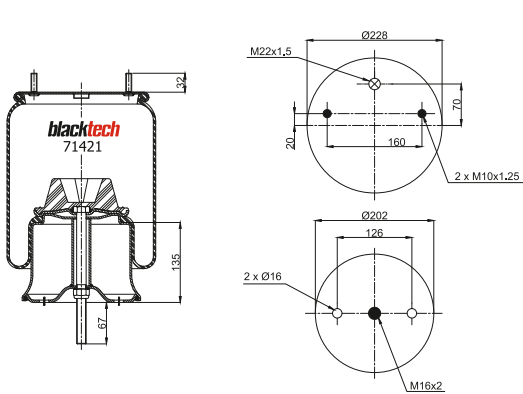
OEM PART NUMBER		MODEL NO	CROSS REFERENCES	
Austeras	99381009		Gart Ref.	D276/R
			Gart No.	2761420
			Vibracoustic	VIDF16U-420

RML 71421 C



Cross Section View

Top View



- Bolt of Stud
- Threaded hole
- ⊗ Combination Stud
- ⊗ Air Inlet

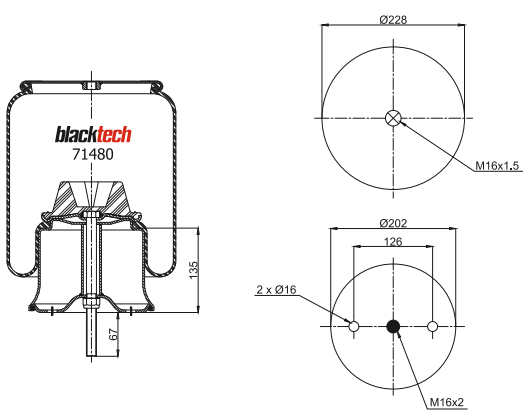
OEM PART NUMBER		MODEL NO	CROSS REFERENCES	
Battolino	22.119.07		Gart Ref.	D276/R
Campana	05.040.0200		Gart No.	2761421
Tras Car	03003000070		Vibracoustic	VIDF16U-421

RML 71480 C



Cross Section View

Top View



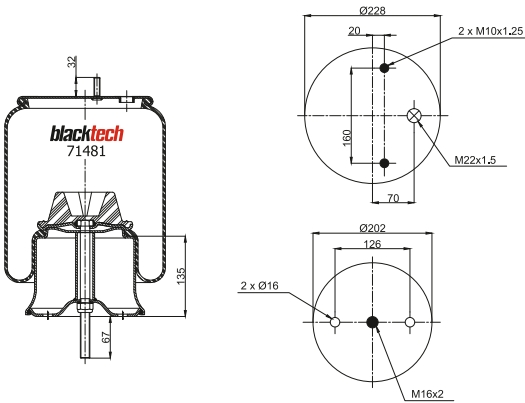
- Bolt of Stud
- Threaded hole
- ⊗ Combination Stud
- ⊗ Air Inlet

OEM PART NUMBER		MODEL NO	CROSS REFERENCES	
Austeras	99381010		Gart Ref.	D276/LR
			Gart No.	2761480
			Vibracoustic	VIDF16z-480

RML 71481C

Cross Section View

Top View



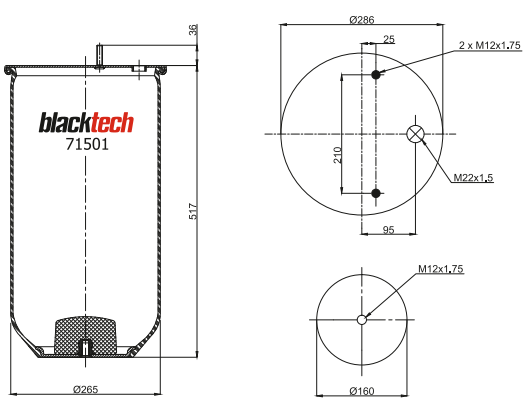
● Bolt of Stud ○ Threaded hole ⊗ Combination Stud ⊗ Air Inlet

OEM PART NUMBER		MODEL NO	CROSS REFERENCES	
Tras Car	03003000060		Gart Ref.	D276/LR
St.System Truck	05101006		Gart No.	2761481
			Vibracoustic	V1DF16z-481

RML 71501

Cross Section View

Top View



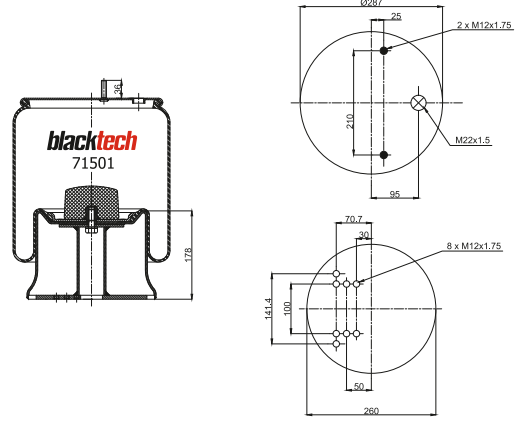
● Bolt of Stud ○ Threaded hole ⊗ Combination Stud ⊗ Air Inlet

OEM PART NUMBER		MODEL NO	CROSS REFERENCES	
Schmitz				
Weweler				
Schmitz				
Weweler				

RML 71501C

Cross Section View

Top View



● Bolt of Stud ○ Threaded hole ⊗ Combination Stud ⊗ Air Inlet

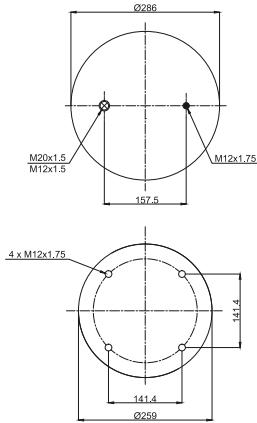
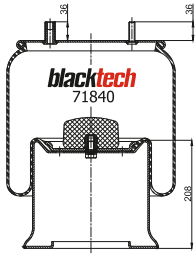
OEM PART NUMBER		MODEL NO	CROSS REFERENCES	
Daimler T6s	A 946 328 15 01	DCA; DLS. TE5/8	Goodyear	1R14-823
Schmitz	017 924		Phoenix	10K 28 F-3
Weweler	US 04030P		Gart Ref.	D277/D
Schmitz	FAG041-0087		Gart No.	2772520
Weweler	US 04030G			

RML71840C



Cross Section View

Top View



● Bolt of Stud ○ Threaded hole ☒ Combination Stud ☒ Air Inlet

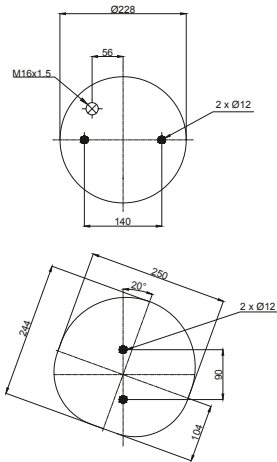
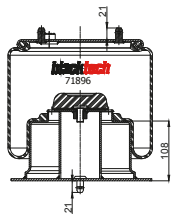
OEM PART NUMBER		MODEL NO	CROSS REFERENCES	
Acerbi / Viberti	800448024		CF Gomma Ref.	1119E-3
Fruehauf / SMB	M001464		CF Gomma No.	201840

RML71896C



Cross Section View

Top View



● Bolt of Stud ○ Threaded hole ☒ Combination Stud ☒ Air Inlet

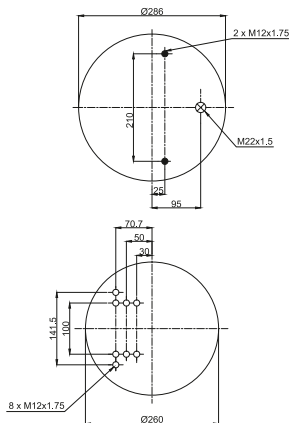
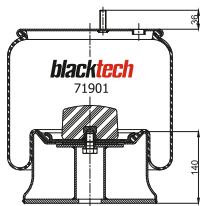
OEM PART NUMBER		MODEL NO	CROSS REFERENCES	
Scania	1726239	AMA780	Contitech	6716 N P02
Scania	1726257		Goodyear	1R11-896
Scania	2024284	AMA780	Vibracoustic	VIDF18r-896
Scania	2024283			
Scania	2024285			
Scania	2024289			

RML71901C



Cross Section View

Top View



● Bolt of Stud ○ Threaded hole ☒ Combination Stud ☒ Air Inlet

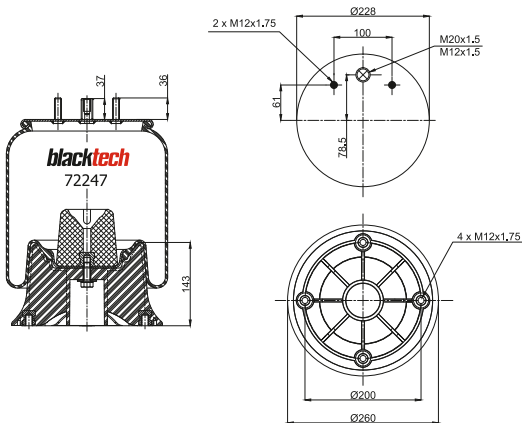
OEM PART NUMBER		MODEL NO	CROSS REFERENCES	
Daimler Tas	A 946 328 19 01	DCA; DLS. TE5/8	Phoenix	1D28 A-13
Weweler	US 07337RP		Firestone Style	1T19L7
			Firestone No.	W01-M58-6222
			Goodyear	1R14-825
			Vibracoustic	VIDK28A-13
			Dunlop F	D14B55
			Gart Ref.	D277/B
			Gart No.	2772.422



RML 72247 CP

Cross Section View

Top View



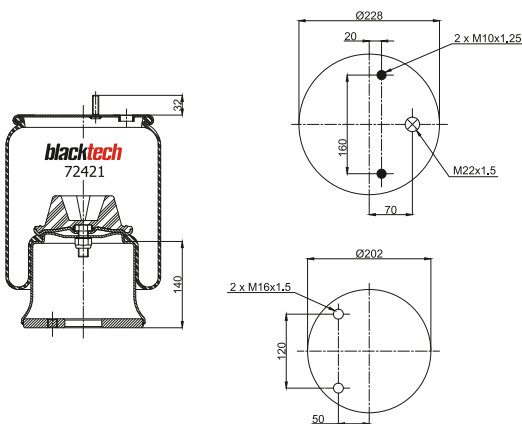
- Bolt of Stud
- Threaded hole
- ⊗ Combination Stud
- ⊗ Air Inlet

OEM PART NUMBER	MODEL NO	CROSS REFERENCES
Volvo 20352247		Vibracoustic VIDK21s-247
Volvo 20386228		

RML 72421C

Cross Section View

Top View



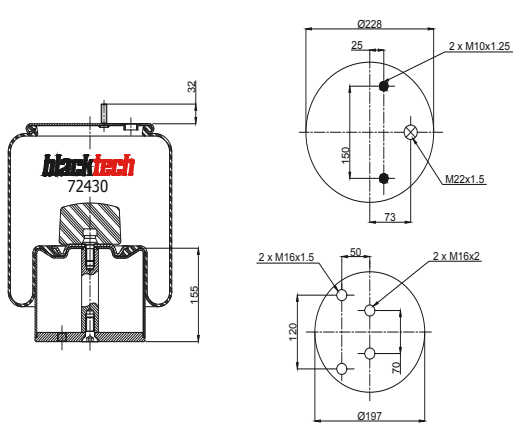
- Bolt of Stud
- Threaded hole
- ⊗ Combination Stud
- ⊗ Air Inlet

OEM PART NUMBER	MODEL NO	CROSS REFERENCES
Battaglini 22.119.00		Gart Ref. D276/R-2F Gart No. 276.2.421

RML 72430C

Cross Section View

Top View



- Bolt of Stud
- Threaded hole
- ⊗ Combination Stud
- ⊗ Air Inlet

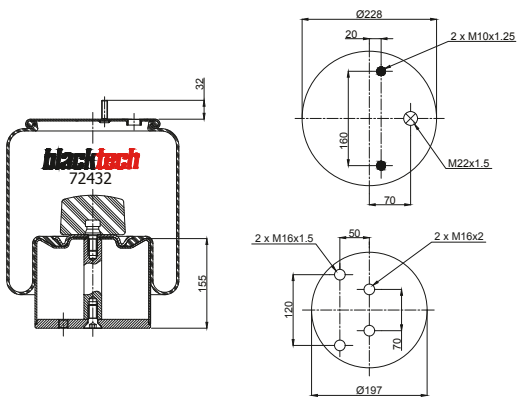
OEM PART NUMBER	MODEL NO	CROSS REFERENCES
BPW 0.4104.001.0		Gart Ref. D278/E
Campana 05.040.0100		Gart No. 278.2.430

RML72432 C



Cross Section View

Top View



● Bolt of Stud ○ Threaded hole ⊗ Combination Stud ⊗ Air Inlet

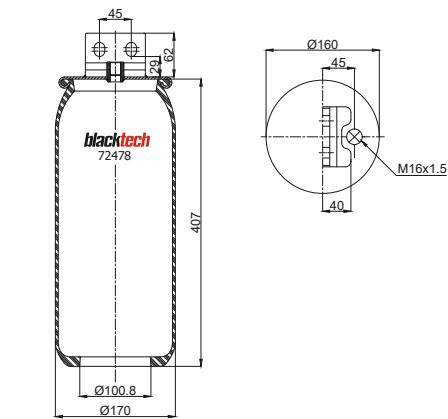
OEM PART NUMBER	MODEL NO	CROSS REFERENCES
Tras Car	03003000080	Gart Ref. D278/E Gart No. 278.2.432

RML72478



Cross Section View

Top View



● Bolt of Stud ○ Threaded hole ⊗ Combination Stud ⊗ Air Inlet

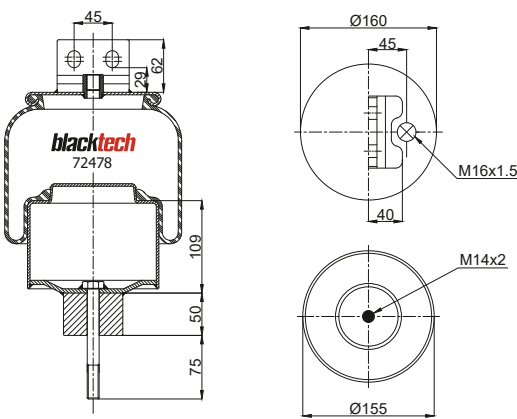
OEM PART NUMBER	MODEL NO	CROSS REFERENCES
Iveco	42559721	CF Gomma Ref. 1TS 230-25 CF Gomma No. 207618

RML72478 C



Cross Section View

Top View

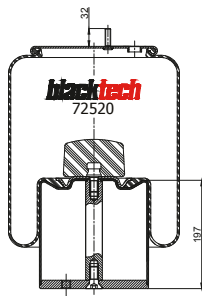


● Bolt of Stud ○ Threaded hole ⊗ Combination Stud ⊗ Air Inlet

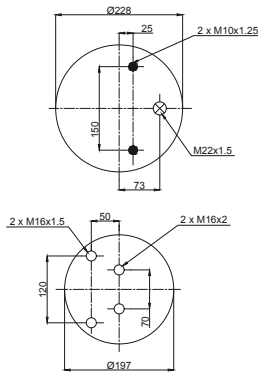
OEM PART NUMBER	MODEL NO	CROSS REFERENCES
Iveco	41272478	Off Road 6x4 280/340 CF Gomma Ref. 1TS 230-25 CF Gomma No. 207194

RML 72520 C

Cross Section View



Top View

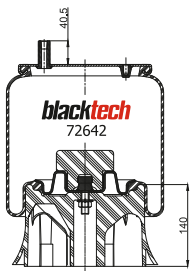


- Bolt of Stud
- Threaded hole
- ⊗ Combination Stud
- ⊗ Air Inlet

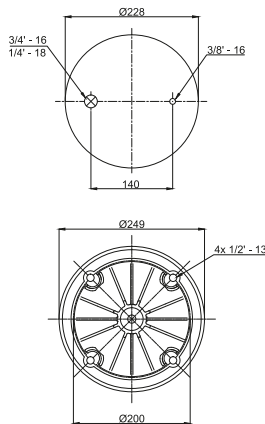
OEM PART NUMBER		MODEL NO	CROSS REFERENCES	
Austeras	99381031		Gart Ref.	D278/F
			Gart No.	278.2.520

RML 72642 CP

Cross Section View



Top View

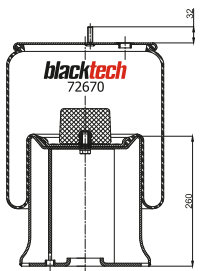


- Bolt of Stud
- Threaded hole
- ⊗ Combination Stud
- ⊗ Air Inlet

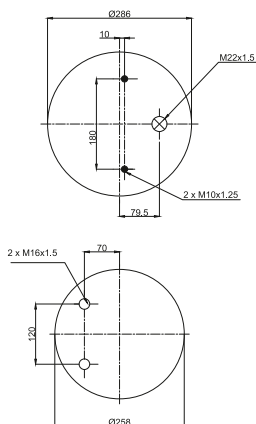
OEM PART NUMBER		MODEL NO	CROSS REFERENCES	
			Goodyear	1R12-642

RML 72670 C

Cross Section View



Top View



- Bolt of Stud
- Threaded hole
- ⊗ Combination Stud
- ⊗ Air Inlet

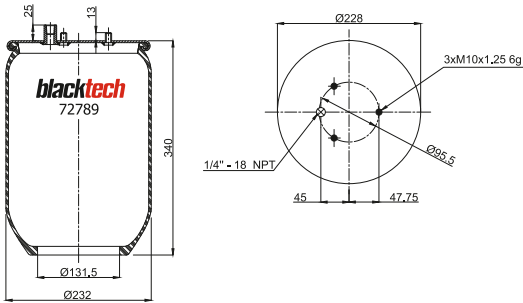
OEM PART NUMBER		MODEL NO	CROSS REFERENCES	
Omar	11815		Gart Ref.	D287/D
Pezzaioli	70100027		Gart No.	287.2.670
Rolfo	112010			
Zorzi	1006557			



RML 72789

Cross Section View

Top View



- Bolt of Stud
- Threaded hole
- ⊗ Combination Stud
- ⊗ Air Inlet

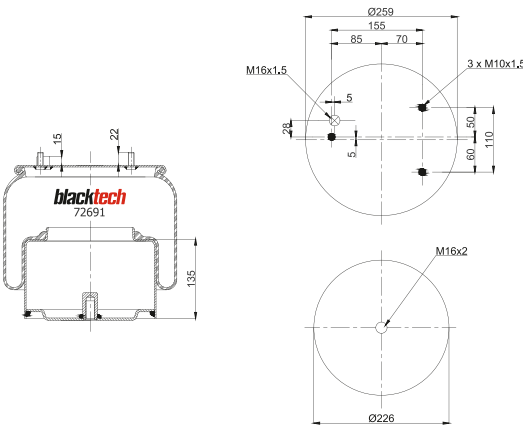
OEM PART NUMBER		MODEL NO	CROSS REFERENCES	
Mitsubishi	MK 432789	FUSO		

RML 72961C



Cross Section View

Top View



- Bolt of Stud
- Threaded hole
- ⊗ Combination Stud
- ⊗ Air Inlet

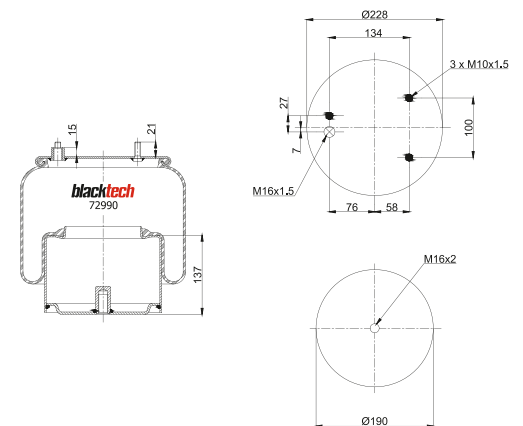
OEM PART NUMBER		MODEL NO	CROSS REFERENCES	
Ford	DC46-5580-CA	Cargo-Front	Vibracoustic	VIDF23s-961

RML 72990 C



Cross Section View

Top View



- Bolt of Stud
- Threaded hole
- ⊗ Combination Stud
- ⊗ Air Inlet

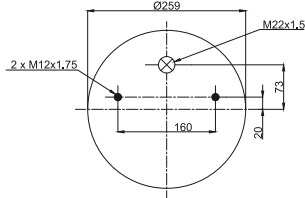
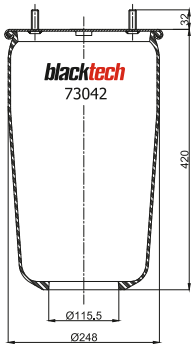
OEM PART NUMBER		MODEL NO	CROSS REFERENCES	
Ford	DC46-5580-DA	Cargo-Rear	Vibracoustic	VIDF16v-990

RML 73042



Cross Section View

Top View



● Bolt of Stud ○ Threaded hole ⊗ Combination Stud ⊗ Air Inlet

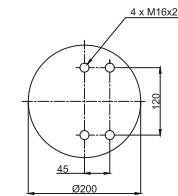
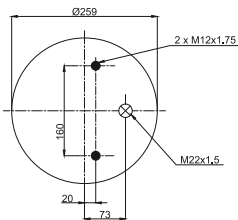
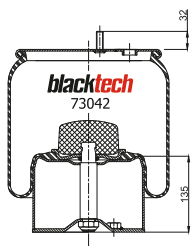
OEM PART NUMBER		MODEL NO	CROSS REFERENCES	
Gigant	247104		Contitech	4007NP01
Gigant	3042	724 K	Vibracoustic	V1DF21A-247104

RML 73042C



Cross Section View

Top View



● Bolt of Stud ○ Threaded hole ⊗ Combination Stud ⊗ Air Inlet

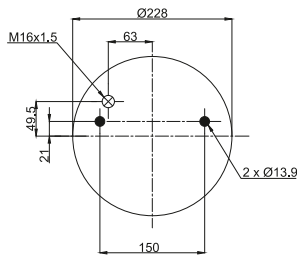
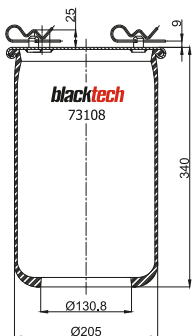
OEM PART NUMBER		MODEL NO	CROSS REFERENCES	
Gigant	166271	724 K	Vibracoustic	V1DF21A-166271

RML 73108



Cross Section View

Top View



● Bolt of Stud ○ Threaded hole ⊗ Combination Stud ⊗ Air Inlet

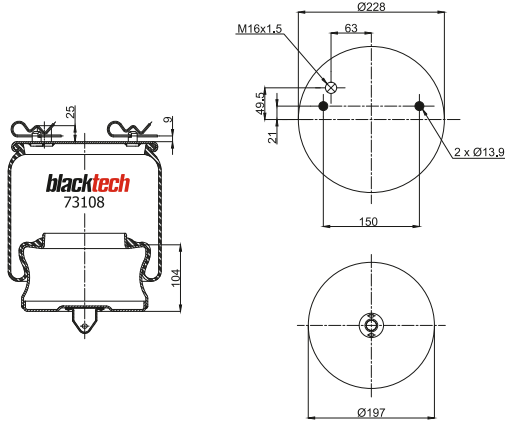
OEM PART NUMBER		MODEL NO	CROSS REFERENCES	



RML 73108 C

Cross Section View

Top View



- Bolt of Stud
- Threaded hole
- ⊗ Combination Stud
- ⊗ Air Inlet

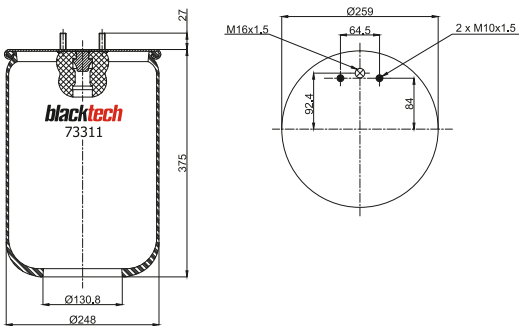
OEM PART NUMBER		MODEL NO	CROSS REFERENCES	
Volvo	20 573 108	B 12 B	Contitech	6604 N P01
Volvo	70 321 692		Phoenix	1 DF 17-1
Volvo	70 376 919		Goodyear	1R11-890
Volvo	70 321 690		Firestone Style	1T15UR-4.0
			Firestone No.	W01-M58-8470
			Vibracoustic	V1DF16E-1

RML 73311



Cross Section View

Top View



- Bolt of Stud
- Threaded hole
- ⊗ Combination Stud
- ⊗ Air Inlet

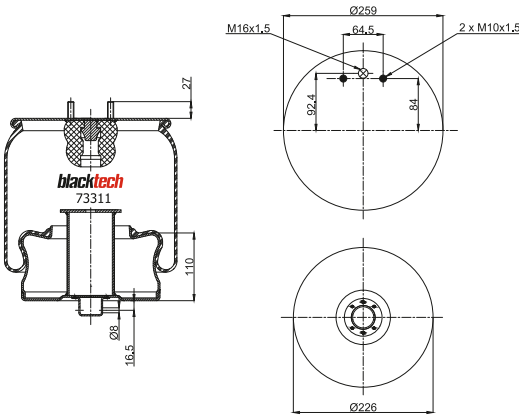
OEM PART NUMBER		MODEL NO	CROSS REFERENCES	
Volvo		Bus		

RML 73311 C



Cross Section View

Top View



- Bolt of Stud
- Threaded hole
- ⊗ Combination Stud
- ⊗ Air Inlet

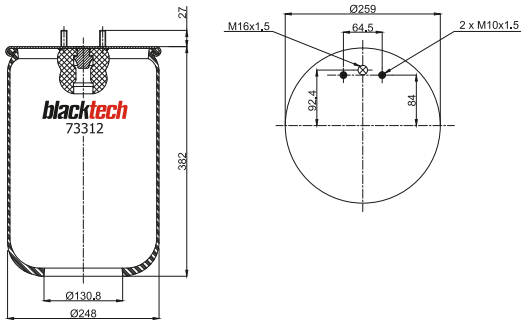
OEM PART NUMBER		MODEL NO	CROSS REFERENCES	
Volvo	20 573 311	B 12 R	Contitech	6603 N P02
Volvo	20 573 311	B 12 M	Vibracoustic	V1DF22s-662502
Volvo	3 195 240			



RML 73312

Cross Section View

Top View



● Bolt of Stud ○ Threaded hole ⊗ Combination Stud ⊗ Air Inlet

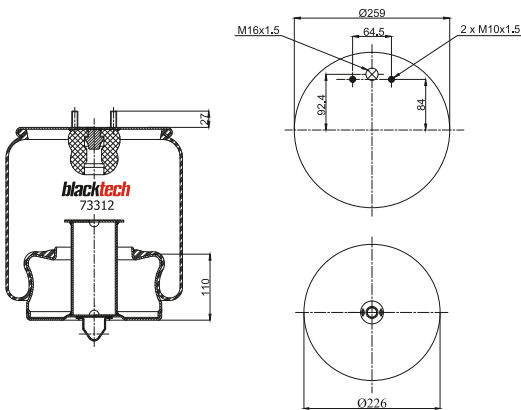
OEM PART NUMBER	MODEL NO	CROSS REFERENCES
Volvo	Bus	

RML 73312 C



Cross Section View

Top View



● Bolt of Stud ○ Threaded hole ⊗ Combination Stud ⊗ Air Inlet

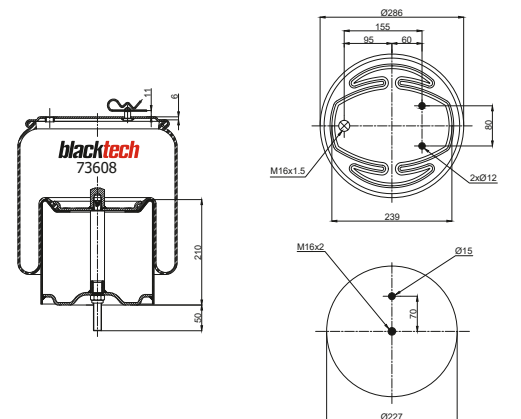
OEM PART NUMBER	MODEL NO	CROSS REFERENCES
Volvo	20 573 312	B 12 R
Volvo	3171 693	
Volvo	3178 706	
Volvo	3195 240	

RML 73608 C



Cross Section View

Top View



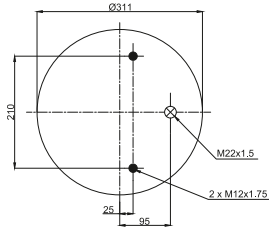
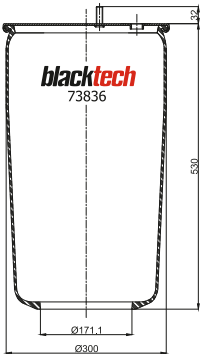
● Bolt of Stud ○ Threaded hole ⊗ Combination Stud ⊗ Air Inlet

OEM PART NUMBER	MODEL NO	CROSS REFERENCES
Scania	1903608	R-Series new generation
Scania	1944314	R-Series new generation

RML 73836

Cross Section View

Top View



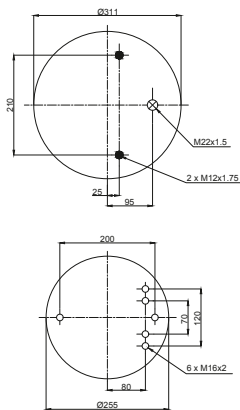
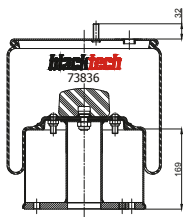
● Bolt of Stud ○ Threaded hole ⊗ Combination Stud ⊗ Air Inlet

OEM PART NUMBER	MODEL NO	CROSS REFERENCES
Gigant		

RML 73836C

Cross Section View

Top View



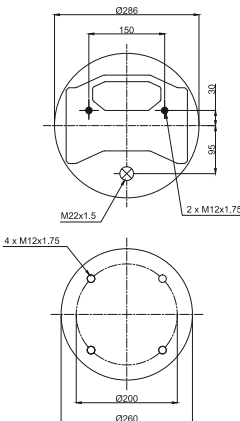
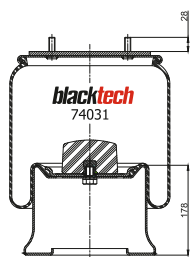
● Bolt of Stud ○ Threaded hole ⊗ Combination Stud ⊗ Air Inlet

OEM PART NUMBER	MODEL NO	CROSS REFERENCES
Gigant		

RML 74031C

Cross Section View

Top View



● Bolt of Stud ○ Threaded hole ⊗ Combination Stud ⊗ Air Inlet

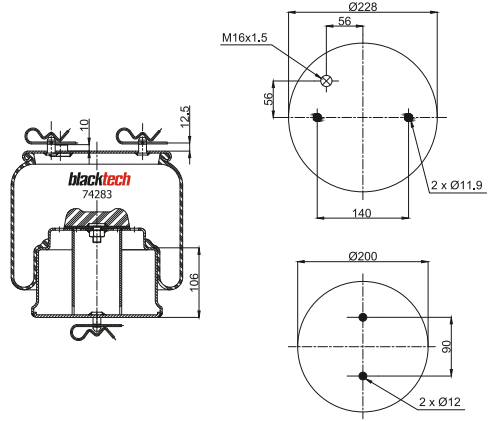
OEM PART NUMBER	MODEL NO	CROSS REFERENCES
Weweler	US04031	Goodyear 1R14-812
Weweler	US04031F	Goodyear 1R14-784
Schmitz	17685	



RML 74283 C

Cross Section View

Top View



● Bolt of Stud ○ Threaded hole ⊗ Combination Stud ⊗ Air Inlet

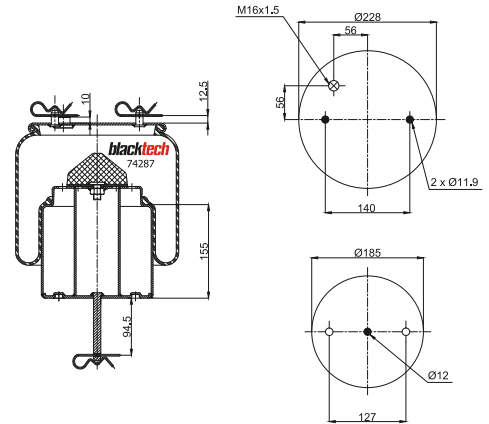
OEM PART NUMBER	MODEL NO	CROSS REFERENCES
Scania 2024284	Axle Front	Goodyear 1R11-879

RML 74287 C



Cross Section View

Top View



● Bolt of Stud ○ Threaded hole ⊗ Combination Stud ⊗ Air Inlet

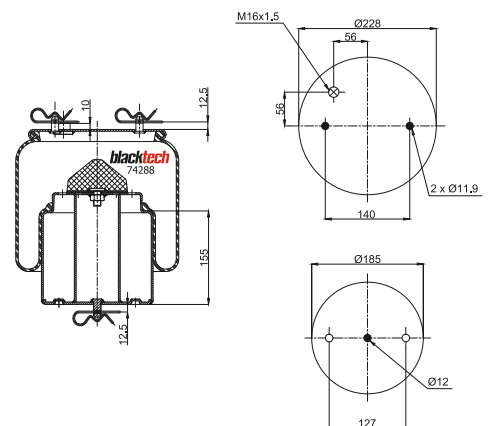
OEM PART NUMBER	MODEL NO	CROSS REFERENCES
Scania 2024287	Axle Rear	Goodyear 1R11-867

RML 74288 C



Cross Section View

Top View



● Bolt of Stud ○ Threaded hole ⊗ Combination Stud ⊗ Air Inlet

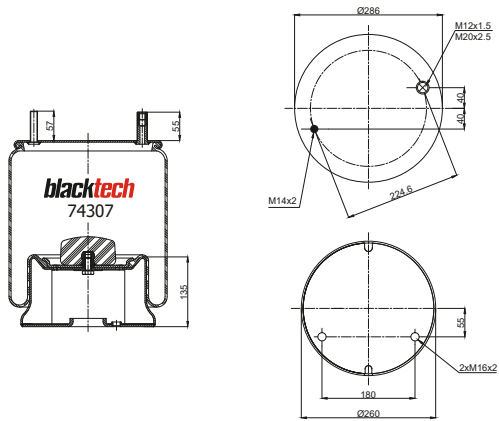
OEM PART NUMBER	MODEL NO	CROSS REFERENCES
Scania 2024288	Rear - Center Axle	Goodyear 1R11-869 Vibracoustic VIDF19p-288

RML 74307 C



Cross Section View

Top View



- Bolt of Stud
- Threaded hole
- ⊗ Combination Stud
- ⊗ Air Inlet

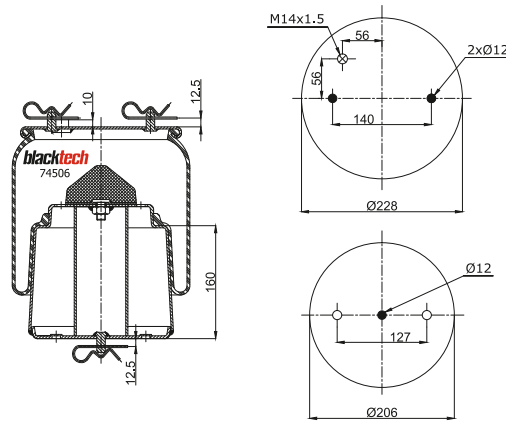
OEM PART NUMBER		MODEL NO	CROSS REFERENCES	
Kaiser	F01004307		Goodyear	1R13-730

RML 74506 C



Cross Section View

Top View



- Bolt of Stud
- Threaded hole
- ⊗ Combination Stud
- ⊗ Air Inlet

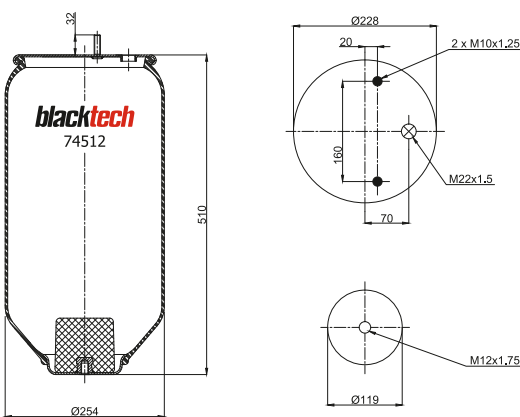
OEM PART NUMBER		MODEL NO	CROSS REFERENCES	
Scania	1434506		Goodyear	1R11-832
			Goodyear	1R11-173
			Phoenix	1DF 20 A-4
			Gart Ref.	D297/B
			Gart No.	2971.432

RML 74512



Cross Section View

Top View

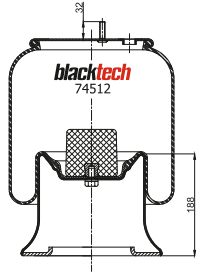


- Bolt of Stud
- Threaded hole
- ⊗ Combination Stud
- ⊗ Air Inlet

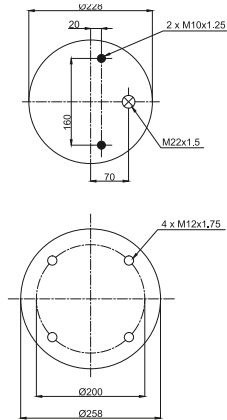
OEM PART NUMBER		MODEL NO	CROSS REFERENCES	

RML 74512 C

Cross Section View



Top View

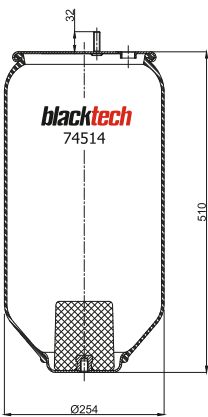


● Bolt of Stud ○ Threaded hole ⊗ Combination Stud ⊗ Air Inlet

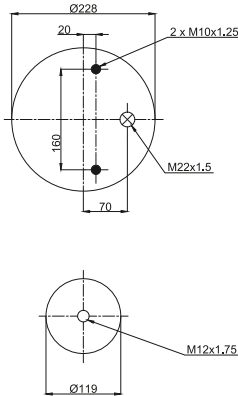
OEM PART NUMBER		MODEL NO	CROSS REFERENCES	
BPW	041.03.0070		Gart Ref.	D278/H
Campana	05.050.0100		Gart No.	278.4512
Campana	28100002			

RML 74514

Cross Section View



Top View

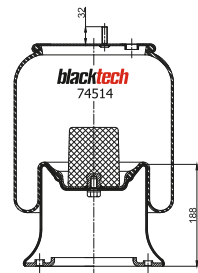


● Bolt of Stud ○ Threaded hole ⊗ Combination Stud ⊗ Air Inlet

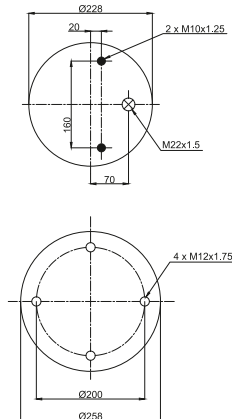
OEM PART NUMBER		MODEL NO	CROSS REFERENCES	

RML 74514 C

Cross Section View



Top View



● Bolt of Stud ○ Threaded hole ⊗ Combination Stud ⊗ Air Inlet

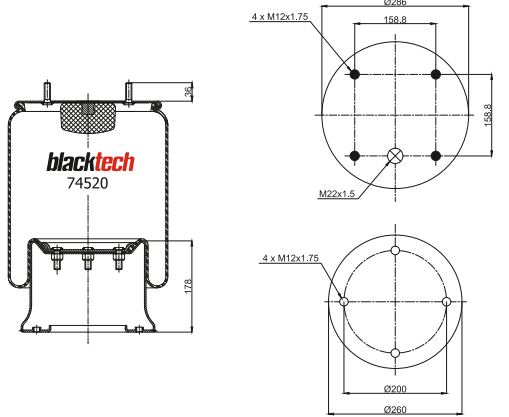
OEM PART NUMBER		MODEL NO	CROSS REFERENCES	
Viberti	128147109		Gart Ref.	D278/H
Zorzi	1006559		Gart No.	278.4514

RML 74520 C



Cross Section View

Top View



● Bolt of Stud ○ Threaded hole ⊗ Combination Stud ⊗ Air Inlet

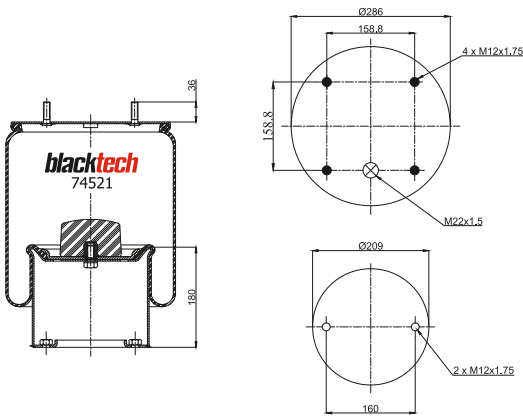
OEM PART NUMBER	MODEL NO	CROSS REFERENCES
BPW 041.03.003.0		Gart Ref. D277/D
Campana 05.020.0100		Gart No. 2774.520

RML 74521 C



Cross Section View

Top View



● Bolt of Stud ○ Threaded hole ⊗ Combination Stud ⊗ Air Inlet

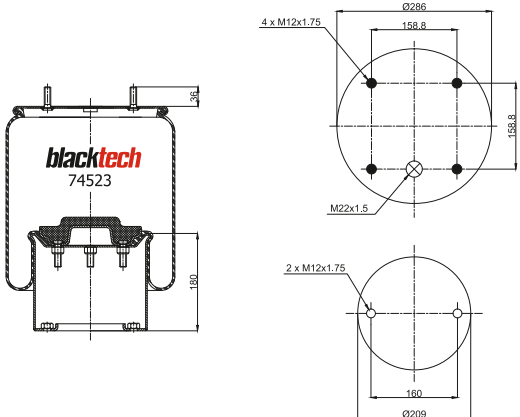
OEM PART NUMBER	MODEL NO	CROSS REFERENCES
BPW 041.03.009.0		Gart Ref. D277/DA
		Gart No. 2774.521

RML 74523 C



Cross Section View

Top View



● Bolt of Stud ○ Threaded hole ⊗ Combination Stud ⊗ Air Inlet

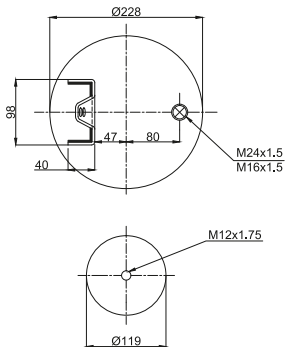
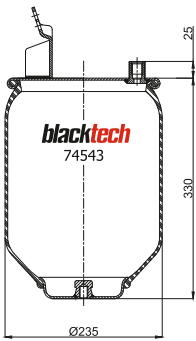
OEM PART NUMBER	MODEL NO	CROSS REFERENCES
BPW 041.03.016.0		Gart Ref. D277/DA
		Gart No. 2774.523



RML 74543

Cross Section View

Top View



● Bolt of Stud ○ Threaded hole ⊗ Combination Stud ⊗ Air Inlet

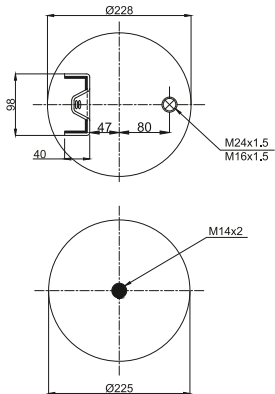
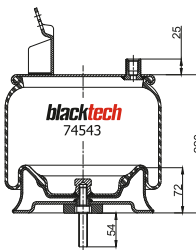
OEM PART NUMBER	MODEL NO	CROSS REFERENCES

RML 74543C



Cross Section View

Top View



● Bolt of Stud ○ Threaded hole ⊗ Combination Stud ⊗ Air Inlet

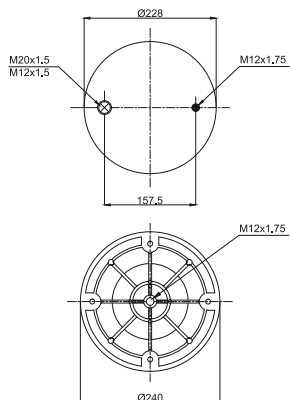
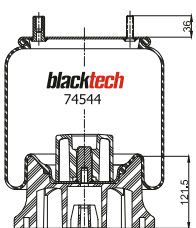
OEM PART NUMBER	MODEL NO	CROSS REFERENCES
Volvo 20 737 947	FM / FH Xlow	Contitech 6614 NP01
Volvo 21961 458	FM / FH Xlow	
Volvo 20 583 420	FM / FH Xlow	
Volvo 20 737 943		
Volvo 20 424 543		

RML 74544 CP



Cross Section View

Top View



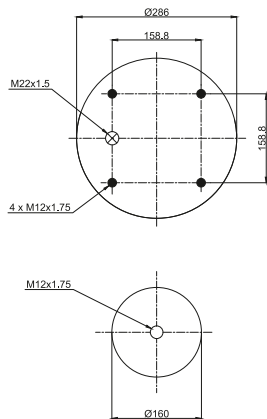
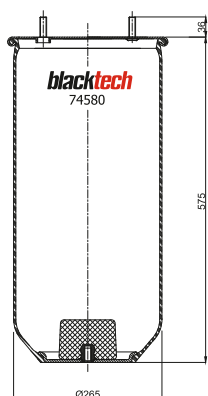
● Bolt of Stud ○ Threaded hole ⊗ Combination Stud ⊗ Air Inlet

OEM PART NUMBER	MODEL NO	CROSS REFERENCES
Neway	905 572 33	Contitech 4157 N P08
Samro	H2501869	Phoenix 1DK 20 C-2
SMB	M078580	Firestone Style 1T15MPW-7
Fruehauf	UJB 1180/B	Firestone No. W01-M58-6317
		Goodyear 1R11-773
		Taurus KR915-53NW
		Vibracoustic VIDK20C-2
		CF Gomma Ref. 1T300-37
		CF Gomma No. 207768
		Gart Ref. C294
		Gart No. 2941.452

RML 74580

Cross Section View

Top View



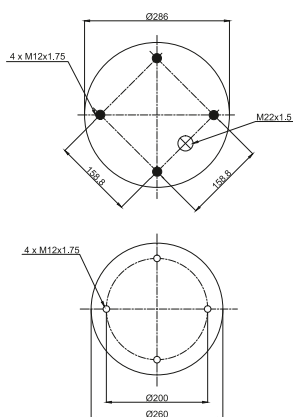
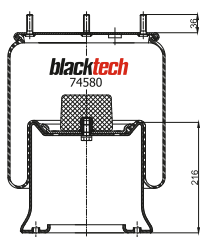
- Bolt of Stud ○ Threaded hole ⊗ Combination Stud ⊗ Air Inlet

OEM PART NUMBER		MODEL NO	CROSS REFERENCES	

RML 74580C

Cross Section View

Top View



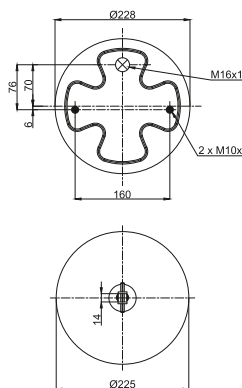
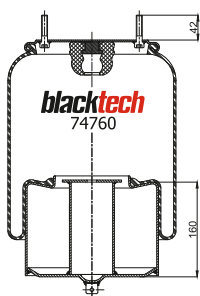
- Bolt of Stud ○ Threaded hole ⊗ Combination Stud ⊗ Air Inlet

OEM PART NUMBER		MODEL NO	CROSS REFERENCES	
Fruehauf	UJB 0305		Phoenix	1 D 28 C 12
ROR Meritor	21221349		Firestone Style	1T19L-12
Weweler	US 07380F		Firestone No.	W01M58-8765
Samro	H25000361		Goodyear	1R13-734
Scania	1877356		Goodyear	1R13-805
			Vibracoustic	V10280-12
			CF Gomma Ref.	1T19E-3
			CF Gomma No.	97393
			Gart Ref.	D287/B
			Gart No.	2874-580

RML 74760C

Cross Section View

Top View



- Bolt of Stud ○ Threaded hole ⊗ Combination Stud ⊗ Air Inlet

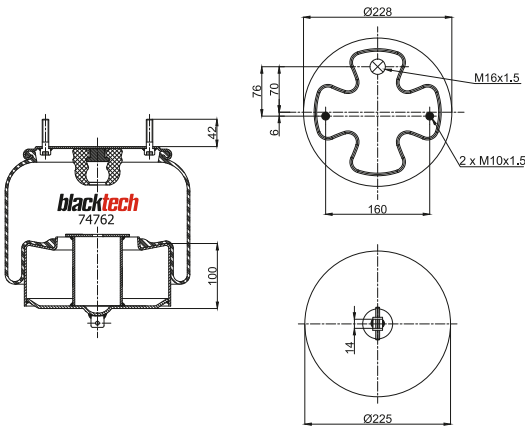
OEM PART NUMBER		MODEL NO	CROSS REFERENCES	
Volvo	20 554 760	FM / FH standard	Contitech	6612 N P01
Volvo	20 580 705	FM / FH standard	Vibracoustic	V10F16S-760
Volvo	21 961 472	FM / FH standard		
Volvo	20 479 800	FH standard		
Volvo	20 452 142			



RML 74762 C

Cross Section View

Top View



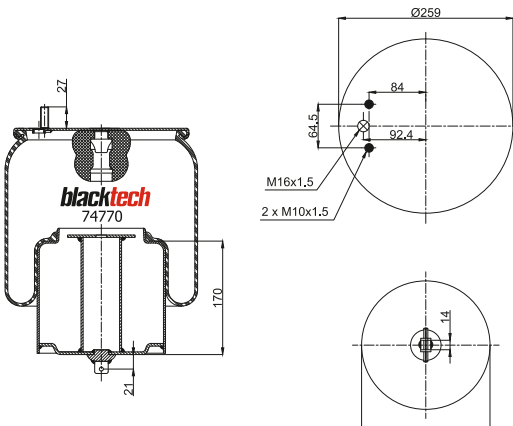
● Bolt of Stud ○ Threaded hole ⊗ Combination Stud ⊗ Air Inlet

OEM PART NUMBER	MODEL NO	CROSS REFERENCES
Volvo 20 554 762	FH low	Contitech 6613 NP01
Volvo 21 811 323	FM / FH low, X low	Vibracoustic VIDF21a-762
Volvo 21 961 475	FM / FH low, X low	
Volvo 20 452 144		

RML 74770 C

Cross Section View

Top View



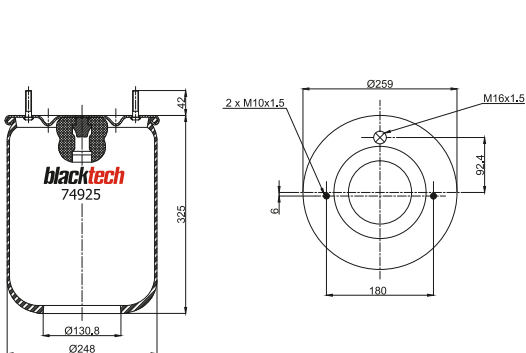
● Bolt of Stud ○ Threaded hole ⊗ Combination Stud ⊗ Air Inlet

OEM PART NUMBER	MODEL NO	CROSS REFERENCES
Volvo 20554770		Contitech 54770 M
		Gart Ref. C293/V
		Gart No. 2931.461
		Vibracoustic VIDF22C-3

RML 74925

Cross Section View

Top View



● Bolt of Stud ○ Threaded hole ⊗ Combination Stud ⊗ Air Inlet

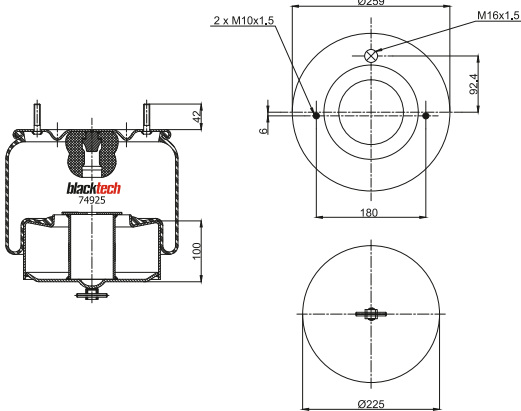
OEM PART NUMBER	MODEL NO	CROSS REFERENCES
Volvo		



RML 74925 C

Cross Section View

Top View



- Bolt of Stud
- Threaded hole
- ⊗ Combination Stud
- ⊗ Air Inlet

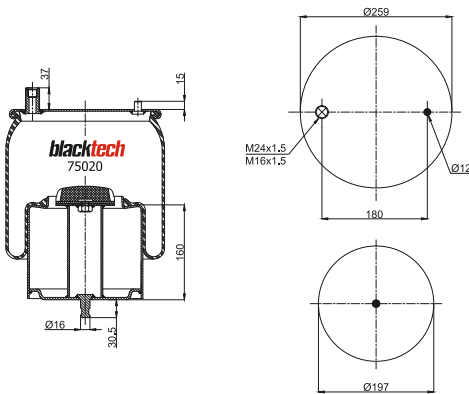
OEM PART NUMBER		MODEL NO	CROSS REFERENCES	
Volvo	1 075 365		Contitech	6609 N P01
Volvo	1 629 782		Vibracoustic	V1DF21b-663101
Volvo	20 452 138			
Volvo	20 554 761			

RML 75020 C



Cross Section View

Top View



- Bolt of Stud
- Threaded hole
- ⊗ Combination Stud
- ⊗ Air Inlet

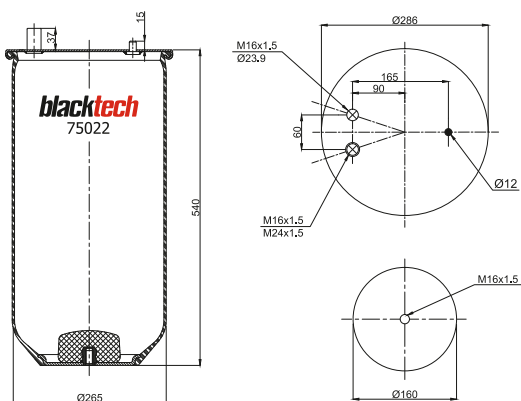
OEM PART NUMBER		MODEL NO	CROSS REFERENCES	
Renault	5.010.557.622	Premium / Magnum STD	Contitech	4919 N P01
Renault	5.010.630.457	Premium / Magnum STD		
Volvo	21978.490			
Volvo	20 735 220			
Renault	7.421.978.484	Premium / Magnum STD		

RML 75022



Cross Section View

Top View



- Bolt of Stud
- Threaded hole
- ⊗ Combination Stud
- ⊗ Air Inlet

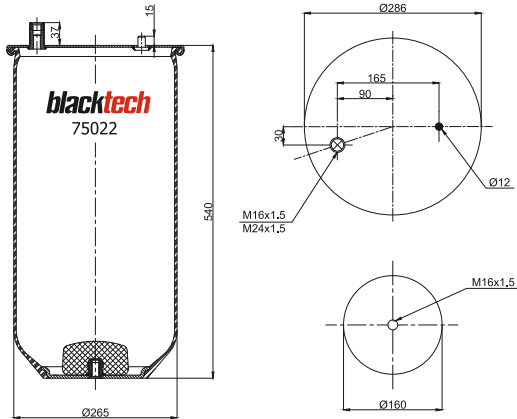
OEM PART NUMBER		MODEL NO	CROSS REFERENCES	
Renault				



RML 75022-4

Cross Section View

Top View



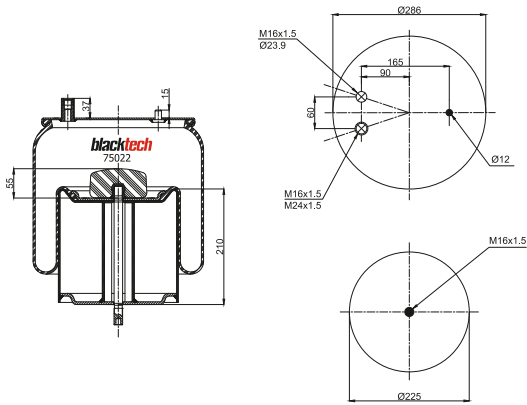
- Bolt of Stud
- Threaded hole
- ⊗ Combination Stud
- ⊗ Air Inlet

OEM PART NUMBER	MODEL NO	CROSS REFERENCES

RML 75022 C3

Cross Section View

Top View



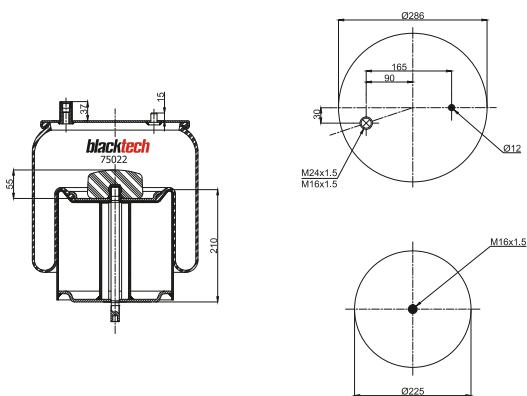
- Bolt of Stud
- Threaded hole
- ⊗ Combination Stud
- ⊗ Air Inlet

OEM PART NUMBER	MODEL NO	CROSS REFERENCES
Renault 5.010.294.308 C	Magnum low truck	Contitech 4911 N P03
Renault 5.010.294.308 C	Premium low truck	Goodyear 1R13-739
Renault 5.010.239.971		Goodyear 1R13-714
		CF Gomma Ref. 1119E-3
		CF Gomma No. 207770
		Dunlop F D13B41
		Gart Ref. D287/E
		Gart No. 2871.540

RML 75022 C4

Cross Section View

Top View



- Bolt of Stud
- Threaded hole
- ⊗ Combination Stud
- ⊗ Air Inlet

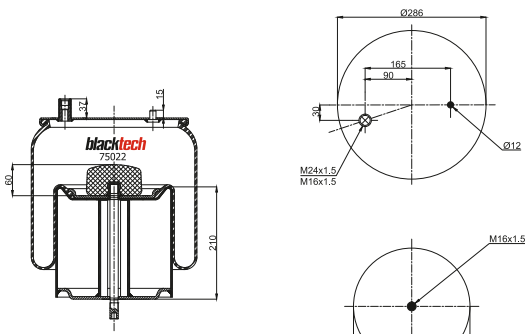
OEM PART NUMBER	MODEL NO	CROSS REFERENCES
Renault 5.010.557.356	Premium / Magnum low	Contitech 4911 N P04
Renault 22.190.560	Premium / Magnum low	Goodyear 1R13-755
Renault 7.422.190.560	Premium / Magnum low	CF Gomma Ref. 1119E-3
		CF Gomma No. 207771
		Gart Ref. D287/E
		Gart No. 2871.541



RML 75022 C6

Cross Section View

Top View



- Bolt of Stud
- Threaded hole
- ⊗ Combination Stud
- ⊗ Air Inlet

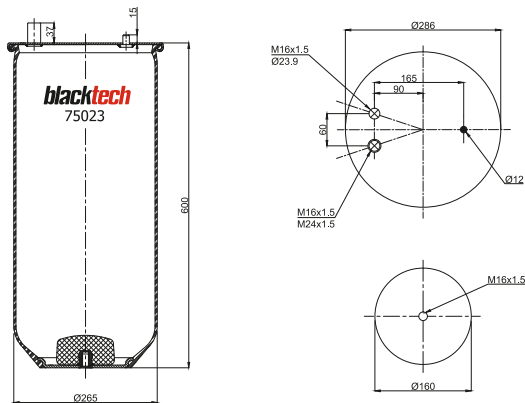
OEM PART NUMBER		MODEL NO	CROSS REFERENCES	
Renault	5.010.600.439	Premium / Magnum low	Contitech	4911N P06
Volvo	20 726 769	FM / FH low	Gart Ref.	D287/E
Renault	5.010.305.464	FM/ FH low	Gart No.	2871.542
Volvo	21978 502	FM / FH low	Vibracoustic	VIDK28b-12L
Renault	7.421.978.495	Premium / Magnum low		
Renault	7.425.372.810	Premium / Magnum low		

RML 75023



Cross Section View

Top View



- Bolt of Stud
- Threaded hole
- ⊗ Combination Stud
- ⊗ Air Inlet

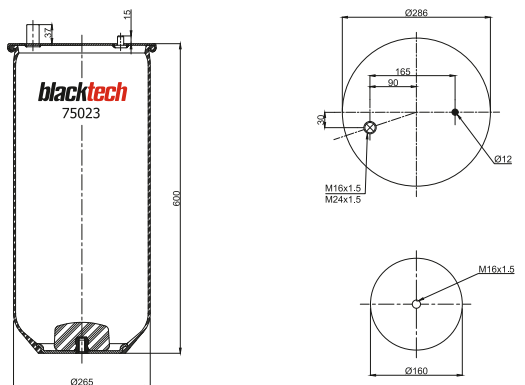
OEM PART NUMBER		MODEL NO	CROSS REFERENCES	
Renault	5.001.832.067	Magnum / Premium	Contitech	4912N P08
			Primeride	54912 A P08
			Goodyear	1R13-713
			CF Gomma Ref.	1119E-4
			CF Gomma No.	206780
			Dunlop F	D13U40
			Gart Ref.	D287/C
			Gart No.	2870.601

RML 75023-10



Cross Section View

Top View



- Bolt of Stud
- Threaded hole
- ⊗ Combination Stud
- ⊗ Air Inlet

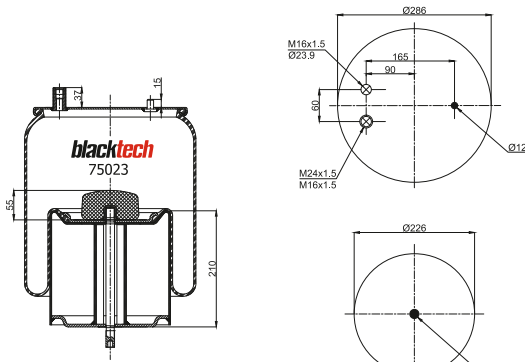
OEM PART NUMBER		MODEL NO	CROSS REFERENCES	



RML 75023 C7

Cross Section View

Top View



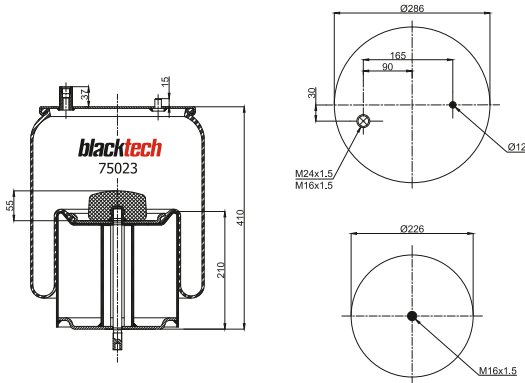
● Bolt of Stud ○ Threaded hole ⊗ Combination Stud ⊗ Air Inlet

OEM PART NUMBER		MODEL NO	CROSS REFERENCES	
Renault	5.010.294.307	Magnum / Premium	Contitech	4912 NP07
			Phoenix	1DK 28 F-4
			Primeride	54912 A P07
			Firestone Style	1T19L14
			Firestone No.	W01-M58-8786
			Goodyear	1R13-738
			Goodyear	1R13-711
			Vibracoustic	V1DK28F-4
			CF Gomma Ref.	1T19E-4
			CF Gomma No.	206779
			Dunlop F	D13B40
			Dunlop F	D13B45
			Gart Ref.	D287/C
			Gart No.	2871.600

RML 75023 C10

Cross Section View

Top View



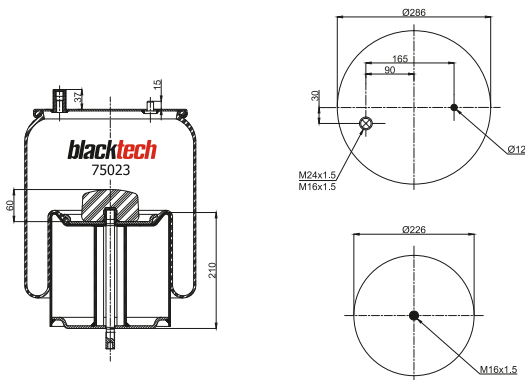
● Bolt of Stud ○ Threaded hole ⊗ Combination Stud ⊗ Air Inlet

OEM PART NUMBER		MODEL NO	CROSS REFERENCES	
Renault	5.010.557.355	Magnum / Premium	Contitech	4912 NP10
Renault	5.010.557.355	Midium 18t	Phoenix	1DK 28 F-5
Volvo	20 722 412	FM / FH Standard	Firestone Style	1T19LL14
Renault	7.422.025.556	Magnum / Premium	Firestone No.	W01-M58-5521
Volvo	22 025 568	FM / FH Standard	Goodyear	1R13-753
			Vibracoustic	V1DK28F-8
			CF Gomma Ref.	1T19E-4
			CF Gomma No.	207769
			Gart Ref.	D287/C
			Gart No.	2871.603

RML 75023 C13

Cross Section View

Top View



● Bolt of Stud ○ Threaded hole ⊗ Combination Stud ⊗ Air Inlet

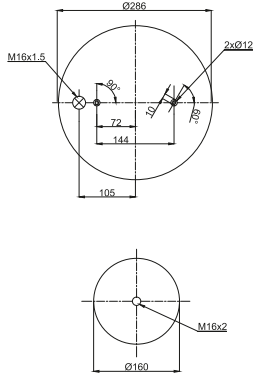
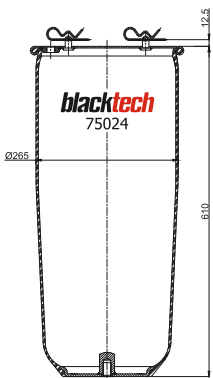
OEM PART NUMBER		MODEL NO	CROSS REFERENCES	
Renault	5.010.600.328	Premium / Magnum std	Contitech	4912 NP13
Volvo	20 726 768	FM / FH standard	Phoenix	1DK 28 F-6
Renault	7.421.978.494	Premium / Magnum std	Firestone Style	1T19LL14
Volvo	21978 504	FM / FH standard	Firestone No.	W01-M58-5520
			Gart Ref.	D287/C
			Gart No.	2871.602
			Vibracoustic	V1DK28F-12



RML 75024

Cross Section View

Top View



● Bolt of Stud ○ Threaded hole ⊗ Combination Stud ⊗ Air Inlet

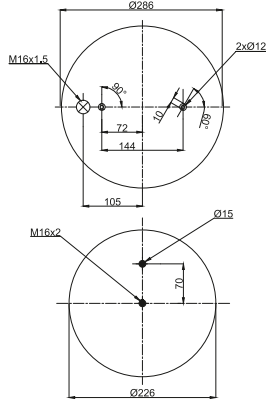
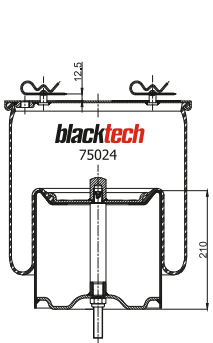
OEM PART NUMBER		MODEL NO	CROSS REFERENCES	
Scania	1379393	Series 4	Contitech	4913 NP04
			Phoenix	1D 28 H 16 NP
			Primeride	54913 A P04
			Firestone Style	1T19L-14
			Firestone No.	W01-095-0365
			Goodyear	1R14-755
			Dunlop F	D14U42
			Gart Ref.	C282/H
			Gart Ref.	D287/H
			Gart No.	282.0.601
			Gart No.	287.0.603

RML 75024 C



Cross Section View

Top View



● Bolt of Stud ○ Threaded hole ⊗ Combination Stud ⊗ Air Inlet

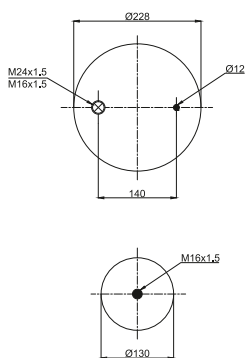
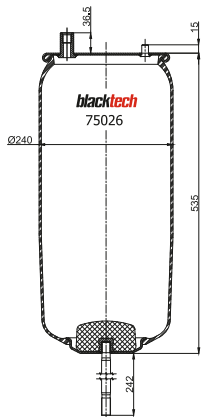
OEM PART NUMBER		MODEL NO	CROSS REFERENCES	
Scania	1379392	Series 4	Contitech	4913 N P02
Scania	1440294	Series 4	Phoenix	1D 28 H 16
			Primeride	54913 A P02
			Firestone Style	1T19LAJ-14
			Firestone Style	1T19L-14
			Firestone No.	W01-M58-9881
			Firestone No.	W01-095-0500
			Goodyear	1R14-753
			Taurus	KR625-16
			Vibracoustic	V1028H-16
			CF Gamma Ref.	1T19E-93
			CF Gamma No.	206201
			Dunlop F	D14B42
			Dunlop UK	00937A-AP
			Gart Ref.	C282/H
			Gart Ref.	D287/H
			Gart No.	282.1.600
			Gart No.	282.1.606

RML 75026



Cross Section View

Top View



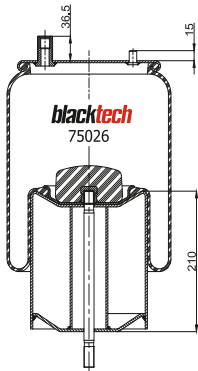
● Bolt of Stud ○ Threaded hole ⊗ Combination Stud ⊗ Air Inlet

OEM PART NUMBER		MODEL NO	CROSS REFERENCES	
Renault	5.001.855.856	Magnum	Contitech	4915 N P03
			Gart Ref.	C294/C
			Gart No.	294.0.531

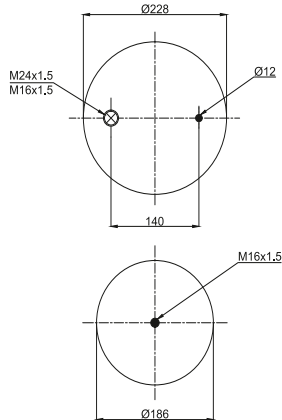


RML 75026 C6

Cross Section View



Top View



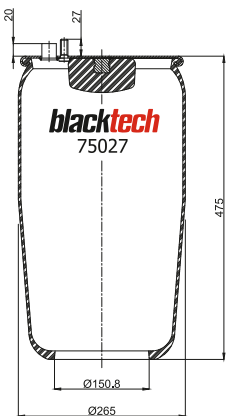
● Bolt of Stud ○ Threaded hole ⊗ Combination Stud ⊗ Air Inlet

OEM PART NUMBER		MODEL NO	CROSS REFERENCES	
Renault	5.010.294.309	Premium / Magnum tag	Contitech	4915 NP06
Renault	7421978.500	Premium / Magnum tag	Phoenix	1DK 19-1
Renault	5.010.600.578	Premium / Magnum tag	Vibracoustic	VIDK19-1
Renault	5.010.557.991		Gart Ref.	C294/C
Volvo	20 757 541		Gart No.	2941530
Renault	7422190.563			
Volvo	22 025 613			
Samro	H2501122			
Volvo	20 757 451			
Renault	5.010.488.070			

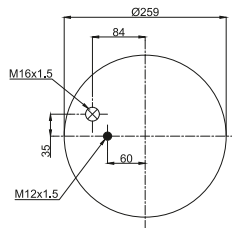
RML 75027



Cross Section View



Top View



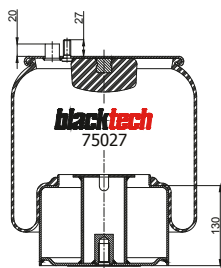
● Bolt of Stud ○ Threaded hole ⊗ Combination Stud ⊗ Air Inlet

OEM PART NUMBER		MODEL NO	CROSS REFERENCES	
Man	81.43601.0158		Contitech	4916 N1 P01
			Vibracoustic	VIDF26s-1NP

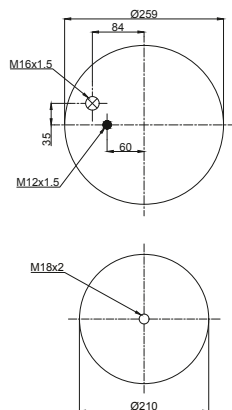
RML 75027 C7



Cross Section View



Top View



● Bolt of Stud ○ Threaded hole ⊗ Combination Stud ⊗ Air Inlet

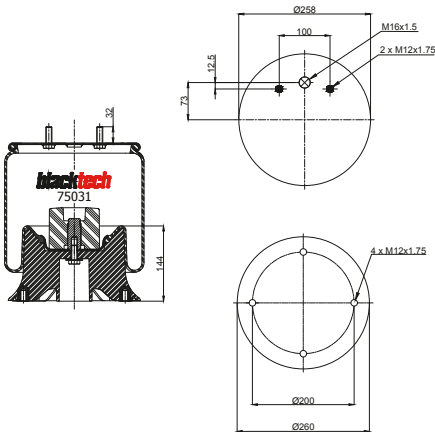
OEM PART NUMBER		MODEL NO	CROSS REFERENCES	
Man	81.43600.6042	TGA	Contitech	4916 N1 P07
			Vibracoustic	VIDF26s-1



RML 75031 CP

Cross Section View

Top View



- Bolt of Stud
- Threaded hole
- ⊗ Combination Stud
- ⊗ Air Inlet

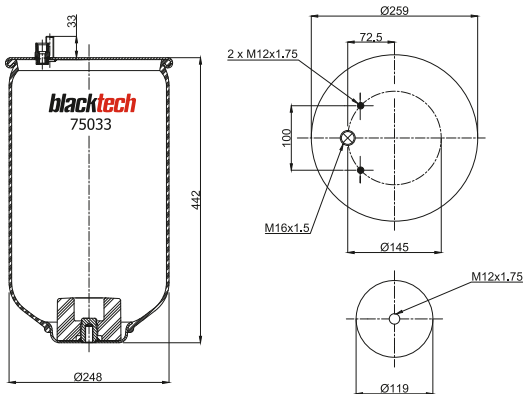
OEM PART NUMBER	MODEL NO	CROSS REFERENCES
Renault	5 010 600 172	Contitech 4920 NP01

RML 75033



Cross Section View

Top View



- Bolt of Stud
- Threaded hole
- ⊗ Combination Stud
- ⊗ Air Inlet

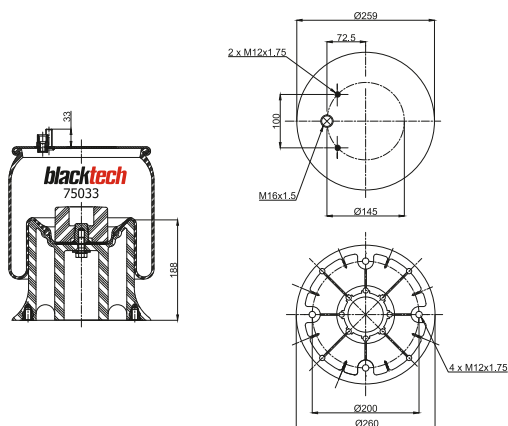
OEM PART NUMBER	MODEL NO	CROSS REFERENCES
Renault		

RML 75033 CP



Cross Section View

Top View



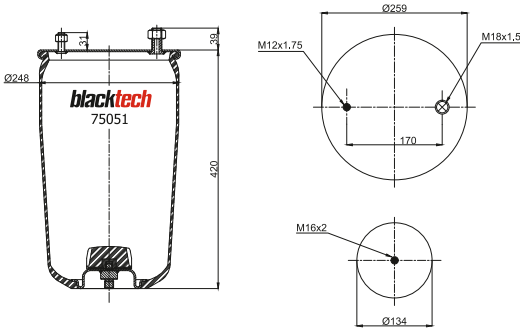
- Bolt of Stud
- Threaded hole
- ⊗ Combination Stud
- ⊗ Air Inlet

OEM PART NUMBER	MODEL NO	CROSS REFERENCES
Renault	5 010 600 262	Contitech 4922 MB Vibracoustic VIDK211-033

RML 75051

Cross Section View

Top View



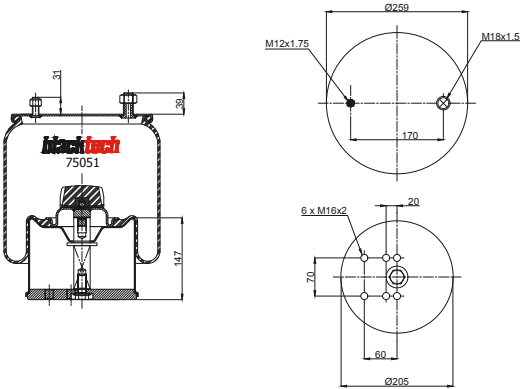
● Bolt of Stud ○ Threaded hole ⊗ Combination Stud ⊗ Air Inlet

OEM PART NUMBER	MODEL NO	CROSS REFERENCES
BPW 05.429.41.56.0	30K	Contitech 4940 N P02 Goodyear 1R11-799 Dunlop F D11U42 Gart Ref. C293/A Gart No. 293.0.413

RML 75051C

Cross Section View

Top View



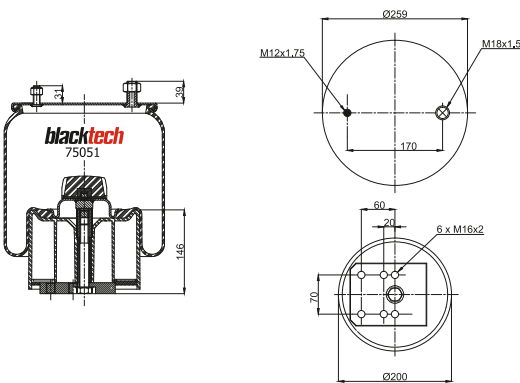
● Bolt of Stud ○ Threaded hole ⊗ Combination Stud ⊗ Air Inlet

OEM PART NUMBER	MODEL NO	CROSS REFERENCES
BPW	30K	

RML 75051CP

Cross Section View

Top View



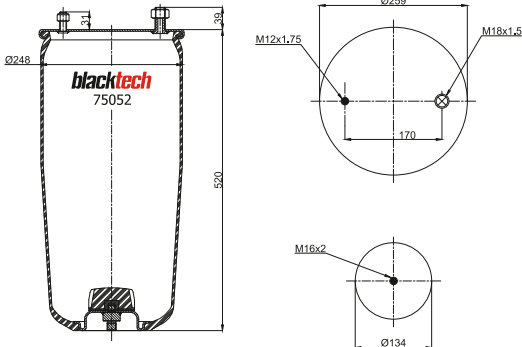
● Bolt of Stud ○ Threaded hole ⊗ Combination Stud ⊗ Air Inlet

OEM PART NUMBER	MODEL NO	CROSS REFERENCES
BPW 05.429.43.24.0	30K	Vibracoustic VIDK21K-4Y20

RML 75052

Cross Section View

Top View



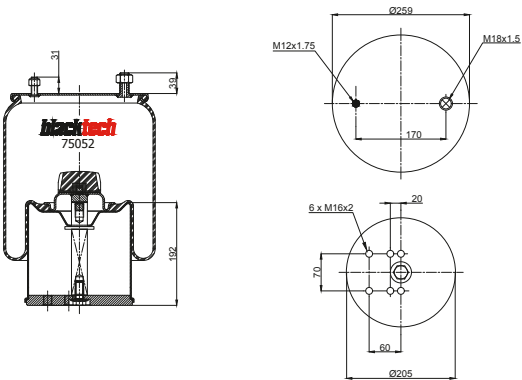
- Bolt of Stud
- Threaded hole
- ⊗ Combination Stud
- ⊗ Air Inlet

OEM PART NUMBER	MODEL NO	CROSS REFERENCES
BPW 05.429.41.25.0	30	Contitech 4941N P02
		Goodyear 1R11-802
		Dunlop F D11U45
		Gart Ref. C293
		Gart No. 293.0.513

RML 75052 C

Cross Section View

Top View



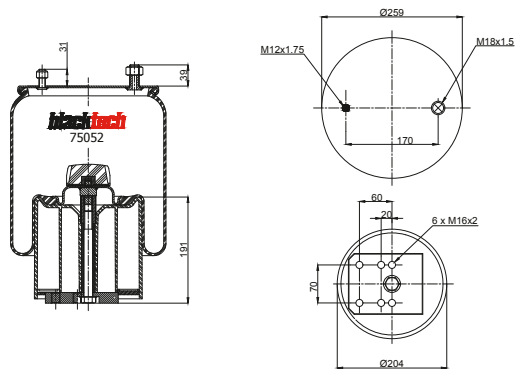
- Bolt of Stud
- Threaded hole
- ⊗ Combination Stud
- ⊗ Air Inlet

OEM PART NUMBER	MODEL NO	CROSS REFERENCES
BPW	30	

RML 75052 CP

Cross Section View

Top View

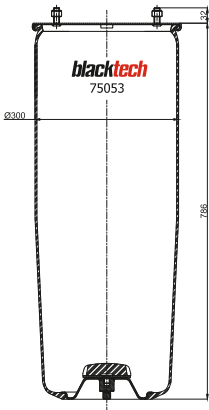


- Bolt of Stud
- Threaded hole
- ⊗ Combination Stud
- ⊗ Air Inlet

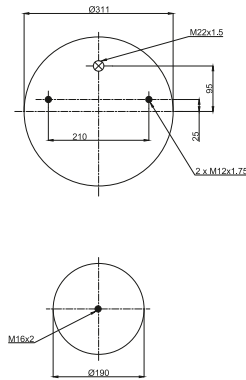
OEM PART NUMBER	MODEL NO	CROSS REFERENCES
BPW	30	

RML 75053

Cross Section View



Top View

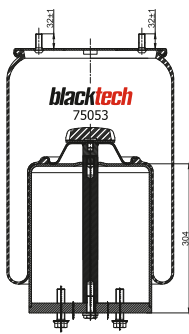


- Bolt of Stud
- Threaded hole
- ⊗ Combination Stud
- ⊗ Air Inlet

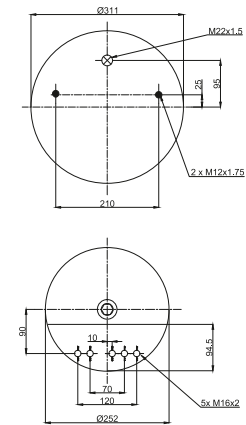
OEM PART NUMBER		MODEL NO	CROSS REFERENCES	
BPW	05.429.41.09.0	36-2	Contitech	4942 NP02
			Gart Ref.	C293
			Gart No.	293.0.514
			Vibracoustic	VIDK32M

RML 75053 C1

Cross Section View



Top View

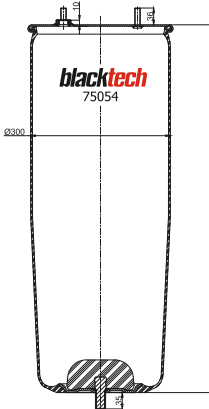


- Bolt of Stud
- Threaded hole
- ⊗ Combination Stud
- ⊗ Air Inlet

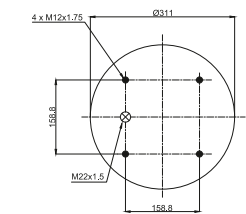
OEM PART NUMBER		MODEL NO	CROSS REFERENCES	
BPW	05.429.41.86.0	36-2	Contitech	4942 NP04

RML 75054

Cross Section View



Top View



- Bolt of Stud
- Threaded hole
- ⊗ Combination Stud
- ⊗ Air Inlet

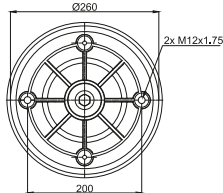
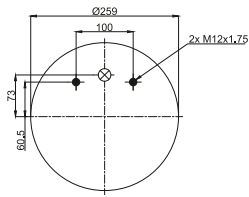
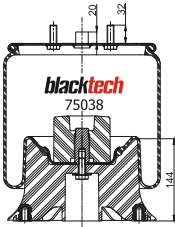
OEM PART NUMBER		MODEL NO	CROSS REFERENCES	
SAF		3138		



RML 75038 CP

Cross Section View

Top View



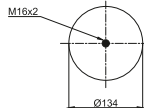
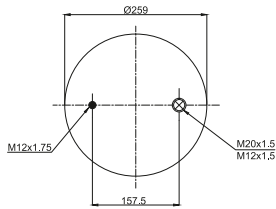
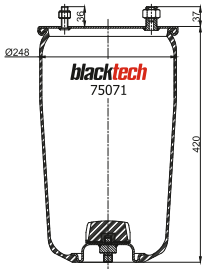
● Bolt of Stud ○ Threaded hole ⊗ Combination Stud ⊗ Air Inlet

OEM PART NUMBER		MODEL NO	CROSS REFERENCES	
Renault	5.010.630.800	Midlum <16t	Contitech	4927 NP01
Renault	22.025.580	Midlum <16t	Vibracoustic	VIDK21t-494901
Renault	5.010.305.391	Midlum <16t		
Volvo	22.025.612			
Volvo	25.379.286			
Volvo	20.722.409			

RML 75071

Cross Section View

Top View



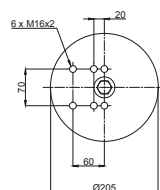
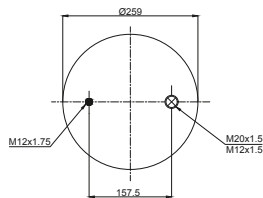
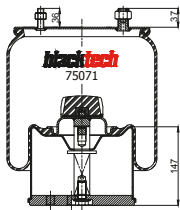
● Bolt of Stud ○ Threaded hole ⊗ Combination Stud ⊗ Air Inlet

OEM PART NUMBER		MODEL NO	CROSS REFERENCES	
BPW	05.429.41.770	30K	Contitech	4960 NP02
			Phoenix	1DK 21K-3
			Goodyear	1R11-801
			Vibracoustic	VIDK21K-3
			CF Gomma Ref.	1TC300-30K
			CF Gomma No.	207711
			Dunlop F	D11U44
			Gart Ref.	C292/A
			Gart No.	293.0.412

RML 75071C

Cross Section View

Top View



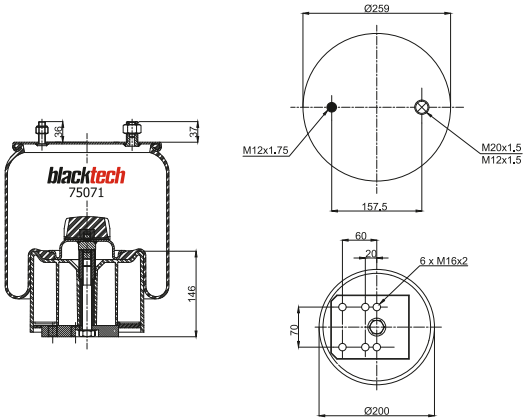
● Bolt of Stud ○ Threaded hole ⊗ Combination Stud ⊗ Air Inlet

OEM PART NUMBER		MODEL NO	CROSS REFERENCES	
BPW		30K		

RML 75071 CP

Cross Section View

Top View



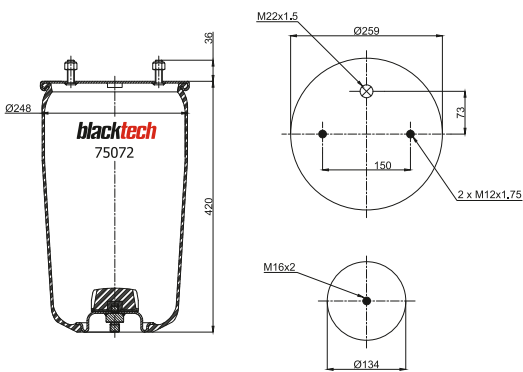
● Bolt of Stud ○ Threaded hole ⊗ Combination Stud ⊗ Air Inlet

OEM PART NUMBER		MODEL NO	CROSS REFERENCES	
BPW	05.429.43.23.0	30K	Vibracoustic	VIDK21K-3Y8

RML 75072

Cross Section View

Top View



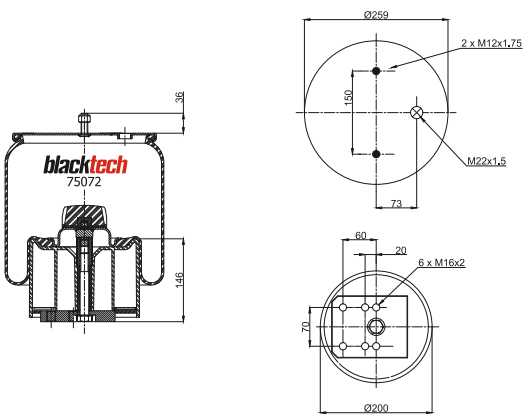
● Bolt of Stud ○ Threaded hole ⊗ Combination Stud ⊗ Air Inlet

OEM PART NUMBER		MODEL NO	CROSS REFERENCES	
BPW	05.429.42.04.0	30K	Contitech	4961 N P02
			Goodyear	1R11-800
			Dunlop F	D11U43
			Gart Ref.	C293/A
			Gart No.	293.0.414

RML 75072 CP

Cross Section View

Top View



● Bolt of Stud ○ Threaded hole ⊗ Combination Stud ⊗ Air Inlet

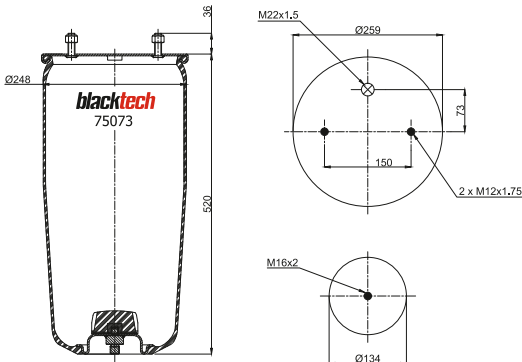
OEM PART NUMBER		MODEL NO	CROSS REFERENCES	
BPW		30K		

RML 75073



Cross Section View

Top View



- Bolt of Stud
- Threaded hole
- ⊗ Combination Stud
- ⊗ Air Inlet

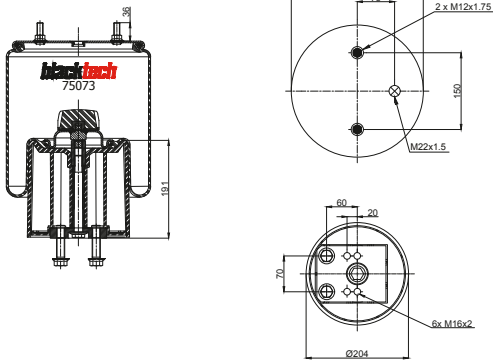
OEM PART NUMBER		MODEL NO	CROSS REFERENCES	
BPW	05.429.42.030	30	Contitech	4962 N P02
Schmitz	017 228	30	Goodyear	1R11-803
			Dunlop F	D11U46
			Gart Ref.	C293
			Gart No.	293.0.514

RML 75073 CP



Cross Section View

Top View



- Bolt of Stud
- Threaded hole
- ⊗ Combination Stud
- ⊗ Air Inlet

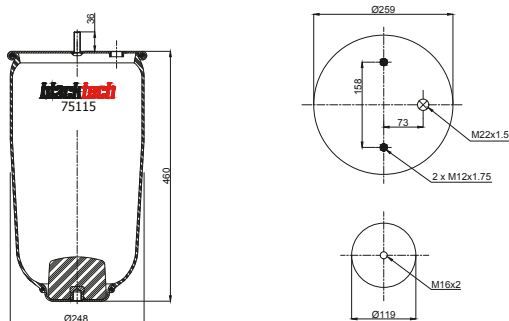
OEM PART NUMBER		MODEL NO	CROSS REFERENCES	
BPW	05.429.43.290	30t	Contitech	4962 N P03
			Vibracoustic	V1DK 21-5 Y 18
			Gart Ref.	C293
			Gart No.	293.2.513

RML 75115



Cross Section View

Top View

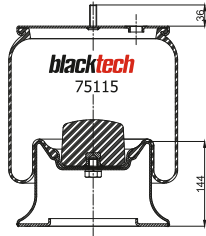


- Bolt of Stud
- Threaded hole
- ⊗ Combination Stud
- ⊗ Air Inlet

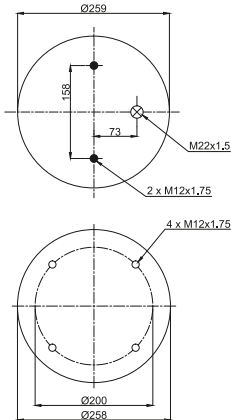
OEM PART NUMBER		MODEL NO	CROSS REFERENCES	
SAF		2618 Service Assembly	Contitech	4004 N P02
			Phoenix	1DK 22 E-5 NP
			Primeride	54004 A P02
			Firestone Style	1T17BS-6
			Firestone No.	W01-M58-0919
			Goodyear	1R11-705
			Taurus	K505
			Vibracoustic	V1DK22E-5NP
			CF Gamma Ref.	1T300-37
			Dunlop F	D12U13
			Gart Ref.	D278/S
			Gart No.	278.0.451

RML 75115 C

Cross Section View



Top View

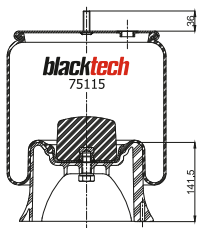


● Bolt of Stud ○ Threaded hole ⊗ Combination Stud ⊗ Air Inlet

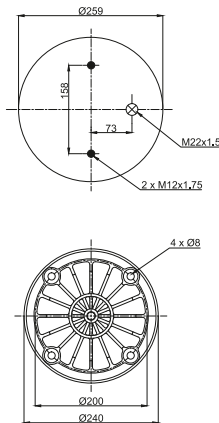
OEM PART NUMBER	MODEL NO	CROSS REFERENCES	
SAF	2618(E5)	Contitech	4004 N P05
		Phoenix	1DK 22 E-5
		Primeride	54004 A P05
		Firestone Style	117BS-6
		Goodyear	1R11-706
		Vibracoustic	VIDK22E-5
		CF Gomma Ref.	1T300-33
		CF Gomma No.	97722
		Dunlop F	D12B25
		Gart Ref.	D278/S
		Gart No.	278.4.451

RML 75115 CP

Cross Section View



Top View

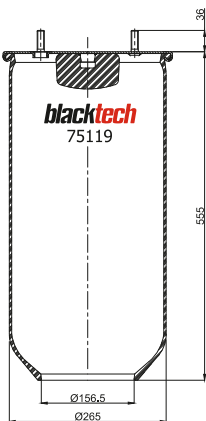


● Bolt of Stud ○ Threaded hole ⊗ Combination Stud ⊗ Air Inlet

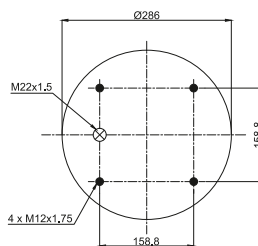
OEM PART NUMBER	MODEL NO	CROSS REFERENCES	
SAF	2618 AR.416	Contitech	4004 N P03
Scania	1723273	Phoenix	1DK 22 E-8
SAF	2618	Primeride	54004 A P03
		Firestone Style	117BS-6
		Firestone No.	W01-M58-6366
		Goodyear	1R11-750
		Goodyear	1R11-713
		Taurus	K505-27SM
		Vibracoustic	VIDK22E-8
		CF Gomma Ref.	1T300-37
		CF Gomma No.	203715
		Dunlop F	D12B34
		Dunlop F	D12B13
		Gart Ref.	D278/S
		Gart No.	278.4.452

RML 75119

Cross Section View



Top View



● Bolt of Stud ○ Threaded hole ⊗ Combination Stud ⊗ Air Inlet

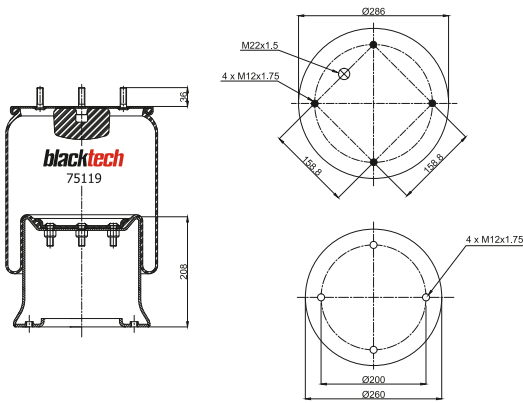
OEM PART NUMBER	MODEL NO	CROSS REFERENCES	
		Contitech	4008 N

RML 75119 C



Cross Section View

Top View



- Bolt of Stud
- Threaded hole
- ⊗ Combination Stud
- ⊗ Air Inlet

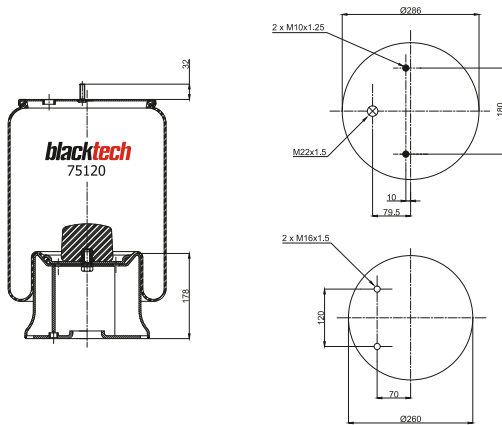
OEM PART NUMBER		MODEL NO	CROSS REFERENCES	
Fruehauf	UJB 0305-001		Firestone Style	1T19 L-12
ROR	2122 1349		Firestone No.	W01M58 8765
SAF		2926	Vibracoustic	V 10 28 C-12
Samro	H2500361		Dunlop F	D13 B03
Weweler	US 07380		Phoenix	10 28 C-12
Scania	1873856			

RML 75120 C



Cross Section View

Top View



- Bolt of Stud
- Threaded hole
- ⊗ Combination Stud
- ⊗ Air Inlet

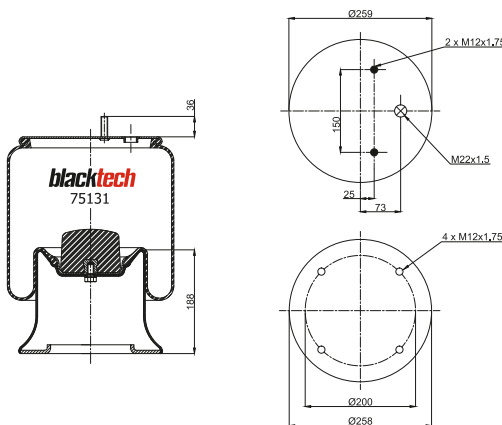
OEM PART NUMBER		MODEL NO	CROSS REFERENCES	
Cardi	58050910			

RML 75131 C



Cross Section View

Top View



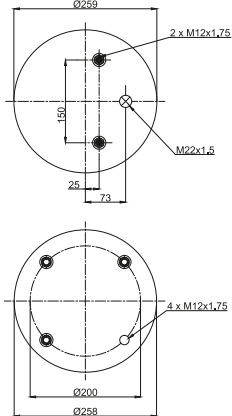
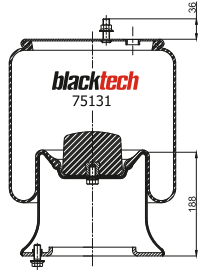
- Bolt of Stud
- Threaded hole
- ⊗ Combination Stud
- ⊗ Air Inlet

OEM PART NUMBER		MODEL NO	CROSS REFERENCES	
SAF		2623 V	Vibracoustic	VIDK22t-20

RML 75131 C1

Cross Section View

Top View



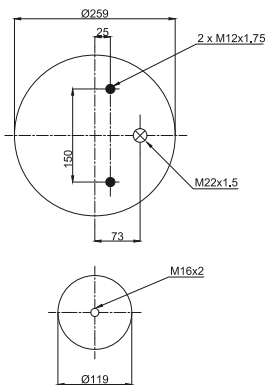
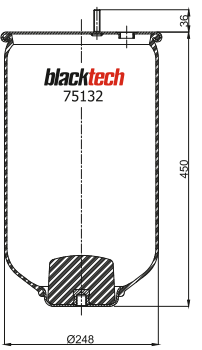
- Bolt of Stud
- Threaded hole
- ⊗ Combination Stud
- ⊗ Air Inlet

OEM PART NUMBER	MODEL NO	CROSS REFERENCES
SAF	2623 V	

RML 75132

Cross Section View

Top View



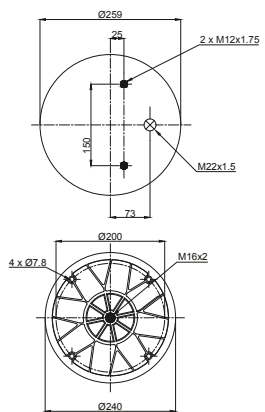
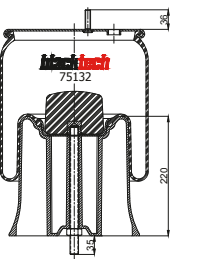
- Bolt of Stud
- Threaded hole
- ⊗ Combination Stud
- ⊗ Air Inlet

OEM PART NUMBER	MODEL NO	CROSS REFERENCES
SAF		

RML 75132 CP

Cross Section View

Top View

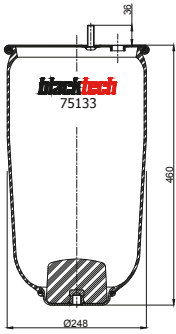


- Bolt of Stud
- Threaded hole
- ⊗ Combination Stud
- ⊗ Air Inlet

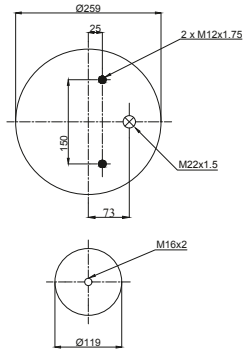
OEM PART NUMBER	MODEL NO	CROSS REFERENCES
SAF	2626 V	CF Gamma Ref. 1T 300-37
Kögel	360112	CF Gamma No. 207722
		Vibracoustic VIDK22E-14
		Gart Ref. D278/S
		Gart No. 2781.452
		Phoenix 1DK 22 E-14

RML 75133

Cross Section View



Top View

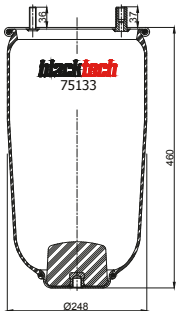


● Bolt of Stud ○ Threaded hole ⊗ Combination Stud ⊗ Air Inlet

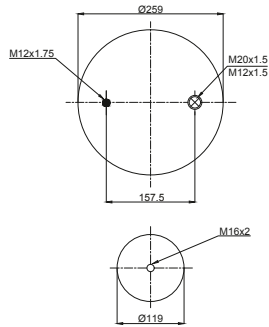
OEM PART NUMBER	MODEL NO	CROSS REFERENCES	
SAF	2618 V P02 2619 V P02	Contitech	4022 NP02
SAF	2618V	Phoenix	1DK 22E-9 NP
SAF	2619V	Primeride	54022 A P02
		Firestone Style	1T17BS-6
		Firestone No.	W01-M58-0756
		Goodyear	1R11-709
		Goodyear	1R11-850
		Vibracoustic	VIDK22E-9 NP
		Dunlop F	D11U40
		Gart Ref.	D278/S
		Gart No.	278.0.452

RML 75133-1

Cross Section View



Top View

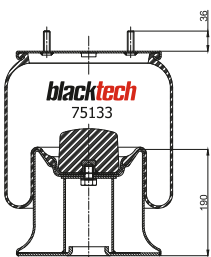


● Bolt of Stud ○ Threaded hole ⊗ Combination Stud ⊗ Air Inlet

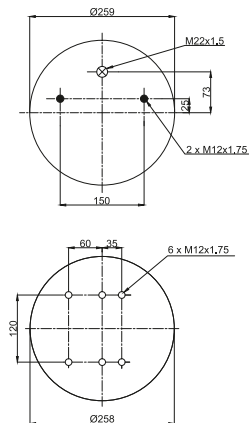
OEM PART NUMBER	MODEL NO	CROSS REFERENCES	
SAF	2618/2619 IL	Vibracoustic	VIDK22s-20NP

RML 75133 C2

Cross Section View



Top View



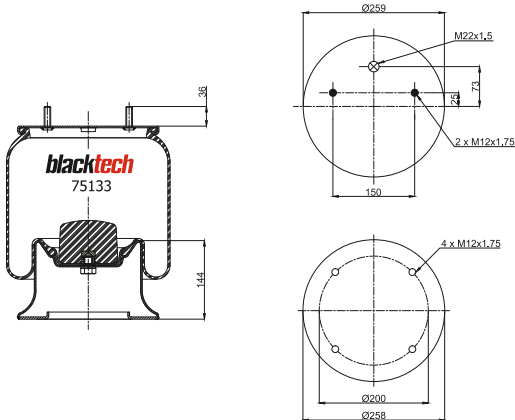
● Bolt of Stud ○ Threaded hole ⊗ Combination Stud ⊗ Air Inlet

OEM PART NUMBER	MODEL NO	CROSS REFERENCES	

RML 75133 C3

Cross Section View

Top View



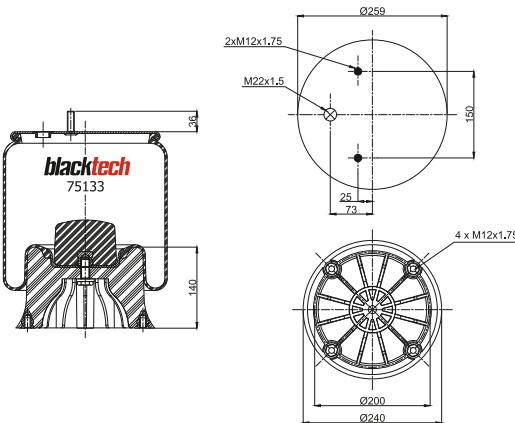
● Bolt of Stud ○ Threaded hole ⊗ Combination Stud ⊗ Air Inlet

OEM PART NUMBER	MODEL NO	CROSS REFERENCES
SAF	2618V	Firestone Style 1T15 BS-6 Firestone No. W01 M58 6367
		Dunlop F D12 B04
		CF Gomma Ref. 1T 300-37
		CF Gomma No. 204677
		Taurus KR 725-28
		Goodyear 1R11-714

RML 75133 CP2

Cross Section View

Top View



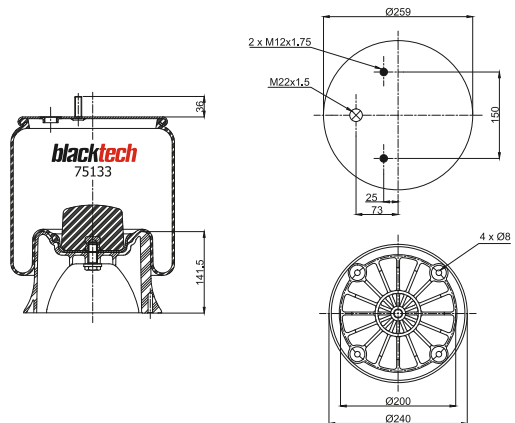
● Bolt of Stud ○ Threaded hole ⊗ Combination Stud ⊗ Air Inlet

OEM PART NUMBER	MODEL NO	CROSS REFERENCES
SAF	2618V	Contitech 4022 N P03
Scania	1713277	

RML 75133 CP3

Cross Section View

Top View

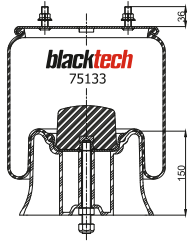


● Bolt of Stud ○ Threaded hole ⊗ Combination Stud ⊗ Air Inlet

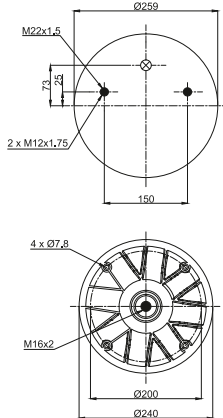
OEM PART NUMBER	MODEL NO	CROSS REFERENCES
SAF	2618V	Contitech 4022 N P03
Scania	1723277	Phoenix 1DK 22 E-9
		Primeride 54022 A P03
		Firestone Style 1T17BS-6
		Firestone No. W01-M58-6367
		Goodyear 1R11-714
		Goodyear 1R11-751
		Goodyear 1R11-710
		Taurus KR725-28
		Vibracoustic VIDK22E-9
		CF Gomma Ref. 1T300-37
		CF Gomma No. 206340
		Dunlop F D12B14
		Gart Ref. D278/S
		Gart No. 278.4.454

RML 75133 CP4

Cross Section View



Top View

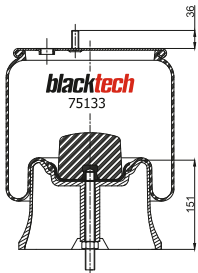


- Bolt of Stud
- Threaded hole
- ⊗ Combination Stud
- ⊗ Air Inlet

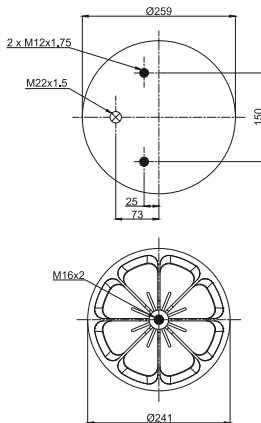
OEM PART NUMBER	MODEL NO	CROSS REFERENCES	
	2619 Tirsan	Vibracoustic	VIDK22s-12

RML 75133 CP5

Cross Section View



Top View

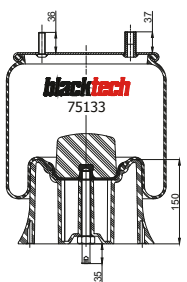


- Bolt of Stud
- Threaded hole
- ⊗ Combination Stud
- ⊗ Air Inlet

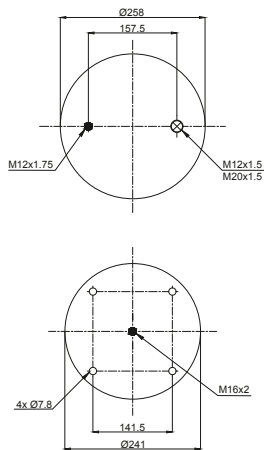
OEM PART NUMBER	MODEL NO	CROSS REFERENCES	
Scania	1723281	Contitech	4022 N P05
SAF	2918 VP01	Phoenix	1DK 22E-11
		Primeride	54022 A P05
		Firestone Style	1T17BS-6
		Firestone No.	W01-M58-8612
		Goodyear	1R11-781
		Vibracoustic	VIDK22E-10
		CF Gamma Ref.	1T300-37
		CF Gamma No.	206585
		Dunlop F	D11B41
		Gart Ref.	D278/S
		Gart No.	278.1.455

RML 75133 CP11

Cross Section View



Top View



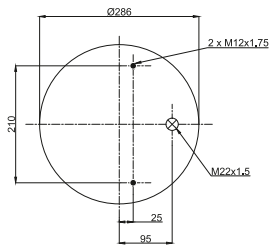
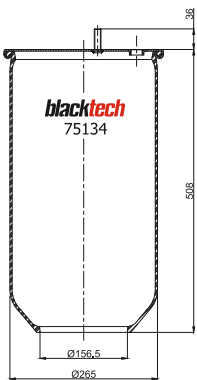
- Bolt of Stud
- Threaded hole
- ⊗ Combination Stud
- ⊗ Air Inlet

OEM PART NUMBER	MODEL NO	CROSS REFERENCES	
SAF	2619 IL		

RML 75134

Cross Section View

Top View



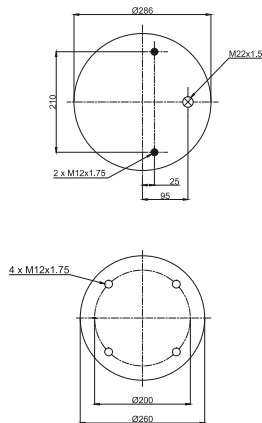
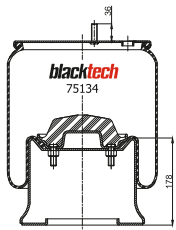
● Bolt of Stud ○ Threaded hole ⊗ Combination Stud ⊗ Air Inlet

OEM PART NUMBER	MODEL NO	CROSS REFERENCES	
SAF	2923 V Service Assembly	Contitech	4023 NP06
		Phoenix	1D 28 B-10 NP
		Firestone Style	1T19L-11
		Firestone No.	W01-M58-6335

RML 75134 C

Cross Section View

Top View



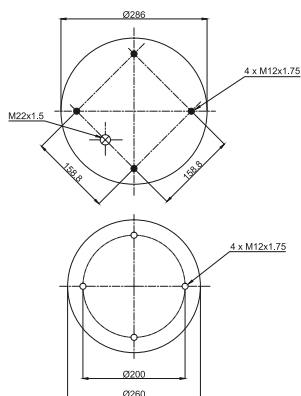
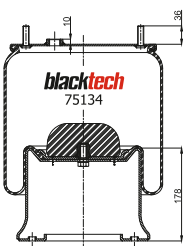
● Bolt of Stud ○ Threaded hole ⊗ Combination Stud ⊗ Air Inlet

OEM PART NUMBER	MODEL NO	CROSS REFERENCES	
SAF	2923 V	Contitech	4023 NP03
Schmitz	751 082	Phoenix	1D 28 B-10
Scania	1723280	Primeride	54023 A P03
		Firestone Style	1T19L-11
		Firestone No.	W01-M58-6348
		Goodyear	1R14-729
		Taurus	KR622-18
		Vibracoustic	VID28B-10
		CF Gomma Ref.	1T19E-2
		CF Gomma No.	204676
		Dunlop F	D13B26
		Gart Ref.	D277
		Gart No.	2774505

RML 75134 C1

Cross Section View

Top View



● Bolt of Stud ○ Threaded hole ⊗ Combination Stud ⊗ Air Inlet

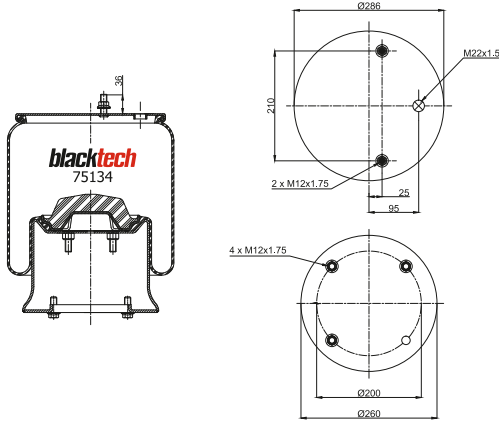
OEM PART NUMBER	MODEL NO	CROSS REFERENCES	
SAF	2923 L	Vibracoustic	VID28b-1034

RML 75134 C2



Cross Section View

Top View



- Bolt of Stud
- Threaded hole
- ⊗ Combination Stud
- ⊗ Air Inlet

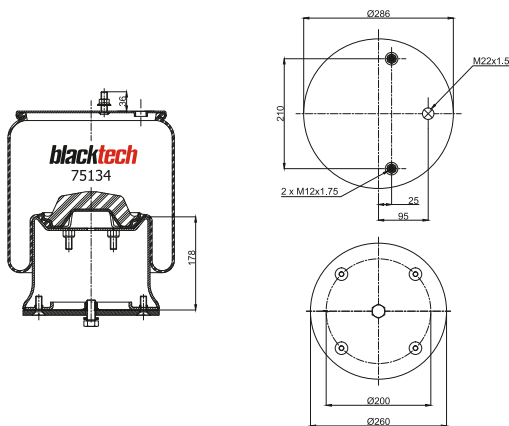
OEM PART NUMBER	MODEL NO	CROSS REFERENCES	
SAF	2923 V	Contitech	4023 NP07
		CF Gomma Ref.	119E-2
		CF Gomma No.	207734
		Gart Ref.	D277
		Gart No.	2774.505/2
		Vibracoustic	VID28b-1034V1

RML 75134 C3



Cross Section View

Top View



- Bolt of Stud
- Threaded hole
- ⊗ Combination Stud
- ⊗ Air Inlet

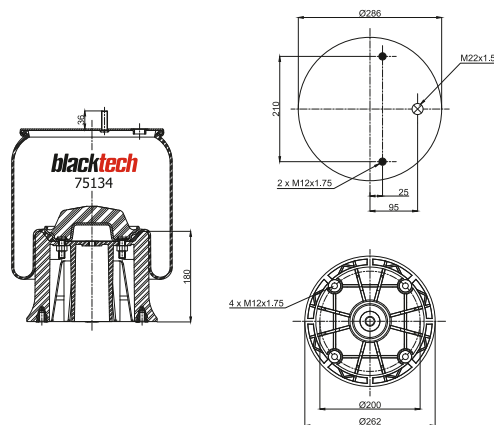
OEM PART NUMBER	MODEL NO	CROSS REFERENCES	
SAF	2923 V	CF Gomma No.	207735
		CF Gomma Ref.	119E-2
		Gart No.	2771.505
		Gart Ref.	D277
		Vibracoustic	VID28b-1034V2

RML 75134 CP



Cross Section View

Top View



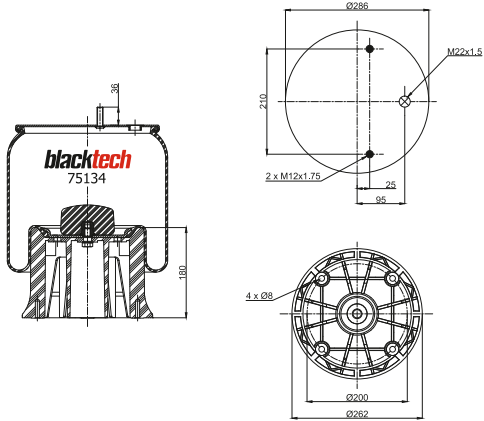
- Bolt of Stud
- Threaded hole
- ⊗ Combination Stud
- ⊗ Air Inlet

OEM PART NUMBER	MODEL NO	CROSS REFERENCES	
		Vibracoustic	VID28b-1134p

RML 75134 CP1

Cross Section View

Top View



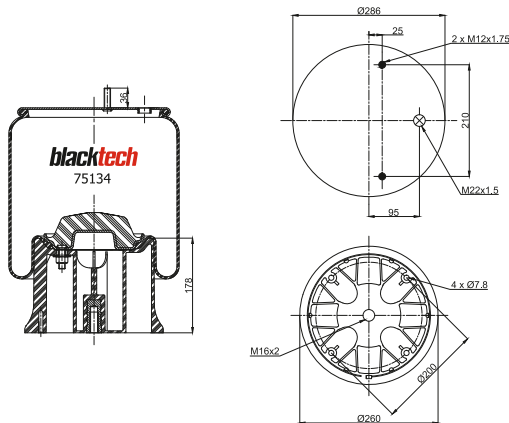
- Bolt of Stud
- Threaded hole
- ⊗ Combination Stud
- ⊗ Air Inlet

OEM PART NUMBER	MODEL NO	CROSS REFERENCES	
SAF	2923 VK	Vibracoustic	VID28b-1134ps

RML 75134 CP2

Cross Section View

Top View



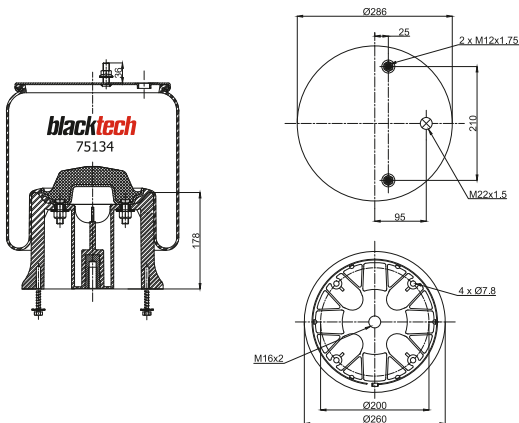
- Bolt of Stud
- Threaded hole
- ⊗ Combination Stud
- ⊗ Air Inlet

OEM PART NUMBER	MODEL NO	CROSS REFERENCES	
SAF	2924 V	Vibracoustic	VID28b-1134

RML 75134 CP3

Cross Section View

Top View



- Bolt of Stud
- Threaded hole
- ⊗ Combination Stud
- ⊗ Air Inlet

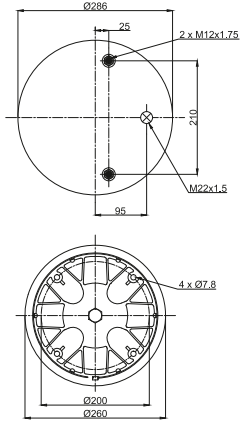
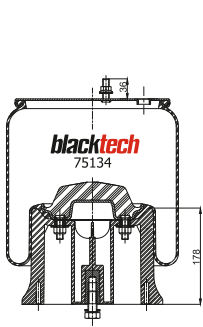
OEM PART NUMBER	MODEL NO	CROSS REFERENCES	
SAF	2924 V	Vibracoustic	VID28b-1134V-1

RML 75134 CP4



Cross Section View

Top View



- Bolt of Stud
- Threaded hole
- Combination Stud
- Air Inlet

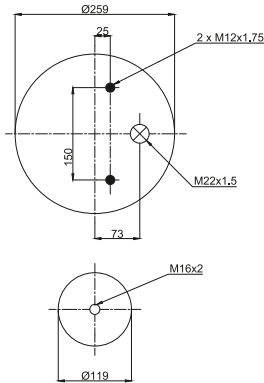
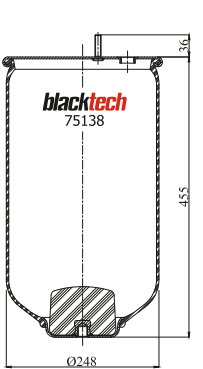
OEM PART NUMBER	MODEL NO	CROSS REFERENCES	
SAF	2924 V	Vibracoustic	VID280-1134V-2

RML 75138



Cross Section View

Top View



- Bolt of Stud
- Threaded hole
- Combination Stud
- Air Inlet

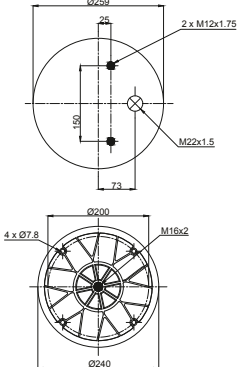
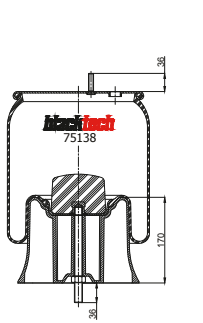
OEM PART NUMBER	MODEL NO	CROSS REFERENCES	
SAF			

RML 75138 CP



Cross Section View

Top View



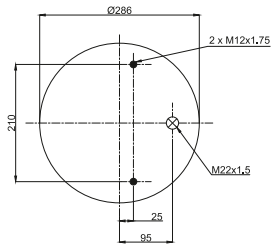
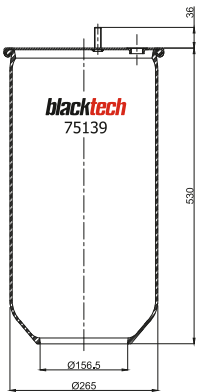
- Bolt of Stud
- Threaded hole
- Combination Stud
- Air Inlet

OEM PART NUMBER	MODEL NO	CROSS REFERENCES	
SAF	2621V	CF Gomma Ref.	1T 300-37
		CF Gomma No.	207719
		Vibracoustic	V10K22E-13
		Gart Ref.	D278/S
		Gart No.	2781.453
		Phoenix	1DK 22 E-13

RML 75139

Cross Section View

Top View



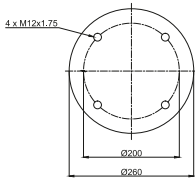
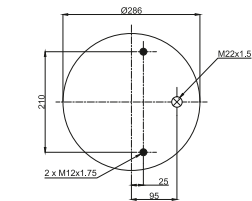
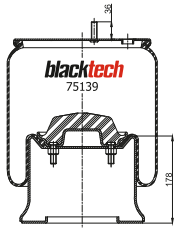
● Bolt of Stud ○ Threaded hole ⊗ Combination Stud ⊗ Air Inlet

OEM PART NUMBER	MODEL NO	CROSS REFERENCES

RML 75139 C2

Cross Section View

Top View



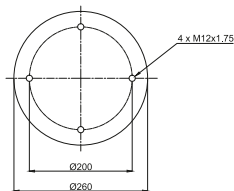
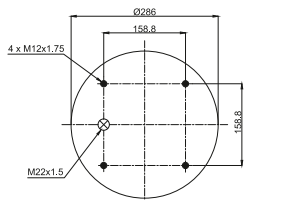
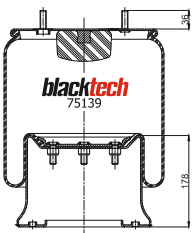
● Bolt of Stud ○ Threaded hole ⊗ Combination Stud ⊗ Air Inlet

OEM PART NUMBER	MODEL NO	CROSS REFERENCES
Schmitz 015 323		Contitech 4028 N P02
Scania 2198335		Phoenix 1D 28 F-1
Weweler US 04028		Primeride 54028 A P02
		Firestone Style 1T19L12
		Firestone No. W01-M68-8106
		Goodyear 1R14-782
		Vibracoustic VID28F-1
		Dunlop F D14B47
		Gart Ref. D287/E
		Gart No. 287/4.540

RML 75139 C5

Cross Section View

Top View



● Bolt of Stud ○ Threaded hole ⊗ Combination Stud ⊗ Air Inlet

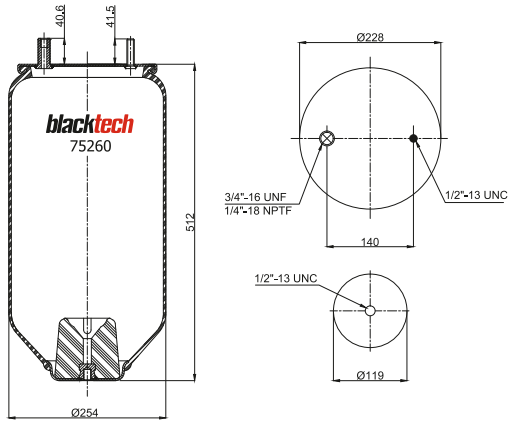
OEM PART NUMBER	MODEL NO	CROSS REFERENCES
ROR 2122 2239		Contitech 4028 N P05
Battaglino 91101895		Phoenix 1D 28 B-12
Battaglino 91101894		Primeride 54028 A P05
Battaglino 221400		Firestone Style 1T19L11
		Firestone No. W01-M68-7370
		Goodyear 1R14-721
		Goodyear 1R14-710
		Vibracoustic VID28F-7
		Dunlop F D14B51
		Gart Ref. D277/D
		Gart Ref. D287
		Gart No. 277/4.520
		Gart No. 277/4.524
		Gart No. 287/4.521

RML 75260-1



Cross Section View

Top View



● Bolt of Stud ○ Threaded hole ⊗ Combination Stud ⊗ Air Inlet

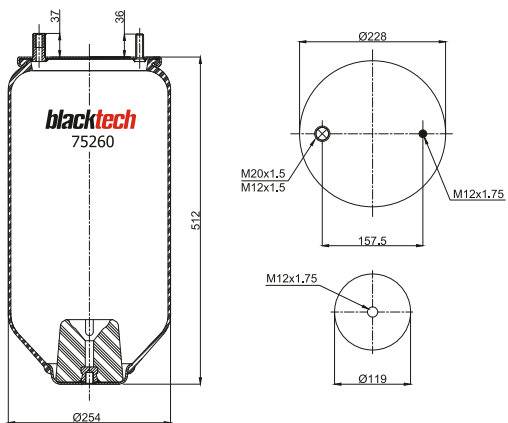
OEM PART NUMBER	MODEL NO	CROSS REFERENCES
Hendrickson		

RML 75260-5



Cross Section View

Top View



● Bolt of Stud ○ Threaded hole ⊗ Combination Stud ⊗ Air Inlet

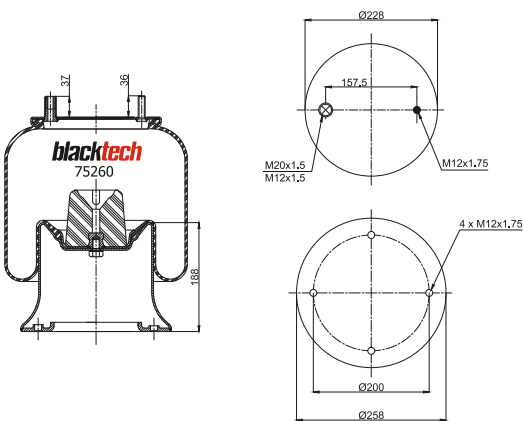
OEM PART NUMBER	MODEL NO	CROSS REFERENCES
Fruehauf	Service Assembly	Contitech 4159 N P05 Phoenix 1 DK 21 B-5 NP Primeride 54159 A P05 Firestone Style 1T15M-9 Firestone No. W01-M58-0736 Goodyear 1R12-761 Vibracoustic V1DK21B-5 CF Gomma Ref. 1T323-40 Dunlop F D12U04 Gart Ref. D278/H Gart No. 278.0.551

RML 75260 C3



Cross Section View

Top View

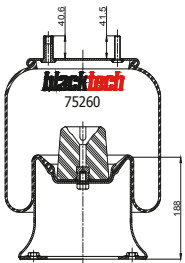


● Bolt of Stud ○ Threaded hole ⊗ Combination Stud ⊗ Air Inlet

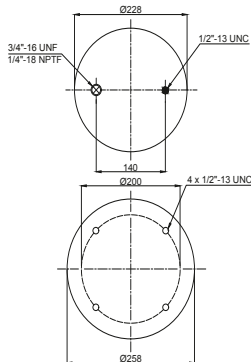
OEM PART NUMBER	MODEL NO	CROSS REFERENCES
Fruehauf		Contitech 4159 N P03
Samro H2500425		Phoenix 1 DK 23 L-27
SMB		Primeride 54159 A P03 Firestone Style 1T15M-9 Firestone No. W01-M58-7548 Firestone No. W01-358-9130 Goodyear 1R12-701 Vibracoustic V1DK23L-40 CF Gomma Ref. 1T323-40 CF Gomma No. 97306 Dunlop F D12B08 Dunlop UK PNP311370000 Gart Ref. D278/H Gart No. 278.4.511/1

RML 75260 C4

Cross Section View



Top View

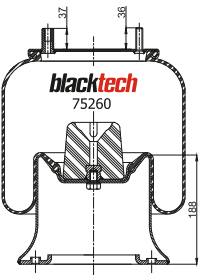


● Bolt of Stud ○ Threaded hole ⊗ Combination Stud ⊗ Air Inlet

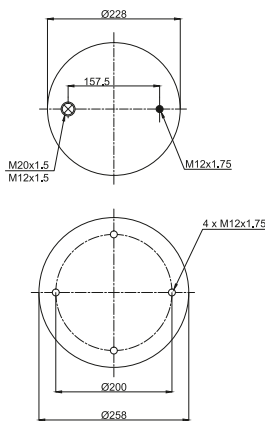
OEM PART NUMBER		MODEL NO	CROSS REFERENCES	
Neway	905 57 009		Dunlop F	D12 B34
ERF	139275-4		Goodyear	1R12-717
Transpart	531233			

RML 75260 C6

Cross Section View



Top View

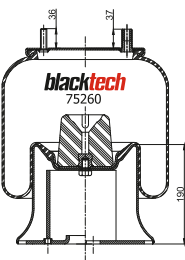


● Bolt of Stud ○ Threaded hole ⊗ Combination Stud ⊗ Air Inlet

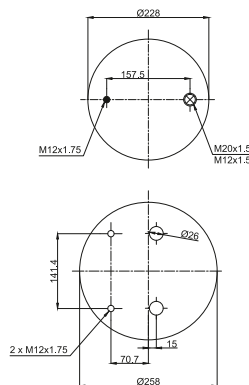
OEM PART NUMBER		MODEL NO	CROSS REFERENCES	
Samro				

RML 75260 C7

Cross Section View



Top View



● Bolt of Stud ○ Threaded hole ⊗ Combination Stud ⊗ Air Inlet

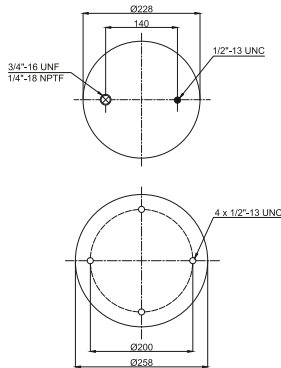
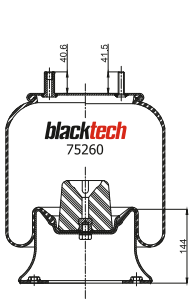
OEM PART NUMBER		MODEL NO	CROSS REFERENCES	
Fruehauf	UJB 0203-001		Contitech	4159 N P07
SMB	1518779		Phoenix	1 DK 23 L-25
SMB	1520356		Primeride	54159 A P07
SMB	1524873		Firestone Style	1T15M-9
SMB	M001782		Firestone No.	W01-379-9091
SMB	UJB 0203		Firestone No.	W01-M58-8859
SMB	UJA 0894-1		Goodyear	1R12-702
SMB	202302		Taurus	KR509-25
			Vibracoustic	VIDK23B-9
			CF Gamma Ref.	1T323-40
			CF Gamma No.	202302
			Dunlop F	D12B15
			Dunlop UK	00982A-AP
			Gart Ref.	D278/H
			Gart No.	278.2.511

RML 75260 C8



Cross Section View

Top View



● Bolt of Stud ○ Threaded hole ⊗ Combination Stud ⊗ Air Inlet

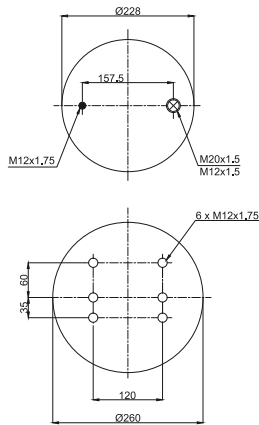
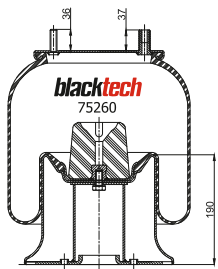
OEM PART NUMBER	MODEL NO	CROSS REFERENCES
Hendrickson		

RML 75260 C10



Cross Section View

Top View



● Bolt of Stud ○ Threaded hole ⊗ Combination Stud ⊗ Air Inlet

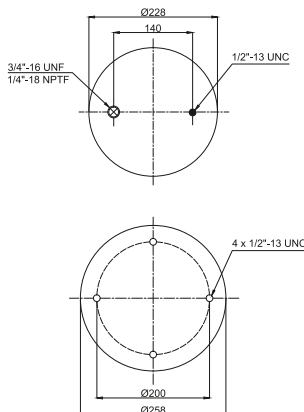
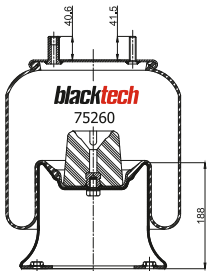
OEM PART NUMBER	MODEL NO	CROSS REFERENCES
Fruehauf		

RML 75260 C16



Cross Section View

Top View



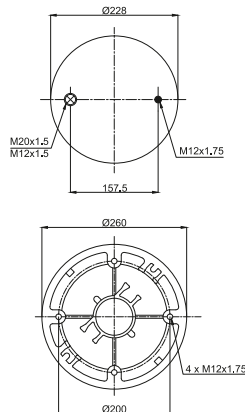
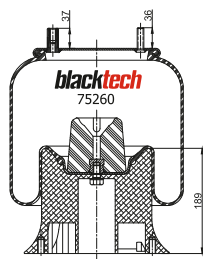
● Bolt of Stud ○ Threaded hole ⊗ Combination Stud ⊗ Air Inlet

OEM PART NUMBER	MODEL NO	CROSS REFERENCES
Fruehauf		

RML 75260 CA18

Cross Section View

Top View



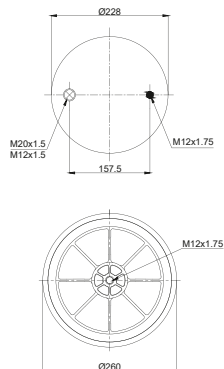
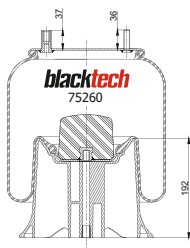
● Bolt of Stud ○ Threaded hole ⊗ Combination Stud ⊗ Air Inlet

OEM PART NUMBER	MODEL NO	CROSS REFERENCES
Samro 2500425		Firestone Style 1T15 M-9 Firestone No. W01M68 7548

RML 75260 CP9

Cross Section View

Top View



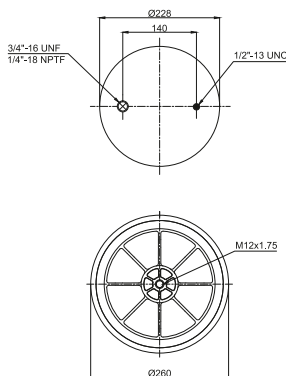
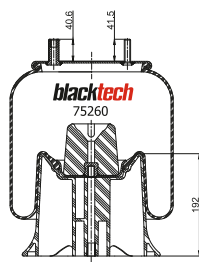
● Bolt of Stud ○ Threaded hole ⊗ Combination Stud ⊗ Air Inlet

OEM PART NUMBER	MODEL NO	CROSS REFERENCES
Cardi 58051210		Contitech 4159 N P09
Fruehauf UJB 0358-001		Phoenix 1DK 23 L-9131
Samro H2500324		Primeride 54159 A P09
SMB 1525199		Firestone Style 1T15M-9
SMB M001774		Firestone No. W01-M68-9131
Fruehauf UJA 09030		Goodyear 1R12-721
SMB UJB 0358		Taurus KR509-9131
SMB UJY 0099		Vibracoustic VIDK23L-9131
Trouillet HT 18002		CF Gomma Ref. 1T323-40
Viberti 128147123		CF Gomma No. 200751
		Dunlop F D12B04
		Gart Ref. D278/H
		Gart No. 2781.510

RML 75260 CP11

Cross Section View

Top View



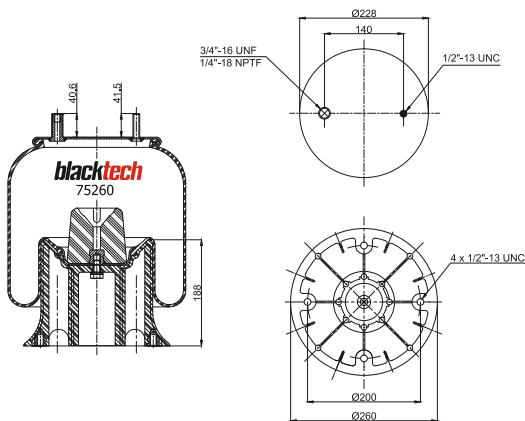
● Bolt of Stud ○ Threaded hole ⊗ Combination Stud ⊗ Air Inlet

OEM PART NUMBER	MODEL NO	CROSS REFERENCES
Hendrickson B3842		

RML 75260 CP12

Cross Section View

Top View



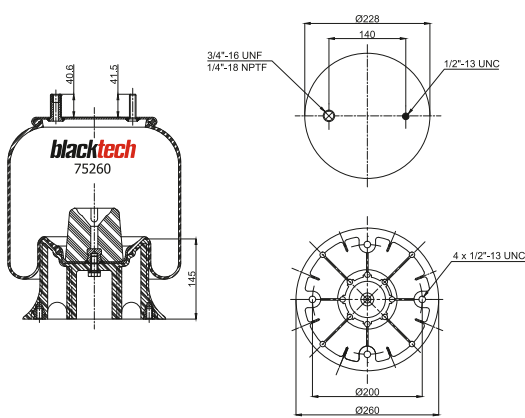
- Bolt of Stud
- Threaded hole
- ⊗ Combination Stud
- ⊗ Air Inlet

OEM PART NUMBER	MODEL NO	CROSS REFERENCES
Transpart 531233		

RML 75260 CP13

Cross Section View

Top View



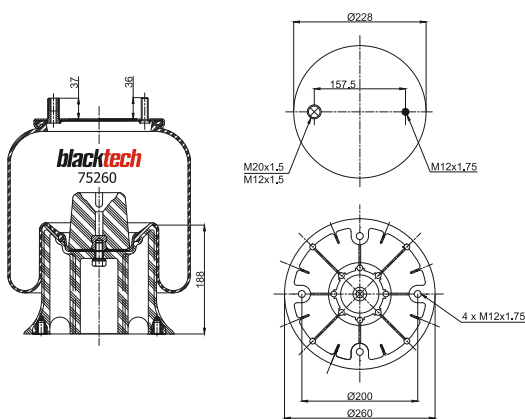
- Bolt of Stud
- Threaded hole
- ⊗ Combination Stud
- ⊗ Air Inlet

OEM PART NUMBER	MODEL NO	CROSS REFERENCES
Hendrickson NA 1817		

RML 75260 CP14

Cross Section View

Top View



- Bolt of Stud
- Threaded hole
- ⊗ Combination Stud
- ⊗ Air Inlet

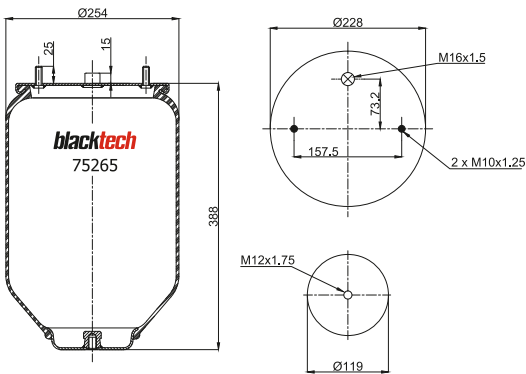
OEM PART NUMBER	MODEL NO	CROSS REFERENCES
Fruehauf UJA 0894-001		Contitech 4159 N P14
MONTENEGRO		Phoenix 1 DK 21 B-4
Samro 2500425		Primeride 54159 A P14
ROR 21215891		Firestone Style 1T15M-9
ROR 21215762		Firestone No. W01-M58-7548
ROR 2122 6039		Goodyear 1R12-760
		Goodyear 1R12-834
		Vibracoustic VIDK21B-4
		CF Gamma Ref. 1T323-40
		CF Gamma No. 204124
		Dunlop F D12B01
		Dunlop UK PNP311370000



RML 75265

Cross Section View

Top View



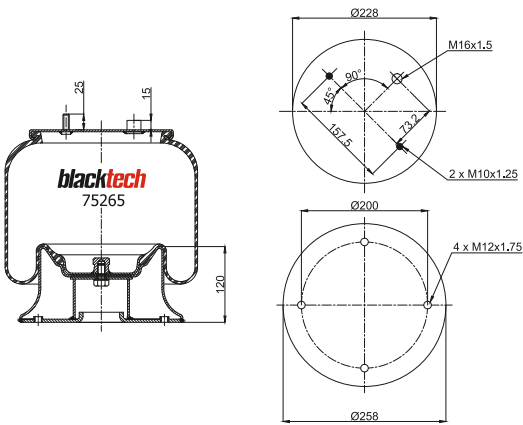
● Bolt of Stud ○ Threaded hole ⊗ Combination Stud ⊗ Air Inlet

OEM PART NUMBER	MODEL NO	CROSS REFERENCES
Renault		

RML 75265 C5

Cross Section View

Top View



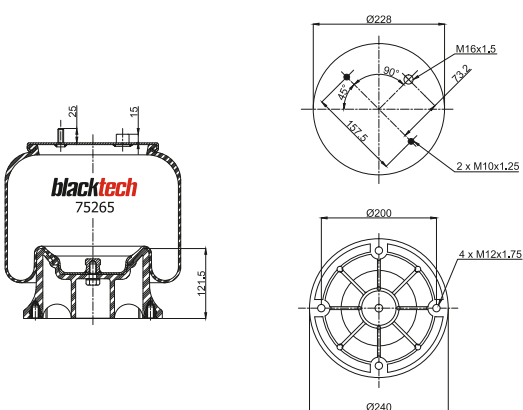
● Bolt of Stud ○ Threaded hole ⊗ Combination Stud ⊗ Air Inlet

OEM PART NUMBER	MODEL NO	CROSS REFERENCES
Renault	5.010.239.252	Premium, Magnum
Renault	5.010.488.071	Premium, Magnum
		Contitech 4154 N P05
		Phoenix 1DK 23 F-1
		Firestone Style 1T15M-3
		Firestone No. W01-358-8172
		Firestone No. W01-M68-8172
		Vibracoustic VIDK23F-1

RML 75265 CP6

Cross Section View

Top View



● Bolt of Stud ○ Threaded hole ⊗ Combination Stud ⊗ Air Inlet

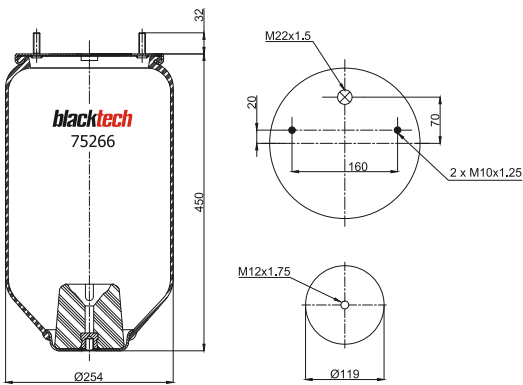
OEM PART NUMBER	MODEL NO	CROSS REFERENCES
Renault	5.010.600.570	Premium / Magnum Lift
Volvo	20 758 818	FM / FH Lift
Renault	5.010.305.438	FM / FH Lift
Renault	7.421.978.506	T-Series
Volvo	21978 510	FM / FH Lift

RML 75266



Cross Section View

Top View



● Bolt of Stud ○ Threaded hole ⊗ Combination Stud ⊗ Air Inlet

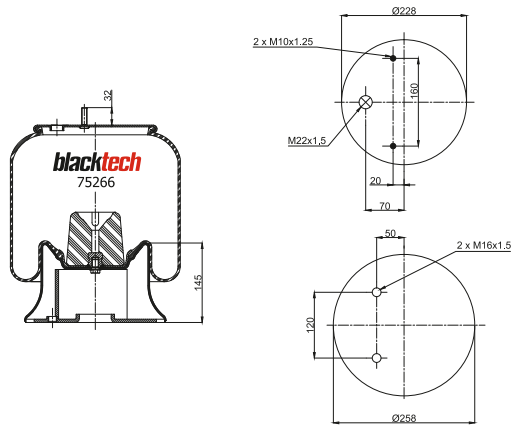
OEM PART NUMBER	MODEL NO	CROSS REFERENCES

RML 75266 C



Cross Section View

Top View



● Bolt of Stud ○ Threaded hole ⊗ Combination Stud ⊗ Air Inlet

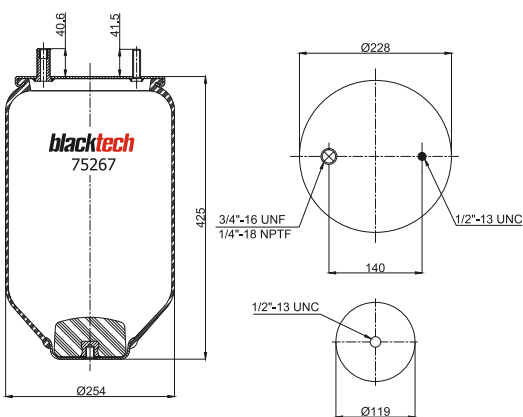
OEM PART NUMBER	MODEL NO	CROSS REFERENCES
Zorzi 1006550		CF Gomma Ref. 1T 323-33
Bertoja 45402004		CF Gomma No. 96873
BELLE TRAILERS BT0319		
Cardi 58051400		
Pezzioli 1006550		
Stefen M04010670		
Transpart 520 728		

RML 75267-1



Cross Section View

Top View



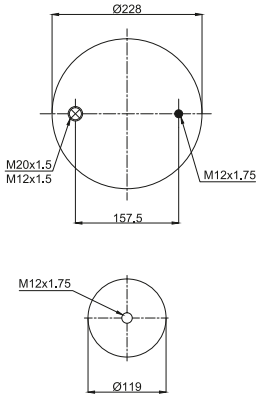
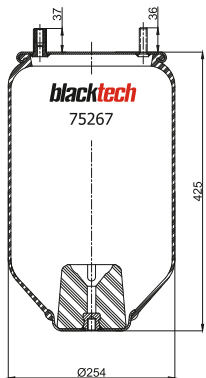
● Bolt of Stud ○ Threaded hole ⊗ Combination Stud ⊗ Air Inlet

OEM PART NUMBER	MODEL NO	CROSS REFERENCES

RML 75267-5

Cross Section View

Top View



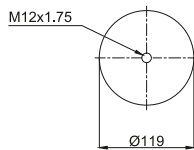
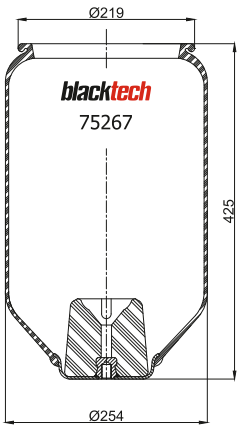
● Bolt of Stud ○ Threaded hole ⊗ Combination Stud ⊗ Air Inlet

OEM PART NUMBER	MODEL NO	CROSS REFERENCES	
SMB	Service Assembly	Contitech	4166 NP05
		Primeride	54166 A P05
		Firestone Style	1T16M-6
		Firestone No.	W01-358-0734
		Goodyear	1R12-842
		Gart Ref.	D278/G
		Gart No.	278.0.421


RML 75267-12

Cross Section View

Top View



● Bolt of Stud ○ Threaded hole ⊗ Combination Stud ⊗ Air Inlet

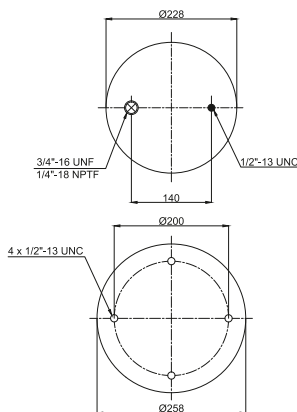
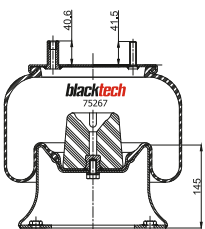


OEM PART NUMBER	MODEL NO	CROSS REFERENCES	
Man			

RML 75267 C4

Cross Section View

Top View

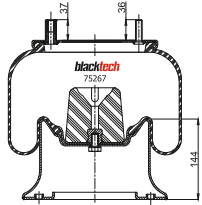


● Bolt of Stud ○ Threaded hole ⊗ Combination Stud ⊗ Air Inlet

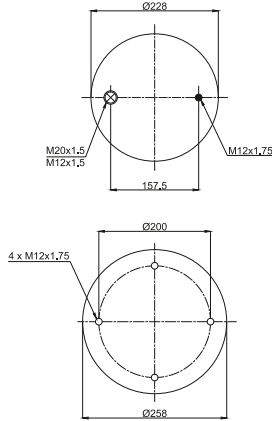
OEM PART NUMBER	MODEL NO	CROSS REFERENCES	
Hendrickson	B2066	Contitech	910-16 A 310
Arvin Meritor	201869	Firestone Style	1T16 M-6
Volvo	3130491	Firestone No.	W01 358 9082
		Goodyear	1R12-509/092
		Taurus	KR 506-9082

RML 75267 C6

Cross Section View



Top View

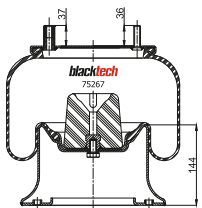


● Bolt of Stud ○ Threaded hole ⊗ Combination Stud ⊗ Air Inlet

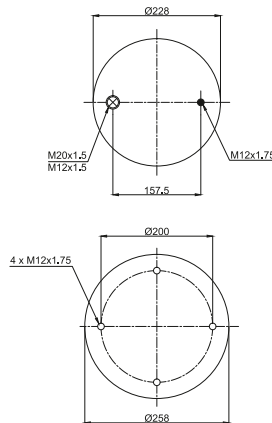
OEM PART NUMBER	MODEL NO	CROSS REFERENCES
Hendrickson HA 1000001		Firestone Style 1T15 M-6
Arvin Meritor 21215761		Firestone No. W01 358 9361
Arvin Meritor 21215762		Phoenix 1DK 23 K28
Arvin Meritor 21226046		Dunlop F D12 B19
Weweler US 35864F		Dunlop UK PNP 309580100
		Goodyear 1R12-719
		CF Gomma Ref. 1T 323-33
		CF Gomma No. 97306
		Vibracoustic V1DK 23 K28
		Taurus KR 506-28

RML 75267 C7

Cross Section View



Top View

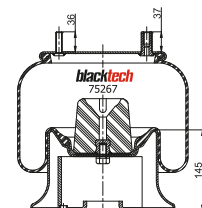


● Bolt of Stud ○ Threaded hole ⊗ Combination Stud ⊗ Air Inlet

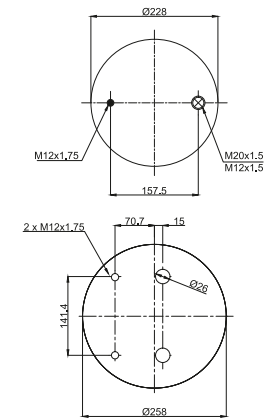
OEM PART NUMBER	MODEL NO	CROSS REFERENCES
Fruehauf M001472		Contitech 4156 N P07
SMB	Steel	Phoenix 1DK 23 K-28
		Primeride 54156 A P07
		Firestone Style 1T15 M-6
		Firestone No. W01-358-9361
		Goodyear 1R12-719
		Taurus KR506-28
		Vibracoustic V1DK23K-28
		CF Gomma Ref. 1T323-32
		Dunlop F D12B19
		Dunlop UK 00981A-AP
		Gart Ref. D278/G
		Gart No. 278.4.421/1

RML 75267 C9

Cross Section View



Top View

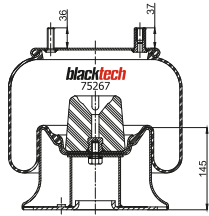


● Bolt of Stud ○ Threaded hole ⊗ Combination Stud ⊗ Air Inlet

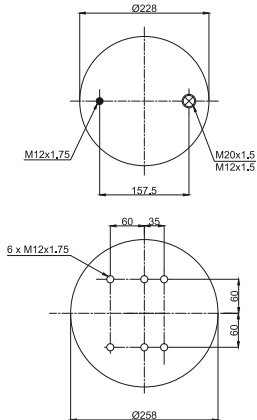
OEM PART NUMBER	MODEL NO	CROSS REFERENCES
Bertoja 45402004		Contitech 4156 N P09
Fruehauf UJB 0207-001		Phoenix 1DK 23 K-54
Fruehauf UJB 0207	reinforced (offload)	Firestone Style 1T15 M-6
		Firestone No. W01-M58-9089
		Goodyear 1R12-706
		Vibracoustic V1DK23K-54
		CF Gomma Ref. 1T323-33
		CF Gomma No. 96873
		Dunlop F D12B16

RML 75267 C11

Cross Section View



Top View

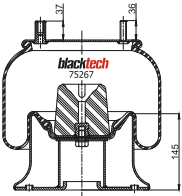


- Bolt of Stud
- Threaded hole
- ⊗ Combination Stud
- ⊗ Air Inlet

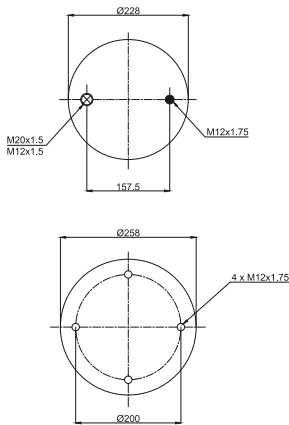
OEM PART NUMBER	MODEL NO	CROSS REFERENCES

RML 75267 C15

Cross Section View



Top View

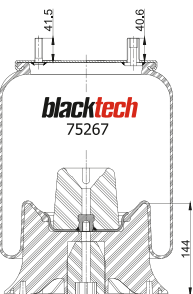


- Bolt of Stud
- Threaded hole
- ⊗ Combination Stud
- ⊗ Air Inlet

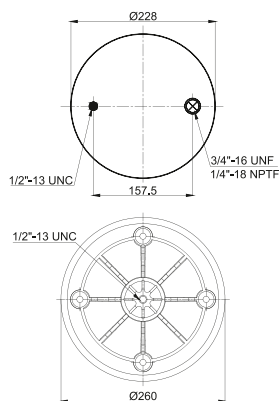
OEM PART NUMBER	MODEL NO	CROSS REFERENCES

RML 75267 CP10

Cross Section View



Top View



- Bolt of Stud
- Threaded hole
- ⊗ Combination Stud
- ⊗ Air Inlet

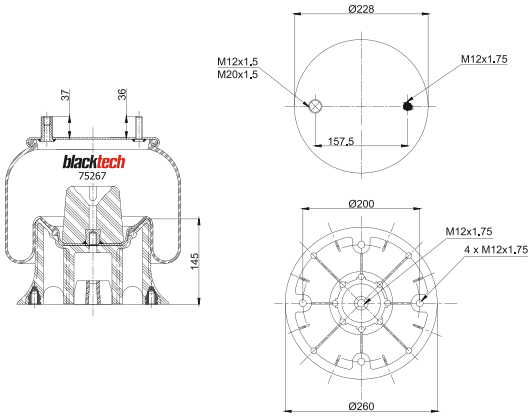
OEM PART NUMBER	MODEL NO	CROSS REFERENCES
Hendrickson HA100016		Contitech 4166 N P10 Firestone Style 1T15M-6 Firestone No. W01-358-8929 Goodyear 1R12-461

RML 75267 CP13



Cross Section View

Top View



● Bolt of Stud ○ Threaded hole ⊗ Combination Stud ⊗ Air Inlet

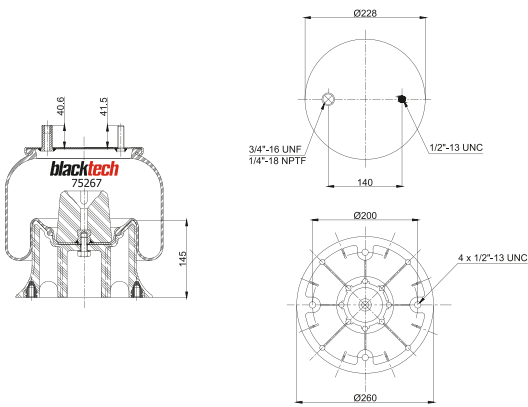
OEM PART NUMBER	MODEL NO	CROSS REFERENCES
Hendrickson		

RML 75267 CP14



Cross Section View

Top View



● Bolt of Stud ○ Threaded hole ⊗ Combination Stud ⊗ Air Inlet

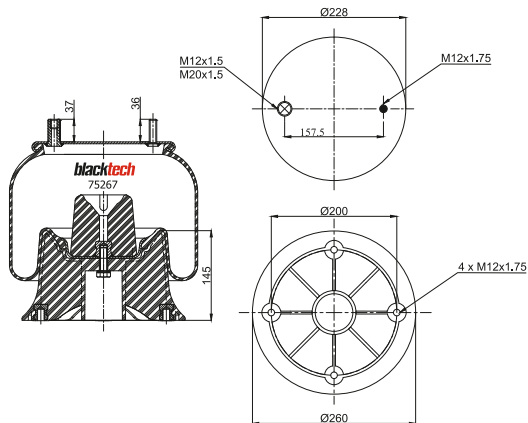
OEM PART NUMBER	MODEL NO	CROSS REFERENCES
Fruehauf		Contitech 4166 N P14
Granning 1369		Phoenix 1 DK 23 K-9082
Granning 1528		Firestone Style 1T15M-6
Hendrickson B 2066	T - US	Firestone No. W01-358-9082
Neway 905 570 27	AR 120	Goodyear 1R12-092
Neway 905 570 27	AR 120 US	Taurus KR506-9082
Neway 905 570 27	AR 75.9	Vibracoustic VIDK23K-9082
Neway 905 570 27	Art 500	CF Gamma Ref. 1T323-32
Neway 905 570 27	Art 505	CF Gamma No. 207767
Neway 905 570 33		Dunlop F D12B33
Neway 905 570 37		
Neway 905 570 54		
Neway 905 570 75	AR - 1057	
ROR 2120 8939		
Transport 520 728		
Weweler US 09361F		
Weweler US 97306		

RML 75267 CP15



Cross Section View

Top View

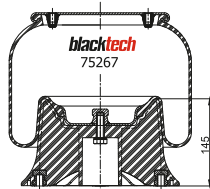


● Bolt of Stud ○ Threaded hole ⊗ Combination Stud ⊗ Air Inlet

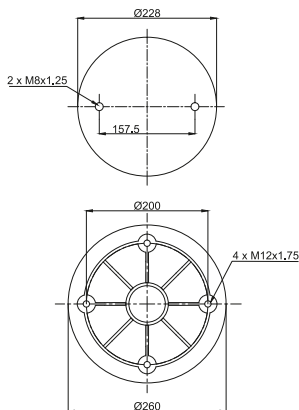
OEM PART NUMBER	MODEL NO	CROSS REFERENCES
Fruehauf M001472		Contitech 4166 N P15
Hendrickson HA100001		Phoenix 1 DK 23 K1
ROR 2121 5761	WFL 115 S	Primeride 54166 A P15
ROR 2121 5761	WFL 115 T	Firestone Style 1T15M-6
ROR 2121 5761	WFL 128	Firestone No. W01-358-9361
ROR 2121 5761	WFL 128 A	Taurus K506-22SU
ROR 2121 5761	WFL 131	CF Gamma Ref. 1T323-32
SMB		CF Gamma No. 207777
Weweler US 35864	AC 128/131	Dunlop UK 00981B-AP
Weweler US 35864	AC 138	

RML 75267 CP16

Cross Section View



Top View

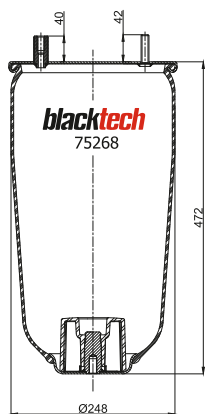


● Bolt of Stud ○ Threaded hole ⊗ Combination Stud ⊗ Air Inlet

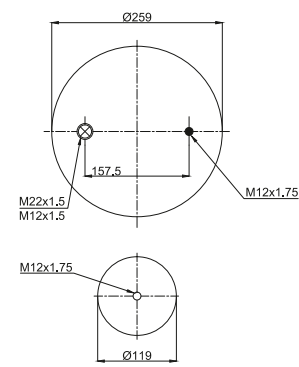
OEM PART NUMBER	MODEL NO	CROSS REFERENCES
ROR Meritor		Contitech 4156 NP16

RML 75268

Cross Section View



Top View

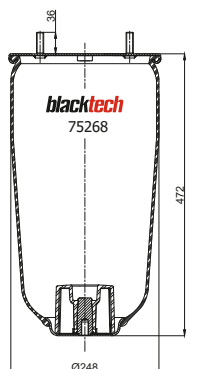


● Bolt of Stud ○ Threaded hole ⊗ Combination Stud ⊗ Air Inlet

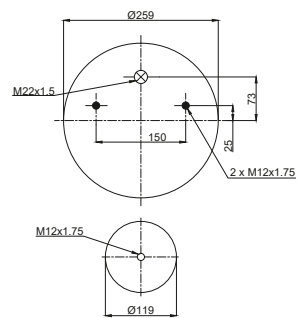
OEM PART NUMBER	MODEL NO	CROSS REFERENCES
Weweler		

RML 75268-4

Cross Section View



Top View



● Bolt of Stud ○ Threaded hole ⊗ Combination Stud ⊗ Air Inlet

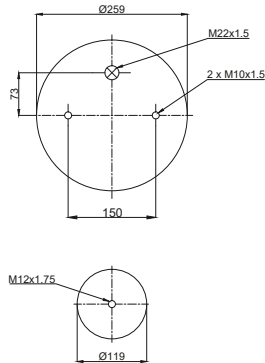
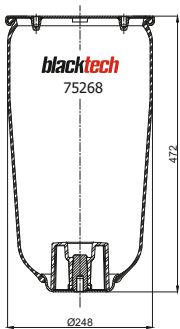
OEM PART NUMBER	MODEL NO	CROSS REFERENCES
Weweler		
ROR Meritor		
Discos		

RML 75268-6



Cross Section View

Top View



- Bolt of Stud
- Threaded hole
- ⊗ Combination Stud
- ⊗ Air Inlet

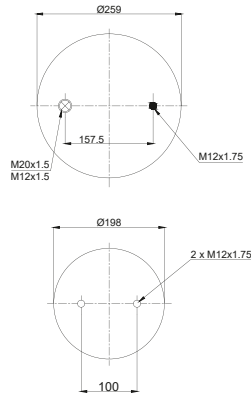
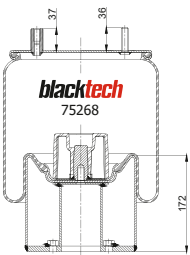
OEM PART NUMBER	MODEL NO	CROSS REFERENCES

RML 75268 C3



Cross Section View

Top View



- Bolt of Stud
- Threaded hole
- ⊗ Combination Stud
- ⊗ Air Inlet

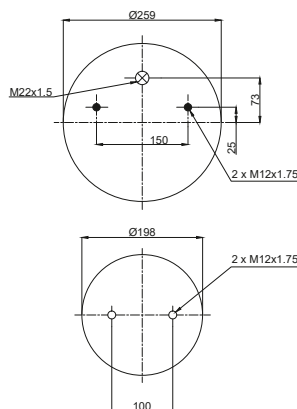
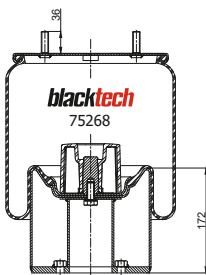
OEM PART NUMBER	MODEL NO	CROSS REFERENCES

RML 75268 C4



Cross Section View

Top View



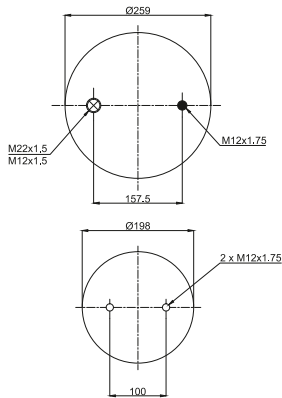
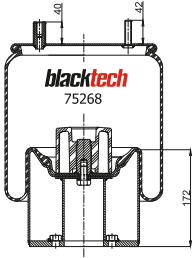
- Bolt of Stud
- Threaded hole
- ⊗ Combination Stud
- ⊗ Air Inlet

OEM PART NUMBER	MODEL NO	CROSS REFERENCES

RML 75268 C5

Cross Section View

Top View



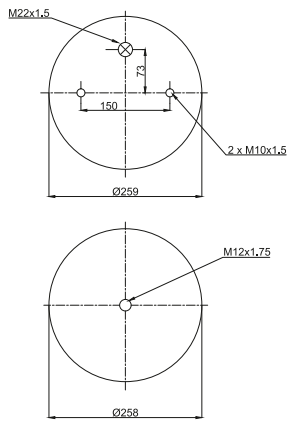
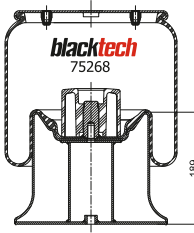
● Bolt of Stud ○ Threaded hole ⊗ Combination Stud ⊗ Air Inlet

OEM PART NUMBER	MODEL NO	CROSS REFERENCES

RML 75268 C6

Cross Section View

Top View



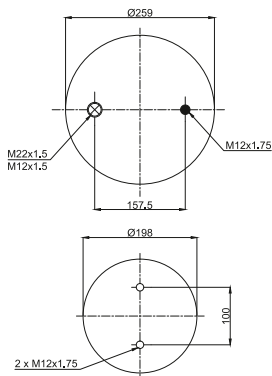
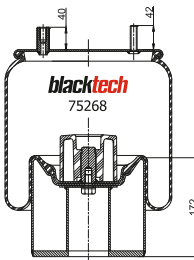
● Bolt of Stud ○ Threaded hole ⊗ Combination Stud ⊗ Air Inlet

OEM PART NUMBER	MODEL NO	CROSS REFERENCES

RML 75268 C9

Cross Section View

Top View



● Bolt of Stud ○ Threaded hole ⊗ Combination Stud ⊗ Air Inlet

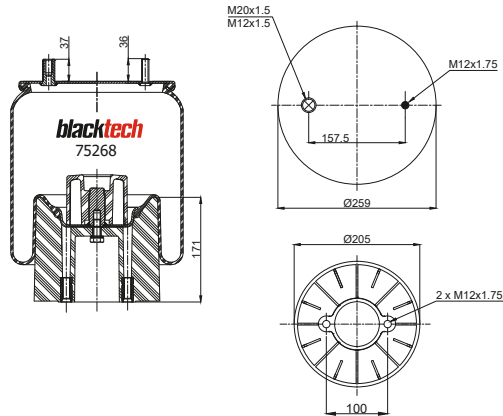
OEM PART NUMBER	MODEL NO	CROSS REFERENCES

RML 75268 CP3



Cross Section View

Top View



● Bolt of Stud ○ Threaded hole ⊗ Combination Stud ⊗ Air Inlet

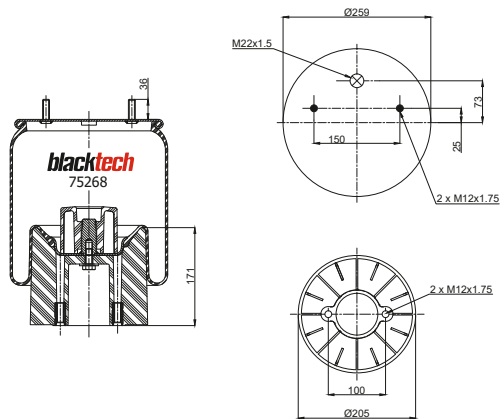
OEM PART NUMBER		MODEL NO	CROSS REFERENCES	
Fruehauf			Contitech	4157 N P03
			Goodyear	1R11-881

RML 75268 CP4



Cross Section View

Top View



● Bolt of Stud ○ Threaded hole ⊗ Combination Stud ⊗ Air Inlet

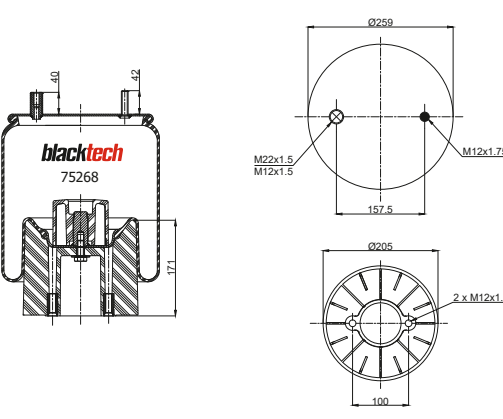
OEM PART NUMBER		MODEL NO	CROSS REFERENCES	
Mercedes	A 946 328 14 01		Contitech	4157 N P04
ROR Meritor	21221307		Firestone Style	1T15 MPW-7
Weweler	US 06287		Firestone No.	W01M58 6297
Weweler	US 07364		Phoenix	1DK 21 A-4
			Dunlop F	D12 B18
			Goodyear	1R11-111
			Taurus	KR 915-54
			Vibracoustic	V 1DK 21 A-4

RML 75268 CP5



Cross Section View

Top View



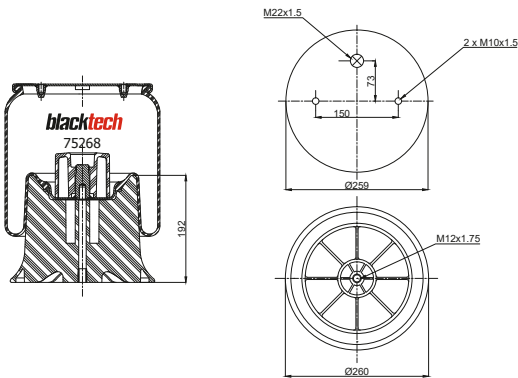
● Bolt of Stud ○ Threaded hole ⊗ Combination Stud ⊗ Air Inlet

OEM PART NUMBER		MODEL NO	CROSS REFERENCES	
Weweler	US 07074C	AC 524/514	Contitech	4157 N P05
Weweler	US 07074P	AC 524/514	Phoenix	1DK 21 A-3
Weweler	US 08840	AC 524/514	Primeride	54157 A P05
			Firestone Style	1T15MPW-7
			Firestone No.	W01M58-8840
			Goodyear	1R11-882
			Goodyear	1R11-866
			Vibracoustic	V1DK21A-3
			CF Gamma Ref.	1T323-32
			CF Gamma No.	207778
			Dunlop UK	00980B-AP
			Gart Ref.	C294
			Gart No.	294.2.450/1

RML 75268 CP6

Cross Section View

Top View



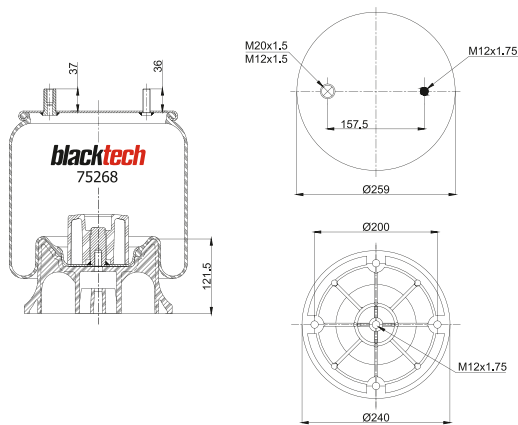
● Bolt of Stud ○ Threaded hole ⊗ Combination Stud ⊗ Air Inlet

OEM PART NUMBER	MODEL NO	CROSS REFERENCES
Schmitz 751 065		Contitech 4157 N P06
Weweler US 06316		Phoenix 1DK 20 A-1
		Primeride 54157 A P06
		Firestone Style 1T15MPW-7
		Firestone No. W01-968-6136
		Firestone No. W01-968-8186
		Firestone No. W01-M58-8194
		Goodyear 1R11-764
		Taurus KR915-52
		Vibracoustic VIDK20A-1
		Dunlop F D11B37
		Gart Ref. C294
		Gart No. 2941.451

RML 75268 CP8

Cross Section View

Top View



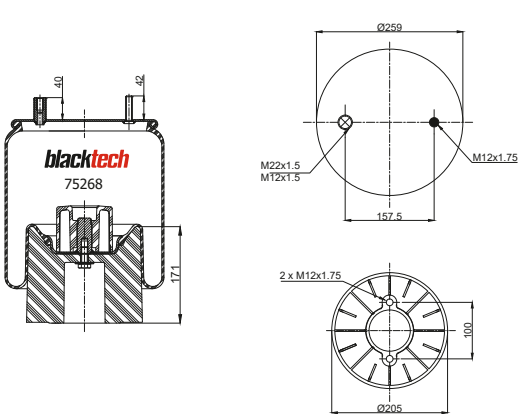
● Bolt of Stud ○ Threaded hole ⊗ Combination Stud ⊗ Air Inlet

OEM PART NUMBER	MODEL NO	CROSS REFERENCES
Neway 905 572 33		Contitech 4157 N P08
Samro H2501869		Phoenix 1DK 20 C-2
SMB M078580		Primeride 54157 A P08
		Firestone Style 1T15MPW-7
		Firestone No. W01-M58-6317
		Goodyear 1R11-773
		Taurus KR915-53NW
		Vibracoustic VIDK20C-2
		CF Gomma Ref. 1T300-37
		CF Gomma No. 207768
		Dunlop F D12B30
		Gart Ref. C294
		Gart No. 2941.452

RML 75268 CP9

Cross Section View

Top View



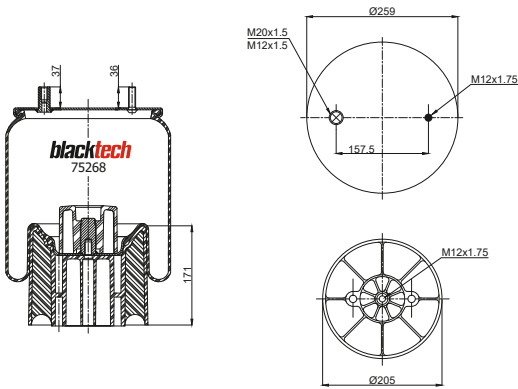
● Bolt of Stud ○ Threaded hole ⊗ Combination Stud ⊗ Air Inlet

OEM PART NUMBER	MODEL NO	CROSS REFERENCES
ROR 2122 2442		Contitech 4157 N P09
Weweler US 07074F	AC 524/514	Phoenix 1DK 21 A-31
		Primeride 54157 A P09
		Firestone Style 1T15MPW-7
		Firestone No. W01-M58-7074
		Goodyear 1R11-106
		Vibracoustic VIDK21A-31
		CF Gomma Ref. 1T300-38
		CF Gomma No. 205598
		Dunlop F D12B17
		Gart Ref. C294
		Gart No. 2942.450

RML 75268 CP10

Cross Section View

Top View



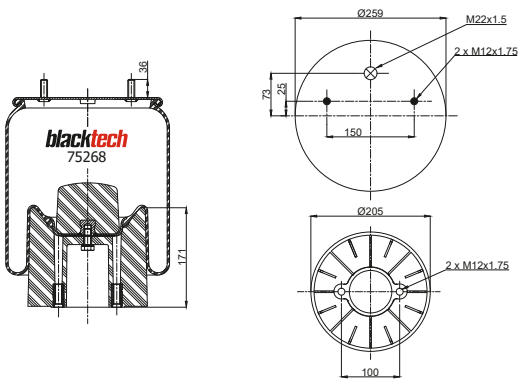
● Bolt of Stud ○ Threaded hole ⊗ Combination Stud ⊗ Air Inlet

OEM PART NUMBER	MODEL NO	CROSS REFERENCES
Acerbi 128140028		Contitech 4157 N P10
Acerbi 800449526		Phoenix 1DK 20 A-51
Fruehauf UJB 0975		Primeride 54157 A P10
SMB M060924		Firestone Style 1T15MPW-7
		Firestone No. W01-M58-6315
		Goodyear 1R11-772
		Taurus KR915-51
		Vibracoustic VIDK20A-51
		CF Gamma Ref. 1TC300-38
		CF Gamma No. 206925
		Dunlop F D12B29
		Gart Ref. C294
		Gart No. 2941.450

RML 75268 CP14

Cross Section View

Top View



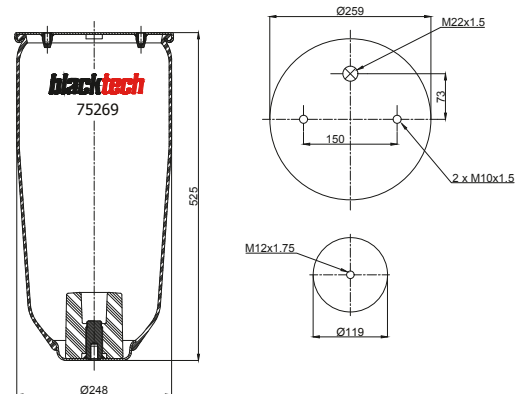
● Bolt of Stud ○ Threaded hole ⊗ Combination Stud ⊗ Air Inlet

OEM PART NUMBER	MODEL NO	CROSS REFERENCES
Daimler Tas A 946 328 14 01	DCA; DLS	Contitech 4157 N P14
Daimler Tas A 946 328 14 01	DCA; DLS. TE5/8	Phoenix 1DK 21 A-4
Weweler US 07364		Primeride 54157 A P04
		Firestone Style 1T15MPW-7
		Firestone No. W01-M58-6297
		Goodyear 1R11-111
		Vibracoustic VIDK21A-4
		Vibracoustic VIDK21A-8
		CF Gamma Ref. 1T300-40
		CF Gamma No. 207463
		Dunlop F D12B18
		Dunlop UK 00980A-AP
		Gart Ref. C294/D
		Gart No. 294.2.454

RML 75269

Cross Section View

Top View



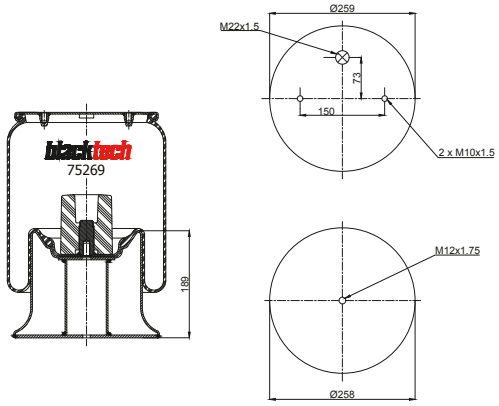
● Bolt of Stud ○ Threaded hole ⊗ Combination Stud ⊗ Air Inlet

OEM PART NUMBER	MODEL NO	CROSS REFERENCES
Schmitz	Service Assembly	Contitech 4158 N P02
		Gart Ref. D278/HS
		Gart No. 278.0.531

RML 75269 C

Cross Section View

Top View



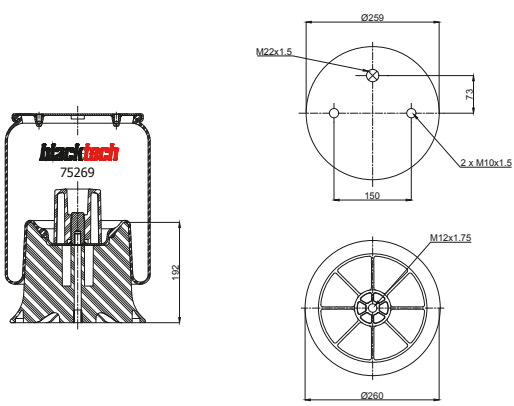
- Bolt of Stud
- Threaded hole
- ⊗ Combination Stud
- ⊗ Air Inlet

OEM PART NUMBER	MODEL NO	CROSS REFERENCES
Schmitz 750999		
Weweler US 06285		

RML 75269 CP

Cross Section View

Top View



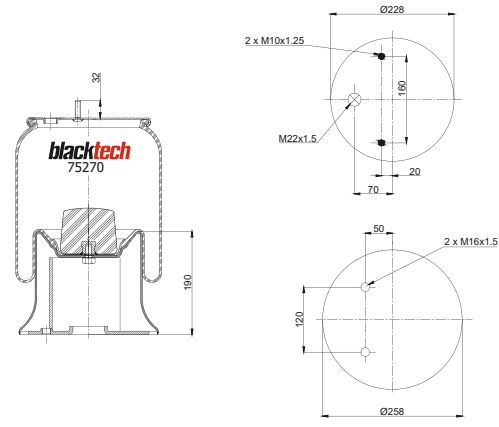
- Bolt of Stud
- Threaded hole
- ⊗ Combination Stud
- ⊗ Air Inlet

OEM PART NUMBER	MODEL NO	CROSS REFERENCES
Schmitz 750999		Contitech 4158 N P03
Schmitz 014892		Gart Ref. D278/HS
Weweler US 06285		Gart No. 2781.530
Scania 2198334		Gart No. 2781.530/1

RML 75270 C

Cross Section View

Top View



- Bolt of Stud
- Threaded hole
- ⊗ Combination Stud
- ⊗ Air Inlet

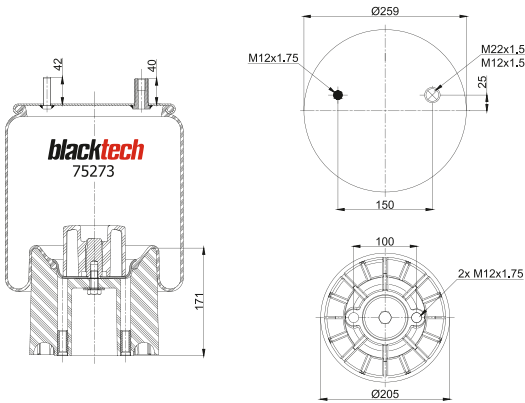
OEM PART NUMBER	MODEL NO	CROSS REFERENCES
Cardi 58050900		Firestone Style 1115 M-9
Omar 11808		Firestone No. W01 M68 6289
Zorzi 1006551		Goodyear 1R12-703
		Vibracoustic V 10 23 E-3
		Phoenix 10 23 E-3

RML 75273 CP



Cross Section View

Top View



- Bolt of Stud
- Threaded hole
- ⊗ Combination Stud
- ⊗ Air Inlet

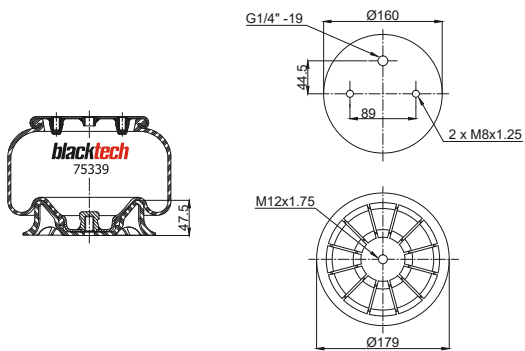
OEM PART NUMBER	MODEL NO	CROSS REFERENCES	
Daimler Tas	A 946 328 25 01	Contitech	4162 NP01
Jost	3010502501		

RML 75339 CP



Cross Section View

Top View



- Bolt of Stud
- Threaded hole
- ⊗ Combination Stud
- ⊗ Air Inlet

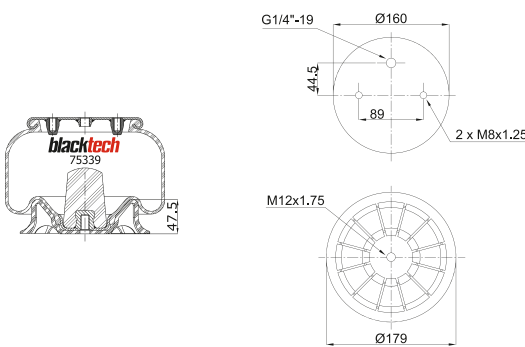
OEM PART NUMBER	MODEL NO	CROSS REFERENCES	
Goldschmitt	DLB 5339		

RML 75339 CP1



Cross Section View

Top View



- Bolt of Stud
- Threaded hole
- ⊗ Combination Stud
- ⊗ Air Inlet

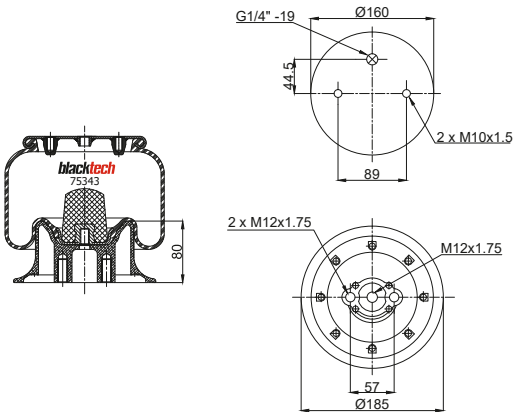
OEM PART NUMBER	MODEL NO	CROSS REFERENCES	
		Firestone Style	1T14 C-1
		Firestone No.	W01M68 5339



RML 75343 CA

Cross Section View

Top View



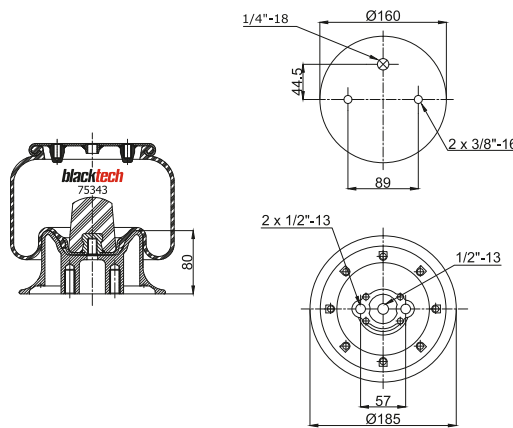
- Bolt of Stud
- Threaded hole
- ⊗ Combination Stud
- ⊗ Air Inlet

OEM PART NUMBER	MODEL NO	CROSS REFERENCES
Goldschmitt	DLB 5343	

RML 75343 CA1

Cross Section View

Top View



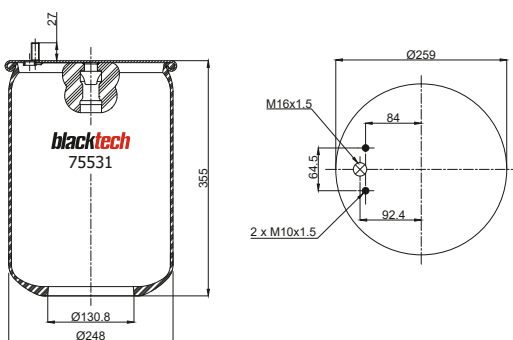
- Bolt of Stud
- Threaded hole
- ⊗ Combination Stud
- ⊗ Air Inlet

OEM PART NUMBER	MODEL NO	CROSS REFERENCES
Weco	504035/55	Daily 35-50
		Firestone Style 1T14 C-1
		Firestone No. W01 358 5343

RML 75531

Cross Section View

Top View



- Bolt of Stud
- Threaded hole
- ⊗ Combination Stud
- ⊗ Air Inlet

OEM PART NUMBER	MODEL NO	CROSS REFERENCES
Volvo		

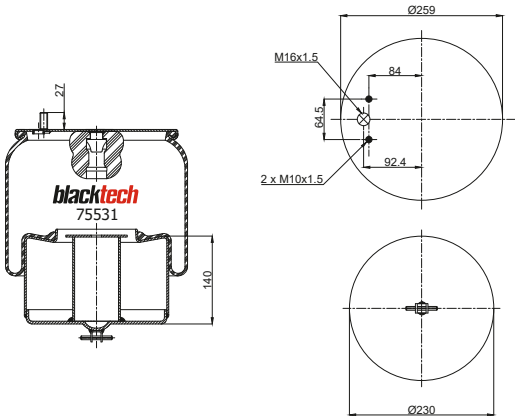




RML75531C

Cross Section View

Top View



● Bolt of Stud ○ Threaded hole ⊗ Combination Stud ⊗ Air Inlet

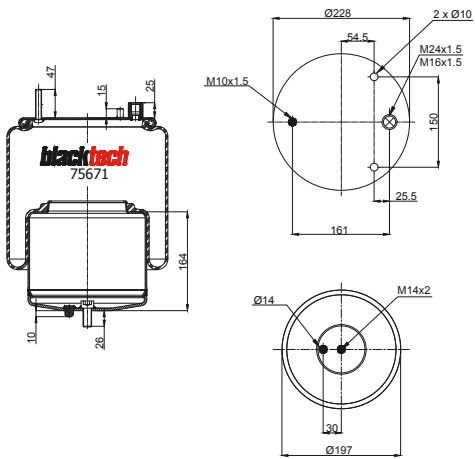
OEM PART NUMBER	MODEL NO	CROSS REFERENCES
Volvo 1076 075		Contitech 4420 N P01
Volvo 1076 076		Firestone Style 117BR-8
Volvo 20554 766		Firestone No. W01M58-9707
		CF Gomma Ref. 1TS300-28
		CF Gomma No. 207774
		Gart Ref. D278/V1
		Gart No. 278.1355

RML75671C



Cross Section View

Top View



● Bolt of Stud ○ Threaded hole ⊗ Combination Stud ⊗ Air Inlet

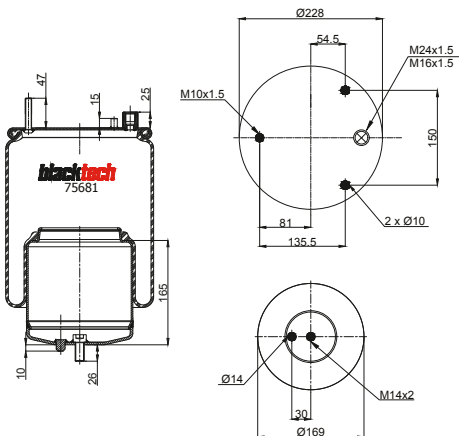
OEM PART NUMBER	MODEL NO	CROSS REFERENCES
Volvo 22 058 737	Volvo FM / FH	Contitech 4560 N P02
Volvo 21224 745	Volvo FM / FH	Vibracoustic VIDF19U-671

RML75681C



Cross Section View

Top View



● Bolt of Stud ○ Threaded hole ⊗ Combination Stud ⊗ Air Inlet

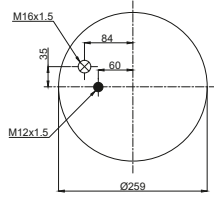
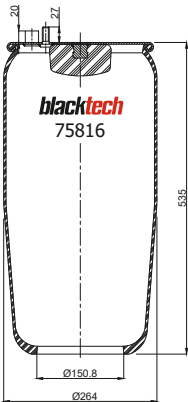
OEM PART NUMBER	MODEL NO	CROSS REFERENCES
Volvo 22 058 741	Volvo FM / FH	Contitech 4570 N P02
Volvo 21224 749	Volvo FM / FH	Vibracoustic VIDF15S-681



RML 75816-1

Cross Section View

Top View



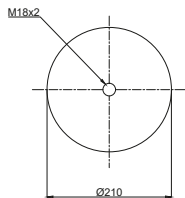
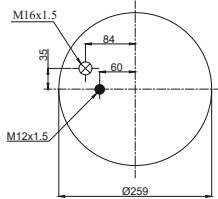
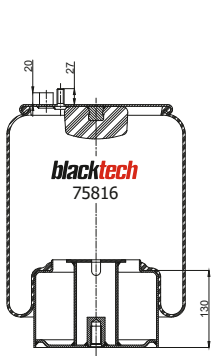
- Bolt of Stud
- Threaded hole
- ⊗ Combination Stud
- ⊗ Air Inlet

OEM PART NUMBER		MODEL NO	CROSS REFERENCES	
Man	81.43601.0155	TGA ALV 11.5/71	Contitech	4705 N1 P01
			Goodyear	1R12-831
			Goodyear	566-24-3-543
			Gart No.	302.0.521
			Gart Ref.	C302/B

RML 75816 C3

Cross Section View

Top View



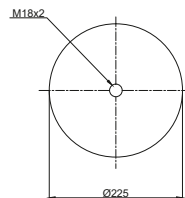
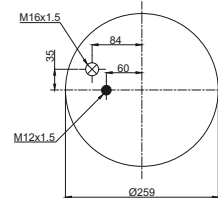
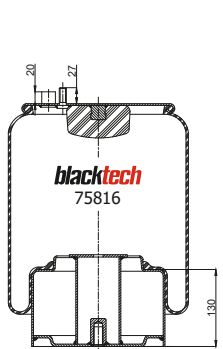
- Bolt of Stud
- Threaded hole
- ⊗ Combination Stud
- ⊗ Air Inlet

OEM PART NUMBER		MODEL NO	CROSS REFERENCES	
Man	81.43600.6039	TGA ALV 11.5/71	Contitech	4705 N1 P03
			Gart Ref.	C302/B
			Gart No.	3021.520

RML 75816 C4

Cross Section View

Top View



- Bolt of Stud
- Threaded hole
- ⊗ Combination Stud
- ⊗ Air Inlet

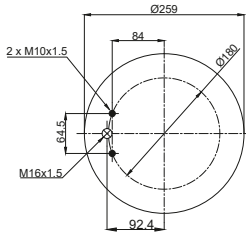
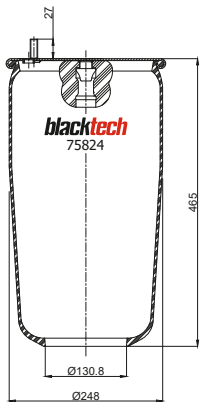
OEM PART NUMBER		MODEL NO	CROSS REFERENCES	
Man	81.43600.6040	TGA ALV 11.5/75. 12/8	Contitech	4705 N1 P04
			Firestone Style	1T17AR-10.5
			Firestone No.	W01-M58-8367
			Gart Ref.	C302/B
			Gart No.	3021.521



RML 75824

Cross Section View

Top View



- Bolt of Stud
- Threaded hole
- ⊗ Combination Stud
- ⊗ Air Inlet

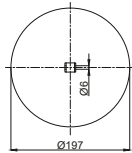
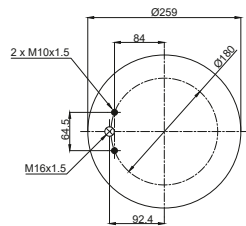
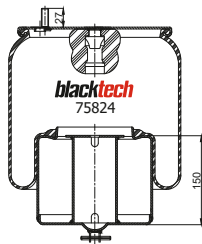
OEM PART NUMBER	MODEL NO	CROSS REFERENCES
Volvo 1076 595		Contitech 4713 NP04
		Goodyear 1R12-763
		Goodyear 566-24-3-513
		Dunlop F D12U24
		CF Gomma Ref. 1TS300-28
		Gart No. 293.0.461
		Gart Ref. C293/V

RML 75824 C



Cross Section View

Top View



- Bolt of Stud
- Threaded hole
- ⊗ Combination Stud
- ⊗ Air Inlet

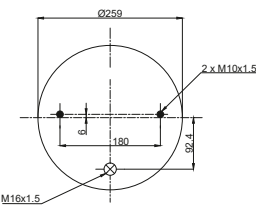
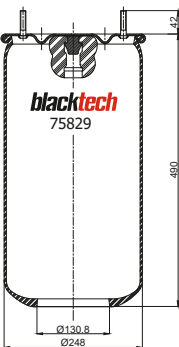
OEM PART NUMBER	MODEL NO	CROSS REFERENCES
Volvo 1076 594		Contitech 4713 NP02
Volvo 20 554 755		Phoenix 1DF 22 C-1
		Primeride 54713 A P02
		Firestone Style 117BR-8
		Firestone No. W01-M68-9706
		Goodyear 1R12-762
		Vibracoustic VIDF22C-1
		CF Gomma Ref. 1TS300-28
		CF Gomma No. 207775
		Dunlop F D12B24
		Gart Ref. C293/V
		Gart No. 293.1.460

RML 75829



Cross Section View

Top View



- Bolt of Stud
- Threaded hole
- ⊗ Combination Stud
- ⊗ Air Inlet

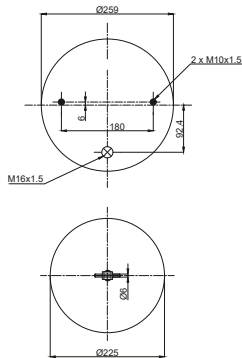
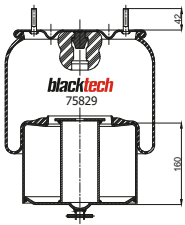
OEM PART NUMBER	MODEL NO	CROSS REFERENCES
Volvo 1079 718	lowliner	Contitech 4718 NP02
Volvo 1079 718		Goodyear 1R12-841
		Gart Ref. D278/V
		Gart No. 278.0.471



RML 75829 C

Cross Section View

Top View



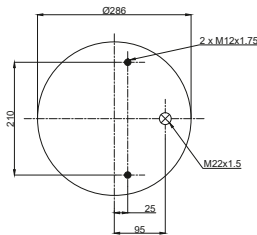
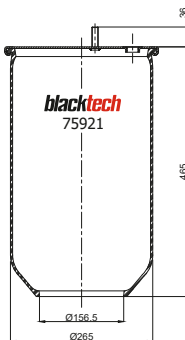
● Bolt of Stud ○ Threaded hole ⊗ Combination Stud ⊗ Air Inlet

OEM PART NUMBER		MODEL NO	CROSS REFERENCES	
Volvo	1 075 363	lowliner	Contitech	4718 NP01
Volvo	20 452 136		Goodyear	1R12-821
Volvo	20 554 769		Gart Ref.	D278/V
			Gart No.	2781470

RML 75921

Cross Section View

Top View



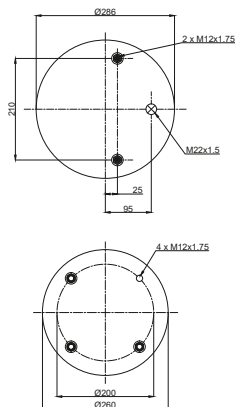
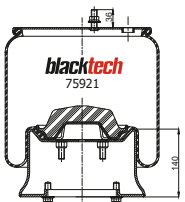
● Bolt of Stud ○ Threaded hole ⊗ Combination Stud ⊗ Air Inlet

OEM PART NUMBER		MODEL NO	CROSS REFERENCES	
SAF				

RML 75921 C

Cross Section View

Top View



● Bolt of Stud ○ Threaded hole ⊗ Combination Stud ⊗ Air Inlet

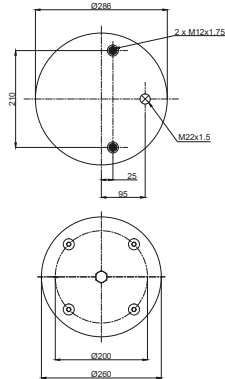
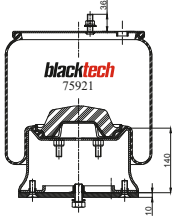
OEM PART NUMBER		MODEL NO	CROSS REFERENCES	
SAF		2918 V	Vibracoustic	VID28a-1021

RML 75921C1



Cross Section View

Top View



● Bolt of Stud ○ Threaded hole ⊗ Combination Stud ⊗ Air Inlet

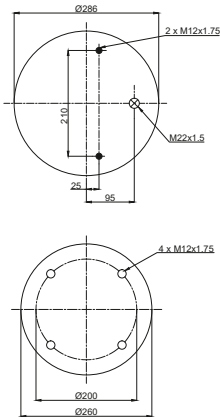
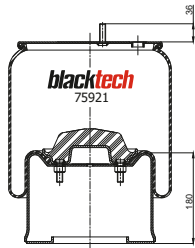
OEM PART NUMBER	MODEL NO	CROSS REFERENCES	
SAF	2918 V	Contitech	4810 N P08
		CF Gomma Ref.	1119E-1
		CF Gomma No.	207733
		Gart Ref.	D277/B
		Gart No.	2774.424/1
		Vibracoustic	VID28a-1021V-1

RML 75921C2



Cross Section View

Top View



● Bolt of Stud ○ Threaded hole ⊗ Combination Stud ⊗ Air Inlet

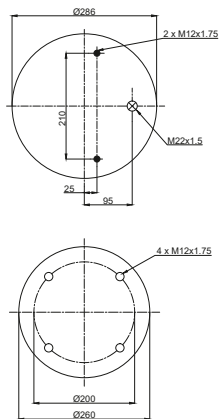
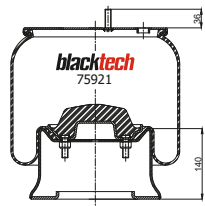
OEM PART NUMBER	MODEL NO	CROSS REFERENCES	
SAF	2922 V / 250	Vibracoustic	VID28a-1021V-2

RML 75921C5



Cross Section View

Top View



● Bolt of Stud ○ Threaded hole ⊗ Combination Stud ⊗ Air Inlet

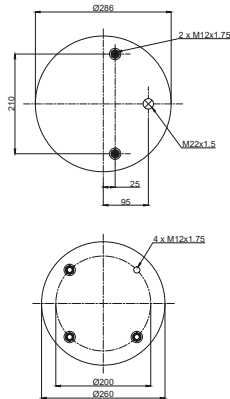
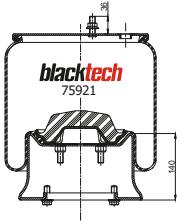
OEM PART NUMBER	MODEL NO	CROSS REFERENCES	
SAF	2918 V	Contitech	4810 N P05
		Phoenix	1D 28 A-10
		Primeride	54810 A P05
		Firestone Style	1119L-7
		Firestone No.	W01-M68-6338
		Goodyear	1R14-730
		Taurus	KR621-18
		Vibracoustic	VID28A-10
		CF Gomma Ref.	1119E-2
		CF Gomma Ref.	1119E-1
		CF Gomma No.	207732
		CF Gomma No.	205456
		Dunlop F	D13B25
		Gart Ref.	D277/B
		Gart Ref.	D277
		Gart No.	2774.423
		Gart No.	2774.505/1

RML 75921C7



Cross Section View

Top View



● Bolt of Stud ○ Threaded hole ⊗ Combination Stud ⊗ Air Inlet

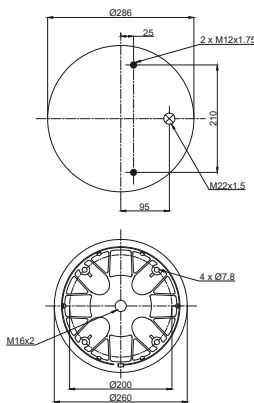
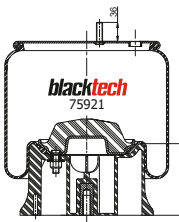
OEM PART NUMBER	MODEL NO	CROSS REFERENCES
SAF	2918	

RML 75921CP



Cross Section View

Top View



● Bolt of Stud ○ Threaded hole ⊗ Combination Stud ⊗ Air Inlet

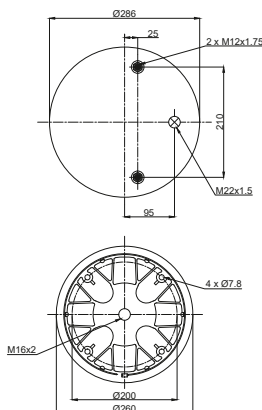
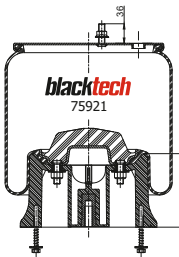
OEM PART NUMBER	MODEL NO	CROSS REFERENCES
SAF	2919 V	Vibracoustic VID28a-1921

RML 75921CP1



Cross Section View

Top View



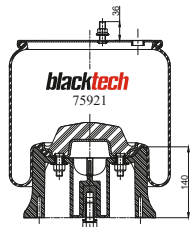
● Bolt of Stud ○ Threaded hole ⊗ Combination Stud ⊗ Air Inlet

OEM PART NUMBER	MODEL NO	CROSS REFERENCES
SAF	2919 V	Vibracoustic VID28a-1921V-1

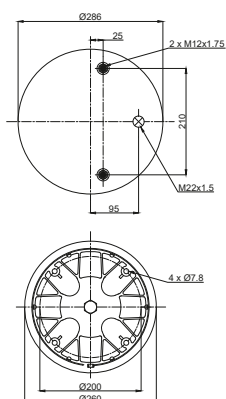
RML 75921CP2



Cross Section View



Top View



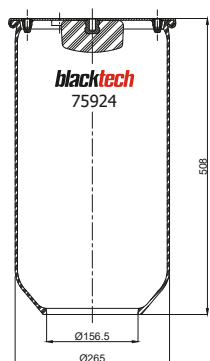
- Bolt of Stud
- Threaded hole
- ⊗ Combination Stud
- ⊗ Air Inlet

OEM PART NUMBER	MODEL NO	CROSS REFERENCES	
SAF	2919 V	Vibracoustic	VID28a-192IV-2

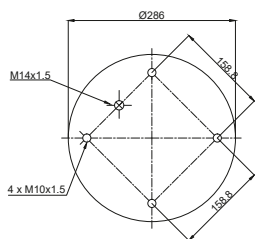
RML 75924



Cross Section View



Top View



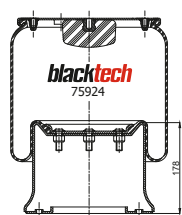
- Bolt of Stud
- Threaded hole
- ⊗ Combination Stud
- ⊗ Air Inlet

OEM PART NUMBER	MODEL NO	CROSS REFERENCES	
Scania			

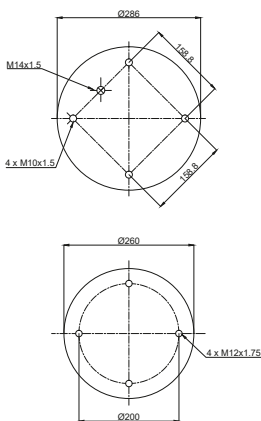
RML 75924 C



Cross Section View



Top View



- Bolt of Stud
- Threaded hole
- ⊗ Combination Stud
- ⊗ Air Inlet

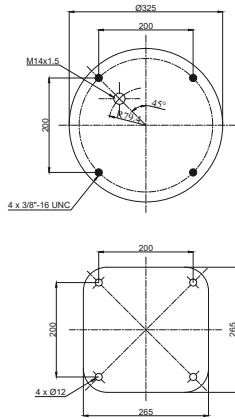
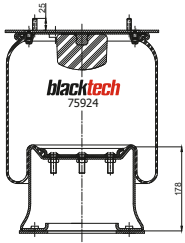
OEM PART NUMBER	MODEL NO	CROSS REFERENCES	
Scania	1107674	Series 3	Contitech 4813N P07
Scania	1314906	Series 3	Phoenix 1D 28 B-9
Scania	1865755	Series 3	Primeride 54813 A P07
Scania	255293	Series 3	Firestone Style 1T19L-11
Scania	298568	Series 3	Firestone No. W01-M58-7358
Scania	325748	Series 3	Goodyear 1R14-727
			Taurus KR622-01
			Vibracoustic VID28B-9
			CF Gomma Ref. 1T19E-2BR
			CF Gomma No. 97764
			Dunlop F D13B10
			Dunlop F D13B22
			Gart Ref. D287
			Gart No. 287.4520

RML 75924 C1



Cross Section View

Top View



- Bolt of Stud
- Threaded hole
- ⊗ Combination Stud
- ⊗ Air Inlet

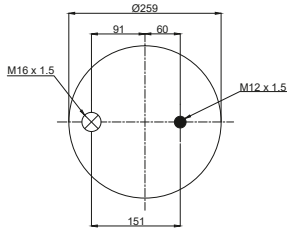
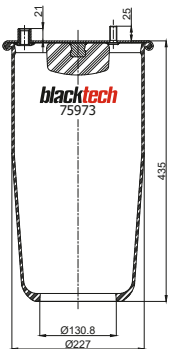
OEM PART NUMBER	MODEL NO	CROSS REFERENCES
Lohr 29790-01		

RML 75973



Cross Section View

Top View



- Bolt of Stud
- Threaded hole
- ⊗ Combination Stud
- ⊗ Air Inlet

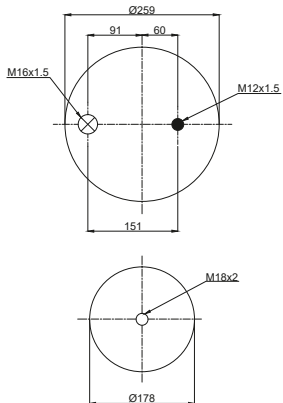
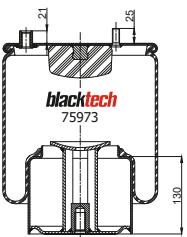
OEM PART NUMBER	MODEL NO	CROSS REFERENCES
Man 81.43601.0168	TG1/TGL	Contitech 4862 N P01 Vibracoustic VIDF168-1NP

RML 75973 C2



Cross Section View

Top View



- Bolt of Stud
- Threaded hole
- ⊗ Combination Stud
- ⊗ Air Inlet

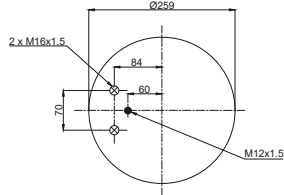
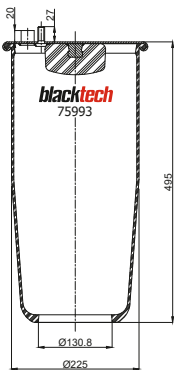
OEM PART NUMBER	MODEL NO	CROSS REFERENCES
Man 81.43600.6049	TG1/TGL	Contitech 4862 N1 P02 Vibracoustic VIDF168-1



RML 75993

Cross Section View

Top View



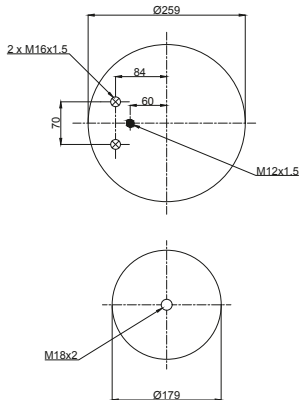
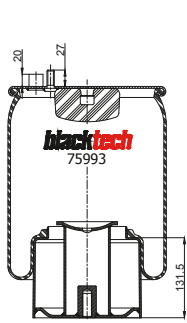
● Bolt of Stud ○ Threaded hole ⊗ Combination Stud ⊗ Air Inlet

	OEM PART NUMBER	MODEL NO	CROSS REFERENCES
Man	81.43601.0151	TGA	Contitech 4882 N1 P01
Man	81.43601.0176		Phoenix 1DF 16-2 NP
			Goodyear 1R10-702
			Vibracoustic VIDF16-2 NP
			CF Gomma Ref. 1TS260-32
			CF Gomma No. 207760
			Dunlop F D10U01
			Gart Ref. C289/M
			Gart No. 289.0.512

RML 75993 C5

Cross Section View

Top View



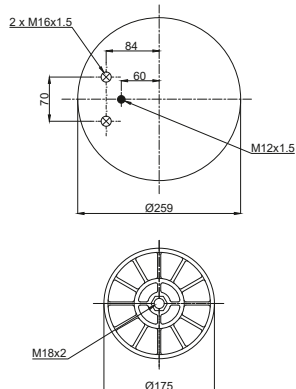
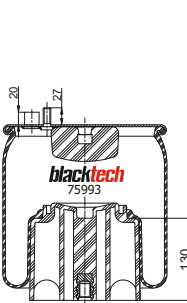
● Bolt of Stud ○ Threaded hole ⊗ Combination Stud ⊗ Air Inlet

	OEM PART NUMBER	MODEL NO	CROSS REFERENCES
Man	81.43600.6036	TGA / TGX	Contitech 4882 N1 P05
Man	81.43600.6056		Phoenix 1DF 16-2
			Firestone Style 1T17TWR-8
			Firestone No. W01-M58-9880
			Goodyear 1R10-709
			CF Gomma Ref. 1TS260-32
			CF Gomma Ref. 1TS260-28
			CF Gomma No. 207701
			CF Gomma No. 206788
			Gart Ref. C289/M
			Gart No. 289.1510
			Vibracoustic VIDF16p-993

RML 75993 CP5

Cross Section View

Top View



● Bolt of Stud ○ Threaded hole ⊗ Combination Stud ⊗ Air Inlet

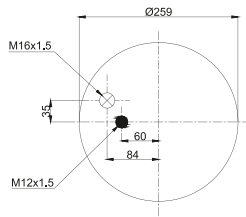
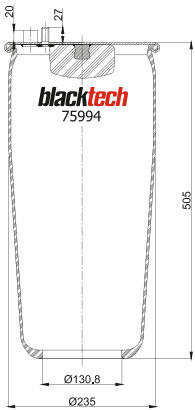
	OEM PART NUMBER	MODEL NO	CROSS REFERENCES
Man		TGA / TGX	



RML 75994

Cross Section View

Top View



● Bolt of Stud ○ Threaded hole ⊗ Combination Stud ⊗ Air Inlet

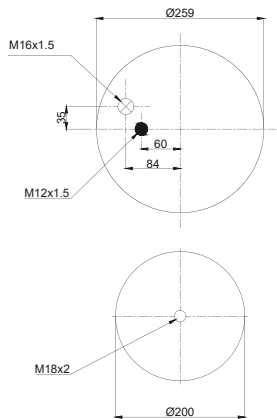
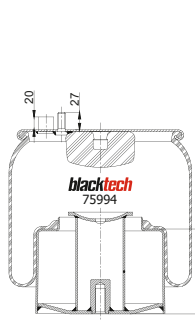
	OEM PART NUMBER	MODEL NO	CROSS REFERENCES	
Man	81.43601.0153	TGA ALV 11.5/6.3 / 13/6.5	Contitech	4883 N1 P01
			Goodyear	1R11-804
			Vibracoustic	V1DF19C-1
			CF Gomma Ref.	1TS290-30
			CF Gomma No.	207761
			Dunlop F	D11U47
			Gart Ref.	C304/M3
			Gart No.	304.0.513

RML 75994 C



Cross Section View

Top View



● Bolt of Stud ○ Threaded hole ⊗ Combination Stud ⊗ Air Inlet

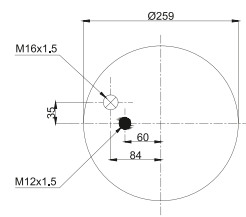
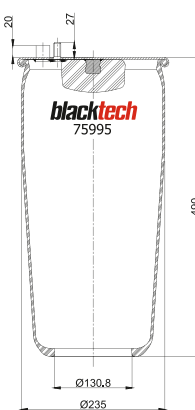
	OEM PART NUMBER	MODEL NO	CROSS REFERENCES	
Man	81.43600.6037	TGA ALV 13/6.5	Contitech	4883 N1 P06
			Goodyear	1R11-884
			Gart Ref.	C304/M3
			Gart No.	304.1.513

RML 75995



Cross Section View

Top View



● Bolt of Stud ○ Threaded hole ⊗ Combination Stud ⊗ Air Inlet

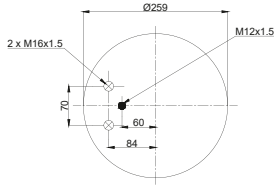
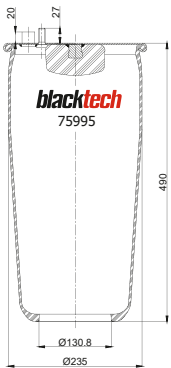
	OEM PART NUMBER	MODEL NO	CROSS REFERENCES	
Man	81.43601.0174		Contitech	4884 N1 P01
Man	81.43601.0175		Phoenix	1DF 19 B-1 NP
			Goodyear	1R11-820
			Vibracoustic	V1DF19B-1 NP
			CF Gomma Ref.	1TS290-28
			CF Gomma No.	207759
			Dunlop F	D11U48
			Gart Ref.	C304/M4
			Gart No.	304.0.511



RML 75995-2

Cross Section View

Top View



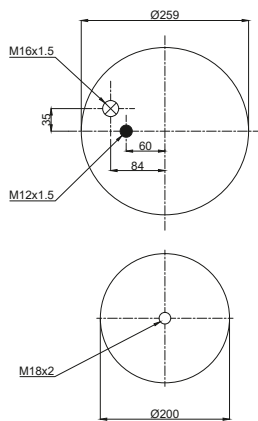
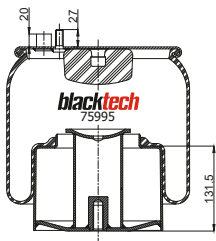
● Bolt of Stud ○ Threaded hole ⊗ Combination Stud ⊗ Air Inlet

OEM PART NUMBER		MODEL NO	CROSS REFERENCES	
Man	81.43601.0173		Contitech	4884 N1 P02

RML 75995 C6

Cross Section View

Top View



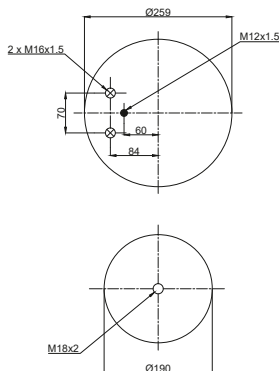
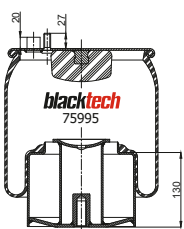
● Bolt of Stud ○ Threaded hole ⊗ Combination Stud ⊗ Air Inlet

OEM PART NUMBER		MODEL NO	CROSS REFERENCES	
Man	81.43600.6035	TGA ALV 11.56.3	Contitech	4884 N1 P06
Man	81.43600.6055		Phoenix	1 DF 19 B 1
Man	81.43600.603		Firestone Style	1T17JR-72
			Firestone No.	W01-M58-9879
			Goodyear	1R11-861
			CF Gomma Ref.	1TS290-28
			CF Gomma No.	207702
			CF Gomma No.	206787
			Gart Ref.	C304/M4
			Gart No.	304.1510
			Vibracoustic	V1DF21s-490606

RML 75995 C7

Cross Section View

Top View



● Bolt of Stud ○ Threaded hole ⊗ Combination Stud ⊗ Air Inlet

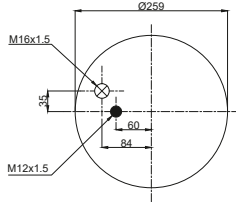
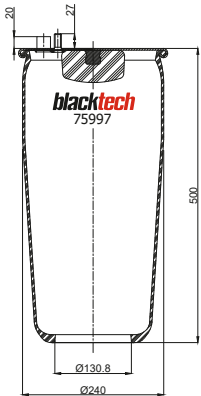
OEM PART NUMBER		MODEL NO	CROSS REFERENCES	
Man	81.43600.6041	TGA ALV 13/6.5	Contitech	4884 N1 P07
			Goodyear	1R11-885
			Gart Ref.	C289/M
			Gart No.	289.1513
			Vibracoustic	V1DF21s-490607



RML 75997

Cross Section View

Top View



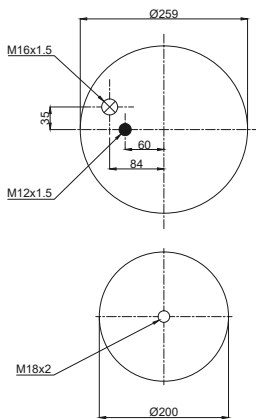
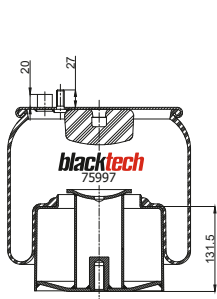
● Bolt of Stud ○ Threaded hole ⊗ Combination Stud ⊗ Air Inlet

	OEM PART NUMBER	MODEL NO	CROSS REFERENCES	
Man	81.43601.0165		Contitech	4886 N P02
			Vibracoustic	V1DF19b-997NP

RML 75997 C1

Cross Section View

Top View



● Bolt of Stud ○ Threaded hole ⊗ Combination Stud ⊗ Air Inlet

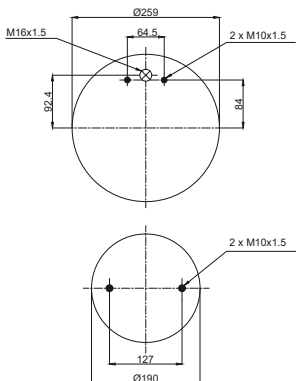
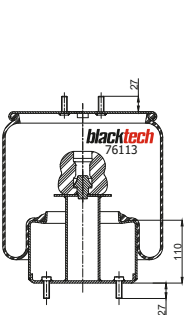
	OEM PART NUMBER	MODEL NO	CROSS REFERENCES	
Man	81.43600.6046		Contitech	4886 N P01
			Vibracoustic	V1DF19b-997



RML 76113 C

Cross Section View

Top View



● Bolt of Stud ○ Threaded hole ⊗ Combination Stud ⊗ Air Inlet

	OEM PART NUMBER	MODEL NO	CROSS REFERENCES	
Volvo	20 480 202	Bus	Contitech	6602 N P02
Volvo	20 573 113		Goodyear	1R12-843
Volvo	21 041 697	B 12 B	Goodyear Flex No.	566-24-3-548
Volvo	21 041 697	B 12 BLE	Vibracoustic	V1DF25-662401
Volvo	21 097 453			
Volvo	70 313 734			
Volvo	70 397 453			
Volvo	70 321 079			

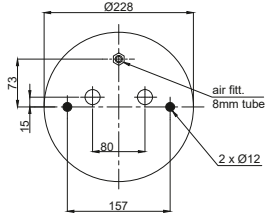
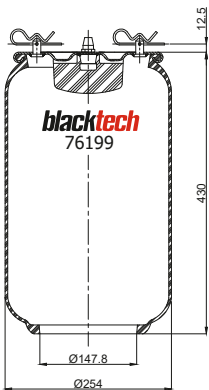




RML 76199

Cross Section View

Top View



- Bolt of Stud
- Threaded hole
- ⊗ Combination Stud
- ⊗ Air Inlet

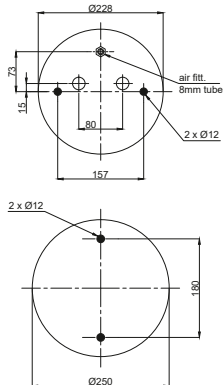
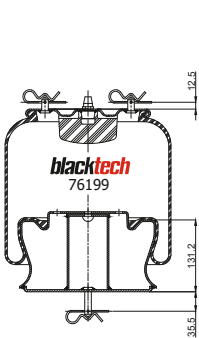
OEM PART NUMBER	MODEL NO	CROSS REFERENCES
Scania		

RML 76199C



Cross Section View

Top View



- Bolt of Stud
- Threaded hole
- ⊗ Combination Stud
- ⊗ Air Inlet

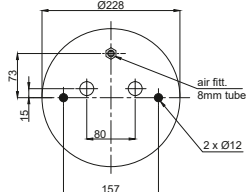
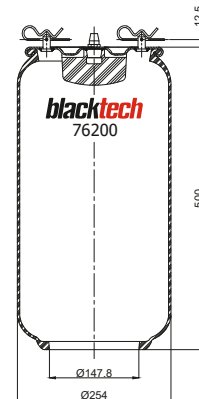
OEM PART NUMBER	MODEL NO	CROSS REFERENCES
Scania	1386199	Phoenix 1DF 23 C-1
Scania	1362145	Goodyear 1R13-744
Scania	1372146	

RML 76200



Cross Section View

Top View



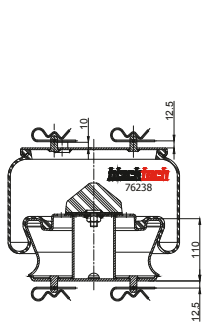
- Bolt of Stud
- Threaded hole
- ⊗ Combination Stud
- ⊗ Air Inlet

OEM PART NUMBER	MODEL NO	CROSS REFERENCES
Scania		

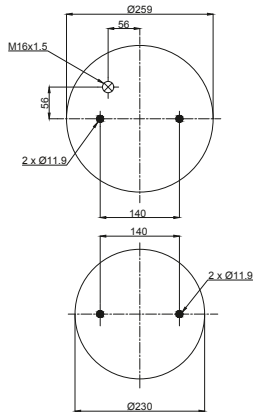


RML 76238 C

Cross Section View



Top View



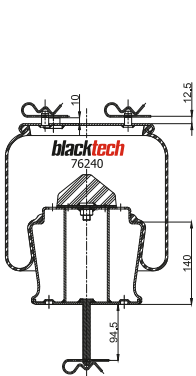
- Bolt of Stud
- Threaded hole
- ⊗ Combination Stud
- ⊗ Air Inlet

OEM PART NUMBER		MODEL NO	CROSS REFERENCES	
Scania	1726238	Bus	Phoenix	1DF 23 A-2
			Goodyear	1R12-813
			Gart Ref.	D278/N
			Gart No.	278.2.330/1
			Vibracoustic	V1DF23t-835

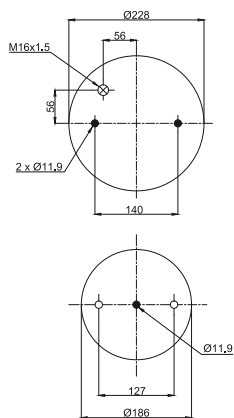
RML 76240 C



Cross Section View



Top View



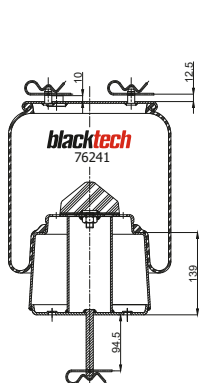
- Bolt of Stud
- Threaded hole
- ⊗ Combination Stud
- ⊗ Air Inlet

OEM PART NUMBER		MODEL NO	CROSS REFERENCES	
Scania	1726240	Bus	Phoenix	1DF 23 A-5
			Goodyear	1R11-834
			Gart Ref.	D297/B
			Gart No.	2971.430/1
			Vibracoustic	V1DF20t-856

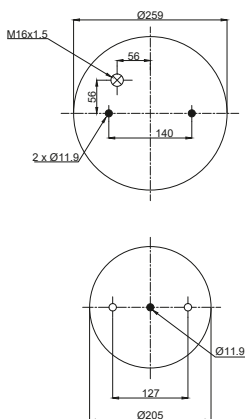
RML 76241 C



Cross Section View



Top View



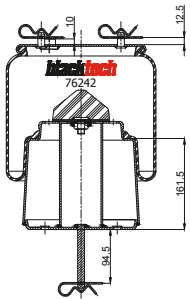
- Bolt of Stud
- Threaded hole
- ⊗ Combination Stud
- ⊗ Air Inlet

OEM PART NUMBER		MODEL NO	CROSS REFERENCES	
Scania	1726241	Bus	Phoenix	1DF 20 A-6
			Goodyear	1R11-840
			Gart Ref.	D297/B
			Gart No.	2971.431/1
			Vibracoustic	V1DF20a-6

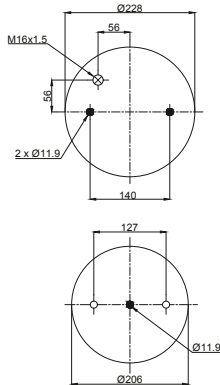


RML 76242 C

Cross Section View



Top View

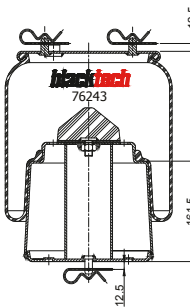


● Bolt of Stud ○ Threaded hole ⊗ Combination Stud ⊗ Air Inlet

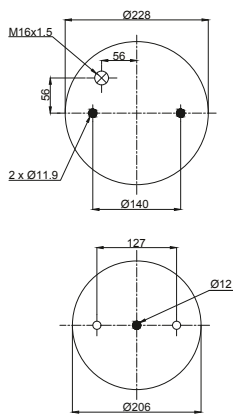
OEM PART NUMBER		MODEL NO	CROSS REFERENCES	
Scania	1726242	Bus	Phoenix	1DF 20 A-7
			Goodyear	1R11-839
			Vibracoustic	V1DF20t-861

RML 76243 C

Cross Section View



Top View

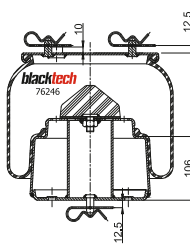


● Bolt of Stud ○ Threaded hole ⊗ Combination Stud ⊗ Air Inlet

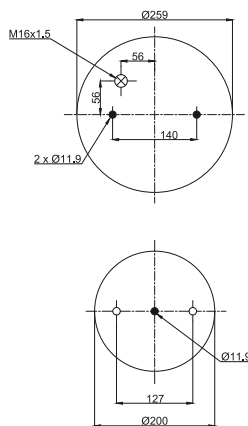
OEM PART NUMBER		MODEL NO	CROSS REFERENCES	
Scania	1726243	Bus	Phoenix	1DF 20 A-8
			Goodyear	1R11-838
			Gart Ref.	D297/B
			Gart No.	2971.432/1
			Vibracoustic	V1DF20b-860

RML 76246 C

Cross Section View



Top View



● Bolt of Stud ○ Threaded hole ⊗ Combination Stud ⊗ Air Inlet

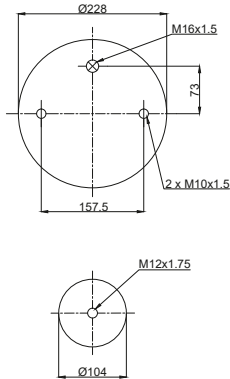
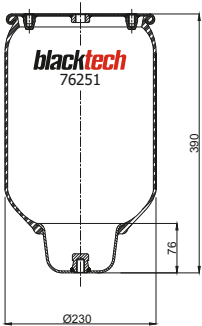
OEM PART NUMBER		MODEL NO	CROSS REFERENCES	
Scania	1726246	Bus	Phoenix	1DF 23 B-5
			Goodyear	1R11-841
			Gart Ref.	D297/C
			Gart No.	2971.300/1
			Vibracoustic	V1DF20s-863



RML 76251

Cross Section View

Top View



- Bolt of Stud
- Threaded hole
- ⊗ Combination Stud
- ⊗ Air Inlet

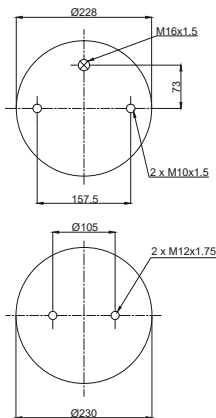
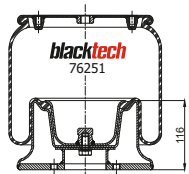
OEM PART NUMBER	MODEL NO	CROSS REFERENCES
Scania		

RML 76251C



Cross Section View

Top View



- Bolt of Stud
- Threaded hole
- ⊗ Combination Stud
- ⊗ Air Inlet

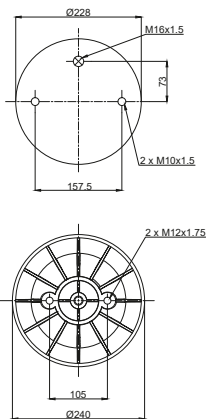
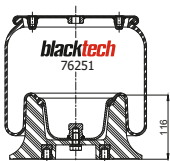
OEM PART NUMBER	MODEL NO	CROSS REFERENCES
Scania 1394997	Series 3-4 R	Firestone Style 1T15 AA-3
Scania 1314903	Series 3-4 R	Firestone No. W01 M68 6251
Scania 1402423	Series 3-4 R	Goodyear 1R11-826
Scania 1865759	Series 3-4 R	
Scania 255295	Series 3-4 R	

RML 76251CP



Cross Section View

Top View

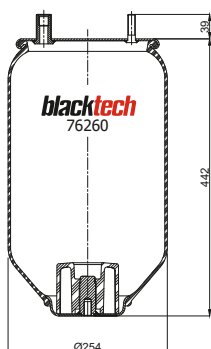


- Bolt of Stud
- Threaded hole
- ⊗ Combination Stud
- ⊗ Air Inlet

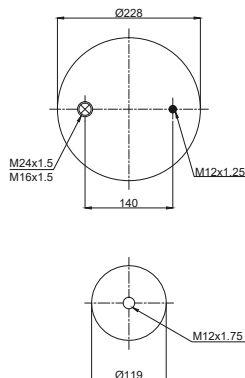
OEM PART NUMBER	MODEL NO	CROSS REFERENCES
Scania	Series 3-4 R	

RML 76260

Cross Section View



Top View

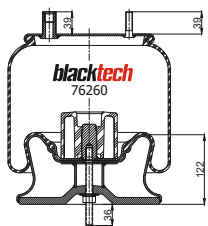


- Bolt of Stud
- Threaded hole
- ⊗ Combination Stud
- ⊗ Air Inlet

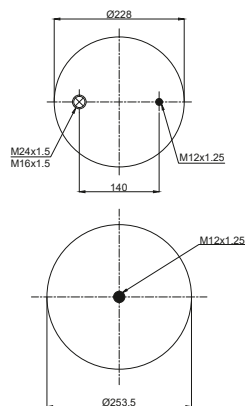
OEM PART NUMBER	MODEL NO	CROSS REFERENCES
Hendrickson		

RML 76260 C

Cross Section View



Top View

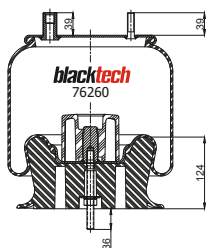


- Bolt of Stud
- Threaded hole
- ⊗ Combination Stud
- ⊗ Air Inlet

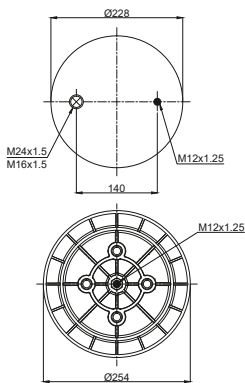
OEM PART NUMBER	MODEL NO	CROSS REFERENCES
Hendrickson		Vibracoustic VIDK231-260

RML 76260 CP

Cross Section View



Top View



- Bolt of Stud
- Threaded hole
- ⊗ Combination Stud
- ⊗ Air Inlet

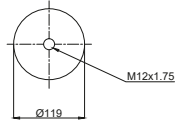
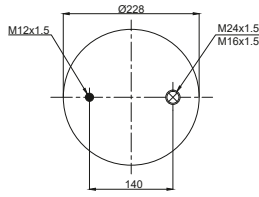
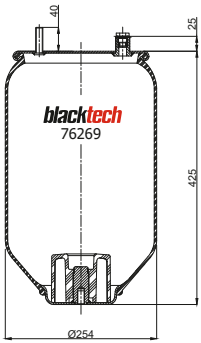
OEM PART NUMBER	MODEL NO	CROSS REFERENCES
Hendrickson	59053-2F	Firestone Style 1T15 MPW-7 Firestone No. W01M58 6260

RML 76269



Cross Section View

Top View



- Bolt of Stud
- Threaded hole
- ⊗ Combination Stud
- ⊗ Air Inlet

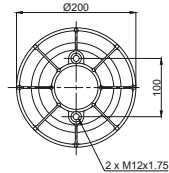
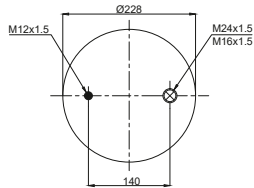
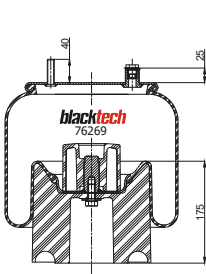
OEM PART NUMBER	MODEL NO	CROSS REFERENCES
Hendrickson		

RML 76269 CP



Cross Section View

Top View



- Bolt of Stud
- Threaded hole
- ⊗ Combination Stud
- ⊗ Air Inlet

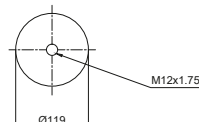
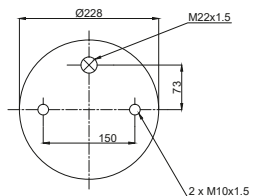
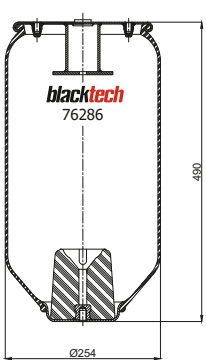
OEM PART NUMBER	MODEL NO	CROSS REFERENCES
Hendrickson	506562	Firestone Style 1115 M-6 Firestone No. W01 M68 6269

RML 76286



Cross Section View

Top View



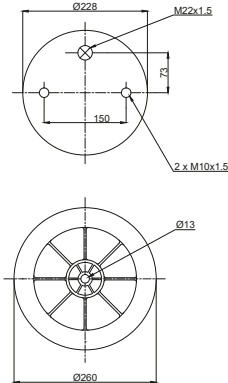
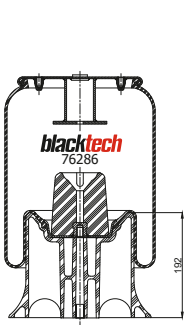
- Bolt of Stud
- Threaded hole
- ⊗ Combination Stud
- ⊗ Air Inlet

OEM PART NUMBER	MODEL NO	CROSS REFERENCES
Schmitz		
Weweler		

RML 76286 CP

Cross Section View

Top View



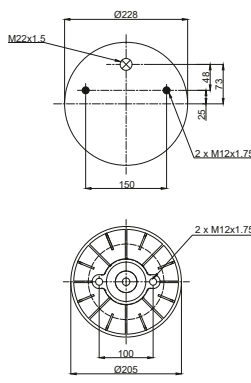
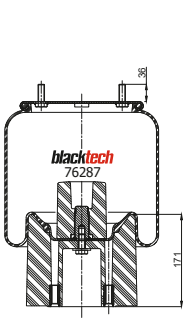
● Bolt of Stud ○ Threaded hole ⊗ Combination Stud ⊗ Air Inlet

OEM PART NUMBER	MODEL NO	CROSS REFERENCES
Schmitz 751020 HP		Firestone Style 1T15 MPW-9
Weweler US06286 F		Firestone No. W01M58 6286

RML 76287 CP

Cross Section View

Top View



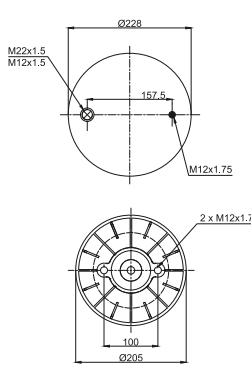
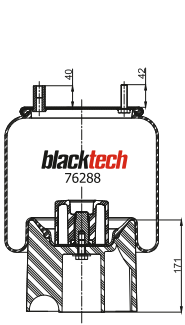
● Bolt of Stud ○ Threaded hole ⊗ Combination Stud ⊗ Air Inlet

OEM PART NUMBER	MODEL NO	CROSS REFERENCES
Weweler US06287 F		Firestone Style 1T15 MPW-9
		Firestone No. W01M58 6287
		Vibracoustic VIDK20s-287

RML 76288 CP

Cross Section View

Top View



● Bolt of Stud ○ Threaded hole ⊗ Combination Stud ⊗ Air Inlet

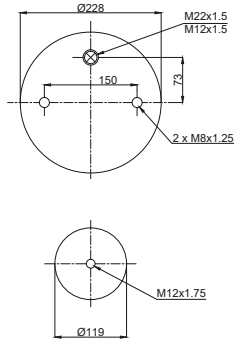
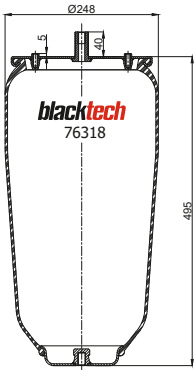
OEM PART NUMBER	MODEL NO	CROSS REFERENCES
Weweler US06288 F		Firestone Style 1T15 MPW-9
		Firestone No. W01968 6238

RML 76318



Cross Section View

Top View



● Bolt of Stud ○ Threaded hole ⊗ Combination Stud ⊗ Air Inlet

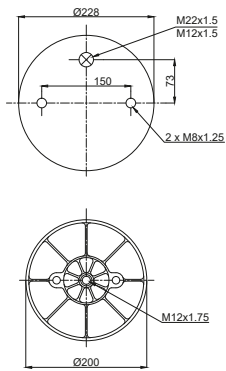
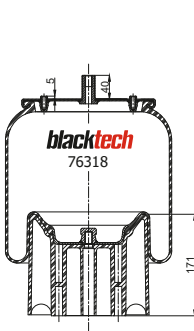
OEM PART NUMBER	MODEL NO	CROSS REFERENCES
Weweler		
Schmitz		

RML 76318 CP



Cross Section View

Top View



● Bolt of Stud ○ Threaded hole ⊗ Combination Stud ⊗ Air Inlet

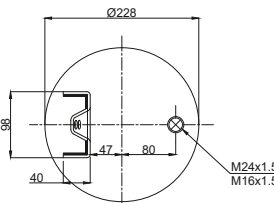
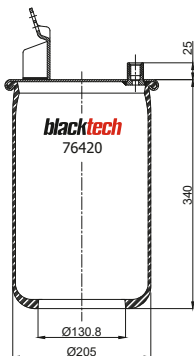
OEM PART NUMBER	MODEL NO	CROSS REFERENCES
Weweler	US06318F	Firestone Style 1T15 MPW-9
Schmitz	016512	Firestone No. W01 M58 G318

RML 76420



Cross Section View

Top View



● Bolt of Stud ○ Threaded hole ⊗ Combination Stud ⊗ Air Inlet

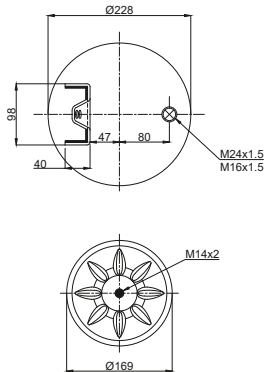
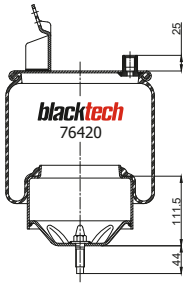
OEM PART NUMBER	MODEL NO	CROSS REFERENCES
Volvo		



RML76420C

Cross Section View

Top View



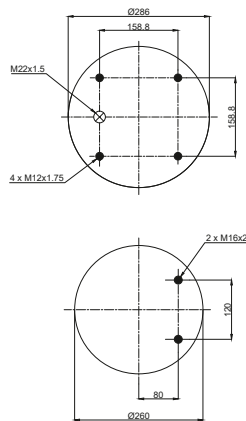
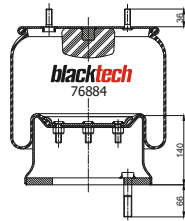
● Bolt of Stud ○ Threaded hole ⊗ Combination Stud ⊗ Air Inlet

OEM PART NUMBER		MODEL NO	CROSS REFERENCES	
Volvo	20 582 213	FM / FH low	Contitech	6600 N P02
Volvo	21 961 448	FM / FH low		
Volvo	1 076 420			
Volvo	20 531 989			
Volvo	20 456 160			
Volvo	20 374 512			

RML76884C

Cross Section View

Top View



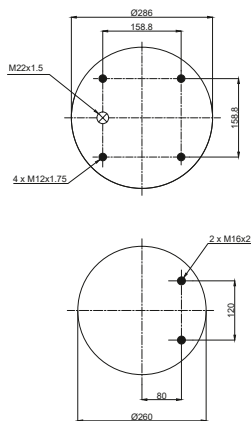
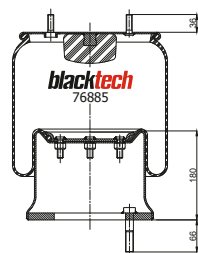
● Bolt of Stud ○ Threaded hole ⊗ Combination Stud ⊗ Air Inlet

OEM PART NUMBER		MODEL NO	CROSS REFERENCES	
Zorzi	1006546		Firestone Style	1T19 L7
Bertoja	46311001		Firestone No.	W01 M58 8772
Stefen	M04010495		Phoenix	10K 28 A-7
Acerbi / Viberti	128147109		CF Gomma Ref.	1T19 E-1
			CF Gomma No.	96884

RML76885C

Cross Section View

Top View



● Bolt of Stud ○ Threaded hole ⊗ Combination Stud ⊗ Air Inlet

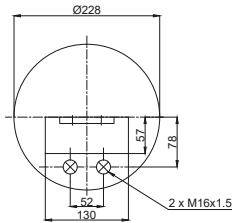
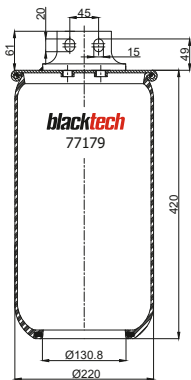
OEM PART NUMBER		MODEL NO	CROSS REFERENCES	
Zorzi	1006545		Firestone Style	1T19 L-11
			Firestone No.	W01 M58 8794
			Phoenix	10K 28 B-8
			CF Gomma Ref.	1T19 E-2
			CF Gomma No.	96885



RML 77179

Cross Section View

Top View



- Bolt of Stud
- Threaded hole
- ⊗ Combination Stud
- ⊗ Air Inlet

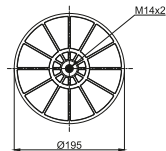
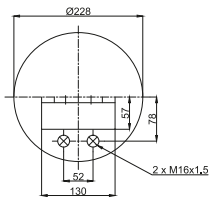
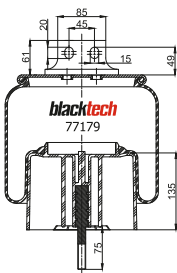
OEM PART NUMBER		MODEL NO	CROSS REFERENCES	
Iveco	42566303	Stralis Carro 6x2C	CF Gomma Ref.	1TS 270-25 C

RML 77179 CP



Cross Section View

Top View



- Bolt of Stud
- Threaded hole
- ⊗ Combination Stud
- ⊗ Air Inlet

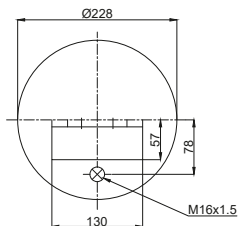
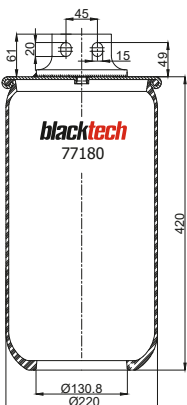
OEM PART NUMBER		MODEL NO	CROSS REFERENCES	
Iveco	41297179	Stralis Carro 6x2C	CF Gomma Ref.	1TS 270-25 C
			CF Gomma No.	207163
			Vibracoustic	V1DF19s-179

RML 77180



Cross Section View

Top View



- Bolt of Stud
- Threaded hole
- ⊗ Combination Stud
- ⊗ Air Inlet

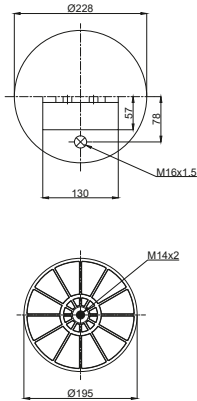
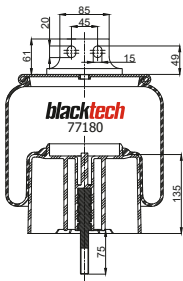
OEM PART NUMBER		MODEL NO	CROSS REFERENCES	
Iveco	42566304	Stralis Carro 6x2C	CF Gomma Ref.	1TS 270-25 C
			CF Gomma No.	207333



RML 77180 CP

Cross Section View

Top View



- Bolt of Stud
- Threaded hole
- ⊗ Combination Stud
- ⊗ Air Inlet

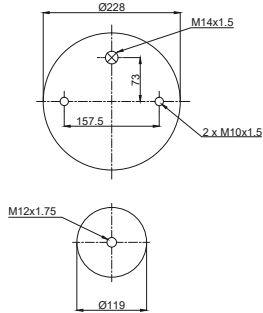
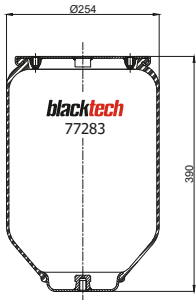
OEM PART NUMBER	MODEL NO	CROSS REFERENCES
Iveco 41297180	Stralis Carro 6x2C	CF Gomma Ref. 1TS 270-25 C CF Gomma No. 207162 Vibracoustic VIDF19S-180

RML 77283



Cross Section View

Top View



- Bolt of Stud
- Threaded hole
- ⊗ Combination Stud
- ⊗ Air Inlet

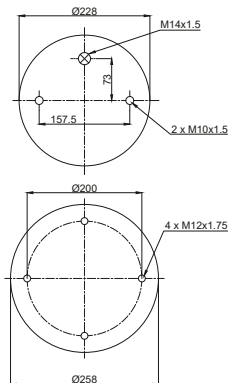
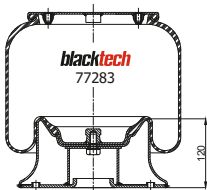
OEM PART NUMBER	MODEL NO	CROSS REFERENCES
Scania		

RML 77283 C



Cross Section View

Top View



- Bolt of Stud
- Threaded hole
- ⊗ Combination Stud
- ⊗ Air Inlet

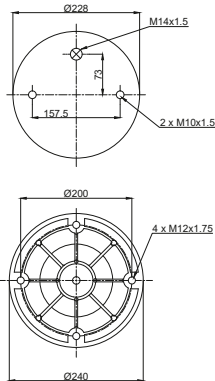
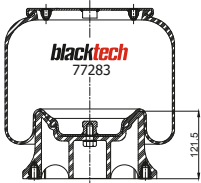
OEM PART NUMBER	MODEL NO	CROSS REFERENCES
Scania		



RML 77283 CP

Cross Section View

Top View



● Bolt of Stud ○ Threaded hole ⊗ Combination Stud ⊗ Air Inlet

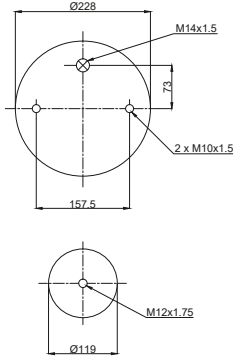
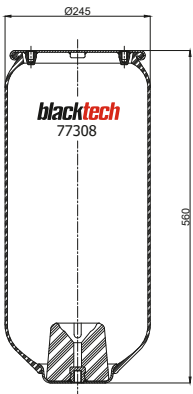
OEM PART NUMBER	MODEL NO	CROSS REFERENCES
Scania 1320151		Firestone Style 1115 M-4
		Firestone No. W01 M68 7283

RML 77308



Cross Section View

Top View



● Bolt of Stud ○ Threaded hole ⊗ Combination Stud ⊗ Air Inlet

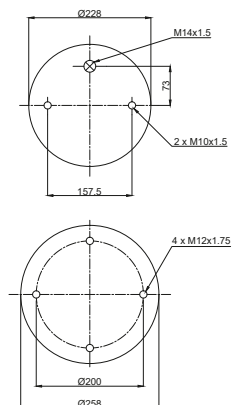
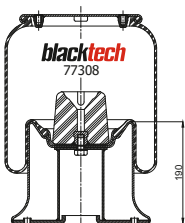
OEM PART NUMBER	MODEL NO	CROSS REFERENCES
Scania		
Weweler		

RML 77308 C



Cross Section View

Top View



● Bolt of Stud ○ Threaded hole ⊗ Combination Stud ⊗ Air Inlet

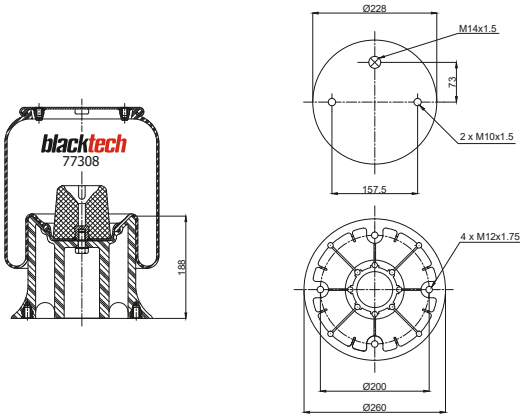
OEM PART NUMBER	MODEL NO	CROSS REFERENCES
Scania		
Weweler		

RML 77308 CP



Cross Section View

Top View



● Bolt of Stud ○ Threaded hole ⊗ Combination Stud ⊗ Air Inlet

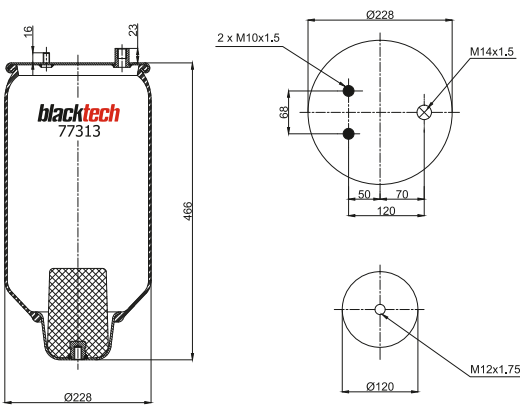
OEM PART NUMBER	MODEL NO	CROSS REFERENCES
Scania 1314905		Firestone Style 1T15 M-9
scania 1327144		Firestone No. W01M58 7308
Scania 255294		Phoenix 1DK 23 L-7308
Scania 345879		Goodyear 1R12-713
Weweler US07348		

RML 77313



Cross Section View

Top View



● Bolt of Stud ○ Threaded hole ⊗ Combination Stud ⊗ Air Inlet

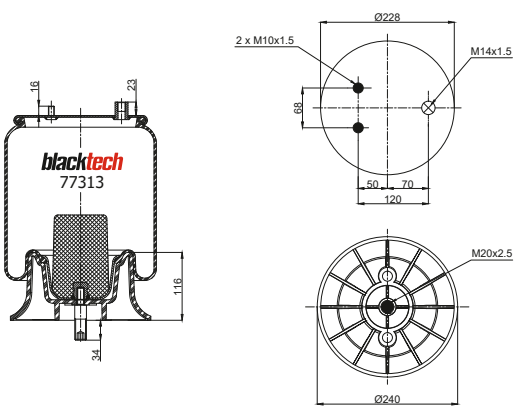
OEM PART NUMBER	MODEL NO	CROSS REFERENCES
Iveco		
Neway		

RML 77313 CP



Cross Section View

Top View



● Bolt of Stud ○ Threaded hole ⊗ Combination Stud ⊗ Air Inlet

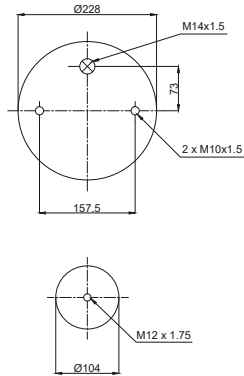
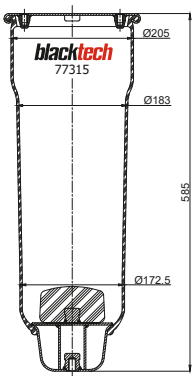
OEM PART NUMBER	MODEL NO	CROSS REFERENCES
Iveco 99458555		Firestone Style 1T15 AA-6
Iveco 99458557		Firestone No. W01M58 7313
Neway M0557019		Vibracoustic V1DK18a-7313
Neway M0557020		
Neway M0557030		
Neway M0557031		



RML 77315

Cross Section View

Top View



- Bolt of Stud
- Threaded hole
- ⊗ Combination Stud
- ⊗ Air Inlet

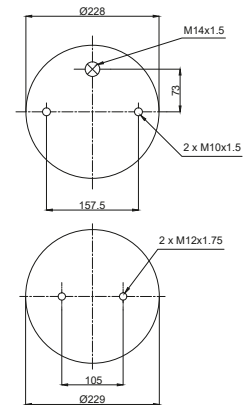
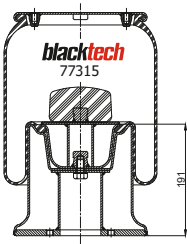
OEM PART NUMBER	MODEL NO	CROSS REFERENCES
Scania	Series 4	

RML 77315 C



Cross Section View

Top View



- Bolt of Stud
- Threaded hole
- ⊗ Combination Stud
- ⊗ Air Inlet

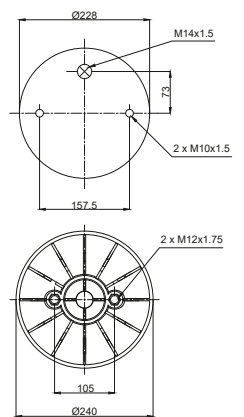
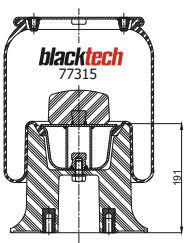
OEM PART NUMBER	MODEL NO	CROSS REFERENCES
Scania 1314904	Series 4	Firestone Style 1T15 Lux-11
Scania 277696	Series 4	Firestone No. W01M58 7315

RML 77315 CP



Cross Section View

Top View



- Bolt of Stud
- Threaded hole
- ⊗ Combination Stud
- ⊗ Air Inlet

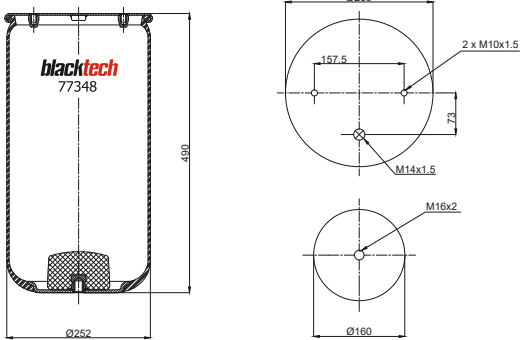
OEM PART NUMBER	MODEL NO	CROSS REFERENCES
Scania	Series 4	Vibracoustic VIDK20a-7315



RML 77348

Cross Section View

Top View



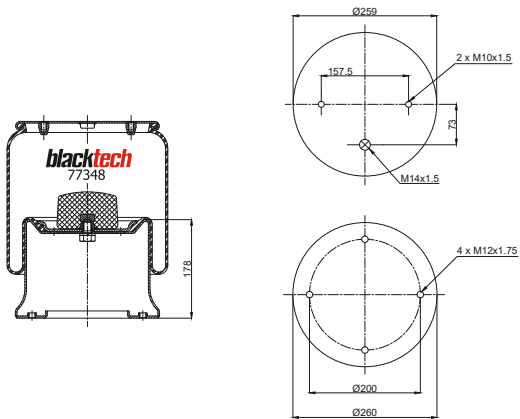
- Bolt of Stud
- Threaded hole
- ⊗ Combination Stud
- ⊗ Air Inlet

OEM PART NUMBER	MODEL NO	CROSS REFERENCES
Scania		

RML 77348C

Cross Section View

Top View



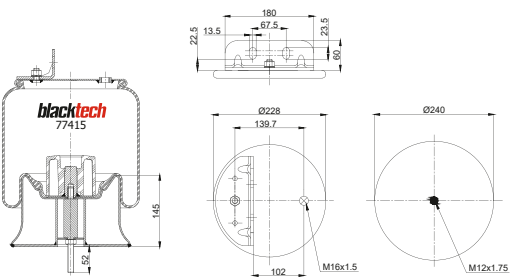
- Bolt of Stud
- Threaded hole
- ⊗ Combination Stud
- ⊗ Air Inlet

OEM PART NUMBER	MODEL NO	CROSS REFERENCES
Scania	1865757	

RML 77415C

Cross Section View

Top View



- Bolt of Stud
- Threaded hole
- ⊗ Combination Stud
- ⊗ Air Inlet

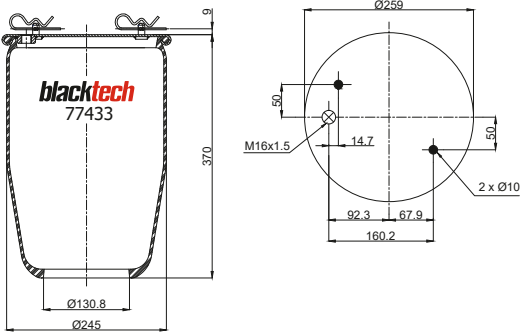
OEM PART NUMBER	MODEL NO	CROSS REFERENCES
Iveco	504117415	Vibracoustic V10 23G-5



RML 77433

Cross Section View

Top View



● Bolt of Stud ○ Threaded hole ⊗ Combination Stud ⊗ Air Inlet

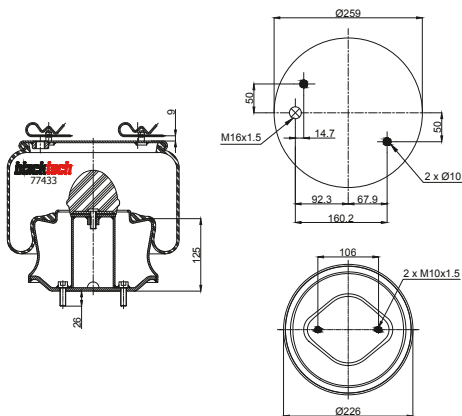
OEM PART NUMBER	MODEL NO	CROSS REFERENCES
Volvo 20703452		Goodyear 1R12-826
Volvo 21013010		
Volvo 21513836		
Volvo 21057939		
Volvo 21044268		

RML 77433C



Cross Section View

Top View



● Bolt of Stud ○ Threaded hole ⊗ Combination Stud ⊗ Air Inlet

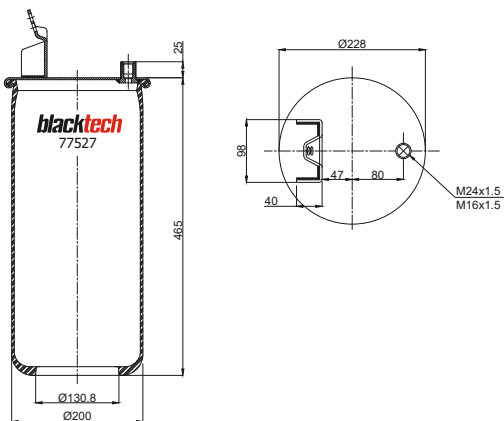
OEM PART NUMBER	MODEL NO	CROSS REFERENCES
Volvo 70311683		Goodyear 1R12-825
Volvo 21097433		Vibracoustic VIDF20r-433
Volvo 21513833		
Volvo 21160951		
Volvo 21057936		

RML 77527



Cross Section View

Top View



● Bolt of Stud ○ Threaded hole ⊗ Combination Stud ⊗ Air Inlet

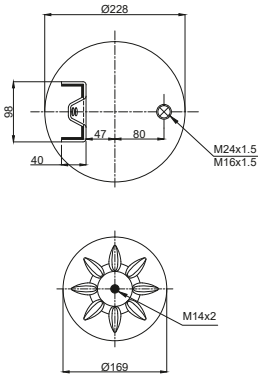
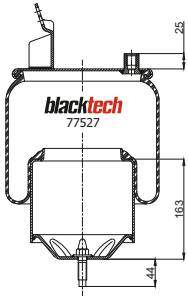
OEM PART NUMBER	MODEL NO	CROSS REFERENCES
Volvo		



RML 77527 C

Cross Section View

Top View



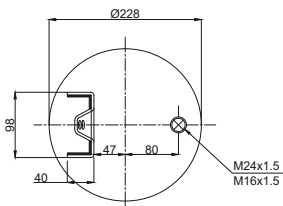
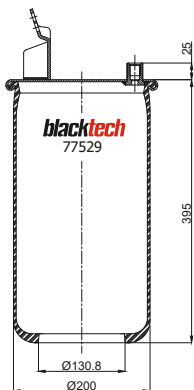
● Bolt of Stud ○ Threaded hole ⊗ Combination Stud ⊗ Air Inlet

OEM PART NUMBER		MODEL NO	CROSS REFERENCES	
Volvo	1 075 891	FH 12	Contitech	6608 N P01
Volvo	1 076 416	FH 12	Phoenix	1 DF 17 B-1
Volvo	20 374 510	FH 12	Firestone Style	1T15UR-9
Volvo	20 456 152	FH 12	Firestone No.	W01M58-8474
Volvo	20 531 985	FH 12	Goodyear	1R10-704
Volvo	20 582 215	FM / FH standard	Vibracoustic	V1DF16D-1
Volvo	70 321 693	FH 12	Dunlop F	D10B01
Volvo	21 961 456	FM / FH standard	Gart Ref.	C295/V
Renault	7422 071 639		Gart No.	2951465

RML 77529

Cross Section View

Top View



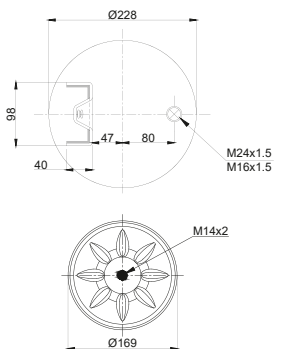
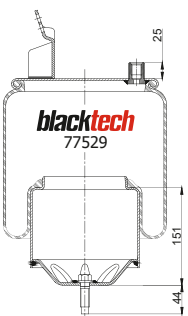
● Bolt of Stud ○ Threaded hole ⊗ Combination Stud ⊗ Air Inlet

OEM PART NUMBER		MODEL NO	CROSS REFERENCES	
Volvo				

RML 77529 C

Cross Section View

Top View



● Bolt of Stud ○ Threaded hole ⊗ Combination Stud ⊗ Air Inlet

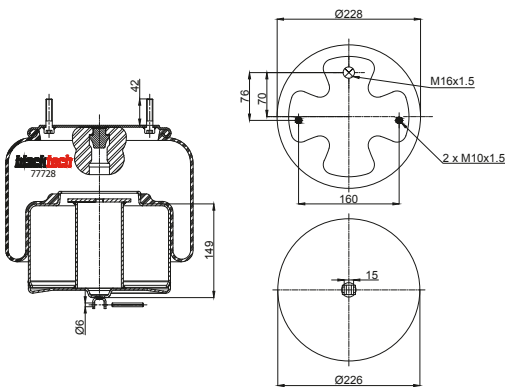
OEM PART NUMBER		MODEL NO	CROSS REFERENCES	
Volvo	1 076 418	FH medium	Contitech	6607 N P01
Volvo	20 374 511	FH 12 medium	Phoenix	1 DF 17 A-1
Volvo	20 456 156	FH 12 medium	Firestone Style	1T15UR-6
Volvo	20 531 987	FH 12 medium	Firestone No.	W01M58-8473
Volvo	20 582 214	FM / FH medium	Goodyear	1R10-707
Volvo	3 171 695	FH medium	Vibracoustic	V1DF16C-1
Volvo	70 321 695	FH medium	Gart Ref.	C294/VA
Volvo	21 961 451	FM / FH medium	Gart No.	2951400



RML77728C

Cross Section View

Top View



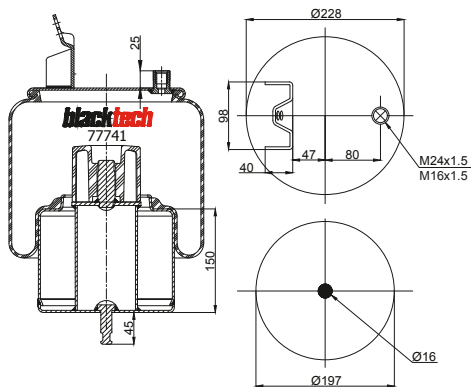
● Bolt of Stud ○ Threaded hole ⊗ Combination Stud ⊗ Air Inlet

OEM PART NUMBER		MODEL NO	CROSS REFERENCES	
Volvo	21961478	FM / FH medium	Contitech	6617 NP01
Volvo	21119077	FM / FH medium		
Volvo	21161555			

RML77741C

Cross Section View

Top View



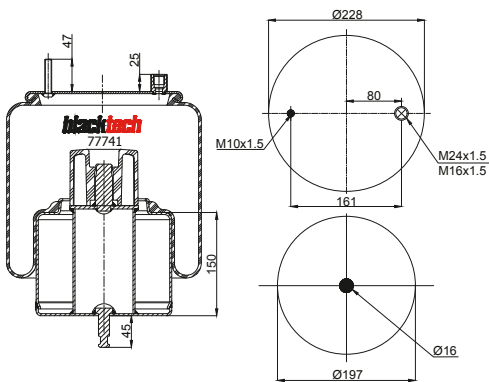
● Bolt of Stud ○ Threaded hole ⊗ Combination Stud ⊗ Air Inlet

OEM PART NUMBER		MODEL NO	CROSS REFERENCES	
Volvo	21977973	FH standard	Contitech	6630 NP01
Volvo	20909150	FH standard	Goodyear	1R11-857

RML77741C1

Cross Section View

Top View



● Bolt of Stud ○ Threaded hole ⊗ Combination Stud ⊗ Air Inlet

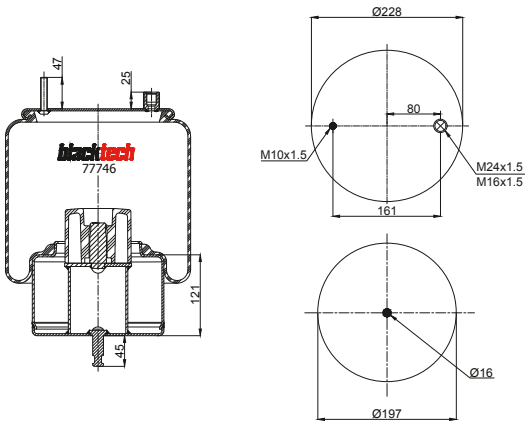
OEM PART NUMBER		MODEL NO	CROSS REFERENCES	
Volvo	21321515	FH standard	Contitech	6630 NP02



RML7746C

Cross Section View

Top View



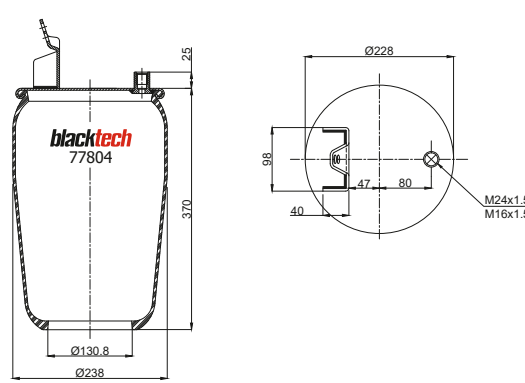
- Bolt of Stud
- Threaded hole
- ⊗ Combination Stud
- ⊗ Air Inlet

OEM PART NUMBER		MODEL NO	CROSS REFERENCES	
Volvo	21321520	FH medium	Contitech	6635 N P01

RML77804

Cross Section View

Top View



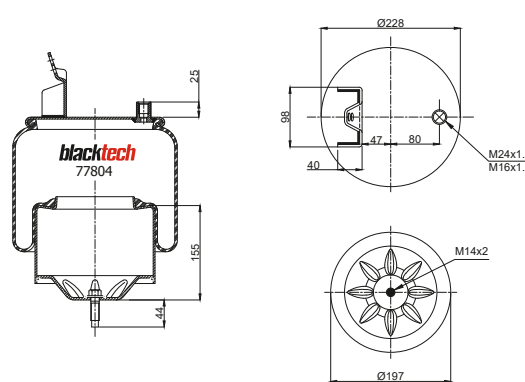
- Bolt of Stud
- Threaded hole
- ⊗ Combination Stud
- ⊗ Air Inlet

OEM PART NUMBER		MODEL NO	CROSS REFERENCES	
Volvo				

RML77804C

Cross Section View

Top View



- Bolt of Stud
- Threaded hole
- ⊗ Combination Stud
- ⊗ Air Inlet

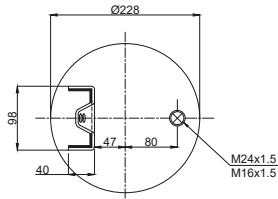
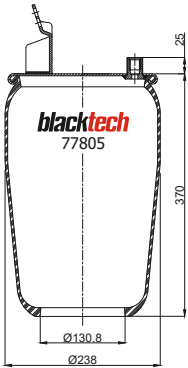
OEM PART NUMBER		MODEL NO	CROSS REFERENCES	
Volvo	20375227	FH 12 medium	Contitech	6606 N P01
Volvo	20456154	FH 12 medium	Phoenix	1DF 20 E-1
Volvo	20531986	FH 12 medium	Primeride	56606 A P01
Volvo	20582209	FM / FH medium	Firestone Style	1T15LNR-3
Volvo	3171694	FH medium	Firestone No.	W01-M58-8477
Volvo	70321694	FH medium	Goodyear	1R11-848
Volvo	20427801	FH 12 medium	Vibracoustic	V1DF20A-1
Volvo	21961443	FM / FH medium	Gart Ref.	C294/VA
Volvo	20427805		Gart No.	2941370
Volvo	20427804			



RML77805

Cross Section View

Top View



● Bolt of Stud ○ Threaded hole ⊗ Combination Stud ⊗ Air Inlet

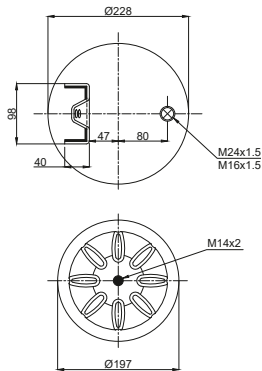
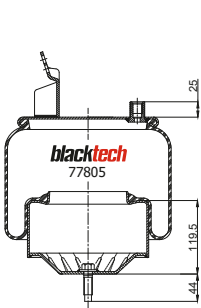
OEM PART NUMBER	MODEL NO	CROSS REFERENCES
Volvo		

RML77805C



Cross Section View

Top View



● Bolt of Stud ○ Threaded hole ⊗ Combination Stud ⊗ Air Inlet

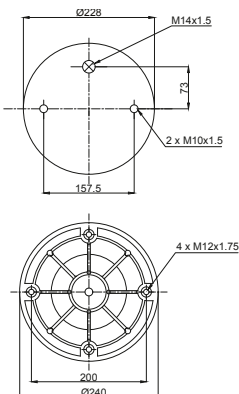
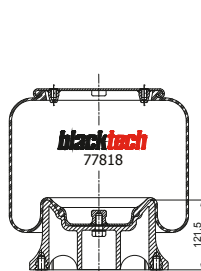
OEM PART NUMBER	MODEL NO	CROSS REFERENCES		
Volvo	20 531 988	FH 12 low	Contitech	6606 N P02
Volvo	20 582 212	FM / FH low	Firestone Style	1T15LNR 3.0
Volvo	21961 447	FM / FH low	Firestone No.	W01-M58-8690
Volvo	20 427 805		Vibracoustic	V1DF19F-805
Volvo	20 427 804			
Volvo	20 456 158			
Volvo	20 427 802			
Volvo	20 375 228			
Volvo	1 076 417			

RML77818 CP



Cross Section View

Top View



● Bolt of Stud ○ Threaded hole ⊗ Combination Stud ⊗ Air Inlet

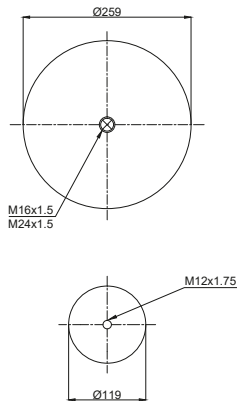
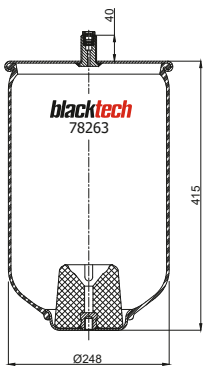
OEM PART NUMBER	MODEL NO	CROSS REFERENCES		
Scania	1865/56	4-Series LOW	Contitech	6707 N P01
			Goodyear	1R12-832
			Vibracoustic	V1DF16-188

RML 78263



Cross Section View

Top View



● Bolt of Stud ○ Threaded hole ⊗ Combination Stud ⊗ Air Inlet

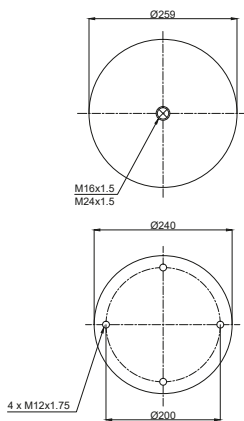
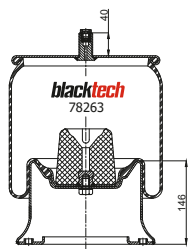
OEM PART NUMBER	MODEL NO	CROSS REFERENCES
Hendrickson		

RML 78263 C



Cross Section View

Top View



● Bolt of Stud ○ Threaded hole ⊗ Combination Stud ⊗ Air Inlet

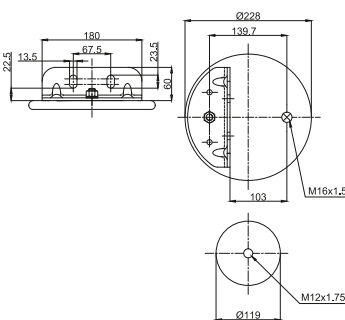
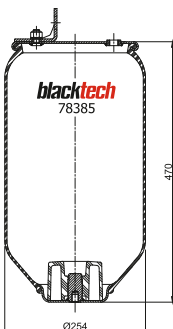
OEM PART NUMBER	MODEL NO	CROSS REFERENCES
Hendrickson	HS508263	Goodyear 1R11-847
Mercedes	A 942 320 59 21	Vibracoustic V 1DK 22 G-1

RML 78385



Cross Section View

Top View



● Bolt of Stud ○ Threaded hole ⊗ Combination Stud ⊗ Air Inlet

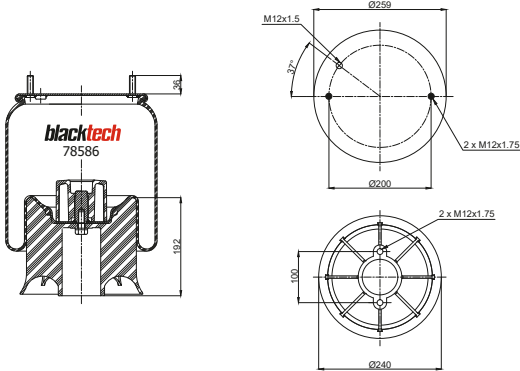
OEM PART NUMBER	MODEL NO	CROSS REFERENCES
Hendrickson		



RML 78586 CP

Cross Section View

Top View



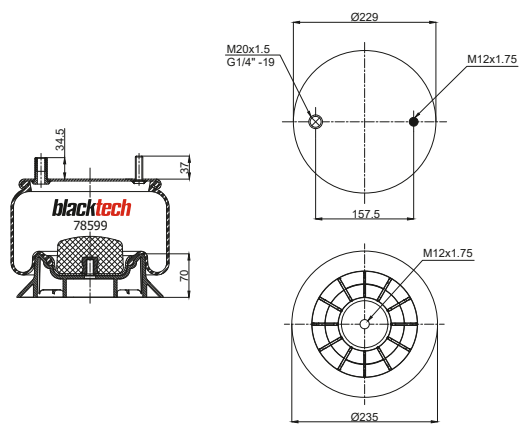
Bolt of Stud
 Threaded hole
 Combination Stud
 Air Inlet

OEM PART NUMBER	MODEL NO	CROSS REFERENCES
Hendrickson		Firestone Style 1T17 BPZ-11
		Firestone No. W01R88 8586

RML 78599 CP

Cross Section View

Top View



Bolt of Stud
 Threaded hole
 Combination Stud
 Air Inlet

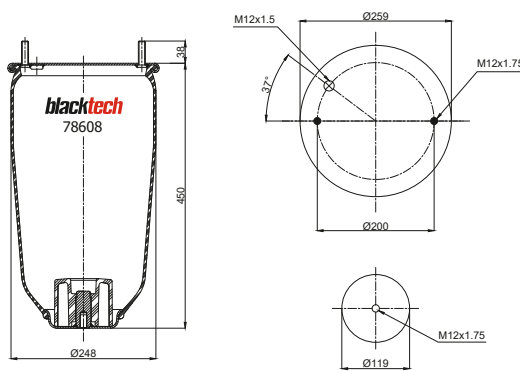


OEM PART NUMBER	MODEL NO	CROSS REFERENCES
Goldschmitt	DLB 8599	

RML 78608

Cross Section View

Top View



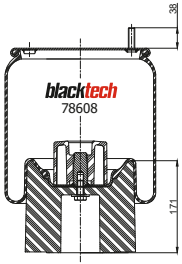
Bolt of Stud
 Threaded hole
 Combination Stud
 Air Inlet



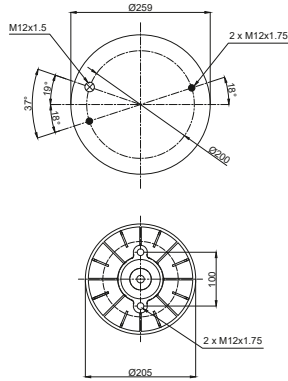
OEM PART NUMBER	MODEL NO	CROSS REFERENCES
ROR Meritor		

RML 78608 CP

Cross Section View



Top View

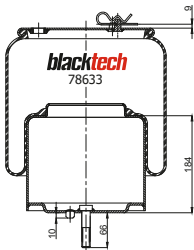


● Bolt of Stud ○ Threaded hole ⊗ Combination Stud ⊗ Air Inlet

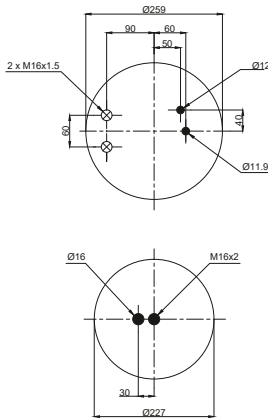
OEM PART NUMBER	MODEL NO	CROSS REFERENCES
ROR Meritor	21229214	Firestone Style 1T17 DJ-7 Firestone No. W01 M58 8608 Vibracoustic V1DK 25 b-1

RML 78633 C

Cross Section View



Top View

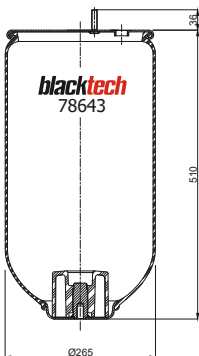


● Bolt of Stud ○ Threaded hole ⊗ Combination Stud ⊗ Air Inlet

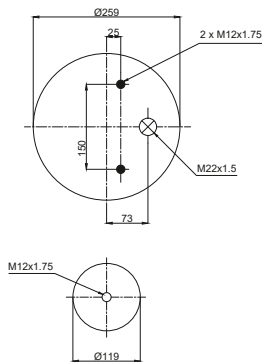
OEM PART NUMBER	MODEL NO	CROSS REFERENCES
Scania	1434933	Scania PRT Firestone Style 1T17 HR-8
Scania	1932593	Scania PRT Firestone No. W01 M58 8633 Phoenix 1DF 23 G-1

RML 78643

Cross Section View



Top View



● Bolt of Stud ○ Threaded hole ⊗ Combination Stud ⊗ Air Inlet

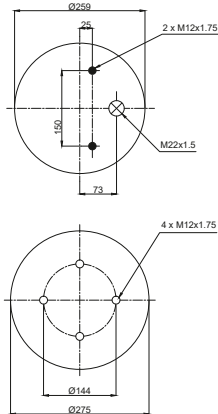
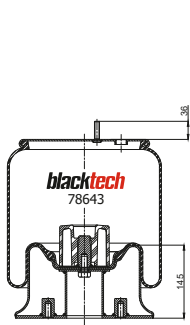
OEM PART NUMBER	MODEL NO	CROSS REFERENCES
Hendrickson		

RML78643C



Cross Section View

Top View



● Bolt of Stud ○ Threaded hole ⊗ Combination Stud ⊗ Air Inlet

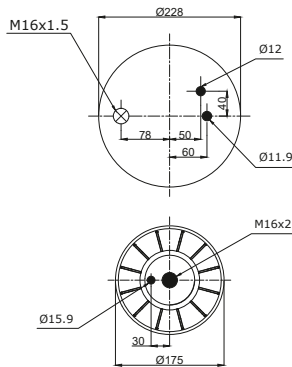
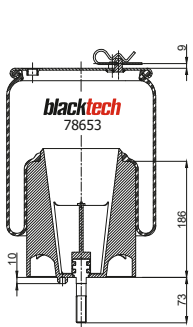
OEM PART NUMBER		MODEL NO	CROSS REFERENCES	
Hendrickson	QE100004/F		Firestone Style	1T17 CL-9.5
			Firestone No.	W01M68 8643
			Goodyear	1R13-167

RML78653CP



Cross Section View

Top View



● Bolt of Stud ○ Threaded hole ⊗ Combination Stud ⊗ Air Inlet

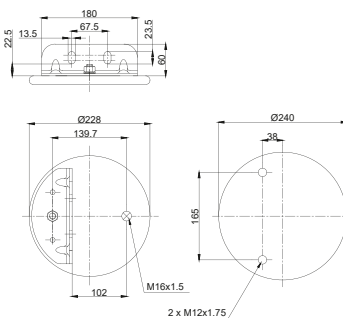
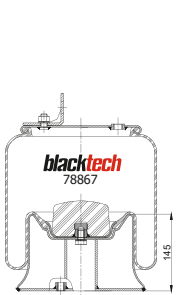
OEM PART NUMBER		MODEL NO	CROSS REFERENCES	
Scania	1434930		Firestone Style	1T15 UR-9
Scania	1932592		Firestone No.	W01M68 8653
			Phoenix	1DF17B-2

RML78867C



Cross Section View

Top View



● Bolt of Stud ○ Threaded hole ⊗ Combination Stud ⊗ Air Inlet

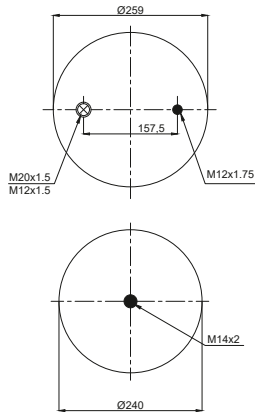
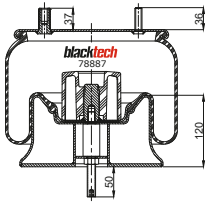
OEM PART NUMBER		MODEL NO	CROSS REFERENCES	
Iveco	504108867	Eurocargo 65-100E	Vibracoustic	V1D 23 G-4 WB
Hendrickson	508439-H			



RML78887C

Cross Section View

Top View



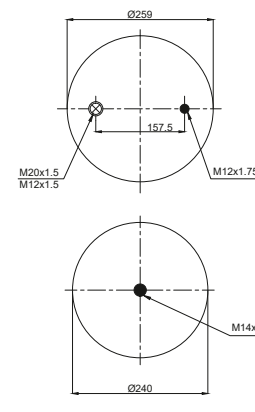
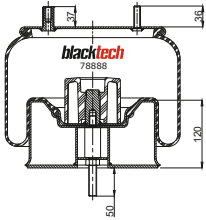
● Bolt of Stud ○ Threaded hole ⊗ Combination Stud ⊗ Air Inlet

OEM PART NUMBER		MODEL NO	CROSS REFERENCES	
Hendrickson	HS507922/P		Vibracoustic	V1DK 27 B1
BMC	57RS308887			

RML78888C

Cross Section View

Top View



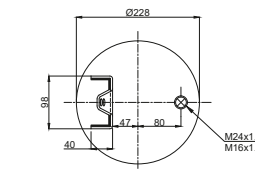
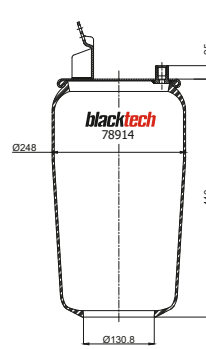
● Bolt of Stud ○ Threaded hole ⊗ Combination Stud ⊗ Air Inlet

OEM PART NUMBER		MODEL NO	CROSS REFERENCES	
Hendrickson	HS507923/P		Vibracoustic	V1DK 27 B-2
BMC	57RS308888			

RML78914

Cross Section View

Top View



● Bolt of Stud ○ Threaded hole ⊗ Combination Stud ⊗ Air Inlet

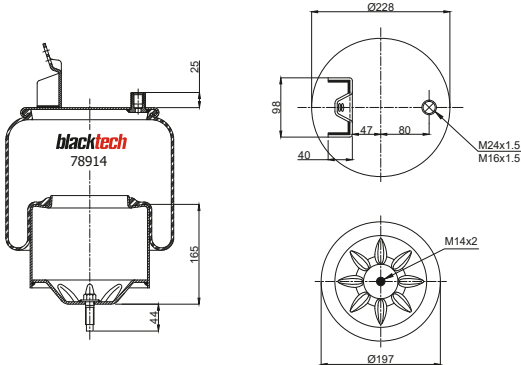
OEM PART NUMBER		MODEL NO	CROSS REFERENCES	
Volvo				
Renault				



RML 78914 C

Cross Section View

Top View



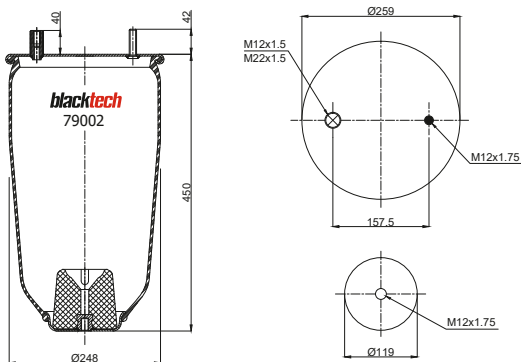
● Bolt of Stud ○ Threaded hole ⊗ Combination Stud ⊗ Air Inlet

OEM PART NUMBER	MODEL NO	CROSS REFERENCES
Volvo 1 075 890	FH standard	Contitech 6605 N P01
Volvo 1 076 415	FH 12	Phoenix 1DF 20D-1
Volvo 20 375 226	FH standard	Firestone Style 1T15LNR-6
Volvo 20 427 800	FH standard	Firestone No. W01-M58-8472
Volvo 20 456 150	FH standard	Goodyear 1R11-805
Volvo 20 531 984	FH standard	Vibracoustic V1DF20B-1
Volvo 20 582 206	FM / FH standard	Dunlop F D11B42
Volvo 21961 374	FM / FH standard	Gart Ref. C294/V
Volvo 20 427 803		Gart No. 2941.430
Renault 7.422.071.638		

RML 79002 A3

Cross Section View

Top View



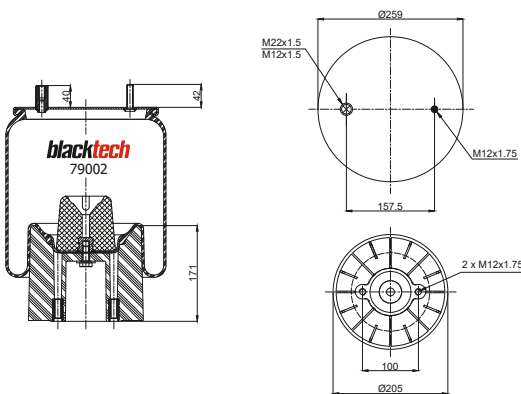
● Bolt of Stud ○ Threaded hole ⊗ Combination Stud ⊗ Air Inlet

OEM PART NUMBER	MODEL NO	CROSS REFERENCES
Weweler		

RML 79002 A3 CP

Cross Section View

Top View



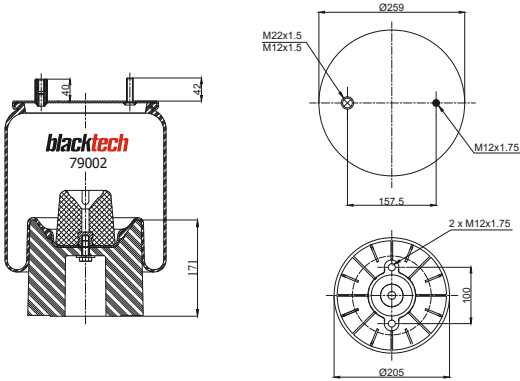
● Bolt of Stud ○ Threaded hole ⊗ Combination Stud ⊗ Air Inlet

OEM PART NUMBER	MODEL NO	CROSS REFERENCES
Weweler US 08840	AC 524/514	Contitech 4157 N P05
		Phoenix 1DK 21 A-3
		Firestone Style 1T15MPW-7
		Firestone No. W01-M58-8840
		Goodyear 1R11-882
		Goodyear 1R11-866
		Vibracoustic V1DK21A-3
		CF Gamma Ref. 1T323-32
		CF Gamma No. 207778
		Dunlop UK 00980B-AP
		Gart Ref. C294
		Gart No. 294.2.450/1

RML 79002 A3 CP1

Cross Section View

Top View



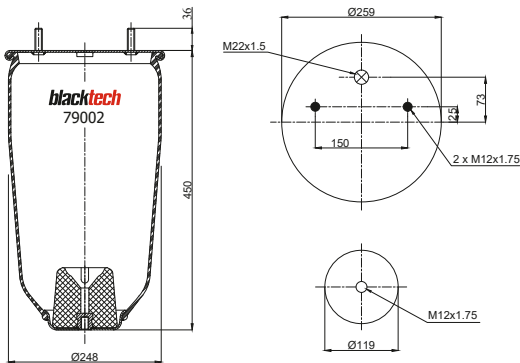
● Bolt of Stud ○ Threaded hole ⊗ Combination Stud ⊗ Air Inlet

OEM PART NUMBER	MODEL NO	CROSS REFERENCES
Weweler		

RML 79002 A8

Cross Section View

Top View



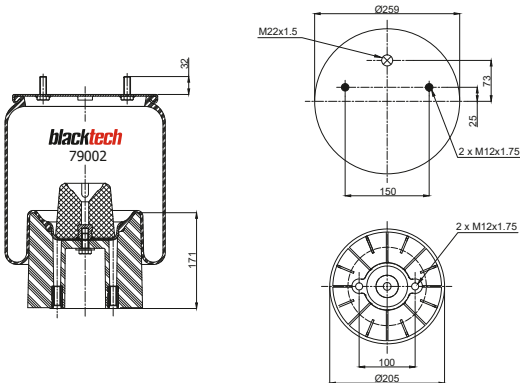
● Bolt of Stud ○ Threaded hole ⊗ Combination Stud ⊗ Air Inlet

OEM PART NUMBER	MODEL NO	CROSS REFERENCES
Weweler		

RML 79002 A8 CP

Cross Section View

Top View



● Bolt of Stud ○ Threaded hole ⊗ Combination Stud ⊗ Air Inlet

OEM PART NUMBER	MODEL NO	CROSS REFERENCES
Weweler	US 07364	Contitech 4157 N P04 Phoenix 1DK 21 A4 Dunlop F D12 B18 Goodyear 1R11-111 Taurus KP 915-53 NW Vibracoustic V 1DK 21A-4/A-8

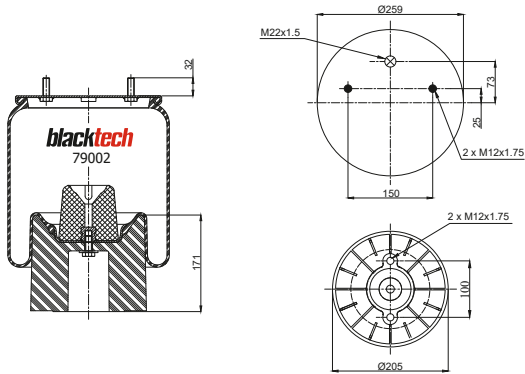


RML 79002 A8 CP1



Cross Section View

Top View



- Bolt of Stud
- Threaded hole
- ⊗ Combination Stud
- ⊗ Air Inlet

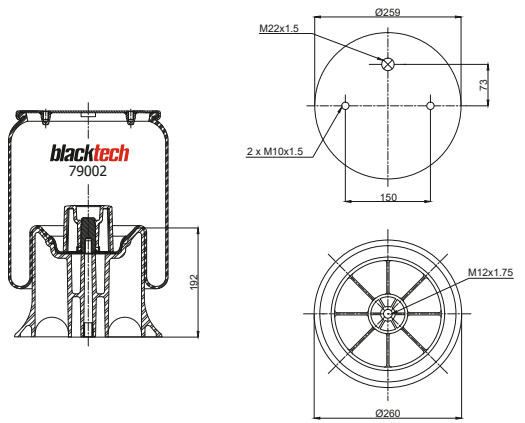
OEM PART NUMBER	MODEL NO	CROSS REFERENCES

RML 79002 CP6



Cross Section View

Top View



- Bolt of Stud
- Threaded hole
- ⊗ Combination Stud
- ⊗ Air Inlet

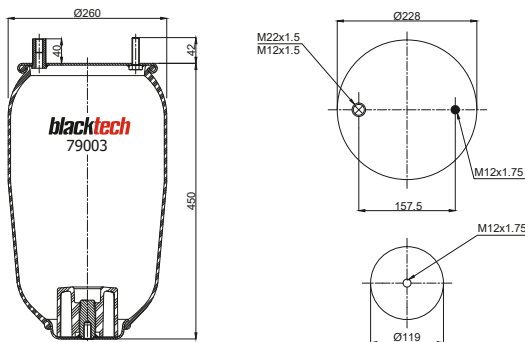
OEM PART NUMBER	MODEL NO	CROSS REFERENCES

RML 79003 A3



Cross Section View

Top View



- Bolt of Stud
- Threaded hole
- ⊗ Combination Stud
- ⊗ Air Inlet

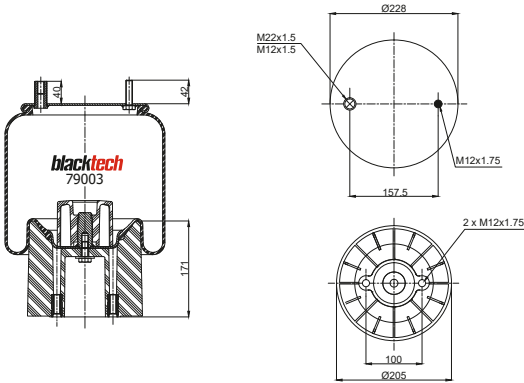
OEM PART NUMBER	MODEL NO	CROSS REFERENCES
ROR Meritor		

RML 79003 A3 CP



Cross Section View

Top View



● Bolt of Stud ○ Threaded hole ⊗ Combination Stud ⊗ Air Inlet

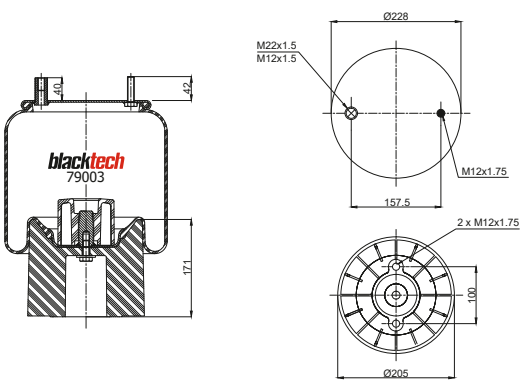
OEM PART NUMBER	MODEL NO	CROSS REFERENCES
Weweler US 07074C	AC524/514	
Weweler US 07074P	AC524/514	

RML 79003 A3 CP1



Cross Section View

Top View



● Bolt of Stud ○ Threaded hole ⊗ Combination Stud ⊗ Air Inlet

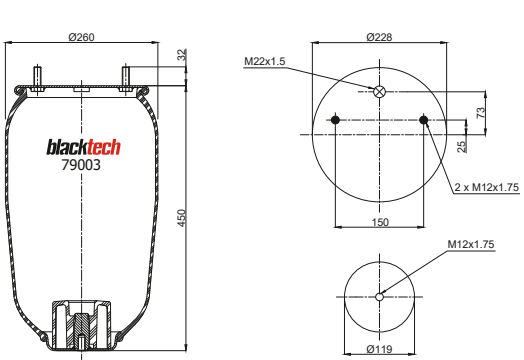
OEM PART NUMBER	MODEL NO	CROSS REFERENCES
ROR Meritor 21222442		Firestone Style 1115 MPW-7
Weweler US 07074F	AC 524/514	Firestone No. W01 M58 7074

RML 79003 A8



Cross Section View

Top View



● Bolt of Stud ○ Threaded hole ⊗ Combination Stud ⊗ Air Inlet

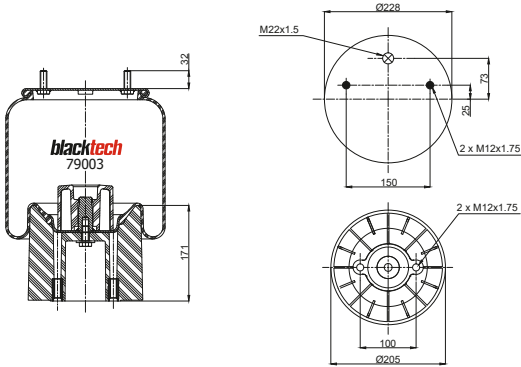
OEM PART NUMBER	MODEL NO	CROSS REFERENCES
ROR Meritor		

RML 79003 A8 CP



Cross Section View

Top View



- Bolt of Stud
- Threaded hole
- ⊗ Combination Stud
- ⊗ Air Inlet

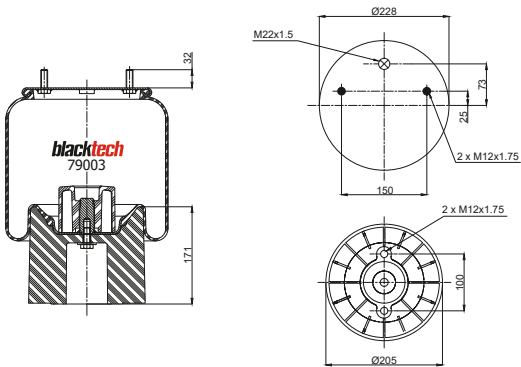
OEM PART NUMBER		MODEL NO	CROSS REFERENCES	
ROR Meritor	21221307		Firestone Style	1T15 MPW-7
			Firestone No.	W01M68 6297

RML 79003 A8 CP1



Cross Section View

Top View



- Bolt of Stud
- Threaded hole
- ⊗ Combination Stud
- ⊗ Air Inlet

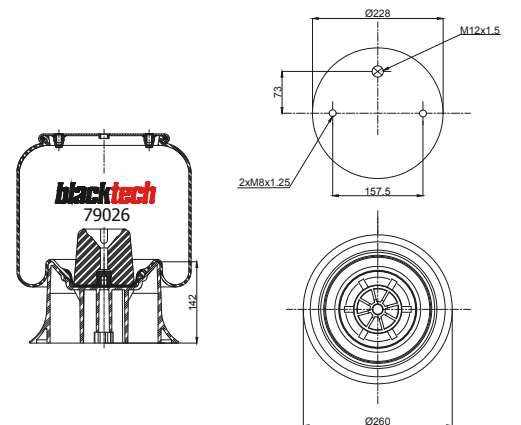
OEM PART NUMBER		MODEL NO	CROSS REFERENCES	
ROR Meritor				

RML 79026 CP1



Cross Section View

Top View



- Bolt of Stud
- Threaded hole
- ⊗ Combination Stud
- ⊗ Air Inlet

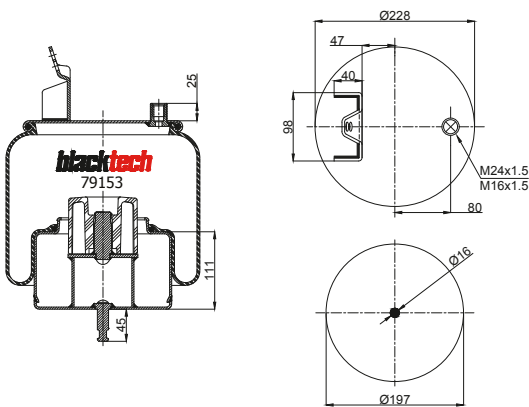
OEM PART NUMBER		MODEL NO	CROSS REFERENCES	
Viberti		128147129	Firestone Style	1T15M-6
			Firestone No.	W01M68 6267



RML 79153 C

Cross Section View

Top View



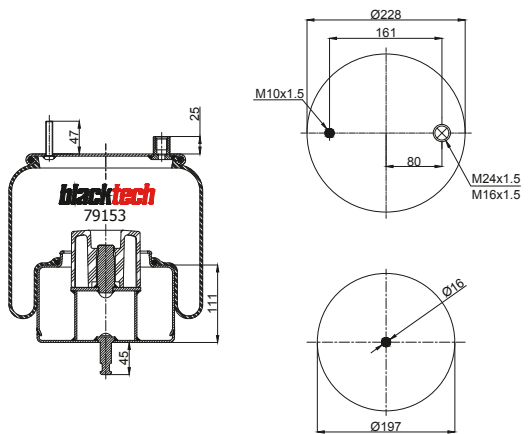
● Bolt of Stud ○ Threaded hole ⊗ Combination Stud ⊗ Air Inlet

OEM PART NUMBER		MODEL NO	CROSS REFERENCES	
Renault	21978 492	Premium / Magnum low	Contitech	6632 N P01
Renault	7421978492	Premium / Magnum low	Goodyear	1R11-859
Renault	20 909 153	Premium / Magnum low		
Renault	7420909153	Premium / Magnum low		

RML 79153 C1

Cross Section View

Top View



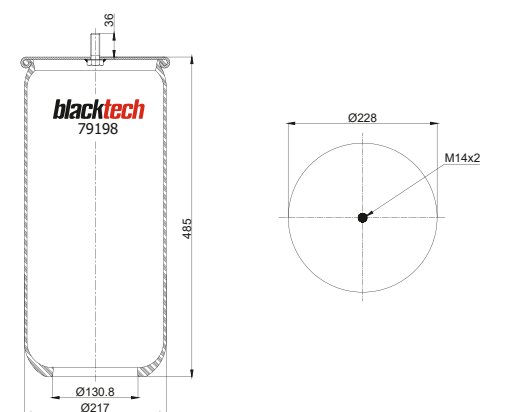
● Bolt of Stud ○ Threaded hole ⊗ Combination Stud ⊗ Air Inlet

OEM PART NUMBER		MODEL NO	CROSS REFERENCES	
Renault	21321521	T.D-Series low	Contitech	6632 N P02
Renault	7421321521	T.D-Series low		

RML 79198

Cross Section View

Top View



● Bolt of Stud ○ Threaded hole ⊗ Combination Stud ⊗ Air Inlet

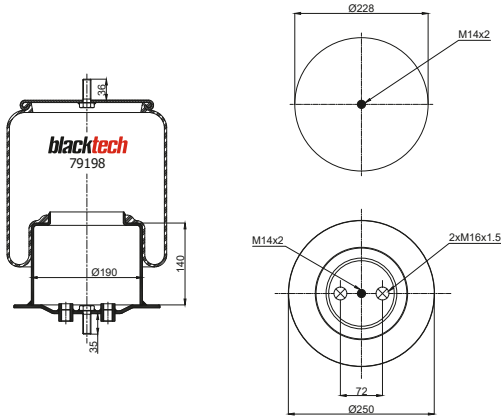
OEM PART NUMBER		MODEL NO	CROSS REFERENCES	
Iveco	41568190		CF Gamma Ref.	1TS 270-27 C



RML 79198 C

Cross Section View

Top View



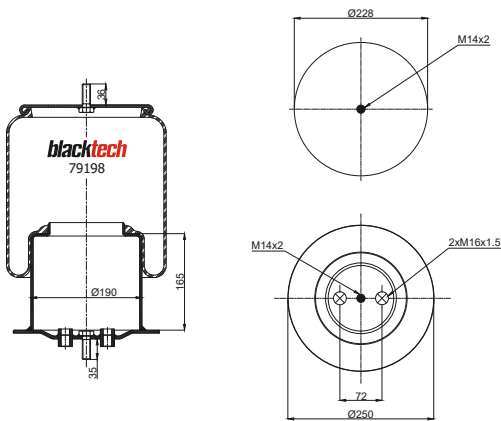
● Bolt of Stud ○ Threaded hole ☒ Combination Stud ☒ Air Inlet

OEM PART NUMBER		MODEL NO	CROSS REFERENCES	
Iveco	41298919		CF Gomma Ref.	1TS 270-27 C
			CF Gomma No.	207405
			Vibracoustic	V1DF21-198

RML 79198 C1

Cross Section View

Top View



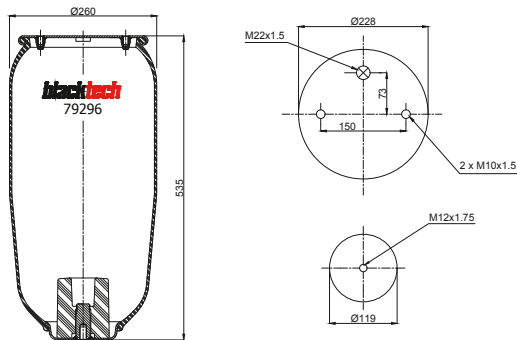
● Bolt of Stud ○ Threaded hole ☒ Combination Stud ☒ Air Inlet

OEM PART NUMBER		MODEL NO	CROSS REFERENCES	
Iveco	41298917		CF Gomma Ref.	1TS 270-27 C
			CF Gomma No.	207406
			Vibracoustic	V1DF21-199

RML 79296

Cross Section View

Top View



● Bolt of Stud ○ Threaded hole ☒ Combination Stud ☒ Air Inlet

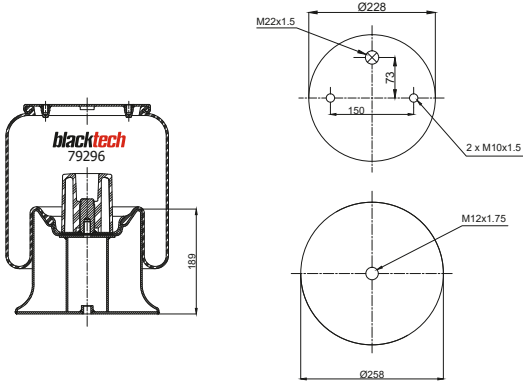
OEM PART NUMBER		MODEL NO	CROSS REFERENCES	
Schmitz			Phoenix	1DK 20 B-1 NP
			Firestone Style	1T 15 MPW-9
			Firestone No.	W01 M68 6257
			Goodyear	1R12-748
			Vibracoustic	V1DK20B-1 NP

RML 79296 C



Cross Section View

Top View



- Bolt of Stud
- Threaded hole
- ⊗ Combination Stud
- ⊗ Air Inlet

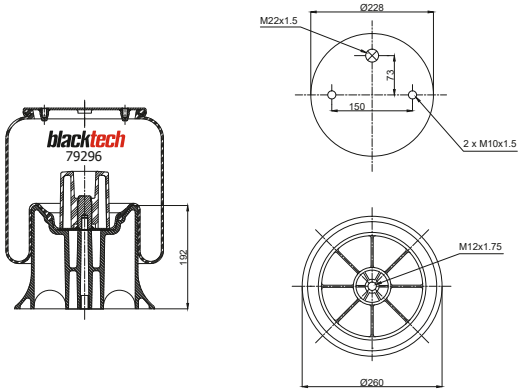
OEM PART NUMBER	MODEL NO	CROSS REFERENCES
Schmitz 750999		Firestone Style 1T 15 MPW-9 Firestone No. W01M58 8185

RML 79296 CP



Cross Section View

Top View



- Bolt of Stud
- Threaded hole
- ⊗ Combination Stud
- ⊗ Air Inlet

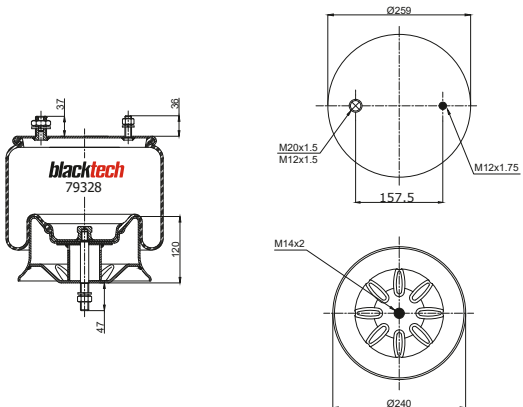
OEM PART NUMBER	MODEL NO	CROSS REFERENCES
Schmitz 750999		Phoenix 1 DK 20 B-1
Schmitz 014892		Firestone Style 1T 15 MPW-9
Weweler US 06285		Firestone No. W01M58 8185 Goodyear 1R12-749 Vibracoustic V1DK20B-1

RML 79328 C



Cross Section View

Top View



- Bolt of Stud
- Threaded hole
- ⊗ Combination Stud
- ⊗ Air Inlet

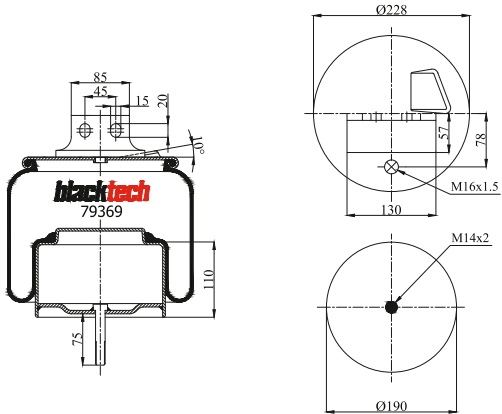
OEM PART NUMBER	MODEL NO	CROSS REFERENCES
Hendrickson HS509328		Vibracoustic V1DK 27 B-6



RML79369 C

Cross Section View

Top View



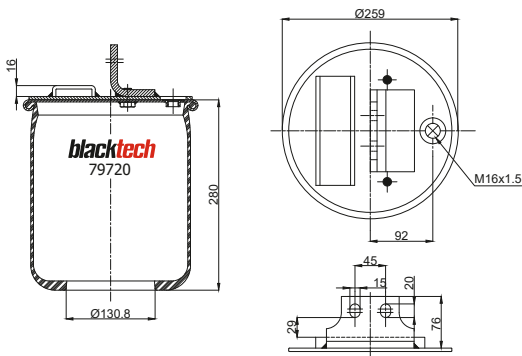
- Bolt of Stud
- Threaded hole
- ⊗ Combination Stud
- ⊗ Air Inlet

OEM PART NUMBER		MODEL NO	CROSS REFERENCES	
Veco	41289369		CF Gomma Ref.	1TS 270-23 C
			CF Gomma No.	207535
			Vibracoustic	VIDF18s-369

RML79720

Cross Section View

Top View



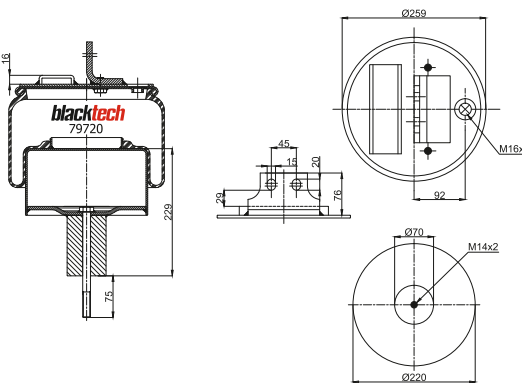
- Bolt of Stud
- Threaded hole
- ⊗ Combination Stud
- ⊗ Air Inlet

OEM PART NUMBER		MODEL NO	CROSS REFERENCES	
Veco	42559720		CF Gomma Ref.	1TS 290-19 C
			CF Gomma No.	207617

RML79720 C

Cross Section View

Top View



- Bolt of Stud
- Threaded hole
- ⊗ Combination Stud
- ⊗ Air Inlet

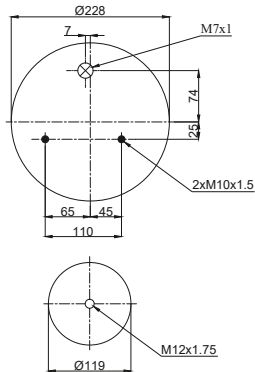
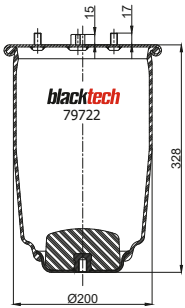
OEM PART NUMBER		MODEL NO	CROSS REFERENCES	
Veco	41298716		CF Gomma Ref.	1TS 290-19 C
			CF Gomma No.	207410
			Vibracoustic	VIDF24



RML 79722-1

Cross Section View

Top View



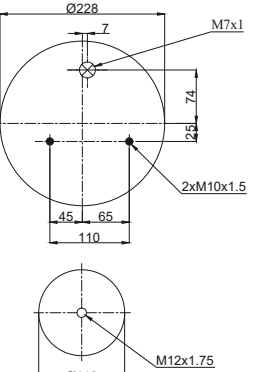
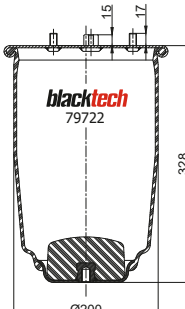
● Bolt of Stud ○ Threaded hole ⊗ Combination Stud ⊗ Air Inlet

OEM PART NUMBER	MODEL NO	CROSS REFERENCES
Iveco 42559722		CF Gomma Ref. 1T 240-20 LM CF Gomma No. 207619

RML 79722-2

Cross Section View

Top View



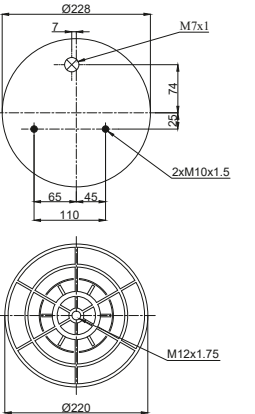
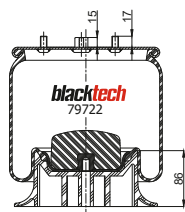
● Bolt of Stud ○ Threaded hole ⊗ Combination Stud ⊗ Air Inlet

OEM PART NUMBER	MODEL NO	CROSS REFERENCES
Iveco 42559776		CF Gomma Ref. 1T 240-20 LM CF Gomma No. 207620

RML 79722 CP1

Cross Section View

Top View



● Bolt of Stud ○ Threaded hole ⊗ Combination Stud ⊗ Air Inlet

OEM PART NUMBER	MODEL NO	CROSS REFERENCES
Iveco 504190916		CF Gomma Ref. 1T 240-20 SINISTRA CF Gomma No. 207113 Vibracoustic VIDK15-916

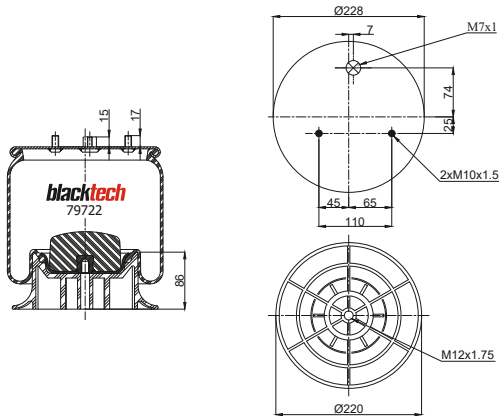




RML 79722 CP2

Cross Section View

Top View



● Bolt of Stud ○ Threaded hole ⊗ Combination Stud ⊗ Air Inlet

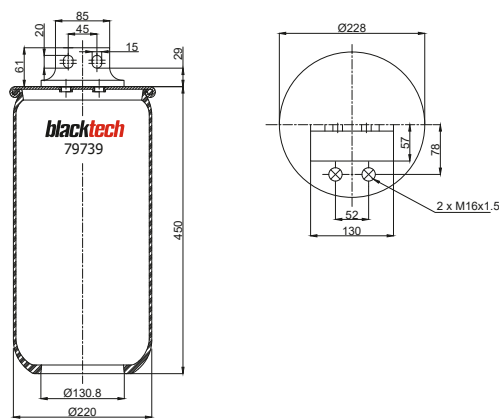
OEM PART NUMBER	MODEL NO	CROSS REFERENCES
veco 504190917		CF Gomma Ref. 1T 240-20 DESTRA CF Gomma No. 207112 Vibracoustic VIDK15-917

RML 79739



Cross Section View

Top View



● Bolt of Stud ○ Threaded hole ⊗ Combination Stud ⊗ Air Inlet

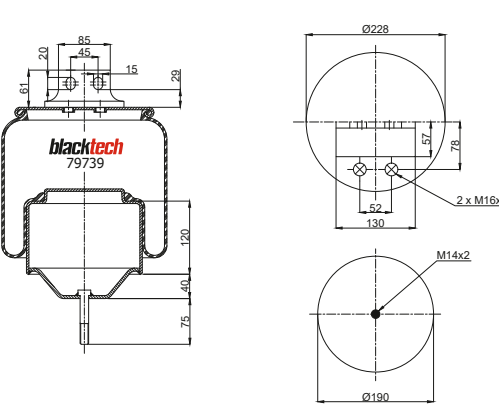
OEM PART NUMBER	MODEL NO	CROSS REFERENCES
veco 42568189		CF Gomma Ref. 1TS 270- 26 CF Gomma No. M011601

RML 79739 C



Cross Section View

Top View



● Bolt of Stud ○ Threaded hole ⊗ Combination Stud ⊗ Air Inlet

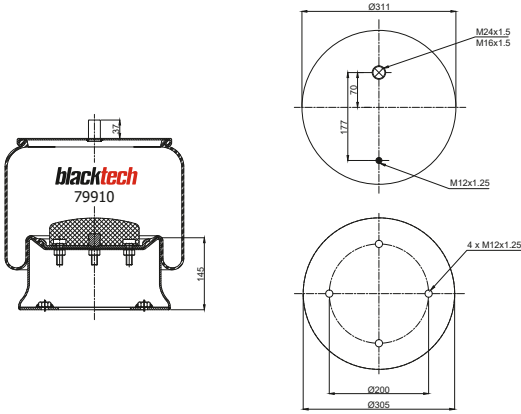
OEM PART NUMBER	MODEL NO	CROSS REFERENCES
veco 41289379		CF Gomma Ref. 1TS 270- 26 CF Gomma No. 207529 Vibracoustic VIDF16t-739



RML 79910 C

Cross Section View

Top View



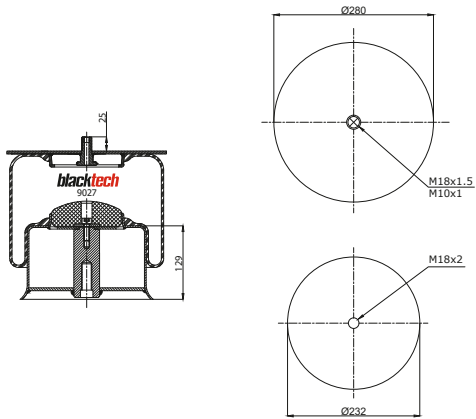
- Bolt of Stud
- Threaded hole
- ⊗ Combination Stud
- ⊗ Air Inlet

OEM PART NUMBER	MODEL NO	CROSS REFERENCES
Neway M0057000G		Firestone Style 1T19 G-12
		Firestone No. W01 M68 9910

RML 9027 C

Cross Section View

Top View



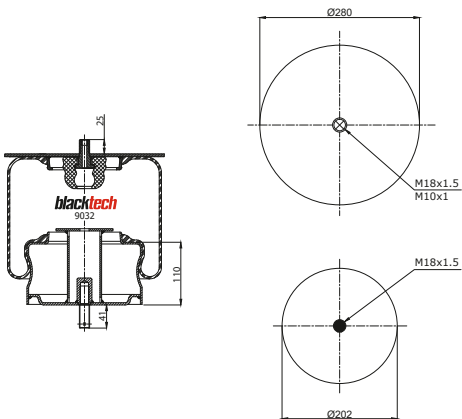
- Bolt of Stud
- Threaded hole
- ⊗ Combination Stud
- ⊗ Air Inlet

OEM PART NUMBER	MODEL NO	CROSS REFERENCES
Man		
Temsa		

RML 9032 C

Cross Section View

Top View



- Bolt of Stud
- Threaded hole
- ⊗ Combination Stud
- ⊗ Air Inlet

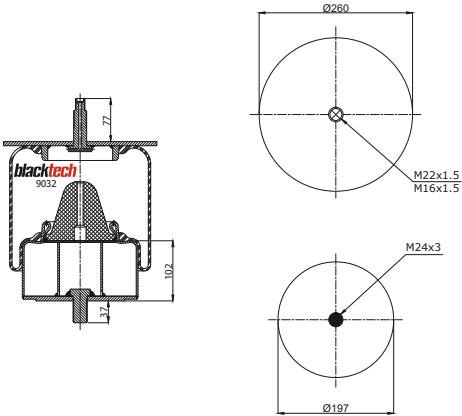
OEM PART NUMBER	MODEL NO	CROSS REFERENCES
Temsa	Bus	



RML 9032 C3

Cross Section View

Top View



- Bolt of Stud
- Threaded hole
- ⊗ Combination Stud
- ⊗ Air Inlet

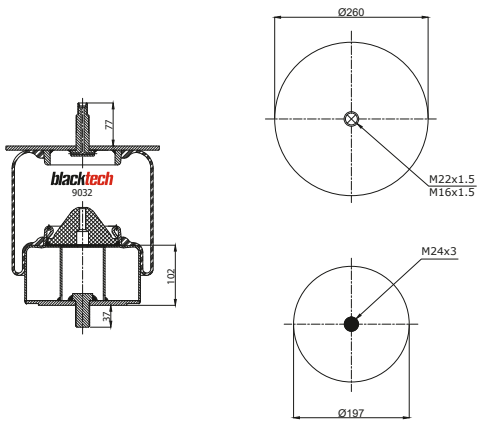
OEM PART NUMBER		MODEL NO	CROSS REFERENCES
BMC	53RS900131	Bus	

RML 9032 C4



Cross Section View

Top View



- Bolt of Stud
- Threaded hole
- ⊗ Combination Stud
- ⊗ Air Inlet

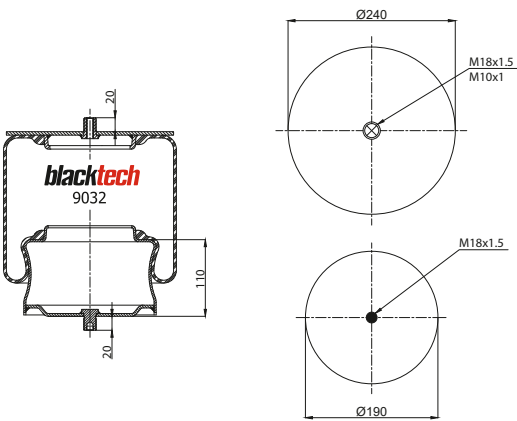
OEM PART NUMBER		MODEL NO	CROSS REFERENCES
BMC	53RS900144	Bus	

RML 9032 C5



Cross Section View

Top View



- Bolt of Stud
- Threaded hole
- ⊗ Combination Stud
- ⊗ Air Inlet

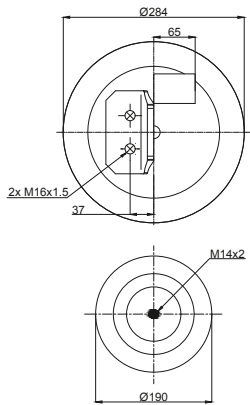
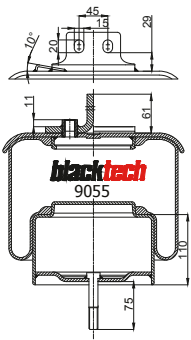
OEM PART NUMBER		MODEL NO	CROSS REFERENCES
Iveco	5010151378	PR.100	Contitech 921M



RML 9055 C5

Cross Section View

Top View



- Bolt of Stud
- Threaded hole
- ⊗ Combination Stud
- ⊗ Air Inlet

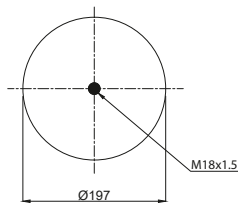
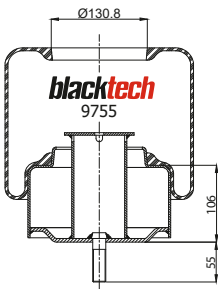
OEM PART NUMBER	MODEL NO	CROSS REFERENCES
Iveco 41026257	IRISBUS	CF Gamma Ref. 1S 280-23 CF Gamma No. 204159

RML 9755 C2



Cross Section View

Top View



- Bolt of Stud
- Threaded hole
- ⊗ Combination Stud
- ⊗ Air Inlet

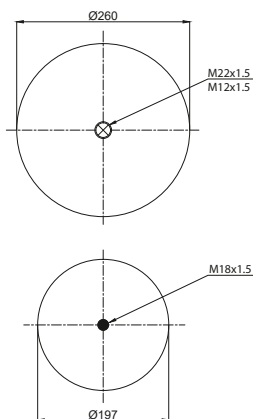
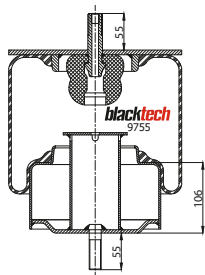
OEM PART NUMBER	MODEL NO	CROSS REFERENCES

RML 9755 C3



Cross Section View

Top View



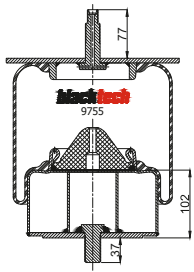
- Bolt of Stud
- Threaded hole
- ⊗ Combination Stud
- ⊗ Air Inlet

OEM PART NUMBER	MODEL NO	CROSS REFERENCES
BMC 53RS900083	Bus	

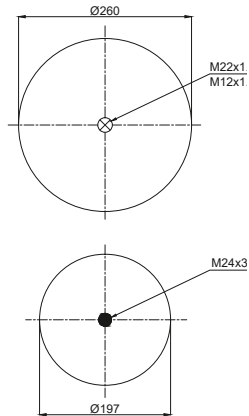
RML 9755 C4



Cross Section View



Top View



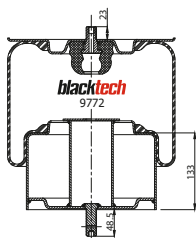
● Bolt of Stud ○ Threaded hole ⊗ Combination Stud ⊗ Air Inlet

OEM PART NUMBER		MODEL NO	CROSS REFERENCES	
BMC		BUS		

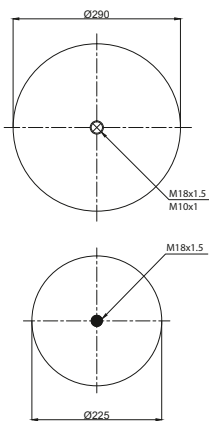
RML 9772 C1



Cross Section View



Top View



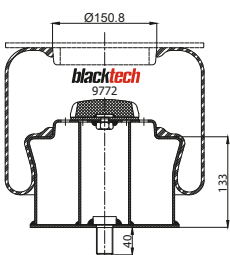
● Bolt of Stud ○ Threaded hole ⊗ Combination Stud ⊗ Air Inlet

OEM PART NUMBER		MODEL NO	CROSS REFERENCES	
AYATS	31001569		Contitech	661 N P01
IRISBUS	5.010.073.846	R 333	Vibracoustic	VIE25-8
IRISBUS	5.010.073.846	Tracer		

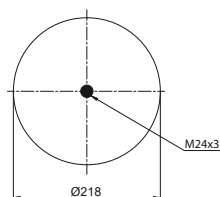
RML 9772 C2



Cross Section View



Top View



● Bolt of Stud ○ Threaded hole ⊗ Combination Stud ⊗ Air Inlet

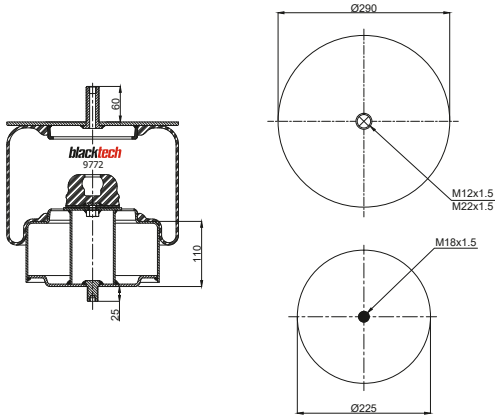
OEM PART NUMBER		MODEL NO	CROSS REFERENCES	



RML 9772 C4

Cross Section View

Top View



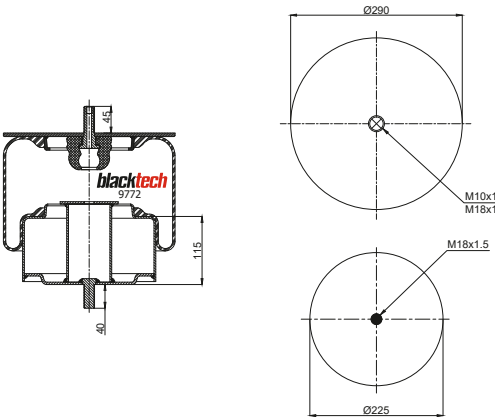
- Bolt of Stud
- Threaded hole
- ⊗ Combination Stud
- ⊗ Air Inlet

OEM PART NUMBER	MODEL NO	CROSS REFERENCES
BMC	53RS900155	Bus

RML 9772 C6

Cross Section View

Top View



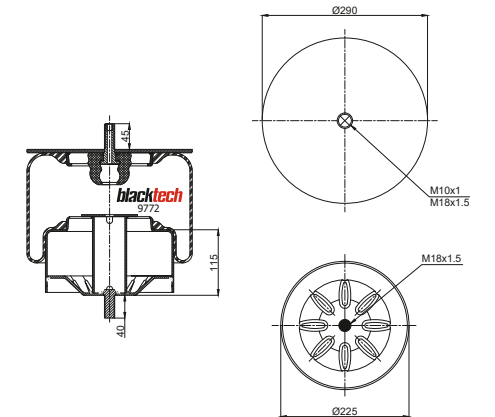
- Bolt of Stud
- Threaded hole
- ⊗ Combination Stud
- ⊗ Air Inlet

OEM PART NUMBER	MODEL NO	CROSS REFERENCES
Otokar	Bus	

RML 9772 C7

Cross Section View

Top View



- Bolt of Stud
- Threaded hole
- ⊗ Combination Stud
- ⊗ Air Inlet

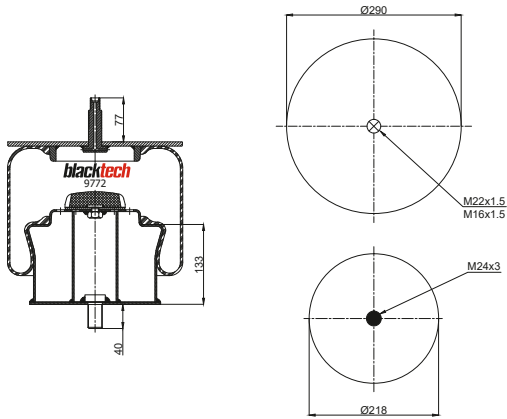
OEM PART NUMBER	MODEL NO	CROSS REFERENCES
Otokar	16N00-03650-AB	Bus



RML 9772 C8

Cross Section View

Top View



- Bolt of Stud
- Threaded hole
- ⊗ Combination Stud
- ⊗ Air Inlet

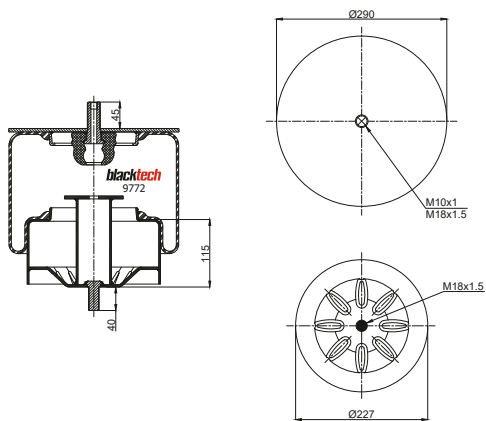
OEM PART NUMBER		MODEL NO	CROSS REFERENCES
BMC	53RS900142	Bus	

RML 9772 C10



Cross Section View

Top View



- Bolt of Stud
- Threaded hole
- ⊗ Combination Stud
- ⊗ Air Inlet

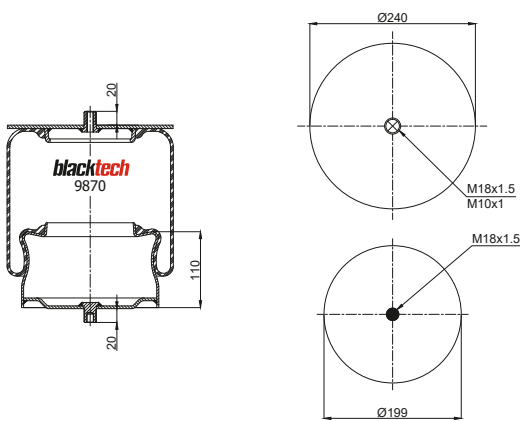
OEM PART NUMBER		MODEL NO	CROSS REFERENCES
Otokar	16N07-03650-AA	Bus	

RML 9870 C



Cross Section View

Top View



- Bolt of Stud
- Threaded hole
- ⊗ Combination Stud
- ⊗ Air Inlet

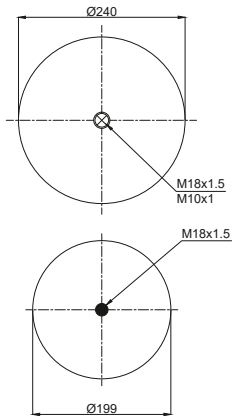
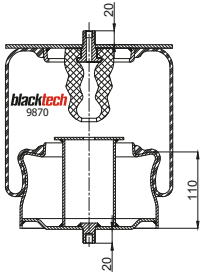
OEM PART NUMBER		MODEL NO	CROSS REFERENCES
IRISBUS	5.000.785.792	PR 100	Contitech 769 M
SNVI	5.000.785.792		Dunlop F 260HDRD
SNVI	5.000.786.641		



RML 9870 C1

Cross Section View

Top View



● Bolt of Stud ○ Threaded hole ⊗ Combination Stud ⊗ Air Inlet

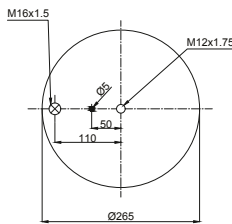
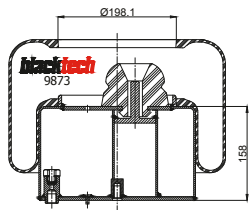
OEM PART NUMBER		MODEL NO	CROSS REFERENCES	
IRISBUS	5.000.805.999	PR 100	Contitech	769 MB
			Phoenix	1E 18-02

RML 9873 C



Cross Section View

Top View



● Bolt of Stud ○ Threaded hole ⊗ Combination Stud ⊗ Air Inlet

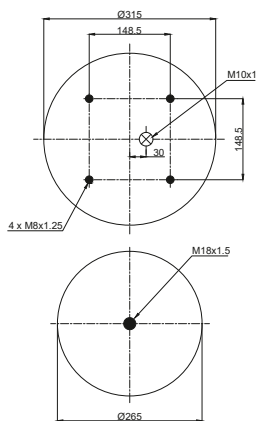
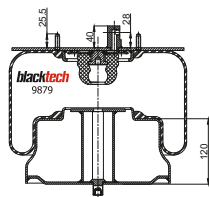
OEM PART NUMBER		MODEL NO	CROSS REFERENCES	

RML 9879 C



Cross Section View

Top View



● Bolt of Stud ○ Threaded hole ⊗ Combination Stud ⊗ Air Inlet

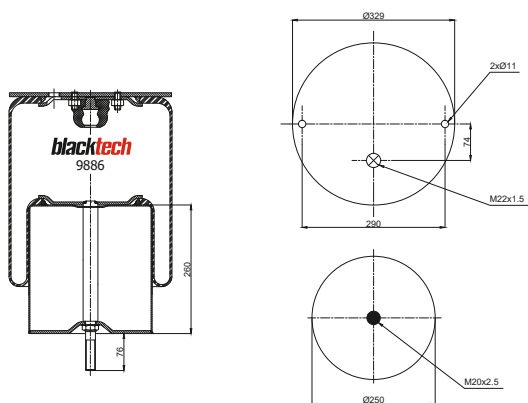
OEM PART NUMBER		MODEL NO	CROSS REFERENCES	
IRISBUS	5.000.786.516	FR 1	Contitech	768 MB
Renault	5.000.869.135			
IRISBUS	5.000.786.516	FR 1		
Renault	5.000.869.135			

RML 9886 C



Cross Section View

Top View



● Bolt of Stud ○ Threaded hole ⊗ Combination Stud ⊗ Air Inlet

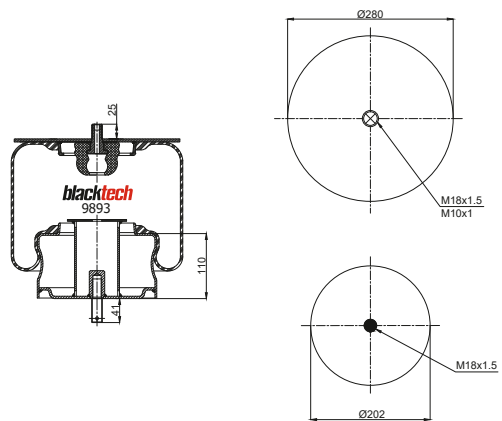
OEM PART NUMBER	MODEL NO	CROSS REFERENCES
ZF Sachs		

RML 9893 C3



Cross Section View

Top View



● Bolt of Stud ○ Threaded hole ⊗ Combination Stud ⊗ Air Inlet

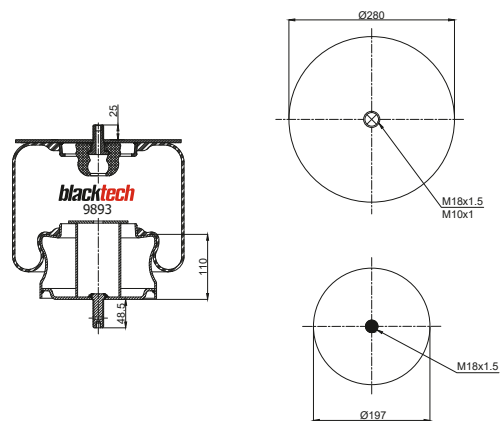
OEM PART NUMBER	MODEL NO	CROSS REFERENCES
IRISBUS 5.010.190.888		Contitech 782 MB-3
ZF Sachs 0501.210.851	FR 1/Tracer	Vibracoustic VIE21-23
Laz	A-183	

RML 9893 C4



Cross Section View

Top View



● Bolt of Stud ○ Threaded hole ⊗ Combination Stud ⊗ Air Inlet

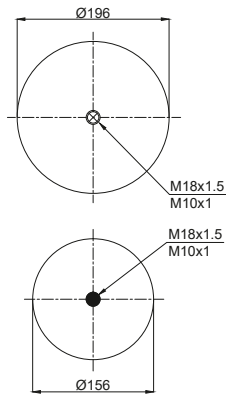
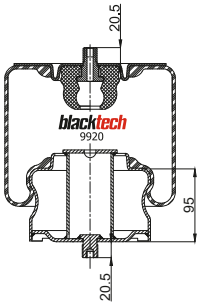
OEM PART NUMBER	MODEL NO	CROSS REFERENCES
RVI 5.010.073.847	FR 1/Tracer	Contitech 782 NP04



RML 9920 C

Cross Section View

Top View



● Bolt of Stud ○ Threaded hole ⊗ Combination Stud ⊗ Air Inlet

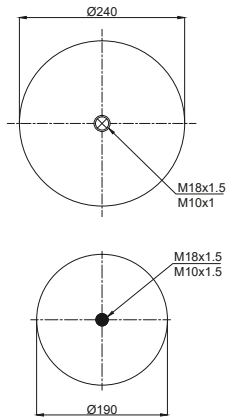
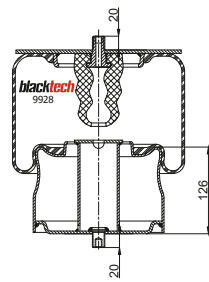
OEM PART NUMBER		MODEL NO	CROSS REFERENCES	
Mercedes	A 667 328 01 01	Vario TO	Contitech	819 MB
Paul NFZ	A 667 328 01 01	Transporter	CF Gamma Ref.	1S 215-22
Temsa	TM260133Y	Opalin	CF Gamma No.	97297
			Vibracoustic	VIE14-5

RML 9928 C



Cross Section View

Top View



● Bolt of Stud ○ Threaded hole ⊗ Combination Stud ⊗ Air Inlet

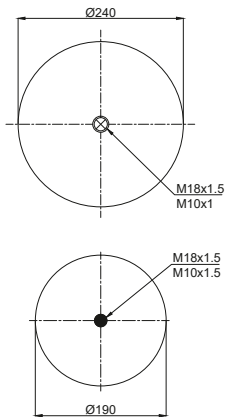
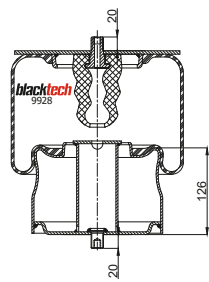
OEM PART NUMBER		MODEL NO	CROSS REFERENCES	
IRISBUS	5.000.786.641	100 V8	Contitech	817 MB
IRISBUS	5.810.111.355	A 320	Vibracoustic	VIE17S-5
IRISBUS	5.000.786.641	100 V8		
IRISBUS	5.810.111.355	A 320		

RML 9928 C1



Cross Section View

Top View



● Bolt of Stud ○ Threaded hole ⊗ Combination Stud ⊗ Air Inlet

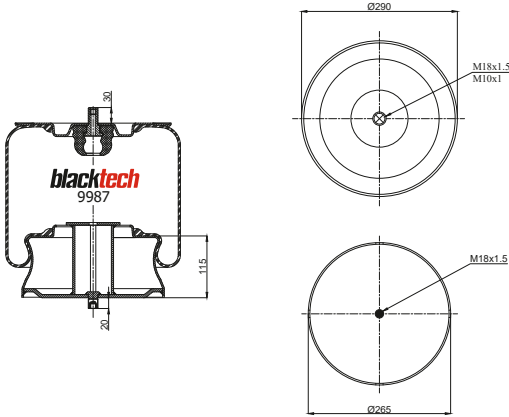
OEM PART NUMBER		MODEL NO	CROSS REFERENCES	
Otokar	16L00-03650-AA			



RML 9987 C

Cross Section View

Top View



- Bolt of Stud
- Threaded hole
- ⊗ Combination Stud
- ⊗ Air Inlet

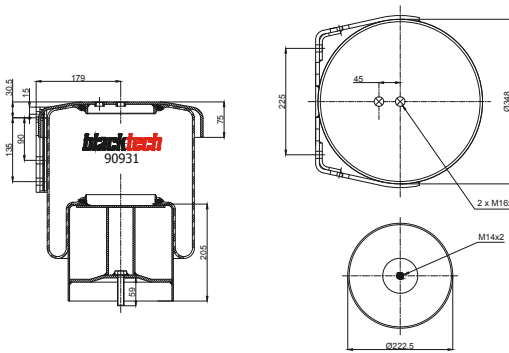
OEM PART NUMBER		MODEL NO	CROSS REFERENCES	
AYATS	30201085		Contitech	876 MB
Renault	5000.640.399		Vibracoustic	VIE28-9987
Neco	5010151698			

RML 90931 C



Cross Section View

Top View



- Bolt of Stud
- Threaded hole
- ⊗ Combination Stud
- ⊗ Air Inlet

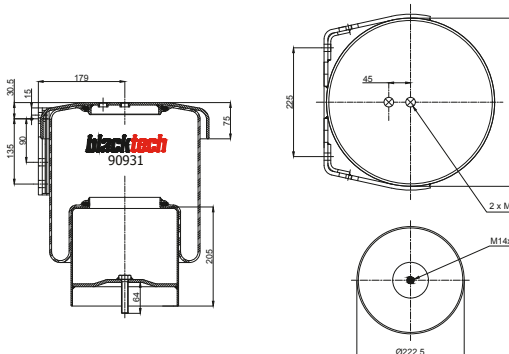
OEM PART NUMBER		MODEL NO	CROSS REFERENCES	
Neco	41297177		CF Gomma Ref.	1S 323-40 C
			CF Gomma No.	207156

RML 90931 C1



Cross Section View

Top View



- Bolt of Stud
- Threaded hole
- ⊗ Combination Stud
- ⊗ Air Inlet

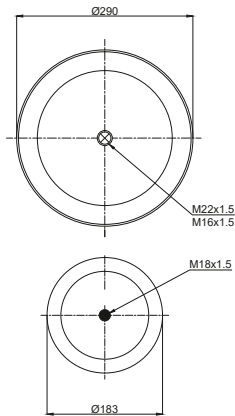
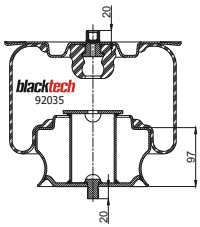
OEM PART NUMBER		MODEL NO	CROSS REFERENCES	
Neco	500308614		CF Gomma Ref.	1S 323-40 C
			CF Gomma No.	204318



RML 92035 C

Cross Section View

Top View



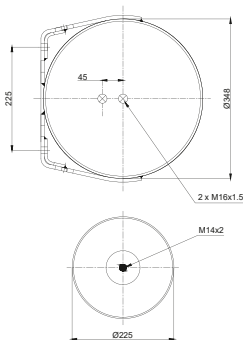
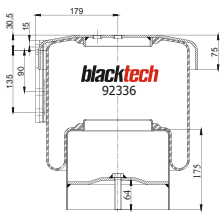
● Bolt of Stud ○ Threaded hole ⊗ Combination Stud ⊗ Air Inlet

OEM PART NUMBER		MODEL NO	CROSS REFERENCES	
Iveco	5.010.347.891	Agora < 2002	Contitech	1924 N1 P05
Heuliez	0001066001		Phoenix	2 F 18-1

RML 92336 C

Cross Section View

Top View



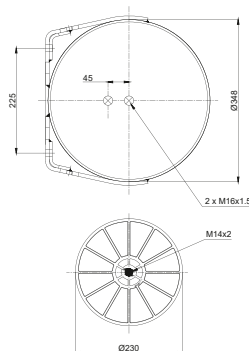
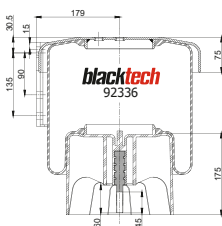
● Bolt of Stud ○ Threaded hole ⊗ Combination Stud ⊗ Air Inlet

OEM PART NUMBER		MODEL NO	CROSS REFERENCES	
Iveco	41026312	Eurostar 240/260	CF Gomma Ref.	1S 323-36 C
		Eurotech 240/260/440	CF Gomma No.	204065
		Eurorider 260	Vibracoustic	VIE21h-36
		Stralls 260		

RML 92336 CP

Cross Section View

Top View



● Bolt of Stud ○ Threaded hole ⊗ Combination Stud ⊗ Air Inlet

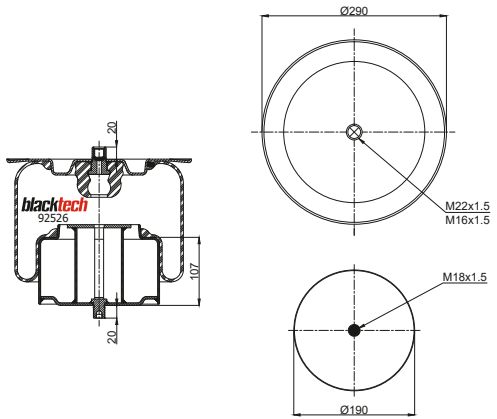
OEM PART NUMBER		MODEL NO	CROSS REFERENCES	
Iveco	41297178	Eurostar 240/260	CF Gomma Ref.	1S 323-36 C
		Eurotech 240/260/440	CF Gomma No.	207313
		Eurorider 260	Vibracoustic	VIE21h-336
		Stralls 260		



RML 92526 C

Cross Section View

Top View



● Bolt of Stud ○ Threaded hole ⊗ Combination Stud ⊗ Air Inlet

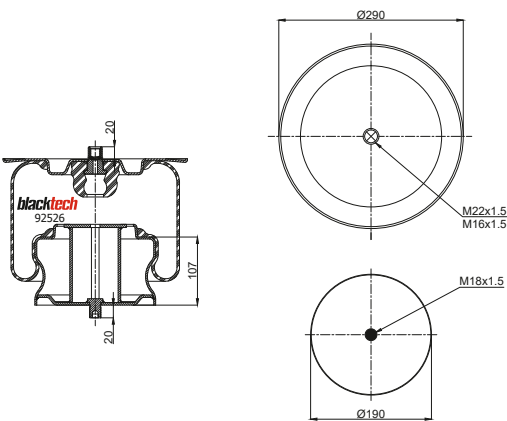
OEM PART NUMBER		MODEL NO	CROSS REFERENCES	
Heuliez	5 006 172 377B		Contitech	1415 N P01
IRISBUS	5.006.172.377	Agora/Crystallis > 2004	Phoenix	1E 23 A-1
			Goodyear	9562

RML 92526 C1



Cross Section View

Top View



● Bolt of Stud ○ Threaded hole ⊗ Combination Stud ⊗ Air Inlet

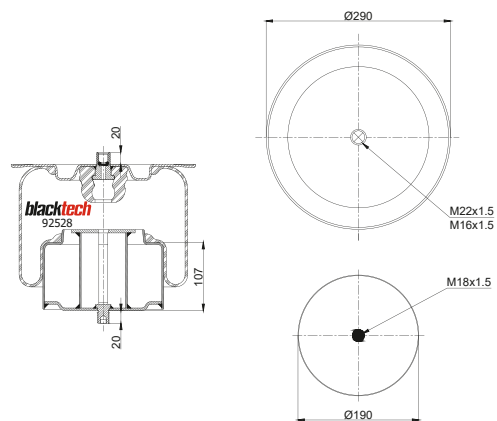
OEM PART NUMBER		MODEL NO	CROSS REFERENCES	
Heuliez	5 006 172 527B		Contitech	1415 N P02
IRISBUS	5.006.172.527	Agora/Crystallis > 2004	Vibracoustic	VIE17b-143702

RML 92528 C



Cross Section View

Top View



● Bolt of Stud ○ Threaded hole ⊗ Combination Stud ⊗ Air Inlet

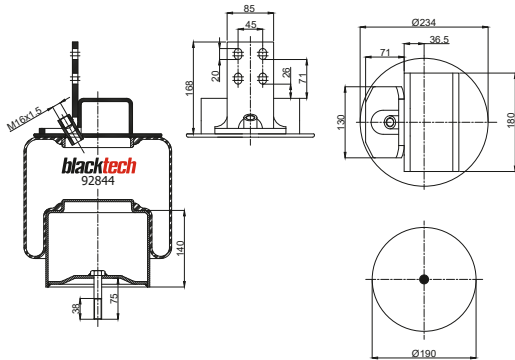
OEM PART NUMBER		MODEL NO	CROSS REFERENCES	
IRISBUS	504.097.615	Citelis (2nd generation)	Contitech	1417 N P01
			Vibracoustic	VIE18s-528



RML 92844 C

Cross Section View

Top View



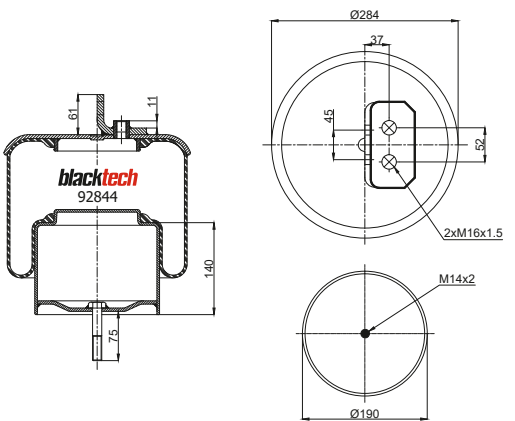
- Bolt of Stud
- Threaded hole
- ⊗ Combination Stud
- ⊗ Air Inlet

OEM PART NUMBER		MODEL NO	CROSS REFERENCES	
Iveco	99462844	Eurocargo 170	CF Gomma Ref.	1S 270-25
		Tector 180	CF Gomma No.	203474
			Vibracoustic	VIE21c-27047

RML 92844 C1

Cross Section View

Top View



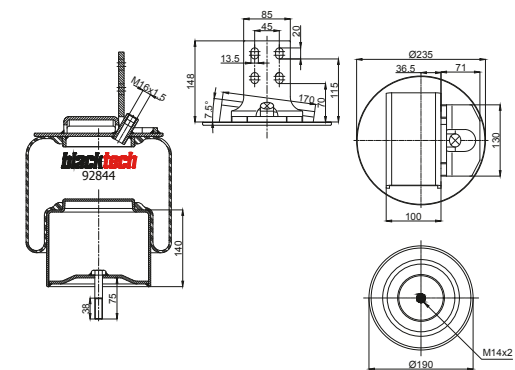
- Bolt of Stud
- Threaded hole
- ⊗ Combination Stud
- ⊗ Air Inlet

OEM PART NUMBER		MODEL NO	CROSS REFERENCES	
Iveco	41026260	Iris Bus	CF Gomma Ref.	1S 270-25
			CF Gomma No.	204151
			Vibracoustic	VIE21c-27047-1

RML 92844 C2

Cross Section View

Top View



- Bolt of Stud
- Threaded hole
- ⊗ Combination Stud
- ⊗ Air Inlet

OEM PART NUMBER		MODEL NO	CROSS REFERENCES	
Iveco	99462840	FRONT (right side) EURO-CARGO 170 - TECTOR 180	CF Gomma Ref.	1S 270-25
			CF Gomma No.	203475

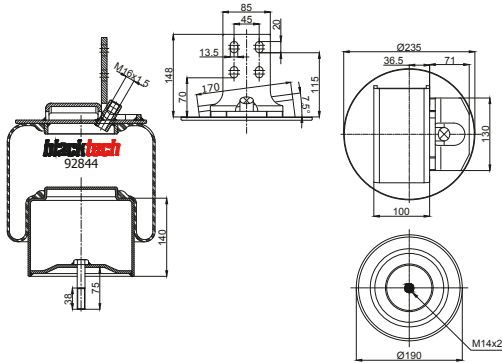




RML 92844 C9

Cross Section View

Top View



● Bolt of Stud ○ Threaded hole ⊗ Combination Stud ⊗ Air Inlet

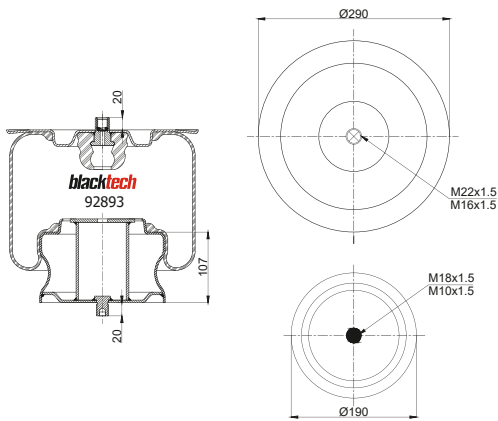
OEM PART NUMBER		MODEL NO	CROSS REFERENCES	
veco	99462841	FRONT (left side) - EUROCARGO 170 - TECTOR 180	CF Gamma Ref.	1S 270-25
			CF Gamma No.	203476

RML 92893 C



Cross Section View

Top View



● Bolt of Stud ○ Threaded hole ⊗ Combination Stud ⊗ Air Inlet

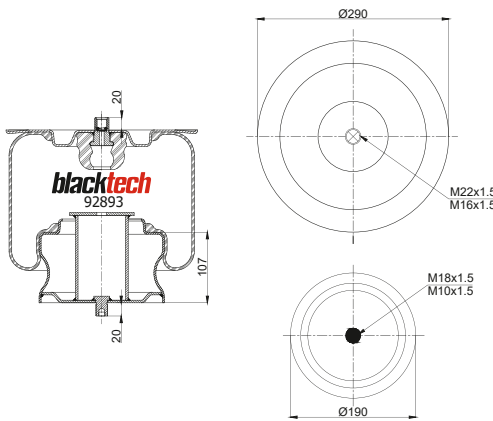
OEM PART NUMBER		MODEL NO	CROSS REFERENCES	
IRISBUS	5.010.531.180	Illade/Ares	Contitech	1782 NI P01
			Vibracoustic	VIG19s-5-893

RML 92893 C1



Cross Section View

Top View



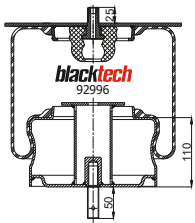
● Bolt of Stud ○ Threaded hole ⊗ Combination Stud ⊗ Air Inlet

OEM PART NUMBER		MODEL NO	CROSS REFERENCES	
IRISBUS	504157038		Contitech	1782 NI P02
			Vibracoustic	VIG19s-5-8931

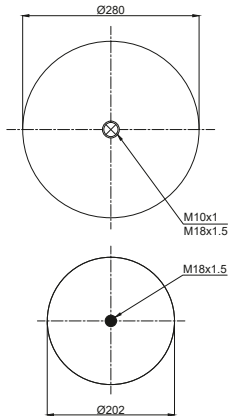


RML 92996 C

Cross Section View



Top View



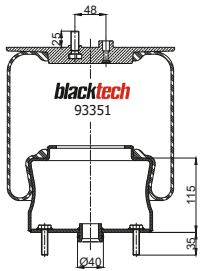
● Bolt of Stud ○ Threaded hole ⊗ Combination Stud ⊗ Air Inlet

OEM PART NUMBER	MODEL NO	CROSS REFERENCES
Man		

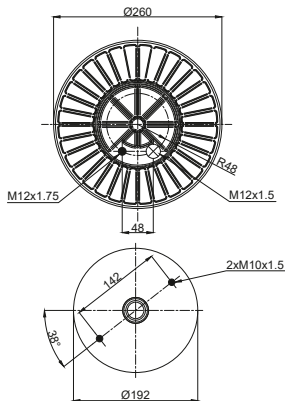
RML 93351 C



Cross Section View



Top View



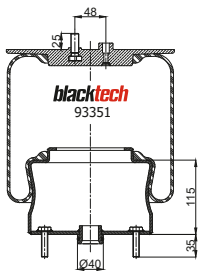
● Bolt of Stud ○ Threaded hole ⊗ Combination Stud ⊗ Air Inlet

OEM PART NUMBER	MODEL NO	CROSS REFERENCES
Iveco	5006223351	Bus 491
		CF Gomma Ref. 1S 270-23 V
		CF Gomma No. 206660
		Vibracoustic VIE21z-27045-1

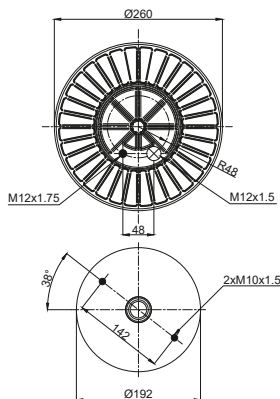
RML 93351 C1



Cross Section View



Top View



● Bolt of Stud ○ Threaded hole ⊗ Combination Stud ⊗ Air Inlet

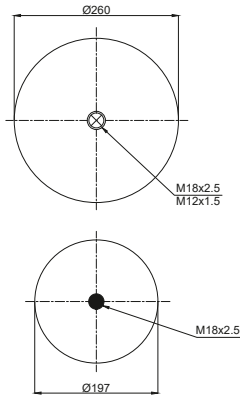
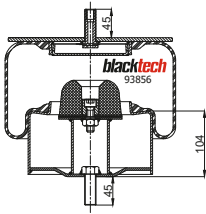
OEM PART NUMBER	MODEL NO	CROSS REFERENCES
Iveco	5006223352	Bus 491
		CF Gomma Ref. 1S 270-23 V
		CF Gomma No. 206661
		Vibracoustic VIE21z-27045-2



RML 93856 C

Cross Section View

Top View



● Bolt of Stud ○ Threaded hole ⊗ Combination Stud ⊗ Air Inlet

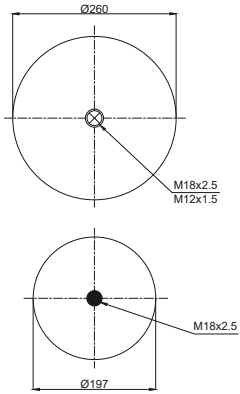
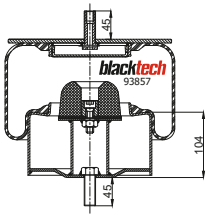
OEM PART NUMBER	MODEL NO	CROSS REFERENCES
Voith H68.237001		
ISUZU 387019766001		

RML 93857 C



Cross Section View

Top View



● Bolt of Stud ○ Threaded hole ⊗ Combination Stud ⊗ Air Inlet

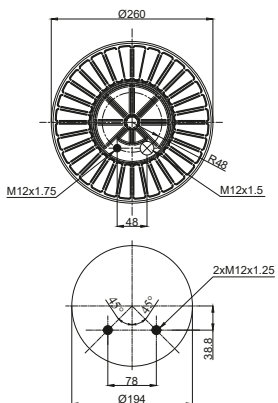
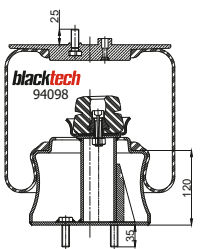
OEM PART NUMBER	MODEL NO	CROSS REFERENCES
ISUZU		

RML 94098 C



Cross Section View

Top View



● Bolt of Stud ○ Threaded hole ⊗ Combination Stud ⊗ Air Inlet

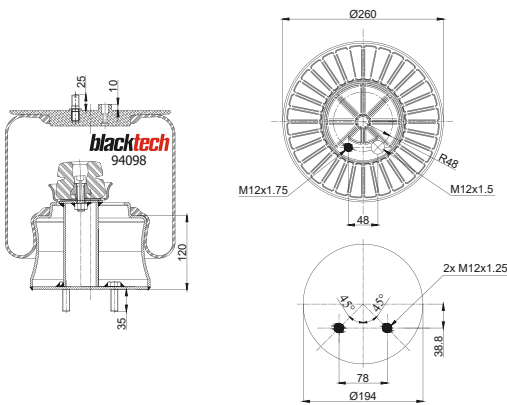
OEM PART NUMBER	MODEL NO	CROSS REFERENCES
Iveco 5006204505	Bus 491 CityClass	CF Gamma Ref. 1S 290-23 V
		CF Gamma No. 205939
		Vibracoustic VIE19-29045



RML 94098 C1

Cross Section View

Top View



- Bolt of Stud
- Threaded hole
- ⊗ Combination Stud
- ⊗ Air Inlet

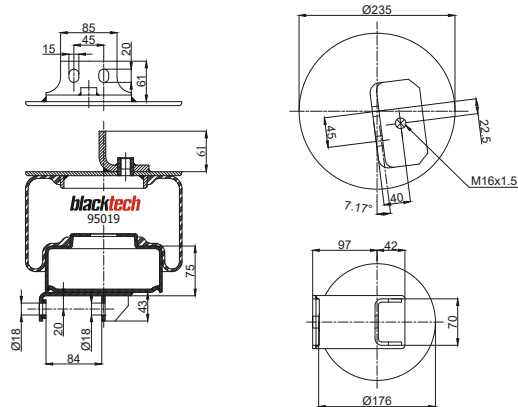
OEM PART NUMBER		MODEL NO	CROSS REFERENCES	
Neco	5006204504	Bus 491 CityClass	CF Gomma Ref.	1S 290-23 V
			CF Gomma No.	205838

RML 95019 C



Cross Section View

Top View



- Bolt of Stud
- Threaded hole
- ⊗ Combination Stud
- ⊗ Air Inlet

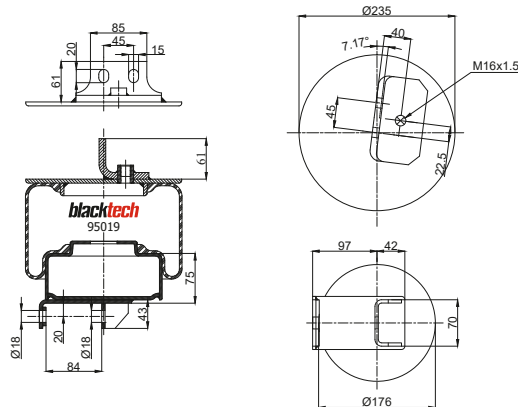
OEM PART NUMBER		MODEL NO	CROSS REFERENCES	
Neco	500355474	Eurostar-Eurotech Cursor	CF Gomma Ref.	1SC 250-19
		190/260/440	CF Gomma No.	204660
		Stralls 440	Vibracoustic	VE18a-25041

RML 95019 C1



Cross Section View

Top View



- Bolt of Stud
- Threaded hole
- ⊗ Combination Stud
- ⊗ Air Inlet

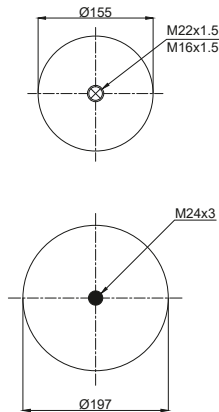
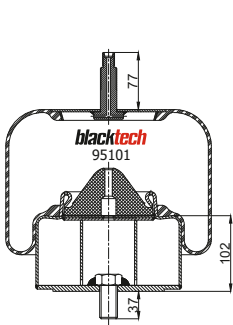
OEM PART NUMBER		MODEL NO	CROSS REFERENCES	
Neco	500355475	Eurostar-Eurotech Cursor	CF Gomma Ref.	1SC 250-19
		190/260/440	CF Gomma No.	204886
		Stralls 440	Vibracoustic	VE18a-25042



RML 95101C

Cross Section View

Top View



● Bolt of Stud ○ Threaded hole ⊗ Combination Stud ⊗ Air Inlet

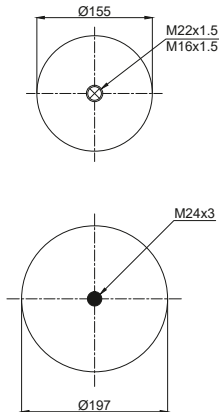
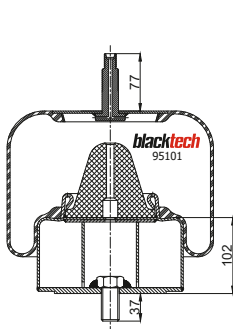
OEM PART NUMBER		MODEL NO	CROSS REFERENCES	
BMC	53RS900069		Vibracoustic	VIE20-5101

RML 95101C2



Cross Section View

Top View



● Bolt of Stud ○ Threaded hole ⊗ Combination Stud ⊗ Air Inlet

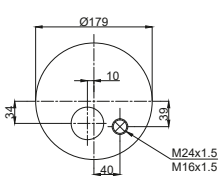
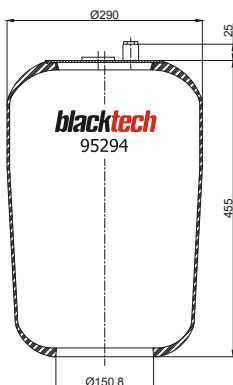
OEM PART NUMBER		MODEL NO	CROSS REFERENCES	
BMC	53RS900072			

RML 95294-1



Cross Section View

Top View



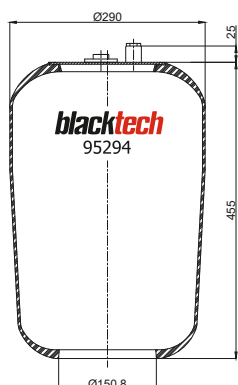
● Bolt of Stud ○ Threaded hole ⊗ Combination Stud ⊗ Air Inlet

OEM PART NUMBER		MODEL NO	CROSS REFERENCES	
Mercedes			Contitech	4183 N3 (Old 4183 N2)
Mercedes		Actros MP2 Service Assy.		

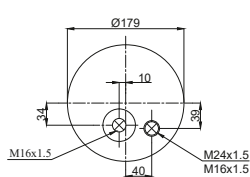


RML 95294-2

Cross Section View



Top View

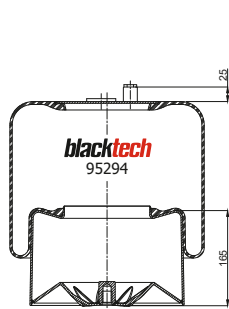


- Bolt of Stud
- Threaded hole
- ⊗ Combination Stud
- ⊗ Air Inlet

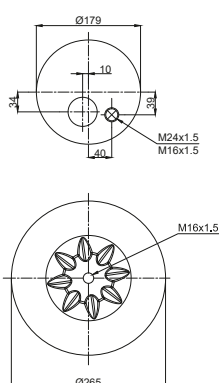
OEM PART NUMBER	MODEL NO	CROSS REFERENCES
Mercedes		Contitech 4183 N4 (Old 4183 N1)
Mercedes	Actros MP2 Service Assy.	

RML 95294 C1

Cross Section View



Top View

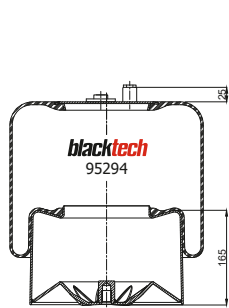


- Bolt of Stud
- Threaded hole
- ⊗ Combination Stud
- ⊗ Air Inlet

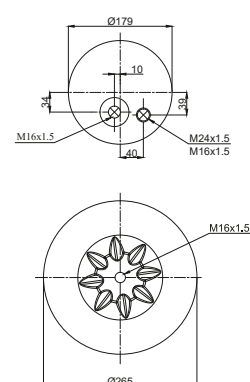
OEM PART NUMBER	MODEL NO	CROSS REFERENCES
Mercedes A 942 320 22 21	Actros MP2	Contitech 4183 N P23 (Voss 230)

RML 95294 G21

Cross Section View



Top View



- Bolt of Stud
- Threaded hole
- ⊗ Combination Stud
- ⊗ Air Inlet

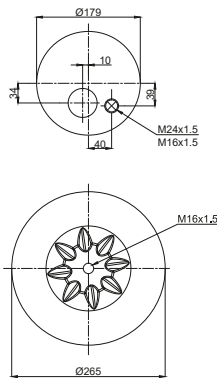
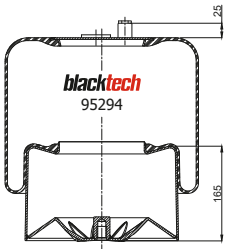
OEM PART NUMBER	MODEL NO	CROSS REFERENCES
Mercedes A.942.320.23.21	Actros MP2	Contitech 4183 N P24 (Voss 230)



RML 95294 C23

Cross Section View

Top View



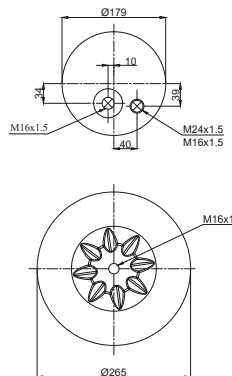
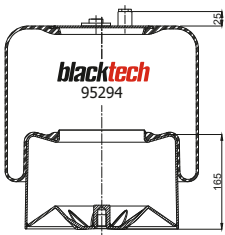
● Bolt of Stud ○ Threaded hole ⊗ Combination Stud ⊗ Air Inlet

OEM PART NUMBER		MODEL NO	CROSS REFERENCES	
Mercedes	A 942 320 22 21	Actros MP2	Contitech	4183 N P25 (Old 4183 N P25)
Mercedes	A 942 320 68 21	Actros MP2		Voss 232
Mercedes	A 942 320 13 21	Actros		

RML 95294 C24

Cross Section View

Top View



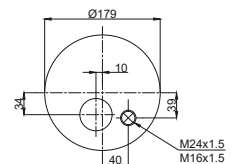
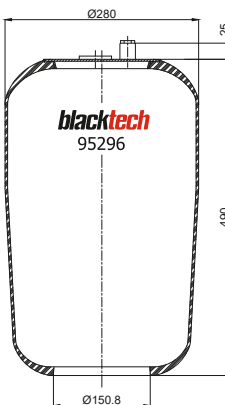
● Bolt of Stud ○ Threaded hole ⊗ Combination Stud ⊗ Air Inlet

OEM PART NUMBER		MODEL NO	CROSS REFERENCES	
Mercedes	A 942 320 23 21	Actros MP2	Contitech	4183 N P26 (Old 4183 N P24)
Mercedes	A 942 320 69 21	Actros MP2		Voss 232
Mercedes	A 942 320 14 21	Actros		

RML 95296

Cross Section View

Top View



● Bolt of Stud ○ Threaded hole ⊗ Combination Stud ⊗ Air Inlet

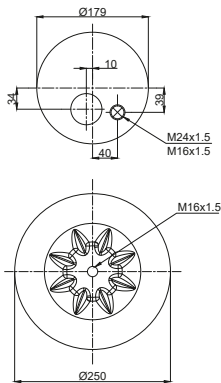
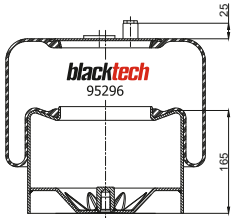
OEM PART NUMBER		MODEL NO	CROSS REFERENCES	
Mercedes	A 974 328 02 01	Atego	Contitech	4186 N



RML 95296 C1

Cross Section View

Top View



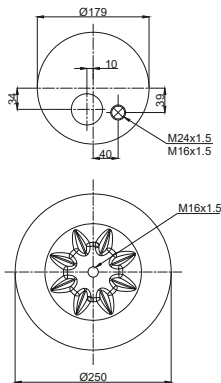
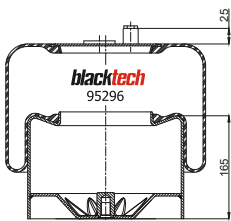
● Bolt of Stud ○ Threaded hole ⊗ Combination Stud ⊗ Air Inlet

OEM PART NUMBER		MODEL NO	CROSS REFERENCES	
Mercedes	A 974 320 0021	Atego	Contitech	4185 NP01 (Voss 230)

RML 95296 C21

Cross Section View

Top View



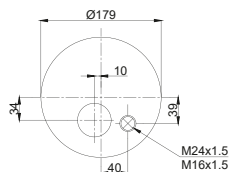
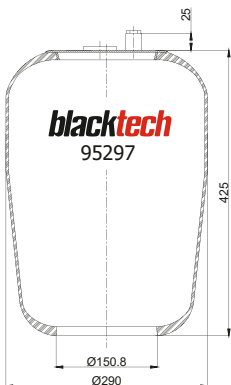
● Bolt of Stud ○ Threaded hole ⊗ Combination Stud ⊗ Air Inlet

OEM PART NUMBER		MODEL NO	CROSS REFERENCES	
Mercedes	A 942 320 3021	Atego	Contitech	4185 N P21 (Old 4185 N P01)
Mercedes	A 974 320 0021	Atego		Voss 232
			Vibracoustic	VIE25-420721

RML 95297-3

Cross Section View

Top View



● Bolt of Stud ○ Threaded hole ⊗ Combination Stud ⊗ Air Inlet

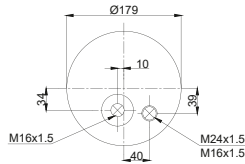
OEM PART NUMBER		MODEL NO	CROSS REFERENCES	
Mercedes		Actros MP2 Service Assy.	Contitech	4186 N3



RML 95297-4

Cross Section View

Top View



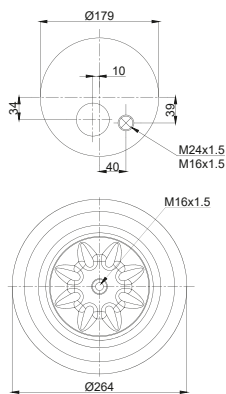
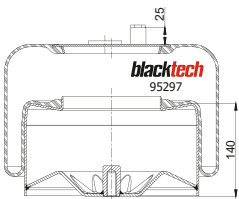
● Bolt of Stud ○ Threaded hole ⊗ Combination Stud ⊗ Air Inlet

OEM PART NUMBER		MODEL NO	CROSS REFERENCES	
Mercedes		Actros MP2 Service Assy.	Contitech	4186 N4

RML 95297 C23

Cross Section View

Top View



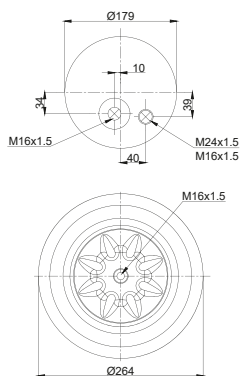
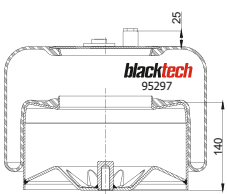
● Bolt of Stud ○ Threaded hole ⊗ Combination Stud ⊗ Air Inlet

OEM PART NUMBER		MODEL NO	CROSS REFERENCES	
Mercedes	A 942 320 24 21	Actros MP2	Contitech	4186 N P23 (Old 4186 N P21)
Mercedes	A 942 320 70 21	Actros MP2		Voss 232
Mercedes	A 942 320 16 21	Actros		

RML 95297 C24

Cross Section View

Top View



● Bolt of Stud ○ Threaded hole ⊗ Combination Stud ⊗ Air Inlet

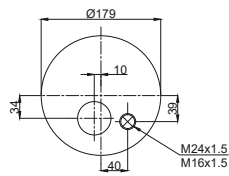
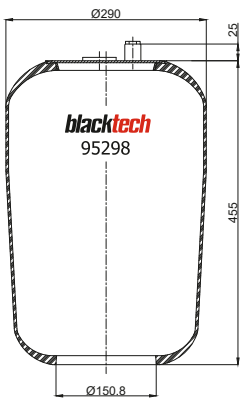
OEM PART NUMBER		MODEL NO	CROSS REFERENCES	
Mercedes	A 942 320 25 21	Actros MP2	Contitech	4186 N P24 (Old 4186 N P22)
Mercedes	A 942 320 71 21	Actros MP2		Voss 232
Mercedes	A 942 320 17 21	Actros		
Mercedes	A 942 320 06 57	Actros MP2		



RML 95298-1

Cross Section View

Top View



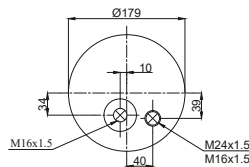
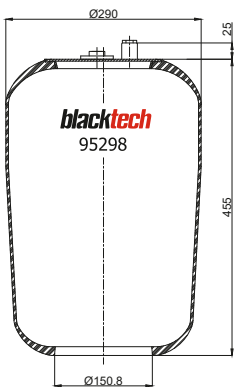
● Bolt of Stud ○ Threaded hole ⊗ Combination Stud ⊗ Air Inlet

OEM PART NUMBER	MODEL NO	CROSS REFERENCES
Mercedes		Contitech 4187 N3 (Old 4187 N1)
Mercedes	Actros MP2 Service Assy.	

RML 95298-2

Cross Section View

Top View



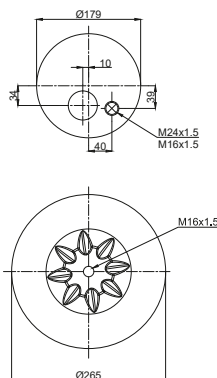
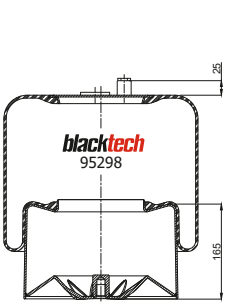
● Bolt of Stud ○ Threaded hole ⊗ Combination Stud ⊗ Air Inlet

OEM PART NUMBER	MODEL NO	CROSS REFERENCES
Mercedes		Contitech 4187 N4 (Old 4187 N2)
Mercedes	Actros MP2 Service Assy.	

RML 95298 C1

Cross Section View

Top View



● Bolt of Stud ○ Threaded hole ⊗ Combination Stud ⊗ Air Inlet

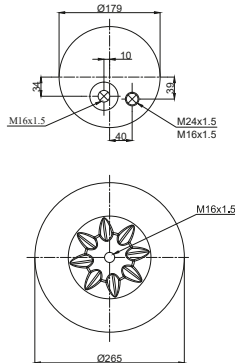
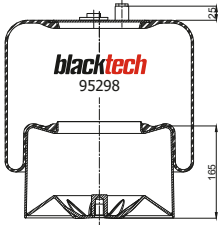
OEM PART NUMBER	MODEL NO	CROSS REFERENCES
Mercedes	A 942 320 18 21	Actros MP 2
		Contitech 4187 NP01 (Voss 230)



RML 95298 C2

Cross Section View

Top View



● Bolt of Stud ○ Threaded hole ⊗ Combination Stud ⊗ Air Inlet

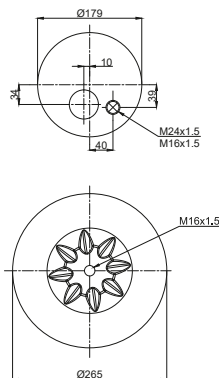
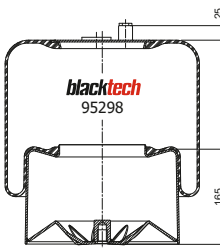
OEM PART NUMBER		MODEL NO	CROSS REFERENCES	
Mercedes	A 942 320 27 21	Actros MP2	Contitech	4187 N P22 (Voss 230)

RML 95298 C21



Cross Section View

Top View



● Bolt of Stud ○ Threaded hole ⊗ Combination Stud ⊗ Air Inlet

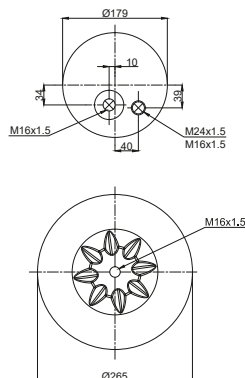
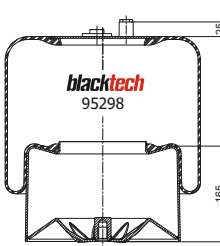
OEM PART NUMBER		MODEL NO	CROSS REFERENCES	
Mercedes	A 942 320 18 21	Actros	Contitech	4187 N P23
Mercedes	A 942 320 26 21	Actros MP2		(Old 4187 N P21, 4187 N P01)
Mercedes	A 942 320 72 21	Actros MP2		Voss 232
			Vibracoustic	V1KF32-22-232

RML 95298 C22



Cross Section View

Top View



● Bolt of Stud ○ Threaded hole ⊗ Combination Stud ⊗ Air Inlet

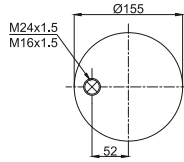
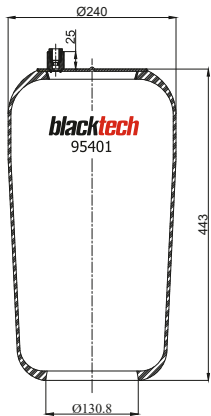
OEM PART NUMBER		MODEL NO	CROSS REFERENCES	
Mercedes	A 942 320 27 21	Actros MP2	Contitech	4187 N P24 (Old 4187 N P22)
Mercedes	A 942 320 73 21	Actros MP2		Voss 232
Mercedes	A 942 320 19 21	Actros	Vibracoustic	V1KF32-24-232



RML 95401-1

Cross Section View

Top View



● Bolt of Stud ○ Threaded hole ⊗ Combination Stud ⊗ Air Inlet

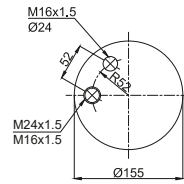
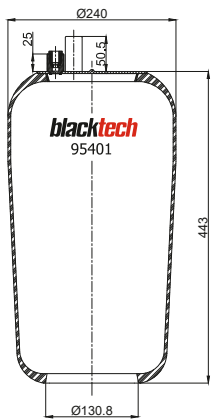
OEM PART NUMBER		MODEL NO	CROSS REFERENCES	
Mercedes	A 942 328 00 01	Actros	Contitech	4390 N1
			Phoenix	1KF 211 NP
			Primeride	54390 A1
			Firestone Style	1R7Z-440-290-B
			Firestone No.	W01-M58-0904
			Goodyear	9507
			Vibracoustic	V1KF211 NP
			CF Gomma Ref.	1VSC285-30
			CF Gomma No.	206782
			Dunlop F	D12U25
			Gart Ref.	C304
			Gart No.	304.0.440

RML 95401-2



Cross Section View

Top View



● Bolt of Stud ○ Threaded hole ⊗ Combination Stud ⊗ Air Inlet

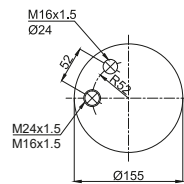
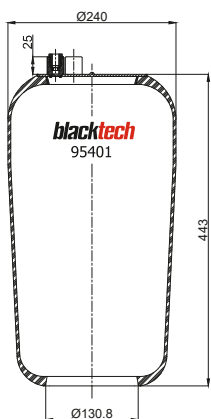
OEM PART NUMBER		MODEL NO	CROSS REFERENCES	
Mercedes	A 942 328 01 01	Actros	Contitech	4390 N2
			Phoenix	1KF 212 NP
			Primeride	54390 A2
			Firestone Style	1R7Z-440-290-C
			Firestone No.	W01-M58-0905
			Goodyear	9508
			Vibracoustic	V1KF212 NP
			CF Gomma Ref.	1VSC285-30
			CF Gomma No.	206784
			Dunlop F	D12U26
			Gart Ref.	C304
			Gart No.	304.0.441

RML 95401-3



Cross Section View

Top View



● Bolt of Stud ○ Threaded hole ⊗ Combination Stud ⊗ Air Inlet

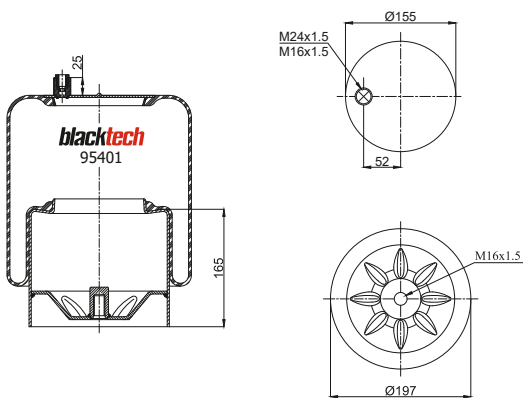
OEM PART NUMBER		MODEL NO	CROSS REFERENCES	
Mercedes		Actros		



RML 95401C1

Cross Section View

Top View



● Bolt of Stud ○ Threaded hole ⊗ Combination Stud ⊗ Air Inlet

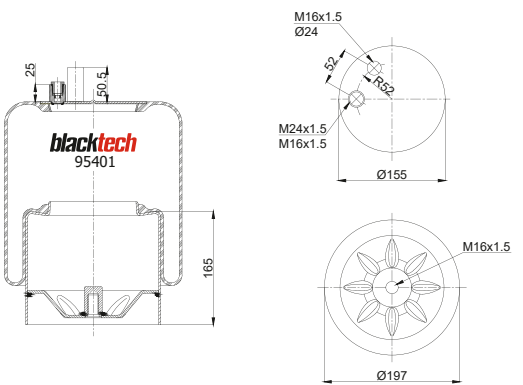
OEM PART NUMBER		MODEL NO	CROSS REFERENCES	
Mercedes	A 942 320 01 21	Actros	Contitech	4390 NP01 (Voss 230)

RML 95401C2



Cross Section View

Top View



● Bolt of Stud ○ Threaded hole ⊗ Combination Stud ⊗ Air Inlet

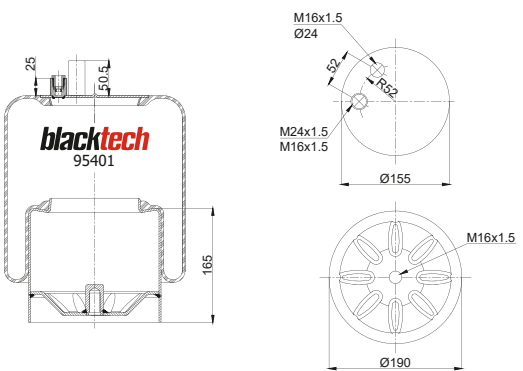
OEM PART NUMBER		MODEL NO	CROSS REFERENCES	
Mercedes	A 942 320 02 21	Actros	Contitech	4390 NP02 (Voss 230)

RML 95401C3



Cross Section View

Top View



● Bolt of Stud ○ Threaded hole ⊗ Combination Stud ⊗ Air Inlet

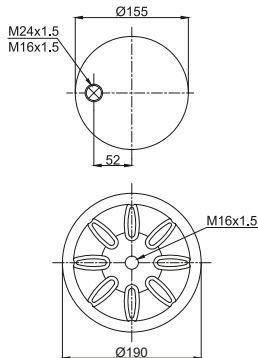
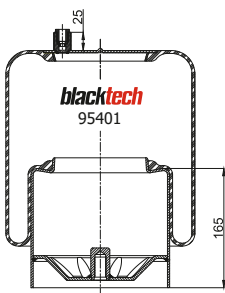
OEM PART NUMBER		MODEL NO	CROSS REFERENCES	
Mercedes	A 942 320 04 21	Actros	Contitech	4390 NP03 (Voss 230)



RML 95401C4

Cross Section View

Top View



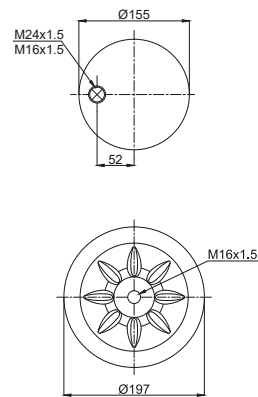
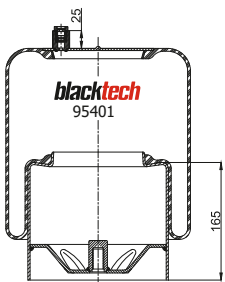
● Bolt of Stud ○ Threaded hole ⊗ Combination Stud ⊗ Air Inlet

OEM PART NUMBER		MODEL NO	CROSS REFERENCES	
Mercedes	A 942 320 03 21	Actros	Contitech	4390 N P04 (Voss 230)

RML 95401C21

Cross Section View

Top View



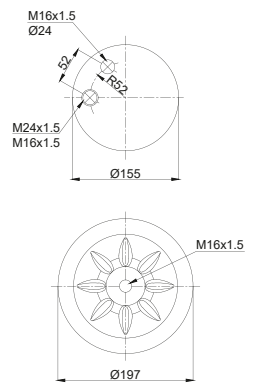
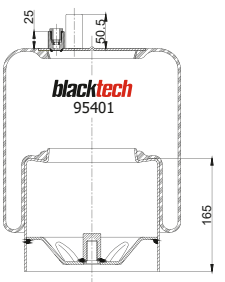
● Bolt of Stud ○ Threaded hole ⊗ Combination Stud ⊗ Air Inlet

OEM PART NUMBER		MODEL NO	CROSS REFERENCES	
Mercedes	A 942 320 01 21	Actros	Contitech	4390 N P21 (Old 4390 N P01)
Mercedes	A 942 320 28 21	Actros MP2		Voss 232
Mercedes	A 942 320 49 21	Actros	Phoenix	1 KF 21-21
			Firestone Style	1R7Z-440-290
			Firestone No.	W01-M58-8514
			Goodyear	9505
			Vibracoustic	V1KF21-1
			CF Gomma Ref.	1VS285-30
			CF Gomma No.	207765
			Gart Ref.	C304
			Gart No.	304.1440

RML 95401C22

Cross Section View

Top View



● Bolt of Stud ○ Threaded hole ⊗ Combination Stud ⊗ Air Inlet

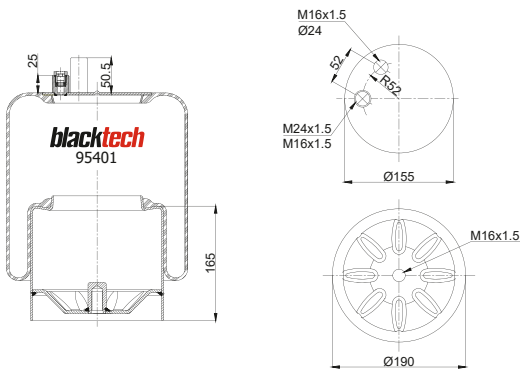
OEM PART NUMBER		MODEL NO	CROSS REFERENCES	
Mercedes	A 942 320 02 21	Actros	Contitech	4390 N P22 (Old 4390 N P02)
Mercedes	A 942 320 29 21	Actros MP2		Voss 232
Mercedes	A 942 320 50 21	Actros	Phoenix	1 KF 21-22
			Firestone Style	1R7Z-440-290
			Firestone No.	W01-M58-8513
			Goodyear	9506
			Vibracoustic	V1KF21-2
			CF Gomma Ref.	1VS285-30
			CF Gomma No.	207766
			Gart Ref.	C304
			Gart No.	304.1441



RML 95401C23

Cross Section View

Top View



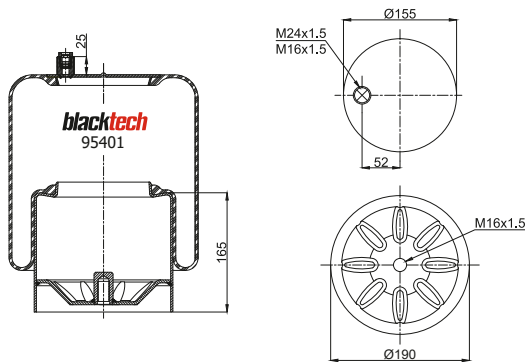
● Bolt of Stud ○ Threaded hole ⊗ Combination Stud ⊗ Air Inlet

OEM PART NUMBER		MODEL NO	CROSS REFERENCES	
Mercedes	A 942 320 04 21	Actros	Contitech	4390 N P23 (Old 4390 N P03)
Mercedes	A 942 320 52 21	Actros		Voss 232
			Goodyear	9563
			Vibracoustic	V1KF21-4-232
			CF Gomma Ref.	1VSC285-30
			CF Gomma No.	206783
			Gart Ref.	C304
			Gart No.	3041.443

RML 95401C24

Cross Section View

Top View



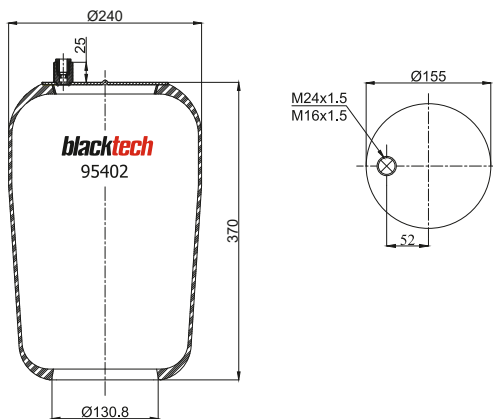
● Bolt of Stud ○ Threaded hole ⊗ Combination Stud ⊗ Air Inlet

OEM PART NUMBER		MODEL NO	CROSS REFERENCES	
Mercedes	A 942 320 03 21	Actros	Contitech	4390 N P24 (Old 4390 N P04)
Mercedes	A 942 320 51 21	Actros		Voss 232
			Goodyear	9564
			Vibracoustic	V1KF21-3-232
			CF Gomma Ref.	1VSC285-30
			CF Gomma No.	206781
			Gart Ref.	C304
			Gart No.	3041.444

RML 95402-1

Cross Section View

Top View



● Bolt of Stud ○ Threaded hole ⊗ Combination Stud ⊗ Air Inlet

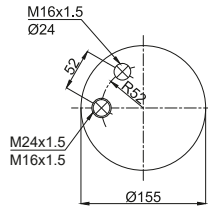
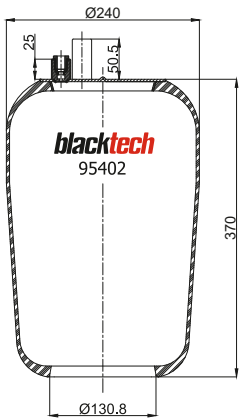
OEM PART NUMBER		MODEL NO	CROSS REFERENCES	
Mercedes	A 942 328 06 01	Actros Low Liner	Contitech	4391 N1
			Vibracoustic	V1KF21-1NP



RML 95402-2

Cross Section View

Top View



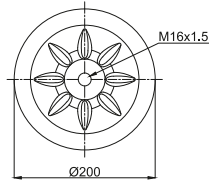
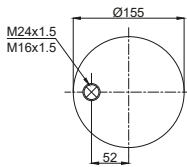
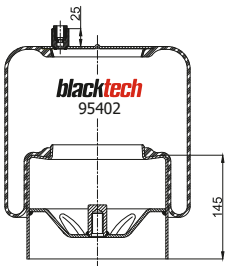
● Bolt of Stud ○ Threaded hole ⊗ Combination Stud ⊗ Air Inlet

OEM PART NUMBER		MODEL NO	CROSS REFERENCES	
Mercedes	A 942 328 07 01	Actros Low Liner	Contitech	4391 N2
			Vibracoustic	V1KF21t-2NP

RML 95402 C1

Cross Section View

Top View



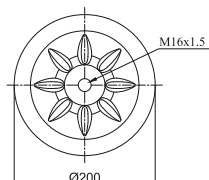
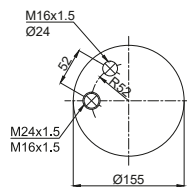
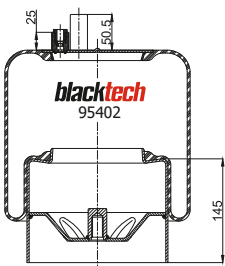
● Bolt of Stud ○ Threaded hole ⊗ Combination Stud ⊗ Air Inlet

OEM PART NUMBER		MODEL NO	CROSS REFERENCES	
Mercedes	A 942 320 06 21	Actros Low Liner	Contitech	4391 N P01 (Voss 230)

RML 95402 C2

Cross Section View

Top View



● Bolt of Stud ○ Threaded hole ⊗ Combination Stud ⊗ Air Inlet

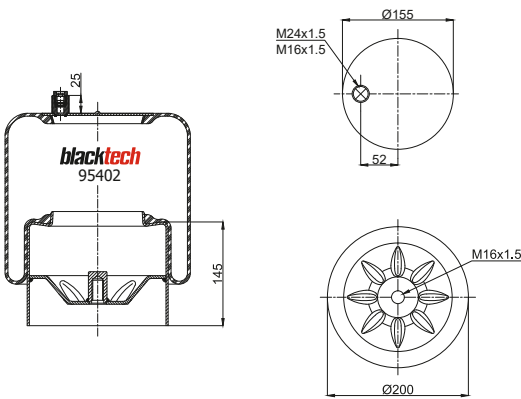
OEM PART NUMBER		MODEL NO	CROSS REFERENCES	
Mercedes	A 942 320 07 21	Actros Low Liner	Contitech	4391 N P02 (Voss 230)



RML 95402 G21

Cross Section View

Top View



● Bolt of Stud ○ Threaded hole ⊗ Combination Stud ⊗ Air Inlet

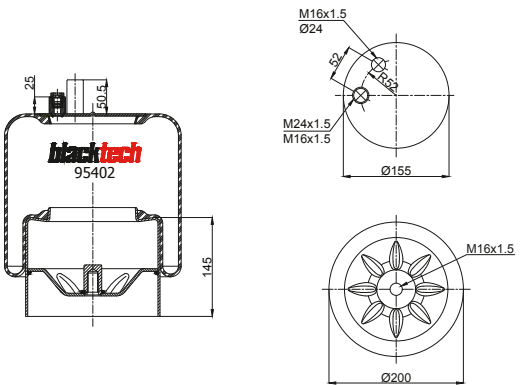
OEM PART NUMBER		MODEL NO	CROSS REFERENCES	
Mercedes	A 942 320 06 21	Actros Low Liner	Contitech	4391 N P21 (Old 4391 N P01)
Mercedes	A 942 320 53 21	Actros Low Liner		Voss 232
			Vibracoustic	V1KF21t-441321

RML 95402 G22



Cross Section View

Top View



● Bolt of Stud ○ Threaded hole ⊗ Combination Stud ⊗ Air Inlet

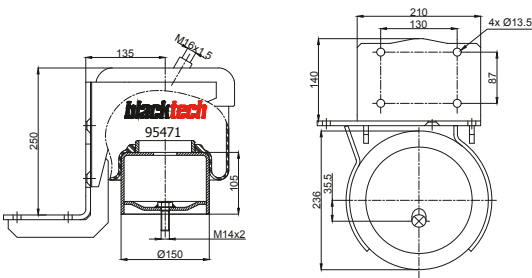
OEM PART NUMBER		MODEL NO	CROSS REFERENCES	
Mercedes	A 942 320 07 21		Contitech	4391 N P22 (Old 4391 N P 02)
Mercedes	A 942 320 54 21			Voss 232
			Vibracoustic	V1KF21t-441322

RML 95471 C



Cross Section View

Top View



● Bolt of Stud ○ Threaded hole ⊗ Combination Stud ⊗ Air Inlet

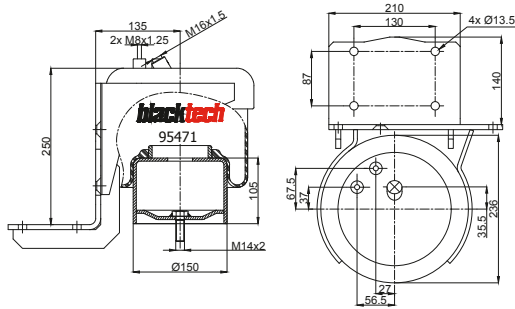
OEM PART NUMBER		MODEL NO	CROSS REFERENCES	
Iveco	98469040	EUROCARD 80 E18/E21 TECTOR 100 E18/E21	CF Gamma Ref.	1S 215-22
			CF Gamma No.	200266



RML 95471 C1

Cross Section View

Top View



● Bolt of Stud ○ Threaded hole ⊗ Combination Stud ⊗ Air Inlet

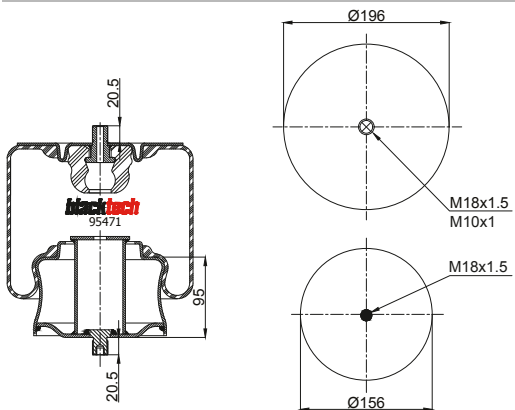
OEM PART NUMBER		MODEL NO	CROSS REFERENCES	
Iveco	98469037	EUROCARGO 80 E18/E21 TECTOR 100 E18/E21	CF Gomma Ref.	1S 215-22
			CF Gomma No.	200267

RML 95471 C2



Cross Section View

Top View



● Bolt of Stud ○ Threaded hole ⊗ Combination Stud ⊗ Air Inlet

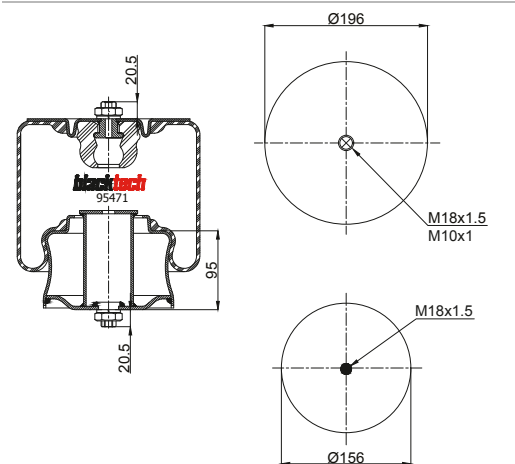
OEM PART NUMBER		MODEL NO	CROSS REFERENCES	
Mercedes	A 000 323 05 92			

RML 95471 C3



Cross Section View

Top View



● Bolt of Stud ○ Threaded hole ⊗ Combination Stud ⊗ Air Inlet

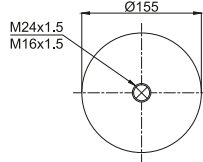
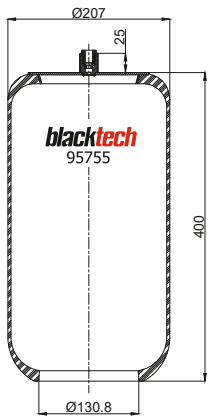
OEM PART NUMBER		MODEL NO	CROSS REFERENCES	
Mercedes	A 000 323 03 92			



RML 95755

Cross Section View

Top View



● Bolt of Stud ○ Threaded hole ⊗ Combination Stud ⊗ Air Inlet

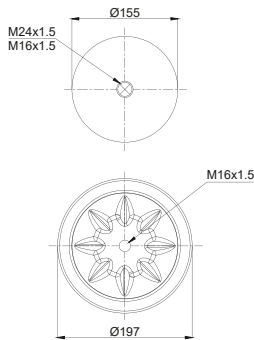
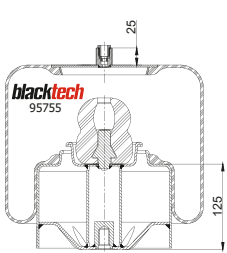
OEM PART NUMBER		MODEL NO	CROSS REFERENCES	
EvoBus	A 629 327 00 01		Contitech	4644 N
			Goodyear	9561

RML 95755 C2



Cross Section View

Top View



● Bolt of Stud ○ Threaded hole ⊗ Combination Stud ⊗ Air Inlet

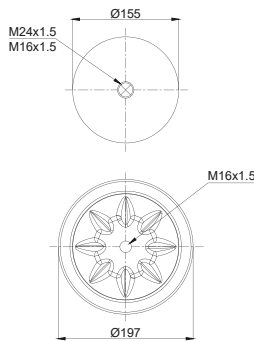
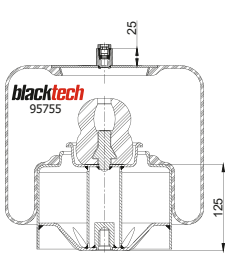
OEM PART NUMBER		MODEL NO	CROSS REFERENCES	
EvoBus	A 629 320 00 25	Citaro	Contitech	4644 N P02 (Voss 230)

RML 95755 C22



Cross Section View

Top View



● Bolt of Stud ○ Threaded hole ⊗ Combination Stud ⊗ Air Inlet

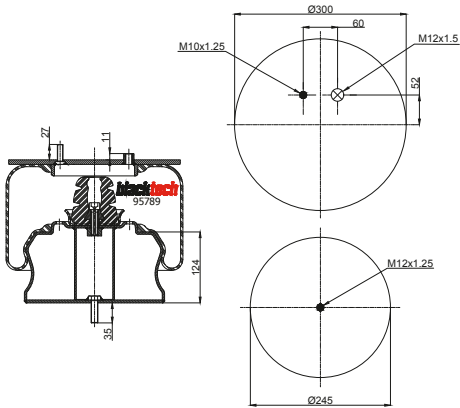
OEM PART NUMBER		MODEL NO	CROSS REFERENCES	
EvoBus	A 629 320 00 25	O 540	Contitech	4644 N P22 (Old 4644 N P02)
EvoBus	A 629 320 00 25	O 580		Voss 232
EvoBus	A 629 320 00 25	OC 500 IBC (≥2008)	Vibracoustic	VIKE22-1
EvoBus	A 629 320 00 25	OC 500 IBC (<2008)		
EvoBus	A 629 320 00 25	TC 400		
EvoBus	A 629 320 00 25	Tourismo / Travego (<2008)		
EvoBus	A 629 320 00 25	Tourismo / Travego (≥2008)		



RML 95789 C

Cross Section View

Top View



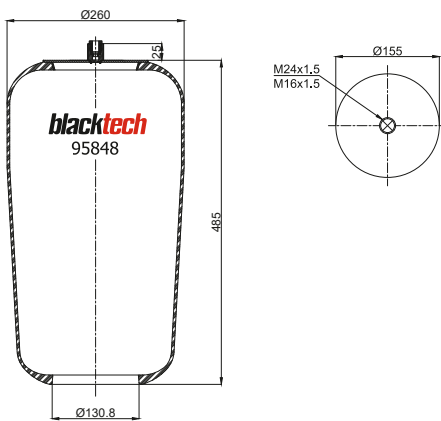
● Bolt of Stud ○ Threaded hole ⊗ Combination Stud ⊗ Air Inlet

OEM PART NUMBER	MODEL NO	CROSS REFERENCES
Iveco 93195789	FRONT - IVECO BUS 380	CF Gamma Ref. 1S 323-25 C CF Gamma No. 96898

RML 95848-1

Cross Section View

Top View



● Bolt of Stud ○ Threaded hole ⊗ Combination Stud ⊗ Air Inlet

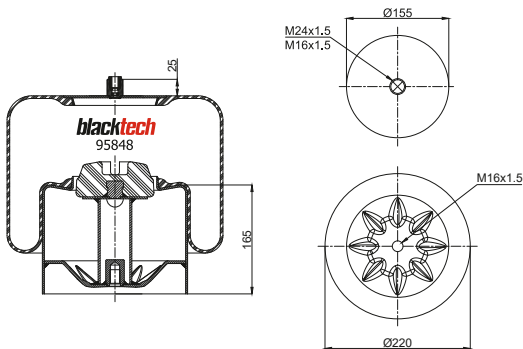
OEM PART NUMBER	MODEL NO	CROSS REFERENCES
Mercedes	Service Assembly	Contitech 4737 N



RML 95848 C1

Cross Section View

Top View



● Bolt of Stud ○ Threaded hole ⊗ Combination Stud ⊗ Air Inlet

OEM PART NUMBER	MODEL NO	CROSS REFERENCES
Mercedes A 946 320 03 21	Atego	Contitech 4737 N P01 (Voss 230)

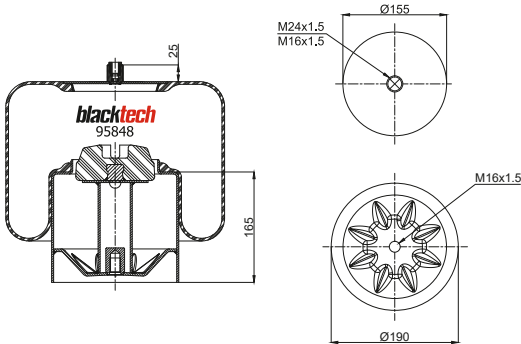




RML 95848 C2

Cross Section View

Top View



- Bolt of Stud
- Threaded hole
- ⊗ Combination Stud
- ⊗ Air Inlet

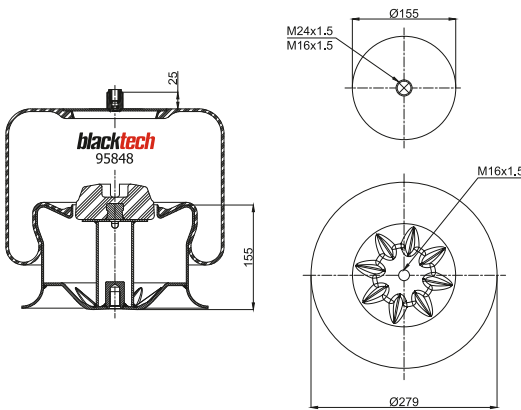
OEM PART NUMBER		MODEL NO	CROSS REFERENCES	
Mercedes	A 946 320 05 21	Atego	Contitech	4737 NP02 (Voss 230)

RML 95848 C5



Cross Section View

Top View



- Bolt of Stud
- Threaded hole
- ⊗ Combination Stud
- ⊗ Air Inlet

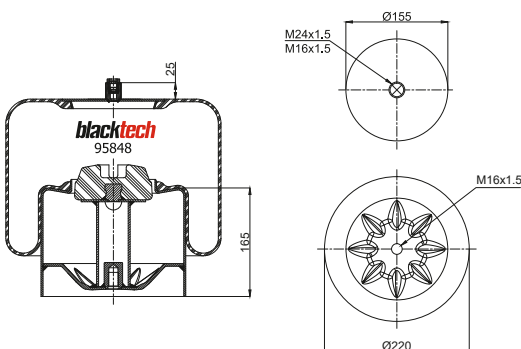
OEM PART NUMBER		MODEL NO	CROSS REFERENCES	
Mercedes	A 957 320 01 17	Atego	Contitech	4737 NP05 (Voss 230)

RML 95848 C21



Cross Section View

Top View



- Bolt of Stud
- Threaded hole
- ⊗ Combination Stud
- ⊗ Air Inlet

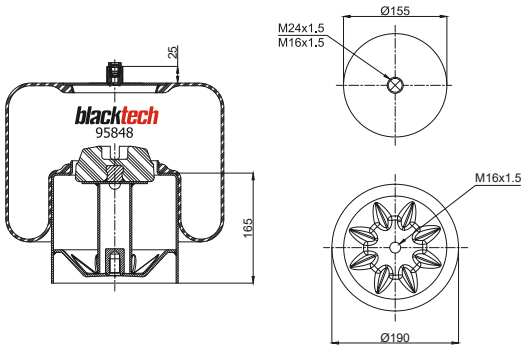
OEM PART NUMBER		MODEL NO	CROSS REFERENCES	
Mercedes	A 942 320 37 21	Atego	Contitech	4737 NP21 (Old 4737 NP01)
Mercedes	A 946 320 03 21	Atego		Voss 232
			Goodyear	9523



RML 95848 C22

Cross Section View

Top View



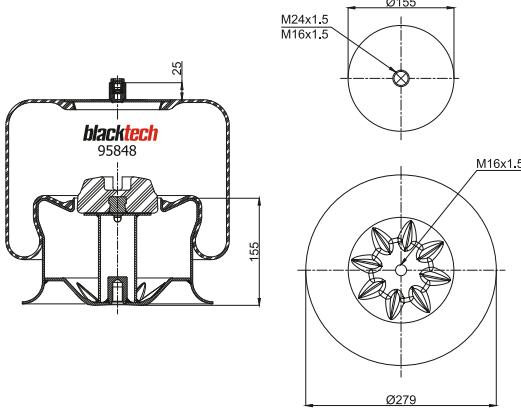
● Bolt of Stud ○ Threaded hole ⊗ Combination Stud ⊗ Air Inlet

OEM PART NUMBER		MODEL NO	CROSS REFERENCES	
Mercedes	A 942 320 39 21	Atego	Contitech	4737 N P22 (Old 4737 N P02)
Mercedes	A 946 320 05 21	Atego		Voss 232
			Goodyear	9524

RML 95848 C25

Cross Section View

Top View



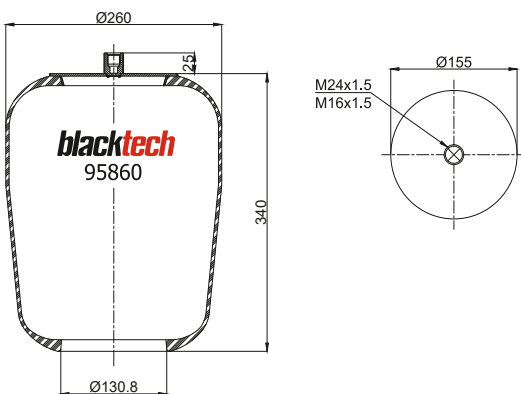
● Bolt of Stud ○ Threaded hole ⊗ Combination Stud ⊗ Air Inlet

OEM PART NUMBER		MODEL NO	CROSS REFERENCES	
Mercedes	A 957 320 01 17	Atego	Contitech	4737 N P25 (Old 4737 N P05)
Mercedes	A 957 320 03 17	Atego, Eonic		Voss 232
			Goodyear	9539
			Vibracoustic	VIKF30-232

RML 95860

Cross Section View

Top View



● Bolt of Stud ○ Threaded hole ⊗ Combination Stud ⊗ Air Inlet

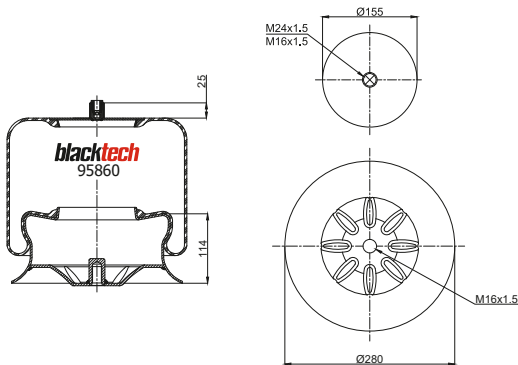
OEM PART NUMBER		MODEL NO	CROSS REFERENCES	
Mercedes	A 942 327 04 01	Actros Low Liner	Contitech	4759 N



RML 95860 C1

Cross Section View

Top View



- Bolt of Stud
- Threaded hole
- ⊗ Combination Stud
- ⊗ Air Inlet

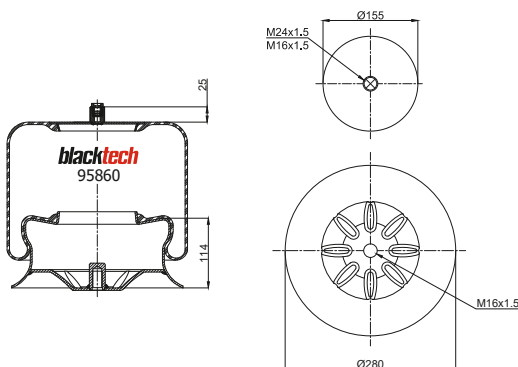
OEM PART NUMBER		MODEL NO	CROSS REFERENCES	
Mercedes	A 942 320 02 17	Actros Low Liner	Contitech	4759 NP01 (Voss 230)

RML 95860 C21



Cross Section View

Top View



- Bolt of Stud
- Threaded hole
- ⊗ Combination Stud
- ⊗ Air Inlet

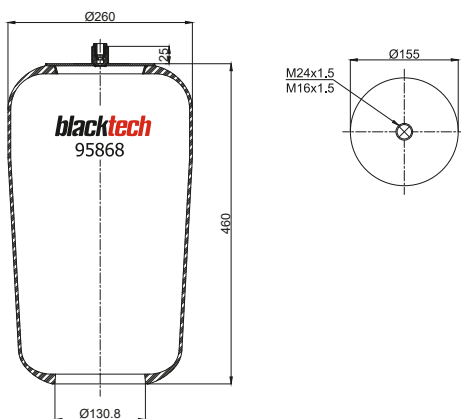
OEM PART NUMBER		MODEL NO	CROSS REFERENCES	
Mercedes	A 942 320 02 17	Actros Low Liner	Contitech	4759 N P21 (Old 4759 NP01)
Mercedes	A 942 320 44 21	Actros Low Liner		Voss 232

RML 95868-1



Cross Section View

Top View



- Bolt of Stud
- Threaded hole
- ⊗ Combination Stud
- ⊗ Air Inlet

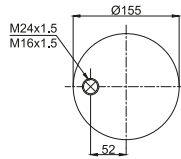
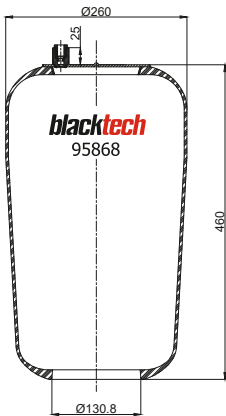
OEM PART NUMBER		MODEL NO	CROSS REFERENCES	
Mercedes	A 942 327 00 01	Actros	Contitech	4757 N1
			Phoenix	1KF 24-1NP
			Firestone Style	1R7Z-460-305-A
			Firestone No.	W01-M58-0909
			Goodyear	9517
			Vibracoustic	V1KF24-1-230 NP
			Dunlop F	D13U42
			Gart Ref.	C299/A
			Gart No.	299.0.461



RML 95868-2

Cross Section View

Top View



● Bolt of Stud ○ Threaded hole ⊗ Combination Stud ⊗ Air Inlet

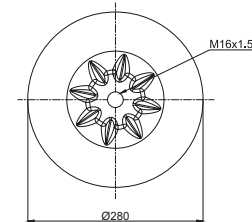
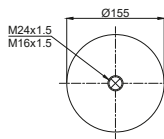
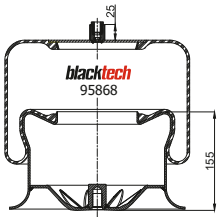
OEM PART NUMBER		MODEL NO	CROSS REFERENCES	
Mercedes	A 974 328 00 01	Atego	Contitech	4757 N2
Mercedes	A 974 328 01 01	Atego	Phoenix	1KF 24-2 NP
			Firestone Style	1R7Z-460-305-B
			Firestone No.	W01M58-0910
			Goodyear	9518
			Vibracoustic	V1KF24-2-230 NP
			Dunlop F	D13U43
			Gart Ref.	C299/A
			Gart No.	299.0.460

RML 95868 C1



Cross Section View

Top View



● Bolt of Stud ○ Threaded hole ⊗ Combination Stud ⊗ Air Inlet

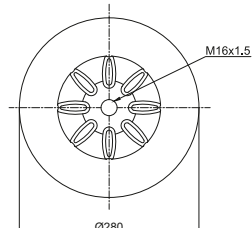
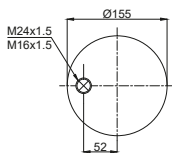
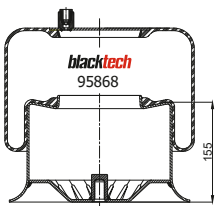
OEM PART NUMBER		MODEL NO	CROSS REFERENCES	
Mercedes	A 974 320 01 17	Actros	Contitech	4757 N P01 (Voss 230)

RML 95868 C9



Cross Section View

Top View



● Bolt of Stud ○ Threaded hole ⊗ Combination Stud ⊗ Air Inlet

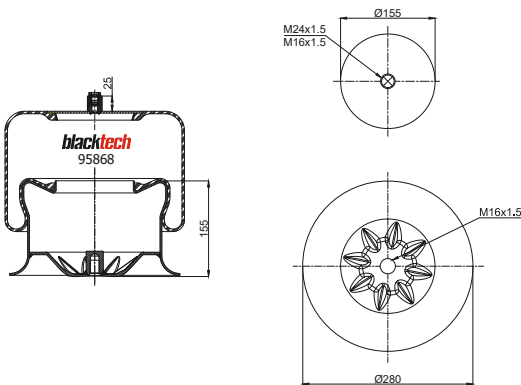
OEM PART NUMBER		MODEL NO	CROSS REFERENCES	
Mercedes	A 974 327 04 17	Actros, Atego	Contitech	4757 N P09 (Voss 230)



RML 95868 C21

Cross Section View

Top View



● Bolt of Stud ○ Threaded hole ⊗ Combination Stud ⊗ Air Inlet

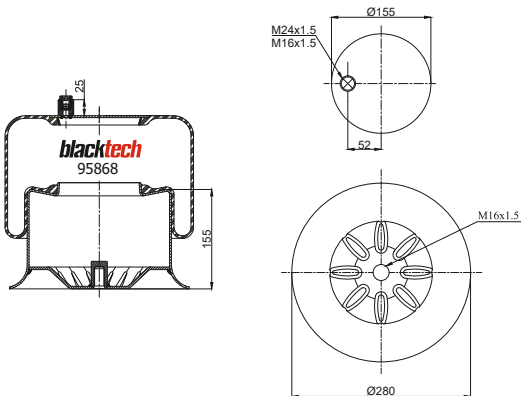
OEM PART NUMBER		MODEL NO	CROSS REFERENCES	
Mercedes	A 942 320 0117	Actros	Contitech	4757 NP21 (Old 4757 N P01)
Mercedes	A 942 320 4321	Actros		Voss 232
			Phoenix	1KF 24-21
			Firestone Style	1R7Z-460-305-A
			Firestone No.	W01-M58-8521
			Goodyear	9519
			Vibracoustic	V1KF24-1-232
			Dunlop F	D13T01
			Gart Ref.	C299/A
			Gart No.	2991.461

RML 95868 C29



Cross Section View

Top View



● Bolt of Stud ○ Threaded hole ⊗ Combination Stud ⊗ Air Inlet

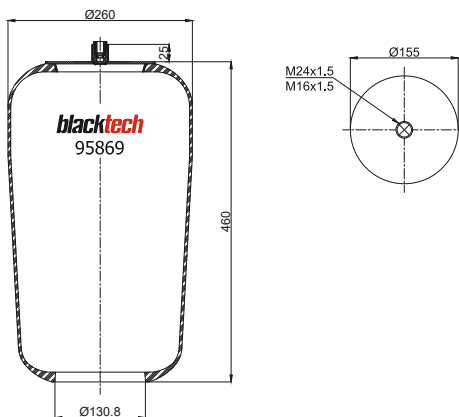
OEM PART NUMBER		MODEL NO	CROSS REFERENCES	
Mercedes	A 942 320 3221	Actros	Contitech	4757 N P29 (Old 4757 N P09)
Mercedes	A 942 320 3221	Atego		Voss 232
Mercedes	A 974 320 0217	Actros, Atego	Phoenix	1KF 24-29
Mercedes	A 974 320 0417	Actros, Atego	Firestone Style	1R7Z-460-305-B
			Firestone No.	W01-M58-8522
			Goodyear	9520
			Vibracoustic	V1KF24-2-232
			Dunlop F	D13T02
			Gart Ref.	C299/A
			Gart No.	2991.460

RML 95869-1



Cross Section View

Top View



● Bolt of Stud ○ Threaded hole ⊗ Combination Stud ⊗ Air Inlet

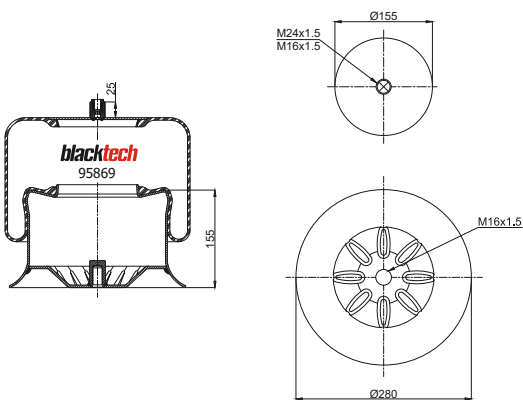
OEM PART NUMBER		MODEL NO	CROSS REFERENCES	
Mercedes	A 945 327 00 01	Actros	Contitech	4758 N



RML 95869 C1

Cross Section View

Top View



● Bolt of Stud ○ Threaded hole ⊗ Combination Stud ⊗ Air Inlet

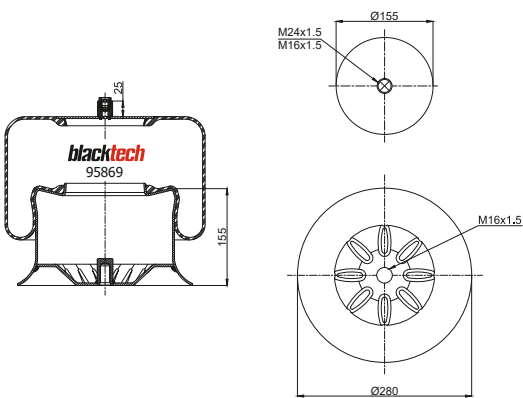
OEM PART NUMBER		MODEL NO	CROSS REFERENCES	
Mercedes	A 945 320 00 17	Actros	Contitech	4758 NP01 (Voss 230)

RML 95869 C21



Cross Section View

Top View



● Bolt of Stud ○ Threaded hole ⊗ Combination Stud ⊗ Air Inlet

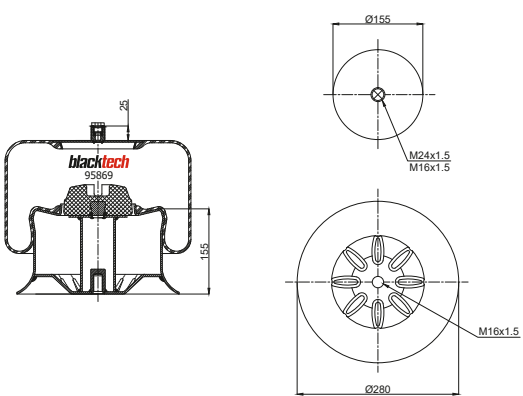
OEM PART NUMBER		MODEL NO	CROSS REFERENCES	
Mercedes	A 942 320 48 21	Actros	Contitech	4758 NP21 (Old 4758 NP01)
Mercedes	A 945 320 00 17	Actros		Voss 232

RML 95869 C23



Cross Section View

Top View



● Bolt of Stud ○ Threaded hole ⊗ Combination Stud ⊗ Air Inlet

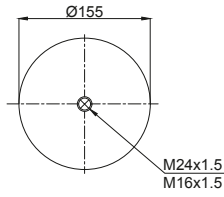
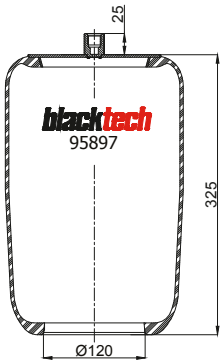
OEM PART NUMBER		MODEL NO	CROSS REFERENCES	
Mercedes	A 942 320 33 21	Actros MP2	Contitech	4758 NP23
Mercedes	A 942 320 06 17	Actros MP2		Voss 232



RML 95897

Cross Section View

Top View



- Bolt of Stud
- Threaded hole
- ⊗ Combination Stud
- ⊗ Air Inlet

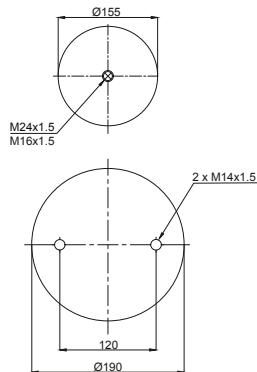
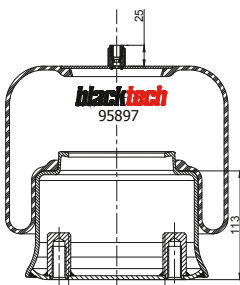
OEM PART NUMBER	MODEL NO	CROSS REFERENCES	
		Contitech	4786 N

RML 95897 C22



Cross Section View

Top View



- Bolt of Stud
- Threaded hole
- ⊗ Combination Stud
- ⊗ Air Inlet

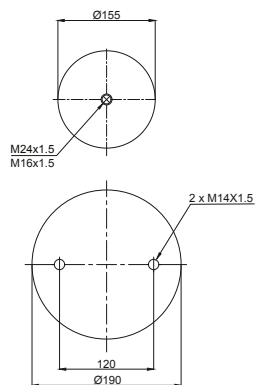
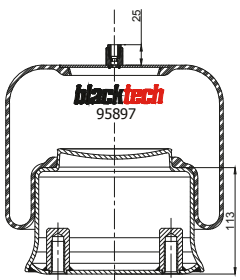
OEM PART NUMBER	MODEL NO	CROSS REFERENCES	
Mercedes	A 444 320 0217	Contitech	4786 N P22

RML 95897 C23



Cross Section View

Top View



- Bolt of Stud
- Threaded hole
- ⊗ Combination Stud
- ⊗ Air Inlet

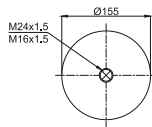
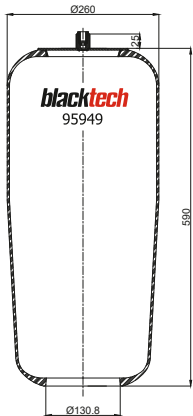
OEM PART NUMBER	MODEL NO	CROSS REFERENCES	
Mercedes	A 444 320 0125	Contitech	4786 N P23
		Vibracoustic	V1KF23-23



RML 95949-1

Cross Section View

Top View



- Bolt of Stud
- Threaded hole
- ⊗ Combination Stud
- ⊗ Air Inlet

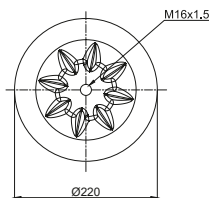
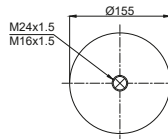
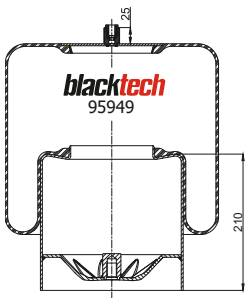
OEM PART NUMBER		MODEL NO	CROSS REFERENCES	
Mercedes	A 946 328 00 01	Actros, Atego	Contitech	4838 N

RML 95949 C1



Cross Section View

Top View



- Bolt of Stud
- Threaded hole
- ⊗ Combination Stud
- ⊗ Air Inlet

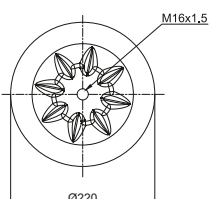
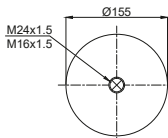
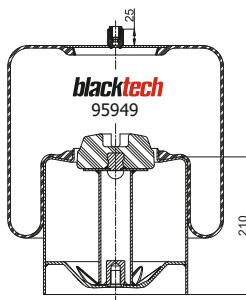
OEM PART NUMBER		MODEL NO	CROSS REFERENCES	
Mercedes	A 946 320 04 21	Actros	Contitech	4838 NP01 (Voss 230)

RML 95949 C2



Cross Section View

Top View



- Bolt of Stud
- Threaded hole
- ⊗ Combination Stud
- ⊗ Air Inlet

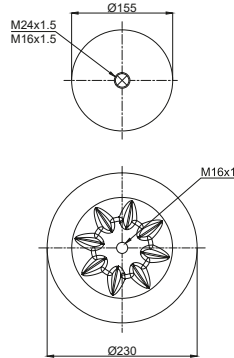
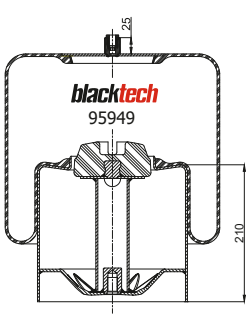
OEM PART NUMBER		MODEL NO	CROSS REFERENCES	
Mercedes	A 946 320 02 21	Actros	Contitech	4838 NP02 (Voss 230)



RML 95949 C3

Cross Section View

Top View



● Bolt of Stud ○ Threaded hole ⊗ Combination Stud ⊗ Air Inlet

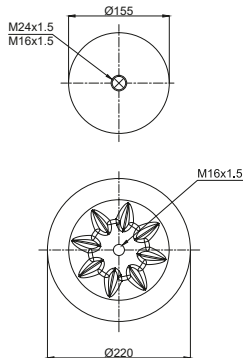
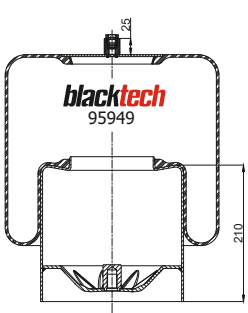
OEM PART NUMBER		MODEL NO	CROSS REFERENCES	
Mercedes	A 946 320 01 21	Actros	Contitech	4838 N P03 (Voss 230)

RML 95949 C21



Cross Section View

Top View



● Bolt of Stud ○ Threaded hole ⊗ Combination Stud ⊗ Air Inlet

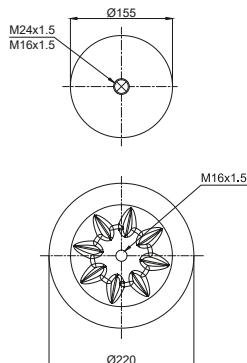
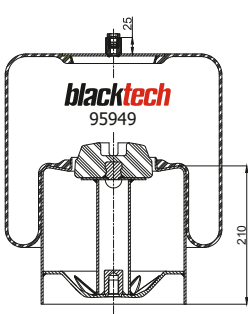
OEM PART NUMBER		MODEL NO	CROSS REFERENCES	
Mercedes	A 942 320 38 21	Actros, Atego	Contitech	4838 N P21 (Old 4838 N P01)
Mercedes	A 946 320 04 21	Actros		Voss 232
			Firestone Style	1R7Z-595-330-A
			Firestone No.	W01-M58-8512
			Goodyear	9521
			Vibracoustic	V1KF25-1-232

RML 95949 C22



Cross Section View

Top View



● Bolt of Stud ○ Threaded hole ⊗ Combination Stud ⊗ Air Inlet

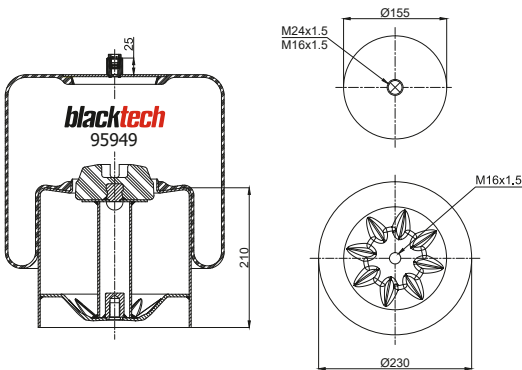
OEM PART NUMBER		MODEL NO	CROSS REFERENCES	
Mercedes	A 942 320 36 21	Actros	Contitech	4838 N P22 (Old 4838 N P02)
Mercedes	A 946 320 02 21	Actros		Voss 232
			Goodyear	9522
			Vibracoustic	V1KF25-2-232



RML 95949 C23

Cross Section View

Top View



- Bolt of Stud
- Threaded hole
- ⊗ Combination Stud
- ⊗ Air Inlet

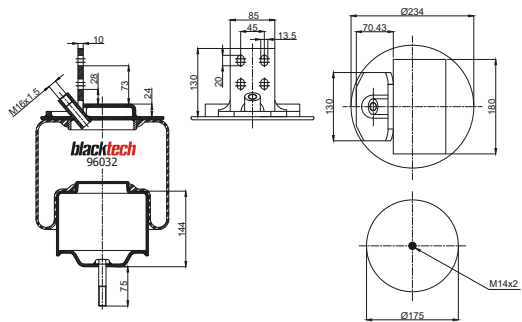
OEM PART NUMBER		MODEL NO	CROSS REFERENCES	
Mercedes	A 942 320 35 21	Actros	Contitech	4838 NP23 (Old 4838 NP03)
Mercedes	A 946 320 01 21	Actros	Voss	232
			Goodyear	9536
			Vibracoustic	V1KF25-3-232

RML 96032 C



Cross Section View

Top View



- Bolt of Stud
- Threaded hole
- ⊗ Combination Stud
- ⊗ Air Inlet

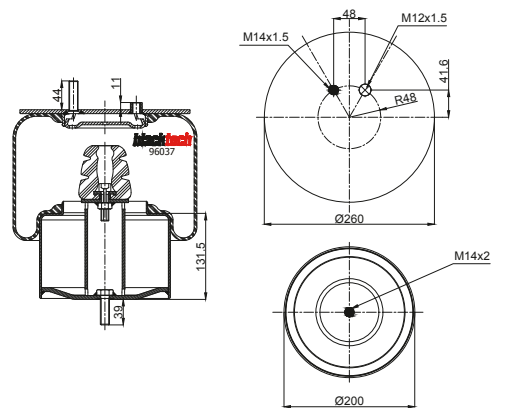
OEM PART NUMBER		MODEL NO	CROSS REFERENCES	
veco	98490464	Eurocargo	CF Gamma Ref.	1SC 260-32
		120 E15/E18/E23/E28	CF Gamma No.	201408
		130 E15/E18/E23/E28	Vibracoustic	V1DF16r-032
		150 E15/E18/E23/E28		
		260 E15/E18/E23/E28		
		280 E15/E18/E23/E28		

RML 96037 C



Cross Section View

Top View



- Bolt of Stud
- Threaded hole
- ⊗ Combination Stud
- ⊗ Air Inlet

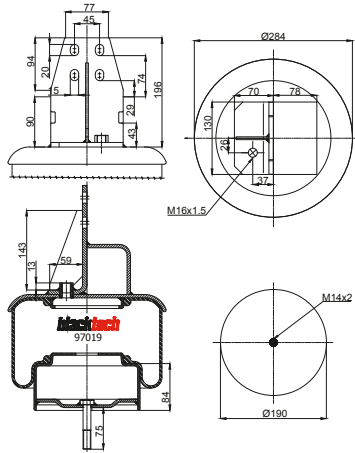
OEM PART NUMBER		MODEL NO	CROSS REFERENCES	
veco	5006306037	3rd axle - Euro rider 2006	CF Gamma Ref.	1S 285-22 C
			CF Gamma No.	207031



RML 97019 C2

Cross Section View

Top View



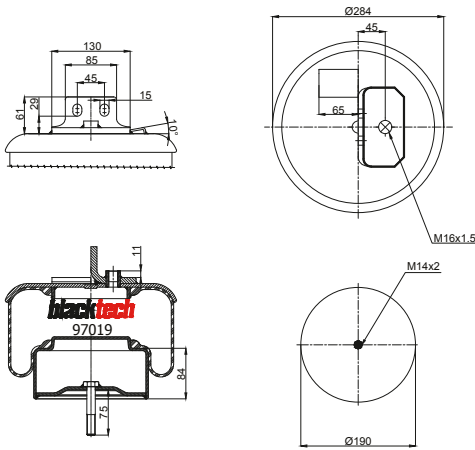
- Bolt of Stud
- Threaded hole
- ⊗ Combination Stud
- ⊗ Air Inlet

OEM PART NUMBER	MODEL NO	CROSS REFERENCES	
Iveco 41218567	REAR - STRALIS 180 YFP 4x2 - 180/190EFP4x2 CARTRANSPORT	CF Gamma Ref.	1S 270-19
		CF Gamma No.	206006

RML 97019 C3

Cross Section View

Top View



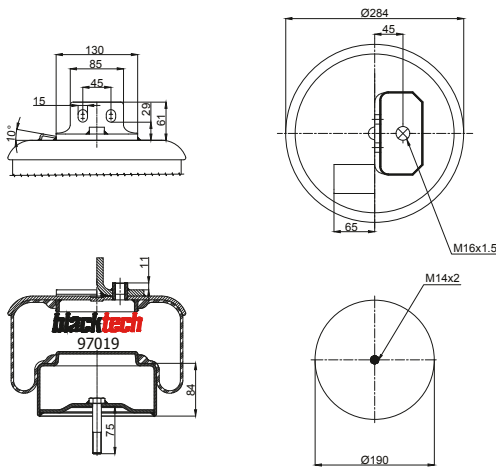
- Bolt of Stud
- Threaded hole
- ⊗ Combination Stud
- ⊗ Air Inlet

OEM PART NUMBER	MODEL NO	CROSS REFERENCES	
Iveco 41218559	FRONT - STRALIS 440E FP4x2 LOW TRACTOR / CARTRANSPORT	CF Gamma Ref.	1S 270-19
		CF Gamma No.	205727

RML 97019 C4

Cross Section View

Top View



- Bolt of Stud
- Threaded hole
- ⊗ Combination Stud
- ⊗ Air Inlet

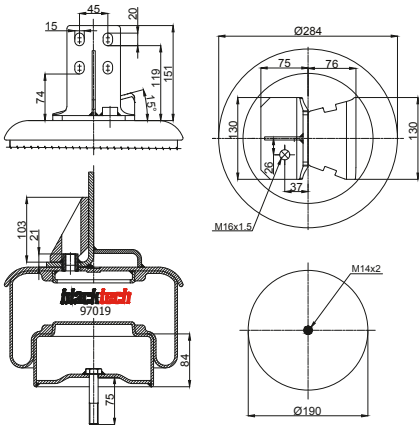
OEM PART NUMBER	MODEL NO	CROSS REFERENCES	
Iveco 41218560	FRONT - STRALIS 440E FP4x2 LOW TRACTOR / CARTRANSPORT	CF Gamma Ref.	1S 270-19
		CF Gamma No.	205728



RML 97019 C5

Cross Section View

Top View



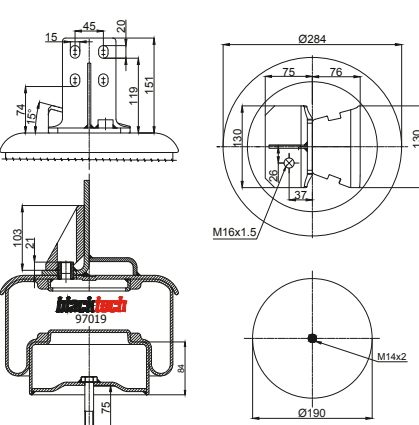
- Bolt of Stud
- Threaded hole
- ⊗ Combination Stud
- ⊗ Air Inlet

OEM PART NUMBER		MODEL NO	CROSS REFERENCES	
Iveco	41218563	REAR - STRALIS 440E FP4x2 LOW TRACTOR / CARTRANSPORT	CF Gomma Ref.	1S 270-19
			CF Gomma No.	205730

RML 97019 C6

Cross Section View

Top View



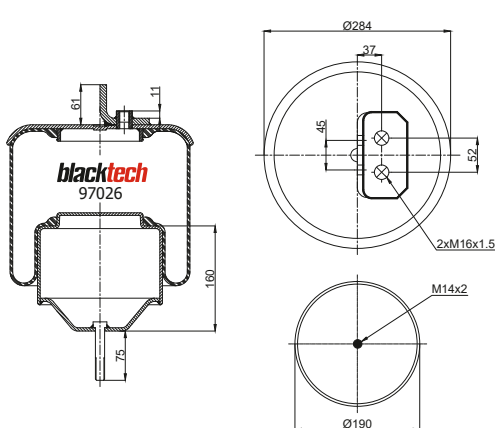
- Bolt of Stud
- Threaded hole
- ⊗ Combination Stud
- ⊗ Air Inlet

OEM PART NUMBER		MODEL NO	CROSS REFERENCES	
Iveco	41218562	REAR - STRALIS 440E FP4x2 LOW TRACTOR / CARTRANSPORT	CF Gomma Ref.	1S 270-19
			CF Gomma No.	205729

RML 97026 C

Cross Section View

Top View



- Bolt of Stud
- Threaded hole
- ⊗ Combination Stud
- ⊗ Air Inlet

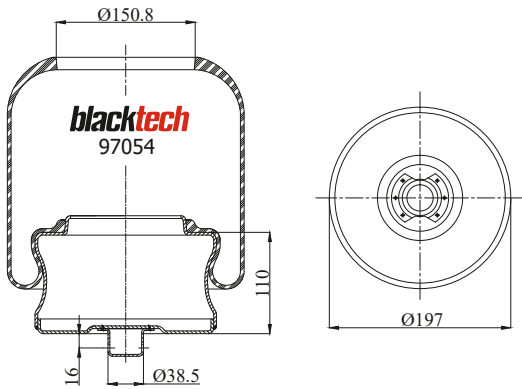
OEM PART NUMBER		MODEL NO	CROSS REFERENCES	
Iveco	500364685	Stralis 260E FS FP	CF Gomma Ref.	1S 270-26 C
			CF Gomma No.	205057
			Vibracoustic	VIE21e-27048



RML 97054 C

Cross Section View

Top View



● Bolt of Stud ○ Threaded hole ⊗ Combination Stud ⊗ Air Inlet

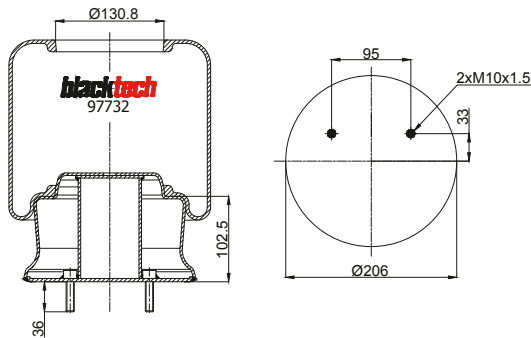
OEM PART NUMBER		MODEL NO	CROSS REFERENCES	
Volvo	70377052	TX	Contitech	6611 N P01
		B7RL 6x2 PX		
		B9RL 6x2 PX		
		B11R		
		B13R		
		B12MA		

RML 97732 C



Cross Section View

Top View



● Bolt of Stud ○ Threaded hole ⊗ Combination Stud ⊗ Air Inlet

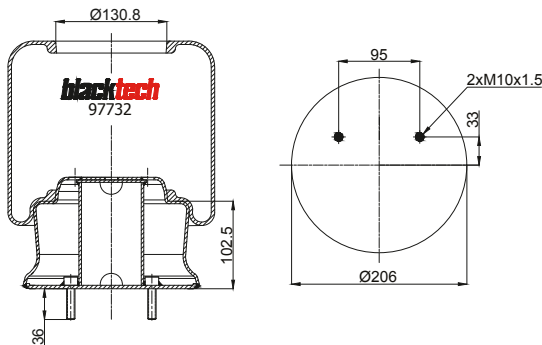
OEM PART NUMBER		MODEL NO	CROSS REFERENCES	
Volvo	20 535 876	B7L/B7LDD/B9S/B9TL	Contitech	6621 N P01
			Phoenix	1E 18 D-01
			Goodyear	9553
			Firestone Style	1R1A380-260
			Firestone No.	W01M58-5190

RML 97732 C2



Cross Section View

Top View



● Bolt of Stud ○ Threaded hole ⊗ Combination Stud ⊗ Air Inlet

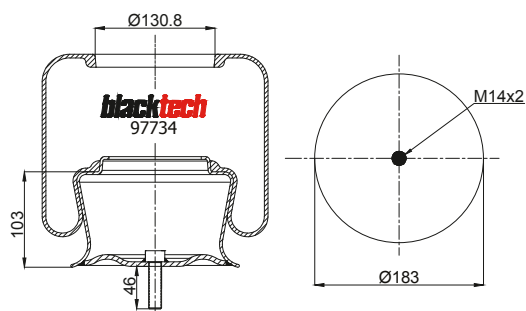
OEM PART NUMBER		MODEL NO	CROSS REFERENCES	
Volvo	20 725 459	B9L/B9LA/B9S	Contitech	6621 N P03
			Phoenix	1E 18 D-03



RML 97734 C

Cross Section View

Top View



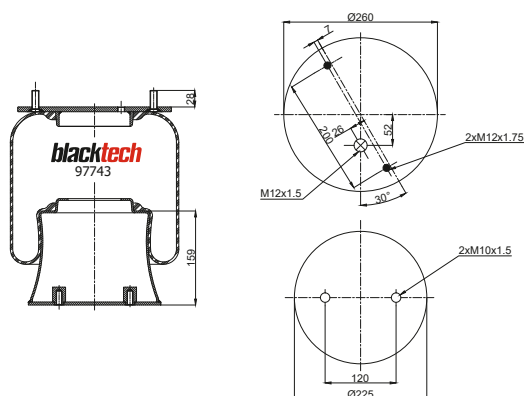
- Bolt of Stud
- Threaded hole
- ⊗ Combination Stud
- ⊗ Air Inlet

OEM PART NUMBER		MODEL NO	CROSS REFERENCES	
Volvo	21 836 530	B6R / B7R / B9R	Contitech	6623 N P01
Volvo	21 426 708	B6R / B7R / B9R	Goodyear	9559

RML 97743 C

Cross Section View

Top View



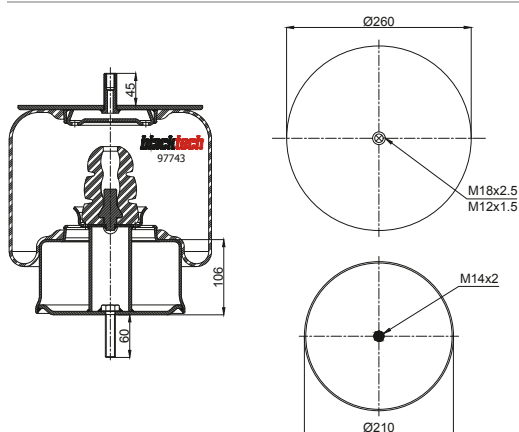
- Bolt of Stud
- Threaded hole
- ⊗ Combination Stud
- ⊗ Air Inlet

OEM PART NUMBER		MODEL NO	CROSS REFERENCES	
Iveco	93195986	Bus 380	CF Gomma Ref.	IS 285-25 C
			CF Gomma No.	96825
			Vibracoustic	VIE21d-28547

RML 97743 C1

Cross Section View

Top View



- Bolt of Stud
- Threaded hole
- ⊗ Combination Stud
- ⊗ Air Inlet

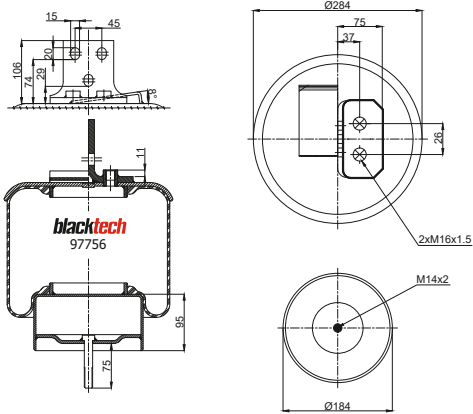
OEM PART NUMBER		MODEL NO	CROSS REFERENCES	
Iveco	98488605	FRONT AND REAR - BUS EURORDER/MYWAY	CF Gomma Ref.	IS 285-25 C
			CF Gomma No.	200436
			Vibracoustic	VIE21d-2107



RML 97756 C

Cross Section View

Top View



- Bolt of Stud
- Threaded hole
- ⊗ Combination Stud
- ⊗ Air Inlet

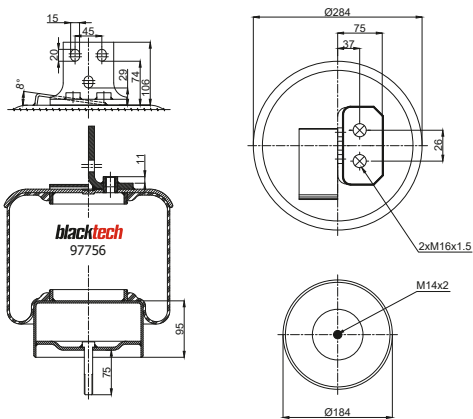
OEM PART NUMBER		MODEL NO	CROSS REFERENCES	
Iveco	41026771		CF Gamma Ref.	1S285-23 V
			Vibracoustic	VIE17v-28545

RML 97756 C1



Cross Section View

Top View



- Bolt of Stud
- Threaded hole
- ⊗ Combination Stud
- ⊗ Air Inlet

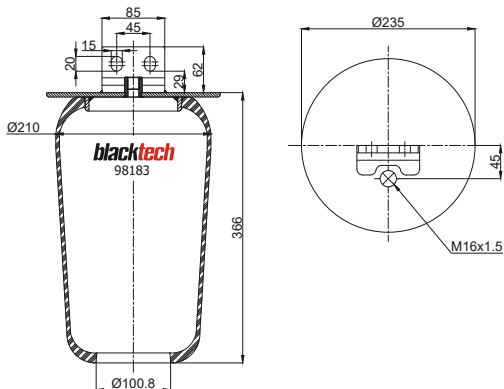
OEM PART NUMBER		MODEL NO	CROSS REFERENCES	
Iveco	41026772		CF Gamma Ref.	1S285-23 V
			Vibracoustic	VIE17v-28545-1

RML 98183



Cross Section View

Top View



- Bolt of Stud
- Threaded hole
- ⊗ Combination Stud
- ⊗ Air Inlet

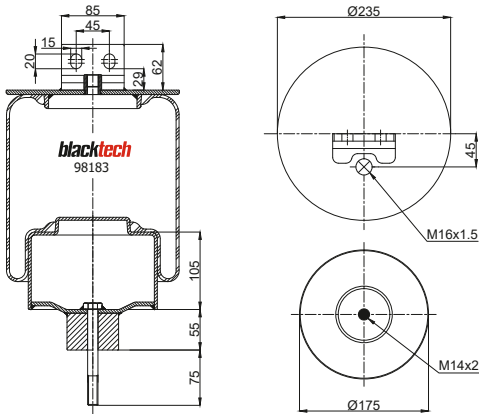
OEM PART NUMBER		MODEL NO	CROSS REFERENCES	
Iveco	42568183	Astra	CF Gamma Ref.	1SC230-25
			CF Gamma No.	207633



RML 98183 C

Cross Section View

Top View



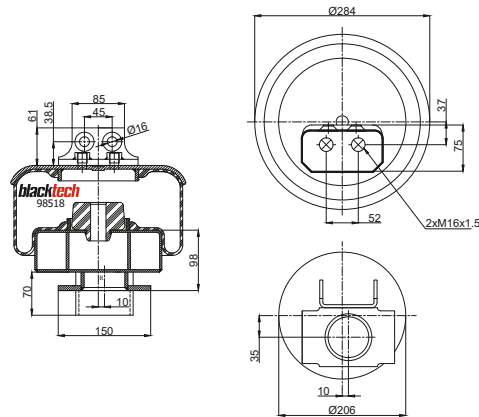
● Bolt of Stud ○ Threaded hole ⊗ Combination Stud ⊗ Air Inlet

OEM PART NUMBER		MODEL NO	CROSS REFERENCES	
veco	41288309	Astra	CF Gamma Ref.	1SC 230-25
			CF Gamma No.	207631
			Vibracoustic	VIF15-1

RML 98518 C

Cross Section View

Top View



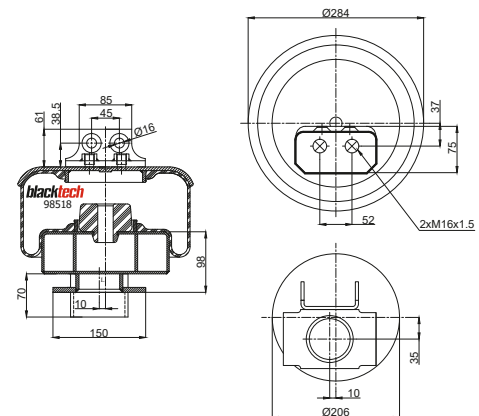
● Bolt of Stud ○ Threaded hole ⊗ Combination Stud ⊗ Air Inlet

OEM PART NUMBER		MODEL NO	CROSS REFERENCES	
veco	41026263	Eurotech MP 400 E	CF Gamma Ref.	1S 285-18 C
			CF Gamma No.	88811
			Vibracoustic	VIE21s-518L

RML 98518 C1

Cross Section View

Top View



● Bolt of Stud ○ Threaded hole ⊗ Combination Stud ⊗ Air Inlet

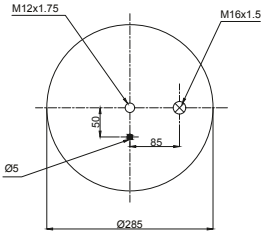
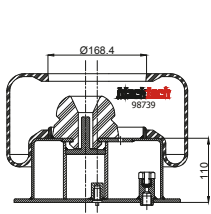
OEM PART NUMBER		MODEL NO	CROSS REFERENCES	
veco	41026262	Eurotech MP 400 E	CF Gamma Ref.	1S 285-18 C
			CF Gamma No.	96612
			Vibracoustic	VIE21s-518R



RML 98739 C

Cross Section View

Top View



- Bolt of Stud
- Threaded hole
- ⊗ Combination Stud
- ⊗ Air Inlet

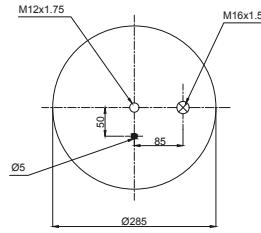
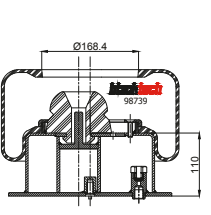
OEM PART NUMBER		MODEL NO	CROSS REFERENCES	
Voith	H68.219201		Vibracoustic	VIE24-1
Isuzu	387020205001			

RML 98739 C1



Cross Section View

Top View



- Bolt of Stud
- Threaded hole
- ⊗ Combination Stud
- ⊗ Air Inlet

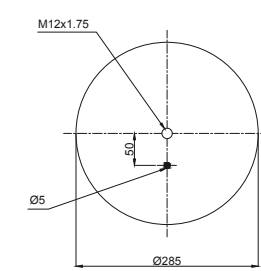
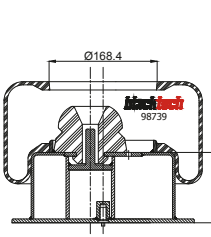
OEM PART NUMBER		MODEL NO	CROSS REFERENCES	
Voith	311.00038701			

RML 98739 C2



Cross Section View

Top View



- Bolt of Stud
- Threaded hole
- ⊗ Combination Stud
- ⊗ Air Inlet

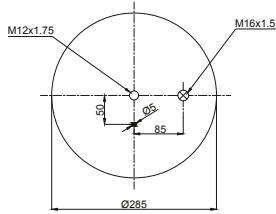
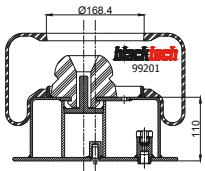
OEM PART NUMBER		MODEL NO	CROSS REFERENCES	
Voith	311.00044801			



RML 99201C

Cross Section View

Top View



● Bolt of Stud ○ Threaded hole ⊗ Combination Stud ⊗ Air Inlet

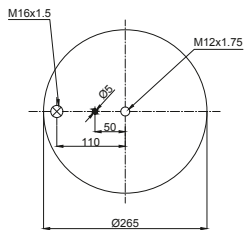
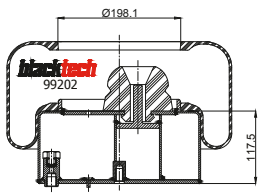
OEM PART NUMBER	MODEL NO	CROSS REFERENCES
Otokar	16H00-05484-AB	

RML 99202C



Cross Section View

Top View



● Bolt of Stud ○ Threaded hole ⊗ Combination Stud ⊗ Air Inlet

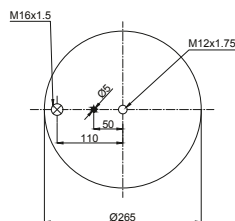
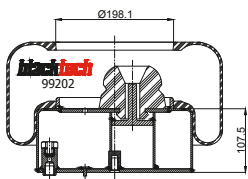
OEM PART NUMBER	MODEL NO	CROSS REFERENCES
Voith	311.00038501	Vibracoustic VIF34-1

RML 99202C1



Cross Section View

Top View



● Bolt of Stud ○ Threaded hole ⊗ Combination Stud ⊗ Air Inlet

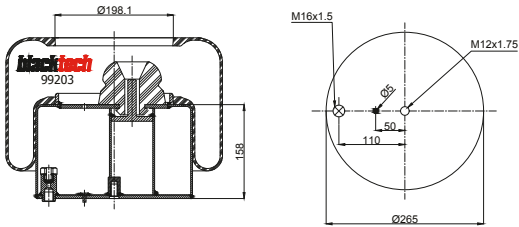
OEM PART NUMBER	MODEL NO	CROSS REFERENCES
Voith	311.00054901	



RML 99203 C

Cross Section View

Top View



● Bolt of Stud ○ Threaded hole ⊗ Combination Stud ⊗ Air Inlet

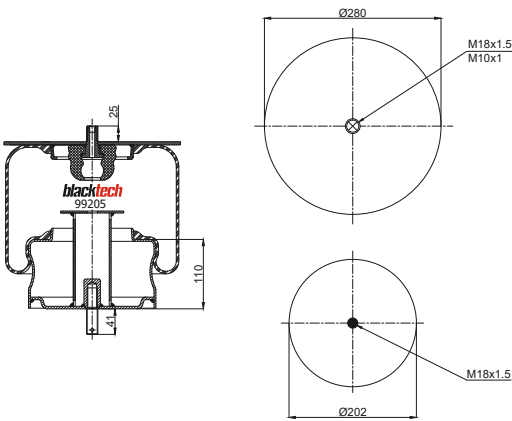
OEM PART NUMBER	MODEL NO	CROSS REFERENCES
Otokar 16M00-03652-AA		

RML 99205 C



Cross Section View

Top View



● Bolt of Stud ○ Threaded hole ⊗ Combination Stud ⊗ Air Inlet

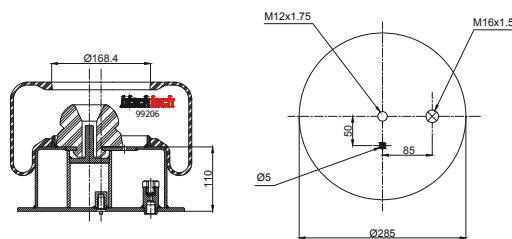
OEM PART NUMBER	MODEL NO	CROSS REFERENCES
Otokar 16F00-03652-AC		

RML 99206 C



Cross Section View

Top View



● Bolt of Stud ○ Threaded hole ⊗ Combination Stud ⊗ Air Inlet

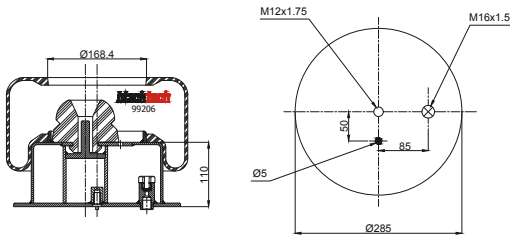
OEM PART NUMBER	MODEL NO	CROSS REFERENCES
Otokar 13H00-05484-AA		



RML 99206 C1

Cross Section View

Top View



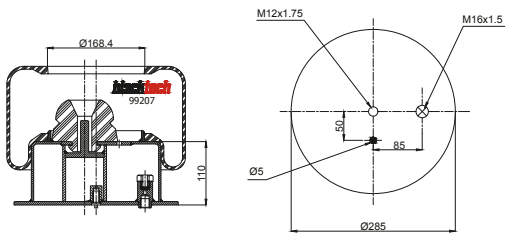
● Bolt of Stud ○ Threaded hole ⊗ Combination Stud ⊗ Air Inlet

OEM PART NUMBER	MODEL NO	CROSS REFERENCES
Otokar	9900-33888-AA	

RML 99207 C

Cross Section View

Top View



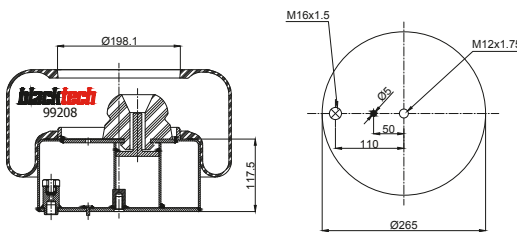
● Bolt of Stud ○ Threaded hole ⊗ Combination Stud ⊗ Air Inlet

OEM PART NUMBER	MODEL NO	CROSS REFERENCES
Otokar	9900-62894-AA	

RML 99208 C

Cross Section View

Top View



● Bolt of Stud ○ Threaded hole ⊗ Combination Stud ⊗ Air Inlet

OEM PART NUMBER	MODEL NO	CROSS REFERENCES
		Vibracoustic VIF34-10-99208

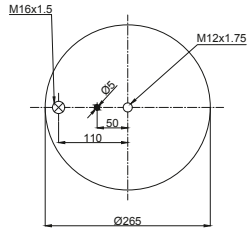
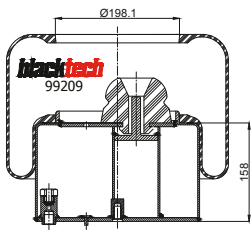




RML 99209 C

Cross Section View

Top View



- Bolt of Stud
- Threaded hole
- ⊗ Combination Stud
- ⊗ Air Inlet

OEM PART NUMBER	MODEL NO	CROSS REFERENCES
Otokar 16N03-03652-AA		

COMPLETE & SERVICE AIR SPRINGS CROSS LIST

	Blacktech	ContiTech	Phoenix	Firestone Style	Firestone No.	Goodyear	CF Gomma Ref.
RML	7010 S	909 NT	1D 23 C	1T15L-6	W01M58 0031		
RML	7010 SP	909 NTB	1D 23 C-1	1T15L-6	W01M58 0687	1R12-709	1T 320 SP
RML	7012						
RML	7012 C	901 MB					
RML	7013						
RML	7013 C	902 MB		1T19G-12	W01-M58-9910		
RML	7023 C1	912 N P01	1D 28 D-10	1T19L-14	W01-M58-8502	1R14-728	1T19E-2L / 1T19E-L
RML	7023 C2	912 N P02	1D 28 D-2	1T19L-14	W01-M58-8766 / W01-M58-7385	1R14-758	1T19E-4
RML	7023 C3						
RML	7023 C5						
RML	7023 CP						
RML	7023 CP1						
RML	7023 CP2						
RML	7051	940 MB	1DK 21 K	1T17D-4.3	W01-M58-8613	1R11-703	1TC300-30
RML	7051 C	940 MB P30 (Metal piston)	1DK 21 K1	1T17D-4.3	W01M58 8609	1R11-763	
RML	7051 C1						
RML	7051 CP	940 MB P30	1DK 21 K2	1T17D-4.3	W01-M58-8585	1R11-752	1TC300-30K
RML	7051 CP1	941 MB	1DK 21	1T17D-8.3	W01-M58-8620	1R11-700	1TC300-36
RML	7052	941 MB P30 (metal piston)	1DK 21	1T17D-8.3	W01M58 8619	1R11-762	1TC 300-36
RML	7052 C	941 MB P30 (metal piston)	1DK 21	1T17D-8.3	W01M58 8619	1R11-762	1TC 300-36
RML	7052 CP	941 MB P30	1DK 21-2	1T17D-8.3 / 1T17J-10.3	W01-M58-8618 / W01-M58-8668	1R11-743	1TC300-36
RML	7053	942 MB	1DK 32 L	1T66D13.5	W01-M58-8611	1R14-700	
RML	7053 C	942 MB (metal piston)		1T66F-13.5	W01M58 8584	1R14-781	
RML	7059	948 MB					
RML	7062	951 MB		1T17D-12	W01-M58-8621	1R11-704	
RML	7062 C						
RML	7062 CP						
RML	7573						
RML	7573 C						
RML	7683 C	836 N P09		1T17AR-4.5	W01-M58-8364		
RML	7803						
RML	7803 CP	792 N P01					
RML	7835	724 N P01				1R11-711	
RML	7835 C1						
RML	7835 C2						
RML	7835 C3						
RML	7836	725 N P01				1R14-704	1TCS360-45
RML	7836 C2					1R14-813	
RML	7836 C3					1R14-814	
RML	7836 C4	725 N P03		1T66D-10.8	W01-M58-8610		
RML	7836 C5	725 N P02		1T66E-10.8	W01-M58-8969		

COMPLETE & SERVICE AIR SPRINGS CROSS LIST

CF Gomma No.	Vibracoustic	Gart Ref.	Gart No.	Dunlop UK	Dunlop F	Taurus	Page
							95
89753							95
							95
	VIDK38-923						96
							96
	VIDK35-924						96
207737 / 207736 / 206333	VID28D-10	D287/C	2874601 / 2874601/1		D14B52		97
96997 / 202442	VID28D-4	D287/C	2874600		D13B14		97
	VID28d-101						97
							98
	VID28d-111						98
	VID28d-111V-1						98
	VID28d-111V-2						99
205536	VIDK21K	C293/A	2930411		D11U31		99
	V1DK 21K				D11B39		99
							100
207308	VIDK21K Y4	C293/A	2932412	00936A-AP	D11B36		100
204466	VIDK21	C293	2930511		D11U30		100
205170					D11B38		101
205170					D11B38		101
206356	VIDK21 Y1	C293	2932512	00935A-AP	D11B33		101
	VIDK32L						102
							102
							102
		C293/B	2930611				103
							103
							103
							104
							104
							104
							105
							105
							105
							106
							106
							106
202964	VIDF32-246149	C292/S	2920533		D14U38		107
							107
							107
	VIDF32-166252	C292/S			D14B43		108
	VIDF32-166217	C292/S	2921534		D14B40		108

COMPLETE & SERVICE AIR SPRINGS CROSS LIST

	Blacktech	ContiTech	Phoenix	Firestone Style	Firestone No.	Goodyear	CF Gomma Ref.
RML	7837	726 NP01					
RML	7863	752 NP01					
RML	7863 C	752 NP02					
RML	7910 S	809 NT		1T15L-6	W01M58 0031		1T 320 SP
RML	7910 SP	809 NTB		1T15L-6	W01M58 0687	1R12-709	1T 320 SP
RML	7921		1D 28 A-5 NP	1T19L-7	W01-M58-7237	1R14-868	
RML	7921 S	810 NT	1DK 28 A	1T19L-7	W01-M58-0491	1R14-714	1T19E-1S
RML	7921 SP	810 NTB	1DK 28 A-4	1T19L-7	W01-M58-0749	1R14-713	1T19E-1
RML	7921 C	810 MB	1D 28 A-2	1T19L-7	W01-M58-6345	1R14-716	1T19E-1
RML	7921 C1						
RML	7921 C2						
RML	7921 C3						
RML	7921 CP	810 MB Plastic Piston		1T19 L-7	W01M58 8775		
RML	7922						1T 19E-2
RML	7922-1						
RML	7922-2						
RML	7922 S	811 NT				1R14 715	
RML	7922 SP	811 NTB		1T19L-10	W01M58 0747		
RML	7922 C	811 MB				1R14-718	1T19E-2
RML	7922 C1						
RML	7922 C2						
RML	7922 C3						
RML	7922 CP2						
RML	7923						
RML	7923 C						1T19 E2
RML	7923 C1						
RML	7924	813 MB/O	1D 28 B-5 NP	1T19L-11	W01-M58-7238	1R14-867	
RML	7924 C	813 MB	1D 28 B-2	1T19L-11	W01-M58-6364	1R14-705 / 1R14-857	1T19E-2
RML	7924 C1						
RML	7924 C2						
RML	7924 C3						
RML	7924 C4						
RML	7924 CP						
RML	7947	836 M	1DF 25-1 NP	1T17AR-4.5	W01-D08-0776 / W01-M58-0776	1R12-700	
RML	7947-1	836 MB	1DF 25-4 NP	1T17AR-4.5	W01-M58-0775	1R12-764	
RML	7947-2	836 M2	1DF 25-3 NP	1T17AR-4.5	W01-D08-0777 / W01-M58-0777	1R12-710	
RML	7947-11						
RML	7947 C1	836 MK1	1DF 25-11	1T17AR-4.5	W01-M58-8722	1R12-712	
RML	7947-2 C1	836 M2 K1	1DF 25-13	1T17AR-4.5	W01-M58-8721	1R12-711	
RML	7947 C4	836 MB K4	1DF 25-14	1T17AR-4.5	W01-D08-8705		
RML	7947 C6	836 MB K6	1DF 25-15	1T17AR-4.5	W01-M58-8701	1R12-768	

COMPLETE & SERVICE AIR SPRINGS CROSS LIST

CF Gomma No.	Vibracoustic	Gart Ref.	Gart No.	Dunlop UK	Dunlop F	Taurus	Page
	VIDF32C-166253						108
	VIDF32-166228						109
							109
89753							109
89753						UR 504-13	110
	VID28A-5 NP			PNP307520000		RUG21-26	110
							110
93702				PNP311380000			111
87413/1	VID28A-2			00984A-AP	D13B20 / D13B01	KR621-26	111
							111
							112
							112
							112
207758							113
							113
							113
							114
							114
203878		D277	2774506	PNP311670000	D13B34		114
							115
		D287	2874522				115
		D287	2874522 (UNC)				115
		D287	2874522 (Plastic Piston)				116
							116
97730							116
		D277/2F	2772500				117
	VID28B-2 NP					UR622-26	117
87408	VID28B-2	D277/B - D287/A	2774500/2874510	00985A-AP	D13B19 / D13B02	KR622-26	117
							118
							118
							118
							119
							119
	VIDF25-1	C302	3020376		D13U32	UR721-01	119
	VIDF25-4				D12U27	UR721-04	120
	VIDF25-3	C302	3020376/2		D13U31	UR721-03	120
	VIDF26-4711						120
	VIDF25-11	C302	3021375		D13B32	KR721-06	121
	VIDF25-13	C302	3021375/2		D13B31	KR721-03	121
	VIDF25-14						121
	VIDF25-15				D13B43	KR721-05	122

COMPLETE & SERVICE AIR SPRINGS CROSS LIST

	Blacktech	ContiTech	Phoenix	Firestone Style	Firestone No.	Goodyear	CF Gomma Ref.
RML	7947 C7	836 MK7	1DF 25-12	1T17AR-4.5	W01M58 8715	1R12-723	
RML	7947 C8	836 NP05					
RML	7947 C9	836 NP06					
RML	7947 C10	836 NP10					
RML	7947 C11						
RML	7990	889 M		1T15LLR-5	W01M58-0781	1R11-842	
RML	7990 C2	889 M K2		1T15LLR-5	W01M58-8679	1R11-843	
RML	7992	881 MB	1DK 32	1T66D-10.8	W01M58-8978	1R14-708	1TC360-45
RML	7992 C	881 MB P30 (Metal)	1DK 32-1	1T66F-10.8	W01M58 8966	1R14-712	
RML	7992 CP	881 MB P30	1DK 32-2	1T66F-10.8	W01M58-8667	1R14-748	1TC360-45
RML	7998	887 M		1T15LNR-3	W01M58-0780	1R11-796	
RML	7998 C1	887 MK1		1T15LNR-3	W01M58 8683	1R11-798	
RML	7998-2 C1						
RML	7998 C3	887 NP03			W01M58 5786	1R11-888	
RML	7998 C4	887 MK4		1T15LNR-3	W01M58 8681		
RML	7998 C6	887 NP04			W01M58 5785	1R11-797	
RML	70081						
RML	70081 C		1DK 25-1(old 1DK 25-8747)	1T17B-11	W01M58 8747	1R13-150 / 1R13-148	
RML	70082						
RML	70082 C						
RML	70195 C						
RML	70301 C		1DF23 B-1	1T15M-4	W01-095-0389	1R13-746	
RML	70302 C		1DF 23 A-1	1T15VPR-3	W01M58-8193	1R12-809	
RML	70303						
RML	70303 C		1DF 20 C-1	1T15L-4	W01-095-0422	1R11-833	
RML	70303 C1		1DF 20 C-2			1R11-837	
RML	70304						
RML	70304 C		1DF 20 A-3			1R11-829	
RML	70305 C		1DF 20 A-2	1T15LR-4	W01-095-0481	1R11-830	
RML	70306 C		1DF 20 A-1			1R11-831	
RML	70307 C		1DF 23 B-2	1T15L-4(3)	W01-095-0405	1R11-845	
RML	70310 C					1R11-740	
RML	70462						1TS 270-23
RML	70462 CP						1TS 270-23
RML	70463						1TS 270-23
RML	70463 CP						1TS 270-23
RML	70465						1TS 270-23
RML	70465 CP						1TS 270-23
RML	70466						1TS 270-23
RML	70466 CP						1TS 270-23
RML	70739 C						1TS 270-23

COMPLETE & SERVICE AIR SPRINGS CROSS LIST

CF Gomma No.	Vibracoustic	Gart Ref.	Gart No.	Dunlop UK	Dunlop F	Taurus	Page
	V1DF-25-12				D13B33		122
	V1DF26-85805						122
	V1DF26-85806						123
	V1DF26-85810						123
							123
	V1DF16d-911NP						124
	V1DF16d-911						124
204530	V1DK32	C292	2920531		D14U36	UR836-01	124
					D14B36		125
206357	V1DK32 Y9	C292	2922532		D14B41		125
					D11U41		125
	V1DF18-2						126
							126
							126
							127
	V1DF18-3						127
							127
	V1DK25-8747				D13B42		128
							128
	V1DK25s-082						128
	V1DF25s-195						129
		D278/NA	2782300				129
	V1DF23a-302	D278/N	2782330				129
							130
		D297/A	2972315				130
	V1DF20d-859	D297/A	2972315/1				130
							131
		D297/B	2971430	01399A-AP			131
		D297/B	2971431	01398A-AP			131
				01397A-AP			132
	V1DF20d-859	D297/C	2971300				132
							132
207172							133
206686	V1DF19i-462						133
207173							133
206687	V1DF19i-463						134
207170							134
206684	V1DF19i-465						134
207171							135
206685	V1DF19i-466						135
207536	V1DF18s-739						135


COMPLETE & SERVICE AIR SPRINGS CROSS LIST

	Blacktech	ContiTech	Phoenix	Firestone Style	Firestone No.	Goodyear	CF Gomma Ref.
RML	70742		1DK 23 H-0742 NP				
RML	70742 C		1DK 23 H-0742				
RML	71113						
RML	71113 C	6700 N P01					
RML	71302 C						
RML	71303 C		1D28 C12	1T19 L-12	W01M58 7380 / 8765		
RML	71304 C			1T19 L-14	W01M58 8762		1T19 E-3
RML	71304 C1			1T19 L-14	W01M58 8762		
RML	71309 C					1R13-726	
RML	71314 C		1D28 D-2	1T19 L-14	W01M58 8766		
RML	71315 C					1R13-724	
RML	71315 C1					1R13-728	
RML	71420 C						
RML	71421 C						
RML	71480 C						
RML	71481 C						
RML	71501						
RML	71501 C		1DK 28 F-3			1R14-823	
RML	71840 C						
RML	71896 C	6716 N P02				1R11-896	
RML	71901 C		1D28 A-13	1T19L-7	W01-M58-6222	1R14-825	
RML	72247 CP						
RML	72421 C						
RML	72430 C						
RML	72432 C						
RML	72478						
RML	72478 C						
RML	72520 C						
RML	72642 CP					1R12-642	
RML	72670 C						
RML	72789						
RML	72961 C						
RML	72990 C						
RML	73042	4007 N P01					
RML	73042 C						
RML	73108						
RML	73108 C	6604 N P01	1DF 17-1	1T15UR-4.0	W01-M58-8470	1R11-890	
RML	73311						
RML	73311 C	6603 N P02					
RML	73312						
RML	73312 C	6603 N P01				1R11-893	

COMPLETE & SERVICE AIR SPRINGS CROSS LIST

CF Gomma No.	Vibracoustic	Gart Ref.	Gart No.	Dunlop UK	Dunlop F	Taurus	Page
							136
							136
							136
	VIDK28t-113501						137
		D287/B	2874.580				137
					D13 B03		137
201840					D13 B04		138
		1T19E-3	201840		D13 B04		138
					D13 B09		138
					D13 B14		139
					D13 B15D		139
					D13 B15G		139
	VIDF16U-420	D276/R	2761.420				140
	VIDF16U-421	D276/R	2761.421				140
	VIDF16Z-480	D276/LR	2761.480				140
	VIDF16Z-481	D276/LR	2761.481				141
							141
		D277/D	2772.520				141
		1T19E-3	201840				142
	VIDF18f-896						142
	VIDK28A-13	D277/B	2772.422		D14B55		142
	VIDK21s-247						143
		D276/R-2F	2762.421				143
		D278/E	2782.430				143
		D278/E	2782.432				144
		1TS 230-25	207618				144
		1TS 230-25	207194				144
		D278/F	2782.520				145
							145
		D287/D	2872.670				145
							146
	VIDF23s-961						146
	VIDF16v-990						146
	VIDF21A-247104						147
	VIDF21A-166271						147
							147
	VIDF16E-1						148
							148
	VIDF22s-662502						148
							149
	VIDF22s-662501						149

COMPLETE & SERVICE AIR SPRINGS CROSS LIST

	Blacktech	ContiTech	Phoenix	Firestone Style	Firestone No.	Goodyear	CF Gomma Ref.
RML	73608 C	6700 N P02			W01-M58-8535/W01-S05-9881	1R14-869	
RML	73836						
RML	73836 C						
RML	74031 C					1R14-812 / 1R14-784	
RML	74283 C					1R11-879	
RML	74287 C					1R11-867	
RML	74288 C					1R11-869	
RML	74307 C					1R13-730	
RML	74506 C		10F 20 A-4			1R11-832 / 1R11-173	
RML	74512						
RML	74512 C						
RML	74514						
RML	74514 C						
RML	74520 C						
RML	74521 C						
RML	74523 C						
RML	74543						
RML	74543 C	6614 N P01					
RML	74544 CP	4157 N P08	10K 20 C-2	1T15MPW-7	W01-M58-6317	1R11-773	1T300-37
RML	74580						
RML	74580 C		10 28 C-12	1T19L-12	W01-M58-8765	1R13-734 / 1R13-805	
RML	74760 C	6612 N P01					
RML	74762 C	6613 N P01					
RML	74770 C	54770 M					
RML	74925						
RML	74925 C	6609 N P01					
RML	75020 C	4919 N P01					
RML	75022						
RML	75022-4						
RML	75022 C3	4911 N P03				1R13-739 / ex 1R13-714	1T19E-3
RML	75022 C4	4911 N P04				1R13-755	1T19E-3
RML	75022 C6	4911 N P06					
RML	75023	4912 N P08				1R13-713	1T19E-4
RML	75023-10						
RML	75023 C7	4912 N P07	10K 28 F-4	1T19L-14	W01-M58-8786	1R13-738 / ex 1R13-711	1T19E-4
RML	75023 C10	4912 N P10	10K 28 F-5	1T19LL-14	W01-M58-5521	1R13-753	1T19E-4
RML	75023 C13	4912 N P13	10K 28 F-6	1T19LL-14	W01-M58-5520		
RML	75024	4913 N P04	10 28 H-16 NP	1T19 L-14	W01-095-0365	1R14-755	
RML	75024 C	4913 N P02	10 28 H-16	1T19 L-14 / 1T19LAJ-14	W01-095-0500/W01-M58-9881	1R14-753	1T19E-93
RML	75026	4915 N P03					
RML	75026 C6	4915 N P06	10K 19-1				

COMPLETE & SERVICE AIR SPRINGS CROSS LIST

CF Gomma No.	Vibracoustic	Gart Ref.	Gart No.	Dunlop UK	Dunlop F	Taurus	Page
	VIDK28s-672202						149
							150
							150
							150
							151
							151
	VIDF19d-288						151
							152
		D297/B	2971432				152
							152
		D278/H	278.4512				153
							153
		D278/H	278.4514				153
		D277/D	277.4520				154
		D277/DA	277.4521				154
		D277/DA	277.4523				154
							155
							155
207768	VIDK20C-2	C294	2941452			KR915-53NW	155
							156
	VID28C-12	D278/B	287.4580				156
	VIDF16s-760						156
	VIDF21a-762						157
	VIDF22C-3	C293/V	2931461				157
							157
	VIDF21b-663101						158
							158
							158
							159
207770		D287/E	2871540		D13B41		159
207771		D287/E	2871541				159
	VIDK28b-12L	D287/E	2871542				160
206780		D287/C	2870.601		D13U40		160
							160
206779	VIDK28F-4	D287/C	2871.600		D13B40 / D13B45		161
207769	VIDK28F-8	D287/C	2871.603				161
	VIDK28r-12	D287/C	2871.602				161
		C282/H - D287/H	282.0.601/ 287.0.603		D14U42		162
206201	VID28H-16	C282/H - D287/H	282.1.600/ 282.1.606	00937A-AP	D14B42	KR625-16	162
		C294/C	294.0.531				162
	VIDK19-1	C294/C	294.1.530				163

COMPLETE & SERVICE AIR SPRINGS CROSS LIST

	Blacktech	ContiTech	Phoenix	Firestone Style	Firestone No.	Goodyear	CF Gomma Ref.
RML	75027	4916 N1 P01					
RML	75027 C7	4916 N1 P07					
RML	75031 CP	4920 N P01					
RML	75033						
RML	75033 CP	4922 MB					
RML	75051	4940 N P02				1R11-799	
RML	75051 C						
RML	75051 CP						
RML	75052	4941 N P02				1R11-802	
RML	75052 C						
RML	75052 CP						
RML	75053	4942 N P02					
RML	75053 C1	4942 N P04					
RML	75054						
RML	75038 CP	4927 N P01					
RML	75071	4960 N P02	1DK 21 K-3			1R11-801	1TC300-30K
RML	75071 C						
RML	75071 CP						
RML	75072	4961 N P02				1R11-800	
RML	75072 CP						
RML	75073	4962 N P02				1R11-803	
RML	75073 CP	4962 N P03					
RML	75115	4004 N P02	1DK 22 E 5 NP	1T17BS-6	W01 M58 0919	1R11-705	1T300-37
RML	75115 C	4004 N P05	1DK 22 E-5	1T17BS-6		1R11-706	1T300-33
RML	75115 CP	4004 N P03	1DK 22 E-8	1T17BS-6	W01 M58 6366	1R11-713 / 1R11-750	1T300-37
RML	75119	4008 N					
RML	75119 C		1D 28 C-12	1T19L-12	W01 M58 8765		
RML	75120 C						
RML	75131 C						
RML	75131 C1						
RML	75132						
RML	75132 CP		1DK 22 E-14				1T 300-37
RML	75133	4022 N P02	1DK 22 E-9 NP	1T17BS-6	W01 M58 0756	1R11-709 / 1R11-850	
RML	75133-1						
RML	75133 C2						
RML	75133 C3			1T15 BS-6	W01 M58 6367	1R11-714	1T300-37
RML	75133 CP2	4022 N P03					
RML	75133 CP3	4022 N P03	1DK 22 E-9	1T17BS-6	W01 M58 6367	1R11-714 / 1R11-751 / 1R11-710	1T300-37
RML	75133 CP4						
RML	75133 CP5	4022 N P05	1DK 22 E-11	1T17BS-6	W01 M58 8612	1R11-781	1T300-37
RML	75133 CP11						

COMPLETE & SERVICE AIR SPRINGS CROSS LIST

CF Gomma No.	Vibracoustic	Gart Ref.	Gart No.	Dunlop UK	Dunlop F	Taurus	Page
	VIDF26s-1NP						163
	VIDF26s-1						163
							164
							164
	VIDK21f-033						164
		C293/A	293.0.413		D11U42		165
							165
	VIDK21K-4Y20						165
		C293	293.0.513		D11U45		166
							166
							166
	VIDK32M	C293	293.0.514				167
							167
							167
	VIDK21f-494901						168
207711	VIDK21K-3	C292/A	293.0.412		D11U44		168
							168
	VIDK21K-3Y8						169
		C293/A	293.0.414		D11U43		169
							169
		C293	293.0.514		D11U46		170
	VIDK21-5Y18	C293	293.2.513				170
	VIDK22E-5NP	D278/S	278.0.451		D12U13	K505	170
97722	VIDK22E-5	D278/S	278.4.451		D12B25		171
203715	VIDK22E-8	D278/S	278.4.452		D12B34 / D12B13	K505-27SM	171
							171
	VID28C-12				D13B03		172
							172
	VIDK22f-20						172
							173
							173
207722	VIDK22E-14	D278/S	278.1.452				173
	VIDK22E-9 NP	D278/S	278.0.452		D11U40		174
	VIDK22s-20NP						174
							174
204677					D12B04	KR 725-28	175
							175
206340	VIDK22E-9	D278/S	278.4.454		D12B14	KR725-28	175
	VIDK22s-12						176
206585	VIDK22E-10	D278/S	278.1.455		D11B41		176
							176

COMPLETE & SERVICE AIR SPRINGS CROSS LIST

	Blacktech	ContiTech	Phoenix	Firestone Style	Firestone No.	Goodyear	CF Gomma Ref.
RML	75134	4023 N P06	1D 28 B-10 NP	1T19L-11	W01 M58 6335		
RML	75134 C	4023 N P03	1D 28 B-10	1T19L-11	W01 M58 6348	1R14-729	1T19E-2
RML	75134 C1						
RML	75134 C2	4023 N P07					1T19E-2
RML	75134 C3						1T19E-2
RML	75134 CP						
RML	75134 CP1						
RML	75134 CP2						
RML	75134 CP3						
RML	75134 CP4						
RML	75138						
RML	75138 CP		1DK 22 E-13				1T300-37
RML	75139						
RML	75139 C2	4028 N P02	1D 28 F-1	1T19L-12	W01 M58 8106	1R14-782	
RML	75139 C5	4028 N P05	1D 28 B-12	1T19L-11	W01 M58 7370	1R14-721 / 1R14-710	
RML	75260-1						
RML	75260-5	4159 N P05	1DK 21 B-5 NP	1T15M-9	W01 M58 0736	1R12-761	1T323 - 40
RML	75260 C3	4159 N P03	1DK 23 L-27	1T15M-9	W01 M58 7548 / W01 358 9130	1R12-701	1T323 - 40
RML	75260 C4					1R12-717	
RML	75260 C6						
RML	75260 C7	4159 N P07	1DK 23 L-25	1T15M-9	W01 M58 8859 / W01 379 9091	1R12-702	1T323-40
RML	75260 C8						
RML	75260 C10						
RML	75260 C16						
RML	75260 CA18			1T15M-9	W01 M58 7548		
RML	75260 CP9	4159 N P09	1DK 23 L-9131	1T15M-9	W01 M58 9131	1R12-721	1T323-40
RML	75260 CP11						
RML	75260 CP12						
RML	75260 CP13						
RML	75260 CP14	4159 N P14	1DK 21 B-4	1T15M-9	W01 M58 7548	1R12-760 / 1R12-834	1T323-40
RML	75265						
RML	75265 C5	4154 N P05	1DK 23 F-1	1T15M-3	W01 358 8172 / W01 M58 8172		
RML	75265 CP6	4154 N P06					
RML	75266						
RML	75266 C						1T323 - 33
RML	75267-1						
RML	75267-5	4156 N P05		1T15M-6	W01 358 0734	1R12-842	
RML	75267-12						
RML	75267 C4	9 10-16 A 310		1T15M-6	W01 358 9082	1R12-134/092	
RML	75267 C6		1DK 23 K-28	1T15M-6	W01 358 9361	1R12-719	1T323-33
RML	75267 C7	4156 N P07	1DK 23 K-28	1T15M-6	W01 358 9361	1R12-719	1T323-32

COMPLETE & SERVICE AIR SPRINGS CROSS LIST

CF Gomma No.	Vibracoustic	Gart Ref.	Gart No.	Dunlop UK	Dunlop F	Taurus	Page
							177
204676	VID28B-10	D277	2774.505		D13B26	KR622-18	177
	VID28b-1034						177
207734	VID28b-1034V-1	D277	2774.505/2				178
207735	VID28b-1034V-2	D277	2771.505				178
	VID28b-1134p						178
	VID28b-1134ps						179
	VID28b-1134						179
	VID28b-1134V-1						179
	VID28b-1134V-2						180
							180
207719	VIDK22E-13	D278/S	2781.453				180
							181
	VID28F-1	D287/E	2874.540		D14B47		181
	VID28F-7	D277/D - D287	2774.520/2774.524/2874.521		D14B51		181
							182
	VIDK21B-5	D278/H	2780.551		D12U04		182
97306	VIDK23L-40	D278/H	278.451/1	PNP311370000	D12B08		182
					D12B34		183
							183
202302	VIDK23B-9	D278/H	2782.511	00982A-AP	D12B15	KR509-25	183
							184
							184
							184
							185
200751	VIDK23L-9131	D278/H	2781.510		D12B04	KR509-9131	185
							185
							186
							186
204124	VIDK21B-4			PNP311370000	D12B01		186
							187
	VIDK23F-1						187
							187
							188
96873							188
							188
		D278/G	2780.421				189
							189
						KR506-9082	189
97306	VIDK23K-28			PNP309580100	D12B19	KR506-28	190
	VIDK23K-28	D278/G	278.4421/1	00981A-AP	D12B19	KR506-28	190

COMPLETE & SERVICE AIR SPRINGS CROSS LIST

	Blacktech	ContiTech	Phoenix	Firestone Style	Firestone No.	Goodyear	CF Gomma Ref.
RML	75267 C9	4156 N P09	1DK 23 K-54	1T15M-6	W01 M58 9089	1R12-706	1T323-33
RML	75267 C11						
RML	75267 C15						
RML	75267 CP10	4156 N P10		1T15M-6	W01 358 8929	1R12-461	
RML	75267 CP13						
RML	75267 CP14	4156 N P14	1DK 23 K-9082	1T15M-6	W01 358 9082	1R12-092	1T323-32
RML	75267 CP15	4156 N P15	1DK 23 K1	1T15M-6	W01 358 9361		1T323-32
RML	75267 CP16	4156 N P16					
RML	75268						
RML	75268-4						
RML	75268-6						
RML	75268 C3						
RML	75268 C4						
RML	75268 C5						
RML	75268 C6						
RML	75268 C9						
RML	75268 CP3	4157 N P03				1R11-881	
RML	75268 CP4	4157 N P04	1DK 21 A4	1T15 MPW-7	W01 M58 6297	1R11-111	
RML	75268 CP5	4157 N P05	1DK 21 A-3	1T15 MPW-7	W01 M58 8840	1R11-882 / 1R11-886	1T 323-32
RML	75268 CP6	4157 N P06	1DK 21 A-1	1T15 MPW-7	W01 M58 8186 / 6136	1R11-764	
RML	75268 CP8	4157 N P08	1DK 20 C-2	1T15 MPW-7	W01 M58 6317	1R11-773	1T 323-37
RML	75268 CP9	4157 N P09	1DK 21 A-31	1T15 MPW-7	W01 M58 7074	1R11-106	1T 300-38
RML	75268 CP10	4157 N P10	1DK 21 A-51	1T15 MPW-7	W01 M58 6315	1R11-772	1T 300-38
RML	75268 CP14	4157 N P04	1DK 21 A4	1T15 MPW-7	W01 M58 6297	1R11-111	1T 300-40
RML	75269	4158 N P02					
RML	75269 C						
RML	75269 CP	4158 N P03					
RML	75270 C		1D 23 E23	1T15 M-9	W01 M58 6289	1R12-703	
RML	75273 CP	4162 N P01					
RML	75339 CP						
RML	75339 CP1			1T14 C-1	W01 M58 5339		
RML	75343 CA						
RML	75343 CA1			1T14 C-1	W01 358 5443		
RML	75531						
RML	75531 C	4420 N P01		1T17 BR-8	W01 M58 9707		1TS 300-28
RML	75671 C	4560 N P02					
RML	75681 C	4570 N P02					
RML	75816 -1	4705 N1 P01				1R12-831	
RML	75816 C3	4705 N1 P03					
RML	75816 C4	4705 N1 P04		1T17 AR-10.5	W01 M58 8367		
RML	75824	4713 N P04				1R12-763	

COMPLETE & SERVICE AIR SPRINGS CROSS LIST

CF Gomma No.	Vibracoustic	Gart Ref.	Gart No.	Dunlop UK	Dunlop F	Taurus	Page
96873	VIDK23K24				D12B16		190
							191
							191
							191
							192
207767	VIDK23K-9082				D12B33	KR506-9082	192
207777				00981B-AP		K506-22SU	192
							192
							193
							193
							194
							194
							194
							195
							195
							195
							196
	V1D 21A-4				D12 B18	KR 915-54	196
207778	V1D 21A-31	C294	294.2450/1	00980B/AP			196
	V1D 20 A-1	C294	294.1451		D11B37	KR 915-52	197
207768	V1DK 20 C-2	C294	294.1452		D12B30	KR 915-53NW	197
205598	V1D 21 A-31	C294	294.2450		D12B17		197
206925	V1D 20 A-51	C294	294.1450		D12 B29	KR 915 - 51	198
207463	1DK 21A8	C294/D	294.2454	00980A/AP	D12 B18		198
		D278/HS	278.0.531				198
							199
		D278/HS	2781.530 / 278.1530/1				199
	V1D 23E23				D12 B07 / 09		199
							200
							200
							200
							201
							201
							201
207774		D278/V1	2781.355				202
	V1DF19U-671						202
	V1DF15S-681						202
		C302/B	302.0.521				203
		C302/B	302.1520				203
			302.1521				203
		C293/V	293.0.461		D12U24		204

COMPLETE & SERVICE AIR SPRINGS CROSS LIST

	Blacktech	ContiTech	Phoenix	Firestone Style	Firestone No.	Goodyear	CF Gomma Ref.
RML	75824 C	4713 N P02	1DF 22 C-1	1T17 BR-8	W01 M58 9706	1R12-762	1T 300-28
RML	75829	4718 N P02				1R12-841	
RML	75829 C	4718 N P01				1R12-821	
RML	75921	4810 N					
RML	75921 C						
RML	75921 C1	4810 N P08					1T 19E-1
RML	75921 C2						
RML	75921 C5	4810 N P05	1D28 A-10	1T19 L-7	W01 M58 6338	1R14-730	1T19 E1-E2
RML	75921 C7						
RML	75921 CP						
RML	75921 CP1						
RML	75921 CP2						
RML	75924						
RML	75924 C	4813 N P07	1D28 B-9	1T19 L-11	W01 M58 7358	1R14-727	1T19 E2-2BR
RML	75924 C1						
RML	75973	4862 N P01					
RML	75973 C2	4862 N P02					
RML	75992	4881 N P02	1DK 32 K	1T66 F-70	W01 M58 8601	1R14-701	1TC 360-40
RML	75992 C						
RML	75992 CP	4881 N P30	1DK 32 K-2	1T66 F-70	W01 M58 8666	1R14-757	1TC 360-40K
RML	75993	4882 N P01	1DF 16-2 NP			1R10-702	1TS 260-32
RML	75993 C5	4882 N P05	1DF 16-2	1T17TWR-8	W01 M58 9880	1R10-709	1TS 260-28
RML	75993 CP5						
RML	75994	4883 N P01				1R11-804	1TS 290-30
RML	75994 C	4883 N P06				1R11-884	
RML	75995	4884 N P01	1DF 19 B-1 NP			1R11-820	1TS 290-28
RML	75995-2	4884 N P02					
RML	75995 C6	4884 N P06	1DF 19 B-1	1T17JR-72	W01 M58 9879	1R11-861	1TS 290-28
RML	75995 C7	4884 N P07				1R11-885	
RML	75995 CP6						
RML	75996	4885 N P01					1TS 260-20
RML	75996 C2	4885 N P02					1TS 260-20
RML	75997	4886 N P02					
RML	75997 C1	4886 N P01					
RML	76113 C	6602 N P01				1R12-843	
RML	76199						
RML	76199 C		1DF 23 C-1			1R13-744	
RML	76200						
RML	76200 C		1DF 23 D-1			1R13-745	
RML	76200 C1						
RML	76237 C	6713 N P02	1DF 23 B-4			1R13-754	

COMPLETE & SERVICE AIR SPRINGS CROSS LIST

CF Gomma No.	Vibracoustic	Gart Ref.	Gart No.	Dunlop UK	Dunlop F	Taurus	Page
20775	V1DF 22-C1	C293/V	2931.460		D12B24		204
		D278/V	2780.471				204
		D278/V	2781.471				205
							205
	VID28a-1021						205
207733	VID28a-1021V-1	D277/B	2774.424/1				206
	VID28a-1021V-2						206
205456 - 207732	V1D28 A-10	D277/B	2774.523 / 2774.505/1		D13B25	KR621-18	206
							207
	VID28a-1921						207
	VID28a-1921V-1						207
	VID28a-1921V-2						208
							208
97764	V1D28 B-9	D287	287.4520		D13B10 / D13B22	KR622-01	208
							209
	V1DF 16 B-1NP						209
	V1DF 16 B-1						209
205537	V1D 32 K	C292/A	292.0461		D14U37	UR 838-01	210
							210
207309	V1DK 32K Y10	C292/A	292.0462		D14B44		210
207760	V1DF 16-2 NP	C289/M	289.0512		D10U01		211
207701	V1DF 16p-993	C289/M	289.1510				211
							211
207761	V1DF 19-C1	C304/M3	304.0513		D11U47		212
		C304/M3	304.1513				212
207759	V1DF 19 B-1NP	C304/M4	304.0511		D11U48		212
							213
207702	VIDF21s-490606	C304/M4	304.1510				213
	VIDF21s-490607	C289/M	289.1513				213
							214
207762	VIDF19t-1NP	C289/M1	289.0.411				214
207764	VIDF19t-1	C289/M1	289.1.410				214
	VIDF19b-997NP						215
	VIDF19b-997						215
	VIDF25-662401						215
							216
							216
							216
							217
							217
278.2.300/1	VIDF23u-M16	D278/NA	278.2.300/1				217

COMPLETE & SERVICE AIR SPRINGS CROSS LIST

	Blacktech	ContiTech	Phoenix	Firestone Style	Firestone No.	Goodyear	CF Gomma Ref.
RML	76238 C		10F 23 A-2			1R12-813	
RML	76240 C		10F 23 A-5			1R11-834	
RML	76241 C		10F 23 A-6			1R11-840	
RML	76242 C		10F 23 A-7			1R11-839	
RML	76243 C		10F 23 A-8			1R11-838	
RML	76246 C		10F 23 B-5			1R11-841	
RML	76251						
RML	76251 C			1T15 AA-3	W01 M58 6251	1R11-826	
RML	76251 CP						
RML	76260						
RML	76260 C						
RML	76260 CP			1T15 MPW-7	W01 M58 6260		
RML	76269						
RML	76269 CP			1T15 M6	W01 M58 6269		
RML	76286						
RML	76286 CP			1T15 MPW-9	W01 M58 6286		
RML	76287 CP			1T15 MPW-9	W01 M58 6287		
RML	76288 CP			1T15MPW-9	W01 M58 6238		
RML	76318						
RML	76318 CP			1T15MPW-9	W01 M58 6318		
RML	76420						
RML	76420 C	6606 NP02					
RML	76884 C		10K 28 A-7	1T19L-7	W01 M58 8772		1T19 E-1
RML	76885 C		10K 28 B-8	1T19L-11	W01 M58 8794		1T19 E-2
RML	77179						1TS 270-25 C
RML	77179 CP						1TS 270-25 C
RML	77180						1TS 270-25 C
RML	77180 CP						1TS 270-25 C
RML	77283						
RML	77283 C						
RML	77283 CP			1T15M-4	W01 M58 7283		
RML	77308						
RML	77308 C						
RML	77308 CP		10K 23 L-7308	1T15M-9	W01 M58 7308	1R12-713	
RML	77313						
RML	77313 CP			1T15AA-6	W01 M58 7313		
RML	77315						
RML	77315 C			1T15 Lux-11	W01 M58 7315		
RML	77315 CP						
RML	77348						
RML	77348 C						

COMPLETE & SERVICE AIR SPRINGS CROSS LIST

CF Gomma No.	Vibracoustic	Gart Ref.	Gart No.	Dunlop UK	Dunlop F	Taurus	Page
	VIDF23t-835						218
	VIDF20t-856						218
	VIDF20a-6						218
	VIDF20t-861						219
	VIDF20b-860						219
	VIDF20s-863						219
							220
							220
							220
							221
	VIDK23t-260						221
							221
							222
							222
							222
							223
	VIDK20s-287						223
							223
							224
							224
							224
							225
96884							225
96885							225
							226
207163	VIDF19s-179						226
207333							226
207162	VIDF19s-180						227
							227
							227
							228
							228
							228
							229
							229
	VIDK18a-7313						229
							230
							230
	VIDK20a-7315						230
							231
							231

COMPLETE & SERVICE AIR SPRINGS CROSS LIST

	Blacktech	ContiTech	Phoenix	Firestone Style	Firestone No.	Goodyear	CF Gomma Ref.
RML	77415 C						
RML	77433					1R12-826	
RML	77433 C					1R12-826	
RML	77527						
RML	77527 C	6608 N P01	1DF 17 B-1	1T15UR-9	W01-M58-8474	1R10-704	
RML	77529						
RML	77529 C	6607 N P01	1DF 17 A-1	1T15UR-6	W01-M58-8473	1R10-707	
RML	77639 C						1TS 270-23 C
RML	77639 C1						1TS 270-23 C
RML	77685 C		1D 28 F5			1R14-784	
RML	77728 C	6617 N P01					
RML	77741 C	6630 N P01				1R11-857	
RML	77741 C1	6630 N P02					
RML	77742 C	6631 N P01	1DF 20 E-2			1R11-858	
RML	77744 C	6634 N P01					
RML	77745 C	6634 N P01					
RML	77746 C	6635 N P01					
RML	77804						
RML	77804 C	6606 N P01	1DF 20 E-1	1T15LNR-3	W01-M58-8477	1R11-848	
RML	77805						
RML	77805 C	6606 N P02	1T15LNR-3.0	W01-M58-8690			
RML	77818 C	6707 N P01				1R12-832	
RML	77929 CP					1R12-851	
RML	78188						1TS 270-26
RML	78188 C						1TS 270-26
RML	78263						
RML	78263 C					1R11-847	
RML	78385						
RML	78385 C						
RML	78540 CP			1T17 DJ8	W01968 8540		
RML	78586						
RML	78586 CP			1T17 BPZ-11	W01R88 8586		
RML	78599 CP						
RML	78608						
RML	78608 CP			1T17 DJ-7	W01M58 8608		
RML	78633 C		1DF 23 G-1	1T17 HR-8	W01M58 8633		
RML	78643						
RML	78643 C			1T17 CL-95	W01M58 8643	1R13-167	
RML	78653 CP		1DF 17 B-2	1T15 UR-9	W01M58 8653		
RML	78867 C						
RML	78887 C						

CF Gomma No.	Vibracoustic	Gart Ref.	Gart No.	Dunlop UK	Dunlop F	Taurus	Page
	VID23G-5						231
							232
	VIDF20r-433						232
							232
	VIDF16D-1	C295/V	2951465		D10B01		233
							233
	VIDF16C-1	C294/VA	2951400				233
207537	VIDF16e-27045						234
207538							234
	V1D28F5						234
							235
							235
							235
							236
							236
							236
							237
							237
	VIDF20A-1	C294/VA	2941370				237
							238
	VIDF19f-805						238
							238
	VIDK23u-929						239
207949							239
207530	VIDF16-188						239
							240
	V1DK22G-1						240
							240
							241
	VIDK29-8540						241
							241
							242
							242
							242
	V1DK25b-1						243
							243
							243
							244
							244
	V1D23G-4WB						244
	V1DK27B-1						245

COMPLETE & SERVICE AIR SPRINGS CROSS LIST

	Blacktech	ContiTech	Phoenix	Firestone Style	Firestone No.	Goodyear	CF Gomma Ref.
RML	78888 C						
RML	78914						
RML	78914 C	6605 N P01	1DK 20 D-1	1T15LNR-6	W01M58-8472	1R11-805	
RML	79002 A3						
RML	79002 A3 CP	4157 N P05	1DK 21 A-3	1T15MPW-7	W01M58-8840	1R11-882 / 1R11-866	1T323-32
RML	79002 A3 CP1						
RML	79002 A8						
RML	79002 A8 CP	4157 N P04	1DK 21 A4			1R11-111	
RML	79002 A8 CP1						
RML	79002 CP6						
RML	79003 A3						
RML	79003 A3 CP						
RML	79003 A3 CP1			1T15 MPW-7	W01M58 7074		
RML	79003 A8						
RML	79003 A8 CP			1T15 MPW-7	W01M58 6297		
RML	79003 A8 CP1						
RML	79026 CP1			1T15 M-6	W01M58 6267		
RML	79153 C	6632 N P01				1R11-859	
RML	79153 C1	6632 N P02					
RML	79198						1TS 270-27 C
RML	79198 C						1TS 270-27 C
RML	79198 C1						1TS 270-27 C
RML	79296		1DK 20 B-1NP	1T 15 MPW-9	W01M58 6257	1R12-748	
RML	79296 C			1T 15 MPW-9	W01M58 8185		
RML	79296 CP		1DK 20 B-1	1T 15 MPW-9	W01M58 8185	1R12-749	
RML	79328 C						
RML	79369 C						1TS 270-23 C
RML	79720						1TS 290-19 C
RML	79720 C						1TS 290-19 C
RML	79722-1						1T 240-20 LM
RML	79722-2						1T 240-20 LM
RML	79722 CP1						1T 240-20 SINISTRA
RML	79722 CP2						1T 240-20 DESTRA
RML	79739						1TS 270- 26
RML	79739 C						1TS 270- 26
RML	79910 C			1T19 G-12	W01M58 9910		
RML	9027 C						
RML	9032 C						
RML	9032 C3						
RML	9032 C4	921M					
RML	9032 C5						

COMPLETE & SERVICE AIR SPRINGS CROSS LIST

CF Gomma No.	Vibracoustic	Gart Ref.	Gart No.	Dunlop UK	Dunlop F	Taurus	Page
	V1DK 27 B-2						245
							245
	VIDF20B-1	C294/V	2941.430		D11B42		246
							246
207778	VIDK21A-3	C294	2942.450/1	00980B-AP			246
							247
							247
	V1DK 21A-4/A-8				D12B18	KP 915-53 NW	247
							248
							248
							248
							249
							249
							249
							250
							250
							250
							251
							251
							251
207405	VIDF21-198						252
207406	VIDF21-199						252
	VIDK20B-1 NP						252
							253
	VIDK20B-1						253
	V1DK 27 B-6						253
207535	VIDF18S-369						254
207617							254
207410	VIDF24						254
207619							255
207620							255
207113	VIDK15-916						255
207112	VIDK15-917						256
M011601							256
207529	VIDF16t-739						256
							257
							257
							257
							258
							258
							258

COMPLETE & SERVICE AIR SPRINGS CROSS LIST

	Blacktech	ContiTech	Phoenix	Firestone Style	Firestone No.	Goodyear	CF Gomma Ref.
RML	9055 C5						1S 280-23
RML	9755 C2						
RML	9755 C3						
RML	9755 C4						
RML	9772 C1	661 N P01					
RML	9772 C2						
RML	9772 C4						
RML	9772 C6						
RML	9772 C7						
RML	9772 C8						
RML	9772 C10						
RML	9870 C	769 M					
RML	9870 C1	769 MB	1E 18-02				
RML	9873 C						
RML	9879 C	768 MB					
RML	9886 C						
RML	9893 C3	782 MB-3					
RML	9893 C4	782 N P04					
RML	9920 C	819 MB					1S 215-22
RML	9928 C	817 MB					
RML	9928 C1						
RML	9987 C	876 MB					
RML	90931 C						1S 323-40 C
RML	90931 C1						1S 323-40 C
RML	92035 C	1924 N1 P05	2F 18-1				
RML	92336 C						1S 323-36 C
RML	92336 CP						1S 323-36 C
RML	92526 C	1415 N P01	1E 23 A-1			9562	
RML	92526 C1	1415 N P02					
RML	92528 C	1417 N P01					
RML	92844 C						1S 270-25
RML	92844 C1						1S 270-25
RML	92844 C2						1S 270-25
RML	92844 C9						1S 270-25
RML	92893 C	1782 N1 P01					
RML	92893 C1	1782 N1 P02					
RML	92996 C						
RML	93351 C						1S 270-23 V
RML	93351 C1						1S 270-23 V
RML	93856 C						
RML	93857 C						

COMPLETE & SERVICE AIR SPRINGS CROSS LIST

CF Gomma No.	Vibracoustic	Gart Ref.	Gart No.	Dunlop UK	Dunlop F	Taurus	Page
204159							259
							259
							259
							260
	VIE25-8						260
					260HDD		260
							261
							261
							261
							262
							262
							262
							263
							263
							263
							264
	VIE21-23						264
							264
97297	VIE14-5						265
	VIE17s-5						265
							265
	VIE28-9987						266
207156							266
204318							266
							267
204065	VIE21h-36						267
207313	VIE21h-336						267
							268
	VIE17b-143702						268
	VIE18s-528						268
203474	VIE21c-27047						269
204151	VIE21c-27047-1						269
203475							269
203476							270
	VIG19s-5-893						270
	VIG19s-5-8931						270
							271
206660	VIE21z-27045-1						271
206661	VIE21z-27045-2						271
							272
							272

COMPLETE & SERVICE AIR SPRINGS CROSS LIST

	Blacktech	ContiTech	Phoenix	Firestone Style	Firestone No.	Goodyear	CF Gomma Ref.
RML	94098 C						1S 290-23 V
RML	94098 C1						1S 290-23 V
RML	95019 C						1SC 250-19
RML	95019 C1						1SC 250-19
RML	95101 C						
RML	95101 C2						
RML	95294-1	4183 N3 (Old 4183 N2)					
RML	95294-2	4183 N4 (Old 4183 N1)					
RML	95294 C1	4183 N P23					
RML	95294 C21	4183 N P24					
RML	95294 C23	4183 N P25 (Old 4183 N P25)					
RML	95294 C24	4183 N P26 (Old 4183 N P24)					
RML	95296	4185 N					
RML	95296 C1	4185 N P01					
RML	95296 C21	4185 N P21 (Old 4185 N P01)					
RML	95297-3	4186 N3					
RML	95297-4	4186 N4					
RML	95297 C23	4186 N P23 (Old 4186 N P21)					
RML	95297 C24	4186 N P24 (Old 4186 N P22)					
RML	95298-1	4187 N3 (Old 4187 N1)					
RML	95298-2	4187 N4 (Old 4187 N2)					
RML	95298 C1	4187 N P01					
RML	95298 C2	4187 N P22					
RML	95298 C21	4187 N P23 (Old 4187 N P21, 4187 N P01)					
RML	95298 C22	4187 N P24 (Old 4187 N P22)					
RML	95401-1	4390 N1	1KF 21-1NP	1R7Z-440-290-B	W01-M58-0904	9507	1VSC285-30
RML	95401-2	4390 N2	1KF 21-2 NP	1R7Z-440-290-C	W01-M58-0905	9508	1VSC285-30
RML	95401-3						
RML	95401 C1	4390 N P01					
RML	95401 C2	4390 N P02					
RML	95401 C3	4390 N P03					
RML	95401 C4	4390 N P04					
RML	95401 C21	4390 N P21 (Old 4390 N P01)	1KF 21-21	1R7Z-440-290	W01-M58-8514	9505	1VSC285-30
RML	95401 C22	4390 N P22 (Old 4390 N P02)	1KF 21-22	1R7Z-440-290	W01-M58-8513	9506	1VSC285-30
RML	95401 C23	4390 N P23 (Old 4390 N P03)				9563	1VSC285-30
RML	95401 C24	4390 N P24 (Old 4390 N P04)				9564	1VSC285-30
RML	95402-1	4391 N1					
RML	95402-2	4391 N2					
RML	95402 C1	4391 N P01					
RML	95402 C2	4391 N P02					
RML	95402 C21	4391 N P21 (Old 4391 N P01)					

COMPLETE & SERVICE AIR SPRINGS CROSS LIST

CF Gomma No.	Vibracoustic	Gart Ref.	Gart No.	Dunlop UK	Dunlop F	Taurus	Page
205939	VIE19-29045						272
205938							273
204660	VIE18a-25041						273
204886	VIE18a-25042						273
	VIE20-5101						274
							274
							274
							275
							275
							275
							276
							276
							276
							277
	VIE25-420721						277
							277
							278
							278
							278
							279
							279
							279
							280
	VIKF32-22-232						280
	VIKF32-24-232						280
206782	VIKF21-1NP	C304	3040.440		D12U25		281
206784	VIKF21-2NP	C304	3040.441		D12U26		281
							281
							282
							282
							282
							283
207765	VIKF21-1	C304	3041.440				283
207766	VIKF21-2	C304	3041.441				283
206783	VIKF21-4-232	C304	3041.443				284
206781	VIKF21-3-232	C304	3041.444				284
	VIKF21i-1NP						284
	VIKF21i-2NP						285
							285
							285
	VIKF21i-441321						286

COMPLETE & SERVICE AIR SPRINGS CROSS LIST

	Blacktech	ContiTech	Phoenix	Firestone Style	Firestone No.	Goodyear	CF Gomma Ref.
RML	95402 C22	4391 N P22 (Old 4391 N P 02)					
RML	95471 C						1S 215-22
RML	95471 C1						1S 215-22
RML	95471 C2						
RML	95471 C3						
RML	95755	4644 N					
RML	95755 C2	4644 N P02					
RML	95755 C22	4644 N P22 (Old 4644 N P02)					
RML	95789 C						1S 323-25 C
RML	95848-1	4737 N					
RML	95848 C1	4737 N P01					
RML	95848 C2	4737 N P02					
RML	95848 C5	4737 N P05					
RML	95848 C21	4737 N P21 (Old 4737 N P01)					
RML	95848 C22	4737 N P22 (Old 4737 N P02)				9524	
RML	95848 C25	4737 N P25 (Old 4737 N P05)				9539	
RML	95860	4759 N					
RML	95860 C1	4759 N P01					
RML	95860 C21	4759 N P21 (Old 4759 N P01)					
RML	95868-1	4757 N1	1KF 24-1NP	1R7Z-460-305-A	W01-M58-0909	9517	
RML	95868-2	4757 N2	1KF 24-2 NP	1R7Z-460-305-B	W01-M58-0910	9518	
RML	95868 C1	4757 N P01					
RML	95868 C9	4757 N P09					
RML	95868 C21	4757 N P21 (Old 4757 N P01)	1KF 24-21	1R7Z-460-305-A	W01-M58-8521	9519	
RML	95868 C29	4757 N P29 (Old 4757 N P09)	1KF 24-29	1R7Z-460-305-B	W01-M58-8522	9520	
RML	95869-1	4758 N					
RML	95869 C1	4758 N P01					
RML	95869 C21	4758 N P21 (Old 4758 N P01)					
RML	95869 C23	4758 N P23					
RML	95897	4786 N					
RML	95897 C22	4786 NP22					
RML	95897 C23	4758 N P23					
RML	95949-1	4838 N					
RML	95949 C1	4838 N P01					
RML	95949 C2	4838 N P02					
RML	95949 C3	4838 N P03					
RML	95949 C21	4838 N P21 (Old 4838 N P01)		1R7Z-595-330-A	W01-M58-8512	9521	
RML	95949 C22	4838 N P22 (Old 4838 N P02)				9522	
RML	95949 C23	4838 N P23 (Old 4838 N P03)				9536	
RML	96032 C						1SC 260-32
RML	96037 C						1S 285-22 C

COMPLETE & SERVICE AIR SPRINGS CROSS LIST

CF Gomma No.	Vibracoustic	Gart Ref.	Gart No.	Dunlop UK	Dunlop F	Taurus	Page
	VIKF21t-441322						286
200266							286
200267							287
							287
							287
							288
							288
	VIKE22-1						288
96898							289
							289
							289
							290
							290
							290
							291
	VIKF30-232						291
							291
							292
							292
	VIKF24-1-230 NP	C299/A	2990.461		D13U42		292
	VIKF24-2-230 NP	C299/A	2990.460		D13U43		293
							293
							293
	VIKF24-1-232	C299/A	2991.461		D13T01		294
	VIKF24-2-232	C299/A	2991.460		D13T02		294
							294
							295
							295
							295
							296
							296
	VIKF23-23						296
							297
							297
							297
							298
	VIKF25-1-232						298
	VIKF25-2-232						298
	VIKF25-3-232						299
201408	VIDF16f-032						299
207031							299

COMPLETE & SERVICE AIR SPRINGS CROSS LIST

CF Gomma No.	Vibracoustic	Gart Ref.	Gart No.	Dunlop UK	Dunlop F	Taurus	Page
206006							300
205727							300
205728							300
205730							301
205729							301
205057	VIE21e-27048						301
							302
							302
							302
							303
96825	VIE21d-28547						303
200436	VIE21d-2107						303
	VIE17v-28545						304
	VIE17v-28545-1						304
207633							304
207631	VIF15-1						305
88811	VIE21s-518L						305
96612	VIE21s-518R						305
	VIE24-1						306
							306
							306
							307
	VIF34-1						307
							307
							308
							308
							308
							309
							309
	VIF34-10-99208						309
							310

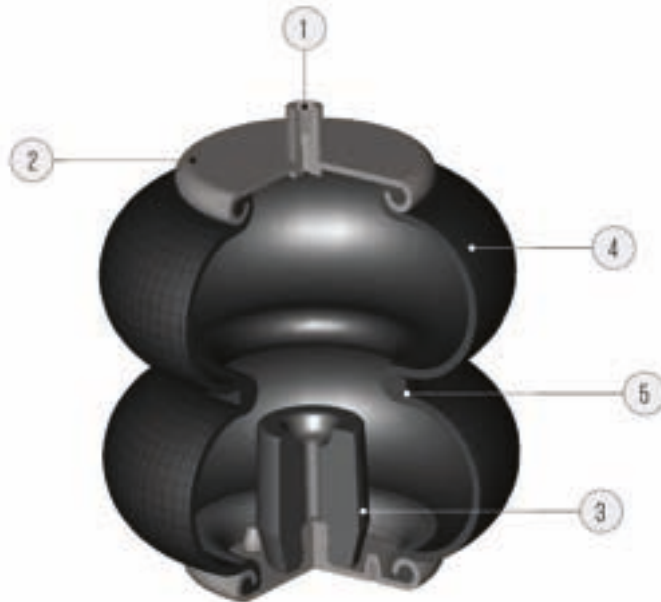


■
CONVOLUTED AIR SPRINGS



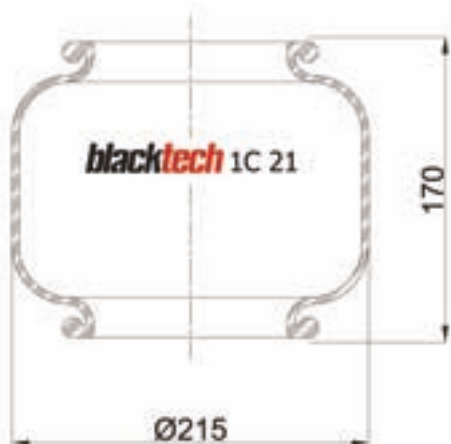
Vibracoustic
CVAir Springs

Components of Air Springs

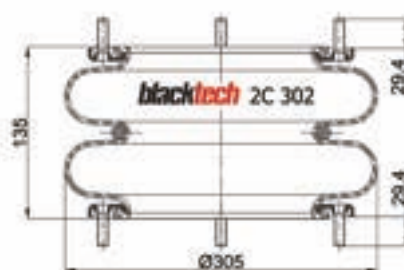


1. Combination stud / Air fitting
2. Plate
3. Bumper (Generally used in air suspension applications as fail-safe device.)
4. Rubber air spring body
5. Girdle hoop

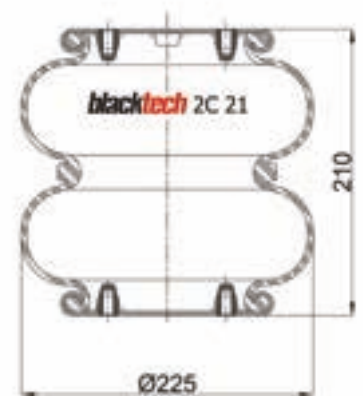
Product Identification / Roll Air Springs



1 C1 21 - 170 S
Rubber Bellow Only



2C 302 - 135 F01
With steel bead ring (customer's own mounting plate should be attached to the air spring)



2C 21 - 210 P13
With crimped bead plate or with steel bead ring and the mounting plate

CONVOLUTED AIR SPRINGS OEM LIST

MANUFACTURER	OEM PART NO	PART NO	TYPE	REMARKS	PAGE
AUSTERAS	99381001	1C 181-120 F01	With steel bead ring and mounting plate	(Ø 181mm)	355
ASSALI STEFAN	B1305000100A	1C 181-120 F01	With steel bead ring and mounting plate	(Ø 181mm)	355
BARTOLETTI	91621110	1C 181-120 F01	With steel bead ring and mounting plate	(Ø 181mm)	355
	91621322	3C 304-200 F02	With steel bead ring and mounting plate	(Ø 305mm)	389
BMC	57RS306423	1C 21-170 P02	With crimped bead plate	(Ø 215mm)	353
	57RS306424	3C 300-250 P01	With crimped bead plate	(Ø 305mm)	385
		3C 301-250 P03	With crimped bead plate	(Ø 305mm)	386
		3C 301-250 P04	With crimped bead plate	(Ø 305mm)	387
BPW	02.200.20.80.0	2C 250-170 S	Rubber bellow only	(Ø 250mm)	372
	04.419.00.28.0	2C 250-170 F	With steel bead ring and mounting plate	(Ø 250mm)	373
	05.429.00.04.0	2C 250-170 F	With steel bead ring and mounting plate	(Ø 250mm)	373
	02.200.20.90.0	2C 250-170 S01	Rubber bellow only	(Ø 250mm)	372
	04.419.00.28.0	2C 250-170 F01	With steel bead ring and mounting plate	(Ø 250mm)	373
	04.429.00.04.0	2C 250-170 F01	With steel bead ring and mounting plate	(Ø 250mm)	373
	02.200.20.50.0	2C 280-175 S	Rubber bellow only	(Ø 280mm)	375
	05.429.00.01.0	2C 280-175 F	Rubber bellow only	(Ø 280mm)	375
	02.200.21.90.0	2C 315-225 P04	With crimped bead plate	(Ø 315mm)	379
0.41.04.00.4.0	2C 355-190 F	With steel bead ring and mounting plate	(Ø 350mm)	382	
BATTAGLINO	22.070.00	1C 181-120 F01	With steel bead ring and mounting plate	(Ø 181mm)	355
DAF	1 192 203	2C 250-170 S01	Rubber bellow only	(Ø 250mm)	372
	1 307 058	2C 350-215 P02	With crimped bead plate	(Ø 350mm)	381
DAIMLER TAS	A 946 328 16 01	2C 211-220 P01	With crimped bead plate	(Ø 215mm)	369
	A 946 328 24 01	2C 235-235 P03	With crimped bead plate	(Ø 235mm)	371
	A 946 328 21 01	2C 235-235 P04	With crimped bead plate	(Ø 235mm)	372
DENNIS EAGLE		3C 301-250 P05	With crimped bead plate	(Ø 305mm)	387
FIASULT		2C 150-140 P01	With crimped bead plate	(Ø 150mm)	365
FLOOR	13586	2C 21-210 P01	With crimped bead plate	(Ø 215mm)	360
FORD	AC46 4K273 AB	2C 571-241 S	Rubber bellow only	(Ø 570mm)	383
FRUEHAUF	F48054M 80 A04	2C 200-140 P01	With crimped bead plate	(Ø 200mm)	368
	F 48054	2C 200-140 P02	With crimped bead plate	(Ø 200mm)	369
	M 80A04	2C 200-140 P02	With crimped bead plate	(Ø 200mm)	369
	UJB 09 85/A	2C 302-135 P03	With crimped bead plate	(Ø 305mm)	377
		2C 303-270 S	Rubber bellow only	(Ø 305mm)	377
	M 07 82 46	2C 303-270 P01	With crimped bead plate	(Ø 305mm)	378
	M 00 2297	3C 302-200 P03	With crimped bead plate	(Ø 305mm)	388
GIGANT		2C 21-210 P03	With crimped bead plate	(Ø 215mm)	360
	190130	2C 21-210 P05	With crimped bead plate	(Ø 215mm)	361
		2C 150-140 P01	With crimped bead plate	(Ø 150mm)	365
		2C 200-140 P02	With crimped bead plate	(Ø 200mm)	369
	196028	2C 205-140 P01	With crimped bead plate	(Ø 205mm)	369
	16036	2C 205-140 P01	With crimped bead plate	(Ø 205mm)	369

CONVOLUTED AIR SPRINGS OEM LIST

MANUFACTURER	OEM PART NO	PART NO	TYPE	REMARKS	PAGE
GIGANT	186017	2C 250-170 S01	Rubber bellow only	(Ø 250mm)	372
	196034	2C 250-170 S02	Rubber bellow only	(Ø 250mm)	373
		2C 255-170 P01	With crimped bead plate	(Ø 255mm)	371
		2C 302-135 F01	With steel bead ring and mounting plate	(Ø 305mm)	376
	881202	2C 302-135 P01	With crimped bead plate	(Ø 305mm)	376
	881202	2C 302-135 P02	With crimped bead plate	(Ø 305mm)	377
		2C 302-135 P03	With crimped bead plate	(Ø 305mm)	377
		2C 303-270 P01	With crimped bead plate	(Ø 305mm)	378
		3C 301-250 P05	With crimped bead plate	(Ø 305mm)	387
		881204	3C 302-200 P01	With crimped bead plate	(Ø 305mm)
		3C 302-200 P03	With crimped bead plate	(Ø 305mm)	388
GOLDSCHMITT	DLB 7598	1C 185-150 P01	With crimped bead plate	(Ø 185mm)	356
	DLB 6781	2C 151-150 P02	With crimped bead plate	(Ø 151mm)	365
	DLB 6784	2C 151-150 P03	With crimped bead plate	(Ø 151mm)	366
	DLB 6397	2C 151-150 P04	With crimped bead plate	(Ø 151mm)	366
	DLB 2C-170	2C 170-170 P01	With crimped bead plate	(Ø 170mm)	367
GRANING	1371	2C 21-210 P01	With crimped bead plate	(Ø 215mm)	360
	15603	2C 21-210 P01	With crimped bead plate	(Ø 215mm)	360
	15599	2C 21-210 P22	With crimped bead plate	(Ø 215mm)	363
	15803	2C 200-140 P02	With crimped bead plate	(Ø 200mm)	369
	15670	2C 235-235 P04	With crimped bead plate	(Ø 235mm)	372
	15807	2C 255-170 P01	With crimped bead plate	(Ø 255mm)	374
	15923	2C 280-175 S	Rubber bellow only	(Ø 280mm)	375
	1218	2C 315-225 P06	With crimped bead plate	(Ø 315mm)	380
	15673	3C 301-250 P05	With crimped bead plate	(Ø 305mm)	387
	17040	3C 301-250 P08	With crimped bead plate	(Ø 305mm)	388
HENDRICKSON	NA 1827	2C 21-210 P01	With crimped bead plate	(Ø 215mm)	360
	SH 505613	2C 21-210 P15	With crimped bead plate	(Ø 215mm)	362
	NA 1816	2C 315-225 P02	With crimped bead plate	(Ø 315mm)	378
	S14795	3C 301-250 P07	With crimped bead plate	(Ø 305mm)	387
ISUZU		2C 350-215 P03	With crimped bead plate	(Ø 350mm)	381
		2C 350-215 P04	With crimped bead plate	(Ø 350mm)	381
IVECO	41296106	2C 18-200 P01	With crimped bead plate	(Ø 180mm)	359
	8194818	2C 355-190 F	With steel bead ring and mounting plate	(Ø 350mm)	382
	8194819	2C 355-190 F	With steel bead ring and mounting plate	(Ø 350mm)	382
	42107595	3C 304-200 F02	With steel bead ring and mounting plate	(Ø 305mm)	389
	5006016559	3C 330-200 P01	With crimped bead plate	(Ø 330mm)	391
JOST	3.010.702.401	2C 235-235 P03	With crimped bead plate	(Ø 235mm)	371
JUNG		2C 315-225 P02	With crimped bead plate	(Ø 315mm)	378
KAISER	A 060 30 616	2C 302-135 F01	With steel bead ring and mounting plate	(Ø 305mm)	376
		2C 302-135 P01	With crimped bead plate	(Ø 305mm)	376

CONVOLUTED AIR SPRINGS OEM LIST

MANUFACTURER	OEM PART NO	PART NO	TYPE	REMARKS	PAGE
KAISER	A 060 30 615	2C 302-135 P03	With crimped bead plate	(Ø 305mm)	377
KÄSSBOHRER	4.731003.000	2C 280-175 S	Rubber bellow only	(Ø 280mm)	375
	4.731024.000	2C 280-175 S	Rubber bellow only	(Ø 280mm)	375
	4.731034.100	2C 351-350 S	Rubber bellow only	(Ø 351mm)	382
	4.731034.200	2C 351-350 S	Rubber bellow only	(Ø 351mm)	382
KÖGEL		1C 315-120 P01	With crimped bead plate	(Ø 315mm)	356
	32 76 69	1C 315-120 P02	With crimped bead plate	(Ø 315mm)	357
	6501706	2C 21-210 P22	With crimped bead plate	(Ø 215mm)	363
KRONE	550011095	2C 21-210 P05	With crimped bead plate	(Ø 215mm)	361
LOHR	A 060 30 604	2C 200-140 P01	With crimped bead plate	(Ø 200mm)	368
	A06030604	2C 200-140 P02	With crimped bead plate	(Ø 200mm)	369
		2C 301-180 P02	With crimped bead plate	(Ø 305mm)	376
	Y 0000 1737	2C 302-135 F01	With steel bead ring and mounting plate	(Ø 305mm)	376
		2C 302-135 P01	With crimped bead plate	(Ø 305mm)	376
	A 063 0601	2C 302-135 P03	With crimped bead plate	(Ø 305mm)	377
		2C 303-270 S	Rubber bellow only	(Ø 305mm)	377
	A 060 30 622	2C 303-270 P01	With crimped bead plate	(Ø 305mm)	378
A 060 30 606	3C 302-200 P03	With crimped bead plate	(Ø 305mm)	388	
MAGIRUS-DEUTZ	0342 2652	2C 250-170 S	Rubber bellow only	(Ø 250mm)	372
	0342 2571	2C 280-175 S	Rubber bellow only	(Ø 250mm)	375
	0342 2571	2C 280-175 S	Rubber bellow only	(Ø 280mm)	375
MAN	81.43601.0023	2C 250-170 S01	Rubber bellow only	(Ø 250mm)	372
	88.96420.0217	2C 280-175 S	Rubber bellow only	(Ø 280mm)	375
	81.43601.0022	2C 315-225 P03	With crimped bead plate	(Ø 315mm)	379
	81.43601.6010	3C 301-250 P01	With crimped bead plate	(Ø 305mm)	386
	81.43601.6010	3C 304-200 F03	With steel bead ring and mounting plate	(Ø 305mm)	390
MERCEDES	A 960 328 01 01	1C 21-170 P04	With crimped bead plate	(Ø 215mm)	354
	A 942 327 06 01	2C 21-210 P15	With crimped bead plate	(Ø 215mm)	362
MERITOR(ROR)	21212549	1C 181-120 F01	With steel bead ring and mounting plate	(Ø 181mm)	355
		2C 355-190 F	With steel bead ring and mounting plate	(Ø 350mm)	362
NEWAY	90557001	2C 350-215 P01	With crimped bead plate	(Ø 350mm)	380
PEGASO		2C 21-210 S	Rubber bellow only	(Ø 215mm)	359
ROLFO	112273	3C 290-280 P02	With crimped bead plate	(Ø 305mm)	385
	112321	3C 295-285 P01	With crimped bead plate	(Ø 300mm)	384
ROR	2122 1395	2C 21-210 P01	With crimped bead plate	(Ø 215mm)	360
	2122 2663	2C 21-210 P01	With crimped bead plate	(Ø 215mm)	360
	2122 1356	2C 235-235 P04	With crimped bead plate	(Ø 235mm)	372
RVI		2C 302-135 P01	With crimped bead plate	(Ø 305mm)	376
SAF HOLLAND	4.229.100.400	2C 21-210 P22	With crimped bead plate	(Ø 215mm)	363
	4.229.1005.00	2C 235-235 P01	With crimped bead plate	(Ø 235mm)	371
	4.229.1005.01	2C 235-235 P01	With crimped bead plate	(Ø 235mm)	371

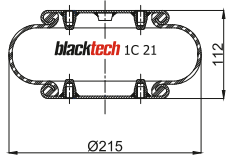
CONVOLUTED AIR SPRINGS OEM LIST

MANUFACTURER	OEM PART NO	PART NO	TYPE	REMARKS	PAGE
SAF HOLLAND	1608	2C 235-235 P01	With crimped bead plate	(Ø 235mm)	371
SANSAVINI	F3034A	1C 181-120 F01	With steel bead ring and mounting plate	(Ø 181mm)	355
SAMRO	H2500188	2C 200-140 P01	With crimped bead plate	(Ø 200mm)	368
	H2500188	2C 200-140 P02	With crimped bead plate	(Ø 200mm)	369
	H2500021	2C 255-170 P01	With crimped bead plate	(Ø 255mm)	374
		3C 302-200 P01	With crimped bead plate	(Ø 305mm)	388
	H2500011	3C 302-200 P03	With crimped bead plate	(Ø 305mm)	388
SCANIA	1319761	2C 21-210 P22	With crimped bead plate	(Ø 215mm)	363
	1387289	2C 21-210 P22	With crimped bead plate	(Ø 215mm)	363
	1723523	2C 21-210 P22	With crimped bead plate	(Ø 215mm)	363
SCHMITZ	016 793	2C 211-220 P01	With crimped bead plate	(Ø 215mm)	369
	016 808	2C 235-235 P04	With crimped bead plate	(Ø 235mm)	372
SMB		2C 302-135 F01	With steel bead ring and mounting plate	(Ø 305mm)	376
	M 063 796	2C 302-135 P03	With crimped bead plate	(Ø 305mm)	377
		2C 303-270 S	Rubber bellow only	(Ø 305mm)	377
	M 07 82 46	2C 303-270 P01	With crimped bead plate	(Ø 305mm)	378
	M 00 2297	3C 302-200 P03	With crimped bead plate	(Ø 305mm)	388
ST SYSTEM TRUCK	05101010	1C 21-170 P03	With crimped bead plate	(Ø 215mm)	353
TIRSAN		2C 301-180 P01	With crimped bead plate	(Ø 305mm)	375
TOUGHLINE		3C 290-280 P02	With crimped bead plate	(Ø 305mm)	385
TRAS CAR	03003000040	1C 181-120 F01	With steel bead ring and mounting plate	(Ø 181mm)	355
TROUILLET	HB 10350	2C 302-135 P03	With crimped bead plate	(Ø 305mm)	377
VDL BUS	1192 203	2C 250-170 S01	Rubber bellow only	(Ø 250mm)	372
VOLVO	0 365 431	2C 21-210 S	Rubber bellow only	(Ø 215mm)	359
	0 365 461	2C 21-210 S	Rubber bellow only	(Ø 215mm)	359
	6 882 797	2C 21-210 S	Rubber bellow only	(Ø 215mm)	359
WEWELER	USN 5100 12 D	2C 150-140 P01	With crimped bead plate	(Ø 150mm)	365
	US 06910C	2C 211-220 P01	With crimped bead plate	(Ø 215mm)	369
	US 06910F	2C 211-220 P01	With crimped bead plate	(Ø 215mm)	369
	US 07394	2C 235-235 P04	With crimped bead plate	(Ø 235mm)	372
	US 07394C	2C 235-235 P04	With crimped bead plate	(Ø 235mm)	372
	US 07394F	2C 235-235 P04	With crimped bead plate	(Ø 235mm)	372
		2C 200-140 P02	With crimped bead plate	(Ø 200mm)	369
	USN 5100 11 KD	2C 302-135 P01	With crimped bead plate	(Ø 305mm)	376
	USN 5100 KD	2C 302-135 P02	With crimped bead plate	(Ø 305mm)	377
ZORZI	1006508	1C 181-120 F01	With steel bead ring and mounting plate	(Ø 181mm)	355
	1006505	3C 304-200 F02	With steel bead ring and mounting plate	(Ø 305mm)	389
	1006506	3C 305-260 F01	With steel bead ring and mounting plate	(Ø 305mm)	390

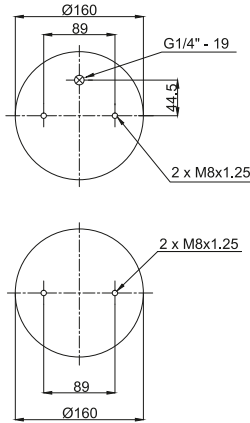


1C 21-110 P01

Cross Section View



Top View



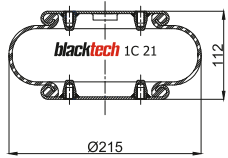
- Bolt of Stud
- Threaded hole
- ⊗ Combination Stud
- ⊗ Air Inlet

OEM PART NUMBER	MODEL NO	CROSS REFERENCES
		Contitech FS 200-10 1/4 M8

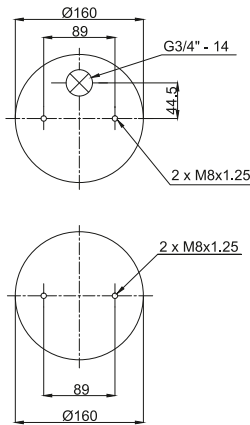
1C 21-110 P03



Cross Section View



Top View



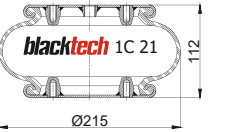
- Bolt of Stud
- Threaded hole
- ⊗ Combination Stud
- ⊗ Air Inlet

OEM PART NUMBER	MODEL NO	CROSS REFERENCES
		Contitech FS 200-10 3/4 M8
		Firestone No. W01 M58 6374
		Phoenix SP 1B 12-1

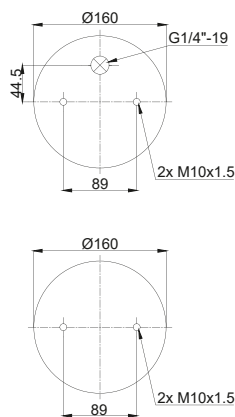
1C 21-110 P04



Cross Section View



Top View



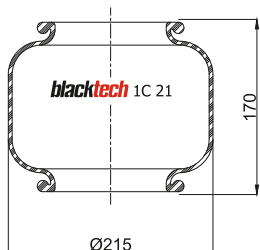
- Bolt of Stud
- Threaded hole
- ⊗ Combination Stud
- ⊗ Air Inlet

OEM PART NUMBER	MODEL NO	CROSS REFERENCES

1C 21-170S

Cross Section View

Top View



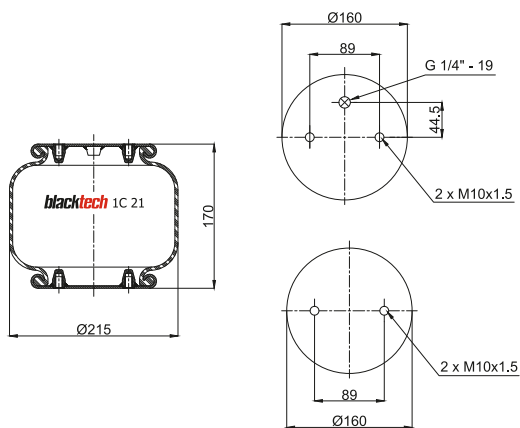
- Bolt of Stud
- Threaded hole
- ⊗ Combination Stud
- ⊗ Air Inlet

OEM PART NUMBER	MODEL NO	CROSS REFERENCES

1C 21-170P02

Cross Section View

Top View



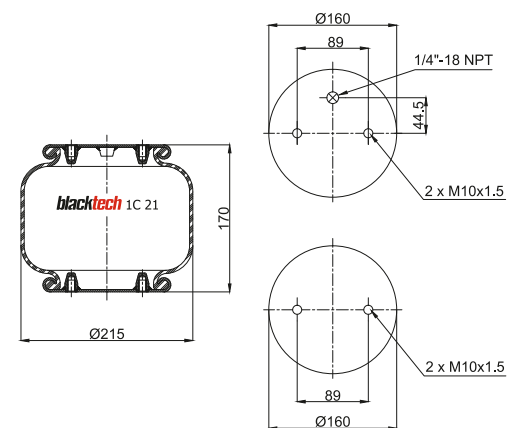
- Bolt of Stud
- Threaded hole
- ⊗ Combination Stud
- ⊗ Air Inlet

OEM PART NUMBER	MODEL NO	CROSS REFERENCES
BMC	57RS306423	

1C 21-170P03

Cross Section View

Top View



- Bolt of Stud
- Threaded hole
- ⊗ Combination Stud
- ⊗ Air Inlet

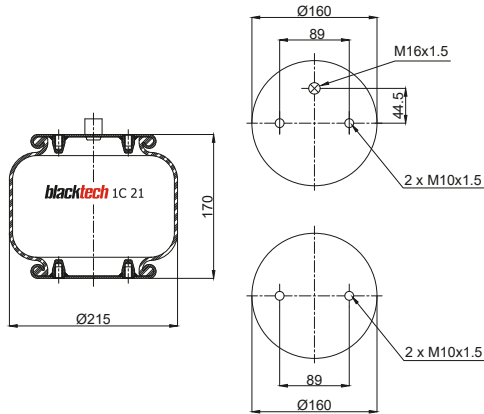
OEM PART NUMBER	MODEL NO	CROSS REFERENCES
S.T.System Truck	05101010	Gart Ref. T291/B Gart No. 2911.170



1C 21-170 P04

Cross Section View

Top View



● Bolt of Stud ○ Threaded hole ⊗ Combination Stud ⊗ Air Inlet

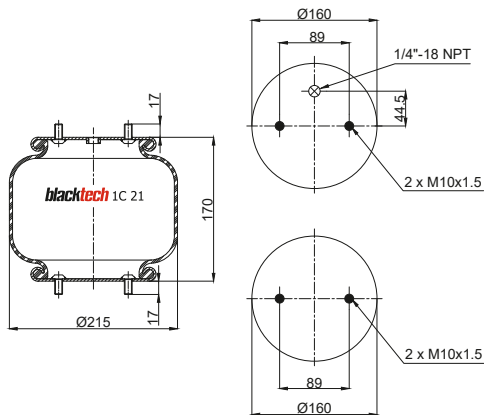
OEM PART NUMBER	MODEL NO	CROSS REFERENCES
Mercedes	A 960 328 01 01	

1C 21-170 P05



Cross Section View

Top View



● Bolt of Stud ○ Threaded hole ⊗ Combination Stud ⊗ Air Inlet

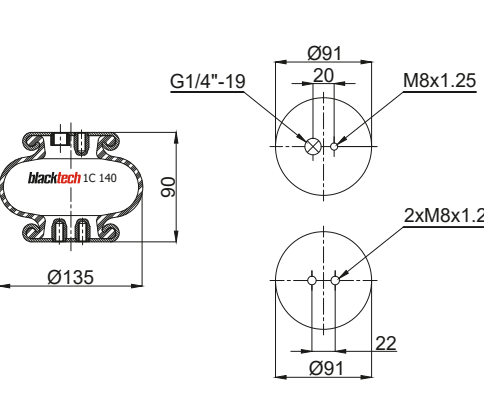
OEM PART NUMBER	MODEL NO	CROSS REFERENCES

1C 140-70 P01



Cross Section View

Top View



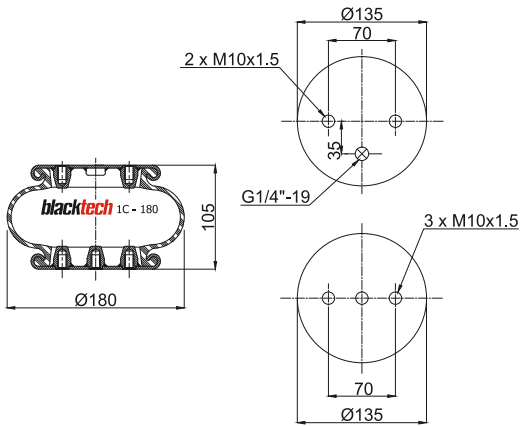
● Bolt of Stud ○ Threaded hole ⊗ Combination Stud ⊗ Air Inlet

OEM PART NUMBER	MODEL NO	CROSS REFERENCES
		Phoenix SP 1B 04

1C180-105 P02

Cross Section View

Top View



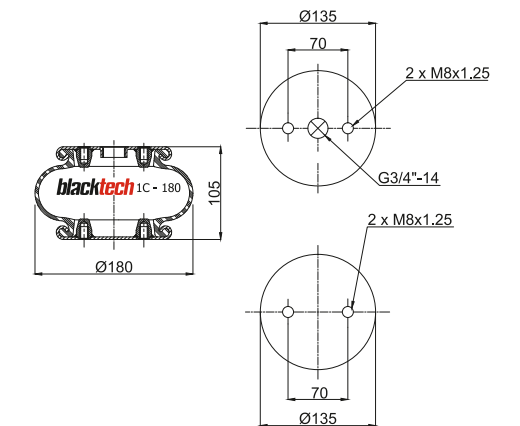
- Bolt of Stud
- Threaded hole
- ⊗ Combination Stud
- ⊗ Air Inlet

OEM PART NUMBER	MODEL NO	CROSS REFERENCES
		Contitech FS 120-9 G1/4 M10

1C180-105 P03

Cross Section View

Top View



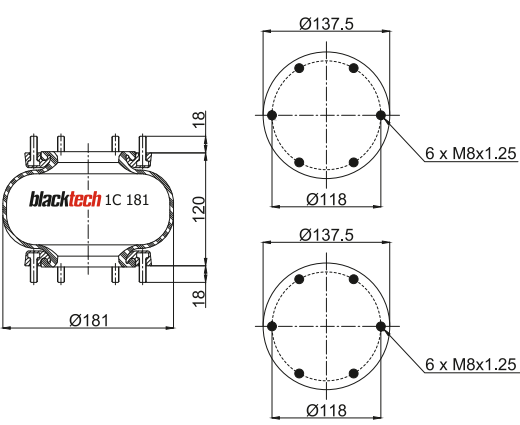
- Bolt of Stud
- Threaded hole
- ⊗ Combination Stud
- ⊗ Air Inlet

OEM PART NUMBER	MODEL NO	CROSS REFERENCES
		Contitech FS 120-9 G3/4 M8

1C181-120 F01

Cross Section View

Top View



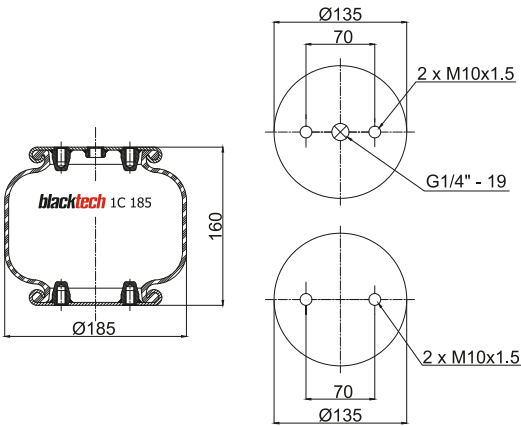
- Bolt of Stud
- Threaded hole
- ⊗ Combination Stud
- ⊗ Air Inlet

OEM PART NUMBER	MODEL NO	CROSS REFERENCES
Austeras	99381001	Gart Ref. T275
Bartoletti	9162110	Gart No. 275.1120
Battaglino	22.070.00	
Zorzi	1006508	
MERITOR(ROR)	21212549	
Sansavini	F3034A	
Tras Car	03003000040	
Assali Stefan	B1305000100A	

1C185-150 P01

Cross Section View

Top View



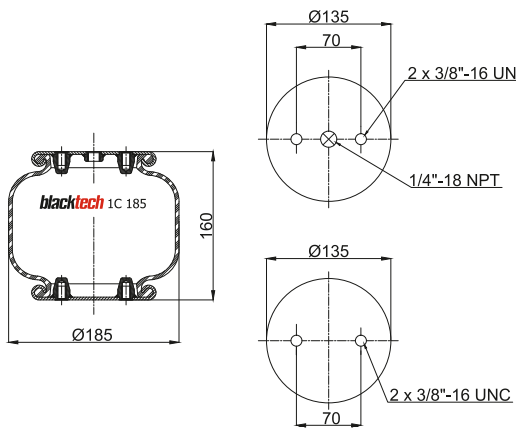
- Bolt of Stud
- Threaded hole
- ⊗ Combination Stud
- ⊗ Air Inlet

OEM PART NUMBER	MODEL NO	CROSS REFERENCES
Goldschmitt	DLB 7598	

1C185-150 P02

Cross Section View

Top View



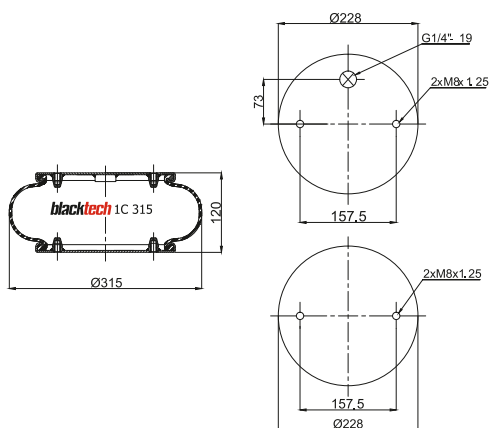
- Bolt of Stud
- Threaded hole
- ⊗ Combination Stud
- ⊗ Air Inlet

OEM PART NUMBER	MODEL NO	CROSS REFERENCES
		Firestone Style 116-1
		Firestone Order W01 358 7598

1C315-120 P01

Cross Section View

Top View

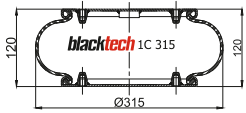


- Bolt of Stud
- Threaded hole
- ⊗ Combination Stud
- ⊗ Air Inlet

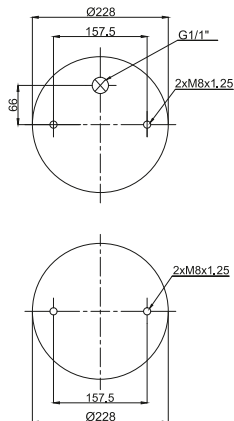
OEM PART NUMBER	MODEL NO	CROSS REFERENCES
Kogel		Contitech FS 330-11/4M8

1C 315-120 P02

Cross Section View



Top View

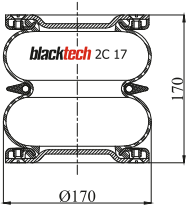


- Bolt of Stud
- Threaded hole
- ⊗ Combination Stud
- ⊗ Air Inlet

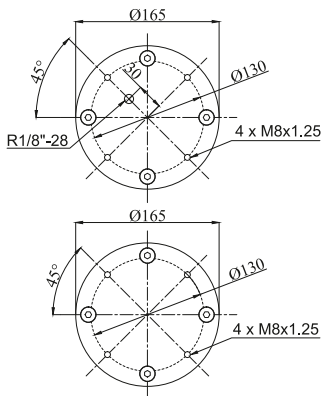
OEM PART NUMBER	MODEL NO	CROSS REFERENCES	
Kögel	32 76 69	Contitech	FS 330-11/1M8

2C 17-170 P01

Cross Section View



Top View

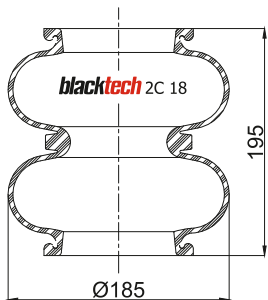


- Bolt of Stud
- Threaded hole
- ⊗ Combination Stud
- ⊗ Air Inlet

OEM PART NUMBER	MODEL NO	CROSS REFERENCES	

2C 18-195 S

Cross Section View



Top View

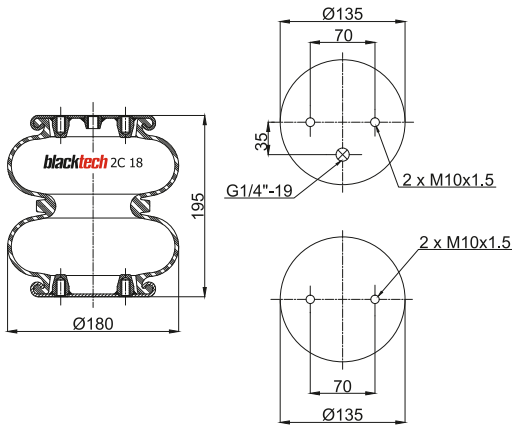
OEM PART NUMBER	MODEL NO	CROSS REFERENCES	
		Contitech	603 N
		Phoenix	2 B 07 R

- Bolt of Stud
- Threaded hole
- ⊗ Combination Stud
- ⊗ Air Inlet

2C18-195 P01

Cross Section View

Top View



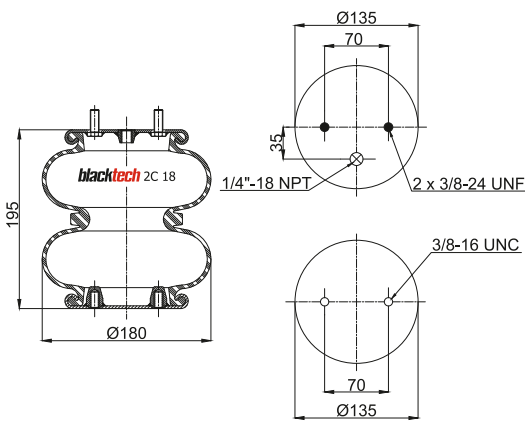
- Bolt of Stud
- Threaded hole
- ⊗ Combination Stud
- ⊗ Air Inlet

OEM PART NUMBER	MODEL NO	CROSS REFERENCES

2C18-195 P02

Cross Section View

Top View



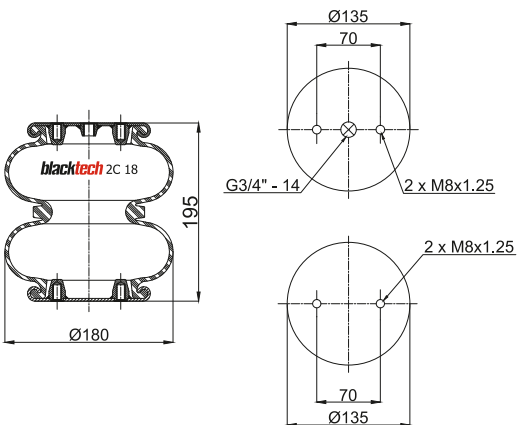
- Bolt of Stud
- Threaded hole
- ⊗ Combination Stud
- ⊗ Air Inlet

OEM PART NUMBER	MODEL NO	CROSS REFERENCES
		Firestone No. W21 760 7325

2C18-195 P03

Cross Section View

Top View



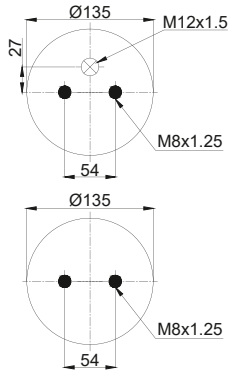
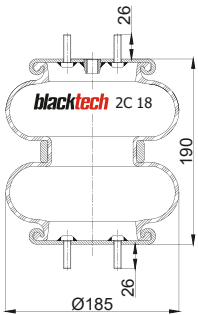
- Bolt of Stud
- Threaded hole
- ⊗ Combination Stud
- ⊗ Air Inlet

OEM PART NUMBER	MODEL NO	CROSS REFERENCES

2C18-200P01

Cross Section View

Top View



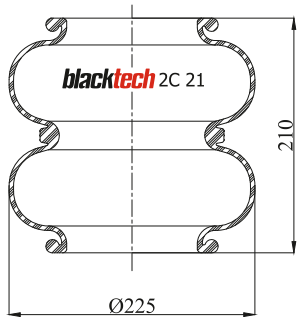
● Bolt of Stud ○ Threaded hole ⊗ Combination Stud ⊗ Air Inlet

OEM PART NUMBER	MODEL NO	CROSS REFERENCES
Iveco 41296106		CF Gomma No. 207121

2C21-210S

Cross Section View

Top View



● Bolt of Stud ○ Threaded hole ⊗ Combination Stud ⊗ Air Inlet

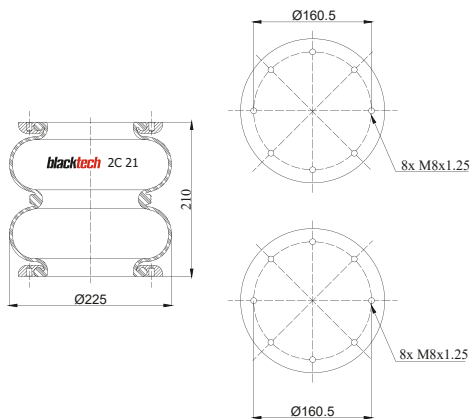


OEM PART NUMBER	MODEL NO	CROSS REFERENCES
Pegaso	5231/5236/5266	Contitech FD 200-19 S
Volvo 0 365 431	B 58	Phoenix 2 B 12 R
Volvo 0 365 461	B 58	Firestone Style 20
Volvo 6 882 797	B 58	Firestone No. W01 095 0009
		Firestone No. W01 358 0297
		Vibracoustic V2B12R
		CF Gomma Ref. 20
		CF Gomma No. 86599

2C21-210F01

Cross Section View

Top View

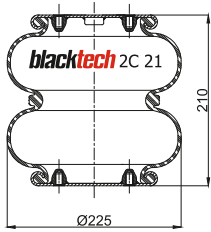


● Bolt of Stud ○ Threaded hole ⊗ Combination Stud ⊗ Air Inlet

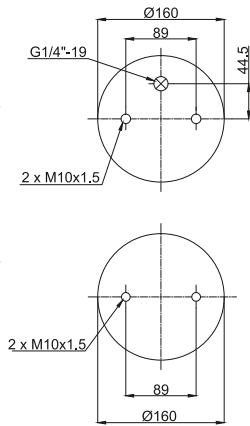
OEM PART NUMBER	MODEL NO	CROSS REFERENCES

2C21-210P01

Cross Section View



Top View

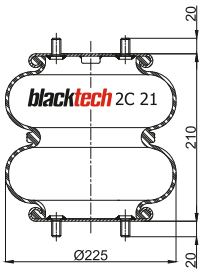


● Bolt of Stud ○ Threaded hole ⊗ Combination Stud ⊗ Air Inlet

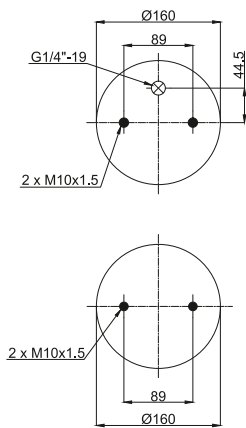
OEM PART NUMBER	MODEL NO	CROSS REFERENCES
Floor 13586		Contitech FD 200-19 1/4 M10
Granning 1371		Phoenix SP 2B 12 R
Granning 15603		Firestone Style 20
Hendrickson NA 1827		Firestone No. W01-M58-6887
ROR 2122 1395		Firestone No. W01-M58-6910
ROR 2122 2663		Goodyear 2B9-223
		Vibracoustic VSP2B12R
		CF Gomma Ref. 20
		CF Gomma No. 206797
		Dunlop F S09201NB
		Dunlop UK 01128A-AP
		Gart Ref. T291/2
		Gart No. 2912.200

2C21-210P02

Cross Section View



Top View

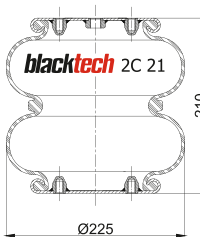


● Bolt of Stud ○ Threaded hole ⊗ Combination Stud ⊗ Air Inlet

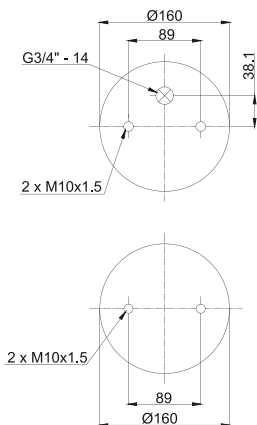
OEM PART NUMBER	MODEL NO	CROSS REFERENCES

2C21-210P03

Cross Section View



Top View



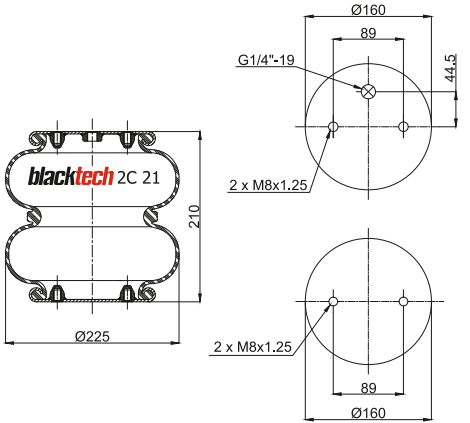
● Bolt of Stud ○ Threaded hole ⊗ Combination Stud ⊗ Air Inlet

OEM PART NUMBER	MODEL NO	CROSS REFERENCES
Gigant		Contitech FD 200-19 3/4 M10
		Vibracoustic VSP2B12R-20041

2C-21-210P04

Cross Section View

Top View



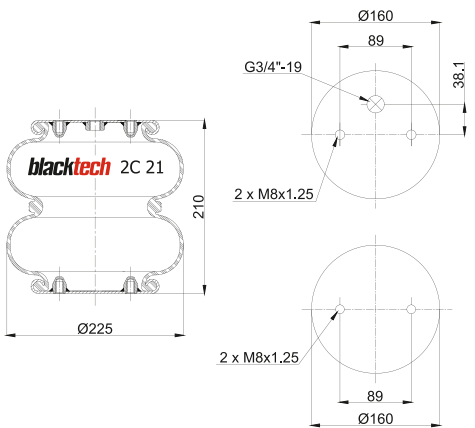
● Bolt of Stud ○ Threaded hole ⊗ Combination Stud ⊗ Air Inlet

OEM PART NUMBER	MODEL NO	CROSS REFERENCES
		Contitech FD 200-19 1/4 M8
		Firestone Style 20
		Firestone No. W01-M58-7679
		Firestone No. W01-M58-6187
		Dunlop F 9"1/4 S09201
		Gart Ref. T291/2
		Gart No. 291.2.200

2C-21-210P05

Cross Section View

Top View



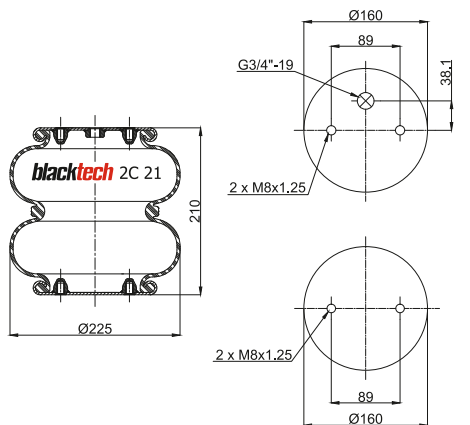
● Bolt of Stud ○ Threaded hole ⊗ Combination Stud ⊗ Air Inlet

OEM PART NUMBER	MODEL NO	CROSS REFERENCES
Gigant 190130		Contitech FD 200-19 3/4 M8
Krone 550011095		Phoenix SP 2 B 12 R-1
		Firestone Style 20
		Firestone No. W01-M58-6185
		Vibracoustic VSP2B12R-1
		Goodyear 2B9-223

2C-21-210P06

Cross Section View

Top View



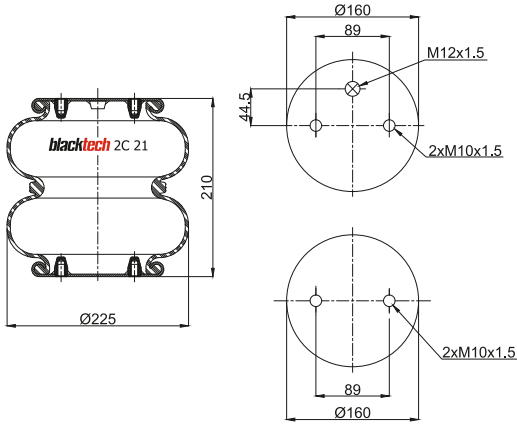
● Bolt of Stud ○ Threaded hole ⊗ Combination Stud ⊗ Air Inlet

OEM PART NUMBER	MODEL NO	CROSS REFERENCES
		Vibracoustic VSP2B12R-S1

2C21-210P13

Cross Section View

Top View



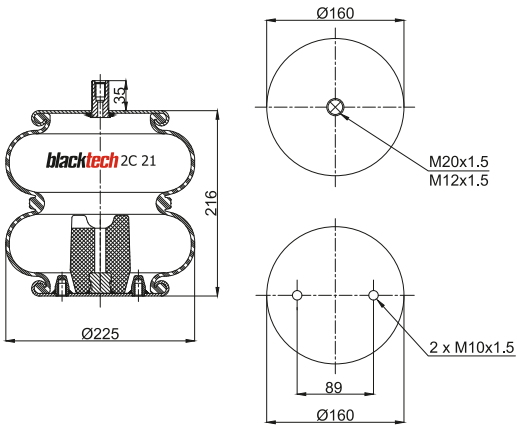
- Bolt of Stud
- Threaded hole
- ⊗ Combination Stud
- ⊗ Air Inlet

OEM PART NUMBER		MODEL NO	CROSS REFERENCES	
			Phoenix	SP 2B12 RA-4

2C21-210P14

Cross Section View

Top View



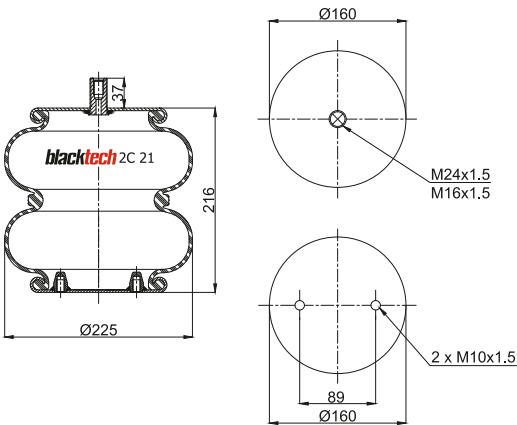
- Bolt of Stud
- Threaded hole
- ⊗ Combination Stud
- ⊗ Air Inlet

OEM PART NUMBER		MODEL NO	CROSS REFERENCES	

2C21-210P15

Cross Section View

Top View



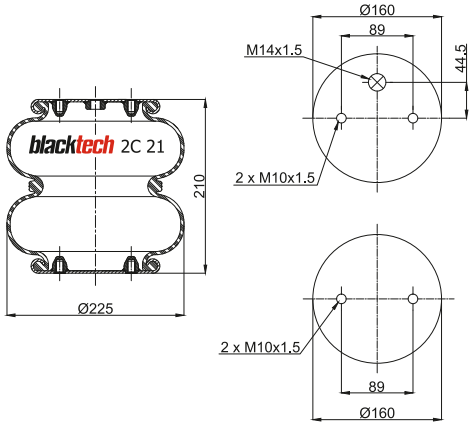
- Bolt of Stud
- Threaded hole
- ⊗ Combination Stud
- ⊗ Air Inlet

OEM PART NUMBER		MODEL NO	CROSS REFERENCES	
Hendrickson	SH 505613	Hendrickson MLA1	Contitech	FD 200-19 P02
Mercedes	A 942 327 06 01		Firestone Style	20F
			Firestone No.	W01 M58 7756

2C21-210P17

Cross Section View

Top View



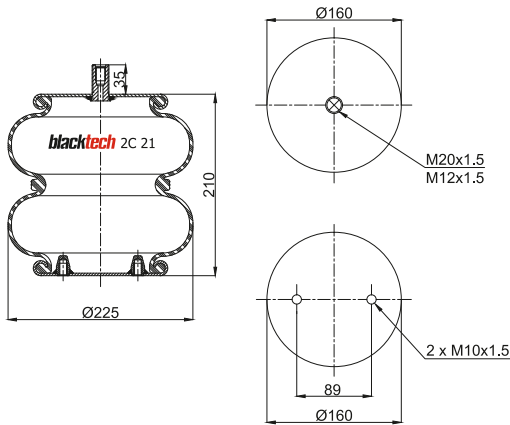
- Bolt of Stud
- Threaded hole
- ⊗ Combination Stud
- ⊗ Air Inlet

OEM PART NUMBER	MODEL NO	CROSS REFERENCES
		Contitech FD 200-19 M14

2C21-210P20

Cross Section View

Top View



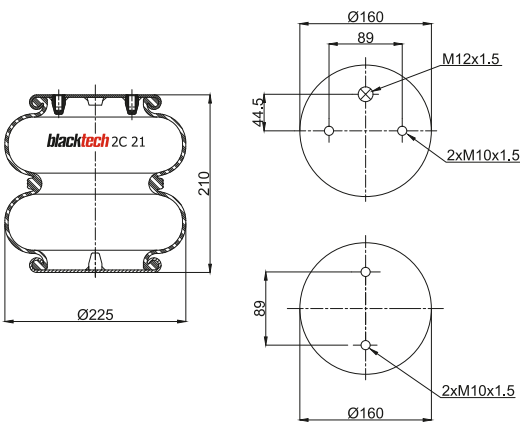
- Bolt of Stud
- Threaded hole
- ⊗ Combination Stud
- ⊗ Air Inlet

OEM PART NUMBER	MODEL NO	CROSS REFERENCES

2C21-210P22

Cross Section View

Top View



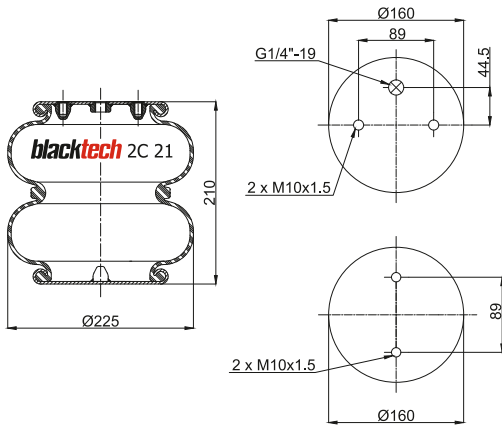
- Bolt of Stud
- Threaded hole
- ⊗ Combination Stud
- ⊗ Air Inlet

OEM PART NUMBER	MODEL NO	CROSS REFERENCES
Granning 15599		Contitech FD 200-19 P04
Kögel 6501706		Phoenix SP 2 B 12 R-5
Scania 1319761		Firestone Style 20F
Scania 1387289		Firestone No. W01 M58 7894
Scania 1723523		Goodyear 2B9-700
SAF-Holland		Vibracoustic VSP2B12R-5
		CF Gomma Ref. 2B9-700
		CF Gomma No. 207773
		Dunlop F S09201
		Gart Ref. T291/2
		Gart No. 291.2.203

2C21-210P24

Cross Section View

Top View



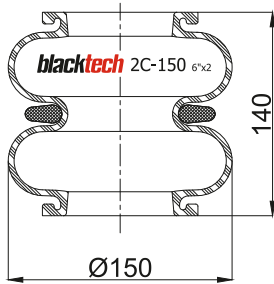
- Bolt of Stud
- Threaded hole
- ⊗ Combination Stud
- ⊗ Air Inlet

OEM PART NUMBER	MODEL NO	CROSS REFERENCES

2C150-140B01

Cross Section View

Top View



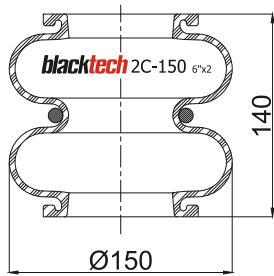
- Bolt of Stud
- Threaded hole
- ⊗ Combination Stud
- ⊗ Air Inlet

OEM PART NUMBER	MODEL NO	CROSS REFERENCES
		Dunlop F SP917 (6" X2) Plastic Ring

2C150-140B02

Cross Section View

Top View



- Bolt of Stud
- Threaded hole
- ⊗ Combination Stud
- ⊗ Air Inlet

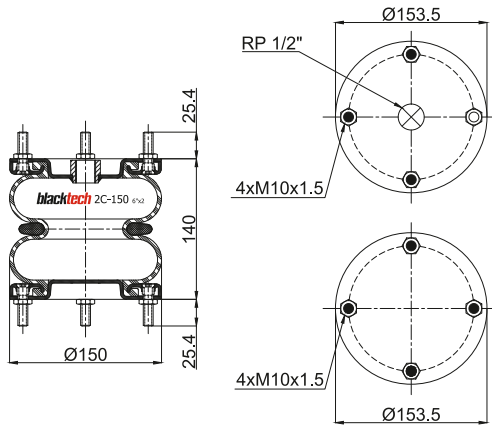
OEM PART NUMBER	MODEL NO	CROSS REFERENCES
		Dunlop F SP917 (6" X2) Metal Ring

2C150-140 P01



Cross Section View

Top View



● Bolt of Stud ○ Threaded hole ⊗ Combination Stud ⊗ Air Inlet

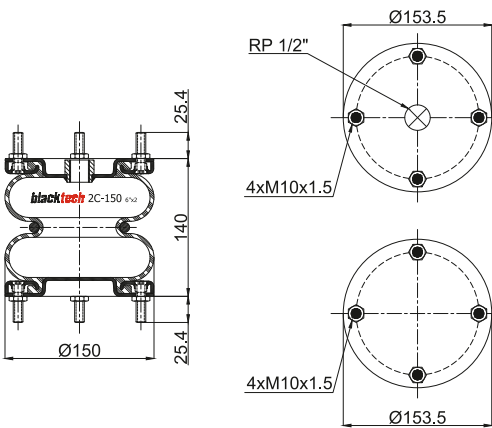
OEM PART NUMBER	MODEL NO	CROSS REFERENCES
Weweler USN 5100 12D		Dunlop F SP1482 (6" X2) Plastic Ring
Gigant		
Fiault		

2C150-140 P02



Cross Section View

Top View



● Bolt of Stud ○ Threaded hole ⊗ Combination Stud ⊗ Air Inlet

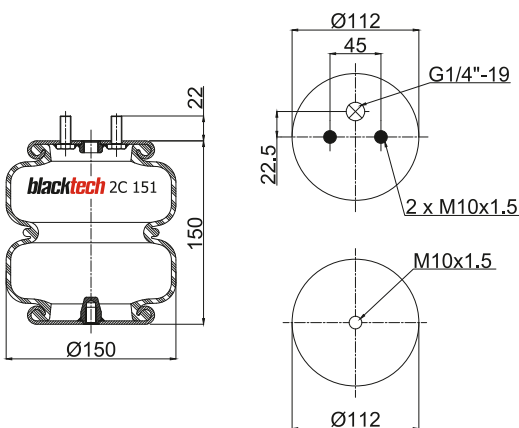
OEM PART NUMBER	MODEL NO	CROSS REFERENCES
		Dunlop F SP1482 (6" X2) Metal Ring

2C151-150 P02



Cross Section View

Top View



● Bolt of Stud ○ Threaded hole ⊗ Combination Stud ⊗ Air Inlet

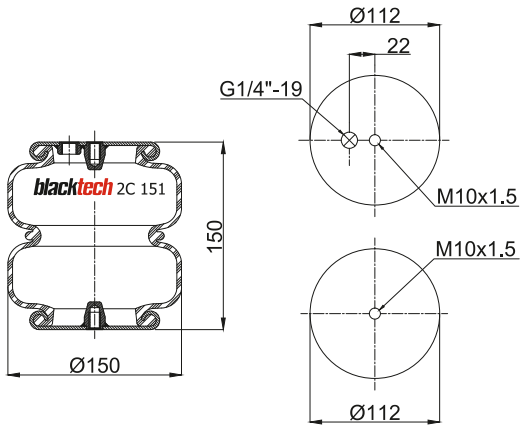
OEM PART NUMBER	MODEL NO	CROSS REFERENCES
Goldschmitt DLB 6781		

2C151-150 P03



Cross Section View

Top View



● Bolt of Stud ○ Threaded hole ⊗ Combination Stud ⊗ Air Inlet

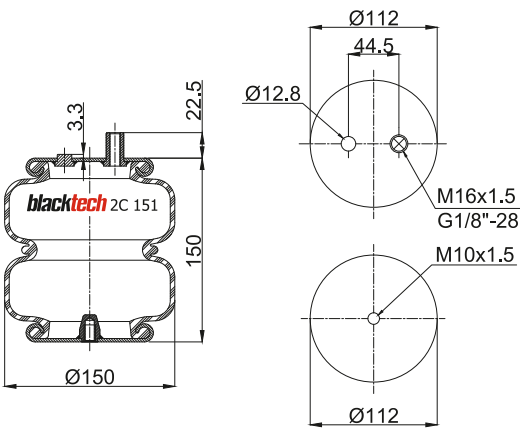
OEM PART NUMBER	MODEL NO	CROSS REFERENCES
Goldschmitt DLB 6784		

2C151-150 P04



Cross Section View

Top View



● Bolt of Stud ○ Threaded hole ⊗ Combination Stud ⊗ Air Inlet

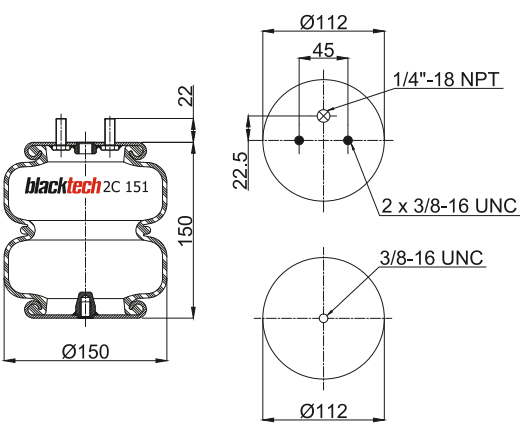
OEM PART NUMBER	MODEL NO	CROSS REFERENCES
Goldschmitt DLB 6397		

2C151-150 P05



Cross Section View

Top View



● Bolt of Stud ○ Threaded hole ⊗ Combination Stud ⊗ Air Inlet

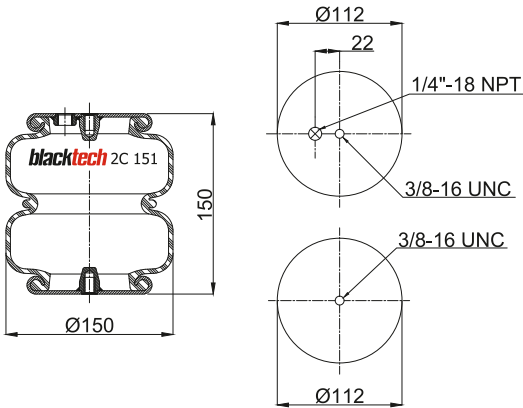
OEM PART NUMBER	MODEL NO	CROSS REFERENCES
		Firestone Style 255 C
		Firestone No. W21 760 6781



2C151-150P06

Cross Section View

Top View



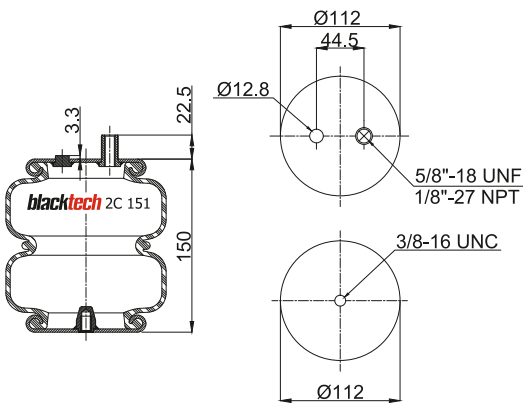
● Bolt of Stud ○ Threaded hole ⊗ Combination Stud ⊗ Air Inlet

OEM PART NUMBER	MODEL NO	CROSS REFERENCES
		Firestone Style 267 C
		Firestone No. W21760 6784

2C151-150P07

Cross Section View

Top View



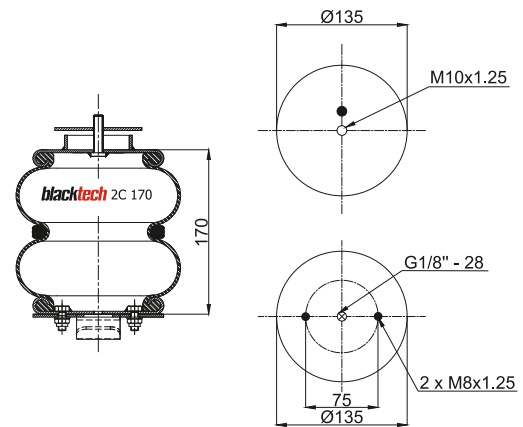
● Bolt of Stud ○ Threaded hole ⊗ Combination Stud ⊗ Air Inlet

OEM PART NUMBER	MODEL NO	CROSS REFERENCES
		Firestone Style 267 C-15
		Firestone No. W21760 6397

2C170-170P01

Cross Section View

Top View



● Bolt of Stud ○ Threaded hole ⊗ Combination Stud ⊗ Air Inlet

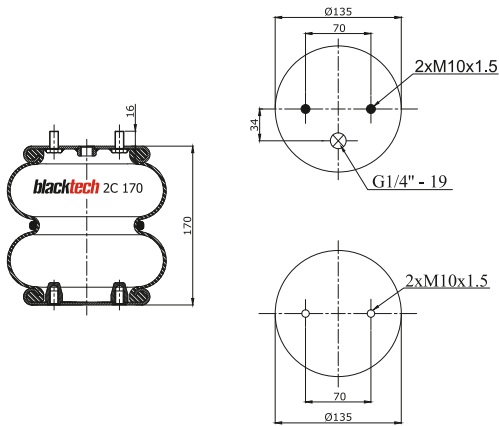
OEM PART NUMBER	MODEL NO	CROSS REFERENCES
Goldschmitt	DLB 2C-170	

2C170-170P02



Cross Section View

Top View



● Bolt of Stud ○ Threaded hole ⊗ Combination Stud ⊗ Air Inlet

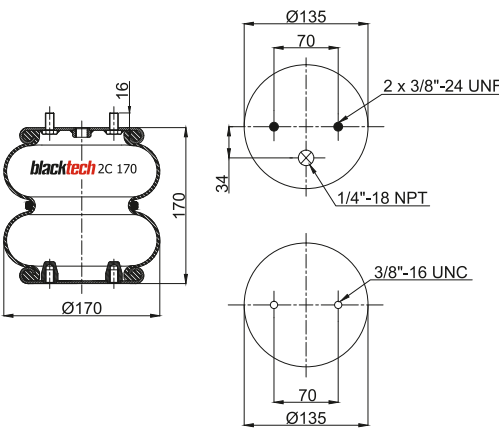
OEM PART NUMBER	MODEL NO	CROSS REFERENCES
		Firestone Style 224C
		Firestone No. W01760 0335

2C170-170P03



Cross Section View

Top View



● Bolt of Stud ○ Threaded hole ⊗ Combination Stud ⊗ Air Inlet

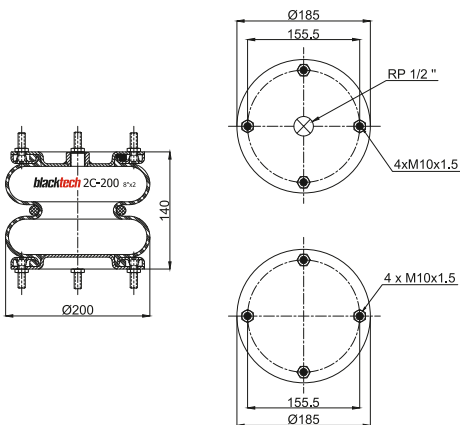
OEM PART NUMBER	MODEL NO	CROSS REFERENCES
		Firestone No. W21760 0335

2C200-140P01



Cross Section View

Top View



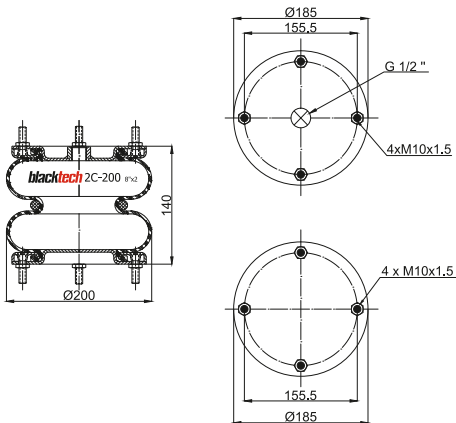
● Bolt of Stud ○ Threaded hole ⊗ Combination Stud ⊗ Air Inlet

OEM PART NUMBER	MODEL NO	CROSS REFERENCES
Fruehauf F48064M 80 A04		Dunlop F SP1490 (8"x2)
Lohr A 060 30 604		Firestone No. W01R58 4055
Samro H2500188		

2C200-140P02

Cross Section View

Top View



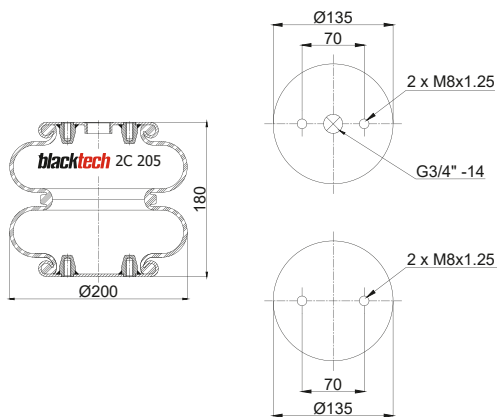
● Bolt of Stud ○ Threaded hole ⊗ Combination Stud ⊗ Air Inlet

OEM PART NUMBER	MODEL NO	CROSS REFERENCES
Fruehauf F 48054		Contitech FD 138-18 1/2 M10
Fruehauf M 80A04		Firestone Style 8x2
Granning 15803		Firestone No. W01-R58-4055
Lohr A06030604		Goodyear 2B8-2150
Samro H2500188		
Weweler		
Gigant		

2C205-140P01

Cross Section View

Top View



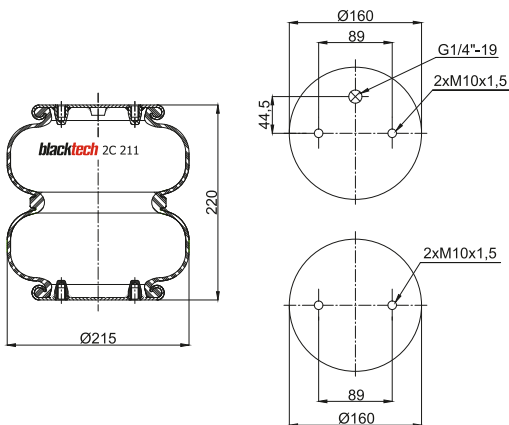
● Bolt of Stud ○ Threaded hole ⊗ Combination Stud ⊗ Air Inlet

OEM PART NUMBER	MODEL NO	CROSS REFERENCES
Gigant 196028		Contitech FD 120-17 3/4 M8
Gigant 16036		Firestone Style 26
		Firestone No. W01-M58-6387
		Firestone No. W01-358-7325
		Goodyear 2B8-2152
		Vibracoustic VSP2B07R-2
		CF Gamma Ref. T26
		CF Gamma No. 84181
		Dunlop F 2B8-2152

2C211-220P01

Cross Section View

Top View



● Bolt of Stud ○ Threaded hole ⊗ Combination Stud ⊗ Air Inlet

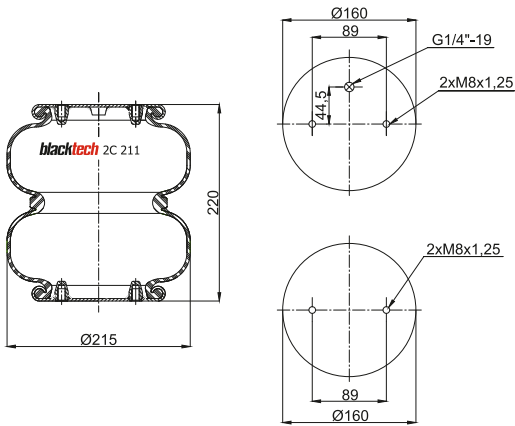
OEM PART NUMBER	MODEL NO	CROSS REFERENCES
Schmitz 016 793		Contitech FD 200-22 1/4 M10
Weweler US 06910C		Firestone Style 20F
Weweler US 06910F		Firestone No. W01-M58-6772
Daimler TAS A 946 328 16 01	DCA; DLS	Firestone No. W01-M58-7888

2C211-220P02



Cross Section View

Top View



- Bolt of Stud
- Threaded hole
- ⊗ Combination Stud
- ⊗ Air Inlet

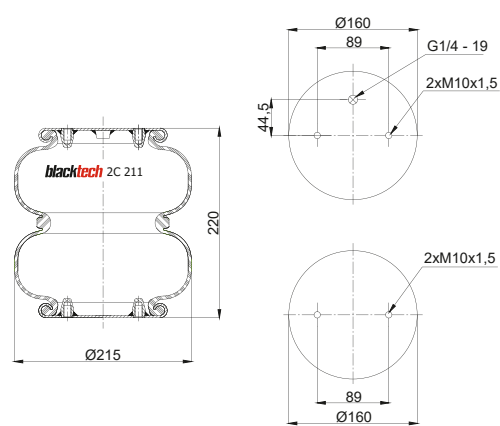
OEM PART NUMBER	MODEL NO	CROSS REFERENCES

2C211-220P03



Cross Section View

Top View



- Bolt of Stud
- Threaded hole
- ⊗ Combination Stud
- ⊗ Air Inlet

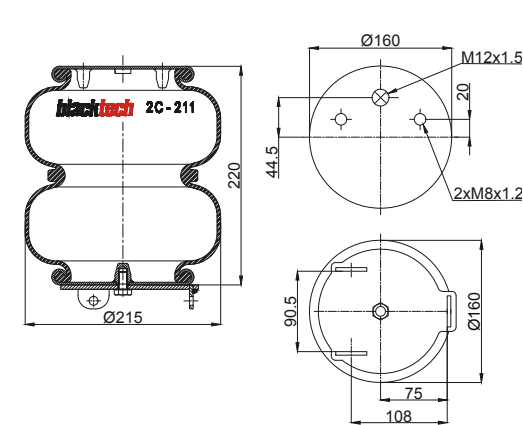
OEM PART NUMBER	MODEL NO	CROSS REFERENCES

2C211-220P08



Cross Section View

Top View



- Bolt of Stud
- Threaded hole
- ⊗ Combination Stud
- ⊗ Air Inlet

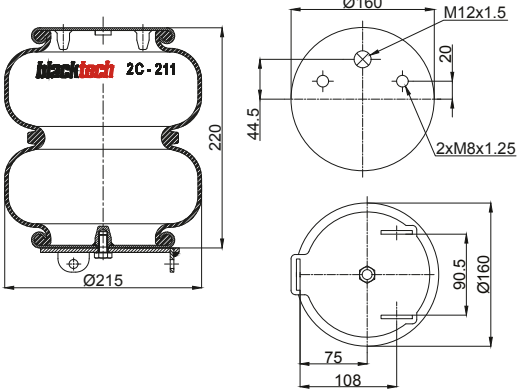
OEM PART NUMBER	MODEL NO	CROSS REFERENCES
FORD	GC46-5580-EA	



2C 211-220 P09

Cross Section View

Top View



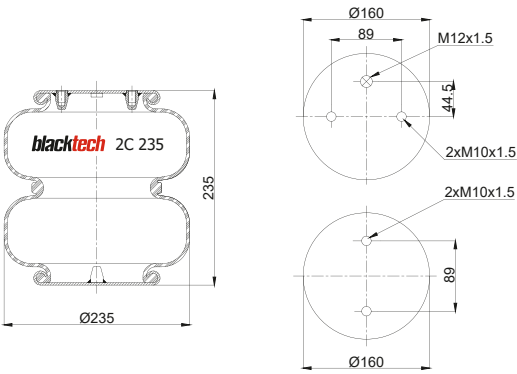
- Bolt of Stud
- Threaded hole
- ⊗ Combination Stud
- ⊗ Air Inlet

OEM PART NUMBER	MODEL NO	CROSS REFERENCES
FORD	GC46-5580-FA	

2C 235-235 P01

Cross Section View

Top View



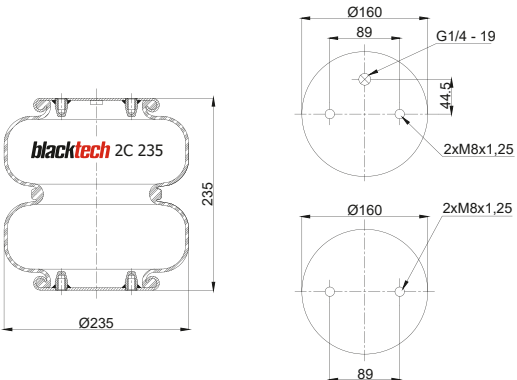
- Bolt of Stud
- Threaded hole
- ⊗ Combination Stud
- ⊗ Air Inlet

OEM PART NUMBER	MODEL NO	CROSS REFERENCES
SAF - Holland	1609	Contitech FD 200-25 P02
SAF - Holland	1609	Phoenix SP 2 B 12 R-A-3
SAF - Holland		Goodyear 2B9-701
		Vibracoustic VSP2B12RA-3
		CF Gamma Ref. 20L
		CF Gamma No. 207065
		Dunlop F S09204
		Gart Ref. T291/2B
		Gart No. 291.2.263

2C 235-235 P03

Cross Section View

Top View



- Bolt of Stud
- Threaded hole
- ⊗ Combination Stud
- ⊗ Air Inlet

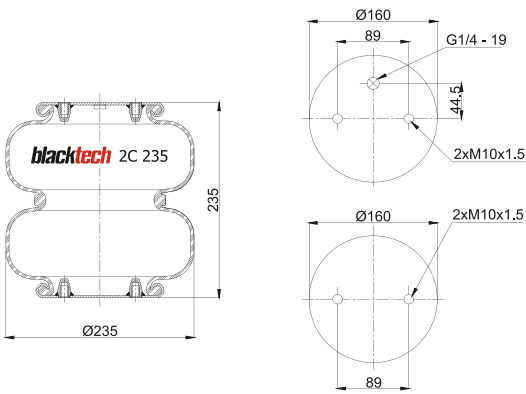
OEM PART NUMBER	MODEL NO	CROSS REFERENCES
Daimler TAS	A 946 328 24 01	DCA TZ4, TZ5, TE4, TE5
Just	3.010.702.401	Contitech FD 200-25 1/4 M8
		Firestone Style 20C-2

2C 235-235 P04



Cross Section View

Top View



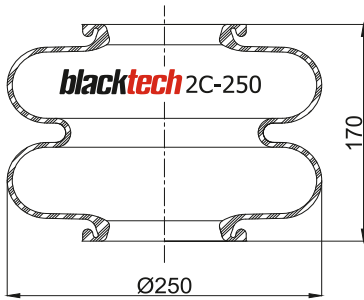
- Bolt of Stud
- Threaded hole
- ⊗ Combination Stud
- ⊗ Air Inlet

OEM PART NUMBER	MODEL NO	CROSS REFERENCES
Granning 15670		Contitech FD 200-25 1/4 M10
ROR 2122 1356		Phoenix SP 2B 12 RA-10
Schmitz 016 808		Firestone Style 20C-2
Weweler US 07394	AC173	Firestone No. W01-M58-7679
Weweler US 07394C		Firestone No. W01-968-6771
Weweler US 07394F		Goodyear 2B9-269
Daimler TAS A 946 328 21 01		Vibracoustic VSP2B12RA-10
		CF Gomma Ref. 20L
		CF Gomma No. 207776
		Gart Ref. T291/2B
		Gart No. 291.2.260

2C 250-170S

Cross Section View

Top View



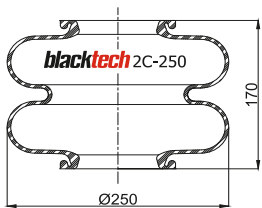
- Bolt of Stud
- Threaded hole
- ⊗ Combination Stud
- ⊗ Air Inlet

OEM PART NUMBER	MODEL NO	CROSS REFERENCES
BPW 02.200.20.80.0		Contitech 620 N 8 bar
Magirus-Deutz 0342 2652		Vibracoustic V2B16R-S0

2C 250-170 S01

Cross Section View

Top View



- Bolt of Stud
- Threaded hole
- ⊗ Combination Stud
- ⊗ Air Inlet

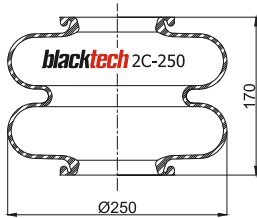
OEM PART NUMBER	MODEL NO	CROSS REFERENCES
BPW 02.200.20.90.0		Contitech 620 N Hydro 17 bar
DAF 1192 203		CF Gomma Ref. 245 B.V.
Gigant 186017		CF Gomma No. 92142
Magirus-Deutz 0342 2652		Vibracoustic V2B16R-S1
MAN 81.43601.0023		
VDL Bus 1192 203		



2C250-170 S02

Cross Section View

Top View



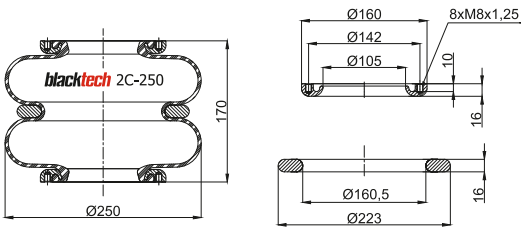
- Bolt of Stud
- Threaded hole
- ⊗ Combination Stud
- ⊗ Air Inlet

OEM PART NUMBER		MODEL NO	CROSS REFERENCES	
Gigant	196034		Contitech	620N Hydro 34 bar
			Vibracoustic	V2B15R-S2

2C250-170 F

Cross Section View

Top View



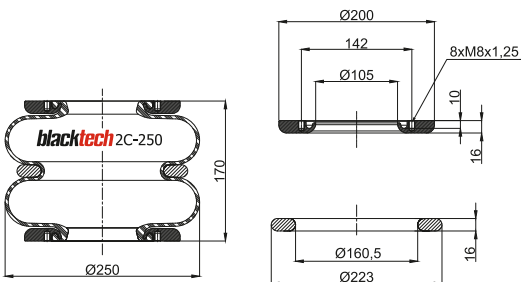
- Bolt of Stud
- Threaded hole
- ⊗ Combination Stud
- ⊗ Air Inlet

OEM PART NUMBER		MODEL NO	CROSS REFERENCES	
BPW	04.419.00.28.0		Contitech	620 M Hydro 17 bar (160 mm)
BPW	05.429.00.04.0		Vibracoustic	V2B15R-S3

2C250-170 F01

Cross Section View

Top View



- Bolt of Stud
- Threaded hole
- ⊗ Combination Stud
- ⊗ Air Inlet

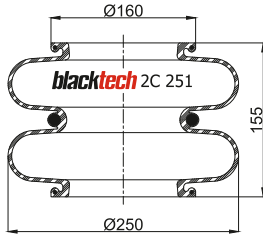
OEM PART NUMBER		MODEL NO	CROSS REFERENCES	
BPW	04.419.00.28.0		Contitech	620 M Hydro 17 bar(200 mm)
BPW	05.429.00.04.0		Vibracoustic	V2B15R-S4

2C 251-155 S



Cross Section View

Top View



- Bolt of Stud
- Threaded hole
- ⊗ Combination Stud
- ⊗ Air Inlet

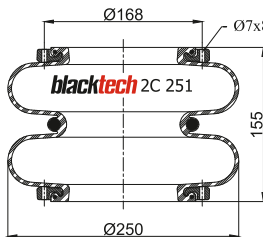
OEM PART NUMBER	MODEL NO	CROSS REFERENCES

2C 251-155 F01



Cross Section View

Top View



- Bolt of Stud
- Threaded hole
- ⊗ Combination Stud
- ⊗ Air Inlet

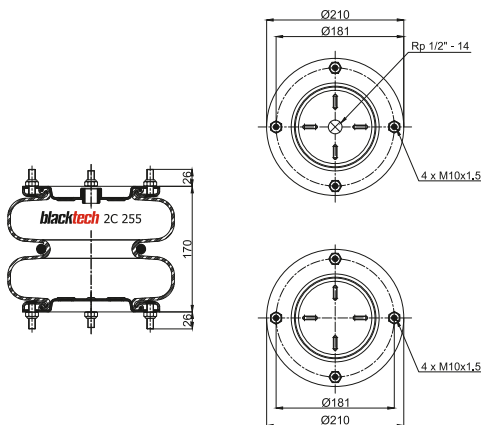
OEM PART NUMBER	MODEL NO	CROSS REFERENCES

2C 255-170 P01



Cross Section View

Top View



- Bolt of Stud
- Threaded hole
- ⊗ Combination Stud
- ⊗ Air Inlet

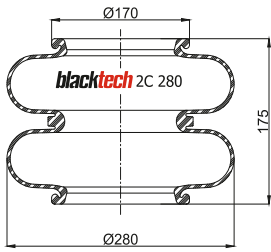
OEM PART NUMBER	MODEL NO	CROSS REFERENCES
Samro	H2500021	Contitech
Granning	15807	Firestone Style
Gigant		Firestone No.
		Goodyear
		Dunlop F
		Dunlop UK



2C280-175S

Cross Section View

Top View



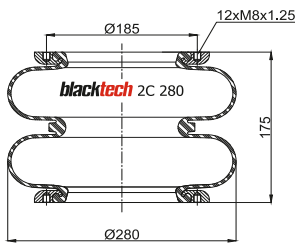
- Bolt of Stud
- Threaded hole
- ⊗ Combination Stud
- ⊗ Air Inlet

OEM PART NUMBER		MODEL NO	CROSS REFERENCES	
BPW	02.200.20.500		Contitech	608 N
Granning	15923		Phoenix	2 B 20 R
Kässbohrer	4.731.003.000	SG 176	Firestone Style	20
Kässbohrer	4.731.024.000		Firestone No.	W01-R58-4088
Magirus-Deutz	0342 2571	150 L 10	Goodyear	2B12-425/300
Magirus-Deutz	0342 2571	Satum II/II L	Vibracoustic	V2B20R
MAN	88.96420.0217			

2C280-175F

Cross Section View

Top View



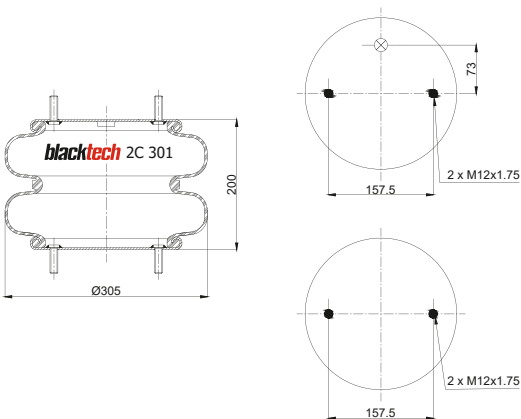
- Bolt of Stud
- Threaded hole
- ⊗ Combination Stud
- ⊗ Air Inlet

OEM PART NUMBER		MODEL NO	CROSS REFERENCES	
BPW	05.42900.010		Contitech	608 M

2C301-180P01

Cross Section View

Top View



- Bolt of Stud
- Threaded hole
- ⊗ Combination Stud
- ⊗ Air Inlet

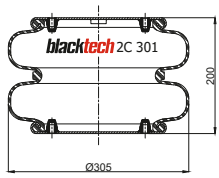
OEM PART NUMBER		MODEL NO	CROSS REFERENCES	
Tirsan				



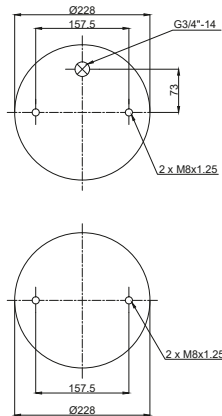


2C 301-180 P02

Cross Section View



Top View

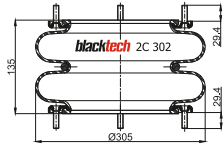


- Bolt of Stud
- Threaded hole
- ⊗ Combination Stud
- ⊗ Air Inlet

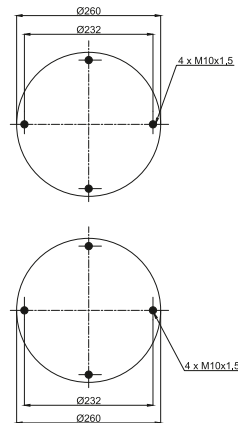
OEM PART NUMBER	MODEL NO	CROSS REFERENCES	
LOHR		Dunlop F	S12200 (12\"/>
		Firestone Order	W01M68 6203

2C 302-135 F01

Cross Section View



Top View

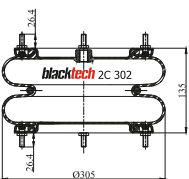


- Bolt of Stud
- Threaded hole
- ⊗ Combination Stud
- ⊗ Air Inlet

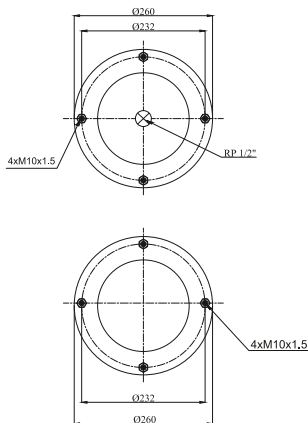
OEM PART NUMBER	MODEL NO	CROSS REFERENCES	
Kaiser	A 060 30 616	Dunlop F	SP 1025 NB (12\"/>
Lohr	Y 0000 1737		
Gigant			
SMB			

2C 302-135 P01

Cross Section View



Top View



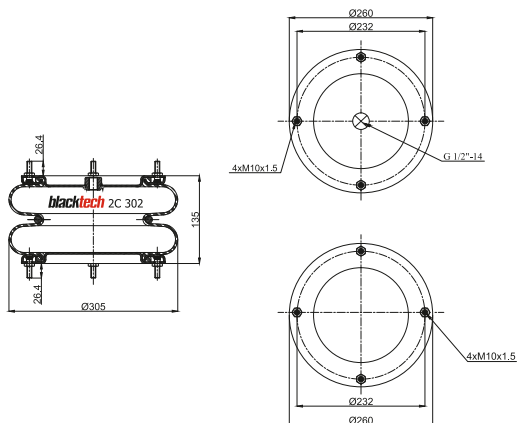
- Bolt of Stud
- Threaded hole
- ⊗ Combination Stud
- ⊗ Air Inlet

OEM PART NUMBER	MODEL NO	CROSS REFERENCES	
Gigant	881202	Dunlop F	SP 1541 NB (12\"/>
Weweler	USN 5100 11 KD		
Kaiser			
Lohr			
RVI	S45-S63 Back		

2C 302-135 P02

Cross Section View

Top View



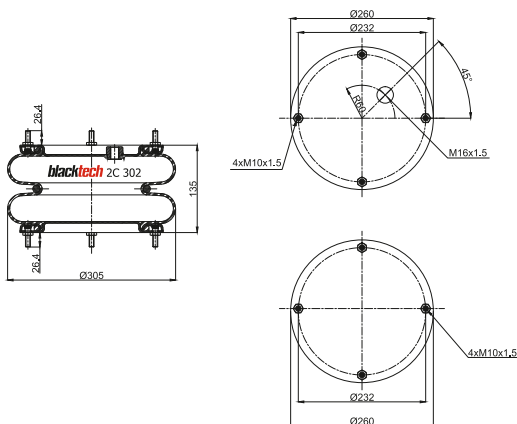
● Bolt of Stud ○ Threaded hole ⊗ Combination Stud ⊗ Air Inlet

OEM PART NUMBER		MODEL NO	CROSS REFERENCES
Gigant	881202		
Weweler	USN 5100 KD		

2C 302-135 P03

Cross Section View

Top View



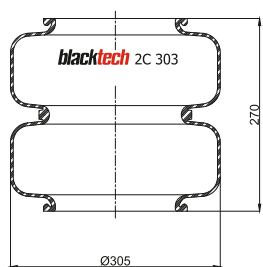
● Bolt of Stud ○ Threaded hole ⊗ Combination Stud ⊗ Air Inlet

OEM PART NUMBER		MODEL NO	CROSS REFERENCES
Kaiser	A 060 30 615		Dunlop F SP 2665 NB(12" x 2 A.NB)
Lohr	A 063 0601		Vibracoustic VSP2B22Rc-32140
SMB	M 063 796		
Trouillet	HB 10350		
Fruehauf	UJB 09 85/A		
Gigant			

2C 303-270S

Cross Section View

Top View



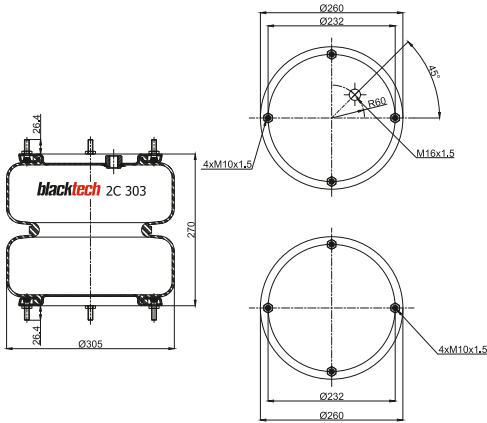
● Bolt of Stud ○ Threaded hole ⊗ Combination Stud ⊗ Air Inlet

OEM PART NUMBER		MODEL NO	CROSS REFERENCES
SMB			
Lohr			
Fruehauf			

2C 303-270 P01

Cross Section View

Top View



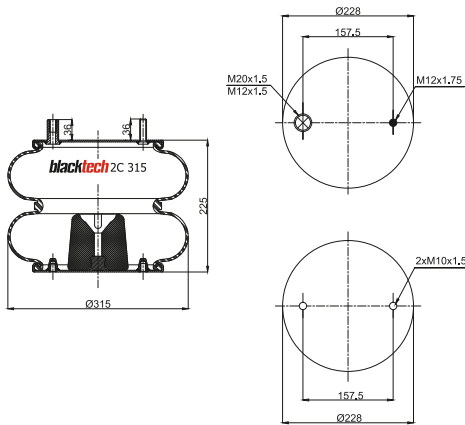
● Bolt of Stud ○ Threaded hole ⊗ Combination Stud ⊗ Air Inlet

OEM PART NUMBER	MODEL NO	CROSS REFERENCES
SMB	M 07 82 46	Dunlop F SP 2782 NB (12" x 2 ANB)
Lohr	A 060 30 622	
Fruehauf	M 07 82 46	
Gigant		

2C 315-225 P01

Cross Section View

Top View



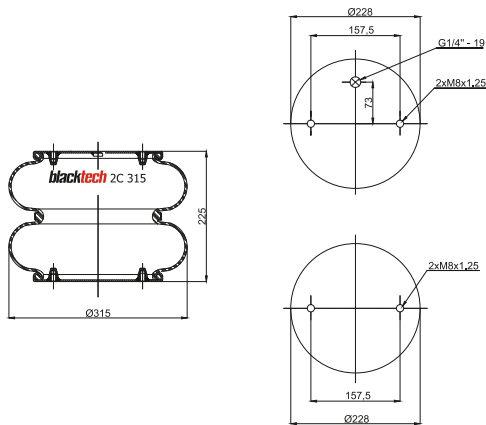
● Bolt of Stud ○ Threaded hole ⊗ Combination Stud ⊗ Air Inlet

OEM PART NUMBER	MODEL NO	CROSS REFERENCES

2C 315-225 P02

Cross Section View

Top View

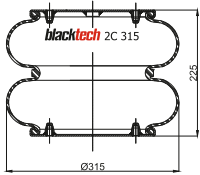


● Bolt of Stud ○ Threaded hole ⊗ Combination Stud ⊗ Air Inlet

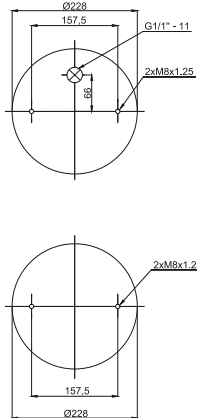
OEM PART NUMBER	MODEL NO	CROSS REFERENCES
Jung		Contitech FD 330-30 1/4 MB
Hendrickson	NA 1816	Firestone Style 22-15
		Firestone No. W01 M68 6384
		Vibracoustic VSP2B22Ra-35230

2C 315-225 P03

Cross Section View



Top View

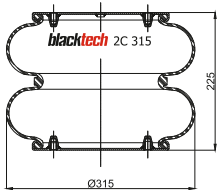


- Bolt of Stud
- Threaded hole
- ⊗ Combination Stud
- ⊗ Air Inlet

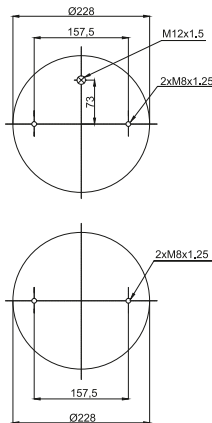
OEM PART NUMBER		MODEL NO	CROSS REFERENCES	
MAN	81.43601.0022		Contitech	FD 330-22 1/1M8
			Vibracoustic	VSP2B22R-3 (G1)

2C 315-225 P04

Cross Section View



Top View

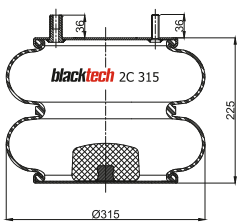


- Bolt of Stud
- Threaded hole
- ⊗ Combination Stud
- ⊗ Air Inlet

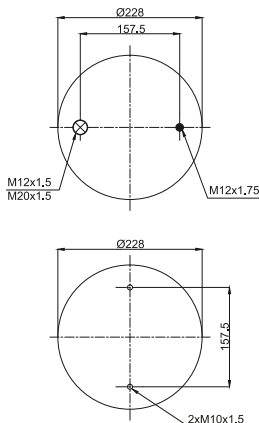
OEM PART NUMBER		MODEL NO	CROSS REFERENCES	
BPW	02.200.21.90.0		Contitech	FD 330-22 M12X1.5 M8

2C 315-225 P05

Cross Section View



Top View

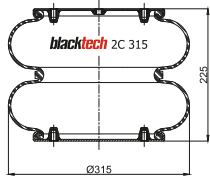


- Bolt of Stud
- Threaded hole
- ⊗ Combination Stud
- ⊗ Air Inlet

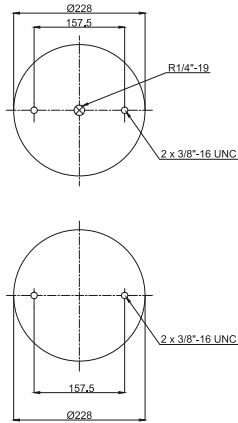
OEM PART NUMBER		MODEL NO	CROSS REFERENCES	

2C 315-225 P06

Cross Section View



Top View

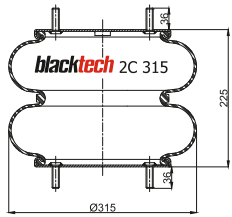


- Bolt of Stud
- Threaded hole
- ⊗ Combination Stud
- ⊗ Air Inlet

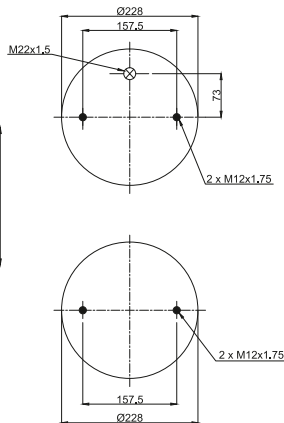
OEM PART NUMBER		MODEL NO	CROSS REFERENCES	
Granning	1218		Firestone Style	22-15
			Firestone Order	W016817688

2C 315-225 P07

Cross Section View



Top View

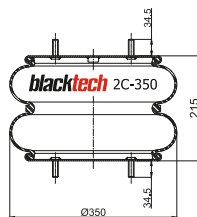


- Bolt of Stud
- Threaded hole
- ⊗ Combination Stud
- ⊗ Air Inlet

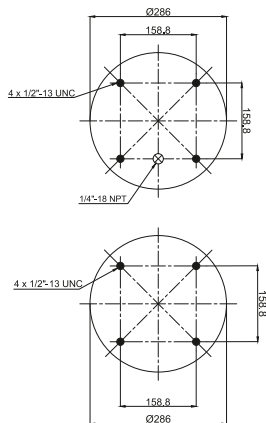
OEM PART NUMBER		MODEL NO	CROSS REFERENCES	

2C 350-215 P01

Cross Section View



Top View

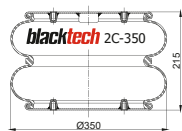


- Bolt of Stud
- Threaded hole
- ⊗ Combination Stud
- ⊗ Air Inlet

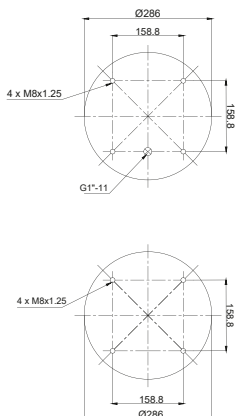
OEM PART NUMBER		MODEL NO	CROSS REFERENCES	
Neway	90557001		Firestone Style	21
			Firestone Order	W01358 7135
			Goodyear	2B14-360

2C 350-215 P02

Cross Section View



Top View

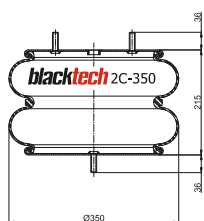


- Bolt of Stud
- Threaded hole
- ⊗ Combination Stud
- ⊗ Air Inlet

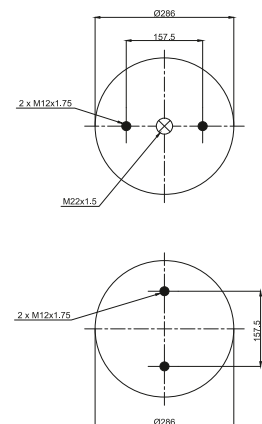
OEM PART NUMBER		MODEL NO	CROSS REFERENCES	
DAF	1307058		Contitech	FD 530-221/1M8
			Vibracoustic	VSP2B34R-S1

2C 350-215 P03

Cross Section View



Top View

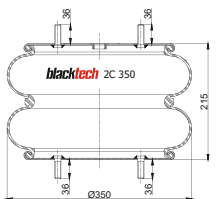


- Bolt of Stud
- Threaded hole
- ⊗ Combination Stud
- ⊗ Air Inlet

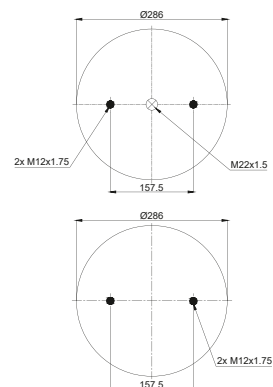
OEM PART NUMBER		MODEL NO	CROSS REFERENCES	
ISUZU				

2C 350-215 P04

Cross Section View



Top View



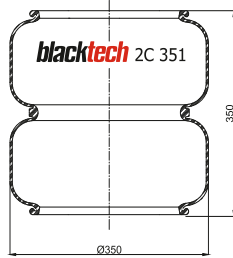
- Bolt of Stud
- Threaded hole
- ⊗ Combination Stud
- ⊗ Air Inlet

OEM PART NUMBER		MODEL NO	CROSS REFERENCES	
ISUZU				

2C 351-350 S

Cross Section View

Top View



- Bolt of Stud
- Threaded hole
- ⊗ Combination Stud
- ⊗ Air Inlet

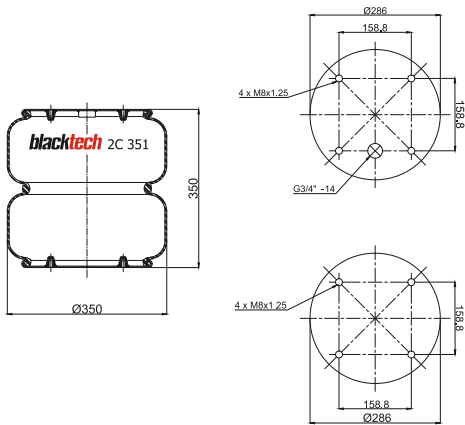
OEM PART NUMBER		MODEL NO	CROSS REFERENCES	
KÄSSBOHRER	4.731.034.100		Phoenix	2B 34R-B
KÄSSBOHRER	4.731.034.200		Vibracoustic	V2B34RB
			CF Gomma Ref.	T21B
			CF Gomma No.	89749 / 97141

2C 351-350 P01



Cross Section View

Top View



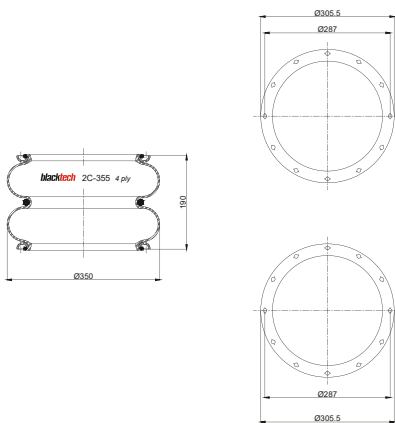
- Bolt of Stud
- Threaded hole
- ⊗ Combination Stud
- ⊗ Air Inlet

OEM PART NUMBER		MODEL NO	CROSS REFERENCES	
			Phoenix	SP 2B 34 R-B

2C 355-190 F

Cross Section View

Top View



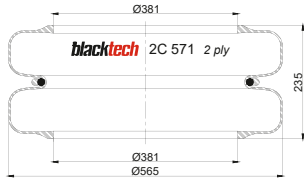
- Bolt of Stud
- Threaded hole
- ⊗ Combination Stud
- ⊗ Air Inlet

OEM PART NUMBER		MODEL NO	CROSS REFERENCES	
Bpw	0.4104.004.0		Firestone Style	233
Iveco	8194819		Firestone Order	W01M58 7710
Iveco	8194818		CF Gomma Ref.	21BR
MERITOR(ROR)			CF Gomma No.	89457
			GART Ref.	T274
			GART No.	274.2.210

2C571-241S

Cross Section View

Top View



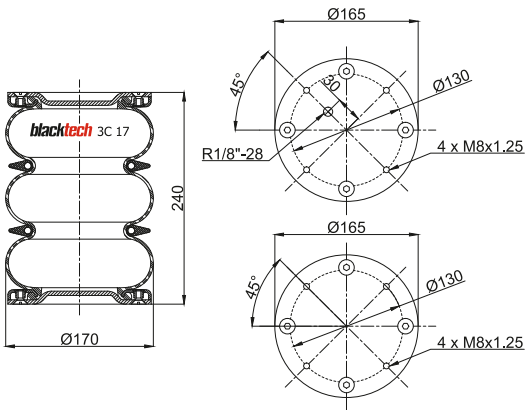
- Bolt of Stud
- Threaded hole
- ⊗ Combination Stud
- ⊗ Air Inlet

OEM PART NUMBER	MODEL NO	CROSS REFERENCES
Ford	AC46 4K273 AB	

3C17-240P01

Cross Section View

Top View



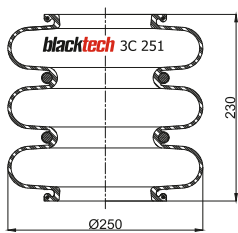
- Bolt of Stud
- Threaded hole
- ⊗ Combination Stud
- ⊗ Air Inlet

OEM PART NUMBER	MODEL NO	CROSS REFERENCES

3C251-230S

Cross Section View

Top View



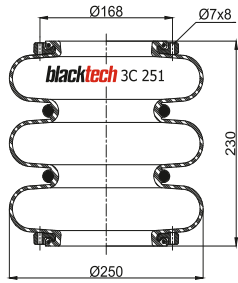
- Bolt of Stud
- Threaded hole
- ⊗ Combination Stud
- ⊗ Air Inlet

OEM PART NUMBER	MODEL NO	CROSS REFERENCES

3C 251-230 F01

Cross Section View

Top View



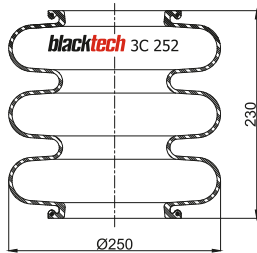
- Bolt of Stud
- Threaded hole
- ⊗ Combination Stud
- ⊗ Air Inlet

OEM PART NUMBER	MODEL NO	CROSS REFERENCES

3C 252-230 S

Cross Section View

Top View



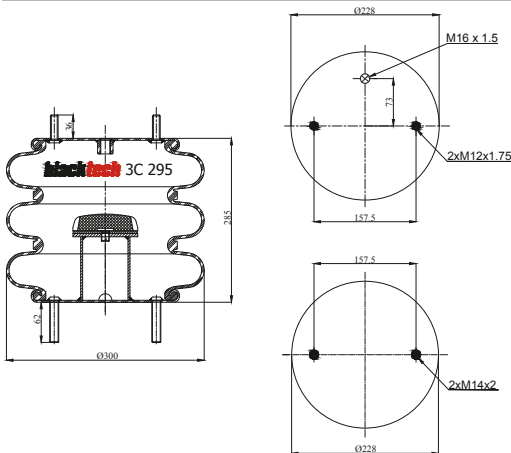
- Bolt of Stud
- Threaded hole
- ⊗ Combination Stud
- ⊗ Air Inlet

OEM PART NUMBER	MODEL NO	CROSS REFERENCES

3C 295-285 P01

Cross Section View

Top View

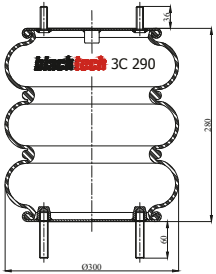


- Bolt of Stud
- Threaded hole
- ⊗ Combination Stud
- ⊗ Air Inlet

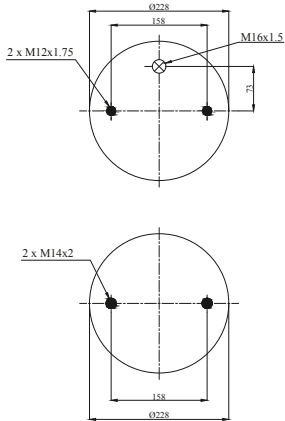
OEM PART NUMBER	MODEL NO	CROSS REFERENCES
Rolfo 112321		Gart Ref. T271/S Gart No. 271.3.298

3C 290-280 P02

Cross Section View



Top View

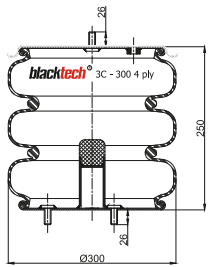


- Bolt of Stud
- Threaded hole
- ⊗ Combination Stud
- ⊗ Air Inlet

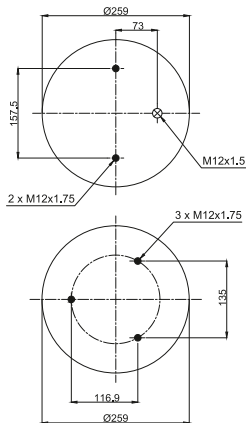
OEM PART NUMBER	MODEL NO	CROSS REFERENCES
ROLFO 112273		Dunlop F SP 12350 (12" x 3 Re NB)
Granning 17040		CF Gamma Ref. 322 BB
Toughline		CF Gamma No. 93410

3C 300-250 P02

Cross Section View



Top View



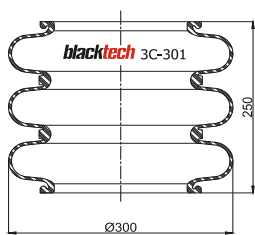
- Bolt of Stud
- Threaded hole
- ⊗ Combination Stud
- ⊗ Air Inlet

OEM PART NUMBER	MODEL NO	CROSS REFERENCES

3C 301-250 S



Cross Section View



Top View

OEM PART NUMBER	MODEL NO	CROSS REFERENCES
		Contitech FT 330-29

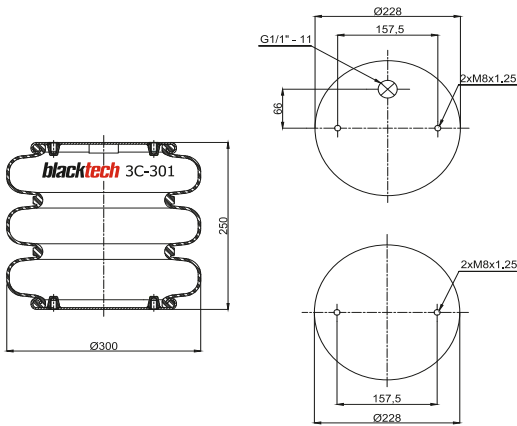
- Bolt of Stud
- Threaded hole
- ⊗ Combination Stud
- ⊗ Air Inlet



3C 301-250 P01

Cross Section View

Top View



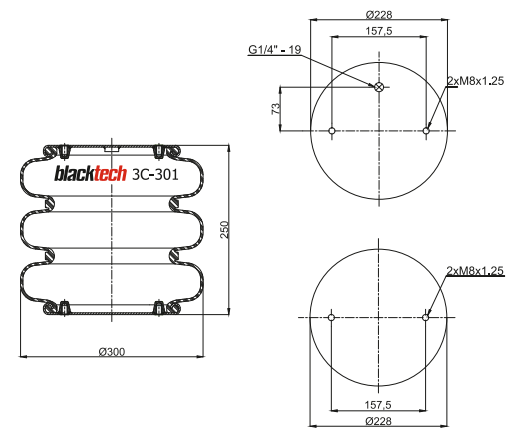
- Bolt of Stud
- Threaded hole
- ⊗ Combination Stud
- ⊗ Air Inlet

OEM PART NUMBER		MODEL NO	CROSS REFERENCES	
MAN	81.43601.6010		Contitech	FT330-29 1/1 M8
			Vibracoustic	VSP3B22R-25

3C 301-250 P02

Cross Section View

Top View



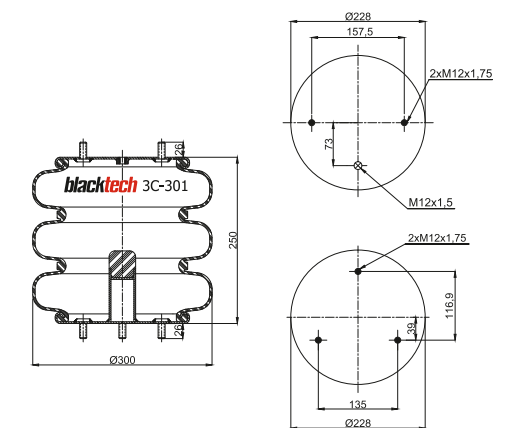
- Bolt of Stud
- Threaded hole
- ⊗ Combination Stud
- ⊗ Air Inlet

OEM PART NUMBER		MODEL NO	CROSS REFERENCES	
			Contitech	FT 330-29 1/4 M8
			Vibracoustic	VSP3B22R-26

3C 301-250 P03

Cross Section View

Top View



- Bolt of Stud
- Threaded hole
- ⊗ Combination Stud
- ⊗ Air Inlet

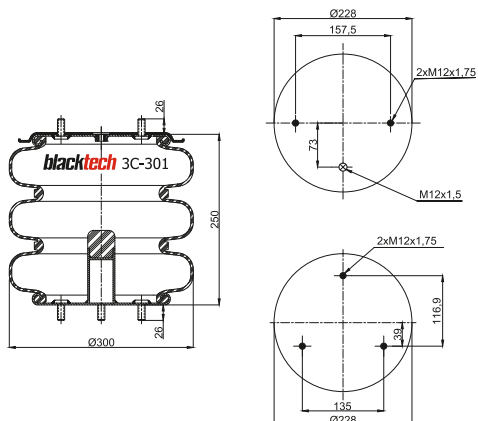
OEM PART NUMBER		MODEL NO	CROSS REFERENCES	
BMC				



3C 301-250 P04

Cross Section View

Top View



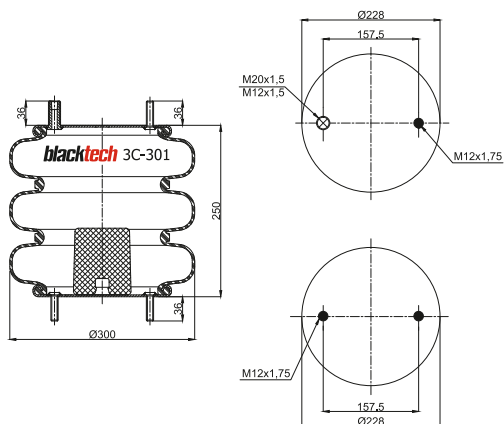
● Bolt of Stud ○ Threaded hole ⊗ Combination Stud ⊗ Air Inlet

OEM PART NUMBER	MODEL NO	CROSS REFERENCES
BMC		

3C 301-250 P05

Cross Section View

Top View



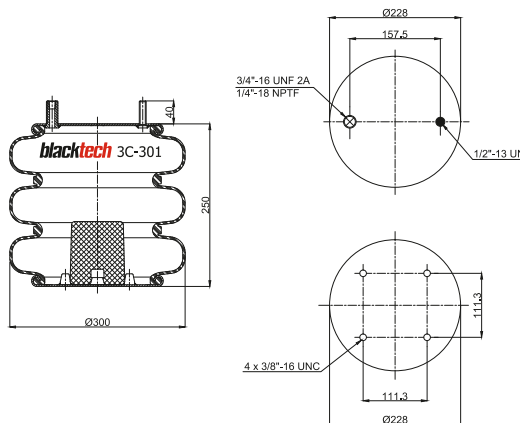
● Bolt of Stud ○ Threaded hole ⊗ Combination Stud ⊗ Air Inlet

OEM PART NUMBER	MODEL NO	CROSS REFERENCES
Dennis Eagle		Firestone Style 38
Granning 15673		Firestone Order W01358 8017
Gigant		Dunlop F S12302(12" x 3 NB)

3C 301-250 P07

Cross Section View

Top View

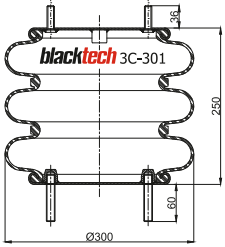


● Bolt of Stud ○ Threaded hole ⊗ Combination Stud ⊗ Air Inlet

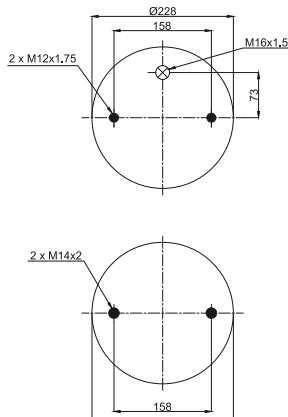
OEM PART NUMBER	MODEL NO	CROSS REFERENCES
HENDRICKSON S14795		Firestone Style 352
		Firestone Order W01358 8043

3C 301-250 P08

Cross Section View



Top View

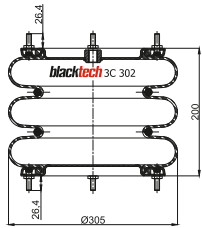


- Bolt of Stud
- Threaded hole
- ⊗ Combination Stud
- ⊗ Air Inlet

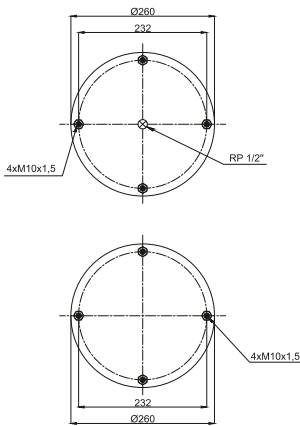
OEM PART NUMBER	MODEL NO	CROSS REFERENCES

3C 302-200 P01

Cross Section View



Top View

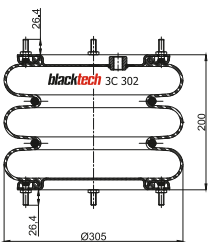


- Bolt of Stud
- Threaded hole
- ⊗ Combination Stud
- ⊗ Air Inlet

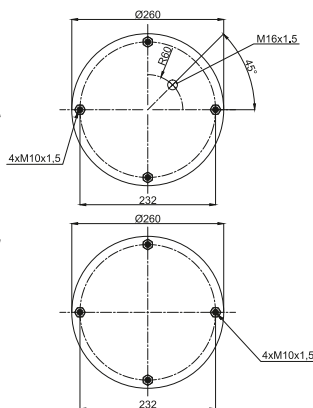
OEM PART NUMBER	MODEL NO	CROSS REFERENCES
Gigant	881204	Dunlop F SP 1542 NB(12" x 3 NB)
SAMRO		

3C 302-200 P03

Cross Section View



Top View



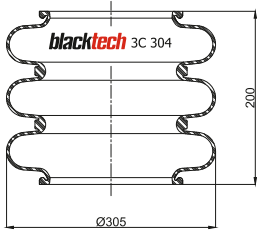
- Bolt of Stud
- Threaded hole
- ⊗ Combination Stud
- ⊗ Air Inlet

OEM PART NUMBER	MODEL NO	CROSS REFERENCES
SMB	M 00 2297	Dunlop F SP 2666 NB(12" x 3 NB)
Fruehauf	M 00 2297	
Lohr	A 060 30 606	
Samro	H2500011	
Gigant		

3C 304-200S

Cross Section View

Top View



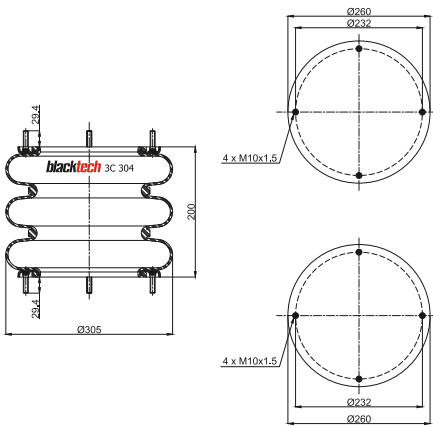
- Bolt of Stud
- Threaded hole
- ⊗ Combination Stud
- ⊗ Air Inlet

OEM PART NUMBER	MODEL NO	CROSS REFERENCES

3C 304-200F01

Cross Section View

Top View



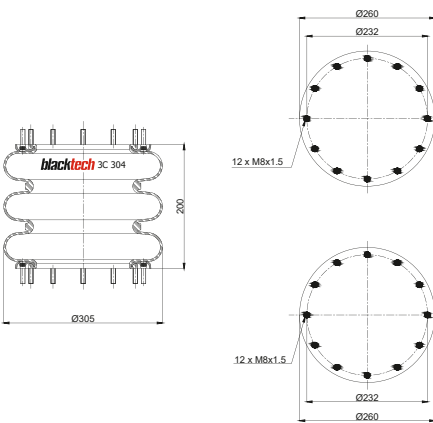
- Bolt of Stud
- Threaded hole
- ⊗ Combination Stud
- ⊗ Air Inlet

OEM PART NUMBER	MODEL NO	CROSS REFERENCES
		Dunlop F SP 1033 NB(12" x 3 NB)

3C 304-200F02

Cross Section View

Top View

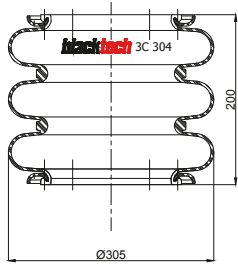


- Bolt of Stud
- Threaded hole
- ⊗ Combination Stud
- ⊗ Air Inlet

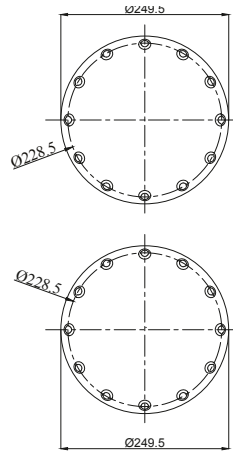
OEM PART NUMBER	MODEL NO	CROSS REFERENCES
Bartoletti	91621322	Dunlop F SP 2597 NB(12" x 3 NB)
Iveco	42107595	
Zorzi	1006505	

3C 304-200 F03

Cross Section View



Top View

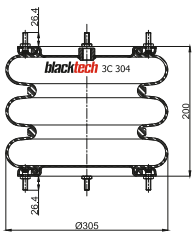


- Bolt of Stud
- Threaded hole
- ⊗ Combination Stud
- ⊗ Air Inlet

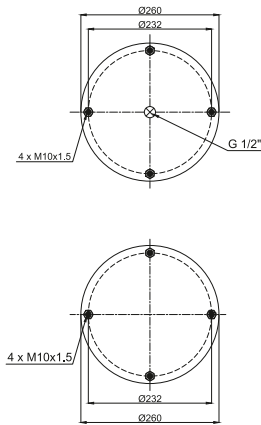
OEM PART NUMBER	MODEL NO	CROSS REFERENCES
Zorzi 1006506		Firestone Style 38
Man 81.436016010		Firestone No. W01 M68 7992

3C 304-200 P01

Cross Section View



Top View

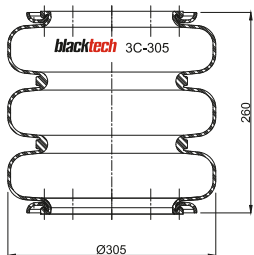


- Bolt of Stud
- Threaded hole
- ⊗ Combination Stud
- ⊗ Air Inlet

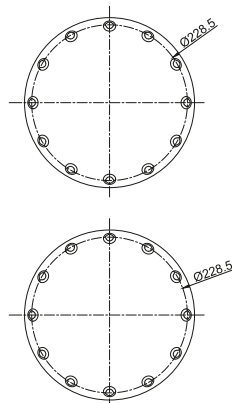
OEM PART NUMBER	MODEL NO	CROSS REFERENCES

3C 305-260 F01

Cross Section View



Top View



- Bolt of Stud
- Threaded hole
- ⊗ Combination Stud
- ⊗ Air Inlet

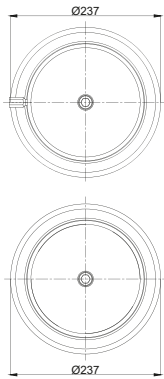
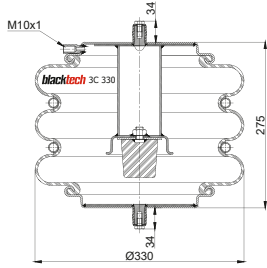
OEM PART NUMBER	MODEL NO	CROSS REFERENCES



3C 330-200 P01

Cross Section View

Top View



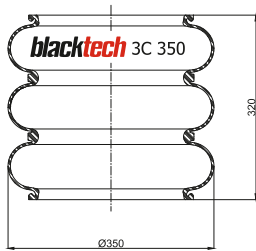
- Bolt of Stud
- Threaded hole
- ⊗ Combination Stud
- ⊗ Air Inlet

OEM PART NUMBER	MODEL NO	CROSS REFERENCES
Iveco	5006016559	

3C 350-320 S

Cross Section View

Top View



- Bolt of Stud
- Threaded hole
- ⊗ Combination Stud
- ⊗ Air Inlet

OEM PART NUMBER	MODEL NO	CROSS REFERENCES

CONVOLUTED AIR SPRINGS CROSS LIST

Blacktech	ContiTech	Phoenix	Firestone Style	Firestone No.	Goodyear	CF Gomma Ref.
1C 21-110 P01	FS 200-10 1/4 M8					
1C 21-110 P03	FS 200-10 3/4 M8	SP 1B 12-1		W01M58 6374		
1C 21-110 P04						
1C 21-170 S						
1C 21-170 P02						
1C 21-170 P03						
1C 21-170 P04						
1C 21-170 P05						
1C 140-70 P01		SP 1B 04				
1C 180-105 P02	FS 120-9 G1/4 M10					
1C 180-105 P03	FS 120-9 G3/4 M8					
1C 181-120 F01						
1C 185-150 P01 (Metric)						
1C 185-150 P02 (Imperial)			116-1	W01 358 7598		
1C 315-120 P01	FS 330-11 1/4 M8					
1C 315-120 P02	FS 330-11 1/1 M8					
2C 17-170 P01						
2C 18-195 S	603 N	2 B 07 R				
2C 18-195 P01 (Metric)						
2C 18-195 P02 (Imperial)				W21 760 7325		
2C 18-195 P03						
2C 18-200 P01						
2C 21-210 S	FD 200-19 S	2 B 12 R	20	W01 095 0009 / W01 358 0297		20
2C 21-210 F01						
2C 21-210 P01	FD 200-19 1/4 M10	SP 2 B 12 R	20	W01 M58 6887 / W01 M58 6910	2B9-223	20
2C 21-210 P02						
2C 21-210 P03	FD 200-19 3/4 M10					
2C 21-210 P04	FD 200-19 1/4 M8		20	W01 M58 7679 / W01 M58 6187		
2C 21-210 P05	FD 200-19 3/4 M8	SP 2 B 12 R-1	20	W01 M58 6185	2B9-223	
2C 21-210 P06						
2C 21-210 P13		SP 2B R-A-4				
2C 21-210 P14						
2C 21-210 P15	FD 200-19 P02		20F	W01 M58 7756		
2C 21-210 P17	FD 200-19 M14					
2C 21-210 P20						
2C 21-210 P22	FD 200-19 P04	SP 2B 12 R-5	20F	W01 M58 7894	2B9-700	2B9-700
2C 21-210 P24						
2C 150-140 B01						
2C 150-140 B02						
2C 150-140 P01						
2C 150-140 P02						

CONVOLUTED AIR SPRINGS CROSS LIST

CF Gomma No.	Vibracoustic	Gart Ref.	Gart No.	Dunlop UK	Dunlop F	Taurus	Page
							352
							352
							352
							353
							353
		T291/B	2911170				353
							354
							354
							354
							355
							355
		T275	2751120				355
							356
							356
							356
							357
							357
							357
							358
							358
							358
207121							359
86599	V2B12R						359
							359
206797	VSP2B12R	T291/2	291.2.200	01128A-AP	S09201NB		360
							360
	VSP2B12R-20041						360
		T291/2	291.2.200		9"1/4 S09201		361
	VSP2B12R-1						361
	VSP2B12R-S1						361
							362
							362
							362
							363
							363
207773	VSP2B12R-5	T291/2	291.2.203		S09201		363
							364
					SP917(6 " X2) Plastic Ring		364
					SP917(6 " X2) Metal Ring		364
					SP1482 (6 " X2) Plastic Ring		365
					SP1482 (6 " X2) Metal Ring		365

CONVOLUTED AIR SPRINGS CROSS LIST

Blacktech	ContiTech	Phoenix	Firestone Style	Firestone No.	Goodyear	CF Gomma Ref.
2C 151-150 P02 (Metric)						
2C 151-150 P03 (Metric)						
2C 151-150 P04 (Metric)						
2C 151-150 P05 (Imperial)			255 C	W21760 6781		
2C 151-150 P06 (Imperial)			267 C	W21760 6784		
2C 151-150 P07 (Imperial)			267 C-15	W21760 6397		
2C 170-170 P01						
2C 170-170 P02			224C	W01760 0335		
2C 170-170 P03				W21760 0335		
2C 200-140 P01				W01R58 4055		
2C 200-140 P02	FD 138-18 1/2 M10		8x2	W01R58 4055	2B8-2150	
2C 205-140 P01	FD 120-17 3/4 M8		26	W01M58 6387 / W01358 7325	2B8-2152	T26
2C 211-220 P01	FD 200-22 1/4 M10		20F	W01M58 6772 / W01M58 7888		
2C 211-220 P02						
2C 211-220 P03						
2C 211-220 P08						
2C 211-220 P09						
2C 235-235 P01	FD 200-25 P02	SP 2 B 12 R-A-3			2B9-701	20L
2C 235-235 P03	FD 200-25 1/4 M8		20C-2			
2C 235-235 P04	FD 200-25 1/4 M10	SP 2 B 12 R-A-10	20C-2	W01M58 7679 / W01968 6771	2B9-269	20L
2C 250-170 S	620 N 8 Bar					
2C 250-170 S01	620 N Hydro 17 bar					245 BV.
2C 250-170 S02	620 N Hydro 34 bar					
2C 250-170 F	620 M Hydro 17 bar (160 mm)					
2C 250-170 F01	620 M Hydro 17 bar (200 mm)					
2C 251-155 S						
2C 251-155 F01						
2C 255-170 P01	FD 210-22 1/2 M10		10x2	W01R58 4058	2B10-2350	
2C 280-175 S	608 N	2B 20 R	20	W01R58 4088	2B12-425/300	
2C 280-175 F	608 M					
2C 301-180 P01						
2C 301-180 P02				W01M58 6203		
2C 302-135 F01						
2C 302-135 P01						
2C 302-135 P02						
2C 302-135 P03						
2C 303-270 S						
2C 303-270 P01						
2C 315-225 P01						
2C 315-225 P02	FD 330-30 1/4 M8		22-15	W01M58 6384		
2C 315-225 P03	FD 330-22 1/1 M8					

CONVOLUTED AIR SPRINGS CROSS LIST

CF Gomma No.	Vibracoustic	Gart Ref.	Gart No.	Dunlop UK	Dunlop F	Taurus	Page
							365
							366
							366
							366
							367
							367
							367
							368
							368
					SP1490 (8"x2)		368
							369
84181	VSP2B07R-2				2B8-2152		369
							369
							370
							370
							370
							371
207065	VSP2B12RA-3	T291/2B	291.2.263				371
							371
207776	VSP2B12RA-10	T291/2B	291.2.260				372
	V2B15R-S0						372
92142	V2B15R-S1						372
	V2B15R-S2						373
	V2B15R-S3						373
	V2B15R-S4						373
							374
							374
				10x2	SP1538 (10"x2)		374
	V2B20R						375
							375
							375
					S 12200 (12"x2)		376
					SP 1025 NB (12" X2 NB)		376
					SP 1541 NB (12" X2 NB)		376
							377
	VSP2B22Rc-32140				SP 2665 NB (12" X2 A.NB)		377
							377
					SP 2782 NB (12" X2 A.NB)		378
							378
	VSP2B22Ra-35230						378
	VSP2B22R-3(G1)						379

CONVOLUTED AIR SPRINGS CROSS LIST

Blacktech	ContiTech	Phoenix	Firestone Style	Firestone No.	Goodyear	CF Gomma Ref.
2C 315-225 P04	FD 330-22 M12X1.5 M8					
2C 315-225 P05						
2C 315-225 P06			22-15	W01 681 7688		
2C 315-225 P07						
2C 350-215 P01			21	W01 358 7135	2B14-360	
2C 350-215 P02	FD 530-22 1/1 M8					
2C 350-215 P03						
2C 350-215 P04						
2C 351-350 S		2B 34 R-B				T21B
2C 351-350 P01		SP 2B 34 R-B				
2C 355-190 F			233	W01 M58 7710		21BR
2C 571-241 S						
3C 17-240 P01						
3C 251-230 S						
3C 251-230 F01						
3C 252-230 S						
3C 295-285 P01						
3C 290-280 P02						322 BB
3C 300-250 P02						
3C 301-250 S	FT 330-29 S					
3C 301-250 P01	FT 330-29 1/1 M8					
3C 301-250 P02	FT 330-29 1/4 M8					
3C 301-250 P03						
3C 301-250 P04						
3C 301-250 P05			38	W01 358 8017		
3C 301-250 P07			352	W01 358 8043		
3C 301-250 P08						
3C 302-200 P01						
3C 302-200 P03						
3C 304-200 S						
3C 304-200 F01						
3C 304-200 F02						
3C 304-200 F03			38	W01 M58 7992		
3C 304-200 P01						
3C 305-260 F01						
3C 330-200 P01						
3C 350-320 S						

CONVOLUTED AIR SPRINGS CROSS LIST

CF Gomma No.	Vibracoustic	Gart Ref.	Gart No.	Dunlop UK	Dunlop F	Taurus	Page
							379
							379
							380
							380
							380
	VSP2B34R-S1						381
							381
							381
89749 / 97141	V2B34RB						382
							382
89457		T274	274.2.210				382
							383
							383
							383
							384
							384
		T271/S	271.3.298				384
93410						SP 12350 (12" x Re NB)	385
							385
							385
	VSP3B22R-25						386
	VSP3B22R-26						386
							386
							387
						S 12302 (12" x 3 NB)	387
							387
							388
						SP 1542 NB (12" x 3 NB)	388
						SP 2666 NB (12" x 3 NB)	388
							389
						SP 1033 NB (12" x 3 NB)	389
						SP 2597 NB (12" x 3 NB)	389
							390
							390
							390
							391
							391

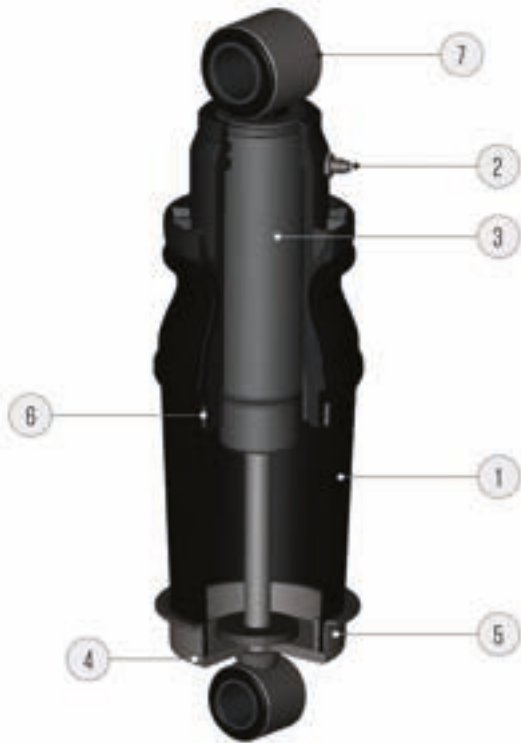


■
CABIN & SEAT & LIFT AIR SPRINGS



Vibracoustic
CVAir Springs

Components of Air Springs



1. Sleeve
2. Air inlet
3. Piston
4. Clamping Plate
5. Clamping Ring
6. Shock Absorber

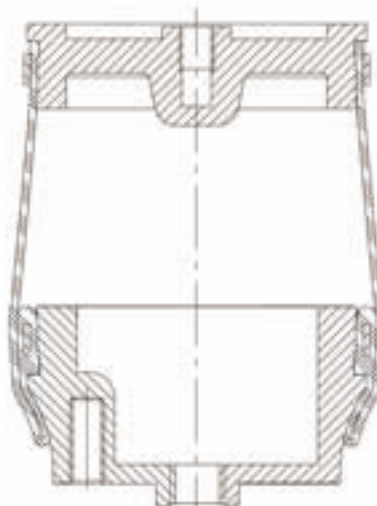
Product Identification / Roll Air Springs



110 01 C
Cabin air spring
without shock
absorber



110 01 CA
Cabin air spring
with shock
absorber plates



210 06 C
Seat air springs



310 01 C
Lift air springs

CABIN & SEAT & LIFT AIR SPRINGS OEM LIST

MANUFACTURER	OEM PART NO	PART NO	TYPE	REMARKS	PAGE
BMC	BMC52RS028490	110 15 CA	With Shock Absorber	1144 ACX rear	413
	BMC52RS029110	110 16 CA	With Shock Absorber	1144 ACX front	413
	52RS400046	110 102 CA	With Shock Absorber	TUĞRA 8x2 rear	426
	52RS400040	110 103 CA	With Shock AbsorberWith Shock	TUĞRA 8x2 front	426
DAF	1265281/1285393 1321590/1353450	110 48 CA	Absorber	CF/XF/95 front	422
	1353453/1371065 1444147/1622211				
	1265282/1285394 1321591/1353451	110 49 CA	With Shock Absorber	CF/XF/95 rear	422
	1353454/1371066 1623477/299862				
	1850682/1931023	110 106 CA	With Shock Absorber	XF - front	426
1850683/1868687/1931024/1931026	110 107 CA	With Shock Absorber	XF/CF - rear	427	
FORD	DC46-5C063-HA	110 61 CA	With Shock Absorber	CARGO - front	423
	DC46-5C063-GA	110 62 CA	With Shock Absorber	CARGO - rear	423
	GC46-5C063-AA	110 74 CA	With Shock Absorber	CARGO - front	424
	GC46-5C063-BA	110 75 CA	With Shock Absorber	CARGO - rear	424
	GC46-5C063-CA	110 76 CA	With Shock Absorber	CARGO - front	424
	GC46-5C063-DA	110 77 CA	With Shock Absorber	CARGO - rear	424
	DC46-5C063-JA	110 78 CA	With Shock Absorber	CARGO - front	424
	DC46-5C063-KA	110 79 CA	With Shock Absorber	CARGO - rear	425
	DC46-5C063-LA	110 80 CA	With Shock Absorber	CARGO - front	425
	DC46-5C063-MA	110 81 CA	With Shock Absorber	CARGO - rear	425
	EC46-5C063-AA	110 82 CA	With Shock Absorber	CARGO - front	425
	EC46-5C063-BA	110 83 CA	With Shock Absorber	CARGO - rear	425
	GC46-5C063-EA	110 84 CA	With Shock Absorber	CARGO - rear	425
	GC46-5C063-FA	110 94 CA	With Shock Absorber	CARGO - front	426
GC46-5C063-GA	110 95 CA	With Shock Absorber	CARGO - rear	426	
DEUTZ - FAHR	0442 8784	110 05 CA	With Shock Absorber		410
FREIGHTLINER	18-29919-000	210 12 C	Without Shock Absorber		428
	GYR 1S5-040	210 13 C	Without Shock Absorber		429
ISRINHAUSEN	31396	210 28 C	Without Shock Absorber		431
IVECO	500 357 351	110 18 CA	With Shock Absorber	Strails front	414
		110 18 C	Without Shock Absorber	Strails front	414
		110 19 C	Without Shock Absorber	Strails rear	414
	504 060 241/97383888	110 19 CA	With Shock Absorber	Strails rear	414
		110 26 C	Without Shock Absorber	Strails rear	416
	500 340 706/500357352	110 26 CA	With Shock Absorber	Strails rear	416

CABIN & SEAT & LIFT AIR SPRINGS OEM LIST

MANUFACTURER	OEM PART NO	PART NO	TYPE	REMARKS	PAGE
IVECO		110 30 C	Without Shock Absorber	Strails front	417
	500340705	110 30 CA	With Shock Absorber	Strails front	417
		110 31 C	Without Shock Absorber	Strails rear	417
	500357352	110 31 CA	With Shock Absorber	Strails rear	417
		110 33 C	Without Shock Absorber	EUROSTAR / EUROTECH / EUROTRAKKER rear	418
	41028764 / 41028763 / 500377878 / 500348793	110 33 CA	With Shock Absorber	EUROSTAR / EUROTECH / EUROTRAKKER rear	418
		110 34 C	Without Shock Absorber	EUROSTAR / EUROTECH rear	418
	500307338	110 34 CA	With Shock Absorber	EUROSTAR / EUROTECH rear	418
	500352808				
	500379698				
	9943 8514				
	9945 5937				
	9847 2734				
	504080540	110 69 CA	With Shock Absorber		424
	410 19 150 / 816 90 50 / 410 15 530	210 03 C	Without Shock Absorber	EUROSTAR / EUROTECH / EUROTRAKKER front	427
5006153851 / 10635845	210 47 C	Without Shock Absorber		433	
504309849	210 48 C	Without Shock Absorber		433	
500312049	210 51 C	Without Shock Absorber	REAR - DAILY 35S9/11/13 "UP/DOWN"	433	
KAB SEATING	174150-D	210 35 C	Seat Air Spring	Kab Seating	432
	163718	210 36 C	Seat Air Spring	Kab Seating	432
	202082	210 37 C	Seat Air Spring	Kab Seating	432
		210 38 C	Seat Air Spring	Kab Seating	433
	172254H	210 34 C	Seat Air Spring	Kab Seating	432
KLEPP		210 08 C	Seat Air Spring	KLEPP	428
KNOEDLER	7010	210 15 C	Without Shock Absorber		429
LINK	11020022	210 14 C	Without Shock Absorber		429
	11010024	210 15 C	Without Shock Absorber		429
	11020040	210 19 C1	Without Shock Absorber		430
	1102-0046	210 27 C	Without Shock Absorber		431
LINNEPPE		210 16 C	Without Shock Absorber		429

CABIN & SEAT & LIFT AIR SPRINGS OEM LIST

MANUFACTURER	OEM PART NO	PART NO	TYPE	REMARKS	PAGE
MAN		110 04 C	Without Shock Absorber	F2000 front - rear	410
	81417226048 / 81417226051	110 04 CA	With Shock Absorber	F2000 front - rear	410
		110 05 C	Without Shock Absorber	F2000 / TGA rear	410
	81417226049 / 81417226052	110 05 CA	With Shock Absorber	F2000 / TGA rear	410
	81417226049	110 05 CA	With Shock Absorber	F2000 / TGA rear	410
	81417226052	110 05 CA	With Shock Absorber	F2000 / TGA rear	410
		110 22 C	Without Shock Absorber	TGA / TGS / TGX rear	414
	81417226057 / 81417226075 / 85417226006	110 22 CA	With Shock Absorber	TGA / TGS / TGX rear	415
	81417226078	110 23 CA	With Shock Absorber	TGA front	415
		110 23 C	Without Shock Absorber	TGA front	415
		110 24 C	Without Shock Absorber	TGA front	415
	81417226014 / 85417226022 / 81417226077	110 24 CA	With Shock Absorber	TGA front	415
	81417226058 / 85417226007 / 81417226003 / 85417226013 / 85417226024 CLASS 0596 619-1	110 47 CA	With Shock Absorber	TGA / TGL / TGS / TGX rear	421
	MERCEDES		110 06 C	Without Shock Absorber	ACTROS front
A9428902919 / A9428906919		110 06 CA	With Shock Absorber	ACTROS front	410
		110 07 C	Without Shock Absorber	ACTROS rear	411
A9428900219 / A9428906019 / A9438900219 / A9438906019 / A9438903919		110 07 CA	With Shock Absorber	ACTROS rear	411
		110 10 C	Without Shock Absorber	ACTROS front	412
9428905319 / 9428905919 / 9438903819 / A9428905919 / A9438903819 / A6628900119 / 6628900119		110 10 CA	With Shock Absorber	ACTROS front	412
		110 11 C	Without Shock Absorber	ACTROS front	412

CABIN & SEAT & LIFT AIR SPRINGS OEM LIST

MANUFACTURER	OEM PART NO	PART NO	TYPE	REMARKS	PAGE
MERCEDES		110 11 CA	With Shock Absorber	ACTROS front	412
		110 41 C	Without Shock Absorber	ACTROS / AXOR rear	419
	A9428906119	110 41 CA	With Shock Absorber	ACTROS / AXOR rear	420
		110 42 C	Without Shock Absorber	ACTROS front	420
	A9428904919	110 42 CA	With Shock Absorber	ACTROS front	420
		110 50 C	Without Shock Absorber	ACTROS front	422
	A 942 890 69 19 / A 942 890 29 19 / A 942 890 01 19	110 50 CA	With Shock Absorber	ACTROS front	422
		110 56 C	Without Shock Absorber	ACTROS rear	422
	A 942 890 70 19 / A 942 890 52 19	110 56 CA	With Shock Absorber	ACTROS rear	422
MÖVE	1C3030	210 07 C	Seat Air Spring	Move	428
PILOT	HYA005	210 10 C	Seat Air Spring	Pilot	428
RENAULT		110 25 C	Without Shock Absorber	PREMIUM / KERAX rear	415
	5010228908 / 5010228908A / 5010228908B / 5010228908C / 5010316783A / 5010269674	110 25 CA	With Shock Absorber	PREMIUM / KERAX rear	416
		110 43 C	Without Shock Absorber	PREMIUM rear	420
	5010 615 879 / 5010 615 879 B / 5010 615 879 C	110 43 CA	With Shock Absorber	PREMIUM rear	420
		110 44 C	Without Shock Absorber	MAGNUM DXI / KERAX rear	420
	5010 552 241 / 82052893 / 20898055 / 7420898055 / 7482052893	110 44 CA	With Shock Absorber	MAGNUM DXI / KERAX rear	421
		110 45 C	Without Shock Absorber	MAGNUM E-TECH front	421
	5010228849	110 45 CA	With Shock Absorber	MAGNUM E-TECH front	421
	5010130797G / 5010629414 / 20906196	210 01 C	Without Shock Absorber	PREMIUM / KERAX	427
	5010092916E	210 02 C	Without Shock Absorber	MANAGER / MAXTER rear	427
	5010266845A / 5010313619A	210 04 C	Without Shock Absorber	MANAGER / MAXTER front	427

CABIN & SEAT & LIFT AIR SPRINGS OEM LIST

MANUFACTURER	OEM PART NO	PART NO	TYPE	REMARKS	PAGE
RENAULT	5010 133 079 D	210 05 C	Without Shock Absorber	GAMME G front	427
	5010320096A	210 09 C	Without Shock Absorber	MAGNUM E-TECH front - rear	428
	5010 491 301	210 17 C	Without Shock Absorber	MAGNUM DXI	429
	5010629414 / 5010130797G	210 18 C	Without Shock Absorber	PREMIUM / KERAX	429
SCANIA	1348121	110 01 C	Without Shock Absorber	Serie 3 front-rear	409
	1348121 / 1348118 / 1348117	110 01 CA	With Shock Absorber	Serie 3 front-rear	409
	1476415 / 1381919	110 02 C	Without Shock Absorber	Serie 4 front	409
	1476415 / 1381919 / 1381904 / 1397400 / 1435859	110 02 CA	With Shock Absorber	Serie 4 front	409
	1476415 / 1381919	110 03 C	Without Shock Absorber	Serie 4 rear	409
	1476415 / 1381919 / 1381906 / 1397398 / 1435856	110 03 CA	With Shock Absorber	Serie 4 rear	409
		110 08 C	Without Shock Absorber	Serie 4 front	411
	1424228 / 1363122 / 1397396 / 1381904	110 08 CA	With Shock Absorber	Serie 4 front	411
		110 09 C	Without Shock Absorber	Serie 4 rear	411
	1382827 / 1424229 / 1349844	110 09 CA	With Shock Absorber	Serie 4 rear	411
	1424231 / 1349840	110 12 C	Without Shock Absorber	Serie 4 front - rear	412
	1505563 / 1495642 / 1424231 / 1349840	110 12 CA	With Shock Absorber	Serie 4 front - rear	412
	1502468	110 13 C	Without Shock Absorber	Serie 4 rear	413
	1502468 / 1502470 / 1502471 / 1502472 / 1502474 / 1595642	110 13 CA	With Shock Absorber	Serie 4 rear	413
		110 14 C	Without Shock Absorber	Serie 4 rear	413
	1424231 / 1349840	110 17 C	Without Shock Absorber	Serie 4 front	413
	1424231 / 1349840 / 1349844 / 1382827 / 1424229	110 17 CA	With Shock Absorber	Serie 4 front	414

CABIN & SEAT & LIFT AIR SPRINGS OEM LIST

MANUFACTURER	OEM PART NO	PART NO	TYPE	REMARKS	PAGE
SCANIA	1424231/1349840	110 28 C	Without Shock Absorber	Serie 4 front	416
	1424231/1349840	110 28 CA	With Shock Absorber	Serie 4 front	417
		110 39 C	Without Shock Absorber	Serie 4 front	419
	1444016	110 39 CA	With Shock Absorber	Serie 4 front	419
		110 40 C	Without Shock Absorber	Serie 4 rear	419
	1424227/1363120	110 40 CA	With Shock Absorber	Serie 4 rear	419
	1314278	110 66 C	Without Shock Absorber	FRONT - REAR	423
	1424231/1349840	110 98 CA	With Shock Absorber	Serie 4 front	426
SEARS	55388 / 707338	210 15 C	Without Shock Absorber		429
SEARS / DURAFORM	59383	210 27 C	Without Shock Absorber		431
	520235	210 27 C	Without Shock Absorber		431
SEAT AIRSPRING	2014118	210 06 C	Seat Air Spring	SEDIU / C.O.B.O.	428
	11020040	210 19 C	Without Shock Absorber		430
		210 20 C	Without Shock Absorber		430
		210 21 C			430
		210 21 C1			430
		210 22 C			430
		210 22 C1			431
		210 23 C			431
		210 23 C1			431
		210 26 C			431
		210 29 C	Without Shock Absorber		432
		210 29 C1	Without Shock Absorber		432
STEYR	81417226049	110 05 CA	With Shock Absorber		410
	81417226052	110 05 CA	With Shock Absorber		410
VOLVO		110 27 C	Without Shock Absorber	FH12 / FH16 front	416
	3172984 / 1629719 / 1629724	110 27 CA	With Shock Absorber	FH12 / FH16 front	416
		110 32 C	Without Shock Absorber	FH12 / FH16 rear	417
	1076855 / 20427897 / 20721169 / 20775212 / 3172985 / 3198850	110 32 CA	With Shock Absorber	FH12 / FH16 rear	418

CABIN & SEAT & LIFT AIR SPRINGS OEM LIST

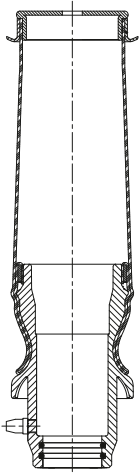
MANUFACTURER	OEM PART NO	PART NO	TYPE	REMARKS	PAGE
VOLVO		110 35 C	Without Shock Absorber	FH12 / FH16 rear	418
	1075076 / 1075077	110 35 CA	With Shock Absorber	FH12 / FH16 rear	419
		110 46 C	Without Shock Absorber	FH12 / FH16 rear	421
	20453256 / 20889132 / 21111932	110 46 CA	With Shock Absorber	FH12 / FH16 rear	421
	20889136 / 20452258 / 21111932 / 3198837	110 63 C	Without Shock Absorber	FH12 / FH16 FRONT	423
	20453258 / 20889136 / 21111942 / 3198837	110 63 CA	With Shock Absorber	FH12 / FH16 FRONT	423
		110 64 C	Without Shock Absorber		423
	20 906 196	210 18 C	Without Shock Absorber	front	429
	2 0534 645	310 01 C	Without Shock Absorber	LIFT AXLE SHORT VERSION	433
	1081785 / 20455245 / 20494458	310 02 C	Without Shock Absorber	LIFT AXLE SHORT VERSION	433
	2 0534 646	310 03 C	Without Shock Absorber	LIFT AXLE SHORT VERSION	434

11001C



SCANIA 3 SERIE FRONT - REAR

Cross Section View



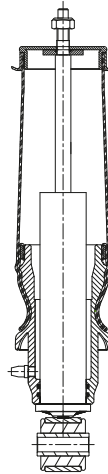
OEM PART NUMBER	
1348121	
MODEL NO	
3 SERIE	113E / 113H / 113M / 143E / 143H / 143M / 93H / 93M / 1113E / 1113H / 1143E / 1143H
CR SERIE	CR13 / CR19
CROSS NO	
SACHS	481002
FIRESTONE	W02 M58 8000
PHOENIX	C 075 123 021
MONROE	CB0066
VIBRACOUSTIC	V076315C

11001CA



SCANIA 3 SERIE FRONT - REAR

Cross Section View



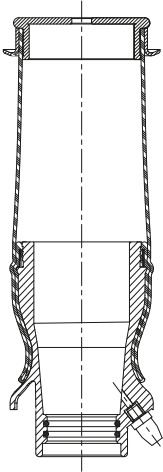
OEM PART NUMBER	
1348121 / 1348118 / 1348117	
MODEL NO	
3 SERIE	113E / 113H / 113M / 143E / 143H / 143M / 93H / 93M / 1113E / 1113H / 1143E / 1143H
CR SERIE	CR13 / CR19
CROSS NO	
MONROE	CB0066 + CB0065
SACHS	105845 / 105831 / 481002
GOODYEAR	1SA 036
FIRESTONE	W02 M58 8001
PHOENIX	CD 075 123 021
VIBRACOUSTIC	V076315B

11002C



SCANIA 4 SERIE FRONT

Cross Section View



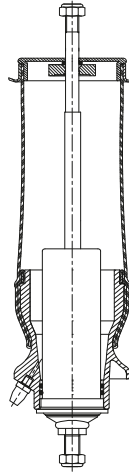
OEM PART NUMBER	
1476415 / 1381919	
MODEL NO	
4 SERIE	94 / 114 / 124 / 144 / 164
CROSS NO	
MONROE	CB0030
GOODYEAR	1AS-001
FIRESTONE	W02 M58 8002
PHOENIX	C 075 139 011
SACHS	314646
VIBRACOUSTIC	V076330

11002CA



SCANIA 4 SERIE FRONT

Cross Section View



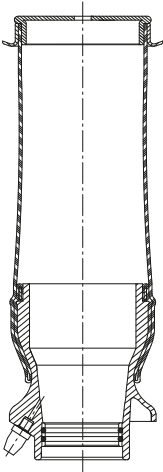
OEM PART NUMBER	
1476415 / 1381919 / 1381904 / 1397400 / 1435859	
MODEL NO	
4 SERIE	94 / 114 / 124 / 144 / 164
CROSS NO	
MONROE	CB0030 + CB0010 (CB0172)
GOODYEAR	1SA 006
FIRESTONE	W02 M58 8003
PHOENIX	CD 075 139 011
SACHS	314646 + 290203
VIBRACOUSTIC	V076330A

11003C



SCANIA 4 SERIE REAR

Cross Section View



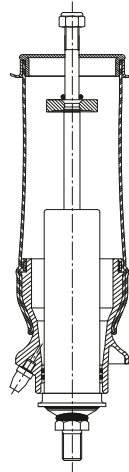
OEM PART NUMBER	
1476415 / 1381919	
MODEL NO	
4 SERIE	94 / 114 / 124 / 144 / 164
CROSS NO	
MONROE	CB0030
GOODYEAR	1AS-001
FIRESTONE	W02 M58 8002
PHOENIX	C 075 139 011
SACHS	314646
VIBRACOUSTIC	V076345A

11003CA



SCANIA 4 SERIE REAR

Cross Section View



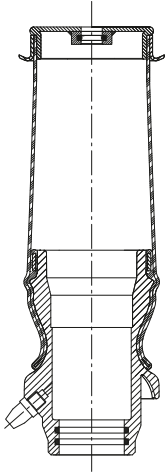
OEM PART NUMBER	
1476415 / 1381919 / 1381906 / 1397398 / 1435856	
MODEL NO	
4 SERIE	94 / 114 / 124 / 144 / 164
CROSS NO	
MONROE	CB0030 + CB0009 (CB0173)
GOODYEAR	1SA 005
FIRESTONE	W02 M58 8004
SACHS	314646 + 290990
VIBRACOUSTIC	V076345B

11004C



MAN F 2000 FRONT - REAR

Cross Section View



OEM PART NUMBER

MODEL NO

CROSS NO

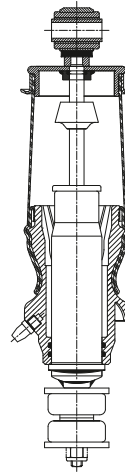
VIBRACOUSTIC V076295A

11004CA



MAN F 2000 FRONT - REAR

Cross Section View



OEM PART NUMBER

81.41722.6048 / 81.41722.6051

MODEL NO

18.403 T33 Front - Rear
19.293 T20 Front - Rear
19.343 T20 Front - Rear
19.344 FLL Front

CROSS NO

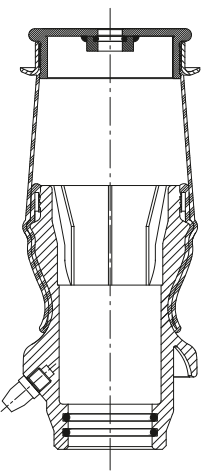
SACHS 105856
GOODYEAR 1SA-AS 017
FIRESTONE WC2 M58 8020
PHOENIX CD 076 121 011
VIBRACOUSTIC V076295

11005C



MAN F 2000 / TGA REAR

Cross Section View



OEM PART NUMBER

MODEL NO

CROSS NO

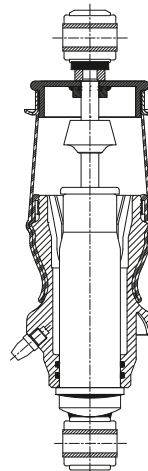
VIBRACOUSTIC V076275A

11005CA



MAN F 2000 / TGA REAR

Cross Section View



OEM PART NUMBER

DEUTZ - FAHR 0442 8784
MAN 81.41722.6049 / 81.41722.6052
STEYR 81.41722.6049 / 81.41722.6052

MODEL NO

MAN F 2000 19.273/19.293
MAN F 2000 19.323/19.343
MAN F 2000 35.403/35.463 / 35.314 / 35.364
MAN F 2000 41.403/41.463
MAN TGA 28.310/28.360/28.410/28.460
MAN TGA 28.480/28.510/28.530

CROSS NO

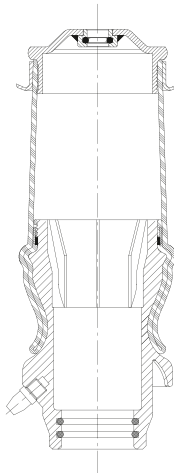
SACHS 105856
GOODYEAR 1SA-AS 016
FIRESTONE WC2 M58 8021
PHOENIX CD 076 120 011
VIBRACOUSTIC V076275

11006C



MERCEDES ACTROS FRONT

Cross Section View



OEM PART NUMBER

MODEL NO

CROSS NO

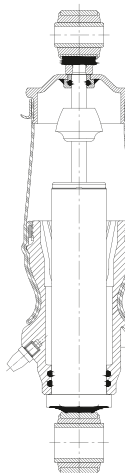
VIBRACOUSTIC V076300C

11006CA



MERCEDES ACTROS FRONT

Cross Section View



OEM PART NUMBER

A942 890 29 19 / A 942 890 69 19

MODEL NO

1831 S/LS
1835 S/LS
1840 S/LS
1843 S/LS
1848 S/LS
1853 S/LS

CROSS NO

SACHS 105392
GOODYEAR 1SA-AS 014
FIRESTONE WC2 M58 8014
PHOENIX CD 076 122 011
VIBRACOUSTIC V076300D

11007C



MERCEDES	ACTROS	REAR
Cross Section View		
OEM PART NUMBER		
MODEL NO		
CROSS NO		
VIBRACOUSTIC	V076315A	

11007CA



MERCEDES	ACTROS	REAR
Cross Section View		
OEM PART NUMBER		
A942 890 02 19 / A942 890 60 19 A943 890 02 19 / A943 890 60 19 A943 890 39 19		
MODEL NO		
ACTROS	(1831-1835-1840-1843-1848-1853-1857-2031-2035-2040-2053-2531-2535-2540-2543-2548-2553-2557-2631-2635-2640-2643-2648-2653-2657-3231-3235-3240-3243-3331-3335-3340-3343-3348-3353-3357-4140-4143-4148)	
ACTROS MP2-MP3	(1832-1836-1841-1844-1846-1848-1850-1851-1854-1858-2032-2036-2041-2044-2046-2048-2050-2532-2535)	
CROSS NO		
SACHS	105409 / 290997 / 311189	
GOODYEAR	1SA-AS 015	
FIRESTONE	W02 M58 8015	
PHOENIX	GD 076 123 011	
VIBRACOUSTIC	V076315	

11008C



SCANIA	4 SERIE	FRONT
Cross Section View		
OEM PART NUMBER		
MODEL NO		
CR SERIE	4 SERIE	
CROSS NO		
FIRESTONE	W02 M58 8005	
VIBRACOUSTIC	V076335	

11008CA



SCANIA	4 SERIE	FRONT
Cross Section View		
OEM PART NUMBER		
1424228 / 1363122 / 1397396 / 1381904		
MODEL NO		
CR SERIE	CP14 / 19 / 28 / 31	
4 SERIE	94 / 114 / 124 / 144 / 164	
CROSS NO		
SACHS	290988 / 105872 290201 / 290203	
FIRESTONE	W02 M58 8006	
VIBRACOUSTIC	V076335A	

11009C



SCANIA	4 SERIE	REAR
Cross Section View		
OEM PART NUMBER		
MODEL NO		
CR SERIE	4 SERIE	
CROSS NO		
FIRESTONE	W02 M58 8005	
VIBRACOUSTIC	V076335B	

11009CA



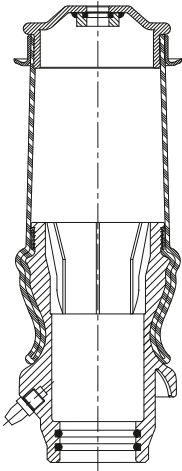
SCANIA	4 SERIE	REAR
Cross Section View		
OEM PART NUMBER		
1382827 / 1424229 / 1349844		
MODEL NO		
CR SERIE	CP14/19/19F CR14/19	
4 SERIE	94/114/124/144/164	
CROSS NO		
SACHS	290989 105873	
FIRESTONE	W02 M58 8007	
VIBRACOUSTIC	V076335C	

110 10 C



MERCEDES ACTROS FRONT

Cross Section View



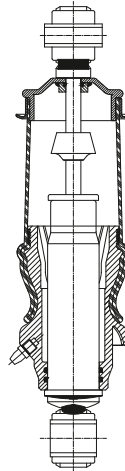
OEM PART NUMBER	
MODEL NO	
CROSS NO	
VIBRACOUSTIC	V076305A

110 10 CA



MERCEDES ACTROS FRONT

Cross Section View



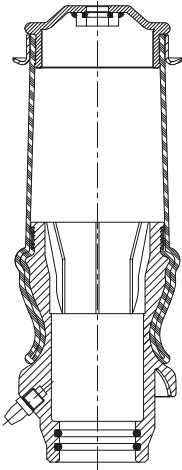
OEM PART NUMBER	
9428905319 / 9428905819 / 9438903819 / A9428905819 / A9438903819 / A8628900119 / 6628900119	
MODEL NO	
ACTROS (1831-1835-1840-1843-1848-1853) 1857-2031-2035-2040-2053-2531-2535-2540-2543-2548-2553-2557-2631-2635-2640-2643-2648-2653-2657-3231-3235-3240-3243-3331-3335-3340-3343-3348-3353-3357-4140-4143-4148)	
ACTROS MP2/MP3 (1832-1836-1841-1844-1846-1848-1850-1851-1854-1854-2032-2036-2041-2044-2046-2048-2050-2051-2532-2536-2541-2546-2548-2551-2555-2560-2632-2636-2641-2644-2646-2650-2651-2654-2655-2658-3231-3232-3241-3244-3246-3248-3331-3332-3336-3341-3344-3346-3348-3350-3351-3354-3355-3360-4140-4144)	
CROSS NO	
SACHS	311663
FIRESTONE	W02 M58 8018
MONROE	CB0115
PHOENIX	CD 075 122 012
VIBRACOUSTIC	V076305B

110 11 C



MERCEDES ACTROS FRONT

Cross Section View



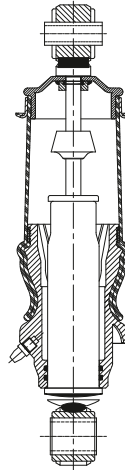
OEM PART NUMBER	
MODEL NO	
CROSS NO	
VIBRACOUSTIC	V076305C

110 11 CA



MERCEDES ACTROS FRONT

Cross Section View



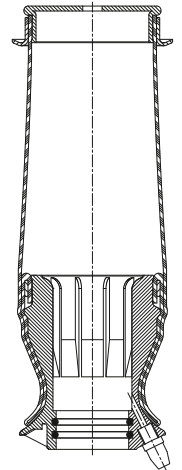
OEM PART NUMBER	
MODEL NO	
CROSS NO	
VIBRACOUSTIC	V076305

110 12 C



SCANIA 4 SERIE FRONT-REAR

Cross Section View



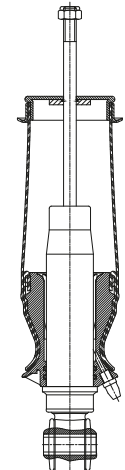
OEM PART NUMBER	
1424231 / 1349840	
MODEL NO	
CR SERIE	CP14/16/19/28/31
4 SERIE	94/114/124/144/164
CROSS NO	
SACHS	310619
FIRESTONE	W02 M58 8008
PHOENIX	C 075 140 011
MONROE	CB0067
VIBRACOUSTIC	V076380

110 12 CA



SCANIA 4 SERIE FRONT-REAR

Cross Section View



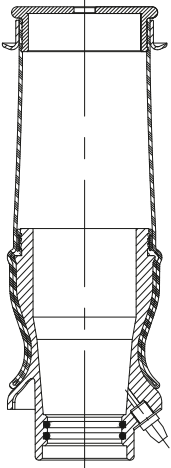
OEM PART NUMBER	
1505563 / 1495642 / 1424231 / 1349840	
MODEL NO	
CR SERIE	CP14/16/19/28/31
4 SERIE	94/114/124/144/164
CROSS NO	
SACHS	310619 + 310620
FIRESTONE	W02 M58 8009
MONROE	CB0067 + CB0134
VIBRACOUSTIC	V076380A

11013C



SCANIA 4 SERIE REAR

Cross Section View



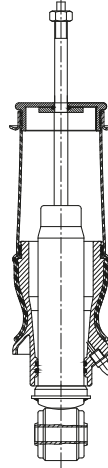
OEM PART NUMBER	
1502468	
MODEL NO	
4 SERIE	94/114/124/144/164
R SERIE	
P SERIE	
CROSS NO	
MONROE	CB0074
GOODYEAR	1AS-006
FIRESTONE	W02 M58 8010
SACHS	314646
VIBRACOUSTIC	V076370

11013CA



SCANIA 4 SERIE REAR

Cross Section View



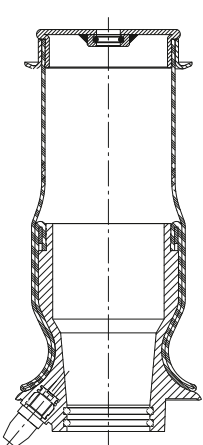
OEM PART NUMBER	
1502468 / 1502470 / 1502471 / 1502472	
1502474 / 1595642	
MODEL NO	
4 SERIE	94/114/124/144/164
R SERIE	
P SERIE	
CROSS NO	
MONROE	CB00074/717262776
SACHS	314646 + 310620
VIBRACOUSTIC	V076370A

11014C



SCANIA 4 SERIE REAR

Cross Section View



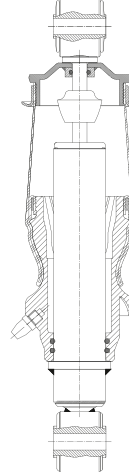
OEM PART NUMBER	
MODEL NO	
CROSS NO	
VIBRACOUSTIC	V076350

11015CA



BMC

Cross Section View



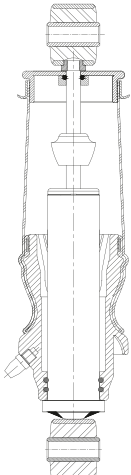
OEM PART NUMBER	
BMC 52RS026490	
MODEL NO	
1144 ACX	
CROSS NO	

11016CA



BMC

Cross Section View



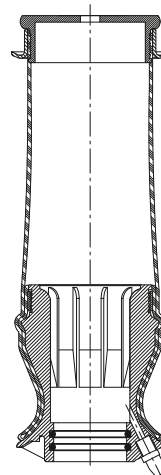
OEM PART NUMBER	
BMC 52RS029110	
MODEL NO	
1144 ACX	
CROSS NO	

11017C



SCANIA 4 SERIE FRONT

Cross Section View



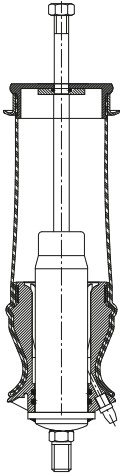
OEM PART NUMBER	
1424231 / 1349840	
MODEL NO	
CR SERIE	CP14/16/19/28/31
4 SERIE	94/114/124/144/164
CP SERIE	
CROSS NO	
SACHS	310619
FIRESTONE	W02 M58 8008
MONROE	CB0067
VIBRACOUSTIC	V076380B

11017 CA



SCANIA 4 SERIE FRONT

Cross Section View



OEM PART NUMBER

1424231 / 1349840 / 1349844 / 1382827 / 1424229

MODEL NO

CR SERIE CP14/16/19/28/31
4 SERIE 94/114/124/144/164
CP SERIE

CROSS NO

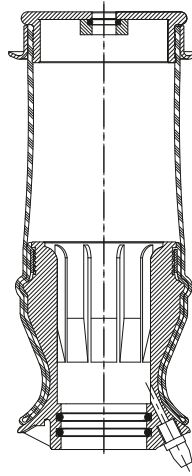
SACHS 310619 + 290989
MONROE CB0067 + CB0059
VIBRACOUSTIC V076380C

11018 C



IVECO STRALIS FRONT

Cross Section View



OEM PART NUMBER

MODEL NO

CROSS NO

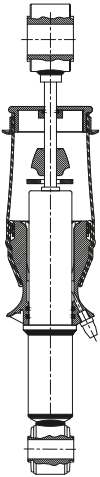
VIBRACOUSTIC V076336D

11018 CA



IVECO STRALIS FRONT

Cross Section View



OEM PART NUMBER

500 357 351

MODEL NO

AS 260S40 - AS 260S43 - AS 260S48
AS 260S54 - AS 440S40 - AS 440S43
AS 440S48 - AS 440S54

CROSS NO

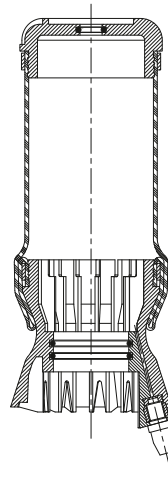
SACHS 310820
FIRESTONE W02 M68 8022
MONROE CB0137
VIBRACOUSTIC V076335E

11019 C



IVECO STRALIS REAR

Cross Section View



OEM PART NUMBER

MODEL NO

CROSS NO

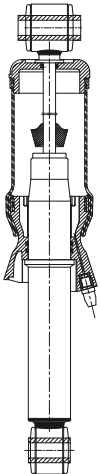
VIBRACOUSTIC V076240

11019 CA



IVECO STRALIS REAR

Cross Section View



OEM PART NUMBER

504 060 241 / 97383888

MODEL NO

AD 190S27 - AT 190S27 - AD 190S30 - AD 190S31 - AT 190S31 - AD 190S33 - AD 190S35 - AT 190S35
AD 190S36 - AT 190S36 - AD 190S40 - AT 190S40 - AD 190S42 - AT 190S42 - AD 190S43 - AT 190S43
AD 190S45 - AT 190S45 - AD 260S27 - AT 260S27 - AD 260S27 CNG - AT 260S27 CNG - AD 260S30
AT 260S30 - AD 260S31 - AT 260S31 - AD 260S33 - AT 260S33 - AD 260S36 - AT 260S36 - AD
260S36 - AT 260S36 - AD 260S40 - AT 260S40 - AD 260S42 - AT 260S42 - AD 260S43
AT 260S43 - AD 260S45 - AR 260S45 - AD 440S40 - 45 - AS 440S42 - 56

CROSS NO

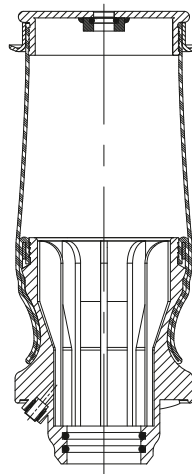
SACHS 311884 / 73 1700 001 588
SACHS 731700000277 / 7317000002845
FIRESTONE W02 M68 8024
MONROE CB0149
VIBRACOUSTIC V076240A

11022 C



MAN TGA/TGS/TGX REAR

Cross Section View



OEM PART NUMBER

MODEL NO

CROSS NO

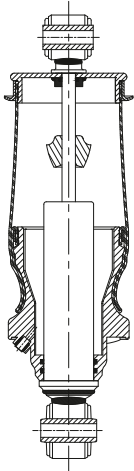
VIBRACOUSTIC V090315-7

11022 CA



MAN TGA/TGS/TGX REAR

Cross Section View



OEM PART NUMBER

81 41722 6057 / 81 41722 6075
85 41722 6006

MODEL NO

TGA (18.310 - 18.390 - 18.410 - 18.480 - 18.510)
TGS (18.320 - 18.360 - 18.400 - 18.480 - 18.540)
TGX (18.360 - 18.400 - 18.480 - 18.540 - 18.680)

CROSS NO

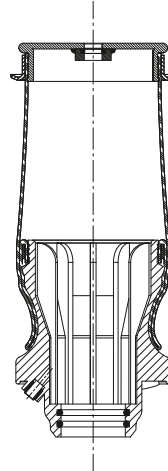
SACHS 135198 (OLD)
SACHS 313183 / 731700 003 851
731700004142/731700005623
VIBRACOUSTIC V090315-2

11023 C



MAN TGA FRONT

Cross Section View



OEM PART NUMBER

MODEL NO

CROSS NO

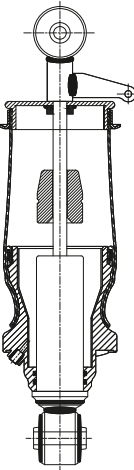
VIBRACOUSTIC V090315-6

11023 CA



MAN TGA FRONT

Cross Section View



OEM PART NUMBER

81 41722 6078

MODEL NO

18.310 - 18.360 - 18.410 - 18.460 - 18.510
26.310 - 26.360 - 26.410 - 26.460 - 26.510
26.530 - 33.360 - 33.410

CROSS NO

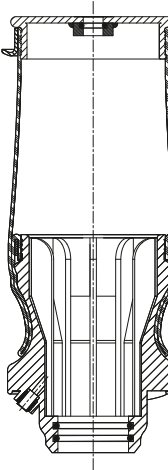
SACHS 135195 / 135197 (OLD)
SACHS 313182
VIBRACOUSTIC V090315-5

11024 C



MAN TGA FRONT

Cross Section View



OEM PART NUMBER

MODEL NO

CROSS NO

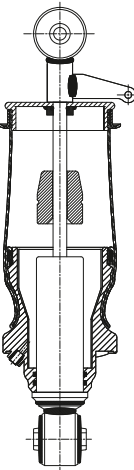
VIBRACOUSTIC V090315-4

11024 CA



MAN TGA FRONT

Cross Section View



OEM PART NUMBER

81 41722 6014
85 41722 6022 / 81 41722 6077

MODEL NO

18.310 - 18.360 - 18.410 - 18.460 - 18.480 - 18.510
18.530 - 26.310 - 26.360 - 26.410 - 26.460 - 26.480
26.510 - 26.530 - 28.310 - 28.360 - 28.410 - 28.460
28.480 - 28.510 - 28.530 - 33.360 - 33.410 - 33.460
33.480 - 33.510 - 41.530 - 41.660

CROSS NO

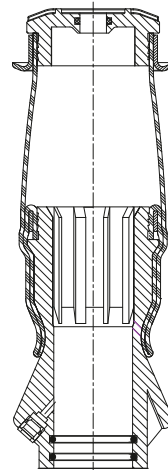
SACHS 135194 / 135196 (OLD)
SACHS 313181
VIBRACOUSTIC V090315-1

11025 C



RENAULT PREMIUM / KERAX REAR

Cross Section View



OEM PART NUMBER

MODEL NO

CROSS NO

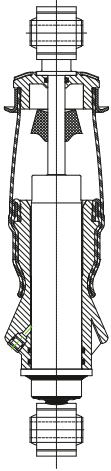
VIBRACOUSTIC V055305

110 25 CA



RENAULT PREMIUM / KERAX REAR

Cross Section View



OEM PART NUMBER

5010 228 908 / 5010 228 908 A
5010 228 908 B / 5010 228 908 C
5010 316 783 A / 5010 269 674

MODEL NO

KERAX (26018 - 27018 - 30018 - 34018
34032 - 37026 - 37032 - 40018 - 42018
42026 - 42032 - 42034)
PREMIUM (21018 - 25018 - 27018 - 30018
32018 - 37018 - 40018 - 42018 - 37024)

CROSS NO

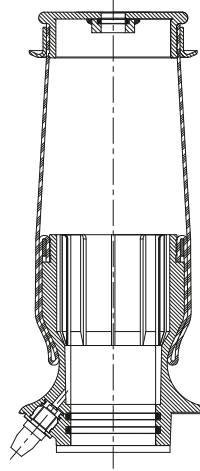
SACHS 131041 / 310957
FIRESTONE W02 M58 8034
MONROE CB0088
VIBRACOUSTIC V065306A

110 26 C



IVECO STRALIS REAR

Cross Section View



OEM PART NUMBER

MODEL NO

CROSS NO

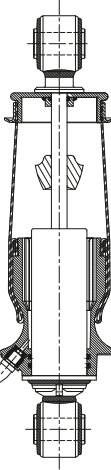
VIBRACOUSTIC V076345C

110 26 CA



IVECO STRALIS REAR

Cross Section View



OEM PART NUMBER

500 340 706 / 500357352

MODEL NO

AS 260S40 - AS 260S43 - AS 260S48
AS 260S54 - AS 440S40 - AS 440S43
AS 440S48 - AS 440S54

CROSS NO

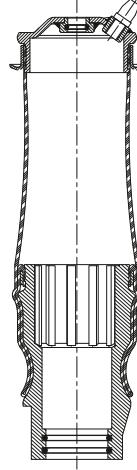
ARVINMERITOR 908322986
FIRESTONE W02 M58 8026
VIBRACOUSTIC V076345D

110 27 C



VOLVO FH12 / FH16 FRONT

Cross Section View



OEM PART NUMBER

MODEL NO

CROSS NO

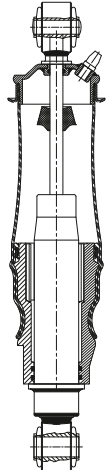
VIBRACOUSTIC V076340

110 27 CA



VOLVO FH12 / FH16 FRONT

Cross Section View



OEM PART NUMBER

3172984 / 1629719 / 1629724

MODEL NO

CROSS NO

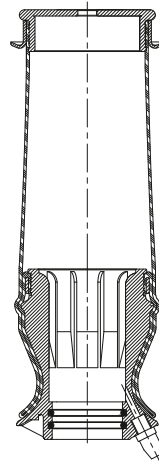
MONROE CB0003 / 717269833
FIRESTONE W02 M58 8036
GOODYEAR ISA-AS 003
VIBRACOUSTIC V076340-1

110 28 C



SCANIA 4 SERIE FRONT

Cross Section View



OEM PART NUMBER

1424231 / 1349840

MODEL NO

CR SERIE CP14/16/19/28/31
4 SERIE 94/114/124/144/164
CP SERIE

CROSS NO

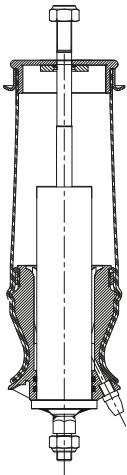
SACHS 310619
FIRESTONE W02 M58 8008
MONROE CB0067
VIBRACOUSTIC V076380D

11028 CA



SCANIA 4 SERIE FRONT

Cross Section View



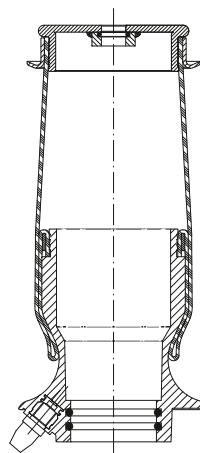
OEM PART NUMBER	
1424231 / 1349840	
MODEL NO	
4 SERIE	114C340 - 114G340 - 114L340 114L360 - 114L380 - 124C360 124C400 - 124G360 - 124G400 124L360 - 124L400 - 124L470 164C480 - 164G580 - 94D230
CROSS NO	
SACHS	310619 + 290987 (OLD 105871)
MONROE	CB0067 + CB0058
VIBRACOUSTIC	V076380E

11030 C



IVECO STRALIS FRONT

Cross Section View



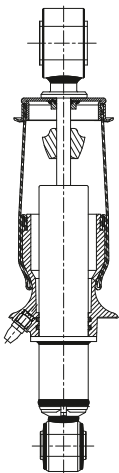
OEM PART NUMBER	
MODEL NO	
CROSS NO	
VIBRACOUSTIC	V076345E

11030 CA



IVECO STRALIS FRONT

Cross Section View



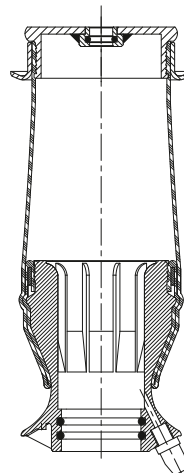
OEM PART NUMBER	
500 340 705	
MODEL NO	
CROSS NO	
ARVINMERITOR	908 322 985
FIRESTONE	W02 M58 8025
VIBRACOUSTIC	V076345F

11031 C



IVECO STRALIS REAR

Cross Section View



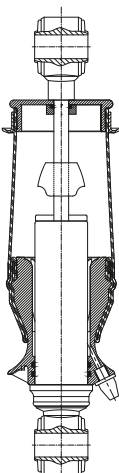
OEM PART NUMBER	
MODEL NO	
CROSS NO	
VIBRACOUSTIC	V076340A

11031 CA



IVECO STRALIS REAR

Cross Section View



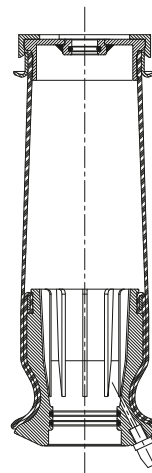
OEM PART NUMBER	
500 357 352	
MODEL NO	
AS 260S40 - AS 260S43 - AS 260S48 AS 260S54 - AS 440S40 - AS 440S43 AS 440S48 - AS 440S54	
CROSS NO	
SACHS	310821
FIRESTONE	W02 M58 8023
VIBRACOUSTIC	V076340B

11032 C



VOLVO FH12/FH16 REAR

Cross Section View



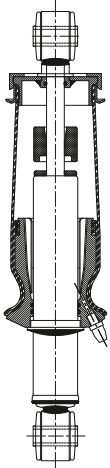
OEM PART NUMBER	
MODEL NO	
CROSS NO	
VIBRACOUSTIC	V076400A

110 32 CA



VOLVO FH12/FH16 REAR

Cross Section View



OEM PART NUMBER

1076865 / 20427897 / 20721169 / 20775212
3172985 / 3198850

MODEL NO

FH12 (12/340 - 12/380 - 12/420 - 12/460 - 12/500)
FH16 (16/470 - 16/520 - 16/540 - 16/580 - 16/610)

CROSS NO

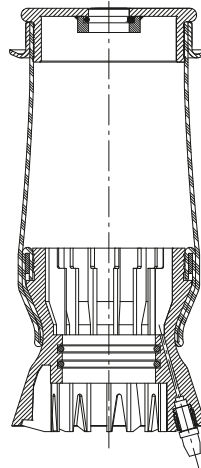
MONROE CB0006 / 717269647
FIRESTONE WQ2 M58 8037
GOODYEAR 1SA-AS 004
SACHS 316373
VIBRACOUSTIC V076400

110 33 C



IVECO EUROSTAR/ EUROTECH/EUROTRAKKER REAR

Cross Section View



OEM PART NUMBER

MODEL NO

CROSS NO

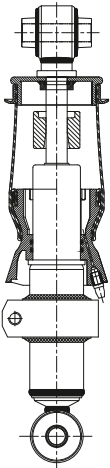
VIBRACOUSTIC V076240B

110 33 CA



IVECO EUROSTAR/ EUROTECH/ EUROTRAKKER REAR

Cross Section View



OEM PART NUMBER

41026764 / 41028763 / 500377878
500348793

MODEL NO

EUROSTAR EUROSTAR (LD 190 E 38P - LD 190 E 42P)
EUROTECH EUROTECH (MP 180 E38 - MP 180 E42)
EUROTRAKKER EUROTRAKKER (MP 260 E 34 H - MP 260 E 34 W -
MP 260 E 37 W)

CROSS NO

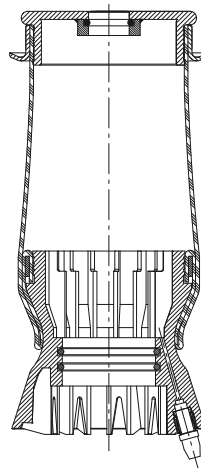
SACHS 115743
FIRESTONE WQ2 M58 8028
PHOENIX CD 075 119 012
MONROE CB0099
VIBRACOUSTIC V076240C

110 34 C



IVECO EUROSTAR/ EUROTECH/ REAR

Cross Section View



OEM PART NUMBER

MODEL NO

CROSS NO

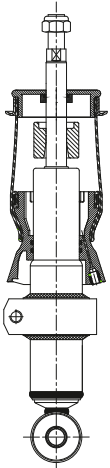
VIBRACOUSTIC V076240D

110 34 CA



IVECO EUROSTAR/ EUROTECH/ REAR

Cross Section View



OEM PART NUMBER

500379698 / 500307338 / 500352808
99456937 / 99438514 / 98472734

MODEL NO

EUROSTAR LD 190 E 38P - LD 240 E 52P
LD 260 E 38P - LD 440 E 62 TZ
EUROTECH MH 190 E 24 - MP 440 E 43 TX/P
MP 180 E 34 - MP 180 E 42 - MT 180 27 K

CROSS NO

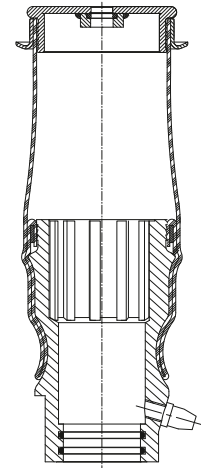
SACHS 115731 (OLD 115902)
FIRESTONE WQ2 M58 8029
MONROE CB0098
PHOENIX CD 075 119 011
VIBRACOUSTIC V076240E

110 35 C



VOLVO FH12/ FH16 REAR

Cross Section View



OEM PART NUMBER

MODEL NO

CROSS NO

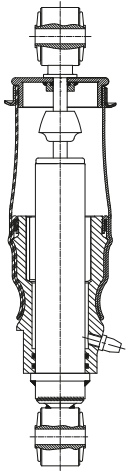
VIBRACOUSTIC V076340C

110 35 CA



VOLVO FH12 / FH16 REAR

Cross Section View



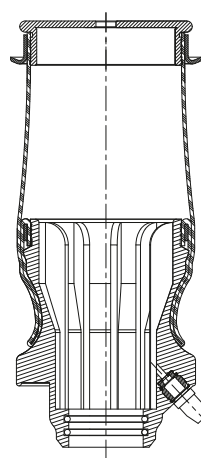
OEM PART NUMBER	
1075076 / 1075077	
MODEL NO	
FH12	(12/340 - 12/380 - 12/420 - 12/460)
FH16	(16/470 - 16/520)
CROSS NO	
MONROE	CB0002 / 717269602
FIRESTONE	WQ2 M58 8038
GOODYEAR	ISA-AS 002
SACHS	316372
VIBRACOUSTIC	V076340-2

110 39 C



SCANIA 4 SERIE FRONT

Cross Section View



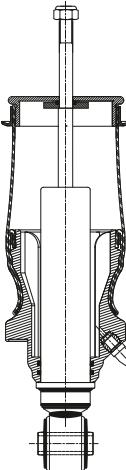
OEM PART NUMBER	
144016	
MODEL NO	
CROSS NO	
SACHS	312465
MONROE	CB0130
VIBRACOUSTIC	V090310

110 39 CA



SCANIA 4 SERIE FRONT

Cross Section View



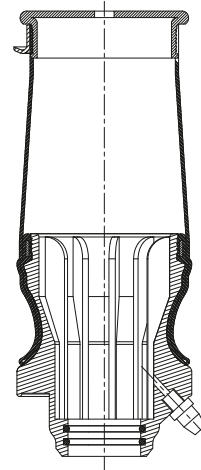
OEM PART NUMBER	
1444016	
MODEL NO	
4 SERIE	(94 D/260 - 114 G/340 - 124 G/360 144 G/530 - 164 G/480 - 164 G/580 - 164 L/580)
PG.R.T SERIE	(G 480, R480)
PG.R.T SERIE	(G 440, R440)
PG.R.T SERIE	(G 420, P420, R420)
CROSS NO	
SACHS	312465 + 310620
MONROE	CB0130 + CB0134
VIBRACOUSTIC	V090310-1

110 40 C



SCANIA 4 SERIE REAR

Cross Section View



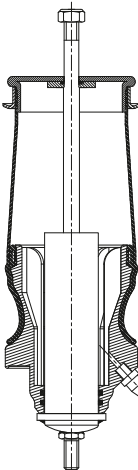
OEM PART NUMBER	
MODEL NO	
CROSS NO	
SACHS	312465
MONROE	CB0130
VIBRACOUSTIC	V090310-2

110 40 CA



SCANIA 4 SERIE REAR

Cross Section View



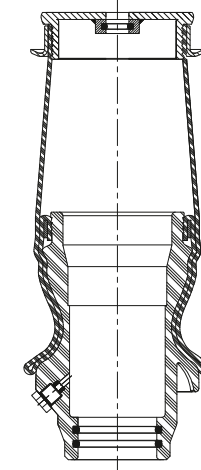
OEM PART NUMBER	
1424227 / 1363120	
MODEL NO	
4 SERIE	(94 D/260 - 114 G/340 - 124 G/360 144 G/530 - 164 G/480 - 164 G/580 - 164 L/580)
PG.R.T SERIE	(G 480, R480)
PG.R.T SERIE	(G 440, R440)
PG.R.T SERIE	(G 420, P420, R420)
CROSS NO	
SACHS	312465 + 290987
SACHS	312465 + 105871
MONROE	CB0130 + CB0058
VIBRACOUSTIC	V090310-3

110 41 C



MERCEDES ACTROS / AXOR REAR

Cross Section View



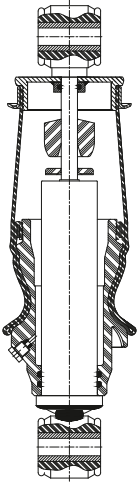
OEM PART NUMBER	
MODEL NO	
CROSS NO	
VIBRACOUSTIC	V076310

110 41 CA



MERCEDES ACTROS / AXOR REAR

Cross Section View



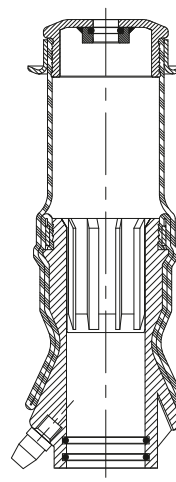
OEM PART NUMBER	
A942 890 61 19	
MODEL NO	
ACTROS	MP2/MP3 (1846 - 1848 - 1850 - 1851 1854 - 1858 - 2032 - 2036 - 2041 - 2044 - 2051 2532 - 2536 - 2541 - 2544 - 2546 - 2636 - 2646)
AXOR	(1836 LS - 1840 LS - 1843 LS - 2436 LS)
CROSS NO	
SACHS	311664
VIBRACOUSTIC	V076310A

110 42 C



MERCEDES ACTROS FRONT

Cross Section View



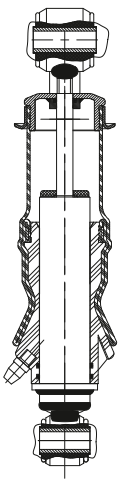
OEM PART NUMBER	
MODEL NO	
CROSS NO	
VIBRACOUSTIC	V065310

110 42 CA



MERCEDES AXOR FRONT

Cross Section View



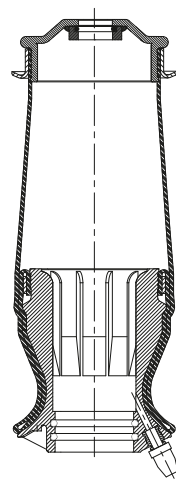
OEM PART NUMBER	
A942 890 49 19	
MODEL NO	
AXOR 1823 - 2044	(1836-1836-1840-1843)
AXOR 2523 - 2544	(2536-2540-2543)
AXOR 2623 - 2831	(2636-2636-2640-2643-2644)
AXOR 3028 - 4144	(3236-3236-3240-3243-3245-3344-3535-4136-4140-4143)
CROSS NO	
SACHS	315153 / 72 1700 003 575 72 1700 008 810
VIBRACOUSTIC	V065310A

110 43 C



RENAULT PREMIUM REAR

Cross Section View



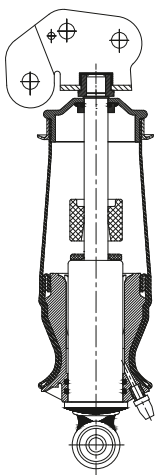
OEM PART NUMBER	
MODEL NO	
CROSS NO	
VIBRACOUSTIC	V076345G

110 43 CA



RENAULT PREMIUM REAR

Cross Section View



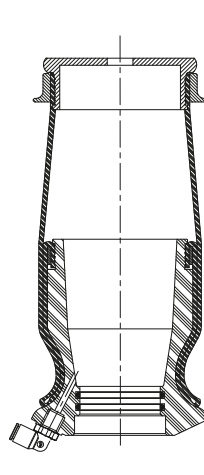
OEM PART NUMBER	
5010 615 879 / 5010 615 879 B / 5010 615 879 C	
MODEL NO	
210180, 22018, 250180, 27018, 300180, 300260, 32018/D, 320240, 320260, 340180 340260, 37018, 370180, 370240, 370260 400180, 400180/T, 42018, 30018, 30018 32018, 34018, 34018T, 34026, 37018, 37024	
CROSS NO	
SACHS	313072
MONROE	680171
VIBRACOUSTIC	V076345H

110 44 C



RENAULT KERAX / MAGNUM DXI REAR

Cross Section View



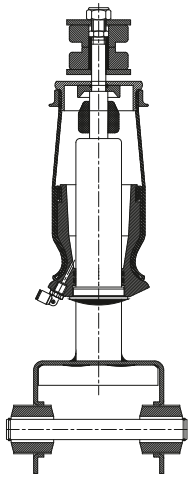
OEM PART NUMBER	
MODEL NO	
CROSS NO	
VIBRACOUSTIC	V076285

110 44 CA



RENAULT KERAX / MAGNUM DXI REAR

Cross Section View



OEM PART NUMBER

5010 562 241 / 82052893 / 20898056
7420898055 / 7482052893

MODEL NO

KERAX (370.32 - 410.18 - 410.26 - 410.32 -
450.18 - 450.26 - 450.32 - 460.32 - 500.32)
MAGNUM DXI (440.18 - 440.18 T - 460.18 T
460.26 - 520.24 - 520.25 - 520.26)

CROSS NO

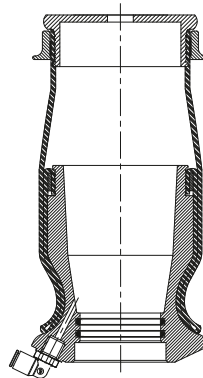
MONROE CB0118
VIBRACOUSTIC V076285A

110 45 C



RENAULT MAGNUM E-TECH FRONT

Cross Section View



OEM PART NUMBER

MODEL NO

CROSS NO

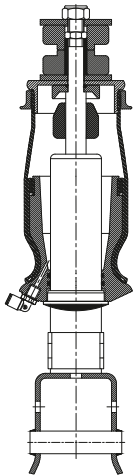
VIBRACOUSTIC V076285B

110 45 CA



RENAULT MAGNUM E-TECH FRONT

Cross Section View



OEM PART NUMBER

5010 228 849

MODEL NO

400.18 - 400.18T - 400.24 - 400.26 - 440.18
440.18 T - 440.24 - 440.26 - 480.18 - 480.24
480.26

CROSS NO

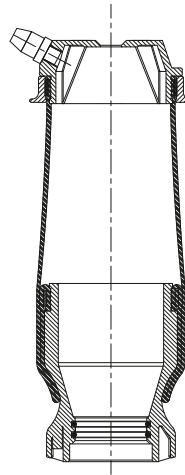
MONROE CB0070 / 69849
VIBRACOUSTIC V076285C

110 46 C



VOLVO FH12/FH16 FRONT

Cross Section View



OEM PART NUMBER

MODEL NO

FH12 (L2H2 - L2H3 - L1EH)
FH16 (L2H2 - L2H3 - L1EH)

CROSS NO

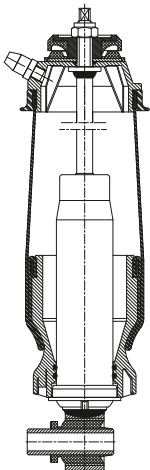
MONROE CB0055
VIBRACOUSTIC V076360

110 46 CA



VOLVO FH12/FH16 FRONT

Cross Section View



OEM PART NUMBER

20453256 / 20889132 / 2111932

MODEL NO

FH12 (12/340 - 12/380 - 12/420 - 12/460 - 12/500)
FH16 (16/470 - 16/520 - 16/540 - 16/560 - 16/580)
FM9

CROSS NO

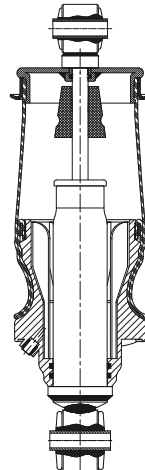
MONROE CB0055 + CB0039 (CB0214)
VIBRACOUSTIC V076360A

110 47 CA



MAN REAR

Cross Section View



OEM PART NUMBER

81 41722 6058 / 85 41722 6007 / 81.41722.6003
85 41722 6013
85 41722 6024 CLASS 0596 619-1

MODEL NO

TGA (18.310FC - 18.320 FC - 18.360 FAK)
TGL (10.180 FC - 12.210 FC - 12.240 FK)
TGS (18.400 FAK - 18.400 FC - 18.480 FK)
TGX (33.680 FDLC - 35.360 FDNLC)

CROSS NO

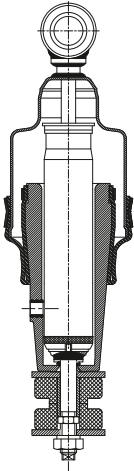
SACHS 135199 / 135200
VIBRACOUSTIC V090315-3

110 48 CA



DAF CF/XF/95 FRONT

Cross Section View



OEM PART NUMBER

1265281 / 1285393 / 1321590 / 1353450
1353453 / 1371065 / 1444147 / 1622211

MODEL NO

CF (FT 85.380 - FT 85.410 - FT 85.430)
XF (FA 105.410 - FA 105.460 - FA 105.510)
95 (FA 95.380 - FA 95.430 - FA 95.530)

CROSS NO

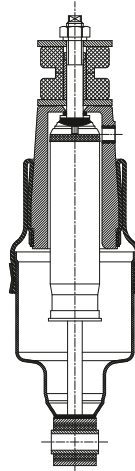
GOODYEAR 1SA-AS 009
VIBRACOUSTIC 2V76-81/170-1

110 49 CA



DAF CF/XF/95 REAR

Cross Section View



OEM PART NUMBER

1265282 / 1285394 / 1321581 / 1353451
1353454 / 1371066 / 1623477 / 299862

MODEL NO

CF (FT 85.380 - FT 85.410 - FT 85.430)
XF (FA 105.410 - FA 105.460 - FA 105.510)
95 (FA 95.380 - FA 95.430 - FA 95.530)

CROSS NO

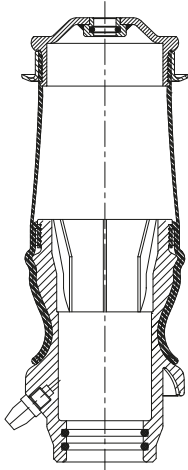
GOODYEAR 1SA-AS 010
VIBRACOUSTIC 2V76-81/170-2

110 50 C



MERCEDES ACTROS FRONT

Cross Section View



OEM PART NUMBER

MODEL NO

CROSS NO

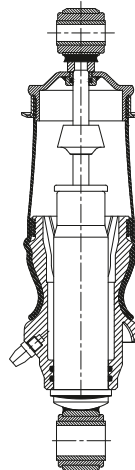
VIBRACOUSTIC V076300A

110 50 CA



MERCEDES ACTROS FRONT

Cross Section View



OEM PART NUMBER

A 942 890 69 19 / A 942 890 29 19
A 942 890 01 19

MODEL NO

1831 S - 1831 L - 1831 K - 1831 AK - 1835 AK
1840 AK - 1843 S - 1848 K - 1850 AK - 1853 S
2031 - 2031 AK - 2040 AS - 2043 LS - 2548 L

CROSS NO

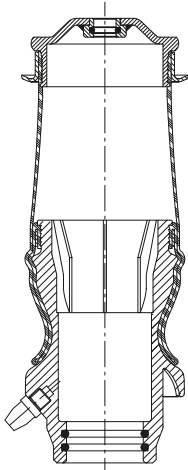
SACHS 313676 (OLD 105392)
MONROE CB0107
VIBRACOUSTIC V076300B

110 56 C



MERCEDES ACTROS REAR

Cross Section View



OEM PART NUMBER

MODEL NO

CROSS NO

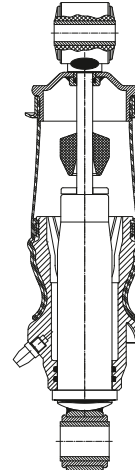
VIBRACOUSTIC V076305D

110 56 CA



MERCEDES ACTROS REAR

Cross Section View



OEM PART NUMBER

A 942 890 70 19 / A 942 890 52 19

MODEL NO

1831 S - 1831 L - 1831 K - 1831 AK - 1835 AK
1840 AK - 1843 S - 1848 K - 1850 AK - 1853 S
2031 - 2031 AK - 2040 AS - 2043 LS - 2548 L

CROSS NO

SACHS 313675
MONROE CB0108
PHOENIX CD 075 122 012
VIBRACOUSTIC V076305E

110 61 CA



FORD	CARGO	FRONT
Cross Section View		
		OEM PART NUMBER
		DC46-50063-HA
		MODEL NO
		CROSS NO

110 62 CA



FORD	CARGO	REAR
Cross Section View		
		OEM PART NUMBER
		DC46-50063-GA
		MODEL NO
		CROSS NO

110 63 C



VOLVO	FH12/FH16	FRONT
Cross Section View		
		OEM PART NUMBER
		20889136 / 20452258 / 2111942 / 3198837
		MODEL NO
		FH 12 (12/340 - 12/380 - 12/420 - 12/460 - 12/500)
		FH 16 (16/470 - 16/520 - 16/540 - 16/560 - 16/580)
		CROSS NO
		MONROE CB0102
		VIBRACOUSTIC 2V60-76/365

110 63 CA



VOLVO	FH12/FH16	FRONT
Cross Section View		
		OEM PART NUMBER
		20453258 / 20889136 / 2111942 / 3198837
		MODEL NO
		FH 12 (12/340 - 12/380 - 12/420 - 12/460 - 12/500)
		FH 16 (16/470 - 16/520 - 16/540 - 16/560 - 16/580)
		CROSS NO
		MONROE CB0102 + CB0039 (CB0212)
		VIBRACOUSTIC 2V60-76/365-1

110 64 C



VOLVO	FRONT
Cross Section View	
OEM PART NUMBER	
MODEL NO	
CROSS NO	
VIBRACOUSTIC V076370B	

110 66 C

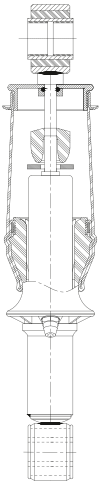


SCANIA	FRONT - REAR
Cross Section View	
OEM PART NUMBER	
1314278	
MODEL NO	
93113143	
CROSS NO	
PHOENIX 1039 A-245	

110 69 CA



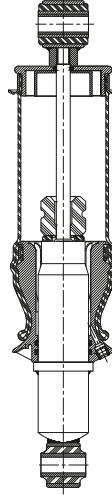
IVECO	STRALIS	FRONT - REAR
Cross Section View		
OEM PART NUMBER		
504080640		
MODEL NO		
19DS	(27-31-35-40-43), 260S(31-35)	
AD 19DS	(27-30-31-33-35-36-40-42-43-45)	
AD 26DS	(27-30-31-33-35-36-40-42-43-45)	
AD 44DS	(31-33-35-40-42-43-45)	
AS 44DS	(35-42-45-50-56)	
CROSS NO		
SACHS	313055	
MONROE	CB0219	
VIBRACOUSTIC	V076355	



110 74 CA



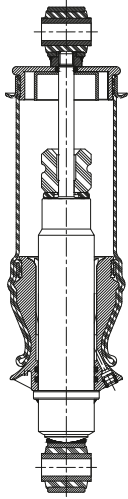
FORD	CARGO	FRONT
Cross Section View		
OEM PART NUMBER		
GC46-5C063-AA		
MODEL NO		
CROSS NO		



110 75 CA



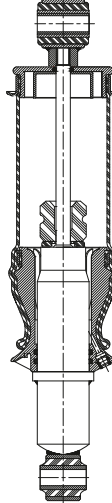
FORD	CARGO	REAR
Cross Section View		
OEM PART NUMBER		
GC46-5C063-BA		
MODEL NO		
CROSS NO		



110 76 CA



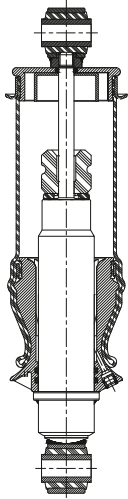
FORD	CARGO	FRONT
Cross Section View		
OEM PART NUMBER		
GC46-5C063-CA		
MODEL NO		
CROSS NO		



110 77 CA



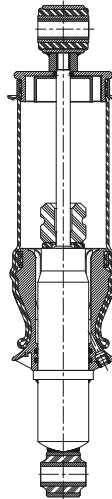
FORD	CARGO	REAR
Cross Section View		
OEM PART NUMBER		
GC46-5C063-DA		
MODEL NO		
CROSS NO		



110 78 CA



FORD	CARGO	FRONT
Cross Section View		
OEM PART NUMBER		
DC46-5C063-JA		
MODEL NO		
CROSS NO		

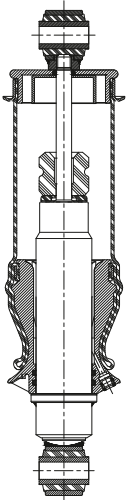


11079 CA



FORD CARGO REAR

Cross Section View



OEM PART NUMBER

DC46-5C063-KA

MODEL NO

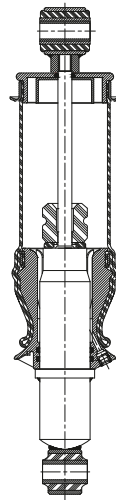
CROSS NO

11080 CA



FORD CARGO FRONT

Cross Section View



OEM PART NUMBER

DC46-5C063-LA

MODEL NO

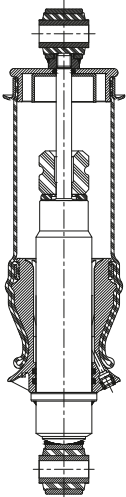
CROSS NO

11081 CA



FORD CARGO REAR

Cross Section View



OEM PART NUMBER

DC46-5C063-MA

MODEL NO

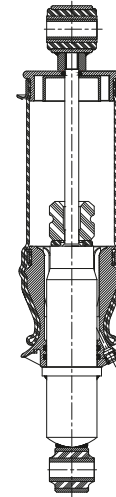
CROSS NO

11082 CA



FORD CARGO FRONT

Cross Section View



OEM PART NUMBER

EC46-5C063-AA

MODEL NO

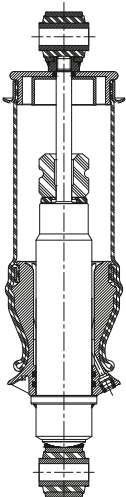
CROSS NO

11083 CA



FORD CARGO REAR

Cross Section View



OEM PART NUMBER

EC46-5C063-BA

MODEL NO

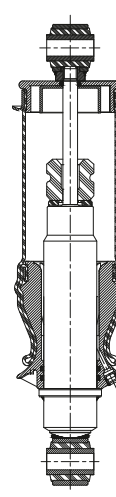
CROSS NO

11084 CA



FORD CARGO FRONT

Cross Section View



OEM PART NUMBER

GC46-5C063-EA

MODEL NO

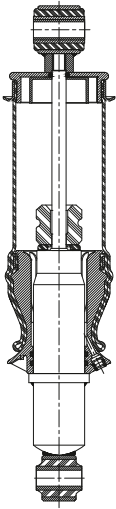
CROSS NO

11094 CA



FORD CARGO REAR

Cross Section View



OEM PART NUMBER

GC46-5C063-FA

MODEL NO

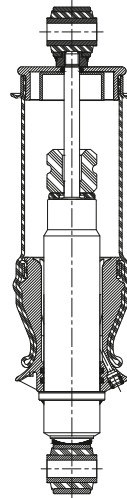
CROSS NO

11095 CA



FORD CARGO FRONT

Cross Section View



OEM PART NUMBER

GC46-5C063-GA

MODEL NO

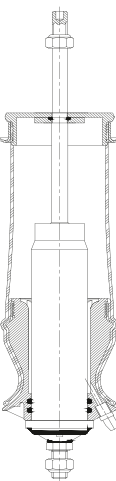
CROSS NO

11098 CA



SCANIA FRONT-REAR

Cross Section View



OEM PART NUMBER

1424231 / 1349840

MODEL NO

CR SERIE CP14/16/19/28/31
4 SERIE 94/114/124/144/164
CP SERIE

CROSS NO

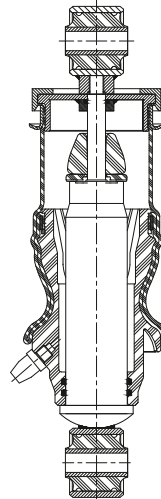
SACHS 310619 + 290967
MONROE CB0067 + CB0058

110102 CA



BMC TUĞRA REAR

Cross Section View



OEM PART NUMBER

52RS400046

MODEL NO

8x2

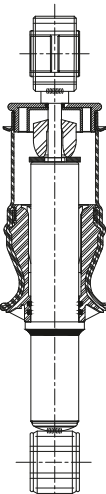
CROSS NO

110103 CA



BMC TUĞRA FRONT

Cross Section View



OEM PART NUMBER

52RS400040

MODEL NO

8x2

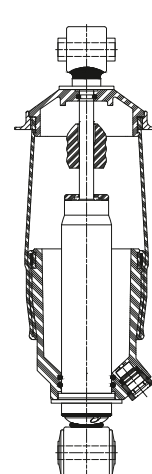
CROSS NO

110106 CA



DAF XF FRONT

Cross Section View



OEM PART NUMBER

1850682 / 1931023

MODEL NO

FA 410 - FAD 460 - FAD 510 - FA 440 - FAN 410
FAR 440 - FT 440 - FTG 440 - FTN 440 - FTT 460
FTI 510

CROSS NO

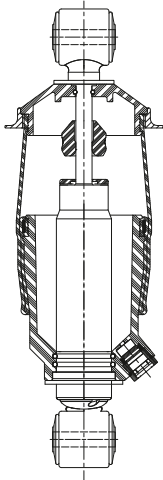
MONROE CB0221

110 107 CA



DAF XF/CF REAR

Cross Section View



OEM PART NUMBER

1850683 / 1868887 / 1931024 / 1931026

MODEL NO

FA 220 - FA 280 - FA 250 - FA 290 - FA 310 - FA 330
 FAC 400 - FAC 410 - FAC 440 - FAC 460 - FAC 510
 FA 370 - FAD 330 - FAD 410 - FAN 330 - FAG 330
 FAN 440 - FAG 440 - FAD 400 - FAX 400
 FAR 510 - FAS 510 - FTP 410 - FTR 410 - FTS 410

CROSS NO

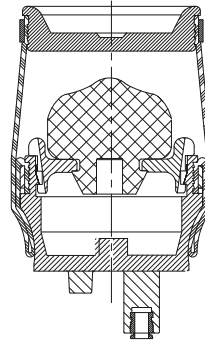
MONROE CB0223

210 01C



RENAULT PREMIUM / KERAX FRONT / DRIVER'S CAB

Cross Section View



OEM PART NUMBER

5.010.130.797 G / 5.010.629.414 / 20.906.196
 20591506

MODEL NO

PREMIUM (250.18 D - 270.18 - 300.18 D
 320.18 - 320.24 D - 340.18 D - 370.18 - 400.18 D)
 KERAX (260.18 - 270.18 - 300.18 B - 320.18
 340.26 - 360.34 - 370.18 - 370.26 - 370.32)

CROSS NO

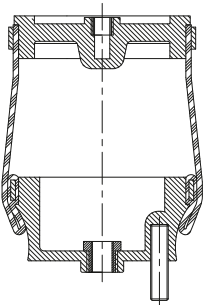
MONROE CB0075
 GOODYEAR 1AS-007
 FIRESTONE W02 M58 8035
 CONTITECH SZ 50-9 PD2
 PHOENIX C 075185
 VIBRACOUSTIC V076170

210 02C



RENAULT MANAGER / MAXTER REAR

Cross Section View



OEM PART NUMBER

5010 092 916 E

MODEL NO

MANAGER (G20013 - G20015 - G20016
 G20018 - G230113 - G230115 - G27018
 MAXTER (G230119 - G30018 - G340118/T
 G340119 - G3401132 - G3401134)

CROSS NO

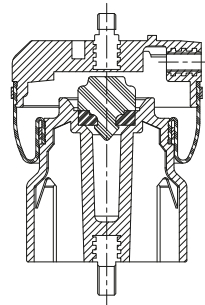
MONROE CB0082
 GOODYEAR 1AS-010
 FIRESTONE W02 M58 8031
 VIBRACOUSTIC V076165

210 03C



IVECO EUROTECH / EUROSTAR / EUROTRAKKER FRONT

Cross Section View



OEM PART NUMBER

410 19 150 / 816 90 50 / 410 15 530

MODEL NO

EUROTECH (190 E 24 - 190 E 27 - 190 E 30)
 EUROSTAR (LD 190 E 40 - LD 190 E 42)
 EUROTRAKKER (MP 190 E 30H - MP 190 E 30 W)

CROSS NO

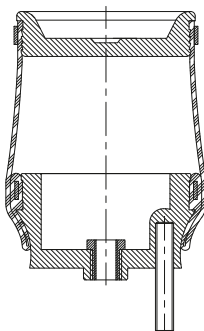
MONROE CB0077
 GOODYEAR 1AS-009
 VIBRACOUSTIC 2VB3-120/100

210 04C



RENAULT MANAGER / MAXTER FRONT

Cross Section View



OEM PART NUMBER

5010 266 845 A / 5010 313 619 A

MODEL NO

MANAGER (G20013 - G20015 - G20016
 G20018 - G230113 - G230115 - G27018
 MAXTER (G230119 - G30018 - G340118/T
 G340119 - G3401132 - G3401134)

CROSS NO

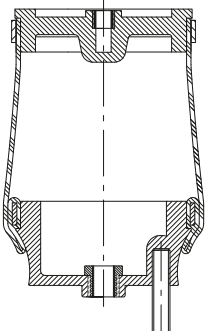
MONROE CB0083
 GOODYEAR 1AS-011
 FIRESTONE W02 M58 8030
 VIBRACOUSTIC V076170A

210 05C



RENAULT GAMME G FRONT

Cross Section View



OEM PART NUMBER

5010 133 079 D

MODEL NO

GAMME G

CROSS NO

FIRESTONE W02 M58 8032
 VIBRACOUSTIC V076130

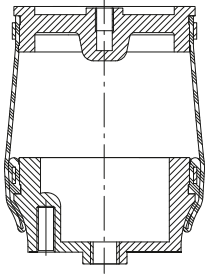


21006C



COBO SEDELI SEAT

Cross Section View



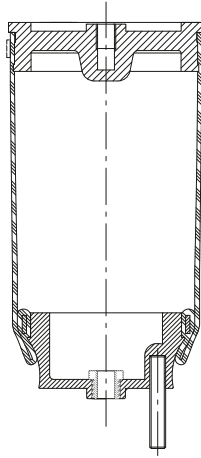
OEM PART NUMBER	
2014118	
MODEL NO	
COBO	
CROSS NO	
CONTITECH SZ515	
VIBRACOUSTIC V076150	

21007C



MOVE SEAT

Cross Section View



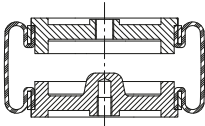
OEM PART NUMBER	
1C3030	
MODEL NO	
MOVE	
CROSS NO	
VIBRACOUSTIC V076190	

21008C



KLEPP SEAT

Cross Section View



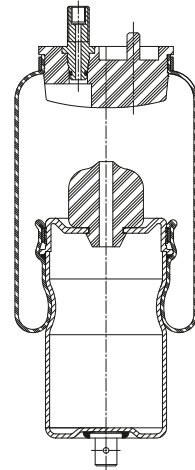
OEM PART NUMBER	
MODEL NO	
KLEPP	
CROSS NO	
VIBRACOUSTIC V076130A	

21009C



RENAULT MAGNUM E.TECH FRONT-REAR

Cross Section View



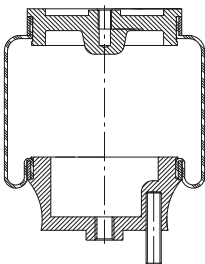
OEM PART NUMBER	
5010 320 096 A	
MODEL NO	
MAGNUM (420 T118 - 420 T124 - 430.18 - 430.26)	
MAGNUM E.TECH (410.18 - 410.18 T - 410.24)	
440.18 T - 440.26 - 480.18 T - 480.26 - 480.26 T	
CROSS NO	
CONTITECH 816 Z	
FIRESTONE W01M58 8033	
PHOENIX C.091340	
MONROE C80076	
GOODYEAR 1AS-008	
VIBRACOUSTIC V090335	

21010C



PILOT SEAT

Cross Section View



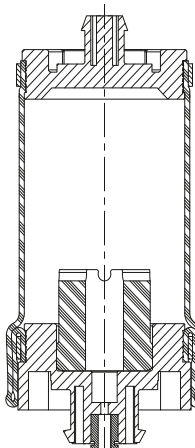
OEM PART NUMBER	
MODEL NO	
PILOT HYA005	
CROSS NO	
CONTITECH SZ517	
V076165A V076165A	

21012C



FREIGHTLINER CABIN

Cross Section View



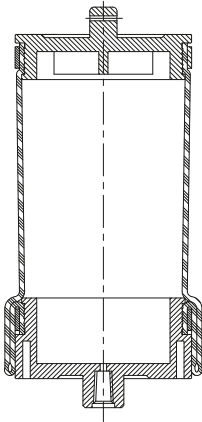
OEM PART NUMBER	
18-29919-000	
MODEL NO	
FREIGHTLINER	
CROSS NO	
CONTITECH SC31W206	
FIRESTONE W02 358 7206	
GOODYEAR 1S5-176	

21013C



FREIGHTLINER CABIN

Cross Section View



OEM PART NUMBER

GYR 1S5-040

MODEL NO

FREIGHTLINER

CROSS NO

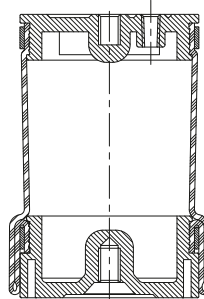
CONTITECH SC29-W087
 FIRESTONE W02 358 7087
 GOODYEAR 1S5-040

21014C



LINK

Cross Section View



OEM PART NUMBER

1102-0022

MODEL NO

LINK

CROSS NO

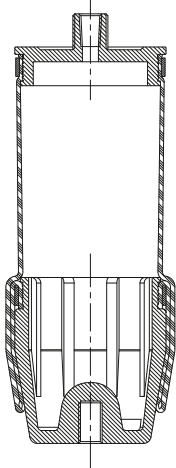
CONTITECH SC29-0046
 FIRESTONE W02 358 7046
 GOODYEAR 1S4-123

21015C



SEARS SEAT

Cross Section View



OEM PART NUMBER

KNOEDLER 7010
 LINK 110F-0024
 SEARS S-5388 / 707338

MODEL NO

CROSS NO

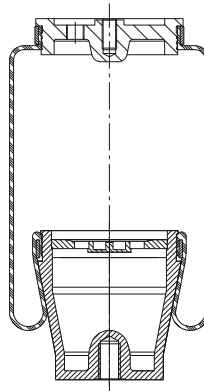
FIRESTONE W02 358 7040
 GOODYEAR 1S4-056

21016C



LINNEPPE TRANSPORTER / CARAVANS

Cross Section View



OEM PART NUMBER

MODEL NO

LINNEPPE

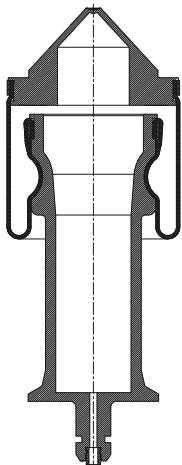
CROSS NO

CONTITECH SZ 55-20 P01
 VIBRACOUSTIC V076283

21017C

RENAULT MAGNUM DXI DRIVER'S CAB

Cross Section View



OEM PART NUMBER

5010 491 301

MODEL NO

12.440.18 - 12.440.24 - 12.440.26 - 12.440.26 T
 12.480.18 - 12.480.18 T - 12.480.26 - 12.480.26 T
 13.440.19 - 13.460.18 T - 13.520.26 - 13.520.26 T

CROSS NO

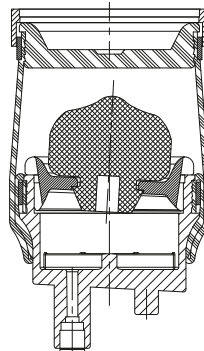
CONTITECH SK 86-10
 PHOENIX 2 C 91-10
 MONROE CB0135
 VIBRACOUSTIC 2VB3-114/190

21018C



RENAULT PREMIUM / KERAX FRONT / DRIVER'S CAB

Cross Section View



OEM PART NUMBER

5 010 629 414
 20 906 196 (VOLVO)
 5010 130 797 G

MODEL NO

PREMIUM (250.18 D - 270.18 - 300.18 D
 320.18 - 320.24 D - 340.18 D - 370.18 - 400.18 D)
 KERAX (260.18 - 270.18 - 300.18 B - 320.18
 340.26 - 350.34 - 370.18 - 370.26 - 370.32)

CROSS NO

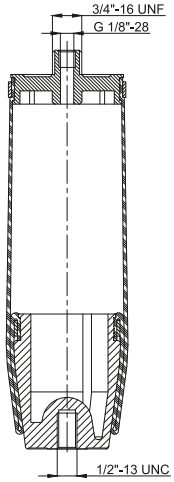
MONROE CB0075
 GOODYEAR 1AS-007
 CONTITECH SZ 50-9 P02
 FIRESTONE W02-M58-8035
 PHOENIX C 075 185
 VIBRACOUSTIC V076170B

21019C



TRANSPORTER / CARAVANS

Cross Section View



OEM PART NUMBER

MODEL NO

CROSS NO

GOLDSCHMITT DLB7012

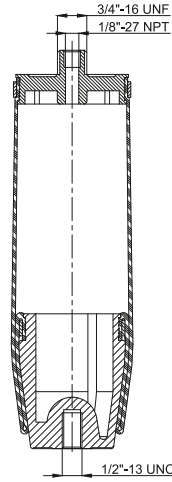
21019C1



LINK

DRIVERS CAB

Cross Section View



OEM PART NUMBER

1102-0040

MODEL NO

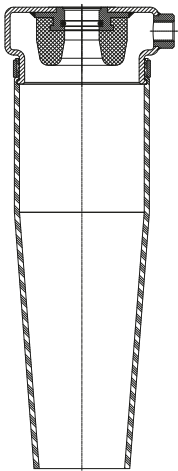
LINK

CROSS NO

FIRESTONE W02 368 7012

21020C

Cross Section View



OEM PART NUMBER

MODEL NO

CROSS NO

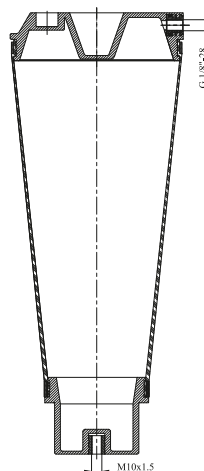
CF GOMMA 1GC100-70

21021C



TRANSPORTER / CARAVANS

Cross Section View



OEM PART NUMBER

MODEL NO

CROSS NO

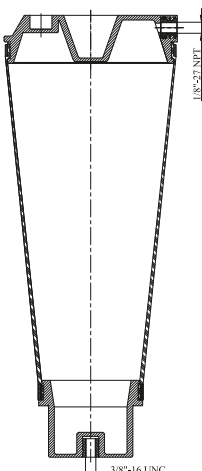
GOLDSCHMITT DLB9931

21021C1



TRANSPORTER / CARAVANS

Cross Section View



OEM PART NUMBER

MODEL NO

CROSS NO

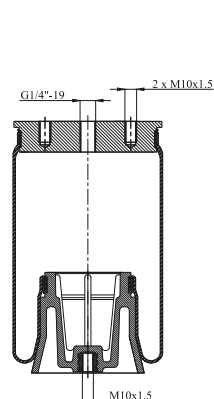
FIRESTONE W21760 9931

21022C



TRANSPORTER / CARAVANS

Cross Section View



OEM PART NUMBER

MODEL NO

CROSS NO

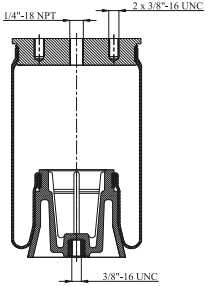
GOLDSCHMITT DLB9040

21022C1



TRANSPORTER / CARAVANS

Cross Section View



OEM PART NUMBER

MODEL NO

RIDE-RITE

CROSS NO

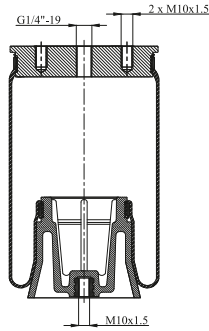
FIRESTONE W217609002

21023C



TRANSPORTER / CARAVANS

Cross Section View



OEM PART NUMBER

MODEL NO

CROSS NO

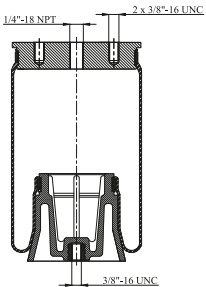
GOLDSCHMITT DLB9039

21023C1



TRANSPORTER / CARAVANS

Cross Section View



OEM PART NUMBER

MODEL NO

RIDE-RITE

CROSS NO

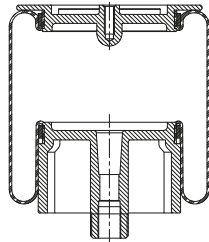
FIRESTONE W217609000

21026C



SEAT

Cross Section View



OEM PART NUMBER

MODEL NO

CROSS NO

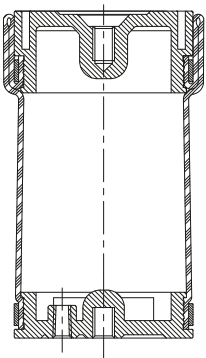
21027C



SEARS / LINK

SEAT

Cross Section View



OEM PART NUMBER

S-9383
S-20235
1102-0046

MODEL NO

SEARS

CROSS NO

FIRESTONE W023587035
CONTITECH SC29-W035

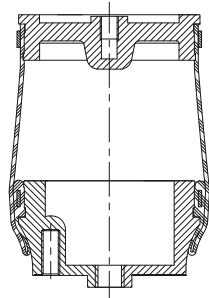
21028C



ISRINGHAUSEN

SEAT

Cross Section View



OEM PART NUMBER

31396

MODEL NO

CROSS NO

CONTITECH 864Z/SZ 60-6

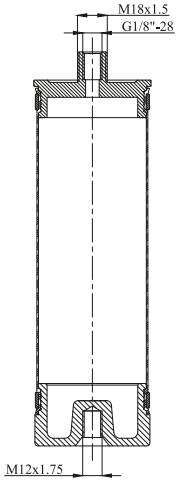


21029C



TRANSPORTER / CARAVANS

Cross Section View



OEM PART NUMBER

MODEL NO

CROSS NO

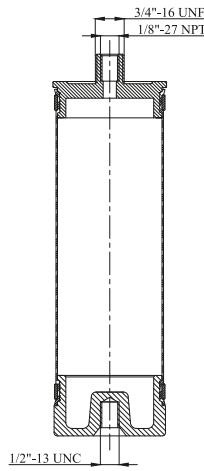
GOLDSCHMITT DLB7095

21029C1



TRANSPORTER / CARAVANS

Cross Section View



OEM PART NUMBER

MODEL NO

CROSS NO

FIRESTONE W21760 2314

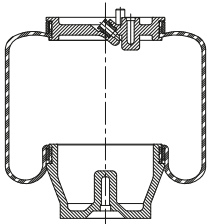
21034C



KAB SEATING

SEAT

Cross Section View



OEM PART NUMBER

172254H

MODEL NO

CROSS NO

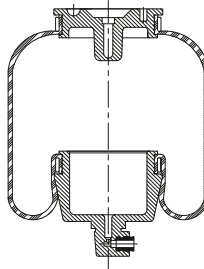
21035C



KAB SEATING

SEAT

Cross Section View



OEM PART NUMBER

174150-D

MODEL NO

CROSS NO

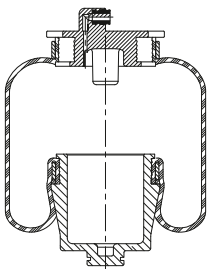
21036C



KAB SEATING

SEAT

Cross Section View



OEM PART NUMBER

163718

MODEL NO

CROSS NO

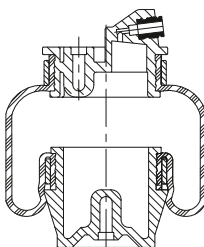
21037C



KAB SEATING

SEAT

Cross Section View



OEM PART NUMBER

202082

MODEL NO

CROSS NO

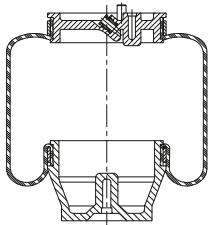
21038C



KAB SEATING

SEAT

Cross Section View



OEM PART NUMBER

MODEL NO

CROSS NO

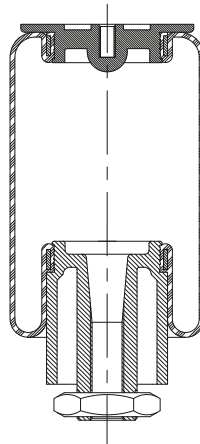
21047C



IRISBUS / VAN HOOB

SEAT

Cross Section View



OEM PART NUMBER

5006153.851
10635845

MODEL NO

Agora Euro3 / PR 180
Bus

CROSS NO

CONTITECH SZ50-11

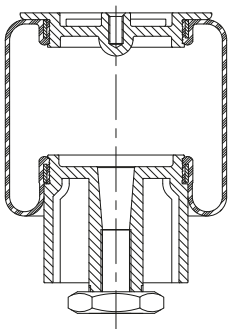
21048C



IRISBUS

SEAT

Cross Section View



OEM PART NUMBER

504.309.849

MODEL NO

CROSS NO

CONTITECH SZ70-11

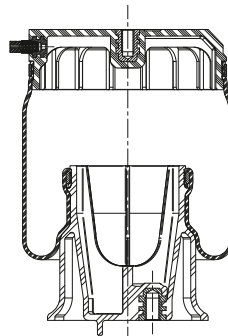
21051C



IVECO

DAILY

Cross Section View



OEM PART NUMBER

500312049

MODEL NO

Daily-35S9 / 11 / 13 'Up / down'

CROSS NO

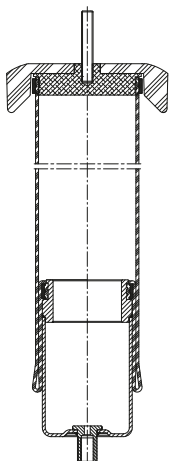
CF Gamma Ref. 1GC 170-20
CF Gamma No. 204241
VIBRAACOUSTIC 2V91-155-317

31001C



LIFT - AXLE SHORT VERSION

Cross Section View



OEM PART NUMBER

2 0534 645

MODEL NO

CROSS NO

CONTITECH SZ 130-25 P04
VIBRAACOUSTIC 2V87-105/520

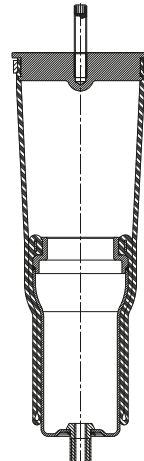
31002C



VOLVO

LIFT - AXLE SHORT VERSION

Cross Section View



OEM PART NUMBER

1081785 / 2 0455 245 / 2 0494 458

MODEL NO

CROSS NO

VIBRAACOUSTIC 2V87-124/505



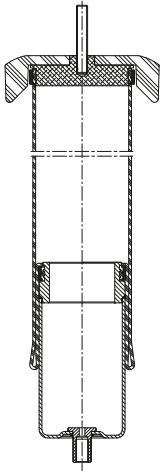
310 03C



VOLVO

LIFT - AXLE SHORT VERSION

Cross Section View



OEM PART NUMBER

20634 646

MODEL NO

CROSS NO

CONTITECH SZ 130-25 P05
 VIBRACOUSTIC 2V87-105/520-1

CABIN & SEAT & LIFT AIR SPRINGS CROSS LIST

Blacktech	ContiTech	FIRESTONE	GOODYEAR	PHOENIX	CF Gomma / Pirelli
110 01 C		W02M588000		C 075 123 021	
110 01 CA		W02M588001	1SA036	CD 075 123 021	
110 02 C		W02M588002	1AS001	C 075 139 011	
110 02 CA		W02M588003	1SA006	CD 075 139 011	
110 03 C		W02M588002	1AS001	C 075 139 011	
110 03 CA		W02M588004	1SA005		
110 04 C					
110 04 CA		W02M588020	1SAAS017	CD075121011	
110 05 C					
110 05 CA		W02M588021	1SAAS016	CD075120011	
110 06 C					
110 06 CA		W02M588014	1SAAS014	CD075122011	
110 07 C					
110 07 CA		W02M588015	1SAAS015	CD 075 123 011	
110 08 C		W02M588005			
110 08 CA		W02M588006			
110 09 C		W02M588005			
110 09 CA		W02M588007			
110 10 C					
110 10 CA		W02M588018		CD 075 122 012	
110 11 C					
110 11 CA					
110 12 C		W02M588008	1AS005		
110 12 CA		W02M588009			
110 13 C		W02M588010	1AS006		
110 13 CA			1SA040		
110 14 C					
110 15 CA					
110 16 CA					
110 17 C		W02M588008	1AS005		
110 17 CA					
110 18 C					
110 18 CA		W02M588022			
110 19 C					
110 19 CA		W02M588024			
110 22 C					
110 22 CA					
110 23 C					
110 23 CA					
110 24 C					

CABIN & SEAT & LIFT AIR SPRINGS CROSS LIST

VIBRAACOUSTIC	GOLDSCHMITT	Arvinmeritor	Granning	Sachs Complete	Sachs Spring Type	Monroe Complete	Monroe Spring Type	Page
V076315C					481002		CB0066	409
V076315B				105845/105831/481002		CB0066 + CB0065		409
V076330					314646		CB0030	409
V076330A				314646+290203		CB0030 + CB0010 (CB0172)		409
V076345A					314646		CB0030 / 717262725	409
V076345B				314646 + 290990		CB0030 + CB0009 (CB0173)		409
V076295A								410
V076295			50162	105855				410
V076275A								410
V076275			50163	105856				410
V076300C								410
V076300D			50511	105392				410
V076315A								411
V076315			50512	105409/290997/311189				411
V076335								411
V076335A				290201/290203/290988/105872				411
V076335B								411
V076335C				290989/105873				41
V076305A								412
V076305B				311663		CB0115		412
V076305C								412
V076305								412
V076380					310619		CB0067	412
V076380A				310619 + 319620		CB0067 + CB0134		412
V076370					314646		CB0074	413
V076370A				314646 + 310620		CB00074 / 717262778		413
V076350								413
								413
								413
V076380B					310619		CB0067	413
V076380C				310619 + 290989		CB0067 + CB0059		414
V076335D								414
V076335E				310820		CB0137		414
V076240								414
V076240A				311884 / 731700 001 588 / 731700000277 / 7317000002845		CB0149		414
V090315-7								414
V090315-2				135198 (old) / 313183				415
V090315-6								415
V090315-5				135195 / 135197 (old) 313182				415
V090315-4								415



CABIN & SEAT & LIFT AIR SPRINGS CROSS LIST

Blacktech	ContiTech	FIRESTONE	GOODYEAR	PHOENIX	CF Gomma / Pirelli
110 24 CA					
110 25 C					
110 25 CA		W02M588034			
110 26 C					
110 26 CA		W02M588026			
110 27 C					
110 27 CA		W02M588036	1SAAS003		
110 28 C		W02M588008			
110 28 CA					
110 30 C					
110 30 CA		W02M588025			
110 31 C					
110 31 CA		W02M588023			
110 32 C					
110 32 CA		W02M588037	1SAAS004		
110 33 C					
110 33 CA		W02M588028		CD075119012	
110 34 C					
110 34 CA		W02M588029		CD075119011	
110 35 C					
110 35 CA		W02M588038	1SAAS002		
110 39 C					
110 39 CA					
110 40 C					
110 40 CA					
110 41 C					
110 41 CA					
110 42 C					
110 42 CA					
110 43 C					
110 43 CA					
110 44 C					
110 44 CA					
110 45 C					
110 45 CA					
110 46 C					
110 46 CA					
110 47 CA					
110 48 CA			1SAAS009		
110 49 CA			1SAAS010		

VIBRAACOUSTIC	GOLDSCHMITT	Arvinmeritor	Granning	Sachs Complete	Sachs Spring Type	Monroe Complete	Monroe Spring Type	Page
V090315-4				135194 / 135196 (old) 313181				415
V055305								415
V055305A				131041 / 310957		CB0088		416
V076345C								416
V076345D		908322986						416
V076340								416
V076340-1						CB0003 / 717269833		416
V076380D							CB0067	416
V076380E				310619 + 290987 (OLD 105871)		CB0067 + CB0058		417
V076345E								417
V076345F		908322985						417
V076340A								417
V076340B				310821				417
V076400A								417
V076400					316373	CB0006 / 717269647		418
V076240B								418
V076240C				115743		CB0099		418
V076240D								418
V076240E				115731 / 115902		CB0098		418
V076340C								418
V076340-2					316372	CB0002 / 717269602		419
V090310					312465		CB0130	419
V090310-1				312465 + 310620		CB0130 + CB0134		419
V090310-2					312465		CB0130	419
V090310-3				312465 + 105871 + 312465 + 290987		CB0130 + CB0058		419
V076310								419
V076310A					311664			420
V055310								420
V055310A					315153 / 721700 003 575 / 721700 008 810			420
V076345G								420
V076345H				313072		CB0171		420
V076285								420
V076285A						CB0118		421
V076285B								421
V076285C						CB0070 / 69849		421
V076360							CB0055	421
V076360A						CB0055 + CB0039 (CB0214)		421
V090315-3				135199 / 135200				421
2V76-81/170-1								422
2V76-81/170-2								422



CABIN & SEAT & LIFT AIR SPRINGS CROSS LIST

Blacktech	ContiTech	FIRESTONE	GOODYEAR	PHOENIX	CF Gomma / Pirelli
110 50 C					
110 50 CA					
110 56 C					
110 56 CA				C0075122012	
110 61 CA					
110 62 CA					
110 63 C					
110 63 CA					
110 64 C					
110 66 C				1C39A245	
110 69 CA					
110 74 CA					
110 75 CA					
110 76 CA					
110 77 CA					
110 78 CA					
110 79 CA					
110 80 CA					
110 81 CA					
110 82 CA					
110 83 CA					
110 84 CA					
110 94 CA					
110 95 CA					
110 98 CA					
110 102 CA					
110 103 CA					
110 106 CA					
110 107 CA					
210 01 C	SZ50-9 P02	W02M588035	1AS007	C075185	
210 02 C		W02M588031	1AS010		
210 03 C			1AS009		IG0130-30
210 04 C		W02M588030	1AS011		
210 05 C		W02M588032			
210 06 C	SZ515				
210 07 C					
210 08 C					
210 09 C	816Z	W01M588033	1AS008	C091340	
210 10 C	SZ517				
210 12 C	SC31W206	W023587206	1S5176		
210 13 C	SC29W087	W023587087	1S5040		

CABIN & SEAT & LIFT AIR SPRINGS CROSS LIST

VIBRAACOUSTIC	GOLDSCHMITT	Arvinmeritor	Granning	Sachs Complete	Sachs Spring Type	Monroe Complete	Monroe Spring Type	Page
V076300A								422
V076300B				313676 (OLD 105392)		CB0107		422
V076305D								422
V076305E				313675		CB0108		422
								423
								423
2V60-76/365							CB0102	423
2V60-76/365-1						CB0102 + CB0039 (CB0212)		423
V076370B								423
								423
V076355				313055		CB0219		424
								424
								424
								424
								424
								424
								424
								424
								425
								425
								425
								425
								425
								425
								425
								425
								426
								426
				310619 + 290987		CB0067 + CB0058		426
								426
								426
						CB0221		426
						CB0223		427
V076170						CB0075		427
V076165						CB0082		427
2V83-120/100						CB0077		427
V076170A						CB0083		427
V076130								427
V076150								428
V076190								428
V076130A								428
V090335						CB0076		428
V076165A								428
								428
								429

CABIN & SEAT & LIFT AIR SPRINGS CROSS LIST

VIBRAACOUSTIC	GOLDSCHMITT	Arvinmeritor	Granning	Sachs Complete	Sachs Spring Type	Monroe Complete	Monroe Spring Type	Page
								429
								429
V076283								429
2V83-114/190						CB0135		429
V076170B						CB0075		429
								430
								430
	DLB7012							430
								430
								430
	DLB9331							430
								431
	DLB9040							431
								431
	DLB9039							431
								431
								431
								432
								432
	DLB7095							432
								432
								432
								432
								432
								432
								433
								433
								433
2V91155-317								433
2V87-105/520								433
2V87-124/505								433
2V87-105/520-1								434

DISCLAIMER

The data and information presented in this catalogue are the result of extensive research and long-term experience in the design and manufacture of air springs for truck, trailer, bus, coach and industrial applications. This catalogue is provided only for information purposes and Vibracoustic CV Air Springs GmbH does not accept liability for any loss or damage arising from typing errors or misprints that may have occurred during production. In the interest of product development Vibracoustic CV Air Springs GmbH reserves the right to make technical amendments and updates

to the drawings listed in this catalogue without prior notification. The brand names Vibracoustic CV Air Springs and Blacktech™ are protected by law and use of the trademarks by third parties is strictly prohibited without written consent from Vibracoustic CV Air Springs GmbH. Replication or copying of the data in this catalogue, even partial, is strictly prohibited without written authorisation from Vibracoustic CV Air Springs GmbH. This document is subject to Vibracoustic CV Air Springs GmbH copyright and all intellectual rights are protected by law.

VIBRACOUSTIC CV AIR APRINGS LOCATIONS WORLDWIDE

GERMANY (Headquarter)

Vibracoustic CV Air Springs GmbH
Lobeckerfordamm,
1 - 3, 20099, Hamburg, Germany
Phone: + 49 40 23 99 89 222 - Fax: + 49 40 23 99 89-140

TURKEY

Vibracoustic CV Air Springs Otomotiv Sanayi ve Ticaret A.Ş.
Bursa Serbest Bölgesi, Ata Mahallesi, Orkide Caddesi No: 25
16600 Gemlik-Bursa, Turkey
Phone: +90 224 265 19 00 - Fax: +90 224 999 19 20

CHINA

Vibracoustic (Shanghai) Sales & Trading Co., Ltd.
Lou Shan Guan Road No. 83, New Town Center R1102
200336, Shanghai P.R. China
Phone: + 86 21 629 57 813-116 - Fax: + 86 21 629 57 817

HUNGARY

Vibracoustic CV Air Springs Magyarország Kft.
Derkovits utca, 106/A,
4400 Nyiregyháza, Hungary
Phone: +36 42 551 200 - Fax: +36 42 551 203

USA

Vibracoustic USA, Inc.
111 SW 5th Ave, Suite 3150, #9,
OR 97204, Portland, USA
Phone: +1 269 605 95 40 - Fax: +1 817 453 08 80

