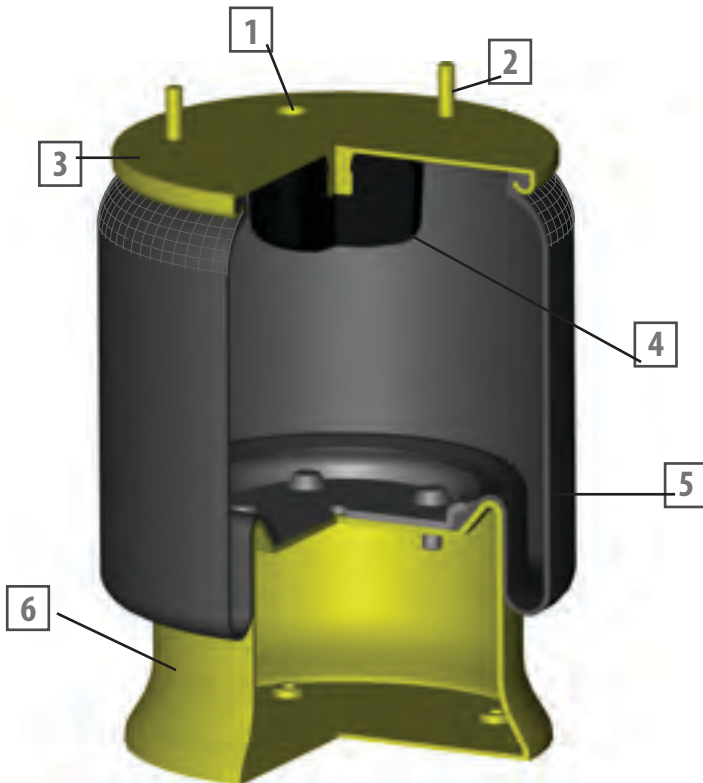


**SERVICE & COMPLETE
AIR SPRINGS**



blacktech
Air Springs

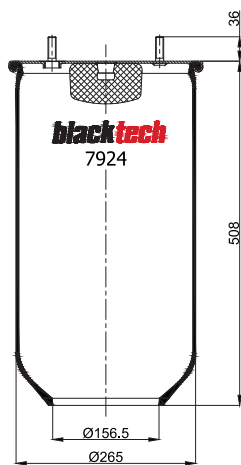
COMPONENTS OF AIR SPRING



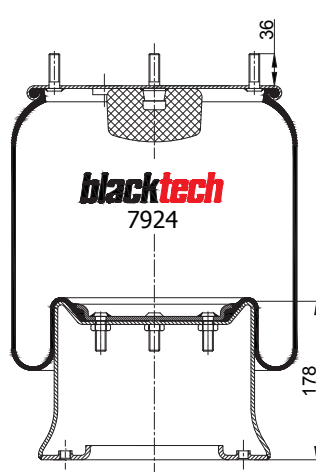
1. Air inlet
2. Mounting stud
3. Plate
4. Bumper (Generally used in air suspension applications as fail-safe device.)
5. Rubber air spring body
6. Piston (There two different complete applications such as with metal piston or plastic piston.)

PRODUCT IDENTIFICATION

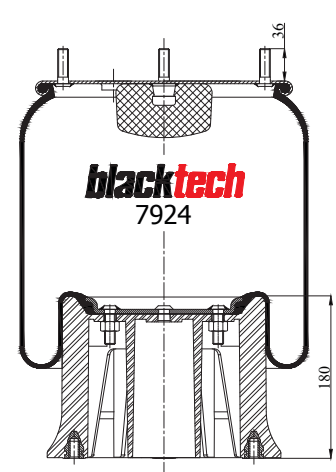
SERVICE & COMPLETE AIR SPRINGS



RML 7924
Air spring system without piston



RML 7924 C
Complete air spring
assembly with crimped top plate and metal piston



RML 7924 CP
Complete air spring
assembly with crimped top plate and plastic piston

SERVICE & COMPLETE AIR SPRINGS						
MANUFACTURER	OEM PARTNO	PARTNO	TYPE	REMARKS	PAGE	
ACERBI						
	128140028	75268CP10	Complete	Plastik Piston	159	
	800449526	75268CP10	Complete	Plastik Piston	159	
AUSTERAS						
	99381009	71420C	Complete	Metal Piston	108	
	99381038	74520C	Complete	Metal Piston	119	
	99381010	71480C	Complete	Metal Piston	109	
	99381031	72520C	Complete	Metal Piston	119	
AYATS						
	31001569	9772C1	Complete	Metal Piston	222	
	30201085	9987C	Complete	Metal Piston	228	
BATTAGLINO						
	2211401	7923C1	Complete	Metal Piston	88	
	2211900	72421C	Complete	Metal Piston	111	
	2211907	71421C	Complete	Metal Piston	111	
	91619011	7923C1	Complete	Metal Piston	88	
BMCBUS						
	53RS900056	9772C4	Complete	Metal Piston	222	
	53RS900069	95101C	Complete	Metal Piston	230	
	53RS900072	95101C2	Complete	Metal Piston	232	
	53RS900083	9755C3	Complete	Metal Piston	221	
	53RS900131	9032C3	Complete	Metal Piston	220	
	53RS900142	9772C8	Complete	Metal Piston	224	
	53RS900144	9032C4	Complete	Metal Piston	221	
	57RS308887	78887C	Complete	Metal Piston	200	
	57RS308888	78888C	Complete	Metal Piston	200	
BERTOJA						
	45402004	75266C	Complete	Metal Piston	149	
	46311001	76884C	Complete	Metal Piston	183	
BELLETRAILERS						
	BT0319	75266C	Complete	Metal Piston	149	
BREDAMENAIRINIBUS						
	178739	7010SP	Service Assy	service	68	
BPW						
	041030030	74520C	Complete	Metal Piston	119	
	041030070	74512C	Complete	Metal Piston	118	
	41030090	74521C	Complete	Metal Piston	120	
	41030160	74523C	Complete	Metal Piston	120	
	41040010	72430C	Complete	Metal Piston	111	
	0542940010	7992	Service Assy	service	95	
	0542940030	7052	Service Assy	service	72	
	0542940050	7053	Service Assy	service	73	
	0542940081	7992C	Complete	Metal Piston	95	
	0542940150	7053C	Complete	Metal Piston	73	
	0542940361	7992C	Complete	Metal Piston	96	
	0542940510	7053C	Complete	Plasticpiston	74	
	0542940591	7051C	Complete	Metal Piston	71	
	0542941241	7051C	Complete	Metal Piston	71	
	0542941281	7051C	Complete	Metal Piston	71	
	0542940931	7051C	Complete	Metal Piston	71	

SERVICE & COMPLETE AIR SPRINGS						
MANUFACTURER	OEM PARTNO	PARTNO	TYPE	REMARKS	PAGE	
	0542940720	7062	Service Assy	service	74	
	0542940910	7051	Service Assy	service	71	
	0542940030	7051	Service Assy	service	71	
	0542940931	7051CP	Complete	Plastik Piston	72	
	0542941010	75992	Service Assy	service	169	
	0542941090	75053	Service Assy	service	132	
	0542941221	75992C	Complete	Metal Piston	169	
	0542941231	7051CP	Complete	Plasticpiston	72	
	0542941250	75052	Service Assy	service	131	
	0542942181	7052C	Complete	Metal Piston	73	
	0542941371	7051C	Complete	Metal Piston	72	
	0542941380	7053C	Complete	Metal Piston	74	
	0542941560	75051	Service Assy	service	130	
	0542941690	7053C	Complete	Metal Piston	74	
	0542941770	75071	Service Assy	service	133	
	0542942030	75073	Service Assy	service	134	
	0542942040	75072	Service Assy	service	133	
	0542942720	7062	Service Assy	service	74	
	0542943200	7052CP	Complete	Plastik Piston	73	
	0542943410	75992CP	Complete	Plastik Piston	160	
	0542943510	7992CP	Complete	Plastik Piston	96	
CAMPANA						
	50400100	72430C	Complete	Metal Piston	111	
	50400200	71421C	Complete	Metal Piston	108	
	50500100	74512C	Complete	Metal Piston	118	
	52000100	74520C	Complete	Metal Piston	119	
	50200105	7922C2	Complete	Metal Piston	86	
	50200105	7922C3	Complete	Metal Piston	87	
	28100002	74512C	Complete	Metal Piston	118	
	28100006	7922C2	Complete	Metal Piston	86	
	28100006	7922C3	Complete	Metal Piston	87	
CARDI						
	58050700	7923C1	Complete	Metal Piston	88	
	58050910	75120C	Complete	Metal Piston	136	
	58051210	75260CP9	Complete	Plastik Piston	146	
	58051400	75266C	Complete	Metal Piston	149	
	85050900	75270C	Complete	Metal Piston	161	
DAF-VDL-VDLBUS						
	67504	7947-11	Service Assy	service	91	
	67306	7922	Service Assy	service	84	
	67452	7922	Service Assy	service	84	
	67504	7947	Service Assy	service	90	
	297721	7947C7	Complete	Metal Piston	93	
	377498	7947C4	Complete	Metal Piston	92	
	388165	7947C1	Complete	Metal Piston	92	
	388167	7947-2C1	Complete	Metal Piston	92	
	392022	7998C1	Complete	Metal Piston	97	
	513982	7947-2	Service Assy	service	91	
	513983	7998	Service Assy	service	96	
	513985	7947-1	Service Assy	service	91	

SERVICE & COMPLETE AIR SPRINGS						
MANUFACTURER	OEM PARTNO	PARTNO	TYPE	REMARKS	PAGE	
	526651	7947C6	Complete	Metal Piston	93	
	1141525	7998C6	Complete	Metal Piston	98	
	1153933	7947C8	Complete	Metal Piston	93	
	1153934	7947C9	Complete	Metal Piston	94	
	1153935	7998C3	Complete	Metal Piston	97	
	1266381	7947C11	Complete	Metal Piston	94	
	1276646	7990	Service Assy	service	95	
	1279141	7990C2	Complete	Metal Piston	95	
	1384274	7922C	Complete	Metal Piston	84	
	1697678	7947C1	Complete	Metal Piston	92	
	1697679	7947C11	Complete	Metal Piston	94	
	1697984	7998C1	Complete	Metal Piston	97	
	1698434	7990C2	Complete	Metal Piston	95	
DAIMLER-TAS-CHRYSLER						
	A9463281401	75268CP4	Complete	Plastik Piston	157	
DAYTON						
	352-9213	79213CP	Complete	Plastik Piston	209	
DISCOS/MERCEDES						
	A9463280401	70081C	Complete	Metal Piston	99	
ERF						
	129608-5	79373CP	Complete	Metal Piston	214	
	139855-0	79580C	Complete	Metal Piston	217	
EVO-BUS						
	A6293270001	95755	Service Assy	service	242	
	A6293200025	95755C2	Complete	Metal Piston	242	
	A6293200025	95755C22	Complete	Metal Piston	242	
FRUEHAUF						
	078580	74544C	Complete	Metal Piston	121	
	M01472	75267C11	Complete	Metal Piston	152	
	M001464	71304C	Complete	Metal Piston	106	
	M001472	75267CP15	Complete	Plastik Piston	154	
	M001782	75260C7	Complete	Metal Piston	145	
	M078580	75268CP3	Complete	Plastik Piston	157	
	UJA0894-001	75260CP14	Complete	Plastik Piston	148	
	UJA0930	75267C9	Complete	Metal Piston	152	
	UJB0129-01	75267C11	Complete	Metal Piston	152	
	UJB0203-001	75260C7	Complete	Metal Piston	149	
	UJB0207-001	75267C9	Complete	Metal Piston	152	
	UJB0305	74580C	Complete	Metal Piston	121	
	UJB0305	75119C	Complete	Metal Piston	135	
	UJB0975	75268CP10	Complete	Plastik Piston	159	
	UCD9393-2	79394CP	Complete	Plastik Piston	215	
FODEN						
	3100248000	79069CP	Complete	Plastik Piston	207	
FORD						
	9C46-5580-AA	75580C	Complete	Metal Piston	163	
	9C46-5580-BA	75581C	Complete	Metal Piston	163	
FREIGHTLINER						
	16-138-810	79782C	Complete	Metal Piston	219	

SERVICE & COMPLETE AIR SPRINGS					
MANUFACTURER	OEM PARTNO	PARTNO	TYPE	REMARKS	PAGE
	16-1673-000	79782C	Complete	Metal Piston	219
	681-320-0017	79782C	Complete	Metal Piston	219
GIGANT					
	3042	73042C	Complete	Metal Piston	113
	166217/3653	7836C2	Complete	Metal Piston	78
	166225/3053	7835C2	Complete	Metal Piston	77
	166228/3671	7863C	Complete	Metal Piston	80
	166252/3653	7836C3	Complete	Metal Piston	79
	166529	7835C3	Complete	Metal Piston	78
	166252	7836C4	Complete	Metal Piston	79
	166217/246149	7836C5	Complete	Metal Piston	79
	241100/3671	7863	Service Assy	service	80
	246149/3653	7836	Service Assy	service	79
	246169/3053	7835	Service Assy	service	78
	246192/3661	7837	Service Assy	service	80
HEULIZE					
	5006172377B	92526C	Complete	Metal Piston	228
HENDRICKSON					
	21208	78800C	Complete	Metal Piston	200
	49048	79466CP	Complete	Plastik Piston	216
	49207	79466CP	Complete	Plastik Piston	216
	49674	79466CP	Complete	Plastik Piston	216
	57122-2	79373CP	Complete	Metal Piston	214
	58520-2	79372CP	Complete	Metal Piston	214
	64489-2	79372CP	Complete	Metal Piston	214
	505859	7924C	Complete	Metal Piston	89
	506243	7921C	Complete	Metal Piston	81
	507782	7023C2	Complete	Metal Piston	83
	59053-2F	76260CP	Complete	Plastik Piston	180
	785163	7921C	Complete	Metal Piston	80
	785170	7924C	Complete	Metal Piston	89
	AA250T	78091CP	Complete	Plastik Piston	193
	B2066	75267CP14	Complete	Plastik Piston	153
	B2066	79082CP	Complete	Plastik Piston	207
	B3842	75260CP11	Complete	Plastik Piston	147
	C20127	79580C	Complete	Metal Piston	217
	C21623	78755C	Complete	Metal Piston	199
	HA100001	75267CP15	Complete	Plastik Piston	154
	HA100001	75267C6	Complete	Metal Piston	153
	HA100016	75267CP10	Complete	Plastik Piston	153
	HS509328	79328C	Complete	Metal Piston	211
	HS508385	78385C	Complete	Metal Piston	195
	HS505552	76269CP	Complete	Plastik Piston	181
	HS508263	78263C	Complete	Metal Piston	194
	HS190T	79640C	Complete	Metal Piston	217
	HS251087	70081C	Complete	Metal Piston	99
	HS251087/G	70082C	Complete	Metal Piston	99
	HT190T	79640C	Complete	Metal Piston	217
	NA1817	75260CP13	Complete	Plastik Piston	147
	S9346	79346CP	Complete	Plastik Piston	212

SERVICE & COMPLETE AIR SPRINGS						
MANUFACTURER	OEM PARTNO	PARTNO	TYPE	REMARKS	PAGE	
	S20010	79270C	Complete	Metal Piston	210	
	S20223	79640C	Complete	Metal Piston	217	
	S20901	78091CP	Complete	Plastik Piston	193	
	S21784	78091CP	Complete	Plastik Piston	193	
	S21800	78709CP	Complete	Plastik Piston	199	
	S220045	78755C	Complete	Metal Piston	199	
	QE100004/F	78643CP	Complete	Plastik Piston	198	
IRIS						
	5000786516	9879C	Complete	Metal Piston	225	
	5000786641	9928C	Complete	Metal Piston	227	
	5000805999	9870C1	Complete	Metal Piston	225	
	5006172377	92526C	Complete	Metal Piston	228	
	5010073846	9772C1	Complete	Metal Piston	222	
	5010190888	9893C3	Complete	Metal Piston	226	
	5010073847	9893C4	Complete	Metal Piston	226	
	5810111355	9928C	Complete	Metal Piston	227	
IVECO						
	99458555	77313CP	Complete	Plastik Piston	187	
	99458557	77313CP	Complete	Plastik Piston	187	
	41270462	70462CP	Complete	Plastik Piston	104	
	41270463	70463CP	Complete	Plastik Piston	104	
	41270465	70465CP	Complete	Plastik Piston	104	
	41270466	70466CP	Complete	Plastik Piston	104	
	41297179	77179CP	Complete	Plastik Piston	184	
	41297180	77180CP	Complete	Plastik Piston	184	
	41289367	79367C	Complete	Metal Piston	212	
	41289369	79369C	Complete	Metal Piston	213	
	41289370	79370C	Complete	Metal Piston	213	
	41289379	79379C	Complete	Metal Piston	214	
	504117415	77415C	Complete	Metal Piston	189	
	41297178	92336CP	Complete	Plastik Piston	228	
	99462844	92844C	Complete	Metal Piston	229	
	500355474	95019C	Complete	Metal Piston	230	
	98490464	96032C	Complete	Metal Piston	252	
	504035755(Daily35-50)	75343CA	Complete	Alümpiston	162	
KAESSBOHRER						
	4731029000	7922S	Service Assy	service	85	
	4731029000	7922SP	Service Assy	service	85	
	4731030000	7924C	Complete	Metal Piston	89	
	4731033000	7924C	Complete	Metal Piston	89	
KAISER						
	F01008696	71309C	Complete	Metal Piston	107	
	F01008697	71315C	Complete	Metal Piston	107	
	F01008697	71315C1	Complete	Metal Piston	108	
MAN						
	81436010035	7922S	Service Assy	service	85	
	81436010047	7921S	Service Assy	service	82	
	81436010048	7922S	Service Assy	service	85	
	81436010035	7922SP	Service Assy	service	85	
	81436010047	7922SP	Service Assy	service	85	

SERVICE & COMPLETE AIR SPRINGS						
MANUFACTURER	OEM PARTNO	PARTNO	TYPE	REMARKS	PAGE	
	81436010048	7922SP	Service Assy	service	85	
	81436010151	75993	Service Assy	service	170	
	81436010152	75995	Service Assy	service	171	
	81436006041	75995-2	Service Assy	service	172	
	81436010153	75994	Service Assy	service	171	
	81436010155	75816-1	Service Assy	service	164	
	81436010165	75997	Service Assy	service	174	
	81436010168	75973	Service Assy	service	168	
	81436010174	75995	Service Assy	service	171	
	81436016002	7910SP	Service Assy	service	82	
	81436016019	7921SP	Service Assy	service	82	
	81436016023	7010SP	Service Assy	service	81	
	81436016023	7910SP	Service Assy	service	81	
	81436010025	7910S	Service Assy	service	81	
	81436016025	7910SP	Service Assy	service	81	
	81436016029	7010S	Service Assy	service	68	
	81436016029	7910SP	Service Assy	service	81	
	81436016030	7910SP	Service Assy	service	81	
	81436010158	75027	Service Assy	service	128	
	81436006041	75995C7	Complete	Metal Piston	172	
	81436006042	75027C7	Complete	Metal Piston	128	
	81436006035	75995C6	Complete	Metal Piston	172	
	81436016037	75994C	Complete	Metal Piston	171	
	81436006039	75816C3	Complete	Metal Piston	164	
	81436006040	75816C4	Complete	Metal Piston	164	
	81436016044	75996C2	Complete	Metal Piston	173	
	81436016046	75997C1	Complete	Metal Piston	174	
	81436016050	7910SP	Service Assy	service	81	
	81436016050	7010S	Service Assy	service	68	
	81436016054	7010S	Service Assy	service	68	
	81436016073	7010S	Service Assy	service	81	
MICHIELOTTO						
	0006061	7923C1	Complete	Metal Piston	88	
MERCEDES						
	A6673280101	9920C	Complete	Metal Piston	227	
	A9423200117	95868C1	Complete	Metal Piston	247	
	A9423200121	95401C1	Complete	Metal Piston	237	
	A9423200217	95860C1	Complete	Metal Piston	245	
	A9423200221	95401C2	Complete	Metal Piston	237	
	A9423200321	95401C4	Complete	Metal Piston	238	
	A9423200421	95401C3	Complete	Metal Piston	237	
	A9423200621	95402C1	Complete	Metal Piston	240	
	A9423200721	95402C2	Complete	Metal Piston	241	
	A9423201821	95298C1	Complete	Metal Piston	234	
	A9423202021	95401C5	Complete	Metal Piston	238	
	A9423202221	95294C23	Complete	Metal Piston	232	
	A9423206821	95294C23	Complete	Metal Piston	232	
	A9423202321	95294C24	Complete	Metal Piston	232	
	A9423206921	95294C24	Complete	Metal Piston	232	
	A9423202621	95298C21	Complete	Metal Piston	235	

SERVICE & COMPLETE AIR SPRINGS						
MANUFACTURER	OEM PARTNO	PARTNO	TYPE	REMARKS	PAGE	
	A9423202721	95298C22	Complete	Metal Piston	235	
	A9423202821	95401C21	Complete	Metal Piston	238	
	A9423202921	95401C22	Complete	Metal Piston	239	
	A9423203221	95868C29	Complete	Metal Piston	249	
	A9423203721	95848C21	Complete	Metal Piston	244	
	A9423203921	95848C22	Complete	Metal Piston	244	
	A9423204321	95868C21	Complete	Metal Piston	247	
	A9423204421	95860C21	Complete	Metal Piston	246	
	A9423204921	95401C21	Complete	Metal Piston	238	
	A9423205021	95401C22	Complete	Metal Piston	239	
	A9423205121	95401C24	Complete	Metal Piston	239	
	A9423205221	95401C23	Complete	Metal Piston	239	
	A9423205321	95402C21	Complete	Metal Piston	238	
	A9423205421	95402C22	Complete	Metal Piston	239	
	A9423270001	95868-1	Service Assy	service	246	
	A9423270401	95860	Service Assy	service	245	
	A9743200417	95868C9	Complete	Metal Piston	247	
	A9423280001	95401-1	Service Assy	service	236	
	A9423280101	95401-2	Service Assy	service	236	
	A9423280601	95402-1	Service Assy	service	240	
	A9423280701	95402-2	Service Assy	service	240	
	A9453200017	95869C1	Complete	Metal Piston	248	
	A9453204821	95869C21	Complete	Metal Piston	249	
	A9423203321	95869C23	Complete	Metal Piston	249	
	A9463200121	95949C3	Complete	Metal Piston	250	
	A9463200221	95949C2	Complete	Metal Piston	250	
	A9463200321	95848C1	Complete	Metal Piston	243	
	A9463200421	95949C1	Complete	Metal Piston	250	
	A9463200521	95848C2	Complete	Metal Piston	243	
	A9463203521	95949C23	Complete	Metal Piston	251	
	A9463203621	95949C22	Complete	Metal Piston	251	
	A9463203821	95949C21	Complete	Metal Piston	251	
	A9463280001	95949	Service Assy	service	249	
	A9463281501	71501C	Complete	Metal Piston	109	
	A9573200117	95848C5	Complete	Metal Piston	244	
	A9573200317	95848C25	Complete	Metal Piston	245	
	A9743200021	95296C1	Complete	Metal Piston	233	
	A9743280001	95868-2	Service Assy	service	246	
	A9743280101	95868-2	Service Assy	service	246	
	A9743280201	95296	Service Assy	service	233	
	A9423203021	95296C21	Complete	Metal Piston	233	
NAVISTAR						
	2027911C1	79648CP	Complete	Metal Piston	218	
	2027911C2	79648CP	Complete	Metal Piston	218	
	501559C1	79213CP	Complete	Plastik Piston	209	
	501559C2	79213CP	Complete	Plastik Piston	209	
	1660581C1	79213CP	Complete	Plastik Piston	209	
NEOPLAN						
	102100500	7010	Service Assy	service	68	
	102121500	7010	Service Assy	service	68	

SERVICE & COMPLETE AIR SPRINGS					
MANUFACTURER	OEM PARTNO	PARTNO	TYPE	REMARKS	PAGE
NEWAY					
	21215632	7921C	Complete	Metal Piston	79
	90557006/027	79082CP	Complete	Plastik Piston	208
	90557009	75260C4	Complete	Metal Piston	144
	90557027	75267CP14	Complete	Plastik Piston	153
	90557031/037	79082CP	Complete	Plastik Piston	208
	90557075	75267C6	Complete	Metal Piston	151
	90557075	75267CP14	Complete	Plastik Piston	153
	90557075	79082CP	Complete	Plastik Piston	208
	90557126	79346CP	Complete	Plastik Piston	212
	90457233	75268CP8	Complete	Plastik Piston	258
	M0057000G	79910C	Complete	Metal Piston	219
	M0557019	77313CP	Complete	Plastik Piston	187
	M0557020	77313CP	Complete	Plastik Piston	187
	M0557030	77313CP	Complete	Plastik Piston	187
	M0557031	77313CP	Complete	Plastik Piston	187
JONCKHEERR					
	26160203300	9893C3	Complete	Metal Piston	226
OMAR					
	11804	7923C1	Complete	Metal Piston	88
	11815	72670C	Complete	Metal Piston	112
OTOKAR					
	16N00-03650-AB	9772C7	Complete	Metal Piston	223
	16M00-03652-AA	99203C	Complete	Metal Piston	254
	16F00-03652-AC	99205C	Complete	Metal Piston	254
	16H00-05484-AB	99201C	Complete	Metal Piston	254
	13H00-05484-AA	99206C	Complete	Metal Piston	255
	9900-33888-AA	99206C1	Complete	Metal Piston	255
	99000-33889-AA	9928C1	Complete	Metal Piston	257
PEGASO					
	174933	7921SP	Service Assy	service	82
PEZZAIOLI					
	1006550	75266C	Complete	Metal Piston	149
	70100627	72670C	Complete	Metal Piston	112
POULNFZ					
	A6673280101	9920C	Complete	Metal Piston	227
	A9463200421	95949C1	Complete	Metal Piston	250
ROR/MERITOR					
	21208082	7921C	Complete	Metal Piston	82
	21208939	75267CP14	Complete	Plastik Piston	153
	21221307	75268CP4	Complete	Plastik Piston	157
	21215632	7921C	Complete	Metal Piston	82
	21215633	7924C	Complete	Metal Piston	89
	21215761	75267C6	Complete	Metal Piston	151
	21215761	75267CP15	Complete	Plastik Piston	154
	21215762	75267C6	Complete	Metal Piston	151
	21215891	75260CP14	Complete	Plastik Piston	148
	21221307	79003A8CP	Complete	Plastik Piston	205
	21221349	75119C	Complete	Metal Piston	236

SERVICE & COMPLETE AIR SPRINGS						
MANUFACTURER	OEM PARTNO	PARTNO	TYPE	REMARKS	PAGE	
	21221349	74580C	Complete	Metal Piston	122	
	21222239	75139C5	Complete	Metal Piston	143	
	21222442	75268CP9	Complete	Plastik Piston	159	
	21222442	79003A3CP1	Complete	Plastik Piston	204	
	21222673	7023C2	Complete	Metal Piston	70	
	21222673	71314C	Complete	Metal Piston	107	
	21226046	75267C6	Complete	Metal Piston	151	
	21229214	78608CP	Complete	Plastik Piston	197	
	MLF7022	76251C	Complete	Metal Piston	179	
	MLF7033	76251C	Complete	Metal Piston	179	
	MLF7033	77313C	Complete	Metal Piston	187	
	MLF7040	71314C	Complete	Metal Piston	107	
	MLF7079	79270C	Complete	Metal Piston	210	
	MLF7122	71314C	Complete	Metal Piston	107	
	MLF7146	76199C	Complete	Metal Piston	175	
	MLF7161	71304C	Complete	Metal Piston	106	
	MLF7167	76200C	Complete	Metal Piston	176	
RENAULTVI						
	5000640399	9987C	Complete	Metal Piston	228	
	5000745918	7922C	Complete	Metal Piston	86	
	5000785792	9870C	Complete	Metal Piston	224	
	5000815749	79910C	Complete	Metal Piston	219	
	5000869135	9879C	Complete	Metal Piston	225	
	5001832067	75023	Service Assy	service	126	
	5010600262	75033CP	Complete	Plastik Piston	130	
	5001855856	75026	Service Assy	service	128	
	5010052722	7012C	Complete	Metal Piston	69	
	5010130683	7012C	Complete	Metal Piston	69	
	5010383616	76260CP	Complete	Plastik Piston	180	
	5010211724	7013C	Complete	Metal Piston	69	
	5010294307	75023C7	Complete	Metal Piston	125	
	5010239252	75265C5	Complete	Plastik Piston	148	
	5010294308	75022C3	Complete	Metal Piston	125	
	5010294309	75026C6	Complete	Metal Piston	128	
	5010488071	75265C5	Complete	Metal Piston	148	
	5010557622	75020C	Complete	Metal Piston	124	
	5010557355	75023C10	Complete	Metal Piston	127	
	5010557356	75022C4	Complete	Metal Piston	125	
	5010600328	75023C13	Complete	Metal Piston	127	
	5010600439	75022C6	Complete	Metal Piston	125	
	5010600570	75265CP6	Complete	Plastik Piston	149	
	5011239971	75022	Service Assy	service	124	
	5011294308	75022	Service Assy	service	124	
ROLFO						
	112010	72670C	Complete	Metal Piston	112	
	112060	7923C1	Complete	Metal Piston	88	
SMB						
	1518779	75260C7	Complete	Metal Piston	112	
	1520356	75260C7	Complete	Metal Piston	112	
	1524873	75260C7	Complete	Metal Piston	112	

SERVICE & COMPLETE AIR SPRINGS						
MANUFACTURER	OEM PARTNO	PARTNO	TYPE	REMARKS	PAGE	
	M001472	75267C9	Complete	Metal Piston	152	
	M060924	75268CP10	Complete	Plastik Piston	159	
	M078580	75268CP8	Complete	Plastik Piston	158	
	M100152	71314C	Complete	Metal Piston	107	
	UJB0207	75267CP15	Complete	Plastik Piston	154	
SAMRO/SEG						
	2500425	75260CA18	Complete	Alüminyum Piston	146	
	2500915	70081C	Complete	Metal Piston	99	
	H2501122	75026C6	Complete	Metal Piston	128	
	H2501869	75268CP8	Complete	Plastik Piston	158	
	H25000361	71303C	Complete	Metal Piston	106	
	H25000361	74580C	Complete	Metal Piston	122	
SCANIA+SCANIABUSSAR						
	170922	70304C	Complete	Metal Piston	102	
	255293	75924C	Complete	Metal Piston	167	
	255294	77308C	Complete	Metal Piston	186	
	255295	75924C	Complete	Metal Piston	167	
	255295	76251C	Complete	Metal Piston	179	
	276696	77315C	Complete	Metal Piston	188	
	1865757	77348C	Complete	Metal Piston	189	
	298568	75924C	Complete	Metal Piston	167	
	325748	75924C	Complete	Metal Piston	167	
	462680	70305C	Complete	Metal Piston	102	
	470920	70301C	Complete	Metal Piston	100	
	475149	70307C	Complete	Metal Piston	103	
	488264	74506C	Complete	Metal Piston	118	
	488266	70302C	Complete	Metal Piston	100	
	492678	70306C	Complete	Metal Piston	103	
	1107674	75924C	Complete	Metal Piston	167	
	1314903	76251C	Complete	Metal Piston	179	
	1314904	77315C	Complete	Metal Piston	188	
	1314905	77308C	Complete	Metal Piston	186	
	1314906	75924C	Complete	Metal Piston	167	
	1320151	77283C	Complete	Metal Piston	185	
	1320151	77283CP	Complete	Plastik Piston	185	
	1362145	76199C	Complete	Metal Piston	175	
	1362147	76200C	Complete	Metal Piston	176	
	1370744	76200C	Complete	Metal Piston	176	
	1372143	76199C	Complete	Metal Piston	175	
	1379392	75024C	Complete	Metal Piston	128	
	1379393	75024	Service Assy	service	127	
	1386199	76199C	Complete	Metal Piston	175	
	1386200	76200C	Complete	Metal Piston	176	
	1394997	76251C	Complete	Metal Piston	179	
	1402423	76251C	Complete	Metal Piston	179	
	1430930	78653CP	Complete	Plastik Piston	198	
	1434506	74506C	Complete	Metal Piston	118	
	1434933	78633C	Complete	Metal Piston	197	
	1440294	75024C	Complete	Metal Piston	128	
	1440301	70301C	Complete	Metal Piston	100	

SERVICE & COMPLETE AIR SPRINGS						
MANUFACTURER	OEM PARTNO	PARTNO	TYPE	REMARKS	PAGE	
	1440302	70302C	Complete	Metal Piston	100	
	1440303	70303C	Complete	Metal Piston	101	
	1440304	70304C	Complete	Metal Piston	102	
	1440305	70305C	Complete	Metal Piston	102	
	1440306	70306C	Complete	Metal Piston	103	
	1440307	70307C	Complete	Metal Piston	103	
	1510195	70195C	Complete	Metal Piston	100	
	1726237	76237C	Complete	Metal Piston	176	
	1726238	76238C	Complete	Metal Piston	177	
	1726239	70303C1	Complete	Metal Piston	101	
	1726240	76240C	Complete	Metal Piston	177	
	1726241	76241C	Complete	Metal Piston	177	
	1726242	76242C	Complete	Metal Piston	178	
	1726243	76243C	Complete	Metal Piston	178	
	1726246	76246C	Complete	Metal Piston	178	
	1731113	71113C	Complete	Metal Piston	105	
	1863244	76251C	Complete	Metal Piston	179	
	1865755	75924C	Complete	Metal Piston	167	
	1865759	76251C	Complete	Metal Piston	179	
	2024283	74283C	Complete	Metal Piston	117	
	2024284	74283C	Complete	Metal Piston	117	
	2024287	74287C	Complete	Metal Piston	117	
	2024288	74288C	Complete	Metal Piston	117	
	4700921	70302C	Complete	Metal Piston	100	
SCHMITZ						
	14892	75269CP	Complete	Plastik Piston	160	
	15323	75139C2	Complete	Metal Piston	142	
	16512	76318CP	Complete	Plastik Piston	182	
	750570	75992	Service Assy	service	169	
	750999	75269C	Complete	Metal Piston	160	
	750999	75269CP	Complete	Plastik Piston	160	
	17685	77685C	Complete	Metal Piston	191	
	750999	79296CP	Complete	Plastik Piston	160	
	751020HP	76286CP	Complete	Plastik Piston	182	
	5015323	71501C	Complete	Metal Piston	182	
SNVI						
	5000785792	9870C	Complete	Metal Piston	225	
	5000786641	9870C	Complete	Metal Piston	225	
TRANSPART						
	520728	75266C	Complete	Metal Piston	149	
	520728	75267CP14	Complete	Plastik Piston	153	
	531233	75260CP12	Complete	Plastik Piston	147	
TRASCAR						
	03003000060	71481C	Complete	Metal Piston	109	
	03003000070	71421C	Complete	Metal Piston	108	
	03003000080	72432C	Complete	Metal Piston	112	
WATSON&CHALIN						
	A50053	79346CP	Complete	Plastik Piston	212	
VIBERTI						
	128140007	7923C	Complete	Metal Piston	88	

SERVICE & COMPLETE AIR SPRINGS						
MANUFACTURER	OEM PARTNO	PARTNO	TYPE	REMARKS	PAGE	
	128147109	76884C	Complete	Metal Piston	183	
	128147102	7923C1	Complete	Metal Piston	88	
	800448024	71840C	Complete	Metal Piston	110	
	128147109	74514C	Complete	Metal Piston	119	
	128147124	7923C	Complete	Metal Piston	88	
VOITH						
	H68219201	98739C	Complete	Metal Piston	252	
	H68237001	93856C	Complete	Metal Piston	229	
	31100038701	98739C1	Complete	Metal Piston	252	
	31100044801	98739C2	Complete	Metal Piston	253	
VOLVO						
	1075363	75829C	Complete	Metal Piston	266	
	1075365	74925C	Complete	Metal Piston	123	
	1076075	75531C	Complete	Metal Piston	163	
	1076076	75531C	Complete	Metal Piston	163	
	1076095	75824	Service Assy	service	165	
	1076420	76420	Service Assy	service	183	
	1076594	75824C	Complete	Metal Piston	165	
	1079718	75829	Service Assy	service	165	
	1629782	74925C	Complete	Metal Piston	123	
	1976420	76420C	Complete	Metal Piston	183	
	20374512	76420C	Complete	Metal Piston	183	
	20424543	74543C	Complete	Metal Piston	121	
	20427801	77804C	Complete	Metal Piston	193	
	20427802	77805C	Complete	Metal Piston	193	
	20427803	78914C	Complete	Metal Piston	201	
	20427804	77804C	Complete	Metal Piston	192	
	20427805	77805C	Complete	Metal Piston	193	
	20452136	74760C	Complete	Metal Piston	122	
	20452136	75829C	Complete	Metal Piston	166	
	20452138	74925C	Complete	Metal Piston	123	
	20456150	78914C	Complete	Metal Piston	201	
	20456154	77804C	Complete	Metal Piston	192	
	20456158	77805C	Complete	Metal Piston	193	
	20456160	76420C	Complete	Metal Piston	183	
	20479802	74762C	Complete	Metal Piston	122	
	20480202	76113C	Complete	Metal Piston	174	
	20531984	78914C	Complete	Metal Piston	201	
	20531986	77804C	Complete	Metal Piston	192	
	20531989	76420C	Complete	Metal Piston	183	
	20554770	74770C	Complete	Metal Piston	123	
	20554755	75824C	Complete	Metal Piston	165	
	20554756	75531C	Complete	Metal Piston	163	
	20554759	75829C	Complete	Metal Piston	166	
	20554760	74760C	Complete	Metal Piston	122	
	20554161	74925C	Complete	Metal Piston	123	
	20554762	74762C	Complete	Metal Piston	122	
	20573108	73108C	Complete	Metal Piston	114	
	20573113	76113C	Complete	Metal Piston	174	
	20573312	73312C	Complete	Metal Piston	115	

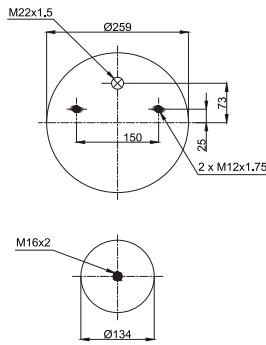
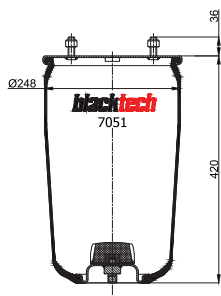
SERVICE & COMPLETE AIR SPRINGS						
MANUFACTURER	OEM PARTNO	PARTNO	TYPE	REMARKS	PAGE	
	20582206	78914C	Complete	Metal Piston	201	
	20582209	77804C	Complete	Metal Piston	192	
	20582212	77805C	Complete	Metal Piston	193	
	20722412	75023C10	Complete	Metal Piston	127	
	20726768	75023C13	Complete	Metal Piston	127	
	20726769	75022C6	Complete	Metal Piston	125	
	20758818	75265CP6	Complete	Plastik Piston	149	
	20703452	77433	Service Assy	service	189	
	21013010	77433	Service Assy	service	189	
	21513836	77433	Service Assy	service	189	
	21097433	77433C	Complete	Metal Piston	190	
	21513833	77433C	Complete	Metal Piston	190	
	70311683	77433C	Complete	Metal Piston	190	
	20352247	72247CP	Complete	Plastik Piston	111	
	20573311	73311C	Complete	Metal Piston	115	
	50582213	76420C	Complete	Metal Piston	183	
	70313734	76113C	Complete	Metal Piston	174	
	7321692	73108C	Complete	Metal Piston	114	
	7321690	73108	Service Assy	service	114	
WEWELER						
	US00622	7921C	Complete	Metal Piston	82	
	US04030P	71501C	Complete	Metal Piston	110	
	US04031F	74031C	Complete	Metal Piston	116	
	US04028	75139C2	Complete	Metal Piston	142	
	US06285	75269CP	Complete	Plastik Piston	160	
	US06286F	76286CP	Complete	Plastik Piston	182	
	US06285F	79296CP	Complete	Plastik Piston	160	
	US06287	75268CP3	Complete	Plastik Piston	87	
	US06287	75268CP4	Complete	Plastik Piston	87	
	US06316	75268CP6	Complete	Plastik Piston	88	
	US06318F	76318CP	Complete	Plastik Piston	182	
	US07074	79002A3CP	Complete	Plastik Piston	202	
	US07074C	75268CP5	Complete	Plastik Piston	158	
	US07074P	75268CP5	Complete	Plastik Piston	158	
	US07074F	75268CP9	Complete	Plastik Piston	159	
	US07337	7921C	Complete	Metal Piston	82	
	US07345	7924C	Complete	Metal Piston	89	
	US07364	75268CP4	Complete	Plastik Piston	157	
	US07380F	74580C	Complete	Metal Piston	122	
	US07380F	75119C	Complete	Metal Piston	136	
	US07385F	71314C	Complete	Metal Piston	107	
	US093691F	75267CP14	Complete	Plastik Piston	153	
	US35864	75267CP15	Complete	Plastik Piston	154	
	US35864F	75267C6	Complete	Metal Piston	151	
	US87408	7924C	Complete	Metal Piston	89	
	US96681	7023C2	Complete	Metal Piston	70	
	US96681F	71314C	Complete	Metal Piston	107	
	US97306	75267CP14	Complete	Plastik Piston	153	
	US87EUROF	79002A8CP	Complete	Plastik Piston	203	

SERVICE & COMPLETE AIR SPRINGS					
MANUFACTURER	OEM PARTNO	PARTNO	TYPE	REMARKS	PAGE
ZORZI					
	1006550	75266C	Complete	Metal Piston	149
	1006545	76885C	Complete	Metal Piston	184
	1006546	76884C	Complete	Metal Piston	183
	1006552	71304C	Complete	Metal Piston	106
	1006553	7923C1	Complete	Metal Piston	88
	1006557	72670C	Complete	Metal Piston	112
	1006565	7923C	Complete	Metal Piston	88
ZFSACHS					
	501210851	9893C3	Complete	Metal Piston	226

RML 7051

Cross Section View

Top View



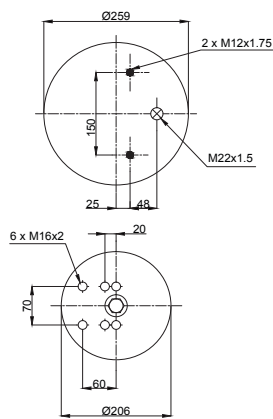
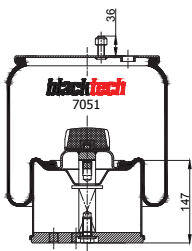
● Bolt or Stud ○ Threaded hole ⊗ Combination Stud ⊗ Air inlet

OEM PART NUMBER		CROSS REFERENCES	
BPW 30 K	05.429.40.91.0	CONTITECH	940 MB
BPW 30 K	05.429.40.03.0	FIRESTONE STYLE	1T17D-4.3
		FIRESTONE ORDER	W01 M58 8613
		PHOENIX	1 DK 21 K
		DUNLOP F (SPRINGRIDE)	D11U31
		GOODYEAR	1R11-703
		CF GOMMA	1 TC 300-30 / 205536
		TAURUS	UR 732-01T
		GRANNING	15916

RML 7051 C

Cross Section View

Top View



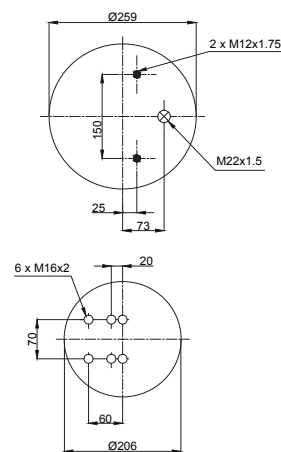
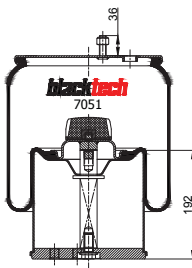
● Bolt or Stud ○ Threaded hole ⊗ Combination Stud ⊗ Air inlet

OEM PART NUMBER		CROSS REFERENCES	
BPW 30 K	05.429.40.59.1	CONTITECH	940 MB (metal piston)
BPW 30 K	05.429.41.37.1	FIRESTONE STYLE	1T17D-4.3
BPW 30 K	05.429.41.24.1	FIRESTONE ORDER	W01 M58 8609
BPW 30 K	05.429.41.28.1	PHOENIX	1 DK 21 K
BPW 30 K	05.429.40.93.1	DUNLOP F (SPRINGRIDE)	D11B39
		GOODYEAR	1R11-763
		TAURUS	KR 732-01
		VIBRACOUSTIC	V 1 DK 21 K
		GRANNING	15919

RML 7051 C1

Cross Section View

Top View



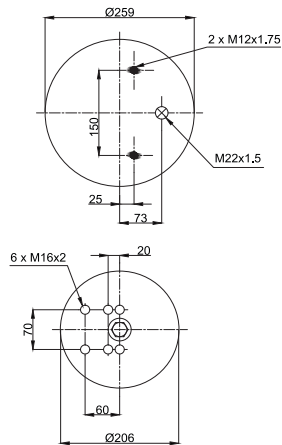
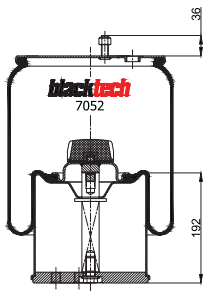
● Bolt or Stud ○ Threaded hole ⊗ Combination Stud ⊗ Air inlet

OEM PART NUMBER		CROSS REFERENCES	
BPW 30 K			

RML 7052 C

Cross Section View

Top View



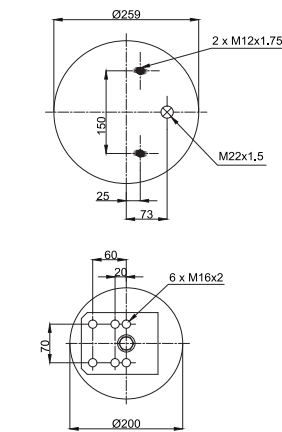
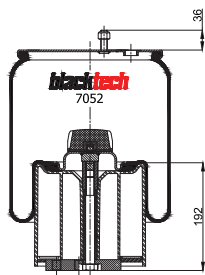
● Bolt or Stud ○ Threaded hole ⊗ Combination Stud ⊗ Air inlet

OEM PART NUMBER		CROSS REFERENCES	
BPW 30 K	05.429.41.28.1	CONTITECH	941 MB (metal piston)
		FIRESTONE STYLE	1T17D-8.3
		FIRESTONE ORDER	W01 M58 8619
		PHOENIX	1 DK 21
		DUNLOP F (SPRINGRIDE)	D11B38
		GOODYEAR	1R11-762
		CF GOMMA	1TC 300-36 / 205170
		TAURUS	UR 730-01
		GRANNING	15918

RML 7052 CP

Cross Section View

Top View



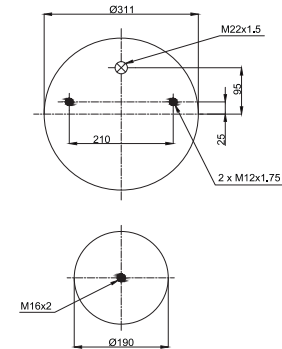
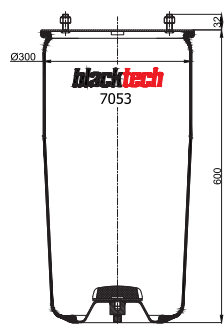
● Bolt or Stud ○ Threaded hole ⊗ Combination Stud ⊗ Air inlet

OEM PART NUMBER		CROSS REFERENCES	
BPW 30 K	05.429.43.20.0	CONTITECH	941 MB (plastic piston)
		FIRESTONE STYLE	1T17D-8.3
		FIRESTONE ORDER	W01 M58 8668
		PHOENIX	1 DK 21
		DUNLOP F (SPRINGRIDE)	D11B33
		GOODYEAR	1R11-763
		TAURUS	1TC 300-36 / 206356
		GRANNING	16918

RML 7053

Cross Section View

Top View



● Bolt or Stud ○ Threaded hole ⊗ Combination Stud ⊗ Air inlet

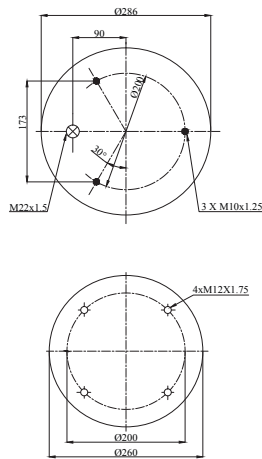
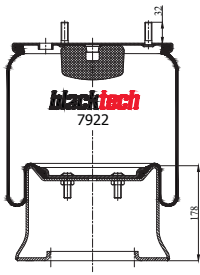
OEM PART NUMBER		CROSS REFERENCES	
BPW 36-1	05.429.40.05.0	CONTITECH	942 MB
		FIRESTONE STYLE	1T66F-13.5
		FIRESTONE ORDER	W01 M58 8611
		PHOENIX	1 DK 32 L
		GOODYEAR	1R14-700
		TAURUS	UR 837-01T
		VIBRACOUSTIC	V 1 DK 32 L
		GRANNING	15902

RML 7922 C



Cross Section View

Top View



OEM PART NUMBER		CROSS REFERENCES	
DAF	1 384.274	CONTITECH	811 MB
RENAULT	5.000.745.918	FIRESTONE STYLE	1T19L-11
		FIRESTONE ORDER	W01 M58 6334
		PHOENIX	1 D 28 B-2E2 /203878
		GOODYEAR	1R14-718
		SPRINGRIDE	D13B34
		GRANNING	15907

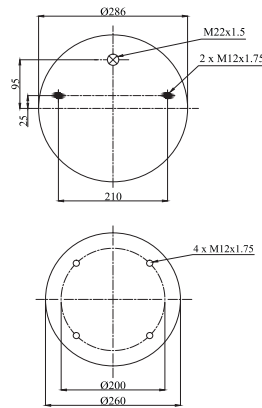
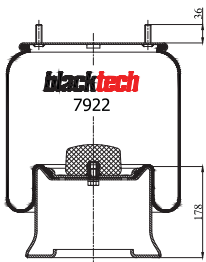
● Bolt or Stud ○ Threaded hole ⊗ Combination Stud ⊗ Air inlet

RML 7922 C1



Cross Section View

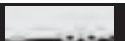
Top View



OEM PART NUMBER		CROSS REFERENCES	
DAF		CONTITECH	811 MB (variation)

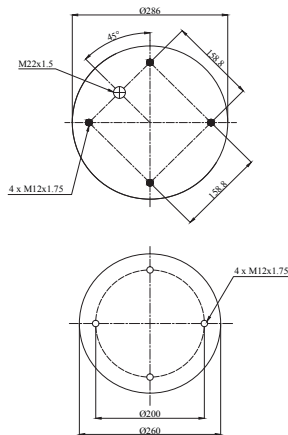
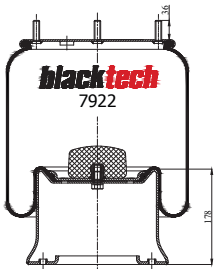
● Bolt or Stud ○ Threaded hole ⊗ Combination Stud ⊗ Air inlet

RML 7922 C2



Cross Section View

Top View



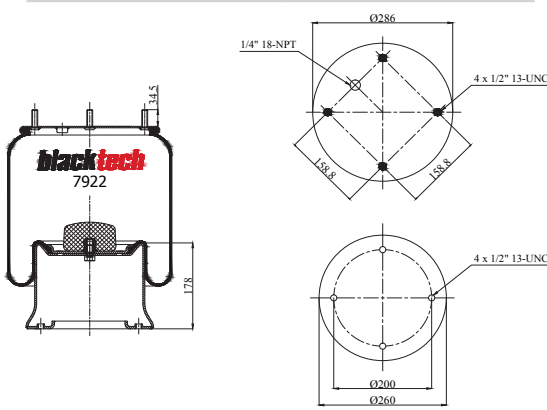
OEM PART NUMBER		CROSS REFERENCES	
CAMPANA	50.200.105	GART	D287 / 287.4.522
CAMPANA	28100006	FIRESTONE STYLE	1T19L-11
		FIRESTONE ORDER	W01 M58 6339

● Bolt or Stud ○ Threaded hole ⊗ Combination Stud ⊗ Air inlet

RML 7922 C3

Cross Section View

Top View



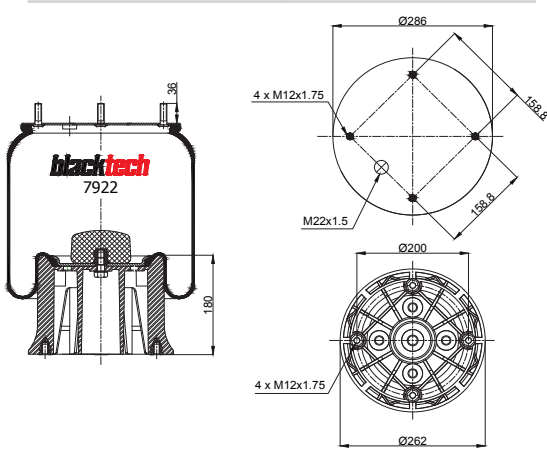
OEM PART NUMBER		CROSS REFERENCES	
CAMPANA	50.200.105	GART	D287 / 287.4.522 (UNC)
CAMPANA	28100006		

● Bolt or Stud ○ Threaded hole ⊗ Combination Stud ⊗ Air inlet

RML 7922 CP2

Cross Section View

Top View



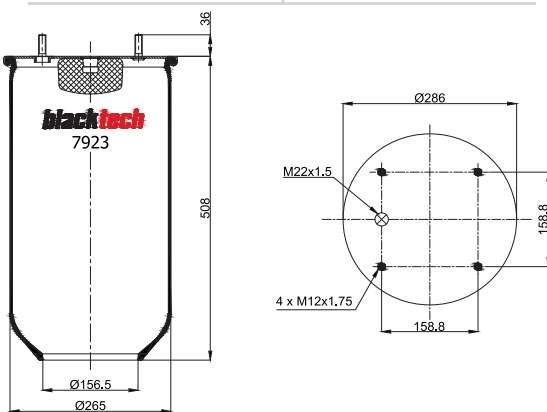
OEM PART NUMBER		CROSS REFERENCES	
CAMPANA	50.200.105	GART	D287 / 287.4.522 (Plastic Piston)
CAMPANA	28100006		

● Bolt or Stud ○ Threaded hole ⊗ Combination Stud ⊗ Air inlet

RML 7923

Cross Section View

Top View



OEM PART NUMBER		CROSS REFERENCES	
CARDI			

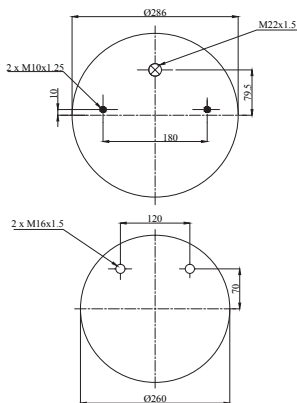
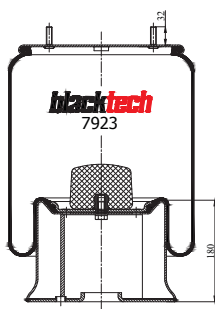
● Bolt or Stud ○ Threaded hole ⊗ Combination Stud ⊗ Air inlet

RML 7923 C



Cross Section View

Top View



● Bolt or Stud ○ Threaded hole ⊗ Combination Stud ⊗ Air inlet

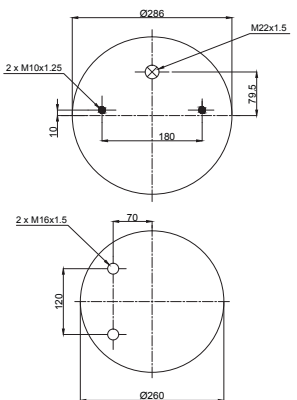
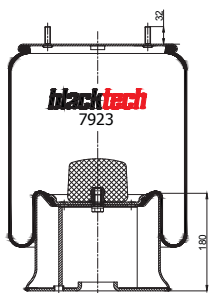
OEM PART NUMBER		CROSS REFERENCES	
VIBERTI	128147112	CF GOMMA	1T19 E2 / 97730

RML 7923 C1



Cross Section View

Top View



● Bolt or Stud ○ Threaded hole ⊗ Combination Stud ⊗ Air inlet

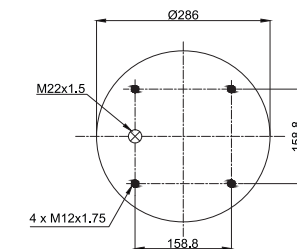
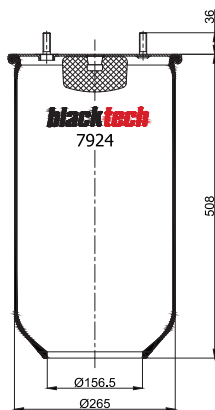
OEM PART NUMBER		CROSS REFERENCES	
BARTOLETTI	91619011	GART	D277 / 2F 277.2.500
BATTAGLINO	2211401		
CARDI	58050700		
MICHIELOTTO	0006061		
OMAR	11804		
VIBERTI	128147102		
ZORZI	1006553		
ROLFO	112060		

RML 7924



Cross Section View

Top View



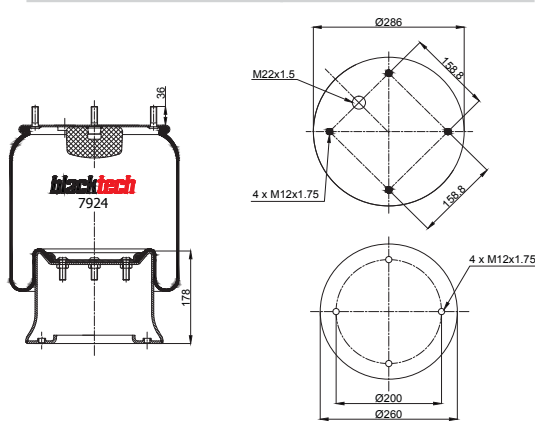
● Bolt or Stud ○ Threaded hole ⊗ Combination Stud ⊗ Air inlet

OEM PART NUMBER		CROSS REFERENCES	
		CONTITECH	813 MB/0
		FIRESTONE STYLE	1T19L-11
		FIRESTONE ORDER	W01 M58 7238
		PHOENIX	1 D 28 B-5
		DUNLOP UK	PNP 311770000
		CF GOMMA	1T 19 E-2

RML 7924 C

Cross Section View

Top View



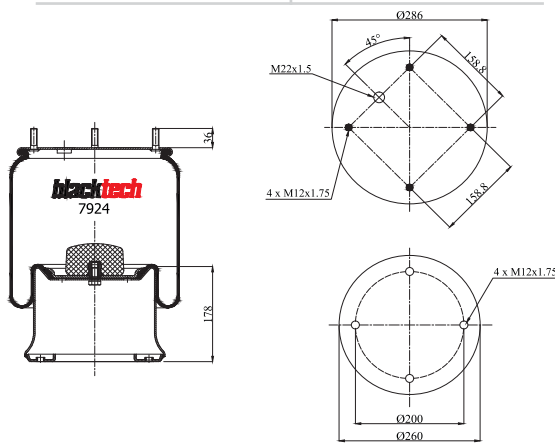
OEM PART NUMBER		CROSS REFERENCES	
HENDRICKSON	505 859	CONTITECH	813 MB
HENDRICKSON	785 170	FIRESTONE STYLE	1T19L-11
KAESSBOHRER	4.731.030.000	FIRESTONE ORDER	W01 M58 6364
KAESSBOHRER	4.731.033.000	PHOENIX	1 D 28 B-2 E2
ROR MERITOR	2121 5633	DUNLOP F (SPRINGRIDE)	D13B19
WEWELER	US 87408	DUNLOP UK	PNP 311770000
WEWELER	US 07345	GOODYEAR	1R14-705
RENAULT	500079692	CF GOMMA	1T 19 E-2 / 87408
FRUEHAUF	003615E	GRANNING	15634

● Bolt or Stud ○ Threaded hole ⊗ Combination Stud ⊗ Air inlet

RML 7924 C1

Cross Section View

Top View



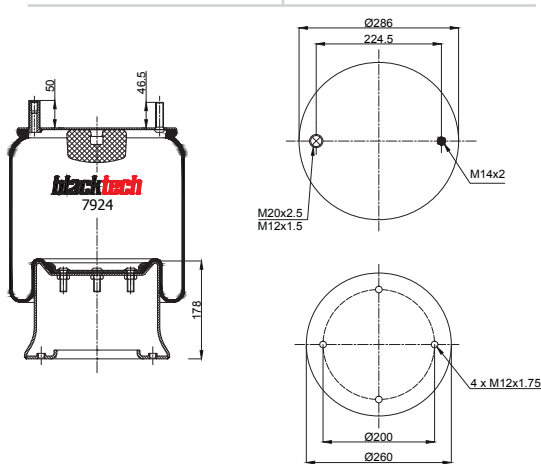
OEM PART NUMBER		CROSS REFERENCES	
		CONTITECH	813 MB (variation)

● Bolt or Stud ○ Threaded hole ⊗ Combination Stud ⊗ Air inlet

RML 7924 C2

Cross Section View

Top View



OEM PART NUMBER		CROSS REFERENCES	
		CONTITECH	813 MB (variation)

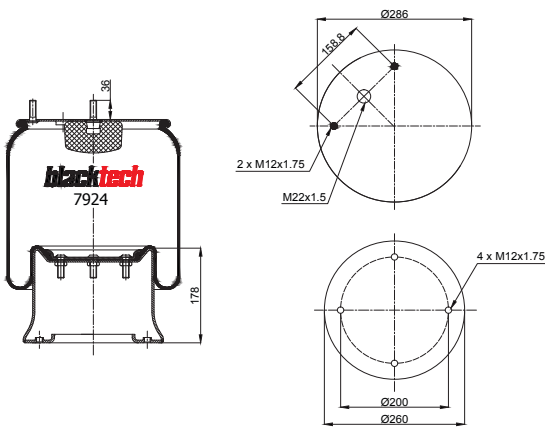
● Bolt or Stud ○ Threaded hole ⊗ Combination Stud ⊗ Air inlet

RML 7924 C3



Cross Section View

Top View



● Bolt or Stud ○ Threaded hole ⊗ Combination Stud ⊗ Air inlet

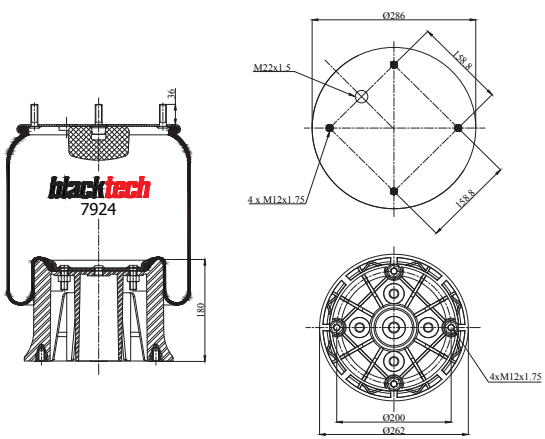
OEM PART NUMBER		CROSS REFERENCES	
		CONTITECH	813 MB (variation)

RML 7924 CP



Cross Section View

Top View



● Bolt or Stud ○ Threaded hole ⊗ Combination Stud ⊗ Air inlet

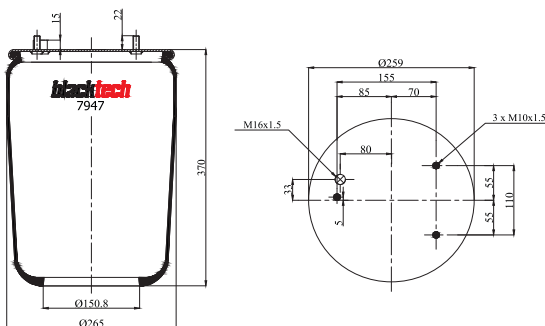
OEM PART NUMBER		CROSS REFERENCES	
		CONTITECH	813 MB (plastic piston)

RML 7947



Cross Section View

Top View



● Bolt or Stud ○ Threaded hole ⊗ Combination Stud ⊗ Air inlet

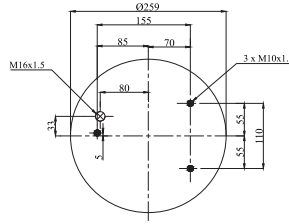
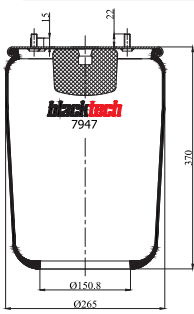
OEM PART NUMBER		CROSS REFERENCES	
VDL BUS	0 067 504	CONTITECH	836 M
DAF	0 067 504	FIRESTONE STYLE	1T17AR-4.5
		FIRESTONE ORDER	W01 M58 0776
		PHOENIX	1DF 25-1 NP
		DUNLOP F (SPRINGRIDE)	D13U32
		GOODYEAR	1R12-700
		TAURUS	UR 721-015
		GRANNING	15991

RML 7947-1



Cross Section View

Top View



OEM PART NUMBER		CROSS REFERENCES	
DAF	0 513 985	CONTITECH	836 MB
VDL BUS	0 513 985	FIRESTONE STYLE	1T17AR-4.5
		FIRESTONE ORDER	W01 M58 0775
		PHOENIX	1 DF 25-4 NP
		DUNLOP F (SPRINGRIDE)	D13U27
		GOODYEAR	1R12-764

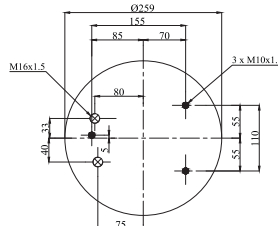
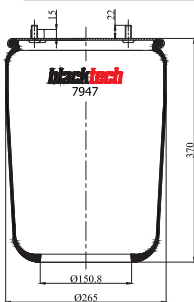
- Bolt or Stud
- Threaded hole
- Combination Stud
- Air inlet

RML 7947-2



Cross Section View

Top View



OEM PART NUMBER		CROSS REFERENCES	
DAF	0 513 982	CONTITECH	836 M2
		FIRESTONE STYLE	1T17AR-4.5
		FIRESTONE ORDER	W01 M58 0777
		PHOENIX	1 DF 25-3 NP
		GOODYEAR	1 R 12-710
		SPRINGRIDE	D13U31

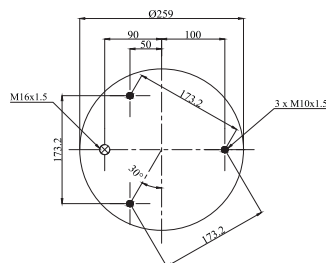
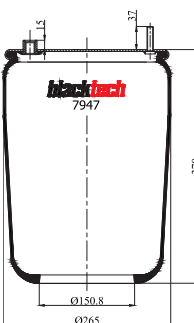
- Bolt or Stud
- Threaded hole
- Combination Stud
- Air inlet

RML 7947-11



Cross Section View

Top View



OEM PART NUMBER		CROSS REFERENCES	
BMC	7B100323		

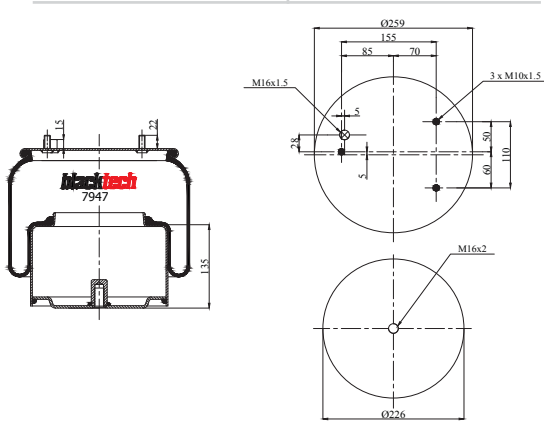
- Bolt or Stud
- Threaded hole
- Combination Stud
- Air inlet

RML 7947 C1



Cross Section View

Top View



● Bolt or Stud ○ Threaded hole ⊗ Combination Stud ⊗ Air inlet

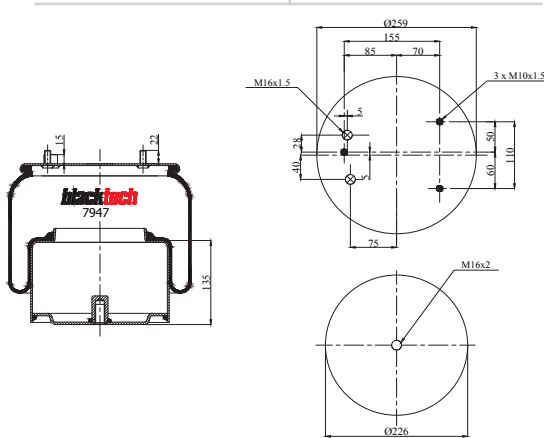
OEM PART NUMBER		CROSS REFERENCES	
DAF	0 388 165	CONTITECH	836 M K1
DAF	1 697 678	FIRESTONE STYLE	1T17AR-4.5
		FIRESTONE ORDER	W01 M58 8722
		PHOENIX	1 DF 25-11
		DUNLOP F (SPRINGRIDE)	D13B32
		GOODYEAR	1 R 12-712
		TAURUS	KR 721-06
		GRANNING	17066

RML 7947-2 C1



Cross Section View

Top View



● Bolt or Stud ○ Threaded hole ⊗ Combination Stud ⊗ Air inlet

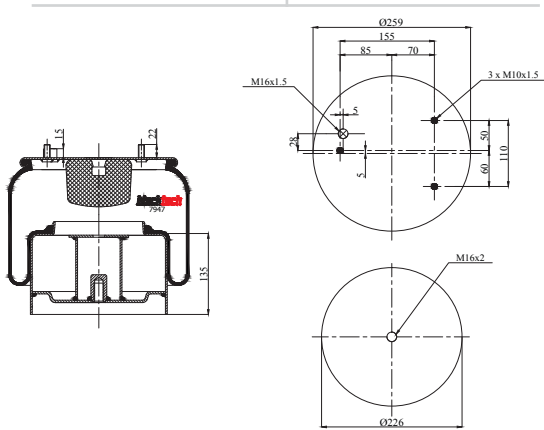
OEM PART NUMBER		CROSS REFERENCES	
DAF	0 388 167	CONTITECH	836 M2 K1
DAF	0 388 168	FIRESTONE STYLE	1T17AR-4.5
		FIRESTONE ORDER	W01 M58 8721
		PHOENIX	1 DF 25-13
		DUNLOP F (SPRINGRIDE)	D13B31
		GOODYEAR	1 R 12-711
		TAURUS	KR 721-03

RML 7947 C4



Cross Section View

Top View



● Bolt or Stud ○ Threaded hole ⊗ Combination Stud ⊗ Air inlet

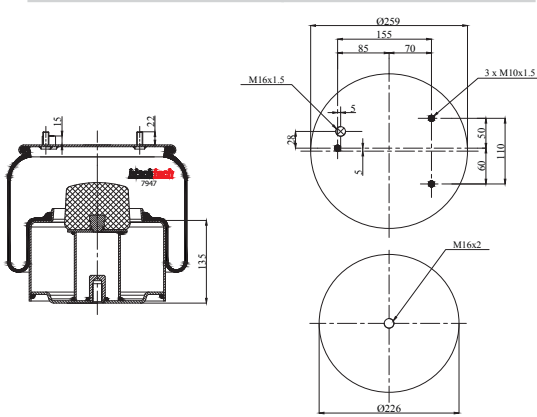
OEM PART NUMBER		CROSS REFERENCES	
VDL Bus	0 377 498	CONTITECH	836 MB K4
		FIRESTONE STYLE	1T17AR-4.5
		FIRESTONE ORDER	W01 M58 8705
		PHOENIX	1 DF 25-14
		GRANNING	17060

RML 7947 C6



Cross Section View

Top View



OEM PART NUMBER		CROSS REFERENCES	
VDL Bus	0 526 651	CONTITECH	836 MB K6
DAF	0 526 651	FIRESTONE STYLE	1T17AR-4.5
		FIRESTONE ORDER	W01-M58 8701
		PHOENIX	1 DF 25-15
		DUNLOP F (SPRINGRIDE)	D13B43
		GOODYEAR	1R12-768
		GRANNING	17061

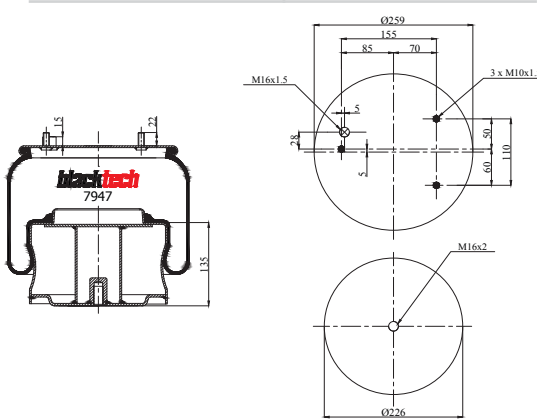
● Bolt or Stud ○ Threaded hole ⊗ Combination Stud ⊗ Air inlet

RML 7947 C7



Cross Section View

Top View



OEM PART NUMBER		CROSS REFERENCES	
DAF	0 297 721	CONTITECH	836 M K7
		FIRESTONE STYLE	1T17AR-4.5
		FIRESTONE ORDER	W01 M58 8715
		PHOENIX	1 DF 25-12
		DUNLOP F (SPRINGRIDE)	D13B33
		GOODYEAR	1R12-723
		VIBRACOUSTIC	V 1 DF 25-12

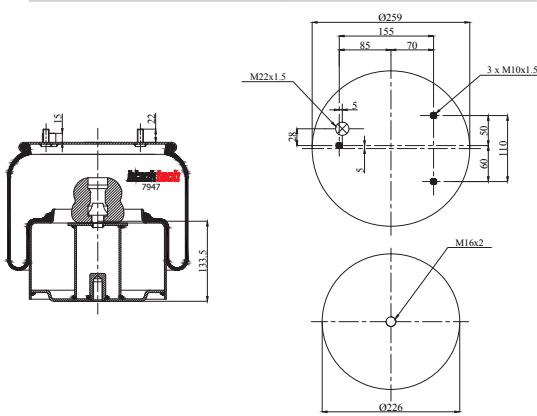
● Bolt or Stud ○ Threaded hole ⊗ Combination Stud ⊗ Air inlet

RML 7947 C8



Cross Section View

Top View



OEM PART NUMBER		CROSS REFERENCES	
VDL Bus	1 153 933	CONTITECH	836 N P05

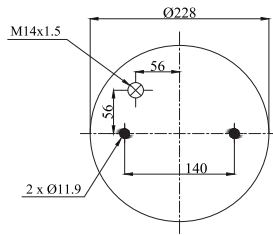
● Bolt or Stud ○ Threaded hole ⊗ Combination Stud ⊗ Air inlet

RML 70304



Cross Section View

Top View



- Bolt or Stud
- Threaded hole
- Combination Stud
- Air inlet

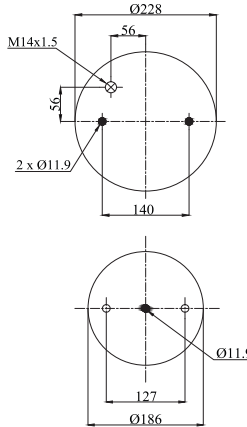
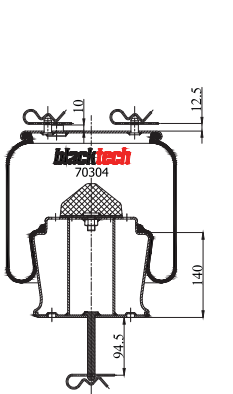
OEM PART NUMBER		CROSS REFERENCES	
SCANIA BUSSAR			

RML 70304 C



Cross Section View

Top View



- Bolt or Stud
- Threaded hole
- Combination Stud
- Air inlet

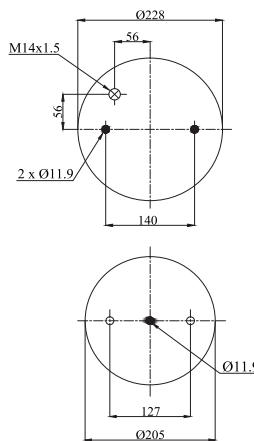
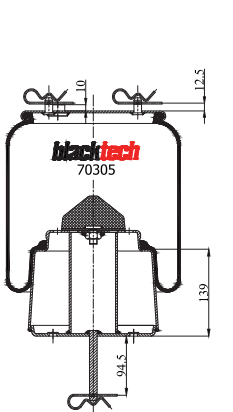
OEM PART NUMBER		CROSS REFERENCES	
SCANIA BUSSAR	1440304	GOODYEAR	1R11- 829
SCANIA BUSSAR	470922	PHOENIX	1 DF 20 A-3
		GRANNING	92505

RML 70305 C



Cross Section View

Top View



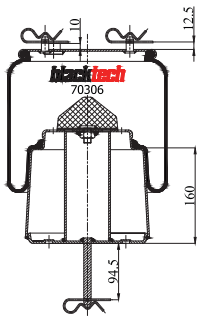
- Bolt or Stud
- Threaded hole
- Combination Stud
- Air inlet

OEM PART NUMBER		CROSS REFERENCES	
SCANIA BUSSAR	1440305	GOODYEAR	1R11- 830
SCANIA BUSSAR	492680	PHOENIX	1 DF 20 A-2
		GRANNING	92502

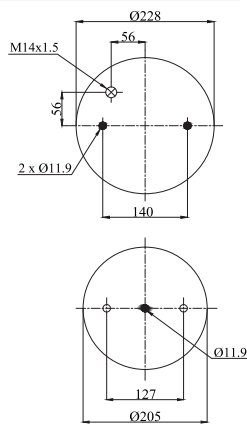
RML 70306 C



Cross Section View



Top View



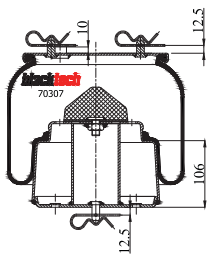
● Bolt or Stud ○ Threaded hole ⊗ Combination Stud ⊗ Air inlet

OEM PART NUMBER		CROSS REFERENCES	
SCANIA BUSSAR	1440306	GOODYEAR	1R11-831
SCANIA BUSSAR	492678	PHOENIX	1 DF 20 A-1
		GRANNING	92507

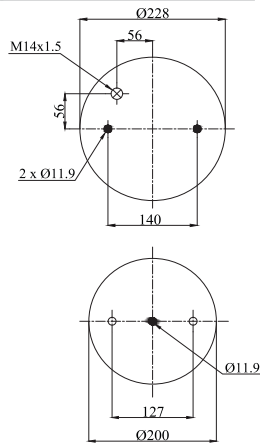
RML 70307 C



Cross Section View



Top View



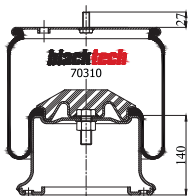
● Bolt or Stud ○ Threaded hole ⊗ Combination Stud ⊗ Air inlet

OEM PART NUMBER		CROSS REFERENCES	
SCANIA BUSSAR	1440307	GOODYEAR	1R11-845
SCANIA BUSSAR	475149	PHOENIX	1 FD 23 B-2
		GRANNING	92503

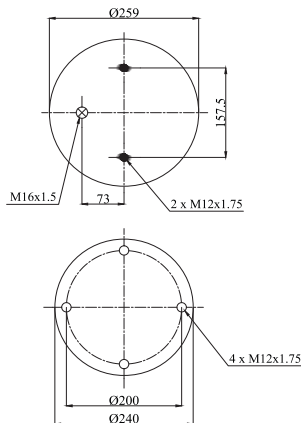
RML 70310 C



Cross Section View



Top View



● Bolt or Stud ○ Threaded hole ⊗ Combination Stud ⊗ Air inlet

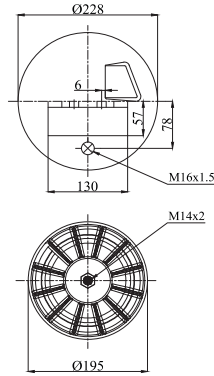
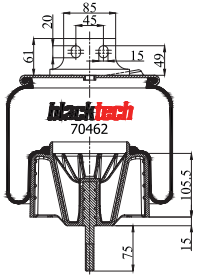
OEM PART NUMBER		CROSS REFERENCES	
HENDRICKSON	HA 100310	GOODYEAR	1R11-845
		PHOENIX	1 FD 23 B-2
		GRANNING	92503

RML 70462 CP



Cross Section View

Top View



OEM PART NUMBER

IVECO STRALIS 400/440E FP / P4X2 FRONT susp. 41270462

CROSS REFERENCES

CF GOMMA 1TS 270-23 / 206886

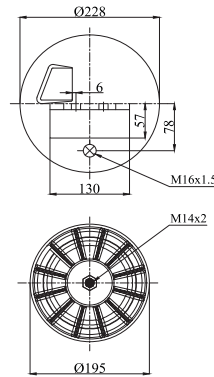
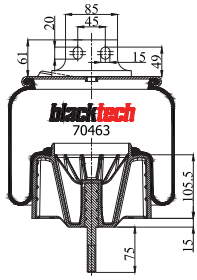
- Bolt or Stud
- Threaded hole
- Combination Stud
- Air inlet

RML 70463 CP



Cross Section View

Top View



OEM PART NUMBER

IVECO STRALIS 400/440E FP / P4X2 FRONT susp. 41270463

CROSS REFERENCES

CF GOMMA 1TS 270-23 / 206887

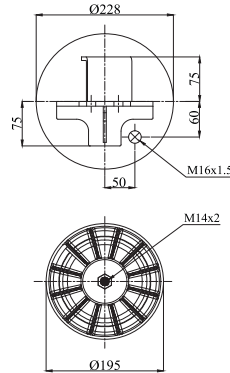
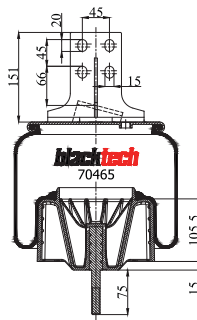
- Bolt or Stud
- Threaded hole
- Combination Stud
- Air inlet

RML 70465 CP



Cross Section View

Top View



OEM PART NUMBER

IVECO STRALIS 400/440E FP / P4X2 Rear susp. 41270465

CROSS REFERENCES

CF GOMMA 1TS 270-23 / 206884

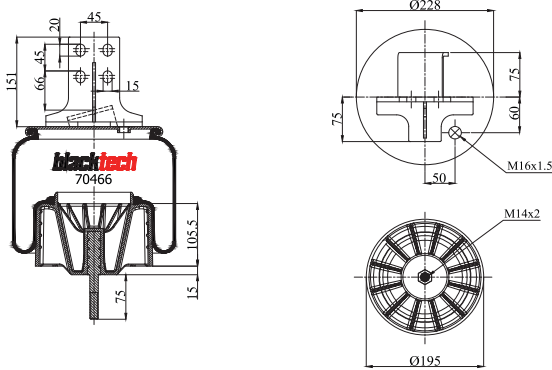
- Bolt or Stud
- Threaded hole
- Combination Stud
- Air inlet

RML 70466 CP



Cross Section View

Top View



OEM PART NUMBER		CROSS REFERENCES	
IVECO STRALIS 400/440E FP / P4X2 Rear susp.	41270466	CF GOMMA	1TS 270-23 / 206885

OEM PART NUMBER		CROSS REFERENCES	
IVECO STRALIS 400/440E FP / P4X2 Rear susp.	41270466	CF GOMMA	1TS 270-23 / 206885

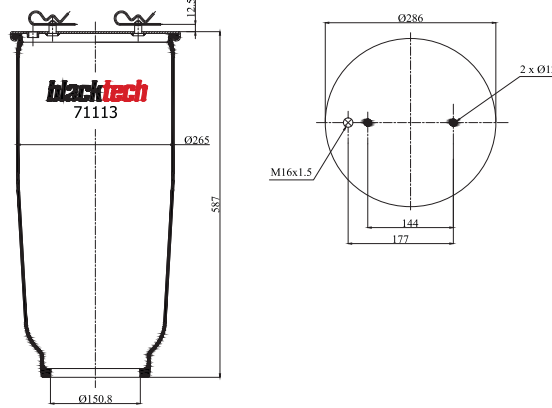
● Bolt or Stud ○ Threaded hole ⊗ Combination Stud ⊗ Air inlet

RML 71113



Cross Section View

Top View



OEM PART NUMBER		CROSS REFERENCES	
SCANIA			

OEM PART NUMBER		CROSS REFERENCES	
SCANIA			

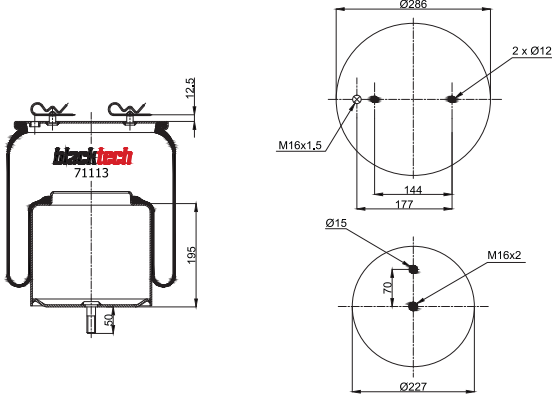
● Bolt or Stud ○ Threaded hole ⊗ Combination Stud ⊗ Air inlet

RML 71113 C



Cross Section View

Top View



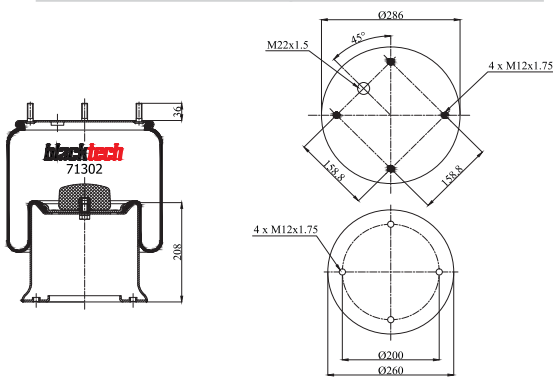
OEM PART NUMBER		CROSS REFERENCES	
SCANIA	1731113	CONTITECH	1113 N P01

OEM PART NUMBER		CROSS REFERENCES	
SCANIA	1731113	CONTITECH	1113 N P01

● Bolt or Stud ○ Threaded hole ⊗ Combination Stud ⊗ Air inlet

RML 71302 C

Cross Section View Top View

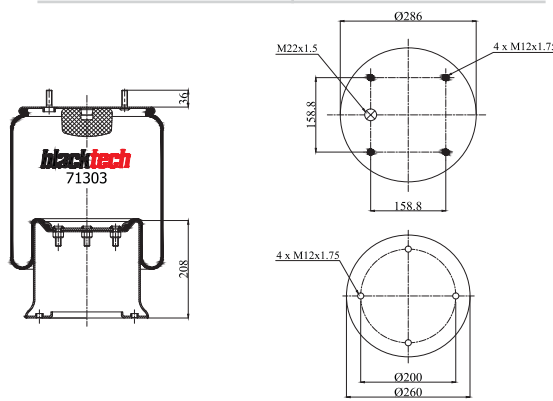


OEM PART NUMBER		CROSS REFERENCES	
SAMRO	H25000361	SPRINGRIDE	D13B03

● Bolt or Stud ○ Threaded hole ⊗ Combination Stud ⊗ Air inlet

RML 71303 C

Cross Section View Top View

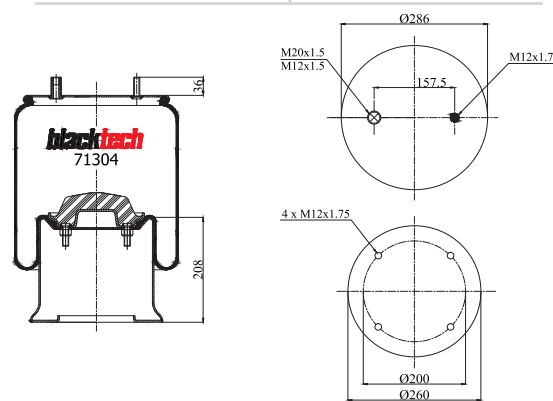


OEM PART NUMBER		CROSS REFERENCES	
SEG SAMRO	H25000361	FIRESTONE STYLE	1T19 F-12
		FIRESTONE ORDER	W01 M58 7380 / 8765
		PHOENIX	1D28 C12
		DUNLOP F (SPRINGRIDE)	D13 B03
		GART	D287/B 287.4.580
		CF GOMMA / PIRELLI	1T 19 E-3 / 97343
		GRANNING	15672

● Bolt or Stud ○ Threaded hole ⊗ Combination Stud ⊗ Air inlet

RML 71304 C

Cross Section View Top View



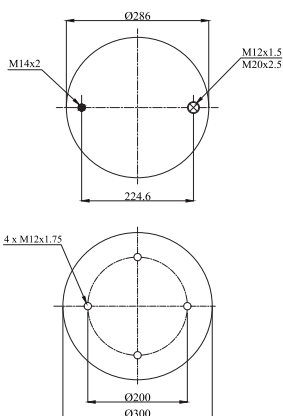
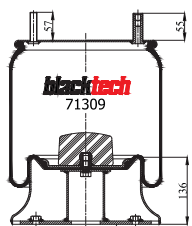
OEM PART NUMBER		CROSS REFERENCES	
KAISER	F01008696	DUNLOP F (SPRINGRIDE)	D13B09
		GOODYEAR	1R13-726

● Bolt or Stud ○ Threaded hole ⊗ Combination Stud ⊗ Air inlet

RML 71309 C

Cross Section View

Top View



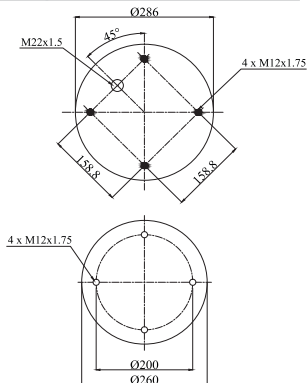
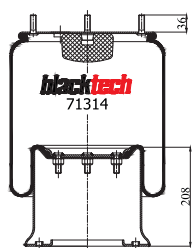
OEM PART NUMBER		CROSS REFERENCES	
FRUEHAUF	M001464	FIRESTONE STYLE	1T19LF-14
ZORZI	1006552	FIRESTONE ORDER	W01 M58 8762
		DUNLOP F (SPRINGRIDE)	D13 B04
		CF GOMMA / PIRELLI	1T 19 E-3 / 201840
		GRANNING	17002

● Bolt or Stud ○ Threaded hole ⊗ Combination Stud ⊗ Air inlet

RML 71314 C

Cross Section View

Top View



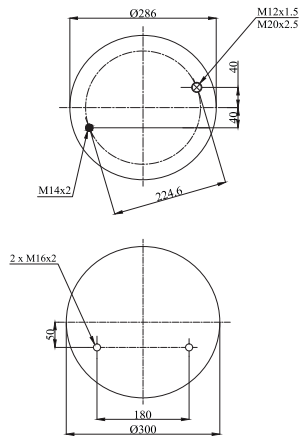
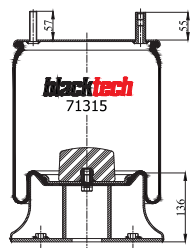
OEM PART NUMBER		CROSS REFERENCES	
ROR MERITOR	2122 2673	DUNLOP F (SPRINGRIDE)	1T19LF-14
SMB	M100152	PHOENIX	W01 M58 8762
WEWELER	US07385F		
WEWELER	US96681F		

● Bolt or Stud ○ Threaded hole ⊗ Combination Stud ⊗ Air inlet

RML 71315 C

Cross Section View

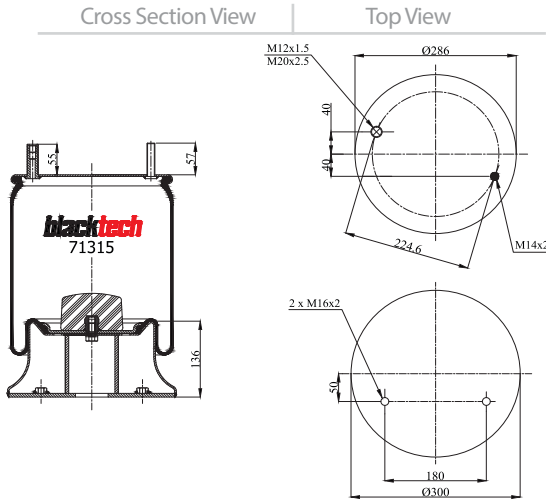
Top View



OEM PART NUMBER		CROSS REFERENCES	
KAISER	F01008697	DUNLOP F (SPRINGRIDE)	D13 B15D
		GOODYEAR	1R13-724

● Bolt or Stud ○ Threaded hole ⊗ Combination Stud ⊗ Air inlet

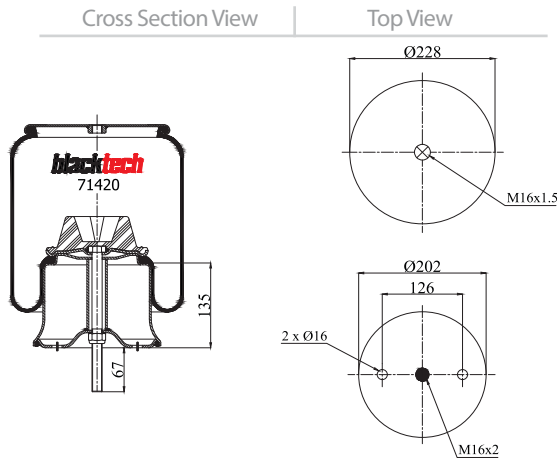
RML 71315 C1



OEM PART NUMBER		CROSS REFERENCES	
KAISER	F01008697	DUNLOP F (SPRINGRIDE)	D13 B15G
		GOODYEAR	1R13-728

Bolt or Stud
 Threaded hole
 Combination Stud
 Air inlet

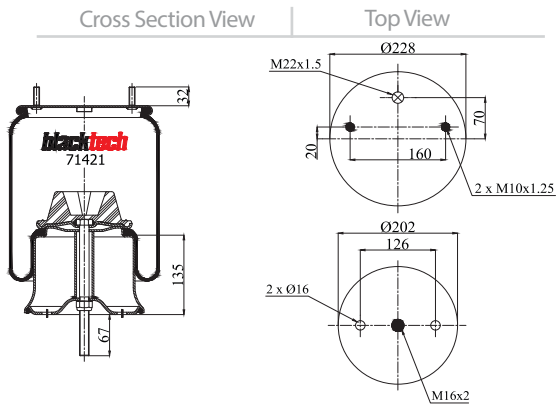
RML 71420 C



OEM PART NUMBER		CROSS REFERENCES	
AUSTERAS	99381009	GART	D276R 276.1.420

Bolt or Stud
 Threaded hole
 Combination Stud
 Air inlet

RML 71421 C

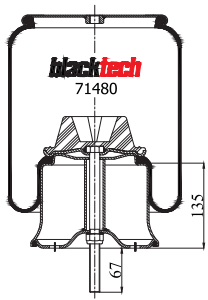


OEM PART NUMBER		CROSS REFERENCES	
BATTAGLINO	2211907	GART	D276R 276.1.421
CAMAPANA	05.040.0200		
TRAS CAR	03003000070		

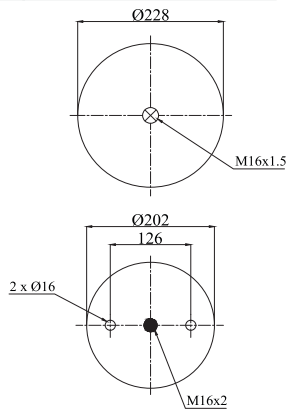
Bolt or Stud
 Threaded hole
 Combination Stud
 Air inlet

RML 71480 C

Cross Section View



Top View

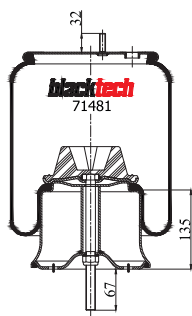


● Bolt or Stud ○ Threaded hole ⊗ Combination Stud ⊗ Air inlet

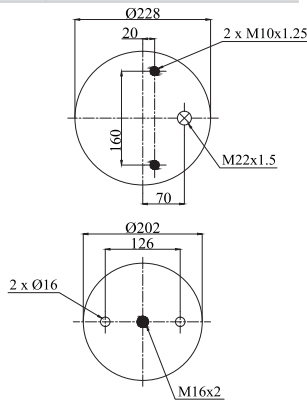
OEM PART NUMBER		CROSS REFERENCES	
AUSTERAS	99381010	GART	D276LR 276.1.480

RML 71481 C

Cross Section View



Top View

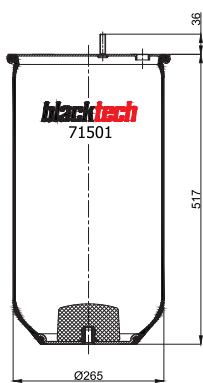


● Bolt or Stud ○ Threaded hole ⊗ Combination Stud ⊗ Air inlet

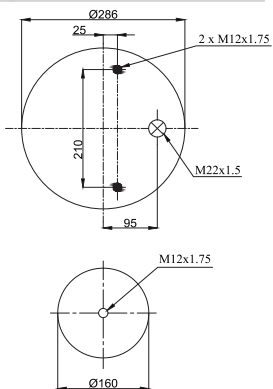
OEM PART NUMBER		CROSS REFERENCES	
TRAS CAR	3003000060	GART	D276LR 276.1.481

RML 71501

Cross Section View



Top View



● Bolt or Stud ○ Threaded hole ⊗ Combination Stud ⊗ Air inlet

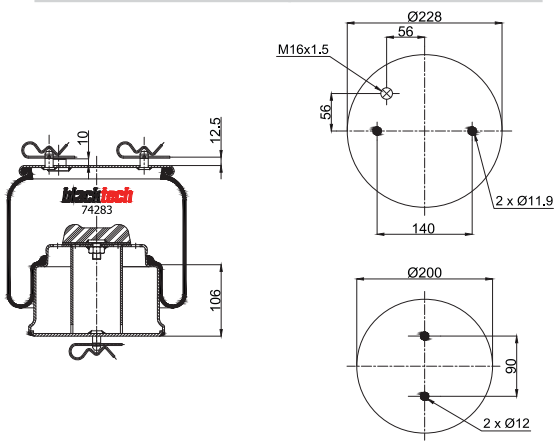
OEM PART NUMBER		CROSS REFERENCES	
MB	A 946 328 15 01		

RML 74283 C



Cross Section View

Top View



OEM PART NUMBER		CROSS REFERENCES	
SCANIA AXLE (FRONT)	2024283	GOODYEAR	1R11-879
SCANIA AXLE (FRONT)	2024284	GOODYEAR	1R11-871 (OLD NUMBER)

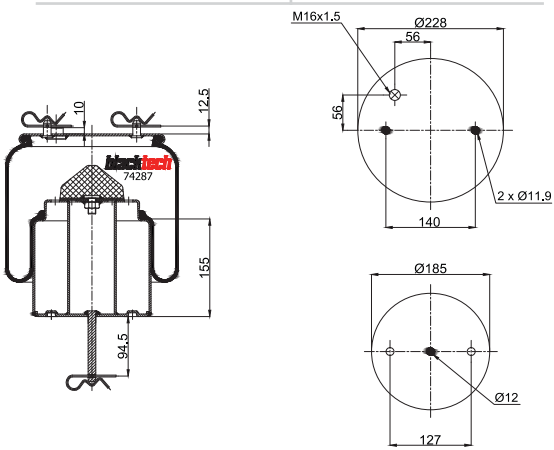
● Bolt or Stud ○ Threaded hole ⊗ Combination Stud ⊗ Air inlet

RML 74287 C



Cross Section View

Top View



OEM PART NUMBER		CROSS REFERENCES	
SCANIA AXLE (REAR)	2024287	GOODYEAR	1R11-867

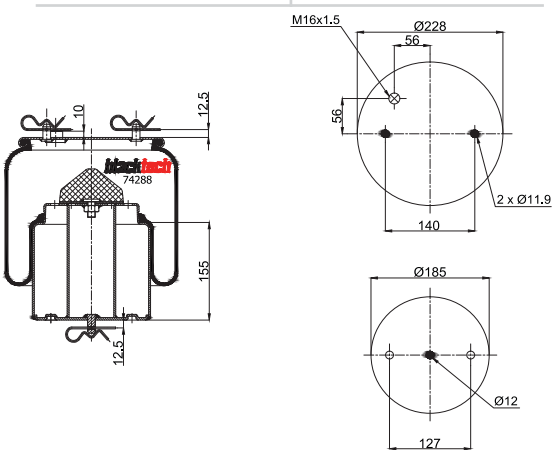
● Bolt or Stud ○ Threaded hole ⊗ Combination Stud ⊗ Air inlet

RML 74288 C



Cross Section View

Top View



OEM PART NUMBER		CROSS REFERENCES	
SCANIA AXLE (REAR - CENTRE AXLE)	2024288	GOODYEAR	1R11-869

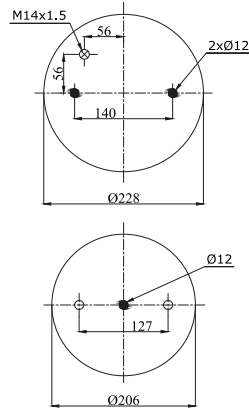
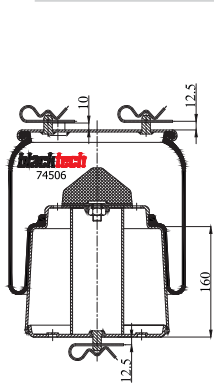
● Bolt or Stud ○ Threaded hole ⊗ Combination Stud ⊗ Air inlet

RML 74506 C



Cross Section View

Top View



OEM PART NUMBER		CROSS REFERENCES	
SCANIA	1434506	GOODYEAR	1R11 832
SCANIA	488264	PHOENIX	1 DF 20 A-4

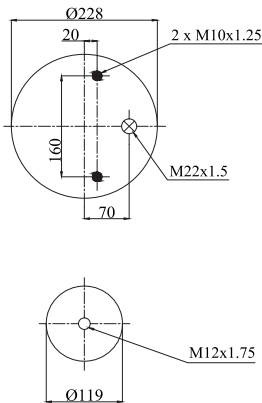
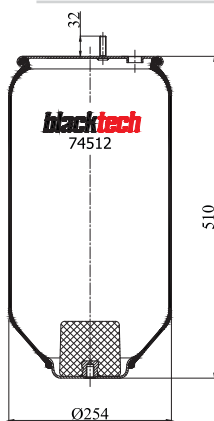
● Bolt or Stud ○ Threaded hole ⊗ Combination Stud ⊗ Air inlet

RML 74512



Cross Section View

Top View



OEM PART NUMBER		CROSS REFERENCES	
BPW		GART	D278H 278.4.512 (without piston)
CAMPANA			

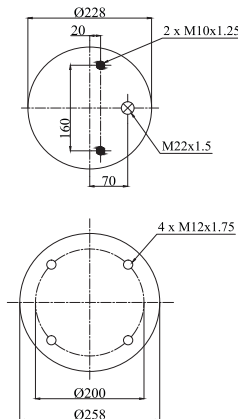
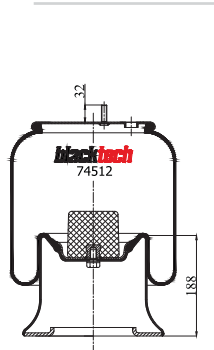
● Bolt or Stud ○ Threaded hole ⊗ Combination Stud ⊗ Air inlet

RML 74512 C



Cross Section View

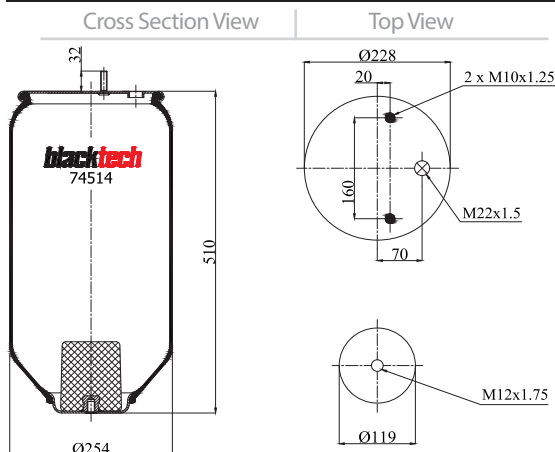
Top View



OEM PART NUMBER		CROSS REFERENCES	
BPW	041.03.007.0	GART	D278H 278.4.512
CAMPANA	05.050.0100		
CAMPANA	28100002		

● Bolt or Stud ○ Threaded hole ⊗ Combination Stud ⊗ Air inlet

RML 74514



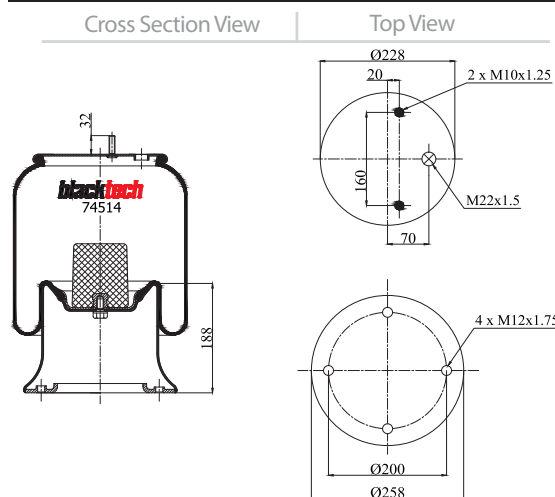
Bolt or Stud
 Threaded hole

x
 Combination Stud

x
 Air inlet

OEM PART NUMBER		CROSS REFERENCES	
VIBERTI		GART	D278H 278.4.514 (without piston)

RML 74514 C



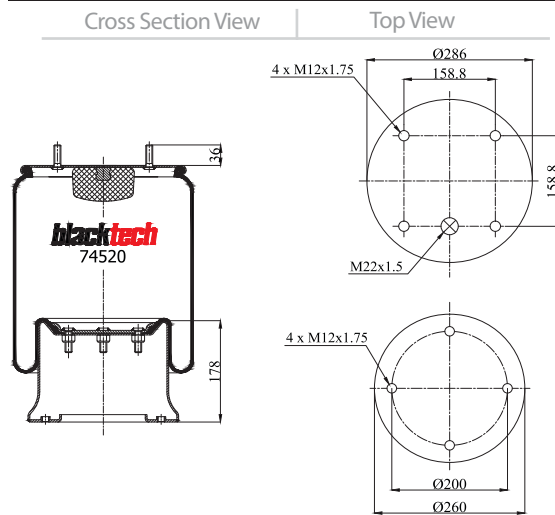
Bolt or Stud
 Threaded hole

x
 Combination Stud

x
 Air inlet

OEM PART NUMBER		CROSS REFERENCES	
VIBERTI	128147109	GART	D278/H 278.4.514

RML 74520 C



Bolt or Stud
 Threaded hole

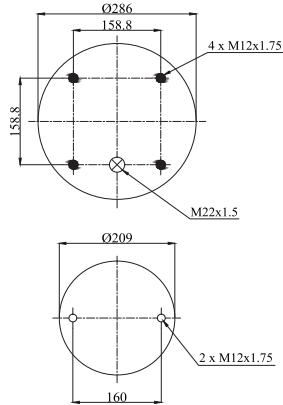
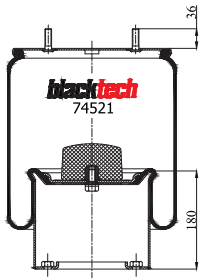
x
 Combination Stud

x
 Air inlet

OEM PART NUMBER		CROSS REFERENCES	
B.P.W	0.41.03.003.0	GART	D277/D 277.4.520
CAMPANA	05.020.0100		

RML 74521 C

Cross Section View | Top View

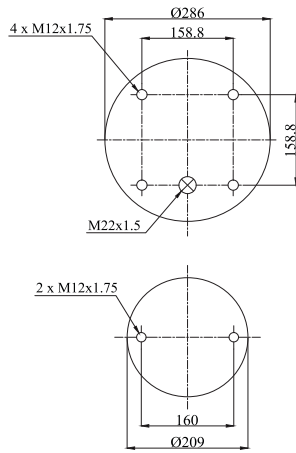
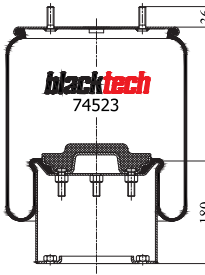


● Bolt or Stud ○ Threaded hole ⊗ Combination Stud ⊗ Air inlet

OEM PART NUMBER		CROSS REFERENCES	
B.P.W	041.03.009.0	GART	D277/D 277.4.521

RML 74523 C

Cross Section View | Top View

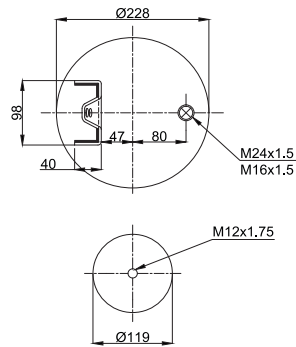
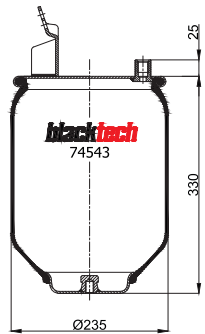


● Bolt or Stud ○ Threaded hole ⊗ Combination Stud ⊗ Air inlet

OEM PART NUMBER		CROSS REFERENCES	
B.P.W	041.03.016.0	GART	D277/D 277.4.523

RML 74543

Cross Section View | Top View



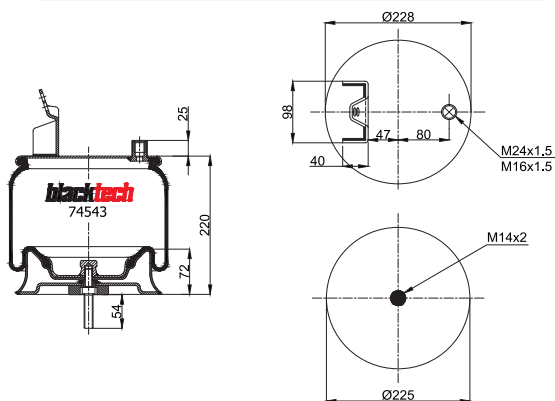
● Bolt or Stud ○ Threaded hole ⊗ Combination Stud ⊗ Air inlet

OEM PART NUMBER		CROSS REFERENCES	
		CONTITECH	4543 N

RML 74543 C

Cross Section View

Top View



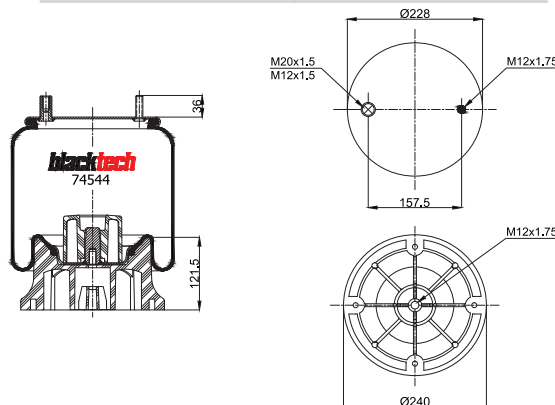
OEM PART NUMBER		CROSS REFERENCES	
VOLVO	2 042 4543	CONTITECH	4543 N (metal piston)

- Bolt or Stud
- Threaded hole
- ⊗ Combination Stud
- ⊗ Air inlet

RML 74544 CP

Cross Section View

Top View



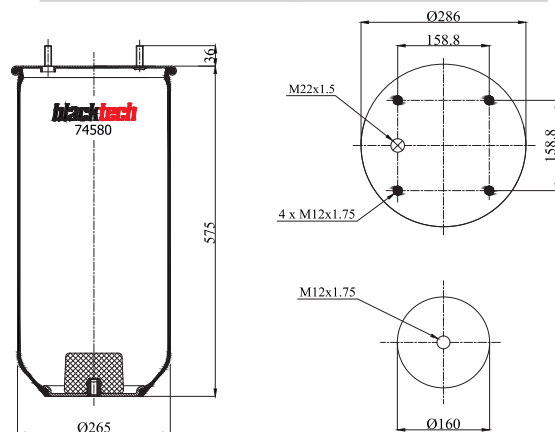
OEM PART NUMBER		CROSS REFERENCES	
FRUEHAUF	M078580	GOODYEAR	1R11-773

- Bolt or Stud
- Threaded hole
- ⊗ Combination Stud
- ⊗ Air inlet

RML 74580

Cross Section View

Top View

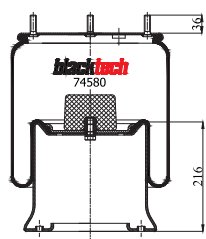


OEM PART NUMBER		CROSS REFERENCES	
		GART	D287B 287.4.580 (without piston)

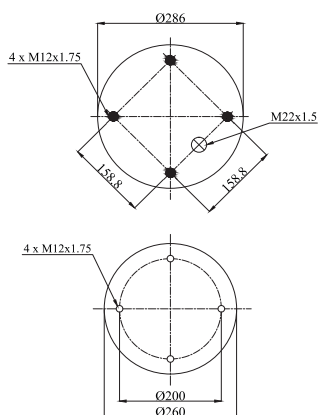
- Bolt or Stud
- Threaded hole
- ⊗ Combination Stud
- ⊗ Air inlet

RML 74580 C

Cross Section View



Top View

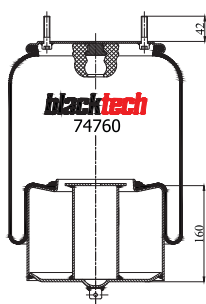


OEM PART NUMBER		CROSS REFERENCES	
FRUEHAUF	UJB 0305	GART	D287B 287.4.580
ROR MERITOR	2122 1349		
WEWELER	US 07380 F		
SAMRO	H25000361		

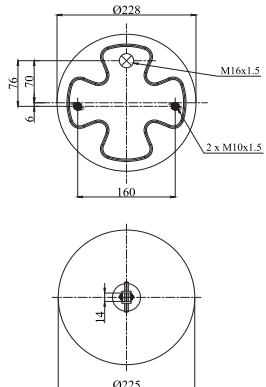
● Bolt or Stud ○ Threaded hole ⊗ Combination Stud ⊗ Air inlet

RML 74760 C

Cross Section View



Top View

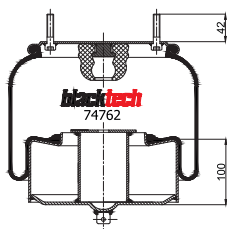


OEM PART NUMBER		CROSS REFERENCES	
VOLVO	2 055 4760	CONTITECH	6612 N P01
VOLVO	2 045 2136		
VOLVO	2 045 2142		

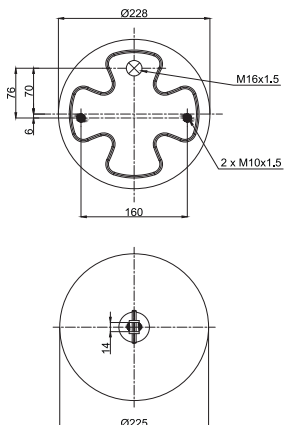
● Bolt or Stud ○ Threaded hole ⊗ Combination Stud ⊗ Air inlet

RML 74762 C

Cross Section View



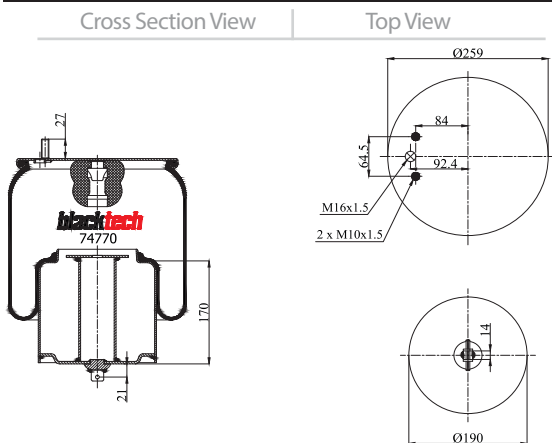
Top View



OEM PART NUMBER		CROSS REFERENCES	
VOLVO	2 055 4762	CONTITECH	6613 N P01
VOLVO	2 047 9802		
VOLVO	2 045 2144		

● Bolt or Stud ○ Threaded hole ⊗ Combination Stud ⊗ Air inlet

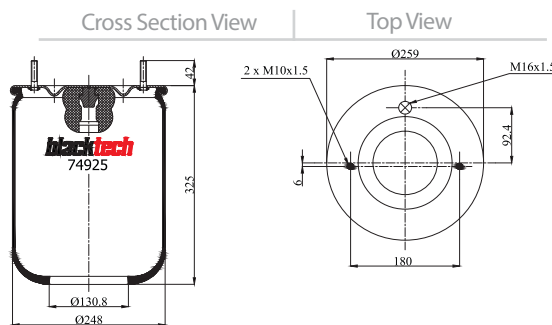
RML 74770 C



OEM PART NUMBER		CROSS REFERENCES	
VOLVO	20 554 770	CONTITECH	54770 M

● Bolt or Stud ○ Threaded hole ⊗ Combination Stud ⊗ Air inlet

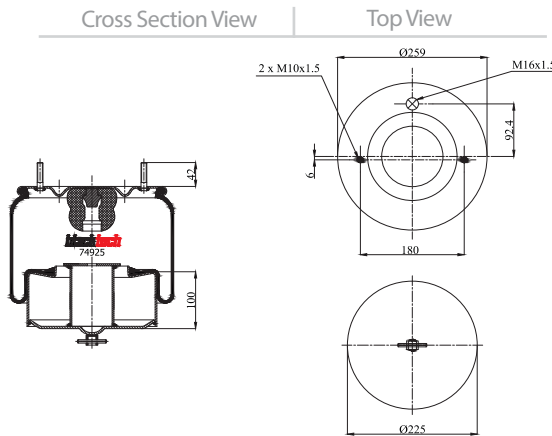
RML 74925



OEM PART NUMBER		CROSS REFERENCES	
		CONTITECH	4925 N

● Bolt or Stud ○ Threaded hole ⊗ Combination Stud ⊗ Air inlet

RML 74925 C



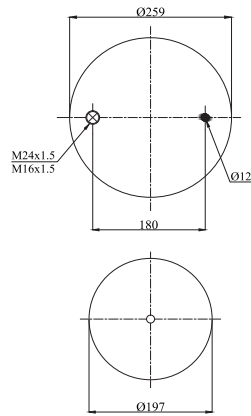
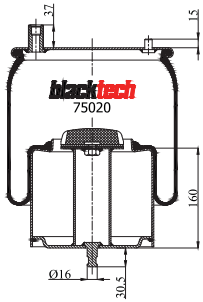
OEM PART NUMBER		CROSS REFERENCES	
VOLVO	20 554 761	CONTITECH	6609 N P01
VOLVO	1 075 365	GRANNING	15691
VOLVO	1 629 782		
VOLVO	20 452 138		

● Bolt or Stud ○ Threaded hole ⊗ Combination Stud ⊗ Air inlet

RML 75020 C

Cross Section View

Top View



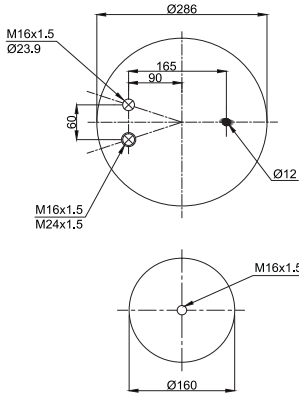
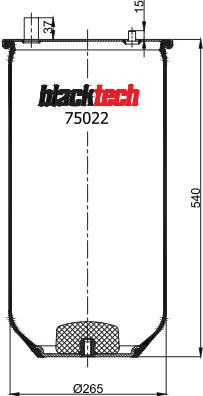
OEM PART NUMBER		CROSS REFERENCES	
RENAULT (TRUCK)	5 010 557 622	CONTITECH	4919 N P01

● Bolt or Stud ○ Threaded hole ⊗ Combination Stud ⊗ Air inlet

RML 75022

Cross Section View

Top View



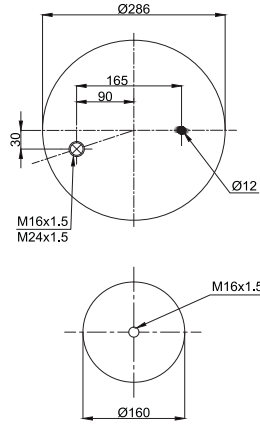
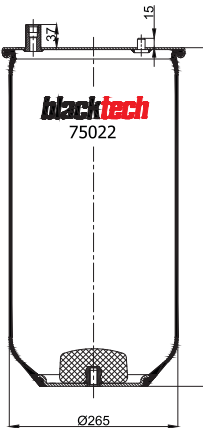
OEM PART NUMBER		CROSS REFERENCES	
RENAULT	5.011.239.971	CONTITECH	4911 N P03 (without piston)
RENAULT	5.011.294.308	GOODYEAR	1R13-715

● Bolt or Stud ○ Threaded hole ⊗ Combination Stud ⊗ Air inlet

RML 75022-4

Cross Section View

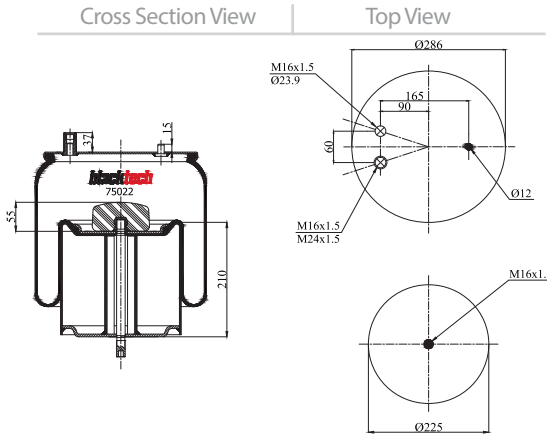
Top View



OEM PART NUMBER		CROSS REFERENCES	
		CONTITECH	4911 N P04 (without piston)

● Bolt or Stud ○ Threaded hole ⊗ Combination Stud ⊗ Air inlet

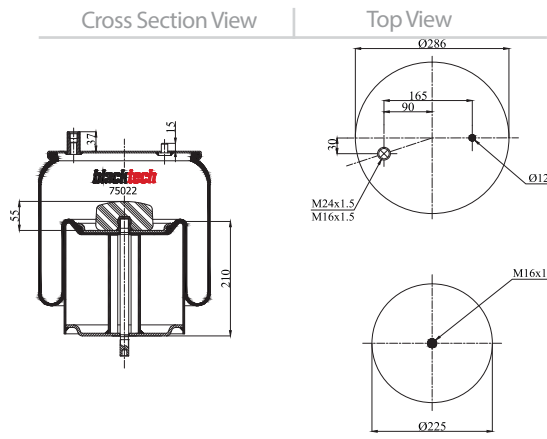
RML 75022 C3



OEM PART NUMBER		CROSS REFERENCES	
RENAULT	5.010.294.308.C	CONTITECH	4911 N P03
		GOODYEAR	1R13-739
		SPRINGRIDE	D13B46
		GRANNING	16230

● Bolt or Stud ○ Threaded hole ⊗ Combination Stud ⊗ Air inlet

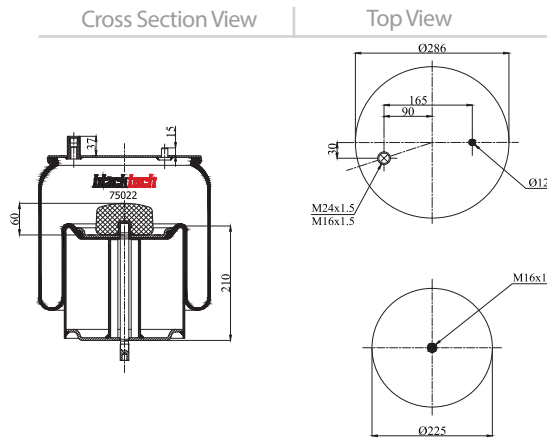
RML 75022 C4



OEM PART NUMBER		CROSS REFERENCES	
RENAULT	5.010.557.356	CONTITECH	4911 N P04

● Bolt or Stud ○ Threaded hole ⊗ Combination Stud ⊗ Air inlet

RML 75022 C6



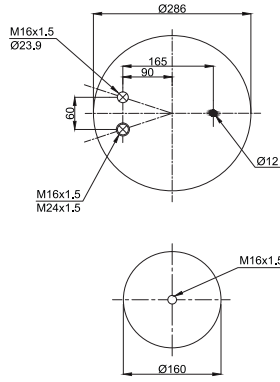
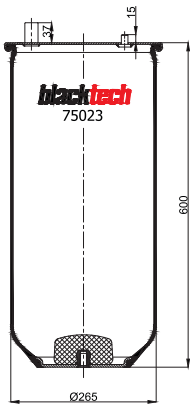
OEM PART NUMBER		CROSS REFERENCES	
RENAULT	5.010.600.439	CONTITECH	4911 N P06
VOLVO	20 726 769		

● Bolt or Stud ○ Threaded hole ⊗ Combination Stud ⊗ Air inlet

RML 75023

Cross Section View

Top View



OEM PART NUMBER		CROSS REFERENCES	
RENAULT	5.001.832.067	CONTITECH	4912 N P08
		GOODYEAR	1R13-713
		SPRINGRIDE	D13U40
		CF GOMMA	1T19E-4/206780
		GRANNING	15910

- Bolt or Stud
- Threaded hole
- +

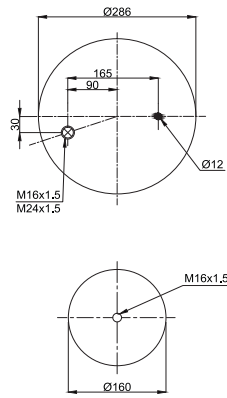
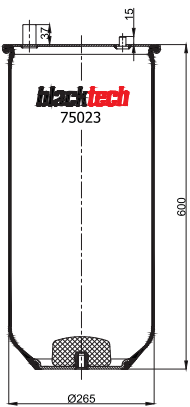
 Combination Stud
- x

 Air inlet

RML 75023-10

Cross Section View

Top View



OEM PART NUMBER		CROSS REFERENCES	
		CONTITECH	4912 N P10 (without piston)

- Bolt or Stud
- Threaded hole
- +

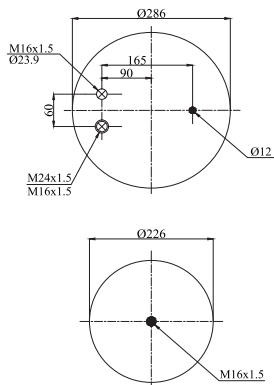
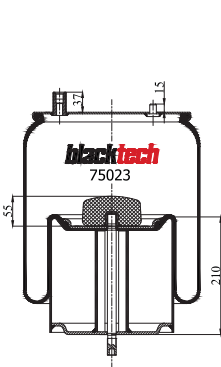
 Combination Stud
- x

 Air inlet

RML 75023 C7

Cross Section View

Top View



OEM PART NUMBER		CROSS REFERENCES	
RENAULT	5.010.294.307 C	CONTITECH	4912 N P07
		FIRESTONE STYLE	1T19F14
		FIRESTONE ORDER	W01 M58 8786
		PHOENIX	1 DK 28 F-4
		DUNLOP F (SPRINGRIDE)	D13B40
		GOODYEAR	1R13-738
		CF GOMMA	1T19 E-93
		TAURUS	KR 625-16
		GRANNING	16046

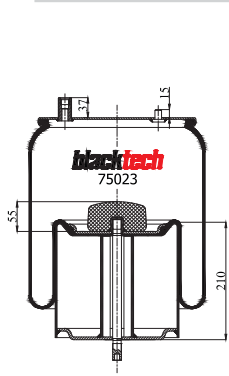
- Bolt or Stud
- Threaded hole
- +

 Combination Stud
- x

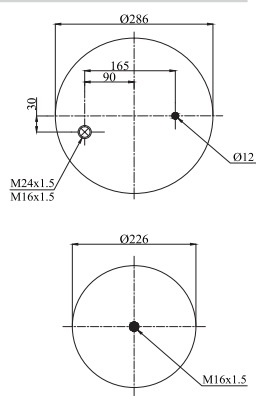
 Air inlet

RML 75023 C10

Cross Section View



Top View

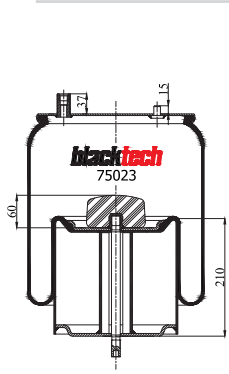


OEM PART NUMBER		CROSS REFERENCES	
RENAULT	5.010.557.355	CONTITECH	4912 N P10
VOLVO	20722 412		

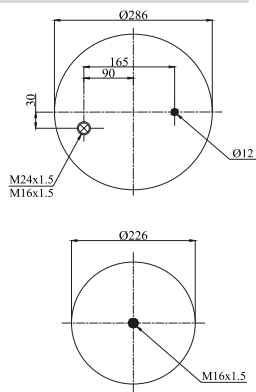
- Bolt or Stud
- Threaded hole
- ⊗ Combination Stud
- ⊗ Air inlet

RML 75023 C13

Cross Section View



Top View

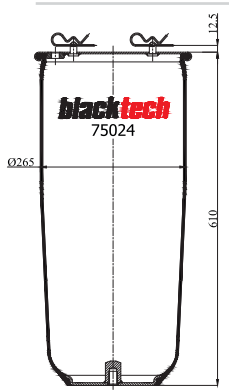


OEM PART NUMBER		CROSS REFERENCES	
RENAULT	5.010.600.328	CONTITECH	4912 N P13
VOLVO	20726 768		

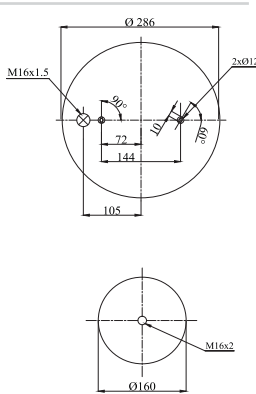
- Bolt or Stud
- Threaded hole
- ⊗ Combination Stud
- ⊗ Air inlet

RML 75024

Cross Section View



Top View

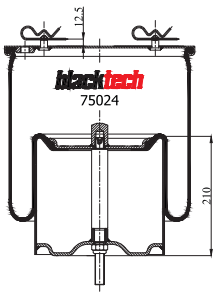


OEM PART NUMBER		CROSS REFERENCES	
SCANIA	1379393	CONTITECH	4913 N P04
		GOODYEAR	1R14-755
		PHOENIX	1 D 28 H-16 NP

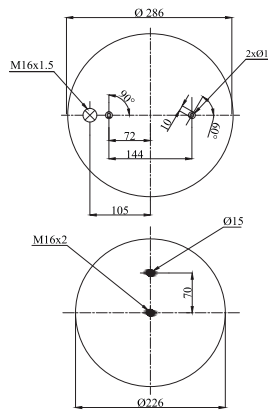
- Bolt or Stud
- Threaded hole
- ⊗ Combination Stud
- ⊗ Air inlet

RML 75024 C

Cross Section View



Top View

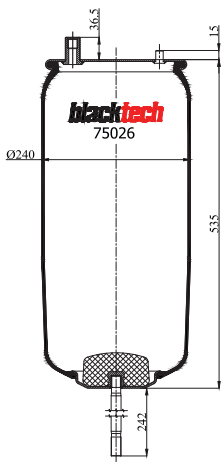


OEM PART NUMBER		CROSS REFERENCES	
SCANIA	1440294	CONTITECH	4913 N P02
SCANIA	1379392	FIRESTONE STYLE	1T19L-14
		FIRESTONE ORDER	W01 095 0500
		PHOENIX	1 D 28 H-16
		DUNLOP F (SPRINGRIDE)	D14B42
		GOODYEAR	1R14-753
		CF GOMMA	1T19E-93
		GRANNING	16105

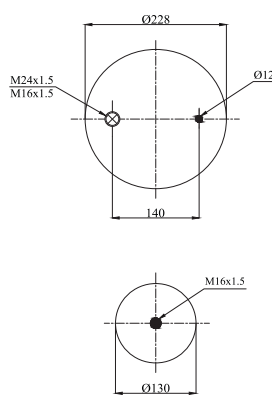
● Bolt or Stud ○ Threaded hole ⊗ Combination Stud ⊗ Air inlet

RML 75026

Cross Section View



Top View

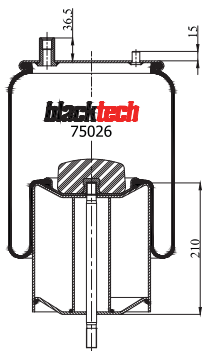


OEM PART NUMBER		CROSS REFERENCES	
RENAULT	5.001.855.856	CONTITECH	4915 N P03

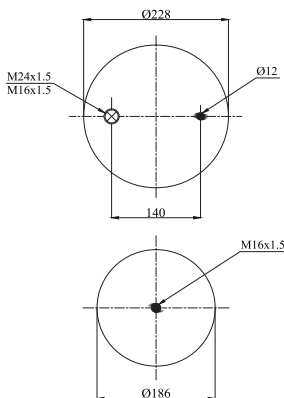
● Bolt or Stud ○ Threaded hole ⊗ Combination Stud ⊗ Air inlet

RML 75026 C6

Cross Section View



Top View

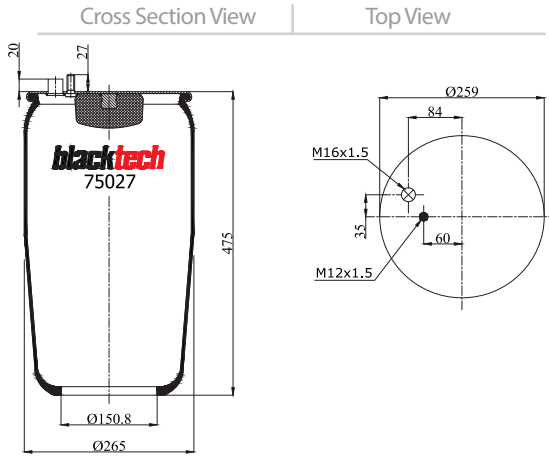


OEM PART NUMBER		CROSS REFERENCES	
RENAULT (MAGNUM)	5.010.294.309	CONTITECH	4915 N P06
SAMRO	H2501122	GRANNING	16232
		PHOENIX	1 DK 19-1
		VIBRACOUSTIC	V1DK19-1

● Bolt or Stud ○ Threaded hole ⊗ Combination Stud ⊗ Air inlet



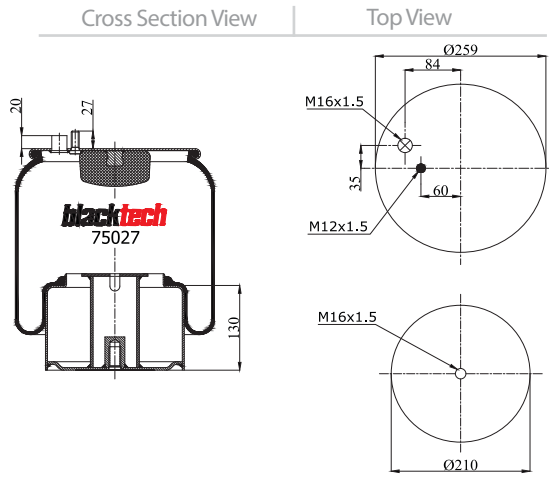
RML 75027



OEM PART NUMBER		CROSS REFERENCES	
MANTGA	81.43601.0158	CONTITECH	4916 N1 P01

● Bolt or Stud ○ Threaded hole ⊗ Combination Stud ⊗ Air inlet

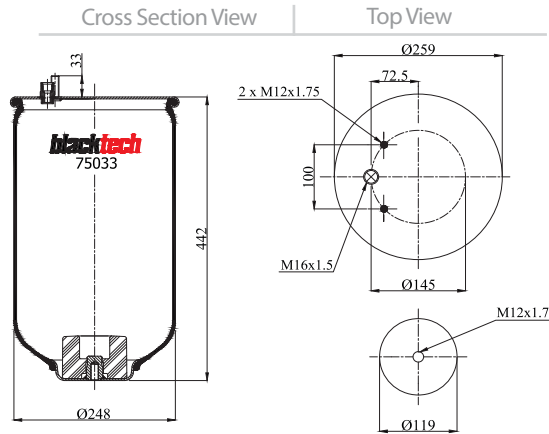
RML 75027 C7



OEM PART NUMBER		CROSS REFERENCES	
MANTGA	81.43600.6042	CONTITECH	4916 N1 P07

● Bolt or Stud ○ Threaded hole ⊗ Combination Stud ⊗ Air inlet

RML 75033



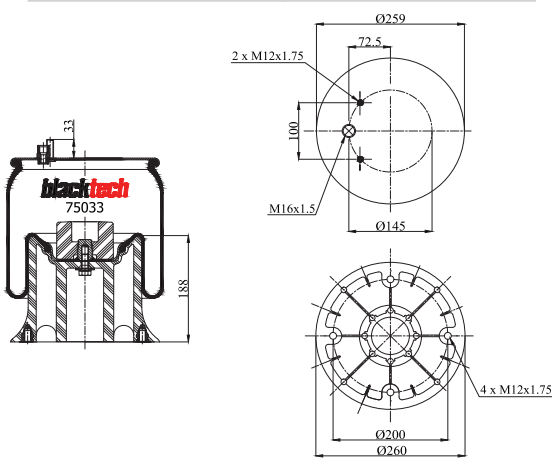
OEM PART NUMBER		CROSS REFERENCES	
RENAULT.VI			

● Bolt or Stud ○ Threaded hole ⊗ Combination Stud ⊗ Air inlet

RML 75033 CP

Cross Section View

Top View



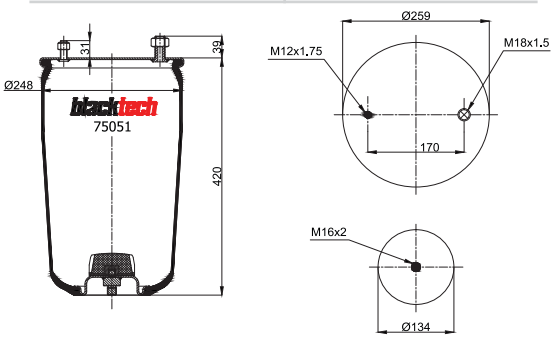
OEM PART NUMBER		CROSS REFERENCES	
RENAULT VI	5 010 600 262	CONTITECH	4922 N P01

● Bolt or Stud ○ Threaded hole ⊗ Combination Stud ⊗ Air inlet

RML 75051

Cross Section View

Top View



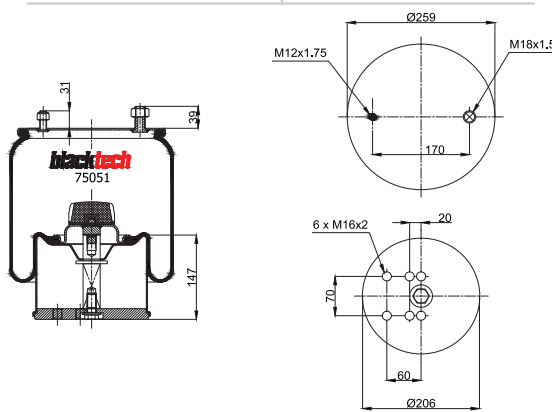
OEM PART NUMBER		CROSS REFERENCES	
BPW 30K	05.429.41.56.0	CONTITECH	4940 N P02
		GOODYEAR	1R11-799
		SPRINGRIDE	D11U42
		GRANNING	15905

● Bolt or Stud ○ Threaded hole ⊗ Combination Stud ⊗ Air inlet

RML 75051 C

Cross Section View

Top View



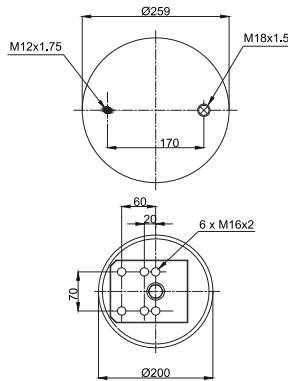
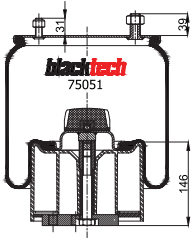
OEM PART NUMBER		CROSS REFERENCES	
BPW 30K		CONTITECH	4940 N P02 (with metal piston)

● Bolt or Stud ○ Threaded hole ⊗ Combination Stud ⊗ Air inlet

RML 75051 CP

Cross Section View

Top View



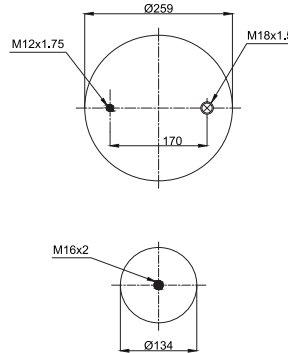
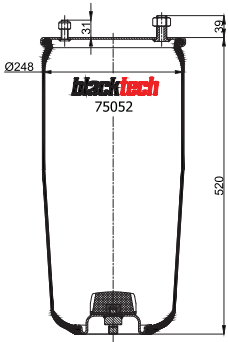
OEM PART NUMBER		CROSS REFERENCES	
BPW 30K		CONTITECH	4940 N P02 (with plas. Pis.)

● Bolt or Stud ○ Threaded hole ⊗ Combination Stud ⊗ Air inlet

RML 75052

Cross Section View

Top View



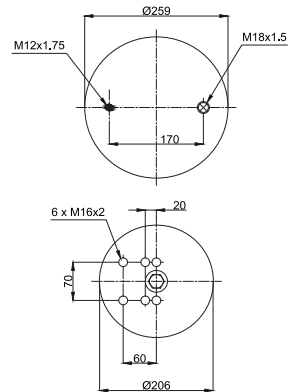
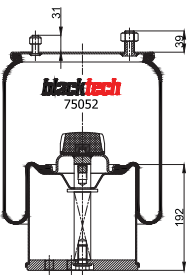
OEM PART NUMBER		CROSS REFERENCES	
BPW 30	05.429.41.25.0	CONTITECH	4941 N P02
		GOODYEAR	1R11-802
		SPRINGRIDE	D11U45
		GRANNING	16241

● Bolt or Stud ○ Threaded hole ⊗ Combination Stud ⊗ Air inlet

RML 75052 C

Cross Section View

Top View



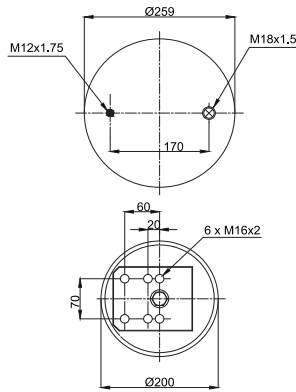
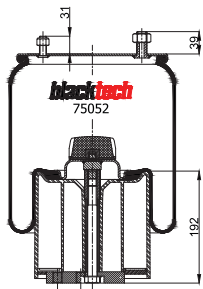
OEM PART NUMBER		CROSS REFERENCES	
BPW 30		CONTITECH	4941 N P02 (metal piston)
		DUNLOP F (SPRINGRIDE)	1R11-802
		GRANNING	D11U45

● Bolt or Stud ○ Threaded hole ⊗ Combination Stud ⊗ Air inlet

RML 75052 CP

Cross Section View

Top View



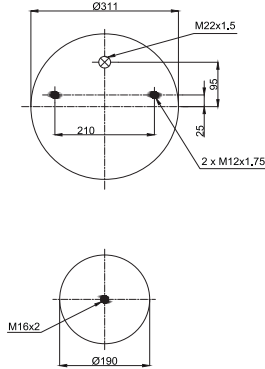
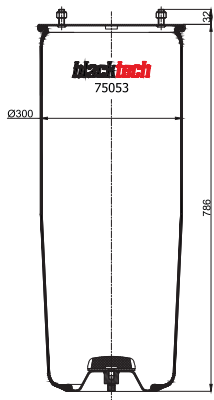
● Bolt or Stud ○ Threaded hole ⊗ Combination Stud ⊗ Air inlet

OEM PART NUMBER		CROSS REFERENCES	
BPW 30		CONTITECH	4941 N P02 (Plastic piston)

RML 75053

Cross Section View

Top View



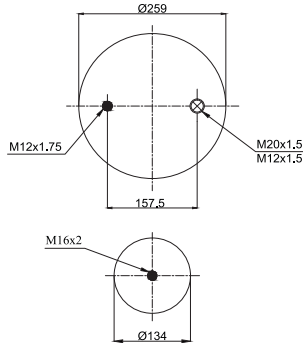
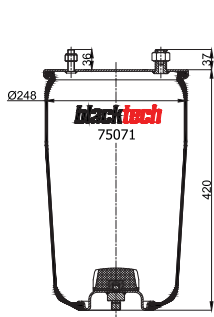
● Bolt or Stud ○ Threaded hole ⊗ Combination Stud ⊗ Air inlet

OEM PART NUMBER		CROSS REFERENCES	
BPW 36-2	05.429.41.09.0	CONTITECH	4942 N P02
		GRANNING	93401

RML 75071

Cross Section View

Top View

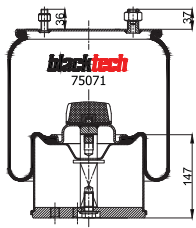


● Bolt or Stud ○ Threaded hole ⊗ Combination Stud ⊗ Air inlet

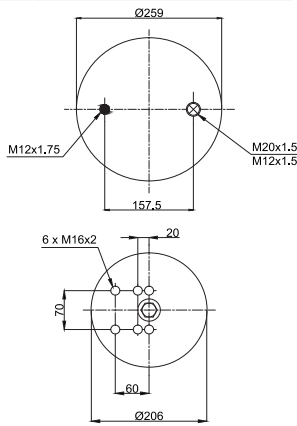
OEM PART NUMBER		CROSS REFERENCES	
BPW 30K	05.429.41.77.0	CONTITECH	4960 N P02
		PHOENIX	1 DK 21 K-3
		DUNLOP F (SPRINGRIDE)	D11U44
		GOODYEAR	1R11-801

RML 75071 C

Cross Section View



Top View

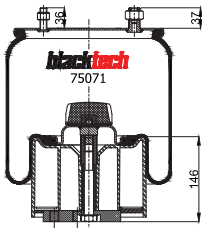


- Bolt or Stud
- Threaded hole
- Combination Stud
- Air inlet

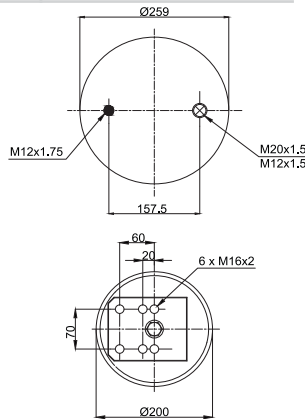
OEM PART NUMBER		CROSS REFERENCES	
BPW 30K		CONTITECH	4960 N P02 (with metal piston)

RML 75071 CP

Cross Section View



Top View

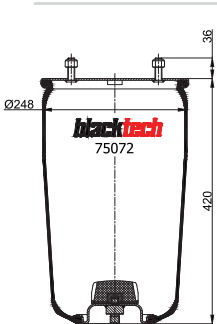


- Bolt or Stud
- Threaded hole
- Combination Stud
- Air inlet

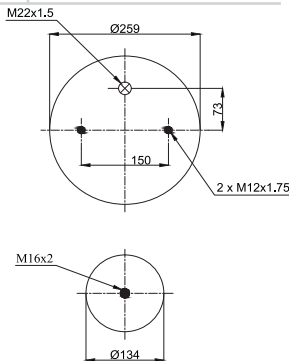
OEM PART NUMBER		CROSS REFERENCES	
BPW 30K		CONTITECH	4960 N P02 (with plastic piston)

RML 75072

Cross Section View



Top View

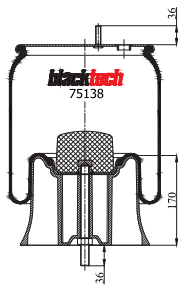


- Bolt or Stud
- Threaded hole
- Combination Stud
- Air inlet

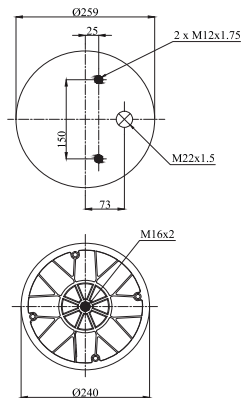
OEM PART NUMBER		CROSS REFERENCES	
BPW 30K	05.429.42.04.0	CONTITECH	4961 N P02
		DUNLOP F (SPRINGRIDE)	D11U43
		GOODYEAR	1R11-800
		GRANNING	16244

RML 75138 CP

Cross Section View



Top View

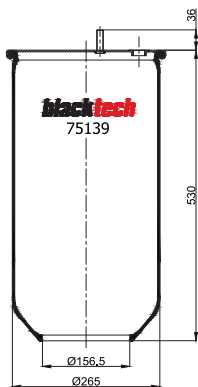


● Bolt or Stud ○ Threaded hole ⊗ Combination Stud ⊗ Air inlet

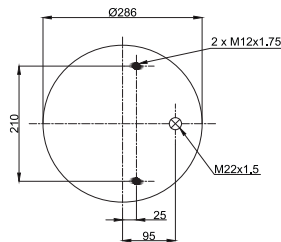
OEM PART NUMBER		CROSS REFERENCES	
		CF GOMMA	1T 300-37 / 207719

RML 75139

Cross Section View



Top View

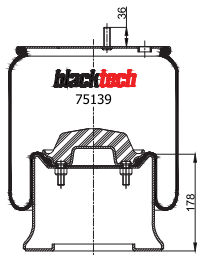


● Bolt or Stud ○ Threaded hole ⊗ Combination Stud ⊗ Air inlet

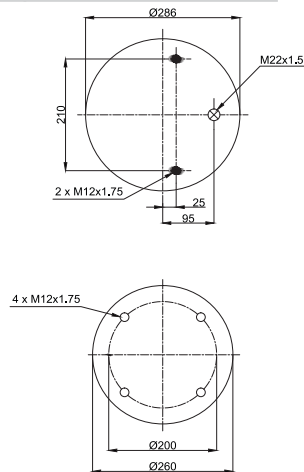
OEM PART NUMBER		CROSS REFERENCES	
		CONTITECH	4028 N

RML 75139 C2

Cross Section View



Top View



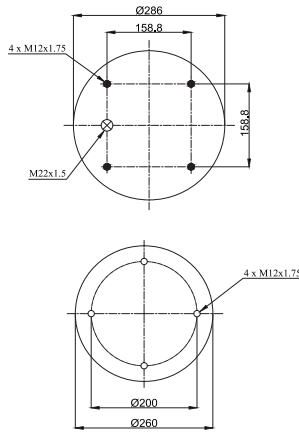
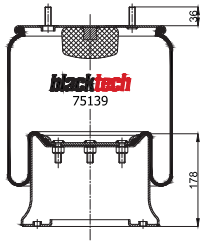
● Bolt or Stud ○ Threaded hole ⊗ Combination Stud ⊗ Air inlet

OEM PART NUMBER		CROSS REFERENCES	
SCHMITZ	015 323	CONTITECH	4028 N P02
WEWELER	US 04028	FIRESTONE STYLE	1T19 L-12
		FIRESTONE ORDER	W01 M58 8106
		PHOENIX	1D 28 F-1
		GOODYEAR	1R14-783
		GRANNING	93002

RML 75139 C5

Cross Section View

Top View



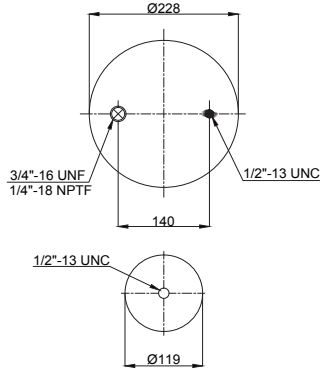
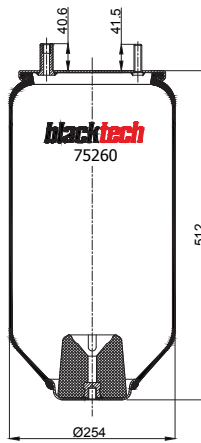
OEM PART NUMBER		CROSS REFERENCES	
ROR-ARVIN MERITOR	2122 2239	CONTITECH	4028 NP 05
		FIRESTONE STYLE	1T19 L-11
		FIRESTONE ORDER	W01 M58 7370
		PHOENIX	1D 28 B-12
		GOODYEAR	1R14-710

● Bolt or Stud ○ Threaded hole ⊗ Combination Stud ⊗ Air inlet

RML 75260-1

Cross Section View

Top View



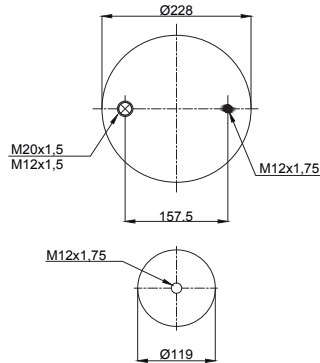
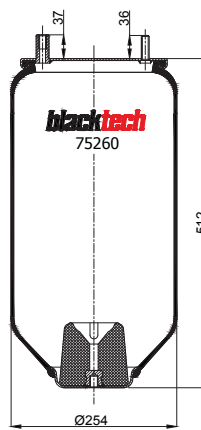
OEM PART NUMBER		CROSS REFERENCES	
HENDRICKSON			

● Bolt or Stud ○ Threaded hole ⊗ Combination Stud ⊗ Air inlet

RML 75260-5

Cross Section View

Top View

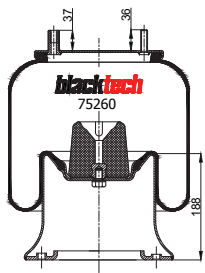


OEM PART NUMBER		CROSS REFERENCES	
FRUEHAUF		CONTITECH	4159 N P05
		FIRESTONE STYLE	1T15M-9
		FIRESTONE ORDER	W01 M58 0736
		PHOENIX	1 DK21 B-5 NP
		DUNLOP F (SPRINGRIDE)	D12U04
		GOODYEAR	1R12-761
		CF GOMMA	1T 323 - 40

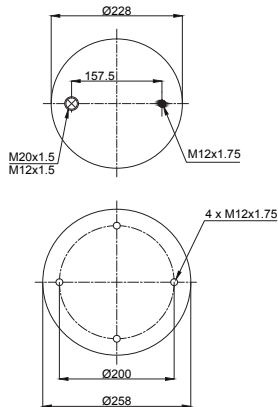
● Bolt or Stud ○ Threaded hole ⊗ Combination Stud ⊗ Air inlet

RML 75260 C3

Cross Section View



Top View



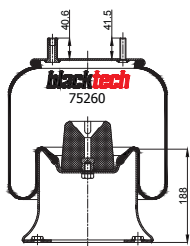
OEM PART NUMBER	
SAMRO	H2500425

CROSS REFERENCES	
CONTITECH	4159 N P03
PHOENIX	1 DK 23 L-27
DUNLOP F (SPRINGRIDE)	D12B02
DUNLOP UK	PNP 311370000
GOODYEAR	1R12-701
CF GOMMA	1T 323 - 40
TAURUS	KR 509-25
GRANNING	16026

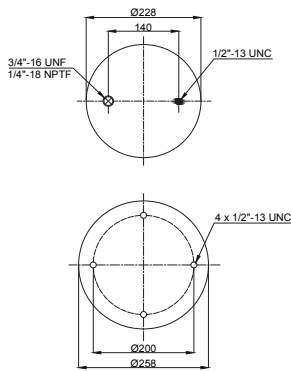
- Bolt or Stud
- Threaded hole
- Combination Stud
- Air inlet

RML 75260 C4

Cross Section View



Top View



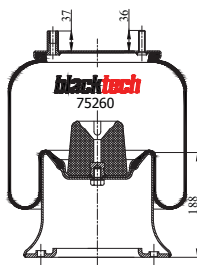
OEM PART NUMBER	
NEWAY	905 570 09

CROSS REFERENCES	
CONTITECH	4159 N P04
FIRESTONE STYLE	1T15M-9
FIRESTONE ORDER	W01 358 9101
GOODYEAR	1R12-717
DUNLOP F (SPRINGRIDE)	D12B34
DUNLOP UK	PNP 307520000
TAURUS	KR 509-9101

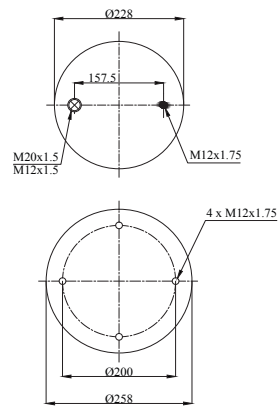
- Bolt or Stud
- Threaded hole
- Combination Stud
- Air inlet

RML 75260 C6

Cross Section View



Top View



OEM PART NUMBER	
SAMRO	2500425

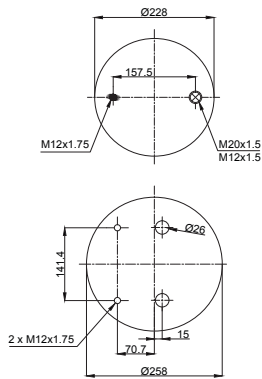
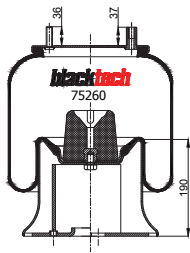
CROSS REFERENCES	
CONTITECH	4159 N P06
PHOENIX	1 DK 21 B2
GRANNING	16026

- Bolt or Stud
- Threaded hole
- Combination Stud
- Air inlet

RML 75260 C7

Cross Section View

Top View



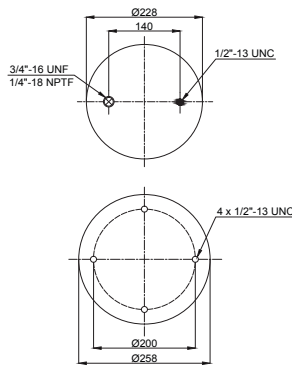
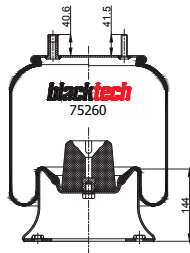
OEM PART NUMBER		CROSS REFERENCES	
FRUEHAUF	UJB 0203-001 / M001782	CONTITECH	4159 N P07
SMB	1518779	FIRESTONE STYLE	1T15M-9
SMB	1520356	FIRESTONE ORDER	W01 M58 8859
SMB	1524873		W01 379 9091
		PHOENIX	1 DK 23 L-25
		DUNLOP F (SPRINGRIDE)	D12B01
		DUNLOP UK	PNP 311370000
		GOODYEAR	1R12-702
		CF GOMMA	1T 323 - 40 / 202302
		TAURUS	KR 509-9091
		VIBRACOUSTIC	V 1D 21 B-9
		GRANNING	15617

● Bolt or Stud ○ Threaded hole ⊗ Combination Stud ⊗ Air inlet

RML 75260 C8

Cross Section View

Top View



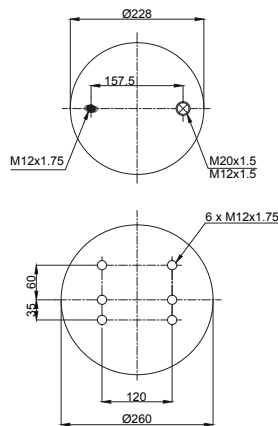
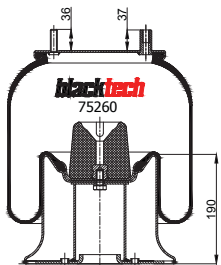
OEM PART NUMBER		CROSS REFERENCES	
HENDRICKSON		CONTITECH	4159 N P08
		FIRESTONE STYLE	1T15M-9
		FIRESTONE ORDER	W01 358 9191
		GOODYEAR	1R12-281

● Bolt or Stud ○ Threaded hole ⊗ Combination Stud ⊗ Air inlet

RML 75260 C10

Cross Section View

Top View

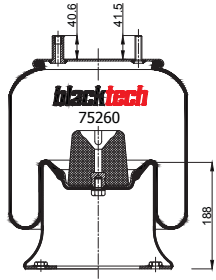


OEM PART NUMBER		CROSS REFERENCES	
FRUEHAUF			

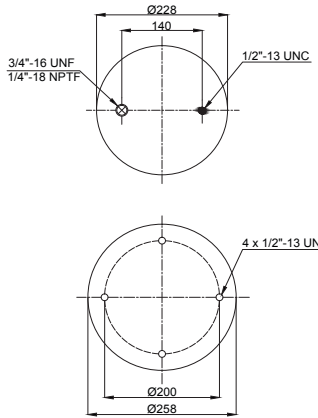
● Bolt or Stud ○ Threaded hole ⊗ Combination Stud ⊗ Air inlet

RML 75260 C16

Cross Section View



Top View

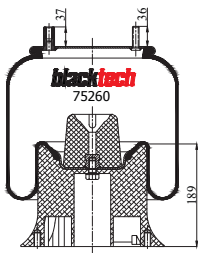


● Bolt or Stud ○ Threaded hole ⊗ Combination Stud ⊗ Air inlet

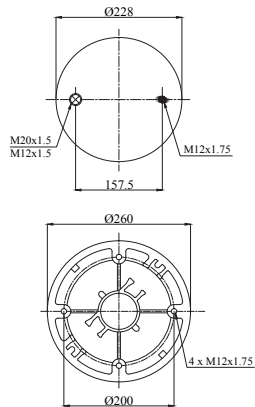
OEM PART NUMBER		CROSS REFERENCES	
FRUEHAUF			

RML 75260 CA18

Cross Section View



Top View

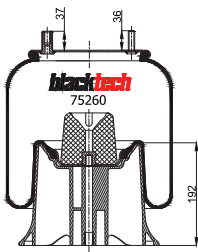


● Bolt or Stud ○ Threaded hole ⊗ Combination Stud ⊗ Air inlet

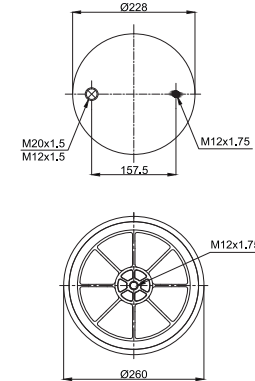
OEM PART NUMBER		CROSS REFERENCES	
SAMRO	2500425	FIRESTONE STYLE	1T15M-9
		FIRESTONE ORDER	W01 M58 7548

RML 75260 CP9

Cross Section View



Top View



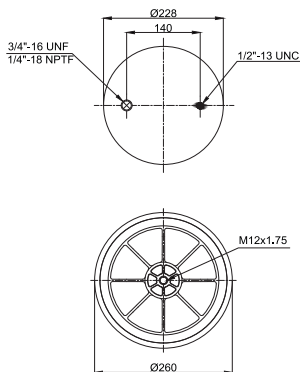
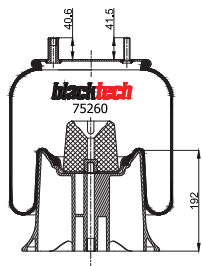
● Bolt or Stud ○ Threaded hole ⊗ Combination Stud ⊗ Air inlet

OEM PART NUMBER		CROSS REFERENCES	
FRUEHAUF	UJB 0358-001 / M001774	CONTITECH	4159 N P09
CARDI	58051210	FIRESTONE STYLE	1T15M-9
SAMRO	H2500324	FIRESTONE ORDER	W01 379 9131
SMB	1525199	PHOENIX	1 DK 23 L-9131
SMB	M001774	DUNLOP F (SPRINGRIDE)	D12B04
		GOODYEAR	1R12-721
		CF GOMMA	1 T323-40 / 200751
		TAURUS	KR 509-9131
		VIBRACOUSTIC	V 1DK 23 L-9131
		GRANNING	15671

RML 75260 CP11

Cross Section View

Top View



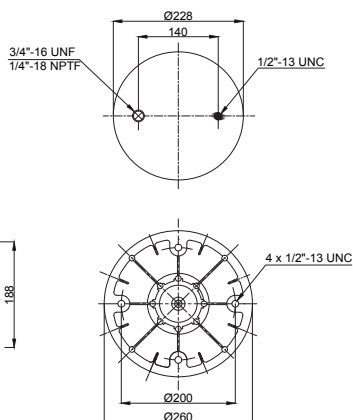
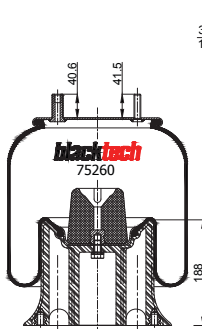
OEM PART NUMBER		CROSS REFERENCES	
HENDRICKSON	B 3842	CONTITECH	4159 N P11

● Bolt or Stud ○ Threaded hole ⊗ Combination Stud ⊗ Air inlet

RML 75260 CP12

Cross Section View

Top View



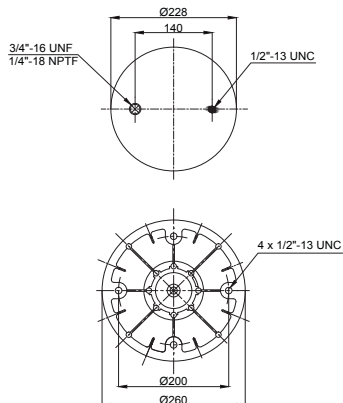
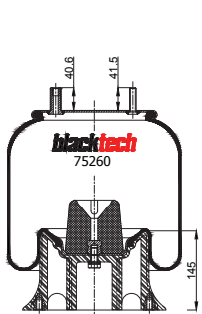
OEM PART NUMBER		CROSS REFERENCES	
TRANSPART	531 233	CONTITECH	4159 N P12
		PHOENIX	1 DK 23 L-9101

● Bolt or Stud ○ Threaded hole ⊗ Combination Stud ⊗ Air inlet

RML 75260 CP13

Cross Section View

Top View



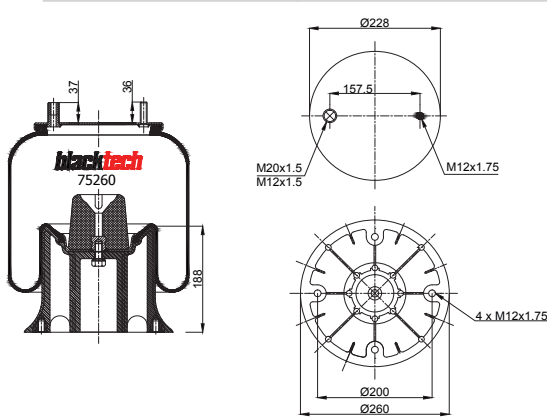
OEM PART NUMBER		CROSS REFERENCES	
HENDRICKSON	NA 1817	CONTITECH	4159 N P13
		PHOENIX	1 DK 23 L-9102

● Bolt or Stud ○ Threaded hole ⊗ Combination Stud ⊗ Air inlet

RML 75260 CP14

Cross Section View

Top View



OEM PART NUMBER	
FRUEHAUF	UJA 0894-001
ROR MERITOR	2121 5891

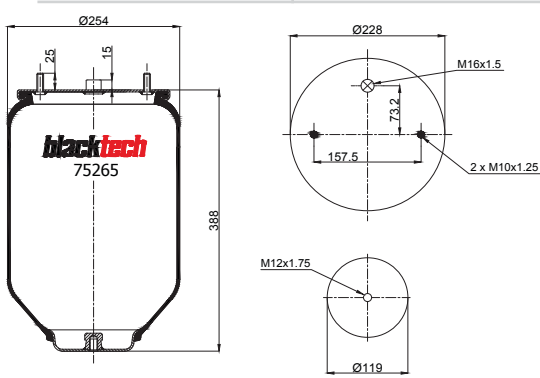
CROSS REFERENCES	
CONTITECH	4159 N P14
PHOENIX	1 DK21 B4
GOODYEAR	1R12-760

● Bolt or Stud ○ Threaded hole ⊗ Combination Stud ⊗ Air inlet

RML 75265

Cross Section View

Top View



OEM PART NUMBER	
RENAULT	

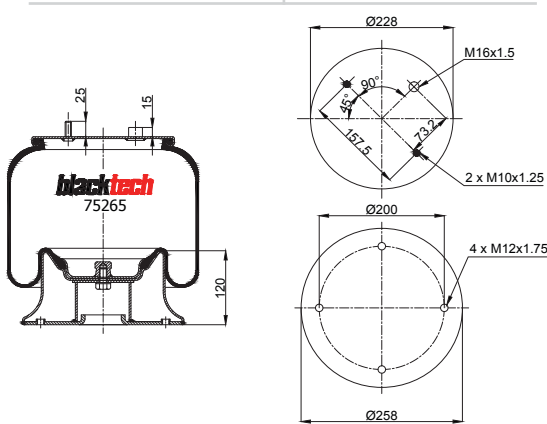
CROSS REFERENCES	
CONTITECH	4154 N P05-06

● Bolt or Stud ○ Threaded hole ⊗ Combination Stud ⊗ Air inlet

RML 75265 C5

Cross Section View

Top View



OEM PART NUMBER	
RENAULT	5.010.239.252
RENAULT	5.010.488.071

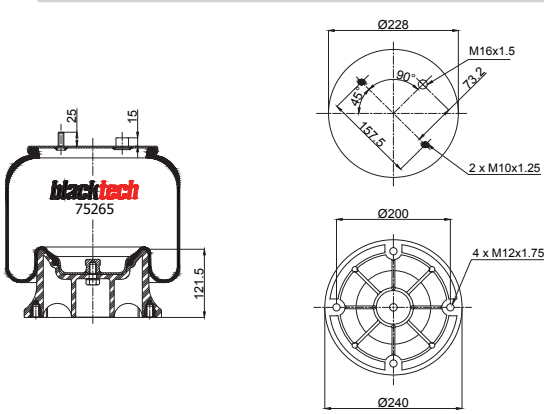
CROSS REFERENCES	
CONTITECH	4154 N P05

● Bolt or Stud ○ Threaded hole ⊗ Combination Stud ⊗ Air inlet

RML 75265 CP6

Cross Section View

Top View



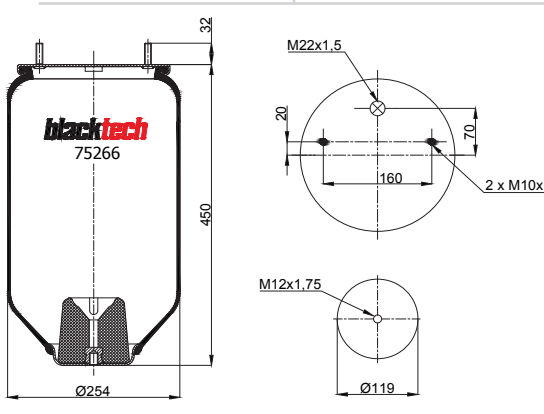
OEM PART NUMBER		CROSS REFERENCES	
RENAULT	5.010.600.570	CONTITECH	4154 N P06
VOLVO	20758 818	PHOENIX	1 D 23 F-1
		GRANNING	15609

● Bolt or Stud ○ Threaded hole ⊗ Combination Stud ⊗ Air inlet

RML 75266

Cross Section View

Top View



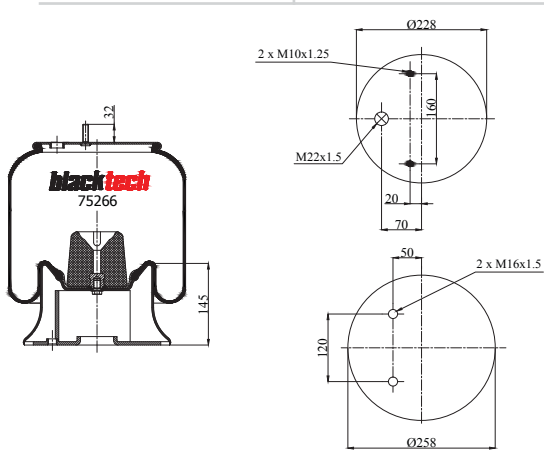
OEM PART NUMBER		CROSS REFERENCES	

● Bolt or Stud ○ Threaded hole ⊗ Combination Stud ⊗ Air inlet

RML 75266 C

Cross Section View

Top View



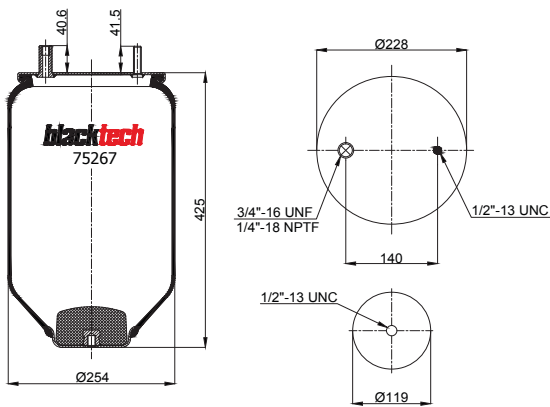
OEM PART NUMBER		CROSS REFERENCES	
CARDI	58051400	CF GOMMA	1T 323 - 33 / 96873
ZORZI	1006550		
BERTOJA	45402004		
BELLE TRAILERS	BT0319		
PEZZAIOLI	1006550		
STEFEN	M04010670		
TRANSPORT	520 728		

● Bolt or Stud ○ Threaded hole ⊗ Combination Stud ⊗ Air inlet

RML 75267-1

Cross Section View

Top View



OEM PART NUMBER		CROSS REFERENCES	
HENDRICKSON		CONTITECH	4156 N P01
ROR MERITOR		FIRESTONE STYLE	1T15M-6
		FIRESTONE ORDER	W01 352.0712
		PHOENIX	1 DK 21 A-2
		GOODYEAR	1R12-093
		TAURUS	KR 506-21
		CF GOMMA	1T 323 - 33

Bolt or Stud
 Threaded hole

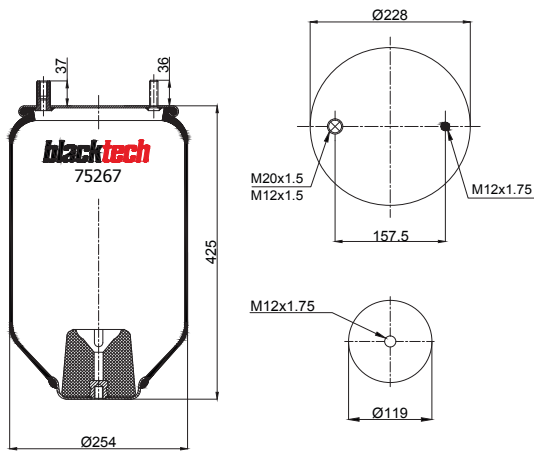
✕
 Combination Stud

✕
 Air inlet

RML 75267-5

Cross Section View

Top View



OEM PART NUMBER		CROSS REFERENCES	
FRUEHAUF		CONTITECH	4156 N P05
ROR MERITOR		FIRESTONE	1T15M-6
WEWELER		PHOENIX	1 DK 21 A 2
		CF GOMMA	1T 323 - 33

Bolt or Stud
 Threaded hole

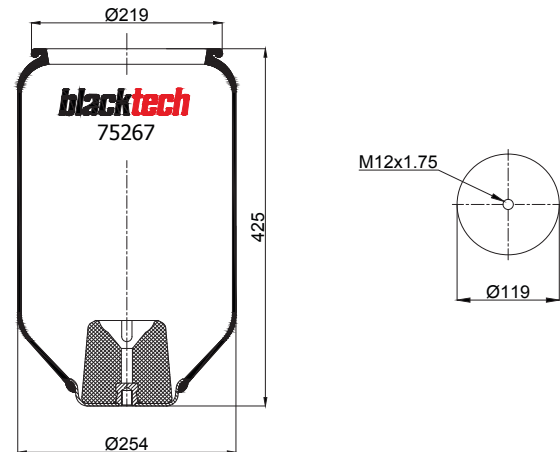
✕
 Combination Stud

✕
 Air inlet

RML 75267-12

Cross Section View

Top View



OEM PART NUMBER		CROSS REFERENCES	
MAN		CONTITECH	4156 N

Bolt or Stud
 Threaded hole

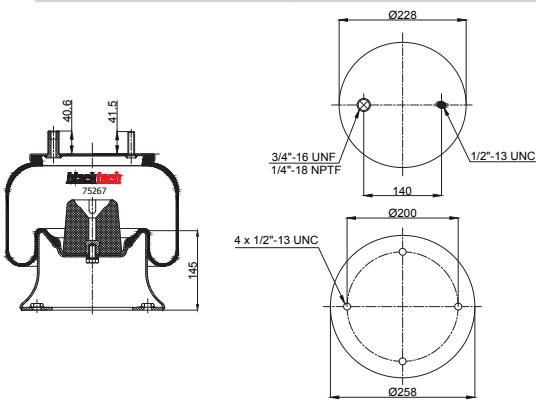
✕
 Combination Stud

✕
 Air inlet

RML 75267 C4

Cross Section View

Top View



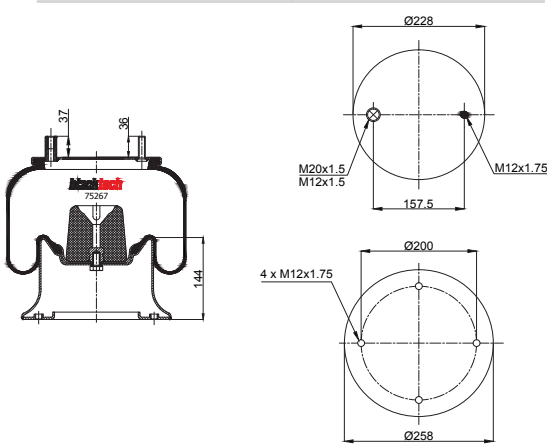
OEM PART NUMBER		CROSS REFERENCES	
HENDRICKSON	B2066	CONTITECH	4156 N P04
		FIRESTONE STYLE	1T15M-6
		FIRESTONE ORDER	W01 358 9082
		PHOENIX	1R12-134/-092
		TAURUS	K 506-22 SU
		CF GOMMA	1 T 323-33

● Bolt or Stud ○ Threaded hole ⊗ Combination Stud ⊗ Air inlet

RML 75267 C6

Cross Section View

Top View



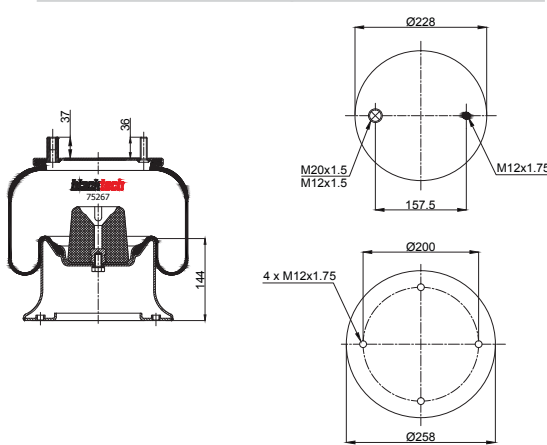
OEM PART NUMBER		CROSS REFERENCES	
HENDRICKSON	HA 100001	CONTITECH	4156 N P06 (metal piston)
NEWAY	905.57.075	FIRESTONE STYLE	1T15M-6
ROR-ARVIN MERITOR	21215761	FIRESTONE ORDER	W01 358 9361
ROR-ARVIN MERITOR	21215762	PHOENIX	1 DK 23 K28
ROR-ARVIN MERITOR	21226046	DUNLOP F (SPRINGRIDE)	D12B19
WEWELER	US 35864 F	DUNLOP UK	PNP 309580100
		GOODYEAR	1 R 12-719
		CF GOMMA	1 T 323-33 / 97306
		TAURUS	KR 506-28
		VIBRACOUSTIC	V 1DK 23 K-28
		GRANNING	15633

● Bolt or Stud ○ Threaded hole ⊗ Combination Stud ⊗ Air inlet

RML 75267 C7

Cross Section View

Top View



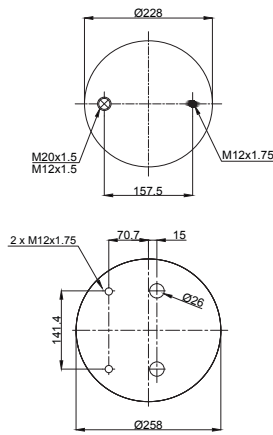
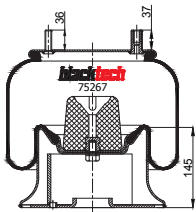
OEM PART NUMBER		CROSS REFERENCES	
FRUEHAUF		CONTITECH	4156 N P07
ROR MERITOR			

● Bolt or Stud ○ Threaded hole ⊗ Combination Stud ⊗ Air inlet

RML 75267 C9

Cross Section View

Top View



● Bolt or Stud ○ Threaded hole ⊗ Combination Stud ⊗ Air inlet

OEM PART NUMBER

FRUEHAUF	UJB 0207-001
FRUEHAUF	UJA 0930
SMB	M001472

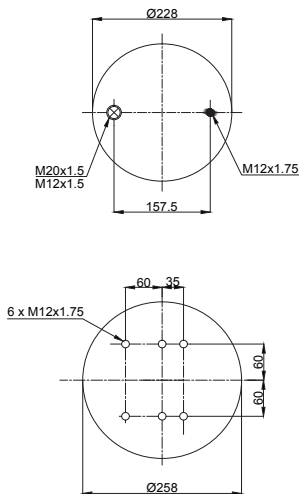
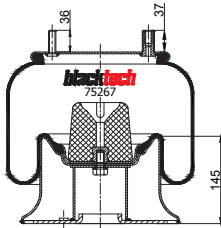
CROSS REFERENCES

CONTITECH	4156 N P09
FIRESTONE STYLE	1T15M-6
FIRESTONE ORDER	W01 M58 9089
PHOENIX	1 DK 23 K29
GOODYEAR	1R12-706
TAURUS	KR 506-28
VIBRACOUSTIC	V 1D 23 K29
GRANNING	15615

RML 75267 C11

Cross Section View

Top View



● Bolt or Stud ○ Threaded hole ⊗ Combination Stud ⊗ Air inlet

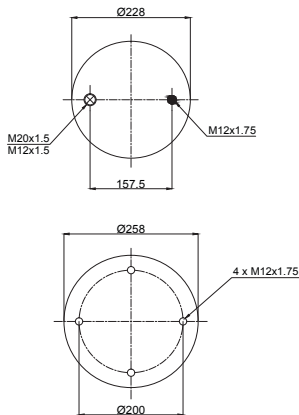
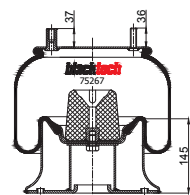
OEM PART NUMBER

CROSS REFERENCES

RML 75267 C15

Cross Section View

Top View



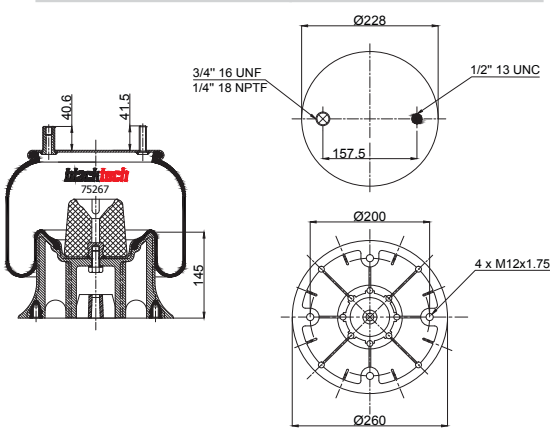
● Bolt or Stud ○ Threaded hole ⊗ Combination Stud ⊗ Air inlet

OEM PART NUMBER

CROSS REFERENCES

RML 75267 CP10

Cross Section View Top View

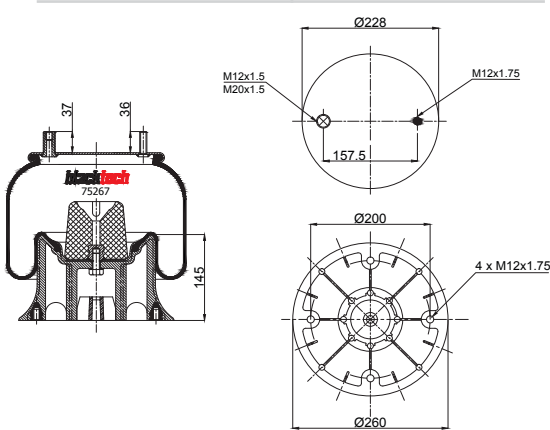


OEM PART NUMBER		CROSS REFERENCES	
HENDRICKSON	HA100016	CONTITECH	4156 N P10
		GRANNING	16081

● Bolt or Stud ○ Threaded hole ⊗ Combination Stud ⊗ Air inlet

RML 75267 CP13

Cross Section View Top View

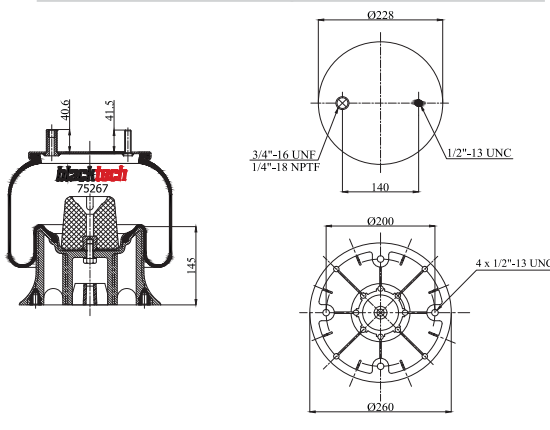


OEM PART NUMBER		CROSS REFERENCES	
HENDRICKSON		CONTITECH	4156 N P10 (Metric)

● Bolt or Stud ○ Threaded hole ⊗ Combination Stud ⊗ Air inlet

RML 75267 CP14

Cross Section View Top View



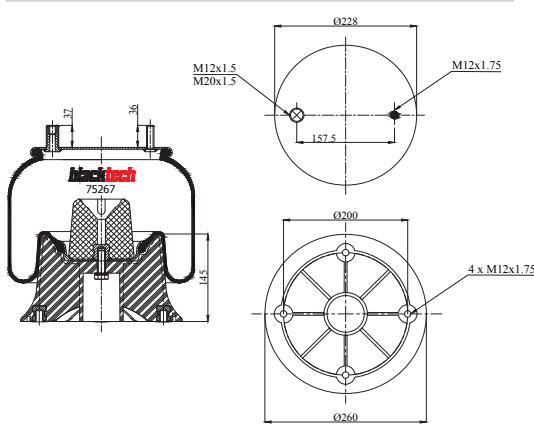
OEM PART NUMBER		CROSS REFERENCES	
NEWAY	905 570 27 / 905 570 75	CONTITECH	4156 N P14
HENDRICKSON	B 2066	PHOENIX	1 DK 23 K-9082
TRANSPART	520 728	GRANNING	1359 / 1528
ROR-ARVIN MERITOR	2120 8939		
WEWELER	US 09361F		
WEWELER	US 97306		

● Bolt or Stud ○ Threaded hole ⊗ Combination Stud ⊗ Air inlet

RML 75267 CP15

Cross Section View

Top View



OEM PART NUMBER	
FRUEHAUF	M001472
HENDRICKSON	HA 100001
ROR-ARVIN MERITOR	21215761
WEWELER	US35864
SMB	UJB0207

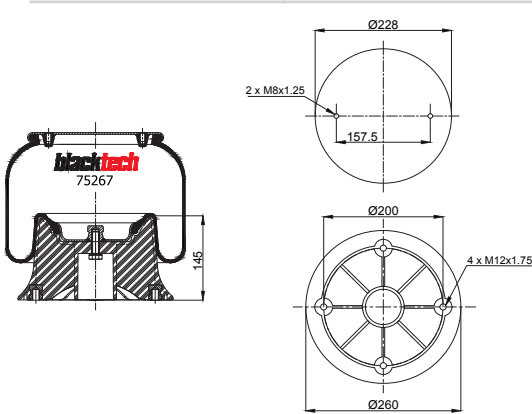
CROSS REFERENCES	
CONTITECH	4156 N P15
FIRESTONE STYLE	1T 15 M-6
FIRESTONE ORDER	W01 M58 9361
PHOENIX	1 DK 23 K 9361
DUNLOP F (SPRINGRIDE)	D12B16
GOODYEAR	1R12-130
CF GOMMA	1T 323-32
TAURUS	KR 50-28
VIBRACOUSTIC	V 1DK 23 K 9361

● Bolt or Stud ○ Threaded hole ⊗ Combination Stud ⊗ Air inlet

RML 75267 CP16

Cross Section View

Top View



OEM PART NUMBER	
ROR MERITOR	

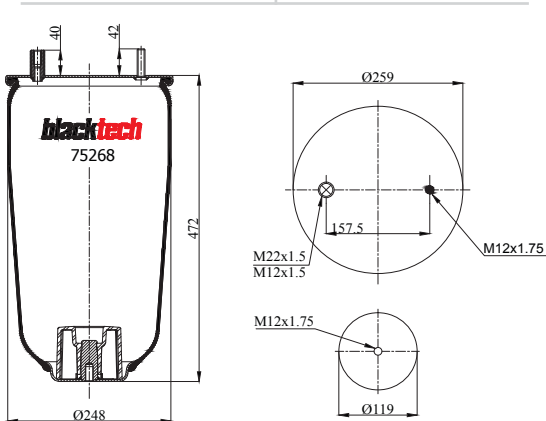
CROSS REFERENCES	
CONTITECH	4156 N P16

● Bolt or Stud ○ Threaded hole ⊗ Combination Stud ⊗ Air inlet

RML 75268

Cross Section View

Top View



OEM PART NUMBER	
WEWELER	

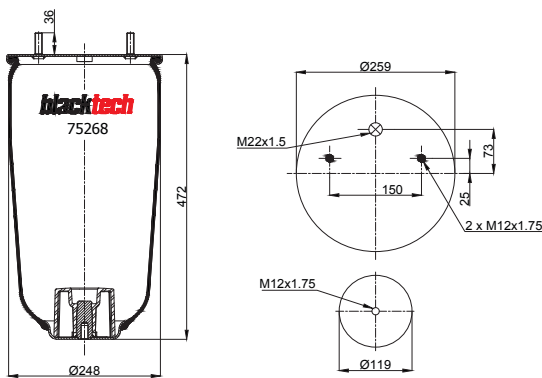
CROSS REFERENCES	
CONTITECH	4157 N P05 (without piston)

● Bolt or Stud ○ Threaded hole ⊗ Combination Stud ⊗ Air inlet

RML 75268-4

Cross Section View

Top View



OEM PART NUMBER

WEWELER
ROR MERITOR
DISCOS

CROSS REFERENCES

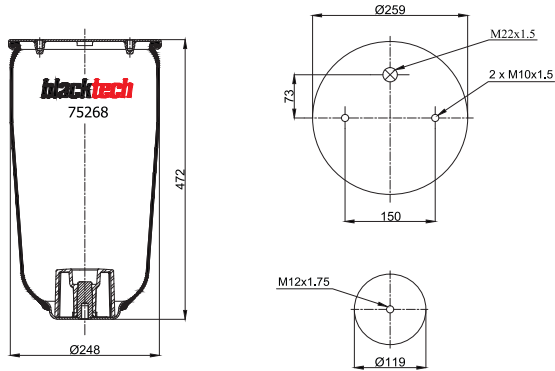
CONTITECH 4157 N P04 (without piston)

● Bolt or Stud ○ Threaded hole ⊗ Combination Stud ⊗ Air inlet

RML 75268-6

Cross Section View

Top View



OEM PART NUMBER

CROSS REFERENCES

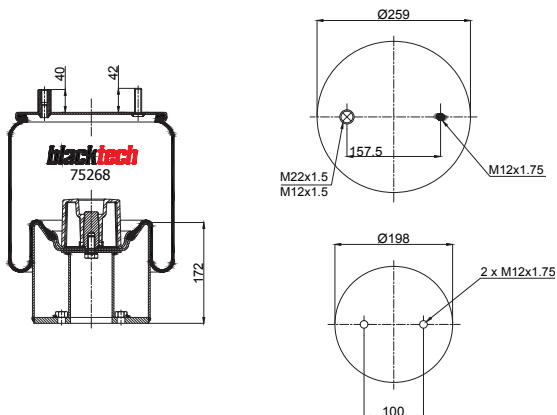
CONTITECH 4157 N P06 (without piston)

● Bolt or Stud ○ Threaded hole ⊗ Combination Stud ⊗ Air inlet

RML 75268 C3

Cross Section View

Top View



OEM PART NUMBER

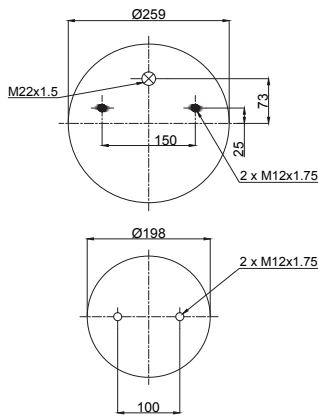
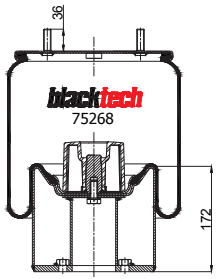
CROSS REFERENCES

● Bolt or Stud ○ Threaded hole ⊗ Combination Stud ⊗ Air inlet

RML 75268 C4

Cross Section View

Top View



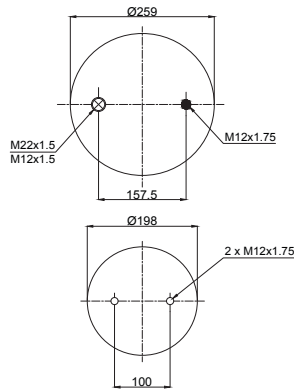
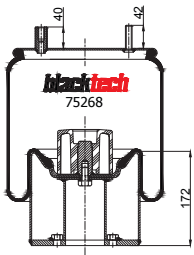
OEM PART NUMBER		CROSS REFERENCES	

● Bolt or Stud ○ Threaded hole ⊗ Combination Stud ⊗ Air inlet

RML 75268 C5

Cross Section View

Top View



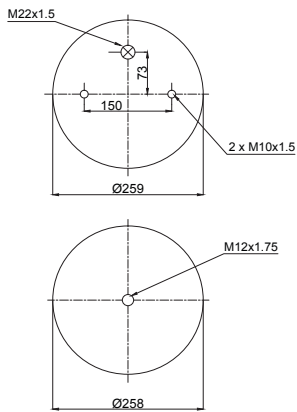
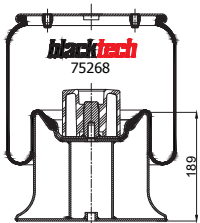
OEM PART NUMBER		CROSS REFERENCES	

● Bolt or Stud ○ Threaded hole ⊗ Combination Stud ⊗ Air inlet

RML 75268 C6

Cross Section View

Top View



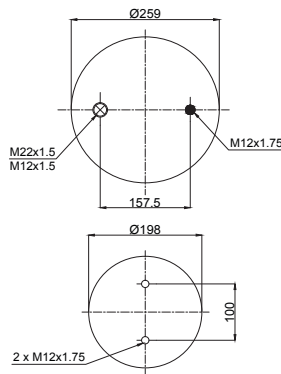
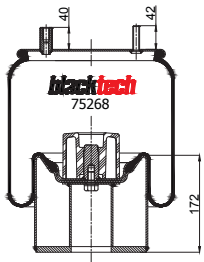
OEM PART NUMBER		CROSS REFERENCES	
		CONTITECH	4157 N P06 (metal piston)

● Bolt or Stud ○ Threaded hole ⊗ Combination Stud ⊗ Air inlet

RML 75268 C9

Cross Section View

Top View



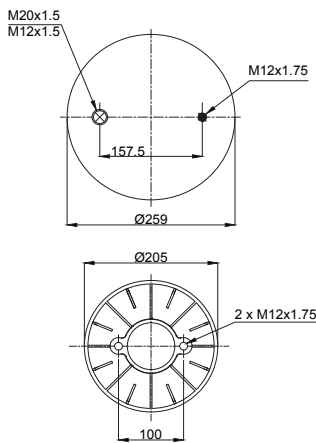
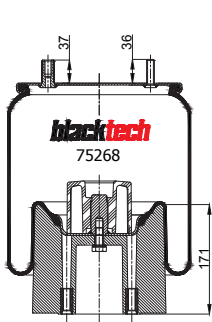
● Bolt or Stud ○ Threaded hole ⊗ Combination Stud ⊗ Air inlet

OEM PART NUMBER		CROSS REFERENCES	

RML 75268 CP3

Cross Section View

Top View



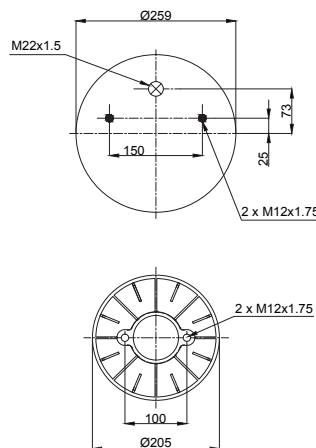
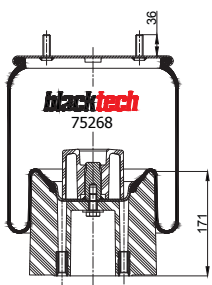
● Bolt or Stud ○ Threaded hole ⊗ Combination Stud ⊗ Air inlet

OEM PART NUMBER		CROSS REFERENCES	
FRUEHAUF	M078580	CONTITECH	4157 N P03
WEWELER	US 06287		

RML 75268 CP4

Cross Section View

Top View



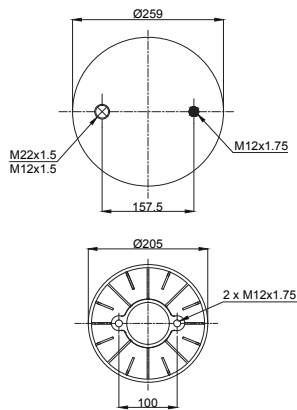
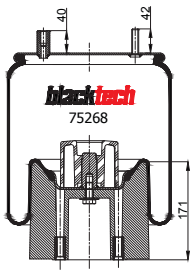
● Bolt or Stud ○ Threaded hole ⊗ Combination Stud ⊗ Air inlet

OEM PART NUMBER		CROSS REFERENCES	
MERCEDES	A 946 328 14 01	CONTITECH	4157 N P04
ROR MERITOR	2122 1307	FIRESTONE STYLE	1T15MPW7
WEWELER	US 06287	FIRESTONE ORDER	W01 M58 6297
WEWELER	US 07364	PHOENIX	1 DK 21 A-4
		DUNLOP F (SPRINGRIDE)	D12B18
		GOODYEAR	1R11-111
		TAURUS	KR 915-54
		VIBRACOUSTIC	V 1D 21 A-4
		GRANNING	15731

RML 75268 CP5

Cross Section View

Top View



OEM PART NUMBER	
WEWELER	US 07074 C
WEWELER	US 07074 P

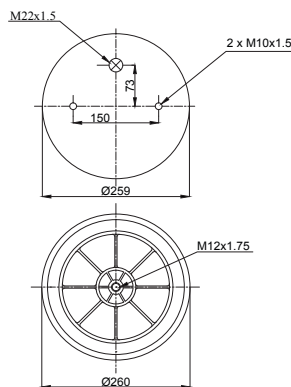
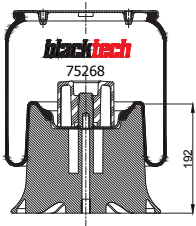
CROSS REFERENCES	
CONTITECH	4157 N P05
FIRESTONE STYLE	1T15MPW7
FIRESTONE ORDER	W01 M58 8840
PHOENIX	1 DK 21 A-3
DUNLOP F (SPRINGRIDE)	D12B17
GRANNING	91401

● Bolt or Stud ○ Threaded hole ⊗ Combination Stud ⊗ Air inlet

RML 75268 CP6

Cross Section View

Top View



OEM PART NUMBER	
SCHMITZ	751 065
WEWELER	US 06316

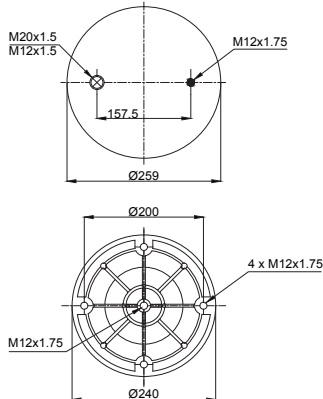
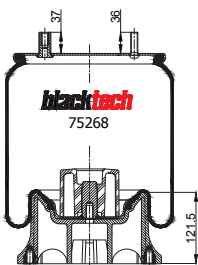
CROSS REFERENCES	
CONTITECH	4157 N P06
FIRESTONE STYLE	1T15MPW7
FIRESTONE ORDER	W01 M58 8186
PHOENIX	1 DK 21 A-1
DUNLOP F (SPRINGRIDE)	D11B37
GOODYEAR	1R11-764
VIBRACOUSTIC	V 1DK 21 A-1

● Bolt or Stud ○ Threaded hole ⊗ Combination Stud ⊗ Air inlet

RML 75268 CP8

Cross Section View

Top View



OEM PART NUMBER	
NEWAY	904 572 33
SMB	M078580
SAMRO	H2501869

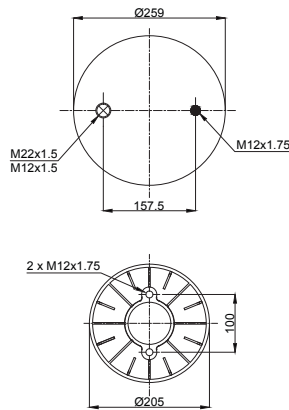
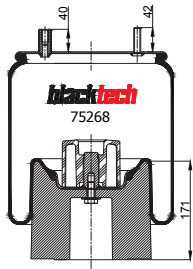
CROSS REFERENCES	
CONTITECH	4157 N P08
FIRESTONE STYLE	1T15MPW7
FIRESTONE ORDER	W01 M58 6317
PHOENIX	1 DK 20 C-2
DUNLOP F (SPRINGRIDE)	D12 B30
GOODYEAR	1R11-773
TAURUS	KR 915-53NW
VIBRACOUSTIC	V 1DK 20 C-2
GRANNING	15750

● Bolt or Stud ○ Threaded hole ⊗ Combination Stud ⊗ Air inlet

RML 75268 CP9

Cross Section View

Top View



● Bolt or Stud ○ Threaded hole ⊗ Combination Stud ⊗ Air inlet

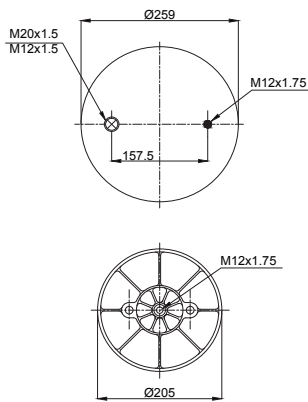
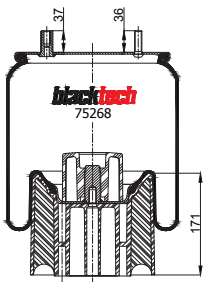
OEM PART NUMBER	
WEWELER	US 07074 F
ROR-ARVIN MERITOR	2122-2442

CROSS REFERENCES	
CONTITECH	4157 N P09
FIRESTONE STYLE	1T15MPW7
FIRESTONE ORDER	W01 M58 7074
PHOENIX	1 DK 21 A-31
DUNLOP F (SPRINGRIDE)	D12B17
GOODYEAR	1R11-106
CF GOMMA	1T 300-38 / 205598
TAURUS	KR 915 - 54
VIBRACOUSTIC	V 1 D 21 A-31
GRANNING	15732

RML 75268 CP10

Cross Section View

Top View



● Bolt or Stud ○ Threaded hole ⊗ Combination Stud ⊗ Air inlet

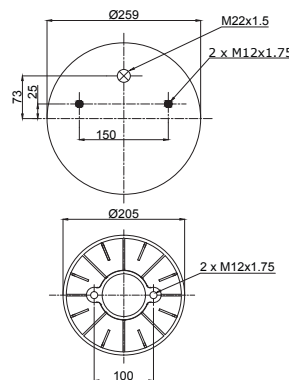
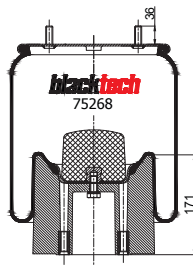
OEM PART NUMBER	
ACERBI	128140028
ACERBI	800449526
FRUEHAUF	UJB 0975
SMB	M060924

CROSS REFERENCES	
CONTITECH	4157 NP10
FIRESTONE STYLE	1T15MPW7
FIRESTONE ORDER	W01 M58 6315
PHOENIX	1 DK 20 A-51
DUNLOP F (SPRINGRIDE)	D12B19
GOODYEAR	1R11-772
TAURUS	KR 915 - 51
VIBRACOUSTIC	V 1 D 20 A-51
GRANNING	15769

RML 75268 CP14

Cross Section View

Top View



● Bolt or Stud ○ Threaded hole ⊗ Combination Stud ⊗ Air inlet

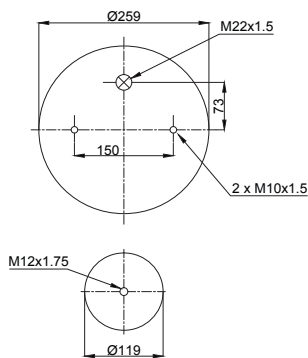
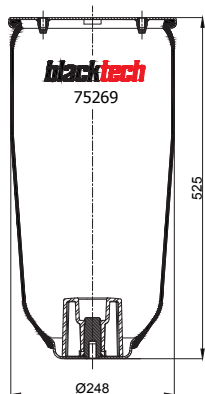
OEM PART NUMBER	
WEWELER	US 07364

CROSS REFERENCES	
------------------	--

RML 75269

Cross Section View

Top View



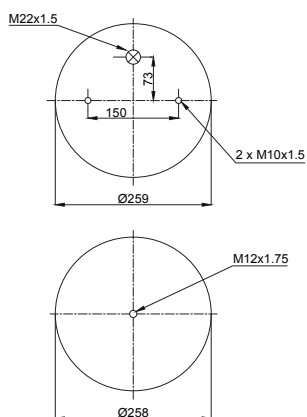
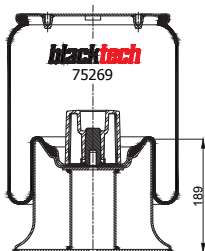
● Bolt or Stud ○ Threaded hole ⊗ Combination Stud ⊗ Air inlet

OEM PART NUMBER		CROSS REFERENCES	
SCHMITZ		CONTITECH	4158 N P02
WEWELER		FIRESTONE STYLE	1T15 MPW-9
		FIRESTONE ORDER	W01 M58 6357
		PHOENIX	D12 U23
		GOODYEAR	1R11-748

RML 75269 C

Cross Section View

Top View



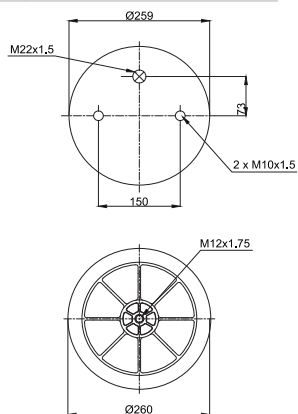
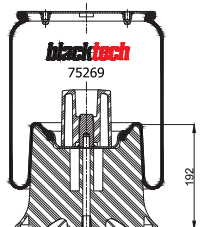
● Bolt or Stud ○ Threaded hole ⊗ Combination Stud ⊗ Air inlet

OEM PART NUMBER		CROSS REFERENCES	
SCHMITZ	750 999	CONTITECH	4158 N P03 (Metal Piston)
WEWELER	US 06285	GRANNING	15657

RML 75269 CP

Cross Section View

Top View



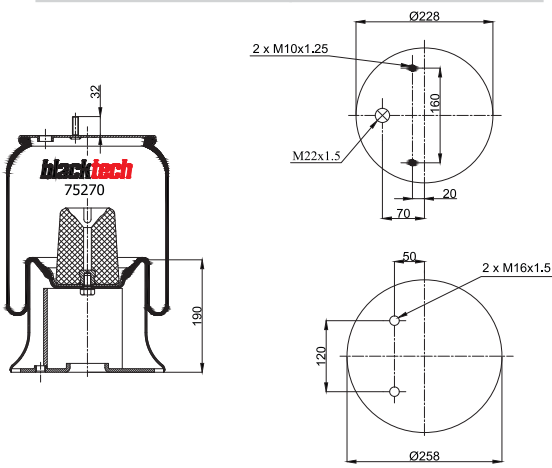
● Bolt or Stud ○ Threaded hole ⊗ Combination Stud ⊗ Air inlet

OEM PART NUMBER		CROSS REFERENCES	
SCHMITZ	750 999	CONTITECH	4158 N P03
SCHMITZ	014 892	FIRESTONE STYLE	1T15MPW-9
WEWELER	US 06285	FIRESTONE ORDER	W01 M58 8185
		PHOENIX	1 DK 20 B1
		DUNLOP F (SPRINGRIDE)	D12B22
		GOODYEAR	1R11-749
		VIBRACOUSTIC	V 1DK 20 B1
		GRANNING	15657

RML 75270 C

Cross Section View

Top View



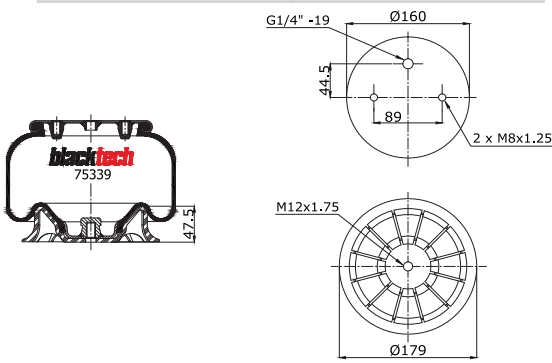
OEM PART NUMBER		CROSS REFERENCES	
CARDI	58050900	FIRESTONE STYLE	1T15 M9
OMAR	11808	FIRESTONE ORDER	W01 M58 6289
ZORZI	1006551	GOODYEAR	1R12-703
		VIBRACOUSTIC	V1D23E-3
		PHOENIX	1 D 23 E-3

- Bolt or Stud
- Threaded hole
- Combination Stud
- Air inlet

RML 75339 CP

Cross Section View

Top View



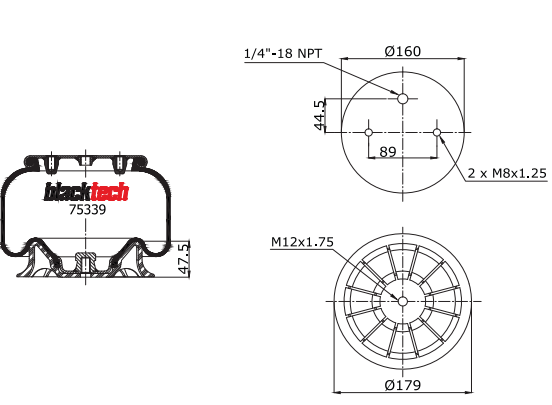
OEM PART NUMBER		CROSS REFERENCES	
GOLDSCHMITT	DLB 5339		

- Bolt or Stud
- Threaded hole
- Combination Stud
- Air inlet

RML 75339 CP1

Cross Section View

Top View



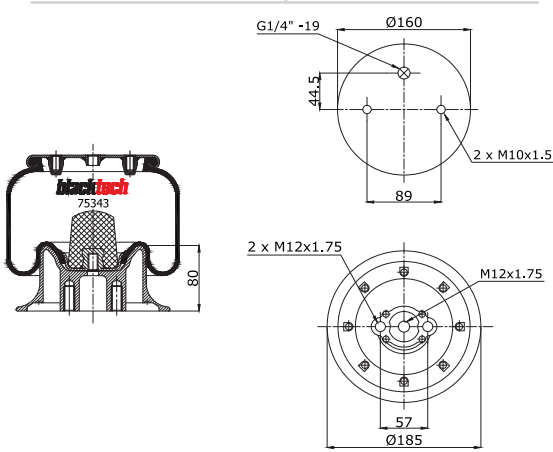
OEM PART NUMBER		CROSS REFERENCES	
		FIRESTONE STYLE	1T14 C-1
		FIRESTONE ORDER	W01 M58 5339

- Bolt or Stud
- Threaded hole
- Combination Stud
- Air inlet

RML 75343 CA

Cross Section View

Top View



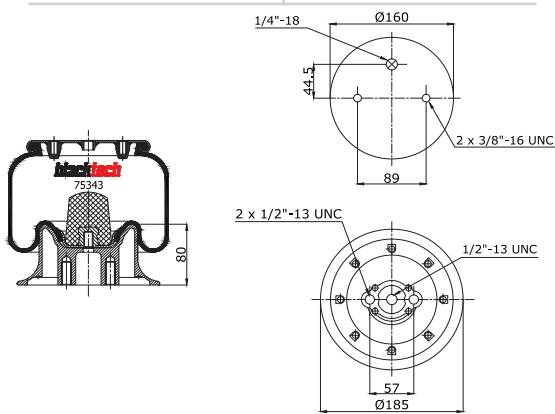
OEM PART NUMBER		CROSS REFERENCES	
GOLDSCHMITT	DLB 5343		
IVECO (Daily 35-50)	504035755		

● Bolt or Stud ○ Threaded hole ⊗ Combination Stud ⊗ Air inlet

RML 75343 CA1

Cross Section View

Top View



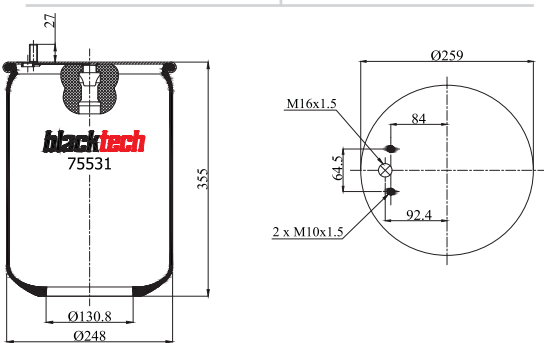
OEM PART NUMBER		CROSS REFERENCES	
		FIRESTONE STYLE	1T14 C-1
		FIRESTONE ORDER	W01 358 5343

● Bolt or Stud ○ Threaded hole ⊗ Combination Stud ⊗ Air inlet

RML 75531

Cross Section View

Top View



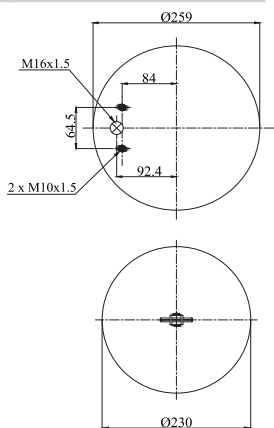
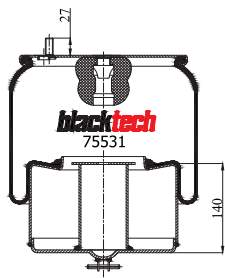
OEM PART NUMBER		CROSS REFERENCES	
VOLVO	1 076 075	CONTITECH	4420 N P01 (without piston)

● Bolt or Stud ○ Threaded hole ⊗ Combination Stud ⊗ Air inlet

RML 75531 C

Cross Section View

Top View



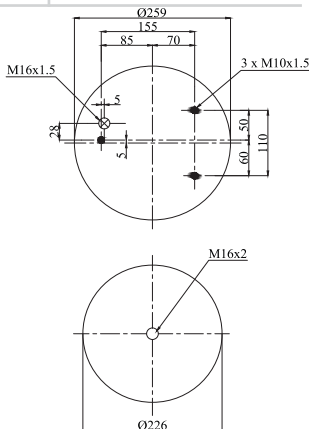
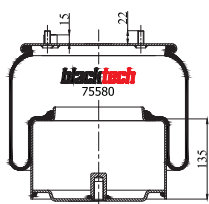
● Bolt or Stud ○ Threaded hole ⊗ Combination Stud ⊗ Air inlet

OEM PART NUMBER		CROSS REFERENCES	
VOLVO	1 076 075	CONTITECH	4420 N P01
VOLVO	1 076 076	FIRESTONE STYLE	1T17BR-8
VOLVO	20 554 756	FIRESTONE ORDER	W01 M58 9707
		CF GOMMA	1T19 E2 / 204420
		GRANNING	16048

RML 75580 C

Cross Section View

Top View



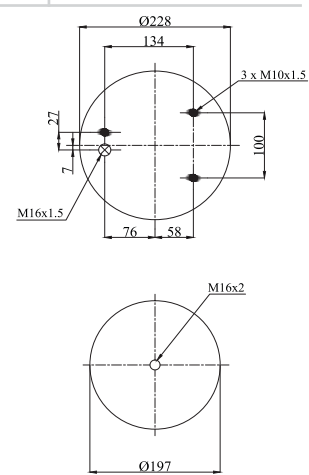
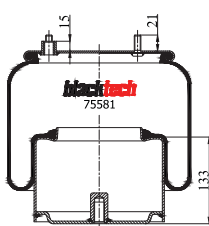
● Bolt or Stud ○ Threaded hole ⊗ Combination Stud ⊗ Air inlet

OEM PART NUMBER		CROSS REFERENCES	
FORD CARGO TRAILER (FRONT)	9C46-5580-AA	CONTITECH	1850 N P01

RML 75581 C

Cross Section View

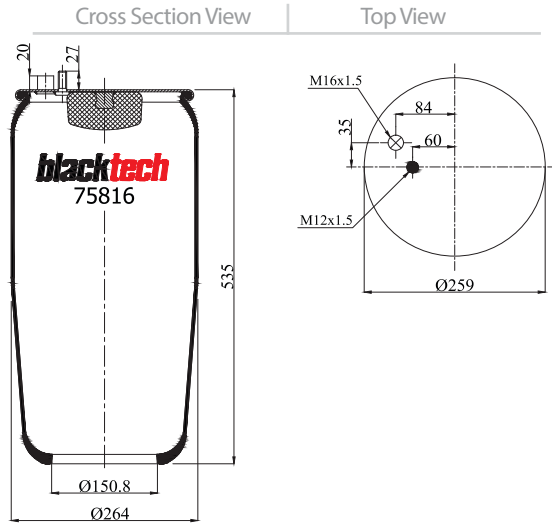
Top View



● Bolt or Stud ○ Threaded hole ⊗ Combination Stud ⊗ Air inlet

OEM PART NUMBER		CROSS REFERENCES	
FORD CARGO TRAILER (REAR)	9C46-5580-BA	CONTITECH	1889 N P02

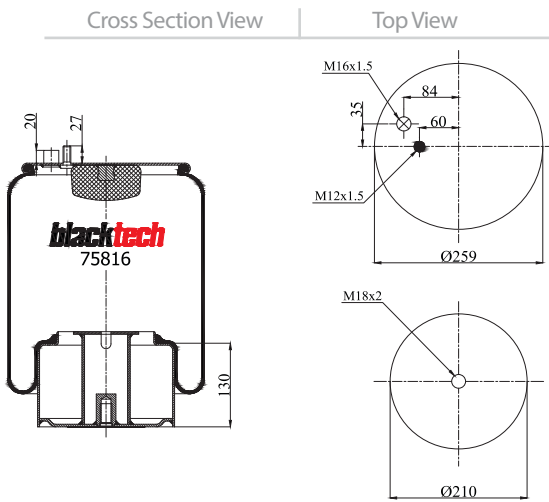
RML 75816-1



OEM PART NUMBER		CROSS REFERENCES	
MAN TGX / TGA	81.43601.0155	CONTITECH	4705 N1 P01

● Bolt or Stud ○ Threaded hole ⊗ Combination Stud ⊗ Air inlet

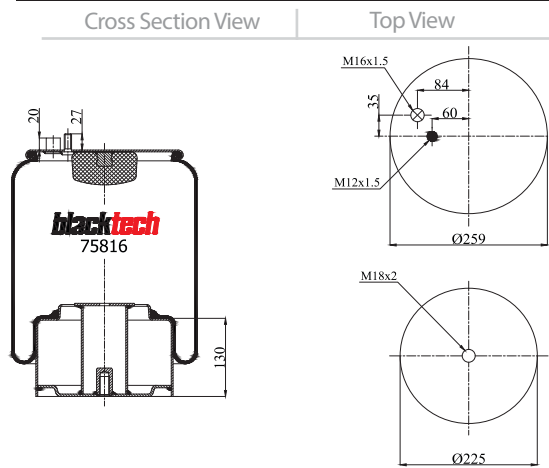
RML 75816 C3



OEM PART NUMBER		CROSS REFERENCES	
MAN TGA / TGX	81.43600.6039	CONTITECH	4705 N1 P03

● Bolt or Stud ○ Threaded hole ⊗ Combination Stud ⊗ Air inlet

RML 75816 C4



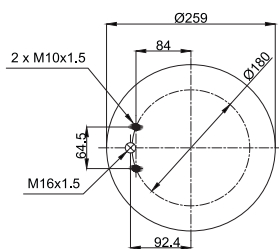
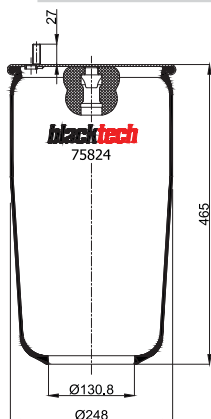
OEM PART NUMBER		CROSS REFERENCES	
MAN TGA / TGX	81.43600.6040	CONTITECH	4705 N1 P04

● Bolt or Stud ○ Threaded hole ⊗ Combination Stud ⊗ Air inlet

RML 75824

Cross Section View

Top View



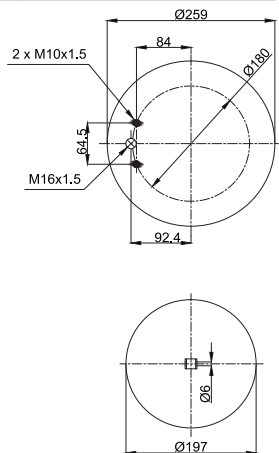
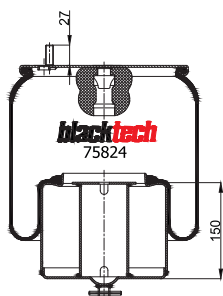
● Bolt or Stud ○ Threaded hole ⊗ Combination Stud ⊗ Air inlet

OEM PART NUMBER		CROSS REFERENCES	
VOLVO	1076 595	CONTITECH	4713 N P04
		FIRESTONE STYLE	1T17BR-8
		FIRESTONE ORDER	W01 M58 9706
		DUNLOP F (SPRINGRIDE)	D12 B24
		GOODYEAR	1R12-763
		CF GOMMA	1 T300-28 / 26778

RML 75824 C

Cross Section View

Top View



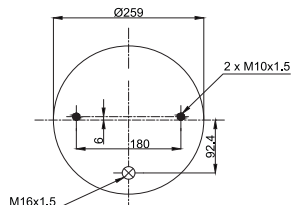
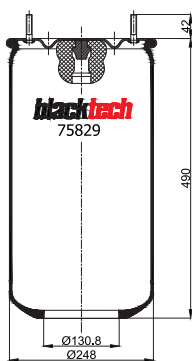
● Bolt or Stud ○ Threaded hole ⊗ Combination Stud ⊗ Air inlet

OEM PART NUMBER		CROSS REFERENCES	
VOLVO	1076 594	CONTITECH	4713 N P02
VOLVO	20 554 755	FIRESTONE STYLE	1T17BR-8
		FIRESTONE ORDER	W01 M58 9706
		PHOENIX	1 DF 22 C-1
		DUNLOP F (SPRINGRIDE)	D12 B24
		GOODYEAR	1R12-762
		CF GOMMA	1 T300-28
		GRANNING	15656

RML 75829

Cross Section View

Top View

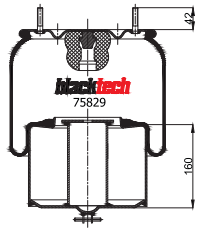


● Bolt or Stud ○ Threaded hole ⊗ Combination Stud ⊗ Air inlet

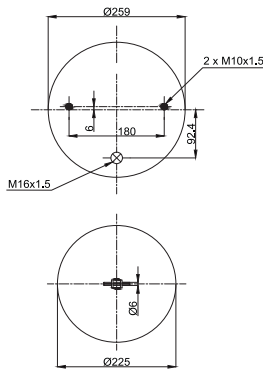
OEM PART NUMBER		CROSS REFERENCES	
VOLVO	1079 718	CONTITECH	4718 N P02

RML 75829 C

Cross Section View



Top View



OEM PART NUMBER

VOLVO (FH12 - FM12)	20 554 759
VOLVO (FH12 - FM12)	20 452 136
VOLVO (FH12 - FM12)	1 075 363

CROSS REFERENCES

CONTITECH	4718 N P01
GRANNING	15656

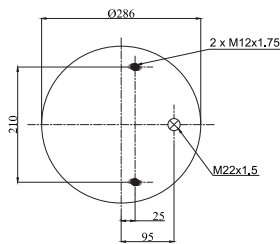
- Bolt or Stud
- Threaded hole
- Combination Stud
- Air inlet

RML 75921

Cross Section View



Top View



OEM PART NUMBER

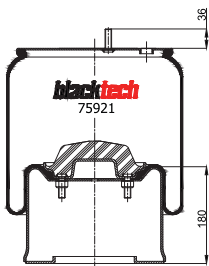
CROSS REFERENCES

CONTITECH	4810 N
-----------	--------

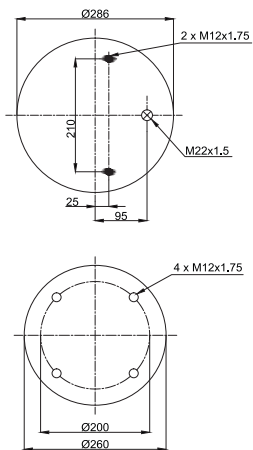
- Bolt or Stud
- Threaded hole
- Combination Stud
- Air inlet

RML 75921 C2

Cross Section View



Top View



OEM PART NUMBER

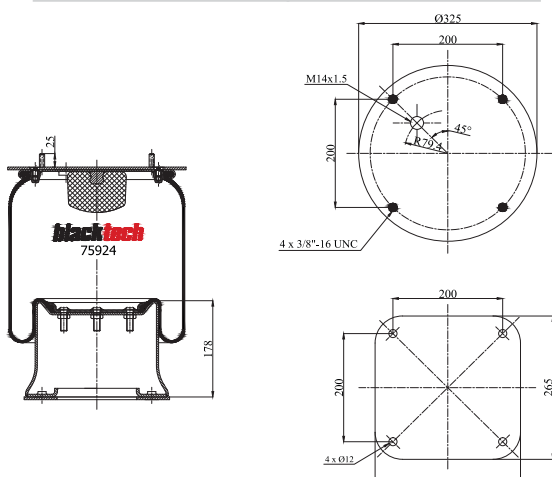
CROSS REFERENCES

- Bolt or Stud
- Threaded hole
- Combination Stud
- Air inlet

RML 75924 C1

Cross Section View

Top View



OEM PART NUMBER

LOHR 29790-01

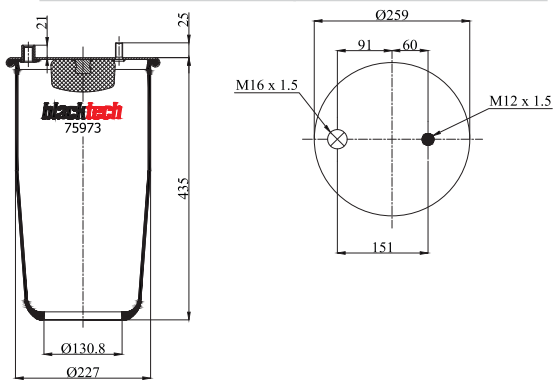
CROSS REFERENCES

- Bolt or Stud
- Threaded hole
- Combination Stud
- Air inlet

RML 75973

Cross Section View

Top View



OEM PART NUMBER

MAN 81.43601.0168

CROSS REFERENCES

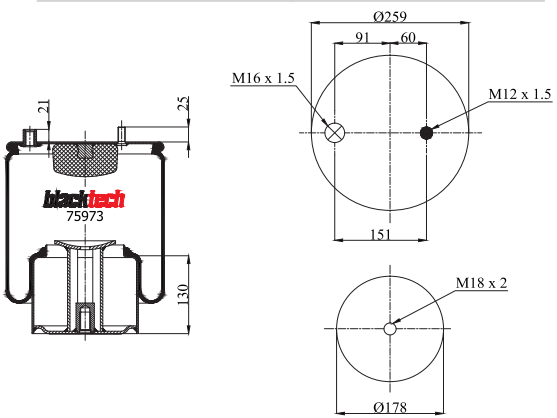
CONTITECH 4862 N P01

- Bolt or Stud
- Threaded hole
- Combination Stud
- Air inlet

RML 75973 C2

Cross Section View

Top View



OEM PART NUMBER

MAN 81.43600.6049

CROSS REFERENCES

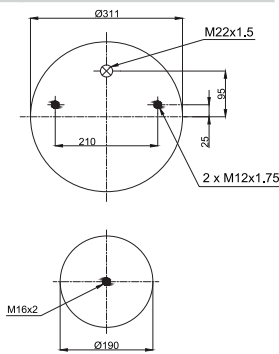
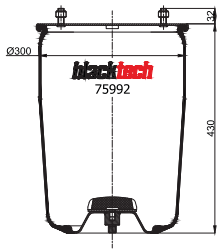
CONTITECH 4862 N P02

- Bolt or Stud
- Threaded hole
- Combination Stud
- Air inlet

RML 75992

Cross Section View

Top View



OEM PART NUMBER		CROSS REFERENCES	
BPW 36 K	05.429.41.01.0	CONTITECH	4881 N P02
SCHMITZ	750 570	FIRESTONE STYLE	1T66F-7.0
		FIRESTONE ORDER	W01 M58 8601
		PHOENIX	1 DK 32 K
		DUNLOP F (SPRINGRIDE)	D14 U37
		GOODYEAR	1R14-701
		CF GOMMA	1TC 360-40
		TAURUS	UR 838-01T
		VIBRACOUSTIC	V 1 D 32 K
		GRANNING	15961

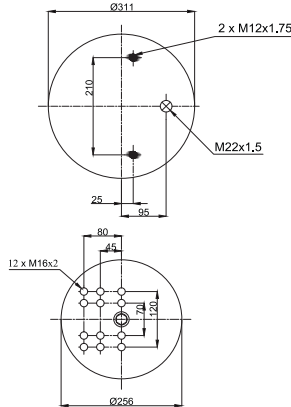
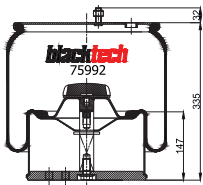
OEM PART NUMBER		CROSS REFERENCES	

● Bolt or Stud ○ Threaded hole ⊗ Combination Stud ⊗ Air inlet

RML 75992 C

Cross Section View

Top View



OEM PART NUMBER		CROSS REFERENCES	
BPW 36 K	05.429.41.22.1	CONTITECH	4881 NP02 (metal piston)
		FIRESTONE STYLE	1T66F-7.0
		FIRESTONE ORDER	W01 M58 8602
		PHOENIX	1 DK 32 K
		DUNLOP F (SPRINGRIDE)	D14 B37
		GOODYEAR	1R14-724
		VIBRACOUSTIC	V 1 D 32 K
		GRANNING	15905

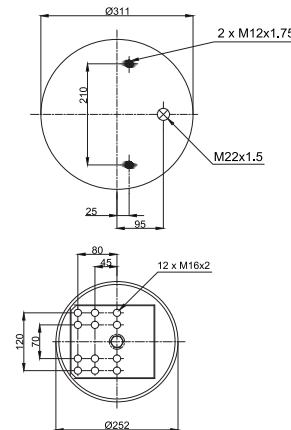
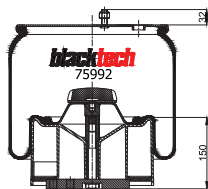
OEM PART NUMBER		CROSS REFERENCES	

● Bolt or Stud ○ Threaded hole ⊗ Combination Stud ⊗ Air inlet

RML 75992 CP

Cross Section View

Top View

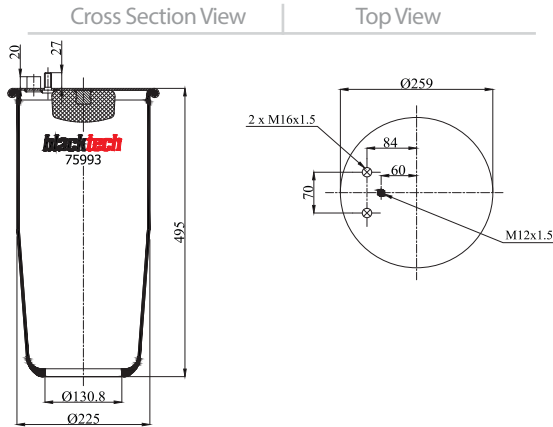


OEM PART NUMBER		CROSS REFERENCES	
BPW 36 K	05.429.43.41.0	CONTITECH	4881 NP02 (plastic piston)
		FIRESTONE STYLE	1T66F-7.0
		FIRESTONE ORDER	W01 M58 8666
		PHOENIX	1 DK 32 K
		DUNLOP F (SPRINGRIDE)	D14 B88
		GOODYEAR	1R14-757
		GRANNING	16905

OEM PART NUMBER		CROSS REFERENCES	

● Bolt or Stud ○ Threaded hole ⊗ Combination Stud ⊗ Air inlet

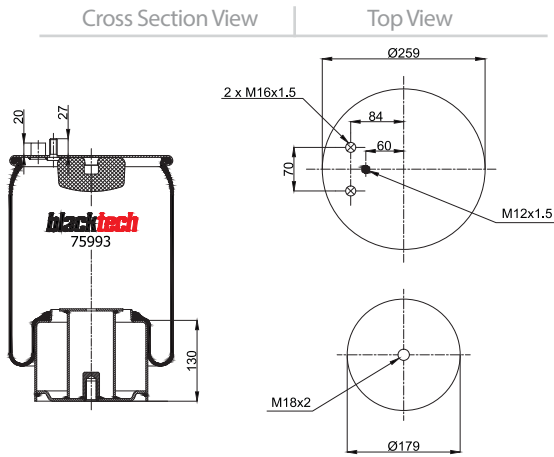
RML 75993



OEM PART NUMBER		CROSS REFERENCES	
MAN	81.43601.0151	CONTITECH	4882 N1 P01
		DUNLOP F (SPRINGRIDE)	D10 U01
		GOODYEAR	1R10-702
		GRANNING	94002

● Bolt or Stud ○ Threaded hole ⊗ Combination Stud ⊗ Air inlet

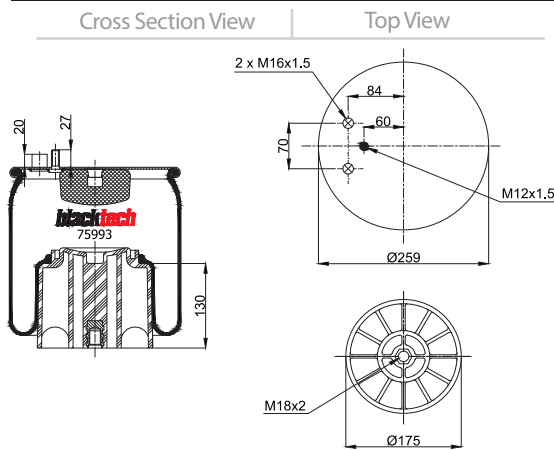
RML 75993 C5



OEM PART NUMBER		CROSS REFERENCES	
MAN	81.43601.6036	CONTITECH	4882 N1 P05
		GRANNING	94102
		VIBRACOUSTIC	V1DF16-2
		FIRESTONE ORDER	1T17JR-7.2
		FIRESTONE STYLE	W01 M58 9879
		CF GOMMA	1TS260-28 / 206788

● Bolt or Stud ○ Threaded hole ⊗ Combination Stud ⊗ Air inlet

RML 75993 CP5



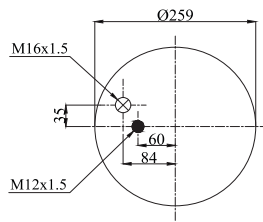
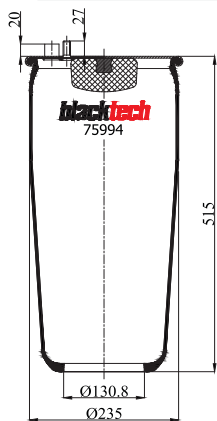
OEM PART NUMBER		CROSS REFERENCES	
		CONTITECH	4882 N1 P05 (with plastic)

● Bolt or Stud ○ Threaded hole ⊗ Combination Stud ⊗ Air inlet

RML 75994

Cross Section View

Top View



OEM PART NUMBER	
MAN	81.436.010.153

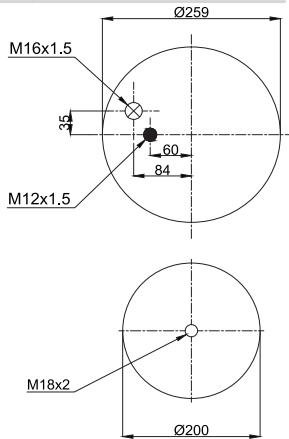
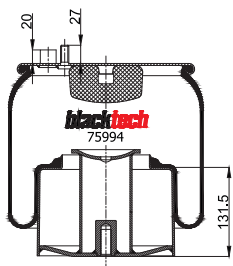
CROSS REFERENCES	
CONTITECH	4883 N1 P01
DUNLOP F (SPRINGRIDE)	D10 U47
GOODYEAR	1R11-804
GRANNING	94003

● Bolt or Stud ○ Threaded hole ⊗ Combination Stud ⊗ Air inlet

RML 75994 C

Cross Section View

Top View



OEM PART NUMBER	
MAN	81.43601.6037

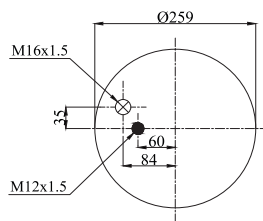
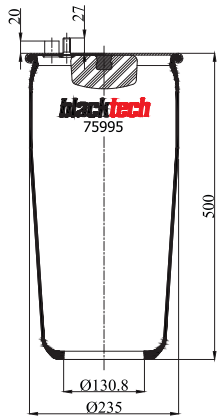
CROSS REFERENCES	
CONTITECH	4883 N1 P06
GRANNING	94101

● Bolt or Stud ○ Threaded hole ⊗ Combination Stud ⊗ Air inlet

RML 75995

Cross Section View

Top View

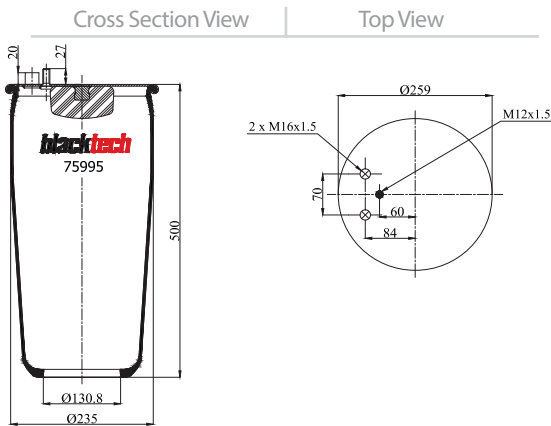


OEM PART NUMBER	
MAN	81.43601.0152
MAN	81.43601.0174

CROSS REFERENCES	
CONTITECH	4884 N1 P01
DUNLOP F (SPRINGRIDE)	D10 U48
GOODYEAR	1R11-820
GRANNING	94001

● Bolt or Stud ○ Threaded hole ⊗ Combination Stud ⊗ Air inlet

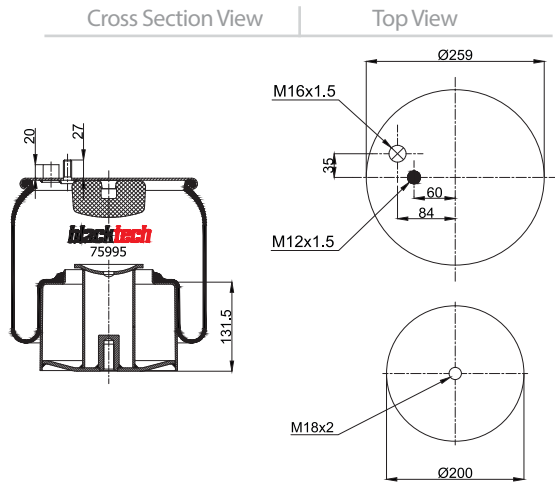
RML 75995-2



OEM PART NUMBER		CROSS REFERENCES	
MAN		CONTITECH	4884 N1 P07 (without piston)

● Bolt or Stud ○ Threaded hole ⊗ Combination Stud ⊗ Air inlet

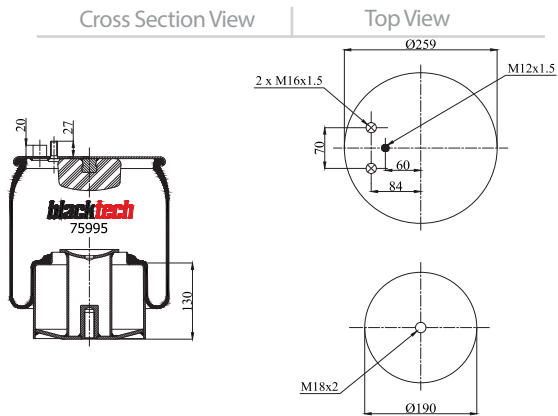
RML 75995 C6



OEM PART NUMBER		CROSS REFERENCES	
MAN	81.43600.6035	CONTITECH	4884 N1 P06
		FIRESTONE ORDER	1T17 TWR-8
		FIRESTONE STYLE	W01 M58 9880
		CF GOMMA	1TS290-28 / 206787
		VIBRACOUSTIC	V1DF 19B-1
		GRANNING	94100

● Bolt or Stud ○ Threaded hole ⊗ Combination Stud ⊗ Air inlet

RML 75995 C7



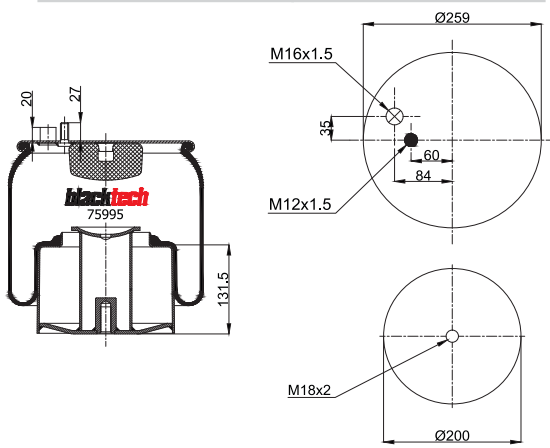
OEM PART NUMBER		CROSS REFERENCES	
MAN	81.43600.6041	CONTITECH	4884 N1 P07

● Bolt or Stud ○ Threaded hole ⊗ Combination Stud ⊗ Air inlet

RML 75995 CP6

Cross Section View

Top View



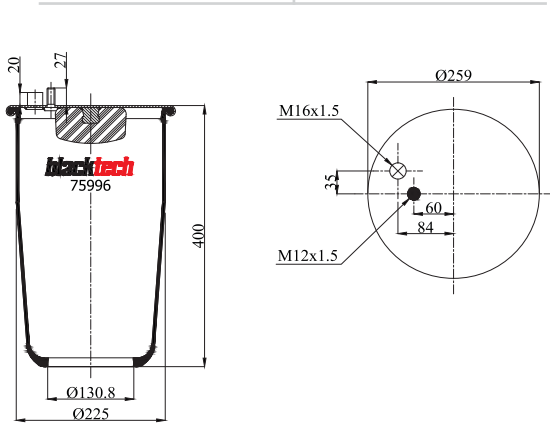
OEM PART NUMBER		CROSS REFERENCES	

- Bolt or Stud
- Threaded hole
- Combination Stud
- Air inlet

RML 75996

Cross Section View

Top View



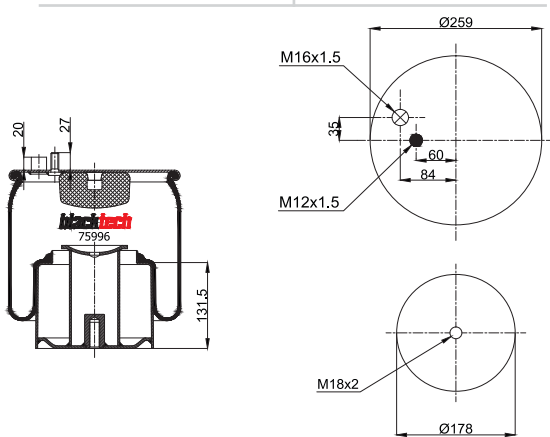
OEM PART NUMBER		CROSS REFERENCES	
MAN (TG1 /TGL)	81.43601.0060	CONTITECH	4885 N1 P01
MAN (TG1 /TGL)	81.43601.6071	CF GOMMA	1TS 260-28 / 206788
		GRANNING	94000

- Bolt or Stud
- Threaded hole
- Combination Stud
- Air inlet

RML 75996 C2

Cross Section View

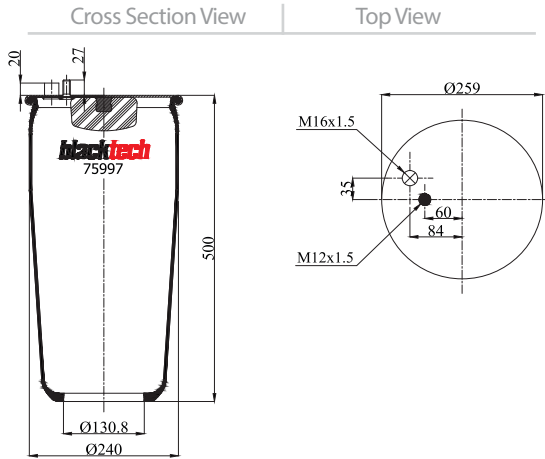
Top View



OEM PART NUMBER		CROSS REFERENCES	
MAN	81.43601.6044	CONTITECH	4885 N1 P02
		GRANNING	94015

- Bolt or Stud
- Threaded hole
- Combination Stud
- Air inlet

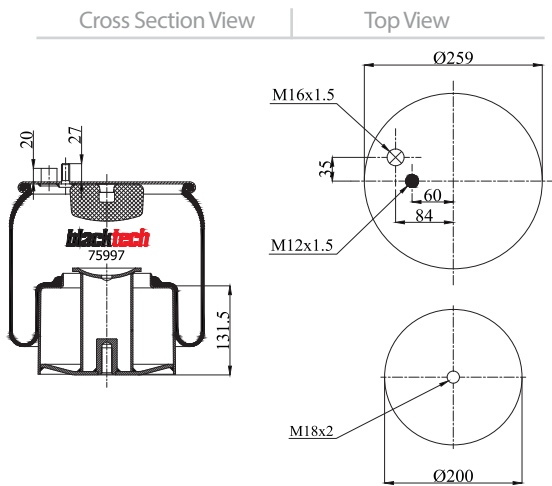
RML 75997



OEM PART NUMBER		CROSS REFERENCES	
MAN	81.43601.0165	CONTITECH	4886 N P02

● Bolt or Stud ○ Threaded hole ⊗ Combination Stud ⊗ Air inlet

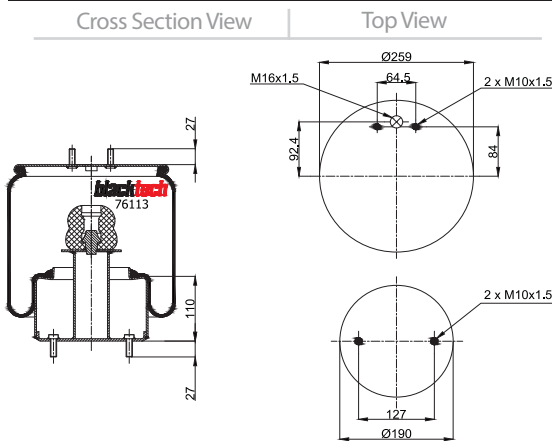
RML 75997 C1



OEM PART NUMBER		CROSS REFERENCES	
MAN	81.43600.6046	CONTITECH	4886 N P01

● Bolt or Stud ○ Threaded hole ⊗ Combination Stud ⊗ Air inlet

RML 76113 C

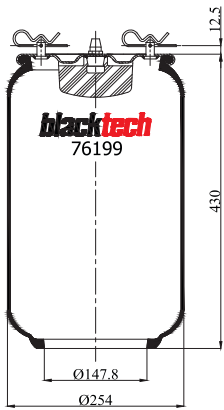


OEM PART NUMBER		CROSS REFERENCES	
VOLVO	20 480 202	CONTITECH	6602 N P01
VOLVO	20 531 988		
VOLVO	20 573 113		
VOLVO	20 573 313		
VOLVO	20 582 212		
VOLVO	21 041 697		
VOLVO	21 097 453		
VOLVO	70 313 734		
VOLVO	70 397 453		

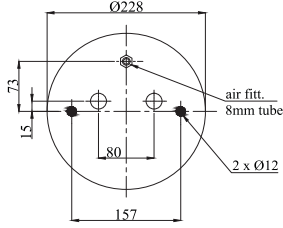
● Bolt or Stud ○ Threaded hole ⊗ Combination Stud ⊗ Air inlet

RML 76199

Cross Section View



Top View

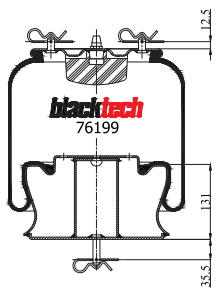


● Bolt or Stud ○ Threaded hole ⊗ Combination Stud ⊗ Air inlet

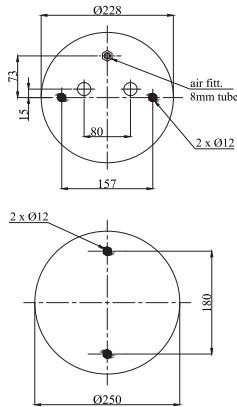
OEM PART NUMBER		CROSS REFERENCES	

RML 76199 C

Cross Section View



Top View

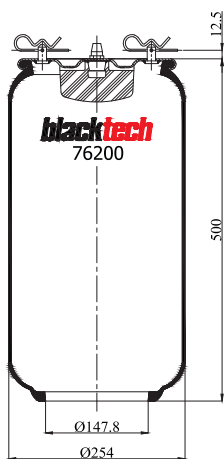


● Bolt or Stud ○ Threaded hole ⊗ Combination Stud ⊗ Air inlet

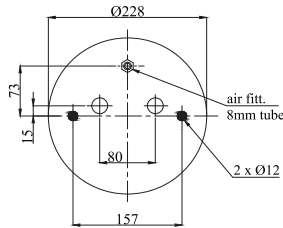
OEM PART NUMBER		CROSS REFERENCES	
SCANIA	1386199	PHOENIX	1 DF 23 C-1
SCANIA	1362145	GRANNING	16067
SCANIA	1372143	GOODYEAR	1R13-744

RML 76200

Cross Section View



Top View



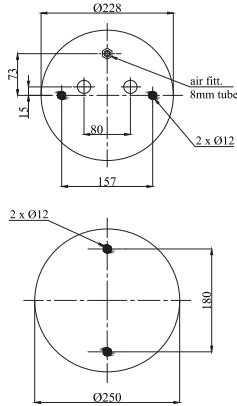
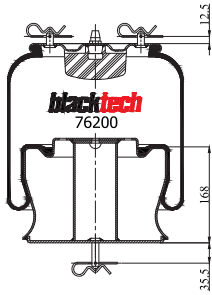
● Bolt or Stud ○ Threaded hole ⊗ Combination Stud ⊗ Air inlet

OEM PART NUMBER		CROSS REFERENCES	

RML 76200 C

Cross Section View

Top View



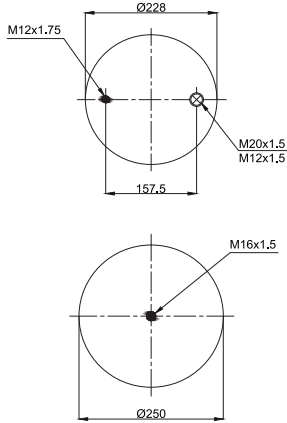
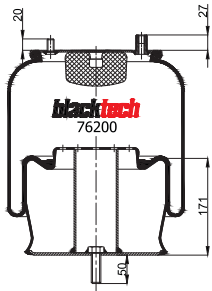
OEM PART NUMBER		CROSS REFERENCES	
SCANIA BUSSAR	1386200	GOODYEAR	1R13 745
SCANIA BUSSAR	1362147	PHOENIX	1 DF 23 D-1
SCANIA BUSSAR	1370744	GRANNING	16068

● Bolt or Stud ○ Threaded hole ⊗ Combination Stud ⊗ Air inlet

RML 76200 C1

Cross Section View

Top View



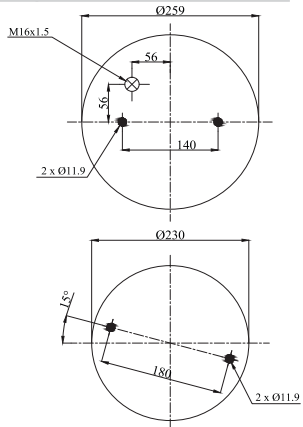
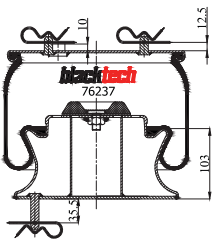
OEM PART NUMBER		CROSS REFERENCES	

● Bolt or Stud ○ Threaded hole ⊗ Combination Stud ⊗ Air inlet

RML 76237 C

Cross Section View

Top View



OEM PART NUMBER		CROSS REFERENCES	
SCANIA	1726237	GOODYEAR	1R13-750
		PHOENIX	1 DF 23 B-4

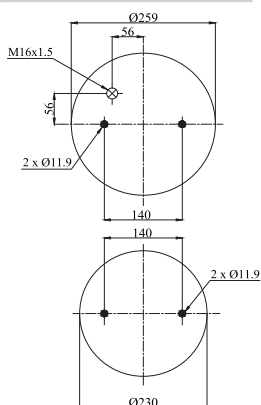
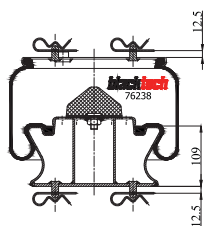
● Bolt or Stud ○ Threaded hole ⊗ Combination Stud ⊗ Air inlet

RML 76238 C



Cross Section View

Top View



OEM PART NUMBER		CROSS REFERENCES	
SCANIA	1726238	GOODYEAR	1R12-813
		PHOENIX	1 DF 23 A-2

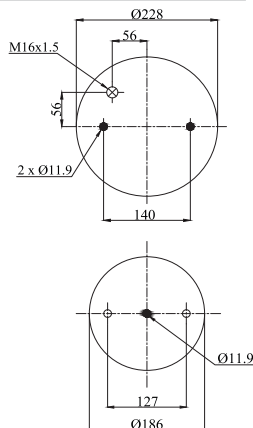
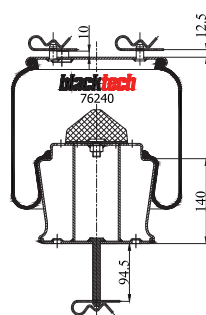
- Bolt or Stud
- Threaded hole
- Combination Stud
- Air inlet

RML 76240 C



Cross Section View

Top View



OEM PART NUMBER		CROSS REFERENCES	
SCANIA	1726240	GOODYEAR	1R11-834
		PHOENIX	1 DF 20 A-5

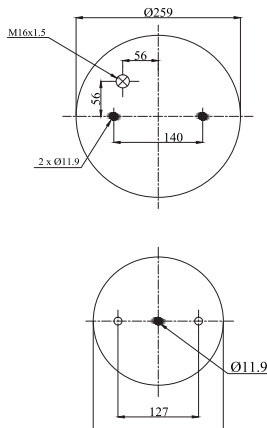
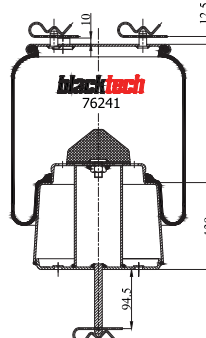
- Bolt or Stud
- Threaded hole
- Combination Stud
- Air inlet

RML 76241 C



Cross Section View

Top View



OEM PART NUMBER		CROSS REFERENCES	
SCANIA	1726241	GOODYEAR	1R11-840
		PHOENIX	1 DF 20 A-6

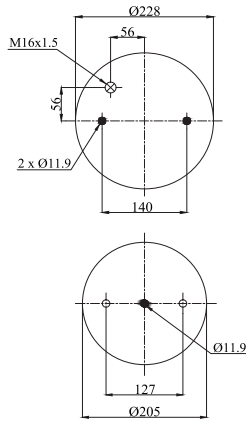
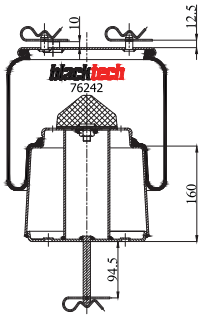
- Bolt or Stud
- Threaded hole
- Combination Stud
- Air inlet

RML 76242 C



Cross Section View

Top View



● Bolt or Stud ○ Threaded hole ⊗ Combination Stud ⊗ Air inlet

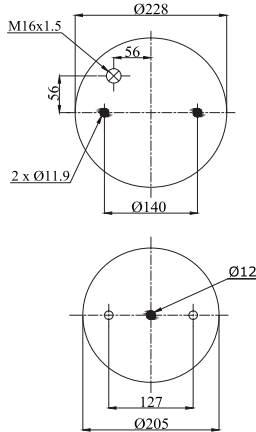
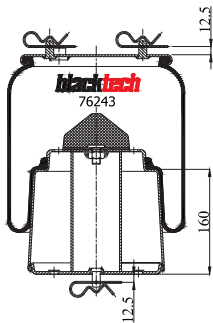
OEM PART NUMBER		CROSS REFERENCES	
SCANIA	1726242	GOODYEAR	1R11-839
		PHOENIX	1 DF 20 A-7

RML 76243 C



Cross Section View

Top View



● Bolt or Stud ○ Threaded hole ⊗ Combination Stud ⊗ Air inlet

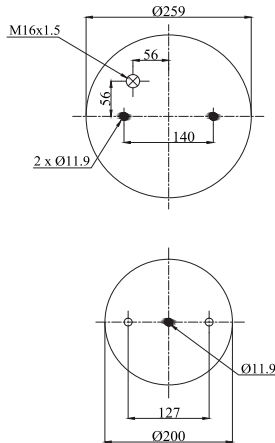
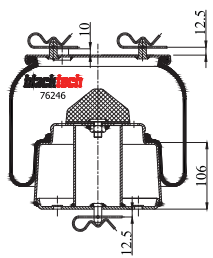
OEM PART NUMBER		CROSS REFERENCES	
SCANIA	1726243	GOODYEAR	1R11-838
		PHOENIX	1 DF 20 A-8

RML 76246 C



Cross Section View

Top View



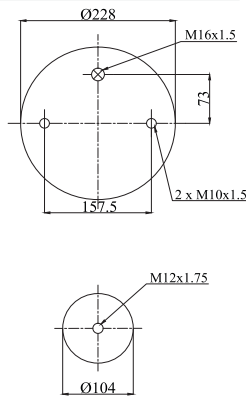
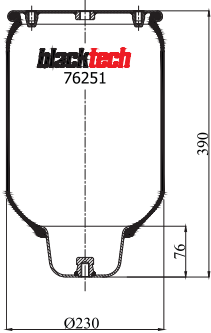
● Bolt or Stud ○ Threaded hole ⊗ Combination Stud ⊗ Air inlet

OEM PART NUMBER		CROSS REFERENCES	
SCANIA	1726246	GOODYEAR	1R11-841
		PHOENIX	1 DF 23 B-5

RML 76251

Cross Section View

Top View



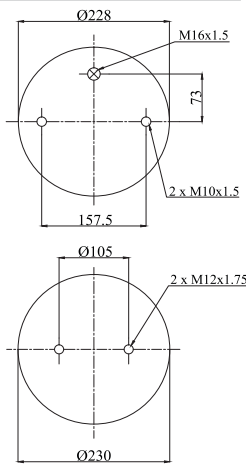
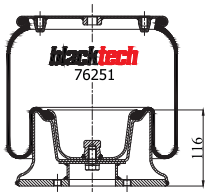
OEM PART NUMBER		CROSS REFERENCES	
		FIRESTONE STYLE	1T15 AA3
		FIRESTONE ORDER	W01 M58 6251 (without piston)

- Bolt or Stud
- Threaded hole
- ⊗ Combination Stud
- ⊗ Air inlet

RML 76251 C

Cross Section View

Top View



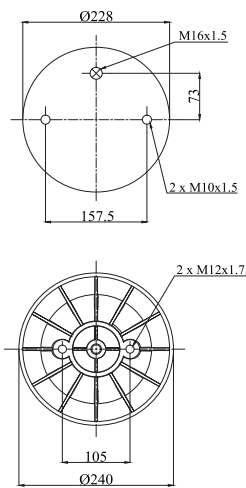
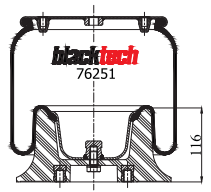
OEM PART NUMBER		CROSS REFERENCES	
SCANIA (Series 3-4-R)	1394997	FIRESTONE STYLE	1T15 AA3
SCANIA (Series 3-4-R)	1314903	FIRESTONE ORDER	W01 M58 6251
SCANIA (Series 3-4-R)	1402423	GOODYEAR	1R11 826
SCANIA (Series 3-4-R)	1865759	GRANNING	15619
SCANIA (Series 3-4-R)	1863244		
SCANIA (Series 3-4-R)	255 295		

- Bolt or Stud
- Threaded hole
- ⊗ Combination Stud
- ⊗ Air inlet

RML 76251 CP

Cross Section View

Top View

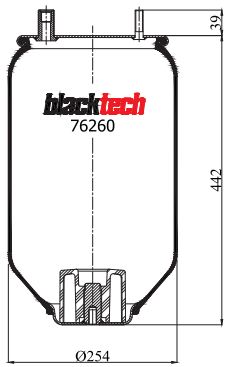


OEM PART NUMBER		CROSS REFERENCES	

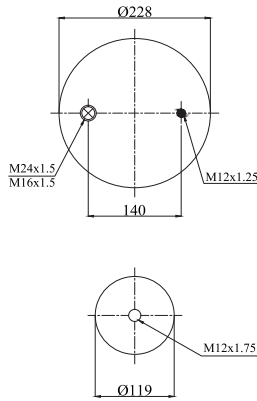
- Bolt or Stud
- Threaded hole
- ⊗ Combination Stud
- ⊗ Air inlet

RML 76260

Cross Section View



Top View

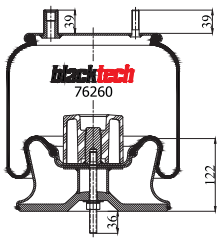


OEM PART NUMBER		CROSS REFERENCES	

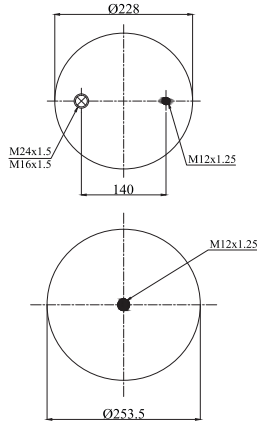
● Bolt or Stud ○ Threaded hole ⊗ Combination Stud ⊗ Air inlet

RML 76260 C

Cross Section View



Top View

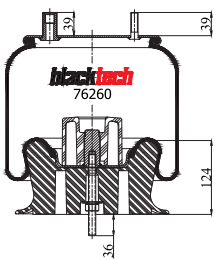


OEM PART NUMBER		CROSS REFERENCES	
RENAULT MAGNUM TRUCK	5 010 383 616	FIRESTONE STYLE	1T15MPW-7
HENDRICKSON	59053-2F	FIRESTONE ORDER	W01 M58 6260 (metal piston)

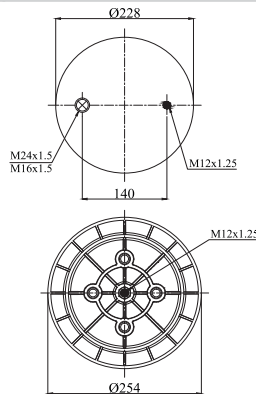
● Bolt or Stud ○ Threaded hole ⊗ Combination Stud ⊗ Air inlet

RML 76260 CP

Cross Section View



Top View



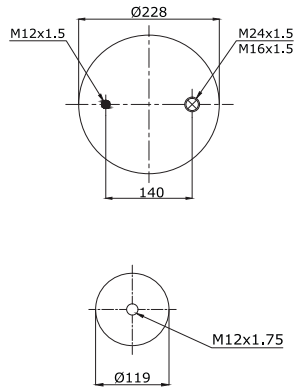
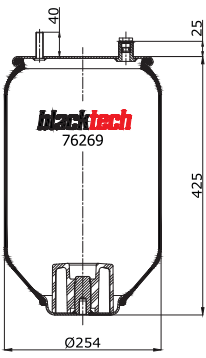
OEM PART NUMBER		CROSS REFERENCES	
RENAULT MAGNUM TRUCK	5 010 383 616	FIRESTONE STYLE	1T15MPW-7
HENDRICKSON	59053-2F	FIRESTONE ORDER	W01 M58 6260

● Bolt or Stud ○ Threaded hole ⊗ Combination Stud ⊗ Air inlet

RML 76269

Cross Section View

Top View



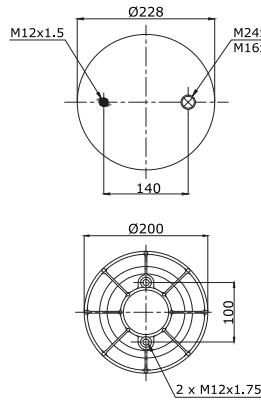
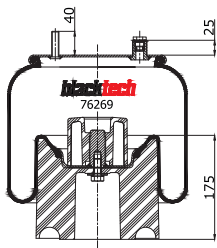
OEM PART NUMBER		CROSS REFERENCES	

- Bolt or Stud
- Threaded hole
- ⊗ Combination Stud
- ⊗ Air inlet

RML 76269 CP

Cross Section View

Top View



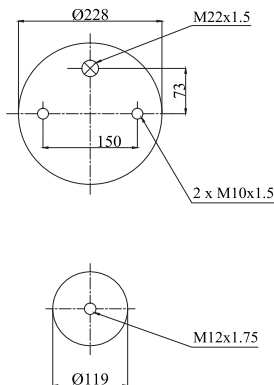
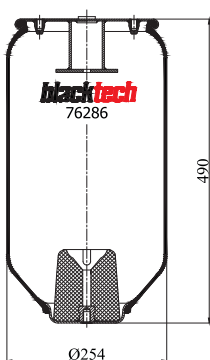
OEM PART NUMBER		CROSS REFERENCES	
HENDRICKSON	HS 505552	FIRESTONE STYLE	1T15M-6
		FIRESTONE ORDER	W01 M58 6269

- Bolt or Stud
- Threaded hole
- ⊗ Combination Stud
- ⊗ Air inlet

RML 76286

Cross Section View

Top View



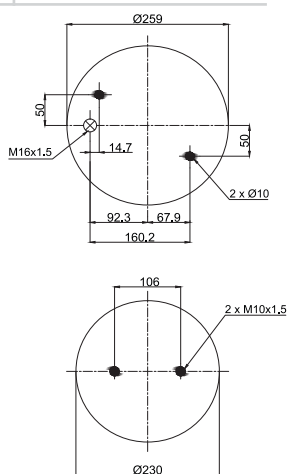
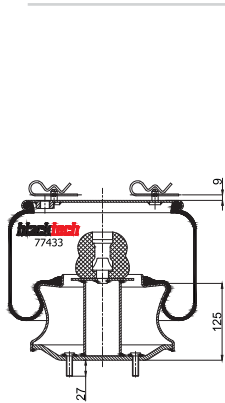
OEM PART NUMBER		CROSS REFERENCES	
		FIRESTONE STYLE	1T15 MPW-9
		FIRESTONE ORDER	W01 M58 6286 (without piston)

- Bolt or Stud
- Threaded hole
- ⊗ Combination Stud
- ⊗ Air inlet

RML 77433 C

Cross Section View

Top View



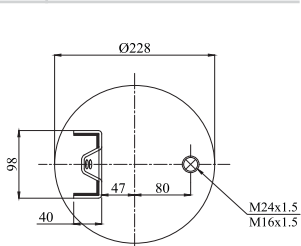
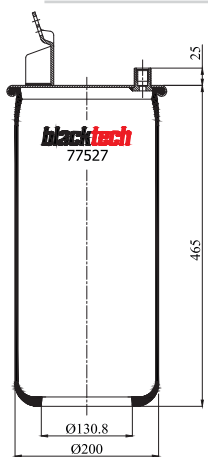
- Bolt or Stud
- Threaded hole
- Combination Stud
- Air inlet

OEM PART NUMBER		CROSS REFERENCES	
VOLVO	21513833	GOODYEAR	1R12-825
VOLVO	21097433		
VOLVO	70311683		

RML 77527

Cross Section View

Top View



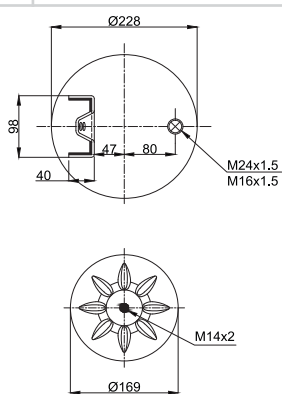
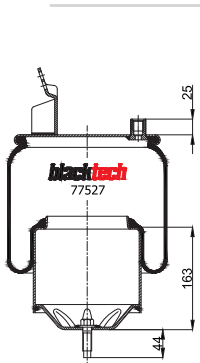
- Bolt or Stud
- Threaded hole
- Combination Stud
- Air inlet

OEM PART NUMBER		CROSS REFERENCES	
VOLVO		CONTITECH	6416 N

RML 77527 C

Cross Section View

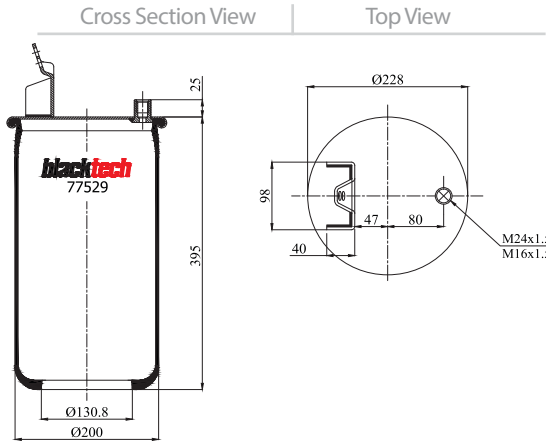
Top View



- Bolt or Stud
- Threaded hole
- Combination Stud
- Air inlet

OEM PART NUMBER		CROSS REFERENCES	
VOLVO	1 075 891	CONTITECH	6608 N P01
VOLVO	1 076 416	GOODYEAR	1R10-704
VOLVO	20 374 510	GRANNING	92500
VOLVO	20 456 152	PHOENIX	1 DF 17 B-1
VOLVO	20 531 985	FIRESTONE STYLE	1T15UR-9
VOLVO	20 582 215	FIRESTONE ORDER	W01 M58 8474
VOLVO	70 321 693		

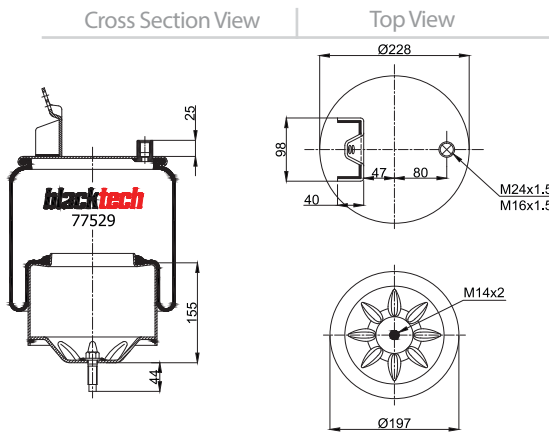
RML 77529



OEM PART NUMBER		CROSS REFERENCES	
		CONTITECH	6418 N

● Bolt or Stud ○ Threaded hole ⊗ Combination Stud ⊗ Air inlet

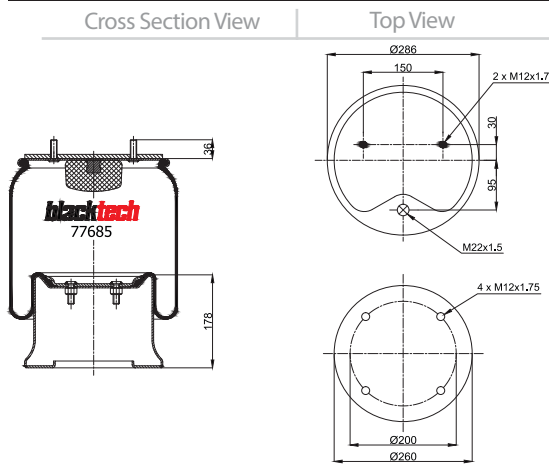
RML 77529 C



OEM PART NUMBER		CROSS REFERENCES	
VOLVO	1 076 418	CONTITECH	6607 N P01
VOLVO	20 374 511	PHOENIX	1 DF 17 A-1
VOLVO	20 456 156	FIRESTONE STYLE	1T15UR-6
VOLVO	20 531 987	FIRESTONE ORDER	W01-M58-8473
VOLVO	20 582 214	GOODYEAR	1R10-707
VOLVO	3 171 695	VIBRACOUSTIC	V1DF16C-1
VOLVO	70 321 695	GRANNING	93911

● Bolt or Stud ○ Threaded hole ⊗ Combination Stud ⊗ Air inlet

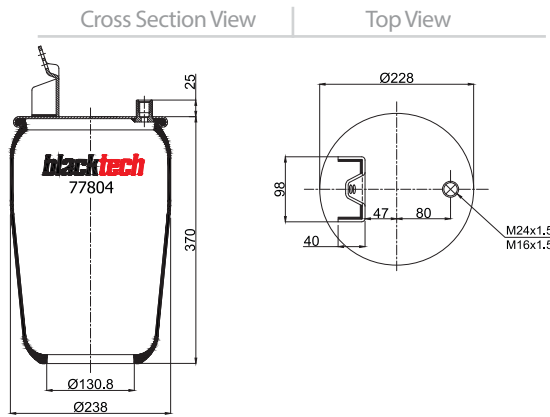
RML 77685 C



OEM PART NUMBER		CROSS REFERENCES	
SCHMITZ	US04031	GOODYEAR	1R14-784
		PHOENIX	1D 28 F-5
		VIBRACOUSTIC	V 1D 28 F-5

● Bolt or Stud ○ Threaded hole ⊗ Combination Stud ⊗ Air inlet

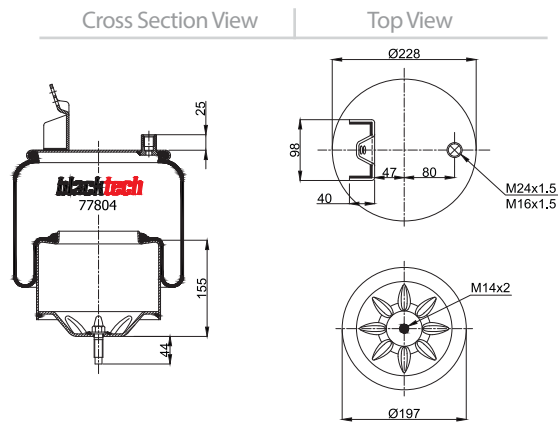
RML 77804



OEM PART NUMBER		CROSS REFERENCES	
		CONTITECH	7804 N

Bolt or Stud
 Threaded hole
 Combination Stud
 Air inlet

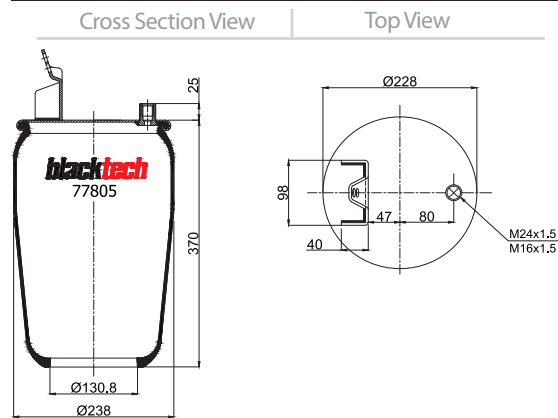
RML 77804 C



OEM PART NUMBER		CROSS REFERENCES	
VOLVO	20 582 209	CONTITECH	6606 N P01
VOLVO	20 531 986	GRANNING	93910
VOLVO	20 456 154	PHOENIX	1 DF 20 E-1
VOLVO	20 427 801	FIRESTONE STYLE	1T15LNR-3
VOLVO	20 427 804	FIRESTONE ORDER	W01 M58 8477
		GOODYEAR	1R11-848

Bolt or Stud
 Threaded hole
 Combination Stud
 Air inlet

RML 77805



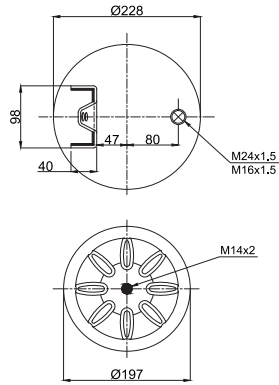
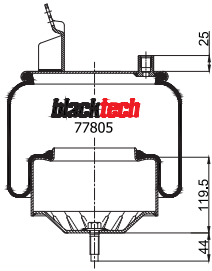
OEM PART NUMBER		CROSS REFERENCES	
		CONTITECH	7805 N

Bolt or Stud
 Threaded hole
 Combination Stud
 Air inlet

RML 77805 C

Cross Section View

Top View



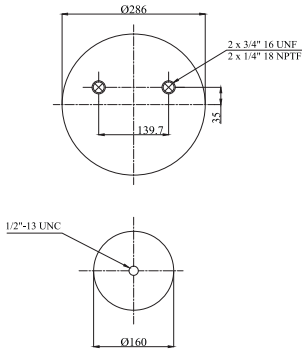
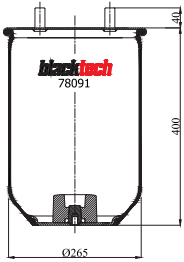
OEM PART NUMBER		CROSS REFERENCES	
VOLVO	20427805	CONTITECH	7805 N COMPLETE
VOLVO	20427802	GRANNING	93915
VOLVO	20456158		
VOLVO	20582212		

● Bolt or Stud ○ Threaded hole ⊗ Combination Stud ⊗ Air inlet

RML 78091

Cross Section View

Top View



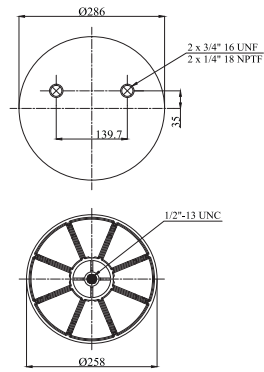
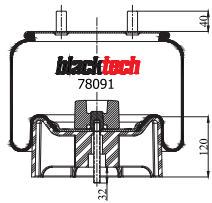
OEM PART NUMBER		CROSS REFERENCES	
		FIRESTONE STYLE	1T 19 FC-6 / 1T19 LC-6
		FIRESTONE ORDER	W01 358 8091

● Bolt or Stud ○ Threaded hole ⊗ Combination Stud ⊗ Air inlet

RML 78091 CP

Cross Section View

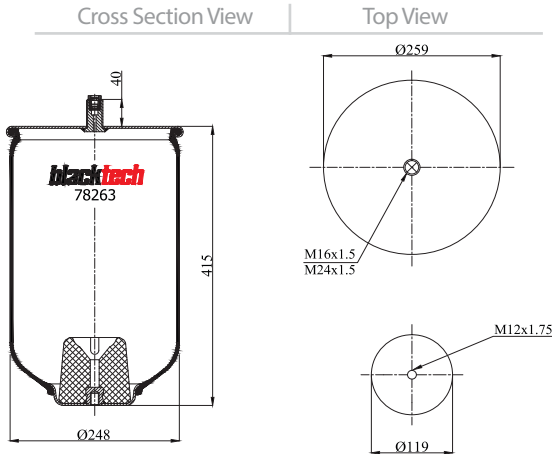
Top View



OEM PART NUMBER		CROSS REFERENCES	
HENDRICKSON	S 20901	FIRESTONE STYLE	1T 19 FC-6 / 1T19 LC-6
HENDRICKSON	S 21784	FIRESTONE ORDER	W01 358 8091
HENDRICKSON	AA 250T	GOODYEAR	1R14 171

● Bolt or Stud ○ Threaded hole ⊗ Combination Stud ⊗ Air inlet

RML 78263

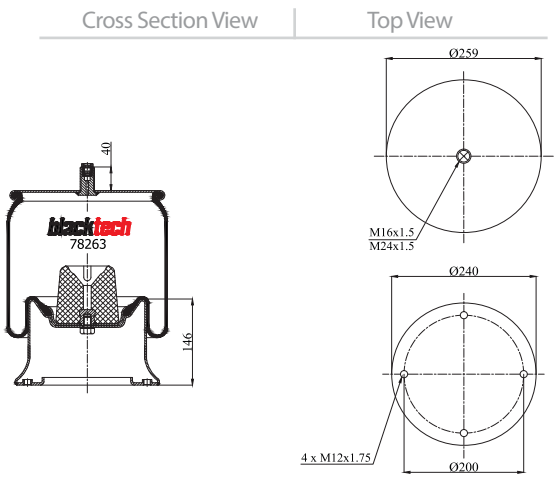


OEM PART NUMBER	

CROSS REFERENCES	

- Bolt or Stud
- Threaded hole
- ⊗ Combination Stud
- ⊗ Air inlet

RML 78263 C

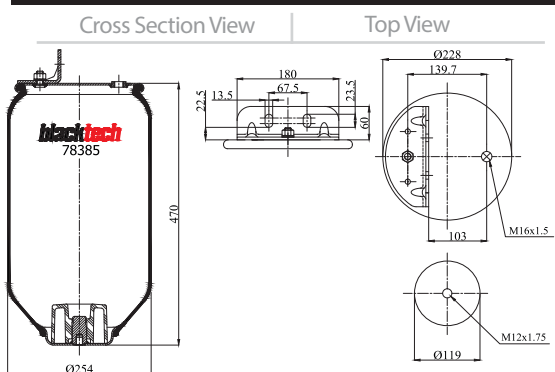


OEM PART NUMBER	

CROSS REFERENCES	
HENDRICKSON	HS508263
MERCEDES /ACTROS	9423205921
GOODYEAR	1R11-847
VIBRA-TOUSTICK	V1 DK 22 G-1

- Bolt or Stud
- Threaded hole
- ⊗ Combination Stud
- ⊗ Air inlet

RML 78385



OEM PART NUMBER	

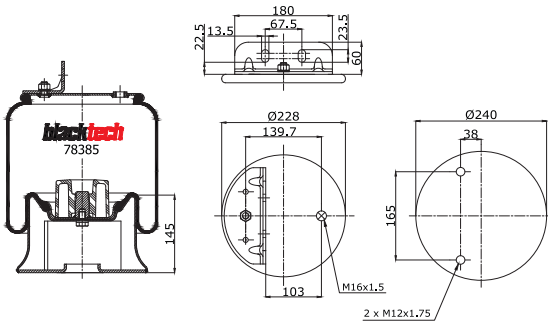
CROSS REFERENCES	
HENDRICKSON	HS508385

- Bolt or Stud
- Threaded hole
- ⊗ Combination Stud
- ⊗ Air inlet

RML 78385 C

Cross Section View

Top View

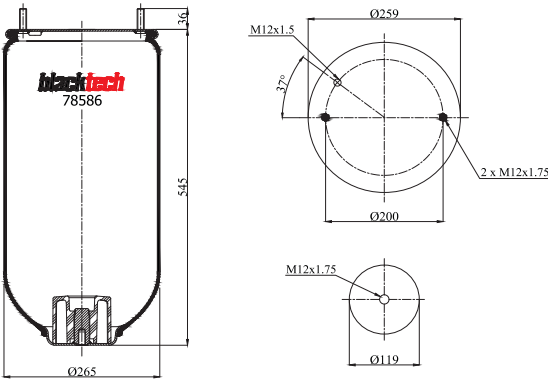


OEM PART NUMBER		CROSS REFERENCES	
HENDRICKSON	HS508385	VIBRACOUSTICK	V1 D23 G-4WB

RML 78586

Cross Section View

Top View

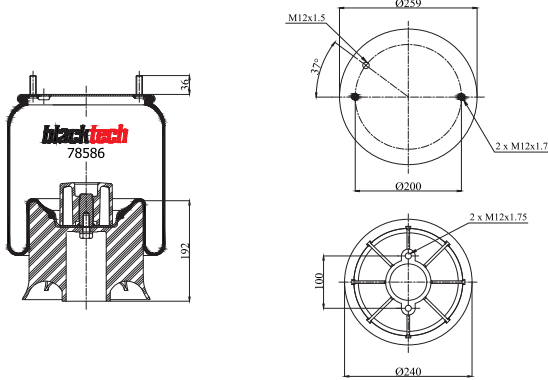


OEM PART NUMBER		CROSS REFERENCES	
HENDRICKSON			

RML 78586 CP

Cross Section View

Top View



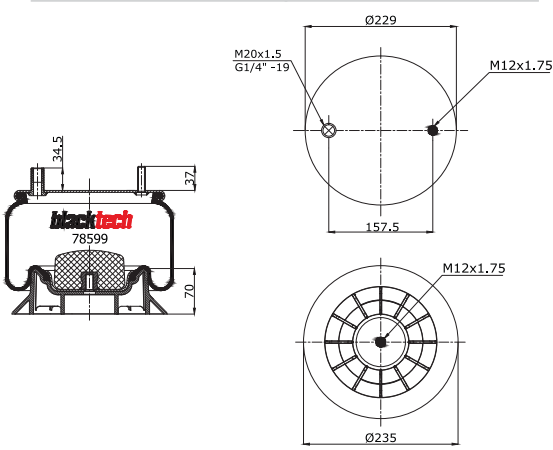
OEM PART NUMBER		CROSS REFERENCES	
HENDRICKSON		FIRESTONE STYLE	1T17 BPZ-11
		FIRESTONE ORDER	W01 R88 8586

RML 78599 CP



Cross Section View

Top View



OEM PART NUMBER		CROSS REFERENCES	
GOLDSCHMITT	DLB 8599	FIRESTONE ORDER	W01 358 8599 (Metric)

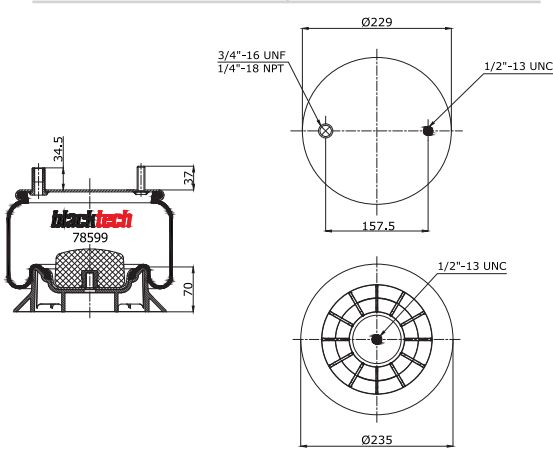
- Bolt or Stud
- Threaded hole
- Combination Stud
- Air inlet

RML 78599 CP1



Cross Section View

Top View



OEM PART NUMBER		CROSS REFERENCES	
		FIRESTONE ORDER	W01 358 8599

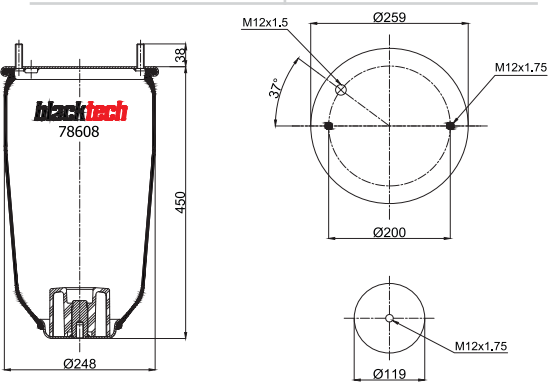
- Bolt or Stud
- Threaded hole
- Combination Stud
- Air inlet

RML 78608



Cross Section View

Top View



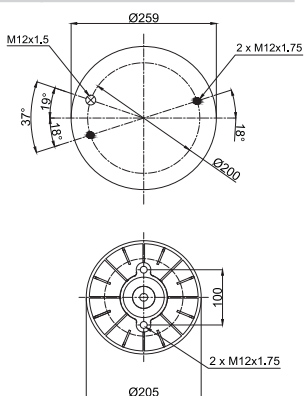
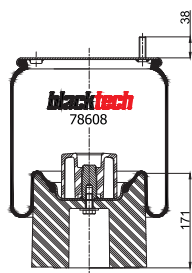
OEM PART NUMBER		CROSS REFERENCES	

- Bolt or Stud
- Threaded hole
- Combination Stud
- Air inlet

RML 78608 CP

Cross Section View

Top View



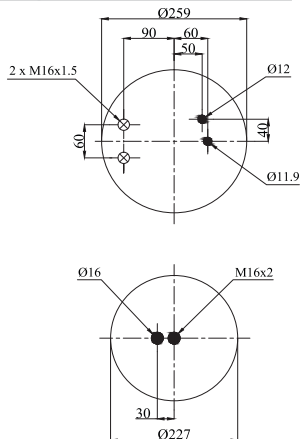
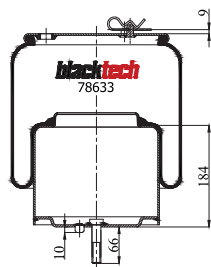
OEM PART NUMBER		CROSS REFERENCES	
ROR MERITOR	21229214	FIRESTONE STYLE	1T17 DJ-7
		FIRESTONE ORDER	W01 M58 8608

Bolt or Stud
 Threaded hole
 ✕ Combination Stud
 ✕ Air inlet

RML 78633 C

Cross Section View

Top View



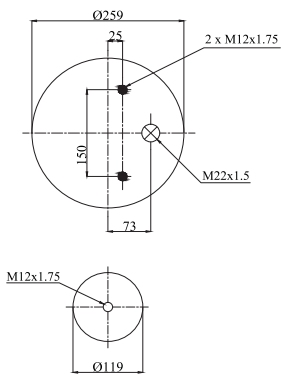
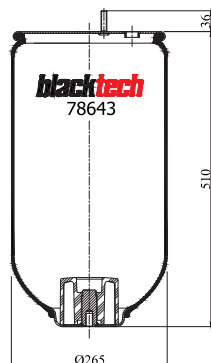
OEM PART NUMBER		CROSS REFERENCES	
SCANIA	1434933	FIRESTONE STYLE	1T 17HR
		FIRESTONE ORDER	W01 M58 8633

Bolt or Stud
 Threaded hole
 ✕ Combination Stud
 ✕ Air inlet

RML 78643

Cross Section View

Top View

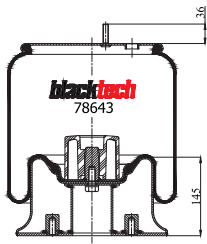


OEM PART NUMBER		CROSS REFERENCES	

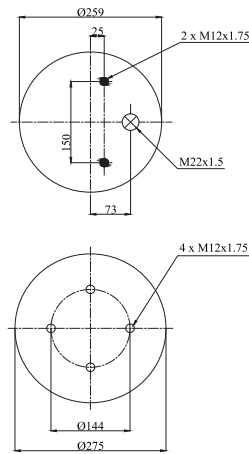
Bolt or Stud
 Threaded hole
 ✕ Combination Stud
 ✕ Air inlet

RML 78643 C

Cross Section View



Top View

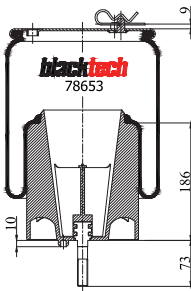


OEM PART NUMBER		CROSS REFERENCES	
HENDRICKSON	QE 100004 / F	FIRESTONE STYLE	1T 17 CL-9.5
		FIRESTONE ORDER	W01 M58 8643
		GOODYEAR	1R13-167

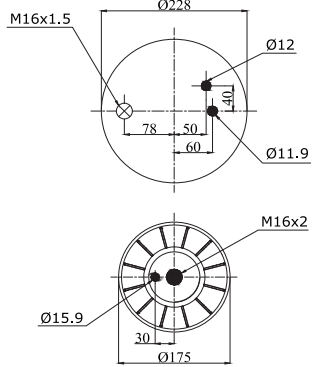
Bolt or Stud
 Threaded hole
 Combination Stud
 Air inlet

RML 78653 CP

Cross Section View



Top View

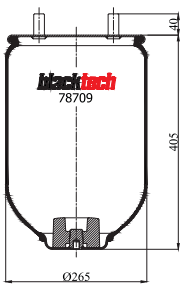


OEM PART NUMBER		CROSS REFERENCES	
SCANIA	1434930	FIRESTONE STYLE	1T 15 UR 9
		FIRESTONE ORDER	W01 M58 8653

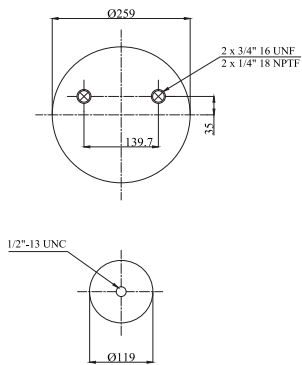
Bolt or Stud
 Threaded hole
 Combination Stud
 Air inlet

RML 78709

Cross Section View



Top View



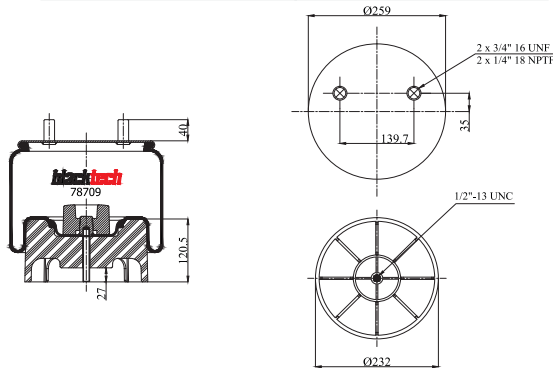
OEM PART NUMBER		CROSS REFERENCES	
		FIRESTONE STYLE	1T17 CA-5
		FIRESTONE ORDER	W01 358 8709

Bolt or Stud
 Threaded hole
 Combination Stud
 Air inlet

RML 78709 CP

Cross Section View

Top View



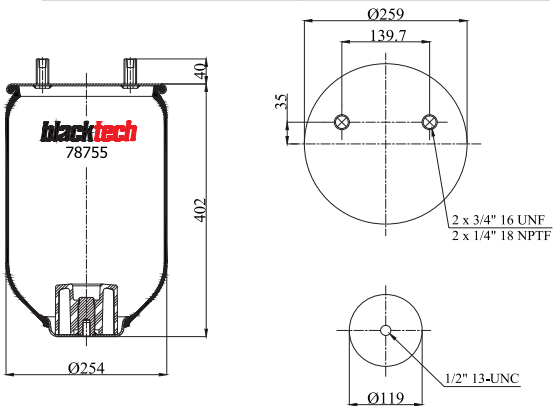
OEM PART NUMBER		CROSS REFERENCES	
HENDRICKSON	S 21800	FIRESTONE STYLE	1T17 CA-5
		FIRESTONE ORDER	W01 358 8709
		GOODYEAR	1R13 159

OEM PART NUMBER		CROSS REFERENCES	
		FIRESTONE STYLE	1T17 CA-5
		FIRESTONE ORDER	W01 358 8709
		GOODYEAR	1R13 159

RML 78755

Cross Section View

Top View



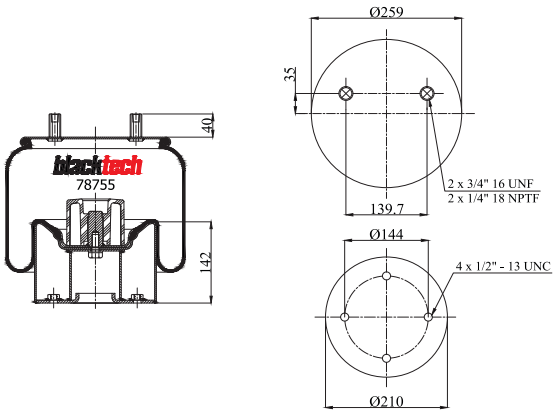
OEM PART NUMBER		CROSS REFERENCES	
		FIRESTONE STYLE	1T17 B5
		FIRESTONE ORDER	W01 358 8755

OEM PART NUMBER		CROSS REFERENCES	
		FIRESTONE STYLE	1T17 B5
		FIRESTONE ORDER	W01 358 8755

RML 78755 C

Cross Section View

Top View

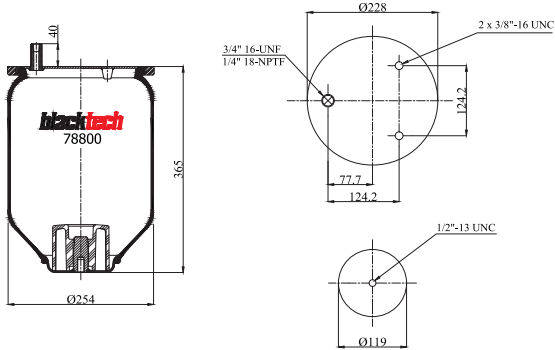


OEM PART NUMBER		CROSS REFERENCES	
HENDRICKSON TRAILER	S220045	FIRESTONE STYLE	1T17 B5
HENDRICKSON TRAILER	C21623	FIRESTONE ORDER	W01 358 8755

OEM PART NUMBER		CROSS REFERENCES	
		FIRESTONE STYLE	1T17 B5
		FIRESTONE ORDER	W01 358 8755

RML 78800

Cross Section View | Top View

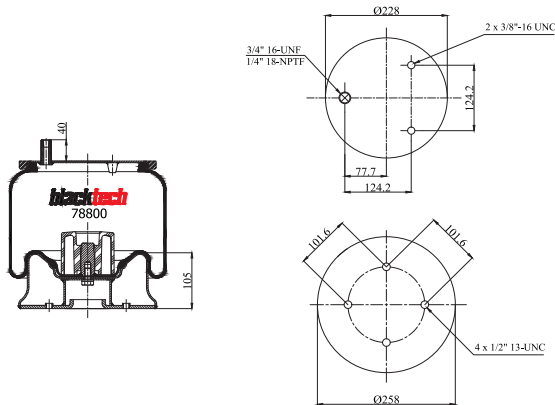


● Bolt or Stud ○ Threaded hole ⊗ Combination Stud ⊗ Air inlet

OEM PART NUMBER		CROSS REFERENCES	
		FIRESTONE STYLE	1T15 VP-4
		FIRESTONE ORDER	W01 358 8800

RML 78800 C

Cross Section View | Top View

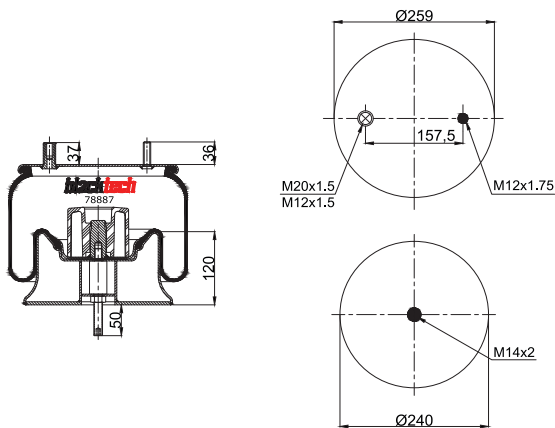


● Bolt or Stud ○ Threaded hole ⊗ Combination Stud ⊗ Air inlet

OEM PART NUMBER		CROSS REFERENCES	
HENDRICKSON	21208	FIRESTONE STYLE	1T15 VP-4
		FIRESTONE ORDER	W01 358 9579

RML 78887 C

Cross Section View | Top View



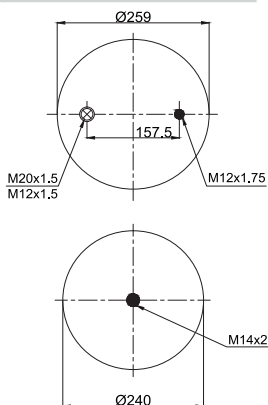
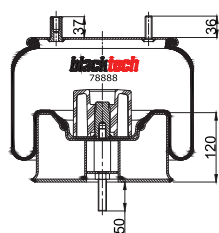
● Bolt or Stud ○ Threaded hole ⊗ Combination Stud ⊗ Air inlet

OEM PART NUMBER		CROSS REFERENCES	
BMC	57RS308887	VIBRACOUSTIC	1 DK27 B-1
FORD TRAILER	T 1835 FRONT		

RML 78888 C

Cross Section View

Top View



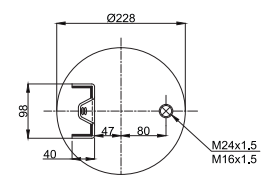
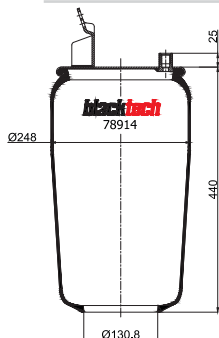
OEM PART NUMBER		CROSS REFERENCES	
BMC	57RS308888	VIBRACOUSTIC	1 DK27 B-2
FORD TRAILER	T 1835 REAR		

● Bolt or Stud ○ Threaded hole ⊗ Combination Stud ⊗ Air inlet

RML 78914

Cross Section View

Top View



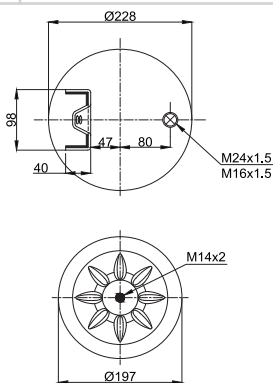
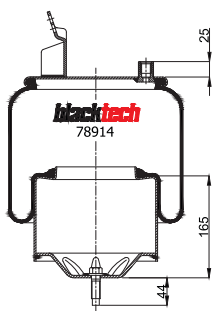
OEM PART NUMBER		CROSS REFERENCES	
VOLVO	57RS308888	CONTITECH	7803 N
		GRANNING	93901

● Bolt or Stud ○ Threaded hole ⊗ Combination Stud ⊗ Air inlet

RML 78914 C

Cross Section View

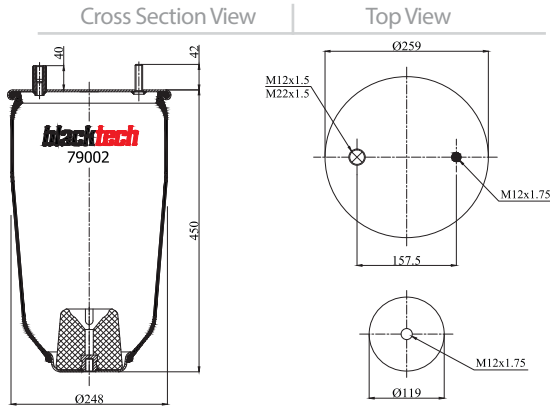
Top View



OEM PART NUMBER		CROSS REFERENCES	
VOLVO	1 075 890	CONTITECH	6605 N P01
VOLVO	20 375 226	GRANNING	93914
VOLVO	20 375 227	PHOENIX	1 DF 20 D-1
VOLVO	20 427 800	FIRESTONE STYLE	1T15LNR-6
VOLVO	20 456 150	FIRESTONE ORDER	W01 M58 8472
VOLVO	20 531 984	GOODYEAR	1R11-805
VOLVO	20 582 206		

● Bolt or Stud ○ Threaded hole ⊗ Combination Stud ⊗ Air inlet

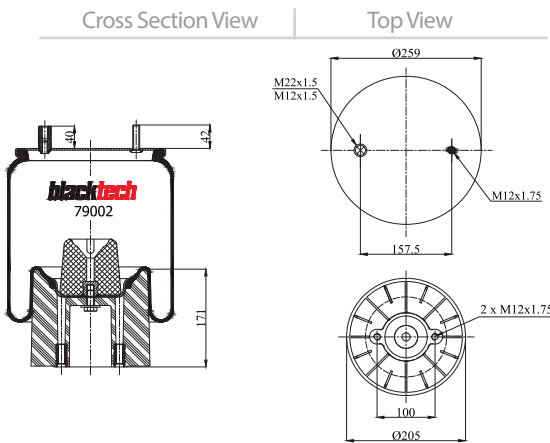
RML 79002 A3



OEM PART NUMBER		CROSS REFERENCES	
WEWELER		CONTITECH	4157 NP05
		PHOENIX	1 DK 21 A-3
		DUNLOP F (SPRINGRIDE)	D12 B17
		GOODYEAR	1R11 106
		CF GOMMA	1TC 300 - 38

● Bolt or Stud ○ Threaded hole ⊗ Combination Stud ⊗ Air inlet

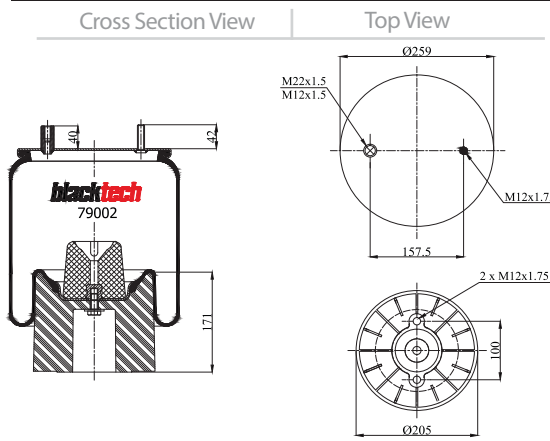
RML 79002 A3 CP



OEM PART NUMBER		CROSS REFERENCES	
WEWELER	US07074	CONTITECH	4157 N P09
		PHOENIX	1 DK 21 A-3
		DUNLOP F (SPRINGRIDE)	D12 B17
		GOODYEAR	1R11-106
		CF GOMMA	1T 300-38
		TAURUS	KR 915 - 54
		VIBRACOUSTIC	V 1 D 21 A-31
		GRANNING	15732

● Bolt or Stud ○ Threaded hole ⊗ Combination Stud ⊗ Air inlet

RML 79002 A3 CP1

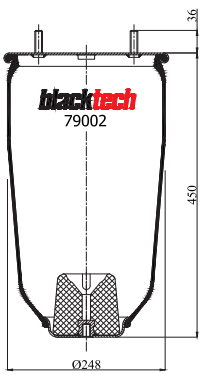


OEM PART NUMBER		CROSS REFERENCES	
WEWELER			

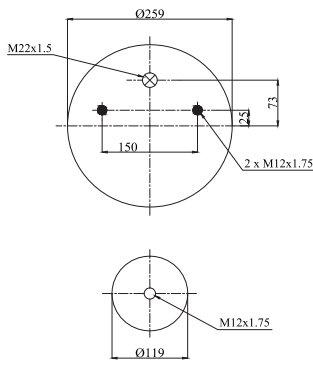
● Bolt or Stud ○ Threaded hole ⊗ Combination Stud ⊗ Air inlet

RML 79002 A8

Cross Section View



Top View

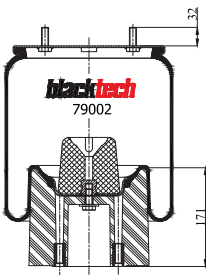


● Bolt or Stud ○ Threaded hole ⊗ Combination Stud ⊗ Air inlet

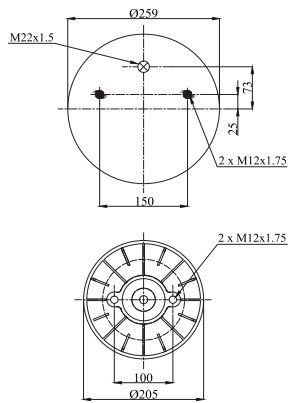
OEM PART NUMBER		CROSS REFERENCES	
WEWELER		CONTITECH	4157 NP04
		PHOENIX	1 DK 21 A/4
		DUNLOP F (SPRINGRIDE)	D12 B18
		GOODYEAR	1R11 111
		TAURUS	KR 915 - 54

RML 79002 A8 CP

Cross Section View



Top View

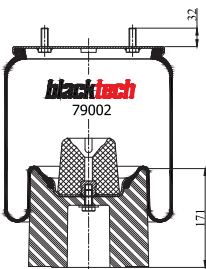


● Bolt or Stud ○ Threaded hole ⊗ Combination Stud ⊗ Air inlet

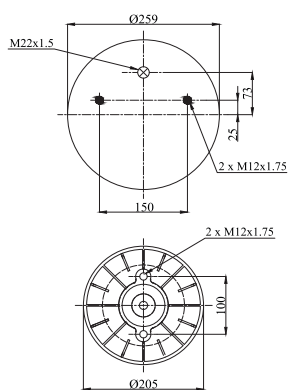
OEM PART NUMBER		CROSS REFERENCES	
WEWELER	US87 EURO F	CONTITECH	4157 NP04
		PHOENIX	1DK 21 A8 / A4
		DUNLOP F (SPRINGRIDE)	D12 B18
		GOODYEAR	1R11- 111
		TAURUS	KP 915 - 53 NW
		VIBRACOUSTIC	V 1D 21 A-4
		GRANNING	15731

RML 79002 A8 CP1

Cross Section View



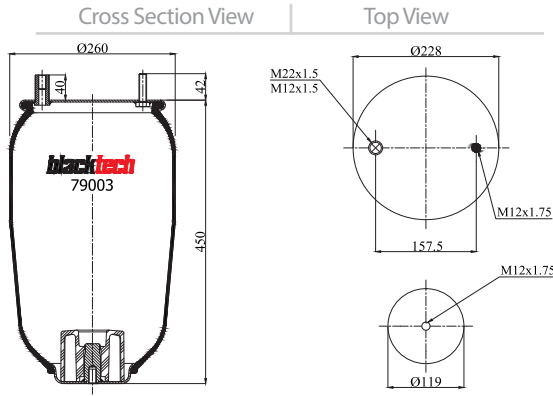
Top View



● Bolt or Stud ○ Threaded hole ⊗ Combination Stud ⊗ Air inlet

OEM PART NUMBER		CROSS REFERENCES	
WEWELER			

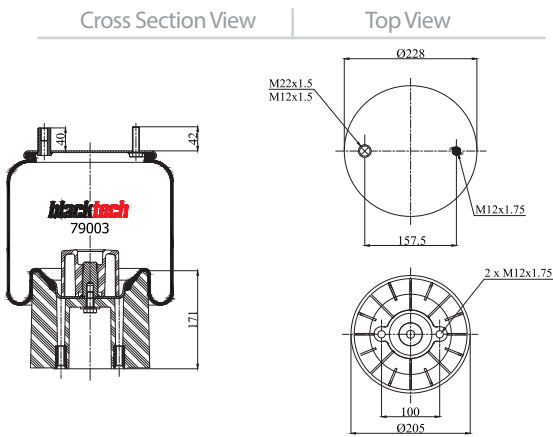
RML 79003 A3



OEM PART NUMBER		CROSS REFERENCES	

● Bolt or Stud ○ Threaded hole ⊗ Combination Stud ⊗ Air inlet

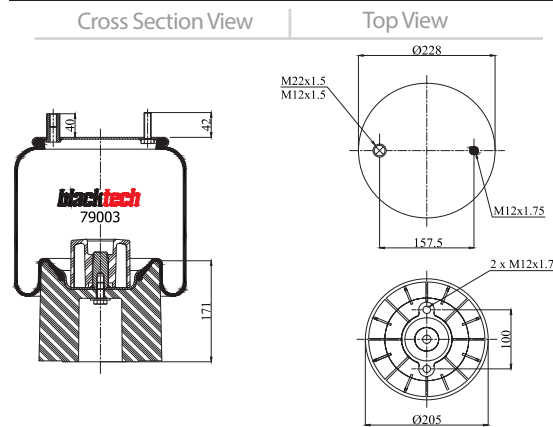
RML 79003 A3 CP



OEM PART NUMBER		CROSS REFERENCES	

● Bolt or Stud ○ Threaded hole ⊗ Combination Stud ⊗ Air inlet

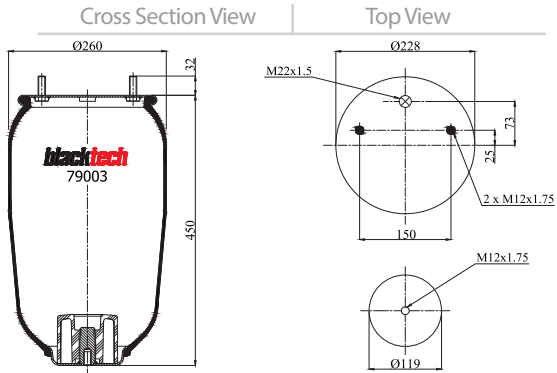
RML 79003 A3 CP1



OEM PART NUMBER		CROSS REFERENCES	
ROR MERITOR	21222442	FIRESTONE STYLE	1T15MPW-7
		FIRESTONE ORDER	W01 M58 7074

● Bolt or Stud ○ Threaded hole ⊗ Combination Stud ⊗ Air inlet

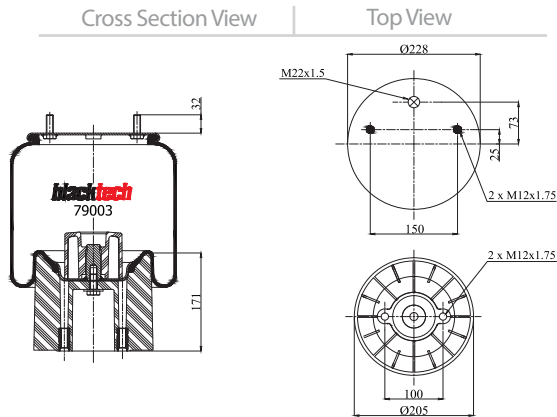
RML 79003 A8



OEM PART NUMBER		CROSS REFERENCES	
ROR MERITOR			

● Bolt or Stud ○ Threaded hole ⊗ Combination Stud ⊗ Air inlet

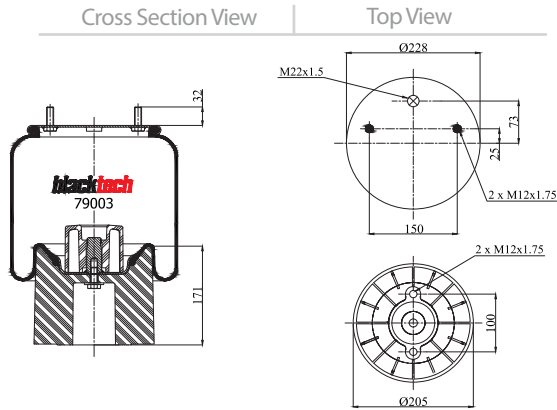
RML 79003 A8 CP



OEM PART NUMBER		CROSS REFERENCES	
ROR MERITOR	21221307	FIRESTONE STYLE	1T15MPW-7
		FIRESTONE ORDER	W01 M58 6297

● Bolt or Stud ○ Threaded hole ⊗ Combination Stud ⊗ Air inlet

RML 79003 A8 CP1



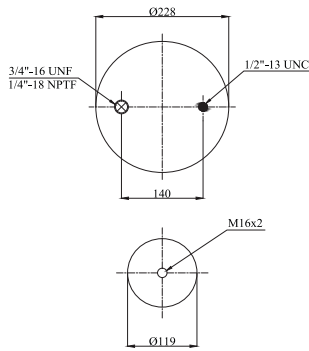
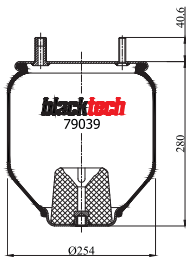
OEM PART NUMBER		CROSS REFERENCES	
ROR MERITOR			

● Bolt or Stud ○ Threaded hole ⊗ Combination Stud ⊗ Air inlet

RML 79039

Cross Section View

Top View



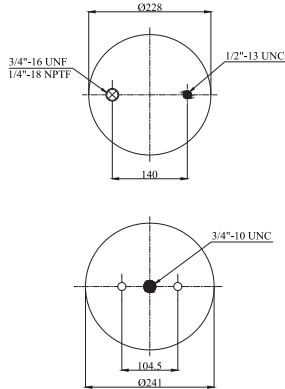
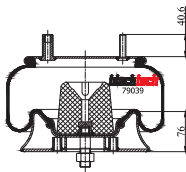
OEM PART NUMBER		CROSS REFERENCES	

● Bolt or Stud ○ Threaded hole ⊗ Combination Stud ⊗ Air inlet

RML 79039 C

Cross Section View

Top View



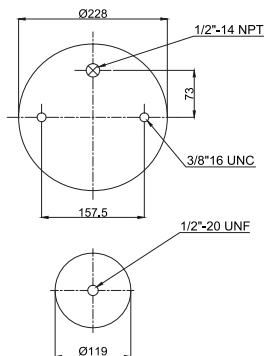
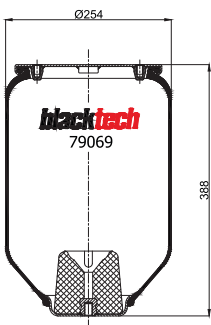
OEM PART NUMBER		CROSS REFERENCES	
HENDRICKSON	B 2064	CONTITECH	9 10-10 P311
ROR MERITOR	21215891	FIRESTONE STYLE	1T15 M-0
NEWAY	900 441 99	FIRESTONE ORDER	W01 358 9039
NEWAY	905 570 11	GOODYEAR	1R12-095
NEWAY	905 570 23		
NEWAY	905 570 85		

● Bolt or Stud ○ Threaded hole ⊗ Combination Stud ⊗ Air inlet

RML 79069

Cross Section View

Top View

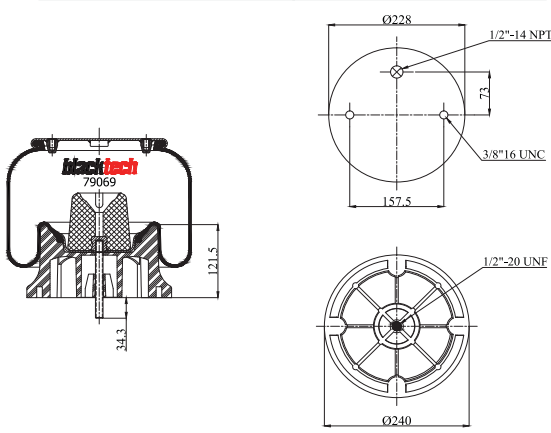


OEM PART NUMBER		CROSS REFERENCES	
		FIRESTONE STYLE	1T15 M-4
		FIRESTONE ORDER	W01 358 9069
		GOODYEAR	1R12 069
		TAURUS	KR 504

● Bolt or Stud ○ Threaded hole ⊗ Combination Stud ⊗ Air inlet

RML 79069 CP

Cross Section View | Top View

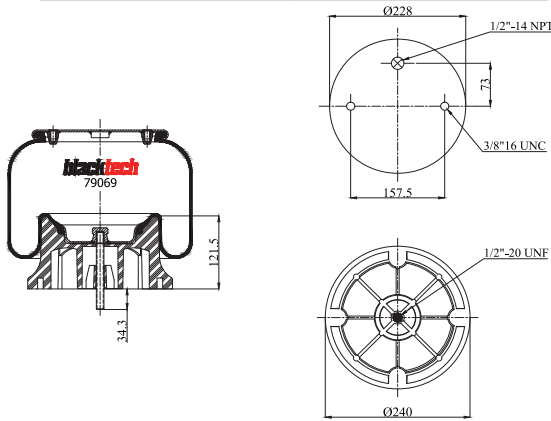


OEM PART NUMBER		CROSS REFERENCES	
FODEN	3100248000	CONTITECH	9 10 - 14P 312
		FIRESTONE STYLE	1T15 M-4
		FIRESTONE ORDER	W01 358 9069
		GOODYEAR	1R12 069 / 1R12 669
		TAURUS	KR 504-9069
		GRANNING	15747

Bolt or Stud
 Threaded hole
 Combination Stud
 Air inlet

RML 79069 CP1

Cross Section View | Top View

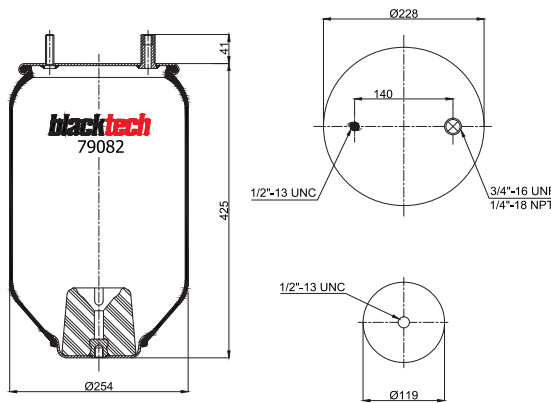


OEM PART NUMBER		CROSS REFERENCES	

Bolt or Stud
 Threaded hole
 Combination Stud
 Air inlet

RML 79082

Cross Section View | Top View



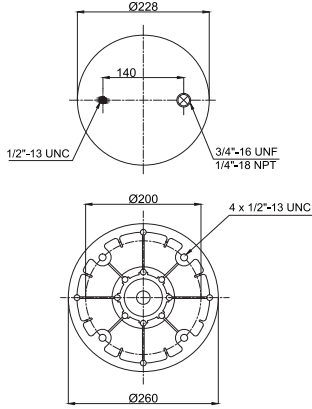
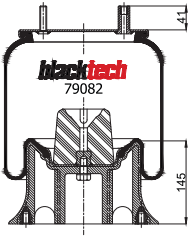
OEM PART NUMBER		CROSS REFERENCES	

Bolt or Stud
 Threaded hole
 Combination Stud
 Air inlet

RML 79082 CP

Cross Section View

Top View



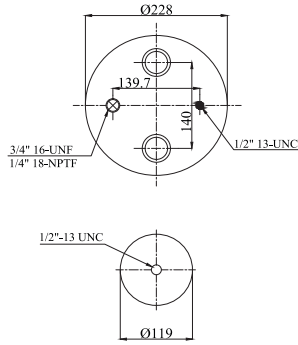
- Bolt or Stud
- Threaded hole
- ⊗ Combination Stud
- ⊗ Air inlet

OEM PART NUMBER		CROSS REFERENCES	
HENDRICKSON	B 2066	CONTITECH	9 10 - 16P 310
NEWAY	90557 006/027	FIRESTONE STYLE	1T15 M-4
NEWAY	90557 031/037	FIRESTONE ORDER	W01 358 9082
NEWAY	90557 075	GOODYEAR	1R12 092
		TAURUS	KR506-9082

RML 79213

Cross Section View

Top View



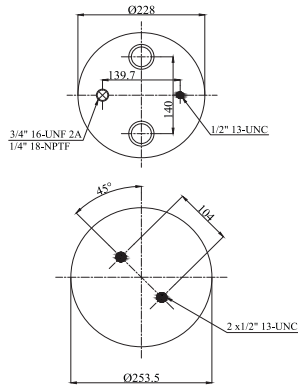
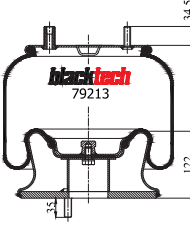
- Bolt or Stud
- Threaded hole
- ⊗ Combination Stud
- ⊗ Air inlet

OEM PART NUMBER		CROSS REFERENCES	
		FIRESTONE STYLE	9 10 - 16P 310
		FIRESTONE ORDER	1T15 M-4

RML 79213 C

Cross Section View

Top View



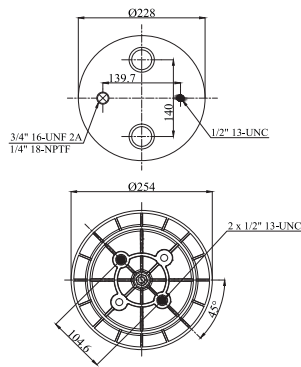
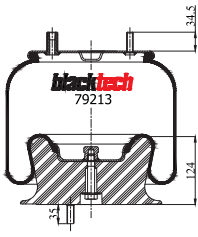
- Bolt or Stud
- Threaded hole
- ⊗ Combination Stud
- ⊗ Air inlet

OEM PART NUMBER		CROSS REFERENCES	

RML 79213 CP

Cross Section View

Top View



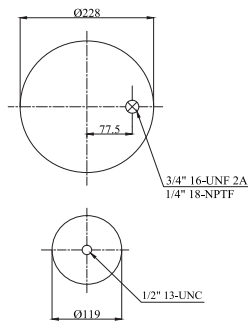
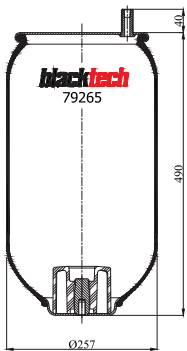
● Bolt or Stud ○ Threaded hole ⊗ Combination Stud ⊗ Air inlet

OEM PART NUMBER		CROSS REFERENCES	
DAYTON	352 - 9213	FIRESTONE STYLE	1T15 M6
NAVISTAR	1660581 C-1	FIRESTONE ORDER	W01 358 9213
NAVISTAR	501559 C-1	CONTITECH	9 10 - 16P 441
NAVISTAR	501559 C-2	GOODYEAR	1R12 090

RML 79265

Cross Section View

Top View



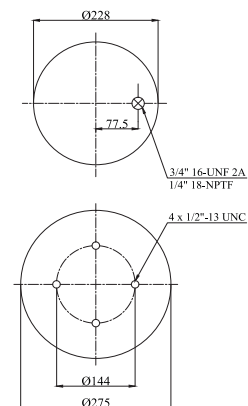
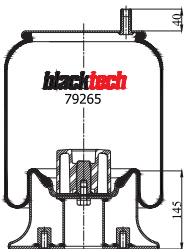
● Bolt or Stud ○ Threaded hole ⊗ Combination Stud ⊗ Air inlet

OEM PART NUMBER		CROSS REFERENCES	
		FIRESTONE STYLE	1T15 MW-10
		FIRESTONE ORDER	W01 358 9265

RML 79265 C

Cross Section View

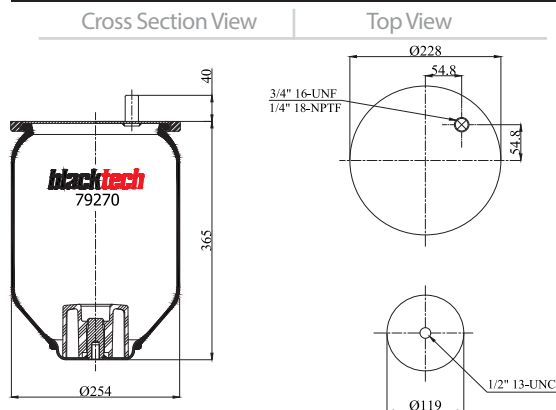
Top View



● Bolt or Stud ○ Threaded hole ⊗ Combination Stud ⊗ Air inlet

OEM PART NUMBER		CROSS REFERENCES	
HENDRICKSON	C20413	FIRESTONE STYLE	1T15 MW - 10
HENDRICKSON	S20124	FIRESTONE ORDER	W01 358 9265
		CONTITECH	9 10 19P - 435
		GOODYEAR	1R12 375

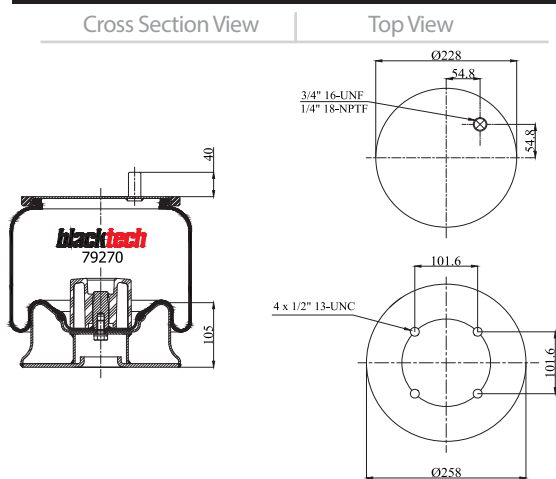
RML 79270



OEM PART NUMBER		CROSS REFERENCES	
		FIRESTONE STYLE	1T15 VP -4
		FIRESTONE ORDER	W01 358 9270

● Bolt or Stud ○ Threaded hole ⊗ Combination Stud ⊗ Air inlet

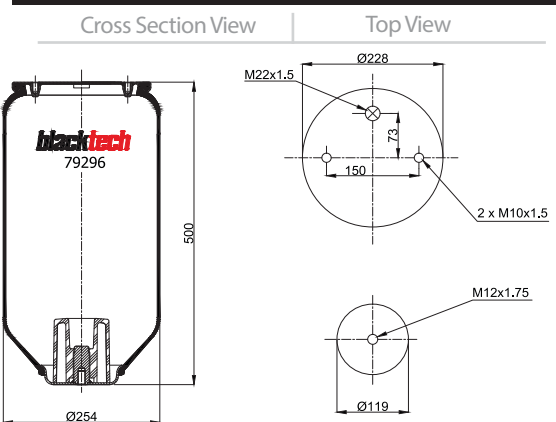
RML 79270 C



OEM PART NUMBER		CROSS REFERENCES	
HENDRICKSON	S20010	FIRESTONE STYLE	1T15 VP -4
		FIRESTONE ORDER	W01 358 9270
		CONTITECH	9 10 13.5 -S433
		GOODYEAR	1R13 119
		GOODYEAR	1R13 102
		GOODYEAR	1R13 077
		TAURUS	KR 501-01
		GRANNING	15994

● Bolt or Stud ○ Threaded hole ⊗ Combination Stud ⊗ Air inlet

RML 79296

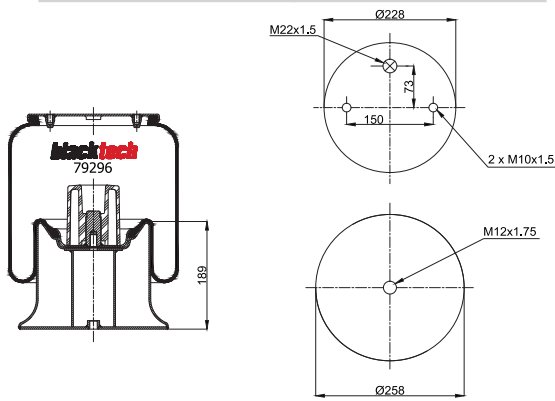


OEM PART NUMBER		CROSS REFERENCES	
		FIRESTONE STYLE	1T15 MP 9
		FIRESTONE ORDER	W01 M58 6257
		PHOENIX	1DK 20 B-1
		DUNLOP	D12 U23
		GOODYEAR	1R12 748

● Bolt or Stud ○ Threaded hole ⊗ Combination Stud ⊗ Air inlet

RML 79296 C

Cross Section View | Top View

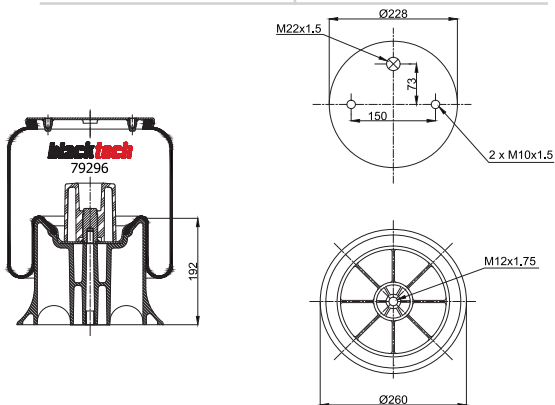


OEM PART NUMBER		CROSS REFERENCES	
NEWAY		FIRESTONE STYLE	1T15 MP 9
		FIRESTONE ORDER	W01 M58 8185

● Bolt or Stud ○ Threaded hole ⊗ Combination Stud ⊗ Air inlet

RML 79296 CP

Cross Section View | Top View

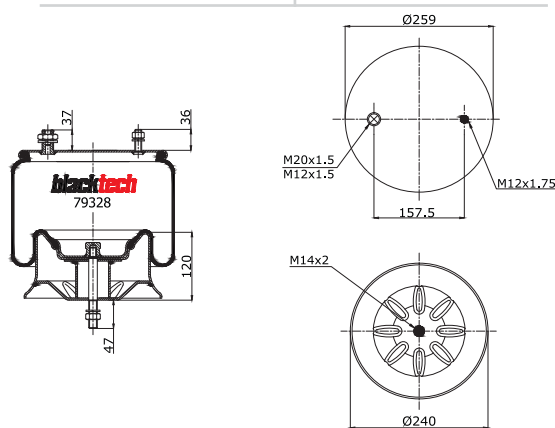


OEM PART NUMBER		CROSS REFERENCES	
SCHIMITZ	750 999	CONTITECH	4158 N P03
SCHIMITZ	014 892	FIRESTONE STYLE	1T15 MP 9
WEWELER	US 06285	FIRESTONE ORDER	W01 M58 8185
		PHOENIX	1DK 20 B-1
		DUNLOP	D12 B22
		GOODYEAR	1R12 749

● Bolt or Stud ○ Threaded hole ⊗ Combination Stud ⊗ Air inlet

RML 79328 C

Cross Section View | Top View



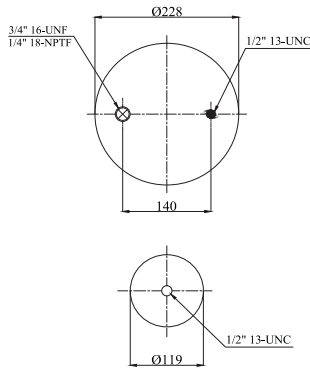
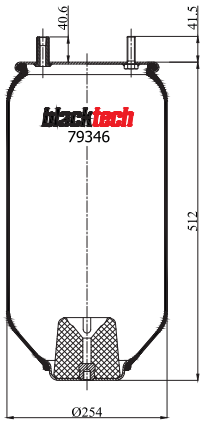
OEM PART NUMBER		CROSS REFERENCES	
HENDRICKSON	HS 509328	VIBRACOUSTIC	V 1 DK 27 b-6

● Bolt or Stud ○ Threaded hole ⊗ Combination Stud ⊗ Air inlet

RML 79346

Cross Section View

Top View



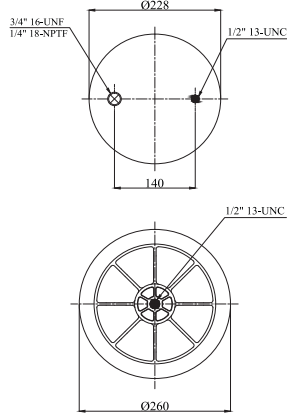
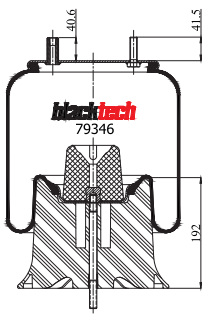
● Bolt or Stud ○ Threaded hole ⊗ Combination Stud ⊗ Air inlet

OEM PART NUMBER		CROSS REFERENCES	
		FIRESTONE STYLE	1T15 M9
		FIRESTONE ORDER	W01 358 9346

RML 79346 CP

Cross Section View

Top View



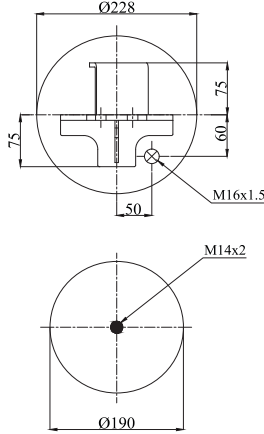
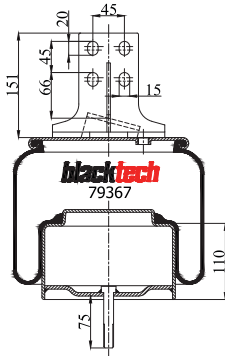
● Bolt or Stud ○ Threaded hole ⊗ Combination Stud ⊗ Air inlet

OEM PART NUMBER		CROSS REFERENCES	
HENDRICKSON	S9346	FIRESTONE STYLE	1T15 M9
NEWAY (HOLLAND)	90557126	FIRESTONE ORDER	W01 358 9346
WATSON CHALIN	AS 0053	GOODYEAR	1R12 439

RML 79367 C

Cross Section View

Top View



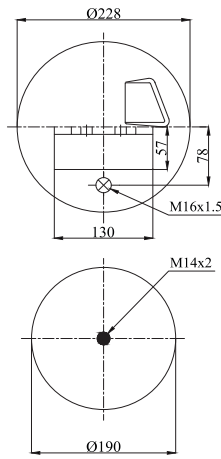
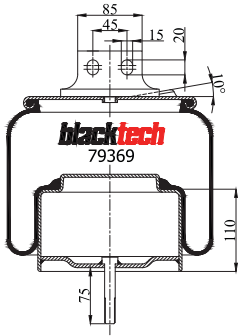
● Bolt or Stud ○ Threaded hole ⊗ Combination Stud ⊗ Air inlet

OEM PART NUMBER		CROSS REFERENCES	
IVECO	41289367	CF GOMMA	1 TS 270-23 C / 750 120 75 37

RML 79369 C

Cross Section View

Top View



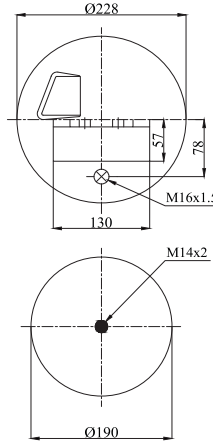
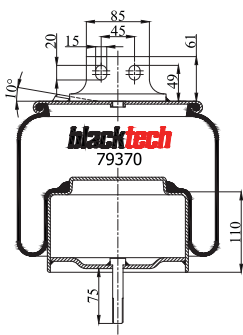
● Bolt or Stud ○ Threaded hole ⊗ Combination Stud ⊗ Air inlet

OEM PART NUMBER		CROSS REFERENCES	
IVECO	41289369	CF GOMMA	1TS 270-23 C / 750 120 75 35

RML 79370 C

Cross Section View

Top View



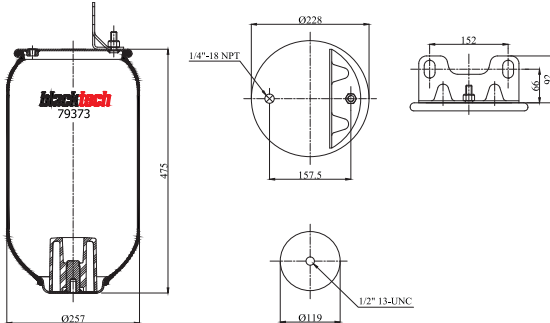
● Bolt or Stud ○ Threaded hole ⊗ Combination Stud ⊗ Air inlet

OEM PART NUMBER		CROSS REFERENCES	
IVECO	41289370	CF GOMMA	1 TS 270-23 C / 750 120 75 36

RML 79373

Cross Section View

Top View

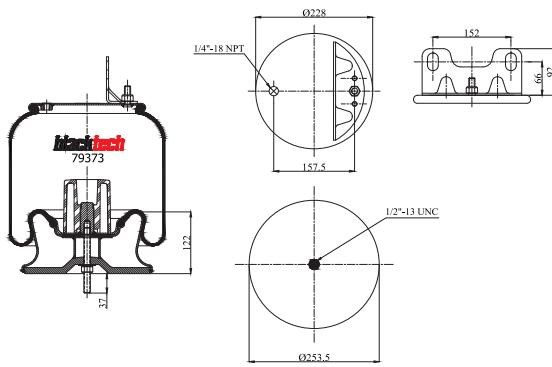


● Bolt or Stud ○ Threaded hole ⊗ Combination Stud ⊗ Air inlet

OEM PART NUMBER		CROSS REFERENCES	
		FIRESTONE STYLE	1T15 MT 8
		FIRESTONE ORDER	W01 M58 9373

RML 79373 C

Cross Section View Top View

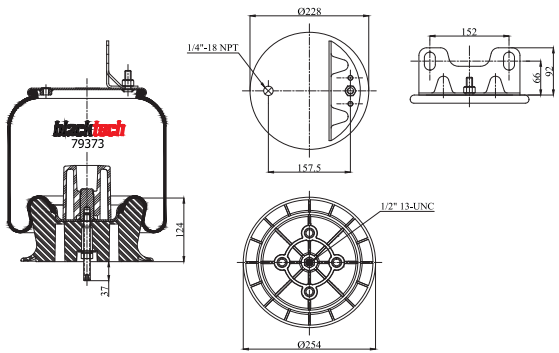


Bolt or Stud
 Threaded hole
 Combination Stud
 Air inlet

OEM PART NUMBER		CROSS REFERENCES	

RML 79373 CP

Cross Section View Top View

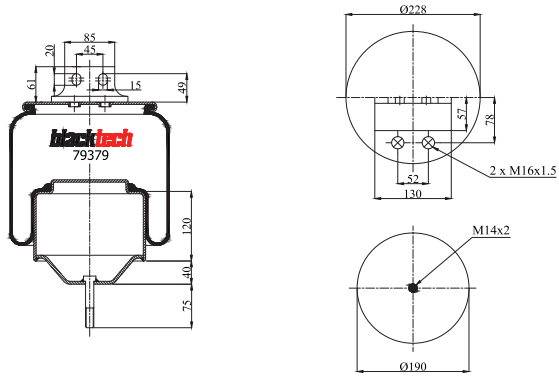


Bolt or Stud
 Threaded hole
 Combination Stud
 Air inlet

OEM PART NUMBER		CROSS REFERENCES	
HENDRICKSON ford class 8	57122-2	FIRESTONE STYLE	1T15 MT 8
ERF	129608-5	FIRESTONE ORDER	W01 M58 9373
		CONTITECH	9 10-17,5 P440 / P 519
		GOODYEAR	1R12 403 / 1S 12 -030
		GRANNING	16013

RML 79379 C

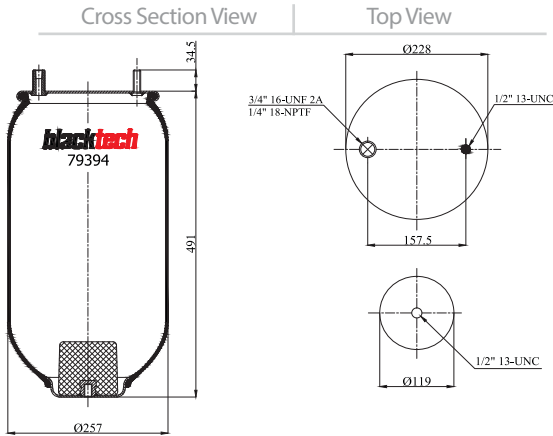
Cross Section View Top View



Bolt or Stud
 Threaded hole
 Combination Stud
 Air inlet

OEM PART NUMBER		CROSS REFERENCES	
IVECO	41289379	CF-GOMMA	1TS 270-26 C / 750 120 75 29

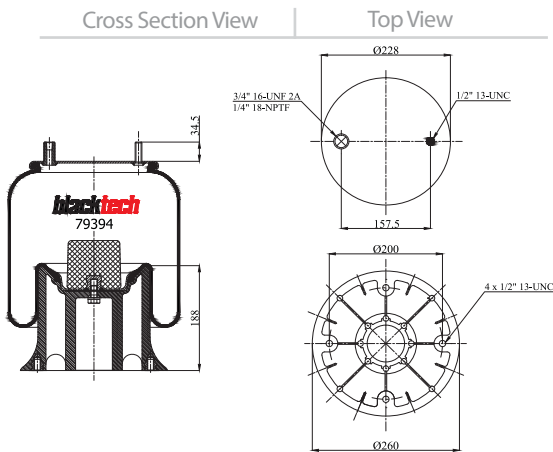
RML 79394



OEM PART NUMBER		CROSS REFERENCES	
FREUEHAUF			

● Bolt or Stud ○ Threaded hole ⊗ Combination Stud ⊗ Air inlet

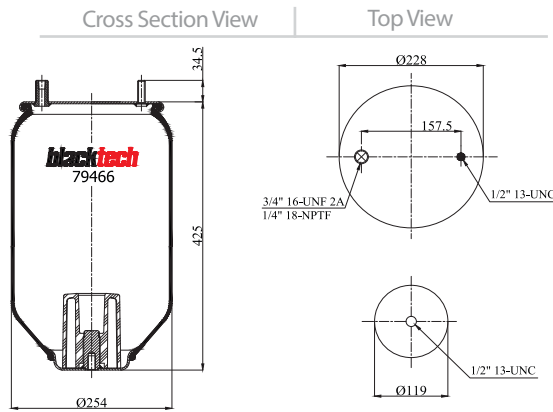
RML 79394 CP



OEM PART NUMBER		CROSS REFERENCES	
FREUEHAUF	UCD-9393-2	CONTITECH	9 10-19 P 383
		FIRESTONE STYLE	1T15 M-9
		FIRESTONE ORDER	W01 358 9394
		GOODYEAR	1R12 142/264/278/279/281

● Bolt or Stud ○ Threaded hole ⊗ Combination Stud ⊗ Air inlet

RML 79466



OEM PART NUMBER		CROSS REFERENCES	
HENDRICKSON			
TRIANGLE			

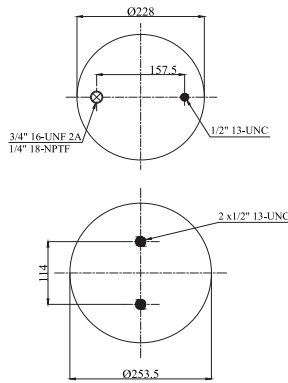
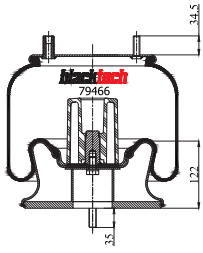
● Bolt or Stud ○ Threaded hole ⊗ Combination Stud ⊗ Air inlet

RML 79466 C



Cross Section View

Top View



● Bolt or Stud ○ Threaded hole ⊗ Combination Stud ⊗ Air inlet

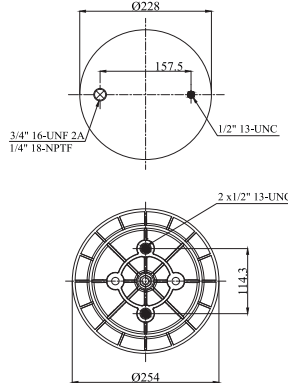
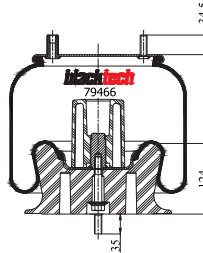
OEM PART NUMBER		CROSS REFERENCES	

RML 79466 CP



Cross Section View

Top View



● Bolt or Stud ○ Threaded hole ⊗ Combination Stud ⊗ Air inlet

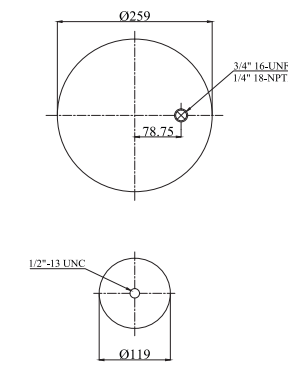
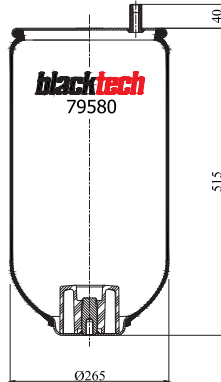
OEM PART NUMBER		CROSS REFERENCES	
HENDRICKSON	49048 / 49674 / 49207	CONTITECH	9 10-16 P 410
		FIRESTONE STYLE	1T15 MT-6
		FIRESTONE ORDER	W01 358 9466

RML 79580



Cross Section View

Top View



● Bolt or Stud ○ Threaded hole ⊗ Combination Stud ⊗ Air inlet

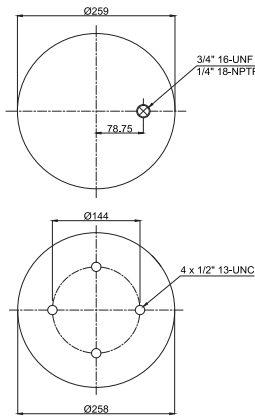
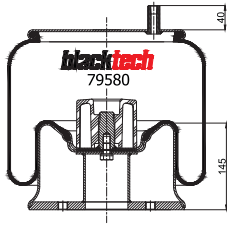
OEM PART NUMBER		CROSS REFERENCES	

RML 79580 C



Cross Section View

Top View



OEM PART NUMBER

HENDRICKSON	C 20127
ERF	139855-0

CROSS REFERENCES

CONTITECH	10 10-21 P 434
FIRESTONE STYLE	1T17 CL-9,5
FIRESTONE ORDER	W01 358 9580
GOODYEAR	1R13 118 / 144
GRANNING	15993

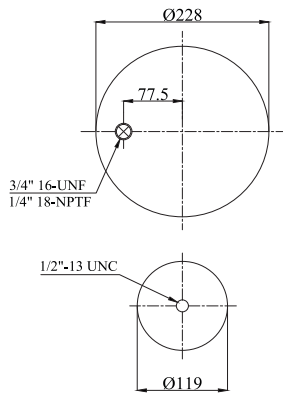
- Bolt or Stud
- Threaded hole
- ⊗ Combination Stud
- ⊗ Air inlet

RML 79640



Cross Section View

Top View

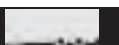


OEM PART NUMBER

CROSS REFERENCES

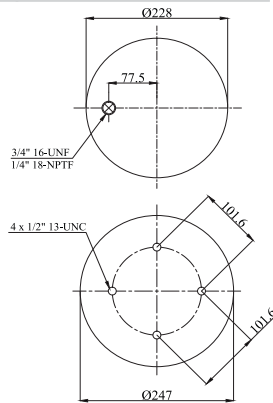
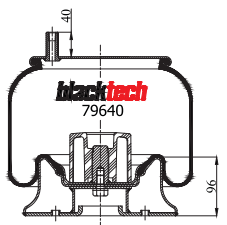
- Bolt or Stud
- Threaded hole
- ⊗ Combination Stud
- ⊗ Air inlet

RML 79640 C



Cross Section View

Top View



OEM PART NUMBER

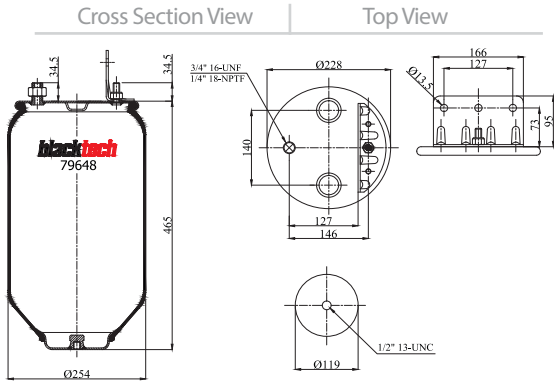
HENDRICKSON	S20223
HENDRICKSON	HT 190T
HENDRICKSON	HS 190T

CROSS REFERENCES

CONTITECH	9 10-12 A 427
FIRESTONE STYLE	1T15 MT-3
FIRESTONE ORDER	W01 358 9640
GOODYEAR	1R12 367

- Bolt or Stud
- Threaded hole
- ⊗ Combination Stud
- ⊗ Air inlet

RML 79648



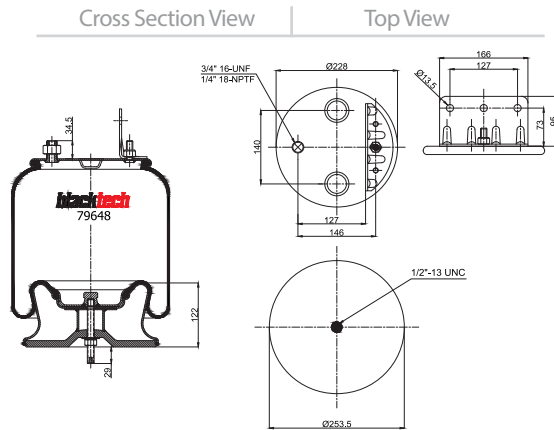
OEM PART NUMBER

CROSS REFERENCES

FIRESTONE STYLE	1T15 M-8
FIRESTONE ORDER	W01 358 9648

- Bolt or Stud
- Threaded hole
- Combination Stud
- Air inlet

RML 79648 C

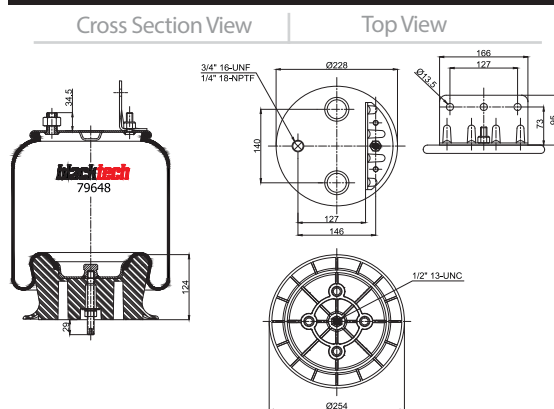


OEM PART NUMBER

CROSS REFERENCES

- Bolt or Stud
- Threaded hole
- Combination Stud
- Air inlet

RML 79648 CP



OEM PART NUMBER

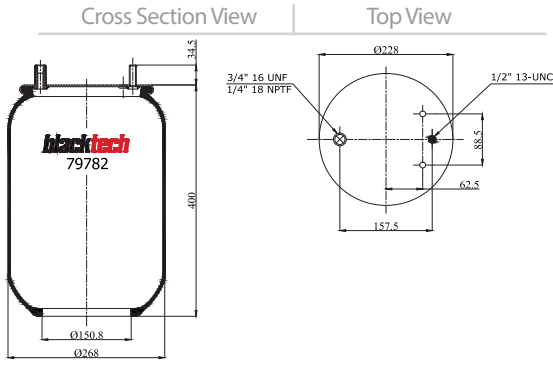
NAVISTAR	2027911 C1
NAVISTAR	2027911 C2

CROSS REFERENCES

FIRESTONE STYLE	1T15 M-8
FIRESTONE ORDER	W01 358 9648
GOODYEAR	1R12-538

- Bolt or Stud
- Threaded hole
- Combination Stud
- Air inlet

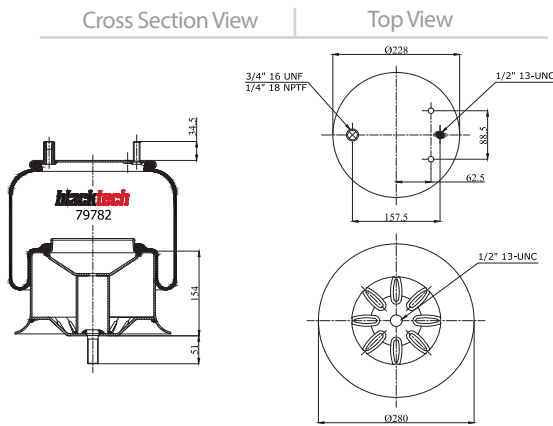
RML 79782



● Bolt or Stud ○ Threaded hole ⊗ Combination Stud ⊗ Air inlet

OEM PART NUMBER		CROSS REFERENCES	

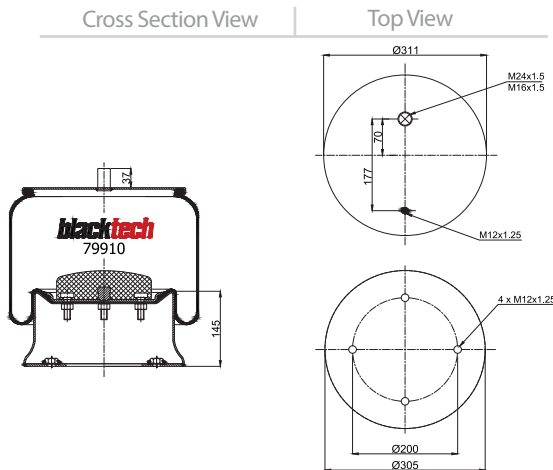
RML 79782 C



● Bolt or Stud ○ Threaded hole ⊗ Combination Stud ⊗ Air inlet

OEM PART NUMBER		CROSS REFERENCES	
FREIGHTLINER	16-13810-000	FIRESTONE STYLE	1T15 ZR-6
FREIGHTLINER	681-320-0017	FIRESTONE ORDER	W01 358 9782
FREIGHTLINER	16-1673-000		

RML 79910 C



● Bolt or Stud ○ Threaded hole ⊗ Combination Stud ⊗ Air inlet

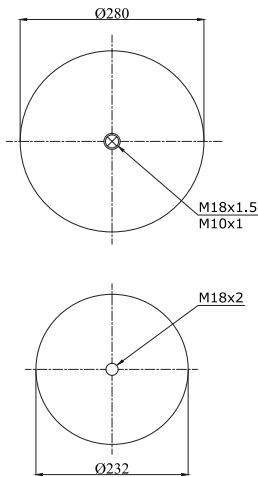
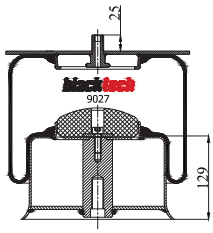
OEM PART NUMBER		CROSS REFERENCES	
RENAULT	5.000.815.749	CONTITECH	902 MB
NEWAY	M 00 57 000 G	FIRESTONE STYLE	1T19 G-12
		FIRESTONE ORDER	W01 M58 9910

RML 9027 C



Cross Section View

Top View



- Bolt or Stud
- Threaded hole
- Combination Stud
- Air inlet

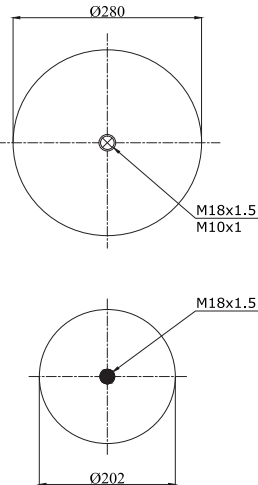
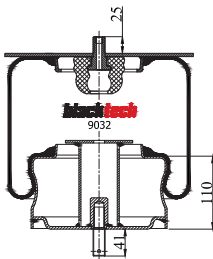
OEM PART NUMBER		CROSS REFERENCES	
MAN		CONTITECH	916 N1 (Complete)
TEMSA			

RML 9032 C



Cross Section View

Top View



- Bolt or Stud
- Threaded hole
- Combination Stud
- Air inlet

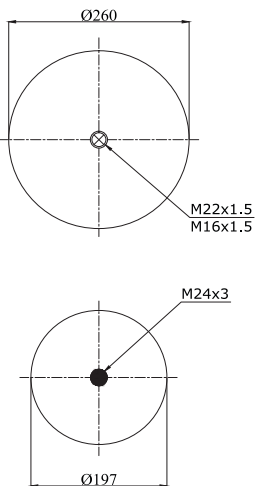
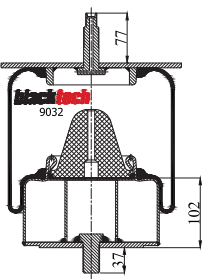
OEM PART NUMBER		CROSS REFERENCES	
TEMSA BUS		CONTITECH	921 N (Complete)

RML 9032 C3



Cross Section View

Top View



- Bolt or Stud
- Threaded hole
- Combination Stud
- Air inlet

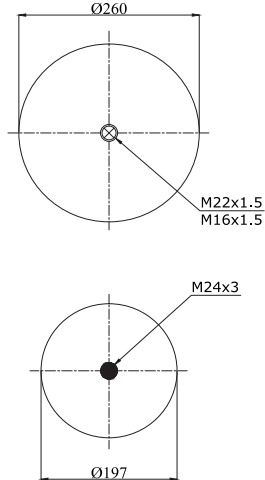
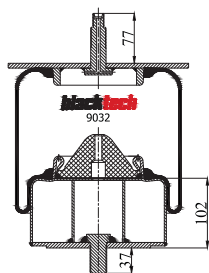
OEM PART NUMBER		CROSS REFERENCES	
BMC BUS	53RS900131		



RML 9032 C4

Cross Section View

Top View



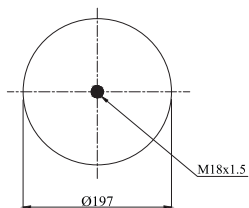
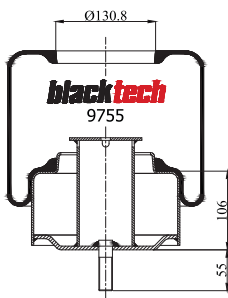
● Bolt or Stud ○ Threaded hole ⊗ Combination Stud ⊗ Air inlet

OEM PART NUMBER		CROSS REFERENCES	
BMC BUS	53RS900144		

RML 9755 C2

Cross Section View

Top View



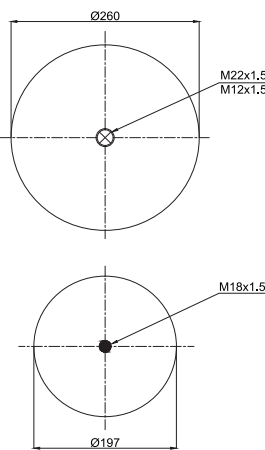
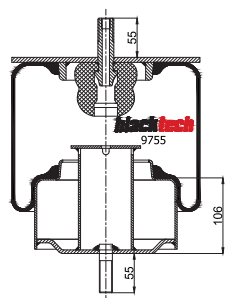
● Bolt or Stud ○ Threaded hole ⊗ Combination Stud ⊗ Air inlet

OEM PART NUMBER		CROSS REFERENCES	

RML 9755 C3

Cross Section View

Top View



● Bolt or Stud ○ Threaded hole ⊗ Combination Stud ⊗ Air inlet

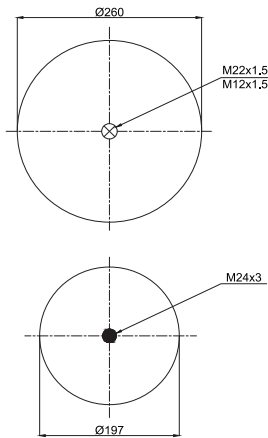
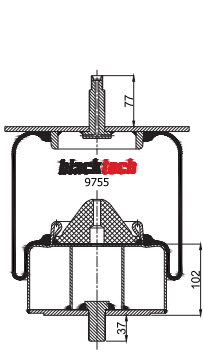
OEM PART NUMBER		CROSS REFERENCES	
BMC BUS	53RS900083		

RML 9755 C4



Cross Section View

Top View



- Bolt or Stud
- Threaded hole
- Combination Stud
- Air inlet

OEM PART NUMBER

CROSS REFERENCES

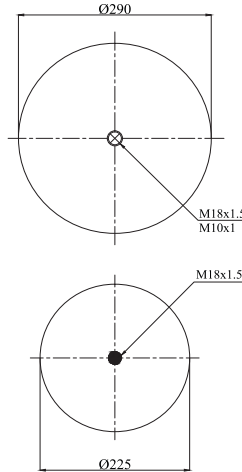
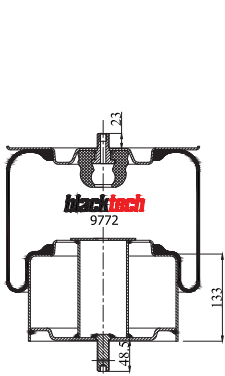
BMC BUS

RML 9772 C1



Cross Section View

Top View



- Bolt or Stud
- Threaded hole
- Combination Stud
- Air inlet

OEM PART NUMBER

CROSS REFERENCES

IRIS	5.010.073.846
AYATS	31001569

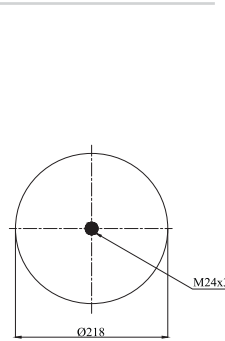
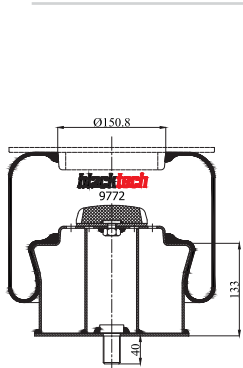
CONTITECH	661 N P01
GRANNING	91303

RML 9772 C2



Cross Section View

Top View



- Bolt or Stud
- Threaded hole
- Combination Stud
- Air inlet

OEM PART NUMBER

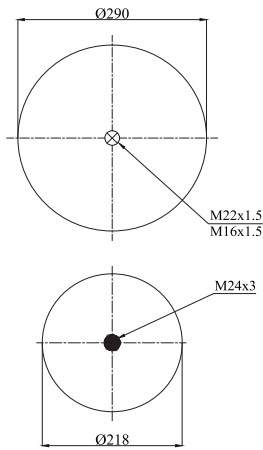
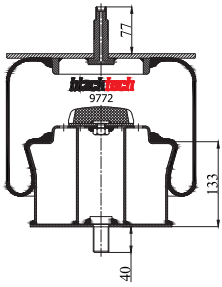
CROSS REFERENCES

RML 9772 C8



Cross Section View

Top View



OEM PART NUMBER		CROSS REFERENCES	
BMCBUS	53RS900142		

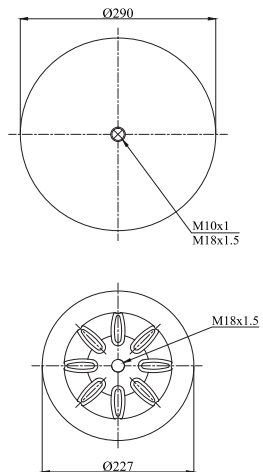
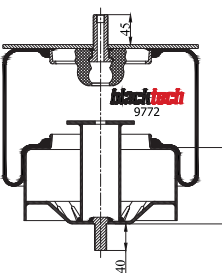
Bolt or Stud
 Threaded hole
 Combination Stud
 Air inlet

RML 9772 C10



Cross Section View

Top View



OEM PART NUMBER		CROSS REFERENCES	

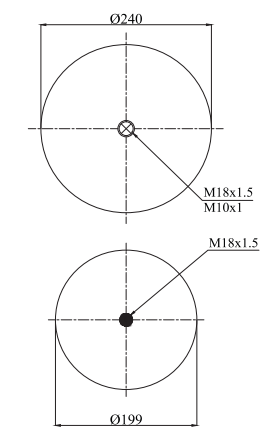
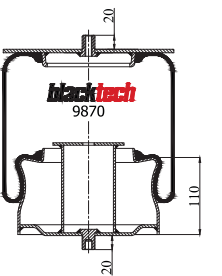
Bolt or Stud
 Threaded hole
 Combination Stud
 Air inlet

RML 9870 C



Cross Section View

Top View



OEM PART NUMBER		CROSS REFERENCES	
RENAULT	5.000.785.792	CONTITECH	769 M
SNVI	5.000.785.792		
SNVI	5.000.786.641		

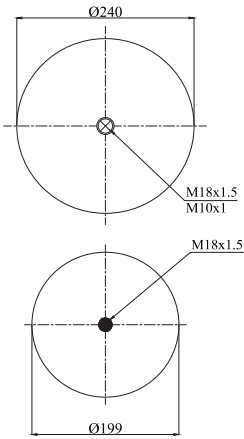
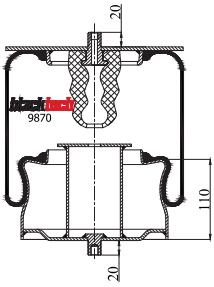
Bolt or Stud
 Threaded hole
 Combination Stud
 Air inlet



RML 9870 C1

Cross Section View

Top View



OEM PART NUMBER		CROSS REFERENCES	
IRIS BUS	5.000.805.999	CONTITECH	769 MB

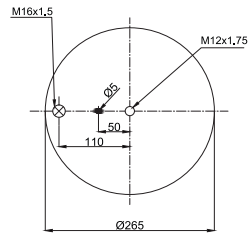
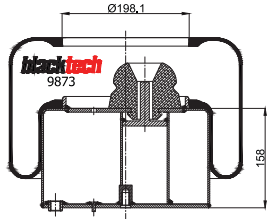
● Bolt or Stud ○ Threaded hole ⊗ Combination Stud ⊗ Air inlet

RML 9873 C



Cross Section View

Top View



OEM PART NUMBER		CROSS REFERENCES	
VOITH			

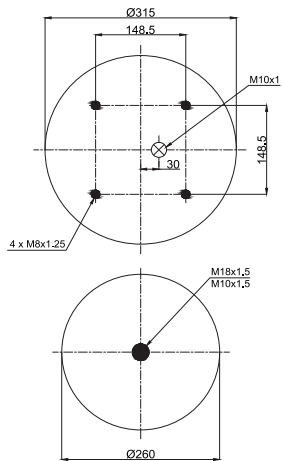
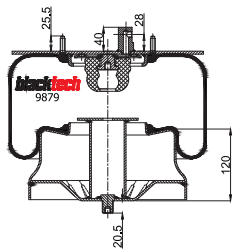
● Bolt or Stud ○ Threaded hole ⊗ Combination Stud ⊗ Air inlet

RML 9879 C



Cross Section View

Top View

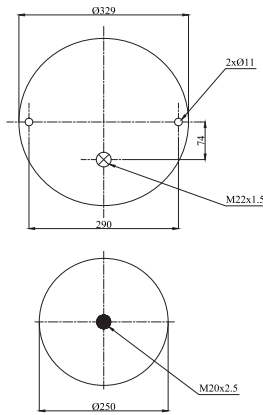
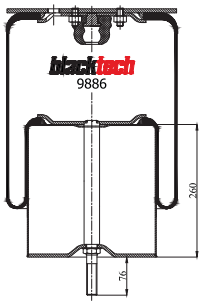


OEM PART NUMBER		CROSS REFERENCES	
IRIS BUS	5.000.786.516	CONTITECH	768 MB
RENAULT	5.000.869.135		

● Bolt or Stud ○ Threaded hole ⊗ Combination Stud ⊗ Air inlet

RML 9886 C

Cross Section View Top View

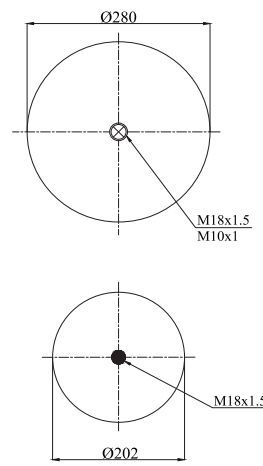
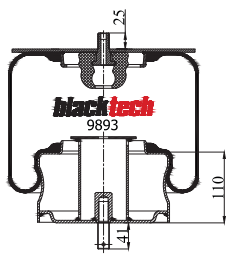


OEM PART NUMBER		CROSS REFERENCES	
ZF		CONTITECH	775 N (Complete)

● Bolt or Stud ○ Threaded hole ⊗ Combination Stud ⊗ Air inlet

RML 9893 C3

Cross Section View Top View

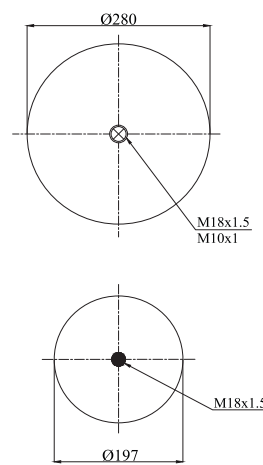
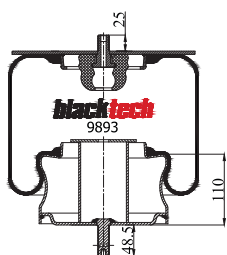


OEM PART NUMBER		CROSS REFERENCES	
IRIS BUS	5.010.190.888	CONTITECH	782 MB-3
ZF SACHS	0501.210.851	GRANNING	16209
JONCKHEERE	26.160.2033.00		

● Bolt or Stud ○ Threaded hole ⊗ Combination Stud ⊗ Air inlet

RML 9893 C4

Cross Section View Top View



OEM PART NUMBER		CROSS REFERENCES	

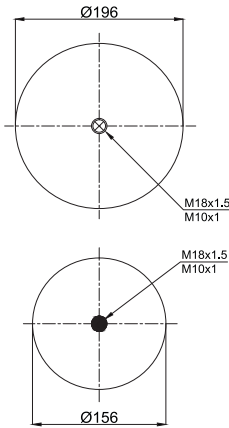
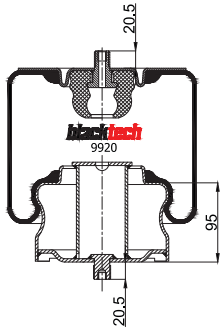
● Bolt or Stud ○ Threaded hole ⊗ Combination Stud ⊗ Air inlet

RML 9920 C



Cross Section View

Top View



OEM PART NUMBER		CROSS REFERENCES	
MERCEDES	A 667 328 01 01	CONTITECH	819 MB
POUL NFZ	A 667 328 01 01	GART	D296D / 296.1.340
		GRANNING	17090

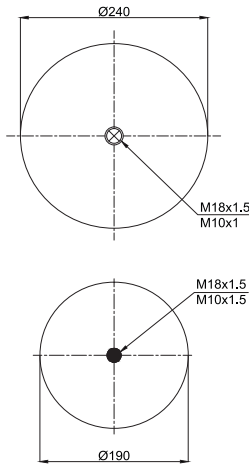
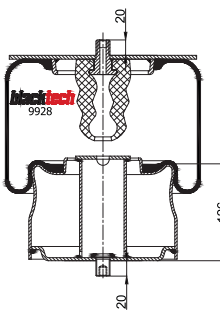
- Bolt or Stud
- Threaded hole
- Combination Stud
- Air inlet

RML 9928 C



Cross Section View

Top View



OEM PART NUMBER		CROSS REFERENCES	
IRIS BUS	5.810.111.355	CONTITECH	817 MB
IRIS BUS	5.000.786.641	GRANNING	91700

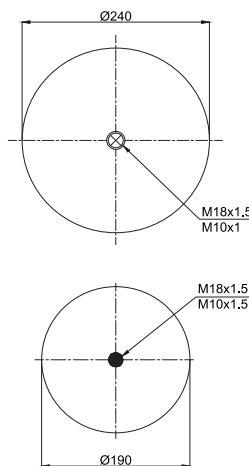
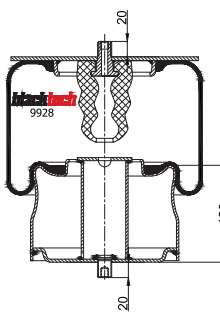
- Bolt or Stud
- Threaded hole
- Combination Stud
- Air inlet

RML 9928 C1



Cross Section View

Top View



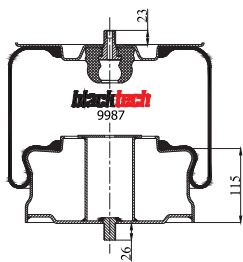
OEM PART NUMBER		CROSS REFERENCES	
OTOKAR	99000-33889-AA		

- Bolt or Stud
- Threaded hole
- Combination Stud
- Air inlet

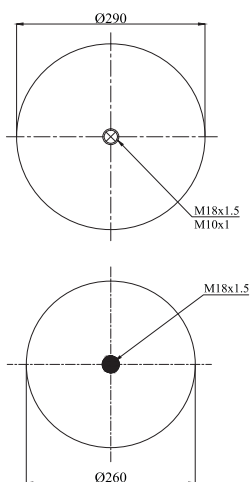


RML 9987 C

Cross Section View



Top View



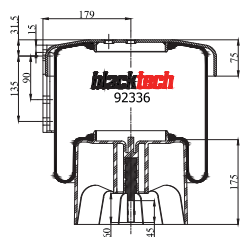
● Bolt or Stud ○ Threaded hole ⊗ Combination Stud ⊗ Air inlet

OEM PART NUMBER		CROSS REFERENCES	
AYATS	30201085	CONTITECH	876 MB
RENAULT	5.000.640.399	GRANNING	16204

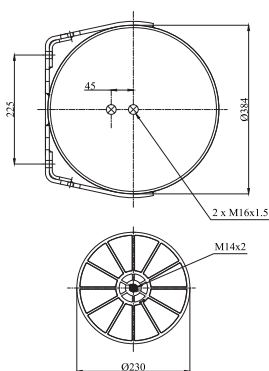
RML 92336 CP



Cross Section View



Top View



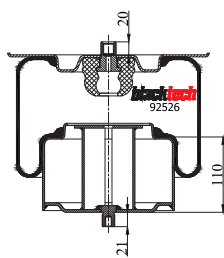
● Bolt or Stud ○ Threaded hole ⊗ Combination Stud ⊗ Air inlet

OEM PART NUMBER		CROSS REFERENCES	
IVECO	41297178	CF GOMMA	1S 323-36 C / 750 120 73 13

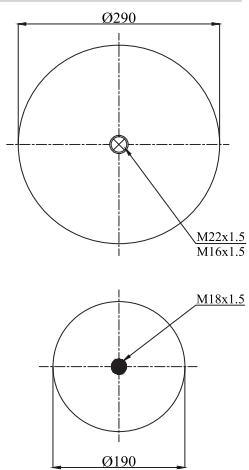
RML 92526 C



Cross Section View



Top View



● Bolt or Stud ○ Threaded hole ⊗ Combination Stud ⊗ Air inlet

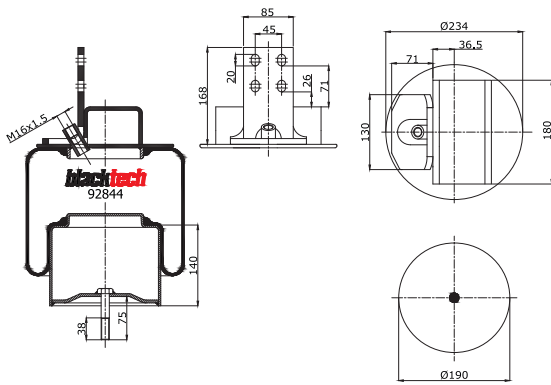
OEM PART NUMBER		CROSS REFERENCES	
IRIS BUS	5.006.172.377	CF GOMMA	1415 N P01
HEULIEZ	5 006 172 377B	GRANNING	93211

RML 92844 C



Cross Section View

Top View



OEM PART NUMBER		CROSS REFERENCES	
IVECO	99462844	CF GOMMA	1S 270-25 C / 750 120 34 74

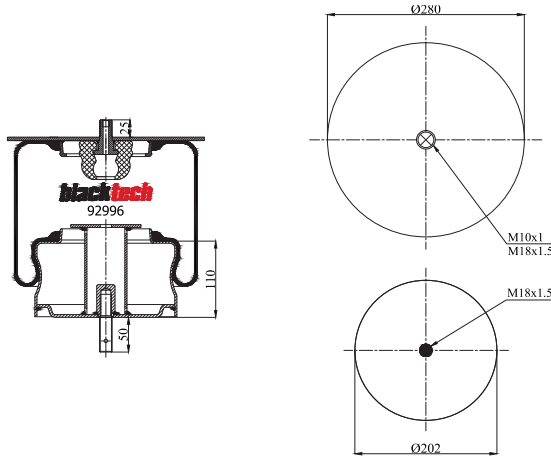
● Bolt or Stud ○ Threaded hole ⊗ Combination Stud ⊗ Air inlet

RML 92996 C



Cross Section View

Top View



OEM PART NUMBER		CROSS REFERENCES	
MAN		CONTITECH	1885 N1 (Complete)

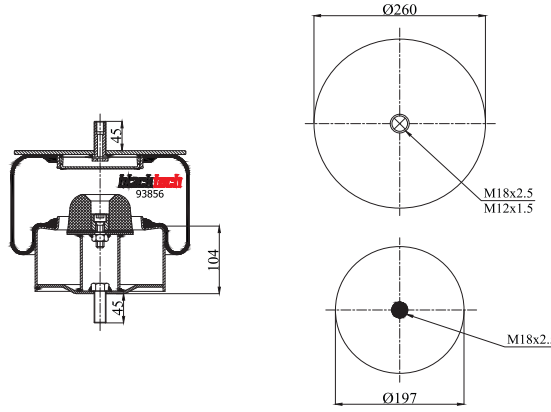
● Bolt or Stud ○ Threaded hole ⊗ Combination Stud ⊗ Air inlet

RML 93856 C



Cross Section View

Top View



OEM PART NUMBER		CROSS REFERENCES	
VOITH	H68.237001		

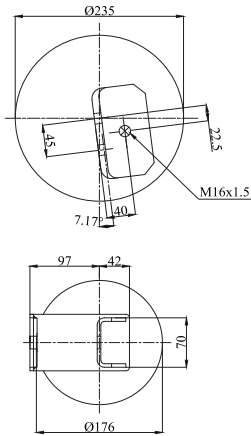
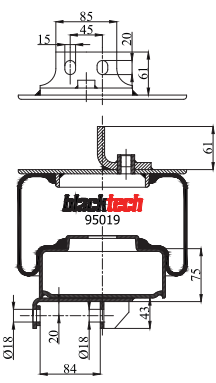
● Bolt or Stud ○ Threaded hole ⊗ Combination Stud ⊗ Air inlet

RML 95019 C



Cross Section View

Top View



● Bolt or Stud ○ Threaded hole ⊗ Combination Stud ⊗ Air inlet

OEM PART NUMBER

IVECO	500355474

CROSS REFERENCES

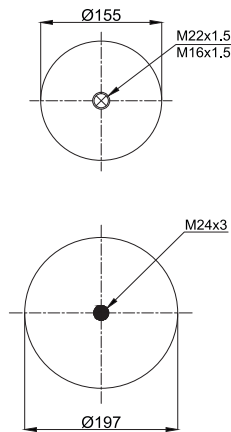
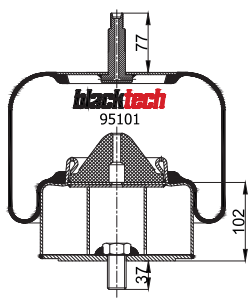
CF GOMMA	1 SC 250-19 / 750 120 46 60

RML 95101 C



Cross Section View

Top View



● Bolt or Stud ○ Threaded hole ⊗ Combination Stud ⊗ Air inlet

OEM PART NUMBER

BMC BUS	53RS900069

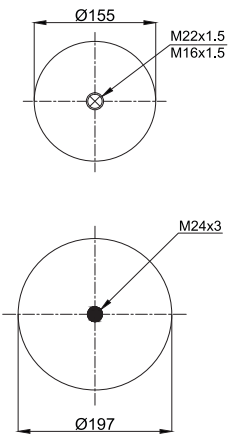
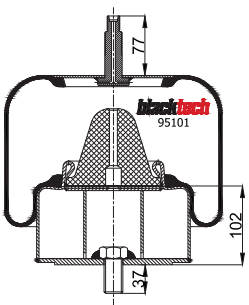
CROSS REFERENCES

RML 95101 C2



Cross Section View

Top View



● Bolt or Stud ○ Threaded hole ⊗ Combination Stud ⊗ Air inlet

OEM PART NUMBER

BMC BUS	53RS900072

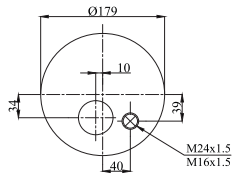
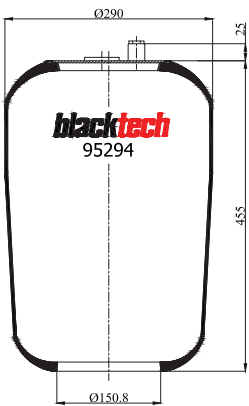
CROSS REFERENCES

RML 95294-1



Cross Section View

Top View



OEM PART NUMBER		CROSS REFERENCES	
MB Actros MP2		CONTITECH	4183 N2

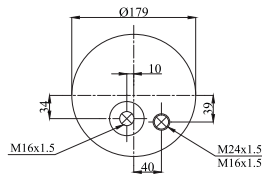
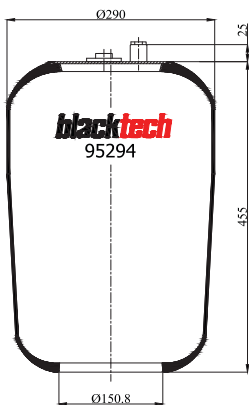
- Bolt or Stud
- Threaded hole
- Combination Stud
- Air inlet

RML 95294-2



Cross Section View

Top View



OEM PART NUMBER		CROSS REFERENCES	
MB Actros MP2		CONTITECH	4183 N1

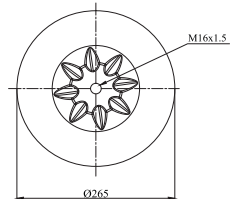
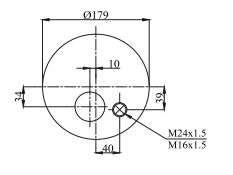
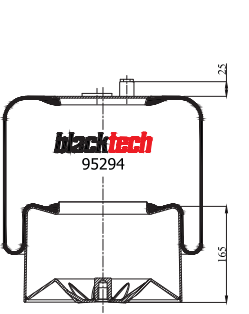
- Bolt or Stud
- Threaded hole
- Combination Stud
- Air inlet

RML 95294 C1



Cross Section View

Top View



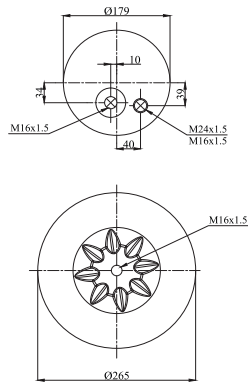
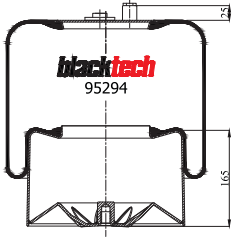
OEM PART NUMBER		CROSS REFERENCES	
MB Actros MP2		CONTITECH	4183 N P23 (Voss 230)

- Bolt or Stud
- Threaded hole
- Combination Stud
- Air inlet

RML 95294 C21

Cross Section View

Top View



● Bolt or Stud ○ Threaded hole ⊗ Combination Stud ⊗ Air inlet

OEM PART NUMBER

MB Actros MP2

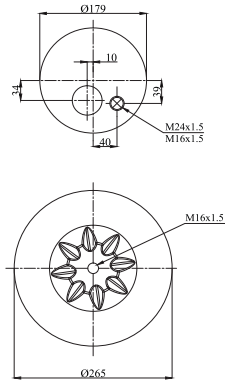
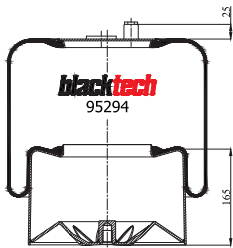
CROSS REFERENCES

CONTITECH 4183 N P24 (Voss 230)

RML 95294 C23

Cross Section View

Top View



● Bolt or Stud ○ Threaded hole ⊗ Combination Stud ⊗ Air inlet

OEM PART NUMBER

MB Actros MP2 A 942 320 22 21

MB Actros MP2 A 942 320 68 21

CROSS REFERENCES

CONTITECH 4183 N P23 (Voss 232)

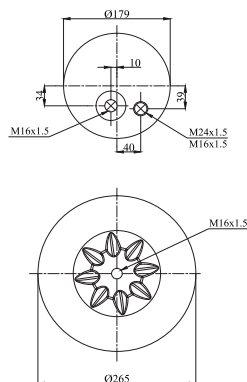
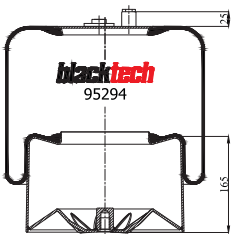
CONTITECH 4183 N P25 New code

GRANNING 93918

RML 95294 C24

Cross Section View

Top View



● Bolt or Stud ○ Threaded hole ⊗ Combination Stud ⊗ Air inlet

OEM PART NUMBER

MB Actros MP2 A 942 320 23 21

MB Actros MP2 A 942 320 69 21

CROSS REFERENCES

CONTITECH 4183 N P24 (Voss 232)

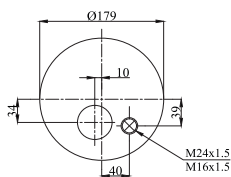
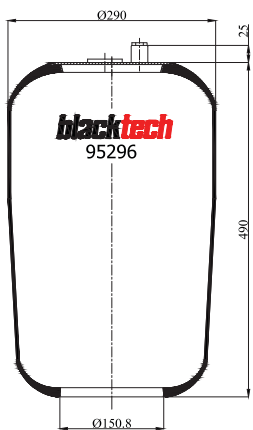
CONTITECH 4183 N P26 New code

RML 95296



Cross Section View

Top View



OEM PART NUMBER		CROSS REFERENCES	
MB Atego	A 974 328 02 01	CONTITECH	4185 N
		GRANNING	93902

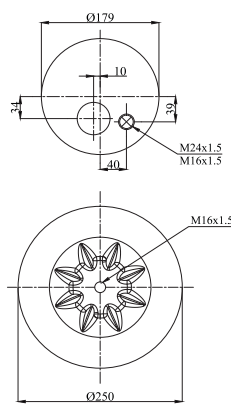
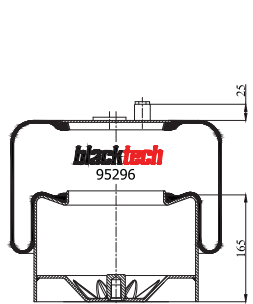
- Bolt or Stud
- Threaded hole
- Combination Stud
- Air inlet

RML 95296 C1



Cross Section View

Top View



OEM PART NUMBER		CROSS REFERENCES	
MB Atego	A 974 320 00 21	CONTITECH	4185 N P01
		GRANNING	93903

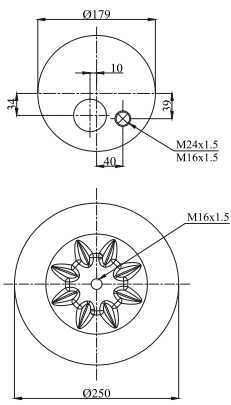
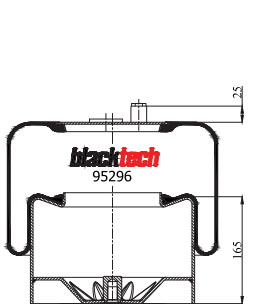
- Bolt or Stud
- Threaded hole
- Combination Stud
- Air inlet

RML 95296 C21



Cross Section View

Top View



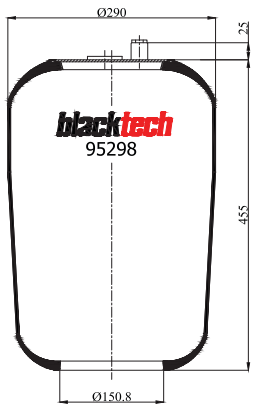
OEM PART NUMBER		CROSS REFERENCES	
MB Atego	A 942 320 30 21	CONTITECH	4185 N P21

- Bolt or Stud
- Threaded hole
- Combination Stud
- Air inlet

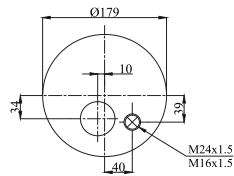
RML 95298-1



Cross Section View



Top View



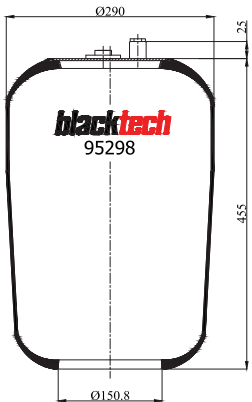
OEM PART NUMBER		CROSS REFERENCES	
MB Actros MP2		CONTITECH	4187 N P22 (without piston)

Bolt or Stud
 Threaded hole
 Combination Stud
 Air inlet

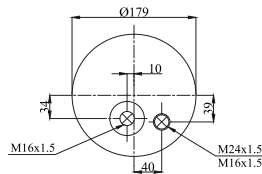
RML 95298-2



Cross Section View



Top View



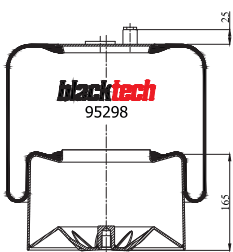
OEM PART NUMBER		CROSS REFERENCES	
MB Actros MP2		CONTITECH	4187 N P01 (without piston)

Bolt or Stud
 Threaded hole
 Combination Stud
 Air inlet

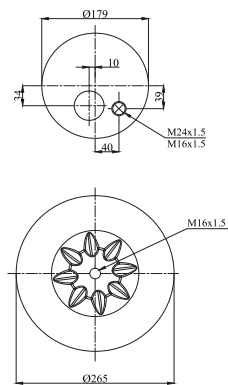
RML 95298 C1



Cross Section View



Top View



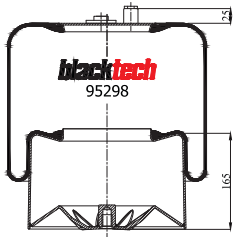
OEM PART NUMBER		CROSS REFERENCES	
MB Actros MP2	A 942 320 18 21	CONTITECH	4187 N P01

Bolt or Stud
 Threaded hole
 Combination Stud
 Air inlet

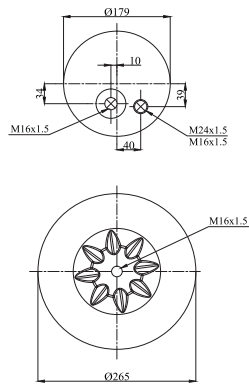


RML 95298 C2

Cross Section View



Top View

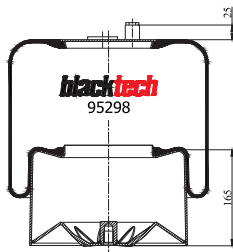


● Bolt or Stud ○ Threaded hole ⊗ Combination Stud ⊗ Air inlet

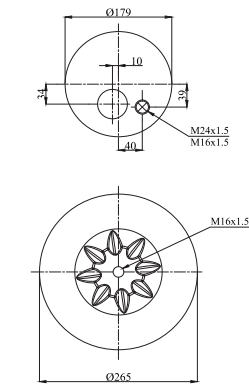
OEM PART NUMBER		CROSS REFERENCES	
MB Actros MP2		CONTITECH	4187 N P22 (voss 230)

RML 95298 C21

Cross Section View



Top View

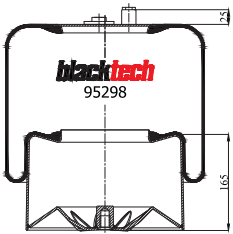


● Bolt or Stud ○ Threaded hole ⊗ Combination Stud ⊗ Air inlet

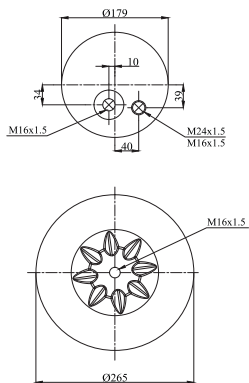
OEM PART NUMBER		CROSS REFERENCES	
MB Actros MP2	A 934 320 26 21	CONTITECH	4187 N P21
MB Actros MP2	A 942 320 72 21	CONTITECH	4187 N P223 New code
		GRANNING	93925

RML 95298 C22

Cross Section View



Top View



● Bolt or Stud ○ Threaded hole ⊗ Combination Stud ⊗ Air inlet

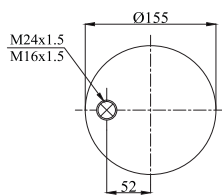
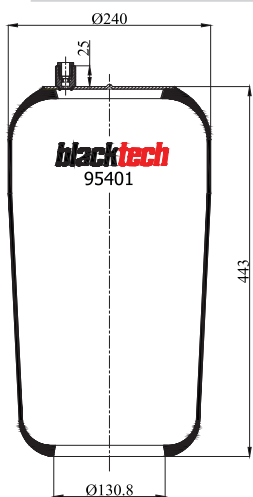
OEM PART NUMBER		CROSS REFERENCES	
MB Actros MP2	A 942 320 27 21	CONTITECH	4187 N P22
MB Actros MP2	A 942 320 73 21	CONTITECH	4187 N P24 New code

RML 95401-1



Cross Section View

Top View



- Bolt or Stud
- Threaded hole
- Combination Stud
- Air inlet

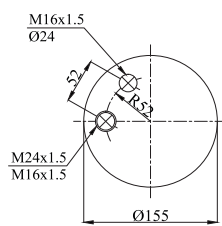
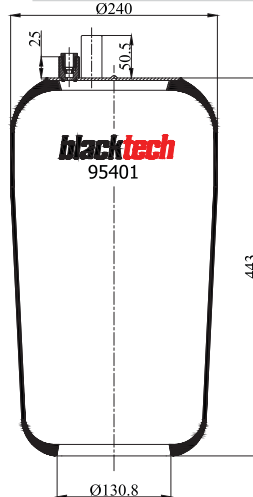
OEM PART NUMBER		CROSS REFERENCES	
MERCEDES	A 942 328 00 01	CONTITECH	4390 N1
		PHOENIX	1 KF 21 - 1 NP
		DUNLOP F (SPRINGRIDE)	D12 U25
		GOODYEAR	9507
		CF GOMMA	1VSC - 285 30

RML 95401-2



Cross Section View

Top View



- Bolt or Stud
- Threaded hole
- Combination Stud
- Air inlet

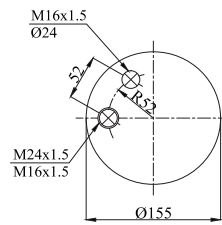
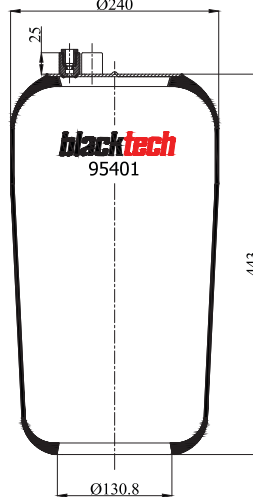
OEM PART NUMBER		CROSS REFERENCES	
MB	A 942 328 01 01	CONTITECH	4390 N2
		PHOENIX	1 KF 21 - 2 NP
		DUNLOP F (SPRINGRIDE)	D12 U26
		GOODYEAR	9508
		CF GOMMA	1VSC - 285 30
		GRANNING	93905

RML 95401-3



Cross Section View

Top View



- Bolt or Stud
- Threaded hole
- Combination Stud
- Air inlet

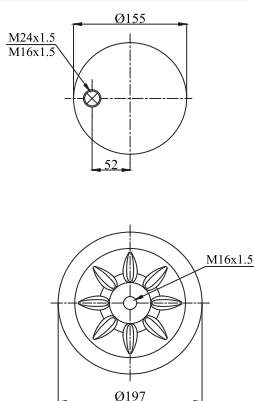
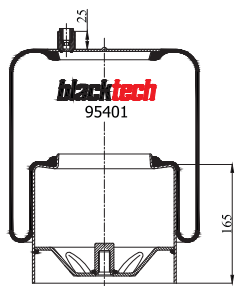
OEM PART NUMBER		CROSS REFERENCES	
		CONTITECH	4390 N P02 (without piston)

RML 95401 C1



Cross Section View

Top View



OEM PART NUMBER	
MB ACTROS	A 942 320 01 21

CROSS REFERENCES	
CONTITECH	4390 N P01
PHOENIX	1 KF 21 - 1
DUNLOP F (SPRINGRIDE)	D12T10
GOODYEAR	9505
GRANNING	15956
FIRESTONE STYLE	1R7Z-440-290
FIRESTONE ORDER	W01 M58 8514

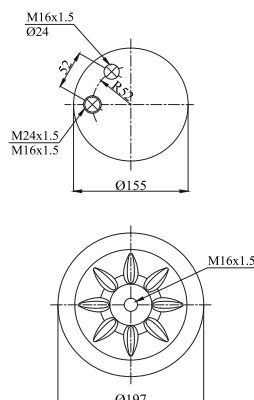
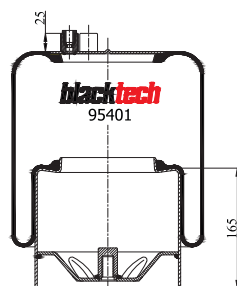
Bolt or Stud
 Threaded hole
 Combination Stud
 Air inlet

RML 95401 C2



Cross Section View

Top View



OEM PART NUMBER	
MB	A 942 320 02 21

CROSS REFERENCES	
CONTITECH	4390 N P02
PHOENIX	1 KF 21 - 2
DUNLOP F (SPRINGRIDE)	D12T11
GOODYEAR	9506
GRANNING	15957

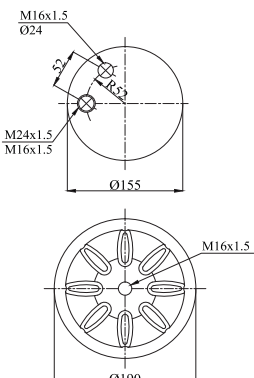
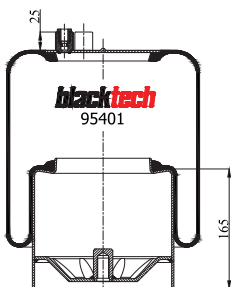
Bolt or Stud
 Threaded hole
 Combination Stud
 Air inlet

RML 95401 C3



Cross Section View

Top View



OEM PART NUMBER	
MB	A 942 320 04 21

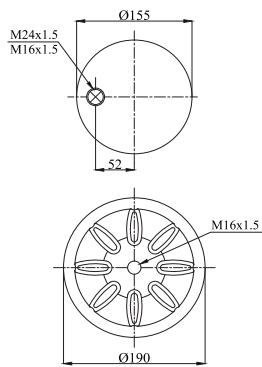
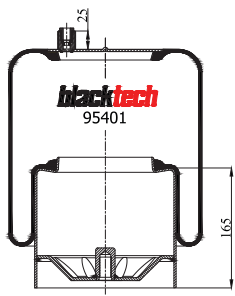
CROSS REFERENCES	
CONTITECH	4390 N P03
CF GOMMA	1 VSC - 285 30 / 206783
GRANNING	16155

Bolt or Stud
 Threaded hole
 Combination Stud
 Air inlet

RML 95401 C4

Cross Section View

Top View



OEM PART NUMBER		CROSS REFERENCES	
MB	A 942 320 03 21	CONTITECH	4390 N P04
		CF GOMMA	1 VSC - 285 30 / 206781
		GRANNING	16156

Bolt or Stud
 Threaded hole

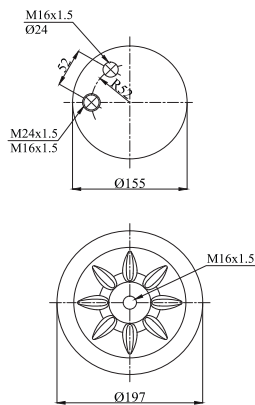
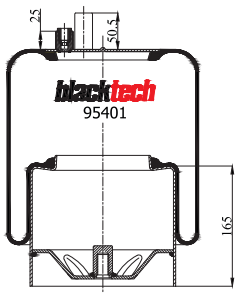
 Combination Stud

 Air inlet

RML 95401 C5

Cross Section View

Top View



OEM PART NUMBER		CROSS REFERENCES	
MB ACTROS	A 942 320 02 21	CONTITECH	4390 N P02

Bolt or Stud
 Threaded hole

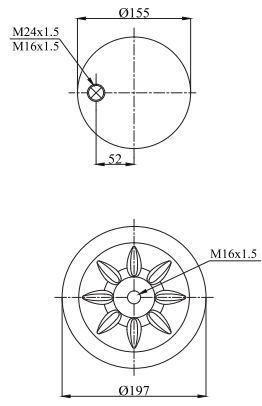
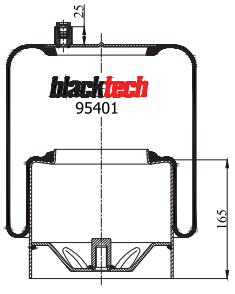
 Combination Stud

 Air inlet

RML 95401 C21

Cross Section View

Top View



OEM PART NUMBER		CROSS REFERENCES	
MB	A 942 320 49 21	CONTITECH	4390 N P21
MB	A 942 320 28 21	FIRESTONE STYLE	1R7Z 440 - 290 A
		GRANNING	93917

Bolt or Stud
 Threaded hole

 Combination Stud

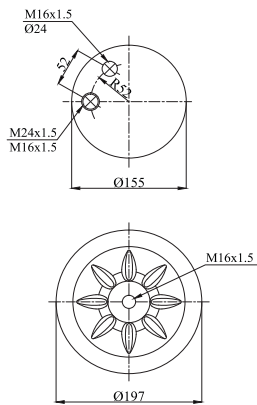
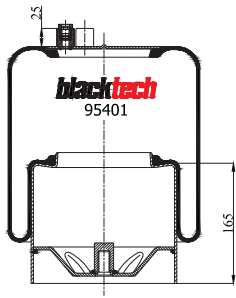
 Air inlet

RML 95401 C22



Cross Section View

Top View



OEM PART NUMBER		CROSS REFERENCES	
MB	A 942 320 29 21	CONTITECH	4390 N P22
MB	A 942 320 50 21	FIRESTONE STYLE	1R7Z 440 - 290 B
		FIRESTONE ORDER	W01 M58 8513
		PHOENIX	1 KF 21-22
		GRANNING	93916
		VIBRACOUSTIC	V1KF21-2

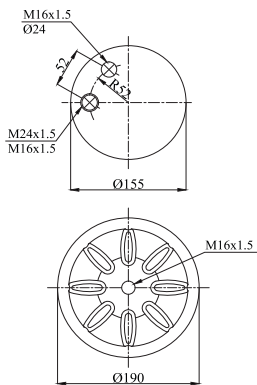
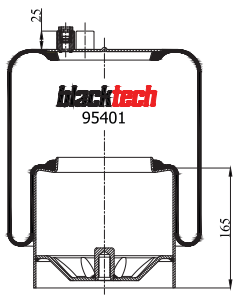
● Bolt or Stud ○ Threaded hole ⊗ Combination Stud ⊗ Air inlet

RML 95401 C23



Cross Section View

Top View



OEM PART NUMBER		CROSS REFERENCES	
MB	A 942 320 52 21	CONTITECH	4390 N P23
		FIRESTONE STYLE	1R7Z 440 - 290 C

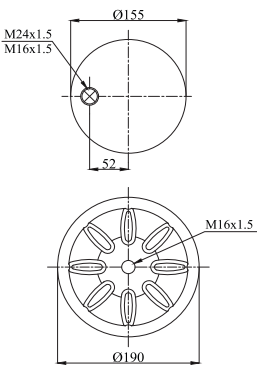
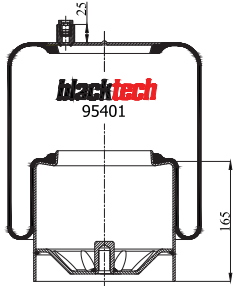
● Bolt or Stud ○ Threaded hole ⊗ Combination Stud ⊗ Air inlet

RML 95401 C24



Cross Section View

Top View



OEM PART NUMBER		CROSS REFERENCES	
MB	A 942 320 51 21	CONTITECH	4390 N P24
		FIRESTONE STYLE	1R7Z 440 - 290 D

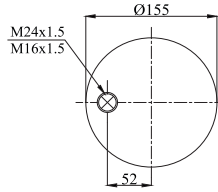
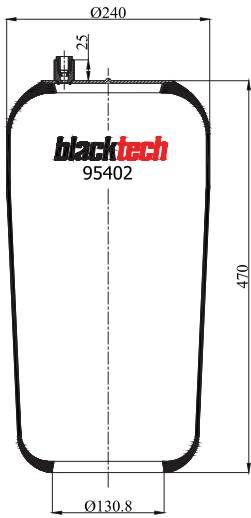
● Bolt or Stud ○ Threaded hole ⊗ Combination Stud ⊗ Air inlet

RML 95402-1



Cross Section View

Top View



- Bolt or Stud
- Threaded hole
- Combination Stud
- Air inlet

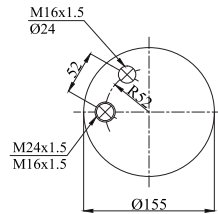
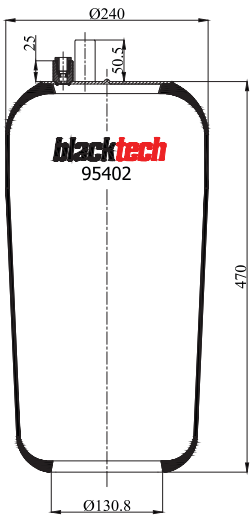
OEM PART NUMBER		CROSS REFERENCES	
MB	A 942 328 06 01	CONTITECH	4391 N1

RML 95402-2



Cross Section View

Top View



- Bolt or Stud
- Threaded hole
- Combination Stud
- Air inlet

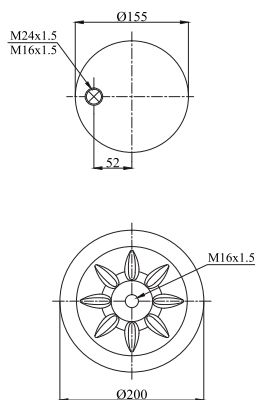
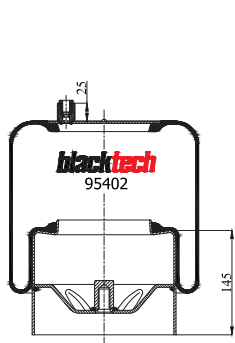
OEM PART NUMBER		CROSS REFERENCES	
MB	A 942 328 07 01	CONTITECH	4391 N2

RML 95402 C1



Cross Section View

Top View



- Bolt or Stud
- Threaded hole
- Combination Stud
- Air inlet

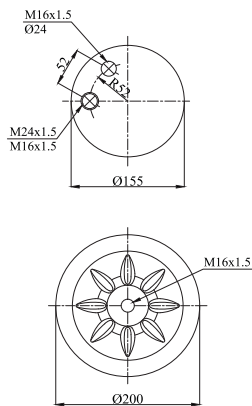
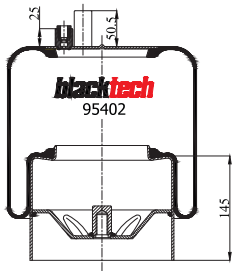
OEM PART NUMBER		CROSS REFERENCES	
MB	A 942 320 06 21	CONTITECH	4391 N P01

RML 95402 C2



Cross Section View

Top View



OEM PART NUMBER		CROSS REFERENCES	
MB	A 942 320 07 21	CONTITECH	4391 N P02

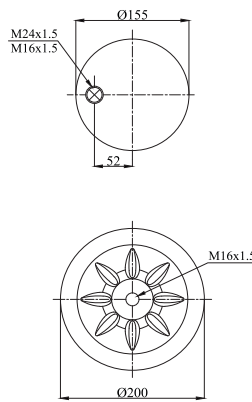
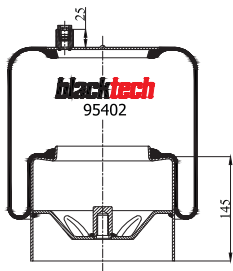
- Bolt or Stud
- Threaded hole
- Combination Stud
- Air inlet

RML 95402 C21



Cross Section View

Top View



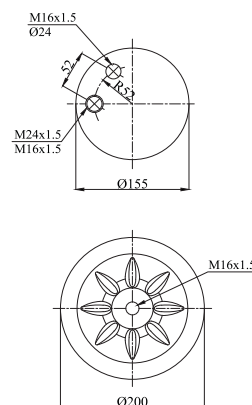
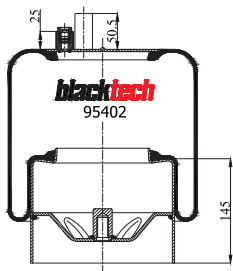
OEM PART NUMBER		CROSS REFERENCES	
MB	A 942 320 53 21	CONTITECH	4391 N P21

- Bolt or Stud
- Threaded hole
- Combination Stud
- Air inlet

RML 95402 C22

Cross Section View

Top View



OEM PART NUMBER		CROSS REFERENCES	
MB	A 942 320 54 21	CONTITECH	4391 N P22

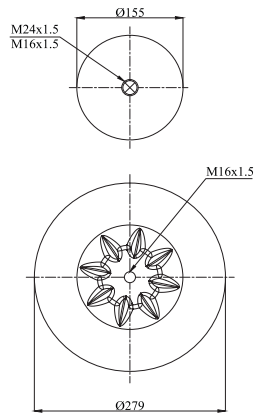
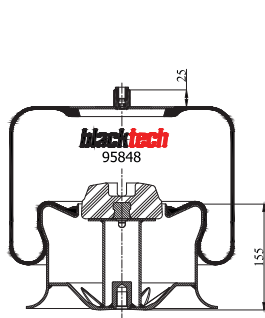
- Bolt or Stud
- Threaded hole
- Combination Stud
- Air inlet

RML 95848 C5



Cross Section View

Top View



OEM PART NUMBER		CROSS REFERENCES	
MERCEDES	A 957 320 01 17	CONTITECH	4737 N P05

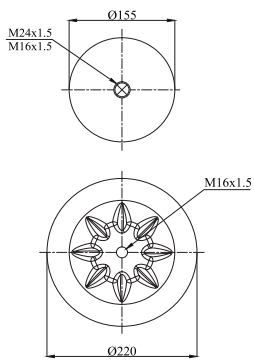
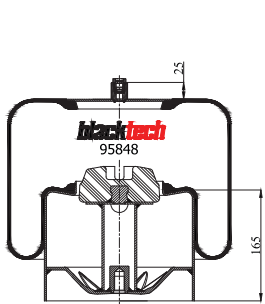
- Bolt or Stud
- Threaded hole
- +
 Combination Stud
- x
 Air inlet

RML 95848 C21



Cross Section View

Top View



OEM PART NUMBER		CROSS REFERENCES	
MERCEDES	A 942 320 37 21	CONTITECH	4737 N P21

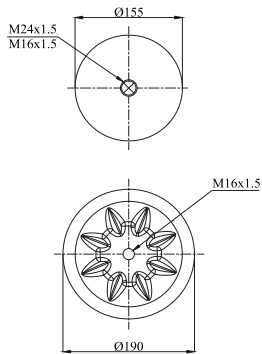
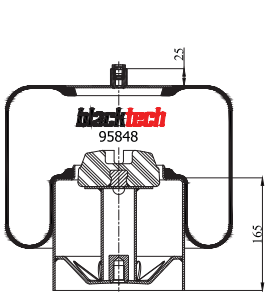
- Bolt or Stud
- Threaded hole
- +
 Combination Stud
- x
 Air inlet

RML 95848 C22



Cross Section View

Top View



OEM PART NUMBER		CROSS REFERENCES	
MERCEDES	A 946 320 39 21	CONTITECH	4737 N P22

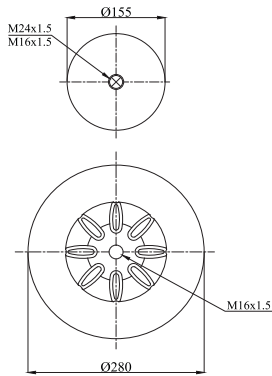
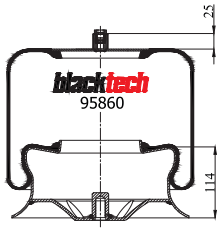
- Bolt or Stud
- Threaded hole
- +
 Combination Stud
- x
 Air inlet

RML 95860 C 21



Cross Section View

Top View



OEM PART NUMBER

CROSS REFERENCES

OEM PART NUMBER		CROSS REFERENCES	
MERCEDES	A 942 320 44 21	CONTITECH	4759 N P21

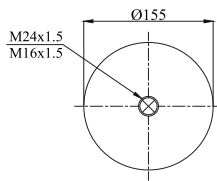
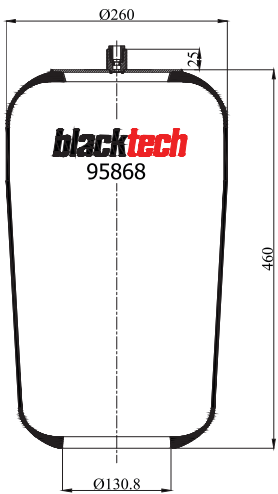
- Bolt or Stud
- Threaded hole
- ⊗ Combination Stud
- ⊗ Air inlet

RML 95868-1



Cross Section View

Top View



OEM PART NUMBER

CROSS REFERENCES

OEM PART NUMBER		CROSS REFERENCES	
MERCEDES	A 942 327 00 01	CONTITECH	4757 N1
		GRANNING	94004

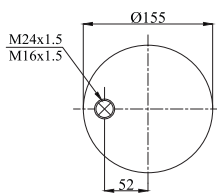
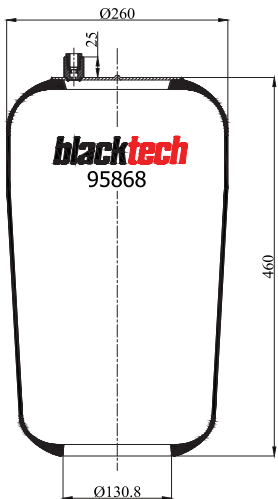
- Bolt or Stud
- Threaded hole
- ⊗ Combination Stud
- ⊗ Air inlet

RML 95868-2



Cross Section View

Top View



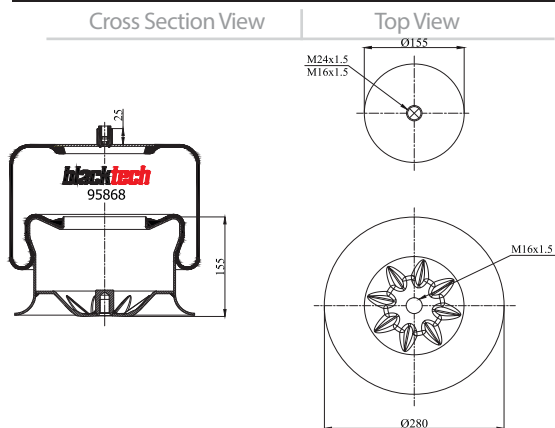
OEM PART NUMBER

CROSS REFERENCES

OEM PART NUMBER		CROSS REFERENCES	
MERCEDES	A 974 328 01 01	CONTITECH	4757 N2
MERCEDES	A 974 328 00 01	GRANNING	94005

- Bolt or Stud
- Threaded hole
- ⊗ Combination Stud
- ⊗ Air inlet

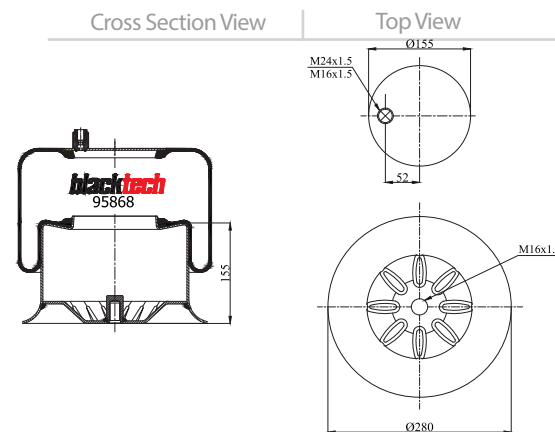
RML 95868 C1



OEM PART NUMBER		CROSS REFERENCES	
MERCEDES	A 942 320 01 17	CONTITECH	4757 N P01
		GRANNING	15962

● Bolt or Stud ○ Threaded hole ⊗ Combination Stud ⊗ Air inlet

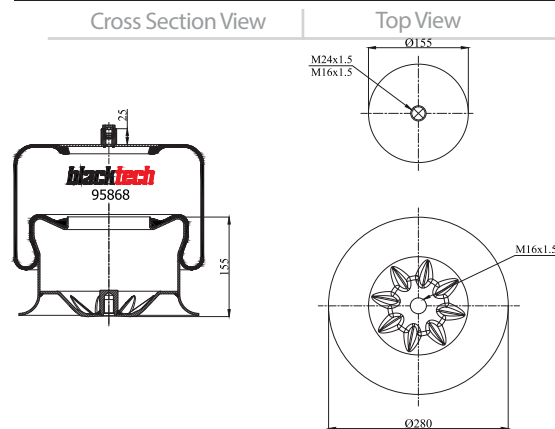
RML 95868 C9



OEM PART NUMBER		CROSS REFERENCES	
MERCEDES	A 942 327 04 17	CONTITECH	4757 N P09
		GRANNING	16160

● Bolt or Stud ○ Threaded hole ⊗ Combination Stud ⊗ Air inlet

RML 95868 C21

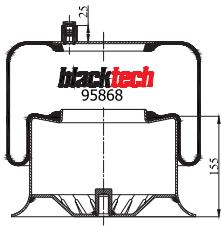


OEM PART NUMBER		CROSS REFERENCES	
MERCEDES	A 942 320 43 21	CONTITECH	4757 N P21

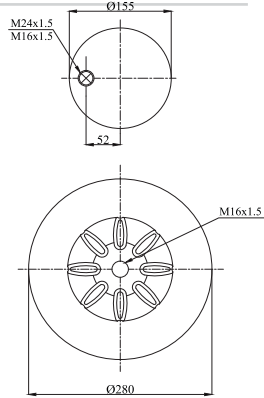
● Bolt or Stud ○ Threaded hole ⊗ Combination Stud ⊗ Air inlet

RML 95868 C29

Cross Section View



Top View

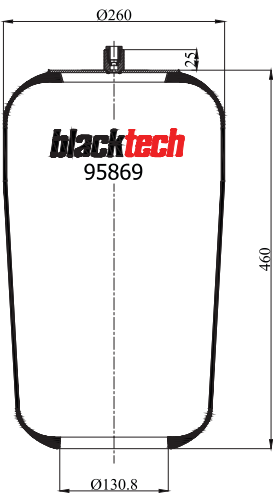


OEM PART NUMBER		CROSS REFERENCES	
MERCEDES	A 942 320 32 21	CONTITECH	4757 N P29

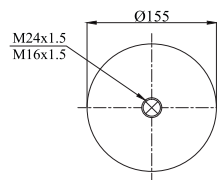
- Bolt or Stud
- Threaded hole
- Combination Stud
- Air inlet

RML 95869-1

Cross Section View



Top View

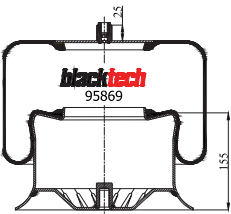


OEM PART NUMBER		CROSS REFERENCES	
		CONTITECH	4758 N

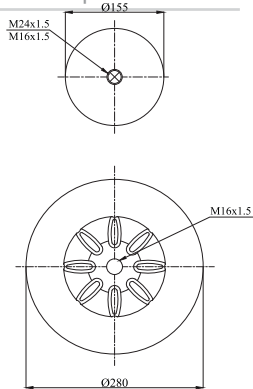
- Bolt or Stud
- Threaded hole
- Combination Stud
- Air inlet

RML 95869 C1

Cross Section View



Top View

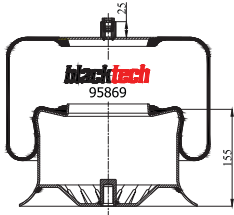


OEM PART NUMBER		CROSS REFERENCES	
MERCEDES	A 945 320 00 17	CONTITECH	4758 N P01
		GRANNING	94006

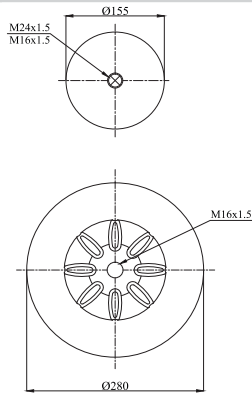
- Bolt or Stud
- Threaded hole
- Combination Stud
- Air inlet

RML 95869 C21

Cross Section View



Top View

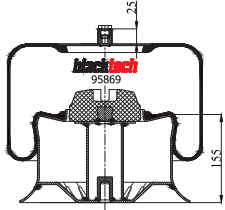


OEM PART NUMBER		CROSS REFERENCES	
MERCEDES	A 942 320 48 21	CONTITECH	4758 N P21
		GRANNING	94019

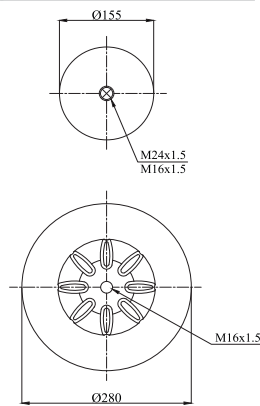
● Bolt or Stud ○ Threaded hole ⊗ Combination Stud ⊗ Air inlet

RML 95869 C23

Cross Section View



Top View

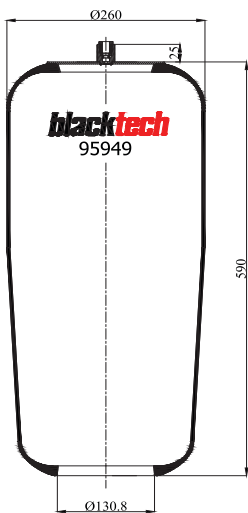


OEM PART NUMBER		CROSS REFERENCES	
MERCEDES ACTROS	A 942 320 33 21	CONTITECH	4758 N P23

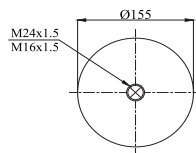
● Bolt or Stud ○ Threaded hole ⊗ Combination Stud ⊗ Air inlet

RML 95949

Cross Section View



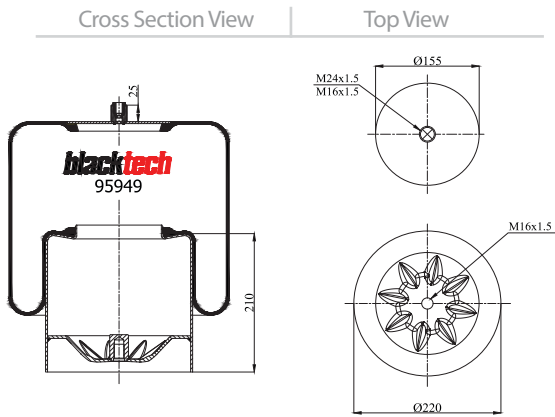
Top View



OEM PART NUMBER		CROSS REFERENCES	
MERCEDES	A 946 328 00 01	CONTITECH	4838 N

● Bolt or Stud ○ Threaded hole ⊗ Combination Stud ⊗ Air inlet

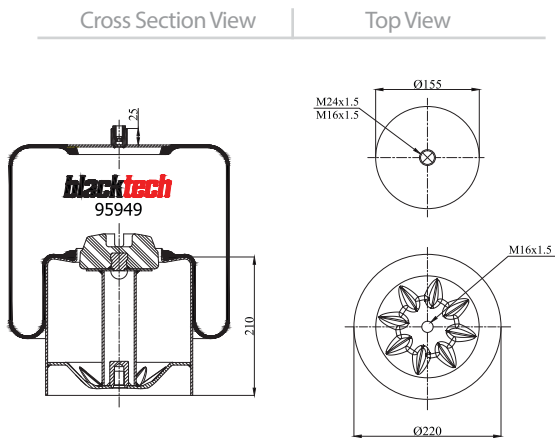
RML 95949 C1



OEM PART NUMBER		CROSS REFERENCES	
MERCEDES	A 946 320 04 21	CONTITECH	4838 N P01
PAUL NFZ	A 946 320 04 21	GRANNING	15963

Bolt or Stud
 Threaded hole
 Combination Stud
 Air inlet

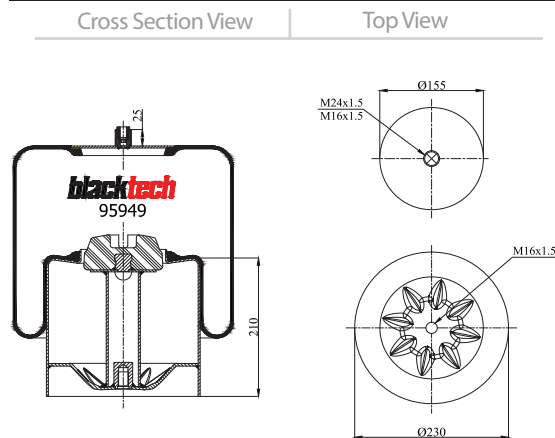
RML 95949 C2



OEM PART NUMBER		CROSS REFERENCES	
MERCEDES	A 946 320 02 21	CONTITECH	4838 N P02
		GRANNING	15964

Bolt or Stud
 Threaded hole
 Combination Stud
 Air inlet

RML 95949 C3



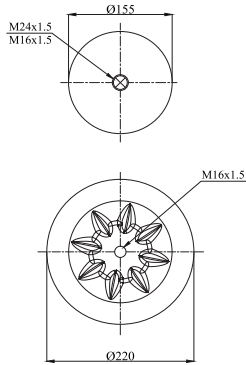
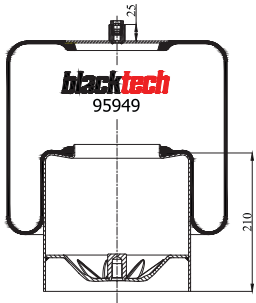
OEM PART NUMBER		CROSS REFERENCES	
MERCEDES	A 946 320 01 21	CONTITECH	4838 N P03
		FIRESTONE STYLEv	15965

Bolt or Stud
 Threaded hole
 Combination Stud
 Air inlet

RML 95949 C21

Cross Section View

Top View



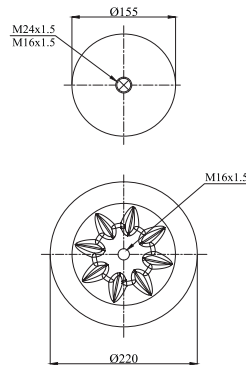
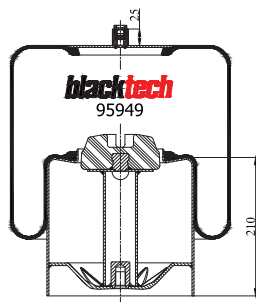
● Bolt or Stud ○ Threaded hole ⊗ Combination Stud ⊗ Air inlet

OEM PART NUMBER		CROSS REFERENCES	
MERCEDES	A 942 320 38 21	CONTITECH	4838 N P21
		FIRESTONE STYLE	1R7Z 595-330 A

RML 95949 C22

Cross Section View

Top View



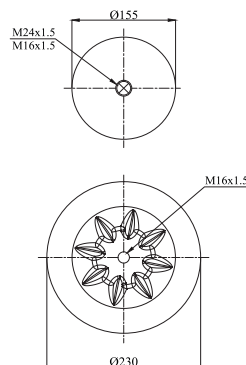
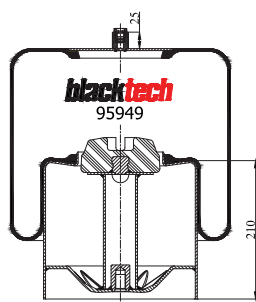
● Bolt or Stud ○ Threaded hole ⊗ Combination Stud ⊗ Air inlet

OEM PART NUMBER		CROSS REFERENCES	
MERCEDES	A 942 320 36 21	CONTITECH	4838 N P22
		FIRESTONE STYLE	1R7Z 595-330 B

RML 95949 C23

Cross Section View

Top View



● Bolt or Stud ○ Threaded hole ⊗ Combination Stud ⊗ Air inlet

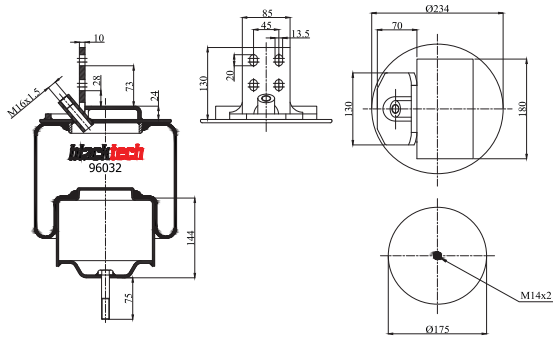
OEM PART NUMBER		CROSS REFERENCES	
MERCEDES	A 942 320 35 21	CONTITECH	4838 N P23
		FIRESTONE STYLE	1R7Z 595-330 C

RML 96032 C



Cross Section View

Top View



OEM PART NUMBER		CROSS REFERENCES	
IVECO	98490464	CF GOMMA	1 S260-32 / 750 1 B 408

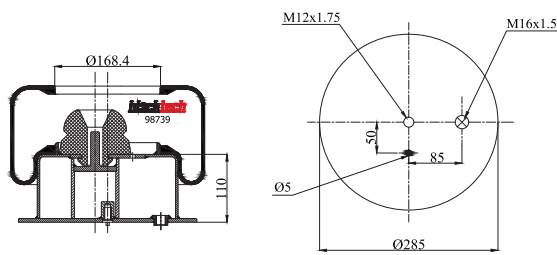
● Bolt or Stud ○ Threaded hole ⊗ Combination Stud ⊗ Air inlet

RML 98739 C



Cross Section View

Top View



OEM PART NUMBER		CROSS REFERENCES	
VOITH	H68.219201		

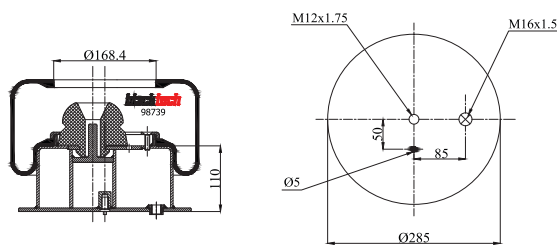
● Bolt or Stud ○ Threaded hole ⊗ Combination Stud ⊗ Air inlet

RML 98739 C1



Cross Section View

Top View



OEM PART NUMBER		CROSS REFERENCES	
VOITH	311.00038701		

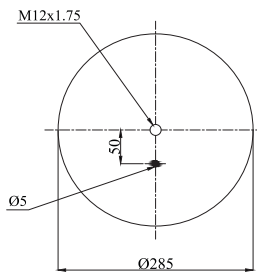
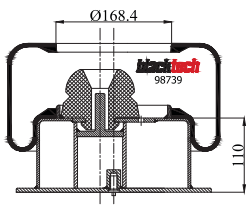
● Bolt or Stud ○ Threaded hole ⊗ Combination Stud ⊗ Air inlet

RML 98739 C2



Cross Section View

Top View



OEM PART NUMBER		CROSS REFERENCES	
VOITH	311.00044801		

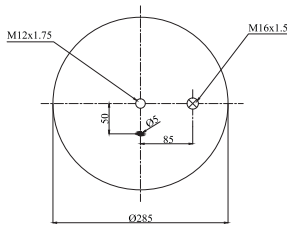
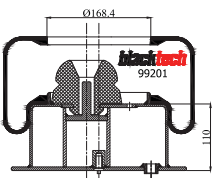
- Bolt or Stud
- Threaded hole
- Combination Stud
- Air inlet

RML 99201 C



Cross Section View

Top View



OEM PART NUMBER		CROSS REFERENCES	
OTOKAR	16H00-05484-AB		

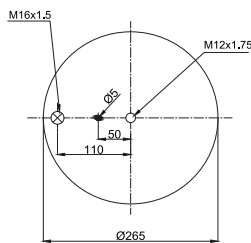
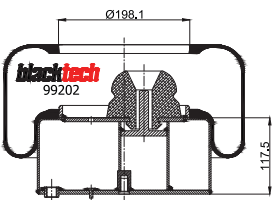
- Bolt or Stud
- Threaded hole
- Combination Stud
- Air inlet

RML 99202 C



Cross Section View

Top View



OEM PART NUMBER		CROSS REFERENCES	
VOITH	311.00038501		

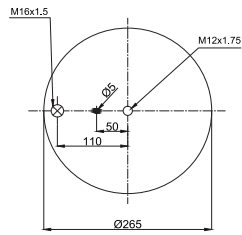
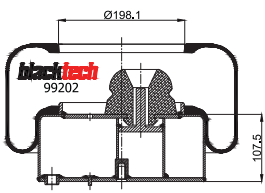
- Bolt or Stud
- Threaded hole
- Combination Stud
- Air inlet

RML 99202 C1



Cross Section View

Top View



OEM PART NUMBER		CROSS REFERENCES	
VOITH	311.00054901		

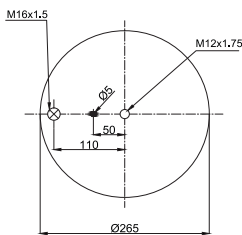
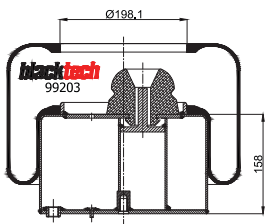
● Bolt or Stud ○ Threaded hole ⊗ Combination Stud ⊗ Air inlet

RML 99203 C



Cross Section View

Top View



OEM PART NUMBER		CROSS REFERENCES	
OTOKAR	16M00-03652		

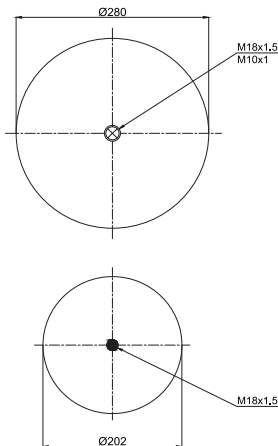
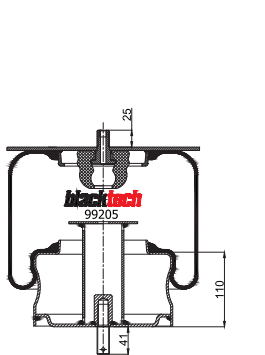
● Bolt or Stud ○ Threaded hole ⊗ Combination Stud ⊗ Air inlet

RML 99205 C



Cross Section View

Top View



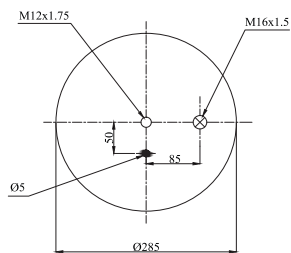
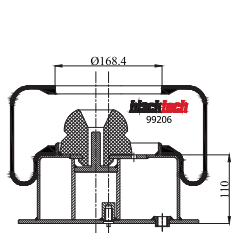
OEM PART NUMBER		CROSS REFERENCES	
OTOKAR	16F00-03652-AC		

● Bolt or Stud ○ Threaded hole ⊗ Combination Stud ⊗ Air inlet

RML 99206 C



Cross Section View | Top View



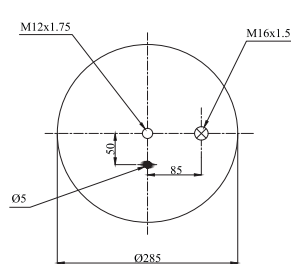
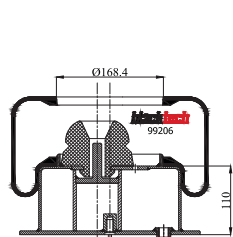
OEM PART NUMBER		CROSS REFERENCES	
OTOKAR	13H00-05484-AA		

Bolt or Stud
 Threaded hole
 ⊗ Combination Stud
 ⊗ Air inlet

RML 99206 C1



Cross Section View | Top View



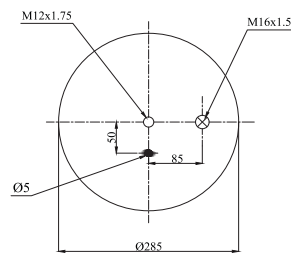
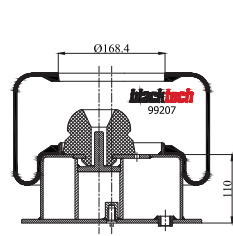
OEM PART NUMBER		CROSS REFERENCES	
OTOKAR	9900-33888-AA		

Bolt or Stud
 Threaded hole
 ⊗ Combination Stud
 ⊗ Air inlet

RML 99207 C



Cross Section View | Top View



OEM PART NUMBER		CROSS REFERENCES	

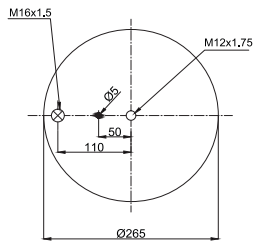
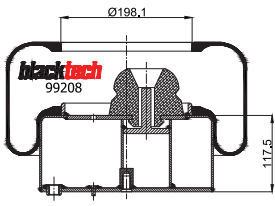
Bolt or Stud
 Threaded hole
 ⊗ Combination Stud
 ⊗ Air inlet

RML 99208 C



Cross Section View

Top View



OEM PART NUMBER

CROSS REFERENCES

OEM PART NUMBER		CROSS REFERENCES	

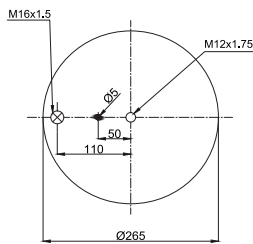
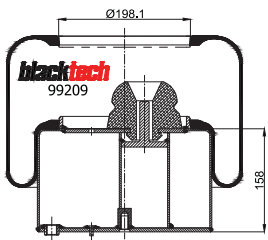
- Bolt or Stud
- Threaded hole
- ⊗ Combination Stud
- ⊗ Air inlet

RML 99209 C



Cross Section View

Top View



OEM PART NUMBER

CROSS REFERENCES

OEM PART NUMBER		CROSS REFERENCES	

- Bolt or Stud
- Threaded hole
- ⊗ Combination Stud
- ⊗ Air inlet

SERVICE & COMPLETE AIR SPRINGS							
Blacktech		ContiTech	Phoenix	Firestone		Goodyear	
RML	7010 S	909 NT	1 D 23 C	1T15 L-6	W01 M58 0031		
RML	7010 SP	909 NTB	1 D 23 C-1	1T15 L-6	W01 M58 0687	1R12 709	
RML	7012	901 MB/O		1T19 G-12	W01 M58 9910		
RML	7012 C	901 MB		1T19 G-12	W01 M58 9910		
RML	7013	902 MB/O		1T19 G-12	W01 M58 9910		
RML	7013 C	902 MB		1T19 G-12	W01 M58 9910		
RML	7023 C1	912 N P01	1 D 28 D10	1T19 L-14	W01 M58 8502	1R14 728	
RML	7023 C2	912 N P02	1 D 28 D2	1T19 L-14	W01 M58 7385	1R 14 758	
RML	7023 C5	912 N P01 (Variation)					
RML	7051	940 MB	1 DK 21 K	1T17 D - 4.3	W01 M58 8613	1R 11 703	
RML	7051 C	940 MB (with piston)	1 DK 21 K-1	1T17 D - 4.3	W01 M58 8609	1R 11 763	
RML	7051 C1						
RML	7051 CP	940 MB (with plastic piston)	1 DK 21 K-2	1T17 D - 4.3	W01 M58 8585	1R 11 752	
RML	7051 CP1						
RML	7052	941 MB	1 DK 21	1T17 D - 8.3	W01 M58 8620	1R 11 701 / 702	
RML	7052 C	941 MB (with piston)	1 DK 21 -1	1T17 D - 8.3	W01 M58 8619	1R 11 743 / 762	
RML	7052 CP	941 MB (with plastic piston)	1 DK 21 -2	1T17 D - 8.3	W01 M58 8668	1R 11 762	
RML	7053	942 MB	1 DK 32 L	1T66 F-13,5	W01 M58 8611	1R 14 700	
RML	7053 C	942 MB (with piston)		1T66 F-13,5	W01 M58 8584	1R 14 781	
RML	7059	948 MB					
RML	7062	951 MB		1T17 D - 12	W01 M58 8621	1R 11 704	
RML	7062 C	951 MB (with metal piston)					
RML	7062 CP	951 MB (with plastic piston)					
RML	7573					1R 12 573	
RML	7573 C					1R 12 573	
RML	7803	792 N P01 (without piston)					
RML	7803 CP	792 N P01					
RML	7835	724 N P01				1R 11 711	
RML	7835 C1	724 N P01 (Variation)					
RML	7835 C2	724 N P01 (Complete)					
RML	7835 C3	724 N P01 (Complete)					
RML	7836	725 N P01	1 DF 32			1R 14 704	
RML	7836 C2	725 N P02	1 DF 32	1T66 F-10.8	W01 M58 8969	1R 14 747	
RML	7836 C3	725 N P03		1T66 F-10.8	W01 M58 8610	1R 14 814	
RML	7836 C4						
RML	7836 C5						
RML	7837	726 N P01					
RML	7863	752 N P01					
RML	7863 C	752 N P01 (Complete)					
RML	7910 S	809 NT	1 D 23 B-2	1T15 L-6	W01 M58 0031		
RML	7910 SP	809 NTB	1 D 23 C-1	1T15 L-6	W01 M58 0687	1R 12 709	
RML	7921	810 MB/O	1 D 28 A-5 NP	1R1G 445 370	W01 095 0132		
RML	7921 S	810 NT	1 DK 28 A	1T19 L-7	W01 M58 0491	1R 14 714	
RML	7921 SP	810 NTB	1 DK 28 A	1T19 L-7	W01 M58 0749	1R 14 713	
RML	7921 C	810 MB	1 D 28 A-2	1T19 L-7	W01 M58 6345 / 8775	1R 14-059	
RML	7921 C1	810 MB (Variation)					
RML	7921 C2	810 MB (Variation)					
RML	7921 C3						
RML	7921 CP	810 MB (with plastic piston)		1T19 L-7	W01 M58 8775		

	CF Gomma / Pirelli	Vibracoustic	Gart	Dunlop UK	Dunlop FR (Springride)	GRANNING	Taurus	Page
	1T 320 S							68
	1T 320 SP / 89753				D12 U34		B 151	68
								68
						16220 - 93200		69
								69
						15709		69
		V1 D 28 D10				15669		70
	1T 19 E-2L / 206333	V1 D 28 D-2	D287/C 287.4.600		D 13 B14	15671		70
								70
	1TC300-30 / 205536		C293/A 293.0.411		D 11 U31	15916	UR 732-01	71
		V 1 DK 21 K	C293/A 293.2.410		D 11 B39	15919	KR 732-01	71
								71
			C293/A 293.2.412		D 11 B36	15919		72
								72
	1TC300-36 / 204466	V 1 DK 21	C 293 293.0.511		D 11 U30	15901	KR 730-01	72
	1TC300-36 / 205170		C293 293.2.510		D 11 B32	15918	UR 730-01	73
	1TC300-36 / 206356		C293 293.2.512		D 14 U36	16918		73
		V 1 DK 32 L				15902	UR 837-01T	73
						15903		74
								74
						15959		74
								75
								75
								75
								76
								76
								76
								76
								77
								77
								77
								78
	1TCS 360-45 / 202964				D 14 U38		UR 836-11	78
	1TCS 360-45 / 202964				D 14 B40	16217		78
					D 14 B43	15868		79
								79
								79
								80
								80
						16108		80
	1T 320 SP					16054		81
	1T 320 SP					15773	UR 504-13	81
								81
	1T 19 E-1S					16056	UR 621-04	82
	1T 19 E-1					16057	UR 621-03	82
	1T 19 E-1 / 87413/1		D 277/B 277.4.420		D13 B20	15635	K 621-26	82
								83
								83
								83
								84

SERVICE & COMPLETE AIR SPRINGS						
Blacktech		ContiTech	Phoenix	Firestone		Goodyear
RML	7922	811 MB/O	1 D 28 B-7	1T19 L-11	W01 M58 6333 - 6359	
RML	7922-1					
RML	7922-2					
RML	7922 S	811 NT	1 D 28 B	1T19 L-10	W01 M58 0028	1R 14715
RML	7922 SP	811 NTB		1T19 L-10	W01 M58 0747	
RML	7922 C	811 MB	1 D 28 B-2E2	1T19 L-11	W01 M58 6334	
RML	7922 C1			1T19 L-11	W01 M58 6335	
RML	7922 C2					
RML	7922 C3					
RML	7922 CP2					
RML	7923					
RML	7923 C					
RML	7923 C1			1T19 L-11	W01 M58 6361	1R 14-706
RML	7924	813 MB/O	1 D 28 B-5 NP	1T19 L-11	W01 M58 7238	
RML	7924 C	813 MB	1 D 28 B-2	1T19 L-11	W01 M58 6364	1R 14-705
RML	7924 C1	813 MB (Variation)				
RML	7924 C2					
RML	7924 C3					
RML	7924 CP	813 MB (with plastic piston)				
RML	7947	836 M	1 DF 25-1 NP	1T17 AR-4.5	W01 M58 0776	1R 12-700
RML	7947 -1	836 MB	1 DF 25-4 NP	1T17 AR-4.5	W01 M58 0775	
RML	7947 -2	836 M2	1 DF 25-3 NP	1T17 AR-4.5	W01 M58 0777	1R 12-710
RML	7947 -11					
RML	7947 C1	836 M K1	1 DF 25-11	1T17 AR-4.5	W01 M58 8722	1R 12-712
RML	7947 - 2 C1	836 M2 K1	1 DF 25-13	1T17 AR-4.5	W01 M58 8721	1R 12-711
RML	7947 C4	836 MB K4	1 DF 25-14	1T17 AR-4.5	W01 M58 8705	
RML	7947 C6	836 MB K6	1 DF 25-15			
RML	7947 C7	836 MB K7	1 DF 25-12	1T17 AR-4.5	W01 M58 8715	
RML	7947 C8	836 N P05				
RML	7947 C9	836 N P06				
RML	7947 C10	836 N P10				
RML	7947 C11					
RML	7990	889 M				
RML	7990 C2	889 M K2		1T15 LLR-5	W01 M58 8679	
RML	7992	881 MB	1 DK 32	1T66 D-10.8	W01 M58 8978	1R 14-708
RML	7992 C	881 MB (with piston)	1 DK 32-1	1T66 F-10.8	W01 M58 8966	1R 14-703
RML	7992 CP	881 MB (with plastic piston)	1 DK 32-2	1T66 D-10.8	W01 M58 8667	1R 14-748
RML	7998	887 M		1T15 LNR-3	W01 M58 0780	1R11-796
RML	7998 C1	887 M K1		1T15 LNR-3	W01 M58 8683	
RML	7998-2 C1	887 M K1 (Variation)				
RML	7998-C3	887 N P03				
RML	7998 C4	887 M K4		1T15 LNR-3	W01 M58 8631	
RML	7998 C6	887 N P04				1R11-797
RML	70081					
RML	70081 C		1 DK 25-8747	1T17 B-11	W01 M58 8747	1R13-150
RML	70082					
RML	70082 C					
RML	70195 C	0195 N P01				

	CF Gomma / Pirelli	Vibracoustic	Gart	Dunlop UK	Dunlop FR (Springride)	GRANNING	Taurus	Page
						16050		84
				PNP 311670000	SP 2066		K 622-26S M	84
							KR 622-31	85
						15772		85
						16059		85
	1T 19E-2					15907		86
								86
			D287/287.4.522					86
			D287/287.4.522 (UNC)					87
								87
								87
								88
	1T 19E-2/204371		D 2 7 7 / 2 F 277.2.500	PNP 311670000	D13 B18/12		K 622-26 SM	88
	1T 19E-2			PNP 311770000				88
	1T 19E-2/87408	V 1 D 28 B-2		PNP 311770000	D13B19	15634	KP 622-26	89
								89
								89
								90
								90
					D13 U32	15991	UR 721 - 015	90
					D13 U27			91
								91
								91
					D13 B32	17066	KR 721-06	92
					D13 B31		KR 721-03	92
						17060		92
					D13 B43	17061		93
		V 1 D F 25-12			D13 B33			93
								93
								94
								94
								94
								95
						16225		95
	1TC 360-45/204530		C 292 292.0.531		D14 U36	15970	KR 836-01	95
	1TC 360-45/204800		C 292 292.2.531		D14 B36	15917		96
	1TC 360-457 206357		C 292 292.2.531		D14 B41		KR 836-05	96
					D11 U41			96
								97
						16224 F		97
								97
								97
								98
								98
								98
					D13 B42	15654		99
								99
								99
								100

SERVICE & COMPLETE AIR SPRINGS						
Blacktech		ContiTech	Phoenix	Firestone		Goodyear
RML	70301 C		1 DF 23 B-1	1T15VR-3	W01 S15 8192	
RML	70302 C		1 DF 23 A-1	1T15 VPR-3	W01 M58 8193	
RML	70303					
RML	70303 C					
RML	70303 C1					1R11-837
RML	70304					
RML	70304 C		1 DF 20 A-1			
RML	70305 C		1 DF 20 A-2			
RML	70306 C		1 DF 20 A-3			
RML	70307 C		1 DF 20 B-2			
RML	70310 C					1R11-740
RML	70462 CP					1TS 270 23 C / 7501206686
RML	70463 CP					1TS 270 23 C / 7501206687
RML	70465 CP					1TS 270 23 C / 7501206684
RML	70466 CP					1TS 270 23 C / 7501206685
RML	71113					
RML	71113 C	1113 N P01				
RML	71302 C					
RML	71303 C		1 D 28 C-12	T1T 19F-12	W01 M58 7380 / 8765	1R 13-805
RML	71304 C			1T 19L-14	W01 M58 8762	
RML	71309 C					1R 13-726
RML	71314 C					
RML	71315 C					1R 13-724
RML	71315 C1					1R 13-728
RML	71420 C					
RML	71421 C					
RML	71480 C					
RML	71481 C					
RML	71501					
RML	71501 C		1 DK 28 F-3			
RML	71840 C					
RML	71901 C		1 D 28 A-13	1T19L-7	W01 M58 6222	
RML	72247 CP	2247 M				
RML	72421 C					
RML	72430 C					
RML	72432 C					
RML	72520 C					
RML	72670 C					
RML	72789					
RML	73042					
RML	73042 C	4007 N P01 (with piston)				
RML	73108	6604 (without piston)				
RML	73108 C	6604 N P01				
RML	73311					
RML	73311 C	73311 M				
RML	73312					
RML	73312 C	6603 N P01				
RML	73836	2725 N P01	1 DF 32			

	CF Gomma / Pirelli	Vibracoustic	Gart	Dunlop UK	Dunlop FR (Springride)	GRANNING	Taurus	Page
						92504		100
						92508		100
								101
								101
								101
								102
						92505		102
						92502		102
						92507		103
						92503		103
								103
								104
								104
								104
								105
								105
								105
					D13B03			106
		V 1 D28 C-12	D287 / B 287.4.580		D13 B03	15672		106
	1T 19 E-3 / 201840		D287 / B 287.4.581		D13 B04	17002		106
					D13B09			107
					D13 B14			107
					D13 B15D			107
					D13 B15G			108
			D276R 276.1.420					108
			D276R 276.1.421					108
			D276LR 276.1.480					109
			D276LR 276.1.481					109
								109
			D277/D 277.2.520					110
	1T 19 E-3 / 201840							110
								110
								111
			D 2 7 6 / R - 2 F 276.2.421					111
			D278E 278.2.430					111
			D278E 278.2.432					112
			D278F 278.2.520					112
			D278D 287.2.670					112
								113
								113
								113
								114
						93919		114
								114
								115
								115
								115
	1 TCS 360-45							116

SERVICE & COMPLETE AIR SPRINGS						
	Blacktech	ContiTech	Phoenix	Firestone		Goodyear
RML	73836 C	2725 N P01 (with piston)				
RML	74031 C		1 D 28 F-5			1R 14-812
RML	74283 C					1R 11-879
RML	74287 C					1R 11-869
RML	74288 C					1R 11-867
RML	74506 C					
RML	74512					
RML	74512 C					
RML	74514					
RML	74514 C					
RML	74520 C					
RML	74521 C					
RML	74523 C					
RML	74543	4543 N				
RML	74543 C	4543 N (With piston)				
RML	74544 CP					
RML	74580					
RML	74580 C					
RML	74760 C	6612 N P01				
RML	74762 C	6613 N P01				
RML	74770 C	54770 M				
RML	74925	4925 N				
RML	74925 C	6609 N P01				
RML	75020 C	4919 N P01				
RML	75022	4911 N				
RML	75022-4	4911 N P04 (Without piston)				
RML	75022 C3	4911 N P03				1R13 - 714
RML	75022 C4	4911 N P04				
RML	75022 C6	4911 N P06				
RML	75023	4912 N P08				
RML	75023-10					
RML	75023 C7	4912 N P07	1 DK 28 F-4	1T19 F-14	W01 M58 8786	1R13 - 711
RML	75023 C10	4912 N P10	1 DK 28 F-5			
RML	75023 C13	4912 N P13				
RML	75024	4913 N P04	1 D 28 H-16 NP			1R14 - 755
RML	75024 C	4913 N P02	1 D28 H-16	1T19 L-14	W01 095 0500	1R14 - 753
RML	75026	4915 N P03				
RML	75026 C6	4915 N P06				
RML	75027	4916 N1				
RML	75027 C7	4916 N1 P07				
RML	75033					
RML	75033 CP	4922 MB				
RML	75051	4940 N P02				1R11 - 799
RML	75051 C	4940 N P02 (With metal piston)				
RML	75051 CP	4940 N P02 (With Plastik piston)				
RML	75052	4941 N P02				
RML	75052 C	4941 N P02 (With piston)				
RML	75052 CP					
RML	75053	4942 N P02				

	CF Gomma / Pirelli	Vibracoustic	Gart	Dunlop UK	Dunlop FR (Springride)	GRANNING	Taurus	Page
								116
								116
								117
								117
								117
								118
								118
			D278H 278.4.512					118
								119
	1T 323-40 / 96864		D278H 278.4.514		D12 B06/10			119
			D277/D 277.4.520					119
			D277DA 274.4.521					120
			D277 DA 277.4.523					120
								120
								121
		V 1 DK20C2						121
								121
			278B 278.4.580					122
								122
								122
								123
								123
						15691		123
								124
								124
								124
			D287/E 287.1.540			16230		125
								125
								125
						15910		126
								126
	1T19 E-93				D13 B40	16046		126
								127
								127
	1T19 E-93 / 207772							127
	1T19 E-93 / 206201		C282/H 282.1.600		D14 B42	16105	KR 625-16	128
								128
						16232		128
								129
								129
								129
								130
			C293/A 293.0.413			15905		130
								130
								131
						16241		131
					D11U4-5	93504		131
								132
						93401		132

SERVICE & COMPLETE AIR SPRINGS						
Blacktech	ContiTech	Phoenix	Firestone		Goodyear	
RML 75071	4960 N P02	1 DK 21 K-3			1R11-801	
RML 75071 C	4960 N P02 (With Metal piston)					
RML 75071 CP	4960 N P02 (With Plastik piston)				1R11-823	
RML 75072	4961 N P02				1R11-800	
RML 75072 CP						
RML 75073	4962 N P02					
RML 75115	4004 N P02	1 DK 22 E-5	1T17 BS-6	W01 M58 0919	1R 11-705	
RML 75115 C	4004 N P03 (With Metal piston)	1 DK 22 E-5	1T17 BS-6	W01 M58 6366	1R 11-706	
RML 75115 CP	4004 N P03	1 DK 22 E-8	1T15 BS-6	W01 M58 6366	1R 11-713	
RML 75119	4008 N					
RML 75119 C	4008 N P01	1 DK 22 F-1	1T19 F-12	W01 M58 7380		
RML 75120 C			1T19 L-14	W01 M58 8762		
RML 75131 C						
RML 75132						
RML 75132 CP						
RML 75133	4022 N P02	1 DK 22 E-9 NP	1T17 BS-6	W01 M58 0756	1R 11-709	
RML 75133 C2						
RML 75133 C3	4022 N P03 (With Metal piston)	1 DK 22 E-5	1T17 BS-6	W01 M58 6367	1R 11-714	
RML 75133 CP2	4022 N P03 M12		1T15 BS-6	W01 M58 6367	1R 11-714	
RML 75133 CP3	4022 N P03	1 DK 22 E-9	1T15 BS-6	W01 M58 6367	1R 11-714	
RML 75133 CP4						
RML 75133 CP5	4022 N P05	1 DK 22 E-11	1T17 BS-6	W01 M58 8612	1R 11-714	
RML 75134	4023 N P06	1 D 28 B-10 NP	1T19 L-11	W01 M58 6335		
RML 75134 C	4023 N P03 (With Metal piston)	1 D 28 B-10	1T19 L-11	W01 M58 6348	1R 14-729	
RML 75134 C1						
RML 75134 CP						
RML 75134 CP1						
RML 75138						
RML 75138 CP						
RML 75139	4028 N					
RML 75139 C2	4028 N P02	1 D 28 F-1	1T19 L-12	W01 M58 8106	1R 14-783	
RML 75139 C5	4028 N P05	1 D 28 B-12			1R 14-710	
RML 75260-1	4159 N P01					
RML 75260-5	4159 N P05	1 DK 21 B-5 NP	1T15 M-9	W01 M58 0736	1R 12-761	
RML 75260 C3	4159 N P03	1 DK 23 L27	1T15 M-9		1R 12-701	
RML 75260 C4	4159 N P03 UNC					
RML 75260 C6						
RML 75260 C7	4159 N P07	1 DK 23 L-25	1T15 M-9	W01 M58 8859/379 9091	1R12-702	
RML 75260 C8						
RML 75260 C10						
RML 75260 C16						
RML 75260 CA18			1T15 M-9	W01 M58 7548		
RML 75260 CP9	4159 N P09	1 DK 23 L-9131	1T15 M-9	W01 379 9131	1R12-721	
RML 75260 CP11	4159 N P11					
RML 75260 CP12	4159 N P12	1 DK 23L-9101				
RML 75260 CP13	4159 N P13	1 DK 23L-9102				
RML 75260 CP14	4159 N P14	1 DK 21 B-4			1R 12-760	
RML 75265	4154 N P05-06	1 D 23 B				

	CF Gomma / Pirelli	Vibracoustic	Gart	Dunlop UK	Dunlop FR (Springride)	GRANNING	Taurus	Page
			C 2593/A 293.0.412		D11 U44			132
								133
	1TC 300-30 / 207710		C 2593/A 293.2.414					133
					D11 U43	16244		133
								134
						93400		134
	1T 19 E-5 steel				D12 U13		KR 505-27 SM	134
	1T 300-37 / 1T 323-33				D12 B13 / 14		KR 506-27 SM	135
						15651		135
								135
		V 1 D 28 C12			D13 B08	15672		136
	1T19 E3 97393 / 201840				D13 B04			136
								136
								137
	1T 300-37 / 207722							137
					D11 U40			137
								138
	1T300 - 37 / 204677				D13 B25	16099	KR 725 - 28	138
	1T 300-37 / 206340				D12 B14			138
	1T 300-37 / 206340		D278/S 278.4.454		D12 B14	16099		139
								139
	1T 300-37 / 206585		D278/S 278.1.455		D11 B4-1		KR 725-28	139
								140
	1T 19 E-2 / 204676				D13 B26	16091	KR 624-18	140
								140
								141
								141
								141
	1T 300-37 / 207719							142
								142
						93002		142
								143
								143
	1T 323 - 40				D12 U04			143
	1T 323 - 40			311370000	D12 B02	16026	KR 509-25	144
								144
						16026		144
	1T 323 - 40 / 202302	V 1 D 21 B-9		311370000	D12 B01	15617	KR 509-9091	145
								145
								145
								146
								146
	1T323-40 / 200751	V 1 DK 23 L-9131			D12 B04	15671	KR 509-9131	146
								147
								147
								147
								148
								148

SERVICE & COMPLETE AIR SPRINGS

Blacktech		ContiTech	Phoenix	Firestone		Goodyear
RML	75265 C5	4154 N P05	1 DK 23 F-1			
RML	75265 CP6	4154 N P06				
RML	75266					
RML	75266 C		1 DK22 E5	1T17 BS-6		
RML	75267-1	4156 N P01				
RML	75267-5	4156 N P05	1 DK 21 A 2	1T15 M-6		
RML	75267-12		1 DK 21 A 2	1T15 M-6		
RML	75267 C4	4156 N P04				
RML	75267 C6	4156 N P06	1 DK 23 K28	1T 15 M-6	W01 358 9361	1R 12-719
RML	75267 C7	4156 N P07	1 DK 23 K28			
RML	75267 C9	4156 N P09	1 DK 23 K29	1T15 M-6	W01 M58 9089	1R 12-706
RML	75267 C11					
RML	75267 C15					
RML	75267 CP10	4156 N P10				
RML	75267 CP13					
RML	75267 CP14	4156 N P14	1 DK 23 K-9082			
RML	75267 CP15	4156 N P15	1 DK 23 K-1	1T15 M-6	W01 M58 9361	1R 12-130
RML	75267 CP16	4156 N P16				
RML	75268	4157 N P02				
RML	75268-4	4157 N P04				
RML	75268-6	4157 N P06 (Without Piston)				
RML	75268 C3					
RML	75268 C4					
RML	75268 C5					
RML	75268 C6	4157 N P06 (Metal Piston)				
RML	75268 C9					
RML	75268 CP3	4157 N P03				
RML	75268 CP4	4157 N P04	1 DK 21 A4	1T15 MPW-7	W01 M58 6297	1R 11- 111
RML	75268 CP5	4157 N P05	1 DK 21 A-3	1T15 MPW-7	W01 M58 8840	
RML	75268 CP6	4157 N P06	1 DK 21 A-1	1T15 MPW-7	W01 M58 8186	1R 11- 764
RML	75268 CP8	4157 N P08	1 DK 20 C-2	1T15 MPW-7	W01 M58 6317	1R 11- 773
RML	75268 CP9	4157 N P09	1 DK 21 A-31	1T15 MPW-7	W01 M58 7074	1R11 106
RML	75268 CP10	4157 N P10	1 DK 21 A-51	1T15 MPW-7	W01 M58 6315	1R 11- 772
RML	75268 CP14					
RML	75269	4158 N P02	1 DK20 B1 NP	1T15 MPW-9	W01 M58 6357	1R 11- 748
RML	75269 C	4158 N P03 (With Metal piston)				
RML	75269 CP	4158 N P03	1 DK 20 B-1	1T15 MPW-9	W01 M58 8185	1R 11- 749
RML	75270 C		1 D 23 E23	1T15 M-9	W01 M58 6289	1R 12- 703
RML	75339 CP			1T14 C-1	W01 M58 5339	
RML	75343 CA					
RML	75343 CA1			1T14 C-1	W01 358 5343	
RML	75531	6075 (4420 N)				
RML	75531 C	4420 N (With piston)		1T17 BR-8	W01 M58 9707	
RML	75580 C	1850 N P01				
RML	75581 C	1889 N P02				
RML	75816 - 1	4705 N1 P01				
RML	75816 C3	4705 N1 P03				
RML	75816 C4	4705 N1 P04				
RML	75824	4713 N P04		1T17 BR-8	W01 M58 9706	1R 12 763

	CF Gomma / Pirelli	Vibracoustic	Gart	Dunlop UK	Dunlop FR (Springride)	GRANNING	Taurus	Page
								148
						15609		149
								149
	1T 323 - 33							149
								150
	1T 323 - 33							150
	1T 323 - 32							150
								151
	1T 323-33 / 97306	V 1 DK 23 K-28		309580100	D12 B19	15633	KR 506-28	151
								151
		V 1 D 23 K 29				15615	KR 506-28	152
								152
								152
								153
								153
						16081		153
	1T 323-32	V 1 DK 23 K 9361			D12 B16		KR 50-28	154
								154
								154
								155
								155
								155
								156
								156
								156
								157
								157
		V 1 D 21 A-4			D12 B18	15731	KR 915-54	157
					D12 B17	91401		158
		V 1 D 21 A-1	C 294 294.1.451		D11 B37			158
		V 1 DK 20 C-2			D12 B30	15750	KR 915-53NW	158
	1T 300-38 / 205598	V 1 D 21 A-31			D12 B17	15732	KR 915 - 54	159
		V 1 D 20 A-51			D12 B19	15769	KR 915 - 51	159
								159
					D12 U23			160
						15657		160
		V 1 DK 20 B1			D12 B22	15657		160
					D12 B07 / 09			161
								161
								162
								162
								162
	1T19 E2 / 204420					16048		163
								163
								163
								164
								164
								164
	1T300-28 / 26778				D12 U24			165

SERVICE & COMPLETE AIR SPRINGS

Blacktech		ContiTech	Phoenix	Firestone		Goodyear
RML	75824 C	4713 N P02	1 DF 22 C-1	1T17 BR-8	W01 M58 9706	1R 12 762
RML	75829	4718 N P02				
RML	75829 C	4718 N P01				1R12 821
RML	75921	4810 N				
RML	75921 C2					
RML	75921 C5	4810 N P05	1 D28 A-10	1T19 L-7	W01 M58 6338	1R14 - 730
RML	75924	4813 N				
RML	75924 C	4813 N P07	1 D28 B-9	1T19 L-11	W01 M58 7358	1R14 065
RML	75924 C1					
RML	75973	4862 N P01				
RML	75973 C2	4862 N P02				
RML	75992	4881 N P02	1 DK 32 K	1T66 F-7.0	W01 M58 8601	1R14 701
RML	75992 C	4881 N P02		1T66 F-7.0	W01 M58 8602	1R14 724
RML	75992 CP	4881 N P02 (With plastic piston)	1 DK 32 K-2	1T66 F-7.0	W01 M58 8666	1R14 757
RML	75993	4882 N1 P01				
RML	75993 C5	4882 N1 P05				
RML	75993 CP5					
RML	75994	4883 N1 P01				
RML	75994 C	4883 N1 P01 (With piston)				
RML	75995	4884 N1 P01				
RML	75995-2	4884 N1 P07				
RML	75995 C6	4884 N1 P06				
RML	75995 C7	4884 N1 P07				
RML	75995 CP6					
RML	75996	4885 N1 P01				
RML	75996 C2	4885 N1 P02				
RML	75997	4886 N P02				
RML	75997 C1	4886 N P01				
RML	76113 C	6602 N P01				
RML	76199					
RML	76199 C					1R13 745
RML	76200					
RML	76200 C					
RML	76200 C1					
RML	76237 C					1R13-750
RML	76238 C					1R12-813
RML	76240 C					1R11-834
RML	76241 C					1R11-840
RML	76242 C					1R11-839
RML	76243 C					1R11-838
RML	76246 C					1R11-841
RML	76251					
RML	76251 C			1T15 AA-3	W01 M58 8666	1R11 826
RML	76251 CP					
RML	76260			1T15 MPW-7	W01 M58 6260	
RML	76260 C					
RML	76260 CP			1T15 MPW-7	W01 M58 6260	
RML	76269					
RML	76269 CP			1T15 M6	W01 M58 6269	

	CF Gomma / Pirelli	Vibracoustic	Gart	Dunlop UK	Dunlop FR (Springride)	GRANNING	Taurus	Page
	1T300-28				D12 B24	15656		165
								165
						15656		166
								166
								166
	1T19E1 - 205456	V1 D28 A-10			D13 B25	16092		167
						16057		167
	1T19E2-2BR	V1 D28 B-9			D13 B10	15653	KR 622-01	167
								168
								168
								168
	1TC360-40 / 205537	V1 D32 K	C292/A 292.0.461		D14 U37	15961	UR 838-01T	169
		V1 D32 K	C292/A 292.2.460		D14 B37	15905		169
	1TC360-40K / 207309		C292/A 292.0.461		D14 B88	16905		169
					D10 U01	94002		170
						94102		170
								170
					D10 U47	94003		171
						94101		171
					D10 U48	94001		171
								172
						94100		172
								172
								173
	1TS260-28 / 206788					94000		173
						94015		173
								174
								174
								174
								175
						16067		175
								175
						16068		176
								176
								176
								177
								177
								177
								178
								178
								178
								179
						15619		179
								179
								180
								180
								180
								181
								181

SERVICE & COMPLETE AIR SPRINGS

Blacktech		ContiTech	Phoenix	Firestone		Goodyear
RML	76286					
RML	76286 CP			1T15 MPW-9	W01 M58 6286	
RML	76318			1T15 MPW-9	W01 M58 6318	
RML	76318 CP			1T15 MPW-9	W01 M58 6318	
RML	76420	6606 N P02 without piston				
RML	76420 C	6606 N P02				
RML	76884 C		1 DK 28 A-7	1T19 L-7	W01 M58 8772	
RML	76885 C		1 DK 28 A-8	1T19 L-11	W01 M58 8794	
RML	77179 CP					
RML	77180 CP					
RML	77283					
RML	77283 C			1T15 M-4	W01 M58 7283	1R12 832
RML	77283 CP			1T15 M-4	W01 M58 7283	
RML	77308					
RML	77308 C		1 DK 23 L-7308	1T15 M9	W01 M58 7308 / 9104	1R12 713
RML	77308 CP		1 DK 23 L-7308	1T15 M9	W01 M58 7308 / 9104	1R12 713
RML	77313			1T15 AA6	W01 M58 7313	
RML	77313 CP			1T15 AA6	W01 M58 7313	
RML	77315			1T15 S-11	W01 M58 7315	1R11 827
RML	77315 C			1T15 S-11	W01 M58 7315	
RML	77315 CP					
RML	77348					
RML	77348 C					
RML	77415 C					
RML	77433					1R12-826
RML	77433 C					1R12-825
RML	77527	6416 N				1R10 704 / 705
RML	77527 C	6608 N P01	1 DF 17 B-1			1R10 707
RML	77529	6418 N				
RML	77529 C	6607 N P01	1 DF 17 A-1			
RML	77685 C		1 D 28 F-5			1R14 - 784
RML	77804	7804 N				
RML	77804 C	6606 N P01				1R11 848
RML	77805	7805 N				
RML	77805 C	7805 N (with piston)				
RML	78091			1T19 FC-6 / 1T19 LC-6	W01 358 8091	
RML	78091 CP	11 10.5 A - 16 P 523		1T19 FC-6 / 1T19 LC-6	W01 358 8091	
RML	78263					
RML	78263 C					1R11-847
RML	78385					
RML	78385 C		1 D 23 G-4			
RML	78586					
RML	78586 CP			1T 17 BPZ-11	W01R88 8586	
RML	78599 CP					
RML	78599 CP1					
RML	78608			1T 17 DJ-7	W01 M58 8608	
RML	78608 CP			1T 17 DJ-7	W01 M58 8608	
RML	78633 C			1T 17 HR	W01 M58 8633	

	CF Gomma / Pirelli	Vibracoustic	Gart	Dunlop UK	Dunlop FR (Springride)	GRANNING	Taurus	Page
								181
								182
								182
								182
								183
						93912		183
	1T19 E-196884							183
	1T19 E-2 187 87822							184
	1TS 270 25 C / 7501207163							184
	1TS 270 25 C / 7501207162							184
								185
								185
								185
								186
								186
								186
								187
								187
								187
						15601		188
								188
								188
								189
		V1 D 23 G-5 WB-HS 5089389						189
								189
								190
					D10 B01			190
						92500		190
								191
						93911		191
		V1D28F-5						191
								192
						93910		192
								192
						93915		193
								193
								193
								194
								194
								194
		V1 D 23G-4 WB-HS 508385						195
								195
								195
								196
								196
								196
								196
								197
								197

SERVICE & COMPLETE AIR SPRINGS						
Blacktech		ContiTech	Phoenix	Firestone		Goodyear
RML	78643					
RML	78643 C			1T17 CL 9.5	W01 M58 8643	
RML	78653 CP			1T 15 UR 9	W01 M58 8653	
RML	78709			1T 17 CA-5	W01 358 8709	
RML	78709 CP	10 10.5 - 15 P 460		1T17 B-5	W01 358 8751 (8709)	
RML	78755			1T17 B5	W01 358 8755	
RML	78755 C			1T17 B5	W01 358 8755	1R12 124
RML	78800					
RML	78800 C			1T15 VP4	W01 358 9579	
RML	78887 C					
RML	78888 C					
RML	78914	7803 N				
RML	78914 C	6605 N P01	1 DF 20 D-1			1R11 805
RML	79002 A3					
RML	79002 A3 CP	4157 N P05				
RML	79002 A3 CP1	4157 N P09				
RML	79002 A8					
RML	79002 A8 CP	4157 N P14 / 4157 N P04				
RML	79002 A8 CP1					
RML	79003 A3					
RML	79003 A3 CP					
RML	79003 A3 CP1			1T15 MPW-7	W01 M58 7074	
RML	79003 A8					
RML	79003 A8 CP			1T15 MPW-7	W01 M58 6297	
RML	79003 A8 CP1					
RML	79039 C	9 10-10 P 311		1T15 M-0	W01 358 9039	1R12-095
RML	79069			1T15 M-4	W01 358 9069	1R12 069
RML	79069 CP	9 10-14 P 312		1T15 M-4	W01 358 9069	1R12 669
RML	79069 CP1					
RML	79082					
RML	79082 CP	9 10 - 16P 310		1T15 M-4	W01 358 9082	1R12 092
RML	79213					
RML	79213 C					
RML	79213 CP	9 10-16 P 441		1T15 M-6	W01 358 9213 (0748)	1R12 090
RML	79265					
RML	79265 C	9 10-19 P 435		1T15 MM-9	W01 358 9265	1R12 375
RML	79270			1T15 VP-4	W01 358 9270	
RML	79270 C	9 10-13.5 S 433		1T15 VP-4	W01 358 9270	1R13 119
RML	79296		1 DK 20 B-1 NP	1T15 MPW-9	W01 M58 6257	1R12 748
RML	79296 C					
RML	79296 CP	9 10-16 P 416	1 DK20 B-1 NP	1T15 MPW-9	W01 M58 8185	1R12 749
RML	79328 C		1 DK 27 B-6			
RML	79346			1T15 M-9	W01 358 9346	
RML	79346 CP	9 10-19 P 470		1T15 M-9	W01 358 9346	1R 12 439
RML	79367 C					
RML	79369 C					
RML	79370 C					
RML	79373			1T15 MT-8	W01 358 9373	
RML	79373 C					
RML	79373 CP	9 10-17,5 P 440 / P519		1T15 MT-8	W01 358 9373	1R12 403/ 1S12-030

SERVICE & COMPLETE AIR SPRINGS						
Blacktech		ContiTech	Phoenix	Firestone		Goodyear
RML	79379 C					
RML	79394					
RML	79394 CP	9 10-19 P 383		1T15 M-9	W01 358 9394	1R12 142/264/278/279/281
RML	79466			1T15 MT-6	W01 358 9466	1R12 173/197/365
RML	79466 C					
RML	79466 CP	9 10-16 P 410		1T15 MT-6	W01 358 9466	1R12 173/197/365
RML	79580			1T17 CL-9.5	W01 358 9580	
RML	79580 C	10 10-21 P 434		1T17 CL-9.5	W01 358 9580	1R13 118 / 144
RML	79640			1T15 MT-3	W01 358 9640	1R12 367
RML	79640 C	9 10-12 A 427		1T15 MT-3	W01 358 9640	1R12 367
RML	79648					
RML	79648 C					
RML	79648 CP			1T15 M-8	W01 358 9648	1R12-538
RML	79782					
RML	79782 C					
RML	79910 C			1T19 G-12	W01 M58 9910	
RML	9027 C	916 N1 (Complete)				
RML	9032 C					
RML	9032 C3					
RML	9032 C4					
RML	9755 C2					
RML	9755 C3					
RML	9755 C4					
RML	9772 C1					
RML	9772 C2	661 N P01				
RML	9772 C4					
RML	9772 C6					
RML	9772 C7					
RML	9772 C8					
RML	9772 C10					
RML	9870 C	769 M				
RML	9870 C1	769 MB				
RML	9873 C					
RML	9879 C	768 MB				
RML	9886 C					
RML	9893 C3	782 MB-3				
RML	9893 C4	782 NP04				
RML	9920 C	819 MB				
RML	9928 C	817 MB				
RML	9928 C1					
RML	9987 C	876 MB				
RML	92336 CP					
RML	92526 C	1415 N P01				
RML	92844 C					
RML	92996 C					
RML	93856 C					
RML	95019 C					
RML	95101 C					
RML	95101 C2					
RML	95294-1	4183 N2				

	CF Gomma / Pirelli	Vibracoustic	Gart	Dunlop UK	Dunlop FR (Springride)	GRANNING	Taurus	Page
	1TS 270 26 C / 7501207529							214
								215
								215
								215
								216
								216
								216
						15993		217
								217
								217
								218
								218
								218
								219
								219
								219
								220
								220
								220
								221
								221
								221
								222
								222
								222
								223
								223
								223
								224
								224
								224
								225
								225
								225
								226
						16209		226
								226
						17090		227
						91700		227
								227
						16204		228
	1S 323 36 C / 7501207313							228
						93211		228
	1S 270 25 C / 7501203474							229
								229
								229
	1SC 250 19 / 7501204660							230
								230
								230
								231

SERVICE & COMPLETE AIR SPRINGS						
Blacktech		ContiTech	Phoenix	Firestone	Goodyear	
RML	95294-2	4183 N1				
RML	95294 C1	4183 N P23 (Variation)				
RML	95294 C21	4183 N P24 (Variation)				
RML	95294 C23	4183 N P23				
RML	95294 C24	4183 N P24				
RML	95296	4185 N				
RML	95296 C1	4185 N P01				
RML	95296 C21	4185 N P21				
RML	95298-1	4187 N1				
RML	95298-2	4187 N2				
RML	95298 C1	4187 N P01				
RML	95298 C2	4187 N P22 (Voss 230 Variation)				
RML	95298 C21	4187 N P21 (New kod N P23)				
RML	95298 C22	4187 N P22 (New kod N P24)				
RML	95401-1	4390 N1	1 KF 21-1 NP			
RML	95401-2	4390 N2	1 KF 21-2 NP			
RML	95401-3					
RML	95401 C1	4390 N P01	1 KF 21-1		1 KF 21-1	
RML	95401 C2	4390 N P02	1 KF 21-2		1 KF 21-2	
RML	95401 C3	4390 N P03				
RML	95401 C4	4390 N P04				
RML	95401 C5					
RML	95401 C21	4390 N P21	1 KF 21-21	1R7Z 440-290A		
RML	95401 C22	4390 N P22	1 KF 21-22	1R7Z 440-290B		
RML	95401 C23	4390 N P23		1R7Z 440-290C		
RML	95401 C24	4390 N P24		1R7Z 440-290D		
RML	95402-1	4391 N1				
RML	95402-2	4391 N2				
RML	95402 C1	4391 N P01				
RML	95402 C2	4391 N P02				
RML	95402 C21	4391 N P21				
RML	95402 C22	4391 N P22				
RML	95755	4644 N				
RML	95755 C2	4644 N P02				
RML	95755 C22	4644 N P22				
RML	95848-1	4737 N				
RML	95848 C1	4737 N P01				
RML	95848 C2	4737 N P02				
RML	95848 C5	4737 N P05				
RML	95848 C21	4737 N P21				
RML	95848 C22	4737 N P22				
RML	95848 C25	4737 N P25			9539	
RML	95860	4759 N				
RML	95860 C1	4759 N P01				
RML	95860 C21	4759 N P21				
RML	95868-1	4757 N1	1 KF 24-1 NP			
RML	95868-2	4757 N2	1 KF 24-2 NP			
RML	95868 C1	4757 N P01	1 KF 24-1			

	CF Gomma / Pirelli	Vibracoustic	Gart	Dunlop UK	Dunlop FR (Springride)	GRANNING	Taurus	Page
								231
								231
								232
						93918		232
								232
						93902		233
						93903		233
								233
								234
								234
								234
								235
						93925		235
								235
			1VSC 285 30	9507			D12U25	236
			1VSC 285 30	9508		93905	D12U26	236
								236
				9505		15956	D12T10	237
				9506		15957	D12T11	237
			1VSC 285 30 / 206783			16155		237
			1VSC 285 30 / 206781			16156		238
				9506			D12T11	238
						93917		238
						93916		239
								239
								239
								240
								240
								240
								241
								241
								241
								242
						16212		242
								242
								243
								243
						16228		243
								244
								244
								244
								245
								245
								245
								246
								246
								246
								247

SERVICE & COMPLETE AIR SPRINGS						
Blacktech		ContiTech	Phoenix	Firestone		Goodyear
RML	95868 C9	4757 N P09	1 KF 24-9			
RML	95868 C21	4757 N P21	1 KF 24-21	1R7Z 460-305 A		
RML	95868 C29	4757 N P29	1 KF 24-29	1R7Z 460-305 B		
RML	95869-1	4758 N				
RML	95869 C1	4758 N P01				
RML	95869 C21	4758 N P21				
RML	95869 C23	4758 N P23				
RML	95949-1	4838 N				
RML	95949 C1	4838 N P01				9521
RML	95949 C2	4838 N P02				
RML	95949 C3	4838 N P03				9536
RML	95949 C21	4838 N P21		1R7Z 595-330 A		
RML	95949 C22	4838 N P22		1R7Z 595-330 B		
RML	95949 C23	4838 N P23		1R7Z 595-330 C		
RML	96032 C					
RML	98739 C					
RML	98739 C1					
RML	98739 C2					
RML	99201 C					
RML	99202 C					
RML	99202 C1					
RML	99203 C					
RML	99205 C					
RML	99206 C					
RML	99206 C1					
RML	99207 C					
RML	99208 C					
RML	99209 C					

	CF Gomma / Pirelli	Vibracoustic	Gart	Dunlop UK	Dunlop FR (Springride)	GRANNING	Taurus	Page
								247
								247
								248
								248
								248
								249
								249
								249
								250
								250
								250
								251
								251
								251
								251
	1 S 260 32 / 7501B408							252
								252
								252
								253
								253
								253
								254
								254
								254
								255
								255
								255
								256
								256