





blacktech

Air Springs

PRODUCT CATALOGUE
2010-2011



INDEX

	Pages
INTRODUCTION	
HSS OTOMOTİV VE LASTİK SAN. A.Ş.....	3
BLACKTECH AIR SPRINGS.....	4
COMPONENTS OF AIR SPRING.....	6
OEM CROSS REFERENCE LIST.....	9
 ROLLING LOBE AIR SPRINGS.....	33
 ROLLING LOBE AIR SPRINGS WITH METAL AND PLASTIC PARTS.....	59
 CONVOLUTED AIR SPRINGS.....	167
 CABIN AND SEAT AIR SPRINGS.....	197
CROSS REFERENCE LIST.....	223
ASSEMBLY INSTRUCTIONS.....	245
PREMATURE AIR SPRINGS FAILURES.....	246
IMPORTANT DETAILS.....	247



Otomotiv ve Lastik Sanayi A.Ş. which was established at the end of year 2004 in Bursa the main industrial centre of Automotive Industry in Turkey, proved its quality by manufacturing Air Springs for significant commercial vehicle and axle manufacturers in “Blacktech” brand and gradually straightened its position in domestic and global market with employees, customers and suppliers who established and maintain the presence of Blacktech brand in the market, trust our quality and therefore stand behind our product.



In March 2009 HSS Otomotiv ve Lastik Sanayi A.Ş. moved the production facilities to a new location in Bursa Free Zone in a covered area of 14.000 m² which is the biggest air spring manufacturing plant bringing together all operations in one location. HSS Otomotiv ve Lastik Sanayi A.Ş. is aiming to continue its exact service conception and principles and enhance its power to distribute Blacktech Air Springs all around the world by increasing production capacity to 2.000.000 per annum in the new production facilities established with most recent technological investments.

The quality of Blacktech Air Springs is guaranteed with the Quality Management System which is implemented and maintained by HSS Otomotiv ve Lastik Sanayi A.Ş. and which we were certified with ISO/TS 16949:2002 Certificate by DQS-Deutsche Gesellschaft zur Zertifizierung von Managementsystemen (German Registrar for Management Systems) for the Scope Manufacturing Air Suspension Systems. As a company which is an expert in its area of business, trustworthy and manufactures high quality products, our main goal is to have a place in the world market with our quality and brand by improving our costs and quality constantly and using the synergy of our customers, workers, suppliers, society and investors and competition in the market as an advantage.

Blacktech Air Springs Product Range

HSS Otomotiv ve Lastik Sanayi A.Ş. is a global supplier of air springs serving significant OEMs and commercial vehicle aftermarket and also industrial applications and accordingly there are four groups of air springs in Blacktech production range designed for various specific applications.

Rolling Lobe Air Springs are usually used in buses, light commercial vehicles, trucks and trailers. Owing to the special rubber compounds, all air spring types operate accurately at temperatures from -40°C to +70°C. For different various application areas, they have different assembly heights, operation pressure intervals, operation spaces, loading capacities and working frequencies.

Convuluted Air Springs are used in a large variety of application areas. Mostly they are used in industrial pneumatic applications as pneumatic lifting cylinders or in vibration isolation as spring elements.

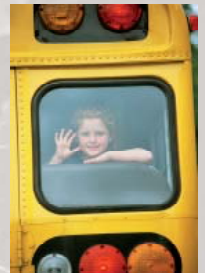
Cabin Air Springs reduce the vibration levels of the cabin and their ride height and stiffness can be changed to adjust for different cabin loading or road surfaces.

Seat Air Springs are designed to provide more comfortable ride for drivers. Seat air springs decrease driver's fatigue level by changing the hardness or resiliency of the seat caused by running conditions of the motor vehicle.

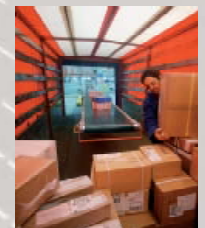


Blacktech Air Suspension Systems;

- Provide equal suspension comfort under all kinds of load and road surface conditions.
- Do not need maintenance.
- Have easy and economical replacement.
- Ease loading and unloading by adjusting chassis height of the vehicle.
- Ease getting on and off the bus especially for disabled people and children in some bus types.
- Protect the vehicle and the road from vibrations while driving.
- Prevent the vehicle from leaning to one side in unbalanced loading conditions.
- Increase road holding of the vehicle.
- Protect fragile loads from vibration.
- Used in cabins and driver's seat to provide more comfortable driving.



Blacktech Air Springs are put through wide-ranging tests procedures to ensure that the air springs operate correctly and comply with required quality standards. Combining its experience with the aim of being known as a world wide company and supplying high quality products we direct our infrastructure investments covering the following quality tests and consequently creating most suitable production conditions.





Product Life Test

Based on annual audit plans and innovations in new product development, the products are put through a life test in order to determine the performance of the air springs on the vehicle. During this test the air springs are installed to a see-saw replicating the movement of the vehicle, and then set to work in proper ride height and under maximum pressure conditions specified in product specifications. Pressure and expansion levels are recorded, at the same time all the modifications of air springs are traced by computer. Test results are summarized in graphs

and tables, then the accuracy and compliance of the results to the specifications verified by engineers. The out-put data from the life-test results are used as an indicator in Research & Development activities, product improvements, corrective and preventive actions. Blacktech Air Springs are tested for millions of cycles without product failure or performance degradation during the tests.

Expansion and Lifting Test

The air springs are designed to prove balanced transportation of the heavy loads. Therefore it should be checked whether the air springs have required expansion and lifting rates. By generating load lifting conditions of air spring in the vehicle, it is checked if the air spring is reached intended lifting rates and diameter change under escalating load is observed. Since the tests are performed by computer automatically, it is possible to determine the diameter expansion according to the lifting force in every pressure level. Test results are summarized in graphs and tables, then compliance of the results to the specifications verified by engineers.



Burst Test

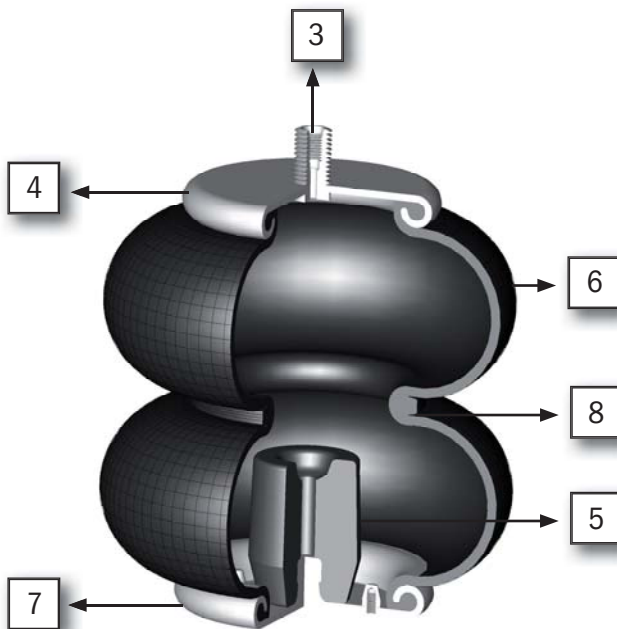
Burst tests are performed to determine maximum resistance pressure of air springs. In order to ensure work safety, air springs are inflated in a closed chamber. Consequent burst pressure is verified in accordance with product test specifications. Burst tests are also performed with computer control.

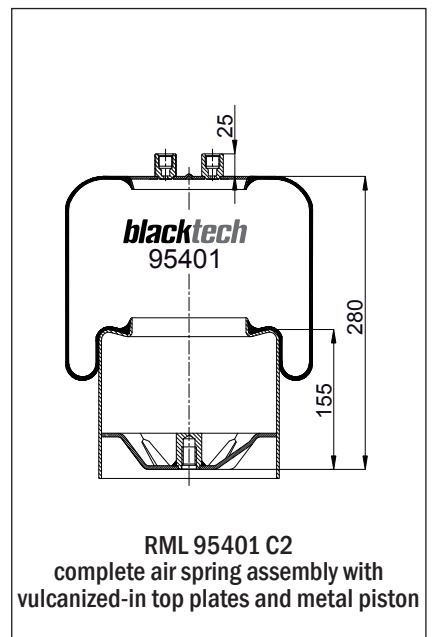
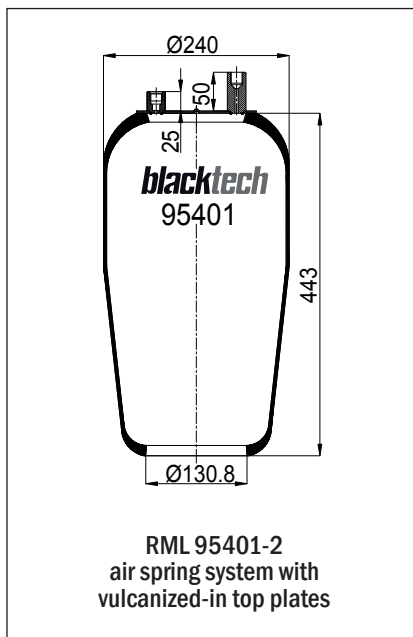
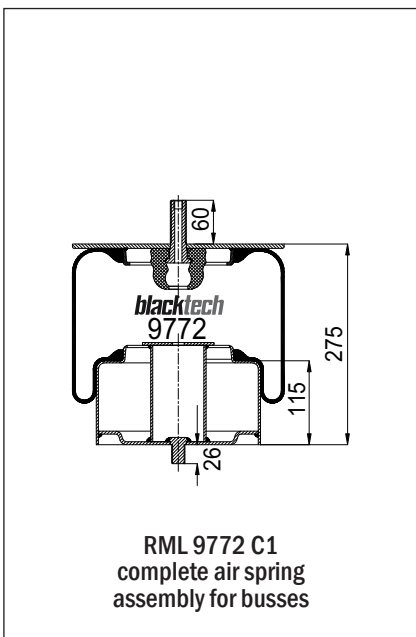
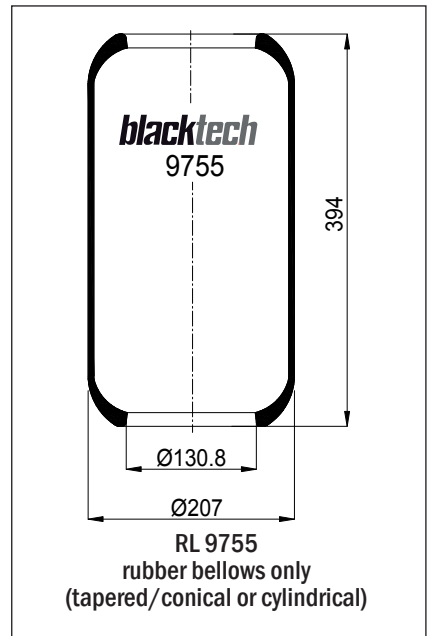
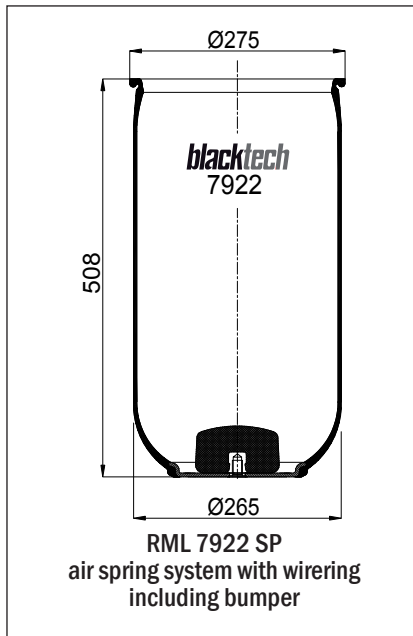
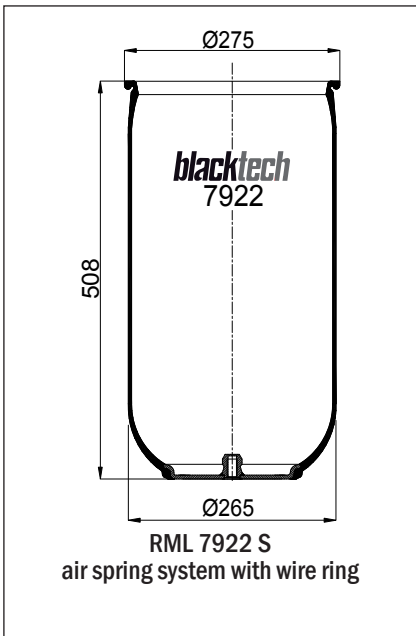
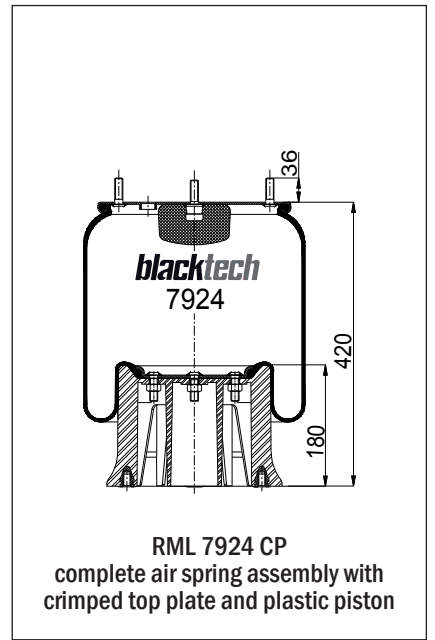
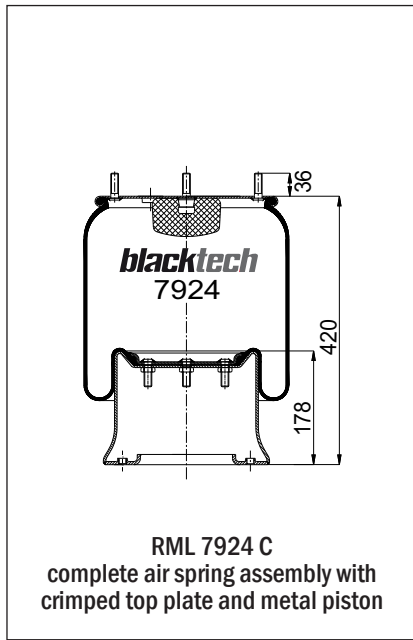
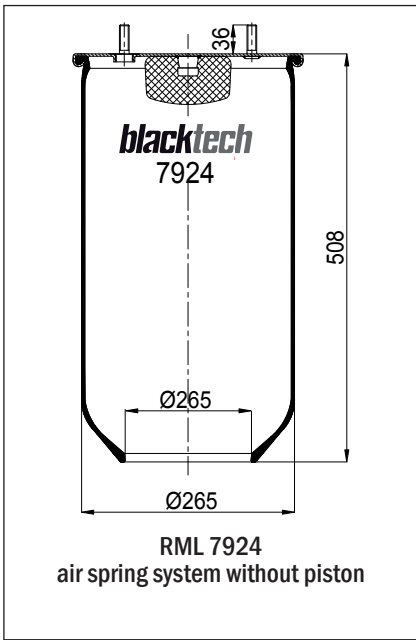


COMPONENTS OF AIR SPRING



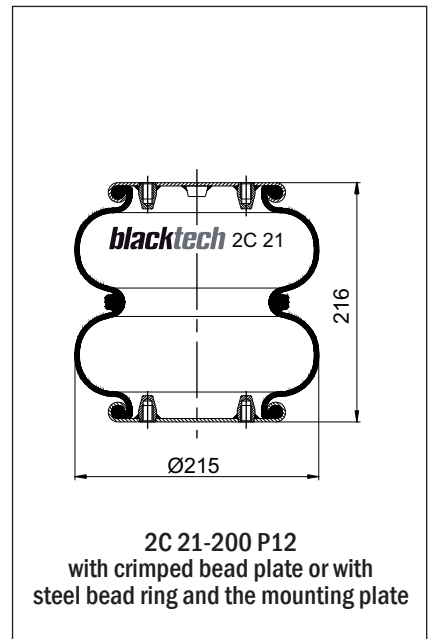
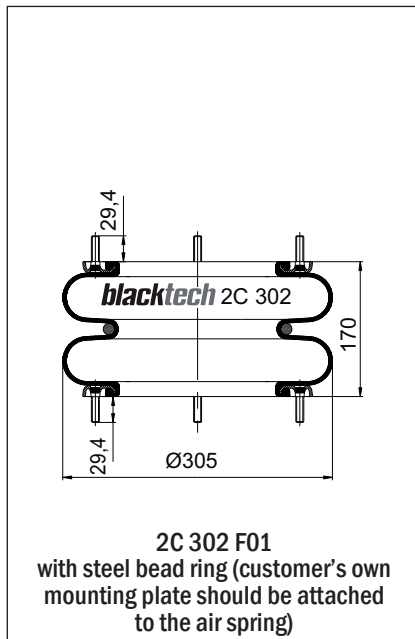
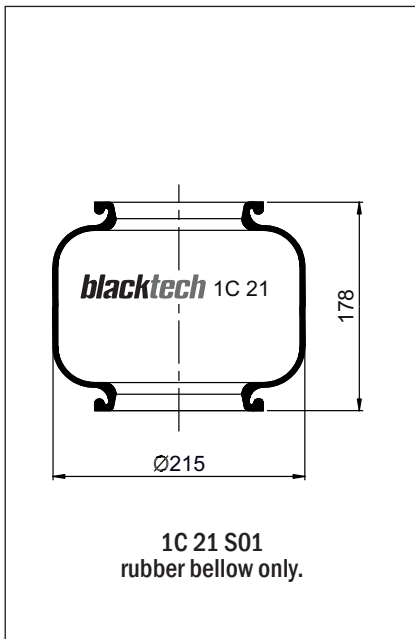
1. Air inlet
2. Mounting stud
3. Combination stud/Air fitting
4. Plate
5. Bumper (Generally used in air suspension applications as fail-safe device.)
6. Rubber air spring body
7. Piston (There two different complete applications such as with metal piston or plastic piston.)
8. Girdle hoop





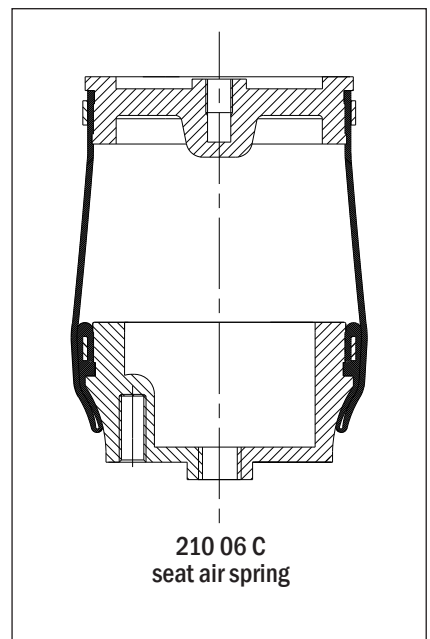
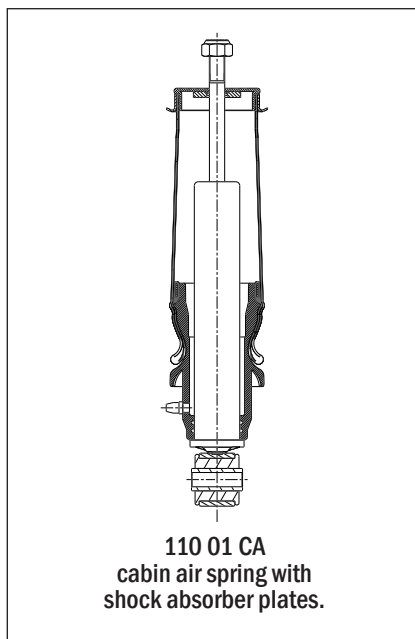
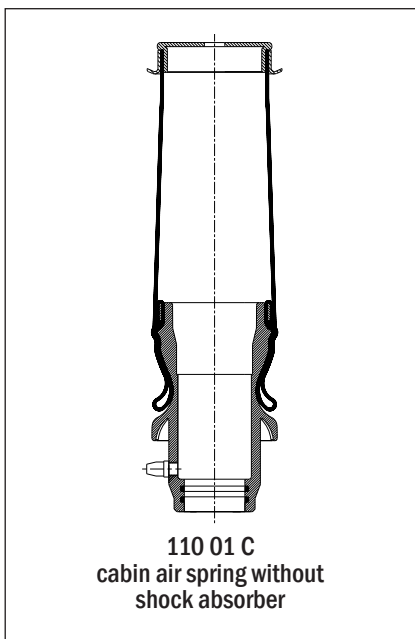
PRODUCT IDENTIFICATION

CONVOLUTED AIR SPRINGS



PRODUCT IDENTIFICATION

SLEEVE TYPE AIR SPRINGS





blacktech
Air Springs

OEM Cross Reference List

OEM CROSS REFERENCE LIST
ROLLING LOBE AIR SPRINGS

MANUFACTURER	OEM PART NO	PART NO	TYPE	REMARKS	PAGE
ACERBI					
	128147123	75260 CP9	complete	Plastic Piston	108
	441901	75268 CP10	complete	Plastic Piston	118
AUWARTER					
		9755	roll	Rolling Lobe	39
	B 510040	9812	roll	Rolling Lobe	41
	1021 003 00	9873	roll	Rolling Lobe	46
BARTOLETTI					
	91619011	7923 C1	complete	Metal Piston	75
	91619005	7924 C	complete	Metal Piston	76
BATTAGLINO					
	2211401	7923 C1	complete	Metal Piston	75
	2211400	7924 C	complete	Metal Piston	76
	2211400	75139 C5	complete	Metal Piston	104
BMC (BUS)					
		95101 C	complete	Metal Piston	147
		95101 C2	complete	Metal Piston	147
BERTOJA					
	45402000	9784	roll	Rolling Lobe	41
	45402002	7921 C	complete	Metal Piston	71
BPW					
	02 200 24 30 0	92885	roll	Rolling Lobe	54
	02.2002.46.00	9773	roll	Rolling Lobe	40
	02.2002.44.00	9755	roll	Rolling Lobe	39
	02.2002.42.00	9838	roll	Rolling Lobe	44
	02.2002.42.00	9873	roll	Rolling Lobe	46
	220.024.000	9820	roll	Rolling Lobe	42
	542.939.730	9820	roll	Rolling Lobe	42
	02.2002.41.00	9831	roll	Rolling Lobe	44
	02.2002.47.00	9886	roll	Rolling Lobe	47
	05.429.40.910/931/941/290/510	7051	service assy.	Service	63
	05.429.40.030/034/241/281	7052	service assy.	Service	64
	05.429.40.050/380/440/580/690	7053	service assy.	Service	65
	05.42940.091/591	7052 C	complete	Metal Piston	65
	05.42941.241 / 281 / 371	7052 C	complete	Metal Piston	65
	05.42940.150/510	7053 C	complete	Metal Piston	66
	05.42941.380 / 690	7053 C	complete	Metal Piston	66
	05.42940.931 / 05.42941.231	7051 C	complete	Metal Piston	64
	05.429.40.200/091/241/281/371/591	7051 CP	complete	Plastic Piston	64
	05.429.41.241/281/371	7052 C	complete	Metal Piston	65
	05.42941.56.0	75051	service assy.	Service	97
	05.429.41.25.0	75052	service assy.	Service	97
	05.429.41.25.0	75052 C	complete	Metal Piston	97
	05.429.41.09.0	75053	service assy.	Service	98
	05.429.41.77.0	75071	service assy.	Service	98
	05.429.42.04.0	75072	service assy.	Service	98
	05.429.42.03.0	75073	service assy.	Service	99
	05.429.41.01.0	75992	service assy.	Service	124
	05.429.41.21.1	75992 C	complete	Metal Piston	124
	05.429.43.41.0	75992 CP	complete	Plastic Piston	124
	05.429.40.720/750/760	7062	service assy.	Service	66
	05.429.40.01.0 / 05.429.40.02.0	7992	service assy.	Service	82
	05.42940.141/391/471/611/211/361	7992 C	complete	Metal Piston	82
	05.42943.510	7992 CP	complete	Plastic Piston	83
	05.42943.20.0	7052 CP	complete	Plastic Piston	65
BUS & CAR					
		9772	roll	Rolling Lobe	40
		9873	roll	Rolling Lobe	46
BUSSING					
	536905265/6	9755	roll	Rolling Lobe	39
	831120144	9772	roll	Rolling Lobe	40
		9773	roll	Rolling Lobe	40

OEM CROSS REFERENCE LIST
ROLLING LOBE AIR SPRINGS

MANUFACTURER	OEM PART NO	PART NO	TYPE	REMARKS	PAGE
CAMPANA					
	50.200.105	7922 C2	complete	Metal Piston	74
CARDI					
	58051210	75260 CP9	complete	Plastic Piston	108
	58050900	75270 C	complete	Metal Piston	119
		7923	service assy.	Service	75
		7923 C	complete	Metal Piston	75
	58051400	75266 C	complete	Metal Piston	111
	58050700	7923 C1	complete	Metal Piston	75
DAF					
	0526823	7922 C	complete	Metal Piston	74
	67306	7923 C1	complete	Metal Piston	75
	(TRUCK SB3000) 067452	7922	service assy.	Service	73
	0067306	7922	service assy.	Service	73
	1.276.846	7990	service assy.	Service	81
	1.279.141 / 1.698.434	7990 C2	complete	Metal Piston	82
	0676122	7922	service assy.	Service	73
	0067306	7922-1	service assy.	Service	73
	1 384 273	7921	service assy.	Service	71
	64425 / 689677 / 696229	9755	roll	Rolling Lobe	39
	638148	9838	roll	Rolling Lobe	44
	638148	9839	roll	Rolling Lobe	45
	818225	9820	roll	Rolling Lobe	42
	627584	9784	roll	Rolling Lobe	41
	659561	9826	roll	Rolling Lobe	43
	683392	9826	roll	Rolling Lobe	43
	578361	9773	roll	Rolling Lobe	40
	644425	9873	roll	Rolling Lobe	46
	0578361	9873	roll	Rolling Lobe	46
	388491	7924 C	complete	Metal Piston	76
	0513983	7998	service assy.	Service	83
	1697684	7998 C1	complete	Metal Piston	83
	1153935	7998 C3	complete	Metal Piston	84
	1141525	7998 C6	complete	Metal Piston	84
	0067504	7947	service assy.	Service	77
	0513985	7947	service assy.	Service	77
	0513985	7947 -1	service assy.	Service	78
	0513982	7947 -2	service assy.	Service	78
	0388167	7947 - 2 C1	complete	Metal Piston	79
	0513985	7947 -1	service assy.	Service	78
	0 377 498	7947 C4	complete	Metal Piston	79
	0526651	7947 C6	complete	Metal Piston	80
	0297721	7947 C7	complete	Metal Piston	80
	1153933	7947 C8	complete	Metal Piston	80
	1153934	7947 C9	complete	Metal Piston	81
	1266381 / 1697679	7947 C11	complete	Metal Piston	81
	0 388 165	7947 C1	complete	Metal Piston	79
	1 697 678	7947 C1	complete	Metal Piston	79
	0 388 167	7947 -2 C1	complete	Metal Piston	79
	1 276 846	7990	service assy.	Service	81
	1279141 / 1698434	7990 C2	complete	Metal Piston	82
	8627584	9055	roll	Rolling Lobe	37
DAIMLER CHRYSLER					
	A 655 327 00 01	92831	roll	Rolling Lobe	54
		95298-1	service assy.	Service	150
	A 942 320 18 21	95298 C1	complete	Metal Piston	151
	A 942 320 26 21	95298 C21	complete	Metal Piston	151
	A 942 320 27 21	95298 C22	complete	Metal Piston	151
	A 942 328 00 01	95401-1	service assy.	Service	152
	A 942 320 01 21	95401-1	service assy.	Service	152
	A 942 320 22 21	95294-1	service assy.	Service	148
	A 942 320 23 21	95294 C24	complete	Metal Piston	149
	A 942 320 13 21 / 22 21	95294 C23	complete	Metal Piston	148

OEM CROSS REFERENCE LIST
ROLLING LOBE AIR SPRINGS

MANUFACTURER	OEM PART NO	PART NO	TYPE	REMARKS	PAGE
	A 942 320 51 21	95294 C24	complete	Metal Piston	149
	A 942 328 01 01	95401-2	service assy.	Service	152
	A 942 320 01 21	95401 C1	complete	Metal Piston	153
	A 942 320 02 21	95401 C2	complete	Metal Piston	153
	A 942 320 04 21	95401 C3	complete	Metal Piston	153
	A 942 320 03 21	95401 C4	complete	Metal Piston	154
	A 942 320 20 21	95401 C5	complete	Metal Piston	154
	A 942 320 49 21	95401 C21	complete	Metal Piston	154
	A 942 320 28 21	95401 C21	complete	Metal Piston	154
	A 942 320 29 21	95401 C22	complete	Metal Piston	155
	A 942 320 50 21	95401 C22	complete	Metal Piston	155
	A 942 320 52 21	95401 C23	complete	Metal Piston	155
	A 942 320 51 21	95401 C24	complete	Metal Piston	155
	A 942 328 06 01	95402-1	service assy.	Service	156
	A 942 328 07 01	95402-2	service assy.	Service	156
	A 942 320 06 21	95402 C1	complete	Metal Piston	156
	A 942 320 07 21	95402 C2	complete	Metal Piston	157
	A 942 320 53 21	95402 C21	complete	Metal Piston	157
	A 942 320 54 21	95402 C22	complete	Metal Piston	157
	A 629 327 00 01	95755	service assy.	Service	158
	A 629 320 00 25	95755 C2	complete	Metal Piston	158
	A 629 320 00 25	95755 C22	complete	Metal Piston	158
	A 946 320 03 21	95848 C1	complete	Metal Piston	159
	A 946 320 05 21	95848 C2	complete	Metal Piston	159
	A 957 320 01 17	95848 C5	complete	Metal Piston	160
	A 942 320 37 21	95848 C21	complete	Metal Piston	160
	A 946 320 39 21	95848 C22	complete	Metal Piston	160
	A 957 320 03 17	95848 C25	complete	Metal Piston	161
	A 942 327 00 01	95868 -1	service assy.	Service	161
	A 974 328 01 01	95868 -2	service assy.	Service	161
	A 974 328 00 01	95868 -2	service assy.	Service	161
	A 974 328 02 01	95296	service assy.	Service	149
	A 974 320 00 21	95296 C1	complete	Metal Piston	149
	A 974 320 30 21	95296 C21	complete	Metal Piston	150
	A 942 320 01 17	95868 C1	complete	Metal Piston	162
	A 942 327 04 17	95868 C9	complete	Metal Piston	162
	A 942 320 43 21	95868 C21	complete	Metal Piston	162
	A 942 320 32 21	95868 C29	complete	Metal Piston	163
	A 946 328 00 01	95949	service assy.	Service	164
	A 946 320 04 21	95949 C1	complete	Metal Piston	164
	A 946 320 02 21	95949 C2	complete	Metal Piston	165
	A 946 320 01 21	95949 C3	complete	Metal Piston	165
	A 946 320 38 21	95949 C21	complete	Metal Piston	165
	A 946 320 36 21	95949 C22	complete	Metal Piston	166
	A 946 320 35 21	95949 C23	complete	Metal Piston	166
	A 945 320 00 17	95869 C1	complete	Metal Piston	163
	A 942 320 48 21	95869 C21	complete	Metal Piston	164
	A 383 327 00 01	9784	roll	Rolling Lobe	41
	A 363 328 00 01	9826	roll	Rolling Lobe	43
	A 363 220 00 01	9826	roll	Rolling Lobe	43
	A 387 328 01 01	9831	roll	Rolling Lobe	44
	A 307 328 01 01	9831	roll	Rolling Lobe	44
	A 360 328 01 01	9831	roll	Rolling Lobe	44
	A 363 328 01 01	9831	roll	Rolling Lobe	44
	A 387 328 00 01	9831	roll	Rolling Lobe	44
	A 307 328 01 01	9838	roll	Rolling Lobe	44
	A 393 328 01 01	9848	roll	Rolling Lobe	45
	A 318 328 00 01	9857	roll	Rolling Lobe	45
	A 363 328 00 01	9868	roll	Rolling Lobe	46
	A 363 328 02 01	9868	roll	Rolling Lobe	46
	A 382 327 71 00	9873	roll	Rolling Lobe	46
	A 382 327 72 01	9893	roll	Rolling Lobe	47
	A 674 328 03 01	9899	roll	Rolling Lobe	48

OEM CROSS REFERENCE LIST
ROLLING LOBE AIR SPRINGS

MANUFACTURER	OEM PART NO	PART NO	TYPE	REMARKS	PAGE
	A 674 328 00 01	9949	roll	Rolling Lobe	50
	A 674 328 02 01	9984	roll	Rolling Lobe	50
	A 699 328 01 01	9993	roll	Rolling Lobe	51
	A 658 328 01 01	9993	roll	Rolling Lobe	51
	A 658 328 00 01	9995	roll	Rolling Lobe	51
	A 000 328 01 01	9920	roll	Rolling Lobe	49
DAYTON					
	352 - 9213	79213 C	complete	Metal Piston	139
DENNIS					
	611812 / 611896-12	9038	roll	Rolling Lobe	35
	650292	9831	roll	Rolling Lobe	44
	650298	9831	roll	Rolling Lobe	44
	650883	9831	roll	Rolling Lobe	44
	650884	9831	roll	Rolling Lobe	44
	650887	9831	roll	Rolling Lobe	44
	656 300 / 2	9907	roll	Rolling Lobe	48
	656 289 / 2	9908	roll	Rolling Lobe	49
	650887	9831	roll	Rolling Lobe	44
	611896/ 12	9038	roll	Rolling Lobe	35
DISCOS / MERCEDES					
	A 946 328 15 01	75139 C2	complete	Metal Piston	104
	A 946 328 14 01	75268 CP4	complete	Metal Piston	116
	A 946 328 04 01	70081 C	complete	Metal Piston	84
DROGMOELLER					
		9755	roll	Rolling Lobe	39
	440320200002-00	9772	roll	Rolling Lobe	40
	440320200002-00	9773	roll	Rolling Lobe	40
DUPLE					
		9039	roll	Rolling Lobe	36
E.R.F.					
	143908-3	7924 C	complete	Metal Piston	76
	129608-2	79373 C	complete	Metal Piston	144
	139855-0	70081 C1	complete	Metal Piston	85
EMILCAMION					
	D277/D	75139 C2	complete	Metal Piston	104
	D277B	7921 CP	complete	Plastic Piston	72
EURORICAMBIBUS					
		9056	roll	Rolling Lobe	37
EVO-BUS(Daimler-Chrysler/Kassbohrer-Setra/MB Türk					
	A 000 328 00 01	9032	roll	Rolling Lobe	35
	A 356.327.0001	9561 -36	roll	Rolling Lobe	58
	A 383.327.0001	9784	roll	Rolling Lobe	41
	A 942.327.0001	95401-1	service assy.	Service	152
	A 000.327.0101	9755	roll	Rolling Lobe	39
	A 628 323 00 92	9057	roll	Rolling Lobe	38
	A 327.328.0001	9755	roll	Rolling Lobe	39
	A 307.328.0001	9755	roll	Rolling Lobe	39
	4.771.170.000	9755	roll	Rolling Lobe	39
	4.771.143.000	9755	roll	Rolling Lobe	39
	4.771.441.000	9755	roll	Rolling Lobe	39
	4.771.110.000	9755	roll	Rolling Lobe	39
	4.771.359.000	9755	roll	Rolling Lobe	39
	4.731.012.000	9772	roll	Rolling Lobe	40
	4.731.031.000	9772	roll	Rolling Lobe	40
	4.771.427.000	9772	roll	Rolling Lobe	40
	4 731 038 000	92885	roll	Rolling Lobe	54
	4.771.440.000	9772	roll	Rolling Lobe	40
	4.731.032.000	9820	roll	Rolling Lobe	42
	4.731.013.000	9873	roll	Rolling Lobe	46
	4.731.040.000	9886	roll	Rolling Lobe	47
	4.731.029.000	7922	service assy.	Service	73
	A 699 328 01 01	9086	roll	Rolling Lobe	38

OEM CROSS REFERENCE LIST
ROLLING LOBE AIR SPRINGS

MANUFACTURER	OEM PART NO	PART NO	TYPE	REMARKS	PAGE
FRUEHAUF(S.M.B,Ackerman,Netam,Crane,Acerbi,Espana,Trailor,FFrance,Benalu)					
	003615E	7924 C	complete	Metal Piston	76
	M001472/ UJB0129-001	75267 C11	complete	Metal Piston	113
	UJB 0207 - 001 / UJA 0930	75267 C9	complete	Metal Piston	113
	UJB 0203 - 001	75260 C7	complete	Metal Piston	106
	UJB 0358-001	75260 CP9	complete	Plastic Piston	108
	UJA 0894 - 001	75260 CP14	complete	Plastic Piston	109
	UJB 0207 - 001	75267 CP15	complete	Plastic Piston	114
	M078580	75268 CP3	complete	Plastic Piston	116
	UJB 0975	75268 CP10	complete	Plastic Piston	118
	UJB 0305 - 001	75119 C	complete	Metal Piston	100
	M001464	75120 C	complete	Metal Piston	101
	M078580	74544 C	complete	Metal Piston	92
	268 0662 000	9773	roll	Rolling Lobe	40
FODEN					
	310248000	79069 CP	complete	Plastic Piston	138
GIGANT					
	196035	9873	roll	Rolling Lobe	46
	196036	9820	roll	Rolling Lobe	42
	19 60 38	9886	roll	Rolling Lobe	47
	19 60 39	92885	roll	Rolling Lobe	54
	166226	9838	roll	Rolling Lobe	44
	246169 / 3053	7835	service assy.	Service	67
	166225 / 3053	7835 C2	complete	Metal Piston	67
	166259	7835 C3	complete	Metal Piston	67
	246149 / 3653	7836	service assy.	Service	68
	166217 / 3653	7836 C2	complete	Metal Piston	68
	166252 / 3653	7836 C3	complete	Metal Piston	68
	246192 / 3661	7837	service assy.	Service	69
	247100 / 3671	7863	service assy.	Service	69
	166228 / 3671	7863 C	complete	Metal Piston	69
GRANNING					
	17091	9032	roll	Rolling Lobe	35
	15637	9038	roll	Rolling Lobe	35
	15628	9039	roll	Rolling Lobe	36
	15696	9054	roll	Rolling Lobe	36
	15704	9055	roll	Rolling Lobe	37
	15641	9056	roll	Rolling Lobe	37
	15912	9027	roll	Rolling Lobe	35
	15621	9772	roll	Rolling Lobe	40
	15623	9773	roll	Rolling Lobe	40
	15937	9086	roll	Rolling Lobe	38
	15927	9784	roll	Rolling Lobe	41
	15706	9812	roll	Rolling Lobe	41
	16220	7012 C	complete	Metal Piston	62
	16247	9817	roll	Rolling Lobe	41
	15701	9820	roll	Rolling Lobe	42
	15929	9824	roll	Rolling Lobe	42
	15626	9826	roll	Rolling Lobe	43
	15609	75265 CP5	complete	Metal Piston	110
	16099	72618 C	complete	Metal Piston	88
	15991	7947	service assy.	Service	77
	16098	72619 CP	complete	Plastic Piston	88
	16092	72918 C	complete	Metal Piston	89
	15601	77315 C	complete	Metal Piston	131
	15956	95401 C1	complete	Metal Piston	153
	16091	72923 CP	complete	Plastic Piston	89
	15669	72926 C	complete	Metal Piston	89
	15669	7023 C1	complete	Metal Piston	63
	93919	73108 C	complete	Metal Piston	90
	16212	95755 C2	complete	Metal Piston	158

OEM CROSS REFERENCE LIST
ROLLING LOBE AIR SPRINGS

MANUFACTURER	OEM PART NO	PART NO	TYPE	REMARKS	PAGE
	15633	75267 C6	complete	Metal Piston	112
	15615	75267 C9	complete	Metal Piston	113
	15731	75268 CP4	complete	Plastic Piston	116
	91401	75268 CP5	complete	Plastic Piston	116
	17101	7837	service assy.	Service	69
	15750	75268 CP8	complete	Plastic Piston	117
	15732	75268 CP9	complete	Plastic Piston	117
	15769	75268 CP10	complete	Plastic Piston	118
	93925	95298 C21	complete	Metal Piston	151
	15747	79069 CP	complete	Metal Piston	138
	93902	95296	service assy.	Service	149
	93903	95296 C1	complete	Metal Piston	149
	15657	75269 C	complete	Metal Piston	118
	15657	75269 CP	complete	Plastic Piston	119
	92500	77527 C	complete	Metal Piston	132
	15619	76251 C	complete	Metal Piston	130
	16048	75531 C	complete	Metal Piston	120
	93915	77805 C	complete	Metal Piston	134
	94002	75993	service assy.	Service	125
	94102	75993 C5	complete	Metal Piston	125
	94003	75994	service assy.	Service	125
	94101	75994 C	complete	Metal Piston	126
	94001	75995	service assy.	Service	126
	94100	75995 C6	complete	Metal Piston	126
	15656	75829 C	complete	Metal Piston	122
	15693	9827	roll	Rolling Lobe	43
	15702	9831	roll	Rolling Lobe	44
	15702	9838	roll	Rolling Lobe	44
	15930 F	9839	roll	Rolling Lobe	45
	16017	9848	roll	Rolling Lobe	45
	92504	9857	roll	Rolling Lobe	45
	2112 / 15682	9868	roll	Rolling Lobe	46
	15705	9870	roll	Rolling Lobe	46
	93203	9870 C	roll	Rolling Lobe	145
	15698	9873	roll	Rolling Lobe	46
	15955	9879	roll	Rolling Lobe	47
	15932	9886	roll	Rolling Lobe	47
	15703	9893	roll	Rolling Lobe	47
	16209	9893 C3	roll	Rolling Lobe	146
	15933	9897	roll	Rolling Lobe	48
	15934	9899	roll	Rolling Lobe	48
	15639	9907	roll	Rolling Lobe	48
	15642	9908	roll	Rolling Lobe	49
	15966	9920	roll	Rolling Lobe	49
	15938	9928	roll	Rolling Lobe	49
	15940	9949	roll	Rolling Lobe	50
	91700	9928 C	complete	Metal Piston	146
	15941	9984	roll	Rolling Lobe	50
	17092	9987	roll	Rolling Lobe	50
	16204	9987 C	roll	Rolling Lobe	147
	15944	9993	roll	Rolling Lobe	51
	15945	9994	roll	Rolling Lobe	51
	15946	9995	roll	Rolling Lobe	51
	16166	91277	roll	Rolling Lobe	52
	17074	91994	roll	Rolling Lobe	52
	17056	93220	roll	Rolling Lobe	56
	16236	92035	roll	Rolling Lobe	53
	93211	92526	roll	Rolling Lobe	53
	15960	92532	roll	Rolling Lobe	53
	16047	92831	roll	Rolling Lobe	54
	15913	92885	roll	Rolling Lobe	54
	15948	92996	roll	Rolling Lobe	55
	15654	70081 C	complete	Metal Piston	84

OEM CROSS REFERENCE LIST **ROLLING LOBE AIR SPRINGS**

MANUFACTURER	OEM PART NO	PART NO	TYPE	REMARKS	PAGE
	15993	70081 C1	complete	Metal Piston	85
	93918	95294 C23	service assy.	Service	148
	93904	95401 - 1	service assy.	Service	152
	93905	95401 - 2	service assy.	Service	152
	15957	95401 C2	complete	Metal Piston	153
	16155	95401 C3	complete	Metal Piston	153
	16092	75921 C5	complete	Metal Piston	123
	16156	95401 C4	complete	Metal Piston	154
	93917	95401 C21	complete	Metal Piston	154
	93916	95401 C22	complete	Metal Piston	155
	94004	95868 - 1	service assy.	Service	161
	94005	95868 - 2	service assy.	Service	161
	15962	95868 C1	complete	Metal Piston	162
	94007	75816 C3	complete	Metal Piston	120
	94008	75816 C4	complete	Metal Piston	121
	94000	75996-1	service assy.	Service	127
	94015	75996 C2	complete	Metal Piston	127
	16160	95868 C9	complete	Metal Piston	162
	16227	95848 C1	complete	Metal Piston	159
	16228	95848 C2	complete	Metal Piston	159
	94006	95869 C1	complete	Metal Piston	163
	16918	7052 CP	complete	Plastic Piston	65
	16026	75260 C3	complete	Metal Piston	105
	16026	75260 C6	complete	Metal Piston	106
	15617	75260 C7	complete	Metal Piston	106
	15691	74925 C	complete	Metal Piston	92
	15671	7023 C2	complete	Metal Piston	63
	15630	75260 CP9	complete	Plastic Piston	108
	94019	95869 C21	complete	Metal Piston	164
	15963	95949 C1	complete	Metal Piston	164
	15964	95949 C2	complete	Metal Piston	165
	15965	95949 C3	complete	Metal Piston	165
	15656	75824 C	complete	Metal Piston	121
	16054	7910 S	service assy.	Service	70
	15773	7910 SP	service assy.	Service	70
	16056	7921 S	service assy.	Service	70
	16057	7921 SP	service assy.	Service	71
	15772	7922 S	service assy.	Service	72
	16059	7922 SP	service assy.	Service	72
	16050	7922	service assy.	Service	73
	93912	76420 C	complete	Metal Piston	130
	16067	76199 C	complete	Metal Piston	128
	16068	76200 C	complete	Metal Piston	129
	93200	7012 C	complete	Metal Piston	62
	15916	7051	service assy.	Service	63
	15919	7051 C	complete	Metal Piston	64
	16919	7051 CP	complete	Plastic Piston	64
	15901	7052	service assy.	Service	64
	93002	75139 C2	complete	Metal Piston	104
	15918	7052 C	complete	Metal Piston	65
	15902	7053	service assy.	Service	65
	15903	7053 C	complete	Metal Piston	66
	15959	7062	service assy.	Service	66
	16101	7835 C2	complete	Metal Piston	67
	15961	75992	service assy.	Service	124
	15905	75992 C	complete	Metal Piston	124
	91303	9772 C1	complete	Metal Piston	145
	16905	75992 CP	complete	Plastic Piston	124
	15908	9526-36	roll	Rolling Lobe	57
	16217	7836 C2	complete	Metal Piston	68
	15732	79002 A3 CP	complete	Plastic Piston	137
	15731	79002 A8 CP	complete	Plastic Piston	138
	15868	7836 C3	complete	Metal Piston	68

OEM CROSS REFERENCE LIST ROLLING LOBE AIR SPRINGS

MANUFACTURER	OEM PART NO	PART NO	TYPE	REMARKS	PAGE
	16108	7863	service assy.	Service	69
	15954	9526-39	roll	Rolling Lobe	57
	16109	9561-36	roll	Rolling Lobe	58
	16057	75924	service assy.	Service	123
	15999	79270 C	service assy.	Metal Piston	140
	15653	75924 C	complete	Metal Piston	123
	15634	7924 C	complete	Metal Piston	76
	15635	7921 C	complete	Metal Piston	71
	16013	79373 C	complete	Metal Piston	144
	16028	79371 C	complete	Metal Piston	142
	15907	7922 C	complete	Metal Piston	74
	16091	7922 C1	complete	Metal Piston	74
	16224 F	7998 C1	complete	Metal Piston	83
	93911	77529 C	complete	Metal Piston	132
	93910	77804 C	complete	Metal Piston	133
	93901	78914	service assy.	Service	136
	93914	78914 C	complete	Metal Piston	136
	16230	75022 C	complete	Metal Piston	93
	16046	75023 C7	complete	Metal Piston	94
	15910	75023	service assy.	Service	94
	17066	7947 C1	complete	Metal Piston	79
	15996	7947 - 2 C1	complete	Metal Piston	79
	17060	7947 C4	complete	Metal Piston	79
	92504	70301 C	complete	Metal Piston	85
	92508	70302 C	complete	Metal Piston	86
	92505	70304 C	complete	Metal Piston	86
	92502	70305 C	complete	Metal Piston	87
	92507	70306 C	complete	Metal Piston	87
	92503	70307 C	complete	Metal Piston	87
	17061	7947 C6	complete	Metal Piston	80
	16225	7990 C2	complete	Metal Piston	82
	15970	7992	service assy.	Service	82
	15917	7992 C	complete	Metal Piston	82
	15622	9755	roll	Rolling Lobe	39
	16105	75024 C	complete	Metal Piston	95
	16232	75026 C6	complete	Metal Piston	96
	16099	75133 CP2	complete	Plastic Piston	102
	16099	75133 CP3	complete	Plastic Piston	102
	16098	75133 CP5	complete	Plastic Piston	103
	15672	75119 C	complete	Metal Piston	100
	16242	75052	service assy.	Service	97
	93504	75052 C	complete	Metal Piston	97
	15651	75115 CP	complete	Plastic Piston	100
	93401	75053	service assy.	Service	98
	16081	75267 CP10	complete	Plastic Piston	114
	17002	75120 C	complete	Metal Piston	101
	1359 / 1528	75267 CP14	complete	Plastic Piston	114
	15909	75051	service assy.	Service	97
	16244	75072	service assy.	Service	98
	93400	75073	service assy.	Service	99
	15709	7013 C	complete	Metal Piston	63
HANOMAG-HENSCHEL					
		9773	roll	Rolling Lobe	40
	546.905.134	9755	roll	Rolling Lobe	39
	546905265 / 266	9772	roll	Rolling Lobe	40
HENDRICKSON					
	B 2063	7924 C	complete	Metal Piston	76
	Y505859	7924 C	complete	Metal Piston	76
	Y505801	7924 C	complete	Metal Piston	76
	B 2065/ Y506243	7921 C	complete	Metal Piston	71
	D 3842	75260 CP11	complete	Plastic Piston	108

OEM CROSS REFERENCE LIST
ROLLING LOBE AIR SPRINGS

MANUFACTURER	OEM PART NO	PART NO	TYPE	REMARKS	PAGE
	(NISSAN) 58520-2	79372 C	complete	Metal Piston	143
	(TRUCK) 64489-2	79372 C	complete	Metal Piston	143
	NA 1817	75260 CP13	complete	Plastic Piston	109
	B 2066	75267 CP14	complete	Plastic Piston	114
	S 21208	78800 C	complete	Metal Piston	136
	S9346	79346 CP	complete	Plastic Piston	142
	C20413 / S20124	79265 C	complete	Metal Piston	140
	(FORD CLASS 8) 57122-2	79373 C	complete	Metal Piston	144
	S 20010	79270 C	complete	Metal Piston	140
	S 20901 / S 21784	78091 CP	complete	Metal Piston	134
	S 21800	78709 CP	complete	Metal Piston	135
	C20127	70081 C1	complete	Plastic Piston	85
	HA 100016	75267 CP10	complete	Plastic Piston	114
	HA 100001	75267 C6	complete	Metal Piston	112
	HA 100001	75267 CP15	complete	Plastic Piston	114
	Y 507 782	7023 C2	complete	Metal Piston	63
	HS 251087	70081 C	complete	Metal Piston	85
IKARUS					
	B 510040	9812	roll	Rolling Lobe	41
		9755	roll	Rolling Lobe	39
		9772	roll	Rolling Lobe	40
	190.02	9984	roll	Rolling Lobe	50
		9773	roll	Rolling Lobe	40
		9873	roll	Rolling Lobe	46
IRIS					
	5.001.857.612	9893	roll	Rolling Lobe	47
	5.000.296.816	9987	roll	Rolling Lobe	50
INBUS					
	5001051	9054	roll	Rolling Lobe	36
	4840001	9055	roll	Rolling Lobe	37
	4890001	9055	roll	Rolling Lobe	37
	5001098 (330)	9055	roll	Rolling Lobe	37
	4840005	9055	roll	Rolling Lobe	37
IVECO					
	4714025	9784	roll	Rolling Lobe	41
	8188539 Eurotech	9995	roll	Rolling Lobe	51
	5.003.014.52	9995	roll	Rolling Lobe	51
	93166129	92920	roll	Rolling Lobe	55
	93166132	92899	roll	Rolling Lobe	55
	971 08 363	9995	roll	Rolling Lobe	51
	4746733	9772	roll	Rolling Lobe	40
	6144040	9054	roll	Rolling Lobe	36
	8160165	9054	roll	Rolling Lobe	36
	4716989	9056	roll	Rolling Lobe	37
	98478799	92996	roll	Rolling Lobe	55
	4456111	9826	roll	Rolling Lobe	43
	4763473	9826	roll	Rolling Lobe	43
	4182227	9772	roll	Rolling Lobe	40
	931 97 594	9561-36	roll	Rolling Lobe	58
	6453741	9039	roll	Rolling Lobe	36
	4722525 / 4714019 / 4714025 /	9055	roll	Rolling Lobe	37
	4735768 / 4736728 / 4738008	9055	roll	Rolling Lobe	37
	6657150 / 8188526 / 97108021 / 99459166	9055	roll	Rolling Lobe	37
	4722525 / 4738008 / 8188526 /	9056	roll	Rolling Lobe	37
	4714025 / 6657150 / 4714025	9056	roll	Rolling Lobe	37
	4703904/ 8188539	9893	roll	Rolling Lobe	47
	795097	9908	roll	Rolling Lobe	49
	98445471	9920	roll	Rolling Lobe	49
	500301776	9920	roll	Rolling Lobe	49
	8139068	9987	roll	Rolling Lobe	50
	4843220	93220	roll	Rolling Lobe	56
	(BUS 491) 42531994	91994	roll	Rolling Lobe	52
	(CITYCLASS) 42531994	91994	roll	Rolling Lobe	52

OEM CROSS REFERENCE LIST
ROLLING LOBE AIR SPRINGS

MANUFACTURER	OEM PART NO	PART NO	TYPE	REMARKS	PAGE
	(CITYCLASS) 500324098	94098	roll	Rolling Lobe	57
	(BUS 491) 500324098	94098	roll	Rolling Lobe	57
JONKHERE					
		9038	roll	Rolling Lobe	35
		9831	roll	Rolling Lobe	44
KASSBOHRER					
	4.731.012.000	9772	roll	Rolling Lobe	40
	4771110000 / 4771170000	9755	roll	Rolling Lobe	39
	4771143000 / 4771359000 / 4771441000	9772	roll	Rolling Lobe	40
	4.731.030.000	9772	roll	Rolling Lobe	40
	4 771 440 000	9772	roll	Rolling Lobe	40
	4.731.013.000	9873	roll	Rolling Lobe	46
	4.731.032.000	9820	roll	Rolling Lobe	42
	4.731.030.000	7924 C	complete	Metal Piston	76
	4.731.033.000	7924 C	complete	Metal Piston	76
KOGEL					
		9755	roll	Rolling Lobe	39
		9773	roll	Rolling Lobe	40
	4 731 038 000	92885	roll	Rolling Lobe	54
		9838	roll	Rolling Lobe	44
	4 731 013 000	9886	roll	Rolling Lobe	47
	4.731.032.000	9820	roll	Rolling Lobe	42
L.A.G					
		9907	roll	Rolling Lobe	48
		9908	roll	Rolling Lobe	49
LEYLAND					
	AAU2542	9038	roll	Rolling Lobe	35
	AAU2544	9039	roll	Rolling Lobe	36
	10904403	9039	roll	Rolling Lobe	36
LUDEWIG					
		9755	roll	Rolling Lobe	39
M.A.N					
	81.43601.0150/0125/0140	92996	roll	Rolling Lobe	55
	81.43601.0104/109/111/120	92996	roll	Rolling Lobe	55
	81.43601.0096 / 0098 / 0101 / 0139	9817	roll	Rolling Lobe	41
	MAN (3° asse) 81.43601.0127	9817	roll	Rolling Lobe	41
	81.436.010.161	92997	roll	Rolling Lobe	56
	81.436.010.163	92999	roll	Rolling Lobe	56
	81.43601.059/60/61/75/78/81/83/90	9826	roll	Rolling Lobe	43
	81.43601.0113/115/117	9826	roll	Rolling Lobe	43
	81.43601.0033/36/37/0067	9831	roll	Rolling Lobe	44
	81.436.010.017	9755	roll	Rolling Lobe	39
	81.436.010.017	9870	roll	Rolling Lobe	46
	90.83112.0144	9772	roll	Rolling Lobe	40
	81.43601.0018 / 51	9773	roll	Rolling Lobe	40
	90.831.120.018	9773	roll	Rolling Lobe	40
	81.43601.0039/40/60/69/6075	9827	roll	Rolling Lobe	43
	81.43601.0151	75993	service assy.	Service	125
	81.43601.0160 / 6071	75996-1	service assy.	Service	127
	81.43600.6044	75996 C2	complete	Metal Piston	127
	81.43601.0155	75816-1	service assy.	Service	120
	81.43600.6039	75816 C3	complete	Metal Piston	121
	81.43600.6040	75816 C4	complete	Metal Piston	121
	81.43601.6036	75993 C5	complete	Metal Piston	125
	81.43601.0153	75994	service assy.	Service	125
	81.43601.6038	75994 C	complete	Metal Piston	126
	81.43601.0152 / 0174	75995	service assy.	Service	126
	81.43601.6035	75995 C6	complete	Metal Piston	126
	81.43601.0032/65/67/70/92/93/94/99	9993	roll	Rolling Lobe	51
	81.43601.0100/103/121	9993	roll	Rolling Lobe	51
	81.43601.0071/72/110/128	9994	roll	Rolling Lobe	51
	81.43601.0066/68/69/106/108	9995	roll	Rolling Lobe	51

OEM CROSS REFERENCE LIST **ROLLING LOBE AIR SPRINGS**

MANUFACTURER	OEM PART NO	PART NO	TYPE	REMARKS	PAGE
	81.43601.095/97/0102/105/100/126/138	9027	roll	Rolling Lobe	35
	81.43601.0050/54/73/6029	7010 S	service assy.	Service	61
	81.43601.6023	7010 SP	service assy.	Service	61
	81.43601.0056/57/58/76/79/82/0114	9838	roll	Rolling Lobe	44
	81.43601.0116 / 0118	9838	roll	Rolling Lobe	44
	81.43601.0076	9839	roll	Rolling Lobe	45
	81.43601.0049/52	9873	roll	Rolling Lobe	46
	81.43601.0053	9897	roll	Rolling Lobe	48
	81.43601.0025	7910 S	service assy.	Service	70
	81.43601.6002/6023/6025/6029/6030/0025/0050	7910 SP	service assy.	Service	70
	81.43601.0042	7921	service assy.	Service	71
	81.43601.0047	7921 S	service assy.	Service	70
	81.43601.6019	7921 SP	service assy.	Service	71
	81.43601.0035 / 0048	7922 S	service assy.	Service	72
MAZ					
	544008-020	92996	roll	Rolling Lobe	55
	643008-020	92996	roll	Rolling Lobe	55
MAGIRUS-DEUTZ					
	2491566	9784	roll	Rolling Lobe	41
	02498667	9772	roll	Rolling Lobe	40
	536905265	9755	roll	Rolling Lobe	39
	041822247	9772	roll	Rolling Lobe	40
	4456111	9826	roll	Rolling Lobe	43
MENARINI					
	178623	9055	roll	Rolling Lobe	37
	325993	9055	roll	Rolling Lobe	37
	178741	9056	roll	Rolling Lobe	37
	178623	9784	roll	Rolling Lobe	41
	178741	9893	roll	Rolling Lobe	47
	192709	9920	roll	Rolling Lobe	49
	D 020990	91994	roll	Rolling Lobe	52
	199196	9755	roll	Rolling Lobe	39
	252933	9870	roll	Rolling Lobe	46
MICHIELOTTO					
	0006061	7923 C1	complete	Metal Piston	75
MERCEDES					
	000.327.0101	9755	roll	Rolling Lobe	39
	307.327.0101	9755	roll	Rolling Lobe	39
	364.327.70.01	9755	roll	Rolling Lobe	39
		9773	roll	Rolling Lobe	40
METRO-CAMMELL					
		9038	roll	Rolling Lobe	35
	X 664 1056	9831	roll	Rolling Lobe	44
NAVISTAR					
	1660581C-1 / 501559C-1 / 501559C-2	79213 C	complete	Metal Piston	139
	1670073 C-1 / 1686386 C-1 / 2027911 C-1 / C-2	79371 C	complete	Metal Piston	142
NEOPLAN					
	1001 12 254	9755	roll	Rolling Lobe	39
	1001 10 300	9755	roll	Rolling Lobe	39
	1001 12 250	9772	roll	Rolling Lobe	40
	1001 101 00	9772	roll	Rolling Lobe	40
	1021 002 00	9772	roll	Rolling Lobe	40
	AA 10-01-001	9772	roll	Rolling Lobe	40
	AA 10-01-002	9773	roll	Rolling Lobe	40
	1001 122 51	9773	roll	Rolling Lobe	40
	1001 102 00	9773	roll	Rolling Lobe	40
	1001 101 00	9820	roll	Rolling Lobe	42
	1021 002 00	9820	roll	Rolling Lobe	42
	1001 123 00	9831	roll	Rolling Lobe	44
	1021 003 00	9873	roll	Rolling Lobe	46
	1001 121 00	9899	roll	Rolling Lobe	48
	1021 215 00	7010 S	service assy.	Service	61
	1021 005 00	7010 S	service assy.	Service	61

OEM CROSS REFERENCE LIST
ROLLING LOBE AIR SPRINGS

MANUFACTURER	OEM PART NO	PART NO	TYPE	REMARKS	PAGE
NEWAY					
	22282	7924 C	complete	Metal Piston	76
	90557233	74544 C	complete	Metal Piston	92
	M 00 57 00	7013 C	complete	Metal Piston	63
	90557126	79346 CP	complete	Plastic Piston	142
	M 00 57 00 G	7013 C	complete	Metal Piston	63
	905 570 27 / 905 570 75	75267 CP14	complete	Plastic Piston	114
	905 570 09	75260 C4	complete	Metal Piston	106
	905 570 75	75267 C6	complete	Metal Piston	112
	905 570 75	75267 CP15	complete	Plastic Piston	114
	904.572.33	75268 CP8	complete	Plastic Piston	117
	90557023	9838	roll	Rolling Lobe	44
	211586	7921 C	complete	Metal Piston	71
OMAR					
	11804	7923 C1	complete	Metal Piston	75
PEGASO					
	794686	9908	roll	Rolling Lobe	49
	174933	7921 SP	service assy.	Service	71
	795097	9908	roll	Rolling Lobe	49
	175005	7924 C	complete	Metal Piston	76
		9831	roll	Rolling Lobe	44
PIACENZA					
	250991	7924 C	complete	Metal Piston	76
PORTESI					
	700 176	9055	roll	Rolling Lobe	37
R.O.R / MERITOR					
	21215632/ 21208082	7921 C	complete	Metal Piston	71
	21215632/ 21208082	7921 CP	complete	Plastic Piston	72
	21216135 / 5761	75267 C9	complete	Plastic Piston	113
	21215761 / 5762 / 6046	75267 C6	complete	Metal Piston	112
	2120 8939	75267 CP14	complete	Plastic Piston	114
	21222239	7922 C2	complete	Metal Piston	74
	MLF 7079	79270 C	complete	Metal Piston	140
	21215761 / 5762 / 6046	75267 CP15	complete	Plastic Piston	114
	2122 2442	75268 CP09	complete	Plastic Piston	117
	MLF 7146	76199 C	complete	Metal Piston	128
	MLF 7167	76200 C	complete	Metal Piston	129
	MLF 7033	77315 C	complete	Metal Piston	131
	MLF 7151 / 7152	77527 C	complete	Metal Piston	132
	MLF 7170	77529 C	complete	Metal Piston	132
	MLF 7031 / 7092 / 7095	75133 C3	complete	Metal Piston	102
	MLF7049 / 7050 / 7069	7013 C	complete	Metal Piston	63
	MLF7083 / 7039	7023 C1	complete	Metal Piston	63
	2122 1307	75268 CP4	complete	Plastic Piston	116
	21222442	79002 A3	service assy.	Service	137
	21222442	79002 A3 CP	complete	Plastic Piston	137
	21221307	79002 A8	service assy.	Service	137
	21221307	79002 A8 CP	complete	Plastic Piston	138
	2122 1349	75119 C	complete	Metal Piston	100
	2122 2673	7023 C2	complete	Metal Piston	63
	MLF 7122 / 7040	7023 C2	complete	Metal Piston	63
	21222239	7922 C2	complete	Metal Piston	74
	21222239	75139 C5	complete	Metal Piston	104
	21215633	7924 C	complete	Metal Piston	76
RENAULT V.I					
	5.011.294.308 . C	75022 C	complete	Metal Piston	93
	5.010.557.356	75022 C4	complete	Metal Piston	93
	5.011.294.308 / 5.011.239.971	75022	service assy.	Service	93
	5.010.294.307 A / B	75023 C7	complete	Metal Piston	94
	5.010.052.722	7012 C	complete	Metal Piston	62
	5.010.130.683	7012 C	complete	Metal Piston	62
	5.000.815.749 / 5.010.239.338	7013 C	complete	Metal Piston	63

OEM CROSS REFERENCE LIST
ROLLING LOBE AIR SPRINGS

MANUFACTURER	OEM PART NO	PART NO	TYPE	REMARKS	PAGE
	5.810.111.355 / 5.000.786.641	9928 C	complete	Metal Piston	146
	5.001.832.067	75023	service assy.	Service	94
	5.010.294.307 A / B	75023 C7	complete	Metal Piston	94
	5.010.557.355	75023 C10	complete	Metal Piston	95
	5.010.239.252	75265 CP5	complete	Plastic Piston	110
	5.010.294.252 .B	75265 CP5	complete	Plastic Piston	110
	5.010.239.252	75265 C5	complete	Metal Piston	110
	5.010.294.252 .B	75265 C5	complete	Metal Piston	110
	5.001.855.856	75026	service assy.	Service	96
	5.010.294.546 B	75026	service assy.	Service	96
	5.010.488.396	75026 C	complete	Metal Piston	96
	5.010.294.309	75026 C6	complete	Metal Piston	96
	5.010.488.070	75026 C6	complete	Metal Piston	96
	5.001.829.866	9772	roll	Rolling Lobe	40
	5.000.954.175	9879	roll	Rolling Lobe	47
	5.000.805.284	9870	roll	Rolling Lobe	46
	5.000.954.176	9893	roll	Rolling Lobe	47
	5.000.452.939	7921 C	complete	Metal Piston	71
	5.000.745.918	7921 C	complete	Metal Piston	71
	5.000.745.918	7922 C	complete	Metal Piston	74
	5.010.130.925	7924 C	complete	Metal Piston	76
	5.000.790.692	7924 C	complete	Metal Piston	76
	5.000.296.816	9987	roll	Rolling Lobe	50
	5.000.738.516	9987 C	roll	Metal Piston	147
	5.000.640.399	9987 C	roll	Metal Piston	147
	5.000.288.982	9032	roll	Rolling Lobe	35
	5.000.786.516	9879	roll	Rolling Lobe	47
	5.000.869.135	9879	roll	Rolling Lobe	47
	5.000.954.175	9879	roll	Rolling Lobe	47
	5.000.954.176	9879	roll	Rolling Lobe	47
	5.000.786.901	9870	roll	Rolling Lobe	46
	5.000.785.798	9870	roll	Rolling Lobe	46
	5.000.785.792	9870	roll	Rolling Lobe	46
	5.000.786.640	9870 C	roll	Metal Piston	145
	5.000.805.999	9870 C	roll	Metal Piston	145
	5.000.786.640 / 641	9870	roll	Rolling Lobe	46
	5.000.805.284	9870	roll	Rolling Lobe	46
	5.000.869.179	9893	roll	Rolling Lobe	47
	5.000.787.632	9893	roll	Rolling Lobe	47
	5.000.786.901	9826	roll	Rolling Lobe	43
	5.000.819.517	9826	roll	Rolling Lobe	43
		9755	roll	Rolling Lobe	39
		9772	roll	Rolling Lobe	40
	5 010 073 846	9772 C1	roll	Metal Piston	145
	5 810 111 355	9928	roll	Rolling Lobe	49
	5 000 805 998	9928	roll	Rolling Lobe	49
	5 001 021 414	92526	roll	Rolling Lobe	53
	5 010 347 891	92035	roll	Rolling Lobe	53
ROLFO					
	112060	7923 C1	complete	Metal Piston	75
S.A.E					
	8403/ 102	7924 C	complete	Metal Piston	76
S.A.F					
	2.229.0003.00	7924 C	complete	Metal Piston	76
	3.229.0030.00	7023 C1	complete	Metal Piston	63
	3.229.2630.00	7023 C1	complete	Metal Piston	63
	3.229.1300.00	7023 C2	complete	Metal Piston	63
	3138 / 4.284.3004.00	73138	service assy.	Service	90
	2618V	72618 C	complete	Metal Piston	88
	2619V / 3.229.0033.00	72619 CP	complete	Plastic Piston	88
	2918V / 3.229.0027.00	72918 C	complete	Metal Piston	89

OEM CROSS REFERENCE LIST
ROLLING LOBE AIR SPRINGS

MANUFACTURER	OEM PART NO	PART NO	TYPE	REMARKS	PAGE
	2923VK / 3.229.0028.00	72923 CP	complete	Plastic Piston	89
	2926V / 3.229.0030.00 / 3.229.2630.00	72926 C	complete	Metal Piston	89
	3.229.0024.00	75119 C	complete	Metal Piston	100
	2.229.0009.00	7059	service assy.	Service	66
	3.229.0005.00	7023 C2	complete	Metal Piston	63
	2.229.007.02 / 3.29.0029.00	75133 C3	complete	Metal Piston	102
	2.228.0002.00	7921 C	complete	Metal Piston	71
	3.228.0002.00	7921 C	complete	Metal Piston	71
	2.229.0002.00	7921 C	complete	Metal Piston	71
	3.228.0003.00	7922 S	service assy.	Service	72
	3.229.0031.00 / 2131 / 2231 / 2431	75134 C	complete	Metal Piston	103
	3.229.0031.00	75134	service assy.	Service	103
	3.229.0031.00	7922 C1	complete	Metal Piston	74
	3.229.0006.01	75924 C	complete	Metal Piston	123
	3.229.0007.00 / 02	75115	service assy.	Service	99
	3.229.2107.00	75115	service assy.	Service	99
	2.229.0007.00	75115 C	complete	Metal Piston	99
	3.229.0007.00 / 01 / 02	75115 CP	complete	Plastic Piston	100
	4.284.3003.01	75115 CP	complete	Plastic Piston	100
	4.284.3006.00	75133	service assy.	Service	101
	3.229.0029.00 / 3.229.2129.00 /	75133 CP3	complete	Plastic Piston	102
	3.229.2229.00 / 3.229.2429.00	75133 CP3	complete	Plastic Piston	102
	3.229.0033.00	75133 CP5	complete	Plastic Piston	103
	3.229.0003.00	7924 C	complete	Metal Piston	76
	3.229.0027.00 / 2127 / 2227	75921 C5	complete	Metal Piston	123
SMB					
	M060924	75268 CP09	complete	Plastic Piston	117
	M078580	75268 CP08	complete	Plastic Piston	117
SAMRO					
	2500008	7921 C	complete	Metal Piston	71
	2500425	75260 C6	complete	Metal Piston	106
	H250000361	75119 C	complete	Metal Piston	100
	H2500324	75260 CP9	complete	Plastic Piston	108
	2500425	75260 C3	complete	Metal Piston	105
	2500009	7924 C	complete	Metal Piston	76
	2500915	70081 C	complete	Metal Piston	84
SCANIA + SCANIA BUSSAR					
	255295	75924 C	complete	Metal Piston	123
	325748	75924 C	complete	Metal Piston	123
	298568	75924 C	complete	Metal Piston	123
	1394997 / 1314903 / 1402423	76251 C	complete	Metal Piston	130
	1314904	77315 C	complete	Metal Piston	131
	255293	75924 C	complete	Metal Piston	123
	1107674	75924 C	complete	Metal Piston	123
	1314906	75924 C	complete	Metal Piston	123
	1379392	75024 C	complete	Metal Piston	95
	1379393	75024	service assy.	Service	95
	1440294	75024 C	complete	Metal Piston	95
	411627	9907	roll	Rolling Lobe	48
	411622/411623/402315	9908	roll	Rolling Lobe	49
	934094 / 424626 / 434932 / 10.904.403	9038	roll	Rolling Lobe	35
	434932	9039	roll	Rolling Lobe	36
		9784	roll	Rolling Lobe	41
		9826	roll	Rolling Lobe	43
		9870	roll	Rolling Lobe	46
	1612465	9879	roll	Rolling Lobe	47
		9827	roll	Rolling Lobe	43
	1386199	76199	service assy.	Service	128
	1386199 / 1362145 / 1372143	76199 C	complete	Metal Piston	128
	1386200	76200	service assy.	Service	128
	1386200 / 1362147 / 1372144	76200 C	complete	Metal Piston	129
	1510195	71113 C	complete	Metal Piston	88
	1731113	70195 C	complete	Metal Piston	85

OEM CROSS REFERENCE LIST
ROLLING LOBE AIR SPRINGS

MANUFACTURER	OEM PART NO	PART NO	TYPE	REMARKS	PAGE
	470922>1440304>1440305	70304 C	complete	Metal Piston	86
	470920 / 1440301	70301 C	complete	Metal Piston	85
	1440302 / 470922	70302 C	complete	Metal Piston	86
	475149 / 1440307	70307 C	complete	Metal Piston	87
	492678 / 1440306	70306 C	complete	Metal Piston	87
	492680-1440305	70305 C	complete	Metal Piston	87
SCANIA BUSSAR (South America)					
	523229	9055	roll	Rolling Lobe	37
	1440303	70303 C	complete	Metal Piston	86
SCHMITZ					
	750208	9772	roll	Rolling Lobe	40
	015 323	75139 C2	complete	Metal Piston	104
	750209	9773	roll	Rolling Lobe	40
	750212	9838	roll	Rolling Lobe	44
	750212	9839	roll	Rolling Lobe	45
	750215	9820	roll	Rolling Lobe	42
	750999	79269 CP	complete	Plastic Piston	119
	016512	75260 CP17	complete	Plastic Piston	109
	751065	75268 CP6	complete	Plastic Piston	117
	750999	75269 C	complete	Metal Piston	118
	750999	75269 CP	complete	Plastic Piston	119
	750999	79296 CP	service assy.	Service	141
	750225	92885	roll	Rolling Lobe	54
TRANSPART					
	531 233	75260 CP12	complete	Metal Piston	108
T.E.C					
	506243 / 01	7921 CP	complete	Plastic Piston	72
	55801	7924 C	complete	Metal Piston	76
TERBERG					
	21071483	7924 C	complete	Metal Piston	76
TITAN					
	91687700000	7924 C	complete	Metal Piston	76
TRAILOR					
	6504646 G	7921 C	complete	Metal Piston	71
	0036158E/ 650234Y	7924 C	complete	Metal Piston	76
TROUILLET					
	MB10315	7921 C	complete	Metal Piston	71
WATSON & CHALON					
	AS 0053	79346 CP	complete	Plastic Piston	142
VAN HOOL					
	624319-610/ 420	9755	roll	Rolling Lobe	39
	624319 - 941	9056	roll	Rolling Lobe	37
	624319-690	9772	roll	Rolling Lobe	40
	3422596	9773	roll	Rolling Lobe	40
	624319-640	9838	roll	Rolling Lobe	44
	624319-600/ 630	9755	roll	Rolling Lobe	39
	624319-640	9873	roll	Rolling Lobe	46
	624319-710	9870	roll	Rolling Lobe	46
	624319-860	9870	roll	Rolling Lobe	46
	624319-860	9784	roll	Rolling Lobe	41
VIBERTI					
	128147122 / 644225	7924 C	complete	Metal Piston	76
	128147102	7923 C1	complete	Metal Piston	75
VOLVO					
	1080707	7921 C	complete	Metal Piston	71
	1629193 / 15990136	9831	roll	Rolling Lobe	44
	1134445	9755	roll	Rolling Lobe	39
	1159842	9027	roll	Rolling Lobe	35
	1593842	9827	roll	Rolling Lobe	43
	1593843	9827	roll	Rolling Lobe	43
	1611776	9784	roll	Rolling Lobe	41
	6135049	9784	roll	Rolling Lobe	41

OEM CROSS REFERENCE LIST
ROLLING LOBE AIR SPRINGS

MANUFACTURER	OEM PART NO	PART NO	TYPE	REMARKS	PAGE
	1612455	9879	roll	Rolling Lobe	47
	1075290	92532	roll	Rolling Lobe	53
	1622116	92532	roll	Rolling Lobe	53
	1075365 / 1629782 / 20554761	74925 C	complete	Metal Piston	92
	1076420 / 20573108 / 7321692	73108 C	complete	Metal Piston	90
	(BUS B12) 20573113 / 20480202 / 21041697	76113 C	complete	Metal Piston	127
	1076595	75824	service assy	Service	121
	20427805	77805	service assy	Service	133
	20427805 / 20427802 / 20456158 / 20482212	77805 C	complete	Metal Piston	134
	1076594	75824 C	complete	Metal Piston	121
	1976420	76420	service assy	Service	130
	1976420/20374512/20456160/20531989/20582213	76420 C	complete	Metal Piston	130
	1079718	75829	service assy	Service	122
	1075363 / 1629718 / 20554759	75829 C	complete	Metal Piston	122
	1137882 / 88	9772	roll	Rolling Lobe	40
	6797169	9824	roll	Rolling Lobe	42
	1622116	9824	roll	Rolling Lobe	42
	1134446	9838	roll	Rolling Lobe	44
	1134446	9839	roll	Rolling Lobe	45
	20424543	74543	service assy	Service	91
	20424543	74543 C	complete	Metal Piston	91
	1075366	92035	roll	Rolling Lobe	53
	6782726	9899	roll	Rolling Lobe	48
	1080707	7921 C	complete	Metal Piston	71
	1082085	9994	roll	Rolling Lobe	51
	3116354/ AAU 2542	9038	roll	Rolling Lobe	35
	3116983	9039	roll	Rolling Lobe	36
	3027271	9526-36	roll	Rolling Lobe	57
	3027272	9526-39	roll	Rolling Lobe	57
	1199893	9755	roll	Rolling Lobe	39
	1622111	9755	roll	Rolling Lobe	39
	3159252	9755	roll	Rolling Lobe	39
	1590136	9755	roll	Rolling Lobe	39
	3159253	9772	roll	Rolling Lobe	40
	6885533	9826	roll	Rolling Lobe	43
	(BL 10L) 311277	91277	roll	Rolling Lobe	52
	3.112.775.291	91277	roll	Rolling Lobe	52
	1076416	77527	service assy	Service	131
	1076416/20456152/20374510/	77527 C	complete	Metal Piston	132
	20531985/20582215	77527 C	complete	Metal Piston	132
	8147475	92035	roll	Rolling Lobe	53
	20427803	78914	service assy	Service	136
	20582206 / 20456150 / 20531984	78914 C	complete	Metal Piston	136
	1076418	77529	service assy	Service	132
	1076418/3171695/20374511/	77529 C	complete	Metal Piston	132
	20456156/20531987/205582214	77529 C	complete	Metal Piston	132
	20427804	77804	service assy	Service	133
	20582209/20531986/20456154/	77804 C	complete	Metal Piston	133
	20427801/20427804	77804 C	complete	Metal Piston	133
	1076075	75531	service assy	Service	119
	1076076	75531 C	complete	Metal Piston	120
WACKENHUT					
		9773	roll	Rolling Lobe	40
		9838	roll	Rolling Lobe	44
		9820	roll	Rolling Lobe	42
		9868	roll	Rolling Lobe	46
WARSTEINER					
	501	9773	roll	Rolling Lobe	40
		9838	roll	Rolling Lobe	44
		9820	roll	Rolling Lobe	42
		9873	roll	Rolling Lobe	46
		9831	roll	Rolling Lobe	44
		9755	roll	Rolling Lobe	39

OEM CROSS REFERENCE LIST
SINGLE / DOUBLE / TRIPLE CONVOLUTED AIR SPRINGS

MANUFACTURER	OEM PART NO	PART NO	TYPE	REMARKS	PAGE
BPW					
	05.419.00.28.0	2C 250 620 F	with steel bead ring and the mounting plate	(Ø 250mm)	182
	05.429.00.04.0	2C 250 620 F	with steel bead ring and the mounting plate	(Ø 250mm)	182
	05.419.00.28.0	2C 250 620 F01	with steel bead ring and the mounting plate	(Ø 250mm)	183
	05.429.00.04.0	2C 250 620 F01	with steel bead ring and the mounting plate	(Ø 250mm)	183
	02.200.20.80.0	2C 250 620 S	rubber bellow only	(Ø 250mm)	181
	02.200.20.90.0	2C 250 620 S01	rubber bellow only	(Ø 250mm)	182
	05.429.00.01.0	2C 280-608 F	with steel bead ring and the mounting plate	(Ø 280mm)	183
	02.200.20.50.0	2C 280-608 S	rubber bellow only	(Ø 280mm)	183
	02.200.21.90.0	2C 315-330 P04	with cripped bead plate	(Ø 305mm)	188
BUSSING					
	546905134 (F 161 LL/SL, F 163 LL/SL, F 221/LEL/LNL, F 76 LL/77 LL) 831120120 (S 16, VG 16, VT 16)	2C 315-330 P03	with cripped bead plate	(Ø 305mm)	188
DAF					
	1 192 203	2C 250 620 S01	rubber bellow only	(Ø 250mm)	182
EVO BUS					
	(SG 176) 4.731.003.000	2C 280-608 S	rubber bellow only	(Ø 280mm)	183
FRUEHAUF					
	F48054M 80A04	2C 200 P01(8X2)	with steel bead ring and the mounting plate	(Ø 200mm)	179
	UJB 0985	2C 301-412 P02		(Ø 315mm)	184
	M 07 82 46	2C 303 P01	with steel bead ring and the mounting plate	(Ø 305mm)	187
	M 00 2297	3C 302 P03	with steel bead ring and the mounting plate	(Ø 305mm)	193
GIGANT					
		2C 200 P01(8X2)	with steel bead ring and the mounting plate	(Ø 200mm)	179
	19 01 30	2C 21-200 P04	with cripped bead plate	(Ø 215mm)	175
	19 01 30	2C 21-200 P05		(Ø 215mm)	175
	196017	2C 250 620 S01	rubber bellow only	(Ø 250mm)	182
	196034	2C 250 620 S02	rubber bellow only	(Ø 250mm)	182
	196028	2C 18-120 P03	with steel bead ring and the mounting plate	(Ø 185mm)	171
	881202	2C 302 P01		(Ø 305mm)	185
	881202	2C 302 P03		(Ø 305mm)	186
	881202	2C 301-412 P01		(Ø 315mm)	184
	881204	3C 302 P01	with steel bead ring and the mounting plate	(Ø 305mm)	192
GRANNING					
	15670	2C 211-200 P01	with cripped bead plate	(Ø 215mm)	180
	15670	2C 211-200 P02		(Ø 215mm)	180
	1371/ 15603	2C 21-200 P04	with cripped bead plate	(Ø 215mm)	175
	15599	2C 21-200 P12	with cripped bead plate	(Ø 215mm)	176
	15814	2C 301-412 P02		(Ø 305mm)	184
	15603	2C 21-200 P04		(Ø 215mm)	175
	15923	2C 280-608 S	rubber bellow only	(Ø 280mm)	183
	15646	2C 315-330 P03	with cripped bead plate	(Ø 305mm)	188
	1218	2C 301-412 P09	with cripped bead plate	(Ø 315mm)	185
	15813	2C 302 P03	with steel bead ring and the mounting plate	(Ø 305mm)	186
	15673	3C 301-412 P05	with cripped bead plate	(Ø 305mm)	192
	15816	3C 301-412 P06	with steel bead ring and the mounting plate	(Ø 305mm)	192
	15816	3C 302 P01	with steel bead ring and the mounting plate	(Ø 305mm)	192
	15816	3C 302 P02	with steel bead ring and the mounting plate	(Ø 305mm)	193
HENDRICKSON					
	SK 5601	2C 211-200 P01	with cripped bead plate	(Ø 215mm)	180
	NA 1827	2C-21-P01 (2C 21-200 P01) -	with cripped bead plate	(Ø 215mm)	173
	NA 1816	2C 315-330 P03	with cripped bead plate	(Ø 305mm)	188
JUNG					
		2C 315-330 P02	with cripped bead plate	(Ø 305mm)	188
KAISER					
	A 060 30 616	2C 302 F01	with steel bead ring	(Ø 305mm)	185
	A 060 30 615	2C 302 P02	with steel bead ring and the mounting plate	(Ø 305mm)	186
KÖGEL					
	32 76 68/32 76 69	1C 315-330 P11	with cripped bead plate	(Ø 305mm)	171

OEM CROSS REFERENCE LIST SINGLE / DOUBLE / TRIPLE CONVOLUTED AIR SPRINGS

MANUFACTURER	OEM PART NO	PART NO	TYPE	REMARKS	PAGE
LANCIA					
	8173 2192	2C 18-603 S	rubber bellow only	(Ø 185mm)	171
LOHR					
	A 060 30 604	2C 200 P01(8X2)	with steel bead ring and the mounting plate	(Ø 200mm)	179
	Y 0000 1737	2C 302 F01	with steel bead ring	(Ø 300mm)	185
	A 063 0601	2C 302 P02	with steel bead ring and the mounting plate	(Ø 300mm)	186
	A 060 30 622	2C 303 P01	with steel bead ring and the mounting plate	(Ø 305mm)	187
	A 060 30 606	3C 302 P03	with steel bead ring and the mounting plate	(Ø 300mm)	193
MAGIRUS					
	0342 2652	2C 250 620 S	rubber bellow only	(Ø 250mm)	181
	0342 2571	2C 280-608 S	rubber bellow only	(Ø 280mm)	183
	0345 2571	2C 315-330 P03	with crimped bead plate	(Ø 305mm)	188
MAN					
		2C 250 620 F	with steel bead ring and the mounting plate	(Ø 250mm)	182
		2C 250 620 F01	with steel bead ring and the mounting plate	(Ø 250mm)	183
	81.43601.0023	2C 250 620 S01	rubber bellow only	(Ø 250mm)	182
	88.96420.0217	2C 280-608 S	rubber bellow only	(Ø 280mm)	183
	81.43601.0022 (16 215 FNS, 16 230 FN/ FNS, 16 304 FN/ FNS, 9156/FL, 9186/FL)	2C 315-330 P03	with crimped bead plate	(Ø 305mm)	188
MERITOR					
	2122 1395	2C-21-P01 (2C 21-200 P01) - FD 200-19 1/4 M10	with crimped bead plate	(Ø 215mm)	173
	2122 2663	2C-21-P01 (2C 21-200 P01) - FD 200-19 1/4 M10	with crimped bead plate	(Ø 215mm)	173
	2122 1356	1C-21-P02	with crimped bead plate	(Ø 215mm)	169
	2122 1356	2C 211-200 P01	with crimped bead plate	(Ø 215mm)	180
	2122 1356	2C 211-200 P02	with crimped bead plate	(Ø 215mm)	180
PAGASO					
	528919	2C 21-200 P01	with crimped bead plate	(Ø 215mm)	180
SAF					
	4.229.1004.00	2C 21-200 P12	with crimped bead plate	(Ø 215mm)	176
	4.229.1005.01	2C 211-200 P03	with crimped bead plate	(Ø 215mm)	181
	4.229.1005.01	2C 211-200 P03-1	with crimped bead plate	(Ø 215mm)	181
	2.229.1001.00	2C 315-330 P03	with crimped bead plate	(Ø 305mm)	188
SAMRO					
	H 25 001 88	2C 200 P01(8X2)	with steel bead ring and the mounting plate	(Ø 200mm)	179
	H 25 000 11	3C 302 P03	with steel bead ring and the mounting plate	(Ø 305mm)	193
SMB					
	M 063 796 - UJB 09 85/A	2C 302 P02	with steel bead ring and the mounting plate	(Ø 300mm)	186
	M 07 82 46	2C 303 P01	with steel bead ring and the mounting plate	(Ø 305mm)	187
	M 00 22 97	3C 302 P03	with steel bead ring and the mounting plate	(Ø 305mm)	193
TOUGHLINE					
	15673	3C 301-412 P05	with crimped bead plate	(Ø 305mm)	192
TROUILLIET					
	153 111 0600	2C 200 P01(8X2)	with steel bead ring and the mounting plate	(Ø 200mm)	179
	HB 10350	2C 302 P02	with steel bead ring and the mounting plate	(Ø 300mm)	186
VDL Bus					
	VDL Bus (Former DAF) 1 192 203		2C 250 620 S01rubber bellow only	(Ø 250mm)	182
VOLVO					
	0 365 461	2C 21-200 P04	rubber bellow only	(Ø 215mm)	175
	0 365 431/ 0 365 461/ 6 882 797		2C 21-200 S rubber bellow only	(Ø 215mm)	172
WEWELER					
	USN 5100 12 D	2C 150 P01(6X2)	with steel bead ring and the mounting plate	(Ø 150mm)	178
	US 06910B	2C 211-200 P01	with crimped bead plate	(Ø 215mm)	180
	US 06910	2C 21-200 P01-1	with crimped bead plate	(Ø 215mm)	173
	US 07394F	2C 21-200 P04	with crimped bead plate	(Ø 215mm)	175
	USN 510011 KD	2C 301-412 P01		(Ø 305mm)	184
	USN 510011 KD	2C 302 P01		(Ø 305mm)	185
	USN 510011 KD	2C 302 P02	with steel bead ring and the mounting plate	(Ø 305mm)	186
	USN 510011 KD	2C 302 P02	with steel bead ring and the mounting plate	(Ø 305mm)	186

OEM CROSS REFERENCE LIST
SLEEVE TYPE AIR SPRINGS

MANUFACTURER	OEM PART NO	PART NO	TYPE	REMARKS	PAGE
IVECO					
	500340705 (front) 500340706 (rear)	110 14 C	without shock absorber	"Stralis (Sachs version) -front-rear"	207
	500357351	110 18 CA	with shock absorber	Stralis (Sachs version) - front	209
	504060241	110 19 CA	with shock absorber	Stralis (Sachs version) - rear	209
	500340706	110 26 CA	with shock absorber	Stralis - rear	213
	504060233	110 29 CA	with shock absorber	Stralis - rear	215
	500340705	110 30 CA	with shock absorber	Stralis - front	215
	500357352	110 31 CA	with shock absorber	Stralis (Sachs version) - rear	216
	4102 8763 4102 8764 500348793 500377878	110 33 CA	with shock absorber	"Eurotech-Eurostar Type2 (Sachs version) - rear"	217
	500307338 500352808 500379698 9943 8514 9945 5937 9847 2734	110 34 CA	with shock absorber	"Eurotech-Eurostar TypeL (Sachs version) - rear"	218
	41019150 8169050	210 03 C	without shock absorber	Eurotech-Eurostar - front	220
MAN					
		110 04 C	without shock absorber	F2000 (Sachs version) - front	201
	81.41722.6048 81.41722.6051	110 04 CA	with shock absorber	F2000 (Sachs version) - front	201
		110 05 C	without shock absorber	F2000 (Sachs version) - rear	201
	81.41722.6049 81.41722.6052	110 05 CA	with shock absorber	F2000 (Sachs version) - rear	202
	81.41722.6057 85.41722.6006 85.41722.6012	110 22 CA	with shock absorber	TGA (Sachs version) - rear(right)	210
	85.41722.6015 85.41722.6023	110 23 CA	with shock absorber	TGA (Sachs version) - front	211
	85.41722.6014 85.41722.6022	110 24 CA	with shock absorber	TGA (Sachs version) - rear	211
MERCEDES					
		110 06 C	without shock absorber	Actros (Sachs version) - front	202
	942 890 29 19	110 06 CA	with shock absorber	Actros (Sachs version) - front	202
		110 07 C	without shock absorber	Actros (Sachs version) - rear	203
	942 890 02 19 942 890 60 19	110 07 CA	with shock absorber	Actros (Sachs version) - rear	203
		110 10 C	without shock absorber	Sachs version - front	205
	943 890 38 19	110 10 CA	with shock absorber	Sachs version - front	205
		110 11 C	without shock absorber	Sachs version - front	205
	942 890 53 19 942 890 59 19	110 11 CA	with shock absorber	Sachs version - front	206
RENAULT					
	5010 228 908 5010 228 908A 5010 228 908B 5010 228 908C 5010 269 674 5010 316 783 5010 316 783A	110 25 CA	with shock absorber	Premium (Sachs version) - rear	212
	5010130797G	210 01 C	without shock absorber	Premium - front	219
	5010092916E	210 02 C	without shock absorber	G 340 Ti front-rear	219
	5010266845A 5010313619A	210 04 C	without shock absorber	G 340 Ti front-rear	220
	5010133079D	210 05 C	without shock absorber	Gamme G	220
	5010320096A	210 09 C	without shock absorber	Magnum front-rear	222

OEM CROSS REFERENCE LIST
SLEEVE TYPE AIR SPRINGS

MANUFACTURER	OEM PART NO	PART NO	TYPE	REMARKS	PAGE
SCANIA					
	1348121	110 01 C	without shock absorber	"Serie 393-113-143 (Sachs version) front-rear"	199
	1116535 1117334 1331621 1331634 1331635 1348118 1117320 1331620 1348117 370227 393257 550365 1340581 1348119 1348120 1348121	110 01 CA	with shock absorber	"Serie 3 93-113-143 (Sachs version) front-rear"	199
	1381919 1476415	110 02 C	without shock absorber	"Serie 4 94-114-144 (Monroe version) front-rear"	199
	1381919 1476415 1381904 1397396 1397400 1435859	110 02 CA	with shock absorber	"Serie 4 94-114-144 (Monroe version)-front"	200
	1381906 1397394 1397398 1402271 1435856 1381919 1476415	110 03 CA	with shock absorber	"Serie 4 94-114-144 (Monroe version)-rear"	200
	1349840 1424231	110 08 C	without shock absorber	"Serie 4 94-114-144 front-rear"	203
	1381904 1397396 1397400 1435859 1363120 1397386 1397388 1397390 1397392 1424227 1349840 1424231	110 08 CA	with shock absorber	"Serie 4 94-114-144 - front"	204
	1349844 1382827 1424229 1349840 1424231	110 09 CA	with shock absorber	"Serie 4 94-114-144 - rear"	204
	1349840 1424231	110 12 C	without shock absorber	"Serie R (Sachs version) front-rear"	206
	1502470 1502471 1502472 1502474 1505563 1595642 1424231	110 12 CA	with shock absorber	"Serie R (Sachs version) front-rear"	206

OEM CROSS REFERENCE LIST
SLEEVE TYPE AIR SPRINGS

MANUFACTURER	OEM PART NO	PART NO	TYPE	REMARKS	PAGE
	1502468 1502471	110 13 C	without shock absorber	Serie R (Monroe version) - rear	207
	1502468 1502470 1502471 1502474	110 13 CA	with shock absorber	Serie R (Monroe version) - rear	207
	1349844 1382827 1424229 1349840 1424231	110 17 CA	with shock absorber	Serie R (Sachs version) - rear	208
	1363120 1397386 1397388 1397390 1397392 1424227 1349840 1424231	110 28 CA	with shock absorber	Serie R (Sachs version) front-rear	214
VOLVO					
	1629719 1629724 3172984	110 27 CA	with shock absorber	"FH12-FH16 (Monroe version) - front"	213
	20427897 20721169	110 32 CA	with shock absorber	"FH12-FH16 (Monroe version) - rear"	217
	1075076 1075077	110 35 CA	with shock absorber	"FH12-FH16 (Monroe version) - rear"	219
SEAT AIR SPRING					
		210 06 C	Seat Air Spring	C.O.B.O.	221
		210 07 C	Seat Air Spring	Möve	221
		210 08 C	Seat Air Spring	KleppNew	221
		410 01 C	Seat Air Spring	Pilot	222

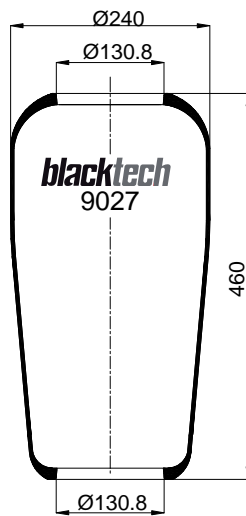
blacktech
Air Springs

Rolling Lobe Air Springs



RL 9027

cross section view



OEM PART NUMBER

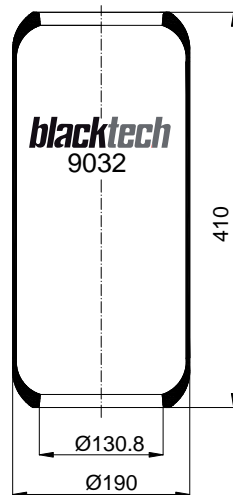
MAN	81.43601.0095
MAN	81.43601.0097
MAN	81.43601.0100
MAN	81.43601.0102
MAN	81.43601.0105
MAN	81.43601.0126
MAN	81.43601.0138
GRANNING	15912
VOLVO	1159842

CROSS REFERENCES

CONTITECH	916 N1
PHOENIX	1F 21C-5
DUNLOP F (SPRINGRIDE)	D12 S05
GOODYEAR	9015
TAURUS	B 154

RL 9032

cross section view



OEM PART NUMBER

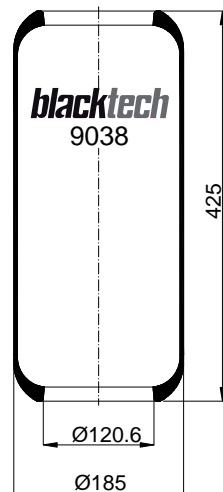
RENAULT RVI	5,000,288,982
IRIS	5,000,288,982
EVO (DC)	A 000 328 00 01
GRANNING	17091

CROSS REFERENCES

CONTITECH	921 N
FIRESTONE STYLE	1R1A 415-260
FIRESTONE ORDER	W01 095 0226
PHOENIX	1 E 17
DUNLOP F (SPRINGRIDE)	D10 S04
GART	D276BS / 276.0.391
GOODYEAR	8043
TAURUS	B 160
CF GOMMA	1S 285-23 / 202728

RL 9038

cross section view



OEM PART NUMBER

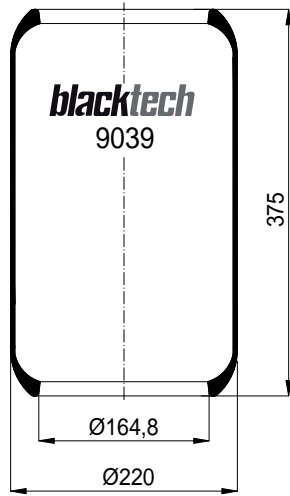
DENNIS	611812
DENNIS	611896 / 12
LEYLAND	AAU2542
SCANIA	424626
SCANIA BUS	434932
SCANIA	934094
SCANIA (K113-112-KI82-L113)	10.904.403
GRANNING	15637
VOLVO	3116354

CROSS REFERENCES

CONTITECH	927 N
FIRESTONE STYLE	1R1J 415-285
FIRESTONE ORDER	W01 095 0244
PHOENIX	2E 18B
VIBRACOUSTIC	V 2E 18B
DUNLOP UK	PNP 300080001
GOODYEAR	8037
TAURUS	B 179

RL 9039

cross section view



OEM PART NUMBER

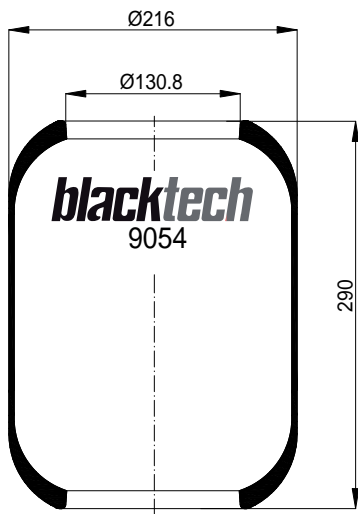
IVECO	645 3741
LEYLAND	AAU2544
LEYLAND	10.904.403
SCANIA	434 932
VOLVO	3116983
GRANNING	15628

CROSS REFERENCES

CONTITECH	928 N
FIRESTONE STYLE	1R1K 380-320 FF
FIRESTONE ORDER	W01 095 0228
PHOENIX	2E 23A
DUNLOP F (SPRINGRIDE)	D12 S03
DUNLOP UK	1C 3308
GOODYEAR	8042
TAURUS	B178

RL 9054

cross section view



OEM PART NUMBER

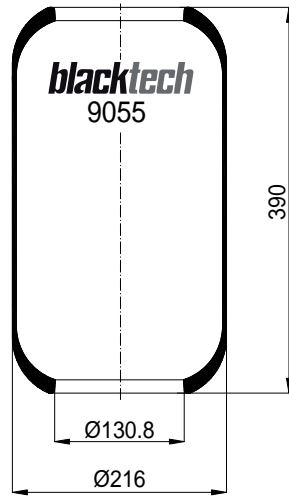
INBUS	5001051
IVECO	6144040
IVECO	8160165
SICCA	48900001
GRANNING	15696

CROSS REFERENCES

CONTITECH	943 N
FIRESTONE STYLE	1R1A 260-285
FIRESTONE ORDER	W01 095 0189
DUNLOP UK	PNP 319720100
GOODYEAR	9001
GART	D276D / 276.0.260
CF GOMMA	1S 285-18 / 88786
TAURUS	B 194
DUNLOP F (SPRINGRIDE)	D11 S03

RL 9055

cross section view



OEM PART NUMBER

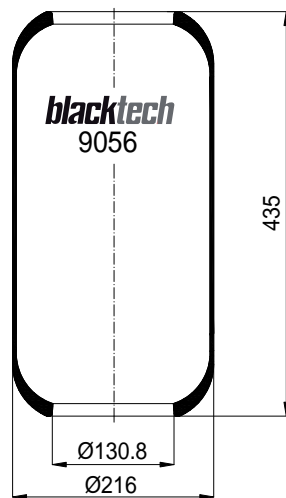
DAF	0 627 584
INBUS	4890005
INBUS	4890001
IVECO	4714025
IVECO	4722525
IVECO	4738008
IVECO	4736728
MENARINI	325993
MENARINI (201)	178623
GRANNING	15704
VOLVO	1 999 893
VOLVO	1 611 776

CROSS REFERENCES

CONTITECH	944 N
FIRESTONE STYLE	1R1B 390-270
FIRESTONE ORDER	W01 095 0121
PHOENIX	1E 21-6
GOODYEAR	9009
GART	D290B / 290.0.390
CF GOMMA	1 S270-23 / 97619
TAURUS	B113
VIBRACOUSTIC	V 1E 21-6

RL 9056

cross section view



OEM PART NUMBER

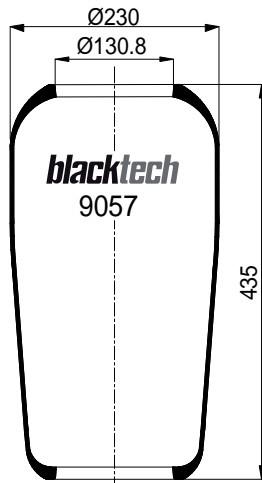
IVECO (BUS 370 - 380)	4716989
BREDAMENARINIBUS	178741
SCANIA BUSSAR	523229
GRANNING	15641

CROSS REFERENCES

CONTITECH	945 N
FIRESTONE STYLE	1R1A 460-290
FIRESTONE ORDER	W01 095 0063
PHOENIX	1E 21C
DUNLOP F (SPRINGRIDE)	D11 S02
DUNLOP UK	PNP 301000000
GOODYEAR	9014
GART	D276 / 276.0.420
CF GOMMA	1S 285-25 / 97555
TAURUS	B 124

RL 9057

cross section view



OEM PART NUMBER

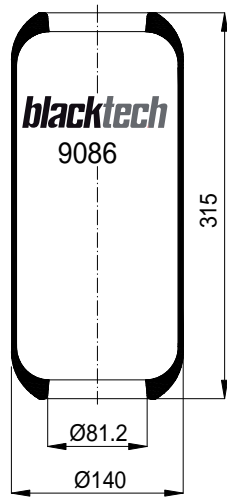
MB EVO BUS	A 628 323 0 92

CROSS REFERENCES

CONTITECH	946 N

RL 9086

cross section view



OEM PART NUMBER

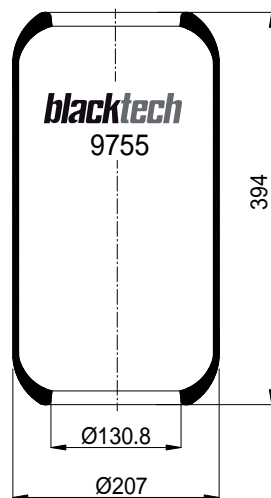
EVO (DC)	A 699 328 01 01
ZF ZAHNRADFABRIK	0501 312 548
GRANNING	15937
OPTARE	R5800001

CROSS REFERENCES

CONTITECH	975 N
FIRESTONE STYLE	1R1T 320-195
FIRESTONE ORDER	W01 095 0437
PHOENIX	1E 10
VIBRACOUSTIC	V 1E 10

RL 9755

cross section view



OEM PART NUMBER

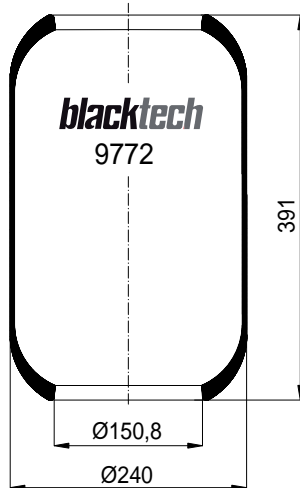
BPW	02.2002.4400
BUSSING	536905265 / 6
DAF	644425
DAF	689677
DAF	696229
DAIMLER CHRYLER	000.327.0101
DAIMLER CHRYLER	307.327.0101
DAIMLER CHRYLER	307.328.0001
DAIMLER CHRYLER	364.327.7001
DAIMLER CHRYLER (SERIES O)	307.327.0001
EVO BUS	A 000.327.0101
EVO BUS	4.771.143.000
EVO BUS	4.771.170.000
EVO BUS	307.328.0001
EVO BUS	327.328.0001
HANOMAG-HENSCHEL	546.905.134
HEULIEZ	0.305G.10303
KASSBOHRER SETRA	4771110000
KASSBOHRER SETRA	4771143000
KASSBOHRER SETRA	4771170000
KASSBOHRER SETRA	4771359000
KASSBOHRER SETRA	4771441000
IVECO-MAGIRUS-DEUTZ	536 905 265
MAN	81.43601.0017
MENARINI	199196
NEOPLAN-AUWARTER	1001.103.00
NEOPLAN-AUWARTER	1001.122.54
SCANIA (S110-120-125)	
VAN HOLL	624319 - 420
VAN HOLL	624319 - 600
VAN HOLL	624319 - 610
VAN HOLL	624319 - 630
VOLVO	1134445
VOLVO	1199873 / 1199893
VOLVO	1590136
VOLVO	1622111
VOLVO	3159252
GRANNING	15622

CROSS REFERENCES

CONTITECH	644 N
FIRESTONE STYLE	1R1A 390-295
FIRESTONE ORDER	W01 095 0118
PHOENIX	1E 21
DUNLOP F (SPRINGRIDE)	D11 S01
DUNLOP UK	PNP 301470101 / 102
GOODYEAR	8017
GART	D276 / B - 276.0.390
CF GOMMA	1S 285-24 / 92574
TAURUS	B 121
VIBRACOUSTIC	V 1E 21 - (-2)

RL 9772

cross section view



OEM PART NUMBER

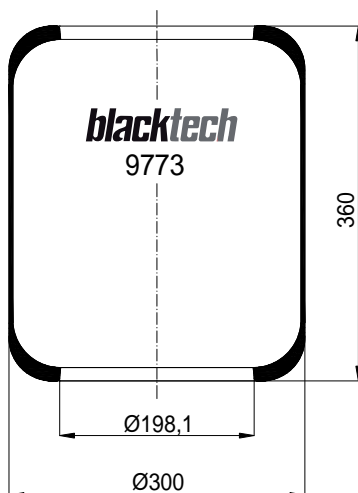
BUSSIG	831120144
EVO BUS	4.731.012.000
EVO BUS	4.731.031.000
EVO BUS	4.771.427.000
HANOMAG-HENSCHEL	536.905.265
HANOMAG-HENSCHEL	536.905.266
HANOMAG-HENSCHEL	546.905.134
IVECO-FIAT	4182227
IVECO-FIAT	4746733
KASSBOHRER-SETRA	4.771.440.000
MAGIRUS-DEUTZ	02498667
MAGIRUS-DEUTZ	041822247
MAN	90.43601.144
NEOPLAN	1001.101.00
NEOPLAN	1001.122.50
NEOPLAN	1021.002.00
NEOPLAN	AA 10 - 01 - 001
RENAULT V.I	5001829866
SCHMITZ	750208
VAN HOLL	624319-690
VOLVO	1137882 / 88
VOLVO	3159253
GRANNING	15621

CROSS REFERENCES

CONTITECH	661 N
FIRESTONE STYLE	1R1C 390-310
FIRESTONE ORDER	W01 095 0021
PHOENIX	1E 25
DUNLOP F (SPRINGRIDE)	D12 S02
DUNLOP UK	PNP 304980101/1C 3309
GOODYEAR	8018
GART	D297 297.0.390
CF GOMMA	1S 310-28 / 91016
TAURUS	B 114
VIBRACOUSTIC	V 1E 25 (- 2)

RL 9773

cross section view



OEM PART NUMBER

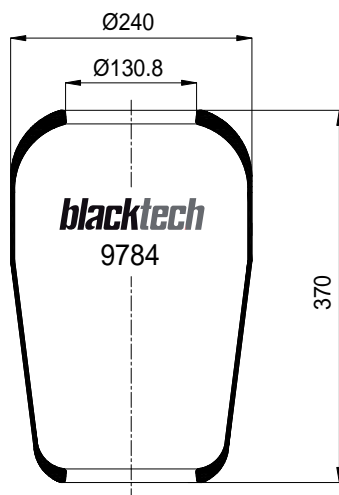
BPW	02.2002.4600
DAF	578361
FRUEHAUF	268.0662.000
MAN	81.43601.0018 / 51
MAN	90.83112.0018
NEOPLAN	1001.102.00
NEOPLAN	1001.102.251
NEOPLAN	AA10 - 01 - 002
SCHMITZ	750209
VAN HOLL	3422596
GRANNING	15623
DROGMOELLER	440320200002-00

CROSS REFERENCES

CONTITECH	662 N
FIRESTONE STYLE	1R1D 355-355
FIRESTONE ORDER	W01 095 0207
PHOENIX	1E 32
DUNLOP F (SPRINGRIDE)	D13 S01
DUNLOP UK	PNP 302730101
GOODYEAR	9007
VIBRACOUSTIC	V 1E 32
CF GOMMA	1SC 360-30 / 92594

RL 9784

cross section view



OEM PART NUMBER

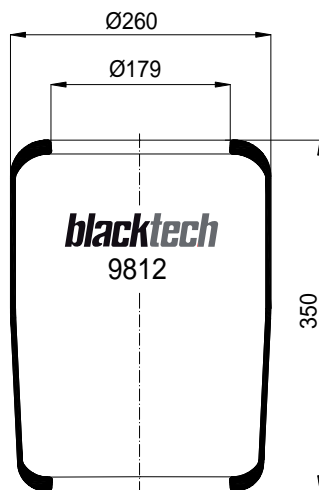
BERTOJA	4540200
DAF	627584
EVO (DC)	383.327.0001
IVECO	471.4025
MAGIRUS-DEUTZ	249.1566
MENARINI	178623
VAN HOLL	624319-860
GRANNING	15927
VOLVO	1611776
VOLVO	6,135,049

CROSS REFERENCES

CONTITECH	673 N
FIRESTONE STYLE	1R1A 370-285
FIRESTONE ORDER	W01 095 0198
PHOENIX	1F 21 A
CF GOMMA	1S 285-22 / 88786
TAURUS	B 141
GOODYEAR	8012
VIBRAACOUSTIC	V 1F 21 A

RL 9812

cross section view



OEM PART NUMBER

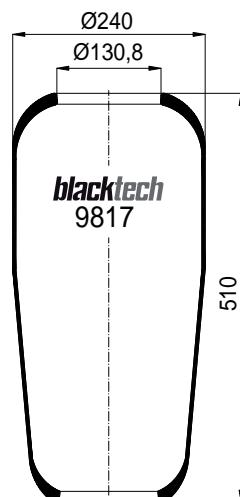
AUWARTER	B510040
IKARUS	B510040
GRANNING	15706

CROSS REFERENCES

CONTITECH	701 N
FIRESTONE STYLE	1R3M 340-340
FIRESTONE ORDER	W01 095 0205
PHOENIX	1E 26-1
VIBRAACOUSTIC	V 1E 26-1
TAURUS	B 116-1
GOODYEAR	9006

RL 9817

cross section view



OEM PART NUMBER

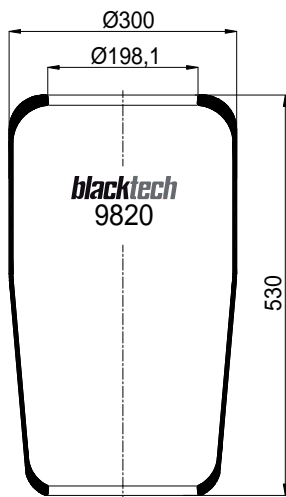
MAN	81.43601.0096
MAN	81.43601.0098
MAN	81.43601.0101
MAN	81.43601.0139
MAN (3° ASSE)	81.43601.0127
GRANNING	16247

CROSS REFERENCES

CONTITECH	706 N1
DUNLOP F (SPRINGRIDE)	D12 S16
GOODYEAR	9067

RL 9820

cross section view



OEM PART NUMBER

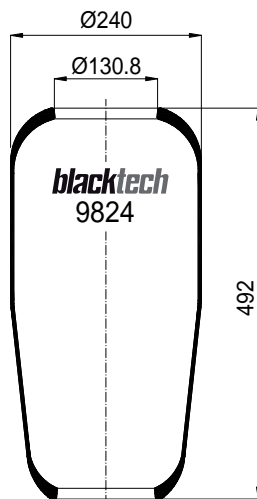
BPW	02.2002.4000
BPW	05,42939.730
DAF	818225
EVO BUS	4.731.032.000
GIGANT	196036
KOGEL	4,731,032,000
SCHMITZ	750215
NEOPLAN	1001.101.00
NEOPLAN	1021.002.00
GRANNING	15701
KASSBOHRER	4.731.032.000

CROSS REFERENCES

CONTITECH	719 N
FIRESTONE STYLE	1R2D 530-360
FIRESTONE ORDER	W01 095 0192
PHOENIX	1F 32B
CF GOMMA	1SC 360-43 / 92593
DUNLOP UK	PNP 304620101
GOODYEAR	8118
TAURUS	B 153
VIBRACOUSTIC	V 1F 32B

RL 9824

cross section view



OEM PART NUMBER

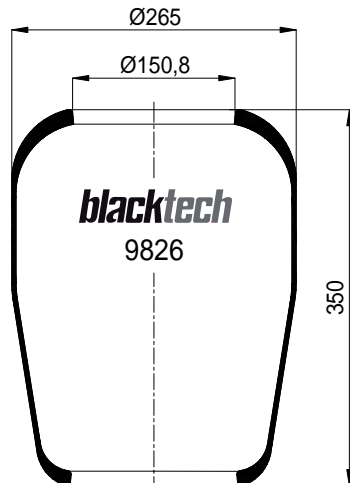
VOLVO	1622116
VOLVO	6797169
GRANNING	15929

CROSS REFERENCES

CONTITECH	713 N
PHOENIX	1F 21 D
GOODYEAR	9066
DUNLOP F (SPRINGRIDE)	D12 S15

RL 9826

cross section view



OEM PART NUMBER

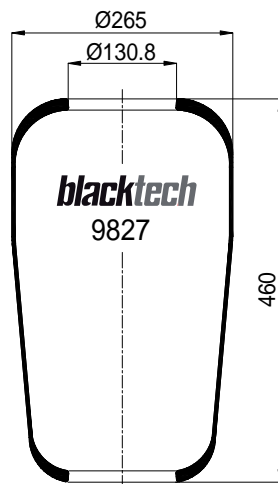
DAF	659561
DAF	683392
DAIMLAER CHRYSLER	A 363.229.00.01
DAIMLAER CHRYSLER	A 363.328.00.01
IVECO	4456111
IVECO	4763473
MAN	81.43601.010.059
MAN	81.43601.010.060
MAN	81.43601.010.061
MAN	81.43601.010.078
MAN	81.43601.010.081
MAN	81.43601.010.083
MAN	81.43601.010.090
MAN	81.43601.010.113
MAN	81.43601.010.115
MAN	81.43601.010.117
MAN (BUS - series - 200)	81.43601.010.075
RENAULT V.I	5.000.786.901
RENAULT V.I	5.000.819.517
VOLVO	6885533
GRANNING	15626

CROSS REFERENCES

CONTITECH	715 N
FIRESTONE STYLE	1R1C 335-310
FIRESTONE ORDER	W01 095 0087
PHOENIX	1F 25
DUNLOP F (SPRINGRIDE)	
DUNLOP UK	PNP 304890101
GOODYEAR	8015
VIBRACOUSTIC	V 1F 25
CF GOMMA	1SC 310-16 / 93518
TAURUS	B 144

RL 9827

cross section view



OEM PART NUMBER

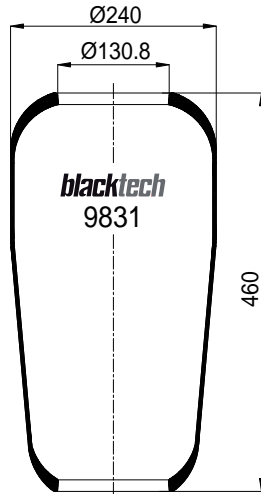
MAN	81.43601.0039
MAN	81.43601.0040
MAN	81.43601.6060
MAN	81.43601.6069
MAN	81.43601.6075
VOLVO	1593842
VOLVO	1593843
GRANNING	15693

CROSS REFERENCES

CONTITECH	716 N
FIRESTONE STYLE	1R2A 450-305
FIRESTONE ORDER	W01 095 0145
PHOENIX	1F 26B-1
GOODYEAR	9073
CF GOMMA	1 SC 300-34 / 92548
VIBRACOUSTIC	V 1F 26B-1
TAURUS	B 197

RL 9831

cross section view



OEM PART NUMBER

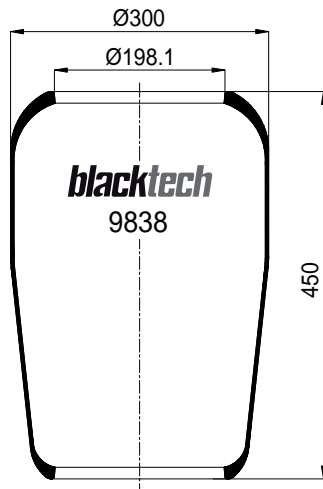
BPW	02.2002.41.00
DENNIS	650292
DENNIS	650298
DENNIS	650883
DENNIS	650884
DENNIS	650887
DAIMLER CHRYSLER	307.328.0101
DAIMLER CHRYSLER	360.328.0101
DAIMLER CHRYSLER	363.328.0101
DAIMLER CHRYSLER	387.328.0101
DAIMLER CHRYSLER	387.328.0001
MAN	81.43601.0033
MAN	81.43601.0036
MAN	81.43601.0037
MAN	81.43601.0067
METRO-CAMMELL	X664 1056
NEOPLAN	1001.123.00
VOLVO	15990136
VOLVO	1629193
GRANNING	15702

CROSS REFERENCES

CONTITECH	720 N
FIRESTONE STYLE	1R2A 460-295
FIRESTONE ORDER	W01 095 0195
PHOENIX	1F 21
DUNLOP F (SPRINGRIDE)	D12 S04
DUNLOP UK	PNP 301000100
GOODYEAR	9008
VIBRACOUSTIC	V 1F 21
CF GOMMA	1SC 290-30 / 88802

RL 9838

cross section view



OEM PART NUMBER

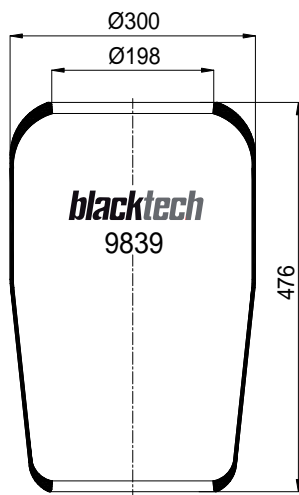
BPW	02.2002.4200
DAF (BUS)	638148
DAIMLER CHRYSLER	307.328.0101
GIGANT	166226
GRANNING	15702
MAN	81.43601.0056
MAN	81.43601.0057
MAN	81.43601.0058
MAN	81.43601.0079
MAN	81.43601.0082
MAN	81.43601.0114
MAN (BUS)	81.43601.0076
NEWAY	90557023
SCHMITZ	750212
VAN HOLL	624.319.640
VOLVO BUS	1134446

CROSS REFERENCES

CONTITECH	727 N
FIRESTONE STYLE	1R2D 460-360
FIRESTONE ORDER	W01 095 0191
PHOENIX	1F 32A
DUNLOP F (SPRINGRIDE)	D13 S04
DUNLOP UK	PNP 306420100
GOODYEAR	8117
VIBRACOUSTIC	V 1F 32 A
CF GOMMA	1SC 360-34 / 92575

RL 9839

cross section view



OEM PART NUMBER

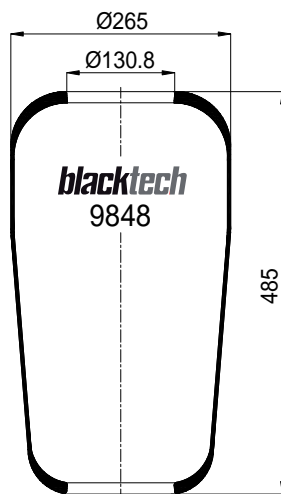
DAF (BUS)	638148
GRANNING	15930 F
MAN (BUS)	81.43601.0076
SCHMITZ	750212
VOLVO (BUS)	1134446

CROSS REFERENCES

CONTITECH	728 N
FIRESTONE STYLE	1R2D 470-360
FIRESTONE ORDER	W01 095 0419
PHOENIX	1F 32A-2

RL 9848

cross section view



OEM PART NUMBER

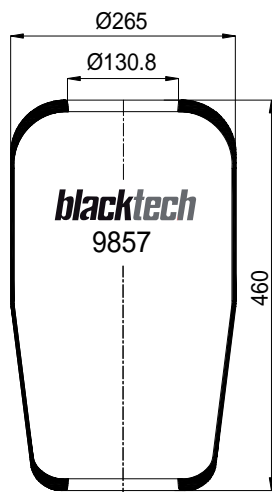
DAIMLER CHRYSLER (DC)	393.328.0101
GRANNING	16017

CROSS REFERENCES

CONTITECH	737 N
FIRESTONE STYLE	1R2A 480-330
FIRESTONE ORDER	W01 095 0211
PHOENIX	1F 26
GOODYEAR	9075
TAURUS	B 127
VIBRACOUSTIC	V1 F26

RL 9857

cross section view



OEM PART NUMBER

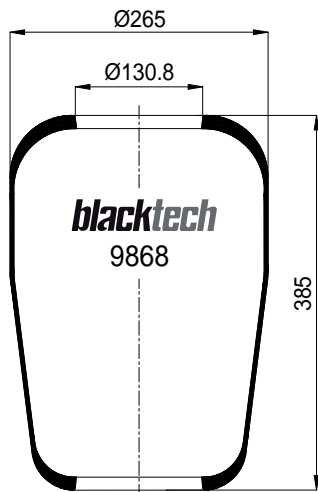
DAIMLER CHYRSLER	318.328.0001
GRANNING	92504

CROSS REFERENCES

CONTITECH	746 N
DUNLOP F (SPRINGRIDE)	D13 S07

RL 9868

cross section view



OEM PART NUMBER

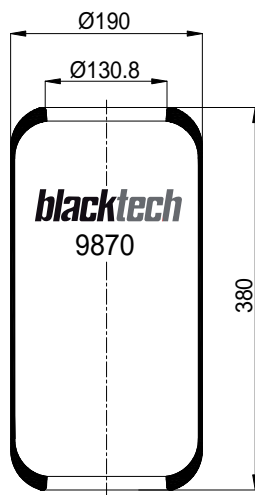
DAIMLER CHRYSLER	363.328.001
DAIMLER CHRYSLER	363.328.0201
GRANNING	2112 / 15682

CROSS REFERENCES

CONTITECH	757 N
FIRESTONE STYLE	1R2A 380-305
FIRESTONE ORDER	W01 095 0212
PHOENIX	1F 26C
DUNLOP F (SPRINGRIDE)	D12 S20
VIBRACOUSTIC	V 1F 26C
GOODYEAR	9077
TAURUS	B 126

RL 9870

cross section view



OEM PART NUMBER

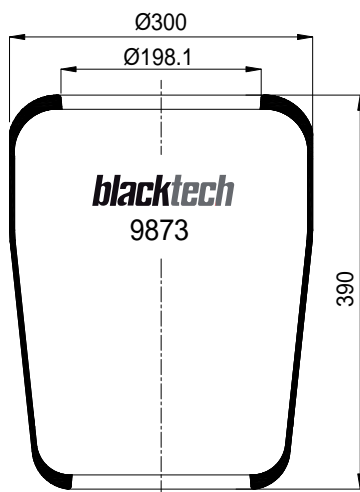
MAN	81.43601.0017
MENARINI	252933
RENAULT V.I	5.000.786.640
RENAULT V.I	5.000.786.641
RENAULT V.I	5.000.785.792
RENAULT V.I	5.000.785.798
RENAULT V.I	5.000.786.901
RENAULT V.I	5.000.805.284
VAN HOLL	624319 - 710
VAN HOLL	624319 - 860
GRANNING	15705

CROSS REFERENCES

CONTITECH	769 N
FIRESTONE STYLE	1R1A 380-260
FIRESTONE ORDER	W01 095 0204
PHOENIX	1E 18
DUNLOP F (SPRINGRIDE)	D10 S02
DUNLOP UK	PNP 305140100
GOODYEAR	8053

RL 9873

cross section view



OEM PART NUMBER

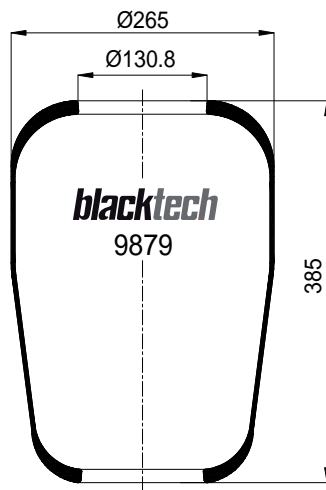
BPW	02.2002.4200
DAF	0578361
DAF	664425
DAIMLER CHRYSLER	382.327.7101
EVO BUS	4.731.013.000
GIGANT	196035
KASSBOHRER	4.731.013.000
MAN	81.43601.0049
MAN	81.43601.0052
NEOPLAN - AUWARTER	1021.003.00
VAN HOLL (BUS A120)	624319 - 640
GRANNING	15698

CROSS REFERENCES

CONTITECH	762 N
FIRESTONE STYLE	1R2D 390-360
FIRESTONE ORDER	W01 095 0190
PHOENIX	1F 32
DUNLOP F (SPRINGRIDE)	D13 S02
DUNLOP UK	PNP 307800100
GOODYEAR	9010

RL 9879

cross section view



OEM PART NUMBER

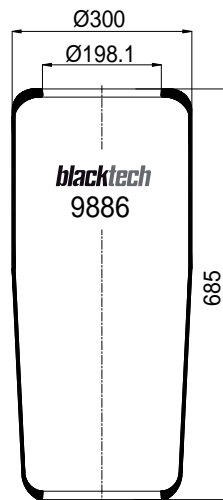
RENAULT V.I	5.000.786.516
RENAULT V.I	5.000.869.135
RENAULT V.I	5.000.954.175
RENAULT V.I	5.000.954.176
SCANIA	1612465
GRANNING	15955
VOLVO	1612455

CROSS REFERENCES

CONTITECH	768 N
FIRESTONE STYLE	1R2A 380-330
FIRESTONE ORDER	W01 095 0213
PHOENIX	1E 27
DUNLOP F (SPRINGRIDE)	D13 S08
TAURUS	B 125
GOODYEAR	9078

RL 9886

cross section view



OEM PART NUMBER

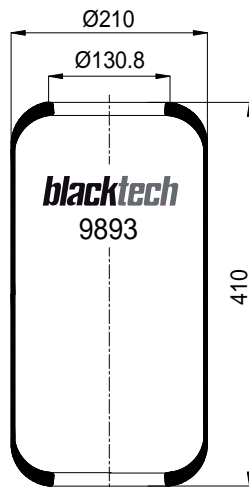
BPW	02.2002.4700
EVO	4.731.040.000
GIGANT	19 60 38
GRANNING	15932
KOEGEL	4.731.013.000

CROSS REFERENCES

CONTITECH	775 N
-----------	-------

RL 9893

cross section view



OEM PART NUMBER

DAIMLER CHRYSLER	382.327.7201
IVECO	4703904
IVECO - FIAT	8188539
MENARINI	178741
RENAULT V.I	5.000.787.632
RENAULT V.I	5.000.869.179
RENAULT V.I	5.000.954.176
GRANNING	15703
IRIS BUS	5.000.954.176

CROSS REFERENCES

CONTITECH	782 N
FIRESTONE STYLE	1R1A 415-285
FIRESTONE ORDER	W01 095 0197
PHOENIX	1E 21D
DUNLOP F (SPRINGRIDE)	D11 S02
GOODYEAR	9013
CF GOMMA	1SC 270 - 25C / 97555

RL 9897

cross section view



OEM PART NUMBER

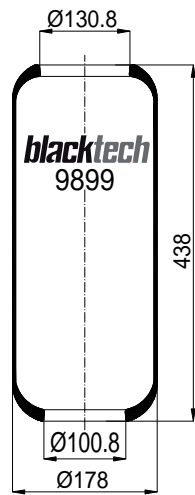
MAN	81.43601.0053
GRANNING	15933

CROSS REFERENCES

CONTITECH	786 N
FIRESTONE STYLE	1R2S 355-245
FIRESTONE ORDER	W01 095 0436
PHOENIX	1F 14
VIBRACOUSTIC	V 1F 14
TAURUS	B 102

RL 9899

cross section view



OEM PART NUMBER

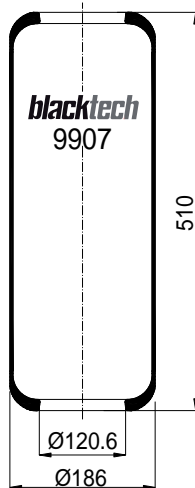
NEOPLAN	1001.121.00
VOLVO	6782726
GRANNING	15934
DAIMLER CHRYSLER	A 674 328 03 01

CROSS REFERENCES

CONTITECH	788 N
TAURUS	B 155

RL 9907

cross section view



OEM PART NUMBER

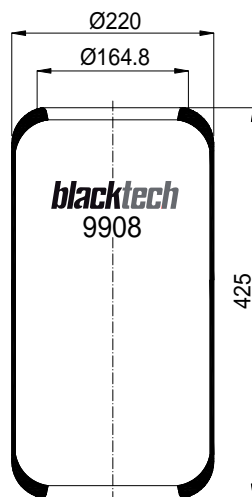
DENNIS	656 300 / 2
SCANIA	411,627
GRANNING	15639

CROSS REFERENCES

CONTITECH	896 N
FIRESTONE STYLE	1R1J 520-285 FF
FIRESTONE ORDER	W01 095 0245
PHOENIX	2E 18A
DUNLOP F (SPRINGRIDE)	SP 2191
DUNLOP UK	PNP 305140100
GOODYEAR	8040
TAURUS	B 166
VIBRACOUSTIC	V 2E 18A

RL 9908

cross section view



OEM PART NUMBER

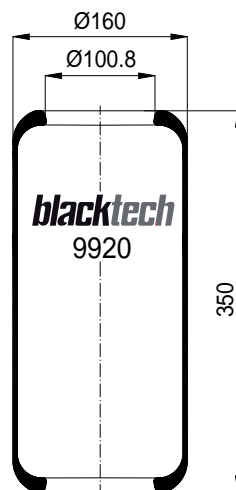
IVECO	795097
PEGASO	794686
PEGASO	795097
SCANIA	0411622
SCANIA	0411623
SCANIA+SCANIA BUSSAR	402315
DENNIS	656 289 / 2
GRANNING	15642

CROSS REFERENCES

CONTITECH	897 N
FIRESTONE STYLE	1R2S 420 - 320
FIRESTONE ORDER	W01 095 0229
PHOENIX	2E 23
DUNLOP F (SPRINGRIDE)	SP 2192
DUNLOP UK	PNP 305210101
GOODYEAR	8028
VIBRACOUSTIC	V 2E 23
CF GOMMA	1S 320 - 20 / 88788
TAURUS	B 165

RL 9920

cross section view



OEM PART NUMBER

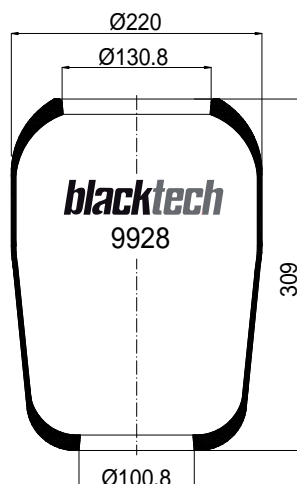
DAIMLER CHRYSLER	A 000 328 01 01
BREDAMENARINIBUS	192709
IVECO (BUS)	98445471
IVECO (EUROCORGO)	500301776
GRANNING	15966

CROSS REFERENCES

CONTITECH	819 N
CF GOMMA	1S 215-22/90609 (H 340)
	1S 215-23/202189 (H 360)
GART	296/C 296.0.360

RL 9928

cross section view



OEM PART NUMBER

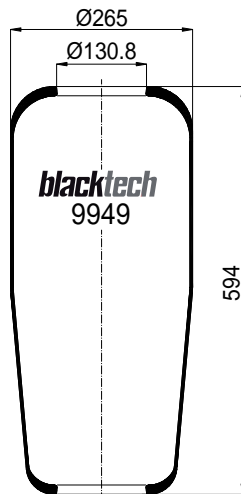
GRANNING	15938
RENAULT V.I	5,000,805,998
RENAULT V.I	5.810.111.355

CROSS REFERENCES

CONTITECH	817 N
FIRESTONE STYLE	
FIRESTONE ORDER	
PHOENIX	
DUNLOP F (SPRINGRIDE)	
DUNLOP UK	
GOODYEAR	
GART	
CF GOMMA	
TAURUS	
VIBRACOUSTIC	

RL 9949

cross section view



OEM PART NUMBER

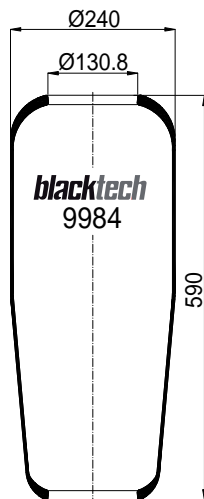
DAIMLER CHRYSLER	A 674 328 0001
GRANNING	15940

CROSS REFERENCES

CONTITECH	838 N
PHOENIX	1F 26D
DUNLOP F (SPRINGRIDE)	D13 S05
VIBRACOUSTIC	V 1F 26D
GOODYEAR	9074

RL 9984

cross section view



OEM PART NUMBER

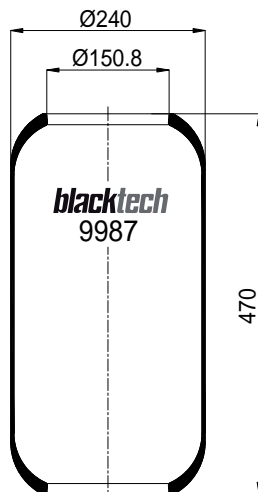
DAIMLER CHRYSLER	A 674 328 0201
IKARUS	190.02
GRANNING	15941

CROSS REFERENCES

CONTITECH	873 N

RL 9987

cross section view



OEM PART NUMBER

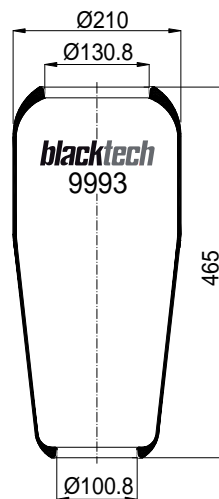
IVECO	8139068
RENAULT V.I	5,000,296,816
IRIS BUS	5.000.296.816
GRANNING	17092

CROSS REFERENCES

CONTITECH	876 N
GART	D298C 298.0.460
CF GOMMA	1S 323 - 34 / 92477
GOODYEAR	8314

RL 9993

cross section view



OEM PART NUMBER

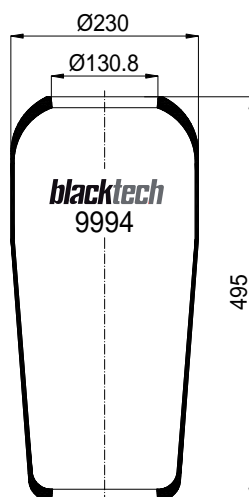
DAIMLER CHRYSLER	A 699 328 01 01
MAN	81.43601.0032
MAN	81.43601.0065
MAN	81.43601.0067
MAN	81.43601.0070
MAN	81.43601.0092
MAN	81.43601.0093
MAN	81.43601.0094
MAN	81.43601.0100
MAN	81.43601.0103
MAN	81.43601.0121
MAN (F90 - M90)	81.43601.0099
GRANNING	15944

CROSS REFERENCES

CONTITECH	882 N1
FIRESTONE STYLE	1R4R 465-260
FIRESTONE ORDER	W01 095 0435
PHOENIX	1F 16-1
DUNLOP F (SPRINGRIDE)	D12 S12
TAURUS	B 155
GOODYEAR	9048
VIBRACOUSTIC	V 1F 16-1
CF GOMMA	1SC 250-28 / 97042

RL 9994

cross section view



OEM PART NUMBER

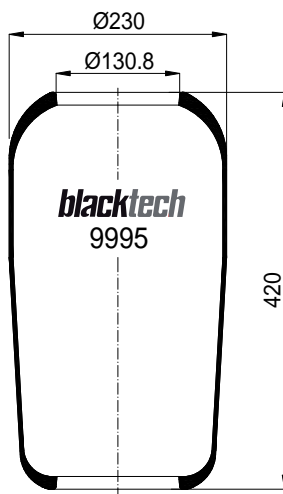
MAN	81.43601.0071
MAN	81.43601.0072
MAN	81.43601.0110
MAN	81.43601.0128
VOLVO	1082085
GRANNING	15945

CROSS REFERENCES

CONTITECH	883 N1
PHOENIX	1F21 C2
DUNLOP F (SPRINGRIDE)	D13 S03
VIBRACOUSTIC	V 1F21 C2
GOODYEAR	9012
CF GOMMA	1SC 270-28 / 204520

RL 9995

cross section view



OEM PART NUMBER

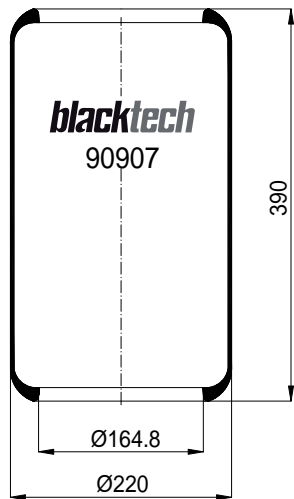
DAIMLER CHRYSLER	658 328 0001
IVECO	5.003.014.52
IVECO	8188539
IVECO	971 08 363
MAN	81.43601.0066
MAN	81.43601.0068
MAN	81.43601.0069
MAN	81.43601.0106
MAN	81.43601.0108
GRANNING	15946

CROSS REFERENCES

CONTITECH	884 N
FIRESTONE STYLE	1R1B 415 270
FIRESTONE ORDER	W01 095 0295
TAURUS	B 249
GOODYEAR	9002
PHOENIX	1F 20A
CF GOMMA	1SC 270-28 / 97043
VIBRACOUSTIC	V 1F 20A

RL 90907

cross section view



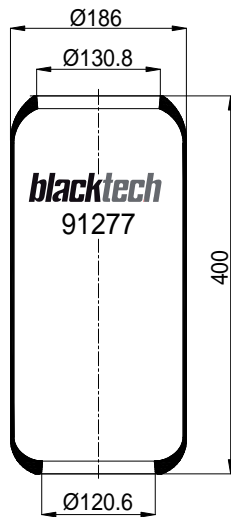
OEM PART NUMBER

CROSS REFERENCES

DUNLOP (UK)	PNP 309070100

RL 91277

cross section view



OEM PART NUMBER

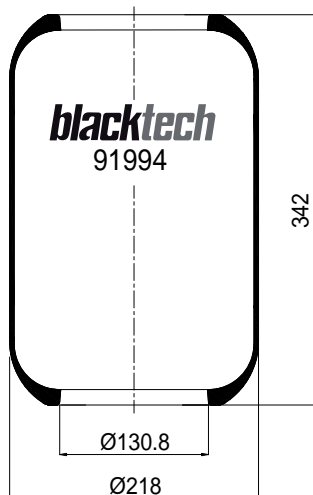
VOLVO (B10L)	3.111.277
VOLVO	3.112.775.291
GRANNING	16166

CROSS REFERENCES

DUNLOP UK	A 310950013
FIRESTONE STYLE	1R4U 395-460
FIRESTONE ORDER	W01 095 0453

RL 91994

cross section view



OEM PART NUMBER

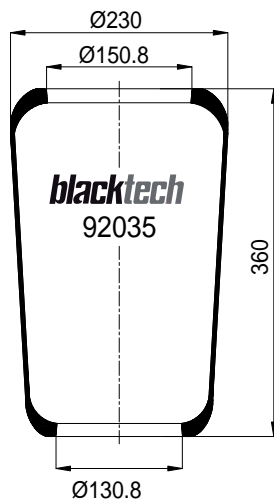
IVECO (BUS 491)	42531994
IVECO (CITYCLASS)	42531994
MENARINI	D020990
GRANNING	17074

CROSS REFERENCES

CF GOMMA	1S 270-20V / 202773
GART	D290E 290.0.340

RL 92035

cross section view



OEM PART NUMBER

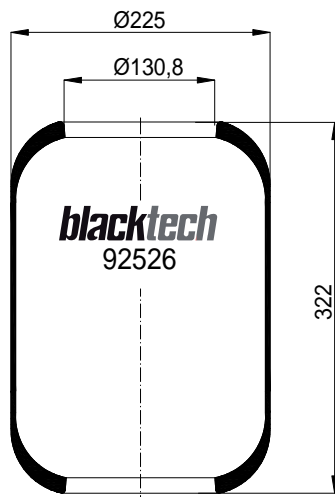
RENAULT RVI	5,010,347,891
GRANNING	16236
VOLVO	1075366
VOLVO	8147475

CROSS REFERENCES

CONTITECH	1924 N1

RL 92526

cross section view



OEM PART NUMBER

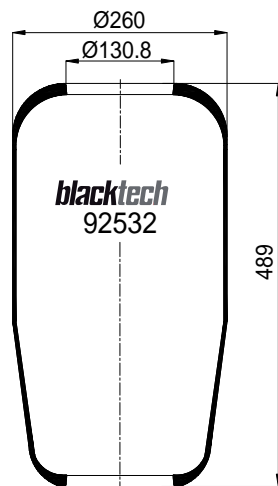
IRIS BUS	5.001.021.414
GRANNING	93211

CROSS REFERENCES

CONTITECH	1415 N

RL 92532

cross section view



OEM PART NUMBER

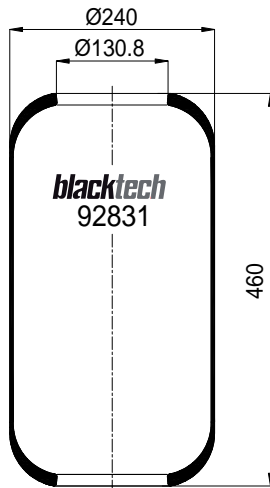
VOLVO	1075290
VOLVO	1622115
GRANNING	15960

CROSS REFERENCES

CONTITECH	1421 N
FIRESTONE STYLE	1R2A 480-330
FIRESTONE ORDER	W01 095 0472
GOODYEAR	9072
DUNLOP F (SPRINGRIDE)	D12 S18

RL 92831

cross section view



OEM PART NUMBER

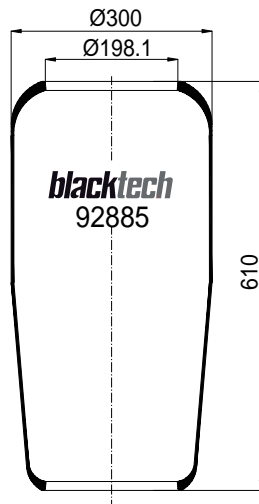
DC	A 655.327.0001
GRANNING	16047

CROSS REFERENCES

CONTITECH	1720 N
DUNLOP F (SPRINGRIDE)	D12 S17
GOODYEAR	9068

RL 92885

cross section view



OEM PART NUMBER

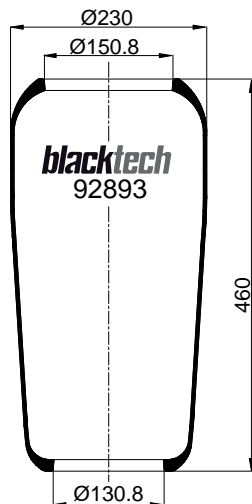
B.PW	02.200.24.30.0
EVO	4.731.038.000
GIGANT	19 60 39
GRANNING	15913
SCHMITZ	750 225

CROSS REFERENCES

CONTITECH	1774 N

RL 92893

cross section view



OEM PART NUMBER

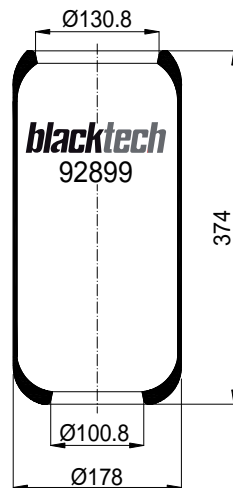
IRIS	5.001.857.612

CROSS REFERENCES

CONTITECH	1782 N1

RL 92899

cross section view



OEM PART NUMBER

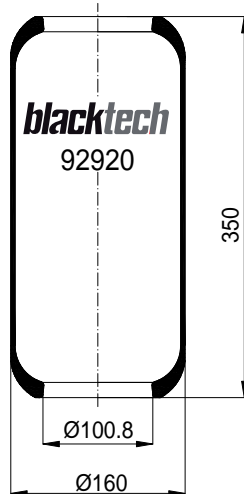
IVECO	931 66 132

CROSS REFERENCES

CONTITECH	1788 N

RL 92920

cross section view



OEM PART NUMBER

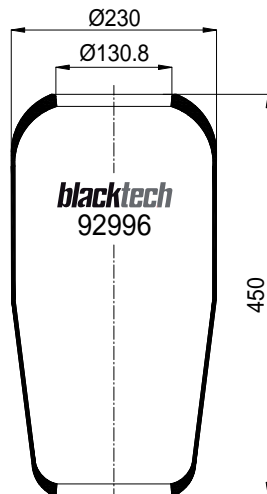
IVECO	93166129

CROSS REFERENCES

CONTITECH	1819 N

RL 92996

cross section view



OEM PART NUMBER

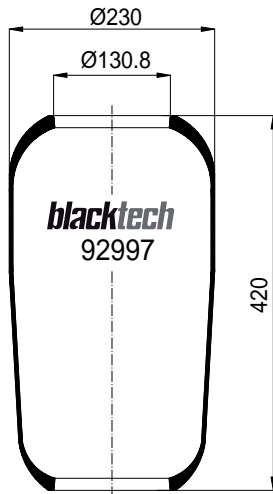
MAN	81.43601.0104
MAN	81.43601.0109
MAN	81.43601.0111
MAN	81.43601.0120
MAN	81.43601.0125
MAN	81.43601.0140
MAN	81.43601.0150
MAZ	544008-020
MAZ	643008-020
GRANNING	15948
IVECO (FIAT)	984.78799

CROSS REFERENCES

CONTITECH	1885 N1
FIRESTONE STYLE	1R2A 445-280
FIRESTONE ORDER	W01 095 0429
PHOENIX	1F 20B
DUNLOP F (SPRINGRIDE)	D12 S07
VIBRACOUSTIC	V 1F 20B-1
GOODYEAR	9003
CF GOMMA	1S 270-28 / 97043

RL 92997

cross section view



OEM PART NUMBER

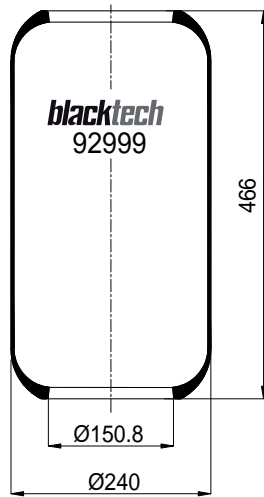
MAN	81.43601.0161

CROSS REFERENCES

CONTITECH	1886 N

RL 92999

cross section view



OEM PART NUMBER

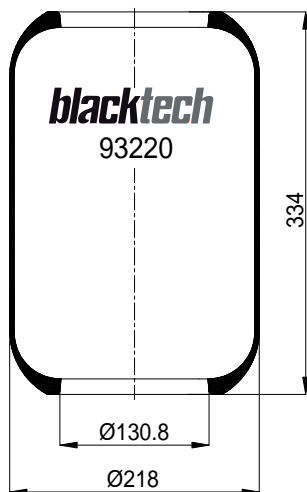
MAN (SERIES TGA)	81.43601.0163

CROSS REFERENCES

CONTITECH	1888 N

RL 93220

cross section view



OEM PART NUMBER

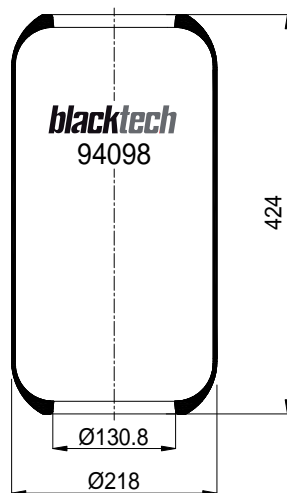
IVECO (BUS 480-580-680)	4843220
GRANNING	17056

CROSS REFERENCES

CF GOMMA	1S 285-20V / 96534
GART	276/E 276.0.330

RL 94098

cross section view



OEM PART NUMBER

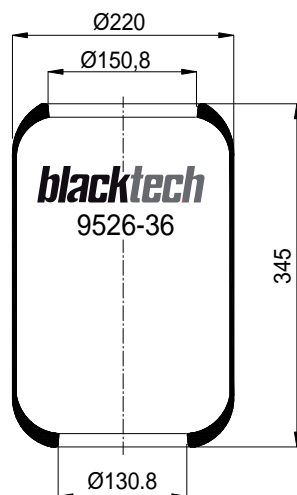
IVECO (BUS 941)	500324098
IVECO (CITYCLASS)	500324098

CROSS REFERENCES

CF GOMMA	1 S 290-23V / 204427

RL 9526-36

cross section view



OEM PART NUMBER

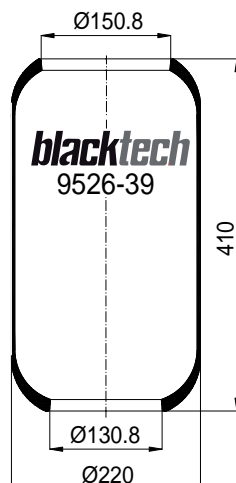
VOLVO	3,027,271
GRANNING	15908

CROSS REFERENCES

CONTITECH	RZ 415-25
FIRESTONE STYLE	1R5P 345-290
FIRESTONE ORDER	W01 095 0381
PHOENIX	2G 20
DUNLOP F (SPRINGRIDE)	D12 S08
TAURUS	B 271
GOODYEAR	9004
VIBRACOUSTIC	V 2G 20
CF GOMMA	1S 280-25 / 203000

RL 9526-39

cross section view



OEM PART NUMBER

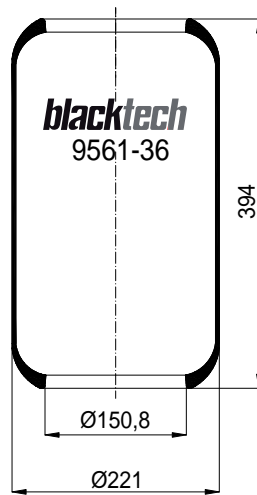
VOLVO	3027272
GRANNING	15954

CROSS REFERENCES

CONTITECH	RZ 415-28
FIRESTONE STYLE	1R5P 410-290
FIRESTONE ORDER	W01 095 0382
PHOENIX	2G 20A
GOODYEAR	9005
TAURUS	B 272
CF GOMMA	1S 280-28 / 203001
VIBRACOUSTIC	V 2G 20A
DUNLOP F (SPRINGRIDE)	D12 S09

RL 9561-36

cross section view



OEM PART NUMBER

EVO (DC)	356.327.0001
IVECO	931 97 594
GRANNING	16109

CROSS REFERENCES

CONTITECH	RZ 450-25
PHOENIX	1E 23
DUNLOP F (SPRINGRIDE)	D12 S13
TAURUS	B 128
GOODYEAR	9050
CF GOMMA	1S 300-27 / 203386

blacktech

Air Springs

Rolling Lobe Air Springs
with Metal and Plastic Parts

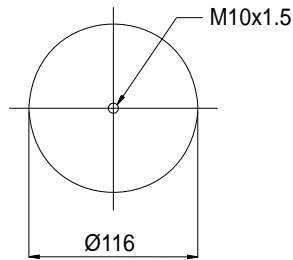
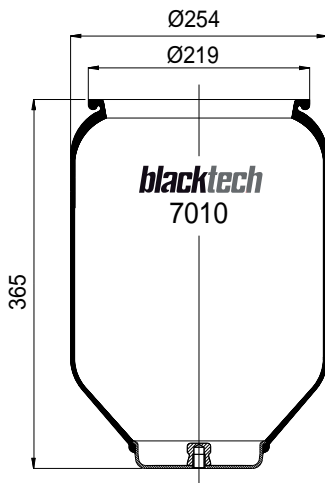




RML 7010 S

cross section view

top view / bottom view



OEM PART NUMBER

MAN	81.43601.6029
MAN	81.43601.0073
MAN	81.43601.0054
MAN	81.43601.0050
NEOPLAN	1021 215 00
NEOPLAN	1021 005 00

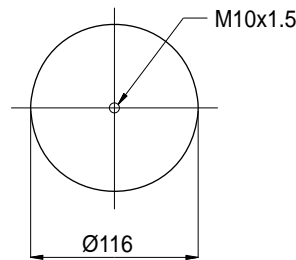
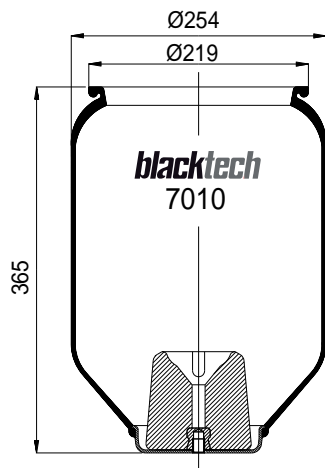
CROSS REFERENCES

CONTITECH	909 NT
FIRESTONE STYLE	1T15L-6
FIRESTONE ORDER	W01 M58 0031
PHOENIX	1D 23 C
TAURUS	B 151

RML 7010 SP

cross section view

top view / bottom view



OEM PART NUMBER

MAN	81.43601.6023
-----	---------------

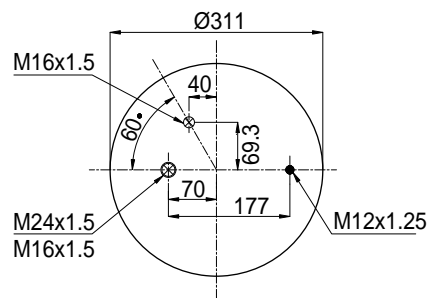
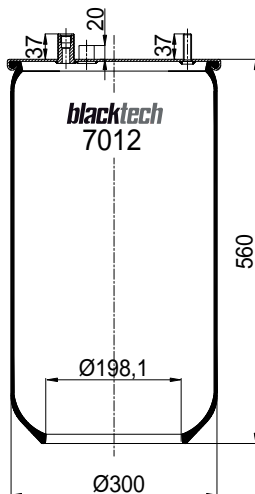
CROSS REFERENCES

CONTITECH	909 NTB
FIRESTONE STYLE	1T15L-6
FIRESTONE ORDER	W01 M58 0687
PHOENIX	1 D 23 B-1
GOODYEAR	1R12-709
CF GOMMA	1T 320 S / 89753
TAURUS	B 151

RML 7012

cross section view

top view / bottom view



OEM PART NUMBER

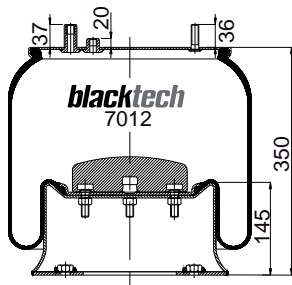
CROSS REFERENCES

CONTITECH	901 MB (without piston)
FIRESTONE STYLE	1T19G-12
FIRESTONE ORDER	W01 M58 9910

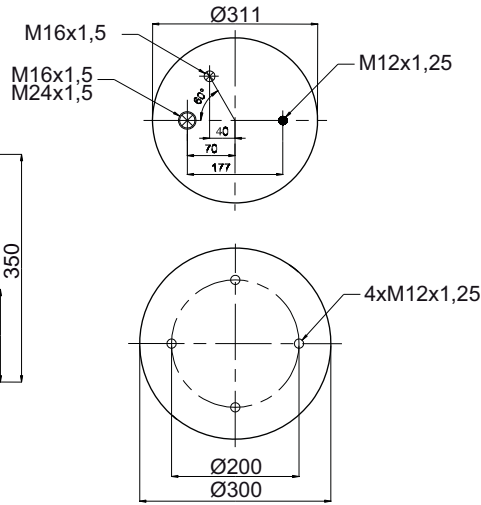
● Bolt or stud ○ Threaded hole ⊗ Combinations stud ⊗ Air inlet

RML 7012 C

cross section view



top view / bottom view



OEM PART NUMBER

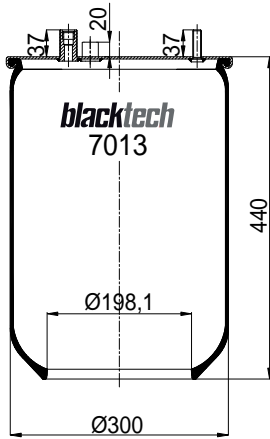
RENAULT	5010052722
RENAULT	5010130683
GRANNING	16220
GRANNING	93200

CROSS REFERENCES

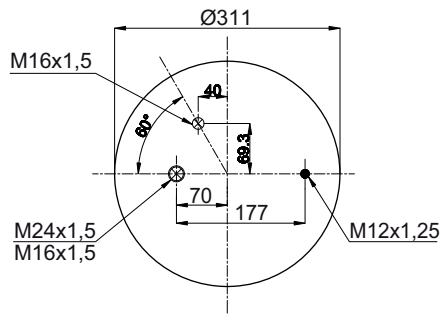
CONTITECH	901 MB
FIRESTONE STYLE	1T19G-12
FIRESTONE ORDER	W01 M58 9910

RML 7013

cross section view



top view / bottom view



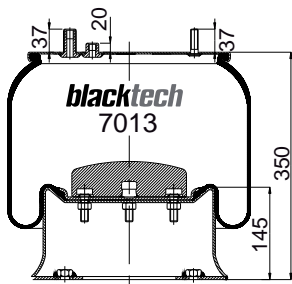
OEM PART NUMBER

CROSS REFERENCES

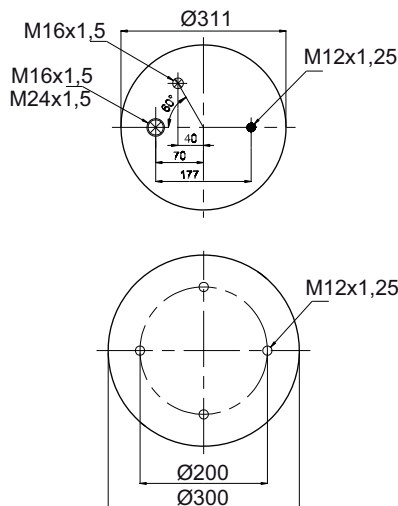
CONTITECH	902 MB (without piston)
FIRESTONE STYLE	1T19G-12
FIRESTONE ORDER	W01 M58 9910

RML 7013 C

cross section view



top view / bottom view



OEM PART NUMBER

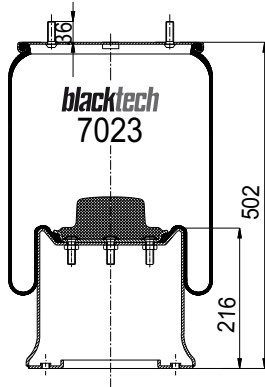
RENAULT	5.000.815.749
RENAULT	5.010.239.338
NEWAY	M 00 57 00
NEWAY	M 00 57 00 G
ARVIN MERITOR (ROR)	MLF 7049
ARVIN MERITOR (ROR)	MLF 7050
ARVIN MERITOR (ROR)	MLF 7069
GRANNING	15709

CROSS REFERENCES

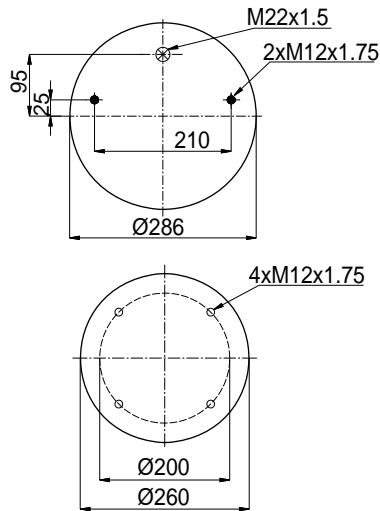
CONTITECH	902 MB
FIRESTONE STYLE	1T19G-12
FIRESTONE ORDER	W01 M58 9910

RML 7023 C1

cross section view



top view / bottom view



OEM PART NUMBER

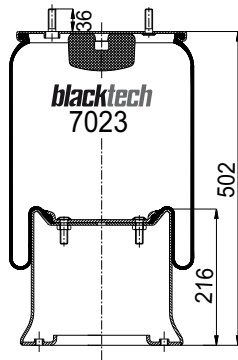
SAF	3.229.0030.00
SAF	3.229.2630.00
GRANNING	15669
ARVIN MERITOR (ROR)	MLF 7083
ARVIN MERITOR (ROR)	MLF 7039

CROSS REFERENCES

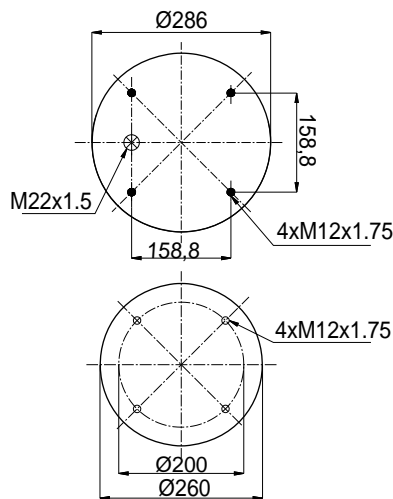
CONTITECH	912 N P01
FIRESTONE STYLE	1T19L-14
FIRESTONE ORDER	W01 M58 8502
GOODYEAR	1R14-728
PHOENIX	1 D 28 D-10

RML 7023 C2

cross section view



top view / bottom view



OEM PART NUMBER

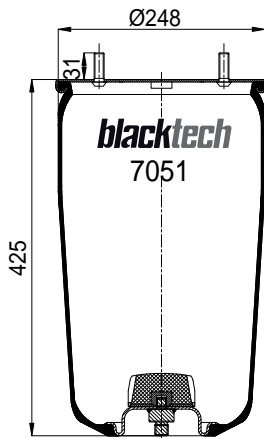
HENDRICKSON	Y 507 782
R.O.R. MERITOR	2122 2673/ MLF 7122/7040
WEWELER	US96681
SAF	3.229.0005.00
SAF	3.229.0013.00
GRANNING	15671

CROSS REFERENCES

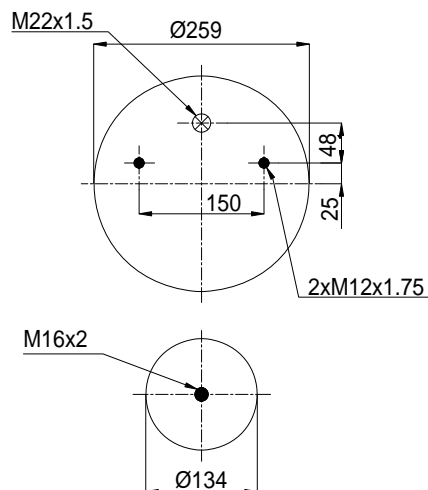
CONTITECH	912 N P02
FIRESTONE STYLE	1T19L-14
FIRESTONE ORDER	W01 M58 8766
PHOENIX	1 D 28 D-2
GOODYEAR	1R14-758
DUNLOP FR	D13 B14

RML 7051

cross section view



top view / bottom view



OEM PART NUMBER

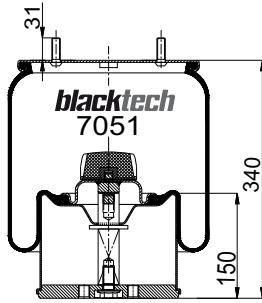
BPW (30K)	05.42940.910
BPW	05.42940.931
BPW	05.42940.941
BPW	05.42941.290
BPW	05.42941.510
GRANNING	15916

CROSS REFERENCES

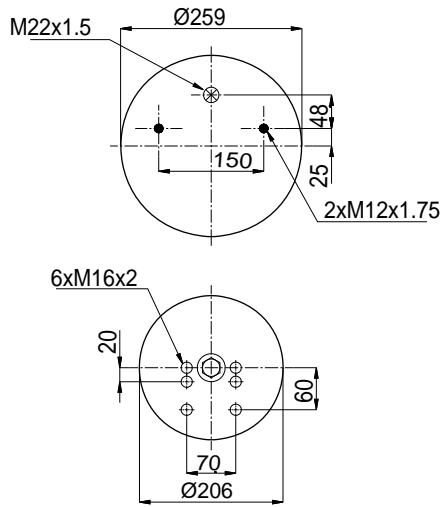
CONTITECH	940 MB
FIRESTONE STYLE	1T17D-4.3
FIRESTONE ORDER	W01 M58 8613
PHOENIX	1 DK 21 K
DUNLOP F (SPRINGRIDE)	D11U31
GOODYEAR	R11-703
CF GOMMA	1 TC 300-30 / 205536
TAURUS	UR 732-01T

RML 7051 C

cross section view



top view / bottom view



OEM PART NUMBER

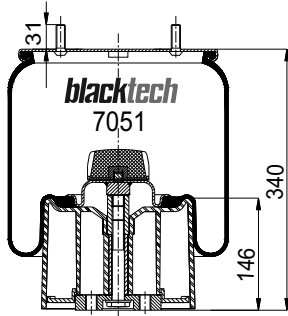
BPW (30K)	05.42940.091
BPW	05.42941.241
BPW	05.42941.281
BPW	05.42941.371
BPW	05.42940.591
GRANNING	15919

CROSS REFERENCES

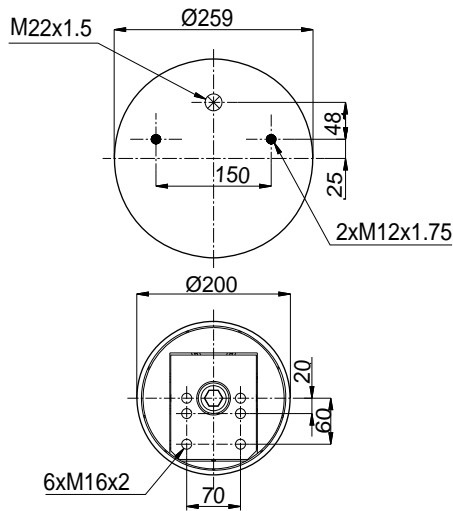
CONTITECH	940 MB (metal piston)
FIRESTONE STYLE	1T17D-4.3
FIRESTONE ORDER	W01 M58 8609
PHOENIX	1 DK 21 K
DUNLOP F (SPRINGRIDE)	D11B39
GOODYEAR	1R11-763
TAURUS	KR 732-01
VIBRACOUSTIC	V 1 DK 21 K

RML 7051 CP

cross section view



top view / bottom view



OEM PART NUMBER

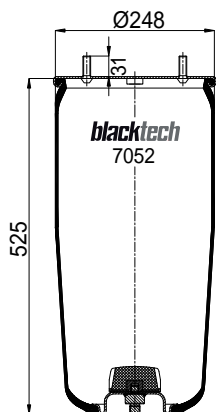
BPW (30K)	05.42940.931
BPW	05.42941.231
GRANNING	16919

CROSS REFERENCES

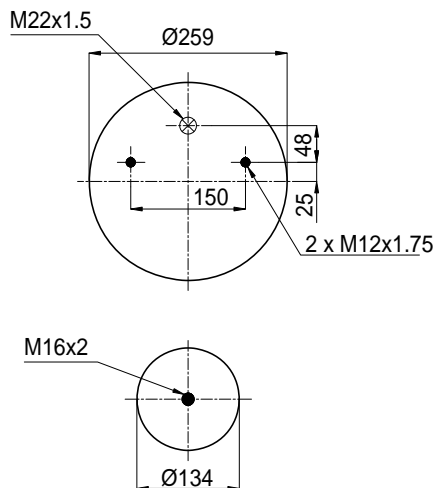
CONTITECH	940 MB (plastic piston)
FIRESTONE STYLE	1T17D-4.3
FIRESTONE ORDER	W01 M58 8585
PHOENIX	1 DK 21 K
DUNLOP F (SPRINGRIDE)	D11B36
GOODYEAR	1R11-752

RML 7052

cross section view



top view / bottom view



OEM PART NUMBER

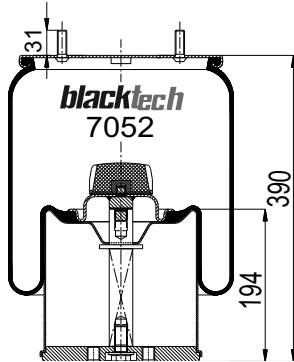
BPW (30)	05.42940.030
BPW	05.42940.034
BPW	05.42941.241
BPW	05.42940.281
GRANNING	15901

CROSS REFERENCES

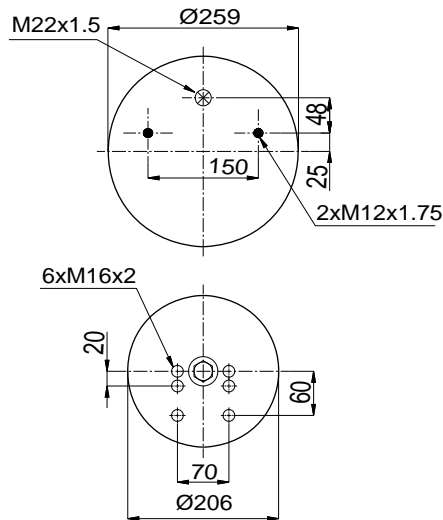
CONTITECH	941 MB
FIRESTONE STYLE	1T17D-8.3
FIRESTONE ORDER	W01 M58 8620
PHOENIX	1 DK 21
DUNLOP F (SPRINGRIDE)	D11U30
GOODYEAR	1R11-700
CF GOMMA	1 TC 300-36 / 204466
TAURUS	UR 730-01T
VIBRACOUSTIC	V 1 DK 21

RML 7052 C

cross section view



top view / bottom view



OEM PART NUMBER

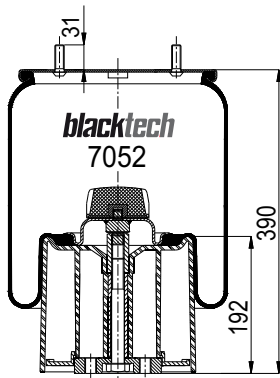
BPW (30)	05.42941.241
BPW	05.42940.091
BPW	05.42940.591
BPW	05.42941.281
BPW	05.42941.371
GRANNING	15918

CROSS REFERENCES

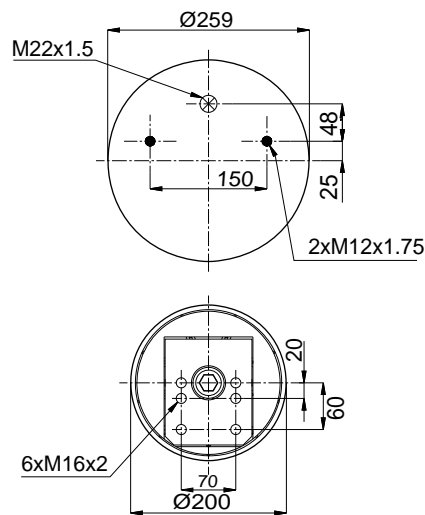
CONTITECH	941 MB (metal piston)
FIRESTONE STYLE	1T17D-8.3
FIRESTONE ORDER	W01 M58 8619
PHOENIX	1 DK 21
DUNLOP F (SPRINGRIDE)	D11B38
GOODYEAR	1R11-762
CF GOMMA	1 TC 300-36 / 205170
TAURUS	UR 730-01

RML 7052 CP

cross section view



top view / bottom view



OEM PART NUMBER

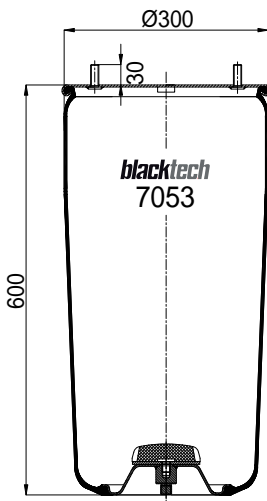
BPW (30)	05.429.43.20.0
GRANNING	16918

CROSS REFERENCES

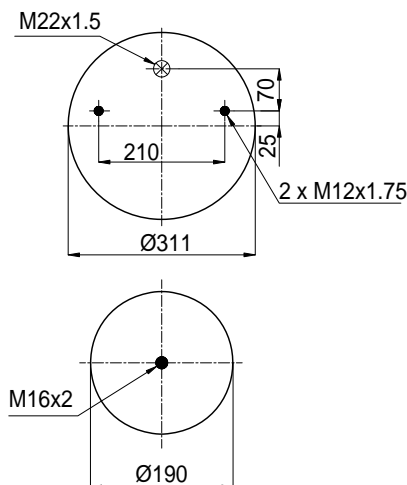
CONTITECH	941 MB (plastic piston)
FIRESTONE STYLE	1T17D-8.3
FIRESTONE ORDER	W01 M58 8668
PHOENIX	1 DK 21
DUNLOP F (SPRINGRIDE)	D11B33
GOODYEAR	1R11-763
TAURUS	1 TC 300-36 / 206356

RML 7053

cross section view



top view / bottom view



OEM PART NUMBER

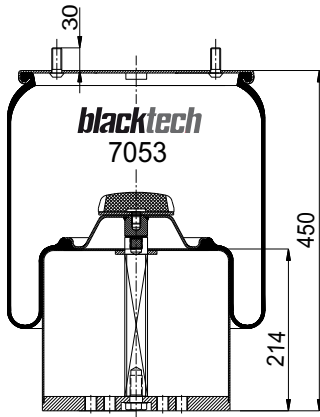
BPW (30)	05.429.40.05.0
GRANNING	15902

CROSS REFERENCES

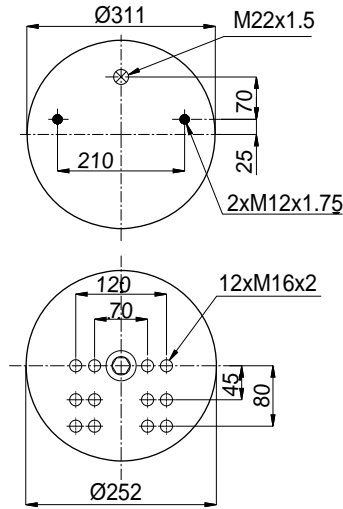
CONTITECH	942 MB
FIRESTONE STYLE	1T66F-13.5
FIRESTONE ORDER	W01 M58 8611
PHOENIX	1 DK 32 L
GOODYEAR	1R14-700
TAURUS	UR 837-01T
VIBRACOUSTIC	V 1 DK 32 L

RML 7053 C

cross section view



top view / bottom view



OEM PART NUMBER

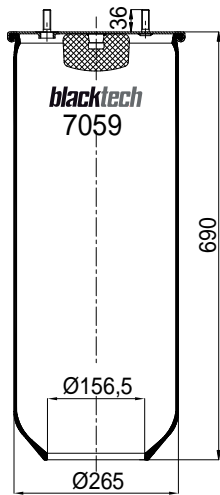
BPW (36-1)	05.42941.380
BPW	05.42941.690
BPW	05.42940.150
BPW	05.42940.510
GRANNING	15903

CROSS REFERENCES

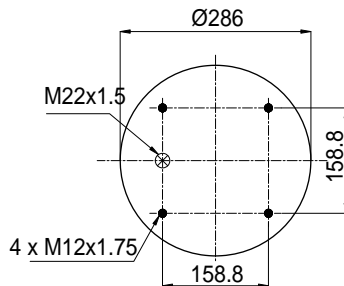
CONTITECH	942 MB (metal piston)
FIRESTONE STYLE	1T66F-13.5
FIRESTONE ORDER	W01 M58 8584
GOODYEAR	1R14-781

RML 7059

cross section view



top view / bottom view



OEM PART NUMBER

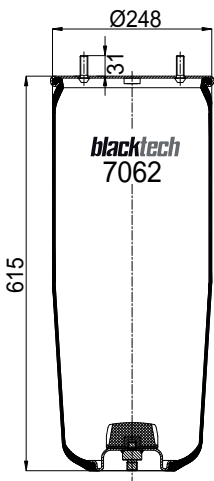
SAF	2.229.0009.00
-----	---------------

CROSS REFERENCES

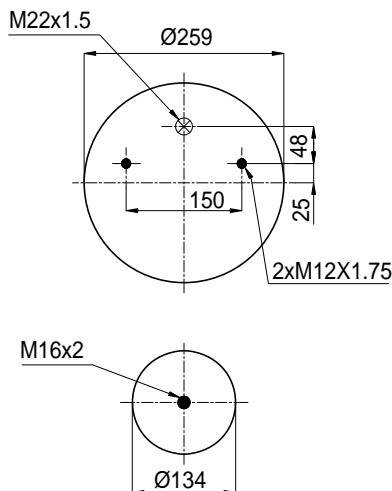
CONTITECH	948 MB
-----------	--------

RML 7062

cross section view



top view / bottom view



OEM PART NUMBER

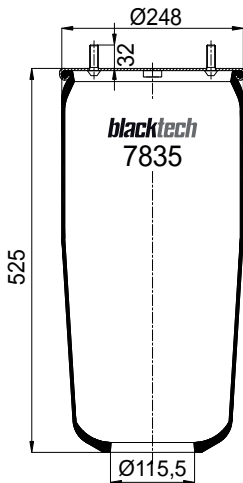
BPW (30-1)	05.42940.720
BPW	05.42940.750
BPW	05.42940.760
GRANNING	15959

CROSS REFERENCES

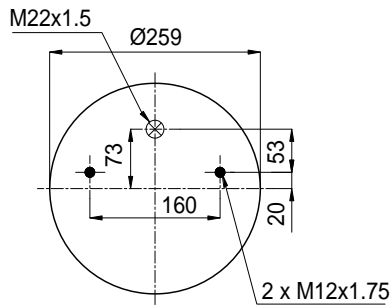
CONTITECH	951 MB
FIRESTONE STYLE	1T17D-12
FIRESTONE ORDER	W01 M58 8621
GOODYEAR	1R11-704

RML 7835

cross section view



top view / bottom view



OEM PART NUMBER

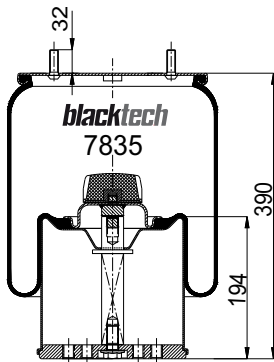
GIGANT	242169 / 3053
--------	---------------

CROSS REFERENCES

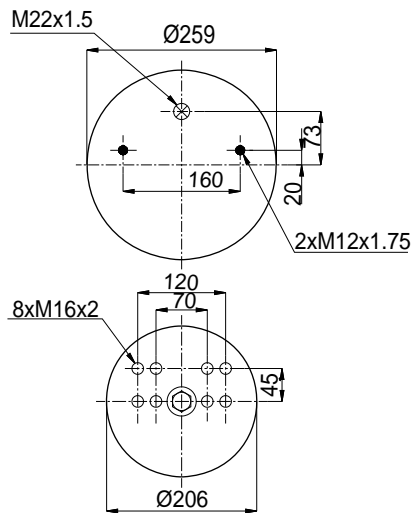
CONTITECH	724 N P01
GOODYEAR	1R11-711

RML 7835 C2

cross section view



top view / bottom view



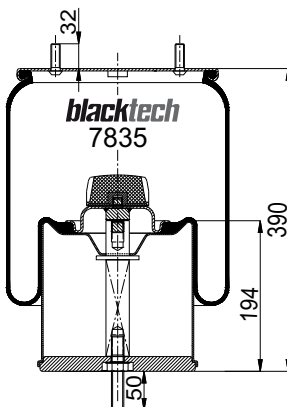
OEM PART NUMBER

GIGANT	166225 / 3053
--------	---------------

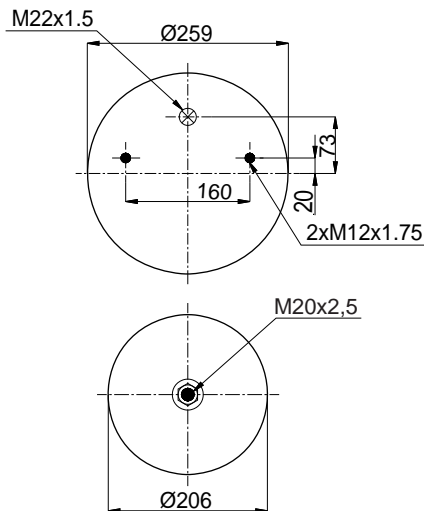
CROSS REFERENCES

RML 7835 C3

cross section view



top view / bottom view



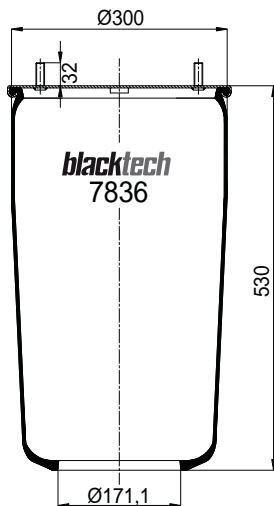
OEM PART NUMBER

GIGANT	166259
--------	--------

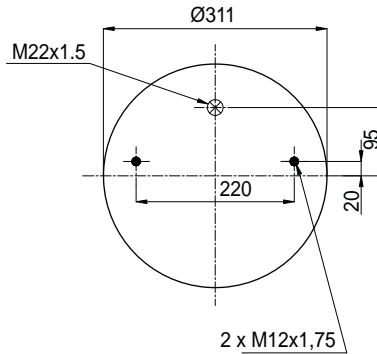
CROSS REFERENCES

RML 7836

cross section view



top view / bottom view



OEM PART NUMBER

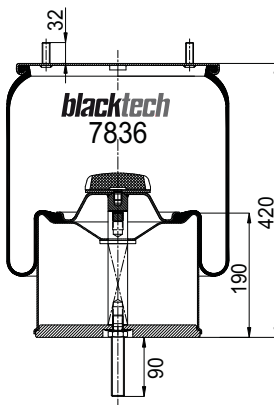
GIGANT	246149 / 3653
--------	---------------

CROSS REFERENCES

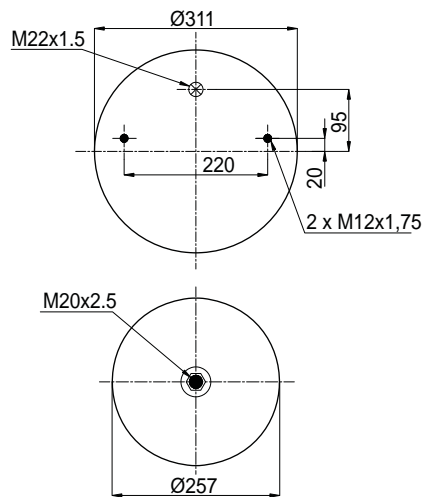
CONTITECH	725 N P01
PHOENIX	1 DF 32
DUNLOP F (SPRINGRIDE)	D14U38
GOODYEAR	1R14-704
CF GOMMA	1 TCS 360-45 / 202964
TAURUS	UR 836-11

RML 7836 C2

cross section view



top view / bottom view



OEM PART NUMBER

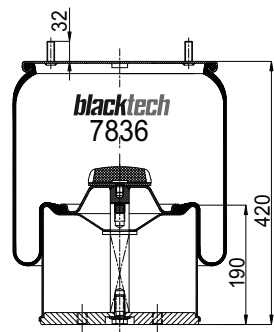
GIGANT	166217 / 3653
GRANNING	16 217

CROSS REFERENCES

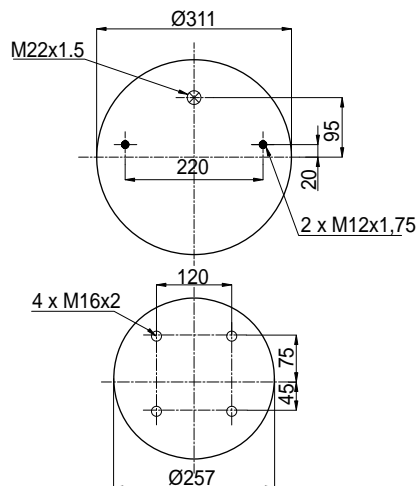
CONTITECH	725 N P02
FIRESTONE STYLE	1T66F-10.8
FIRESTONE ORDER	W01 M58 8969
PHOENIX	1 DF 32
DUNLOP F (SPRINGRIDE)	D14B40
GOODYEAR	1R14-747
CF GOMMA	1 TCS 360-45 / 202964

RML 7836 C3

cross section view



top view / bottom view



OEM PART NUMBER

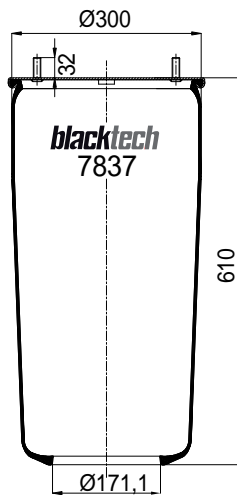
GIGANT	166252 / 3653
GRANNING	15868

CROSS REFERENCES

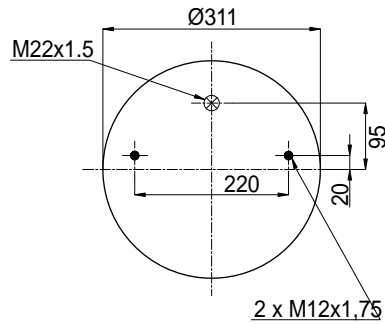
CONTITECH	725 N P03
FIRESTONE STYLE	1T66F-10.8
FIRESTONE ORDER	W01 M58 8610
DUNLOP F (SPRINGRIDE)	D14B43
GOODYEAR	1R14-814

RML 7837

cross section view



top view / bottom view



OEM PART NUMBER

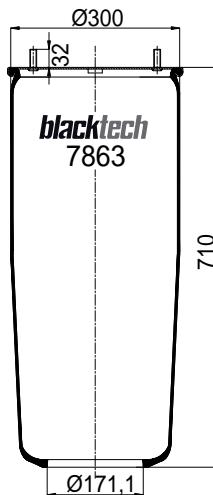
GIGANT	246192 / 3661
--------	---------------

CROSS REFERENCES

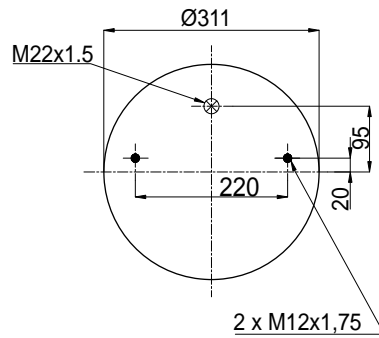
CONTITECH	726 N P01
-----------	-----------

RML 7863

cross section view



top view / bottom view



OEM PART NUMBER

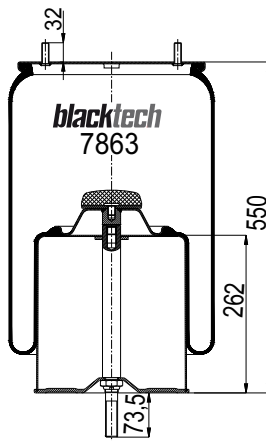
GIGANT	247100 / 3671
--------	---------------

CROSS REFERENCES

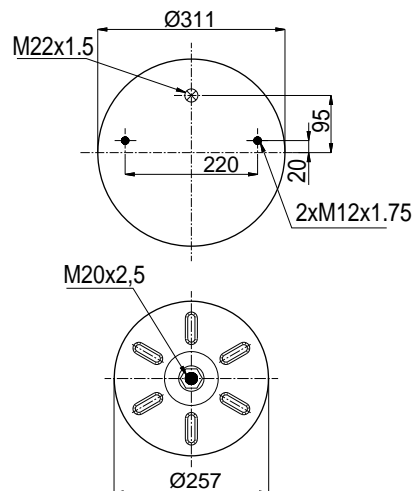
CONTITECH	752 N P01
-----------	-----------

RML 7863 C

cross section view



top view / bottom view



OEM PART NUMBER

GIGANT	166228 / 3671
GRANNING	16108

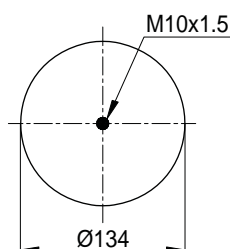
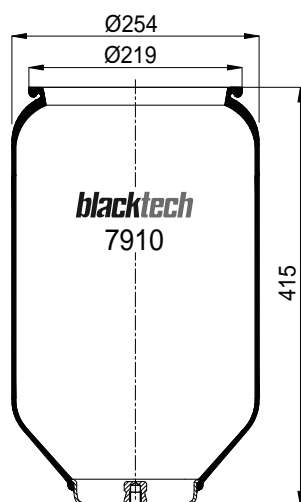
CROSS REFERENCES

CONTITECH	752 N P01 (metal piston)
-----------	--------------------------

RML 7910 S

cross section view

top view / bottom view



OEM PART NUMBER

MAN	81.43601.0025
GRANNING	16054

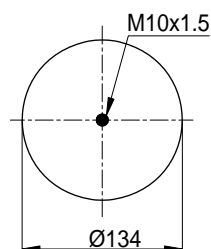
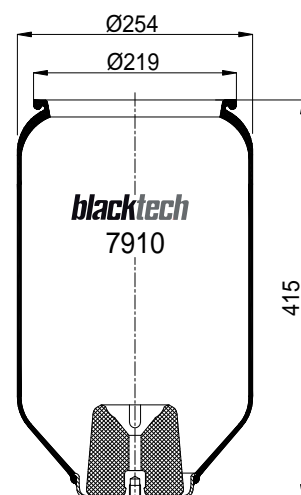
CROSS REFERENCES

CONTITECH	809 NT
FIRESTONE STYLE	1T15L-6
FIRESTONE ORDER	W01 M58 0031
PHOENIX	1 D 23 B-2
CF GOMMA	1T 320 SP

RML 7910 SP

cross section view

top view / bottom view



OEM PART NUMBER

MAN	81.43601.6002
MAN	81.43601.6023
MAN	81.43601.6025
MAN	81.43601.6029
MAN	81.43601.6030
MAN	81.43601.0025
MAN	81.43601.0050
GRANNING	15773

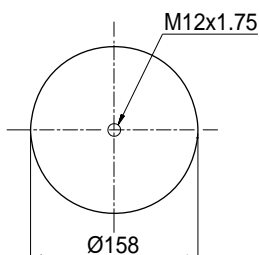
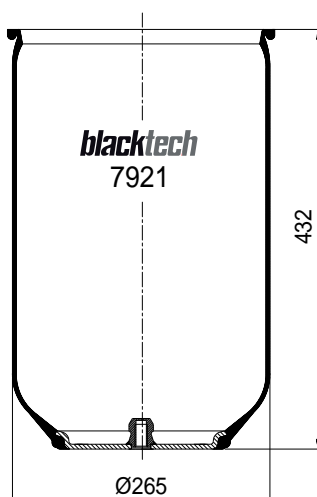
CROSS REFERENCES

CONTITECH	809 NTB
FIRESTONE STYLE	1T15L-6
FIRESTONE ORDER	W01 M58 0687
PHOENIX	1 D 23 C-1
GOODYEAR	1R12-709
CF GOMMA	1T 320 SP
TAURUS	UR 504-13

RML 7921 S

cross section view

top view / bottom view



OEM PART NUMBER

MAN	81.4360.10047
GRANNING	16056

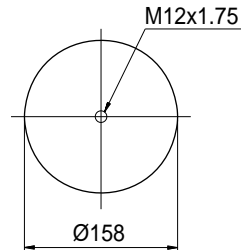
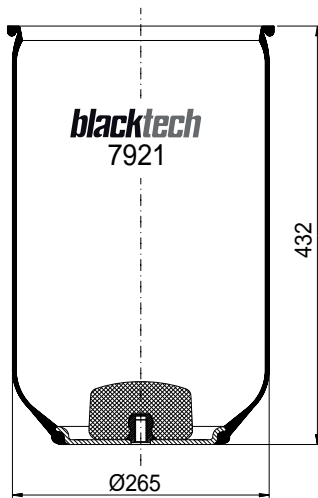
CROSS REFERENCES

CONTITECH	810 NT
FIRESTONE STYLE	1T19L-7
FIRESTONE ORDER	W01 M58 0491
PHOENIX	1 DK 28 A
GOODYEAR	1R14-714
CF GOMMA	1T 19 E-1S
TAURUS	UR 621-04

RML 7921 SP

cross section view

top view / bottom view



OEM PART NUMBER

MAN	81.43601.6019
GRANNING	16057

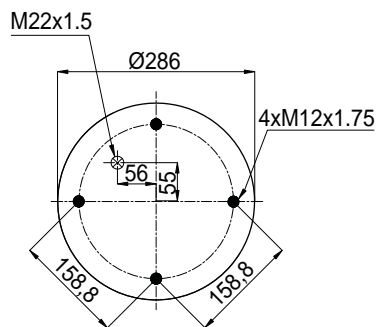
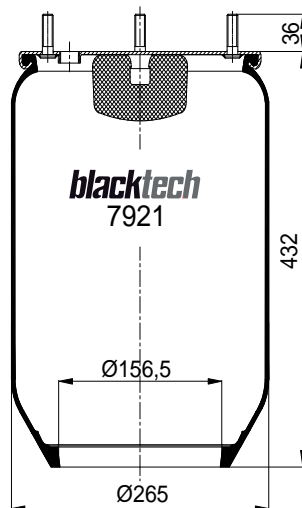
CROSS REFERENCES

CONTITECH	810 NTB
FIRESTONE STYLE	1T19L-7
FIRESTONE ORDER	W01 M58 0749
PHOENIX	1 DK 28 A
GOODYEAR	1R14-713
CF GOMMA	1T 19 E-1
TAURUS	UR 621-03

RML 7921

cross section view

top view / bottom view



OEM PART NUMBER

MAN	81.43601.0042
-----	---------------

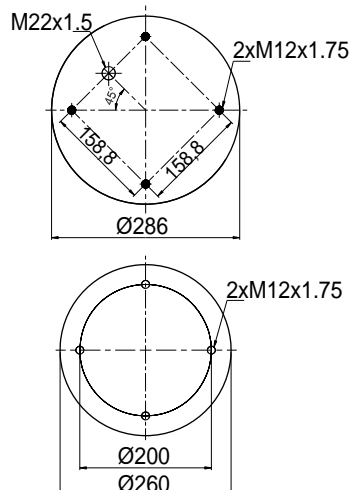
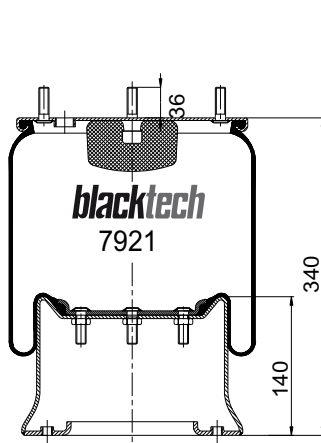
CROSS REFERENCES

CONTITECH	810 MB/0
FIRESTONE STYLE	1T19L-7
FIRESTONE ORDER	W01 M58 6345
PHOENIX	1 D 28 A-2
GOODYEAR	1R14-059
CF GOMMA	1 T 19 E-1

RML 7921 C

cross section view

top view / bottom view



OEM PART NUMBER

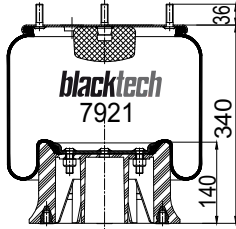
TRAILOR	6504646 G
TROUILLET	MB 10315
VOLVO	1080707
MAN	81.43601.0042
HENDRICKSON	B2065 / Y 506243
NEWAY	211586
R.O.R MERITOR	21515632 / 21208082
RENAULT V.I	5.000.452.939/5.000.748.918
SAF	2.228.002.00/2.229.002.00
SAF	3.228.002.00
SAMRO	2500008
BERTOJA	45402002
YORK	785168
GRANNING	15635

CROSS REFERENCES

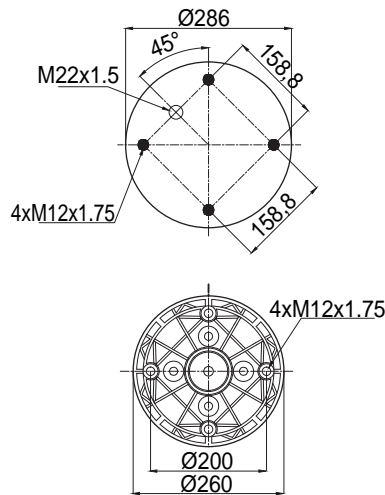
CONTITECH	810 MB
FIRESTONE STYLE	1T19L-7
FIRESTONE ORDER	W01 M58 6345
PHOENIX	1 D 28 A-2
GOODYEAR	1R14-059
CF GOMMA	1 T 19 E-1

RML 7921 CP

cross section view



top view / bottom view



OEM PART NUMBER

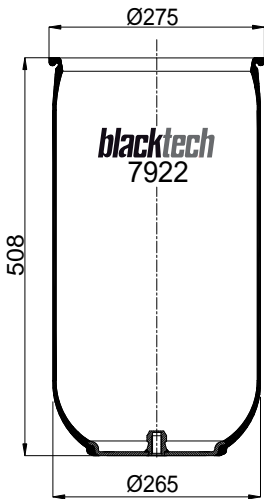
EMILCAMION	D277B
WEWELER	US 87413F
ARVIN MERITOR	2121 5632
ARVIN MERITOR	2120 8082
T.E.C.	506243/01
WEWELER	US07337F

CROSS REFERENCES

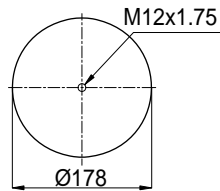
CONTITECH	810 MB (plastic piston)
FIRESTONE STYLE	1T19L-7
FIRESTONE ORDER	W01 M58 8775

RML 7922 S

cross section view



top view / bottom view



OEM PART NUMBER

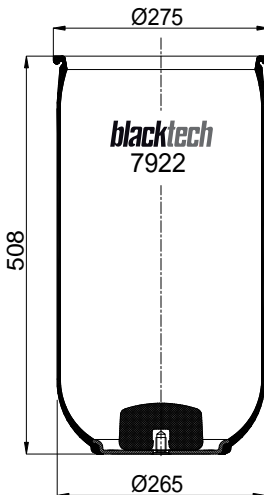
MAN	81.43601.0035
MAN	81.43601.0048
SAF	3.228.0003.00
GRANNING	15772

CROSS REFERENCES

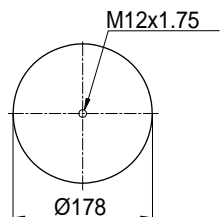
CONTITECH	811 NT
FIRESTONE STYLE	1T19L-10
FIRESTONE ORDER	W01 M58 0028
PHOENIX	1 D 28 B
GOODYEAR	1R14-715
SPRINGRIDE	D13A02
TAURUS	UR622-03

RML 7922 SP

cross section view



top view / bottom view



OEM PART NUMBER

GRANNING	16059
----------	-------

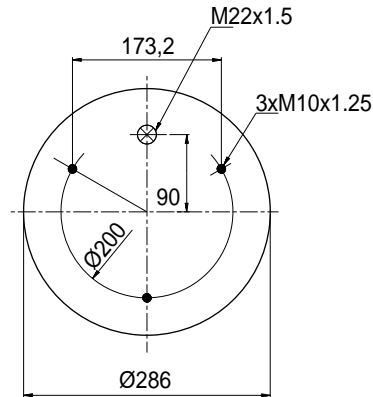
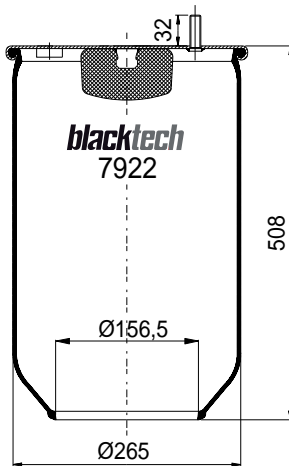
CROSS REFERENCES

CONTITECH	811 NTB
FIRESTONE STYLE	1T19L-10
FIRESTONE ORDER	W01 M58 0747
GOODYEAR	1R14-739
SPRINGRIDE	D14U49

RML 7922

cross section view

top view / bottom view



OEM PART NUMBER

DAF (TRUCK SB3000)	0 067 452
DAF	067306
DAF	0676122
EVOBUS	4731029000
GRANNING	16050

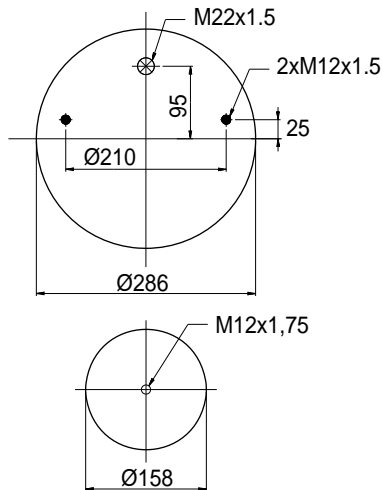
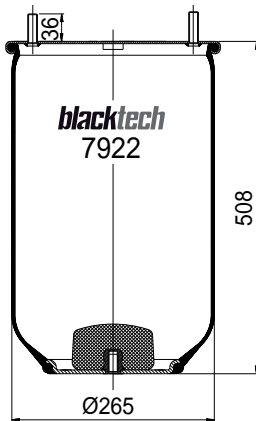
CROSS REFERENCES

CONTITECH	811MB/0
FIRESTONE STYLE	1T19L-11
FIRESTONE ORDER	W01 M58 6360
PHOENIX	1 D 28 B-7

RML 7922-1

cross section view

top view / bottom view



OEM PART NUMBER

DAF	067306
-----	--------

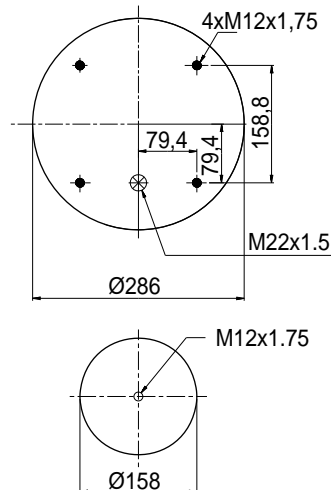
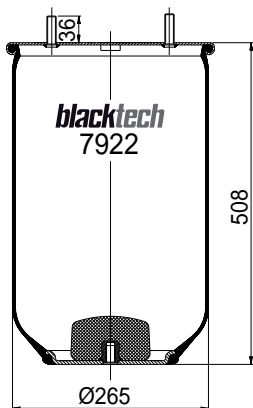
CROSS REFERENCES

FIRESTONE	1T 19 F-11
DUNLOP UK	PNP 311670000
CF GOMMA	1 T 19 E-2
TAURUS	K 622-26S M

RML 7922-2

cross section view

top view / bottom view



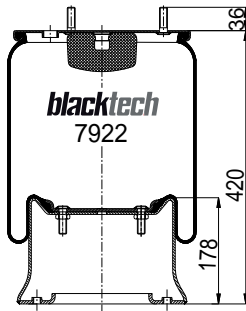
OEM PART NUMBER

CROSS REFERENCES

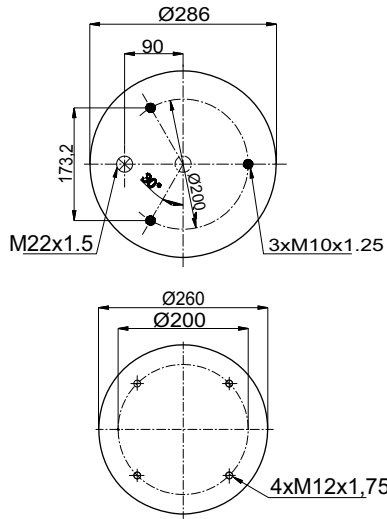
FIRESTONE	1T19L-11
PHOENIX	1 D 28 B-2
GOODYEAR	1R14-719
TAURUS	KR 622-31

RML 7922 C

cross section view



top view / bottom view



OEM PART NUMBER

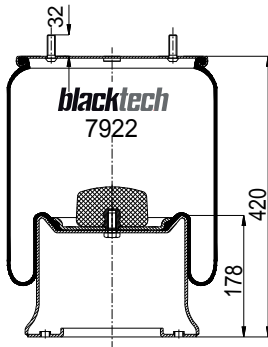
DAF	0526823
RENAULT	5.000.745.918
GRANNING	15907

CROSS REFERENCES

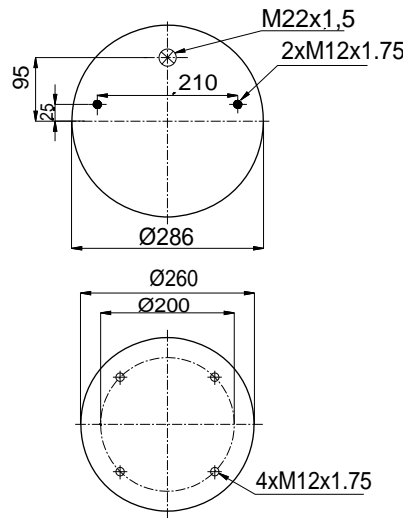
CONTITECH	811 MB
FIRESTONE STYLE	1T19L-11
FIRESTONE ORDER	W01 M58 6334
PHOENIX	1 D 28 B-2E2 /203878
GOODYEAR	1R14-718
SPRINGRIDE	D13B34

RML 7922 C1

cross section view



top view / bottom view



OEM PART NUMBER

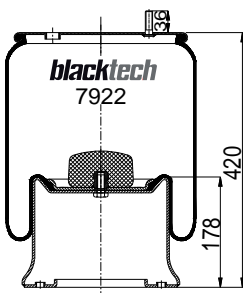
SAF	3.229.0031.00
GRANNING	16091

CROSS REFERENCES

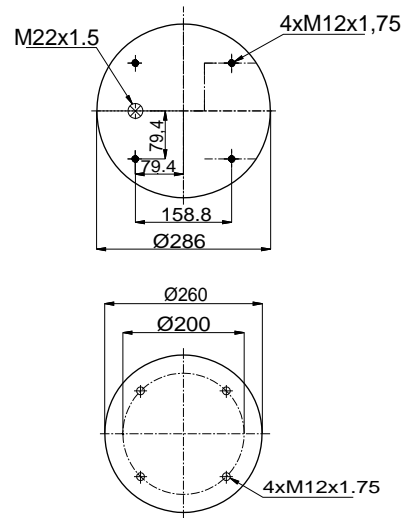
FIRESTONE STYLE	1T19L-11
FIRESTONE ORDER	W01 M58 6335

RML 7922 C2

cross section view



top view / bottom view



OEM PART NUMBER

CAMPANA	50.200.105
ROR MERITOR	2122239

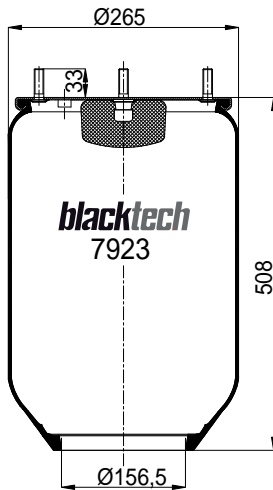
CROSS REFERENCES

GART	D287 / 287.4.522

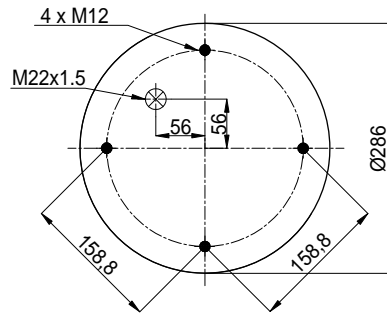
● Bolt or stud ○ Threaded hole ⊗ Combinations stud ⊗ Air inlet

RML 7923

cross section view



top view / bottom view



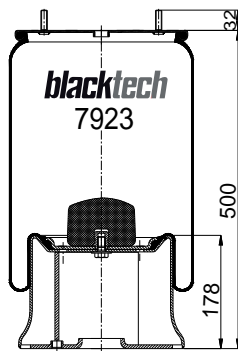
OEM PART NUMBER

CARDI	

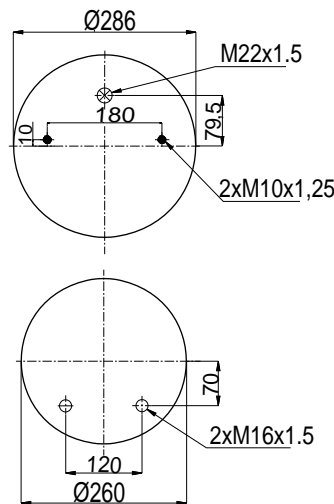
CROSS REFERENCES

RML 7923 C

cross section view



top view / bottom view



OEM PART NUMBER

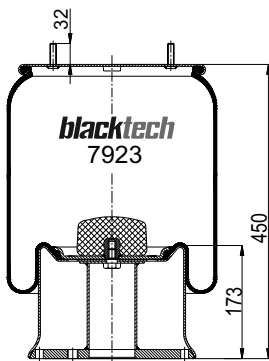
CARDI	

CROSS REFERENCES

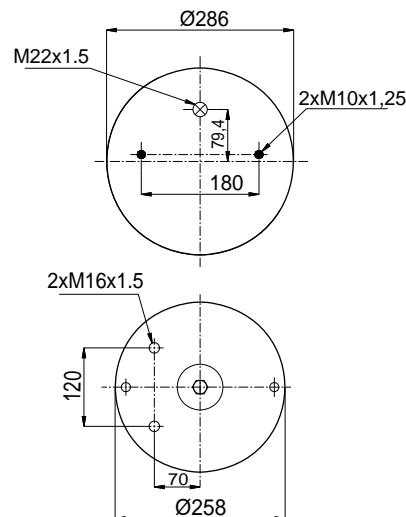
CF GOMMA	1T19 E2

RML 7923 C1

cross section view



top view / bottom view



OEM PART NUMBER

MICHELOTTO	0006061
OMAR	11804
ROLFO	112060
VIBERTI	128147102
ZORZI	1006553
BARTOLETTI	91619011
BATTAGLINO	2211401
CARDI	58050700
DAF	67306

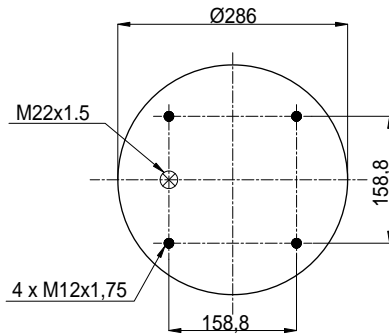
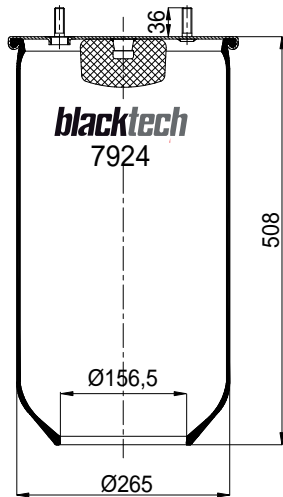
CROSS REFERENCES

CF GOMMA	1T19 E-2 / 204371
FIRESTONE STYLE	1T19L-11
FIRESTONE ORDER	W01 M58 6335
GOODYEAR	1R14-706
TAURUS	KR 622-26 SM
DUNLOP UK	PNP 311670000
DUNLOP FR	D13 B18 / 12
GART	D277 / 2F 277.2.500

RML 7924

cross section view

top view / bottom view



OEM PART NUMBER

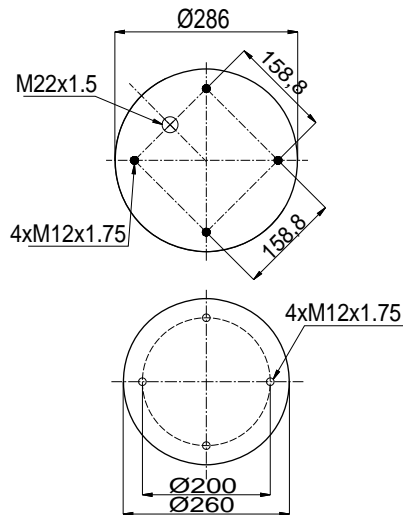
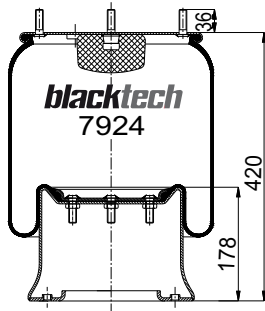
CROSS REFERENCES

CONTITECH	813 MB/0
FIRESTONE STYLE	1T19L-11
FIRESTONE ORDER	W01 M58 7238
PHOENIX	1 D 28 B-5
DUNLOP UK	PNP 311770000
CF GOMMA	1 T 19 E-2

RML 7924 C

cross section view

top view / bottom view



OEM PART NUMBER

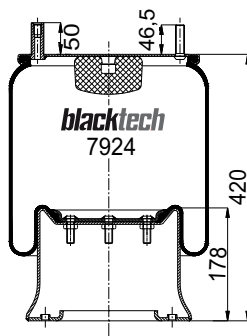
BARTOLETTI	91619005
BATTAGLINO	2211400
PIANCENZA	250991
DAF	388491
E.R.F.	143908-3
KASSBOHRER	4.731.030.000
KASSBOHRER	4.731.033.000
FRUEHAUF	003615E
GRANNING	15634
HENDRICKSON	B 2063
HENDRICKSON	Y 505801
HENDRICKSON	Y 505859
NEWAY	22282
PEGASO	175005
RENAULT	5.000.790.692
RENAULT	5.010.130.925
S.A.E.	8403 / 102
SAF	2.229.0003.00
SAF	3.229.0003.00
SEG SAMRO	2500009
TEC	505801
TITAN	916 8770 0000
TRAILOR	003 61158 E
TRAILOR	6502 2347 Y
VIBERTI	128 147 122
VIBERTI	644 225
WEWELER	US 07345
WEWELER	US 87408
YORK	785170
TERBERG	21071483
R.O.R.	2121 5633

CROSS REFERENCES

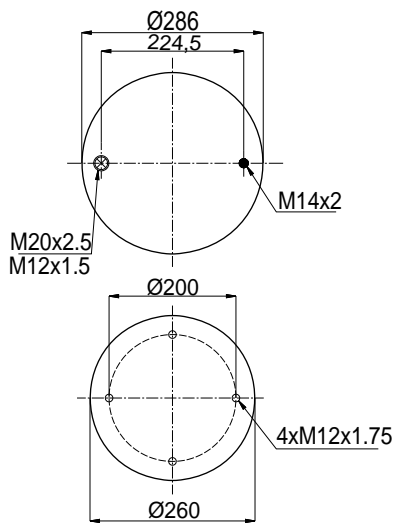
CONTITECH	813 MB
FIRESTONE STYLE	1T19L-11
FIRESTONE ORDER	W01 M58 6364
PHOENIX	1 D 28 B-2 E2
DUNLOP F (SPRINGRIDE)	D13B19
DUNLOP UK	PNP 311770000
GOODYEAR	1R14-705
CF GOMMA	1 T 19 E-2 / 87408
TAURUS	KP 622-26
VIBRACOUSTIC	V 1 D 28 B-2

RML 7924 C2

cross section view



top view / bottom view

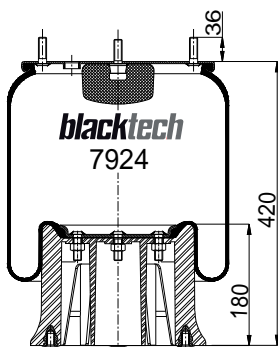


OEM PART NUMBER

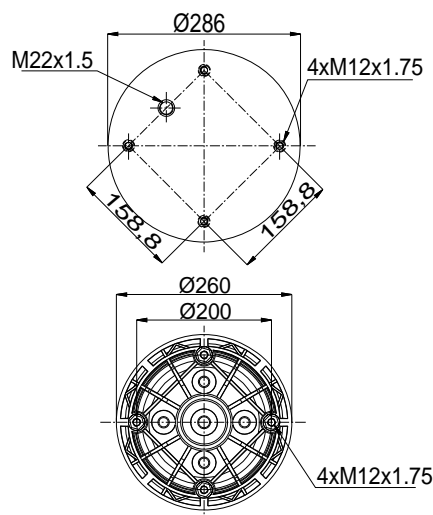
CROSS REFERENCES

RML 7924 CP

cross section view



top view / bottom view



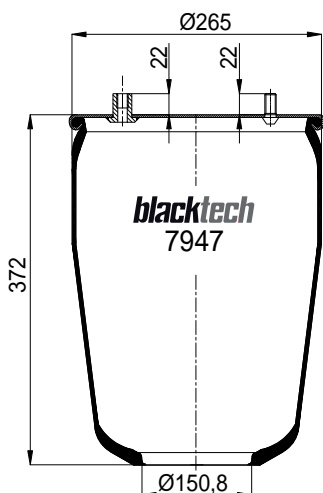
OEM PART NUMBER

CROSS REFERENCES

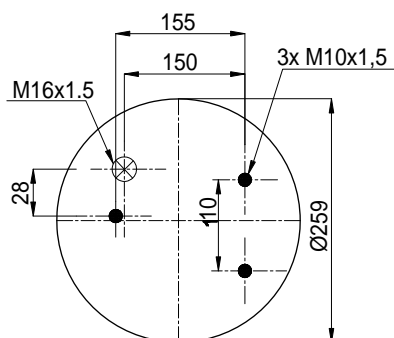
CONTITECH	813 MB (plastic piston)

RML 7947

cross section view



top view / bottom view



OEM PART NUMBER

DAF	0 067 504
VDL	0 067 504
DAF	0513985
GRANNING	15991

CROSS REFERENCES

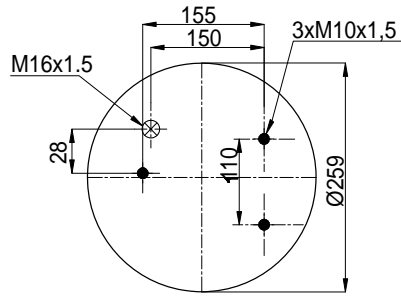
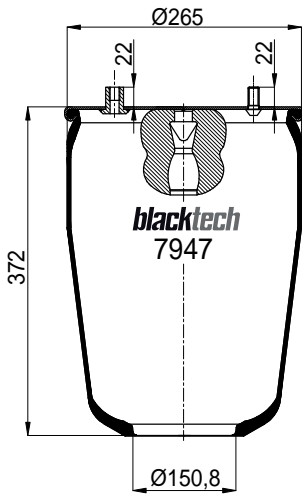
CONTITECH	836 M
FIRESTONE STYLE	1T17AR-4.5
FIRESTONE ORDER	W01 M58 0776
PHOENIX	1DF 25-1 NP
DUNLOP F (SPRINGRIDE)	D13U32
GOODYEAR	1R12-700
TAURUS	UR 721 - 015

● Bolt or stud ○ Threaded hole ⊗ Combinations stud ⊗ Air inlet

RML 7947-1

cross section view

top view / bottom view



OEM PART NUMBER

DAF	0 513 985
VDL	0 513 985

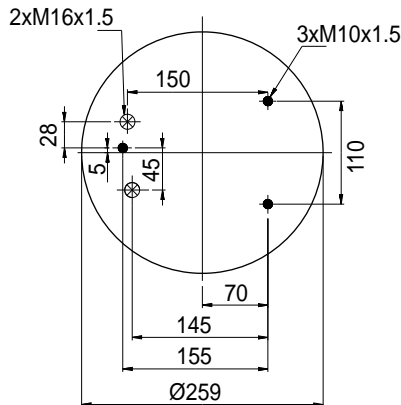
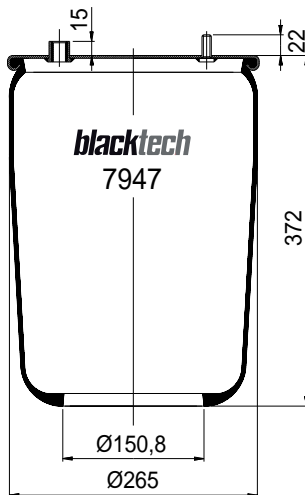
CROSS REFERENCES

CONTITECH	836 MB
FIRESTONE STYLE	1T17AR-4.5
FIRESTONE ORDER	W01 M58 0775
PHOENIX	1 DF 25-4 NP
DUNLOP F (SPRINGRIDE)	D13U27
GOODYEAR	1R12-764

RML 7947-2

cross section view

top view / bottom view



OEM PART NUMBER

DAF	0 513 982
VDL	0 513 982

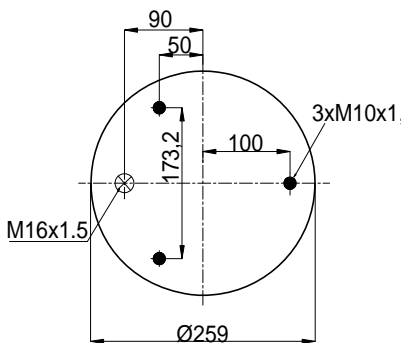
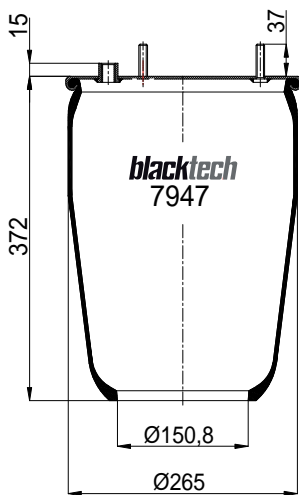
CROSS REFERENCES

CONTITECH	836 M2
FIRESTONE STYLE	1T17AR-4.5
FIRESTONE ORDER	W01 M58 0777
PHOENIX	1 DF 25-3 NP
GOODYEAR	1 R 12-710
SPRINGRIDE	D13U31

RML 7947-11

cross section view

top view / bottom view



OEM PART NUMBER

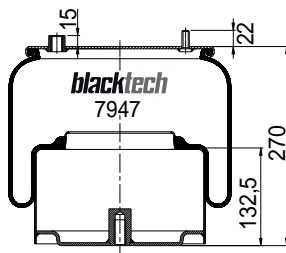
CROSS REFERENCES

FIRESTONE STYLE	1T17AR-4.5
FIRESTONE ORDER	W01 M58 0776

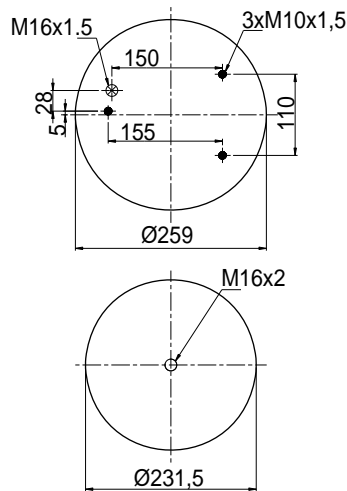
● Bolt or stud ○ Threaded hole ⊗ Combinations stud ⊗ Air inlet

RML 7947 C1

cross section view



top view / bottom view



OEM PART NUMBER

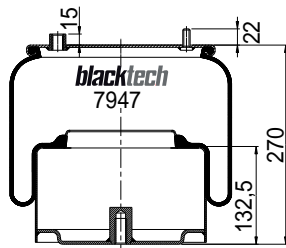
DAF	0 388 165
DAF	1 697 678
VDL Bus	0 388 165
GRANNING	17066

CROSS REFERENCES

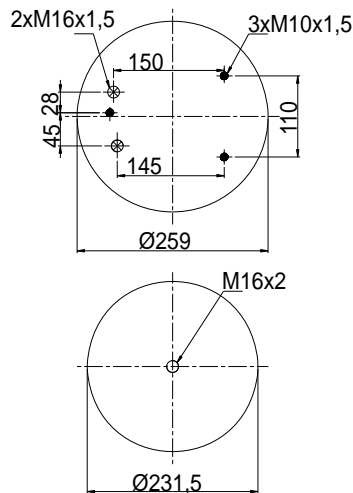
CONTITECH	836 M K1
FIRESTONE STYLE	1T17AR-4.5
FIRESTONE ORDER	W01 M58 8722
PHOENIX	1 DF 25-11
DUNLOP F (SPRINGRIDE)	D13B32
GOODYEAR	1 R 12-712
TAURUS	KR 721-06

RML 7947-2 C1

cross section view



top view / bottom view



OEM PART NUMBER

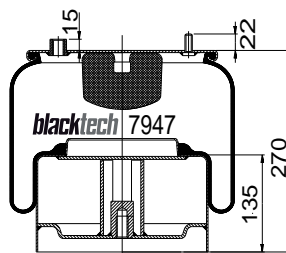
DAF	0 388 167
-----	-----------

CROSS REFERENCES

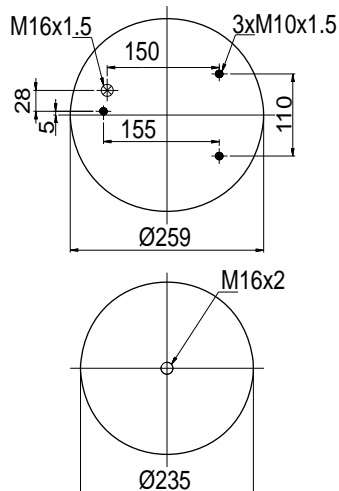
CONTITECH	836 M2 K1
FIRESTONE STYLE	1T17AR-4.5
FIRESTONE ORDER	W01 M58 8721
PHOENIX	1 DF 25-13
DUNLOP F (SPRINGRIDE)	D13B31
GOODYEAR	1 R 12-711
TAURUS	KR 721-03

RML 7947 C4

cross section view



top view / bottom view



OEM PART NUMBER

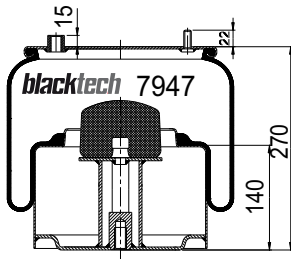
DAF	0 377 498
VDL Bus	0 377 498
GRANNING	17060

CROSS REFERENCES

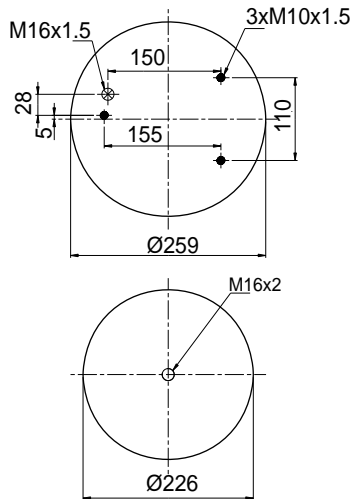
CONTITECH	836 MB K4
FIRESTONE STYLE	1T17AR-4.5
FIRESTONE ORDER	W01 M58 8705
PHOENIX	1 DF 25-14

RML 7947 C6

cross section view



top view / bottom view



OEM PART NUMBER

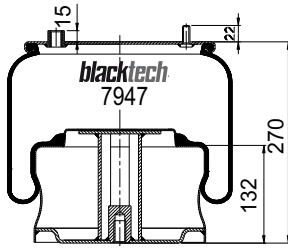
DAF	0 526 651
GRANNING	17061

CROSS REFERENCES

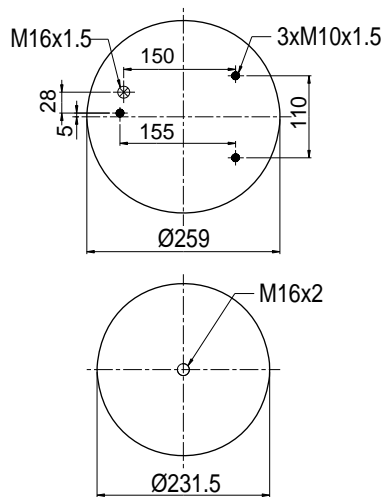
CONTITECH	836 MB K6
FIRESTONE STYLE	1T17AR-4.5
FIRESTONE ORDER	W01-M58 8701
PHOENIX	1 DF 25-15
DUNLOP F (SPRINGRIDE)	D13B43
GOODYEAR	1R12-768

RML 7947 C7

cross section view



top view / bottom view



OEM PART NUMBER

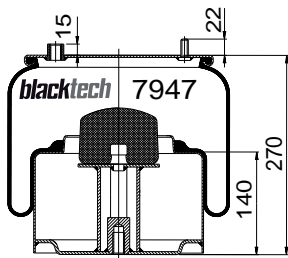
DAF	0 297 721
-----	-----------

CROSS REFERENCES

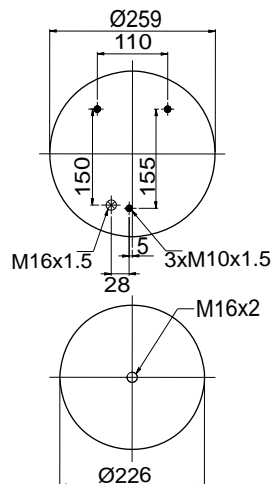
CONTITECH	836 M K7
FIRESTONE STYLE	1T17AR-4.5
FIRESTONE ORDER	W01 M58 8715
PHOENIX	1 DF 25-12
DUNLOP F (SPRINGRIDE)	D13B33
GOODYEAR	1R12-723
VIBRACOUSTIC	V 1 DF 25-12

RML 7947 C8

cross section view



top view / bottom view



OEM PART NUMBER

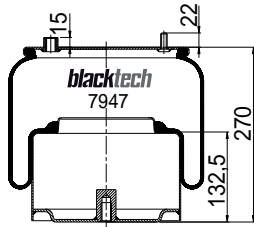
VDL Bus	1 153 933
---------	-----------

CROSS REFERENCES

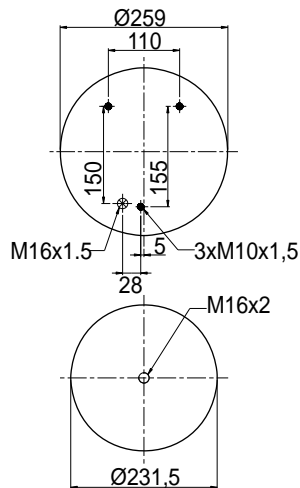
CONTITECH	836 N P05
-----------	-----------

RML 7947 C9

cross section view



top view / bottom view



OEM PART NUMBER

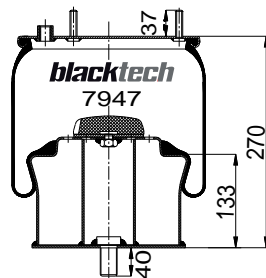
VDL Bus 1 153 934

CROSS REFERENCES

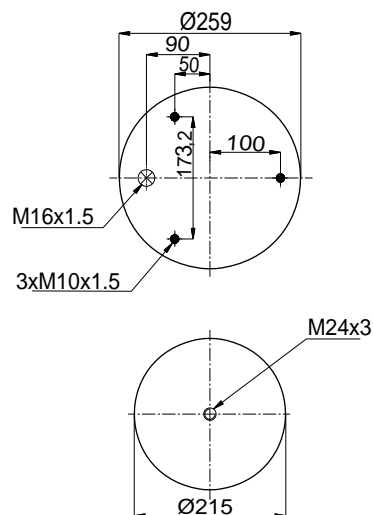
CONTITECH 836 N P06

RML 7947 C11

cross section view



top view / bottom view



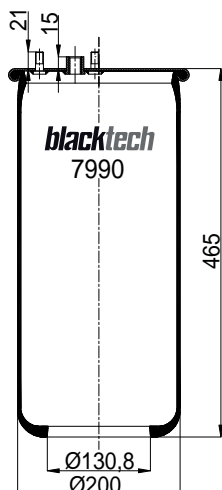
OEM PART NUMBER

DAF 1266381 / 1697679

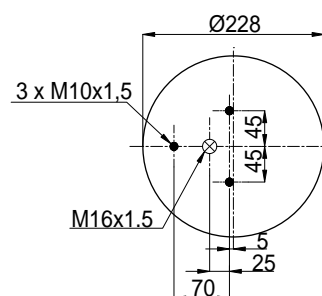
CROSS REFERENCES

RML 7990

cross section view



top view / bottom view



OEM PART NUMBER

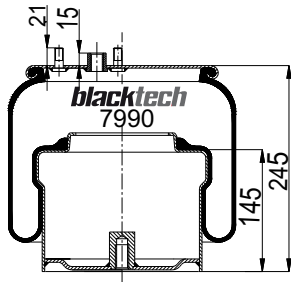
DAF 1 276 846

CROSS REFERENCES

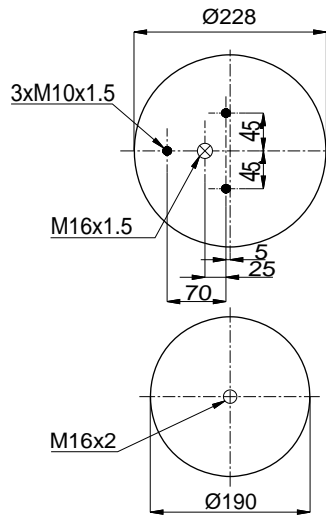
CONTITECH 889 M
FIRESTONE STYLE 1T15LLR-5
FIRESTONE ORDER W01 M58 0781

RML 7990 C2

cross section view



top view / bottom view



OEM PART NUMBER

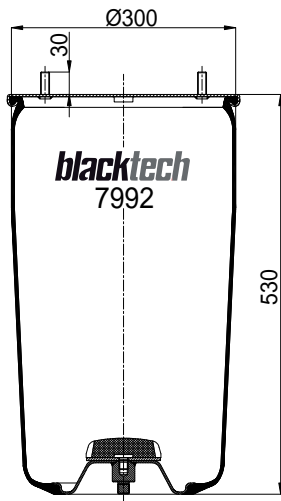
DAF	1 279 141
DAF	1 698 434
GARNNING	16225

CROSS REFERENCES

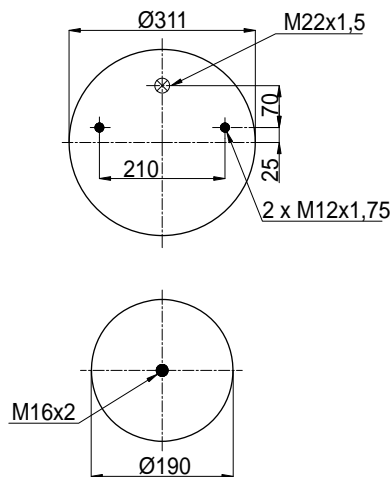
CONTITECH	889 M K2
FIRESTONE STYLE	1T15LLR-5
FIRESTONE ORDER	W01 M58 8679

RML 7992

cross section view



top view / bottom view



OEM PART NUMBER

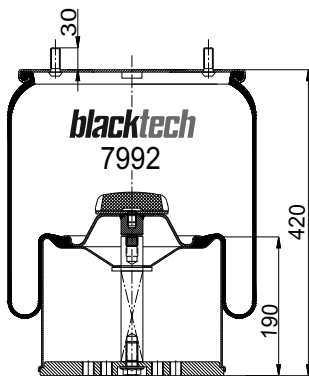
BPW	05.42940.010
BPW	05.42940.020
GRANNING	15970

CROSS REFERENCES

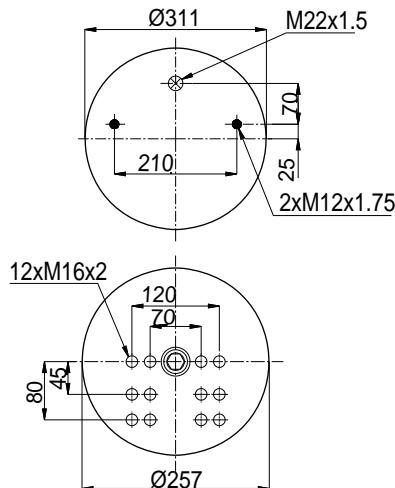
CONTITECH	881 MB
FIRESTONE STYLE	1T66F-10.8
FIRESTONE ORDER	W01 M58 8978
PHOENIX	1 DK 32
DUNLOP F (SPRINGRIDE)	D14U36
GOODYEAR	1R14-708
TAURUS	KR 836-01 T

RML 7992 C

cross section view



top view / bottom view



OEM PART NUMBER

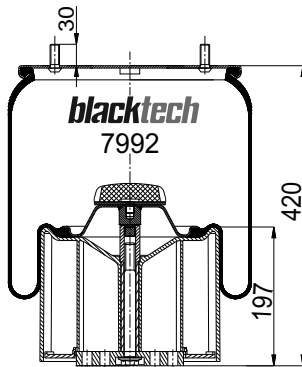
BPW (36)	05.42941.361
BPW	05.42941.211
BPW	05.42940.611
BPW	05.42940.471
BPW	05.42940.391
BPW	05.42940.141
GRANNING	15917

CROSS REFERENCES

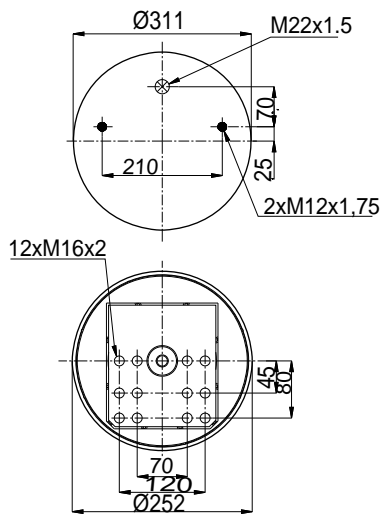
CONTITECH	881 MB (metal piston)
FIRESTONE STYLE	1T66F-10.8
FIRESTONE ORDER	W01 M58 8966
PHOENIX	1 DK 32-1
DUNLOP F (SPRINGRIDE)	D14B36
GOODYEAR	1R14-703

RML 7992 CP

cross section view



top view / bottom view



OEM PART NUMBER

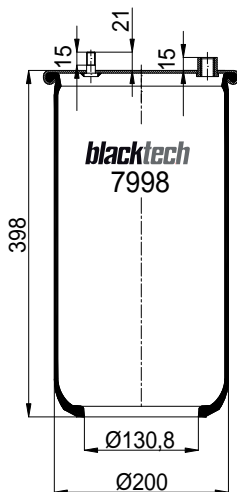
BPW	05.429.43.51.0
-----	----------------

CROSS REFERENCES

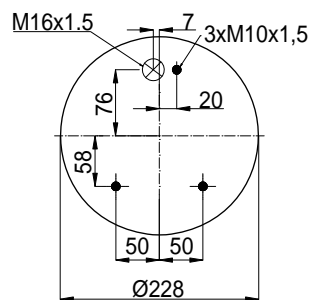
CONTITECH	881 MB (plastic piston)
FIRESTONE STYLE	1T66D-10.8
FIRESTONE ORDER	W01 M58 8667
PHOENIX	1 DK 32-1
DUNLOP F (SPRINGRIDE)	D14B41
GOODYEAR	1R14-748
CF GOMMA	1TC360-45
TAURUS	KR 836-05

RML 7998

cross section view



top view / bottom view



OEM PART NUMBER

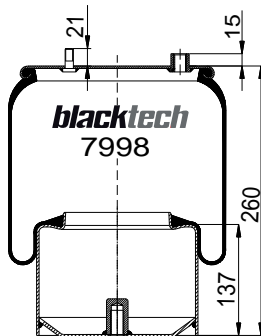
DAF	0 513 983
VDL Bus	0 513 983

CROSS REFERENCES

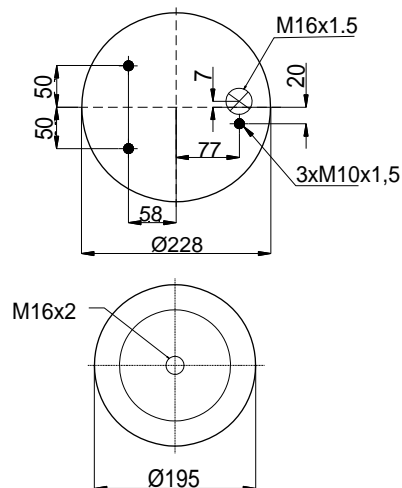
CONTITECH	887 M
FIRESTONE STYLE	1T15LNR-3
FIRESTONE ORDER	W01 M58 0781
DUNLOP F (SPRINGRIDE)	D11U41
GOODYEAR	1R11-796

RML 7998 C1

cross section view



top view / bottom view



OEM PART NUMBER

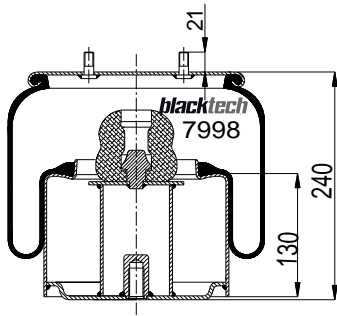
DAF	1 697 684
DAF	0 392 022
VDL BUS	0 392 022
GRANNING	16224 F

CROSS REFERENCES

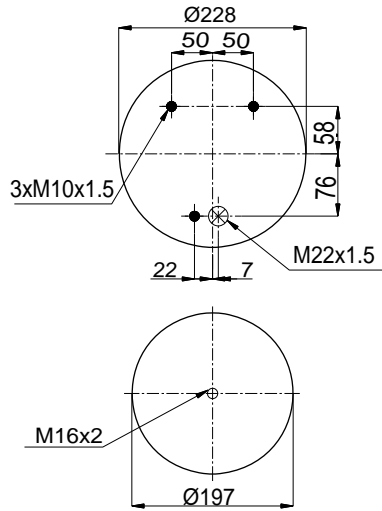
CONTITECH	887 M K1
FIRESTONE STYLE	1T15 LNR-3
FIRESTONE ORDER	W01 M58 8683

RML 7998 C3

cross section view



top view / bottom view



OEM PART NUMBER

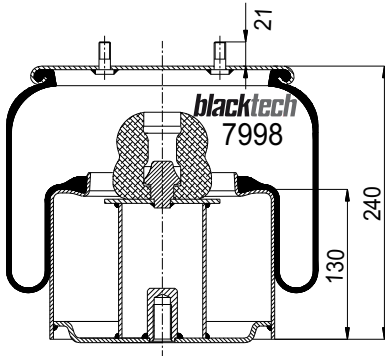
VDL Bus 1 153 935

CROSS REFERENCES

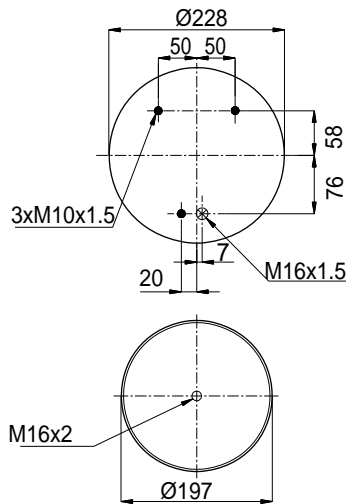
CONTITECH 887 N P03

RML 7998 C6

cross section view



top view / bottom view



OEM PART NUMBER

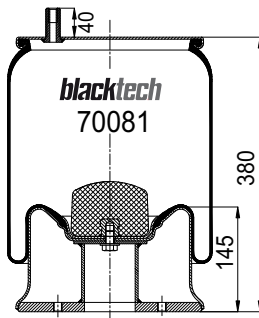
VDL 1 141 525

CROSS REFERENCES

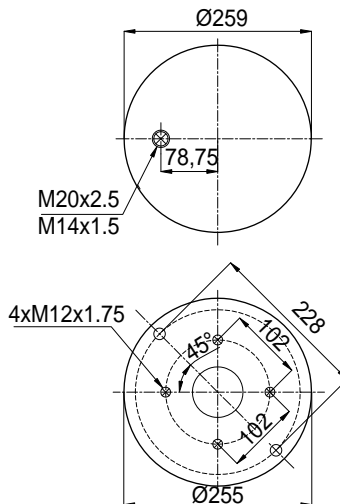
CONTITECH 887 MB K6 / 887 N P04

RML 70081 C

cross section view



top view / bottom view



OEM PART NUMBER

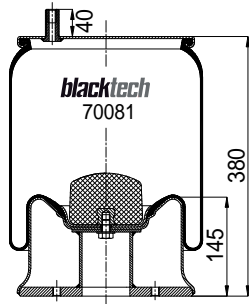
DISCOS - MERCEDES A 946 328 04 01
HENDRICKSON HS 251087
SAMRO 2500915
GRANNING 15654

CROSS REFERENCES

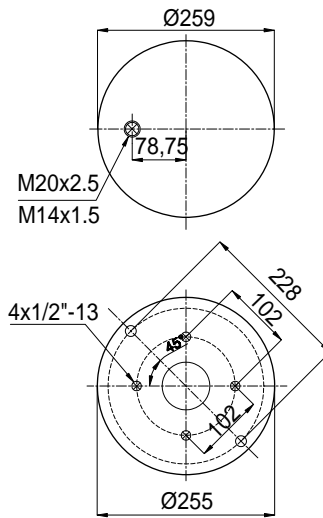
FIRESTONE STYLE 1T17B-11
FIRESTONE ORDER W01 M58 8747
DUNLOP F (SPRINGRIDE) D13B42
GOODYEAR 1R13-150

RML 70081 C1

cross section view



top view / bottom view



OEM PART NUMBER

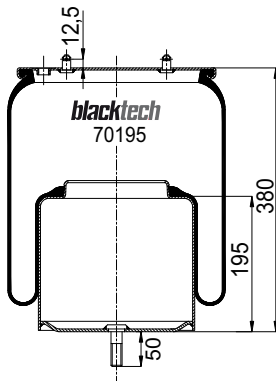
GRANNING	15993
HENDRICKSON	C20127
ERF	139855-0

CROSS REFERENCES

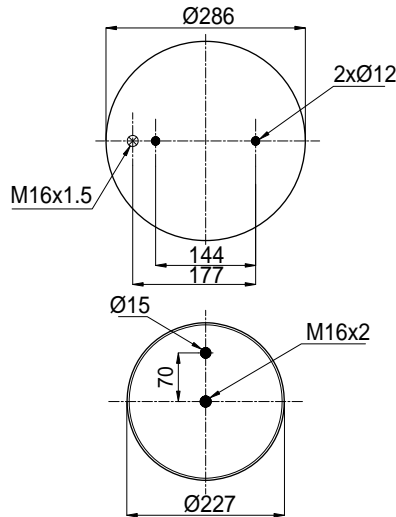
FIRESTONE STYLE	1T17 CL 9,5
FIRESTONE ORDER	W01 358 9580
GOODYEAR	1R13-118

RML 70195 C

cross section view



top view / bottom view



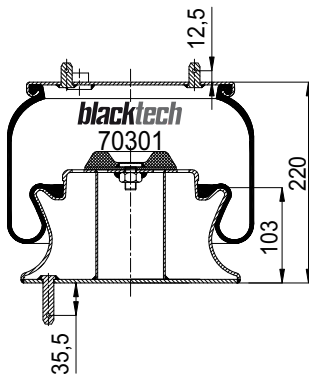
OEM PART NUMBER

SCANIA	1510195
--------	---------

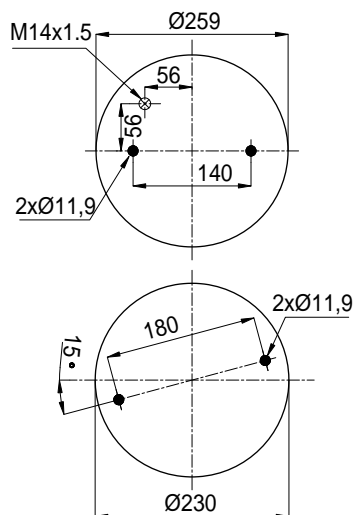
CROSS REFERENCES

RML 70301 C

cross section view



top view / bottom view



OEM PART NUMBER

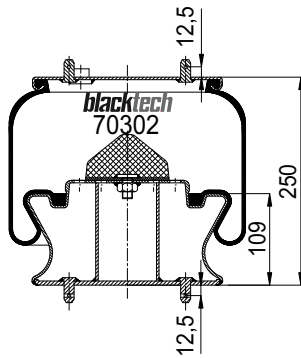
SCANAIA BUSSAR	470920 / 1440301
GRANNING	92504

CROSS REFERENCES

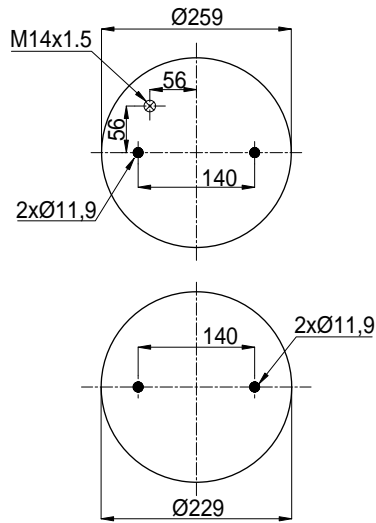
FIRESTONE STYLE	1T15VR-3
FIRESTONE ORDER	W01 M58 8192

RML 70302 C

cross section view



top view / bottom view



OEM PART NUMBER

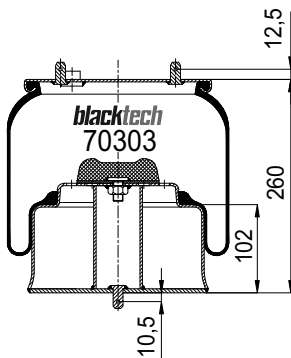
SCANIA BUSSAR	1440302/470921/488266
GRANNING	92508

CROSS REFERENCES

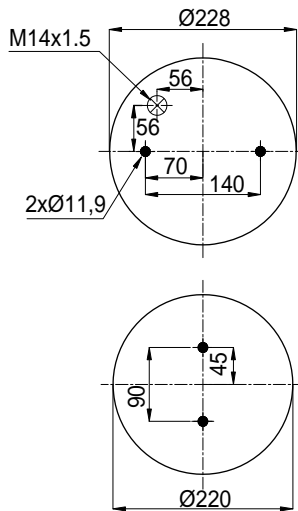
FIRESTONE STYLE	1T15VPR-3
FIRESTONE ORDER	W01 M58 8193

RML 70303 C

cross section view



top view / bottom view



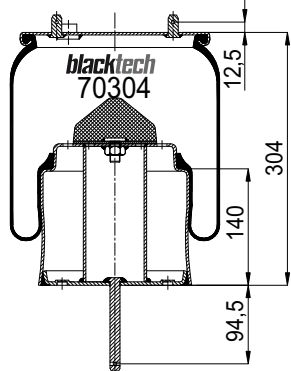
OEM PART NUMBER

SCANIA BUSSAR	1440303
---------------	---------

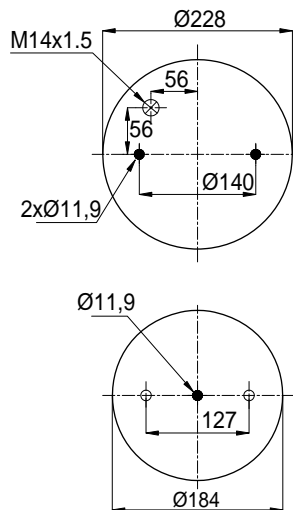
CROSS REFERENCES

RML 70304 C

cross section view



top view / bottom view



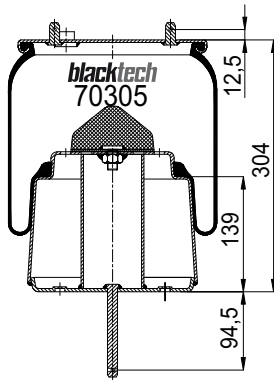
OEM PART NUMBER

SCANIA BUSSAR	1440304 / 470922
GRANNING	92505

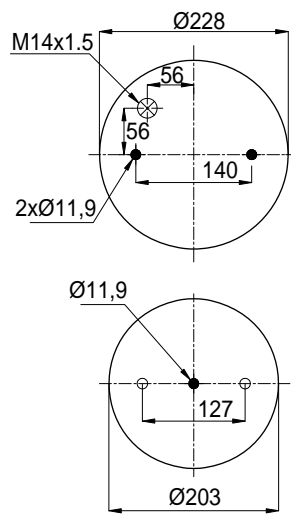
CROSS REFERENCES

RML 70305 C

cross section view



top view / bottom view



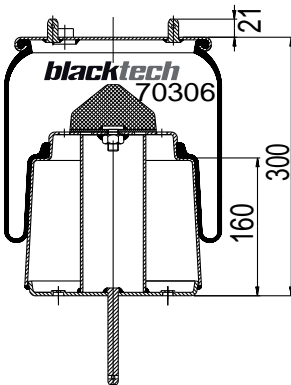
OEM PART NUMBER

SCANIA BUSSAR	1440305 / 462680
GRANNING	92502

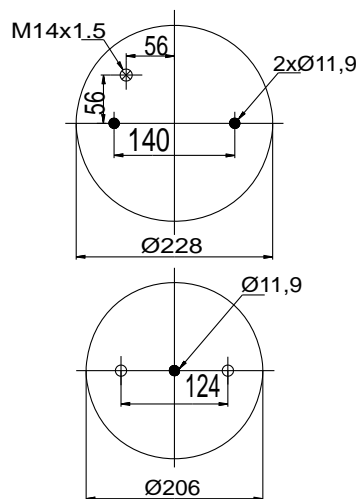
CROSS REFERENCES

RML 70306 C

cross section view



top view / bottom view



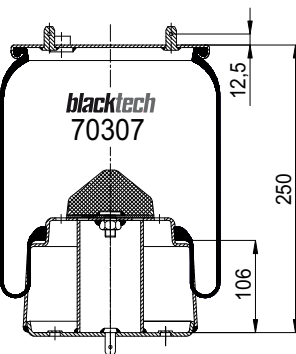
OEM PART NUMBER

SCANIA BUSSAR	1440306 / 492678
GRANNING	92507

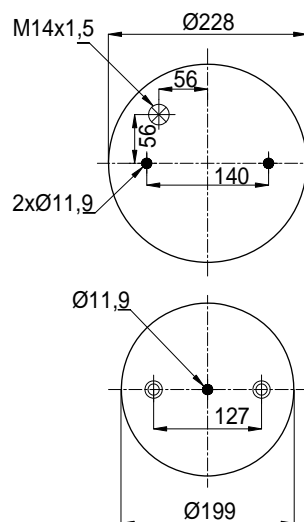
CROSS REFERENCES

RML 70307 C

cross section view



top view / bottom view



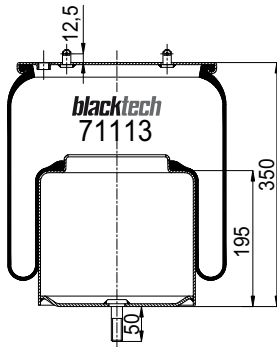
OEM PART NUMBER

SCANIA BUSSAR	1440307 / 475149
GRANNING	92503

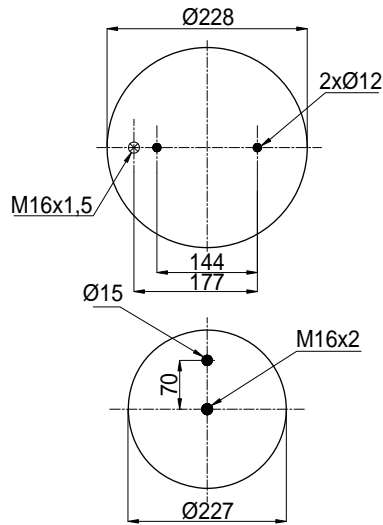
CROSS REFERENCES

RML 71113 C

cross section view



top view / bottom view



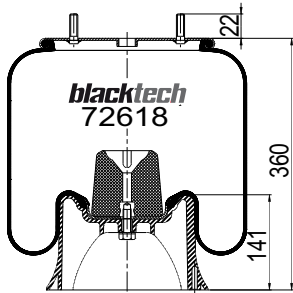
OEM PART NUMBER

SCANIA	1731113

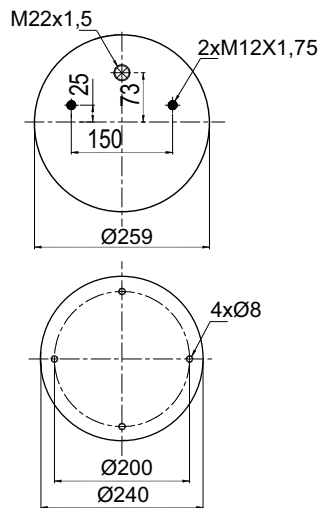
CROSS REFERENCES

RML 72618 C

cross section view



top view / bottom view



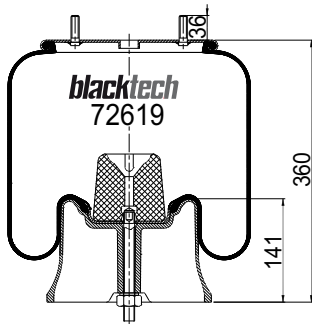
OEM PART NUMBER

SAF	2618 V
GRANNING	16099

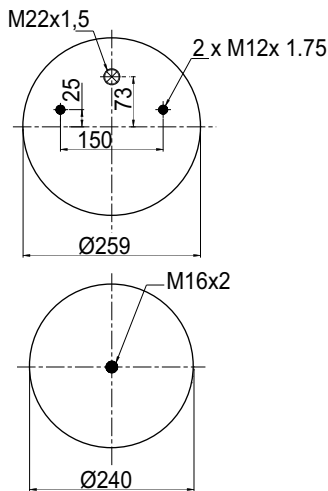
CROSS REFERENCES

RML 72619 CP

cross section view



top view / bottom view



OEM PART NUMBER

SAF	2619 V
SAF	3.229.0033.00
GRANNING	16098

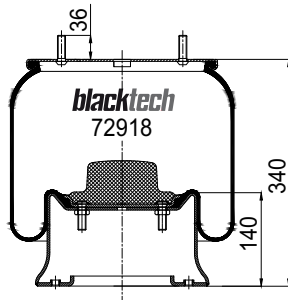
CROSS REFERENCES

FIRESTONE STYLE	1T17 BS 6
FIRESTONE ORDER	W01 M58 8612
CF GOMMA	1T300-37 / 206585

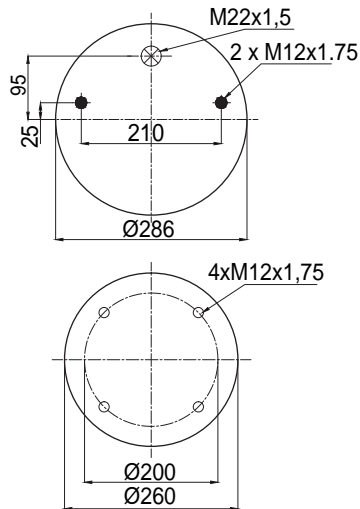
● Bolt or stud ○ Threaded hole ⊗ Combinations stud ⊗ Air inlet

RML 72918 C

cross section view



top view / bottom view



OEM PART NUMBER

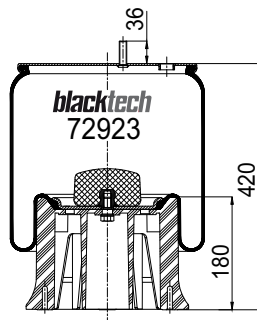
SAF	2918 V
SAF	3.229.0027.00
GRANNING	16092

CROSS REFERENCES

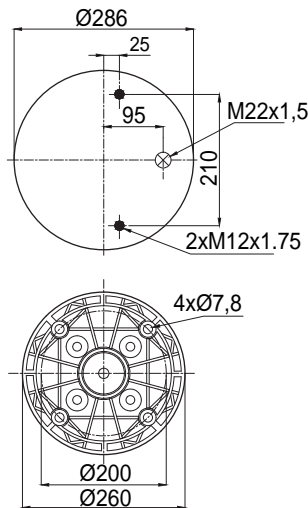
FIRESTONE STYLE	1T19 L7
FIRESTONE ORDER	W01 M58 6338
CF GOMMA	1T19 E1 / 205456
GART	D277B / 277.4.423
GOODYEAR	1R 14 730

RML 72923 CP

cross section view



top view / bottom view



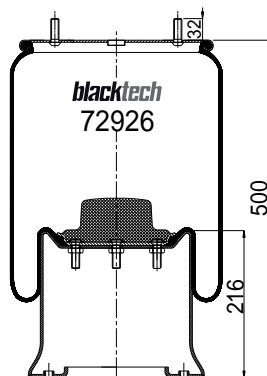
OEM PART NUMBER

SAF	2923 VK
SAF	3.229.0028.00
GRANNING	16091

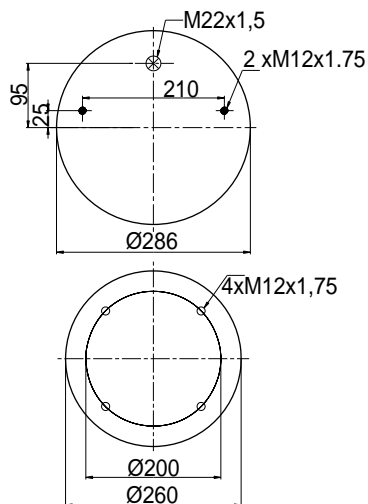
CROSS REFERENCES

RML 72926 C

cross section view



top view / bottom view



OEM PART NUMBER

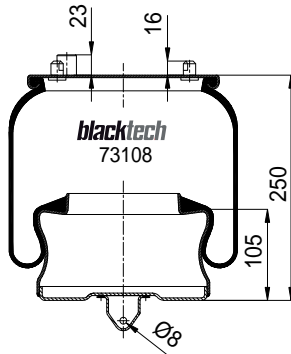
SAF	2926 V
SAF	3.229.0030.00
SAF	3.229.2630.00
GRANNING	15669

CROSS REFERENCES

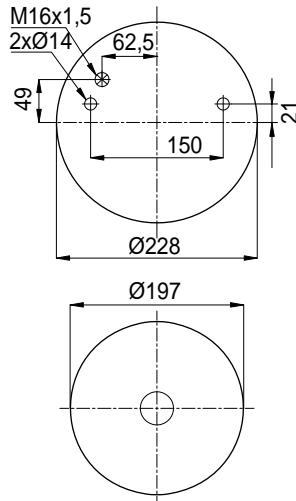
GOODYEAR	1R 14 728
CF GOMMA	1T19E-2L / 206333

RML 73108 C

cross section view



top view / bottom view



OEM PART NUMBER

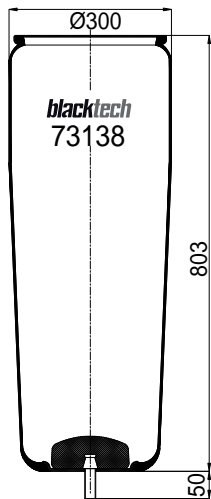
VOLVO	1076420
VOLVO	20573108
VOLVO	7321692
GRANNING	93919

CROSS REFERENCES

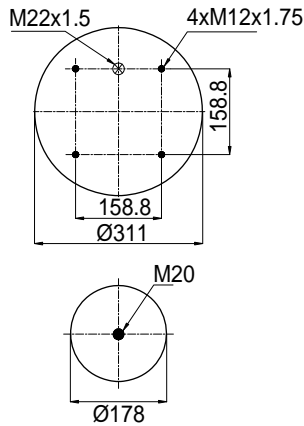
CONTITECH	6604 N P01

RML 73138

cross section view



top view / bottom view



OEM PART NUMBER

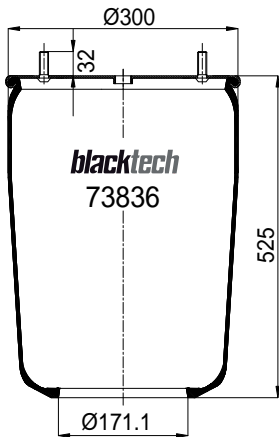
SAF	3138
SAF	4.284.3004.00

CROSS REFERENCES

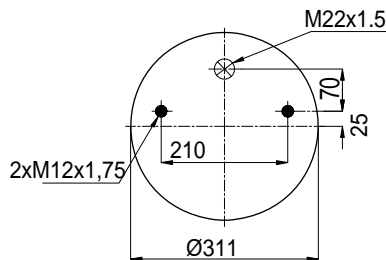
CONTITECH	3138 N P01

RML 73836

cross section view



top view / bottom view



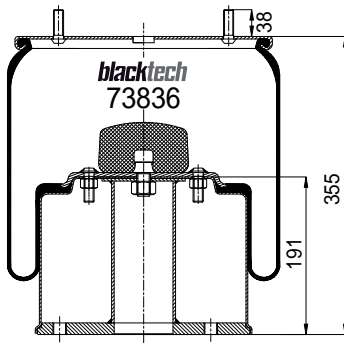
OEM PART NUMBER

CROSS REFERENCES

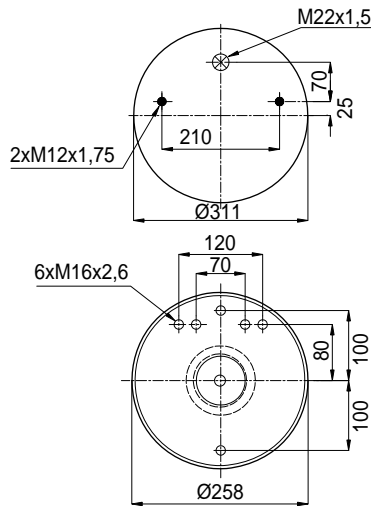
CONTITECH	2725 N P01
PHOENIX	1 DF 32
CF GOMMA	1 TCS 360-45

RML 73836 C

cross section view



top view / bottom view



OEM PART NUMBER

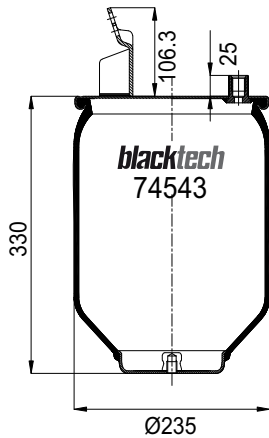
OEM PART NUMBER	

CROSS REFERENCES

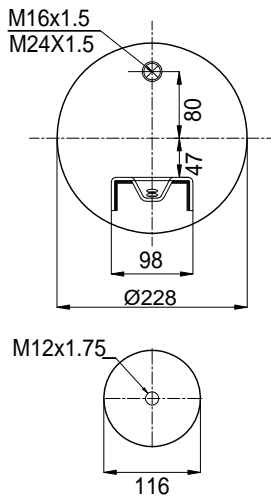
CROSS REFERENCES	
CONTITECH	2725 N P01 (metal piston)

RML 74543

cross section view



top view / bottom view



OEM PART NUMBER

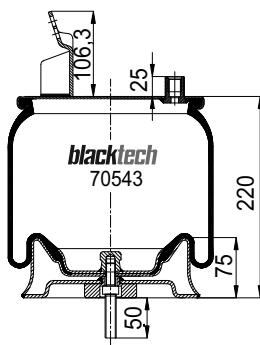
OEM PART NUMBER	
VOLVO	20 424 543

CROSS REFERENCES

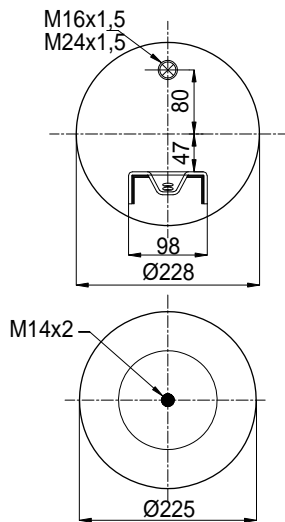
CROSS REFERENCES	
CONTITECH	4543 N

RML 74543 C

cross section view



top view / bottom view



OEM PART NUMBER

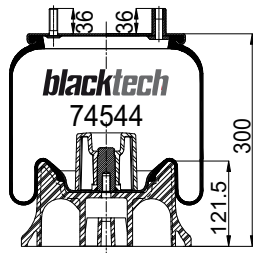
OEM PART NUMBER	
VOLVO	20 424 543

CROSS REFERENCES

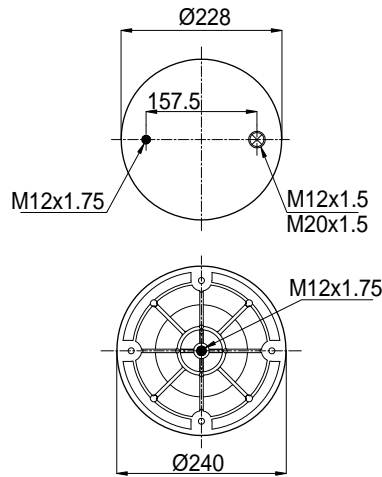
CROSS REFERENCES	
CONTITECH	4543 N (metal piston)

RML 74544 C

cross section view



top view / bottom view



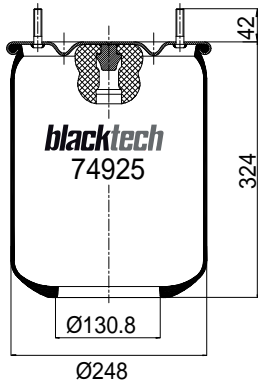
OEM PART NUMBER

FRUEHAUF	M 078580
----------	----------

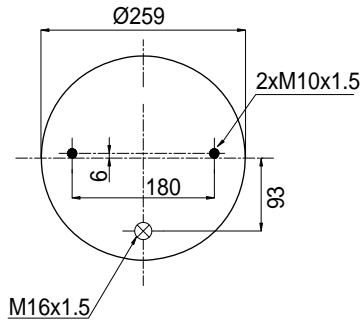
CROSS REFERENCES

RML 74925

cross section view



top view / bottom view



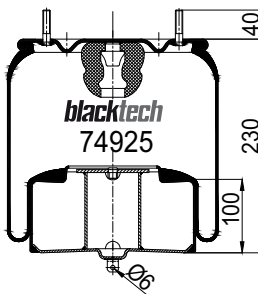
OEM PART NUMBER

CROSS REFERENCES

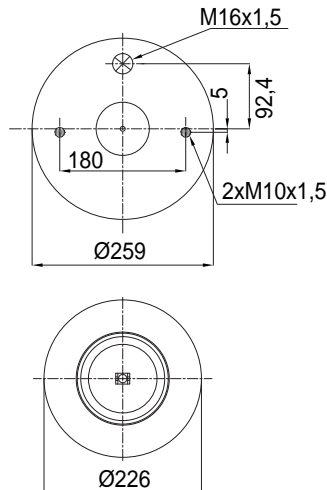
CONTITECH	4925 N
-----------	--------

RML 74925 C

cross section view



top view / bottom view



OEM PART NUMBER

VOLVO	20554761
VOLVO	1075365
VOLVO	1629782
GRANNING	15691

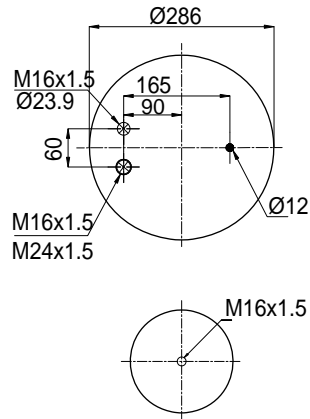
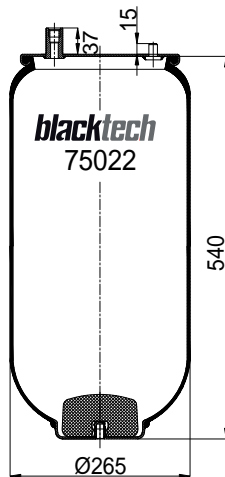
CROSS REFERENCES

CONTITECH	6609 N P01
-----------	------------

RML 75022

cross section view

top view / bottom view



OEM PART NUMBER

RENAULT	5.011.239.971
RENAULT	5.011.294.308

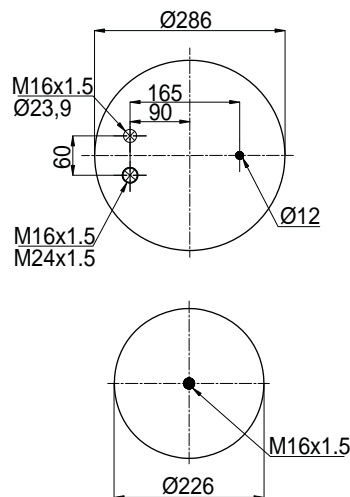
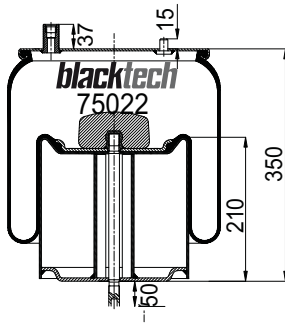
CROSS REFERENCES

CONTITECH	4911 N P03 (without piston)
GOODYEAR	1R13-715

RML 75022 C3

cross section view

top view / bottom view



OEM PART NUMBER

RENAULT	5.010.294.308 .C
GRANNING	16230

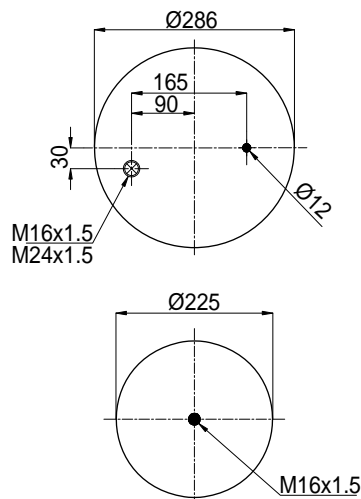
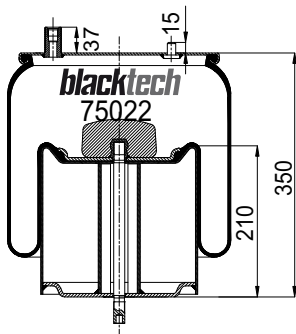
CROSS REFERENCES

CONTITECH	4911 N P03
GOODYEAR	1R13-739
SPRINGRIDE	D13B46

RML 75022 C4

cross section view

top view / bottom view



OEM PART NUMBER

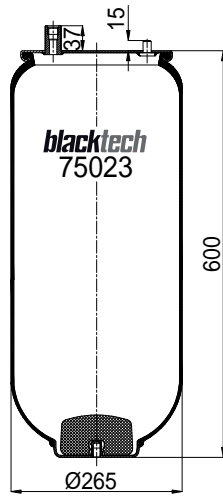
RENAULT	5.010.557.356
---------	---------------

CROSS REFERENCES

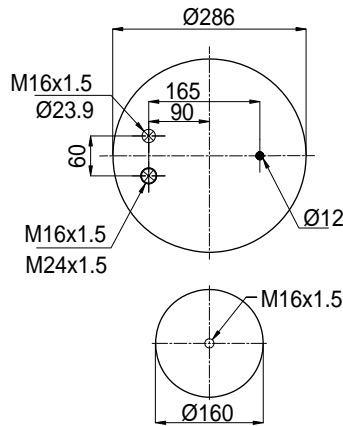
CONTITECH	4911 N P04
-----------	------------

RML 75023

cross section view



top view / bottom view



OEM PART NUMBER

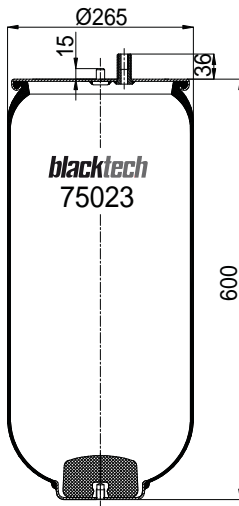
RENAULT	5.001.832.067
GRANNING	15910

CROSS REFERENCES

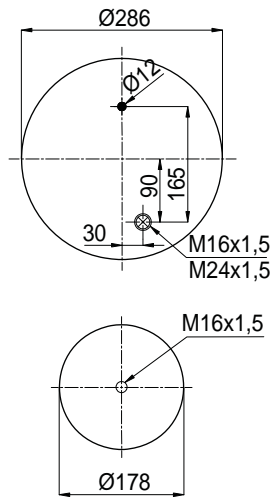
CONTITECH	4912 N P08
GOODYEAR	1R13-713
SPRINGRIDE	D13U40
CF GOMMA	1T19E-4 / 206780

RML 75023-10

cross section view



top view / bottom view



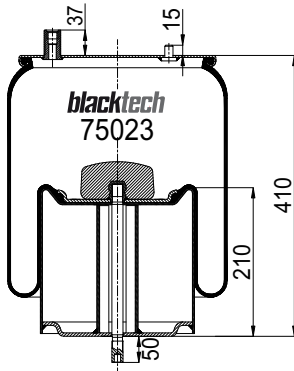
OEM PART NUMBER

CROSS REFERENCES

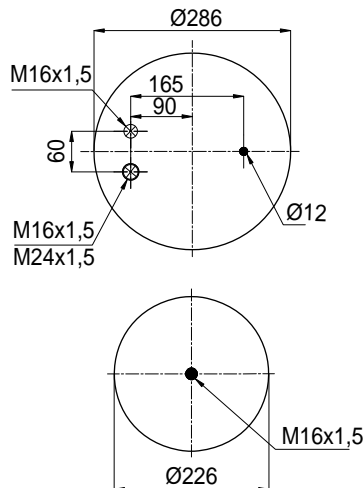
CONTITECH	4912 N P10 (without piston)
-----------	-----------------------------

RML 75023 C7

cross section view



top view / bottom view



OEM PART NUMBER

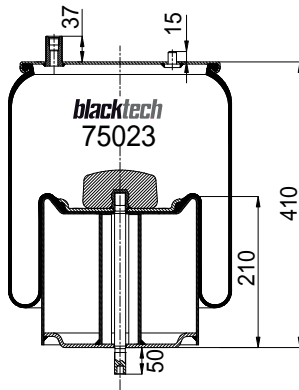
RENAULT	5.010.294.307 C
GRANNING	16046

CROSS REFERENCES

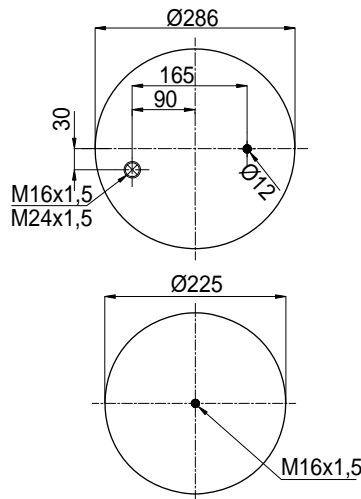
CONTITECH	4912 N P07
FIRESTONE STYLE	1T19F14
FIRESTONE ORDER	W01 M58 8786
PHOENIX	1 DK 28 F-4
DUNLOP F (SPRINGRIDE)	D13B40
GOODYEAR	1R13-738
CF GOMMA	1T19 E-93
TAURUS	KR 625-16

RML 75023 C10

cross section view



top view / bottom view



OEM PART NUMBER

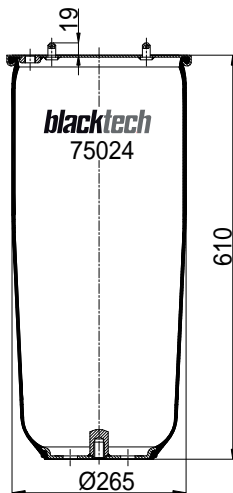
RENAULT	5.010.557.355
---------	---------------

CROSS REFERENCES

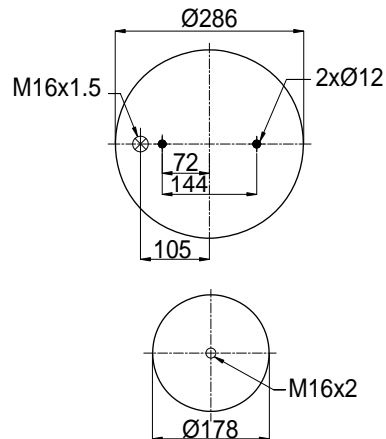
CONTITECH	4912 N P10
-----------	------------

RML 75024

cross section view



top view / bottom view



OEM PART NUMBER

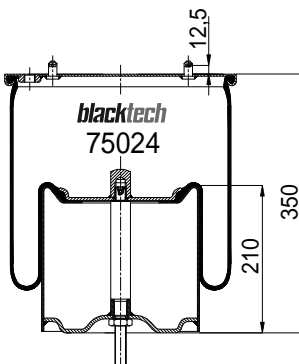
SCANIA	1379393
--------	---------

CROSS REFERENCES

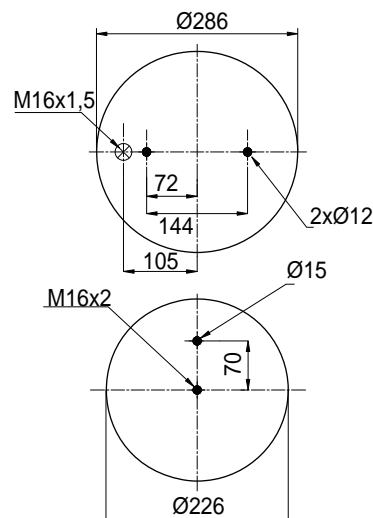
CONTITECH	4913 N P04
GOODYEAR	1R14-755
PHOENIX	1 D 28 H-16 NP

RML 75024 C

cross section view



top view / bottom view



OEM PART NUMBER

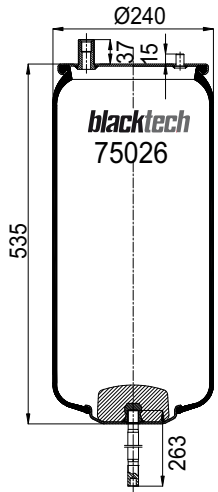
SCANIA	1440294
SCANIA	1379392
GRANNING	16105

CROSS REFERENCES

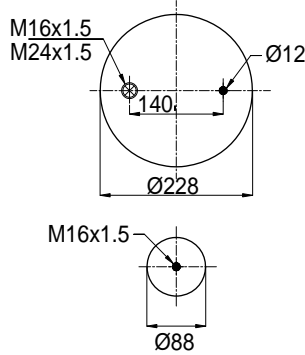
CONTITECH	4913 N P02
FIRESTONE STYLE	1T19L-14
FIRESTONE ORDER	W01 095 0500
PHOENIX	1 D 28 H-16
DUNLOP F (SPRINGRIDE)	D14B42
GOODYEAR	1R14-753
CF GOMMA	1T19E-93

RML 75026

cross section view



top view / bottom view



OEM PART NUMBER

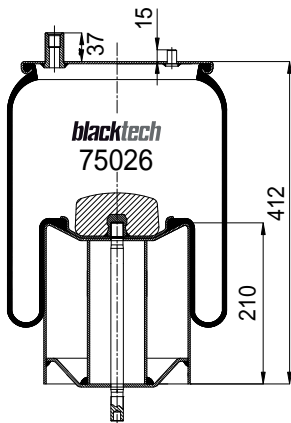
RENAULT (PREMIUM G340T)	5.001.855.856
RENAULT	5.010.294.546

CROSS REFERENCES

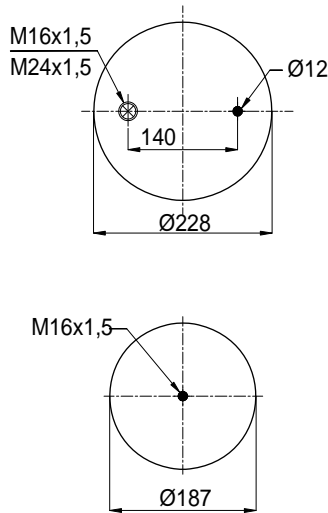
CONTITECH	4915 N P03
-----------	------------

RML 75026 C

cross section view



top view / bottom view



OEM PART NUMBER

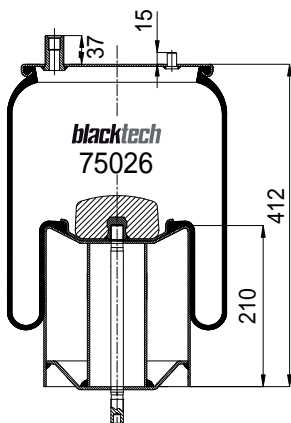
RENAULT	5.010.488.396
---------	---------------

CROSS REFERENCES

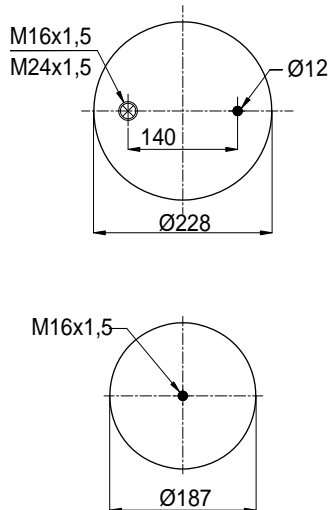
PHOENIX	1 DK 19-1
---------	-----------

RML 75026 C6

cross section view



top view / bottom view



OEM PART NUMBER

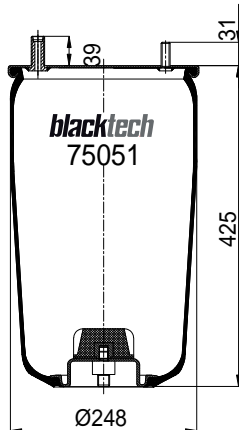
RENAULT (MAGNUM)	5.010.294.309
RENAULT (MAGNUM)	5.010.488.070
GRANNING	16232

CROSS REFERENCES

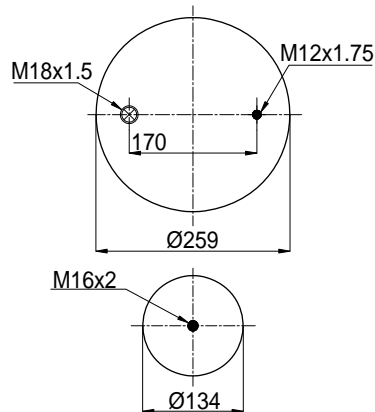
CONTITECH	4915 N P06
-----------	------------

RML 75051

cross section view



top view / bottom view



OEM PART NUMBER

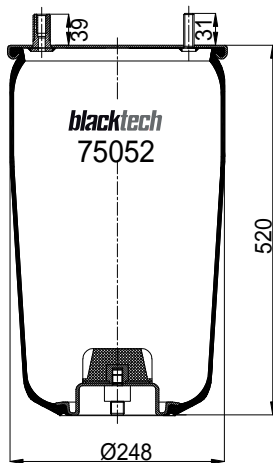
BPW	05.429.41.56.0
GRANNING	15905

CROSS REFERENCES

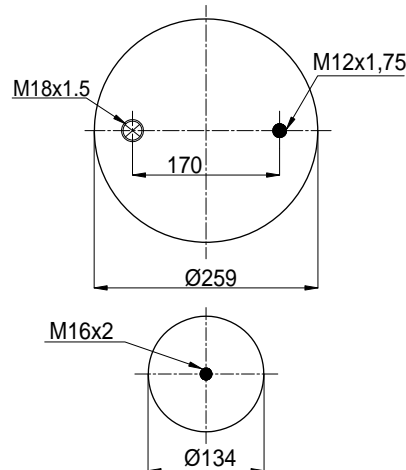
CONTITECH	4940 N P02
GOODYEAR	1R11-799
SPRINGRIDE	D11U42

RML 75052

cross section view



top view / bottom view



OEM PART NUMBER

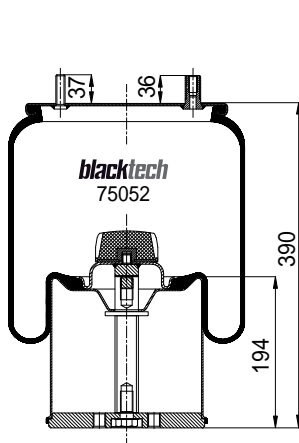
BPW	05.429.41.25.0
GRANNING	16241

CROSS REFERENCES

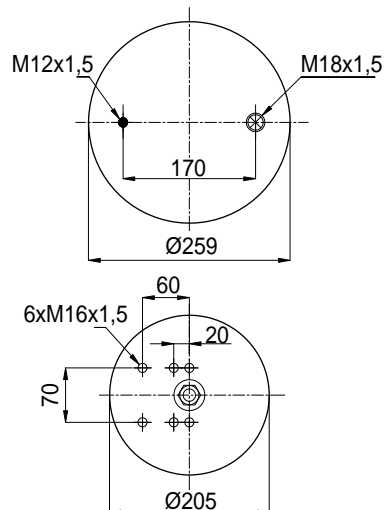
CONTITECH	4941 N P02
GOODYEAR	1R11-802
SPRINGRIDE	D11U45

RML 75052 C

cross section view



top view / bottom view



OEM PART NUMBER

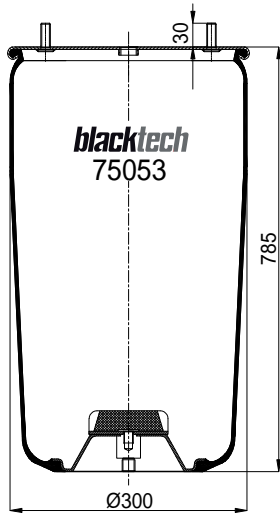
BPW	05.429.34.24
GRANNING	93504

CROSS REFERENCES

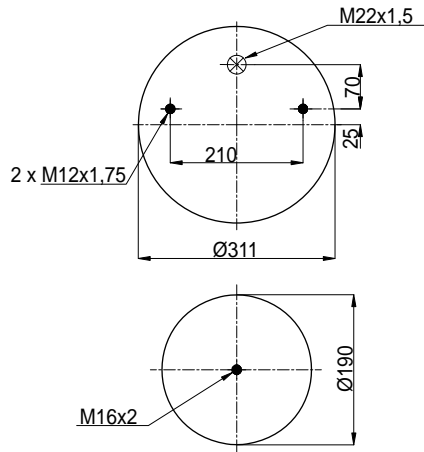
CONTITECH	4941 N P02 (metal piston)
DUNLOP F (SPRINGRIDE)	D11U4-5

RML 75053

cross section view



top view / bottom view



OEM PART NUMBER

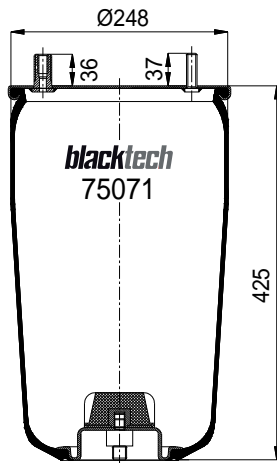
BPW	05.429.41.09.0
GRANNING	93401

CROSS REFERENCES

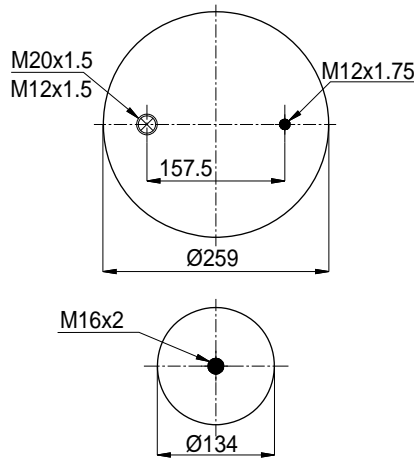
CONTITECH	4942 N P02

RML 75071

cross section view



top view / bottom view



OEM PART NUMBER

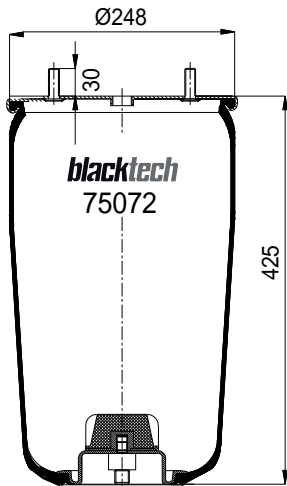
BPW	05.429.41.77.0

CROSS REFERENCES

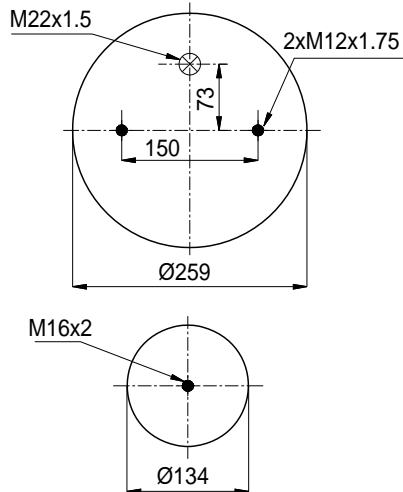
CONTITECH	4960 N P02
PHOENIX	1 DK 21 K-3
DUNLOP F (SPRINGRIDE)	D11U44
GOODYEAR	1R11-801

RML 75072

cross section view



top view / bottom view



OEM PART NUMBER

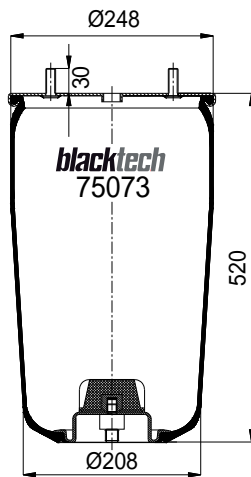
BPW	05.429.42.04.0
GRANNING	16244

CROSS REFERENCES

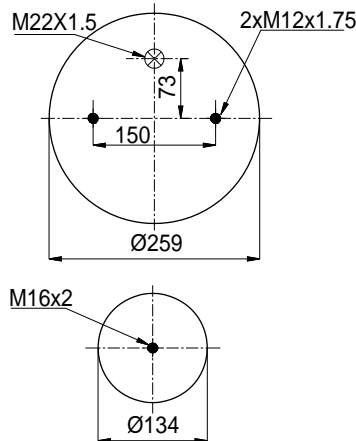
CONTITECH	4961 N P02
DUNLOP F (SPRINGRIDE)	D11U43
GOODYEAR	1R11-800

RML 75073

cross section view



top view / bottom view



OEM PART NUMBER

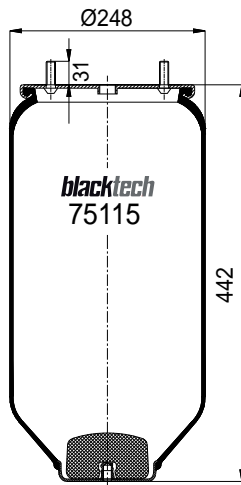
BPW	05.429.42.03.0
GRANNING	93400

CROSS REFERENCES

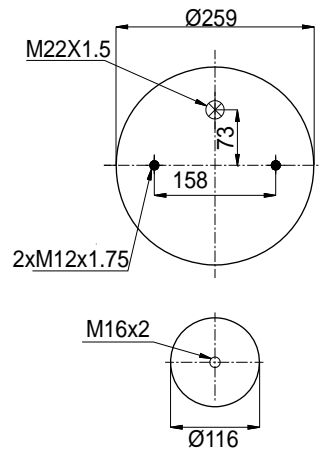
CONTITECH	4962 N P02
GOODYEAR	1R11-803
SPRINGRIDE	D11U46

RML 75115

cross section view



top view / bottom view



OEM PART NUMBER

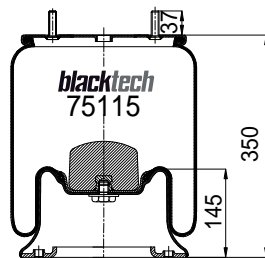
SAF	4.284.3003.01
SAF	3.229.0007.00
SAF	3.229.0007.02
SAF	2.229.2107.00

CROSS REFERENCES

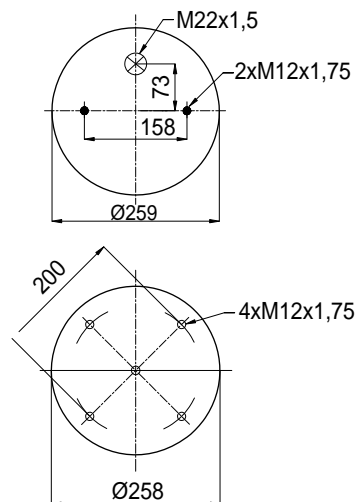
CONTITECH	4004 N P02
FIRESTONE STYLE	1T17BS-6
FIRESTONE ORDER	W01 M58 0919
PHOENIX	1 DK 22 E-5 NP
DUNLOP F (SPRINGRIDE)	D12U13
GOODYEAR	1R11-705
CF GOMMA	1 T 19 E-5 steel
TAURUS	KR 505-27 SM

RML 75115 C

cross section view



top view / bottom view



OEM PART NUMBER

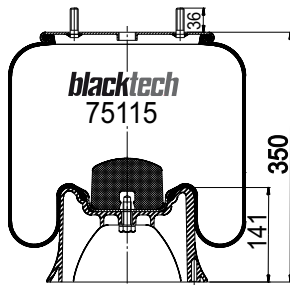
SAF	2.229.0007.00
-----	---------------

CROSS REFERENCES

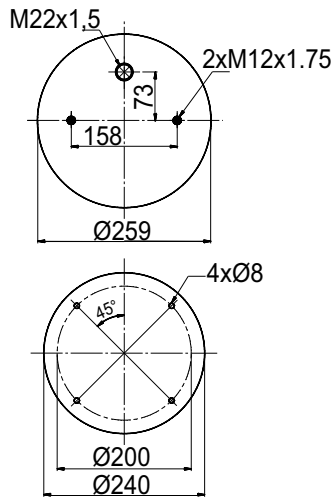
CONTITECH	4004 N P03 (metal piston)
FIRESTONE STYLE	1T17BS-6
FIRESTONE ORDER	W01 M58 6366
PHOENIX	1 DK 22 E-8
DUNLOP F (SPRINGRIDE)	D12B13 /14
GOODYEAR	1R11-706
CF GOMMA	1 T 300-37 / 1T 323-33
TAURUS	KR 506-27 SM

RML 75115 CP

cross section view



top view / bottom view



OEM PART NUMBER

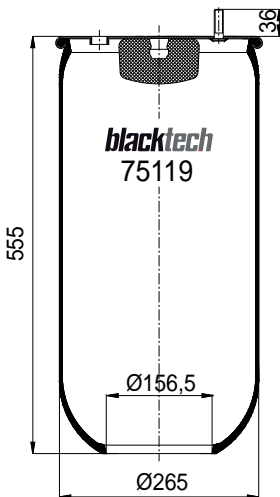
SAF	3.229.0007.00
SAF	3.229.0007.01
SAF	3.229.0007.02
SAF	4.284.3003.01
GRANNING	15651

CROSS REFERENCES

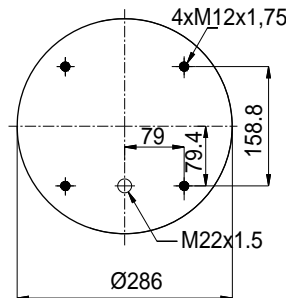
CONTITECH	4004 NP 03
FIRESTONE STYLE	1T17BS-6
FIRESTONE ORDER	W01 M58 6366
PHOENIX	1 DK 22 E-8
GOODYEAR	1R11-713
SPRINGRIDE	D12B13

RML 75119

cross section view



top view / bottom view



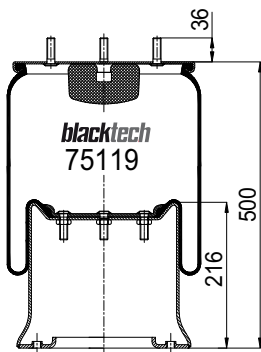
OEM PART NUMBER

CROSS REFERENCES

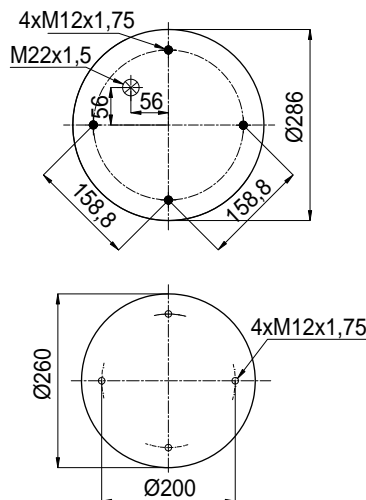
CONTITECH	4008 N
-----------	--------

RML 75119 C

cross section view



top view / bottom view



OEM PART NUMBER

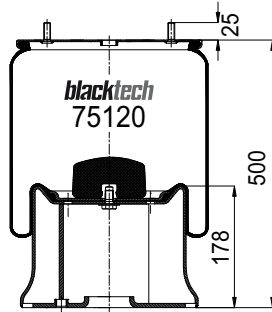
FRUEHAUF	UJB 0305-001
ROR-ARVIN MERITOR	2122 1349
SAMRO	H25000361
WEWELER	US 07380
SAF	3.229.0024.00
GRANNING	15672

CROSS REFERENCES

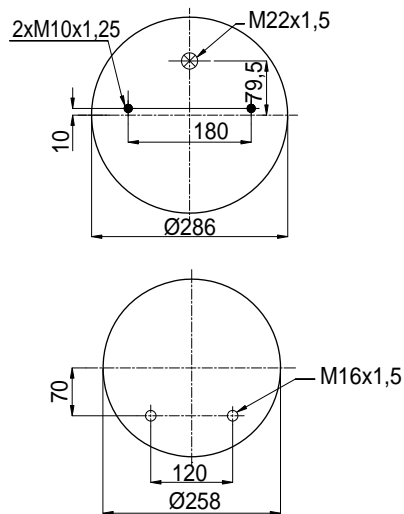
CONTITECH	4008 N P01
FIRESTONE STYLE	1T19F-12
FIRESTONE ORDER	W01 M58 7380
PHOENIX	1 D 28 C-12
DUNLOP F (SPRINGRIDE)	D13B08
VIBRACOUSTIC	V 1D 28 C12

RML 75120 C

cross section view



top view / bottom view



OEM PART NUMBER

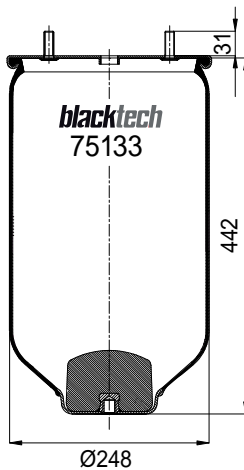
FRUEHAUF	M001464
GRANNING	17002
ZORZI	1006552

CROSS REFERENCES

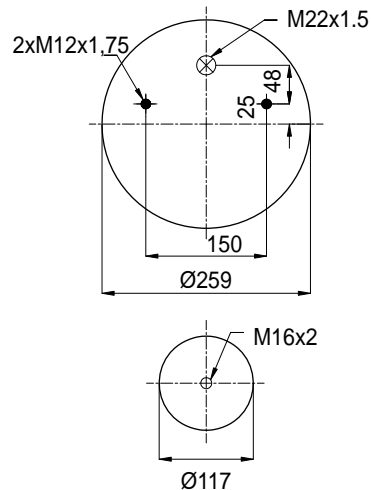
FIRESTONE STYLE	1T19L-14
FIRESTONE ORDER	W01 M58 8762
DUNLOP F (SPRINGRIDE)	D13B04
CF GOMMA	1T19 E3 97393/201840

RML 75133

cross section view



top view / bottom view



OEM PART NUMBER

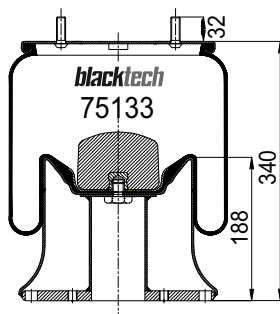
SAF	4.284.3006.00
-----	---------------

CROSS REFERENCES

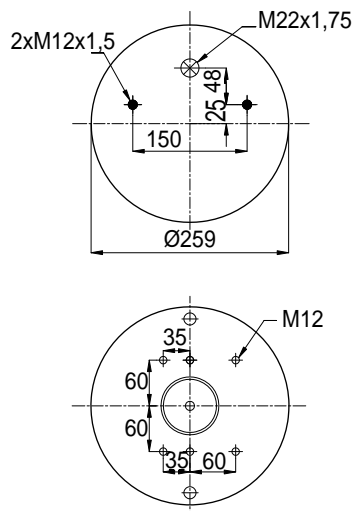
CONTITECH	4022 N P02
FIRESTONE STYLE	1T17BS-6
FIRESTONE ORDER	W01 M58 0756
PHOENIX	1 DK 22 E-9
DUNLOP F (SPRINGRIDE)	D11U40
GOODYEAR	1R11-709

RML 75133 C2

cross section view



top view / bottom view



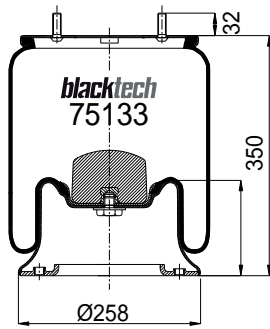
OEM PART NUMBER

SAF	
TIRSAN	

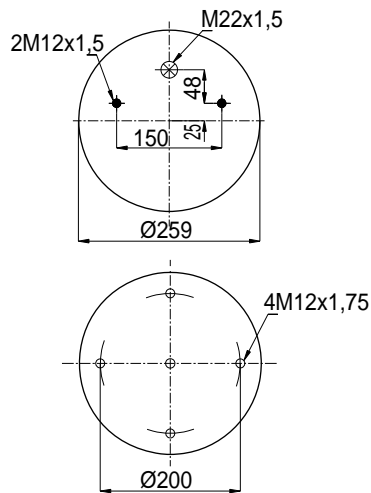
CROSS REFERENCES

RML 75133 C3

cross section view



top view / bottom view



OEM PART NUMBER

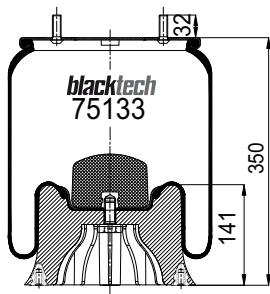
SAF	2.229.007.02
SAF	3.229.0029.00
ROR MERITOR	MLF 7031
ROR MERITOR	MLF 7092
ROR MERITOR	MLF 7095
GRANNING	16099

CROSS REFERENCES

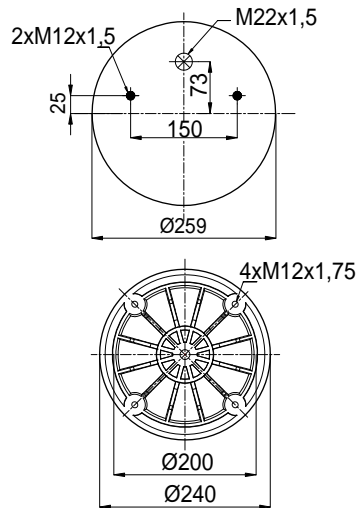
CONTITECH	4022 N P03 (metal piston)
FIRESTONE STYLE	1T15BS-6
FIRESTONE ORDER	W01 M58 6367
DUNLOP F (SPRINGRIDE)	D13 B25
GOODYEAR	1R 11 714
PHOENIX	1DK 22 E-9
CF GOMMA	1T300 - 37 / 204677
TAURUS	KR 725-28

RML 75133 CP2

cross section view



top view / bottom view



OEM PART NUMBER

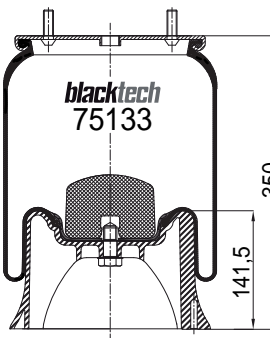
SAF	

CROSS REFERENCES

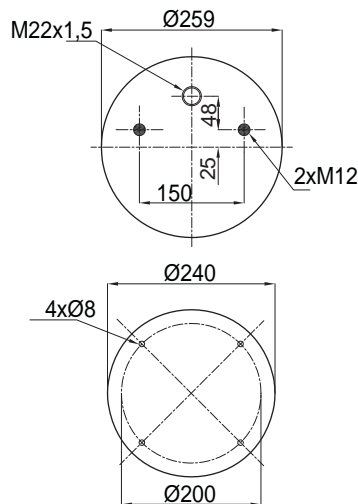
CONTITECH	4022 N P03 (metric piston)

RML 75133 CP3

cross section view



top view / bottom view



OEM PART NUMBER

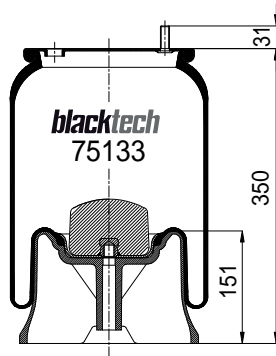
SAF	3.229.0029.00
SAF	3.229.2129.00
SAF	3.229.2229.00
SAF	3.229.2429.00
GRANNING	16099

CROSS REFERENCES

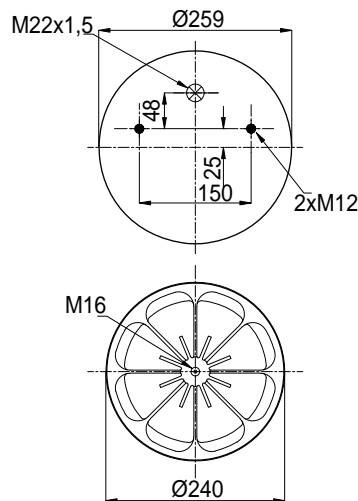
CONTITECH	4022 N P03
FIRESTONE STYLE	1T15BS-6
FIRESTONE ORDER	W01 M58 6367
PHOENIX	1 DK 22 E-9
DUNLOP F (SPRINGRIDE)	D12B14
GOODYEAR	1R11-714
CF GOMMA	1 T 300-37/206340

RML 75133 CP5

cross section view



top view / bottom view



OEM PART NUMBER

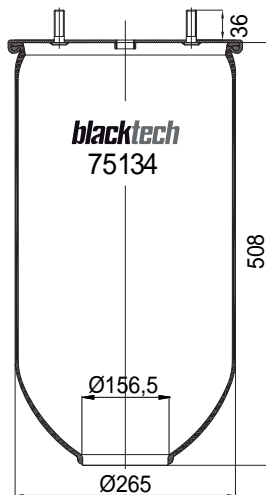
SAF	3.229.0033.00
GRANNING	16098

CROSS REFERENCES

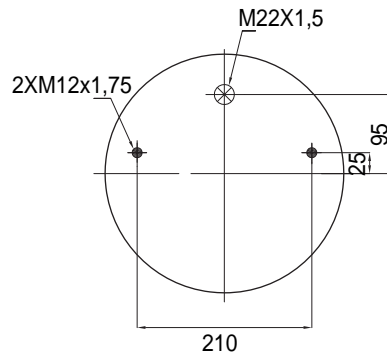
CONTITECH	4022 N P05
FIRESTONE STYLE	1T17BS-6
FIRESTONE ORDER	W01 M58 8612
PHOENIX	1 DK 22 E-9

RML 75134

cross section view



top view / bottom view



OEM PART NUMBER

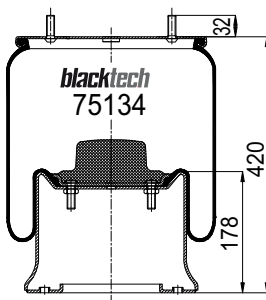
SAF	3.229.0031.00
-----	---------------

CROSS REFERENCES

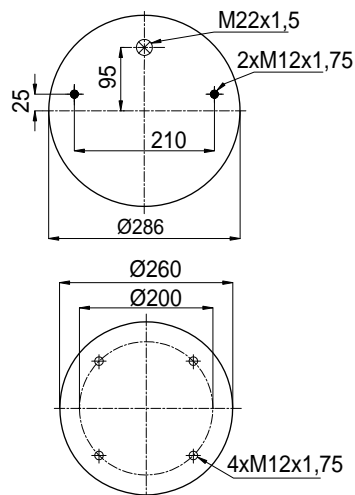
CONTITECH	4023 N P06
FIRESTONE STYLE	1T19L-11
FIRESTONE ORDER	W01 M58 6336
PHOENIX	1 D 28 B-10 NP

RML 75134 C

cross section view



top view / bottom view



OEM PART NUMBER

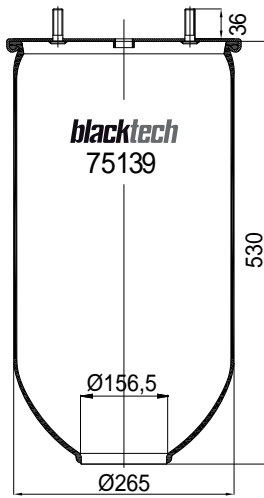
SAF	3.229.0031.00
SAF	3.229.2131.00
SAF	3.229.2231.00
SAF	3.229.2431.00
GRANNING	16091

CROSS REFERENCES

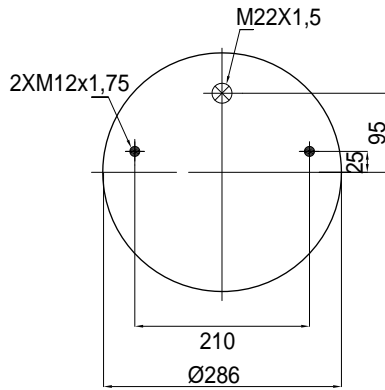
CONTITECH	4023 N P03
FIRESTONE STYLE	1T19L-11
FIRESTONE ORDER	W01 M58 6348
PHOENIX	1 D 28 B-10
DUNLOP F (SPRINGRIDE)	D13B26
GOODYEAR	1R14-729
CF GOMMA	1T 19 E-2 / 204676
TAURUS	KR 624-18

RML 75139

cross section view



top view / bottom view



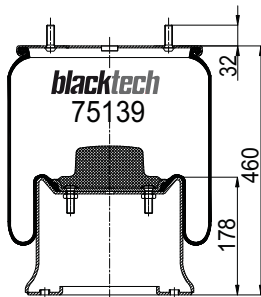
OEM PART NUMBER

CROSS REFERENCES

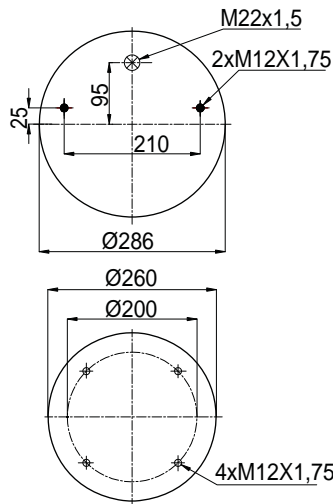
CONTITECH	4028 N

RML 75139 C2

cross section view



top view / bottom view



OEM PART NUMBER

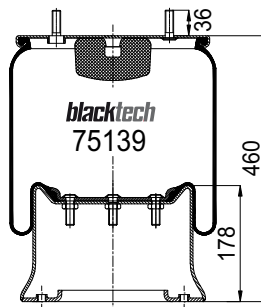
DISCOS - MERCEDES	A 946 328 15 01
EMILCAMION	D277/D
SCHMITZ	015 323
WEWELER	US 04028
GRANNING	93002

CROSS REFERENCES

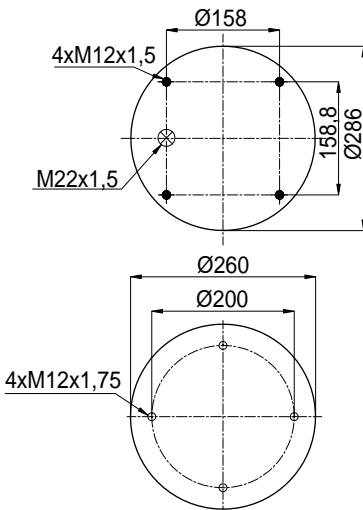
CONTITECH	4028 N P02
FIRESTONE STYLE	1T19L-12
FIRESTONE ORDER	W01 M58 8106
PHOENIX	1 D 28 F-1
GOODYEAR	1R14-783

RML 75139 C5

cross section view



top view / bottom view



OEM PART NUMBER

ARVIN MERITOR - ROR	2122 2239

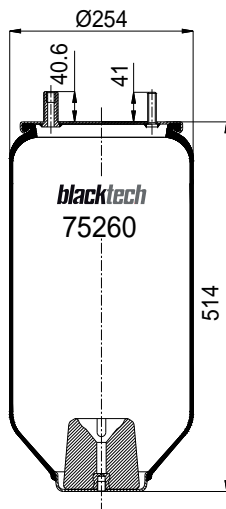
CROSS REFERENCES

CONTITECH	4028 N P05
FIRESTONE STYLE	1T19L-11
FIRESTONE ORDER	W01 M58 7370
GOODYEAR	1R14-721
PHOENIX	1 D 28 B-12

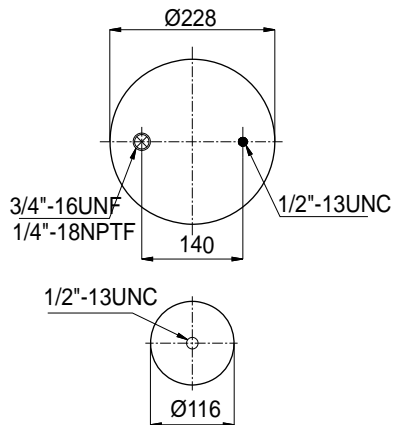
● Bolt or stud ○ Threaded hole ⊗ Combinations stud ⊗ Air inlet

RML 75260-1

cross section view



top view / bottom view



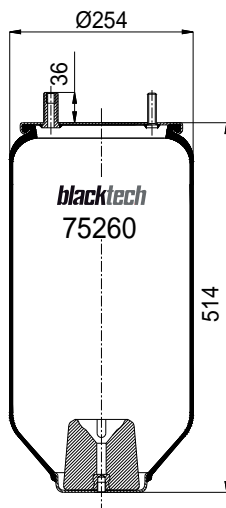
OEM PART NUMBER

CROSS REFERENCES

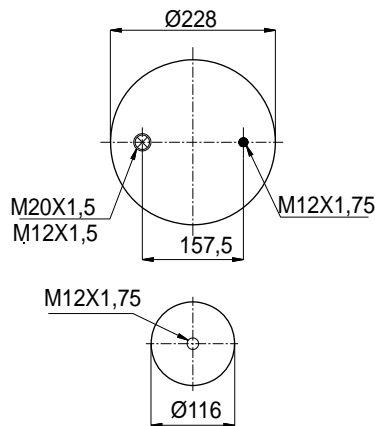
CONTITECH	4159 N P01
FIRESTONE STYLE	1T15M-9
FIRESTONE ORDER	W01 352 9102
PHOENIX	1 DK 21 B-2/6
GOODYEAR	1R12-113
CF GOMMA	K 509.22 SU
TAURUS	1T 323-40

RML 75260-5

cross section view



top view / bottom view



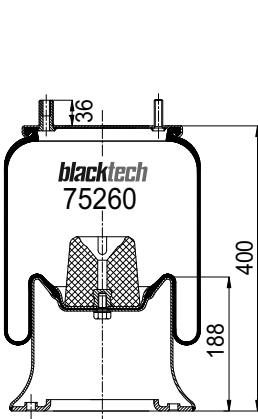
OEM PART NUMBER

CROSS REFERENCES

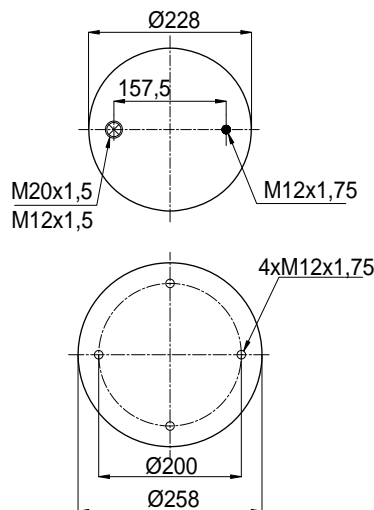
CONTITECH	4159 N P05
FIRESTONE STYLE	1T15M-9
FIRESTONE ORDER	W01 M58 0736
PHOENIX	1 DK 21 B-5 NP
DUNLOP F (SPRINGRIDE)	D12U04
GOODYEAR	1R12-761
CF GOMMA	1T 323 - 40

RML 75260 C3

cross section view



top view / bottom view



OEM PART NUMBER

SAMRO	2500425
GRANNING	16026

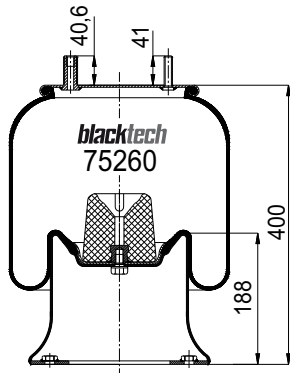
CROSS REFERENCES

CONTITECH	4159 N P03
FIRESTONE STYLE	1T15M-9
FIRESTONE ORDER	W01 M58 7548
PHOENIX	1 DK 23 L-27
DUNLOP F (SPRINGRIDE)	D12B02
DUNLOP UK	PNP 311370000
GOODYEAR	1R12-701
CF GOMMA	1T 323 - 40
TAURUS	KR 509-25

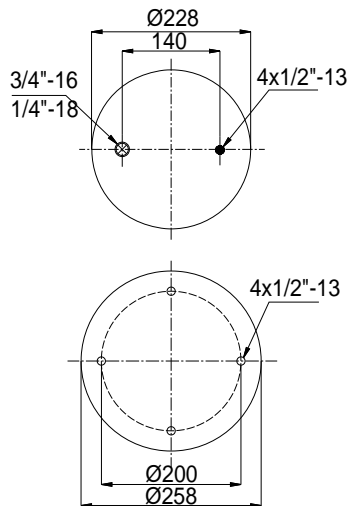
● Bolt or stud ○ Threaded hole ⊗ Combinations stud ⊗ Air inlet

RML 75260 C4

cross section view



top view / bottom view



OEM PART NUMBER

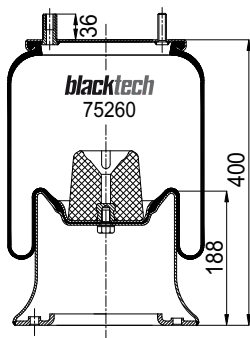
NEWAY	905 570 09
-------	------------

CROSS REFERENCES

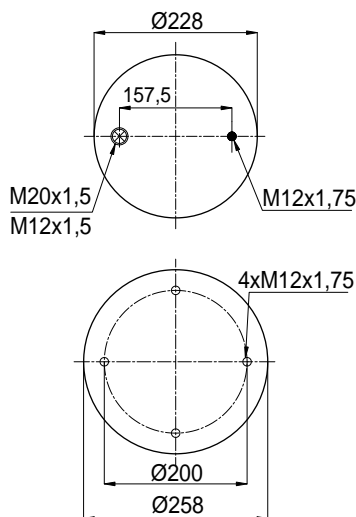
CONTITECH	4159 N P04
FIRESTONE STYLE	1T15M-9
FIRESTONE ORDER	W01 358 9101
GOODYEAR	1R12-717
DUNLOP F (SPRINGRIDE)	D12B34
DUNLOP UK	PNP 307520000
TAURUS	KR 509-9101

RML 75260 C6

cross section view



top view / bottom view



OEM PART NUMBER

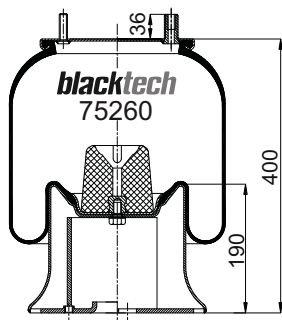
SAMRO	2500425
GRANNING	16026

CROSS REFERENCES

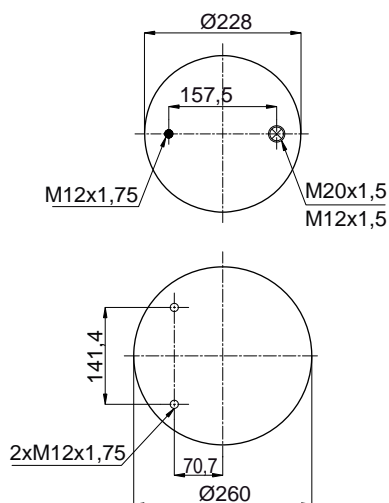
CONTITECH	4159 N P06
FIRESTONE STYLE	1T15M9
FIRESTONE ORDER	W01 M58 7548
PHOENIX	1 DK 21 B2

RML 75260 C7

cross section view



top view / bottom view



OEM PART NUMBER

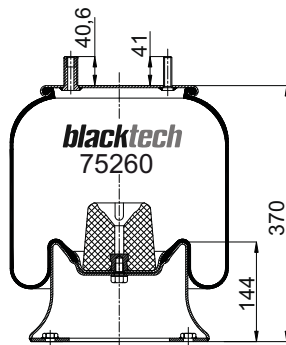
FRUEHAUF	UJB 0203-001
GRANNING	15617

CROSS REFERENCES

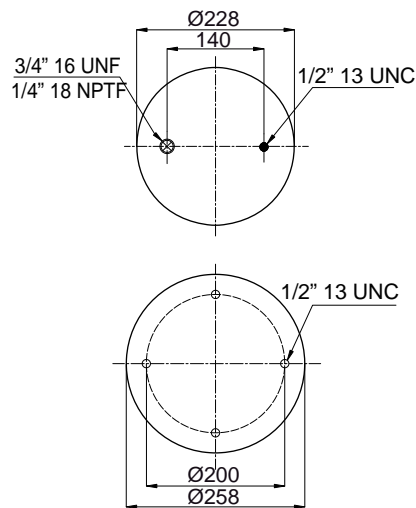
CONTITECH	4159 N P07
FIRESTONE STYLE	1T15M-9
FIRESTONE ORDER	W01 M58 8859/W01 379 9091
PHOENIX	1 DK 23 L-25
DUNLOP F (SPRINGRIDE)	D12B01
DUNLOP UK	PNP 311370000
GOODYEAR	1R12-702
CF GOMMA	1T 323 - 40 / 202302
TAURUS	KR 509-9091
VIBRACOUSTIC	V 1D 21 B-9

RML 75260 C8

cross section view



top view / bottom view



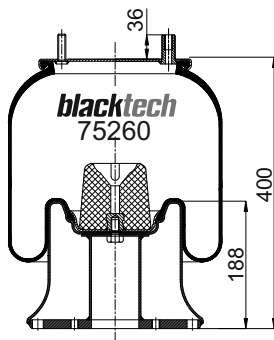
OEM PART NUMBER

CROSS REFERENCES

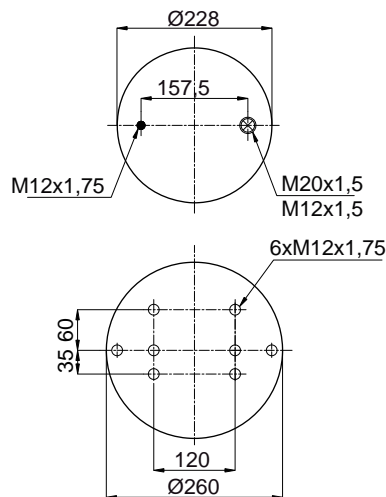
CONTITECH	4159 N P08
FIRESTONE STYLE	1T15M-9
FIRESTONE ORDER	W01 358 9191
GOODYEAR	1R12-281

RML 75260 C10

cross section view



top view / bottom view

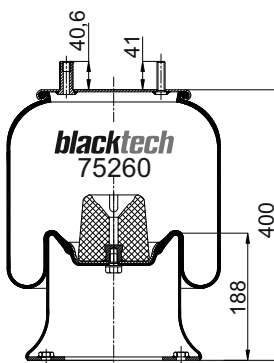


OEM PART NUMBER

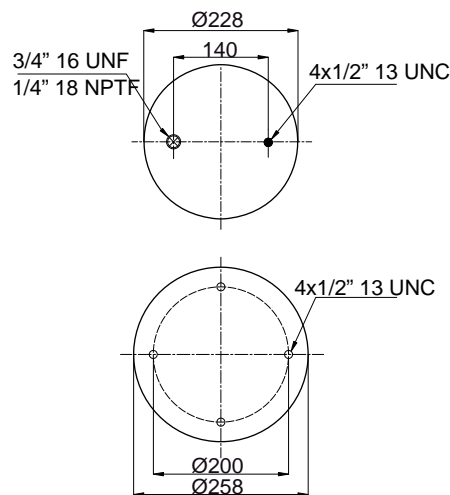
CROSS REFERENCES

RML 75260 C16

cross section view



top view / bottom view

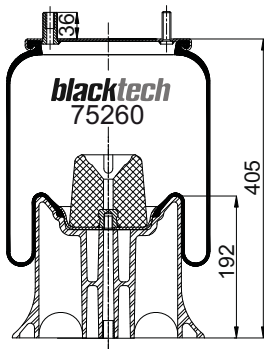


OEM PART NUMBER

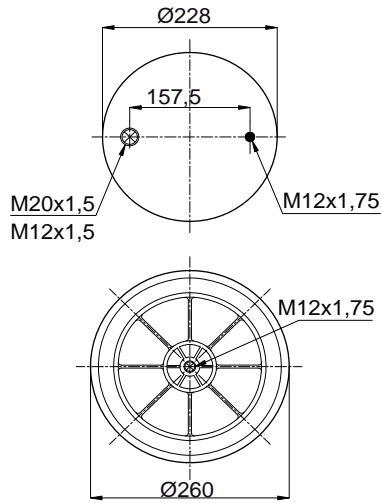
CROSS REFERENCES

RML 75260 CP9

cross section view



top view / bottom view



OEM PART NUMBER

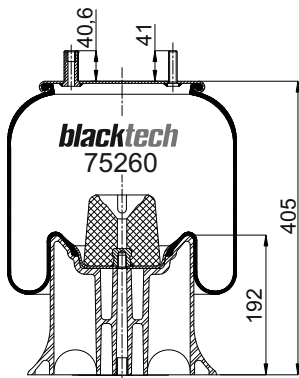
ACERBI	128147123
CARDI	58051210
FRUEHAUF	UJB 0358-001
SAMRO	H2500324
GRANNING	15671

CROSS REFERENCES

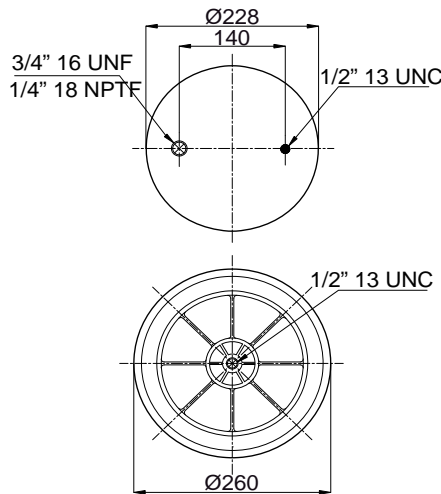
CONTITECH	4159 N P09
FIRESTONE STYLE	1T15M-9
FIRESTONE ORDER	W01 379 9131
PHOENIX	1 DK 23 L-9131
DUNLOP F (SPRINGRIDE)	D12B04
GOODYEAR	1R12-721
CF GOMMA	1 T323-40 / 200751
TAURUS	KR 509-9131
VIBRACOUSTIC	V 1DK 23 L-9131

RML 75260 CP11

cross section view



top view / bottom view



OEM PART NUMBER

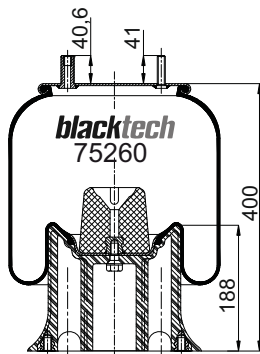
HENDRICKSON	B 3842
-------------	--------

CROSS REFERENCES

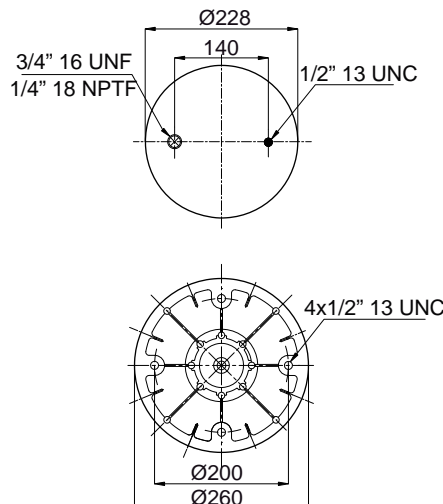
CONTITECH	4159 N P11
-----------	------------

RML 75260 CP12

cross section view



top view / bottom view



OEM PART NUMBER

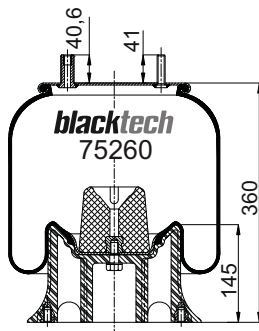
TRANSPART	531 233
-----------	---------

CROSS REFERENCES

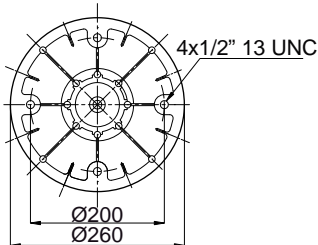
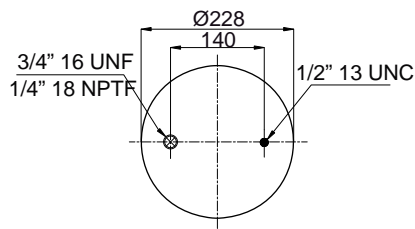
CONTITECH	4159 N P12
PHOENIX	1 DK 23 L-9101

RML 75260 CP13

cross section view



top view / bottom view



OEM PART NUMBER

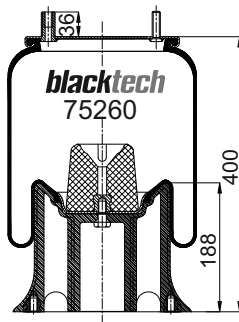
HENDRICKSON	NA 1817
-------------	---------

CROSS REFERENCES

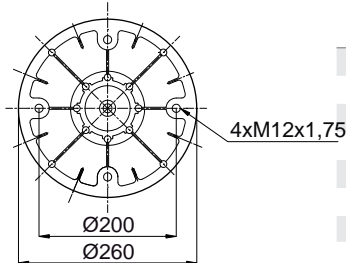
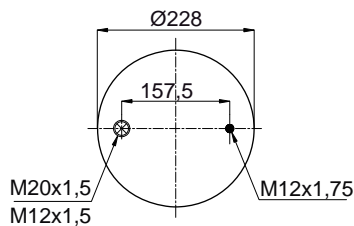
CONTITECH	4159 N P13
PHOENIX	1 DK 23 L-9102

RML 75260 CP14

cross section view



top view / bottom view



OEM PART NUMBER

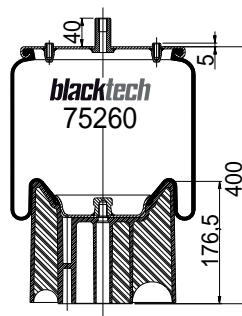
FRUEHAUF	UJA 0894-001
----------	--------------

CROSS REFERENCES

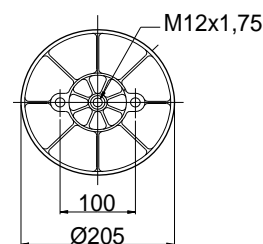
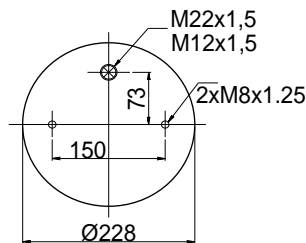
CONTITECH	4159 N P14
FIRESTONE STYLE	1T15M-9
FIRESTONE ORDER	W01 M58 7548
PHOENIX	1 DK 21 B4
GOODYEAR	1R12-760

RML 75260 CP17

cross section view



top view / bottom view



OEM PART NUMBER

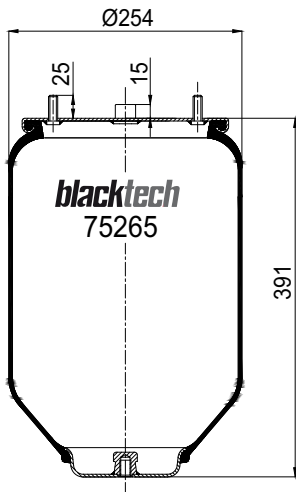
SCHMITZ	016512
WEWELER	US06318F

CROSS REFERENCES

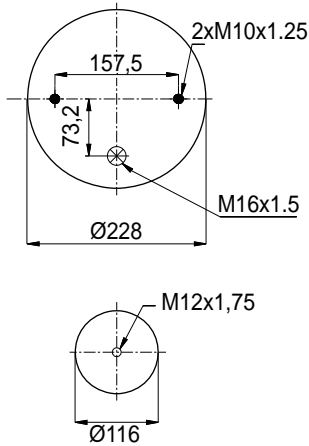
FIRESTONE STYLE	1T15MPW-9
FIRESTONE ORDER	W01 M58 6318

RML 75265

cross section view



top view / bottom view



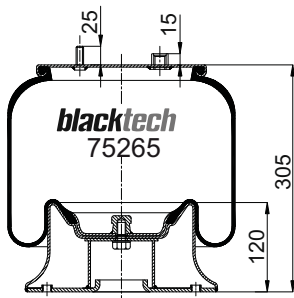
OEM PART NUMBER

CROSS REFERENCES

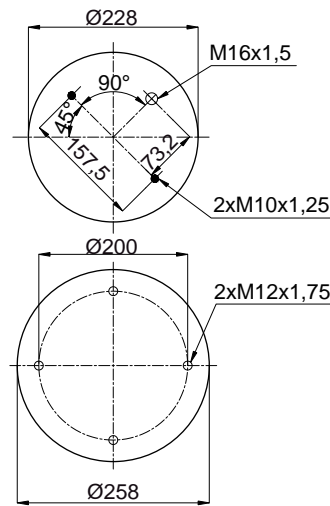
CONTITECH	4154 N P05 (without piston)
PHOENIX	

RML 75265 C5

cross section view



top view / bottom view



OEM PART NUMBER

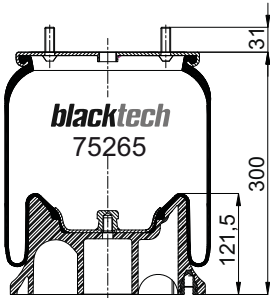
RENAULT	5.010.239.252
RENAULT	5.010.294.252.B

CROSS REFERENCES

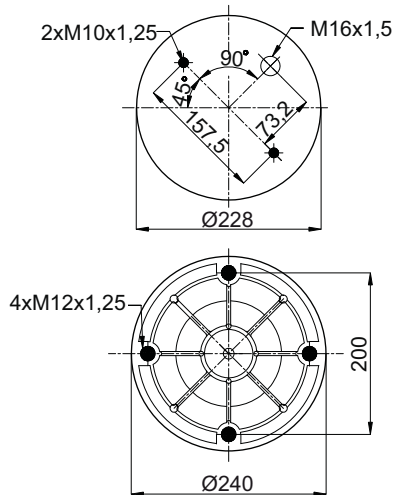
CONTITECH	4154 N P05
PHOENIX	1 D 23 F-1

RML 75265 CP5

cross section view



top view / bottom view



OEM PART NUMBER

RENAULT	5.010.239.252
RENAULT	5.010.294.252.B
GRANNING	15609

CROSS REFERENCES

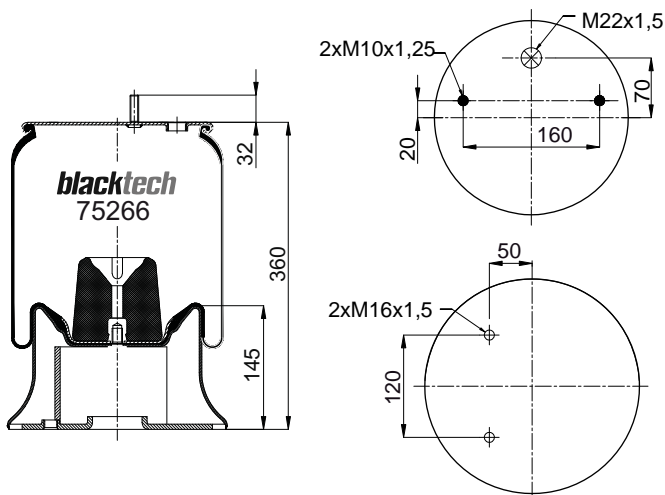
CONTITECH	4154 N P05
PHOENIX	1 D 23 F-1

● Bolt or stud ○ Threaded hole ⊗ Combinations stud ⊗ Air inlet

RML 75266 C

cross section view

top view / bottom view



OEM PART NUMBER

CARDI	58051400
-------	----------

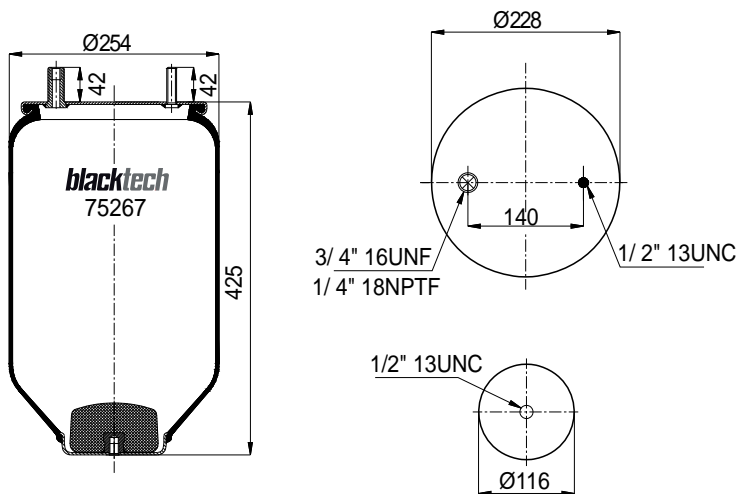
CROSS REFERENCES

FIRESTONE	1T17BS-6
PHOENIX	1 DK 22 E 5
CF GOMMA	1T 323 - 33

RML 75267-1

cross section view

top view / bottom view



OEM PART NUMBER

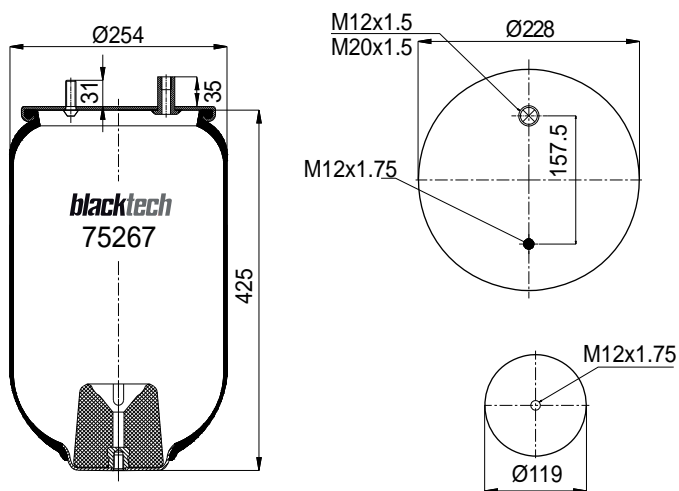
CROSS REFERENCES

CONTITECH	4156 N P01
FIRESTONE STYLE	1T15M-6
FIRESTONE ORDER	W01 352 0712
PHOENIX	1 DK 21 A-2
GOODYEAR	1R12-093
TAURUS	KR 506-21
CF GOMMA	1T 323 - 33

RML 75267-5

cross section view

top view / bottom view



OEM PART NUMBER

CROSS REFERENCES

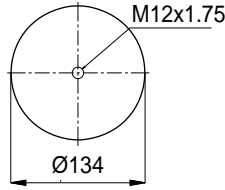
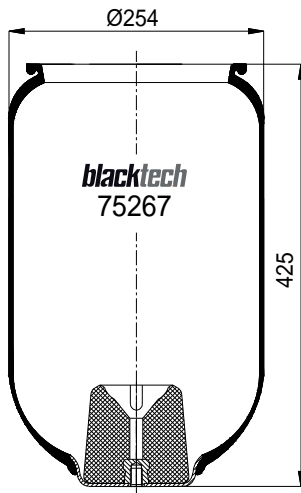
CONTITECH	4156 N P05
FIRESTONE	1T15M-6
PHOENIX	1 DK 21 A 2
CF GOMMA	1T 323 - 33

RML 75267-12

cross section view

top view / bottom view

OEM PART NUMBER



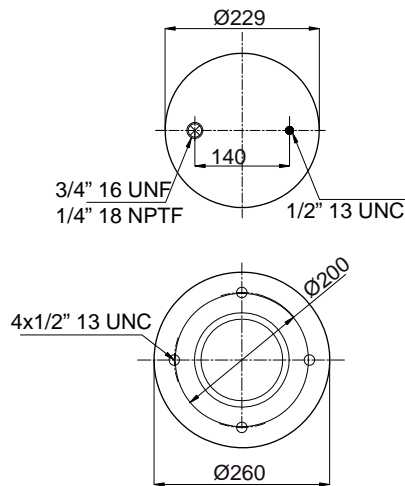
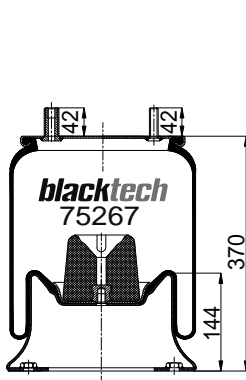
CROSS REFERENCES

RML 75267 C4

cross section view

top view / bottom view

OEM PART NUMBER



CROSS REFERENCES

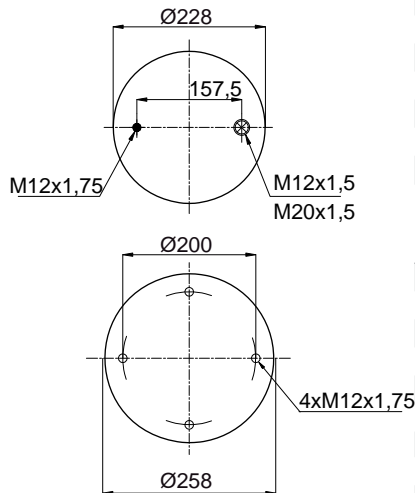
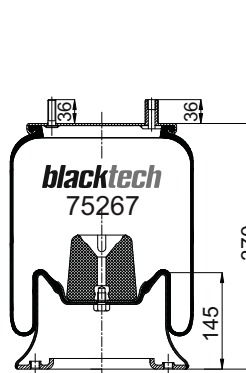
CONTITECH	4156 N P04
FIRESTONE STYLE	1T15M-6
FIRESTONE ORDER	W01 358 9082
PHOENIX	1R12-134/ -092
TAURUS	K 506-22 SU
CF GOMMA	1 T 323-33

RML 75267 C6

cross section view

top view / bottom view

OEM PART NUMBER



HENDRICKSON	HA 10001
NEWAY	905.57.075
ROR - ARVIN MERITOR	21215761
ROR - ARVIN MERITOR	21215762
ROR - ARVIN MERITOR	21226046
WEWELER	US 35864 F
GRANNING	15633

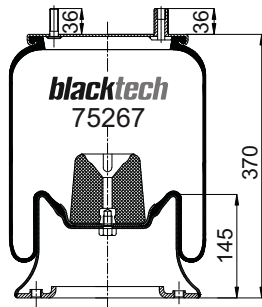
CROSS REFERENCES

CONTITECH	4156 N P06 (metal piston)
FIRESTONE STYLE	1T15M-6
FIRESTONE ORDER	W01 358 9361
PHOENIX	1 DK 23 K28
DUNLOP F (SPRINGRIDE)	D12B19
DUNLOP UK	PNP 309580100
GOODYEAR	1 R 12-719
CF GOMMA	1 T 323-33 / 97306
TAURUS	KR 506-28
VIBRACOUSTIC	V 1DK 23 K-28

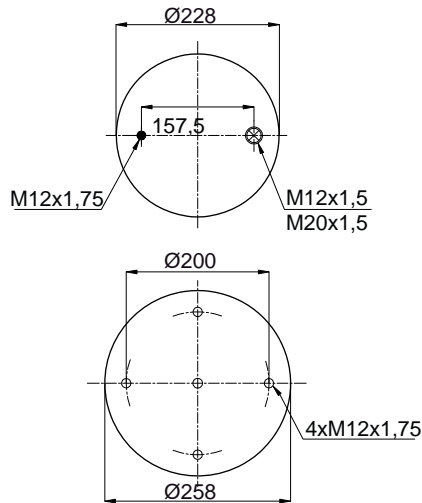
● Bolt or stud ○ Threaded hole ⊗ Combinations stud ⊗ Air inlet

RML 75267 C7

cross section view



top view / bottom view



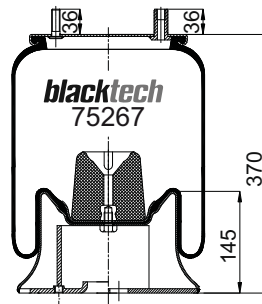
OEM PART NUMBER

CROSS REFERENCES

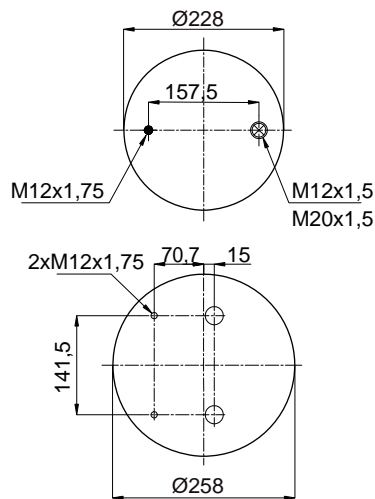
CONTITECH	4156 N P07

RML 75267 C9

cross section view



top view / bottom view



OEM PART NUMBER

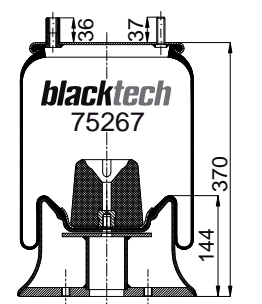
FRUEHAUF	UJB 0207-001
FRUEHAUF	UJA 0930
SMB	M001472
ROR - ARVIN MERITOR	2121 6135
ROR - ARVIN MERITOR	2121 5761
GRANNING	15615

CROSS REFERENCES

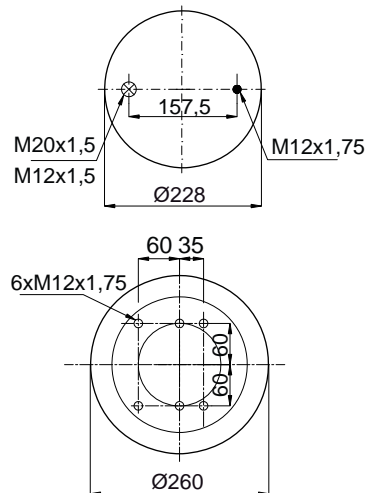
CONTITECH	4156 N P09
FIRESTONE STYLE	1T15M-6
FIRESTONE ORDER	W01 M58 9089
PHOENIX	1 DK 23 K29
GOODYEAR	1R12-706
TAURUS	KR 506-28
VIBRACOUSTIC	V 1D 23 K 29

RML 75267 C11

cross section view



top view / bottom view



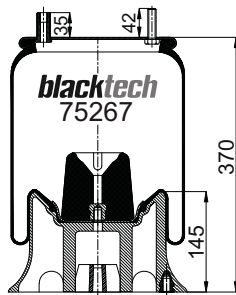
OEM PART NUMBER

FRUEHAUF	M01472
FRUEHAUF	UJB0129-01

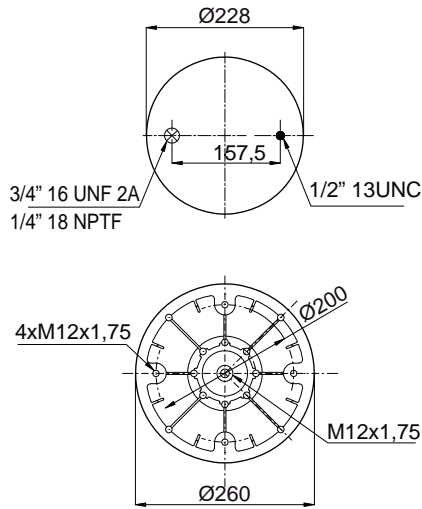
CROSS REFERENCES

RML 75267 CP10

cross section view



top view / bottom view



OEM PART NUMBER

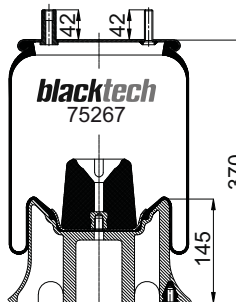
HENDRICKSON	HA100016
GRANNING	16081

CROSS REFERENCES

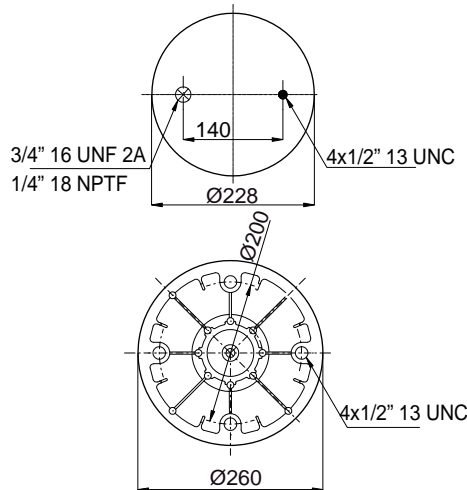
CONTITECH	4156 N P10

RML 75267 CP14

cross section view



top view / bottom view



OEM PART NUMBER

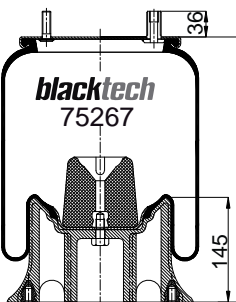
NEWAY	905 570 27/905 570 75
HENDRICKSON	B 2066
GRANNING	1359 / 1528
ROR-Arvin Meritor	2120 8939
TRANSPART	520 728
WEWELER	US 09361F

CROSS REFERENCES

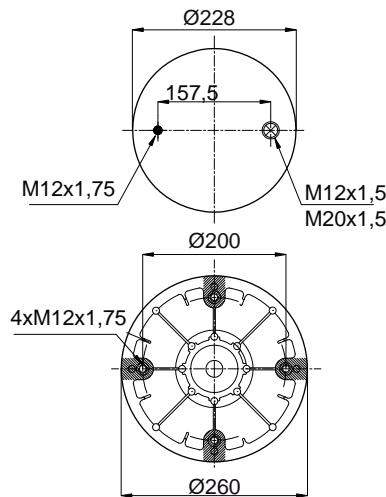
CONTITECH	4156 N P14
PHOENIX	1 DK 23 K-9082

RML 75267 CP15

cross section view



top view / bottom view



OEM PART NUMBER

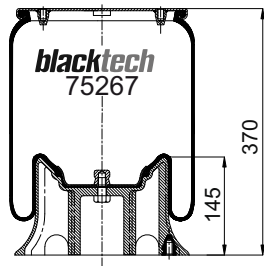
FRUEHAUF	UJB 0207-001
HENDRICKSON	HA 100001
NEWAY	905.57.075
ROR - ARVIN MERITOR	21215761
ROR - ARVIN MERITOR	21215762
ROR - ARVIN MERITOR	21226046
WEWELER	US 35864 F

CROSS REFERENCES

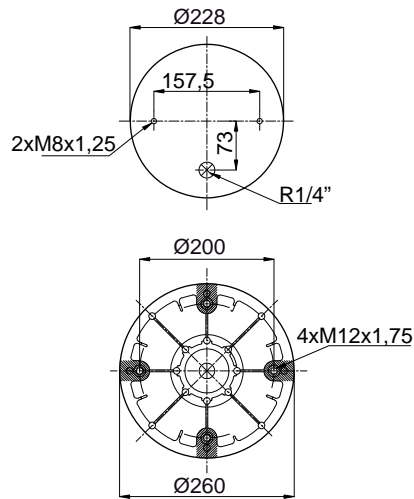
CONTITECH	4156 N P15
FIRESTONE STYLE	1T 15 M-6
FIRESTONE ORDER	W01 M58 9361
PHOENIX	1 DK 23 K 9361
DUNLOP F (SPRINGRIDE)	D12B16
GOODYEAR	1R12-130
CF GOMMA	1 T 323-32
TAURUS	KR 50-28
VIBRACOUSTIC	V 1DK 23 K 9361

RML 75267 CP16

cross section view



top view / bottom view



OEM PART NUMBER

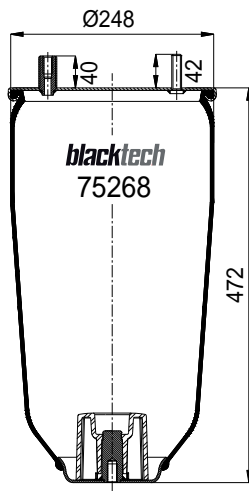
Industrial application

CROSS REFERENCES

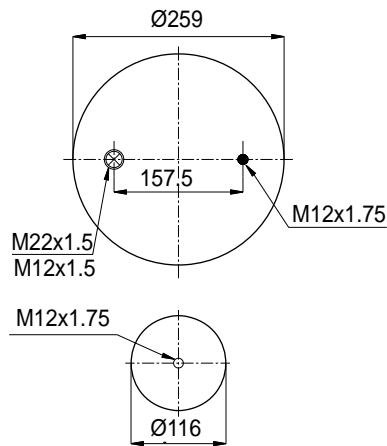
CONTITECH 4156 N P16

RML 75268

cross section view



top view / bottom view



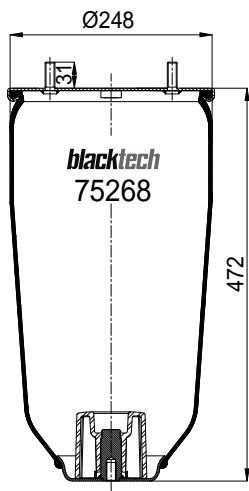
OEM PART NUMBER

CROSS REFERENCES

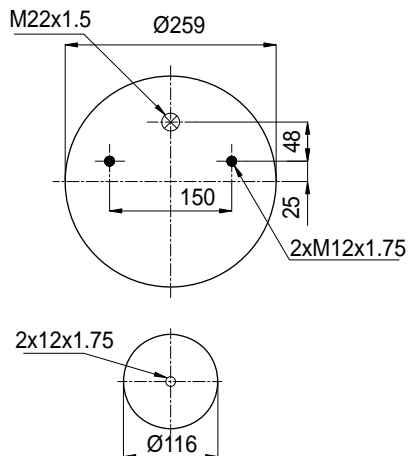
CONTITECH 4157 N P05 (without piston)

RML 75268-4

cross section view



top view / bottom view



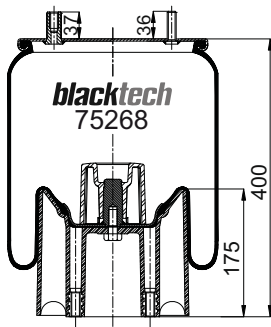
OEM PART NUMBER

CROSS REFERENCES

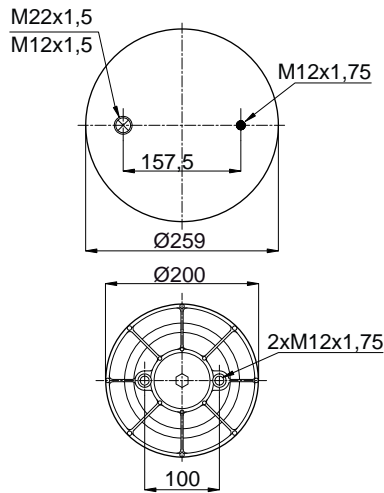
CONTITECH 4157 N P04 (without piston)

RML 75268 CP3

cross section view



top view / bottom view



OEM PART NUMBER

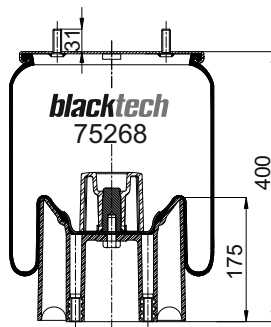
FRUEHAUF	M078580
WEWELER	US 06287

CROSS REFERENCES

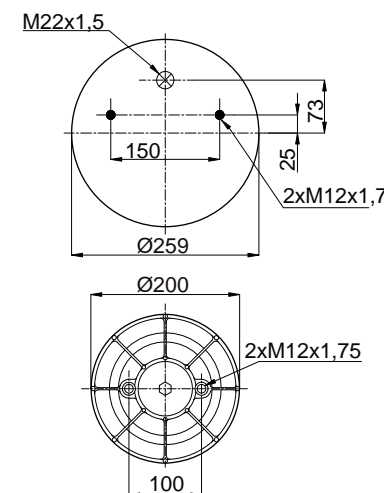
CONTITECH	4157 N P03

RML 75268 CP4

cross section view



top view / bottom view



OEM PART NUMBER

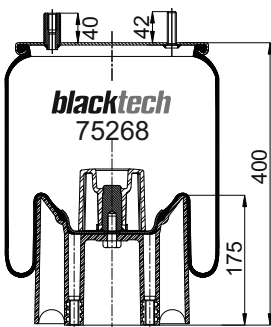
DISCOS - MERCEDES	A 946 328 14 01
ROR - ARVIN MERITOR	2122 1307
GRANNING	15731

CROSS REFERENCES

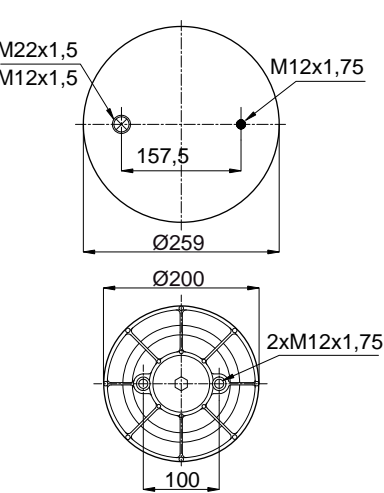
CONTITECH	4157 N P04
FIRESTONE STYLE	1T15MPW7
FIRESTONE ORDER	W01 M58 6297
PHOENIX	1 DK 21 A-4
DUNLOP F (SPRINGRIDE)	D12B18
GOODYEAR	1R11-111
TAURUS	KR 915-54
VIBRACOUSTIC	V 1D 21 A-4

RML 75268 CP5

cross section view



top view / bottom view



OEM PART NUMBER

WEWELER	US 07074C
WEWELER	US 07074P
GRANNING	91401

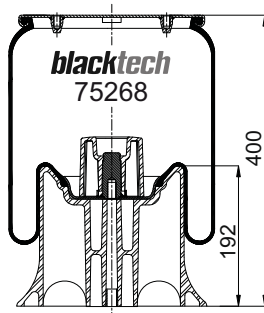
CROSS REFERENCES

CONTITECH	4157 N P05
FIRESTONE STYLE	1T15MPW7
FIRESTONE ORDER	W01 M58 8840
PHOENIX	1 DK 21 A-3
DUNLOP F (SPRINGRIDE)	D12B17

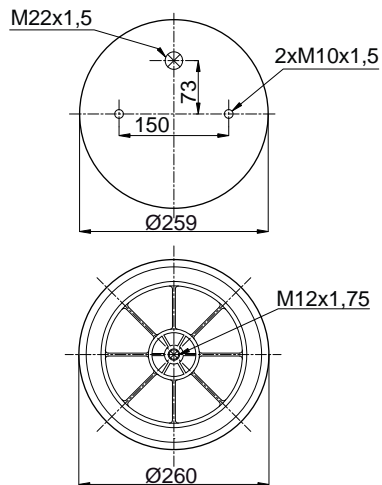
● Bolt or stud ○ Threaded hole ⊗ Combinations stud ⊗ Air inlet

RML 75268 CP6

cross section view



top view / bottom view



OEM PART NUMBER

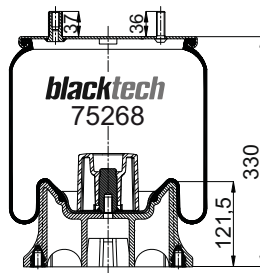
SCHMITZ	751065
WEWELER	US06316F

CROSS REFERENCES

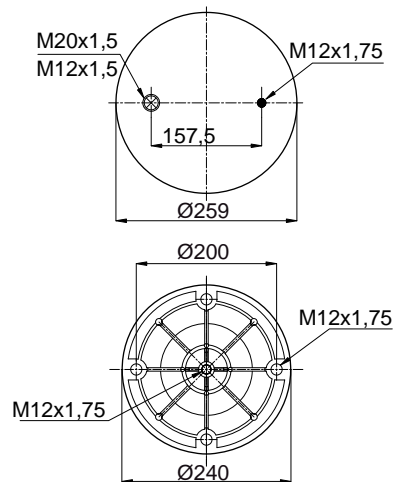
CONTITECH	4157 N P06
FIRESTONE STYLE	1T15MPW7
FIRESTONE ORDER	W01 M58 8186
PHOENIX	1 DK 21 A-1
DUNLOP F (SPRINGRIDE)	D11B37
GOODYEAR	1R11-764
VIBRACOUSTIC	V 1D 21 A-1

RML 75268 CP8

cross section view



top view / bottom view



OEM PART NUMBER

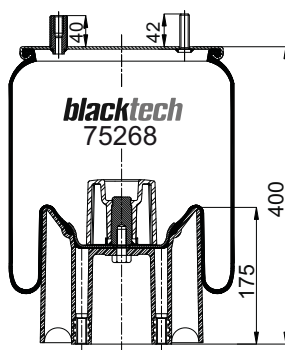
NEWAY	904 572 33
SMB	M078580
GRANNING	15750

CROSS REFERENCES

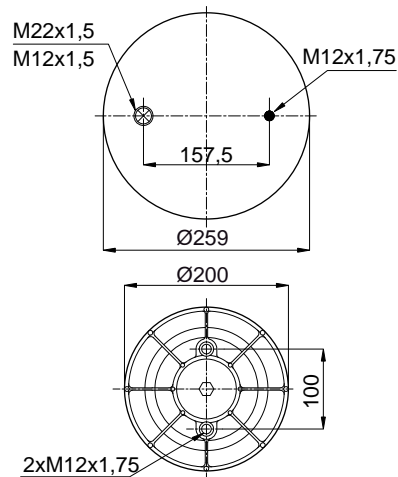
CONTITECH	4157 N P08
FIRESTONE STYLE	1T15MPW7
FIRESTONE ORDER	W01 M58 6317
PHOENIX	1 DK 20 C-2
DUNLOP F (SPRINGRIDE)	D12 B30
GOODYEAR	1R11-773
TAURUS	KR 915-53NW
VIBRACOUSTIC	V 1DK 20 C-2

RML 75268 CP9

cross section view



top view / bottom view



OEM PART NUMBER

GRANNING	15732
ROR - ARVIN MERITOR	2122 2442
WEWELER	US 07074F
SMB	M060924

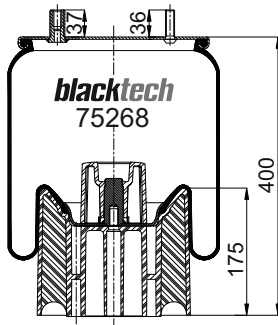
CROSS REFERENCES

CONTITECH	4157 N P09
FIRESTONE STYLE	1T15MPW7
FIRESTONE ORDER	W01 M58 7074
PHOENIX	1 DK 21 A-31
DUNLOP F (SPRINGRIDE)	D12B17
GOODYEAR	1R11-106
CF GOMMA	1T 300-38 / 205598
TAURUS	KR 915 - 54
VIBRACOUSTIC	V 1 D 21 A-31

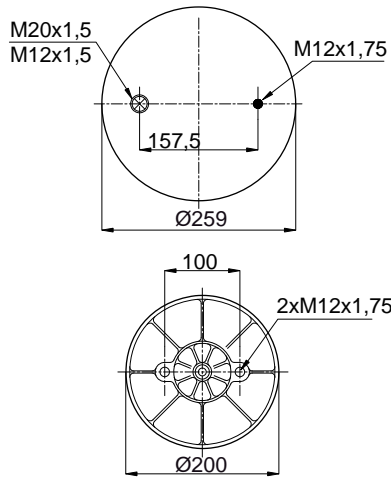
● Bolt or stud ○ Threaded hole ⊗ Combinations stud ⊗ Air inlet

RML 75268 CP10

cross section view



top view / bottom view



OEM PART NUMBER

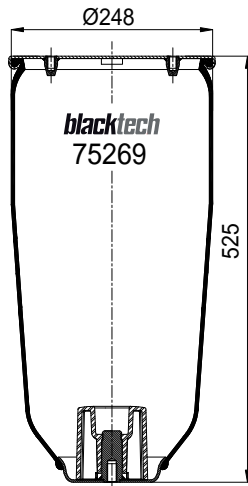
ACERBI	441901
FRUEHAUF	UJB 0975
GRANNING	15769

CROSS REFERENCES

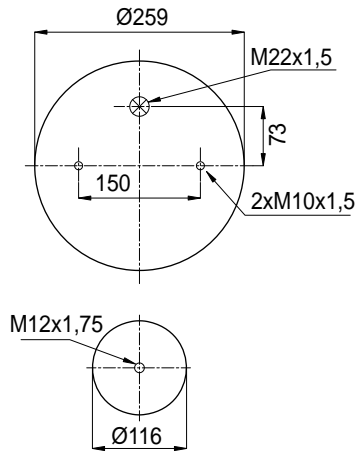
CONTITECH	4157 N P10
FIRESTONE STYLE	1T15MPW7/W01 M58 6315
FIRESTONE ORDER	1 DK 21 A-51
PHOENIX	1 DK 21 A-51
DUNLOP F (SPRINGRIDE)	D12B19
GOODYEAR	1R11-772
TAURUS	KR 915 - 51
VIBRACOUSTIC	V 1 D 20 A-51

RML 75269

cross section view



top view / bottom view



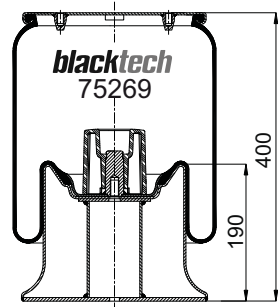
OEM PART NUMBER

CROSS REFERENCES

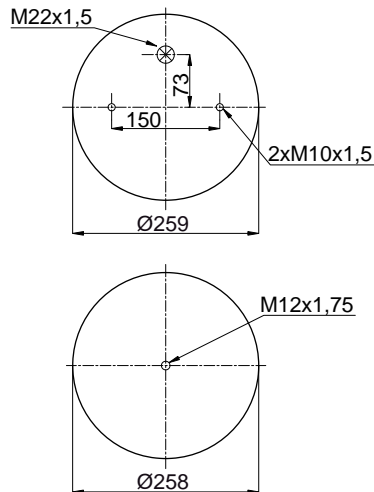
CONTITECH	4158 N P02
FIRESTONE STYLE	1T15MPW-9
FIRESTONE ORDER	W01 M58 6357
PHOENIX	D12U23
GOODYEAR	1R11-748

RML 75269 C

cross section view



top view / bottom view



OEM PART NUMBER

SCHIMITZ	750 999
WEWELER	US 06285
GRANNING	15657

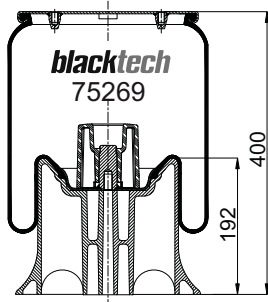
CROSS REFERENCES

CONTITECH	4158 N P03 (metal piston)

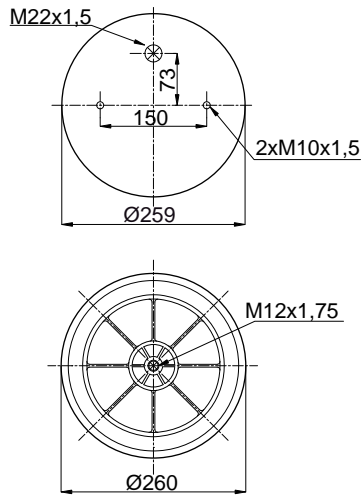
● Bolt or stud ○ Threaded hole ⊗ Combinations stud ⊗ Air inlet

RML 75269 CP

cross section view



top view / bottom view



OEM PART NUMBER

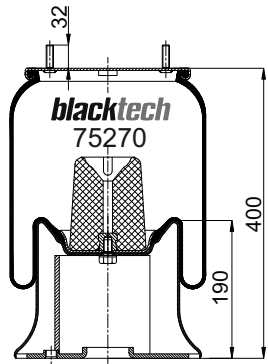
SCHIMITZ	750 999
WEWELER	US 06285
GRANNING	15657

CROSS REFERENCES

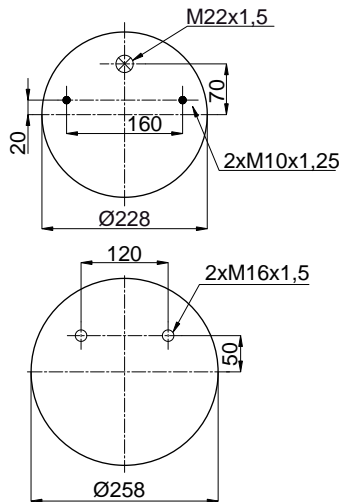
CONTITECH	4158 N P03
FIRESTONE STYLE	1T15MPW-9
FIRESTONE ORDER	W01 M58 8185
PHOENIX	1 DK 20 B1
DUNLOP F (SPRINGRIDE)	D12B22
GOODYEAR	1R11-749
VIBRACOUSTIC	V 1DK 20 B1

RML 75270 C

cross section view



top view / bottom view



OEM PART NUMBER

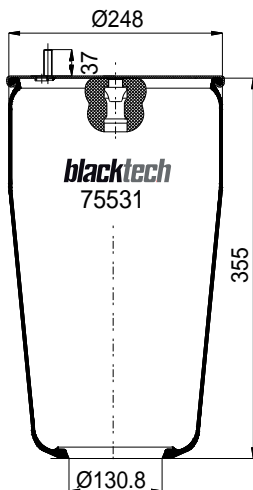
CARDI	58050900
-------	----------

CROSS REFERENCES

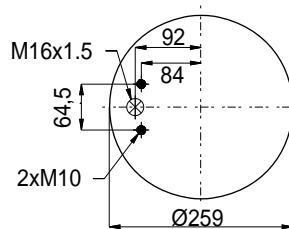
FIRESTONE STYLE	1T15 M9
FIRESTONE ORDER	W01 M58 6289
AIRTECH	391209 K

RML 75531

cross section view



top view / bottom view



OEM PART NUMBER

VOLVO	1 076 075
-------	-----------

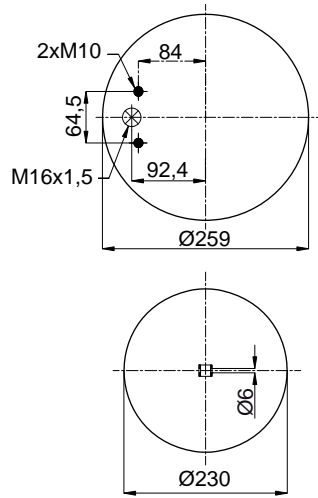
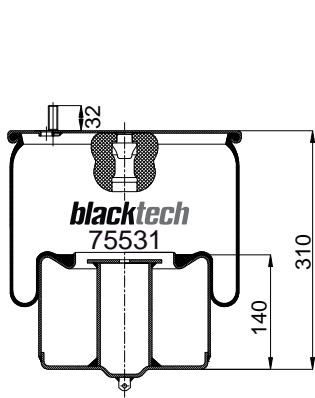
CROSS REFERENCES

CONTITECH	6075 N (bellow for 4420 N P01)
-----------	--------------------------------

RML 75531 C

cross section view

top view / bottom view



OEM PART NUMBER

VOLVO	1 076 076
GRANNING	16048

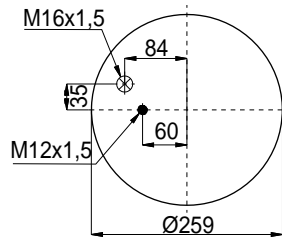
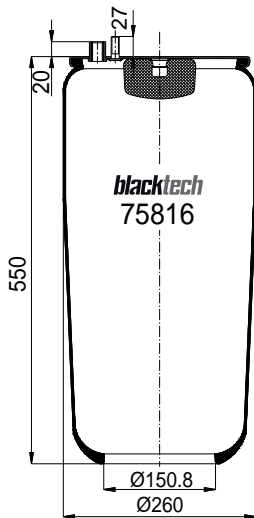
CROSS REFERENCES

CONTITECH	4420 N P01
FIRESTONE STYLE	1T17BR-8
FIRESTONE ORDER	W01 M58 9707
CF GOMMA	1T19 E2 / 204420

RML 75816-1

cross section view

top view / bottom view



OEM PART NUMBER

MAN TGA	81.43601.0155

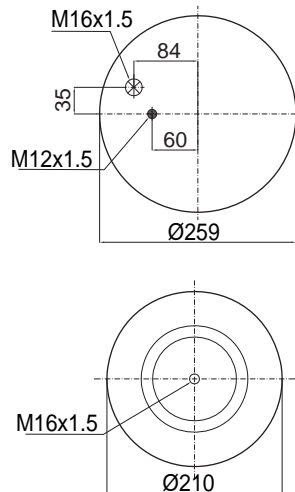
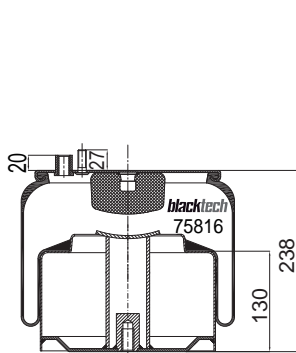
CROSS REFERENCES

CONTITECH	4705 N1 P01

RML 75816 C3

cross section view

top view / bottom view



OEM PART NUMBER

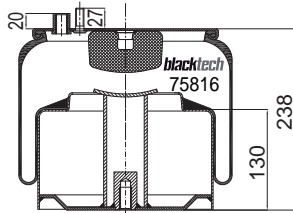
MAN TGA	81.43600.6039

CROSS REFERENCES

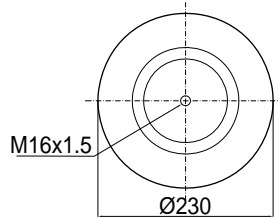
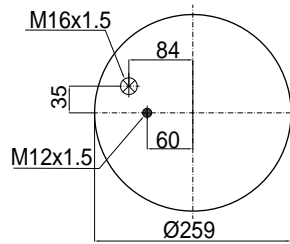
CONTITECH	4705 N1 P03

RML 75816 C4

cross section view



top view / bottom view



OEM PART NUMBER

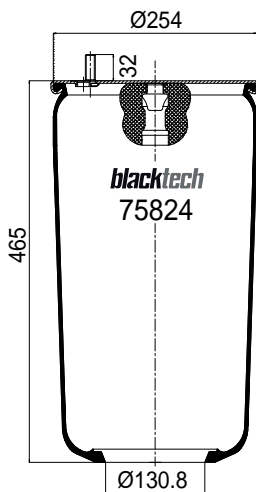
MANTGA	81.43600.6040
--------	---------------

CROSS REFERENCES

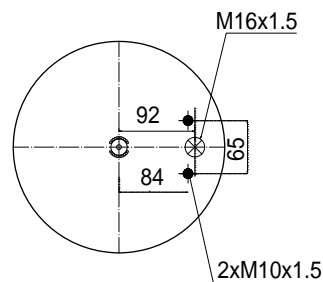
CONTITECH	4705 N1 P04
-----------	-------------

RML 75824

cross section view



top view / bottom view



OEM PART NUMBER

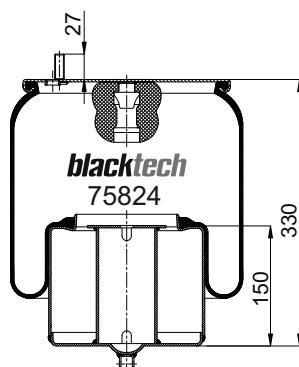
VOLVO	1 076 595
-------	-----------

CROSS REFERENCES

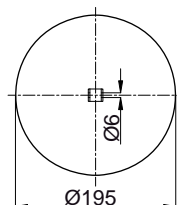
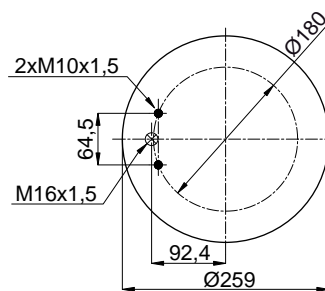
CONTITECH	4713 N P04
FIRESTONE STYLE	1T17BR-8
FIRESTONE ORDER	W01 M58 9706
DUNLOP F (SPRINGRIDE)	D12 B24
GOODYEAR	1R12-763
CF GOMMA	1 T300-28 / 26778

RML 75824 C

cross section view



top view / bottom view



OEM PART NUMBER

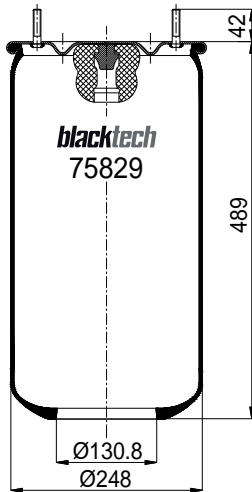
VOLVO	1 076 594
GRANNING	15656

CROSS REFERENCES

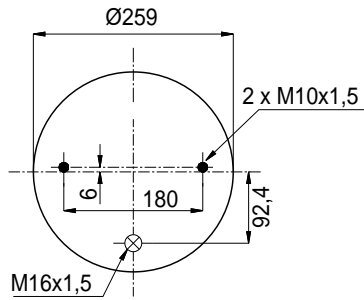
CONTITECH	4713 N P02
FIRESTONE STYLE	1T17BR-8
FIRESTONE ORDER	W01 M58 9706
PHOENIX	1 DF 22 C-1
DUNLOP F (SPRINGRIDE)	D12 B24
GOODYEAR	1R12-762
CF GOMMA	1 T300-28

RML 75829

cross section view



top view / bottom view



OEM PART NUMBER

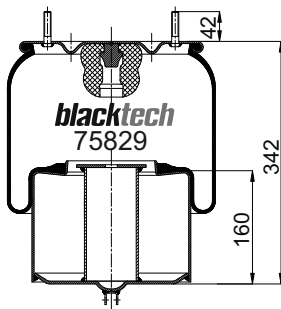
VOLVO	1 079 718

CROSS REFERENCES

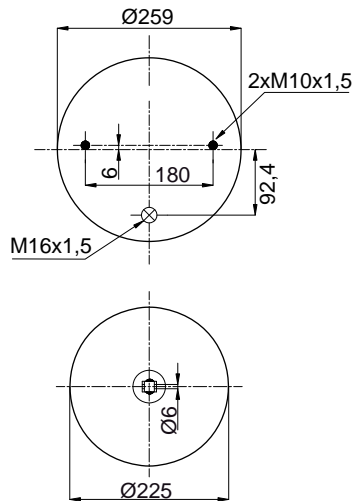
CONTITECH	4718 N P02 (bellow for 4718 N P01)

RML 75829 C

cross section view



top view / bottom view



OEM PART NUMBER

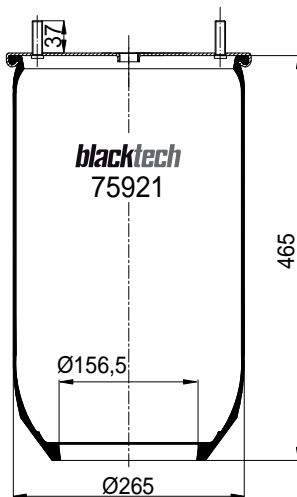
VOLVO (FH12 - FM12)	20 554 759
VOLVO (FH12 - FM12)	1629718
VOLVO (FH12 - FM12)	1075363
GRANNING	15656

CROSS REFERENCES

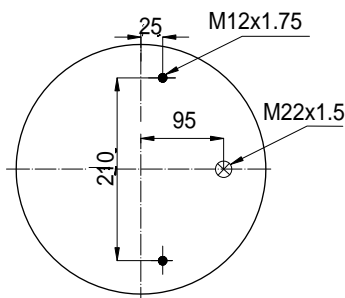
CONTITECH	4718 N P01

RML 75921

cross section view



top view / bottom view



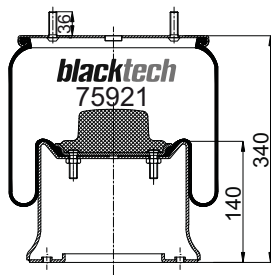
OEM PART NUMBER

CROSS REFERENCES

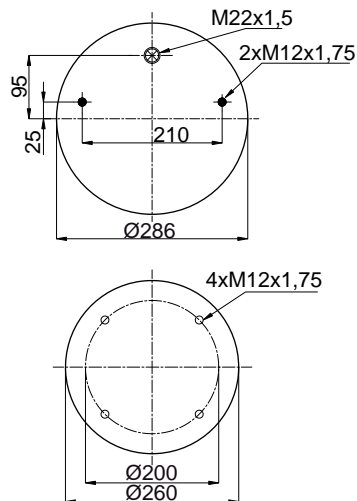
CONTITECH	4810 N P05 (without piston)

RML 75921 C5

cross section view



top view / bottom view



OEM PART NUMBER

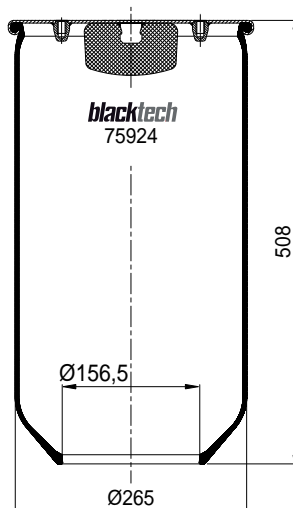
SAF	3.229.0027.00
SAF	3.229.2127.00
SAF	3.229.2227.00
GRANNING	16092

CROSS REFERENCES

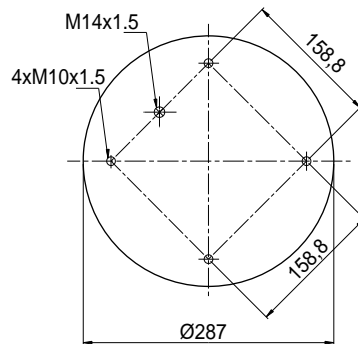
CONTITECH	4810 N P05
FIRESTONE STYLE	1T19L-7
FIRESTONE ORDER	W01 M58 6338
PHOENIX	1 D28 A-10
DUNLOP F (SPRINGRIDE)	D13 B25
GOODYEAR	1R14-730
CF GOMMA	1T19 E1 - 205456
VIBRACOUSTIC	V 1 D28 A-10

RML 75924

cross section view



top view / bottom view



OEM PART NUMBER

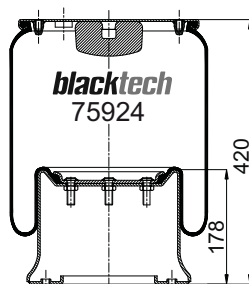
GRANNING	16057
----------	-------

CROSS REFERENCES

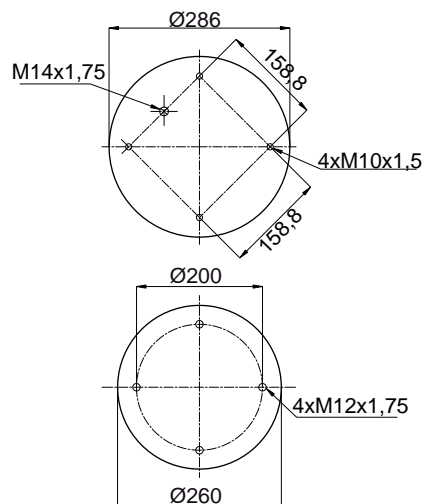
CONTITECH	4813 N P07 (without piston)
-----------	-----------------------------

RML 75924 C

cross section view



top view / bottom view



OEM PART NUMBER

SCANIA BUSSAR	255293
SCANIA BUSSAR	255295
SCANIA BUSSAR	298568
SCANIA BUSSAR	325748
SCANIA BUSSAR	1107674
SCANIA BUSSAR	1314906
SAF	3.229.006.01
GRANNING	15653

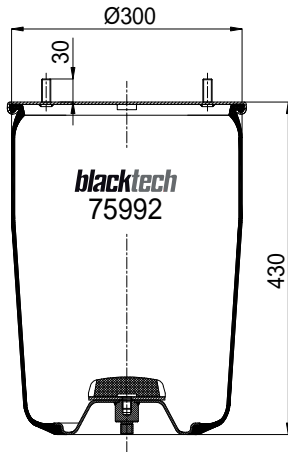
CROSS REFERENCES

CONTITECH	4813 N P07
FIRESTONE STYLE	1T19L-11
FIRESTONE ORDER	W01 M58 7358
PHOENIX	1 D28 B-9
DUNLOP F (SPRINGRIDE)	D13 B10
GOODYEAR	1R14-727
CF GOMMA	1T19 E2-2BR
TAURUS	KR 622-01
VIBRACOUSTIC	V 1 D28 B-9

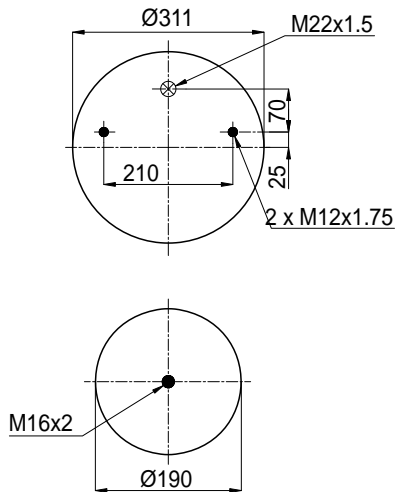
● Bolt or stud ○ Threaded hole ⊗ Combinations stud ⊗ Air inlet

RML 75992

cross section view



top view / bottom view



OEM PART NUMBER

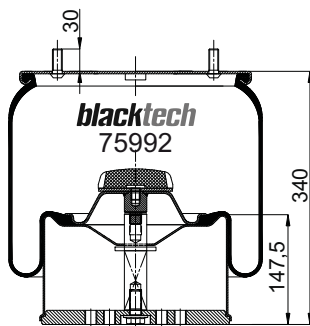
BPW	05.429.41.01.0
GRANNING	15961

CROSS REFERENCES

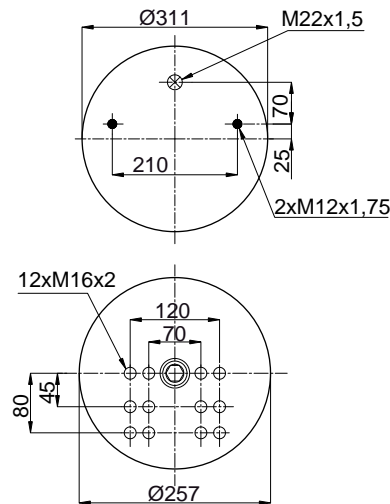
CONTITECH	4881 N P02
FIRESTONE STYLE	1T66F-7.0
FIRESTONE ORDER	W01 M58 8601
PHOENIX	1 DK 32 K
DUNLOP F (SPRINGRIDE)	D14 U37
GOODYEAR	1R14-701
CF GOMMA	1TC 360-40
TAURUS	UR 838-01T
VIBRACOUSTIC	V 1 D 32 K

RML 75992 C

cross section view



top view / bottom view



OEM PART NUMBER

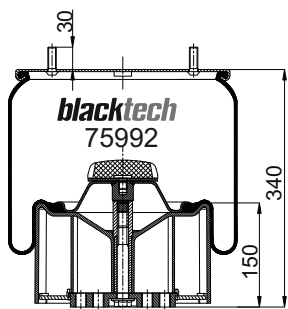
BPW	05.429.41.22.1
GRANNING	15905

CROSS REFERENCES

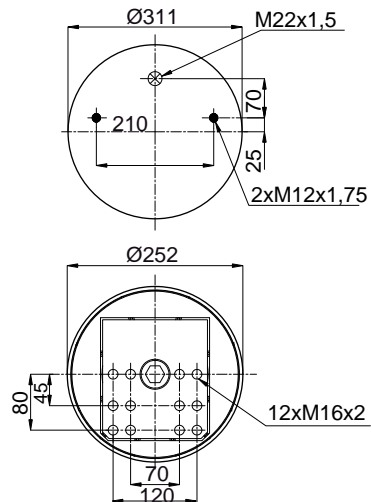
CONTITECH	4881 NP02 (metal piston)
FIRESTONE STYLE	1T66F-7.0/W01 M58 8602
FIRESTONE ORDER	1 DK 32 K
PHOENIX	1 DK 32 K
DUNLOP F (SPRINGRIDE)	D14 B37
GOODYEAR	1R14-724
VIBRACOUSTIC	V 1 D 32 K

RML 75992 CP

cross section view



top view / bottom view



OEM PART NUMBER

BPW	05.429.43.41.0
GRANNING	16905

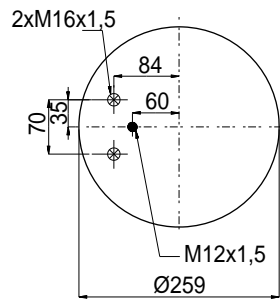
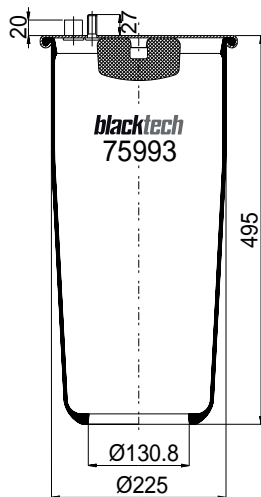
CROSS REFERENCES

CONTITECH	4881 NP02 (plastic piston)
FIRESTONE STYLE	1T66F-7.0/W01 M58 8666
FIRESTONE ORDER	1 DK 32 K
PHOENIX	1 DK 32 K
DUNLOP F (SPRINGRIDE)	D14 B88
GOODYEAR	1R14-757

RML 75993

cross section view

top view / bottom view



OEM PART NUMBER

MAN	81.43601.0151
GRANNING	94002

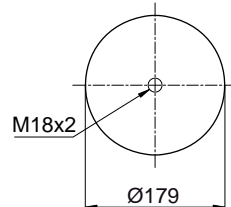
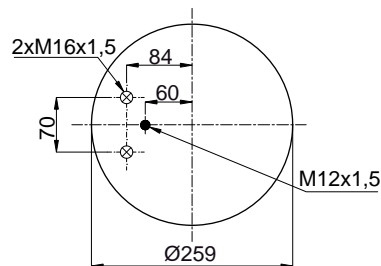
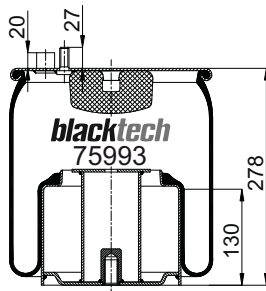
CROSS REFERENCES

CONTITECH	4882 N1 P01
DUNLOP F (SPRINGRIDE)	D10 U01
GOODYEAR	1R10-702

RML 75993 C5

cross section view

top view / bottom view



OEM PART NUMBER

MAN	81.43601.6036
GRANNING	94102

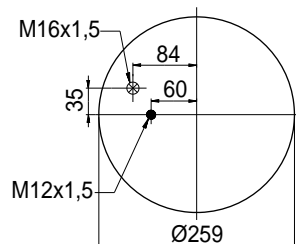
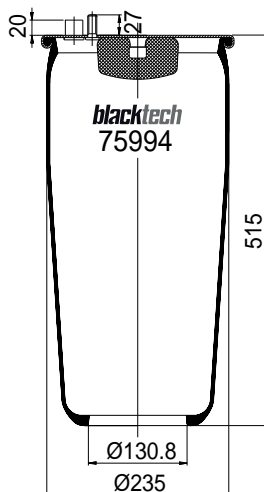
CROSS REFERENCES

CONTITECH	4882 N1 P05
-----------	-------------

RML 75994

cross section view

top view / bottom view



OEM PART NUMBER

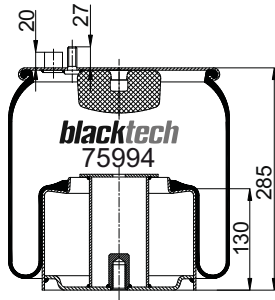
MAN	81.43601.0153
GRANNING	94003

CROSS REFERENCES

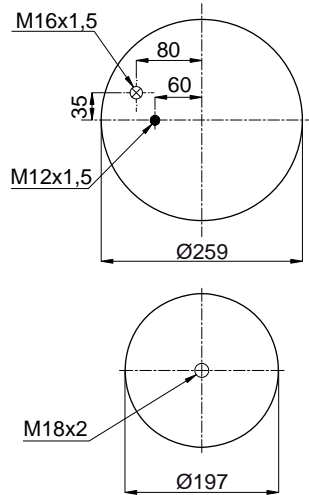
CONTITECH	4883 N1 P01
DUNLOP F (SPRINGRIDE)	D10 U47
GOODYEAR	1R11-804

RML 75994 C

cross section view



top view / bottom view



OEM PART NUMBER

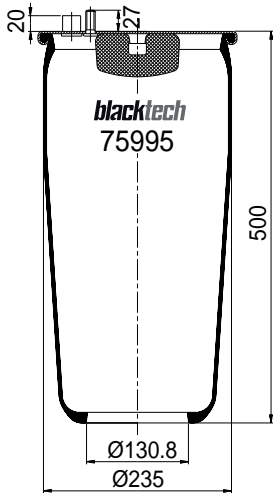
MAN TGA	81.43601.6038
GRANNING	94101

CROSS REFERENCES

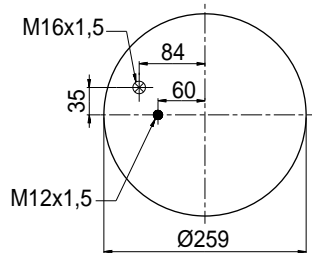
CONTITECH	4883 N1 P01 (metal piston)

RML 75995

cross section view



top view / bottom view



OEM PART NUMBER

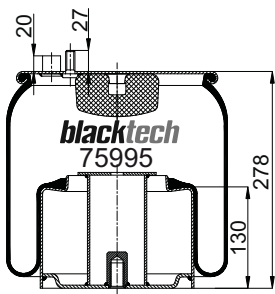
MAN	81.43601.0152
MAN	81.43601.0174
GRANNING	94001

CROSS REFERENCES

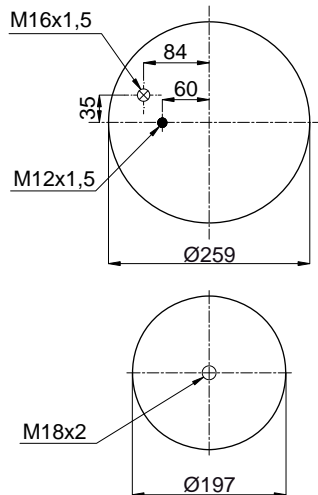
CONTITECH	4884 N1 P01
DUNLOP F (SPRINGRIDE)	D10 U48
GOODYEAR	1R11-820

RML 75995 C6

cross section view



top view / bottom view



OEM PART NUMBER

MAN	81.43600.6035
GRANNING	94100

CROSS REFERENCES

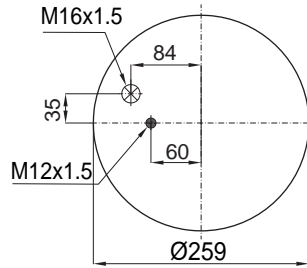
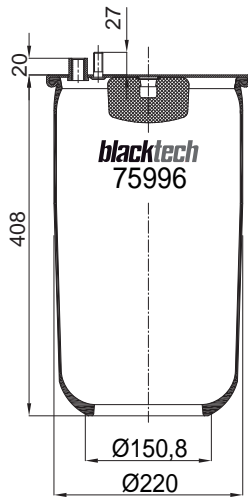
CONTITECH	4884 N1 P06

● Bolt or stud ○ Threaded hole ⊗ Combinations stud ⊗ Air inlet

RML 75996-1

cross section view

top view / bottom view



OEM PART NUMBER

MAN (TG1 / TGL)	81.43601.0060
MAN (TG1 / TGL)	81.43601.6071
GRANNING	94000

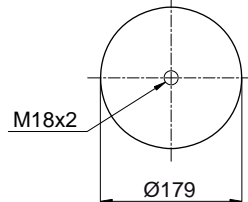
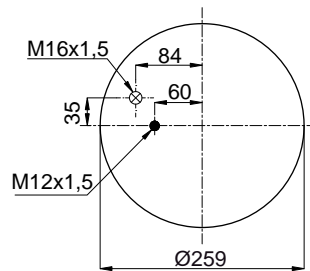
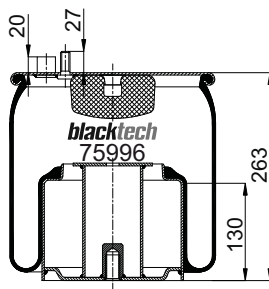
CROSS REFERENCES

CONTITECH	4885 N1 P01
CF GOMMA	1TS 260-28 / 206788

RML 75996 C2

cross section view

top view / bottom view



OEM PART NUMBER

MAN (TG1 / TGL)	81.43601.6044
GRANNING	94015

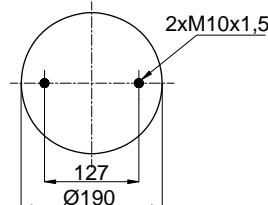
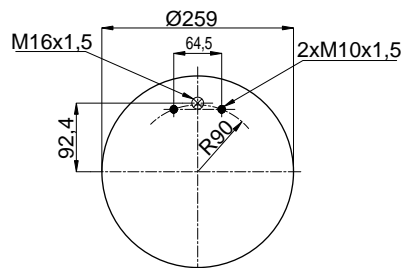
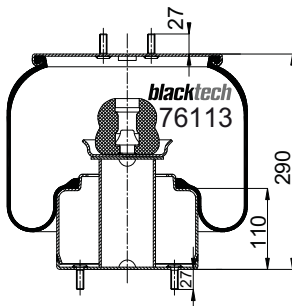
CROSS REFERENCES

CONTITECH	4885 N1 P02
-----------	-------------

RML 76113 C

cross section view

top view / bottom view



OEM PART NUMBER

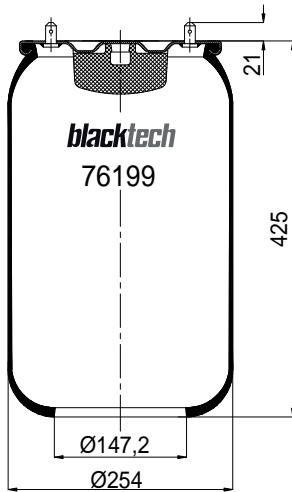
VOLVO (BUS B12)	20573113
VOLVO (BUS B12)	20480202
VOLVO (BUS B12)	21041697

CROSS REFERENCES

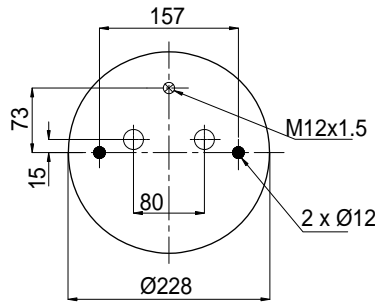
CONTITECH	6602 N P01
-----------	------------

RML 76199

cross section view



top view / bottom view



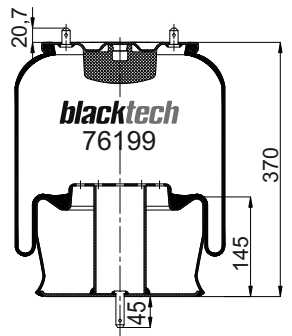
OEM PART NUMBER

SCANIA	1386199

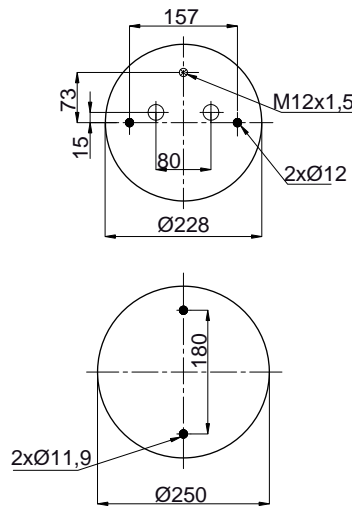
CROSS REFERENCES

RML 76199 C

cross section view



top view / bottom view



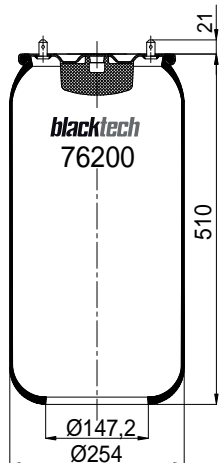
OEM PART NUMBER

SCANIA	1386199
SCANIA	1362145
SCANIA	1372143
ROR MERITOR	MLF 7146
GRANNING	16067

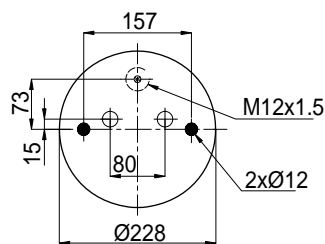
CROSS REFERENCES

RML 76200

cross section view



top view / bottom view



OEM PART NUMBER

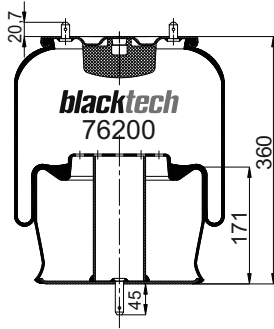
SCANIA BUSSAR	1386200

CROSS REFERENCES

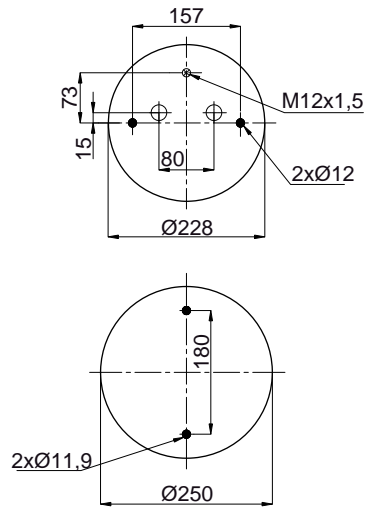
● Bolt or stud ○ Threaded hole ⊗ Combinations stud ⊗ Air inlet

RML 76200 C

cross section view



top view / bottom view



OEM PART NUMBER

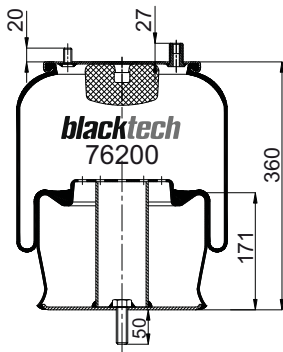
SCANIA BUSSAR	1386200
SCANIA BUSSAR	1362147
SCANIA BUSSAR	1370744
GRANNING	16068
ROR MERITOR	MLF 7167

CROSS REFERENCES

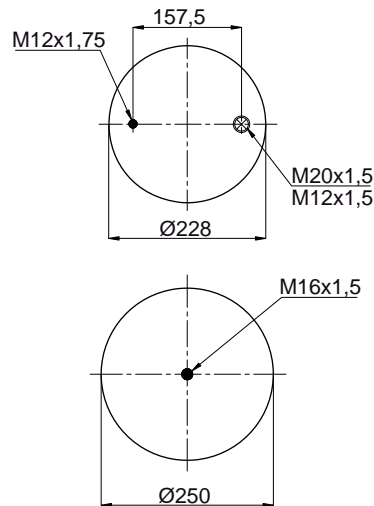
AIRTECH	36200 K
GOODYEAR	1R13 745

RML 76200 C1

cross section view



top view / bottom view

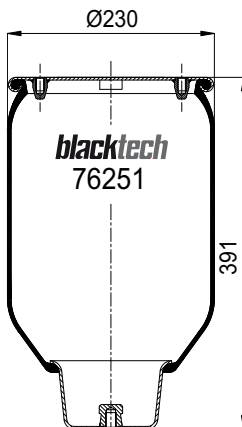


OEM PART NUMBER

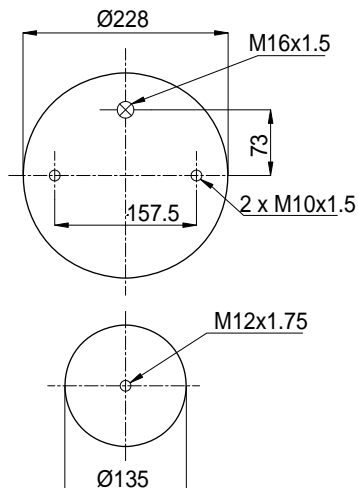
CROSS REFERENCES

RML 76251

cross section view



top view / bottom view



OEM PART NUMBER

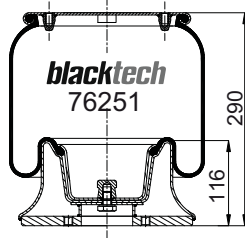
SCANIA (Series 3-4- R)	1394997
--------------------------	---------

CROSS REFERENCES

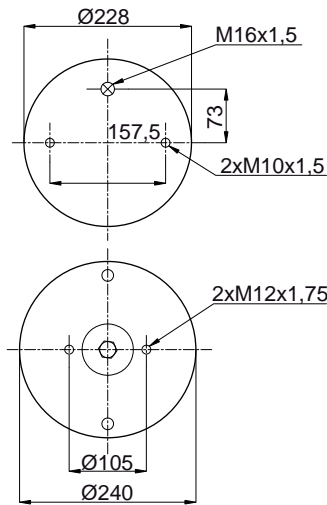
FIRESTONE STYLE	1T15 AA3
FIRESTONE ORDER	W01 M58 6251 (without piston)

RML 76251 C

cross section view



top view / bottom view



OEM PART NUMBER

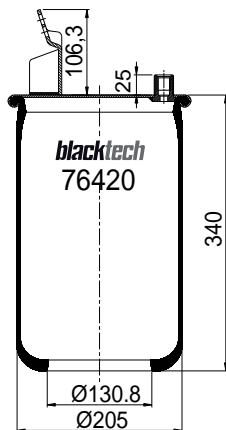
SCANIA (Series 3-4- R)	1394997
SCANIA (Series 3-4- R)	1314903
SCANIA (Series 3-4- R)	1402423
ROR MERITOR	MLF 7022
ROR MERITOR	MLF 7033
GRANNING	15619

CROSS REFERENCES

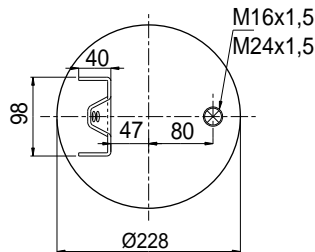
FIRESTONE STYLE	1T15 AA3
FIRESTONE ORDER	W01 M58 6251
GOODYEAR	1R11 826

RML 76420

cross section view



top view / bottom view



OEM PART NUMBER

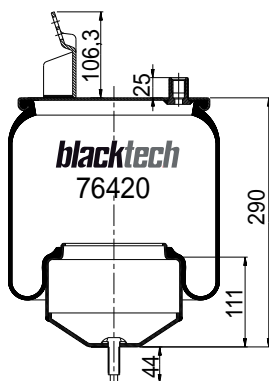
VOLVO	1976420
-------	---------

CROSS REFERENCES

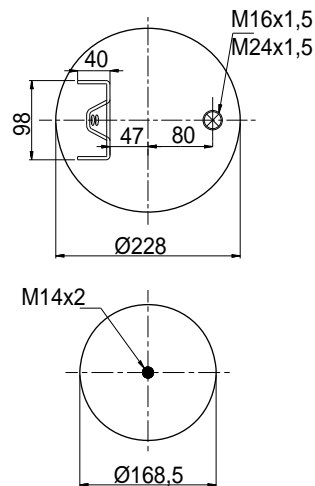
CONTITECH	6420 (82212 N)
-----------	------------------

RML 76420 C

cross section view



top view / bottom view



OEM PART NUMBER

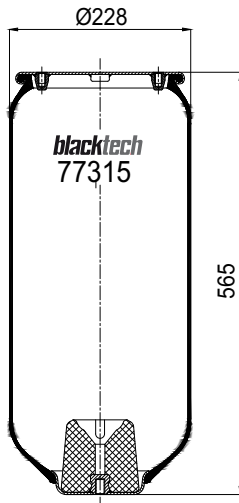
VOLVO	1976420
VOLVO	20374512
VOLVO	20456160
VOLVO	20531989
VOLVO	20582213
GRANNING	93912

CROSS REFERENCES

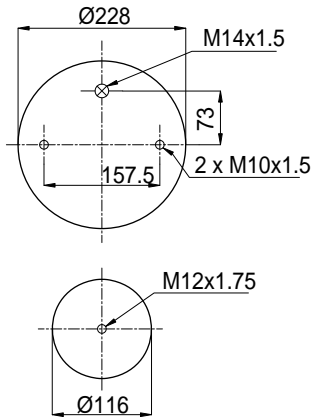
CONTITECH	6420 (82212 N)
-----------	----------------

RML 77315

cross section view



top view / bottom view



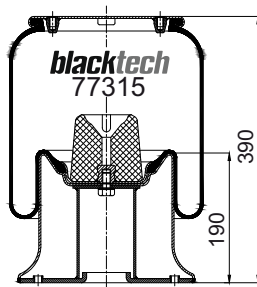
OEM PART NUMBER

CROSS REFERENCES

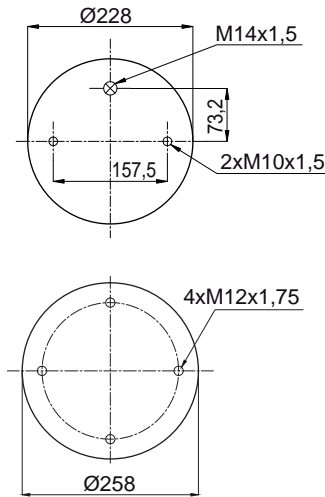
FIRESTONE STYLE	1T15 S-11
FIRESTONE ORDER	W01 M58 7315

RML 77315 C

cross section view



top view / bottom view



OEM PART NUMBER

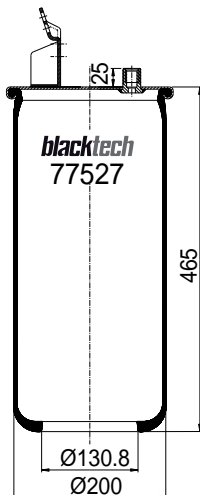
SCANIA (SERIE 4)	1314904
ROR MERITOR	MLF 7033
GRANNING	15601

CROSS REFERENCES

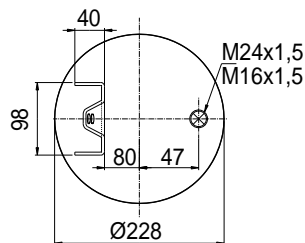
FIRESTONE STYLE	1T15 S-11
FIRESTONE ORDER	W01 M58 7315

RML 77527

cross section view



top view / bottom view



OEM PART NUMBER

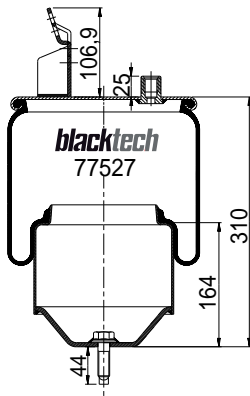
VOLVO	1076416

CROSS REFERENCES

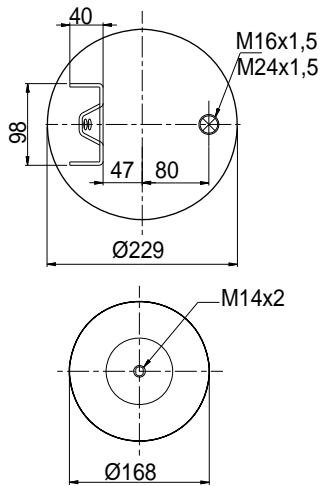
CONTITECH	6608 N P01 (without piston)

RML 77527 C

cross section view



top view / bottom view



OEM PART NUMBER

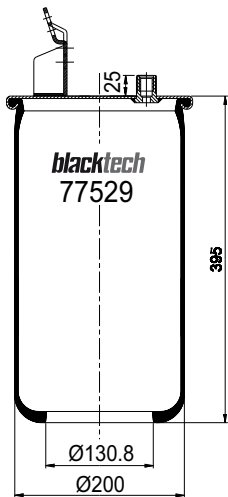
VOLVO	20 582 215
VOLVO	1076416
VOLVO	20456152
VOLVO	20374510
VOLVO	20531985
GRANNING	92500
ROR MERITOR	MLF 7051
ROR MERITOR	MLF 7152

CROSS REFERENCES

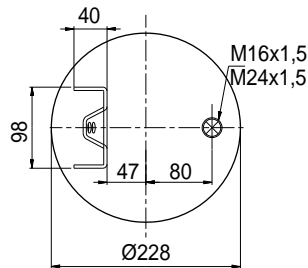
CONTITECH	6608 N P01
GOODYEAR	1R10-704 / 705
SPRINGRIDE	D10B01

RML 77529

cross section view



top view / bottom view



OEM PART NUMBER

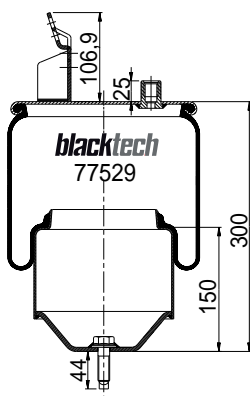
VOLVO	1076418

CROSS REFERENCES

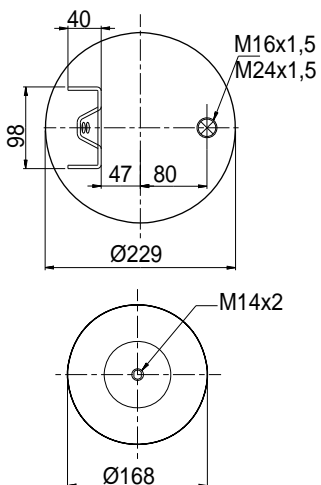
CONTITECH	6607 N P01 (without piston)

RML 77529 C

cross section view



top view / bottom view



OEM PART NUMBER

VOLVO	20 582 214
VOLVO	31711695
VOLVO	20374511
VOLVO	20456156
VOLVO	20531987
VOLVO	20582214
GRANNING	93911
ROR MERITOR	MLF 7170

CROSS REFERENCES

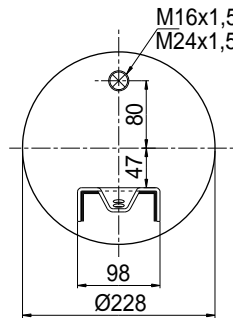
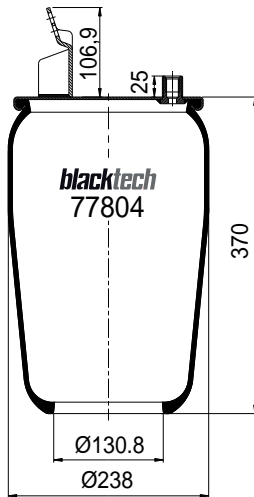
CONTITECH	6607 N P01

● Bolt or stud ○ Threaded hole ⊗ Combinations stud ⊗ Air inlet

RML 77804

cross section view

top view / bottom view



OEM PART NUMBER

VOLVO	20427804
-------	----------

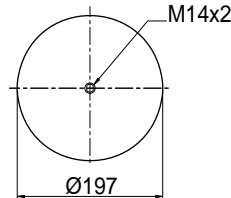
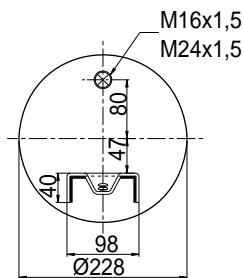
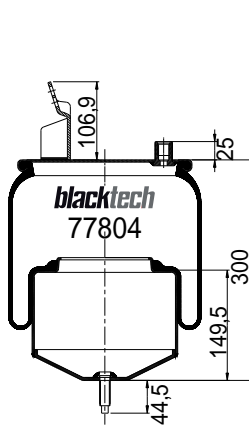
CROSS REFERENCES

CONTITECH	7804 N
-----------	--------

RML 77804 C

cross section view

top view / bottom view



OEM PART NUMBER

VOLVO	20 582 209/20531986/ 20456154/20427801 20427804
GRANNING	93910

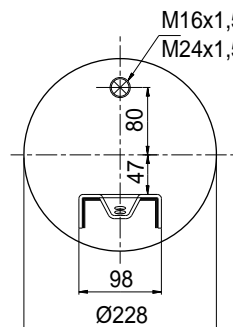
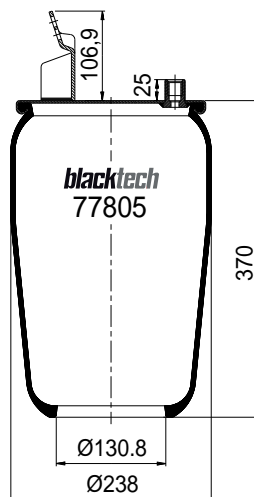
CROSS REFERENCES

CONTITECH	6606 N P01
-----------	------------

RML 77805

cross section view

top view / bottom view



OEM PART NUMBER

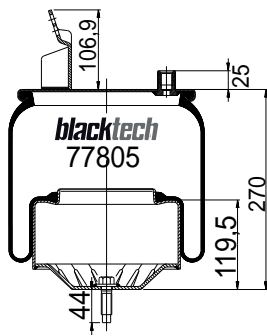
VOLVO	20427805
-------	----------

CROSS REFERENCES

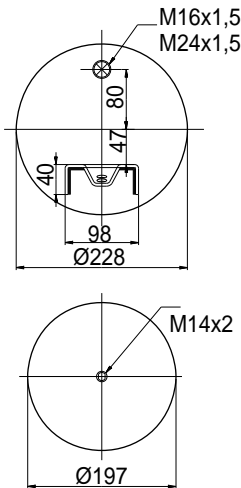
CONTITECH	7805 N
-----------	--------

RML 77805 C

cross section view



top view / bottom view



OEM PART NUMBER

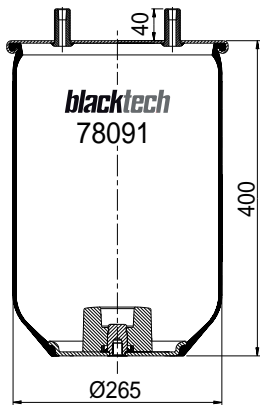
VOLVO	20427805
VOLVO	20427802
VOLVO	20456158
VOLVO	20582212
GRANNING	93915

CROSS REFERENCES

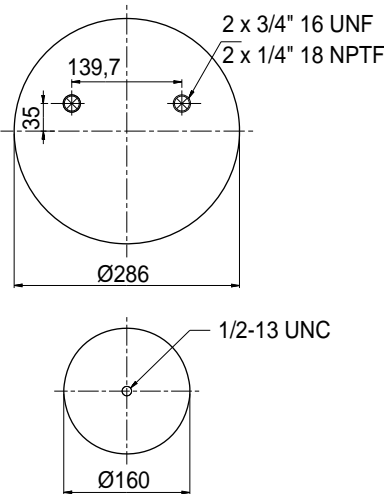
CONTITECH	7805 N
-----------	--------

RML 78091

cross section view



top view / bottom view



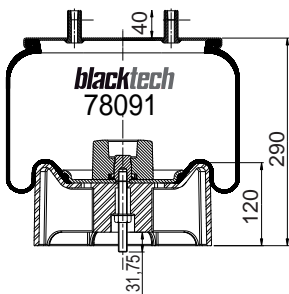
OEM PART NUMBER

CROSS REFERENCES

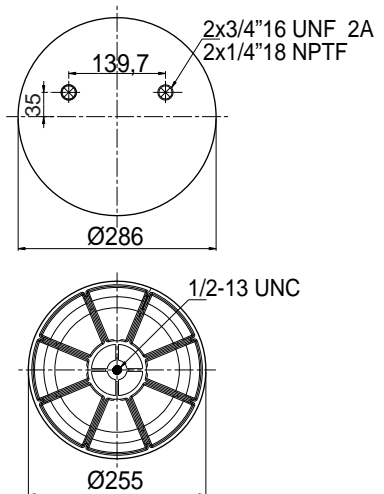
FIRESTONE STYLE	1T 19 FC-6 / 1T19 LC-6
FIRESTONE ORDER	W01 358 8091

RML 78091 CP

cross section view



top view / bottom view



OEM PART NUMBER

HENDRICKSON	S 20901
HENDRICKSON	S 21784

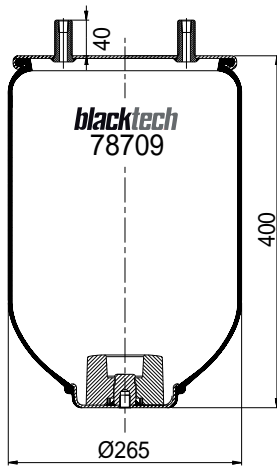
CROSS REFERENCES

FIRESTONE STYLE	1T 19 FC-6 / 1T19 LC-6
FIRESTONE ORDER	W01 358 8091
GOODYEAR	1R14 171

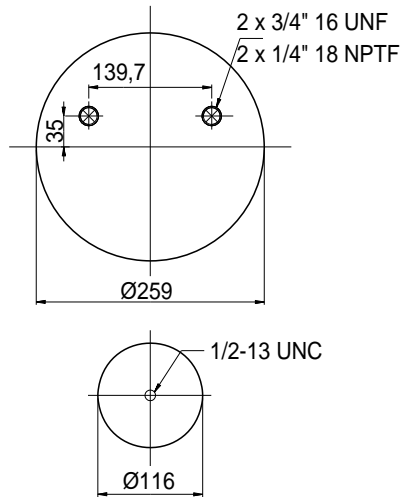
● Bolt or stud ○ Threaded hole ⊗ Combinations stud ⊗ Air inlet

RML 78709

cross section view



top view / bottom view



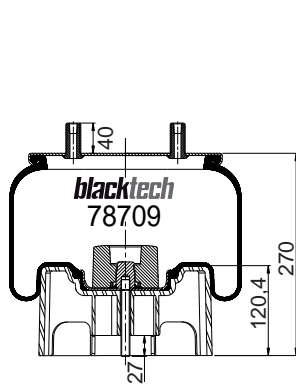
OEM PART NUMBER

CROSS REFERENCES

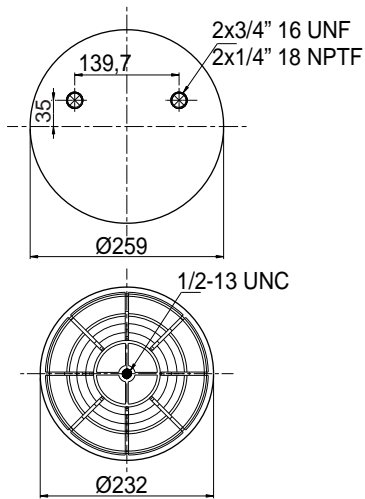
FIRESTONE STYLE	1T17 CA-5
FIRESTONE ORDER	W01 358 8709

RML 78709 CP

cross section view



top view / bottom view



OEM PART NUMBER

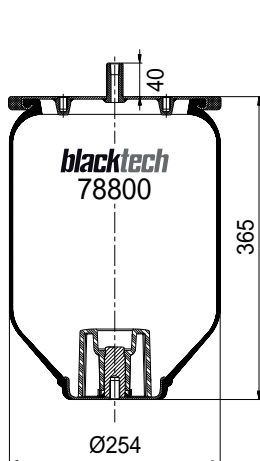
HENDRICKSON	S 21800

CROSS REFERENCES

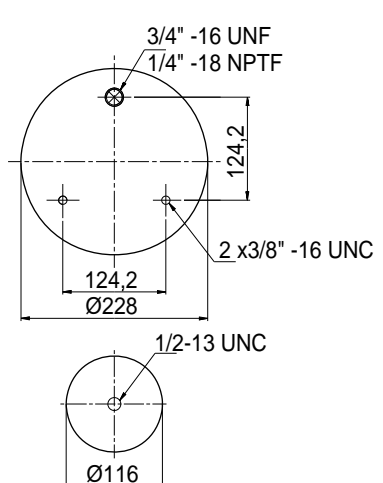
FIRESTONE STYLE	1T17 CA-5
FIRESTONE ORDER	W01 358 8709
GOODYEAR	1R13 159

RML 78800

cross section view



top view / bottom view



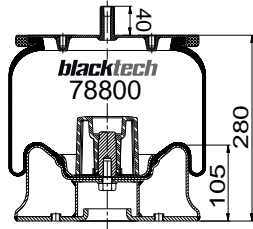
OEM PART NUMBER

CROSS REFERENCES

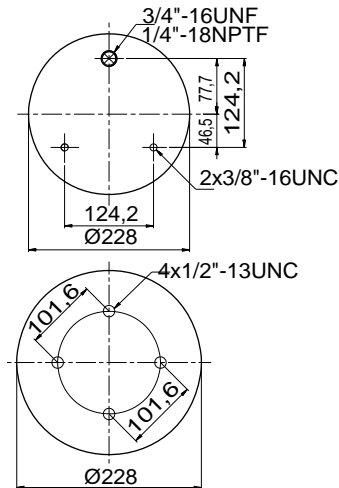
FIRESTONE STYLE	1T15 VP 4
FIRESTONE ORDER	W01 358 8800

RML 78800 C

cross section view



top view / bottom view



OEM PART NUMBER

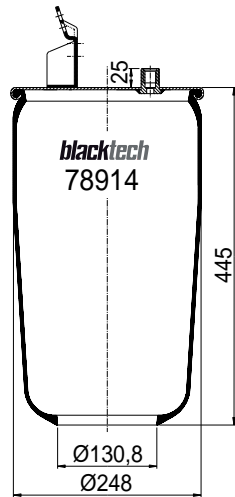
HENDRICKSON	S 21208
-------------	---------

CROSS REFERENCES

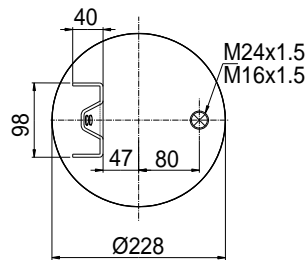
FIRESTONE STYLE	1T15 VP 4
FIRESTONE ORDER	W01 358 9579

RML 78914

cross section view



top view / bottom view



OEM PART NUMBER

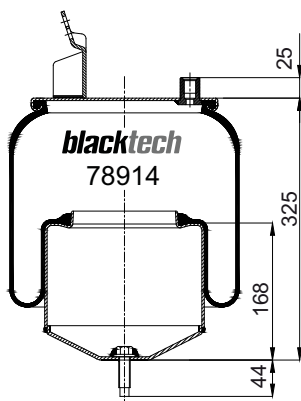
VOLVO	20 427 803
VOLVO	20456150
GRANNING	93901

CROSS REFERENCES

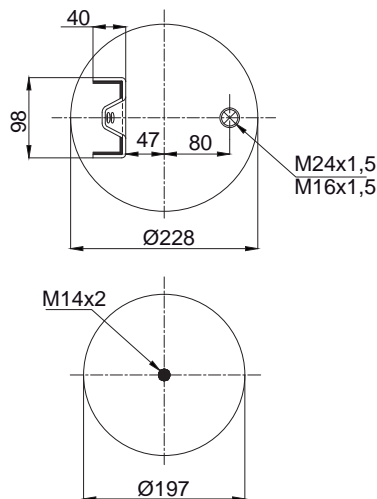
CONTITECH	7803 N
-----------	--------

RML 78914 C

cross section view



top view / bottom view



OEM PART NUMBER

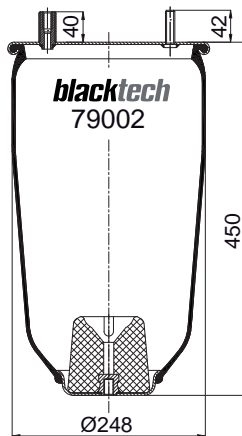
VOLVO	20 582 206
VOLVO	20456150
VOLVO	20531984
GRANNING	93914

CROSS REFERENCES

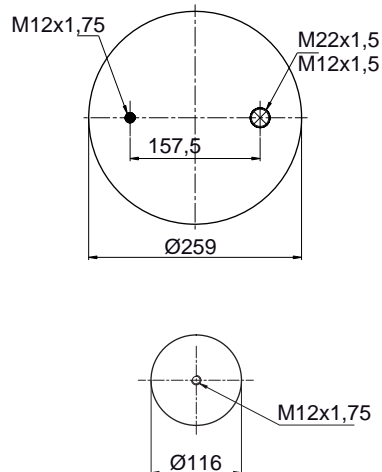
CONTITECH	6605 NP01
-----------	-----------

RML 79002 A3

cross section view



top view / bottom view



OEM PART NUMBER

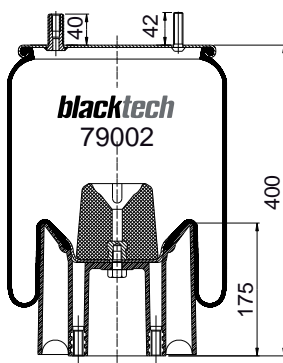
R.O.R MERITOR	21222442
---------------	----------

CROSS REFERENCES

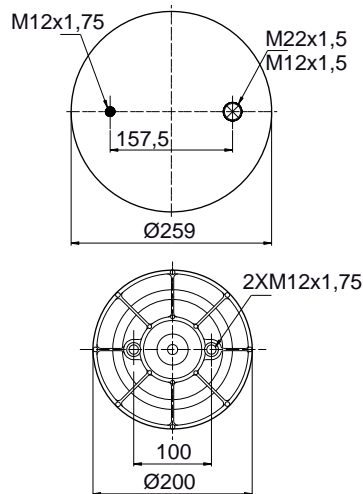
CONTITECH	4157 NP05
FIRESTONE STYLE	1T15 MPW7
FIRESTONE ORDER	W01 M58 7074
PHOENIX	1 DK 21 A-3
DUNLOP F (SPRINGRIDE)	D12 B17
GOODYEAR	1R11 106
CF GOMMA	1TC 300 - 38

RML 79002 A3 CP

cross section view



top view / bottom view



OEM PART NUMBER

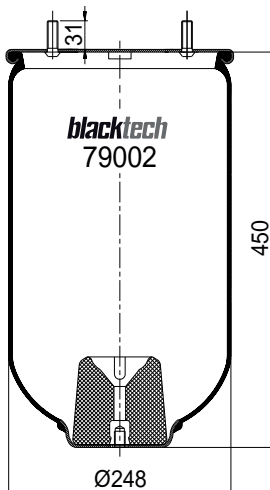
R.O.R MERITOR	21222442
WEWELER	USO7074
GRANNING	15732

CROSS REFERENCES

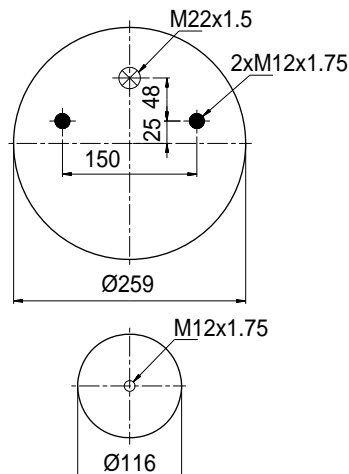
CONTITECH	4157 N P09
FIRESTONE STYLE	1T15MPW-7
FIRESTONE ORDER	W01 M58 7074
PHOENIX	1 DK 21 A-3
DUNLOP F (SPRINGRIDE)	D12 B17
GOODYEAR	1R11-106
CF GOMMA	1T 300-38
TAURUS	KR 915 - 54
VIBRACOUSTIC	V 1 D 21 A-31

RML 79002 A8

cross section view



top view / bottom view



OEM PART NUMBER

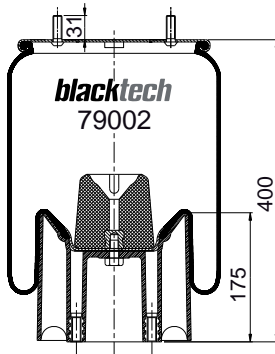
R.O.R MERITOR	21221307
---------------	----------

CROSS REFERENCES

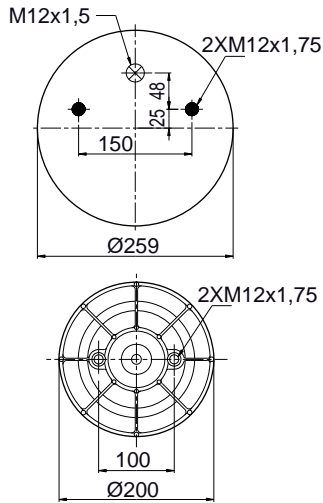
CONTITECH	4157 NP04
FIRESTONE STYLE	1T15 MPW7
FIRESTONE ORDER	W01 M58 6297
PHOENIX	1 DK 21 A/4
DUNLOP F (SPRINGRIDE)	D12 B18
GOODYEAR	1R11 111
TAURUS	KR 915 - 54

RML 79002 A8 CP

cross section view



top view / bottom view



OEM PART NUMBER

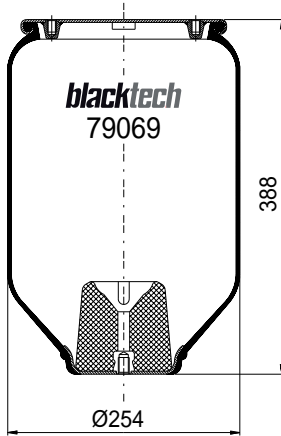
ROR - MERITOR	2122 1307
WEWELER	US87 EURO F
GRANNING	15731

CROSS REFERENCES

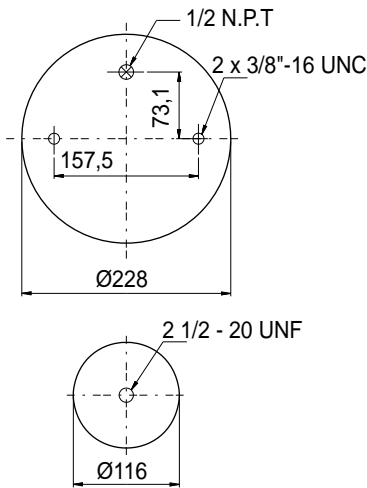
CONTITECH	4157 N P04
FIRESTONE STYLE	1T15MPW-7
FIRESTONE ORDER	W01 M58 6297
PHOENIX	1DK 21 A8 / A4
DUNLOP F (SPRINGRIDE)	D12 B18
GOODYEAR	1R11- 111
TAURUS	KP 915 - 53 NW
VIBRACOUSTIC	V 1D 21 A-4

RML 79069

cross section view



top view / bottom view



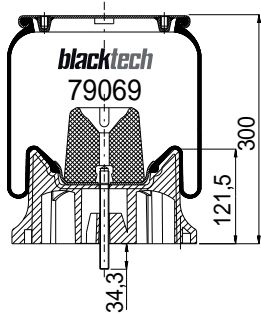
OEM PART NUMBER

CROSS REFERENCES

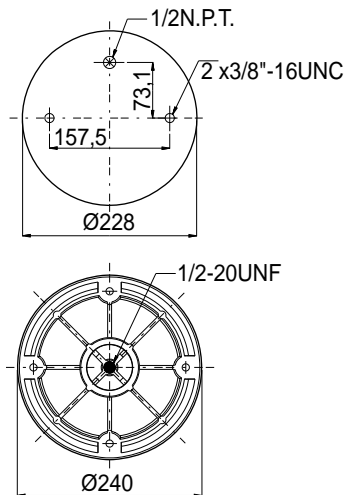
FIRESTONE STYLE	1T15 M-4
FIRESTONE ORDER	W01 358 9069
GOODYEAR	1R12 069
TAURUS	KR 504

RML 79069 CP

cross section view



top view / bottom view



OEM PART NUMBER

FODEN	3100248000
GRANNING	15747

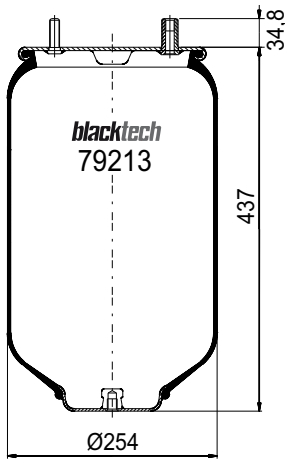
CROSS REFERENCES

CONTITECH	9 10 - 14P 312
FIRESTONE STYLE	1T15 M-4
FIRESTONE ORDER	W01 358 9069
GOODYEAR	1R12 069 / 1R12 669
TAURUS	KR 504-9069

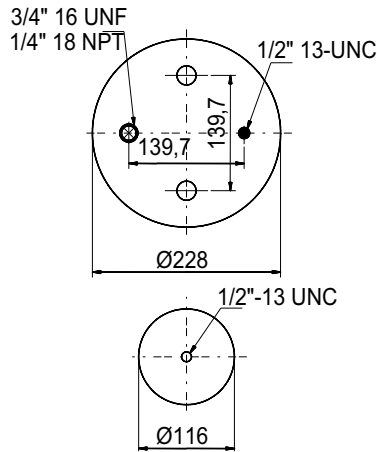
● Bolt or stud ○ Threaded hole ⊗ Combinations stud ⊗ Air inlet

RML 79213

cross section view



top view / bottom view



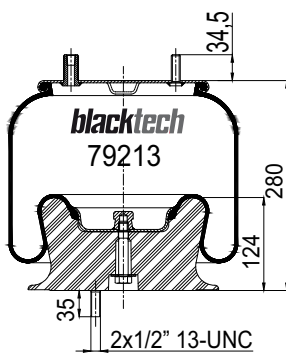
OEM PART NUMBER

CROSS REFERENCES

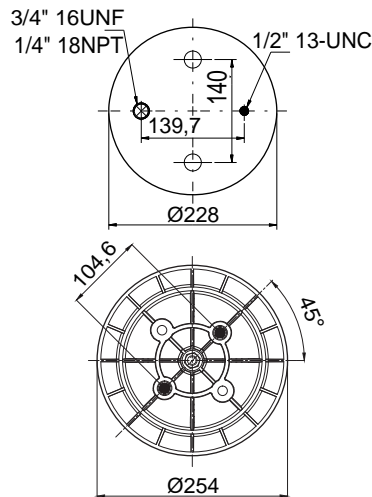
FIRESTONE STYLE	1T15 M6
FIRESTONE ORDER	W01 358 9213

RML 79213 C

cross section view



top view / bottom view



OEM PART NUMBER

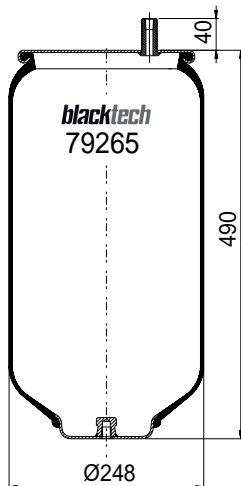
DAYTON	352 - 9213
NAVISTAR	1660581 C-1
NAVISTAR	501559 C-1
NAVISTAR	501559 C-2

CROSS REFERENCES

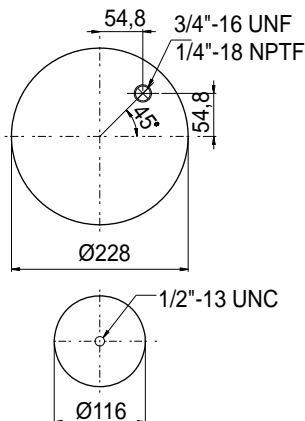
FIRESTONE STYLE	1T15 M6
FIRESTONE ORDER	W01 358 9213
CONTITECH	9 10 - 16P 441
GOODYEAR	1R12 090

RML 79265

cross section view



top view / bottom view



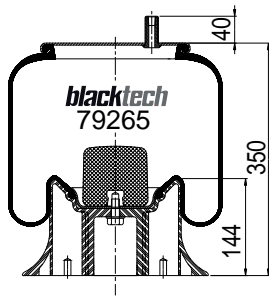
OEM PART NUMBER

CROSS REFERENCES

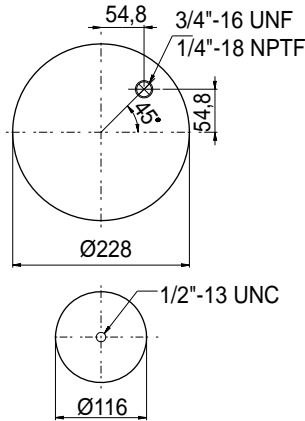
FIRESTONE STYLE	1T15 MW -10
FIRESTONE ORDER	W01 358 9265

RML 79265 C

cross section view



top view / bottom view



OEM PART NUMBER

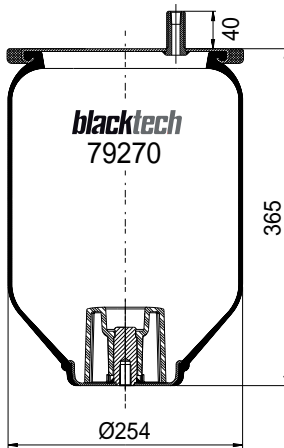
HENDRICKSON	C20413
HENDRICKSON	S20124

CROSS REFERENCES

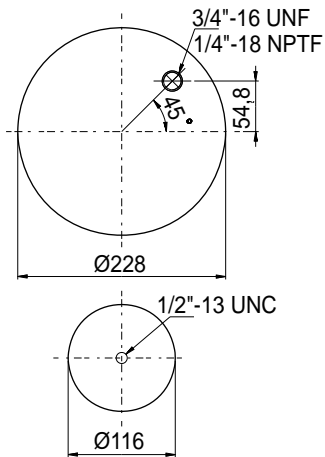
FIRESTONE STYLE	1T15 MW -10
FIRESTONE ORDER	W01 358 9265
CONTITECH	9 10 19P - 435
GOODYEAR	1R12 375

RML 79270

cross section view



top view / bottom view



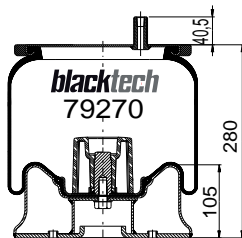
OEM PART NUMBER

CROSS REFERENCES

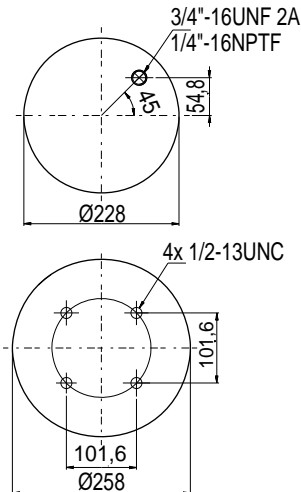
FIRESTONE STYLE	1T15 VP -4
FIRESTONE ORDER	W01 358 9270

RML 79270 C

cross section view



top view / bottom view



OEM PART NUMBER

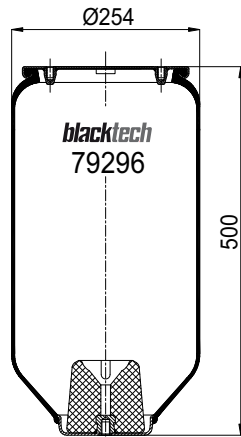
HENDRICKSON	S 20010
ROR MERITOR	MLF 7079
GRANNING	15994

CROSS REFERENCES

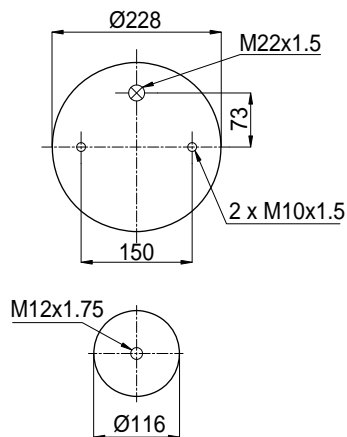
FIRESTONE STYLE	1T15 VP -4
FIRESTONE ORDER	W01 358 9270
CONTITECH	9 10 13.5 -S433
GOODYEAR	1R13 119/1R13 102/1R13 077
TAURUS	KR 501-01

RML 79296

cross section view



top view / bottom view



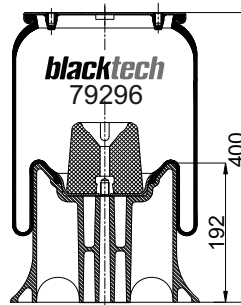
OEM PART NUMBER

OEM PART NUMBER	

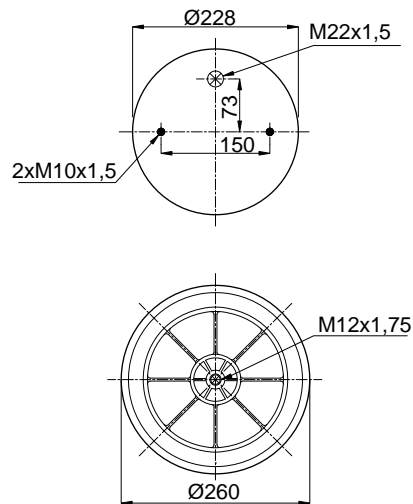
CROSS REFERENCES	
FIRESTONE STYLE	1T15 MP 9
FIRESTONE ORDER	W01 M58 6257
PHOENIX	1DK 20 B-1
DUNLOP	D12 U23
GOODYEAR	1R12 748

RML 79296 CP

cross section view



top view / bottom view



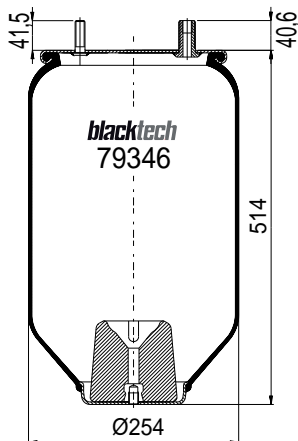
OEM PART NUMBER

OEM PART NUMBER	
WEWELER	USO6285F

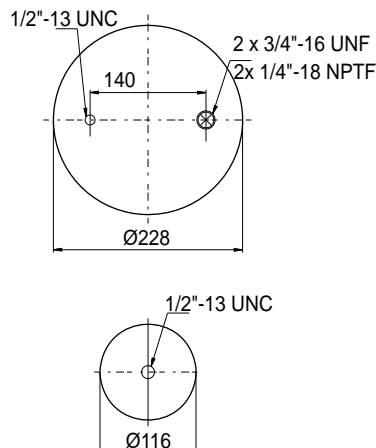
CROSS REFERENCES	
FIRESTONE STYLE	1T15 MP 9
FIRESTONE ORDER	W01 M58 8185
PHOENIX	1DK 20 B-1
DUNLOP	D12 B22
GOODYEAR	1R12 749

RML 79346

cross section view



top view / bottom view



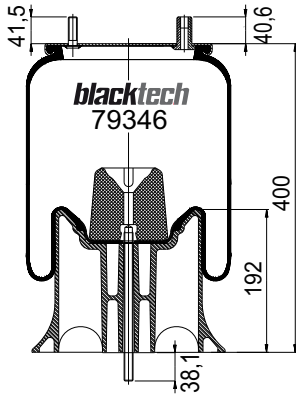
OEM PART NUMBER

OEM PART NUMBER	

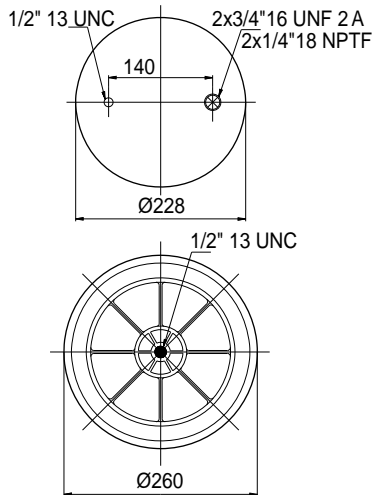
CROSS REFERENCES	
FIRESTONE STYLE	1T15 M9
FIRESTONE ORDER	W01 358 9346

RML 79346 CP

cross section view



top view / bottom view



OEM PART NUMBER

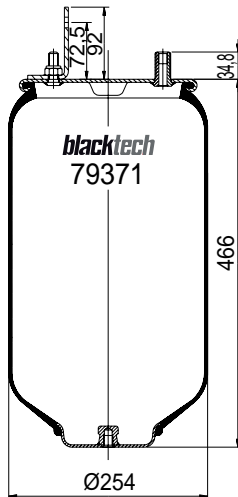
HENDRICKSON	S9346
NEWAY (HOLLAND)	90557126
WATSON CHALIN	AS 0053

CROSS REFERENCES

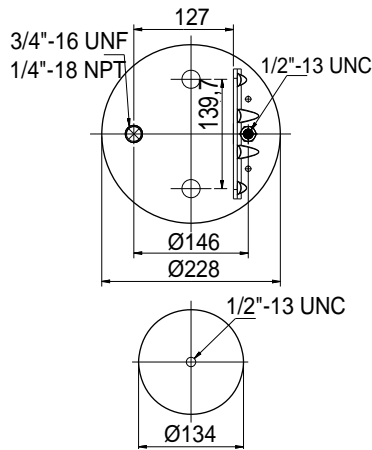
FIRESTONE STYLE	1T15 M9
FIRESTONE ORDER	W01 358 9346
GOODYEAR	1R12 439

RML 79371

cross section view



top view / bottom view



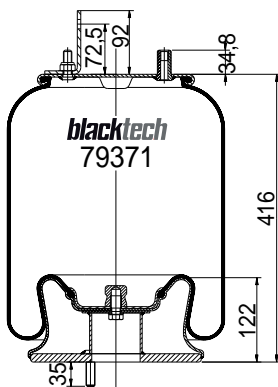
OEM PART NUMBER

CROSS REFERENCES

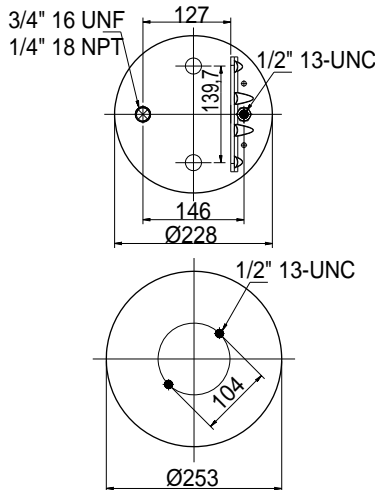
FIRESTONE STYLE	1T15 MT 8
FIRESTONE ORDER	W01 358 9371

RML 79371 C

cross section view



top view / bottom view



OEM PART NUMBER

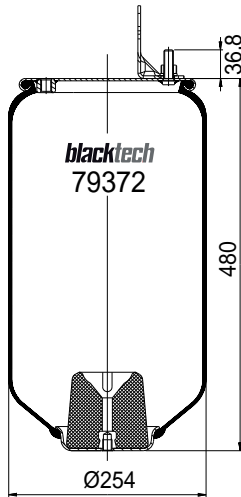
NAVISTAR	1670073 C-1
NAVISTAR	1686386 C-1
NAVISTAR	2027911 C-1 C-2
GRANNING	16028

CROSS REFERENCES

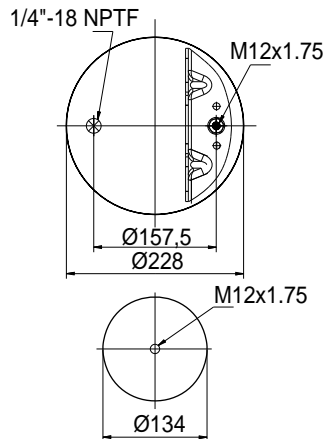
FIRESTONE STYLE	1T15 MT 8
FIRESTONE ORDER	W01 358 9371
CONTITECH	9 10 - 17,5 P 521
GOODYEAR	1R12 401 / 1S 12 -244

RML 79372

cross section view



top view / bottom view



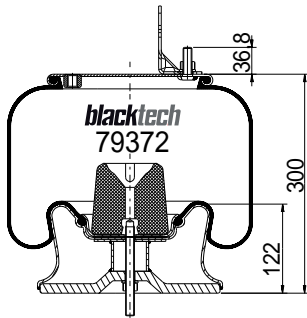
OEM PART NUMBER

CROSS REFERENCES

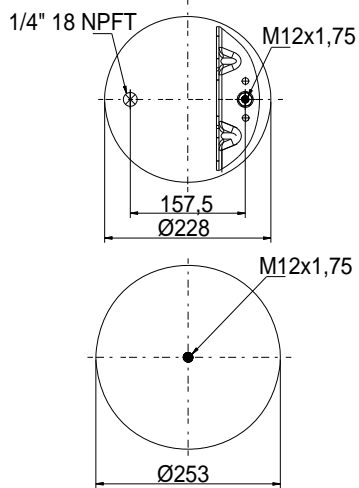
FIRESTONE STYLE	1T15 M8
FIRESTONE ORDER	W01 M58 9372

RML 79372 C

cross section view



top view / bottom view



OEM PART NUMBER

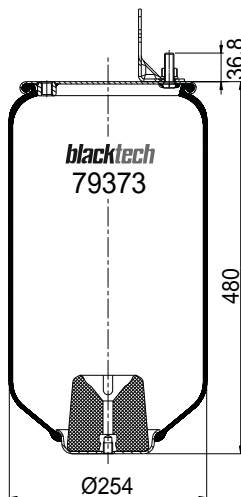
HENDRICKSON (NISSAN)	58520-2
HENDRICKSON (TRUCK)	64489-2

CROSS REFERENCES

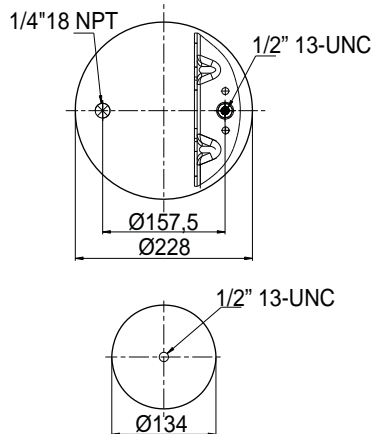
FIRESTONE STYLE	1T15 M8
FIRESTONE ORDER	W01 M58 9372

RML 79373

cross section view



top view / bottom view



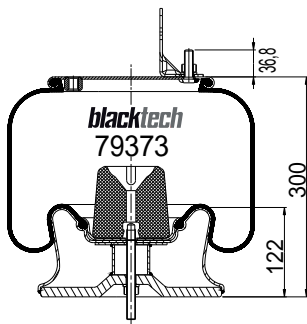
OEM PART NUMBER

CROSS REFERENCES

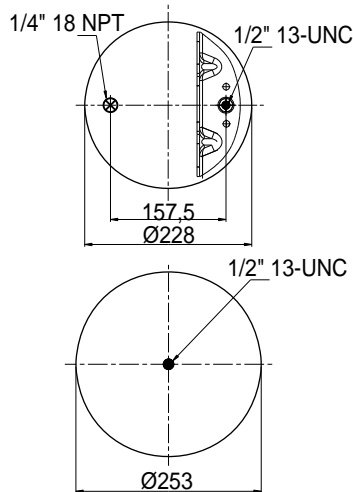
FIRESTONE STYLE	1T15 MT 8
FIRESTONE ORDER	W01 M58 9373

RML 79373 C

cross section view



top view / bottom view



OEM PART NUMBER

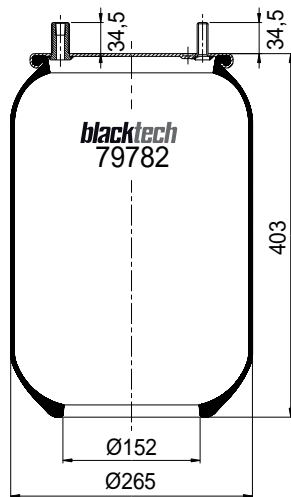
HENDRICKSON ford class 8	57122-2
GRANNING	16013
ERF	129608-5

CROSS REFERENCES

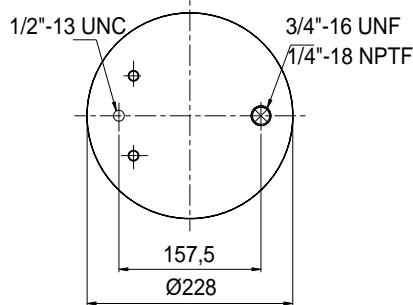
FIRESTONE STYLE	1T15 MT 8
FIRESTONE ORDER	W01 M58 9373
CONTITECH	9 10-17,5 P440 / P 519
GOODYEAR	1R12 403 / 1S 12 -030

RML 79782

cross section view



top view / bottom view



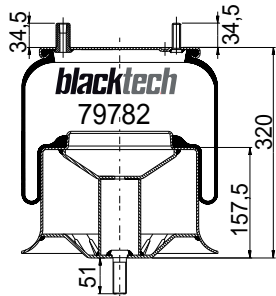
OEM PART NUMBER

CROSS REFERENCES

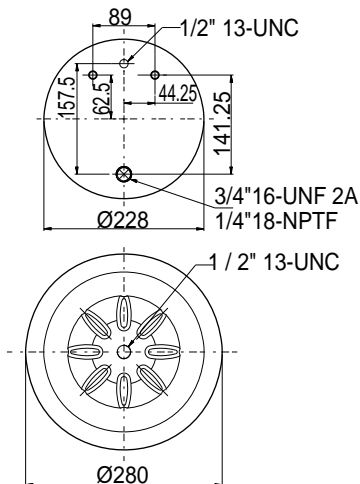
FIRESTONE STYLE	1T15 ZR-6
FIRESTONE ORDER	W01 358 9782

RML 79782 C

cross section view



top view / bottom view



OEM PART NUMBER

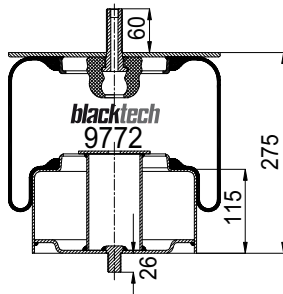
CROSS REFERENCES

FIRESTONE STYLE	1T15 ZR-6
FIRESTONE ORDER	W01 358 9782

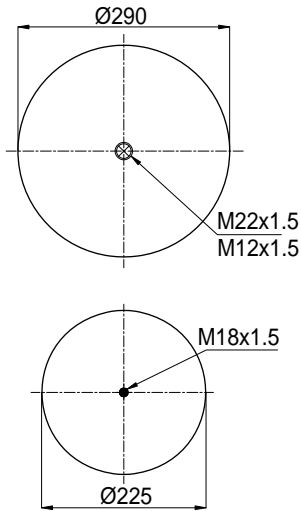
● Bolt or stud ○ Threaded hole ⊗ Combinations stud ⊗ Air inlet

RML 9772 C1

cross section view



top view / bottom view



OEM PART NUMBER

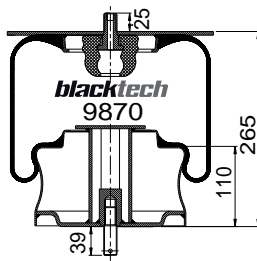
IRIS	5.010.073.846
GRANNING	91303

CROSS REFERENCES

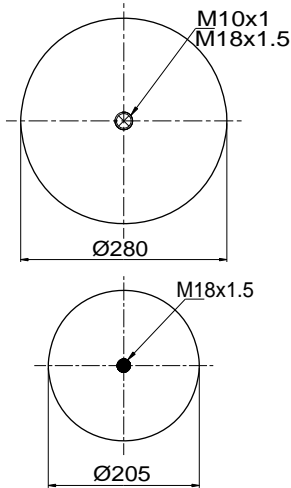
CONTITECH	661 N P01
-----------	-----------

RML 9870 C

cross section view



top view / bottom view



OEM PART NUMBER

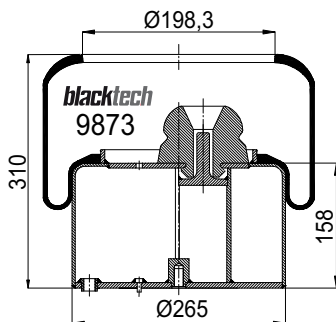
RENAULT V.I	5000786640
RENAULT V.I	5000805999
OTOKAR BUS	

CROSS REFERENCES

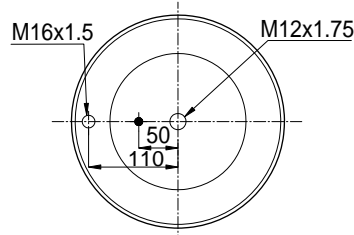
CONTITECH	769 MB
-----------	--------

RML 9873 C

cross section view



top view / bottom view



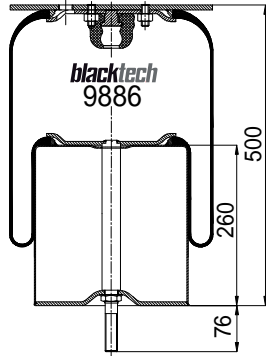
OEM PART NUMBER

VOITH

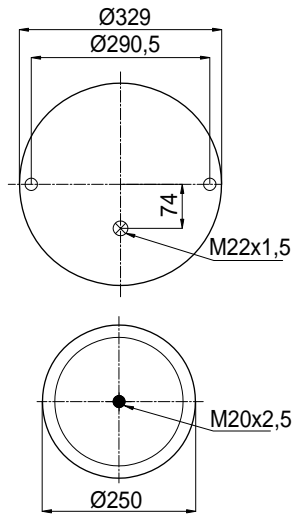
CROSS REFERENCES

RML 9886 C

cross section view



top view / bottom view

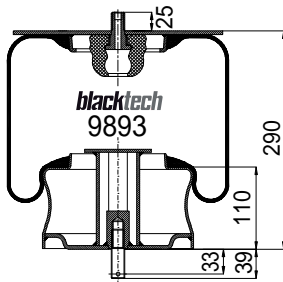


OEM PART NUMBER

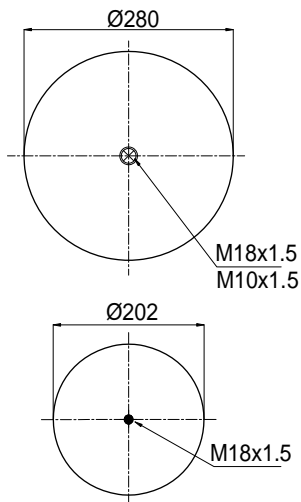
CROSS REFERENCES

RML 9893 C3

cross section view



top view / bottom view



OEM PART NUMBER

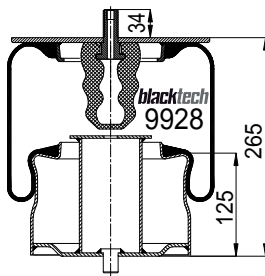
ZF ZAHNRADFABRIK	0501 210 851
IRIS BUS	5,010,190,888
GRANNING	16209

CROSS REFERENCES

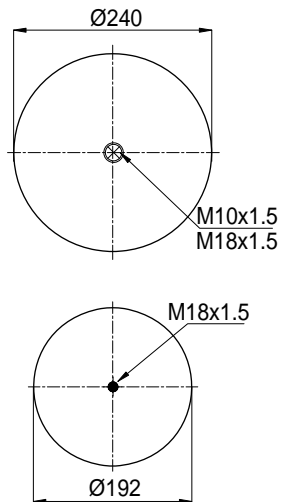
CONTITECH	782 MB-3

RML 9928 C

cross section view



top view / bottom view



OEM PART NUMBER

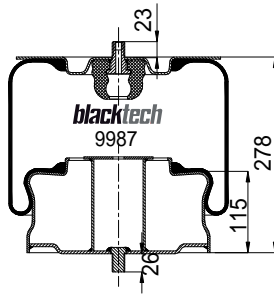
RENAULT RVI	5.810.111.355
RENAULT RVI	5.000.786.641
GRANNING	91700

CROSS REFERENCES

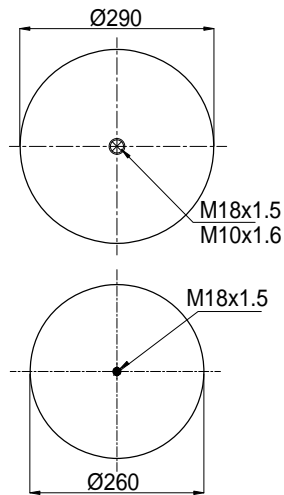
CONTITECH	817 MB

RML 9987 C

cross section view



top view / bottom view



OEM PART NUMBER

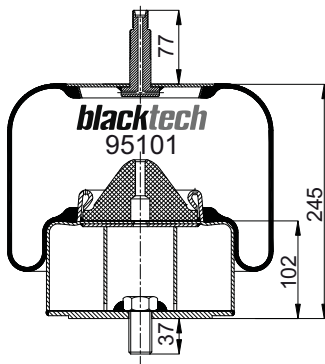
RENAULT V.I	5.000.738.516
RENAULT V.I	5.000.640.399
IRIS BUS	5.010.073.847
GRANNING	16204

CROSS REFERENCES

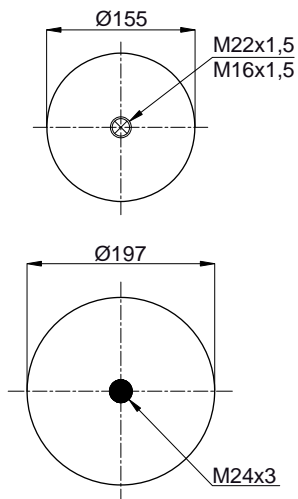
CONTITECH	876 MB
-----------	--------

RML 95101 C

cross section view



top view / bottom view



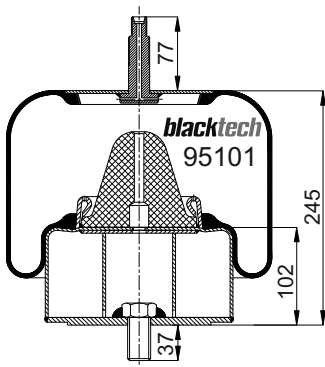
OEM PART NUMBER

BMC BUS

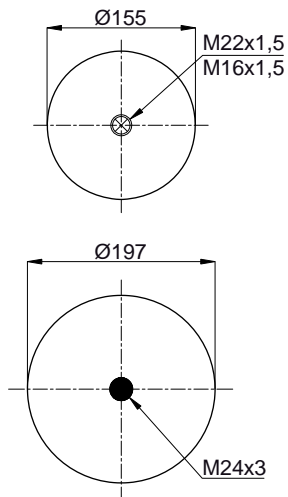
CROSS REFERENCES

RML 95101 C2

cross section view



top view / bottom view



OEM PART NUMBER

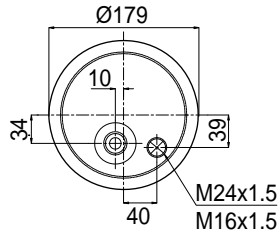
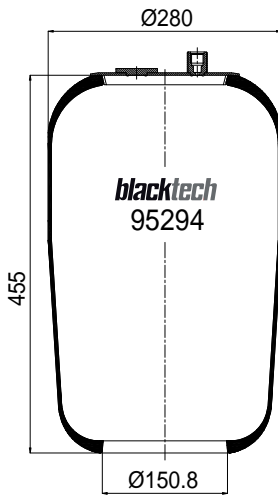
BMC BUS

CROSS REFERENCES

RML 95294-1

cross section view

top view / bottom view



OEM PART NUMBER

MB	A 942 320 22 21

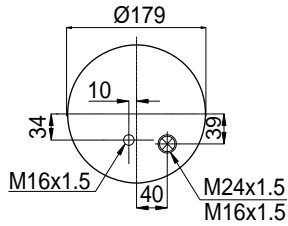
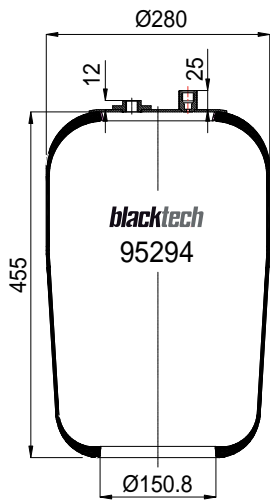
CROSS REFERENCES

CONTITECH	4183 N2

RML 95294-2

cross section view

top view / bottom view



OEM PART NUMBER

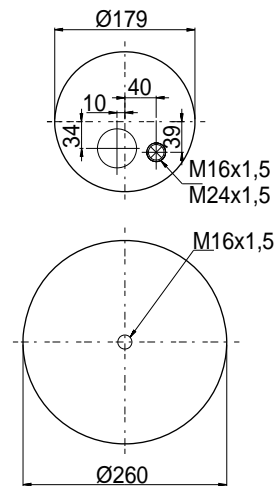
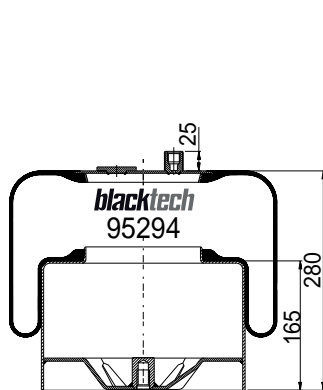
CROSS REFERENCES

CONTITECH	4183 N1

RML 95294 C23

cross section view

top view / bottom view



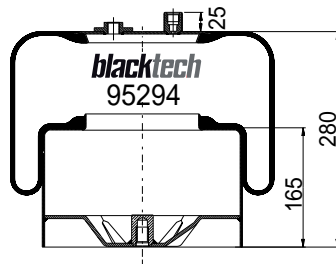
OEM PART NUMBER

MB	A 942 320 22 21
MB	A 942 320 13 21
GRANNING	93918

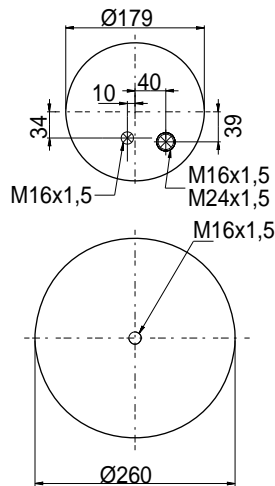
● Bolt or stud ○ Threaded hole ⊗ Combinations stud ⊗ Air inlet

RML 95294-C24

cross section view



top view / bottom view



OEM PART NUMBER

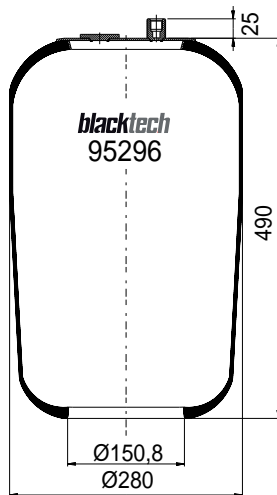
MB	A 942 320 51 21
MB	A 942 320 23 21

CROSS REFERENCES

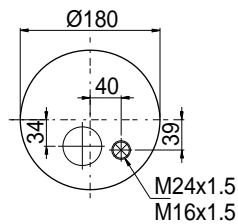
CONTITECH	4183 N P24
-----------	------------

RML 95296

cross section view



top view / bottom view



OEM PART NUMBER

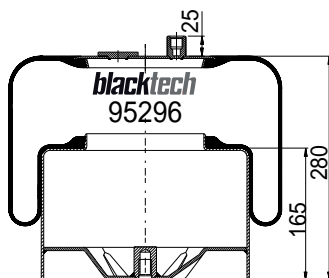
MB	A 974 328 02 01
GRANNING	93902

CROSS REFERENCES

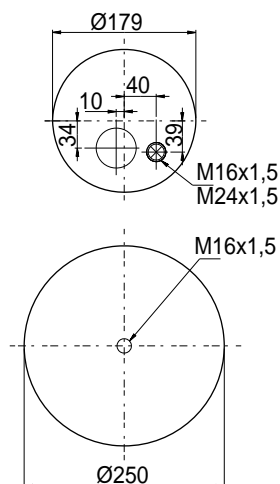
CONTITECH	4185 N
-----------	--------

RML 95296 C1

cross section view



top view / bottom view



OEM PART NUMBER

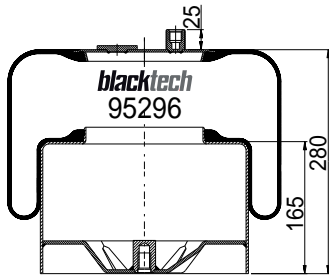
MB	A 974 320 00 21
GRANNING	93903

CROSS REFERENCES

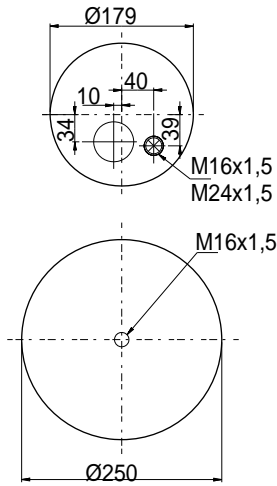
CONTITECH	4185 N P01
-----------	------------

RML 95296 C21

cross section view



top view / bottom view



OEM PART NUMBER

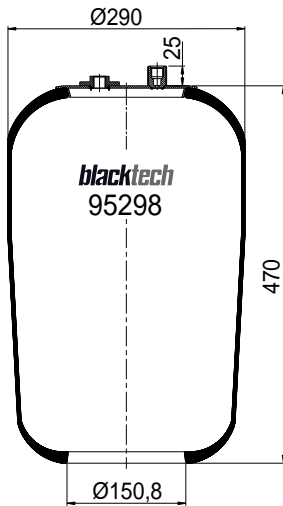
MB	A 974 328 30 21

CROSS REFERENCES

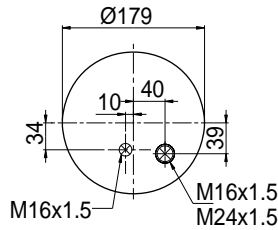
CONTITECH	4185 N P21

RML 95298-1

cross section view



top view / bottom view



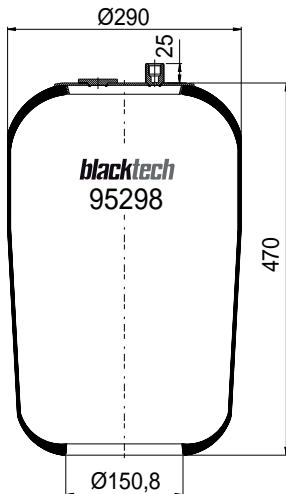
OEM PART NUMBER

CROSS REFERENCES

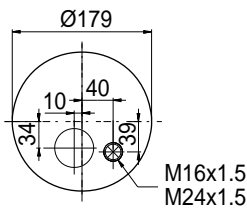
CONTITECH	4187 N1

RML 95298-2

cross section view



top view / bottom view



OEM PART NUMBER

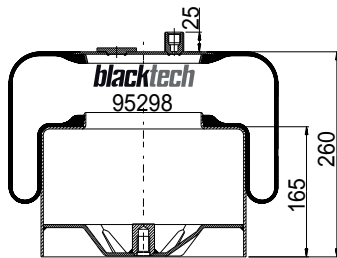
CROSS REFERENCES

CONTITECH	4187 N2

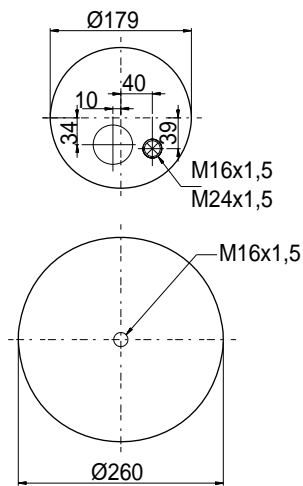
● Bolt or stud ○ Threaded hole ⊗ Combinations stud ⊗ Air inlet

RML 95298 C1

cross section view



top view / bottom view



OEM PART NUMBER

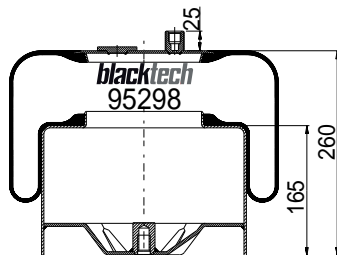
MB	A 942 320 18 21
----	-----------------

CROSS REFERENCES

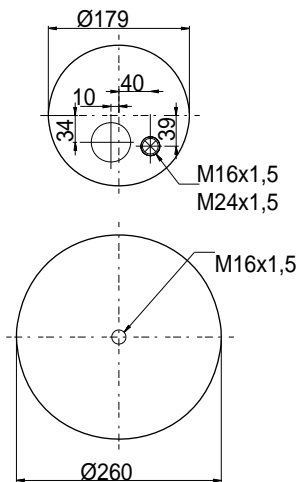
CONTITECH	4187 N P01
-----------	------------

RML 95298 C21

cross section view



top view / bottom view



OEM PART NUMBER

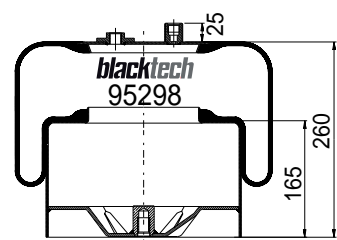
MB	A 942 320 26 21
GRANNING	93925

CROSS REFERENCES

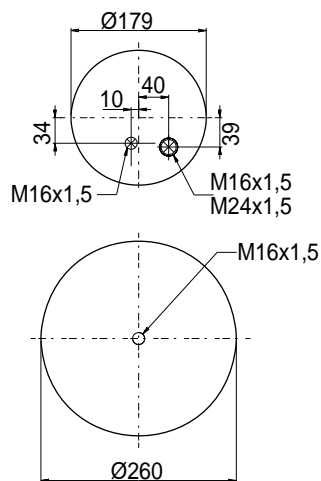
CONTITECH	4187 N P21
-----------	------------

RML 95298 C22

cross section view



top view / bottom view



OEM PART NUMBER

MB	A 942 320 27 21
----	-----------------

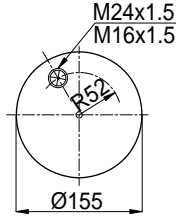
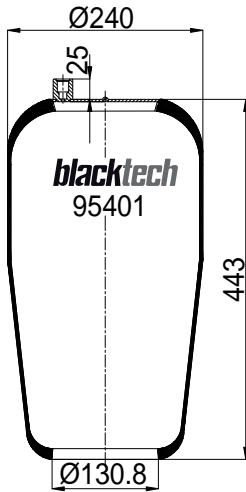
CROSS REFERENCES

CONTITECH	4187 N P22
-----------	------------

RML 95401-1

cross section view

top view / bottom view



OEM PART NUMBER

DC (serie ACTROS)	A 942 320 01 21
DC (serie ACTROS)	A 942 328 00 01
EVO BUS	A 942 327 00 01

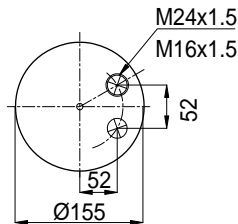
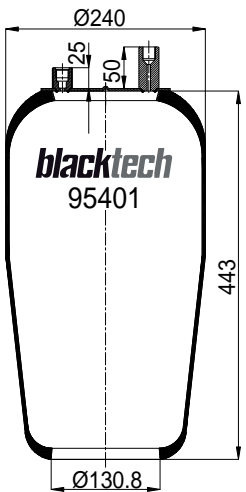
CROSS REFERENCES

CONTITECH	4390 N1
PHOENIX	1 KF 21 - 1 NP
DUNLOP F (SPRINGRIDE)	D12 U25
GOODYEAR	9507
CF GOMMA	1 VSC - 285 30

RML 95401-2

cross section view

top view / bottom view



OEM PART NUMBER

MB	A 942 328 01 01
GRANNING	93905

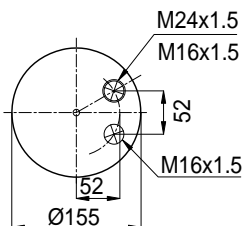
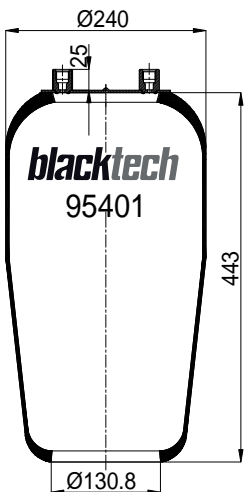
CROSS REFERENCES

CONTITECH	4390 N2
PHOENIX	1 KF 21 - 2 NP
DUNLOP F (SPRINGRIDE)	D12 U26
GOODYEAR	9508
CF GOMMA	1 VSC - 285 30

RML 95401-3

cross section view

top view / bottom view



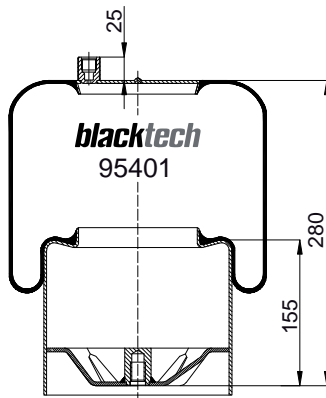
OEM PART NUMBER

CROSS REFERENCES

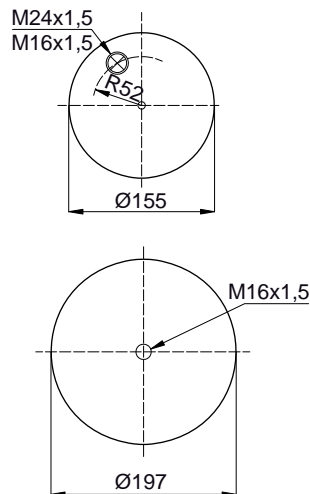
CONTITECH	4390 N P02 (without piston)

RML 95401 C1

cross section view



top view / bottom view



OEM PART NUMBER

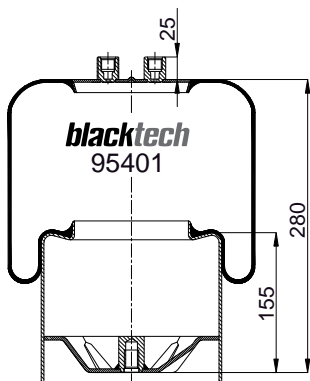
MB	A 942 320 01 21
GRANNING	15956

CROSS REFERENCES

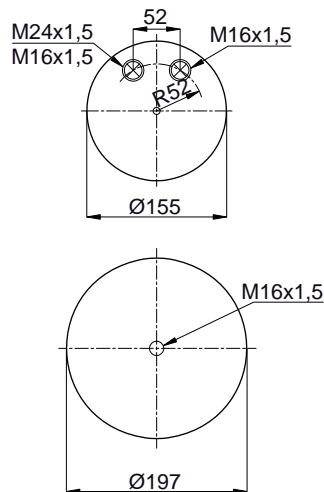
CONTITECH	4390 N P01
PHOENIX	1 KF 21 - 1
DUNLOP F (SPRINGRIDE)	D12 T10
GOODYEAR	9505

RML 95401 C2

cross section view



top view / bottom view



OEM PART NUMBER

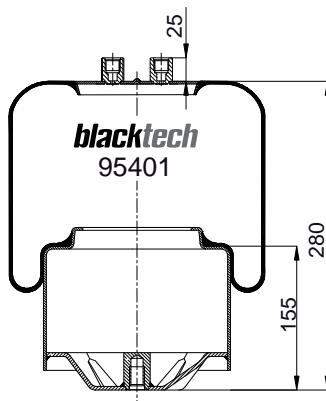
MB	A 942 320 02 21
GRANNING	15957

CROSS REFERENCES

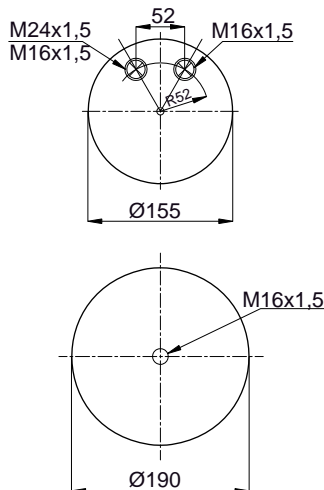
CONTITECH	4390 N P02
PHOENIX	1 KF 21 - 2
DUNLOP F (SPRINGRIDE)	D12 T11
GOODYEAR	9506

RML 95401 C3

cross section view



top view / bottom view



OEM PART NUMBER

MB	A 942 320 04 21
GRANNING	16155

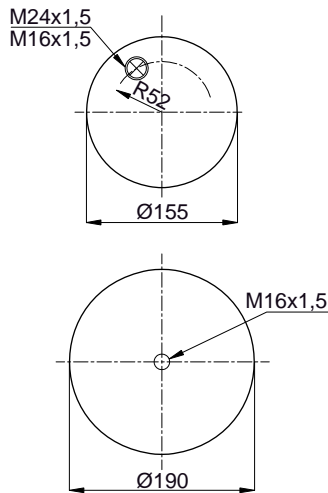
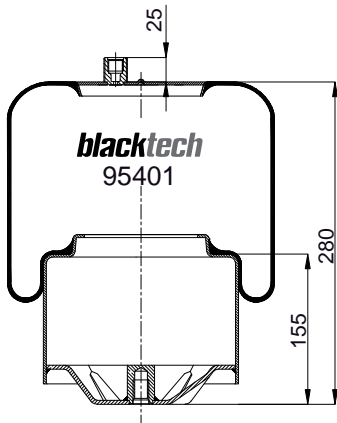
CROSS REFERENCES

CONTITECH	4390 N P03
CF GOMMA	1 VSC - 285 30 / 206783

RML 95401 C4

cross section view

top view / bottom view



OEM PART NUMBER

MB	A 942 320 03 21
GRANNING	16156

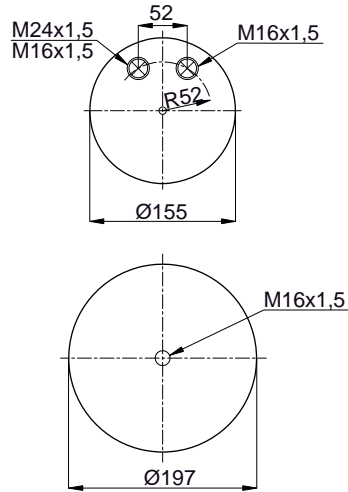
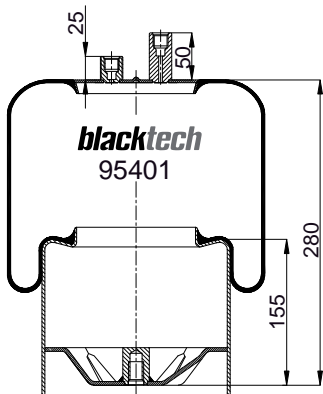
CROSS REFERENCES

CONTITECH	4390 N P04
CF GOMMA	1 VSC - 285 30 / 206781

RML 95401 C5

cross section view

top view / bottom view



OEM PART NUMBER

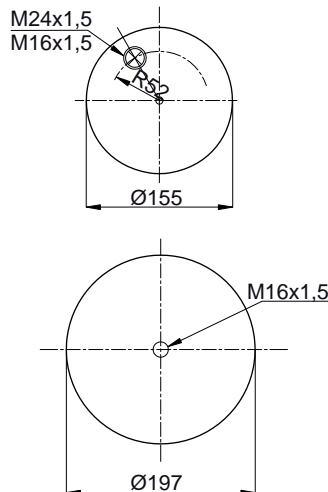
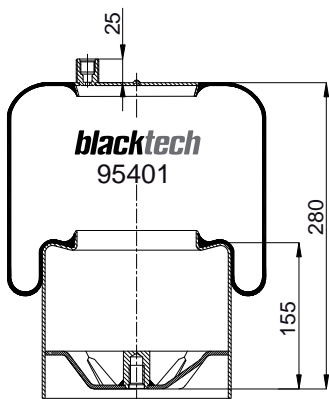
MB	A 942 320 20 21

CROSS REFERENCES

RML 95401 C21

cross section view

top view / bottom view



OEM PART NUMBER

MB	A 942 320 49 21
MB	A 942 320 28 21
GRANNING	93917

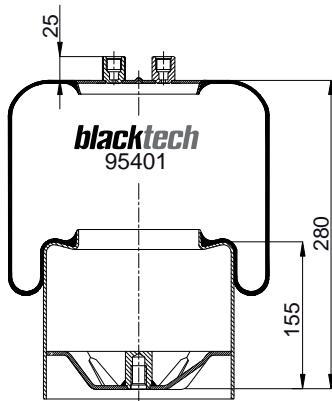
CROSS REFERENCES

CONTITECH	4390 N P21
FIRESTONE STYLE	1R7Z 440 - 290 A

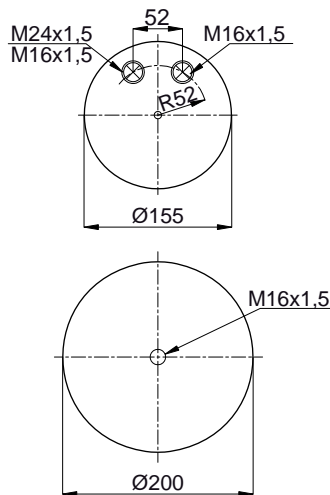
● Bolt or stud ○ Threaded hole ⊗ Combinations stud ⊗ Air inlet

RML 95401 C22

cross section view



top view / bottom view



OEM PART NUMBER

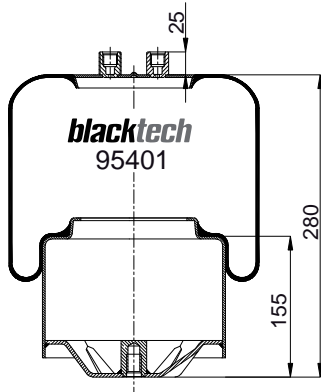
MB	A 942 320 29 21
MB	A 942 320 50 21
GRANNING	93916

CROSS REFERENCES

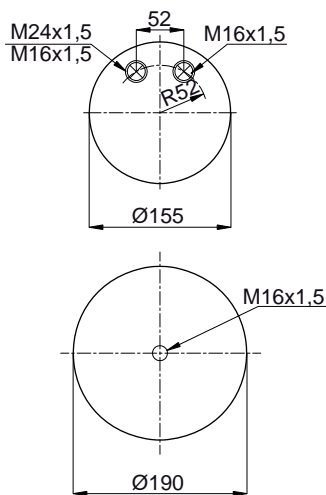
CONTITECH	4390 N P22
FIRESTONE STYLE	1R7Z 440 - 290 B

RML 95401 C23

cross section view



top view / bottom view



OEM PART NUMBER

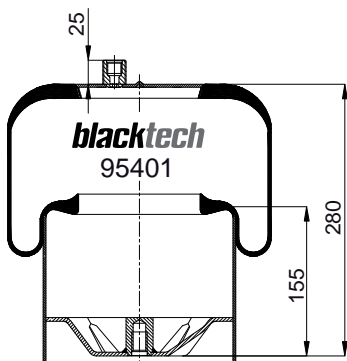
MB	A 942 320 52 21
----	-----------------

CROSS REFERENCES

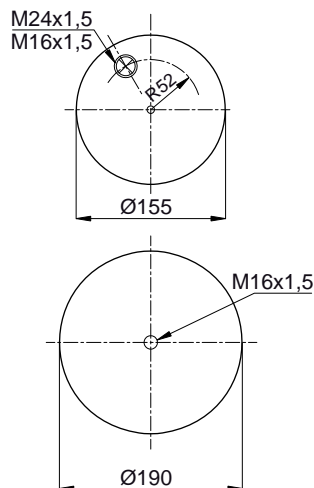
CONTITECH	4390 N P23
FIRESTONE STYLE	1R7Z 440 - 290 C

RML 95401 C24

cross section view



top view / bottom view



OEM PART NUMBER

MB	A 942 320 51 21
----	-----------------

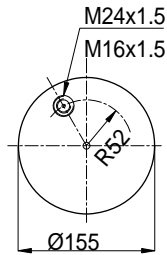
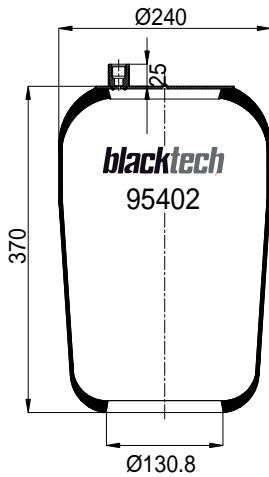
CROSS REFERENCES

CONTITECH	4390 N P24
FIRESTONE STYLE	1R7Z 440 - 290 D

RML 95402-1

cross section view

top view / bottom view



OEM PART NUMBER

MB	A 942 328 06 01

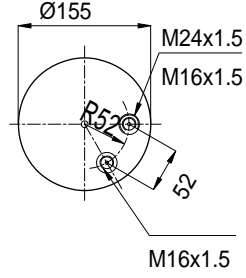
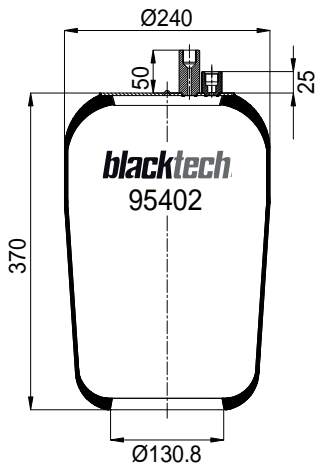
CROSS REFERENCES

CONTITECH	4391 N1

RML 95402-2

cross section view

top view / bottom view



OEM PART NUMBER

MB	A 942 328 07 01

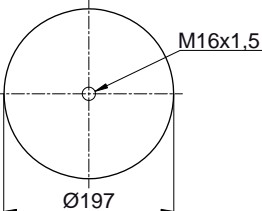
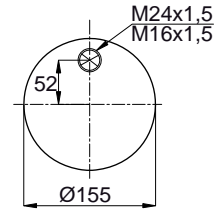
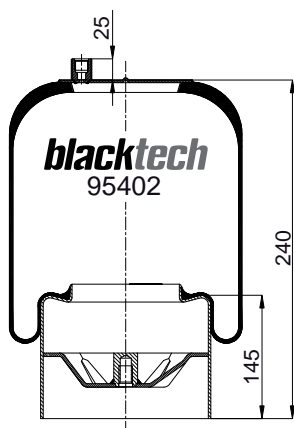
CROSS REFERENCES

CONTITECH	4391 N2

RML 95402 C1

cross section view

top view / bottom view



OEM PART NUMBER

MB	A 942 320 06 21

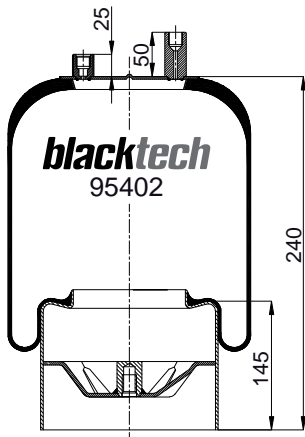
CROSS REFERENCES

CONTITECH	4391 N P01

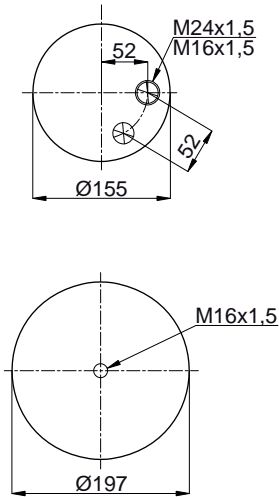
● Bolt or stud ○ Threaded hole ⊗ Combinations stud ⊗ Air inlet

RML 95402 C2

cross section view



top view / bottom view



OEM PART NUMBER

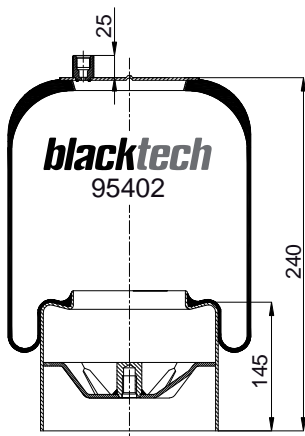
MB	A 942 320 07 21
----	-----------------

CROSS REFERENCES

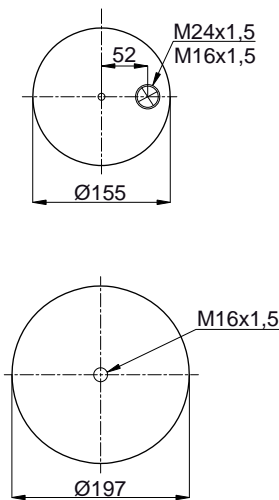
CONTITECH	4391 N P02
-----------	------------

RML 95402 C21

cross section view



top view / bottom view



OEM PART NUMBER

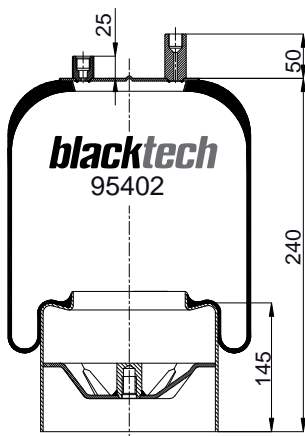
MB	A 942 320 53 21
----	-----------------

CROSS REFERENCES

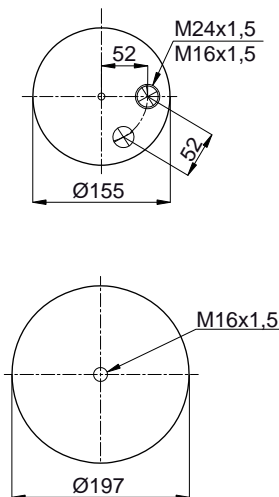
CONTITECH	4391 N P21
-----------	------------

RML 95402 C22

cross section view



top view / bottom view



OEM PART NUMBER

MB	A 942 320 54 21
----	-----------------

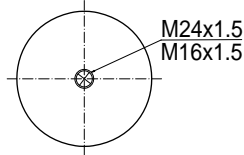
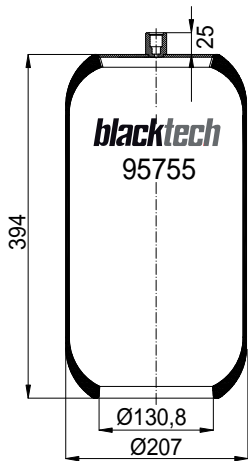
CROSS REFERENCES

CONTITECH	4391 N P22
-----------	------------

RML 95755

cross section view

top view / bottom view



OEM PART NUMBER

MB	A 629 327 00 01

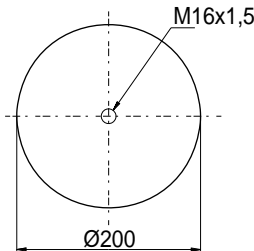
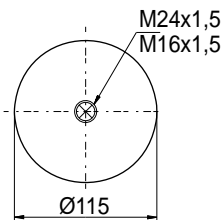
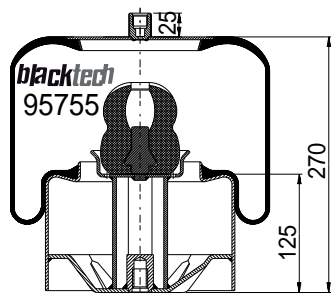
CROSS REFERENCES

CONTITECH	4644 N

RML 95755 C2

cross section view

top view / bottom view



OEM PART NUMBER

MB	A 629 320 00 25
GRANNING	16212

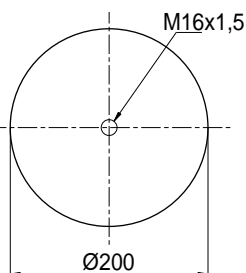
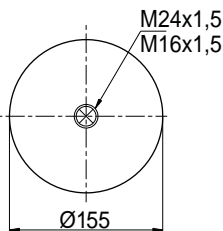
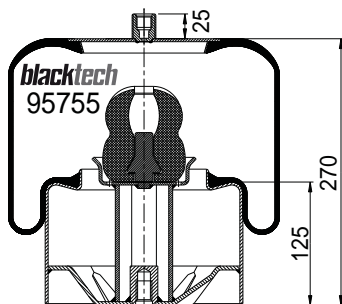
CROSS REFERENCES

CONTITECH	4644 N P02

RML 95755 C22

cross section view

top view / bottom view



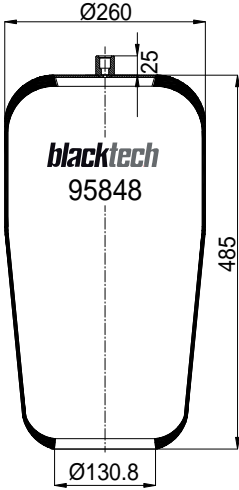
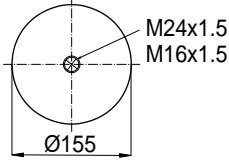
OEM PART NUMBER

EVO (MB)	A 629 320 00 25

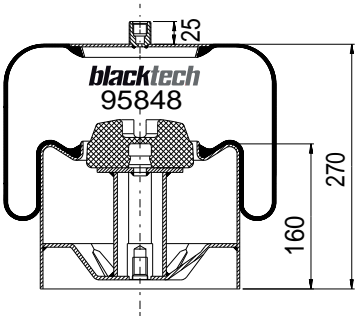
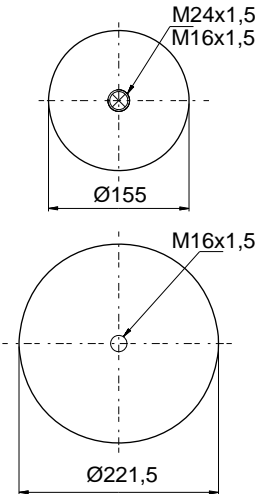
CROSS REFERENCES

CONTITECH	4644 N P22

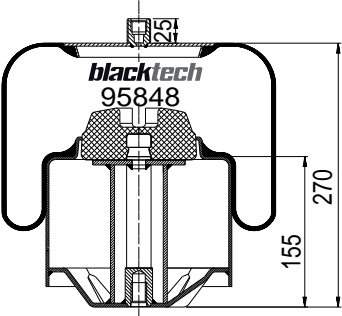
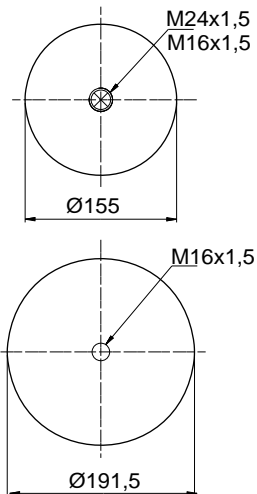
RML 95848-1

cross section view	top view / bottom view	OEM PART NUMBER																						
		<table border="1"> <thead> <tr> <th colspan="2">CROSS REFERENCES</th> </tr> </thead> <tbody> <tr> <td>CONTITECH</td> <td>4737 N</td> </tr> <tr><td> </td><td> </td></tr> <tr><td> </td><td> </td></tr> <tr><td> </td><td> </td></tr> <tr><td> </td><td> </td></tr> <tr><td> </td><td> </td></tr> <tr><td> </td><td> </td></tr> <tr><td> </td><td> </td></tr> <tr><td> </td><td> </td></tr> <tr><td> </td><td> </td></tr> </tbody> </table>	CROSS REFERENCES		CONTITECH	4737 N																		
CROSS REFERENCES																								
CONTITECH	4737 N																							

RML 95848 C1

cross section view	top view / bottom view	OEM PART NUMBER																						
		<table border="1"> <thead> <tr> <th colspan="2">CROSS REFERENCES</th> </tr> </thead> <tbody> <tr> <td>MB</td> <td>A 946 320 03 21</td> </tr> <tr> <td>GRANNING</td> <td>16227</td> </tr> <tr><td> </td><td> </td></tr> <tr><td> </td><td> </td></tr> <tr><td> </td><td> </td></tr> <tr><td> </td><td> </td></tr> <tr><td> </td><td> </td></tr> <tr><td> </td><td> </td></tr> <tr><td> </td><td> </td></tr> <tr><td> </td><td> </td></tr> </tbody> </table>	CROSS REFERENCES		MB	A 946 320 03 21	GRANNING	16227																
CROSS REFERENCES																								
MB	A 946 320 03 21																							
GRANNING	16227																							

RML 95848 C2

cross section view	top view / bottom view	OEM PART NUMBER																						
		<table border="1"> <thead> <tr> <th colspan="2">CROSS REFERENCES</th> </tr> </thead> <tbody> <tr> <td>MB</td> <td>A 946 320 05 21</td> </tr> <tr> <td>GRANNING</td> <td>16228</td> </tr> <tr><td> </td><td> </td></tr> <tr><td> </td><td> </td></tr> <tr><td> </td><td> </td></tr> <tr><td> </td><td> </td></tr> <tr><td> </td><td> </td></tr> <tr><td> </td><td> </td></tr> <tr><td> </td><td> </td></tr> <tr><td> </td><td> </td></tr> </tbody> </table>	CROSS REFERENCES		MB	A 946 320 05 21	GRANNING	16228																
CROSS REFERENCES																								
MB	A 946 320 05 21																							
GRANNING	16228																							

RML 95848 C5

cross section view	top view / bottom view	OEM PART NUMBER	
		DAIMLER CHRYSLER	A 957 320 01 17
		CROSS REFERENCES	
		CONTITECH	4737 N P05

RML 95848 C21

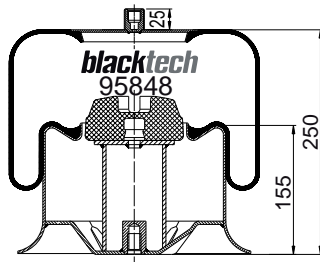
cross section view	top view / bottom view	OEM PART NUMBER	
		MB	A 942 320 37 21
		CROSS REFERENCES	
		CONTITECH	4737 N P21

RML 95848 C22

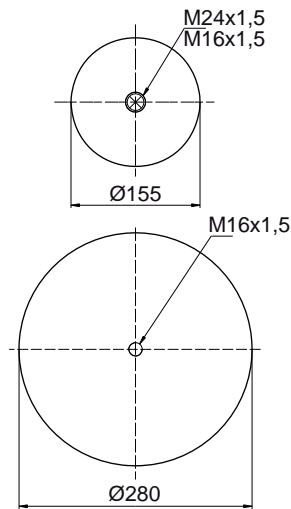
cross section view	top view / bottom view	OEM PART NUMBER	
		MB	A 946 320 39 21
		CROSS REFERENCES	
		CONTITECH	4737 N P22

RML 95848 C25

cross section view



top view / bottom view



OEM PART NUMBER

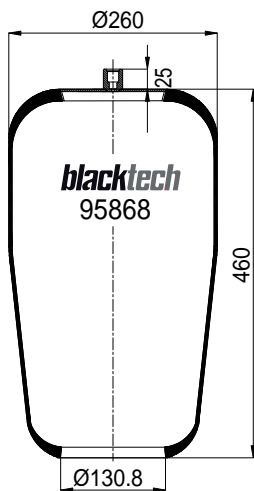
MB	A 957 320 03 17
----	-----------------

CROSS REFERENCES

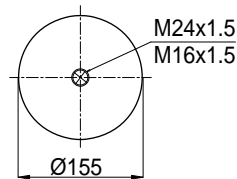
CONTITECH	4737 NP25
-----------	-----------

RML 95868-1

cross section view



top view / bottom view



OEM PART NUMBER

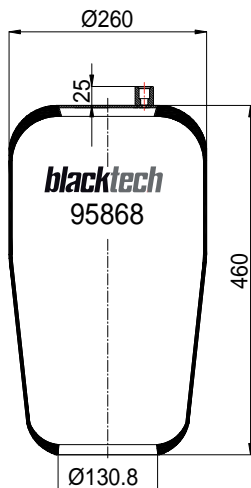
MB	A 942 327 00 01
GRANNING	94004

CROSS REFERENCES

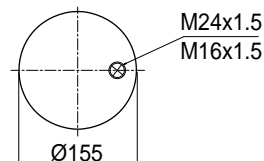
CONTITECH	4757 N1
-----------	---------

RML 95868-2

cross section view



top view / bottom view



OEM PART NUMBER

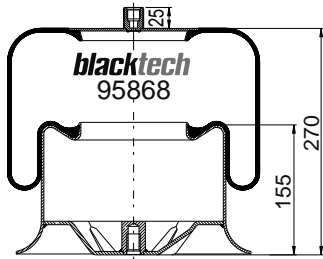
MB	A 974 328 01 01
MB	A 974 328 00 01
GRANNING	94005

CROSS REFERENCES

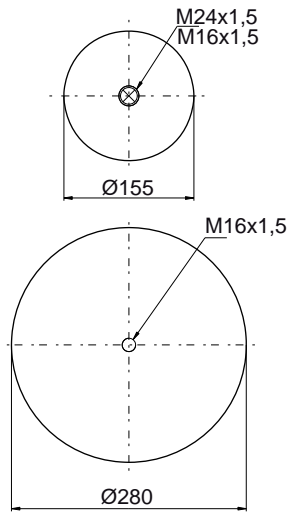
CONTITECH	4757 N2
-----------	---------

RML 95868 C1

cross section view



top view / bottom view



OEM PART NUMBER

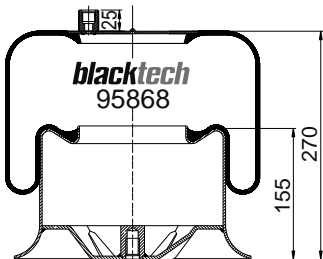
MB	A 942 320 01 17
GRANNING	15962

CROSS REFERENCES

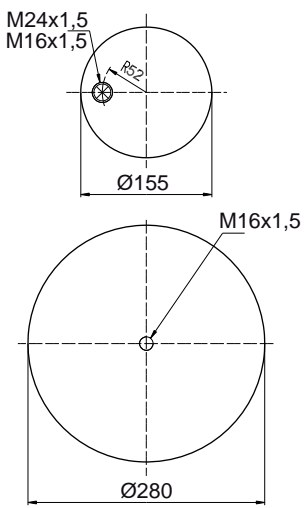
CONTITECH	4757 N P01

RML 95868 C9

cross section view



top view / bottom view



OEM PART NUMBER

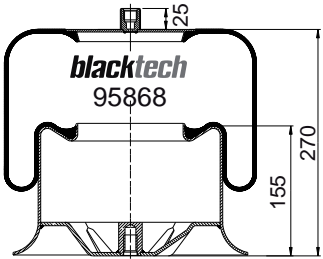
MB	A 942 327 04 17
GRANNING	16160

CROSS REFERENCES

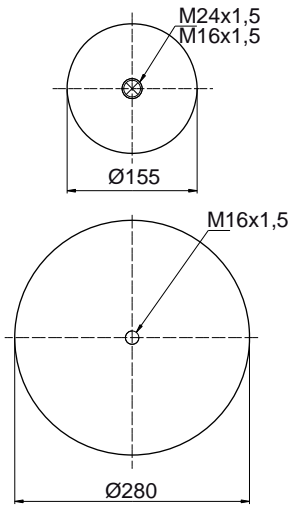
CONTITECH	4757 N P09

RML 95868 C21

cross section view



top view / bottom view



OEM PART NUMBER

MB	A 942 320 43 21

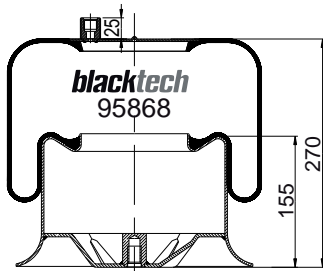
CROSS REFERENCES

CONTITECH	4757 N P21

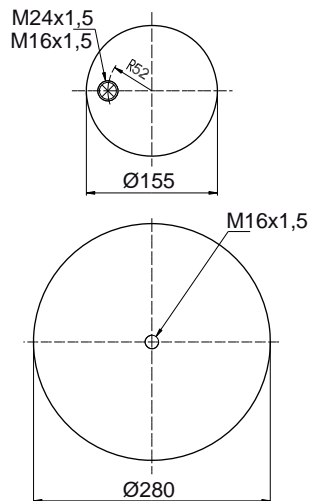
● Bolt or stud ○ Threaded hole ⊗ Combinations stud ⊗ Air inlet

RML 95868 C29

cross section view



top view / bottom view



OEM PART NUMBER

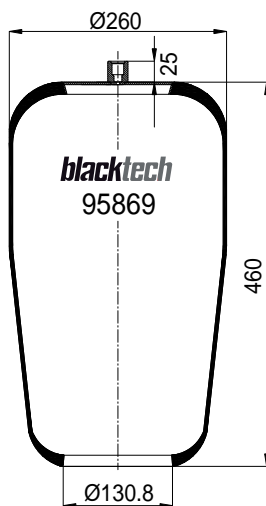
MB	A 942 320 32 21
----	-----------------

CROSS REFERENCES

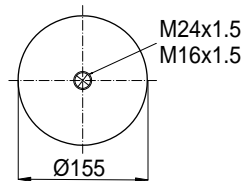
CONTITECH	4757 N P29
-----------	------------

RML 95869-1

cross section view



top view / bottom view



OEM PART NUMBER

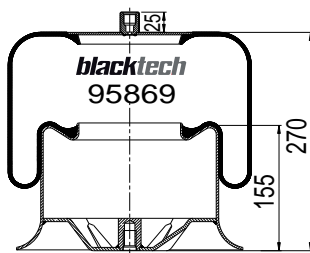
MB	
----	--

CROSS REFERENCES

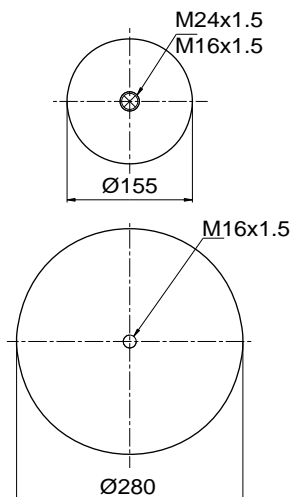
CONTITECH	4758 N
-----------	--------

RML 95869 C1

cross section view



top view / bottom view



OEM PART NUMBER

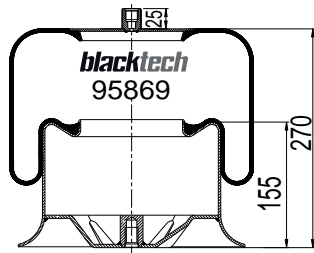
MB	A 945 320 00 17
GRANNING	94006

CROSS REFERENCES

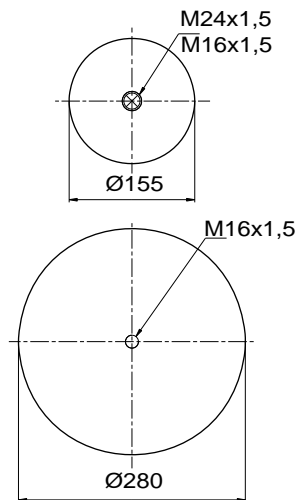
CONTITECH	4758 N P01
-----------	------------

RML 95869 C21

cross section view



top view / bottom view



OEM PART NUMBER

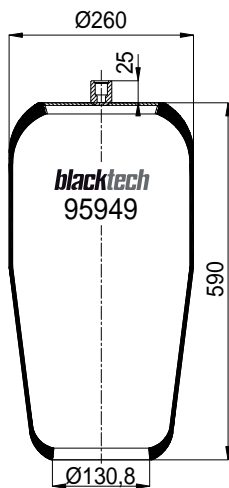
DAIMLER CHRYSLER	A 942 320 48 21
GRANNING	94019

CROSS REFERENCES

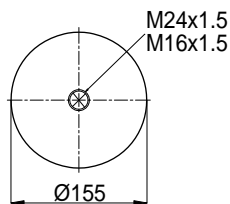
CONTITECH	4758 N P21
-----------	------------

RML 95949

cross section view



top view / bottom view



OEM PART NUMBER

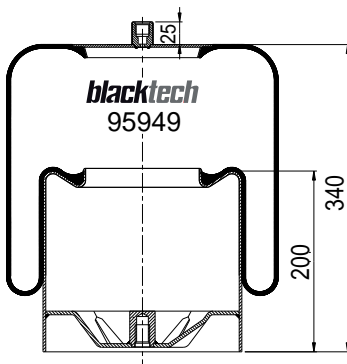
DAIMLER CHRYSLER	A 946 328 00 01
------------------	-----------------

CROSS REFERENCES

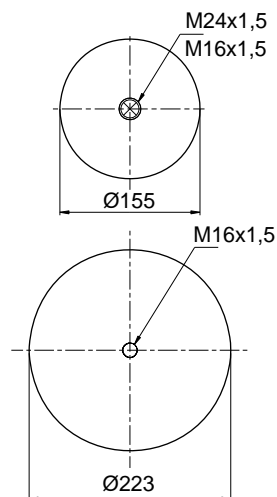
CONTITECH	4838 N
-----------	--------

RML 95949 C1

cross section view



top view / bottom view



OEM PART NUMBER

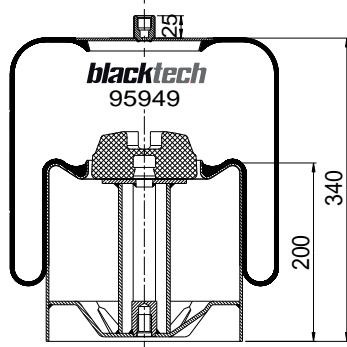
DAIMLER CHRYSLER	A 946 320 04 21
GRANNING	15963

CROSS REFERENCES

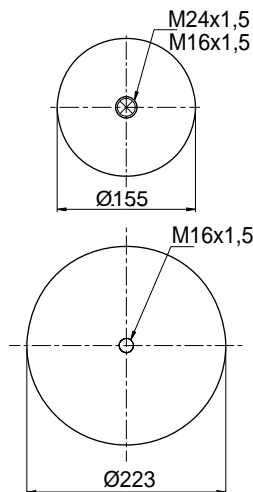
CONTITECH	4838 N P01
-----------	------------

RML 95949 C2

cross section view



top view / bottom view



OEM PART NUMBER

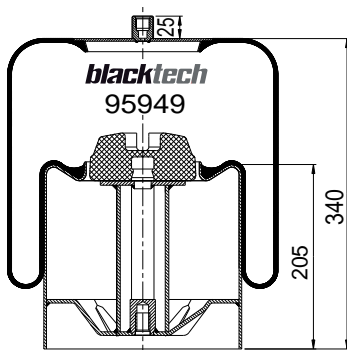
DAIMLER CHRYSLER	A 946 320 02 21
GRANNING	15964

CROSS REFERENCES

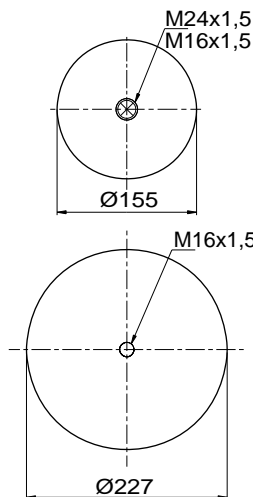
CONTITECH	4838 N P02
-----------	------------

RML 95949 C3

cross section view



top view / bottom view



OEM PART NUMBER

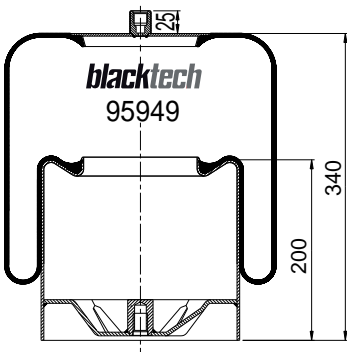
DAIMLER CHRYSLER	A 946 320 01 21
GRANNING	15965

CROSS REFERENCES

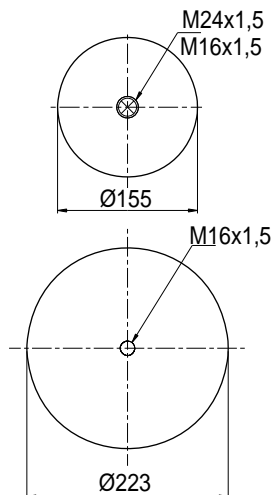
CONTITECH	4838 N P03
-----------	------------

RML 95949 C21

cross section view



top view / bottom view



OEM PART NUMBER

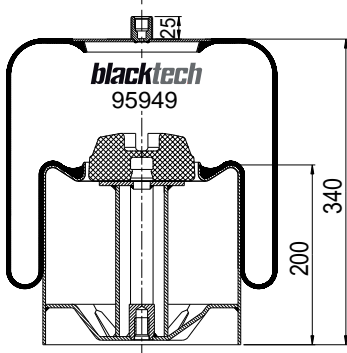
DAIMLER CHRYSLER	A 942 320 38 21
------------------	-----------------

CROSS REFERENCES

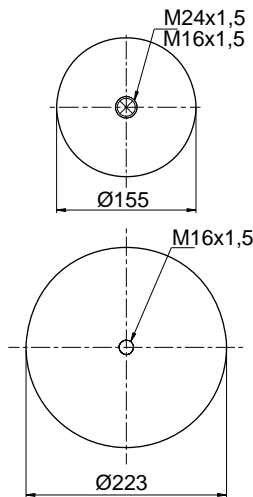
CONTITECH	4838 N P21
FIRESTONE STYLE	1R7Z 595-330 A

RML 95949 C22

cross section view



top view / bottom view



OEM PART NUMBER

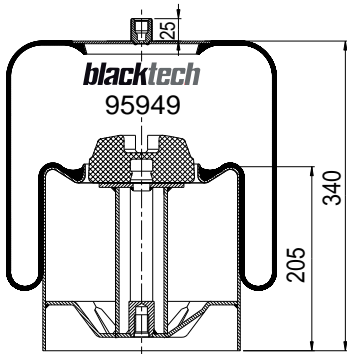
DAIMLER CHRYSLER	A 942 320 36 21

CROSS REFERENCES

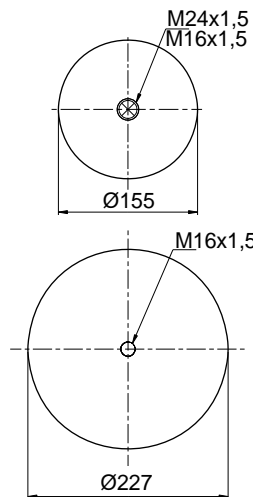
CONTITECH	4838 N P22
FIRESTONE STYLE	1R7Z 595-330 B

RML 95949 C23

cross section view



top view / bottom view



OEM PART NUMBER

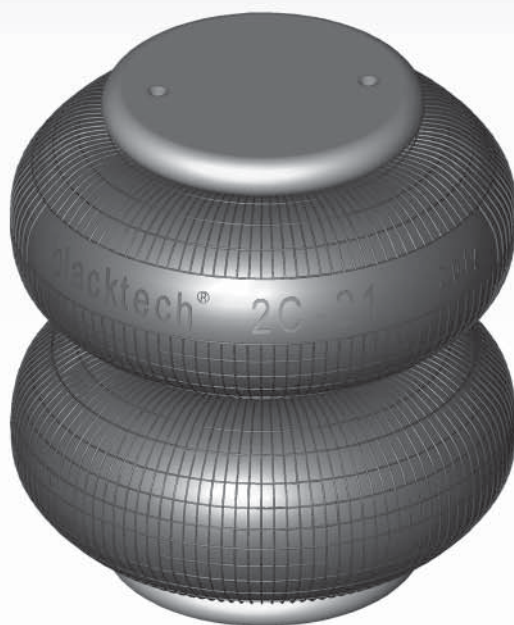
DAIMLER CHRYSLER	A 942 320 35 21

CROSS REFERENCES

CONTITECH	4838 N P23
FIRESTONE STYLE	1R7Z 595-330 C

blacktech
Air Springs

Convolutated Air Springs

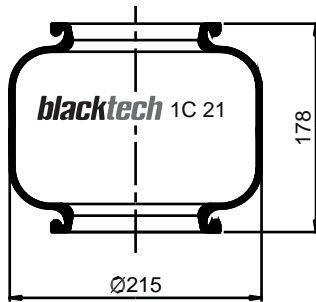


1C 21 S01

cross section view

top view / bottom view

OEM PART NUMBER



CROSS REFERENCES

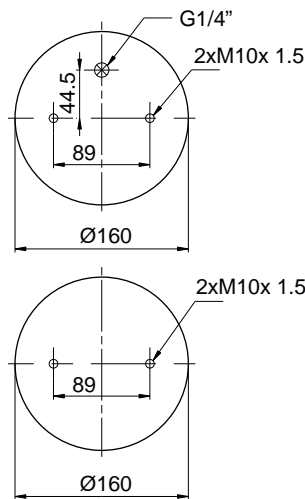
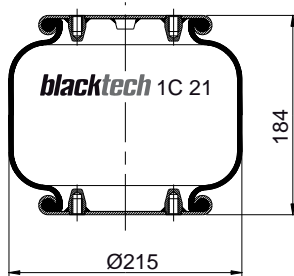
GART	T291 / B

1C 21 P02

cross section view

top view / bottom view

OEM PART NUMBER



MERITOR (ROR)	21221356
BMC	
MB	

CROSS REFERENCES

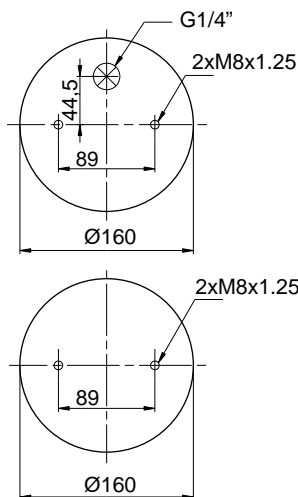
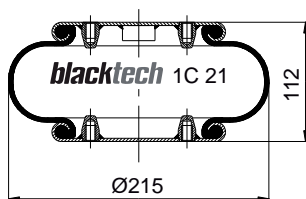
CONTITECH	FS 200-16 P01
GART	T 291/B 291.1.170

1C 21-200 P01

cross section view

top view / bottom view

OEM PART NUMBER



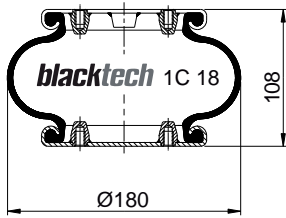
BLACKTECH OLD REFERENCE	1C 21 P01

CROSS REFERENCES

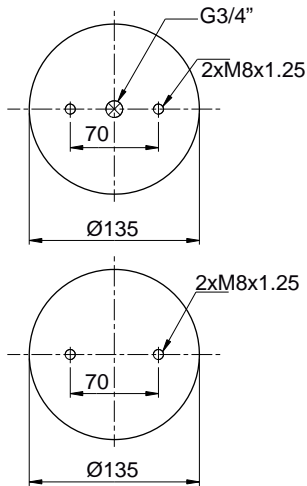
CONTITECH	FS 200-10 1/4 M8

1C 18-120 P03

cross section view



top view / bottom view



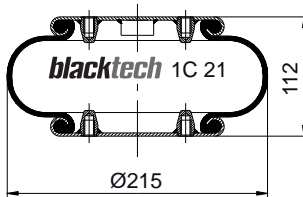
OEM PART NUMBER

CROSS REFERENCES

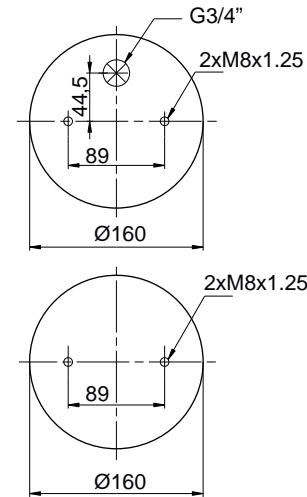
CONTITECH	FS 120-9 3/4 M8
SPRINGRIDE	S08101 (8" x 1)

1C 21-200 P03

cross section view



top view / bottom view



OEM PART NUMBER

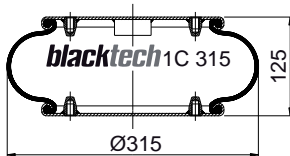
BLACKTECH OLD REFERENCE 1C 21 P03

CROSS REFERENCES

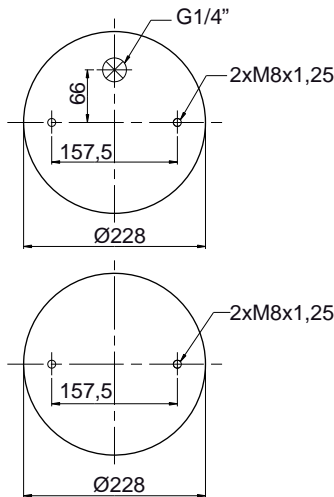
CONTITECH	FS 200-10 3/4 M8
FIRESTONE STYLE	115
FIRESTONE ORDER	W01 M58 6374
PHOENIX	SP 1 B 12-1

1C 315-330 P01

cross section view



top view / bottom view



OEM PART NUMBER

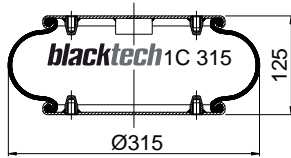
BLACKTECH OLD REFERENCE 1C 30 P02

CROSS REFERENCES

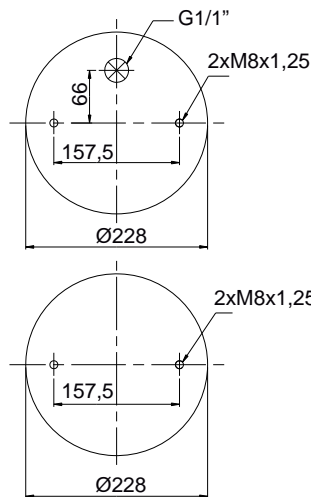
FIRESTONE STYLE	19

1C 315-330 P11

cross section view



top view / bottom view



OEM PART NUMBER

KÖGEL	32 76 68
KÖGEL	32 76 69

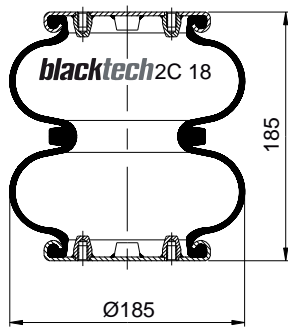
BLACKTECH OLD REFERENCE 1C 30 P01

CROSS REFERENCES

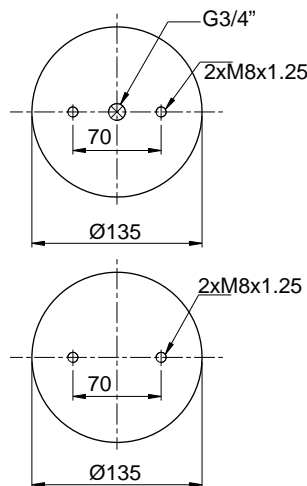
CONTITECH	FS 330-11 1/1 M8
FIRESTONE STYLE	19
FIRESTONE ORDER	W01 M58 6011
PHOENIX	SP 1 B 34

2C 18-120 P03

cross section view



top view / bottom view



OEM PART NUMBER

GIGANT	196028
--------	--------

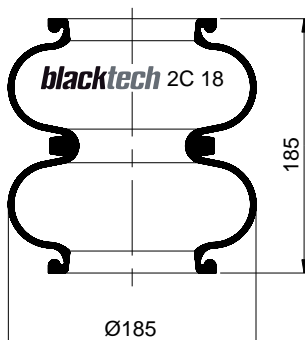
BLACKTECH OLD REFERENCE 2C 18 P01

CROSS REFERENCES

CONTITECH	FD 120-17 3/4 M8
-----------	------------------

2C 18-603 S

cross section view



top view / bottom view

OEM PART NUMBER

LANCIA	8173 2192
--------	-----------

BLACKTECH OLD REFERENCE 2C 18 S

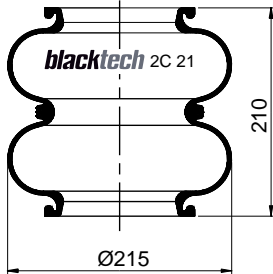
CROSS REFERENCES

CONTITECH	603 N
FIRESTONE STYLE	26
FIRESTONE ORDER	W01 M58 6988
PHOENIX	2 B 07 R
DUNLOP UK	PNP 305510111
SPRINGRIDE	6 x 2

2C 21-200 S

cross section view

top view / bottom view



OEM PART NUMBER

VOLVO	0 365 431
VOLVO	0 365 461
VOLVO	6 882 797

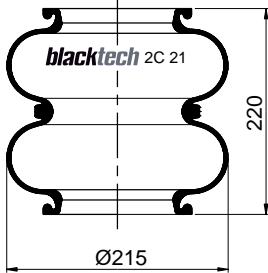
CROSS REFERENCES

CONTITECH	FD 200-19 S [895 N]
FIRESTONE STYLE	20
FIRESTONE ORDER	W01 095 0009
PHOENIX	2 B 12 R

2C 21-200 S01

cross section view

top view / bottom view



OEM PART NUMBER

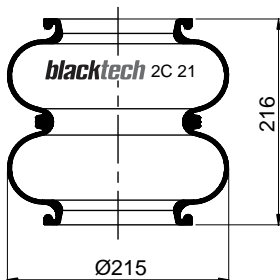
CROSS REFERENCES

CONTITECH	FD 200-22 S
-----------	-------------

2C 21-200 S02

cross section view

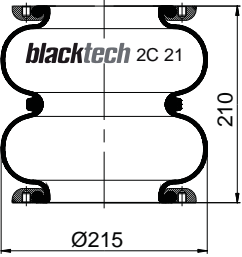
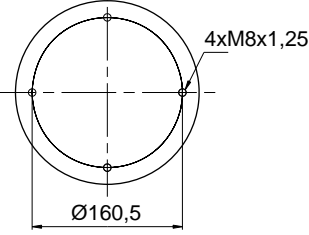
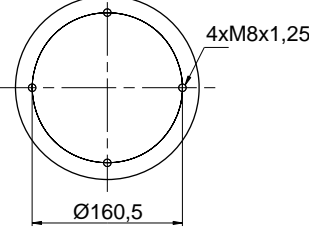
top view / bottom view



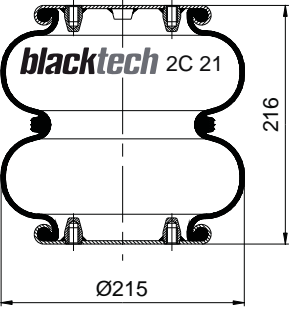
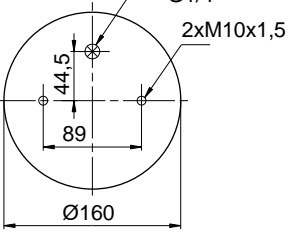
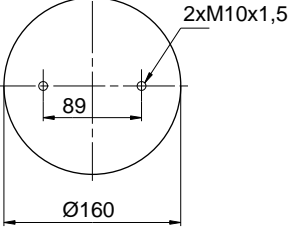
OEM PART NUMBER

CROSS REFERENCES

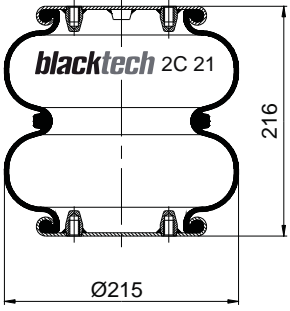
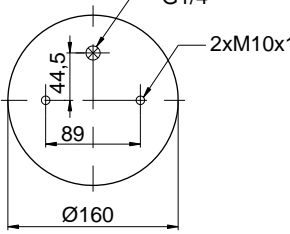
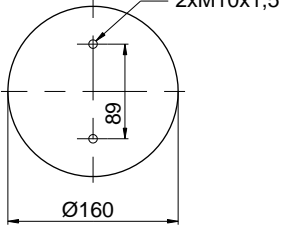
2C 21-200 F01

cross section view	top view / bottom view	OEM PART NUMBER					
 <p>blacktech 2C 21</p> <p>Ø215</p> <p>210</p>	 <p>4xM8x1,25</p> <p>Ø160,5</p>						
	 <p>4xM8x1,25</p> <p>Ø160,5</p>			<p>BLACKTECH OLD REFERENCE 2C 21 B01</p>	<p>CROSS REFERENCES</p> <table border="1"> <tr> <td data-bbox="1232 533 1225 560">CONTITECH</td> <td data-bbox="1232 533 1476 560">FD 200-19/895 N (flanged)</td> </tr> </table>	CONTITECH	FD 200-19/895 N (flanged)
	CONTITECH			FD 200-19/895 N (flanged)			

2C 21-200 P01

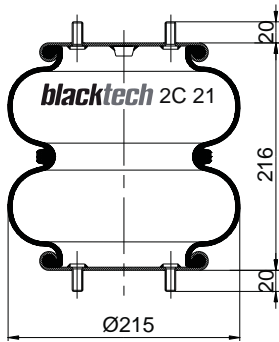
cross section view	top view / bottom view	OEM PART NUMBER							
 <p>blacktech 2C 21</p> <p>Ø215</p> <p>216</p>	 <p>G1/4"</p> <p>2xM10x1,5</p> <p>44,5</p> <p>89</p> <p>Ø160</p>	<table border="1"> <tr> <td data-bbox="970 904 1114 931">HENDRICKSON</td> <td data-bbox="1232 904 1327 931">NA 1827</td> </tr> <tr> <td data-bbox="970 931 1114 958">MERITOR (ROR)</td> <td data-bbox="1232 931 1343 958">2122 1395</td> </tr> <tr> <td data-bbox="970 958 1114 985">MERITOR (ROR)</td> <td data-bbox="1232 958 1343 985">2122 2663</td> </tr> </table>	HENDRICKSON	NA 1827	MERITOR (ROR)	2122 1395	MERITOR (ROR)	2122 2663	
	HENDRICKSON		NA 1827						
	MERITOR (ROR)		2122 1395						
	MERITOR (ROR)		2122 2663						
 <p>2xM10x1,5</p> <p>89</p> <p>Ø160</p>	<p>BLACKTECH OLD REFERENCE 2C 21 P01</p>	<p>CROSS REFERENCES</p> <table border="1"> <tr> <td data-bbox="1232 1205 1225 1232">CONTITECH</td> <td data-bbox="1232 1205 1476 1232">FD 200-19 1/4 M10</td> </tr> </table>	CONTITECH	FD 200-19 1/4 M10					
CONTITECH	FD 200-19 1/4 M10								

2C 21-200 P01-1

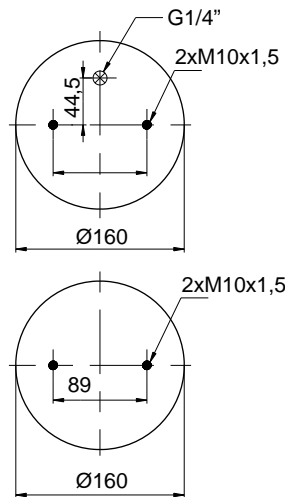
cross section view	top view / bottom view	OEM PART NUMBER											
 <p>blacktech 2C 21</p> <p>Ø215</p> <p>216</p>	 <p>G1/4"</p> <p>2xM10x1,5</p> <p>44,5</p> <p>89</p> <p>Ø160</p>												
	 <p>2xM10x1,5</p> <p>89</p> <p>Ø160</p>			<p>BLACKTECH OLD REFERENCE 2C 21 P03</p>	<p>CROSS REFERENCES</p> <table border="1"> <tr> <td></td> <td></td> </tr> <tr> <td></td> <td></td> </tr> <tr> <td></td> <td></td> </tr> <tr> <td></td> <td></td> </tr> </table>								

2C 21-200 P02

cross section view



top view / bottom view



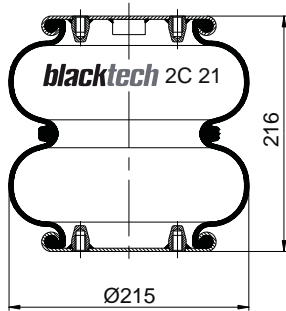
OEM PART NUMBER

BLACKTECH OLD REFERENCE 2C 21 P02

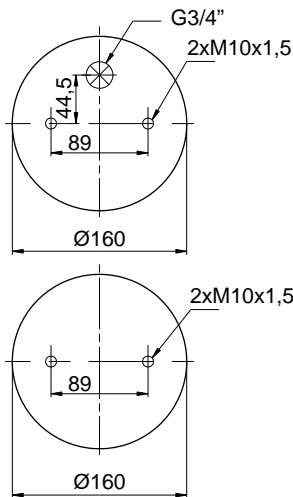
CROSS REFERENCES

2C 21-200 P03

cross section view



top view / bottom view



OEM PART NUMBER

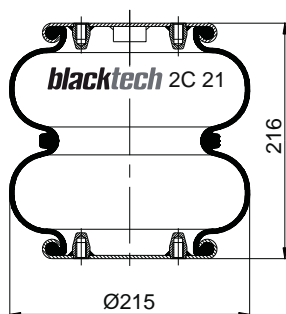
BLACKTECH OLD REFERENCE 2C 21 P07

CROSS REFERENCES

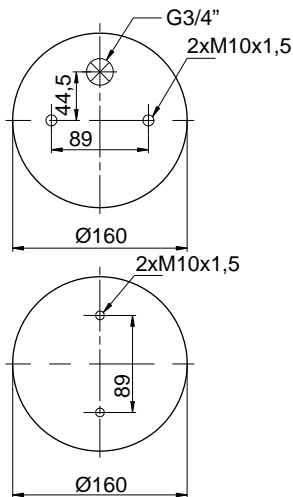
CONTITECH	FD 200-19 3/4 M10

2C 21-200 P03-1

cross section view



top view / bottom view



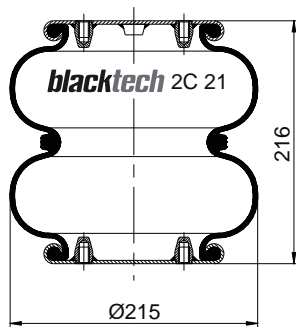
OEM PART NUMBER

BLACKTECH OLD REFERENCE 2C 21 P08

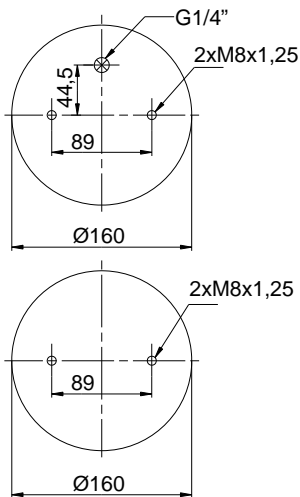
CROSS REFERENCES

2C 21-200 P04

cross section view



top view / bottom view



OEM PART NUMBER

VOLVO	365 461
GRANNING	15 603
GIGANT	19 01 30

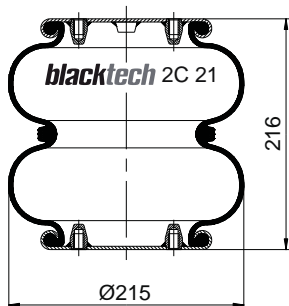
BLACKTECH OLD REFERENCE 2C 21 P04

CROSS REFERENCES

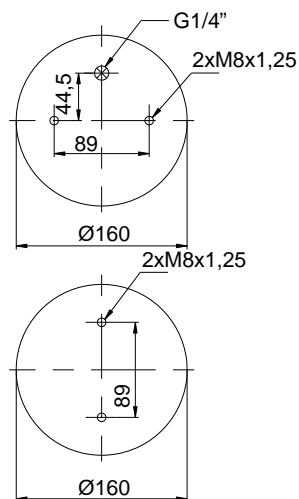
CONTITECH	FD 200-19 1/4 M8
FIRESTONE STYLE	20C2
FIRESTONE ORDER	W01 M58 7679

2C 21-200 P04-1

cross section view



top view / bottom view



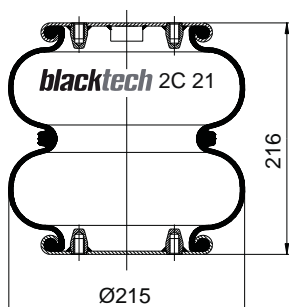
OEM PART NUMBER

BLACKTECH OLD REFERENCE 2C 21 P05

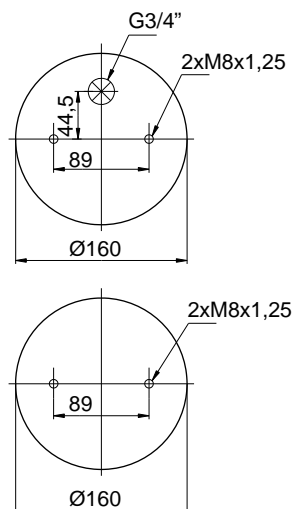
CROSS REFERENCES

2C 21-200 P05

cross section view



top view / bottom view



OEM PART NUMBER

GIGANT	190130
--------	--------

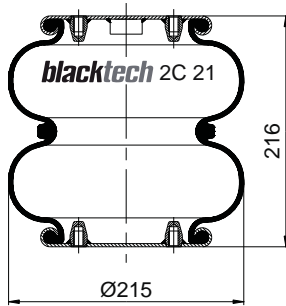
BLACKTECH OLD REFERENCE 2C 21 P10

CROSS REFERENCES

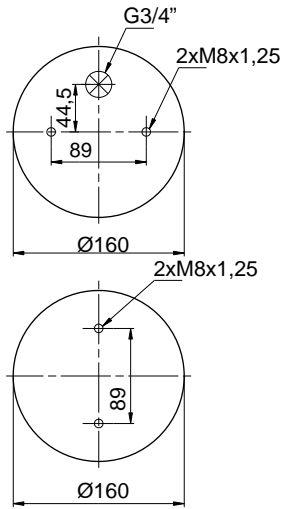
CONTITECH	FD 200-19 3/4 M8
PHOENIX	SP 2 B 12 R-1
GOODYEAR	2B9-223

2C 21-200 P05-1

cross section view



top view / bottom view



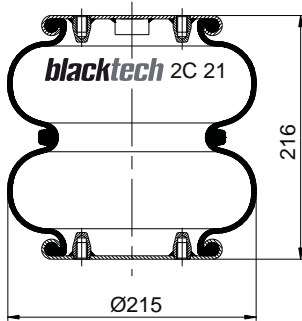
OEM PART NUMBER

BLACKTECH OLD REFERENCE 2C 21 P11

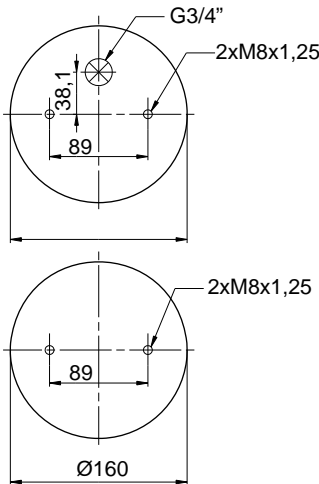
CROSS REFERENCES

2C 21-200 P06

cross section view



top view / bottom view



OEM PART NUMBER

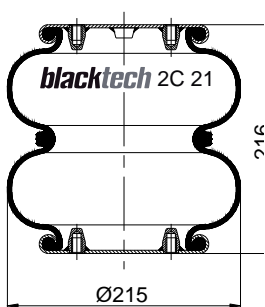
BLACKTECH OLD REFERENCE 2C 21 P09

CROSS REFERENCES

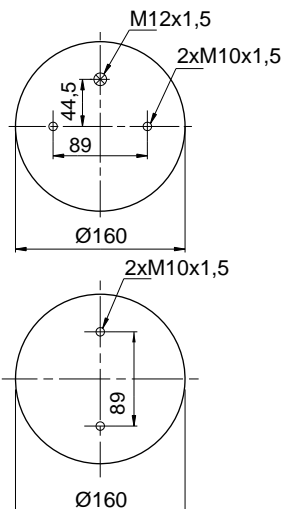
CONTITECH	FD 200-22 3/4 M8

2C 21-200 P12

cross section view



top view / bottom view



OEM PART NUMBER

GRANNING	15599
SAF	4.229.1004.00

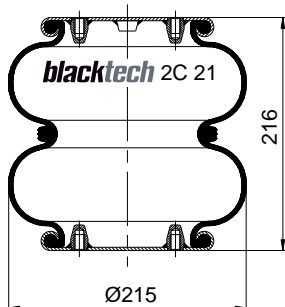
BLACKTECH OLD REFERENCE 2C 21 P12

CROSS REFERENCES

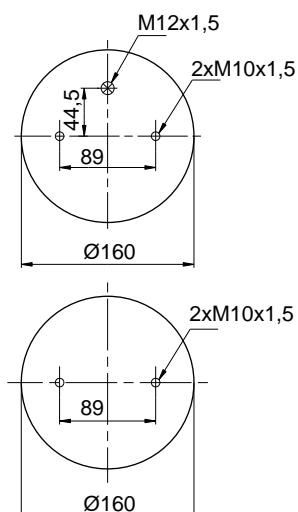
CONTITECH	FD 200-19 P04
FIRESTONE STYLE	20F
FIRESTONE ORDER	W01 M58 7894
GOODYEAR	2B9-287
PHOENIX	SP 2 B 12 R-5
SPRINGRIDE	S09208 (9"1/4 x 2 NB)
TAURUS	T20L 207065

2C 21-200 P13

cross section view



top view / bottom view



OEM PART NUMBER

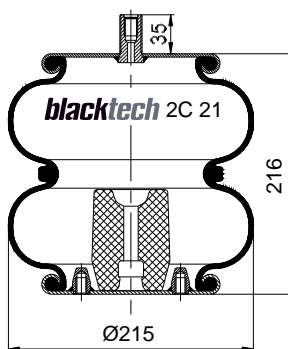
BLACKTECH OLD REFERENCE 2C 21 P13

CROSS REFERENCES

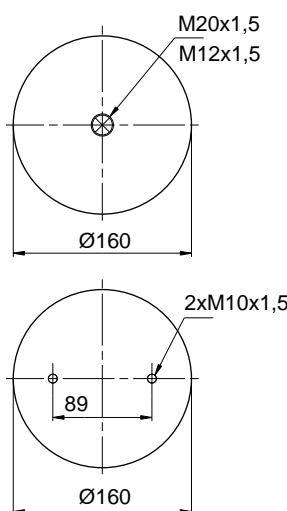
PHOENIX	SP2B12R-A-4
---------	-------------

2C 21-200 P14

cross section view



top view / bottom view



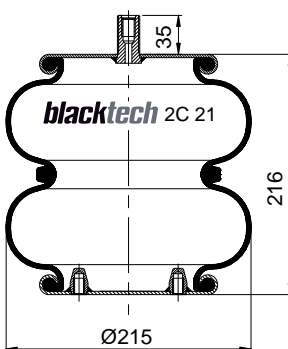
OEM PART NUMBER

BLACKTECH OLD REFERENCE 2C 21 P14

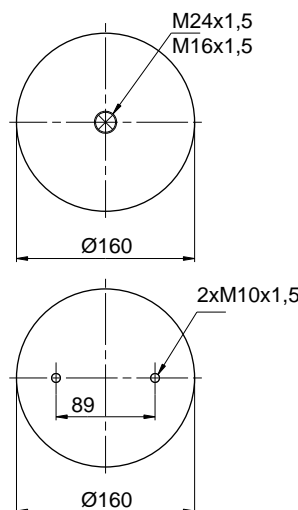
CROSS REFERENCES

2C 21-200 P15

cross section view



top view / bottom view



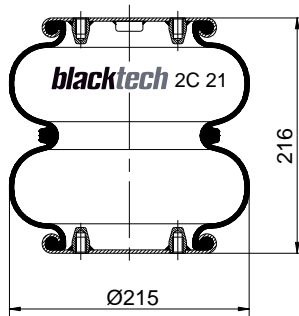
OEM PART NUMBER

CROSS REFERENCES

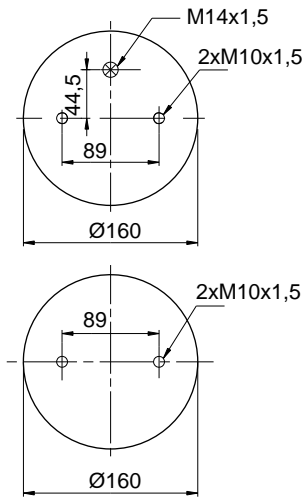
CONTITECH	FD 200-19 P02
FIRESTONE STYLE	20F
FIRESTONE ORDER	W01 M58 7756

2C 21-200 P17

cross section view



top view / bottom view

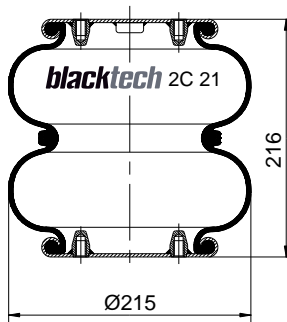


OEM PART NUMBER

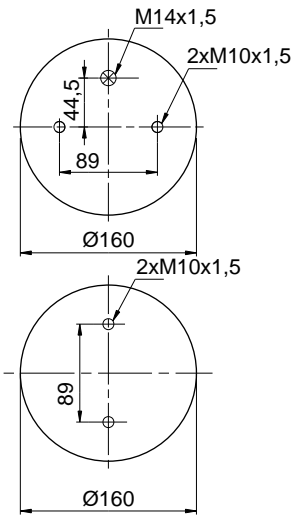
CROSS REFERENCES

2C 21-200 P17-1

cross section view



top view / bottom view

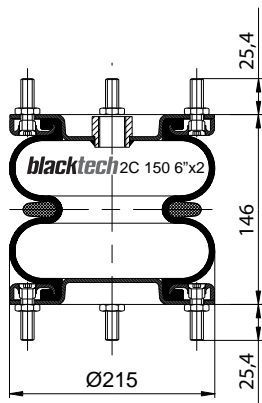


OEM PART NUMBER

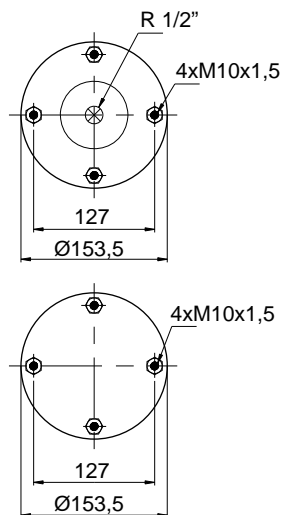
CROSS REFERENCES

2C 150 P01 (6"x2)

cross section view



top view / bottom view



OEM PART NUMBER

CROSS REFERENCES

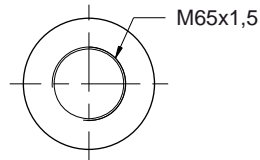
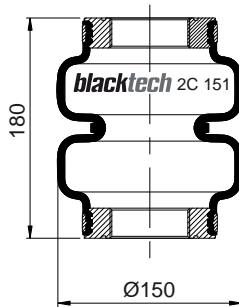
● Bolt or stud ○ Threaded hole ⊗ Combinations stud ⊗ Air inlet

2C 151 P01

cross section view

top view / bottom view

OEM PART NUMBER



BLACKTECH OLD REFERENCE 2C 151 F01

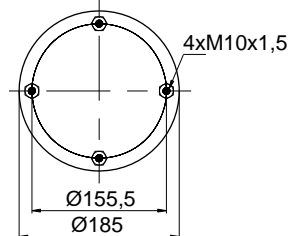
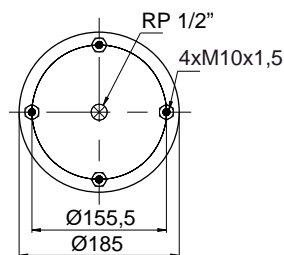
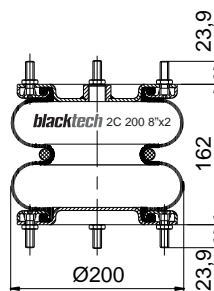
CROSS REFERENCES

2C 200 P01(8"x2)

cross section view

top view / bottom view

OEM PART NUMBER



FRUEHAUF	F48054M 80A04
LOHR	A 06030604
SAMRO	H2500188
GIGANT	
TROUILLET SISU	153 111 0600

BLACKTECH OLD REFERENCE 2C 200 F01 (8"x2)

CROSS REFERENCES

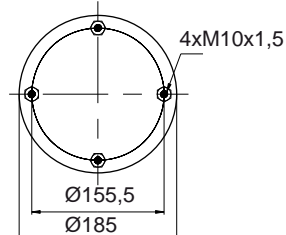
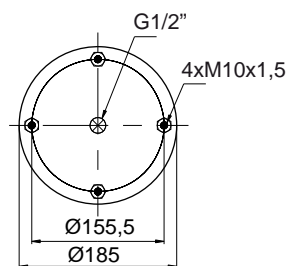
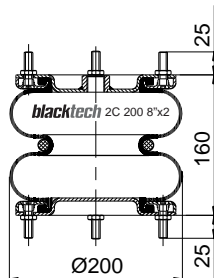
FIRESTONE STYLE	8 x 2
FIRESTONE ORDER	W01 R58 4055
SPRINGRIDE	SP 1490 (8" x 2)

2C 200-138 P01 (8"x2)

cross section view

top view / bottom view

OEM PART NUMBER



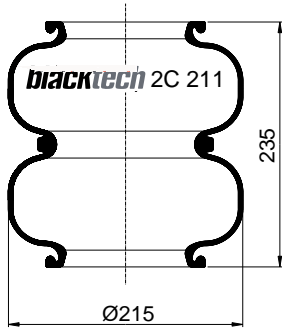
CROSS REFERENCES

CONTITECH	FD 138-18 1/2 M10
-----------	-------------------

2C 211-200 S

cross section view

top view / bottom view



OEM PART NUMBER

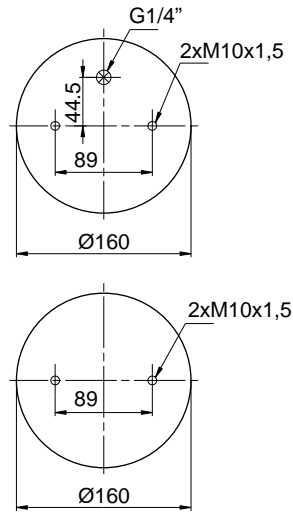
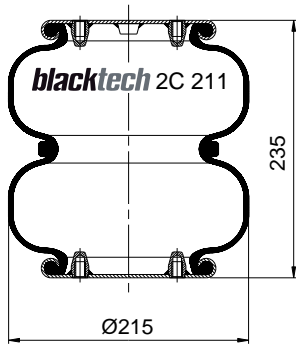
CROSS REFERENCES

CONTITECH	FD 200-25 S

2C 211-200 P01

cross section view

top view / bottom view



OEM PART NUMBER

WEWELER	US 06910B
GRANNING	15670
MERITOR (ROR)	21221356
HENDRICKSON	SK 5601
BLACKTECH OLD REFERENCE	2C 211 P01

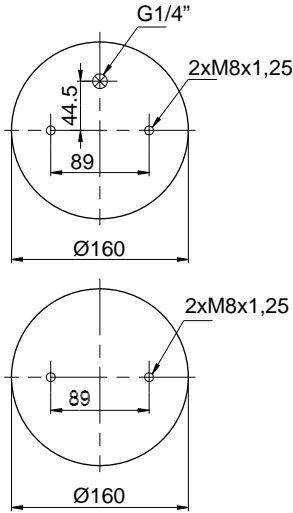
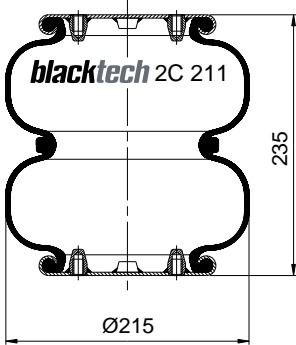
CROSS REFERENCES

CONTITECH	FD 200-25 1/4 M10

2C 211-200 P02

cross section view

top view / bottom view



OEM PART NUMBER

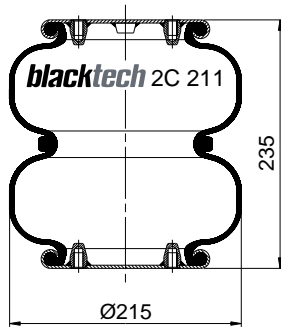
GRANNING	15670
MERITOR (ROR)	21221356
HENDRICKSON	SK 5601
WEWELER	US 07394F
DISCOS	A 946 328 24 01

CROSS REFERENCES

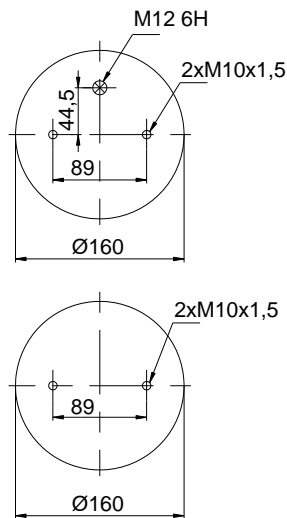
CONTITECH	FD 200-25 1/4 M8
FIRESTONE STYLE	20-2
FIRESTONE ORDER	W01 M58 7394 C
GOODYEAR	2B9-269

2C 211-200 P03

cross section view



top view / bottom view



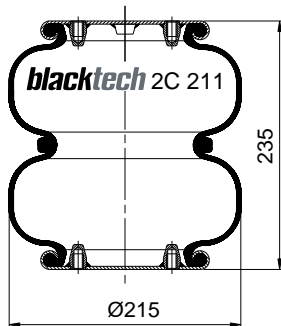
OEM PART NUMBER

CROSS REFERENCES

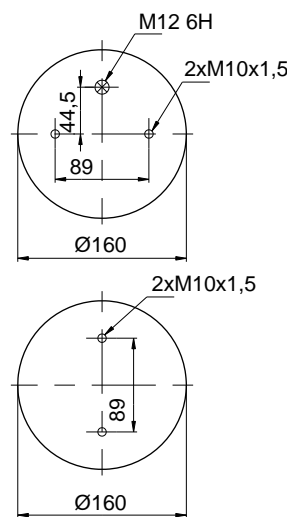
SPRINGRIDE	S 09280 (9"1/4 x 2 A.NB)

2C 211-200 P03-1

cross section view



top view / bottom view



OEM PART NUMBER

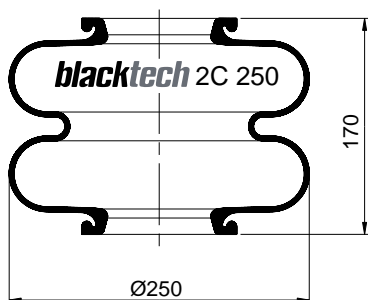
SAF	4.229.1005.01

CROSS REFERENCES

CONTITECH	FD 200-25 P02

2C 250-620 S

cross section view



top view / bottom view

OEM PART NUMBER

BPW	02.200.20.80.0
MAGIRUS	0342 2652

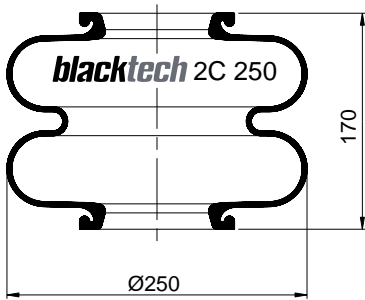
CROSS REFERENCES

CONTITECH	620 N 8 bar
FIRESTONE STYLE	260
FIRESTONE ORDER	W01 095 0219
PHOENIX	2 B 15 R
SPRINGRIDE	9 1/4 x 2

2C 250-620 S01

cross section view

top view / bottom view



OEM PART NUMBER

BPW	02.200.20.90.0
DAF	1 192 203
GIGANT	196017
MAN	81.43601.0023
VDL Bus (Former DAF)	1 192 203

BLACKTECH OLD REFERENCE 2C 25 S02 (HD17b)

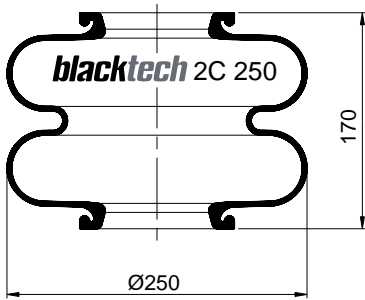
CROSS REFERENCES

CONTITECH	620 N Hydro 17 bar

2C 250-620 S02

cross section view

top view / bottom view



OEM PART NUMBER

GIGANT	196,034
--------	---------

BLACKTECH OLD REFERENCE 2C 25 S03 (HD34b)

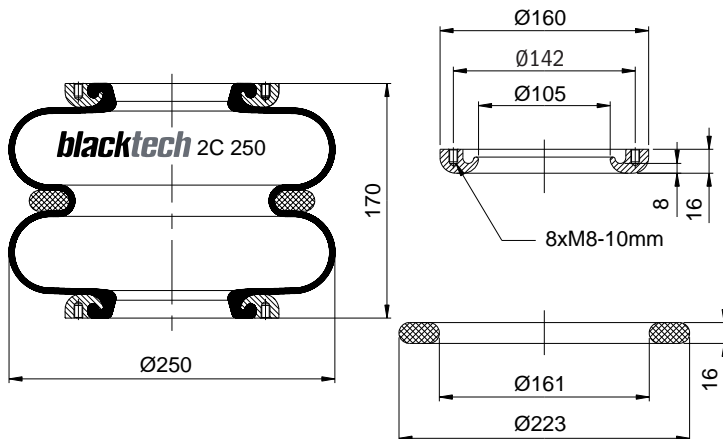
CROSS REFERENCES

CONTITECH	620 N Hydro 34 bar
PHOENIX	2 B 15 R HD

2C 250-620 F

cross section view

top view / bottom view



OEM PART NUMBER

BPW	05.419.00.28.0
BPW	05.429.00.04.0
MAN	

BLACKTECH OLD REFERENCE 2C 25 F02 (HD17b-160)

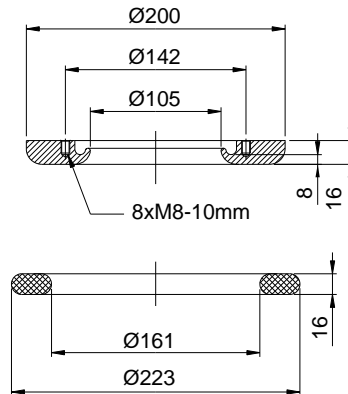
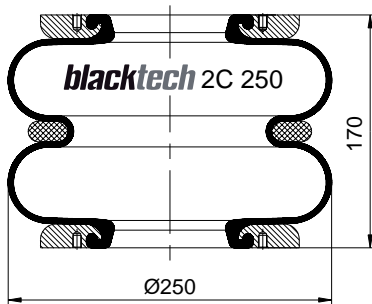
CROSS REFERENCES

CONTITECH	620 M Hydro 17 bar (160 mm)

2C 250-620 F01

cross section view

top view / bottom view



OEM PART NUMBER

BPW	05.419.00.28.0
BPW	05.429.00.04.0
MAN	

BLACKTECH OLD REFERENCE 2C 25 F03 (HD17b-200)

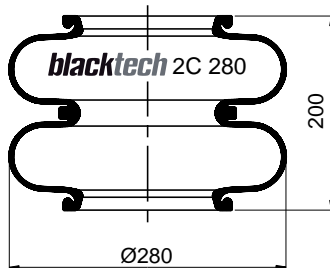
CROSS REFERENCES

CONTITECH	620 M Hydro 17 bar (200 mm)
-----------	-----------------------------

2C 280-608 S

cross section view

top view / bottom view



OEM PART NUMBER

BPW	02.200.20.50.0
EVO BUS	(SG 176) 4.731.003.000
GRANNING	15923
MAGIRUS-DEUTZ	0342 2571
MAN	88.96420.0217

BLACKTECH OLD REFERENCE 2C 28 S01

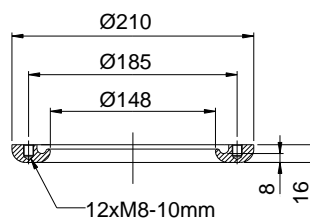
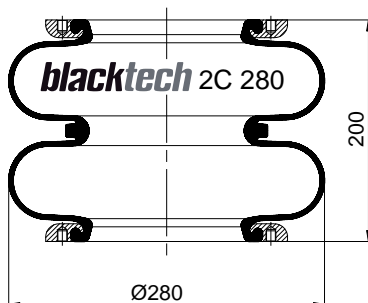
CROSS REFERENCES

CONTITECH	608 N
PHOENIX	2 B 20 R

2C 280-608 F

cross section view

top view / bottom view



OEM PART NUMBER

BPW	05.429.00.01.0
-----	----------------

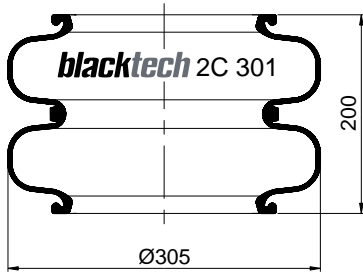
BLACKTECH OLD REFERENCE 2C 28 F01

CROSS REFERENCES

CONTITECH	608 M (flanged)
PHOENIX	2 B 20 R-9

2C 301-412 S

cross section view



top view / bottom view

OEM PART NUMBER

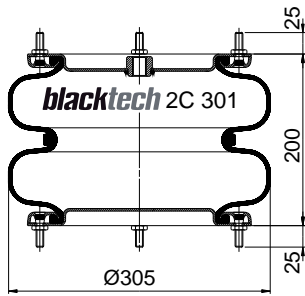
BLACKTECH OLD REFERENCE 2C 30 S01

CROSS REFERENCES

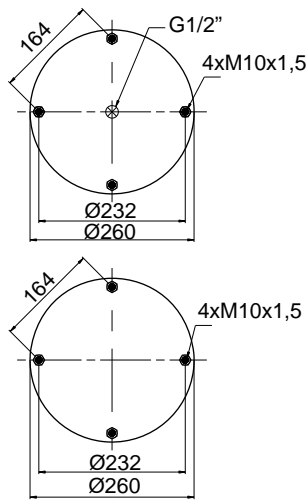
CONTITECH	FD 412-18 S

2C 301-412 P01

cross section view



top view / bottom view



OEM PART NUMBER

GIGANT	881202
GRANNING	15813
WEWELER	USN 510011 KD

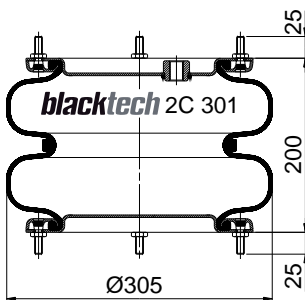
BLACKTECH OLD REFERENCE 2C 30 F01

CROSS REFERENCES

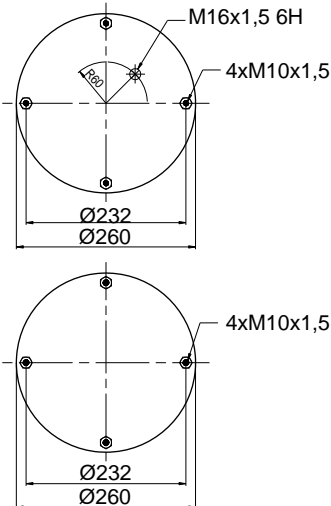
CONTITECH	FD 412-18 1/2 M10

2C 301-412 P02

cross section view



top view / bottom view



OEM PART NUMBER

FRUEHAUF	UJB 0985
GRANNING	15814
SMB	M063769

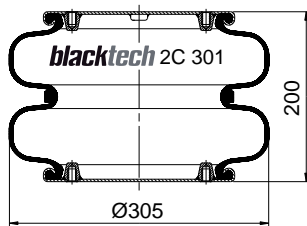
CROSS REFERENCES

CONTITECH	FD 412-18 P01

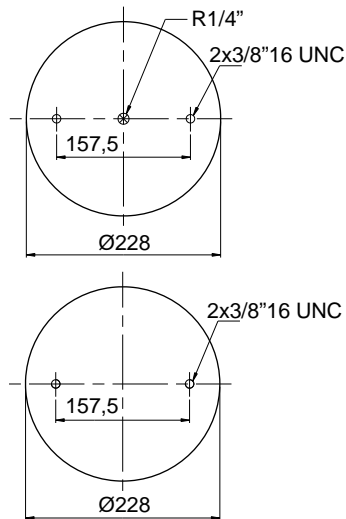
● Bolt or stud ○ Threaded hole ⊗ Combinations stud ⊗ Air inlet

2C 301-412 P09

cross section view



top view / bottom view



OEM PART NUMBER

GRANNING	1218
----------	------

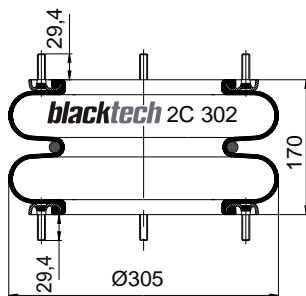
BLACKTECH OLD REFERENCE 2C 301 P09

CROSS REFERENCES

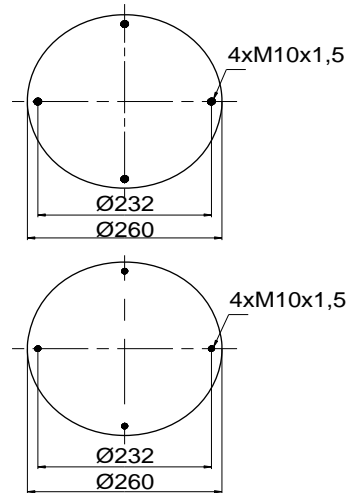
FIRESTONE STYLE	22-1.5
FIRESTONE ORDER	W01 681 7688
SPRINGRIDE	S 12280 (12" x 2 A.NB)

2C 302 F01

cross section view



top view / bottom view



OEM PART NUMBER

KAISER	A 060 30 616
LOHR	Y 0000 1737

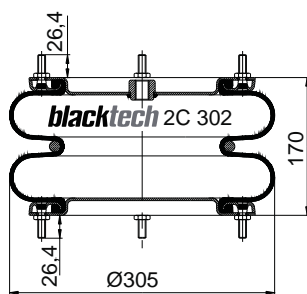
BLACKTECH OLD REFERENCE 2C 30 B01

CROSS REFERENCES

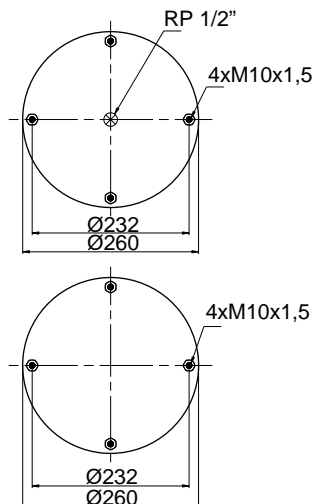
SPRINGRIDE	SP 1025 NB (12" x 2 NB)
------------	-------------------------

2C 302 P01

cross section view



top view / bottom view



OEM PART NUMBER

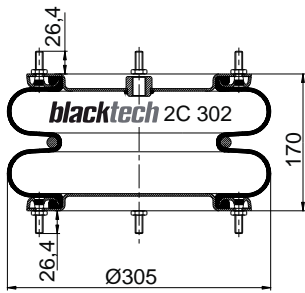
GIGANT	881202
WEWELER	USN 5100 11 KD

CROSS REFERENCES

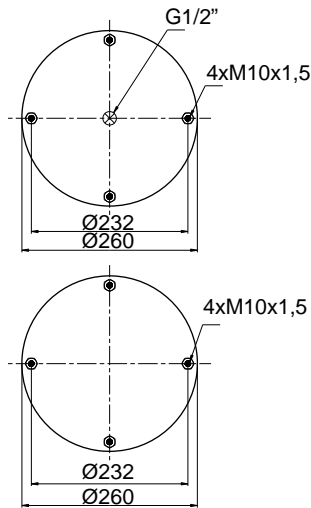
SPRINGRIDE	SP 1541 NB (12" x 2 NB)
------------	-------------------------

2C 302 P02

cross section view



top view / bottom view



OEM PART NUMBER

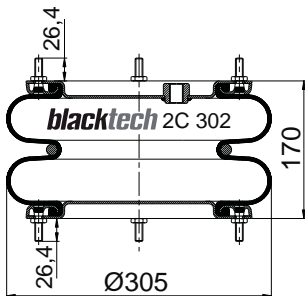
KAISER	A060 30615
LOHR	A 063 0601
SMB	M 063 796 - UJB 09 85/A
TROUILLET	HB 10350
BLACKTECH OLD REFERENCE	2C 30 F01

CROSS REFERENCES

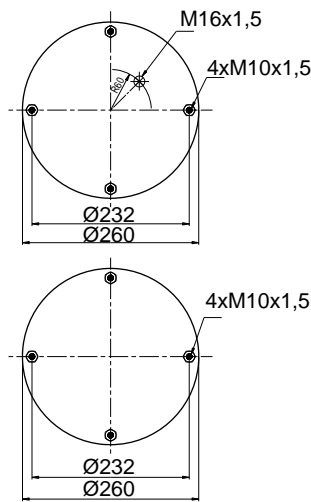
SPRINGRIDE	SP 2665 NB (12" x 2 NB)

2C 302 P03

cross section view



top view / bottom view



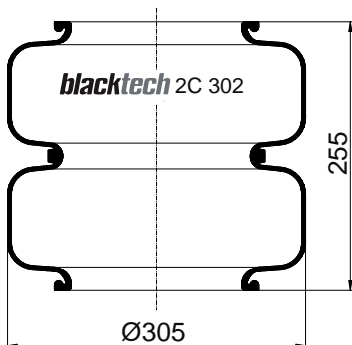
OEM PART NUMBER

GIGANT	881202
GRANNING	15813
WEWELER	USN 510011 KD
BLACKTECH OLD REFERENCE	2C 30 F02

CROSS REFERENCES

2C 303 S

cross section view



top view / bottom view

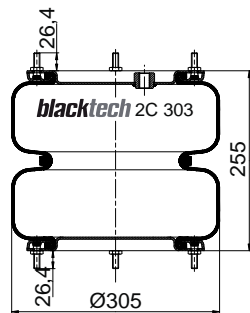
OEM PART NUMBER

BLACKTECH OLD REFERENCE	2C 30 S02

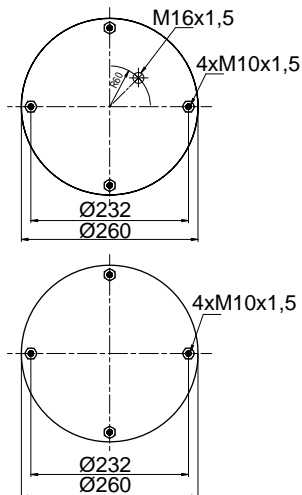
CROSS REFERENCES

2C 303 P01

cross section view



top view / bottom view



OEM PART NUMBER

SMB	M 07 82 46
LOHR	A 060 30 622
FRUEHAUF	M 07 82 46

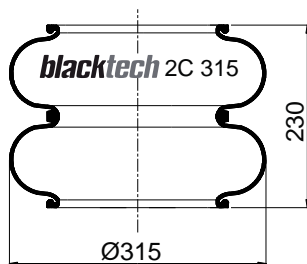
BLACKTECH OLD REFERENCE 2C 30 F01

CROSS REFERENCES

SPRINGRIDE	SP 2782 NB (12" x 2 A.NB)
------------	---------------------------

2C 315-330 S

cross section view



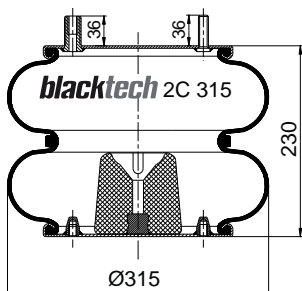
top view / bottom view

OEM PART NUMBER

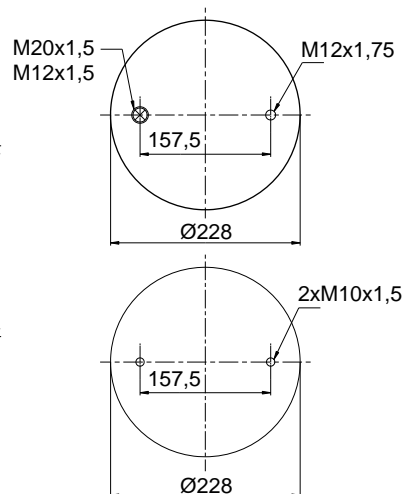
CROSS REFERENCES

2C 315-330 P01

cross section view



top view / bottom view



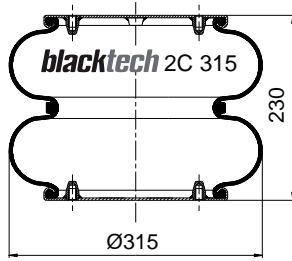
OEM PART NUMBER

BLACKTECH OLD REFERENCE 2C 30 P08

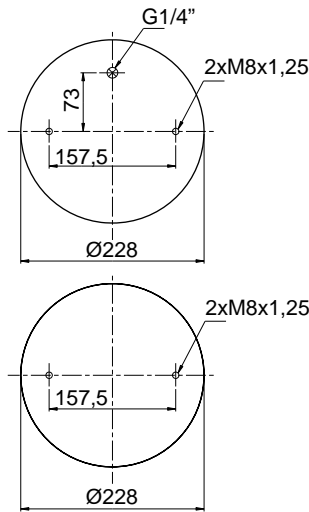
CROSS REFERENCES

2C 315-330 P02

cross section view



top view / bottom view



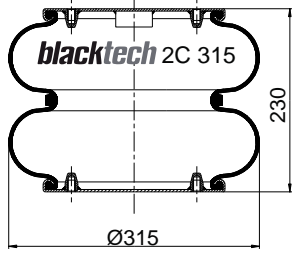
OEM PART NUMBER

CROSS REFERENCES

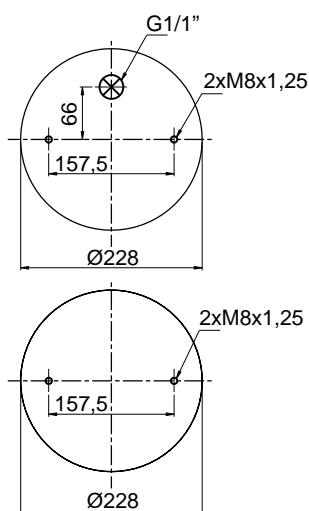
CONTITECH	FD 330-30 1/4 M8

2C 315-330 P03

cross section view



top view / bottom view



OEM PART NUMBER

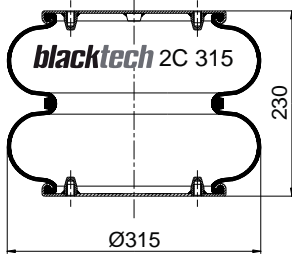
BUSSING	546905134
BUSSING	831120120
GRANNING	15646
HENDRICKSON	NA 1816
MAGIRUS-DEUTZ	0345 2571
MAN	81.43601.0022

CROSS REFERENCES

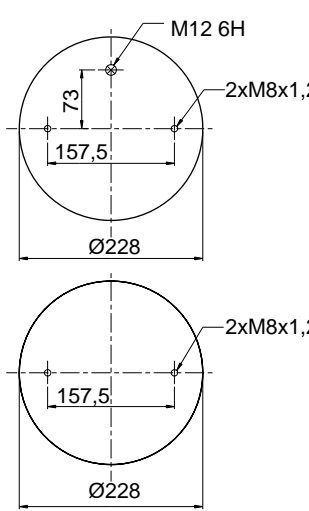
CONTITECH	FD 330-22 1/1 M8
FIRESTONE STYLE	22
FIRESTONE ORDER	W01 358 7180
GOODYEAR	2B12-425
PHOENIX	SP 2 B 22
SPRINGRIDE	
PIRELLI	22B
TAURUS	KF222-7180

2C 315-330 P04

cross section view



top view / bottom view



OEM PART NUMBER

BPW	02.200.21.90.0

CROSS REFERENCES

CONTITECH	FD 330-22 M12 x 1,5 M8

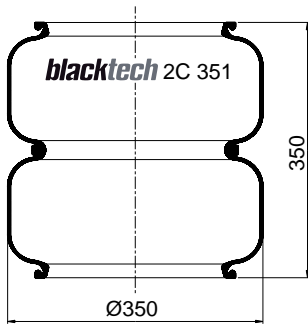
● Bolt or stud ○ Threaded hole ⊗ Combinations stud ⊗ Air inlet

2C 351 S

cross section view

top view / bottom view

OEM PART NUMBER



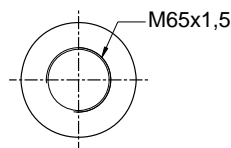
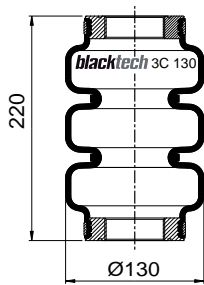
CROSS REFERENCES

3C 130 P01

cross section view

top view / bottom view

OEM PART NUMBER



BLACKTECH OLD REFERENCE 3C-130

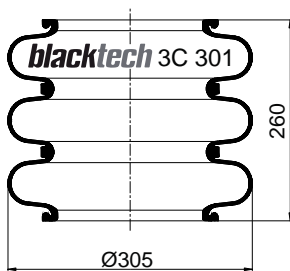
CROSS REFERENCES

3C 301-330 S

cross section view

top view / bottom view

OEM PART NUMBER



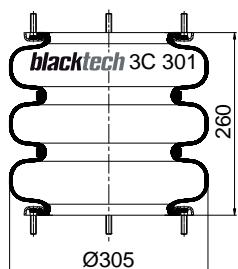
BLACKTECH OLD REFERENCE 3C-30 S01

CROSS REFERENCES

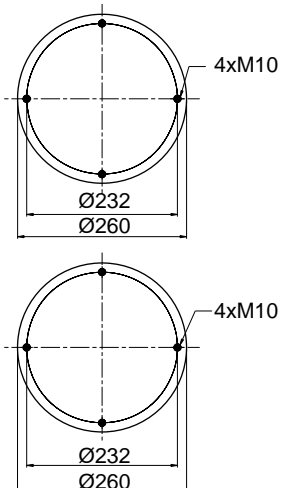
CONTITECH FT 330-29 S

3C 301-330 F01

cross section view



top view / bottom view

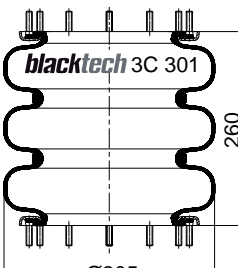


OEM PART NUMBER

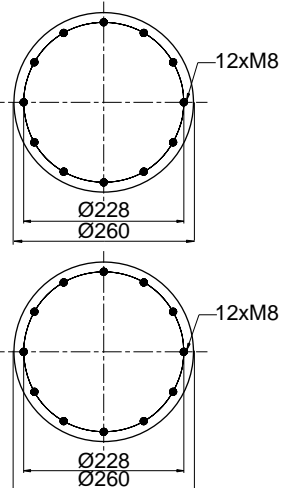
OEM PART NUMBER	
BLACKTECH OLD REFERENCE	3C-30 B01
CROSS REFERENCES	
SPRINGRIDE	SP 1033 NB (12" x3 NB)

3C 301-330 F02

cross section view



top view / bottom view

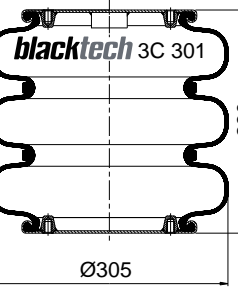


OEM PART NUMBER

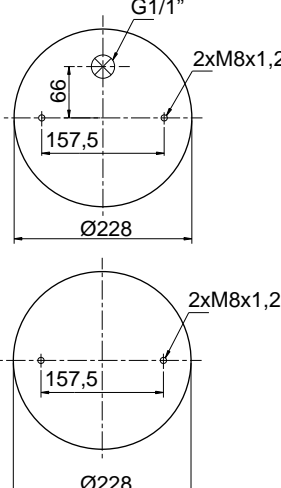
OEM PART NUMBER	
BLACKTECH OLD REFERENCE	3C-30 B02
CROSS REFERENCES	
SPRINGRIDE	SP 2597 NB (12" x3 NB)

3C 301-330 P01

cross section view



top view / bottom view



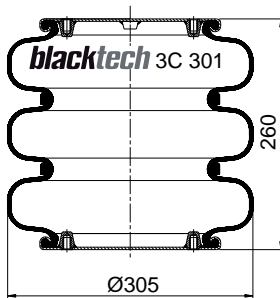
OEM PART NUMBER

OEM PART NUMBER	
BLACKTECH OLD REFERENCE	3C-30 P01
CROSS REFERENCES	
CONTITECH	FT 330-29 1/1 M8

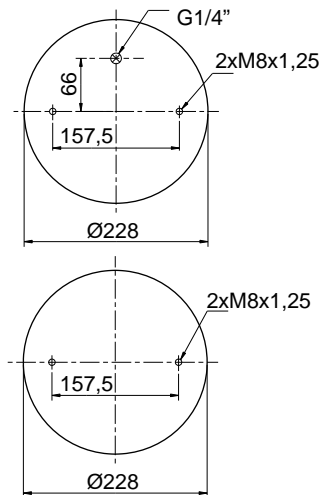
● Bolt or stud ○ Threaded hole ⊗ Combinations stud ⊗ Air inlet

3C 301-330 P02

cross section view



top view / bottom view



OEM PART NUMBER

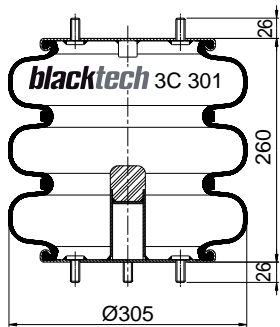
BLACKTECH OLD REFERENCE 3C-30 P02

CROSS REFERENCES

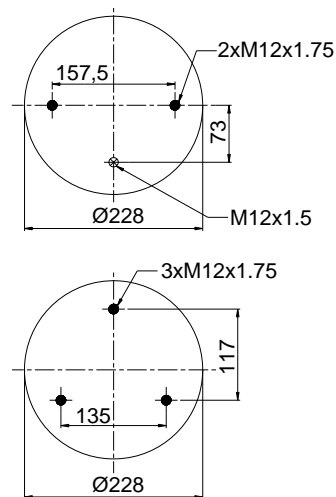
CONTITECH	FT 330-29 1/4 M8
-----------	------------------

3C 301-330 P03

cross section view



top view / bottom view



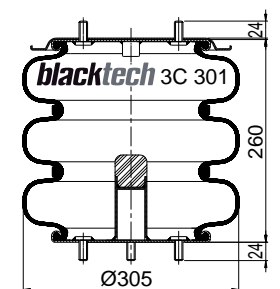
OEM PART NUMBER

BLACKTECH OLD REFERENCE 3C-30 P03

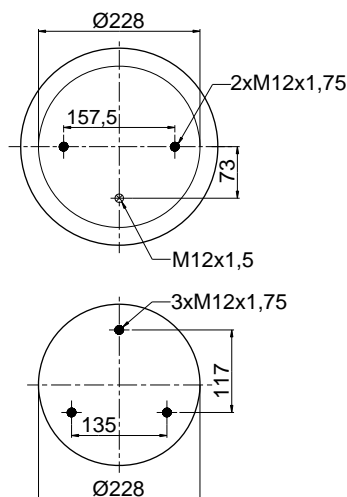
CROSS REFERENCES

3C 301-330 P04

cross section view



top view / bottom view



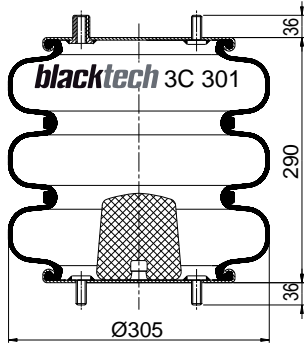
OEM PART NUMBER

BLACKTECH OLD REFERENCE 3C-30 P04

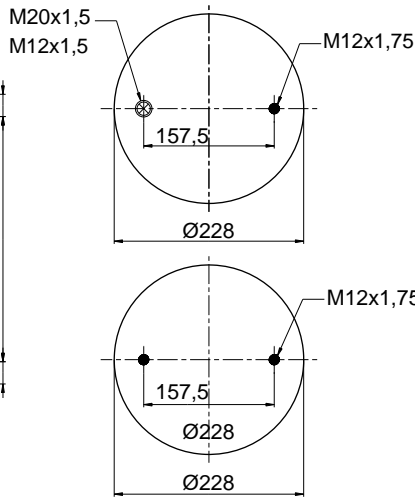
CROSS REFERENCES

3C 301-330 P05

cross section view



top view / bottom view



OEM PART NUMBER

GRANNING	15673
TOUGHLINE	15673

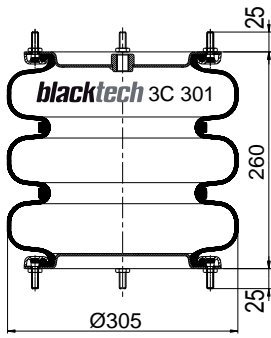
BLACKTECH OLD REFERENCE 3C-30 P06

CROSS REFERENCES

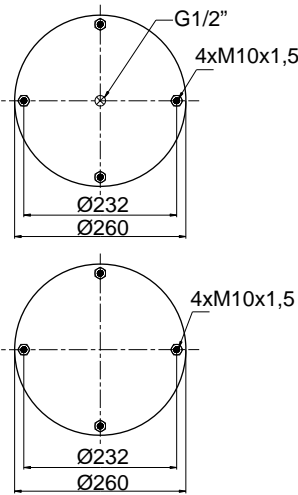
FIRESTONE STYLE	38
FIRESTONE ORDER	W01 358 8017
SPRINGRIDE	S 12302 (12" x 3 NB)

3C 301-330 P06

cross section view



top view / bottom view



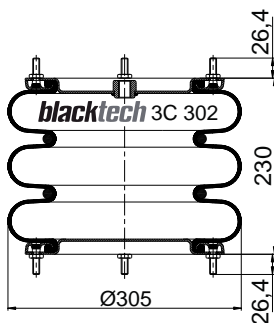
OEM PART NUMBER

GIGANT	881204
GARNNING	15816

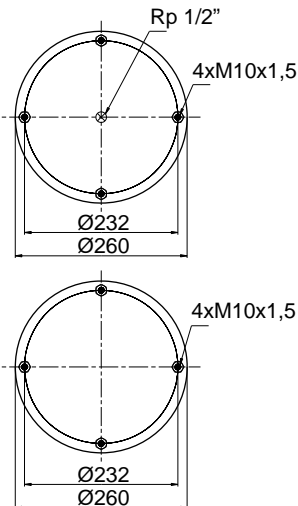
CROSS REFERENCES

3C 302 P01

cross section view



top view / bottom view



OEM PART NUMBER

GIGANT	881204
GARNNING	15816

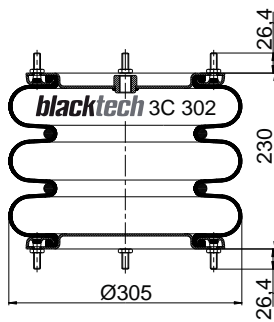
BLACKTECH OLD REFERENCE 3C-30 F01

CROSS REFERENCES

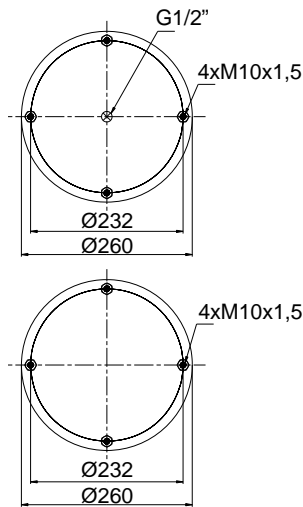
SPRINGRIDE	SP 1542 NB (12" x 3 NB)
------------	-------------------------

3C 302 P02

cross section view



top view / bottom view



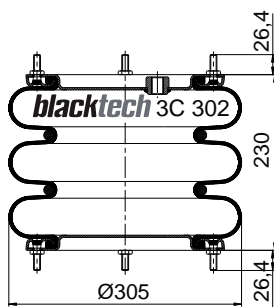
OEM PART NUMBER

BLACKTECH OLD REFERENCE 3C-30 F02

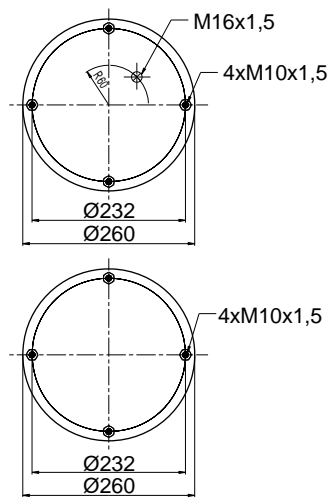
CROSS REFERENCES

3C 302 P03

cross section view



top view / bottom view



OEM PART NUMBER

SMB	M002297
FRUEHAUF	M 00 2297
LOHR	A 060 30 606
SAMRO	H 25 000 11

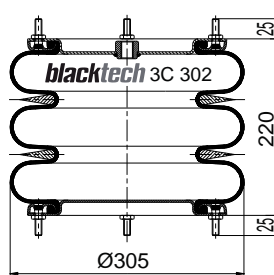
BLACKTECH OLD REFERENCE 3C-30 F03

CROSS REFERENCES

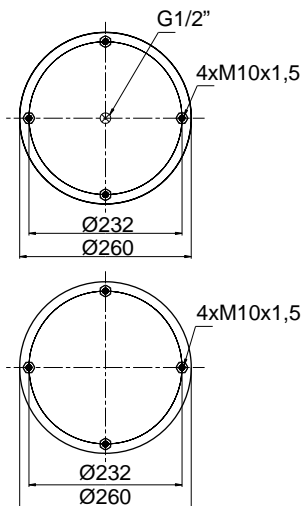
SPRINGRIDE	SP 2666 NB (12" x 3 NB)

3C 302 P04 (12"x2)

cross section view



top view / bottom view

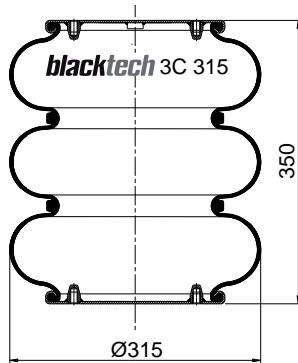


OEM PART NUMBER

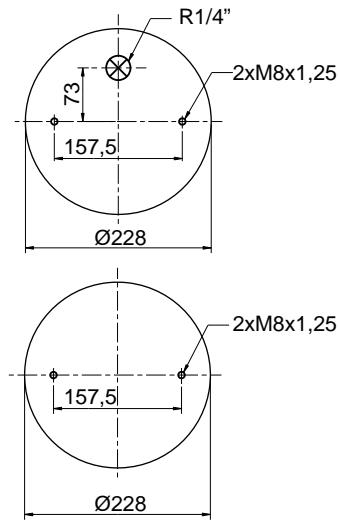
CROSS REFERENCES

3C 315-412 P01

cross section view



top view / bottom view

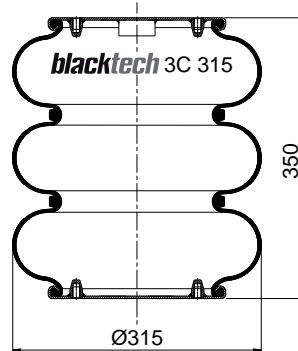


OEM PART NUMBER

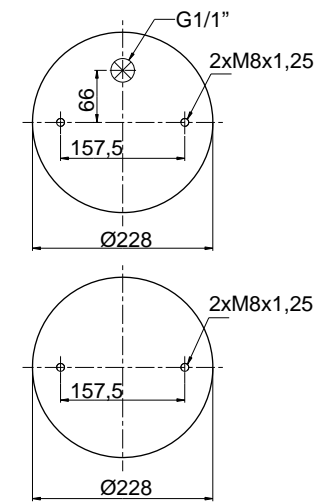
CROSS REFERENCES

3C 315-412 P11

cross section view



top view / bottom view

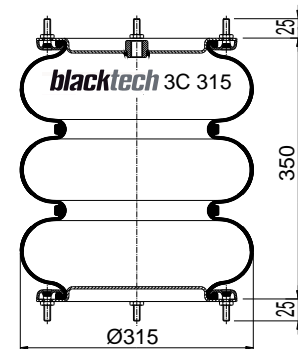


OEM PART NUMBER

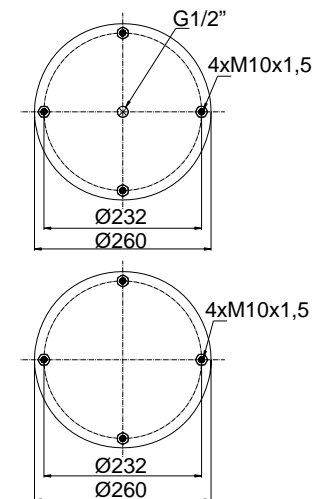
CROSS REFERENCES

3C 315-412 P12

cross section view



top view / bottom view



OEM PART NUMBER

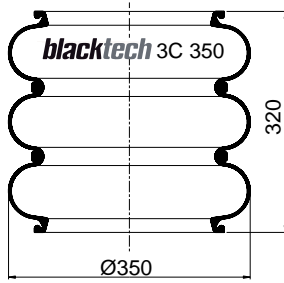
CROSS REFERENCES

CONTITECH	FT 412-32 1/2 M10

3C 350 S

cross section view

top view / bottom view



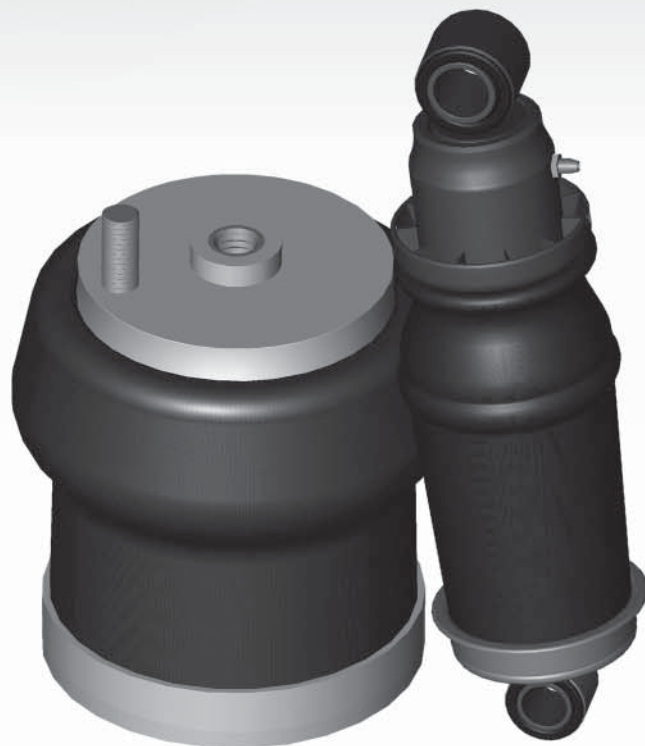
OEM PART NUMBER

BLACKTECH OLD REFERENCE 3C-350-S01

CROSS REFERENCES

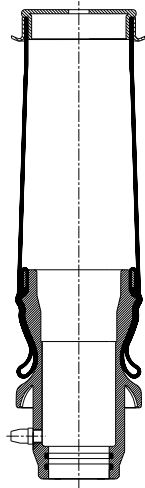
blacktech
Air Springs

Cabin and Seat Air Springs



110 01 C

cross section view



OEM PART NUMBER

SCANIA 3 Series 93-113-143	1348121 (Spring Type)

REMARKS

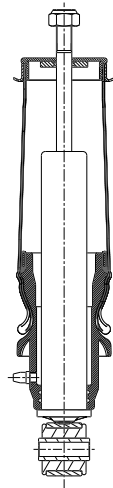
FRONT - REAR	
--------------	--

CROSS REFERENCES

SACHS	481 002

110 01 CA

cross section view



OEM PART NUMBER

SCANIA 3 Series 93-113-143	1116535 / 1117334 / 1331621
SCANIA 3 Series 93-113-143	1331634 / 1331635 / 1348118
SCANIA 3 Series 93-113-143	1117320 / 1331620 / 1348117
SCANIA 3 Series 93-113-143	370227 / 393257 / 550365
SCANIA 3 Series 93-113-143	1340581 / 1348119 / 1348120
SCANIA 3 Series 93-113-143	1348121 (Spring Type)

REMARKS

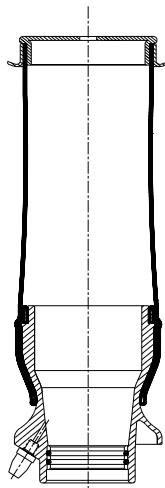
FRONT - REAR	
Sachs Version	

CROSS REFERENCES

SACHS	105 831 / 105 845
SACHS	105 875 / 105 876
SACHS	481 002
MONROE	CB0065 (Unit without air spring)
MONROE	CB0066 (Air Spring)
GRANNING	50159

110 02 C

cross section view



OEM PART NUMBER

SCANIA 4 Series 94-114-144	1381919 (Air Spring)
SCANIA 4 Series 94-114-144	1476415 (Air Spring)

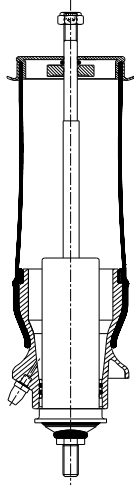
REMARKS

FRONT - REAR	
--------------	--

CROSS REFERENCES

110 02 CA

cross section view



OEM PART NUMBER

SCANIA 4 Series 94-114-144	1381919
SCANIA 4 Series 94-114-144	1476415
SCANIA 4 Series 94-114-144	1381904
SCANIA 4 Series 94-114-144	1397396
SCANIA 4 Series 94-114-144	1397400
SCANIA 4 Series 94-114-144	1435859
SCANIA 4 Series 94-114-144	1381919 (Spring Type)
SCANIA 4 Series 94-114-144	1476415 (Spring Type)

REMARKS

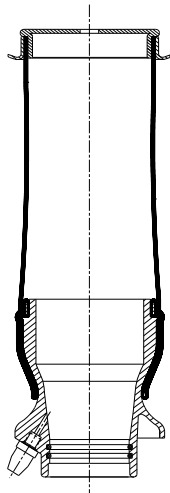
FRONT	
Sachs Version	

CROSS REFERENCES

MONROE	CB0010 (Unit without air spring)
MONROE	CB0030 (Air Spring)
GRANNING	50155

110 03 C

cross section view



OEM PART NUMBER

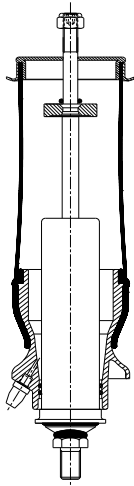
REMARKS

--	--

CROSS REFERENCES

110 03 CA

cross section view



OEM PART NUMBER

SCANIA 4 Series 94-114-144	1397398
SCANIA 4 Series 94-114-144	1381906
SCANIA 4 Series 94-114-144	1397394
SCANIA 4 Series 94-114-144	1397398
SCANIA 4 Series 94-114-144	1402271
SCANIA 4 Series 94-114-144	1435856
SCANIA 4 Series 94-114-144	1381919 (Air Spring)
SCANIA 4 Series 94-114-144	1476415 (Air Spring)

REMARKS

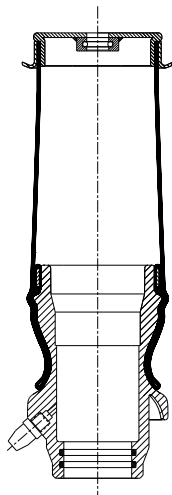
REAR	
Monroe Version	

CROSS REFERENCES

SACHS	290 204
MONROE	CB0009 (Unit without air spring)
MONROE	CB0030 (Air Spring)
GRANNING	50156

110 04 C

cross section view



OEM PART NUMBER

MAN F2000	

REMARKS

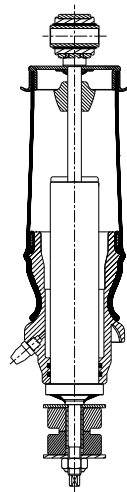
FRONT	
Sachs Version	

CROSS REFERENCES

GRANNING	50162 without shock absorber

110 04 CA

cross section view



OEM PART NUMBER

MAN F2000	81.41722.6048
MAN F2000	81.41722.6051

REMARKS

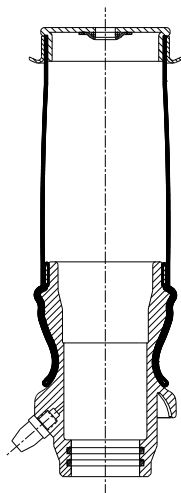
FRONT	
Sachs Version	

CROSS REFERENCES

SACHS	105 855
GRANNING	50162

110 05 C

cross section view



OEM PART NUMBER

MAN F2000	

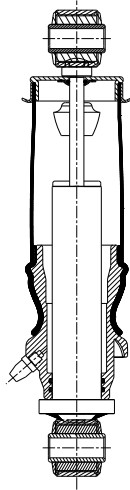
REMARKS

REAR	
Sachs Version	

CROSS REFERENCES

110 05 CA

cross section view



OEM PART NUMBER

MAN F2000	81.41722.6049
MAN F2000	81.41722.6052

REMARKS

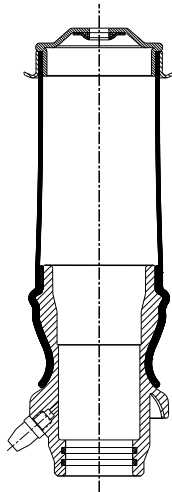
REAR	
Sachs Version	

CROSS REFERENCES

SACHS	105 856
GRANNING	50163

110 06 C

cross section view



OEM PART NUMBER

MERCEDES Actros	

REMARKS

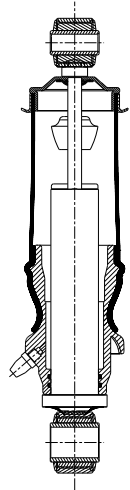
FRONT	
Sachs Version	

CROSS REFERENCES

GRANNING	50511 without shock absorber

110 06 CA

cross section view



OEM PART NUMBER

MERCEDES Actros	942 890 29 19

REMARKS

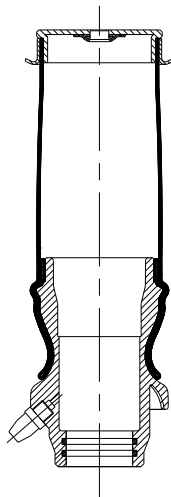
FRONT	
Sachs Version	

CROSS REFERENCES

SACHS	105 392
GRANNING	50511

110 07 C

cross section view



OEM PART NUMBER

MERCEDES Actros	

REMARKS

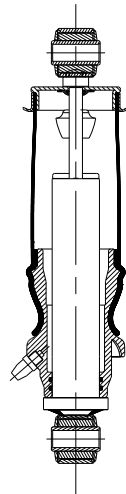
REAR	
Sachs Version	

CROSS REFERENCES

GRANNING	50512 without shock absorber

110 07 CA

cross section view



OEM PART NUMBER

MERCEDES Actros	9428900219
MERCEDES Actros	9428906019

REMARKS

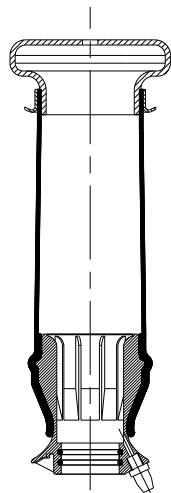
REAR	
Sachs Version	

CROSS REFERENCES

SACHS	290 997
GRANNING	50512

110 08 C

cross section view



OEM PART NUMBER

SCANIA 4 Series 94-114-144	1349840 (Spring Type)
SCANIA 4 Series 94-114-144	1424231 (Spring Type)

REMARKS

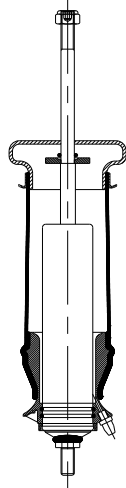
FRONT	
-------	--

CROSS REFERENCES

SACHS	557 001
MONROE	CB0067
GRANNING	50501

110 08 CA

cross section view



OEM PART NUMBER

SCANIA 4 Series 94-114-144	1381904 / 1397396
SCANIA 4 Series 94-114-144	1397400 / 1435859
SCANIA 4 Series 94-114-144	1363120 / 1397386
SCANIA 4 Series 94-114-144	1397388 / 1397390
SCANIA 4 Series 94-114-144	1397392 / 1424227
SCANIA 4 Series 94-114-144	1349840 (Spring Type)
SCANIA 4 Series 94-114-144	1424231 (Spring Type)

REMARKS

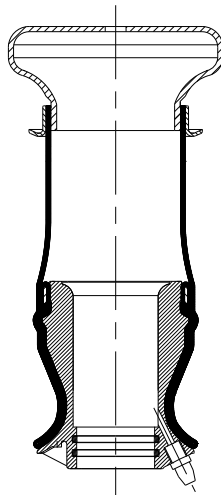
FRONT	
-------	--

CROSS REFERENCES

SACHS	290 201/290 203/290 987
SACHS	310 619 (old part number 557 001)
MONROE	CB0058 (Unit without air spring)
MONROE	CB0067 (Air Spring)
GRANNING	50157

110 09 C

cross section view



OEM PART NUMBER

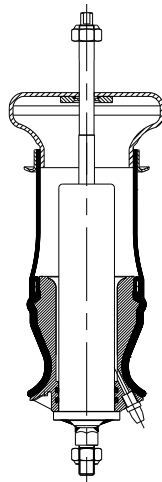
REMARKS

--	--

CROSS REFERENCES

110 09 CA

cross section view



OEM PART NUMBER

SCANIA 4 Series 94-114-144	1349844
SCANIA 4 Series 94-114-144	1382827
SCANIA 4 Series 94-114-144	1424229
SCANIA 4 Series 94-114-144	1349840 (Spring Type)
SCANIA 4 Series 94-114-144	1424231 (Spring Type)

REMARKS

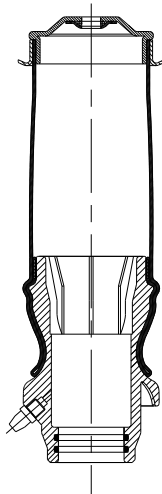
REAR	
------	--

CROSS REFERENCES

SACHS	290 989
SACHS	311 619 (old part number 557 001)
MONROE	CB0059 (Unit without air spring)
MONROE	CB0067 (Air Spring)
GRANNING	50158

110 10 C

cross section view



OEM PART NUMBER

MERCEDES	

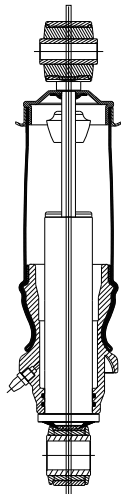
REMARKS

FRONT	
Sachs Version	

CROSS REFERENCES

110 10 CA

cross section view



OEM PART NUMBER

MERCEDES	9438903819

REMARKS

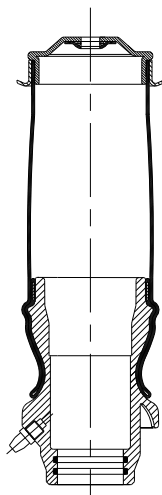
FRONT	
Sachs Version	

CROSS REFERENCES

SACHS	311 663

110 11 C

cross section view



OEM PART NUMBER

MERCEDES	

REMARKS

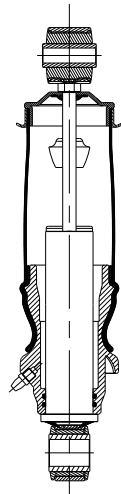
FRONT	
Sachs Version	

CROSS REFERENCES

SACHS	290998

110 11 CA

cross section view



OEM PART NUMBER

MERCEDES	942 890 53 19
MERCEDES	942 890 59 19

REMARKS

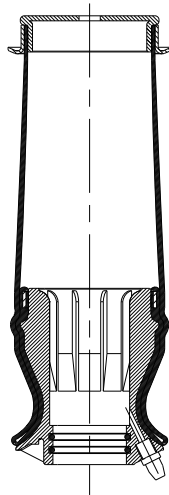
FRONT	
Sachs Version	

CROSS REFERENCES

SACHS	290 998

110 12 C

cross section view



OEM PART NUMBER

SCANIA R Serie	1349840 (Spring Type)
SCANIA R Serie	1424231 (Spring Type)

REMARKS

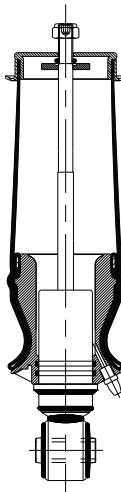
FRONT-REAR	
------------	--

CROSS REFERENCES

SACHS	310619
MONROE	CB0067

110 12 CA

cross section view



OEM PART NUMBER

SCANIA R Serie	1502470
SCANIA R Serie	1502471
SCANIA R Serie	1502472
SCANIA R Serie	1502474
SCANIA R Serie	1505563
SCANIA R Serie	1595642
SCANIA R Serie	1349840 (Spring Type)
SCANIA R Serie	1424231 (Spring Type)

REMARKS

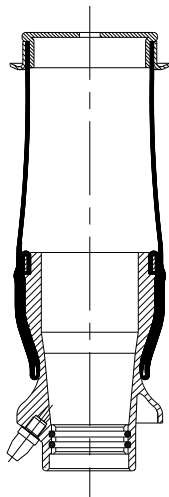
FRONT-REAR	
------------	--

CROSS REFERENCES

SACHS	310619 (Shock Absorber)
SACHS	310620 (Shock Absorber)

110 13 C

cross section view



OEM PART NUMBER

SCANIA R Serie	1502468
SCANIA R Serie	1502471

REMARKS

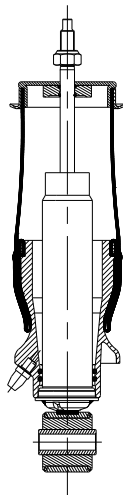
REAR	
------	--

CROSS REFERENCES

MONROE	CB0074

110 13 CA

cross section view



OEM PART NUMBER

SCANIA R Serie	1502470
SCANIA R Serie	1502471
SCANIA R Serie	1502474
SCANIA R Serie	1502468 (Spring Type)
SCANIA R Serie	1502471 (Spring Type)

REMARKS

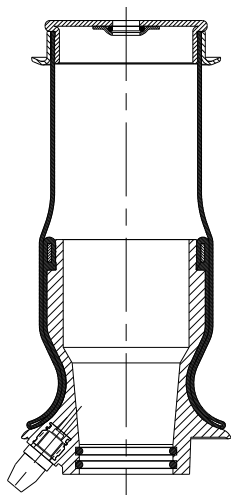
REAR	
------	--

CROSS REFERENCES

MONROE	CB0078 (Unit without air spring)
MONROE	CB0074 (Air Spring)

110 14 C

cross section view



OEM PART NUMBER

IVECO Stralis	500340705 (fron
IVECO Stralis	500340706 (rea

REMARKS

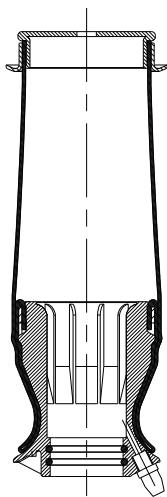
FRONT Sachs Version	
------------------------	--

CROSS REFERENCES

VIBRACOUSTIC	H307510201

110 17 C

cross section view



OEM PART NUMBER

SCANIA R Serie	

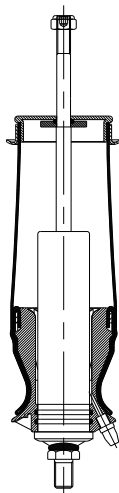
REMARKS

REAR	
------	--

CROSS REFERENCES

110 17 CA

cross section view



OEM PART NUMBER

SCANIA R Serie	1349844
SCANIA R Serie	1382827
SCANIA R Serie	1424229
SCANIA R Serie	1349840 (Spring Type)
SCANIA R Serie	1424231 (Spring Type)

REMARKS

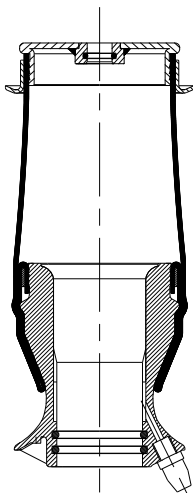
REAR	
------	--

CROSS REFERENCES

SACHS	290 989
SACHS	310 619

110 18 C

cross section view



OEM PART NUMBER

IVECO Stralis	

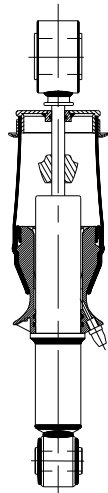
REMARKS

FRONT	
Sachs Version	

CROSS REFERENCES

110 18 CA

cross section view



OEM PART NUMBER

IVECO Stralis	500,357,351

REMARKS

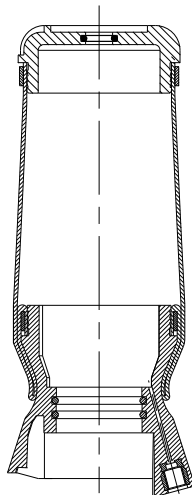
FRONT	
Sachs Version	

CROSS REFERENCES

SACHS	310 820

110 19 C

cross section view



OEM PART NUMBER

IVECO Stralis	504,060,241

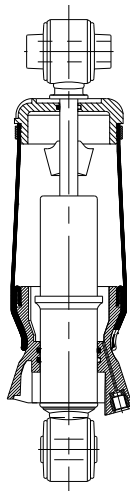
REMARKS

REAR	
Sachs Version	

CROSS REFERENCES

110 19 CA

cross section view



OEM PART NUMBER

IVECO Stralis	504,060,241

REMARKS

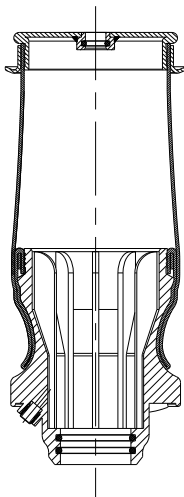
REAR	
Sachs Version	

CROSS REFERENCES

SACHS	73170000277

110 22 C

cross section view



OEM PART NUMBER

MAN TGA	

REMARKS

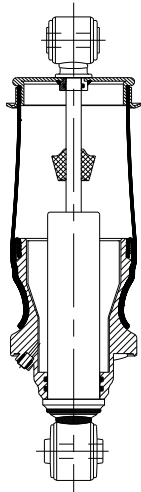
REAR (RIGHT)	
Sachs Version	

CROSS REFERENCES

SACHS	

110 22 CA

cross section view



OEM PART NUMBER

MAN TGA	81.41722.6057
MAN TGA	85.41722.6006
MAN TGA	85.41722.6012

REMARKS

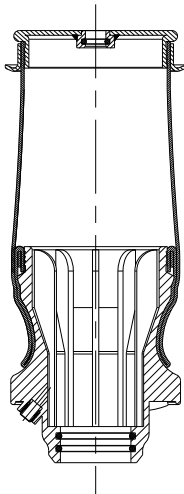
REAR (RIGHT)	
Sachs Version	

CROSS REFERENCES

SACHS	135 198

110 23 C

cross section view



OEM PART NUMBER

MAN TGA	

REMARKS

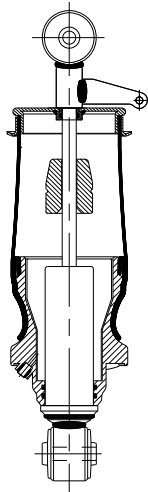
REAR	
Sachs Version	

CROSS REFERENCES

SACHS	

110 23 CA

cross section view



OEM PART NUMBER

MAN TGA	85.41722.6015
MAN TGA	85.41722.6023

REMARKS

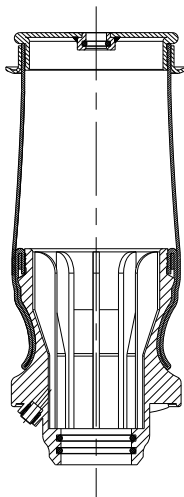
REAR
Sachs Version

CROSS REFERENCES

SACHS	135 197
-------	---------

110 24 C

cross section view



OEM PART NUMBER

MAN TGA

REMARKS

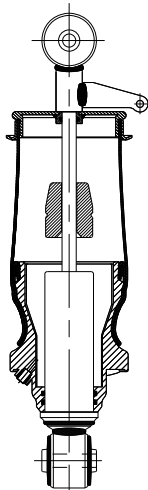
FRONT
Sachs Version

CROSS REFERENCES

SACHS

110 24 CA

cross section view



OEM PART NUMBER

MAN TGA	85.41722.6014
MAN TGA	85.41722.6022

REMARKS

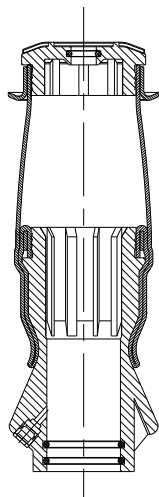
FRONT
Sachs Version

CROSS REFERENCES

SACHS	135 196
-------	---------

110 25 C

cross section view



OEM PART NUMBER

RENAULT Premium	

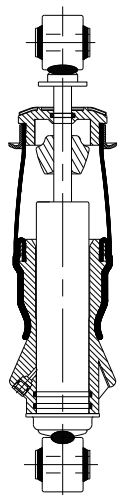
REMARKS

REAR	
------	--

CROSS REFERENCES

110 25 CA

cross section view



OEM PART NUMBER

RENAULT Premium	5010 228 908
RENAULT Premium	5010 228 908A
RENAULT Premium	5010 228 908B
RENAULT Premium	5010 228 908C
RENAULT Premium	5010 269 674
RENAULT Premium	5010 316 783
RENAULT Premium	5010 316 783A

REMARKS

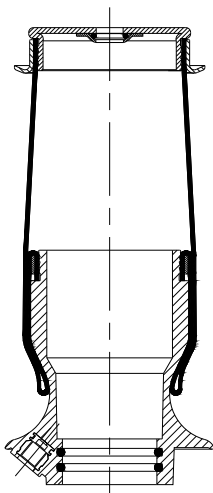
REAR	
------	--

CROSS REFERENCES

SACHS	310 957
CONTITECH	SZ 36-10
GRANNING	15519

110 26 C

cross section view



OEM PART NUMBER

IVECO Stralis	500340706

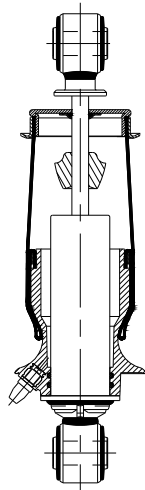
REMARKS

REAR	
------	--

CROSS REFERENCES

110 26 CA

cross section view



OEM PART NUMBER

IVECO Stralis	500340706

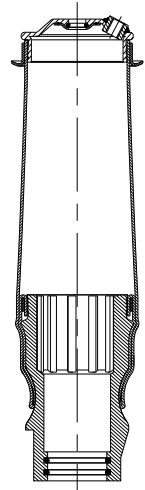
REMARKS

REAR	
------	--

CROSS REFERENCES

110 27 C

cross section view



OEM PART NUMBER

VOLVO FH12-FH16	

REMARKS

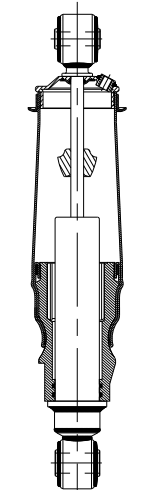
FRONT Monroe Version	
-------------------------	--

CROSS REFERENCES

MONROE	

110 27 CA

cross section view



OEM PART NUMBER

VOLVO FH12-FH16	1629719
VOLVO FH12-FH16	1629724
VOLVO FH12-FH16	3172984

REMARKS

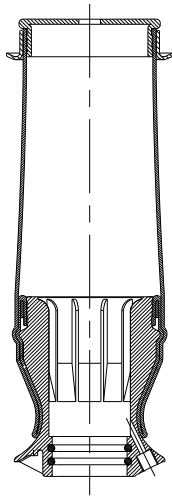
FRONT Monroe Version	
-------------------------	--

CROSS REFERENCES

MONROE	CB0003
GRANNING	50509

110 28 C

cross section view



OEM PART NUMBER

SCANIA R Serie	

REMARKS

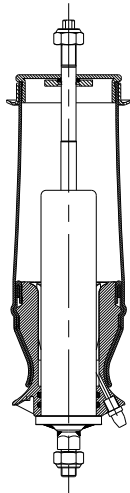
REAR	
------	--

CROSS REFERENCES

MONROE	CB0003
GRANNING	50509

110 28 CA

cross section view



OEM PART NUMBER

SCANIA R Serie	1363120
SCANIA R Serie	1397386
SCANIA R Serie	1397388
SCANIA R Serie	1397390
SCANIA R Serie	1397392
SCANIA R Serie	1424227
SCANIA R Serie	1349840 (Spring Type)
SCANIA R Serie	1424231 (Spring Type)

REMARKS

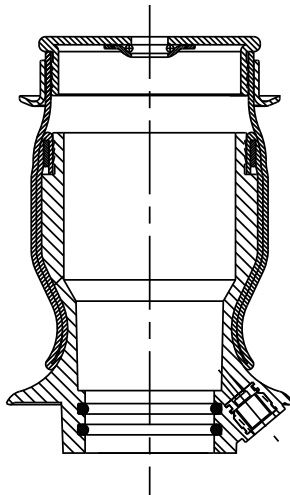
REAR	
------	--

CROSS REFERENCES

SACHS	290 987
SACHS	310 619
MONROE	CB0058 (Unit without air spring)
MONROE	CB0067 (Air Spring)

110 29 C

cross section view



OEM PART NUMBER

IVECO Stralis	

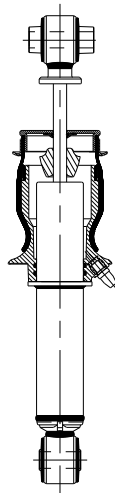
REMARKS

REAR	
------	--

CROSS REFERENCES

110 29 CA

cross section view



OEM PART NUMBER

IVECO Stralis	504,060,233

REMARKS

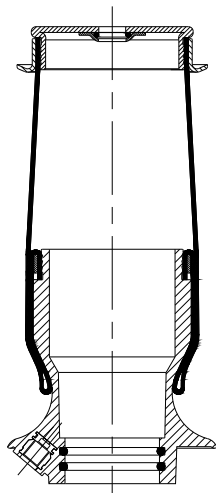
REAR	
------	--

CROSS REFERENCES

ARVINMERITOR	908323140

110 30 C

cross section view



OEM PART NUMBER

IVECO Stralis	

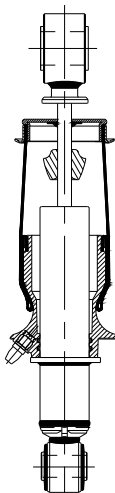
REMARKS

FRONT	
-------	--

CROSS REFERENCES

110 30 CA

cross section view



OEM PART NUMBER

IVECO Stralis	500,340,705

REMARKS

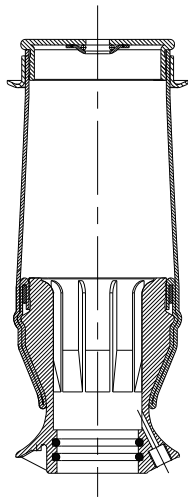
FRONT	
-------	--

CROSS REFERENCES

ARVINMERITOR	908322985

110 31 C

cross section view



OEM PART NUMBER

IVECO Stralis	

REMARKS

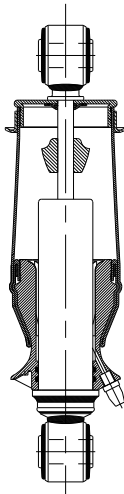
REAR	
Sachs Version	

CROSS REFERENCES

SACHS	

110 31 CA

cross section view



OEM PART NUMBER

IVECO Stralis	500357352

REMARKS

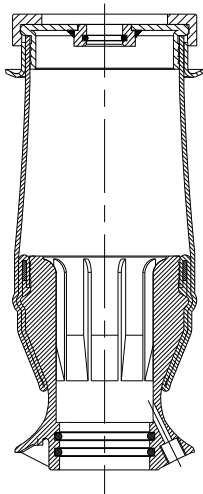
REAR	
Sachs Version	

CROSS REFERENCES

SACHS	310 821

110 32 C

cross section view



OEM PART NUMBER

VOLVO FH12-FH16	

REMARKS

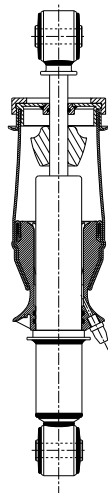
REAR	
Monroe Version	

CROSS REFERENCES

MONROE	

110 32 CA

cross section view



OEM PART NUMBER

VOLVO FH12-FH16	20427897
VOLVO FH12-FH16	20721169

REMARKS

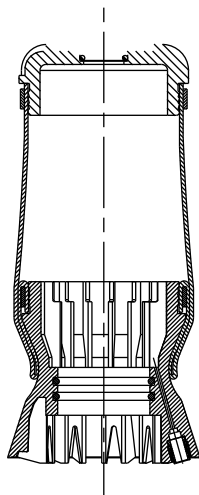
REAR	
Monroe Version	

CROSS REFERENCES

MONROE	CB0006

110 33 C

cross section view



OEM PART NUMBER

IVECO Eurotech-Eurostar Type2	

REMARKS

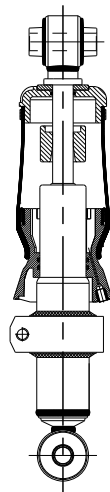
REAR	
Sachs Version	

CROSS REFERENCES

SACHS	115 743

110 33 CA

cross section view



OEM PART NUMBER

IVECO Eurotech-Eurostar Type2	4102 8763
IVECO Eurotech-Eurostar Type2	4102 8764
IVECO Eurotech-Eurostar Type2	500348793
IVECO Eurotech-Eurostar Type2	500377878

REMARKS

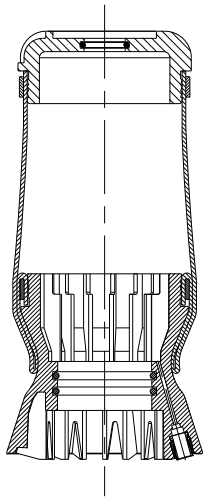
REAR	
Sachs Version	

CROSS REFERENCES

SACHS	115 743

110 34 C

cross section view



OEM PART NUMBER

IVECO Eurotech-Eurostar TypeL	

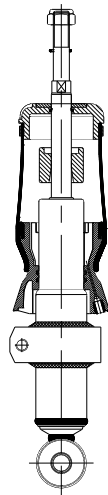
REMARKS

REAR	
------	--

CROSS REFERENCES

110 34 CA

cross section view



OEM PART NUMBER

IVECO Eurotech-Eurostar TypeL	500307338
IVECO Eurotech-Eurostar TypeL	500352808
IVECO Eurotech-Eurostar TypeL	500379698
IVECO Eurotech-Eurostar TypeL	9943 8514
IVECO Eurotech-Eurostar TypeL	9945 5937
IVECO Eurotech-Eurostar TypeL	9847 2734

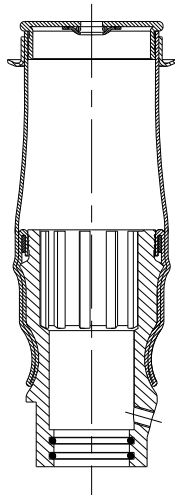
REMARKS

REAR	
------	--

CROSS REFERENCES

110 35 C

cross section view



OEM PART NUMBER

VOLVO FH12-FH16	

REMARKS

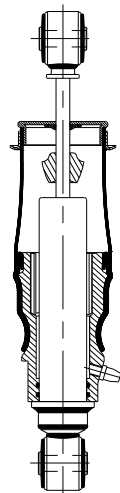
REAR Monroe Version	
------------------------	--

CROSS REFERENCES

MONROE	

110 35 CA

cross section view



OEM PART NUMBER

VOLVO FH12-FH16	1075076
VOLVO FH12-FH16	1075077

REMARKS

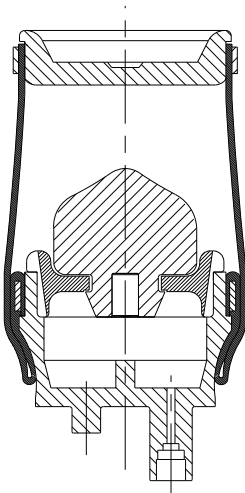
REAR	
Monroe Version	

CROSS REFERENCES

MONROE	CB0002
GRANNING	50510

210 01 C

cross section view



OEM PART NUMBER

RENAULT Premium	5010130797G

REMARKS

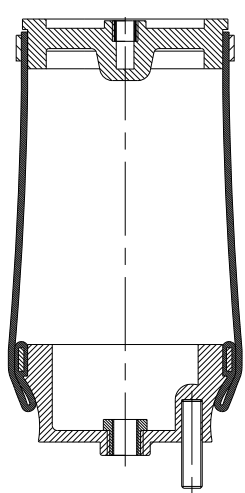
FRONT	
CABIN SPRINGS	

CROSS REFERENCES

CONTITECH	SZ 50-9
GRANNING	15515

210 02 C

cross section view



OEM PART NUMBER

RENAULT G 340 Ti	5010092916E

REMARKS

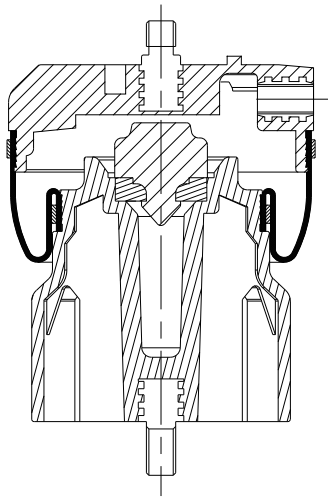
FRONT-REAR	
CABIN SPRINGS	

CROSS REFERENCES

CONTITECH	SZ 50-8
GRANNING	15512

210 03 C

cross section view



OEM PART NUMBER

IVECO Eurotech-Eurostar	41019150
IVECO Eurotech-Eurostar	8169050

REMARKS

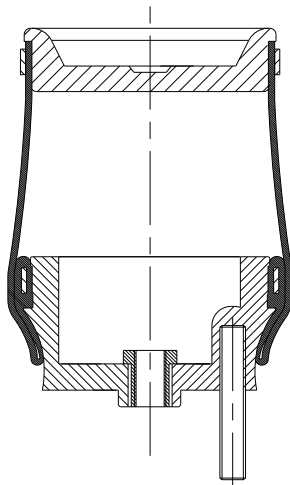
FRONT	
CABIN SPRINGS	

CROSS REFERENCES

PIRELLI	IGC130-30

210 04 C

cross section view



OEM PART NUMBER

RENAULT G 340 Ti	5010266845A
RENAULT G 340 Ti	5010313619A

REMARKS

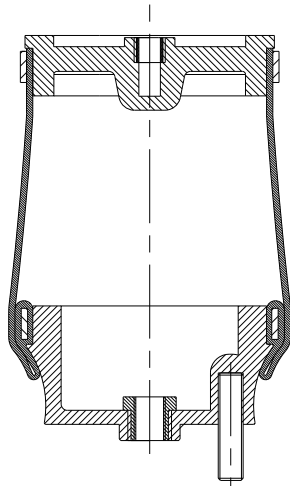
FRONT-REAR	
CABIN SPRINGS	

CROSS REFERENCES

CONTITECH	SZ 50-10
GRANNING	15513

210 05 C

cross section view



OEM PART NUMBER

RENAULT Gamme G	5010133079D

REMARKS

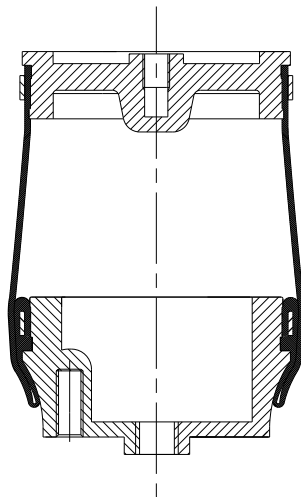
CABIN SPRINGS	
---------------	--

CROSS REFERENCES

CONTITECH	SZ 50-6
GRANNING	15514

210 06 C

cross section view



OEM PART NUMBER

C.O.B.O.	

REMARKS

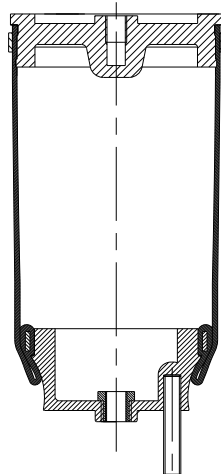
SEAT AIR SPRING	
-----------------	--

CROSS REFERENCES

CONTITECH	SZ51-5
GRANNING	90001

210 07 C

cross section view



OEM PART NUMBER

MOVE	

REMARKS

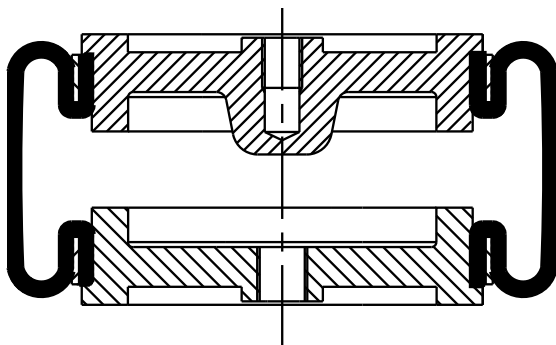
SEAT AIR SPRING	
-----------------	--

CROSS REFERENCES

CONTITECH	SZ 51-10

210 08 C

cross section view



OEM PART NUMBER

KLEPP	

REMARKS

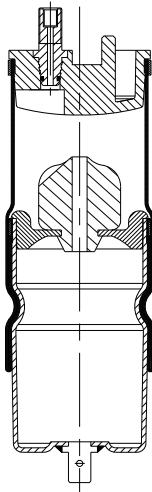
SEAT AIR SPRING	
-----------------	--

CROSS REFERENCES

CONTITECH	SZ 51-4
GRANNING	90000

210 09 C

cross section view



OEM PART NUMBER

RENAULT Magnum	5010320096A

REMARKS

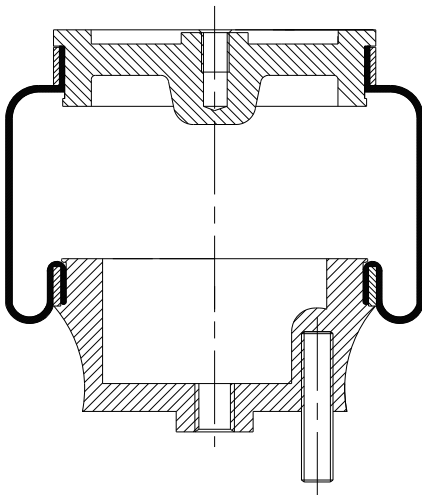
FRONT-REAR CABIN SPRINGS	
-----------------------------	--

CROSS REFERENCES

CONTITECH	816-Z

410 01 C

cross section view



OEM PART NUMBER

PILOT	

REMARKS

SEAT AIR SPRING	
-----------------	--

CROSS REFERENCES

CONTITECH	SZ 51-7
GRANNING	90002



blacktech
Air Springs

Cross Reference List

CROSS REFERENCE
ROLLING LOBE AIR SPRINGS

Blacktech	ContiTech	Phoenix	Firestone		Goodyear	CF Gomma / Pirelli	Page
RL 9027	916 N1	1 F 21 C-5			9015		35
RL 9032	921 N	1E 17	1R1A 415 260	W01 095 0226	8043	1S 285-23 / 202728	35
RL 9038	927 N	2 E 18 B	1R1J 415 285	W01 095 0244	8037		35
RL 9039	928 N	2 E 23 A	1R1K 380 320	W01 095 0228	8042		36
RL 9054	943 N		1R1A 260 285	W01 095 0189	9001	1S 285-18 / 88809	36
RL 9055	944 N	1E 21-6	1R1B 390 270	W01 095 0121	9009	1S 270-23 / 97619	37
RL 9056	945 N	1E 21-C	1R1A 460 290	W01 095 0063	9014	1S 285-25 / 97555	37
RL 9057	946 N						38
RL 9086	975 N	1E 10	1R1T 320 195	W01 095 0437			38
RL 9755	644 N	1 E 21	1R1A 390-295	W01 095 0118	8017	1S 285-24 / 92574	39
RL 9772	661 N	1 E 25	1R1C 390-310	W01 095 0021	8018	1S 310-28 / 91016	40
RL 9773	662 N	1 E 32	1R1D 355-355	W01 095 0207/0030	9007	1 SC 360-30 / 92594	40
RL 9784	673 N	1 F 21 A	1R1A 370-285	W01 095 0198	8012	1S 285-22 / 88786	41
RL 9812	701 N	1 E 26-1	1R3M 340-340	W01 095 0205	9006		41
RL 9817	706 N				9067		41
RL 9820	719 N	1 F 32 B	1R2D 530-360	W01 095 0192	8118	1 SC 360-43 / 92593	42
RL 9824	713 N	1 F 21 D			9066		42
RL 9826	715 N	1F 25	1R1C 335-310	W01 095 0087	8015	1SC 310-16 / 93518	43
RL 9827	716 N	1 F 26 B-1	1R2A 450-305	W01 095 0145	9073	1 SC 310-16 / 92548	43
RL 9831	720 N	1 F 21	1R2A 460-295	W01 095 0195	9008	1 SC 290-30 / 88802	44
RL 9838	727 N	1 F 32 A	1R2D 460-360	W01 095 0191	8117	1 SC 360-34 / 92575	44
RL 9839	728 N	1 F 32 A-2	1R1K 470 360	W01 095 0419	8042		45
RL 9848	737 N	1 F 26	1R2A 480-330	W01 095 0211	9075	1 S 320-23 / 89756	45
RL 9857	746 N				9076		45
RL 9868	757 N	1 F 26 C	1R2A 380-305	W01 095 0212	9077		46
RL 9870	769 N	1 E 18	1R1A 380-260	W01 095 0204	8053	1SC 240-30 / 97326	46
RL 9873	762 N	1 F 32	1R2D 390-360	W01 095 0190	9010	1 SC 360-30 / 92594	46
RL 9879	768 N	1 E 27	1R2A 380-330	W01 095 0213	9078		47
RL 9886	775 N						47
RL 9893	782 N	1 E 21 D	1R1A 415-285	W01 095 0197	9013	1 S 270-25 C / 97555	47
RL 9897	786 N	1 F 14	1R2S 355 245	W01 095 0436			48
RL 9899	788 N						48
RL 9907	896 N	2 E 18 A	1R1J 520-285 FF	W01 095 0245	8040	1 S 285-18	48
RL 9908	897 N	2 E 23	1R1K 440-320	W01 095 0229	8028	1 S 320 30 / 88788	49
RL 9920	819 N						49
RL 9928	817 N						49
RL 9949	838 N	1 F 26 D			9074		50
RL 9984	873 N						50
RL 9987	876 N				8314	1 S 323 34 / 92477	50
RL 9993	882 N1	1 F 16-1	1R4R 465 260	W01 095 0435	9048	1 SC 250-28 / 97042	51
RL 9994	883 N1	1 F 21 C-2			9012	1 SC 270-28 / 204250	51
RL 9995	884 N	1F 20A	1R1B 415 270	W01 095 0295	9002	1 SC 250-29 / 97043	51
RL 90907							52
RL 91277		1R4U 395 260	W01 095 0453				52
RL 91994							52
RL 92035	1924 N1						53
RL 92526	1415 N						53
RL 92532	1421 N		1R2A 490 305	W01 095 0472			53
RL 92831	1720 N				9068		54
RL 92885	1774 N						54
RL 92893	1782 N1						54
RL 92899	1788 N						55
RL 92920	1819 N						55
RL 92996	1885 N1	1F 20 B	1R2A445 280	W01 095 0429	9003	1 SC 270-28 / 97043	55
RL 92997	1886 N						56
RL 92999	1888 N						56
RL 93220							56
RL 94098							57
RL 9526-36	RZ 415-25	2 G 20	1R5P 345-290	W01 095 0381	9004	1S 280-25 / 203000	57
RL 9526-39	RZ 415-28	2 G 20 A	1R5P 410-290	W01 095 0382	9005	1S 280-25 / 203001	57
RL 9561-36	RZ 450-25	1E 23			9050	1S 300-27 / 203386	58

CROSS REFERENCE

ROLLING LOBE AIR SPRINGS

Blacktech	Vibracoustic	Gart	Dunlop UK	Dunlop FR (Springride)	Taurus	Page
RL 9027				D12 S05	B 154	35
RL 9032		D 276 BS / 276.0.391		D10 S04	B 160	35
RL 9038	V 2 E 18 B		PNP 300080001		B 179	35
RL 9039			1C 3308	D12 S03	B 178	36
RL 9054			PNP 319720100	D11 S03	B 194	36
RL 9055	V 1 E 21-6				B 113	37
RL 9056			PNP 301000000	D11 S01	B 124	37
RL 9057						38
RL 9086	V 1 E 10					38
RL 9755	V 1 E 21 (- 2)		PNP 301470101 / 102	D11S01	B 121	39
RL 9772	V 1 E 25		304980101 / 1C 3309	D12 S02	B 114	40
RL 9773	V 1 E 32		PNP 302730101	D13S01	BL 143	40
RL 9784	V 1 F 21 A				B 141	41
RL 9812	V 1 E 26-1				B 116-1	41
RL 9817				D12 S16		41
RL 9820	V 1 F 32 B		PNP 304620101		B 153	42
RL 9824				D12 S15		42
RL 9826	V 1 F 25		PNP 304890101		B 144	43
RL 9827	V 1 F 26 B-1				B 197	43
RL 9831	V 1 F 21		PNP 301000100	D12S04	B 152	44
RL 9838			PNP 306420100	D13S04	B 149	44
RL 9839			IC 3308	D12S03	B 178	45
RL 9848	V 1 F 26				B 127	45
RL 9857				D13S07		45
RL 9868	V 1 F 26 C			D12S20	B 126	46
RL 9870	V 1 E 18		PNP 305140100	D10S02	B 156	46
RL 9873	V 1 F 32		PNP 307800100	D13S02	BL 143	46
RL 9879	V 1 E 27			D13S08	B 125	47
RL 9886						47
RL 9893	V 1 E 21 D			D11S02	B 124	47
RL 9897	V 1 F 14				B 102	48
RL 9899						48
RL 9907	V 2 E 18 A		PNP 305140100	SP 2191	B 166	48
RL 9908	V 2 E 23		PNP 305210100	SP 2192	B 165	49
RL 9920						49
RL 9928						49
RL 9949	V 1 F 26 D			D13 S05		50
RL 9984						50
RL 9987						50
RL 9993	V 1 F 16-1			D12 S12	B 155	51
RL 9994	V 1 F 21 C-2			D13 S03		51
RL 9995	V 1 F 20A				BL 249	51
RL 90907			PNP 30907100			52
RL 91277						52
RL 91994						52
RL 92035						53
RL 92526						53
RL 92532						53
RL 92831						54
RL 92885						54
RL 92893						54
RL 92899						55
RL 92920						55
RL 92996	V 1 F 20 B			D12S07		55
RL 92997						56
RL 92999						56
RL 93220						56
RL 94098						57
RL 9526-36	V 2 G 20			D12 S08	B 271	57
RL 9526-39	V 2 G 20 A			D12 S09	B 272	57
RL 9561-36				D12 S13	BL 128	58

CROSS REFERENCE ROLLING LOBE AIR SPRINGS WITH METAL AND PLASTIC PARTS

Blacktech	ContiTech	Phoenix	Firestone		Goodyear	CF Gomma / Pirelli	Page
RML7010 S	909 NT	1 D 23 C	1T15 L-6	W01 M58 0031		1T 320 S	61
RML7010 SP	909 NTB	1 D 23 B-1	1T15 L-6	W01 M58 0687	1 R12 709	1T 320 SP / 89753	61
RML7012	901 MB/O		1T19 G-12	W01 M58 9910			61
RML7012 C	901 MB		1T19 G-12	W01 M58 9910			62
RML7013	902 MB/O		1T19 G-12	W01 M58 9910			62
RML7013 C	902 MB		1T19 G-12	W01 M58 9910			62
RML7023 C1	912 N P01	1DB 28 -D10	1T19 L-14	W01 M58 8502	1 R14 728		63
RML7023 C2	912 N P02	1D 28 D2	1T19 L-14	W01 M58 7385	1 R 14 758		63
RML7051	940 MB	1 DK 21 K	1T17 D - 4.3	W01 M58 8613	1 R 11 703	1 TC 300-30 / 205536	63
RML7051 C	940 MB (with piston)	1 DK 21 K	1T17 D - 4.3	W01 M58 8609	1 R 11 763		64
RML7051 CP	940 MB (with plastic piston)	1 DK 21 K	1T17 D - 4.3	W01 M58 8585	1 R 11 752		64
RML7052	941 MB	1 DK 21	1T17 D - 8.3	W01 M58 8620	1 R 11 700	1 TC 300-36 / 204466	64
RML7052 C	941 MB (with piston)	1 DK 21	1T17 D - 8.3	W01 M58 8619	1 R 11 762	1 TC 300-36 / 205170	65
RML7052 CP	941 MB (with plastic piston)	1 DK 21	1T17 D - 8.3	W01 M58 8668	1 R 11 763	1 TC 300-36 / 206356	65
RML7053	942 MB	1 DK 32 L	1T66 F-13,5	W01 M58 8611	1 R 14 700		65
RML7053 C	942 MB (with piston)		1T66 F-13,5	W01 M58 8584	1 R 14 781		66
RML7059	948 MB						66
RML7062	951 MB		1T17 D - 12	W01 M58 8621	1 R 11 704		66
RML7835	724 N P01				1 R 11 711		67
RML7835 C2					1 R 11 711		67
RML7835 C3							67
RML7836	725 N P01	1 DF 32			1 R 14 704	1 TCS 360-45 / 202964	68
RML7836 C2	725 N P02	1 DF 32	1T66 F-10.8	W01 M58 8969	1 R 14 747	1 TCS 360-45 / 202964	68
RML7836 C3	725 N P03		1T66 F-10.8	W01 M58 8610	1 R 14 814		68
RML7837	726 N P01						69
RML7863	752 N P01						69
RML7863 C	752 N P01 complete						69
RML7910 S	809 NT	1 D 23 B-2	1T15 L-6	W01 M58 0031		1T 320 SP	70
RML7910 SP	809 NTB	1 D 23 C-1	1T15 L-6	W01 M58 0687	1 R 12 709	1T 320 SP	70
RML7921 S	810 NT	1 DK 28 a	1T19 L-7	W01 M58 0491	1 R 14 714	1T 19 E-1S	70
RML7921 SP	810 NTB	1 DK 28 A	1T19 L-7	W01 M58 0749	1 R 14 713	1T 19 E-1	71
RML7921	810 MB/O	1 D 28 A-2	1R1G 445 370	W01 095 0132			71
RML7921 C	810 MB	1 D 28 A-2	1T19 L-7	W01 M58 6345	1 R 14-059	1 T 19 E-1	71
RML7921 CP	810 MB (with plastic piston)		1T19 L-7	W01 M58 8775			72
RML7922 S	811 NT	1 D 28 B	1T19 L-10	W01 M58 0028	1 R 14 715		72
RML7922 SP	811 NTB		1T19 L-10	W01 M58 0747			72
RML7922	811 MB/O	1 D 28 B-7	1T19 L-11	W01 M58 6333-6359			73
RML7922-1	811 M		1T19 F-11			1 T 19 E-2	73
RML7922-2	811 M-2	1 D 28 B-2	1T19 L-11		1 R 14-719		73
RML7922 C	811 MB	1 D 28 B-2E2	1T19 L-11	W01 M58 6334		1 T 19 E-2	74
RML7922 C1			1T19 L-11	W01 M58 6335			74
RML7922 C2							74
RML7923							75
RML7923 C						1 T 19 E-2	75
RML7923 C1			1T19 L-11	W01 M58 6361	1 R 14-706	1 T 19 E-2 / 204371	75
RML7924	813 MB/O	1 D 28 B-5	1T19 L-11	W01 M58 7238		1 T 19 E-2	76
RML7924 C	813 MB	1 D 28 B-2 E2	1T19 L-11	W01 M58 6364	1 R 14-705	1 T 19 E-2 / 87408	76
RML7924 C2							77
RML7924 CP	813 MB (with plastic piston)						77
RML7947	836 M	1DF 25-1 NP	1T17 AR-4.5	W01 M58 0776	1 R 12-700		77
RML7947 -1	836 MB	1DF 25-4 NP	1T17 AR-4.5	W01 M58 0775			78
RML7947 -2	836 M2	1DF 25-3 NP	1T17 AR-4.5	W01 M58 0777	1 R 12-710		78
RML7947 -11							78
RML7947 C1	836 M K1	1 DF 25-11	1T17 AR - 4,5,	W01 M58 8722	1 R 12-712		79
RML7947 C4	836 MB K4	1 DF 25-14	1T17 AR - 4,5,	W01 M58 8705			79
RML7947 C6	836 MB K6	1 DF 25-15					80
RML7947 C7	836 MB K7	1 DF 25-12	1T17 AR - 4,5,	W01 M58 8715			80
RML7947 C8	836 N P05						80
RML7947 C9	836 N P06						81
RML7947 C11							81
RML7947 - 2 C1	836 M2 K1	1 DF 25-13	1T17 AR - 4,5,	W01 M58 8721	1 R 12-711		79
RML7990	889 M						81
RML7990 C2	889 M K2		1T15 LLR-5	W01 M58 8679			82

CROSS REFERENCE ROLLING LOBE AIR SPRINGS WITH METAL AND PLASTIC PARTS

Blacktech	Vibracoustic	Gart	Dunlop UK	Dunlop FR (Springride)	Taurus	Page
RML7010 S						61
RML7010 SP				D12 U34	B 151	61
RML7012						61
RML7012 C						62
RML7013						62
RML7013 C						62
RML7023 C1						63
RML7023 C2	V1 D 28 D-2			D 13 B14		63
RML7051				D 11 U31	UR 732-01T	63
RML7051 C	V 1 DK 21 K			D 11 B39	KR 732-01	64
RML7051 CP				D 11 B36		64
RML7052	V 1 DK 21			D 11 U30	UR 730-01T	64
RML7052 C				D 11 B38	UR 730-01	65
RML7052 CP				D 11 B33		65
RML7053	V 1 DK 32 L				UR 837-01T	65
RML7053 C						66
RML7059						66
RML7062						66
RML7835						67
RML7835 C2						67
RML7835 C3						67
RML7836				D 14 U38	UR 836-11	68
RML7836 C2				D 14 B40		68
RML7836 C3				D 14 B43		68
RML7837						69
RML7863						69
RML7863 C						69
RML7910 S						70
RML7910 SP					UR 504-13	70
RML7921 S					UR 621-04	70
RML7921 SP					UR 621-03	71
RML7921						71
RML7921 C						71
RML7921 CP						72
RML7922 S						72
RML7922 SP						72
RML7922						73
RML7922-1			PNP 311670000	SP 2066	K 622-26S M	73
RML7922-2					KR 622-31	73
RML7922 C						74
RML7922 C1						74
RML7922 C2		D287/287.4.522				74
RML7923						75
RML7923 C						75
RML7923 C1		D277/2F 277.2.500	PNP 311670000	D13 B18/12	K 622-26 SM	75
RML7924			PNP 311770000			76
RML7924 C	V 1 D 28 B-2		PNP 311770000	D13B19	KP 622-26	76
RML7924 C2						77
RML7924 CP						77
RML7947				D13 U32	UR 721 - 015	77
RML7947 -1				D13 U27		78
RML7947 -2						78
RML7947 -11						78
RML7947 C1				D13 B32	KR 721-06	79
RML7947 C4						79
RML7947 C6				D13B43		80
RML7947 C7	V 1 DF 25-12			D13B33		80
RML7947 C8						80
RML7947 C9						81
RML7947 C11						81
RML7947 - 2 C1				D13 B31	KR 721-03	79
RML7990						81
RML7990 C2						82

CROSS REFERENCE ROLLING LOBE AIR SPRINGS WITH METAL AND PLASTIC PARTS

Blacktech	ContiTech	Phoenix	Firestone		Goodyear	CF Gomma / Pirelli	Page
RML7992	881 MB	1 DK 32	1T66 F-10.8	W01 M58 8978	1 R 14-708	1 TC 360-45/204530	82
RML7992 C	881 MB (with piston)	1 DK 32-1	1T66 F-10.8	W01 M58 8966	1 R 14-703		82
RML7992 CP	881 MB (with plastic piston)	1 DK 32-1	1T66D-10.8	W01 M58 8667	1 R 14-748	1TC360-45	83
RML7998	887 M		1T15 LNR-3	W01 M58 0780	1R 11 796		83
RML7998 C1	887 M K1		1T15 LNR-3	W01 M58 8683			83
RML7998-C3	887 N P03						84
RML7998 C4	887 N P04						84
RML70081 C			1T17 B-11	W01 M58 8747	1 R 13-150		84
RML70081 C1			1T17 CL 9.5	W01 358 9580	1 R 13-118		85
RML70301 C			1T15 VR - 3	W01 S15 8192			85
RML70302 C			1T15 VPR - 3	W01 M58 8193			86
RML70303 C							86
RML70304 C							86
RML70305 C							87
RML70306 C							87
RML70307 C							87
RML70195 C							85
RML71113 C							88
RML72618 C							88
RML72619 C			1T17 BS-6	W01 M58 8612		1T300-37 / 206585	88
RML72918 C			1T19 L7	W01 M58 6338	1R 14 730	1T19 E1 / 205456	89
RML72923 CP							89
RML72926 C					1R 14 728	1T19E-2L / 206333	89
RML73108 C	6604 N P01						90
RML73138	3138 N P01						90
RML73836	2725 N P01	1 DF 32				1 TCS 360-45	90
RML73836 C	2725 N P01 (with piston)						91
RML74543	4543 N						91
RML74543 C	4543 N (with piston)						91
RML74544 C							92
RML74925	4925 N						92
RML74925 C	6609 N P01						92
RML75022	4911 N						93
RML75022 C3	4911 N P03				1R13 - 714		93
RML75022 C4	4911 N P04						93
RML75023	4912 N P08						94
RML75023-10							94
RML75023 C7	4912 N P07	1 DK 28 F-4	1T19 F14	W01 M58 8786	1R13 - 711	1T19 E-93	94
RML75023 C10	4912 N P10						95
RML75024	4913 N P04						95
RML75024 C	4913 N P02	1 D28H - 16	1T19 L-14	W01 095 0500	1R14 - 753	1T19E-93	95
RML75026	4915 N P03						96
RML75026 C	1DK 19-1						96
RML75026 C6	4915 N P06						96
RML75051	4940 N P02				1R11 - 799		97
RML75052	4941 N P02						97
RML75052 C	4941 N P02 (with piston)						97
RML75053	4942 N P02						98
RML75071	4960 N P02	1 DK 21 K-3			1R11 - 801		98
RML75072	4961 N P02				1R11 - 800		98
RML75073	4962 N P02						99
RML75115	4004 N P02	1 DK 22 E 5	1T17 BS-6	W01 M58 0919	1 R 11-705	1 T 19 E-5 steel	99
RML75115 C	4004 N P03 (metal piston)	1 DK 22 E-5	1T17 BS-6	W01 M58 6366	1 R 11-706	1 T 300-37 / 1T 323-33	99
RML75115 CP	4004 N P03	1 DK 22 E-8	1T15 BS-6	W01 M58 6366	1 R 11-713		100
RML75119	4008 N						100
RML75119 C	4008 N P01	1DK 22 F-1	1T19 F12	W01 M58 7380			100
RML75120 C			1T19 L-14	W01 M58 8762		1T19 E3 97393/201840	101
RML75133	4022 N P02	1 DK22 E-9	1T17 BS-6	W01 M58 0756	1 R 11-709		101
RML75133 C2		1 DK22 E-9					101
RML75133 C3	4022 N P03 (metal piston)	1 DK22 E-9	1T17 BS-6	W01 M58 6367	1 R 11-714	1T300 - 37 / 204677	102
RML75133 CP2	4022 N P03 M12	1 DK 22 E-9	1T15 BS-6	W01 M58 6367	1 R 11-714	1 T 300-37 / 206340	102
RML75133 CP3	4022 N P03	1DK 22 E-9	1T15 BS-6	W01 M58 6367	1 R 11-714	1 T 300-37 / 206340	102
RML75133 CP5	4022 N P05	1DK22 E-9 2619V	1T17 BS-6	W01 M58 8612	1 R 11-714	1 T 300-37 / 206585	103
RML75134	4023 N P06		1T19 L-11	W01 M58 6335			103

CROSS REFERENCE ROLLING LOBE AIR SPRINGS WITH METAL AND PLASTIC PARTS

Blacktech	Vibracoustic	Gart	Dunlop UK	Dunlop FR (Springride)	Taurus	Page
RML7992				D14U36	KR 836-01 T	82
RML7992 C				D14B36		82
RML7992 CP				D14B41	KR 836-05	83
RML7998				D11U41		83
RML7998 C1						83
RML7998-C3						84
RML7998 C4						84
RML70081 C				D13 B42		84
RML70081 C1						85
RML70301 C						85
RML70302 C						86
RML70303 C						86
RML70304 C						86
RML70305 C						87
RML70306 C						87
RML70307 C						87
RML70195 C						85
RML71113 C						88
RML72618 C						88
RML72619 C						88
RML72918 C		D277B / 277.4.423				89
RML72923 CP						89
RML72926 C						89
RML73108 C						90
RML73138						90
RML73836						90
RML73836 C						91
RML74543						91
RML74543 C						91
RML74544 C	V 1DK 20 C2					92
RML74925						92
RML74925 C						92
RML75022						93
RML75022 C3						93
RML75022 C4						93
RML75023						94
RML75023-10						94
RML75023 C7				D13 B40	KR 625-16	94
RML75023 C10						95
RML75024						95
RML75024 C				D14 B42		95
RML75026						96
RML75026 C						96
RML75026 C6						96
RML75051						97
RML75052						97
RML75052 C				D11U4-5		97
RML75053						98
RML75071				D11 U44		98
RML75072				D11 U43		98
RML75073						99
RML75115				D12 U13	KR 505-27 SM	99
RML75115 C				D12 B13 / 14	KR 506-27 SM	99
RML75115 CP						100
RML75119						100
RML75119 C	V 1D 28 C12			D13 B08		100
RML75120 C				D13 B04		101
RML75133				D11 U40		101
RML75133 C2						101
RML75133 C3				D13 B25	KR 725 - 28	102
RML75133 CP2				D12 B14		102
RML75133 CP3				D12 B14		102
RML75133 CP5				D11 B4-1	KR 725-28	103
RML75134						103

CROSS REFERENCE ROLLING LOBE AIR SPRINGS WITH METAL AND PLASTIC PARTS

Blacktech	ContiTech	Phoenix	Firestone		Goodyear	CF Gomma / Pirelli	Page
RML75134 C	4023 N P03 (metal piston)	1 D 28 B 10	1T19 L-11	W01 M58 6348	1 R 14-729	1T 19 E-2 / 204676	103
RML75139	4028 N						104
RML75139 C2	4028 N P02	1D 28F - 1	1T19 L12	W01 M58 8106	1 R 14-783		104
RML75139 C5	4028 N P05				1 R 14-721		104
RML75260-1	4159 N P01						105
RML75260-5	4159 N P05	1DK21 05 NP	1T15 M9	W01 M58 0736	1 R 12-761	1T 323 - 40	105
RML75260 C3	4159 N P03	1DK 21 B2	1T15 M9	W01 M58 7548	1 R 12-701	1T 323 - 40	105
RML75260 C4	4159 N P03 UNC						106
RML75260 C6	4159 N P06	1DK 21 B2	1T15 M9	W01 M58 7548	1 R 12-701	1T 323 - 40	106
RML75260 C7	4159 N P07	1 DK 23 L-25	1T15 M9	W01M588859/3799091	1 R12 - 702	1T 323 - 40 / 202302	106
RML75260 C8							107
RML75260 C10							107
RML75260 C16							107
RML75260 CP9	4159 N P09	1 DK 23 L-9131	1T15 M-9	W01 379 9131	1 R12-721	1 T323-40 / 200751	108
RML75260 CP11	4159 N P11						108
RML75260 CP12	4159 N P12	1 DK 23L - 9101					108
RML75260 CP13	4159 N P13	1 DK 23L - 9102					109
RML75260 CP14	4159 N P14	1 DK 21 B4			1 R 12-760		109
RML75260 CP17			1T15 MPW9	W01 M58 6318			109
RML75265	4154 N P01	1 D 23 B					110
RML75265 C5	4154 N P05	1 D 23 F-1					110
RML75265 CP5	4154 N P05 (plastic piston)	1 D 23 F-1					110
RML75266 C		1 DK 22 E 5	1T17 BS-6			1T 323 - 33	111
RML75267-1	4156 N P01						111
RML75267-5	4156 N P05	1 DK 21 A 2	1T15 M-6			1T 323 - 33	111
RML75267-12		1 DK 21 A 2	1T15 M-6			1T 323 - 32	112
RML75267 C4	4156 N P04						112
RML75267 C6	4156 N P06	1 DK 23 K28	1T 15 M-6	W01 358 9361	1 R 12-719	1 T 323-33 / 97306	112
RML75267 C7	4156 N P07	1 DK 23 K28					113
RML75267 C9	4156 N P09	1 DK 23 K29	1T15 M-6	W01 M58 9089	1 R 12-706		113
RML75267 CP10	4156 N P10						114
RML75267 C11	4156 N P11						113
RML75267 CP14	4156 N P14						114
RML75267 CP15	4156 N P15	1 DK 23 K 9361	1T15 M-6	W01 M58 9361	1 R 12-130	1 T 323-32	114
RML75267 CP16	4156 N P16						115
RML75268	4157 N P02						115
RML75268-4	4157 N P04						115
RML75268 CP3	4157 N P03						116
RML75268 CP4	4157 N P04	1DK 21 A8/A4	1T15 MPW7	W01 M58 6297	1 R 11- 111		116
RML75268 CP5	4157 N P05	1DK 21 A-3	1T15 MPW7	W01 M58 8840			116
RML75268 CP6	4157 N P06	1DK 21 A-1	1T15 MPW7	W01 M58 8186	1 R 11- 764		117
RML75268 CP8	4157 N P08	1DK 20 C-2	1T15 MPW7	W01 M58 6317	1 R 11- 773		117
RML75268 CP9	4157 N P09	1DK 21 A-3	1T15 MPW7	W01 M58 7074	1 R11 106	1T 300-38 / 205598	117
RML75268 CP10	4157 N P10	1DK 21 A-51	1T15 MPW7	W01 M58 6315	1 R 11- 772		118
RML75269	4158 N P02		1T15 MPW 9	W01 M58 6357	1 R 11- 748		118
RML75269 C	4158 N P03 (metal piston)						118
RML75269 CP	4158 N P03	1DK 20 B1	1T15 MPW 9	W01 M58 8185	1 R 11- 749		119
RML75270 C		1D 23 E23	1T15 M9	W01 M58 6289	1 R 12- 703		119
RML75531	4420 N						119
RML75531 C	4420 N (with piston)		1T17 BR8	W01 M58 9707		1T19 E2 / 204420	120
RML75816 - 1	4705 N1 P01						120
RML75816 C3	4705 N1 P03						120
RML75816 C4	4705 N1 P04						121
RML75824	4713 N P04		1T17 BR8	W01 M58 9706	1 R 12 763	1 T300-28 / 26778	121
RML75824 C	4713 N P02	1 DF 22 C-1	1T17 BR8	W01 M58 9706	1 R 12 762	1 T300-28	121
RML75829	4718 N P02						122
RML75829 K	4718 N P01						122
RML75921	4810 N/O						122
RML75921 C5	4810 N P05	1 D28 A-10	1T19 L-7	W01 M58 6338	1R14 - 730	1T19 E1 - 205456	123
RML75924	4813 N/O						123
RML75924 C	4813 N P07	1 D28 B-9	1T19 L-11	W01 M58 7358	1R14 065	1T19 E2-2BR	123
RML75992	4881 N P02	1 DK 32 K	1T66 F-7.0	W01 M58 8601	1R14 701	1TC 360-40	124
RML75992 C	4881 N P02 (with piston)	1 DK 32 K	1T66 F-7.0	W01 M58 8602	1R14 724		124
RML75992 CP	4881 N P02 (with plastic piston)	1 DK 32 K	1T66 F-7.0	W01 M58 8666	1R14 757		124

CROSS REFERENCE ROLLING LOBE AIR SPRINGS WITH METAL AND PLASTIC PARTS

Blacktech	Vibracoustic	Gart	Dunlop UK	Dunlop FR (Springride)	Taurus	Page
RML75134 C				D13 B26	KR 624-18	103
RML75139						104
RML75139 C2						104
RML75139 C5						104
RML75260-1						105
RML75260-5				D12 U04		105
RML75260 C3			311370000	D12 B02	KR 509-25	105
RML75260 C4						106
RML75260 C6			311370000	D12 B02	KR 509-25	106
RML75260 C7	V 1D 21 B-9		311370000	D12 B01	KR 509-9091	106
RML75260 C8						107
RML75260 C10						107
RML75260 C16						107
RML75260 CP9	V 1DK 23 L-9131			D12 B04	KR 509-9131	108
RML75260 CP11						108
RML75260 CP12						108
RML75260 CP13						109
RML75260 CP14						109
RML75260 CP17						109
RML75265						110
RML75265 C5						110
RML75265 CP5						110
RML75266 C						111
RML75267-1						111
RML75267-5						111
RML75267-12						112
RML75267 C4						112
RML75267 C6	V 1DK 23 K-28		309580100	D12 B19	KR 506-28	112
RML75267 C7						113
RML75267 C9	V 1D 23 K 29				KR 506-28	113
RML75267 CP10						114
RML75267 C11						113
RML75267 CP14						114
RML75267 CP15	V 1DK 23 K 9361			D12 B16	KR 50-28	114
RML75267 CP16						115
RML75268						115
RML75268-4						115
RML75268 CP3						116
RML75268 CP4	V 1D 21 A-4			D12 B18	KR 915-54	116
RML75268 CP5				D12 B17		116
RML75268 CP6	V 1D 21 A-1			D11 B37		117
RML75268 CP8	V 1DK 20 C-2			D12 B30	KR 915-53NW	117
RML75268 CP9	V 1 D 21 A-31			D12 B17	KR 915 - 54	117
RML75268 CP10	V 1 D 20 A-51			D12 B19	KR 915 - 51	118
RML75269				D12 U23		118
RML75269 C						118
RML75269 CP	V 1DK 20 B1			D12 B22		119
RML75270 C				D12 B07 / 09		119
RML75531						119
RML75531 C						120
RML75816 - 1						120
RML75816 C3						120
RML75816 C4						121
RML75824				D12 U24		121
RML75824 C				D12 B24		121
RML75829						122
RML75829 K						122
RML75921						122
RML75921 C5	V 1 D28 A-10			D13 B25		123
RML75924						123
RML75924 C	V 1 D28 B-9			D13 B10	KR 622-01	123
RML75992	V 1 D 32 K			D14 U37	UR 838-01T	124
RML75992 C	V 1 D 32 K			D14 B37		124
RML75992 CP				D14 B88		124

CROSS REFERENCE **ROLLING LOBE AIR SPRINGS WITH METAL AND PLASTIC PARTS**

Blacktech	ContiTech	Phoenix	Firestone		Goodyear	CF Gomma / Pirelli	Page
RML75993	4882 N1 P01						125
RML75993 C5	4882 N1 P05						125
RML75994	4883 N1 P01						125
RML75994 C	4883 N1 P01 (with piston)						126
RML75995	4884 N1 P01						126
RML75995 C6	4884 N1 P06						126
RML75996 -1	4885 N1 P01					1TS 260-28 / 206788	127
RML75996 -C2	4885 N1 P02						127
RML76113 C	6602 N P01						127
RML76199							128
RML76199 C					1R13 745		128
RML76200							128
RML76200 C							129
RML76201 C							129
RML76251							129
RML76251 C			1T15 AA3	W01 M58 8666	1R11 826		130
RML76420	6420 N (82212 N)						130
RML76420 C	6420 N (with piston)						130
RML77315			1T15 S-11	W01 M58 7315	1R11 827		131
RML77315 C							131
RML77527	6416 N				1R10 704 / 705		131
RML77527 C	6608 N P01						132
RML77529	6418 N						132
RML77529 C	6607 N P01						132
RML77804	7804 N						133
RML77804 C	6606 N P01						133
RML77805	7805 N						133
RML77805 C	7805 N (with piston)						134
RML78091			1T19 FC-6 / 1T19 LC-6	W01 358 8091			134
RML78091 C	11 10.5 A - 16 P 523		1T19 FC-6 / 1T19 LC-6	W01 358 8091			134
RML78709							135
RML78709 C	10 10.5 - 15 P 460		1T17 B 5	W01 358 8751 (8709)			135
RML78800							135
RML78800 C							136
RML78914	7803 N						136
RML78914 C	6605 N P01				1R11 805		136
RML79002 A3		1 DK 21 A-3					137
RML79002 A3 CP		1 DK 21 A-3	1T15 MPW7	W01 M58 7074	1R11 106	1T 300-38	137
RML79002 A8		1 DK 21 A-8					137
RML79002 A8 CP		1 DK 21 A8 / A4	1T15 MPW7	W01 M58 6297	1 R 11- 111		138
RML79069			1T15 M4	W01 358 9069	1R12 069		138
RML79069 CP	9 10-14 P 312		1T15 M4	W01 358 9069	1R12 669		138
RML79213							139
RML79213 C	9 10-16 P 441		1T15 M6	W01 358 9213 (0748)	1R12 090		139
RML79265							139
RML79265 C	9 10-19 P 435		1T15 MM-9	W01 358 9265	1R12 375		140
RML79270			1T15 VP-4	W01 358 9270			140
RML79270 C	9 10-13.5 S 433		1T15 VP-4	W01 358 9270	1R13 119		140
RML79296		1DK 20 B-1 NP	1T15 MPW 9	W01 M58 6257	1R12 748		141
RML79296 CP	9 10-16 P 416	1DK 20 B-1 NP	1T15 MPW 9	W01 M58 8185	1R12 749		141
RML79346			1T15 M9	W01 358 9346			141
RML79346 CP	9 10-19 P 470		1T15 M9	W01 358 9346	1 R 12 439		142
RML79371			1T15 MT 8	W01 358 9371			142
RML79371 C	9 10-17.5 P 521		1T15 MT 8	W01 358 9371	1R12 401/1S12-244		142
RML79372							143
RML79372 C							143
RML79373			1T15 MT 8	W01 358 9373			143
RML79373 C	9 10-17,5 P 440 / P519		1T15 MT 8	W01 358 9373	1R12 403/1S12-030		144
RML79782							144
RML79782 C							144
RML9772 C1	661 N P01						145
RML9870 C	769 N (with piston)						145
RML9873 C							145
RML9886 C							

CROSS REFERENCE ROLLING LOBE AIR SPRINGS WITH METAL AND PLASTIC PARTS

Blacktech	Vibracoustic	Gart	Dunlop UK	Dunlop FR (Springride)	Taurus	Page
RML75993				D10 U01		125
RML75993 C5						125
RML75994				D10 U47		125
RML75994 C						126
RML75995				D10 U48		126
RML75995 C6						126
RML75996 -1						127
RML75996 -C2						127
RML76113 C						127
RML76199						128
RML76199 C						128
RML76200						128
RML76200 C						129
RML76201 C						129
RML76251						129
RML76251 C						130
RML76420						130
RML76420 C						130
RML77315						131
RML77315 C						131
RML77527				D10 B01		131
RML77527 C						132
RML77529						132
RML77529 C						132
RML77804						133
RML77804 C						133
RML77805						133
RML77805 C						134
RML78091						134
RML78091 C						134
RML78709						135
RML78709 C						135
RML78800						135
RML78800 C						136
RML78914						136
RML78914 C						136
RML79002 A3						137
RML79002 A3 CP	V 1 D 21 A-31			D12 B17	KR 915 - 54	137
RML79002 A8						137
RML79002 A8 CP	V 1D 21 A-4			D12 B18	KP 915 - 53 NW	138
RML79069						138
RML79069 CP						138
RML79213						139
RML79213 C						139
RML79265						139
RML79265 C						140
RML79270					KR 501-01	140
RML79270 C						140
RML79296				D12 U23		141
RML79296 CP	V 1DK 20 B-1			D12 B22		141
RML79346				D12 U23		141
RML79346 CP						142
RML79371						142
RML79371 C						142
RML79372						143
RML79372 C						143
RML79373						143
RML79373 C						144
RML79782						144
RML79782 C						144
RML9772 C1						145
RML9870 C						145
RML9873 C						145
RML9886 C						

CROSS REFERENCE **ROLLING LOBE AIR SPRINGS WITH METAL AND PLASTIC PARTS**

Blacktech	ContiTech	Phoenix	Firestone	Goodyear	CF Gomma / Pirelli	Page
RML9893 C3	782 MB-3					146
RML9928 C	817 MB					146
RML9987 C	876 MB					146
RML95101 C						147
RML95101 C2						147
RML95294 -1	4183 N2					147
RML95294 -2	4183 N1					148
RML95294 C23	4183 N P23					148
RML95294 C24	4183 N P24					148
RML95296	4185 N					149
RML95296 C1	4185 N P01					149
RML95296 C21	4185 N P21					149
RML95298-1	4187 N1					150
RML95298-2	4187 N2					150
RML95298 C1	4187 N P01					150
RML95298 C21	4187 N P21					151
RML95298 C22	4187 N P22					151
RML95401-1	4390 N1					151
RML95401-2	4390 N2					152
RML95401-3						152
RML95401 C1	4390 N P01			1 KF 21-1		152
RML95401 C2	4390 N P02			1 KF 21-2		153
RML95401 C3	4390 N P03					153
RML95401 C4	4390 N P04					153
RML95401 C5						154
RML95401 C21	4390 N P21		1R7Z 440-290A			154
RML95401 C22	4390 N P22		1R7Z 440-290B			154
RML95401 C23	4390 N P23		1R7Z 440-290C			155
RML95401 C24	4390 N P24		1R7Z 440-290D			155
RML95402-1	4391 N1					155
RML95402-2	4391 N2					156
RML95402 C1	4391 N P01					156
RML95402 C2	4391 N P02					156
RML95402 C21	4391 N P21					157
RML95402 C22	4391 N P22					157
RML95755	4644 N					157
RML95755 C2	4644 N P02					158
RML95755 C22	4644 N P22					158
RML95848-1	4737 N					158
RML95848 C1	4737 N P01					159
RML95848 C2	4737 N P02					159
RML95848 C5	4737 N P05					159
RML95848 C21	4737 N P21					160
RML95848 C22	4737 N P22					160
RML95848 C25	4737 N P25					160
RML95868-1	4757 N1					161
RML95868-2	4757 N2					161
RML95868 C1	4757 N P01					161
RML95868 C9	4757 N P09					162
RML95868 C21	4757 N P21		1R7Z 460-305 A			162
RML95868 C29	4757 N P29		1R7Z 460-305 B			162
RML95869-1	4758 N					163
RML95869 C1	4758 N P01					163
RML95869 C21	4758 N P21					163
RML95949	4838 N					164
RML95949 C1	4838 N P01					164
RML95949 C2	4838 N P02					164
RML95949 C3	4838 N P03					165
RML95949 C21	4838 N P21		1R7Z 595-330 A			165
RML95949 C22	4838 N P22		1R7Z 595-330 B			165
RML95949 C23	4838 N P23		1R7Z 595-330 C			166
						166

CROSS REFERENCE **ROLLING LOBE AIR SPRINGS WITH METAL AND PLASTIC PARTS**

Blacktech	Vibracoustic	Gart	Dunlop UK	Dunlop FR (Springride)	Taurus	Page
RML9893 C3						146
RML9928 C						146
RML9987 C						146
RML95101 C						147
RML95101 C2						147
RML95294 -1						147
RML95294 -2						148
RML95294 C23						148
RML95294 C24						148
RML95296						149
RML95296 C1						149
RML95296 C21						149
RML95298-1						150
RML95298-2						150
RML95298 C1						150
RML95298 C21						151
RML95298 C22						151
RML95401-1		1VSC 285 30	9507		D12U25	151
RML95401-2		1VSC 285 30	9508		D12U26	152
RML95401-3						152
RML95401 C1			9505		D12T10	152
RML95401 C2			9506		D12T11	153
RML95401 C3		1VSC 285 30 / 206783				153
RML95401 C4		1VSC 285 30 / 206781				153
RML95401 C5			9506		D12T11	154
RML95401 C21						154
RML95401 C22						154
RML95401 C23						155
RML95401 C24						155
RML95402-1						155
RML95402-2						156
RML95402 C1						156
RML95402 C2						156
RML95402 C21						157
RML95402 C22						157
RML95755						157
RML95755 C2						158
RML95755 C22						158
RML95848-1						158
RML95848 C1						159
RML95848 C2						159
RML95848 C5						159
RML95848 C21						160
RML95848 C22						160
RML95848 C25						160
RML95868-1						161
RML95868-2						161
RML95868 C1						161
RML95868 C9						162
RML95868 C21						162
RML95868 C29						162
RML95869-1						163
RML95869 C1						163
RML95869 C21						163
RML95949						164
RML95949 C1						164
RML95949 C2						164
RML95949 C3						165
RML95949 C21						165
RML95949 C22						165
RML95949 C23						166
						166

CROSS REFERENCE
SINGLE / DOUBLE / TRIPLE CONVOLUTED AIR SPRINGS

Blacktech	ContiTech	Phoenix	Firestone Number	Goodyear	Pages	
1C 18-120 P03	FS 120-9 3/4 M8				170	
1C 21- S01 (1C-21-S01)					169	
1C 21-200 P01 (1C-21-P01)	FS 200-10 1/4 M8				169	
1C 21 P02 (1C-21-P02)	FS 200-16 P01				169	
1C 21-200 P03 (1C-21-P03)	FS 200-10 3/4 M8	SP 1B 12-1	115	W01 M58 6374	170	
1C 315-330 P01 (1C-301-P02)	FS 330-11 1/4 M8		19	W01 M58 6011	170	
1C 315-330 P11 (1C-301-P01)	FS 330-11 1/1 M8	SP 1B 34	19	W01 M58 6011	171	
2C 18-603 S (2C-18-S01)	603 N	2B 07 R	26	W01 M58 6988	171	
2C 18-120 P03	FD 120-17 3/4 M8				171	
2C 21-200 S (2C-21-S01)	FD 200-19 S (895 N)	2B 12 R	20	W01 095 0009	172	
2C 21-200 S1 (2C-21-S02)	FD 200-22 S				172	
2C 21-200 S2 (2C-21-S03)					172	
2C 21-200 F01 (2C-21-B01)					173	
2C 21-200 P01 (2C-21-P01)	FD 200-19 1/4 M10			W01 M58 6887	2B9-223	173
2C 21-200 P02 (2C-21-P02)					174	
2C 21-200 P01-1 (2C-21-P03)					173	
2C 21-200 P04 (2C-21-P04)	FD 200-19 1/4 M8		20C2	W01 M58 7679	175	
2C 21-200 P04-1 (2C-21-P05)					175	
2C 21-200 P03 (2C-21-P07)	FD 200-19 3/4 M10				174	
2C 21-200 P03-1 (2C-21-P08)					174	
2C 21-200 P06 (2C-21-P09)	FD 200-22 3/4 M8				176	
2C 21-200 P05 (2C-21-P10)	FD 200-19 3/4 M8	SP 2B 12 R-1			2B9-223	175
2C 21-200 P05-1 (2C-21-P11)					176	
2C 21-200 P12 (2C-21-P12)	FD 200-19 P04	SP 2B 12 R-5	20F	W01 M58 7894	2B9-287	176
2C 21-200 P13 (2C-21-P13)		SP 2B12R-A-4			177	
2C 21-200 P14 (2C-21-P14)					177	
2C 21-200 P15 (2C-21-P15)	FD 200-19 P02		20F	W01 M58 7756	177	
2C 21-200 P17 (2C-21-P17)					178	
2C 21-200 P17-1 (2C-21-P17)					178	
2C 150 P01(6x2) (2C-150-F01 (6"x2))					179	
2C 200 P01(8x2) (2C-200-F01 (8"x2))			8 x 2	W01 R58 4055	178	
2C 200-138 P01 (8x2)	FD 138-18 1/2 M10				179	
2C 151 P01 (2C-151)					179	
2C 211-200 S (2C-211-S01)	FD 200-25 S				180	
2C 211-200 P01 (2C-211-P01)	FD 200-25 1/4 M10		20-2	W01 M58 7394	2B9-269	180
2C 211-200 P02 (2C-211-P02)	FD 200-25 1/4 M8				180	
2C 211-200 P03 (2C-211-P03)					181	
2C 211 P03-1 (2C 211-200 P03)	FD 200-25 P02				181	
2C 250-620 S (2C-250-S01 (8b))	620 N 8 bar	2B 15 R	260	W01 095 0219	181	
2C 250-620 S01 (2C-250-S02 (HD17b))	620 N Hydro 17 bar				182	
2C 250-620 S02 (2C-250-S03 (HD34b))	620 N Hydro 34 bar	2B 15 R HD			182	
2C 250-620 F (2C-250-F01 (HD17b-160))	620 M Hydro 17 bar (160 mm)				182	
2C 250-620 F01 (2C-250-F02 (HD17b-200))	620 M Hydro 17 bar (200 mm)				183	
2C 280-608 S (2C-280-S01)	608 N	2B 20 R			183	
2C 280-608 F (2C-280-F01)	608 M	2B 20 R-9			183	
2C 301-412 P09 (2C-301-P09)			22-1.5	W01 681 7688	185	
2C 301-412 S	FD 412-18 S				184	
2C 301-412 P01	FD 412-18 1/2 M10				184	
2C 301-412 P02	FD 412-18 P01				184	
2C 302 F01 (2C-302-B01)					185	
2C 302 P01					185	
2C 302 P02 (2C-302-F01)	FD 412-18 1/2 M10				186	
2C 302 P03 (2C-302-F02)					186	
2C 303 S (2C-303-S01)					186	
2C 303 P01 (2C-303-F01)		SP 2782 NB (12"x2ANB)			187	
2C 315-330 S					187	
2C 315-330 P01					187	
2C 315-330 P02 (2C-301-P03)	FD 330-30 1/4 M8				188	
2C 315-330 P03 (2C-301-P01)	FD 330-22 1/1 M8	SP 2B 22	22	W01 358 7180	2B12-425	188
2C 315-330 P04	FD 330-22 M12 x 1,5 M8				188	
2C 351 S (2C-350-S01)					189	
3C 130 P01 (3C-130)					189	
3C 301-330 S (3C-301-S01)	FT 330-29 S				189	

CROSS REFERENCE
SINGLE / DOUBLE / TRIPLE CONVOLUTED AIR SPRINGS

Blacktech	CF Gomma/Pirelli	Gart	Dunlop UK	Dunlop FR (Springride)	Taurus	Page
1C 18-120 P03						170
1C 21- S01 (1C-21-S01)		T291 / B				169
1C 21-200 P01 (1C-21-P01)						169
1C 21 P02 (1C-21-P02)		T291/B 291.1.170				169
1C 21-200 P03 (1C-21-P03)						170
1C 315-330 P01 (1C-301-P02)						170
1C 315-330 P11 (1C-301-P01)						171
2C 18-603 S (2C-18-S01)			PNP 305510111	6 x 2		171
2C 18-120 P03						171
2C 21-200 S (2C-21-S01)						172
2C 21-200 S1 (2C-21-S02)						172
2C 21-200 S2 (2C-21-S03)						172
2C 21-200 F01 (2C-21-B01)						173
2C 21-200 P01 (2C-21-P01)				S09201	KF218-6910	173
2C 21-200 P02 (2C-21-P02)						174
2C 21-200 P01-1 (2C-21-P03)						173
2C 21-200 P04 (2C-21-P04)						175
2C 21-200 P04-1 (2C-21-P05)						175
2C 21-200 P03 (2C-21-P07)						174
2C 21-200 P03-1 (2C-21-P08)						174
2C 21-200 P06 (2C-21-P09)						176
2C 21-200 P05 (2C-21-P10)						175
2C 21-200 P05-1 (2C-21-P11)						176
2C 21-200 P12 (2C-21-P12)	T20L 207065			S09208 (9"1/4 x 2 NB)		176
2C 21-200 P13 (2C-21-P13)						177
2C 21-200 P14 (2C-21-P14)						177
2C 21-200 P15 (2C-21-P15)						177
2C 21-200 P17 (2C-21-P17)						178
2C 21-200 P17-1 (2C-21-P17)						178
2C 150 P01(6x2) (2C-150-F01 (6"X2))				SP 1482 (6" x 2)		179
2C 200 P01(8x2) (2C-200-F01 (8"X2))				SP 1490 (8" x 2)		178
2C 200-138 P01 (8x2)						179
2C 151 P01 (2C-151)						179
2C 211-200 S (2C-211-S01)						180
2C 211-200 P01 (2C-211-P01)						180
2C 211-200 P02 (2C-211-P02)						180
2C 211-200 P03 (2C-211-P03)				S 09280 (9"1/4 x 2 A.NB)		181
2C 211 P03-1 (2C 211-200 P03)						181
2C 250-620 S (2C-250-S01 (8b))				9 1/4 x 2		181
2C 250-620 S01 (2C-250-S02 (HD17b))						182
2C 250-620 S02 (2C-250-S03 (HD34b))						182
2C 250-620 F (2C-250-F01 (HD17b-160))						182
2C 250-620 F01 (2C-250-F02 (HD17b-200))						183
2C 280-608 S (2C-280-S01)						183
2C 280-608 F (2C-280-F01)						183
2C 301-412 P09 (2C-301-P09)				S 12280 (12" x 2 A.NB)		185
2C 301-412 S						184
2C 301-412 P01						184
2C 301-412 P02						184
2C 302 F01 (2C-302-B01)				SP 1025 NB (12" x 2 NB)		185
2C 302 P01				SP 1541 NB (12" x 2 NB)		185
2C 302 P02 (2C-302-F01)						186
2C 302 P03 (2C-302-F02)				SP2665 NB (12" x 2 NB)		186
2C 303 S (2C-303-S01)						186
2C 303 P01 (2C-303-F01)				SP 2782 NB (12" x 2 A.NB)		187
2C 315-330 S						187
2C 315-330 P01						187
2C 315-330 P02 (2C-301-P03)						188
2C 315-330 P03 (2C-301-P01)	22B				KF222-7180	188
2C 315-330 P04						188
2C 351 S (2C-350-S01)						189
3C 130 P01 (3C-130)						189
3C 301-330 S (3C-301-S01)						189

Blacktech	ContiTech	CF Gomma / Pirelli	Vibracoustic	Arvinmeritor	Granning	Sachs Complete	Pages
110 01 C					50502		199
110 01 CA					50159	"105 831	199
110 01 CA					50159	105 845"	199
110 02 C					50503		199
110 02 CA					50155		200
110 03 CA					50156		200
110 04 C					50162 without sh.absorber		201
110 04 CA					50162	105 855	201
110 05 C					50163 without sh.absorber		201
110 05 CA					50163	105 856	202
110 06 C					50511 without sh.absorber		202
110 06 CA					50511	105 392	202
110 07 C					50512 without sh.absorber		203
110 07 CA					50512	290 997	203
110 08 C					50501	557 001	203
110 08 CA					50157	"290 201	204
110 08 CA					50157	290 203"	204
110 09 CA					50158		204
110 09 CA					50158		204
110 10 C							205
110 10 CA						311 663	205
110 11 C							205
110 11 CA						290 998	206
110 12 C							206
110 12 CA							206
110 13 C							207
110 13 CA							207
110 14 C			H307510201				207
110 17 C							208
110 17 CA							208
110 18 C							208
110 18 CA					310 820		209
110 19 C							209
110 19 CA							209
110 22 C							210
110 22 CA					135 198		210
110 23 C							210
110 23 CA					135 197		211
110 24 C							211
110 24 CA					135 196		211
110 25 C							212
110 25 CA	SZ 36-10				15519	310 957	212
110 26 C							212
110 26 CA				908322986			213
110 27 C							213
110 27 CA					50509		213
110 28 C							214
110 28 CA							214
110 29 C							214
110 29 CA				908323140			215
110 30 C							215
110 30 CA				908322985			215
110 31 C							216
110 31 CA						310 821	216
110 32 C							216
110 32 CA							217
110 33 C							217
110 33 CA					50507	115 743	217
110 34 C							218
110 34 CA					50506	115 731	218
110 35 C							218
110 35 CA					50510		219
210 01 C	SZ 50-9				15515		219
210 02 C	SZ 50-8				15512		219

CROSS REFERENCE
SLEEVE TYPE AIR SPRINGS

Blacktech	Sachs Shock Absorber	Sachs Spring Type	Monroe Complete	Monroe Shock Absorber	Monroe Spring Type	Page
110 01 C		481 002	CB0066		CB0066	199
110 01 CA	105 875	481 002	CB0066	CB0065		199
110 01 CA	105 876	481 002	CB0066	CB0065		199
110 02 C					CB0030	199
110 02 CA		CB0030	CB0010		CB0030	200
110 03 CA	290 204		CB0030	CB0009	CB0030	200
110 04 C						201
110 04 CA						201
110 05 C						201
110 05 CA						202
110 06 C						202
110 06 CA						202
110 07 C						203
110 07 CA						203
110 08 C					CB0067	203
110 08 CA	290 987	"310 619 (old part number 557 001)"	CB0058	CB0058	CB0067	204
110 08 CA	290 987	"310 619 (old part number 557 001)"	CB0058	CB0058	CB0067	204
110 09 CA	290 989	"310 619 (old part number 557 001)"	CB0059	CB0059	CB0067	204
110 09 CA	290 989	"310 619 (old part number 557 001)"	CB0059	CB0059	CB0067	204
110 10 C						205
110 10 CA						205
110 11 C						205
110 11 CA						206
110 12 C		310 619				206
110 12 CA	310 620	310 619				206
110 13 C					CB0074	207
110 13 CA			CB0074	CB0078	CB0074	207
110 14 C						207
110 17 C						208
110 17 CA	290 989	310 619				208
110 18 C						208
110 18 CA						209
110 19 C						209
110 19 CA						209
110 22 C						210
110 22 CA						210
110 23 C						210
110 23 CA						211
110 24 C						211
110 24 CA						211
110 25 C						212
110 25 CA						212
110 26 C						212
110 26 CA						213
110 27 C						213
110 27 CA		CB0003	CB0003			213
110 28 C						214
110 28 CA	290 987	310 619	CB0067	CB0058	CB0067	214
110 29 C						214
110 29 CA						215
110 30 C						215
110 30 CA						215
110 31 C						216
110 31 CA						216
110 32 C						216
110 32 CA			CB0006	CB0006		217
110 33 C						217
110 33 CA						217
110 34 C						218
110 34 CA						218
110 35 C						218
110 35 CA			CB0002	CB0002		219
210 01 C						219
210 02 C						219

INSTALLATION INSTRUCTIONS

The Fitting of New Air Spring



1. Clean the bead seats on the clamping plate and the piston. Ensure that the mounting equipment is free of burr and is not corroded. Apply a soap solution or an appropriate lubricant. (Do not use grease!)

2. Compress the air spring within a hand's span as pushing it below the upper bead.



3. Place the compressed air spring between the piston and the clamping plate.



4. Fix the lower bead of the air spring to its seat on the piston and the upper bead of the air spring to its seat on the clamping plate.

Note: Ensure that the axle is completely sprung out.

5. Pressurize the air spring so that its beads fit correctly between the plate and the piston. Correct seating is indicated by a distinctive audible snap.



6. When you lower the vehicle, the air spring will automatically roll down the piston. The air spring is now fitted.



The Fitting of New Air Spring with Metal Parts

The complete air springs are generally supplied with bolts and threads which attach the complete assembly to the vehicle.



1. Fit the air spring to the chassis with top plate. Press the bottom bead as having the shape of an ellipse and push through the bottom plate.



2. Place the piston and bottom plate as they take place in the same direction with the holes on the axles and then push the plate into the holes of the piston.



3. Bolt piston to the plate tightly and make sure it does not twist.

4. Fit piston on the axle of the vehicle. Pressurize the air spring system. When you lower the vehicle, the air spring will automatically roll down the piston. The air spring system is now fitted.

Premature Air Spring Failures



Blacktech Air Springs are made of high quality materials and designed to operate millions of cycles without product failure and performance degradation when the air spring system is maintained properly. And the air springs are put through wide-ranging tests procedures to ensure that the air springs operate correctly and comply with required quality standards. When the premature air spring failures arise from other problems in suspension system, product claim/returns are not approved due to the lack of suspension maintenance and service or improper application.

Causes and prevention of premature air spring failures:

OVEREXTENSION

Causes of failure:

Overextension of the air spring arises from unrestrained axle travel causing air spring operates at maximum deflection height. The appearance of this condition is the separation of the bellows from the top plate or the bottom mounting parts.

Failure prevention

Check the height levelling valves and adjust to recommended height if necessary and check if the shock absorbers operate properly or need to be repaired or replaced.

ABRASION

Causes of failure:

Abrasion of the bellows is caused by a constant contact with other parts of the vehicle (due to worn and failed parts) or foreign materials such as rocks, sand, road dirt etc. which builds up around the piston or top plates of the air spring and consequently rubbing a hole in the bellow during operation.

Failure prevention

Periodically check for sufficient clearance around air spring when inflated. Clear any contacts between the bellow and the other parts of the vehicle. Clean foreign materials off the air spring parts using soap and water methyl alcohol, ethyl alcohol and isopropyl alcohol (do not use any solvents).



CHEMICAL EXPOSURE

Causes of failure:

Prolonged exposure of the air bellow to the chemicals such as solvents, hydraulic oils and grease rubs a hole in the rubber and evidently cause premature air spring failure.

Failure prevention

Periodically check the air spring against chemical exposure.

Avoid applying too much grease to other vehicle components and check air supply for excessive oil. Remove grease from the bellows using soap and water (do not use any solvents).

LOW AIR PRESSURE

Causes of failure

Running with low air pressure may cause rolling of the bellows over the piston unevenly and folding of the bellows therefore causes deterioration of air spring.

Failure prevention

Inflate the air spring within the air pressures recommended by manufacturer and periodically check the air spring system for proper air supply due to an air leak in the airline can cause underinflation of the air spring.

Safety Advice and Injury Risks!

All items must be put under the pressure within the limits:

Maximum Operating Pressure:

Static operating pressure: 7 bars

Operating pressure during lifting: 8 bars



Operating temperature: - 40°C to + 70°C

The Removing of the Old Air Springs

1. Raise the vehicle as high as possible and protect it against any probable fall.
2. Deflate the air springs completely.
3. Remove the old air spring.

Storage of Used Metal Fittings

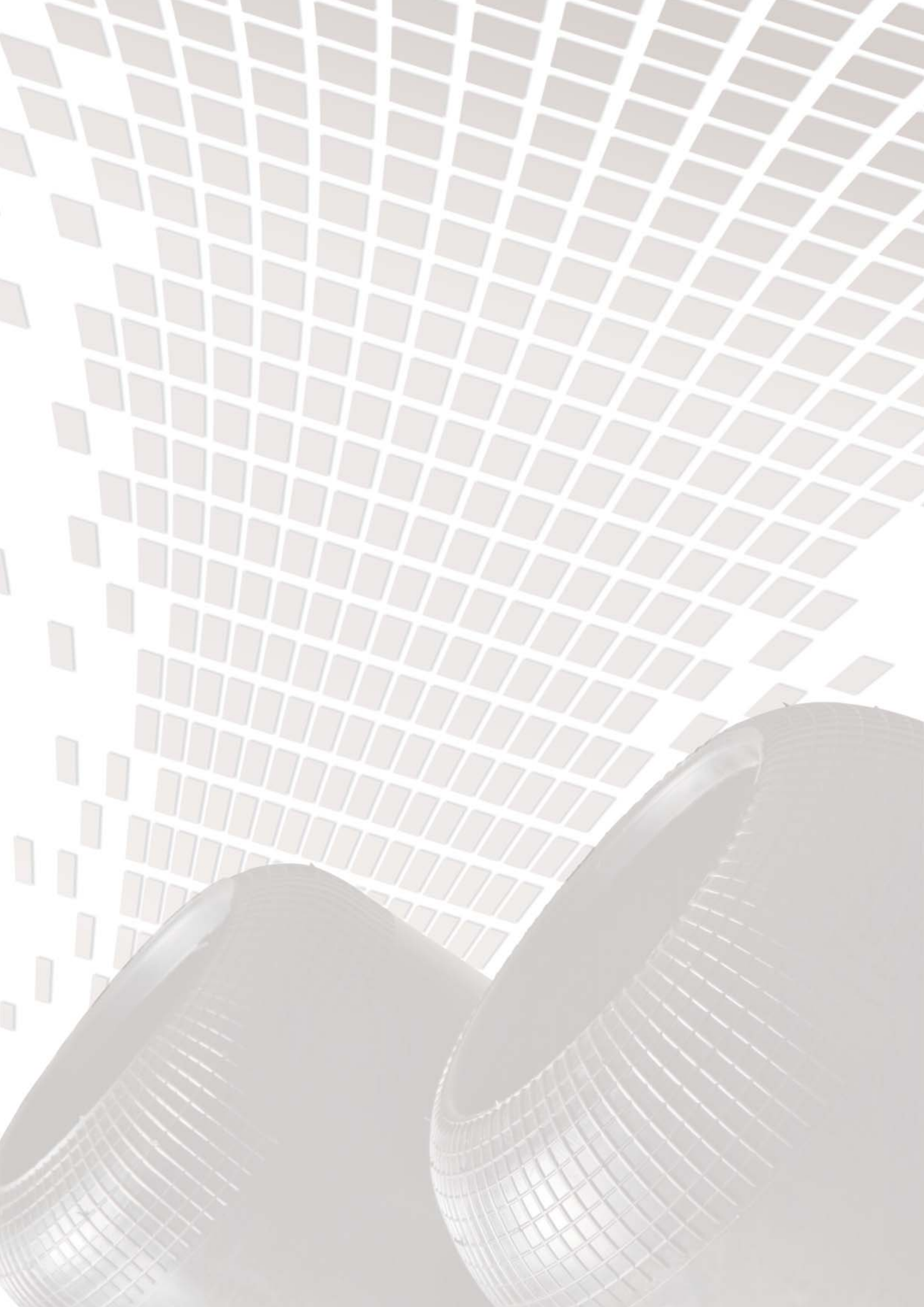
Used metal fittings such as pistons, coverings or clamping plates must be in good condition to be reused and it must be ensured that they are free of dirt and not damaged. If the metal fittings are damaged please refer to our Sales and Marketing Department.

Before reusing metal fittings, filth must be completely removed. This operation will extend the life of new parts.

We endeavour to ensure the accuracy and reliability of the information provided, however we do not guarantee its accuracy or reliability and accept no liability for any loss or damage arising from any inaccuracies or omission in this catalogue. All information is subject to change without prior notice.

Blacktech Air Suspension Systems

All rights reserved.





blacktech
Air Springs

HSS Otomotiv ve Lastik Sanayi A.Ş.
BUSEB Hisar Mevkii Liman yolu
16600 Gemlik-BURSA / TURKEY
Phone : +90 224 524 78 01
Fax : +90 224 524 78 10
www.blacktech.com
info@blacktech.com

