










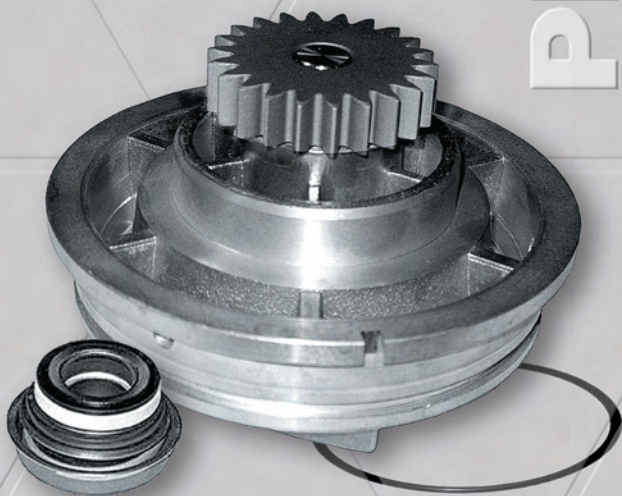


# PRODUCT CATALOGUE

## INDEX

## PAGE

 <b>FOREWORD</b>	002	■
 <b>BERGKRAFT PRESENTATION</b>	003	■
 <b>MERCEDES GROUP</b>	005	■ 028
 <b>MAN GROUP</b>	029	■ 050
 <b>VOLVO GROUP</b>	051	■ 072
 <b>DAF GROUP</b>	073	■ 086
 <b>SCANIA GROUP</b>	087	■ 100
 <b>IVECO GROUP</b>	101	■ 106
 <b>RENAULT GROUP</b>	107	■ 114
 <b>CAT. GROUP</b>	115	■ 118
 <b>CROSS LIST</b>	119	■ 124

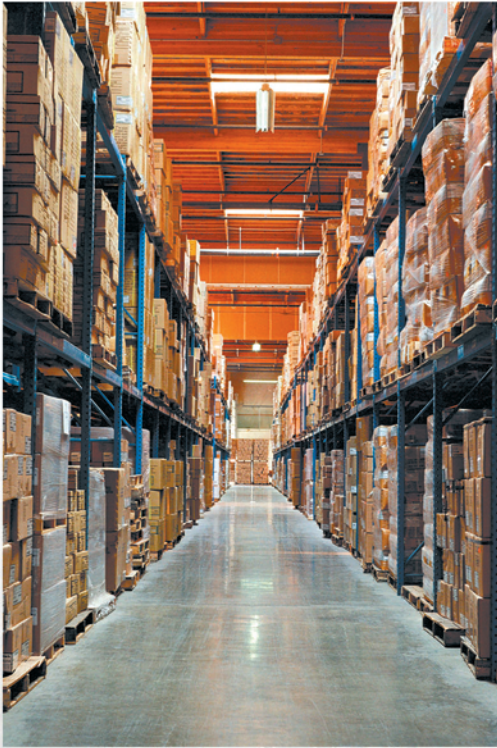




BERGKRAFT™ is the registered trade mark of Lager Industrieller Service und Logistik GmbH.

No one part of this catalogue may be copied or reproduced without permission from the trade mark owner. Genuine numbers are stated for comparison purposes only. It is not permitted to mention genuine numbers in invoices to truck-trailer or car owners.



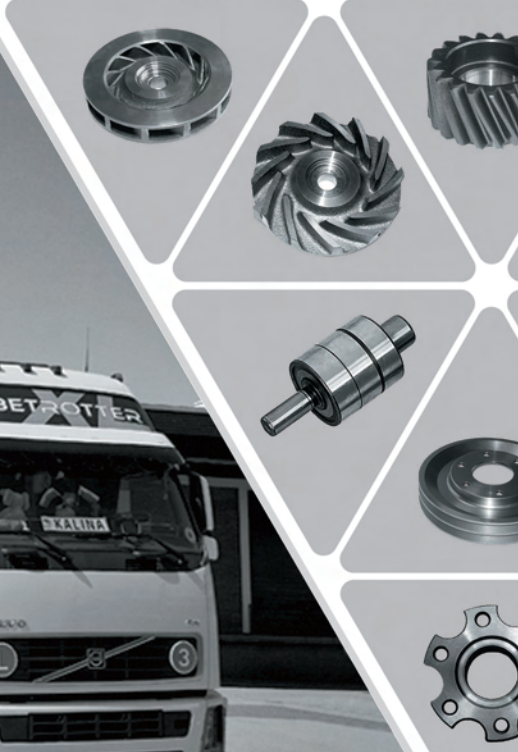
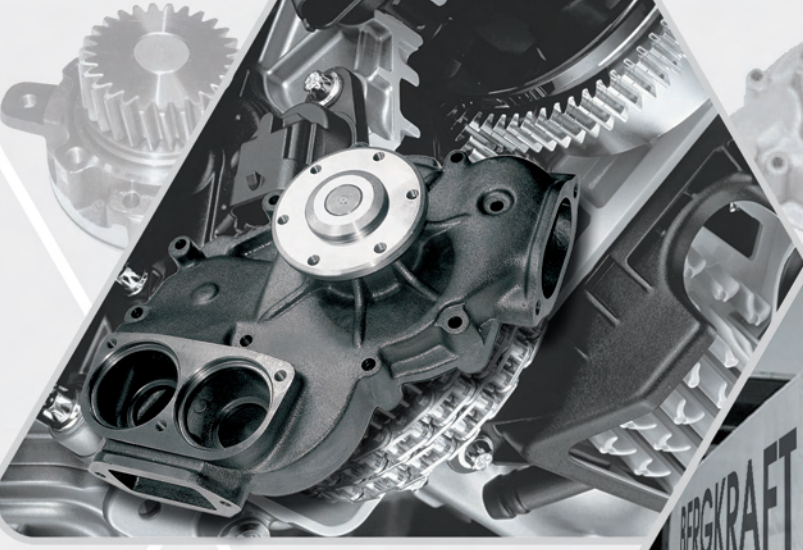
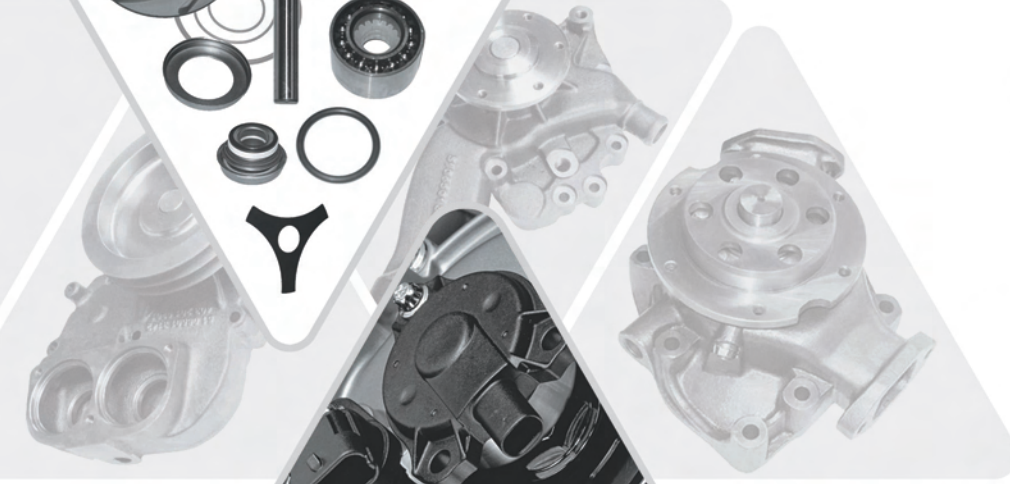


The information in this catalogue was carefully assembled to the best of our knowledge. For disadvantages resulting from errors we cannot take any responsibility. Technical alterations will be reserved – even without prior notification.

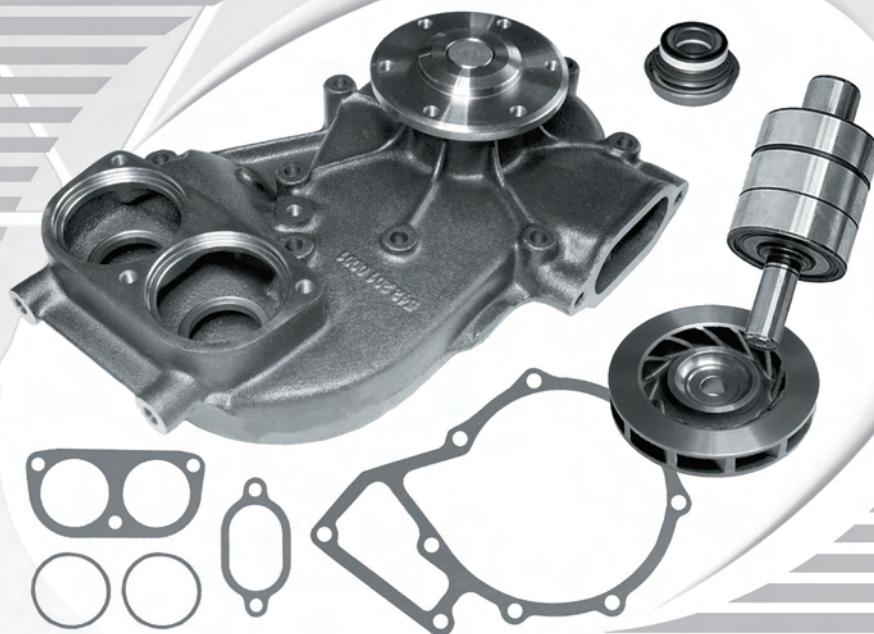
At the present time our company is developing the following directions of aftermarket spare parts:

- Air Brake & Clutch Systems
- Disk Brake Calipers Repair Kits
- Air Compressor & Repair Kits
- Slack Adjusters
- Shock Absorbers
- Water Pumps
- Engine & Transmissions Mountings
- Chassis, Axle, Spring & Steering Groups
- Cabin Mounting & Bushes
- Cabin Rubber & Repair Kits
- Sealing's & Repair Kits

# BERGKRAFT IN THE WORLD

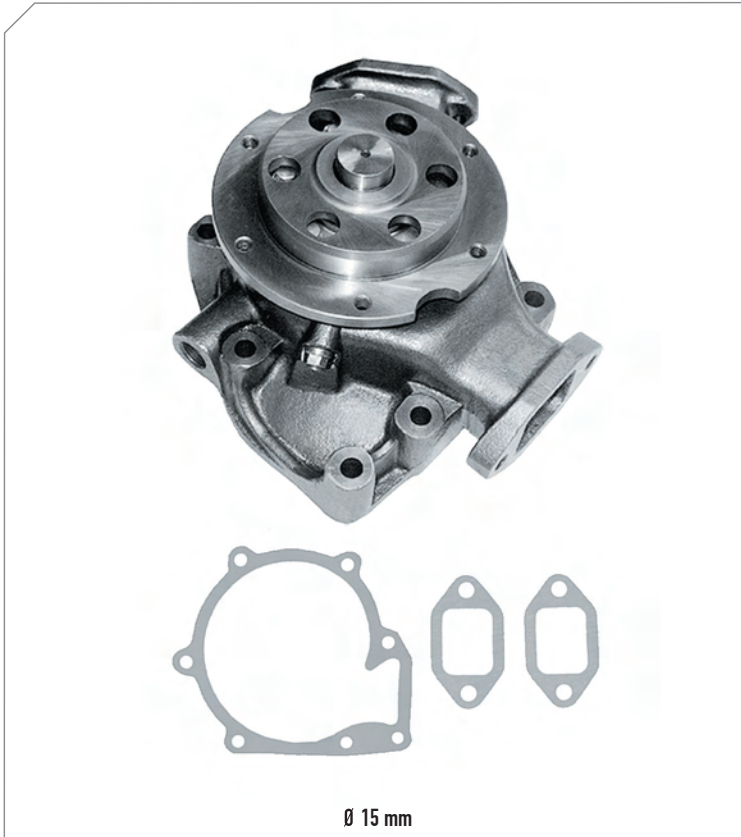


A WORLD OF QUALITY PARTS



## MERCEDES GROUP

## MERCEDES



Water pump		
BERGKRAFT Kit No	<b>BK313771WP</b>	
Org. Kit Ref.No	MODEL	Engine
<b>355 200 0801</b>	355.910, 930, 932	OM 355
replaces old nos. 355 200 0101 355 200 0601 355 200 0901 355 200 1101 355 200 1501	176kW 355.983, 984	OM 355
	177kW 355.960, 962-964 966-970, 974-981	OM 355
	184kW 355.982, 983	OM 355
	207kW 355.969, 983, 984	OM 355A



Repair kit		
BERGKRAFT Kit No	<b>BK311772WP</b>	
Org. Kit Ref.No	MODEL	Engine
<b>355 200 1204</b>	This repair kit is used for 355.910, 930, 932	
replaces old nos. 355 200 0804		

Photographed content is followed as closely as possible, but not guaranteed.

## MERCEDES

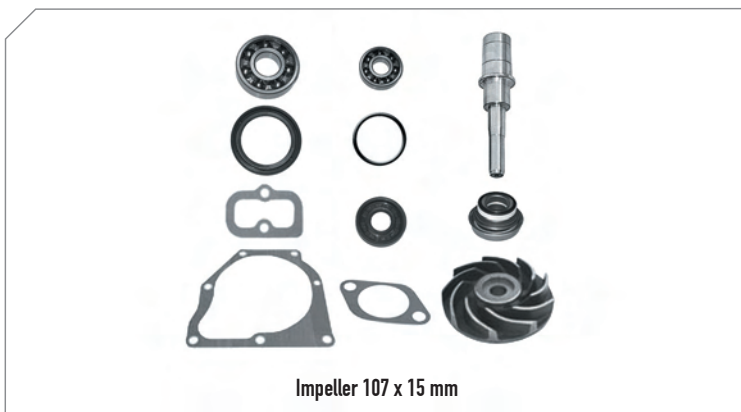
007



Water pump		
BERGKRAFT Kit No	BK3137722WP	
Org. Kit Ref.No	MODEL	Engine
<b>355 200 1304</b> replaces old nos. 355 200 0404 355 200 0904 355 200 0220		OM 355 OM 355 A



Water pump		
BERGKRAFT Kit No	BK8802205	
Org. Kit Ref.No	MODEL	Engine
<b>355 200 1404</b> replaces old nos. 355 200 0704 355 200 1004 355 200 0620		OM 355 OM 355 A



Water pump		
BERGKRAFT Kit No	BK8802200	
Org. Kit Ref.No	MODEL	Engine
<b>360 200 0604</b> replaces old nos. 360 200 0104 360 200 0304 360 200 0404 360 200 0704 360 586 0320 360 200 0520 360 586 0620		OM 360



Water pump		
BERGKRAFT Kit No	BK3127722WP	
Org. Kit Ref.No	MODEL	Engine
<b>352 200 3804</b> replaces old nos. 355 200 1304 355 200 2804 355 586 0620		OM 352 OM 352 A OM 362 LA

Photographed content is followed as closely as possible, but not guaranteed.



Ø 15 mm

### Water pump

BERGKRAFT Kit No	<b>BK3347711WP</b>	
Org. Kit Ref.No	MODEL	Engine
<b>364 200 2001</b>	355.900-903, 920-925 364.906, 907 911-913 916-924, 950 952, 954-958 981, 982-987	OM 364/A/LA
replaces old nos. 364 200 0101 364 200 0901		



Ø 15 mm

### Repair kit

BERGKRAFT Kit No	<b>BK8802224</b>	
Org. Kit Ref.No	MODEL	Engine
<b>355 200 0801</b>	This repair kit is used for 364 200 2001	
replaces old nos. 364 200 0204 364 200 0304 364 200 0504		

Photographed content is followed as closely as possible, but not guaranteed.



## MERCEDES

009



Ø 15 mm

Water pump		
BERGKRAFT Kit No	<b>BK3147711WP</b>	
Org. Kit Ref.No	MODEL	Engine
<b>366 200 5901</b> replaces old nos. 366 200 0401 366 200 0901		OM 366 OM 366 A OM 366 LA OM 366 LA Euro II

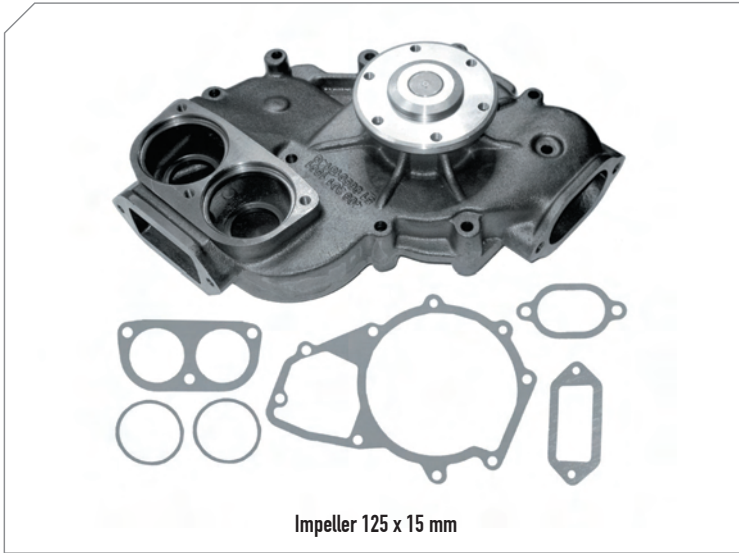


Impeller 95 x 15 mm

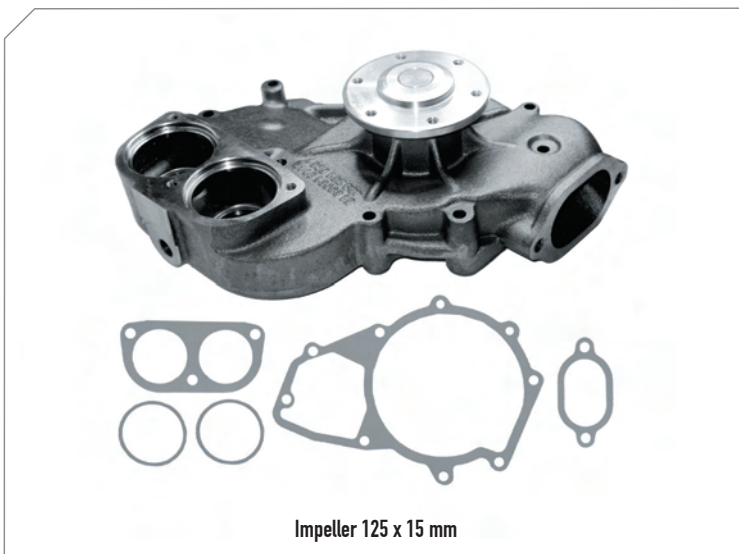
Repair kit		
BERGKRAFT Kit No	<b>BK3147722WP</b>	
Org. Kit Ref.No	MODEL	Engine
<b>366 200 5901</b> replaces old nos. 366 200 0004 366 200 0304 366 200 0604	This repair kit is used for 366 200 5901	

Photographed content is followed as closely as possible, but not guaranteed.

## MERCEDES



Water pump		
BERGKRAFT Kit No	<b>BK3177711WP</b>	
Org. Kit Ref.No	MODEL	Engine
<b>403 200 7301</b>		OM 402 LA EuroI OM 407/H/A/LA/HA OM 407/A/LA/HA OM 407/H OM 411 A/LA OM 447 HLA EuroII OM 447 A/LA/HA OM 447 H
replaces old nos. 403 200 5301		



Water pump		
BERGKRAFT Kit No	<b>BK3187711WP</b>	
Org. Kit Ref.No	MODEL	Engine
<b>403 200 7701</b>		OM 401/A OM 402/A OM 403 OM 407/A/AH/H/HA/LA OM 421/A/LA OM 422/A/LA OM 423/A/LA OM 424/A/LA OM 427/A/H/HA/LA OM 441/A/LA OM 442/A/LA OM 443 OM 444 OM 447/A/H/HA/LA
replaces old nos. 403 200 7601		



Water pump		
BERGKRAFT Kit No	<b>BK3407711WP</b>	
Org. Kit Ref.No	MODEL	Engine
<b>403 200 7501</b>	3236	OM 423.909

Photographed content is followed as closely as possible, but not guaranteed.

## MERCEDES

011



Impeller 125 x 15 mm

### Water pump (narrow)

<b>BERGKRAFT Kit No</b>	<b>BK315771WP</b>	
<b>Org. Kit Ref.No</b>	<b>MODEL</b>	<b>Engine</b>
<b>403 200 7001</b>		OM 401 OM 401 A OM 402 OM 403 OM 404 OM 404 A OM 407 OM 407 A
replaces old nos. 403 200 2701 403 200 3201 403 200 3401 403 200 3501 403 200 4901		



Impeller 125 x 15 mm

### Water pump (large)

<b>BERGKRAFT Kit No</b>	<b>BK316771WP</b>	
<b>Org. Kit Ref.No</b>	<b>MODEL</b>	<b>Engine</b>
<b>403 200 7101</b>		OM 401/A OM 402/A OM 403 OM 404 A OM 407/A/AH/H/HA/LA OM 421/A/LA OM 422/A/LA OM 423/A/LA OM 424/A/LA OM 427/A/H/HA/LA OM 441/A/LA OM 442/A/LA OM 443 OM 444 OM 447/A/H/HA/LA
replaces old nos. 403 200 4401 403 200 5101		



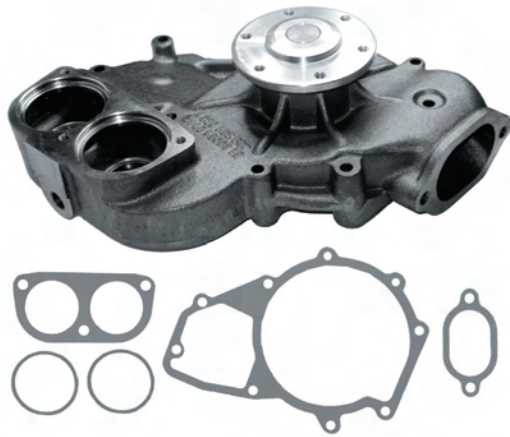
Impeller 125 x 15 mm

### Rrpair kit

<b>BERGKRAFT Kit No</b>	<b>BK316772WP</b>	
<b>Org. Kit Ref.No</b>	<b>MODEL</b>	<b>Engine</b>
<b>423 200 0104</b>	This repair kit is used for 403 200 7001 403 200 7101 403 200 7301 403 200 7501 403 200 7701	
replaces old nos. 423 200 0004 423 200 0104 423 200 0304 423 200 0604 423 200 0120		

Photographed content is followed as closely as possible, but not quaranteed.

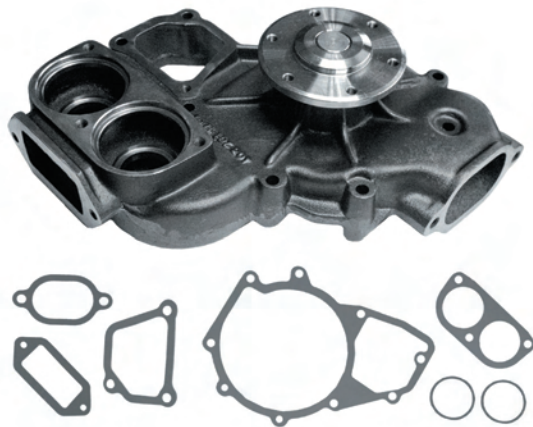
## MERCEDES



Impeller 135 x 15 mm

### Water pump

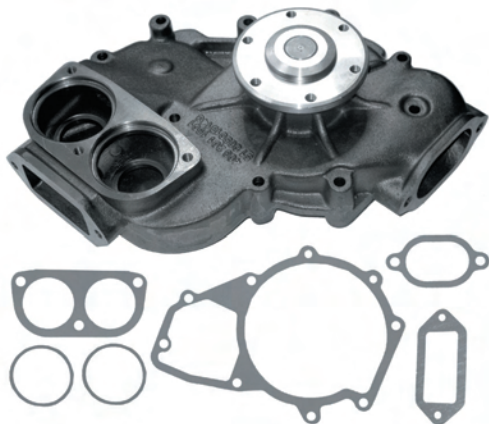
<b>BERGKRAFT Kit No</b>	<b>BK3417711WP</b>	
<b>Org. Kit Ref.No</b>	<b>MODEL</b>	<b>Engine</b>
<b>422 200 1401</b>		OM 401/A OM 402/A OM 403 OM 407/A/AH/H/HA/LA OM 421/A/LA OM 422/A/LA OM 423/A/LA OM 424/A/LA OM 427/A/H/HA/LA OM 441/A/LA OM 442/A/LA OM 443 OM 444 OM 447/A/H/HA/LA



Impeller 135 x 15 mm

### Water pump (with intarder)

<b>BERGKRAFT Kit No</b>	<b>BK3207711WP</b>	
<b>Org. Kit Ref.No</b>	<b>MODEL</b>	<b>Engine</b>
<b>422 200 1201</b>		OM 422
replaces old nos. 422 200 0701		



Impeller 135 x 15 mm

### Water pump (with retarder)

<b>BERGKRAFT Kit No</b>	<b>BK3197711WP</b>	
<b>Org. Kit Ref.No</b>	<b>MODEL</b>	<b>Engine</b>
<b>422 200 1101</b>		OM 401/A OM 402/A OM 403 OM 407/A/AH/H/HA/LA OM 421/A/LA OM 422/A/LA OM 423/A/LA OM 424/A/LA OM 427/A/H/HA/LA OM 441/A/LA OM 442/A/LA OM 443 OM 444 OM 447/A/H/HA/LA
replaces old nos. 422 200 0601		

Photographed content is followed as closely as possible, but not guaranteed.

## MERCEDES

013



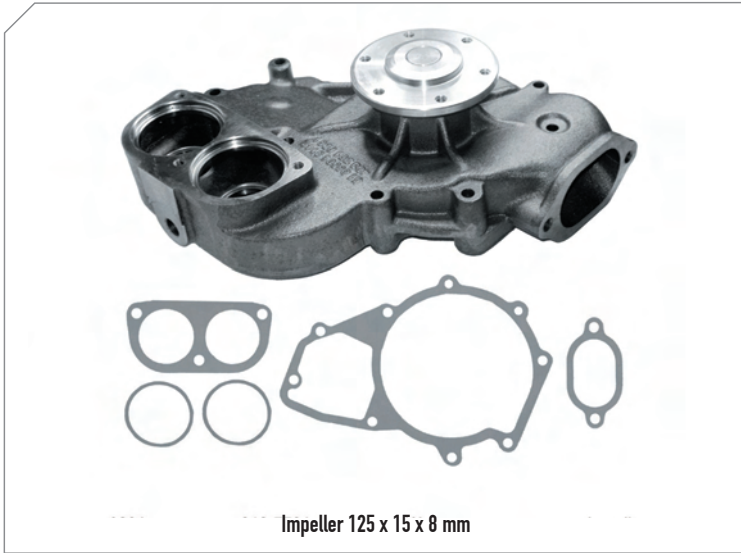
Water pump (large)		
BERGKRAFT Kit No	BK3217711WP	
Org. Kit Ref.No	MODEL	Engine
422 200 1001 replaces old nos. 422 200 0501		OM 423/A/LA OM 443 LA OM 444



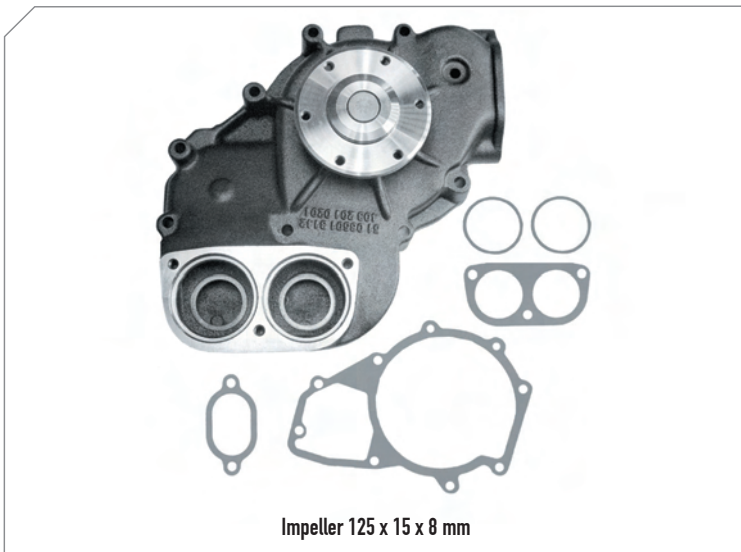
Repair kit		
BERGKRAFT Kit No	BK3217722WP	
Org. Kit Ref.No	MODEL	Engine
422 200 0404 replaces old nos. 422 200 0404	This repair kit is used for 403 200 1001 403 200 1101 403 200 1201 403 200 1401	

Photographed content is followed as closely as possible, but not guaranteed.

## MERCEDES



Water pump		
BERGKRAFT Kit No	<b>BK8801225</b>	
Org. Kit Ref.No	MODEL	Engine
<b>441 200 0301</b>		OM 440 OM 441 441.900 - 919 from engine: 504520 OM 442 442.900, 905 - 919 from engine: 504398



Water pump		
BERGKRAFT Kit No	<b>BK3227711WP</b>	
Org. Kit Ref.No	MODEL	Engine
<b>422 200 0201</b>		OM 441 441.900 - 919 from engine: 504520 OM 441 441.920 - 933 from engine: 504520 OM 442 440.907, 909 OM 442 442.900, 905 - 919 from engine: 504398 OM 442 442.920 - 939 from engine: 504398
replaces old nos. 441 200 0101		



Repair kit		
BERGKRAFT Kit No	<b>BK3227722WP</b>	
Org. Kit Ref.No	MODEL	Engine
<b>441 200 0204</b>	This repair kit is used for 441 200 0201 441 200 0301	
replaces old nos. 441 200 0104		

Photographed content is followed as closely as possible, but not guaranteed.



### Water pump

<b>BERGKRAFT Kit No</b>	<b>BK3337711WP</b>	
<b>Org. Kit Ref.No</b>	<b>MODEL</b>	<b>Engine</b>
<b>906 200 6101</b>		OM 904 LA OM 906 LA
replaces old nos. 906 200 1401 906 200 2201 906 200 2901 906 200 5401		



### Water pump

<b>BERGKRAFT Kit No</b>	<b>BK3237711WP</b>	
<b>Org. Kit Ref.No</b>	<b>MODEL</b>	<b>Engine</b>
<b>904 200 2601</b>		OM 904 LA
replaces old nos. 904 200 0401 904 200 0801 904 200 2001 904 200 4901		



### Repair kit

<b>BERGKRAFT Kit No</b>	<b>BK3237722WP</b>	
<b>Org. Kit Ref.No</b>	<b>MODEL</b>	<b>Engine</b>
<b>904 200 0004</b>	This repair kit is used for 904 200 2601 904 200 6101	
replaces old nos. 906 200 0004		

Photographed content is followed as closely as possible, but not guaranteed.

## MERCEDES



Water pump		
BERGKRAFT Kit No	<b>BK328771WP</b>	
Org. Kit Ref.No	MODEL	Engine
<b>542 200 2101</b>	Actros	OM 501 LA OM 502 LA
replaces old nos. 542 200 1701		



Water pump		
BERGKRAFT Kit No	<b>BK327771WP</b>	
Org. Kit Ref.No	MODEL	Engine
<b>542 200 2201</b>	Actros	OM 501 LA OM 502 LA
replaces old nos. 542 200 1801		



Water pump		
BERGKRAFT Kit No	<b>BK327772WP</b>	
Org. Kit Ref.No	MODEL	Engine
—	This repair kit is used for 542 200 2101 542 200 2201	

Photographed content is followed as closely as possible, but not guaranteed.



## MERCEDES

017



Water pump		
BERGKRAFT Kit No	BK3247711WP	
Org. Kit Ref.No	MODEL	Engine
541 200 1201	Actros	OM 501 LA
replaces old nos. 541 200 0101 541 200 1101		



Water pump (with retarder)		
BERGKRAFT Kit No	BK3267711WP	
Org. Kit Ref.No	MODEL	Engine
542 200 2001	Actros	OM 501 LA OM 501 A
replaces old nos. 542 200 0601 542 200 1601		

Photographed content is followed as closely as possible, but not guaranteed.



Water pump		
BERGKRAFT Kit No	<b>BK3257711WP</b>	
Org. Kit Ref.No	MODEL	Engine
<b>542 200 1901</b> replaces old nos. 542 200 0501 542 200 1501	Actros	OM 501 LA OM 502 LA

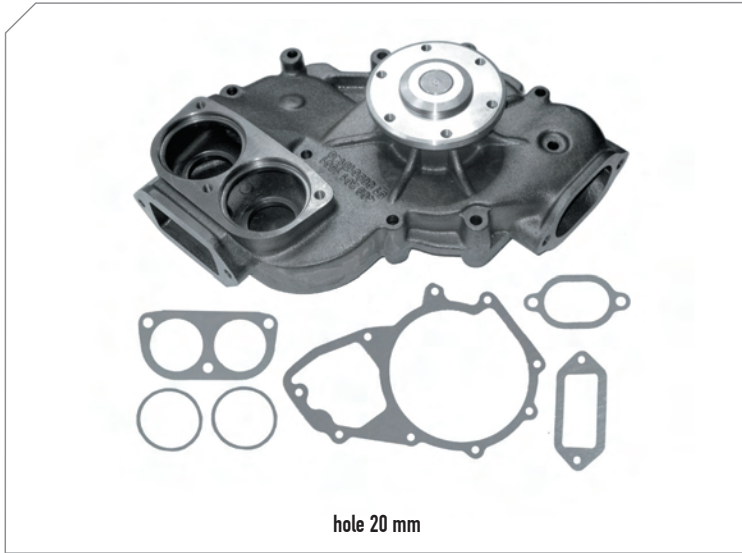


Repair kit		
BERGKRAFT Kit No	<b>BK3257722WP</b>	
Org. Kit Ref.No	MODEL	Engine
<b>542 200 0104</b> replaces old nos. 542 200 0004 541 200 0004	This repair kit is used for 542 200 1901 542 200 2001 541 200 1201	

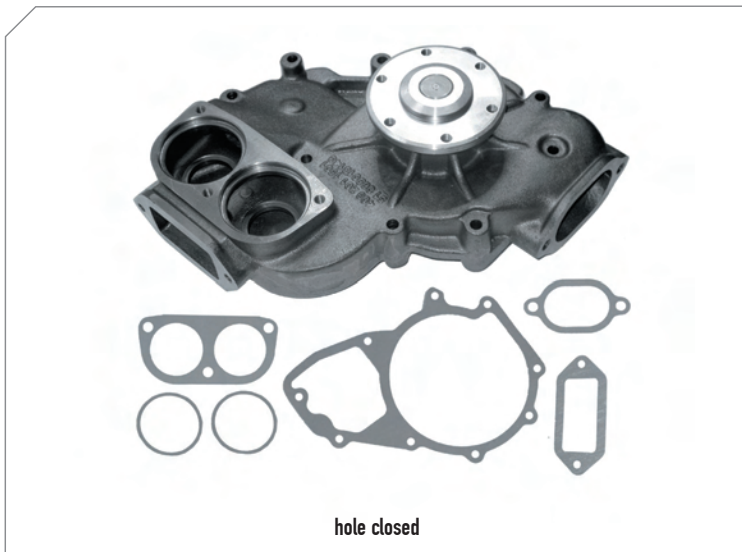
Photographed content is followed as closely as possible, but not guaranteed.

## MERCEDES

019



Water pump (with retarder)		
BERGKRAFT Kit No	BK3317711WP	
Org. Kit Ref.No	MODEL	Engine
457 200 0501		OM 457 OM 458
replaces old nos. 457 200 0201		



Water pump (with retarder)		
BERGKRAFT Kit No	BK3327711WP	
Org. Kit Ref.No	MODEL	Engine
457 200 1001		OM 457 OM 458



Water pump		
BERGKRAFT Kit No	BK3307711WP	
Org. Kit Ref.No	MODEL	Engine
457 200 0101		OM 457 LA
replaces old nos. 475 200 0101 475 200 0201		

Photographed content is followed as closely as possible, but not quaranteed.



Water pump		
BERGKRAFT Kit No	BK3297711WP	
Org. Kit Ref.No	MODEL	Engine
457 200 0801		OM 457 OM 458

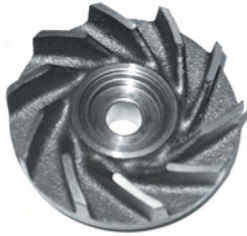


Repair kit		
BERGKRAFT Kit No	BK3297722WP	
Org. Kit Ref.No	MODEL	Engine
457 200 0801 replaces old nos. 457 200 0004 457 200 0104	This repair kit is used for 457 200 0801 457 200 0501 457 200 1001	

Photographed content is followed as closely as possible, but not guaranteed.

## MERCEDES

021



95 x 15 mm

### Impellrr

BERGKRAFT Kit No	<b>BK8803204</b>	
Org. Kit Ref.No	MODEL	Engine
<b>366 200 0204</b>	This repair kit is used for 366 200 5901	
replaces old nos. 366 201 0507 352 201 0507		



115 x 15 mm

### Impellrr

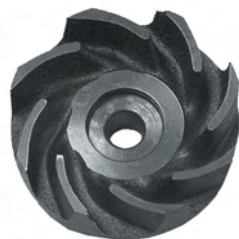
BERGKRAFT Kit No	<b>BK8803203</b>	
Org. Kit Ref.No	MODEL	Engine
<b>355 201 0107</b>	This repair kit is used for 355 200 0801	
replaces old nos. 355 200 0007		



120 x 15 mm

### Impellrr

BERGKRAFT Kit No	<b>BK8803201</b>	
Org. Kit Ref.No	MODEL	Engine
<b>355 201 0207</b>	This repair kit is used for 355 200 1501	



87 x 15 mm

### Impellrr

BERGKRAFT Kit No	<b>BK8803202</b>	
Org. Kit Ref.No	MODEL	Engine
<b>352 201 0107</b>	This repair kit is used for 352 200 3601	

Photographed content is followed as closely as possible, but not quaranteed.

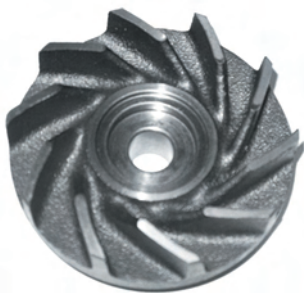
## MERCEDES



107 x 15 mm

### Impellrr

BERGKRAFT Kit No	<b>BK8803200</b>	
Org. Kit Ref.No	MODEL	Engine
<b>360 201 0107</b>	This repair kit is used for 360 200 4501	



### Impellrr

BERGKRAFT Kit No	<b>BK8803224</b>	
Org. Kit Ref.No	MODEL	Engine
<b>314 201 0007</b>	This repair kit is used for 364 200 2001	



125 x 15 mm close type

### Impellrr

BERGKRAFT Kit No	<b>BK8803206</b>	
Org. Kit Ref.No	MODEL	Engine
<b>403 201 1307</b> replaces old nos. 403 201 0407 403 201 1007	This repair kit is used for 403 200 7001 403 200 7101 403 200 7301 403 200 7501 403 200 7701	



135 x 15 mm close type

### Impellrr

BERGKRAFT Kit No	<b>BK8803211</b>	
Org. Kit Ref.No	MODEL	Engine
<b>422 201 0207</b>	This repair kit is used for 422 200 1001 422 200 1101 422 200 1201 422 200 1401	

Photographed content is followed as closely as possible, but not guaranteed.

## MERCEDES

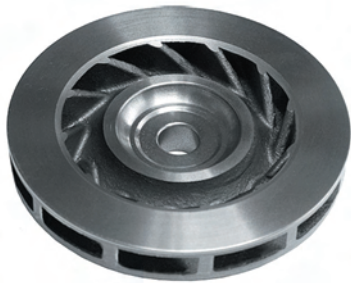
023



135 x 15 mm open type

### Impellrr

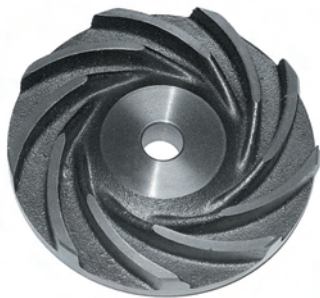
BERGKRAFT Kit No	<b>BK8803210</b>	
Org. Kit Ref.No	MODEL	Engine
<b>422 201 0207</b>	This repair kit is used for 422 200 1001 422 200 1101 422 200 1201 422 200 1401	



125 x 15 x 8 mm

### Impellrr

BERGKRAFT Kit No	<b>BK8803212</b>	
Org. Kit Ref.No	MODEL	Engine
<b>441 201 0507</b> replaces old nos. 441 201 0107	This repair kit is used for 441 200 0201 441 200 0301	



122 x 15 mm

### Impellrr

BERGKRAFT Kit No	<b>BK8803213</b>	
Org. Kit Ref.No	MODEL	Engine
–	This repair kit is used for 904 200 2601 906 200 6101	



125 x 15 x 12 mm

### Impellrr

BERGKRAFT Kit No	<b>BK8803215</b>	
Org. Kit Ref.No	MODEL	Engine
–	This repair kit is used for 542 200 1901 542 200 2001 542 200 1201 542 200 2101 542 200 2201	

Photographed content is followed as closely as possible, but not guaranteed.

## MERCEDES



125 x 15 x 8 mm

### Impellrr

BERGKRAFT Kit No	<b>BK8803219</b>	
Org. Kit Ref.No	MODEL	Engine
	This repair kit is used for 457 200 0801 457 200 0501 457 200 1001	



198 x 28 mm 4 groove

### Belt pulley

BERGKRAFT Kit No	<b>BK8804204</b>	
Org. Kit Ref.No	MODEL	Engine
<b>366 200 0205</b>	AI	
replaces old nos. 366 200 0310 376 200 1105		



170 x 56 mm 2 groove

### Belt pulley

BERGKRAFT Kit No	<b>BK8804205</b>	
Org. Kit Ref.No	MODEL	Engine
<b>403 202 0710</b>		
replaces old nos. 403 202 1710		



170 x 56 mm 1 groove

### Belt pulley

BERGKRAFT Kit No	<b>BK8804206</b>	
Org. Kit Ref.No	MODEL	Engine
<b>403 202 0910</b>		
replaces old nos. 403 202 0610		

Photographed content is followed as closely as possible, but not guaranteed.



## MERCEDES

025



160 x 56 mm 4 groove

### Belt pulley

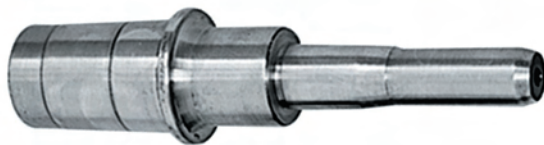
BERGKRAFT Kit No	BK8804213	
Org. Kit Ref.No	MODEL	Engine
96 202 0910		



160 x 56 mm 6 groove

### Belt pulley

BERGKRAFT Kit No	BK8804215	
Org. Kit Ref.No	MODEL	Engine
541 202 1110		
replaces old nos. 541 202 0210		



Ø 15 mm

### Shaft

BERGKRAFT Kit No	BK8808204	
Org. Kit Ref.No	MODEL	Engine
366 201 0205		
replaces old nos. 352 201 0105 360 201 0005 352 201 0605 327 201 0105		



76 x 29 mm

### Flange

BERGKRAFT Kit No	BK8807204	
Org. Kit Ref.No	MODEL	Engine
352 201 0039		

Photographed content is followed as closely as possible, but not guaranteed.

## MERCEDES



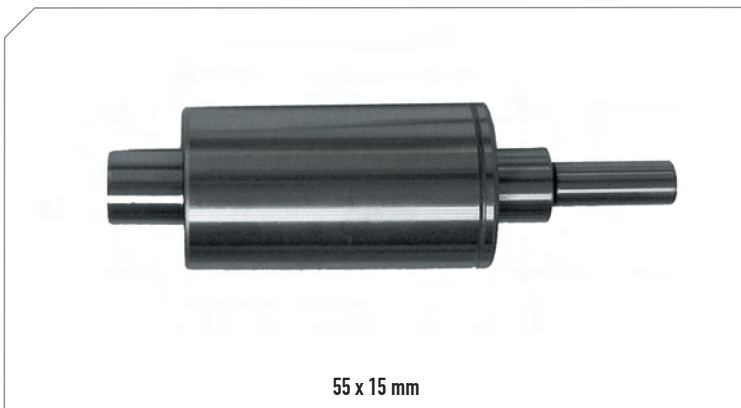
Flange		
BERGKRAFT Kit No	<b>BK8807206</b>	
Org. Kit Ref.No	MODEL	Engine
<b>542 202 0114</b>		
replaces old nos. 403 202 0414		



Flange		
BERGKRAFT Kit No	<b>BK8807213</b>	
Org. Kit Ref.No	MODEL	Engine
<b>906 202 0314</b>	This repair kit is used for 904 200 2601 906 200 6101	



Flange		
BERGKRAFT Kit No	<b>BK8807217</b>	
Org. Kit Ref.No	MODEL	Engine
–	This repair kit is used for 542 200 2101 542 200 2201	

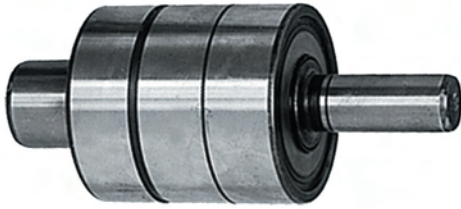


Bearing		
BERGKRAFT Kit No	<b>BK8805217</b>	
Org. Kit Ref.No	MODEL	Engine
–	This repair kit is used for 542 200 2101 542 200 2201	

Photographed content is followed as closely as possible, but not guaranteed.

## MERCEDES

027



55 x 15 mm

### Bearing

<b>BERGKRAFT Kit No</b>	<b>BK8805206</b>	
<b>Org. Kit Ref.No</b>	<b>MODEL</b>	<b>Engine</b>
403 200 1702		
replaces old nos. 403 200 1802 403 200 1902 442 200 0102		



36,5 x 15 mm

### Slide ring seal

<b>BERGKRAFT Kit No</b>	<b>BK8806206</b>	
<b>Org. Kit Ref.No</b>	<b>MODEL</b>	<b>Engine</b>
<b>000 201 1919</b> replaces old nos. 000 201 1719 000 201 1819 000 201 5719 000 201 8019 000 201 9219 000 201 9919		

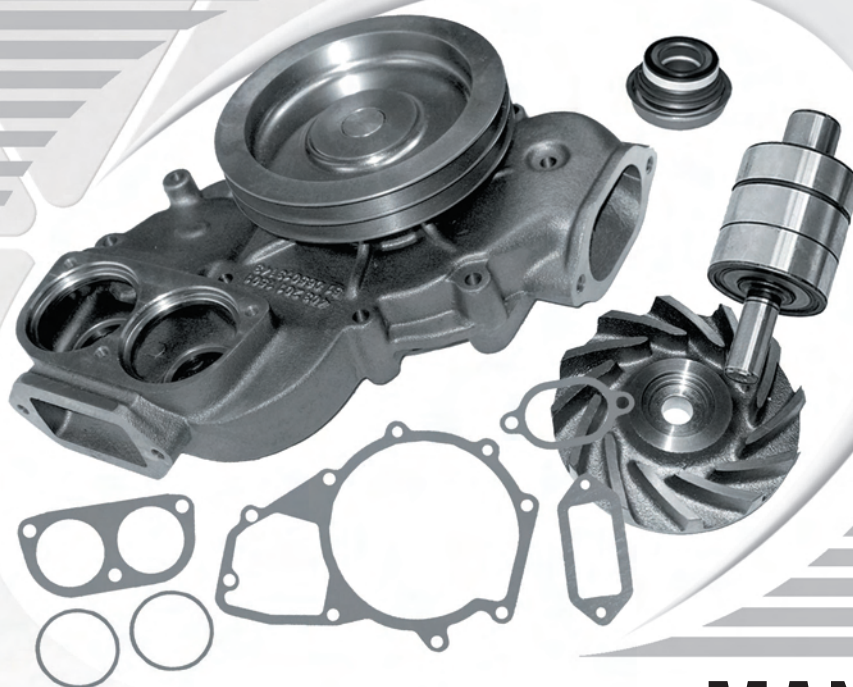
Photographed content is followed as closely as possible, but not guaranteed.



Photographed content is followed as closely as possible, but not guaranteed.



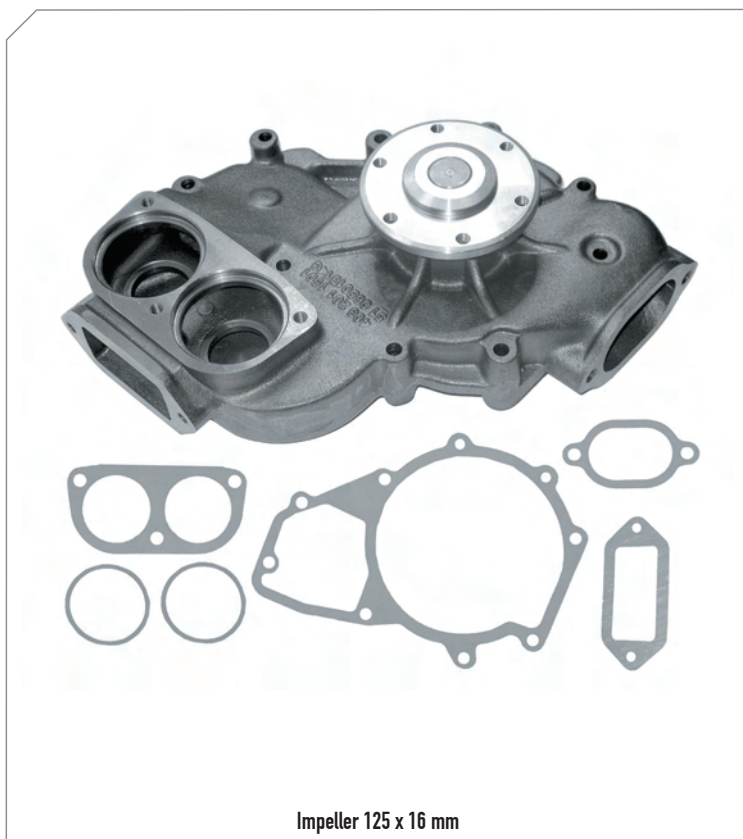
# BERGKRAFT



# MAN GROUP

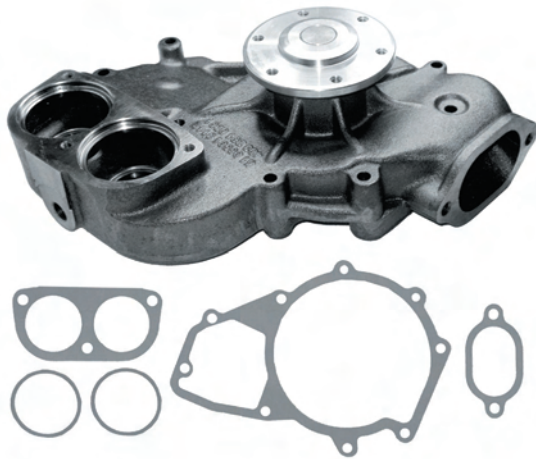


Water pump (narrow)		
BERGKRAFT Kit No	<b>BK2157711WP</b>	
Org. Kit Ref.No	MODEL	Engine
<b>51 06500 6228</b>	Z 36 00 Z 49 00	D 2565 M/MF/MFR D 2565 MUL D 2530 MXF/MXFR/MXH D 2538 M/MF/MFR D 2556 M/MFO/MFR/MR/MX/MXF/MXFO
replaces old nos. 51 06500 6229 51 06500 9228 51 06500 6221 51 06500 6222 51 06500 6223 51 06500 6224 51 06500 6225 51 06500 6218 51 06500 6219 51 06500 6213 51 06500 6214 51 06500 6215 51 06500 6216 51 06500 6204		



Water pump (with retarder)		
BERGKRAFT Kit No	<b>BK2177711WP</b>	
Org. Kit Ref.No	MODEL	Engine
<b>51 06500 6426</b>	V 06 00 V 25 00 V 22 00 V 14 00 V 26 00 V 89 03 V 15 00 V 48 00 V 32 00 V 50 00 V 24 00 V 33 00 V 45 00 V 37 00 V 16 00 V 16 01 V 36 00 V 04 00	D 2840 LF 01/04/06 D 2865 LF 21-24 D 2865 LOH 01/02/05/07-10 D 2865 LUH 02/03/05/-9 D 2866 LF 20-25/29-31/34/35/39/40 D 2866 LFG 03/04/05/07 D 2866 LOH 20-26/30/31 D 2866 LOH 27/28/29/34/35 D 2866 LUH 20/21/22/26 D 2866 LUH 23/24/25/30 D 2876 LF 01-03/06/08-10/14/17 D 2876 LOH 01 D 2876 LOH 02/03/05 D 2876 LUH 01/02 E 2866 DUH 01 E 2866 DUH 01/02/03 E 2866 LUH 01/02 G 2866 UH/UM/DUH/01-05/DUM 01
replaces old nos. 51 06500 9426		

Photographed content is followed as closely as possible, but not guaranteed.



Impeller 125 x 16 mm

### Water pump

BERGKRAFT Kit No	BK2187711WP	
Org. Kit Ref.No	MODEL	Engine
<b>51 06500 6492</b>	V 07 00 V 25 00 V 22 00 V 14 00 Z 76 01 V 2600 V 15 00 Z 68 00 V 32 00 V 32 02 V 24 00 V 33 00 V 45 00	D 2865 LF/LFR/LXF/LXFR/LF 01.../LFR 01 D 2865 LF 21 -24 D 2865 LOH 01/02/05/07-10 D 2865 LUH 02/03/05-9 D 2866 LF 02-10/14-17 D 2866 LF 20-25/29-31/34/35/40 D 2866 LOH 20-26/30/31 D 2866 LU/LUL/LXU/LU 01/03/04/07/08 D 2866 LUH 20/21/22/26 D 2866 LUH 21 D 2876 LF 01-03/06/08-10/14/17 D 2876 LOH 01 D 2876 LOH 02/03/05
replaces old nos. 51 06500 9492		



Impeller 125 x 16 mm

### Water pump (large)

BERGKRAFT Kit No	BK2167711WP	
Org. Kit Ref.No	MODEL	Engine
<b>51 06500 6282</b>	V28 00 Z37 00 Z55 00 Z49 00 Z65 00 Z65 01 Z65 02 Z88 00 Z92 00 Z96 00 Z21 01 Z39 00 Z48 00 Z78 00	E 2866 DOH01/DF01 D 2566 M/MF/MR/MFR D 2566 UH/200 D 2565 MUL D 2866 UH/UM/UM 01 D 2866 UM01 IKARUS V/S D 2866 UH D 2866 FG D 2866 F/FR D 2866 OH D 2530 MTXF D 2566 MUH D 2566 MTUH D 2866 FZR
replaces old nos. 51 06500 6387 51 06500 9387 51 06500 9282		

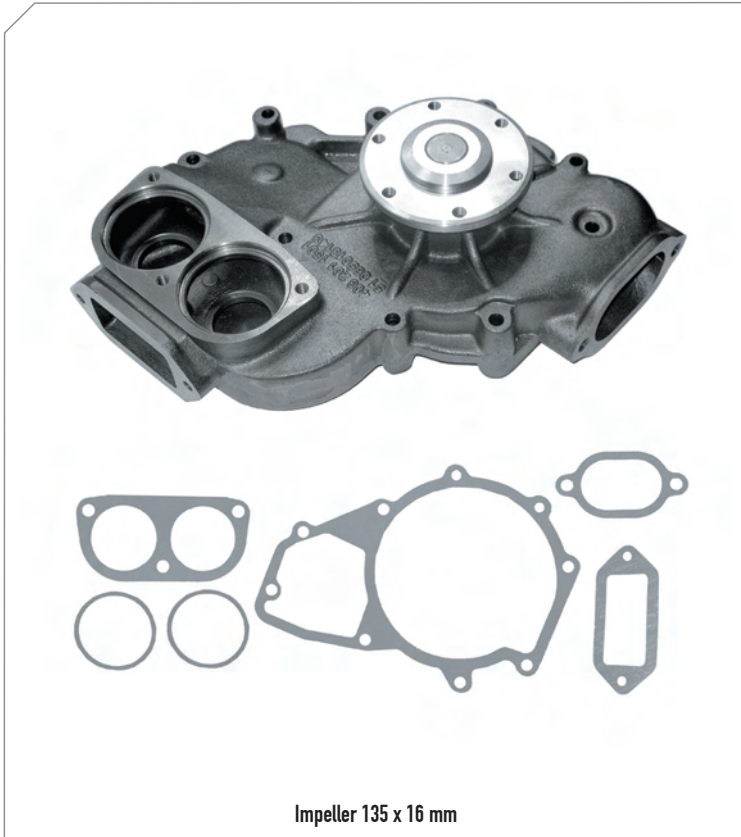


Impeller 125 x 16 mm

### Repair kit

BERGKRAFT Kit No	BK2167722WP	
Org. Kit Ref.No	MODEL	Engine
<b>51 06599 6033</b>	This repair kit is used for 51 06500 6228 51 06500 6426 51 06500 6282 51 06500 6492	
replaces old nos. 51 06599 6010 51 06599 6011 51 06599 6012 51 06599 6035		

Photographed content is followed as closely as possible, but not guaranteed.



Water pump (with retarder)		
BERGKRAFT Kit No	<b>BK2197711WP</b>	
Org. Kit Ref.No	MODEL	Engine
<b>51 06500 6490</b>	V 06 00	D 2840 LF 01/04/06
replaces old nos. 51 06500 9490		



Repair kit (with intarder)		
BERGKRAFT Kit No	<b>BK2207711WP</b>	
Org. Kit Ref.No	MODEL	Engine
<b>51 06500 6479</b>	V 04 00 V 45 00 V 33 00 V 65 00 Z 68 00 V 15 00 Z 77 00 Z 89 04 Z 89 02 Z 89 03 Z 76 06 Z 76 02 Z 76 01 V 14 00 V 05 00 V 22 00 V 07 00	G 2866 UH/UM/DUH01-05/DUM01 D 2876 LOH02/03/05 D 2876 LOH01 D 2866 UH/UM/UM01 D 2866 LU/LUL/LXU/LU01/03/04/07/08 D 2866 LOH20-26/30/31 D 2866 LOH/LXOH/LOH02/03/06/07 D 2866 LFG05-OEBH D 2866 LFG04 D 2866 LFG03/04/05/07 D 2866 LFO9 D 2866 LFO3 D2866LF02-10/14-17 D 2865 LUH02/03/05-09 D2865LU01/02/03 D2865LOH01/02/05/07-10 D 2865 LF/LFR/LXF/LXFR/LF01.../LFR01
replaces old nos. 51 06500 9479		

Photographed content is followed as closely as possible, but not guaranteed.





Water pump (large)		
BERGKRAFT Kit No	<b>BK221771WP</b>	
Org. Kit Ref.No	MODEL	Engine
<b>51 06500 6408</b>	Z 22 00	D 2566 MK/MKF/MKH
replaces old nos. 51 06500 9408	Z 20 00	D 2566 MKUL
	Z 80 00	D 2840 LF/LXF
	V 06 00	D 2840 LF 01/04/06
	V 07 00	D 2865 LF/LFR/LXF/LXFR/LF01 .../LFR01
	V 25 00	D 2865 LF 21-24
	V 22 00	D 2865 LOH 01/02/05/07-10
	V 05 00	D 2865 LU01/02/03
	V 14 00	D 2865 LUH 02/03/05/-9
	Z 75 00	D 2866 KF
	Z 50 00	D 2866 KH/KFZ/KOH
	Z 51 00	D 2866 KU/KUL
	Z 64 00	D 2866 KUH
	Z 76 00	D 2866 LF/LXF
	Z 76 01	D 2866 LF02-10/14-17
	Z 76 03	D 2866 LF03
	Z 76 04	D 2866 LF05
	V 26 00	D 2866 LF 20-25/29-31/34/35/39/40
	Z 89 00	D 2866 LFG/LXFG
	Z 89 03	D 2866 LFG03/04/05/07
	Z 67 00	D 2866 LFZ/LFZR
V 10 00	D 2866 LH01/02	
Z 77 00	D 2866 LOH/LXOH/LOH02/03/06/07	
V 15 00	D 2866 LOH 20-26/30/31	
Z 68 00	D 2866 LU/LUL/LXU/LU01/03/04/07/08	
V 13 00	D 2866 LUH/LXUH/LUH05*	
Z 89 01	D 2866 LXFG	
Z 79 01	D 2866 TOH	
V 01 00	D 2866 TUH/TUH01/TUM	
V 01 01	D 2866 TUH01 IKARUS	
V 33 00	D 2876 LOH01	
V 16 00	E 2866 DUH 01	
V 16 01	E 2866 DUH 01/02/03	
V 04 00	G 2866 UH/UM/DUH/01-05/DUM 01	



Repair kit		
BERGKRAFT Kit No	<b>BK221772WP</b>	
Org. Kit Ref.No	MODEL	Engine
<b>51 06599 6013</b>	This repair kit is used for	
	51 06500 6490	
	51 06500 6479	
	51 06500 6408	
	51 06500 6545	
	51 06500 6546	
	51 06500 6547	
	51 06500 6548	

Photographed content is followed as closely as possible, but not guaranteed.



Water pump		
BERGKRAFT Kit No	<b>BK2227711WP</b>	
Org. Kit Ref.No	MODEL	Engine
<b>51 06500 6545</b>	V 07 00 V 25 00 Z 76 01 Z 76 03 Z 76 04 V 26 00 V 26 02 V 26 05 V 26 01 V 26 04	D 2865 LF/LFR/LXF/LXFR/LF01.../LFR01 D 2865 LF 21-24 D 2866 LF02-10/14-17 D 2866 LF03 D 2866 LF05 D 2866 LF 20-25/29-31/34/35/39/40 D 2866 LF 20/21 D 2866 LF 21 D 2866 LF 21 D 2866 LF 22
replaces old nos. 51 06500 9545		



Water pump		
BERGKRAFT Kit No	<b>BK2237711WP</b>	
Org. Kit Ref.No	MODEL	Engine
<b>51 06500 6547</b>	V 07 00 V 24 00 V 24 01 V 25 00 V 26 00 V 26 02 Z 76 01	D 2865 LF/LFR/LXF/LXFR/LF01.../LFR01 D 2876 LF 01-03/06/08-10/14/17 D 2876 LF 06 D 2865 LF 21-24 D 2866 LF 20-25/29-31/34/35/39/40 D 2866 LF 20/21 D 2866 LF 02-10/14-17
replaces old nos. 51 06500 9547		

Photographed content is followed as closely as possible, but not guaranteed.



Water pump (with retarder)		
BERGKRAFT Kit No	<b>BK2247711WP</b>	
Org. Kit Ref.No	MODEL	Engine
<b>51 06500 6546</b>	V 24 00 V 25 00 V 26 00 V 28 00 Z 76 01 V 54 00 Z 76 00	D 2876 LF 01-03/06/08-10/14/17 D 2865 LF 21-24 D 2866 LF 20-25/29-31/34/35/39/4C E 2866 DOH01/DF01 D 2866 LF 02-10/14-17 D 2866 LFG01 D 2876 LF/LXF
replaces old nos. 51 06500 9546		



Repair kit (with intarder)		
BERGKRAFT Kit No	<b>BK2407711WP</b>	
Org. Kit Ref.No	MODEL	Engine
<b>51 06500 6548</b>	V 07 00 Z 76 00 Z 76 01	D 2865 LF/LFR/LXF/LXFR D 2866 LF/LXF D 2866 LF 02-10/14-70
replaces old nos. 51 06500 9548		

Photographed content is followed as closely as possible, but not guaranteed.



Impeller 125 x 16 mm

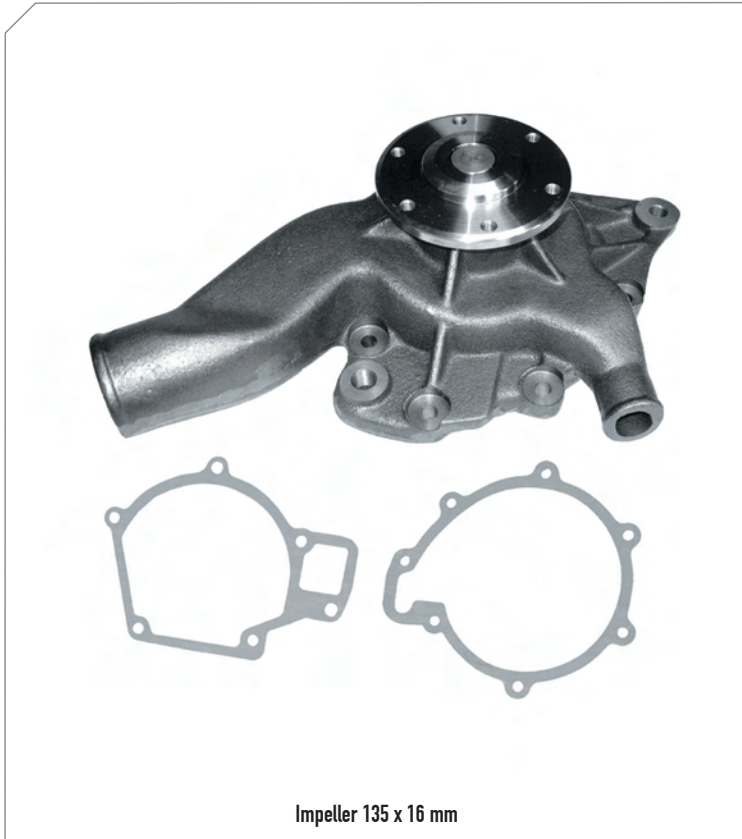
Water pump		
BERGKRAFT Kit No	<b>BK2257711WP</b>	
Org. Kit Ref.No	MODEL	Engine
<b>51 06500 6476</b>	V 38 00	D 0824 LE301
	V 27 00	D 0824 LF01/02
replaces old nos.	V 19 00	D 0824 LOH01/02/03/04/05
51 06500 6462	V 02 00	D 0826 F/FR/FO1/02/FR01/02
51 06500 9476	V 21 00	D 0826 FO/FO-01/02
	Z 95 00	D 0826 LF/LF217/LF01 /02/04-09/11/13
	Z 95 01	D 0826 LF01
	V 30 00	D 0826 LF15/17/18
	V 11 00	D 0826 LFG01/02/06
	V 23 00	D 0826 LFL03/06-10
	V 09 00	D 0826 LOH/LOH01-13
	V 09 01	D 0826 LOH07
	V 29 00	D 0826 LOH15/17/18/19
	V 93 00	D 0826 OH/OH01-13
	V 94 00	D 0826 TF



Impeller 125 x 16 mm

Repair kit		
BERGKRAFT Kit No	<b>BK2257722WP</b>	
Org. Kit Ref.No	MODEL	Engine
<b>51 06599 6052</b>	This repair kit is used for 51 06500 6476	

Photographed content is followed as closely as possible, but not guaranteed.



Impeller 135 x 16 mm

Water pump		
BERGKRAFT Kit No	<b>BK2267711WP</b>	
Org. Kit Ref.No	MODEL	Engine
<b>51 06500 6495</b>	V 09 00 Z 95 00 Z 86 00 Z 86 01	D 0826 LOH/LOH01-13 D 0826 LF/LF217/LF01/02/04-09/11/13 D 0826 TOH G 0826 DOH
replaces old nos. 51 06500 6463 51 06500 9495		



Impeller 135 x 16 mm

Repair kit		
BERGKRAFT Kit No	<b>BK2267722WP</b>	
Org. Kit Ref.No	MODEL	Engine
	This repair kit is used for 51 06500 6495	

Photographed content is followed as closely as possible, but not guaranteed.



Ø 16 mm

Water pump		
BERGKRAFT Kit No	<b>BK227771WP</b>	
Org. Kit Ref.No	MODEL	Engine
<b>51 06500 6537</b>	V 27 00	D 0824 LF01/02
replaces old nos. 51 06500 9537	V 17 00	D 0824 LFL01/02/04-10/LFO-01
	V 19 00	D 0824 LOH01/02/03/04/05
	V 19 01	D 0824 LOH05
	Z 95 00	D 0826 LF/LF217/LF01/02/04-09/11/13
	V 30 00	D 0826 LF15/17/18
	V 41 00	D 0826 LFG15/16
	V 23 00	D 0826 LFL03/06-10
	V 29 00	D 0826 LOH15/17/18/19



Impeller 125 x 16 mm

Repair kit		
BERGKRAFT Kit No	<b>BK227772WP</b>	
Org. Kit Ref.No	MODEL	Engine
<b>51 06599 6067</b>	This repair kit is used for 51 06500 6537	

Photographed content is followed as closely as possible, but not guaranteed.



Water pump		
BERGKRAFT Kit No	<b>BK2287711WP</b>	
Org. Kit Ref.No	MODEL	Engine
<b>51 06500 6606</b>	V 23 00 V 39 00 V 39 01 V 39 02 V 40 00 V 44 00 V 44 01 V 49 00 V 51 00 V 51 01 V 61 00	D 0826 LFL03/06-10 D 0836 LFL01-06 D 0836 LFL04 SINGAPORE D 0836 LFL01 SAUDI ARABIA D 0836 LF01/02/03/04/05 D 0834 LFL01/02/03/04 D 0834 LFL03-OEBH D 0836 LOH01/02/03/04 D 0834 LOH01/02/03 D 0834 LOH01-AUTODROMO D 0836 LFG01
replaces old nos. 51 06500 6612 51 06500 6575 51 06500 9606		



Repair kit		
BERGKRAFT Kit No	<b>BK2287722WP</b>	
Org. Kit Ref.No	MODEL	Engine
<b>51 06599 6081</b>	This repair kit is used for 51 06500 6606	

Photographed content is followed as closely as possible, but not guaranteed.



### Water pump

<b>BERGKRAFT Kit No</b>	<b>BK8801122</b>	
<b>Org. Kit Ref.No</b>	<b>MODEL</b>	<b>Engine</b>
<b>51 06500 6423</b>	V 12 00 Z 57 00 Z 81 00 Z 83 00	D0826GFA02 D 0226 MKF/MKH/MKFA/MKFO/MKF-CA/USA D 0224 M D 0826 GF/GFA/GF01/03/04/GFA01/03W KOOP-WW
replaces old nos. 51 06500 6432 51 06500 6416 51 06500 6302 51 06500 6374 51 06500 6394 51 06500 9423		



### Water pump

<b>BERGKRAFT Kit No</b>	<b>BK2297711WP</b>	
<b>Org. Kit Ref.No</b>	<b>MODEL</b>	<b>Engine</b>
<b>51 06500 6515</b>	V 19 00 V 23 00 V 18 00 V 47 00 V 17 00 V 17 01 V 23 01	D 0824 LOH01/02/03/04/05 D 0826 LFL03/06-10 D 0824 FL01 D 0824 LFG01/02/06 D 0824 LFL01/02/Q4-10/LFO-01 D 0824 LFL09/10 D 0826 LFL03/06-10
replaces old nos. 51 06500 6532 51 06500 9515		

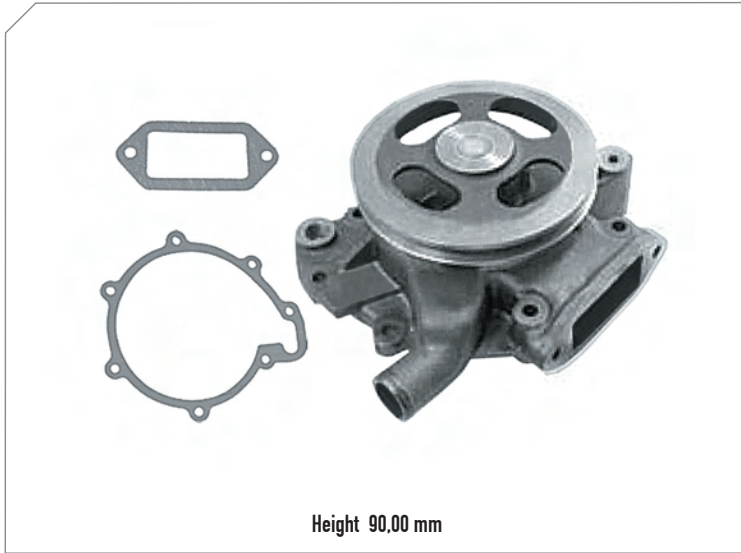


### Repair kit

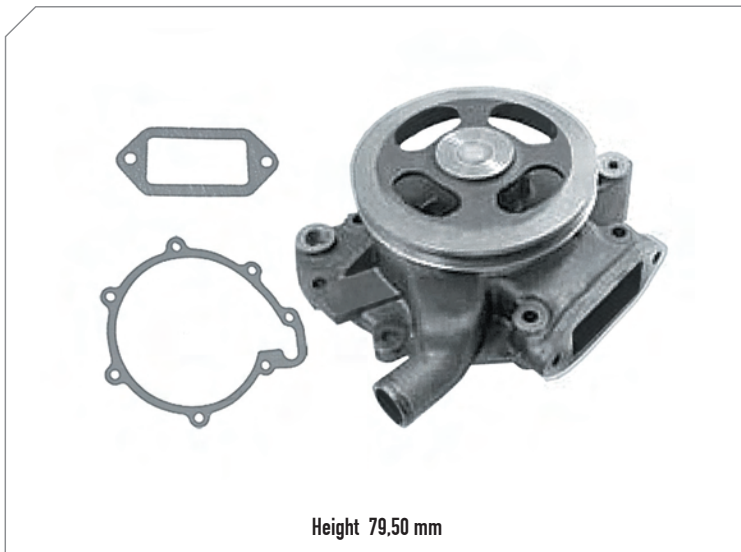
<b>BERGKRAFT Kit No</b>	<b>BK2297722WP</b>	
<b>Org. Kit Ref.No</b>	<b>MODEL</b>	<b>Engine</b>
<b>51 06599 6060</b>	This repair kit is used for 51 06500 6515 51 06500 6423	
replaces old nos. 51 06599 6023		

Photographed content is followed as closely as possible, but not guaranteed.





Water pump		
BERGKRAFT Kit No	<b>BK8801124</b>	
Org. Kit Ref.No	MODEL	Engine
<b>51 06500 6543</b>	V 03 00 V 03 01	D 0826 LUH/LUH213/LUH01-06/08/10/12/13 D 0826 LUH12 CGFTE BORDEAUX
replaces old nos. 51 06500 9543		



Water pump		
BERGKRAFT Kit No	<b>BK8801123</b>	
Org. Kit Ref.No	MODEL	Engine
<b>51 06500 6480</b>	V 03 00	D 0826 LUH/LUH213/LUH01 -06/08/10/12/13
replaces old nos. 51 06500 9480		



Repair kit		
BERGKRAFT Kit No	<b>BK8802123</b>	
Org. Kit Ref.No	MODEL	Engine
<b>51 06599 6055</b>	This repair kit is used for 51 06500 6543 51 06500 6480	

Photographed content is followed as closely as possible, but not guaranteed.



Water pump (TGA)		
BERGKRAFT Kit No	<b>BK2417711WP</b>	
Org. Kit Ref.No	MODEL	Engine
<b>51 06500 7066</b>	V 24 00 V 26 00 V 26 06 V 42 00 V 43 00 V 53 00	D 2876 LF01-03/06/08-10/14/17 D 2866 LF20-25/29-31/34/35/38/39/40/45 D 2866 LF24-OEBH D 2866 LF26-28/32/36/37/41/43 D 2876 LF04/05/07/11/20/21Z22/24 D 2876 LF12/13/25
replaces old nos. 51 06500 7052 51 06500 7033 51 06500 7036 51 06500 7043 51 06500 7045 51 06500 7047 51 06500 7048 51 06500 7051 51 06500 9048 51 06500 9053 51 06500 9066 51 06500 7065		



Repair kit		
BERGKRAFT Kit No	<b>BK8802131</b>	
Org. Kit Ref.No	MODEL	Engine
	This repair kit is used for 51 06500 7066	

Photographed content is followed as closely as possible, but not guaranteed.



### Water pump

BERGKRAFT Kit No	<b>BK8801132</b>	
Org. Kit Ref.No	MODEL	Engine
<b>51 06500 7049</b>	V 55 00 V 55 02 V 73 00	D 2066 LF01-04/6/7/11-20/21-39 D 2066 LF01 (USA) D 2676 LF01-5/11-16
replaces old nos. 51 06500 6642 51 06500 6637 51 06500 9049		



### Repair kit

BERGKRAFT Kit No	<b>BK8802132</b>	
Org. Kit Ref.No	MODEL	Engine
	This repair kit is used for 51 06500 7049	

Photographed content is followed as closely as possible, but not guaranteed.



Water pump (12 cyl.)		
BERGKRAFT Kit No	<b>BK2397711WP</b>	
Org. Kit Ref.No	MODEL	Engine
<b>51 06500 6472</b>	V 08 00 V 34 00 V 35 00 Z 80 00	D 2842 LF/LF01/LXF/LF720-OEAF D 2840 LF20/21/23/24/27/28 D 2842 LF02 D 2840 LXF/LF03/LF420/520
replaces old nos. 51 06500 6281 51 06500 6458 51 06500 9472		



Repair kit		
BERGKRAFT Kit No	<b>BK2397722WP</b>	
Org. Kit Ref.No	MODEL	Engine
<b>51 06599 6025</b>	This repair kit is used for 51 06500 6472	
replaces old nos. 51 06599 6021		

Photographed content is followed as closely as possible, but not guaranteed.



125 x 16 mm close type

### Impeller

BERGKRAFT Kit No	<b>BK8803106</b>	
Org. Kit Ref.No	MODEL	Engine
<b>51 06506 0063</b>	This repair kit is used for	
replaces old nos.	51 06500 6228	
51 06506 0100	51 06500 6426	
	51 06500 6492	
	51 06500 6282	



135 x 16 mm close type

### Impeller

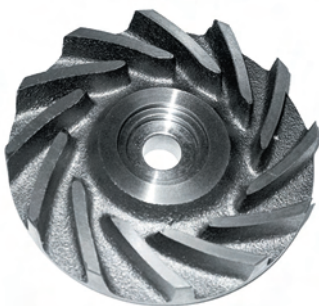
BERGKRAFT Kit No	<b>BK8803111</b>	
Org. Kit Ref.No	MODEL	Engine
<b>51 06506 0101</b>	This repair kit is used for	
replaces old nos.	51 06500 6490	
51 06506 0090	51 06500 6479	
	51 06500 6408	



125 x 16 mm open type

### Impeller

BERGKRAFT Kit No	<b>BK8803115</b>	
Org. Kit Ref.No	MODEL	Engine
<b>51 06506 0060</b>	This repair kit is used for	
replaces old nos.	51 06500 6476	
51 06506 0061	51 06500 6537	
51 06506 0062	51 06500 6606	
	51 06500 6543	
	51 06500 6480	

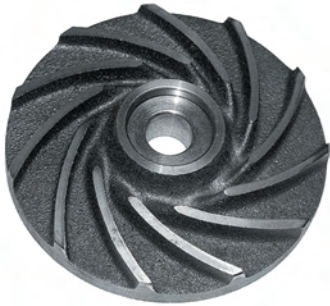


135 x 16 mm open type

### Impeller

BERGKRAFT Kit No	<b>BK8803116</b>	
Org. Kit Ref.No	MODEL	Engine
<b>51 06506 5001</b>	This repair kit is used for	
replaces old nos.	51 06500 6495	
51 06506 2001	51 06500 6545	
51 06506 0083	51 06500 6546	
	51 06500 6547	
	51 06500 6548	

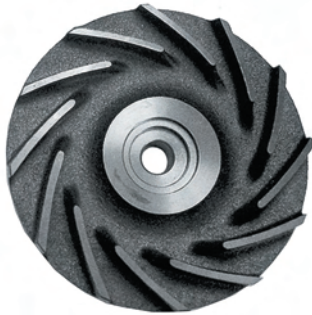
Photographed content is followed as closely as possible, but not guaranteed.



110 x 16 mm

### Impeller

BERGKRAFT Kit No	<b>BK8803119</b>	
Org. Kit Ref.No	MODEL	Engine
<b>51 06506 0066</b>	This repair kit is used for 51 06500 6515 51 06500 6423	



150 x 16 mm

### Impeller

BERGKRAFT Kit No	<b>BK8803129</b>	
Org. Kit Ref.No	MODEL	Engine
<b>51 06506 6011</b>	This repair kit is used for 51 06500 6472	
replaces old nos. 51 06506 6003		



Ø 209,5 mm

### Impeller

BERGKRAFT Kit No	<b>BK8803131</b>	
Org. Kit Ref.No	MODEL	Engine
<b>51 06506 6009</b>	This repair kit is used for 51 06500 7066	with shaft TGA



135,5 x 16 mm

### Impeller

BERGKRAFT Kit No	<b>BK8803132</b>	
Org. Kit Ref.No	MODEL	Engine
<b>51 06506 3069</b>	This repair kit is used for 51 06500 7049	

Photographed content is followed as closely as possible, but not guaranteed.



170 x 56 mm 2 groove

### Belt pulley

BERGKRAFT Kit No	BK8804105	
Org. Kit Ref.No	MODEL	Engine
51 06503 0123		



170 x 56 mm 1 groove

### Belt pulley

BERGKRAFT Kit No	BK8804106	
Org. Kit Ref.No	MODEL	Engine
51 06503 0122		



165 x 25 mm 2 groove

### Belt pulley

BERGKRAFT Kit No	BK8804112	
Org. Kit Ref.No	MODEL	Engine
51 06503 0325		



213 x 56 mm 2 groove

### Belt pulley

BERGKRAFT Kit No	BK8804115	
Org. Kit Ref.No	MODEL	Engine
51 06503 0123		
replaces old nos. 51 06503 0380 51 06503 0379		

Photographed content is followed as closely as possible, but not guaranteed.



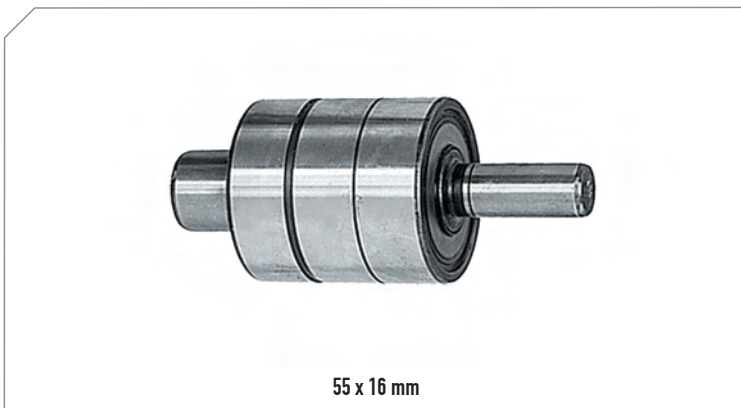
Belt pulley		
BERGKRAFT Kit No	BK8804123	
Org. Kit Ref.No	MODEL	Engine
51 06503 0262		



Flange		
BERGKRAFT Kit No	BK8807106	
Org. Kit Ref.No	MODEL	Engine
5106504 0014		
replaces old nos. 51 06504 0013 51 06504 0015 51 06504 0030 51 06504 0035		



Flange		
BERGKRAFT Kit No	BK8807122	
Org. Kit Ref.No	MODEL	Engine
51 06504 0031		
replaces old nos. 51 06504 0024		



Bearing		
BERGKRAFT Kit No	BK8805106	
Org. Kit Ref.No	MODEL	Engine
51 93410 0116		
replaces old nos. 51 93410 0014 51 93410 0022 51 93410 0024 51 93410 0061 51 93410 0064 51 93410 0088 51 93410 0094		

Photographed content is followed as closely as possible, but not guaranteed.

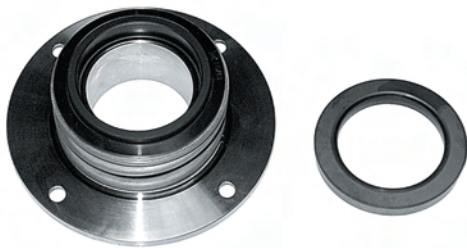




36,5 x 16 mm

### Slide ring seal

BERGKRAFT Kit No	<b>BK8806106</b>	
Org. Kit Ref.No	MODEL	Engine
<b>51 06520 0068</b>		
replaces old nos. 51 06520 0031 51 06520 0032 51 06520 0037 51 06520 0060 51 06520 0064 51 06520 0069 51065200071 51065200078		



TGA

### Slide ring seal

BERGKRAFT Kit No	<b>BK8806131</b>	
Org. Kit Ref.No	MODEL	Engine
<b>51 06520 0102</b>		
replaces old nos. 51 06520 0093 51 06520 0095		



47 x 20 mm

### Slide ring seal

BERGKRAFT Kit No	<b>BK8806102</b>	
Org. Kit Ref.No	MODEL	Engine



52 x 20 mm

### Slide ring seal

BERGKRAFT Kit No	<b>BK8806103</b>	
Org. Kit Ref.No	MODEL	Engine

Photographed content is followed as closely as possible, but not quaranteed.



# BERGKRAFT

050

MAN

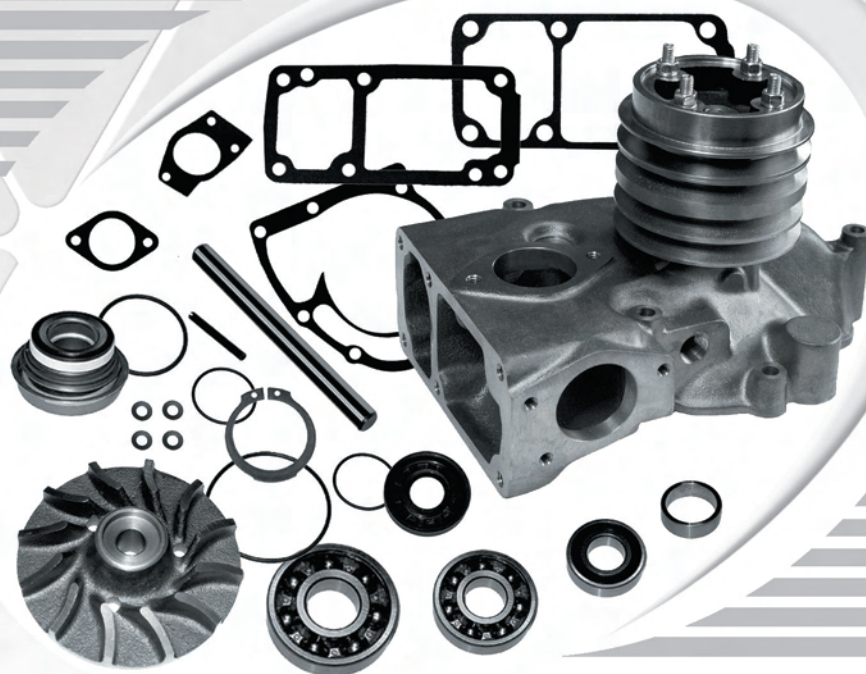
Photographed content is followed as closely as possible, but not guaranteed.



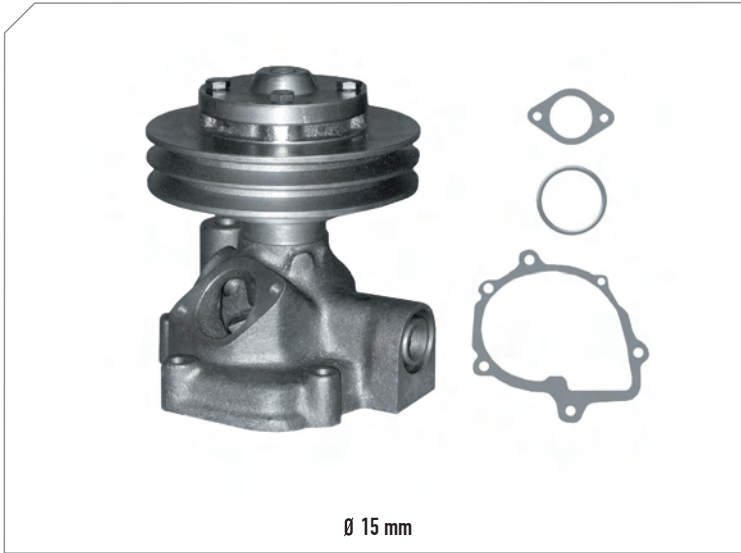
A WORLD OF QUALITY PARTS

[WWW.BERGKRAFT.DE](http://WWW.BERGKRAFT.DE)

# BERGKRAFT



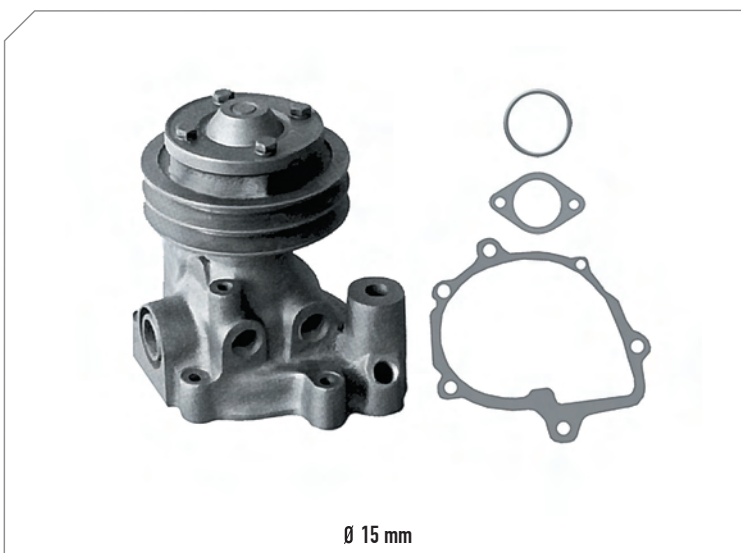
## VOLVO GROUP



Water pump		
BERGKRAFT Kit No	<b>BK8801316</b>	
Org. Kit Ref.No	MODEL	Engine
<b>466088</b>		TD 70 B/E/G/F

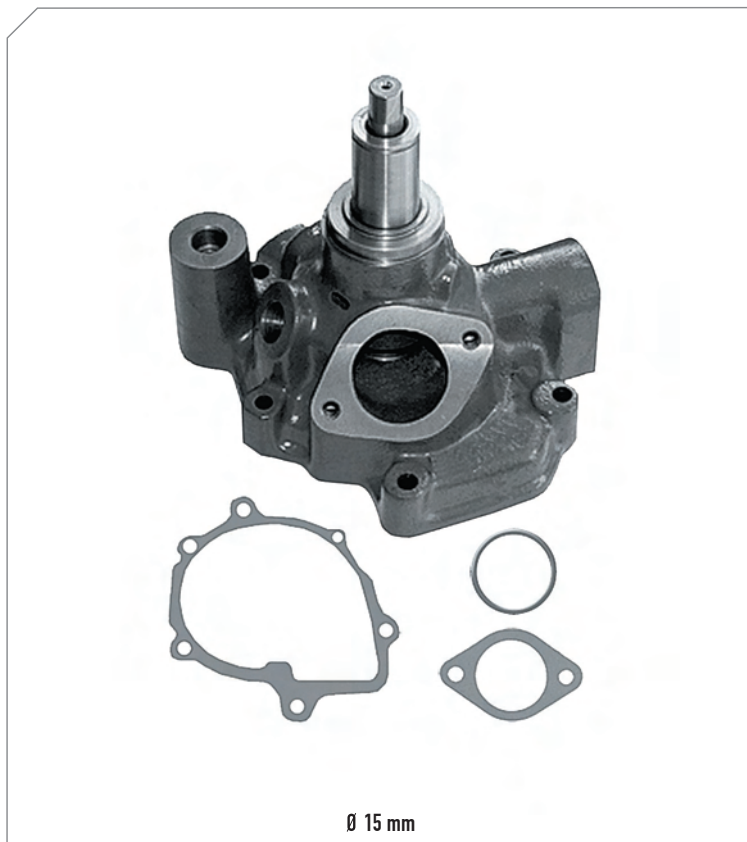


Water pump		
BERGKRAFT Kit No	<b>BK8801317</b>	
Org. Kit Ref.No	MODEL	Engine
<b>465242</b> replaces old nos. 420262 5001503	F6 B6 F84 N84 F85	D60 TD 60 A/B/C



Water pump		
BERGKRAFT Kit No	<b>BK8801318</b>	
Org. Kit Ref.No	MODEL	Engine
<b>1699783</b> replaces old nos. 1698613 S112517 465475 465542	F6 B6 F84 N84 F85	TD 60 A/B

Photographed content is followed as closely as possible, but not guaranteed.



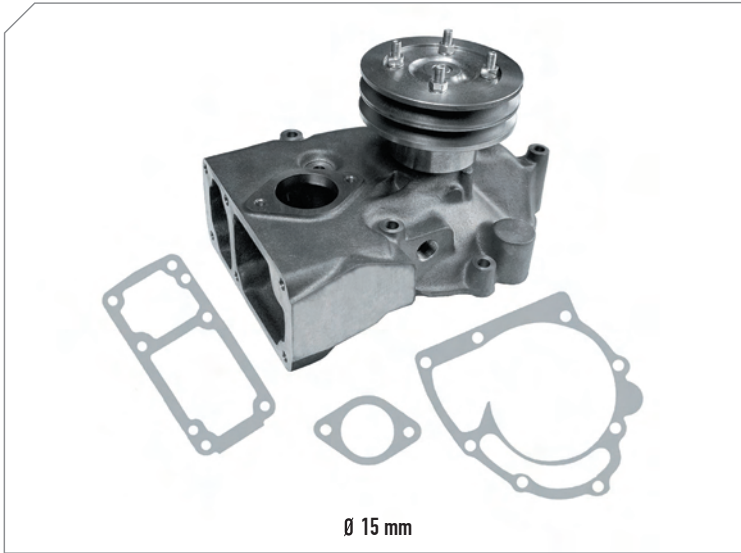
Water pump		
BERGKRAFT Kit No	BK8801315	
Org. Kit Ref.No	MODEL	Engine
<b>1699784</b>	F7 B57 F 86, N 86 FB86 F 87, N 87	TD 70 A/B/D/E TD 70 F/G
replaces old nos. 1698614 8112518 466833 466756 421275		



Repair kit		
BERGKRAFT Kit No	BK8802315	
Org. Kit Ref.No	MODEL	Engine
<b>276806</b>		This repair kit is used for 1699784 1699783 465242 466088
replaces old nos. 275607 275985		

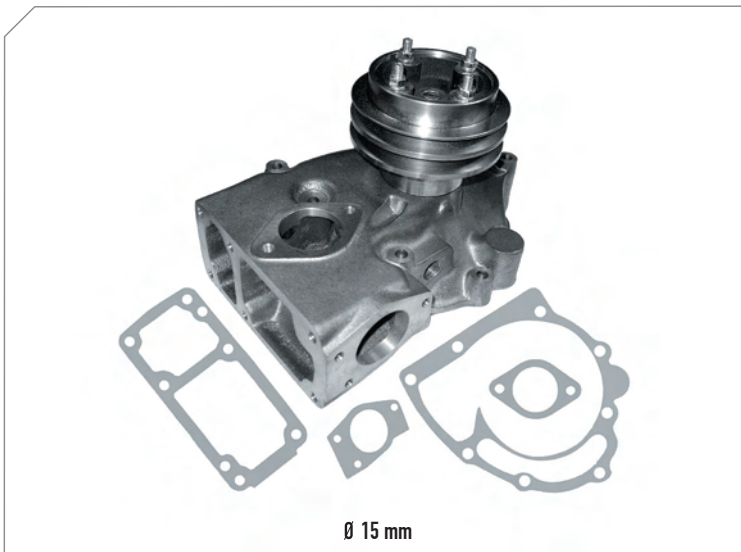
Photographed content is followed as closely as possible, but not guaranteed.

## VOLVO



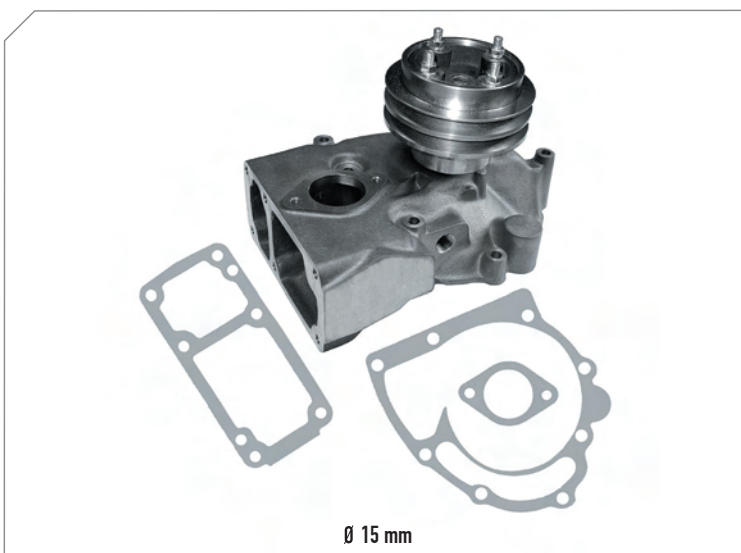
### Water pump

<b>BERGKRAFT Kit No</b>	<b>BK4147711WP</b>	
<b>Org. Kit Ref.No</b>	<b>MODEL</b>	<b>Engine</b>
<b>1699785</b>		
replaces old nos. 1698615 467906 422312		TD 100A/B TD 100 BG TD 100GA TD 101 G/GA TD 102/103



### Water pump

<b>BERGKRAFT Kit No</b>	<b>BK4137711WP</b>	
<b>Org. Kit Ref.No</b>	<b>MODEL</b>	<b>Engine</b>
<b>1545248</b>		
replaces old nos. 1699788 1698618	N10 NL1Q/S N 10 Mark II  → CH 305 999	TD 100 B/G TD 101 G TD 102



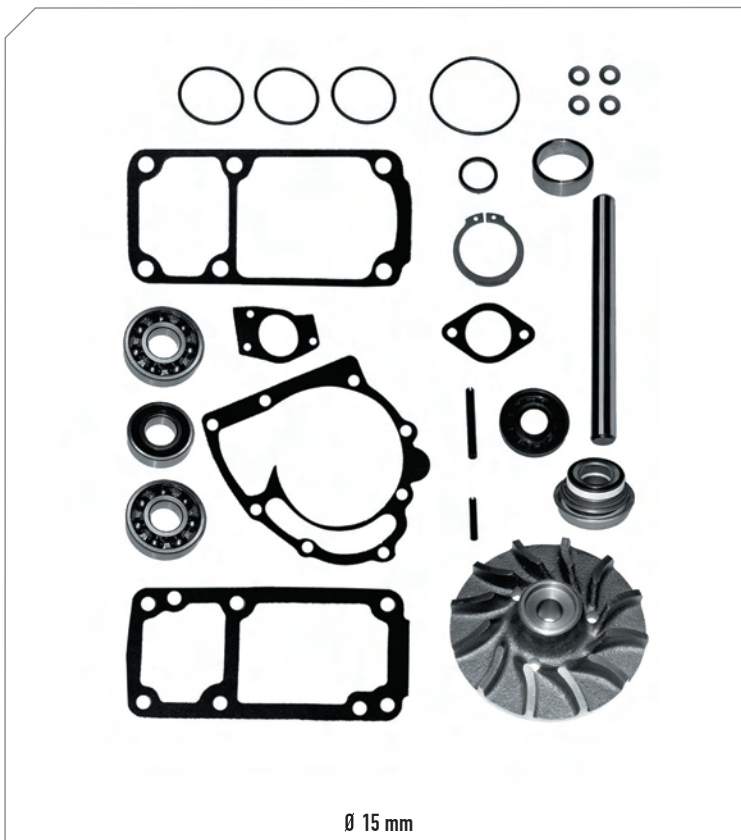
### Water pump

<b>BERGKRAFT Kit No</b>	<b>BK4127711WP</b>	
<b>Org. Kit Ref.No</b>	<b>MODEL</b>	<b>Engine</b>
<b>1545246</b>		
replaces old nos. 1698617	F 10  → CH 314 000	TD 101 G/GA TD 102/103

Photographed content is followed as closely as possible, but not guaranteed.



Water pump		
BERGKRAFT Kit No	BK415771WP	
Org. Kit Ref.No	MODEL	Engine
<b>1699789</b> replaces old nos. 467915 1698619 1545427	N10 NL10/5 N 10 Mark II	TD100A TD 101 USA



Repair kit		
BERGKRAFT Kit No	BK4117722WP	
Org. Kit Ref.No	MODEL	Engine
<b>276800</b> replaces old nos. 275618 275986		This repair kit is used for 1699789 1545246 1545248 1699785

Photographed content is followed as closely as possible, but not guaranteed.



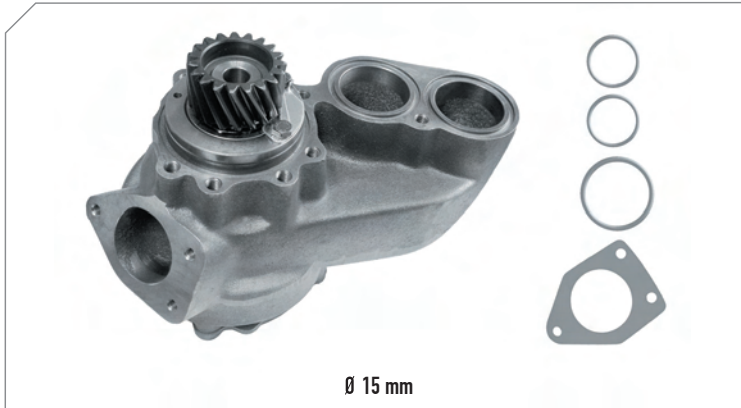
Water pump		
BERGKRAFT Kit No	<b>BK418771WP</b>	
Org. Kit Ref.No	MODEL	Engine
<b>20431484</b>	F 10 CH 314 000 → FL10 FS 10 F 12 FL 12 NL 12 ML 12S	TD 102/103 E TD 103 ES TD 103 TD 123E/ES
replaces old nos. 8149937 1675945 8113431 1699790 478845 479931		



Repair kit		
BERGKRAFT Kit No	<b>BK418772WP</b>	
Org. Kit Ref.No	MODEL	Engine
<b>276814</b>	This repair kit is used for 20431484	
replaces old nos. 276936		

Photographed content is followed as closely as possible, but not guaranteed.

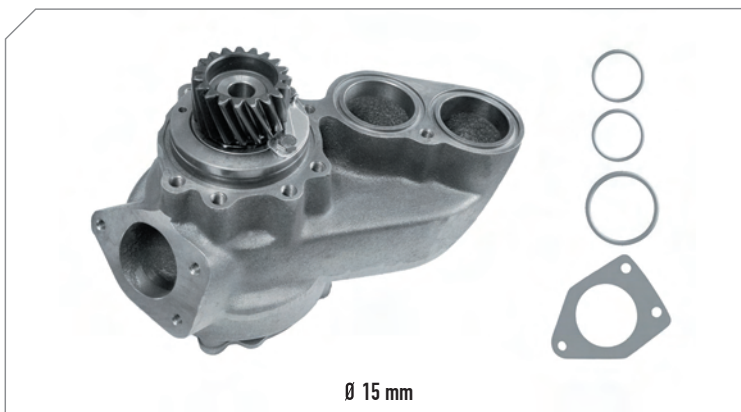




Water pump		
BERGKRAFT Kit No	<b>BK4167711WP</b>	
Org. Kit Ref.No	MODEL	Engine
<b>1545261</b>	FL 10 F 10 CH 314 000 → F 12 CH 34 001 → N 10 CH 306 000 → N 12 CH 12 001 → NL 10 NL 12 B 12	TD 101/102/103 TD 121/122/123 TD 101 except TD 121/122 TD 122
replaces old nos. 3184802 1698620 468250 468937 470232		



Repair kit		
BERGKRAFT Kit No	<b>BK4167722WP</b>	
Org. Kit Ref.No	MODEL	Engine
<b>276802</b>	This repair kit is used for 1545261	
replaces old nos. 375615		



Water pump		
BERGKRAFT Kit No	<b>BK4177711WP</b>	
Org. Kit Ref.No	MODEL	Engine
<b>422791</b>	F10 F12	TD 102 F TD 122 FK/FS



Repair kit		
BERGKRAFT Kit No	<b>BK4177722WP</b>	
Org. Kit Ref.No	MODEL	Engine
<b>270791</b>	This repair kit is used for 422791	

Photographed content is followed as closely as possible, but not guaranteed.



Water pump		
BERGKRAFT Kit No	BK419771WP	
Org. Kit Ref.No	MODEL	Engine
<b>8149941</b> replaces old nos. 8148460 8113117 1547155	FL 10 FH 12 FL 12	D 12 A manual gear box



Repair kit		
BERGKRAFT Kit No	BK419772WP	
Org. Kit Ref.No	MODEL	Engine
<b>276121</b>		This repair kit is used for 8149941

Photographed content is followed as closely as possible, but not guaranteed.



Water pump		
BERGKRAFT Kit No	BK4297711WP	
Org. Kit Ref.No	MODEL	Engine
<b>8149882</b> replaces old nos. 8113155 8112889 1676713	B 12 FH 12 FL 12	D 12A D 12B



Repair kit		
BERGKRAFT Kit No	BK4297722WP	
Org. Kit Ref.No	MODEL	Engine
<b>276852</b>		This repair kit is used for 8149882

Photographed content is followed as closely as possible, but not guaranteed.



Water pump		
BERGKRAFT Kit No	BK4207711WP	
Org. Kit Ref.No	MODEL	Engine
8170305	B 12 B 12R FH FH 12 FH 12BR FM FM 12 FM 12BR NH 12 NH 12BR VHD VN	D 12C



Repair kit		
BERGKRAFT Kit No	BK4207722WP	
Org. Kit Ref.No	MODEL	Engine
		This repair kit is used for 8170305

Photographed content is followed as closely as possible, but not guaranteed.



Water pump		
BERGKRAFT Kit No	BK4307711WP	
Org. Kit Ref.No	MODEL	Engine
<b>20431135</b> replaces old nos. 20713787 20734268 8170833	B 12 B 12R FH FH 12 FH 12BR FM FM 12 FM 12BR NH 12 NH 12BR VHD VN	D 12C



Repair kit		
BERGKRAFT Kit No	BK4307722WP	
Org. Kit Ref.No	MODEL	Engine
		This repair kit is used for 20431135

Photographed content is followed as closely as possible, but not guaranteed.



Water pump		
BERGKRAFT Kit No	<b>BK8801312</b>	
Org. Kit Ref.No	MODEL	Engine
<b>8192050</b> replaces old nos. 3183906 477770	B 6 B 6BLE B 7L B 7LDD B 7R FL 6 FL 608 FL 608-615 FL 616-619 FL 7 FM 7 FS 7	TD 61 TD 63 D 6 TD 71 TD 73 D 7A D 7B



Repair kit		
BERGKRAFT Kit No	<b>BK4227722WP</b>	
Org. Kit Ref.No	MODEL	Engine
		This repair kit is used for 8192050

Photographed content is followed as closely as possible, but not guaranteed.



Impeller 135 x 16 mm

### Water pump

BERGKRAFT Kit No **BK4227711WP**

Org. Kit Ref.No	MODEL	Engine
-----------------	-------	--------

<b>20575653</b>  replaces old nos. 3183909 8113522 8112185 85000387	B 6	TD 61
	B 6BLE	TD 63
	B 7L	D 6
	B 7LDD	TD 71
	B 7R	TD 73
	FL 6	D 7A
	FL 608	D 7B
	FL 608-615	
	FL 616-619	
	FL 7	
	FM 7	
	FS 7	



Impeller 12 leaves

### Repair kit

BERGKRAFT Kit No **BK8802322**

Org. Kit Ref.No	MODEL	Engine
-----------------	-------	--------

<b>276943</b>  replaces old nos. 276804		This repair kit is used for 20575653
--	--	--------------------------------------

Photographed content is followed as closely as possible, but not guaranteed.



Ø 15 mm

Water pump		
BERGKRAFT Kit No	BK4217711WP	
Org. Kit Ref.No	MODEL	Engine
8149980	F 16 FH 16	D 16A
replaces old nos. 8113116 1543380 1543960 1556330		



Ø 15 mm

Repair kit		
BERGKRAFT Kit No	BK4217722WP	
Org. Kit Ref.No	MODEL	Engine
276637		This repair kit is used for 8149980

Photographed content is followed as closely as possible, but not guaranteed.





Water pump		
BERGKRAFT Kit No	<b>BK8801313</b>	
Org. Kit Ref.No	MODEL	Engine
<b>20744939</b> replaces old nos. 20536845 3161436	FHENG - VE 16 FHENG - VE 13 FH 16 RET - TH FH 16 URETARD FMENG - VE 13 VNENG - VE 16 VTENG - VE 16	B9L



Water pump		
BERGKRAFT Kit No	<b>BK8801314</b>	
Org. Kit Ref.No	MODEL	Engine
<b>20411880</b> replaces old nos. 85000214 20464403		B 9 L B 9 R B 9 S B 9 TL

Photographed content is followed as closely as possible, but not guaranteed.



130 x 15 mm

### Impeller

BERGKRAFT Kit No	<b>BK8803311</b>	
Org. Kit Ref.No	MODEL	Engine
	This repair kit is used for 8149980	



120 x 19 mm

### Impeller

BERGKRAFT Kit No	<b>BK8803308</b>	
Org. Kit Ref.No	MODEL	Engine
<b>1675944</b>	This repair kit is used for 20431484	



120 x 15 mm

### Impeller

BERGKRAFT Kit No	<b>BK8803307</b>	
Org. Kit Ref.No	MODEL	Engine
<b>8121826</b> replaces old nos. 468244	This repair kit is used for 422791	



120 x 15 mm

### Impeller

BERGKRAFT Kit No	<b>BK8803306</b>	
Org. Kit Ref.No	MODEL	Engine
<b>468244</b>	This impeller is used for 1545261	

Photographed content is followed as closely as possible, but not guaranteed.

## VOLVO

067



120 x 15 mm

### Impeller

BERGKRAFT Kit No	<b>BK8803305</b>	
Org. Kit Ref.No	MODEL	Engine
	This impeller is used for 1699789 1545246 1545248 1699785	



120 x 15 mm

### Impeller

BERGKRAFT Kit No	<b>BK8803315</b>	
Org. Kit Ref.No	MODEL	Engine
	This impeller is used for 1699784 1699783 465242 466088	



120 x 15 mm 9 leafs

### Impeller

BERGKRAFT Kit No	<b>BK8803309</b>	
Org. Kit Ref.No	MODEL	Engine
<b>3183676</b>	This impeller is used for 8149941	



120 x 15 mm 12 leafs

### Impeller

BERGKRAFT Kit No	<b>BK8803319</b>	
Org. Kit Ref.No	MODEL	Engine
<b>1676714</b>	This impeller is used for 8149882	

Photographed content is followed as closely as possible, but not guaranteed.



130 x 15 mm 9 leaves

### Impeller

BERGKRAFT Kit No	<b>BK8803310</b>	
Org. Kit Ref.No	MODEL	Engine
	This impeller is used for 8170305	



130 x 15 mm 12 leaves

### Impeller

BERGKRAFT Kit No	<b>BK8803320</b>	
Org. Kit Ref.No	MODEL	Engine
<b>20431128</b>	This impeller is used for 20431135	



117 x 15 mm 7 leaves

### Impeller

BERGKRAFT Kit No	<b>BK8803312</b>	
Org. Kit Ref.No	MODEL	Engine
<b>20587287</b>	This impeller is used for 8192050	



117 x 15 mm 12 leaves

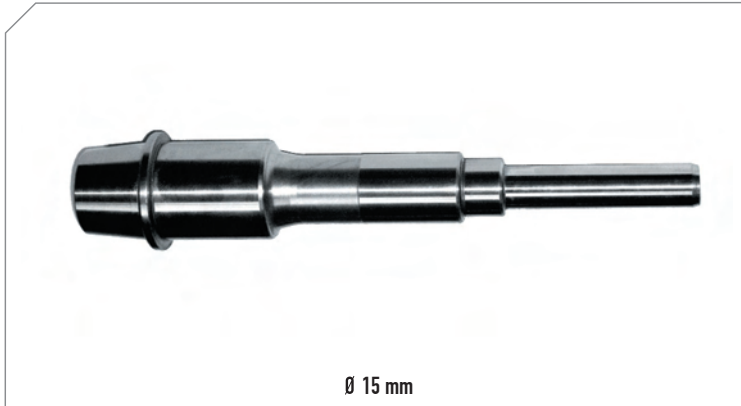
### Impeller

BERGKRAFT Kit No	<b>BK8803322</b>	
Org. Kit Ref.No	MODEL	Engine
<b>3183685</b>	This impeller is used for 20575653	

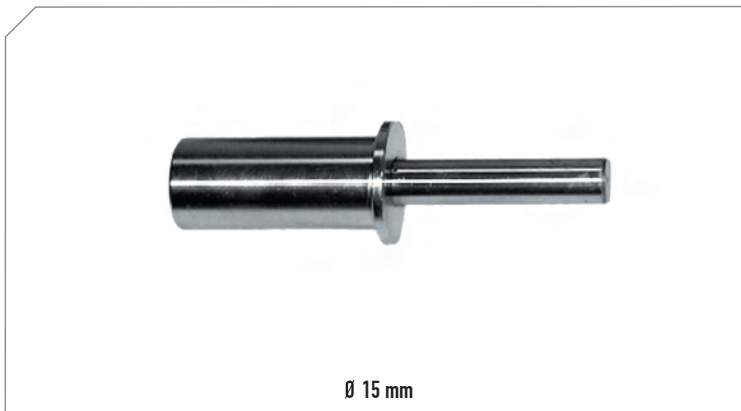
Photographed content is followed as closely as possible, but not guaranteed.

## VOLVO

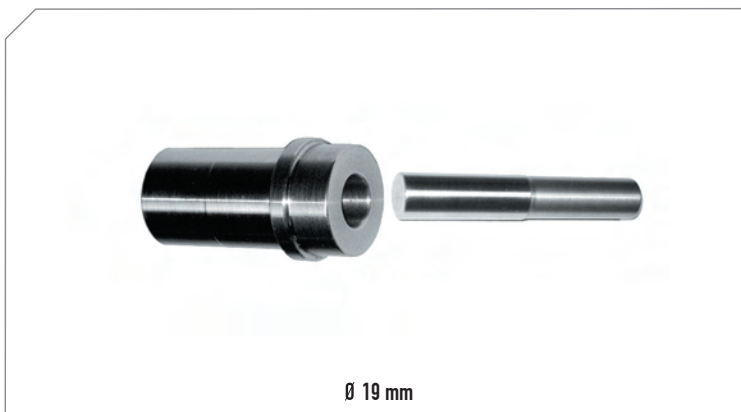
069



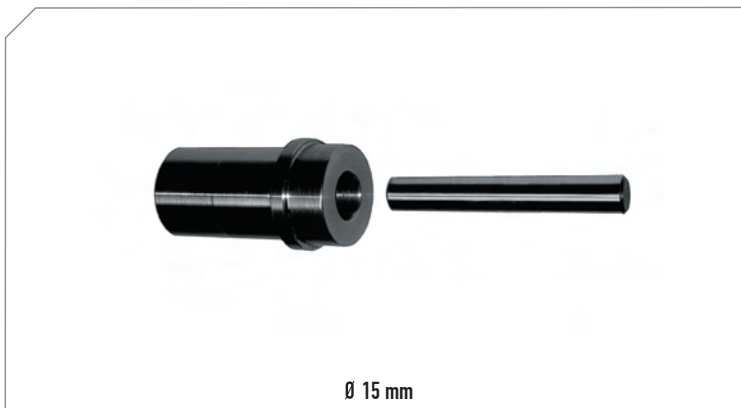
Shaft		
BERGKRAFT Kit No	<b>BK8808311</b>	
Org. Kit Ref.No	MODEL	Engine
	This shaft is used for 8149980	



Shaft		
BERGKRAFT Kit No	<b>BK8808309</b>	
Org. Kit Ref.No	MODEL	Engine
<b>421549</b>	This shaft is used for 8149941	
replaces old nos.	8149882	
468249	8192050	
	20575653	

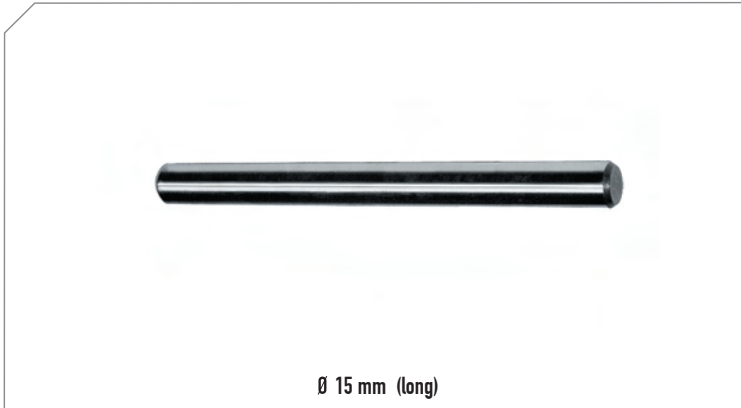


Shaft		
BERGKRAFT Kit No	<b>BK8808308</b>	
Org. Kit Ref.No	MODEL	Engine
<b>3184813</b>	This shaft is used for 20431484	

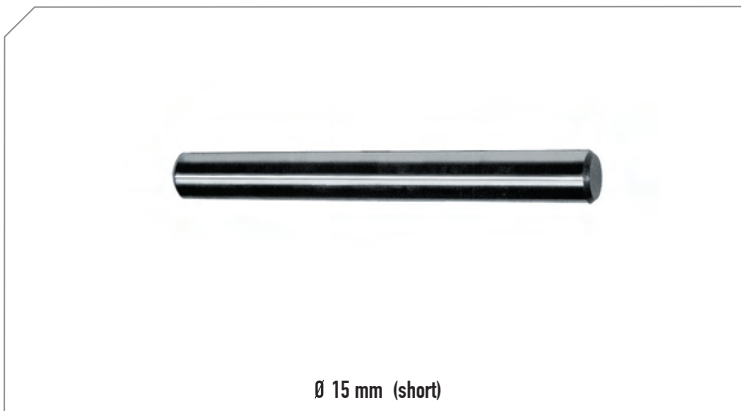


Shaft		
BERGKRAFT Kit No	<b>BK8808306</b>	
Org. Kit Ref.No	MODEL	Engine
<b>468249</b>	This shaft is used for 1545261	
replaces old nos.	422791	
1675884		
468247		

Photographed content is followed as closely as possible, but not guaranteed.



Shaft		
BERGKRAFT Kit No	<b>BK8808305</b>	
Org. Kit Ref.No	MODEL	Engine
<b>422148</b> replaces old nos. 421082	This shaft is used for 1699789 1545246 1545248 1699785	



Shaft		
BERGKRAFT Kit No	<b>BK8808315</b>	
Org. Kit Ref.No	MODEL	Engine
<b>421148</b>	This shaft is used for 1699784 1699783 465242 466088	



Slide ring seal		
BERGKRAFT Kit No	<b>BK8806309</b>	
Org. Kit Ref.No	MODEL	Engine
<b>1676432</b>		



Slide ring seal		
BERGKRAFT Kit No	<b>BK8806308</b>	
Org. Kit Ref.No	MODEL	Engine
<b>1676561</b>		

Photographed content is followed as closely as possible, but not guaranteed.

## VOLVO

071



58,5 x 30 mm

### Gear

BERGKRAFT Kit No	<b>BK8810308</b>	
Org. Kit Ref.No	MODEL	Engine
<b>470265</b>	This gear is used for 1545261 422791 20431484	



63,5 x 30 mm

### Gear

BERGKRAFT Kit No	<b>BK8810309</b>	
Org. Kit Ref.No	MODEL	Engine
<b>1547483</b>	This gear is used for 8149941 8149882 8192050 20575653	



84,5 x 30 mm

### Gear

BERGKRAFT Kit No	<b>BK8810310</b>	
Org. Kit Ref.No	MODEL	Engine
	This gear is used for 8170305 20431135	



68 x 24 mm

### Gear

BERGKRAFT Kit No	<b>BK8810311</b>	
Org. Kit Ref.No	MODEL	Engine
	This gear is used for 8149980	

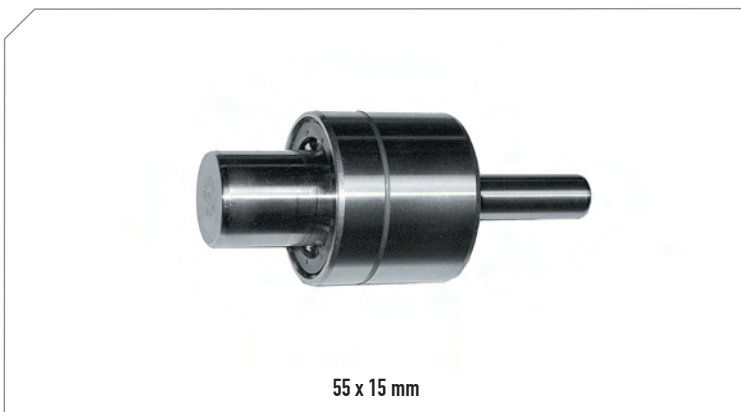
Photographed content is followed as closely as possible, but not guaranteed.



Gear		
BERGKRAFT Kit No	<b>BK8810312</b>	
Org. Kit Ref.No	MODEL	Engine
<b>471501</b>	This gear is used for 8192050 20575653	



Bearing		
BERGKRAFT Kit No	<b>BK8805309</b>	
Org. Kit Ref.No	MODEL	Engine
<b>471499</b>	This bearing is used for 8149941 8149882 8192050 20575653	

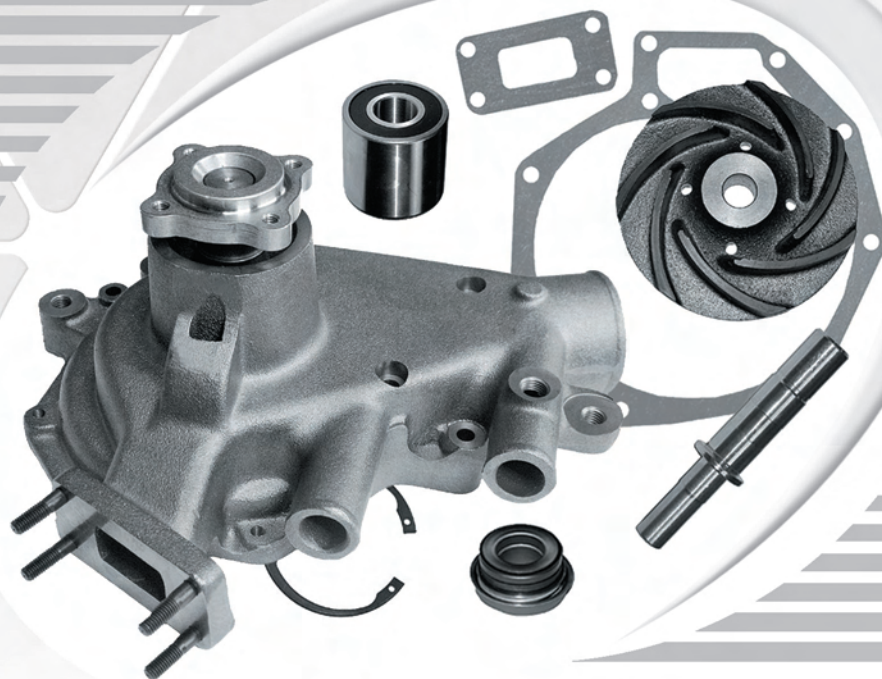


Bearing		
BERGKRAFT Kit No	<b>BK8805310</b>	
Org. Kit Ref.No	MODEL	Engine
<b>8170308</b>	This bearing is used for 8170305 20431135	

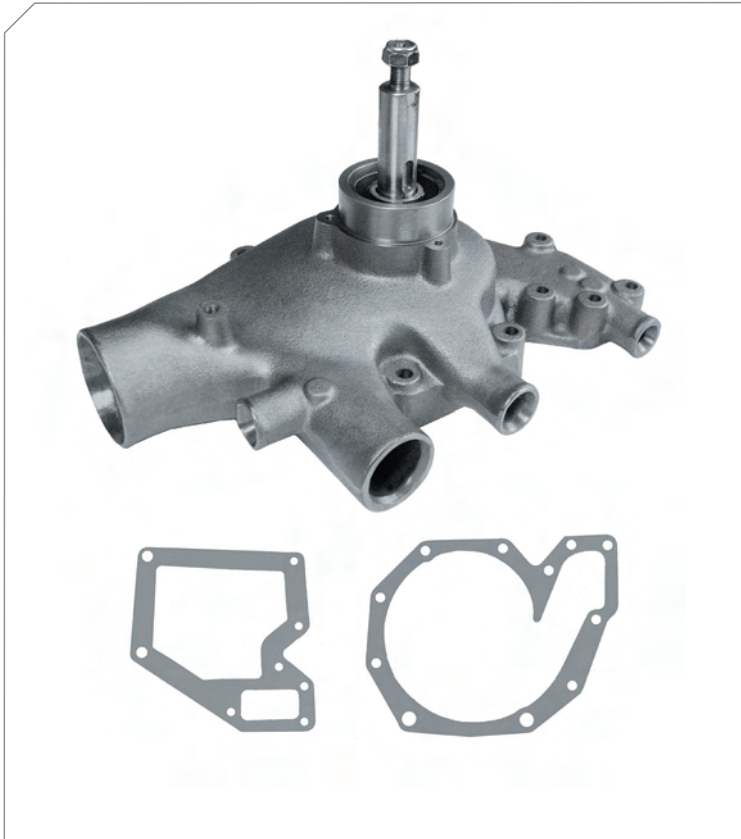
Photographed content is followed as closely as possible, but not guaranteed.



# BERGKRAFT



## DAF GROUP

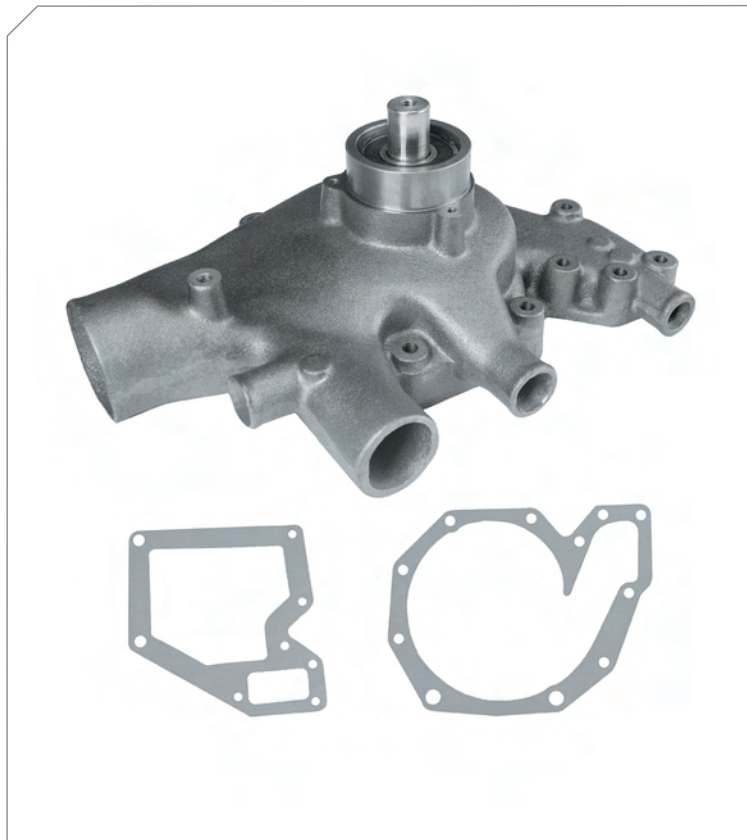


Water pump		
BERGKRAFT Kit No	<b>BK5117711WP</b>	
Org. Kit Ref.No	MODEL	Engine
<b>0682260</b> replaces old nos. 0517097 0506109	2800 3300 3600	DKS 1160 DKSE 1160 DKST 1160 DKTD 1160



Repair kit		
BERGKRAFT Kit No	<b>BK5117722WP</b>	
Org. Kit Ref.No	MODEL	Engine
	This bearing is used for 0682260	

Photographed content is followed as closely as possible, but not guaranteed.



### Water pump

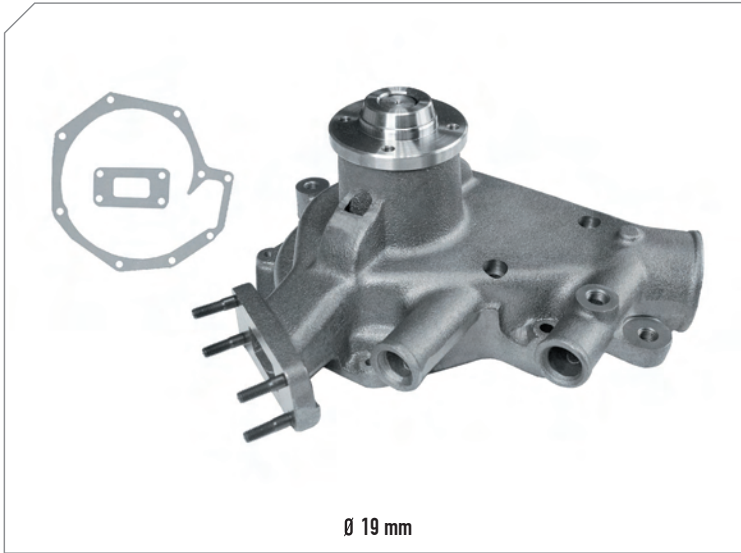
BERGKRAFT Kit No	<b>BK512771WP</b>	
Org. Kit Ref.No	MODEL	Engine
<b>0682262</b> replaces old nos. 0680156	2800 3300 3600	DKS 1160 DKSE 1160 DKST 1160 DKTD 1160



### Repair kit

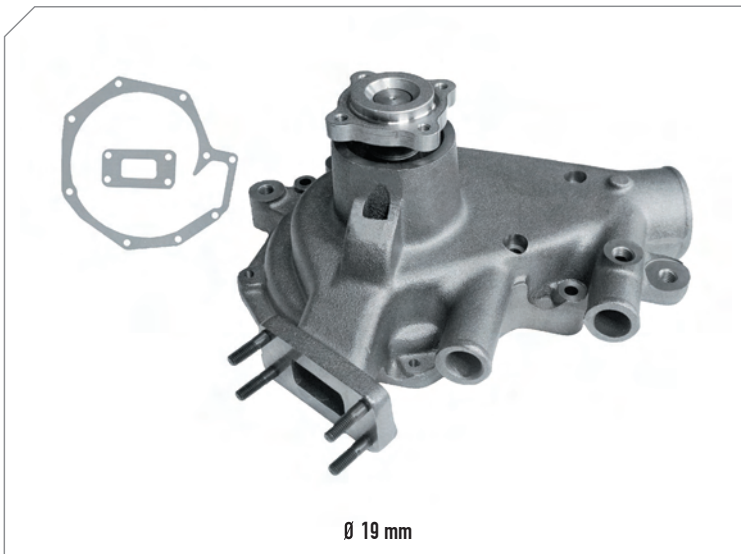
BERGKRAFT Kit No	<b>BK512772WP</b>	
Org. Kit Ref.No	MODEL	Engine
	This bearing is used for 0682262	

Photographed content is followed as closely as possible, but not guaranteed.



### Water pump

BERGKRAFT Kit No	<b>BK5137711WP</b>	
Org. Kit Ref.No	MODEL	Engine
<b>0682980</b>	F 85 F 95 1160 AVM KD SB 3000 SBR 3000	WS 315 L



### Water pump

BERGKRAFT Kit No	<b>BK5237711WP</b>	
Org. Kit Ref.No	MODEL	Engine
<b>0682968</b>	F 80 F 85 F 95	WS 242 L WS 268 L WS 295 WS 315 G
replaces old nos. 0682258 0681653		



### Repair kit

BERGKRAFT Kit No	<b>BK5137722WP</b>	
Org. Kit Ref.No	MODEL	Engine
	This bearing is used for 0682980 0682968	

Photographed content is followed as closely as possible, but not guaranteed.

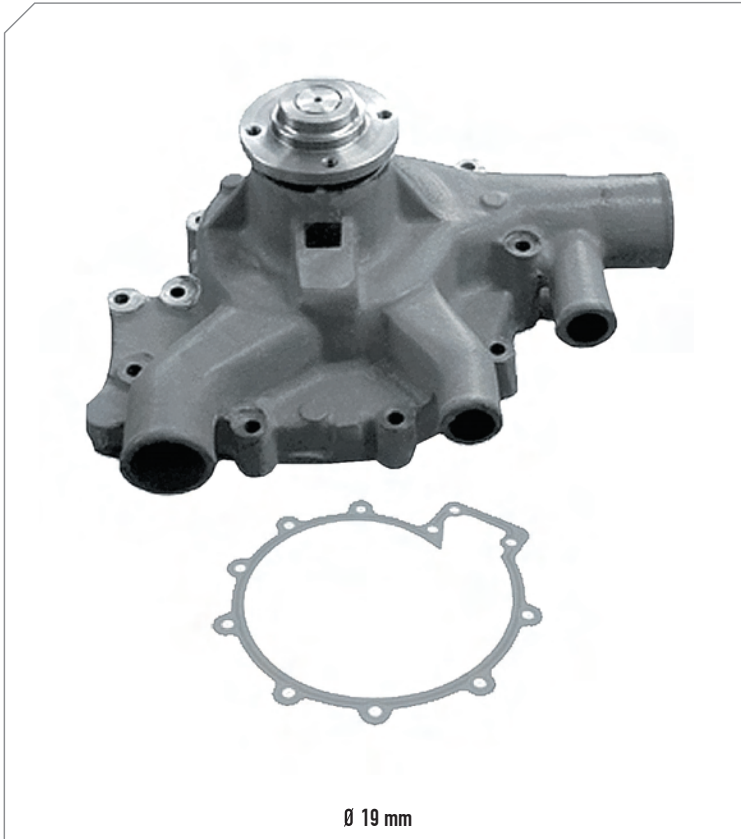


Water pump		
BERGKRAFT Kit No	<b>BK514771WP</b>	
Org. Kit Ref.No	MODEL	Engine
<b>0683225</b>	XF 95 F 95	
replaces old nos. 1609871 0683386 0063225	1160 AVM CKD OB 250 KD	



Repair kit		
BERGKRAFT Kit No	<b>BK514772WP</b>	
Org. Kit Ref.No	MODEL	Engine
	This bearing is used for 0683225	

Photographed content is followed as closely as possible, but not guaranteed.



Water pump		
BERGKRAFT Kit No	BK5157711WP	
Org. Kit Ref.No	MODEL	Engine
0682747	F 75 825 AVM 85 CF 865 AVM CKD DB 250 DM - CKD KD KP 220 SB 210	865 RS



Repair kit		
BERGKRAFT Kit No	BK5157722WP	
Org. Kit Ref.No	MODEL	Engine
	This bearing is used for 0682747	

Photographed content is followed as closely as possible, but not guaranteed.



Water pump		
BERGKRAFT Kit No	BK5167711WP	
Org. Kit Ref.No	MODEL	Engine
0683579	CF 85	
replaces old nos. 1399336		



Repair kit		
BERGKRAFT Kit No	BK5167722WP	
Org. Kit Ref.No	MODEL	Engine
	This bearing is used for 0683579	

Photographed content is followed as closely as possible, but not guaranteed.



Water pump		
BERGKRAFT Kit No	BK5177711WP	
Org. Kit Ref.No	MODEL	Engine
0683338	75 CF	



Repair kit		
BERGKRAFT Kit No	BK5177722WP	
Org. Kit Ref.No	MODEL	Engine
	This bearing is used for 0683338	

Photographed content is followed as closely as possible, but not guaranteed.



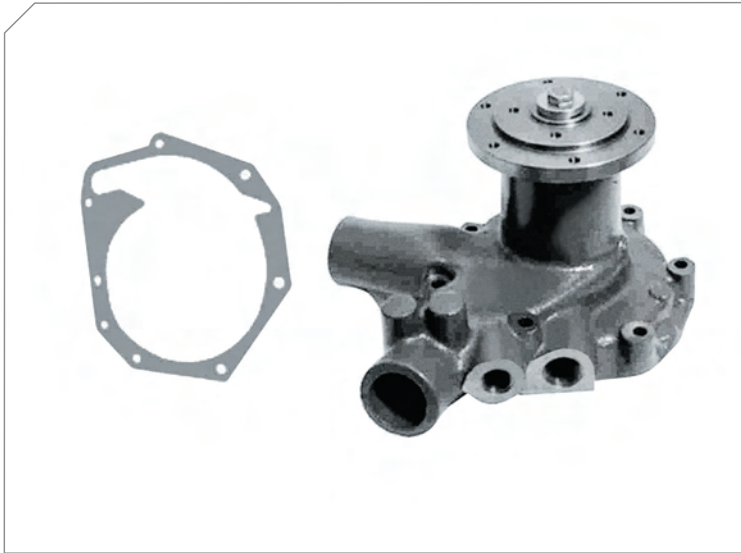


Water pump			
BERGKRAFT Kit No	<b>BK8801410</b>		
Org. Kit Ref.No	MODEL	Engine	
0682953	F 65	DNS 620	
replaces old nos. 0682271 0681460	F 1100	DNT 620	
	F 1300	DNTD 620	
	F 1700	NS 133	
	F 1900	NS 156	
	F 2300	NS 177	
	1100 - 1300		
	620 AVM		
	KD		



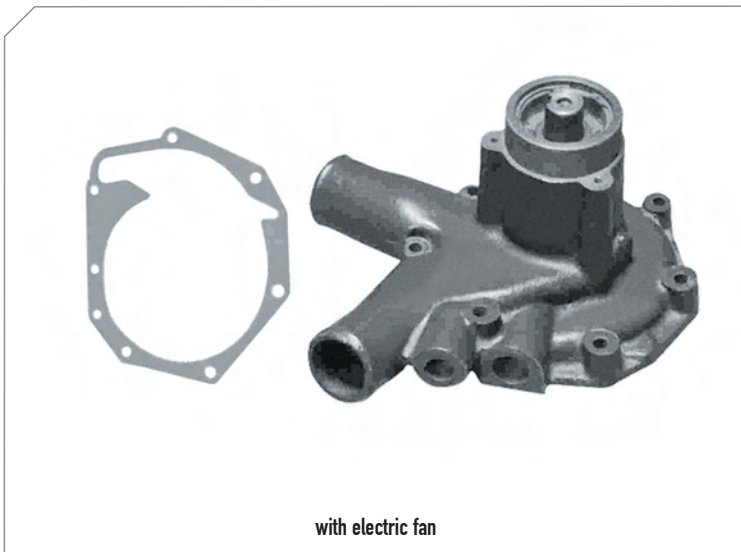
Repair kit		
BERGKRAFT Kit No	<b>BK8802410</b>	
Org. Kit Ref.No	MODEL	Engine
	This bearing is used for 0682958	

Photographed content is followed as closely as possible, but not guaranteed.



### Water pump

BERGKRAFT Kit No	<b>BK5217711WP</b>	
Org. Kit Ref.No	MODEL	Engine
<b>0682263</b>	2100 2300 2500 SB 2300 SB 2305	DU 285 DHR 825 DHU 825
replaces old nos. 0680217		



### Water pump

BERGKRAFT Kit No	<b>BK5227711WP</b>	
Org. Kit Ref.No	MODEL	Engine
<b>0682264</b>	2100 2300 2500 SB 2300 SB 2305	DU 285 DHR 825 DHU 825
replaces old nos. 0624147		



### Repair kit

BERGKRAFT Kit No	<b>BK8802411</b>	
Org. Kit Ref.No	MODEL	Engine
	This bearing is used for 0682263 0682264	

Photographed content is followed as closely as possible, but not guaranteed.



135 x 15 mm

### Impeller

BERGKRAFT Kit No	<b>BK8803401</b>	
Org. Kit Ref.No	MODEL	Engine
<b>680191</b>	This bearing is used for 0682260 0682262	



135 x 18 mm

### Impeller

BERGKRAFT Kit No	<b>BK8803403</b>	
Org. Kit Ref.No	MODEL	Engine
<b>272508</b>	This bearing is used for 0682980 0682968 0683225 0682747 0683579 0683338	
replaces old nos. 1282029		



### Impeller

BERGKRAFT Kit No	<b>BK8803410</b>	
Org. Kit Ref.No	MODEL	Engine
<b>0676985</b>	This bearing is used for 0682958	



108 x 15 mm

### Impeller

BERGKRAFT Kit No	<b>BK8803411</b>	
Org. Kit Ref.No	MODEL	Engine
<b>0680190</b>	This bearing is used for 0682263 0682264	

Photographed content is followed as closely as possible, but not guaranteed.



Flange		
BERGKRAFT Kit No	<b>BK8807403</b>	
Org. Kit Ref.No	MODEL	Engine
<b>1323914</b>	This bearing is used for 0682980 0683225 0682747 0683579 0683338	



Flange		
BERGKRAFT Kit No	<b>BK8807413</b>	
Org. Kit Ref.No	MODEL	Engine
<b>0384714</b>	This bearing is used for 0682968	

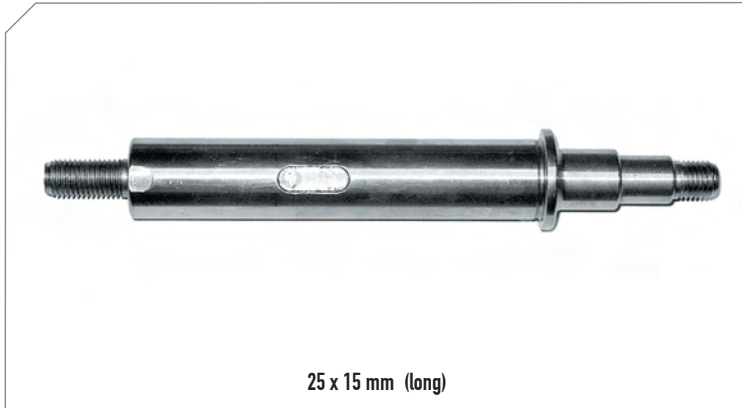


Flange		
BERGKRAFT Kit No	<b>BK8807410</b>	
Org. Kit Ref.No	MODEL	Engine
<b>0392475</b>	This bearing is used for 0682958	

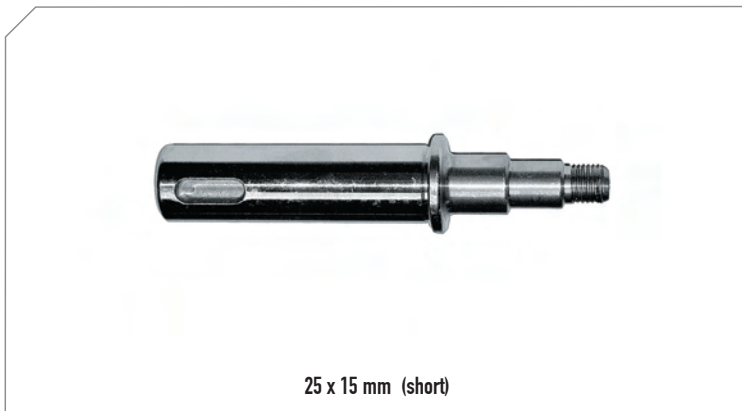


Flange		
BERGKRAFT Kit No	<b>BK8807411</b>	
Org. Kit Ref.No	MODEL	Engine
<b>0651681</b>	This bearing is used for 0682263	

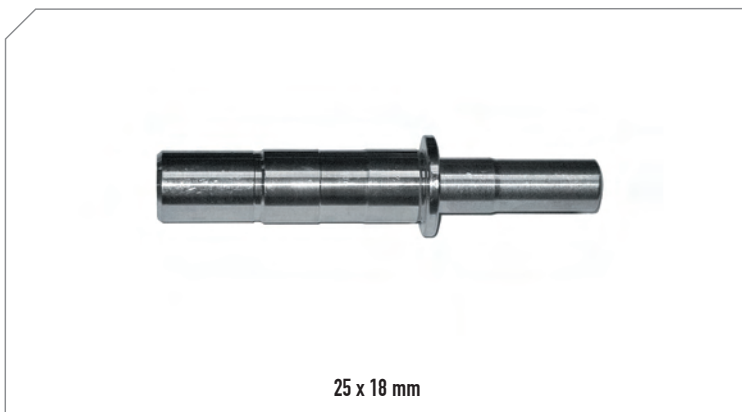
Photographed content is followed as closely as possible, but not guaranteed.



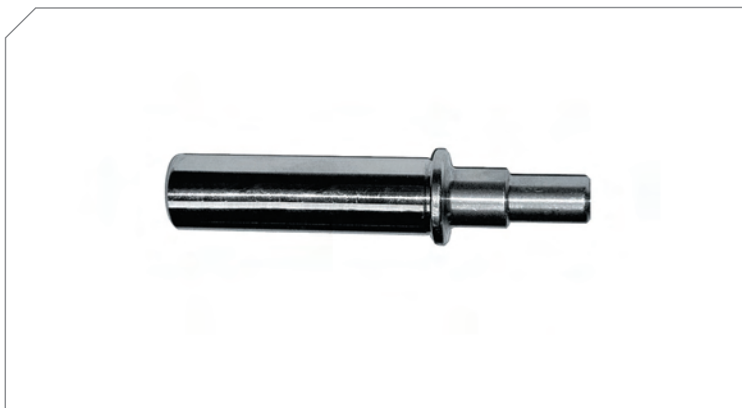
Shaft		
BERGKRAFT Kit No	<b>BK8808401</b>	
Org. Kit Ref.No	MODEL	Engine
<b>0516728</b>	This bearing is used for 0682260	



Shaft		
BERGKRAFT Kit No	<b>BK8808402</b>	
Org. Kit Ref.No	MODEL	Engine
<b>0653235</b>	This bearing is used for 0682262	



Shaft		
BERGKRAFT Kit No	<b>BK8808403</b>	
Org. Kit Ref.No	MODEL	Engine
<b>1450190</b>	This bearing is used for 0682980 0682968 0683225 0682747 0683579 0683338	



Shaft		
BERGKRAFT Kit No	<b>BK8808410</b>	
Org. Kit Ref.No	MODEL	Engine
<b>1272962</b>	This bearing is used for 0682958	

Photographed content is followed as closely as possible, but not guaranteed.



Shaft		
BERGKRAFT Kit No	<b>BK8808411</b>	
Org. Kit Ref.No	MODEL	Engine
<b>0624158</b>	This bearing is used for 0682265 0682264	



Bearing		
BERGKRAFT Kit No	<b>BK8805404</b>	
Org. Kit Ref.No	MODEL	Engine
<b>1256792</b>	This bearing is used for 0682980 0682968 0683225 0682747 0683579 0683338 0682958	



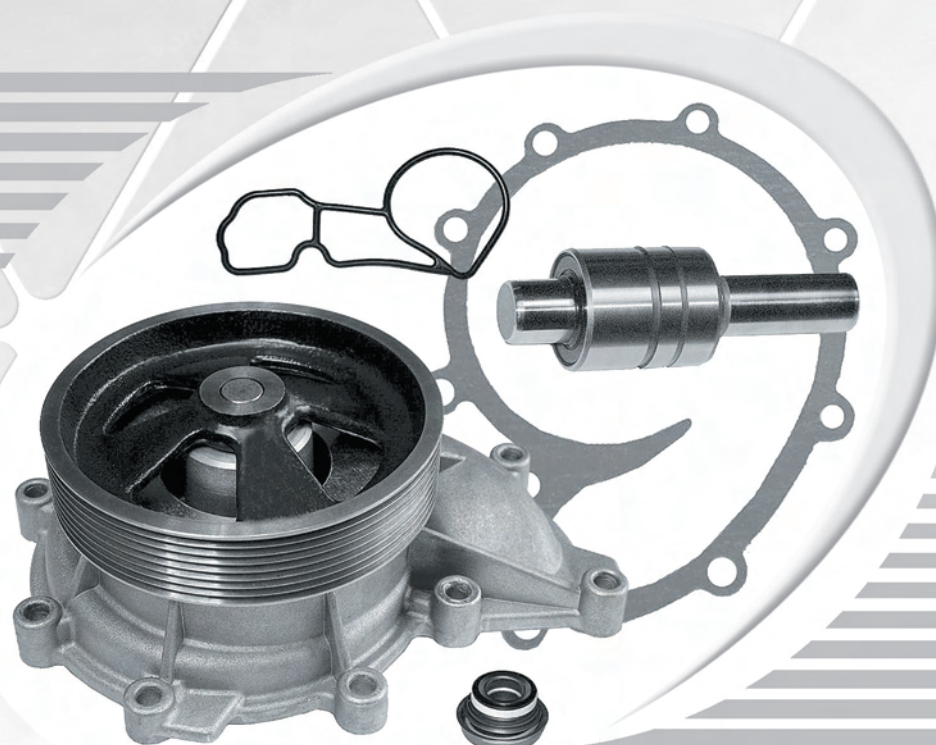
Slide ring seal		
BERGKRAFT Kit No	<b>BK8806401</b>	
Org. Kit Ref.No	MODEL	Engine
<b>1270247</b>	This bearing is used for 0682260 0682262 0682263 0682264 0682958	



Slide ring seal		
BERGKRAFT Kit No	<b>BK8806403</b>	
Org. Kit Ref.No	MODEL	Engine
<b>1285773</b>	This bearing is used for 0682980 0682968 0683225 0682747 0683579 0683838	

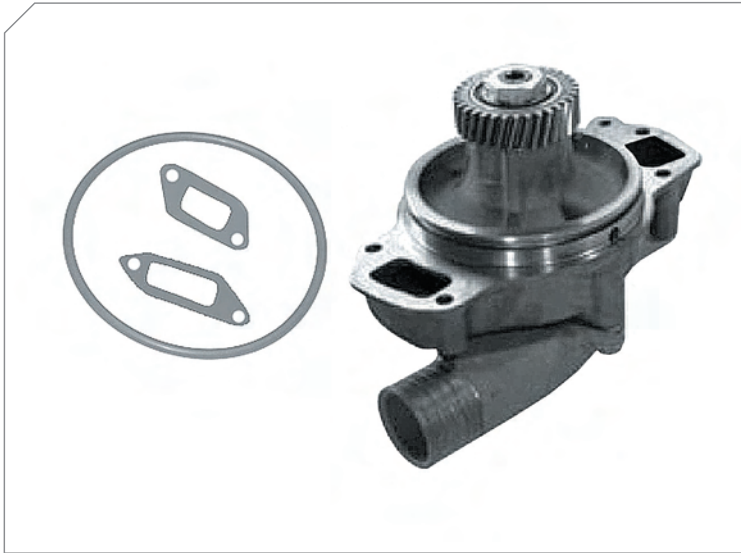
Photographed content is followed as closely as possible, but not guaranteed.

# BERGKRAFT



## SCANIA GROUP

## SCANIA



Water pump		
BERGKRAFT Kit No	<b>BK8801504</b>	
Org. Kit Ref.No	MODEL	Engine
<b>320 592</b>	R-T142	DS 14 DSC 14
replaces old nos. 292 762 571 153		



Water pump		
BERGKRAFT Kit No	<b>BK8801505</b>	
Org. Kit Ref.No	MODEL	Engine
<b>1375 837</b>	R-T143	DSC 14
replaces old nos. 1375 837 382 183 571 152 1571152 10571152		



Repair kit		
BERGKRAFT Kit No	<b>BK8802505</b>	
Org. Kit Ref.No	MODEL	Engine
<b>550 144</b>	This repair kit is used for 320 952 1375 838	
replaces old nos. 551 476 550 216		

Photographed content is followed as closely as possible, but not guaranteed.





### Water pump

<b>BERGKRAFT Kit No</b>	<b>BK8801506</b>	
<b>Org. Kit Ref.No</b>	<b>MODEL</b>	<b>Engine</b>
<b>1375 839</b>	R-T143	DSC 14
replaces old nos. 1362 261 571 154 10571154 1571154		



### Repair kit

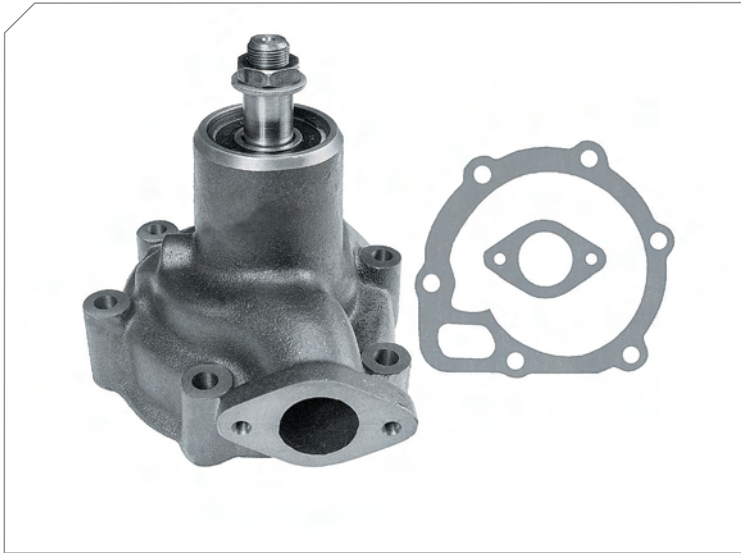
<b>BERGKRAFT Kit No</b>	<b>BK8802506</b>	
<b>Org. Kit Ref.No</b>	<b>MODEL</b>	<b>Engine</b>
<b>551 477</b>	This repair kit is used for 1375 839	



### Repair kit

<b>BERGKRAFT Kit No</b>	<b>BK8802504</b>	
<b>Org. Kit Ref.No</b>	<b>MODEL</b>	<b>Engine</b>
<b>550 206</b>	This repair kit is used for 320 952 1375 838 1375 839	
replaces old nos. 550 048		

Photographed content is followed as closely as possible, but not guaranteed.



### Water pump

BERGKRAFT Kit No	<b>BK611771WP</b>	
Org. Kit Ref.No	MODEL	Engine
<b>259 065</b>	111	D 11 DS 11
replaces old nos. 571 055 228 826		



### Repair kit

BERGKRAFT Kit No	<b>BK611772WP</b>	
Org. Kit Ref.No	MODEL	Engine
<b>550 142</b>	This repair kit is used for 259 065	



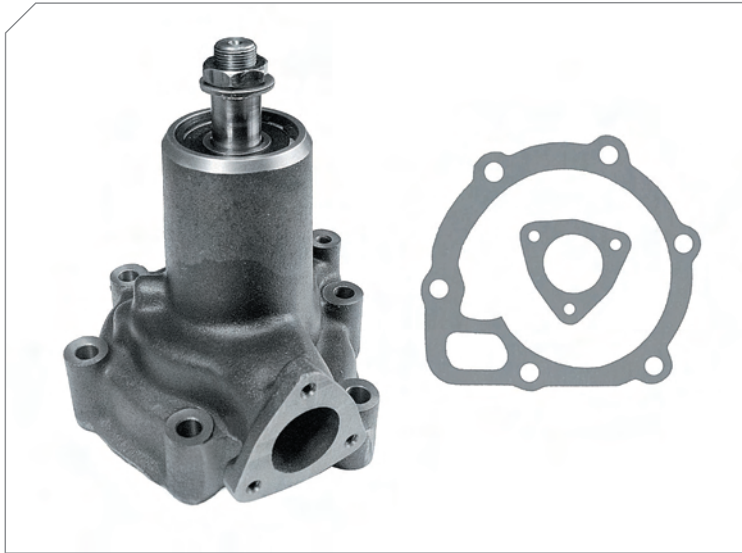
### Repair kit

BERGKRAFT Kit No	<b>BK8802500</b>	
Org. Kit Ref.No	MODEL	Engine
<b>550 044</b>	This repair kit is used for 259 065	

Photographed content is followed as closely as possible, but not guaranteed.

## SCANIA

091



### Water pump

BERGKRAFT Kit No	<b>BK612771WP</b>	
Org. Kit Ref.No	MODEL	Engine
<b>1314 406</b>	G/P/R 112 P/R/T 113	DS 11 DSC 11 DN 11 DTC11
replaces old nos. 1575 100 1571 059 575 100 571 059 292 761		



### Repair kit

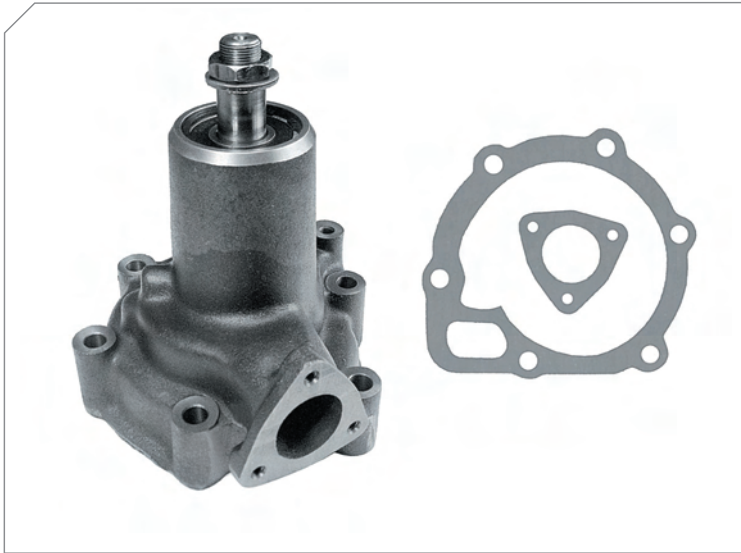
BERGKRAFT Kit No	<b>BK8802500</b>	
Org. Kit Ref.No	MODEL	Engine
<b>550 044</b>	This repair kit is used for 1314 406	



### Repair kit

BERGKRAFT Kit No	<b>BK6127722WP</b>	
Org. Kit Ref.No	MODEL	Engine
<b>550 167</b>	This repair kit is used for 1314 406	

Photographed content is followed as closely as possible, but not guaranteed.



Water pump		
BERGKRAFT Kit No	<b>BK6137711WP</b>	
Org. Kit Ref.No	MODEL	Engine
<b>1354103</b> replaces old nos. 1571 150 571 150	P/R 113 K 113	DS 11 DSC 11 DTC 11

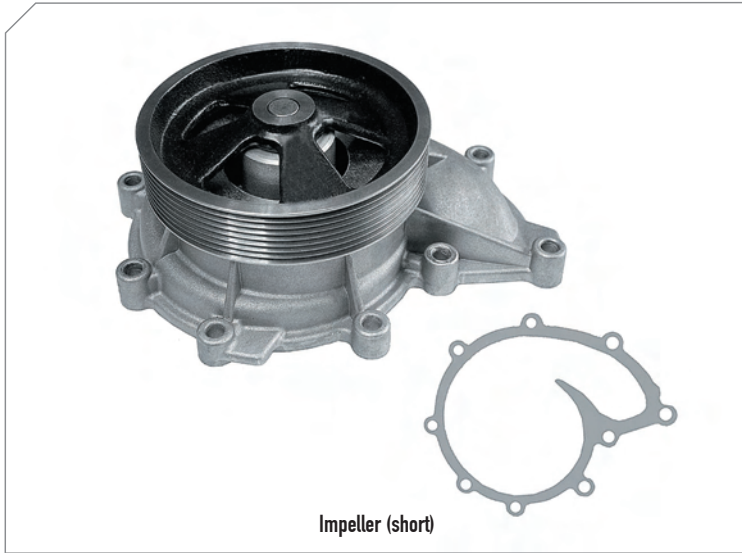


Repair kit		
BERGKRAFT Kit No	<b>BK6137722WP</b>	
Org. Kit Ref.No	MODEL	Engine
<b>550 168</b>	This repair kit is used for 1354 103	

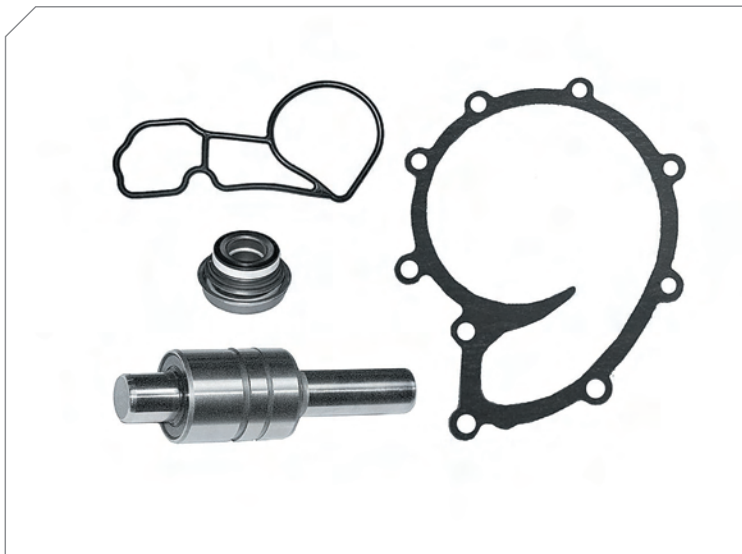


Repair kit		
BERGKRAFT Kit No	<b>BK6127722WP</b>	
Org. Kit Ref.No	MODEL	Engine
<b>550 167</b>	This repair kit is used for 1354 103	

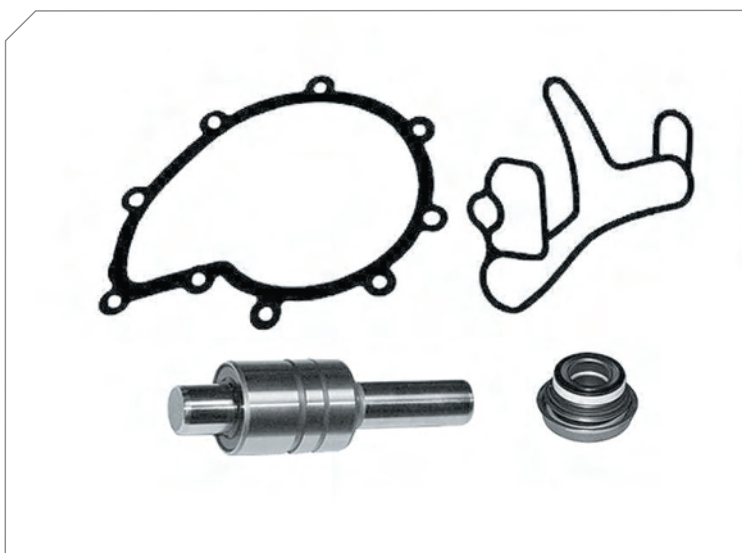
Photographed content is followed as closely as possible, but not guaranteed.



Water pump		
BERGKRAFT Kit No	<b>BK6217721WP</b>	
Org. Kit Ref.No	MODEL	Engine
<b>1508 833</b>	114 G 124 C/G/L	DSC 11 DSC 12
replaces old nos. 1353 072 570 951		



Repair kit		
BERGKRAFT Kit No	<b>BK6217722WP</b>	
Org. Kit Ref.No	MODEL	Engine
<b>551 355</b>	This repair kit is used for 1508 533	
replaces old nos. 552 127 552 107		



Repair kit		
BERGKRAFT Kit No	<b>BK6237712WP</b>	
Org. Kit Ref.No	MODEL	Engine
<b>551 362</b>	This repair kit is used for 1508 533	

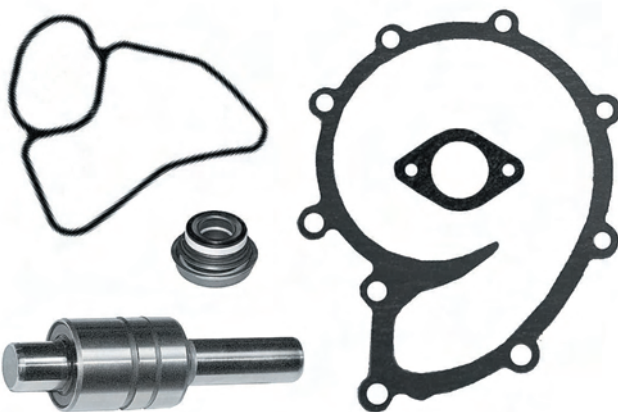
Photographed content is followed as closely as possible, but not guaranteed.



Impeller (long)

### Water pump

BERGKRAFT Kit No	<b>BK6227711WP</b>	
Org. Kit Ref.No	MODEL	Engine
<b>1508 534</b> replaces old nos. 1365 841 570 952	144 G 144 L	DSC 14



### Repair kit

BERGKRAFT Kit No	<b>BK8802512</b>	
Org. Kit Ref.No	MODEL	Engine
<b>551 369</b>	This repair kit is used for 1508 534	

Photographed content is followed as closely as possible, but not guaranteed.



Impeller 112 x 16mm

Water pump		
BERGKRAFT Kit No	<b>BK6207711WP</b>	
Org. Kit Ref.No	MODEL	Engine
<b>1546 188</b>	124 R 144 R	DC 9 19/20/21 D 11/12 D 12, MOXY D 9/11 /12



Repair kit		
BERGKRAFT Kit No	<b>BK6217722WP</b>	
Org. Kit Ref.No	MODEL	Engine
	This repair kit is used for 1546 188	

Photographed content is followed as closely as possible, but not guaranteed.

## SCANIA



119 x 14 mm

### Impeller

BERGKRAFT Kit No	<b>BK8803501</b>	
Org. Kit Ref.No	MODEL	Engine
	This impeller is used for 259 065 1314 406	



119 x 14 mm

### Impeller

BERGKRAFT Kit No	<b>BK8803503</b>	
Org. Kit Ref.No	MODEL	Engine
	This impeller is used for 1354 103	



119 x 15 mm

### Impeller

BERGKRAFT Kit No	<b>BK8803505</b>	
Org. Kit Ref.No	MODEL	Engine
	This impeller is used for 320 952 1375 838	



119 x 15 mm

### Impeller

BERGKRAFT Kit No	<b>BK8803506</b>	
Org. Kit Ref.No	MODEL	Engine
	This impeller is used for 1375 839	

Photographed content is followed as closely as possible, but not guaranteed.



## SCANIA

097



112 x 16 mm

### Impeller

BERGKRAFT Kit No	<b>BK8803510</b>	
Org. Kit Ref.No	MODEL	Engine
	This impeller is used for 1546188	



105 x 16 mm (short)

### Impeller

BERGKRAFT Kit No	<b>BK8803511</b>	
Org. Kit Ref.No	MODEL	Engine
	This impeller is used for 1508 533	



105 x 16 mm (long)

### Impeller

BERGKRAFT Kit No	<b>BK8803512</b>	
Org. Kit Ref.No	MODEL	Engine
	This impeller is used for 1508 534	



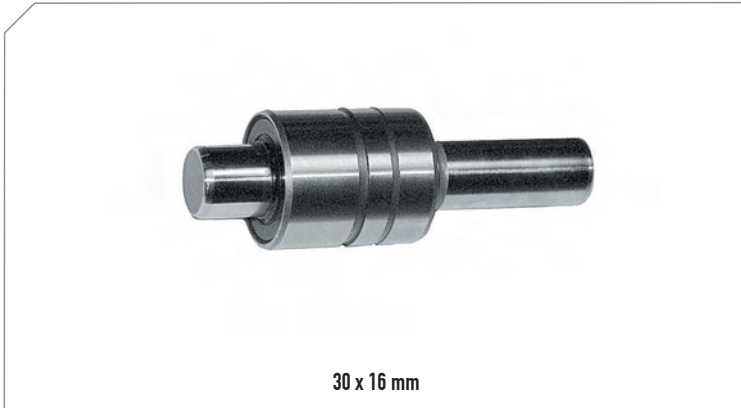
34 x 16 mm

### Bearing

BERGKRAFT Kit No	<b>BK8805510</b>	
Org. Kit Ref.No	MODEL	Engine
	This bearing is used for 1508 533	

Photographed content is followed as closely as possible, but not guaranteed.

## SCANIA



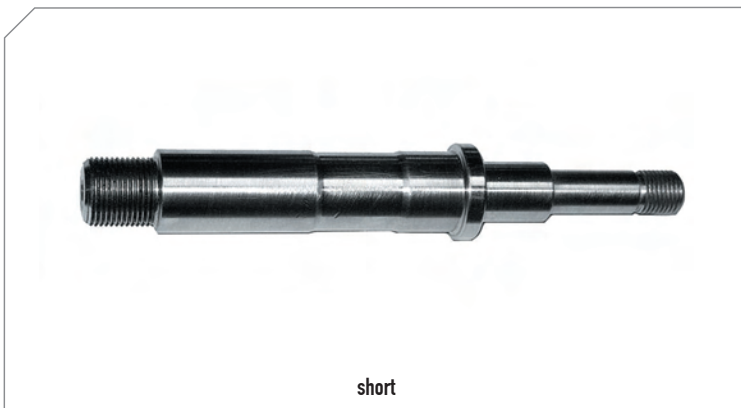
Bearing		
BERGKRAFT Kit No	BK8805511	
Org. Kit Ref.No	MODEL	Engine
	This bearing is used for 1508 534 1546188	



Slide ring seal		
BERGKRAFT Kit No	BK8806501	
Org. Kit Ref.No	MODEL	Engine
	This seal is used for 259 065 1314 406 1354 103	



Slide ring seal		
BERGKRAFT Kit No	BK8806511	
Org. Kit Ref.No	MODEL	Engine
	This seal is used for 1508 533 1508 534 1546188	

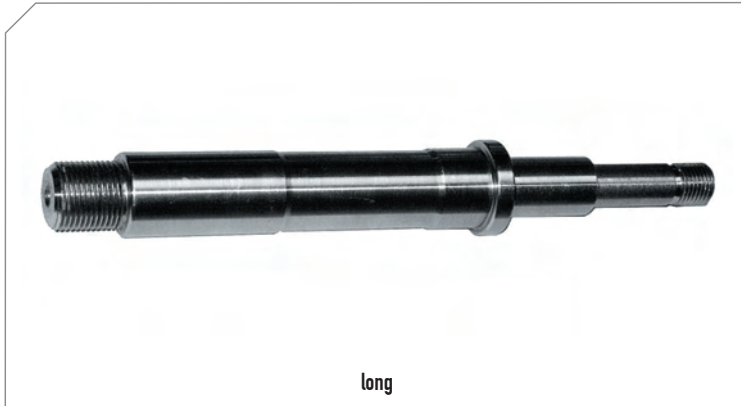


Shaft		
BERGKRAFT Kit No	BK8808501	
Org. Kit Ref.No	MODEL	Engine
	This shaft is used for 259 065	

Photographed content is followed as closely as possible, but not guaranteed.

## SCANIA

099



Shaft		
BERGKRAFT Kit No	<b>BK8808502</b>	
Org. Kit Ref.No	MODEL	Engine
	This shaft is used for 1314 406 1354 103	



Shaft		
BERGKRAFT Kit No	<b>BK8808505</b>	
Org. Kit Ref.No	MODEL	Engine
	This shaft is used for 320 592 1375 838 1375 839	



Gear		
BERGKRAFT Kit No	<b>BK8810505</b>	
Org. Kit Ref.No	MODEL	Engine
<b>328 424</b>	This gear is used for 320 592 1375 838 1375 839	



Belt pulley		
BERGKRAFT Kit No	<b>BK8804511</b>	
Org. Kit Ref.No	MODEL	Engine
	This pulley is used for 1508 533 1508 534 1546 188	

Photographed content is followed as closely as possible, but not quaranteed.



Photographed content is followed as closely as possible, but not guaranteed.



# BERGKRAFT



## IVECO GROUP



Water pump		
BERGKRAFT Kit No	<b>BK711771WP</b>	
Org. Kit Ref.No	MODEL	Engine
<b>42530033</b>	190.36 TURBOTECH	8210.42.011
	190.36 TURBOSTARE.S	8210.42.073
replaces old nos.	220.36 TRU TURBOTECH	8210.42.074
500350785	240.46 TRU TURBOTECH	8210.42.077
93190287	240.46 TURBOSTARE.S	8210.42.151
93190285	260.36 TRU TURBOTECH	8210.42.152
98479675	260.36 TURBOSTARE.S	8210.42.154
99445447		8210.42.155
		8210.42.160
		8210.42.162
		8210.42.172
		8210.42.181
		8210.42.185
		8210.42.191
		8210.42.195



Repair kit		
BERGKRAFT Kit No	<b>BK711772WP</b>	
Org. Kit Ref.No	MODEL	Engine
	This repair kit is used for	
	42530033	
	42530032	
	500350798	

Photographed content is followed as closely as possible, but not guaranteed.



Water pump		
BERGKRAFT Kit No	<b>BK712771WP</b>	
Org. Kit Ref.No	MODEL	Engine
<b>42530032</b> replaces old nos. 93190286	190.36 TURBOTECH 190.36 TURBOSTAR 220.36 TRU 240.36 TRU 240.36 TURBOSTAR 260.36 TRU 260.36 TURBOSTAR 330.36 H/HT/HW	8210.42



Water pump		
BERGKRAFT Kit No	<b>BK8801603</b>	
Org. Kit Ref.No	MODEL	Engine
<b>500350798</b> replaces old nos. 93190284 93190288	EUROTECH 180E30-180E34 190E30-190E34- 190E38 240E38 400E34-400E38 440E34-440E38  EUROSTAR 190E38-242E38-440E38  EUROTRAKKER 190E34 H 380E34 H	8460.SPR 6 CYL.

Photographed content is followed as closely as possible, but not guaranteed.

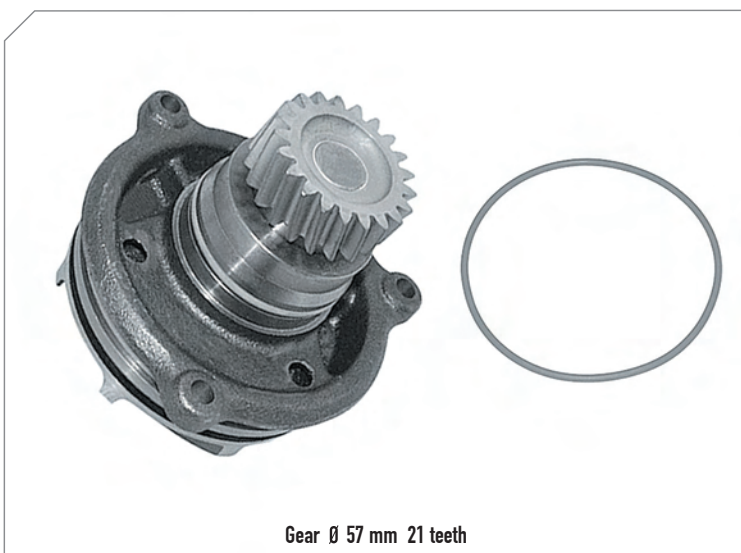
## IVECO



Water pump		
BERGKRAFT Kit No	<b>BK714771WP</b>	
Org. Kit Ref.No	MODEL	Engine
<b>93191101</b>	A90.13 1,2 SERIE A90.14 1,2 SERIE 315.8.13 316.8.13 50 AL 110 AL 416 A	8060.04.045 8060.04.051 8060.04.052 8040.02 8060.12
replaces old nos. 4679242		



Water pump		
BERGKRAFT Kit No	<b>BK8801605</b>	
Org. Kit Ref.No	MODEL	Engine
<b>98497117</b>	50.9. ZETA	8040.05 8040.25 8060.05
replaces old nos. 98465322 4813370		



Water pump		
BERGKRAFT Kit No	<b>BK8801606</b>	
Org. Kit Ref.No	MODEL	Engine
<b>42535615</b>	491.10.22-491.10.12 491.10.27-491.12.27 591.10.22-591.12.22 490.18.29 490E.12.22 590E.12.22	8360.46 6CYL 266CV

Photographed content is followed as closely as possible, but not guaranteed.





Pulley 12 groove

### Water pump

BERGKRAFT Kit No	BK7177711WP	
Org. Kit Ref.No	MODEL	Engine
<b>500356553</b>	EUROSTAR	
	LD440	
	EUROTRAKKER	
	MP 190 E	
	MP 260 E	
	MP 340 E	
	MP 380 E	
	MP 410 E	
	STRALIS	
	AS 260 S 48	
	AS 260 S 54	
	AS 440 S 48	
AS 440 S 54		
TRAKKER		
AD 190 T 38W/AT190 T 38W		
AD 190 T 44W/AT190 T 44W		
AD 260 T 38/AT 260 T 38		



Pulley 10 groove

### Water pump

BERGKRAFT Kit No	BK8801608	
Org. Kit Ref.No	MODEL	Engine
<b>99483937</b>	EUROTECH	190 E 35 K
	190 E 24/E27	260 E 31
	260 E 24/E27	260 E 35
	190 E 31	340 E 35 K
	260 E 31	380 E 35 K
	440 E 31	400 E 35
	190 E 35	
	260 E 35	STRALIS
	440 E 35	190 S 27
		260 S 27
	EUROMOVER	190 S 31
	190 E 27	260 S 31
	190 E 30	190 S 35
	260 E 24	260 S 35
	EUROTRAKKER	TRAKKER
	180 E 24	190 T 35-340 T 35
	190 E 24	
	180 E 27	
	190 E 27	
	190 E 31 K	

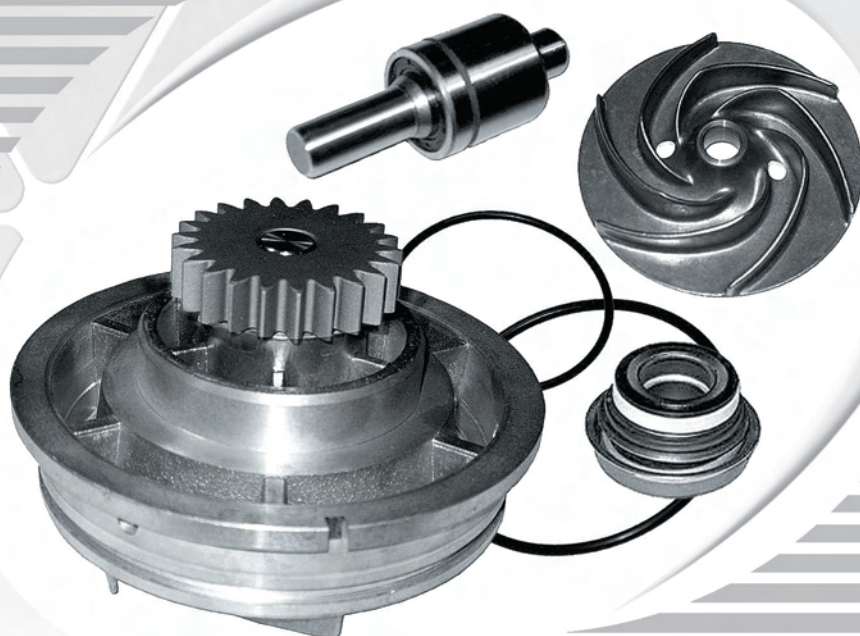
Photographed content is followed as closely as possible, but not guaranteed.



Photographed content is followed as closely as possible, but not guaranteed.



# BERGKRAFT



# RENAULT GROUP

## RENAULT



Water pump		
BERGKRAFT Kit No	BK8801701	
Org. Kit Ref.No	MODEL	Engine
<b>50 10 450 735</b> replaces old nos. 50 10 258 978 50 01 837 292	M140-M160 M200-M230 S140-S160 PS150-PS160 S170	MIDR 06.20.45B MIDS 06.20.45B



Water pump		
BERGKRAFT Kit No	BK8801702	
Org. Kit Ref.No	MODEL	Engine
<b>56 00 409 620</b> replaces old nos. 50 10 258 977 20 01 837 288	M140-M160 M200-M230 S140-S160 PS150-PS160 S170	MIDR 06.20.45B MIDS 06.20.45B

Photographed content is followed as closely as possible, but not guaranteed.



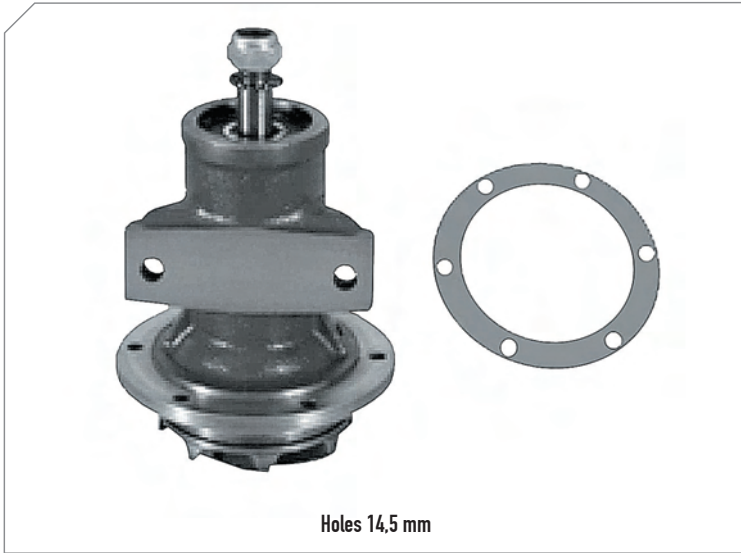
Water pump		
BERGKRAFT Kit No	<b>BK8801711</b>	
Org. Kit Ref.No	MODEL	Engine
<b>50 00 670 157</b> replaces old nos. 50 01 837 298	C 210 - CLR 220 C 230 - C 260 C 280 - C 290 C 300 - CCH 300 C 340 T1 G 210 - G 220 R 312 - G 320 R 310 - R 330	MIDR 06.20.045 MIDR 06.20.045 E/3



Water pump		
BERGKRAFT Kit No	<b>BK8801712</b>	
Org. Kit Ref.No	MODEL	Engine
<b>50 00 663 121</b> replaces old nos. 50 01 837 295	C 210 - 19 G 210.17 - G 210.19 G 230.17 - G 230.19 CLR 220 G 260.11 - G 260.13 G 260.16 - G 260.19 G 260.17T G 260.17TD	MIDS 06.20.30 MIDS 06.20.45 MIDR 06.20.45

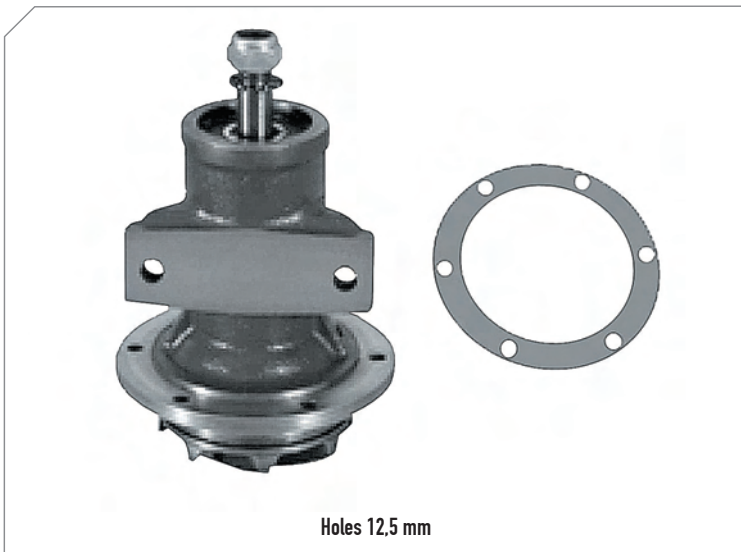
Photographed content is followed as closely as possible, but not guaranteed.

## RENAULT



### Water pump

<b>BERGKRAFT Kit No</b>	<b>BK8801703</b>	
<b>Org. Kit Ref.No</b>	<b>MODEL</b>	<b>Engine</b>
<b>50 10 248 921</b> replaces old nos. 51 01 837 322	MAGNUM AE380-AE420 R385MAJOR-385 TI R420MAJOR-420TI	MDIR06.35.40 MDR 06.35.A



### Water pump

<b>BERGKRAFT Kit No</b>	<b>BK8801704</b>	
<b>Org. Kit Ref.No</b>	<b>MODEL</b>	<b>Engine</b>
<b>50 10 323 187</b> replaces old nos. 50 01 837 314	R310-R330 R340-R365 CBH280 - CBH340 AE 380 - AE 420 R385MAJOR-385TI R420MAJOR-420TI	MD 06.35.40 MDS 06.35.40 MIDS 06.35.40 MDR 06.35.40 MIDR 06.35.40 MDR 06.35.40 A



### Repair kit

<b>BERGKRAFT Kit No</b>	<b>BK8802704</b>	
<b>Org. Kit Ref.No</b>	<b>MODEL</b>	<b>Engine</b>

Photographed content is followed as closely as possible, but not guaranteed.

## RENAULT

111



### Water pump

BERGKRAFT Kit No	<b>BK8801707</b>	
Org. Kit Ref.No	MODEL	Engine
<b>50 01 857 427</b> replaces old nos. 50 01 858 484	PREMIUM TRACTEUR	FAB22CC



### Repair kit

BERGKRAFT Kit No	<b>BK8802707</b>	
Org. Kit Ref.No	MODEL	Engine

Photographed content is followed as closely as possible, but not guaranteed.

## RENAULT



### Water pump

<b>BERGKRAFT Kit No</b>	<b>BK8801708</b>	
<b>Org. Kit Ref.No</b>	<b>MODEL</b>	<b>Engine</b>
<b>50 00 663 009</b>	PR 10 S PR 12 S PR 14 S/640 PR 14 S/641 PG 60-G45-G105 PR 100 MI PR 180	MIDS 06.20.30 MIP 06.20.30 MIPS 06.20.30



### Water pump

<b>BERGKRAFT Kit No</b>	<b>BK8801709</b>	
<b>Org. Kit Ref.No</b>	<b>MODEL</b>	<b>Engine</b>
<b>50 10 330 029</b>  replaces old nos. 50 01 837 309	FR 1 PR 14 SR PR 14 SL PR 100 MI PR 180 G 260/290 C 210, CLR 220 PR 100-2 R 310/330/340 R 312 G 320 R 340 TI G 230/260 SP PR 212/118	MIDR 06.20.45 MIDR 06.20.30 MIP 06.20.45 MIPS 06.20.45 MIP 06.20.45 MIP 06.20.30



### Repair kit

<b>BERGKRAFT Kit No</b>	<b>BK8802709</b>	
<b>Org. Kit Ref.No</b>	<b>MODEL</b>	<b>Engine</b>

Photographed content is followed as closely as possible, but not guaranteed.



## RENAULT

113



### Water pump

BERGKRAFT Kit No	<b>BK8801710</b>	
Org. Kit Ref.No	MODEL	Engine
<b>50 01866 278</b> replaces old nos. 74 20 734 268	MAGNUM	DXI12 DXI13



### Repair kit

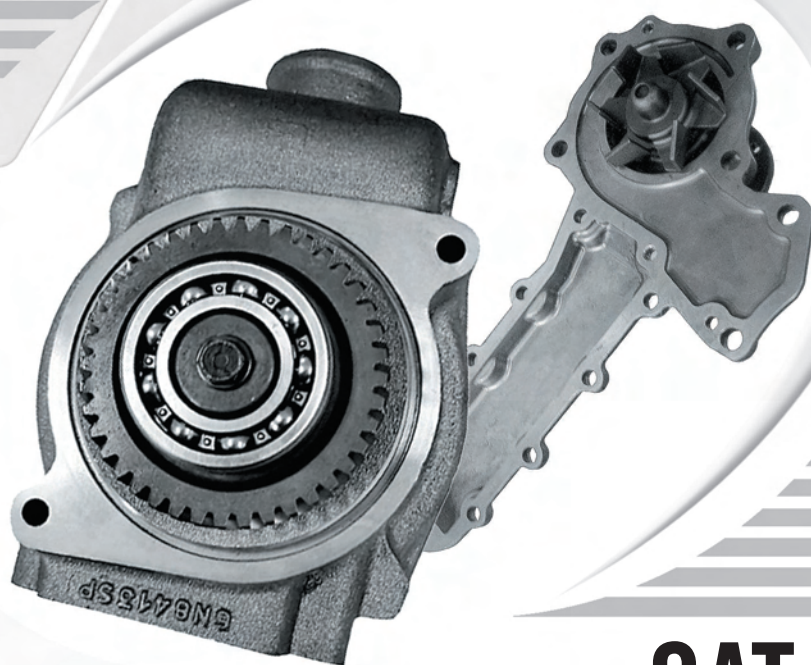
BERGKRAFT Kit No	<b>BK8802710</b>	
Org. Kit Ref.No	MODEL	Engine

Photographed content is followed as closely as possible, but not guaranteed.

Photographed content is followed as closely as possible, but not guaranteed.



# BERGKRAFT



## CAT. GROUP



Water pump		
BERGKRAFT Kit No	BK8801952	
Org. Kit Ref.No	MODEL	Engine
1727775		



Water pump		
BERGKRAFT Kit No	BK8801953	
Org. Kit Ref.No	MODEL	Engine
7727776		

Photographed content is followed as closely as possible, but not guaranteed.



Water pump		
BERGKRAFT Kit No	BK8801954	
Org. Kit Ref.No	MODEL	Engine
15521-73035	KUBOTA	



Water pump		
BERGKRAFT Kit No	BK8801955	
Org. Kit Ref.No	MODEL	Engine
2W 8002		

Photographed content is followed as closely as possible, but not guaranteed.



Photographed content is followed as closely as possible, but not guaranteed.



## CROSS LIST

BERGKRAFT NO	REF. NO	PAGE
BK3117722WP	355 200 12 04	6
BK3127722WP	352 200 38 04	7
BK3137711WP	355 200 08 01	6
BK3137722WP	355 200 13 04	7
BK3147711WP	366 200 59 01	9
BK3147722WP	366 200 08 04	9
BK3157711WP	403 200 70 01	11
BK3167711WP	403 200 71 01	11
BK3167722WP	423 200 01 04	11
BK3177711WP	403 200 73 01	10
BK3187711WP	403 200 76 01	10
BK3197711WP	422 200 11 01	12
BK3207711WP	422 200 12 01	12
BK3217711WP	422 200 10 01	13
BK3217722WP	422 200 04 04	13
BK3227711WP	441 200 02 01	14
BK3227722WP	441 200 01 04	14
BK3237711WP	904 200 26 01	15
BK3237722WP	904 200 00 04	15
BK3247711WP	541 200 12 01	17
BK3257711WP	542 200 19 01	18
BK3257722WP	541 200 00 04 /541 200 01	18
BK3267711WP	542 200 20 01	17
BK3277711WP	542 200 22 01	16
BK3277722WP	542 200 22 01 /542 200 21	16

BERGKRAFT NO	REF. NO	PAGE
BK3287711WP	542 200 21 01	16
BK3297711WP	457 200 08 01	20
BK3297722WP	457 200 01 04	20
BK3307711WP	457 200 01 01	19
BK3317711WP	457 200 05 01	19
BK3327711WP	457 200 10 01	19
BK3337711WP	906 200 61 01	15
BK3347711WP	364 200 20 01	8
BK3407711WP	403 200 75 01	10
BK3417711WP	422 200 14 01	12
BK8801225	441 200 03 01	14
BK8802200	360 200 07 04	7
BK8802205	355 200 14 04	7
BK8802224	364 200 08 04	8
BK8803200	360 201 01 07	22
BK8803201	355 201 02 07	21
BK8803202	352 201 01 07	21
BK8803203	356 201 00 07	21
BK8803204	366 200 02 04	21
BK8803206	403 201 13 07	22
BK8803210	422 201 02 07	23
BK8803211	422 201 02 07	22
BK8803212	441 201 05 07	23
BK8803213	-	23
BK8803215	-	23

Photographed content is followed as closely as possible, but not guaranteed.



BERGKRAFT NO	REF. NO	PAGE
BK2157711WP	51.06500.6228	30
BK2167711WP	51.06500.6282	31
BK2167722WP	51.06599.6033	31
BK2177711WP	51.06500.6426	30
BK2187711WP	51.06500.6492	31
BK2197711WP	51.06500.6490	32
BK2207711WP	51.06500.6479	32
BK2217711WP	51.06500.6408	33
BK2217722WP	51.06599.6013	33
BK2227711WP	51.06500.6545	34
BK2237711WP	51.06500.6547	34
BK2247711WP	51.06500.6546	35
BK2257711WP	51.06500.6476	36
BK2257722WP	51.06599.6052	36
BK2267711WP	51.06500.6495	37
BK2267722WP	51.06500.6495	37
BK2277711WP	51.06500.6537	38
BK2277722WP	51.06599.6067	38
BK2287711WP	51.06500.6612	39
BK2287722WP	51.06599.6081	39
BK2297711WP	51.06500.6515	40
BK2297722WP	51.06599.6068	40
BK2397711WP	51.06500.6557	44
BK2397722WP	51.06599.6025	44
BK2407711WP	51.06500.6548	35

BERGKRAFT NO	REF. NO	PAGE
BK2417711WP	51.06500.7066	42
BK8801122	51.06500.6423	40
BK8801123	51.06500.6480	41
BK8801124	51.06500.6543	41
BK8801132	51.06500.7049	43
BK8802123	51.06599.6055	41
BK8802131	51.06500.7066 S	42
BK8802132	51.06500.7049 S	43
BK8803106	51.06506.0100	45
BK8803111	51.06506.0101	45
BK8803115	51.06506.0060	45
BK8803116	51.06506.5001	45
BK8803119	51.06506.0066	46
BK8803129	51.06506.6011	46
BK8803131	51.06506.6009	46
BK8803132	51.06506.3069	46
BK8804105	51.06503.0123	47
BK8804106	51.06503.0122	47
BK8804112	51.06503.0325	47
BK8804115	51.06503.0237	47
BK8804123	51.06503.0262	48
BK8805106	51.93410.0116	48
BK8806102	-	49
BK8806103	-	49
BK8806106	51.06520.0082	49

Photographed content is followed as closely as possible, but not guaranteed.



BERGKRAFT NO	REF. NO	PAGE
BK4117722WP	276 800	55
BK4127711WP	1545 246	54
BK4137711WP	1699 788/1545 248	54
BK4147711WP	1699 785	54
BK4157711WP	1699 789	55
BK4167711WP	1545 261	57
BK4167722WP	276 802/275 615	57
BK4177711WP	422 791	57
BK4177722WP	270 791	57
BK4187711WP	2043 148-4	56
BK4187722WP	276 936	56
BK4197711WP	8149 941	58
BK4197722WP	276 121	58
BK4207711WP	8170 305	60
BK4207722WP	8170 305	60
BK4217711WP	8149 980	64
BK4217722WP	276 637	64
BK4227711WP	2057 565-3	63
BK4227722WP	276 942	62
BK4297711WP	8149 882	59
BK4297722WP	276 852	59
BK4307711WP	2043 113-5	61
BK4307722WP	2043 113-5	61
BK8801312	8192 050	62
BK8801313	2074 493-9	65

BERGKRAFT NO	REF. NO	PAGE
BK8801314	2041 188-0	65
BK8801315	1699 784	53
BK8801316	466 088	52
BK8801317	465 242	52
BK8801318	1699 783	52
BK8802315	276 806	53
BK8802322	276 943	63
BK8803305	-	67
BK8803306	-	66
BK8803307	8121 826	66
BK8803308	1675 944	66
BK8803309	3183 676	67
BK8803310	-	68
BK8803311	-	66
BK8803312	2058 728-7	68
BK8803315	-	67
BK8803319	1676 714	67
BK8803320	2043 112-8	68
BK8803322	3183 685	68
BK8805309	471 499	72
BK8805310	8170 308	72
BK8806308	1676 561	70
BK8806309	1676 432	70
BK8808305	422 148	70
BK8808306	468 247	69

Photographed content is followed as closely as possible, but not guaranteed.

## DAF

BERGKRAFT NO	REF. NO	PAGE
BK5117711WP	0682260	74
BK5117722WP	517097	74
BK5127711WP	0682262	75
BK5127722WP	682262	75
BK5137711WP	0682980	76
BK5137722WP	682980	76
BK5147711WP	0683225	77
BK5147722WP	683225	77
BK5157711WP	0682747	78
BK5157722WP	682747	78
BK5167711WP	0683579	79
BK5167722WP	683579	79
BK5177711WP	0683338	80
BK5177722WP	683338	80
BK5217711WP	0682263	82
BK5227711WP	0682264	82
BK5237711WP	0682968	76
BK8801410	0682958	81

BERGKRAFT NO	REF. NO	PAGE
BK8802410	-	81
BK8802411	-	82
BK8803401	680191	83
BK8803403	1282029	83
BK8803410	0676985	83
BK8803411	0680190	83
BK8805404	1256792	86
BK8806401	1270247	86
BK8806403	1285773	86
BK8807403	1323914	84
BK8807410	0392475	84
BK8807411	0651681	84
BK8807413	0384714	84
BK8808401	0516728	85
BK8808402	0653235	85
BK8808403	1450190	85
BK8808410	1272962	85
BK8808411	0624158	86

## SCANIA

BERGKRAFT NO	REF. NO	PAGE
BK6117711WP	259065	90
BK6117722WP	550142	90
BK6127711WP	1314406	91
BK6127722WP	550167	91
BK6137711WP	1354103	92
BK6137722WP	550168	92
BK6207711WP	1546188	95
BK6217721WP	1508533	93
BK6217722WP	551355	93
BK6227711WP	1508534	94
BK6237712WP	551362	93
BK8801504	320592	88
BK8801505	1375837	88
BK8801506	1375839	89
BK8802500	550044	90
BK8802504	550206	89
BK8802505	550144	88
BK8802506	551477	89

BERGKRAFT NO	REF. NO	PAGE
BK8802512	551369	94
BK8803501	-	96
BK8803503	-	96
BK8803505	-	96
BK8803506	-	96
BK8803510	-	97
BK8803511	-	97
BK8803512	-	97
BK8804511	-	99
BK8805510	-	97
BK8805511	-	98
BK8806501	-	98
BK8806511	-	98
BK8808501	-	98
BK8808502	-	99
BK8808505	-	99
BK8810505	328424	99

Photographed content is followed as closely as possible, but not guaranteed.



## IVECO

BERGKRAFT NO	REF. NO	PAGE
BK7117711WP	500350785	102
BK7117722WP	500350785	102
BK7127711WP	42530032	103
BK8801603	500350798	103
BK7147711WP	93191101	104

BERGKRAFT NO	REF. NO	PAGE
BK8801605	98497117	104
BK8801606	42535615	104
BK7177711WP	500356553	105
BK8801608	99483937	105

## RENAULT

BERGKRAFT NO	REF. NO	PAGE
BK8801701	5010450735	108
BK8801702	5600409620	108
BK8801703	5010248921	110
BK8801704	5010323187	110
BK8802704	-	110
BK8801707	5001857427	111
BK8802707	-	111

BERGKRAFT NO	REF. NO	PAGE
BK8801708	5000663009	112
BK8801709	5010330029	112
BK8802709	-	112
BK8801710	5001866278	113
BK8802710	-	113
BK8801711	5000670157	109
BK8801712	5000663121	109

## CAT.

BERGKRAFT NO	REF. NO	PAGE
BK8801952	1727775	116
BK8801953	7727776	116

BERGKRAFT NO	REF. NO	PAGE
BK8801954	15521-73035	117
BK8801955	2W8002	117

Photographed content is followed as closely as possible, but not guaranteed.