



CALIPER REPAIR KIT CATALOGUE | **2015**



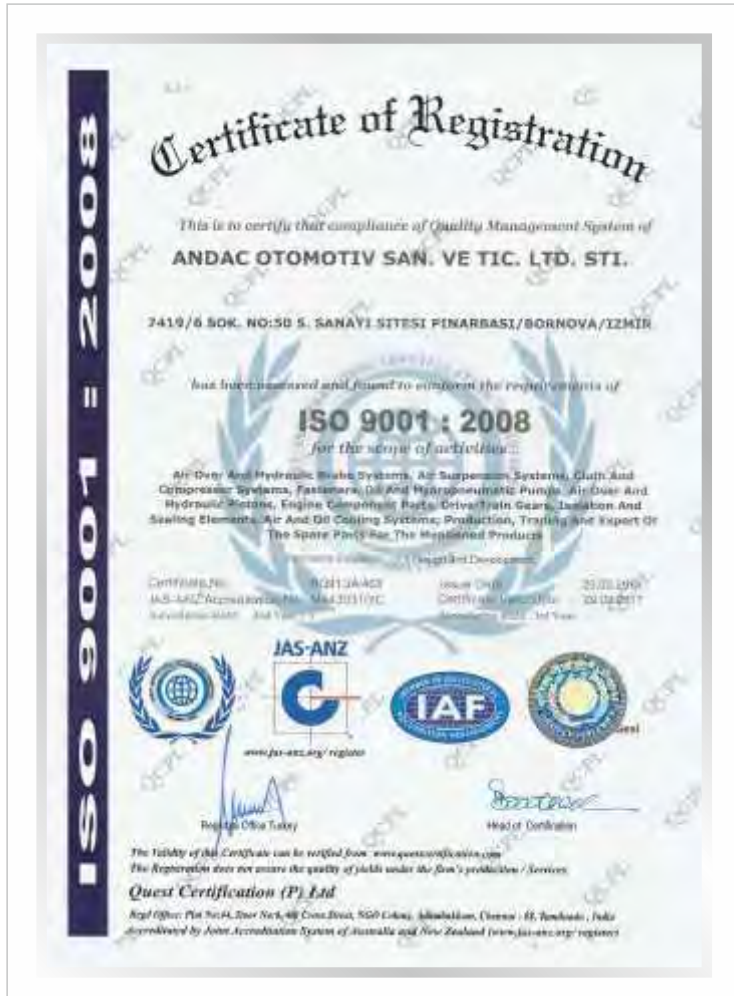
Demir ÇELİK
General Manager

1976 yılında ağır vasıtalar için servis ve yedek parça ile başlayan firmamız, 2008 yılından itibaren havalı ve hidrolik fren kaliperleri için tamir takımları ve komponentlerinin üretiminde uzmanlaşmıştır. Makine parkuruna, bilgiye ve kalifiye elemana yapılan sürekli yatırımlarımız, bize global piyasada kesintisiz bir büyüme sağlayarak, ANDAÇ Otomotiv'i bu sektörün tartışılmaz liderlerinden biri konumuna getirmiştir. Yüksek ürün kalitesi, hızlı sevkiyat ve rekabet gücü ile elde edilen, "gerçek müşteri memnuniyeti", bizim en gözde başarılarımızdan biridir. Ürün çeşitlerimizi her geçen gün artırmamıza destek olan ve firmamızın gelişmesinde emeği geçen siz değerli müşterilerimize teşekkürü bir borç biliriz.

ANDAC Automotive has started in 1976 as a spare parts retailer and service for heavy vehicles. Since 2008, ANDAC has specialized in manufacturing of repair kits and components for air activated and hydraulic brake caliper systems. Constant investment in machinery, knowledge and qualified personal, brought us accordingly a continuous growth in the global market. It made ANDAC one of the undisputed leaders in this segment. A full customer satisfaction provided with top product quality, fast delivery and competition power, is one of our finest achievements. We would like to thank you, our valued customers, for supporting us to improve our production range and your contribution for the development of our company.

С 1976 году наша компания начала свою работу с сервисного обслуживания и предоставления запасных частей для грузовых автомобилей, с 2008 года мы являемся производителями составных компонентов для ремкомплектов воздушных и гидравлических тормозных суппортов. Постоянные инвестиции в оборудование для производства продукции, обучение персонала и развитие качества, обеспечили для Андач Отomotив непрерывный рост на мировом рынке, несомненно, выдвигая компанию одним из лидеров этой отрасли. Высокое качество продукции, быстрая доставка и конкурентноспособность, иметь успех в возможности "реального удовлетворения клиента", является одними из самых больших наших достижений. Хотим поблагодарить вас, наши уважаемые клиенты и партнёры, за помощь в расширении нашего ассортимента продукции, и всем кто внес вклад в развитие нашей компании.

ANDAC Automotive a commencé en 1976 en tant que détaillant de pièces détachées et service pour les véhicules poids lourds. Depuis 2008, ANDAC Automotive se spécialise dans la fabrication de composants et kits de réparations pour les étriers de freins activés par air. L'investissement constant dans la machinerie, notre connaissance et le personnel qualifié nous ont apporté une croissance continue sur le marché mondial. Notre compagnie ANDAC est l'un des leaders incontestés dans ce segment. La satisfaction de notre clientèle grâce à une qualité remarquable, nos prix compétitifs et notre livraison rapide sont nos plus belles réalisations et voilà ce qui nous distingue des autres entreprises dans ce secteur. Nous tenons à remercier nos précieux clients pour nous avoir supporté et leur contribution au sein du développement de la compagnie.















KNORR

ANDTECH No :	0810 10101
Org. Ref. No :	
Application :	SN 6..., SN 7..., SK 7...
Description :	Caliper Tappet Repair Kit (69mm)
1- K1T1	Tappet and Boot
2- B1	Bush



ANDTECH No :	0810 10102
Org. Ref. No :	
Application :	SN 6..., SN 7..., SK 7...
Description :	Caliper Tappet Repair Kit (69mm)
1- K1T1	Tappet and Boot
2- K2	Dust Cover
3- B1	Bush



ANDTECH No :	0810 10103
Org. Ref. No :	K001300 - K010603 - K000366 - 1689313 81508226031 - 0004204982 1756389 - 0004202382
Application :	SN 6..., SN 7..., SK 7...
Description :	Caliper Tappet Repair Kit (69mm)
1- K1T1	Tappet and Boot
2- K2	Dust Cover
3- B1	Bush



KNORR



ANDTECH No : 0810 10104

Org. Ref. No :

Application : SN 6..., SN 7..., SK 7...

Description : Caliper Tappet Repair Kit (69mm)

1- K1T1 Tappet and Boot

2- B1 Bush



ANDTECH No : 0810 10105

Org. Ref. No : II370760065 - A0004201382

Application : SB 5...

Description : Caliper Tappet Repair Kit (74mm)

1- K3T2 Tappet and Boot

2- B1 Bush



ANDTECH No : 0810 10106

Org. Ref. No :

Application : SB 5..., SB 6..., SB 7...

Description : Caliper Tappet Repair Kit (74mm)

1- K3T2 Tappet and Boot

2- K4 Dust Cover

3- B1 Bush

KNORR

ANDTECH No :	0810 10107
Org. Ref. No :	K000944 - K010604 81508226032 - 1759811
Application :	SB 6..., SB 7...
Description :	Caliper Tappet Repair Kit (74mm)
1- K3T2	Tappet and Boot
2- K4	Dust Cover
3- B1	Bush



ANDTECH No :	0810 10108
Org. Ref. No :	II304130065 - 0004200682 81508226007 - 0004204248
Application :	SB 6..., SB 7...
Description :	Caliper Tappet Repair Kit (74mm)
1- K3T2	Tappet and Boot
2- B1	Bush



ANDTECH No :	0810 10110
Org. Ref. No :	
Application :	SL 7..., SM 7...
Description :	Caliper Tappet Repair Kit (69mm)
1- K1T62	Tappet and Boot
2- K2	Dust Cover
3- B11	Bush



KNORR



ANDTECH No : 0810 10319

Org. Ref. No :

Application : SL 7..., SM 7...

Description : Caliper Tappet Repair Kit (69mm)

1- K1T62 Tappet and Boot

2- B11 Bush



ANDTECH No : 0810 10111

Org. Ref. No : K046523 - A000 423 0316

Application : SL 7..., SM 7...

Description : Caliper Tappet Repair Kit (69mm)

1- K1T62 Tappet and Boot

2- K2 Dust Cover

3- B11 Bush



ANDTECH No : 0810 10112

Org. Ref. No : K001929 - 81508226027
0004204282

Application : SN 5...

Description : Caliper Tappet Repair Kit (69mm)

1- K1T124 Tappet and Boot

2- B1 Bush

KNORR

ANDTECH No :	0810 10113
Org. Ref. No :	
Application :	SN 5...
Description :	Caliper Tappet Repair Kit (69mm)
1- K1T124	Tappet and Boot
2- K112	Dust Cover
3- B1	Bush



ANDTECH No :	0810 10114
Org. Ref. No :	
Application :	SB 6..., SB 7...
Description :	Caliper Lever
1- T52	Lever



ANDTECH No :	0810 10115
Org. Ref. No :	
Application :	SB 7...
Description :	Caliper Lever
1- T18	Lever



KNORR



ANDTECH No : 0810 10116

Org. Ref. No :

Application : SN 7...

Description : Caliper Lever

1- T215 Lever



ANDTECH No : 0810 10117

Org. Ref. No :

Application : SN 7...

Description : Caliper Lever

1- T216 Lever



ANDTECH No : 0810 10118

Org. Ref. No :

Application : SL 7..., SM 7...

Description : Caliper Lever

1- T220 Lever

KNORR

ANDTECH No :	0810 10119
Org. Ref. No :	
Application :	SN 6..., SK 7...,
Description :	Caliper Lever
1- T15	Lever



ANDTECH No :	0810 10120
Org. Ref. No :	
Application :	SN 6..., SK 7...
Description :	Caliper Lever
1- T19	Lever



ANDTECH No :	0810 10121
Org. Ref. No :	
Application :	SB 6..., SN 6...
Description :	Caliper Lever
1- T17	Lever



KNORR



ANDTECH No : 0810 10122

Org. Ref. No :

Application : SB 7..., SN 7...,

Description : Caliper Lever

1- T16 Lever



ANDTECH No : 0810 10123

Org. Ref. No :

Application : SB 7..., SN 7...

Description : Caliper Lever

1- T217 Lever



ANDTECH No : 0810 10124

Org. Ref. No :

Application : SB 6..., SB 7...,

Description : Caliper Lever

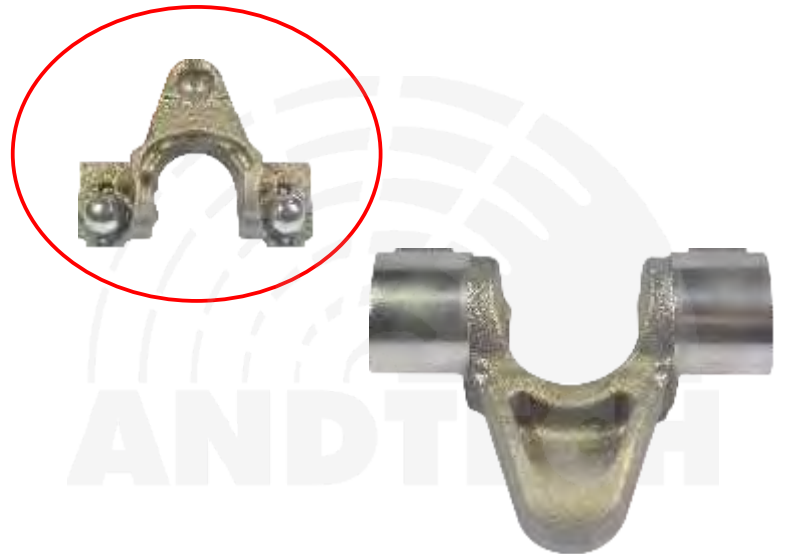
1- T218 Lever

KNORR

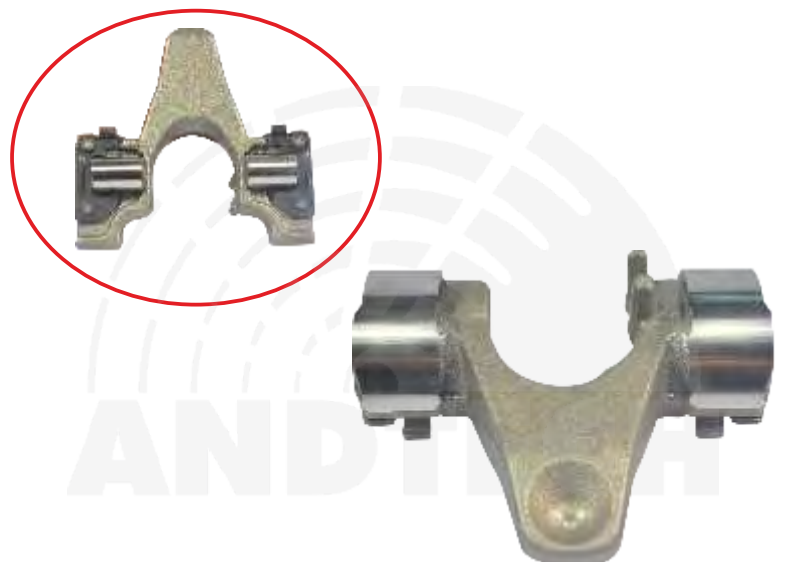
ANDTECH No :	0810 10125
Org. Ref. No :	
Application :	SN 6..., SN 7..., SK7...
Description :	Caliper Lever
1- T219	Lever



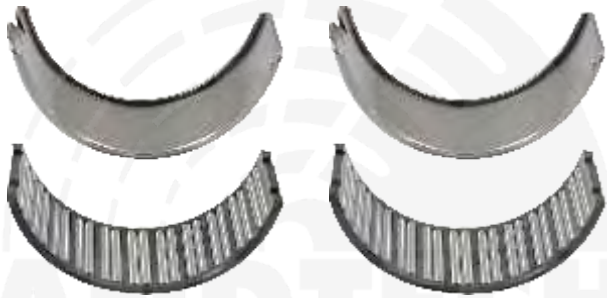
ANDTECH No :	0810 10126
Org. Ref. No :	
Application :	SN 5...
Description :	Caliper Lever
1- T221	Lever



ANDTECH No :	0810 10127
Org. Ref. No :	
Application :	SB 5...
Description :	Caliper Lever
1- T222	Lever



KNORR



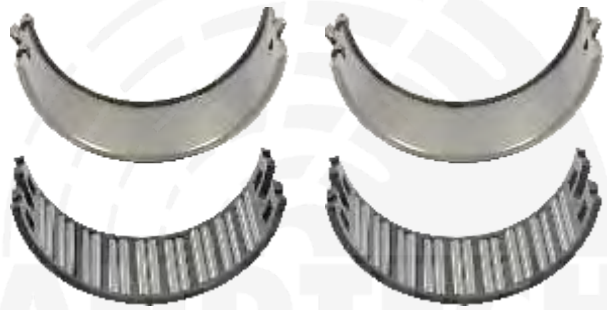
ANDTECH No : 0810 10128

Org. Ref. No :

Application : SB 5..., SB 6..., SB 7...

Description : Caliper Roller Bearing

1- R14 Roller Bearing



ANDTECH No : 0810 10129

Org. Ref. No :

Application : SN 6..., SK 7..., SN 7...

Description : Caliper Roller Bearing

1- R15 Roller Bearing



ANDTECH No : 0810 10130

Org. Ref. No :

Application : SN 5...

Description : Caliper Roller Bearing

1- R16 Roller Bearing



ANDTECH No : 0810 10131

Org. Ref. No :

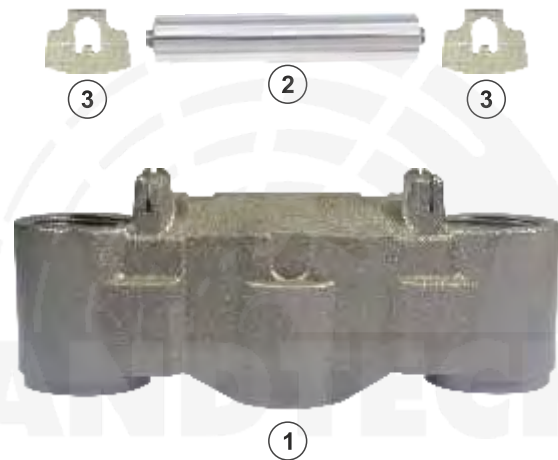
Application : SL 7..., SM 7...

Description : Caliper Roller Bearing

1- R17 Roller Bearing

KNORR

ANDTECH No :	0810 10132
Org. Ref. No :	
Application :	SN 6..., SN 7...
Description :	Caliper Bridge
1- T11	Bridge
2- T200	Lever Pin
3- S61	Metal Sheet



ANDTECH No :	0810 10133
Org. Ref. No :	
Application :	SN 6..., SN 7...
Description :	Caliper Bridge
1- T11	Bridge
2- T200	Lever Pin
3- S61	Metal Sheet
4- Y3	Bridge Spring



ANDTECH No :	0810 10134
Org. Ref. No :	
Application :	SN 6..., SN 7...
Description :	Caliper Bridge Assembly
1- T11	Bridge
2- T200	Lever Pin
3- S61	Metal Sheet
4- T14	Calibration Bolt 3 Thread
5- Y3	Bridge Spring
6- S20	Lever Bearing



KNORR



ANDTECH No : 0810 10135

Org. Ref. No :

Application : SB 6..., SB 7...

Description : Caliper Bridge

1- T12 Bridge

2- T200 Lever Pin

3- S61 Metal Sheet



ANDTECH No : 0810 10136

Org. Ref. No :

Application : SB 6..., SB 7...

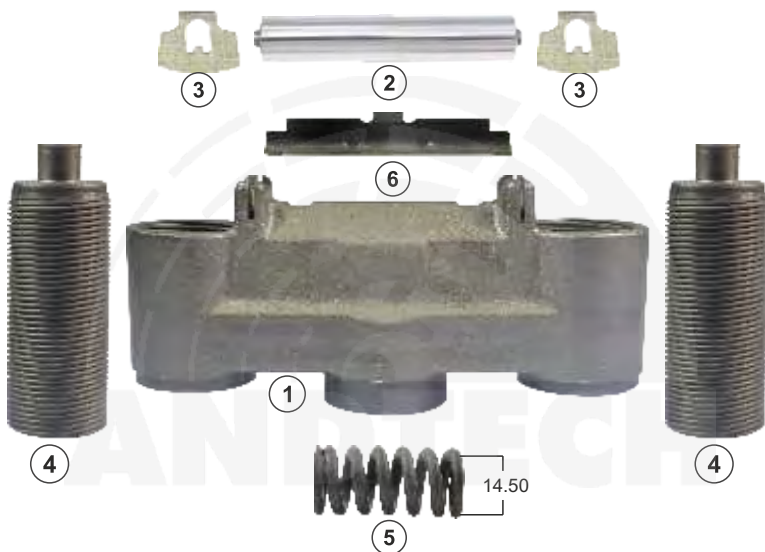
Description : Caliper Bridge

1- T12 Bridge

2- T200 Lever Pin

3- S61 Metal Sheet

4- Y3 Bridge Spring



ANDTECH No : 0810 10137

Org. Ref. No :

Application : SB 6..., SB 7...

Description : Caliper Bridge Assembly

1- T12 Bridge

2- T200 Lever Pin

3- S61 Metal Sheet

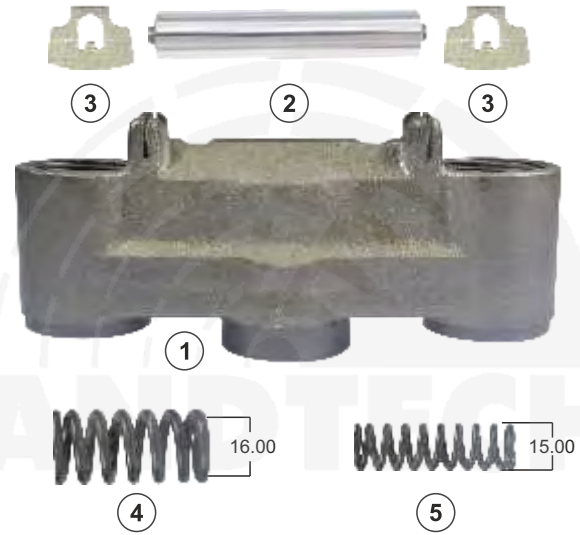
4- T14 Calibration Bolt 3 Thread

5- Y3 Bridge Spring

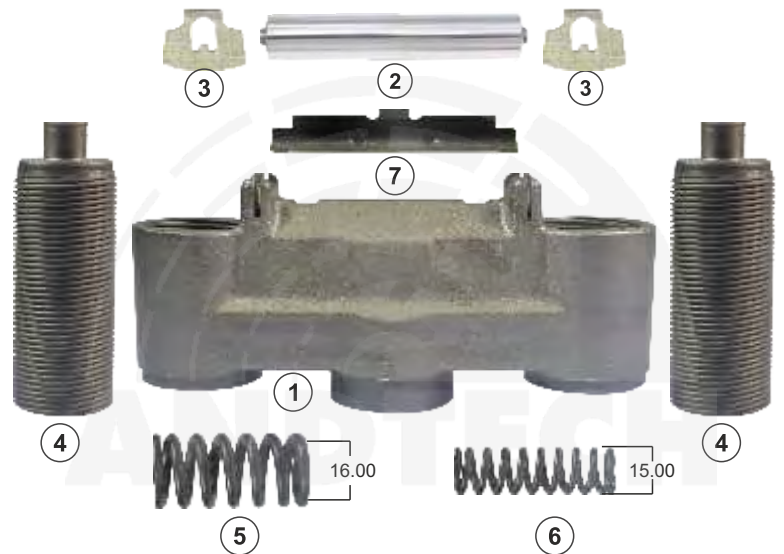
6- S20 Lever Bearing

KNORR

ANDTECH No :	0810 10138
Org. Ref. No :	
Application :	SB 7...
Description :	Caliper Bridge
1- T12	Bridge
2- T200	Lever Pin
3- S61	Metal Sheet
4- Y35	Bridge Spring
5- Y36	Bridge Spring



ANDTECH No :	0810 10139
Org. Ref. No :	
Application :	SB 7...
Description :	Caliper Bridge Assembly
1- T12	Bridge
2- T200	Lever Pin
3- S61	Metal Sheet
4- T14	Calibration Bolt 3 Thread
5- Y35	Bridge Spring
6- Y36	Bridge Spring
7- S20	Lever Bearing



ANDTECH No :	0810 10140
Org. Ref. No :	
Application :	SB 7..., SN 6..., SN 7..., SK 7..., SL 7..., SM 7...
Description :	Caliper Bridge
1- T13	Bridge



KNORR



①



②

ANDTECH No : 0810 10141

Org. Ref. No :

Application : SB 7..., SN 6..., SN 7..., SK 7..., SL 7..., SM 7...

Description : Caliper Bridge

1- T13 Bridge

2- Y3 Bridge Spring



②



①



②



③

ANDTECH No : 0810 10142

Org. Ref. No :

Application : SB 7..., SN 6..., SN 7..., SK 7...

Description : Caliper Bridge Assembly

1- T13 Bridge

2- T14 Calibration Bolt 3 Thread

3- Y3 Bridge Spring



②



①



②



③

ANDTECH No : 0810 10259

Org. Ref. No :

Application : SL 7..., SM 7...

Description : Caliper Bridge Assembly

1- T13 Bridge

2- T207 Calibration Bolt 3 Thread

3- Y3 Bridge Spring

KNORR

ANDTECH No :	0810 10343
Org. Ref. No :	
Application :	SB 5...
Description :	Caliper Bridge
1- T66	Bridge
2- T14	Calibration Bolt 3 Thread
3- Y37	Bridge Spring



ANDTECH No :	0810 10144
Org. Ref. No :	
Application :	SB 5...
Description :	Caliper Bridge
1- T66	Bridge
2- Y37	Bridge Spring



ANDTECH No :	0810 10143
Org. Ref. No :	
Application :	SB 5...
Description :	Caliper Bridge
1- T66	Bridge



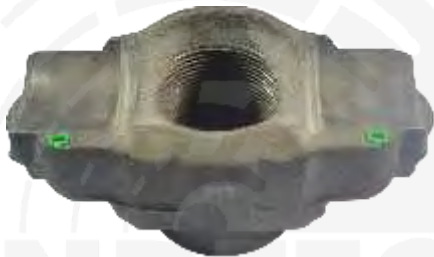
KNORR



ANDTECH No :	0810 10344
Org. Ref. No :	
Application :	SN 5...
Description :	Caliper Bridge
1- T99	Bridge
2- T14	Calibration Bolt 3 Thread
3- Y37	Bridge Spring



ANDTECH No :	0810 10146
Org. Ref. No :	
Application :	SN 5...
Description :	Caliper Bridge
1- T99	Bridge
2- Y37	Bridge Spring



ANDTECH No :	0810 10145
Org. Ref. No :	
Application :	SN 5...
Description :	Caliper Bridge
1- T99	Bridge

KNORR

ANDTECH No :	0810 10147
Org. Ref. No :	
Application :	ALL SB..., SN ..., SK ...
Description :	Caliper Calibration Bolt 3 Thread
1- T14	Calibration Bolt 3 Thread



ANDTECH No :	0810 10148
Org. Ref. No :	
Application :	SL ..., SM ...
Description :	Caliper Calibration Bolt 3 Thread
1- T207	Calibration Bolt 3 Thread



ANDTECH No :	0810 10149
Org. Ref. No :	
Application :	ALL SB ..., SN ..., SK ..., SL ..., SM...
Description :	Caliper Adjusting Mechanism
1- T120	Adjusting Mechanism
2- T130	Mechanism Gear



KNORR



ANDTECH No :	0810 10345
Org. Ref. No :	
Application :	ALL SB ..., SN ..., SK ..., SL ..., SM...
Description :	Caliper Adjusting Mechanism
1- T386	Adjusting Mechanism
2- T130	Mechanism Gear
3- T20	Calibration Loaf



ANDTECH No :	0810 10150
Org. Ref. No :	
Application :	SB 5..., SN 5...
Description :	Caliper Adjusting Mechanism
1- T123	Adjusting Mechanism
2- T130	Mechanism Gear



ANDTECH No :	0810 10353
Org. Ref. No :	
Application :	SL 7..., SM 7...
Description :	Caliper Adjusting Mechanism (New Model)
1- T342	Adjusting Mechanism
2- T130	Mechanism Gear
3- T20	Calibration Loaf



ANDTECH No :	0810 10151
Org. Ref. No :	
Application :	SB 6..., SB 7..., SN 6..., SN 7..., SK 7...
Description :	Caliper Adjusting Mechanism
1- T121	Adjusting Mechanism

KNORR

ANDTECH No :	0810 10261
Org. Ref. No :	
Application :	SB 6..., SB 7..., SN 6..., SN 7..., SK 7...
Description :	Caliper Adjusting Mechanism
1- T269	Adjusting Mechanism



ANDTECH No :	0810 10152
Org. Ref. No :	
Application :	SN 6..., SN 7..., SK 7...
Description :	Caliper Adjusting Mechanism
1- T122	Adjusting Mechanism



ANDTECH No :	0810 10153
Org. Ref. No :	
Application :	SN 6..., SN 7..., SK 7...
Description :	Caliper Adjusting Mechanism
1- T208	Adjusting Mechanism



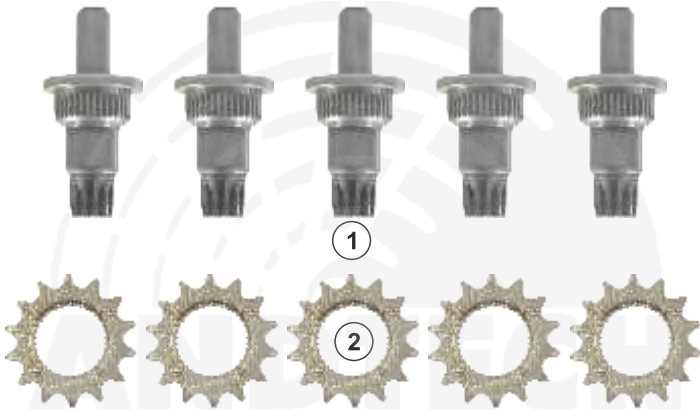
ANDTECH No :	0810 10154
Org. Ref. No :	
Application :	SN 6..., SN 7..., SK 7...
Description :	Caliper Adjusting Mechanism
1- T209	Adjusting Mechanism
2- T130	Mechanism Gear



KNORR



ANDTECH No :	0810 10354
Org. Ref. No :	
Application :	ALL SL 7..., SM 7...
Description :	Caliper Adjusting Mechanism (New Model)
1- T343	Adjusting Mechanism
2- T130	Mechanism Gear



ANDTECH No :	0810 10246
Org. Ref. No :	
Application :	SB 5..., SN 5
Description :	Caliper Pinion Shaft
1- T245	Pinion Shaft
2- T130	Mechanism Gear



ANDTECH No :	0810 10247
Org. Ref. No :	
Application :	SB 5..., SN 5
Description :	Caliper Pinion Shaft
1- T214	Pinion Shaft



ANDTECH No :	0810 10238
Org. Ref. No :	
Application :	ALL SB, SN, SK, SL, SM
Description :	Caliper Mechanism Gear
1- T130	Mechanism Gear

KNORR

ANDTECH No :	0810 10239
Org. Ref. No :	Z001548
Application :	ALL SB, SN, SK, SL, SM
Description :	Caliper Calibration Loaf
1- T20	Calibration Loaf



ANDTECH No :	0810 10155
Org. Ref. No :	
Application :	SN 5...
Description :	Caliper Chain
1- T210	Caliper Chain 12 Link



ANDTECH No :	0810 10156
Org. Ref. No :	
Application :	SB 5...
Description :	Caliper Chain
1- T119	Caliper Chain 14 Link



ANDTECH No :	0810 10157
Org. Ref. No :	
Application :	SB 6..., SB 7..., SN 6..., SN 7..., SK 7... SL 7..., SM 7...
Description :	Caliper Chain
1- T118	Caliper Chain 29 Link



KNORR



ANDTECH No :	0810 10158
Org. Ref. No :	
Application :	SB..., SK..., SN...
Description :	Caliper Sensor Cover (Without Sensor)
1- P14	Sensor Cover



ANDTECH No :	0810 10159
Org. Ref. No :	
Application :	SB..., SK..., SN...
Description :	Caliper Sensor Cover (3 Socket - 2 Cable)
1- P2	Sensor Cover
2- P3	Clip



ANDTECH No :	0810 10160
Org. Ref. No :	
Application :	SB..., SK..., SN..., SL 7..., SM 7...
Description :	Caliper Sensor Cover (3 Socket - 3 Cable) (Mercedes)
1- P2	Sensor Cover
2- P3	Clip



ANDTECH No :	0810 10161
Org. Ref. No :	
Application :	SB..., SN...
Description :	Caliper Sensor Cover (3 Socket - 3 Cable) (Man)
1- P15	Sensor Cover
2- P3	Clip

KNORR

ANDTECH No :	0810 10262
Org. Ref. No :	
Application :	SK..., SN...
Description :	Caliper Sensor Cover (Without Sensor)
1- P32	Sensor Cover



ANDTECH No :	0810 10263
Org. Ref. No :	
Application :	SK..., SN...
Description :	Caliper Sensor Cover (3 Socket - 2 Cable)
1- P31	Sensor Cover
2- P3	Clip



①

②

ANDTECH No :	0810 10162
Org. Ref. No :	
Application :	SK..., SN...
Description :	Caliper Sensor Cover (3 Socket - 3 Cable) (Scania)
1- P16	Sensor Cover
2- P3	Clip



①

②

ANDTECH No :	0810 10164
Org. Ref. No :	
Application :	SB 6..., SB 7...
Description :	Caliper Sensor Cover (Without Sensor)
1- P18	Sensor Cover



KNORR



ANDTECH No :	0810 10264
Org. Ref. No :	
Application :	SK ..., SN ...
Description :	Caliper Sensor Cover (3 Socket - 2 Cable)
1- P33	Sensor Cover
2- P21	Sensor Pin (Plastic)



ANDTECH No :	0810 10163
Org. Ref. No :	
Application :	SK ..., SN ...
Description :	Caliper Sensor Cover (3 Socket - 3 Cable)
1- P17	Sensor Cover
2- P21	Sensor Pin (Plastic)



ANDTECH No :	0810 10323
Org. Ref. No :	
Application :	SB 6..., SB 7...
Description :	Caliper Sensor Cover (Without Sensor)
1- P51	Sensor Cover



ANDTECH No :	0810 10324
Org. Ref. No :	
Application :	SN 6..., SN 7...
Description :	Caliper Sensor Cover (3 Socket - 2 Cable)
1- P52	Sensor Cover
2- P21	Sensor Pin (Plastic)

KNORR

ANDTECH No :	0810 10325
Org. Ref. No :	
Application :	SK ..., SN ...
Description :	Caliper Sensor Cover (3 Socket - 3 Cable)
1- P53	Sensor Cover
2- P21	Sensor Pin (Plastic)



ANDTECH No :	0810 10265
Org. Ref. No :	
Application :	SB 5
Description :	Caliper Sensor Cover (Without Sensor)
1- P34	Sensor Cover



ANDTECH No :	0810 10266
Org. Ref. No :	
Application :	SB 5...
Description :	Caliper Sensor Cover (3 Socket - 2 Cable)
1- P35	Sensor Cover
2- P41	Sensor Pin (Plastic)



ANDTECH No :	0810 10267
Org. Ref. No :	
Application :	SB 5...
Description :	Caliper Sensor Cover (3 Socket - 3 Cable)
1- P36	Sensor Cover
2- P41	Sensor Pin (Plastic)



KNORR



ANDTECH No :	0810 10268
Org. Ref. No :	
Application :	SN 5...
Description :	Caliper Sensor Cover (Without Sensor)
1- P37	Sensor Cover



ANDTECH No :	0810 10269
Org. Ref. No :	
Application :	SN 5...
Description :	Caliper Sensor Cover (3 Socket - 2 Cable)
1- P38	Sensor Cover
2- P3	Clip



ANDTECH No :	0810 10270
Org. Ref. No :	
Application :	SN 5...
Description :	Caliper Sensor Cover (3 Socket - 3 Cable)
1- P39	Sensor Cover
2- P3	Clip



ANDTECH No :	0810 10252
Org. Ref. No :	
Application :	SK ..., SN ...
Description :	Caliper Sensor Pin (Long)
1- P21	Sensor Pin (Plastic)

KNORR

ANDTECH No :	0810 10253
Org. Ref. No :	
Application :	ALL SB, SN, SK, SL, SM
Description :	Caliper Sensor Clip
1- P3	Clip



ANDTECH No :	0810 10320
Org. Ref. No :	
Application :	SN 6..., SN 7..., SK 7...
Description :	Caliper Sensor Clip
1- P40	Clip



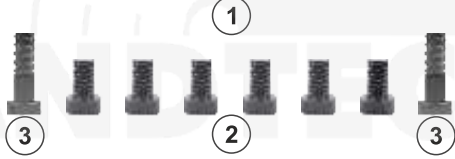
ANDTECH No :	0810 10321
Org. Ref. No :	
Application :	SN 5...
Description :	Caliper Sensor Pin (Short)
1- P41	Sensor Pin (Plastic)



ANDTECH No :	0810 10165
Org. Ref. No :	
Application :	SN 6..., SN 7..., SK 7..., SM 7...
Description :	Caliper Cover
1- S73	Cover
2- C7	Cover Screw



KNORR



ANDTECH No : 0810 10166

Org. Ref. No :

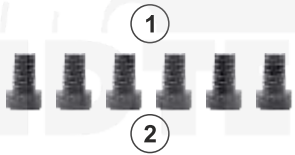
Application : SN 6..., SN 7..., SL 7...

Description : Caliper Cover

1- S74 Cover

2- C7 Cover Screw

3- C50 Cover Screw



ANDTECH No : 0810 10167

Org. Ref. No :

Application : SN 5...

Description : Caliper Cover

1- S75 Cover

2- C7 Cover Screw



ANDTECH No : 0810 10271

Org. Ref. No :

Application : SN 5...

Description : Caliper Cover

1- S75 Cover

2- C7 Cover Screw

3- K112 Dust Cover



ANDTECH No : 0810 10272

Org. Ref. No :

Application : SN 5...

Description : Caliper Seal

1- K112 Dust Cover

KNORR

ANDTECH No :	0810 10273
Org. Ref. No :	
Application :	SB 6..., SB 7...
Description :	Caliper Repair Kit
1- T52	Lever
2- T12	Bridge
3- T200	Lever Pin
4- S61	Metal Sheet
5- T14	Calibration Bolt 3 Thread
6- Y3	Bridge Spring
7- K3T2	Tappet and Boot (74mm)
8- K4	Dust Cover
9- B1	Bush
10- R14	Roller Bearing
11- T120	Adjusting Mechanism
12- T130	Mechanism Gear
13- T20	Calibration Loaf
14- T121	Adjusting Mechanism
15- T118	Caliper Chain 29 Link



ANDTECH No :	0810 10274
Org. Ref. No :	
Application :	SB 6..., SB 7...
Description :	Caliper Repair Kit
1- T18	Lever
2- T12	Bridge
3- T200	Lever Pin
4- S61	Metal Sheet
5- T14	Calibration Bolt 3 Thread
6- Y35	Bridge Spring
7- Y36	Bridge Spring
8- K3T2	Tappet and Boot (74mm)
9- K4	Dust Cover
10- B1	Bush
11- R14	Roller Bearing
12- T120	Adjusting Mechanism
13- T130	Mechanism Gear
14- T20	Calibration Loaf
15- T121	Adjusting Mechanism
16- T118	Caliper Chain 29 Link



KNORR



ANDTECH No : 0810 10275

Org. Ref. No :

Application : SN 7...

Description : Caliper Repair Kit

1- T215	Lever
2- T11	Bridge
3- T200	Lever Pin
4- S61	Metal Sheet
5- T14	Calibration Bolt 3 Thread
6- Y3	Bridge Spring
7- K1T1	Tappet and Boot (69mm)
8- K2	Dust Cover
9- B1	Bush
10- R15	Roller Bearing
11- T120	Adjusting Mechanism
12- T130	Mechanism Gear
13- T20	Calibration Loaf
14- T121	Adjusting Mechanism
15- T118	Caliper Chain 29 Link



ANDTECH No : 0810 10276

Org. Ref. No :

Application : SN 7...

Description : Caliper Repair Kit

1- T216	Lever
2- T13	Bridge
3- T14	Calibration Bolt 3 Thread
4- Y3	Bridge Spring
5- K1T1	Tappet and Boot (69mm)
6- K2	Dust Cover
7- B1	Bush
8- R15	Roller Bearing
9- T120	Adjusting Mechanism
10- T130	Mechanism Gear
11- T20	Calibration Loaf
12- T121	Adjusting Mechanism
13- T118	Caliper Chain 29 Link

KNORR

ANDTECH No :	0810 10277
Org. Ref. No :	
Application :	SL 7..., SM 7...
Description :	Caliper Repair Kit
1- T220	Lever
2- T13	Bridge
3- T207	Calibration Bolt 3 Thread
4- Y3	Bridge Spring
5- K1T62	Tappet and Boot (69mm)
6- K2	Dust Cover
7- B11	Bush
8- R17	Roller Bearing
9- T342	Adjusting Mechanism
10- T130	Mechanism Gear
11- T20	Calibration Loaf
12- T343	Adjusting Mechanism
13- T118	Caliper Chain 29 Link



ANDTECH No :	0810 10278
Org. Ref. No :	
Application :	SN 6..., SK 7...
Description :	Caliper Repair Kit
1- T15	Lever
2- T11	Bridge
3- T200	Lever Pin
4- S61	Metal Sheet
5- T14	Calibration Bolt 3 Thread
6- Y3	Bridge Spring
7- K1T1	Tappet and Boot (69mm)
8- K2	Dust Cover
9- B1	Bush
10- R15	Roller Bearing
11- T120	Adjusting Mechanism
12- T130	Mechanism Gear
13- T20	Calibration Loaf
14- T121	Adjusting Mechanism
15- T118	Caliper Chain 29 Link



KNORR



ANDTECH No : 0810 10279

Org. Ref. No :

Application : SN 6..., SK 6...

Description : Caliper Repair Kit

1- T19	Lever
2- T13	Bridge
3- T14	Calibration Bolt 3 Thread
4- Y3	Bridge Spring
5- K1T1	Tappet and Boot (69mm)
6- K2	Dust Cover
7- B1	Bush
8- R15	Roller Bearing
9- T120	Adjusting Mechanism
10- T130	Mechanism Gear
11- T20	Calibration Loaf
12- T208	Adjusting Mechanism
13- T118	Caliper Chain 29 Link



ANDTECH No : 0810 10280

Org. Ref. No :

Application : SB 6..., SN 6...

Description : Caliper Repair Kit

1- T17	Lever
2- T12	Bridge
3- T200	Lever Pin
4- S61	Metal Sheet
5- T14	Calibration Bolt 3 Thread
6- Y3	Bridge Spring
7- K3T2	Tappet and Boot (74mm)
8- K4	Dust Cover
9- B1	Bush
10- R14	Roller Bearing
11- T120	Adjusting Mechanism
12- T130	Mechanism Gear
13- T20	Calibration Loaf
14- T121	Adjusting Mechanism
15- T118	Caliper Chain 29 Link

KNORR

ANDTECH No :	0810 10281
Org. Ref. No :	
Application :	SB 7..., SN 7...
Description :	Caliper Repair Kit
1- T16	Lever
2- T11	Bridge
3- T200	Lever Pin
4- S61	Metal Sheet
5- T14	Calibration Bolt 3 Thread
6- Y3	Bridge Spring
7- K1T1	Tappet and Boot (69mm)
8- K2	Dust Cover
9- B1	Bush
10- R15	Roller Bearing
11- T120	Adjusting Mechanism
12- T130	Mechanism Gear
13- T20	Calibration Loaf
14- T121	Adjusting Mechanism
15- T118	Caliper Chain 29 Link



ANDTECH No :	0810 10282
Org. Ref. No :	
Application :	SB 7..., SN 7...
Description :	Caliper Repair Kit
1- T217	Lever
2- T13	Bridge
3- T14	Calibration Bolt 3 Thread
4- Y3	Bridge Spring
5- K1T1	Tappet and Boot (69mm)
6- K2	Dust Cover
7- B1	Bush
8- R15	Roller Bearing
9- T120	Adjusting Mechanism
10- T130	Mechanism Gear
11- T20	Calibration Loaf
12- T208	Adjusting Mechanism
13- T118	Caliper Chain 29 Link



KNORR



ANDTECH No : 0810 10283

Org. Ref. No :

Application : SB 6..., SB 7...,

Description : Caliper Repair Kit

1- T218	Lever
2- T12	Bridge
3- T200	Lever Pin
4- S61	Metal Sheet
5- T14	Calibration Bolt 3 Thread
6- Y3	Bridge Spring
7- K3T2	Tappet and Boot (74mm)
8- K4	Dust Cover
9- B1	Bush
10- R14	Roller Bearing
11- T120	Adjusting Mechanism
12- T130	Mechanism Gear
13- T20	Calibration Loaf
14- T121	Adjusting Mechanism
15- T118	Caliper Chain 29 Link



ANDTECH No : 0810 10284

Org. Ref. No :

Application : SN 6..., SN 7..., SK7...

Description : Caliper Repair Kit

1- T219	Lever
2- T12	Bridge
3- T200	Lever Pin
4- S61	Metal Sheet
5- T14	Calibration Bolt 3 Thread
6- Y3	Bridge Spring
7- K3T2	Tappet and Boot (74mm)
8- K4	Dust Cover
9- B1	Bush
10- R14	Roller Bearing
11- T120	Adjusting Mechanism
12- T130	Mechanism Gear
13- T20	Calibration Loaf
14- T121	Adjusting Mechanism
15- T118	Caliper Chain 29 Link

KNORR

ANDTECH No : 0810 10285

Org. Ref. No :

Application : SN 5...

Description : Caliper Repair Kit

- 1- T221 Lever
- 2- T199 Guide Pin Ø30x99mm
- 3- C44 Screw M16x1.5x105mm
- 4- T198 Guide Pin Ø30x72mm
- 5- C43 Screw M16x1.5x72mm
- 6- B34 Bush
- 7- B35 Bush
- 8- K14 Boot
- 9- P12 Ring (Plastic)
- 10- S60 Metal Tap
- 11- K1T124 Tappet and Boot (69mm)
- 12- K112 Dust Cover
- 13- B1 Bush
- 14- T123 Adjusting Mechanism
- 15- T130 Mechanism Gear
- 16- T245 Pinion Shaft
- 17- T14 Calibration Bolt 3 Thread
- 18- R16 Roller Bearing
- 19- T210 Caliper Chain 12 Link
- 20- S75 Cover
- 21- C7 Cover Screw
- 22- T99 Bridge
- 23- Y37 Bridge Spring



KNORR



ANDTECH No : 0810 10286

Org. Ref. No :

Application : SN 5...

Description : Caliper Repair Kit

- 1- T221 Lever
- 2- K1T124 Tappet and Boot (69mm)
- 3- K112 Dust Cover
- 4- B1 Bush
- 5- T123 Adjusting Mechanism
- 6- T130 Mechanism Gear
- 7- T245 Pinion Shaft
- 8- T14 Calibration Bolt 3 Thread
- 9- R16 Roller Bearing
- 10- T210 Caliper Chain 12 Link
- 11- S75 Cover
- 12- C7 Cover Screw
- 13- T99 Bridge
- 14- Y37 Bridge Spring

KNORR

ANDTECH No : 0810 10287

Org. Ref. No :

Application : SB 5...

Description : Caliper Repair Kit

1- T222	Lever
2- T5	Guide Pin Ø36x145mm
3- C1	Screw M16x1.5x150mm
4- T6	Guide Pin Ø34x80mm
5- C2	Screw M16x1.5x87mm
6- K11	Rubber Bush
7- K9	Boot
8- P1	Teflon Ring
9- K10	Boot
10- S21	Clamp
11- B2	Bush
12- T123	Adjusting Mechanism
13- T130	Mechanism Gear
14- T14	Calibration Bolt 3 Thread
15- T214	Pinion Shaft
16- T119	Caliper Chain 14 Link
17- K3T2	Tappet and Boot (74mm)
18- K4	Dust Cover
19- B1	Bush
20- R14	Roller Bearing
21- T66	Bridge
22- Y37	Bridge Spring



KNORR



ANDTECH No : 0810 10288

Org. Ref. No :

Application : SB 5...

Description : Caliper Repair Kit

1- T222	Lever
2- T123	Adjusting Mechanism
3- T130	Mechanism Gear
4- T14	Calibration Bolt 3 Thread
5- T214	Pinion Shaft
6- T119	Caliper Chain 14 Link
7- K3T2	Tappet and Boot (74mm)
8- K4	Dust Cover
9- B1	Bush
10- R14	Roller Bearing
11- T66	Bridge
12- Y37	Bridge Spring



ANDTECH No : 0810 10168

Org. Ref. No :

Application : SB 6..., SB 7...

Description : Caliper Repair Kit

1- T5	Guide Pin Ø36x145mm
2- C1	Screw M16x1,5x150mm
3- T6	Guide Pin Ø34x80mm
4- C2	Screw M16x1,5x87mm
5- K3T2	Tappet and Boot (74mm)
6- K4	Dust Cover
7- B1	Bush
8- B2	Bush
9- K11	Rubber Bush
10- K12	Rubber Cap (Ø38mm)
11- K10	Boot
12- K9	Boot
13- P1	Teflon Ring
14- S21	Clamp
15- K15	Rubber Tap

KNORR

ANDTECH No :	0810 10190	
Org. Ref. No :		
Application :	SN 6..., SN 7..., SK 7...	
Description :	Caliper Repair Kit	
1- T3	Guide Pin Ø36x114mm	
2- C2	Screw M16x1,5x87mm	
3- T4	Guide Pin Ø32x80mm	
4- C3	Screw M16x1,5x80mm	
5- K1T1	Tappet and Boot (69mm)	
6- K2	Dust Cover	
7- B1	Bush	
8- B2	Bush	
9- K5	Metal-Rubber Bush (Long) (Ø39mm)	
10- K15	Rubber Tap	
11- K9	Boot	
12- S1	Pin Cap	
13- K12	Rubber Cap (Ø38mm)	
14- P1	Teflon Ring	
15- S10	Metal Tap	

ANDTECH No :	0810 10191	
Org. Ref. No :		
Application :	SK 7...	
Description :	Caliper Repair Kit	
1- T3	Guide Pin Ø36x114mm	
2- C2	Screw M16x1,5x87mm	
3- T7	Guide Pin Ø36x64mm	
4- C8	Screw M16x1,5x70mm	
5- K1T1	Tappet and Boot (69mm)	
6- K2	Dust Cover	
7- B1	Bush	
8- B2	Bush	
9- B16	Bush (Slotted)	
10- K15	Rubber Tap	
11- K12	Rubber Cap (Ø38mm)	
12- K9	Boot	
13- P1	Teflon Ring	
14- S10	Metal Tap	
15- S16	Metal Tap	

KNORR



ANDTECH No : 0810 10169

Org. Ref. No :

Application : SB 6..., SB 7...

Description : Caliper Repair Kit

1- T5	Guide Pin Ø36x145mm
2- C1	Screw M16x1,5x150mm
3- T3	Guide Pin Ø36x114mm
4- C2	Screw M16x1,5x87mm
5- T6	Guide Pin Ø34x80mm
6- K9	Boot
7- P1	Teflon Ring
8- K10	Boot
9- S21	Clamp
10- K12	Rubber Cap (Ø38mm)
11- K15	Rubber Tap
12- S2	Metal Cap
13- K8	O-Ring
14- T20	Calibration Loaf
15- K11	Rubber Bush
16- B2	Bush



ANDTECH No : 0810 10197

Org. Ref. No : K000365-0004202282

Application : SB 7...

Description : Caliper Repair Kit

1- T3	Guide Pin Ø36x114mm
2- C2	Screw M16x1,5x87mm
3- T4	Guide Pin Ø32x80mm
4- C3	Screw M16x1,5x80mm
5- T6	Guide Pin Ø34x80mm
6- B2	Bush
7- K11	Rubber Bush
8- K7	Metal-Rubber Bush (Short) (Ø39mm)
9- S2	Metal Cap
10- K8	O-Ring
11- K9	Boot
12- P1	Teflon Ring
13- S10	Metal Tap



ANDTECH No : 0810 10303

Org. Ref. No : K001470-0004203482

Application : SB 7...









Description : Caliper Repair Kit

1- T3	Guide Pin Ø36x114mm
2- C2	Screw M16x1,5x87mm
3- T4	Guide Pin Ø32x80mm
4- C3	Screw M16x1,5x80mm
5- T6	Guide Pin Ø34x80mm
6- B2	Bush
7- K11	Rubber Bush
8- K5	Metal-Rubber Bush (Long) (Ø39mm)
9- S2	Metal Cap
10- K8	O-Ring
11- K9	Boot
12- P1	Teflon Ring
13- S10	Metal Tap
14- S1	Pin Cap

KNORR

ANDTECH No :	0810 10171			
Org. Ref. No :				
Application :	SB 6..., SB 7...			
Description :	Caliper Repair Kit			
1- T5	Guide Pin Ø36x145mm			
2- C1	Screw M16x1,5x150mm			
3- T6	Guide Pin Ø34x80mm			
4- C2	Screw M16x1,5x87mm			
5- K9	Boot			
6- P1	Teflon Ring			
7- K10	Boot			
8- S21	Clamp			
9- K12	Rubber Cap (Ø38mm)			
10- K15	Rubber Tap			
11- T20	Calibration Loaf			
12- K11	Rubber Bush			
13- B2	Bush			

ANDTECH No :	0810 10172			
Org. Ref. No :	II328090062 - II339680062 - II369100062 0004200782 - 0004201282 - 81508226009 1390427-1448915-93162048-0501211763			
Application :	SB6..., SB 7...			
Description :	Caliper Repair Kit			
1- T5	Guide Pin Ø36x145mm			
2- C1	Screw M16x1,5x150mm			
3- T6	Guide Pin Ø34x80mm			
4- C2	Screw M16x1,5x87mm			
5- K11	Rubber Bush			
6- K9	Boot			
7- P1	Teflon Ring			
8- K10	Boot			
9- S21	Clamp			
10- B2	Bush			

ANDTECH No :	0810 10173		
Org. Ref. No :	K000687 - 1603326		
Application :	SB 7..., SN 7...		
Description :	Caliper Repair Kit		
1- T5	Guide Pin Ø36x145mm		
2- C1	Screw M16x1,5x150mm		
3- T4	Guide Pin Ø32x80mm		
4- C3	Screw M16x1,5x80mm		
5- K9	Boot		
6- P1	Teflon Ring		
7- K7	Metal-Rubber Bush (Short) (Ø39mm)		
8- K10	Boot		
9- S21	Clamp		
10- B2	Bush		

KNORR



ANDTECH No : 0810 10174

Org. Ref. No : K000935

Application : SB 6..., SB 7...

Description : Caliper Repair Kit

1- T5	Guide Pin Ø36x145mm
2- C1	Screw M16x1,5x150mm
3- K9	Boot
4- P1	Teflon Ring
5- K10	Boot
6- S21	Clamp
7- B2	Bush



ANDTECH No : 0810 10290

Org. Ref. No : II358510062 - 1415149
0004201182 - 0501211047

Application : SB 7...

Description : Caliper Repair Kit

1- T5	Guide Pin Ø36x145mm
2- C1	Screw M16x1.5x150mm
3- T211	Guide Pin Ø34x120mm
4- C16	Screw M16x1.5x125mm
5- K10	Boot
6- S21	Clamp
7- K53	Rubber Bush
8- B2	Bush
9- K9	Boot
10- P1	Teflon Ring



ANDTECH No : 0810 10179

Org. Ref. No :

Application : SB 7...

Description : Caliper Repair Kit

1- T5	Guide Pin Ø36x145mm
2- C1	Screw M16x1,5x150mm
3- T211	Guide Pin Ø34x120mm
4- C16	Screw M16x1,5x125mm
5- K10	Boot
6- K53	Rubber Bush
7- S21	Clamp
8- B2	Bush

KNORR

ANDTECH No :	0810 10175	
Org. Ref. No :		
Application :	SB 6..., SB 7..., SN 7...	
Description :	Caliper Repair Kit	
1- T5	Guide Pin Ø36x145mm	
2- C1	Screw M16x1,5x150mm	
3- T6	Guide Pin Ø34x80mm	
4- C2	Screw M16x1,5x87mm	
5- B2	Bush	

ANDTECH No :	0810 10289	
Org. Ref. No :		
Application :	SB 6..., SB 7...	
Description :	Caliper Repair Kit	
1- T5	Guide Pin Ø36x145mm	
2- C1	Screw M16x1.5x150mm	
3- T6	Guide Pin Ø34x80mm	
4- C2	Screw M16x1.5x87mm	
5- K11	Rubber Bush	

ANDTECH No :	0810 10176	
Org. Ref. No :	K000132-II304130062 97131439	
Application :	SB 6..., SB 7...	
Description :	Caliper Repair Kit	
1- T10	Guide Pin Ø36x135mm	
2- C4	Screw M16x1,5x140mm	
3- T6	Guide Pin Ø34x80mm	
4- C2	Screw M16x1,5x87mm	
5- K11	Rubber Bush	
6- K10	Boot	
7- S21	Clamp	
8- K9	Boot	
9- P1	Teflon Ring	
10- B2	Bush	

KNORR



ANDTECH No : 0810 10177

Org. Ref. No :

Application : SB 6..., SB 7...

Description : Caliper Repair Kit

1- T10 Guide Pin Ø36x135mm

2- T6 Guide Pin Ø34x80mm

3- B2 Bush

4- K11 Rubber Bush

5- K9 Boot

6- P1 Teflon Ring

7- K10 Boot

8- S21 Clamp



ANDTECH No : 0810 10178

Org. Ref. No : II179320062

Application : SB 7...

Description : Caliper Repair Kit

1- T10 Guide Pin Ø36x135mm

2- C4 Screw M16x1,5x140mm

3- T211 Guide Pin Ø34x120mm

4- C16 Screw M16x1.5x125mm

5- K53 Rubber Bush

6- K55 Boot

7- K56 Boot

8- S21 Clamp

9- B2 Bush



ANDTECH No : 0810 10180

Org. Ref. No : II197140062

Application : SB 7...

Description : Caliper Repair Kit

1- T10 Guide Pin Ø36x135mm

2- C4 Screw M16x1,5x140mm

3- T6 Guide Pin Ø34x80mm

4- C2 Screw M16x1,5x87mm

5- K11 Rubber Bush

6- K55 Boot

7- S21 Clamp

8- P19 Rubber Tap

9- B2 Bush

KNORR

ANDTECH No :	0810 10181	
Org. Ref. No :	II197330062 - 1390426	
Application :	SB 7...	
Description :	Caliper Repair Kit	
1- T10	Guide Pin Ø36x135mm	
2- C4	Screw M16x1,5x140mm	
3- T6	Guide Pin Ø34x80mm	
4- C2	Screw M16x1,5x87mm	
5- K11	Rubber Bush	
6- K55	Boot	
7- K56	Boot	
8- S21	Clamp	
9- B2	Bush	

ANDTECH No :	0810 10291	
Org. Ref. No :		
Application :	SB 7...	
Description :	Caliper Repair Kit	
1- T211	Guide Pin Ø34x120mm	
2- C16	Screw M16x1.5x125mm	
3- K53	Rubber Bush	

ANDTECH No :	0810 10193	
Org. Ref. No :	K031844K50-1906779	
Application :	SB 6..., SB 7...	
Description :	Caliper Repair Kit	
1- T3	Guide Pin Ø36x114mm	
2- C2	Screw M16x1,5x87mm	
3- T213	Guide Pin Ø32x84mm	
4- C3	Screw M16x1,5x80mm	
5- K9	Boot	
6- P1	Teflon Ring	
7- B2	Bush	
8- S2	Metal Cap	
9- K8	O-Ring	
10- S10	Metal Tap	
11- K39	Metal-Rubber Bush (Short)	
12- K110	Boot	
13- P28	Teflon Ring	
14- S121	Metal Cap	

KNORR



ANDTECH No : 0810 10192

Org. Ref. No : K067417K50

Application : SB 6..., SB 7..., SN 7...

Description : Caliper Repair Kit

1- T3	Guide Pin Ø36x114mm
2- C2	Screw M16x1,5x87mm
3- T4	Guide Pin Ø32x80mm
4- C3	Screw M16x1,5x80mm
5- S2	Metal Cap
6- K8	O-Ring
7- K6	Metal-Rubber Bush (Long) (Ø35mm)
8- T57	Ring (Ø39mm)
9- S1	Pin Cap
10- K9	Boot
11- P1	Teflon Ring
12- B2	Bush
13- S10	Metal Tap



ANDTECH No : 0810 10198

Org. Ref. No : K000472 - 42541412 - 81508226019

Application : SN 6..., SN 7..., SK 7...

Description : Caliper Repair Kit (Old Model)

1- T3	Guide Pin Ø36x114mm
2- C2	Screw M16x1,5x87mm
3- T4	Guide Pin Ø32x80mm
4- C3	Screw M16x1,5x80mm
5- K9	Boot
6- P1	Teflon Ring
7- S1	Pin Cap
8- S10	Metal Tap
9- K5	Metal-Rubber Bush (Long) (Ø39mm)
10- B2	Bush



ANDTECH No : 0810 10199

Org. Ref. No : K000472 - 42541412 - 81508226019

Application : SN 6..., SN 7..., SK 7..., SL 7..., SM 7...

Description : Caliper Repair Kit (New Model)

1- T3	Guide Pin Ø36x114mm
2- C2	Screw M16x1,5x87mm
3- T244	Guide Pin Ø32x88,50mm
4- C3	Screw M16x1,5x80mm
5- K9	Boot
6- P1	Teflon Ring
7- S10	Metal Tap
8- K5	Metal-Rubber Bush (Long) (Ø39mm)
9- B2	Bush

KNORR

ANDTECH No :	0810 10200	
Org. Ref. No :	K000375	
Application :	SB 6..., SB 7...	
Description :	Caliper Repair Kit (Old Model)	
1- T3	Guide Pin Ø36x114mm	
2- C2	Screw M16x1,5x87mm	
3- T4	Guide Pin Ø32x80mm	
4- C3	Screw M16x1,5x80mm	
5- S2	Metal Cap	
6- K8	O-Ring	
7- S1	Pin Cap	
8- K5	Metal-Rubber Bush (Long) (Ø39mm)	
9- K9	Boot	
10- P1	Teflon Ring	
11- B2	Bush	

ANDTECH No :	0810 10201	
Org. Ref. No :	K000375	
Application :	SB 6..., SB 7...	
Description :	Caliper Repair Kit (New Model)	
1- T3	Guide Pin Ø36x114mm	
2- C2	Screw M16x1,5x87mm	
3- T244	Guide Pin Ø32x88,5mm	
4- C3	Screw M16x1,5x80mm	
5- S2	Metal Cap	
6- K8	O-Ring	
7- K5	Metal-Rubber Bush (Long) (Ø39mm)	
8- K9	Boot	
9- P1	Teflon Ring	
10- B2	Bush	

ANDTECH No :	0810 10202	
Org. Ref. No :	K001532	
Application :	SB 7...	
Description :	Caliper Repair Kit (Old Model)	
1- T3	Guide Pin Ø36x114mm	
2- C2	Screw M16x1,5x87mm	
3- T4	Guide Pin Ø32x80mm	
4- C3	Screw M16x1,5x80mm	
5- S2	Metal Cap	
6- K8	O-Ring	
7- S1	Pin Cap	
8- K6	Metal-Rubber Bush (Long) (Ø35mm)	
9- K9	Boot	
10- P1	Teflon Ring	
11- B2	Bush	

KNORR



ANDTECH No : 0810 10203

Org. Ref. No : K001532

Application : SB 7...

Description : Caliper Repair Kit (New Model)

1- T3	Guide Pin Ø36x114mm
2- C2	Screw M16x1,5x87mm
3- T244	Guide Pin Ø32x88,5mm
4- C3	Screw M16x1,5x80mm
5- S2	Metal Cap
6- K8	O-Ring
7- K6	Metal-Rubber Bush (Long) (Ø35mm)
8- K9	Boot
9- P1	Teflon Ring
10- B2	Bush



ANDTECH No : 0810 10204

Org. Ref. No :

Application : SB 7...

Description : Caliper Repair Kit

1- T3	Guide Pin Ø36x114mm
2- C2	Screw M16x1,5x87mm
3- T6	Guide Pin Ø34x80mm
4- K9	Boot
5- P1	Teflon Ring
6- S2	Metal Cap
7- K8	O-Ring
8- T20	Calibration Loaf
9- K12	Rubber Cap (Ø38mm)
10- K15	Rubber Tap
11- B2	Bush
12- K11	Rubber Bush



ANDTECH No : 0810 10207

Org. Ref. No : II39769F0062-42537451

Application : SB 6..., SB 7...

Description : Caliper Repair Kit

1- T3	Guide Pin Ø36x114mm
2- C2	Screw M16x1,5x87mm
3- T6	Guide Pin Ø34x80mm
4- K9	Boot
5- P1	Teflon Ring
6- S2	Metal Cap
7- K8	O-Ring
8- B2	Bush
9- K11	Rubber Bush

KNORR

ANDTECH No :	0810 10208	
Org. Ref. No :	K001915-K028451	
Application :	SN 6..., SN 7..., SL 7..., SM 7...	
Description :	Caliper Repair Kit	
1- T3	Guide Pin Ø36x114mm	
2- C2	Screw M16x1,5x87mm	
3- T4	Guide Pin Ø32x80mm	
4- C3	Screw M16x1,5x80mm	
5- K9	Boot	
6- P1	Teflon Ring	
7- S10	Metal Tap	
8- K7	Metal-Rubber Bush (Short) (Ø39mm)	
9- B2	Bush	

ANDTECH No :	0810 10304	
Org. Ref. No :	3434382000	
Application :	SN..., SB...	
Description :	Caliper Repair Kit	
1- T3	Guide Pin Ø36x114mm	
2- C2	Screw M16x1.5x87mm	
3- T4	Guide Pin Ø32x80	
4- C3	Screw M16x1.5x80mm	
5- S2	Metal Cap	
6- K8	O-Ring	
7- K113	Metal-Rubber Bush (Short) (Ø35mm)	
8- T57	Ring Ø39mm	
9- K9	Boot	
10- P1	Teflon Ring	
11- B2	Bush	
12- S10	Metal Tap	

ANDTECH No :	0810 10305	
Org. Ref. No :	K048371K50	
Application :	SB 6..., SB 7...	
Description :	Caliper Repair Kit	
1- T3	Guide Pin Ø36x114mm	
2- C2	Screw M16x1.5x87mm	
3- T4	Guide Pin Ø32x80	
4- C3	Screw M16x1.5x80mm	
5- S2	Metal Cap	
6- K8	O-Ring	
7- K7	Metal-Rubber Bush (Short) (Ø39mm)	
8- K9	Boot	
9- P1	Teflon Ring	
10- B2	Bush	

KNORR



ANDTECH No : 0810 10306
Org. Ref. No : K048396K50

Application : SB 6..., SB 7...

Description : Caliper Repair Kit

1- T3	Guide Pin Ø36x114mm
2- C2	Screw M16x1.5x87mm
3- T4	Guide Pin Ø32x80
4- C3	Screw M16x1.5x80mm
5- S2	Metal Cap
6- K8	O-Ring
7- K113	Metal-Rubber Bush (Short) (Ø35mm)
8- K9	Boot
9- P1	Teflon Ring
10- B2	Bush



ANDTECH No : 0810 10194
Org. Ref. No : K004100 - 3434381500
K010766 - 0004205082

Application : SK6...,SK 7..., SN 7...

Description : Caliper Repair Kit

1- T3	Guide Pin Ø36x114mm
2- C2	Screw M16x1.5x87mm
3- T7	Guide Pin Ø36x64mm
4- C8	Screw M16x1.5x70mm
5- B2	Bush
6- B16	Bush
7- K9	Boot
8- P1	Teflon Ring
9- S10	Metal Tap
10- S16	Metal Tap



ANDTECH No : 0810 10294
Org. Ref. No : K010813

Application : SB 7...

Description : Caliper Repair Kit

1- T3	Guide Pin Ø36x114mm
2- C2	Screw M16x1.5x87mm
3- T7	Guide Pin Ø36x64mm
4- C8	Screw M16x1.5x70mm
5- B2	Bush
6- B16	Bush
7- K9	Boot
8- P1	Teflon Ring
9- S16	Metal Tap
10- S2	Metal Cap
11- K8	O-Ring

KNORR

ANDTECH No :	0810 10195
Org. Ref. No :	
Application :	SB 7..., SK 6..., SK 7..., SN 7...
Description :	Caliper Repair Kit
1- T7	Guide Pin Ø36x64mm
2- C8	Screw M16x1,5x70mm
3- K9	Boot
4- P1	Teflon Ring
5- B16	Bush (Slotted)
6- S16	Metal Tap



ANDTECH No :	0810 10189
Org. Ref. No :	K001274
Application :	SB 5..., SN 5...
Description :	Caliper Repair Kit
1- T212	Guide Pin Ø36x103mm
2- C2	Screw M16x1,5x87mm
3- T4	Guide Pin Ø32x80mm
4- C3	Screw M16x1,5x80mm
5- K5	Metal-Rubber Bush (Long) (Ø39mm)
6- K9	Boot
7- P1	Teflon Ring
8- S1	Pin Cap
9- S10	Metal Tap
10- B12	Bush



ANDTECH No :	0810 10315
Org. Ref. No :	K001925 - 0004204382
Application :	SN 6..., SN 7..., SK 7...
Description :	Caliper Repair Kit
1- T212	Guide Pin Ø36x103mm
2- C2	Screw M16x1.5x87mm
3- T4	Guide Pin Ø32x80
4- C3	Screw M16x1.5x80mm
5- K7	Metal-Rubber Bush (Short) (Ø39mm)
6- K9	Boot
7- P1	Teflon Ring
8- S10	Metal Tap
9- B12	Bush



KNORR



ANDTECH No :	0810 10188
Org. Ref. No :	K001928-81508226026
Application :	SN 5...
Description :	Caliper Repair Kit
1- T199	Guide Pin Ø30x99mm
2- C44	Screw M16x1,5x105mm
3- T198	Guide Pin Ø30x72mm
4- C43	Screw M16x1,5x75mm
5- B34	Bush
6- B35	Bush
7- K14	Boot
8- P12	Ring (Plastic)
9- S60	Metal Tap



ANDTECH No :	0810 10209
Org. Ref. No :	
Application :	SB 7...
Description :	Caliper Repair Kit
1- T3	Guide Pin Ø36x114mm
2- C2	Screw M16x1,5x87mm
3- T6	Guide Pin Ø34x80mm
4- S2	Metal Cap
5- K8	O-Ring
6- B2	Bush



ANDTECH No :	0810 10214
Org. Ref. No :	
Application :	ALL SB ..., SN ..., SK ...
Description :	Caliper Repair Kit
1- T3	Guide Pin Ø36x114mm
2- C2	Screw M16x1,5x87mm
3- T4	Guide Pin Ø32x80mm
4- C3	Screw M16x1,5x80mm
5- K5	Metal-Rubber Bush (Long) (Ø39mm)
6- T56	Ring (Ø35mm)
7- S1	Pin Cap

KNORR

ANDTECH No :	0810 10210
Org. Ref. No :	K000696 - II310370066 0024200383 - 0980102970
Application :	SB 7..., SN 7...
Description :	Caliper Repair Kit
1- T3	Guide Pin Ø36x114mm
2- C2	Screw M16x1,5x87mm
3- B2	Bush
4- S2	Metal Cap
5- K8	O-Ring
6- K9	Boot
7- P1	Teflon Ring



ANDTECH No :	0810 10182
Org. Ref. No :	
Application :	SB 6..., SB 7..., SN 7...
Description :	Caliper Repair Kit
1- T6	Guide Pin Ø34X80mm
2- C2	Screw M16x1,5x87mm
3- K11	Rubber Bush
4- K9	Boot
5- P1	Teflon Ring
6- K10	Boot
7- S21	Clamp



ANDTECH No :	0810 10211
Org. Ref. No :	
Application :	SB 6..., SB 7...
Description :	Caliper Repair Kit
1- T4	Guide Pin Ø32x80mm
2- C3	Screw M16x1,5x80mm
3- K5	Metal-Rubber Bush (Long) (Ø39mm)
4- K9	Boot
5- P1	Teflon Ring
6- S10	Metal Tap
7- S1	Pin Cap
8- B2	Bush



KNORR



ANDTECH No :	0810 10212
Org. Ref. No :	
Application :	SN 6..., SN 7..., SK 7..., SL 7..., SM 7...
Description :	Caliper Repair Kit
1- T244	Guide Pin Ø32x88,5mm
2- C3	Screw M16x1,5x80mm
3- K5	Metal-Rubber Bush (Long) (Ø39mm)
4- K9	Boot
5- P1	Teflon Ring
6- S10	Metal Tap
7- B2	Bush




ANDTECH No :	0810 10196
Org. Ref. No :	K013007
Application :	SK 7..., SN 7...
Description :	Caliper Repair Kit
1- T3	Guide Pin Ø36x114mm
2- C2	Screw M16x1,5x87mm
3- T7	Guide Pin Ø36x64mm
4- C8	Screw M16x1,5x70mm
5- S18	Washer
6- T9	Detent Pin
7- K12	Rubber Cap (Ø38mm)
8- S19	Cotter Pin
9- T20	Calibration Loaf
10- S16	Metal Tap
11- S10	Metal Tap
12- S17	Pad Retainer (20mm)
13- P1	Teflon Ring




ANDTECH No :	0810 10295
Org. Ref. No :	K012912
Application :	
Description :	Caliper Repair Kit
1- T3	Guide Pin Ø36x114mm
2- C2	Screw M16x1.5x87mm
3- T4	Guide Pin Ø32x80
4- C3	Screw M16x1.5x80mm
5- S18	Washer
6- T9	Detent Pin
7- K12	Rubber Cap (Ø38mm)
8- S19	Cotter Pin
9- T20	Calibration Loaf
10- S10	Metal Tap
11- S17	Pad Retainer (20mm)
12- P1	Teflon Ring


KNORR


ANDTECH No :	0810 10296	
Org. Ref. No :	K060760	
Application :	SB 6..., SB 7...	
Description :	Caliper Repair Kit	
1- T3	Guide Pin Ø36x114mm	
2- C2	Screw M16x1.5x87mm	
3- T244	Guide Pin Ø32x88.5mm	
4- C3	Screw M16x1.5x80mm	
5- S2	Metal Cap	
6- K8	O-Ring	
7- S17	Pad Retainer (20mm)	
8- S18	Washer	
9- S19	Cotter Pin	
10- T20	Calibration Loaf	
11- T9	Detent Pin	
12- P1	Teflon Ring	
13- K12	Rubber Cap (Ø38mm)	


ANDTECH No :	0810 10297	
Org. Ref. No :	K006018	
Application :	SN 7...	
Description :	Caliper Repair Kit	
1- T3	Guide Pin Ø36x114mm	
2- C2	Screw M16x1.5x87mm	
3- T4	Guide Pin Ø32x80	
4- C3	Screw M16x1.5x80mm	
5- S97	Metal Tap	
6- S1	Pin Cap	
7- S17	Pad Retainer (20mm)	
8- S18	Washer	
9- S19	Cotter Pin	
10- T9	Detent Pin	
11- P1	Teflon Ring	
12- K12	Rubber Cap (Ø38mm)	

ANDTECH No :	0810 10298	
Org. Ref. No :	K048276	
Application :	SB 7...	
Description :	Caliper Repair Kit	
1- T3	Guide Pin Ø36x114mm	
2- C2	Screw M16x1.5x87mm	
3- T4	Guide Pin Ø32x80	
4- C3	Screw M16x1.5x80mm	
5- S2	Metal Cap	
6- K8	O-Ring	
7- S17	Pad Retainer (20mm)	
8- S18	Washer	
9- S19	Cotter Pin	
10- T20	Calibration Loaf	
11- T9	Detent Pin	
12- P1	Teflon Ring	
13- K12	Rubber Cap (Ø38mm)	

KNORR


	ANDTECH No :	0810 10299
	Org. Ref. No :	K048278
	Application :	SN 6...
	Description :	Caliper Repair Kit
	1- T3	Guide Pin Ø36x114mm
	2- C2	Screw M16x1.5x87mm
	3- T4	Guide Pin Ø32x80
	4- C3	Screw M16x1.5x80mm
	5- S97	Metal Tap
	6- S1	Pin Cap
	7- S17	Pad Retainer (20mm)
	8- S18	Washer
	9- S19	Cotter Pin
10- T20	Calibration Loaf	
11- T9	Detent Pin	
12- P1	Teflon Ring	
13- K12	Rubber Cap (Ø38mm)	

	ANDTECH No :	0810 10300
	Org. Ref. No :	K003459
	Application :	SK 7..., SN 7...
	Description :	Caliper Repair Kit
	1- T212	Guide Pin Ø36x103mm
	2- C2	Screw M16x1.5x87mm
	3- T4	Guide Pin Ø32x80
	4- C3	Screw M16x1.5x80mm
	5- S97	Metal Tap
	6- S92	Pad Retainer (25mm)
	7- S18	Washer
	8- S19	Cotter Pin
	9- T20	Calibration Loaf
10- T9	Detent Pin	
11- P1	Teflon Ring	
12- K12	Rubber Cap (Ø38mm)	

	ANDTECH No :	0810 10301
	Org. Ref. No :	K047473
	Application :	SB 7...
	Description :	Caliper Repair Kit
	1- T3	Guide Pin Ø36x114mm
	2- C2	Screw M16x1.5x87mm
	3- T244	Guide Pin Ø32x88.5mm
	4- C3	Screw M16x1.5x80mm
	5- S2	Metal Cap
	6- K8	O-Ring
	7- S17	Pad Retainer (20mm)
	8- S18	Washer
	9- S19	Cotter Pin
10- T20	Calibration Loaf	
11- T9	Detent Pin	
12- P1	Teflon Ring	

KNORR

ANDTECH No :	0810 10258
Org. Ref. No :	
Application :	SB 6..., SB 7...
Description :	Caliper Repair Kit
1- K3T2	Tappet and Boot (74mm)
2- B1	Bush
3- K4	Dust Cover
4- K9	Boot
5- P1	Teflon Ring
6- K10	Boot
7- S21	Clamp
8- K11	Rubber Bush
9- K12	Rubber Cap (Ø38mm)
10- K15	Rubber Tap
11- K111	Seal
12- K57	Cover Gasket
13- K77	Dust Cover
14- Y3	Bridge Spring



ANDTECH No :	0810 10308
Org. Ref. No :	
Application :	SN 6..., SN 7..., SK 7...
Description :	Caliper Repair Kit
1- K1T1	Tappet and Boot (69mm)
2- B1	Bush
3- K2	Dust Cover
4- B2	Bush
5- K11	Rubber Bush
6- K9	Boot
7- P1	Teflon Ring
8- K10	Boot
9- S21	Clamp
10- S2	Metal Cap
11- K8	O-Ring
12- S1	Pin Cap
13- K12	Rubber Cap (Ø38mm)



ANDTECH No :	0810 10229
Org. Ref. No :	
Application :	SB 6..., SB 7...
Description :	Caliper Repair Kit
1- K3T2	Tappet and Boot (74mm)
2- K4	Dust Cover
3- B1	Bush
4- S1	Pin Cap
5- K12	Rubber Cap (Ø38mm)
6- K9	Boot
7- K10	Boot
8- S2	Metal Cap
9- P1	Teflon Ring
10- S21	Clamp
11- K8	O-Ring
12- K11	Rubber Bush
13- B2	Bush



KNORR



ANDTECH No : 0810 10257

Org. Ref. No :

Application : SN ...

Description : Caliper Repair Kit

1- K1T1 Tappet and Boot (69mm)

2- B1 Bush

3- K11 Rubber Bush

4- K9 Boot

5- P1 Teflon Ring

6- K10 Boot

7- S21 Clamp



ANDTECH No : 0810 10309

Org. Ref. No :

Application : SB ...

Description : Caliper Repair Kit

1- K3T2 Tappet and Boot (74mm)

2- B1 Bush

3- K9 Boot

4- P1 Teflon Ring

5- K10 Boot

6- S21 Clamp

7- K11 Rubber Bush



ANDTECH No : 0810 10213

Org. Ref. No :

Application : SN 5...

Description : Caliper Repair Kit

1- K1T124 Tappet and Boot (69mm)

2- K112 Dust Cover

3- B1 Bush

4- K10 Boot

5- K11 Rubber Bush

6- S21 Clamp

7- K9 Boot

8- P1 Teflon Ring

KNORR

ANDTECH No :	0810 10186
Org. Ref. No :	II368470064-II339830064 - 1448910
Application :	SB 5..., SB 6..., SB 7...
Description :	Caliper Repair Kit
1- T6	Guide Pin Ø34x80mm
2- C2	Screw M16x1,5x87mm
3- K11	Rubber Bush



ANDTECH No :	0810 10187
Org. Ref. No :	
Application :	SB 5..., SB 6..., SB 7...
Description :	Caliper Repair Kit
1- T6	Guide Pin Ø34x80mm
2- K11	Rubber Bush



ANDTECH No :	0810 10215
Org. Ref. No :	K000697
Application :	ALL SB ..., SN ..., SK ...
Description :	Caliper Repair Kit
1- T4	Guide Pin Ø32x80mm
2- C3	Screw M16x1,5x80mm
3- K5	Metal-Rubber Bush (Long) (Ø39mm)
4- S1	Pin Cap



ANDTECH No :	0810 10216
Org. Ref. No :	
Application :	ALL SB ..., SN ..., SK ..., SL ..., SM ...
Description :	Caliper Repair Kit (New Model)
1- T244	Guide Pin Ø32x88,50mm
2- C3	Screw M16x1,5x80mm
3- K5	Metal-Rubber Bush (Long) (Ø39mm)



KNORR



ANDTECH No : 0810 10217

Org. Ref. No : K000698

Application : SB ...

Description : Caliper Repair Kit

1- T4 Guide Pin Ø32x80mm

2- C3 Screw M16x1,5x80mm

3- K6 Metal-Rubber Bush (Long) (Ø35mm)

4- S1 Pin Cap



ANDTECH No : 0810 10218

Org. Ref. No :

Application : SB ...

Description : Caliper Repair Kit (New Model)

1- T244 Guide Pin Ø32x88,50mm

2- C3 Screw M16x1,5x80mm

3- K6 Metal-Rubber Bush (Long) (Ø35mm)



ANDTECH No : 0810 10219

Org. Ref. No :

Application : ALL SB ..., SN ..., SK ...

Description : Caliper Repair Kit

1- T4 Guide Pin Ø32x80mm

2- K5 Metal-Rubber Bush (Long) (Ø39mm)

3- S1 Pin Cap



ANDTECH No : 0810 10220

Org. Ref. No :

Application : ALL SB ..., SN ..., SK ..., SL ..., SM ...

Description : Caliper Repair Kit (New Model)

1- T244 Guide Pin Ø32x88,50mm

2- K5 Metal-Rubber Bush (Long) (Ø39mm)

KNORR

ANDTECH No :	0810 10221
Org. Ref. No :	
Application :	SB ...
Description :	Caliper Repair Kit
1- T4	Guide Pin Ø32x80mm
2- K6	Metal-Rubber Bush (Long) (Ø35mm)
3- S1	Pin Cap



ANDTECH No :	0810 10222
Org. Ref. No :	
Application :	SB ...
Description :	Caliper Repair Kit (New Model)
1- T244	Guide Pin Ø32x88,50mm
2- K6	Metal-Rubber Bush (Long) (Ø35mm)



ANDTECH No :	0810 10223
Org. Ref. No :	
Application :	SN 6..., SN 7...
Description :	Caliper Repair Kit
1- T4	Guide Pin Ø32x80mm
2- C3	Screw M16x1,5x80mm
3- K7	Metal-Rubber Bush (Short) (Ø39mm)



ANDTECH No :	0810 10224
Org. Ref. No :	
Application :	SN 6..., SN 7...
Description :	Caliper Repair Kit
1- T4	Guide Pin Ø32x80mm
2- K7	Metal-Rubber Bush (Short) (Ø39mm)



KNORR



ANDTECH No : 0810 10302

Org. Ref. No :

Application : SB 6..., SB 7...

Description : Caliper Repair Kit

1- T4 Guide Pin Ø32x80mm

2- C3 Screw M16x1,5x80mm

3- K113 Metal-Rubber Bush (Short) (Ø35mm)



ANDTECH No : 0810 10326

Org. Ref. No :

Application : SB 6..., SB 7...

Description : Caliper Repair Kit

1- T4 Guide Pin Ø32x80mm

2- K113 Metal-Rubber Bush (Short) (Ø35mm)



ANDTECH No : 0810 10225

Org. Ref. No :

Application : ALL SB ..., SN ..., SK ..., SL ..., SM ...

Description : Caliper Metal-Rubber Bush

1- K5 Metal-Rubber Bush (Long) (Ø39mm)



ANDTECH No : 0810 10226

Org. Ref. No :

Application : SB ...

Description : Caliper Metal-Rubber Bush

1- K6 Metal-Rubber Bush (Long) (Ø39mm)

KNORR

ANDTECH No :	0810 10227
Org. Ref. No :	
Application :	SN ...
Description :	Caliper Metal-Rubber Bush
1- K7	Metal-Rubber Bush (Short) (Ø39mm)



ANDTECH No :	0810 10307
Org. Ref. No :	
Application :	SB 6..., SB 7...
Description :	Caliper Metal-Rubber Bush
1- K113	Metal-Rubber Bush (Short) (Ø35mm)



ANDTECH No :	0810 10228
Org. Ref. No :	
Application :	SB 6..., SB 7...
Description :	Caliper Metal-Rubber Bush
1- K39	Metal-Rubber Bush (Short)



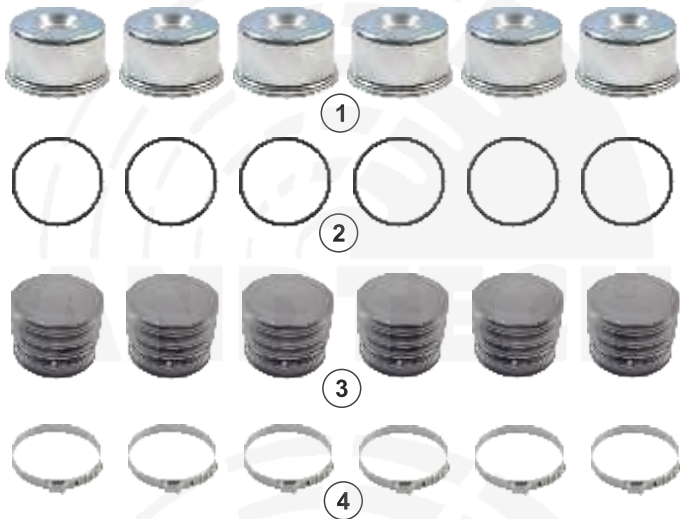
ANDTECH No :	0810 10237
Org. Ref. No :	
Application :	ALL SB, SN, SK, SL, SM
Description :	Caliper Lever Bearing
1- S20	Lever Bearing



KNORR



ANDTECH No :	0810 10260
Org. Ref. No :	
Application :	SB 6..., SB 7..., SN 6..., SN 7...
Description :	Caliper Lever Bearing Kit
1- T200	Lever Pin
2- S20	Lever Bearing
3- S61	Metal Sheet



ANDTECH No :	0810 10230
Org. Ref. No :	K001301 - 81508226025
Application :	SB 7..., SN 7...
Description :	Caliper Boot and Metal Cap Repair Kit
1- S2	Metal Cap
2- K8	O-Ring
3- K10	Boot
4- S21	Clamp



ANDTECH No :	0810 10231
Org. Ref. No :	II39769F0063
Application :	SB 7..., SN 7...
Description :	Caliper Metal Cap Kit
1- S2	Metal Cap
2- K8	O-Ring



ANDTECH No :	0810 10351
Org. Ref. No :	
Application :	SN 6..., SN 7..., SK 7..., SB7
Description :	Caliper Repair Kit
1- S10	Metal Tap
2- S16	Metal Tap

KNORR

ANDTECH No :	0810 10232
Org. Ref. No :	K000945 - II17934004 81508226024 - 14394993
Application :	ALL SB, SN, SK, SL, SM
Description :	Caliper Adjusting Mechanism Cap Set
1- K12	Rubber Cap (Ø38mm)
2- K15	Rubber Tap
3- T20	Calibration Loaf



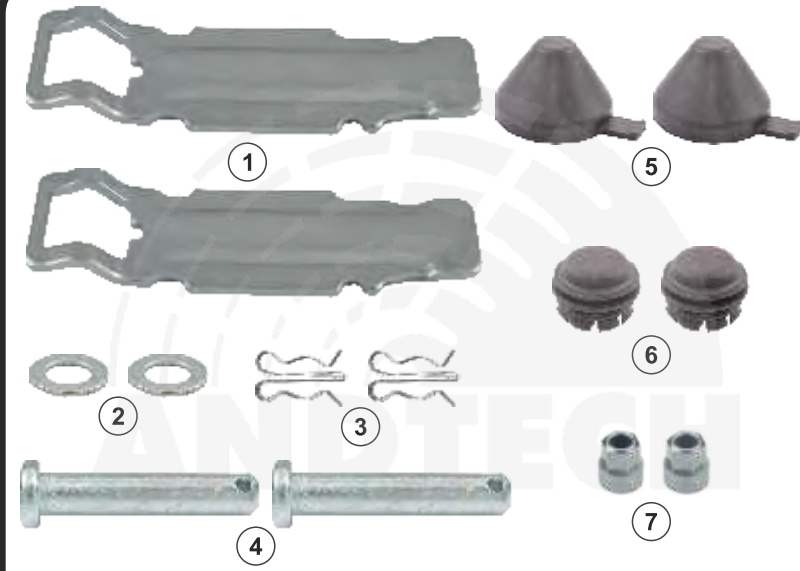
ANDTECH No :	0810 10233
Org. Ref. No :	K000029 - 0004234687 - 81508226021
Application :	ALL SB, SN, SK, SL, SM
Description :	Caliper Adjusting Mechanism Cap Set
1- K12	Rubber Cap (Ø38mm)
2- T20	Calibration Loaf



ANDTECH No :	0810 10234
Org. Ref. No :	K003902
Application :	SN 6..., SN 7..., SK 7...
Description :	Caliper Adjusting Mechanism Cap Set
1- K13	Rubber Cap (Ø35mm)
2- T20	Calibration Loaf



KNORR



ANDTECH No : 0810 10310

Org. Ref. No :

Application : SB7..., SN7...

Description : Caliper Pad Retainer Repair Kit

1- S17 Pad Retainer (20mm)

2- S18 Washer

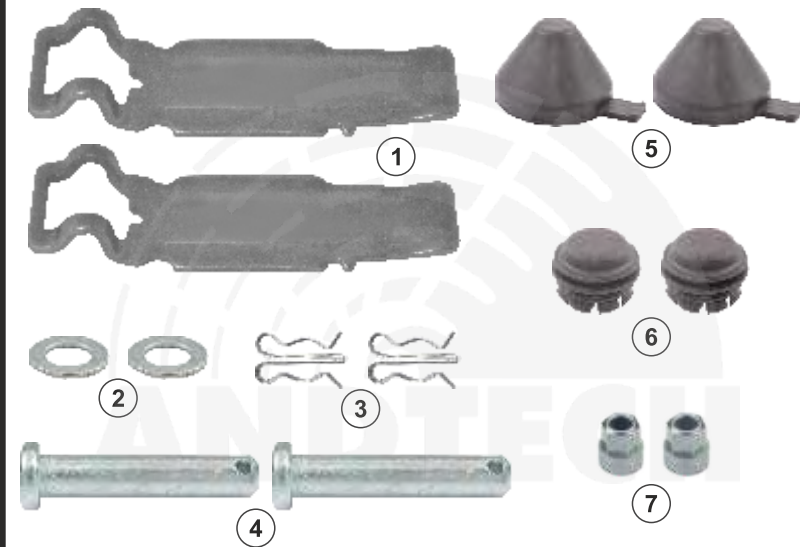
3- S19 Cotter Pin

4- T9 Detent Pin

5- K12 Rubber Cap (Ø38mm)

6- K15 Rubber Tap

7- T20 Calibration Loaf



ANDTECH No : 0810 10355

Org. Ref. No :

Application : SB7..., SN7...

Description : Caliper Pad Retainer Repair Kit

1- S92 Pad Retainer (25mm)

2- S18 Washer

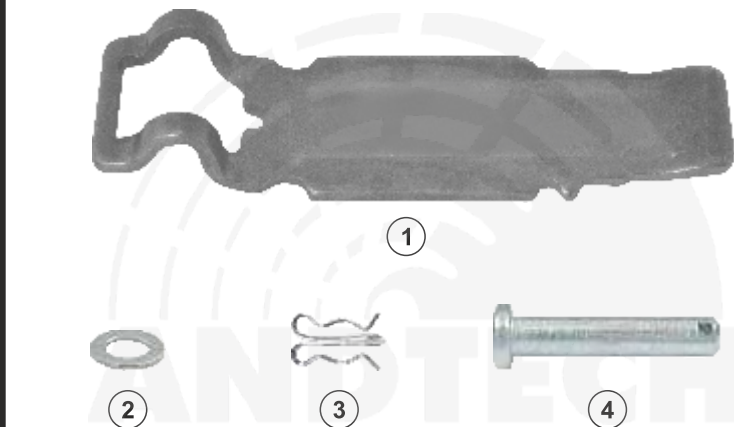
3- S19 Cotter Pin

4- T9 Detent Pin

5- K12 Rubber Cap (Ø38mm)

6- K15 Rubber Tap

7- T20 Calibration Loaf



ANDTECH No : 0810 10311

Org. Ref. No : K000133

Application : SN5..., SB6..., SN6..., SK 7...

Description : Caliper Pad Retainer Repair Kit

1- S92 Pad Retainer (25mm)

2- S18 Washer

3- S19 Cotter Pin

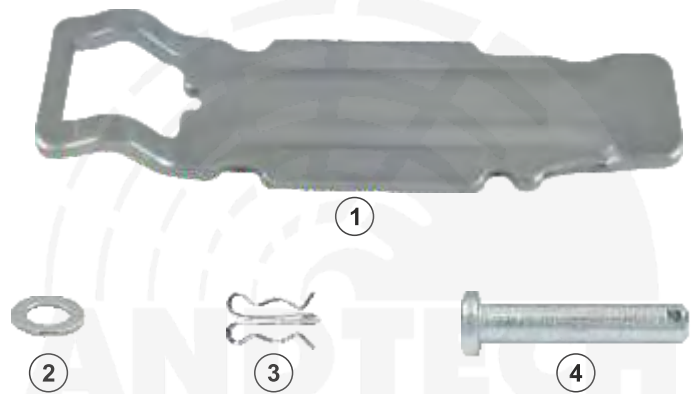
4- T9 Detent Pin

KNORR

ANDTECH No :	0810 10235
Org. Ref. No :	
Application :	ALL SB, SN, SK, SL, SM
Description :	Caliper Pad Retainer Repair Kit
1- K12	Rubber Cap (Ø38mm)
2- S18	Washer
3- S19	Cotter Pin
4- T9	Detent Pin
5- K15	Rubber Tap
6- T20	Calibration Loaf



ANDTECH No :	0810 10236
Org. Ref. No :	II19712004 - K000129 6274200186 - 0004202482
Application :	SB7..., SN7...
Description :	Caliper Pad Retainer Repair Kit
1- S17	Pad Retainer (20mm)
2- S18	Washer
3- S19	Cotter Pin
4- T9	Detent Pin



ANDTECH No :	0810 10312
Org. Ref. No :	II40929F
Application :	SN 6..., SN 7...
Description :	Caliper Repair Kit
1- T9	Detent Pin
2- S18	Washer
3- S19	Cotter Pin
4- T20	Calibration Loaf
5- S1	Pin Cap
6- K12	Rubber Cap (Ø38mm)
7- P1	Teflon Ring



ANDTECH No :	0810 10313
Org. Ref. No :	II40699F
Application :	SB 6..., SB 7..., SN 6...
Description :	Caliper Repair Kit
1- T9	Detent Pin
2- S18	Washer
3- S19	Cotter Pin
4- T20	Calibration Loaf
5- K8	O-Ring
6- K12	Rubber Cap (Ø38mm)
7- P1	Teflon Ring



KNORR



ANDTECH No : 0810 10314

Org. Ref. No : II40875F

Application : SN 6...

Description : Caliper Repair Kit

1- T9 Detent Pin

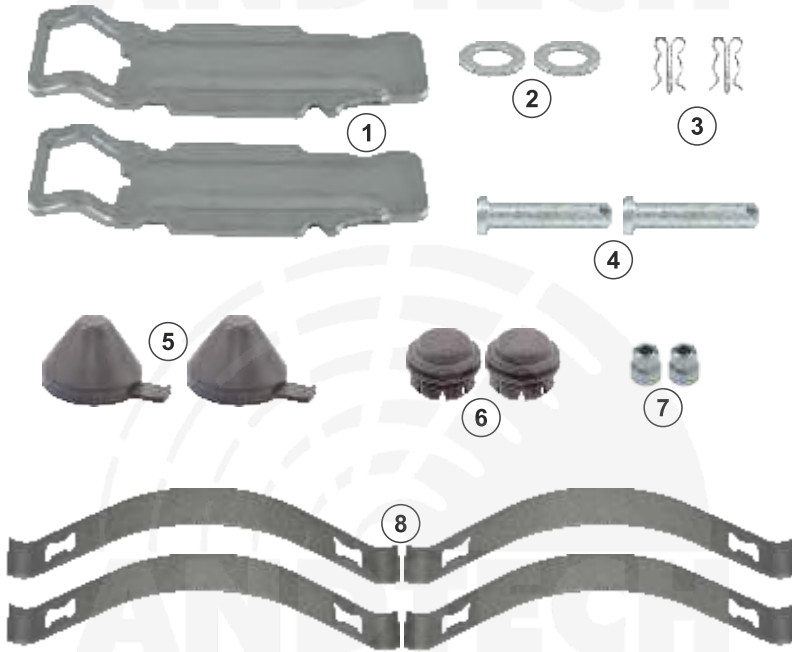
2- S18 Washer

3- S19 Cotter Pin

4- T20 Calibration Loaf

5- K12 Rubber Cap (Ø38mm)

6- P1 Teflon Ring



ANDTECH No : 0810 10347

Org. Ref. No : WVA 29115 - 29116 - 29148

Application : SB7..., SN7...

Description : Caliper Pad Retainer Repair Kit

1- S17 Pad Retainer (20mm)

2- S18 Washer

3- S19 Cotter Pin

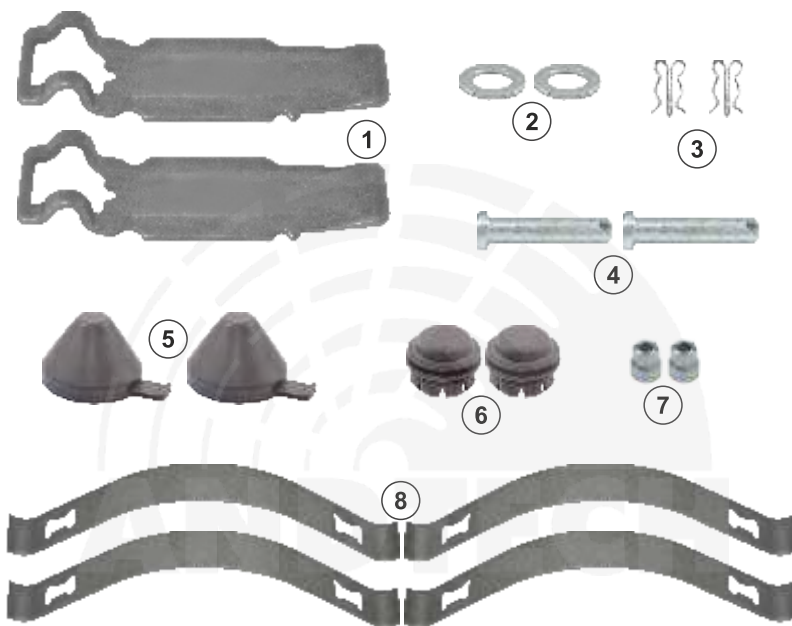
4- T9 Detent Pin

5- K12 Rubber Cap (Ø38mm)

6- K15 Rubber Tap

7- T20 Calibration Loaf

8- S164 Retention Spring



ANDTECH No : 0810 10356

Org. Ref. No : WVA 29087

Application : SB7..., SN7...

Description : Caliper Pad Retainer Repair Kit

1- S92 Pad Retainer (25mm)

2- S18 Washer

3- S19 Cotter Pin

4- T9 Detent Pin

5- K12 Rubber Cap (Ø38mm)

6- K15 Rubber Tap

7- T20 Calibration Loaf

8- S164 Retention Spring

KNORR

ANDTECH No :	0810 10316
Org. Ref. No :	K047474
Application :	SB 7...
Description :	Caliper Repair Kit
1- T9	Detent Pin
2- S18	Washer
3- S19	Cotter Pin
4- K8	O-Ring
5- P1	Teflon Ring



ANDTECH No :	0810 10241
Org. Ref. No :	
Application :	ALL SB, SN, SK, SL, SM
Description :	Cap and Tap Repair Kit
1- K12	Rubber Cap (Ø38mm)
2- K13	Rubber Cap (Ø35mm)
3- K15	Rubber Tap
4- T20	Calibration Loaf



ANDTECH No :	0810 10183
Org. Ref. No :	
Application :	SB 6..., SB 7..., SN 7...
Description :	Caliper Repair Kit
1- K10	Boot
2- K11	Rubber Bush
3- K9	Boot
4- S21	Clamp
5- P1	Teflon Ring



ANDTECH No :	0810 10242
Org. Ref. No :	
Application :	SB..., SN...,
Description :	Caliper Repair Kit
1- K9	Boot
2- P1	Teflon Ring
3- K10	Boot
4- S21	Clamp



KNORR



ANDTECH No :	0810 10243
Org. Ref. No :	II328090061
Application :	SB..., SN...,
Description :	Caliper Repair Kit
1- K9	Boot
2- P1	Teflon Ring
3- K10	Boot
4- S21	Clamp
5- K12	Rubber Cap (Ø38mm)



ANDTECH No :	0810 10184
Org. Ref. No :	
Application :	SB 6..., SB 7...
Description :	Caliper Repair Kit
1- K10	Boot
2- S2	Metal Cap
3- S21	Clamp
4- K8	O-Ring



ANDTECH No :	0810 10318
Org. Ref. No :	II350470063
Application :	SB...
Description :	Caliper Repair Kit
1- K10	Boot
2- S21	Clamp



ANDTECH No :	0810 10322
Org. Ref. No :	K561521
Application :	SB 7...
Description :	Caliper Repair Kit
1- K56	Boot
2- S21	Clamp

KNORR

ANDTECH No :	0810 10292
Org. Ref. No :	
Application :	SB7...
Description :	Caliper Repair Kit
1- P19	Rubber Tap
2- S21	Clamp



ANDTECH No :	0810 10185
Org. Ref. No :	
Application :	SB ...,
Description :	Caliper Repair Kit
1- S2	Metal Cap
2- K8	O-Ring
3- K9	Boot
4- P1	Teflon Ring



ANDTECH No :	0810 10244
Org. Ref. No :	Z004357
Application :	ALL SB, SN, SK, SL, SM
Description :	Caliper Repair Kit
1- K9	Boot
2- P1	Teflon Ring



ANDTECH No :	0810 10248
Org. Ref. No :	
Application :	SB ..., SN ...
Description :	Caliper Dust Cover
1- K77	Dust Cover



KNORR



ANDTECH No : 0810 10249

Org. Ref. No :

Application : SB ..., SN ...

Description : Caliper Rubber Tap

1- K106 Rubber Tap



ANDTECH No : 0810 10250

Org. Ref. No :

Application :

Description : Caliper Seal

1- K108 Seal (Ø42mm)



ANDTECH No : 0810 10251

Org. Ref. No :

Application :

Description : Caliper Seal

1- K109 Seal (Ø45mm)



ANDTECH No : 0810 10240

Org. Ref. No :

Application : SB 6..., SB 7...

Description : Caliper Metal Tap

1- S10 Metal Tap Ø40x11mm

KNORR

ANDTECH No :	0810 10317
Org. Ref. No :	
Application :	SK 7..., SN 7...
Description :	Caliper Metal Tap
1- S97	Metal Tap Ø40x14mm



ANDTECH

ANDTECH No :	0810 10254
Org. Ref. No :	K001273
Application :	SB 7..., SN 7... ZF Axle, MERCEDES - BMC Bus
Description :	Caliper Carrier Front
1- T246	Carrier 22.5"



ANDTECH

ANDTECH No :	0810 10255
Org. Ref. No :	K001529 - K001530
Application :	SB 7..., SN 7... ZF Axle, MERCEDES - BMC Bus
Description :	Caliper Carrier (Rear-Right/Left)
1- T247	Carrier 22.5"



ANDTECH

ANDTECH No :	0810 10327
Org. Ref. No :	K000027 - 0004230606
Application :	MERCEDES AXOR
Description :	Caliper Carrier
1- T308	Carrier 22.5"



ANDTECH

KNORR



ANDTECH No :	0810 10328
Org. Ref. No :	K000026
Application :	SN 7... MERCEDES ACTROS - AXOR
Description :	Caliper Carrier (Front)
1- T307	Carrier 22.5"



ANDTECH No :	0810 10329
Org. Ref. No :	K052379 - 0004231006
Application :	SL 7..., SM 7... MERCEDES ACTROS - AXOR
Description :	Caliper Carrier (Rear)
1- T306	Carrier 19.5"



ANDTECH No :	0810 10330
Org. Ref. No :	K001926 - 0004213106
Application :	SN 6... MERCEDES ATEGO
Description :	Caliper Carrier
1- T305	Carrier 19.5"



ANDTECH No :	0810 10331
Org. Ref. No :	K001927
Application :	SN 5... MERCEDES ATEGO
Description :	Caliper Carrier
1- T302	Carrier 17.5"

KNORR

ANDTECH No :	0810 10332
Org. Ref. No :	K001278
Application :	SB 7..., SN 7... MAN TGA - ZF Axle (Front-Rear)
Description :	Caliper Carrier
1- T309	Carrier 22.5"



ANDTECH No :	0810 10333
Org. Ref. No :	K005606
Application :	SN 5... MAN 12.180
Description :	Caliper Carrier
1- T303	Carrier 17.5"



ANDTECH No :	0810 10334
Org. Ref. No :	K010765
Application :	SB 7..., SN 7... SCANIA
Description :	Caliper Carrier
1- T312	Carrier 22.5"



ANDTECH No :	0810 10335
Org. Ref. No :	K001510
Application :	SB 7..., SN 7... IVECO
Description :	Caliper Carrier
1- T311	Carrier 22.5"



KNORR



ANDTECH No : 0810 10336
Org. Ref. No : K011479 - 1689314

Application : SB 7..., SN 7... DAF

Description : Caliper Carrier
1- T310 Carrier 22.5"



ANDTECH No : 0810 10337
Org. Ref. No :

Application : SAF

Description : Caliper Carrier
1- T304 Carrier 19.5"



ANDTECH No : 0810 10338
Org. Ref. No : K004680 - 01.303.88.57.0

Application : BPW

Description : Caliper Carrier
1- T313 Carrier 22.5"



ANDTECH No : 0810 10339
Org. Ref. No : 01.303.88.56.0

Application : BPW

Description : Caliper Carrier
1- T314 Carrier 19.5"

KNORR

ANDTECH No :	0810 10340
Org. Ref. No :	K002979-K001105-K000690
Application :	BPW
Description :	Caliper Carrier
1- T315	Carrier 19.5"



ANDTECH No :	0810 10341
Org. Ref. No :	
Application :	BPW
Description :	Caliper Carrier
1- T316	Carrier 19.5"



ANDTECH No :	0810 10342
Org. Ref. No :	
Application :	BPW
Description :	Caliper Carrier
1- T317	Carrier 19.5"



ANDTECH No :	0810 10357
Org. Ref. No :	K046498
Application :	SM 7...
Description :	Caliper Carrier
1- T395	Carrier 22.5"





MERITOR



ANDTECH No :	0810 20306
Org. Ref. No :	
Application :	DX195
Description :	Caliper Complete Overhaul Repair Kit (Left)

MERITOR


www.andacotomotiv.com



ANDTECH No :	0810 20307
Org. Ref. No :	
Application :	DX195
Description :	Caliper Complete Overhaul Repair Kit (Right)

MERITOR

ANDTECH No :	0810 20123	
Org. Ref. No :		
Application :	DX 195	
Description :	Caliper Repair Kit	
1- K87	Boot	
2- K88	Dust Cover	
3- K89	Boot	
4- S14	Metal Tap	
5- T77	Guide Pin Ø32x97mm	
6- T173	Guide Pin Ø32x97mm	
7- C3	Screw M16x1,5x80mm	
8- C34	Screw M16x1,5x55mm	
9- B10	Bush	
10- K90	Dust Cover	
11- C35	Screw M10x20mm	
12- C36	Screw M12x30mm	
13- C37	Screw M12x30mm FT	
14- C38	Screw M8x20mm	
15- CN3	Gasket	
16- T153	Detent Pin	
17- S63	Cotter Pin	
18- C39	Screw	
19- S62	Washer	
20- T146	Detent Pin	
21- S33	Cotter Pin	
22- S64	Metal Shim	

ANDTECH No :	0810 20124	
Org. Ref. No :	MCK1261	
Application :	DX 225	
Description :	Caliper Repair Kit	
1- K87	Boot	
2- K88	Dust Cover	
3- K114	Boot	
4- S14	Metal Tap	
5- T137	Guide Pin Ø32x93,5mm	
6- T138	Guide Pin Ø32x93,5mm	
7- C3	Screw M16x1,5x80mm	
8- C34	Screw M16x1,5x55mm	
9- B10	Bush	
10- K90	Dust Cover	
11- C35	Screw M10x20mm	
12- C36	Screw M12x30mm	
13- C37	Screw M12x30mm FT	
14- C38	Screw M8x20mm	
15- CN3	Gasket	
16- T153	Detent Pin	
17- S63	Cotter Pin	
18- C39	Screw	
19- S62	Washer	
20- T146	Detent Pin	
21- S33	Cotter Pin	
22- S64	Metal Shim	

MERITOR



ANDTECH No : 0810 20102

Org. Ref. No :

Application : DX 195

Description : Caliper Repair Kit

1- K87	Boot
2- K88	Dust Cover
3- K89	Boot
4- S14	Metal Tap
5- T77	Guide Pin Ø32x97mm
6- T173	Guide Pin Ø32x97mm
7- C3	Screw M16x1,5x80mm
8- C34	Screw M16x1,5x55mm
9- B10	Bush
10- K90	Dust Cover
11- C35	Screw M10x20mm
12- C36	Screw M12x30mm
13- C37	Screw M12x30mm FT
14- C38	Screw M8x20mm
15- S62	Washer
16- C39	Screw
17- CN3	Gasket



ANDTECH No : 0810 20351

Org. Ref. No : MCK1171

Application : DX 195

Description : Caliper Repair Kit

1- K87	Boot
2- K88	Dust Cover
3- K89	Boot
4- S14	Metal Tap
5- T77	Guide Pin Ø32x97mm
6- T173	Guide Pin Ø32x97mm
7- C3	Screw M16x1,5x80mm
8- C34	Screw M16x1,5x55mm
9- B10	Bush
10- S90	Pin
11- T146	Detent Pin
12- S33	Cotter Pin
13- C39	Screw
14- S62	Washer
15- C35	Screw M10x20mm

MERITOR

ANDTECH No :	0810 20367
Org. Ref. No :	
Application :	DX 225
Description :	Caliper Repair Kit
1- K87	Boot
2- K88	Dust Cover
3- K114	Boot
4- S14	Metal Tap
5- T137	Guide Pin Ø32x93.5mm
6- T138	Guide Pin Ø32x93.5mm
7- C3	Screw M16x1,5x80mm
8- C34	Screw M16x1,5x55mm
9- B10	Bush
10- S90	Pin
11- T146	Detent Pin
12- S33	Cotter Pin
13- C39	Screw
14- S62	Washer
15- C35	Screw M10x20mm



ANDTECH No :	0810 20354
Org. Ref. No :	DSB7
Application :	DX 195
Description :	Caliper Repair Kit
1- K89	Boot
2- S14	Metal Tap
3- T77	Guide Pin Ø32x97mm
4- C3	Screw M16x1,5x80mm
5- T173	Guide Pin Ø32x97mm
6- C34	Screw M16x1,5x55mm
7- B10	Bush
8- C39	Screw
9- S62	Washer
10- T146	Detent Pin
11- S33	Cotter Pin



ANDTECH No :	0810 20355
Org. Ref. No :	
Application :	DX 225
Description :	Caliper Repair Kit
1- K114	Boot
2- S14	Metal Tap
3- T137	Guide Pin Ø32x93.5mm
4- C3	Screw M16x1,5x80mm
5- T138	Guide Pin Ø32x93.5mm
6- C34	Screw M16x1,5x55mm
7- B10	Bush
8- C39	Screw
9- S62	Washer
10- T146	Detent Pin
11- S33	Cotter Pin



MERITOR



ANDTECH No : 0810 20299

Org. Ref. No :

Application : DX195

Description : Caliper Repair Kit

1- T77 Guide Pin Ø32x97mm

2- C3 Screw M16x1.5x80mm

3- T173 Guide Pin Ø32x97mm

4- C34 Screw M16x1,5x55mm

5- B10 Bush

6- S14 Metal Tap



ANDTECH No : 0810 20300

Org. Ref. No :

Application : DX 225

Description : Caliper Repair Kit

1- T137 Guide Pin Ø32X93.5mm

2- C3 Screw M16x1.5x80mm

3- T138 Guide Pin Ø32x93.5mm

4- C34 Screw M16x1,5x55mm

5- B10 Bush

6- S14 Metal Tap



ANDTECH No : 0810 20105

Org. Ref. No :

Application : DX 195

Description : Caliper Repair Kit

1- K87 Boot

2- K88 Dust Cover

3- K89 Boot

4- S14 Metal Tap

5- C36 Screw M12x30mm

6- C37 Screw M12x30mm FT

7- C35 Screw M10x20mm

8- C38 Screw M8x20mm

MERITOR

ANDTECH No :	0810 20350
Org. Ref. No :	
Application :	DX 225
Description :	Caliper Repair Kit
1- K87	Boot
2- K88	Dust Cover
3- K114	Boot
4- S14	Metal Tap
5- C36	Screw M12x30mm
6- C37	Screw M12x30mm FT
7- C35	Screw M10x20mm
8- C38	Screw M8x20mm



ANDTECH No :	0810 20353
Org. Ref. No :	DSB104
Application :	DX 195
Description :	Caliper Repair Kit
1- K87	Boot
2- K88	Dust Cover
3- K89	Boot
4- S14	Metal Tap
5- K90	Dust Cover
6- C35	Screw M10x20mm
7- C36	Screw M12x30mm
8- C37	Screw M12x30mm FT
9- C38	Screw M8x20mm
10- CN3	Gasket
11- C39	Screw
12- S62	Washer
13- K52	Seal



ANDTECH No :	0810 20101
Org. Ref. No :	MCK1192
Application :	DX 195
Description :	Caliper Repair Kit
1- K87	Boot
2- K88	Dust Cover
3- K89	Boot
4- S14	Metal Tap
5- C3	Screw M16x1,5x80mm
6- C34	Screw M16x1,5x55mm



MERITOR



ANDTECH No : 0810 20348

Org. Ref. No :

Application : DX 225

Description : Caliper Repair Kit

1- K87 Boot

2- K88 Dust Cover

3- K114 Boot

4- S14 Metal Tap

5- C3 Screw M16x1,5x80mm

6- C34 Screw M16X1,5x55mm



ANDTECH No : 0810 20103

Org. Ref. No :

Application : DX 195

Description : Caliper Repair Kit

K87 Boot

K88 Dust Cover

K89 Boot



ANDTECH No : 0810 20349

Org. Ref. No :

Application : DX 225

Description : Caliper Repair Kit

K87 Boot

K88 Dust Cover

K114 Boot

MERITOR

ANDTECH No :	0810 20121
Org. Ref. No :	MCK1293 - DSB6R
Application :	DX 195
Description :	Caliper Repair Kit (Right)
1- T177	Bridge
2- T183	Push Plate
3- T129	Bush
4- T178	Guide Pin
5- T180	Gear
6- T184	Screw
7- C35	Screw M10x20mm
8- S50	Wavy Washer
9- SK3	Snap Ring
10- S90	Pin
11- S39	Metal Tap
12- K87	Boot
13- K88	Dust Cover



ANDTECH No :	0810 20122
Org. Ref. No :	MCK1292 - DSB6L
Application :	DX 195
Description :	Caliper Repair Kit (Left)
1- T177	Bridge
2- T183	Push Plate
3- T129	Bush
4- T182	Guide Pin
5- T180	Gear
6- T185	Screw
7- C35	Screw M10x20mm
8- S50	Wavy Washer
9- SK3	Snap Ring
10- S90	Pin
11- S39	Metal Tap
12- K87	Boot
13- K88	Dust Cover



MERITOR



ANDTECH No : 0810 20372

Org. Ref. No :

Application : DX 225

Description : Caliper Repair Kit (Right)

1- T177	Bridge
2- T241	Push Plate
3- T129	Bush
4- T178	Guide Pin
5- T180	Gear
6- T184	Screw
7- C35	Screw M10x20mm
8- S50	Wavy Washer
9- SK3	Snap Ring
10- S90	Pin
11- S39	Metal Tap
12- K87	Boot
13- K88	Dust Cover



ANDTECH No : 0810 20373

Org. Ref. No :

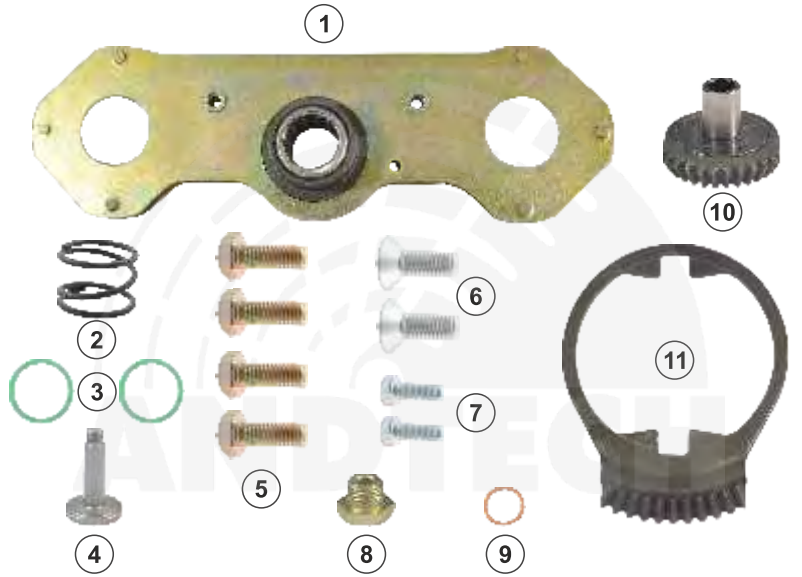
Application : DX 225

Description : Caliper Repair Kit (Left)

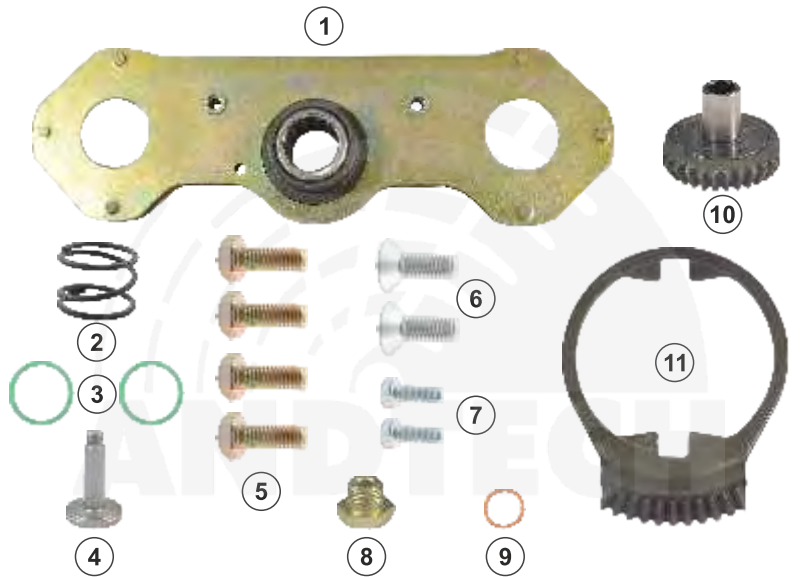
1- T177	Bridge
2- T241	Push Plate
3- T129	Bush
4- T182	Guide Pin
5- T180	Gear
6- T185	Screw
7- C35	Screw M10x20mm
8- S50	Wavy Washer
9- SK3	Snap Ring
10- S90	Pin
11- S39	Metal Tap
12- K87	Boot
13- K88	Dust Cover

MERITOR

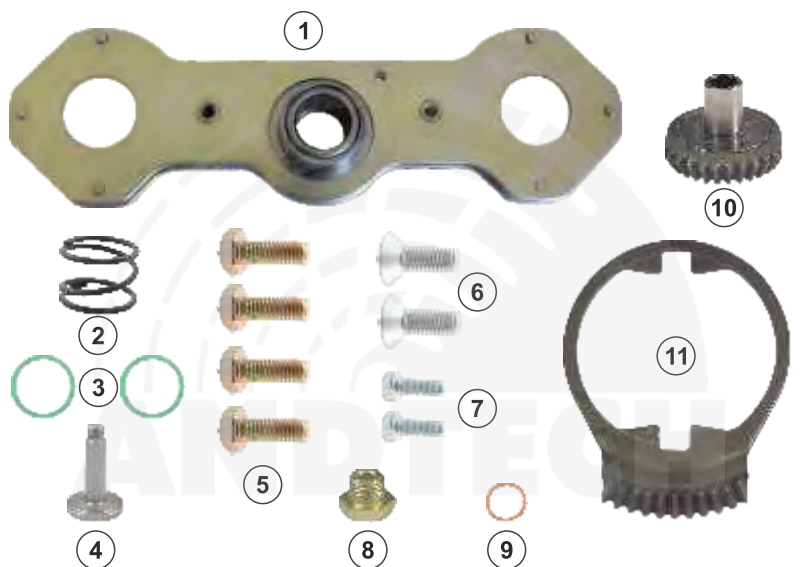
ANDTECH No :	0810 20119
Org. Ref. No :	MCK1291 - DSL5R
Application :	DX 195
Description :	Caliper Mechanism Repair Kit (Right)
1- T186	Mechanism
2- Y20	Spring
3- K92	Seal
4- T187	Pin
5- C36	Screw M12x30mm
6- C37	Screw M12x30mm FT
7- C38	Screw M8x20mm
8- C39	Screw
9- S62	Washer
10- T181	Gear
11- T179	Center Gear



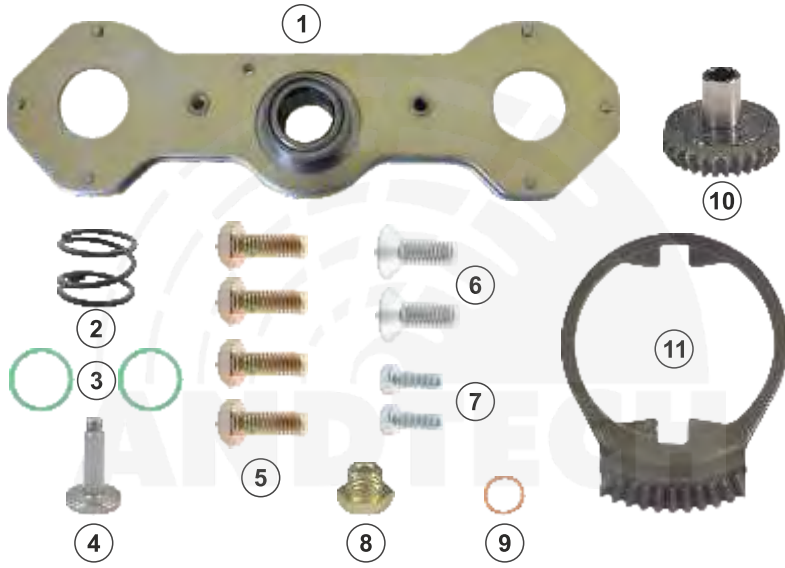
ANDTECH No :	0810 20120
Org. Ref. No :	MCK1290 - DSL5L
Application :	DX 195
Description :	Caliper Mechanism Repair Kit (Left)
1- T192	Mechanism
2- Y20	Spring
3- K92	Seal
4- T187	Pin
5- C36	Screw M12x30mm
6- C37	Screw M12x30mm FT
7- C38	Screw M8x20mm
8- C39	Screw
9- S62	Washer
10- T181	Gear
11- T179	Center Gear



ANDTECH No :	0810 20408
Org. Ref. No :	
Application :	DX 225
Description :	Caliper Mechanism Repair Kit (Right)
1- T382	Mechanism
2- Y20	Spring
3- K92	Seal
4- T187	Pin
5- C36	Screw M12x30mm
6- C37	Screw M12x30mm FT
7- C38	Screw M8x20mm
8- C39	Screw
9- S62	Washer
10- T181	Gear
11- T179	Center Gear



MERITOR



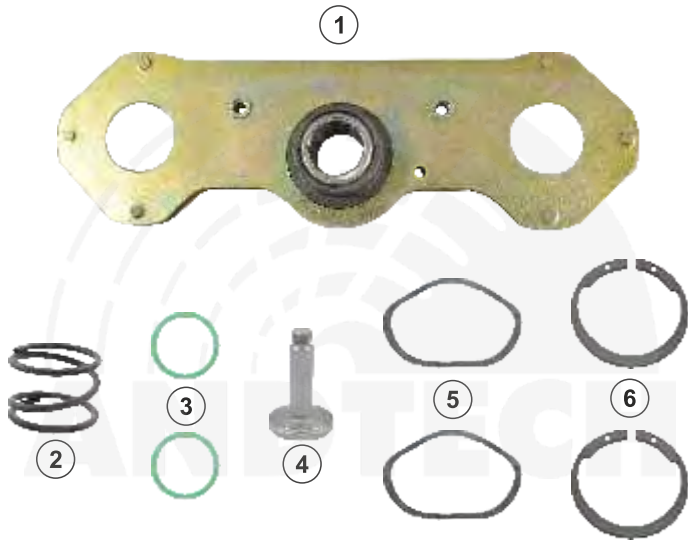
ANDTECH No : 0810 20409

Org. Ref. No :

Application : DX 225

Description : Caliper Mechanism Repair Kit (Left)

1- T383	Mechanism
2- Y20	Spring
3- K92	Seal
4- T187	Pin
5- C36	Screw M12x30mm
6- C37	Screw M12x30mm FT
7- C38	Screw M8x20mm
8- C39	Screw
9- S62	Washer
10- T181	Gear
11- T179	Center Gear



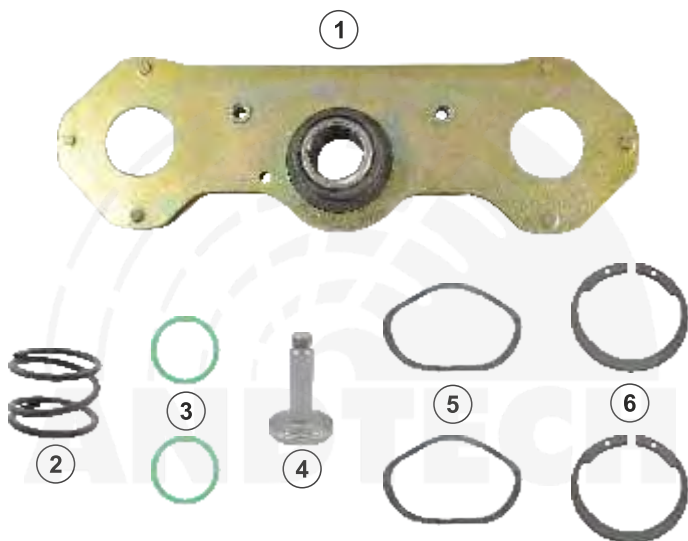
ANDTECH No : 0810 20117

Org. Ref. No :

Application : DX 195

Description : Caliper Mechanism Repair Kit (Right)

1- T186	Mechanism
2- Y20	Spring
3- K92	Seal
4- T187	Pin
5- S50	Wavy Washer
6- SK3	Snap Ring



ANDTECH No : 0810 20118

Org. Ref. No :

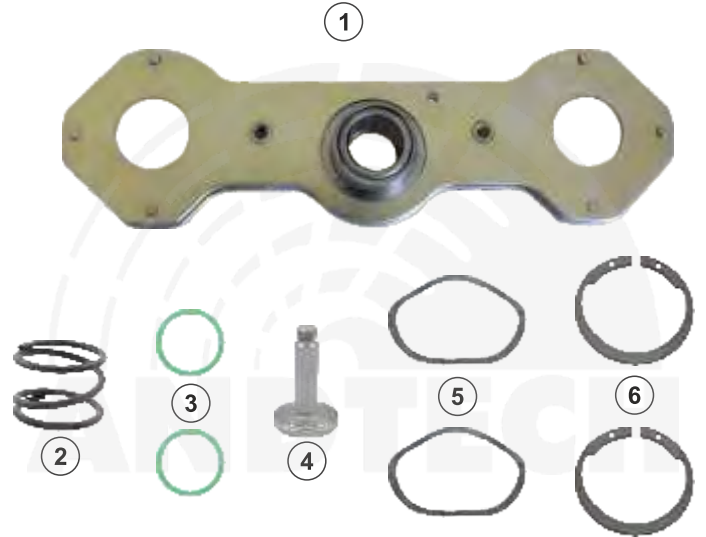
Application : DX 195

Description : Caliper Mechanism Repair Kit (Left)

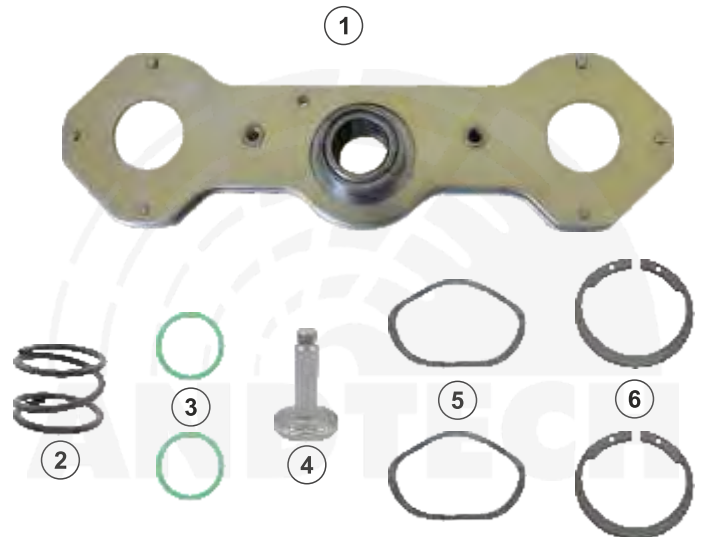
1- T192	Mechanism
2- Y20	Spring
3- K92	Seal
4- T187	Pin
5- S50	Wavy Washer
6- SK3	Snap Ring

MERITOR

ANDTECH No :	0810 20406
Org. Ref. No :	
Application :	DX 225
Description :	Caliper Mechanism Repair Kit (Right)
1- T382	Mechanism
2- Y20	Spring
3- K92	Seal
4- T187	Pin
5- S50	Wavy Washer
6- SK3	Snap Ring



ANDTECH No :	0810 20407
Org. Ref. No :	
Application :	DX 225
Description :	Caliper Mechanism Repair Kit (Left)
1- T383	Mechanism
2- Y20	Spring
3- K92	Seal
4- T187	Pin
5- S50	Wavy Washer
6- SK3	Snap Ring



ANDTECH No :	0810 20109
Org. Ref. No :	
Application :	DX 195
Description :	Caliper Bridge
1- T177	Bridge
2- T129	Bush



MERITOR



ANDTECH No : 0810 20106

Org. Ref. No : MCK1294

Application : DX 195, DX 225

Description : Caliper Shaft Repair Kit

1- T78	Shaft
2- HR3	Grease Nipple
3- K52	Seal
4- R4	Roller Bearing
5- R5	Roller Bearing
6- K91	Seal
7- CN3	Gasket
8- T176	Cover
9- C38	Screw M8x20mm
10- K90	Dust Cover
11- C45	Screw M8x60mm
12- C46	Bolt Nut M8
13- T153	Detent Pin
14- S63	Cotter Pin
15- C39	Screw
16- S62	Washer
17- T146	Detent Pin
18- S33	Cotter Pin



ANDTECH No : 0810 20352

Org. Ref. No : MCK1168

Application : DX 195, DX 225

Description : Caliper Shaft Repair Kit

1- T78	Shaft
2- HR3	Grease Nipple
3- K52	Seal
4- R5	Roller Bearing
5- CN3	Gasket
6- T176	Cover
7- C38	Screw M8x20mm
8- C45	Screw M8x60mm
9- C46	Bolt Nut M8
10- T146	Detent Pin
11- S33	Cotter Pin
12- C39	Screw
13- S62	Washer
14- K91	Seal

MERITOR

ANDTECH No :	0810 20298
Org. Ref. No :	
Application :	DX 195, DX 225
Description :	Caliper Shaft Repair Kit
1- T78	Shaft
2- HR3	Grease Nipple
3- K52	Seal
4- R5	Roller Bearing



ANDTECH No :	0810 20104
Org. Ref. No :	
Application :	DX 195, DX 225
Description :	Caliper Shaft Kit
1- T78	Shaft
2- HR3	Grease Nipple
3- K52	Seal



ANDTECH No :	0810 20116
Org. Ref. No :	
Application :	DX 195, DX 225
Description :	Caliper Gear Repair Kit
1- T179	Center Gear
2- T181	Gear



MERITOR



ANDTECH No :	0810 20127
Org. Ref. No :	
Application :	DX 195, DX 225
Description :	Caliper Repair Kit
1- T176	Cover
2- R5	Roller Bearing
3- K90	Dust Cover
4- K91	Seal
5- CN3	Gasket
6- C38	Screw M8x20mm



ANDTECH No :	0810 20110
Org. Ref. No :	
Application :	DX 195
Description :	Caliper Push Plate (Right)
1- T183	Push Plate
2- T184	Screw
3- C35	Screw M10x20mm
4- S90	Pin



ANDTECH No :	0810 20111
Org. Ref. No :	
Application :	DX 195
Description :	Caliper Push Plate (Left)
1- T183	Push Plate
2- T185	Screw
3- C35	Screw M10x20mm
4- S90	Pin

MERITOR

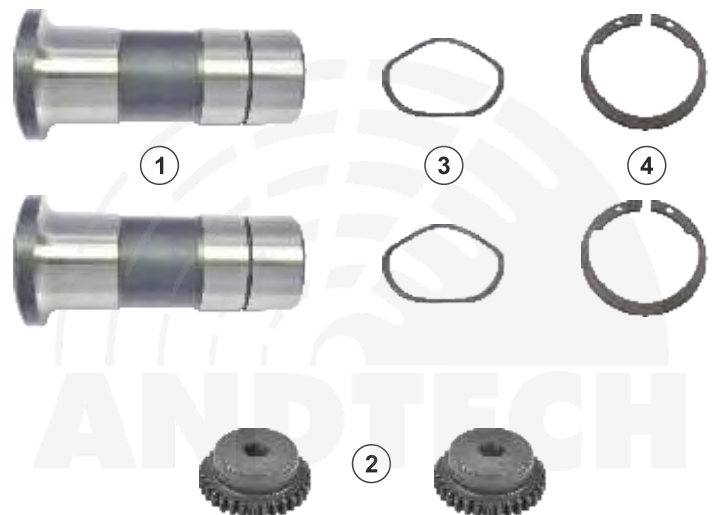
ANDTECH No :	0810 20125
Org. Ref. No :	
Application :	DX 225
Description :	Caliper Push Plate (Right)
1- T241	Push Plate
2- T184	Screw
3- C35	Screw M10x20mm
4- S90	Pin



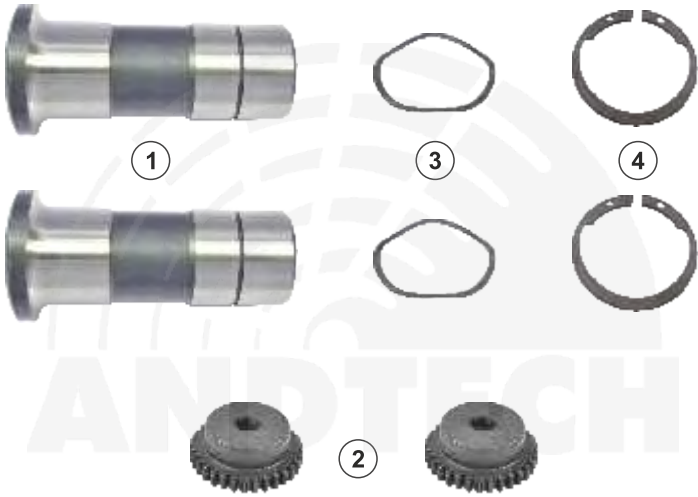
ANDTECH No :	0810 20126
Org. Ref. No :	
Application :	DX 225
Description :	Caliper Push Plate (Left)
1- T241	Push Plate
2- T185	Screw
3- C35	Screw M10x20mm
4- S90	Pin



ANDTECH No :	0810 20112
Org. Ref. No :	
Application :	DX 195, DX 225
Description :	Caliper Repair Kit (Right)
1- T178	Guide Pin
2- T180	Gear
3- S50	Wavy Washer
4- SK3	Snap Ring



MERITOR



ANDTECH No : 0810 20113

Org. Ref. No :

Application : DX 195, DX 225

Description : Caliper Repair Kit (Left)

1- T182 Guide Pin

2- T180 Gear

3- S50 Wavy Washer

4- SK3 Snap Ring



ANDTECH No : 0810 20114

Org. Ref. No :

Application : DX 195, DX 225

Description : Caliper Repair Kit (Right)

1- T178 Guide Pin

2- T180 Gear

3- T184 Screw

4- S50 Wavy Washer

5- SK3 Snap Ring



ANDTECH No : 0810 20115

Org. Ref. No :

Application : DX 195, DX 225

Description : Caliper Repair Kit (Left)

1- T182 Guide Pin

2- T180 Gear

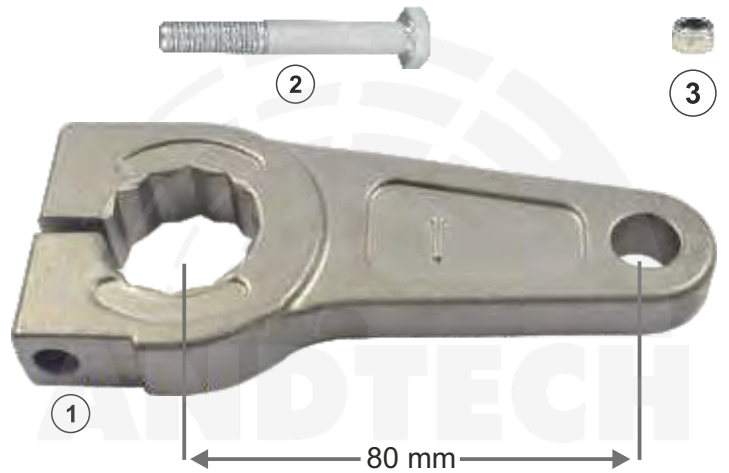
3- T185 Screw

4- S50 Wavy Washer

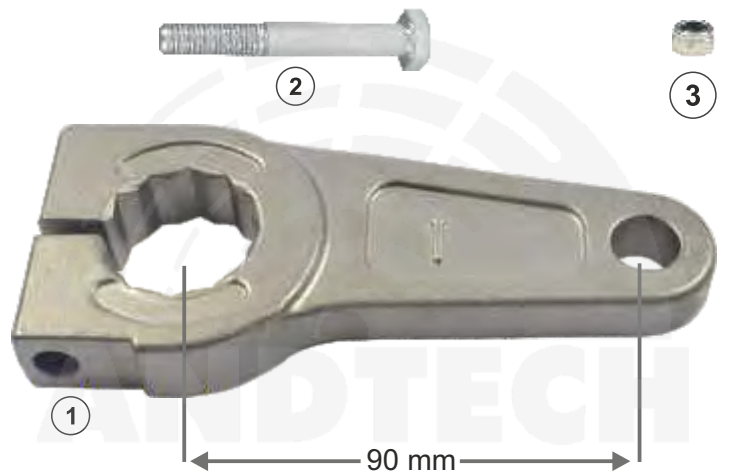
5- SK3 Snap Ring

MERITOR

ANDTECH No :	0810 20128
Org. Ref. No :	MCK1160 - 21224954
Application :	DX 195
Description :	Caliper Lever
1- T223	Lever (80mm)
2- C45	Screw M8x60mm
3- C46	Bolt Nut M8



ANDTECH No :	0810 20129
Org. Ref. No :	MCK1161 - 21224955
Application :	DX 225
Description :	Caliper Lever
1- T224	Lever (90mm)
2- C45	Screw M8x60mm
3- C46	Bolt Nut M8



ANDTECH No :	0810 20130
Org. Ref. No :	
Application :	DX 195, DX 225
Description :	Caliper Roller Bearing
1- R5	Roller Bearing



MERITOR



ANDTECH No : 0810 20131

Org. Ref. No :

Application : DX 195, DX 225

Description : Caliper Roller Bearing

1- R4 Roller Bearing



ANDTECH No : 0810 20132

Org. Ref. No : MCK1344 - DSB3

Application : DX 195, DX 225

Description : Caliper Bearing Kit

1- R5 Roller Bearing

2- R4 Roller Bearing

3- T129 Bush



ANDTECH No : 0810 20301

Org. Ref. No :

Application : DX 195, DX 225

Description : Caliper Seal

1- K91 Seal

MERITOR

ANDTECH No :	0810 20302
Org. Ref. No :	1205 X 2572 - 21225226
Application :	DX 195, DX 225
Description :	Caliper Dust Cover
1- K90	Dust Cover



ANDTECH No :	0810 20133
Org. Ref. No :	MCK1154
Application :	DX 195
Description :	Caliper Repair Kit
1- S58	Stabilizer Bar
2- CN3	Gasket
3- C38	Screw M8x20mm
4- C45	Screw M8x60mm
5- C46	Bolt Nut M8
6- T146	Detent Pin
7- S33	Cotter Pin
8- C39	Screw
9- S62	Washer



ANDTECH No :	0810 20134
Org. Ref. No :	MCK1159
Application :	DX 225
Description :	Caliper Repair Kit
1- S66	Stabilizer Bar
2- S64	Metal Shim
3- CN3	Gasket
4- C38	Screw M8x20mm
5- C45	Screw M8x60mm
6- C46	Bolt Nut M8
7- C39	Screw
8- S62	Washer



MERITOR



ANDTECH No : 0810 20135

Org. Ref. No :

Application : DX 195, DX 225

Description : Caliper Repair Kit

1- K90 Dust Cover

2- T153 Detent Pin

3- S63 Cotter Pin

4- T146 Detent Pin

5- S33 Cotter Pin



ANDTECH No : 0810 20136

Org. Ref. No :

Application : DX 195, DX 225

Description : Caliper Repair Kit

1- K90 Dust Cover

2- T153 Detent Pin

3- S63 Cotter Pin

4- T146 Detent Pin

5- S33 Cotter Pin

6- S64 Metal Shim

7- C38 Screw M8x20mm



ANDTECH No : 0810 20137

Org. Ref. No :

Application : DX 195

Description : Caliper Stabilizer Bar

1- S58 Stabilizer Bar



ANDTECH No : 0810 20138

Org. Ref. No :

Application : DX 225

Description : Caliper Stabilizer Bar

1- S66 Stabilizer Bar

MERITOR

ANDTECH No :	0810 20139
Org. Ref. No :	15224836SR
Application :	DX 195
Description :	Caliper Cover Plate (Left)
1- T243	Cover Plate
2- S39	Metal Tap



ANDTECH No :	0810 20140
Org. Ref. No :	15224837SR
Application :	DX 195
Description :	Caliper Cover Plate (Right)
1- T242	Cover Plate
2- S39	Metal Tap



ANDTECH No :	0810 20359
Org. Ref. No :	MCK1185
Application :	DX 195
Description :	Caliper Carrier
1- T318	Carrier 19.5"



MERITOR



ANDTECH No : 0810 20308

Org. Ref. No :

Application : ELSA 2

Description : Caliper Complete Overhaul Repair Kit (Left)

MERITOR



ANDTECH No :	0810 20309
Org. Ref. No :	
Application :	ELSA 2
Description :	Caliper Complete Overhaul Repair Kit (Right)

MERITOR



ANDTECH No :	0810 20310
Org. Ref. No :	
Application :	ELSA 195, ELSA 225
Description :	Caliper Complete Overhaul Repair Kit

MERITOR



ANDTECH No :	0810 20311
Org. Ref. No :	
Application :	ELSA 195, ELSA 225
Description :	Caliper Complete Overhaul Repair Kit

MERITOR



ANDTECH No :	0810 20312
Org. Ref. No :	
Application :	EX 225
Description :	Caliper Complete Overhaul Repair Kit

MERITOR



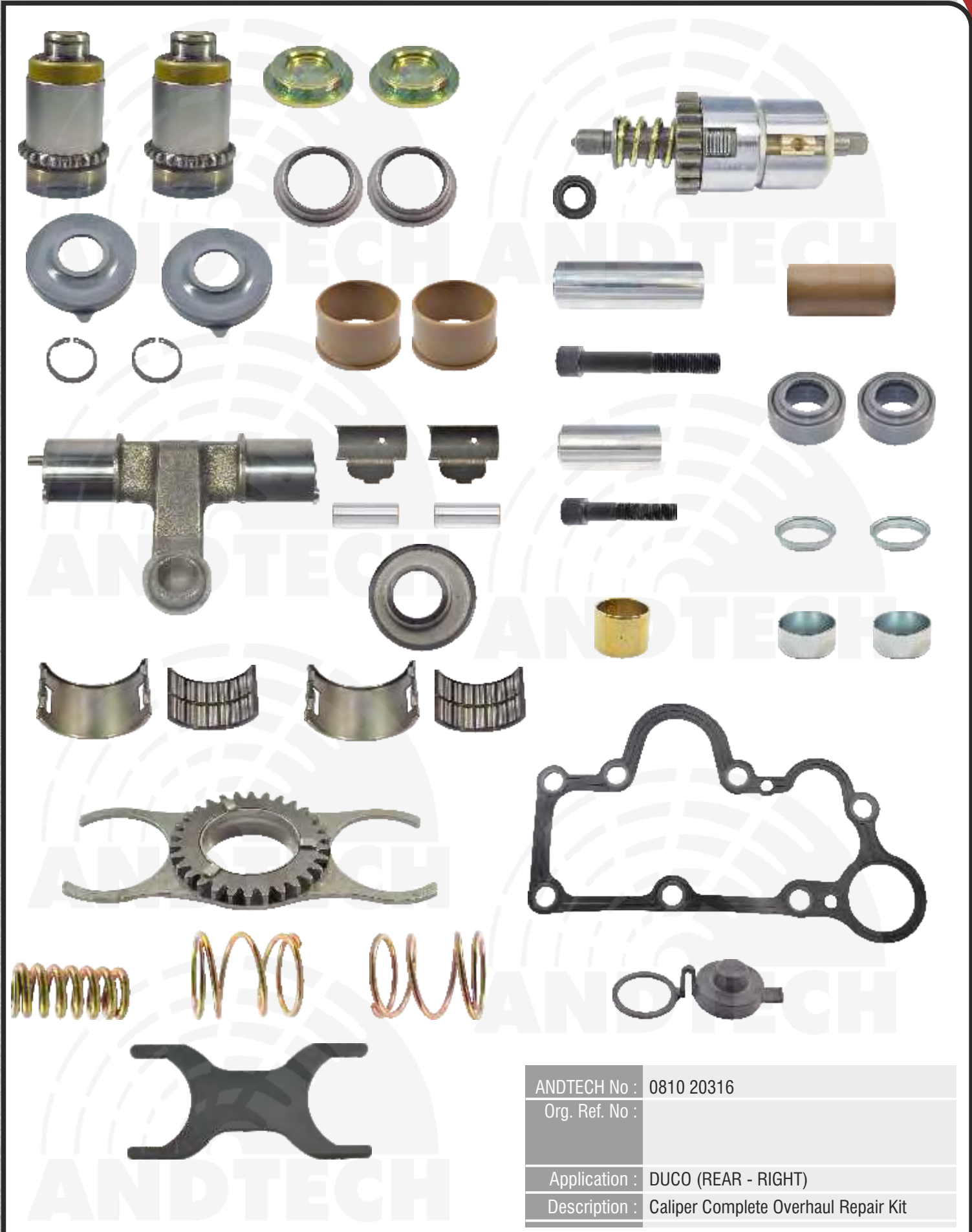
ANDTECH No :	0810 20314
Org. Ref. No :	
Application :	DUCO (FRONT - RIGHT/LEFT)
Description :	Caliper Complete Overhaul Repair Kit

MERITOR



ANDTECH No :	0810 20315
Org. Ref. No :	
Application :	DUCO (REAR - LEFT)
Description :	Caliper Complete Overhaul Repair Kit

MERITOR



ANDTECH No :	0810 20316
Org. Ref. No :	
Application :	DUCO (REAR - RIGHT)
Description :	Caliper Complete Overhaul Repair Kit

MERITOR



ANDTECH No :	0810 20317
Org. Ref. No :	
Application :	D LISA (LEFT)
Description :	Caliper Complete Overhaul Repair Kit

MERITOR



ANDTECH No :	0810 20318
Org. Ref. No :	
Application :	D LISA (RIGHT)
Description :	Caliper Complete Overhaul Repair Kit

MERITOR



ANDTECH No :	0810 20319
Org. Ref. No :	
Application :	ELSA 1 (LEFT)
Description :	Caliper Complete Overhaul Repair Kit

www.andacotomotiv.com

MERITOR



ANDTECH No :	0810 20320
Org. Ref. No :	
Application :	ELSA 1 (RIGHT)
Description :	Caliper Complete Overhaul Repair Kit

MERITOR



ANDTECH No :	0810 20321
Org. Ref. No :	
Application :	ELSA 1 (LEFT)
Description :	Caliper Complete Overhaul Repair Kit

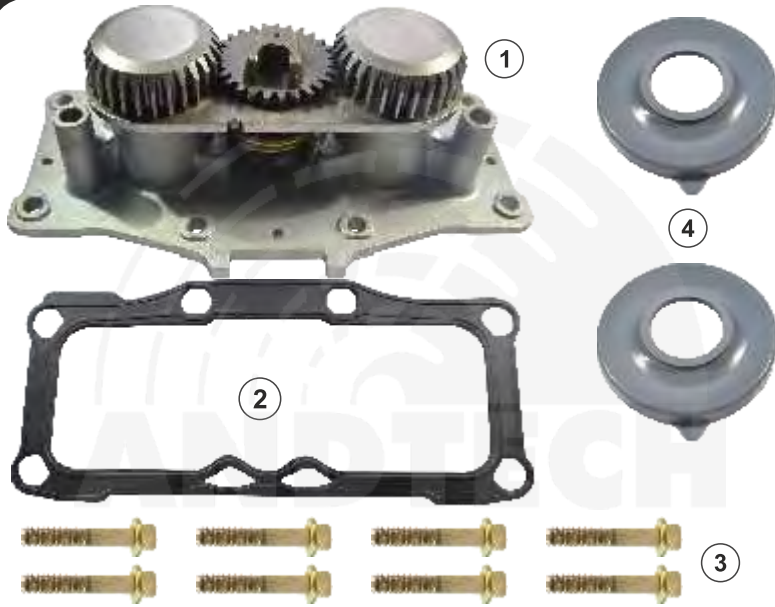
www.andacotomotiv.com

MERITOR



ANDTECH No :	0810 20322
Org. Ref. No :	
Application :	ELSA 1 (RIGHT)
Description :	Caliper Complete Overhaul Repair Kit

MERITOR



ANDTECH No : 0810 20141

Org. Ref. No :

Application : ELSA 2

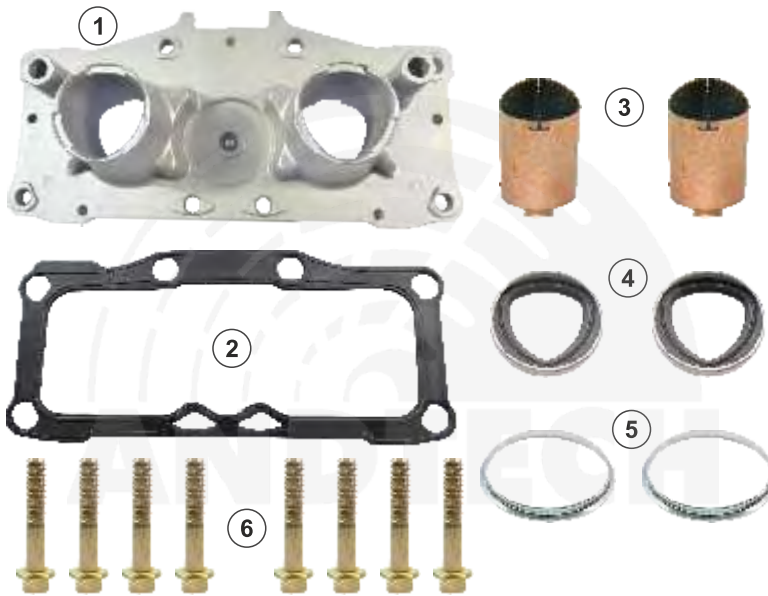
Description : Calibration Mechanism Complete

1- T259 Calibration Mechanism Complete

2- K34 Gasket

3- C28 Screw M8x1,25x45mm

4- K23 Dust Cover



ANDTECH No : 0810 20142

Org. Ref. No : 68324625

Application : ELSA 2

Description : Caliper Calibration Mechanism (Aluminium)

1- T65 Aluminium Cap (Ball Bearing)

2- K34 Gasket

3- S31 Bush

4- K51 Triangle Seal

5- S32 Ring

6- C28 Screw M8x1,25x45mm



ANDTECH No : 0810 20143

Org. Ref. No :

Application : ELSA 195, ELSA 225, EX 225

Description : Calibration Mechanism Complete

1- T260 Calibration Mechanism Complete

2- K93 Gasket

3- C53 Screw M8x1,25x45mm

4- K23 Dust Cover

MERITOR

ANDTECH No :	0810 20144
Org. Ref. No :	
Application :	ELSA 195, ELSA 225, EX 225
Description :	Caliper Calibration Mechanism (Aluminium)
1- T65A	Aluminium Cap (Ball Bearing)
2- K93	Gasket
3- S31	Bush
4- K51	Triangle Seal
5- S32	Ring
6- C53	Screw M8x1,25x45mm



ANDTECH No :	0810 20145
Org. Ref. No :	
Application :	ELSA 2, ELSA 195, ELSA 225, EX 225
Description :	Caliper Calibration Gear
1- T64	Brake Lining Calibration Gear



ANDTECH No :	0810 20146
Org. Ref. No :	
Application :	ELSA 2, ELSA 195, ELSA 225, EX 225
Description :	Caliper Adjusting Mechanism
1- T63	Adjusting Mechanism



MERITOR



ANDTECH No : 0810 20147

Org. Ref. No :

Application : ELSA 2

Description : Caliper Adjusting Gear (Left)

1- T68 Adjusting Gear

2- Y15 Spring

3- K31 Seal



ANDTECH No : 0810 20148

Org. Ref. No :

Application : ELSA 2

Description : Caliper Adjusting Gear (Right)

1- T67 Adjusting Gear

2- Y15 Spring

3- K31 Seal



ANDTECH No : 0810 20149

Org. Ref. No :

Application : ELSA 195, ELSA 225, EX 225

Description : Caliper Adjusting Gear

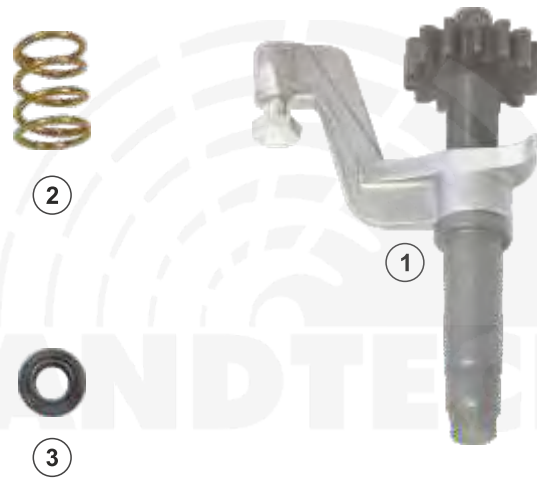
1- T188 Adjusting Gear

2- Y21 Spring

3- K31 Seal

MERITOR

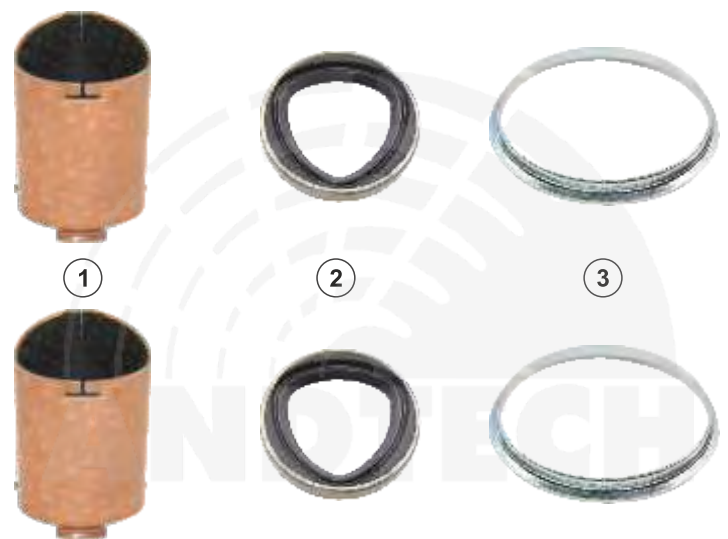
ANDTECH No :	0810 20379
Org. Ref. No :	
Application :	ELSA 2 - RADIAL
Description :	Caliper Adjusting Gear (Left)
1- T344	Adjusting Gear
2- Y15	Spring
3- K31	Seal



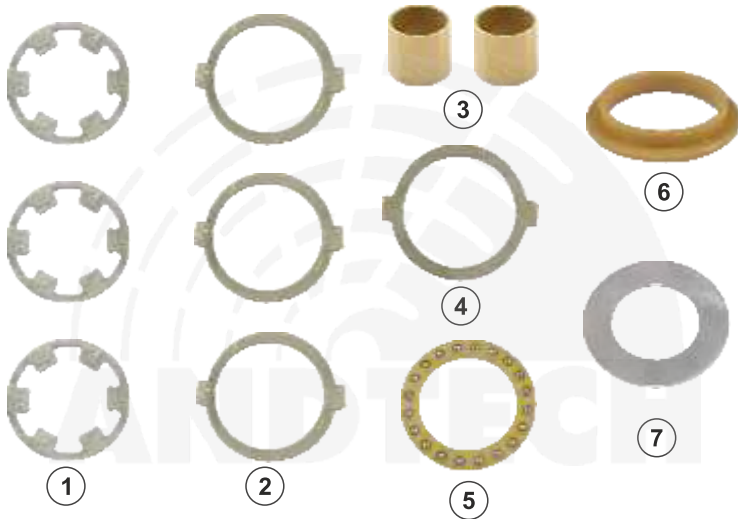
ANDTECH No :	0810 20380
Org. Ref. No :	
Application :	ELSA 2 - RADIAL
Description :	Caliper Adjusting Gear (Right)
1- T345	Adjusting Gear
2- Y15	Spring
3- K31	Seal



ANDTECH No :	0810 20150
Org. Ref. No :	
Application :	ELSA 2, ELSA 195, ELSA 225, EX 225
Description :	Caliper Repair Kit
1- S31	Bush
2- K51	Triangle Seal
3- S32	Ring



MERITOR



ANDTECH No : 0810 20151

Org. Ref. No :

Application : ELSA 2, ELSA 195, ELSA 225, EX 225

Description : Caliper Mechanism Repair Kit

1- S51 Metal Sheet

2- S52 Metal Sheet

3- B29 Bush

4- S53 Metal Sheet

5- P7 Ground Bearing

6- P8 Ring (Plastic)

7- S38 Washer



ANDTECH No : 0810 20152

Org. Ref. No : MCK1113 - SJ4110 - 85102093 - 3092267

Application : C DUCO, D DUCO, LE DUCO

Description : Caliper Adjusting Mechanism (Front-Right/Left)

1- T39 Adjusting Mechanism

2- K31 Seal



ANDTECH No : 0810 20153

Org. Ref. No : MCK1111 - SJ4102 - 85102095 - 3092265

Application : C DUCO, D DUCO, LE DUCO

Description : Caliper Adjusting Mechanism (Rear-Left)

1- T41 Adjusting Mechanism

2- K31 Seal

MERITOR

ANDTECH No :	0810 20154
Org. Ref. No :	MCK1112 - SJ4103 - 85102096 - 3092266
Application :	C DUCO, D DUCO, LE DUCO
Description :	Caliper Adjusting Mechanism (Rear-Right)
1- T40	Adjusting Mechanism
2- K31	Seal



ANDTECH No :	0810 20155
Org. Ref. No :	68322297PK10
Application :	C DUCO, D DUCO, LE DUCO
Description :	Caliper Eccentric Seal
1- K30	Eccentric Seal



ANDTECH No :	0810 20156
Org. Ref. No :	MCK1237 - 3092263
Application :	C DUCO, D DUCO, LE DUCO
Description :	Caliper Adjusting Mechanism Repair Kit (Right)
1- T37	Adjusting Mechanism
2- T36	Tappet
3- SK1	Snap Ring
4- K23	Dust Cover
5- K49	Mechanism Seal
6- P5	Bush (Plastic)



MERITOR



ANDTECH No : 0810 20157

Org. Ref. No :

Application : C DUCO, D DUCO, LE DUCO

Description : Caliper Adjusting Mechanism Repair Kit (Right) / Half Kit

1- T37 Adjusting Mechanism

2- T36 Tappet

3- SK1 Snap Ring

4- K23 Dust Cover

5- K49 Mechanism Seal

6- P5 Bush (Plastic)



ANDTECH No : 0810 20158

Org. Ref. No : MCK1236 - 3092262

Application : C DUCO, D DUCO, LE DUCO

Description : Caliper Adjusting Mechanism Repair Kit (Left)

1- T38 Adjusting Mechanism

2- T36 Tappet

3- SK1 Snap Ring

4- K23 Dust Cover

5- K49 Mechanism Seal

6- P5 Bush (Plastic)



ANDTECH No : 0810 20159

Org. Ref. No :

Application : C DUCO, D DUCO, LE DUCO

Description : Caliper Adjusting Mechanism Repair Kit (Left) / Half Kit

1- T38 Adjusting Mechanism

2- T36 Tappet

3- SK1 Snap Ring

4- K23 Dust Cover

5- K49 Mechanism Seal

6- P5 Bush (Plastic)

MERITOR

ANDTECH No :	0810 20160
Org. Ref. No :	
Application :	ELSA 1
Description :	Caliper Adjusting Gear (Right-35 mm)
1- T53	Adjusting Gear



ANDTECH No :	0810 20161
Org. Ref. No :	
Application :	ELSA 1
Description :	Caliper Adjusting Gear (Left-35 mm)
1- T58	Adjusting Gear



ANDTECH No :	0810 20162
Org. Ref. No :	
Application :	ELSA 1
Description :	Caliper Adjusting Gear Kit (Right-35 mm)
1- T151	Adjusting Gear Sheet
2- T152	Metal Cap
3- T53	Adjusting Gear



MERITOR



ANDTECH No : 0810 20163

Org. Ref. No :

Application : ELSA 1

Description : Caliper Adjusting Gear Kit (Left-35 mm)

1- T151 Adjusting Gear Sheet

2- T152 Metal Cap

3- T58 Adjusting Gear



ANDTECH No : 0810 20164

Org. Ref. No :

Application : ELSA 1

Description : Caliper Adjusting Gear Kit (Right-35 mm)

1- T151 Adjusting Gear Sheet

2- T152 Metal Cap

3- T53 Adjusting Gear

4- T237 Adjusting Gear Bush



ANDTECH No : 0810 20165

Org. Ref. No :

Application : ELSA 1

Description : Caliper Adjusting Gear Kit (Left-35 mm)

1- T151 Adjusting Gear Sheet

2- T152 Metal Cap

3- T58 Adjusting Gear

4- T237 Adjusting Gear Bush

MERITOR

ANDTECH No :	0810 20166
Org. Ref. No :	
Application :	ELSA 1
Description :	Caliper Adjusting Gear (Right-37.5 mm)
1- T238	Adjusting Gear



ANDTECH No :	0810 20167
Org. Ref. No :	
Application :	ELSA 1
Description :	Caliper Adjusting Gear (Left-37.5 mm)
1- T239	Adjusting Gear



ANDTECH No :	0810 20168
Org. Ref. No :	
Application :	ELSA 1
Description :	Caliper Adjusting Gear Kit (Right-37.5 mm)
1- T226	Adjusting Gear Sheet
2- T152	Metal Cap
3- T238	Adjusting Gear



MERITOR



ANDTECH No : 0810 20169

Org. Ref. No :

Application : ELSA 1

Description : Caliper Adjusting Gear Kit (Left-37.5 mm)

1- T226 Adjusting Gear Sheet

2- T152 Metal Cap

3- T239 Adjusting Gear



ANDTECH No : 0810 20170

Org. Ref. No :

Application : ELSA 1

Description : Caliper Adjusting Gear Kit (Right-37.5 mm)

1- T226 Adjusting Gear Sheet

2- T152 Metal Cap

3- T238 Adjusting Gear

4- T240 Adjusting Gear Bush



ANDTECH No : 0810 20171

Org. Ref. No :

Application : ELSA 1

Description : Caliper Adjusting Gear Kit (Left-37.5 mm)

1- T226 Adjusting Gear Sheet

2- T152 Metal Cap

3- T239 Adjusting Gear

4- T240 Adjusting Gear Bush

MERITOR

ANDTECH No :	0810 20172
Org. Ref. No :	
Application :	ELSA 1
Description :	Caliper Adjusting Gear Bush (35 mm)
1- T237	Adjusting Gear Bush



ANDTECH No :	0810 20173
Org. Ref. No :	
Application :	ELSA 1
Description :	Caliper Adjusting Gear Bush (37.5 mm)
1- T240	Adjusting Gear Bush



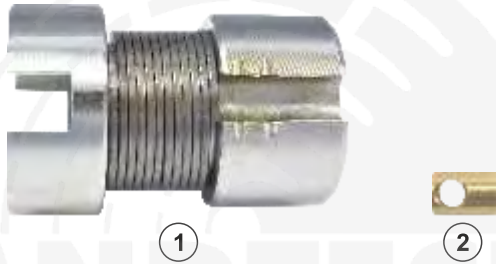
ANDTECH No :	0810 20375
Org. Ref. No :	
Application :	LISA
Description :	Caliper Spring
1- Y55	Spring



ANDTECH No :	0810 20174
Org. Ref. No :	
Application :	ELSA 1
Description :	Caliper Adjusting Mechanism (Right)
1- T54	Adjusting Mechanism Clutch
2- T227	Spring Pin



MERITOR



ANDTECH No :	0810 20175
Org. Ref. No :	
Application :	ELSA 1
Description :	Caliper Adjusting Mechanism (Left)
1- T55	Adjusting Mechanism Clutch
2- T227	Spring Pin



ANDTECH No :	0810 20176
Org. Ref. No :	
Application :	ELSA 1
Description :	Caliper Adjusting Gear Kit
1- T225	Adjusting Gear
2- Y38	Spring



ANDTECH No :	0810 20177
Org. Ref. No :	
Application :	ELSA 1
Description :	Caliper Adjusting Mechanism Repair Kit (Right)
1- T54	Adjusting Mechanism Clutch
2- T227	Spring Pin
3- T225	Adjusting Gear
4- Y38	Spring

MERITOR

ANDTECH No :	0810 20178
Org. Ref. No :	
Application :	ELSA 1
Description :	Caliper Adjusting Mechanism Repair Kit (Left)
1- T55	Adjusting Mechanism Clutch
2- T227	Spring Pin
3- T225	Adjusting Gear
4- Y38	Spring



ANDTECH No :	0810 20179
Org. Ref. No :	
Application :	ELSA 1
Description :	Caliper Adjusting Gear Sheet (35mm)
1- T151	Adjusting Gear Sheet



ANDTECH No :	0810 20180
Org. Ref. No :	
Application :	ELSA 1
Description :	Caliper Adjusting Gear Sheet (37.5mm)
1- T226	Adjusting Gear Sheet



MERITOR



ANDTECH No : 0810 20181

Org. Ref. No :

Application : ELSA 1

Description : Caliper Metal Cap

1- T152 Metal Cap



ANDTECH No : 0810 20182

Org. Ref. No :

Application : ELSA 1

Description : Caliper Spring Retainer Kit (Right)

1- Y1 Spring

2- S77 Spring Retainer

3- S78 Pin Retainer

4- T227 Spring Pin

5- C65 Screw



ANDTECH No : 0810 20183

Org. Ref. No :

Application : ELSA 1

Description : Caliper Spring (Right)

1- Y1 Spring

MERITOR

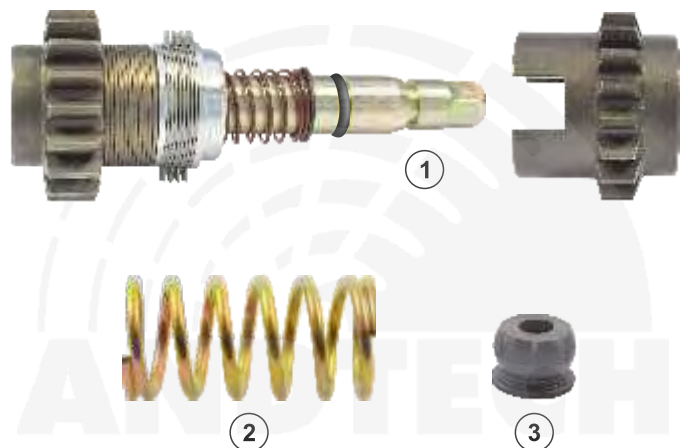
ANDTECH No :	0810 20184
Org. Ref. No :	
Application :	ELSA 1
Description :	Caliper Spring Retainer Kit (Left)
1- Y2	Spring
2- S77	Spring Retainer
3- S78	Pin Retainer
4- T227	Spring Pin
5- C65	Screw



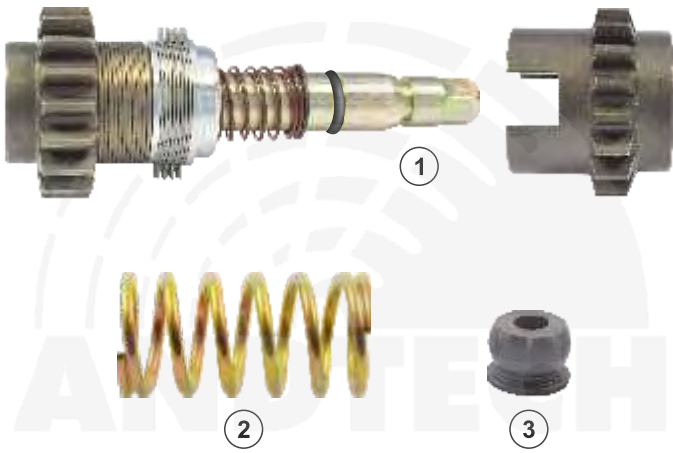
ANDTECH No :	0810 20185
Org. Ref. No :	
Application :	ELSA 1
Description :	Caliper Spring (Left)
1- Y2	Spring



ANDTECH No :	0810 20186
Org. Ref. No :	SJ4113 - 3092763
Application :	C LISA - D LISA
Description :	Caliper Adjusting Mechanism (Left)
1- T76	Adjusting Mechanism
2- Y16	Spring
3- K71	Boot



MERITOR



ANDTECH No : 0810 20187

Org. Ref. No : SJ4114 - 3092764

Application : C LISA - D LISA

Description : Caliper Adjusting Mechanism (Right)

1- T75 Adjusting Mechanism

2- Y16 Spring

3- K71 Boot



ANDTECH No : 0810 20188

Org. Ref. No : MCK1151 - MCK1021 - 85104827

Application : C LISA - D LISA

Description : Caliper Adjusting Gear Kit (Left)

1- T148 Adjusting Shaft

2- T145 Housing

3- R3 Ball Bearing

4- T147 Pin

5- HR1 Grease Nipple



ANDTECH No : 0810 20189

Org. Ref. No : MCK1152 - MCK1022 - 85104828

Application : C LISA - D LISA

Description : Caliper Adjusting Gear Kit (Right)

1- T144 Adjusting Shaft

2- T149 Housing

3- R3 Ball Bearing

4- T147 Pin

5- HR1 Grease Nipple

MERITOR

ANDTECH No :	0810 20190
Org. Ref. No :	
Application :	C LISA - D LISA
Description :	Caliper Adjusting Shaft (Right)
1- T144	Adjusting Shaft
2- HR1	Grease Nipple



ANDTECH No :	0810 20191
Org. Ref. No :	
Application :	C LISA - D LISA
Description :	Caliper Adjusting Shaft (Left)
1- T148	Adjusting Shaft
2- HR1	Grease Nipple



ANDTECH No :	0810 20192
Org. Ref. No :	
Application :	C LISA - D LISA
Description :	Caliper Housing (Left)
1- T145	Housing



MERITOR



ANDTECH No :	0810 20193
Org. Ref. No :	
Application :	C LISA - D LISA
Description :	Caliper Housing (Right)
1- T149	Housing



ANDTECH No :	0810 20194
Org. Ref. No :	SJ4031 - 8550893
Application :	C LISA - D LISA
Description :	Caliper Bearing Kit
1- R1	Bearing
2- B33	Bush
3- T150	Metal Sheet
4- R2	Bearing
5- T170	Ring



ANDTECH No :	0810 20195
Org. Ref. No :	
Application :	C LISA - D LISA
Description :	Caliper Bearing Kit
1- R1	Bearing
2- B33	Bush
3- T150	Metal Sheet
4- R2	Bearing
5- K74	Seal 40x57x4.5
6- K76	Seal

MERITOR

ANDTECH No :	0810 20196
Org. Ref. No :	
Application :	C LISA - D LISA
Description :	Caliper Ball Bearing
1- R3	Ball Bearing



ANDTECH No :	0810 20197
Org. Ref. No :	
Application :	C LISA - D LISA
Description :	Caliper Gear Small (Right)
1- T73	Adjusting Gear



ANDTECH No :	0810 20198
Org. Ref. No :	
Application :	C LISA - D LISA
Description :	Caliper Gear Small (Left)
1- T74	Adjusting Gear



MERITOR



ANDTECH No :	0810 20199
Org. Ref. No :	SJ4074 - 3098111
Application :	C LISA - D LISA
Description :	Caliper Gear Small (Right)
1- T73	Adjusting Gear
2- Y22	Spring



ANDTECH No :	0810 20200
Org. Ref. No :	SJ4073 - 3098110
Application :	C LISA - D LISA
Description :	Caliper Gear Small (Left)
1- T74	Adjusting Gear
2- Y22	Spring



ANDTECH No :	0810 20201
Org. Ref. No :	
Application :	MB, MAN, RVI
Description :	Caliper Gear Big (Right)
1- T45	Adjusting Gear

MERITOR

ANDTECH No :	0810 20202
Org. Ref. No :	
Application :	MB, MAN, RVI
Description :	Caliper Gear Big (Left)
1- T44	Adjusting Gear



ANDTECH No :	0810 20203
Org. Ref. No :	
Application :	MB, MAN, RVI
Description :	Caliper Shaft Short (Right)
1- T155	Shaft Short (26 Thread)



ANDTECH No :	0810 20204
Org. Ref. No :	
Application :	MB, MAN, RVI
Description :	Caliper Shaft Short (Left)
1- T156	Shaft Short (26 Thread)



MERITOR



ANDTECH No :	0810 20205
Org. Ref. No :	
Application :	MB, MAN, RVI
Description :	Caliper Shaft Short (Right)
1- T157	Shaft Short (48 Thread)



ANDTECH No :	0810 20206
Org. Ref. No :	
Application :	MB, MAN, RVI
Description :	Caliper Shaft Short (Left)
1- T158	Shaft Short (48 Thread)



ANDTECH No :	0810 20207
Org. Ref. No :	
Application :	MB, MAN, RVI
Description :	Caliper Shaft Long (Right)
1- T159	Shaft Long (26 Thread)

MERITOR

ANDTECH No :	0810 20208
Org. Ref. No :	
Application :	MB, MAN, RVI
Description :	Caliper Shaft Long (Left)
1- T160	Shaft Long (26 Thread)



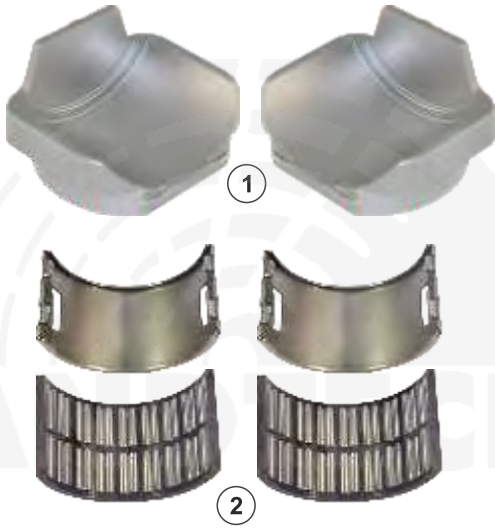
ANDTECH No :	0810 20209
Org. Ref. No :	
Application :	MB, MAN, RVI
Description :	Caliper Housing (Left)
1- T161	Housing



ANDTECH No :	0810 20210
Org. Ref. No :	
Application :	MB, MAN, RVI
Description :	Caliper Housing (Right)
1- T162	Housing



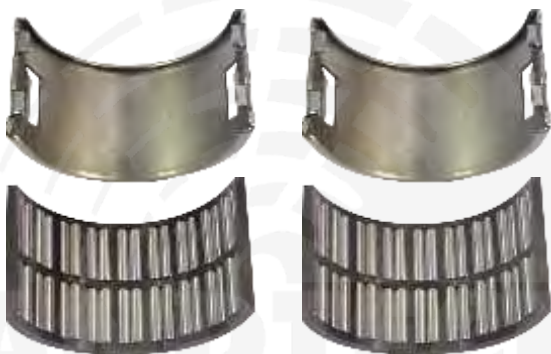
MERITOR



ANDTECH No :	0810 20303
Org. Ref. No :	
Application :	ELSA 2, ELSA 195, ELSA 225, EX 225
Description :	Caliper Roller Bearing Kit
1- T69	Bearing Cap
2- R12	Roller Bearing



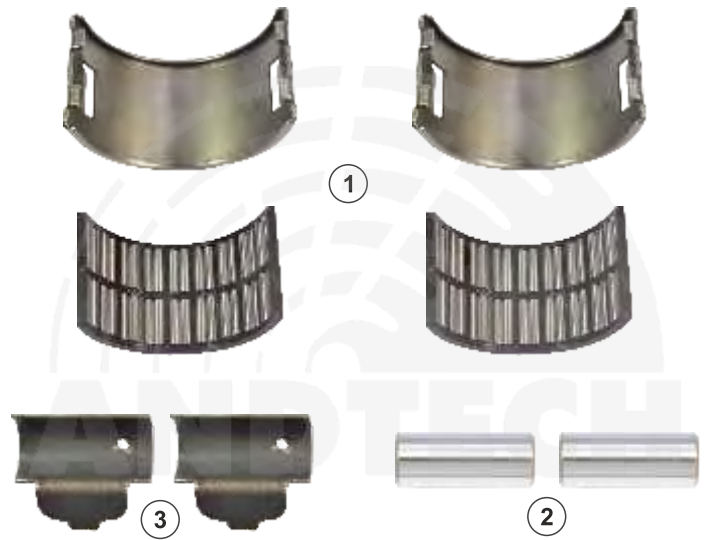
ANDTECH No :	0810 20211
Org. Ref. No :	
Application :	ELSA 2, ELSA 195, ELSA 225, EX 225
Description :	Caliper Bearing Cap
1- T69	Bearing Cap



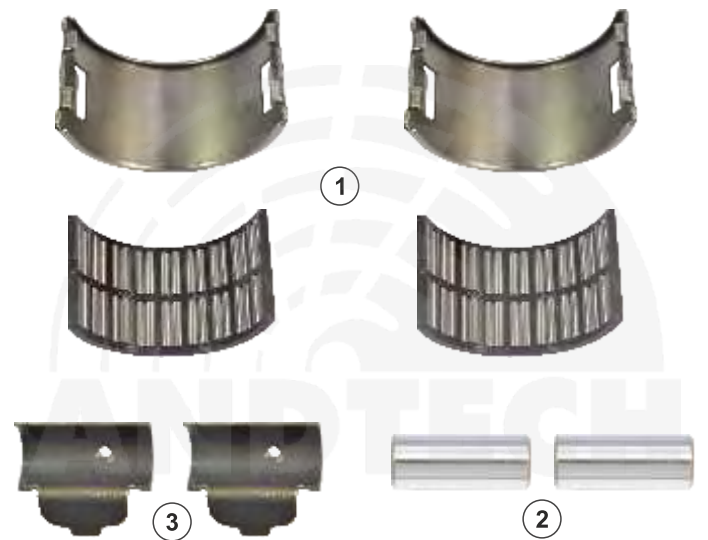
ANDTECH No :	0810 20212
Org. Ref. No :	
Application :	ELSA 1, ELSA 2, ELSA 195, ELSA 225, EX 225
Description :	Caliper Roller Bearing
1- R12	Roller Bearing

MERITOR

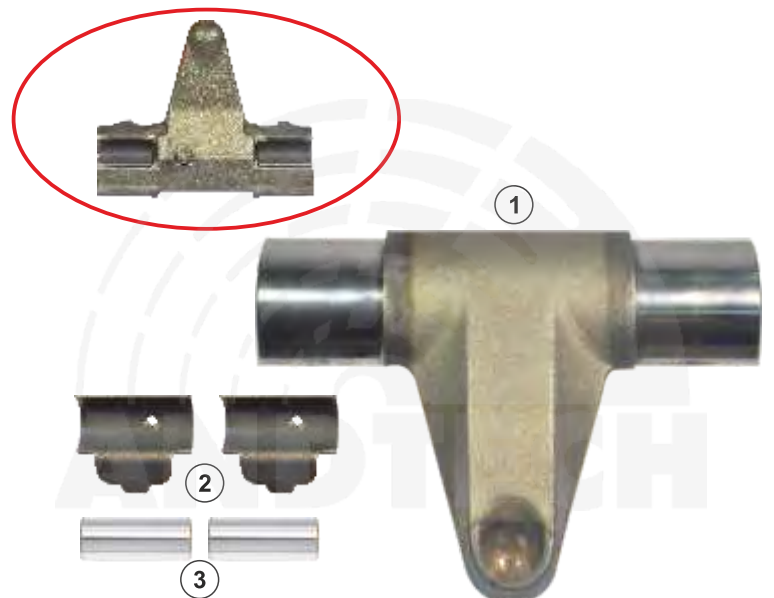
ANDTECH No :	0810 20213
Org. Ref. No :	SJ4098 - 3092261
Application :	DUCO
Description :	Caliper Roller Bearing Kit
1- R12	Roller Bearing
2- T128	Pin
3- S29	Lever Bearing



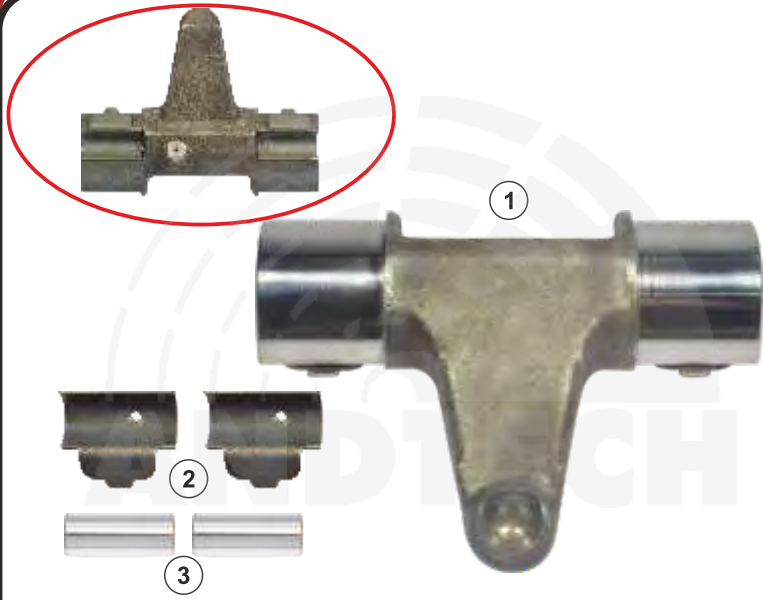
ANDTECH No :	0810 20214
Org. Ref. No :	SJ4112 - 3092329
Application :	DUCO, ELSA, , EX 225
Description :	Caliper Roller Bearing Kit
1- R12	Roller Bearing
2- T128	Pin
3- S25	Lever Bearing



ANDTECH No :	0810 20215
Org. Ref. No :	
Application :	ELSA 2
Description :	Caliper Lever (Left - Right)
1- T70	Lever
2- S25	Lever Bearing
3- T128	Pin



MERITOR



ANDTECH No : 0810 20216

Org. Ref. No :

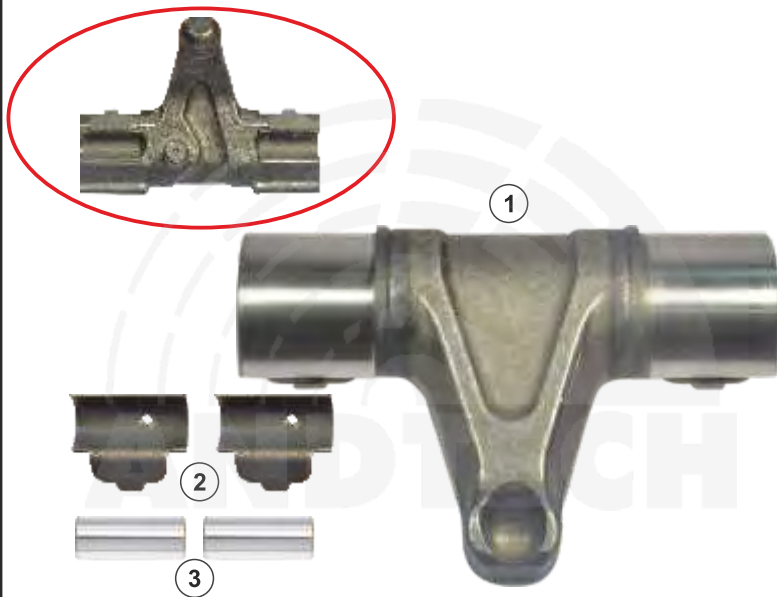
Application : ELSA 195 - ELSA 225

Description : Caliper Lever (Left - Right)

1- T228 Lever

2- S25 Lever Bearing

3- T128 Pin



ANDTECH No : 0810 20217

Org. Ref. No :

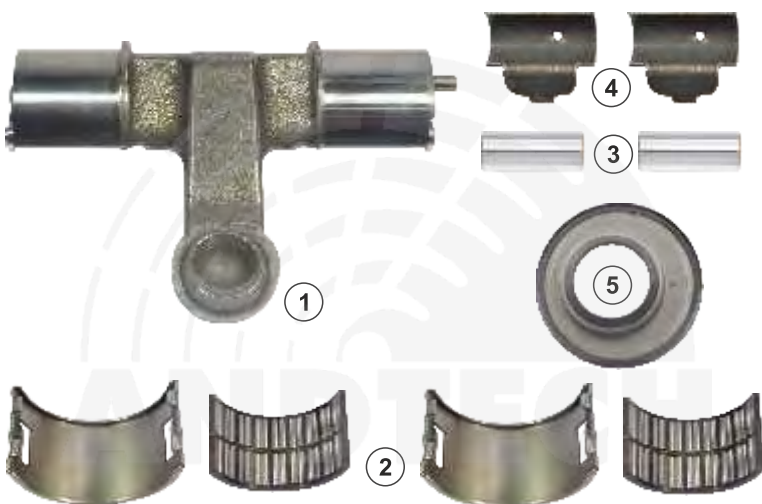
Application : EX 225

Description : Caliper Lever (Left - Right)

1- T229 Lever

2- S25 Lever Bearing

3- T128 Pin



ANDTECH No : 0810 20218

Org. Ref. No : SJ4096 - MCK1398 - 85109975
3092258 - 21109753

Application : DUCO

Description : Caliper Lever Repair Kit (Left)

1- T230 Lever

2- R12 Roller Bearing

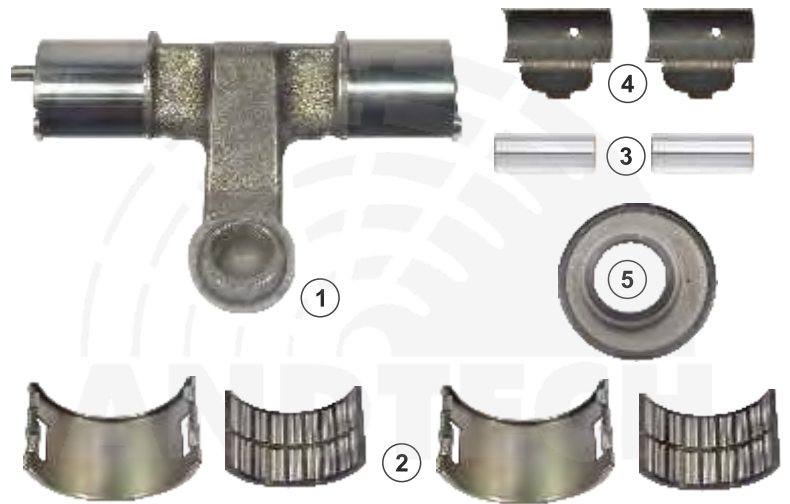
3- T128 Pin

4- S25 Lever Bearing

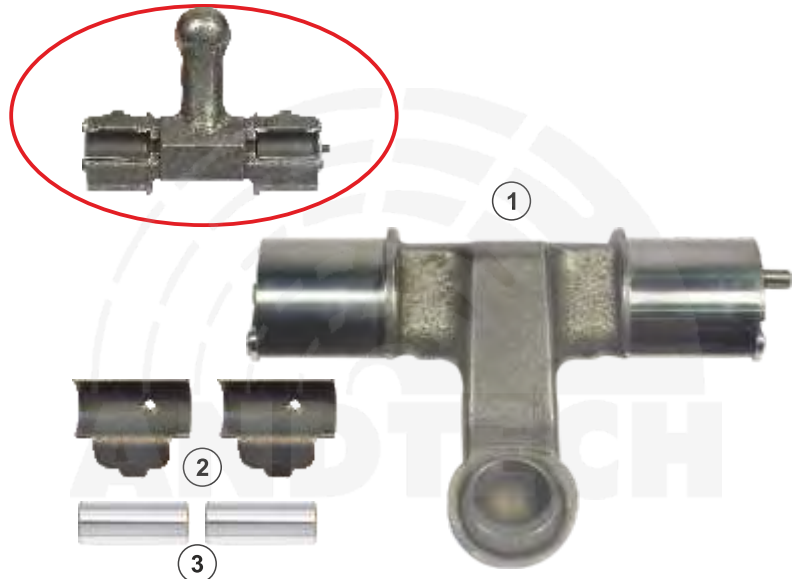
5- K30 Eccentric Seal

MERITOR

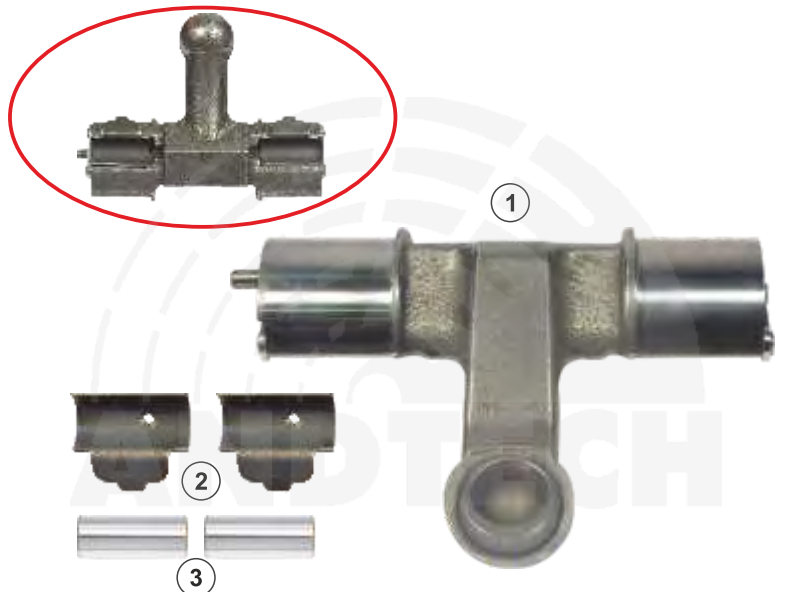
ANDTECH No :	0810 20219
Org. Ref. No :	SJ4097 - MCK1399 - 85109976 3092259 - 21109754
Application :	DUCO
Description :	Caliper Lever Repair Kit (Right)
1- T231	Lever
2- R12	Roller Bearing
3- T128	Pin
4- S25	Lever Bearing
5- K30	Eccentric Seal



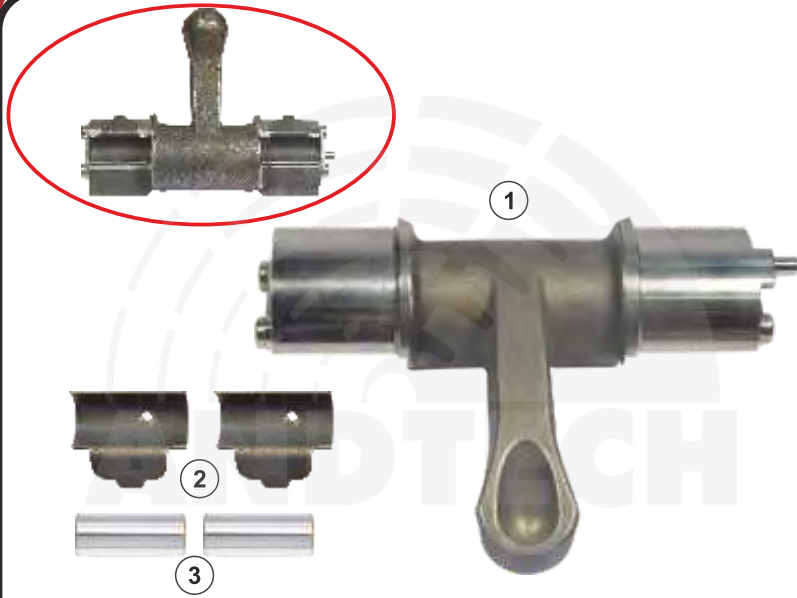
ANDTECH No :	0810 20220
Org. Ref. No :	
Application :	DUCO
Description :	Caliper Lever (Left)
1- T230	Lever
2- S25	Lever Bearing
3- T128	Pin



ANDTECH No :	0810 20221
Org. Ref. No :	
Application :	DUCO
Description :	Caliper Lever (Right)
1- T231	Lever
2- S25	Lever Bearing
3- T128	Pin



MERITOR



ANDTECH No : 0810 20222

Org. Ref. No :

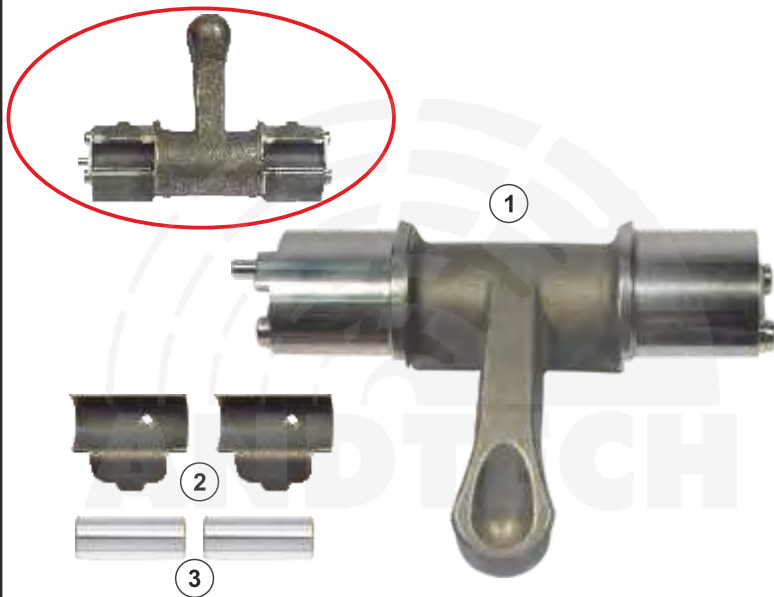
Application : ELSA 1

Description : Caliper Lever (Left)

1- T232 Lever

2- S25 Lever Bearing

3- T128 Pin



ANDTECH No : 0810 20223

Org. Ref. No :

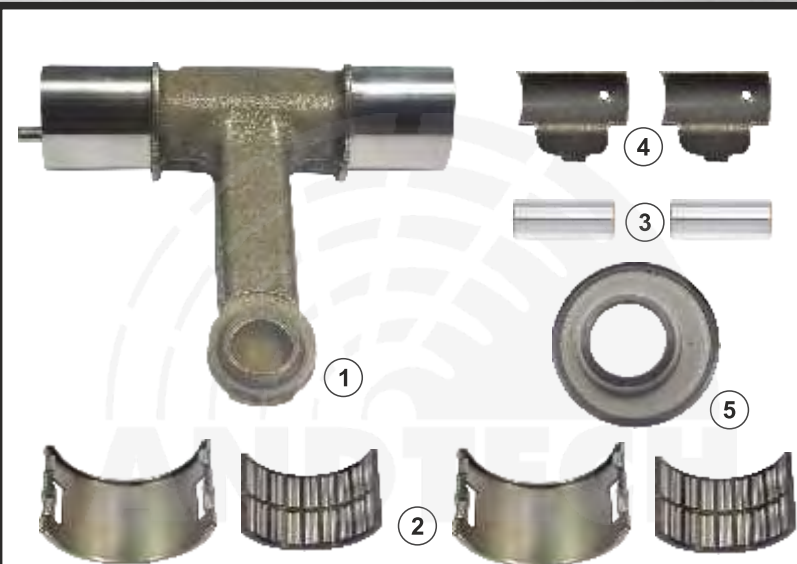
Application : ELSA 1

Description : Caliper Lever (Right)

1- T233 Lever

2- S25 Lever Bearing

3- T128 Pin



ANDTECH No : 0810 20224

Org. Ref. No : SJ4108 - 21109755
3092260 - 85109977

Application : DUCO

Description : Caliper Lever Repair Kit (Left - Right)

1- T234 Lever

2- R12 Roller Bearing

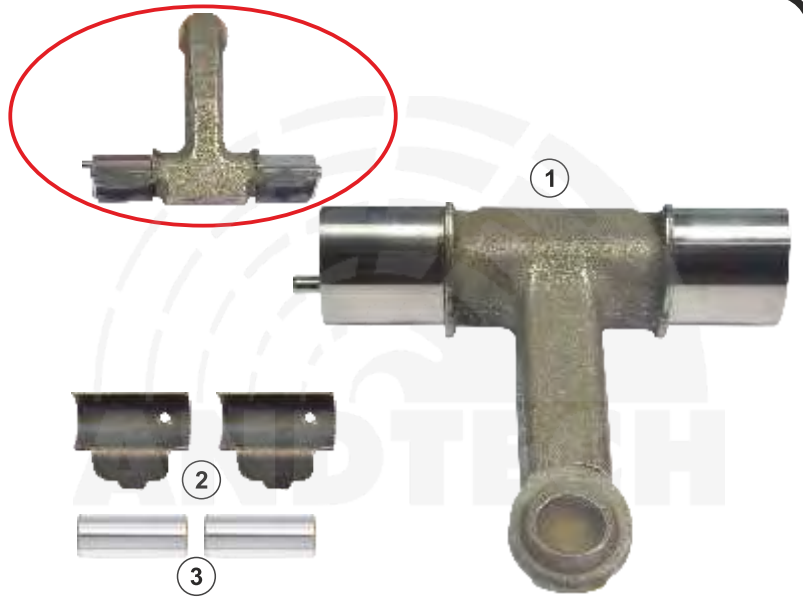
3- T128 Pin

4- S29 Lever Bearing

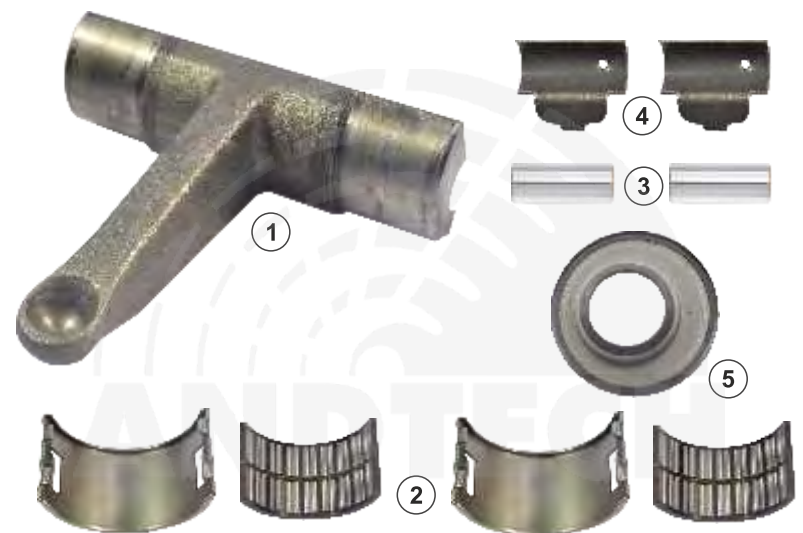
5- K30 Eccentric Seal

MERITOR

ANDTECH No :	0810 20225
Org. Ref. No :	
Application :	DUCO
Description :	Caliper Lever (Left - Right)
1- T234	Lever
2- S29	Lever Bearing
3- T128	Pin



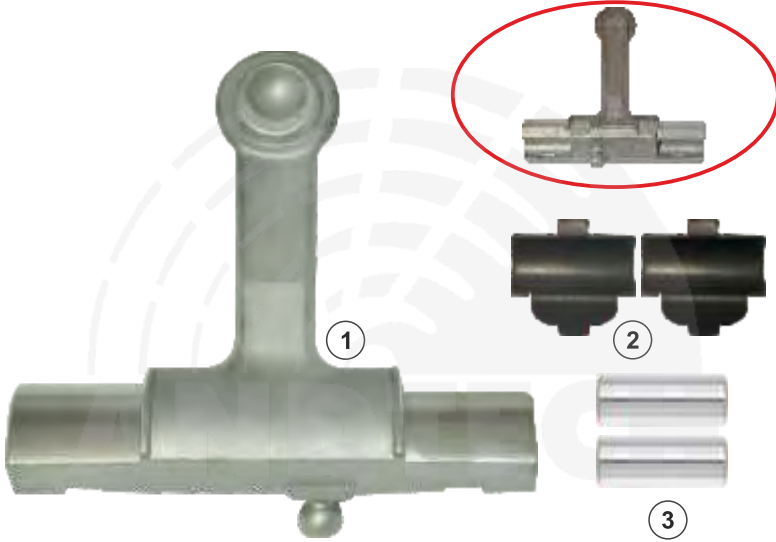
ANDTECH No :	0810 20226
Org. Ref. No :	SJ4018
Application :	ELSA 2 RADIAL
Description :	Caliper Lever Repair Kit (Left - Right)
1- T235	Lever
2- R12	Roller Bearing
3- T128	Pin
4- S29	Lever Bearing
5- K30	Eccentric Seal



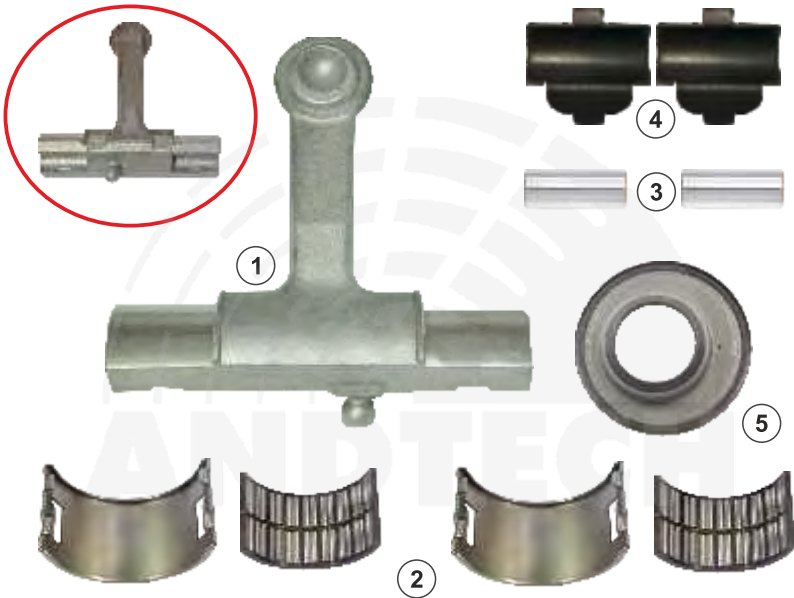
ANDTECH No :	0810 20227
Org. Ref. No :	
Application :	ELSA 2 RADIAL
Description :	Caliper Lever (Left - Right)
1- T235	Lever
2- S29	Lever Bearing
3- T128	Pin



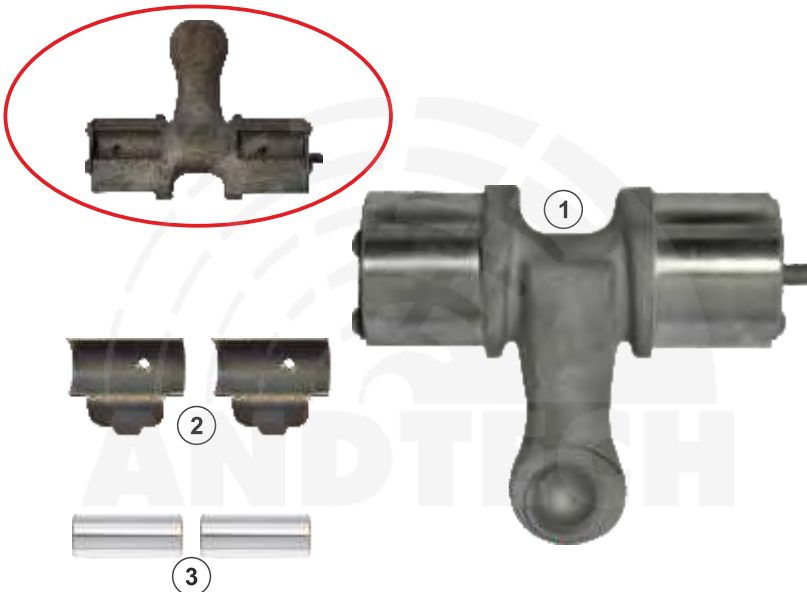
MERITOR



ANDTECH No :	0810 20381
Org. Ref. No :	
Application :	ELSA 195, ELSA 225
Description :	Caliper Lever (Left - Right)
1- T341	Lever
2- S167	Lever Bearing
3- T128	Pin



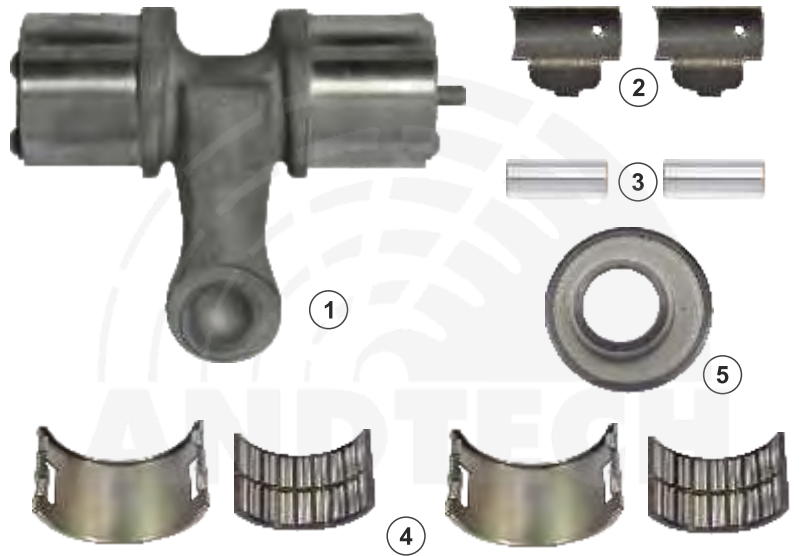
ANDTECH No :	0810 20396
Org. Ref. No :	
Application :	ELSA 195, ELSA 225
Description :	Caliper Lever Repair Kit (Left - Right)
1- T341	Lever
2- R12	Roller Bearing
3- T128	Pin
4- S167	Lever Bearing
5- K30	Eccentric Seal



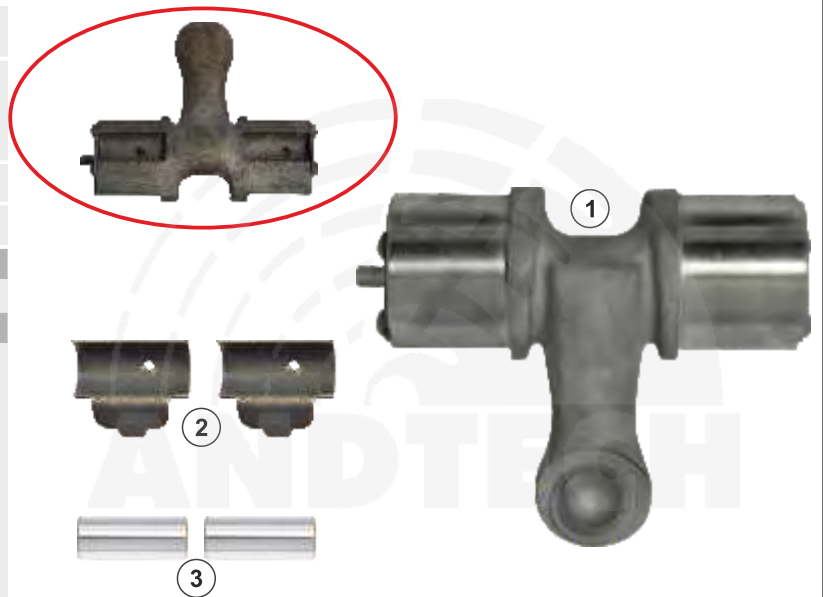
ANDTECH No :	0810 20400
Org. Ref. No :	
Application :	D DUCO - AXIAL
Description :	Caliper Lever (Left)
1- T372	Lever
2- S25	Lever Bearing
3- T128	Pin

MERITOR

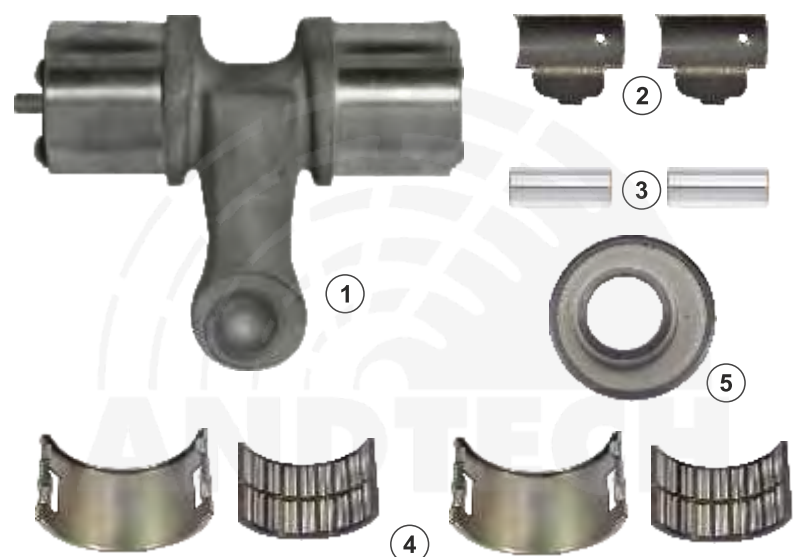
ANDTECH No :	0810 20401
Org. Ref. No :	
Application :	D DUCO - AXIAL
Description :	Caliper Lever Repair Kit (Left)
1- T372	Lever
2- S25	Lever Bearing
3- T128	Pin
4- R12	Roller Bearing
5- K30	Eccentric Seal



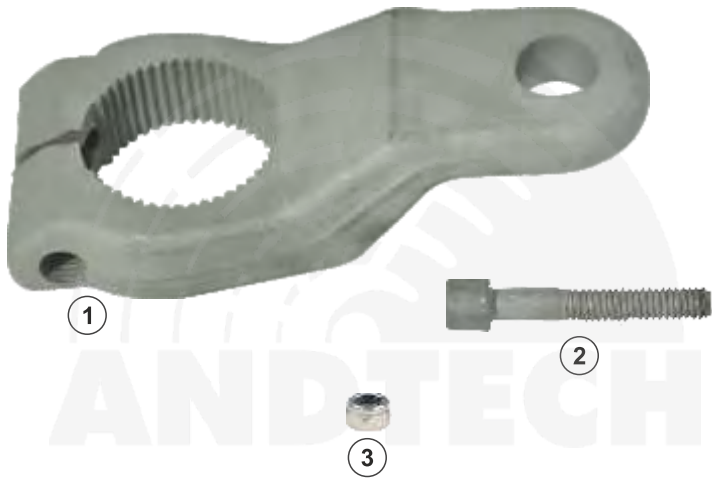
ANDTECH No :	0810 20410
Org. Ref. No :	
Application :	D DUCO - AXIAL
Description :	Caliper Lever (Right)
1- T388	Lever
2- S25	Lever Bearing
3- T128	Pin



ANDTECH No :	0810 20411
Org. Ref. No :	
Application :	D DUCO - AXIAL
Description :	Caliper Lever Repair Kit (Right)
1- T388	Lever
2- S25	Lever Bearing
3- T128	Pin
4- R12	Roller Bearing
5- K30	Eccentric Seal



MERITOR



ANDTECH No : 0810 20399

Org. Ref. No :

Application : DUCO

Description : Caliper Lever

1- T371 Lever

2- C69 Screw M10x1,50x50mm

3- C70 Bolt Nut M10



ANDTECH No : 0810 20228

Org. Ref. No : SJ4077 - 3098109

Application : LISA

Description : Caliper Boot Kit

1- K24 Boot

2- K73 Boot



ANDTECH No : 0810 20374

Org. Ref. No :

Application : LISA

Description : Caliper Boot

1- K73 Boot

MERITOR

ANDTECH No :	0810 20341
Org. Ref. No :	SJ 4053
Application :	ELSA 2, ELSA 195, ELSA 225, EX 225
Description :	Caliper Boot
1- K24	Boot



ANDTECH

ANDTECH No :	0810 20365
Org. Ref. No :	68324854PK10
Application :	ELSA 2, ELSA 195, ELSA 225, EX 225
Description :	Caliper Dust Cover
1- K23	Dust Cover



ANDTECH

ANDTECH No :	0810 20229
Org. Ref. No :	MCK1139 - 85107913 - 81508026024
Application :	ELSA 2, ELSA 195, ELSA 225, EX 225
Description :	Caliper Dust Cover
1- K23	Dust Cover



ANDTECH

ANDTECH No :	0810 20230
Org. Ref. No :	ST1156 - 81508026016
Application :	ELSA 1
Description :	Caliper Dust Cover
1- K33	Dust Cover



ANDTECH

MERITOR



ANDTECH No :	0810 20231
Org. Ref. No :	MCK1238 - 3092264
Application :	B DUCO - C DUCO - D DUCO - LE DUCO
Description :	Caliper Repair Kit
1- K23	Dust Cover
2- T36	Tappet
3- SK1	Snap Ring



ANDTECH No :	0810 20232
Org. Ref. No :	MCK1309 - 5001866398
Application :	ELSA 2 - ELSA 195 - ELSA 225, EX 225
Description :	Caliper Repair Kit
1- T154	Tappet
2- S40	Piston Ring
3- K23	Dust Cover



ANDTECH No :	0810 20233
Org. Ref. No :	
Application :	ELSA 2, ELSA 195, ELSA 225, EX 225
Description :	Caliper Tappet Repair Kit
1- T154	Tappet
2- S40	Piston Ring

MERITOR

ANDTECH No :	0810 20356
Org. Ref. No :	
Application :	B DUCO - C DUCO - D DUCO - LE DUCO
Description :	Caliper Tappet Repair Kit
1- T36	Tappet
2- SK1	Snap Ring



ANDTECH No :	0810 20234
Org. Ref. No :	MCK1118 - 85102092
Application :	D DUCO
Description :	Caliper Repair Kit (Front)
1- T34	Guide Pin Ø35x102mm
2- C9	Screw M20x2x125mm
3- P4	Bush (Plastic)
4- K24	Boot
5- S11	Ring
6- S3	Metal Tap
7- B4	Bush



ANDTECH No :	0810 20235
Org. Ref. No :	MCK1116 - 85102094
Application :	B DUCO, C DUCO, D DUCO, LE DUCO
Description :	Caliper Repair Kit (Rear)
1- T34	Guide Pin Ø35x102mm
2- C9	Screw M20x2x125mm
3- T35	Guide Pin Ø35x60mm
4- C11	Screw M20x2x80mm
5- K24	Boot
6- S11	Ring
7- S3	Metal Tap
8- P4	Bush (Plastic)
9- B4	Bush



MERITOR



ANDTECH No : 0810 20236
Org. Ref. No : MCK1135 - 85103891

Application : D DUCO
Description : Caliper Repair Kit

1- T34	Guide Pin Ø35x102mm
2- C9	Screw M20x2x125mm
3- P22	Bush (Plastic)
4- K24	Boot
5- S3	Metal Tap
6- S11	Ring
7- B4	Bush



ANDTECH No : 0810 20237
Org. Ref. No : MCK1134 - 85103892

Application : B DUCO, C DUCO, D DUCO
Description : Caliper Repair Kit

1- T34	Guide Pin Ø35x102mm
2- C9	Screw M20x2x125mm
3- T35	Guide Pin Ø35x60mm
4- C11	Screw M20x2x80mm
5- P22	Bush (Plastic)
6- K24	Boot
7- S3	Metal Tap
8- S11	Ring
9- B4	Bush



ANDTECH No : 0810 20238
Org. Ref. No : MCK1298 - 85109890 - 5001866989

Application : ELSA 195, ELSA 225, EX 225
Description : Caliper Repair Kit

1- T175	Guide Pin Ø35x117mm
2- C32	Screw M18x1,5x120mm
3- T174	Guide Pin Ø31x78mm
4- C33	Screw M18x1,5x82mm
5- K24	Boot
6- S11	Ring
7- S7	Metal Tap
8- B8	Bush
9- B3	Bush
10- C14	Screw M16x1,5x40mm
11- C49	Screw M14x1,5x40mm

MERITOR

ANDTECH No :	0810 20239	
Org. Ref. No :	MCK1254	
Application :	ELSA 195, ELSA 225, EX 225	
Description :	Caliper Repair Kit	
1- T175	Guide Pin Ø35x117mm	
2- C32	Screw M18x1,5x120mm	
3- T174	Guide Pin Ø31x78mm	
4- C33	Screw M18x1,5x82mm	
5- K24	Boot	
6- S11	Ring	

ANDTECH No :	0810 20240	
Org. Ref. No :		
Application :	ELSA 195, ELSA 225, EX 225	
Description :	Caliper Repair Kit	
1- T175	Guide Pin Ø35x117mm	
2- C32	Screw M18x1,5x120mm	
3- T174	Guide Pin Ø31x78mm	
4- C33	Screw M18x1,5x82mm	
5- K24	Boot	
6- S11	Ring	

ANDTECH No :	0810 20241	
Org. Ref. No :	MCK1317 - 85109899 - 5001866385	
Application :	ELSA 195, ELSA 225, EX 225	
Description :	Caliper Repair Kit	
1- T175	Guide Pin Ø35x117mm	
2- C32	Screw M18x1,5x120mm	
3- T197	Guide Pin Ø31x117mm	
4- K24	Boot	
5- S11	Ring	
6- S7	Metal Tap	

MERITOR



ANDTECH No : 0810 20242
Org. Ref. No : SJ4052 - 5001845385

Application : C LISA
Description : Caliper Repair Kit

1- T189	Guide Pin Ø30x115mm
2- C41	Screw M18x1,5x135mm
3- T190	Guide Pin Ø30x75mm
4- C42	Screw M18x1,5x95mm
5- B31	Bush
6- S55	Metal Tap
7- K73	Boot
8- T191	Ring
9- P20	Bush
10- S56	Metal Tap



ANDTECH No : 0810 20243
Org. Ref. No : SJ4076 - MCK1104
5001837006 - 3098108

Application : D LISA
Description : Caliper Repair Kit

1- T71	Guide Pin Ø35x131mm
2- C5	Screw M20x1,5x150mm
3- T72	Guide Pin Ø35x79mm
4- C18	Screw M20x1,5x100mm
5- K24	Boot
6- S8	Metal Tap
7- T170	Ring
8- B9	Bush
9- B3	Bush



ANDTECH No : 0810 20323
Org. Ref. No :

Application : ELSA 1
Description : Caliper Repair Kit

1- T46	Guide Pin 35x135mm
2- C5	Screw M20x1.5x150mm
3- T47	Guide Pin 35x72mm
4- C6	Screw M20x1.5x 90mm
5- B7	Bush
6- T126	Ring
7- K24	Boot
8- S6	Metal Tap
9- T48	Ring
10- B3	Bush
11- K33	Dust Cover

MERITOR

ANDTECH No :	0810 20244
Org. Ref. No :	MCK1102 - 81508026017 - 81508026020 - 81508026021
Application :	ELSA 1
Description :	Caliper Repair Kit
1- T46	Guide Pin Ø35x135mm
2- C5	Screw M20x1,5x150mm
3- T47	Guide Pin Ø35x72mm
4- C6	Screw M20x1,5x 90mm
5- B7	Bush
6- T126	Ring
7- K24	Boot
8- S6	Metal Tap
9- T48	Ring
10- B3	Bush



ANDTECH No :	0810 20324
Org. Ref. No :	
Application :	ELSA 1
Description :	Caliper Repair Kit
1- T46	Guide Pin Ø35x135mm
2- C5	Screw M20x1.5x150mm
3- T51	Guide Pin Ø28.5x110mm
4- K54	Rubber Bush
5- K24	Boot
6- S6	Metal Tap
7- B3	Bush
8- T48	Ring
9- T61	Ring
10- K33	Dust Cover



ANDTECH No :	0810 20245
Org. Ref. No :	MCK1103 - 81508026022
Application :	ELSA 1
Description :	Caliper Repair Kit
1- T46	Guide Pin Ø35x135mm
2- C5	Screw M20x1,5x150mm
3- T51	Guide Pin Ø28,5x110mm
4- K54	Rubber Bush
5- K24	Boot
6- S6	Metal Tap
7- B3	Bush
8- T48	Ring
9- T61	Ring



MERITOR



ANDTECH No :	0810 20246
Org. Ref. No :	MCK1243 - MCK1140 - 5001860791 - 85107912 - 81508026025
Application :	ELSA 2
Description :	Caliper Repair Kit
1- T59	Guide Pin Ø35x144mm
2- C12	Screw M18x1,5x150mm
3- T60	Guide Pin Ø31x84mm
4- C13	Screw M18x1,5x90mm
5- K24	Boot
6- S7	Metal Tap
7- T49	Ring
8- B3	Bush
9- B8	Bush
10- C17	Screw M10x1,25x20mm
11- C14	Screw M16x1,5x40mm



ANDTECH No :	0810 20325
Org. Ref. No :	
Application :	ELSA 2
Description :	Caliper Repair Kit
1- T172	Guide Pin Ø35x125mm
2- C5	Screw M20x1.5x150mm
3- T171	Guide Pin Ø33/35x66mm
4- C6	Screw M20x1.5x90mm
5- S49	Metal Ring
6- C17	Screw M10x1.25x20mm
7- K24	Boot
8- S7	Metal Tap
9- C14	Screw M16x1.5x40mm
10- B3	Bush
11- K23	Dust Cover



ANDTECH No :	0810 20247
Org. Ref. No :	MCK1086 - 5001858717
Application :	ELSA 2
Description :	Caliper Repair Kit
1- T172	Guide Pin Ø35x125mm
2- C5	Screw M20x1,5x150mm
3- T171	Guide Pin Ø33/35x66mm
4- C6	Screw M20x1,5x 90mm
5- S49	Metal Ring
6- C17	Screw M10x1,25x20mm
7- K24	Boot
8- S7	Metal Tap
9- C14	Screw M16x1,5x40mm
10- B3	Bush

MERITOR

ANDTECH No :	0810 20248
Org. Ref. No :	SJ4011 - MCK1213 - 0004200676 81508026008 - 81508026009 - SJ1228
Application :	MB, MAN
Description :	Caliper Repair Kit
1- K32	Dust Cover
2- S37	Metal Tap
3- B26	Bush
4- B27	Bush
5- S42	Metal Tap
6- T42	Guide Pin Ø32x117mm
7- T43	Guide Pin Ø32x73mm
8- C32	Screw M18x1,5x120mm
9- C42	Screw M18x1,5x95mm



ANDTECH No :	0810 20249
Org. Ref. No :	SJ4001 - 5001822994
Application :	MB, RVI
Description :	Caliper Repair Kit
1- K32	Dust Cover
2- S37	Metal Tap
3- S42	Metal Tap
4- T42	Guide Pin Ø32x117mm
5- T43	Guide Pin Ø32x73mm
6- C32	Screw M18x1,5x120mm
7- C42	Screw M18x1,5x95mm



ANDTECH No :	0810 20357
Org. Ref. No :	SJ4032
Application :	C LISA, D LISA
Description :	Caliper Repair Kit
1- CN1	Gasket
2- K71	Boot
3- K72	O-Ring
4- K73	Boot
5- K24	Boot
6- K75	Boot



MERITOR



ANDTECH No :	0810 20251
Org. Ref. No :	SJ4078 - 3098113 - 3097526
Application :	D LISA
Description :	Caliper Repair Kit
1- CN1	Gasket
2- K71	Boot
3- K72	O-Ring
4- K73	Boot
5- K24	Boot
6- S36	Metal Ring
7- K74	Seal 40x57x4.5mm
8- K75	Boot
9- K76	Seal
10- HR1	Grease Nipple



ANDTECH No :	0810 20252
Org. Ref. No :	SJ4061
Application :	C LISA
Description :	Caliper Repair Kit
1- CN1	Gasket
2- K71	Boot
3- K72	O-Ring
4- K73	Boot
5- S36	Metal Ring
6- K74	Seal 40x57x4.5mm
7- K75	Boot
8- K76	Seal



ANDTECH No :	0810 20253
Org. Ref. No :	MCK1244 - 5001860792
Application :	ELSA 2, ELSA 195, ELSA 225, EX 225
Description :	Caliper Repair Kit
1- K23	Dust Cover
2- K24	Boot
3- K25	Dust Cover
4- S7	Metal Tap
5- C14	Screw M16x1,5x40mm
6- K86	Seal

MERITOR

ANDTECH No :	0810 20254
Org. Ref. No :	MCK1299 - 3095628 - 85107718
Application :	B DUCO, C DUCO, D DUCO, LE DUCO
Description :	Caliper Repair Kit
1- T34	Guide Pin Ø35x102mm
2- C9	Screw M20x2x125mm
3- K24	Boot
4- S3	Metal Tap
5- C11	Screw M20x2x80mm



ANDTECH No :	0810 20255
Org. Ref. No :	MCK1065
Application :	B DUCO, C DUCO, D DUCO, LE DUCO
Description :	Caliper Repair Kit
1- T34	Guide Pin Ø35x102mm
2- K24	Boot
3- S3	Metal Tap



ANDTECH No :	0810 20342
Org. Ref. No :	225200
Application :	ELSA 195, ELSA 225, EX 225
Description :	Caliper Repair Kit
1- T175	Guide Pin Ø35x117mm
2- C32	Screw M18x1.5x120mm
3- T174	Guide Pin Ø31x78mm
4- C33	Screw M18x1.5x82mm
5- C14	Screw M16x1.5x40mm
6- K24	Boot
7- K23	Dust Cover



MERITOR



ANDTECH No :	0810 20256
Org. Ref. No :	MCK1310 - 85109892 - 5001868400
Application :	ELSA 195, ELSA 225, EX 225
Description :	Caliper Repair Kit
1- C14	Screw M16x1,5x40mm
2- C49	Screw M14x1,5x40mm
3- C32	Screw M18x1,5x120mm
4- K24	Boot
5- S7	Metal Tap



ANDTECH No :	0810 20343
Org. Ref. No :	225201
Application :	ELSA 195, ELSA 225, EX 225
Description :	Caliper Repair Kit
C14	Screw M16x1.5x40mm
K24	Boot
K23	Dust Cover
K25	Dust Cover



ANDTECH No :	0810 20366
Org. Ref. No :	
Application :	ELSA 195, ELSA 225, EX 225
Description :	Caliper Repair Kit
1- C49	Screw M14x1,5x40mm
2- K24	Boot
3- S7	Metal Tap
4- C17	Screw M10x1,25x20mm

MERITOR

ANDTECH No :	0810 20257
Org. Ref. No :	MCK1253
Application :	ELSA 195, ELSA 225, EX 225
Description :	Caliper Repair Kit
1- C14	Screw M16x1,5x40mm
2- K24	Boot
3- S7	Metal Tap



ANDTECH No :	0810 20358
Org. Ref. No :	MCK1088 - 5001858718
Application :	ELSA 2, ELSA 195, ELSA 225, EX 225
Description :	Caliper Repair Kit
1- K23	Dust Cover
2- K24	Boot
3- K25	Dust Cover
4- C14	Screw M16x1,5x40mm
5- K86	Seal



ANDTECH No :	0810 20258
Org. Ref. No :	
Application :	ELSA 2, ELSA 195, ELSA 225, EX 225
Description :	Caliper Repair Kit
1- K23	Dust Cover
2- K24	Boot
3- K25	Dust Cover
4- K86	Seal



MERITOR



ANDTECH No : 0810 20326
Org. Ref. No : SJ4021 - 8550881

Application : D LISA
Description : Caliper Repair Kit

1- C5 Screw M20x1.5x150mm
2- C18 Screw M20x1.5x100mm
3- S8 Metal Tap



ANDTECH No : 0810 20344
Org. Ref. No : MCK1067 - 3095626

Application : D DUCO
Description : Caliper Gear and Springs Kit

1- S23 Center Gear Sheet
2- Y5 Spring Ø6x61mm
3- Y4 Spring Ø4x55mm
4- Y53 Spring Ø4x61mm
5- S84 Pad Retainer



ANDTECH No : 0810 20345
Org. Ref. No :

Application : D DUCO
Description : Caliper Gear and Springs Kit

1- S23 Center Gear Sheet
2- Y5 Spring Ø6x61mm
3- Y4 Spring Ø4x55mm
4- Y53 Spring Ø4x61mm

MERITOR

ANDTECH No :	0810 20259
Org. Ref. No :	
Application :	D DUCO
Description :	Caliper Gear and Springs Kit
1- S23	Center Gear Sheet
2- Y4	Spring Ø4x55mm
3- Y5	Spring Ø6x61mm



①



②



③

ANDTECH No :	0810 20260
Org. Ref. No :	MCK1129 - 85102099
Application :	C DUCO, LE DUCO
Description :	Caliper Gear and Springs Kit
1- S85	Center Gear Sheet
2- Y40	Center Gear Spring (Big)
3- Y41	Center Gear Spring (Small)



①

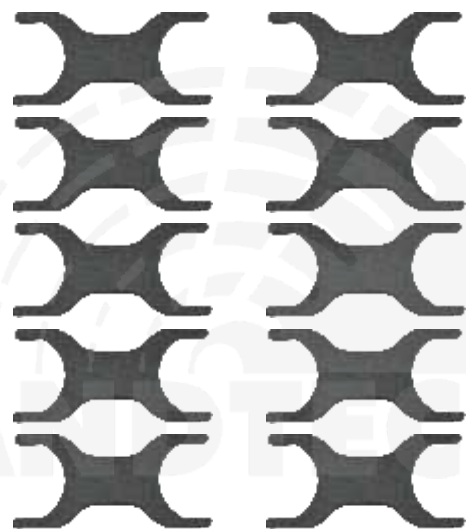


②

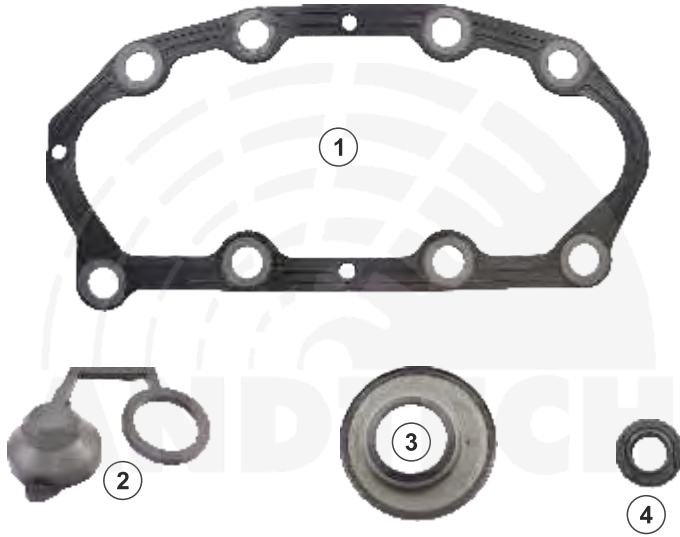


③

ANDTECH No :	0810 20261
Org. Ref. No :	68322900PK10
Application :	B DUCO, D DUCO
Description :	Caliper Locking Shim
1- S84	Locking Shim



MERITOR



ANDTECH No : 0810 20270
Org. Ref. No : SJ4109 - 3092270

Application : D DUCO RADIAL
Description : Caliper Cover Plate Gasket Kit

1- K27 Gasket
2- K26 Dust Cover
3- K30 Eccentric Seal
4- K31 Seal



ANDTECH No : 0810 20271
Org. Ref. No :

Application : D DUCO RADIAL
Description : Caliper Cover Plate Gasket

1- K27 Gasket



ANDTECH No : 0810 20272
Org. Ref. No : MCK1041 - 3095669

Application : B DUCO, C DUCO, LE DUCO
Description : Caliper Cover Plate Gasket Kit

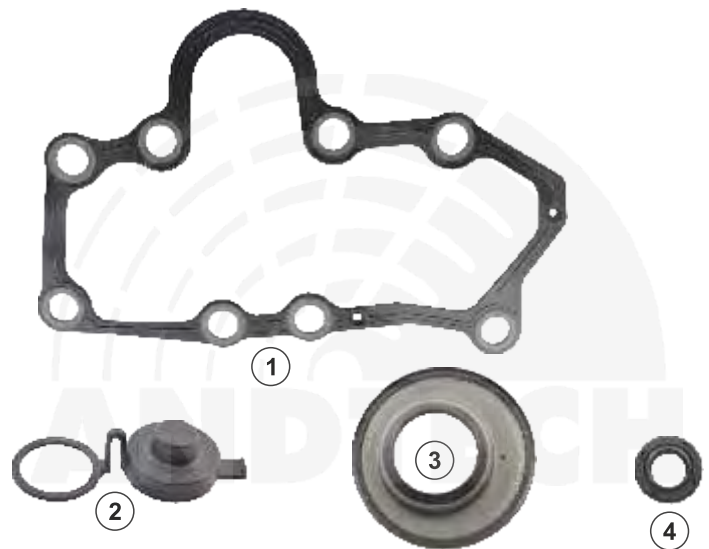
1- K28 Gasket
2- K25 Dust Cover
3- K30 Eccentric Seal
4- K31 Seal

MERITOR

ANDTECH No :	0810 20273
Org. Ref. No :	
Application :	B DUCO, C DUCO, LE DUCO
Description :	Caliper Cover Plate Gasket
1- K28	Gasket



ANDTECH No :	0810 20274
Org. Ref. No :	SJ4105 - 3092269
Application :	D DUCO
Description :	Caliper Cover Plate Gasket Kit
1- K29	Gasket
2- K25	Dust Cover
3- K30	Eccentric Seal
4- K31	Seal



ANDTECH No :	0810 20275
Org. Ref. No :	68322774
Application :	D DUCO
Description :	Caliper Cover Plate Gasket
1- K29	Gasket



MERITOR



ANDTECH No : 0810 20337

Org. Ref. No :

Application : ELSA 2

Description : Caliper Calibration Mechanism Gasket Kit

1- K34 Gasket

2- K24 Boot

3- K23 Dust Cover



ANDTECH No : 0810 20338

Org. Ref. No :

Application : ELSA 195, ELSA 225, EX 225

Description : Caliper Calibration Mechanism Gasket Kit

1- K93 Gasket

2- K24 Boot

3- K23 Dust Cover



ANDTECH No : 0810 20276

Org. Ref. No : 68324270

Application : ELSA 2

Description : Caliper Calibration Mechanism Gasket

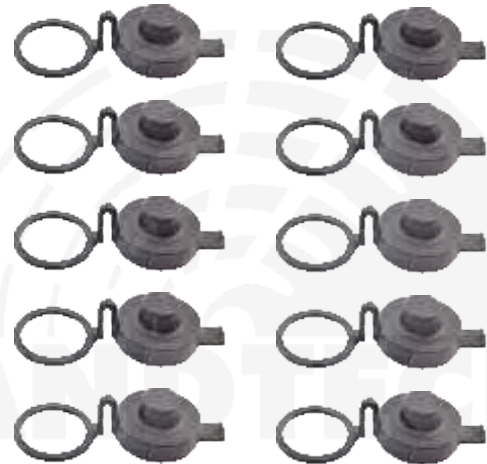
1- K34 Gasket

MERITOR

ANDTECH No :	0810 20277
Org. Ref. No :	
Application :	ELSA 195, ELSA 225, EX 225
Description :	Caliper Calibration Mechanism Gasket
1- K93	Gasket



ANDTECH No :	0810 20278
Org. Ref. No :	68322655PK10
Application :	All DUCO, All ELSA
Description :	Caliper Adjusting Dust Cover
1- K25	Dust Cover



ANDTECH No :	0810 20279
Org. Ref. No :	68322655PK10
Application :	D DUCO RADIAL
Description :	Caliper Adjusting Dust Cover
1- K26	Dust Cover



MERITOR



ANDTECH No :	0810 20280
Org. Ref. No :	68323746PK10
Application :	ELSA 2, ELSA 195, ELSA 225
Description :	Caliper Seal
1- K86	Seal



ANDTECH No :	0810 20281
Org. Ref. No :	
Application :	ELSA 1
Description :	Caliper Cover Plate Gasket
1- CN4	Gasket



ANDTECH No :	0810 20282
Org. Ref. No :	
Application :	ELSA 1
Description :	Caliper Cover Plate Gasket
1- CN5	Gasket



ANDTECH No :	0810 20283
Org. Ref. No :	
Application :	ELSA 1
Description :	Caliper Cover Plate Gasket
1- CN6	Gasket

MERITOR

ANDTECH No :	0810 20284
Org. Ref. No :	
Application :	MB, MAN, RVI
Description :	Caliper Push Plate
1- T125	Push Plate



ANDTECH No :	0810 20285
Org. Ref. No :	68915080 - 68915081
Application :	C LISA, D LISA
Description :	Caliper Lever
1- T258	Lever
2- C55	Screw



ANDTECH No :	0810 20286
Org. Ref. No :	SJ4117 - 3092765
Application :	LISA
Description :	Caliper Push Plate
1- T236	Push Plate



ANDTECH No :	0810 20346
Org. Ref. No :	68322562PK
Application :	DUCO - ELSA 1
Description :	Caliper Mechanism Gear (Left)
1- P42	Plastic Gear



MERITOR



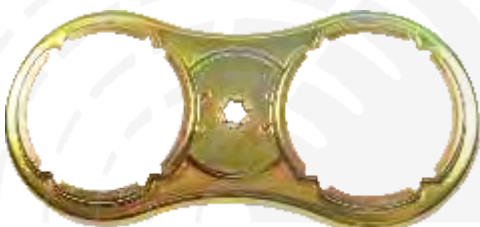
ANDTECH No :	0810 20347
Org. Ref. No :	68322563PK
Application :	DUCO - ELSA 1
Description :	Caliper Mechanism Gear (Right)
1- P43	Plastic Gear



ANDTECH No :	0810 20291
Org. Ref. No :	68322300PK
Application :	ELSA 1
Description :	Caliper Repair Kit
1- K41	Rubber Tap
2- K42	Seal
3- T117	Bush



ANDTECH No :	0810 20340
Org. Ref. No :	
Application :	ELSA
Description :	Caliper Sensor Cap
1- P44	Plastic Plug
2- S120	Plug Sheet
3- C52	Screw M10x1.25x20mm
4- K31	Seal
5- K120	O-Ring



ANDTECH No :	0810 20262
Org. Ref. No :	68321678PK
Application :	ELSA 1
Description :	Caliper Locking Shim
1- S22	Locking Shim

MERITOR

ANDTECH No :	0810 20263
Org. Ref. No :	SJ1212 - 5001831176 81508026007 - 0004230082
Application :	MB, MAN, RVI
Description :	Caliper Cover and Bolts
1- S65	Cover
2- C47	Screw M8x40mm
3- P13	Dust Cover
4- C48	Screw M8x15mm



ANDTECH No :	0810 20333
Org. Ref. No :	
Application :	MB, MAN, RVI
Description :	Caliper Clutch System Small (Right)
1- T193	Caliper Gear
2- Y42	Torsion Spring
3- S94	Wavy Washer
4- K35	Rubber Cap
5- T270	Adjuster Bolt M06x1.5x50mm



ANDTECH No :	0810 20334
Org. Ref. No :	
Application :	MB, MAN, RVI
Description :	Caliper Clutch System Small (Left)
1- T193	Caliper Gear
2- Y43	Torsion Spring
3- S94	Wavy Washer
4- K35	Rubber Cap
5- T270	Adjuster Bolt M06x1.5x50mm



MERITOR



ANDTECH No : 0810 20335

Org. Ref. No :

Application : MB, MAN, RVI

Description : Caliper Clutch System Big (Right)

1- Y47 Torsion Spring

2- T271 Housing

3- S95 Washer

4- S96 Washer

5- S117 Locking Shim

6- Y54 Spring



ANDTECH No : 0810 20336

Org. Ref. No :

Application : MB, MAN, RVI

Description : Caliper Clutch System Big (Left)

1 - Y48 Torsion Spring

2- T271 Housing

3- S95 Washer

4- S96 Washer

5- S117 Locking Shim

6- Y54 Spring



ANDTECH No : 0810 20264

Org. Ref. No : 654147780414PK

Application : MB, MAN, RVI

Description : Caliper Dust Cover

1- K32 Dust Cover

MERITOR

ANDTECH No :	0810 20368
Org. Ref. No :	
Application :	MB - MAN - RVI
Description :	Caliper Roller Bearing Kit
1- R6	Roller Bearing
2- R7	Roller Bearing
3- S59	Wavy Washer



ANDTECH No :	0810 20265
Org. Ref. No :	
Application :	MB, MAN, RVI
Description :	Caliper Roller Bearing
1- R6	Roller Bearing



ANDTECH No :	0810 20266
Org. Ref. No :	
Application :	MB, MAN, RVI
Description :	Caliper Roller Bearing
1- R7	Roller Bearing



ANDTECH No :	0810 20267
Org. Ref. No :	
Application :	MB, MAN, RVI
Description :	Caliper Gear
1- T193	Gear



MERITOR



ANDTECH No : 0810 20369

Org. Ref. No :

Application : MB - MAN - RVI

Description : Caliper Wavy Washer

1- S118 Wavy Washer



ANDTECH No : 0810 20268

Org. Ref. No :

Application : MB, MAN, RVI

Description : Caliper Wavy Washer

1- S59 Wavy Washer



ANDTECH No : 0810 20269

Org. Ref. No : 68320507PK10

Application : MB, MAN, RVI

Description : Caliper Dust Cover

1- P9 Dust Cover



ANDTECH No : 0810 20370

Org. Ref. No :

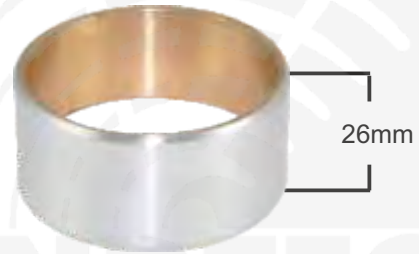
Application : MB - MAN - RVI

Description : Caliper Shaft Bush

1- B36 Bush

MERITOR

ANDTECH No :	0810 20371
Org. Ref. No :	
Application :	MB - MAN - RVI
Description :	Caliper Shaft Bush
1- B37	Bush



ANDTECH No :	0810 20287
Org. Ref. No :	
Application :	ELSA 2
Description :	Caliper Pad Wear Assembly
1- T116	Pin
2- Y34	Spring



ANDTECH No :	0810 20288
Org. Ref. No :	SJ4111 - 3092283
Application :	B DUCO, C DUCO, D DUCO, LE DUCO
Description :	Caliper Pad Wear Assembly
1- P25	Pin
2- Y39	Spring



ANDTECH No :	0810 20289
Org. Ref. No :	MCK1296 - MCK1311 - 85109883
Application :	ELSA 195, ELSA 225, EX 225
Description :	Caliper Pad Wear Assembly
1- P24	Pin
2- Y34	Spring



MERITOR



ANDTECH No : 0810 20290

Org. Ref. No :

Application : ELSA 2

Description : Caliper Pad Wear Assembly

1- P26 Pin

2- Y34 Spring



ANDTECH No : 0810 20339

Org. Ref. No : MCK1240

Application : ELSA 2

Description : Caliper Repair Kit

1- C14 Screw M16x1.5x40mm

2- P26 Pin

3- Y34 Spring



ANDTECH No : 0810 20292

Org. Ref. No : MCK1174 -5001858719
5001866486 - 85107958

Application : ELSA 2, ELSA 195, ELSA 225

Description : Caliper Pad Retainer

1- S41 Pad Retainer

2- C17 Screw M10x1,25x20mm



ANDTECH No : 0810 20293

Org. Ref. No : MCK1262

Application : MAN TGA

Description : Caliper Pad Retainer

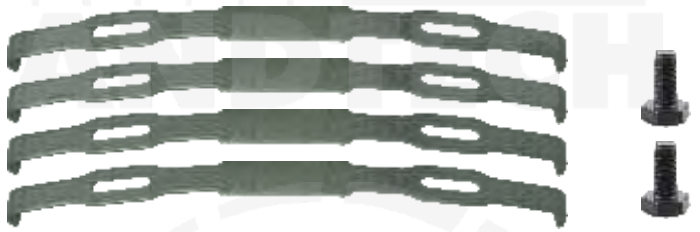
1- S82 Pad Retainer

2- C17 Screw M10x1,25x20mm

MERITOR

ANDTECH No :	0810 20294	
Org. Ref. No :	MCK1264	
Application :	C DUCO, D DUCO, LE DUCO	
Description :	Caliper Pad Retainer	
1- S83	Pad Retainer	
2- C17	Screw M10x1,25x20mm	

ANDTECH No :	0810 20295	
Org. Ref. No :	MCK1263	
Application :	B DUCO	
Description :	Caliper Pad Retainer	
1- S89	Pad Retainer	
2- C17	Screw M10x1,25x20mm	

ANDTECH No :	0810 20450	
Org. Ref. No :	WVA 29174	
Application :	EX 225	
Description :	Caliper Pad Retention Kit	
1- S162	Retention Spring	
2- C17	Screw M10x1,25x20mm	

ANDTECH No :	0810 20360	
Org. Ref. No :		
Application :	MAN TGA 460 - ELSA 2	
Description :	Caliper Carrier	
1- T319	Carrier 22.5"	

ANDTECH No :	0810 20361	
Org. Ref. No :		
Application :	ELSA 195, ELSA 225	
Description :	Caliper Carrier	
1- T320	Carrier 22.5"	

MERITOR



ANDTECH No : 0810 20362

Org. Ref. No :

Application : ELSA 2

Description : Caliper Carrier

1- T321 Carrier 22.5"



ANDTECH No : 0810 20363

Org. Ref. No :

Application : ELSA 2

Description : Caliper Carrier

1- T322 Carrier 22.5"



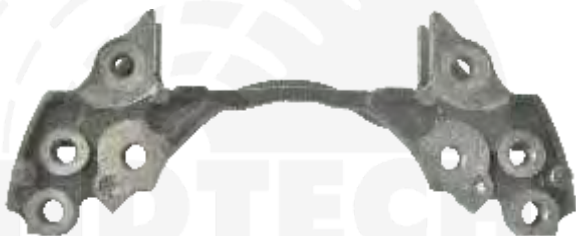
ANDTECH No : 0810 20364

Org. Ref. No :

Application : ELSA 2

Description : Caliper Carrier

1- T323 Carrier 22.5"



ANDTECH No : 0810 20405

Org. Ref. No : MCK13189 - 85109887 - 5001866988

Application : ELSA 225

Description : Caliper Carrier

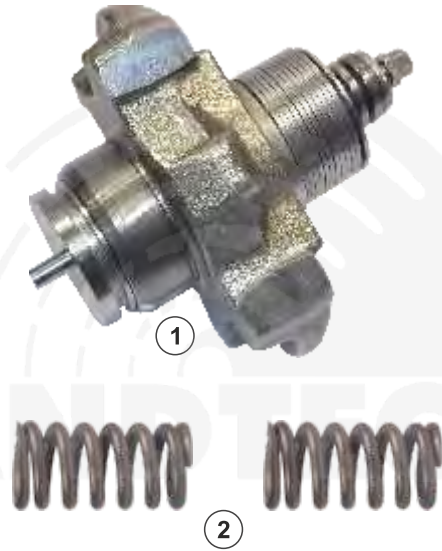
1- T381 Carrier 19.5"





WABCO

ANDTECH No :	0810 30101
Org. Ref. No :	
Application :	19.5 - 22.5
Description :	Caliper Adjusting Mechanism Complete
1- T261	Adjusting Mechanism
2- Y44	Spring



ANDTECH No :	0810 30168
Org. Ref. No :	
Application :	19.5 - 22.5
Description :	Caliper Adjusting Mechanism
1- T261	Adjusting Mechanism



ANDTECH No :	0810 30102
Org. Ref. No :	
Application :	17.5
Description :	Caliper Adjusting Mechanism Complete
1- T262	Adjusting Mechanism
2- Y44	Spring



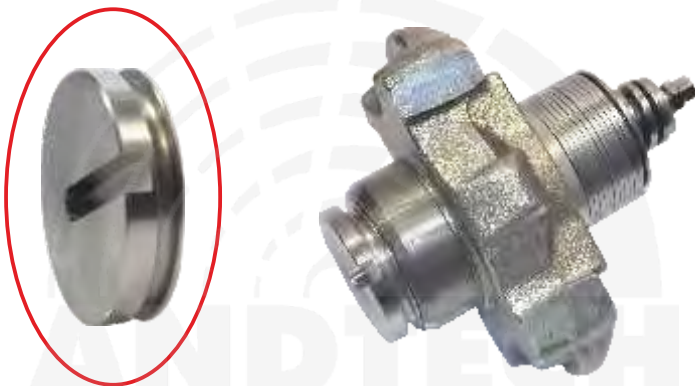
WABCO



ANDTECH No :	0810 30169
Org. Ref. No :	
Application :	17.5
Description :	Caliper Adjusting Mechanism
1- T262	Adjusting Mechanism



ANDTECH No :	0810 30103
Org. Ref. No :	
Application :	17.5
Description :	Caliper Adjusting Mechanism Complete
1- T263	Adjusting Mechanism
2- Y44	Spring



ANDTECH No :	0810 30170
Org. Ref. No :	
Application :	17.5
Description :	Caliper Adjusting Mechanism
1- T263	Adjusting Mechanism

WABCO

ANDTECH No :	0810 30104
Org. Ref. No :	
Application :	19.5 - 22.5
Description :	Caliper Bridge
1- T250	Bridge



ANDTECH No :	0810 30171
Org. Ref. No :	
Application :	19.5 - 22.5
Description :	Caliper Bridge
1- T250	Bridge
2- Y44	Spring



ANDTECH No :	0810 30105
Org. Ref. No :	
Application :	17.5
Description :	Caliper Bridge
1- T249	Bridge



WABCO



ANDTECH No : 0810 30172

Org. Ref. No :

Application : 17.5

Description : Caliper Bridge

1- T249 Bridge

2- Y44 Spring



ANDTECH No : 0810 30106

Org. Ref. No :

Application : 19.5 - 22.5

Description : Caliper Adjusting Mechanism

1- T196 Screw

2- T133 Adjuster Pin

3- T134 Retainer

4- Y12 Spring

5- T135 Clutch



ANDTECH No : 0810 30173

Org. Ref. No :

Application : 19.5 - 22.5

Description : Caliper Adjusting Mechanism Kit

1- T196 Screw

2- T133 Adjuster Pin

3- T134 Retainer

4- Y12 Spring

5- T135 Clutch

6- SK7 Snap Ring

7- T252 Washer

8- Y45 Spring

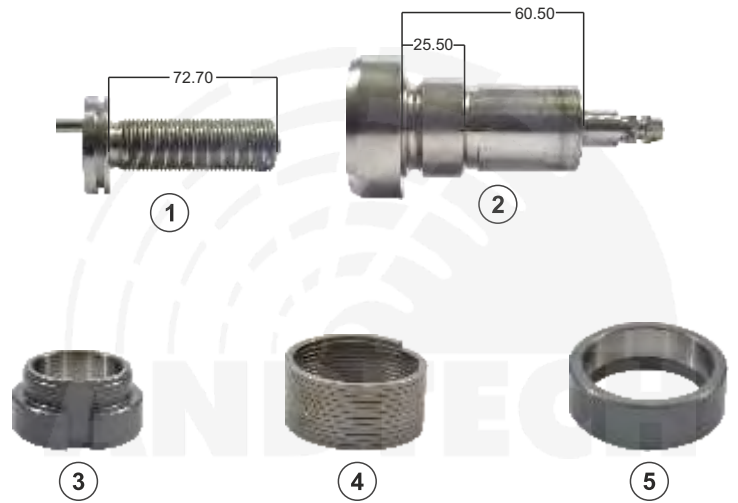
9- S86 Washer

10- S87 Washer

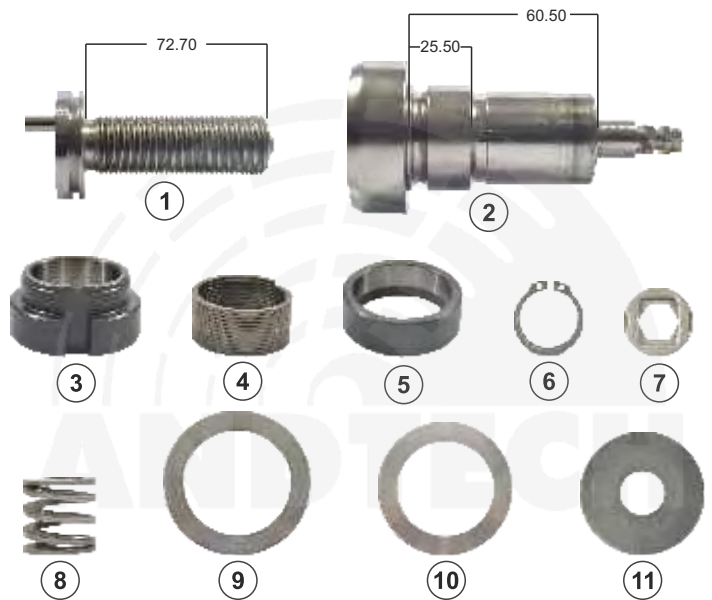
11- S88 Washer

WABCO

ANDTECH No :	0810 30107
Org. Ref. No :	
Application :	17.5
Description :	Caliper Adjusting Mechanism
1- T131	Screw
2- T132	Adjuster Pin
3- T134	Retainer
4- Y12	Spring
5- T135	Clutch



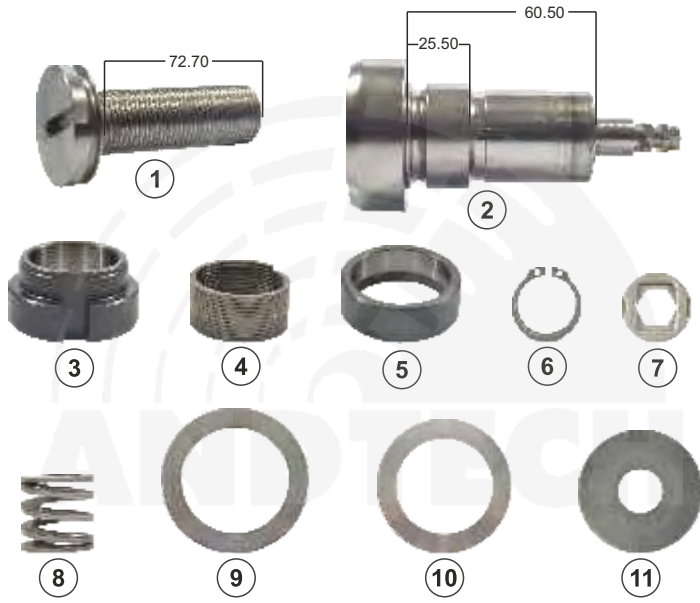
ANDTECH No :	0810 30174
Org. Ref. No :	
Application :	17.5
Description :	Caliper Adjusting Mechanism Kit
1- T131	Screw
2- T132	Adjuster Pin
3- T134	Retainer
4- Y12	Spring
5- T135	Clutch
6- SK7	Snap Ring
7- T252	Washer
8- Y45	Spring
9- S86	Washer
10- S87	Washer
11- S88	Washer



ANDTECH No :	0810 30108
Org. Ref. No :	
Application :	17.5
Description :	Caliper Adjusting Mechanism
1- T25	Screw
2- T132	Adjusting Pin
3- T134	Retainer
4- Y12	Spring
5- T135	Clutch



WABCO



ANDTECH No : 0810 30175

Org. Ref. No :

Application : 17.5

Description : Caliper Adjusting Mechanism Kit

1- T25 Screw

2- T132 Adjuster Pin

3- T134 Retainer

4- Y12 Spring

5- T135 Clutch

6- SK7 Snap Ring

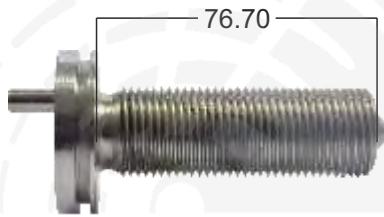
7- T252 Washer

8- Y45 Spring

9- S86 Washer

10- S87 Washer

11- S88 Washer



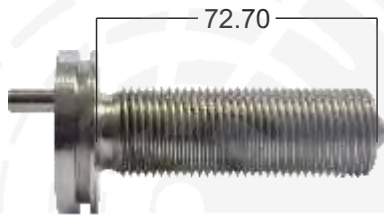
ANDTECH No : 0810 30109

Org. Ref. No :

Application : 19.5 - 22.5

Description : Caliper Calibration Bolt

1- T196 Screw



ANDTECH No : 0810 30110

Org. Ref. No :

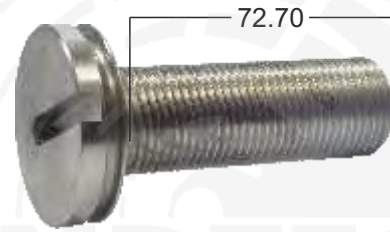
Application : 17.5

Description : Caliper Calibration Bolt

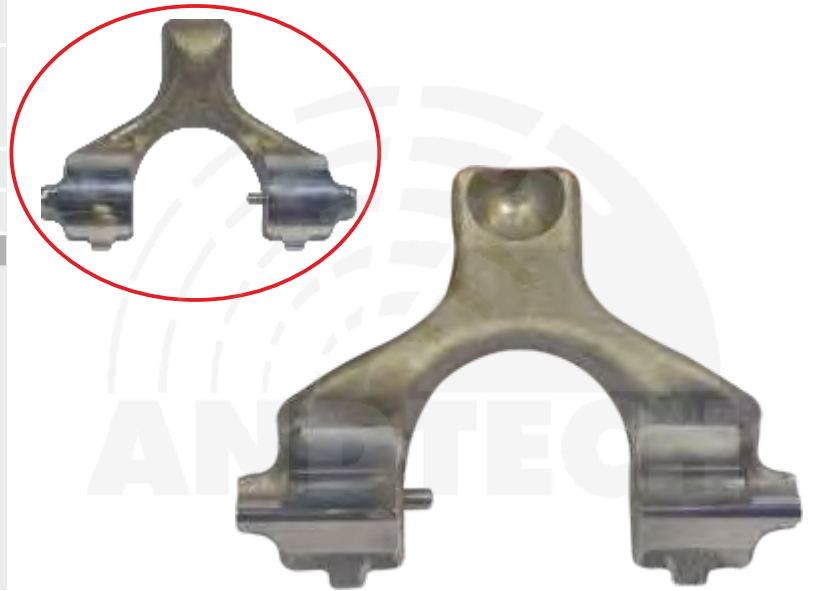
1- T131 Screw

WABCO

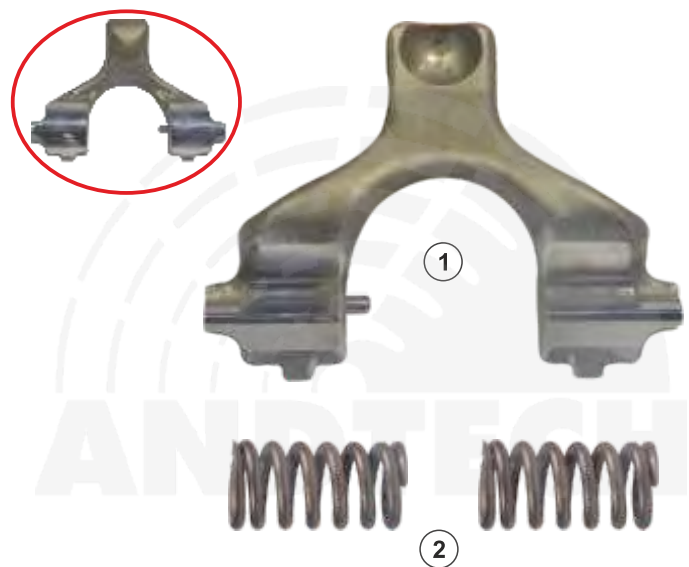
ANDTECH No :	0810 30111
Org. Ref. No :	
Application :	17.5
Description :	Caliper Calibration Bolt (Slotted)
1- T25	Screw



ANDTECH No :	0810 30112
Org. Ref. No :	
Application :	17.5 - 19.5 - 22.5
Description :	Caliper Lever
1- T251	Lever



ANDTECH No :	0810 30176
Org. Ref. No :	
Application :	17.5 - 19.5 - 22.5
Description :	Caliper Lever
1- T251	Lever
2- Y44	Spring



WABCO



ANDTECH No : 0810 30113

Org. Ref. No :

Application : 17.5 - 19.5 - 22.5

Description : Caliper Roller Bearing

1- R13 Roller Bearing



ANDTECH No : 0810 30114

Org. Ref. No :

Application : 17.5 - 19.5 - 22.5

Description : Caliper Repair Kit

1- SK7 Snap Ring

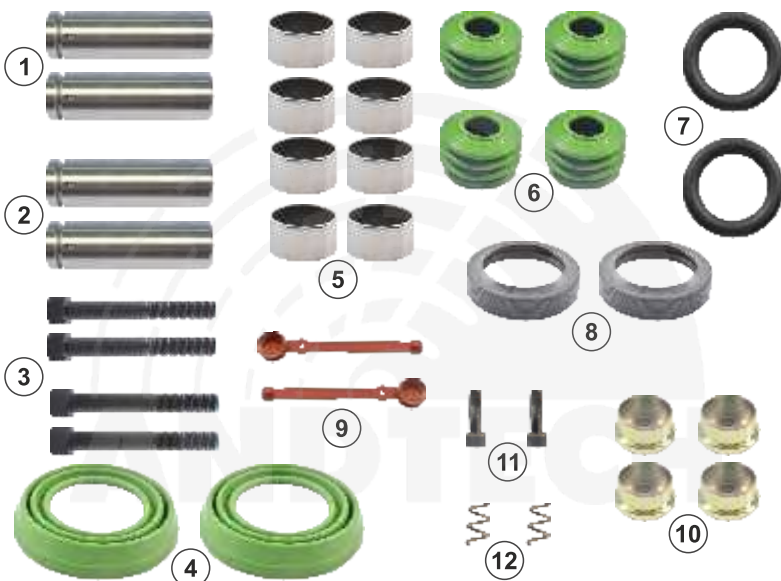
2- T252 Washer

3- Y45 Spring

4- S86 Washer

5- S87 Washer

6- S88 Washer



ANDTECH No : 0810 30115

Org. Ref. No : 12999729VT - 81508006023 - 082139200 - 11015566 - 1517354

Application : 1000 VG

Description : Caliper Repair Kit

1- T140 Guide Pin Ø25x81mm

2- T141 Guide Pin Ø25x81mm

3- C25 Screw M12x1,5x90mm

4- K62 Boot

5- B24 Bush

6- K63 Boot

7- K64 O-Ring

8- K65 Seal

9- K66 Dust Cover

10- T142 Metal Tap

11- C26 Screw M6x1x20mm

12- Y13 Spring

WABCO

ANDTECH No : 0810 30116

Org. Ref. No :

Application : 19.5 - 22.5

Description : Caliper Repair Kit Complete

1- T30	Guide Pin Ø38x118mm
2- C10	Screw M16x1,5x120mm
3- T31	Guide Pin Ø38x76mm
4- C3	Screw M16x1,5x80mm
5- S15	Metal Ring
6- K17	Boot
7- K18	Boot
8- K19	Rubber Tap
9- K20	Seal
10- S5	Metal Tap
11- S4	Metal Tap
12- B6	Bush
13- T261	Adjusting Mechanism
14- Y44	Spring
15- R13	Roller Bearing
16- T251	Lever



WABCO



ANDTECH No : 0810 30117

Org. Ref. No :

Application : 19.5 - 22.5

Description : Caliper Repair Kit Complete

1- T30	Guide Pin Ø38x118mm
2- C10	Screw M16x1,5x120mm
3- T31	Guide Pin Ø38x76mm
4- C3	Screw M16x1,5x80mm
5- S15	Metal Ring
6- K17	Boot
7- K18	Boot
8- K19	Rubber Tap
9- K20	Seal
10- S5	Metal Tap
11- S4	Metal Tap
12- B6	Bush
13- T261	Adjusting Mechanism
14- Y44	Spring



ANDTECH No : 0810 30177

Org. Ref. No :

Application : 19.5 - 22.5

Description : Caliper Repair Kit Complete

1- T30	Guide Pin Ø38x118mm
2- C10	Screw M16x1,5x120mm
3- T31	Guide Pin Ø38x76mm
4- C3	Screw M16x1,5x80mm
5- S15	Metal Ring
6- T24	Adjusting Mechanism
7- K19	Rubber Tap
8- K17	Boot
9- K18	Boot
10- S5	Metal Tap
11- S4	Metal Tap
12- B6	Bush
13- SK7	Snap Ring
14- T252	Washer
15- Y45	Spring
16- S86	Washer
17- S87	Washer
18- S88	Washer

WABCO

ANDTECH No :	0810 30118
Org. Ref. No :	
Application :	19.5 - 22.5
Description :	Caliper Repair Kit Complete
1- T30	Guide Pin Ø38x118mm
2- C10	Screw M16x1,5x120mm
3- T31	Guide Pin Ø38x76mm
4- C3	Screw M16x1,5x80mm
5- S15	Metal Ring
6- T24	Adjusting Mechanism
7- K19	Rubber Tap
8- K17	Boot
9- K18	Boot
10- S5	Metal Tap
11- S4	Metal Tap
12- B6	Bush



ANDTECH No :	0810 30178
Org. Ref. No :	
Application :	19.5 - 22.5
Description :	Caliper Repair Kit Complete
1- T30	Guide Pin Ø38x118mm
2- C10	Screw M16x1,5x120mm
3- T31	Guide Pin Ø38x76mm
4- C3	Screw M16x1,5x80mm
5- S15	Metal Ring
6- T24	Adjusting Mechanism
7- K19	Rubber Tap
8- K17	Boot
9- K18	Boot
10- K22	Boot (White)
11- B6	Bush
12- S5	Metal Tap
13- S4	Metal Tap
14- SK7	Snap Ring
15- T252	Washer
16- Y45	Spring
17- S86	Washer
18- S87	Washer
19- S88	Washer



WABCO



ANDTECH No : 0810 30179

Org. Ref. No :

Application : 19.5 - 22.5

Description : Caliper Repair Kit Complete

1- T30	Guide Pin Ø38x118mm
2- C10	Screw M16x1,5x120mm
3- T31	Guide Pin Ø38x76mm
4- C3	Screw M16x1,5x80mm
5- S15	Metal Ring
6- T24	Adjusting Mechanism
7- K19	Rubber Tap
8- K17	Boot
9- K18	Boot
10- K22	Boot (white)
11- B6	Bush
12- S5	Metal Tap
13- S4	Metal Tap
14- SK7	Snap Ring
15- T252	Washer
16- Y45	Spring
17- S86	Washer
18- S87	Washer
19- S88	Washer



ANDTECH No : 0810 30119

Org. Ref. No :

Application : 19.5 - 22.5

Description : Caliper Repair Kit Complete

1- T30	Guide Pin Ø38x118mm
2- C10	Screw M16x1,5x120mm
3- T31	Guide Pin Ø38x76mm
4- C3	Screw M16x1,5x80mm
5- S15	Metal Ring
6- T24	Adjusting Mechanism
7- K19	Rubber Tap
8- K17	Boot
9- K18	Boot
10- K22	Boot (White)
11- B6	Bush
12- S5	Metal Tap
13- S4	Metal Tap

WABCO

ANDTECH No :	0810 30120	
Org. Ref. No :	12999738VT - 1505890 - 3434382701 - 79787365	
Application :	19.5 - 22.5	
Description :	Caliper Repair Kit	
1- T30	Guide Pin Ø38x118mm	
2- C10	Screw M16x1,5x120mm	
3- T31	Guide Pin Ø38x76mm	
4- C3	Screw M16x1,5x80mm	
5- S15	Metal Ring	
6- K19	Rubber Tap	
7- S5	Metal Tap	
8- S4	Metal Tap	
9- K17	Boot	
10- K18	Boot	
11- K22	Boot (White)	
12- B6	Bush	

ANDTECH No :	0810 30121	
Org. Ref. No :		
Application :	19.5 - 22.5	
Description :	Caliper Repair Kit	
1- T30	Guide Pin Ø38x118mm	
2- C10	Screw M16x1,5x120mm	
3- T31	Guide Pin Ø38x76mm	
4- C3	Screw M16x1,5x80mm	
5- S15	Metal Ring	
6- K19	Rubber Tap	
7- S5	Metal Tap	
8- S4	Metal Tap	
9- K17	Boot	
10- K18	Boot	
11- K22	Boot (White)	
12- B6	Bush	

ANDTECH No :	0810 30122	
Org. Ref. No :	12999776 - 34344382800 - 1628065 - 1068119 - 6500700 - 501866626 - 85108166	
Application :	19.5 - 22.5	
Description :	Caliper Repair Kit	
1- T30	Guide Pin Ø38x118mm	
2- C10	Screw M16x1,5x120mm	
3- T31	Guide Pin Ø38x76mm	
4- C3	Screw M16x1,5x80mm	
5- S15	Metal Ring	
6- K17	Boot	
7- K18	Boot	
8- K19	Rubber Tap	
9- S5	Metal Tap	
10- S4	Metal Tap	
11- B6	Bush	

WABCO



ANDTECH No : 0810 30123

Org. Ref. No :

Application : 19.5 - 22.5

Description : Caliper Repair Kit

1- T30	Guide Pin Ø38x118mm
2- C10	Screw M16x1,5x120mm
3- T31	Guide Pin Ø38x76mm
4- C3	Screw M16x1,5x80mm
5- S15	Metal Ring
6- K17	Boot
7- K18	Boot
8- K19	Rubber Tap
9- S5	Metal Tap
10- S4	Metal Tap
11- B6	Bush



ANDTECH No : 0810 30124

Org. Ref. No : 12999678VT - 5021170488 - 0865966

Application : 19.5 - 22.5

Description : Caliper Repair Kit

1- T30	Guide Pin Ø38x118mm
2- C10	Screw M16x1,5x120mm
3- T31	Guide Pin Ø38x76mm
4- C3	Screw M16x1,5x80mm
5- S15	Metal Ring
6- K22	Boot (White)
7- K18	Boot
8- K19	Rubber Tap
9- S5	Metal Tap
10- S4	Metal Tap
11- B6	Bush



ANDTECH No : 0810 30125

Org. Ref. No : 12999746VT - 1440505 - 5001858722 - 261112999746VT

Application : 19.5

Description : Caliper Repair Kit

1- T30	Guide Pin Ø38x118mm
2- C10	Screw M16x1,5x120mm
3- T31	Guide Pin Ø38x76mm
4- C3	Screw M16x1,5x80mm
5- S15	Metal Ring
6- K22	Boot (White)
7- K59T136	Tappet and Boot
8- SK6	Snap Ring
9- K19	Rubber Tap
10- S5	Metal Tap
11- S4	Metal Tap
12- B6	Bush

WABCO

ANDTECH No :	0810 30180
Org. Ref. No :	12999677VT - 5021170487 - 0865965
Application :	19.5
Description :	Caliper Repair Kit
1- C10	Screw M16x1,5x120mm
2- C3	Screw M16x1,5x80mm
3- S15	Metal Ring
4- K22	Boot (White)
5- K59T136	Tappet and Boot
6- SK6	Snap Ring
7- K19	Rubber Tap
8- S5	Metal Tap
9- S4	Metal Tap



ANDTECH No :	0810 30126
Org. Ref. No :	
Application :	19.5
Description :	Caliper Repair Kit
1- K59T136	Tappet and Boot
2- SK6	Snap Ring
3- K22	Boot (White)
4- S15	Metal Ring



ANDTECH No :	0810 30127
Org. Ref. No :	
Application :	19.5
Description :	Caliper Tappet Repair Kit
1- K59T136	Tappet and Boot
2- SK6	Snap Ring



WABCO



ANDTECH No : 0810 30181

Org. Ref. No :

Application : 19.5 - 22.5

Description : Caliper Repair Kit

1- K17 Boot

2- K18 Boot

3- K22 Boot (White)

4- S4 Metal Tap

5- S5 Metal Tap

6- S15 Metal Ring

7- B6 Bush



ANDTECH No : 0810 30128

Org. Ref. No :

Application : 19.5 - 22.5

Description : Caliper Repair Kit

1- K17 Boot

2- K18 Boot

3- K22 Boot (White)

4- S4 Metal Tap

5- S5 Metal Tap

6- S15 Metal Ring

7- B6 Bush



ANDTECH No : 0810 30129

Org. Ref. No :

Application : 19.5 - 22.5

Description : Caliper Repair Kit

1- K17 Boot

2- S15 Metal Ring

3- K18 Boot

4- S4 Metal Tap

5- S5 Metal Tap

6- B6 Bush

WABCO

ANDTECH No :	0810 30130
Org. Ref. No :	
Application :	19.5 - 22.5
Description :	Caliper Repair Kit
1- K22	Boot (White)
2- S15	Metal Ring
3- K18	Boot
4- S4	Metal Tap
5- S5	Metal Tap
6- B6	Bush



ANDTECH No :	0810 30131
Org. Ref. No :	
Application :	19.5 - 22.5
Description :	Caliper Repair Kit
1- K22	Boot (White)
2- K17	Boot
3- K18	Boot
4- S4	Metal Tap
5- S5	Metal Tap
6- S15	Metal Ring



ANDTECH No :	0810 30132
Org. Ref. No :	
Application :	19.5 - 22.5
Description :	Caliper Boot Kit
1- K17	Boot
2- K18	Boot
3- S15	Metal Ring



WABCO



ANDTECH No : 0810 30133

Org. Ref. No :

Application : 19.5 - 22.5

Description : Caliper Boot Kit

1- K22 Boot (White)

2- K18 Boot

3- S15 Metal Ring



ANDTECH No : 0810 30134

Org. Ref. No :

Application : 19.5 - 22.5

Description : Caliper Repair Kit

1- T30 Guide Pin Ø38x118mm

2- C10 Screw M16x1,5x120mm

3- T31 Guide Pin Ø38x76mm

4- C3 Screw M16x1,5x80mm

5- B6 Bush



ANDTECH No : 0810 30135

Org. Ref. No :

Application : 19.5 - 22.5

Description : Caliper Repair Kit

1- T30 Guide Pin Ø38x118mm

2- C10 Screw M16x1,5x120mm

3- T31 Guide Pin Ø38x76mm

4- C3 Screw M16x1,5x80mm

5- C15 Screw M10x1x40mm

WABCO

ANDTECH No :	0810 30136
Org. Ref. No :	
Application :	17.5
Description :	Caliper Repair Kit
1- T21	Guide Pin Ø29x91mm
2- C2	Screw M16x1,5x87mm
3- T22	Guide Pin Ø29x77mm
4- C8	Screw M16x1,5x70mm
5- K18	Boot
6- K16	Boot
7- B5	Bush
8- S9	Metal Tap
9- K19	Rubber Tap
10- K20	Seal
11- T262	Adjusting Mechanism
12- Y44	Spring
13- R13	Roller Bearing
14- T251	Lever



ANDTECH No :	0810 30137
Org. Ref. No :	
Application :	17.5
Description :	Caliper Repair Kit
1- T21	Guide Pin Ø29x91mm
2- C2	Screw M16x1,5x87mm
3- T22	Guide Pin Ø29x77mm
4- C8	Screw M16x1,5x70mm
5- K18	Boot
6- K16	Boot
7- B5	Bush
8- S9	Metal Tap
9- K19	Rubber Tap
10- K20	Seal
11- T262	Adjusting Mechanism
12- Y44	Spring



WABCO



ANDTECH No : 0810 30182

Org. Ref. No :

Application : 17.5

Description : Caliper Repair Kit

1- T21	Guide Pin Ø29X91mm
2- C2	Screw M16x1,5x87mm
3- T22	Guide Pin Ø29X77mm
4- C8	Screw M16X1,5X70mm
5- K18	Boot
6- K16	Boot
7- B5	Bush
8- S9	Metal Tap
9- K19	Rubber Tap
10- T23	Adjusting Mechanism
11- SK7	Snap Ring
12- T252	Washer
13- Y45	Spring
14- S86	Washer
15- S87	Washer
16- S88	Washer



ANDTECH No : 0810 30138

Org. Ref. No :

Application : 17.5

Description : Caliper Repair Kit

1- T21	Guide Pin Ø29x91mm
2- C2	Screw M16x1,5x87mm
3- T22	Guide Pin Ø29x77mm
4- C8	Screw M16x1,5x70mm
5- K18	Boot
6- K16	Boot
7- B5	Bush
8- S9	Metal Tap
9- K19	Rubber Tap
10- T23	Adjusting Mechanism

WABCO

ANDTECH No :	0810 30139
Org. Ref. No :	
Application :	17.5
Description :	Caliper Repair Kit
1- T21	Guide Pin Ø29x91mm
2- C2	Screw M16x1,5x87mm
3- T22	Guide Pin Ø29x77mm
4- C8	Screw M16x1,5x70mm
5- K18	Boot
6- K16	Boot
7- B5	Bush
8- S9	Metal Tap
9- K19	Rubber Tap
10- K20	Seal
11- T263	Adjusting Mechanism
12- Y44	Spring
13- R13	Roller Bearing
14- T251	Lever



ANDTECH No :	0810 30140
Org. Ref. No :	
Application :	17.5
Description :	Caliper Repair Kit
1- T21	Guide Pin Ø29x91mm
2- C2	Screw M16x1,5x87mm
3- T22	Guide Pin Ø29x77mm
4- C8	Screw M16x1,5x70mm
5- K18	Boot
6- K16	Boot
7- B5	Bush
8- S9	Metal Tap
9- K19	Rubber Tap
10- K20	Seal
11- T263	Adjusting Mechanism
12- Y44	Spring



WABCO



ANDTECH No : 0810 30183

Org. Ref. No :

Application : 17.5

Description : Caliper Repair Kit

1- T21	Guide Pin Ø29x91mm
2- C2	Screw M16x1,5x87mm
3- T22	Guide Pin Ø29x77mm
4- C8	Screw M16x1,5x70mm
5- K18	Boot
6- K16	Boot
7- B5	Bush
8- S9	Metal Tap
9- K19	Rubber Tap
10- T253	Adjusting Mechanism
11- SK7	Snap Ring
12- T252	Washer
13- Y45	Spring
14- S86	Washer
15- S87	Washer
16- S88	Washer



ANDTECH No : 0810 30141

Org. Ref. No :

Application : 17.5

Description : Caliper Repair Kit

1- T21	Guide Pin Ø29x91mm
2- C2	Screw M16x1,5x87mm
3- T22	Guide Pin Ø29x77mm
4- C8	Screw M16x1,5x70mm
5- K18	Boot
6- K16	Boot
7- B5	Bush
8- S9	Metal Tap
9- K19	Rubber Tap
10- T253	Adjusting Mechanism

WABCO

ANDTECH No :	0810 30142
Org. Ref. No :	
Application :	17.5
Description :	Caliper Repair Kit
1- T21	Guide Pin Ø29x91mm
2- C2	Screw M16x1,5x87mm
3- T22	Guide Pin Ø29x77mm
4- C8	Screw M16x1,5x70mm
5- K21	Gasket
6- K18	Boot
7- K16	Boot
8- K19	Rubber Tap
9- S9	Metal Tap
10- K20	Seal
11- B5	Bush
12- C15	Screw M10x1x40mm



ANDTECH No :	0810 30143
Org. Ref. No :	12999699VT - 12999702 - 1436853
Application :	17.5
Description :	Caliper Repair Kit
1- T21	Guide Pin Ø29x91mm
2- C2	Screw M16x1,5x87mm
3- T22	Guide Pin Ø29x77mm
4- C8	Screw M16x1,5x70mm
5- K18	Boot
6- K16	Boot
7- B5	Bush
8- S9	Metal Tap
9- K19	Rubber Tap



ANDTECH No :	0810 30144
Org. Ref. No :	12999704VT - 5001852880 - 1519363 - 261112999704VT
Application :	17.5
Description :	Caliper Repair Kit
1- K16	Boot
2- C2	Screw M16x1,5x87mm
3- B5	Bush
4- K19	Rubber Tap
5- K18	Boot
6- C8	Screw M16x1,5x70mm
7- S9	Metal Tap



WABCO



ANDTECH No :	0810 30145
Org. Ref. No :	12999580VT - 81508226003 - 1517407
Application :	17.5
Description :	Caliper Repair Kit
1- K16	Boot
2- K18	Boot
3- B5	Bush
4- S9	Metal Tap
5- C15	Screw M10x1x40mm
6- C2	Screw M16x1,5x87mm
7- C8	Screw M16x1,5x70mm
8- K20	Seal
9- K19	Rubber Tap
10- K21	Gasket



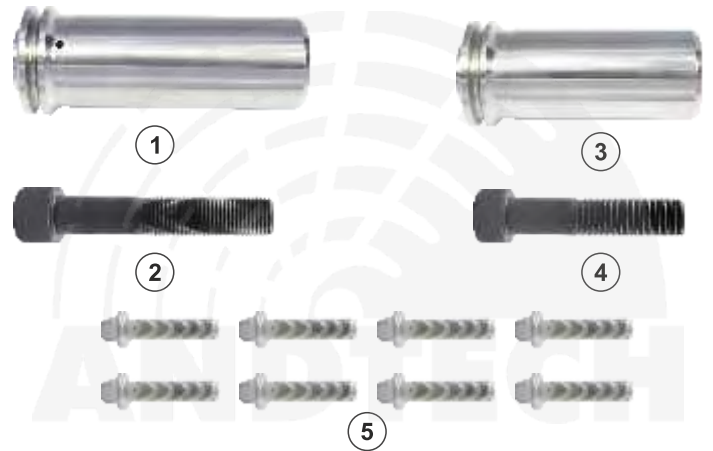
ANDTECH No :	0810 30146
Org. Ref. No :	
Application :	17.5
Description :	Caliper Repair Kit
1- K16	Boot
2- K18	Boot
3- B5	Bush
4- S9	Metal Tap



ANDTECH No :	0810 30147
Org. Ref. No :	
Application :	17.5
Description :	Caliper Boot Kit
1- K16	Boot
2- K18	Boot

WABCO

ANDTECH No :	0810 30148
Org. Ref. No :	
Application :	17.5
Description :	Caliper Repair Kit
1- T21	Guide Pin Ø29x91mm
2- C2	Screw M16x1,5x87mm
3- T22	Guide Pin Ø29x77mm
4- C8	Screw M16x1,5x70mm
5- C15	Screw M10x1x40mm



ANDTECH No :	0810 30149
Org. Ref. No :	
Application :	17.5
Description :	Caliper Repair Kit
1- T21	Guide Pin Ø29x91mm
2- C2	Screw M16x1,5x87mm
3- T22	Guide Pin Ø29x77mm
4- C8	Screw M16x1,5x70mm
5- B5	Bush



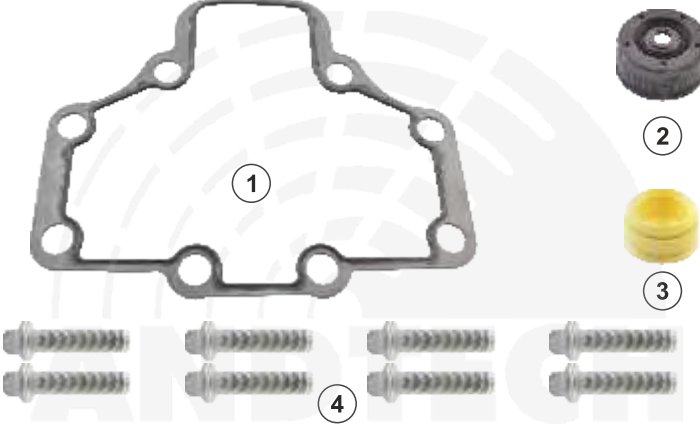
ANDTECH No :	0810 30193
Org. Ref. No :	
Application :	17.5
Description :	Caliper Repair Kit
1- K18	Boot
2- K19	Rubber Tap
3- K20	Seal
4- S130	Metal Cap
5- S131	Metal Cap
6- K16	Boot



ANDTECH No :	0810 30194
Org. Ref. No :	
Application :	17.5
Description :	Caliper Repair Kit
1- S130	Metal Cap
2- S131	Metal Cap




WABCO




ANDTECH No :	0810 30150
Org. Ref. No :	
Application :	17.5 - 19.5 - 22.5
Description :	Caliper Gasket Kit
1- K21	Gasket
2- K20	Seal
3- K19	Rubber Tap
4- C15	Screw M10x1x40mm



ANDTECH No :	0810 30151
Org. Ref. No :	
Application :	17.5 - 19.5 - 22.5
Description :	Caliper Repair Kit
1- K21	Gasket
2- K20	Seal
3- K19	Rubber Tap



ANDTECH No :	0810 30152
Org. Ref. No :	
Application :	17.5 - 19.5 - 22.5
Description :	Caliper Gasket
1- K21	Gasket



ANDTECH No :	0810 30222
Org. Ref. No :	81.50822-6042 - 640 322 932 2
Application :	17.5 - 19.5 - 22.5, Maxx 22
Description :	Caliper Repair Kit
1- K18	Boot
2- K19	Rubber Tap

WABCO

ANDTECH No :	0810 30153
Org. Ref. No :	6401759202 - 3434382900 - 0906197 - 13C3508278AB
Application :	17.5 - 19.5 - 22.5
Description :	Caliper Repair Kit
1- K18	Boot
2- K20	Seal
3- K19	Rubber Tap



ANDTECH No :	0810 30154
Org. Ref. No :	
Application :	22.5
Description :	Caliper Push Plate Slotted (Right)
1- T32	Push Plate Slotted



ANDTECH No :	0810 30155
Org. Ref. No :	
Application :	22.5
Description :	Caliper Push Plate Slotted (Left)
1- T33	Push Plate Slotted



WABCO



ANDTECH No :	0810 30156
Org. Ref. No :	
Application :	19.5
Description :	Caliper Push Plate Slotted (Right)
1- T202	Push Plate Slotted



ANDTECH No :	0810 30157
Org. Ref. No :	
Application :	19.5
Description :	Caliper Push Plate Slotted (Left)
1- T201	Push Plate Slotted



ANDTECH No :	0810 30158
Org. Ref. No :	
Application :	17.5
Description :	Caliper Push Plate Slotted (Right)
1- T28	Push Plate Slotted



ANDTECH No :	0810 30159
Org. Ref. No :	
Application :	17.5
Description :	Caliper Push Plate Slotted (Left)
1- T29	Push Plate Slotted

WABCO

ANDTECH No :	0810 30160
Org. Ref. No :	
Application :	17.5
Description :	Caliper Push Plate with Pin (Right)
1- T26	Push Plate With Pin



ANDTECH

ANDTECH No :	0810 30161
Org. Ref. No :	
Application :	17.5
Description :	Caliper Push Plate with Pin (Left)
1- T27	Push Plate With Pin



ANDTECH

ANDTECH No :	0810 30184
Org. Ref. No :	
Application :	17.5
Description :	Caliper Cover Plate
1- T296	Cover Plate



INNER SIDE



OUTER SIDE

ANDTECH

ANDTECH No :	0810 30185
Org. Ref. No :	
Application :	17.5
Description :	Caliper Cover Plate
1- T297	Cover Plate



INNER SIDE



OUTER SIDE

ANDTECH

WABCO



ANDTECH No : 0810 30196
Org. Ref. No : 81.50822-6038 - 640 322 926 2

Application : Maxx 22

Description : Caliper Repair Kit

1- T389	Guide Pin Ø38x118mm
2- C10	Screw M16x1,5x120mm
3- T31	Guide Pin Ø38x76mm
4- C3	Screw M16x1,5x80mm
5- S15	Metal Ring
6- K19	Rubber Tap
7- S5	Metal Tap
8- K17	Boot
9- K18	Boot
10- B6	Bush

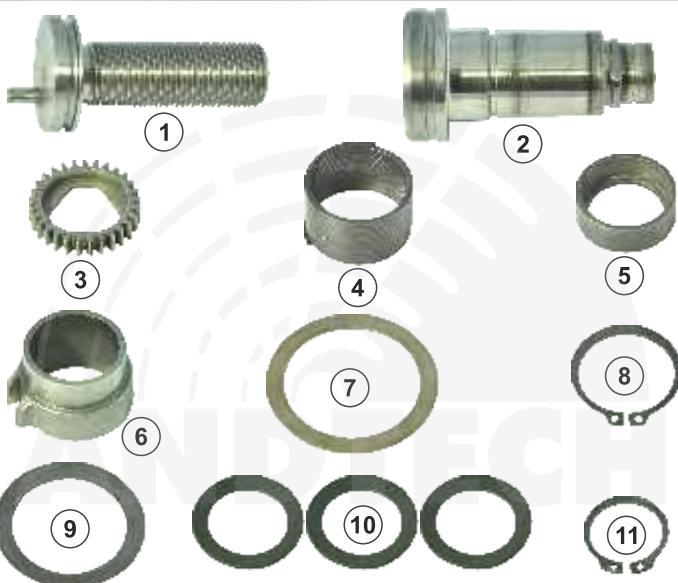


ANDTECH No : 0810 30197
Org. Ref. No :

Application : Maxx 22

Description : Caliper Adjusting Mechanism Complete

1- T363	Adjusting Mechanism
2- Y64	Spring



ANDTECH No : 0810 30198
Org. Ref. No :

Application : Maxx 22

Description : Caliper Adjusting Mechanism Kit

1- T359	Screw
2- T358	Adjuster Pin
3- T362	Adjusting Gear
4- Y63	Spring
5- T361	Clutch
6- T360	Retainer
7- S145	Washer
8- SK16	Snap Ring
9- S146	Washer
10- S147	Washer
11- SK17	Snap Ring

WABCO

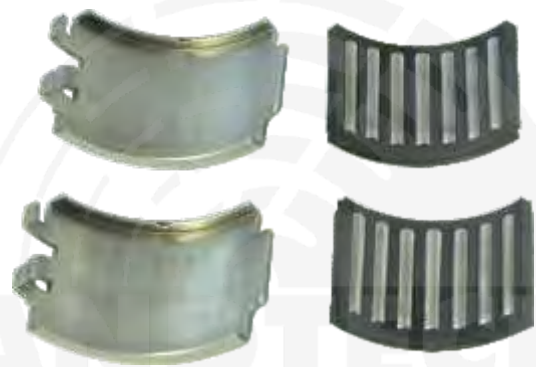
ANDTECH No :	0810 30199
Org. Ref. No :	
Application :	Maxx 22
Description :	Caliper Lever
1- T364	Lever
2- S141	Lever Bearing



ANDTECH No :	0810 30200
Org. Ref. No :	
Application :	Maxx 22
Description :	Caliper Roller Bearing Kit
1- R40	Roller Bearing
2- T365	Pin
3- S141	Lever Bearing



ANDTECH No :	0810 30201
Org. Ref. No :	
Application :	Maxx 22
Description :	Caliper Roller Bearing
1- R40	Roller Bearing



WABCO



ANDTECH No :	0810 30202
Org. Ref. No :	81.50822-6039 - 640 322 927 2
Application :	Maxx 22
Description :	Caliper Repair Kit
1- K19	Rubber Tap
2- K139	Seal
3- T366	Adjusting Gear
4- T367	Adjusting Pin

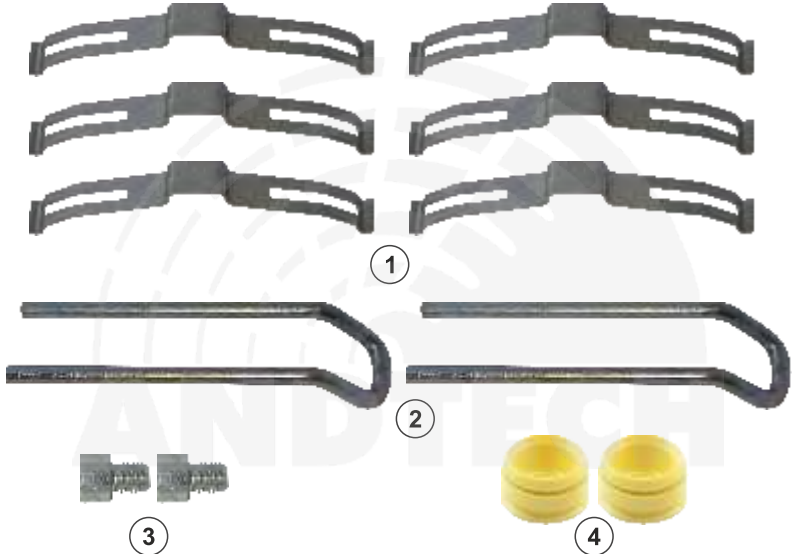



ANDTECH No :	0810 30203
Org. Ref. No :	
Application :	Maxx 22
Description :	Caliper Repair Kit
1- S140	Metal Cap
2- K137	Gasket

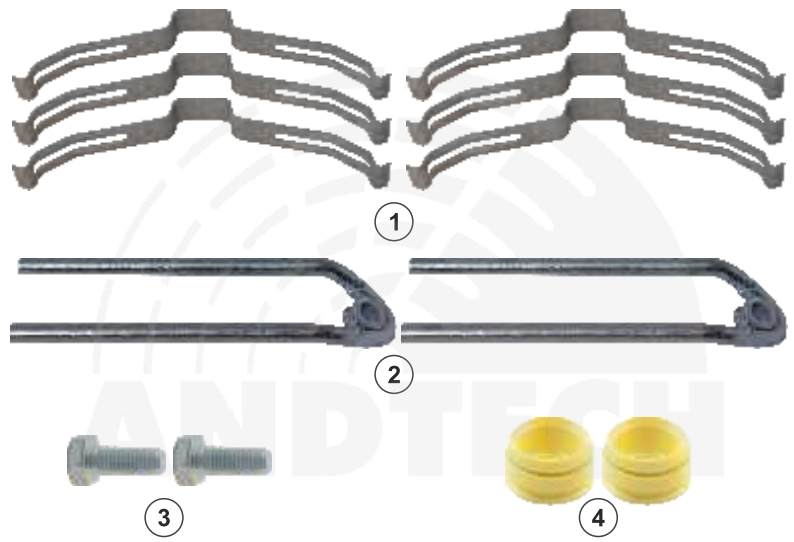


ANDTECH No :	0810 30204
Org. Ref. No :	
Application :	Maxx 22
Description :	Caliper Repair Kit
1- S139	Caliper Cover
2- C59	Screw M8x16mm

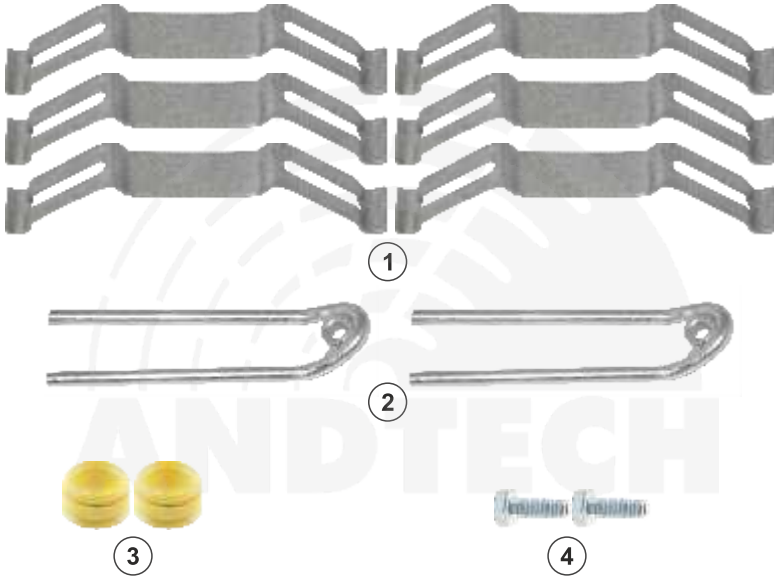
WABCO

ANDTECH No :	0810 30205	
Org. Ref. No :	WVA 29279	
Application :	Maxx 22	
Description :	Caliper Pad Retention Kit	
1- S143	Retention Spring	
2- S144	Pad Retainer	
3- C72	Screw M10x12mm	
4- K19	Rubber Tap	

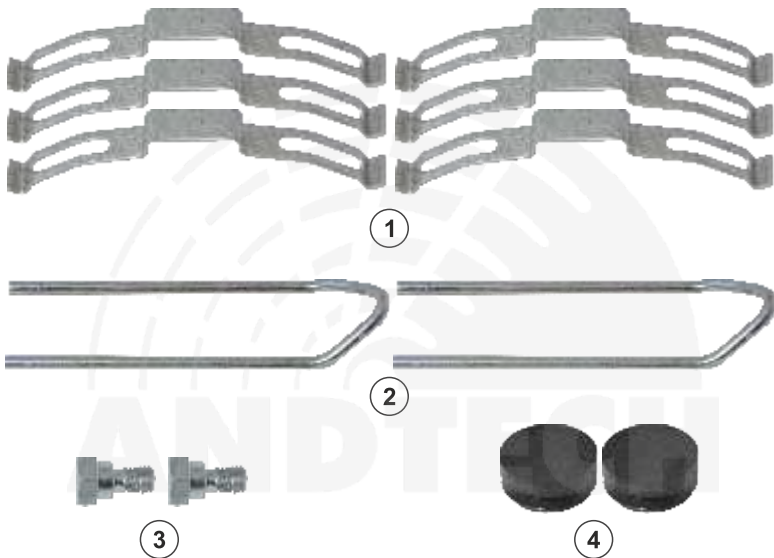
ANDTECH No :	0810 30206	
Org. Ref. No :		
Application :	Maxx 22	
Description :	Caliper Repair Kit	
1- S145	Metal Ring	
2- S146	Metal Ring	
3- S147	Metal Ring	
4- SK16	Snap Ring	
5- SK17	Snap Ring	

ANDTECH No :	0810 30208	
Org. Ref. No :	WVA 29162	
Application :	22,5	
Description :	Caliper Pad Retention Kit	
1- S155	Retention Spring	
2- S154	Pad Retainer	
3- C57	Screw M10x1,5x20mm	
4- K19	Rubber Tap	

WABCO



ANDTECH No :	0810 30209
Org. Ref. No :	WVA 29126 - 29159
Application :	19,5
Description :	Caliper Pad Retention Kit
1- S157	Retention Spring
2- S156	Pad Retainer
3- K19	Rubber Tap
4- C57	Screw M10x1,5x20mm



ANDTECH No :	0810 30210
Org. Ref. No :	WVA 29088
Application :	17,5
Description :	Caliper Pad Retention Kit
1- S159	Retention Spring
2- S158	Pad Retainer
3- C73	Screw M10x1,5
4- K140	Rubber Tap



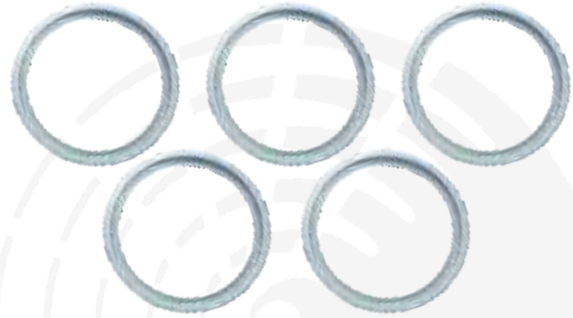
ANDTECH No :	0810 30211
Org. Ref. No :	
Application :	Maxx 22
Description :	Caliper Push Plate (Right)
1- T369	Push Plate



ANDTECH No :	0810 30212
Org. Ref. No :	
Application :	Maxx 22
Description :	Caliper Push Plate (Left)
1- T380	Push Plate

WABCO

ANDTECH No :	0810 30213
Org. Ref. No :	897 290 261 2
Application :	Maxx 22
Description :	Caliper Seal
1- K141	Seal



ANDTECH No :	0810 30214
Org. Ref. No :	81.50822-6040 - 640 322 928 2
Application :	Maxx 22
Description :	Caliper Sensor Cover (3 Socket)
1- P64	Sensor Cover
2- K145	O-Ring
3- K19	Rubber Tap



ANDTECH No :	0810 30186
Org. Ref. No :	
Application :	17.5
Description :	Caliper Carrier (Left)
1- T299	Carrier 17.5"



ANDTECH No :	0810 30187
Org. Ref. No :	
Application :	17.5
Description :	Caliper Carrier (Right)
1- T325	Carrier 17.5"



WABCO



ANDTECH No : 0810 30188

Org. Ref. No :

Application : 19.5

Description : Caliper Carrier (Left)

1- T300 Carrier 19.5"



ANDTECH No : 0810 30189

Org. Ref. No :

Application : 19.5

Description : Caliper Carrier (Right)

1- T326 Carrier 19.5"



ANDTECH No : 0810 30190

Org. Ref. No :

Application : 22.5

Description : Caliper Carrier (Left)

1- T301 Carrier 22.5"



ANDTECH No : 0810 30191

Org. Ref. No :

Application : 22.5

Description : Caliper Carrier (Right)

1- T327 Carrier 22.5"

WABCO

ANDTECH No :	0810 30207
Org. Ref. No :	
Application :	Maxx 22
Description :	Caliper Carrier (Right)
1- T373	Carrier



ANDTECH No :	0810 30215
Org. Ref. No :	
Application :	Maxx 22
Description :	Caliper Carrier (Left)
1- T384	Carrier



ANDTECH No :	0810 30162
Org. Ref. No :	
Application :	19.5 - Double Piston
Description :	Caliper Bridge
1- T254	Bridge
2- Y46	Spring



ANDTECH No :	0810 30163
Org. Ref. No :	
Application :	19.5 - Double Piston
Description :	Caliper Bridge Assembly
1- T254	Bridge
2- T255	Calibration Bolt (Right)
3- T256	Calibration Bolt (Left)
4- Y46	Spring
5- T257	Locking Shim



WABCO



ANDTECH No : 0810 30164

Org. Ref. No :

Application : 19.5 - Double Piston

Description : Caliper Calibration Bolt (Right)

1- T255 Calibration Bolt (Right)



ANDTECH No : 0810 30165

Org. Ref. No :

Application : 19.5 - Double Piston

Description : Caliper Calibration Bolt (Left)

1- T256 Calibration Bolt (Left)



ANDTECH No : 0810 30166

Org. Ref. No :

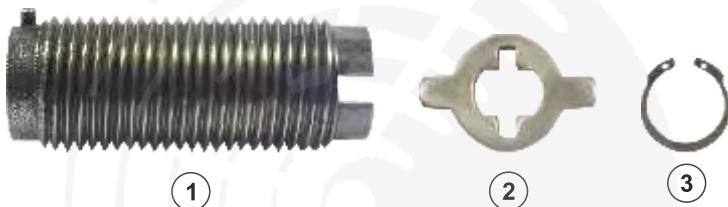
Application : 19.5 - Double Piston

Description : Caliper Calibration Bolt Kit (Right)

1- T255 Calibration Bolt (Right)

2- T257 Locking Shim

3- SK8 Snap Ring



ANDTECH No : 0810 30167

Org. Ref. No :

Application : 19.5 - Double Piston

Description : Caliper Calibration Bolt Kit (Left)

1- T256 Calibration Bolt (Left)

2- T257 Locking Shim

3- SK8 Snap Ring

WABCO

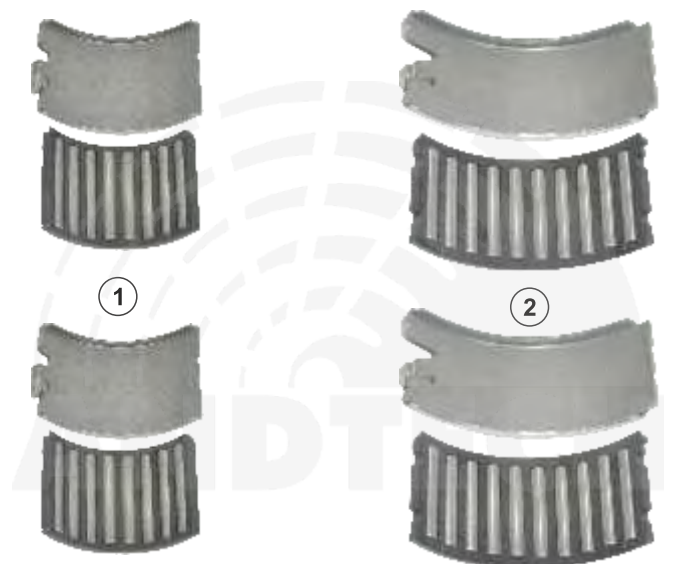
ANDTECH No :	0810 30216
Org. Ref. No :	
Application :	19.5 - Double Piston
Description :	Caliper Lever
1- T390	Lever



ANDTECH No :	0810 30218
Org. Ref. No :	
Application :	19.5 - Double Piston
Description :	Caliper Bearing Housing
1- T393	Bearing Housing



ANDTECH No :	0810 30220
Org. Ref. No :	
Application :	19.5 - Double Piston
Description :	Caliper Roller Bearing Kit
1- R41	Upper Bearing
2- R42	Lower Bearing



WABCO



ANDTECH No : 0810 30217

Org. Ref. No :

Application : 19.5 - Double Piston

Description : Caliper Mechanism Gear Kit

1- T391 Gear (Right)

2- T392 Gear (Left)



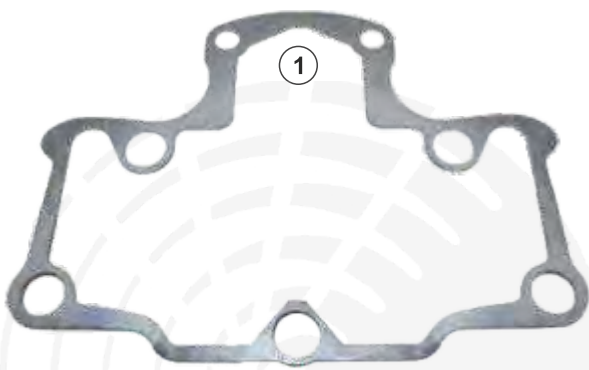
ANDTECH No : 0810 30221

Org. Ref. No :

Application : 19.5 - Double Piston

Description : Caliper Lever Gear

1- T394 Lever Gear



ANDTECH No : 0810 30219

Org. Ref. No :

Application : 19.5 - Double Piston

Description : Caliper Gasket Kit

1- K142 Gasket

2- C15 Screw M16x1,0x40mm

3- C14 Screw M16x1,5x40mm







BPW

ANDTECH No :	0810 70120
Org. Ref. No :	
Application :	TSB 3709/4309/4312
Description :	Caliper Calibration Mechanism Complete
1- T387	Calibration Mechanism Complete



ANDTECH No :	0810 70101
Org. Ref. No :	09.801.07.63.1
Application :	TSB 3709/4309/4312
Description :	Caliper Tappet and Boot Repair Kit
1- K126	Tappet Boot
2- T287	Tappet
3- S109	Clamp
4- S110	Locking Shim



ANDTECH No :	0810 70102
Org. Ref. No :	
Application :	TSB 3709/4309/4312
Description :	Caliper Repair Kit
1- T291	Guide Pin Ø37x123mm
2- C61	Screw M16x1.5x100mm
3- T292	Guide Pin Ø36x70mm
4- C8	Screw M16x1.5x70mm
5- K125	Boot
6- P47	Plastic Ring
7- P54	Plastic Cover
8- K128	O-Ring
9- K132	Rubber Tap
10- B38	Bush
11- B39	Bush
12- SK11	Pin Ring
13- K144	O-Ring



BPW



ANDTECH No : 0810 70103

Org. Ref. No :

Application : TSB 3709/4309/4312

Description : Caliper Repair Kit

1- T291	Guide Pin Ø37x123mm
2- C61	Screw M16x1.5x100mm
3- T292	Guide Pin Ø36x70mm
4- C8	Screw M16x1.5x70mm
5- P54	Plastic Cover
6- K128	O-Ring
7- B38	Bush
8- B39	Bush
9- SK11	Pin Ring



ANDTECH No : 0810 70119

Org. Ref. No : 09.801.07.61.0

Application : TSB 3709/4309/4312

Description : Caliper Repair Kit

1- T291	Guide Pin Ø37x123mm
2- C61	Screw M16x1.5x100mm
3- T292	Guide Pin Ø36x70mm
4- C8	Screw M16x1.5x70mm
5- B38	Bush
6- B39	Bush
7- SK11	Pin Ring



ANDTECH No : 0810 70104

Org. Ref. No : 09.801.05.81.0

Application : TSB 3709/4309/4312

Description : Caliper Repair Kit

1- T291	Guide Pin Ø37x123mm
2- C61	Screw M16x1.5x100mm
3- T292	Guide Pin Ø36x70mm
4- C8	Screw M16x1.5x70mm
5- P47	Plastic Ring
6- S111	Pad Retainer
7- SK11	Pin Ring

BPW

ANDTECH No :	0810 70121
Org. Ref. No :	09.801.07.62.0
Application :	TSB 3709/4309/4312
Description :	Caliper Repair Kit
1- K125	Boot
2- P47	Plastic Ring
3- P54	Plastic Cover
4- K128	O-Ring
5- K132	Rubber Tap
6- K144	O-Ring



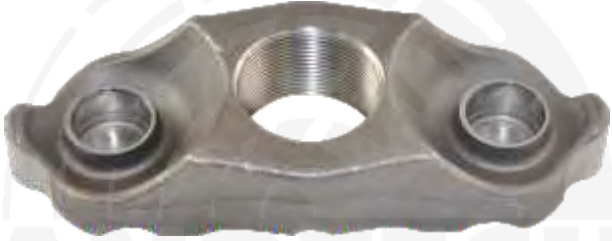
ANDTECH No :	0810 70105
Org. Ref. No :	
Application :	TSB 3709/4309/4312
Description :	Caliper Repair Kit
1- K125	Boot
2- P47	Plastic Ring
3- P54	Plastic Cover
4- K128	O-Ring
5- K132	Rubber Tap
6- B38	Bush
7- B39	Bush
8- K144	O-Ring



ANDTECH No :	0810 70106
Org. Ref. No :	
Application :	TSB 3709/4309/4312
Description :	Caliper Calibration Cover
1- T293	Calibration Cover
2- C59	Cover Screw M8x16mm



BPW



ANDTECH No : 0810 70107

Org. Ref. No :

Application : TSB 3709/4309/4312

Description : Caliper Bridge

1- T274 Bridge



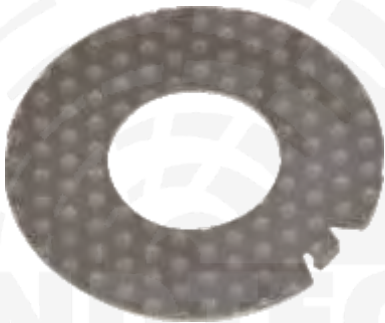
ANDTECH No : 0810 70108

Org. Ref. No :

Application : TSB 3709/4309/4312

Description : Caliper Mechanism Gear

1- T264 Mechanism Gear



ANDTECH No : 0810 70109

Org. Ref. No :

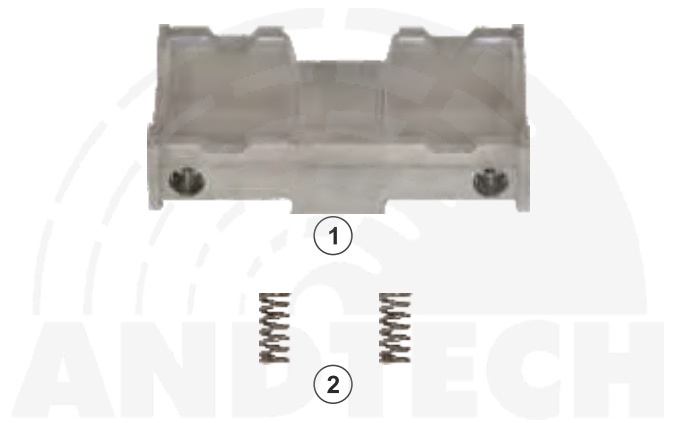
Application : TSB 3709/4309/4312

Description : Caliper Mechanism Washer

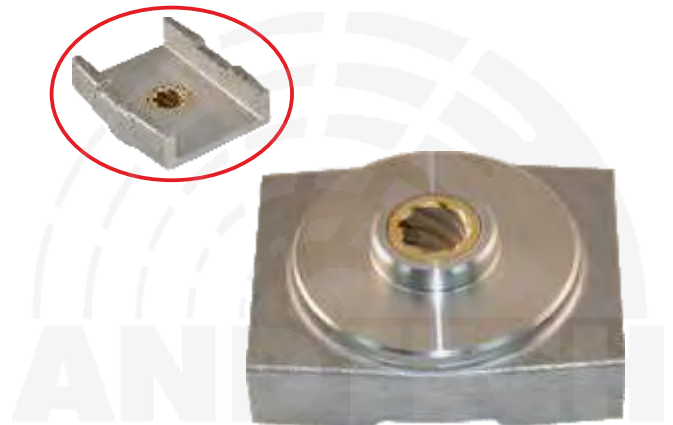
1- S112 Washer

BPW

ANDTECH No :	0810 70110
Org. Ref. No :	
Application :	TSB 3709/4309/4312
Description :	Caliper Bearing Housing
1- T272	Bearing Housing
2- Y52	Spring



ANDTECH No :	0810 70111
Org. Ref. No :	
Application :	TSB 3709/4309/4312
Description :	Caliper Mechanism Housing
1- T273	Mechanism Housing



ANDTECH No :	0810 70112
Org. Ref. No :	
Application :	TSB 3709/4309/4312
Description :	Caliper Bearing Housing
1- T295	Bearing Housing
2- R23	Roller Bearing



BPW



ANDTECH No : 0810 70113

Org. Ref. No :

Application : TSB 3709/4309/4312

Description : Caliper Lever

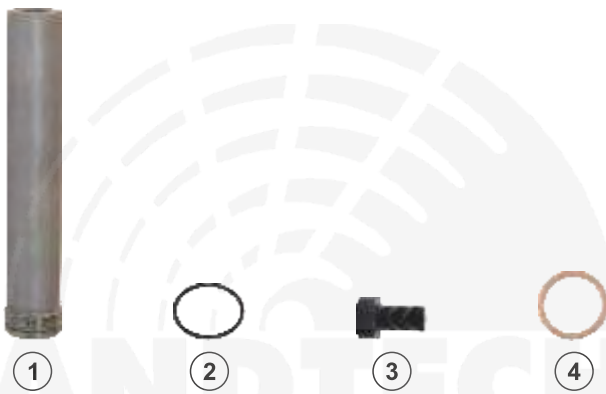
1- T288 Lever

2- T294 Lever Pin

3- K129 O-Ring

4- C60 Screw

5- S115 Washer



ANDTECH No : 0810 70125

Org. Ref. No :

Application : TSB 3709/4309/4312

Description : Caliper Lever Pin Kit

1- T294 Lever Pin

2- K129 O-Ring

3- C60 Screw

4- S115 Washer



ANDTECH No : 0810 70114

Org. Ref. No :

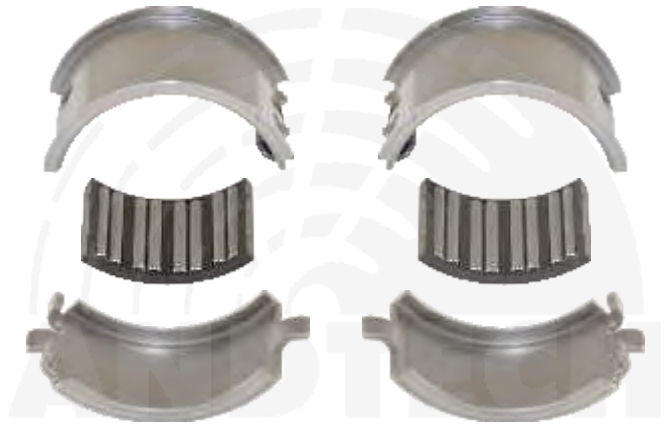
Application : TSB 3709/4309/4312

Description : Caliper Roller Bearing

1- R25 Roller Bearing

BPW

ANDTECH No :	0810 70115
Org. Ref. No :	
Application :	TSB 3709/4309/4312
Description :	Caliper Roller Bearing
1- R26	Roller Bearing



ANDTECH No :	0810 70123
Org. Ref. No :	
Application :	TSB 3709/4309/4312
Description :	Plastic Ring Kit
1- P47	Plastic Ring



ANDTECH No :	0810 70124
Org. Ref. No :	09.801.07.87.0
Application :	TSB 3709/4309/4312
Description :	Plastic Cover Kit
1- P54	Plastic Cover
2- P47	Plastic Ring



BPW



ANDTECH No : 0810 70116

Org. Ref. No :

Application : TSB 3709/4309/4312

Description : Caliper Adjuster Repair Kit

1- T289	Gear
2- B40	Bush
3- Y51	Spring
4- K130	Seal
5- S108	Washer
6- SK18	Snap Ring



ANDTECH No : 0810 70122

Org. Ref. No : 09.801.07.68.1

Application : TSB 3709/4309/4312

Description : Caliper Pad Retainer Kit

1- S111	Pad Retainer
2- T385	Detent Pin
3- S165	Washer
4- S166	Cotter Pin
5- S163	Pad Retention Spring



ANDTECH No : 0810 70117

Org. Ref. No :

Application : TSB 3709/4309/4312

Description : Caliper Tap

1- S119	Metal Tap
---------	-----------

BPW

ANDTECH No :	0810 70118
Org. Ref. No :	
Application :	TSB 3709/4309/4312
Description :	Caliper Snap Ring
1- SK12	Snap Ring



ANDTECH No :	0810 10338
Org. Ref. No :	K004680 - 01.303.88.57.0
Application :	BPW
Description :	Caliper Carrier
1- T313	Carrier 22.5"



ANDTECH No :	0810 10339
Org. Ref. No :	01.303.88.56.0
Application :	BPW
Description :	Caliper Carrier
1- T314	Carrier 19.5"



BPW



ANDTECH No : 0810 10340

Org. Ref. No :

Application : BPW

Description : Caliper Carrier

1- T315 Carrier 19.5"



ANDTECH No : 0810 10341

Org. Ref. No :

Application : BPW

Description : Caliper Carrier

1- T316 Carrier 19.5"



ANDTECH No : 0810 10342

Org. Ref. No :

Application : BPW

Description : Caliper Carrier

1- T317 Carrier 19.5"





HALDEX



ANDTECH No : 0810 60101

Org. Ref. No :

Application : MODUL X

Description : Caliper Complete Overhaul Repair Kit

ANDTECH No : 0810 60102

Org. Ref. No :

Application : MODUL X

Description : Caliper Calibration Mechanism Complete

1- T290 Calibration Mechanism Complete

2- T282 Adjuster Bolt

3- C58 Screw M8x1.25x30mm

4- K123 Rubber Tap

5- K124 Seal



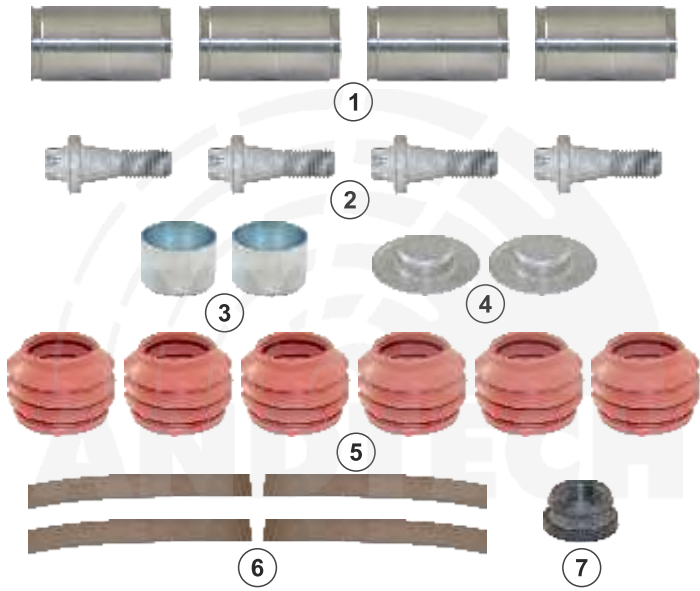
2

3

4

5

HALDEX



ANDTECH No : 0810 60103

Org. Ref. No : 91012

Application : MODUL X

Description : Caliper Repair Kit

1- T278 Guide Pin Ø35x63mm

2- C56 Screw M14x2x42mm

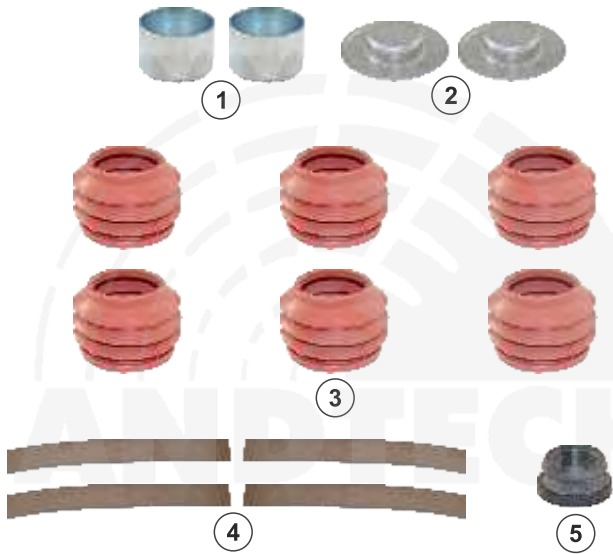
3- S105 Metal Tap

4- S100 Metal Cap

5- K122 Boot

6- P50 Teflon Bush

7- K123 Rubber Tap



ANDTECH No : 0810 60104

Org. Ref. No : 91013

Application : MODUL X

Description : Caliper Repair Kit

1- S105 Metal Tap

2- S100 Metal Cap

3- K122 Boot

4- P50 Teflon Bush

5- K123 Rubber Tap



ANDTECH No : 0810 60105

Org. Ref. No : 91014

Application : MODUL X

Description : Caliper Repair Kit

1- S105 Metal Tap

2- S100 Metal Cap

3- K122 Boot

4- P50 Teflon Bush

5- K123 Rubber Tap

HALDEX

ANDTECH No :	0810 60106
Org. Ref. No :	91011
Application :	MODUL X
Description :	Caliper Repair Kit
1- K121	Tappet Boot
2- S101	Spring
3- K123	Rubber Tap



ANDTECH No :	0810 60107
Org. Ref. No :	
Application :	MODUL X
Description :	Caliper Bridge
1- T286	Bridge
2- Y50	Bridge Spring



ANDTECH No :	0810 60108
Org. Ref. No :	
Application :	MODUL X
Description :	Caliper Lever
1- T275	Lever



HALDEX



ANDTECH No : 0810 60109

Org. Ref. No :

Application : MODUL X

Description : Caliper Adjusting Mechanism

1- T285 Adjusting Mechanism



ANDTECH No : 0810 60110

Org. Ref. No :

Application : MODUL X

Description : Caliper Adjusting Mechanism Gear

1- T276 Adjusting Mechanism Gear



ANDTECH No : 0810 60111

Org. Ref. No :

Application : MODUL X

Description : Caliper Adjusting Gear

1- T277 Adjusting Gear

HALDEX

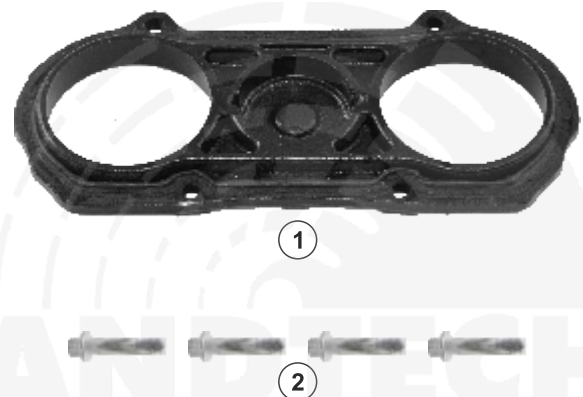
ANDTECH No :	0810 60112
Org. Ref. No :	
Application :	MODUL X
Description :	Caliper Intermediate Gear
1- T280	Intermediate Gear
2- S98	Wavy Washer
3- SK10	Snap Ring



ANDTECH No :	0810 60113
Org. Ref. No :	
Application :	MODUL X
Description :	Caliper Tappet and Bolt Kit
1- T283	Calibration Bolt
2- B21	Bush
3- T284	Tappet



ANDTECH No :	0810 60114
Org. Ref. No :	
Application :	MODUL X
Description :	Caliper Cover Plate
1- T281	Cover Plate
2- C58	Cover Screw M8x1.25x30mm



HALDEX



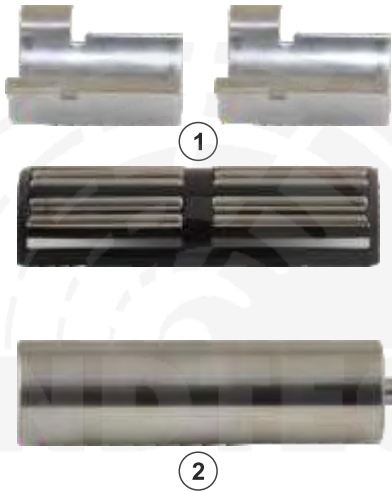
ANDTECH No : 0810 60115

Org. Ref. No :

Application : MODUL X

Description : Caliper Locking Shim

1- S103 Locking Shim



ANDTECH No : 0810 60116

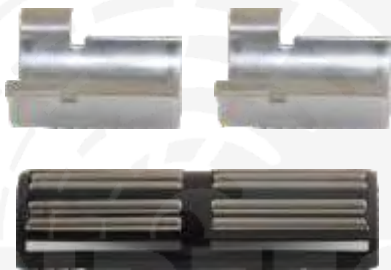
Org. Ref. No :

Application : MODUL X

Description : Caliper Roller Bearing

1- R21 Roller Bearing

2- T279 Lever Pin



ANDTECH No : 0810 60117

Org. Ref. No :

Application : MODUL X

Description : Caliper Roller Bearing

1- R21 Roller Bearing

HALDEX

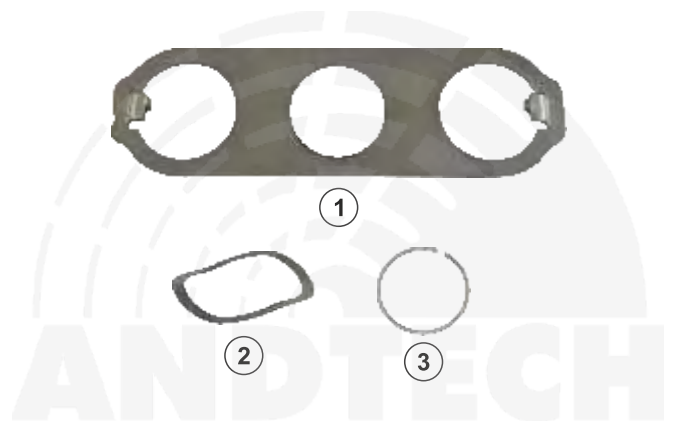
ANDTECH No :	0810 60118
Org. Ref. No :	
Application :	MODUL X
Description :	Caliper Roller Bearing
1- R22	Roller Bearing



ANDTECH No :	0810 60119
Org. Ref. No :	90693
Application :	MODUL X
Description :	Caliper Adjuster Bolt Kit
1- T282	Adjuster Bolt
2- K123	Rubber Tap
3- K124	Seal



ANDTECH No :	0810 60120
Org. Ref. No :	
Application :	MODUL X
Description :	Caliper Locking Shim
1- S104	Locking Shim
2- S98	Wavy Washer
3- SK10	Snap Ring



HALDEX



ANDTECH

ANDTECH No : 0810 60121

Org. Ref. No : 91019

Application : MODUL X

Description : Caliper Metal Tap

1- S105 Metal Tap



①



②

ANDTECH

ANDTECH No : 0810 60122

Org. Ref. No : 90673

Application : MODUL X

Description : Caliper Pad Retainer

1- S102 Pad Retainer

2- C57 Screw M10x1.5x20mm



ANDTECH

ANDTECH No : 0810 60123

Org. Ref. No :

Application : MODUL X

Description : Caliper Carrier

1- T324 Carrier 22.5"

HALDEX

ANDTECH No :	0810 60124
Org. Ref. No :	
Application :	MODUL T, SAF SBS2220, KRONE DBT22LT
Description :	Caliper Calibration Mechanism Complete
1- T356	Caliper Mechanism Complete



ANDTECH No :	0810 60125
Org. Ref. No :	3 434 3861 00 - 95397 - 95054 KRONE 550017811
Application :	MODUL T, SAF SBS2220, KRONE DBT22LT
Description :	Caliper Repair Kit
1- T346	Guide Pin Ø35x20mm
2- T347	Guide Pin Ø35,5x87mm
3- C3	Screw M1605x80
4- B3	Bush
5- P45	Plastic Bush
6- K133	Boot
7- S136	Pin Cap Ø42x26mm
8- S137	Pin Cap Ø45x22mm
9- B47	Bush Retainer
10- S138	Washer
11- K135	Rubber Tap



ANDTECH No :	0810 60126
Org. Ref. No :	
Application :	MODUL T, SAF SBS2220, KRONE DBT22LT
Description :	Caliper Adjusting Mechanism
1- T355	Adjusting Mechanism



HALDEX



ANDTECH No :	0810 60127
Org. Ref. No :	
Application :	MODUL T, SAF SBS2220, KRONE DBT22LT
Description :	Caliper Bridge
1- T348	Bridge



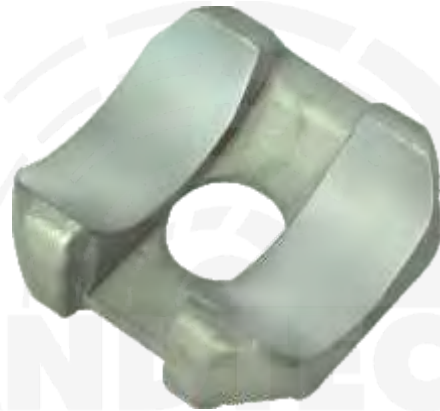
ANDTECH No :	0810 60128
Org. Ref. No :	
Application :	MODUL T, SAF SBS2220, KRONE DBT22LT
Description :	Caliper Adjusting Gear
1- T349	Adjusting Gear



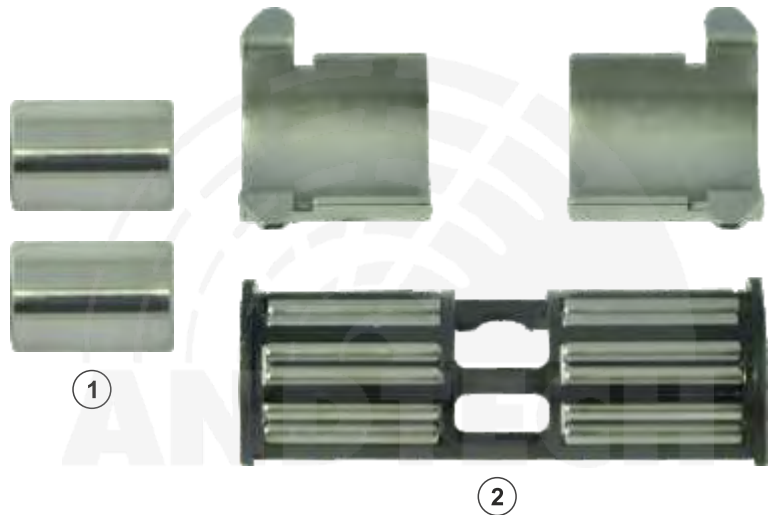
ANDTECH No :	0810 60129
Org. Ref. No :	
Application :	MODUL T, SAF SBS2220, KRONE DBT22LT
Description :	Caliper Lever
1- T353	Lever

HALDEX

ANDTECH No :	0810 60130
Org. Ref. No :	
Application :	MODUL T, SAF SBS2220, KRONE DBT22LT
Description :	Caliper Mechanism Bearing House
1- T351	Bearing House



ANDTECH No :	0810 60131
Org. Ref. No :	
Application :	MODUL T, SAF SBS2220, KRONE DBT22LT
Description :	Caliper Roller Bearing Kit
1- T352	Lever Pin
2- R33	Top Bearing



ANDTECH No :	0810 60132
Org. Ref. No :	
Application :	MODUL T, SAF SBS2220, KRONE DBT22LT
Description :	Caliper Roller Bearing
1- R34	Bottom Bearing



HALDEX



ANDTECH No : 0810 60133

Org. Ref. No :

Application : MODUL T, SAF SBS2220, KRONE DBT22LT

Description : Caliper Bearing Repair Kit

1- R29	Side Bearing
2- R30	Center Bearing
3- R31	Center Bearing
4- R32	Adjuster Bearing



ANDTECH No : 0810 60134

Org. Ref. No :

Application : MODUL T, SAF SBS2220, KRONE DBT22LT

Description : Caliper Bearing House

1- T350	Bearing House
---------	---------------



ANDTECH No : 0810 60135

Org. Ref. No : 3 434 3863 00

Application : MODUL T, SAF SBS2220, KRONE DBT22LT

Description : Caliper Piston Boot

1- K134	Boot
---------	------

HALDEX

ANDTECH No :	0810 60137
Org. Ref. No :	
Application :	MODUL T, SAF SBS2220, KRONE DBT22LT
Description :	Caliper Rubber Tap Kit
1- K135	Rubber Tap



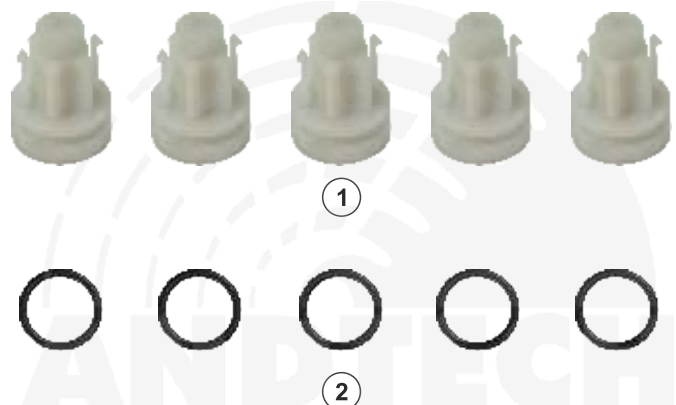
ANDTECH No :	0810 60138
Org. Ref. No :	
Application :	MODUL T, SAF SBS2220, KRONE DBT22LT
Description :	Caliper Adjusting Gear Kit
1- P46	Adjusting Gear (Plastic)



ANDTECH No :	0810 60139
Org. Ref. No :	
Application :	MODUL T, SAF SBS2220, KRONE DBT22LT
Description :	Caliper Locking Plastic Kit
1- P49	Mechanism Locking Plastic



ANDTECH No :	0810 60140
Org. Ref. No :	
Application :	MODUL T, SAF SBS2220, KRONE DBT22LT
Description :	Caliper Adjusting Gear Kit
1- P63	Adjusting Gear (Plastic)
2- K136	O-Ring



HALDEX



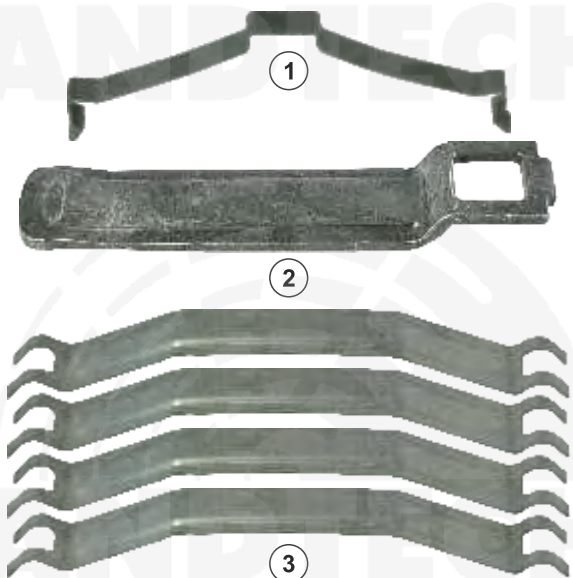
ANDTECH No :	0810 60136
Org. Ref. No :	
Application :	MODUL T, SAF SBS2220, KRONE DBT22LT
Description :	Caliper Rubber Tap Kit
1- K143	Rubber Tap



ANDTECH No :	0810 60141
Org. Ref. No :	
Application :	MODUL T, SAF SBS2220, KRONE DBT22LT
Description :	Caliper Repair Kit
1- K135	Rubber Tap
2- K136	O-Ring
3- P48	Adjusting Gear (Plastic)
4- P63	Adjusting Gear (Plastic)



ANDTECH No :	0810 60142
Org. Ref. No :	
Application :	MODUL T, SAF SBS2220, KRONE DBT22LT
Description :	Caliper Repair Kit
1- P62	Bush (Plastic)
2- T368	Washer
3- T374	Nut



ANDTECH No :	0810 60143
Org. Ref. No :	
Application :	MODUL T, SAF SBS2220
Description :	Caliper Pad Retainer Kit
1- S161	Locking Spring
2- T354	Pat Retainer
3- S160	Retention Spring

HALDEX

ANDTECH No :	0810 60144
Org. Ref. No :	
Application :	MODUL T, SAF SBS2220, KRONE DBT22LT
Description :	Caliper Pad Retainer
1- T354	Pad Retainer



ANDTECH

ANDTECH No :	0810 60145
Org. Ref. No :	
Application :	MODUL T, SAF SBS2220, KRONE DBT22LT
Description :	Caliper Carrier
1- T370	Carrier 19.5"



ANDTECH

ANDTECH No :	0810 60147
Org. Ref. No :	3 434 3862 00 - 95398 - KRONE 550017812
Application :	MODUL T, SAF SBS2220, KRONE DBT22LT
Description :	Caliper Adjusting Gear Kit
1- K135	Rubber Tap
2- K136	O-Ring
3- P63	Adjusting Gear (Plastic)

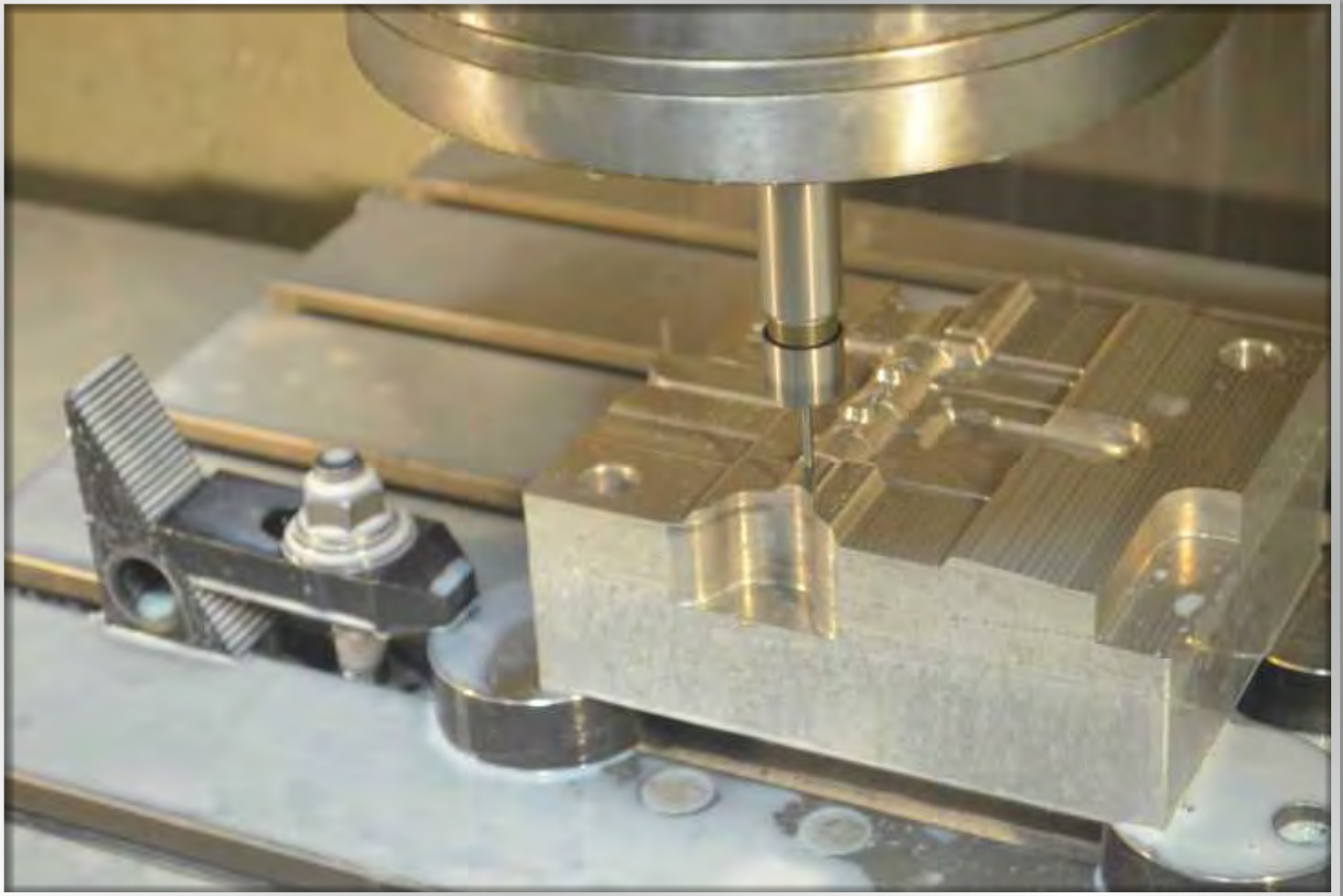


ANDTECH

ANDTECH No :	0810 60148
Org. Ref. No :	95399 - KRONE 550017813
Application :	MODUL T, SAF SBS2220, KRONE DBT22LT
Description :	Caliper Seal Kit
1- K134	Boot
2- K135	Rubber Tap

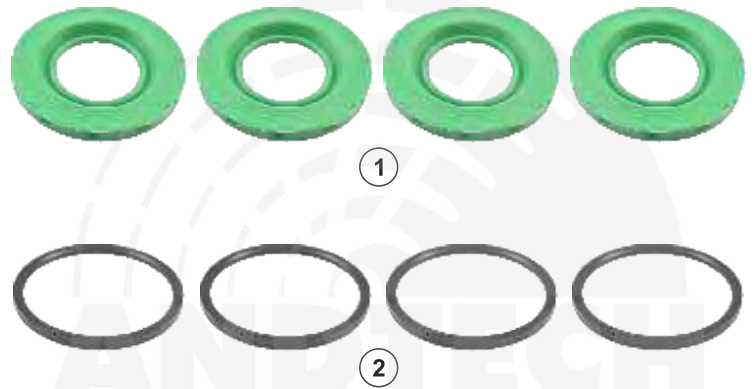


ANDTECH

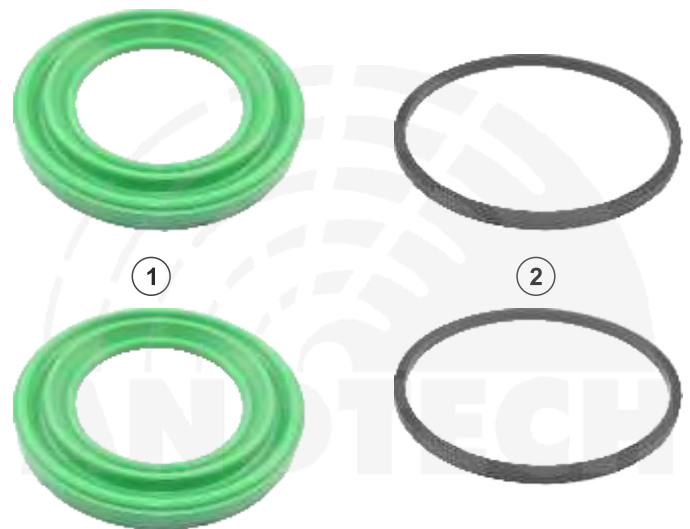


IVECO

ANDTECH No :	0810 40101
Org. Ref. No :	93161181
Application :	
Description :	Caliper Repair Kit
1- K36	Dust Cover
2- K36-1	Seal



ANDTECH No :	0810 40102
Org. Ref. No :	93161429
Application :	
Description :	Caliper Repair Kit
1- K37	Dust Cover
2- K37-1	Seal



ANDTECH No :	0810 40103
Org. Ref. No :	93162033
Application :	
Description :	Caliper Piston Set
1- T79	Piston



IVECO



ANDTECH No : 0810 40104

Org. Ref. No : 93160387

Application :

Description : Caliper Piston Set

1- T80 Piston



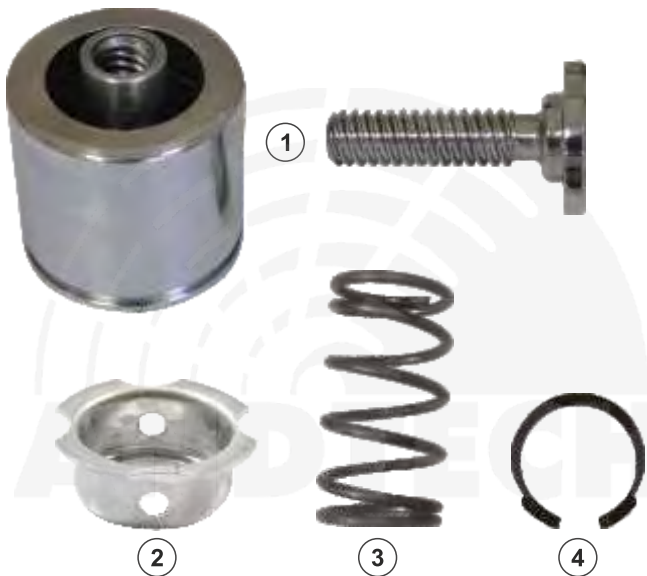
ANDTECH No : 0810 40105

Org. Ref. No : 93159285

Application :

Description : Caliper Piston

1- T81 Piston



ANDTECH No : 0810 40106

Org. Ref. No : 93161244

Application :

Description : Caliper Repair Kit

1- T82 Piston

2- S43 Locking Shim

3- Y18 Spring

4- SK2 Snap Ring

IVECO

ANDTECH No :	0810 40107
Org. Ref. No :	93161475
Application :	
Description :	Caliper Repair Kit
1- T83	Guide Pin Ø20x71mm
2- C19	Screw M12x1,25x85mm
3- K38	Boot
4- S12	Metal Tap
5- T127	Screw

ANDTECH No :	0810 40108
Org. Ref. No :	93161471
Application :	
Description :	Caliper Repair Kit
1- K95	Boot
2- K96	O-Ring
3- S12	Metal Tap
4- K97	Seal
5- K98	O-Ring
6- K99	O-Ring
7- K38	Boot
8- K100	O-Ring
9- SK4	Snap Ring
10- SK5	Snap Ring
11- T127	Screw

ANDTECH No :	0810 40109
Org. Ref. No :	93161192
Application :	
Description :	Caliper Repair Kit
1- K78	Boot
2- P6	Teflon
3- K79	Boot
4- S57	Metal Ring
5- K80	Boot
6- S44	Metal Ring
7- S45	Metal Ring

IVECO



ANDTECH No : 0810 40110

Org. Ref. No : 93161189

Application :

Description : Caliper Repair Kit

1- T84	Guide Pin
2- C20	Screw M22x1,5x175mm
3- T85	Guide Pin
4- C21	Screw M16x1,5x1,25mm
5- K43	Bush
6- B15	Bush



ANDTECH No : 0810 40111

Org. Ref. No : 93161559

Application :

Description : Caliper Repair Kit

1- Y9	Spring
2- Y8	Clamping Element
3- T165	Adjusting Tool
4- Y7	Buckle
5- T86	Bolt
6- Y6	Clip
7- S13	Pad Spring



ANDTECH No : 0810 40112

Org. Ref. No : 93161908

Application :

Description : Caliper Repair Kit

1- S13	Locking Shim
2- T166	Pin

IVECO

ANDTECH No :	0810 40113
Org. Ref. No :	93161622 - 93162114
Application :	Ø 410 Simplex
Description :	Brake Repair Kit
1- T87	Piston
2- T91	Drive Bush (41 Thread)
3- T92	Adjuster Clip
4- T93	Brake Adjuster
5- K44	Boot
6- Y11	Spring
7- Y10	Spring



ANDTECH No :	0810 40114
Org. Ref. No :	42491950 - RBSK 0502
Application :	Ø 394/381 Duplex
Description :	Brake Repair Kit
1- T88	Piston
2- T92	Adjuster Clip
3- T90	Drive Bush (54 Thread)
4- Y19	Spring
5- T167	Brake Adjuster
6- K45	Boot



ANDTECH No :	0810 40115
Org. Ref. No :	93161623 - RBSK 1407
Application :	Ø 410 Simplex
Description :	Brake Repair Kit
1- T87	Piston
2- T91	Drive Bush (41 Thread)
3- T92	Adjuster Clip



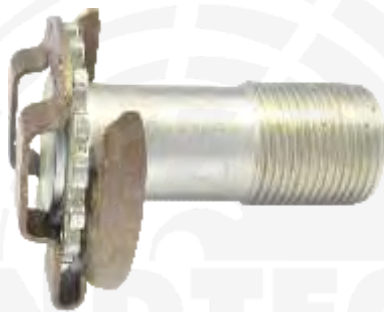
IVECO



ANDTECH No :	0810 40116
Org. Ref. No :	42491974
Application :	
Description :	Brake Repair Kit (Short)
1- T88	Piston
2- T90	Drive Bush (54 Thread)
3- T92	Adjuster Clip



ANDTECH No :	0810 40117
Org. Ref. No :	42536195
Application :	
Description :	Brake Repair Kit
1- T87	Piston
2- T89	Drive Bush (54 Thread)
3- T92	Adjuster Clip

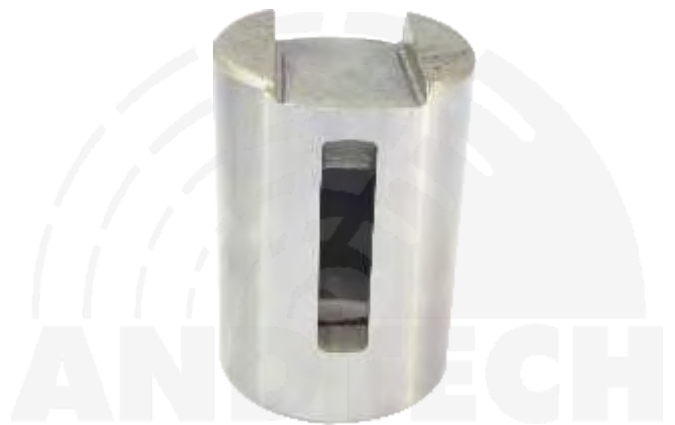


ANDTECH No :	0810 40118
Org. Ref. No :	42531676 - A22297E5907
Application :	Ø 410 Simplex
Description :	Brake Adjuster
1- T93	Brake Adjuster

ANDTECH No :	0810 40119
Org. Ref. No :	42480059 - A2297L3158 - A164002
Application :	Ø 394/381 Duplex
Description :	Brake Adjuster
1- T167	Brake Adjuster



ANDTECH No :	0810 40120
Org. Ref. No :	42480060 - 3280Y8163
Application :	Ø 394/381 Duplex
Description :	Piston
1- T87	Piston



ANDTECH No :	0810 40121
Org. Ref. No :	42537366
Application :	
Description :	Brake Repair Kit (Left)
1- T95	Plunger
2- T92	Adjuster Clip
3- K44	Boot



IVECO



ANDTECH No : 0810 40122

Org. Ref. No : 42537365

Application :

Description : Brake Repair Kit (Right)

1- T94 Plunger

2- T92 Adjuster Clip

3- K44 Boot



ANDTECH No : 0810 40123

Org. Ref. No : 7980405

Application :

Description : Brake Piston Kit (Left)

1- T95 Plunger

2- T92 Adjuster Clip

3- K46 Boot



ANDTECH No : 0810 40124

Org. Ref. No : 7980406

Application :

Description : Brake Piston Kit (Right)

1- T94 Plunger

2- T92 Adjuster Clip

3- K46 Boot

IVECO

ANDTECH No :	0810 40125
Org. Ref. No :	7984216
Application :	
Description :	Plunger (Right)
1- T94	Plunger



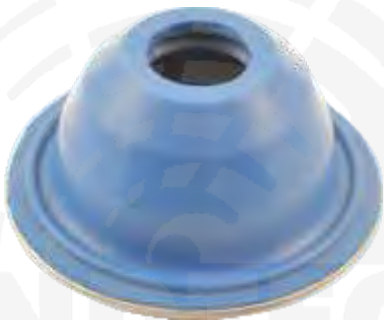
ANDTECH No :	0810 40126
Org. Ref. No :	7984217
Application :	
Description :	Plunger (Left)
1- T95	Plunger



ANDTECH No :	0810 40127
Org. Ref. No :	7980408
Application :	
Description :	Boot Kit
1- K46	Boot
2- K45	Boot



IVECO



ANDTECH No :	0810 40128
Org. Ref. No :	42488735 - 1205B1666 - 166045
Application :	Ø 394/381 Duplex
Description :	Boot
1- K45	Boot



ANDTECH No :	0810 40129
Org. Ref. No :	42488736 - 1205C1667 - 166046
Application :	Ø 394/381 Duplex
Description :	Boot
1- K46	Boot



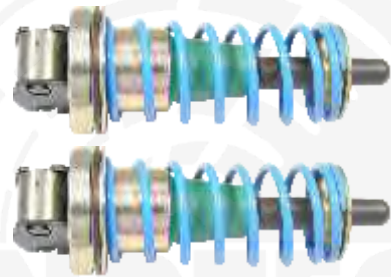
ANDTECH No :	0810 40130
Org. Ref. No :	42531677 - 1205x2000 - 6C462B009AA
Application :	Ø 394/381 Duplex
Description :	Boot
1- K44	Boot

IVECO

ANDTECH No :	0810 40131
Org. Ref. No :	42488484 - 2257Y1143 - 6C462D160AA
Application :	
Description :	Clip
1- S46	Clip



ANDTECH No :	0810 40132
Org. Ref. No :	7980407 - RBSK0250
Application :	Ø 394/381 Duplex
Description :	Brake Wedge Kit
1- T96	Brake Wedge



ANDTECH No :	0810 40133
Org. Ref. No :	93161621 - RBSK1255 - RBSK2051
Application :	Ø 410 Simplex
Description :	Brake Wedge Kit
1- T97	Brake Wedge



IVECO



ANDTECH No :	0810 40134
Org. Ref. No :	93161254 - 12999418VT
Application :	
Description :	Brake Cylinder Kit
1- K47	Boot
2- T98	Brake Adjuster
3- S47	Wavy Ring
4- S48	Washer



ANDTECH No :	0810 40135
Org. Ref. No :	8124815 - 12999135VT
Application :	
Description :	Brake Cylinder Kit
1- T203	Calibration Gear
2- T204	Calibration Gear
3- T205	Calibration Bolt
4- T206	Spring-pin
5- Y30	Spring
6- Y31	Spring



ANDTECH No :	0810 40136
Org. Ref. No :	42538062
Application :	
Description :	Piston Repair Kit
1- T163	Piston 7°
2- T164	Piston 0°





Z-CAM

ANDTECH No :	0810 50101
Org. Ref. No :	68192115 - 3097092 - 1696444 - 5001868113 - 9C462296AA
Application :	Z-CAM
Description :	Return Spring
1- T112	Return Spring



ANDTECH

ANDTECH No :	0810 50102
Org. Ref. No :	68192487 - 30972299 - 1698346 - 9C462069AA
Application :	Z-CAM
Description :	Return Spring Pin
1- T113	Return Spring Pin



ANDTECH

ANDTECH No :	0810 50103
Org. Ref. No :	3090997 - 1081819
Application :	Z-CAM
Description :	Adjusting Pinion (Left)
1- T102	Adjusting Pinion



ANDTECH

Z-CAM



ANDTECH

ANDTECH No : 0810 50104
Org. Ref. No : 3090998 - 1081820

Application : Z-CAM
Description : Adjusting Pinion (Right)
1- T103 Adjusting Pinion



ANDTECH

ANDTECH No : 0810 50105
Org. Ref. No : 68191219 - 272910 - 5001868121 - 9C462458AA

Application : Z-CAM
Description : Cross Shaft
1- T108 Cross Shaft



ANDTECH

ANDTECH No : 0810 50106
Org. Ref. No : 64225252 - 1696446 - 5001868120 - 9C462B003AA

Application : Z-CAM
Description : Thrust Pin
1- T114 Thrust Pin

Z-CAM

ANDTECH No :	0810 50107
Org. Ref. No :	68192566 - 272908 - 3097100 - 8550977 - 9C462A105BA
Application :	Z-CAM
Description :	Adjusting Gear (Right)
1- T100	Adjusting Gear



ANDTECH

ANDTECH No :	0810 50108
Org. Ref. No :	68162565 - 272909 - 3097099 - 8550978 - 9C462A105AA
Application :	Z-CAM
Description :	Adjusting Gear (Left)
1- T101	Adjusting Gear



ANDTECH

ANDTECH No :	0810 50109
Org. Ref. No :	272904
Application :	Z-CAM
Description :	Adjusting Gear Cap
1- S54	Gear Cap



ANDTECH

Z-CAM



ANDTECH No : 0810 50110

Org. Ref. No : 276099

Application : Z-CAM

Description : Lock Cap Repair Kit (Big Thread)

1- K81	Boot
2- T168	Pin
3- K82	O-Ring
4- T109	Cap (Big Thread)
5- K83	O-Ring



ANDTECH No : 0810 50111

Org. Ref. No : 276100 - 3090964

Application : Z-CAM

Description : Lock Cap Repair Kit (Thin Thread)

1- K81	Boot
2- T168	Pin
3- K82	O-Ring
4- T110	Cap (Thin Thread)
5- K83	O-Ring



ANDTECH No : 0810 50112

Org. Ref. No : 276096

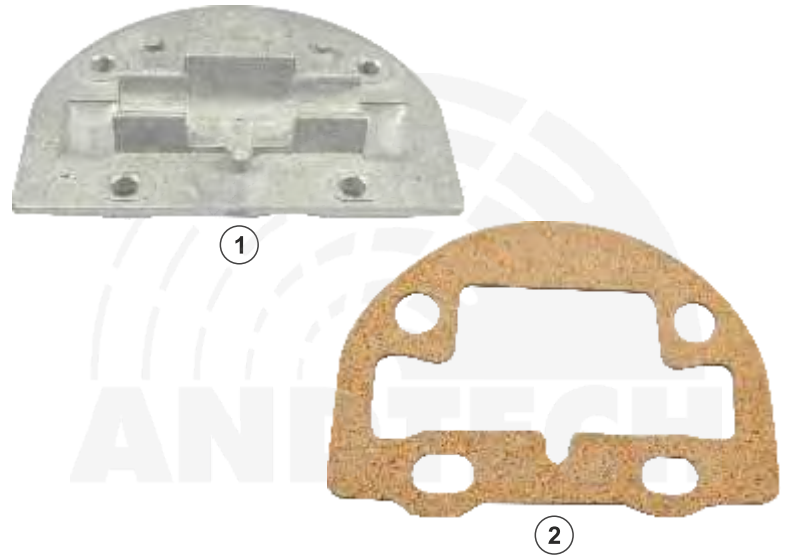
Application : Z-CAM

Description : Lock Cap Repair Kit

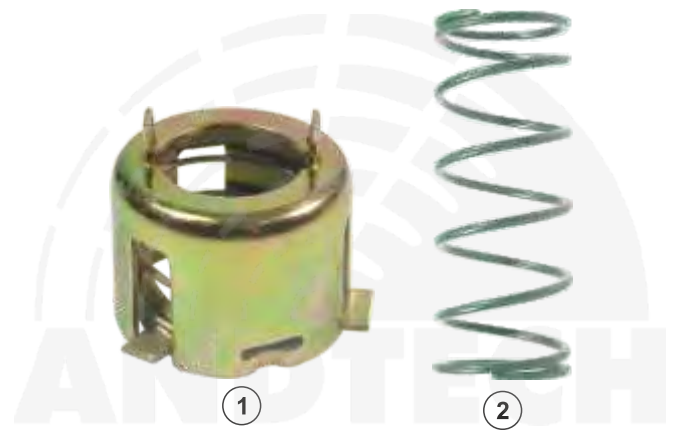
1- K84	O-Ring
2- T169	Pin
3- K85	O-Ring
4- T111	Cap (Without Tube)

Z-CAM

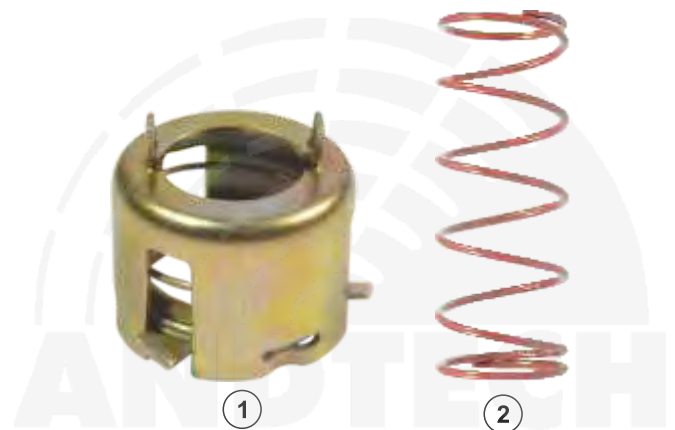
ANDTECH No :	0810 50113
Org. Ref. No :	1696449 - 1696450
Application :	Z-CAM
Description :	Cover and Gasket
1- T115	Cover
2- CN2	Gasket



ANDTECH No :	0810 50114
Org. Ref. No :	68191541 - 276098 - 9C462K400BA
Application :	Z-CAM
Description :	Reverse Lock Repair Kit (Right)
1- S67	Locking Shim
2- Y32	Locking Spring



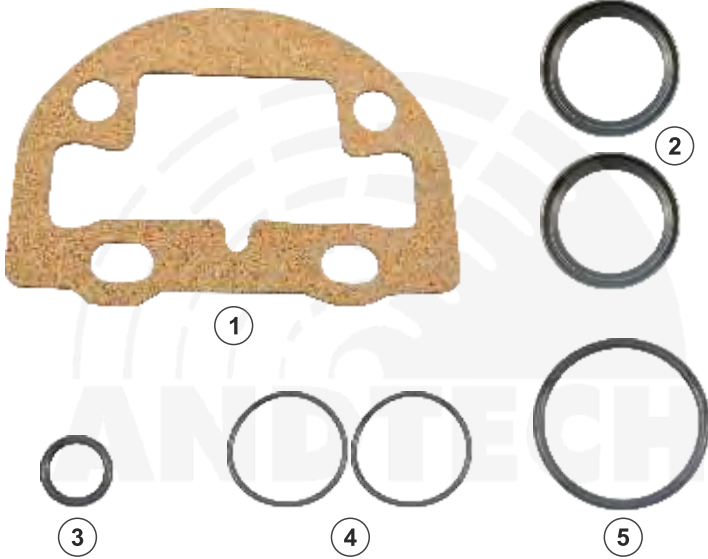
ANDTECH No :	0810 50115
Org. Ref. No :	68191540 - 276097 - 9C462K400AA
Application :	Z-CAM
Description :	Reverse Lock Repair Kit (Left)
1- S68	Locking Shim
2- Y33	Locking Spring



Z-CAM



ANDTECH No :	0810 50116
Org. Ref. No :	68192410 - 3090954 - 1696448 - 5001868119 - 9C462B009AA
Application :	Z-CAM
Description :	Dust Cover
1- K48	Dust Cover



ANDTECH No :	0810 50117
Org. Ref. No :	272905
Application :	Z-CAM
Description :	Gasket Kit
1- CN2	Gasket
2- K102	Seal
3- K103	O-Ring
4- K104	O-Ring
5- K105	O-Ring



ANDTECH No :	0810 50118
Org. Ref. No :	68191511 - 1696925 - 272907 - 5001868125 - 9C462K161AA
Application :	Z-CAM
Description :	Pinion (Right) (New Model)
1- T104	Pinion

Z-CAM

ANDTECH No :	0810 50119
Org. Ref. No :	68191510 - 1696924 - 272906 - 5001868126 - 9C462K161BA
Application :	Z-CAM
Description :	Pinion (Left) (New Model)
1- T105	Pinion



ANDTECH No :	0810 50120
Org. Ref. No :	68191510 - 1696924 - 5001868126
Application :	Z-CAM
Description :	Pinion (Left) (Old Model)
1- T106	Pinion



ANDTECH No :	0810 50121
Org. Ref. No :	68191511 - 1696925 - 5001868125
Application :	Z-CAM
Description :	Pinion (Right) (Old Model)
1- T107	Pinion



ANDTECH No :	GRS01
Org. Ref. No :	
Application :	
Description :	Grease
1- GRS01	Grease





CROSS REFERENCE LIST

GROUP	ANDTECH NO	CROSS REFERENCE	PAGE
KNORR	0810 10101		9
KNORR	0810 10102		9
KNORR	0810 10103	K001300 - K010603 - K000366 - 1689313 - 81508226031 - 0004204982 - 1756389 - 0004202382	9
KNORR	0810 10104		10
KNORR	0810 10105	II370760065 - A0004201382	10
KNORR	0810 10106		10
KNORR	0810 10107	K000944 - K010604	11
KNORR	0810 10108	81508226032 - 1759811	11
KNORR	0810 10110	II304130065 - 0004200682 - 81508226007 - 0004204248	11
KNORR	0810 10111		12
KNORR	0810 10112	K046523 - A000 423 0316 - K001929 - 81508226027 - 0004204282	12
KNORR	0810 10113		13
KNORR	0810 10114		13
KNORR	0810 10115		13
KNORR	0810 10116		14
KNORR	0810 10117		14
KNORR	0810 10118		14
KNORR	0810 10119		15
KNORR	0810 10120		15
KNORR	0810 10121		15
KNORR	0810 10122		16
KNORR	0810 10123		16
KNORR	0810 10124		16
KNORR	0810 10125		17
KNORR	0810 10126		17
KNORR	0810 10127		17
KNORR	0810 10128		18
KNORR	0810 10129		18
KNORR	0810 10130		18
KNORR	0810 10131		18
KNORR	0810 10132		19
KNORR	0810 10133		19
KNORR	0810 10134		19
KNORR	0810 10135		20
KNORR	0810 10136		20
KNORR	0810 10137		20
KNORR	0810 10138		21
KNORR	0810 10139		21
KNORR	0810 10140		21
KNORR	0810 10141		22
KNORR	0810 10142		22
KNORR	0810 10143		23
KNORR	0810 10144		23
KNORR	0810 10145		24
KNORR	0810 10146		24
KNORR	0810 10147		25
KNORR	0810 10148		25
KNORR	0810 10149		25
KNORR	0810 10150		26
KNORR	0810 10151		26
KNORR	0810 10152		27
KNORR	0810 10153		27
KNORR	0810 10154		27
KNORR	0810 10155		29
KNORR	0810 10156		29
KNORR	0810 10157		29
KNORR	0810 10158		30
KNORR	0810 10159		30
KNORR	0810 10160		30
KNORR	0810 10161		30
KNORR	0810 10162		31



CROSS REFERENCE LIST

GROUP	ANDTECH NO	CROSS REFERENCE	PAGE
KNORR	0810 10163		32
KNORR	0810 10164		31
KNORR	0810 10165		35
KNORR	0810 10166		36
KNORR	0810 10167		36
KNORR	0810 10168		46
KNORR	0810 10169		48
KNORR	0810 10171		49
KNORR	0810 10172	II328090062 - II339680062 - II369100062 - 0004200782 - 0004201282 - 81508226009 - 1390427 - 1448915 - 93162048 - 0501211763	49
KNORR	0810 10173	K000687 - 1603326	49
KNORR	0810 10174	K000935	50
KNORR	0810 10175		51
KNORR	0810 10176	K000132-II304130062 - 97131439	51
KNORR	0810 10177		52
KNORR	0810 10178	II179320062	52
KNORR	0810 10179		50
KNORR	0810 10180	II197140062	52
KNORR	0810 10181	II197330062 - 1390426	53
KNORR	0810 10182		61
KNORR	0810 10183		77
KNORR	0810 10184		78
KNORR	0810 10185		79
KNORR	0810 10186	II368470064-II339830064 - 1448910	67
KNORR	0810 10187		67
KNORR	0810 10188	K001928-81508226026	60
KNORR	0810 10189	K001274	59
KNORR	0810 10190		47
KNORR	0810 10191		47
KNORR	0810 10192	K067417K50	54
KNORR	0810 10193	K031844K50-1906779	53
KNORR	0810 10194	K004100 - 3434381500 - K010766 - 0004205082	58
KNORR	0810 10195		59
KNORR	0810 10196	K013007	62
KNORR	0810 10197	K000365-0004202282	48
KNORR	0810 10198	K000472 - 42541412 - 81508226019	54
KNORR	0810 10199	K000472 - 42541412 - 81508226019	54
KNORR	0810 10200	K000375	55
KNORR	0810 10201	K000375	55
KNORR	0810 10202	K001532	55
KNORR	0810 10203	K001532	56
KNORR	0810 10204		56
KNORR	0810 10207	II39769F0062-42537451	56
KNORR	0810 10208	K001915-K028451	57
KNORR	0810 10209		60
KNORR	0810 10210	K000696 - II310370066 - 0024200383 - 0980102970	61
KNORR	0810 10211		61
KNORR	0810 10212		62
KNORR	0810 10213		66
KNORR	0810 10214		60
KNORR	0810 10215	K000697	67
KNORR	0810 10216		67
KNORR	0810 10217	K000698	68
KNORR	0810 10218		68
KNORR	0810 10219		68
KNORR	0810 10220		68
KNORR	0810 10221		69
KNORR	0810 10222		69
KNORR	0810 10223		69
KNORR	0810 10224		69
KNORR	0810 10225		70
KNORR	0810 10226		70



CROSS REFERENCE LIST

GROUP	ANDTECH NO	CROSS REFERENCE	PAGE
KNORR	0810 10227		71
KNORR	0810 10228		71
KNORR	0810 10229		65
KNORR	0810 10230	K001301 - 81508226025	72
KNORR	0810 10231	II39769F0063	72
KNORR	0810 10232	K000945 - II17934004 - 81508226024 - 14394993	73
KNORR	0810 10233	K000029 - 0004234687 - 81508226021	73
KNORR	0810 10234	K003902	73
KNORR	0810 10235		75
KNORR	0810 10236	II19712004 - K000129 - 6274200186 - 0004202482	75
KNORR	0810 10237		71
KNORR	0810 10238		28
KNORR	0810 10239	Z001548	29
KNORR	0810 10240		80
KNORR	0810 10241		77
KNORR	0810 10242		77
KNORR	0810 10243	II328090061	78
KNORR	0810 10244	Z004357	79
KNORR	0810 10246		28
KNORR	0810 10247		28
KNORR	0810 10248		79
KNORR	0810 10249		80
KNORR	0810 10250		80
KNORR	0810 10251		80
KNORR	0810 10252		34
KNORR	0810 10253		35
KNORR	0810 10254	K001273	81
KNORR	0810 10255	K001529 - K001530	81
KNORR	0810 10257		66
KNORR	0810 10258		65
KNORR	0810 10259		22
KNORR	0810 10260		72
KNORR	0810 10261		27
KNORR	0810 10262		31
KNORR	0810 10263		31
KNORR	0810 10264		32
KNORR	0810 10265		33
KNORR	0810 10266		33
KNORR	0810 10267		33
KNORR	0810 10268		34
KNORR	0810 10269		34
KNORR	0810 10270		34
KNORR	0810 10271		36
KNORR	0810 10272		36
KNORR	0810 10273		37
KNORR	0810 10274		37
KNORR	0810 10275		38
KNORR	0810 10276		38
KNORR	0810 10277		39
KNORR	0810 10278		39
KNORR	0810 10279		40
KNORR	0810 10280		40
KNORR	0810 10281		41
KNORR	0810 10282		41
KNORR	0810 10283		42
KNORR	0810 10284		42
KNORR	0810 10285		43
KNORR	0810 10286		44
KNORR	0810 10287		45
KNORR	0810 10288		46
KNORR	0810 10289		51
KNORR	0810 10290	II358510062 - 1415149 - 0004201182 - 0501211047	50



CROSS REFERENCE LIST

GROUP	ANDTECH NO	CROSS REFERENCE	PAGE
KNORR	0810 10291		53
KNORR	0810 10292		79
KNORR	0810 10294	K010813	58
KNORR	0810 10295	K012912	62
KNORR	0810 10296	K060760	63
KNORR	0810 10297	K006018	63
KNORR	0810 10298	K048276	63
KNORR	0810 10299	K048278	64
KNORR	0810 10300	K003459	64
KNORR	0810 10301	K047473	64
KNORR	0810 10302		70
KNORR	0810 10303	K001470-0004203482	48
KNORR	0810 10304	3434382000	57
KNORR	0810 10305	K048371K50	57
KNORR	0810 10306	K048396K50	58
KNORR	0810 10307		71
KNORR	0810 10308		65
KNORR	0810 10309		66
KNORR	0810 10310		74
KNORR	0810 10311	K000133	74
KNORR	0810 10312	II40929F	75
KNORR	0810 10313	II40699F	75
KNORR	0810 10314	II40875F	76
KNORR	0810 10315	K001925 - 0004204382	59
KNORR	0810 10316	K047474	77
KNORR	0810 10317		81
KNORR	0810 10318	II350470063	78
KNORR	0810 10319		12
KNORR	0810 10320		35
KNORR	0810 10321		35
KNORR	0810 10322	K561521	78
KNORR	0810 10323		32
KNORR	0810 10324		32
KNORR	0810 10325		33
KNORR	0810 10326		70
KNORR	0810 10327	K000027 - 0004230606	81
KNORR	0810 10328	K000026	82
KNORR	0810 10329	K052379K50 - 0004231006	82
KNORR	0810 10330	K001926 - 0004213106	82
KNORR	0810 10331	K001927	82
KNORR	0810 10332	K001278	83
KNORR	0810 10333	K005606	83
KNORR	0810 10334	K010765	83
KNORR	0810 10335	K001510	83
KNORR	0810 10336	K011479-1689314	84
KNORR	0810 10337		84
KNORR	0810 10338	K004680-01.303.88.57.0	84
BPW	0810 10338	K004680 - 01.303.88.57.0	239
KNORR	0810 10339	01.303.88.56.0	84
BPW	0810 10339	01.303.88.56.0	239
KNORR	0810 10340	K002979-K001105-K000690	85
BPW	0810 10340		240
KNORR	0810 10341		85
BPW	0810 10341		240
KNORR	0810 10342		85
BPW	0810 10342		240
KNORR	0810 10343		23
KNORR	0810 10344		24
KNORR	0810 10345		26
KNORR	0810 10347	WVA 29115 - 29116 - 29148	76
KNORR	0810 10351		72
KNORR	0810 10353		26



CROSS REFERENCE LIST

GROUP	ANDTECH NO	CROSS REFERENCE	PAGE
KNORR	0810 10354		28
KNORR	0810 10355		74
KNORR	0810 10356	WVA 29087	76
KNORR	0810 10357	K046498	85
MERITOR	0810 20101	MCK1192	93
MERITOR	0810 20102		90
MERITOR	0810 20103		94
MERITOR	0810 20104		101
MERITOR	0810 20105		92
MERITOR	0810 20106	MCK1294	100
MERITOR	0810 20109		99
MERITOR	0810 20110		102
MERITOR	0810 20111		102
MERITOR	0810 20112		103
MERITOR	0810 20113		104
MERITOR	0810 20114		104
MERITOR	0810 20115		104
MERITOR	0810 20116		101
MERITOR	0810 20117		98
MERITOR	0810 20118		98
MERITOR	0810 20119	MCK1291 - DSL5R	97
MERITOR	0810 20120	MCK1290 - DSL5L	97
MERITOR	0810 20121	MCK1293 - DSB6R	95
MERITOR	0810 20122	MCK1292 - DSB6L	95
MERITOR	0810 20123		89
MERITOR	0810 20124	MCK1261	89
MERITOR	0810 20125		103
MERITOR	0810 20126		103
MERITOR	0810 20127		102
MERITOR	0810 20128	MCK1160 - 21224954	105
MERITOR	0810 20129	MCK1161 - 21224955	105
MERITOR	0810 20130		105
MERITOR	0810 20131		106
MERITOR	0810 20132	MCK1344 - DSB3	106
MERITOR	0810 20133	MCK1154	107
MERITOR	0810 20134	MCK1159	107
MERITOR	0810 20135		108
MERITOR	0810 20136		108
MERITOR	0810 20137		108
MERITOR	0810 20138		108
MERITOR	0810 20139	15224836SR	109
MERITOR	0810 20140	15224837SR	109
MERITOR	0810 20141		124
MERITOR	0810 20142	68324625	124
MERITOR	0810 20143		124
MERITOR	0810 20144		125
MERITOR	0810 20145		125
MERITOR	0810 20146		125
MERITOR	0810 20147		126
MERITOR	0810 20148		126
MERITOR	0810 20149		126
MERITOR	0810 20150		127
MERITOR	0810 20151		128
MERITOR	0810 20152	MCK1113 - SJ4110 - 85102093 - 3092267	128
MERITOR	0810 20153	MCK1111 - SJ4102 - 85102095 - 3092265	128
MERITOR	0810 20154	MCK1112 - SJ4103 - 85102096 - 3092266	129
MERITOR	0810 20155	68322297PK10	129
MERITOR	0810 20156	MCK1237 - 3092263	129
MERITOR	0810 20157		130
MERITOR	0810 20158	MCK1236 - 3092262	130
MERITOR	0810 20159		130
MERITOR	0810 20160		131



CROSS REFERENCE LIST

GROUP	ANDTECH NO	CROSS REFERENCE	PAGE
MERITOR	0810 20161		131
MERITOR	0810 20162		131
MERITOR	0810 20163		132
MERITOR	0810 20164		132
MERITOR	0810 20165		132
MERITOR	0810 20166		133
MERITOR	0810 20167		133
MERITOR	0810 20168		133
MERITOR	0810 20169		134
MERITOR	0810 20170		134
MERITOR	0810 20171		134
MERITOR	0810 20172		135
MERITOR	0810 20173		135
MERITOR	0810 20174		135
MERITOR	0810 20175		136
MERITOR	0810 20176		136
MERITOR	0810 20177		136
MERITOR	0810 20178		137
MERITOR	0810 20179		137
MERITOR	0810 20180		137
MERITOR	0810 20181		138
MERITOR	0810 20182		138
MERITOR	0810 20183		138
MERITOR	0810 20184		139
MERITOR	0810 20185		139
MERITOR	0810 20186	SJ4113 - 3092763	139
MERITOR	0810 20187	SJ4114 - 3092764	140
MERITOR	0810 20188	MCK1151 - MCK1021 - 85104827	140
MERITOR	0810 20189	MCK1152 - MCK1022 - 85104828	140
MERITOR	0810 20190		141
MERITOR	0810 20191		141
MERITOR	0810 20192		141
MERITOR	0810 20193		142
MERITOR	0810 20194	SJ4031 - 8550893	142
MERITOR	0810 20195		142
MERITOR	0810 20196		143
MERITOR	0810 20197		143
MERITOR	0810 20198		143
MERITOR	0810 20199	SJ4074 - 3098111	144
MERITOR	0810 20200	SJ4073 - 3098110	144
MERITOR	0810 20201		144
MERITOR	0810 20202		145
MERITOR	0810 20203		145
MERITOR	0810 20204		145
MERITOR	0810 20205		146
MERITOR	0810 20206		146
MERITOR	0810 20207		146
MERITOR	0810 20208		147
MERITOR	0810 20209		147
MERITOR	0810 20210		147
MERITOR	0810 20211		148
MERITOR	0810 20212		148
MERITOR	0810 20213	SJ4098 - 3092261	149
MERITOR	0810 20214	SJ4112 - 3092329	149
MERITOR	0810 20215		149
MERITOR	0810 20216		150
MERITOR	0810 20217		150
MERITOR	0810 20218	SJ4096 - MCK1398 - 85109975 - 3092258 - 21109753	150
MERITOR	0810 20219	SJ4097 - MCK1399 - 85109976 - 3092259 - 21109754	151
MERITOR	0810 20220		151
MERITOR	0810 20221		151
MERITOR	0810 20222		152



CROSS REFERENCE LIST

GROUP	ANDTECH NO	CROSS REFERENCE	PAGE
MERITOR	0810 20223		152
MERITOR	0810 20224	SJ4108 - 21109755 - 3092260 - 85109977	152
MERITOR	0810 20225		153
MERITOR	0810 20226	SJ4018	153
MERITOR	0810 20227		153
MERITOR	0810 20228	SJ4077 - 3098109	156
MERITOR	0810 20229	MCK1139 - 85107913 - 81508026024	157
MERITOR	0810 20230	ST1156 - 81508026016	157
MERITOR	0810 20231	MCK1238 - 3092264	158
MERITOR	0810 20232	MCK1309 - 5001866398	158
MERITOR	0810 20233		158
MERITOR	0810 20234	MCK1118 - 85102092	159
MERITOR	0810 20235	MCK1116 - 85102094	159
MERITOR	0810 20236	MCK1135 - 85103891	160
MERITOR	0810 20237	MCK1134 - 85103892	160
MERITOR	0810 20238	MCK1298 - 85109890 - 5001866989	160
MERITOR	0810 20239	MCK1254	161
MERITOR	0810 20240		161
MERITOR	0810 20241	MCK1317 - 85109899 - 5001866385	161
MERITOR	0810 20242	SJ4052 - 5001845385	162
MERITOR	0810 20243	SJ4076 - MCK1104 - 5001837006 - 3098108	162
MERITOR	0810 20244	MCK1102 - 81508026017 - 81508026020 - 81508026021	163
MERITOR	0810 20245	MCK1103 - 81508026022	163
MERITOR	0810 20246	MCK1243 - MCK1140 - 5001860791 - 85107912 - 81508026025	164
MERITOR	0810 20247	MCK1086 - 5001858717	164
MERITOR	0810 20248	SJ4011 - MCK1213 - 0004200676 - 81508026008 - 81508026009 - SJ1228	165
MERITOR	0810 20249	SJ4001 - 5001822994	165
MERITOR	0810 20251	SJ4078 - 3098113 - 3097526	166
MERITOR	0810 20252	SJ4061	166
MERITOR	0810 20253	MCK1244 - 5001860792	166
MERITOR	0810 20254	MCK1299 - 3095628 - 85107718	167
MERITOR	0810 20255	MCK1065	167
MERITOR	0810 20256	MCK1310 - 85109892 - 5001868400	168
MERITOR	0810 20257	MCK1253	169
MERITOR	0810 20258		169
MERITOR	0810 20259		171
MERITOR	0810 20260	MCK1129 - 85102099	171
MERITOR	0810 20261	68322900PK10	171
MERITOR	0810 20262	68321678PK	178
MERITOR	0810 20263	SJ1212 - 5001831176 - 81508026007 - 0004230082	179
MERITOR	0810 20264	654147780414PK	180
MERITOR	0810 20265		181
MERITOR	0810 20266		181
MERITOR	0810 20267		181
MERITOR	0810 20268		182
MERITOR	0810 20269	68320507PK10	182
MERITOR	0810 20270	SJ4109 - 3092270	172
MERITOR	0810 20271		172
MERITOR	0810 20272	MCK1041 - 3095669	172
MERITOR	0810 20273		173
MERITOR	0810 20274	SJ4105 - 3092269	173
MERITOR	0810 20275	68322774	173
MERITOR	0810 20276	68324270	174
MERITOR	0810 20277		175
MERITOR	0810 20278	68322655PK10	175
MERITOR	0810 20279	68322655PK10	175
MERITOR	0810 20280	68323746PK10	176
MERITOR	0810 20281		176
MERITOR	0810 20282		176
MERITOR	0810 20283		176
MERITOR	0810 20284		177
MERITOR	0810 20285	68915080 - 68915081	177



CROSS REFERENCE LIST

GROUP	ANDTECH NO	CROSS REFERENCE	PAGE
MERITOR	0810 20286	SJ4117 - 3092765	177
MERITOR	0810 20287		183
MERITOR	0810 20288	SJ4111 - 3092283	183
MERITOR	0810 20289	MCK1296 - MCK1311 - 85109883	183
MERITOR	0810 20290		184
MERITOR	0810 20291	68322300PK	178
MERITOR	0810 20292	MCK1174 -5001858719 - 5001866486 - 85107958	184
MERITOR	0810 20293	MCK1262	184
MERITOR	0810 20294	MCK1264	185
MERITOR	0810 20295	MCK1263	185
MERITOR	0810 20298		101
MERITOR	0810 20299		92
MERITOR	0810 20300		92
MERITOR	0810 20301		106
MERITOR	0810 20302	1205 X 2572 - 21225226	107
MERITOR	0810 20303		148
MERITOR	0810 20306		87
MERITOR	0810 20307		88
MERITOR	0810 20308		110
MERITOR	0810 20309		111
MERITOR	0810 20310		112
MERITOR	0810 20311		113
MERITOR	0810 20312		114
MERITOR	0810 20314		115
MERITOR	0810 20315		116
MERITOR	0810 20316		117
MERITOR	0810 20317		118
MERITOR	0810 20318		119
MERITOR	0810 20319		120
MERITOR	0810 20320		121
MERITOR	0810 20321		122
MERITOR	0810 20322		123
MERITOR	0810 20323		162
MERITOR	0810 20324		163
MERITOR	0810 20325		164
MERITOR	0810 20326	SJ4021 - 8550881	170
MERITOR	0810 20333		179
MERITOR	0810 20334		179
MERITOR	0810 20335		180
MERITOR	0810 20336		180
MERITOR	0810 20337		174
MERITOR	0810 20338		174
MERITOR	0810 20339	MCK1240	184
MERITOR	0810 20340		178
MERITOR	0810 20341	SJ 4053	157
MERITOR	0810 20342	225200	167
MERITOR	0810 20343	225201	168
MERITOR	0810 20344	MCK1067 - 3095626	170
MERITOR	0810 20345		170
MERITOR	0810 20346	68322562PK	177
MERITOR	0810 20347	68322563PK	178
MERITOR	0810 20348		94
MERITOR	0810 20349		94
MERITOR	0810 20350		93
MERITOR	0810 20351	MCK1171	90
MERITOR	0810 20352	MCK1168	100
MERITOR	0810 20353	DSB104	93
MERITOR	0810 20354	DSB7	91
MERITOR	0810 20355		91
MERITOR	0810 20356		159
MERITOR	0810 20357	SJ4032	165
MERITOR	0810 20358	MCK1088 - 5001858718	169



CROSS REFERENCE LIST

GROUP	ANDTECH NO	CROSS REFERENCE	PAGE
MERITOR	0810 20359	MCK1185	109
MERITOR	0810 20360		185
MERITOR	0810 20361		185
MERITOR	0810 20362		186
MERITOR	0810 20363		186
MERITOR	0810 20364		186
MERITOR	0810 20365	68324854PK10	157
MERITOR	0810 20366		168
MERITOR	0810 20367		91
MERITOR	0810 20368		181
MERITOR	0810 20369		182
MERITOR	0810 20370		182
MERITOR	0810 20371		183
MERITOR	0810 20372		96
MERITOR	0810 20373		96
MERITOR	0810 20374		156
MERITOR	0810 20375		135
MERITOR	0810 20379		127
MERITOR	0810 20380		127
MERITOR	0810 20381		154
MERITOR	0810 20396		154
MERITOR	0810 20399		156
MERITOR	0810 20400		154
MERITOR	0810 20401		155
MERITOR	0810 20405		186
MERITOR	0810 20406		99
MERITOR	0810 20407		99
MERITOR	0810 20408		97
MERITOR	0810 20409		98
MERITOR	0810 20410		155
MERITOR	0810 20411		155
MERITOR	0810 20450	WVA 29174	185
WABCO	0810 30101		189
WABCO	0810 30102		189
WABCO	0810 30103		190
WABCO	0810 30104		191
WABCO	0810 30105		191
WABCO	0810 30106		192
WABCO	0810 30107		193
WABCO	0810 30108		193
WABCO	0810 30109		194
WABCO	0810 30110		194
WABCO	0810 30111		195
WABCO	0810 30112		195
WABCO	0810 30113		196
WABCO	0810 30114		196
WABCO	0810 30115	12999729VT - 81508006023 - 082139200 - 11015566 - 1517354	196
WABCO	0810 30116		197
WABCO	0810 30117		198
WABCO	0810 30118		199
WABCO	0810 30119		200
WABCO	0810 30120	12999738VT - 1505890 - 3434382701 - 79787365	201
WABCO	0810 30121		201
WABCO	0810 30122	12999776 - 34344382800 - 1628065 -1068119 - 6500700 - 501866626 - 85108166	201
WABCO	0810 30123		202
WABCO	0810 30124	12999678VT - 5021170488 - 0865966	202
WABCO	0810 30125	12999746VT - 1440505 - 5001858722 - 261112999746VT	202
WABCO	0810 30126		203
WABCO	0810 30127		203
WABCO	0810 30128		204
WABCO	0810 30129		204
WABCO	0810 30130		205



CROSS REFERENCE LIST

GROUP	ANDTECH NO	CROSS REFERENCE	PAGE
WABCO	0810 30131		205
WABCO	0810 30132		205
WABCO	0810 30133		206
WABCO	0810 30134		206
WABCO	0810 30135		206
WABCO	0810 30136		207
WABCO	0810 30137		207
WABCO	0810 30138		208
WABCO	0810 30139		209
WABCO	0810 30140		209
WABCO	0810 30141		210
WABCO	0810 30142		211
WABCO	0810 30143	12999699VT - 12999702 - 1436853	211
WABCO	0810 30144	12999704VT - 5001852880 - 1519363 - 261112999704VT	211
WABCO	0810 30145	12999580VT - 81508226003 - 1517407	212
WABCO	0810 30146		212
WABCO	0810 30147		212
WABCO	0810 30148		213
WABCO	0810 30149		213
WABCO	0810 30150		214
WABCO	0810 30151		214
WABCO	0810 30152		214
WABCO	0810 30153	6401759202 - 3434382900 - 0906197 -13C3508278AB	215
WABCO	0810 30154		215
WABCO	0810 30155		215
WABCO	0810 30156		216
WABCO	0810 30157		216
WABCO	0810 30158		216
WABCO	0810 30159		216
WABCO	0810 30160		217
WABCO	0810 30161		217
WABCO	0810 30162		225
WABCO	0810 30163		225
WABCO	0810 30164		226
WABCO	0810 30165		226
WABCO	0810 30166		226
WABCO	0810 30167		226
WABCO	0810 30168		189
WABCO	0810 30169		190
WABCO	0810 30170		190
WABCO	0810 30171		191
WABCO	0810 30172		192
WABCO	0810 30173		192
WABCO	0810 30174		193
WABCO	0810 30175		194
WABCO	0810 30176		195
WABCO	0810 30177		198
WABCO	0810 30178		199
WABCO	0810 30179		200
WABCO	0810 30180	12999677VT - 5021170487 - 0865965	203
WABCO	0810 30181		204
WABCO	0810 30182		208
WABCO	0810 30183		210
WABCO	0810 30184		217
WABCO	0810 30185		217
WABCO	0810 30186		223
WABCO	0810 30187		223
WABCO	0810 30188		224
WABCO	0810 30189		224
WABCO	0810 30190		224
WABCO	0810 30191		224
WABCO	0810 30193		213



CROSS REFERENCE LIST

GROUP	ANDTECH NO	CROSS REFERENCE	PAGE
WABCO	0810 30194		213
WABCO	0810 30196	81.50822-6038 - 640 322 926 2	218
WABCO	0810 30197		218
WABCO	0810 30198		218
WABCO	0810 30199		219
WABCO	0810 30200		219
WABCO	0810 30201		219
WABCO	0810 30202	81.50822-6039 - 640 322 927 2	220
WABCO	0810 30203		220
WABCO	0810 30204		220
WABCO	0810 30205	WVA 29279	221
WABCO	0810 30206		221
WABCO	0810 30207		225
WABCO	0810 30208	WVA 29162	221
WABCO	0810 30209	WVA 29126 - 29159	222
WABCO	0810 30210	WVA 29088	222
WABCO	0810 30211		222
WABCO	0810 30212		222
WABCO	0810 30213		223
WABCO	0810 30214	81.50822-6040 - 640 322 928 2	223
WABCO	0810 30215		225
WABCO	0810 30216		227
WABCO	0810 30217		228
WABCO	0810 30218		227
WABCO	0810 30219		228
WABCO	0810 30220		227
WABCO	0810 30221		228
WABCO	0810 30222	81.50822-6042 - 9640 322 932 2	214
IVECO	0810 40101	93161181	259
IVECO	0810 40102	93161429	259
IVECO	0810 40103	93162033	259
IVECO	0810 40104	93160387	260
IVECO	0810 40105	93159285	260
IVECO	0810 40106	93161244	260
IVECO	0810 40107	93161475	261
IVECO	0810 40108	93161471	261
IVECO	0810 40109	93161192	261
IVECO	0810 40110	93161189	262
IVECO	0810 40111	9361559	262
IVECO	0810 40112	93161908	262
IVECO	0810 40113	93161622 - 93162114	263
IVECO	0810 40114	42491950 - RBSK 0502	263
IVECO	0810 40115	93161623 - RBSK 1407	263
IVECO	0810 40116	42491974	264
IVECO	0810 40117	42536195	264
IVECO	0810 40118	42531676 - A22297E5907	264
IVECO	0810 40119	42480059 - A2297L3158 - A164002	265
IVECO	0810 40120	42480060 - 3280Y8163	265
IVECO	0810 40121	42537366	265
IVECO	0810 40122	42537365	266
IVECO	0810 40123	7980405	266
IVECO	0810 40124	7980406	266
IVECO	0810 40125	7984216	267
IVECO	0810 40126	7984217	267
IVECO	0810 40127	7980408	267
IVECO	0810 40128	42488735 - 1205B1666 - 166045	268
IVECO	0810 40129	42488736 - 1205C1667 - 166046	268
IVECO	0810 40130	42531677 - 1205x2000 - 6C462B009AA	268
IVECO	0810 40131	42488484 - 2257Y1143 - 6C462D160AA	269
IVECO	0810 40132	7980407 - RBSK0250	269
IVECO	0810 40133	93161621 - RBSK1255 - RBSK2051	269
IVECO	0810 40134	93161254 - 12999418VT	270



CROSS REFERENCE LIST

GROUP	ANDTECH NO	CROSS REFERENCE	PAGE
IVECO	0810 40135	8124815 - 12999135VT	270
IVECO	0810 40136	42538062	270
Z-CAM	0810 50101	68192115 - 3097092 - 1696444 - 5001868113 - 9C462296AA	273
Z-CAM	0810 50102	68192487 - 30972299 - 1698346 - 9C462069AA	273
Z-CAM	0810 50103	3090997 - 1081819	273
Z-CAM	0810 50104	3090998 - 1081820	274
Z-CAM	0810 50105	68191219 - 272910 - 5001868121 - 9C462458AA	274
Z-CAM	0810 50106	64225252 - 1696446 - 5001868120 - 9C462B003AA	274
Z-CAM	0810 50107	68192566 - 272908 - 3097100 - 8550977 - 9C462A105BA	275
Z-CAM	0810 50108	68162565 - 272909 - 3097099 - 8550978 - 9C462A105AA	275
Z-CAM	0810 50109	272904	275
Z-CAM	0810 50110	276099	276
Z-CAM	0810 50111	276100 - 3090964	276
Z-CAM	0810 50112	276096	276
Z-CAM	0810 50113	1696449 - 1696450	277
Z-CAM	0810 50114	68191541 - 276098 - 9C462K400BA	277
Z-CAM	0810 50115	68191540 - 276097 - 9C462K400AA	277
Z-CAM	0810 50116	68192410 - 3090954 - 1696448 - 5001868119 - 9C462B009AA	278
Z-CAM	0810 50117	272905	278
Z-CAM	0810 50118	68191511 - 1696925 - 272907 - 5001868125 - 9C462K161AA	278
Z-CAM	0810 50119	68191510 - 1696924 - 272906 - 5001868126 - 9C462K161BA	279
Z-CAM	0810 50120	68191510 - 1696924 - 5001868126	279
Z-CAM	0810 50121	68191511 - 1696925 - 5001868125	279
HALDEX	0810 60101		243
HALDEX	0810 60102		243
HALDEX	0810 60103	91012	244
HALDEX	0810 60104	91013	244
HALDEX	0810 60105	91014	244
HALDEX	0810 60106	91011	245
HALDEX	0810 60107		245
HALDEX	0810 60108		245
HALDEX	0810 60109		246
HALDEX	0810 60110		246
HALDEX	0810 60111		246
HALDEX	0810 60112		247
HALDEX	0810 60113		247
HALDEX	0810 60114		247
HALDEX	0810 60115		248
HALDEX	0810 60116		248
HALDEX	0810 60117		248
HALDEX	0810 60118		249
HALDEX	0810 60119	90693	249
HALDEX	0810 60120		249
HALDEX	0810 60121	91019	250
HALDEX	0810 60122	90673	250
HALDEX	0810 60123		250
HALDEX	0810 60124		251
HALDEX	0810 60125	3 434 3861 00 - 95397	251
HALDEX	0810 60126		251
HALDEX	0810 60127		252
HALDEX	0810 60128		252
HALDEX	0810 60129		252
HALDEX	0810 60130		253
HALDEX	0810 60131		253
HALDEX	0810 60132		253
HALDEX	0810 60133		254
HALDEX	0810 60134		254
HALDEX	0810 60135		254
HALDEX	0810 60136		256
HALDEX	0810 60137		255
HALDEX	0810 60138		255
HALDEX	0810 60139		255



CROSS REFERENCE LIST

GROUP	ANDTECH NO	CROSS REFERENCE	PAGE
HALDEX	0810 60140		255
HALDEX	0810 60141		256
HALDEX	0810 60142		256
HALDEX	0810 60143		256
HALDEX	0810 60144		257
HALDEX	0810 60145		257
HALDEX	0810 60147	3 434 3862 00 - 95398	257
HALDEX	0810 60148	3 434 3863 00 - 95399	257
BPW	0810 70101	09.801.07.63.1	231
BPW	0810 70102		231
BPW	0810 70103		232
BPW	0810 70104		232
BPW	0810 70105	09.801.07.62.0	233
BPW	0810 70106		233
BPW	0810 70107		234
BPW	0810 70108		234
BPW	0810 70109		234
BPW	0810 70110		235
BPW	0810 70111		235
BPW	0810 70112		235
BPW	0810 70113		236
BPW	0810 70114		236
BPW	0810 70115		237
BPW	0810 70116		238
BPW	0810 70117		238
BPW	0810 70118		239
BPW	0810 70119	09.801.07.61.0	232
BPW	0810 70120		231
BPW	0810 70121	09.801.05.81.0	233
BPW	0810 70122	09.801.07.68.1	238
BPW	0810 70123		237
BPW	0810 70124	09.801.07.87.0	237
BPW	0810 70125		236

Notes

A series of horizontal dotted lines for writing notes, spanning the width of the page.





ANDAÇ OTOMOTİV SAN. TİC. LTD. ŞTİ.
5. Sanayi Sitesi 7419/6 Sk. No:50
35050 Pınarbaşı - İZMİR / TURKEY
Phone: + 90 232 4780101
Phone: + 90 232 4780414
Fax: + 90 232 4797784
Web: www.andacotomotiv.com
E-Mail: info@andacotomotiv.com
export@andacotomotiv.com

ANDAC GmbH
Herforder Str. 194-200
D-32257 Bünde - GERMANY
Phone: + 49 (0)5223 6532987
+ 49 (0)5223 6532988
Fax: + 49 (0)5223 6532985
Web: www.andac.eu
E-Mail: info@andac.eu
export@andac.eu