

airsprings™

Edition

04

Airspring.com | Airtech
Contitech | Dunlop | Firestone
Goodyear | Pirelli | Springride | Vibracoustic



Airsprings Catalogue

All Makes

airsprings.com

Welcome



We at Granning are proud to present the Fourth Edition of our Air Spring Catalogue.

In this latest edition we have added an **extra 100 new references**, and we have made the **identification process of your air spring a quick and easy exercise**.

Through our extensive product knowledge and the vast amount of air spring references we have available, the catalogue has been divided into sections, to enable you to go directly to the air spring you require.

With the growing popularity of CAB and CAR air springs these products now have their own section.

We believe at Airsprings.com we carry the widest range of air springs in Europe. Should you be unable to find the appropriate item you are looking for, please ring our dedicated sales teams who will endeavour to assist you.

All the information in this catalogue, along with all the products we stock and distribute can be found online at www.airsprings.com

May I also take this opportunity to thank all those involved in completing this catalogue, a special thank you goes to Rafal Pastula for his time and patience in putting together the appropriate information.

For further information or any feedback you may have with regard to this catalogue and how it may be improved upon please contact us on any of the numbers listed below.

As always we appreciate your comments.



Mr Andrew Clayton
Director
Granning UK

Granning Group

Granning Ireland Ltd

Naas Industrial Estate
Naas
Co. Kildare

Tel. +353 (0) 45 875 996
Fax +353 (0) 45 894 305

Granning UK Ltd

37 Melford Court
Hardwick Grange
Warrington, Cheshire
WA1 4RZ England

Tel. +44 (0) 1925 810400
Fax +44 (0) 1925 817153

Granning (NI) Ltd

Herdman Channel Road
Off Duncrue Street
Belfast, Northern Ireland
BT3 9BL

Tel: +44 (0) 2890 740055
Fax: +44 (0) 2890 740203

Granning Poland

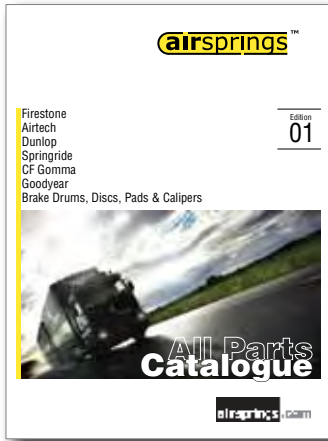
Ul. Pultuska 63 E
02-700 Wyszaków
woj. mazowieckie
Poland

Tel: +48 (0) 785 875 996

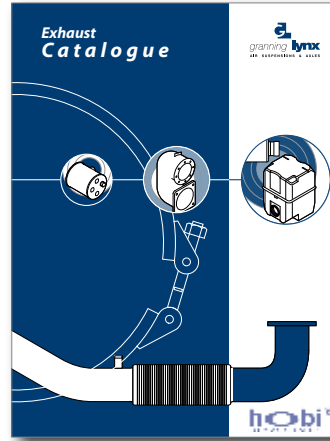




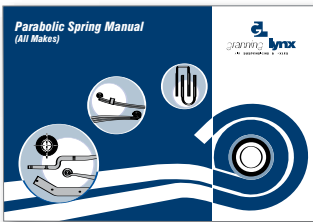
Dedicated Product Catalogues



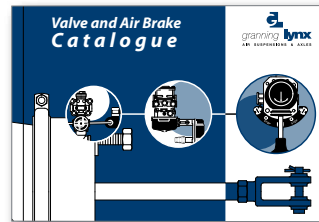
All Parts Catalogue Edition 1



Exhaust Catalogue



Parabolic Spring Manual



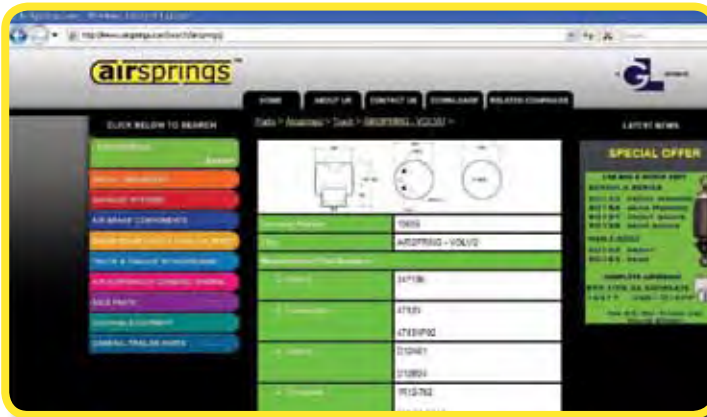
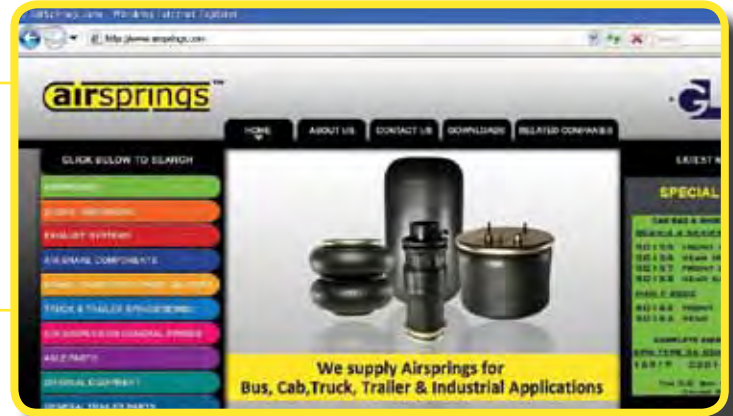
Valve and Air Brake Catalogue



airspringsTM

Dedicated Product Website

Airsprings.com is proud to present our new look website, this site allows you to directly check on line from our product database. All major suppliers of airsprings are listed, also are all the leading suppliers of commercial vehicles. The web site allows you to find the parts you require at a touch of a button.



If you are searching for a part number e.g. equivalent to Conti 725N, type in the part Number in the "competitors box". A minimum of 3 digits is required. At this point you will be presented with a list of parts, choose the appropriate part number you require. Should you have a manufactures part number e.g. Meritor 21222442 type this also into "competitors box" either part or the complete number should be typed in. If you already know the Granning part number but just would like to check dimensions type in the appropriate number e.g. 15732 in the Granning part number box. This will then give you a picture and dimension of the required item.

If you require a shock absorber, brake drum, silencer etc to go with your airspring shipment, go back to the main menu and click on the appropriate 'tab' this will take you to our listings on the other products we stock.



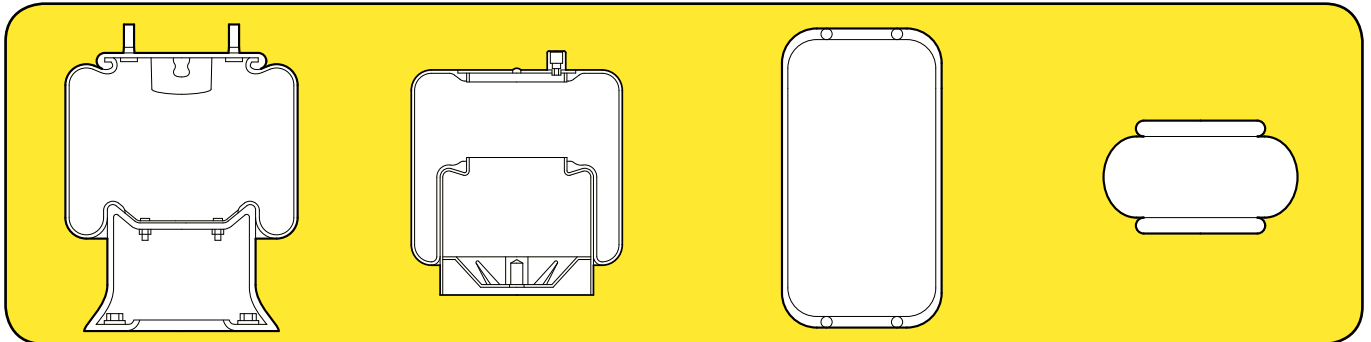
Should your search not be successful, please contact our parts department and they will be only to happy to help.



Contents	Page
Common Air Spring Terminology	5
Air Spring Components	6
Air Spring Identification	7
Removing an Old Air Spring.....	8
Installing a New Airsprings.com Rolling Lobe Air Spring without Metal Parts....	8
Installing a New Airsprings.com Rolling Lobe Air Spring with Top Plate	9
Section 1 Airspring Supplier Cross Reference Lists	11
Section 2 Cab Spring Technical Drawings.....	67
Section 3 Car Spring Technical Drawings.....	83
Section 4 Airspring Technical Drawings	87
Section 5 BPW Airspring Service Parts.....	177
Section 6 Diaphragm Technical Drawings	183
Section 7 Dunlop Type Convuluted Parts	197
Section 8 Air Spring Manufacturer Cross Reference Lists.....	207
Piston Identification List.....	274
Main Causes for Premature Air Spring Failures and How to Prevent Them ..	275



Common Air Spring Terminology



Complete Air Spring Assembly

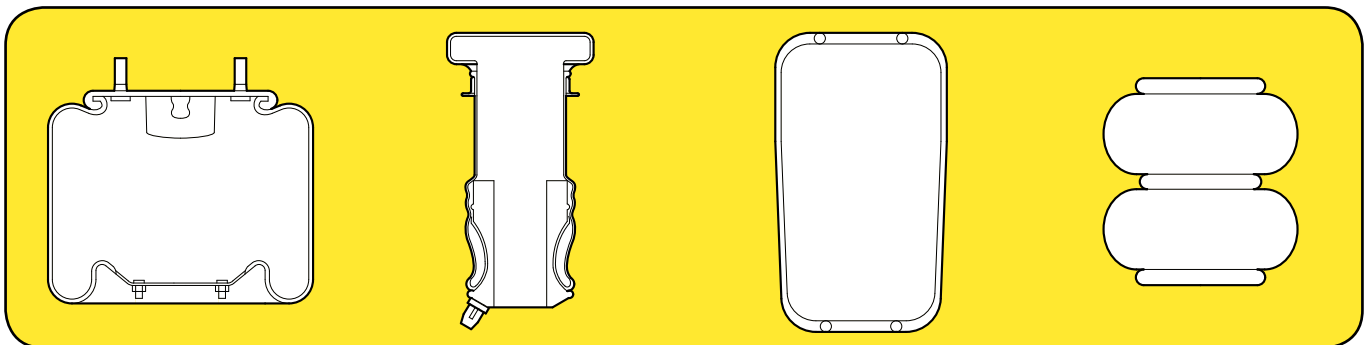
Rolling lobe or reversible sleeve style.

Complete Air Spring Assembly

Vulcanised style.

Straight Sided Diaphragm

Single Convolted Diaphragm



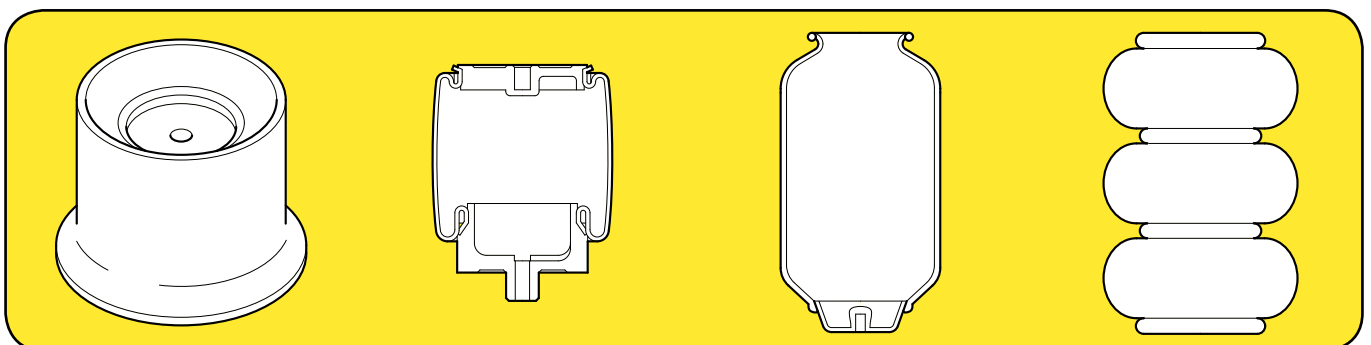
Service Assembly

Complete Assembly minus the piston (Base).

Cab Mount Air Spring

Tapered Diaphragm

Double Convolted



Piston Only

Seat Mount Air Spring

Diaphragm with Moulded Bottom Plate (End Closure)

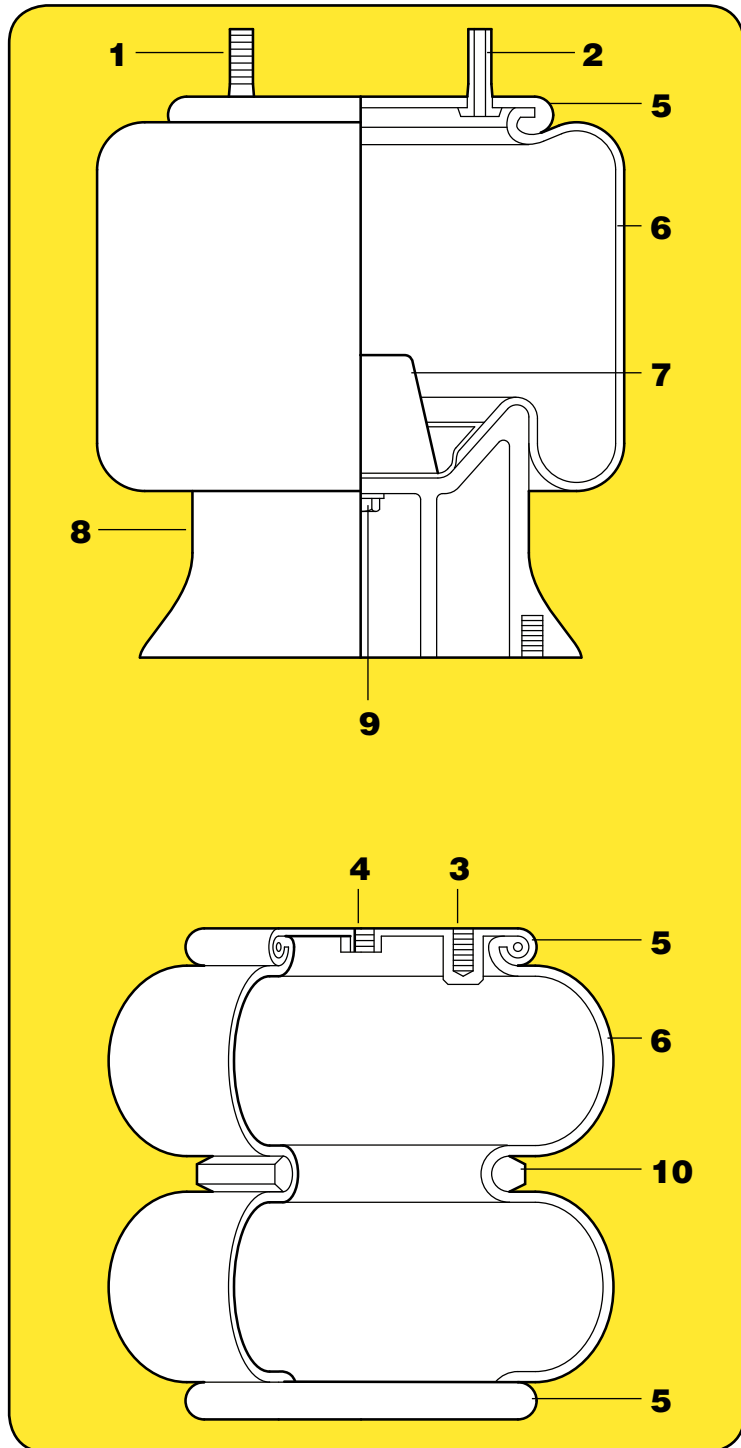
Triple Convolted

Note: The contents of this catalogue must not be copied or reproduced without the written permission from Granning UK Ltd.



Air Spring Components

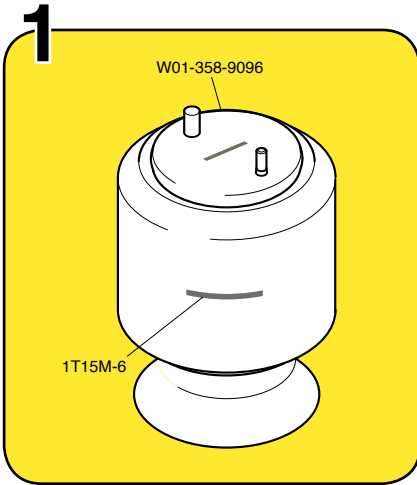
- 1. Stud** **Shown as:-** ●
 A permanent part of the bead plate assembly used to attach the air spring to the suspension.
- 2. Combination Stud** **Shown as:-** ⊙
 This provides a dual purpose of mounting the air spring to the suspension and providing an air entrance.
- 3. Blind Nut (Threaded Hole)** **Shown as:-** ⊙
 A permanent part of the bead plate assembly providing an alternative mounting system to the Stud.
- 4. Air Fitting Hole** **Shown as:-** ⊗
 A tapped hole providing air entrance for the part.
- 5. Bead Plate (Top Plate)**
 Permanently crimped onto the bellows, diaphragm during manufacture.
- 6. Bellows**
 The heart of the airspring. Includes at least four ply, or layers of material - an inner layer, two ply of cord reinforced fabric and an outer layer.
- 7. Bumper (Bump Stop)**
 A solid moulded rubber fail safe device used on many suspension applications. Prevents excessive damage to the vehicle and suspension in the case of sudden air pressure loss.
- 8. Piston**
 The lower section of the airspring made from aluminium, steel or composite material ie. plastic. Provides lower mounting arrangement for the airspring in the form of threaded holes or studs.
- 9. Piston Bolt**
 Attaches the piston to the bellows assembly and in some cases is extended to serve as a means of attaching the airspring to the suspension.
- 10. Girdle Hoop (Centre Ring)**
 A ring between the convolutions of the convoluted type air spring, helps provide stability in the part.



Note: The contents of this catalogue must not be copied or reproduced without the written permission from Granning UK Ltd.



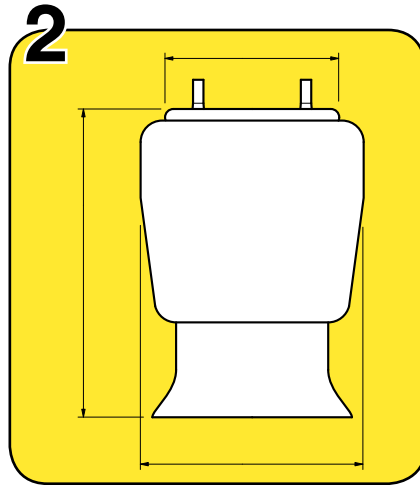
Air Spring Identification



1. Read Part Numbers & Bellows Numbers

The first step to identifying an air spring for replacement is to read the part number on the label attached to the bead plate ie.W01-358-9096. If the number is illegible read the bellows number which is normally moulded in to the rubber. A Style number such as 1T15M-6 or 22 would tell exactly which bellows is needed so therefore bypass sections 2 & 3.

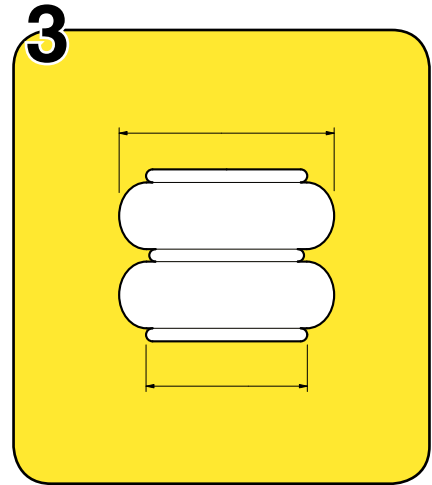
If the bellows number is illegible then determine the style by comparing it to the illustrations in this guide. Proceed to section 2 if rolling lobe assembly or section 3 for convoluted.



2. Rolling Lobe Style

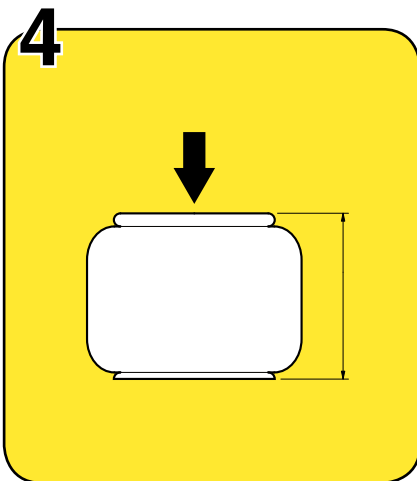
Measure the bead plate diameter and the moulded uninflated diameter of the rubber bellows and compare this with the rolling lobes illustrated in this guide until a match is found. Please note that the moulded diameter can increase slightly with years of service.

Then measure from the bottom of the piston to the top of the bead plate when the part is (uninflated) and extended. Next, find the same or similar measurement in the rolling lobe section that was previously determined. When this has been done go to section 4.



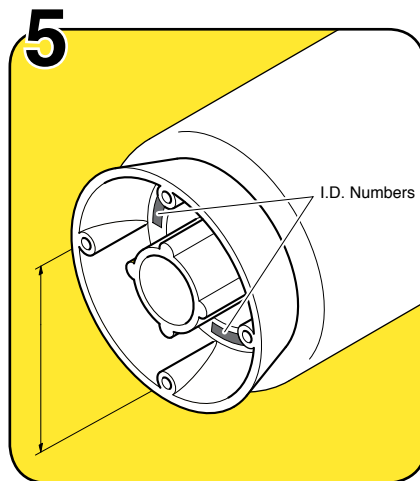
3. Convoluted Style

First determine whether the air spring is a single, double or triple convoluted style by comparing it to the illustrations in this guide. Then measure the bead plate diameter and the diameter of the bellows across its widest area (uninflated) and compare these dimensions with those given in the convoluted section. Once a match has been made proceed to section 4.



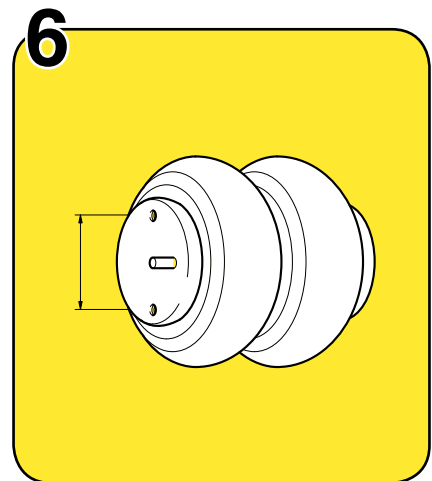
4. Bump Stop Fitted

Many air springs contain a rubber bumper inside the spring. To determine if one is present compress the spring to its minimum height and measure from the bottom plate or piston to the top of the bead plate. Compare this compressed height with the illustrations in the appropriate bellows section that was determined in either the rolling lobe or convoluted sections. Then proceed to section 5 if you have rolling lobe style or section 6 if you have a convoluted style.



5. Rolling Lobe (Top Plate & Piston)

The same bellows are used with many different combinations of top plates and pistons, so please check closely. Look at the fixtures on the top plate. Note how the air is fed into the air springs. Is it part of one of the studs or is it completely separate. Measure the centres of the fixation studs or bolts. Once this has been done look through the appropriate section previously determined and look at the column marked "Top View" until the correct top plate is selected.



6. Convoluted Style

The same bellows are used with many different combinations of bead plates. Compare these top plates and bottom plates with those illustrated in the convoluted section. Note how the air is fed into the air spring and measure the centres of the fixation studs or bolts.

Note: The contents of this catalogue must not be copied or reproduced without the written permission from Granning UK Ltd.



Removing an Old Air Spring

1. Jack up the vehicle securely as high as possible. Make sure it cannot fall off its supports.
2. Let the air out of the air spring system.
3. Remove the old air spring.
4. Please note that for conical rolling lobe air springs, the narrow end must be placed on the piston.

Installing a New Airsprings.com Rolling Lobe Air Spring without Metal Parts

1. Clean the bead seats on the clamping plate and spring piston. Check that the mounting hardware is free of burr and is not corroded (replace if necessary). Apply a soap solution or an approved fitting lubricant (not grease) to the bead seat of the piston.



2. Compress the new air spring to a hand's width, while pushing it in below the upper bead.



3. Place the folded air spring between the piston and the clamping plate.



4. Fix the lower bead to its seat on the piston and the upper bead to its seat on the clamping plate.



5. Pressurise the air spring so that its beads fit precisely between the plate and piston. The beads should snap into place.



6. Lower the vehicle and the air spring will automatically roll down the piston. The air spring is now fitted.

Note: The contents of this catalogue must not be copied or reproduced without the written permission from Granning UK Ltd.



Installing a New Airsprings.com Rolling Lobe Air Spring with Top Plate



The bolts or threads on complete Airspring.com replacement air spring normally match the vehicle's hole pattern.

The Piston and the bottom clamping plate should be cleaned if the piston is to be reused.



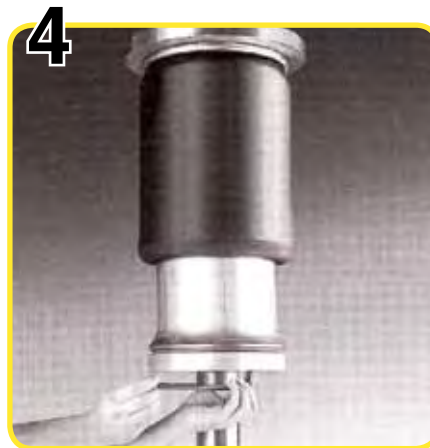
1. Fit the top crimping plate of the air spring to the chassis / frame of the vehicle. Press the bottom bead into an oval shape and push the bottom clamping plate through.



2. Align the bottom clamping plate and the piston to coincide with the hole pattern of the axles and stick the bottom clamping plate in the piston holes.



3. Screw the bottom clamping plate tightly onto the piston (if necessary secure the air spring with another person's help to prevent it from twisting, or tighten prior to final mounting).



4. Mount the piston on the vehicle axle, inflate the air spring and lower vehicle. The rolling lobe air spring is now fitted and will automatically roll onto the piston.

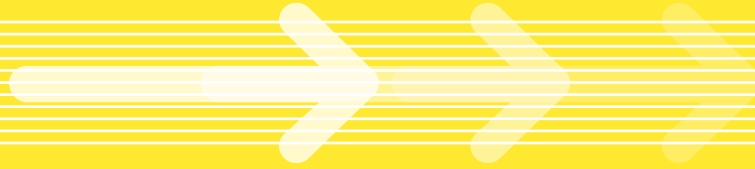
Note: The contents of this catalogue must not be copied or reproduced without the written permission from Granning UK Ltd.



Note: The contents of this catalogue must not be copied or reproduced without the written permission from Granning UK Ltd.



Section 1



Air Spring Supplier Cross Reference Lists

Manufacturer	Page
Airspring.com Part Numbers	11
Airtech	15
Blacktech	19
Connect.....	21
Contitech.....	23
Dunlop	28
Dunlop France.....	29
Firestone	32
Gart.....	42
Goodyear	43
Keva.....	50
Meritor	53
Monroe	55
Phoenix.....	55
Pirelli.....	58
Sachs	60
Taurus	61
Vibracoustic.....	62

Note: Manufactures part numbers used in this catalogue are for cross reference purposes only and do not imply the origin or manufacturer of the product.

Airsprings.com Part No.	Page(s)	Airsprings.com Part No.	Page(s)	Airsprings.com Part No.	Page(s)	Airsprings.com Part No.	Page(s)
15510	68	15614	155	15669	171	15750	142
15512	76	15615	150	15670	132	15755	93
15513	76	15615-C	150	15671	172	15758	152
15514	76	15616	167	15672	170	15765	141
15515	76	15617	155	15673	138	15768	144
15516	77	15618	87	15676	93	15769	142
15517	85	15619	115, 160	15677	93	15775	94
15518	85	15621	183	15678	92	15777	94
15519	77	15622	183	15680	129	15778	134
15521	77	15623	183	15682	140	15779	133
15522	77	15625	183	15684	140	15782	143
15523	72	15626	184	15687	185	15783	144
15524	72	15627	138	15690	151	15784	131
15525	78	15630	155	15692	151	15785	144
15528	79	15633	151	15694	156	15790	177
15530	68	15634	167	15697	141	15791	176
15531	68	15635	164	15698	185	15793	135
15532	68	15637	184	15699	156	15795	118
15533	69	15639	184	15700	185	15797	118
15534	69	15641	184	15701	186	15798	135
15535	69	15642	185	15702	186	15799	161
15580	115	15643	116	15704	186	15801	197
15593	84	15644	146	15706	186	15803	197
15595	129	15645	116	15707	148	15805	197
15597	85	15646	134	15709	112	15807	198
15598	137	15647	133	15710	116, 132	15809	199
15599	131	15650	134	15711	116, 146	15811	199
15600	115, 160	15651	161	15712	117, 148	15813	200
15601	115, 160	15652	123	15713	117, 151	15814	200
15602	146	15653	167	15714	117, 156	15814B	200
15603	131	15654	162	15715	117, 156	15817	201
15605	123, 160	15655	123	15725	87	15819	201
15606	164	15656	123	15731	142	15821	202
15607	138	15657	144	15732	142	15822	203
15608	145	15658	124	15735	118, 135	15824	203
15609	148	15663	133	15736	138	15826	203
15610	150	15664	134	15737	139	15829	204
15611	150	15665	141	15738	172	15830	204
15612	155	15666	135	15739	148	15832	205
15613	164	15668	131	15747	149, 93	15836	175



Airsprings.com Part No.	Page(s)	Airsprings.com Part No.	Page(s)	Airsprings.com Part No.	Page(s)	Airsprings.com Part No.	Page(s)
15837	164	15933	189	16048	124	16224	88
15842	203	15937	189	16052	159	16225	89
15844	187	15944	189	16065	168	16226	89
15847	203	15948	189	16067	119	16227	106
15848	204	15954	190	16068	119	16228	106
15850	201	15956	104	16070	154	16230	113
15851	201	15957	104	16071	154	16241	180
15860	199	15959	178	16076	145	16242	180
15867	172	15960	190	16077	145	16244	181
15868	173	15961	178	16080	157	16247	191
15869	175	15962	104	16081	152	16265	89
15870	175	15963	104	16082	165	16270	89
15871	175	15964	105	16084	168	16275	136
15872	198	15965	105	16087	152	16276	136
15887	198	15966	190	16089	137	16905	181
15889	198	15967	180	16091	168	16917	181
15890	176	15990	87	16091ATP	168	16918	181
15892	197	15992	174	16092	165	16919	182
15896	202	15993	162	16098	161	17002	171
15897	202	15994	147	16099	161	17016	204
15899	198	15995	92	16101	173	17017	204
15901	177	15996	87	16104	112	17025	192
15902	177	15997	174	16105	119, 172	17026	192
15903	179	15998	158, 92	16114	191	17028	152
15905	179	16001	140	16120	165	17029	137
15906	187	16002	140	16122	169	17031	153
15907	167, 91	16008	157	16124	169	17032	153
15908	187	16009	145	16136	200	17033	153
15909	178	16012	159	16140	202	17034	158
15912	187	16013	158	16142	202	17035	159
15913	188	16015	163	16155	105	17036	147
15914	132	16016	149	16156	105	17040	139
15915	132	16018	190	16160	106	17043	197
15916	177	16022	133	16166	191	17045	199
15917	179	16032	94	16190	136	17052	192
15918	179	16034	118	16195	88	17055	192
15919	180	16036	137	16204	112	17060	90
15923	188	16045	88	16206	106	17061	90
15927	188	16046	112	16213	113	17065	173
15929	188	16047	191	16218	88	17066	90



Airsprings.com Part No.	Page(s)	Airsprings.com Part No.	Page(s)	Airsprings.com Part No.	Page(s)	Airsprings.com Part No.	Page(s)
17072	194	50158	80	90105	130	92901	169
17074	195	50159	80	90106	130	93000	122
17077	193	50162	72	90208	119	93001	170
17080	193	50163	73	90250	199	93002	170
17082	194	50501	80	90900	83	93003	170
17090	107	50502	80	90901	83	93004	171
17105	149	50503	81	90902	83	93005	171
17120	200	50505	70	90903	83	93100	114
17130	201	50506	70	90904	84	93210	90
17136	94	50507	70	90907	84	93211	114
17137	95	50508	70	90908	84	93450	182
17138	95	50509	82	91300	107	93603	174
17139	95	50510	82	91303	113	93700	173
17140	95	50511	75	91306	107	93801	124
17141	96	50512	75	91400	113	93910	125
17142	96	50514	82	91800	101	93911	125
17143	96	50515	81	91801	114	93912	125
17144	96	50517	81	92000	157	93913	125
17145	97	50519	81	92100	158	93914	126
17162	97	50521	71	92400	141	93915	126
17163	97	50522	71	92500	124	93916	107
17164	97	50523	71	92501	120	93917	108
17166	98	50524	71	92502	120	93918	108
17167	98	50525	72	92503	120	93919	126
17168	98	50532	75	92504	120	93920	126
17169	98	50533	75	92504/1	121	93922	127
17170	99	50534	78	92505	121	93924	127
17171	99	53303	73	92506	121	93925	108
17172	99	53304	73	92507	121	93926	127
17173	99	53305	73	92509	122	93930	127
17174	100	53306	74	92600	162	93931	108
17175	100	53307	74	92602	147	93932	109
17176	100	53308	74	92603	162	93933	109
17177	100	53489	67	92605	163	93934	174
17178	101	53490	67	92607	163	93935	109
17179	101	53620	82	92801	165	93936	109
17180	101	90101	129	92802	166	93937	110
50155	79	90102	129	92805	166	93938	110
50156	79	90103	130	92806	166	93939	106
50157	79	90104	130	92900	169	93940	110



Airsprings.com Part No.	Page(s)
93941	111
94001	102
94002	102
94003	102
94015	102
94020	111
94021	111
94100	103
94101	103
94102	103
94104	103
94510	193
94511	114
94514	193
94515	194
94516	194
94517	195
94900	128
94901	128
94902	176



Airtech Part No.	Airsprings.com Part No.	Page
3644	15622	183
3661	15621	183
3662	15623	183
3673	15927	188
3701	15706	186
3706	16247	191
3713	15929	188
3715	15626	184
3716	15693	*
3719	15701	186
3720	15702	186
3727	15700	185
3728	15930	*
3737	16017	*
3746	*	*
3757	16018	190
3762	15698	185
3768	16019	*
3769	15705	*
3775	16238	*
3782	15703	*
3786	15933	189
3788	15934	*
3817	15938	*
3819	15966	190
3838	15940	*
3873	15941	*
3876	17092	*
3882	15944	189
3883	15945	*
	94517	195
3884	15946	*
3896	15639	184
3897	15642	185
3916	15912	187
3921	17091	*
3927	15637	184
3928	15625	183
3936	16235	*
3943	15696	*

Airtech Part No.	Airsprings.com Part No.	Page
3944	15704	186
3945	15641	184
3975	15937	189
30008	*	*
30789	94514	193
30792	94515	194
30907	*	*
31277	16166	191
31415	94604	*
31421	15960	190
31720	15702	186
	16047	191
31774	15913	188
31884	15948	189
31885	15948	189
31888	*	*
31924	16236	*
34881	15961	178
34882	94002	102
34883	94003	102
34884	94001	102
121051	15515	76
121052	15516	77
121053	15512	76
121054	15513	76
121055	50505	70
121086	15526	*
121101	50502	80
121201	50501	80
121202	50503	81
121207	50515	81
121208	50516	*
121209	15528	79
121414	15525	78
126045	94900	128
126046	94901	128
319250	17082	194
319270	17072	194
320270	17074	195
320285	17056	*



Airtech Part No.	Airsprings.com Part No.	Page
323290	*	*
336323	*	*
1 B 120	90100	*
101169K	50159	80
128001K	50517	81
128002K	50518	*
128003K	50519	81
128004K	50531	*
128010K	50507	70
128011K	50508	70
128012K	50521	71
128013K	50522	71
128014K	50523	71
128015K	50524	71
128016K	50525	72
128020K	50509	82
128021K	50514	82
128022K	50510	82
128023K	53620	82
2 B-180	16036	137
2 B-200	15804	*
2 B-215	15784	131
2 B-220	15603	131
2 B-220-3	15599	131
2 B-225	15670 15710	132 116, 132
2 B-250	16051	*
2 B-250-HYD	15846	*
2 B-255	15807	198
2 B-260	*	*
2 B-285	15923	188
2 B-300	15813 15814	200 200
2 B-301	15646	134
2 B-315	*	*
2 B-320	15666 16276	135 136
2 B-350	16136	200
2 B-355	15647 16022	133 133
2 B-355-HYD	*	*
2 B-360	*	*

Airtech Part No.	Airsprings.com Part No.	Page
2 B-370	15821 15822	* 203
2 B-370-HYD	*	*
2 B-400	15829	204
2 B-400-HYD	*	*
201180K	50157	79
201181K	50158	80
202186K	50155	79
202187K	50156	79
203001K	50162	72
204001K	50163	73
205001K	50511	75
206001K	50512	75
206014K	15523	72
206015K	15524	72
206057K	53307	74
206058K	53308	74
207001K	50532	75
208001K	50533	75
228849K	50534	78
228879K	15521	77
228893K	15527	*
228908K	15519	77
3 B-255	15809	199
3 B-300	15816 15817 15819	* 201 201
3 B-300-HYD	15865R4 17132	*
3 B-301-HYD	*	*
3 B-310	15673 17040	138 139
3 B-355	*	*
3 B-355-HYD	*	*
3 B-356	*	*
3 B-356-HYD	*	*
3 B-357	*	*
3 B-370	15824	203
3 B-370-HYD	17014R4	*
3 B-400	15832	205
3 B-400-HYD	90390	*
30073K	*	*



Airtech Part No.	Airsprings.com Part No.	Page
30076K	*	*
30081-01K	15993	162
30081K	15654	162
30283K	93003	170
30907K	*	*
31415-01K	93211	114
31924K	16213	113
32303K	17065	173
32618KPP	15651	161
32619KPP	16099	161
32918K	16062	*
32923KPP	16091ATP	168
32926K	15669	171
330301K	15717	*
330304K	92505	121
330305K	92502	120
330306K	92507	121
330307K	92503	120
331114K	92506	121
334506K	92501	120
33708K	*	*
34004K	15651	161
34004KPP	15651ATP	*
34022K	16099	161
34022KPP	16099ATP	*
34023K	16091	*
34028K	*	*
3415-25	15908	187
3415-28	15954	190
34154-01K	*	*
34154-02KPP	15739	148
34154-04K	15712	117, 148
34154-04KPP	15712	117, 148
34154-06KPP	15712	117, 148
34154KPP	91801	114
34156-02KPP	15610M	*
34156-03K	15615	150
34156-05KPP	15610	150
34156-06KPP	15611	150

Airtech Part No.	Airsprings.com Part No.	Page
34156-07KPP	16081	152
34156-08KPP	15633	151
34156-10K	15758	152
34156-12K	15713	117, 151
34156-13K	*	*
34156KPP	15633	151
34157KPP	15731	142
34158KPP	15657	144
34159-02K	16008	157
34159-02KPP	15630	155
34159-03K	*	*
34159-04K	92000	157
34159-04KPP	15612M	*
34159-05K	15617	155
34159-06KPP	15714	117, 156
34159-07KPP	15612	155
34159-08KPP	15614	155
34159-09K	*	*
34159-10KPP	16008	157
34159-11K	*	*
34159-12KPP	*	*
34159K	*	*
34159S1K-ALU	15714	117, 156
34183-23K	93918	108
34183-24K	93931	108
34187-21K	93925	108
34390-21K	93917	108
34390-22K	93916	107
34390-23K	93932	109
34390-24K	93933	109
34420K	*	*
3450-25	16109	*
34713K	15656	123
34718K	15658	124
34737-01K	16227	106
34737-02K	16228	106
34737-21K	93935	109
34737-22K	93936	109
34757-01K	15962	104
34757-02K	16160	106



Airtech Part No.	Airsprings.com Part No.	Page
34757-21K	93937	110
34757-22K	93938	110
34757-29K	93939	110
34758-01K	94020	111
34758-21K	94021	111
34813K	15653	167
34838-01K	15963	104
34838-02K	15964	105
34838-22K	93940	110
34838-23K	93941	111
34881-01K	15905	179
34881-01KPP	16905	181
34881K	15905	179
34882K	94102	103
34883K	94101	103
34884K	94100	103
34885K	94015	102
34885P	*	*
34886K	94104	103
34886P	*	*
34911-01K	94105	*
34911-04K	94106	*
34911K	16230	113
34911P	*	*
34912-01K	94107	*
34912-10K	93100	114
34912K	16046	112
34912P	15910	*
34913K	16105	119, 172
34915-01K	16232	*
34922K	*	*
34925K	15691	*
34940K	*	*
34940KPP	16241	180
34940P	16241	180
34941K	16242	180
34941P	16242	180
34942P	*	*
34960KPP	93450	182
34960P	15909	178

Airtech Part No.	Airsprings.com Part No.	Page
34961K	16244	181
34961KPP	16244	181
34961P	16244	181
36075K	16048	124
36108K	93919	126
36113K	93926	127
36199K	16067	119
36200K	16068	119
362421K	*	*
36247K	93922	127
36251K	15619	115, 160
36416K	92500	124
36418K	93911	125
36420-01K	93912	125
3661K	91303	113
36753K	93801	124
36760K	93920	126
36762K	93924	127
36770K	93930	127
36884K	*	*
36885K	*	*
3701K	*	*
3724K	16101	173
3725-01K	15868	173
3725K	15867	172
3725P	16100	*
37315K	15601	115, 160
37803K	93914	126
37804K	93910	125
37805K	93915	126
38050K	15738	172
3810K	15635	164
3811-01K	16091	168
3811-02K	15634	167
3811-06K	*	*
3811-07K	15907	167, 91
3811K	15907	167, 91
3813-05K	15616	167
3813K	15634	167
38185KPP	15657	144



Airtech Part No.	Airsprings.com Part No.	Page
38186KPP	15782	143
3836-01P	15991	*
3836-02K	15996	87
3836-02P	15999	*
3836-04K	17060	90
3836-06K	17061	90
3836K	17066	90
38608KPP	92605	163
38683K	16224	88
3876K	16204	112
3881-01K	15917	179
3881-01KPP	16917	181
3881K	15917	179
3881P	15790	177
3887K	16045	88
3897K	93934	174
39002-A3-01KPP	15769	142
39002-A3KPP	15732	142
39002-A8KPP	15731	142
3901K	93200	*
3902K	16104	112
39039K	15608	145
39069K	15747	149, 93
391208K	15617	155
391209K	*	*
391210-01K	*	*
391210K	*	*
39121K	15613	164
3912K	15671	172
391303K	15672	170
391304K	*	*
391305K	*	*
391314K	15671	172
391318K	*	*
391319K	15634	167
391320K	15635	164
391322K	15653	167
39213K	*	*
39265K	*	*
39270K	15994	147

Airtech Part No.	Airsprings.com Part No.	Page
39293K	*	*
39294K	*	*
39321KPP	16052	159
39371K	16028	*
39373K	16013	158
39391K	16077	145
3940-01K	19500	*
3940K	15919	180
3940KPP	16919	182
3940P	15916	177
3941-01KPP	16918	181
3941K	15918	179
3941P	15901	177
3942-01K	15903	179
39422K	16009	145
3942K	15903	179
3942P	15902	177
3944K	*	*
39466K	15998	158, 92
3951P	15959	178
39780K	93913	125
39910K	15709	112
4390-01K	15956	104
4390-02K	15957	104
4390-03K	16155	105
4390-04K	16156	105
RL 9027	15912	187

Blacktech Part No.	Airsprings.com Part No.	Page
RL 9032	17091	*
RL 9038	15637	184
RL 9039	15625	183
RL 9047	16235	*
RL 9054	15696	*
RL 9055	15704	186
RL 9056	15641	184
RL 9086	15937	189
RL 92035	*	*



Blacktech Part No.	Airsprings.com Part No.	Page
RL 92345	*	*
RL 92526	*	*
RL 92532	15960	190
RL 92831	15702	186
RL 92885	15913	188
RL 92920	17090	107
RL 92987	16215	*
RL 92996	15948	189
RL 9526-36	15908	187
RL 9526-39	15954	190
RL 9561-36	*	*
RL 9755	15622	183
RL 9772	15621	183
RL 9773	15923	188
RL 9784	15927	188
RL 9812	15706	186
RL 9817	16247	191
RL 9820	15701	186
RL 9824	15929	188
RL 9826	15626	184
RL 9827	15693	*
RL 9831	15702	186
RL 9838	15700	185
RL 9839	15930	*
RL 9848	16017	*
RL 9857	*	*
RL 9868	16018	190
RL 9870	15705	*
RL 9873	15698	185
RL 9879	16019	*
RL 9886	16238	*
RL 9893	15703	*
RL 9897	15933	189
RL 9899	15934	*
RL 9907	15639	184
RL 9908	15642	185
RL 9928	15938	*
RL 9949	15940	*
RL 9984	15941	*
RL 9987	17092	*

Blacktech Part No.	Airsprings.com Part No.	Page
RL 9993	15944	189
RL 9994	15945	*
RL 9995	15946	*
RML 70081 C	15654	162
RML 7012 C	93200	*
RML 7013 C	16104	112
RML 7023 C1	15669	171
RML 7023 C2	15671	172
RML 7051 C	15919	180
RML 7051 CP	16919	182
RML 7052 C	15918	179
RML 7052 CP	16918	181
RML 7053 C	15903	179
RML 73836 C	15868	173
RML 75022 C	16230	113
RML 75023 C	16046	112
RML 75024 C	16105	119, 172
RML 75115 C	15651	161
RML 75119 C	15672	170
RML 75120 C	17002	171
RML 75133 CP	16099	161
RML 75133 CP2	16098	161
RML 75134 C	16091	168
RML 75139 C	93002	170
RML 75139 C5	15634	167
RML 75260 C3	16008	157
RML 75260 C4	15612	155
RML 75260 C6	15617	155
RML 75260 C7	15617	155
RML 75260 C8	*	*
RML 75260 CP11	*	*
RML 75260 CP12	*	*
RML 75260 CP13	*	*
RML 75260 CP14	*	*
RML 75260 CP9	15630	155
RML 75265 CP5	91801	114
RML 75266 C	15651	161
RML 75267 C	15610	150
RML 75267 C6	15633	151
RML 75267 C7	*	*



Blacktech Part No.	Airsprings.com Part No.	Page
RML 75267 C9	15615	150
RML 75267 CP10	16081	152
RML 75267 CP11	*	*
RML 75267 CP14	15633	151
RML 75267 CP15	16081	152
RML 75267 CP16	*	*
RML 75268 CP3	*	*
RML 75268 CP4	15731	142
RML 75268 CP5	15732	142
RML 75268 CP6	15782	143
RML 75268 CP8	15750	142
RML 75268 CP9	15732	142
RML 75269 CP10	15750	142
RML 75270 C	*	*
RML 75531 C	16048	124
RML 75824 C	15656	123
RML 75829 C	15658	124
RML 75921 C5	16092	165
RML 75924 C	15653	167
RML 75992 C	15905	179
RML 75992 CP	16905	181
RML 75993 C	94102	103
RML 75994 C	94101	103
RML 75995 C	94100	103
RML 76199 C	16067	119
RML 76200 C	16068	119
RML 77315 C	15601	115, 160
RML 77527 C	92500	124
RML 77529 C	93911	125
RML 78186 CP	*	*
RML 7835 C2	16101	173
RML 7835 C3	16101	173
RML 7836 C2	15867	172
RML 7836 C3	15868	173
RML 7863 C	16108	*
RML 78914 C	93914	126
C 21005	15514	76
C 321051	15515	76
C 321053	15512	76
C 321054	15513	76

Connect Part No.	Airsprings.com Part No.	Page
C 321101	50502	80
C 321201	50501	80
C 321202	50503	81
CA 11001	50159	80
CA 11002	50155	79
CA 11003	50156	79
CA 11004	50162	72
CA 11005	50163	73
CA 11006	50511	75
CA 11007	50512	75
CA 11008	50157	79
CA 11009	50158	80
M 11421	15960	190
M 11774	15913	188
M 11885	15948	189
M 11924	*	*
M 141525	15908	187
M 141528	15954	190
M 1608	15815	*
M 1608-01	15646	134
M 1644	15622	183
M 1661	15621	183
M 1662	15623	183
M 1673	15927	188
M 1701	15706	186
M 1706	16247	191
M 1713	15929	188
M 1715	15626	184
M 1716	15693	*
M 1719	15701	186
M 1720	15702	186
M 1727	15700	185
M 1728	15930	*
M 1737	16017	*
M 1746	*	*
M 1757	16018	190
M 1762	15698	185
M 1768	16019	*
M 1769	15705	*
M 1775	16238	*



Connect Part No.	Airsprings.com Part No.	Page
M 17782	15703	*
M 1786	15933	189
M 1819	15966	190
M 1838	15940	*
M 1873	15941	*
M 1882	15944	189
M 1883	15945	*
M 1884	15946	*
M 1895	15947	*
M 1896	15639	184
M 1897	15642	185
M 1916	15912	187
M 1921	17091	*
M 1927	15637	184
M 1928	15625	183
M 1943	15696	*
M 1944	15704	186
M 1945	15641	184
M 1975	15937	189
MD 10304K	92505	121
MD 1272K	*	*
MD 14004K	15651	161
MD 14004KP	15651ATP	*
MD 14022K	16099	161
MD 14022-K81	15654	162
MD 14022-K8101	15993	162
MD 14022KP	16099ATP	*
MD 14023K	16092	165
MD 14028K	93002	170
MD 14156K	15633	151
MD 14156K01	15610	150
MD 14157KP04	15731	142
MD 14157KP05	15732	142
MD 14157KP06	15769	142
MD 14157KP14	15731	142
MD 14157KP16	15782	143
MD 14158KP	15657	144
MD 14159K	16008	157
MD 14159K01	15612	155
MD 14159KP01	15614	155

Connect Part No.	Airsprings.com Part No.	Page
MD 14159KP09	15630	155
MD 14183K24	93918	108
MD 14185K01	*	*
MD 14390K01	15956	104
MD 14390K02	15957	104
MD 14420K	16048	124
MD 14506K	92501	120
MD 14644K	*	*
MD 147134	15656	123
MD 14718K	15658	124
MD 14737K	16227	106
MD 14757K	15962	104
MD 14757P01	16160	106
MD 14810K	15613	164
MD 14810K05	16091	168
MD 14813K	15653	167
MD 14838K	15963	104
MD 14881K	15905	179
MD 14881KP	16905	181
MD 14882K	94102	103
MD 14884K	94100	103
MD 14911K	16230	113
MD 14912K	16046	112
MD 14913K	16105	119, 172
MD 14940K	16241	180
MD 14941K	16242	180
MD 14960K	93450	182
MD 14961K	16244	181
MD 1608-02	16276	136
MD 16416K	92500	124
MD 16418K	93911	125
MD 16420K	93912	125
MD 1725K	15867	172
	15868	173
MD 17315K	15601	115, 160
MD 17315KP	15601	115, 160
MD 17803K	93914	126
MD 17804K	93910	125
MD 1810AK	15635	164
MD 1811K16	15907	167, 91



Connect Part No.	Airsprings.com Part No.	Page
MD 1836K01	17066	90
MD 1836K02	15996	87
MD 1881K	15917	179
MD 1881KP	16917	181
MD 1887K	16224	88
MD 1887K01	16045	88
MD 1895	15603	131
MD 1895-01	15599	131
MD 1940K	15919	180
MD 1940KP	16919	182
MD 1941K	15918	179
MD 1941KP	16918	181
MD 1942K	15902	177
MD 197295KP	15713	117, 151
MD 197308KP	15714	117, 156
MD 197368KP	15692	151
MD 19901K	93200	*
MD 19902	16104	112
MD 199079KP	15611	150
MD 199081KP	15610	150
MD 199101KP	15612	155
MD 199104KP	15715	117, 156
MD 19912K02	15671	172
MD 199192KP	15614	155
MD 199242KP	15699	156

Contitech Part No.	Airsprings.com Part No.	Page
2673	15927	188
2715	15626	184
2719	15701	186
2720	15702	186
2727	15698	185
2728	15698	185
2737	16017	*
2757	16018	190
2762	15698	185
1234 N1 P2	*	*
1415 N P01	93211	114

Contitech Part No.	Airsprings.com Part No.	Page
1421 N	15960	190
1720 N	16047	191
1774 N	15913	188
1782 N1	*	*
1788 N	*	*
1819 N	15966	190
1876 N	*	*
1884 N1	15948	189
1885 N1	15948	189
1886 N	*	*
1924 N1	16214	*
1924 N1 P05	16213	113
1924 NP05	16215	*
2136 M	93920	126
3271 M	93930	127
4004 NP02	15651	161
4004 NP03	15651	161
4007 NP01	94518	*
4008 NP01	15672	170
4022 NP02	*	*
4022 NP03	16099	161
4022 NP05	16098	161
4023 N	16091	168
4023 NP03	16091	168
4028 NP02	93002	170
4028 NP05	15634	167
4030 NP	93003	170
4150 NP04	15608	145
4154 NP05	15609	148
	91801	114
4156 NP06	15633	151
4156 NP07	15633	151
4156 NP09	15615	150
4156 NP10	16081	152
4156 NP14	15610	150
4157 NP04	15731	142
4157 NP05	15732	142
4157 NP06	15782	143
4157 NP08	15750	142
4157 NP09	15732	142



Contitech Part No.	Airsprings.com Part No.	Page
4157 NP10	15769	142
4157 NP11	15731	142
4158 NP02	*	*
4158 NP03	15657	144
4159 NP04	15612	155
4159 NP05	*	*
4159 NP06	16008	157
4159 NP07	15617	155
4159 NP08	15614	155
4159 NP09	15630	155
4180 NP01	*	*
4183 NP23	*	*
4183 NP24	93918	108
	93931	108
4184 NP21	*	*
4184 NP22	*	*
4185 N	93902	*
4185 NP01	93903	*
4185 NP21	*	*
4186 NP21	*	*
4186 NP22	*	*
4187 NP21	93925	108
4187 NP22	*	*
4188 NP21	*	*
4390 N1	93904	*
4390 N2	93905	*
4390 NP01	15956	104
4390 NP02	15957	104
4390 NP03	16155	105
4390 NP04	16156	105
4390 NP21	93917	108
4390 NP22	93916	107
4390 NP23	93932	109
4390 NP24	93933	109
4391 N1	93906	*
4391 N2	93907	*
4391 NP01	93908	*
4391 NP02	93909	*
4420 NP01	16048	124
4644 N	91307	*

Contitech Part No.	Airsprings.com Part No.	Page
4644 NP01	91300	107
4644 NP02	91306	107
4705 N1 P03	94007	*
4705 N1 P04	94008	*
4713 NP02	15656	123
4718 NP01	15658	124
4736 NP21	*	*
4737 NP01	16227	106
4737 NP02	16228	106
4737 NP21	93935	109
4737 NP22	93936	109
4757 N1	94004	*
4757 N2	94005	*
4757 NP01	15962	104
4757 NP09	16160	106
4757 NP21		*
	93937	110
4757 NP22	93938	110
4757 NP29	93939	110
4758 NP01	94020	111
4758 NP02	*	*
4758 NP21	94006	*
	94021	*
4758 NP23	*	*
4759 N	*	*
4759 NP21	*	*
4786 NP21	*	*
4788 NP21	*	*
4810 NP03	15613	164
4810 NP05	16092	165
4811 NP03	15616	167
4813 NP07	15653	167
4838 NP01	15963	104
4838 NP02	15964	105
4838 NP03	15965	105
4838 NP21	*	*
4838 NP22	93940	110
4838 NP23	93941	111
4880 N1 P01	94009	*
4881 NP02 (no piston)	15961	178
	16905	181



Contitech Part No.	Airsprings.com Part No.	Page
4882 N1 P01	94002	102
4882 N1 P05	94102	103
4883 N1 P01	94003	102
4883 N1 P06	94101	103
4883 N1 P07	94101	103
4884 N1 P01	94001	102
4884 N1 P06	94100	103
4884 N1 P07	94100	103
4885 N	94000	*
4885 N1 P02	94015	102
4886 NP01	94016 94104	* 103
4886 NP02	94017	*
4911 N	16230	113
4912 N	16046	112
4912 NP07	16046	112
4913 N	16105	119, 172
4913 NP02	16105	119, 172
4913 NP04	16105	119, 172
4915 N	16232	*
4915 NP06	*	*
4916 N1 P07	94018	*
4940 N	16241	180
4940 NP02	16241	180
4941 N	16242	180
4942 N	93401	*
4960 N	15909	178
4960 N P02	15909 93450	178 177
4961 N	16244	181
4961 NP02	16244	181
4962 N	93400	*
54760 M	93920	126
54762 M	93924	127
54770 M	93930	127
603 N	15920	*
607 N	15922	*
608 N	15923	188
620 N	15914 15915	132 132
622 N	15240	*

Contitech Part No.	Airsprings.com Part No.	Page
6416 N	92500	124
6418 N	93911	125
6420 N	93912	125
6420 N-01	93912	125
644 N	15622	183
644 NP01	91300	107
644 NP02	91301	*
644 NP04	*	*
6602 NP02	93926	127
6604 NP01	93919	126
6609 NP01	93924	127
661 N	15621	183
661 NP01	91303	113
661 NP02	91304	*
661 NP05	*	*
662 N	15623	183
673 N	15927	188
700 N	*	*
701 N	15706	186
706 N1	94506	*
713 N	15929	188
715 MB	91305	*
715 N	15626	184
716 N	15693	*
719 N	15701	186
720 N	15702	186
724 N	16101	173
724 NP01	*	*
725 N	15867 15868	172 173
725 NP01	16100	*
725 NP02	15867	172
725 NP03	15868	173
726 NP01	*	*
727 N	15700	185
728 N	15930	*
737 N	16017	*
746 N	*	*
752 NP01	*	*
753 N	15906	187



Contitech Part No.	Airsprings.com Part No.	Page
756 N	15693	*
757 N	16018	190
762 N	15698	185
768 MB	*	*
768 N	16019	*
769 M1	93202	*
769 MB	93205	*
769 N	15705	*
774 N	15913	188
775 N	16238	*
778 M	93209	*
7803 N	93914	126
7804 N	93910	125
7805 N	93915	126
782 MB	93206	*
782 MB3	93205	*
782 N	15703	*
782 NP04	93204	*
786 N	15933	189
788 N	15934	*
809 NT	16054	*
809 NTB	15773	*
810 MB	15635	164
810 NT	16056	*
810 NTB	16057	*
811 M16K1	15907	167, 91
813 MB4	15634	167
816 Z	15516	77
817 MB	91700	*
817 N	15938	*
819 MB	17090	107
819 N	15966	190
819 NP01	16206	106
822 N	15939	*
832 MB	91701	*
836 M	15991	*
836 M2	15999	*
836 M2K1	15996	87
836 MBK4	17060	90
836 MBK6	17061	90

Contitech Part No.	Airsprings.com Part No.	Page
836 MK1	17066	90
836 MK7	15990	87
838 N	15940	*
873 N	15941	*
876 MB	16204	112
876 N	17092	*
879 N	16234	*
881 MB	15917	179
	16917	181
881 MB (no piston)	15790	177
882 N1	15944	189
883 N1	15945	*
	94517	195
884 N1	15946	*
884 NP03	91702	*
884 NP04	91703	*
887 M	*	*
887 MBK6	16045	88
887 MK1	16224	88
887 MK3	16226	89
887 MK4	16218	88
887 NP03	94105	*
887 NP04	94106	*
889 MK2	16225	89
895 N	15603	131
896 N	15639	184
897 MB	93934	174
897 N	15642	185
901 N	93200	*
902 N	16104	112
910-21 P 448	16052	159
910S-16 A 382	17065	173
912 NP01	15669	171
912 NP02	15671	172
916 N1	15912	187
921 MB	16222	*
921 N	16221	*
926 N	*	*
927 N	15637	184
928 N	15625	183
930 N	17006	*



Contitech Part No.	Airsprings.com Part No.	Page
940 MB	15919	180
	16919	182
	93502	*
940 MB (no piston)	15916	177
941 MB	15918	179
	16918	181
941 MB (no piston)	15901	177
942 MB	15903	*
942 MB (no piston)	15902	177
943 N	15696	*
944 N	15704	186
945 N	15641	184
951 MB	15959	178
	15967	180
975 N	15937	189
9780 N	93913	125
9802 M	93924	127
BZ 450	16265	89
F 200-10	90104	130
FD 120-17	16036	137
FD 138-18	15803	197
FD 200-19	15603	131
	15710	116, 132
FD 200-19 3/4 m8	15784	131
FD 200-19 NP02	15784	131
FD 200-19 P04	15599	131
FD 200-19 S	15681	*
FD 200-22	15603	131
FD 200-25	15670	132
FD 210-22	15807	198
FD 330-22	15646	134
FD 40-10	*	*
FD 412-18	15813	200
FD 530-22	16022	133
FD 530-30 P03	94108	*
FD 70-13	*	*
FS 120-9	90103	130
FS 138-8	90150	*
FS 200-10	*	*
FS 330-11	90105	130
FS 40-6	90101	129
FS 530-11	90106	130

Contitech Part No.	Airsprings.com Part No.	Page
FS 70-7	90102	129
FT 210-32	15809	199
FT 330-29	*	*
FT 412-32	15816	*
FT 530-32	15736	138
RZ 415-25	15908	187
RZ 415-28	15954	190
RZ 450-25	16109	*
SK 145-25	15725	87
SK 37-6	*	*
SK 86-10	15526	*
SK 95-26	15655	123
SZ 100-11	*	*
SZ 11-5	*	*
SZ 130-25 P04	94900	128
SZ 130-25 P05	94901	128
SZ 135-19	15518	85
SZ 135-23	15517	85
SZ 140-11	*	*
SZ 35-11	*	*
SZ 50-10	15513	76
SZ 50-11	*	*
SZ 50-6	15514	76
SZ 50-8	15512	76
SZ 50-9	15515	76
SZ 50-9 P02	15525	78
SZ 51-10	*	*
SZ 51-4	90000	*
SZ 51-5	90001	*
SZ 51-7	90002	*
SZ 59-7	15520	*
SZ 70-11	*	*



Dunlop Part No.	Airsprings.com Part No.	Page
A 110 320 000	93301	*
A 110 330 001	93302	*
A 111 930 006	93303	*
A 111 940 007	93304	*
A 112 640 003	93305	*
A 112 650 004	93306	*
A 112 650 104	93307	*
A 113 340 008	93308	*
A 113 340 108	93309	*
A 113 470 003	93310	*
A 113 870 028	TPF01	*
A 113 990 014	94508	*
A 114 980 018	94507	*
A 115 000 010	94508	*
A 115 010 011	15637	184
A 115 060 028	TPT06	*
A 115 090 019	PSD03	*
A 115 580 006	16166	191
A 116 640 002	93311	*
A 116 670 005	93312	*
A 116 950 003	93313	*
A 117 010 009	93314	*
A 117 040 002	93315	*
A 119 220 012	90250	199
A 212 990 018	TPD02	*
A 212 990 019	TPD02	*
A 213 810 012	TPD03	*
A 213 820 013	TPD05	*
A 213 870 018	PSD04	*
A 214 120 027	TPT07	*
A 214 130 028	TPT08	*
A 214 140 029	TPD05	*
A 215 320 012	TPT09	*
A 218 970 028	TPP02	*
A 219 150 026	PSD08	*
A 219 210 011	TPP01	*
A 221 290 019	TPT10	*
A 221 390 019	PST02	*
A 222 000 020	94508	*
A 310 950 013	16166	191

Dunlop Part No.	Airsprings.com Part No.	Page
A 312 980 027	16118	*
A 313 290 200	17095	*
A 313 370 032	17047	*
E 312 150 027	94510	193
E 316 800 035	94511	114
IC 3118, 05	16114	191
IC 3118, 15	15817	201
IC 3301	PSL02	*
IC 3305	PSL01	*
IC 3306	17006	*
IC 3308	15625	183
ICM 3016	15831	*
ICM 3436	TPN02	*
PNP 037 690 200	15705	*
PNP 300 080 100	15637	184
PNP 300 260 000	PST01	*
PNP 301 000 100	15702	186
PNP 301 000 101	15702	186
PNP 301 470 102	15622	183
PNP 302 730 101	15623	183
PNP 304 140 101	15842	203
PNP 304 140 102	15847	203
PNP 304 140 117	15821	202
PNP 304 140 137	15822	203
PNP 304 150 101	17016	204
PNP 304 150 116	15848	204
PNP 304 620 101	15701	186
PNP 304 890 101	15626	184
PNP 304 980 101	15621	183
PNP 305 140 100	15639	184
PNP 305 210 100	15642	185
PNP 305 210 101	15642	185
PNP 305 450 110	15809	199
PNP 305 450 112	15807	198
PNP 305 450 121	15899	198
PNP 305 450 129	15860	199
PNP 305 450 130	15872	198
PNP 305 490 108	15805	197
PNP 305 500 112	15804	*
PNP 305 510 111	15801	197



Dunlop Part No.	Airsprings.com Part No.	Page
PNP 305 520 118	15813	200
PNP 305 520 147	15850	201
PNP 305 520 170	15851	201
PNP 305 520 174	15896	202
PNP 305 520 178	15816	*
PNP 305 550 112	15804	*
PNP 306 160 100	17007	*
PNP 306 250 119	15865	*
PNP 306 420 100	15700	185
PNP 306 790 200	TPD04	*
PNP 306 960 200	TPB01	*
PNP 307 520 000	15612	155
PNP 307 800 100	15698	185
PNP 307 980 000	15891	*
PNP 308 760 200	PSD01	*
PNP 308 870 200	PSB02	*
PNP 310 120 100	15890	176
PNP 310 470 000	PSD02	*
PNP 310 740 000	15869	175
PNP 310 740 001	15870	175
PNP 310 740 004	15871	175
PNP 311 380 000	15635	164
PNP 311 540 000	15836	175
PNP 311 550 200	TPJ02	*
PNP 311 560 100	17001	*
PNP 311 660 101	17008	*
PNP 311 670 000	15634	167
PNP 311 670 100	15686	*
PNP 311 770 000	15634	167
PNP 311 780 000	15635	164
PNP 311 970 000	15888	*
PNP 312 170 100	15887	198
PNP 312 540 200	15839	*
PNP 312 700 000	16110	*
PNP 312 700 004	16114	191
PNP 313 160 100	15833	*
PNP 313 170 100	15832	205
PNP 314 410 200	15838	*
PNP 315 580 100	16114	191
PNP 316 720 100	15951	*

Dunlop Part No.	Airsprings.com Part No.	Page
PNP 316 730 100	17009	*
PNP 316 740 100	17050	*
PNP 316 750 100	17051	*
PNP 316 760 100	17052	192
PNP 316 900 100	17053	*
PNP 316 910 100	17054	*
VSM 10131	15806	*
VSM 10132	15818	*
VSM 10176	15808	*
VSM 10177	15802	*
VSM 10178	15815	*
VSM 10180	15804	*
VSM 10248	15823	*
VSM 10798	15810	*

Dunlop France Part No.	Airsprings.com Part No.	Page
6x2	*	*
D10S01	*	*
D10S02	15705	*
D10S04	16221	*
D10S05	15696	*
D10U01	94002	102
D11A30	15901	177
	16918	181
D11A31	15916	177
	16919	132
D11A32	15651	161
	16099	161
D11A33	16098	161
D11B31	16919	182
D11B32	16918	181
D11B33	16918	181
D11B34	15651	161
D11B35	16099	161
D11B36	16918	181
D11B37	16098	161
D11B38	16918	181
D11B39	16919	182
D11S01	15622	183



Dunlop France Part No.	Airsprings.com Part No.	Page
D11S02	15641	184
D11U30	15901	177
D11U31	15916	177
D11U31	15919	180
D12A01	15617	155
	15630	155
	15656	123
	15699	156
	16008	157
	16080	157
D12A05	15651	161
	16099	161
D12A06	15615	150
	15633	151
D12A07	15731	142
	15732	142
D12A10	15657	144
D12B01	16008	157
D12B04	15630	155
D12B06	*	*
D12B07	16080	157
D12B08	15617	155
D12B09	16080	157
D12B10	*	*
D12B11	*	*
D12B12	15699	156
D12B13	15651	161
D12B14	16099	161
D12B15	15617	155
D12B16	15615	150
D12B17	15732	142
D12B18	15731	142
D12B19	15633	151
D12B22	15657	144
D12B24	15656	123
D12S01	16235	*
D12S02	15621	183
D12S03	15625	183
D12S04	15702	186
D12S05	15912	187
D12S06	15946	*
D12S07	15948	189

Dunlop France Part No.	Airsprings.com Part No.	Page
D12S08	15908	187
D12S09	15954	190
D12S10	15956	104
D12S11	15957	104
D12S12	15944	189
D12T10	15956	104
D12T11	15957	104
D12U13	15651	161
D12U25	93904	*
D12U26	93905	*
D13A01	15635	164
	15837	164
	16092	165
	16120	165
D13A02	15634	167
	15653	167
	15907	167,91
	16065	168
	16084	168
	16091	168
	16124	169
D13A03	15671	172
	16033	*
	17002	171
D13A04K	17003	*
	17004	*
D13A05	15990	87
	15996	87
	17066	90
D13A08	16046	112
D13A09	16230	113
D13A34	15907	167, 91
D13A36	15907	167, 91
D13B01	15635	164
D13B02	15634	167
D13B03	15672	170
D13B04	17002	171
D13B05	15837	164
D13B09	*	*
D13B10	15653	167
D13B12	16084	168
D13B13	*	*
D13B14	15671	172
D13B15D	17003	*



Dunlop France Part No.	Airsprings.com Part No.	Page
D13B15G	17004	*
D13B17	15907	167, 91
D13B18	16084	168
D13B19	15634	167
D13B20	15635	164
D13B21	16033	*
D13B22	15653	167
D13B23	*	*
D13B24	15907	167, 91
D13B25	16092	165
D13B26	16091	168
D13B27	16120	165
D13B28	16124	169
D13B29	16065	168
D13B31	15996	87
D13B32	17066	90
D13B33	15990	87
D13B34	15907	167, 91
D13B36	15907	167, 91
D13B40	16046	112
D13B41	16230	113
D13B42	15654	162
D13S01	15623	183
D13S02	15698	185
D13S03	15945	*
D13S04	15700	185
D13U31	15999	*
D13U32	15991	*
D14A36	16917	181
D14A37	15905 16905	179 181
D14A38	15867 15868	172 173
D14A42	16105	119, 172
D14B36	16917	181
D14B37	16905	181
D14B40	15867	172
D14B41	16917	181
D14B42	16105	119, 172
D14B43	15868 93005	173 171

Dunlop France Part No.	Airsprings.com Part No.	Page
D14B44	16905	181
D14B49	93004	171
D14U36	15790	177
D14U36	15790 16917	177 181
D14U37	15905	179
D14U37	15961 16905	178 181
D14U38	16100	*
D14U42	16105	119, 172
S08200	16036	137
S09201	15603	131
S09208	15599	131
S09280	15670	132
S12201	15646	134
S12280	15666	135
S12302	15673	138
S12350	17040	139
SP 1003	15807	198
SP 1033	15865	*
SP 1039	15823	*
SP 1344	*	*
SP 1346	*	*
SP 1482	15801	197
SP 1490	15803	197
SP 1538	*	*
SP 1539	15809	199
SP 1541	15813	200
SP 1542	15816	*
SP 1556	15821	202
SP 1557	15829	204
SP 1558	15824	203
SP 1988	15822	203
SP 2007	15827	*
SP 2141	15832	205
SP 2340	17017	204
SP 2530	16140	202
SP 2540	*	*
SP 255	15808	*
SP 256	15815	*



Dunlop France Part No.	Airsprings.com Part No.	Page
SP 2561	15872	198
SP 259	15818	*
SP 2665	15814	200
SP 2666	15817 15897	201 202
SP 2703	15805	197
SP 2738	15851	201
SP 2763	15887	198
SP 2782	16136	200
SP 2783	15851	201
SP 2813	*	*
SP 543	15802	*
SP 920	15807	198
SP 976	15804	*

Firestone Part No.	Airsprings.com Part No.	Page
20	15599	131
20	15603	131
20	15784	131
20	15659	*
20	15681	*
20	15724	*
20	15776	*
21	15647	133
21	15663	133
21	16022	133
22	15643	116
22	15645	116
22	15646	134
22	15650	134
22	15778	134
22	16006	*
22	16051	*
22	15735	118, 135
26	16036	137
26	15774	*
28	16190	136
28	15774	*

Firestone Part No.	Airsprings.com Part No.	Page
28	16004	*
38	15777	94
38	15607	138
38	15673	138
115	90105	130
116	90103	130
205	15734 15766	*
210	*	*
233	15779	133
260	16031	*
313	15736 15737 15780	138 139 *
20-Feb	15710	116, 132
1 R 1A 260 285	15696	*
1 R 1A 370 285	15704 15927	186 188
1 R 1A 380 260	15705	*
1 R 1A 390 295	15622	183
1 R 1A 415 260	16035 16221	*
1 R 1A 415 285	15703	*
1 R 1A 460 290	15641	184
1 R 1A 480 330	16017	*
1 R 1B 390 270	15687	*
1 R 1B 415 270	15844	*
1 R 1C 335 310	15626	184
1 R 1C 390 310	15621	183
1 R 1D 355 355	15623	183
1 R 1E 335 320	15689	*
1 R 1G 445 370	16000	*
1 R 1G 525 370	15686	*
1 R 1J 415 285	15637	184
1 R 1J 520 285	15639	184
1 R 1K 380 320	15625	183
1 R 1K 440 320	15642	185
1 R 1T 320 195	15937	189
1 R 2A 380 305	16018	190
1 R 2A 380 330	16019	*
1 R 2A 445 280	15948	189
1 R 2A 450 305	15693	*



Firestone Part No.	Airsprings.com Part No.	Page
1 R 2A 460 295	15702	186
1 R 2A 480 330	16017	*
1 R 2A 490 305	15960	190
1 R 2D 390 360	15698	185
1 R 2D 460 360	15700	185
1 R 2D 470 360	15930	*
1 R 2D 530 360	15701	186
1 R 2S 355 245	15933	189
1 R 3M 340 340	15706	186
1 R 4R 465 260	15944 94517	*
1 R 4U 395 260	16166	191
1 R 5P 345 290	15908	187
1 R 5P 410 290	15954	190
1 T 14 C-1	15684	140
1 T 14 C-1	16001	140
1 T 14 C-1	16002	140
1 T 14 C-3	15682	140
1 T 14 C-3	15765	141
1 T 14 C-3	16003	*
1 T 15 AA-3	15665	141
1 T 15 AA-3	92400	141
1 T 15 AA-3	15619	115, 160
1 T 15 AA-6	16032	94
1 T 15 AAAZ-6	16195	88
1 T 15 L-1.5	16009	145
1 T 15 L-4	16077	145
1 T 15 L-6	15773	*
1 T 15 L-6	16054	*
1 T 15 LD-5	15795	118
1 T 15 LLR-5	16225	89
1 T 15 LN-3	15797	118
1 T 15 LN-3	15796	*
1 T 15 LNR-3	16218	88
1 T 15 LNR-3	16224	88
1 T 15 LNR-3	16226	89
1 T 15 LNR-5	16225	89
1 T 15 LUX-11	16034	118
1 T 15 M-0	15608	145
1 T 15 M-0	15770	*

Firestone Part No.	Airsprings.com Part No.	Page
1 T 15 M-0.5	16076	145
1 T 15 M-11	16052	159
1 T 15 M-2	15602	146
1 T 15 M-2	15644	146
1 T 15 M-2	16090	*
1 T 15 M-2	15711	116, 132
1 T 15 M-4	15609	148
1 T 15 M-4	15707	148
1 T 15 M-4	15739	148
1 T 15 M-4	16016	149
1 T 15 M-4	15744	*
1 T 15 M-4	16010	*
1 T 15 M-4	15712	117, 148
1 T 15 M-4	15747	149, 93
1 T 15 M-6	15676	93
1 T 15 M-6	15610	150
1 T 15 M-6	15610	150
1 T 15 M-6	15611	150
1 T 15 M-6	15615	150
1 T 15 M-6	15633	151
1 T 15 M-6	15690	151
1 T 15 M-6	15692	151
1 T 15 M-6	15758	152
1 T 15 M-6	16081	152
1 T 15 M-6	16087	152
1 T 15 M-6	17028	152
1 T 15 M-6	17031	153
1 T 15 M-6	17032	153
1 T 15 M-6	17033	153
1 T 15 M-6	16024	*
1 T 15 M-6	16037	*
1 T 15 M-6	16090	*
1 T 15 M-6	15713	117, 151
1 T 15 M-7.5	16070	154
1 T 15 M-7.5	16071	154
1 T 15 M-9	15612	155
1 T 15 M-9	15614	155
1 T 15 M-9	15617	155
1 T 15 M-9	15617	155
1 T 15 M-9	15630	155



Firestone Part No.	Airsprings.com Part No.	Page
1 T 15 M-9	15694	156
1 T 15 M-9	15699	156
1 T 15 M-9	16008	157
1 T 15 M-9	16080	157
1 T 15 M-9	15628	*
1 T 15 M-9	15629	*
1 T 15 M-9	15648	*
1 T 15 M-9	15649	*
1 T 15 M-9	15714	117, 156
1 T 15 M-9	15715	117, 156
1 T 15 MP-7	15731	142
1 T 15 MP-7	15732	142
1 T 15 MP-9	15657	144
1 T 15 MPW-7	91400	113
1 T 15 MPW-7	15731	142
1 T 15 MPW-7	15732	142
1 T 15 MPW-7	15750	142
1 T 15 MPW-7	15769	142
1 T 15 MPW-7	15782	143
1 T 15 MPW-7	16260	*
1 T 15 MPW-9	15657	144
1 T 15 MPW-9	15768	144
1 T 15 MPW-9	15783	144
1 T 15 MPW-9	15785	144
1 T 15 MT-11	17035	159
1 T 15 MT-6	15998	158, 92
1 T 15 MT-8	16013	158
1 T 15 MT-9	17034	158
1 T 15 S-11	15601	115, 160
1 T 15 S-6	15718	*
1 T 15 S-6	15741	*
1 T 15 S-6	15744	*
1 T 15 S-6	15600	115, 160
1 T 15 S-6	15619	115, 160
1 T 15 S-6	15605	123, 160
1 T 15 SQ-5	15799	161
1 T 15 T-1	15755	93
1 T 15 V-11	15993	162
1 T 15 V-6	16265	89
1 T 15 VP-4	16074	*

Firestone Part No.	Airsprings.com Part No.	Page
1 T 15 ZR-6	17065	173
1 T 17 AR-4.5	15990	87
1 T 17 AR-4.5	15996	87
1 T 17 AR-4.5	17060	90
1 T 17 AR-4.5	17061	90
1 T 17 AR-4.5	17066	90
1 T 17 AR-4.5	15991	*
1 T 17 AR-4.5	16200	*
1 T 17 AR-4.5	17062	*
1 T 17 AR-4.5	17063	*
1 T 17 B-11	15654	162
1 T 17 BP-4	*	*
1 T 17 BR-8	15656	123
	16048	124
1 T 17 BS-6	15651	161
1 T 17 BS-6	16098	161
1 T 17 BS-6	16099	161
1 T 17 C-8	15683	*
1 T 17 CL-9.5	15654	162
1 T 17 CL-9.5	15993	162
1 T 17 CL-9.5	92600	162
1 T 17 D-11.8	15959	178
1 T 17 D-4.3	15916	177
1 T 17 D-4.3	15919	180
1 T 17 D-8.3	15901	177
1 T 17 D-8.3	16918	181
1 T 17 DJ-6	92607	163
1 T 17 DJ-7	92605	163
1 T 19 E-3	17002	171
1 T 19 F-11	15616	167
1 T 19 F-11	15634	167
1 T 19 F-11	15653	167
1 T 19 F-11	16065	168
1 T 19 F-11	16091	168
1 T 19 F-11	16122	169
1 T 19 F-11	16124	169
1 T 19 F-11	15660	*
1 T 19 F-11	15675	*
1 T 19 F-11	15771	*
1 T 19 F-11	16050	*



Firestone Part No.	Airsprings.com Part No.	Page
1 T 19 F-11	16061	*
1 T 19 F-11	16064	*
1 T 19 F-11	15907	167, 91
1 T 19 F-12	15672	170
1 T 19 F-12	16063	*
1 T 19 F-12/F-14	15754	*
1 T 19 F-14	15671	172
1 T 19 F-14	16105	119, 172
1 T 19 F-5	16015	163
1 T 19 F-5	12875	*
1 T 19 F-7	15606	164
1 T 19 F-7	15613	164
1 T 19 F-7	15635	164
1 T 19 F-7	16120	165
1 T 19 F-7	15760	*
1 T 19 FR13	16105	119, 172
1 T 19 G-12	15709	112
1 T 19 G-12	15761	*
1 T 19 G-5	*	*
1 T 19 J-6	15738	172
1 T 19 L-10	15772	*
1 T 19 L-10	16059	*
1 T 19 L-11	15616	167
1 T 19 L-11	15634	167
1 T 19 L-11	15634	167
1 T 19 L-11	15653	167
1 T 19 L-11	16065	168
1 T 19 L-11	16084	168
1 T 19 L-11	16091	168
1 T 19 L-11	93003	170
1 T 19 L-11	93004	171
1 T 19 L-11	15907	167, 91
1 T 19 L-12	15672	170
1 T 19 L-12	93001	170
1 T 19 L-12	93002	170
1 T 19 L-14	16046	112
1 T 19 L-14	15669	171
1 T 19 L-14	15671	172
1 T 19 L-14	16033	*
1 T 19 L-14	16105	119, 172

Firestone Part No.	Airsprings.com Part No.	Page
1 T 19 L-14	16105	119, 172
1 T 19 L-7	15635	164
1 T 19 L-7	16082	165
1 T 19 L-7	16092	165
1 T 19 L-7	16092	165
1 T 19 L-7	92805	166
1 T 19 L-7	92806	166
1 T 19 L-7	16056	*
1 T 19 L-7	16057	*
1 T 19 L-7	92800	*
1 T 19 LD-10	*	*
1 T 19 ZK-5.7	15738	172
1 T 26 D-7	15618	87
1 T 66 D-10.8	15868	173
1 T 66 D-10.8	15790	177
1 T 66 D-10.8	15917	179
1 T 66 D-10.8	16917	181
1 T 66 D-13.5	15902	177
1 T 66 D-13.5	15903	179
1 T 66 D-7.0	15961	178
1 T 66 D-7.0	15905	179
1 T 66 D-7.0	16905	181
1 T 66 E-10.8	15867	172
1 T 66 E-13.8	15791	176
1 T 66 F-10.8	16917	181
1 T 66 F-13.5	15902	177
1 T 66 F-7.0	16905	181
113-1	90106	130
127mm	15725	87
20 F	15603	131
20 F-2	15670	132
20-2	15670	132
20C-2	15670	132
20C-2	15710	116, 132
210 C-1.5	16275	136
210C-1.5	16275	136
21-2	15664	134
	15775	94
22 C	*	*
22 C -1.5	15798	135



Firestone Part No.	Airsprings.com Part No.	Page
22 D-1.5	16276	136
22-1.5	15666	135
224 C	15920	*
228-1.5	17029	137
22C	15643	116
22C	15645	116
22C-1.5	15666	135
22C-1.5	15793	135
22C-1.5	15798	135
22C-1.5	16276	136
233-2	16270	89
233-2	15781	*
265 DT-2	*	*
322BB	17040	139
352C	15673	138
362C	*	*
W01-095-0008	15688	*
W01-095-0009	15681	*
W01-095-0021	15621	183
W01-095-0031	15640	*
W01-095-0063	15641	184
W01-095-0087	15626	184
W01-095-0104	15638	*
W01-095-0115	15686	*
W01-095-0118	15622	183
W01-095-0121	15687	185
W01-095-0132	16000	*
W01-095-0134	15689	*
W01-095-0145	15693	*
W01-095-0167	15695	*
W01-095-0189	15696	*
W01-095-0190	15698	185
W01-095-0191	15700	185
W01-095-0192	15701	186
W01-095-0195	15702	186
W01-095-0197	15703	*
W01-095-0198	15704	186
W01-095-0204	15705	*
W01-095-0205	15706	186
W01-095-0207	15623	183

Firestone Part No.	Airsprings.com Part No.	Page
W01-095-0211	16017	*
W01-095-0212	16018	190
W01-095-0213	16019	*
W01-095-0219	16051	*
W01-095-0226	16035	*
W01-095-0228	15625	183
W01-095-0229	15642	185
W01-095-0244	15637	184
W01-095-0245	15639	184
W01-095-0295	15844	187
W01-095-0366	16105	119, 172
W01-095-0381	15908	187
W01-095-0382	15954	190
W01-095-0419	15930F	*
W01-095-0429	15948	189
W01-095-0435	15944	189
W01-095-0436	15933	189
W01-095-0437	15937F	189
W01-095-0453	16166	191
W01-095-0472	15960	190
W01-095-0481	94602	*
W01-095-0482	94600	*
W01-095-0483	94601	*
W01-095-0484	94603	*
W01-095-0500	16105	119, 172
W01-358-0622	15600	115, 160
W01-358-0627	15718	*
W01-358-0734	15719	*
W01-358-0743	15602	146
W01-358-1098	16075	*
W01-358-1619	15648	*
W01-358-2119	16002	140
W01-358-5310	16027	*
W01-358-5331	15684	140
W01-358-5405	16003	*
W01-358-5406	15765	141
W01-358-5414	15721	*
W01-358-5426	15685	*
W01-358-5708	15697	141
W01-358-5764	15722	*



Firestone Part No.	Airsprings.com Part No.	Page
W01-358-5780	16088	*
W01-358-6801	90215	*
W01-358-6808	15664	134
W01-358-6900	15659	*
W01-358-6917	15604	*
W01-358-6923	15724	*
W01-358-6932	16021	*
W01-358-6951	17076	*
W01-358-7001	90107	*
W01-358-7008	15631	*
W01-358-7022	90205	*
W01-358-7043	15596	*
W01-358-7094	15595	129
W01-358-7101	90108	*
W01-358-7135	15647	133
W01-358-7136	15726	*
W01-358-7143	16022	133
W01-358-7177	15643	116
W01-358-7180	15646	134
W01-358-7191	16004	*
W01-358-7215	15730	*
W01-358-7224	15766	*
W01-358-7266	15734	*
W01-358-7325	16036	137
W01-358-7400	15645	116
W01-358-7401	16006	*
W01-358-7403	15650	134
W01-358-7411	15735	118, 135
W01-358-7431	90206	*
W01-358-7447	15798	135
W01-358-7472	15793	135
W01-358-7731	90109	*
W01-358-7808	15736	138
W01-358-7816	16007	*
W01-358-7842	17075	*
W01-358-7880	90201	*
W01-358-8017	15673	138
W01-358-8019	15607	138
W01-358-8021	15627	138
W01-358-8050	15738	172

Firestone Part No.	Airsprings.com Part No.	Page
W01-358-8119	16011	*
W01-358-8170	90214	*
W01-358-8708	92603	162
W01-358-8738	93208	*
W01-358-8853	15629	*
W01-358-8927	16005	*
W01-358-8929	16081	152
W01-358-8997	16023	*
W01-358-9010	15739	148
W01-358-9033	15740	*
W01-358-9039	15608	145
W01-358-9043	15741	*
W01-358-9048	15742	*
W01-358-9053	16073	*
W01-358-9057	15744	*
W01-358-9065	15746	*
W01-358-9069	15747	149, 93
W01-358-9082	15610	150
W01-358-9093	15749	*
W01-358-9096	15611	150
W01-358-9101	15612	155
W01-358-9104	15751	*
W01-358-9105	15644	146
W01-358-9106	15628	*
W01-358-9121	15613	164
W01-358-9122	15616	167
W01-358-9130	16008	157
W01-358-9192	15614	155
W01-358-9200	16015	163
W01-358-9243	16095	*
W01-358-9262	15993	162
W01-358-9270	15994	147
W01-358-9321	16052	159
W01-358-9335	16016	149
W01-358-9361	15633	151
W01-358-9362	16093	*
W01-358-9371	16028	*
W01-358-9373	16013	158
W01-358-9391	16077	145
W01-358-9402	15755	93



Firestone Part No.	Airsprings.com Part No.	Page
W01-358-9422	16009	145
W01-358-9453	15649	*
W01-358-9454	15770	*
W01-358-9466	15998	158, 92
W01-358-9586	15716	*
W01-358-9648	91802	*
W01-358-9780	17065	173
W01-358-9922	16069	*
W01-358-9923	16072	*
W01-379-1622	15756	*
W01-379-1623	15757	*
W01-379-6315	15769	142
W01-379-9089	15615	150
W01-379-9091	15617	155
W01-379-9131	15630	155
W01-379-9207	15758	152
W01-455-6252	16087	152
W01-455-6260	91400	113
W01-455-6269	17033	153
W01-455-6279	16087	152
W01-455-6288	17028	152
W01-455-6822	17029	137
W01-455-7246	15994	147
W01-455-7756	15784	131
W01-455-8835	92100	158
W01-455-9635	15994	147
W01-455-9657	17105	149
W01-458-4037	15817	201
W01-458-4058	15807	198
W01-458-4059	15809	199
W01-458-4061	15813	200
W01-458-4064	15821	202
W01-530-4102	15661	*
W01-653-7124	90207	*
W01-675-9446	15760	*
W01-675-9448	16039	*
W01-681-0212	15682	140
W01-681-2120	15792	*
W01-681-5331	15684	140
W01-681-6808	15664	134

Firestone Part No.	Airsprings.com Part No.	Page
W01-681-7314	15737	139
W01-681-7329	16120	165
W01-681-7359	16124	169
W01-681-7368	15692	151
W01-681-7440	15666	135
W01-681-7581	12875	*
W01-681-7688	15666	135
W01-681-7700	15663	133
W01-681-9084	15690	151
W01-681-9086	15707	148
W01-681-9091	16122	169
W01-681-9098	15694	156
W01-681-9242	15699	156
W01-703-9023	16010	*
W01-749-9816	15709	112
W01-932-7000	15761	*
W01-932-7001	15762	*
W01-932-7002	15605	123, 160
W01-932-7003	15763	*
W01-932-9165	15764	*
W01-968-6286	15785	144
W01-968-6316	15782	143
W01-968-6318	15783	144
W01-968-8186	15782	143
W01-D08-6388	16270	89
W01-D08-6391	16270	89
W01-D08-8196	16265	89
W01-D08-8693	16224	88
W01-D08-8707	17066	90
W01-D08-9056	15609	148
W01-D08-9079	16024	*
W01-D08-9310	15618	87
W01-D08-9311	15674	*
W01-D08-9352	15675	*
W01-F79-7349	15676	93
W01-F79-9397	15677	93
W01-M58-0028	15772	*
W01-M58-0031	16054	*
W01-M58-0491	16056	*
W01-M58-0687	15773	*



Firestone Part No.	Airsprings.com Part No.	Page
W01-M58-0747	16059	*
W01-M58-0749	16057	*
W01-M58-0776	15991	*
W01-M58-0777	15999	*
W01-M58-0780	16200	*
W01-M58-1631	15754	*
W01-M58-1639	15757	*
W01-M58-5339	16001	140
W01-M58-6008	90105	130
W01-M58-6011	15592	*
W01-M58-6126	90300	*
W01-M58-6127	15673	138
W01-M58-6140	90100	*
W01-M58-6155	15590	*
W01-M58-6166	90103	130
W01-M58-6188	15668	131
W01-M58-6223	93003	170
W01-M58-6225	92805	166
W01-M58-6238	91450	*
W01-M58-6251	15619	115, 160
W01-M58-6252	16087	152
W01-M58-6253	15665	141
W01-M58-6254	92400	141
W01-M58-6259	17035	159
W01-M58-6260	91400	113
W01-M58-6269	17033	153
W01-M58-6276	17034	158
W01-M58-6285	15657	144
W01-M58-6287	15768	144
W01-M58-6289	16080	157
W01-M58-6297	15731	142
W01-M58-6307	15799	161
W01-M58-6315	15769	142
W01-M58-6317	15750	142
W01-M58-6318	15783	144
W01-M58-6320	16097	*
W01-M58-6333	16061	*
W01-M58-6334	15907	167, 91
W01-M58-6338	16092	165
W01-M58-6339	15634	167

Firestone Part No.	Airsprings.com Part No.	Page
W01-M58-6344	16082	165
W01-M58-6345	15635	164
W01-M58-6346	16063	*
W01-M58-6348	16091	168
W01-M58-6359	16050	*
W01-M58-6360	16064	*
W01-M58-6361	16084	168
W01-M58-6363	92901	169
W01-M58-6364	15634	167
W01-M58-6365	16086	*
W01-M58-6366	15651	161
W01-M58-6367	16099	161
W01-M58-6371	90106	130
W01-M58-6374	90104	130
W01-M58-6377	16271	*
W01-M58-6381	16031	*
W01-M58-6385	16275	136
W01-M58-6875	16276	136
W01-M58-6887	15603	131
W01-M58-6891	15710	116, 132
W01-M58-6988	15774	*
W01-M58-6989	15775	94
W01-M58-6990	15776	*
W01-M58-7074	15732	142
W01-M58-7275	15711	116, 146
W01-M58-7283	15712	117, 148
W01-M58-7295	15713	117, 151
W01-M58-7308	15714	117, 156
W01-M58-7313	16032	94
W01-M58-7315	15601	115, 160
W01-M58-7320	16076	145
W01-M58-7335	15606	164
W01-M58-7348	15715	117, 156
W01-M58-7358	15653	167
W01-M58-7364	15731	142
W01-M58-7367	15795	118
W01-M58-7370	15660	*
W01-M58-7380	15672	170
W01-M58-7385	15671	172
W01-M58-7392	15796	*



Firestone Part No.	Airsprings.com Part No.	Page
W01-M58-7393	15797	118
W01-M58-7501	16022	133
W01-M58-7502	16065	168
W01-M58-7523	15777	94
W01-M58-7524	15778	134
W01-M58-7526	15780	*
W01-M58-7527	15781	*
W01-M58-7531	16190	136
W01-M58-7548	92000	157
W01-M58-7582	16033	*
W01-M58-7679	15670	132
W01-M58-7710	15779	133
W01-M58-7756	15784	131
W01-M58-7887	15603	131
W01-M58-7894	15599	131
W01-M58-7953	90301	*
W01-M58-7992	15777	94
W01-M58-8098	16105	119, 172
W01-M58-8106	93002	170
W01-M58-8107	93004	171
W01-M58-8108	92806	166
W01-M58-8172	91801	114
W01-M58-8185	15657	144
W01-M58-8186	15782	143
W01-M58-8502	15669	171
W01-M58-8584	15902	177
W01-M58-8585	16919	182
W01-M58-8587	92607	163
W01-M58-8590	92582	*
W01-M58-8601	15961	178
W01-M58-8602	15905	179
W01-M58-8608	92605	163
W01-M58-8609	15919	180
W01-M58-8610	15868	173
W01-M58-8611	15902	177
W01-M58-8612	16098	161
W01-M58-8613	15916	177
W01-M58-8619	15918	179
W01-M58-8620	15901	177
W01-M58-8621	15959	178

Firestone Part No.	Airsprings.com Part No.	Page
W01-M58-8629	15654	162
W01-M58-8642	92585	*
W01-M58-8643	92600	162
W01-M58-8653	92550	*
W01-M58-8663	92606	*
W01-M58-8666	16905	181
W01-M58-8667	16917	181
W01-M58-8668	16918	181
W01-M58-8669	92584	*
W01-M58-8670	92581	*
W01-M58-8671	92583	*
W01-M58-8678	16195F	88
W01-M58-8679	16225	89
W01-M58-8681	16218	88
W01-M58-8682	16226	89
W01-M58-8683	16224	88
W01-M58-8701	17061	90
W01-M58-8703	17063	*
W01-M58-8705	17060	90
W01-M58-8712	15683	*
W01-M58-8714	17062	*
W01-M58-8715	15990	87
W01-M58-8721	15996	87
W01-M58-8722	17066	90
W01-M58-8747	15654	162
W01-M58-8762	17002	171
W01-M58-8765	15672	170
W01-M58-8766	15671	172
W01-M58-8769	93001	170
W01-M58-8772	92800	*
W01-M58-8773	92801	165
W01-M58-8775	15635	164
W01-M58-8786	16046	112
W01-M58-8835	92100	158
W01-M58-8840	91401	*
W01-M58-8859	15617	155
W01-M58-8948	16034	118
W01-M58-8966	15917	179
W01-M58-8969	15867	172
W01-M58-8973	91800	101



Firestone Part No.	Airsprings.com Part No.	Page
W01-M58-8978	15790	177
W01-M58-8988	15791	176
W01-M58-9089	15615	150
W01-M58-9131	15630	155
W01-M58-9207	15758	152
W01-M58-9706	15656	123
W01-M58-9707	16048	124
W01-M58-9908	16070	154
W01-M58-9910	15709	112
W01-M58-9924	16071	154
W01-R58-4038	16136	200
W01-R58-4055	15803	197
W01-R58-4062	15816	*
W01-R58-4065	15824	203
W01-R58-4067	15829	204
W01-R58-4074	15822	203
W01-R88-6298	15731	142
W01-S05-6251	15619	115, 160
W01-S05-6891	15710	116, 132
W01-S05-7182	15710	116, 132
W01-S05-7275	15711	116, 146
W01-S05-7283	15712	117, 148
W01-S05-7295	15713	117, 151
W01-S05-7308	15714	117, 156
W01-S05-7315	15601	115, 160
W01-S05-7348	15715	117, 156
W01-S05-7358	15653	167
W01-S15-7367	15795	118
W01-S15-7392	15796	*
W01-S15-7393	15797	118
W01-S15-8192	15717	*
W01-S15-8193	15720	*
W02-358-7002	15505	*
W02-358-7007	15620	*
W02-358-7012	15501	*
W02-358-7031	15620	*
W02-358-7035	15510	68
W02-D08-9903	15725	87
W02-M58-3000	15500	*
W21-760-0335	16089	137

Firestone Part No.	Airsprings.com Part No.	Page
W21-760-6957	15598	137
W21-760-9000	15597	85
W26-600-9902	15506	*
WC1-358-0600	16041	*
WC1-358-0651	16030	*
WC1-358-0652	16090	*
WC1-358-0658	16025	*
WC1-358-0658	16025	*
WC1-358-0686	16038	*
WC1-358-0689	11740	*
WC1-358-0697	11739	*
WC1-358-1619	16037	*
WC1-358-1626	16260	*
WC1-358-9452	15648	*
WC1-358-9453	15649	*
WC1-379-1622	15770	*
WC1-675-9445	15759	*
WC1-675-9448	16039	*
WC1-M58-1632	15767	*
WC1-M58-1639	15757	*
WC1-M58-1643	15789	*



Gart Part No.	Airsprings.com Part No.	Page
C 282	*	*
C 282, B	*	*
C 282, H	16105	119, 172
C 289	17026	192
C 289, BS	*	*
C 289B	17025	192
C 292	15790 16917	177 181
C 292, A	15961 16905	178 181
C 292, S	16100 15867 15868	* 172 173
C 293	15901 16918	177 181
C 293, A	15916 16919	177 132
C 294	15731 15732	142 142
C 295	*	*
C 299	15702	186
C 299, A	15962 16160	104 106
C 301	*	*
C 301, B	17082	194
C 302	15991 15996 15999 17066	* 87 * 90
C 304	15956 15957	104 104
D 276	15641	184
D 276, B	15622	183
D 276, BS	17091	*
D 276, C	15704	186
D 276, CR	*	*
D 276, D	15696	*
D 276, D R	*	*
D 276, E	17056	*
D 276, L	*	*
D 276, LR	*	*
D 276, LRS	*	*
D 276, LRS	*	*
D 276, R	*	*

Gart Part No.	Airsprings.com Part No.	Page
D 276, R-2F	15679	*
D 277	15634 15907 16091	167 167, 91 168
D 277, 2F	16084	168
D 277, B	15635	164
D 277, B	16092	165
D 277, B-2F	16082	165
D 277, C	*	*
D 277, D	*	*
D 277, D A	*	*
D 278	17052	192
D 278, B	*	*
D 278, C	*	*
D 278, E	*	*
D 278, EB	*	*
D 278, F	*	*
D 278, G	15633	151
D 278, H	15617 15629 15630 16080	155 * 155 157
D 278, HS	15657	144
D 278, S	15651 16099	161 161
D 287	15634 15653	167 167
D 287, A	15634 16084	167 168
D 287, B	*	*
D 287, D	*	*
D 290	15844	187
D 290, B	15845	*
D 290, E	17074	195
D 296	17073	*
D 296, B	*	*
D 296, C	*	*
D 296, D	17090 15966	107 190
D 297	15621	183
D 298	17081	*
D 298, B	17080	193
D 298, C	17092	*



Gart Part No.	Airsprings.com Part No.	Page
D 298, D	*	*
D 298, E	16017	*
T 271	*	*
T 271, 2	15646 15778	134 134
T 271, 2C	*	*
T 271, S	17040	139
T 272, N	15846 16051	*
T 274	15781 16270	* 89
T 274, 3	15780	*
T 274, B	15779	133
T 274, C	15775	94
T 275	15680	129
T 275, B	*	*
T 275, F	*	*
T 279	*	*
T 279, B	*	*
T 279, C	*	*
T 279, D	*	*
T 279, E	*	*
T 279, F	*	*
T 281	*	*
T 291, 2	15599	131
T 291, 2	15603	131
T 291, 2	15776	*
T 291, 2B	15670	132
T 291, 2B	15710	116, 132
T 291, B	*	*
T 300, 2	15808	*
T 300, 3	15810	*

Goodyear Part No.	Airsprings.com Part No.	Page
1 R 10-702	94002	102
1 R 10-704	92500	124
1 R 11-028	16009	145
1 R 11-086	17036	147
1 R 11-106	15732	142
1 R 11-111	15731	142
1 R 11-113	*	*
1 R 11-163	*	*
1 R 11-165	17036	147
1 R 11-185	92502	120
1 R 11-196	*	*
1 R 11-700	15901	177
1 R 11-701	16918	181
1 R 11-702	16918	181
1 R 11-703	15916	177
1 R 11-703 (no piston)	15919	180
1 R 11-704	15959	178
1 R 11-705	15651	161
1 R 11-706	15651	161
1 R 11-707	15651	161
1 R 11-708	16099	161
1 R 11-709	*	*
1 R 11-710	16099	161
1 R 11-711	16101	173
1 R 11-712	*	*
1 R 11-713	15651	161
1 R 11-714	16099	161
1 R 11-715	15967	180
1 R 11-735	*	*
1 R 11-737	*	*
1 R 11-739	16918	181
1 R 11-740	92602	147
1 R 11-743	16918	181
1 R 11-750	15651	161
1 R 11-751	16099	161
1 R 11-752	16919	182
1 R 11-753	*	*
1 R 11-754	*	*
1 R 11-760	*	*



Goodyear Part No.	Airsprings.com Part No.	Page
1 R 11-762	16918	181
1 R 11-763	16919	182
1 R 11-764	15731	142
	15782	143
1 R 11-765	*	*
1 R 11-772	15769	142
1 R 11-773	15750	142
1 R 11-781	16098	161
1 R 11-798	16224	88
1 R 11-799	16241	180
1 R 11-800	16244	181
1 R 11-801	15909	178
1 R 11-802	16242	180
1 R 11-803	93400	*
1 R 11-804	94003	102
1 R 11-805	93914	126
1 R 11-806	94517	195
1 R 11-807	91501	*
1 R 11-820	94001	102
1 R 11-825	90211	*
1 R 11-826	15619	115, 160
1 R 11-827	15796	*
1 R 11-828	15601	115, 160
1 R 11-829	92505	121
1 R 11-830	92502	120
1 R 11-831	92507	121
1 R 11-832	92501	120
1 R 11-833	92506	121
1 R 11-834	92509	122
1 R 11-835	17105	149
1 R 12-069	15611	150
1 R 12-092	15610	150
1 R 12-095	15608	145
1 R 12-103	15612	155
1 R 12-130	15633	151
1 R 12-131	15652	123
1 R 12-132	15644	146
1 R 12-134	15610	150
1 R 12-135	15612	155
1 R 12-142	*	*

Goodyear Part No.	Airsprings.com Part No.	Page
1 R 12-155	15611	150
1 R 12-167	15614	155
1 R 12-173	15998	158, 92
1 R 12-188	*	*
1 R 12-223	15995	92
1 R 12-244	*	*
1 R 12-249	15994	147
1 R 12-256	16052	159
1 R 12-281	15614	155
1 R 12-290	15662	*
1 R 12-303	17065	173
1 R 12-313	16012	159
1 R 12-328	15651	161
1 R 12-341	*	*
1 R 12-353	17110	*
1 R 12-355	15602	146
1 R 12-364	91900	*
1 R 12-365	15998	158, 92
1 R 12-369	*	*
1 R 12-375	15994	147
1 R 12-384	16081	152
1 R 12-398	*	*
1 R 12-400	*	*
1 R 12-401	16028	*
1 R 12-405	*	*
1 R 12-433	17034	158
1 R 12-461	16081	152
1 R 12-470	17110	*
1 R 12-471	91900	*
1 R 12-472	93000	122
1 R 12-473	*	*
1 R 12-476	15678	92
1 R 12-482	17035	159
1 R 12-506	16012	159
1 R 12-538	91802	*
1 R 12-603	15994	147
1 R 12-608	17065	173
1 R 12-700	15991	*
1 R 12-701	15617	155
1 R 12-702	15617	155



Goodyear Part No.	Airsprings.com Part No.	Page
1 R 12-703	16080	157
1 R 12-704	*	*
1 R 12-705	*	*
1 R 12-706	15615	150
1 R 12-707	*	*
1 R 12-708	*	*
1 R 12-709	15773	*
1 R 12-710	15999	*
1 R 12-711	15996	87
1 R 12-712	17066	90
1 R 12-713	15714	117, 156
1 R 12-714	16008	157
1 R 12-715	15629	*
1 R 12-716	15633	151
1 R 12-717	15612	155
1 R 12-719	15633	151
1 R 12-720	*	*
1 R 12-721	15630	155
1 R 12-722	*	*
1 R 12-723	15990	87
1 R 12-739	17034	158
1 R 12-740	17035	159
1 R 12-748	*	*
1 R 12-749	15657	144
1 R 12-760	*	*
1 R 12-761	*	*
1 R 12-762	15656	123
1 R 12-763	*	*
1 R 12-764	*	*
1 R 12-768	17061	90
1 R 12-799	91501	*
1 R 12-807	17034	158
1 R 12-809	92508	*
1 R 12-810	93000	122
1 R 13-038	15616	167
1 R 13-039	15613	164
1 R 13-077	15994	147
1 R 13-081	15993	162
1 R 13-118	15993	162
1 R 13-119	15994	147

Goodyear Part No.	Airsprings.com Part No.	Page
1 R 13-133	*	*
1 R 13-147	15654	162
1 R 13-148	15654	162
1 R 13-149	15993	162
1 R 13-150	15654	162
1 R 13-165	93210	90
1 R 13-167	92600	162
1 R 13-706	*	*
1 R 13-708	92600	162
1 R 13-709	17106	*
1 R 13-711	16046	112
1 R 13-713	*	*
1 R 13-714	16230	113
1 R 13-715	*	*
1 R 13-732	17002	171
1 R 13-734	*	*
1 R 13-738	16046	112
1 R 13-744	16067	119
1 R 13-745	16068	119
1 R 13-746	92504	120
1 R 13-747	16066	*
1 R 13-800	17003	*
1 R 13-801	17004	*
1 R 13-802	15837	164
1 R 13-803	17002	171
1 R 13-804	*	*
1 R 13-805	15672	170
1 R 14-028	15635	164
1 R 14-030	15634	167
1 R 14-037	*	*
1 R 14-038	16015	163
1 R 14-039	15738	172
1 R 14-059	15635	164
1 R 14-061	15634	167
1 R 14-065	15653	167
1 R 14-068	16015	163
1 R 14-082	15606	164
1 R 14-091	*	*
1 R 14-104	*	*
1 R 14-121	*	*



Goodyear Part No.	Airsprings.com Part No.	Page
1 R 14-122	*	*
1 R 14-150	93001	170
1 R 14-700	15903	*
1 R 14-700 (no piston)	15902	177
1 R 14-701	16905	*
1 R 14-701(without piston)	15961	178
1 R 14-702	16917	181
1 R 14-703	16917	181
1 R 14-704	16100	*
1 R 14-705	15634	167
1 R 14-706	16084	168
1 R 14-707	*	*
1 R 14-708	16917	*
1 R 14-708 (no piston)	15790	177
1 R 14-709	16065	168
1 R 14-710	15660	*
1 R 14-712	16917	181
1 R 14-715	15772	*
1 R 14-716	15635	164
1 R 14-717	*	*
1 R 14-718	15907	167, 91
1 R 14-719	15907	167, 91
1 R 14-724	16905	181
1 R 14-726	*	*
1 R 14-727	15653	167
1 R 14-728	15669	171
1 R 14-729	16091 16091ATP	168 168
1 R 14-730	16092	165
1 R 14-739	16059	*
1 R 14-746	93001	170
1 R 14-747	15867	172
1 R 14-748	16917	181
1 R 14-749	*	*
1 R 14-753	16105	119, 172
1 R 14-755	16105	119, 172
1 R 14-756	15868	173
1 R 14-757	16905	181

Goodyear Part No.	Airsprings.com Part No.	Page
1 R 14-758	15671	172
1 R 14-759	*	*
1 R 14-781	15903	179
1 R 14-782	93002	170
1 R 14-783	92802	166
1 R 14-784	93004	171
1 R 14-812	93004	171
1 R 14-813	15867	172
1 R 14-814	15868	173
1 R 14-815	93005	*
1 R 14-823	93003	170
1 R 14-824	15635	164
1 R 14-825	92802	166
1 R 14-831	15606	164
1 R 14-846	93002	170
1 R 14-847	93004	171
1 R 14-848	93003	170
2 B 12-2450	16136	200
2 B 12-300	*	*
2 B 12-305	15666	135
2 B 12-307	15650	134
2 B 12-309	15645	116
2 B 12-313	*	*
2 B 12-319	*	*
2 B 12-320	16006	*
2 B 12-327	*	*
2 B 12-345	*	*
2 B 12-416	*	*
2 B 12-425	15646	134
2 B 12-426	*	*
2 B 12-434	*	*
2 B 13-307	15650	134
2 B 14-354	*	*
2 B 14-356	*	*
2 B 14-359	15663	133
2 B 14-360	15647	133
2 B 14-365	*	*
2 B 14-462	*	*
2 B 14-465	16022	133
2 B 8-2150	15803	197



Goodyear Part No.	Airsprings.com Part No.	Page
2 B 8-2152	16036	137
2 B 9-200	15603	131
	15784	131
2 B 9-201	*	*
2 B 9-202	15603	131
	15784	131
2 B 9-206	*	*
2 B 9-223	15603	131
	15784	131
2 B 9-2250	15599	131
2 B 9-234	15784	131
2 B 9-251	*	*
2 B 9-252	15710	116, 132
2 B 9-269	15670	132
2 B 9-285	15784	131
2 B 9-287	15599	131
3 B 12-300	15607	138
3 B 14-354	15736	138
3 B 14-359	*	*
3 B 14-360	*	*
556-03-8012	15704	186
556-03-8013	15703	*
556-03-8014	15641	184
556-03-8015	15626	184
556-03-8016	15687	185
556-03-8017	15622	183
556-03-8018	15621	183
556-03-8019	15689	*
556-03-8028	15642	185
556-03-8037	15637	184
556-03-8040	15639	184
556-03-8042	15625	183
556-03-8043	17086	*
556-03-8053	15705	*
556-03-8117	15700	185
556-03-8118	15701	186
556-03-8313	15642	185
556-03-8314	17092	*
556-03-9001	15696	*
556-03-9002	15946	*
556-03-9003	15948	189

Goodyear Part No.	Airsprings.com Part No.	Page
556-03-9004	15908	187
556-03-9005	15954	190
556-03-9006	15997	174
556-03-9006	15706	186
	15997	174
556-03-9007	15623	183
556-03-9008	15702	186
556-03-9009	15845	*
556-03-9010	15698	185
556-03-9012	15945	*
556-03-9013	15703	*
556-03-9014	15641	184
556-03-9015	15912	187
556-03-9047	15956	104
556-03-9047	15956	104
	15957	104
556-03-9074	15964	105
556-03-9079	15962	104
	16160	106
556-03-9080	94516	194
556-03-9081	94514	193
556-03-9082	94515	194
556-03-9016	15687	185
556-03-9042	*	*
556-03-9048	15944	189
556-03-9050	16109	*
556-03-9051	15927	188
556-03-9066	15929	188
556-03-9067	94506	*
556-03-9068	15702	186
556-03-9072	15960	190
556-03-9073	15693	*
556-03-9074	15940	*
556-03-9075	16017	*
556-03-9075	16227	106
	16228	106
556-03-9076	*	*
556-03-9077	16018	190
556-03-9078	16019	*
556-03-9101	16166	191
556-03-9106	*	*



Goodyear Part No.	Airsprings.com Part No.	Page
566-03-9500	15997	174
566-03-9505	15956	104
566-03-9506	15957	104
566-03-9517	*	*
566-03-9519	15962	104
566-03-9520	16160	106
566-03-9522	15964	105
566-03-9523	16227	106
566-03-9524	16228	106
566-20-3-502	94002	102
566-20-3-504	92500	124
566-20-3-540	94001	102
566-22-2-101	*	*
566-22-2-102	92505	121
566-22-2-103	92501	120
566-22-2-109	*	*
566-22-2-116	92506	121
566-22-2-117	92503	120
566-22-3-036	17036	147
566-22-3-042	17036	147
566-22-3-045	17036	147
566-22-3-058	15731	142
	15732	142
566-22-3-059	17036	147
566-22-3-063	*	*
566-22-3-143	*	*
566-22-3-500	15901	177
	16242	180
	16918	181
	93400	*
566-22-3-501	15909	178
	15916	177
	16241	180
	16244	181
	16919	182
566-22-3-502	15959	178
	15967	180
566-22-3-503	15651	161
	16099	161
566-22-3-504	16101	173
566-22-3-517	90211	*
566-22-3-520	92602	147

Goodyear Part No.	Airsprings.com Part No.	Page
566-22-3-521	15731	142
	15732	142
	15782	143
	15750	142
566-22-3-522	15731	142
	15732	142
566-22-3-523	*	*
566-22-3-525	*	*
566-22-3-526	15651	161
	16098	161
	16099	161
566-22-3-527	*	*
566-22-3-533	16224	88
566-22-3-534	94003	102
566-22-3-535	93914	126
566-22-3-536	91501	*
566-22-3-543	15619	115, 160
	15796	123
566-22-3-544	15601	115, 160
566-22-3-545	92502	120
	92505	121
566-22-3-546	92501	120
	92507	121
566-22-3-547	92506	121
566-22-3-548	17105	149
566-23-3-501	16241	180
566-24-3-004	15644	146
566-24-3-007	15608	145
566-24-3-010	15610	150
566-24-3-013	15608	145
566-24-3-014	15612	155
566-24-3-017	15610	150
566-24-3-019	15612	155
566-24-3-033	15608	145
566-24-3-038	15610	150
	15611	150
	15633	151
	15988	*
	16081	152
	91802	*
	91900	*
566-24-3-044	15644	146
566-24-3-045	15610	150
566-24-3-048	15610	150
566-24-3-049	15608	145



Goodyear Part No.	Airsprings.com Part No.	Page
566-24-3-050	15608	145
566-24-3-051	15644	146
566-24-3-052	15652	123
566-24-3-053	15612	155
566-24-3-054	15612 15614	155 155
566-24-3-055	15644	146
566-24-3-057	*	*
566-24-3-059	*	*
566-24-3-066	15612 15614 17034 17035	155 155 158 159
566-24-3-067	15608	145
566-24-3-074	15998 16081 17030	198, 92 162 *
566-24-3-076	15644 15678 15995	146 92 92
566-24-3-077	17110	*
566-24-3-090	16052 93000	159 122
566-24-3-095	*	*
566-24-3-097	17110 16012	* 159
566-24-3-100	15662	*
566-24-3-105	15994 17034 17035	147 158 159
566-24-3-108	16081 17065	152, 173
566-24-3-140	15662	*
566-24-3-148	15654	162
566-24-3-173	15998	158, 92
566-24-3-313	16012	159
566-24-3-500	15991 15999 15996 17061 17066 15990	* * 87 90 90 87

Goodyear Part No.	Airsprings.com Part No.	Page
566-24-3-501	15612 15617 15629 15630 15714 16026 16008 16080 17034	155 155 * 155 117, 156 * 157 157 158
566-24-3-502	15615 15633	150 151
566-24-3-510	15657	144
566-24-3-513	15656	123
566-24-3-522	16105	119, 172
566-24-3-524	91501	*
566-24-3-528	17002	171
566-24-3-530	92508	*
566-26-3-005	15613	164
566-26-3-007	15616	167
566-26-3-011	15613	164
566-26-3-012	15616	167
566-26-3-015	15616	167
566-26-3-017	15616	167
566-26-3-018	15613	164
566-26-3-034	15993	162
566-26-3-036	15994	147
566-26-3-039	15993	162
566-26-3-051	15613	164
566-26-3-053	15994	147
566-26-3-056	*	*
566-26-3-068	15654 92600	162 162
566-26-3-075	15654 93210	162 90
566-26-3-148	15654	162
566-26-3-200	*	*
566-26-3-501	17106	*
566-26-3-502	16046	112
566-26-3-505	16230	113
566-26-3-518	17002	171
566-26-3-521	16067	119
566-26-3-522	16068	119
566-26-3-523	92504	120



Goodyear Part No.	Airsprings.com Part No.	Page
566-26-3-524	16066	*
566-26-3-801	15837	164
566-26-3-802	17002 15672	171 170
566-26-3-803	*	*
566-26-3-804	17003 17004	*
566-28-3-011	15635 15606 16092	164 164 165
566-28-3-015	16015 15738	163 172
566-28-3-020	15634 15653 16084 16091	167 167 168 168
566-28-3-021	15635 15606 16092	164 164 165
566-28-3-023	15738	172
566-28-3-026	*	*
566-28-3-030	93001	170
566-28-3-035	93001	170
566-28-3-500	15660 15672 16059 16084	* 170 * 168
566-28-3-501	15790 15867 15868 16917	177 172 173 181
566-28-3-502	16100 15867 15868	* 172 173
566-28-3-503	16065 15907 15660 16091ATP	198 197, 91 * 168
566-28-3-504	15902 15903	177 179
566-28-3-505	15961 16905	178 181
566-28-3-506	16056 16057	*
566-28-3-510	15669 15671	171 172
566-28-3-518	*	*
566-28-3-529	93003 93004	170 171

Goodyear Part No.	Airsprings.com Part No.	Page
566-28-3-530	15635 92802	164 165
566-28-3-548	15606	164
578-92-2-234	15784	131
578-92-2-285	15784	131
578-92-3-200	15603	131
578-92-3-202	15603 15784	131 131
578-92-3-206	15599 15670	*
578-92-3-2150	15803	197
578-92-3-2151	16036	137
578-92-3-2250	15603 15599	131 131
578-92-3-2450	16136	200
578-92-3-307	15666	135
578-92-3-309	15650 15645 15646	134 116 134
578-92-3-310	15666	135
578-92-3-315	15645	116
578-92-3-353	15663 15647 16022M	133 133 *
578-92-3-356	*	*
578-93-3-100	15607 15627 15673	138 138 138
578-93-3-350	15737 15736	139 138

Keva Part No.	Airsprings.com Part No.	Page
5644	15622	183
5661	15621	183
5662	15623	183
5673	15927	188
5701	15706	186
5706	94506	*
5713	15929	188
5715	15626	184
5716	15693	*



Keva Part No.	Airsprings.com Part No.	Page
5719	15701	186
5720	15702	186
5724	16101	173
5725	15867	172
5727	15700	185
5728	15930	*
5737	16017	*
5746	*	*
5757	16018	190
5767	15698	185
5768	16019	*
5769	15705	*
5775	16238	*
5782	15703	*
5786	15933	189
5788	15934	*
5813	15634	167
5817	15938	*
5819	15966	190
5836	17066	90
5838	15940	*
5873	15941	*
5876	17092	*
5881	15790 16917	177 181
5882	15944	189
5883	15945	*
5884	15946	*
5887	16224	88
5896	15639	184
5897	15642	185
5901	93200	*
5902	16104	112
5916	15912	187
5921	16221	*
5927	15637	184
5928	15625	183
5936	*	*
5940	15916 15919	177 132

Keva Part No.	Airsprings.com Part No.	Page
5941	15901 16918	177 181
5942	15902 15903	177 179
5943	15696	*
5944	15704	186
5945	15641	184
5951	15959	178
5975	15937	189
51415	94604	*
51421	15960	190
51774	15913	188
51788	*	*
51819	*	*
51885	15948	189
51924	16214	*
54004	15651	161
54008	15672	170
54022	16099 16098	161 161
54023	16091	168
54028	93002 15634	170 167
54150	15608	145
54154	91801	114
54156	15610	150
54158	15657	144
54390	15956	104
54420	16048	124
54713	15656	123
54718	15658	124
54758	94006	*
54810	16092	165
54813	15653	167
54838	15963	104
54881	15961 16905	178 181
54882	94005 94102	* 103
54883	94003 94101	102 103
54884	94001 94100	102 103



Keva Part No.	Airsprings.com Part No.	Page
54913	16105	119, 172
54915	16232	*
54940	16241	180
54941	16242	180
54942	93401	*
54960	15909	178
54961	16244	181
54962	93400	*
56605	93914	126
56606	93910	125
56607	93911	125
56608	92500	124
234506	92501	120
240301	15717	*
240302	92508	*
240303	92506	121
240304	92505	121
240305	92502	120
240306	92507	121
240307	92503	120
286199	16067	119
286200	16068	119
404530	16166	191
415104	15993	162
415112	15601	115, 160
415151	16009	145
415401	16077	145
415501	*	*
415603	16028	*
415607	15998	158, 92
415611	17065	173
417111	15654	162
419112	15616	167
419602	15738	172
419702	15613	164
516251	15619	115, 160
541525	15908	187
541528	15954	190
54156CA01	15633	151
54156CA03	15615	150

Keva Part No.	Airsprings.com Part No.	Page
54156CA04	16081	152
54157CA01	15731	142
54157CA02	15732	142
54157CA03	15782	143
54157CA06	15769	142
54159CA01	15612	155
54159CA03	15617	155
54159CA05	15630	155
54159CA08	15614	155
54159CA10	16008	157
54390CA01	15957	104
54390CA02	16155	105
54390CA03	16156	105
54390CA04	93916	107
54390CA05	93917	108
54737CA	16227	106
54737CA01	16228	106
54757CA	15962	104
54757CA02	16160	106
54838CA01	15964	105
54838CA02	15965	105
54911CA01	16230	113
54912CA01	16046	112
5725CA01	15868	173
5809BB	15773	*
5809BC	16054	*
5810CA	15635	164
5811CA	15907	167, 91
5836CA01	15990	87
5836CA02	17066	90
5836CA03	17060	90
5836CA04	17061	90
5912CA01	15669	171
5912CA02	15671	172



Meritor Part No.	Airsprings.com Part No.	Page
17204516	15606	164
17204517	15635	164
21208082	15635	164
21208327	15606	164
21215632	15635	164
21215633	15634	167
21215761	15633	151
21215762	15633	151
21215891	15629	*
21221307	15731	142
21221349	15672	170
21221356	15670	132
21221393	15603	131
21221395	15603	131
21222239	15634	167
21222442	15732	142
21222663	15603	131
21222673	15671	172
21223269	16077	145
21225331	92801	165
21226039	15629	*
21226046	15633	151
21226068	16276	136
21229214	92605	163
21229455	92583	*
21229530	92584	*
21229914	92581	*
21229915	92582	*
MLF7000	15621	183
MLF7001	15622	183
MLF7002	15845	*
MLF7003	15700	185
MLF7004	15702	186
MLF7005	15703	*
MLF7006	15927	188
MLF7007	15625	183
MLF7008	15642	185
MLF7009	15637	184
MLF7010	15639	184
MLF7011	15954	190

Meritor Part No.	Airsprings.com Part No.	Page
MLF7012	15948	189
MLF7013	15944	189
MLF7014	15937	189
MLF7015	15630	155
MLF7016	*	*
MLF7017	15990	87
MLF7018	15991	*
MLF7019	15999	*
MLF7020	16200F	*
MLF7022	15619	115, 160
MLF7023	15769	142
MLF7025	16092	165
MLF7026	15634	167
MLF7027	15635	164
MLF7028	16091	168
MLF7029	16092	165
MLF7030	16099	161
MLF7031	*	*
MLF7032	*	*
MLF7033	15601	115, 160
MLF7034	15653	167
MLF7035	*	*
MLF7036	15599	131
MLF7037	15657	144
MLF7038	15783	144
MLF7039	15669	171
MLF7040	15961	178
MLF7041	16905	181
MLF7042	*	*
MLF7043	15902	177
MLF7044	16098	161
MLF7045	15961	178
MLF7046	15918	179
MLF7047	15901	177
MLF7048	15959	178
MLF7050	15709	112
MLF7051	15712	117, 148
MLF7052	15714	117, 156
MLF7053	16224	88
MLF7055	16228	106



Meritor Part No.	Airsprings.com Part No.	Page
MLF7056	17060	90
MLF7057	17066	90
MLF7058	15996	87
MLF7059	15996	87
MLF7060	15061	*
MLF7061	15654	162
MLF7062	*	*
MLF7063	16046	112
MLF7064	15617	155
MLF7065	16917	181
MLF7066	15790	177
MLF7067	15615	150
MLF7068	15630	155
MLF7069	15709	112
MLF7070	15647	133
MLF7074	15778	134
MLF7075	15783	144
MLF7076	16051	*
MLF7077	15994	147
MLF7078	15816	*
MLF7079	15613	164
MLF7080	15750	142
MLF7081	16105	119, 172
MLF7082	15960	190
MLF7083	15669	171
MLF7084	15946	*
MLF7085	15912	187
MLF7086	15908	187
MLF7087	15698	185
MLF7088	15945	*
MLF7089	15623	183
MLF7090	16109	*
MLF7093	15901	177
MLF7094	15651	161
MLF7095	16099	161
MLF7097	16080	157
MLF7098	15656	123
MLF7100	*	*
MLF7101	16084	168
MLF7103	15867	172

Meritor Part No.	Airsprings.com Part No.	Page
MLF7104	15917	179
MLF7105	15868	173
MLF7107	15903	179
MLF7108	15956	104
MLF7109	15957	104
MLF7110	15905	179
MLF7111	15907	167, 91
MLF7112	15738	172
MLF7113	15747	149, 93
MLF7114	15916	177
MLF7115	15612	155
MLF7116	16101	173
MLF7117	15610 16019	150 *
MLF7118	15907	167, 91
MLF7119	15966	190
MLF7120	15608	145
MLF7121	16016	149
MLF7122	15671	172
MLF7123	15940	*
MLF7124	15941	*
MLF7125	15641	184
MLF7126	16081	152
MLF7127	15946	*
MLF7128	15614	155
MLF7129	15954	190
MLF7130	16077	145
MLF7131	17028	152
MLF7132	15712	117, 148
MLF7133	15714	117, 156
MLF7135	16098	161
MLF7136	94002	102
MLF7137	94003	102
MLF7138	94001	102
MLF7139	16109	*
MLF7141	15717	*
MLF7142	92505	121
MLF7143	92502	120
MLF7144	92503	120
MLF7145	15658	124



Meritor Part No.	Airsprings.com Part No.	Page
MLF7146	16067	119
MLF7147	15929	188
MLF7148	15705	*
MLF7149	16232	*
MLF7151	92500	124
MLF7152	92500	124
MLF7153	16232	*
MLF7154	93914	126
MLF7155	15706	186
MLF7156	15701	186
MLF7157	93910	125
MLF7158	15626	184
MLF7159	15940	*
MLF7160	15941	*
MLF7163	15653	167
MLF7164	15962	104
MLF7165	16227	106
MLF7166	16228	106
MLF7167	16068	119
MLF7168	15615	150
MLF7169	15617	155
MLF7170	93911	125
MLF7171	16048	124
MLF7172	16045	88
MLF7175	16244	181
MLF7177	15916	177
MLF7179	15657	144
MLF7180	15750	142
MLF7181	93910	125
MLF7182	92506	121
MLF7183	15709	112
MLF7184	15603	131
MLF7185	15923	188
MLF7186	15897	202
MLF7190	15816	*
MLF7191	15803	197

Monroe Part No.	Airsprings.com Part No.	Page
7172 62 725	50517	81
7172 62 778	50518	*
7172 69 647	50514	82
CB 0006	50514	82
CB 0030	50517	81
CB 0039	53620	82
CB 0055	53620	82
CB 0074	50516	*
CB 0075	15515	76
CB 0082	15512	76
CB 0083	15513	76

Phoenix Part No.	Airsprings.com Part No.	Page
1 D 23 A-1	*	*
1 D 23 E-2	*	*
1 D 23 E-3	16080	157
1 D 23 G-1	17038	*
1 D 24-35L	94902	176
1 D 28 A-10	16092	165
1 D 28 A-12	16092	165
1 D 28 A-13	92802	166
1 D 28 A-2	15635	164
1 D 28 A-5	15635	164
1 D 28 B-10	16091	168
1 D 28 B-12	15634	167
1 D 28 B-2	15634	167
1 D 28 B-4	16065	168
1 D 28 B-7	15907	167, 91
1 D 28 B-8	15634	167
1 D 28 B-9	15653	167
1 D 28 C-12	15672	170
1 D 28 C-126	*	*
1 D 28 C-26	*	*
1 D 28 C-9122	15616	167
1 D 28 D-10	15669	171
1 D 28 D-2	15671	172
1 D 28 F-1	93002	170



Phoenix Part No.	Airsprings.com Part No.	Page
1 D 28 F-3	93003	170
1 D 28 F-5	93004	171
1 D 28 G-26	*	*
1 D 28 G-56	*	*
1 D 28 G-9121	15613	164
1 D 28 H-13	*	*
1 D 28 H-16	16105	119, 172
1 DF 22 C-1	15656	123
1 DF 25 A-1	*	*
1 DF 25 A-10	*	*
1 DF 25 A-2	*	*
1 DF 25-1	15991	*
1 DF 25-11	17066	90
1 DF 25-12	15990	87
1 DF 25-13	15996	87
1 DF 25-14	17060	90
1 DF 25-15	17061	90
1 DF 25-4	15999	*
1 DK 19-1	16232	*
1 DK 20 A-1	15782	143
1 DK 20 A-51	15769	142
1 DK 20 B-1	15657	144
1 DK 20 B-4	15785	144
1 DK 20 C-2	15750	142
1 DK 20 C-54	15731	142
1 DK 21	15901	177
1 DK 21 A-3	15732	142
1 DK 21 A-31	15732	142
1 DK 21 A-4	15731	142
1 DK 21 A-9	*	*
1 DK 21 B-4	16008	157
1 DK 21 K	15916	177
1 DK 21 K-3	15909	178
1 DK 22 E-11	16098	161
1 DK 22 E-5	15651	161
1 DK 22 E-6	16099	161
1 DK 22 E-8	15651	161
1 DK 22 E-9	16099	161
1 DK 23 F-1	91801	114
1 DK 23 F-9039	15608	145

Phoenix Part No.	Airsprings.com Part No.	Page
1 DK 23 H-0742	*	*
1 DK 23 H-0743	15602	146
1 DK 23 H-9105	15644	146
1 DK 23 I-15	*	*
1 DK 23 I-21	*	*
1 DK 23 K-28	15633	151
1 DK 23 K-54	15615	150
1 DK 23 K-9082	15610	150
1 DK 23 K-9096	15611	150
1 DK 23 K-9211	15690	151
1 DK 23 K-9780	17065	173
1 DK 23 L-1	15783	144
1 DK 23 L-25	15617	155
1 DK 23 L-27	16008	157
1 DK 23 L-55	15617	155
1 DK 23 L-7308	15714	117, 156
1 DK 23 L-9101	15612	155
1 DK 23 L-9130	*	*
1 DK 23 L-9131	15630	155
1 DK 23 L-9192	15614	155
1 DK 23 P-9371	16028	*
1 DK 25-8747	15654	162
1 DK 28 A-7	92800	*
1 DK 28 B-7	92900	169
1 DK 28 B-8	*	*
1 DK 28 D-3	15617	155
1 DK 28 F-3	93003	170
1 DK 28 F-4	16046	112
1 DK 32	15790	177
1 DK 32 E-4	15791	176
1 DK 32 L	15902	177
1 E 06	*	*
1 E 14	15966	190
1 E 16	*	*
1 E 16-1	*	*
1 E 17	*	*
1 E 17 A-1	*	*
1 E 17 B-1	15997	174
1 E 18	15705	*
1 E 21	15622	183



Phoenix Part No.	Airsprings.com Part No.	Page
1 E 21 A	*	*
1 E 21 C	15641	184
1 E 21 D	15703	*
1 E 21-205	*	*
1 E 21-214	*	*
1 E 21-22	*	*
1 E 21-25	*	*
1 E 21-6	15687	185
1 E 21-E	*	*
1 E 23	*	*
1 E 25	15621	183
1 E 25-21	*	*
1 E 25-22	*	*
1 E 25-26	*	*
1 E 26	15706	186
1 E 26 A	*	*
1 E 26 A-01	*	*
1 E 26 A-03	*	*
1 E 26 A-07	*	*
1 E 26 A-11	*	*
1 E 26 A-13	*	*
1 E 26-1	15997	174
1 E 26-3	93603	*
1 E 26-5	*	*
1 E 27	16019	*
1 E 32	15623	183
1 F 14	15933	189
1 F 16	15944	189
1 F 20 A	15946	*
1 F 20 B	15948	189
1 F 21	15702	186
1 F 21 A	15927	188
1 F 21 C-2	*	*
1 F 21 C-5	15912	187
1 F 21 D	15929	188
1 F 25	15626	184
1 F 25-14	*	*
1 F 26	*	*
1 F 26 B-1	15693	*
1 F 26 C	16018	190

Phoenix Part No.	Airsprings.com Part No.	Page
1 F 26 D	15940	*
1 F 32	15698	185
1 F 32 A	15700	185
1 F 32 B	15701	186
1 G 12 B-04	*	*
1 G 16	*	*
1 G 21	*	*
1 KF 21-1	15956	104
1 KF 21-2	15957	104
1 KF 21-21	93917	108
1 KF 21-22	93916	107
2 D 23 C-1	*	*
2 D 24-01	*	*
2 D 24-02	*	*
2 D 24-35 L	*	*
2 D 24-35 NP	*	*
2 D 24-35 P	*	*
2 E 18 A	15639	184
2 E 18 B	15637	184
2 E 18 C	15639	184
2 E 23	15642	185
2 E 23 A	*	*
2 F 18	*	*
2 F 18-1	*	*
2 G 20	15908	187
2 G 20 A	15954	190
2 G 20-02	*	*
C 075185	15515	76
C 091340	*	*
SP 1B 04	90101	129
SP 1B 05	*	*
SP 1B 07	*	*
SP 1B 12	90104	130
SP 1B 22	90105	130
SP 1B 34	90106	130
SP 2B 04 R	*	*
SP 2B 05 R	*	*
SP 2B 05 RA	*	*
SP 2B 07 R	*	*
SP 2B 12 R	15670	132



Phoenix Part No.	Airsprings.com Part No.	Page
SP 2B 12 R-1	15603	131
SP 2B 12 R-5	15599	131
SP 2B 12 RA-10	15603	131
SP 2B 12 RA-3	15599	131
SP 2B 12 RA-4	*	*
SP 2B 22 R	*	*
SP 2B 22 R-1	*	*
SP 2B 34 R	16022	133

Pirelli	Airsprings.com Part No.	Page
20	15603	131
20	15724	*
22	15778	134
26	15774	*
245	15846	*
1GC130-30	50505	70
1GC170-20	*	*
1GC195-12	*	*
1S215-22	17162	97
1S215-22	15966	190
1S215-22	*	*
1S215-22	*	*
1S215-23	17071	*
1S215-23C	*	*
1S215-24	94502	*
1S215-25	17073	*
1S215-25	*	*
1S260-34	*	*
1S270-19C	17173	99
1S270-19C	17174	100
1S270-19C	17175	100
1S270-19C	17176	100
1S270-20V	17074	195
1S270-20V	*	*
1S270-20V	*	*
1S270-20V	*	*
1S270-20V	*	*
1S270-23	17137	95

Pirelli Part No.	Airsprings.com Part No.	Page
1S270-23	17138	95
1S270-23	17139	95
1S270-23	17141	96
1S270-23	17142	96
1S270-23	17143	96
1S270-23	17140	95
1S270-23C	17136	94
1S270-23C	17177	100
1S270-23C	17178	101
1S270-23C	17179	101
1S270-23C	15687	185
1S270-23V	*	*
1S270-23V	*	*
1S270-23V	*	*
1S270-26	17058	*
1S270-27	94503	*
1S270-30	94504	*
1S280-25	15908	187
1S280-28	15954	190
1S285-18	15696	*
1S285-18	*	*
1S285-18	*	*
1S285-18C	17055	192
1S285-19C	17024	*
1S285-20	17056	*
1S285-20	17056	*
1S285-20	*	*
1S285-20	*	*
1S285-20	*	*
1S285-20	*	*
1S285-20	17144	96
1S285-20	17145	97
1S285-20	15704	186
1S285-20	*	*
1S285-20	*	*
1S285-22C	17057	*
1S285-22C	*	*
1S285-22C	*	*
1S285-23V	*	*
1S285-23V	*	*
1S285-24	15622	183



Pirelli Part No.	Airsprings.com Part No.	Page
1S285-25	15641	184
1S285-25	*	*
1S285-25	*	*
1S285-25	*	*
1S285-25BR	*	*
1S285-25C	17168	98
1S285-25C	17169	98
1S285-25C	17170	99
1S285-26	17058	*
1S285-29	17079	*
1S290-23V	94505	*
1S290-23V	*	*
1S290-23V	*	*
1S290-23V	*	*
1S290-23V	*	*
1S290-23V	*	*
1S290-23V	*	*
1S290-23V	*	*
1S290-23V	*	*
1S290-23V	*	*
1S290-30V	94505	*
1S300-27	16109	*
1S310-28RF	15621	183
1S320-17	*	*
1S320-23	17051	*
1S320-23	*	*
1S320-30	15642	185
1S320-30	*	*
1S323-23	16017	*
1S323-24	17059	*
1S323-25	*	*
1S323-25	*	*
1S323-25	*	*
1S323-34	*	*
1S323-36	17080	193
1S323-36C	*	*
1S323-36C	*	*
1S323-40	15629	*
1S323-40	17081	*
1S323-40	*	*

Pirelli Part No.	Airsprings.com Part No.	Page
1SC240-30BB	*	*
1SC250-19	17171	99
1SC250-19	17172	99
1SC250-19	17082	194
1SC250-19	*	*
1SC250-28	15944	189
1SC250-28	*	*
1SC250-29	*	*
1SC250-29	*	*
1SC250-29BB	15945	*
1SC260-30	17163	97
1SC260-30	17164	97
1SC260-30	17166	98
1SC260-30	17167	98
1SC260-30	17025	192
1SC260-32	17026	192
1SC260-32	17026	192
1SC260-34	*	*
1SC270-19	17072	194
1SC270-25C	15844	187
1SC270-28	15948	189
1SC270-30	15948	189
1SC290-30	15702	186
1SC300-34	15693	*
1SC310-16	15626	184
1SC360-30	15698	185
1SC360-30	*	*
1SC360-34	15700	185
1SC360-34	*	*
1SC360-43	15701	186
1T19E-1	15635	164
1T19E-1	16092	165
1T19E-1	92801	165
1T19E-2	15634	167
1T19E-2	16091	168
1T19E-2	92900	169
1T19E-2	*	*
1T19E-2	*	*
1T19E-2	15907	167, 91
1T19E-2L	15669	171



Pirelli Part No.	Airsprings.com Part No.	Page
1T19E-3	15672	170
1T19E-3	*	*
1T19E-4	16046	112
1T19E-6	*	*
1T19E-6	*	*
1T19E-93	16105	119, 172
1T252	93600	*
1T252-2	15992	174
1T252-2	*	*
1T252-2	*	*
1T252-2C	*	*
1T275	94501	*
1T275-2	*	*
1T280-30	93300	*
1T280-40	15769	142
1T280-40	*	*
1T300-27	16098	161
1T300-37	15651	161
1T300-37	16099	161
1T323-32	15633	151
1T323-32	*	*
1T323-32	*	*
1T323-33	15633	151
1T323-33	15651	161
1T323-40	15617	155
1T323-40	15630	155
1T323-40	16008	157
1T323-40	16080	157
1T323-40	*	*
1T323-40	*	*
1T323-40BG	*	*
1T323-40BG	*	*
1TC300-30K	16919	182
1TC300-36	16918	181
1TC300-36	16918	181
1TC300-38	15732	142
1TC300-38	*	*
1TC360-40K	16905	181
1TC360-45	16917	181
1TC360-45	16917	181

Pirelli Part No.	Airsprings.com Part No.	Page
1TS260-28	94015	102
1TS290-28	*	*
1TS300-28	15656	123
1VSC285-30	15956	104
1VSC285-30	15957	104
1VSC300-26	15962	104
21BBR	15775	94
21BR	15779	133
22B	15646	134
28BR	16190	136
322BB	17040	139
322BR	15777	94
A.S. E2	15634	167
A.S. E2BR	15653	167

Sachs Part No.	Airsprings.com Part No.	Page
105408	50532	75
105414	50533	75
115731	50508	70
135194	15523	72
135195	15524	72
135196	15523	72
135197	15524	72
135198	53307	74
135199	53308	74
135200	53308	74
290987	50519	81
290998	50533	75
310619	50515	81
	50517	81
310620	50517	81
	50531	*
310820	50521	71
310821	50525	72
311663	50533	75
312465	50531	*
312465	15528	79
	50519	81



Taurus Part No.	Airsprings.com Part No.	Page
B 101	15937	189
B 102	15933	189
B 106	*	*
B 116	15706	186
B 126	16018	190
B 127	16017	*
B 132	*	*
B 141	15927	188
B 144	15626	184
B 149	15698	185
B 153	15701	186
B 154	15702	186
	15912	187
B 156	15705	*
B 159	*	*
B 160	16221	*
B 165	15642	185
B 178	15625	183
B 179	15637	184
B 197	15693	*
B 271	15908	187
B 272	15954	190
B 402	*	*
B 414	*	*
BL 114	15621	183
BL 121	15622	183
BL 124	15703	*
BL 128	16109	*
BL 143	15698	185
BL 249	15946	*
F 211	15923	188
F 212	*	*
F 218	15603	131
F 221	*	*
F 222	*	*
F 322	*	*
K 114-11	*	*
K 114-12	*	*
K 114-13	*	*
K 114-14	*	*

Taurus Part No.	Airsprings.com Part No.	Page
K 114-16	*	*
K 121-06	*	*
K 121-17	*	*
K 144-14	*	*
K 144-16	*	*
K 144-17	*	*
K 147-03	15997	174
K 147-1	*	*
K 151-09	93209	*
K 156-05	*	*
K 159-03	15997	174
K 159-07	*	*
K 159-13	*	*
K 177-05	*	*
K 271-02	15908	187
K 402-04	*	*
K 402-06	*	*
K 404-04	*	*
K 414-05	*	*
K 414-06	*	*
K 509-24	15714	117, 156
K 71-1	*	*
KF 209-205	*	*
KF 211-201	*	*
KF 211-202	*	*
KF 218	15603	131
KF 218-201	15784	131
KF 218-204	15603	131
KF 218-210	15599	131
KF 218-6902	*	*
KF 218-6905	*	*
KF 218-6910	15603	131
	15784	131
KF 218-6941	*	*
KF 222-302	15646	134
KF 222-7180	15646	134
KF 222-7185	*	*
KF 222-7400	15645	116
KF 222-7401	16006	*
KF 222-7403	15650	134



Taurus Part No.	Airsprings.com Part No.	Page
KF 222-7404	*	*
KF 222-7405	*	*
KF 222-7406	*	*
KF 222-7408	*	*
KF 222-7409	*	*
KF 222-7410	*	*
KF 222-7424	*	*
KF 222-7437	*	*
KR 504-21	*	*
KR 504-24	*	*
KR 506-28 (NP)	15633	151
KR 509-24	15714	117, 156
KR 509-25	15617	155
KR 509-34	16080	157
KR 509-9091	15617	155
KR 509-9131	15630	155
KR 612-26	*	*
KR 621-18	16092	165
KR 621-26	15635	164
KR 622-01	15653	167
KR 622-06	16065	168
KR 622-18	16091	168
KR 622-23	16084	168
KR 622-26	*	*
KR 622-31	15907	167, 91
KR 622-58	15634	167
KR 624-18	16091ATP	168
KR 625-13	*	*
KR 625-14	15671	172
KR 625-16	16105	119, 172
KR 625-18	15669	171
KR 721-01	15990	87
KR 721-03	15996	87
KR 721-13	*	*
KR 725-27 (steel piston)	15651	161
KR 725-28 (plastic piston)	15651	161
KR 915-51	15769	142
KR 915-52	15782	143
KR 915-53	*	*

Taurus Part No.	Airsprings.com Part No.	Page
PF 212-396	*	*
UR 506-28	15615	150
UR 509-25	*	*
UR 622-03	*	*
UR 625-16	16105	119, 172
UR 721-03	15999	*
UR 721-04	*	*
UR 721-06	15991	*
UR 725-27	15651	161

Vibracoustic Part No.	Airsprings.com Part No.	Page
V 1 D 23 E-2	*	*
V 1 D 23 E-3	16080	157
V 1 D 28 A-10	*	*
V 1 D 28 A-12	92805	166
V 1 D 28 A-2	15635	164
V 1 D 28 B-10	16091	168
V 1 D 28 B-2	15634	167
V 1 D 28 B-4	16065	168
V 1 D 28 B-6	15634	167
V 1 D 28 B-7	15907	167, 91
V 1 D 28 B-8	15634	167
V 1 D 28 B-9	15653	167
V 1 D 28 C-12	15672	170
V 1 D 28 C-126	*	*
V 1 D 28 C-26	*	*
V 1 D 28 C-9122	15616	167
V 1 D 28 C-9158	*	*
V 1 D 28 D-10	15669	171
V 1 D 28 D-2	*	*
V 1 D 28 D-4	15671	172
V 1 D 28 F-1	93002	170
V 1 D 28 F-2	*	*
V 1 D 28 F-5	93004	171
V 1 D 28 G-26	*	*
V 1 D 28 H-13	94103	*
V 1 D 28 H-16	16105	119, 172
V 1 DF 16-2	94010	*



Vibracoustic Part No.	Airsprings.com Part No.	Page
V 1 DF 16-2 NP	94002	102
V 1 DF 18-2	*	*
V 1 DF 18-3	16045	88
V 1 DF 19 B-1	94100	103
V 1 DF 19 B-1 NP	94001	102
V 1 DF 22 C-1	15656	123
V 1 DF 25 A-1	*	*
V 1 DF 25 A-1 NP	*	*
V 1 DF 25 A-10	*	*
V 1 DF 25 A-2	*	*
V 1 DF 25-1	*	*
V 1 DF 25-11	17066	90
V 1 DF 25-12	15990	87
V 1 DF 25-13	15996	87
V 1 DF 25-14	17060	90
V 1 DF 25-15	17061	90
V 1 DF 25-23	*	*
V 1 DK 19-1	16232	*
V 1 DK 20 A-1	15782	143
V 1 DK 20 A-51	15769	142
V 1 DK 20 B-1	15657	144
V 1 DK 20 B-1 NP	*	*
V 1 DK 20 B-3	*	*
V 1 DK 20 C-2	15750	142
V 1 DK 20 C-5	*	*
V 1 DK 20 E-1	*	*
V 1 DK 21	15916	177
V 1 DK 21 A-3	15732	142
V 1 DK 21 A-31	15732	142
V 1 DK 21 A-4	15731	142
V 1 DK 21 A-9	*	*
V 1 DK 21 B-4	*	*
V 1 DK 21 B-6	15617	155
V 1 DK 21 B-9	15617	155
V 1 DK 21 K	15916	177
V 1 DK 21 K-3	15909	178
V 1 DK 22 A-1	*	*
V 1 DK 22 A-3	*	*
V 1 DK 22 E-10	16098	161
V 1 DK 22 E-5	15651	161

Vibracoustic Part No.	Airsprings.com Part No.	Page
V 1 DK 22 E-6	16099	161
V 1 DK 22 E-8	15651	161
V 1 DK 22 E-9	16099	161
V 1 DK 23 F-1	91801	114
V 1 DK 23 F-9039	15608	145
V 1 DK 23 I-15	*	*
V 1 DK 23 I-21	*	*
V 1 DK 23 I-24	*	*
V 1 DK 23 K-28	15633	151
V 1 DK 23 K-29	15615	150
V 1 DK 23 K-53	*	*
V 1 DK 23 K-54	16081	152
V 1 DK 23 K-9082	15610	150
V 1 DK 23 K-9780	17065	173
V 1 DK 23 L-25	15617	155
V 1 DK 23 L-40	92000	157
V 1 DK 23 L-42	15714	117, 156
V 1 DK 23 L-55	15617	155
V 1 DK 23 L-9101	15612	155
V 1 DK 23 L-9131	15630	155
V 1 DK 23 L-9370	*	*
V 1 DK 25-8747	15654	162
V 1 DK 28 A-037	*	*
V 1 DK 28 A-13	92802	166
V 1 DK 28 A-7	*	*
V 1 DK 28 A-8050	15738	172
V 1 DK 28 B	15772	*
V 1 DK 28 B-7	92900	169
V 1 DK 28 B-8	*	*
V 1 DK 28 F-3	93003	170
V 1 DK 28 F-4	16046	112
V 1 DK 28 F-4 NP	15910	*
V 1 DK 28 H-3	*	*
V 1 DK 32	15790	177
V 1 DK 32 E-4	15791	176
V 1 DK 32 K	15961	178
V 1 DK 32 L	15902	177
V 1 E 10	15937	189
V 1 E 10 A-9	93209	*
V 1 E 14	15966	190



Vibracoustic Part No.	Airsprings.com Part No.	Page
V 1 E 16	*	*
V 1 E 16-1	*	*
V 1 E 17	*	*
V 1 E 18	15705	*
V 1 E 18-3	*	*
V 1 E 18-5	*	*
V 1 E 19-1	*	*
V 1 E 19-2	*	*
V 1 E 19-3	*	*
V 1 E 19-4	*	*
V 1 E 20-1	16237	*
V 1 E 21	15622	183
V 1 E 21 D	15703	*
V 1 E 21 E	15641	184
V 1 E 21-206	*	*
V 1 E 21-217	*	*
V 1 E 21-22	*	*
V 1 E 21-23	*	*
V 1 E 21-25	*	*
V 1 E 21-6	15687	185
V 1 E 23	*	*
V 1 E 25	15621	183
V 1 E 25-21	*	*
V 1 E 25-22	*	*
V 1 E 25-24	*	*
V 1 E 25-26	*	*
V 1 E 25-5	*	*
V 1 E 25-8	*	*
V 1 E 26	15706	186
V 1 E 26 A	*	*
V 1 E 26 A-11	*	*
V 1 E 26 A-13	*	*
V 1 E 26 A-14	*	*
V 1 E 26 A-3	*	*
V 1 E 26 A-7	*	*
V 1 E 26-1	15997	174
V 1 E 26-3	92603	174
V 1 E 26-5	*	*
V 1 E 32	15623	183
V 1 F 14	15933	189

Vibracoustic Part No.	Airsprings.com Part No.	Page
V 1 F 16	15944	189
V 1 F 20 A	15946	*
V 1 F 20 A-1	*	*
V 1 F 20 B	15948	189
V 1 F 21	15702	186
V 1 F 21 A	15927	188
V 1 F 21 C-2	*	*
V 1 F 21 C-5	15912	187
V 1 F 21 C-6	*	*
V 1 F 21 D	15929	188
V 1 F 25	15626	184
V 1 F 25-14	*	*
V 1 F 25-16	*	*
V 1 F 25-17	*	*
V 1 F 26	*	*
V 1 F 26 B-1	15693	*
V 1 F 26 C	16018	190
V 1 F 26 D	15940	*
V 1 F 30-1	*	*
V 1 F 32	15698	185
V 1 F 32 A	15700	185
V 1 F 32 B	15701	186
V 1 G 12	*	*
V 1 G 12 A	*	*
V 1 G 12 A-4	*	*
V 1 G 12 A-6	*	*
V 1 G 12 B-4	*	*
V 1 G 12 B-5	*	*
V 1 G 12-5	*	*
V 1 G 12-6	*	*
V 1 G 12-7	*	*
V 1 G 16	*	*
V 1 G 25-A	*	*
V 1 KF 21-1	15956	104
V 1 KF 21-2	15964	105
V 1 KF 24-1	15962	104
V 1 KF 24-2	94018	*
V 1 KF 25-1	15963	104
V 1 KF 25-2	15964	105
V 1 KF 25-3	15965	105



Vibracoustic Part No.	Airsprings.com Part No.	Page
V 2 B 12 R	15774	*
V 2 E 18 B	15637	184
V 2 E 23	15642	185
V 2 E 23 A	15625	183
V 2 G 20	15908	187
V 2 G 20 A	15954	190
V 2 G 20-02	*	*
V SP 2 B 07 R-2	*	*
V SP 2 B 12 R	15603	131
V SP 2 B 12 R-1	*	*
V SP 2 B 12 R-10	15603	131
V SP 2 B 12 R-10	*	*
V SP 2 B 12 R-5	15599	131
V SP 2 B 12 R-8	*	10
V SP 2 B 12 RA-10	15670	132
V SP 2 B 12 RA-3	15599	131
V SP 2 B 22 R-7180	15646	134
V SP 2 B 22 R-7400	15645	116
V SP 2 B 22 R-7401	16006	*
V SP 2 B 22 R-7403	15650	134






Section 2



Cab Spring Technical Drawings

Note: Manufactures part numbers used in this catalogue are for cross reference purposes only and do not imply the origin or manufacturer of the product.



Airsprings.com Part No. 53489		Front Air Spring & Shock Absorber			
	OE Part No		Cross Ref		
	DAF 95XF	1353451			
		1285394			
		1353454			
	Top M25 - Bottom M14				



Airsprings.com Part No. 53490		Rear Air Spring & Shock Absorber			
	OE Part No		Cross Ref		
	DAF 95XF	1265281			
		1285393			
		1353450			
		1353453			
		1622211			
	Top M14 - Bottom M14				





Airsprings.com Part No. 15510



70mm Air Spring

OE Part No		Cross Ref	
Hino	52270-2253	Firestone	W02-358-7035



Airsprings.com Part No. 15530



Cabin Air Spring

OE Part No		Cross Ref	
Hino	S50C0-0050		



Airsprings.com Part No. 15531



Cabin Suspension Air Spring

OE Part No		Cross Ref	
Hino	70303515		
	70305D1		




Airsprings.com Part No. 15532



Cabin Suspension Air Spring

OE Part No		Cross Ref	
Hino	6100201		
	60913001		




Airsprings.com Part No.	15533	700 Cabin Suspension Air Spring (Rear)	
	OE Part No		Cross Ref
	Hino	50893914	
		7041502	

Airsprings.com Part No.	15534	700 Cabin Suspension Air Spring (Front)	
	OE Part No		Cross Ref
	Hino	7032701	
		7032704	


Airsprings.com Part No.	15535	Cabin Suspension Air Spring (Front)	
	OE Part No		Cross Ref
	Hino	52270-1350	






Airsprings.com Part No.	50521	Front Air Spring Only			
	OE Part No		Cross Ref		
	Iveco	500357351	Airtech	128012K	
		(Stralis)	Sachs	310820	
Top Ø32 - Bottom Ø20					




Airsprings.com Part No.	50522	Front Air Spring Only			
	OE Part No		Cross Ref		
	Iveco	500340705	Airtech	128013K	
		(Stralis)			
Top Ø32 - Bottom Ø20					



Airsprings.com Part No.	50523	Rear Air Spring Only			
	OE Part No		Cross Ref		
	Iveco	500340706	Airtech	128014K	
		(Stralis)			
Top Ø20 - Bottom Ø20					



Airsprings.com Part No.	50524	Rear Air Spring Only			
	OE Part No		Cross Ref		
	Iveco	504060233	Airtech	128015K	
		(Stralis)			
Top Ø16 - Bottom Ø16					





Airsprings.com Part No. 50525

Rear Air Spring Only



Top Ø20 - Bottom Ø20

OE Part No		Cross Ref	
Iveco	500357352	Airtech	128016K
	(Stralis)	Sachs	310821



Airsprings.com Part No. 15523

Front Air Spring & Shock Absorber



OE Part No		Cross Ref	
MAN	85.41722.6008	Airtech	206014K
	85.41722.6014	Sachs	135194
	85.41722.6022		135196



Airsprings.com Part No. 15524

Front Air Spring & Shock Absorber



OE Part No		Cross Ref	
MAN	85.41722.6009	Airtech	206015K
	85.41722.6015	Sachs	135195
	85.41722.6023		135197

Airsprings.com Part No. 50162

Front Air Spring & Shock Absorber




Top Ø14 - Bottom M12 x 1.5


OE Part No		Cross Ref	
MAN	81.41722.6048	Airtech	203001K
	81.41722.6051	Connect	CA 11004
	(F-90, F-2000)		



Airsprings.com Part No.		50163		Rear Air Spring & Shock Absorber			
				OE Part No		Cross Ref	
				MAN	81.41722.6049	Airtech	204001K
					81.41722.6052	Connect	CA 11005
					(F-90, F-2000)		
				Top Ø14 - Bottom Ø14			

Airsprings.com Part No.		53303		Front Air Spring & Shock Absorber (2003 onward)			
				OE Part No		Cross Ref	
				MAN	81.41722.6053		
					(TGA)		



Airsprings.com Part No.		53304		Front Air Spring & Shock Absorber (up to 2002)			
				OE Part No		Cross Ref	
				MAN	81.41722.6054		
					(TGA)		



Airsprings.com Part No.		53305		Rear Air Spring & Shock Absorber LH (2003 onward)			
				OE Part No		Cross Ref	
				MAN	81.41722.6055		
					(TGA)		





Airsprings.com Part No.	53306	Rear Air Spring & Shock Absorber RH (2003 onwards)			
		OE Part No		Cross Ref	
		MAN	81.41722.6056		
			(TGA)		


Airsprings.com Part No.	53307	Rear Air Spring & Shock Absorber LH (up to 2002)			
		OE Part No		Cross Ref	
		MAN	81.41722.6057	Airtech	206057 K
			85.41722.6006	Sachs	135198
			85.41722.6012		
			85.41722.6023		
			(TGA)		

Airsprings.com Part No.	53308	Rear Air Spring & Shock Absorber RH (up to 2002)			
		OE Part No		Cross Ref	
		MAN	81.41722.6058	Airtech	206058 K
			85.41722.6007	Sachs	135199
			85.41722.6013		135200
			85.41722.6024		
			(TGA)		




Airsprings.com Part No.		50511		Front Air Spring & Shock Absorber			
				OE Part No		Cross Ref	
				Mercedes	A 942 890 29 19	Airtech	205001K
					(Actros)	Connect	CA 11006
				Top Ø25 - Bottom Ø14			


Airsprings.com Part No.		50512		Rear Air Spring & Shock Absorber			
				OE Part No		Cross Ref	
				Mercedes	A 942 890 02 19	Airtech	206001K
					(Actros)	Connect	CA 11007
				Top Ø14 - Bottom Ø14			

Airsprings.com Part No.		50532		Front Air Spring Only			
				OE Part No		Cross Ref	
				Mercedes	A 942 890 52 19	Airtech	207001K
					(Actros)	Sachs	105408
				Top Ø14 - Bottom Ø25			



Airsprings.com Part No.		50533		Front Air Spring Only			
				OE Part No		Cross Ref	
				Mercedes	A 942 890 53 19	Airtech	208001K
					A 942 890 59 19	Sachs	105414
					A 943 890 38 19		290998
					(Actros)		311663
				Top Ø14 - Bottom Ø25			




Airsprings.com Part No.	15512	Rear Air Spring Only			
	OE Part No		Cross Ref		
	Renault	5.010.092.916	Airtech	121053	
			Monroe	CB0082	
			Contitech	SZ50-8	


Ø92 x 115

Airsprings.com Part No.	15513	Rear Air Spring Only			
	OE Part No		Cross Ref		
	Renault	5.010.313.619	Airtech	121054	
		5.010.266.845	Monroe	CB0083	
			Contitech	SZ50-10	
			Connect	C 321054	

Ø92 x 115

Airsprings.com Part No.	15514	Rear Air Spring Only			
	OE Part No		Cross Ref		
	Renault	5.010.133.079	Contitech	SZ50-6	
			Connect	C 21005	


Ø92 x 93


Airsprings.com Part No.	15515	Front Air Spring Only			
	OE Part No		Cross Ref		
	Renault	5.010.130.797	Airtech	121051	
		5.010.629.414	Monroe	CB0075	
		(Kerax/Premium)	Contitech	SZ50-9	
			Connect	C 321051	
			Phoenix	C 075185	

Ø92 x 125





Airsprings.com Part No. 15516		Front Air Spring Only			
	OE Part No		Cross Ref		
	Renault	5.010.320.096	Contitech	816-Z	
		5.000.791.272			
	MAGNUM	E-TECH 00/05			


Airsprings.com Part No. 15519		Rear Air Spring & Shock Absorber			
	OE Part No		Cross Ref		
	Renault	5.010.228.908	Airtech	228908K	
		(Premium)	Contitech	SZ36-10	
		5.010.316.783			
		5.010.269.674			
		5.010.316.783			

Top M12 x 1.75 - Bottom M12 x 1.75 Ø



Airsprings.com Part No. 15521		Rear Air Spring Only			
	OE Part No		Cross Ref		
	Renault	5.010.615.879	SACHS	25376537	
	PREMIUM	440 DXI			
		450 DXI			



Airsprings.com Part No. 15522		Front Air Spring Only			
	OE Part No		Cross Ref		
	Renault	5.010.491.301	Airtech	121086	
			Contitech	SK86-10	
	MAGNUM	DXI 12			





Airsprings.com Part No. 15525



Front Air Spring Only

OE Part No		Cross Ref	
Renault	5.010.629.414	Airtech	121414
	(Premium)	Contitech	SZ 50-9 P02



Airsprings.com Part No. 50534





Rear Air Spring Only


OE Part No		Cross Ref	
Renault	5.010.228.849	Airtech	228849
		Monroe	CB0070
MAGNUM	E-TECH		







Airsprings.com Part No.		15528		Front / Rear Air Spring Only			
		OE Part No		Cross Ref			
		Scania	1444016	Airtech	121209		
	(R Series)	Sachs	312465				
Ø43 x 265							


Airsprings.com Part No.		50155		Front Air Spring & Shock Absorber			
		OE Part No		Cross Ref			
		Scania	1435859	Airtech	202186K		
	1476415	Connect	CA 11002				
	1381919						
	1381904						
	1397400						
	(4 Series)						
Top M12 x 1.75 - Bottom M12 x 1.75							


Airsprings.com Part No.		50156		Rear Air Spring & Shock Absorber			
		OE Part No		Cross Ref			
		Scania	1476415	Airtech	202187K		
	1381919	Connect	CA 11003				
	1435856						
	1382826						
	1381906						
	(4 Series)						
Top M12 x 1.75 - Bottom M16 x 2							


Airsprings.com Part No.		50157		Front Air Spring & Shock Absorber			
		OE Part No		Cross Ref			
		Scania	1349840	Airtech	201180K		
	1424228	Connect	CA 11008				
	1381904						
	1363122						
	1397396						
	(4 Series)						
Top M12 x 1.75 - Bottom M12 x 1.75							




Airsprings.com Part No.		50158		Rear Air Spring & Shock Absorber			
		OE Part No		Cross Ref			
		Scania	1382827	Airtech	201181K		
			1389840	Connect	CA 11009		
			1424229				
			1349844				
			(4 Series)				
		Top M12 x 1.75 - Bottom M16x 2					


Airsprings.com Part No.		50159		Front / Rear Air Spring & Shock Absorber			
		OE Part No		Cross Ref			
		Scania	370227	Airtech	101169K		
			550365	Connect	CA 11001		
			1116535				
			1117334				
			1314279				
			1331621				
			1348117				
			1348120				
			1348211				
Top M12 x 1.75 - Ø14							

Airsprings.com Part No.		50501		Air Spring Only			
		OE Part No		Cross Ref			
		Scania	1349840	Airtech	121201		
			(4 Series)	Connect	C 321201		
		Ø93 x 256					


Airsprings.com Part No.		50502		Air Spring Only			
		OE Part No		Cross Ref			
		Scania	-	Airtech	121101		
			(3 Series)	Connect	C 321101		
		Ø97 x 263					




Airsprings.com Part No. 50503		Air Spring Only			
		OE Part No		Cross Ref	
		Scania	1476415	Airtech	121202
	1381919	Connect	C 321202		
	(4 Series)				
Ø90 x 249					

Airsprings.com Part No. 50515		Front / Rear Air Spring Only			
		OE Part No		Cross Ref	
		Scania	1424231	Airtech	121207
	(4 Series)	Sachs	310619		
Ø93 x 275					




Airsprings.com Part No. 50517		Rear Air Spring & Shock Absorber			
		OE Part No		Cross Ref	
		Scania	1424231	Airtech	128001K
	1505563	Sachs	310619		
	(R Series)		310620		
		Monroe	CB0030		
			7172 62 725		
Top M12 x 1.75 - Bottom M14					




Airsprings.com Part No. 50519		Front Air Spring & Shock Absorber			
		OE Part No		Cross Ref	
		Scania	1444016	Airtech	128003K
	1424227	Sachs	312465		
	1363120		290987		
	1397386				
	1397390				
	1397392				
	(R Series)				
Top M12 x 1.75 - Bottom M12 x 1.75					




Airsprings.com Part No.	50509	Front Air Spring & Shock Absorber			
	OE Part No		Cross Ref		
	Volvo	1629724	Airtech	128020K	

Airsprings.com Part No.	50510	Rear Air Spring & Shock Absorber			
	OE Part No		Cross Ref		
	Volvo	1075076	Airtech	128022K	



Airsprings.com Part No.	50514	Rear Air Spring & Shock Absorber			
	OE Part No		Cross Ref		
	Volvo	20427897	Airtech	128021K	
		20721169	Monroe	CB0006	
		(FH12 / FH16)		7172 69 647	



Airsprings.com Part No.	53620	Front Air Spring & Shock Absorber			
	OE Part No		Cross Ref		
	Volvo	20453256	Airtech	128023K	
		20889132-1	Monroe	CB0039	
		(FH12)		CB0055	





Section 3





Car Spring Technical Drawings

Note: Manufactures part numbers used in this catalogue are for cross reference purposes only and do not imply the origin or manufacturer of the product.

Airsprings.com Part No.		90900		Front	
		OE Part No		Cross Ref	
		Range Rover	NTC9819		
	Classic 1993-97				

Airsprings.com Part No.		90901		Rear	
		OE Part No		Cross Ref	
		Range Rover	NTC9820		
	Classic 1993-97				

Airsprings.com Part No.		90902		Front	
		OE Part No		Cross Ref	
		Range Rover	RKB101740		
	1997-2001				

Airsprings.com Part No.		90903		Rear	
		OE Part No		Cross Ref	
		Range Rover	RKB101460		
	1997-2001				





Airsprings.com Part No. 90904



Rear			
OE Part No		Cross Ref	
Range Rover	Discovery 2		



Airsprings.com Part No. 90907



Front Right Hand Side			
OE Part No		Cross Ref	
Range Rover	RNB000740		
	L322 Models (02-06)		



Airsprings.com Part No. 90908



Front Left Hand Side			
OE Part No		Cross Ref	
Range Rover	RNB000750		
	L322 Models (02-06)		

Airsprings.com Part No. 15593




Rear			
OE Part No		Cross Ref	
Driverite	9002	Firestone	W21-760-9002
			100x70



Airsprings.com Part No.	15597	Rear			
		OE Part No		Cross Ref	
		Driverite	9000	Firestone	W21-760-9000
				100x70	

Airsprings.com Part No.	15517	Rear			
		OE Part No		Cross Ref	
		Glide Rite		Contitech	SZ135-23

Airsprings.com Part No.	15518	Rear			
		OE Part No		Cross Ref	
		Glide Rite		Contitech	SZ135-19





Section 4



Airspring Technical Drawings

Manufacturer	Page
DAF Truck & Bus.....	87
ERF Truck.....	92
Foden Truck	93
Iveco Truck & Bus.....	94
MAN Truck & Bus	102
Mercedes Truck & Bus.....	104
Renault Truck & Bus	112
Scania Truck & Bus.....	115
Volvo Truck & Bus	123
General Airsprings	129

Fixings Key

Metric

●	Bolt/Stud	M12 x 1.75mm
⊙	Threaded Hole	M8 x 1.75mm on Top Plate M12 x 1.75mm on Piston
⊗	Air Inlet	M22 x 1.5mm or M14 or M12
⊕	Combo Stud	External M20 x 1.5mm, Internal M12 External M22 x 1.5mm, Internal M12 External M20 x 1.5mm, Internal M14

Imperial

●	Bolt/Stud	1/2" - 13 UNC
⊙	Threaded Hole	3/8" UNC on Top Plate 1/2" - 13 UNC on Piston
⊗	Air Inlet	3/4" NPT or 1/4" NPT
⊕	Combo Stud	External 3/4" - 16, Internal 1/4" NPT

Note: Manufactures part numbers used in this catalogue are for cross reference purposes only and do not imply the origin or manufacturer of the product.

Airsprings.com Part No. 15618				
Assembly View	Top Plate	Bottom Plate	OE Part No	Cross Ref
			DAF 609861	Firestone 1T26D-7
				W01-D08-9310
			Service Assy.	
			DAF 696229	
			Granning 15674	
Height: 533mm - 155mm		Imperial		

Airsprings.com Part No. 15725				
Assembly View	Top Plate	Bottom Plate	OE Part No	Cross Ref
			DAF 1234880	Contitech SK 145-25
				Firestone 127mm
				W02-D08-9903
Height: 612mm - 208mm				

Airsprings.com Part No. 15990		Bolt Kit B20078		
Assembly View	Top Plate	Bottom Plate	OE Part No	Cross Ref
			DAF 0297721	Contitech 836 MK7
				Dunlop Fr D13B33
				Firestone 1T17AR-4.5
				W01-M58-8715
				Goodyear 1R12-723
				Keva 5836CA01
				Meritor MLF7017
				Phoenix 1 DF 25-12
				Vibracoustic V 1 DF 25-12
			Height: 505mm - 165mm	

Airsprings.com Part No. 15996		Bolt Kit B20078		
Assembly View	Top Plate	Bottom Plate	OE Part No	Cross Ref
			DAF 0083656	Airtech 3836-02K
				Connect MD 1836K02
				Contitech 836 M2K1
				Dunlop Fr D13B31
				Firestone 1T17AR-4.5
				W01-M58-8721
				Goodyear 1R12-711
				Meritor MLF7058
				Phoenix 1 DF 25-13
				Vibracoustic V 1 DF 25-13
Height: 505mm - 165mm		Metric		

● Bolt/Stud | ● Threaded Hole | ⊗ Air Inlet | ⊙ Combo Stud

Airsprings.com Part No. 16045		Bolt Kit		B20078		
Assembly View	Top Plate	Bottom Plate	OE Part No		Cross Ref	
			DAF	1141525	Airtech	3887K
					Connect	MD 1887K01
					Contitech	887 MBK6
					Meritor	MLF7172
					Vibracoustic	V 1 DF 18-3
Height: 470mm - 165mm		Metric				

Airsprings.com Part No. 16195		Bolt Kit		B20078		
Assembly View	Top Plate	Bottom Plate	OE Part No		Cross Ref	
			DAF	1448543	Firestone	1T15AAAZ-6
						W01-M58-8678
Height: 510mm - 130mm		Metric				

Airsprings.com Part No. 16218		Bolt Kit		B20078		
Assembly View	Top Plate	Bottom Plate	OE Part No		Cross Ref	
			DAF	1286251	Contitech	887 MK4
						Firestone
						W01-M58-8681
Height: 470mm - 165mm		Metric				

Airsprings.com Part No. 16224		Bolt Kit		B20078		
Assembly View	Top Plate	Bottom Plate	OE Part No		Cross Ref	
			DAF	0392022	Airtech	38683K
						Connect
					Contitech	887 MK1
					Firestone	1T15LNR-3
						W01-M58-8683
					Goodyear	1R11-798
					Keva	5887
					Meritor	MLF7053
Height: 470mm - 165mm		Metric				

● Bolt/Stud | ● Threaded Hole | ⊗ Air Inlet | ⊙ Combo Stud

Granning UK Ltd
 Granning Ireland Ltd
 Granning (NI) Ltd
 Granning Poland

+44 (0) 1925 810 400
 +353 (0) 45 875 996
 +44 (0) 2890 740 055
 +48 (0) 785 875 996



airsprings.com

Airsprings.com Part No. 16225		Bolt Kit	B20078	
Assembly View	Top Plate	Bottom Plate	OE Part No	Cross Ref
			DAF 1279141	Contitech 889 MK2
			1698434	Firestone 1T15LNR-5
				W01-M58-8679
Height: 530mm - 165mm		Metric		

Airsprings.com Part No. 16226		Bolt Kit	B20078	
Assembly View	Top Plate	Bottom Plate	OE Part No	Cross Ref
			DAF 1266382	Contitech 887 MK3
				Firestone 1T15LNR-3
				W01-M58-8682
Height: 470mm - 165mm		Metric		

Airsprings.com Part No. 16265		Bolt Kit	B20078	
Assembly View	Top Plate	Bottom Plate	OE Part No	Cross Ref
			DAF 0396714	Contitech BZ 450
				Firestone 1T15V-6
				W01-D08-8196
Height: 512mm - 148mm		Metric		

Airsprings.com Part No. 16270		Bolt Kit	B20078	
Assembly View	Top Plate	Bottom Plate	OE Part No	Cross Ref
			DAF 1307058/00	Firestone W01-D08-6388
			1698435	Gart T274
Height: 79mm		Metric		

● Bolt/Stud | ● Threaded Hole | ⊗ Air Inlet | ⊙ Combo Stud

Airsprings.com Part No.		17060		Bolt Kit		B20078	
Assembly View	Top Plate	Bottom Plate	OE Part No		Cross Ref		
			DAF	0377498	Airtech	3836-04K	
					Contitech	836 MBK4	
					Firestone	1T17AR-4.5	
							W01-M58-8705
					Keva	5836CA03	
					Meritor	MLF7056	
					Phoenix	1 DF 25-14	
					Vibracoustic	V 1 DF 25-14	
Height: 505mm - 220mm		Metric					

Airsprings.com Part No.		17061		Bolt Kit		B20078	
Assembly View	Top Plate	Bottom Plate	OE Part No		Cross Ref		
			DAF	0526651	Airtech	3836-06K	
					Contitech	836 MBK6	
					Firestone	1T17AR-4.5	
							W01-M58-8701
					Goodyear	1R12-768	
					Keva	5836CA04	
					Phoenix	1 DF 25-15	
					Vibracoustic	V 1 DF 25-15	
Height: 515mm - 215mm		Metric					

Airsprings.com Part No.		17066		Bolt Kit		B20078	
Assembly View	Top Plate	Bottom Plate	OE Part No		Cross Ref		
			DAF	0388165	Airtech	3836K	
					Connect	MD 1836K01	
					Contitech	836 MK1	
					Dunlop Fr	D13B32	
					Firestone	1T17AR-4.5	
							W01-M58-8722
					Goodyear	1R12-712	
					Keva	5836	
					Phoenix	1 DF 25-11	
					Vibracoustic	V 1 DF 25-11	
Height: 505mm - 165mm		Metric					

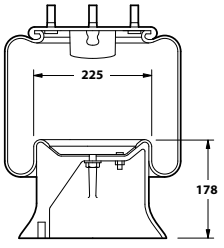
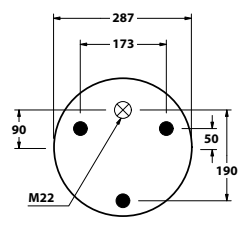
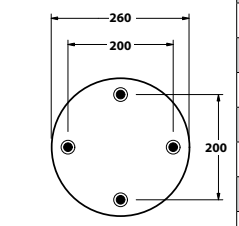
Airsprings.com Part No.		93210					
Assembly View	Top Plate	Bottom Plate	OE Part No		Cross Ref		
			DAF	1604668	Goodyear	1R13-165	
Height: 410mm - 200mm		Metric					

● Bolt/Stud | ● Threaded Hole | ⊗ Air Inlet | ⊙ Combo Stud

Granning UK Ltd +44 (0) 1925 810 400
 Granning Ireland Ltd +353 (0) 45 875 996
 Granning (NI) Ltd +44 (0) 2890 740 055
 Granning Poland +48 (0) 785 875 996



airsprings.com

Airsprings.com Part No.		15907					
Assembly View	Top Plate	Bottom Plate	OE Part No		Cross Ref		
			DAF	526823	Airtech	391324K	
				676122	Contitech	811MB-3	

● Bolt/Stud | ● Threaded Hole | ⊗ Air Inlet | ⊙ Combo Stud





Airsprings.com Part No. 15678					
Assembly View	Top Plate	Bottom Plate	OE Part No		Cross Ref
			ERF	1300807000	Goodyear 1R12-476
					566-24-3-076
Height: 445mm - 171mm					

Airsprings.com Part No. 15995		Bolt Kit		B20070	
Assembly View	Top Plate	Bottom Plate	OE Part No		Cross Ref
			Hendrickson	NS 500300	Goodyear 1R12-223
Height: 448mm - 152mm			Imperial		

Airsprings.com Part No. 15998		Bolt Kit		B20054	
Assembly View	Top Plate	Bottom Plate	OE Part No		Cross Ref
			Hendrickson	49048	Airtech 39466K
				49674	Firestone 1T15MT-6
Height: 508mm - 205mm			Imperial		
					W01-358-9466
					Goodyear 1R12-173
					Keva 415607

● Bolt/Stud | ● Threaded Hole | ⊗ Air Inlet | ⊙ Combo Stud



Airsprings.com Part No. 15676					
Assembly View	Top Plate	Bottom Plate	OE Part No	Cross Ref	
			Foden	Firestone	1T15M-6
					W01-F79-7349
Height: 512mm - 203mm		Metric			

Airsprings.com Part No. 15677						
Assembly View	Top Plate	Bottom Plate	OE Part No	Cross Ref		
			Foden	1300521000	Firestone	1T15T-1
					W01-F79-9397	
Height: 321mm - 122mm		Imperial				

Airsprings.com Part No. 15747						
Assembly View	Top Plate	Bottom Plate	OE Part No	Cross Ref		
			Foden	1300248000	Airtech	39069K
			Peterbilt	037112	Firestone	1T15M-4
Height: 457mm - 190mm		Imperial (Replaces 16010)			W01-358-9069	
				Meritor	MLF7113	

Airsprings.com Part No. 15755						
Assembly View	Top Plate	Bottom Plate	OE Part No	Cross Ref		
			Foden	1300335000	Firestone	1T15T-1
					W01-358-9402	
Height: 330mm - 140mm		Metric				

● Bolt/Stud | ● Threaded Hole | ⊗ Air Inlet | ⊙ Combo Stud



Airsprings.com Part No. 15775						
Assembly View	Top Plate	Bottom Plate	OE Part No	Cross Ref		
			Cardi	58053100	Firestone	W01-M58-6989
			Iveco	42107588	Gart	T274, C
					Pirelli	21BBR
Height: 330mm - 140mm		Metric				

Airsprings.com Part No. 15777						
Assembly View	Top Plate	Bottom Plate	OE Part No	Cross Ref		
			Iveco	42107595	Firestone	W01-M58-7523
					Pirelli	322BR
Height: 457mm - 115mm		Metric				

Airsprings.com Part No. 16032						
Assembly View	Top Plate	Bottom Plate	OE Part No	Cross Ref		
			Iveco	93163955	Firestone	1T15AA-6
				93163956		W01-M58-7313
			Neway			
Height: 500mm - 185mm		Metric				

Airsprings.com Part No. 17136						
Assembly View	Top Plate	Bottom Plate	OE Part No	Cross Ref		
			Iveco	42127021	CF Gomma	200392
				Turbostar		1S 270-23 C
						7501A392
Height: 398mm - 187mm						



● Bolt/Stud | ● Threaded Hole | ⊗ Air Inlet | ⊙ Combo Stud



Airsprings.com Part No. 17137							
Assembly View	Top Plate	Bottom Plate	OE Part No		Cross Ref		
			Iveco	41026256	CF Gomma	206790	
				Eurostar			1S 270-23
				Eurotech			7501206790
Height: 374mm - 164mm							



Airsprings.com Part No. 17138							
Assembly View	Top Plate	Bottom Plate	OE Part No		Cross Ref		
			Iveco	41026257	CF Gomma	206791	
				Eurostar			1S 270-23
				Eurotech			7501206791
Height: 374mm - 164mm							



Airsprings.com Part No. 17139							
Assembly View	Top Plate	Bottom Plate	OE Part No		Cross Ref		
			Iveco	41026285	CF Gomma	206792	
				Eurostar			1S 270-23
				Eurotech			7501206792
				Stralis			
Height: 374mm - 164mm							



Airsprings.com Part No. 17140							
Assembly View	Top Plate	Bottom Plate	OE Part No		Cross Ref		
			Iveco	41026286	CF Gomma	206793	
				Eurostar			1S 270-23
				Eurotech			7501206793
				Stralis			
Height: 374mm - 164mm							



● Bolt/Stud | ● Threaded Hole | ⊗ Air Inlet | ⊙ Combo Stud





Airsprings.com Part No. 17141							
Assembly View	Top Plate	Bottom Plate	OE Part No		Cross Ref		
<p>Height: 374mm - 164mm</p>			Iveco	41026270	CF Gomma	206794	
				Eurostar		1S 270-23	
				Eurotech		7501206794	
				Euromover			



Airsprings.com Part No. 17142							
Assembly View	Top Plate	Bottom Plate	OE Part No		Cross Ref		
<p>Height: 374mm - 164mm</p>			Iveco	41026271	CF Gomma	206795	
				Eurostar		1S 270-23	
				Eurotech		7501206795	
				Euromover			



Airsprings.com Part No. 17143							
Assembly View	Top Plate	Bottom Plate	OE Part No		Cross Ref		
<p>Height: 374mm - 194mm</p>			Iveco	41026260	CF Gomma	206796	
				Eurostar		1S 270-25	
				Eurotech		7501206796	
				Euromover			



Airsprings.com Part No. 17144							
Assembly View	Top Plate	Bottom Plate	OE Part No		Cross Ref		
<p>Height: 398mm - 187mm</p>			Iveco	4714019	CF Gomma	88817	
				Turbostar		1S 285-22	
				Turbotech		75018817	

● Bolt/Stud | ● Threaded Hole | ⊗ Air Inlet | ⊙ Combo Stud



Airsprings.com Part No. 17145						
Assembly View	Top Plate	Bottom Plate	OE Part No		Cross Ref	
<p>Height: 398mm - 187mm</p>			Iveco	4855242	CF Gomma	97028
						1S 285-22
						75017028



Airsprings.com Part No. 17162						
Assembly View	Top Plate	Bottom Plate	OE Part No		Cross Ref	
<p>Height: 445mm - 165mm</p>			Iveco	93817150	CF Gomma	97381
				Turbodaily		1S 215-22
						75017381



Airsprings.com Part No. 17163						
Assembly View	Top Plate	Bottom Plate	OE Part No		Cross Ref	
<p>Height: 357mm - 187mm</p>			Iveco	8166045	CF Gomma	97385
				Eurostar		1SC 260-30
						7517385



Airsprings.com Part No. 17164						
Assembly View	Top Plate	Bottom Plate	OE Part No		Cross Ref	
<p>Height: 357mm - 187mm</p>			Iveco	8166046	CF Gomma	97386
				Eurostar		1SC 260-30
						75017386



● Bolt/Stud | ● Threaded Hole | ⊗ Air Inlet | ⊙ Combo Stud





Airsprings.com Part No. 17166		OE Part No		Cross Ref		
Assembly View	Top Plate	Bottom Plate				
<p>Height: 392mm - 207mm</p>			Iveco	4855242	CF Gomma	97028
						1S 285-22
						75017028



Airsprings.com Part No. 17167		OE Part No		Cross Ref		
Assembly View	Top Plate	Bottom Plate				
<p>Height: 392mm - 207mm</p>			Iveco	93817150	CF Gomma	97381
				Turbodaily		1S 215-22
						75017381



Airsprings.com Part No. 17168		OE Part No		Cross Ref		
Assembly View	Top Plate	Bottom Plate				
<p>Height: 420mm - 205mm</p>			Iveco	8166045	CF Gomma	97385
				Eurostar		1SC 260-30
						7517385



Airsprings.com Part No. 17169		OE Part No		Cross Ref		
Assembly View	Top Plate	Bottom Plate				
<p>Height: 420mm - 205mm</p>			Iveco	8166046	CF Gomma	97386
				Eurostar		1SC 260-30
						75017386

● Bolt/Stud | ● Threaded Hole | ⊗ Air Inlet | ⊙ Combo Stud



Airsprings.com Part No. 17170						
Assembly View	Top Plate	Bottom Plate	OE Part No		Cross Ref	
			Iveco	98443123	CF Gomma	97574
				Eurotech		1S 285-25 C
						75017574
Height: 420mm - 205mm						



Airsprings.com Part No. 17171						
Assembly View	Top Plate	Bottom Plate	OE Part No		Cross Ref	
			Iveco	41006924	CF Gomma	201749
				Eurostar		1SC 250-19
				Eurotech		201749
Height: 252mm - 122mm						



Airsprings.com Part No. 17172						
Assembly View	Top Plate	Bottom Plate	OE Part No		Cross Ref	
			Iveco	41006925	CF Gomma	201750
				Eurostar		1SC250-19
				Eurotech		201750
Height: 252mm - 127mm						



Airsprings.com Part No. 17173						
Assembly View	Top Plate	Bottom Plate	OE Part No		Cross Ref	
			Iveco	41026279	CF Gomma	204279
				Eurotech		1S 270-19 C
						7501204279
Height: 288mm - 138mm						



● Bolt/Stud | ● Threaded Hole | ⊗ Air Inlet | ⊙ Combo Stud





Airsprings.com Part No. 17174						
Assembly View	Top Plate	Bottom Plate	OE Part No		Cross Ref	
<p>Height: 288mm - 138mm</p>			Iveco	41026280	CF Gomma	204280
				Eurotech		1S 270-19 C
						7501204280



Airsprings.com Part No. 17175						
Assembly View	Top Plate	Bottom Plate	OE Part No		Cross Ref	
<p>Height: 370mm - 140mm</p>			Iveco	42026246	CF Gomma	204281
				Eurotech		1S 270-19 C
						7501204281



Airsprings.com Part No. 17176						
Assembly View	Top Plate	Bottom Plate	OE Part No		Cross Ref	
<p>Height: 270mm - 140mm</p>			Iveco	41026247	CF Gomma	204282
				Eurotech		1S 270-19 C
						7501204282



Airsprings.com Part No. 17177						
Assembly View	Top Plate	Bottom Plate	OE Part No		Cross Ref	
<p>Height: 270mm - 140mm</p>			Iveco	41214820	CF Gomma	205312
				Eurotech		1S 270-23 C
						7501205312

● Bolt/Stud | ● Threaded Hole | ⊗ Air Inlet | ⊙ Combo Stud





Airsprings.com Part No. 17178						
Assembly View	Top Plate	Bottom Plate	OE Part No	Cross Ref		
			Iveco	41214821	CF Gomma	205313
				Eurotech		1S 270-23 C
						7501205313
Height: 375mm - 165mm						



Airsprings.com Part No. 17179						
Assembly View	Top Plate	Bottom Plate	OE Part No	Cross Ref		
			Iveco	41214813	CF Gomma	205314
				Eurotech		1S 270-23 C
						7501205314
Height: 375mm - 235mm						



Airsprings.com Part No. 17180						
Assembly View	Top Plate	Bottom Plate	OE Part No	Cross Ref		
			Iveco	41214814	CF Gomma	205315
				Eurotech		1S 270-23 C
						7501205315
Height: 375mm - 165mm						

Airsprings.com Part No. 91800						
Assembly View	Top Plate	Bottom Plate	OE Part No	Cross Ref		
			Neway	M0557048	Firestone	1T15M-4
			Iveco	500379055		W01-M58-8973
Height: 440mm - 165mm		Metric				

● Bolt/Stud | ● Threaded Hole | ⊗ Air Inlet | ⊙ Combo Stud

Airsprings.com Part No.		94001						
Assembly View	Top Plate	Bottom Plate	OE Part No		Cross Ref			
			MAN	81.43601.0152	Airtech	34884		
					Contitech	4884 N1 P01		
					Goodyear	1R11-820		
					Keva	54884		
					Meritor	MLF7138		
					Pirelli	1TS290-28		
					Vibracoustic	V 1 DF 19 B-1 NP		
Metric								

Airsprings.com Part No.		94002						
Assembly View	Top Plate	Bottom Plate	OE Part No		Cross Ref			
			MAN	81.43601.0151	Airtech	34882		
					Contitech	4882 N1 P01		
					Dunlop Fr	D10U01		
					Goodyear	1R10-702		
					Meritor	MLF7136		
					Vibracoustic	V 1 DF 16-2 NP		
Metric								

Airsprings.com Part No.		94003						
Assembly View	Top Plate	Bottom Plate	OE Part No		Cross Ref			
			MAN	81.4301.0153	Airtech	34883		
					Contitech	4883 N1 P01		
					Goodyear	1R11-804		
					Keva	54883		
					Meritor	MLF7137		
Metric								

Airsprings.com Part No.		94015						
Assembly View	Top Plate	Bottom Plate	OE Part No		Cross Ref			
			MAN	81.43600.6044	Airtech	34885K		
					Contitech	4885 N1 P02		
Metric								



● Bolt/Stud | ● Threaded Hole | ⊗ Air Inlet | ⊙ Combo Stud



Airsprings.com Part No.		94100						
Assembly View	Top Plate	Bottom Plate	OE Part No		Cross Ref			
			MAN	81.43600.6035	Airtech	34884K		
					Blacktech	RML 75995 C		
					Connect	MD 14884K		
					Contitech	4884 N1 P06		
					Keva	54884		
					Vibracoustic	V 1 DF 19 B-1		
Metric								

Airsprings.com Part No.		94101						
Assembly View	Top Plate	Bottom Plate	OE Part No		Cross Ref			
			MAN	81.43600.6037	Airtech	34883K		
					Blacktech	RML 75994 C		
					Contitech	4883 N1 P06		
					Keva	54883		
Metric								

Airsprings.com Part No.		94102						
Assembly View	Top Plate	Bottom Plate	OE Part No		Cross Ref			
			MAN	81.43601.6036	Airtech	34882K		
					Blacktech	RML 75993 C		
					Connect	MD 14882K		
					Contitech	4882 N1 P05		
					Keva	54882		
Metric								

Airsprings.com Part No.		94104					
Assembly View	Top Plate	Bottom Plate	OE Part No		Cross Ref		
			MAN	81.43600.6046	Airtech	34886K	
					Contitech	4886 NP01	
Metric							



● Bolt/Stud | ● Threaded Hole | ⊗ Air Inlet | ⊙ Combo Stud

Airsprings.com Part No.		15956		Old Voss 230 Fitting		(New Part 93917)	
Assembly View	Top Plate	Bottom Plate	OE Part No		Cross Ref		
			Mercedes	A 942 320 01 21	Airtech	4390-01K	
				Actros		Connect	MD 14390K01
					Contitech	4390 NP01	
						Dunlop Fr	D12S10
						Goodyear	9047
						Keva	54390
						Meritor	MLF7108
						Phoenix	1 KF 21-1
						Pirelli	1VSC285-30
						Vibracoustic	V 1 KF 21-1
Height: 482mm - 192mm		Metric					

Airsprings.com Part No.		15957		Old Voss 230 Fitting		(New Part 93916)	
Assembly View	Top Plate	Bottom Plate	OE Part No		Cross Ref		
			Mercedes	A 942 320 02 21	Airtech	4390-02K	
				Actros		Connect	MD 14390K02
					Contitech	4390 NP02	
						Dunlop Fr	D12S11
						Goodyear	9506
						Keva	54390CA01
						Meritor	MLF7109
						Phoenix	1 KF 21-2
						Pirelli	1VSC285-30
Height: 482mm - 192mm		Metric					

Airsprings.com Part No.		15962		Old Voss 230 Fitting		(New Part 93937)	
Assembly View	Top Plate	Bottom Plate	OE Part No		Cross Ref		
			Mercedes	A 974 320 01 17	Airtech	34757-01K	
				Actros		Connect	MD 14757K
					Contitech	4757 NP01	
						Gart	C299, A
						Goodyear	566-03-9-519
						Keva	54757CA
						Meritor	MLF7164
						Pirelli	1VSC300-26
						Vibracoustic	V 1 KF 24-1
Height: 270mm		Metric					

Airsprings.com Part No.		15963		Old Voss 230 Fitting		(New Part 93937)	
Assembly View	Top Plate	Bottom Plate	OE Part No		Cross Ref		
			Mercedes	A 946 320 04 21	Airtech	34838-01K	
				Atego		Connect	MD 14838K
					Contitech	4838 NP01	
						Keva	54838
						Vibracoustic	V 1 KF 25-1
Height: 585mm - 225mm		Metric					

● Bolt/Stud | ● Threaded Hole | ⊗ Air Inlet | ⊙ Combo Stud



Airsprings.com Part No. 15964		Old Voss 230 Fitting		(New Part 93940)		
Assembly View	Top Plate	Bottom Plate	OE Part No		Cross Ref	
			Mercedes	A 946 320 02 21	Airtech	34838-02K
				Atego	Contitech	4838 NP02
					Goodyear	566-03-9-522
					Keva	54838CA01
					Vibracoustic	V 1 KF 21-2
Height: 585mm - 225mm		Metric				

Airsprings.com Part No. 15965		Old Voss 230 Fitting		(New Part 93940)		
Assembly View	Top Plate	Bottom Plate	OE Part No		Cross Ref	
			Mercedes	A 946 320 01 21	Contitech	4838 NP03
				Atego	Keva	54838CA02
					Vibracoustic	V 1 KF 25-3
Height: 585mm - 225mm		Metric				

Airsprings.com Part No. 16155		Old Voss 230 Fitting		(New Part 93932)		
Assembly View	Top Plate	Bottom Plate	OE Part No		Cross Ref	
			Mercedes	A 942 320 04 21	Airtech	4390-03K
				Actros	Contitech	4390 NP03
					Keva	54390CA02
Height: 462mm - 192mm		Metric				

Airsprings.com Part No. 16156		Old Voss 230 Fitting		(New Part 93933)		
Assembly View	Top Plate	Bottom Plate	OE Part No		Cross Ref	
			Mercedes	A 942 320 03 21	Airtech	4390-04K
				A 942 320 51 21	Contitech	4390 NP04
				Actros	Keva	54390CA03
Height: 462mm - 192mm		Metric				

● Bolt/Stud | ● Threaded Hole | ⊗ Air Inlet | ⊙ Combo Stud

Airsprings.com Part No. 16160		Old Voss 230 Fitting		(New Part 93939)		
Assembly View	Top Plate	Bottom Plate	OE Part No		Cross Ref	
<p>Height: 310mm</p>			Mercedes	A 974 320 04 17	Airtech	34757-02K
				Actros	Connect	MD 14757P01
					Contitech	4757 NP09
					Gart	C299, A
					Goodyear	566-03-9-520
					Keva	54757CA02
					Pirelli	1VSC300-26
Metric						

Airsprings.com Part No. 16206		Old Voss 230 Fitting		(New Part 93935)		
Assembly View	Top Plate	Bottom Plate	OE Part No		Cross Ref	
<p>Height: 350mm - 150mm</p>			Mercedes	Vario	Contitech	819 NP01
Metric (Bellows 15996)						

Airsprings.com Part No. 16227		Old Voss 230 Fitting		(New Part 93935)		
Assembly View	Top Plate	Bottom Plate	OE Part No		Cross Ref	
<p>Height: 498mm - 185mm</p>			Mercedes	A946 320 03 21	Airtech	34737-01K
				Actros	Connect	MD 14737K
					Contitech	4737 NP01
					Goodyear	566-03-9-523
					Keva	54737CA
					Meritor	MLF7165
Metric						

Airsprings.com Part No. 16228		Old Voss 230 Fitting		(New Part 93936)		
Assembly View	Top Plate	Bottom Plate	OE Part No		Cross Ref	
<p>Height: 498mm - 185mm</p>			Mercedes	A946 320 05 21	Airtech	34737-02K
				Actros	Connect	MD 14737K
					Contitech	4737 NP02
					Goodyear	566-03-9-523
					Keva	54737CA
					Meritor	MLF7165
Metric						

● Bolt/Stud | ● Threaded Hole | ⊗ Air Inlet | ⊙ Combo Stud



Airsprings.com Part No.		17090					
Assembly View	Top Plate	Bottom Plate	OE Part No		Cross Ref		
			Mercedes	Vario	Blacktech	RL 92920	
					Contitech	819 MB	
					Gart	D296, D	
					Pirelli	1S215-22	
Height: 350mm - 150mm		Metric					

Airsprings.com Part No.		91300					
Assembly View	Top Plate	Bottom Plate	OE Part No		Cross Ref		
			Mercedes	Citaro	Contitech	644 NP01	
Height: 572mm - 192mm		Metric					

Airsprings.com Part No.		91306					
Assembly View	Top Plate	Bottom Plate	OE Part No		Cross Ref		
			Mercedes	Travego	Contitech	4644 NP02	
Height: 269mm		Metric					

Airsprings.com Part No.		93916		New Voss 232 Fitting			
Assembly View	Top Plate	Bottom Plate	OE Part No		Cross Ref		
			Mercedes	A 942 320 50 21	Airtech	34390-22K	
				Actros	Contitech	4390 NP22	
					Keva	54390CA04	
					Phoenix	1 KF 21-22	
Height: 482mm - 192mm		Metric (VOSS Fitting Included)					

● Bolt/Stud | ● Threaded Hole | ⊗ Air Inlet | ⊙ Combo Stud

Airsprings.com Part No. 93917			New Voss 232 Fitting			
Assembly View	Top Plate	Bottom Plate	OE Part No		Cross Ref	
			Mercedes	A942 320 49 21	Airtech	34390-21K
				Actros	Contitech	4390 NP21
					Keva	54390CA05
					Phoenix	1 KF 21-21
Height: 482mm - 192mm		Metric (VOSS Fitting Included)				

Airsprings.com Part No. 93918			New Voss 232 Fitting			
Assembly View	Top Plate	Bottom Plate	OE Part No		Cross Ref	
			Mercedes	942 320 22 21	Airtech	34183-23K
					Connect	MD 14183K24
					Contitech	4183 NP24
Height: 280mm		Metric				



Airsprings.com Part No. 93925			New Voss 232 Fitting			
Assembly View	Top Plate	Bottom Plate	OE Part No		Cross Ref	
			Mercedes	A 942 320 26 21	Airtech	34187-21K
					Contitech	4187 N P21
Metric						



Airsprings.com Part No. 93931			New Voss 232 Fitting			
Assembly View	Top Plate	Bottom Plate	OE Part No		Cross Ref	
			Mercedes	A 942 320 23 21	Airtech	34183-24K
					Contitech	4183 N P24
Metric						

● Bolt/Stud | ● Threaded Hole | ⊗ Air Inlet | ○ Combo Stud



Airsprings.com Part No. 93932		New Voss 232 Fitting				
Assembly View	Top Plate	Bottom Plate	OE Part No	Cross Ref		
			Mercedes	A 942 320 52 21	Airtech	34390-23K
				Actros	Contitech	4390 NP23
Metric						



Airsprings.com Part No. 93933		New Voss 232 Fitting				
Assembly View	Top Plate	Bottom Plate	OE Part No	Cross Ref		
			Mercedes	A 942 320 51 21	Airtech	34390-24K
				Actros	Contitech	4390 NP24
Metric						



Airsprings.com Part No. 93935		New Voss 232 Fitting				
Assembly View	Top Plate	Bottom Plate	OE Part No	Cross Ref		
			Mercedes	A 942 320 37 21	Airtech	34737-21K
				Actros	Contitech	4737 NP21
Metric						



Airsprings.com Part No. 93936		New Voss 232 Fitting				
Assembly View	Top Plate	Bottom Plate	OE Part No	Cross Ref		
			Mercedes	A 942 320 39 21	Airtech	34737-22K
				Actros	Contitech	4737 NP22
Metric						



● Bolt/Stud | ● Threaded Hole | ⊗ Air Inlet | ⊙ Combo Stud





Airsprings.com Part No. 93937			New Voss 232 Fitting			
Assembly View	Top Plate	Bottom Plate	OE Part No	Cross Ref		
			Mercedes	A942 320 43 21	Airtech	34757-21K
				Actros	Contitech	4757 NP21
Metric						



Airsprings.com Part No. 93938			New Voss 232 Fitting			
Assembly View	Top Plate	Bottom Plate	OE Part No	Cross Ref		
			Mercedes	A 942 320 31 21	Airtech	34757-22K
				Actros	Contitech	4757 NP22
Metric						



Airsprings.com Part No. 93939			New Voss 232 Fitting			
Assembly View	Top Plate	Bottom Plate	OE Part No	Cross Ref		
			Mercedes	A 942 320 32 21	Airtech	34757-29K
				Actros	Contitech	4757 NP29
Metric						



Airsprings.com Part No. 93940			New Voss 232 Fitting			
Assembly View	Top Plate	Bottom Plate	OE Part No	Cross Ref		
			Mercedes	A 942 320 36 21	Airtech	34838-22K
				Actros	Contitech	4838 NP22
Metric						

● Bolt/Stud | ● Threaded Hole | ⊗ Air Inlet | ○ Combo Stud



Airsprings.com Part No. 93941		New Voss 232 Fitting				
Assembly View	Top Plate	Bottom Plate	OE Part No	Cross Ref		
			Mercedes	A 942 320 35 21	Airtech	34838-23K
				Actros	Contitech	4838 NP23
Metric						



Airsprings.com Part No. 94020		Old Voss 230 Fitting				
Assembly View	Top Plate	Bottom Plate	OE Part No	Cross Ref		
			Mercedes	A 945 320 00 17	Airtech	34758-01K
				Actros	Contitech	4758 NP01
Metric						



Airsprings.com Part No. 94021		New Voss 232 Fitting				
Assembly View	Top Plate	Bottom Plate	OE Part No	Cross Ref		
			Mercedes	A 942 320 48 21	Airtech	34758-21K
				Actros	Contitech	4758 NP21
Metric						



● Bolt/Stud | ● Threaded Hole | ⊗ Air Inlet | ⊙ Combo Stud



Airsprings.com Part No. 15709						
Assembly View	Top Plate	Bottom Plate	OE Part No		Cross Ref	
			Renault	Truck	Airtech	39910K
			Neway	M00 57 000	Firestone	1T19G-12
						W01-M58-9910
					Meritor	MLF7050
Height: 545mm - 175mm		Metric				

Airsprings.com Part No. 16046			Bolt Kit		B20082	
Assembly View	Top Plate	Bottom Plate	OE Part No		Cross Ref	
			Renault	5.010.294.307	Airtech	34912K
					Blacktech	RML 75023 C
					Connect	MD 14912K
					Contitech	4912 N
					Firestone	1T19L-14
						W01-M58-8786
					Goodyear	1R13-711
					Keva	54912CA01
					Phoenix	1 DK 28 F-4
					Vibracoustic	V 1 DK 28 F-4
Height: 662mm - 236mm		Metric				

Airsprings.com Part No. 16104								
Assembly View	Top Plate	Bottom Plate	OE Part No		Cross Ref			
			Renault	5.010.211.724	Airtech	3902K		
						Truck	Blacktech	RML 7013 C
							Connect	MD 19902
							Contitech	902 N
							Keva	5902
Height: 545mm - 175mm		Metric						



Airsprings.com Part No. 16204								
Assembly View	Top Plate	Bottom Plate	OE Part No		Cross Ref			
			Renault	5.000.738.516	Airtech	3876K		
						5.000.640.399	Contitech	876 MB
						5.010.073.847		
Metric								

● Bolt/Stud | ● Threaded Hole | ⊗ Air Inlet | ⊙ Combo Stud





Airsprings.com Part No. 16213								
Assembly View	Top Plate	Bottom Plate	OE Part No	Cross Ref				
			Renault	5.010.347.891	Airtech	31924K		
					Contitech	1924 N1 P05		
Metric								

Airsprings.com Part No. 16230								
Assembly View	Top Plate	Bottom Plate	OE Part No	Cross Ref				
			Renault	5.010.294.308	Airtech	34911K		
					Blacktech	RML 75022 C		
					Connect	MD 14911K		
					Contitech	4911 N		
					Dunlop Fr	D13A09		
					Goodyear	1R13-714		
		Keva	54911CA01					
Height: 597mm - 256mm	Metric							



Airsprings.com Part No. 91303								
Assembly View	Top Plate	Bottom Plate	OE Part No	Cross Ref				
			Renault	5.010.073.846	Airtech	3661K		
					Contitech	661 NP01		
Metric								

Airsprings.com Part No. 91400								
Assembly View	Top Plate	Bottom Plate	OE Part No	Cross Ref				
			Renault	5.010.383.616	Firestone	1T15MPW-7		
			Hendrickson	59053-2		W01-M58-6260		
Height: 290mm - 122mm	Metric							

● Bolt/Stud | ● Threaded Hole | ⊗ Air Inlet | ⊙ Combo Stud



Airsprings.com Part No.		91801					
Assembly View	Top Plate	Bottom Plate	OE Part No		Cross Ref		
			Renault	5.010.294.252	Airtech	34154KPP	
				5.010.239.525	Blacktech	RML 75265 CP5	
					Contitech	4154 NP05	
					Firestone	W01-M58-8172	
					Keva	54154	
					Phoenix	1 DK 23 F-1	
					Vibracoustic	V 1 DK 23 F-1	
Height: 305mm		Metric					



Airsprings.com Part No.		93100					
Assembly View	Top Plate	Bottom Plate	OE Part No		Cross Ref		
			Renault	5.010.557.355	Airtech	34912-10K	
Metric							



Airsprings.com Part No.		93211					
Assembly View	Top Plate	Bottom Plate	OE Part No		Cross Ref		
			Renault	5.006.172.377	Airtech	31415.01K	
						Contitech	1415 NP01
Metric							

Airsprings.com Part No.		94511					
Assembly View	Top Plate	Bottom Plate	OE Part No		Cross Ref		
			Renault	E 316800035	Dunlop Fr	E 316 800 035	
Height: 263mm - 107mm		Metric					

● Bolt/Stud | ● Threaded Hole | ⊗ Air Inlet | ⊙ Combo Stud

Granning UK Ltd
 Granning Ireland Ltd
 Granning (NI) Ltd
 Granning Poland

+44 (0) 1925 810 400
 +353 (0) 45 875 996
 +44 (0) 2890 740 055
 +48 (0) 785 875 996



airsprings.com



Airsprings.com Part No. 15580				
Assembly View	Top Plate	Bottom Plate	OE Part No	Cross Ref
			Scania	1863244
Height: 275mm - 76mm		Metric		

Airsprings.com Part No. 15600				
Assembly View	Top Plate	Bottom Plate	OE Part No	Cross Ref
			Scania Bus	660252
			Firestone	1T15S-6
				W01-358-0622
Imperial				

Airsprings.com Part No. 15601		Bolt Kit		B20012		
Assembly View	Top Plate	Bottom Plate	OE Part No	Cross Ref		
			Scania	1314904	Airtech	37315K
			276696	Blacktech	RML 77315 C	
				Connect	MD 17315K	
				Firestone	1T15S-11	
					W01-M58-7315	
				Goodyear	1R11-828	
				Keva	415112	
				Meritor	MLF7033	
Height: 705mm - 246mm		Metric				

Airsprings.com Part No. 15619		Bolt Kit		B20012		
Assembly View	Top Plate	Bottom Plate	OE Part No	Cross Ref		
			Scania	1314903	Airtech	36251K
			1402423	Firestone	1T15S-6	
					W01-M58-6251	
				Goodyear	1R11-826	
				Keva	516251	
				Meritor	MLF7022	
Height: 464mm - 127mm		Metric				

● Bolt/Stud | ● Threaded Hole | ⊗ Air Inlet | ⊙ Combo Stud

Airsprings.com Part No.		15643					
Assembly View	Top Plate	Bottom Plate	OE Part No		Cross Ref		
<p>Height: 200mm</p>			Scania Bus	670210	Firestone	22C	
						W01-358-7177	
Imperial							

Airsprings.com Part No.		15645							
Assembly View	Top Plate	Bottom Plate	OE Part No		Cross Ref				
<p>Height: 305mm - 107mm</p>			Scania Bus	670199	Firestone	22C			
			Neway	905 016		W01-358-7400			
					Goodyear	2B12-309			
					Taurus	KF 222-7400			
					Vibracoustic	VSP 2 B 22R-7400			
Imperial									

Airsprings.com Part No.		15710							
Assembly View	Top Plate	Bottom Plate	OE Part No		Cross Ref				
<p>Height: 330mm - 77mm</p>			Scania	1319761	Airtech	2B-225			
					Contitech	FD 200-19			
					Firestone	20C-2			
						W01-M58-6891			
					Gart	T291, 2B			
					Goodyear	2B9-252			
Metric									

Airsprings.com Part No.		15711					
Assembly View	Top Plate	Bottom Plate	OE Part No		Cross Ref		
<p>Height: 360mm - 155mm</p>			Scania	1304528	Firestone	1T15M-2	
						W01-M58-7275	
Metric							

● Bolt/Stud | ● Threaded Hole | ⊗ Air Inlet | ⊙ Combo Stud

Granning UK Ltd
 Granning Ireland Ltd
 Granning (NI) Ltd
 Granning Poland

+44 (0) 1925 810 400
 +353 (0) 45 875 996
 +44 (0) 2890 740 055
 +48 (0) 785 875 996



airsprings.com

Airsprings.com Part No. 15712		Bolt Kit	B20019			
Assembly View	Top Plate	Bottom Plate	OE Part No	Cross Ref		
			Scania	1320151	Airtech	34154-04K
					Firestone	1T15M-4
						W01-M58-7283
					Meritor	MLF7051
						MLF7132
Height: 440mm - 145mm		Metric				

Airsprings.com Part No. 15713		Bolt Kit	B20019			
Assembly View	Top Plate	Bottom Plate	OE Part No	Cross Ref		
			Scania	1123386	Airtech	34156-12K
					Connect	MD 197295KP
					Firestone	1T15M-6
						W01-M58-7295
Height: 527mm - 200mm		Metric				

Airsprings.com Part No. 15714		Bolt Kit	B20012			
Assembly View	Top Plate	Bottom Plate	OE Part No	Cross Ref		
			Scania	1314905	Airtech	34159-06KPP
				255294	Connect	MD 197308KP
			Hendrickson		Firestone	1T15M-9
						W01-M58-7308
					Goodyear	1R12-713
					Meritor	MLF7052
					Phoenix	1 DK 23 L-7308
					Taurus	K 509-24
					Vibracoustic	V 1 DK 23 L-42
Height: 650mm - 245mm		Metric				

Airsprings.com Part No. 15715		Bolt Kit	B20012			
Assembly View	Top Plate	Bottom Plate	OE Part No	Cross Ref		
			Scania	1327144	Connect	MD 199104KP
					Firestone	1T15M-9
						W01-M58-7348
Height: 634mm - 216mm		Metric				

● Bolt/Stud | ● Threaded Hole | ⊗ Air Inlet | ⊙ Combo Stud

Airsprings.com Part No.		15735				
Assembly View	Top Plate	Bottom Plate	OE Part No		Cross Ref	
			Scania Bus	411726	Firestone	22
						W01-358-7411
Height: 305mm - 107mm		Imperial				

Airsprings.com Part No.		15795				
Assembly View	Top Plate	Bottom Plate	OE Part No		Cross Ref	
			Scania Bus	463100	Firestone	1T15LD-5
						W01-M58-7367
Height: 450mm - 150mm		Metric				

Airsprings.com Part No.		15797				
Assembly View	Top Plate	Bottom Plate	OE Part No		Cross Ref	
			Scania Bus	463102	Firestone	1T15LN-3
						W01-M58-7393
Height: 425mm - 200mm		Metric				

Airsprings.com Part No.		16034				
Assembly View	Top Plate	Bottom Plate	OE Part No		Cross Ref	
			Scania	1363007	Firestone	1T15LUX-11
						W01-M58-8948
Height: 704mm - 243mm		Metric (Service Assy.)				

● Bolt/Stud | ● Threaded Hole | ⊗ Air Inlet | ⊙ Combo Stud

Granning UK Ltd
 Granning Ireland Ltd
 Granning (NI) Ltd
 Granning Poland

+44 (0) 1925 810 400
 +353 (0) 45 875 996
 +44 (0) 2890 740 055
 +48 (0) 785 875 996



airsprings.com

Airsprings.com Part No.		16067						
Assembly View	Top Plate	Bottom Plate	OE Part No		Cross Ref			
			Scania	1386199	Airtech	36199K		
					Blacktech	RML 76199 C		
					Goodyear	1R13-744		
					Keva	286199		
					Meritor	MLF7146		
Metric								

Airsprings.com Part No.		16068						
Assembly View	Top Plate	Bottom Plate	OE Part No		Cross Ref			
			Scania	1386200	Airtech	36200K		
					Blacktech	RML 76200 C		
					Goodyear	1R13-745		
					Keva	286200		
					Meritor	MLF7167		
Metric								

Airsprings.com Part No.		16105						
Assembly View	Top Plate	Bottom Plate	OE Part No		Cross Ref			
<p>Height: 350mm</p>			Scania	1379392	Airtech	34913K		
				1440294	Blacktech	RML 75024 C		
					Contitech	4913 N		
					Firestone	1T19L-14		
								W01-M58-8098
					Goodyear	1R14-753		
					Keva	54913		
					Meritor	MLF7081		
					Phoenix	1 D 28 H-16		
					Vibracoustic	V 1 D 28 H-16		
Metric								

Airsprings.com Part No.		90208							
Assembly View	Top Plate	Bottom Plate	OE Part No		Cross Ref				
<p>Height: 181mm</p>			Scania	1510249					
Metric									



● Bolt/Stud | ● Threaded Hole | ⊗ Air Inlet | ⊙ Combo Stud

Airsprings.com Part No.		92501						
Assembly View	Top Plate	Bottom Plate	OE Part No		Cross Ref			
			Scania	1434506	Airtech	334506K		
					Connect	MD 14506K		
					Goodyear	1R11-832		
					Keva	234506		
Metric								

Airsprings.com Part No.		92502						
Assembly View	Top Plate	Bottom Plate	OE Part No		Cross Ref			
			Scania	1440305	Airtech	330305K		
					Goodyear	1R11-185		
					Keva	240305		
					Meritor	MLF7143		
Metric								

Airsprings.com Part No.		92503						
Assembly View	Top Plate	Bottom Plate	OE Part No		Cross Ref			
			Scania	1440307	Goodyear	566-22-2-117		
					Keva	240307		
					Meritor	MLF7144		
Metric								

Airsprings.com Part No.		92504						
Assembly View	Top Plate	Bottom Plate	OE Part No		Cross Ref			
Metric								

● Bolt/Stud | ● Threaded Hole | ⊗ Air Inlet | ⊙ Combo Stud



Airsprings.com Part No. 92504/1						
Assembly View	Top Plate	Bottom Plate	OE Part No	Cross Ref		
			Scania	1440301	Airtech	330301K
					Goodyear	1R13-746
Metric						

Airsprings.com Part No. 92505						
Assembly View	Top Plate	Bottom Plate	OE Part No	Cross Ref		
			Scania	1440304	Airtech	330304K
					Connect	MD 10304K
Metric						

Airsprings.com Part No. 92506						
Assembly View	Top Plate	Bottom Plate	OE Part No	Cross Ref		
			Scania	1521114	Airtech	331114K
					Goodyear	1R11-833
Height: 420mm - 240mm						
Metric						

Airsprings.com Part No. 92507						
Assembly View	Top Plate	Bottom Plate	OE Part No	Cross Ref		
			Scania	1440306	Airtech	330306K
					Goodyear	1R11-831
Height: 590mm - 330mm						
Metric						

● Bolt/Stud | ● Threaded Hole | ⊗ Air Inlet | ⊙ Combo Stud



Airsprings.com Part No.		92509					
Assembly View	Top Plate	Bottom Plate	OE Part No		Cross Ref		
			Scania	1726240	Goodyear	1R11-834	
Metric							

Airsprings.com Part No.		93000					
Assembly View	Top Plate	Bottom Plate	OE Part No		Cross Ref		
			Scania	1404701	Goodyear	1R12-472	
						1R12-810	
Height: 234mm - 745mm		Metric					

● Bolt/Stud | ● Threaded Hole | ⊗ Air Inlet | ⊙ Combo Stud



Airsprings.com Part No. 15605						
Assembly View	Top Plate	Bottom Plate	OE Part No		Cross Ref	
			Volvo Bus	367405	Firestone	1T15S-6
						W01-932-7002
Height: 489mm - 163mm		Imperial				

Airsprings.com Part No. 15652						
Assembly View	Top Plate	Bottom Plate	OE Part No		Cross Ref	
			Volvo	1698416	Goodyear	1R12-131
				8393786		566-24-3-052
Height: 324mm - 142mm		Imperial				

Airsprings.com Part No. 15655						
Assembly View	Top Plate	Bottom Plate	OE Part No		Cross Ref	
			Volvo	1081785	Airtech	140075
				20455245	Contitech	SK95-26

Airsprings.com Part No. 15656						
Assembly View	Top Plate	Bottom Plate	OE Part No		Cross Ref	
			Volvo	1076594	Airtech	34713K
					Blacktech	RML 75824 C
					Connect	MD 147134
					Contitech	4713 NP02
					Dunlop Fr	D12B24
					Firestone	1 T 17 BR-8
						W01-M58-9706
					Goodyear	1R12-762
					Keva	54713
Height: 491mm - 201mm		Imperial			Vibracoustic	V 1 DF 22 C-1

● Bolt/Stud | ● Threaded Hole | ⊗ Air Inlet | ⊙ Combo Stud

Airsprings.com Part No. 15658						
Assembly View	Top Plate	Bottom Plate	OE Part No	Cross Ref		
			Volvo	1075363	Airtech	34718K
					Blacktech	RML 75829 C
					Connect	MD 14718K
					Contitech	4718 NP01
					Keva	54718
					Meritor	MLF7145
Height: 541mm - 206mm		Metric				

Airsprings.com Part No. 16048						
Assembly View	Top Plate	Bottom Plate	OE Part No	Cross Ref		
			Volvo	1076075	Airtech	36075K
					Blacktech	RML 75531 C
					Connect	MD 14420K
					Contitech	4420 NP01
					Firestone	1 T 17 BR-8
						W01 M58 9707
					Keva	54420
		Meritor	MLF7171			
Height: 471mm - 186mm		Metric				

Airsprings.com Part No. 92500						
Assembly View	Top Plate	Bottom Plate	OE Part No	Cross Ref		
			Volvo	1076416	Airtech	36416K
					Blacktech	RML 77527 C
					Connect	MD 16416K
					Contitech	6416 N
					Goodyear	1R10-704
					Keva	56608
					Meritor	MLF7151
Height: 475mm - 245mm		Metric				



Airsprings.com Part No. 93801						
Assembly View	Top Plate	Bottom Plate	OE Part No	Cross Ref		
			Volvo	20452472	Airtech	36753K
						20554753
						2987630
Metric						

● Bolt/Stud | ● Threaded Hole | ⊗ Air Inlet | ⊙ Combo Stud

Granning UK Ltd +44 (0) 1925 810 400
 Granning Ireland Ltd +353 (0) 45 875 996
 Granning (NI) Ltd +44 (0) 2890 740 055
 Granning Poland +48 (0) 785 875 996



Airsprings.com Part No. 93910						
Assembly View	Top Plate	Bottom Plate	OE Part No		Cross Ref	
			Volvo	20427804	Airtech	37804K
					Connect	MD 17804K
					Contitech	7804 N
					Keva	56606
					Meritor	MLF7157
Height: 400mm - 240mm		Metric				

Airsprings.com Part No. 93911						
Assembly View	Top Plate	Bottom Plate	OE Part No		Cross Ref	
			Volvo	1076418	Airtech	36418K
					Connect	MD 16418K
					Contitech	6418 N
					Keva	56607
					Meritor	MLF7170
Height: 400mm - 240mm		Metric				

Airsprings.com Part No. 93912						
Assembly View	Top Plate	Bottom Plate	OE Part No		Cross Ref	
			Volvo	1076420	Airtech	36420-01K
					Connect	MD 16420K
					Contitech	6420 N
Height: 340mm - 200mm		Metric				

Airsprings.com Part No. 93913						
Assembly View	Top Plate	Bottom Plate	OE Part No		Cross Ref	
			Volvo	1629780	Contitech	9780 N
Height: 520mm - 300mm		Metric				

● Bolt/Stud | ● Threaded Hole | ⊗ Air Inlet | ⊙ Combo Stud

Airsprings.com Part No. 93914						
Assembly View	Top Plate	Bottom Plate	OE Part No	Cross Ref		
			Volvo	20427803	Airtech	37803K
				20582206	Blacktech	RML 78914 C
				20531984	Connect	MD 17803K
				20456150	Contitech	7803 N
				20427800	Goodyear	1R11-805
					Keva	56605
		Meritor	MLF7154			
Height: 420mm - 245mm		Metric				

Airsprings.com Part No. 93915						
Assembly View	Top Plate	Bottom Plate	OE Part No	Cross Ref		
			Volvo	20427805	Airtech	37805K
				20427802	Contitech	7805 N
				20456158		
				20531988		
				20582212		
Height: 350mm - 220mm		Metric				



Airsprings.com Part No. 93919						
Assembly View	Top Plate	Bottom Plate	OE Part No	Cross Ref		
			Volvo	20573108	Airtech	36108K
					Contitech	6604 NP01
Metric						



Airsprings.com Part No. 93920						
Assembly View	Top Plate	Bottom Plate	OE Part No	Cross Ref		
			Volvo	20452136	Airtech	36760K
				20554760	Contitech	2136 M
						54760 M
Metric						

● Bolt/Stud | ● Threaded Hole | ⊗ Air Inlet | ⊙ Combo Stud

Granning UK Ltd +44 (0) 1925 810 400
 Granning Ireland Ltd +353 (0) 45 875 996
 Granning (NI) Ltd +44 (0) 2890 740 055
 Granning Poland +48 (0) 785 875 996





Airsprings.com Part No. 93922						
Assembly View	Top Plate	Bottom Plate	OE Part No		Cross Ref	
			Volvo	20386350	Airtech	36247KPP
				20532247		
Metric						



Airsprings.com Part No. 93924						
Assembly View	Top Plate	Bottom Plate	OE Part No		Cross Ref	
			Volvo	20554762	Airtech	36762K
				20452138	Contitech	54762 M
				20479802		6609 NP01
						9802 M
Metric						



Airsprings.com Part No. 93926						
Assembly View	Top Plate	Bottom Plate	OE Part No		Cross Ref	
			Volvo	20573113	Airtech	36113K
				20041697	Contitech	6602 NP02
Metric						



Airsprings.com Part No. 93930						
Assembly View	Top Plate	Bottom Plate	OE Part No		Cross Ref	
			Volvo	20554770	Airtech	36770K
				3173271	Contitech	54770 M
						3271 M
Metric						

● Bolt/Stud | ● Threaded Hole | ⊗ Air Inlet | ⊙ Combo Stud

Airsprings.com Part No.		93808			
Assembly View	Top Plate	Bottom Plate	OE Part No		Cross Ref
			Volvo	20573311	
				3195249	
Metric					



Airsprings.com Part No.		94900		Lift Axle Bag			
Assembly View	Top Plate	Bottom Plate	OE Part No		Cross Ref		
			Volvo	20534645	Airtech	126045	
					Contitech	SZ130-25 P04	
Metric							



Airsprings.com Part No.		94901		Lift Axle Bag			
Assembly View	Top Plate	Bottom Plate	OE Part No		Cross Ref		
			Volvo	20534646	Airtech	126046	
					Contitech	SZ130-25 P05	
Metric							

● Bolt/Stud | ● Threaded Hole | ⊗ Air Inlet | ⊙ Combo Stud



Airsprings.com Part No.		15595							
Assembly View	Top Plate	Bottom Plate	OE Part No		Cross Ref				
			Tug Master		Firestone	W01-358-7094			
					Firestone	113B			
Imperial									

Airsprings.com Part No.		15680							
Assembly View	Top Plate	Bottom Plate	OE Part No		Cross Ref				
			ROR	21212549	Gart	T275			
Metric									

Airsprings.com Part No.		90101							
Assembly View	Top Plate	Bottom Plate	OE Part No		Cross Ref				
			Various		Contitech	FS40-6			
					Phoenix	SP 1B 04			
Height: 100mm - 50mm	Metric								

Airsprings.com Part No.		90102							
Assembly View	Top Plate	Bottom Plate	OE Part No		Cross Ref				
			Various		Contitech	FS70-7			
Height: 115mm - 50mm	Metric								

● Bolt/Stud | ● Threaded Hole | ⊗ Air Inlet | ⊙ Combo Stud

Airsprings.com Part No.		90103							
Assembly View	Top Plate	Bottom Plate	OE Part No		Cross Ref				
			Various		Contitech	FS120-9			
					Firestone		116		
								W01-M58-6166	
Height: 135mm - 55mm		Metric							

Airsprings.com Part No.		90104						
Assembly View	Top Plate	Bottom Plate	OE Part No		Cross Ref			
			Various		Contitech	FS200-10		
					Firestone		W01-M58-6374	
					Phoenix		SP 1B 12	
Height: 140mm - 55mm		Metric						

Airsprings.com Part No.		90105							
Assembly View	Top Plate	Bottom Plate	OE Part No		Cross Ref				
			Various		Contitech	FS330-11			
					Firestone		115		
								W01-M58-6008	
								Phoenix	SP 1B 22
Height: 150mm - 50mm		Metric							

Airsprings.com Part No.		90106							
Assembly View	Top Plate	Bottom Plate	OE Part No		Cross Ref				
			Various		Contitech	FS530-11			
					Firestone		113-1		
								W01-M58-6371	
								Phoenix	SP 1B 34
Height: 170mm - 50mm		Metric							

● Bolt/Stud | ● Threaded Hole | ⊗ Air Inlet | ⊙ Combo Stud



Airsprings.com Part No. 15599		Bolt Kit	B20010			
Assembly View	Top Plate	Bottom Plate	OE Part No	Cross Ref		
			SAF	4.229.1004.00	Airtech	2B-220-3
					Connect	MD 1895-01
				Contitech	FD 200-19 P04	
				Dunlop Fr	S09208	
				Firestone	W01-M58-7894	
				Goodyear	2B9-2250	
				Meritor	MLF7036	
				Phoenix	SP 2B 12 R-5	
				Taurus	KF 218-210	
Height: 275mm - 76mm	Metric			Vibracoustic	V SP 2 B 12 R-5	

Airsprings.com Part No. 15603		Bolt Kit	B20010			
Assembly View	Top Plate	Bottom Plate	OE Part No	Cross Ref		
			ROR	21221395	Airtech	2B-220
				21222663	Connect	MD 1895
			Weweler	US 06910 F	Contitech	895 N
					Firestone	W01-M58-7887
					Goodyear	2B9-200
					Meritor	MLF7184
					Phoenix	SP 2B 12 R-1
					Pirelli	20
					Taurus	KF 218
Height: 275mm - 76mm	Metric			Vibracoustic	V SP 2 B 12 R	

Airsprings.com Part No. 15668		Bolt Kit	B20010			
Assembly View	Top Plate	Bottom Plate	OE Part No	Cross Ref		
					Firestone	W01-M58-6188
Height: 275mm - 107mm	Metric					

Airsprings.com Part No. 15784		Bolt Kit	B20080			
Assembly View	Top Plate	Bottom Plate	OE Part No	Cross Ref		
			Hendrickson	HS505613	Airtech	2B-215
					Contitech	FD 200-19 NP02
					Firestone	W01-M58-7756
					Goodyear	2B9-234
						2B9-285
					Taurus	KF 218-201
Height: 233mm - 91mm	Metric					

● Bolt/Stud | ● Threaded Hole | ⊗ Air Inlet | ⊙ Combo Stud

Airsprings.com Part No.		15670		Bolt Kit		B20010		
Assembly View	Top Plate	Bottom Plate	OE Part No		Cross Ref			
			ROR	21221356	Airtech	2B-225		
			Weweler	US 07394 F	Contitech	FD 200-25		
					Dunlop Fr	S09280		
					Firestone	W01-M58-7679		
					Gart	T291, 2B		
					Goodyear	2B9-269		
					Phoenix	SP 2B 12 R		
					Vibracoustic	V SP 2 B 12 RA-10		
Height: 330mm - 77mm		Metric						

Airsprings.com Part No.		15710		Bolt Kit		B20010		
Assembly View	Top Plate	Bottom Plate	OE Part No		Cross Ref			
			Scania	1319761	Airtech	2B-225		
					Contitech	FD 200-19		
					Firestone	20C-2		
						W01-M58-6891		
					Gart	T291, 2B		
					Goodyear	2B9-252		
Metric								

Airsprings.com Part No.		15914		Bolt Kit		B20010		
Assembly View	Top Plate	Bottom Plate	OE Part No		Cross Ref			
			BPW	05.419.00.28.0	Contitech	620N		
			Gigant	186090				
Height: 310mm - 80mm		Metric						

Airsprings.com Part No.		15915		Bolt Kit		B20010		
Assembly View	Top Plate	Bottom Plate	OE Part No		Cross Ref			
			Gigant	186034	Contitech	620N		
Height: 310mm - 80mm		Metric						

● Bolt/Stud | ● Threaded Hole | ⊗ Air Inlet | ⊙ Combo Stud



Airsprings.com Part No.		15663		Bolt Kit		B20011	
Assembly View	Top Plate	Bottom Plate	OE Part No		Cross Ref		
					Firestone	W01-681-7700	
					Goodyear	2B14-359	
Height: 304mm - 122mm		Imperial					

Airsprings.com Part No.		15647		Bolt Kit		B20011	
Assembly View	Top Plate	Bottom Plate	OE Part No		Cross Ref		
			Neway	905 57 001	Airtech	2B-355	
				M05 57 003	Firestone	W01-358-7135	
					Goodyear	2B14-360	
					Meritor	MLF7070	
Height: 304mm - 77mm		Imperial					

Airsprings.com Part No.		15779		Bolt Kit		B20011	
Assembly View	Top Plate	Bottom Plate	OE Part No		Cross Ref		
			Neway	905 57 001	Airtech	2B-355	
				M05 57 003	Firestone	W01-358-7135	
					Goodyear	2B14-360	
					Meritor	MLF7070	
Height: 304mm - 77mm		Metric					

Airsprings.com Part No.		16022		Bolt Kit		B20011	
Assembly View	Top Plate	Bottom Plate	OE Part No		Cross Ref		
			Chereau		Airtech	2B-355	
					Contitech	FD 530-22	
					Firestone	W01-M58-7501	
					Goodyear	2B14-465	
					Phoenix	SP 2B 34 R	
Height: 304mm - 77mm		Metric					

● Bolt/Stud | ● Threaded Hole | ⊗ Air Inlet | ⊙ Combo Stud

Airsprings.com Part No.		15664		Bolt Kit		B20011	
Assembly View	Top Plate	Bottom Plate	OE Part No		Cross Ref		
					Firestone	W01-358-6808	
Height: 355mm - 122mm		Imperial					

Airsprings.com Part No.		15646		Bolt Kit		B20013		
Assembly View	Top Plate	Bottom Plate	OE Part No		Cross Ref			
			Hendrickson	NA1816	Airtech	2B-301		
			SAF	3.229.1001.00	Connect	M 1608-01		
Height: 305mm - 76mm		Imperial				Contitech	FD 330-22	
						Dunlop Fr	S12201	
						Firestone	W01-358-7180	
						Gart	T271, 2	
						Goodyear	2B12-425	
						Pirelli	22B	
		Taurus	KF 222-302					
		Vibracoustic	V SP 2 B 22 R-7180					

Airsprings.com Part No.		15650		Bolt Kit		B20039		
Assembly View	Top Plate	Bottom Plate	OE Part No		Cross Ref			
			Hendrickson	NA1060	Firestone	W01-358-7403		
							Goodyear	2B12-307
Height: 305mm - 107mm		Imperial				Taurus	KF 222-7403	
						Vibracoustic	V SP 2 B 22 R-7403	

Airsprings.com Part No.		15778						
Assembly View	Top Plate	Bottom Plate	OE Part No		Cross Ref			
					Firestone	W01-M58-7524		
					Gart	T271, 2		
Height: 305mm - 76mm		Metric				Meritor	MLF7074	
						Pirelli	22	

● Bolt/Stud | ● Threaded Hole | ⊗ Air Inlet | ⊙ Combo Stud

Granning UK Ltd
 Granning Ireland Ltd
 Granning (NI) Ltd
 Granning Poland

+44 (0) 1925 810 400
 +353 (0) 45 875 996
 +44 (0) 2890 740 055
 +48 (0) 785 875 996



airsprings.com

Airsprings.com Part No. 15735						
Assembly View	Top Plate	Bottom Plate	OE Part No	Cross Ref		
			Scania Bus	411726	Firestone	22
						W01-358-7411
Height: 105mm		Imperial				

Airsprings.com Part No. 15666		Bolt Kit B20013				
Assembly View	Top Plate	Bottom Plate	OE Part No	Cross Ref		
				Airtech	2B-320	
				Dunlop Fr	S12280	
Height: 330mm - 77mm		Metric			Firestone	22C-1.5
					W01-681-7440	
					Goodyear	2B12-305

Airsprings.com Part No. 15793		Bolt Kit B20039				
Assembly View	Top Plate	Bottom Plate	OE Part No	Cross Ref		
			Hendrickson		Firestone	22C-1.5
						W01-358-7472
Height: 330mm - 77mm		Imperial				

Airsprings.com Part No. 15798		Bolt Kit B20039				
Assembly View	Top Plate	Bottom Plate	OE Part No	Cross Ref		
			Hendrickson	NA1825	Firestone	22C-1.5
						W01-358-7447
Height: 330mm - 107mm		Imperial				

● Bolt/Stud | ● Threaded Hole | ⊗ Air Inlet | ⊙ Combo Stud

Airsprings.com Part No. 16276						
Assembly View	Top Plate	Bottom Plate	OE Part No	Cross Ref		
			ROR	21226068	Airtech	2B-320
					Connect	MD 1608-02
					Firestone	22C-1.5
						W01-M58-6875
Height: 77mm	Metric					

Airsprings.com Part No. 16275						
Assembly View	Top Plate	Bottom Plate	OE Part No	Cross Ref		
			Weweler	US 06385 F	Firestone	210C-1.5
						W01-M58-6385
Height: 79mm	Metric					

Airsprings.com Part No. 16190							
Assembly View	Top Plate	Bottom Plate	OE Part No	Cross Ref			
			Kassbohrer	4731007000	Firestone	28	
						W01-M58-7531	
					Calabrese	Pirelli	28BR
					Veras		
					Volvo		
Height: 79mm	Metric						

● Bolt/Stud | ● Threaded Hole | ⊗ Air Inlet | ⊙ Combo Stud



Airsprings.com Part No.		16036		Bolt Kit		B20013	
Assembly View	Top Plate	Bottom Plate	OE Part No		Cross Ref		
			Hendrickson	NA1821	Airtech	2B-180	
					Contitech	FD 120-17	
					Dunlop Fr	S08200	
					Firestone	26	
						W01-358-7325	
					Goodyear	2B8-2152	
Height: 266mm - 77mm		Imperial					

Airsprings.com Part No.		16089		Bolt Kit		B20067	
Assembly View	Top Plate	Bottom Plate	OE Part No		Cross Ref		
			Driverite		Firestone	W21-760-0335	
					Firestone	224C	
Height: 229mm - 72mm		Imperial					

Airsprings.com Part No.		17029		Bolt Kit		B20039	
Assembly View	Top Plate	Bottom Plate	OE Part No		Cross Ref		
			Hendrickson	NA100095	Firestone	228-1.5	
						W01-455-6822	
Height: 77mm		Imperial					

Airsprings.com Part No.		15598		Bolt Kit		B20066	
Assembly View	Top Plate	Bottom Plate	OE Part No		Cross Ref		
			Driverite		Firestone	255C-1.5	
						W21-760-6957	
Height: 205mm - 77mm		Imperial					

● Bolt/Stud | ● Threaded Hole | ⊗ Air Inlet | ⊙ Combo Stud

Airsprings.com Part No.		15607	Bolt Kit	B20039		
Assembly View	Top Plate	Bottom Plate	OE Part No		Cross Ref	
			Hendrickson	NA1059	Firestone	38C
						W01-358-8019
					Goodyear	3B12-300
Height: 470mm - 130mm	Imperial					

Airsprings.com Part No.		15627	Bolt Kit	B20039		
Assembly View	Top Plate	Bottom Plate	OE Part No		Cross Ref	
			Hendrickson		Firestone	W01-358-8021
					Firestone	38C
					Goodyear	578-93-3-100
Height: 470mm - 130mm	Imperial					

Airsprings.com Part No.		15673	Bolt Kit	B20040		
Assembly View	Top Plate	Bottom Plate	OE Part No		Cross Ref	
			Dennis	Eagle	Airtech	3B-310
					Dunlop Fr	S12302
					Firestone	352C
						W01-M58-6127
Height: 470mm - 130mm	Metric					

Airsprings.com Part No.		15736				
Assembly View	Top Plate	Bottom Plate	OE Part No		Cross Ref	
			Whale Tankers		Contitech	FT 530-32
					Firestone	313
						W01-358-7808
					Goodyear	3B14-354
Height: 457mm - 115mm	Imperial					

● Bolt/Stud | ● Threaded Hole | ⊗ Air Inlet | ⊙ Combo Stud



Airsprings.com Part No. 15737		Bolt Kit		B20011		
Assembly View	Top Plate	Bottom Plate	OE Part No		Cross Ref	
			Granning	1014	Firestone	313C
						W01-681-7314
					Goodyear	578-93-3-350
Height: 457mm - 160mm		Metric				

Airsprings.com Part No. 17040						
Assembly View	Top Plate	Bottom Plate	OE Part No		Cross Ref	
			Rolfo Car	Transporters	Airtech	3B-310
						Dunlop Fr
					Firestone	322BB
					Gart	T271, S
					Pirelli	322BB
Height: 129mm		Metric				

● Bolt/Stud | ● Threaded Hole | ⊗ Air Inlet | ⊙ Combo Stud

Airsprings.com Part No.		15684		Bolt Kit		B20023	
Assembly View	Top Plate	Bottom Plate	OE Part No		Cross Ref		
			Granning	11354	Firestone	1T14C-1	
						W01-358-5331	
Height: 387mm - 137mm		Metric					

Airsprings.com Part No.		16001		Bolt Kit		B20059	
Assembly View	Top Plate	Bottom Plate	OE Part No		Cross Ref		
			Granning	16001	Firestone	1T14C-1	
						W01-M58-5339	
Height: 311mm - 100mm		Metric					

Airsprings.com Part No.		16002		Bolt Kit		B20024	
Assembly View	Top Plate	Bottom Plate	OE Part No		Cross Ref		
			Granning	16002	Firestone	1T14C-1	
						W01-358-2119	
Height: 311mm - 95mm		Imperial					

Airsprings.com Part No.		15682		Bolt Kit		B20024	
Assembly View	Top Plate	Bottom Plate	OE Part No		Cross Ref		
			Granning	2112	Firestone	1T14C-3	
						W01-681-0212	
Height: 442mm - 172mm		Imperial					

● Bolt/Stud | ● Threaded Hole | ⊗ Air Inlet | ⊙ Combo Stud



Airsprings.com Part No. 15765		Bolt Kit		B20021		
Assembly View	Top Plate	Bottom Plate	OE Part No		Cross Ref	
			Granning	15765	Firestone	1T14C-3
						W01-358-5406
Height: 436mm - 121mm		Imperial				

Airsprings.com Part No. 15697		Bolt Kit		B20021		
Assembly View	Top Plate	Bottom Plate	OE Part No		Cross Ref	
			Hendrickson		Firestone	1T14C-7
						W01-358-5708
Height: 505mm - 205mm		Imperial				

Airsprings.com Part No. 15665		Bolt Kit		B20012		
Assembly View	Top Plate	Bottom Plate	OE Part No		Cross Ref	
			Granning	15665	Firestone	1T15AA-3
						W01-M58-6253
Height: 464mm - 160mm		Metric				

Airsprings.com Part No. 92400		Bolt Kit		B20012		
Assembly View	Top Plate	Bottom Plate	OE Part No		Cross Ref	
			Hendrickson	HA100274	Firestone	1T15AA-3
						W01-M58-6254
Height: 435mm - 185mm		Metric				

● Bolt/Stud | ● Threaded Hole | ⊗ Air Inlet | ⊙ Combo Stud

Airsprings.com Part No.		15731	Bolt Kit	B20005		
Assembly View	Top Plate	Bottom Plate	OE Part No		Cross Ref	
			Weweler	US 07364 F	Airtech	34157KPP
			ROR	21221307	Blacktech	RML 75268 CP4
Height: 565mm - 208mm			Metric			
					CF Gomma	1T 300-40
					Connect	MD 14157KP04
					Contitech	4157 NP04
					Firestone	1T15MPW-7
						W01-M58-6297
					Goodyear	1R11-111
					Keva	54157CA01
					Vibracoustic	V 1 DK 21 A-4

Airsprings.com Part No.		15732	Bolt Kit	B20004		
Assembly View	Top Plate	Bottom Plate	OE Part No		Cross Ref	
			ROR	21222442	Airtech	39002-A3KPP
					Blacktech	RML 75268 CP5
Height: 565mm - 208mm			Metric			
					Connect	MD 14157KP05
					Contitech	4157 NP05
					Firestone	1T15MPW-7
						W01-M58-7074
					Goodyear	1R11-106
					Keva	54157CA02
					Phoenix	1 DK 21 A-3
					Vibracoustic	V 1 DK 21 A-3

Airsprings.com Part No.		15750	Bolt Kit	B20065		
Assembly View	Top Plate	Bottom Plate	OE Part No		Cross Ref	
			Fruehauf / SMB	M078580	Blacktech	RML 75268 CP8
					Contitech	4157 NP08
Height: 533mm - 165mm			Metric			
					Firestone	1T15MPW-7
						W01-M58-6317
					Goodyear	1R11-773
					Meritor	MLF7080
					Phoenix	1 DK 20 C-2
					Vibracoustic	V 1 DK 20 C-2

Airsprings.com Part No.		15769	Bolt Kit	B20060		
Assembly View	Top Plate	Bottom Plate	OE Part No		Cross Ref	
			SMB	MO60924	Airtech	39002-A3-01KPP
					Connect	MD 14157KP06
Height: 574mm - 222mm			Metric			
					Contitech	4157 NP10
					Firestone	1T15MPW-7
						W01-M58-6315
					Goodyear	1R11-772
					Keva	54157CA06
					Meritor	MLF7023
					Pirelli	1T280-40
					Vibracoustic	V 1 DK 20 A-51

● Bolt/Stud | ● Threaded Hole | ⊗ Air Inlet | ⊙ Combo Stud



Airsprings.com Part No. 15782		Bolt Kit	B20058		
Assembly View	Top Plate	Bottom Plate	OE Part No	Cross Ref	
	<p>Height: 586mm - 234mm</p> <p style="text-align: center;">Metric</p>	Weweler		Airtech	38186KPP
		Schmitz		Blacktech	RML 75268 CP6
				Connect	MD 14157KP16
				Contitech	4157 NP06
				Firestone	1T15MPW-7
					W01-M58-8186
				Goodyear	1R11-764
				Keva	54157CA03
				Phoenix	1 DK 20 A-1
				Vibracoustic	V 1 DK 20 A-1

● Bolt/Stud | ● Threaded Hole | ⊗ Air Inlet | ⊙ Combo Stud

Airsprings.com Part No.		15657		Bolt Kit		B20058	
Assembly View	Top Plate	Bottom Plate	OE Part No		Cross Ref		
			Weweler	US 6285 F	Airtech	34158KPP	
					Connect	MD 14158KP	
					Contitech	4158 NP03	
					Dunlop Fr	D12A10	
					Firestone	1T15MP-9	
						W01-M58-6285	
					Goodyear	1R12-749	
					Keva	54158	
					Phoenix	1 DK 20 B-1	
					Vibracoustic	V 1 DK 20 B-1	
Height: 650mm - 270mm		Metric					

Airsprings.com Part No.		15768		Bolt Kit		B20005	
Assembly View	Top Plate	Bottom Plate	OE Part No		Cross Ref		
			Weweler		Firestone	1T15MPW-9	
						W01-M58-6287	
Height: 630mm - 234mm		Metric					

Airsprings.com Part No.		15783		Bolt Kit		B20069	
Assembly View	Top Plate	Bottom Plate	OE Part No		Cross Ref		
			Weweler	US 06318F	Firestone	1T15MPW-9	
			Schmitz	16512		W01-M58-6318	
					Meritor	MLF7038	
					Phoenix	1 DK 23 L-1	
Height: 630mm - 193mm		Metric					

Airsprings.com Part No.		15785					
Assembly View	Top Plate	Bottom Plate	OE Part No		Cross Ref		
			Schmitz	751020 HP	Firestone	1T15MPW-9	
			Weweler	US 06286HPF		W01-968-6286	
					Phoenix	1 DK 20 B-4	
Height: 656mm - 349mm		Metric					

● Bolt/Stud | ● Threaded Hole | ⊗ Air Inlet | ⊙ Combo Stud



Airsprings.com Part No.		16009						
Assembly View	Top Plate	Bottom Plate	OE Part No		Cross Ref			
			Kenworth	K303-6	Airtech	39422K		
				K303-14	Firestone	1T15L-1.5		
				K303-15		W01-358-9422		
					Goodyear	1R11-028		
					Keva	415151		
Height: 338mm - 94mm		Imperial						

Airsprings.com Part No.		16077		Bolt Kit		B20053		
Assembly View	Top Plate	Bottom Plate	OE Part No		Cross Ref			
			Meritor		Airtech	39391K		
					Firestone	1T15L-4		
						W01-358-9391		
					Keva	415401		
					Meritor	MLF7130		
Height: 412mm - 140mm		Imperial						

Airsprings.com Part No.		15608		Bolt Kit		B20014		
Assembly View	Top Plate	Bottom Plate	OE Part No		Cross Ref			
			Neway	905 57 011	Airtech	39039K		
				905 57 023	Contitech	4150 NP04		
				905 57 085	Firestone	1T15M-0		
				M05 57 006		W01-358-9039		
			Hendrickson	B2064	Goodyear	1R12-095		
				B11650	Keva	54150		
			Norde	NA 1808	Meritor	MLF7120		
					Phoenix	1 DK 23 F-9039		
					Vibracoustic	V 1 DK 23 F-9039		
Height: 290mm - 122mm		Imperial						

Airsprings.com Part No.		16076							
Assembly View	Top Plate	Bottom Plate	OE Part No		Cross Ref				
			Neway	M05 57 29	Firestone	1T15M-0.5			
						W01-M58-7320			
Height: 299mm - 117mm		Imperial							

● Bolt/Stud | ● Threaded Hole | ⊗ Air Inlet | ⊙ Combo Stud



Airsprings.com Part No.		15602	Bolt Kit		B20020	
Assembly View	Top Plate	Bottom Plate	OE Part No		Cross Ref	
			Neway	905 57 088	Firestone	1T15M-2
			Hendrickson	NA 1828		W01-358-0743
					Goodyear	1R12-355
					Phoenix	1 DK 23 H-0743
Height: 360mm - 155mm		Imperial				

Airsprings.com Part No.		15644	Bolt Kit		B20030	
Assembly View	Top Plate	Bottom Plate	OE Part No		Cross Ref	
			Scania Bus	402315	Firestone	1T15M-2
						W01-358-9105
					Goodyear	1R12-132
					Phoenix	1 DK 23 H-9105
Height: 360mm - 155mm		Imperial				

Airsprings.com Part No.		15711	Bolt Kit		B20019	
Assembly View	Top Plate	Bottom Plate	OE Part No		Cross Ref	
			Scania	1304528	Firestone	1T15M-2
						W01-M58-7275
		Metric				

● Bolt/Stud | ● Threaded Hole | ⊗ Air Inlet | ⊙ Combo Stud



Airsprings.com Part No. 15994		Bolt Kit	B20016					
Assembly View	Top Plate	Bottom Plate	OE Part No	Cross Ref				
			Hendrickson	C20010	Airtech	39270K		
					Firestone	W01-358-9270		W01-455-7246
							Goodyear	1R12-249
								1R12-375
							Meritor	MLF7077
Height: 432mm - 140mm		Imperial						

Airsprings.com Part No. 17036								
Assembly View	Top Plate	Bottom Plate	OE Part No	Cross Ref				
			Hendrickson	NS 500954	Goodyear	1R11-086		
								1R11-165
Height: 597mm - 185mm		Metric						

Airsprings.com Part No. 92602								
Assembly View	Top Plate	Bottom Plate	OE Part No	Cross Ref				
			Hendrickson	HA 100310	Goodyear	1R11-740		
Height: 480mm - 230mm		Metric						

● Bolt/Stud | ● Threaded Hole | ⊗ Air Inlet | ⊙ Combo Stud

Airsprings.com Part No.		15609							
Assembly View	Top Plate	Bottom Plate	OE Part No		Cross Ref				
			16030		DAF	Central Mounted	Contitech	4154 NP05	
					Granning	Four Mounted Bolt	Firestone	1T15M-4	
							W01-D08-9056		
Height: 440mm - 148mm		Metric							

Airsprings.com Part No.		15707		Bolt Kit		B20006		
Assembly View	Top Plate	Bottom Plate	OE Part No		Cross Ref			
			16030M		Granning	11430	Fierstone	1T15M-4
					W01-681-9086			
Height: 440mm - 148mm		Metric						

Airsprings.com Part No.		15712		Bolt Kit		B20019		
Assembly View	Top Plate	Bottom Plate	OE Part No		Cross Ref			
			16030M		Scania	1320151	Airtech	34154-04K
					Firestone			1T15M-4
					Meritor			MLF7051
								MLF7132
		Metric						

Airsprings.com Part No.		15739		Bolt Kit		B20031		
Assembly View	Top Plate	Bottom Plate	OE Part No		Cross Ref			
			16030		Hendrickson	B2827	Airtech	34154-02KPP
					Firestone			1T15M-4
								W01-358-9010
Height: 440mm - 180mm		Imperial						

● Bolt/Stud | ● Threaded Hole | ⊗ Air Inlet | ⊙ Combo Stud



Airsprings.com Part No. 15747		Bolt Kit	B20032			
Assembly View	Top Plate	Bottom Plate	OE Part No	Cross Ref		
			Foden	1300248000	Airtech	39069K
			Peterbilt	037112	Firestone	1T15M-4
Imperial (Replaces 16010)						W01-358-9069
					Meritor	MLF7113

Airsprings.com Part No. 16016		OE Part No	Cross Ref			
Assembly View	Top Plate	Bottom Plate	OE Part No	Cross Ref		
			Hendrickson	56917-1	Firestone	1T15M-4
				56917-2		W01-358-9335
Imperial					Meritor	MLF7121

Airsprings.com Part No. 17105		OE Part No	Cross Ref			
Assembly View	Top Plate	Bottom Plate	OE Part No	Cross Ref		
			Hendrickson	HS506666	Firestone	1T15M-4.5
						W01-455-9657
Metric					Goodyear	1R11-835

● Bolt/Stud | ● Threaded Hole | ⊗ Air Inlet | ⊙ Combo Stud

Airsprings.com Part No.		15610		Bolt Kit		B20000	
Assembly View	Top Plate	Bottom Plate	OE Part No		Cross Ref		
			Neway	905 57 006	Airtech	34156-05KPP	
				905 57 027	Blacktech	RML 75267 C	
				905 57 031	Connect	MD 14156K01	
				905 57 033	Contitech	4156 NP14	
				905 57 037	Firestone	1T15M-6	
				905 57 054		W01-358-9082	
				905 57 075	Goodyear	1R12-092	
				M05 57 002	Keva	54156	
				M05 57 027	Meritor	MLF7117	
			Height: 527mm - 203mm	Imperial		Hendrickson	B2066

Airsprings.com Part No.		15611		Bolt Kit		B20033	
Assembly View	Top Plate	Bottom Plate	OE Part No		Cross Ref		
			York-Tec	505705	Airtech	34156-06KPP	
					Connect	MD 199079KP	
					Firestone	1T15M-6	
						W01-358-9096	
					Goodyear	1R12-069	
					Phoenix	1 DK 23 K-9096	
			Height: 527mm - 200mm	Imperial			

Airsprings.com Part No.		15615		Bolt Kit		B20002	
Assembly View	Top Plate	Bottom Plate	OE Part No		Cross Ref		
			Fruehauf	1513240	Airtech	34156-03K	
				1525267	Blacktech	RML 75267 C9	
				UJA 0930	Contitech	4156 NP09	
				UJB 0207-001	Dunlop Fr	D12B16	
				152488	Firestone	1T15M-6	
				M001472		W01-M58-9089	
			SMB	UJB 0207	Goodyear	1R12-706	
					Keva	54156CA03	
					Phoenix	1 DK 23 K-54	
			Height: 527mm - 203mm	Metric			

Airsprings.com Part No.		15615-C					
Assembly View	Top Plate	Bottom Plate	OE Part No		Cross Ref		
			SMB	General Trailers	Firestone	1T15M-6	
			Height: 527mm - 203mm	Metric (Use 16081 for Hendrickson)			

● Bolt/Stud | ● Threaded Hole | ⊗ Air Inlet | ⊙ Combo Stud



Airsprings.com Part No. 15633		Bolt Kit	B20017			
Assembly View	Top Plate	OE Part No	Cross Ref			
	Imperial 	Metric 16039 	Weweler	US 09361 F	Airtech	34156-08KPP
				US 35864	Blacktech	RML 75267 C6
Height: 527mm - 203mm Top Plate - Imperial / Piston - Metric			ROR	21215761	Connect	MD 14156K
				21215762	Contitech	4156 NP06
			Hendrickson	HA100001	Firestone	1T15M-6
						W01-358-9361
					Goodyear	1R12-130
					Keva	54156CA01
			Pirelli	1T323-22		
			Vibracoustic	V 1 DK 23 K-28		

Airsprings.com Part No. 15690		Bolt Kit	B20003			
Assembly View	Top Plate	OE Part No	Cross Ref			
	Imperial 	11739 	Granning	ST Suspension	Firestone	1T15M-6
				2692		W01-681-9084
Height: 527mm - 203mm					Phoenix	1 DK 23 K-9211

Airsprings.com Part No. 15692		Bolt Kit	B20006			
Assembly View	Top Plate	OE Part No	Cross Ref			
		16039 	Granning	12368	CF Gomma	1SC 360-30
				R & RM Series Susp.	Connect	MD 197368KP
Height: 527mm - 188mm Metric					Firestone	1T15M-6
						W01-681-7368

Airsprings.com Part No. 15713		Bolt Kit	B20006			
Assembly View	Top Plate	OE Part No	Cross Ref			
			Scania	1123386	Airtech	34156-12K
					Connect	MD 197295KP
Metric					Firestone	1T15M-6
						W01-M58-7295

● Bolt/Stud | ● Threaded Hole | ⊗ Air Inlet | ⊙ Combo Stud

Airsprings.com Part No.		15758	Bolt Kit		B20034	
Assembly View	Top Plate	Bottom Plate	OE Part No		Cross Ref	
			Fruehauf	UJB 1304	Airtech	34156-10K
					Firestone	1T15M-6
Height: 527mm - 203mm			Imperial			
			W01-M58-9207			

Airsprings.com Part No.		16081	Bolt Kit		B20047	
Assembly View	Top Plate	Bottom Plate	OE Part No		Cross Ref	
			Hendrickson	HA100016	Airtech	34156-07KPP
					Blacktech	RML 75267 CP10
Height: 512mm - 191mm			Imperial			
			Contitech			
			4156 NP10			
			Firestone			
			1T15M-6			
			W01-358-8929			
			Goodyear			
			1R12-384			
			Keva			
			54156CA04			
			Meritor			
			MLF7126			
			Vibracoustic			
			V 1 DK 23 K-54			

Airsprings.com Part No.		16087	Bolt Kit		B20047	
Assembly View	Top Plate	Bottom Plate	OE Part No		Cross Ref	
			Hendrickson	HS504682 (Old)	Firestone	1T15M-6
				HS505862 (New)		W01-M58-6252
Height: 508mm - 150mm			Imperial			

Airsprings.com Part No.		17028	Bolt Kit		B20004	
Assembly View	Top Plate	Bottom Plate	OE Part No		Cross Ref	
			Hendrickson	HA100053	Firestone	1T15M-6
						W01-455-6288
Height: 533mm - 208mm			Metric			
			Meritor			
			MLF7131			

● Bolt/Stud | ● Threaded Hole | ⊗ Air Inlet | ⊙ Combo Stud



Airsprings.com Part No. 17031						
Assembly View	Top Plate	Bottom Plate	OE Part No		Cross Ref	
<p>Height: 338mm</p>			Hendrickson	HS505551	Firestone	1T15M-6
Metric						

Airsprings.com Part No. 17032				Bolt Kit B20004		
Assembly View	Top Plate	Bottom Plate	OE Part No		Cross Ref	
<p>Height: 337mm</p>			Hendrickson	H505486	Firestone	1T15M-6
Imperial						

Airsprings.com Part No. 17033							
Assembly View	Top Plate	Bottom Plate	OE Part No		Cross Ref		
<p>Height: 533mm - 208mm</p>			Hendrickson	HS505552	Firestone	1T15M-6	
							W01-M58-6269
Metric							

● Bolt/Stud | ● Threaded Hole | ⊗ Air Inlet | ⊙ Combo Stud

Airsprings.com Part No.		16070		Bolt Kit		B20062			
Assembly View	Top Plate	Bottom Plate	OE Part No		Cross Ref				
			Neway	M05 57 033	Firestone	1T15M-7.5			
						W01-M58-9908			
Height: 533mm - 190mm		Metric							

Airsprings.com Part No.		16071		Bolt Kit		B20049			
Assembly View	Top Plate	Bottom Plate	OE Part No		Cross Ref				
			Neway	M05 57 024	Firestone	1T15M-7.5			
						W01-M58-9924			
Height: 562mm - 198mm		Metric							

● Bolt/Stud | ● Threaded Hole | ⊗ Air Inlet | ⊙ Combo Stud



Airsprings.com Part No. 15612			Bolt Kit		B20000	
Assembly View	Top Plate	Bottom Plate	OE Part No		Cross Ref	
			Neway	905 57 008	Airtech	34159-07KPP
				905 57 009	Blacktech	RML 75260 C4
				905 57 082	Connect	MD 14159K01
				M05 57 007	Contitech	4159 NP04
			ERF	1392754	Firestone	1T15M-9
			Hendrickson	B3842		W01-358-9101
					Goodyear	1R12-103
					Keva	54159CA01
					Pirelli	1T323-40
Height: 650mm - 247mm	Imperial				Vibracoustic	V 1 DK 23 L-9101

Airsprings.com Part No. 15614			Bolt Kit		B20000	
Assembly View	Top Plate	Bottom Plate	OE Part No		Cross Ref	
			Neway	905 57 086	Airtech	34159-08KPP
				M05 57 000	Connect	MD 14159KP01
			Hendrickson	B6195	Contitech	4159 NP08
					Firestone	1T15M-9
						W01-358-9192
					Goodyear	1R12-167
					Keva	54159CA08
					Meritor	MLF7128
					Phoenix	1 DK 23 L-9192
Height: 650mm - 203mm	Imperial					

Airsprings.com Part No. 15617			Bolt Kit		B20002	
Assembly View	Top Plate	Bottom Plate	OE Part No		Cross Ref	
			Fruehauf	UJB 0203	Airtech	34159-05K
				M00 1782	Blacktech	RML 75260 C6
				UJA 0894	CF Gomma	1T 323-40
				151877	Contitech	4159 NP07
				152035	Firestone	1T15M-9
				152487		W01-M58-8859
				152520	Goodyear	1R12-701
					Keva	54159CA03
					Taurus	KR 509-25
Height: 650mm - 236mm	Metric				Vibracoustic	V 1 DK 21 B-6

Airsprings.com Part No. 15630			Bolt Kit		B20027	
Assembly View	Top Plate	Bottom Plate	OE Part No		Cross Ref	
			Fruehauf	UJB 0358	Airtech	34159-02KPP
				UJY 0099	Blacktech	RML 75260 CP9
				152519	Connect	MD 14159KP09
					Contitech	4159 NP09
					Firestone	1T15M-9
						W01-M58-9131
					Goodyear	1R12-721
					Keva	54159CA05
					Pirelli	1T323-40
Height: 654mm - 234mm	Metric				Vibracoustic	V 1 DK 23 L-9131

● Bolt/Stud | ● Threaded Hole | ⊗ Air Inlet | ⊙ Combo Stud

Airsprings.com Part No.		15694	Bolt Kit		B20003	
Assembly View	Top Plate	Bottom Plate	OE Part No		Cross Ref	
			Granning	11295	Firestone	1T15M-9
				ST Suspension		W01-681-9098
Height: 650mm - 241mm		Imperial				

Airsprings.com Part No.		15699	Bolt Kit		B20006	
Assembly View	Top Plate	Bottom Plate	OE Part No		Cross Ref	
			Granning	11382	Connect	MD 199242KP
				PTS Suspension	Dunlop Fr	D12B12
Height: 650mm - 229mm		Metric			Firestone	1T15M-9
						W01-681-9242

Airsprings.com Part No.		15714	Bolt Kit		B20012	
Assembly View	Top Plate	Bottom Plate	OE Part No		Cross Ref	
			Scania	1314905	Airtech	34159-06KPP
				255294	Connect	MD 197308KP
				Hendrickson	Firestone	1T15M-9
						W01-M58-7308
					Goodyear	1R12-713
					Meritor	MLF7052
					Phoenix	1 DK 23 L-7308
					Taurus	K 509-24
					Vibracoustic	V 1 DK 23 L-42
		Metric				

Airsprings.com Part No.		15715	Bolt Kit		B20012	
Assembly View	Top Plate	Bottom Plate	OE Part No		Cross Ref	
			Scania	1327144	Connect	MD 199104KP
					Firestone	1T15M-9
						W01-M58-7348
		Metric				

● Bolt/Stud | ● Threaded Hole | ⊗ Air Inlet | ⊙ Combo Stud



Airsprings.com Part No.		16008						
Assembly View	Top Plate	Bottom Plate	OE Part No		Cross Ref			
<p>Height: 650mm - 234mm</p>			Hendrickson	NA1817	Airtech	34159-02K		
					Blacktech	RML 75260 C3		
					Connect	MD 14159K		
					Contitech	4159 NP06		
					Dunlop Fr	D12B01		
					Firestone	1T15M-9		
							W01-358-9130	
					Goodyear	1R12-714		
					Keva	54159CA10		
					Phoenix	1 DK 21 B-4		
		Metric						

Airsprings.com Part No.		16080						
Assembly View	Top Plate	Bottom Plate	OE Part No		Cross Ref			
<p>Height: 654mm - 234mm</p>			Cardi	5805 0900	Dunlop Fr	D12B07		
			Zorzi	1006551	Firestone	1T15M-9		
			Omar	11808			W01-M58-6289	
					Goodyear	1R12-703		
					Meritor	MLF7097		
					Phoenix	1 D 23 E-3		
					Pirelli	1T323-40		
					Taurus	KR 509-34		
					Vibracoustic	V 1 D 23 E-3		
					Metric			

Airsprings.com Part No.		92000						
Assembly View	Top Plate	Bottom Plate	OE Part No		Cross Ref			
<p>Height: 650mm - 236mm</p>			Montenegro		Airtech	34159-04K		
			Samro	2500425	Firestone	W01-M58-7548		
					Vibracoustic	V 1 DK 23 L-40		
		Metric						

● Bolt/Stud | ● Threaded Hole | ⊗ Air Inlet | ⊙ Combo Stud

Airsprings.com Part No.		15998		Bolt Kit		B20054			
Assembly View	Top Plate	Bottom Plate	OE Part No		Cross Ref				
			Hendrickson	49048	Airtech	39466K			
				49674	Firestone	1T15MT-6			
							Goodyear	1R12-173	
							Keva	415607	
Imperial									

Airsprings.com Part No.		16013		Bolt Kit		B20054			
Assembly View	Top Plate	Bottom Plate	OE Part No		Cross Ref				
			Hendrickson	57122-1	Airtech	39373K			
					Firestone	1T15MT-8			
								W01-358-9373	
Height: 543mm - 193mm Imperial									

Airsprings.com Part No.		92100		Bolt Kit		B20054			
Assembly View	Top Plate	Bottom Plate	OE Part No		Cross Ref				
			Hendrickson	HS506578	Firestone	1T15MT-8			
							W01-M58-8835		
Height: 543mm - 145mm Metric									

Airsprings.com Part No.		17034		Bolt Kit		B20054			
Assembly View	Top Plate	Bottom Plate	OE Part No		Cross Ref				
			Hendrickson	QE100001	Firestone	1T15MT-9			
							W01-M58-6276		
								Goodyear	1R12-433
									1R12-739
Height: 635mm - 193mm Metric									

● Bolt/Stud | ● Threaded Hole | ⊗ Air Inlet | ⊙ Combo Stud

Granning UK Ltd
 Granning Ireland Ltd
 Granning (NI) Ltd
 Granning Poland

+44 (0) 1925 810 400
 +353 (0) 45 875 996
 +44 (0) 2890 740 055
 +48 (0) 785 875 996



airsprings.com

Airsprings.com Part No.		17035					
Assembly View	Top Plate	Bottom Plate	OE Part No		Cross Ref		
<p>Height: 686mm - 241mm</p>			Hendrickson	QE100002	Firestone	1T15MT-11	
						W01-M58-6259	
					Goodyear	1R12-482	
						1R12-740	
Metric							

Airsprings.com Part No.		16052					
Assembly View	Top Plate	Bottom Plate	OE Part No		Cross Ref		
<p>Height: 690mm - 234mm</p>			Hendrickson		Airtech	39321KPP	
					Contitech	910-21 P 448	
					Firestone	1T15M-11	
						W01-358-9321	
					Goodyear	1R12-256	
Imperial							

Airsprings.com Part No.		16012					
Assembly View	Top Plate	Bottom Plate	OE Part No		Cross Ref		
<p>Height: 570mm - 180mm</p>			Hendrickson	57204-1	Goodyear	1R12-313	
						ERF	
Imperial							

● Bolt/Stud | ● Threaded Hole | ⊗ Air Inlet | ⊙ Combo Stud



Airsprings.com Part No.		15600				
Assembly View	Top Plate	Bottom Plate	OE Part No	Cross Ref		
			Scania Bus	660252	Firestone	1T15S-6
						W01-358-0622
Height: 502mm - 191mm		Imperial				

Airsprings.com Part No.		15605		Bolt Kit	B20041	
Assembly View	Top Plate	Bottom Plate	OE Part No	Cross Ref		
			Volvo Bus	367405	Firestone	1T15S-6
						W01-932-7002
Imperial						

Airsprings.com Part No.		15619		Bolt Kit	B20012	
Assembly View	Top Plate	Bottom Plate	OE Part No	Cross Ref		
			Scania	1314903	Airtech	36251K
				1402423	Firestone	1T15S-6
Metric					W01-M58-6251	
					Goodyear	1R11-826
					Keva	516251
					Meritor	MLF7022

Airsprings.com Part No.		15601		Bolt Kit	B20012	
Assembly View	Top Plate	Bottom Plate	OE Part No	Cross Ref		
			Scania	1314904	Airtech	37315K
				276696	Blacktech	RML 77315 C
Metric					Connect	MD 17315K
					Firestone	1T15S-11
						W01-M58-7315
					Goodyear	1R11-828
					Keva	415112
					Meritor	MLF7033

● Bolt/Stud | ● Threaded Hole | ⊗ Air Inlet | ⊙ Combo Stud



Airsprings.com Part No.		15799		Bolt Kit		B20072	
Assembly View	Top Plate	Bottom Plate	OE Part No		Cross Ref		
			Dennis		Firestone	1T15SQ-5	
			Eagle			W01-M58-6307	
Height: 477mm - 163mm		Metric					

Airsprings.com Part No.		15651		Bolt Kit		B20063	
Assembly View	Top Plate	Bottom Plate	OE Part No		Cross Ref		
		Aluminium Piston 	SAF	3 209 0007 02	Airtech	34004K	
				2618	Blacktech	RML 75115 C	
Height: 525mm - 188mm		Metric (plastic piston)					

Airsprings.com Part No.		16099		Bolt Kit		B20063	
Assembly View	Top Plate	Bottom Plate	OE Part No		Cross Ref		
		Aluminium Piston 	SAF	3 229 0029 00	Airtech	34022K	
				2618V	Blacktech	RML 75133 CP	
Height: 525mm - 188mm		Metric (plastic piston)					

Airsprings.com Part No.		16098		Bolt Kit		B20073	
Assembly View	Top Plate	Bottom Plate	OE Part No		Cross Ref		
			SAF	3 229 0033 00	Blacktech	RML 75133 CP2	
				2619V	Contitech	4022 NP05 (composite)	
Height: 525mm - 188mm		Metric					

● Bolt/Stud | ● Threaded Hole | ⊗ Air Inlet | ⊙ Combo Stud

Airsprings.com Part No.		92603				
Assembly View	Top Plate	Bottom Plate	OE Part No		Cross Ref	
			Hendrickson	S21966	Firestone	1T17CA-6.5
						W01-358-8708
Imperial						

Airsprings.com Part No.		15993		Bolt Kit		B20016		
Assembly View	Top Plate	Bottom Plate	OE Part No		Cross Ref			
			Hendrickson	C20127	Airtech	30081-01K		
					Connect	MD 14022-K8101		
Imperial			Alternative Firestone W01-358-9262 1T15V-11 Closed dia 188mm Open dia 640mm		Firestone	1T17CL-9.5		
						W01-358-9262		
					Goodyear	1R13-081		
					Keva	415104		
Height: 628mm - 190mm								

Airsprings.com Part No.		15654		Bolt Kit		B20061		
Assembly View	Top Plate	Bottom Plate	OE Part No		Cross Ref			
			Hendrickson	HS251087G	Airtech	30081K		
					Blacktech	RML 70081 C		
Metric			Alternative Firestone W01-M58-8747 1T17B-11 Closed dia 188mm Open dia 640mm		Connect	MD 14022-K81		
					Dunlop Fr	D13B42		
					Firestone	1T17CL-9.5		
						W01-M58-8629		
					Goodyear	1R13-147		
					Keva	417111		
Height: 628mm - 190mm					Phoenix	1 DK 25-8747		
					Vibracoustic	V 1 DK 25-8747		

Airsprings.com Part No.		92600				
Assembly View	Top Plate	Bottom Plate	OE Part No		Cross Ref	
			Mercedes	Discos	Firestone	1T17CL-9.5
			Hendrickson	QE100004/F		W01-M58-8643
					Goodyear	1R13-167
Metric						
Height: 628mm - 190mm						

● Bolt/Stud | ● Threaded Hole | ⊗ Air Inlet | ⊙ Combo Stud



Airsprings.com Part No.		92605		Bolt Kit		B20005	
Assembly View	Top Plate	Bottom Plate	OE Part No		Cross Ref		
			Meritor	21229214	Airtech	38608KPP	
					Firestone		1T17DJ-7
						W01-M58-8608	
Height: 406mm - 342mm		Metric					

Airsprings.com Part No.		92607		Bolt Kit		B20005	
Assembly View	Top Plate	Bottom Plate	OE Part No		Cross Ref		
			Meritor	21230298	Firestone	1T17DJ-6	
							W01-M58-8587
Height: 406mm - 342mm		Metric					

Airsprings.com Part No.		16015		Bolt Kit		B20045	
Assembly View	Top Plate	Bottom Plate	OE Part No		Cross Ref		
					Firestone	1T19F-5	
							W01-358-9200
					Goodyear	1R14-038	
						1R14-068	
Height: 432mm - 146mm		Metric					

● Bolt/Stud | ● Threaded Hole | ⊗ Air Inlet | ⊙ Combo Stud

Airsprings.com Part No.		15606					
Assembly View	Top Plate	Bottom Plate	OE Part No		Cross Ref		
			ROR	21208327	Firestone	22	
				17204516		W01-358-7401	
					Goodyear	2B12-320	
					Taurus	KF 222-7401	
					Vibracoustic	V SP 2 B 22 R-7401	
Height: 540mm - 184mm		Metric					

Airsprings.com Part No.		15613		Bolt Kit		B20000	
Assembly View	Top Plate	Bottom Plate	OE Part No		Cross Ref		
			Neway	905 57 019	Airtech	39121K	
				905 57 078	Connect	MD 14810K	
				905 57 086	Contitech	4810 NP03	
				905 57 052	Firestone	1T19F-7	
				M05 57 005		W01-358-9121	
					Goodyear	1R13-039	
					Keva	419702	
					Meritor	MLF7079	
					Phoenix	1 D 28 G-9121	
Height: 540mm - 184mm		Imperial					

Airsprings.com Part No.		15635		Bolt Kit		B20001	
Assembly View	Top Plate	Bottom Plate	OE Part No		Cross Ref		
			ROR	21215632	Airtech	391320K	
				21208082	Connect	MD 1810AK	
			SAF	2 229 0002 00	Contitech	810 MB	
			Weweler	US 07337 F	Firestone	1T19F-7	
			York-Tec	506243/01		W01-M58-6345	
					Goodyear	1R14-028	
					Keva	5810CA	
					Meritor	MLF7027	
					Phoenix	1 D 28 A-2	
Height: 540mm - 184mm		Metric					

Airsprings.com Part No.		15837					
Assembly View	Top Plate	Bottom Plate	OE Part No		Cross Ref		
			Kaiser	F01004307	Dunlop Fr	D13B05	
						D13A01	
					Goodyear	1R13-802	
Height: 540mm - 175mm		Metric					

● Bolt/Stud | ● Threaded Hole | ⊗ Air Inlet | ⊙ Combo Stud



Airsprings.com Part No. 16082						
Assembly View	Top Plate	Bottom Plate	OE Part No		Cross Ref	
			Battaglino	2211403	Firestone	1T19F-7
			Zorzi	1006546		W01-M58-6344
Height: 540mm - 184mm		Metric				

Airsprings.com Part No. 16092				Bolt Kit		B20008	
Assembly View	Top Plate	Bottom Plate	OE Part No		Cross Ref		
			SAF	3 229 0027 00	Blacktech	RML 75921 C5	
				2918V	Connect	MD 14023K	
Height: 557mm - 185mm		Metric			Contitech	4810 NP05	
					Firestone	1T19L-7	
						W01-M58-6338	
					Goodyear	1R14-730	
					Keva	54810	
					Phoenix	1 D 28 A-10	
					Vibracoustic	V 1 D 28 A-12	

Airsprings.com Part No. 16120				Bolt Kit		B20006	
Assembly View	Top Plate	Bottom Plate	OE Part No		Cross Ref		
			Granning	11903	Dunlop Fr	D13B27	
					Firestone	1T19F-7	
Height: 540mm - 181mm		Metric				W01-681-7329	

Airsprings.com Part No. 92801							
Assembly View	Top Plate	Bottom Plate	OE Part No		Cross Ref		
			Bertoja	46311001	Firestone	1T19L-7	
			Zorzi	1006546		W01-M58-8773	
Height: 554mm - 193mm		Metric					

● Bolt/Stud | ● Threaded Hole | ⊗ Air Inlet | ⊙ Combo Stud

Airsprings.com Part No. 92802						
Assembly View	Top Plate	Bottom Plate	OE Part No		Cross Ref	
			Mercedes	A 946 328 19 01	Goodyear	1R14-783
			Weweller	USO7337RP	Phoenix	1 D 28 A-13
					Vibracoustic	V 1 DK 28 A-13
					Firestone	W01-M58-6222
Height: 390mm - 300mm			Steel Piston Metric			



Airsprings.com Part No. 92805						
Assembly View	Top Plate	Bottom Plate	OE Part No		Cross Ref	
			Weweler	USO7337 FST2	Firestone	1T19L-7
				USO7337 PST2		W01-M58-6225
Height: 390mm - 300mm			Steel Piston Metric			



Airsprings.com Part No. 92806						
Assembly View	Top Plate	Bottom Plate	OE Part No		Cross Ref	
			Weweler	USO7337 F1	Firestone	1T19L-7
						W01-M58-8108
Height: 390mm - 300mm			Steel Piston Metric			

● Bolt/Stud | ● Threaded Hole | ⊗ Air Inlet | ⊙ Combo Stud



Airsprings.com Part No.		15616		Bolt Kit		B20000	
Assembly View	Top Plate	Bottom Plate	OE Part No		Cross Ref		
			Neway	905 57 020	Airtech	3813-05K	
				905 57 076	Contitech	4811 NP03	
				905 57 077	Firestone	1T19F-11	
				905 57 071		W01-358-9122	
			York-Tec	506003	Goodyear	1R13-038	
					Keva	419112	
		Phoenix	1 D 28 C-9122				
		Vibracoustic	V 1 D 28 C-9122				
Height: 680mm - 221mm		Metric					

Airsprings.com Part No.		15634		Bolt Kit		B20001	
Assembly View	Top Plate	Bottom Plate	OE Part No		Cross Ref		
			ROR	21215633	Airtech	3813K	
				21222239	Blacktech	RML 75139 C5	
			SAF	2 229 0003 00	Contitech	813 MB4	
			Weweler	US 07345 F	Firestone	1T19F-11	
			Trailor	0036/58 E		W01-M58-6339	
			Viberti	128147122	Goodyear	1R14-030	
			SAE	8403/102	Keva	5813	
					Phoenix	1 D 28 B-2	
					Vibracoustic	V 1 D 28 B-2	
			Height: 680mm - 222mm		Metric		

Airsprings.com Part No.		15653		Bolt Kit		B20028	
Assembly View	Top Plate	Bottom Plate	OE Part No		Cross Ref		
			Scania	1314906	Airtech	3810K	
				298568	Connect	MD 1810AK	
				325748	Contitech	810 MB	
				1107674	Firestone	1T19F-7	
				255295		W01-M58-6345	
					Goodyear	1R14-028	
					Keva	5810CA	
					Phoenix	1 D 28 A-2	
					Vibracoustic	V 1 D 28 A-2	
Height: 680mm - 222mm		Metric					

Airsprings.com Part No.		15907		Bolt Kit		B20000	
Assembly View	Top Plate	Bottom Plate	OE Part No		Cross Ref		
			DAF	0526823	Airtech	3811K	
					Contitech	811 M16K1	
					Dunlop Fr	D13A34	
					Firestone	1T19F-11	
						W01-M58-6334	
					Goodyear	1R14-718	
					Keva	5811CA	
					Meritor	MLF7111	
					Phoenix	1 D 28 B-7	
					Vibracoustic	V 1 D 28 B-7	
Height: 680mm - 220mm		Metric					

● Bolt/Stud | ● Threaded Hole | ⊗ Air Inlet | ⊙ Combo Stud



Airsprings.com Part No.		16065			
Assembly View	Top Plate	Bottom Plate	OE Part No		Cross Ref
			Lecitrailer		Dunlop Fr D13B29
					Firestone 1T19F-11
Height: 680mm - 221mm			Metric		
					W01-M58-7502
					Goodyear 1R14-709
					Phoenix 1 D 28 B-4
					Taurus KR 622-06
					Vibracoustic V 1 D 28 B-4

Airsprings.com Part No.		16084			
Assembly View	Top Plate	Bottom Plate	OE Part No		Cross Ref
			Battaglino	2211403	CF Gomma 1T 19E-2
			Viberti	128147102	Dunlop Fr D13B12
Height: 680mm - 225mm			Metric		
					Cardi 58050700 Firestone 1T19L-11
					Bartoletti 91619011 W01-M58-6361
					Zorzi 1006553 Goodyear 1R14-706
					Rolfo 112060 Meritor MLF7101
					Omar 11804 Pirelli 1T19E-2
					Piacenza Taurus KR 622-23

Airsprings.com Part No.		16091			
Assembly View	Top Plate	Bottom Plate	OE Part No		Cross Ref
			SAF	3 229 0031 00	Airtech 3811-01K
				2923V	Blacktech RML 75134 C
Height: 696mm - 224mm			Metric		
					Connect MD 14810K05
					Contitech 4023 N
					Firestone 1T19L-11
					W01-M58-6348
					Goodyear 1R14-729
					Keva 54023
					Vibracoustic V 1 D 28 B-10



Airsprings.com Part No.		16091ATP		Bolt Kit		B20008	
Assembly View	Top Plate	Bottom Plate	OE Part No		Cross Ref		
			SAF	3.229.0031.00	Airtech	34023K	
				3.229.2231.00	Firestone	1T19F-11	
Metric				3.229.2431.00	Goodyear	1R14-729	
				3.229.2131.00		1R14-815	
					Taurus	KR 624-18	

● Bolt/Stud | ● Threaded Hole | ⊗ Air Inlet | ⊙ Combo Stud

Granning UK Ltd
 Granning Ireland Ltd
 Granning (NI) Ltd
 Granning Poland

+44 (0) 1925 810 400
 +353 (0) 45 875 996
 +44 (0) 2890 740 055
 +48 (0) 785 875 996



airsprings.com

Airsprings.com Part No.		16122		Bolt Kit		B20003	
Assembly View	Top Plate	Bottom Plate	OE Part No		Cross Ref		
			Granning	2598	Firestone	1T19F-11	
						W01-681-9091	
Height: 680mm - 221mm		Metric					

Airsprings.com Part No.		16124		Bolt Kit		B20006	
Assembly View	Top Plate	Bottom Plate	OE Part No		Cross Ref		
			Granning	11904	Dunlop Fr	D13B28	
			Toughline		Firestone	1T19F-11	
Height: 680mm - 221mm		Metric				W01-681-7359	

Airsprings.com Part No.		92900		Bolt Kit		B20006	
Assembly View	Top Plate	Bottom Plate	OE Part No		Cross Ref		
			Zorzi	1006545	Phoenix	1 DK 28 B-7	
					Vibracousatic	V 1 DK 28 B-7	
Height: 686mm - 224mm		Metric					

Airsprings.com Part No.		92901		Bolt Kit		B20006	
Assembly View	Top Plate	Bottom Plate	OE Part No		Cross Ref		
			Bartoletti	91619005	Firestone	1T19L-11	
			Cardi	58051000		W01-M58-6363	
Height: 680mm - 240mm		Metric					



● Bolt/Stud | ● Threaded Hole | ⊗ Air Inlet | ⊙ Combo Stud

Airsprings.com Part No. 15672			Bolt Kit		B20001	
Assembly View	Top Plate	Bottom Plate	OE Part No		Cross Ref	
			ROR	21221349	Airtech	391303K
			Weweler	US 07380 F	Blacktech	RML 75119 C
Height: 745mm - 262mm Metric			Fruehauf	UJB 0305	Contitech	4008 NP01
					Dunlop Fr	D13B03
					Firestone	1T19F-12
						W01-M58-7380
					Goodyear	1R13-805
					Keva	54008
					Phoenix	1 D 28 C-12
		Vibracoustic	V 1 D 28 C-12			

Airsprings.com Part No. 93001			Bolt Kit		B20001	
Assembly View	Top Plate	Bottom Plate	OE Part No		Cross Ref	
			Hendrickson	QE100003	Firestone	1T19L-12
						W01-M58-8769
Height: 720mm - 245mm Metric					Goodyear	1R14-150
						1R14-746

Airsprings.com Part No. 93002			Bolt Kit		B20008	
Assembly View	Top Plate	Bottom Plate	OE Part No		Cross Ref	
			Weweler	US 04028	Blacktech	RML 75139 C
			Schmitz	015323	Connect	MD 14028K
Height: 720mm Metric			Mercedes	A 946 328 15 01	Contitech	4028 NP02
					Firestone	1T19L-12
						W01-M58-8106
					Goodyear	1R14-782
					Keva	54028
		Phoenix	1 D 28 F-1			
		Vibracoustic	V 1 D 28 F-1			



Airsprings.com Part No. 93003			Bolt Kit		B20001	
Assembly View	Top Plate	Bottom Plate	OE Part No		Cross Ref	
			Mercedes	A 946 328 15 01	Airtech	30283K
			Weweler	US04030	Contitech	4030 NP
Height: 380mm Metric					Firestone	1T19L-11
						W01-M58-6223
					Goodyear	1R14-823
					Phoenix	1 DK 28 F-3
					Vibracoustic	V 1 DK 28 F-3

● Bolt/Stud | ● Threaded Hole | ⊗ Air Inlet | ⊙ Combo Stud

Granning UK Ltd
 Granning Ireland Ltd
 Granning (NI) Ltd
 Granning Poland

+44 (0) 1925 810 400
 +353 (0) 45 875 996
 +44 (0) 2890 740 055
 +48 (0) 785 875 996



airsprings.com



Airsprings.com Part No. 93004						
Assembly View	Top Plate	Bottom Plate	OE Part No	Cross Ref		
			Weweler	US04031F	Dunlop (Fr)	D 14 B 49
					Firestone	1T19L-11
						W01-M58-8107
					Goodyear	1R14-812
					Phoenix	1 D 28 F-3
Height: 500mm - 340mm						



Airsprings.com Part No. 93005						
Assembly View	Top Plate	Bottom Plate	OE Part No	Cross Ref		
			SAF	3.229.0041.00	Dunlop (Fr)	D 14 B 43
					Goodyear	1R14-815
Height: 400mm - 240mm		Metric				

Airsprings.com Part No. 17002						
Assembly View	Top Plate	Bottom Plate	OE Part No	Cross Ref		
			SMB	M001464	Dunlop Fr	D13B04
					Firestone	1T19E-3
						W01-M58-8762
					Goodyear	1R13-732
						1R13-803
		Pirelli	1T19E-3			
Height: 735mm - 255mm		Metric				

Airsprings.com Part No. 15669		Bolt Kit		B20008		
Assembly View	Top Plate	Bottom Plate	OE Part No	Cross Ref		
			SMB	M001464	Dunlop Fr	D13B04
					Firestone	1T19E-3
						W01-M58-8762
					Goodyear	1R13-732
						1R13-803
		Pirelli	1T19E-3			
Height: 796mm - 262mm		Metric				

● Bolt/Stud | ● Threaded Hole | ⊗ Air Inlet | ⊙ Combo Stud

Airsprings.com Part No.		16105					
Assembly View	Top Plate	Bottom Plate	OE Part No		Cross Ref		
			Scania	1379392	Airtech	34913K	
				1440294	Blacktech	RML 75024 C	
					Contitech	4913 N	
					Firestone	1T19L-14	
						W01-M58-8098	
					Goodyear	1R14-753	
					Keva	54913	
					Meritor	MLF7081	
					Phoenix	1 D 28 H-16	
					Vibracoustic	V 1 D 28 H-16	
Metric							

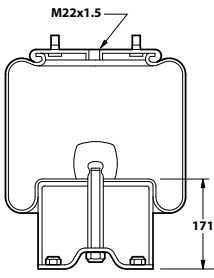
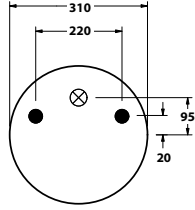
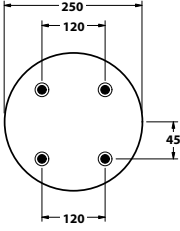
Airsprings.com Part No.		15671		Bolt Kit		B20001	
Assembly View	Top Plate	Bottom Plate	OE Part No		Cross Ref		
			SAF	3 229 0005 00	Airtech	3912K	
				3 229 0006 01	Blacktech	RML 7023 C2	
				3 229 0013 00	Contitech	912 NP02	
				3 229 0013 01	Firestone	1T19F-14	
			Hendrickson	Y507782		W01-M58-7385	
					Goodyear	1R14-758	
			Version Excluding Bumper 16033		Keva	5912CA02	
			Fruehauf XCM	1331	Meritor	MLF7122	
			Weweler	US 07358 F	Phoenix	1 D 28 D-2	
					Vibracoustic	V 1 D 28 D-4	
Height: 796mm - 262mm	Metric						

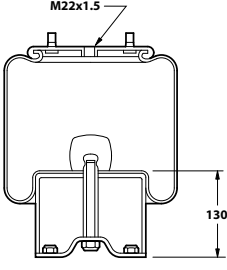
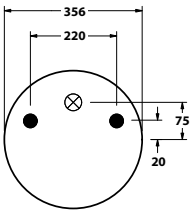
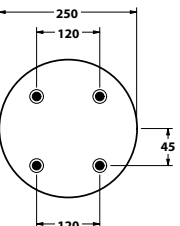
Airsprings.com Part No.		15738		Bolt Kit		B20018	
Assembly View	Top Plate	Bottom Plate	OE Part No		Cross Ref		
			Hendrickson	3651413	Airtech	38050K	
					Firestone	1T19J-6	
						W01-358-8050	
						1T19ZK-7.5	
					Goodyear	1R14-039	
					Keva	419602	
					Meritor	MLF7112	
					Vibracoustic	V 1 DK 28 A-8050	
Height: 489mm - 147mm	Imperial						

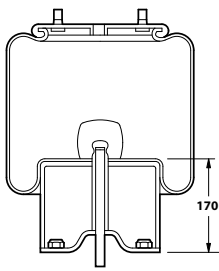
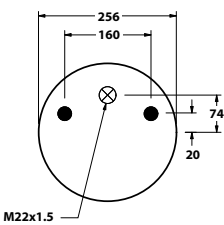
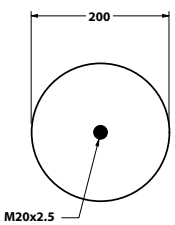
Airsprings.com Part No.		15867		Bolt Kit		B20029	
Assembly View	Top Plate	Bottom Plate	OE Part No		Cross Ref		
			Gigant	166217	Airtech	3725K	
					Blacktech	RML 7836 C2	
					Connect	MD 1725K	
					Contitech	725 N	
					Dunlop Fr	D14B40	
					Firestone	1T66E-10.8	
						W01-M58-8969	
					Goodyear	1R14-747	
					Keva	5725	
					Meritor	MLF7103	
Height: 675mm - 245mm	Metric						

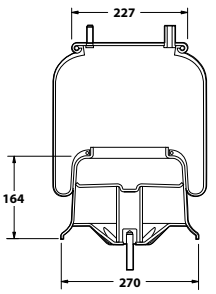
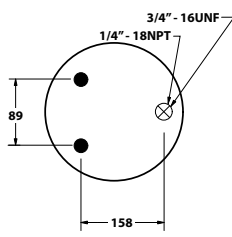
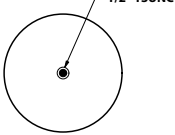
● Bolt/Stud | ● Threaded Hole | ⊗ Air Inlet | ⊙ Combo Stud



Airsprings.com Part No.		15868		Bolt Kit		B20022	
Assembly View	Top Plate	Bottom Plate	OE Part No		Cross Ref		
			Gigant	166252	Airtech	3725-01K	
					Blacktech	RML 73836 C	
					Connect	MD 1725K	
					Contitech	725 N	
					Dunlop Fr	D14B43	
					Firestone	1T66D-10.8	
						W01-M58-8610	
					Goodyear	1R14-756	
					Keva	5725CA01	
					Meritor	MLF7105	
Height: 675mm - 245mm		Metric					

Airsprings.com Part No.		93700		Bolt Kit		B20022	
Assembly View	Top Plate	Bottom Plate	OE Part No		Cross Ref		
			Gigant	166269	Contitech	4725N	
Height: 570mm - 230mm		Metric					

Airsprings.com Part No.		16101		Bolt Kit		B20029	
Assembly View	Top Plate	Bottom Plate	OE Part No		Cross Ref		
			Gigant	166225	Airtech	3724K	
					Blacktech	RML 7835 C2	
					Contitech	724 N	
					Goodyear	1R11-711	
					Keva	5724	
					Meritor	MLF7116	
Height: 675mm - 245mm		Metric					

Airsprings.com Part No.		17065		Bolt Kit		B20029	
Assembly View	Top Plate	Bottom Plate	OE Part No		Cross Ref		
			Freightliner	16-15595-000	Airtech	32303K	
				16-15595-001	Contitech	910S-16 A 382	
				16-15595-002	Firestone	1T15ZR-6	
				16-13810-000		W01-358-9780	
				16-13810-001	Goodyear	1R12-303	
				16-13810-002	Keva	415611	
					Phoenix	1 DK 23 K-9780	
					Vibracoustic	V 1 DK 23 K-9780	
Height: 675mm - 245mm		Metric					



● Bolt/Stud | ● Threaded Hole | ⊗ Air Inlet | ⊙ Combo Stud

Airsprings.com Part No.		15992					
Assembly View	Top Plate	Bottom Plate	OE Part No		Cross Ref		
			Bova	B180784	Pirelli	1T252-2	
Height: 450mm - 195mm		Metric					

Airsprings.com Part No.		15997		Bolt Kit		B20059	
Assembly View	Top Plate	Bottom Plate	OE Part No		Cross Ref		
			Bova - 1999	B186053	Goodyear	9006	
Height: 450mm - 185mm		Metric				Phoenix	1 E 17 B-1
						Taurus	K 147-01
						Vibracoustic	V 1 E 26-1

Airsprings.com Part No.		93603		Bolt Kit		B20059	
Assembly View	Top Plate	Bottom Plate	OE Part No		Cross Ref		
			Bova 1999 on	235216	Phoenix	1 E 26-3	
						Vibracoustic	V 1 E 26-3

Airsprings.com Part No.		93934					
Assembly View	Top Plate	Bottom Plate	OE Part No		Cross Ref		
					Airtech	3897K	
Height: 450mm - 185mm		Metric				Contitech	897 MB

● Bolt/Stud | ● Threaded Hole | ⊗ Air Inlet | ⊙ Combo Stud



Airsprings.com Part No.		15836			
Assembly View	Top Plate	Bottom Plate	OE Part No		Cross Ref
			Flexolink		Dunlop PNP 311 540 000
Metric (Bellows 15891)					

Airsprings.com Part No.		15869			
Assembly View	Top Plate	Bottom Plate	OE Part No		Cross Ref
			Flexolink		Dunlop PNP 310 740 000
Metric (Bellows 15891)					

Airsprings.com Part No.		15870			
Assembly View	Top Plate	Bottom Plate	OE Part No		Cross Ref
			Flexolink		Dunlop PNP 310 740 001
Metric (Bellows 15891)					

Airsprings.com Part No.		15871			
Assembly View	Top Plate	Bottom Plate	OE Part No		Cross Ref
			Flexolink		Dunlop PNP 310 740 004
Metric (Bellows 15891)					

● Bolt/Stud | ● Threaded Hole | ⊗ Air Inlet | ⊙ Combo Stud

Airsprings.com Part No.		15890			
Assembly View	Top Plate	Bottom Plate	OE Part No		Cross Ref
			Flexolink		Dunlop PNP 310 120 100
Metric					

Airsprings.com Part No.		15791			
Assembly View	Top Plate	Bottom Plate	OE Part No		Cross Ref
			Kassbohrer	4.731.043.000	Firestone 1T66E-13.8
					W01-M58-8988
					Phoenix 1 DK 32 E-4
					Vibracoustic V 1 DK 32 E-4
Height: 590mm	Metric				

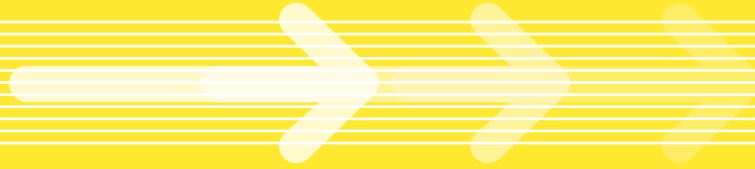


Airsprings.com Part No.		94902			
Assembly View	Top Plate	Bottom Plate	OE Part No		Cross Ref
			Panav Trailer		Phoenix 1D24-35L
Height: 350mm	Metric				

● Bolt/Stud | ● Threaded Hole | ⊗ Air Inlet | ⊙ Combo Stud



Section 5



BPW Airspring Service Parts

Fixings Key

Metric

●	Bolt/Stud	M12 x 1.75mm
⊙	Threaded Hole	M8 x 1.75mm on Top Plate M12 x 1.75mm on Piston
⊗	Air Inlet	M22 x 1.5mm or M14 or M12
◎	Combo Stud	External M20 x 1.5mm, Internal M12 External M22 x 1.5mm, Internal M12 External M20 x 1.5mm, Internal M14

Imperial

●	Bolt/Stud	1/2" - 13 UNC
⊙	Threaded Hole	3/8" UNC on Top Plate 1/2" - 13 UNC on Piston
⊗	Air Inlet	3/4" NPT or 1/4" NPT
◎	Combo Stud	External 3/4" - 16, Internal 1/4" NPT

Note: Manufactures part numbers used in this catalogue are for cross reference purposes only and do not imply the origin or manufacturer of the product.

Airsprings.com Part No.		15790						
Assembly View	Top Plate	Bottom Plate	OE Part No		Cross Ref			
			BPW	05.429.40.01.0	Airtech	3881P		
					Contitech	881 MB		
					Dunlop Fr	D14U36		
					Firestone	1T66D-10.8		
						W01-M58-8978		
					Goodyear	1R14-708		
					Keva	5881		
					Meritor	MLF7066		
					Phoenix	1 DK 32		
					Vibracoustic	V 1 DK 32		
Metric - Type36 (Complete Assembly 16917)								

Airsprings.com Part No.		15901						
Assembly View	Top Plate	Bottom Plate	OE Part No		Cross Ref			
			BPW	05.429.40.03.0	Airtech	3941P		
					Contitech	941 MB		
					Dunlop Fr	D11U30		
					Firestone	1T17D-8.3		
						W01-M58-8620		
					Goodyear	1R11-700		
					Keva	5941		
					Meritor	MLF7047		
					Phoenix	1 DK 21		
					Pirelli	1TC300-36		
Metric - Type30 (Complete Assembly 16918)								

Airsprings.com Part No.		15902						
Assembly View	Top Plate	Bottom Plate	OE Part No		Cross Ref			
			BPW	05.429.40.03.0	Airtech	3942P		
					Connect	MD 1942K		
					Contitech	942 MB		
					Firestone	1T66D-13.5		
						W01-M58-8584		
					Goodyear	1R14-700		
					Keva	5942		
					Meritor	MLF7043		
					Phoenix	1 DK 32 L		
					Vibracoustic	V 1 DK 32 L		
Metric - Type36-1 (Complete Assembly 15903)								

Airsprings.com Part No.		15916						
Assembly View	Top Plate	Bottom Plate	OE Part No		Cross Ref			
			BPW	05.429.40.91.0	Airtech	3940P		
					Contitech	940 MB		
					Dunlop Fr	D11U31		
					Firestone	1T17D-4.3		
						W01-M58-8613		
					Goodyear	1R11-703		
					Keva	5940		
					Meritor	MLF7114		
					Phoenix	1 DK 21 K		
					Vibracoustic	V 1 DK 21		
Metric - Type30K (Complete Assembly 16919)								

● Bolt/Stud | ● Threaded Hole | ⊗ Air Inlet | ◎ Combo Stud

Airsprings.com Part No.		15961						
Assembly View	Top Plate	Bottom Plate	OE Part No		Cross Ref			
			BPW	05.429.41.01.0	Airtech	34881		
					Contitech	4881 NP02 (no piston)		
					Dunlop Fr	D14U37 (no piston)		
					Firestone	1T66D-7.0		
						W01-M58-8601		
					Goodyear	1R14-701		
					Keva	54881		
					Meritor	MLF7040		
					Pirelli	1TC360-40		
					Vibracoustic	V 1 DK 32 K		
Metric - Type36K (Complete Assembly 16905)								

Airsprings.com Part No.		15959						
Assembly View	Top Plate	Bottom Plate	OE Part No		Cross Ref			
			BPW	05.429.40.72.0	Airtech	3951P		
					Contitech	951 MB		
					Firestone	1T17D-11.8		
						W01-M58-8621		
					Goodyear	1R11-704		
					Keva	5951		
					Meritor	MLF7048		
Metric - Type30-1								

Airsprings.com Part No.		15909						
Assembly View	Top Plate	Bottom Plate	OE Part No		Cross Ref			
			BPW	05.429.41.77.0	Airtech	34960P		
					Contitech	4960 N		
					Goodyear	1R11-801		
					Keva	54960		
					Phoenix	1 DK 21 K-3		
					Vibracoustic	V 1 DK 21 K-3		
Metric								

● Bolt/Stud | ● Threaded Hole | ⊗ Air Inlet | ⊙ Combo Stud



Airsprings.com Part No.		15903					
Assembly View	Top Plate	Bottom Plate	OE Part No		Cross Ref		
			BPW	05.429.40.58.0	Airtech	3942-01K	
				05.429.42.38.0	Blacktech	RML 7053 C	
				05.429.41.69.0	Contitech	942 MB	
				Steel Piston	Firestone	1T66D-13.5	
					Goodyear	1R14-781	
					Keva	5942	
					Meritor	MLF7107	
Metric - Type 36-1							

Airsprings.com Part No.		15905					
Assembly View	Top Plate	Bottom Plate	OE Part No		Cross Ref		
			BPW	05.429.41.22.1	Airtech	34881K	
				Steel Piston	Blacktech	RML 75992 C	
					Connect	MD 14881K	
					Dunlop Fr	D14U37	
					Firestone	1T66D-7.0	
						W01-M58-8602	
					Meritor	MLF7110	
Metric - Type 36K							

Airsprings.com Part No.		15917					
Assembly View	Top Plate	Bottom Plate	OE Part No		Cross Ref		
			BPW	05.429.41.21.1	Airtech	3881K	
				05.429.41.36.1	Connect	MD 1881K	
				05.429.40.08.1	Firestone	1T66D-10.8	
				05.429.40.47.1		W01-M58-8966	
				05.429.53.51.0	Meritor	MLF7104	
				Steel Piston	Pirelli	1TC360-45	
Metric - Type 36							

Airsprings.com Part No.		15918					
Assembly View	Top Plate	Bottom Plate	OE Part No		Cross Ref		
			BPW	05.429.40.28.1	Airtech	3941K	
				05.429.40.09.1	Blacktech	RML 7052 C	
				05.429.40.30.1	Connect	MD 1941K	
				05.429.40.34.0	Firestone	W01-M58-8619	
				05.429.41.24.1	Meritor	MLF7046	
				05.429.42.18.0	Pirelli	1TC300-36	
				05.429.42.18.1			
				05.429.43.20.0			
				Steel Piston			
Metric - Type 30							

● Bolt/Stud | ● Threaded Hole | ⊗ Air Inlet | ⊙ Combo Stud

Airsprings.com Part No.		15919					
Assembly View	Top Plate	Bottom Plate	OE Part No		Cross Ref		
			BPW	05.429.40.93.1	Airtech	3940K	
				05.429.40.94.1	Blacktech	RML 7051 C	
				05.429.43.39.0	Connect	MD 1940K	
				05.429.41.23.1	Contitech	940 MB (no piston)	
				05.429.41.29.0	Dunlop Fr	D11U31 (no piston)	
				05.429.42.19.0	Firestone	1T17D-4.3	
				05.429.43.21.1		W01-M58-8609	
				Steel Piston	Goodyear	4881 NP02 (no piston)	
					Keva	5940	
			Metric - Type 30K (19500 - same part with 190mm piston)				

Airsprings.com Part No.		15967					
Assembly View	Top Plate	Bottom Plate	OE Part No		Cross Ref		
			BPW	05.429.40.75.0	Contitech	951 MB	
				Steel Piston	Goodyear	1R11-715	
Metric - Type 30-1							



Airsprings.com Part No.		16241					
Assembly View	Top Plate	Bottom Plate	OE Part No		Cross Ref		
			BPW	05.429.41.56.0	Airtech	34940KPP	
					Connect	MD 14940K	
					Contitech	4940 N	
					Goodyear	1R11-799	
					Keva	54940	
			Metric				



Airsprings.com Part No.		16242					
Assembly View	Top Plate	Bottom Plate	OE Part No		Cross Ref		
			BPW	05.429.41.25.0	Airtech	34941K	
					Connect	MD 14941K	
					Contitech	4941 N	
					Goodyear	1R11-802	
					Keva	54941	
Metric							

● Bolt/Stud | ● Threaded Hole | ⊗ Air Inlet | ⊙ Combo Stud





Airsprings.com Part No.		16244						
Assembly View	Top Plate	Bottom Plate	OE Part No		Cross Ref			
			BPW	05.429.42.04.0	Airtech	34961KPP		
					Connect	MD 14961K		
					Contitech	4961 N		
					Goodyear	1R11-800		
					Keva	54961		
					Meritor	MLF7175		
Metric - Type 30K								

Airsprings.com Part No.		16905							
Assembly View	Top Plate	Bottom Plate	OE Part No		Cross Ref				
			BPW	05.429.43.41.0	Airtech	34881-01KPP			
					Blacktech	RML 75992 CP			
					Plastic Piston	Connect	MD 14881KP		
					Contitech	4881 NP02 (no piston)			
					Dunlop Fr	D14B37			
					Firestone	1T66D-7.0			
							W01-M58-8666		
					Goodyear	1R14-724			
					Keva	54881			
					Meritor	MLF7041			
Metric - Type 36K									

Airsprings.com Part No.		16917							
Assembly View	Top Plate	Bottom Plate	OE Part No		Cross Ref				
			BPW	05.801.21.32.0	Airtech	3881-01KPP			
					Connect	MD 1881KP			
					Contitech	881 MB			
					Dunlop Fr	D14A36			
					Firestone	1T66D-10.8			
							W01-M58-8667		
					Goodyear	1R14-702			
					Plastic Piston	Keva	5881		
					Meritor	MLF7065			
					Pirelli	1TC360-45			
Metric - Type 36									

Airsprings.com Part No.		16918							
Assembly View	Top Plate	Bottom Plate	OE Part No		Cross Ref				
			BPW	05.801.09.73.0	Airtech	3941-01KPP			
					Blacktech	RML 7052 CP			
					Connect	MD 1941KP			
					Contitech	941 MB			
					Dunlop Fr	D11B32			
					Firestone	1T17D-8.3			
							W01-M58-8668		
					Goodyear	1R11-701			
					Keva	5941			
					Plastic Piston	Pirelli	1TC300-36		
Metric - Type 30									

● Bolt/Stud | ● Threaded Hole | ⊗ Air Inlet | ⊙ Combo Stud

Airsprings.com Part No.		16919					
Assembly View	Top Plate	Bottom Plate	OE Part No		Cross Ref		
			BPW	05.429.43.22.0	Airtech	3940KPP	
				05.429.40.93.1	Blacktech	RML 7051 CP	
				05.429.40.94.1	Connect	MD 1940KP	
				05.429.43.39.0	Contitech	940 MB	
				05.429.41.23.1	Dunlop Fr	D11B31	
				05.429.41.29.0	Firestone	W01-M58-8585	
				05.429.42.19.0	Goodyear	1R11-752	
				05.429.43.21.1		1R11-763	
				05.429.40.91.0			
Metric - Type 30K				Plastic Piston			

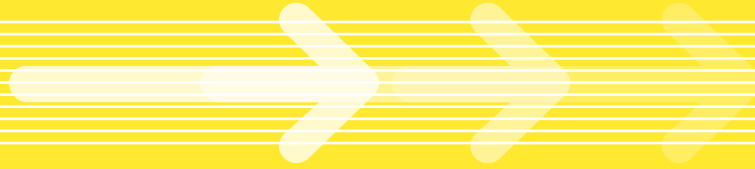
Airsprings.com Part No.		93450					
Assembly View	Top Plate	Bottom Plate	OE Part No		Cross Ref		
			BPW	05.429.41.77.0	Airtech	34960KPP	
					Connect	MD 14960K	
					Contitech	4960 N P02	
Metric - Type 30K							



● Bolt/Stud | ● Threaded Hole | ⊗ Air Inlet | ⊙ Combo Stud



Section 6



Airspring Diaphragms

Fixings Key

Metric

●	Bolt/Stud	M12 x 1.75mm
⊙	Threaded Hole	M8 x 1.75mm on Top Plate M12 x 1.75mm on Piston
⊗	Air Inlet	M22 x 1.5mm or M14 or M12
◎	Combo Stud	External M20 x 1.5mm, Internal M12 External M22 x 1.5mm, Internal M12 External M20 x 1.5mm, Internal M14

Imperial

●	Bolt/Stud	1/2" - 13 UNC
⊙	Threaded Hole	3/8" UNC on Top Plate 1/2" - 13 UNC on Piston
⊗	Air Inlet	3/4" NPT or 1/4" NPT
◎	Combo Stud	External 3/4" - 16, Internal 1/4" NPT

Note: Manufactures part numbers used in this catalogue are for cross reference purposes only and do not imply the origin or manufacturer of the product.

Airsprings.com Part No. 15621					
Diaphragm		OE Part No		Cross Ref	
		MAN	90.83112.01.44	Airtech	3661
		Neoplan	1001 12 250	Blacktech	RL 9772
			AA10-01-001	Contitech	661 N
		Van Hool	624319.690	Firestone	1R1C 390 310
		Volvo	1137888		W01-095-0021
		EVO	4.731.042.000	Goodyear	8018
		Iveco	41822247	Keva	5661
		Magirus	02498667	Phoenix	1 E 25
		Mercedes	A 613 327 02 01	Vibracoustic	V 1 E 25

Airsprings.com Part No. 15622					
Diaphragm		OE Part No		Cross Ref	
		Mercedes	307 327 01 01	Airtech	3644
		Neoplan	1001 12 254	Blacktech	RL 9755
		Van Hool	624319.610	Contitech	644 N
		Volvo	1134445	Firestone	1R1A 390 295
		BPW	02.200.24.40.0		W01-095-0118
		EVO	4.771.143.000	Goodyear	8017
			4.771.170.000	Keva	5644
		DAF	0689677	Phoenix	1 E 21
				Vibracoustic	V 1 E 21

Airsprings.com Part No. 15623					
Diaphragm		OE Part No		Cross Ref	
		BPW	02.200.24.60.0	Airtech	3662
		Neoplan	1001 12 254	Connect	M 1662
			AA10-01-002	Contitech	662 N
		DAF	0578361	Firestone	1R1D 355 355
		MAN	81.43601.0018		W01-095-0207
			81.43601.0051	Goodyear	9007
		Schmitz	750209	Keva	5662
		SMB	2680662000	Phoenix	1 E 32
				Vibracoustic	V 1 E 32

Airsprings.com Part No. 15625					
Diaphragm		OE Part No		Cross Ref	
		Dennis	650292/8	Airtech	3928
		Leyland	AAU2544	Blacktech	RL 9039
		MCW	X6641056	Connect	M 1928
				Contitech	928 N
				Firestone	1R1K 380 320
					W01-095-0228
				Goodyear	8042
				Keva	5928
				Vibracoustic	V 2 E 23 A

● Bolt/Stud | ● Threaded Hole | ⊗ Air Inlet | ⊙ Combo Stud



Airsprings.com Part No. 15626			
Diaphragm		Cross Ref	
	OE Part No		Cross Ref
	Iveco	4763473	Airtech 3715
	MAN	81.43601.0059	Blacktech RL 9826
		81.43601.0060	Connect M 1715
	Mercedes	363 328 00 01	Contitech 715 N
	DAF	659561	Firestone 1R1C 335 310
	Renault	5.000.819.517	W01-095-0087
			Goodyear 8015
			Keva 5715
			Phoenix 1 F 25
		Vibracoustic V 1 F 25	

Airsprings.com Part No. 15637			
Diaphragm		Cross Ref	
	OE Part No		Cross Ref
	Dennis	611896/12	Airtech 3927
	Leyland	AAU2542	Blacktech RL 9038
	Scania	434932	Connect M 1927
			Contitech 927 N
			Firestone 1R1J 415 285
			W01-095-0244
			Goodyear 8037
			Keva 5927
			Phoenix 2 E 18 B
		Vibracoustic V 2 E 18 B	

Airsprings.com Part No. 15639			
Diaphragm		Cross Ref	
	OE Part No		Cross Ref
	AWD (Bedford)	91101884	Airtech 3896
	Scania	411627	Blacktech RL 9907
			Connect M 1896
			Contitech 896 N
			Firestone 1R1J 520 285
			W01-095-0245
			Goodyear 8040
			Keva 5896
			Phoenix 2 E 18 A

Airsprings.com Part No. 15641			
Diaphragm		Cross Ref	
	OE Part No		Cross Ref
	Iveco	4716989	Airtech 3945
	Menarini	178741	Blacktech RL 9056
			Connect M 1945
			Contitech 945 N
			Firestone 1R1A 460 290
			W01-095-0063
			Goodyear 8014
			Keva 5945
			Phoenix 1 E 21 C
		Vibracoustic V 1 E 21 E	

● Bolt/Stud | ● Threaded Hole | ⊗ Air Inlet | ⊙ Combo Stud



Airsprings.com Part No. 15642					
Diaphragm		OE Part No		Cross Ref	
		Scania	411623	Airtech	3897
				Blacktech	RL 9908
				Connect	M 1897
				Contitech	897 N
				Firestone	1R1K 440 320
					W01-095-0229
				Goodyear	8028
				Keva	5897
				Phoenix	2 E 23
				Vibracoustic	V 2 E 23

Airsprings.com Part No. 15687					
Diaphragm		OE Part No		Cross Ref	
		Iveco	8188526	Firestone	1R1B 390 270
				Eurotech	W01-095-0121
		Scania	523229	Goodyear	8016
				Phoenix	1 E 21-6
				Pirelli	1S270-23
				Vibracoustic	V 1 E 21-6

Airsprings.com Part No. 15698					
Diaphragm		OE Part No		Cross Ref	
		BPW	02.200.24.20.0	Airtech	3762
		DAF	644425	Blacktech	RL 9873
			578361	Connect	M 1762
		MAN	81.43601.0049	Contitech	762 N
		Kassbohrer	4.731.013.000	Firestone	1R2D 390 360
		Van Hool	624319640		W01-095-0190
				Goodyear	9010
				Keva	5767
				Phoenix	1 F 32
				Vibracoustic	V 1 F 32

Airsprings.com Part No. 15700					
Diaphragm		OE Part No		Cross Ref	
		DAF	638148	Airtech	3727
		Volvo	1134446	Blacktech	RL 9838
				Connect	M 1727
				Contitech	727 N
				Firestone	1R2D 460 360
					W01-095-0191
				Goodyear	8117
				Keva	5727
				Phoenix	1 F 32 A
				Vibracoustic	V 1 F 32 A

● Bolt/Stud | ● Threaded Hole | ⊗ Air Inlet | ⊙ Combo Stud

Airsprings.com Part No.	15701				
Diaphragm		OE Part No		Cross Ref	
		BPW	02.200.24.00.0	Airtech	3719
		DAF	818225	Blacktech	RL 9820
		Kassbohrer	4.731.030.000	Connect	M 1719
		Schmitz	750215	Contitech	719 N
				Firestone	1R2D 530 360
					W01-095-0192
				Goodyear	8118
				Keva	5719
				Phoenix	1 F 32 B
				Vibracoustic	V 1 F 32 B

Airsprings.com Part No.	15702				
Diaphragm		OE Part No		Cross Ref	
		BPW	02.200.24.10.0	Airtech	3720
		MAN	81.43601.0033	Blacktech	RL 9831
			81.43601.0036	Connect	M 1720
			81.43601.0037	Contitech	720 N
		Mercedes	360 328 01 01	Firestone	1R2A 460 295
			387 328 01 01		W01-095-0195
		Volvo	1590136	Goodyear	9008
			1622115	Keva	5720
				Phoenix	1 F 21
				Vibracoustic	V 1 F 21

Airsprings.com Part No.	15704				
Diaphragm		OE Part No		Cross Ref	
		Iveco	4714025	Airtech	3944
		DAF	0627584	Blacktech	RL 9055
				Connect	M 1944
				Contitech	944 N
				Firestone	1R1A 370 285
					W01-095-0198
				Goodyear	8012
				Keva	5944
				Pirelli	1S285-22

Airsprings.com Part No.	15706				
Diaphragm		OE Part No		Cross Ref	
		Bova	B510040	Airtech	3701
				Blacktech	RL 9812
				Connect	M 1701
				Contitech	701 N
				Firestone	1R3M 340 340
					W01-095-0205
				Goodyear	9006
				Keva	5701
				Phoenix	1 E 26
				Vibracoustic	V 1 E 26

● Bolt/Stud | ● Threaded Hole | ⊗ Air Inlet | ⊙ Combo Stud



Airsprings.com Part No. 15844			
Diaphragm		OE Part No	
		Cross Ref	
	Iveco	8188539	Firestone 1R1B 415 270
			W01-095-0295
			Gart D290
			Pirelli 1S285-25C

Airsprings.com Part No. 15906			
Diaphragm		OE Part No	
		Cross Ref	
	Volvo	1593700	Contitech 753 N

Airsprings.com Part No. 15908			
Diaphragm		OE Part No	
		Cross Ref	
	Volvo	3027271	Airtech 3415-25
			Blacktech RL 9526-36
			Connect M 141525
			Contitech RZ 415-25
			Firestone 1R5P 345 290
			W01-095-0381
			Goodyear 9004
			Keva 541525
			Phoenix 2 G 20
			Vibracoustic V 2 G 20

Airsprings.com Part No. 15912			
Diaphragm		OE Part No	
		Cross Ref	
	MAN	81.43601.0095	Airtech 3916
		81.43601.0097	Blacktech RL 9027
		81.43601.0102	Connect M 1916
		81.43601.0105	Contitech 916 N1
		81.43601.0126	Goodyear 9015
			Keva 5916
			Meritor MLF7085
			Phoenix 1 F 21 C-5
			Vibracoustic V 1 F 21 C-5

● Bolt/Stud | ● Threaded Hole | ⊗ Air Inlet | ⊙ Combo Stud

Airsprings.com Part No.	15913				
Diaphragm		OE Part No		Cross Ref	
		Schmitz	4.731.038.000	Airtech	31774
				Blacktech	RL 92885
				Connect	M 11774
				Contitech	774 N
				Keva	51774

Airsprings.com Part No.	15923				
Diaphragm		OE Part No		Cross Ref	
		MAN	81.43601.0022	Airtech	2B-285
			88.96420.0217	Blacktech	RL 9773
		Kassbohrer		Contitech	608 N
		BPW	02.200.20.50.0	Meritor	MLF7185
			05.429.00.01.0	Taurus	F 211
		EVO	4.731.003.000		
		Magirus	03422571		

Airsprings.com Part No.	15927				
Diaphragm		OE Part No		Cross Ref	
		Mercedes	383 327 00 01	Airtech	3673
		Volvo	1611776	Blacktech	RL 9784
		DAF	0627584	Connect	M 1673
		Van Hool	624319-860	Contitech	673 N
				Firestone	1R1A 370 285
				Goodyear	566-03-9-051
				Keva	5673
				Meritor	MLF7006
				Phoenix	1 F 21 A
				Vibracoustic	V 1 F 21 A

Airsprings.com Part No.	15929				
Diaphragm		OE Part No		Cross Ref	
		Volvo	1622116	Airtech	3713
				Blacktech	RL 9824
				Connect	M 1713
				Contitech	713 N
				Goodyear	566-03-9-066
				Keva	5713
				Meritor	MLF7147
				Phoenix	1 F 21 D
				Vibracoustic	V 1 F 21 D

● Bolt/Stud | ● Threaded Hole | ⊗ Air Inlet | ⊙ Combo Stud



Airsprings.com Part No. 15933		Diaphragm		OE Part No		Cross Ref	
				MAN	81.43601.0053	Airtech	3786
						Blacktech	RL 9897
						Connect	M 1786
						Contitech	786 N
						Firestone	1R2S 355 245
							W01-095-0436
						Keva	5786
						Phoenix	1 F 14
						Vibracoustic	V 1 F 14

Airsprings.com Part No. 15937		Diaphragm		OE Part No		Cross Ref	
				Optare	R5800001	Airtech	3975
						Blacktech	RL 9086
						Connect	M 1975
						Contitech	975 N
						Firestone	1R1T 320 195
						Keva	5975
						Meritor	MLF7014
						Vibracoustic	V 1 E 10

Airsprings.com Part No. 15944		Diaphragm		OE Part No		Cross Ref	
				MAN	81.43601.0065	Airtech	3882
					81.43601.0067	Blacktech	RL 9993
					81.43601.0070	Connect	M 1882
					81.43601.0092	Contitech	882 N1
					81.43601.0099	Firestone	1R4R 465 260
					81.43601.0100		W01-095-0435
					81.43601.0103	Goodyear	9048
						Keva	5882
						Phoenix	1 F 16
						Vibracoustic	V 1 F 16

Airsprings.com Part No. 15948		Diaphragm		OE Part No		Cross Ref	
				MAN	81.43601.0125	Airtech	31884
					81.43601.0140	Blacktech	RL 92996
					81.43601.0150	Connect	M 11885
						Contitech	1884 N1
						Firestone	1R2A 445 280
							W01-095-0429
						Goodyear	9003
						Keva	51885
						Phoenix	1 F 20 B
						Vibracoustic	V 1 F 20 B

● Bolt/Stud | ● Threaded Hole | ⊗ Air Inlet | ⊙ Combo Stud

Airsprings.com Part No.	15954	OE Part No		Cross Ref	
Diaphragm					
		Volvo	3027272	Airtech	3415-28
				Blacktech	RL 9526-39
				Connect	M 141528
				Contitech	RZ 415-28
				Firestone	1R5P 410 290
					W01-095-0382
				Goodyear	9005
				Keva	541528
				Phoenix	2 G 20 A
				Vibracoustic	V 2 G 20 A

Airsprings.com Part No.	15960	OE Part No		Cross Ref	
Diaphragm					
		Volvo	1075290	Airtech	31421
				Blacktech	RL 92532
				Connect	M 11421
				Contitech	1421 N
				Firestone	1R2A 490 305
					W01-095-0472
				Goodyear	566-03-9-072
				Keva	51421
				Meritor	MLF7082

Airsprings.com Part No.	15966	OE Part No		Cross Ref	
Diaphragm					
		Mercedes		Airtech	3819
				Connect	M 1819
				Contitech	819 N
				Keva	5819
				Meritor	MLF7119
				Phoenix	1 E 14
				Pirelli	1S215-22
				Vibracoustic	V 1 E 14

Airsprings.com Part No.	16018	OE Part No		Cross Ref	
Diaphragm					
		Mercedes	363 328 02 01	Airtech	3757
				Blacktech	RL 9868
				Connect	M 1757
				Contitech	757 N
				Firestone	1R2A 380 305
					W01-095-0212
				Goodyear	566-03-9-077
				Keva	5757
				Phoenix	1 F 26 C
				Vibracoustic	V 1 F 26 C

● Bolt/Stud | ● Threaded Hole | ⊗ Air Inlet | ⊙ Combo Stud



Airsprings.com Part No. 16047		OE Part No		Cross Ref	
Diaphragm		OE Part No		Cross Ref	
		Mercedes	655 327 00 01	Airtech	31720
				Contitech	1720 N

Airsprings.com Part No. 16114		OE Part No		Cross Ref	
Diaphragm		OE Part No		Cross Ref	
		DAF	FBU5949	Dunlop	IC 3118, 05

Airsprings.com Part No. 16166		OE Part No		Cross Ref	
Diaphragm		OE Part No		Cross Ref	
		Volvo	3111277	Airtech	31277
				Dunlop	A 115 580 006
				Firestone	1R4U 395 260
					W01-095-0453
				Goodyear	566-03-9-101
				Keva	404530

Airsprings.com Part No. 16247		OE Part No		Cross Ref	
Diaphragm		OE Part No		Cross Ref	
		MAN	81.43601.0127	Airtech	3706
			81.43601.0096	Blacktech	RL 9817
				Connect	M 1706

● Bolt/Stud | ● Threaded Hole | ⊗ Air Inlet | ⊙ Combo Stud

Airsprings.com Part No. 17025					
Diaphragm		OE Part No		Cross Ref	
		Iveco	8137291	Gart	C289B
			Eurotech	Pirelli	1SC260-30

Airsprings.com Part No. 17026					
Diaphragm		OE Part No		Cross Ref	
		Iveco	98411807	Gart	C289
			Eurotech	Pirelli	1SC260-32

Airsprings.com Part No. 17052					
Diaphragm		OE Part No		Cross Ref	
		Iveco		Dunlop	PNP 316 760 100
		Fiat		Gart	D278

Airsprings.com Part No. 17055					
Diaphragm		OE Part No		Cross Ref	
		Iveco	8460165	Pirelli	1S285-18C

● Bolt/Stud | ● Threaded Hole | ⊗ Air Inlet | ⊙ Combo Stud



Airsprings.com Part No.	17077				
Diaphragm		OE Part No		Cross Ref	
		Iveco	500364686	Pirelli	1S270-26
			Eurotech		

Airsprings.com Part No.	17080				
Diaphragm		OE Part No		Cross Ref	
		Iveco	41022620	Gart	D298, B
			Eurotech	Pirelli	1S323-36

Airsprings.com Part No.	94510				
Diaphragm		OE Part No		Cross Ref	
		Renault		Dunlop	E 312 150 027

Airsprings.com Part No.	94514				
Diaphragm		OE Part No		Cross Ref	
		Volvo	20540789	Airtech	30789
				Goodyear	9081

● Bolt/Stud | ● Threaded Hole | ⊗ Air Inlet | ⊙ Combo Stud

Airsprings.com Part No. 94515					
Diaphragm		OE Part No		Cross Ref	
		Volvo	20540792	Airtech	30792
				Goodyear	9082

Airsprings.com Part No. 94516					
Diaphragm		OE Part No		Cross Ref	
		Volvo	20535875	Goodyear	9080



Airsprings.com Part No. 17082					
Diaphragm		OE Part No		Cross Ref	
		Iveco	41006926	Airtech	319250
				CF Gomma	1SC 250-19
				Gart	C301, B
				Pirelli	1SC250-19



Airsprings.com Part No. 17072					
Diaphragm		OE Part No		Cross Ref	
		Iveco	41008929	Airtech	319270
				CF Gomma	1S 270-19
				Pirelli	1S 270-19

● Bolt/Stud | ● Threaded Hole | ⊗ Air Inlet | ⊙ Combo Stud





Airsprings.com Part No. 17074					
Diaphragm		OE Part No		Cross Ref	
	Iveco	42531994	Airtech	320270	
			CF Gomma	1S 270-20 V	
			Gart	D290, E	
			Pirelli	1S 270-20 V	



Airsprings.com Part No. 94517					
Diaphragm		OE Part No		Cross Ref	
	MAN	81.43601.0071	Airtech	3883	
		81.43601.0072	CF Gomma	1SC 250-29	
		84.43601.0110	Contitech	883 N1	
		81.43601.0128	Firestone	1R4R 465 260	
	Volvo	1082085	Goodyear	1R11-806	
		1082130			

● Bolt/Stud | ● Threaded Hole | ⊗ Air Inlet | ⊙ Combo Stud



● Bolt/Stud | ● Threaded Hole | ⊗ Air Inlet | ⊙ Combo Stud



Section 7



Dunlop Type Convoluted Parts

Manufacturer	Page
Dunlop 6 x 2	197
Dunlop 8 x 1	197
Dunlop 8 x 2	197
Dunlop 9 ^{1/4} x 2	197
Dunlop 10 x 2	198
Dunlop 10 x 3	199
Dunlop 12 x 2	200
Dunlop 12 x 3	201
Dunlop 14 ^{1/2} x 2	202
Dunlop 14 ^{1/2} x 3.....	203
Dunlop 16 x 2	204
Dunlop 16 x 3	204

Fixings Key

Metric

●	Bolt/Stud	M12 x 1.75mm
⊙	Threaded Hole	M8 x 1.75mm on Top Plate M12 x 1.75mm on Piston
⊗	Air Inlet	M22 x 1.5mm or M14 or M12
⊕	Combo Stud	External M20 x 1.5mm, Internal M12 External M22 x 1.5mm, Internal M12 External M20 x 1.5mm, Internal M14

Imperial

●	Bolt/Stud	1/2" - 13 UNC
⊙	Threaded Hole	3/8" UNC on Top Plate 1/2" - 13 UNC on Piston
⊗	Air Inlet	3/4" NPT or 1/4" NPT
⊕	Combo Stud	External 3/4" - 16, Internal 1/4" NPT

Note: Manufactures part numbers used in this catalogue are for cross reference purposes only and do not imply the origin or manufacturer of the product.

Airsprings.com Part No.		15801		6 x 2			
Top Plate	Clamp Ring x2	Bellow	Centre Ring x2	Bump Stop	Bottom Plate	Sub Assembly	Application
<p>1/2" BSP 0.5" 13mm HIGH</p>	<p>127</p>	<p>74 6"/152</p>				<p>127</p>	Various
17102	17104	15802	17106	None	17108	17110	

Airsprings.com Part No.		17043		8 x 1			
Top Plate	Clamp Ring x2	Bellow	Centre Ring x2	Bump Stop	Bottom Plate	Sub Assembly	Application
<p>1/2" BSP 0.5" 13mm HIGH</p>	<p>151</p>	<p>92 8"/203</p>				<p>151</p>	Various

Airsprings.com Part No.		15803		8 x 2			
Top Plate	Clamp Ring x2	Bellow	Centre Ring x2	Bump Stop	Bottom Plate	Sub Assembly	Application
<p>1/2" BSP 0.5" 13mm HIGH</p>	<p>151</p>	<p>92 8"/203</p>				<p>151</p>	Various
17084	17086	15804	17083	None	17085	17112	

Airsprings.com Part No.		15805		9 1/4 x 2			
Top Plate	Clamp Ring x2	Bellow	Centre Ring x2	Bump Stop	Bottom Plate	Sub Assembly	Application
<p>1/2" BSP 0.5" 13mm HIGH</p>	<p>166</p>	<p>110 9 1/4"/235</p>				<p>166</p>	Various
17087	17096	15806	17097	None	17089	17114	

Airsprings.com Part No.		15892		9 1/4 x 2			
Top Plate	Clamp Ring x2	Bellow	Centre Ring x2	Bump Stop	Bottom Plate	Sub Assembly	Application
<p>1/2" BSP 0.5" 13mm HIGH</p>	<p>166</p>	<p>110 9 1/4"/235</p>				<p>166</p>	Various
17116	17096	15806	17097	None	17089	17114	

● Bolt/Stud | ● Threaded Hole | ⊗ Air Inlet | ⊙ Combo Stud



Airsprings.com Part No.				15807		10 x 2	
Top Plate	Clamp Ring x2	Bellow	Centre Ring x2	Bump Stop	Bottom Plate	Sub Assembly	Application
							Various
15882	15884	15808	15885	None	15883	15853	

Airsprings.com Part No.				15872		10 x 2	
Top Plate	Clamp Ring x2	Bellow	Centre Ring x2	Bump Stop	Bottom Plate	Sub Assembly	Application
							Tecair
15856	15884	15808	15885	None	15883	15853	

Airsprings.com Part No.				15887		10 x 2	
Top Plate	Clamp Ring x2	Bellow	Centre Ring x2	Bump Stop	Bottom Plate	Sub Assembly	Application
							Flexolink
15855	15852	15808	15877	None	15843	-	

Airsprings.com Part No.				15889		10 x 2	
Top Plate	Clamp Ring x2	Bellow	Centre Ring x2	Bump Stop	Bottom Plate	Sub Assembly	Application
							Seddon
15857	15884	15808	15885	15859	15858	15853	

Airsprings.com Part No.				15899		10 x 2	
Top Plate	Clamp Ring x2	Bellow	Centre Ring x2	Bump Stop	Bottom Plate	Sub Assembly	Application
							Flexolink
15854	15884	15808	15885	None	15883	15853	

● Bolt/Stud | ● Threaded Hole | ⊗ Air Inlet | ⊙ Combo Stud



Airsprings.com Part No.		17045				10 x 2	
Top Plate	Clamp Ring x2	Bellow	Centre Ring x2	Bump Stop	Bottom Plate	Sub Assembly	Application
							ERF
17118	15884	15808	15885	15859	15858	15853	

Airsprings.com Part No.		90250				10 x 2	
Top Plate	Clamp Ring x2	Bellow	Centre Ring x2	Bump Stop	Bottom Plate	Sub Assembly	Application
							Optare
-	-	15808	15885	15859	-	-	

Airsprings.com Part No.		15809				10 x 3	
Top Plate	Clamp Ring x2	Bellow	Centre Ring x2	Bump Stop	Bottom Plate	Sub Assembly	Application
							Various
15882	15884	15810	15885	None	15883	15886	

Airsprings.com Part No.		15811				10 x 3	
Top Plate	Clamp Ring x2	Bellow	Centre Ring x2	Bump Stop	Bottom Plate	Sub Assembly	Application
							Various
15882	15884	15812 (4ply)	15885		15883	15886P4	

Airsprings.com Part No.		15860				10 x 3	
Top Plate	Clamp Ring x2	Bellow	Centre Ring x2	Bump Stop	Bottom Plate	Sub Assembly	Application
							Seddon
15857	15884	15810	15885	15859	15858	15886	

● Bolt/Stud | ● Threaded Hole | ⊗ Air Inlet | ⊙ Combo Stud



Airsprings.com Part No.				15813		12 x 2	
Top Plate	Clamp Ring x2	Bellow	Centre Ring x2	Bump Stop	Bottom Plate	Sub Assembly	Application
				None			Various
15878	15880	15815	15881	None	15879	15863	

Airsprings.com Part No.				15814		12 x 2	
Top Plate	Clamp Ring x2	Bellow	Centre Ring x2	Bump Stop	Bottom Plate	Sub Assembly	Application
				None			Lohr
15861	15880	15815	15881	None	15879	15863	

Airsprings.com Part No.				15814B		12 x 2	
Top Plate	Clamp Ring x2	Bellow	Centre Ring x2	Bump Stop	Bottom Plate	Sub Assembly	Application
							Lohr
15861	15880	15815	15881	17000	15862	15863	

Airsprings.com Part No.				16136		12 x 2	
Top Plate	Clamp Ring x2	Bellow	Centre Ring x2	Bump Stop	Bottom Plate	Sub Assembly	Application
				None			SMB
15861	15880	-	15881	None	15879	-	

Airsprings.com Part No.				17120		12 x 2	
Top Plate	Clamp Ring x2	Bellow	Centre Ring x2	Bump Stop	Bottom Plate	Sub Assembly	Application
							MCW
-	15880	15815	15881	17000	15862	15863	

● Bolt/Stud | ● Threaded Hole | ⊗ Air Inlet | ⊙ Combo Stud



Airsprings.com Part No.		17130		12 x 2			
Top Plate	Clamp Ring x2	Bellow	Centre Ring x2	Bump Stop	Bottom Plate	Sub Assembly	Application
	40 mm Studs 						Various
17124	15880	15815	15881	17000	15862	15863	

Airsprings.com Part No.		15817		12 x 3			
Top Plate	Clamp Ring x2	Bellow	Centre Ring x2	Bump Stop	Bottom Plate	Sub Assembly	Application
	40 mm Studs 						Various
15861	15880	15818	15881	None	15879	15865	

Airsprings.com Part No.		15819		12 x 3			
Top Plate	Clamp Ring x2	Bellow	Centre Ring x2	Bump Stop	Bottom Plate	Sub Assembly	Application
	40 mm Studs 						Various
15878	15880	15820	15881	None	15879	15865 P4	

Airsprings.com Part No.		15850		12 x 3			
Top Plate	Clamp Ring x2	Bellow	Centre Ring x2	Bump Stop	Bottom Plate	Sub Assembly	Application
	40 mm Studs 						Various
15866	15880	15818	15881	None	15879	15865	

Airsprings.com Part No.		15851		12 x 3			
Top Plate	Clamp Ring x2	Bellow	Centre Ring x2	Bump Stop	Bottom Plate	Sub Assembly	Application
	40 mm Studs 						Weweler Phoenix
15898	15880	15820	15881	15893	15841	15865 P4	

● Bolt/Stud | ● Threaded Hole | ⊗ Air Inlet | ○ Combo Stud

Airsprings.com Part No. 15896							12 x 3
Top Plate	Clamp Ring x2	Bellow	Centre Ring x2	Bump Stop	Bottom Plate	Sub Assembly	Application
							Weweler Phoenix
15894	15880	15820	15881	15893	15841	15865 P4	

Airsprings.com Part No. 15897							12 x 3
Top Plate	Clamp Ring x2	Bellow	Centre Ring x2	Bump Stop	Bottom Plate	Sub Assembly	Application
							Various
15861	15880	15818	15881	15893	15862	15865	

Airsprings.com Part No. 16140							12 x 3
Top Plate	Clamp Ring x2	Bellow	Centre Ring x2	Bump Stop	Bottom Plate	Sub Assembly	Application
							Various
17126	15895	15818	15881	None	17128	17132	

Airsprings.com Part No. 16142							12 x 3
Top Plate	Clamp Ring x2	Bellow	Centre Ring x2	Bump Stop	Bottom Plate	Sub Assembly	Application
							Various
17122	15880	15818	15881	None	15879	15865	

Airsprings.com Part No. 15821							14 ^{1/2} x 2
Top Plate	Clamp Ring x2	Bellow	Centre Ring x2	Bump Stop	Bottom Plate	Sub Assembly	Application
							Various
15874	15876	15823	15877	None	15875	17010	

● Bolt/Stud | ● Threaded Hole | ⊗ Air Inlet | ⊙ Combo Stud



Airsprings.com Part No.		15822		14 ^{1/2} x 2			
Top Plate	Clamp Ring x2	Bellow	Centre Ring x2	Bump Stop	Bottom Plate	Sub Assembly	Application
							Various
17013	15876	15823	15877	None	15875	17010	

Airsprings.com Part No.		15842		14 ^{1/2} x 2			
Top Plate	Clamp Ring x2	Bellow	Centre Ring x2	Bump Stop	Bottom Plate	Sub Assembly	Application
							Various
17011	15876	15823	15877	17012	15843	17010	

Airsprings.com Part No.		15847		14 ^{1/2} x 2			
Top Plate	Clamp Ring x2	Bellow	Centre Ring x2	Bump Stop	Bottom Plate	Sub Assembly	Application
							Various
15864	15876	15823	15877	17012	15843	17010	

Airsprings.com Part No.		15824		14 ^{1/2} x 3			
Top Plate	Clamp Ring x2	Bellow	Centre Ring x2	Bump Stop	Bottom Plate	Sub Assembly	Application
							Various
15874	15876	15825	15877	None	15875	17014	

Airsprings.com Part No.		15826		14 ^{1/2} x 3			
Top Plate	Clamp Ring x2	Bellow	Centre Ring x2	Bump Stop	Bottom Plate	Sub Assembly	Application
							Various
15874	15876	15827 (4ply)	15877	None	15875	17014	

● Bolt/Stud | ● Threaded Hole | ⊗ Air Inlet | ⊙ Combo Stud



Airsprings.com Part No.				15829		16 x 2	
Top Plate	Clamp Ring x2	Bellow	Centre Ring x2	Bump Stop	Bottom Plate	Sub Assembly	Application
							Various
15874	15876	15831	15877	None	15875	17015	

Airsprings.com Part No.				15830		16 x 2	
Top Plate	Clamp Ring x2	Bellow	Centre Ring x2	Bump Stop	Bottom Plate	Sub Assembly	Application
							Various

Airsprings.com Part No.				15848		16 x 2	
Top Plate	Clamp Ring x2	Bellow	Centre Ring x2	Bump Stop	Bottom Plate	Sub Assembly	Application
							Various
15864	15876	15831	15877	17012	15843	17015	

Airsprings.com Part No.				17016		16 x 2	
Top Plate	Clamp Ring x2	Bellow	Centre Ring x2	Bump Stop	Bottom Plate	Sub Assembly	Application
							Various
17011	15876	15831	15877	17012	15843	17015	

Airsprings.com Part No.				17017		16 x 3	
Top Plate	Clamp Ring x2	Bellow	Centre Ring x2	Bump Stop	Bottom Plate	Sub Assembly	Application
							SAF
17018	15876	15831	15877	None	15875	17015	

● Bolt/Stud | ● Threaded Hole | ⊗ Air Inlet | ⊙ Combo Stud

Granning UK Ltd
 Granning Ireland Ltd
 Granning (NI) Ltd
 Granning Poland

+44 (0) 1925 810 400
 +353 (0) 45 875 996
 +44 (0) 2890 740 055
 +48 (0) 785 875 996



airsprings.com

Airsprings.com Part No.			15832		16 x 3		
Top Plate	Clamp Ring x2	Bellow	Centre Ring x2	Bump Stop	Bottom Plate	Sub Assembly	Application
							Various
15874	15876	15833	15877	None	15875	17019	

● Bolt/Stud | ● Threaded Hole | ⊗ Air Inlet | ⊙ Combo Stud



● Bolt/Stud | ● Threaded Hole | ⊗ Air Inlet | ⊙ Combo Stud



Section 8



Airspring Manufacturer Cross Reference Lists

Bus, Coach & Truck	Page	Trailer Suspension	Page
Bedford	207	BPW	253
Bova.....	207	FP&S (Fruehauf)	256
Bussing	208	Freightliner.....	258
DAF	208	Gigant	258
Dennis.....	212	Granning	259
ERF	214	Hendrickson.....	260
EvoBus (Mercedes)	215	Kassbohrer.....	266
EvoBus (Setra).....	216	Lohr	267
Foden.....	217	Mercedes Discos.....	267
Iveco	218	Meritor	267
Iveco-Magirus.....	219	Neway	268
Iveco - Truck.....	219	SAF	270
L.A.G.....	222	Schmitz.....	272
Leyland	222	SMB.....	272
MAN.....	223	Weweler	273
MCW	230		
Mercedes	230		
Neoplan.....	237	Piston Identification List	274
Optare	239		
Range Rover - 4 x 4.....	239		
Renault.....	240		
Scania	242		
Seddon.....	246		
Van Hool	246		
Volvo.....	247		

Note: Manufactures part numbers used in this catalogue are for cross reference purposes only and do not imply the origin or manufacturer of the product.

Bedford - Bus & Coach

OE Part No.	Airsprings.com Part No.	Application	Front	Lead	Rear	Tag, Lift	Comment	Page
91101884	15639	Ventura	x				Bellow	184
91101884	15639	Ventura			x		Bellow	184
	TPB01	YNV81, 82	x				Top Plate	*
91101881	15639	YNV81, 82	x				Bellow	184
	PSB01	YNV81, 82	x				Piston	*
	TPB02	YNV81, 82			x		Top Plate	*
91101881	15639	YNV81, 82			x		Bellow	184
	PSB02	YNV81, 82			x		Piston	*

Bova - Bus & Coach

OE Part No.	Airsprings.com Part No.	Application	Front	Lead	Rear	Tag, Lift	Comment	Page
B184139	15939	Calypso	x				Bellow	*
B180784	15992	Calypso	x				Complete	174
B184139	15939	Calypso			x		Bellow	*
B180784	15992	Calypso			x		Complete	174
B184139	15939	Europe	x				Bellow	*
B180784	15992	Europe	x				Complete	174
B184139	15939	Europe			x		Bellow	*
B180784	15992	Europe			x		Complete	174
B184139	15939	Futura	x				Bellow	*
B180784	15992	Futura	x				Complete	174
B184139	15939	Futura			x		Bellow	*
B180784	15992	Futura			x		Complete	174
B184139	15939	220 Standard	x				Bellow	*
B180784	15992	220 Standard	x				Complete	174
B184139	15939	220 Standard			x		Bellow	*
B180784	15992	220 Standard			x		Complete	174
B184139	15939	270 Lexus	x				Bellow	*
B180784	15992	270 Lexus	x				Complete	174
B184139	15939	270 Lexus			x		Bellow	*
B180784	15992	270 Lexus			x		Complete	174
B186053	15997				x		Complete	174
B235516	93603				x		Complete	174



Bussing - Bus & Coach

OE Part No.	Airsprings.com Part No.	Application	Front	Lead	Rear	Tag, Lift	Comment	Page
536905265	15622	F76			x		Bellow	183
536905266	15622	F76			x		Bellow	183
831120144	15621	BS 110GT			x		Bellow	183
831120144	15621	BS 120N			x		Bellow	183
831120144	15621	BS 1622			x		Bellow	183
831120144	15621	BS 16L, 22L			x		Bellow	183
831120144	15621	BS 16S, 22S			x		Bellow	183
831120144	15621	BS 22S			x		Bellow	183
831120144	15621	L16			x		Bellow	183
	15623	L16				x	Bellow	183
831120144	15621	L22			x		Bellow	183
	15623	L22				x	Bellow	183
546905134	15646	F22152AL			x		Convolute Assembly	134
546905134	15646	F223LNL			x		Convolute Assembly	134
546905134	15646	F161LL, SL			x		Convolute Assembly	134
546905134	15646	F163LL, SL			x		Convolute Assembly	134
546905134	15646	F221, LEL, LNL			x		Convolute Assembly	134
546905134	15646	F76LL, 77LL					Convolute Assembly	134
831120120	15646	S16					Convolute Assembly	134
831120120	15646	VG16	x				Convolute Assembly	134
831120120	15646	VT16	x				Convolute Assembly	134

DAF - Bus, Coach & Truck

OE Part No.	Airsprings.com Part No.	Application	Front	Lead	Rear	Tag, Lift	Comment	Page
0609861	15618	MB200	x				Service Assembly	87
0638148	15700	MB200			x		Bellow	185
0609861	15618	MB230	x				Service Assembly	87
0638148	15700	MB230			x		Bellow	185
0644425	15698	SB201			x		Bellow	185
0638148	15700	SB1602			x		Bellow	185
0638148	15700	SB1603			x		Bellow	185
0638148	15700	SB1604			x		Bellow	185
0638148	15700	SB1605			x		Bellow	185
0689677	15622	SB201	x		x		Bellow	183
0644425	15698	SB201			x		Bellow	185
0578361	15623	SB201			x		Bellow	183



DAF - Bus, Coach & Truck - continued

OE Part No.	Airsprings.com Part No.	Application	Front	Lead	Rear	Tag, Lift	Comment	Page
0689677	15622	SB2000	x				Bellow	183
0644425	15698	SB2000			x		Bellow	185
0578361	15623	SB2000					Bellow	183
0689677	15622	SB2300	x				Bellow	183
0644425	15698	SB2300			x		Bellow	185
0659561	15626	SB2300 POST 91	x				Bellow	184
0659561	15626	SBR3000	x				Bellow	184
0818225	15701	FA1300			x		Bellow	186
0638148	15700	FA2125			x		Bellow	185
0638148	15700	FA2135			x		Bellow	185
0638148	15700	FA2200			x		Bellow	185
0638148	15700	FA2800			x		Bellow	185
0638148	15700	FA2805			x		Bellow	185
0638148	15700	FA2300			x		Bellow	185
0818225	15701	FA2305DHS			x		Bellow	186
0818225	15701	FA2305DHT			x		Bellow	186
0818225	15701	FA2500DHS			x		Bellow	186
0818225	15701	FA2500DHT			x		Bellow	186
0818225	15701	FA2505DHS			x		Bellow	186
0818225	15701	FA3300			x		Bellow	186
0818225	15701	FA3605			x		Bellow	186
0818225	15701	FA G2505DHS			x		Bellow	186
0818225	15701	FT2100			x		Bellow	186
0818225	15701	FT2125			x		Bellow	186
0818225	15701	FT3300			x		Bellow	186
0818225	15701	FT3600			x		Bellow	186
1153935	94105	Bus	x		x	x	Replaces 887 MBK6 and 887 N P01, Voss 232 air inlet	*
1154761	94106	Bus	x		x	x	Replaces 887 MBK6 (M16 air inlet)	*
1384274	15907	FA 3000			x			*
1385039	93804						Complete assembly, OES only	*
1448543	93805						Complete assembly	*
1621619	93803						Complete assembly, OES only	*
1622849	93810				x		Complete assembly, OES only	*
1690384	x	CF 75-85				x	Lift axle, OES only	*
1690384	x	XF 95-105				x	Lift pusher axle, OES only	*



DAF - Bus, Coach & Truck - continued

OE Part No.	Airsprings.com Part No.	Application	Front	Lead	Rear	Tag, Lift	Comment	Page
1697678	17066	CF 65		x	x	x	Complete assembly	90
1697678	17066	CF 75-85		x	x	x	Complete assembly	90
1697678	17066	LF 45-55		x	x	x	1 air inlet	90
1697678	17066	XF 95-105		x	x	x	Complete assembly	90
1697679	93807	CF 65			x	x		*
1697679	93807	CF 75-85			x	x		*
1697679	93807	LF 45-55			x	x		*
1697679	93807	XF 95-105			x	x		*
1697680	16218	CF 65			x			*
1697680	16218	CF 75-85			x			*
1697680	16218	LF 45-55			x			*
1697680	16218	XF 95-105			x			*
1697681	93808	CF 75-85				x		*
1697681	93808	XF 95-105				x		*
1697682	93809	CF 65				x		*
1697682	93809	CF 75-85				x		*
1697682	93809	LF 45-55				x		*
1697682	93809	XF 95-105				x		*
1697683	93810	CF 75-85			x		OES only	*
1697683	93810	XF 75-85			x		OES only	*
1697684	16224	CF 65			x			88
1697684	16224	CF 75-85			x			88
1697684	16224	LF 45-55			x			88
1697684	16224	XF 95-105			x			88
1697685	93811	CF 75-85			x			*
1697685	93811	XF 95-105			x			*
1697686	x	XF 95-105			x		Low deck	*
1697687	93812	CF 75-85			x			*
1697687	93812	XF 95-105			x		Low deck	*
1698432	93803	CF 75-85		x			Complete assembly, OES only	*
1698432	93803	XF 95-105		x			Pusher axle, OES only	*
1698433	93804	CF 75-85		x			Complete assembly, OES only	*
1698433	93804	XF 95-105		x			Pusher axle, OES only	*
1698434	16225	CF 65	x					89
1698434	16225	CF 75-85	x					89
1698434	16225	LF 45-55	x					89
1698434	16225	XF 95-105	x					89



DAF - Bus, Coach & Truck - continued

OE Part No.	Airsprings.com Part No.	Application	Front	Lead	Rear	Tag, Lift	Comment	Page
1698435	16270	CF 65				x	Lift pusher axle, M16 air inlet, M8 blind nuts	89
1698435	16270	CF 75-85				x	Lift pusher axle, M16 air inlet, M8 blind nuts	89
1698435	16270	LF 45-55				x	Lift pusher axle, M16 air inlet, M8 blind nuts	89
1698435	16270	XF 95-105				x	Lift pusher axle, M16 air inlet, M8 blind nuts	89
1698436	93805	CF65				x	Lift tag axle	*
1698436	93805	CF75-85				x	Lift tag axle	*
1698436	93805	LF45-55				x	Lift tag axle	*
1698436	93805	XF95-105				x	Lift tag axle	*
Other Air Spring Numbers								
0067306	16050							*
0067452	16050							*
0067504	15991							*
0083655	17063							*
0083656	17063							*
0099984	*							*
0280635	*							*
0284666	*							*
0297721	15990							87
0361644	*							*
0377498	17060							90
0386486	*							*
0386486	*							*
0388165	17066							90
0388167	15996							87
0388168	17068							*
0388491	15634						Complete Assembly	167
0392022	16224							88
0396714	16265							89
0513982	15999							*
0513983	16200							*
0513984	*							*
0513985	15991							*
0526651	17061							90
0526823	15907						Complete Assembly	167, 91
0559482	*							*
0559483	*							*



DAF - Bus, Coach & Truck - continued

OE Part No.	Airsprings.com Part No.	Application	Front	Lead	Rear	Tag, Lift	Comment	Page
0578361	*							*
0578361	15623						Bellow	183
0609861	15618						Service Assembly	87
0627584	15704						Bellow	186
0627584	15927						Bellow	188
0638148	15700						Bellow	185
0644425	15698						Bellow	185
0654464	15603						Convolutted Assembly	131
0656991	15609						Complete Assembly	148
0659561	15626						Bellow	184
0676122	15907						Complete Assembly	167, 91
0676819	15765						Complete Assembly	141
0689677	15622						Bellow	183
0818225	15701						Bellow	186
1141525	16045							88
1192203	*							*
1234880	15725						Cabin	87
1240503	93800							*
1266380	*							*
1266381	17062							*
1266382	16226							89
1279141	16225							89
1286251	16218							88
1291214	*							10
1307058	16270							89
1384594	16270							89
1448543	16195							88
1604668	93210							90

Dennis - Bus & Coach

OE Part No.	Airsprings.com Part No.	Application	Front	Lead	Rear	Tag, Lift	Comment	Page
655606-1	15639	Dart	x				Bellow	184
650292-8	15625	Dart			x		Bellow	183
655606		Dart SLF	x		x		Complete	*
655606-2	TPD02	Dart SLF	x		x		Top Plate	*
655606-1	15639	Dart SLF	x		x		Bellow	184



Dennis - Bus & Coach - continued

OE Part No.	Airsprings.com Part No.	Application	Front	Lead	Rear	Tag, Lift	Comment	Page
655606-3	PSL05	Dart SLF	x		x		Piston	*
611896-12	15637	Domino	x		x		Bellow	184
650284-4	15810	Dominator	x				Bellow	*
650292	15625	Dominator			x		Bellow	183
650883-1	TPD04	Dorchester	x		x		Top Plate	*
650883-4	15625	Dorchester	x		x		Bellow	183
650883-5	PSL01	Dorchester	x		x		Piston	*
650883-1	TPD04	Duple	x		x		Top Plate	*
650883-4	15625	Duple	x		x		Bellow	183
650883-5	PSL01	Duple	x		x		Piston	*
650284-4	15810	Falcon	x				Bellow	*
650292-8	15625	Falcon			x		Bellow	183
650883-1	TPD04	Intergal	x		x		Top Plate	*
650883-4	15625	Intergal	x		x		Bellow	183
650883-5	PSL01	Intergal	x		x		Piston	*
	TPJ01	Javelin	x				Top Plate	*
611896-12	15637	Javelin	x				Bellow	184
652398-1	PSD01	Javelin	x				Piston	*
653239-2	TPJ02	Javelin			x		Top Plate	*
611896-12	15637	Javelin			x		Bellow	184
652399-1	PSD02	Javelin			x		Piston	*
611896-12	15637	Lancet	x		x		Bellow	184
655606-2	TPD02	Enviro 200	x				Top Plate	*
656299-2	15637	Enviro 200	x				Bellow	*
	PSE01	Enviro 200	x				Piston	*
658726-1	TPE01	Enviro 200			X		Top Plate	*
655606-1	15639	Enviro 200			X		Bellow	184
652399-1	PSD02	Enviro 200			X		Piston	*
655606-2	TPD02	Enviro 300	X				Top Plate	*
656299-2	15637	Enviro 300	X				Bellow	*
	PSE02	Enviro 300	X				Piston	*
658726-1	TPE01	Enviro 300			X		Top Plate	*



Dennis - Bus & Coach - continued

OE Part No.	Airsprings.com Part No.	Application	Front	Lead	Rear	Tag, Lift	Comment	Page
655606-1	15639	Enviro 300			X		Bellow	*
651461-10	PSE03	Enviro 300			X		Piston	*
656298-1	TPE04	Enviro 400	x				Top Plate	*
656298-2	94508	Enviro 400	x				Bellow	*
659800-2	PSD03	Enviro 400	x				Piston	*
	TPE05	Enviro 400			x		Top Plate	*
656299-2	15637	Enviro 400			x		Bellow	*
	PSE04	Enviro 400			x		Piston	*
	TPF01	Fire Engine			x		Top plate	*
	15639	Fire Engine			x		Bellow	184
	PSL03	Fire Engine			x		Piston	*

ERF - Truck

OE Part No.	Airsprings.com Part No.	Application	Front	Lead	Rear	Tag, Lift	Comment	Page
100454-9	15808						-	*
129582-9	16016							149
132014-1	15998							158, 92
135120-9	15995							92
138855-0	15993							162
139275-4	15612						Complete Assembly	155
139301-0	15634						Complete Assembly	167
139340-9	16036						Complete Assembly	137
139341-5	15603						Convolutted Assembly	131
139855-0	15993							162
139856-7	16036						Complete Assembly	137
142014-1	15998							158, 92
142585-0	16052							159
142648-1	15650						Convolutted Assembly	134
144099-1	15793						Convolutted Assembly	135
144266-6	15671						Complete Assembly	172
148587-0	16012						Complete Assembly	159
149315-0	16012						Complete Assembly	159
201051-0	15603						Convolutted Assembly	131
204323-8	16081							152



ERF - Truck - contnued

OE Part No.	Airsprings.com Part No.	Application	Front	Lead	Rear	Tag, Lift	Comment	Page
300381-4	17036						Complete Assembly	147
405705-8	17029							137
414622-6	15603						Convoluted Assembly	131

EvoBus (Mercedes) - Bus & Coach

OE Part No.	Airsprings.com Part No.	Application	Front	Lead	Rear	Tag, Lift	Comment	Page
A 000 327 01 01	15622	O 405 G2	x				Bellow	183
A 000 327 01 01	15622	O 405 N			x		Bellow	183
A 000 327 01 01	15622	O 407	x				Bellow	183
A 000 327 01 01	15622	O 302			x		Bellow	183
A 000 327 01 01	15622	O 303			x		Bellow	183
A 000 327 01 01	15622	O305			x		Bellow	183
A 000 327 01 01	15622	O 307			x		Bellow	183
A 000 327 01 01	15622	O 309			x		Bellow	183
A 000 327 01 01	15622	O 317			x		Bellow	183
A 000 327 01 01	15622	O 417	x		x		Bellow	183
A 000 327 01 01	15622	O 303			x		Bellow	183
A 000 327 01 01	15622	O 309			x		Bellow	183
A 000 327 01 01	15622	O 404	x				Bellow	183
A 000 327 01 01	15622	O 405			x		Bellow	183
A 000 327 01 01	15622	O 580					Bellow	183
A 000 327 01 01	15622	TC 400	x				Bellow	183
A 000 327 01 01	15622	OC 500 CBC			x		Bellow	183
A 000 327 01 01	15622	OC 500 IBC	x				Bellow	183
A 000 327 01 01	15622	O 405 G	x				Bellow	183
A 327 328 00 01	15622	O 321			x		Bellow	183
A 307 328 00 01	15622	O 322			x		Bellow	183
A 307 328 00 01	15622				x		Bellow	183
A 628 320 04 25	91300	OC 500 CBC			x		Citaro	107
A 628 320 04 25	91300	CITARO			x		Citaro	107
A 669 328 01 01	15937				x		Bellow	189
A 629 320 00 25	91306	O 540			x			107
A 629 320 00 25	91306	O 580			x			107
A 629 320 00 25	91306	TC 400			x			107
A 629 320 00 25	91306	OC 500 IBC			x			107
A 356 327 00 01	16109	O 404			x			*



EvoBus (Setra) - Bus & Coach

OE Part No.	Airsprings.com Part No.	Application	Front	Lead	Rear	Tag, Lift	Comment	Page
4.731.006.000	15922	SG 175			x		-	*
4.731.003.000	15923	SG 176	x				Convuluted Assembly	188
4.771.170.000	15622	216 DHS			x		Bellow	183
4.771.170.000	15622	228 DT			x		Bellow	183
4.771.170.000	15622	S 228 DT			x		Bellow	183
4.771.170.000	15622	S110	x		x		Bellow	183
4.771.170.000	15622	S12	x		x		Bellow	183
4.771.170.000	15622	S14	x		x		Bellow	183
4.771.170.000	15622	S 15 L	x		x		Bellow	183
4.771.170.000	15622	S 120 GV, HV			x		Bellow	183
4.771.170.000	15622	S 125			x		Bellow	183
4.771.170.000	15622	S 1305			x		Bellow	183
4.771.170.000	15622	S 140E, ES, H			x		Bellow	183
4.771.170.000	15622	S 150 E, H			x		Bellow	183
4.771.170.000	15622	S 180			x		Bellow	183
4.771.170.000	15622	S 200			x		Bellow	183
4.771.170.000	15622	S 209			x		Bellow	183
4.771.170.000	15622	S 211			x		Bellow	183
4.771.170.000	15622	S 120 H, HD			x		Bellow	183
4.771.170.000	15622	S 213			x		Bellow	183
4.771.170.000	15622	S 214			x		Bellow	183
4.771.170.000	15622	S 215			x		Bellow	183
4.771.170.000	15622	S 216 HSD			x		Bellow	183
4.771.170.000	15622	SG 175			x		Bellow	183
4.771.170.000	15622	SG 98			x		Bellow	183
4.771.170.000	15622	SG 052			x		Bellow	183
4.771.170.000	15622	SG 180			x		Bellow	183
4.771.143.000	15622	SG 180			x		Bellow	183
4.771.441.000	15622	SG 180					Bellow	183
4.731.012.000	15621	216 DHS	x				Bellow	183
4.731.012.000	15621	228 DT	x				Bellow	183
4.731.012.000	15621	S 120 GV, HV	x				Bellow	183
4.731.012.000	15621	S 125	x				Bellow	183
4.731.012.000	15621	S 1305	x				Bellow	183
4.731.012.000	15621	S 140 E, ES, H	x				Bellow	183
4.731.012.000	15621	S 150 E, H	x				Bellow	183
4.731.012.000	15621	S 150 E, H	x				Bellow	183
4.731.012.000	15621	S180	x				Bellow	183



EvoBus (Setra) - Bus & Coach - continued

OE Part No.	Airsprings.com Part No.	Application	Front	Lead	Rear	Tag, Lift	Comment	Page
4.731.012.000	15621	S 200	x				Bellow	183
4.731.012.000	15621	S 209	x				Bellow	183
4.731.012.000	15621	S 211	x				Bellow	183
4.731.012.000	15621	S 212	x				Bellow	183
4.731.012.000	15621	S 210 H, HD	x				Bellow	183
4.731.012.000	15621	S 213	x				Bellow	183
4.731.012.000	15621	S 214	x				Bellow	183
4.731.012.000	15621	S 215	x				Bellow	183
4.731.012.000	15621	S 216 HSD	x				Bellow	183
4.731.012.000	15621	SG 150	x				Bellow	183
4.731.012.000	15621	SG 200					Bellow	183
4.731.012.000	15621	SG 175					Bellow	183
4.731.012.000	15621	SG 98					Bellow	183
4.731.012.000	15621	SG 052					Bellow	183
4.731.012.000	15621	SG 180					Bellow	183
4.731.031.000	15621	S 228 DT					Bellow	183
4.771.427.000	15621	S 212 HD					Bellow	183
4.771.427.000	15621	S 215 V					Bellow	183
4.731.032.000	15701						Bellow	186
4.731.025.000	15906						Convoluted Assembly	187
4.731.013.000	15698						Bellow	185
4.731.038.000	15913						Bellow	188

Foden - Truck

OE Part No.	Airsprings.com Part No.	Application	Front	Lead	Rear	Tag, Lift	Comment	Page
1300248000	15747						Complete Assembly	149, 93
1300335000	15755						Complete Assembly	93
1300521000	15677						Complete Assembly	93
1300522000	15676						Complete Assembly	93
1300807000	15678						Complete Assembly	92
1300651000	15692						Complete Assembly	151



Iveco - Bus & Coach

OE Part No.	Airsprings.com Part No.	Application	Front	Lead	Rear	Tag, Lift	Comment	Page
4456111	15626	Carro 38			x		Bellow	184
4456111	15626	Carro 240			x		Bellow	184
4456111	15626	Carro 30-240			x		Bellow	184
4722525	15704	Bus 220	x				Bellow	186
4680913	15939	Bus 315			x		Bellow	*
4680913	15939	Bus 316			x		Bellow	*
4681868	16234	Bus 320			x			*
4722525	15704	Bus 320	x				Bellow	186
4680913	15939	Bus 343			x		Bellow	*
4716989	15641	Bus 370	x		x		Bellow	184
4847671	94505	Bus 380	x					*
4716989	15641	Bus 380			x		Bellow	184
4681868	16234	Bus 409			x			*
4681868	16234	Bus 410			x			*
4681868	16234	Bus 418			x			*
4716989	15641	Bus 421A	x		x		Bellow	184
41822247	15621	Bus 470	x		x		Bellow	183
41822247	15621	Bus 471	x		x		Bellow	183
4847671	94505	Bus 480	x					*
93166132	15934				x		-	*
98445471	15966	Bus 490	x					190
97108363	15945	Bus 490			x		-	*
42531994	17074	Bus 491			x			195
41822247	15621	Bus 570	x		x		Bellow	183
4847671	94505	Bus 580	x					*
41822247	15621	Bus 670	x		x		Bellow	183
4847671	94505	Bus 680	x					*
468.09	15939	Bus 79-121			x		Bellow	*
	15622	Carro 220	x				Bellow	183
	15623	Carro 220			x		Bellow	183
4456111	15626	Carro 240			x		Bellow	184
	15622	Carro 370	x		x		Bellow	183
	15702	F370			x		Bellow	186
41008929	17072							194
42531994	17074							195



Iveco-Magirus - Bus & Coach

OE Part No.	Airsprings.com Part No.	Application	Front	Lead	Rear	Tag, Lift	Comment	Page
02498667	15621	150L10	x		x		Bellow	183
02498667	15621	M170SH110	x		x		Bellow	183
02498667	15621	M200SH110	x		x		Bellow	183
02498667	15621	M200L120	x		x		Bellow	183
02498667	15621	M230SH117	x		x		Bellow	183
536905265	15622	R105	x		x		Bellow	183
02498667	15621	R121	x		x		Bellow	183
03422571	15646	SATURN 11	x		x		Convoluted Assembly	134

Iveco - Truck

OE Part No.	Airsprings.com Part No.	Application	Front	Lead	Rear	Tag, Lift	Comment	Page
4714019	17144	Turbostar; Turbotech					Complete assy	96
8137291	17025	Eurotech MP, LD	x				Diaphragm only	192
8139466	17058	Eurotech 240E, 440E			x		Diaphragm only	*
8166045	17163	Eurostar					Complete assy	97
8166046	17164	Eurostar					Complete assy	97
8166048	17166	Eurostar					Complete assy	98
8166049	17167	Eurostar					Complete assy	98
8166340	17079	Eurotech MP240E			x		Diaphragm only	*
8188526	15687	Eurotech MP, LD 180E, 190E, 400E, 440E			x		Bellow	185
8188539	15844	Eurotech MP, LD 180E, 240E, 260E, 400E, 440E			x		Bellow	187
41006924	17171	Eurostar; Eurotech					Complete assy	99
41006925	17172	Eurostar; Eurotech					Complete assy	99
41008929	17072	Eurotech			x		Diaphragm only	194
41022620	17080	Eurotech MP240E, 240E			x		Diaphragm only	193
41026247	17176	Eurotech					Complete assy	100
41026256	17137	Eurostar 400-440 Cursor			x		Complete assy	95
41026256	17137	Eurostar; Eurotech					Complete assy	95
41026256	17137	Eurotech 400-440 cursor			x		Complete assy	95
41026257	17138	Eurostar 400-440 Cursor			x		Complete assy	95
41026257	17138	Eurostar; Eurotech					Complete assy	95
41026257	17138	Eurotech 400-440 cursor			x		Complete assy	95



Iveco - Truck - continued

OE Part No.	Airsprings.com Part No.	Application	Front	Lead	Rear	Tag, Lift	Comment	Page
41026260	17143	Eurostar 240-260, cursor 44 0			x		Complete assy	96
41026260	17143	Eurostar; Eurotech; Euromover					Complete assy	96
41026260	17143	Eurotech 190, cursor 240-260			x		Complete assy	96
41026270	17141	Euromover 190			x		Complete assy	96
41026270	17141	Eurostar 180-190 cursor			x		Complete assy	96
41026270	17141	Eurostar; Eurotech; Euromover					Complete assy	96
41026270	17141	Eurotech 180-190 cursor 240			x		Complete assy	96
41026271	17142	Eurostar; Eurotech; Euromover					Complete assy	96
41026279	17173	Eurotech					Complete assy	99
41026280	17174	Eurotech					Complete assy	100
41026285	17139	Eurostar 400-440 Cursor			x		Complete assy	95
41026285	17139	Eurostar; Eurotech; Stralis					Complete assy	95
41026285	17139	Eurotech 400-440 cursor			x		Complete assy	95
41026285	17139	Stralis 440			x		Complete assy	95
41026286	17140	Eurostar 400-440 Cursor			x		Complete assy	95
41026286	17140	Eurostar; Eurotech; Stralis					Complete assy	95
41026286	17140	Eurotech 400-440 cursor			x		Complete assy	95
41026286	17140	Stralis 440			x		Complete assy	95
41214813	17179	Eurotech					Complete assy	101
41214814	17180	Eurotech					Complete assy	101
41214820	17177	Eurotech					Complete assy	100
41214821	17178	Eurotech					Complete assy	101
42026246	17175	Eurotech					Complete assy	100
42127021	17136	Turbostar					Complete assy	94
93817150	17162	Turbodaily					Complete assy	97
98411807	17026	Eurocargo 120E, 150E			x		Diaghram only	192
98443118	17168	Eurotech					Complete assy	98
98443119	17169	Eurotech					Complete assy	98
98443123	17170	Eurotech					Complete assy	99
500301776	17071	Eurocargo	x				Diaghram only	*
500310931	17081	Eurotech, Eurostar			x		Diaghram only	*
500319479	94503	Eurotech, Eurostar			x		Diaghram only	*
500341494	94504	Eurotech, Eurostar			x		Diaghram only	*



Iveco - Truck - continued

OE Part No.	Airsprings.com Part No.	Application	Front	Lead	Rear	Tag, Lift	Comment	Page
500364663	94505	Eurotech	x				Diaghram only	*
500364686	17077	Eurotech, Eurostar			x		Diaghram only	193
Other Air Spring Numbers								
4456111	15626						Bellow	184
4680913	15939						Bellow	*
4681868	16234							*
4716989	15641						Bellow	184
4722525	15704						Bellow	186
4843220	17056							*
4847671	94505							*
4855242	17145						Complete assy	97
8137291	17025							192
8139466	17058							*
8139467	17057							*
8160165	17055							192
8166219	17024							*
8166340	17079							*
8188526	15687						Bellow	185
8188539	15844						Bellow	187
8194818	15779						Convolutd Assembly	133
41006926	17082							194
41008929	17072							194
41022620	17080							193
41822247	15621						Bellow	183
41822247	15621						Bellow	183
41822247	15621						Bellow	183
41822247	15621						Bellow	183
42107595	15777						Convolutd Assembly	94
42530279	17073							*
42531994	17074							195
93166132	15934						-	*
97108363	15945						-	*
98411807	17026							192
98445471	15966							190
500301776	17071							*
500310931	17081							*
500319479	94503							*
500341494	94504							*



Iveco - Truck - continued

OE Part No.	Airsprings.com Part No.	Application	Front	Lead	Rear	Tag, Lift	Comment	Page
500364663	94505							*
500364686	17077							193

L.A.G - Bus & Coach

OE Part No.	Airsprings.com Part No.	Application	Front	Lead	Rear	Tag, Lift	Comment	Page
15642	E 180 Z		x					*
15642	Eos		x					*
15642	Galaxy		x					*
15642	Panoramic		x					*

Leyland - Bus & Coach

OE Part No.	Airsprings.com Part No.	Application	Front	Lead	Rear	Tag, Lift	Comment	Page
AAU 2542	15637	Lynx MK1, MK2	x				Bellow	184
ACU2924	PSL05	Lynx MK1, MK2	x				Piston	*
HLK 8067	TPL01	Lynx MK1, MK2			x		Top Plate	*
NLK 5506	17007	Lynx MK1, MK2			x		Bellow	*
HLK 8068	PSL06	Lynx MK1, MK2			x		Piston	*
10904459	TPN01	National MK1, 11	x				Top Plate	*
10904433	15625	National MK1, 11	x				Bellow	183
10904460	PSL01	National MK1, 11	x				Piston	*
	TPN02	National MK1, 11			x		Top Plate	*
10904404	17006	National MK1, 11			x		Bellow	*
10904462	PSL02	National MK1, 11			x		Piston	*
HLK 3777	TPO02	Olympian	x				Top Plate	*
AAU 2542	15637	Olympian	x				Bellow	184
WAL 4012	PSL03	Olympian	x				Piston	*
HLK 3825	TPO01	Olympian			x		Top Plate	*
AAU 2544	15625	Olympian			x		Bellow	183
AAU 2541	PSL04	Olympian			x		Piston	*
HLK 3777	TPO02	Royal Tiger	x				Top Plate	*
AAU 2542	15637	Royal Tiger	x				Bellow	184



Leyland - Bus & Coach - continued

OE Part No.	Airsprings.com Part No.	Application	Front	Lead	Rear	Tag, Lift	Comment	Page
ACU 2924	PSL05	Royal Tiger	x				Piston	*
HLK 3780	TPT03	Royal Tiger			x		Top Plate	*
AAU 2544	15625	Royal Tiger			x		Bellow	183
10904460	PSL01	Royal Tiger			x		Piston	*
AAU 2542	15637	Titan	x				Bellow	184
AAU 2544	15625	Titan			x		Bellow	183

MAN - Bus, Coach & Truck

OE Part No.	Airsprings.com Part No.	Application	Front	Lead	Rear	Tag, Lift	Comment	Page
81.43600.6001	*							
81.43600.6002	*							
81.43600.6035	94100	ALV 11.56.3		x		x		103
81.43600.6036	94102							103
81.43600.6037	94101	ALV13, 6.5				x		103
81.43600.6038	94101	ALV11.5, 6.3				x		103
81.43600.6039	94007	ALV 11.5, 7.1				x		*
81.43600.6040	94008	ALV 11.5, 7.5, 12.8				x		*
81.43600.6041	94100	ALV 13, 6.5				x		103
81.43600.6042	94018	TGA						*
81.43600.6044	94015							102
81.43601.6046	94104	ALV 11.5/6.7				X		103
81.43600.6047	94009	TGA	x					*
81.43601.0022	15646	16 215FNS				x	Convolute Assembly	134
81.43601.0022	15646	16 230FN, FNS				x	Convolute Assembly	134
81.43601.0022	15646	16 304 FN, FNS				x	Convolute Assembly	134
81.43601.0022	15646	9156KL			x		Convolute Assembly	134
81.43601.0022	15646	9186FL			x		Convolute Assembly	134
81.43601.0022	15646	F90				x	Convolute Assembly	134
81.43601.0033	15702	13 168 FL, S, BL			x		Bellow	186
81.43601.0035		SG220			x			
81.43601.0036	15702	13 192 F-OC	x		x		Bellow	186
81.43601.0037	15702	13 192 FL			x		Bellow	186
81.43601.0037	15702	13 192H-OC	x		x		Bellow	186
81.43601.0037	15702	14 168FL, S, BL			x		Bellow	186
81.43601.0037	15702	14 192 FL, S, BL			x		Bellow	186



MAN - Bus, Coach & Truck - continued

OE Part No.	Airsprings.com Part No.	Application	Front	Lead	Rear	Tag, Lift	Comment	Page
81.43601.0037	15702	14 192 UL, BL			x		Bellow	186
81.43601.0037	15702	15 168 FL, S, BL			x		Bellow	186
81.43601.0037	15702	15 192 FL, S, BL			x		Bellow	186
81.43601.0037	15702	15 240 FLS, BL			x		Bellow	186
81.43601.0037	15702	16 168 FL, S, BL			x		Bellow	186
81.43601.0037	15702	16 192 FL, S, BL			x		Bellow	186
81.43601.0037	15702	16 240 FL, S, BL			x		Bellow	186
81.43601.0037	15702	16 256 FL	x		x		Bellow	186
81.43601.0037	15702	16 256 FLS			x		Bellow	186
81.43601.0037	15702	16 320 FL, UL	x		x		Bellow	186
81.43601.0037	15702	16 320 FLS			x		Bellow	186
81.43601.0037	15702	16290 FL, FLS	x		x		Bellow	186
81.43601.0037	15702	19 240 FLS, BL			x		Bellow	186
81.43601.0037	15702	19 240 FLW, LL			x		Bellow	186
81.43601.0037	15702	19 281 FLS, BL			x		Bellow	186
81.43601.0037	15702	19 281 FLW, LL			x		Bellow	186
81.43601.0037	15702	19 321 FLS, BL			x		Bellow	186
81.43601.0037	15702	19 321 FLW, LL			x		Bellow	186
81.43601.0037	15702	19 321 UU, LL			x		Bellow	186
81.43601.0037	15702	20 281 FVLS, BL				x	Bellow	186
81.43601.0037	15702	20 320 FVLS				x	Bellow	186
81.43601.0037	15702	20 321 FVLS, BL				x	Bellow	186
81.43601.0037	15702	22 192 FNFNL, BL			x		Bellow	186
81.43601.0037	15702	22 192 FNL, W, LL			x		Bellow	186
81.43601.0037	15702	22 192 FVL-KO			x		Bellow	186
81.43601.0037	15702	22 230 FNL, LG			x		Bellow	186
81.43601.0037	15702	22 230 UNL, LG			x		Bellow	186
81.43601.0037	15702	22 231 FNL, BL, LL			x		Bellow	186
81.43601.0037	15702	22 231 FNLS, BL			x		Bellow	186
81.43601.0037	15702	22 231 FNLW, LL			x		Bellow	186
81.43601.0037	15702	22 240 FNL, BL, LL			x		Bellow	186
81.43601.0037	15702	22 240 FNLW, LL			x		Bellow	186
81.43601.0037	15702	22 240 FVL-KO			x		Bellow	186
81.43601.0037	15702	22 281 FNL, BL, LL			x		Bellow	186
81.43601.0037	15702	22 281 FNL, BL, LL			x		Bellow	186
81.43601.0037	15702	22 281 FNLW, LL			x		Bellow	186
81.43601.0037	15702	22 281 FVLS, BL			x		Bellow	186
81.43601.0037	15702	22 321 FVLS, BL			x		Bellow	186



MAN - Bus, Coach & Truck - continued

OE Part No.	Airsprings.com Part No.	Application	Front	Lead	Rear	Tag, Lift	Comment	Page
81.43601.0037	15702	22 321 UNL, BL, LL			x		Bellow	186
81.43601.0037	15702	26 230 DFLS			x		Bellow	186
81.43601.0037	15702	26 321 DFLS, BL			x		Bellow	186
81.43601.0037	15702	BG 120N	x		x		Bellow	186
81.43601.0047	16056	SG240H, 280H			x			*
81.43601.0048		SG220R			x			
81.43601.0053	15933	11.190			x		Bellow	189
81.43601.0056	15700	BUS 362H	x		x		Bellow	185
81.43601.0057	15700	MAN 292F			x		Bellow	185
81.43601.0058	15700	MAN 292, 362			x		Bellow	185
81.43601.0059	15626	MAN 292F	x				Bellow	184
81.43601.0060	15626	MAN 292, 362	x				Bellow	184
81.43601.0061	15626	MAN 362F	x				Bellow	184
81.43601.0065	15944	10.150			x		Bellow	189
81.43601.0066	15946	14232			x		-	*
81.43601.0068	15946	16 168 FL, BL			x		-	*
81.43601.0069	15946	15 200, 40 FL			x		-	*
81.43601.0071	94517	F 90	x				Replaces 883 N	195
81.43601.0071	15945	F90	x				-	*
81.43601.0072	94517	F 90	x				Replaces 883 N	195
81.43601.0075	15626	SD242	x				Bellow	184
81.43601.0076	15700	MAN 362F			x		Bellow	185
81.43601.0078	15626	SG 242, 282	x				Bellow	184
81.43601.0079	15700	SD 242			x		Bellow	185
81.43601.0081	15626	SG242, 292	x				Bellow	184
81.43601.0082	15700	SG 242, 282			x		Bellow	185
81.43601.0083	15626	SG242, 292F	x				Bellow	184
81.43601.0084	15700	SG 242, 292			x		Bellow	185
81.43601.0090	15626	SG292F	x				Bellow	184
81.43601.0091	15700	SG 242, 292F			x		Bellow	185
81.43601.0095	15912	EL202	x				Bellow	187
81.43601.0097	15912	MAN 322, 422	x				Bellow	187
81.43601.0100	15912	NL202	x				Bellow	187
81.43601.0102	15912	NG272	x				Bellow	187
81.43601.0105	15912	NL202F	x				Bellow	187
81.43601.0106	15946	15 240, FL, BL			x		-	*
81.43601.0108	15946	18272	x				-	*
81.43601.0108	15946	1929,38	x		x		-	*



MAN - Bus, Coach & Truck - continued

OE Part No.	Airsprings.com Part No.	Application	Front	Lead	Rear	Tag, Lift	Comment	Page
81.43601.0108	15946	F90, M90	x		x		-	*
81.43601.0111	15948	18310	x		x		Bellow	189
81.43601.0113	15626	SL200	x				Bellow	184
81.43601.0114	15700	SG 292			x		Bellow	185
81.43601.0115	15626	SL200	x				Bellow	184
81.43601.0116	15700	SL 200				x	Bellow	185
81.43601.0116	15700	SL200F			x		Bellow	185
81.43601.0116	15700	SL202, F			x		Bellow	185
81.43601.0116	15700	SL242M11			x		Bellow	185
81.43601.0116	15700	SR292, 362			x		Bellow	185
81.43601.0116	15700	SUE 242			x		Bellow	185
81.43601.0116	15700	SUE 290 F			x		Bellow	185
81.43601.0117	15626	SL202	x				Bellow	184
81.43601.0117	15626	SL242 M11	x				Bellow	184
81.43601.0117	15626	SL252	x		x		Bellow	184
81.43601.0117	15626	SR292, 362	x				Bellow	184
81.43601.0117	15626	SUE 242	x				Bellow	184
81.43601.0117	15626	SUE 290 F	x				Bellow	184
81.43601.0123	15948	18313	x		x		Bellow	189
81.43601.0124	15948	FLLS (24 232)	x				Bellow	189
81.43601.0125	15948	F2000 (24 232)	x				Bellow	189
81.43601.0125	15948	FL (24 232)	x				Bellow	189
81.43601.0125	15948	FLAS (24 232)	x				Bellow	189
81.43601.0125	15948	FLL (24 232)	x				Bellow	189
81.43601.0125	15948	FLS (24 232)	x				Bellow	189
81.43601.0126	15912	NL202	x		x		Bellow	187
81.43601.0126	15912	NM152	x				Bellow	187
81.43601.0126	15912	SL250	x		x	x	Bellow	187
81.43601.0126	15912	UEL242	x		x		Bellow	187
81.43601.0127	16247	FNL, FNLL-2000			x			191
81.43601.0128	94517	F 90	x				Replaces 883 N	195
81.43601.0140	15948	F2000 (24 272)				x	Bellow	189
81.43601.0140	15948	FNL (24 272)				x	Bellow	189
81.43601.0140	15948	FNL (24 272)				x	Bellow	189
81.43601.0140	15948	FNLL (24 272)				x	Bellow	189
81.43601.0140	15948	FNLL (24 272)				x	Bellow	189
81.43601.0150	15948	24372				x	Bellow	189
81.43601.0151	94002	TGA		x	x			102



MAN - Bus, Coach & Truck - continued

OE Part No.	Airsprings.com Part No.	Application	Front	Lead	Rear	Tag, Lift	Comment	Page
81.43601.0152	94001	ALV 11.5, 6.3			x	x		102
81.43601.0152	94001	ALV 13, 6.5				x		102
81.43601.0153	94003	ALV 13, 6.5				x		102
81.43601.0153	94003	ALV11.5, 6.3				x		102
81.43601.0160	94000	L2000						*
81.43601.0165	94017	ALV 11.5, 6.7, 12, 7.1, 13, 7.5				x		*
81.43601.6002	15773	SG220	x		x		-	*
81.43601.6002	15773	SG220R	x		x		-	*
81.43601.6002	15773	SL200	x		x		-	*
81.43601.6002	15773	SR240R, 280R	x		x		-	*
81.43601.6002	15773	SR280, 280H	x		x		-	*
81.43601.6002	15773	SU240	x		x		-	*
81.43601.6019	16057	U80			x			*
81.43601.6036	94102	TGA		x	x			103
81.43601.6046	94016	ALV 11.5, 6.7, 12, 7.1, 13, 7.5				x		*
81.43601.6071	94000	17,260			x			*
81.81436.0126	15912	NL CNG	x				Bellow	187
84.43601.0110	94517	F 90	x				Replaces 883 N	195
90.83112.0144	15621	10 U 210 R12	x	x	x		Bellow	183
90.83112.0144	15621	11 U 210 R13	x		x		Bellow	183
90.83112.0144	15621	11 U 219 R13	x		x		Bellow	183
90.83112.0144	15621	12 U 210 R12	x		x		Bellow	183
90.83112.0144	15621	BS 100GT SKD	x		x		Bellow	183
90.83112.0144	15621	BS 120N	x		x		Bellow	183
Other Air Spring Numbers								
81.43600.6035	94013							*
81.43600.6037	94011							*
81.43600.6038	94012							*
81.43600.6039	94007							*
81.43600.6040	94008							*
81.43600.6041	94014							*
81.43600.6042	94018							*
81.43600.6044	94015							102
81.43600.6046	94104							103
81.43600.6046	94016							*
81.43600.6047	94009							*
81.43600.6071	94000							*



MAN - Bus, Coach & Truck - continued

OE Part No.	Airsprings.com Part No.	Application	Front	Lead	Rear	Tag, Lift	Comment	Page
81.43601.0018	15623						Bellow	183
81.43601.0022	15646						Convuluted Assembly	134
81.43601.0033	15702						Bellow	186
81.43601.0036	15702						Bellow	186
81.43601.0037	15702						Bellow	186
81.43601.0039	15693						Complete Assembly	*
81.43601.0040	15693						Complete Assembly	*
81.43601.0047	16056							*
81.43601.0048	*							*
81.43601.0049	15698						Bellow	185
81.43601.0051	15623						Bellow	183
81.43601.0052	15698						Bellow	185
81.43601.0053	15933						Bellow	189
81.43601.0056	15700						Bellow	185
81.43601.0057	15700						Bellow	185
81.43601.0058	15700						Bellow	185
81.43601.0059	15626						Bellow	184
81.43601.0060	15626						Bellow	184
81.43601.0061	15626						Bellow	184
81.43601.0065	15944						Bellow	189
81.43601.0066	15946						-	*
81.43601.0067	15944						Bellow	189
81.43601.0068	15946						-	*
81.43601.0069	15946						-	*
81.43601.0070	15944						Bellow	189
81.43601.0071	15945						-	*
81.43601.0071	15945						-	*
81.43601.0072	15945						-	*
81.43601.0075	15626						Bellow	184
81.43601.0076	15700						Bellow	185
81.43601.0078	15626						Bellow	184
81.43601.0079	15700						Bellow	185
81.43601.0081	15626						Bellow	184
81.43601.0082	15700						Bellow	185
81.43601.0083	15626						Bellow	184
81.43601.0084	15700						Bellow	185
81.43601.0090	15626						Bellow	184
81.43601.0091	15700						Bellow	185



MAN - Bus, Coach & Truck - continued

OE Part No.	Airsprings.com Part No.	Application	Front	Lead	Rear	Tag, Lift	Comment	Page
81.43601.0092	15944						Bellow	189
81.43601.0095	15912						Bellow	187
81.43601.0096	16247							191
81.43601.0097	15912						Bellow	187
81.43601.0098	16247							191
81.43601.0099	15944						Bellow	189
81.43601.0100	15912						Bellow	187
81.43601.0100	15944						Bellow	189
81.43601.0101	16247							191
81.43601.0102	15912						Bellow	187
81.43601.0103	15944						Bellow	189
81.43601.0104	15948						Bellow	189
81.43601.0105	15912						Bellow	187
81.43601.0106	15946						-	*
81.43601.0108	15946						-	*
81.43601.0109	15948						Bellow	189
81.43601.0110	15945						-	*
81.43601.0111	15948						Bellow	189
81.43601.0113	15626						Bellow	184
81.43601.0114	15700						Bellow	185
81.43601.0115	15626						Bellow	184
81.43601.0116	15700						Bellow	185
81.43601.0117	15626						Bellow	184
81.43601.0121	15944						Bellow	189
81.43601.0123	15948						Bellow	189
81.43601.0124	15948						Bellow	189
81.43601.0125	15948						Bellow	189
81.43601.0126	15912						Bellow	187
81.43601.0127	16247							191
81.43601.0128	15945						-	*
81.43601.0132	15944						Bellow	189
81.43601.0139	16247							191
81.43601.0140	15948						Bellow	189
81.43601.0150	15948						Bellow	189
81.43601.0151	94002							102
81.43601.0152	94001							102
81.43601.0152	94001							102
81.43601.0153	94003							102



MAN - Bus, Coach & Truck - continued

OE Part No.	Airsprings.com Part No.	Application	Front	Lead	Rear	Tag, Lift	Comment	Page
81.43601.0160	94000							*
81.43601.0160	94015							102
81.43601.0165	94017							*
81.43601.6002	15773						-	*
81.43601.6019	16057							*
81.43601.6036	94010							*
81.81436.0126	15912						Bellow	187
90.83112.0144	15621						Bellow	183

MCW - Bus & Coach

OE Part No.	Airsprings.com Part No.	Application	Front	Lead	Rear	Tag, Lift	Comment	Page
X6641055	15815	Metro Bus MKI, II	x				-	*
X6441056	15625	Metro Bus MKI, II			x		Bellow	183
X6651298	15823	Metro Liner	x				-	*
X6441056	15625	Metro Liner			x		Bellow	183

Mercedes - Bus, Coach & Truck

OE Part No.	Airsprings.com Part No.	Application	Front	Lead	Rear	Tag, Lift	Comment	Page
A 000 328 01 01	15966	-						190
A 000 328 01 01	15966	VARIO	x		x			190
A 318 328 00 01	*	1013LPL						
A 318 328 00 01	*	1113LPL						
A 318 328 00 01	*	913LPL						
A 363 328 00 01	16018	-						190
A 363 328 00 01	15626	1632LS			x		Bellow	184
A 363 328 00 01	15626	1924LS			x		Bellow	184
A 363 328 00 01	15626	1928LS			x		Bellow	184
A 363 328 00 01	15626	1933LS			x		Bellow	184
A 363 328 00 01	15626	1936LS			x		Bellow	184
A 363 328 00 01	15626	1938LS			x		Bellow	184
A 363 328 00 01	15626	2232L	x				Bellow	184
A 363 328 00 01	15626	2232LPL			x		Bellow	184
A 383 327 00 01	15927	2028LS	x				Bellow	188
A 387 328 01 01	15702	1071LS			x		Bellow	186



Mercedes - Bus, Coach & Truck - continued

OE Part No.	Airsprings.com Part No.	Application	Front	Lead	Rear	Tag, Lift	Comment	Page
A 387 328 01 01	15702	1217LS			x		Bellow	186
A 387 328 01 01	15702	1419L			x		Bellow	186
A 387 328 01 01	15702	1420L			x		Bellow	186
A 387 328 01 01	15702	1422L, LS	x				Bellow	186
A 387 328 01 01	15702	1425LS	x				Bellow	186
A 387 328 01 01	15702	1524LS	x				Bellow	186
A 387 328 01 01	15702	1613L	x				Bellow	186
A 387 328 01 01	15702	1617L	x				Bellow	186
A 387 328 01 01	15702	1620L	x		x		Bellow	186
A 387 328 01 01	15702	1622L	x		x		Bellow	186
A 387 328 01 01	15702	1624L, LS	x				Bellow	186
A 387 328 01 01	15702	1625L, LS	x		x		Bellow	186
A 387 328 01 01	15702	1626L, LS	x		x		Bellow	186
A 387 328 01 01	15702	1628L	x		x		Bellow	186
A 387 328 01 01	15702	1632L, LS	x		x		Bellow	186
A 387 328 01 01	15702	1633L	x		x		Bellow	186
A 387 328 01 01	15702	1635L			x		Bellow	186
A 387 328 01 01	15702	1928LS	x				Bellow	186
A 387 328 01 01	15702	1932LS			x		Bellow	186
A 387 328 01 01	15702	2219L, LPL			x	x	Bellow	186
A 387 328 01 01	15702	2220L	x		x		Bellow	186
A 387 328 01 01	15702	2222L	x		x	x	Bellow	186
A 387 328 01 01	15702	2224LS			x		Bellow	186
A 387 328 01 01	15702	2226L	x		x		Bellow	186
A 387 328 01 01	15702	2228L	x		x	x	Bellow	186
A 387 328 01 01	15702	2232L			x	x	Bellow	186
A 387 328 01 01	15702	2232LPL	x		x		Bellow	186
A 387 328 01 01	15702	2233L	x		x		Bellow	186
A 387 328 01 01	15702	2235L			x		Bellow	186
A 387 328 01 01	15702	2238L			x		Bellow	186
A 387 328 01 01	15702	2244L			x		Bellow	186
A 387 328 01 01	15702	2252L			x		Bellow	186
A 387 328 01 01	15702	2624LS			x		Bellow	186
A 387 328 01 01	15702	709LPL			x		Bellow	186
A 387 328 01 01	15702	808LPL	x				Bellow	186
A 387 328 01 01	15702	809LPL			x		Bellow	186
A 387 328 01 01	15702	813LPL			x		Bellow	186
A 387 328 01 01	15702	813LPS, LPL	x				Bellow	186



Mercedes - Bus, Coach & Truck - continued

OE Part No.	Airsprings.com Part No.	Application	Front	Lead	Rear	Tag, Lift	Comment	Page
A 393 328 01 01	16017	-				x		*
A 658 328 00 01	15946	-					-	*
A 658 328 01 01	15944	1838LS					Bellow	189
A 662 328 00 01	*	Actros	x	x				
A 667 328 00 01	16206	VARIO	x		x			106
A 667 328 01 01	17090	VARIO, TO	x		x			107
A 674 328 00 01	15940	-					-	*
A 674 328 02 01	15934	817D					-	*
A 675 328 01 01	15941	-					-	*
A 699 328 01 01	15944	1838LS					Bellow	189
A 942 320 01 17	15962	Actros	x	x			Old Version	104
A 942 320 01 21	15956	Actros			x		Old Version	104
A 942 320 01 21	15965	Actros				x		105
A 942 320 02 17	*	Actros Low Liner	x	x				
A 942 320 02 21	15957	Actros			x		Old Version	104
A 942 320 03 17		Actros						
A 942 320 03 21	16156	Actros			x		Old version, piston 190mm dia	105
A 942 320 03 21	*	Atego	x					
A 942 320 04 21	16155	Actros			x		Old Version, piston 190mm dia	105
A 942 320 06 17	*	Actros	x	x				
A 942 320 07 21	93909	Actros Low Liner			x		Old Version, 1 air inlet	*
A 942 320 08 21	*	Acros			x		Old Version, ally piston	
A 942 320 09 17	*	Atego						
A 942 320 10 21	*	Actros			x			
A 942 320 13 21	93918	ACTROS MP2					Old Version	108
A 942 320 16 21	*	Actros MP2						
A 942 320 17 21	*	Actros MP2						
A 942 320 18 21	*	Actros MP2						
A 942 320 19 21	*	Actros MP2						
A 942 320 22 21	93918	ACTROS MP2					New version, air inlet & sensor inlet	108
A 942 320 23 21	93931	Actros MP2					New version, 1 air inlet	108
A 942 320 24 21	*	Actros MP2						
A 942 320 25 21	*	Actros MP2						
A 942 320 26 21	93925	Actros MP2					new version: Voss 232 air inlet	108
A 942 320 27 21	*	Actros MP2						
A 942 320 31 21	93938	Actros						110



Mercedes - Bus, Coach & Truck - continued

OE Part No.	Airsprings.com Part No.	Application	Front	Lead	Rear	Tag, Lift	Comment	Page
A 942 320 32 21	94018	Actros	x	x			new version: Voss 232 air inlet	*
A 942 320 32 21	93939	Actros	x	x			new version: Voss 232 air inlet	110
A 942 320 33 21	*	Actros	x	x			new version: Voss 232 air inlet	
A 942 320 34 21	*	Atego					new version: Voss 232 air inlet	
A 942 320 35 21	93941	Actros					new version: Voss 232 air inlet	111
A 942 320 36 21	93940	Actros				x	new version: Voss 232 air inlet	110
A 942 320 37 21	93935	Atego				x	new version: Voss 232 air inlet	109
A 942 320 39 21	93936	Atego				x	new version: Voss 232 air inlet	109
A 942 320 40 21		Actros						
A 942 320 42 21	*	Atego NLA EHZ						
A 942 320 43 21	93937	Actros	x	x			new version: Voss 232 air inlet	110
A 942 320 44 21	*	Actros Low Liner	x	x				
A 942 320 45 21	*	Atego						
A 942 320 48 21	94006	Actros	x	x			new version: Voss 232 air inlet	*
A 942 320 48 21	94021	Actros						111
A 942 320 49 21	93917	Actros			x		new version: Voss 232 air inlet	108
A 942 320 50 21	93916	Actros			x		new version: Voss 232 air inlet	107
A 942 320 51 21	93933	Actros			x		new version: Voss 232 air inlet; Complete assembly, piston Ø 190	109
A 942 320 52 21	93932	Actros			x		new version: 2 Voss 232 air inlets; Complete assembly, piston Ø 190	109
A 942 320 53 21	93908	Actros Low Liner			x		Voss air inlet	*
A 942 320 54 21	93909	Actros Low Liner			x		Voss air inlet	*
A 942 320 55 21	*	Actros			x			
A 942 320 56 21	*	Actros			x			
A 942 327 00 01	94004	Actros	x	x				*
A 942 327 04 01	*	Actros Low Liner	x	x				
A 942 327 06 01	15784	Actros				x	Convoluted Assembly	131
A 942 328 00 01	93904	Actros			x		Service Assy	*
A 942 328 01 01	93905	Actros			x		Service Assy	*
A 942 328 06 01	93906	Actros Low Liner			x		Service Assy	*
A 942 328 06 21	93908	Actros Low Liner			x			*
A 942 328 07 01	93907	Actros Low Liner			x		Service Assy	*



Mercedes - Bus, Coach & Truck - continued

OE Part No.	Airsprings.com Part No.	Application	Front	Lead	Rear	Tag, Lift	Comment	Page
A 945 320 00 17	94020	Actros						111
A 946 320 02 21	15964	Actros				x		105
A 946 320 03 21	16227	Atego				x		106
A 946 320 04 17		Actros				x		
A 946 320 04 21	15963	Actros				x		104
A 946 320 05 21	16228	Atego				x		106
A 946 320 06 21		Actros						
A 946 320 07 21	*	Atego						
A 946 320 41 21	*	Atego						
A 946 328 00 01	15963	Actros				x		104
A 946 328 15 01	93003	-						170
A 946 328 19 01	92805	-						166
A 957 320 01 17	*	Actros						
A 957 320 02 17	*	Actros	x	x				
A 957 320 03 17	*	Actros	x	x				
A 957 320 04 17	*	Actros	x	x				
A 974 320 00 21	93909	Atego	x					*
A 974 320 01 17	*	Atego						
A 974 320 01 21	*	Atego NLA EHZ						
A 974 320 02 17	16160	Actros	x	x				106
A 974 320 04 17	94018	Actros	x	x				*
A 974 320 31 21	16160	Actros	x	x			Voss air inlet	106
A 974 328 00 01	94005	Atego	x	x				*
A 974 328 02 01	93902	Atego	x					*

Other Air Spring Numbers

A 363 328 00 01	15626						Bellow	184
A 363 328 00 01	16018							190
A 383 327 00 01	15927						Bellow	188
A 387 328 01 01	15702						Bellow	186
A 393 328 01 01	16017							*
A 652 327 01 01	*							
A 652 327 01 01	*							
A 655 327 00 01	*							
A 655 327 00 01	*							
A 657 327 00 01	*							
A 657 327 00 01	*							
A 658 328 00 01	15946						-	*
A 658 328 01 01	15944						Bellow	189



Mercedes - Bus, Coach & Truck - continued

OE Part No.	Airsprings.com Part No.	Application	Front	Lead	Rear	Tag, Lift	Comment	Page
A 662 328 00 01	*							
A 667 328 00 01	16206							106
A 667 328 01 01	17090							107
A 674 328 00 01	15940						-	*
A 674 328 02 01	15934						-	*
A 675 328 01 01	15941						-	*
A 699 328 01 01	15944						Bellow	189
A 942 320 01 17	*							
A 942 320 01 17	*							
A 942 320 01 17	15962							104
A 942 320 01 21	15956							104
A 942 320 01 21	15965							105
A 942 320 02 17	*							
A 942 320 02 21	15957							104
A 942 320 03 17								
A 942 320 03 21	*							
A 942 320 03 21	16156							105
A 942 320 04 21	16155							
A 942 320 05 17	*							
A 942 320 05 17	*							
A 942 320 06 17	*							
A 942 320 07 21	93909							*
A 942 320 08 17	*							
A 942 320 08 17	*							
A 942 320 08 21	*							
A 942 320 09 17	*							
A 942 320 10 21	*							
A 942 320 13 21	93918							108
A 942 320 14 21	*							
A 942 320 14 21	*							
A 942 320 16 21	*							
A 942 320 17 21	*							
A 942 320 18 21	*							
A 942 320 19 21	*							
A 942 320 22 21	93918							108
A 942 320 23 21	*							
A 942 320 23 21	*							
A 942 320 24 21	*							



Mercedes - Bus, Coach & Truck - continued

OE Part No.	Airsprings.com Part No.	Application	Front	Lead	Rear	Tag, Lift	Comment	Page
A 942 320 25 21	*							
A 942 320 26 21	*							
A 942 320 27 21	*							
A 942 320 32 21	94018							*
A 942 320 33 21	*							
A 942 320 34 21	*							
A 942 320 35 21	15965							105
A 942 320 36 21	15964							105
A 942 320 37 21	16227							106
A 942 320 37 21	16228							106
A 942 320 38 21	15963							104
A 942 320 40 21								
A 942 320 42 21	*							
A 942 320 43 21	15962							104
A 942 320 44 21	*							
A 942 320 45 21	*							
A 942 320 46 21	*							
A 942 320 46 21	*							
A 942 320 47 21	*							
A 942 320 47 21	*							
A 942 320 48 21	94006							*
A 942 320 49 21	93917							108
A 942 320 50 21	93916							104
A 942 320 51 21	16156							105
A 942 320 52 21	16155							105
A 942 320 53 21	93908							*
A 942 320 54 21	93909							*
A 942 320 55 21	*							
A 942 320 56 21	*							
A 942 327 00 01	94004							*
A 942 327 04 01	*							
A 942 327 06 01	15603						Convolutted Assembly	131
A 942 328 00 01	93904							*
A 942 328 01 01	93905							*
A 942 328 06 01	93906							*
A 942 328 06 21	93908							*
A 942 328 07 01	93907							*
A 945 320 00 17	94006							*



Mercedes - Bus, Coach & Truck

OE Part No.	Airsprings.com Part No.	Application	Front	Lead	Rear	Tag, Lift	Comment	Page
A 946 320 02 21	15964							105
A 946 320 03 21	16227							106
A 946 320 04 17								
A 946 320 04 21	15963							104
A 946 320 05 21	16228							106
A 946 320 06 21								
A 946 320 07 21	*							
A 946 320 41 21	*							
A 946 328 00 01	15963							104
A 957 320 01 17	*							
A 957 320 02 17	*							
A 957 320 03 17	*							
A 957 320 04 17	*							
A 974 320 00 21	93909							*
A 974 320 01 17	*							
A 974 320 01 21	*							
A 974 320 02 17	16160							106
A 974 320 04 17	94018							*
A 974 320 31 21	16160							106
A 974 328 00 01	94005							*
A 974 328 02 01	93902							*
A 974 328 02 21	*							
A 974 328 02 21	*							

Neoplan - Bus & Coach

OE Part No.	Airsprings.com Part No.	Application	Front	Lead	Rear	Tag, Lift	Comment	Page
100112251	15623	N116	x		x		Bellow	183
100112251	15623	N117, 2	x		x		Bellow	183
100112251	15623	N117, 3	x		x		Bellow	183
100112251	15623	N112, 3	x		x		Bellow	183
100112254	15622	N208	x				Bellow	183
100112250	15621	N208			x		Bellow	183
100112250	15621	N209	x		x		Bellow	183
100112254	15622	N210	x				Bellow	183
100112250	15621	N210			x		Bellow	183
100112250	15621	N212H	x				Bellow	183



Neoplan - Bus & Coach - ontinued

OE Part No.	Airsprings.com Part No.	Application	Front	Lead	Rear	Tag, Lift	Comment	Page
100112251	15623	N212H			x		Bellow	183
100112250	15621	N214H	x				Bellow	183
100112251	15623	N214H			x		Bellow	183
100112250	15621	N216H	x				Bellow	183
100112251	15623	N216H			x		Bellow	183
100112250	15621	N221	x				Bellow	183
100112251	15623	N221			x		Bellow	183
100112250	15621	N314	x				Bellow	183
100112251	15623	N314			x		Bellow	183
100112250	15621	N316	x				Bellow	183
100112251	15623	N316			x		Bellow	183
100112250	15621	N326	x		x		Bellow	183
100112254	15622	N407	x				Bellow	183
100112250	15621	N407			x		Bellow	183
100112250	15621	N414	x				Bellow	183
100112251	15623	N414			x		Bellow	183
100112250	15621	N416	x				Bellow	183
100112251	15623	N416			x		Bellow	183
100112251	15623	N424	x		x		Bellow	183
100112251	15623	N426	x		x		Bellow	183
100112254	15622	N907	x				Bellow	183
100112250	15621	N907			x		Bellow	183
100112251	15623	N912	x		x		Bellow	183
100112251	15623	N940	x				Bellow	183
100112250	15621	N940			x		Bellow	183
100112250	15621	NB26L	x				Bellow	183
100112251	15623	NB26L			x		Bellow	183
100112254	15622	NH8L	x				Bellow	183
100112250	15621	NH8L			x		Bellow	183
100112254	15622	NH9L	x				Bellow	183
100112250	15621	NH9L			x		Bellow	183
100112254	15622	NH10L	x				Bellow	183
100112250	15621	NH10L			x		Bellow	183
100112250	15621	NH12L	x				Bellow	183
100112251	15623	NH12L			x		Bellow	183
100112250	15621	NH13L	x				Bellow	183
100112250	15623	NH13L			x		Bellow	183
100112250	15621	NH14L	x				Bellow	183



Neoplan - Bus & Coach - ontinued

OE Part No.	Airsprings.com Part No.	Application	Front	Lead	Rear	Tag, Lift	Comment	Page
100112251	15623	NH14L			x		Bellow	183
100112250	15621	NH15L	x				Bellow	183
100112251	15623	NH15L			x		Bellow	183
100112250	15621	NH22	x				Bellow	183
100112251	15623	NH22			x		Bellow	183
100112251	15623	TR8	x		x		Bellow	183
100112251	15623	TR12	x		x		Bellow	183
100112250	15621	TR40	x		x		Bellow	183
100112250	15621	CITYLINER	x				Bellow	183
100112251	15623	CITYLINER			x		Bellow	183
100112254	15622	EUROSTAR	x				Bellow	183
100112250	15621	EUROSTAR			x		Bellow	183
100112250	15621	JETLINER	x		x		Bellow	183
100112251	15623	SKYLINER	x				Bellow	183
AA 10-01-001	15621						Bellow	183
AA 10-01-002	15623						Bellow	183

Optare - Bus & Coach

OE Part No.	Airsprings.com Part No.	Application	Front	Lead	Rear	Tag, Lift	Comment	Page
R5800001	15937	Solo	x		x		Bellow	189
L5820005	15912	Excel	x		x		Bellow	187

Range Rover - 4 x 4

OE Part No.	Airsprings.com Part No.	Application	Front	Lead	Rear	Tag, Lift	Comment	Page
NTC9819	90900	Classic 1993-1997	x					83
NTC9820	90901	Classic 1993-1997			x			83
RKB101740	90902	P38A 1997-2001	x					83
RKB101460	90903	P38A 1997-2001			x			83
RNB000740	90907	RNB000740	x					84
RNB000750	90908	RNB000750	x					84



Renault - Bus, Coach & Truck

OE Part No.	Airsprings.com Part No.	Application	Front	Lead	Rear	Tag, Lift	Comment	Page
5.000.288.982	16221	PR100	x		x			*
5.000.452.939	15635				x		Complete Assembly	164
5.000.640.399	16204	Tracer	x					112
5.000.738.516	16204	Tracer	x					112
5.000.786.516	93201	FR1						*
5.000.786.640	93203	PR100						*
5.000.786.641	91700	100V8	x					*
5.000.786.901	91305	R340			x			*
5.000.788.071	93209	BUS 49V8						*
5.000.788.071	93209	BUS PR10						*
5.000.788.071	93209	BUS PR12						*
5.000.788.071	93209	BUS PR3						*
5.000.788.071	93209	BUS PR4						*
5.000.790.692	15634				x		Complete Assembly	167
5.000.805.284	16019	PR100						*
5.000.815.749	15709				x		Complete Assembly	112
5.000.819.370	16235	BUSR312	x		x			*
5.000.819.517	15626	R310	x				Bellow	184
5.000.819.517	15626	R340	x				Bellow	184
5.000.819.517	15626	R420	x				Bellow	184
5.000.954.175	16019	FR1	x					*
5.001.832.067	15910				x		-	*
5.001.855.856	16232	Magnum			x			*
5.001.855.856	16232	Premium			x			*
5.006.172.377	93211	Agora/Crystallis	x		x		Agora Gas (cylindrical piston)	114
5.010.019.248	16223	BUSR312	x		x			*
5.010.052.722	93200	Magnum			x			*
5.010.052.722	93200	Premium			x			*
5.010.073.846	91303	R 333, Tracer			x		Complete assembly	113
5.010.073.847	16204	FR1, Tracer			x			112
5.010.130.683	93200	Magnum			x			*
5.010.130.683	93200	Premium			x			*
5.010.151.378	16221	PR100						*
5.010.151.379	16222	PR100						*
5.010.151.698	16204	Tracer	x					112
5.010.151.699	93205	5059						*
5.010.151.699	93205	5104						*



Renault - Bus, Coach & Truck - continued

OE Part No.	Airsprings.com Part No.	Application	Front	Lead	Rear	Tag, Lift	Comment	Page
5.010.190.888	93205	FR1, Tracer						*
5.010.211.724	16104	Truck			x		Complete Assembly	112
5.010.211.724	16104	Magnum R380			x			112
5.010.211.724	16104	Premium R380			x			112
5.010.239.072	*	Magnum	x					
5.010.239.180	16234	H100	x					*
5.010.239.213	*	Magnum			x			
5.010.239.213	*	Premium			x			
5.010.239.252	91801	Magnum						114
5.010.239.338	15709				x		Complete Assembly	112
5.010.294.156	*	Magnum	x					
5.010.294.157	16234	H100	x					*
5.010.294.159	*				x			
5.010.294.252	91801	Magnum						114
5.010.294.252	91801	Premium						114
5.010.294.307	16046	Magnum			x			112
5.010.294.307	16046	Premium			x			112
5.010.294.308	16230	Magnum			x			113
5.010.294.309	16232				x			*
5.010.294.385	*	Premium	x					
5.010.320.096	15516	Magnum					Cabin	77
5.010.347.891	16213	Agora			x		Euro 2 engines	113
5.010.383.805	*	Magnum						
5.010.383.805	*	Premium						
5.010.455.628	*	Iliade					Cabin	
5.010.531.180	*	Karosa						
5.010.557.355	*	Magnum			x			
5.010.557.355	93100	Magnum			x		Replaces 4912 N P07	114
5.010.557.356	16230	Magnum low truck			x		Magnum low truck	113
5.010.557.356	16230	Premium low truck			x		Premium low truck	113
5.010.557.459	15784				x		Convoluted Assembly	131
5.430.035.911	15603				x		Convoluted Assembly	131
5.430.049.273	15993				x			162
5.810.111.355	91700	A290			x			*
5.810.111.355	91700	A320			x			*
Other Air Spring Numbers								
5.000.296.816	17092							*
5.000.640.399	16204							112



Renault - Bus, Coach & Truck - continued

OE Part No.	Airsprings.com Part No.	Application	Front	Lead	Rear	Tag, Lift	Comment	Page
5.000.738.517	*							
5.000.745.918	15907						Complete Assembly	167, 91
5.000.785.792	93202							*
5.000.787.632	93206							*
5.000.788.721	91701							*
5.000.791.271	*							
5.000.791.272	15516						Cabin	77
5.000.805.998	91700							*
5.000.805.999	93203							*
5.000.869.135	93201							*
5.000.869.179	93206							*
5.000.954.176	15703						-	*
5.010.052.403	*							
5.010.092.916	15512							76
5.010.130.797	15515							76
5.010.130.925	15634						Complete Assembly	167
5.010.133.079	15514							76
5.010.228.849	50534							78
5.010.228.908	15519							77
5.010.266.845	15513							76
5.010.294.310	*							
5.010.313.619	15513							76
5.010.320.096	15516							77
5.010.491.301	15522							77
5.010.615.879	15521							77
5.010.629.414	15525							78
8.200.026.090	90904							84

Scania - Bus, Coach & Truck

OE Part No.	Airsprings.com Part No.	Application	Front	Lead	Rear	Tag, Lift	Comment	Page
523208	15626	CR76	x				Bellow	184
523229	15687	CR76			x		Bellow	185
411622	15642	K82-112	x				Bellow	185
523208	15626	BR, CR85	x				Bellow	184
523229	15687	BR, CR85			x		Bellow	185
402315	15644	BF86	x				Complete Assembly	146



Scania - Bus, Coach & Truck - continued

OE Part No.	Airsprings.com Part No.	Application	Front	Lead	Rear	Tag, Lift	Comment	Page
660252	15600	BF86			x		Service Assembly	115, 160
523208	15626	BR, CR86	x				Bellow	184
523229	15687	BR, CR86			x		Bellow	185
523208	15626	BF110	x				Bellow	184
523229	15687	BF110			x		Bellow	185
523208	15626	BF, CR110	x				Bellow	184
523229	15687	BF, CR110			x		Bellow	185
523208	15626	BF111	x				Bellow	184
523229	15687	BF111			x		Bellow	185
402315	15644	BF116	x				Complete Assembly	146
660252	15600	BF116			x		Service Assembly	115, 160
402315	15644	BR112	x				Complete Assembly	146
660252	15600	BR112			x		Service Assembly	115, 160
402315	15644	BR112A	x				Complete Assembly	146
660252	15600	BR112A			x		Service Assembly	115, 160
670199	15645	BR112D	x				Convoluted Assembly	116
670210	15643	BR112D			x		Convoluted Assembly	116
660252	15600	BR116 PRE 79	x				Service Assembly	115, 160
402315	15644	BR116POST 79	x				Complete Assembly	146
411623	15642	K93	x				Bellow	185
411627	15639	K93			x		Bellow	184
411623	15642	K93 KNEEL FACILITY	x				Bellow	185
434932	15637	K93 KNEEL FACILITY			x		Bellow	184
411623	15642	K112	x				Bellow	185
411627	15639	K112			x		Bellow	184
411623	15642	K113	x				Bellow	185
411627	15639	K113			x		Bellow	184
411623	15642	K113 KNEEL FACILITY	x				Bellow	185
411623	15637	K113 KNEEL FACILITY			x		Bellow	184
411623	15642	K113T	x				Bellow	185
434932	15637	K113T			x		Bellow	184
411623	15642	L92	x				Bellow	185
411627	15639	L92			x		Bellow	184
411623	15642	L113 PRE 89	x				Bellow	185
434932	15637	L113 PRE 89			x		Bellow	184
411623	15642	L113 POST 89	x				Bellow	185



Scania - Bus, Coach & Truck - continued

OE Part No.	Airsprings.com Part No.	Application	Front	Lead	Rear	Tag, Lift	Comment	Page
660252	15600	N112			x		Service Assembly	115, 160
411623	15642	N113A	x				Bellow	185
411627	15639	N113A			x		Bellow	184
411623	15642	N113C	x				Bellow	185
411627	15639	N113C			x		Bellow	184
411623	15642	N113C Kneel Facility	x		x		Bellow	185
1314906	15653	P93M			x		Complete Assembly	167
1314906	15653	133			x		Complete Assembly	167
1314906	15653	142			x		Complete Assembly	167
1314906	15653	143			x		Complete Assembly	167
1314906	15653	112M			x		Complete Assembly	167
1314906	15653	113M			x		Complete Assembly	167
1314906	15653	142M			x		Complete Assembly	167
1379392	16105	4 SERIES TRUCK			x	x		119, 172
1440294	16105	4 SERIES TRUCK			x	x		119, 172

Other Air Spring Numbers

255294	15714						Complete Assembly	117, 156
255295	15619						Complete Assembly	115, 160
276696	15601						Service Assembly	115, 160
298568	15653						Complete Assembly	167
325748	15653						Complete Assembly	167
345879	15714						Complete Assembly	117, 156
402315	15644						Complete Assembly	146
411622	15642						Bellow	185
411623	15637						Bellow	184
411623	15642						Bellow	185
411627	15639						Bellow	184
411726	15735						Convuluted Assembly	118, 135
412418	15644						Complete Assembly	146
424688	15642						Bellow	185
424932	15600						Service Assembly	115, 160
434932	15637						Bellow	184
463100	15795						Complete Assembly	118
463101	15796						-	*
463102	15797						-	118
470920	15717						-	*
470921	15720						-	*
473868	*							



Scania - Bus, Coach & Truck - continued

OE Part No.	Airsprings.com Part No.	Application	Front	Lead	Rear	Tag, Lift	Comment	Page
523208	15626						Bellow	184
523229	15687						Bellow	185
638512	15718						-	*
660252	15600						Service Assembly	115, 160
670199	15645						Convolutd Assembly	116
670210	15643						Convolutd Assembly	116
1107674	15653						Complete Assembly	167
1123386	15713						Complete Assembly	117, 151
1304528	15711						Complete Assembly	116, 146
1314903	15619						Complete Assembly	115, 160
1314904	15601						Service Assembly	115, 160
1314905	15714						Complete Assembly	117, 151
1314906	15653						Complete Assembly	167
1319761	15710						Convolutd Assembly	116, 132
1320151	15712						Complete Assembly	117, 148
1327144	15715						Complete Assembly	117, 156
1347587	15662						-	*
1363007	16034							118
1363120	50530							*
1379392	16105							119, 172
1386199	16067							119
1386200	16068							119
1387283	15710						Convolutd Assembly	116, 132
1397390	50530							*
1397392	50530							*
1397396	50530							*
1402423	15619						Complete Assembly	115, 160
1404701	93000							122
1424227	50530							*
1434506	92501							120
1435407	*							
1440294	16105							119, 172
1440301	92504							120
1440302	*							
1440304	92505							121
1440305	92502							120
1440306	92507							121
1440307	92503							120



Scania - Bus, Coach & Truck - continued

OE Part No.	Airsprings.com Part No.	Application	Front	Lead	Rear	Tag, Lift	Comment	Page
1440859	*							
1444016	50530							*
1444016	50531							*
1502468	50516							*
1502468	50516							*
1502468	50518							*
1502474	50518							*
1505563	50531							*
1510249	90208							119
1521114	92506							121
1726240	92509						Complete Assembly	122

Seddon - Truck

OE Part No.	Airsprings.com Part No.	Application	Front	Lead	Rear	Tag, Lift	Comment	Page
3300916R1	15889						Convuluted Assembly	198
3345942R1	15808						-	*
3350289R1	16013							158
3350299R1	16013							158
3351152R1	16012						Complete Assembly	159

Van Hool - Bus & Coach

OE Part No.	Airsprings.com Part No.	Application	Front	Lead	Rear	Tag, Lift	Comment	Page
624319-610	15622	AM500	x		x		Bellow	183
624319-610	15622	T809 Alizee	x		x		Bellow	183
624319-610	15622	T812-815 Alizee	x		x		Bellow	183
624319-610	15622	T815 Acron	x		x		Bellow	183
624319-610	15622	T815 Alicron	x		x		Bellow	183
624319-610	15622	T815 Astron	x		x		Bellow	183
624319-610	15622	T815 Altano	x		x		Bellow	183
624319-610	15622	T818 Astron Art			x		Bellow	183
624319-610	15622	T820 Amgnt Art			x		Bellow	183
624319-610	15622	T824 Amgnt	x		x		Bellow	183
624319-610	15622	T824 Astrom			x		Bellow	183
624319-610	15622	VH 440, 4	x		x		Bellow	183



Van Hool - Bus & Coach

OE Part No.	Airsprings.com Part No.	Application	Front	Lead	Rear	Tag, Lift	Comment	Page
624319-610	15622	VH 540	x		x		Bellow	183
624319-610	15622	VH 120	x		x		Bellow	183
624319-610	15622	VHAU 115	x	x	x	x	Bellow	183
624319-610	15622	VHAU 115, 1	x				Bellow	183
624319-610	15700	VHAU 115, 1			x		Bellow	185
624319-610	15622	VHC 441	x		x		Bellow	183
624319-610	15622	VHDAU 115	x		x		Bellow	183
624319-610	15622	VHDAU 115, 1	x				Bellow	183
624319-610	15700	VHDAU 115, 1			x		Bellow	185
624319-610	15622	VHF309 AU 93,95	x		x		Bellow	183
624319-610	15622	VHF409 AU 93,95	x		x		Bellow	183
624319-610	15622	VHF440, 440, 4	x		x		Bellow	183
624319-610	15622	VHF 440 B	x				Bellow	183
624319-610	15622	VHF 441	x		x		Bellow	183
624319-610	15622	VHF 444,B,C	x		x		Bellow	183
624319-640	15700	VHF 440 B			x		Bellow	185
624319-690	15621	T818 Astron Art	x				Bellow	183
624319-690	15621	T820 Amgmt Art	x				Bellow	183
624319-690	15621	T824 Astrom	x				Bellow	183

Other Air Spring Numbers

624319-860	15927						Bellow	188
------------	--------------	--	--	--	--	--	--------	-----

Volvo - Bus & Coach

OE Part No.	Airsprings.com Part No.	Application	Front	Lead	Rear	Tag, Lift	Comment	Page
1137888	15621	B10M	X				BELLOW	*
1137847	PSV01	B10M	X				PISTON	*
1134445	15622	B10M			X		BELLOW	*
1137071	PSV02	B10M			X		PISTON	*
1137888	15621	B10M MKII	X				BELLOW	*
1137847	PSV01	B10M MKII	X				PISTON	*
1134445	15622	B10M MKII			X		BELLOW	*
1137071	PSV02	B10M MKII			X		PISTON	*
3027272	15954	B10M MKIII	X				BELLOW	*
1137071	PSV02	B10M MKIII	X				PISTON	*
3027271	15908	B10M MKIII			X		BELLOW	*
1137071	PSV02	B10M MKIII			X		PISTON	*



Volvo - Bus & Coach - continued

OE Part No.	Airsprings.com Part No.	Application	Front	Lead	Rear	Tag, Lift	Comment	Page
3027272	15954	B10MKIV	X				BELLOW	*
1137071	PSV02	B10MKIV	X				PISTON	*
1134445	15622	B10MKIV				X	BELLOW	*
1137071	PSV02	B10MKIV				X	PISTON	*
3111277	16166	B10B	X				BELLOW	*
3118441	PSV03	B10B	X				PISTON	*
3111277	16166	B10B				X	BELLOW	*
3118441	PSV03	B10B				X	PISTON	*
	83808	B12	X				Complete Assembly	*
	93919					X	Complete Assembly	*
0365431	15604	B58	x					*
1075291	15960	107						190
1075291	15960	FH12				x		190
1075363	15658	88					Complete Assembly	124
1075363	15658	FM7-FM12-FH12	x				Complete Assembly	124
1075364	93913	89						125
1075364	93913	FM7-FM12-FH12-FH16	x				MED, STD RHD	125
1075365	15691	FM7-FM12-FH12	x				Complete Assembly	*
1076075	16048	91						124
1076075	16048	FM7-FM12-FH12				x		124
1076076	16048	91						124
1076076	16048	FM7-FM12-FH12				x		124
1076594	15656	88					Complete Assembly	123
1076594	15656	FH12-16,FL7-12,FM7-12				x	Complete Assembly	123
1076595	15656	88					Complete Assembly	123
1076595	15656	FH12-16,FL7-12,FM7-12				x	Complete Assembly	123
1081785	15655	88					Cabin	123
1082085	94517	Bus					OES Only	*
1082130	94517	Bus					OES Only	*
1134445	15622	B10M				x	Bellow	183
1134445	15622	B10M MKII				x	Bellow	183
1134445	15622	B10M MKIV				x	Bellow	183
1134445	15622	B10R	x				Bellow	183
1134445	15622	B12				x	Bellow	183
1134445	15622	C10M				x	Bellow	183
1134445	15622	CITY BUS				x	Bellow	183
1134445	15622	F10				x	Bellow	183



Volvo - Bus & Coach - continued

OE Part No.	Airsprings.com Part No.	Application	Front	Lead	Rear	Tag, Lift	Comment	Page
1134445	15622	F12			x		Bellow	183
1134445	15622	F4			x		Bellow	183
1134445	15622	F6			x		Bellow	183
1134446	15700	B10R			x		Bellow	185
1137071	PSV02	B10M			x		Piston	*
1137071	PSV02	B10M MKII			x		Piston	*
1137071	PSV02	B10M MKIII	x				Piston	*
1137071	PSV02	B10M MKIII			x		Piston	*
1137071	PSV02	B10M MKIV	x				Piston	*
1137071	PSV02	B10M MKIV			x		Piston	*
1137847	PSV01	B10M	x				Piston	*
1137847	PSV01	B10M MKII	x				Piston	*
1137888	15621	B10M	x				Bellow	183
1137888	15621	B10M MKII	x				Bellow	183
1137888	15621	C10M	x				Bellow	183
1137888	15621	CITY BUS	x				Bellow	183
1137888	15621	F7	x				Bellow	183
1590136	15702	F10			x		Bellow	186
1590136	15702	F12			x		Bellow	186
1590136	15702	FL6			x		Bellow	186
1590136	15702	FL611			x		Bellow	186
1590136	15702	FL614			x		Bellow	186
1590136	15702	FL617			x		Bellow	186
1591036	15702	FL7			x		Bellow	186
1593842	15693	FL7, 10	x				Complete Assembly	*
1622116	15929	FH12			x		Bellow	188
1629780	93913	FM7-FM12-FH12-FH16	x				MED, STD RHD	125
1629782	15691	FM7-FM12-FH12	x				Complete Assembly	*
2987630	93801	Truck			x		OES only	124
3027271	15908	B10M MKIII			x		Bellow	187
3027272	15954	B10M MKIII	x				Bellow	190
3027272	15954	B10M MKIV	x				Bellow	190
3111277	16166	B10B	x				Bellow	191
3111277	16166	B10B			x		Bellow	191
3118441	PSV03	B10B	x				Piston	*
3118441	PSV03	B10B			x		Piston	*
3173271	93930	Truck					OES only	127
6797169	15929	F10, F12			x		Bellow	188



Volvo - Bus & Coach - continued

OE Part No.	Airsprings.com Part No.	Application	Front	Lead	Rear	Tag, Lift	Comment	Page
9523850	93911	FH12-16,FL7-12, FM7-12			x		MED	125
20041697	93926	Bus	x				OES only	127
20374510	92500	FH12-16,FL7-12, FM7-12			x		STD	124
20374511	93911	FH12-16,FL7-12, FM7-12			x		MED	125
20374512	93912	FH12-16,FL7-12, FM7-12			x		LOW, XLOW	125
20399831	93912	FH12-16,FL7-12, FM7-12			x		LOW, XLOW	125
20427800	93914	FH12-16,FL7-12, FM7-12			x			126
20427801	93910	FH12-16,FL7-12, FM7-12			x		STD	125
20427802	93915	FH12-16,FL7-12, FM7-12			x			126
20427803	93914	FH12-16,FL7-12, FM7-12			x		STD	126
20452136	93920	Truck					OES only	126
20452138	93924	Truck					OES only	127
20452472	93911	FH12-16,FL7-12, FM7-12			x		MED	125
20554753	93801	Truck			x		OES only	124
20456150	93914	FH12-16,FL7-12, FM7-12			x			126
20456152	92500	FH12-16,FL7-12, FM7-12			x		STD	124
20456154	93910	FH12-16,FL7-12, FM7-12			x		STD	125
20456156	93911	FH12-16,FL7-12, FM7-12			x			125
20456158	93915	FH12-16,FL7-12, FM7-12			x		MED	126
20456160	93912	FH12-16,FL7-12, FM7-12			x		LOW, XLOW	125
20479802	93924	Truck					OES only	127
20527732	93910	FH12-16,FL7-12, FM7-12			x		STD	125
20531984	93914	FH12-16,FL7-12, FM7-12			x			126
20531985	92500	FH12-16,FL7-12, FM7-12			x		STD	124
20531986	93910	FH12-16,FL7-12, FM7-12			x		STD	125
20531987	93911	FH12-16,FL7-12, FM7-12			x		MED	125
20531988	93910	FH12-16,FL7-12, FM7-12			x		STD	125
20531989	93912	FH12-16,FL7-12, FM7-12			x		LOW, XLOW	125
20554752	93912	FH12-16,FL7-12, FM7-12			x		LOW, XLOW	125



Volvo - Bus & Coach - continued

OE Part No.	Airsprings.com Part No.	Application	Front	Lead	Rear	Tag, Lift	Comment	Page
20554753	93801	Truck			x		OES only	124
20554755	15656	FH12-16,FL7-12, FM7-12			x		Complete Assembly	123
20554756	16048	FM7-FM12-FH12			x			124
20554759	15658	FM7-FM12-FH12	x		x		Complete Assembly	124
20554760	93920	Truck					OES only	126
20554761	15691	FM7-FM12-FH12	x		x		Complete Assembly	*
20554762	93924	Truck					OES only	127
20554763	93913	FM7-FM12-FH12-FH16	x				STD, MED RHD	125
20554770	93930	Truck					OES only	127
20573108	93919	Bus B 12 B			x		OES only	126
20573113	93926	Bus	x				OES only	127
70313718	93912	FH12-16,FL7-12, FM7-12						125
70313728	93912	FH12-16,FL7-12, FM7-12			x		LOW, XLOW LHD	125
Other Air Spring Numbers								
1075076	50510							*
1075365	15691						Complete Assembly	*
1075365	*							*
1075366	*							*
1075890	*							*
1076418	93911							125
1081785	15655				x		AXLE LIFT	123
1082085	15945						-	*
1082130	*							
1612455	16019							*
1629724	50509							*
3173270	*							
8147142	*							
20352247	*							
20386350	93922							127
20427805	93915							126
20427897	50514							*
20453256	53620							*
20455245	15655				x		Cabin	123
20531989	93912							125
20532247	93922							127
20534645	94900							128
20534646	94901							128



Volvo - Bus & Coach - continued

OE Part No.	Airsprings.com Part No.	Application	Front	Lead	Rear	Tag, Lift	Comment	Page
20535875	94516							194
20540789	94514							193
20540792	94515							194
70313734	*							
0365431	15604							*



BPW Suspension								
OE Part No.	Airsprings.com Part No.	Application	Front	Lead	Rear	Tag, Lift	Comment	Page
02.200.20.50.0	15923						Convolute Assembly	188
02.200.21.80.0	90200						Convolute Assembly	*
02.200.24.00.0	15701						Bellow	186
02.200.24.10.0	15702						Bellow	186
02.200.24.20.0	15698						Bellow	185
02.200.24.30.0	15913						Bellow	188
02.200.24.40.0	15622						Bellow	183
02.200.24.60.0	15623						Bellow	183
03.084.46.28.0	51048						Bolt	*
03.084.46.31.0	15986						Piston	*
03.084.66.30.0	15987						Piston	*
03.084.66.31.0	15968						Piston	*
03.084.66.34.0	15988						Piston	*
03.084.66.35.0	15969						Piston	*
03.084.66.36.0	15984						Piston	*
03.084.66.39.0	15985						Piston	*
03.139.00.04.0	15971						Piston	*
03.139.00.05.0	15972						Piston	*
03.139.00.06.0	15973						Piston	*
03.139.00.07.0	15974						Piston	*
03.139.00.08.0	15975						Piston	*
03.139.00.10.0	15977						Piston	*
03.139.00.13.0	15978						Piston	*
03.139.00.17.0	15979						Piston	*
03.139.39.42.0	17021						Piston	*
03.139.39.43.0	17022						Piston	*
03.139.39.48.0	15980						Piston	*
03.139.39.49.0	15981						Piston	*
03.310.31.43.0	51049						Bolt	*
04.429.42.03.0	93400						Service Assembly	*
05.429.40.01.0	16917						Complete Assembly	181
05.429.40.01.0	15790						Service Assembly	177
05.429.40.03.0	15901						Service Assembly	177
05.429.40.05.0	15902						Service Assembly	177
05.429.40.08.1	15917						Complete Assembly	179
05.429.40.08.1	16917						Complete Assembly	181
05.429.40.09.1	15918						Complete Assembly	179
05.429.40.09.1	16918						Complete Assembly	181



BPW Suspension - continued

OE Part No.	Airsprings.com Part No.	Application	Front	Lead	Rear	Tag, Lift	Comment	Page
05.429.40.28.1	15918						Complete Assembly	179
05.429.40.28.1	16918						Complete Assembly	181
05.429.40.30.1	15918						Complete Assembly	179
05.429.40.30.1	16918						Complete Assembly	181
05.429.40.34.0	15918						Complete Assembly	179
05.429.40.34.0	16918						Complete Assembly	181
05.429.40.47.1	15917						Complete Assembly	179
05.429.40.47.1	16917						Complete Assembly	181
05.429.40.51.0	15916						Service Assembly	177
05.429.40.58.0	15903						Complete Assembly	179
05.429.40.72.0	15959						Service Assembly	178
05.429.40.75.0	15967						Complete Assembly	180
05.429.40.91.0	15916						Service Assembly	177
05.429.40.91.0	16919						Service Assembly	182
05.429.40.93.1	15919						Complete Assembly	180
05.429.40.93.1	16919						Complete Assembly	182
05.429.40.94.1	15919						Complete Assembly	180
05.429.40.94.1	16919						Complete Assembly	182
05.429.41.01.0	15961						Service Assembly	178
05.429.41.09.0	93401						Service Assembly	*
05.429.41.21.1	15917						Complete Assembly	179
05.429.41.21.1	16917						Complete Assembly	181
05.429.41.22.1	15905						Complete Assembly	179
05.429.41.22.1	16905						Complete Assembly	181
05.429.41.23.1	15919						Complete Assembly	180
05.429.41.23.1	16919						Complete Assembly	182
05.429.41.24.1	15918						Complete Assembly	179
05.429.41.24.1	16918						Complete Assembly	181
05.429.41.25.0	16242						Service Assembly	180
05.429.41.29.0	15919						Complete Assembly	180
05.429.41.29.0	16919						Complete Assembly	182
05.429.41.36.1	15917						Complete Assembly	179
05.429.41.36.1	16917						Complete Assembly	181
05.429.41.38.0	15903						Complete Assembly	179
05.429.41.51.0	15916						Service Assembly	177
05.429.41.56.0	16241						Service Assembly	180
05.429.41.69.0	15903						Complete Assembly	179
05.429.41.77.0	15909						Service Assembly	178



BPW Suspension - continued

OE Part No.	Airsprings.com Part No.	Application	Front	Lead	Rear	Tag, Lift	Comment	Page
05.429.41.79.1	93500						Complete Assembly	*
05.429.41.94.1	93500						Complete Assembly	*
05.429.42.03.0	16245						Service Assembly	*
05.429.42.04.0	16244						Service Assembly	181
05.429.42.07.1	15967						Complete Assembly	180
05.429.42.18.0	15918						Complete Assembly	179
05.429.42.18.0	16918						Complete Assembly	181
05.429.42.18.1	15918						Complete Assembly	179
05.429.42.18.1	16918						Complete Assembly	181
05.429.42.19.0	15919						Complete Assembly	180
05.429.42.19.0	16919						Complete Assembly	182
05.429.42.24.0	93503						Complete Assembly	*
05.429.42.38.0	15903						Complete Assembly	179
05.429.43.20.0	15918						Complete Assembly	179
05.429.43.20.0	16918						Complete Assembly	181
05.429.43.21.0	16919						Complete Assembly	182
05.429.43.22.0	16919						Complete Assembly	182
05.429.43.23.0	93500						Complete Assembly	*
05.429.43.24.0	93503						Complete Assembly	*
05.429.43.39.0	15919						Complete Assembly	180
05.429.43.39.0	16919						Complete Assembly	182
05.429.43.41.0	16905						Complete Assembly	181
05.429.43.51.0	16917						Complete Assembly	181
05.801.09.73.0	16918						Complete Assembly	181
05.801.09.74.0	95001						Piston	*
05.801.21.29.0	95002						Piston	*
05.801.21.32.0	16917						Complete Assembly	181
TYPE 30	15901, 16918						Servive, complete Assembly	177, 181
TYPE 30-1	15959, 15967						Servive, complete Assembly	178, 180
TYPE 30K	15916, 16919						Servive, complete Assembly	177, 182
TYPE 36	15790, 16917						Servive, complete Assembly	177, 181
TYPE 36-1	15902, 15903						Servive, complete Assembly	177, 179
TYPE 36K	15961, 16905						Servive, complete Assembly	178, 181
05.429.41.77.0	93450							182
05.429.42.04.0	16244							181
05.429.53.51.0	15917						Complete Assembly	179



BPW Suspension - continued

OE Part No.	Airsprings.com Part No.	Application	Front	Lead	Rear	Tag, Lift	Comment	Page
05.429.43.21.1	15919						Complete Assembly	180
05.429.43.21.1	16919						Complete Assembly	182

FP&S (Fruehauf) Suspension

OE Part No.	Airsprings.com Part No.	Application	Front	Lead	Rear	Tag, Lift	Comment	Page
CF150847	15613						Complete Assembly	164
CF151875	15608						Complete Assembly	145
CF151877	15617						Complete Assembly	155
CF151936	15612						Complete Assembly	155
CF151957	15610						Complete Assembly	150
CF151964	15614						Complete Assembly	155
CF151968	15634						Complete Assembly	167
CF152035	15617						Complete Assembly	155
CF152036	15822						Convolutted Assembly	203
CF152055	15647						Convolutted Assembly	133
CF152074	15616						Complete Assembly	167
CF152134	15760						Piston	*
CF152167	15606						Complete Assembly	164
CF152169	15635						Complete Assembly	164
CF152424	15633						Complete Assembly	151
CF152488	15615						Complete Assembly	150
CF152519	15630						Complete Assembly	155
CF152520	15617						Complete Assembly	155
CF152524	15651						Complete Assembly	161
CF152526	15615						Complete Assembly	150
CF152568	15901						Service Assembly	177
CF152569	15790						Service Assembly	177
CF152603	15731						Complete Assembly	142
CF152606	15651						Complete Assembly	161
CF152707	15671						Complete Assembly	172
CF152721	15732						Complete Assembly	142
CF152728	15634						Complete Assembly	167
CF152791	15672						Complete Assembly	170
CF152801	15959						Service Assembly	178
CF152865	15649						Piston	*
CF152868	15690						Complete Assembly	151



FP&S (Fruehauf) Suspension - continued

OE Part No.	Airsprings.com Part No.	Application	Front	Lead	Rear	Tag, Lift	Comment	Page
CF152891	15756						Piston	*
CF152941	15916						Service Assembly	177
CF152942	15961						Service Assembly	178
CF152972	15670						Convolute Assembly	132
CF152976	15603						Convolute Assembly	131
CF153024	16014						Piston	*
CF153057	16918						Complete Assembly	181
CF153067	16070						Complete Assembly	154
CF153130	15760						Piston	*
CF153145	15902						Service Assembly	177
CF153171	16918						Complete Assembly	181
CF153201	16081						Complete Assembly	152
CF153221	15769						Complete Assembly	142
CF153238	15654						Complete Assembly	162
CF153239	15767						Piston	*
CF153253	16917						Complete Assembly	181
CF153268	16099						Complete Assembly	161
CF153284	15754						Piston	*
CF153353	15903						Complete Assembly	179
CF153376	16917						Complete Assembly	181
CF153411	16099						Complete Assembly	161
CF153422	16919						Complete Assembly	182
CF153426	93502						Complete Assembly	*
CF153434	15651						Complete Assembly	161
CF153448	15750						Complete Assembly	142
CF153475	15617						Complete Assembly	155
CF153476	15757						Piston	*
CF153490	16098						Complete Assembly	161
CF153491	16091						Complete Assembly	168
CF153502	15657						Complete Assembly	144
CF153542	15669						Complete Assembly	171
CF153543	16091						Complete Assembly	168
CF153544	16905						Complete Assembly	181
CF153677	16091						Complete Assembly	168
CF153678	16077						Complete Assembly	145
CF153685	16092						Complete Assembly	165
CF352400	15759						Piston	*
M001472	15633						Complete Assembly	151



FP&S (Fruehauf) Suspension - continued

OE Part No.	Airsprings.com Part No.	Application	Front	Lead	Rear	Tag, Lift	Comment	Page
M001774	15630						Complete Assembly	155
M001782	15617						Complete Assembly	155
M002297	16136						Convolutated Assembly	200
M060924	15769						Complete Assembly	142
M078246	16136						Convolutated Assembly	200
M078580	15750						Complete Assembly	142
UJB0203-001	15617						Complete Assembly	155
UJB0207-001	15615						Complete Assembly	150

Freightliner Suspension

OE Part No.	Airsprings.com Part No.	Application	Front	Lead	Rear	Tag, Lift	Comment	Page
16-15595-000	17065						Complete Assembly	173
16-15595-001	17065						Complete Assembly	173
16-15595-002	17065						Complete Assembly	173
16-13810-000	17065						Complete Assembly	173
16-13810-001	17065						Complete Assembly	173
16-13810-002	17065						Complete Assembly	173

Gigant Suspension

OE Part No.	Airsprings.com Part No.	Application	Front	Lead	Rear	Tag, Lift	Comment	Page
166217	15867						Complete Assembly	172
166225	16101						Complete Assembly	173
166252	15868						Complete Assembly	173
166256	16108						Complete Assembly	*
166259	16101						Complete Assembly	173
166269	93700						Complete Assembly	173
166271	16101						Complete Assembly	173
186034	15915						Convolutated Assembly	132
186090	15914						Convolutated Assembly	132
196034	16051						Convolutated Assembly	*
196035	15698						Bellow	185
196036	15701						Bellow	186
196038	16238						Diaghram	*
196039	15913						Bellow	188



Gigant Suspension - continued

OE Part No.	Airsprings.com Part No.	Application	Front	Lead	Rear	Tag, Lift	Comment	Page
196043	15700						Bellow	185
246149	16100						Service Assembly	*
246169	16101						Complete Assembly	173
247103	93700						Complete Assembly	173
266252	15868						Complete Assembly	173
881203	16140						Convolved Assembly	202
881203	16140						Convolved Assembly	202
881204	15816						Convolved Assembly	*
881611	15673						Convolved Assembly	138
881625	15799						Complete Assembly	161
166271	94518						Complete Assembly	*

Granning Suspension

OE Part No.	Airsprings.com Part No.	Application	Front	Lead	Rear	Tag, Lift	Comment	Page
1014	15737						Convolved Assembly	139
1015	15663						Convolved Assembly	133
1218	15666						Convolved Assembly	135
2112	15682						Complete Assembly	140
2598	16122						Complete Assembly	169
2692	15690						Complete Assembly	151
11295	15694						Complete Assembly	156
11332	15664						Convolved Assembly	134
11354	15684						Complete Assembly	140
11382	15699						Complete Assembly	156
11430	15707						Complete Assembly	148
11903	16120						Complete Assembly	165
11904	16124						Complete Assembly	169
12875	12875						Complete Assembly	*
15603	15603						Convolved Assembly	131
15619	15619						Complete Assembly	115, 160
15665	15665						Complete Assembly	141
15668	15668						Convolved Assembly	131
15670	15670						Convolved Assembly	132
15673	15673						Convolved Assembly	138
15765	15675						Complete Assembly	*
16015	16015						Complete Assembly	163



Hendrickson Suspension

OE Part No.	Airsprings.com Part No.	Application	Front	Lead	Rear	Tag, Lift	Comment	Page
AM130021	15621						Bellow	183
AM130118	15622						Bellow	183
AM130187	15625						Bellow	183
AM130188	15637						Bellow	184
AM130212	15682						Complete Assembly	140
AM130382	15954						Bellow	190
AM130743	15602						Complete Assembly	146
AM130881	15908						Bellow	187
AM131623	15756						Piston	*
AM136251	15619						Complete Assembly	115, 160
AM136297	15731						Complete Assembly	142
AM136307	15799						Complete Assembly	161
AM136338	16092						Complete Assembly	165
AM136345	15635						Complete Assembly	*
AM136346	16063						Complete Assembly	*
AM136366	15651						Complete Assembly	161
AM136367	16099						Complete Assembly	161
AM136808	15664						Convuluted Assembly	134
AM136887	15603						Convuluted Assembly	131
AM137074	15732						Complete Assembly	142
AM137110	15663						Convuluted Assembly	133
AM137180	15646						Convuluted Assembly	134
AM137275	15711						Complete Assembly	116, 146
AM137308	15714						Complete Assembly	117, 156
AM137325	16036						Complete Assembly	137
AM137329	16120						Complete Assembly	165
AM137335	15606						Complete Assembly	164
AM137337	15635						Complete Assembly	*
AM137345	15634						Complete Assembly	167
AM137358	15653						Complete Assembly	167
AM137359	16124						Complete Assembly	169
AM137367	15795						Complete Assembly	118
AM137368	15692						Complete Assembly	151
AM137370	15660						Complete Assembly	*
AM137380	15672						Complete Assembly	170
AM137385	15671						Complete Assembly	172
AM137394	15670						Convuluted Assembly	132
AM137440	15666						Convuluted Assembly	135



Hendrickson Suspension - continued

OE Part No.	Airsprings.com Part No.	Application	Front	Lead	Rear	Tag, Lift	Comment	Page
AM137808	15736						Convolved Assembly	138
AM137880	15672						Complete Assembly	170
AM138017	15673						Convolved Assembly	138
AM138019	15607						Convolved Assembly	138
AM138050	15738						Complete Assembly	172
AM138098	16105						Complete Assembly	*
AM138612	16098						Complete Assembly	161
AM138619	16918						Complete Assembly	*
AM138859	15617						Complete Assembly	*
AM138966	15917						Complete Assembly	*
AM138966	15919						Complete Assembly	*
AM138966	16919						Complete Assembly	*
AM138969	15867						Complete Assembly	172
AM138969	15617						Complete Assembly	*
AM139039	15608						Complete Assembly	145
AM139056	15609						Complete Assembly	148
AM139069	15747						Complete Assembly	149, 93
AM139082	15610						Complete Assembly	150
AM139084	15690						Complete Assembly	151
AM139089	15615C						Complete Assembly	*
AM139091	15617						Complete Assembly	*
AM139101	15612						Complete Assembly	155
AM139121	15613						Complete Assembly	164
AM139122	15616						Complete Assembly	167
AM139130	16008						Complete Assembly	*
AM139131	15630						Complete Assembly	155
AM139191	15630						Complete Assembly	155
AM139232	15614						Complete Assembly	155
AM139242	15699						Complete Assembly	156
AM139310	15618						Service Assembly	87
AM139361	15633						Complete Assembly	151
AM36514-1	15634						Complete Assembly	167
AM36514-10	15616						Complete Assembly	167
AM36514-11	15634						Complete Assembly	167
AM36514-13	15738						Complete Assembly	172
AM36514-2	15616						Complete Assembly	167
AM36514-3	15644						Complete Assembly	146
AM36514-4	15634						Complete Assembly	167



Hendrickson Suspension - continued

OE Part No.	Airsprings.com Part No.	Application	Front	Lead	Rear	Tag, Lift	Comment	Page
AM36514-7	15610						Complete Assembly	150
AM36514-8	15616						Complete Assembly	167
AM45843-8	15603						Convuluted Assembly	131
AM49048-00	15998						Complete Assembly	158, 92
AM56917-001	16016						Complete Assembly	149
AM57122-001	16013						Complete Assembly	158
AM57204-001	16012						Complete Assembly	159
AM59053-2	91400						Complete Assembly	113
AM59319-2	15683						Complete Assembly	*
AMHA100053	17028						Complete Assembly	152
AMHS251087/G	15654						Complete Assembly	*
AMHS500954	17036						Complete Assembly	147
AMHS506616	15784						Convuluted Assembly	131
AMNA1821	16036						Complete Assembly	137
B11566	15739						Complete Assembly	148
B1159	15650						Convuluted Assembly	134
B11637	15650						Convuluted Assembly	134
B11650	15608						Complete Assembly	145
B11651	15610						Complete Assembly	150
B12355	15793						Convuluted Assembly	135
B1245	15644						Complete Assembly	146
B12512-014	15647						Convuluted Assembly	133
B12514-001	15650						Convuluted Assembly	134
B12514-004	15634						Complete Assembly	167
B12514-007	15610						Complete Assembly	150
B12514-008	15616						Complete Assembly	167
B12514-010	15616						Complete Assembly	167
B12514-011	15634						Complete Assembly	167
B12514-013	15738						Complete Assembly	172
B12514-014	15647						Convuluted Assembly	133
B13034	15647						Convuluted Assembly	133
B13035	15666						Convuluted Assembly	135
B13041	15663						Convuluted Assembly	133
B13049	15611						Complete Assembly	150
B14249	16052						Complete Assembly	159
B2063	15634						Complete Assembly	167
B2064	15608						Complete Assembly	145
B2065	15635						Complete Assembly	164



Hendrickson Suspension - continued

OE Part No.	Airsprings.com Part No.	Application	Front	Lead	Rear	Tag, Lift	Comment	Page
B2066	15610						Complete Assembly	150
B2734	90215						Complete Assembly	*
B2833	15650						Convolute Assembly	134
B2877	15739						Complete Assembly	148
B2883	15650						Convolute Assembly	134
B2887	15739						Complete Assembly	148
B3134	15663						Convolute Assembly	133
B3184	15663						Convolute Assembly	133
B3411	15613						Complete Assembly	164
B3467	15616						Complete Assembly	167
B3830	15616						Complete Assembly	167
B3839	16015						Complete Assembly	163
B3842	15612						Complete Assembly	155
B4771	15738						Complete Assembly	172
B4773	15610						Complete Assembly	150
B6195	15614						Complete Assembly	155
B6242	15798						Convolute Assembly	135
B6861	15737						Complete Assembly	139
B8768	15603						Convolute Assembly	131
B8988	15645						Convolute Assembly	116
C1013	15645						Convolute Assembly	116
C20010	15994						Complete Assembly	147
C20127	15993						Complete Assembly	162
C21208	15994						Complete Assembly	147
C36514-1	15634						Complete Assembly	167
C36514-10	15616						Complete Assembly	167
C36514-11	15634						Complete Assembly	*
C36514-13	15738						Complete Assembly	172
C36514-2	15616						Complete Assembly	167
C36514-3	15644						Complete Assembly	146
C36514-4	15634						Complete Assembly	167
C36514-5	15798						Convolute Assembly	135
C36514-7	15610						Complete Assembly	150
C36514-8	15616						Complete Assembly	167
C45843-3	15603						Convolute Assembly	131
C45843-8	15603						Convolute Assembly	131
HA100001	15633						Complete Assembly	151
HA100016	16081						Complete Assembly	152



Hendrickson Suspension - continued

OE Part No.	Airsprings.com Part No.	Application	Front	Lead	Rear	Tag, Lift	Comment	Page
HA100029	15697						Complete Assembly	141
HA100053	17028						Complete Assembly	152
HA100095	17029						Complete Assembly	137
HA100150	15646						Convuluted Assembly	134
HA100161	15603						Convuluted Assembly	131
HA100214	93210						Complete Assembly	90
HA100216	93210						Complete Assembly	90
HA100274	92400						Complete Assembly	141
HA100309	15665						Complete Assembly	141
HA100310	92602						Complete Assembly	147
HA1029	15607						Convuluted Assembly	138
HA1059	15607						Convuluted Assembly	138
HA1060	15650						Convuluted Assembly	134
HA1807	15738						Complete Assembly	172
HS251046	16081						Complete Assembly	152
HS251047	15993						Complete Assembly	162
HS251087	15654						Complete Assembly	162
HS500954	17036						Complete Assembly	147
HS503054	17110						Complete Assembly	*
HS503067	17110						Complete Assembly	*
HS503140	91900						Complete Assembly	*
HS503393	16016						Complete Assembly	149
HS504682	16087						Complete Assembly	152
HS505431	92804						Complete Assembly	*
HS505486	17032						Complete Assembly	153
HS505551	17031						Complete Assembly	153
HS505552	17033						Complete Assembly	153
HS505611	15995						Complete Assembly	92
HS505613	15784						Convuluted Assembly	131
HS505862	16087						Complete Assembly	152
HS506118	15784						Convuluted Assembly	131
HS506302	93210						Complete Assembly	90
HS506500	15993						Complete Assembly	162
HS506578	92100						Complete Assembly	158
HS506616	15784						Convuluted Assembly	131
HS506666	17105						Complete Assembly	149
HS507149	90211						Complete Assembly	*
HS507257	92002						Complete Assembly	*



Hendrickson Suspension - continued

OE Part No.	Airsprings.com Part No.	Application	Front	Lead	Rear	Tag, Lift	Comment	Page
HS507465	17106						Complete Assembly	*
HS507487	15784						Convolute Assembly	131
HS507518	92903						Complete Assembly	*
HS507906/P	90209						Complete Assembly	*
HS507907/P	90210						Complete Assembly	*
HS508029	91502						Complete Assembly	*
HS508089	91501						Complete Assembly	*
HS508263	91501						Complete Assembly	*
HS508345	15784						Convolute Assembly	131
HS508439	92803						Complete Assembly	*
HS508439-H	90212						Complete Assembly	*
HS508440	90213						Complete Assembly	*
NA100095	17029						Convolute Assembly	137
NA1059	15607						Convolute Assembly	138
NA1060	15650						Convolute Assembly	134
NA1807	15738						Complete Assembly	172
NA1808	15608						Complete Assembly	145
NA1816	15646						Convolute Assembly	134
NA1817	15738						Complete Assembly	172
NA1821	16036						Complete Assembly	137
NA1825	15793						Convolute Assembly	135
NA1827	15603						Convolute Assembly	131
NA1828	15602						Complete Assembly	146
NA2051	15736						Convolute Assembly	138
NA2053	15714						Complete Assembly	117, 156
NA2054	16007						Complete Assembly	*
NA4059	15650						Convolute Assembly	134
NS250009	16081						Complete Assembly	152
NS500300	15995						Complete Assembly	92
NS500954	17036						Complete Assembly	147
NS501304	16052						Complete Assembly	159
NS501690	15607						Convolute Assembly	138
QE100001	17034						Complete Assembly	158
QE100002	17035						Complete Assembly	159
QE100003	93001						Complete Assembly	170
QE100004	92600						Complete Assembly	162
QE100006	90216						Complete Assembly	*
QE100007	*						Complete Assembly	



Hendrickson Suspension - continued

OE Part No.	Airsprings.com Part No.	Application	Front	Lead	Rear	Tag, Lift	Comment	Page
S21966	92603						Complete Assembly	162
SK4004	92001						Complete Assembly	*
Y5058549-01	15634						Complete Assembly	*
Y5062-01	15635						Complete Assembly	*
Y506243-001	15635						Complete Assembly	164
Y506324	15872						Complete Assembly	198
Y507722	15610						Complete Assembly	150
Y507737	16015						Complete Assembly	*
Y507782	15671						Complete Assembly	172
Y57204-1	16012						Complete Assembly	159

Kassbohrer Suspension

OE Part No.	Airsprings.com Part No.	Application	Front	Lead	Rear	Tag, Lift	Comment	Page
4.731.003.200	15923						Convolute Assembly	188
4.731.012.000	15621						Bellow	183
4.731.013.000	15698						Bellow	185
4.731.030.000	15634						Complete Assembly	167
4.731.032.000	15701						Bellow	186
4.731.033.000	15634						Complete Assembly	167
4.731.035.200	15906						Convolute Assembly	187
4.731.038.000	15913						Bellow	188
4.731.040.000	16238						Diaphragm	*
4.731.043.000	15791						Service Assembly	176
4.771.110.000	15622						Bellow	183
4.771.143.000	15622						Bellow	183
4.771.170.000	15622						Bellow	183
4.771.359.000	15622						Bellow	183
4.771.427.000	15621						Bellow	183
4.771.440.000	15621						Bellow	183



Lohr Suspension

OE Part No.	Airsprings.com Part No.	Application	Front	Lead	Rear	Tag, Lift	Comment	Page
A06030601	15814						Convolute Assembly	200
A06030602	16131						Convolute	*
A06030604	15803						Convolute	197
A06030605	16129						Convolute	*
A06030606	15817						Convolute Assembly	201
A06030622	16136						Convolute	200
A06920020	16133						Convolute	*
F10002807	16134						Convolute	*

Mercedes Discos Suspension

OE Part No.	Airsprings.com Part No.	Application	Front	Lead	Rear	Tag, Lift	Comment	Page
A946 328 04 01	15654						Complete Assembly	162
A946 328 09 01	17034						Complete Assembly	158
A946 328 14 01	15731						Convolute Assembly	142
A946 328 15 01	93002						Complete Assembly	170
A946 328 16 01	15670						Complete Assembly	132
A946 328 19 01	92802						Complete Assembly	166
A946 328 22 01	93003						Complete Assembly	170

Meritor Suspension

OE Part No.	Airsprings.com Part No.	Application	Front	Lead	Rear	Tag, Lift	Comment	Page
17204516	15606						Complete Assembly	164
17204517	15635						Complete Assembly	164
21208082	15635						Complete Assembly	164
21208327	15606						Complete Assembly	164
21208939	15608						Complete Assembly	145
21212549	15680						Convolute Assembly	129
21215632	15635						Complete Assembly	164
21215633	15634						Complete Assembly	167
21215761	15633						Complete Assembly	151
21215762	15633						Complete Assembly	151
21215891	15629						Complete Assembly	*
21216135	15608						Complete Assembly	145
21221307	15731						Complete Assembly	142



Meritor Suspension - continued

OE Part No.	Airsprings.com Part No.	Application	Front	Lead	Rear	Tag, Lift	Comment	Page
21221349	15672						Complete Assembly	170
21221356	15670						Convolute Assembly	132
21221393	15603						Convolute Assembly	131
21222239	15634						Complete Assembly	167
21222442	15732						Complete Assembly	142
21222663	15603						Convolute Assembly	131
21222673	15671						Complete Assembly	172
21223269	16077						Complete Assembly	145
21225331	92801						Complete Assembly	165
21226039	15629						Complete Assembly	*
21226068	16276						Convolute Assembly	136
21229214	92605						Complete Assembly	163
21230298	92607						Complete Assembly	163

Neway Suspension

OE Part No.	Airsprings.com Part No.	Application	Front	Lead	Rear	Tag, Lift	Comment	Page
90023495	15770						Piston	*
90023496	15648						Piston	*
90023497	15649						Piston	*
90527086	15614						Complete Assembly	155
90557001	15647						Convolute Assembly	133
90557005	15634						Complete Assembly	167
90557006	15610						Complete Assembly	150
90557008	15612						Complete Assembly	155
90557118	16072						Complete Assembly	*
90557129	16076						Complete Assembly	145
90557009	15612						Complete Assembly	155
90557011	15608						Complete Assembly	145
90557012	15740						Complete Assembly	*
90557016	15645						Convolute Assembly	116
90557019	15613						Complete Assembly	164
90557020	15616						Complete Assembly	167
90557023	15608						Complete Assembly	145
90557027	15610						Complete Assembly	150
90557031	15610						Complete Assembly	150
90557033	15610						Complete Assembly	150



Neway Suspension - continued

OE Part No.	Airsprings.com Part No.	Application	Front	Lead	Rear	Tag, Lift	Comment	Page
90557037	15610						Complete Assembly	150
90557052	15613						Complete Assembly	164
90557054	15610						Complete Assembly	150
90557069	15616						Complete Assembly	167
90557071	15616						Complete Assembly	167
90557075	15610						Complete Assembly	150
90557076	15616						Complete Assembly	167
90557077	15616						Complete Assembly	167
90557078	15613						Complete Assembly	164
90557082	15612						Complete Assembly	155
90557083	15613						Complete Assembly	164
90557085	15608						Complete Assembly	145
90557086	15614						Complete Assembly	155
90557088	15602						Complete Assembly	146
90557109	15614						Complete Assembly	155
90557110	15613						Complete Assembly	164
90557135	15614						Complete Assembly	155
90557136	15614						Complete Assembly	155
90557185	15616						Complete Assembly	167
90557203	15664						Convoluted Assembly	134
90557223	15750						Complete Assembly	142
90557251	92601						Complete Assembly	*
AR-1115-1-F	15635						Complete Assembly	164
AR-1115-1-G	15613						Complete Assembly	164
AR-1215-1-F	15634						Complete Assembly	167
AR-1215-1-G	15616						Complete Assembly	167
AR-1315-1-G	15610						Complete Assembly	150
AR-1415-1-F	15612						Complete Assembly	155
AR-1415-A-G	15612						Complete Assembly	155
AR-1515	15740						Complete Assembly	*
AR-1517-1-G	15608						Complete Assembly	145
AR-21-A	15647						Convoluted Assembly	133
M00 557 000	15614M						Complete Assembly	*
M00 557 002	15610M						Complete Assembly	*
M00 557 007	15612M						Complete Assembly	*
M00 57 000	15709						Complete Assembly	112
M05 57 003	15647						Convoluted Assembly	133
M05 57 004	15616						Complete Assembly	167



Neway Suspension - continued

OE Part No.	Airsprings.com Part No.	Application	Front	Lead	Rear	Tag, Lift	Comment	Page
M05 57 005	15613						Complete Assembly	164
M05 57 006	15608						Complete Assembly	145
M05 57 019	16032						Complete Assembly	94
M05 57 020	16032						Complete Assembly	94
M05 57 024	16071						Complete Assembly	154
M05 57 025	15740						Complete Assembly	*
M05 57 027	15610						Complete Assembly	150
M05 57 029	15740						Complete Assembly	*
M05 57 030	16032						Complete Assembly	94
M05 57 031	16032						Complete Assembly	94
M05 57 033	16070						Complete Assembly	154
M05 57 034	16072						Complete Assembly	*
M05 57 034	16072						Complete Assembly	*
M05 57 044	15664						Convuluted Assembly	134
M05 57 048	91800						Complete Assembly	101

SAF Suspension

OE Part No.	Airsprings.com Part No.	Application	Front	Lead	Rear	Tag, Lift	Comment	Page
2618	15651						Complete Assembly	161
2626	*						Complete Assembly	*
2918	15635						Complete Assembly	164
2923	15634						Complete Assembly	167
2926	15671						Complete Assembly	172
2618V	16099						Complete Assembly	161
2619V	16098						Complete Assembly	161
2918V	16092						Complete Assembly	165
2923L	92902						Complete Assembly	*
2923V	16091						Complete Assembly	168
2923VK	93005						Complete Assembly	171
2924VK	93005						Complete Assembly	*
2926V	15669						Complete Assembly	171
2.229.0002.00	15635						Complete Assembly	164
2.229.0003.00	15634						Complete Assembly	167
2.229.0007.00	15651						Complete Assembly	161
2.229.0007.01	15651						Complete Assembly	161
2.229.0007.02	16099						Complete Assembly	161



SAF Suspension - continued

OE Part No.	Airsprings.com Part No.	Application	Front	Lead	Rear	Tag, Lift	Comment	Page
2.229.0007.02	16099						Complete Assembly	161
2.229.0025.01	92902						Complete Assembly	*
2.229.1001.00	15646						Convoluted Assembly	134
3.228.0002.00	15635						Complete Assembly	164
3.228.0003.00	15634						Complete Assembly	167
3.228.0005.00	15671						Complete Assembly	172
3.228.1001.00	15646						Convoluted Assembly	134
3.228.1002.01	17017						Complete Assembly	204
3.229.0003.00	15634						Complete Assembly	167
3.229.0005.00	15671						Complete Assembly	172
3.229.0006.01	15671						Complete Assembly	172
3.229.0007.00	15651						Complete Assembly	161
3.229.0007.01	15651						Complete Assembly	161
3.229.0007.01	15651						Complete Assembly	161
3.229.0007.02	15651						Complete Assembly	161
3.229.0007.02	15651						Complete Assembly	161
3.229.0011.00	15634						Complete Assembly	167
3.229.0013.00	15671						Complete Assembly	172
3.229.0027.00	16092						Complete Assembly	165
3.229.0028.00	93005						Complete Assembly	171
3.229.0029.00	16099						Complete Assembly	161
3.229.0030.00	15669						Complete Assembly	171
3.229.0031.00	16091						Complete Assembly	168
3.229.0033.00	16098						Complete Assembly	161
3.229.0036.00	16092						Complete Assembly	165
3.229.0039.00	*						Complete Assembly	*
3.229.0041.00	93005						Complete Assembly	*
3.229.2125.01	92902						Complete Assembly	*
4.229.1004.00	15599						Convoluted Assembly	131
4.229.1005.00	15599						Convoluted Assembly	131
3.229.0031.00	16091ATP							168
3.229.2231.00	16091ATP							168
3.229.2431.00	16091ATP							168
3.229.2131.00	16091ATP							168



Schmitz Suspension

OE Part No.	Airsprings.com Part No.	Application	Front	Lead	Rear	Tag, Lift	Comment	Page
750208	15621						Bellow	183
750209	15623						Bellow	183
750212	15700						Bellow	185
750215	15701						Bellow	186
750225	15913						Bellow	188
750999	15657						Complete Assembly	144
751020	15785						Complete Assembly	144
751065	15782						Complete Assembly	143
015323	93002						Complete Assembly	170
016512	15783						Complete Assembly	144
016793	15603						Complete Assembly	131
016808	15670						Complete Assembly	132

SMB Suspension

OE Part No.	Airsprings.com Part No.	Application	Front	Lead	Rear	Tag, Lift	Comment	Page
M001774	15630						Complete Assembly	155
M001464	17002						Complete Assembly	171
M001472	15615						Complete Assembly	150
M001782	15617						Complete Assembly	155
M002297	15817						Convolutated Assembly	201
M060924	15769						Complete Assembly	142
M063769	15814						Convolutated Assembly	200
M078246	16136						Complete Assembly	200
M078580	15750						Complete Assembly	142
M100152	15671						Complete Assembly	172
M051232	15769						Complete Assembly	142



Weweler Suspension

OE Part No.	Airsprings.com Part No.	Application	Front	Lead	Rear	Tag, Lift	Comment	Page
US04028F	93002						Complete Assembly	170
US04030F	93003						Complete Assembly	170
US04031F	93004						Complete Assembly	171
US05708F	91200						Complete Assembly	*
US06126F	90300						Complete Assembly	*
US06126F	90300						Complete Assembly	*
US06285F	15657						Complete Assembly	144
US06286F	15785						Complete Assembly	144
US06287F	15768						Complete Assembly	144
US06315F	15769						Complete Assembly	142
US06316F	15782						Complete Assembly	143
US06318F	15783						Complete Assembly	144
US06385F	16275						Convolutd Assembly	136
US06910F	15603						Convolutd Assembly	131
US07074F	15732						Complete Assembly	142
US07337 FST2	92805						Complete Assembly	166
US07337F	15635						Complete Assembly	164
US07337F1	92806						Complete Assembly	166
US07337RF	92802						Complete Assembly	166
US07345F	15634						Complete Assembly	167
US07346F	93207						Complete Assembly	*
US07380F	15672						Complete Assembly	170
US07385F	15671						Complete Assembly	172
US07394F	15670						Complete Assembly	132
US07880F	90201						Complete Assembly	*
US07953F	90301						Complete Assembly	*
US07953F	90301						Complete Assembly	*
US09361F	15633						Complete Assembly	151
US87EURO.F	15731						Complete Assembly	142
US96681F	15671						Complete Assembly	172
USN510009D	15851						Convolutd Assembly	201



Piston No.	Airsprings.com Part No.
NAD-16482-8	15601
NAD-16485-22	16124
NAD-16485-22	15634
NAD-17160-22	16120
NAD-17833-16	15690
NAD-18053-7	15682
NAD-18101-17	15613
NAD-18162-20	16016
NAD-26290-5	15671
NAD-26290-5	15672
NAD-27740-13	16013
NAD-27740-13	16087
NAD-27809-9	15610
NAD-27809-9	15611
NAD-27809-9	15614
NAD-27824-5	16091
NAD-27909-8	15616
NAD-28119-1	16092
NAD-28197-5	15769
NAD-28197-5	15783
NAD-28198-8	15731
NAD-28198-8	15732
NAD-28198-8	15768
NAD-28198-8	17028
NAD-28198-8	92605
NAD-28351-4	15994
NAD-28838-6	15993
NAD-28839-4	15654
NAD-28978-5	16015
NAD-29127-4	15653
NAD-29467-4	15612
NAD-29467-4	16008
NAD-29592-10	16195F
NAD-29593-9	15799
NAD-29826-2	15747
NAD-29826-2	15750
NAD-29826-2	16070
NAD-29827-12	16071
NAD-29827-12	16081
NAD-29827-12	17034

Piston No.	Airsprings.com Part No.
NAD-29828-5	17035
NAD-29983	15996
NAD-29995	15617
NAD-30669-1	15630
NAD-31213-1	15657
NAD-31213-1	15785
NAD-31478	15694
NAD-31862	15738
NAD-31950-7	16098
NAD-32767-8	15998
NAD-32770	16122
NAD-32790	15990
NAD-32791	17061
NAD-32792	17060
NAD-33084-6	15651
NAD-33084-6	16099
NAD-35451-4	15619
NAD-35451-4	16032
NBD-10378-6	16077
NBD-10439-11	15608
NBD-12823-7	15633
NBD-12823-7	15692
NBD-14153-3	15699
NBD-14153-3	15714
NBD-8055-7	15602
NBD-8626-23	15684
NBD-8626-23	15765
NBD-9857-10	15707



Main causes for premature air spring failures – and how to prevent them

1



Overtorque

Cause of Failure:

Fittings can break or threads be damaged caused by over-torque. (Note: grease or lubrication on the threads can affect the torque and may cause damages). Air spring system can be twisted.

Recommendation:

Apply general installation instructions. Review drawing or product warning label for proper assembly torque. Do not use an air wrench for installation.

2



Overextension

Cause of Failure:

The air spring is operated outside the maximum rebound range as a result of unrestrained (missing end stop) or excessive axle travel (defective / improperly adjusted height levelling system or wrong air spring). The abuse may result in separation of the bellows from upper or lower mounting parts.

Recommendation:

Check and/or adjust height levelling system, shocks, end stops and air springs specifications to prevent air spring travel of exceeding the max recommended height.

3



Abrasion

Cause of Failure:

Bellows in contact with other components (e.g. defective parts) of the vehicle or foreign objects (e.g. dirt, stones) that accumulate at the piston/ rolling part of the bellow. They may rub through the bellows during spring deflection.

Recommendation:

Avoid contact between bellows and any other part of the vehicle. Check air springs periodically / remove foreign objects from rolling part of bellows.

(Warning: Do not use solvents for washing)



Main causes for premature air spring failures – and how to prevent them - continued

4



Overload

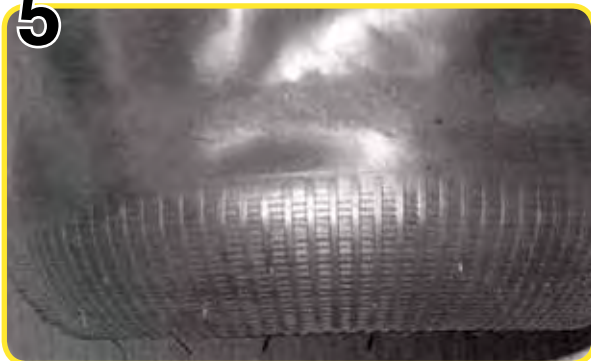
Cause of Failure:

When overloading the vehicle the height levelling valve will open to adjust vehicle height by increasing the pressure inside the air spring up to max system pressure available. The improper usage of the air spring system outside the recommended pressure range may cause deformation or damage to the bellows, piston and/ or bead plate.

Recommendation:

Avoid overloading of the vehicle. Check air spring specifications for max load capacity.

5



Contamination

Cause of Failure:

Air spring bellows are not resistant to solvents, hydraulic oil or lubricants. A permanent exposure to chemicals will cause premature failure of air spring system.

Recommendation:

Check the air spring system periodically. Avoid too much oil in the air supply lines. Remove lubricants from the bellows. Do not use mineral oil based cleaners. Do not use any solvents.

6



Low Pressure

Cause of Failure:

When operating the air spring system without internal air pressure, it prevents the bellows from rolling uniformly over the piston / girdle hoop, instead it may fold. Permanent operation without internal air pressure will increase wear of the bellows significantly.

Recommendation:

Avoid operating air spring system without internal air pressure. (Inflate air springs before driving) Check periodically the air supply lines for leaks. Examine the bellows for development of fold.





Granning UK Ltd

37 Melford Court
Hardwick Grange
Warrington, Cheshire
WA1 4RZ England
Tel: +44 (0) 1925 810400
Fax: +44 (0) 1925 817153
Email: andy@granninglynx.com

Granning Ireland Ltd

Naas Industrial Estate
Naas
County Kildare
Tel: +353 (0) 45 875996
Fax: +353 (0) 45 894305
Email: dwhelan@granning.ie

Granning Lynx (NI) Ltd

Herdman Channel Road
Off Duncrue Street
Belfast
Northern Ireland
BT3 9BL
Tel: +44 (0) 2890 740055
Fax: +44 (0) 2890 740203
Email: mark@granninglynx.co.uk

Granning Poland

Ul. Pultuska 63 E
02-700 Wyszaków
woj. mazowieckie
Poland
M. 0048 785 875 996
Email: brozga@granning.ie

airsprings.com

Catalogue design by:



+44 (0) 1457 877 164