

CATALOGUE 2009



convoluted air springs

AIRKRAFT

www.airkraft.com.tr

CATALOGUE 2009



AIRKRAFT



BELT TENSIONER



DRIVER'S SEAT



LIFT AXLE



CABIN

CATALOGUE 2009



AIRKRAFT

www.airkraft.com.tr

conventional air springs

ABOUT AIRKRAFT

Established in Bursa Freezone since 2000, AIRKRAFT produces a wide range of airsprings including Convoluted, Cabin, Seat, Lift-Axle and Belt Tensioner air spring types. At the end of 2007, AIRKRAFT moved to its new plant to reach a total of 6.000m² covered area, in three locations.

Being a leader in the domestic market since 2000, Aircraft today exports approximately 90% of its production to more than 70 countries worldwide.

Built upon Akta• Group tradition and experience, which is celebrating its 70th anniversary this year, we are taking secure steps towards our goal of being a world known company. In order to secure our product quality and these steps, we have upgraded our quality certificate to ISO TS 16949. Moreover, supplying all our raw materials from the Group, provides us a guaranteed chain of production until the finished product and maximum traceability down to the root.

Along with a vast number of tests done on raw materials (adhesion, ageing, resistances etc.), Aircraft also cinches the standard quality by applying many in-house tests such as impermeability, force, burst, dimension changes, hysteresis, tragkraft etc.

Cultivated by big name customers across the world including OEM companies, we are proud to bring OE attention and quality to AM customers.

CONVOLUTED AIRSPRINGS

Classified as single, double and triple, convoluted airsprings increasingly replace pneumatic cylinders in the world industry.

With higher course length, compactness, ease of usage and low maintenance costs, convoluted air springs offer the performance in lifting, compression, suspension and eliminating vibration both under vehicles and machines.

Convoluted airspring production in Turkiye first began in the late 70's under Aktas Group flag. Now Aircraft proudly provides local OEM brands as a sole supplier since 2000 as well as aftermarket customers.

CABIN AIR SPRINGS

Used in the truck and tractors' cabin as four point suspension, the cabin airsprings provide much more comfort in comparison to its prececeders, steel springs. Combining traditional shock absorbers with air springs instead of coil springs, this hybrid solution to suspension significantly eliminates vibration.

Since 2000, Aircraft supplies cabin airsprings and sole sleeves to leading European shock absorber producers.

SEAT AIR SPRINGS

Drivers' seat air springs provide a new breed of seat suspension, lowering fatigue, and health risks frequently faced by drivers. Eliminates the vibration for the most important part of the truck, the driver, and keeps the seat at an adjustable height at all times.

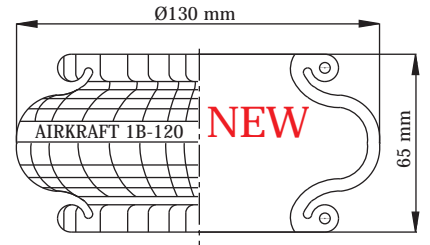
Besides supplying the aftermarket, Aircraft also supplies leading global seat producers.



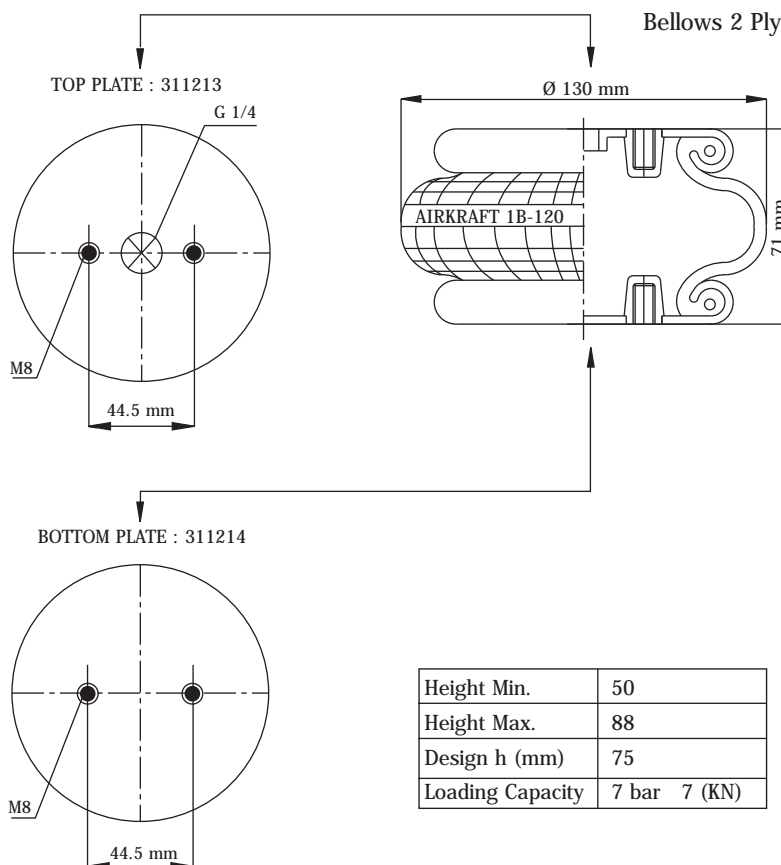
Bellows 2 Ply

STYLE NUMBER : 1B-120
 COMPLETE ORDER NO: 112002
 BELLOW ORDER NO : 112002

FIRESTONE : W01.358-0010
 CONTITECH : FS 50-5 62242



Height Min.	50
Height Max.	88
Design h (mm)	75
Loading Capacity	7 bar 7 (KN)



STYLE NUMBER : 1B-120
 COMPLETE ORDER NO: 111001
 BELLOW ORDER NO : 112002

FIRESTONE : W01-M58-6140 / 6948
 CONTITECH : FS 50-5 61388
 PHOENIX : 1 B04

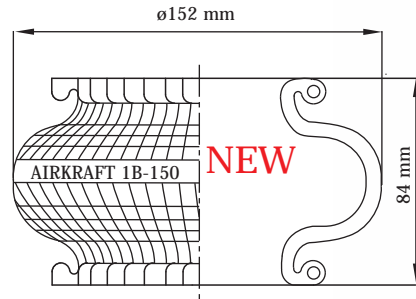
RIDEWELL : 1003586948C

Height Min.	50
Height Max.	88
Design h (mm)	75
Loading Capacity	7 bar 7 (KN)

STYLE NUMBER :1B-150
 COMPLETE ORDER NO:112003
 BELLOW ORDER NO :112003

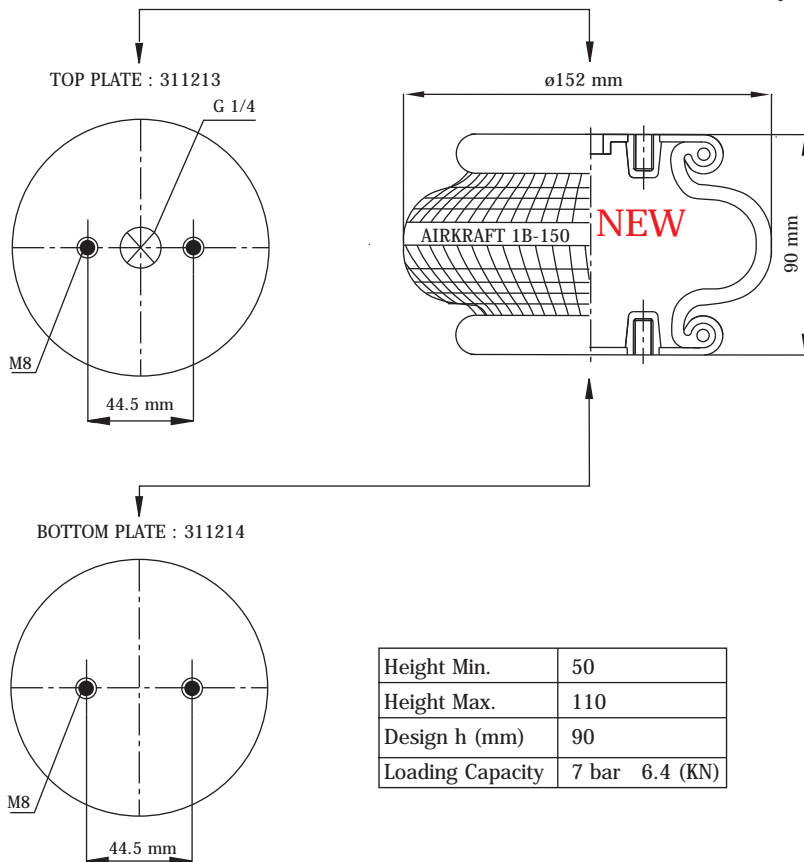
CONTITECH : FS 70-7 60512

Bellows 2 Ply



Height Min.	50
Height Max.	110
Design h (mm)	90
Loading Capacity	7 bar 6.4 (KN)

Bellows 2 Ply



Height Min.	50
Height Max.	110
Design h (mm)	90
Loading Capacity	7 bar 6.4 (KN)

STYLE NUMBER :1B-150
 COMPLETE ORDER NO:111002
 BELLOW ORDER NO :112003

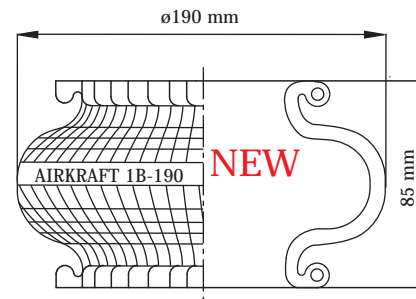
CONTITECH : FS 70-7 2681 015 000
 PHOENIX : SP 1B 05



STYLE NUMBER :1B-190
 COMPLETE ORDER NO:112004
 BELLOW ORDER NO :112004

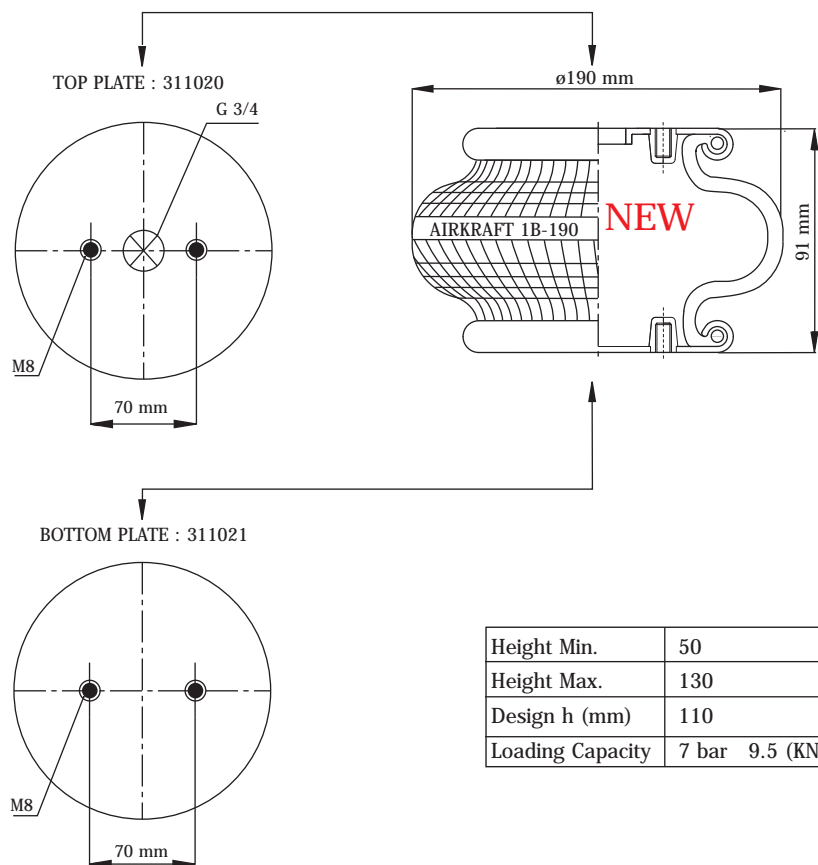
FIRESTONE : W01 358 0133
 CONTITECH : FS 120-9 60479

Bellows 2 Ply



Height Min.	50
Height Max.	130
Design h (mm)	110
Loading Capacity	7 bar 9.5 (KN)

Bellows 2 Ply



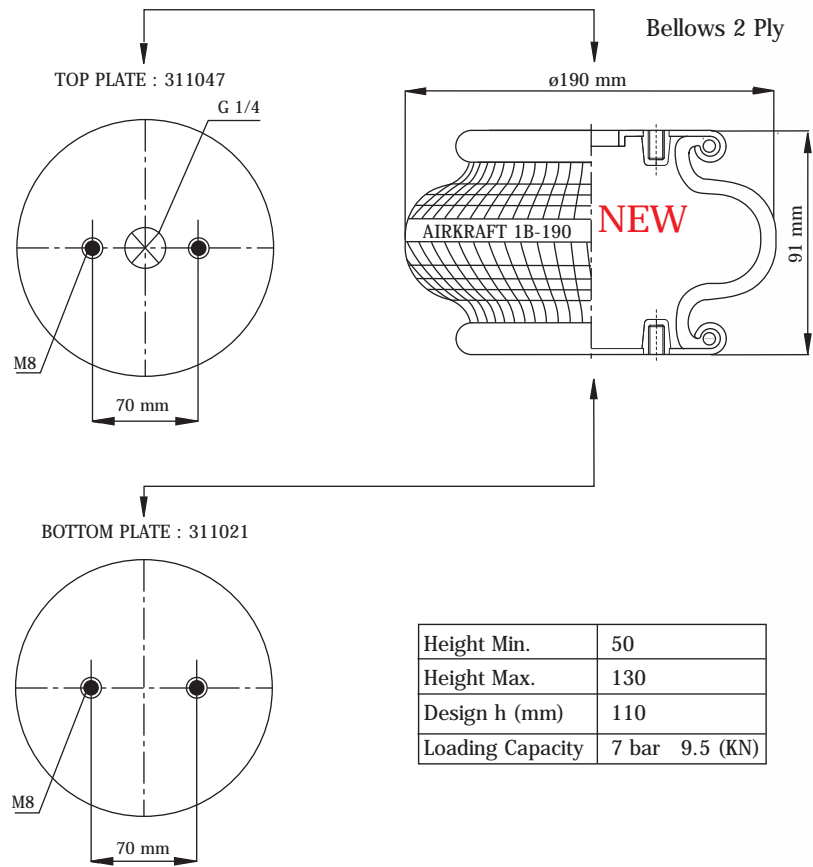
STYLE NUMBER :1B-190
 COMPLETE ORDER NO:111003
 BELLOW ORDER NO :112004

FIRESTONE : W01 M58 6165
 CONTITECH : FS 120-9 2681 030 000
 DUNLOP (FR): 8" x 1 S08 101

Height Min.	50
Height Max.	130
Design h (mm)	110
Loading Capacity	7 bar 9.5 (KN)

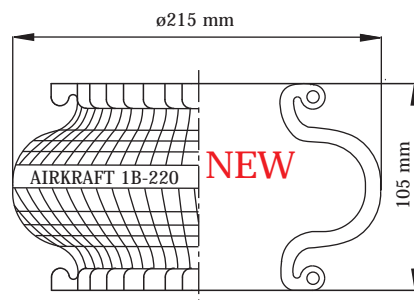
STYLE NUMBER :1B-190
 COMPLETE ORDER NO:111005
 BELLOWS ORDER NO :112004

FIRESTONE : W01 M58 6166
 CONTITECH : FS 120-9 61358
 PHOENIX : 1 B 07
 DUNLOP (FR): 8" x 1 S08 100



Height Min.	50
Height Max.	130
Design h (mm)	110
Loading Capacity	7 bar 9.5 (KN)

Bellows 2 Ply



STYLE NUMBER :1B-220
 COMPLETE ORDER NO:112005
 BELLOWS ORDER NO :112005

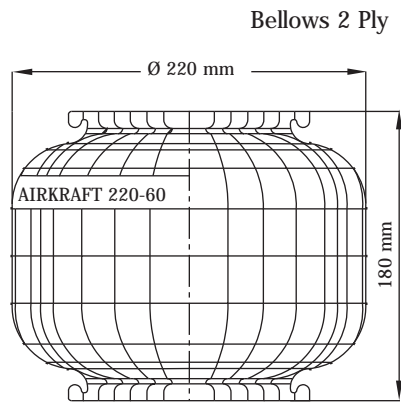
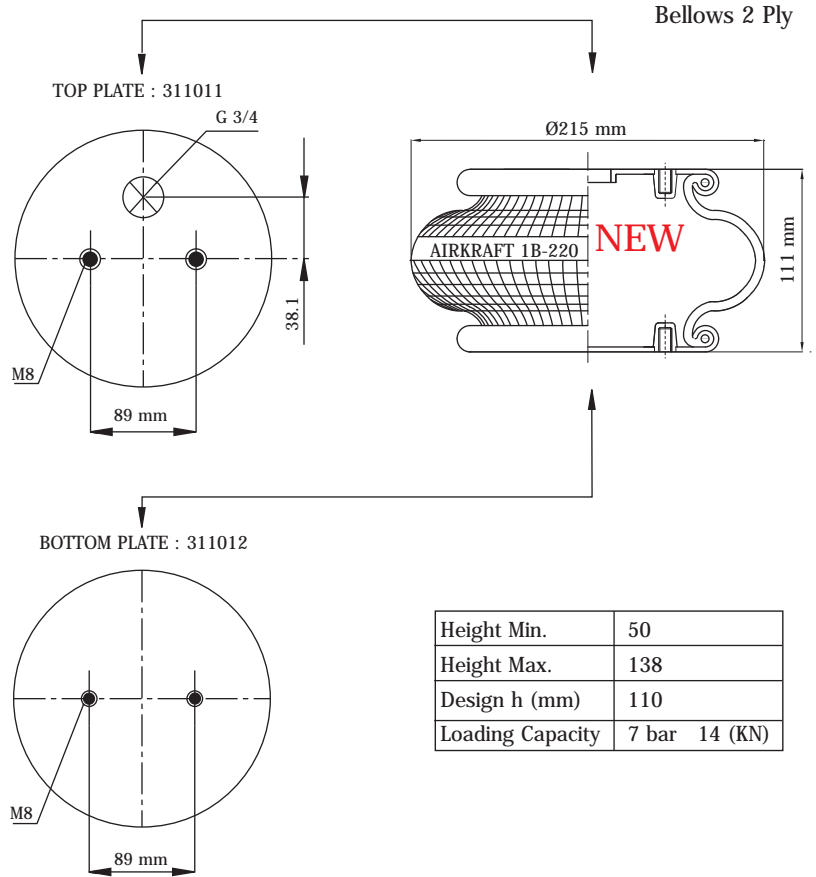
CONTITECH : FS 200-10 60319

Height Min.	50
Height Max.	138
Design h (mm)	110
Loading Capacity	7 bar 14 (KN)



STYLE NUMBER : 1B-220
 COMPLETE ORDER NO: 111004
 BELLOW ORDER NO : 112005

FIRESTONE : W01 M58 6374
 CONTITECH : FS 200-10
 PHOENIX : 1 B 12
 DUNLOP (FR): 9" 1/4 x 1 S09101



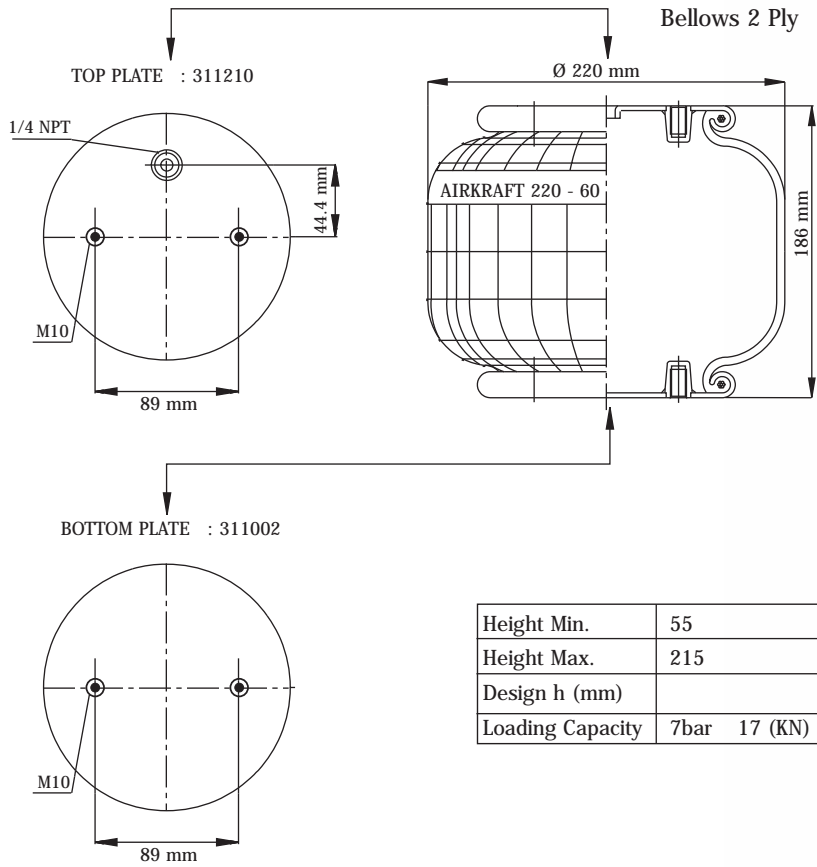
STYLE NUMBER : 220-60
 COMPLETE ORDER NO: 112001
 BELLOW ORDER NO : 112001

GART : T291 / B

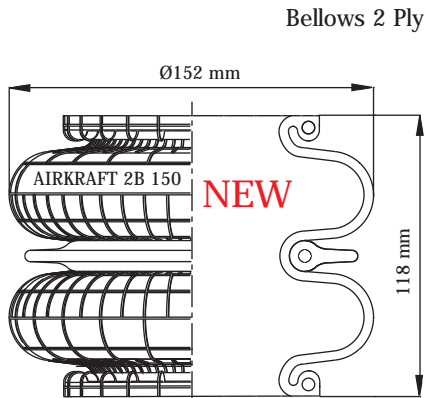
Height Min.	55
Height Max.	215
Design h (mm)	
Loading Capacity	7bar 17 (KN)

STYLE NUMBER :220-60
 COMPLETE ORDER NO:111150
 BELLOWS ORDER NO :112001

GART : T291 / B (291.1.170)



Height Min.	55
Height Max.	215
Design h (mm)	
Loading Capacity	7bar 17 (KN)



STYLE NUMBER :2B-150
 COMPLETE ORDER NO:114053
 BELLOWS ORDER NO :114053

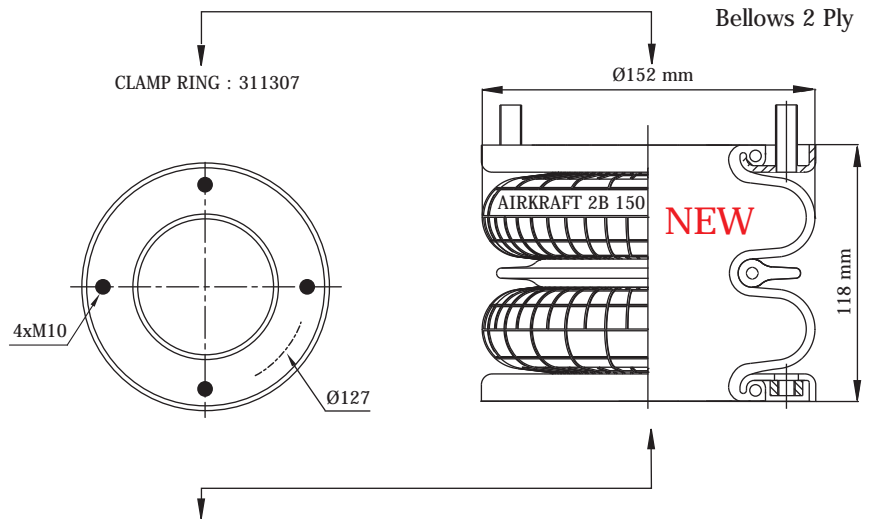
DUNLOP (FR) : 6" x 2 SP 917

Height Min.	75
Height Max.	200
Design h (mm)	120
Loading Capacity	7 bar 7 (KN)

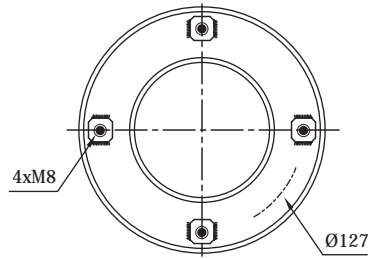


STYLE NUMBER :2B-150
 COMPLETE ORDER NO:113070
 BELLOW ORDER NO :114053

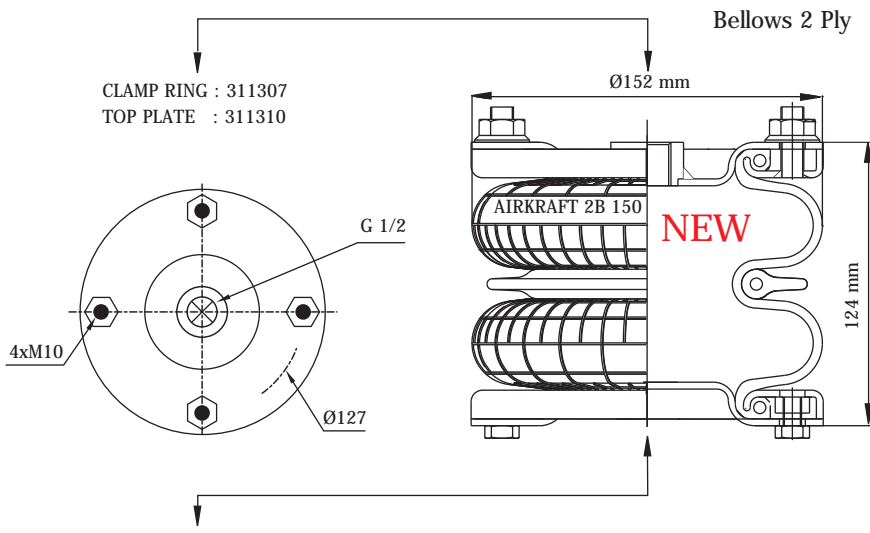
DUNLOP (FR): 6" x 2



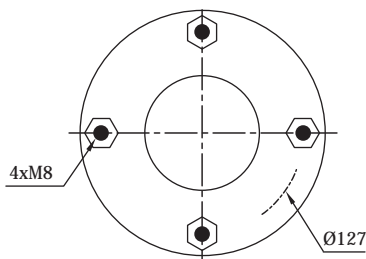
CLAMP RING : 311309



Height Min.	75
Height Max.	200
Design h (mm)	120
Loading Capacity	7 bar 7 (KN)



CLAMP RING : 311309
 BOTTOM PLATE: 311311



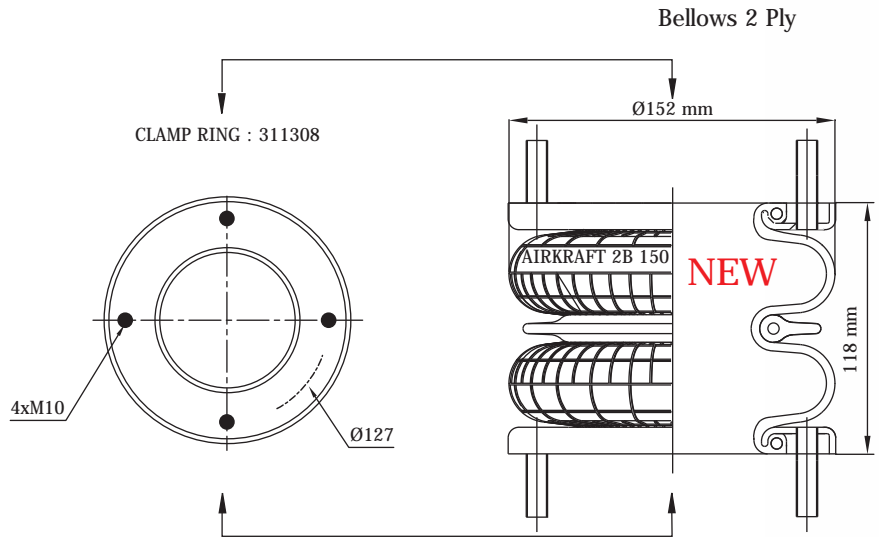
STYLE NUMBER :2B-150
 COMPLETE ORDER NO:113071
 BELLOW ORDER NO :114053

DUNLOP (FR) : DB 06219

Height Min.	75
Height Max.	200
Design h (mm)	120
Loading Capacity	7 bar 7 (KN)

STYLE NUMBER :2B-150
 COMPLETE ORDER NO:113072
 BELLOWS ORDER NO :114053

DUNLOP (FR): 6" x 2

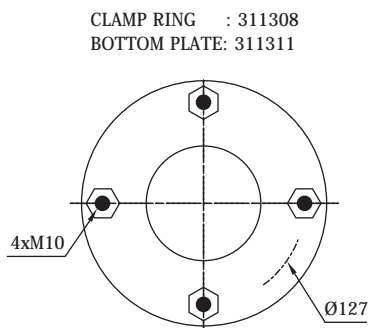
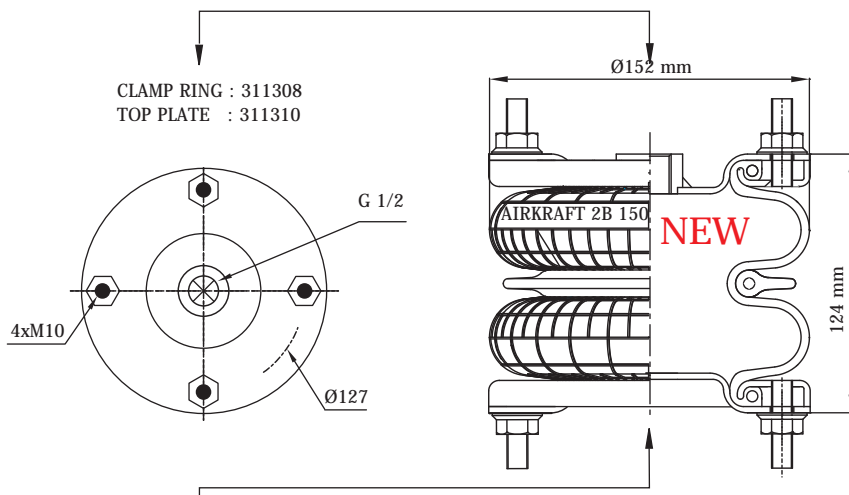


Height Min.	75
Height Max.	200
Design h (mm)	120
Loading Capacity	7 bar 7 (KN)

Bellows 2 Ply

STYLE NUMBER :2B-150
 COMPLETE ORDER NO:113073
 BELLOWS ORDER NO :114053

DUNLOP (FR) : 6" x 2 SP1482



Height Min.	75
Height Max.	200
Design h (mm)	120
Loading Capacity	7 bar 7 (KN)

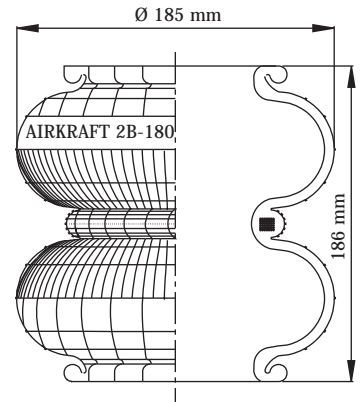


STYLE NUMBER : 2B-180
 COMPLETE ORDER NO : 114050
 BELLOW ORDER NO : 114050

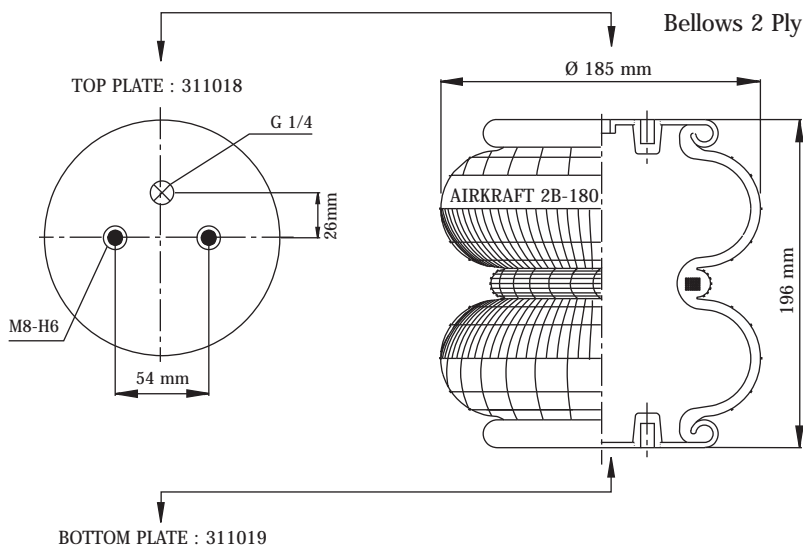
PHOENIX : 2B 07R
 FIRESTONE : W01-358-0142
 PIRELLI : 26
 CONTITECH : 603 N

GRANNING : 15801

Bellows 2 Ply



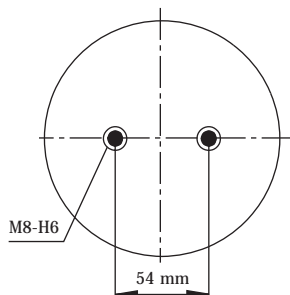
Height Min.	80
Height Max.	235
Design h (mm)	170
Loading Capacity	7 bar 11.5 (KN)



STYLE NUMBER : 2B-180
 COMPLETE ORDER NO : 113052
 BELLOW ORDER NO : 114050

PHOENIX : SP 2B 07R
 DUNLOP : PNP 305 510 111
 CONTITECH : 603N
 GOODYEAR : 2B 8-550
 PIRELLI : 26

GIGANT : 196028

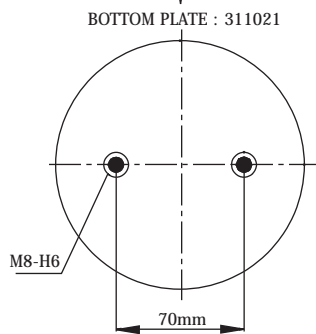
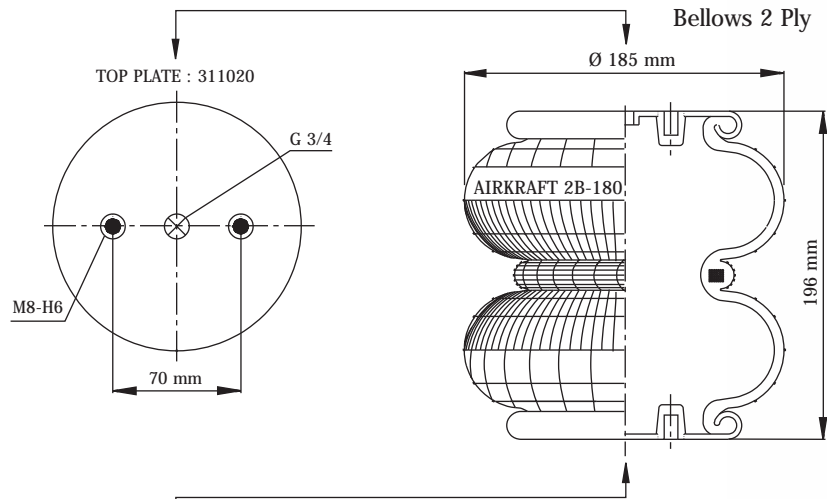


Height Min.	80
Height Max.	235
Design h (mm)	170
Loading Capacity	7bar 11.5 (KN)

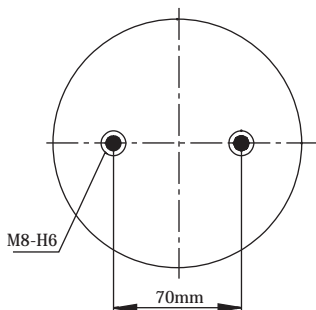
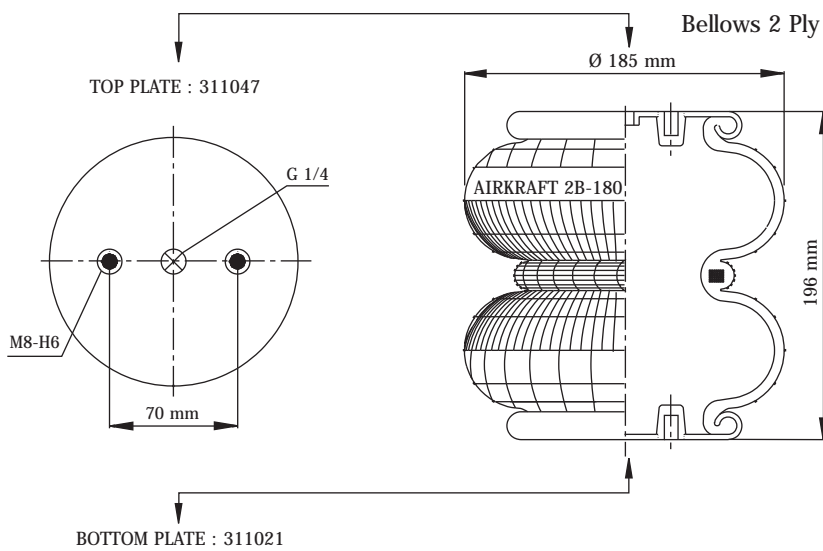
STYLE NUMBER : 2B-180
 COMPLETE ORDER NO: 113053
 BELLOW ORDER NO : 114050

DUNLOP : SO 8201
 FIRESTONE : W01-M58-6378
 CONTITECH : FD 120 - 17
 GOODYEAR : 2B 7-540
 PIRELLI : T26 84181
 TAURUS : KF 218

GIGANT : 196028
 GRANNING : 16036
 HENDRICKSON : NA 1821 Metric



Height Min.	80
Height Max.	235
Design h (mm)	170
Loading Capacity	7bar 11.5 (KN)



Height Min.	80
Height Max.	235
Design h (mm)	170
Loading Capacity	7bar 11.5 (KN)

STYLE NUMBER : 2B-180
 COMPLETE ORDER NO: 113054
 BELLOW ORDER NO : 114050

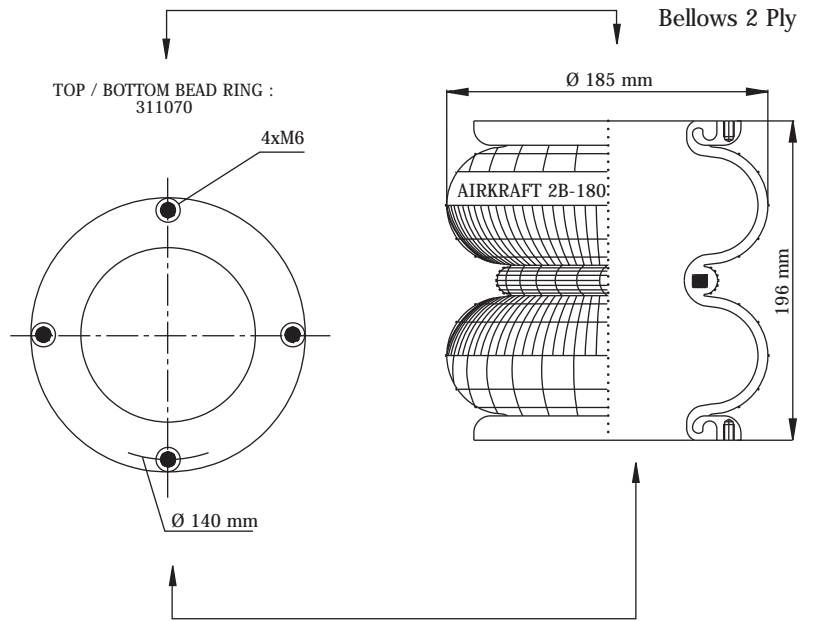
FIRESTONE : W01-M58-6353

GIGANT : 196028

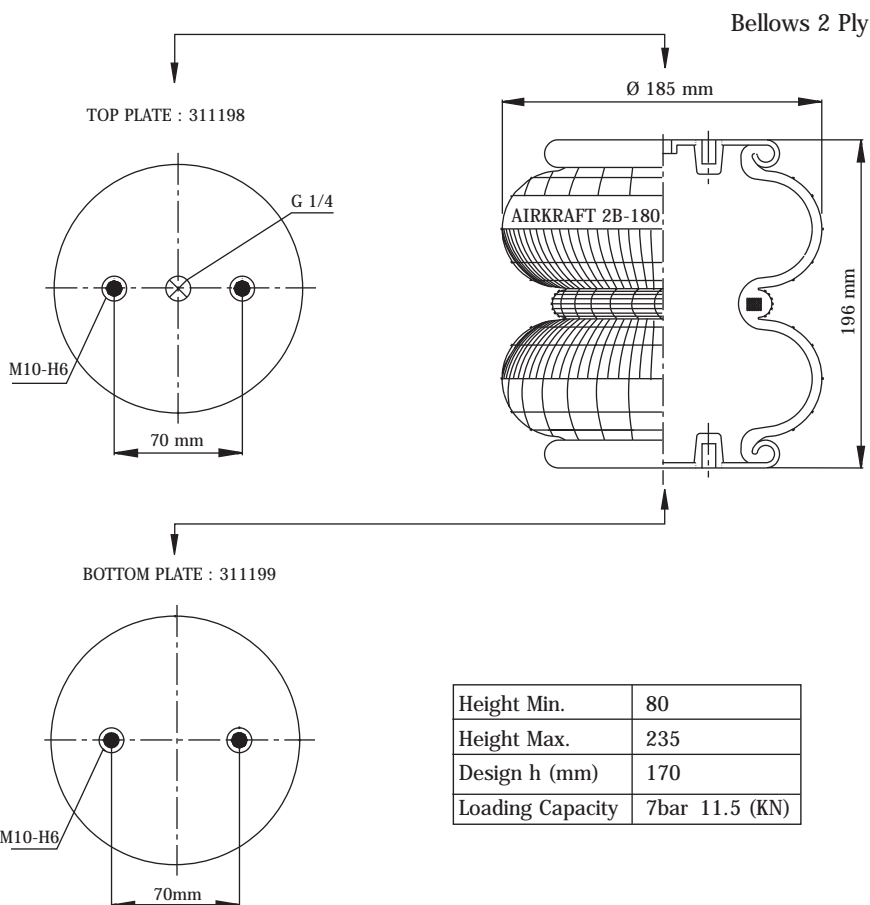
CONVOLUTED AIR SPRINGS



STYLE NUMBER : 2B-180
 COMPLETE ORDER NO: 113055
 BELLOW ORDER NO : 114050



Height Min.	80
Height Max.	235
Design h (mm)	170
Loading Capacity	7bar 11.5 (KN)



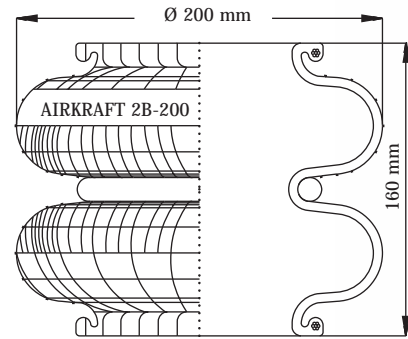
STYLE NUMBER : 2B-180
 COMPLETE ORDER NO: 113057
 BELLOW ORDER NO : 114050

Height Min.	80
Height Max.	235
Design h (mm)	170
Loading Capacity	7bar 11.5 (KN)

STYLE NUMBER :2B-200
 COMPLETE ORDER NO:114051
 BELLOW ORDER NO :114051

CONTITECH : FD 138-18 S
 DUNLOP : 8" x 2

Bellows 2 Ply

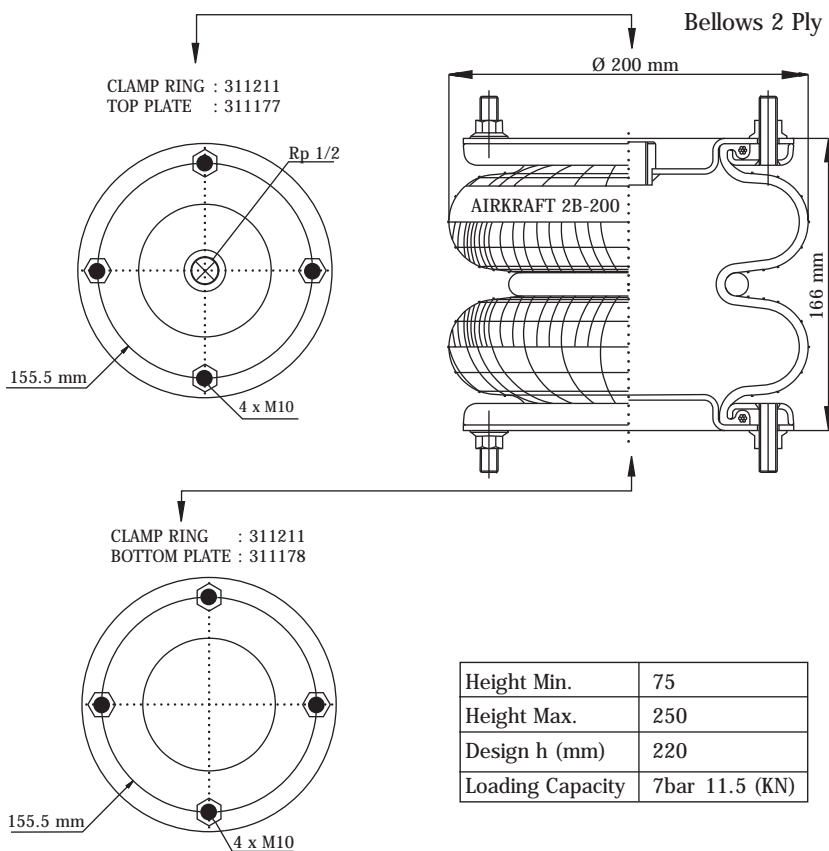


Height Min.	75
Height Max.	250
Design h (mm)	220
Loading Capacity	7bar 11.5 (KN)

STYLE NUMBER :2B-200
 COMPLETE ORDER NO:113060
 BELLOW ORDER NO :114051

DUNLOP : SP 1490 (8" x 2)
 CONTITECH : FD 138 - 18 1/2 M10

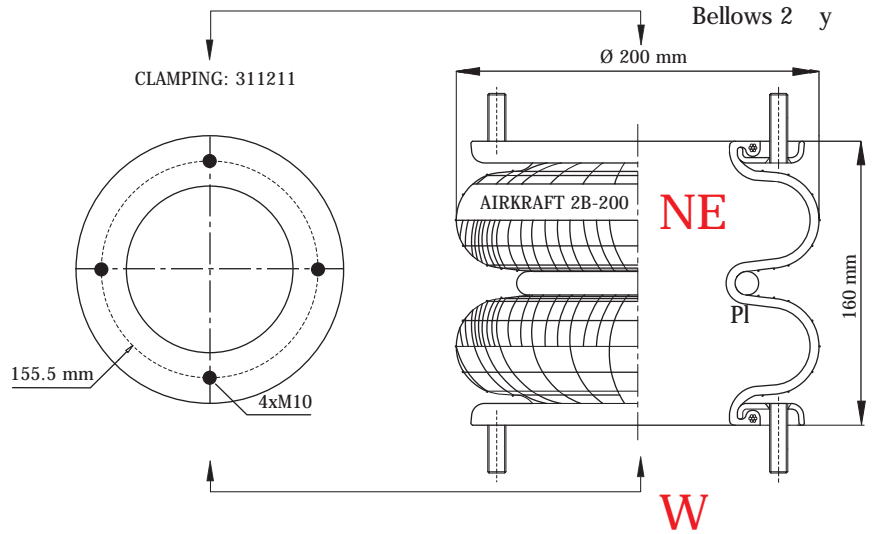
FRUEHAUF : F48054M80A04
 GRANNING : 15803 / A06030604
 SAMRO : H2500188



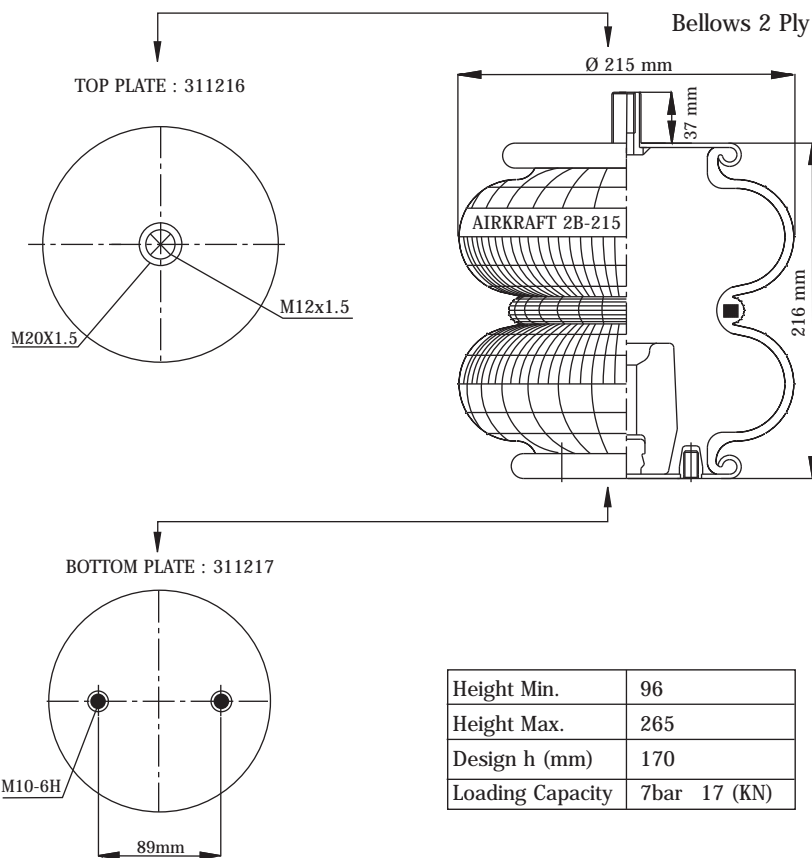
Height Min.	75
Height Max.	250
Design h (mm)	220
Loading Capacity	7bar 11.5 (KN)



STYLE NUMBER :2B-200
 COMPLETE ORDER NO:113062
 BELLOW ORDER NO :114051



Height Min.	75
Height Max.	250
Design h (mm)	220
Loading Capacity	7 bar 11.5(KN)



STYLE NUMBER :2B-215
 COMPLETE ORDER NO:113015
 BELLOW ORDER NO :114005

PHOENIX : SP2B 12 R - 12

HENDRICKSON: HS507907/ P

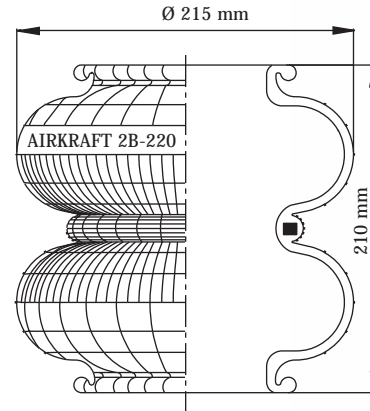
Height Min.	96
Height Max.	265
Design h (mm)	170
Loading Capacity	7bar 17 (KN)

Bellows 2 Ply

STYLE NUMBER : 2B-220
 COMPLETE ORDER NO: 114001
 BELLOW ORDER NO : 114001

PHOENIX : 2B 12R
 CONTITECH : FD 200-19 S (895N)
 FIRESTONE : W01-095- 0009
 GOODYEAR : 2B9-200
 PIRELLI : T20 86600

GRANNING : 15947

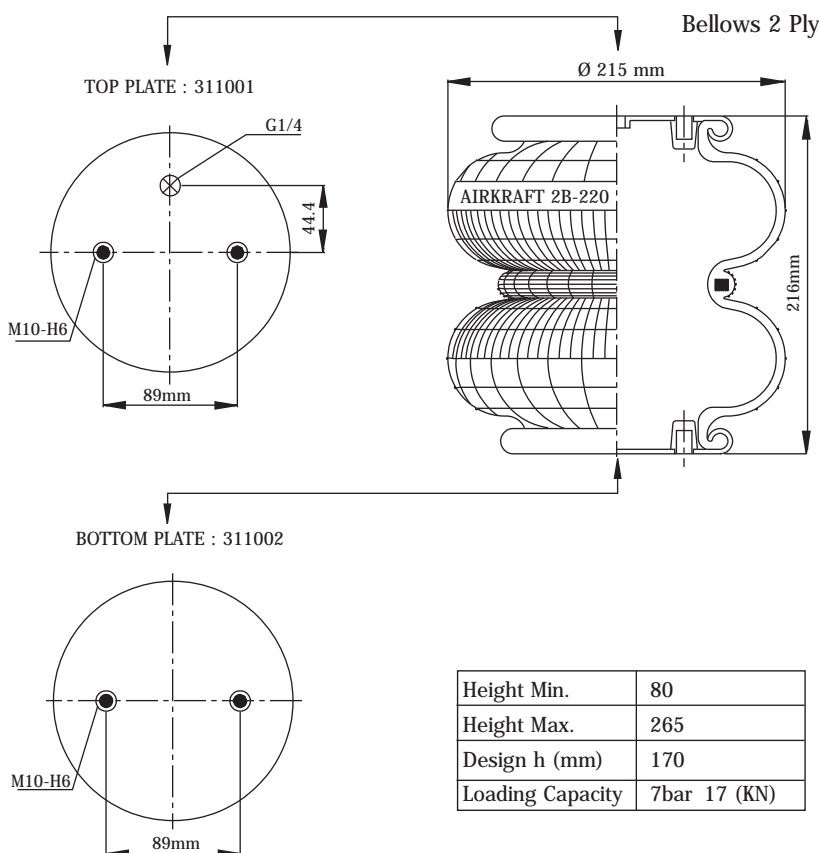


Height Min.	80
Height Max.	265
Design h (mm)	170
Loading Capacity	7bar 17 (KN)

STYLE NUMBER : 2B-220
 COMPLETE ORDER NO: 113001
 BELLOW ORDER NO : 114001

PHOENIX : SP 2B 12R
 DUNLOP : 9" SO 9201
 FIRESTONE : W01-M58-6887/6910
 CONTITECH : FD 200-19 1/4
 GART : T291 / 2 (291.2.200)
 PIRELLI : T20
 GOODYEAR : 2B9- 201

DAF(Truck) : 0654464 metric
 GRANNING : 15603
 MERITOR : 21221395-21222663
 PEGASO : 528919 5266 / 5231 / 5236
 ROR : 21221395-21222663
 TERBERG : 21074519
 VOLVO : 6882797
 VOLVO : 365461 Bus B 58 - 365431
 WEWELER : US 06910 F



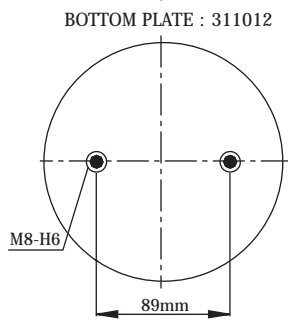
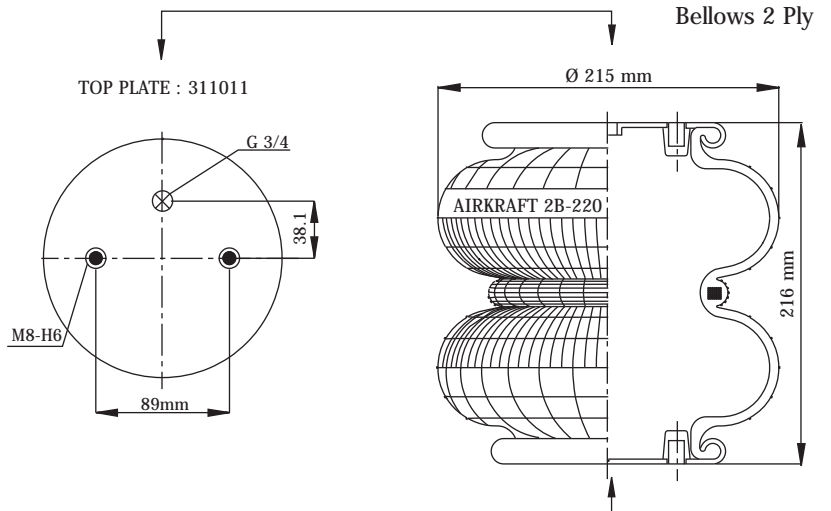
Height Min.	80
Height Max.	265
Design h (mm)	170
Loading Capacity	7bar 17 (KN)



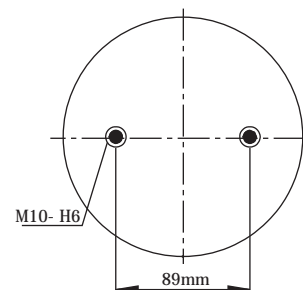
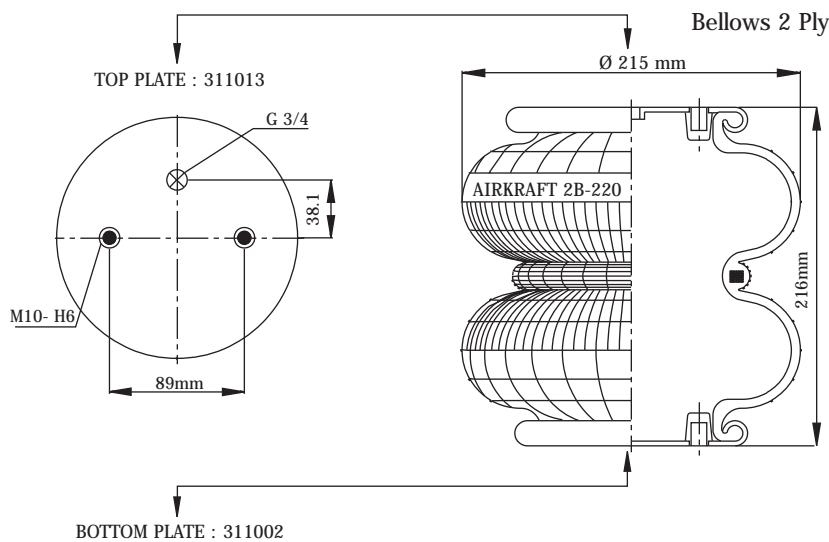
STYLE NUMBER :2B-220
 COMPLETE ORDER NO:113004
 BELLOW ORDER NO :114001

CONTITECH : FD200-19 M8
 PHOENIX : 2B 12R-1

GRANNING : A06030604
 MERCEDES : A 942 327 06 01
 MERITOR : 2122 1395



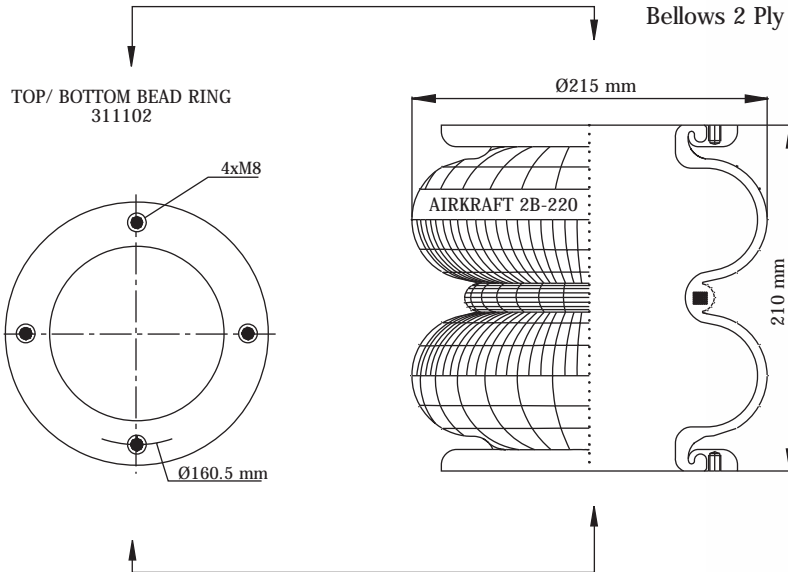
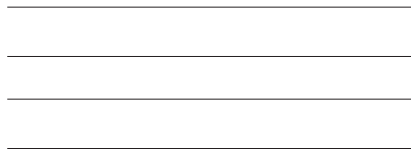
Height Min.	80
Height Max.	265
Design h (mm)	170
Loading Capacity	7bar 17 (KN)



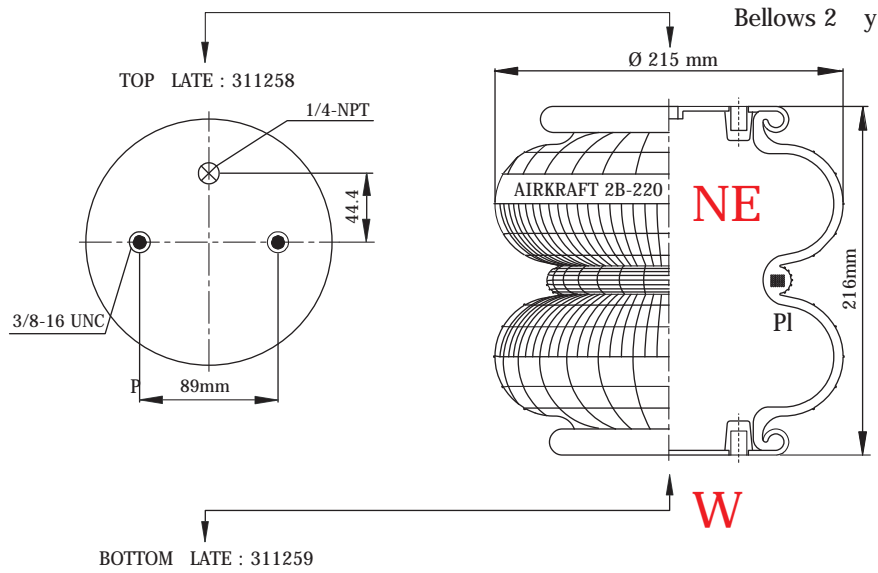
Height Min.	80
Height Max.	265
Design h (mm)	170
Loading Capacity	7bar 17 (KN)

STYLE NUMBER :2B-220
 COMPLETE ORDER NO:113005
 BELLOW ORDER NO :114001

STYLE NUMBER :2B-220
 COMPLETE ORDER NO:113006
 BELLOW ORDER NO :114001



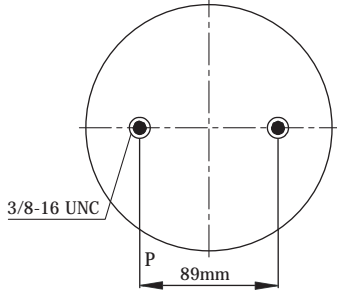
Height Min.	80
Height Max.	265
Design h (mm)	170
Loading Capacity	7bar 17 (KN)



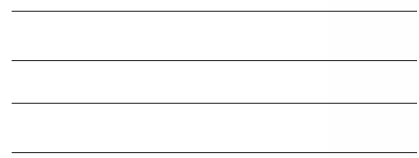
STYLE NUMBER :2B-220
 COMPLETE ORDER NO:113017
 BELLOW ORDER NO :114001

FIRESTONE : W01 358 6910
 GOODYEAR : 2B9-200
 TAURUS : KF218-6910

GRAINNING : 1371
 HENDRICKSON : 45843-3/ B-8768
 RIDEWELL : 1003586910C/ S4512C
 WATSON& CHALIN: AS-0001
 DAF : 0654464
 DAYTON : 354- 6910
 TRIANGLE : 4320



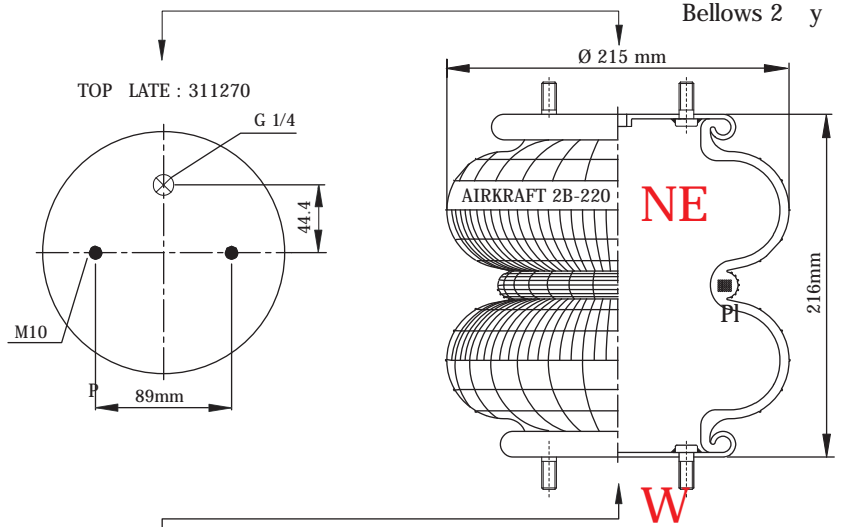
Height Min.	80
Height Max.	265
Design h (mm)	170
Loading Capacity	7bar 17 (KN)



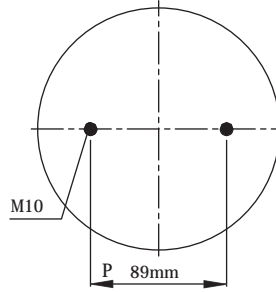
CONVOLUTED AIR SPRINGS



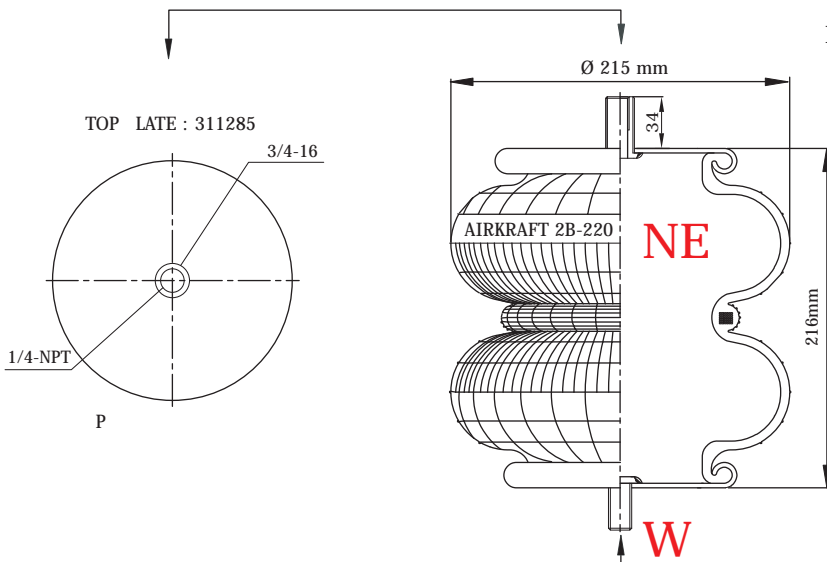
STYLE NUMBER : 2B-220
 COMPLETE ORDER NO: 113021
 BELLOW ORDER NO : 114001



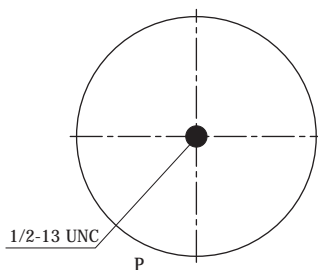
BOTTOM LATE : 311271



Height Min.	80
Height Max.	265
Design h (mm)	170
Loading Capacity	7 bar 17 (KN)



BOTTOM LATE : 311286



Height Min.	80
Height Max.	265
Design h (mm)	170
Loading Capacity	7 bar 17 (KN)

STYLE NUMBER : 2B-220
 COMPLETE ORDER NO: 113026
 BELLOW ORDER NO : 114001

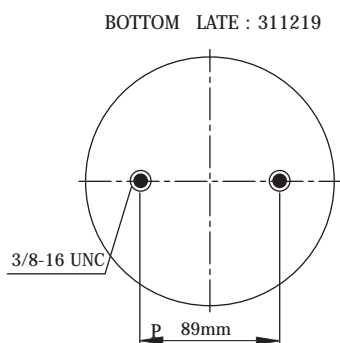
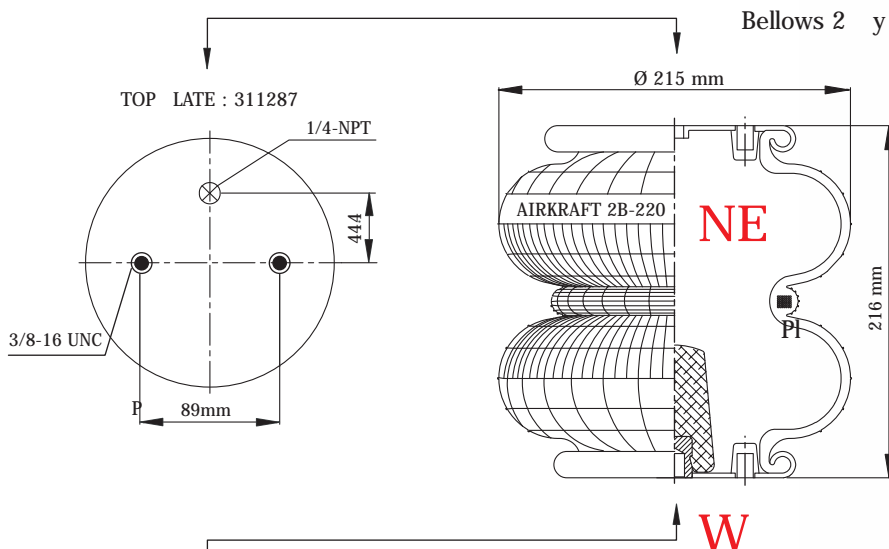
GOOD YEAR : 2B9-229
 PI FIRESTONE : W01 358 6897

WATSON& CHALIN: AS-0058
 TRIANGLE : 4505

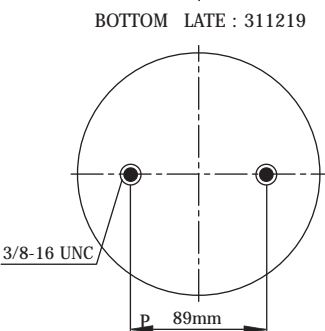
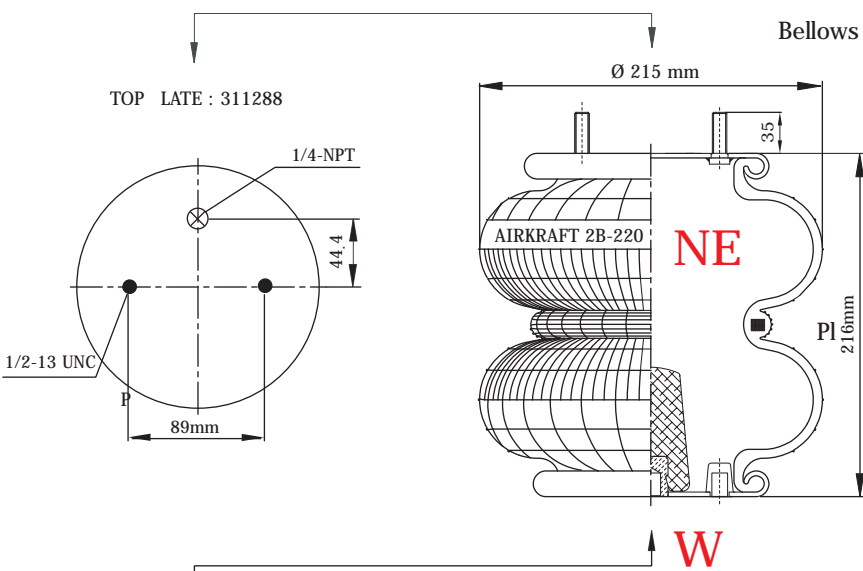
STYLE NUMBER : 2B-220
 COMPLETE ORDER NO: 113027
 BELLOWS ORDER NO : 114001

FIRESTONE : W01-358-6902/ 6935
 GOODYEAR : 2B9-201
 TAURUS : KF218- 6902

GRANNING : 4848
 HENDRICKSON TRAILER: S2630/ B2630
 R & S TRUCK & BODY : 1027505
 RIDEWELL : 1003586902C/ S1728C
 WATSON&CHALIN : AS-0002
 TRIANGLE : 4310
 DAYTON : 354-6902



Height Min.	100
Height Max.	265
Design h (mm)	170
Loading Capacity	7 bar 17 (KN)



STYLE NUMBER : 2B-220
 COMPLETE ORDER NO: 113028
 BELLOWS ORDER NO : 114001

FIRESTONE : W01.358-6905
 GOODYEAR : 2B9-206
 TAURUS : KF218-6905

HENDRICKSON TRAILER: S3518/ S5270/ 45843-1
 RIDEWELL : 1003586905C/ S2845C
 WATSON&CHALIN : AS-0020/ AS-0110
 TRIANGLE : 4315
 DAYTON : 354-6905

Height Min.	100
Height Max.	265
Design h (mm)	170
Loading Capacity	7 bar 17(KN)

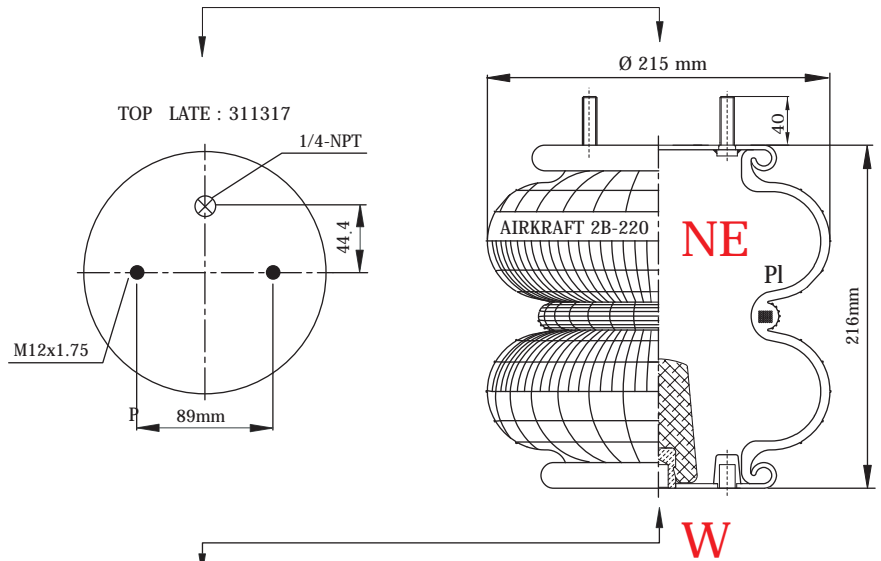
CONVOLUTED AIR SPRINGS



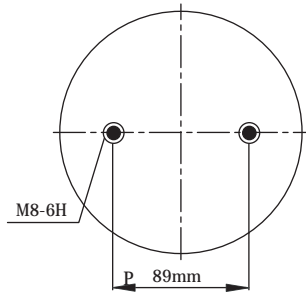
Bellows 2 y

STYLE NUMBER : 2B-220
 COMPLETE ORDER NO: 113474
 BELLOW ORDER NO : 114001

FIRESTONE : 20 T3 095.0313

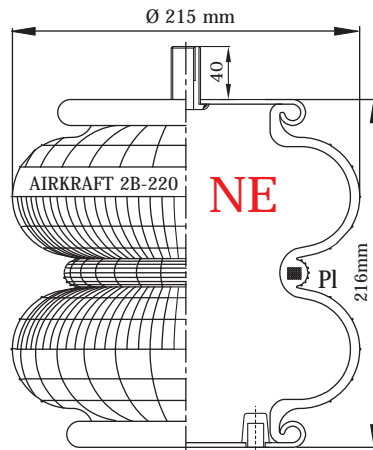
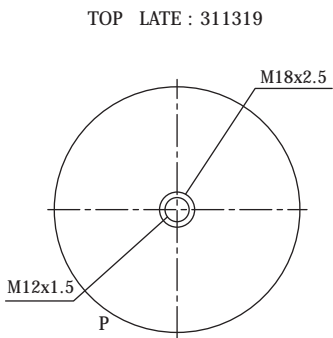


BOTTOM LATE : 311316



Height Min.	85
Height Max.	265
Design h (mm)	170
Loading Capacity	7 bar 17 (KN)

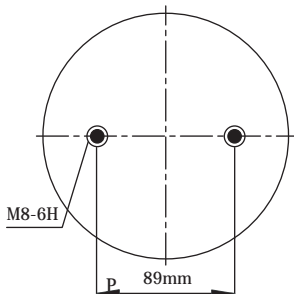
Bellows 2 y



STYLE NUMBER : 2B-220
 COMPLETE ORDER NO: 113475
 BELLOW ORDER NO : 114001

FIRESTONE : 20 T3 095.0353

BOTTOM LATE : 311012

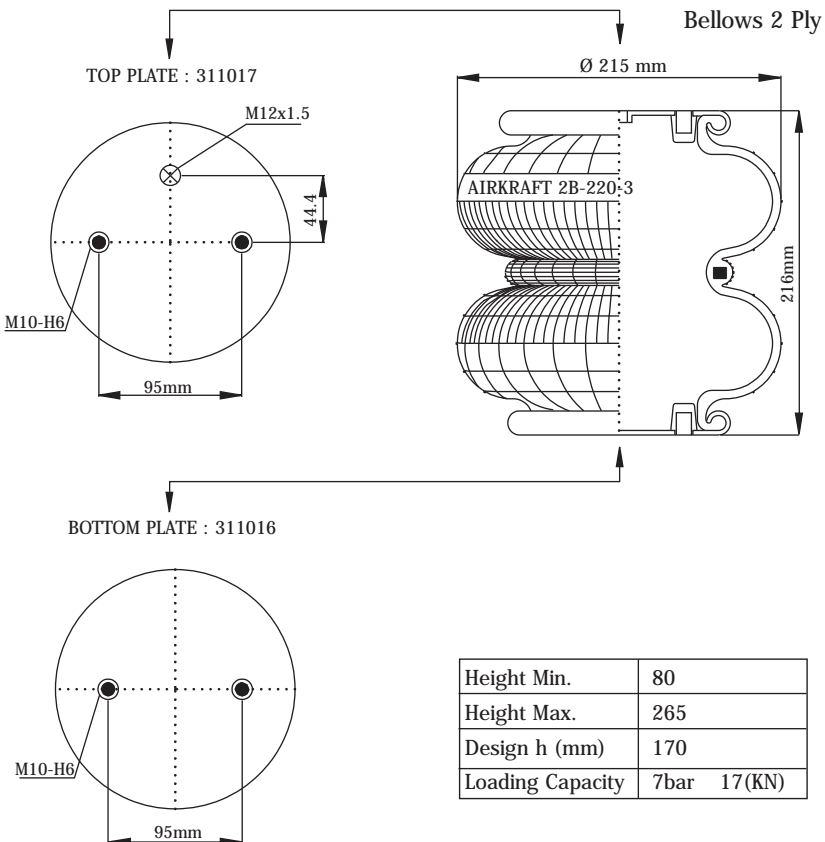
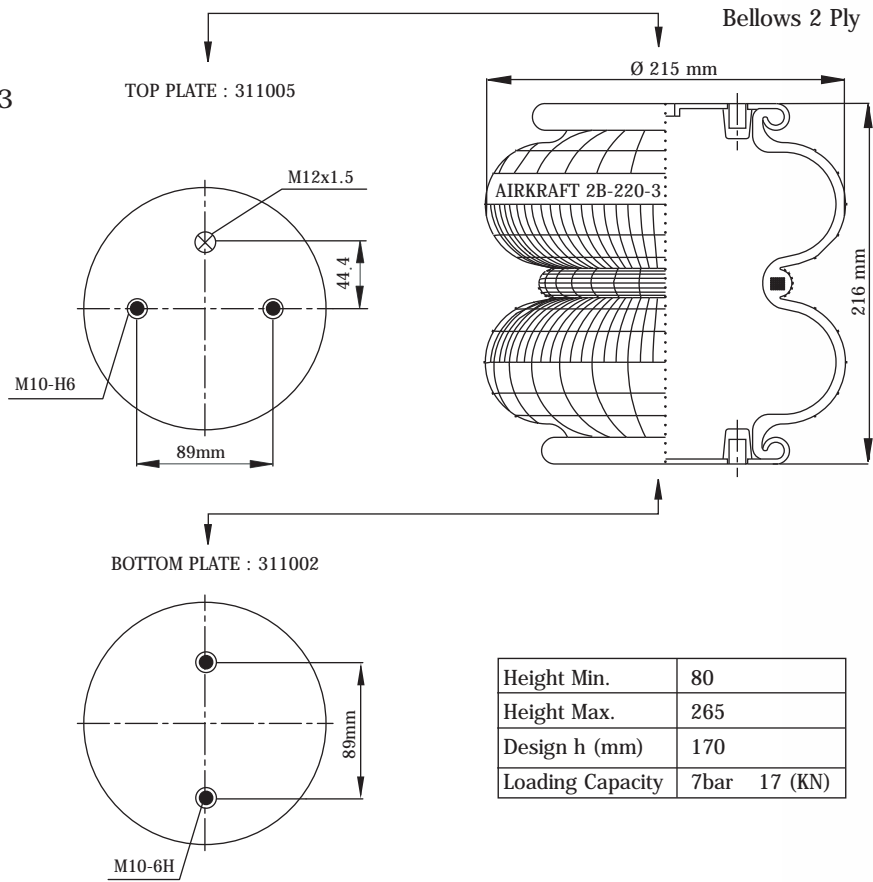


Height Min.	80
Height Max.	265
Design h (mm)	170
Loading Capacity	7 bar 17(KN)

STYLE NUMBER : 2B-220-3
 COMPLETE ORDER NO: 113002
 BELLOW ORDER NO : 114002

PHOENIX : 2B 12R-3
 FIRESTONE : W01-M58-7894
 CONTITECH : FD 200-19 P04
 PIRELLI : T20 86660
 DUNLOP : S09208
 GOODYEAR : 2B9-287
 TAURUS : KF 216

GRANNING : A06030604
 SAF : 1600 4.229.1004.00
 SCANIA : 131 9761-138 7289



STYLE NUMBER : 2B-220-3
 COMPLETE ORDER NO: 113003
 BELLOW ORDER NO : 114002

DUNLOP : 9" SO 9203

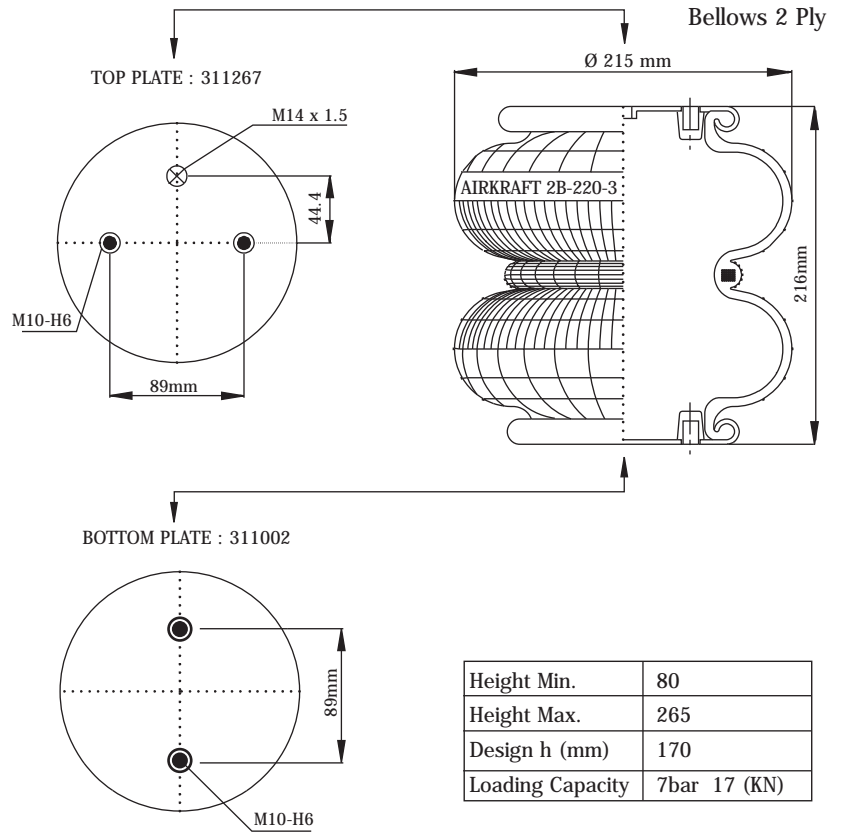
SAF : 45.98.00.5419.2

CONVOLUTED AIR SPRINGS

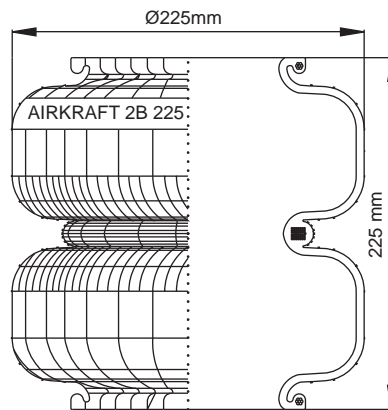


STYLE NUMBER : 2B-220-3
 COMPLETE ORDER NO: 113018
 BELLOW ORDER NO : 114002

SCANIA : 1387283



Bellows 2 Ply



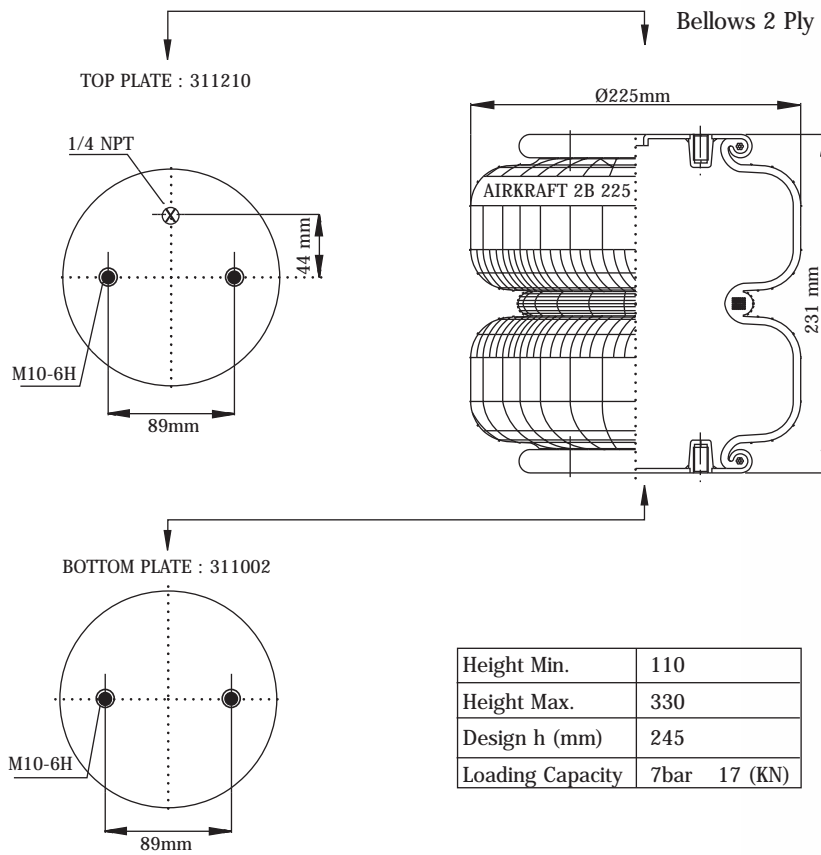
STYLE NUMBER : 2B-225
 COMPLETE ORDER NO: 114004
 BELLOW ORDER NO : 114004

Height Min.	110
Height Max.	330
Design h (mm)	245
Loading Capacity	7bar 17 (KN)

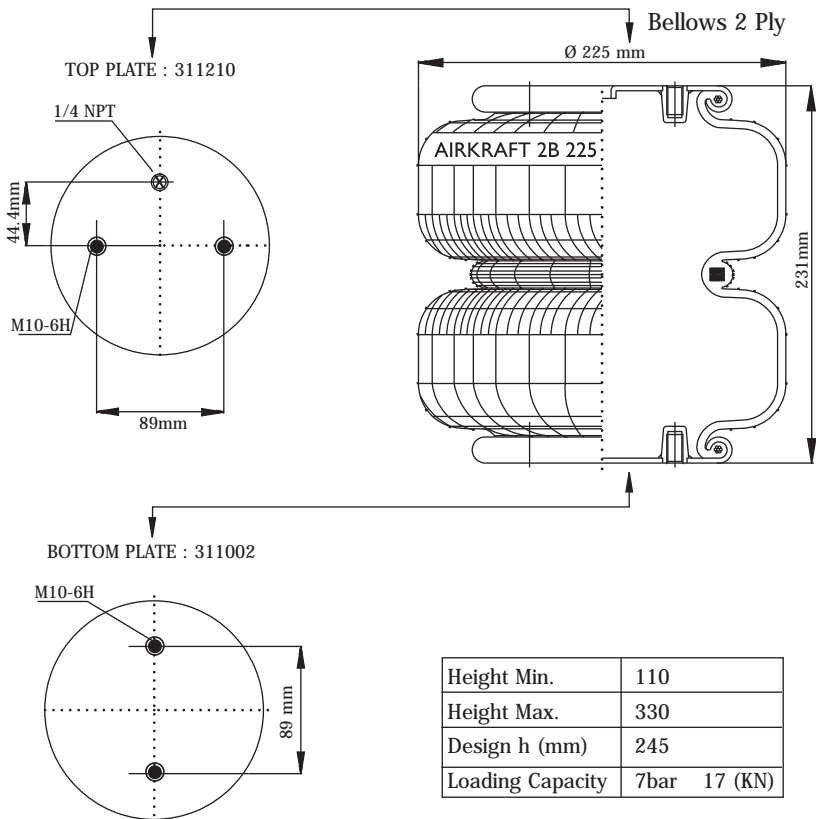
STYLE NUMBER : 2B-225
 COMPLETE ORDER NO: 113010
 BELLOW ORDER NO : 114004

DUNLOP : S09280
 FIRESTONE : W01-M587679
 GART : T291/2B (291.2.260)
 CONTITECH : FD 200- 25
 GOODYEAR : 2B9-269

GRANNING : 15670
 WEWELER : US 07394F
 MERITOR : 2122 1356
 TOUGHLINE : 15670



Height Min.	110
Height Max.	330
Design h (mm)	245
Loading Capacity	7bar 17 (KN)



STYLE NUMBER : 2B-225
 COMPLETE ORDER NO: 113011
 BELLOW ORDER NO : 114004

FIRESTONE : W01-S05-7182

GRANNING : 15710
 SAF : 1319761
 SCANIA : 1387283

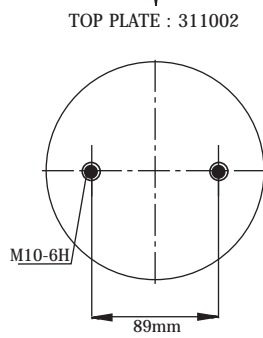
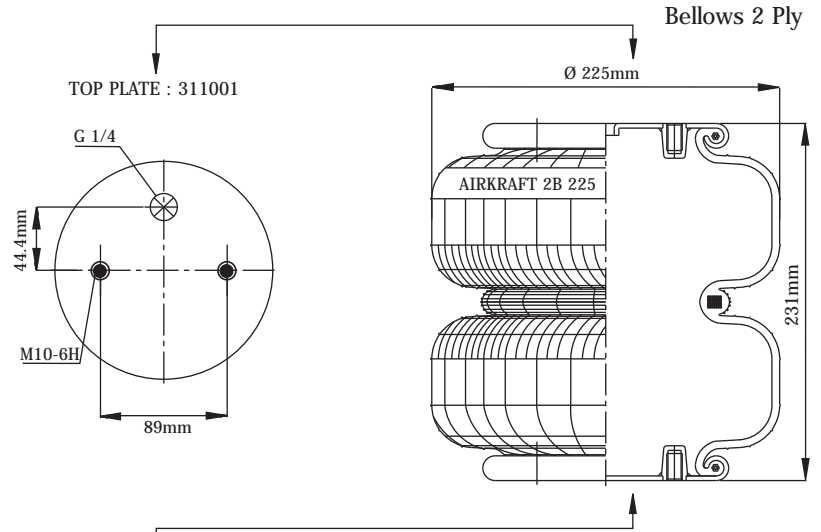
Height Min.	110
Height Max.	330
Design h (mm)	245
Loading Capacity	7bar 17 (KN)



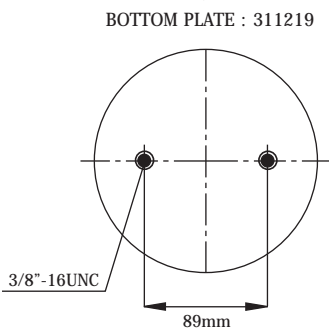
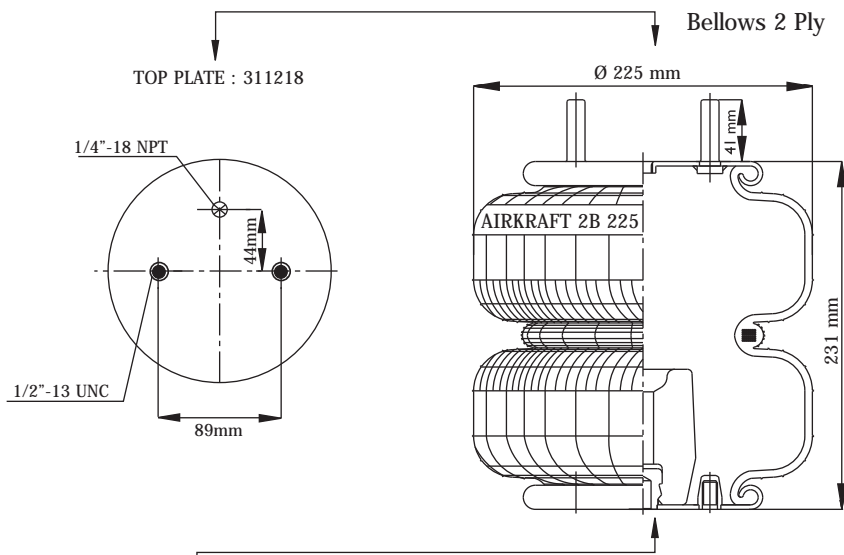
STYLE NUMBER :2B-225
 COMPLETE ORDER NO:113012
 BELLOW ORDER NO :114004

DUNLOP : S09280 (9" 1/4 x 2)
 FIRESTONE : W01- M58- 7394

WEWELER : US 07394F
 MERITOR : 2122 1356
 TOUGHLINE : 15670



Height Min.	110
Height Max.	330
Design h (mm)	245
Loading Capacity	7bar 17 (KN)



STYLE NUMBER :2B-225
 COMPLETE ORDER NO:113013
 BELLOW ORDER NO :114004

FIRESTONE : W01-358-6948
 GOODYEAR : 2B9- 251

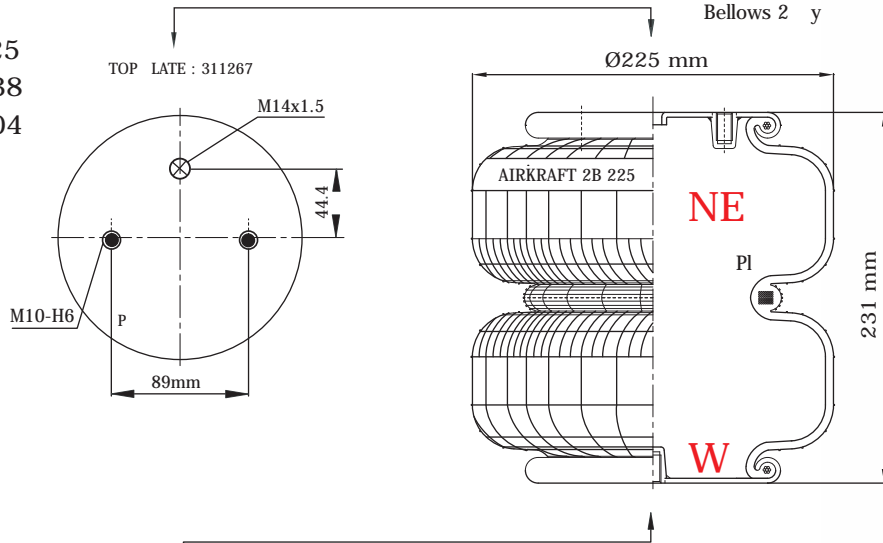
RIDEWELL : 1003586948C
 TRIANGLE : 4429

Height Min.	110
Height Max.	330
Design h (mm)	245
Loading Capacity	7bar 17 (KN)

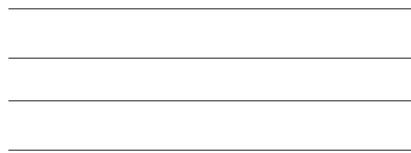
STYLE NUMBER : 2B-225
 COMPLETE ORDER NO: 113038
 BELLOW ORDER NO : 114004

FIRESTONE : W01 M58 6891

SCANIA : 1387283
 SAF : 1319761

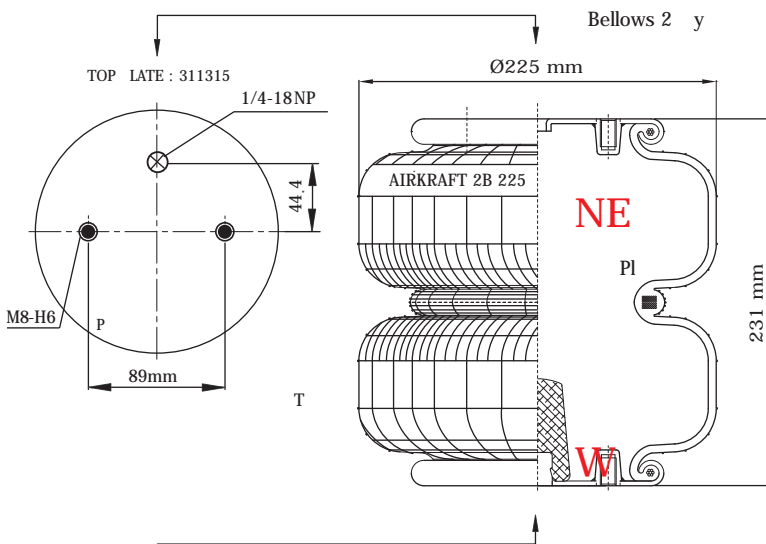
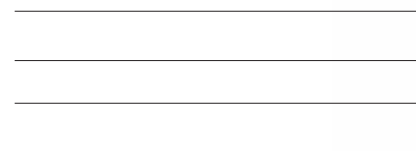


Height Min.	110
Height Max.	330
Design h (mm)	245
Loading Capacity	7 bar 17 (KN)

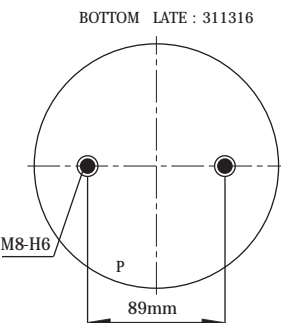


STYLE NUMBER : 2B-225
 COMPLETE ORDER NO: 113473
 BELLOW ORDER NO : 114004

FIRESTONE : 20 2T3 095.0256



Height Min.	110
Height Max.	330
Design h (mm)	245
Loading Capacity	7 bar 17 (KN)

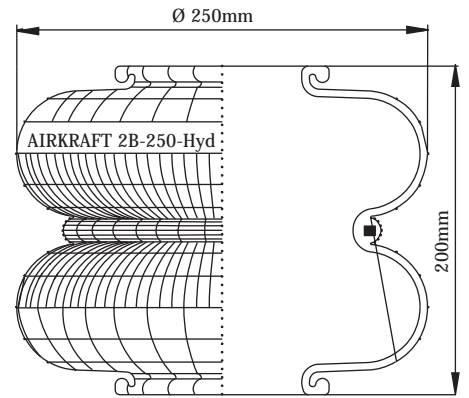


STYLE NUMBER :2B-250Hyd
 COMPLETE ORDER NO:114151
 BELLOW ORDER NO :114151

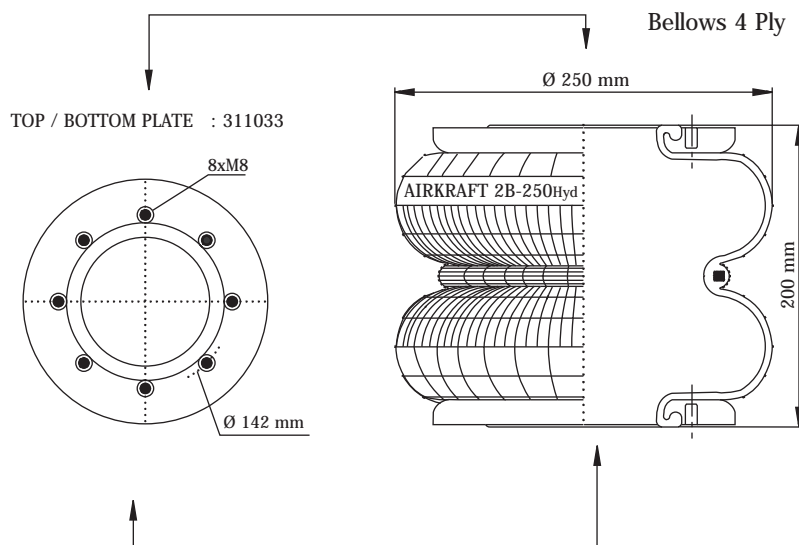
CONTITECH : 620 N Hydro
 PIRELLI : T245 BV

GRANNING : 15710
 SAF : 1319761
 SCANIA : 1387283
 ROR : 21221395-21222663
 TERBERG : 21074519
 VOLVO : 6882797
 VOLVO : 365461 Bus B 58 - 365431
 WEWELER : US 06910 F

Bellows 4 Ply



Height Min.	75
Height Max.	310
Design h (mm)	170
Loading Capacity	7bar 21 (KN)



STYLE NUMBER :2B-250-Hyd
 COMPLETE ORDER NO:113150
 BELLOW ORDER NO :114151

CONTITECH : 620 N Hydro
 PIRELLI : T245 BV 92141

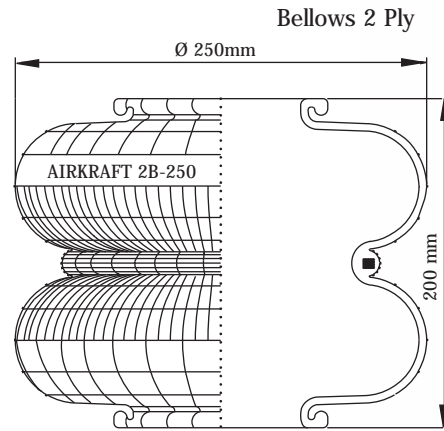
VOLVO : 6882797
 VOLVO : 365461 Bus B 58
 BPW : 05.4290.00.40

Height Min.	75
Height Max.	310
Design h (mm)	170
Loading Capacity	7 bar 21 (KN)

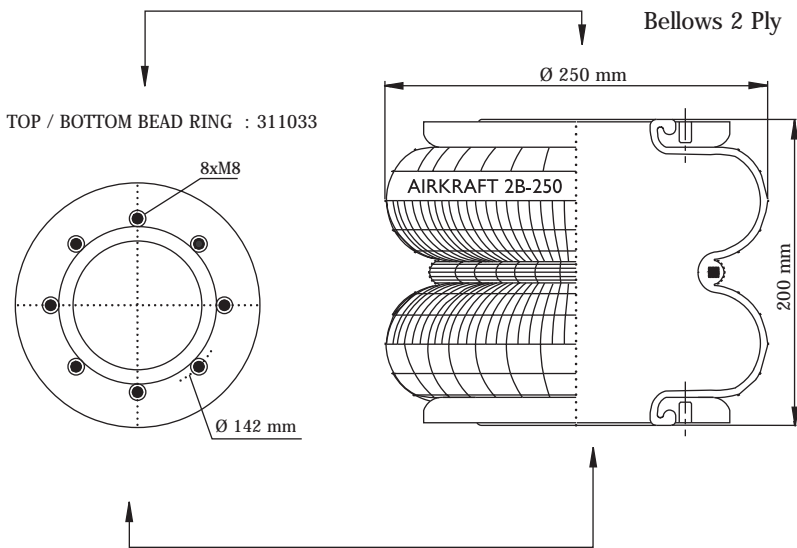
STYLE NUMBER : 2B-250
 COMPLETE ORDER NO: 114150
 BELLOW ORDER NO : 114150

PHOENIX : 2B 15R
 FIRESTONE : W01-095-0219
 CONTITECH : 620 N
 PIRELLI : T245 93625

GRANNING : 16051
 BPW : 05 429 00 040
 MAGIRUS : 0342 2652
 MAN : 81436010023
 ZORZI : 1006500
 BPW : 02.200.20.80.0



Height Min.	75
Height Max.	310
Design h (mm)	170
Loading Capacity	7 bar 21 (KN)



STYLE NUMBER : 2B-250
 COMPLETE ORDER NO: 113151
 BELLOW ORDER NO : 114150

PIRELLI : T245 93740

Height Min.	75
Height Max.	310
Design h (mm)	170
Loading Capacity	7 bar 21 (KN)

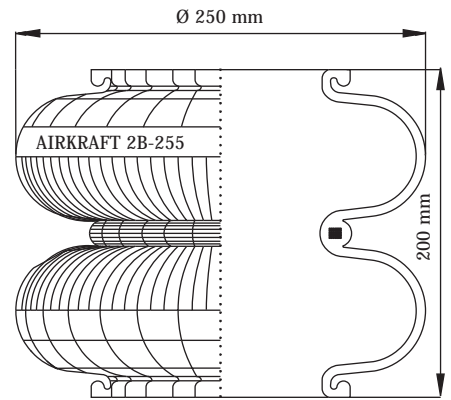


STYLE NUMBER :2B-255
 COMPLETE ORDER NO:114100
 BELLOW ORDER NO :114100

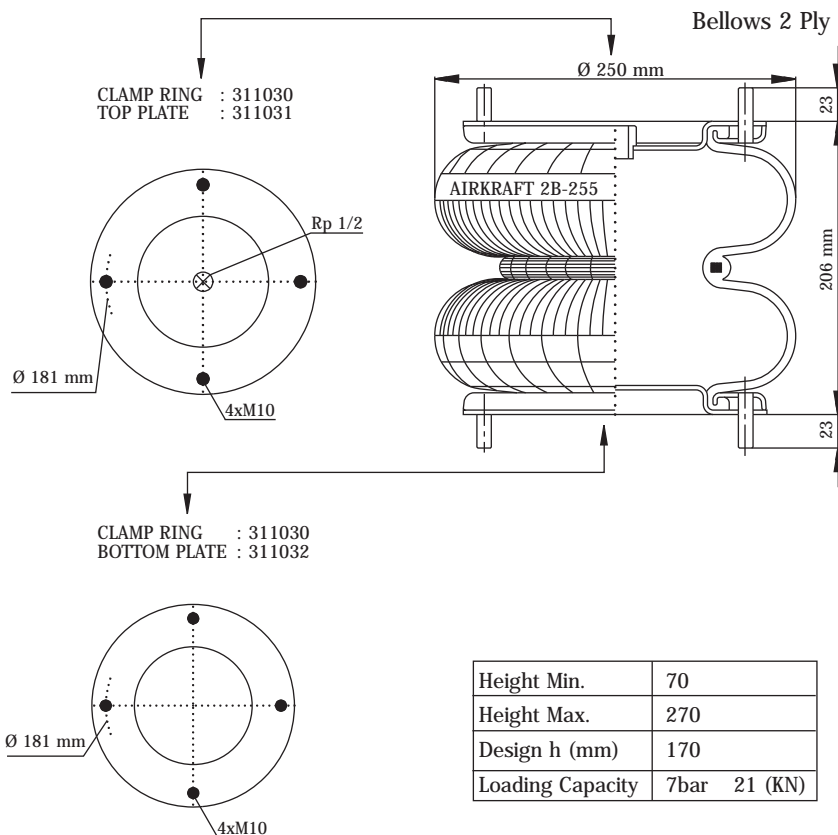
DUNLOP : SP920 (VSM 10176) (10 x 2)
 FIRESTONE : W01 095 0175
 CONTITECH : FD210- 22S

GRANNING : 15808
 RVI BUS : VSM 10176

Bellows 2 Ply



Height Min.	70
Height Max.	270
Design h (mm)	170
Loading Capacity	7bar 21 (KN)



STYLE NUMBER :2B-255
 COMPLETE ORDER NO:113100
 BELLOW ORDER NO :114100

DUNLOP : SP 1538 (10 x 2)
 CONTITECH : FD 210-22 1/2 M 10

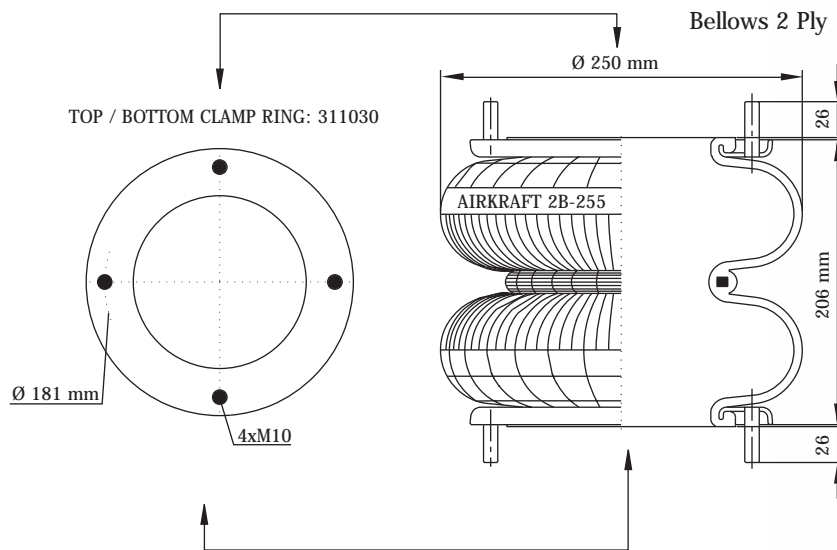
GRANNING : 15807
 SAMRO : H 250-0021

Height Min.	70
Height Max.	270
Design h (mm)	170
Loading Capacity	7bar 21 (KN)

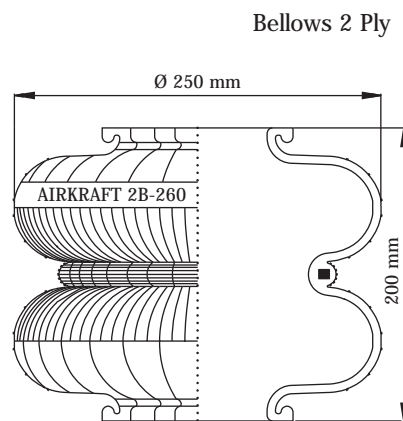
STYLE NUMBER : 2B-255
 COMPLETE ORDER NO: 113101
 BELLOW ORDER NO : 114100

DUNLOP : SP 1003 (10 x 2)

GRANNING : 15853



Height Min.	70
Height Max.	270
Design h (mm)	170
Loading Capacity	7bar 21 (KN)



STYLE NUMBER : 2B-260
 COMPLETE ORDER NO: 114200
 BELLOW ORDER NO : 114200

CONTITECH : 926 N

BPW : 02.2002.12.00

Height Min.	75
Height Max.	330
Design h (mm)	170
Loading Capacity	7bar 23 (KN)

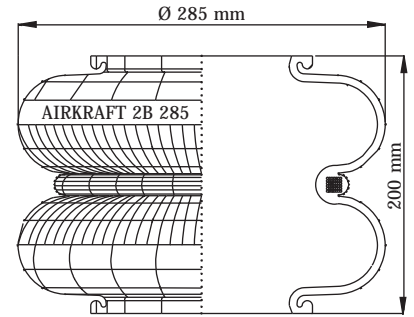


Bellows 2 Ply

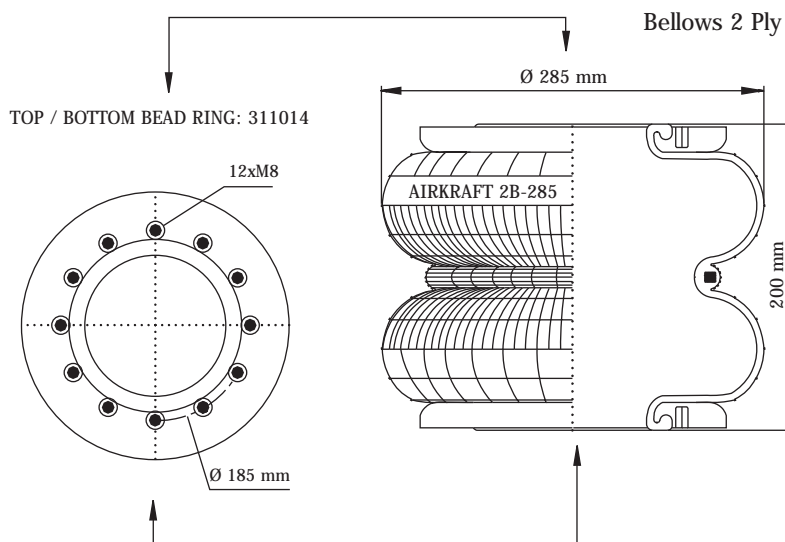
STYLE NUMBER : 2B-285
 COMPLETE ORDER NO: 114250
 BELLOW ORDER NO : 114250

PHOENIX : 2B 20R
 CONTITECH : 608 N
 TAURUS : KF211-200

GRANNING : 15853
 BPW : 02.2002.05.00
 MAGIRUS : 0342 2571
 MAN : 81 43601 0022
 MAN : 88 96420 0217
 KASSBOHRER : 473 1003000



Height Min.	75
Height Max.	330
Design h (mm)	200
Loading Capacity	7bar 28.5 (KN)



STYLE NUMBER : 2B-285
 COMPLETE ORDER NO: 113250
 BELLOW ORDER NO : 114250

CONTITECH : 608 N

BPW : 05.429.00.01.0

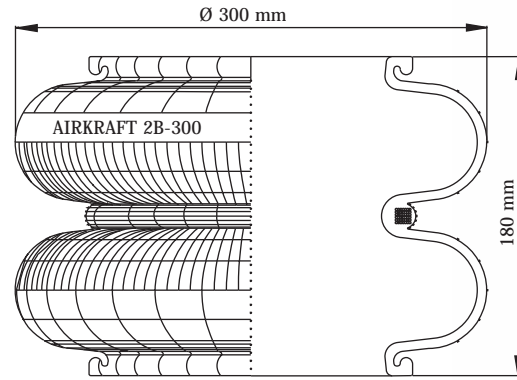
Height Min.	75
Height Max.	330
Design h (mm)	200
Loading Capacity	7bar 28.5 (KN)

Bellows 2 Ply

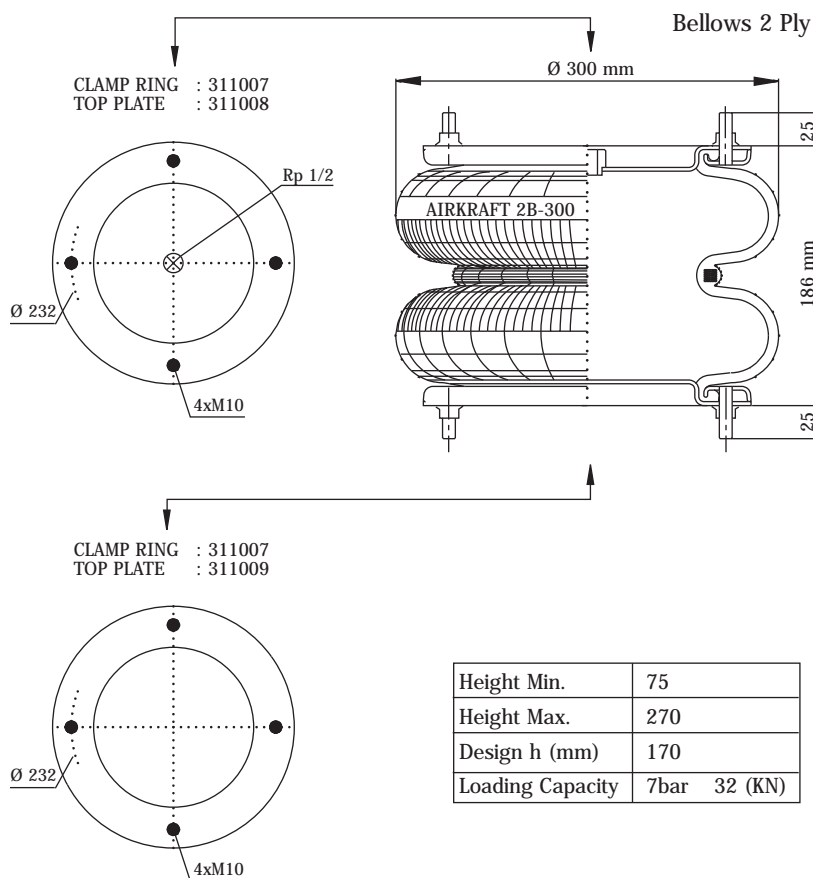
STYLE NUMBER : 2B-300
 COMPLETE ORDER NO: 114300
 BELLOW ORDER NO : 114300

DUNLOP : SP 256 NB (VSM 10178) (12X2)
 CONTITECH : FD 412-18 S

GRANNING : 15603
 KAISER : A 060 30 616
 LOHR : Y 0000 1737
 METRO BUS : X 664 1055



Height Min.	75
Height Max.	270
Design h (mm)	170
Loading Capacity	7bar 32 (KN)



Bellows 2 Ply

CLAMP RING : 311007
 TOP PLATE : 311008

CLAMP RING : 311007
 TOP PLATE : 311009

STYLE NUMBER : 2B-300
 COMPLETE ORDER NO: 113300
 BELLOW ORDER NO : 114300

DUNLOP : SP 1541 NB
 CONTITECH : FD 412- 18 1/2 M10 (12 x 2)

GIGANT : 881202
 GIRANNING : 15813
 WEWELER : USN 5100 11 KD

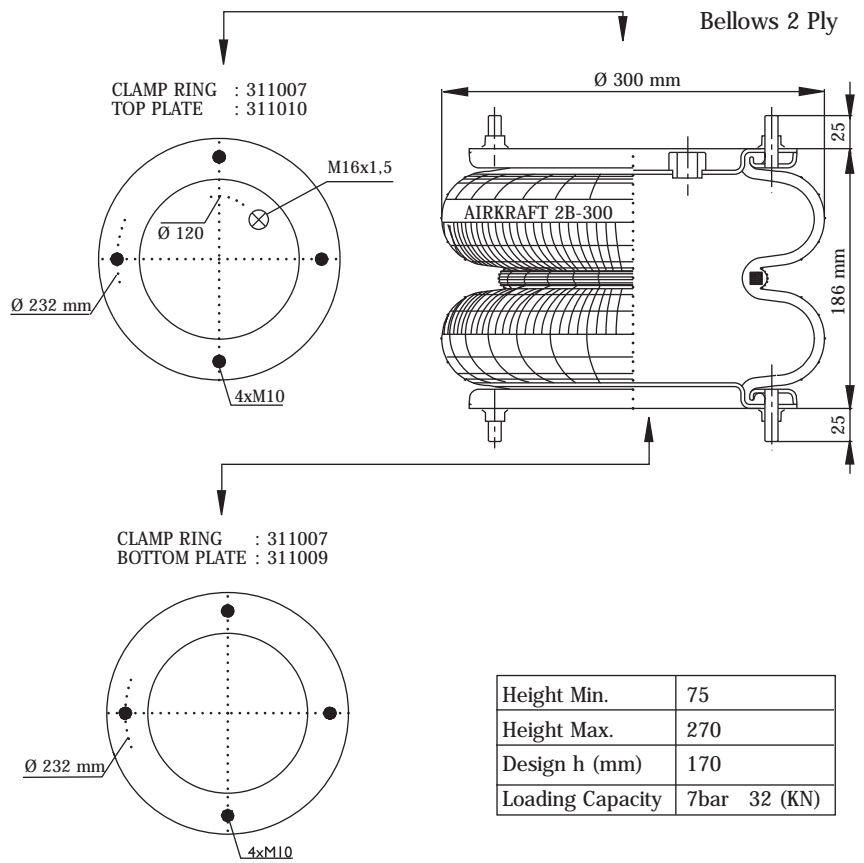
Height Min.	75
Height Max.	270
Design h (mm)	170
Loading Capacity	7bar 32 (KN)



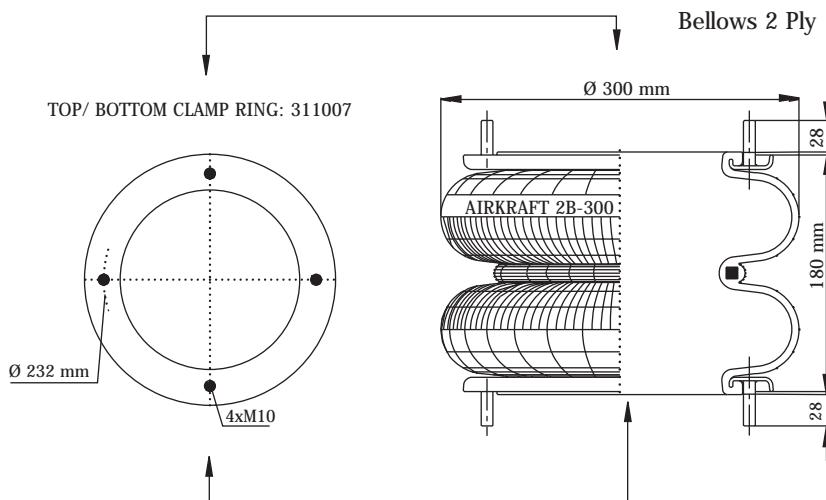
STYLE NUMBER : 2B-300
 COMPLETE ORDER NO : 113301
 BELLOW ORDER NO : 114300

DUNLOP : SP 2665 (12 x 2)
 CONTITECH : FD 412 - 18

BENALU : M 063 796
 GRANNING : 15814
 KAISER : A 060 30 615
 LOHR : A 063 0601
 TROUILLET : HB 10350
 GT-FRUEHAUF : U. JB 09 85/A



Height Min.	75
Height Max.	270
Design h (mm)	170
Loading Capacity	7bar 32 (KN)



STYLE NUMBER : 2B-300
 COMPLETE ORDER NO : 113305
 BELLOW ORDER NO : 114300

GART : T291/ B (291.1.170)
 CONTITECH : FD 412-18
 DUNLOP : SP 1025 NB

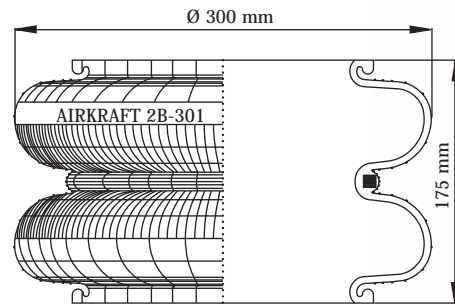
GRANNING : 15863
 KAISER : A 060 30 616
 LOHR : Y 0000 1137

Height Min.	75
Height Max.	270
Design h (mm)	170
Loading Capacity	7bar 32 (KN)

STYLE NUMBER :2B-301
 COMPLETE ORDER NO:114301
 BELLOW ORDER NO :114301

PHOENIX : 2B 22R
 FIRESTONE : W01 3580226
 PIRELLI : T22 88544

Bellows 2 Ply

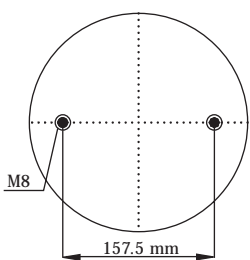
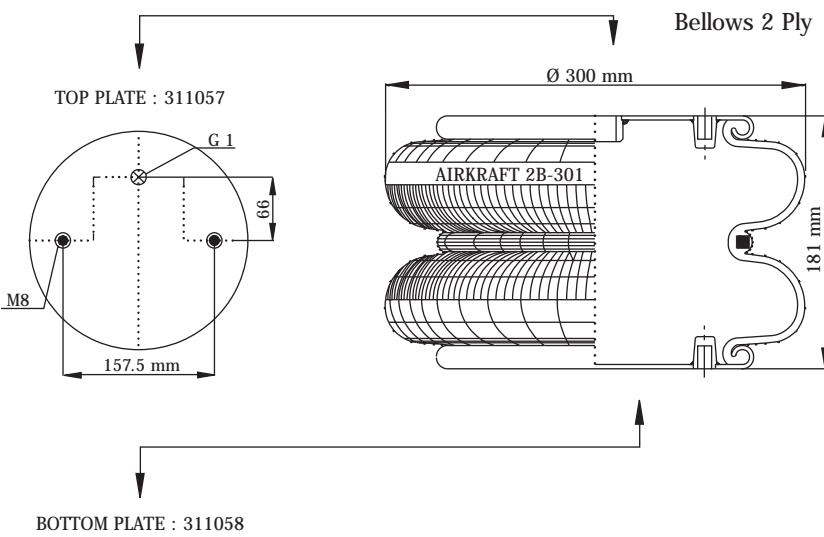


Height Min.	75
Height Max.	290
Design h (mm)	240
Loading Capacity	7bar 32 (KN)

STYLE NUMBER :2B-301
 COMPLETE ORDER NO:113306
 BELLOW ORDER NO :114301

CONTITECH : FD 330-22 1/1 M8

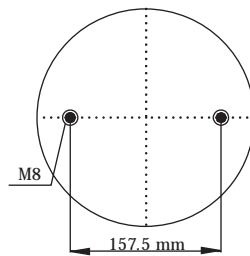
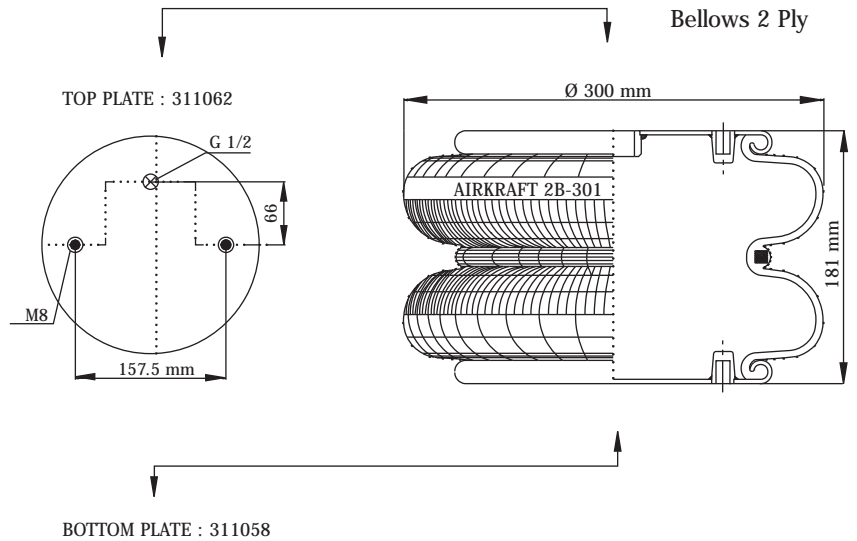
MAN : 81436010022
 BPW : 02.2002.19.00
 BUSSING : 546 905 134
 BUSSING : 831 120 120
 HENDRICKSON : NA 1816
 SAF : 2.229.1001.00
 MAGIRUS : 0345 25 71



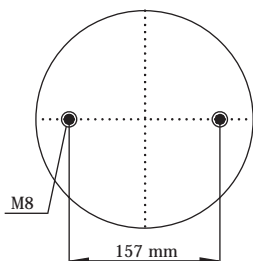
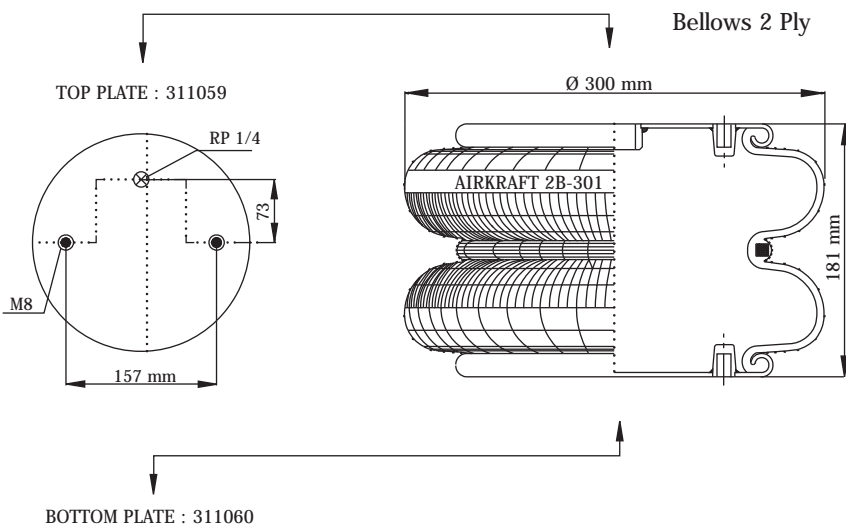
Height Min.	75
Height Max.	290
Design h (mm)	240
Loading Capacity	7bar 32 (KN)



STYLE NUMBER :2B-301
 COMPLETE ORDER NO:113307
 BELLOW ORDER NO :114301



Height Min.	75
Height Max.	290
Design h (mm)	240
Loading Capacity	7bar 32 (KN)



STYLE NUMBER :2B-301
 COMPLETE ORDER NO:113308
 BELLOW ORDER NO :114301

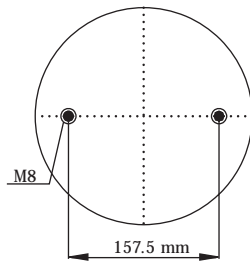
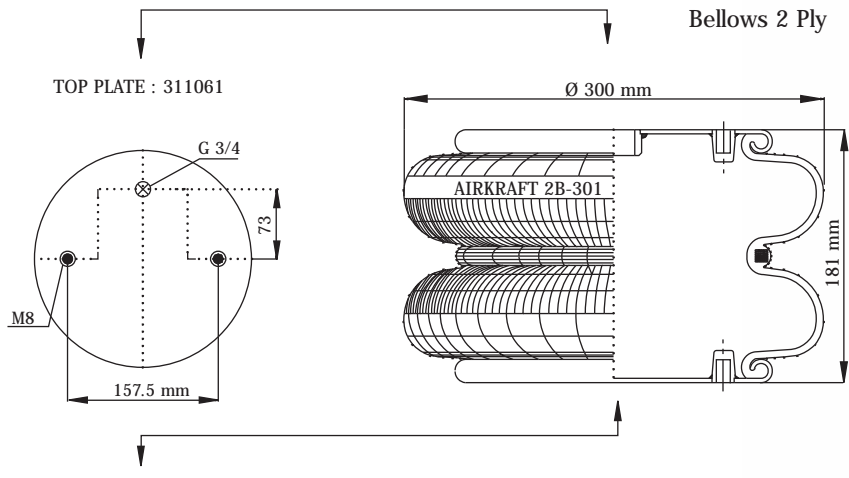
PHOENIX : 2B22R
 DUNLOP : S 12202
 FIRESTONE : W01-M58-6381
 CONTITECH : FD 330-23
 GOODYEAR : 2B12-425

GRANNING : 15646
 HENDRICKSON : NA 1816

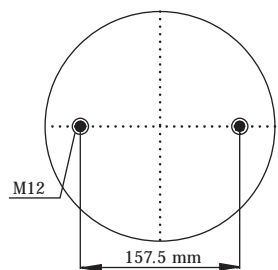
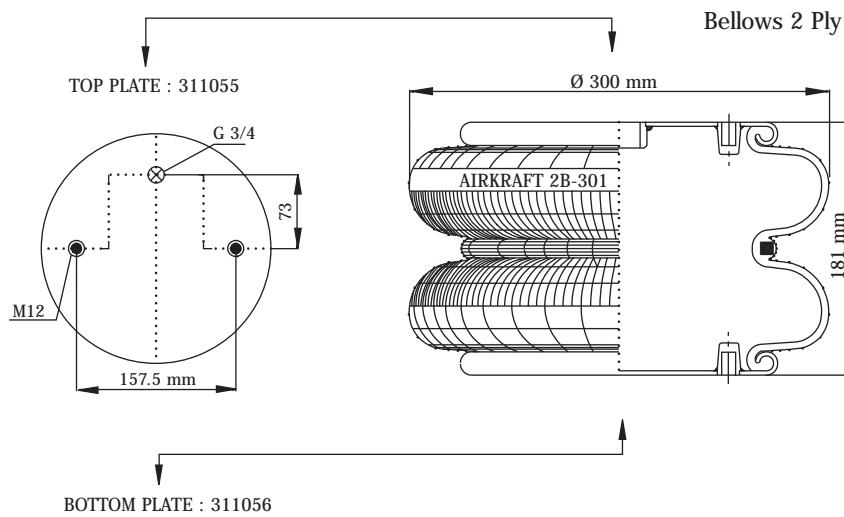
Height Min.	75
Height Max.	290
Design h (mm)	240
Loading Capacity	7 bar 32 (KN)

STYLE NUMBER : 2B-301
 COMPLETE ORDER NO: 113309
 BELLOW ORDER NO : 114301

FIRESTONE : W01-M58-6200



Height Min.	75
Height Max.	290
Design h (mm)	240
Loading Capacity	7 bar 32 (KN)



Height Min.	75
Height Max.	290
Design h (mm)	240
Loading Capacity	7 bar 32 (KN)

STYLE NUMBER : 2B-301
 COMPLETE ORDER NO: 113310
 BELLOW ORDER NO : 114301

PHOENIX : SP 2B 22R

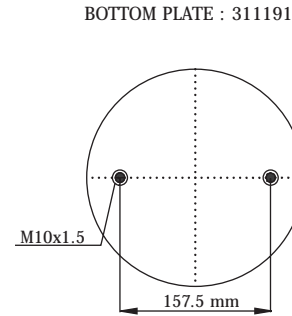
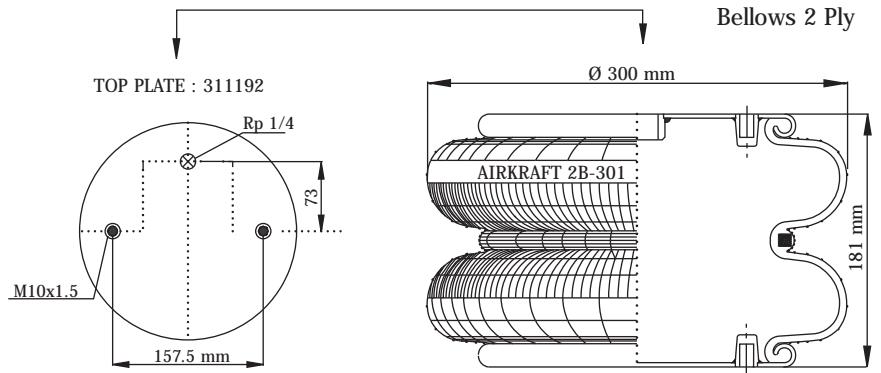
CONVOLUTED AIR SPRINGS



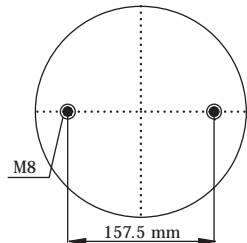
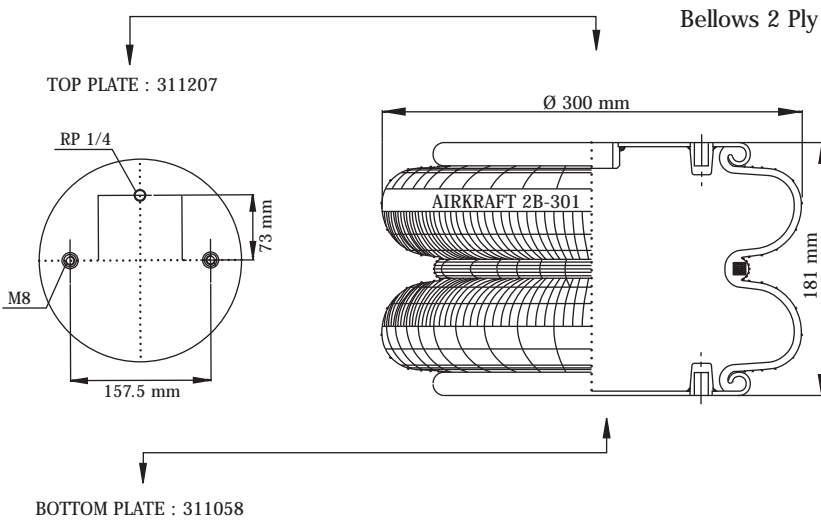
STYLE NUMBER : 2B-301
 COMPLETE ORDER NO: 113312
 BELLOW ORDER NO : 114301

DUNLOP : S 12201 (12 x 2)

HENDRICKSON : NA 1816
 GRANNING : 15646
 SAF : 3.229.1001.00



Height Min.	75
Height Max.	290
Design h (mm)	240
Loading Capacity	7bar 32 (KN)

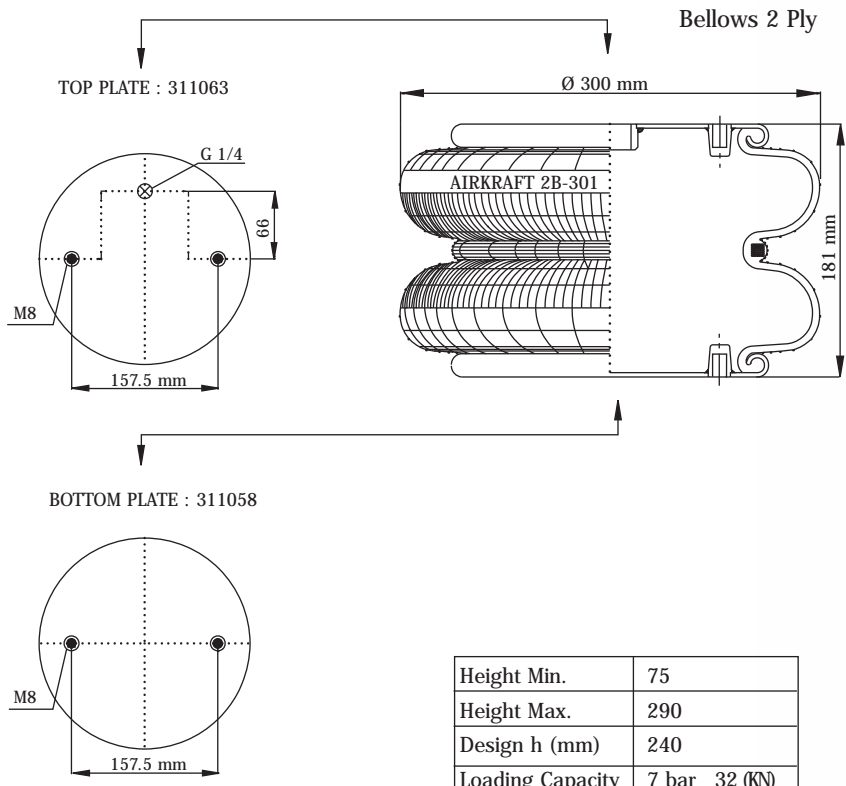
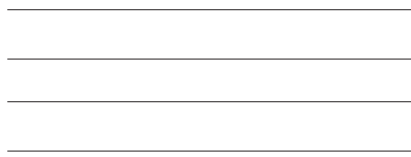


Height Min.	75
Height Max.	290
Design h (mm)	240
Loading Capacity	7bar 32 (KN)

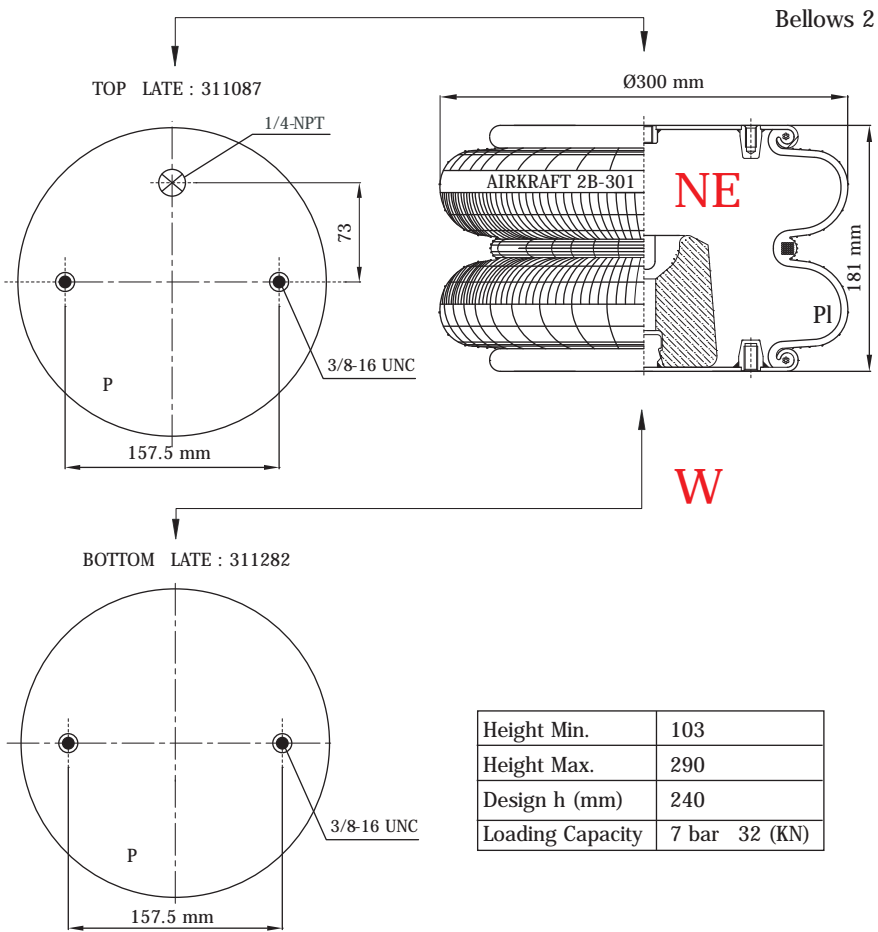
STYLE NUMBER : 2B-301
 COMPLETE ORDER NO: 113313
 BELLOW ORDER NO : 114301

PHOENIX : SP 2B22R

STYLE NUMBER :2B-301
 COMPLETE ORDER NO:113314
 BELLOW ORDER NO :114301



Height Min.	75
Height Max.	290
Design h (mm)	240
Loading Capacity	7 bar 32 (KN)



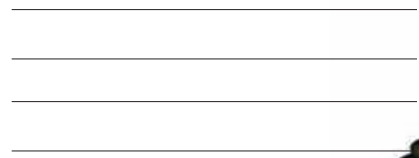
Height Min.	103
Height Max.	290
Design h (mm)	240
Loading Capacity	7 bar 32 (KN)

Bellows 2 y

STYLE NUMBER :2B-301
 COMPLETE ORDER NO:113333
 BELLOW ORDER NO :114301

FIRESTONE : W01 358 7400
 GOODYEAR : 2B12- 309
 TAURUS : KF222-7400

SCANIA (TRUCK) : 1304528
 GRANNING : 2726
 HENDRICKSON TRAILER: S1013/C1013
 RIDEWELL : 1003587400C
 WATSON& CHALIN : AS- 0003
 TRIANGLE : 4364



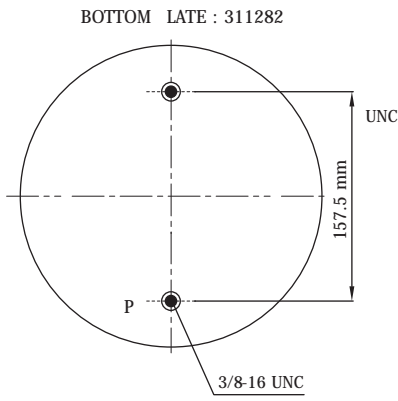
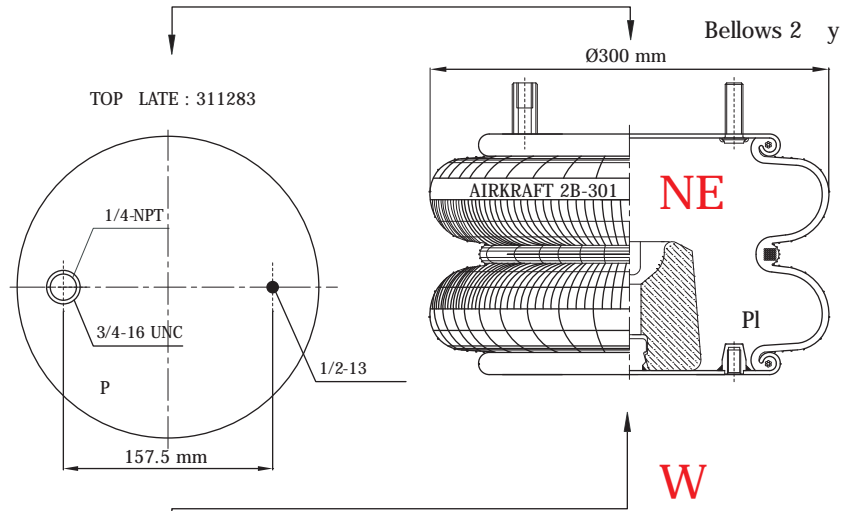
CONVOLUTED AIR SPRINGS



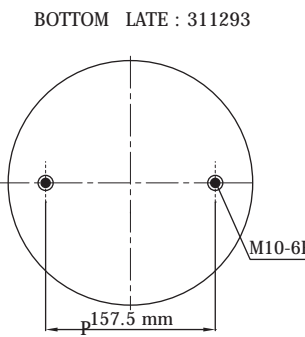
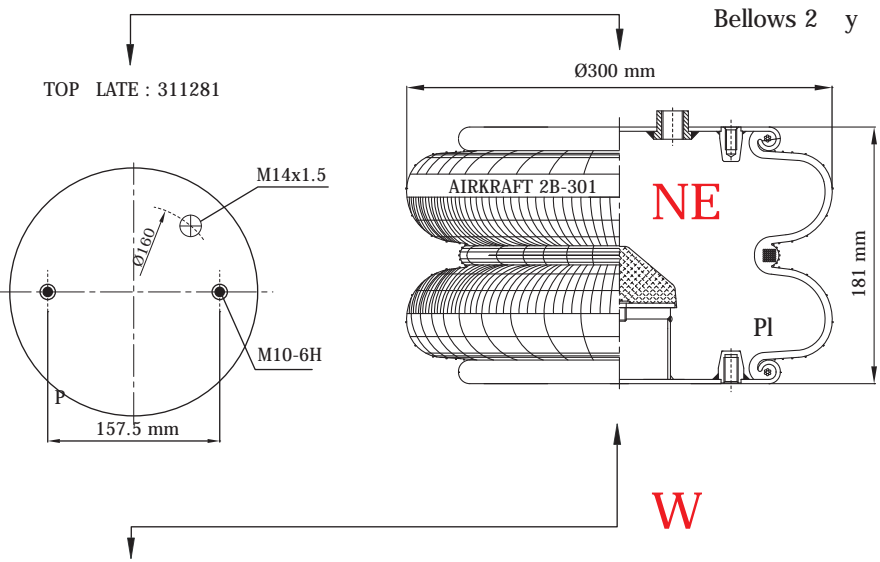
STYLE NUMBER :2B-301
 COMPLETE ORDER NO:113334
 BELLOW ORDER NO :114301

FIRESTONE : W01 358 7410
 GOODYEAR : 2B12- 406
 TAURUS : KF222-7410
 AS 214- 7410

FREIGHTLINER : 16-11378 000
 HENDRICKSON TRAILER: S-10170
 TRIANGLE : 4331



Height Min.	103
Height Max.	290
Design h (mm)	240
Loading Capacity	7 bar 32 (KN)



STYLE NUMBER :2B-301
 COMPLETE ORDER NO:113329
 BELLOW ORDER NO :114301

SCANIA : 1510249

Height Min.	125
Height Max.	290
Design h (mm)	240
Loading Capacity	7 bar 32 (KN)

COMBOSTUD

BOLT / STUD

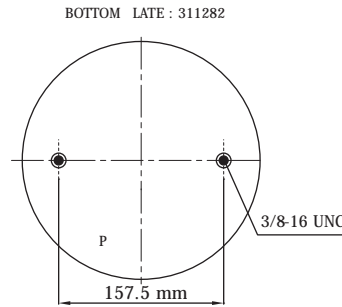
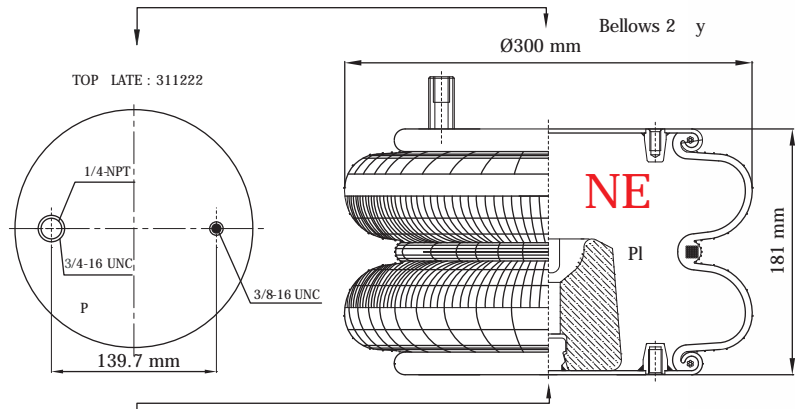
AIR INLET

THREADED HOLE

STYLE NUMBER : 2B-301
 COMPLETE ORDER NO: 113339
 BELLOW ORDER NO : 114301

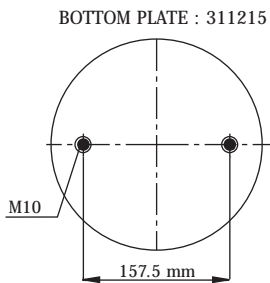
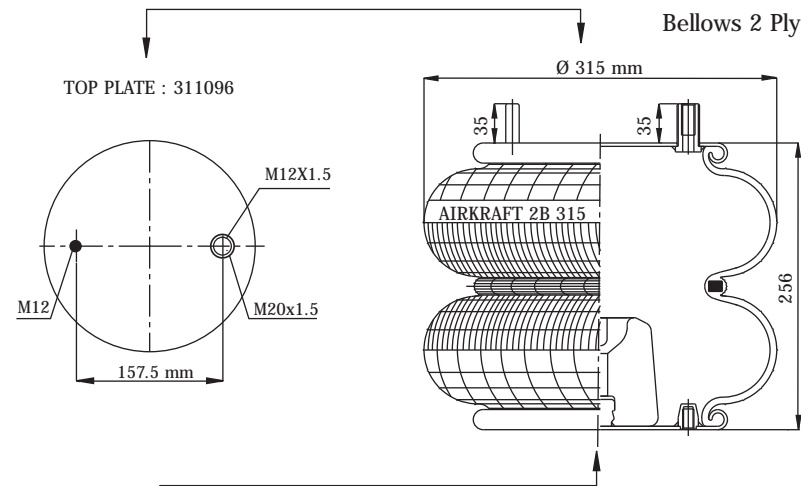
FIRESTONE : W01 358 7403
 GOODYEAR : 2B12- 307
 TAURUS : KF222-7403

GRANNING : 2725
 HENDRICKSON : NA 1860/B1159/B2883
 HENDRICKSON TRAILER: S 1159/ S 2883
 WATSON& CHALIN : AS-0007/AS-0068
 RIDEWELL : 1003587403C



W

Height Min.	103
Height Max.	290
Design h (mm)	240
Loading Capacity	7 bar 32 (kN)



Height Min.	103
Height Max.	360
Design h (mm)	
Loading Capacity	7 bar 34.3 (kN)

STYLE NUMBER : 2B-315
 COMPLETE ORDER NO: 113320
 BELLOW ORDER NO : 114303

PHOENIX : SP 2B22-Ra-2

HENDRICKSON : HS507906/P

CONVOLUTED AIR SPRINGS

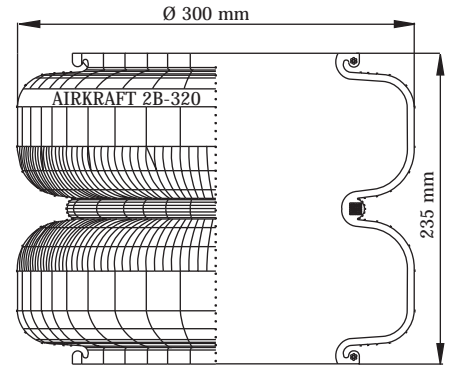


STYLE NUMBER : 2B-320
 COMPLETE ORDER NO: 114302
 BELLOW ORDER NO : 114302

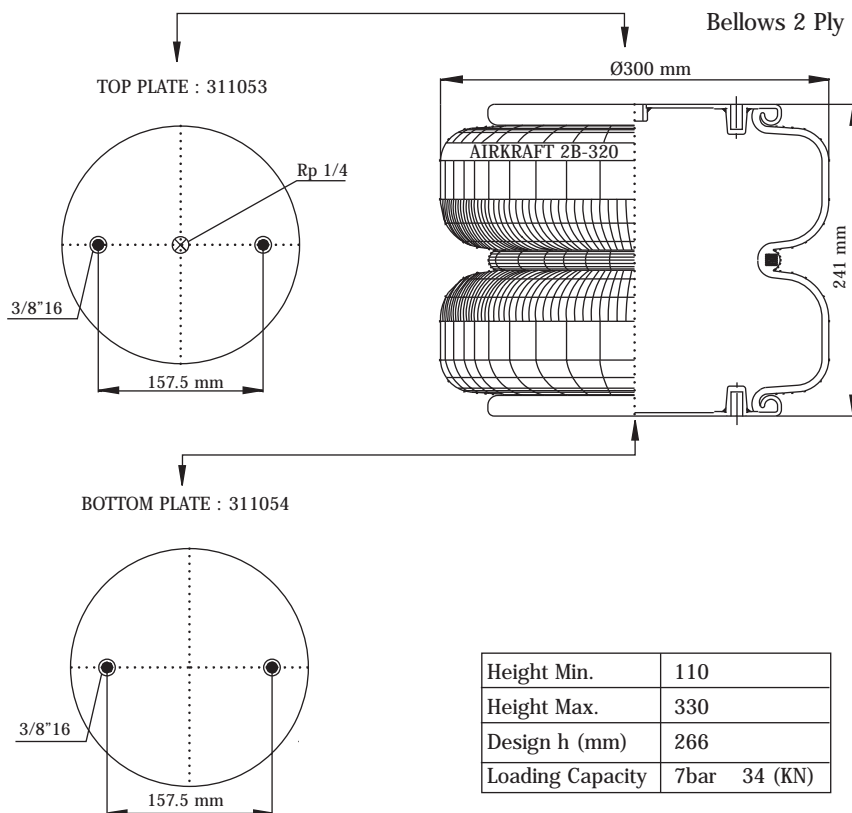
FIRESTONE : W01 358 0259

GRANNING : 1218

Bellows 2 Ply



Height Min.	110
Height Max.	330
Design h (mm)	266
Loading Capacity	7bar 34 (KN)



Bellows 2 Ply

STYLE NUMBER : 2B-320
 COMPLETE ORDER NO: 113311
 BELLOW ORDER NO : 114302

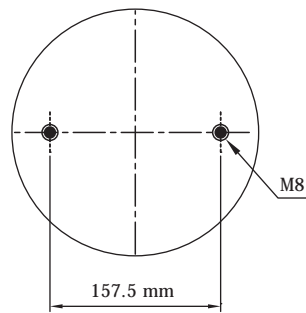
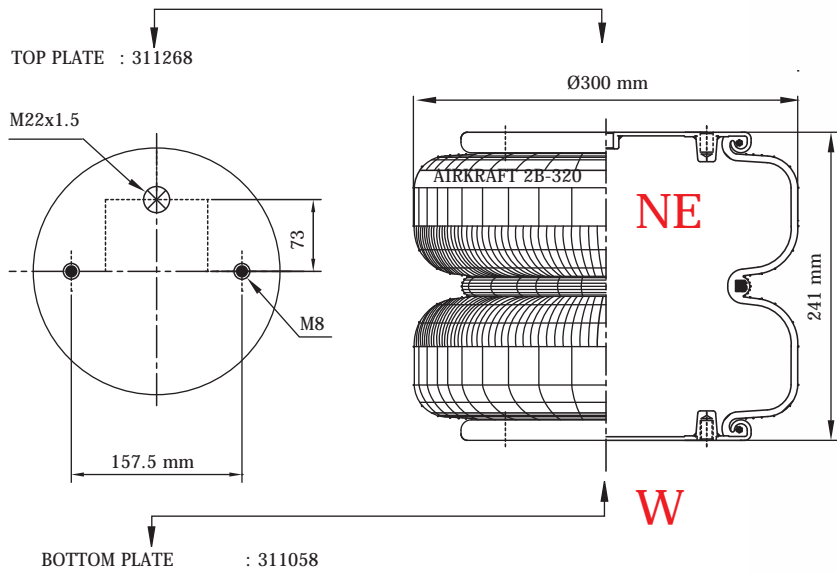
DUNLOP : S 12280
 FIRESTONE : W01-358-7443 / 7440
 GOODYEAR : 2B12-305

GRANNING : 1218
 TOUGHLINE : 1218
 RIDEWELL : 1003587443C
 WATSON&CHALIN : AS-0027

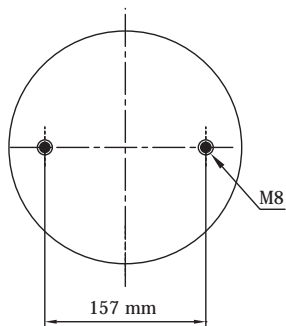
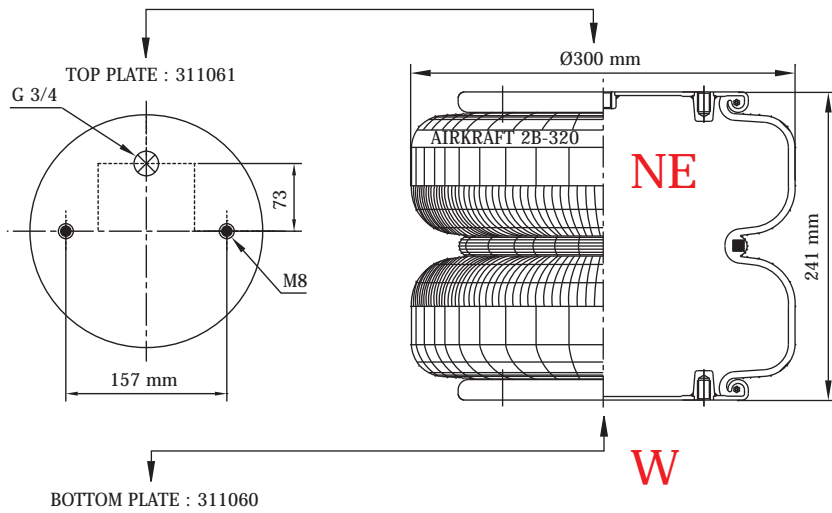
Height Min.	110
Height Max.	330
Design h (mm)	266
Loading Capacity	7bar 34 (KN)

STYLE NUMBER : 2B-320
 COMPLETE ORDER NO: 113325
 BELLOW ORDER NO : 114302

FIRESTONE : 22-1.5 T3 095.0258



Height Min.	110
Height Max.	330
Design h (mm)	266
Loading Capacity	7 bar 34 (KN)



Height Min.	110
Height Max.	330
Design h (mm)	266
Loading Capacity	7 bar 34 (KN)

STYLE NUMBER : 2B-320
 COMPLETE ORDER NO: 113326
 BELLOW ORDER NO : 114302

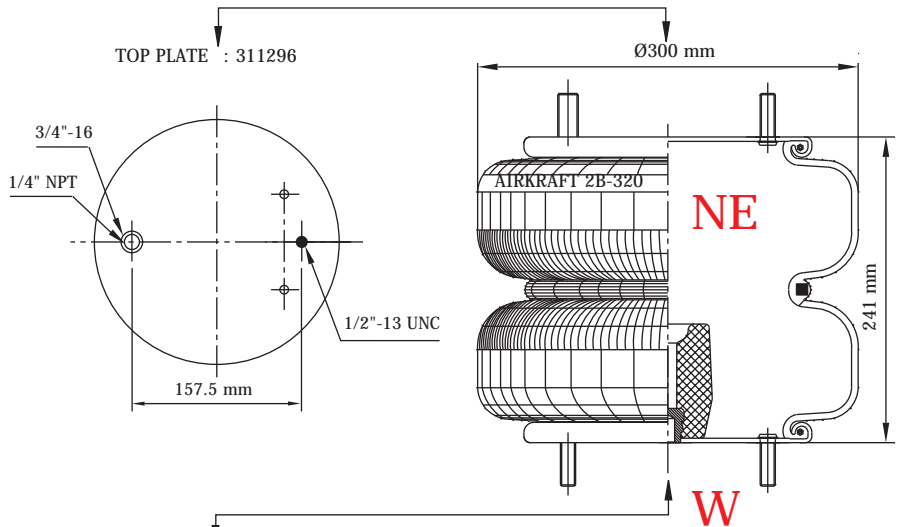
CONVOLUTED AIR SPRINGS

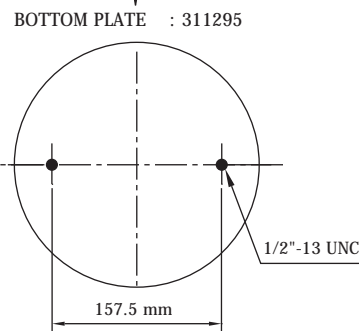


STYLE NUMBER : 2B-320
 COMPLETE ORDER NO: 113341
 BELLOW ORDER NO : 114302

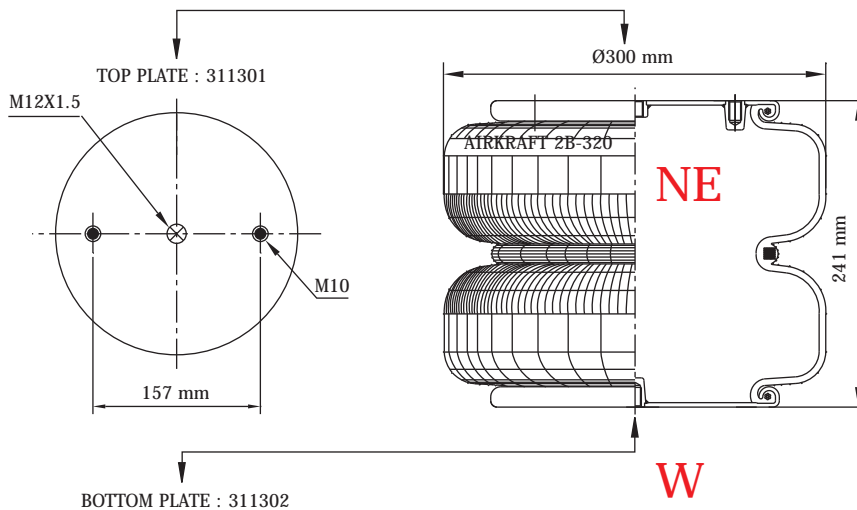
FIRESTONE : W01 358 7550/ 7555
 GOODYEAR : 2B12- 440

WATSON& CHALIN : AS-0087
 HESTEER : 10315





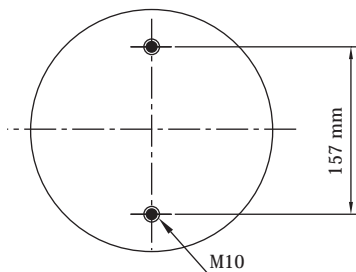
Height Min.	110
Height Max.	330
Design h (mm)	266
Loading Capacity	7 bar 34 (KN)



STYLE NUMBER : 2B-320
 COMPLETE ORDER NO: 113342
 BELLOW ORDER NO : 114302

FIRESTONE : W01 M58 6875

R.O.R./ MERITOR: 21226068

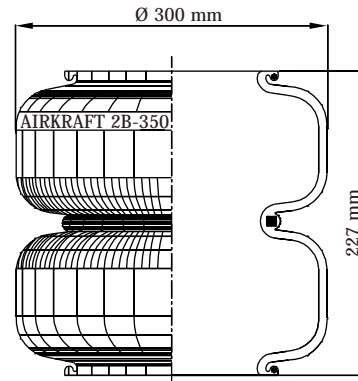


Height Min.	110
Height Max.	330
Design h (mm)	266
Loading Capacity	7 bar 34 (KN)

STYLE NUMBER : 2B-350
 COMPLETE ORDER NO: 114304
 BELLOW ORDER NO : 114304

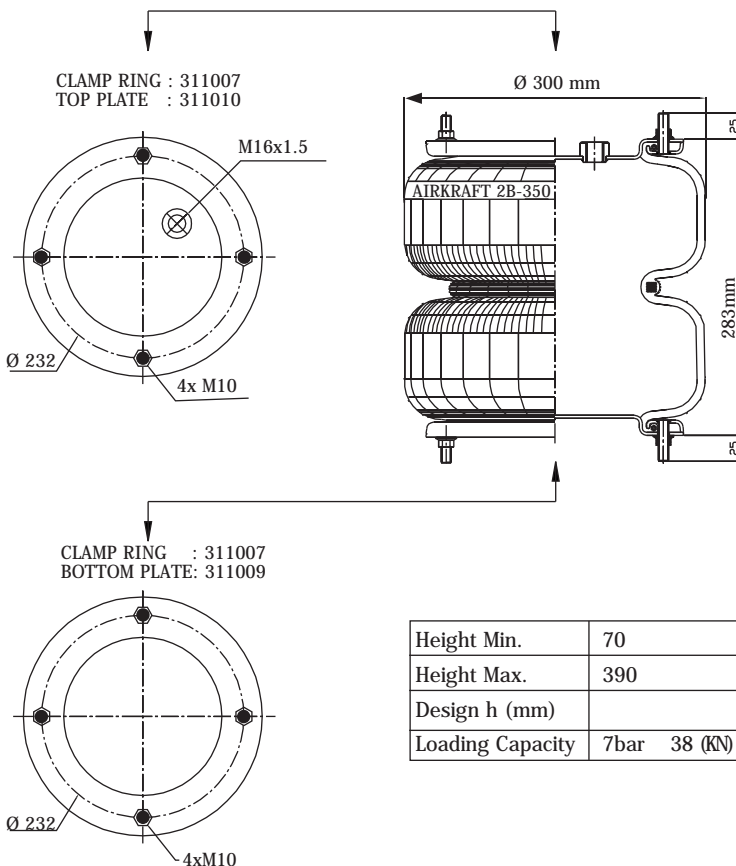
DUNLOP : SP 2770

Bellows 2 Ply



Height Min.	70
Height Max.	390
Design h (mm)	
Loading Capacity	7bar 38 (kN)

Bellows 2 Ply



STYLE NUMBER : 2B-350
 COMPLETE ORDER NO: 113330
 BELLOW ORDER NO : 114304

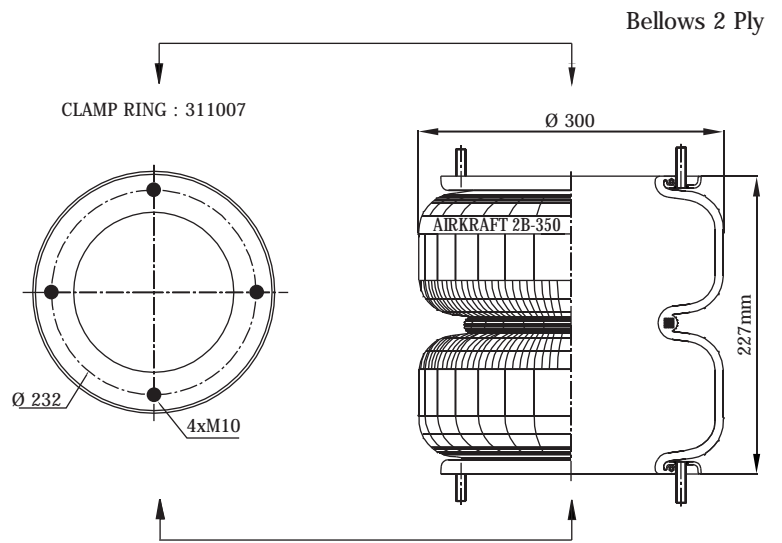
DUNLOP : SP2782 NB

FRUEHAUF : M07824 G

Height Min.	70
Height Max.	390
Design h (mm)	
Loading Capacity	7bar 38 (kN)



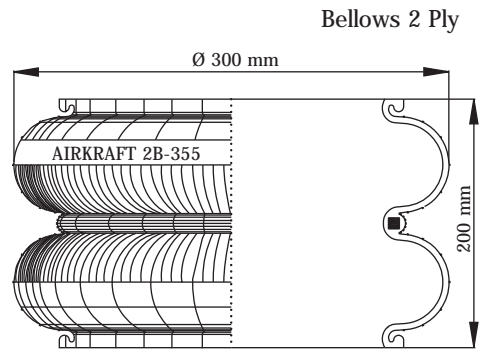
STYLE NUMBER :2B-350
 COMPLETE ORDER NO:113331
 BELLOW ORDER NO :114304



Height Min.	70
Height Max.	390
Design h (mm)	
Loading Capacity	7bar 38 (KN)

STYLE NUMBER :2B-355
 COMPLETE ORDER NO:114450
 BELLOW ORDER NO :114450

FIRESTONE : 21- 095.0035

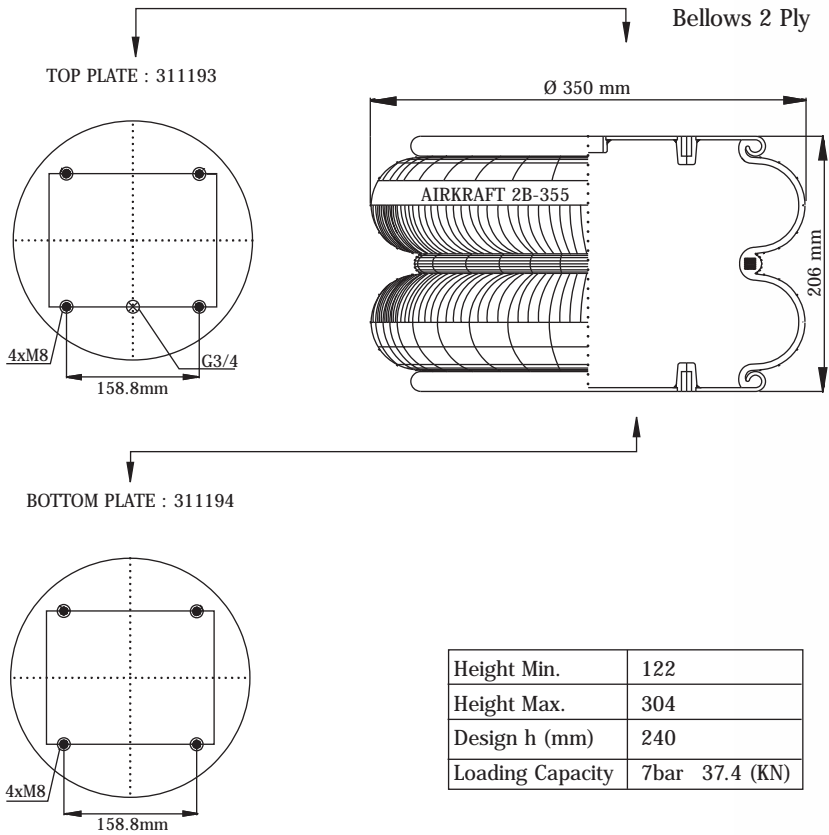


Height Min.	122
Height Max.	304
Design h (mm)	240
Loading Capacity	7bar 37.4 (KN)

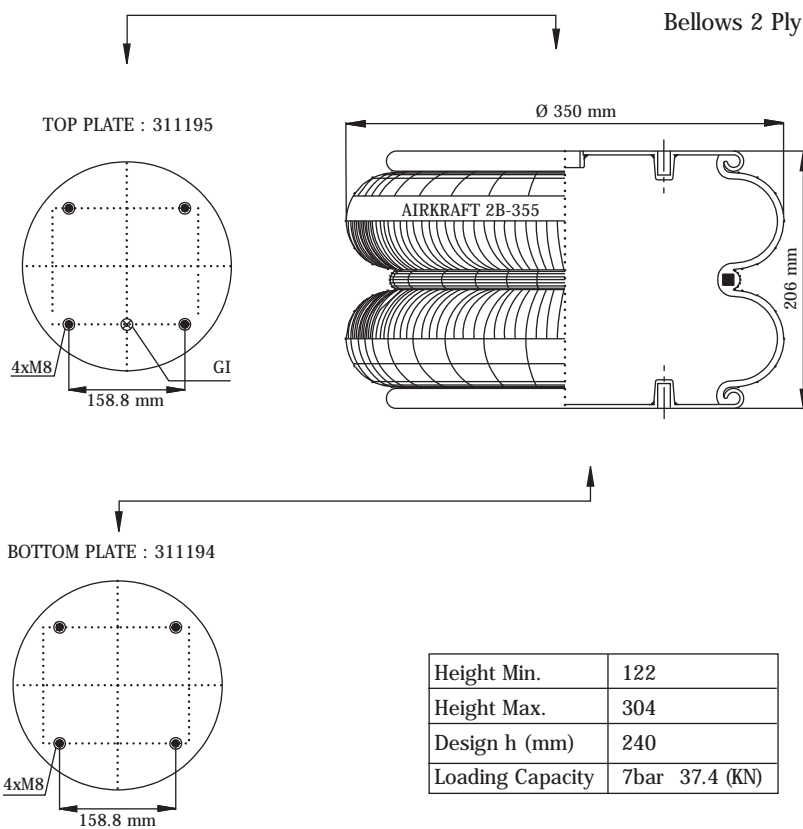
STYLE NUMBER : 2B-355
 COMPLETE ORDER NO: 113450
 BELLOW ORDER NO : 114450

PHOENIX : SP 2B34R

GRANNING : 1218
 TOUGHLINE : 1218
 RIDEWELL : 1003587443C
 WATSON&CHALIN : AS-0027



Height Min.	122
Height Max.	304
Design h (mm)	240
Loading Capacity	7bar 37.4 (KN)



STYLE NUMBER : 2B-355
 COMPLETE ORDER NO: 113453
 BELLOW ORDER NO : 114450

CONTITECH : FD 530-22
 FIRESTONE : W01 358 7224
 PIRELLI : 1938

GRANNING : 16022
 DAF : 1 307 058

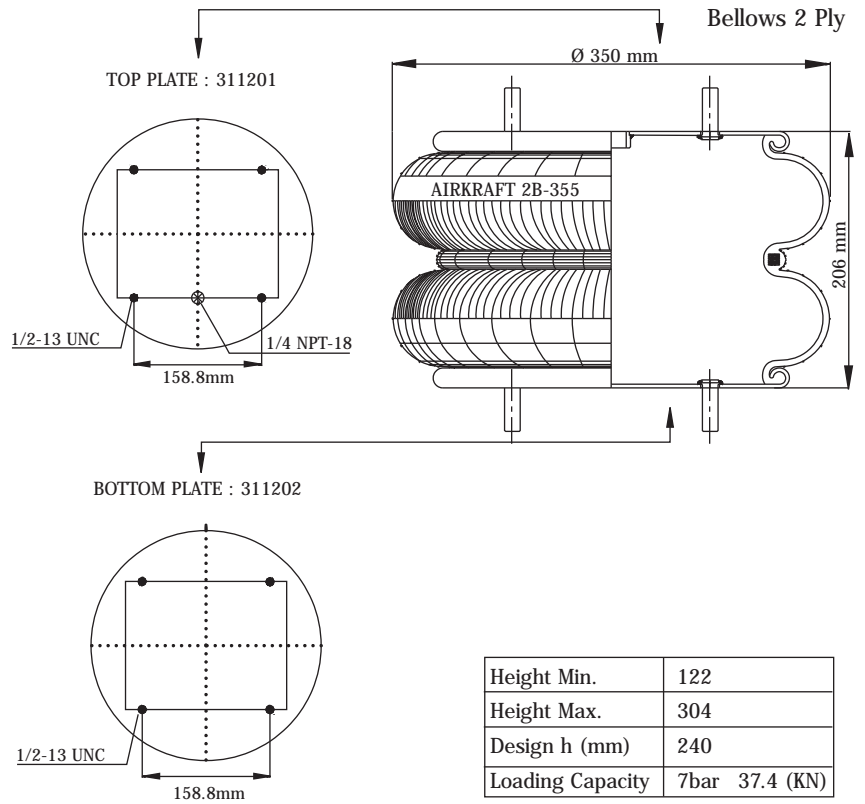
Height Min.	122
Height Max.	304
Design h (mm)	240
Loading Capacity	7bar 37.4 (KN)



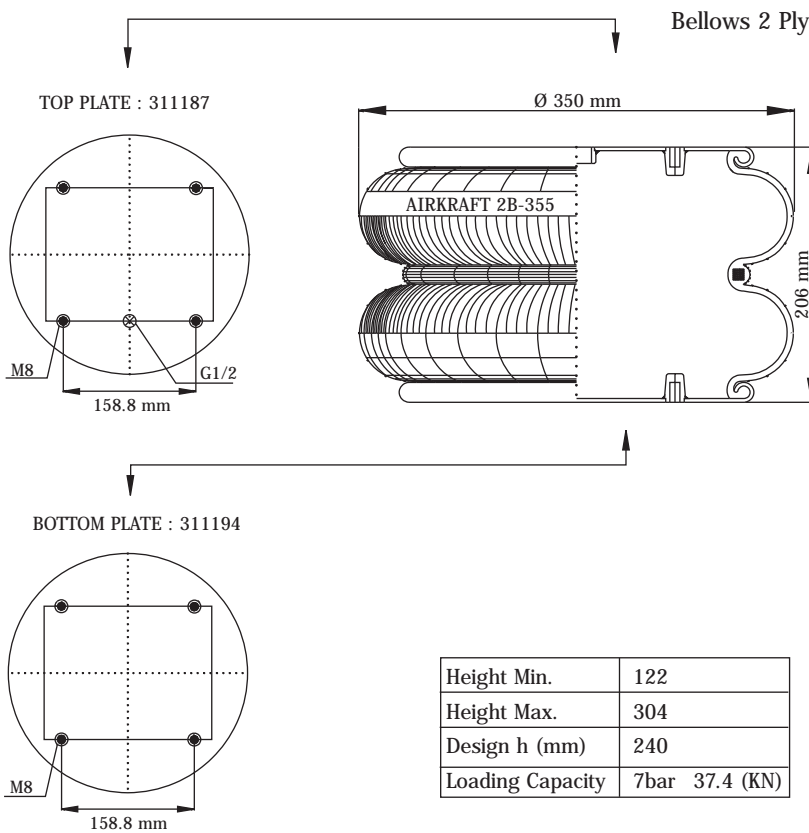
STYLE NUMBER :2B-355
 COMPLETE ORDER NO:113454
 BELLOW ORDER NO :114450

FIRESTONE : W01-358-7135
 GOODYEAR : 2B 14-360

GRANNING : 15647
 NEWAY : 90557001
 NEWAY : M05 57 003



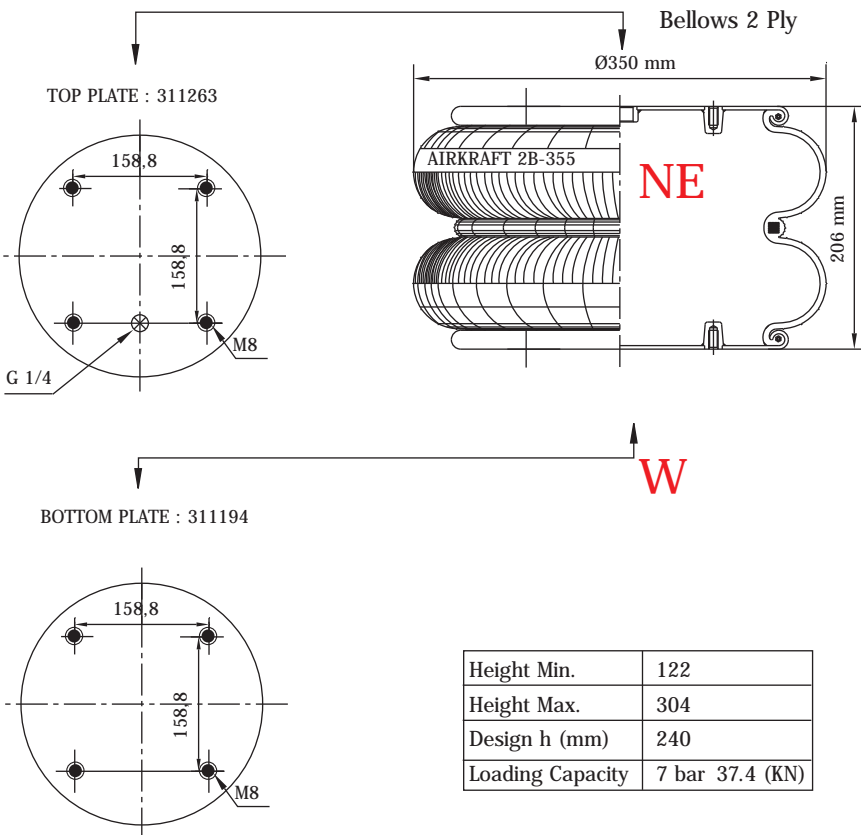
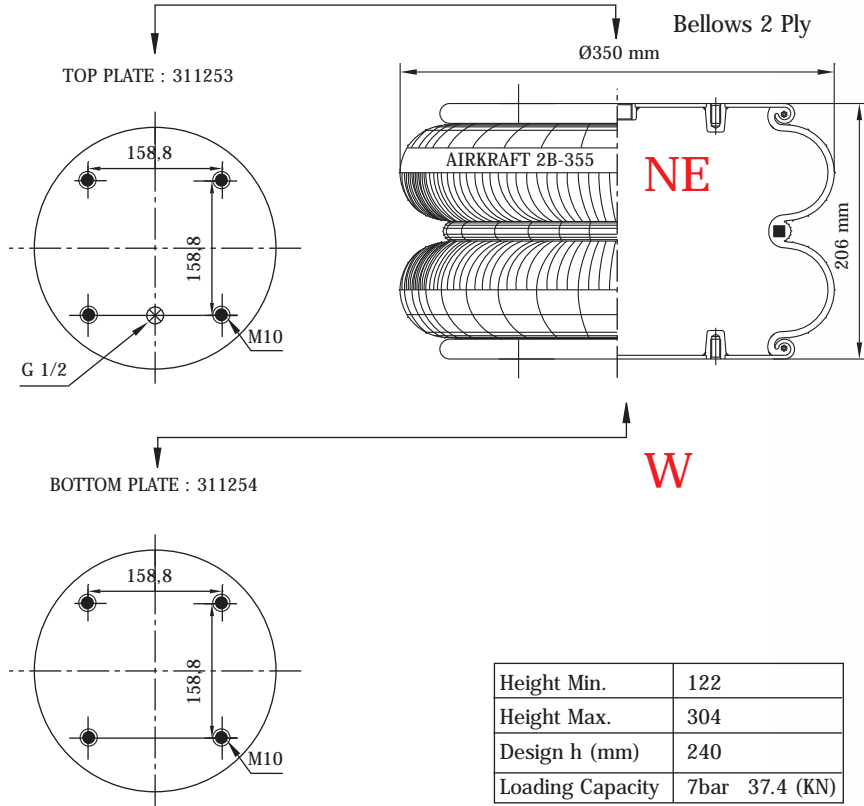
Height Min.	122
Height Max.	304
Design h (mm)	240
Loading Capacity	7bar 37.4 (KN)



STYLE NUMBER :2B-355
 COMPLETE ORDER NO:113455
 BELLOW ORDER NO :114450

Height Min.	122
Height Max.	304
Design h (mm)	240
Loading Capacity	7bar 37.4 (KN)

STYLE NUMBER :2B-355
 COMPLETE ORDER NO:113459
 BELLOW ORDER NO :114450



STYLE NUMBER :2B-355
 COMPLETE ORDER NO:113460
 BELLOW ORDER NO :114450

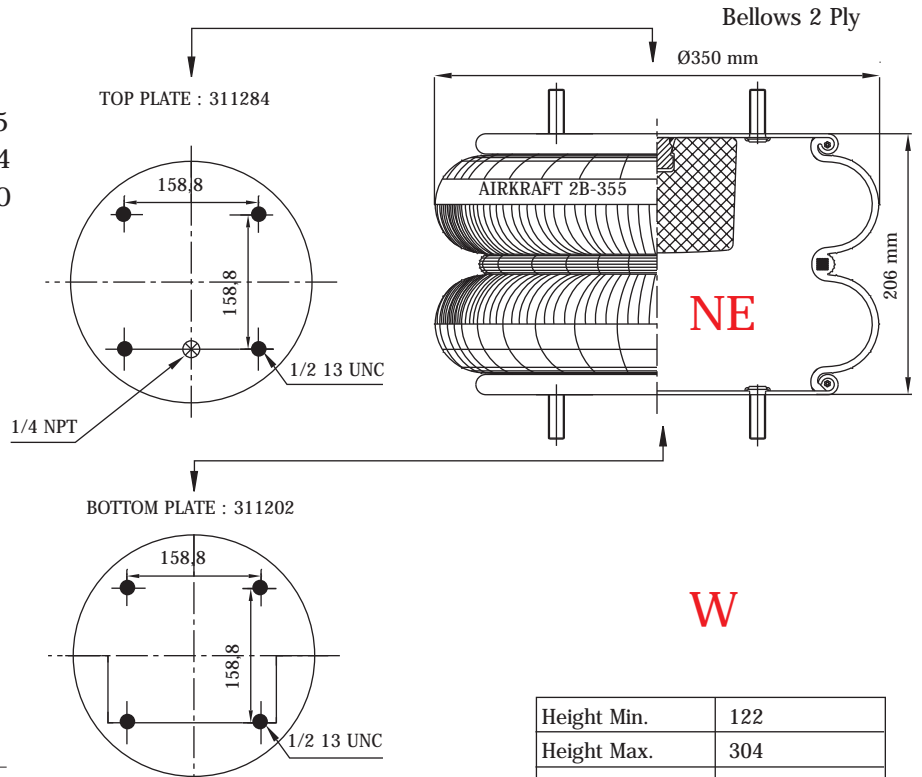
CONVOLUTED AIR SPRINGS



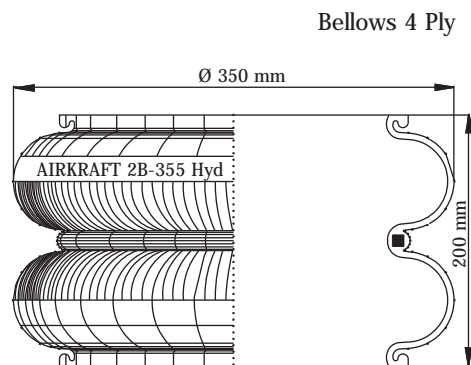
STYLE NUMBER : 2B-355
 COMPLETE ORDER NO: 113464
 BELLOW ORDER NO : 114450

FIRESTONE : W01-358-7140
 : W01-681-7110
 GOODYEAR : 2B 14-359
 TAURUS : KF221-7140

GRANNING : 1015/ 15663
 HENDRICKSON : B-3184
 RIDEWELL : 1003587140C
 WATSON& CHALIN: AS-0008



Height Min.	122
Height Max.	304
Design h (mm)	240
Loading Capacity	7 bar 37.4 (KN)



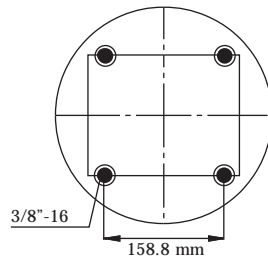
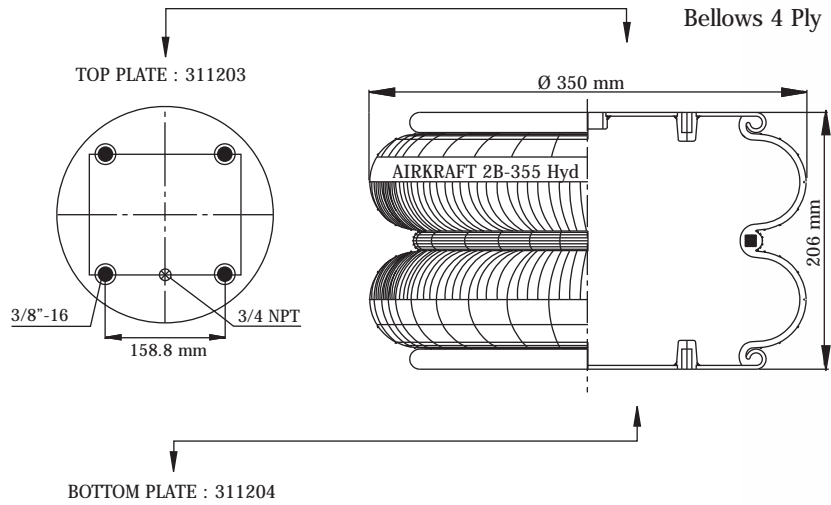
STYLE NUMBER : 2B-355 Hyd
 COMPLETE ORDER NO: 114452
 BELLOW ORDER NO : 114452

Height Min.	122
Height Max.	304
Design h (mm)	240
Loading Capacity	7 bar 37.4 (KN)

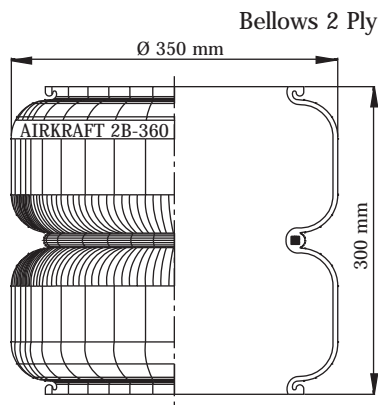
STYLE NUMBER : 2B-355 Hyd
 COMPLETE ORDER NO: 113452
 BELLOW ORDER NO : 114452

FIRESTONE : W01- 358- 7880

WEWELER : US 07880F



Height Min.	122
Height Max.	304
Design h (mm)	240
Loading Capacity	7bar 37.4 (KN)



STYLE NUMBER : 2B-360
 COMPLETE ORDER NO: 114451
 BELLOW ORDER NO : 114451

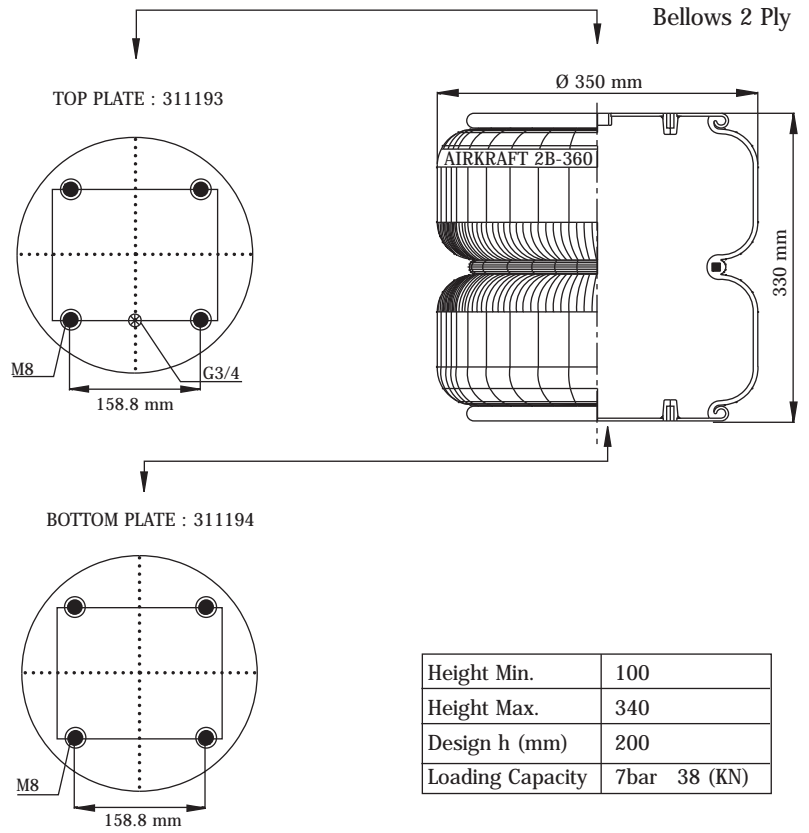
PHOENIX : 2B 34R-b

Height Min.	100
Height Max.	340
Design h (mm)	200
Loading Capacity	7bar 38 (KN)



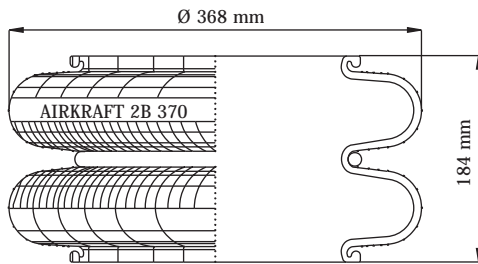
STYLE NUMBER :2B-360
 COMPLETE ORDER NO:113451
 BELLOW ORDER NO :114451

PHOENIX : SP 2B 34R-b



Height Min.	100
Height Max.	340
Design h (mm)	200
Loading Capacity	7bar 38 (KN)

Bellows 2 Ply



STYLE NUMBER :2B-370
 COMPLETE ORDER NO:114350
 BELLOW ORDER NO :114350

DUNLOP : SP 1039(VSM 10246) 14 x 2
 CONTITECH : FD 614-26

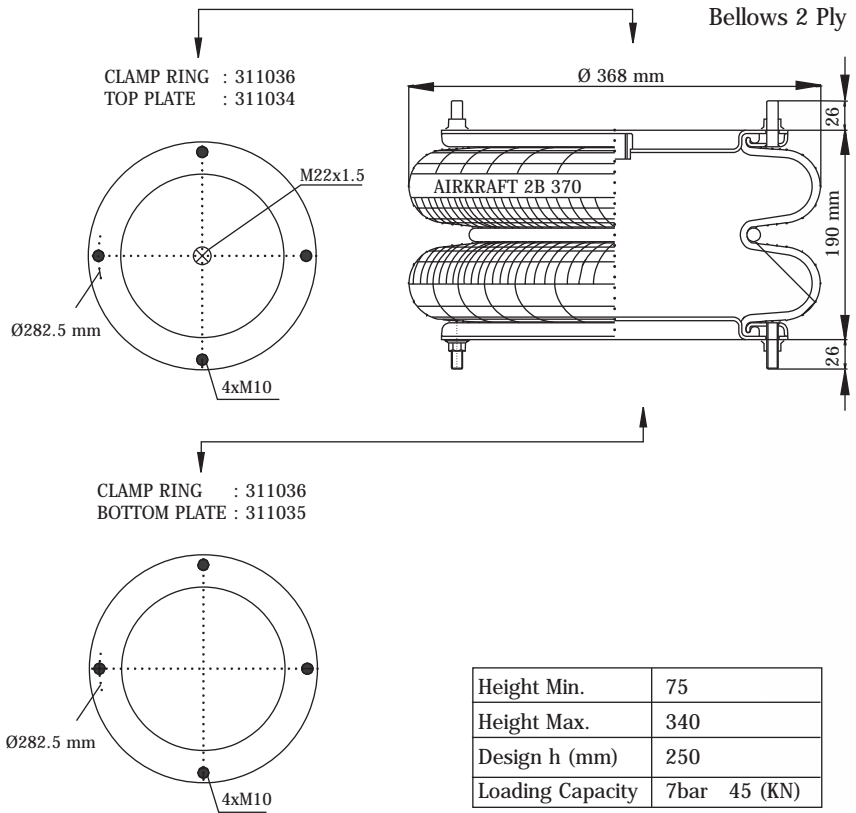
GRANNING : 15823
 SAMRO : 250-0012

Height Min.	75
Height Max.	340
Design h (mm)	250
Loading Capacity	7bar 45 (KN)

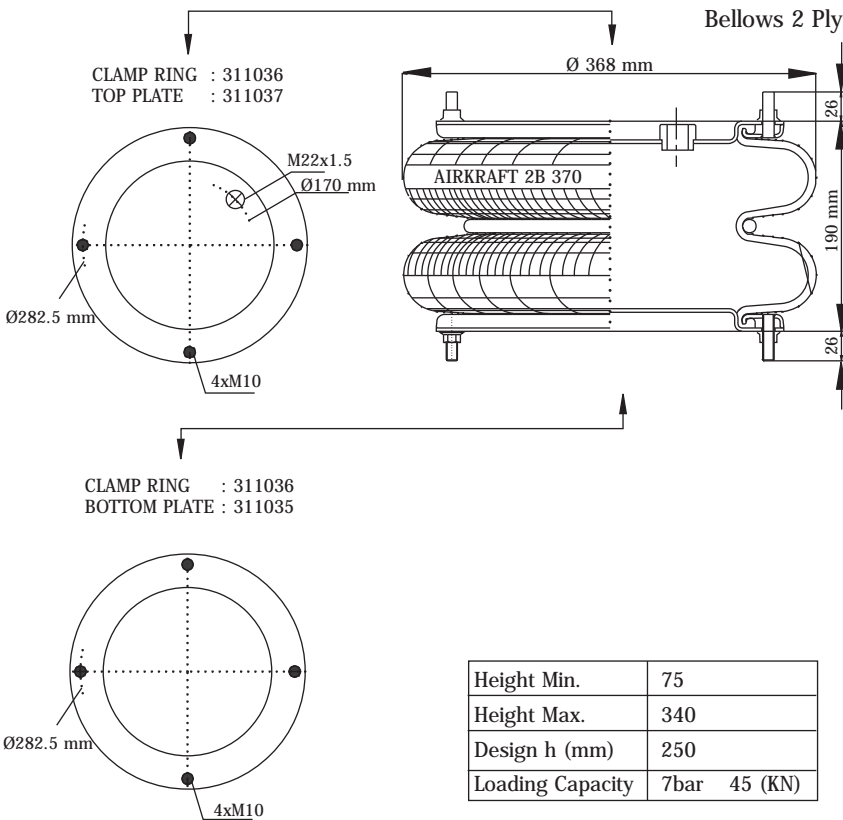
STYLE NUMBER : 2B-370
 COMPLETE ORDER NO: 113353
 BELLOW ORDER NO : 114350

DUNLOP : 14x2
 CONTITECH : FD 614-26

SAMRO : 250-0012



Height Min.	75
Height Max.	340
Design h (mm)	250
Loading Capacity	7bar 45 (KN)



STYLE NUMBER : 2B-370
 COMPLETE ORDER NO: 113354
 BELLOW ORDER NO : 114350

DUNLOP : SP 1988 (14 x 2)
 PNP 304 140 137
 CONTITECH : FD 614- 26

GRANNING : 15822

Height Min.	75
Height Max.	340
Design h (mm)	250
Loading Capacity	7bar 45 (KN)

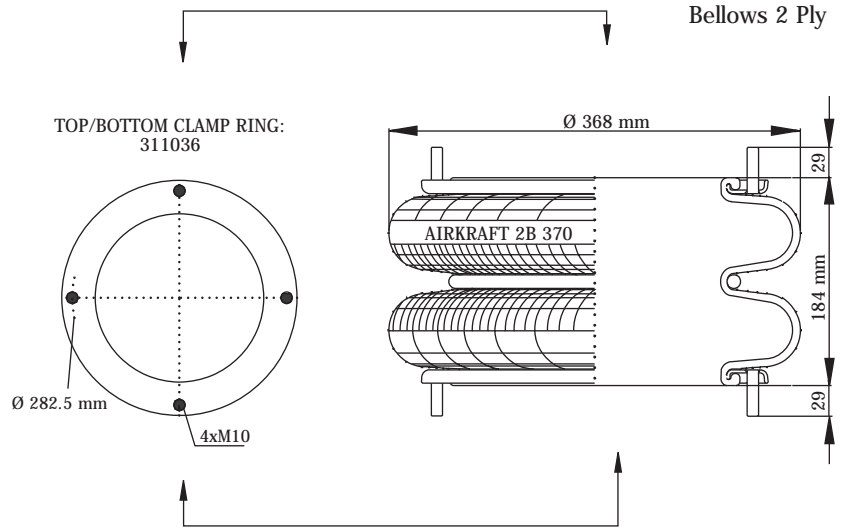
CONVOLUTED AIR SPRINGS



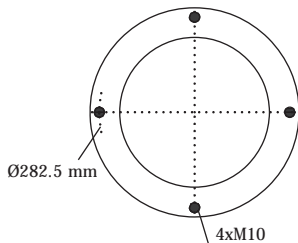
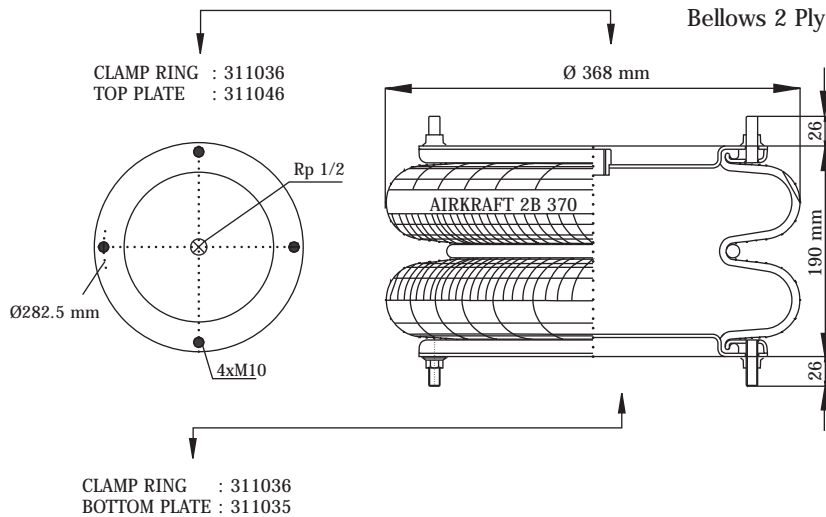
STYLE NUMBER : 2B-370
 COMPLETE ORDER NO: 113355
 BELLOW ORDER NO : 114350

DUNLOP : SP 1041
 CONTITECH : FD 614-26

KAISER : Y11000603



Height Min.	75
Height Max.	340
Design h (mm)	250
Loading Capacity	7bar 45 (KN)



Height Min.	75
Height Max.	340
Design h (mm)	250
Loading Capacity	7bar 45 (KN)

STYLE NUMBER : 2B-370
 COMPLETE ORDER NO: 113358
 BELLOW ORDER NO : 114350

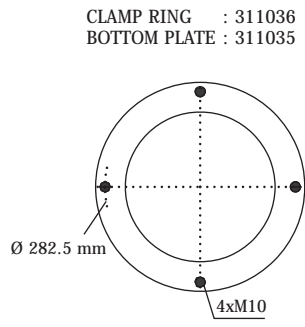
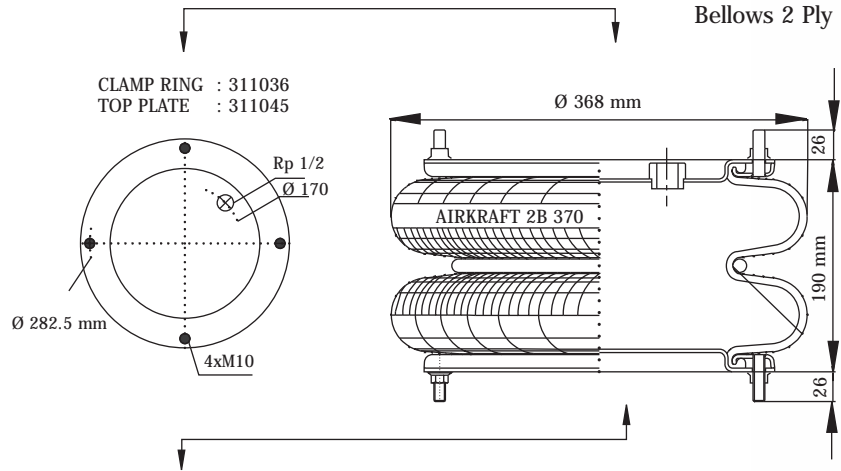
DUNLOP : SP 1556 (PNP 304 140 117)
 CONTITECH : FD 614-26 1/2 M10

GRANNING : 15821
 WEWELER : USN 5100 10DX
 GIGANT : 88 1205

STYLE NUMBER : 2B-370
 COMPLETE ORDER NO: 113359
 BELLOW ORDER NO : 114350

DUNLOP : SP 1998
 CONTITECH : FD 614-26

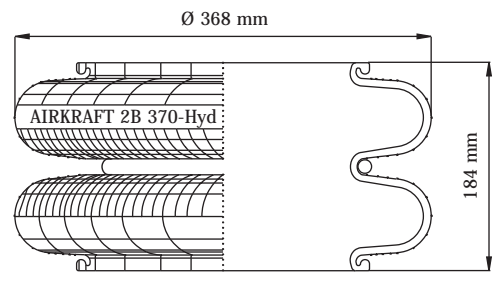
GRANNING : 15882
 GT FRUEHAUF : J40 108 M08 A05



CLAMP RING : 311036
 BOTTOM PLATE : 311035

Height Min.	75
Height Max.	340
Design h (mm)	250
Loading Capacity	7bar 45 (KN)

Bellows 4 Ply



STYLE NUMBER : 2B-370 Hyd
 COMPLETE ORDER NO: 114351
 BELLOW ORDER NO : 114351

DUNLOP : 14x2 RE
 CONTITECH : FD 614-26

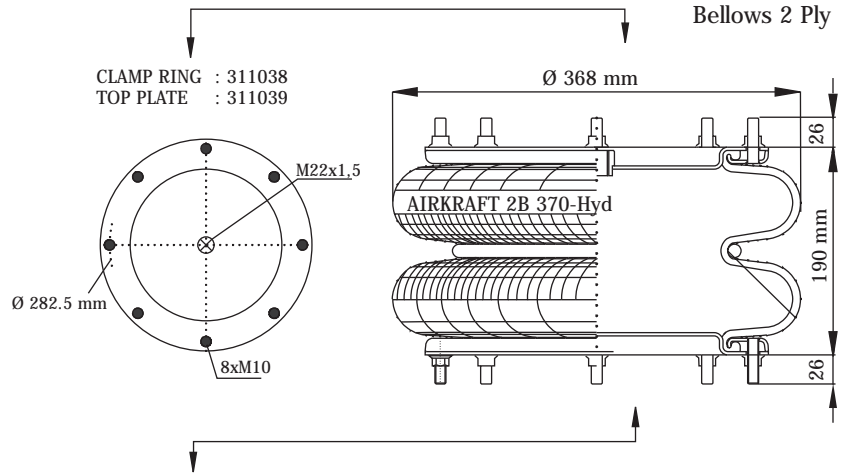
Height Min.	75
Height Max.	340
Design h (mm)	250
Loading Capacity	7bar 45 (KN)

CONVOLUTED AIR SPRINGS

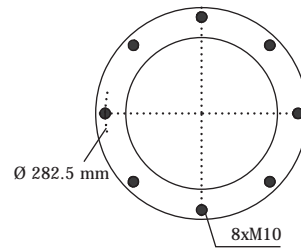


STYLE NUMBER : 2B-370 Hyd
 COMPLETE ORDER NO: 113350
 BELLOW ORDER NO : 114351

DUNLOP : 14x2 RE
 CONTITECH : FD 614-26

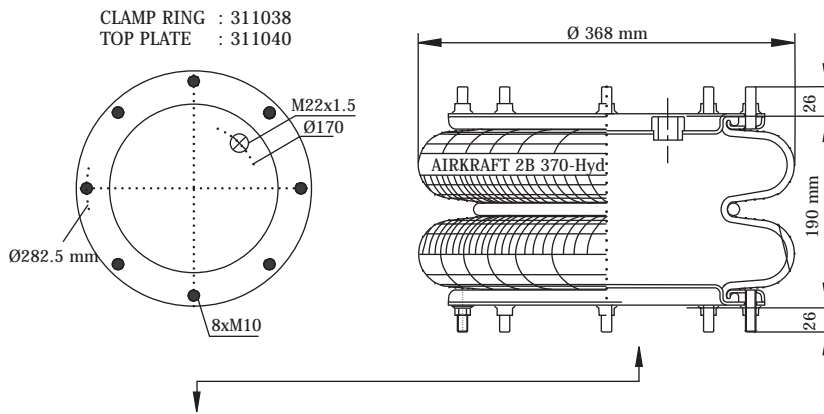


CLAMP RING : 311038
 BOTTOM PLATE : 311041

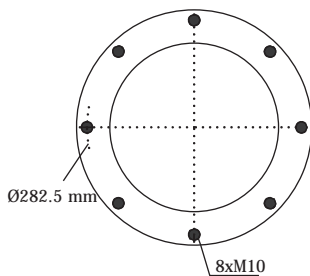


Height Min.	75
Height Max.	340
Design h (mm)	250
Loading Capacity	7bar 45 (KN)

Bellows 4 Ply



CLAMP RING : 311038
 BOTTOM PLATE : 311041



STYLE NUMBER : 2B-370 Hyd
 COMPLETE ORDER NO: 113351
 BELLOW ORDER NO : 114351

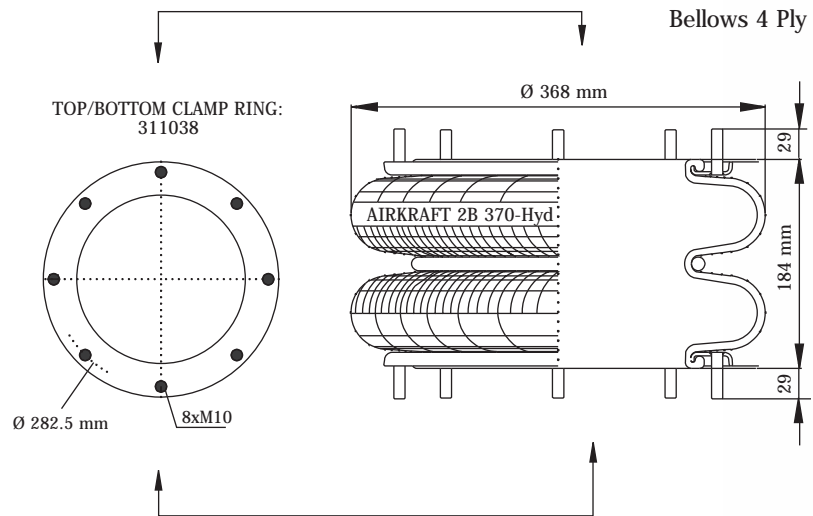
DUNLOP : 14x2 RE
 CONTITECH : FD 614-26

TROUILLET : 1001270

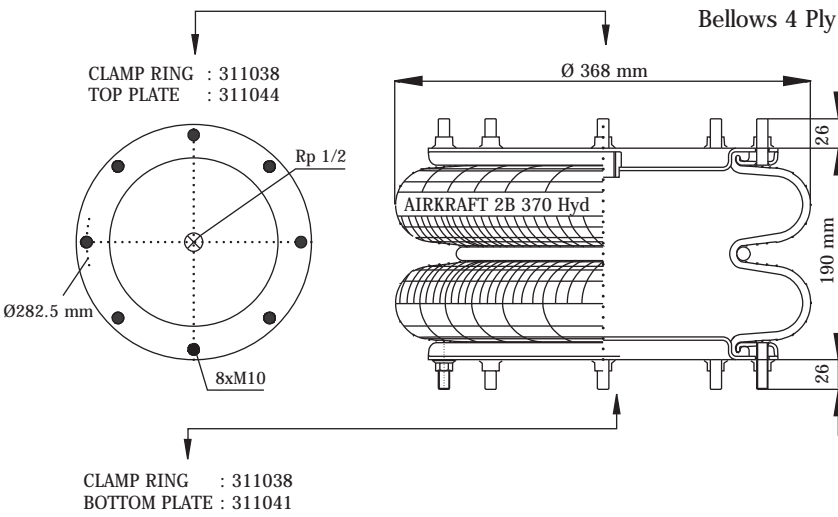
Height Min.	75
Height Max.	340
Design h (mm)	250
Loading Capacity	7bar 45 (KN)

STYLE NUMBER : 2B-370 Hyd
 COMPLETE ORDER NO: 113352
 BELLOW ORDER NO : 114351

DUNLOP : 14x2 RE
 CONTITECH : FD 614-26



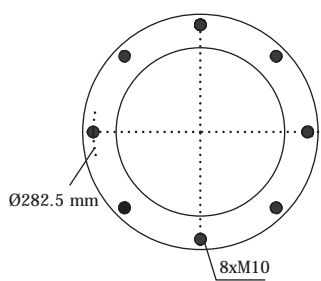
Height Min.	75
Height Max.	340
Design h (mm)	250
Loading Capacity	7bar 45 (KN)



STYLE NUMBER : 2B-370 Hyd
 COMPLETE ORDER NO: 113356
 BELLOW ORDER NO : 114351

DUNLOP : 14x2 RE
 CONTITECH : FD 614-26

GRANNING : 15822



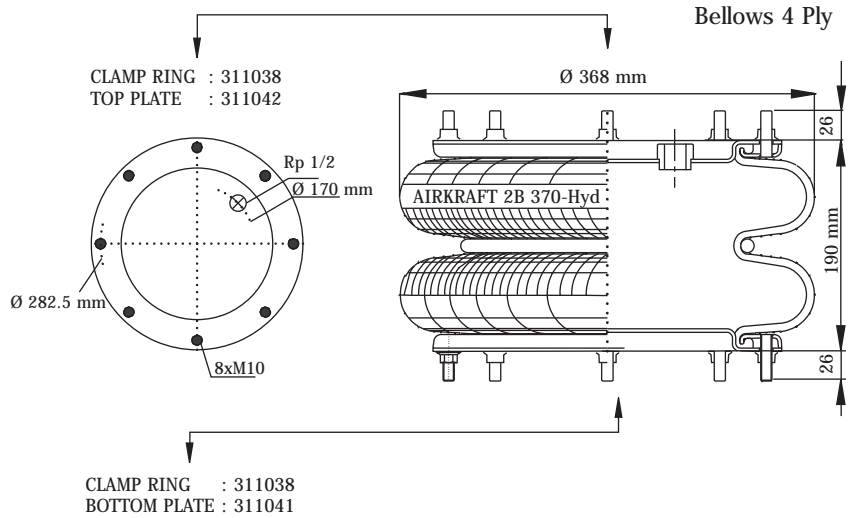
Height Min.	75
Height Max.	340
Design h (mm)	250
Loading Capacity	7bar 45 (KN)

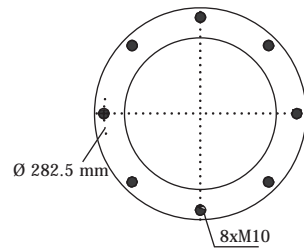


STYLE NUMBER : 2B-370 Hyd
 COMPLETE ORDER NO: 113357
 BELLOW ORDER NO : 114351

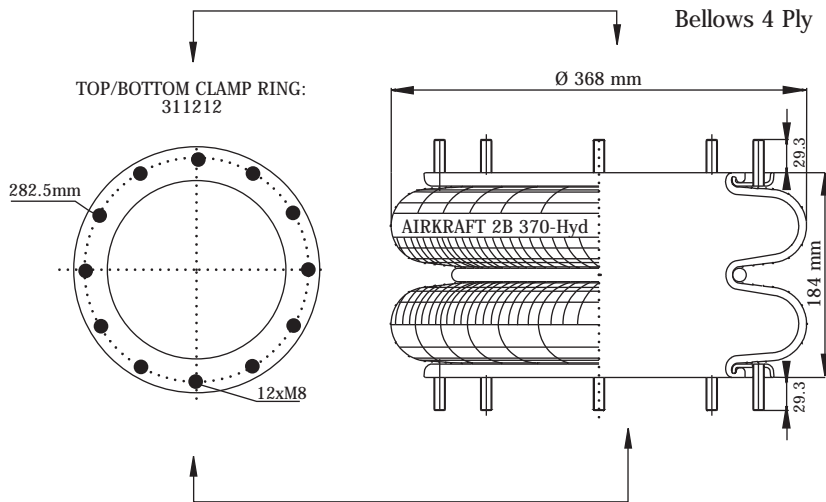
DUNLOP : 14x2 RE
 CONTITECH : FD 614-26

KAISER : Y11 00063





Height Min.	75
Height Max.	340
Design h (mm)	250
Loading Capacity	7bar 45 (KN)



STYLE NUMBER : 2B-370 Hyd
 COMPLETE ORDER NO: 113361
 BELLOW ORDER NO : 114351

DUNLOP : SP 2599
 CONTITECH : FD 614-26

IVECO : 8194818
 VIBERTI : 128 118 102
 CARDI : 580553800

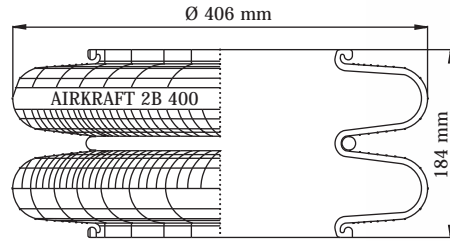
Height Min.	75
Height Max.	340
Design h (mm)	250
Loading Capacity	7bar 45 (KN)

Bellows 2 Ply

STYLE NUMBER : 2B-400
 COMPLETE ORDER NO: 114400
 BELLOW ORDER NO : 114400

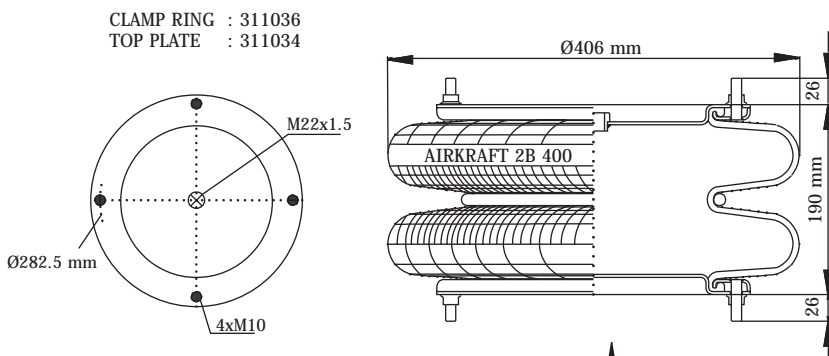
DUNLOP : SP 1998

GRANNING : 15831
 SAMPRO : 2500013



Height Min.	75
Height Max.	350
Design h (mm)	260
Loading Capacity	7bar 51 (KN)

Bellows 2 Ply



CLAMP RING : 311036
 TOP PLATE : 311034

STYLE NUMBER : 2B-400
 COMPLETE ORDER NO: 113403
 BELLOW ORDER NO : 114400

DUNLOP : 16 x 2 SP 2340

GRANNING : 17017
 SAF : 3.228.1002.01

CLAMP RING : 311036
 BOTTOM PLATE : 311035

Height Min.	75
Height Max.	350
Design h (mm)	260
Loading Capacity	7bar 51 (KN)

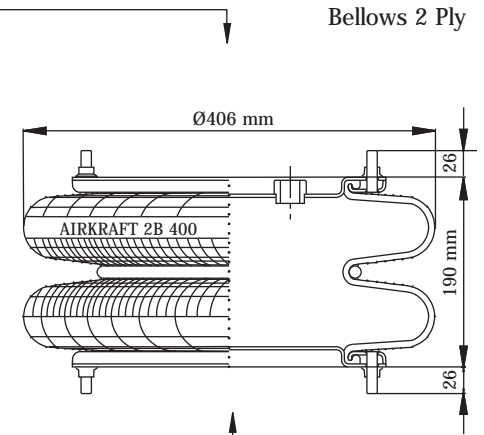
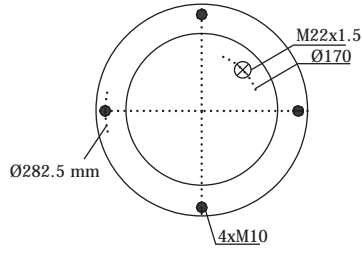


STYLE NUMBER : 2B-400
 COMPLETE ORDER NO: 113404
 BELLOW ORDER NO : 114400

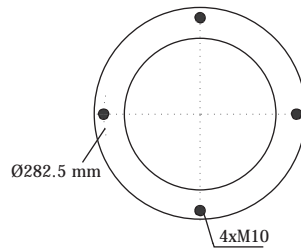
DUNLOP : 16x2

GRANNING : 15830

CLAMP RING : 311036
 TOP PLATE : 311037



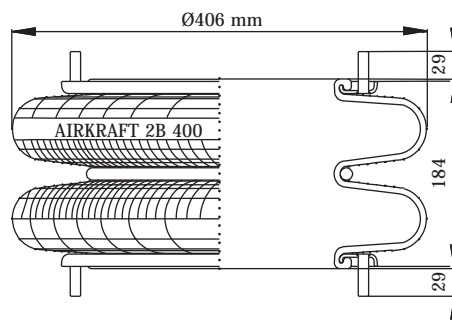
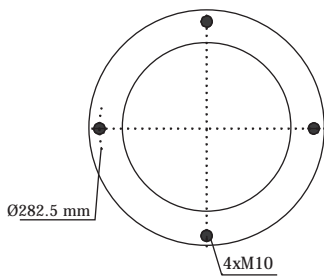
CLAMP RING : 311036
 BOTTOM PLATE : 311035



Height Min.	75
Height Max.	350
Design h (mm)	260
Loading Capacity	7bar 51 (KN)

Bellows 2 Ply

TOP/BOTTOM CLAMP RING:
 311036



STYLE NUMBER : 2B-400
 COMPLETE ORDER NO: 113405
 BELLOW ORDER NO : 114400

DUNLOP : 16x2

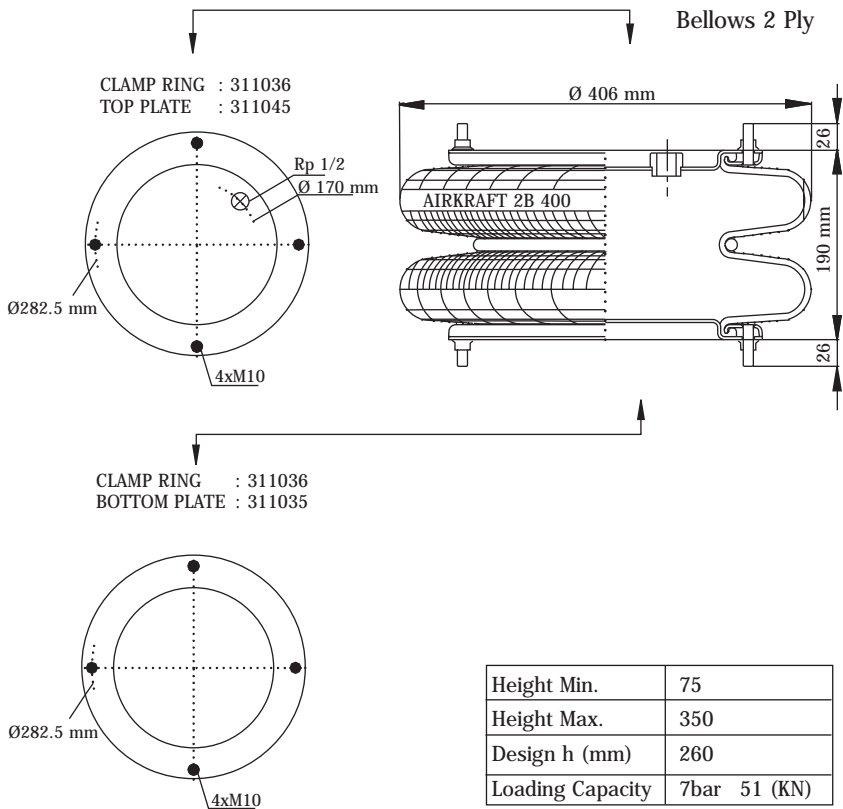
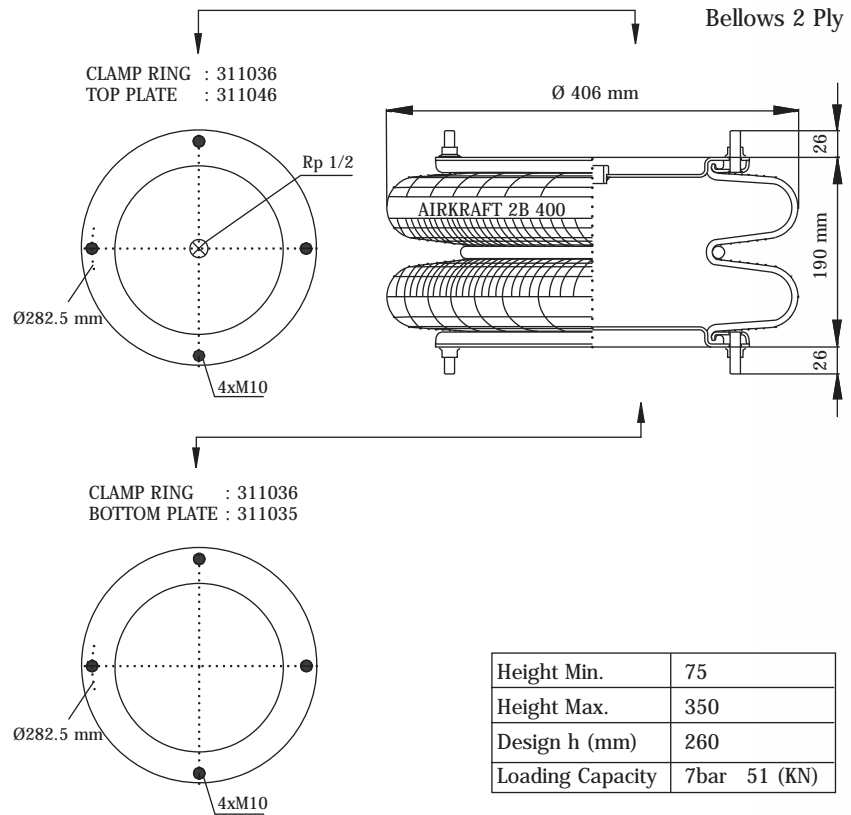
GRANNING : 17015

Height Min.	75
Height Max.	350
Design h (mm)	260
Loading Capacity	7bar 51 (KN)

STYLE NUMBER : 2B-400
 COMPLETE ORDER NO: 113408
 BELLOW ORDER NO : 114400

DUNLOP : SP 1557 (PNP 304 150 113)

GRANNING : 15829
 WEWELER : USN 5100 08DX



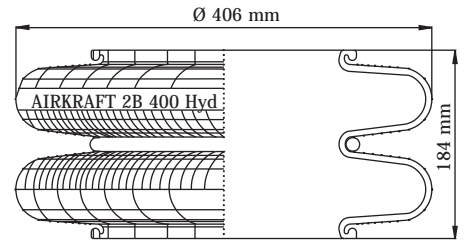
STYLE NUMBER : 2B-400
 COMPLETE ORDER NO: 113409
 BELLOW ORDER NO : 114400

GRANNING : 15830



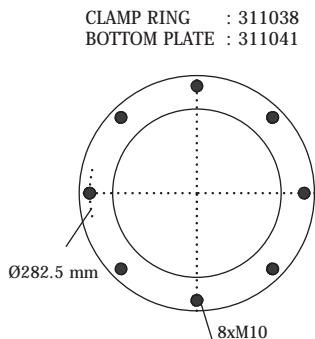
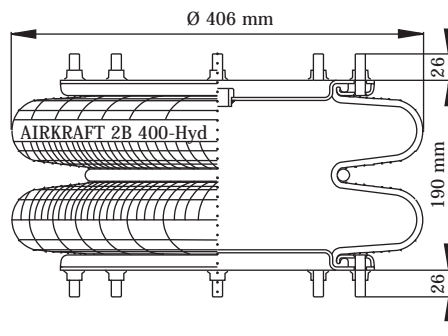
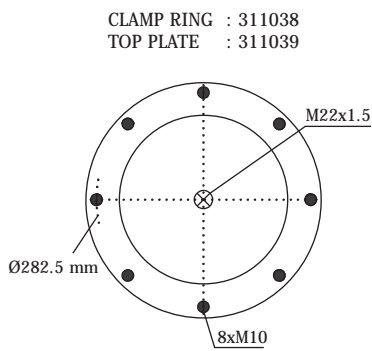
STYLE NUMBER : 2B-400 Hyd
 COMPLETE ORDER NO: 114401
 BELLOW ORDER NO : 114401

DUNLOP : 16x2 RE



Height Min.	75
Height Max.	350
Design h (mm)	260
Loading Capacity	7bar 51 (KN)

Bellows 4 Ply



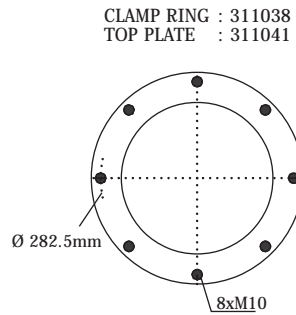
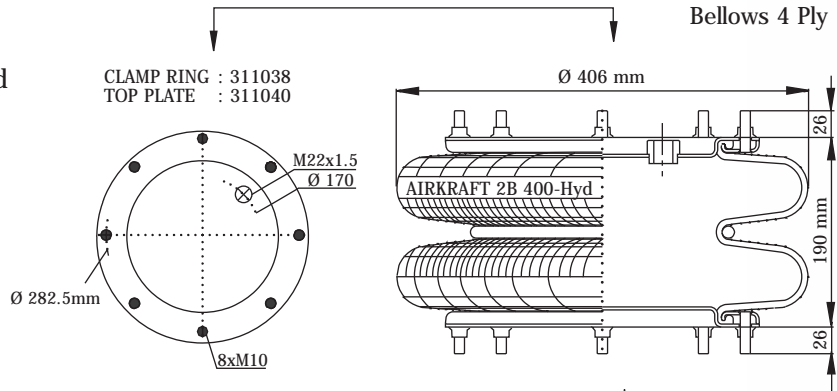
STYLE NUMBER : 2B-400 Hyd
 COMPLETE ORDER NO: 113400
 BELLOW ORDER NO : 114401

DUNLOP : 16x2 RE

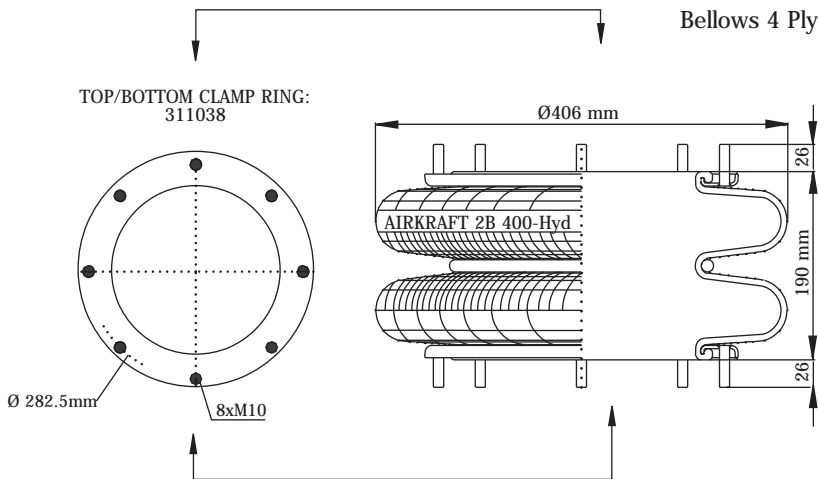
Height Min.	75
Height Max.	350
Design h (mm)	260
Loading Capacity	7bar 51 (KN)

STYLE NUMBER : 2B-400 Hyd
 COMPLETE ORDER NO: 113401
 BELLOW ORDER NO : 114401

DUNLOP : 16x2 RE



Height Min.	75
Height Max.	350
Design h (mm)	260
Loading Capacity	7bar 51 (KN)



STYLE NUMBER : 2B-400 Hyd
 COMPLETE ORDER NO: 113402
 BELLOW ORDER NO : 114401

DUNLOP : 16x2 RE

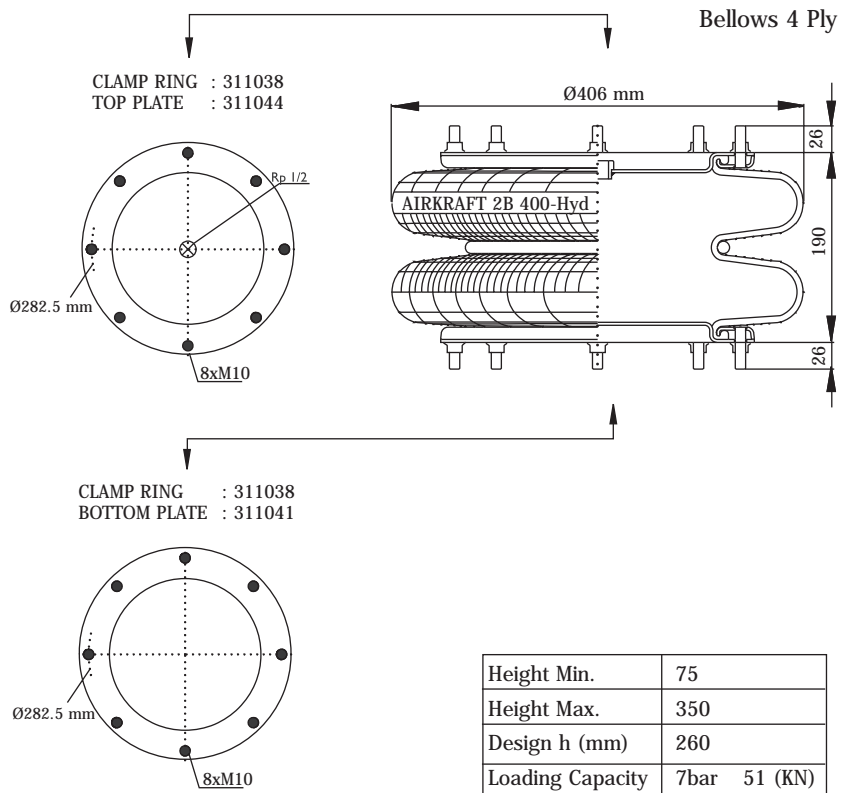
Height Min.	75
Height Max.	350
Design h (mm)	260
Loading Capacity	7bar 51 (KN)

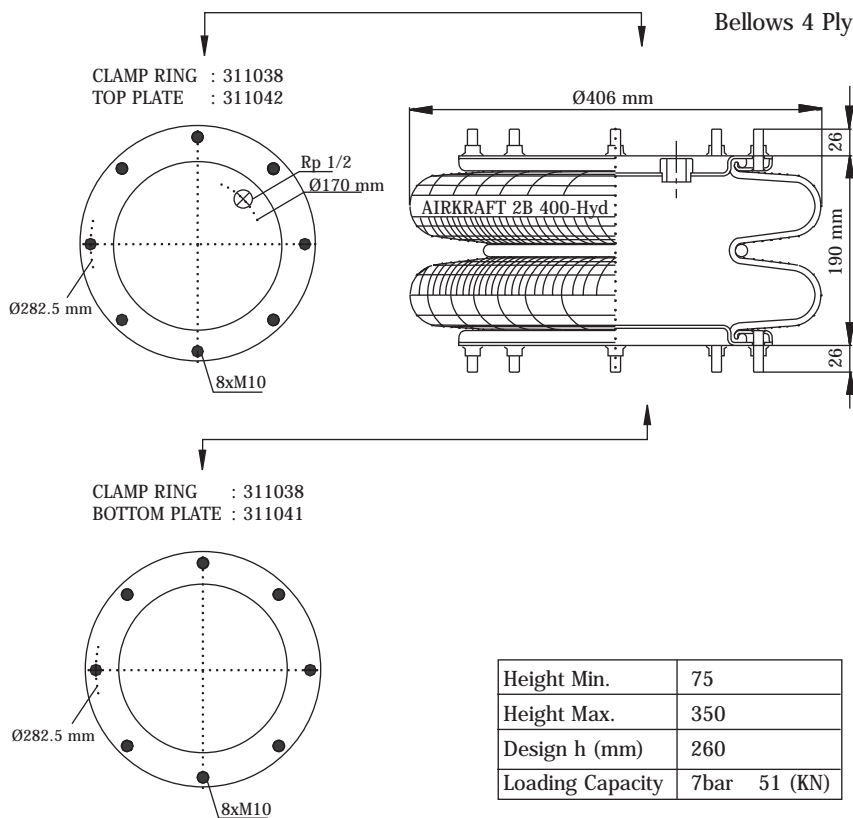
CONVOLUTED AIR SPRINGS



STYLE NUMBER : 2B-400 Hyd
 COMPLETE ORDER NO: 113406
 BELLOW ORDER NO : 114401

DUNLOP : 16x2 RE





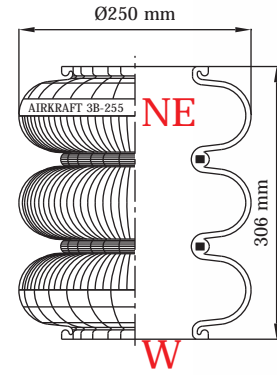
STYLE NUMBER : 2B-400 Hyd
 COMPLETE ORDER NO: 113407
 BELLOW ORDER NO : 114401

DUNLOP : 16x2 RE

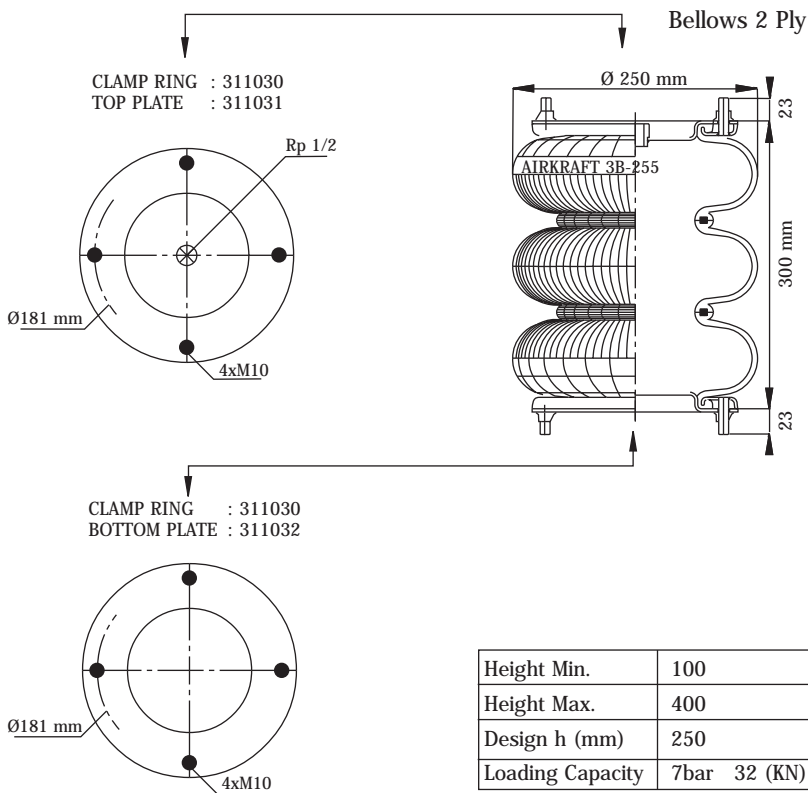
GRANNING : 17015

STYLE NUMBER :3B-255
 COMPLETE ORDER NO:116005
 BELLOW ORDER NO :116005

Bellows 2 Ply



Height Min.	100
Height Max.	400
Design h (mm)	250
Loading Capacity	7 bar 32 (KN)



Height Min.	100
Height Max.	400
Design h (mm)	250
Loading Capacity	7bar 32 (KN)

STYLE NUMBER :3B-255
 COMPLETE ORDER NO:115055
 BELLOW ORDER NO :116005

DUNLOP : SP 1539 (10 x 3)
 CONTITECH : FT 210 32 1/2 M10

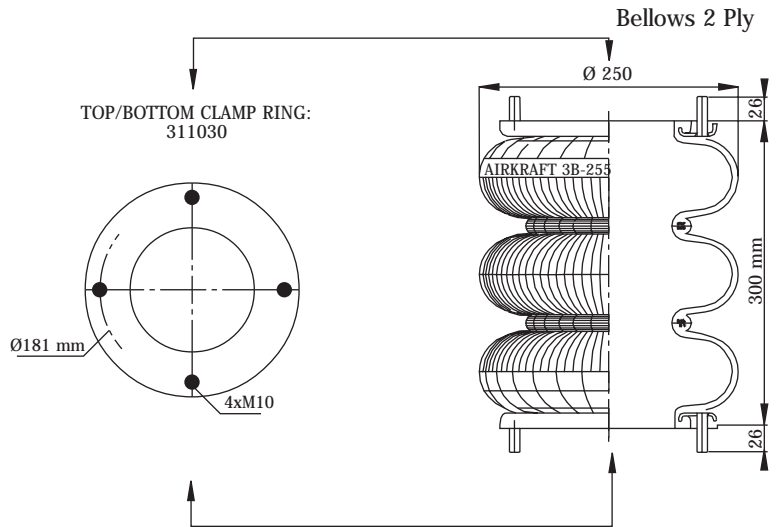
GRANNING : 15809
 WEWELER : USN 510016D



STYLE NUMBER : 3B-255
 COMPLETE ORDER NO: 115056
 BELLOW ORDER NO : 116005

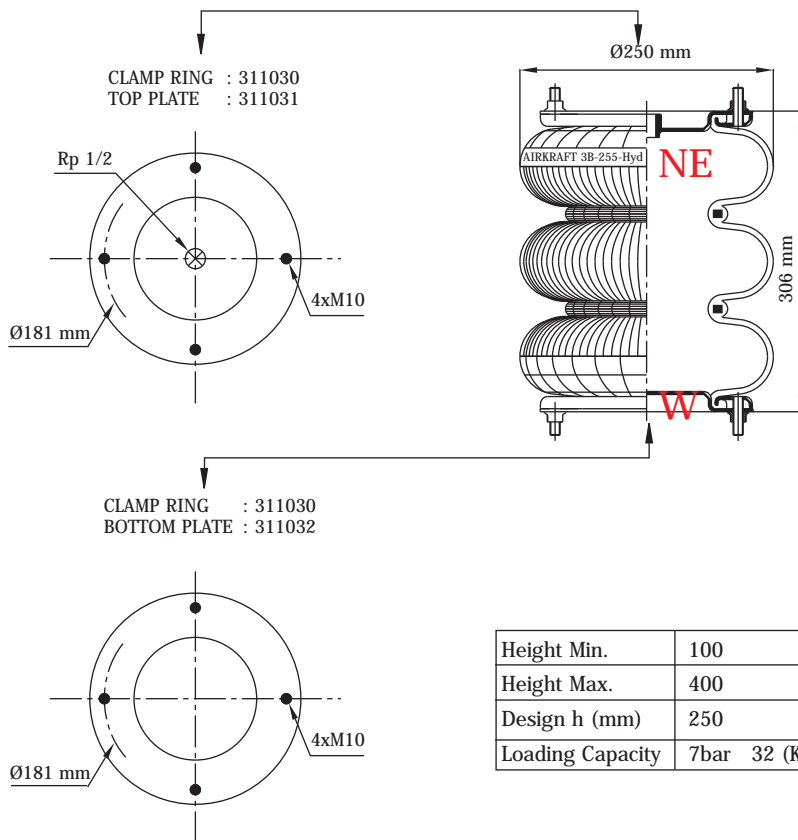
DUNLOP : SP1015 (10x3)
 CONTITECH : FT210-32

GRANNING : 15830



Height Min.	100
Height Max.	400
Design h (mm)	250
Loading Capacity	7bar 32 (KN)

Bellows 4 Ply



STYLE NUMBER : 3B-255 Hyd
 COMPLETE ORDER NO: 115057
 BELLOW ORDER NO : 116006

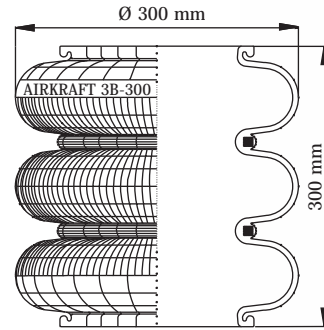
Height Min.	100
Height Max.	400
Design h (mm)	250
Loading Capacity	7bar 32 (KN)

STYLE NUMBER : 3B-300
 COMPLETE ORDER NO: 116001
 BELLOW ORDER NO : 116001

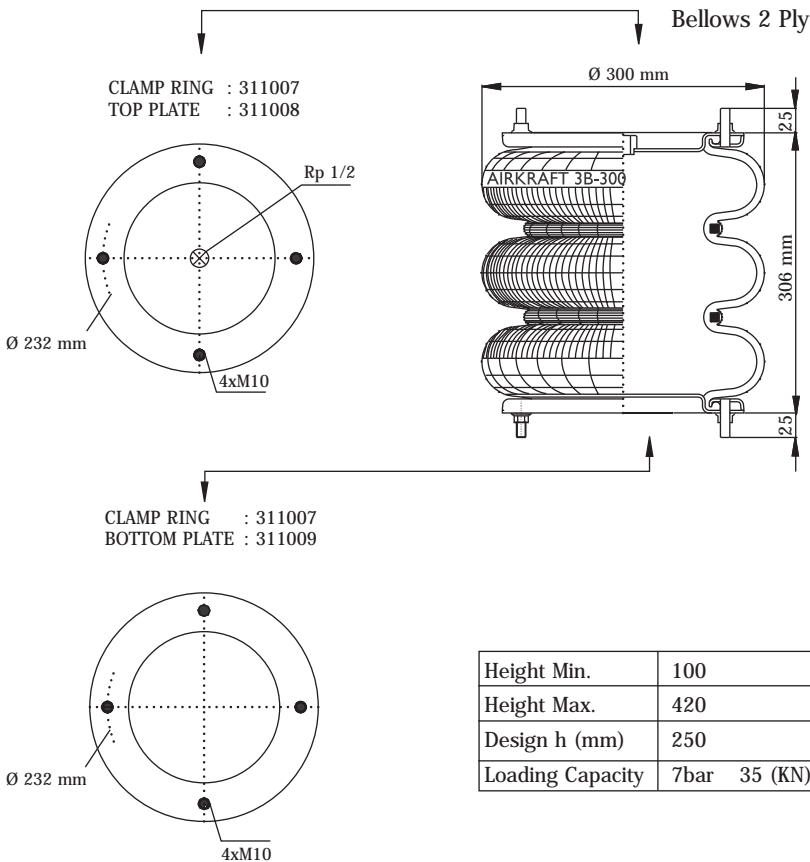
DUNLOP : SP 159 (VSM 10132) (12 x 3)
 CONTITECH : FT 412- 325

GRANNING : 15818

Bellows 2 Ply



Height Min.	100
Height Max.	420
Design h (mm)	250
Loading Capacity	7 bar 35 (KN)



STYLE NUMBER : 3B-300
 COMPLETE ORDER NO: 115003
 BELLOW ORDER NO : 116001

DUNLOP : SP 1542 (PNP 305 520 178) (12x3)
 CONTITECH : FT 412-32 1/2 M10

GRANNING : 15816
 GIGANT : 881204

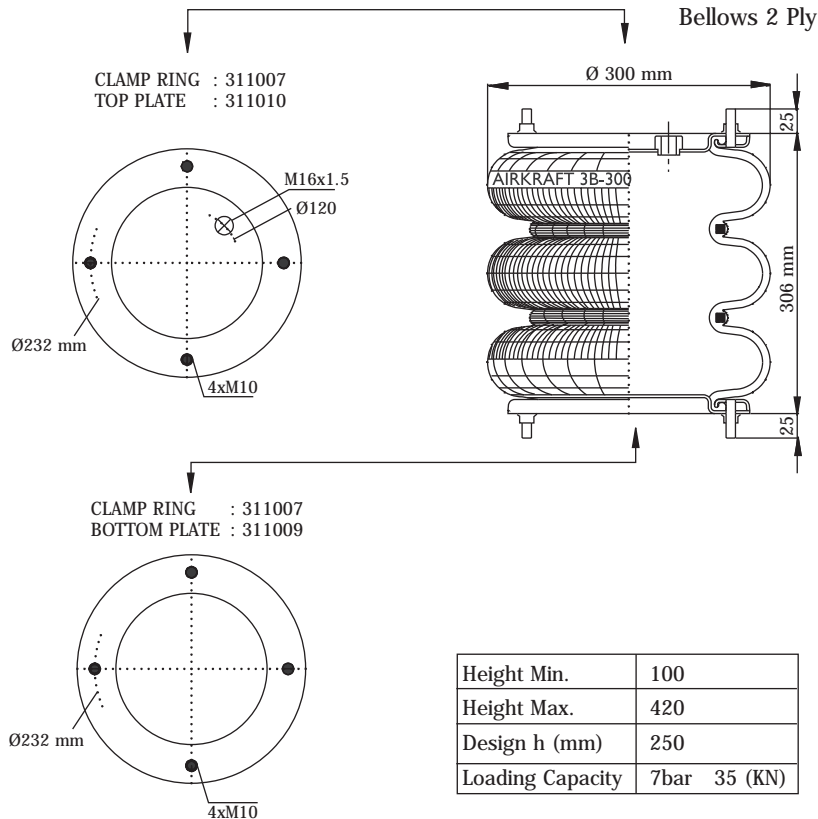
Height Min.	100
Height Max.	420
Design h (mm)	250
Loading Capacity	7bar 35 (KN)



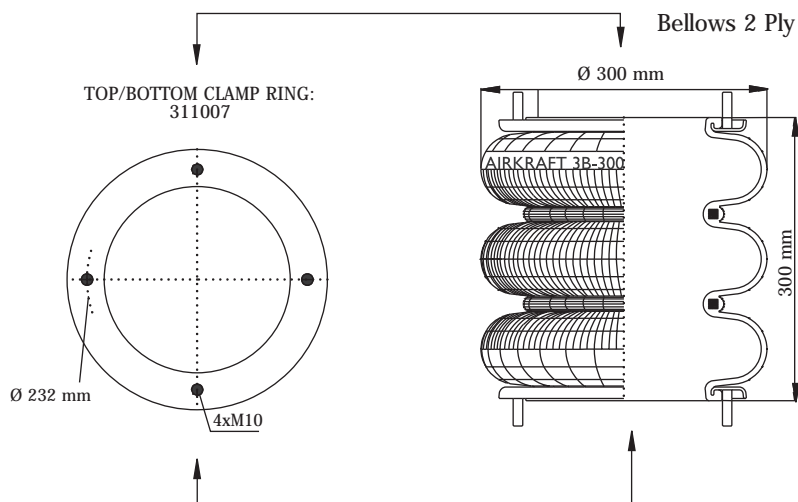
STYLE NUMBER : 3B-300
 COMPLETE ORDER NO: 115004
 BELLOW ORDER NO : 116001

DUNLOP : SP 2666 (12 x 3)
 CONTITECH : FT 412-32 S

GRANNING : 15897
 BENALU : M 00 2297
 LOHR : A 060 30 606
 SAMRO : H 250-0011
 SMB : M 002 297
 GT FRUEHAUF : M 002 297
Trailor



Height Min.	100
Height Max.	420
Design h (mm)	250
Loading Capacity	7bar 35 (KN)

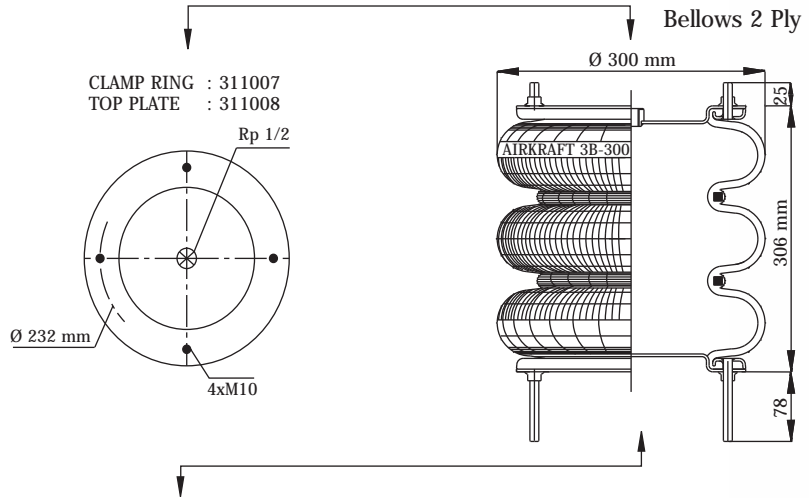


STYLE NUMBER : 3B-300
 COMPLETE ORDER NO: 115007
 BELLOW ORDER NO : 116001

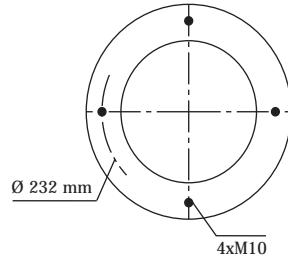
DUNLOP : SP 1033 NB (12 x 3)
 CONTITECH : FT 412-32 S

Height Min.	100
Height Max.	420
Design h (mm)	250
Loading Capacity	7bar 35 (KN)

STYLE NUMBER : 3B-300
 COMPLETE ORDER NO : 115014
 BELLOWS ORDER NO : 116001

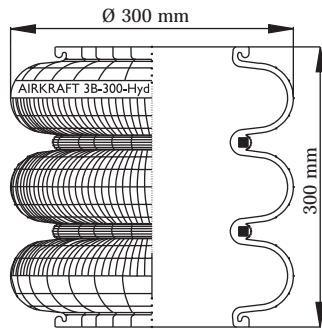


CLAMP RING : 311007
 TOP PLATE : 311008



Height Min.	100
Height Max.	420
Design h (mm)	250
Loading Capacity	7bar 35 (KN)

Bellows 4 Ply



STYLE NUMBER : 3B-300 Hyd
 COMPLETE ORDER NO : 116003
 BELLOWS ORDER NO : 116003

DUNLOP : 12x3 RE
 CONTITECH : FT 412-32

GRANNING : 15830

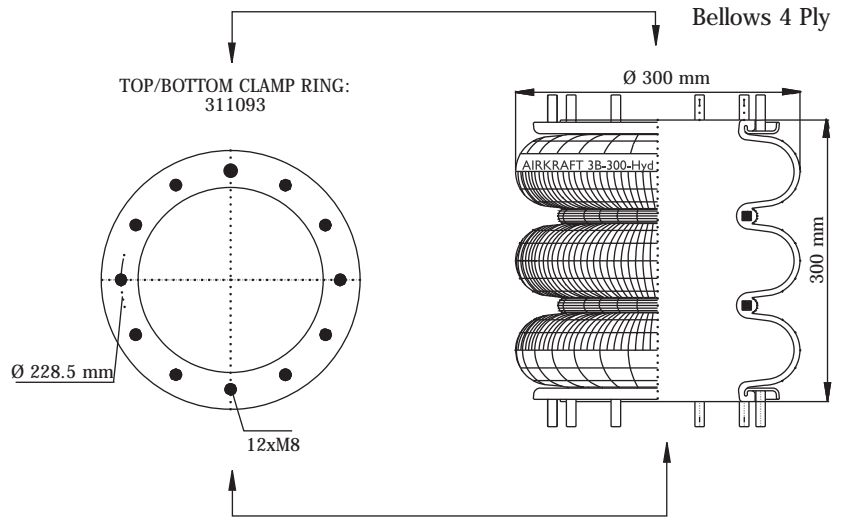
Height Min.	100
Height Max.	420
Design h (mm)	250
Loading Capacity	7bar 35 (KN)



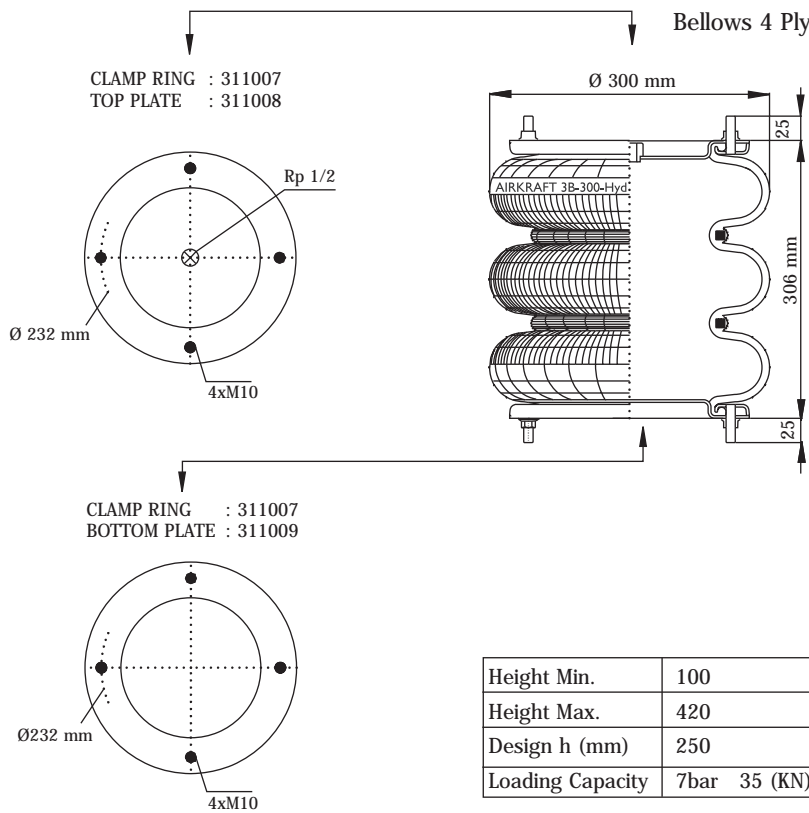
STYLE NUMBER : 3B-300 Hyd
 COMPLETE ORDER NO: 115005
 BELLOW ORDER NO : 116003

DUNLOP : SP 2597 RE (12 x 3)
 CONTITECH : FT 412-32 S

BARTOLETTI : 91621322
 IVECO : 240/36 42107595
 VIBERTI : 128 118 103
 ZORZI : 100 6506



Height Min.	100
Height Max.	420
Design h (mm)	250
Loading Capacity	7bar 35 (KN)



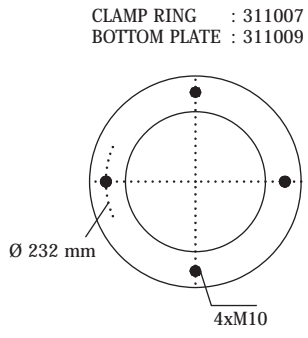
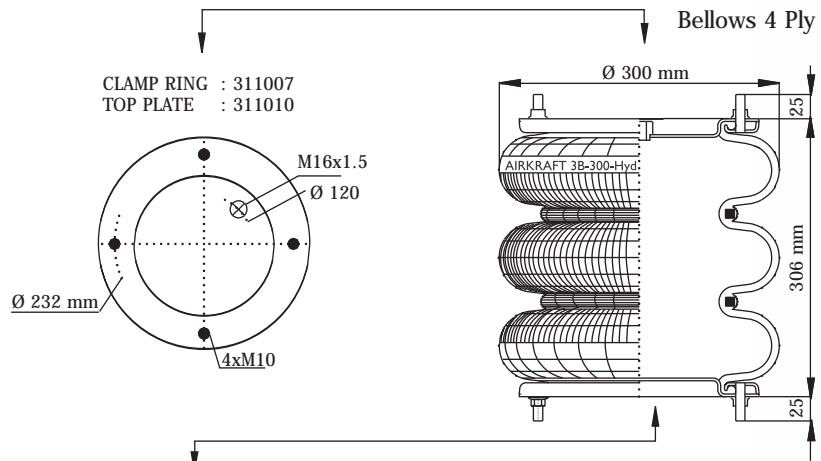
STYLE NUMBER : 3B-300 Hyd
 COMPLETE ORDER NO: 115011
 BELLOW ORDER NO : 116003

DUNLOP : SP 1542 NB (12x3)
 CONTITECH : FT 412-32 S

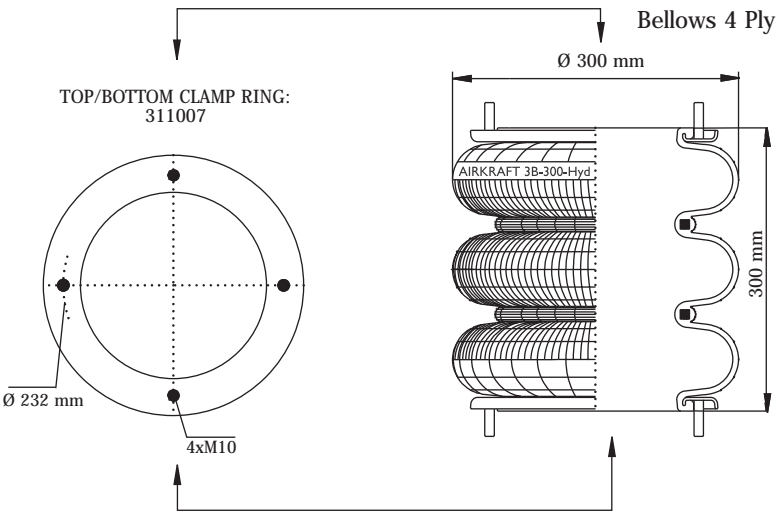
Height Min.	100
Height Max.	420
Design h (mm)	250
Loading Capacity	7bar 35 (KN)

STYLE NUMBER : 3B-300 Hyd
 COMPLETE ORDER NO: 115012
 BELLOWS ORDER NO : 116003

DUNLOP : SP 2666 NB 12X3 NB
 CONTITECH : FT 412-32 S



Height Min.	100
Height Max.	420
Design h (mm)	250
Loading Capacity	7bar 35 (KN)



STYLE NUMBER : 3B-300 Hyd
 COMPLETE ORDER NO: 115013
 BELLOWS ORDER NO : 116003

DUNLOP : SP 2271 RE (12 x 3)
 CONTITECH : FT 412-32 S

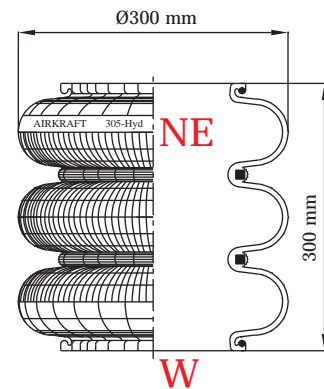
Height Min.	100
Height Max.	420
Design h (mm)	250
Loading Capacity	7bar 35 (KN)

CONVOLUTED AIR SPRINGS



Bellows 3 Ply

STYLE NUMBER : 3B-305 Hyd
 COMPLETE ORDER NO: 116007
 BELLOW ORDER NO : 116007



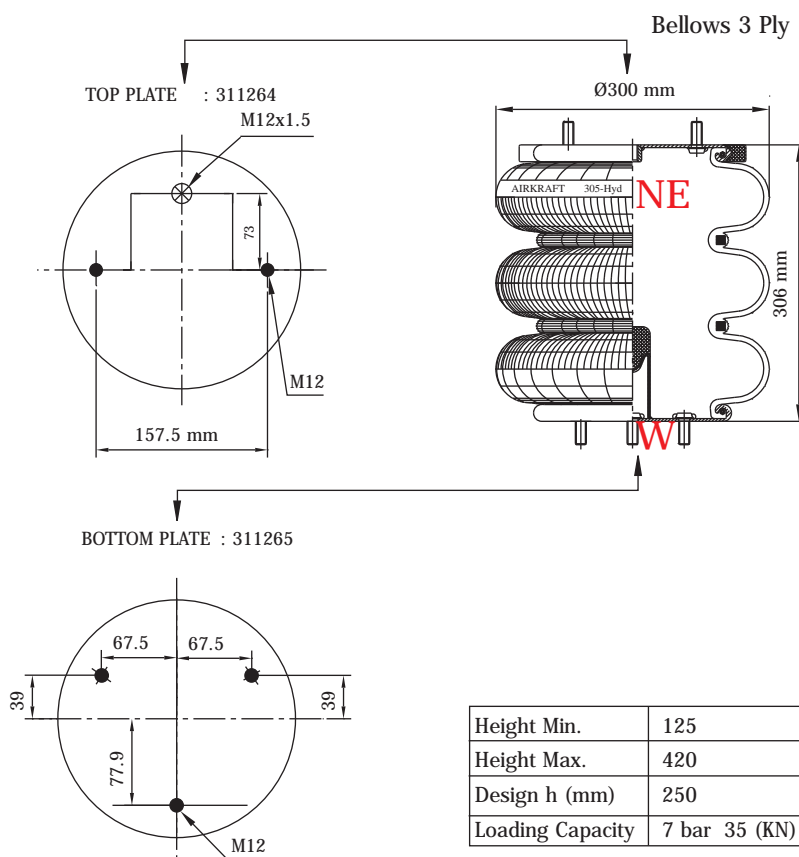
Height Min.	100
Height Max.	420
Design h (mm)	250
Loading Capacity	7 bar 35 (KN)

COMBOSTUD

BOLT / STUD

AIR INLET

THREADED HOLE

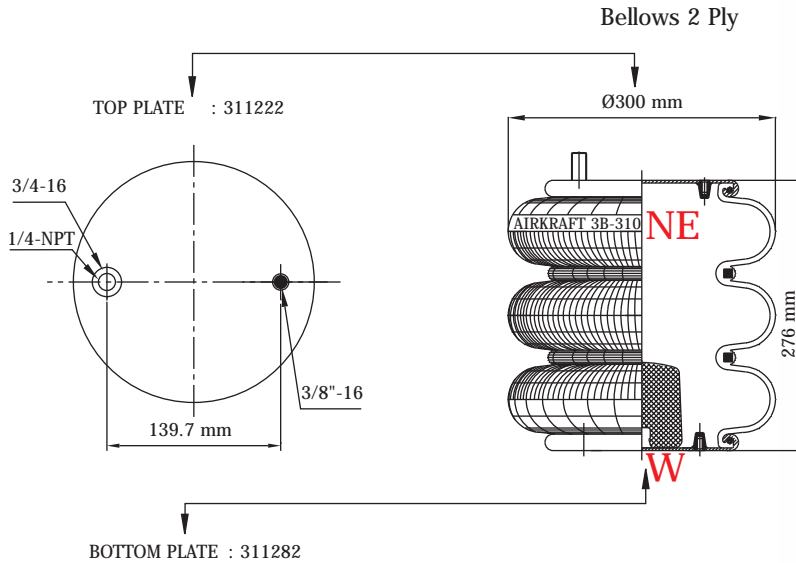


STYLE NUMBER : 3B-305 Hyd
 COMPLETE ORDER NO: 115021
 BELLOW ORDER NO : 116007

Height Min.	125
Height Max.	420
Design h (mm)	250
Loading Capacity	7 bar 35 (KN)

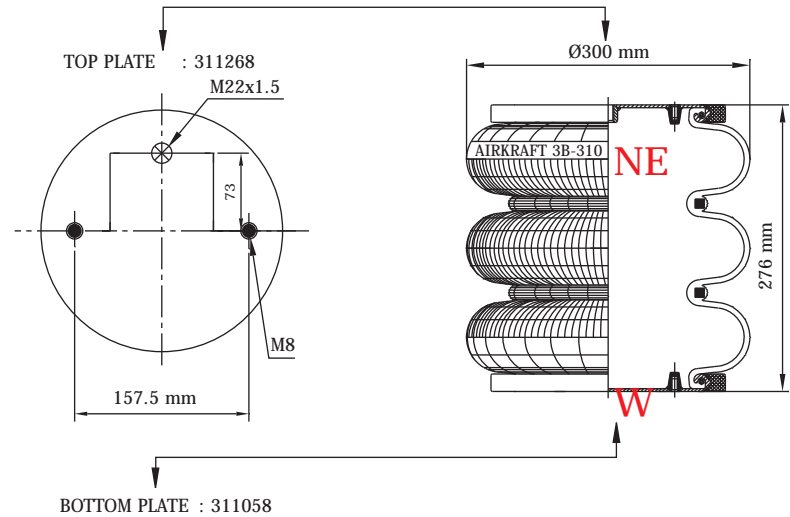
STYLE NUMBER :3B-310
 COMPLETE ORDER NO:115016
 BELLOW ORDER NO :116008

FIRESTONE : W01 358 8032



Height Min.	105
Height Max.	420
Design h (mm)	250
Loading Capacity	7 bar 35 (KN)

Bellows 2 Ply



STYLE NUMBER :3B-310
 COMPLETE ORDER NO:115023
 BELLOW ORDER NO :116008

Height Min.	105
Height Max.	420
Design h (mm)	250
Loading Capacity	7 bar 35 (KN)

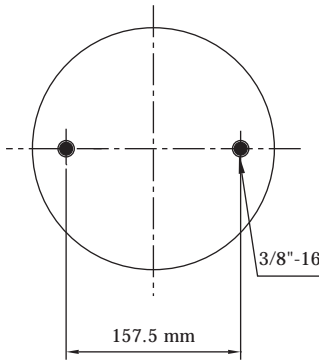
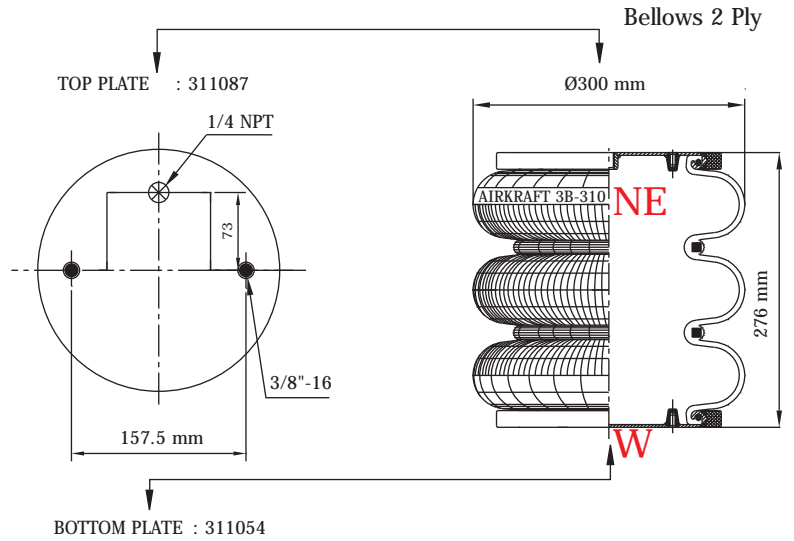
CONVOLUTED AIR SPRINGS



STYLE NUMBER :3B-310
 COMPLETE ORDER NO:115027
 BELLOW ORDER NO :116008

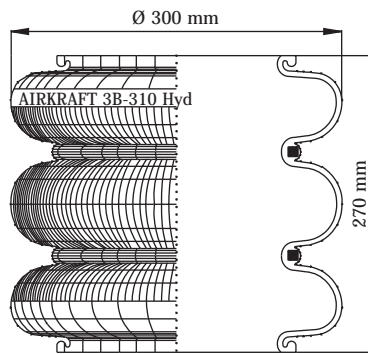
FIRESTONE : W01 358 8006
 GOODYEAR : 3B12-304

LOAD GUARD : SC2132
 SUSPENSIONS Inc: 200620
 TRIANGLE : 4430/ 4503



Height Min.	105
Height Max.	420
Design h (mm)	250
Loading Capacity	7 bar 35 (KN)

Bellows 4 Ply



STYLE NUMBER :3B-310 Hyd
 COMPLETE ORDER NO:116004
 BELLOW ORDER NO :116004

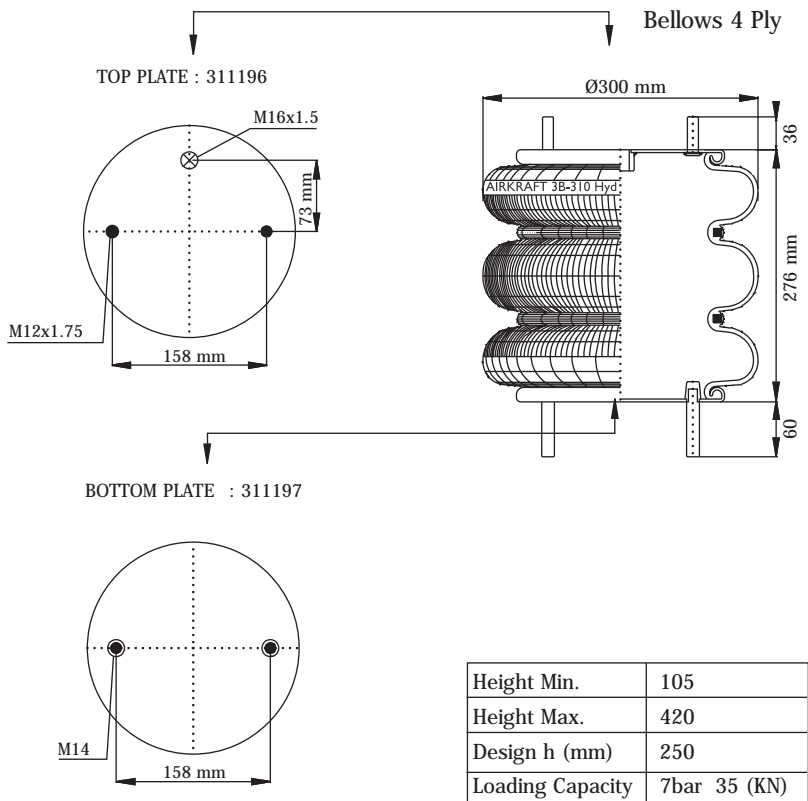
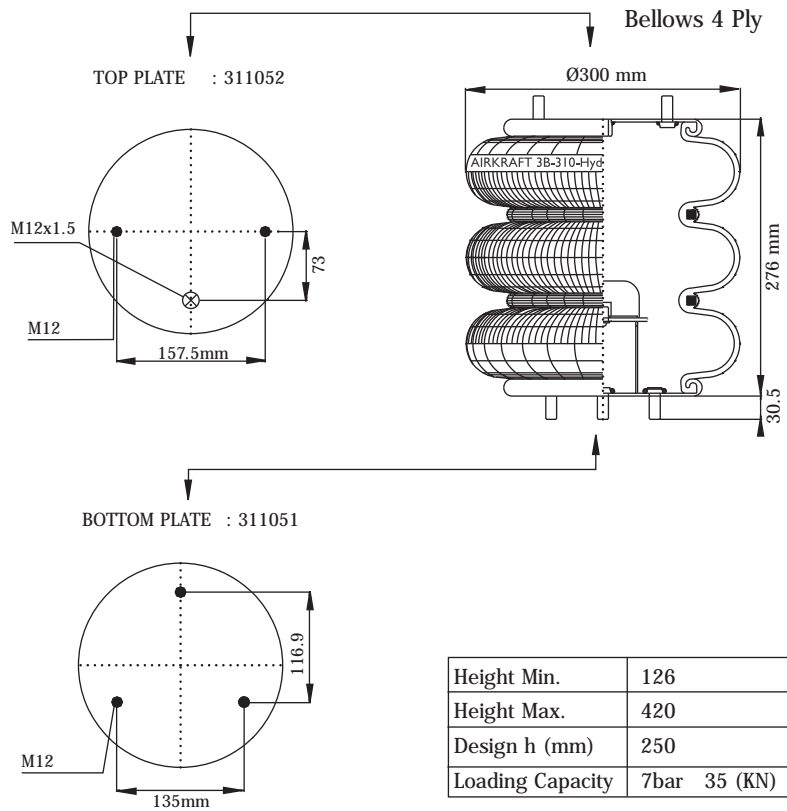
FIRESTONE : 38
 CONTITECH : FT 330-29 S

Height Min.	105
Height Max.	420
Design h (mm)	250
Loading Capacity	7bar 35 (KN)

STYLE NUMBER : 3B-310 Hyd
 COMPLETE ORDER NO: 115008
 BELLOWS ORDER NO : 116004

GART : T271/S (271.3.296)
 CONTITECH : FT 330-29 P01

GRANNING : 17017
 SAF : 3.228.1002.01



STYLE NUMBER : 3B-310 Hyd
 COMPLETE ORDER NO: 115009
 BELLOWS ORDER NO : 116004

DUNLOP : SP 12350- 12x3ReNB
 PIRELLI : 322 BB-93410

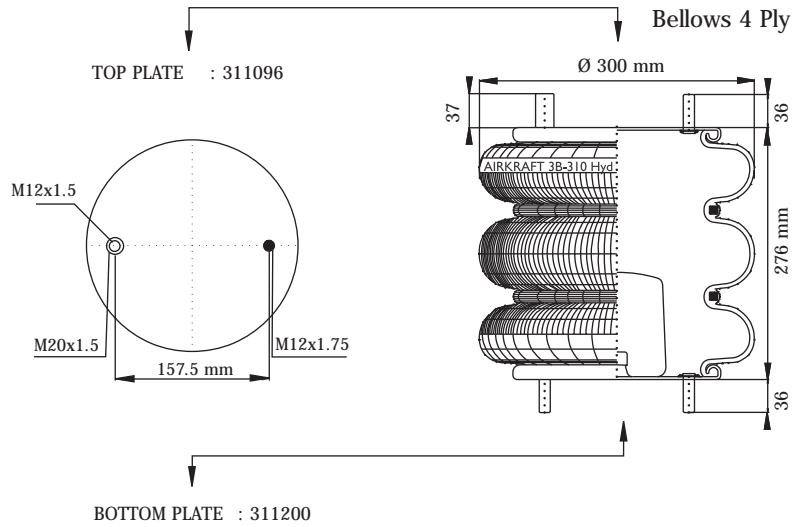
GRANNING : 17040
 ROLFO : 112273
 TOUGHLINE : 17040



STYLE NUMBER : 3B-310 Hyd
 COMPLETE ORDER NO: 115010
 BELLOW ORDER NO : 116004

DUNLOP : 512 302 (12x3NB)
 FIRESTONE : W01-M58-8017

GRANNING : 15673
 TOUFGLINE : 15673



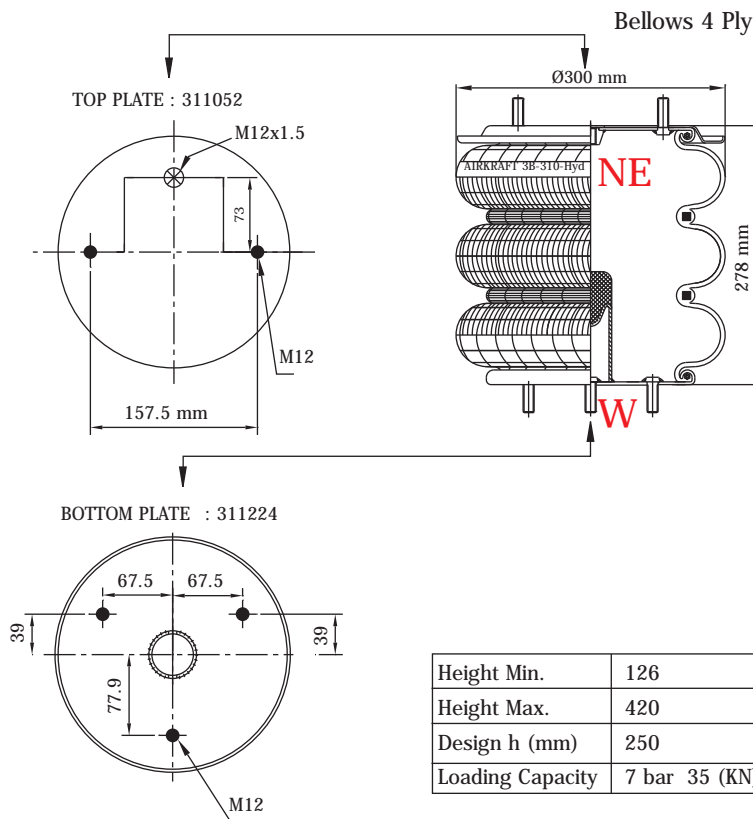
Height Min.	120
Height Max.	420
Design h (mm)	250
Loading Capacity	7bar 35 (KN)

COMBOSTUD

BOLT / STUD

AIR INLET

THREADED HOLE

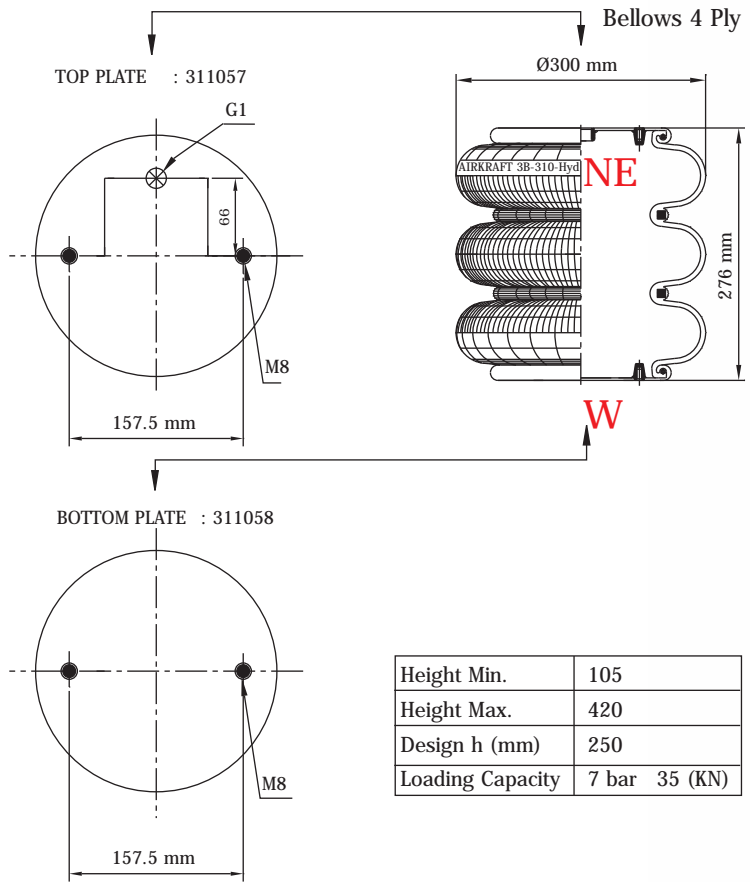


STYLE NUMBER : 3B-310 Hyd
 COMPLETE ORDER NO: 115015
 BELLOW ORDER NO : 116004

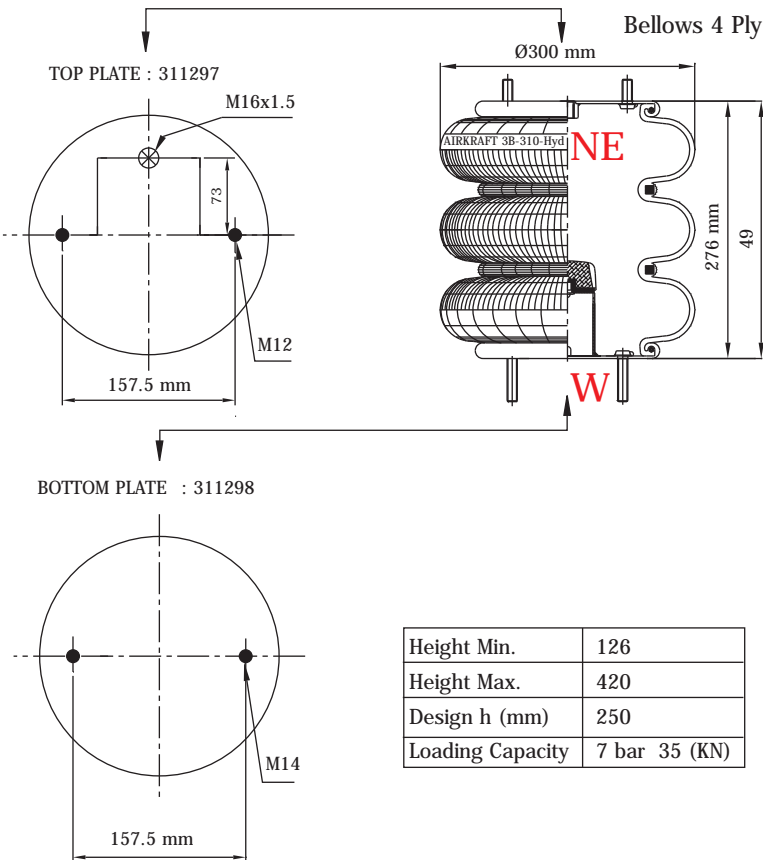
Height Min.	126
Height Max.	420
Design h (mm)	250
Loading Capacity	7 bar 35 (KN)

STYLE NUMBER :3B-310 Hyd
 COMPLETE ORDER NO:115024
 BELLOW ORDER NO :116004

CONTITECH : FT330-29



Height Min.	105
Height Max.	420
Design h (mm)	250
Loading Capacity	7 bar 35 (KN)



Height Min.	126
Height Max.	420
Design h (mm)	250
Loading Capacity	7 bar 35 (KN)

STYLE NUMBER :3B-310 Hyd
 COMPLETE ORDER NO:115028
 BELLOW ORDER NO :116004

GART : 271.3.298 (T271/S)
 CF GOMMA : 322 BB 204413

ROLFO : 112321

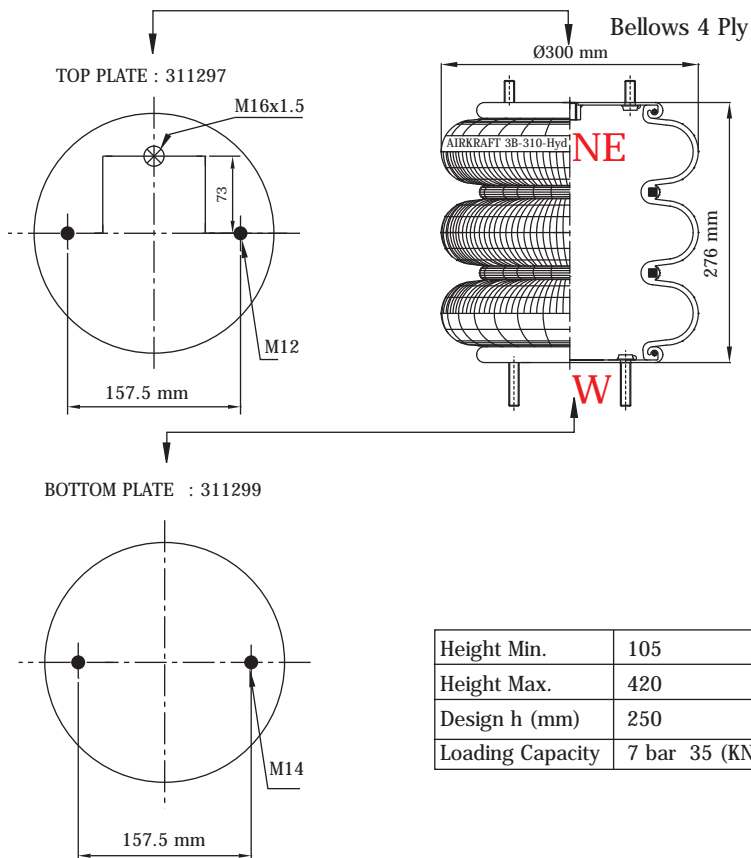
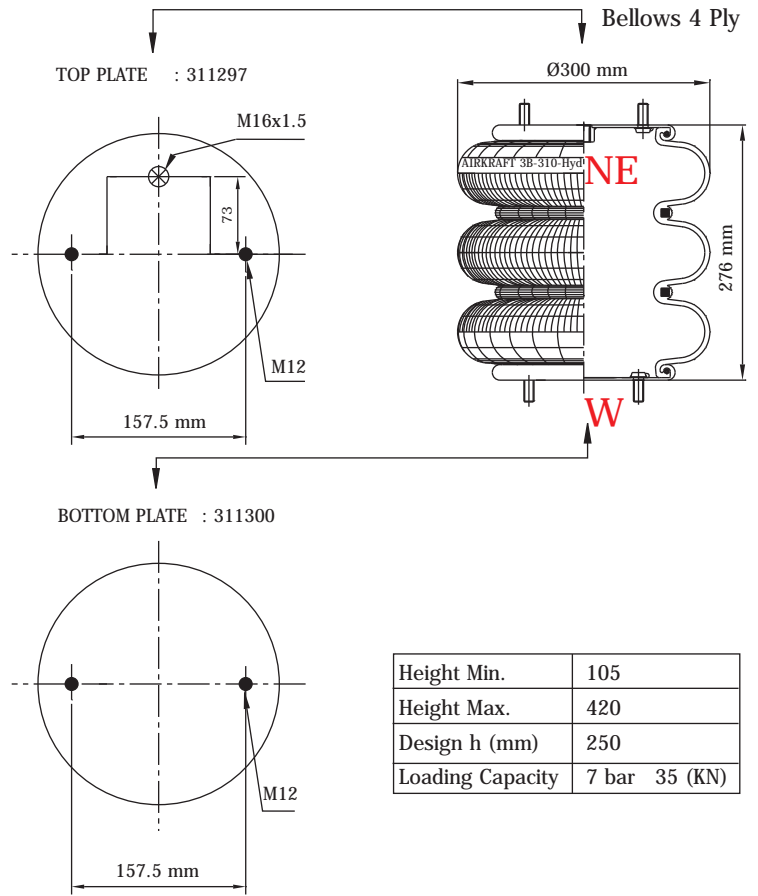


CONVOLUTED AIR SPRINGS

STYLE NUMBER :3B-310 Hyd
 COMPLETE ORDER NO:115029
 BELLOW ORDER NO :116004

GART : 271.3.298/ 2
 CF GOMMA : 322 BB 204450

ROLFO : 112323



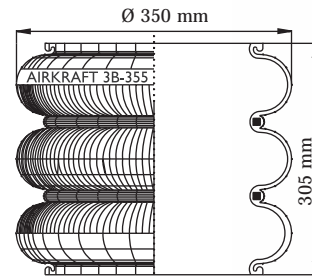
STYLE NUMBER :3B-310 Hyd
 COMPLETE ORDER NO:115030
 BELLOW ORDER NO :116004

PIRELLI : 93410 322 BB

ROLFO : 112273

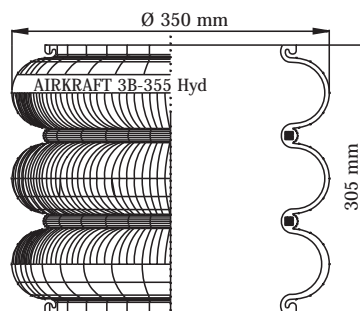
STYLE NUMBER :3B-355
 COMPLETE ORDER NO:116050
 BELLOW ORDER NO :116050

Bellows 2 Ply



Height Min.	105
Height Max.	420
Design h (mm)	250
Loading Capacity	7bar 35 (KN)

Bellows 4 Ply



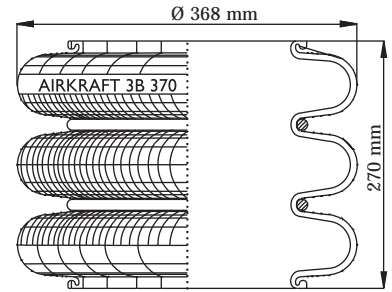
STYLE NUMBER :3B-355 Hyd
 COMPLETE ORDER NO:116053
 BELLOW ORDER NO :116053

Height Min.	105
Height Max.	420
Design h (mm)	250
Loading Capacity	7 bar



Bellows 2 Ply

STYLE NUMBER : 3B-370
 COMPLETE ORDER NO: 116100
 BELLOW ORDER NO : 116100



DUNLOP : 14 1/2 x 3 SP 2007 (14 1/2 X RE)
 CONTITECH : FT 614-36 S

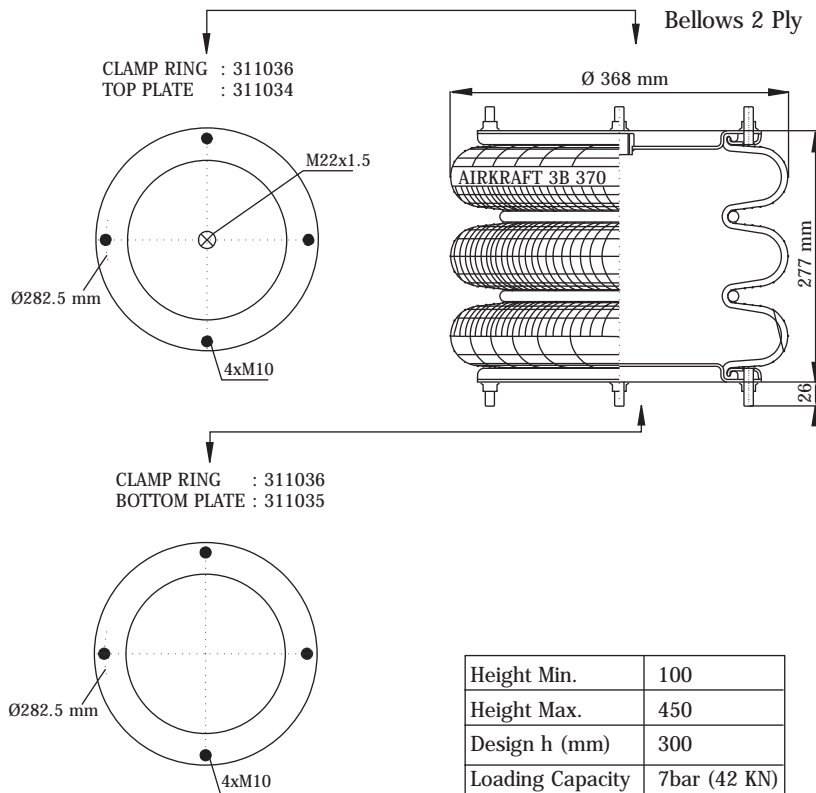
Height Min.	100
Height Max.	450
Design h (mm)	300
Loading Capacity	7bar (42 KN)

COMBOSTUD

BOLT / STUD

AIR INLET

THREADED HOLE



STYLE NUMBER : 3B-370
 COMPLETE ORDER NO: 115103
 BELLOW ORDER NO : 116100

DUNLOP : 14 1/2 x 3 RE- SP 22799
 CONTITECH : FT 614-36 S

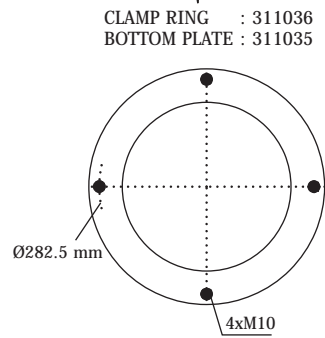
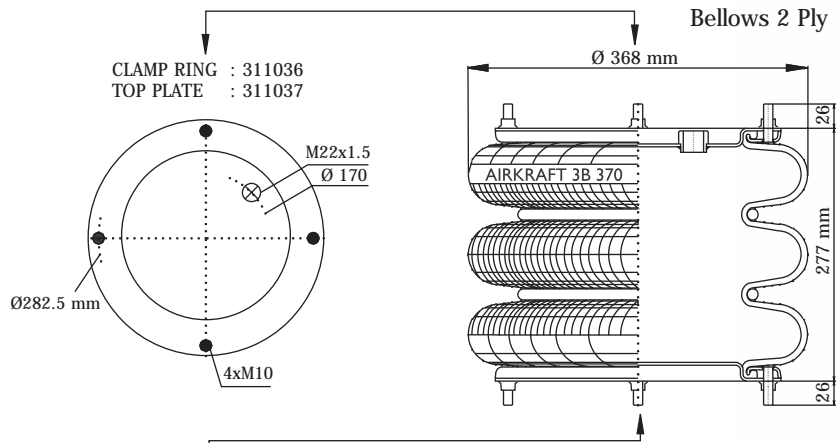
GRANNING : 15827

Height Min.	100
Height Max.	450
Design h (mm)	300
Loading Capacity	7bar (42 KN)

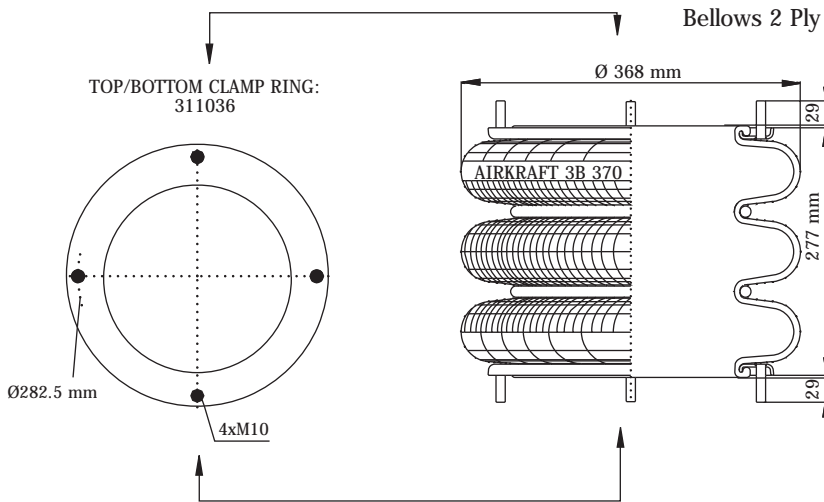
STYLE NUMBER : 3B-370
 COMPLETE ORDER NO: 115104
 BELLOW ORDER NO : 116100

DUNLOP : 14 1/2 x 3- SP 2547
 CONTITECH : FT 614-36 S

DIEBOLT : 27 99 070
 FRUEHAUF : VFA 2520-1
 LOHR : A 060 30 605



Height Min.	100
Height Max.	450
Design h (mm)	300
Loading Capacity	7bar (42 KN)



STYLE NUMBER : 3B-370
 COMPLETE ORDER NO: 115105
 BELLOW ORDER NO : 116100

DUNLOP : 14 1/2 x 3 RE- SP 2169

Height Min.	100
Height Max.	450
Design h (mm)	300
Loading Capacity	7 bar

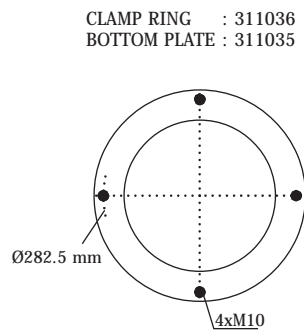
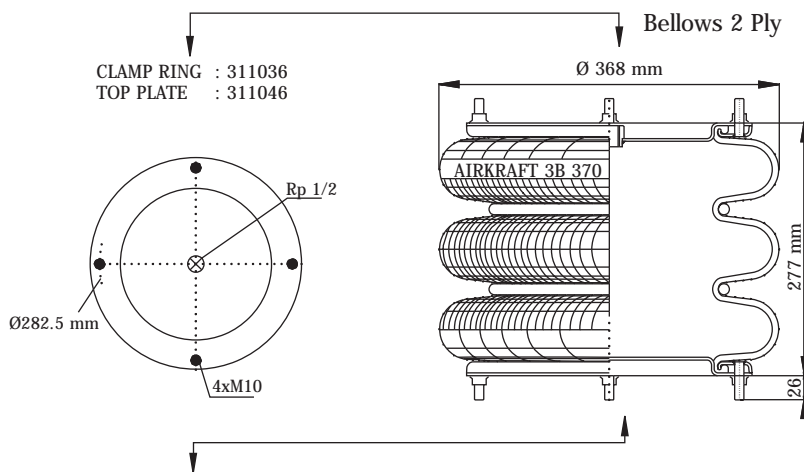
CONVOLUTED AIR SPRINGS



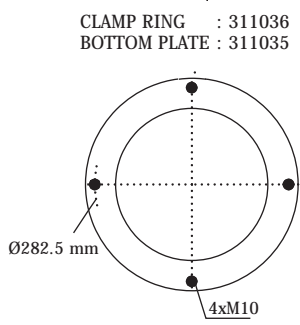
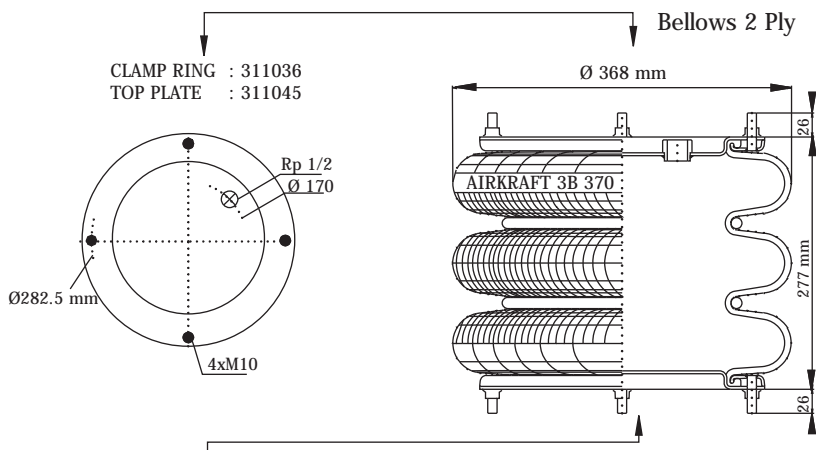
STYLE NUMBER : 3B-370
 COMPLETE ORDER NO: 115108
 BELLOW ORDER NO : 116100

DUNLOP : SP 1558 14 1/2 x 3
 CONTITECH : FT 614-36 1/2 M10

GRANNING : 15824
 WEWELER : USN 5100 18 KD



Height Min.	100
Height Max.	450
Design h (mm)	300
Loading Capacity	7 bar (42 KN)



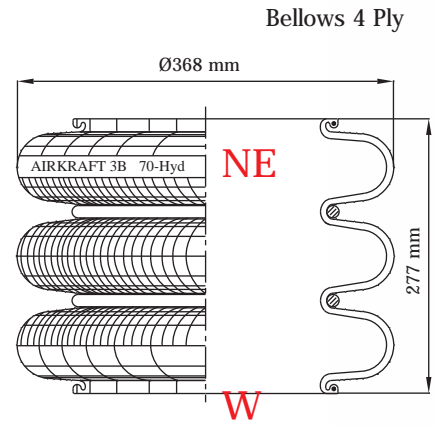
STYLE NUMBER : 3B-370
 COMPLETE ORDER NO: 115109
 BELLOW ORDER NO : 116100

DUNLOP : 14 1/2 3 RE
 CONTITECH : FT 614-36 S

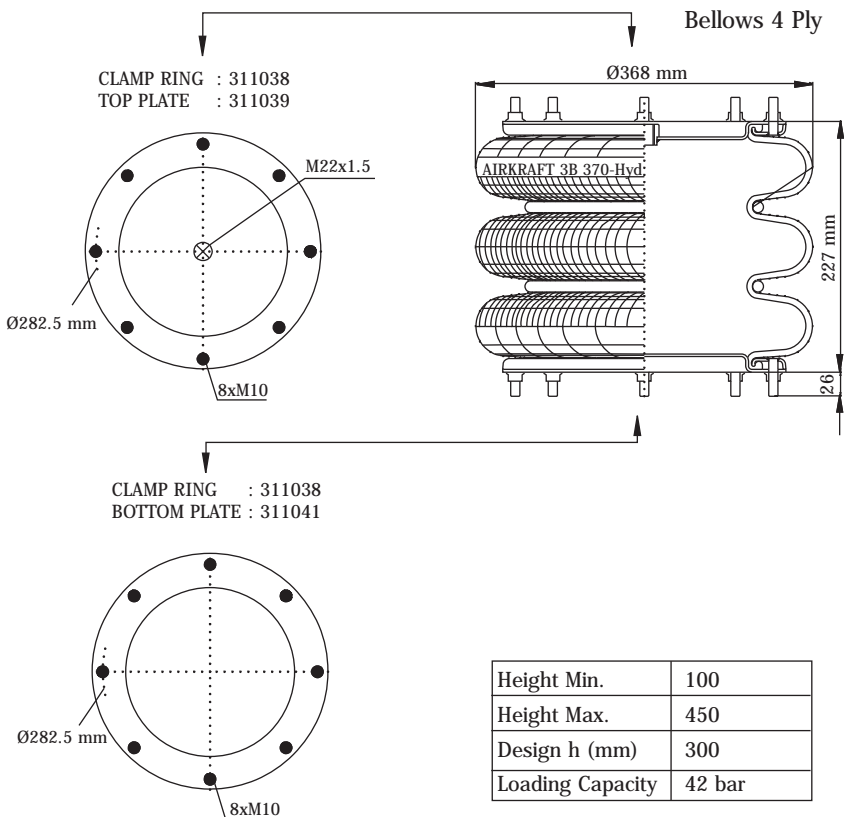
Height Min.	100
Height Max.	450
Design h (mm)	300
Loading Capacity	7bar (42 KN)

STYLE NUMBER : 3B-370 Hyd
 COMPLETE ORDER NO: 116101
 BELLOW ORDER NO : 116001

DUNLOP : SP 2007 RE
 CONTITECH : FT 614-36 S



Height Min.	100
Height Max.	450
Design h (mm)	300
Loading Capacity	7 bar



Height Min.	100
Height Max.	450
Design h (mm)	300
Loading Capacity	42 bar

3

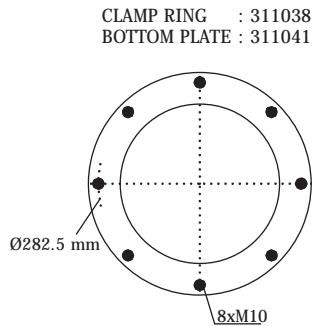
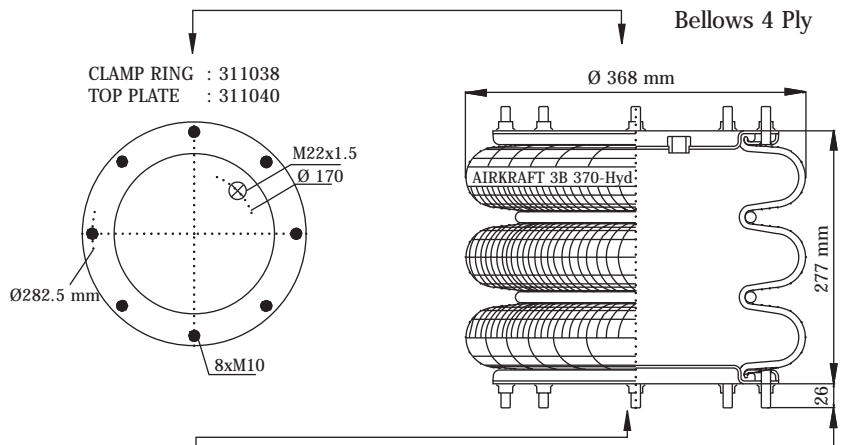
STYLE NUMBER : 3B-370 Hyd
 COMPLETE ORDER NO: 115100
 BELLOW ORDER NO : 116101

DUNLOP : 14 1/2x 3 RE
 CONTITECH : FT 614-36 S

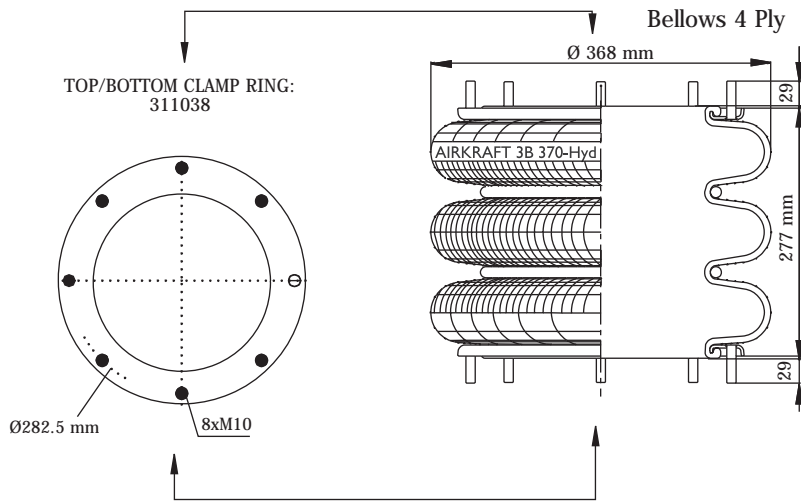


STYLE NUMBER : 3B-370 Hyd
 COMPLETE ORDER NO: 115101
 BELLOW ORDER NO : 116101

DUNLOP : 14 1/2x 3 RE
 CONTITECH : FT 614-36 S



Height Min.	100
Height Max.	450
Design h (mm)	300
Loading Capacity	7bar (42 KN)



STYLE NUMBER : 3B-370 Hyd
 COMPLETE ORDER NO: 115102
 BELLOW ORDER NO : 116101

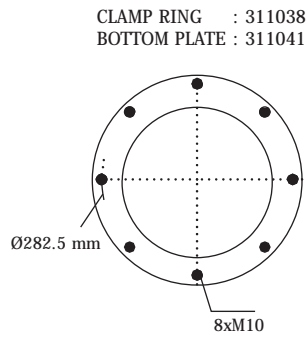
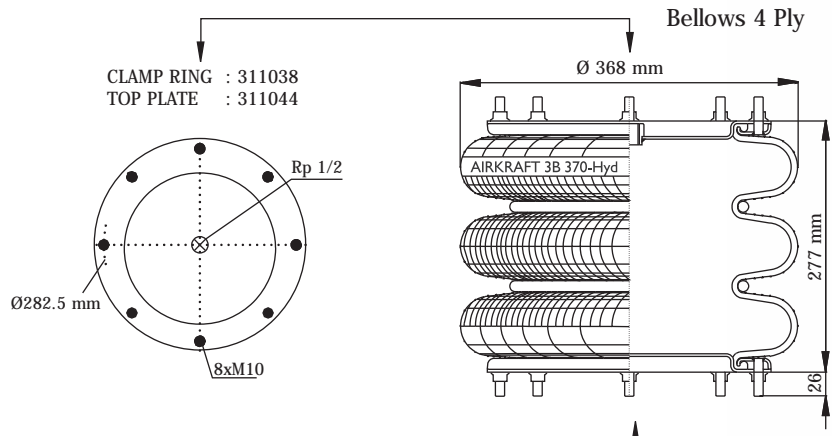
DUNLOP : 14 1/2x 3 RE
 CONTITECH : FT 614-36 S

Height Min.	100
Height Max.	450
Design h (mm)	300
Loading Capacity	7bar (42 KN)

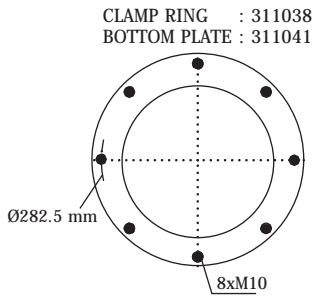
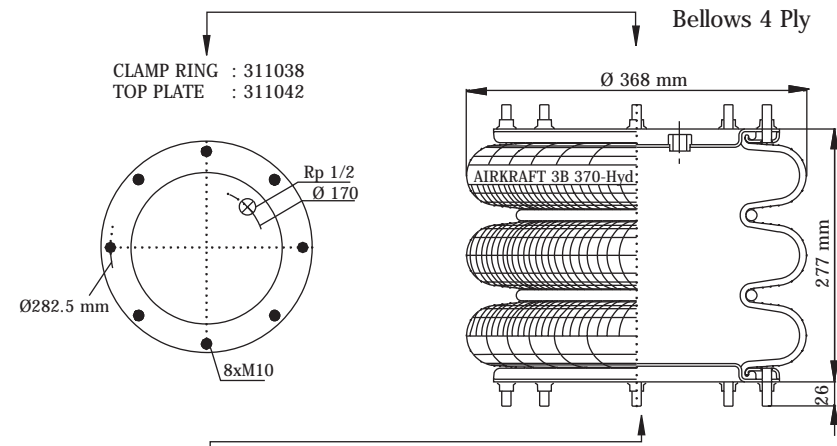
STYLE NUMBER : 3B-370 Hyd
 COMPLETE ORDER NO: 115106
 BELLOW ORDER NO : 116101

DUNLOP : SP 2008 RE
 CONTITECH : FT 614-36 S

GRANNING : 15827



Height Min.	100
Height Max.	450
Design h (mm)	300
Loading Capacity	7bar (42 KN)



Height Min.	100
Height Max.	450
Design h (mm)	300
Loading Capacity	7bar (42 KN)

STYLE NUMBER : 3B-370 Hyd
 COMPLETE ORDER NO: 115107
 BELLOW ORDER NO : 116101

DUNLOP : 14 1/2x 3 RE
 CONTITECH : FT 614-36 S

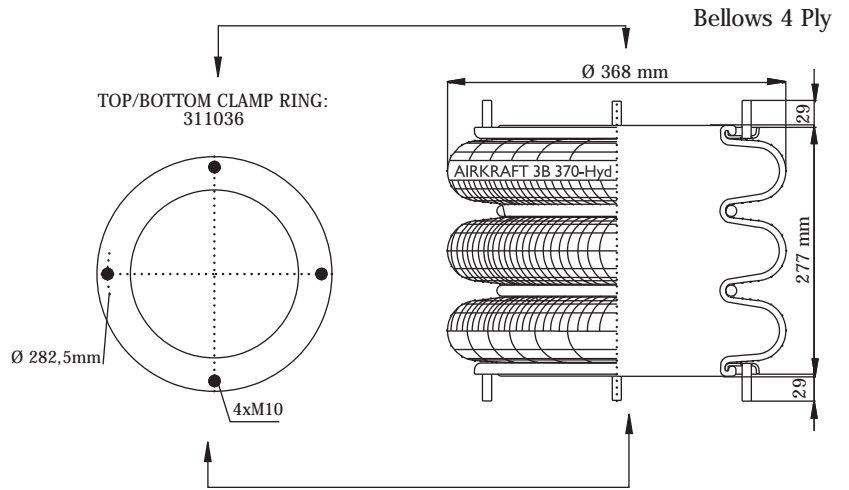
CONVOLUTED AIR SPRINGS



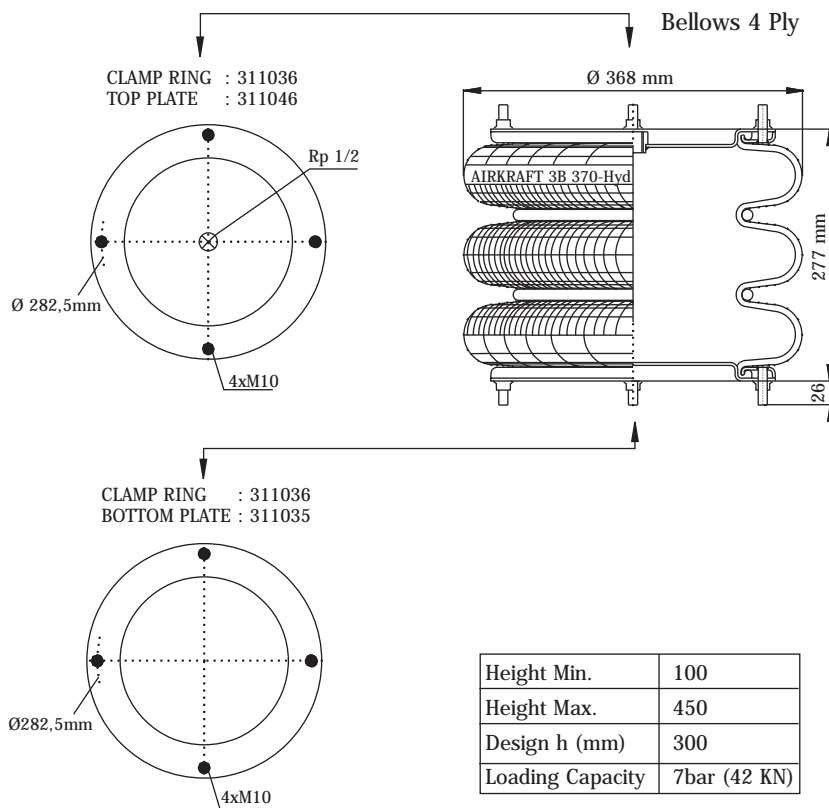
STYLE NUMBER : 3B-370 Hyd
 COMPLETE ORDER NO: 115110
 BELLOW ORDER NO : 116101

GART : T271/S (271.3.296)
 CONTITECH : FT 614-36 S

GRANNING : 15827



Height Min.	100
Height Max.	450
Design h (mm)	300
Loading Capacity	7bar (42 KN)



STYLE NUMBER : 3B-370 Hyd
 COMPLETE ORDER NO: 115111
 BELLOW ORDER NO : 116101

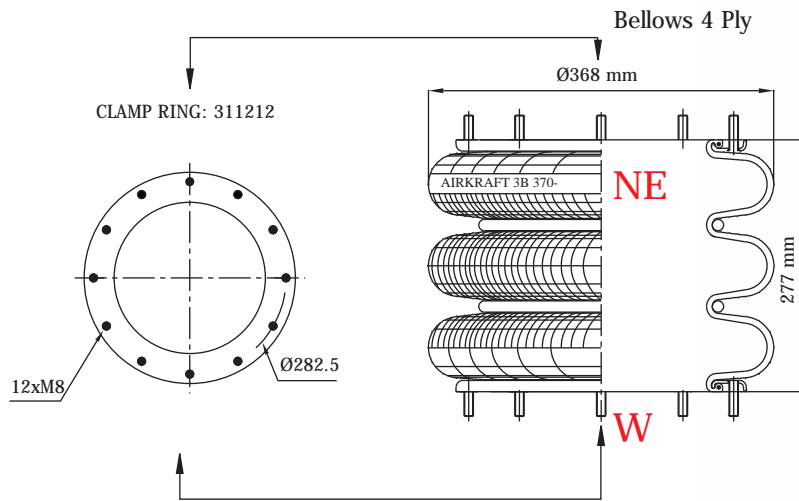
DUNLOP : SP 2526 RE 14 1/2 x 3RE
 CONTITECH : FT 614-36S

GRANNING : 15827

Height Min.	100
Height Max.	450
Design h (mm)	300
Loading Capacity	7bar (42 KN)

STYLE NUMBER : 3B-370 Hyd
 COMPLETE ORDER NO: 115113
 BELLOW ORDER NO : 116101

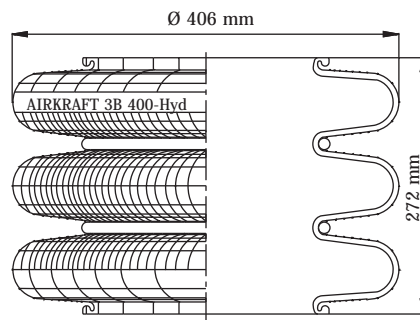
DUNLOP (FR) : SP 2169 RE



Height Min.	
Height Max.	
Design h (mm)	
Loading Capacity	7 bar

Hyd

Bellows 4 Ply



STYLE NUMBER : 3B-400 Hyd
 COMPLETE ORDER NO: 116151
 BELLOW ORDER NO : 116151

DUNLOP : 16x3 RE (PNP 313 170 160)

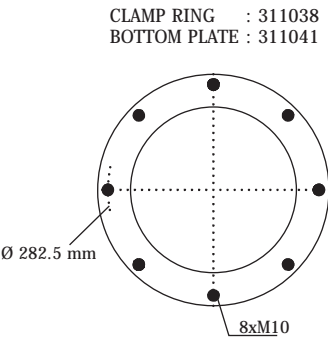
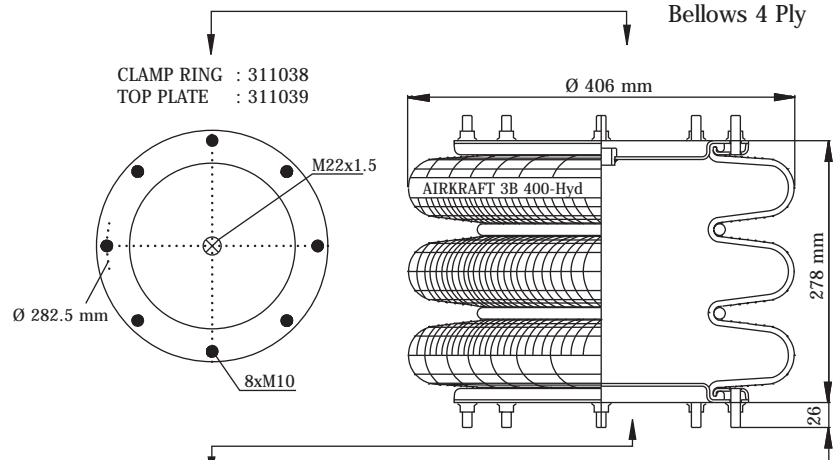
GRANNING : 15833

Height Min.	125
Height Max.	500
Design h (mm)	
Loading Capacity	7bar (50 KN)

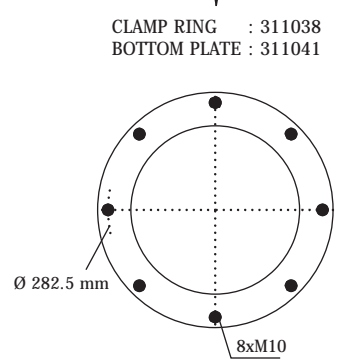
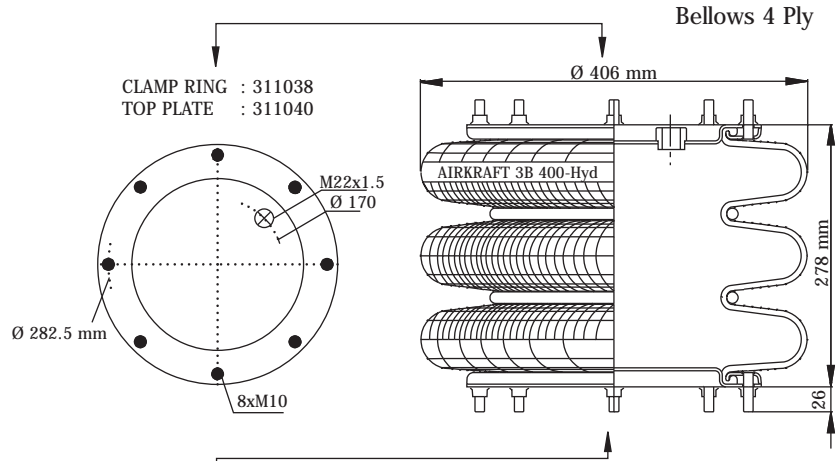


STYLE NUMBER : 3B-400 Hyd
 COMPLETE ORDER NO: 115150
 BELLOW ORDER NO : 116151

DUNLOP : 16 x 3 RE



Height Min.	125
Height Max.	500
Design h (mm)	
Loading Capacity	7bar (50 KN)



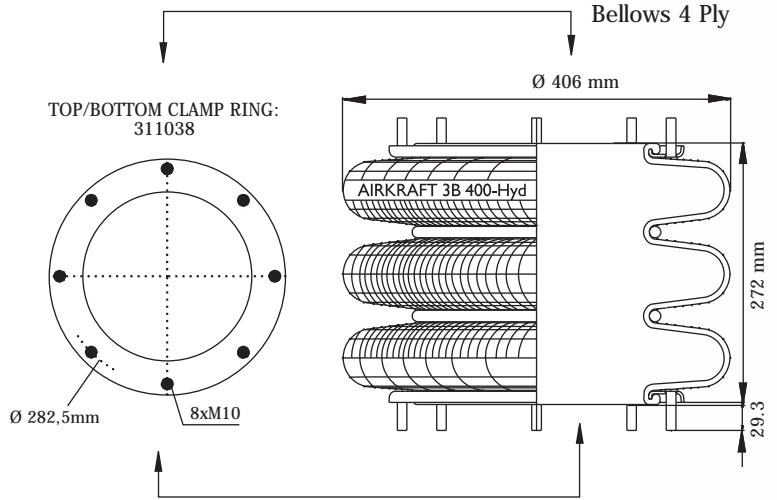
STYLE NUMBER : 3B-400 Hyd
 COMPLETE ORDER NO: 115151
 BELLOW ORDER NO : 116151

DUNLOP : 16 x 3 RE

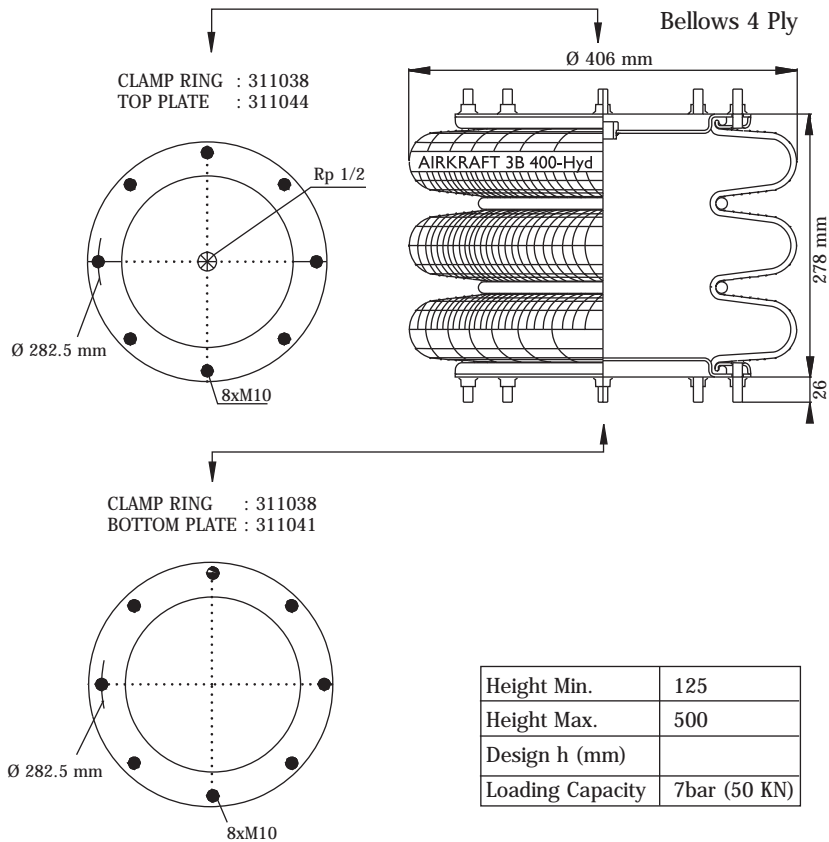
Height Min.	125
Height Max.	500
Design h (mm)	
Loading Capacity	7bar (50 KN)

STYLE NUMBER : 3B-400 Hyd
 COMPLETE ORDER NO: 115152
 BELLOW ORDER NO : 116151

DUNLOP : 16 x 3 RE



Height Min.	125
Height Max.	500
Design h (mm)	
Loading Capacity	7bar (50 KN)



STYLE NUMBER : 3B-400 Hyd
 COMPLETE ORDER NO: 115153
 BELLOW ORDER NO : 116151

DUNLOP : SP 2156 (16" x 3 RE)

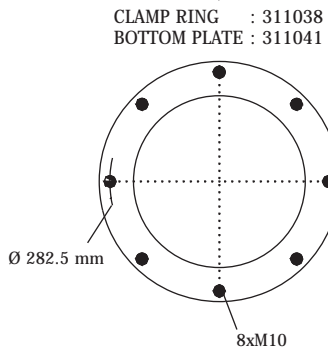
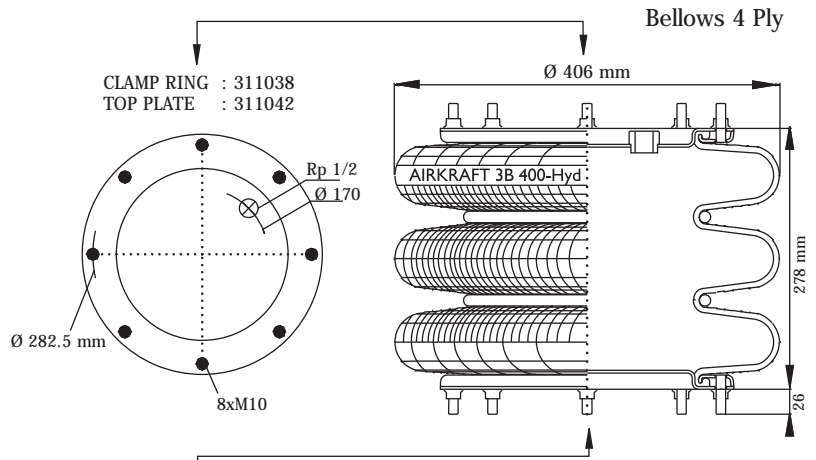
Height Min.	125
Height Max.	500
Design h (mm)	
Loading Capacity	7bar (50 KN)

CONVOLUTED AIR SPRINGS

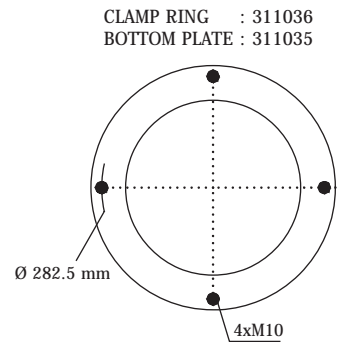
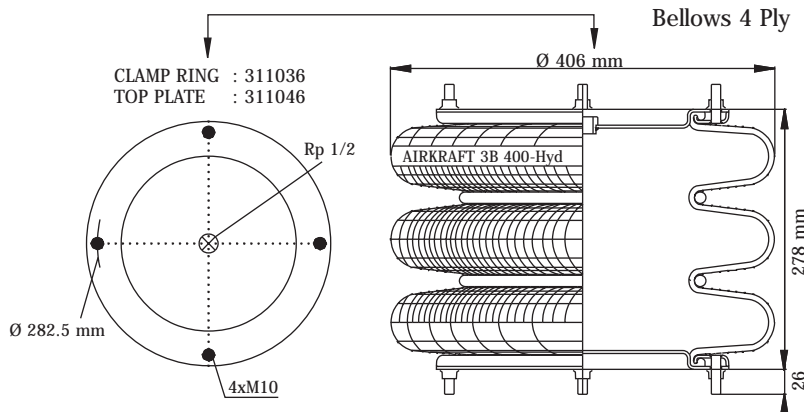


STYLE NUMBER : 3B-400_{Hyd}
 COMPLETE ORDER NO: 115154
 BELLOW ORDER NO : 116151

DUNLOP : SP 2156 (16 x 3 RE)



Height Min.	125
Height Max.	500
Design h (mm)	
Loading Capacity	7bar (50 KN)



Height Min.	125
Height Max.	500
Design h (mm)	
Loading Capacity	7bar (50 KN)

STYLE NUMBER : 3B-400_{Hyd}
 COMPLETE ORDER NO: 115155
 BELLOW ORDER NO : 116151

DUNLOP : SP 2141 (PNP 313 170 100)
 : 16 x 3 RE

GRANNING : 15832
 KAISER : WC 074 0236

COMBOSTUD
 BOLT / STUD
 AIR INLET
 THREADED HOLE

AIRKRAFT

www.airkraft.com.tr



ABOUT AIRKRAFT

Established in Bursa Freezone since 2000, AIRKRAFT produces a wide range of airsprings including Convoluted, Cabin, Seat, Lift-Axle and Belt Tensioner air spring types. At the end of 2007, AIRKRAFT moved to its new plant to reach a total of 6.000m² covered area, in three locations.

Being a leader in the domestic market since 2000, Aircraft today exports approximately 90% of its production to more than 70 countries worldwide.

Built upon Akta• Group tradition and experience, which is celebrating its 70th anniversary this year, we are taking secure steps towards our goal of being a world known company. In order to secure our product quality and these steps, we have upgraded our quality certificate to ISO TS 16949. Moreover, supplying all our raw materials from the Group, provides us a guaranteed chain of production until the finished product and maximum traceability down to the root.

Along with a vast number of tests done on raw materials (adhesion, ageing, resistances etc.), Aircraft also cinches the standard quality by applying many in-house tests such as impermeability, force, burst, dimension changes, hysteresis, tragkraft etc.

Cultivated by big name customers across the world including OEM companies, we are proud to bring OE attention and quality to AM customers.

CONVOLUTED AIRSPRINGS

Classified as single, double and triple, convoluted airsprings increasingly replace pneumatic cylinders in the world industry.

With higher course length, compactness, ease of usage and low maintenance costs, convoluted air springs offer the performance in lifting, compression, suspension and eliminating vibration both under vehicles and machines.

Convoluted airspring production in Turkiye first began in the late 70's under Aktas Group flag. Now Aircraft proudly provides local OEM brands as a sole supplier since 2000 as well as aftermarket customers.

CABIN AIR SPRINGS

Used in the truck and tractors' cabin as four point suspension, the cabin airsprings provide much more comfort in comparison to its prececeders, steel springs. Combining traditional shock absorbers with air springs instead of coil springs, this hybrid solution to suspension significantly eliminates vibration.

Since 2000, Aircraft supplies cabin airsprings and sole sleeves to leading European shock absorber producers.

SEAT AIR SPRINGS

Drivers' seat air springs provide a new breed of seat suspension, lowering fatigue, and health risks frequently faced by drivers. Eliminates the vibration for the most important part of the truck, the driver, and keeps the seat at an adjustable height at all times.

Besides supplying the aftermarket, Aircraft also supplies leading global seat producers.





121101		VEHICLE	FRONT REAR
SACHS	481002	SCANIA 3 SERIES	SCANIA
OEM	1348121/ 1314278		
CHASSIS NO		CR SERIES	



121201		VEHICLE	FRONT REAR
SACHS	557001	SCANIA 4 SERIES	SCANIA
OEM	1349840		
CHASSIS NO		CR - CP SERIES	



121202		VEHICLE	FRONT REAR
MONROE	CB0030 / 717262725	SCANIA 4 SERIES	SCANIA
OEM	1476415 / 1381919		
CHASSIS NO			



121207		VEHICLE	FRONT REAR
SACHS	310619	SCANIA 4 SERIES	SCANIA
OEM	1424231		
CHASSIS NO			
		CR - CP SERIES	

CABIN AIR SPRINGS





121208		VEHICLE	REAR
MONROE	CB0074	SCANIA R SERIES	SCANIA
OEM	1502468		
CHASSIS NO			



121209		VEHICLE	FRONT REAR
SACHS	312465	SCANIA R SERIES	SCANIA
OEM	1444016		
CHASSIS NO		CR - CP SERIES	



101169 K		VEHICLE	FRONT REAR
SACHS	112320 + 105876	SCANIA 3 SERIES	SCANIA
	105845 + 105875		
	105831 + 481002		
OEM	370227 / 393257 / 550365		
	1116535 / 1117320 / 1117334 / 1117326		
	1314278 / 1331620 / 1331621 / 1331626		
	1331634 / 1331635 / 1348117 / 1348118		
	1348119 / 1348120 / 1348121 / 1348211	CR SERIES	
CHASSIS NO			



201180 K		VEHICLE	FRONT
SACHS	290988	SCANIA 4 SERIES	SCANIA
	557001		
	105872		
OEM	1349840 / 1424228		
	1381904 / 1363122 / 1397396		
		CR - CP SERIES	
CHASSIS NO			

CABIN AIR SPRINGS





201181 K		VEHICLE	REAR
SACHS	557001 + 105873	SCANIA 4 SERIES	SCANIA
	557001 + 290989		
OEM	1382827		
	1389840		
	1424229		
	1349844		
CHASSIS NO		CR - CP SERIES	



202186 K		VEHICLE	FRONT
MONROE	CB0010	SCANIA 4 SERIES	SCANIA
	CB0030		
	717262725		
OEM	1476415 / 1381919		
	1381904 / 1397400		
	1435859		
CHASSIS NO			



202187 K		VEHICLE	REAR
MONROE	CB0009	SCANIA 4 SERIES	SCANIA
	CB0030		
	717262725		
OEM	1476415 / 1381919		
	1435856 / 1382826		
	1381906 / 1382829		
CHASSIS NO			



128001 K		VEHICLE	FRONT REAR
SACHS	310619 + 310620	SCANIA 4 SERIES	SCANIA
	CB0030		
	717262725		
OEM	1424231 / 1505563		
	1502470 / 1502471		
	1502472 / 1502474		
	1595642		
CHASSIS NO		CR - CP SERIES	

CABIN AIR SPRINGS





128002 K		VEHICLE	REAR
MONROE	717262778	SCANIA R SERIES	SCANIA
	CB0074		
OEM	1502468		
	1502474		
CHASSIS NO			



128003 K		VEHICLE	FRONT
SACHS	312465 + 290987	SCANIA R SERIES	SCANIA
OEM	1444016 / 1424227		
	1363120 / 1397396		
	1397390 / 1397392		
		CR - CP SERIES	
CHASSIS NO			



128004 K		VEHICLE	REAR
SACHS	312465 + 310620	SCANIA R SERIES	SCANIA
OEM	1444016		
	1505563		
CHASSIS NO		CR - CP SERIES	



121010		VEHICLE	
MONROE	P2A7C006 / 01764029	SCANIA 3 SERIES	SCANIA
PHOENIX	1C39 a - 245		
OEM	1448573/ 1314278		
CHASSIS NO			

CABIN AIR SPRINGS





205001 K		VEHICLE	FRONT
SACHS	105392	ACTROS 1831-1860	MERCEDES
OEM	942 890 29 19		
A 942 890 29 19			
CHASSIS NO	1831 S - 1831 LS / 1835 S - 1835 LS / 1840 S - 1840 LS 1843 S - 1843 LS / 1848 S - 1848 LS 1853 S - 1853 LS		



206001 K		VEHICLE	REAR
SACHS	105409 + 290997	ACTROS 1831-1860	MERCEDES
OEM	942 890 02 19		
942 890 60 19 / A 942 890 02 19			
A 943 890 02 19			
CHASSIS NO	1831 - 1860 L/K/S/AK/LL/LS/LLS 2031 - 2053 A/K/S/AK/AS 2531 - 2557 L/LS 2631 - 2658 B/K/L/S/LK/LS 3231 - 3335 A/B/K/S/AK/AS 3340 - 3357 A/B/K/S/AK/AS 4140 - 4148 A/B/K/AK		



207001 K		VEHICLE	FRONT
SACHS	105408	ACTROS 1831-1860	MERCEDES
OEM	942 890 52 19		
A 942 890 52 19			
CHASSIS NO	1831 S - 1831 LS 1835 S - 1835 LS 1840 S - 1840 LS 1843 S - 1843 LS 1848 S - 1848 LS 1853 S - 1853 LS		



208001 K		VEHICLE	FRONT
SACHS	105414 + 290998 + 311663	ACTROS 1831-1860	MERCEDES
OEM	942 890 53 19		
942 980 59 19 / 943 890 38 19			
CHASSIS NO	1831 - 1860 L/K/S/AK/LL/LS/LLS 2031 - 2053 A/K/S/AK/AS 2531 - 2557 L/LS 2631 - 2658 B/K/L/S/LK/LS 3231 - 3335 A/B/K/S/AK/AS 3340 - 3357 A/B/K/S/AK/AS 4140 - 4148 A/B/K/AK		

CABIN AIR SPRINGS





203001 K		VEHICLE	
SACHS	105885	F - 2000	MAN
OEM	81 41722 6048		
81 41722 6051			
CHASSIS NO	18.403 T33 (FRONT - REAR) 19.293 T20 (all) (FRONT - REAR) 19.343 T20 (all) (FRONT - REAR) 19.344 FLL (4x2) (FRONT)		



204001 K		VEHICLE	REAR
SACHS	105856	F - 2000	MAN
OEM	81 41722 6049		
81 41722 6052			
CHASSIS NO	19.273 T3 (all) STEYR: 19 S 29 T03 19.323 T3 (all) 19 S 34 T03 19.293 T3 (all) 35 S 36 T46 19.343 T3 (all) 35 S 41 T46 19.293 FLL (4x2) T20 41 S 36 T46 19.344 FLL (4x2) T20 41 S 40 T46 35.314 VF T26 41 S 41 T46 35.364 VF T26 41 S 46 T46		



206014 K		VEHICLE	FRONT
SACHS	135194 + 135196	TGA	MAN
OEM	85 41722 6008		
85 41722 6014 / 85 41722 6022			
CHASSIS NO	18.280 LL-FLS-FLLS/N 18.530 FLS-FLLS-FLLS/N 26.310 FDS-FDSL-FDSL/M 26.530 FNLS-FNLS-FDLS/M 28.310 FNLC-FNLS 28.530 FNLC-FNLS 33.360 FDS-FDSWW-FDLS 33.510 FDS-FDLS/M 41.480 FVDS-FVDLS 41.460 FVDS-FVDLS STEYR 18 S31-S36-S41-S46-S51 26 S31-S36		

206015 K		VEHICLE	FRONT
SACHS	135195 + 135197	TGA	MAN
OEM	85 41722 6009		
85 41722 6015 / 85 41722 6023			
CHASSIS NO	18.280 LL-FLC-FLLC-FLLC/N 18.510 FLC-FLLC-FLLS/N 26.310 FDC-FDSC-FDLC/M 26.530 FDC-FDLC-FDC/M 33.360 FDC-FDCWW-FDLC/M 33.410 FD-TM-FDK-FDC STEYR 18 S31-S36-S41-S46-S51 26 S31-S36		





206057 K		VEHICLE	REAR
SACHS	135198	TRACTOR	MAN
OEM	81 41722 6057		
85 41722 6006 / 85 41722 6012			
CHASSIS NO			
TGA DX RIGHT (REAR)			
18.280 LL-FLS-FLLS-FLLS/N			
18.530 FLS-FLLS-FLLS/N			
26.310 FDS-FDSL-FDSL/M			
26.530 FNLS-FNLS-FDSL/M			
28.310 FNLC-FNLS			
28.530 FNLC-FNLS			
33.350 FDS-WW-FDLS			
33.531 FDLS-FDLRS-M			
41.480 FVDS-FVDLS			
41.660 FVDS-FVDLS			
TG-A (FRONT)			
STEYR			
18 S31-S36-S41-S46-S51			
26 S31-S36			



206058 K		VEHICLE	REAR
SACHS	135199 + 135200	TRUCK	MAN
OEM	81 41722 6058		
85 41722 6007 / 85 41722 6013			
85 41722 6024			
CHASSIS NO			
TGA DX RIGHT (REAR)			
18.280 LL-FLS-FLLS-FLLS/N			
18.530 FC-FLC-FLLC-FLIW			
26.310 FDC-FDCL-FDLC/M			
26.530 FNLS-FNLS-FDLS/M			
28.310 FNLC-FNLS			
28.530 FNLC-FNLS			
33.350 FDS-FDS-WW-FDLS			
33.530 FDC-FDLC-FDC/M			
TG-L			
7.150 FC-FRC-FLR-FIRC			
7.180 FC-FRC-FLR-FIRC			
10.180 FC-FK-FRC-FRK			
10.240 FC-FK-FRC-FRK			
12.180 FC-FK-FRC-FRK			
12.240 FC-FK-FRC-FRK			
STEYR			
TG-A (REAR)			
18 S31-S36-S41-S46-S51			
26 S31-S36			



121051		VEHICLE	FRONT
MONREO	CB0075		
CONTITECH	SZ50-9		
OEM	5010 130 797 G	KERAX 97/06	RENAULT
		PREMIUM 00-01	
CHASSIS NO			

121052		VEHICLE	FRONT REAR
MONREO	CB0076	MAGNUM AE 96/04	RENAULT
CONTITECH	816-Z		
OEM	5010 320 096 A	MAGNUM AE 00/05	
		MAGNUM E-TECH 00/05	
		MAGNUM E-TECH 02/03	
CHASSIS NO		MAGNUM E-TECH 02/03 FRONT	

CABIN AIR SPRINGS





121053		VEHICLE	REAR
MONREO	CB0082	G SERIES G 340 Ti	RENAULT
CONTITECH	SZ50-8		
OEM	5010 092 916 E		
CHASSIS NO			



121054		VEHICLE	FRONT
MONREO	CB0083	G SERIES G 340 Ti	RENAULT
CONTITECH	SZ50-10		
OEM	5010 266 845 A		
	5010 313 619 A		
CHASSIS NO			



121414		VEHICLE	FRONT
CONTITECH	SZ50-9 PO2	PREMIUM RVL	RENAULT
OEM	5010 629 414		
CHASSIS NO			



121086		VEHICLE	FRONT
CONTITECH	SK86-10	MAGNUM DXI 12	RENAULT
OEM	5010 491 301		
CHASSIS NO			

CABIN AIR SPRINGS





228908 K		VEHICLE	REAR
SACHS	131041 / 310957	PREMIUM VI	RENAULT
CONTITECH	SZ36-10		
OEM	5010 228 908		
5010 228 908 A / 5010 228 908 B			
5010 228 908 C / 5010 316 783 A			
5010 269 674 / 5010 316 783			
CHASSIS NO			



228849 K		VEHICLE	REAR
MONREO	69849-CB0070	MAGNUM E-TECH	RENAULT
OEM	5010 228 849		
CHASSIS NO			



228879 K		VEHICLE	REAR
SACHS	25376537 + 781700001622	PREMIUM4 40 19T 4X2 ECO HR	RENAULT
OEM	5010 615 879		
		PREMIUM 450 DXI	
CHASSIS NO			



228893 K		VEHICLE	REAR
MONREO	20898055	MAGNUM DXI	RENAULT
OEM	5010 552 241/ 7420898055 7482052893		
CHASSIS NO			

CABIN AIR SPRINGS





121055		VEHICLE	FRONT
PIRELLI	IGC 130-30	EUROTECH	IVECO
OEM	41019150 / 8169050		
CHASSIS NO		EUROSTAR	



128010 K		VEHICLE	REAR
SACHS	115743	EUROSTAR TYPE 2	IVECO
OEM	41028764 / 41028763 500377878 / 500348793		
		EUROSTAR	
		EUROTECH	
		EURO TRAKKER	
CHASSIS NO	LD 180 E38 LD 440 E52 TZ MP 180 E34 440 E42 TZ MT 180 E 34R/ 400E 34R MP 190E 31H MP 720E 47 HT		



128011 K		VEHICLE	REAR
SACHS	115731	EUROTECH	IVECO
OEM	500379698 / 5003077338		
	99438514 / 99455937		
	500352808 / 98472734		
CHASSIS NO		EUROSTAR TYPE L	

128012 K		VEHICLE	FRONT
SACHS	310820	SIRALIS	IVECO
OEM	500 357 351		
CHASSIS NO	190S31-40-43 AT 260S35/ S40- 40- 43 AT 440S40- 43 AT 190S40- 43- 48 AS		

CABIN AIR SPRINGS





128013 K		VEHICLE	FRONT
ARVINMARITOR	908 322 985	SIRALS	IVECO
OEM	500 340 705		
CHASSIS NO	190S31-40-43 AT 260S35/ 40- 43 AT 440S40- 43 AT 190S40- 43- 48 AS		



128014 K		VEHICLE	REAR
ARVINMARITOR	908 322 986	SIRALS	IVECO
OEM	500 340 706		
CHASSIS NO	190S31-40-48 AT 260S40/ 44- 48- 54 AS 440S40- 43- 48- 54 AS		



128015 K		VEHICLE	REAR
ARVINMARTOR	908 323 140	SIRALS	IVECO
OEM	504 060 233		
CHASSIS NO	190S31-40-43 AT 260S35/ 40- 43 AT 440S40- 43 AT		



128016 K		VEHICLE	REAR
SACHS	310821	SIRALS	IVECO
OEM	500 357 352		
CHASSIS NO	190S40- 43- 48 AS 260S40/ 43- 48- 54 AS 440S40- 43- 48- 54 AS		

CABIN AIR SPRINGS





128020 K		VEHICLE	FRONT
MONREO	7172 69 833 + CB0003		FH12
OEM	3172984 / 1629719/ 1629724		
CHASSIS NO	exL1H1		FH16
	A291152		
	A544695		
	B216585		
	B311773		
	A257343		
	B162550		
	C754615		
	D100895		
	2806854		
	FH16		
	A257343		
	B162550		
	D110198		
A257344			
A291151			
B162551			
B216584			
D110208			
A291152			
A544695			
B216585			
B311773			
VOLVO			



128021 K		VEHICLE	REAR	
MONREO	7172 69 647 + CB0006		FH12	
OEM	20427897 / 20721169			
CHASSIS NO	exL1H1		FH16	
	A291152			
	A544695			
	B216585			
	B311773			
	A544696			
	B311774			
	FH16			
	A291152			
	A544695			
	B216585			
	B311773			
	VOLVO			



128022 K		VEHICLE	REAR
MONREO	7172 62 602 + CB0002		FH12
OEM	1075076 / 1075077		
CHASSIS NO	ex L1H1 C754615 D100895 2806854	FH16 A257343 B162550 D110198	FH16
	VOLVO		



128023 K		VEHICLE	FRONT
MONREO	CB0039 + CB0055		FH12
OEM	20453256 / 20889132-1		
CHASSIS NO	ex L1H1 A544696 B311774	L1EH1 A544696 B311774	
	VOLVO		

CABIN AIR SPRINGS





121059		VEHICLE	FRONT	
MONREO	CB0055		FH12	
		VOLVO		
OEM	20453256			
CHASSIS NO	ex L1H1		L1EH1	
	A544696 B311774	A544696 B311774		



125500		VEHICLE	FREIGHTLINER	
GOOD-YEAR	1S5-005			
OEM				
125503				
GOOD-YEAR	1S4-008			
OEM				



125501		VEHICLE	FREIGHTLINER
GOOD-YEAR	1S5-040		
OEM			
CHASSIS NO			



125502		VEHICLE	FREIGHTLINER
GOOD-YEAR	1S5-045		
OEM			
CHASSIS NO			

CABIN AIR SPRINGS



BELT TENSIONER





127201	
CONTITECH	SZ35-11
OEM	EVO: 4.731.046.000

127202	
CONTITECH	SZ50-11
OEM	VAN HOOL 10635845
IRS:5.006.153.851	



127203	
CONTITECH	SZ70-11



SEAT AIR SPRINGS



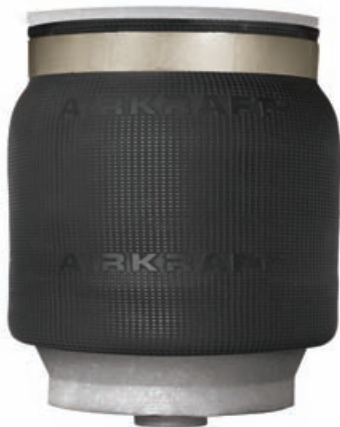


125101	
CONTITECH	SZ51-7

125102	
CONTITECH	SZ60-6 / 864Z
ISRINGHAUSEN	3.1396



125103	
CONTITECH	SZ62-7
ISRINGHAUSEN	3.3207



125104	
CONTITECH	865Z / 937N
ISRINGHAUSEN	3.1390



125105	
FIRESTONE	W01 358 4001

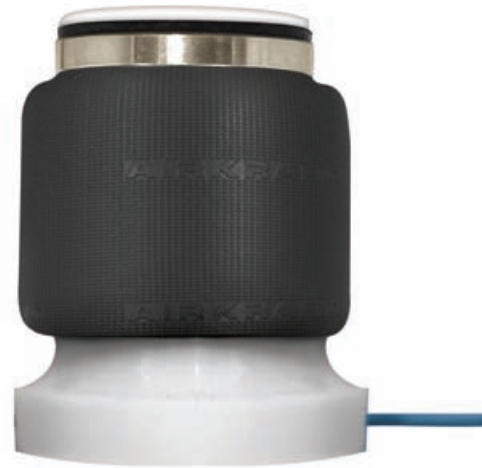
125106	
CONTITECH	SZ51-6
GRAMMER	140214





125111	
CONTITECH	880Z

125112	
CONTITECH	SZ59-7
ISRINGHAUSEN	38570/ 36879



125120	
CONTITECH	SZ53-8



125121	
CONTITECH	SZ51-5





LIFT - AXLE





126045		VEHICLE	VOLVO
CONTITECH	SZ130-25 P04		
OEM	20534645	LIFT-AXLE SHORT VERSION	



126046		VEHICLE	VOLVO
CONTITECH	SZ130-25 P05		
OEM	20534646	LIFT-AXLE LONG VERSION	



126001		VEHICLE	VOLVO
CONTITECH	SK95-26		
OEM	1081785	LIFT-AXLE	



PRODUCT ID AND TRACEABILITY



BARCODE
Barcoding system provides AIRKRAFT products a maximum traceability down to the raw material. Via the barcode number on the label, it is possible to answer all questions regarding the product, until the final customer.

