

**aircomfort**

simply good value



# Air spring product catalogue

A brand of Aktaş family.

# Table of Contents

Aktaş global presence	2
Product information	3
Roll air springs	R2-R7
Service assembly air springs	S2-S15
Complete air springs	C2-C22
OEM list	02-07
Cross list	CR2-CR6
Product list	P2-P3

**Important**

Aktaş does not undertake the responsibility of the accuracy and completeness of the specification and the information taking place in the catalogue. Aktaş does not assume any liability for damages caused relevant to information given in this catalogue and has this right to make any alteration without prior notices.

# Global presence

Aktaş was established in 1938 as Sait Aktaş Rubber and Tire shop and in 1972 started producing the first air springs in Bursa, home of the Turkish automotive industry. After going through an extensive reorganization, the name of the company was changed to Aktaş Air Suspension Systems Company and since then it has been serving its OEM and aftermarket customers worldwide.



Today, Aktaş is a rapidly growing global supplier of high quality air springs and industrial rubber components with 8 strategic locations in 4 continents, reaching a manufacturing capacity of 2,5 million units. Aktaş is market leader in Turkish heavy duty air spring aftermarket and has been certified by ISO TS 16949 since 2002. Its internationally proven quality has also placed Aktaş among the leading European manufacturers. The global market share of Aktaş is 17%, that is the 3rd biggest in the world; Aktaş increases its global presence by exporting 80% of its products to more than 80 countries around the world.

Aktaş offers different brands to satisfy the different needs in the market. Aircomfort brand especially created to meet basic air spring need in the price sensitive segment. Aircomfort takes its strength not only from Aktaş assurance, but also from its no-frill attribute. Purging the unnecessary processes from the product design to the end user delivery provides to Aircomfort the desired competitive power.

# Product information

## Traceability



Order numbers starting with **11** are used for **roll** air springs,  
Order numbers starting with **12** are used for **service assembly** air springs,  
Order numbers starting with **13** are used for **complete** air springs,  
Product numbers ending with **P** state these are **service assembly** air springs,  
Product numbers ending with **C** state these are **complete** air springs,  
Product numbers ending with **CPP** state these are **complete plastic piston** air springs,  
Product numbers ending with **C ALU** state these are **complete aluminium** air springs,  
The order number ends with **T** states that these air springs are produced in **Turkey**.

# Product information

## Rolling lobe air springs

### With semi-assembly

#### **Air fitting**

Inlets air.

#### **Top plate**

Connects the air spring to the vehicle chassis.

#### **Cord reinforced fabric**

Maintains the loading capacity of air spring.

#### **Rubber layer**

Covers and strengthens of cord-reinforced fabric.

#### **Bumper**

Prevents damage of the air spring.

#### **Bottom plate**

Holds the rubber bumper and connects the air spring to the piston of the vehicle.



### With piston

#### **Air fitting**

Inlets air.

#### **Top plate**

Connects the air spring to the vehicle chassis.

#### **Connection stud**

Connects the air spring to the vehicle chassis.

#### **Bumper**

Prevents damage of the air spring.

#### **Rubber layer**

Covers and strengthens cord-reinforced fabric.

#### **Cord reinforced fabric**

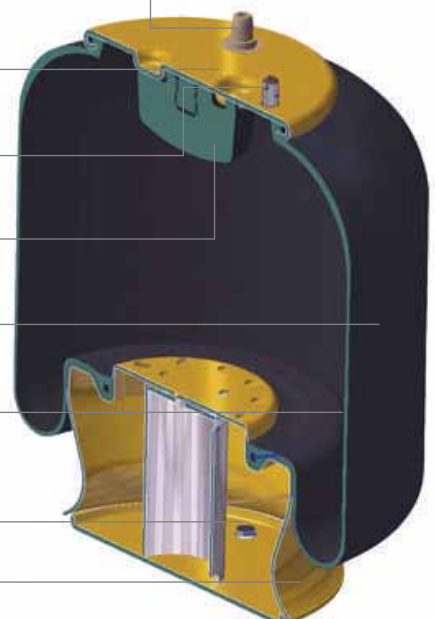
Maintains the loading capacity of the air spring.

#### **Piston bolt**

Connects the air spring to the vehicle axle.

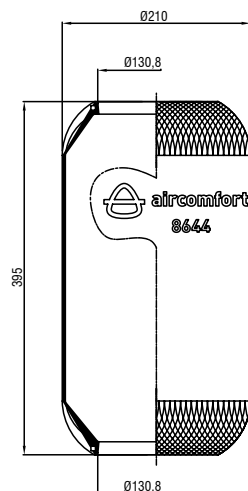
#### **Piston**

Connects the air spring to the vehicle chassis.

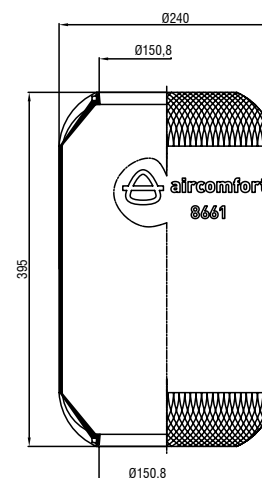




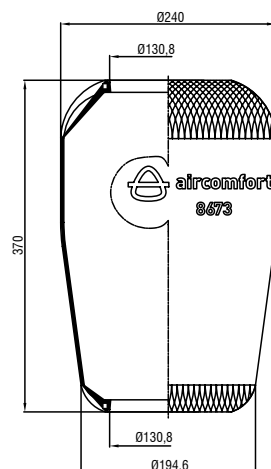
# Roll air springs

**Order No.: 11000A / 8644**
**Roll**


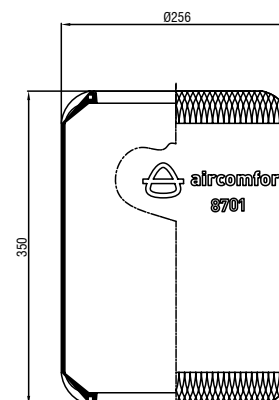
CROSS REFERENCE		OEM REFERENCE	
CONTITECH	644 N	BPW	02.2002.44.00
FIRESTONE	1R1A 390 295	BUSSING	536 905 265
FIRESTONE 2	W01 095 0118	DAF	0 689 677
PHOENIX	1 E 21	EVO BUS	A 000 327 01 01
TAURUS	B 121		A 000 328 00 01
DUNLOP UK	PNP301470101		4771170000
	PNP301470102		4771441000
DUNLOP FR	D11S01		4771143000
GOODYEAR	8017	GRANNING	15622
CF GOMMA	1S 285-24	HANOMAG-HENSCHEL	546 905 134
CF GOMMA 2	92574	KASSBOHRER	4771110000
VIBRACOUSTIC	V 1 E 21 (-2)		4771170000
			4771441000
		M.A.N.	81.43601.0017
		MAGIRUS-DEUTZ	536 905 265
		MENARINI	199196
		MERCEDES	A 000.327.0101
			A 613 327 0001
			302 327 00 01
			307 328 00 01
			322 327 03 01
			327 328 00 01
		NEOPLAN	1001 12 254
			1001 10 300
		VAN HOOL	624319-610
			624319-420
		VOLVO	1 134 445 1 199
		893	0 134 445 1 622
		111	1 134 445
		WABCO	896 130 105 4

**Order No.: 11002A / 8661**
**Roll**


CROSS REFERENCE		OEM REFERENCE	
CONTITECH	661 N	BUSSING	831 120 144
FIRESTONE	1R1C 390 310	DROGMOELLER	440320200002-00
FIRESTONE 2	W01 095 0021	EVO BUS	4731012000
PHOENIX	1 E 25		4731031000
TAURUS	B 114		4771427000
DUNLOP UK	PNP304980101/		4771440000
IC3309			4731042000
DUNLOP FR	D12S02	GRANNING	15621
GOODYEAR	8018	HANOMAG-HENSCHEL	536 905 265
CF GOMMA	1S 310-28		536 905 266
CF GOMMA 2	91016	IVECO	4182247
VIBRACOUSTIC	V 1 E 25 (-2)	474.6733	249 8667
		KASSBOHRER	4731012000
			4771427000
			4731031000
			4771440000
		M.A.N.	90.83112.0144
			N1.01101.6345
			88436010200
		MAGIRUS-DEUTZ	041 822 247
			0249 8667
		NEOPLAN	1001 12 250
			AA 10-01-001
		RENAULT V.I	5001829866
		SCHMITZ	750 208
		VAN HOOL	624319-690
			624319-670
		VOLVO	1 137 882 1
			137 888
			3 159 253
		WABCO	896 130 117 4

**Order No.: 11006A / 8673**
**Roll**


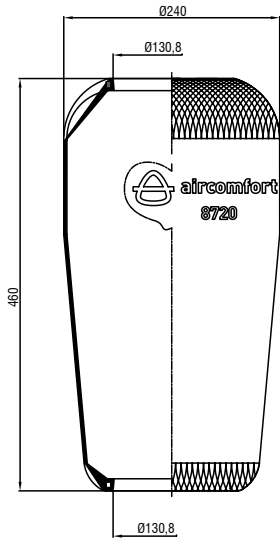
CROSS REFERENCE		OEM REFERENCE	
CONTITECH	673 N	BERTOJA	45402001
FIRESTONE	1R1A 370 285	DAF	0 627 584
FIRESTONE 2	W01 095 0198	DAIMLER CHRYSLER A	383 327 00 01
PHOENIX	1 F 21 A	EVO BUS	A 383 327 00 01
TAURUS	B 141	INBUS	5001098
GOODYEAR	9051	MAGIRUS-DEUTZ	0249 1566
CF GOMMA	1S 285-22	VAN HOOL	624319-860
CF GOMMA 2	88786	VOLVO	1 611 776
			6 135 049
		WABCO	896 130 146 4

**Order No.: 11008A / 8701**
**Roll**


CROSS REFERENCE		OEM REFERENCE	
CONTITECH	701 N	AUWARTER	B 510040
FIRESTONE	1R3M 340 340	IKARUS	B 510040
FIRESTONE 2	W01 095 0205	WABCO	896 130 195 4
PHOENIX	1 E 26-1		
TAURUS	B 116-1		
GOODYEAR	9006		

**Order No.: 11012A / 8720**

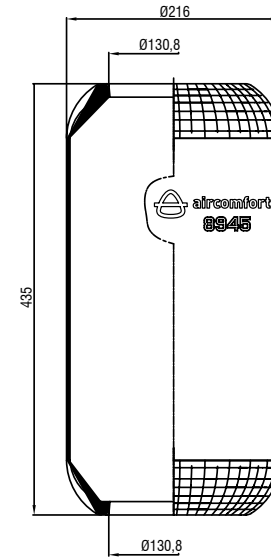
**Roll**



CROSS REFERENCE		OEM REFERENCE	
CONTITECH	720 N	BPW	02.200.24.10.0
FIRESTONE	1R2A 460 295	DAIMLER CHRYSLER A	387 328 01 01
FIRESTONE 2	W01 095 0195	DENNIS	650 292/ 8
PHOENIX	1 F 21		650 883/ 7
TAURUS	B 152		650 883/ 4
DUNLOP UK	PNP301000100	M.A.N.	81.43601.0033
DUNLOP FR	D12S04		81.43601.0036
GOODYEAR	9008		81.43601.0037
CF GOMMA	1SC 290-30	MERCEDES	360 328 01 01
CF GOMMA 2	88802		387 328 00 01
			387 328 01 01
		NEOPLAN	1001 123 00
		VOLVO	6 797 169 1 629
		193	1 590 136
		WABCO	896 130 106 4

**Order No.: 11036A / 8945**

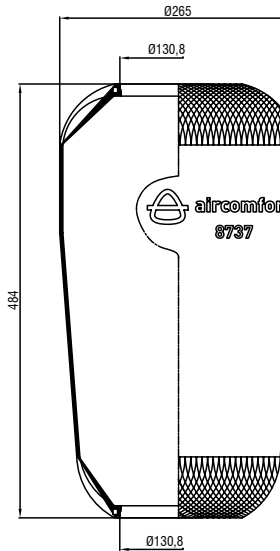
**Roll**



CROSS REFERENCE		OEM REFERENCE	
CONTITECH	945 N	IVECO	471.6989
FIRESTONE	1R1A 460 290	MENARINI	178741
FIRESTONE 2	W01 095 0063	SCANIA BUSSAR	523229
PHOENIX	1 E 21 C	WABCO	896 130 194 4
TAURUS	K 152		
DUNLOP UK	PNP301000101		
DUNLOP FR	D11S02		
GOODYEAR	9014		
CF GOMMA	1S 285-25		
CF GOMMA 2	97555		

**Order No.: 11016A / 8737**

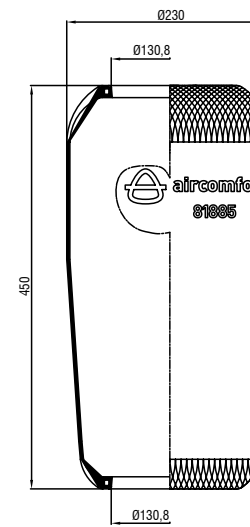
**Roll**



CROSS REFERENCE		OEM REFERENCE	
CONTITECH	737 N	CHEREAU	VSR U5 00211F
FIRESTONE	1R1A 480 330	DAIMLER CHRYSLER A	39332801 01
FIRESTONE 2	W01 095 0211	MENARINI	178739
PHOENIX	1 F 26	MERCEDES	393 328 01 01
TAURUS	B 127		393 328 02 01
GOODYEAR	9075	WABCO	896 130 204 4
CF GOMMA	1S 323-23		
CF GOMMA 2	89756		

**Order No.: 11040A / 81885**

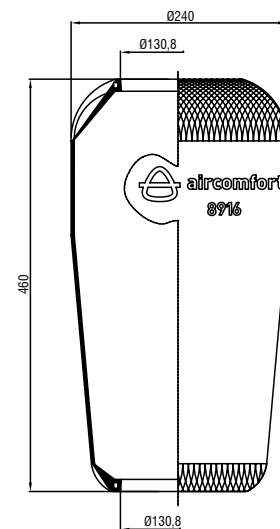
**Roll**



CROSS REFERENCE		OEM REFERENCE	
CONTITECH	1885 N1	IVECO	984.78799
FIRESTONE	1R2A 445 280	M.A.N.	81.43601.0125
FIRESTONE 2	W01 095 0429		8.143601.0150
PHOENIX	1 F 20 B		8.143601.0111
DUNLOP FR	D12S07		8.143601.0123
GOODYEAR	9003		8.143601.0104
CF GOMMA	1SC 270-28		8.143601.0109
CF GOMMA 2	97043	WABCO	896 130 111 4

**Order No.: 11024A / 8916**

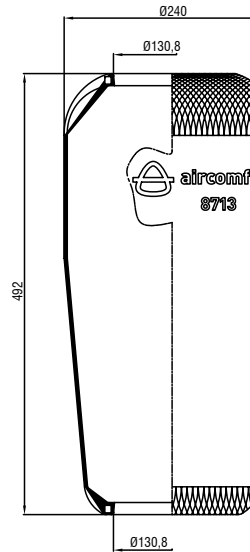
**Roll**



CROSS REFERENCE		OEM REFERENCE	
CONTITECH	916 N1	M.A.N.	81.43601.095
PHOENIX	1 F 21 C-5		81.43601.097
TAURUS	B 154		81.43601.102
DUNLOP FR	D12S05		81.43601.105
GOODYEAR	9015		81.43601.100
			81.43601.126
		WABCO	896 130
		1194	

**Order No.: 11050A / 8713**

**Roll**



CROSS REFERENCE		OEM REFERENCE	
CONTITECH	713 N	VOLVO	6 797 169
PHOENIX	1 F 21 D		1 622 116
GOODYEAR	9066	WABCO	896 130 187 4



Order No.: 11058A / 8757		Roll		
	CROSS REFERENCE		OEM REFERENCE	
	CONTITECH	757 N	DAIMLER CHRYSLER	A363 328 02 01
	FIRESTONE	1R2A 380 305	MERCEDES	363 328 02 01
	FIRESTONE 2	W01 095 0212	WABCO	896 130 203 4
	PHOENIX	1 F 26 C		
	TAURUS	B 126		
	GOODYEAR	9077		

Order No.: 11070A / 8715		Roll		
	CROSS REFERENCE		OEM REFERENCE	
	CONTITECH	715 N	DAF	0 659 561
	FIRESTONE	1R1C 335 310	DAIMLER CHRYSLER	A 363 328 0001
	FIRESTONE 2	W01 095 0087	IVECO	445.6111
	PHOENIX	1 F 25		476.3473
	TAURUS	B 144	M.A.N.	81.43601.0059
	DUNLOP UK	PNP304890101	81.43601.0060	81.43601.0061
	GOODYEAR	8015	81.43601.0075	81.43601.0078
	CF GOMMA	1SC 310-16	81.43601.0081	81.43601.0083
	CF GOMMA 2	93518	81.43601.0090	81.43601.0113
		81.43601.0115	81.43601.0117	
		MERCEDES	A 363 328 0001	
			329 328 0001	
		RENAULT V.I	5,000,819,517	
		VOLVO	6 885 533	
		WABCO	896 130 200 4	

Order No.: 11060A / 8884		Roll		
	CROSS REFERENCE		OEM REFERENCE	
	CONTITECH	884 N	DAIMLER CHRYSLER	A658 328 00 01
	FIRESTONE	1R1B 415 270	IVECO	818.8539
	FIRESTONE 2	W01 095 0295		971 08 363
	PHOENIX	1 F 20 A		500 301 452
	TAURUS	BL 249		818.4025
	DUNLOP FR	D12S06	M.A.N.	81.43601.0066
	GOODYEAR	9002		81.43601.0068
	CF GOMMA	1S 270-25C		81.43601.0069
	CF GOMMA 2	97608		81.43601.0106
			81.43601.0108	
		MERCEDES	658 328 00 01	
		RENAULT V.I	5,010,294,385	
		WABCO	896 130 110 4	

Order No.: 11148A / 81415		Roll		
	CROSS REFERENCE		OEM REFERENCE	
	CONTITECH	1415 N	IRIS	5,000,021,414

Order No.: 11062A / 8882		Roll		
	CROSS REFERENCE		OEM REFERENCE	
	CONTITECH	882 N1	DAIMLER CHRYSLER	A 699 328 0101
	PHOENIX	1 F 16		A 658 328 01 01
	TAURUS	B 155	M.A.N.	81.43601.0065
	GOODYEAR	9048		81.43601.0067
	CF GOMMA	1SC 250-28		81.43601.0070
	CF GOMMA 2	97042		81.43601.0092
				81.43601.0099
				81.43601.0100
				81.43601.0103
			81.43601.0121	
			81.43601.0132	
		WABCO	896 130 153 4	

Notes:

---



---



---



---



---



---



---



---



---



---



---



---



---



---



---



---



---



---



---



---



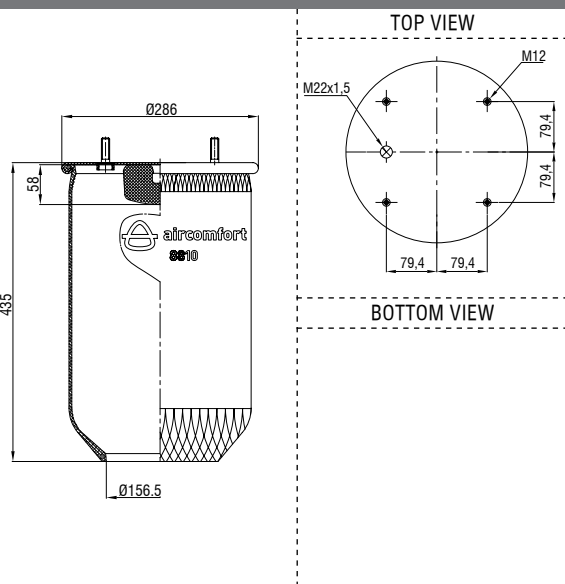
---



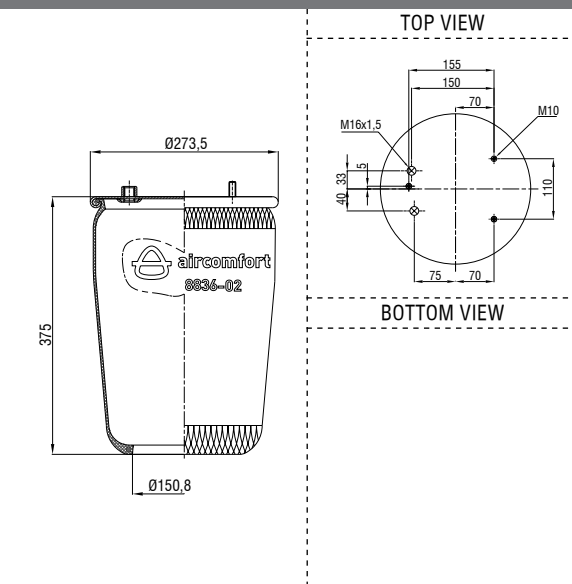
---



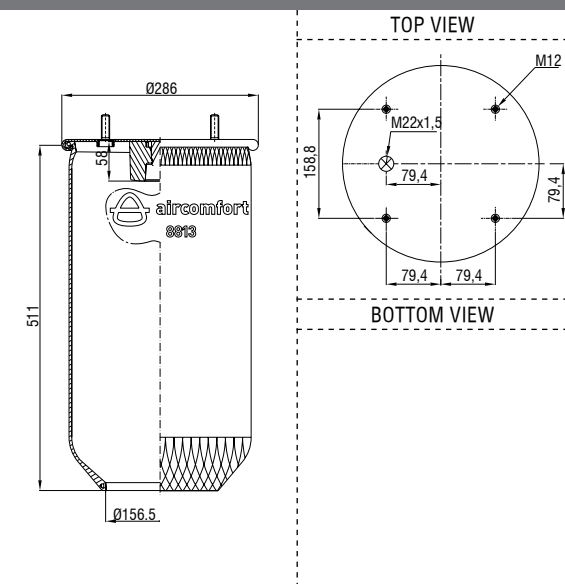
# Service assembly air springs

**Order No.: 12002A / 8810 P**
**Service Assembly**


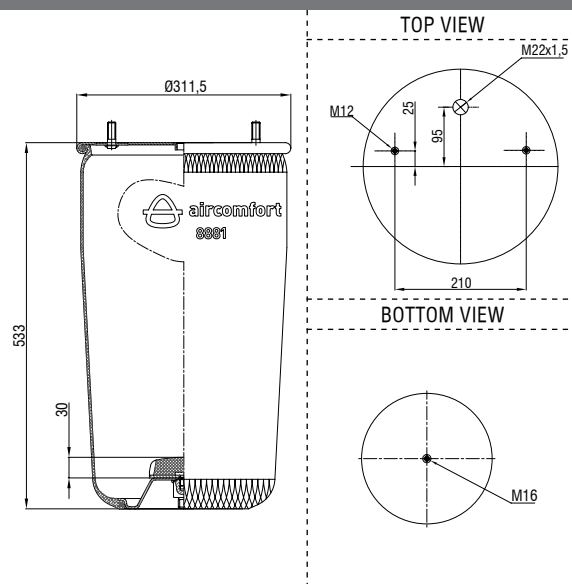
CROSS REFERENCE		OEM REFERENCE	
CONTITECH	810 N	M.A.N.	81,436,010,042
FIRESTONE	1T19L-7		
FIRESTONE 2	W01 095 7237		
PHOENIX	1 D 28 A-5 NP		
DUNLOP UK	PNP307520000		

**Order No.: 12018A / 8836-02 P**
**Service Assembly**


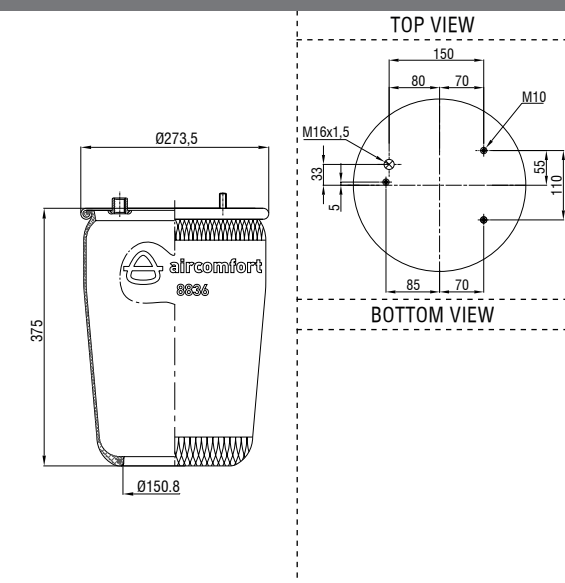
CROSS REFERENCE		OEM REFERENCE	
CONTITECH	836 M2	DAF	0 513 982
FIRESTONE	1T17AR-4.5	WABCO	951 812 710 0
FIRESTONE 2	W01 M58 0777		
PHOENIX	1 DF 25-3 NP		
TAURUS	UR 721-03T		
DUNLOP FR	D13U31		
GOODYEAR	1R12-710		

**Order No.: 12012A / 8813 P**
**Service Assembly**


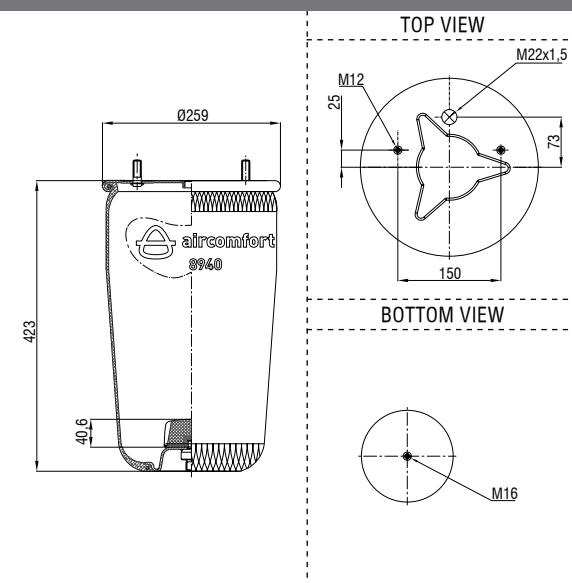
CROSS REFERENCE		OEM REFERENCE	
CONTITECH	813 MB/0	IVECO	017 5005
FIRESTONE	1T19L-11	R.O.R / MERITOR	21222239
FIRESTONE 2	W01 M58 7238	S.A.F	2 229 0003 00
PHOENIX	1 D 28 B-5 NP		

**Order No.: 12022A / 8881 P**
**Service Assembly**


CROSS REFERENCE		OEM REFERENCE	
CONTITECH	881 MB	BPW	05.429.40.01.0
FIRESTONE	1T66F-10.8	BPW Type	BPW 36
FIRESTONE 2	W01 M58 8978	WABCO	951 814 708 0
PHOENIX	1 DK 32		
TAURUS	KR 836-01T		
DUNLOP FR	D14U36		
GOODYEAR	1R14-708		
CF GOMMA	1TC 360-45		
CF GOMMA 2	204530		

**Order No.: 12014A / 8836 P**
**Service Assembly**


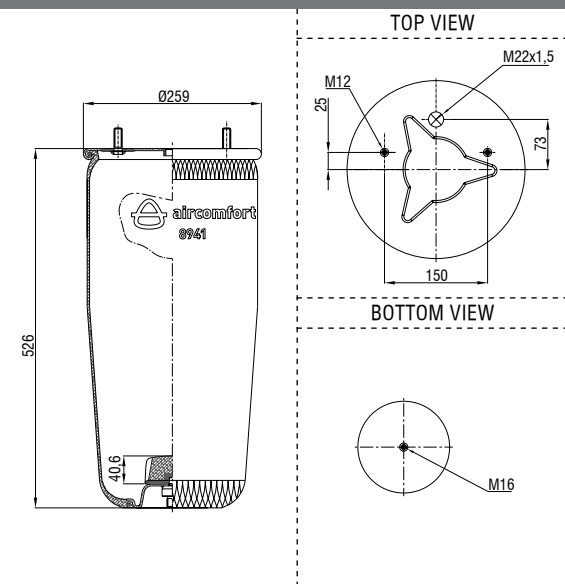
CROSS REFERENCE		OEM REFERENCE	
CONTITECH	836 M	DAF	0 067 504
FIRESTONE	1T17AR-4.5		
FIRESTONE 2	W01 M58 0776		
PHOENIX	1 DF 25-1 NP		
TAURUS	UR 721-01T		
DUNLOP FR	D13U32		
GOODYEAR	1R12-700		

**Order No.: 12024A / 8940 P**
**Service Assembly**


CROSS REFERENCE		OEM REFERENCE	
CONTITECH	940 MB	BPW	05.429.40.91.0
FIRESTONE	1T17D-4.3	BPW Type	BPW 30 K
FIRESTONE 2	W01 M58 8613	GRANNING	15916
PHOENIX	1 DK 21 K	WABCO	951 811 703 0
TAURUS	UR 732-01T		
DUNLOP FR	D11U31		
GOODYEAR	1R11-703		
CF GOMMA	1TC 300-30		
CF GOMMA 2	205536		

**Order No.: 12026A / 8941 P**

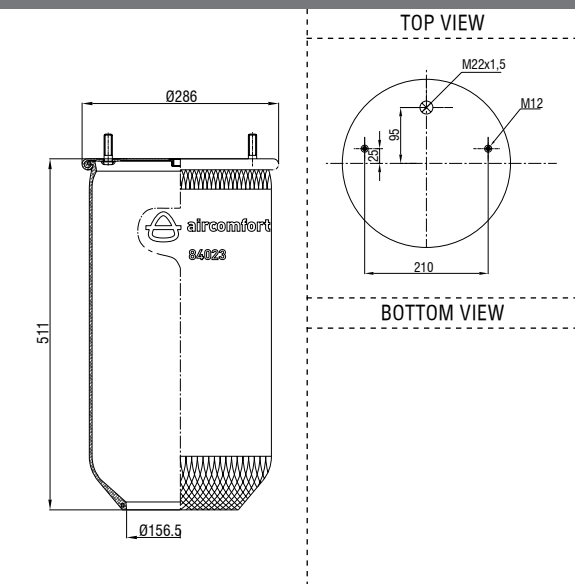
**Service Assy.**



CROSS REFERENCE		OEM REFERENCE	
CONTITECH	941 MB	BPW	05.429.40.03.0
FIRESTONE	1T17D-8.3	BPW Type	BPW 30
FIRESTONE 2	W01 M58 8620	WABCO	951 811 700 0 /
PHOENIX	1 DK 21		951 811 702 0
TAURUS	UR 730-01T		
DUNLOP FR	D11U30		
GOODYEAR	1R11-700		
CF GOMMA	1TC 300-36		
CF GOMMA 2	204466		

**Order No.: 12034A / 84023 P**

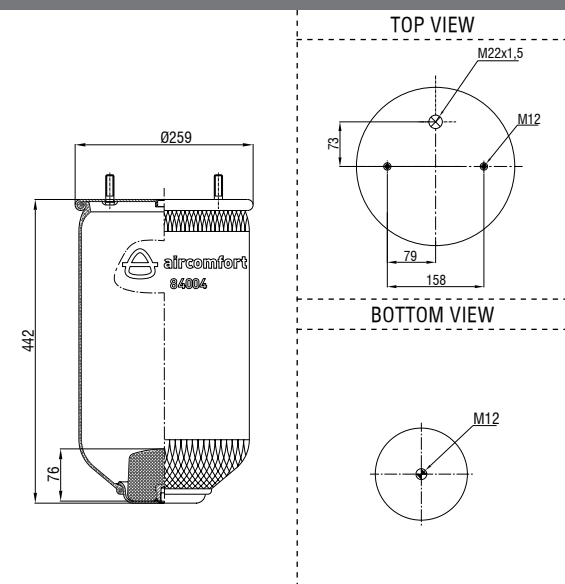
**Service Assy.**



CROSS REFERENCE		OEM REFERENCE	
CONTITECH	4023 N P03	S.A.F	3.229.0031.00
FIRESTONE	1T19F-11		3.229.2231.00
FIRESTONE 2	W01 M58 6348		3.229.2431.00
PHOENIX	1D 28 A-10		3.229.2131.00
TAURUS	KR 624-18	WABCO	951 814 729 0
DUNLOP FR	D13B26		
GOODYEAR	1R14-729		
CF GOMMA	1T 19E-2		
CF GOMMA 2	204676		

**Order No.: 12030A / 84004 P**

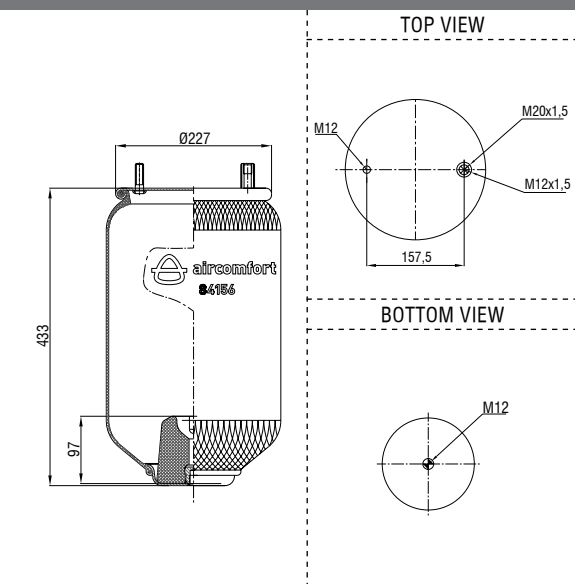
**Service Assy.**



CROSS REFERENCE		OEM REFERENCE	
CONTITECH	4004 N P02	S.A.F	4.284.3003.01
FIRESTONE	1T17BS-6	SAF Type	2618
FIRESTONE 2	W01 M58 0919	WABCO	951 811 705 0
PHOENIX	1 DK 22 E-5 NP		
TAURUS	UR 725-27T		
DUNLOP FR	D12U13		
GOODYEAR	1R11-705		

**Order No.: 12040A / 84156 P**

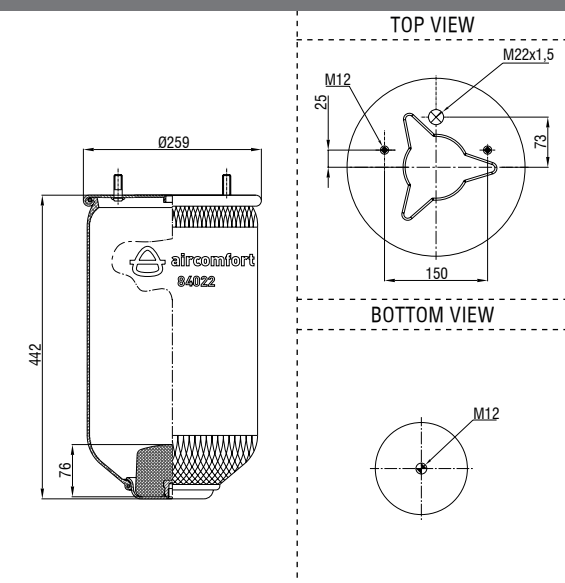
**Service Assembly**



CROSS REFERENCE		OEM REFERENCE	
CONTITECH	4156 N P05		
FIRESTONE	1T15M-6		

**Order No.: 12032A / 84022 P**

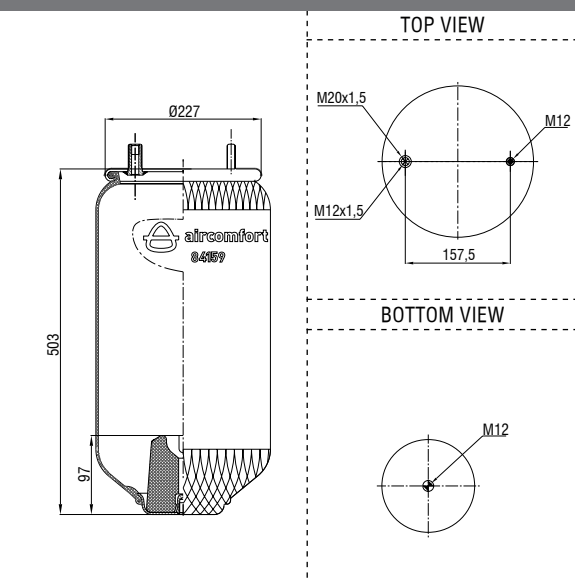
**Service Assembly**



CROSS REFERENCE		OEM REFERENCE	
CONTITECH	4022 N P02	S.A.F	4.284.3006.00
FIRESTONE	1T17BS-6	SAF Type	2618 V
FIRESTONE 2	W01 M58 0756		2619 V
PHOENIX	1 DK 22 E-9 NP		
TAURUS	UR 725-28T		
DUNLOP FR	D11U40		
GOODYEAR	1R11-709		

**Order No.: 12044A / 84159 P**

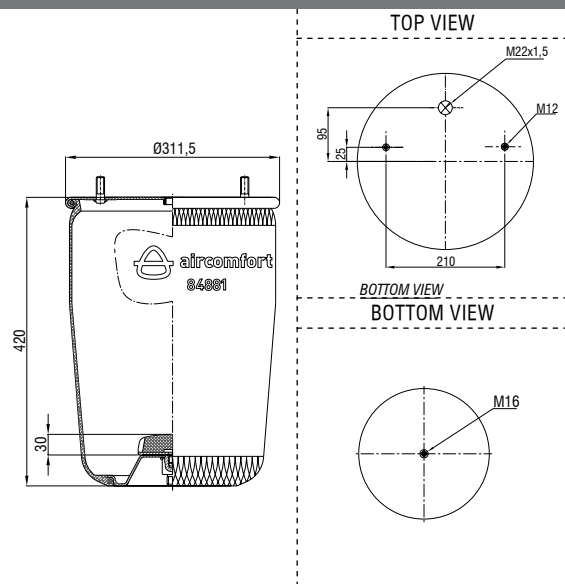
**Service Assembly**



CROSS REFERENCE		OEM REFERENCE	
CONTITECH	4159 N P05	VIBERTI	128 147 109
FIRESTONE	1T15M-9	WABCO	951 811 003 0
FIRESTONE 2	W01 M58 0736		

**Order No.: 12046A / 84881 P**

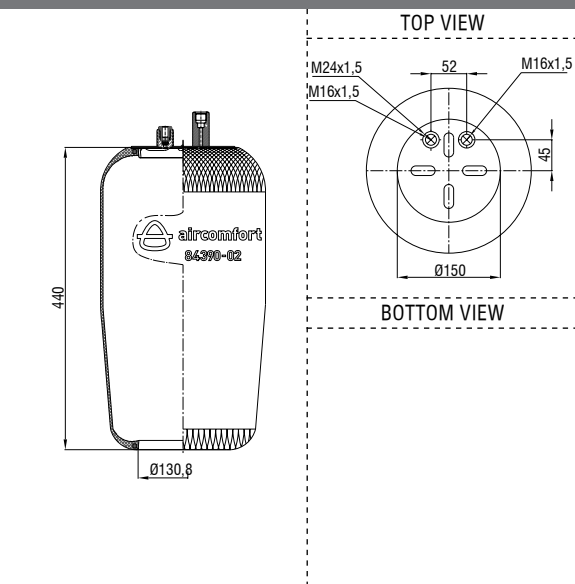
**Service Assy.**



CROSS REFERENCE		OEM REFERENCE	
CONTITECH	4881 N P02	BPW	05.429.41.01.0
FIRESTONE	1T66D-7.0	BPW Type	BPW 36 K
FIRESTONE 2	W01 M58 8601	WABCO	951 814 701 0
PHOENIX	1DK 32 K		
TAURUS	UR 838-01 T		
DUNLOP FR	D14U37		
GOODYEAR	1R14-701		

**Order No.: 12072A / 84390-02 P**

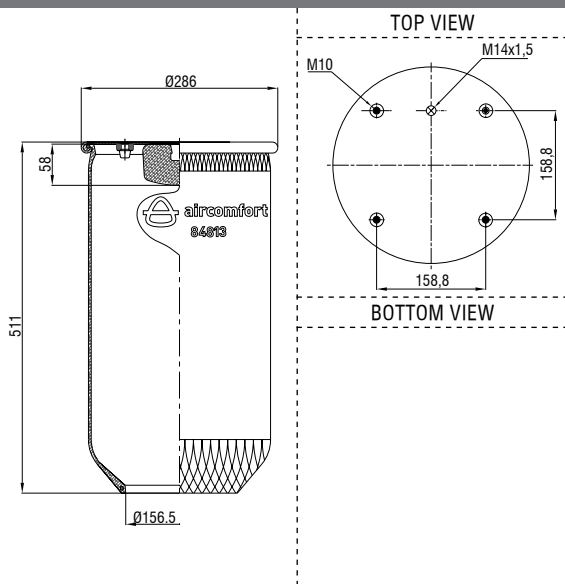
**Service Assembly**



CROSS REFERENCE		OEM REFERENCE	
CONTITECH	4390 N2	DAIMLER CHRYSLER A	942 328 01 01
DUNLOP FR	D12U26	WABCO	896 130 191 4
GOODYEAR	9508		
CF GOMMA	1VSC 285-30		

**Order No.: 12052A / 84813 P**

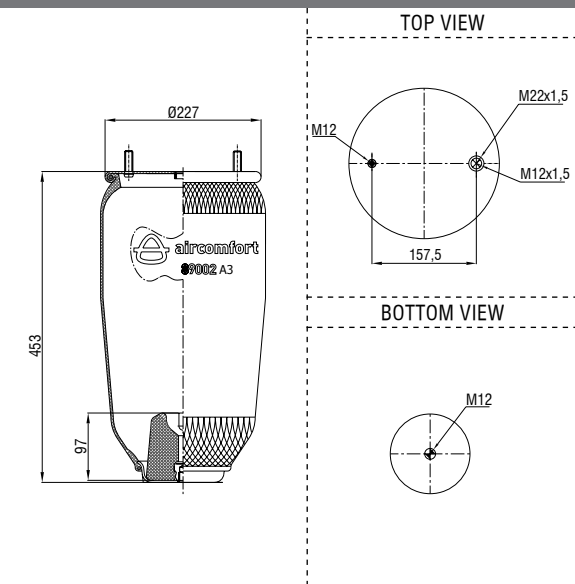
**Service Assembly**



CROSS REFERENCE		OEM REFERENCE	
CONTITECH	4813 N07	SCANIA	1314906
FIRESTONE	1T19L-11	1107674	325748
FIRESTONE 2	W01 M58 7358	298568	255295
PHOENIX	1D28B-9	255293	
TAURUS	KR 622-01		
DUNLOP FR	D13B10		
CF GOMMA	1T 19E-2 BR		

**Order No.: 12090A / 89002-A3 P**

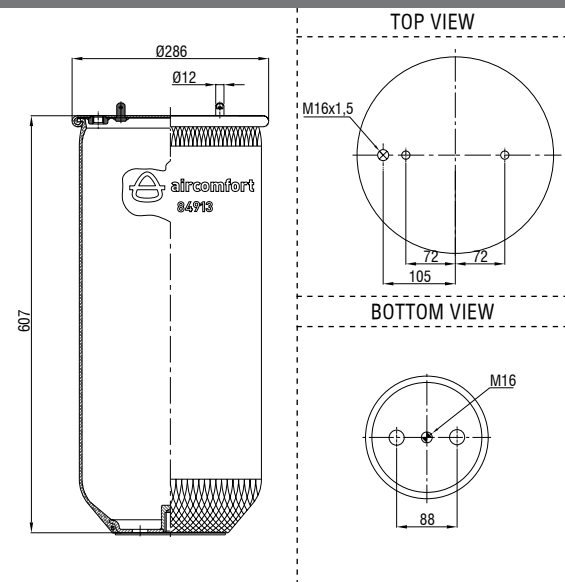
**Service Assembly**



CROSS REFERENCE		OEM REFERENCE	
CF GOMMA	1T 300-30		

**Order No.: 12058A / 84913 P**

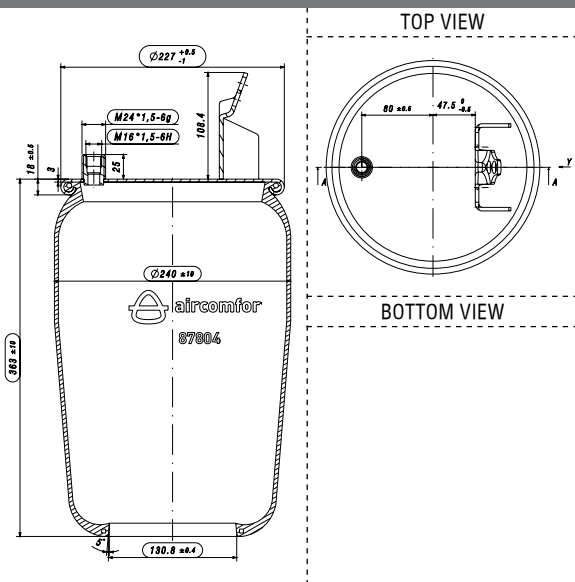
**Service Assembly**



CROSS REFERENCE		OEM REFERENCE	
CONTITECH	4913 N P04	SCANIA	1379393
FIRESTONE	1T19F-14		

**Order No.: 12094A / 87804 P**

**Service Assembly**



CROSS REFERENCE		OEM REFERENCE	
CONTITECH	6606 N P01	VOLVO	20 582 209
			20 531 986
			20 456 154
			20 427 801
			3 171 694
			20 427 804

**Order No.: 12100A / 84158 P** **Service Assy.**

**CROSS REFERENCE**

CROSS REFERENCE	OEM REFERENCE
CONTITECH 4158 N P02	
PHOENIX 1 DK 20 B-1 MP	
DUNLOP FR D12U23	

**Order No.: 12122A / 84713 P** **Service Assembly**

**CROSS REFERENCE**

CROSS REFERENCE	OEM REFERENCE
CONTITECH 4713 N	VOLVO 1 076 595
DUNLOP FR D12U24	
GOODYEAR 1R12-763	
CF GOMMA 1TS 300-28	
CF GOMMA 2 206778	

**Order No.: 12104A / 84912 P** **Service Assembly**

**CROSS REFERENCE**

CROSS REFERENCE	OEM REFERENCE
CONTITECH 4912 N P08	RENAULT V.I 5.001.8320.67
GOODYEAR 1R13-713	
CF GOMMA 1TS 19E-4	

**Order No.: 12142A / 84159-03 P** **Service Assembly**

**CROSS REFERENCE**

CROSS REFERENCE	OEM REFERENCE
FIRESTONE 1T15M-9	

**Order No.: 12110A / 84390-01 P** **Service Assembly**

**CROSS REFERENCE**

CROSS REFERENCE	OEM REFERENCE
CONTITECH 4390 N1	DAIMLER CHRYSLER A 942 328 00
DUNLOP FR D12U25	01
GOODYEAR 9507	EVO BUS A 942.327.0001
CF GOMMA 1VSC 285-30	MERCEDES 942 328 0401
	942 328 0001
	WABCO 951 811 010 0

**Order No.: 12150A / 84183-24 P** **Service Assembly**

**CROSS REFERENCE**

CROSS REFERENCE	OEM REFERENCE
CONTITECH 4183 N1	

**Order No.: 12152A / 87803 P**      **Service Assy.**

CROSS REFERENCE		OEM REFERENCE	
CONTITECH	6605 N P01	VOLVO	20427800
			20456150
			20531984
			20531986
			20582206

**Order No.: 12170A / 89002-A3/01P**      **Service Assembly**

CROSS REFERENCE		OEM REFERENCE	
GOODYEAR	1R11-753	ACERBI	441901
		FRUEHAUF	M060924

**Order No.: 12164A / 84157 P**      **Service Assembly**

CROSS REFERENCE		OEM REFERENCE	
CONTITECH	4157 N P04	MERCEDES	A 946 328 14 01
PHOENIX	1 DK 21 A-8	R.O.R / MERITOR	21221307
TAURUS	KR915-54	WEWELER	US 06287
DUNLOP FR	D12B18		

**Order No.: 12172A / 88185 P**      **Service Assembly**

CROSS REFERENCE		OEM REFERENCE	
FIRESTONE	1T15MPW-9		
FIRESTONE 2	W01 M58 6257		
PHOENIX	1 DK 20 B-1 NP		
GOODYEAR	1R12-748		

**Order No.: 12166A / 82619 P**      **Service Assembly**

CROSS REFERENCE		OEM REFERENCE	
CONTITECH	4022 N P02	S.A.F	4.284.3006.00
FIRESTONE	1T17BS-6	SAF Type	2618 V
FIRESTONE 2	W01 M58 0756		2619 V
PHOENIX	1 DK 22 E-9 NP		
TAURUS	UR 725-28T		
DUNLOP FR	D11U40		
GOODYEAR	1R11-709		

**Order No.: 12185A / 82918 P**      **Service Assembly**

CROSS REFERENCE		OEM REFERENCE	
CONTITECH	4810 N P05	S.A.F	3.229.0027.00
PHOENIX	1D 28A-12		3.229.2127.00
			3.229.2427.00
		WABCO	951 814 730 0

**Order No.: 12202A / 88186 P** **Service Assy.**

**CROSS REFERENCE**

CROSS REFERENCE	OEM REFERENCE
FIRESTONE 1T15MPW-7	
FIRESTONE 2 W01 M58 8194	

**Order No.: 12251A / 84390-21 P** **Service Assembly**

**CROSS REFERENCE**

CROSS REFERENCE	OEM REFERENCE
CONTITECH 4390 N21	DAIMLER CHRYSLER A 942 320 49 21

**Order No.: 12212A / 84882 P** **Service Assembly**

**CROSS REFERENCE**

CROSS REFERENCE	OEM REFERENCE
CONTITECH 4882 N1 P01	M.A.N. 81.43601.0151
DUNLOP FR D10U10	81.436.016.065
GOODYEAR 1R10-702	

**Order No.: 12257A / 84757-01 P** **Service Assembly**

**CROSS REFERENCE**

CROSS REFERENCE	OEM REFERENCE
CONTITECH 4757 N1	DAIMLER CHRYSLER A942 327 00 01
DUNLOP FR D12U42	MERCEDES 942 327 0001
GOODYEAR 9517	

**Order No.: 12216A / 84884 P** **Service Assembly**

**CROSS REFERENCE**

CROSS REFERENCE	OEM REFERENCE
CONTITECH 4884 N1 P01	M.A.N. 81.43601.0152
DUNLOP FR D11U48	81.436.016.066
GOODYEAR 1R11-820	
CF GOMMA 1TS 290-28	

**Order No.: 12262A / 84183-23 P** **Service Assembly**

**CROSS REFERENCE**

CROSS REFERENCE	OEM REFERENCE
CONTITECH 4183 N P23	DAIMLER CHRYSLER A942 320 22 21
MERCEDES 942 320 22 21	



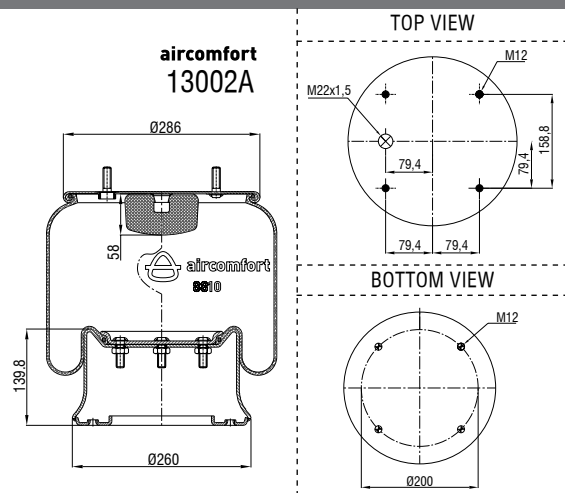




# Complete air springs

Order No.: 13002A / 8810 C

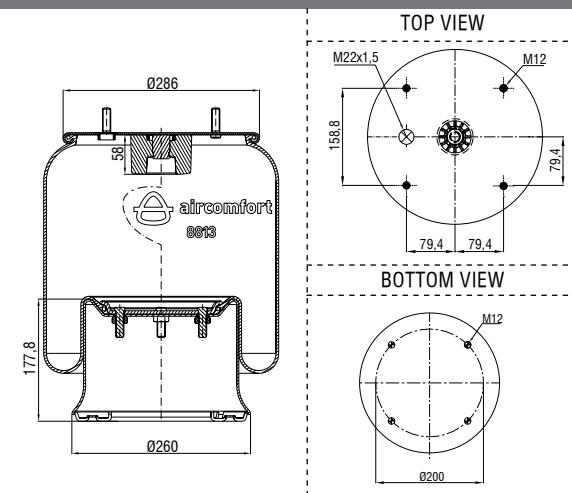
Complete



CROSS REFERENCE		OEM REFERENCE	
CONTITECH	810 MB	BERTOLETTI	91619007
FIRESTONE	1T19L-7	BERTOJA	45402002
FIRESTONE 2	W01 M58 6345	DAF	1 384 273
	W01 M58 8775	GRANNING	15635
PHOENIX	1 D 28 A-2	HENDRICKSON	B 2065
TAURUS	KR 621-26	IVECO	9988467
DUNLOP UK	PNP311780000	NEWAY	211 586
DUNLOP FR	D13B20		21215632
GOODYEAR	1R14-716	R.O.R / MERITOR	21215632
CF GOMMA	1T 19E-1	21208082	17204517
CF GOMMA 2	87413/1	RENAULT V.I	5,000,452,939
		S.A.F	2.228.0002.00
			2.228.2402.00
			2.228.2602.00
			2.228.2202.00
			2.228.2102.00
		SAF Type	E1 2918 AR 414
		SAMRO	25008
		T.E.C	506243/ 01
		VOLVO	1 080 707
		WABCO	951 814 716 0
		WEWELER	US 87413
			US 07337
		YORK	785168

Order No.: 13010A / 8813 C

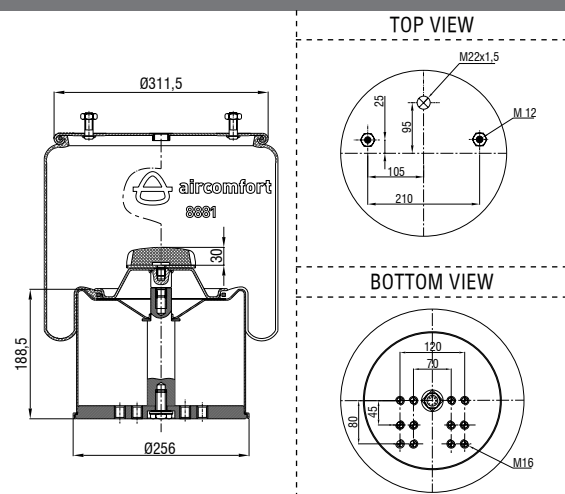
Complete



CROSS REFERENCE		OEM REFERENCE	
CONTITECH	813 MB	BERTOLETTI	91619005
FIRESTONE	1T19L-11	BATTAGLINO	2211400
FIRESTONE 2	W01 M58 6364	CARDI	58051000
PHOENIX	1 D 28 B-2	DAF	1 384 274
TAURUS	KR 622-26	E.R.F.	143908-3
DUNLOP UK	PNP311770000	EVO BUS	4,731,030,000
DUNLOP FR	D13B19		4,731,033,000
GOODYEAR	1R14-705	FRUEHAUF	003615E
CF GOMMA	1T 19E-2	GRANNING	15634
		HENDRICKSON	B 2063
		KASSBOHRER	4,731,033,000
			4,731,030,000
		NEWAY	22 282
			21215633
		R.O.R / MERITOR	21215633
		RENAULT V.I	5,010,130,925
			5000 790 692
			5,000,790,692
		S.A.F	2.229.0003.00
			2 229 2103 00
			2 229 2403 00
			2 229 2603 00
			2.229.2103.00
			2.229.2403.00
			2.229.2603.00
		SAMRO	2500009
		T.E.C	505859/ 01
		TERBERG	21071483
		TITAN	91687700000
		TRAILOR	0036158E
			650234Y
		VIBERTI	128147122
		WABCO	951 814 705 0
		WEWELER	US 87408
			US 07345
		YORK	785170

Order No.: 13018A / 8881 C

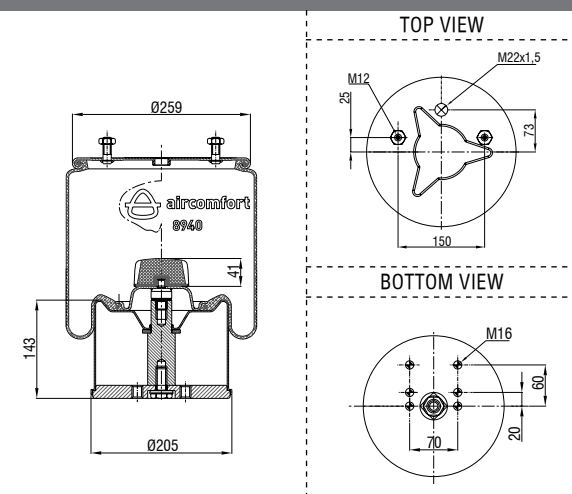
Complete



CROSS REFERENCE		OEM REFERENCE	
CONTITECH	881 MB	BPW	05.429.40.01.0
FIRESTONE	1T66F-10.8	BPW Type	BPW 36
FIRESTONE 2	W01 M58 8978	WABCO	951 814 708 0
PHOENIX	1 DK 32		
TAURUS	KR 836-01T		
DUNLOP FR	D14U36		
GOODYEAR	1R14-708		
CF GOMMA	1TC 360-45		
CF GOMMA 2	204530		

Order No.: 13020A / 8940 C

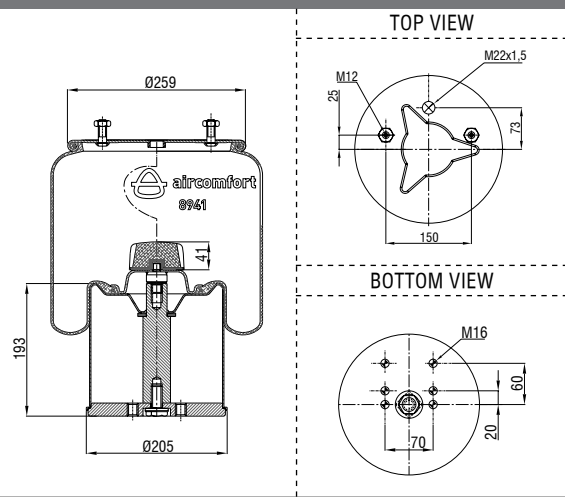
Complete



CROSS REFERENCE		OEM REFERENCE	
CONTITECH	940 MB	BPW	05.429.40.93.1
		BPW Type	BPW 30 K
		WABCO	951 811 752 0

**Order No.: 13022A / 8941 C**

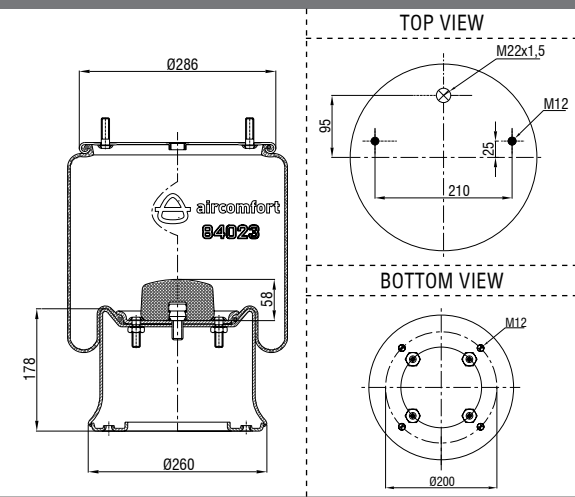
**Complete**



CROSS REFERENCE		OEM REFERENCE	
CONTITECH	941 MB	BPW	05.429.40.03.0
FIRESTONE	1T17D-8.3	BPW Type	BPW 30
FIRESTONE 2	W01 M58 8620	WABCO	951 811 700 0 /
PHOENIX	1 DK 21	951 811 702 0	
TAURUS	UR 730-01T		
DUNLOP FR	D11U30		
GOODYEAR	1R11-700		
CF GOMMA	1TC 300-36		
CF GOMMA 2	204466		

**Order No.: 13032A / 84023 C**

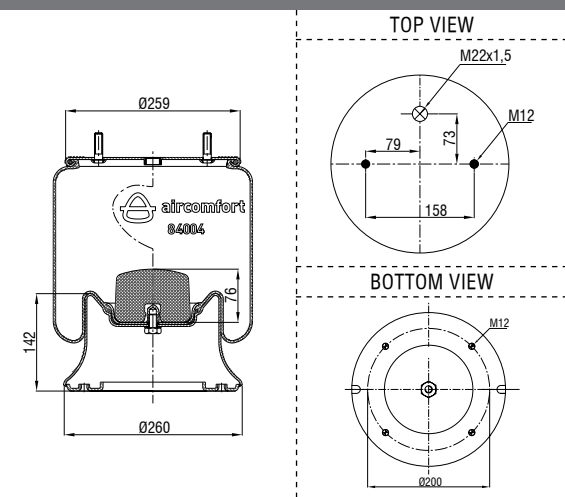
**Complete**



CROSS REFERENCE		OEM REFERENCE	
CONTITECH	4023 N P03	S.A.F	3.229.0031.00
FIRESTONE	1T19F-11		3.229.2231.00
FIRESTONE 2	W01 M58 6348		3.229.2431.00
PHOENIX	1D 28 A-10		3.229.2131.00
TAURUS	KR 624-18	WABCO	951 814 729
DUNLOP FR	D13B26	0	
GOODYEAR	1R14-729		
CF GOMMA	1T 19E-2		
CF GOMMA 2	204676		

**Order No.: 13028A / 84004 C**

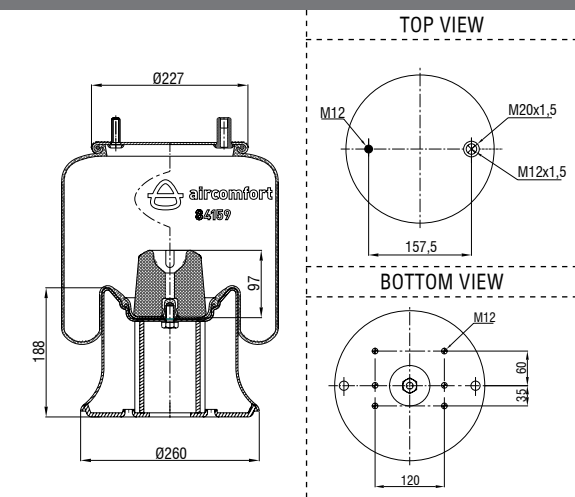
**Complete**



CROSS REFERENCE		OEM REFERENCE	
CONTITECH	4004 N P03	S.A.F	3.229.0007.00
(Steel)			3.229.0007.01
FIRESTONE	1T17BS-6		3.229.0007.02
FIRESTONE 2	W01 M58 6366		3 229 2107 02
(Steel)			3 229 2607 02
PHOENIX	1 DK 22 E-5	SAF Type	2618
TAURUS	K 505-27 SM	WABCO	951 811 750 0
DUNLOP FR	D12B25		
GOODYEAR	1R11-706		
CF GOMMA	1T 300-33		

**Order No.: 13042A / 84159 C**

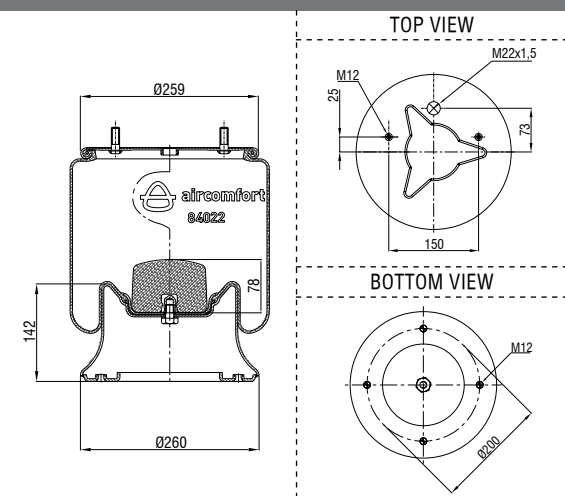
**Complete**



CROSS REFERENCE		OEM REFERENCE	
CONTITECH	4159 N P05	VIBERTI	128 147 109
FIRESTONE	1T15M-9	WABCO	951 811 003 0
FIRESTONE 2	W01 M58 0736		

**Order No.: 13030A / 84022 C**

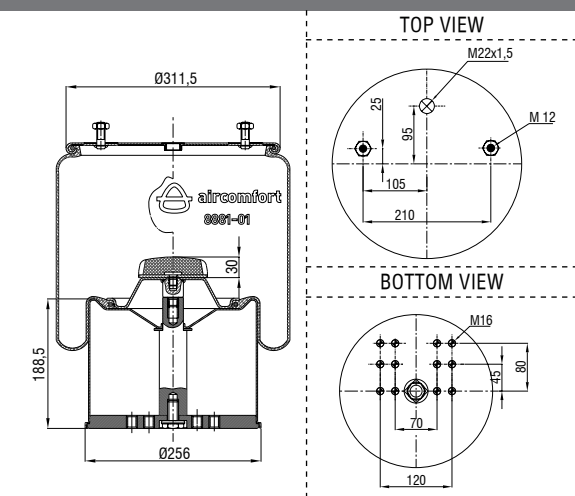
**Complete**



CROSS REFERENCE		OEM REFERENCE	
CONTITECH	4022 N P03	S.A.F	3.229.0029.00
FIRESTONE	1T17BS-6		3.229.2129.00
FIRESTONE 2	W01 M58 6367		3.229.2229.00
CF GOMMA	1T 300-37		3.229.2429.00
		SAF Type	2618 V
		WABCO	951 811 710 0
			951 811 751 0

**Order No.: 13052A / 8881-01 C**

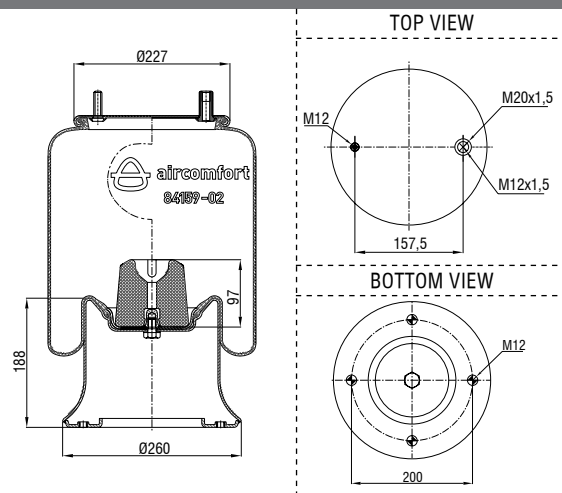
**Complete**



CROSS REFERENCE		OEM REFERENCE	
FIRESTONE	1T66F-10.8	BPW	05.429.40.61.1
FIRESTONE 2	W01 M58 8966	BPW Type	BPW 36
PHOENIX	1 DK 32-1	WABCO	951 814 712 0
DUNLOP FR	D14B36		
GOODYEAR	1R14-712		
CF GOMMA	1TC 360-45		

**Order No.: 13076A / 84159-02 C**

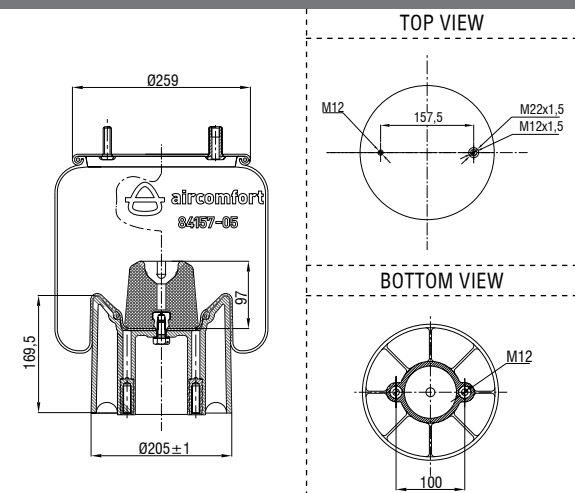
**Complete**



CROSS REFERENCE		OEM REFERENCE	
FIRESTONE	1T15M-9	WABCO	951 812 701 0
GOODYEAR	1R12-701		

**Order No.: 13090A / 84157-05 CPP**

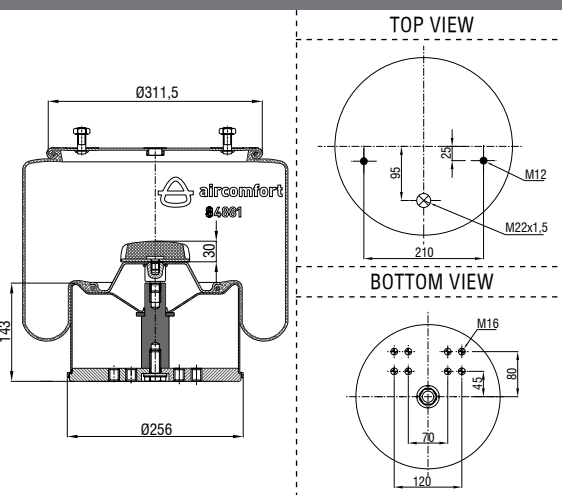
**Complete**



CROSS REFERENCE		OEM REFERENCE	
CONTITECH	4157 N P05	WEWELER	US 07074P
FIRESTONE	1 T15MPW-7		US 07074C
FIRESTONE 2	W01 M58 7074		
PHOENIX	1 DK 21 A3		
TAURUS	KR915-54		
DUNLOP FR	D12B17		
GOODYEAR	1R11-106		
CF GOMMA	1T 300-38		

**Order No.: 13078A / 84881 C**

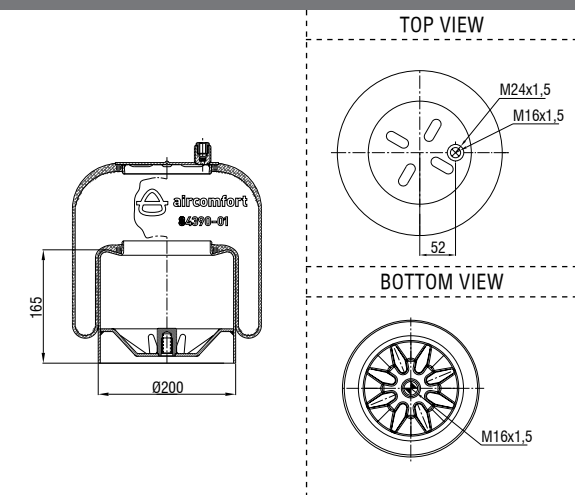
**Complete**



CROSS REFERENCE		OEM REFERENCE	
CONTITECH	4881 N P02	BPW	05.429.41.01.0
FIRESTONE	1T66D-7.0	BPW Type	BPW 36 K
FIRESTONE 2	W01 M58 8601	WABCO	951 814 701 0
PHOENIX	1DK 32 K		
TAURUS	UR 838-01 T		
DUNLOP FR	D14U37		
GOODYEAR	1R14-701		

**Order No.: 13098A / 84390-01 C**

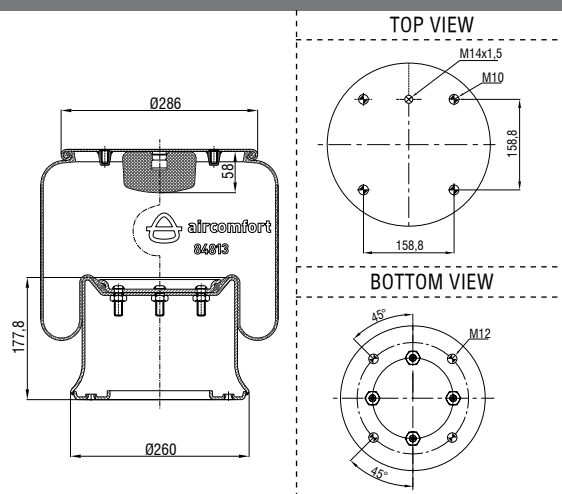
**Complete**



CROSS REFERENCE		OEM REFERENCE	
CONTITECH	4390 N P01	DAIMLER CHRYSLER	A942 320 01 21
DUNLOP FR	D12T10	MERCEDES	942 320 01 21
GOODYEAR	9505	WABCO	951 895 050 0

**Order No.: 13082A / 84813 C**

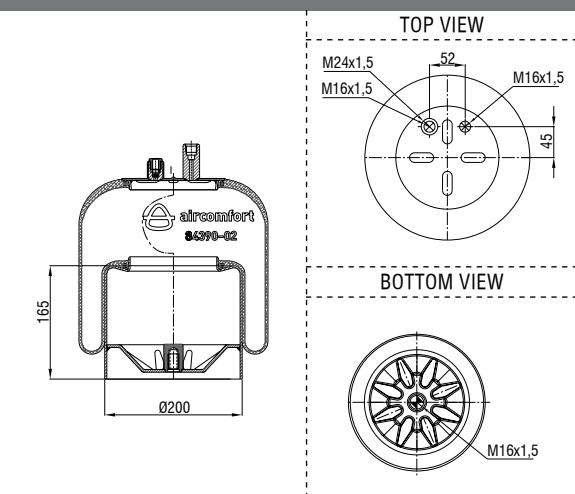
**Complete**



CROSS REFERENCE		OEM REFERENCE	
CONTITECH	4813 N P07	S.A.F	3.229.0005.00
FIRESTONE	1T19L-11	SCANIA	255295
FIRESTONE 2	W01 M58 7358		325748
PHOENIX	1 D 28 B-9	298568	255293
TAURUS	KR 622-01	1107674	1314906
DUNLOP FR	D13B10	WABCO	951 814 727 0
GOODYEAR	1R14-727		
CF GOMMA	1T 19E-2 BR		
CF GOMMA 2	97764		

**Order No.: 13100A / 84390-02 C**

**Complete**



CROSS REFERENCE		OEM REFERENCE	
CONTITECH	4390 N P02	DAIMLER CHRYSLER	A942 320 02 21
DUNLOP FR	D12T11	MERCEDES	942 320 02 21
GOODYEAR	9506		942 328 01 01
		WABCO	951 895 060 0

Order No.: 13102A / 8836 C		Complete	
		CROSS REFERENCE	OEM REFERENCE
		CONTITECH 836 M K1 DAF 0 388 165 FIRESTONE 1T17AR-4.5 1 697 678 FIRESTONE 2 W01 M58 8722 WABCO 951 8127120 PHOENIX 1 DF 25-11 TAURUS KR 721-06 DUNLOP FR D13B32 GOODYEAR 1R12-712	

Order No.: 13167A / 89780-01 CPP		Complete	
		CROSS REFERENCE	OEM REFERENCE
		CONTITECH 9 10 S-16 A 382 FREIGHTLINER 16-13810-000 FIRESTONE 1T15ZR-6 16-15595-000 FIRESTONE 2 W01 358 9780 16-15595-001 GOODYEAR 1 R12-303 16-15595-002 TRIANGLE 8382	

Order No.: 13120A / 84912 C		Complete	
		CROSS REFERENCE	OEM REFERENCE
		CONTITECH 4912 N P07 GRANNING 15910 RENAULT V.I 5.010.294.307 WABCO 951 813 711 0	

Order No.: 13184A / 84713 C		Complete	
		CROSS REFERENCE	OEM REFERENCE
		CONTITECH 4713 N P02 VOLVO 1 076 594 DUNLOP FR D12B24 WABCO 951 812 762 0 GOODYEAR 1R12-762 CF GOMMA 1TS 300-28	

Order No.: 13130A / 84157 CPP		Complete	
		CROSS REFERENCE	OEM REFERENCE
		CONTITECH 4157 N P04 DISCOS / MERCEDES A 946 328 14 PHOENIX 1 DK 21 A-8 01 1 DK 21 A-4 MERCEDES 946 328 14 01 TAURUS KR915-54 R.O.R / MERITOR 21221307 DUNLOP FR D12B18 WEWELER US 06287 US 07364	

Order No.: 13186A / 84881-01 C		Complete	
		CROSS REFERENCE	OEM REFERENCE
		FIRESTONE 1T66F-7.0 BPW Type BPW 36 K FIRESTONE 2 W01 M58 8602 WABCO 951 814 724 0 GOODYEAR 1R14-724	

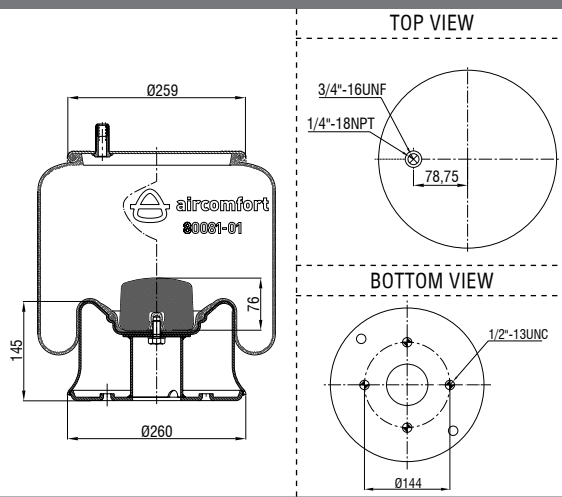
Order No.: 13209A / 82303 C ALU		Complete	
	<b>TOP VIEW</b> 	<b>CROSS REFERENCE</b> FIRESTONE 1T15ZR-6 FIRESTONE 2 W01 358 9780	<b>OEM REFERENCE</b> FREIGHTLINER 16-13810-000
	<b>BOTTOM VIEW</b> 		

Order No.: 13222A / 8941-01 CPP		Complete	
	<b>TOP VIEW</b> 	<b>CROSS REFERENCE</b> DUNLOP FR D11B33 GOODYEAR 1R11-743 CF GOMMA 1TC 300-36	<b>OEM REFERENCE</b> BPW 05.429.43.20.0 BPW Type BPW 30 WABCO 951 811 743 0 WEWELER US 500-10 KD
	<b>BOTTOM VIEW</b> 		

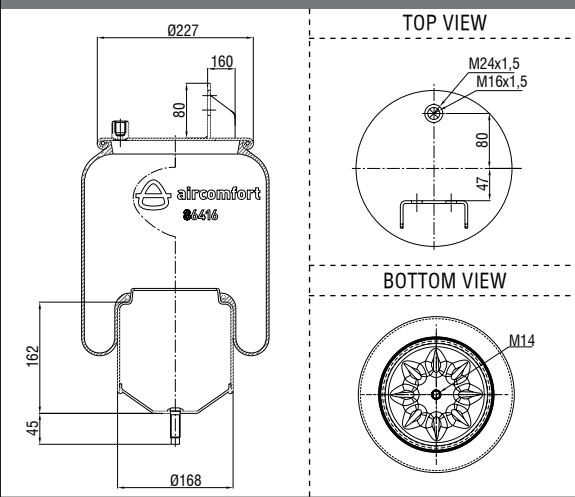
Order No.: 13212A / 84913 C		Complete	
	<b>TOP VIEW</b> 	<b>CROSS REFERENCE</b> CONTITECH 4913 N P02 FIRESTONE 1T19F-14 FIRESTONE 2 W01 095 0366 TAURUS KR 625-16 CF GOMMA 1T 19E-93	<b>OEM REFERENCE</b> SCANIA 1379392 1440294 WABCO 951 814 753 0
	<b>BOTTOM VIEW</b> 		

Order No.: 13230A / 84156-05 CPP		Complete	
	<b>TOP VIEW</b> 	<b>CROSS REFERENCE</b> CONTITECH 9 10-16 P 310 FIRESTONE 1T15M-6 FIRESTONE 2 W01 358 9082 TAURUS KR 506-9082 GOODYEAR 1R12-092	<b>OEM REFERENCE</b> DAYTON 352-9082 FAB TEK 101828 GRANNING 1359 HDA PMABG9082B HENDRICKSON B 2066 36514-7 B-12514-007 S11651 HUTCHENS H-9630-01 LOADGUARD SC2035 NAVISTAR 517559C9 NEWAY 905 570 06 905 570 27 905 570 37 905 570 54 905 570 75 905 570 33 REYCO GRANNING 12882-01 / 2727 RIDEWELL 1003589082C R&S TRUCK 1090217 TOYO TRL240/393 TRIANGLE 8310 WATSON & CHALIN AS-0011
	<b>BOTTOM VIEW</b> 		

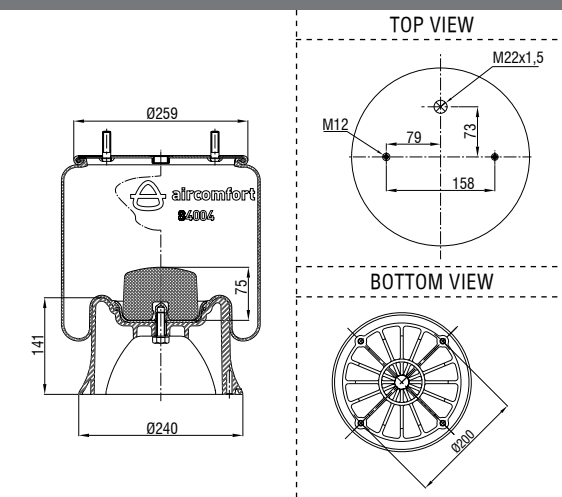
Order No.: 13220A / 8881-01 CPP		Complete	
	<b>TOP VIEW</b> 	<b>CROSS REFERENCE</b> PHOENIX 1 DK 32-2 TAURUS KR-836-05 DUNLOP FR D14B36 GOODYEAR 1R14-748	<b>OEM REFERENCE</b> BPW 05.429.43.51.0 BPW Type BPW 36 WABCO 951 814 748 0
	<b>BOTTOM VIEW</b> 		

**Order No.: 13276A / 80081-01 C**
**Complete**


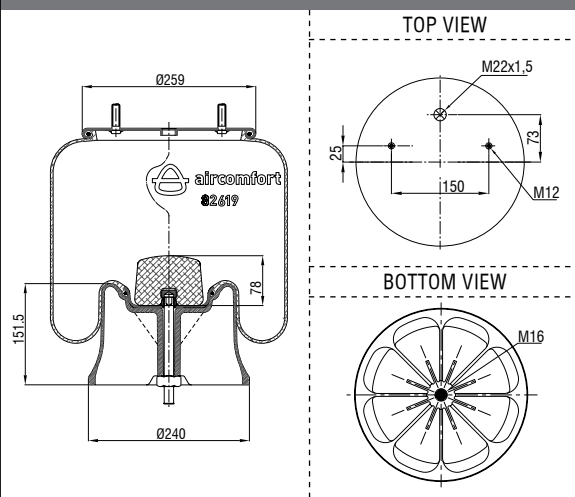
CROSS REFERENCE		OEM REFERENCE	
CONTITECH	10 10-21 P 434	DAYTON	352-9580
FIRESTONE	1T15VLT-10.5	E.R.F.	139855-0
FIRESTONE 2	W01 358 9580	HENDRICKSON	C20127 / S20127
GOODYEAR	1R13-118	LOADGUARD	SC2761
		TRIANGLE	8434

**Order No.: 13290A / 86416 C**
**Complete**


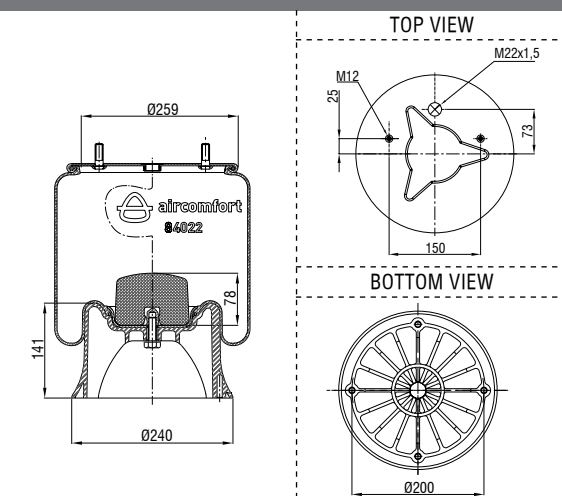
CROSS REFERENCE		OEM REFERENCE	
CONTITECH	6608 N P01	VOLVO	20 582 215
			20 531 985
			20 456 152
			20 374 510
			3 171 693
			1 076 416
		WABCO	951 811 002 0

**Order No.: 13278A / 84004 CPP**
**Complete**


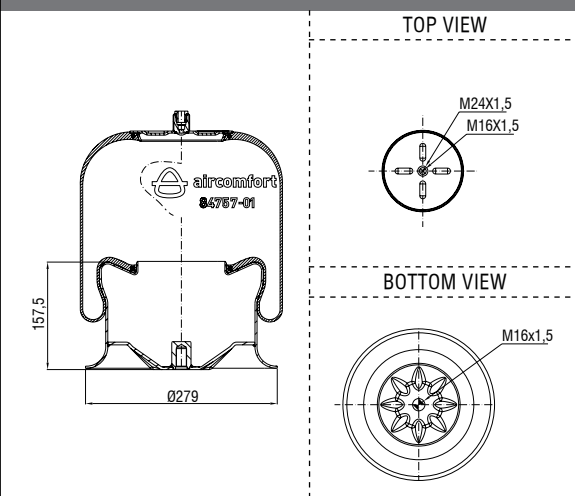
CROSS REFERENCE		OEM REFERENCE	
CONTITECH	4004 N P03	S.A.F	3.229.0007.00
FIRESTONE	1T17BS-6		3.229.0007.02
FIRESTONE 2	W01 M58 6366		3.229.0007.01
PHOENIX	1 DK 22 E-8	SAF Type	2618
DUNLOP FR	D12B13	WABCO	951 811 713 0
GOODYEAR	1R11-713		

**Order No.: 13292A / 82619 CPP**
**Complete**


CROSS REFERENCE		OEM REFERENCE	
CONTITECH	4022 N P05	S.A.F	3.229.0033.00
FIRESTONE	1T17BS-6	SAF Type	2619 V
FIRESTONE 2	W01 M58 8612	WABCO	951 811 781 0
DUNLOP FR	D11B41		
GOODYEAR	1R11-781		

**Order No.: 13280A / 84022 CPP**
**Complete**


CROSS REFERENCE		OEM REFERENCE	
CONTITECH	4022 N P03	S.A.F	3.229.0029.00
FIRESTONE	1T17BS-6		3.229.2129.00
FIRESTONE 2	W01 M58 6367		3.229.2229.00
PHOENIX	1 DK 22 E-9		3.229.2429.00
TAURUS	KR 725-28	SAF Type	2618 V
DUNLOP FR	D12B14	WABCO	951 811 714 0
GOODYEAR	1R11-714		

**Order No.: 13298A / 84757-01 C**
**Complete**


CROSS REFERENCE		OEM REFERENCE	
CONTITECH	4757 N P01	DAIMLER CHRYSLER	A942 320 01 17
DUNLOP FR	D13T01	MERCEDES	942 320 01 17
GOODYEAR	9519	WABCO	951 811 004 0
CF GOMMA	1VSC 300-26		
CF GOMMA 2	206785		



Order No.: 13320A / 84158 CPP		Complete	
	<b>TOP VIEW</b> 	<b>CROSS REFERENCE</b> CONTITECH 4158 N P03 FIRESTONE 2 W01 M58 8185 PHOENIX 1 DK 20 B-1 DUNLOP FR D12B22 VIBRACOUSTIC V1 DK 20 B-1	<b>OEM REFERENCE</b> SCHMITZ 750 999 WEWELER US 06285
	<b>BOTTOM VIEW</b> 		

Order No.: 13332A / 89002-A3-01 CPP		Complete	
	<b>TOP VIEW</b> 	<b>CROSS REFERENCE</b> FIRESTONE 1T15MPW-7 FIRESTONE 2 W01 M58 6315 GOODYEAR 1R11-772	<b>OEM REFERENCE</b> ACERBI 441901 FRUEHAUF M060924 UJB 0975 WABCO 951 811 772 0
	<b>BOTTOM VIEW</b> 		

Order No.: 13328A / 89002 A3 CPP		Complete	
	<b>TOP VIEW</b> 	<b>CROSS REFERENCE</b>	<b>OEM REFERENCE</b> WABCO 951 811 106 0
	<b>BOTTOM VIEW</b> 		

Order No.: 13334A / 84881-01 CPP		Complete	
	<b>TOP VIEW</b> 	<b>CROSS REFERENCE</b> PHOENIX 1 DK 32 K-2 DUNLOP FR D14B44 GOODYEAR 1R14-757	<b>OEM REFERENCE</b> BPW 05.429.43.41.0 BPW Type BPW 36 K WABCO 951 814 757 0
	<b>BOTTOM VIEW</b> 		

Order No.: 13330A / 89002-A8 CPP		Complete	
	<b>TOP VIEW</b> 	<b>CROSS REFERENCE</b> FIRESTONE 1T15MPW-7 FIRESTONE 2 W01 M58 6297 TAURUS KR915-54 GOODYEAR 1R11-111	<b>OEM REFERENCE</b> R.O.R / MERITOR 21221307 WABCO 951 811 111 0 WEWELER US 87 EURO F US 07364
	<b>BOTTOM VIEW</b> 		

Order No.: 13336A / 8940 CPP		Complete	
	<b>TOP VIEW</b> 	<b>CROSS REFERENCE</b> DUNLOP FR D11B36 GOODYEAR 1R11-752	<b>OEM REFERENCE</b> BPW 05.429.43.21.0 BPW Type BPW 30 K GRANNING 16919 WABCO 951 811 763 0 WEWELER US 510030 UD
	<b>BOTTOM VIEW</b> 		

Order No.: 13338A / 84159-02 CPP		Complete																																
	TOP VIEW	CROSS REFERENCE	OEM REFERENCE																															
		<table border="1"> <tr><td>CONTITECH</td><td>4159 N P09</td><td>FRUEHAUF</td><td>UJB 0358</td></tr> <tr><td>FIRESTONE</td><td>1T15M-9</td><td></td><td>M00 1774</td></tr> <tr><td>FIRESTONE 2</td><td>W01 379 9131</td><td>TRAILOR</td><td>M00 1774</td></tr> <tr><td>PHOENIX</td><td>1 DK 21 B-8</td><td>WABCO</td><td>951 812 721 0</td></tr> <tr><td>TAURUS</td><td>KR-509-9131</td><td></td><td></td></tr> <tr><td>DUNLOP FR</td><td>D12B04</td><td></td><td></td></tr> <tr><td>GOODYEAR</td><td>1R12-721</td><td></td><td></td></tr> <tr><td>CF GOMMA</td><td>1T 323-40</td><td></td><td></td></tr> </table>	CONTITECH	4159 N P09	FRUEHAUF	UJB 0358	FIRESTONE	1T15M-9		M00 1774	FIRESTONE 2	W01 379 9131	TRAILOR	M00 1774	PHOENIX	1 DK 21 B-8	WABCO	951 812 721 0	TAURUS	KR-509-9131			DUNLOP FR	D12B04			GOODYEAR	1R12-721			CF GOMMA	1T 323-40		
CONTITECH	4159 N P09	FRUEHAUF	UJB 0358																															
FIRESTONE	1T15M-9		M00 1774																															
FIRESTONE 2	W01 379 9131	TRAILOR	M00 1774																															
PHOENIX	1 DK 21 B-8	WABCO	951 812 721 0																															
TAURUS	KR-509-9131																																	
DUNLOP FR	D12B04																																	
GOODYEAR	1R12-721																																	
CF GOMMA	1T 323-40																																	
	BOTTOM VIEW																																	

Order No.: 13426A / 89002-A3/08 CPP		Complete																								
	TOP VIEW	CROSS REFERENCE	OEM REFERENCE																							
		<table border="1"> <tr><td>FIRESTONE</td><td>1T15MPW-7</td><td>FRUEHAUF</td><td>M078580</td></tr> <tr><td>FIRESTONE 2</td><td>W01 M58 6317</td><td>NEWAY</td><td>905 572 33</td></tr> <tr><td>PHOENIX</td><td>1 DK 20C-2</td><td>WABCO</td><td>951 811 773 0</td></tr> <tr><td>TAURUS</td><td>KR915-53NW</td><td></td><td></td></tr> <tr><td>DUNLOP FR</td><td>D12B30</td><td></td><td></td></tr> <tr><td>GOODYEAR</td><td>1R11-773</td><td></td><td></td></tr> </table>	FIRESTONE	1T15MPW-7	FRUEHAUF	M078580	FIRESTONE 2	W01 M58 6317	NEWAY	905 572 33	PHOENIX	1 DK 20C-2	WABCO	951 811 773 0	TAURUS	KR915-53NW			DUNLOP FR	D12B30			GOODYEAR	1R11-773		
FIRESTONE	1T15MPW-7	FRUEHAUF	M078580																							
FIRESTONE 2	W01 M58 6317	NEWAY	905 572 33																							
PHOENIX	1 DK 20C-2	WABCO	951 811 773 0																							
TAURUS	KR915-53NW																									
DUNLOP FR	D12B30																									
GOODYEAR	1R11-773																									
	BOTTOM VIEW																									

Order No.: 13342A / 82918 C		Complete																
	TOP VIEW	CROSS REFERENCE	OEM REFERENCE															
		<table border="1"> <tr><td>CONTITECH</td><td>4810 N P05</td><td>S.A.F</td><td>3.229.0027.00</td></tr> <tr><td>PHOENIX</td><td>1D 28A-12</td><td></td><td>3.229.2127.00</td></tr> <tr><td></td><td></td><td></td><td>3.229.2427.00</td></tr> <tr><td></td><td></td><td>WABCO</td><td>951 814 730 0</td></tr> </table>	CONTITECH	4810 N P05	S.A.F	3.229.0027.00	PHOENIX	1D 28A-12		3.229.2127.00				3.229.2427.00			WABCO	951 814 730 0
CONTITECH	4810 N P05	S.A.F	3.229.0027.00															
PHOENIX	1D 28A-12		3.229.2127.00															
			3.229.2427.00															
		WABCO	951 814 730 0															
	BOTTOM VIEW																	

Order No.: 13430A / 86418 C		Complete																												
	TOP VIEW	CROSS REFERENCE	OEM REFERENCE																											
		<table border="1"> <tr><td>CONTITECH</td><td>6607 N P01</td><td>VOLVO</td><td>20 582 214</td></tr> <tr><td></td><td></td><td></td><td>20 531 987</td></tr> <tr><td></td><td></td><td></td><td>20 456 156</td></tr> <tr><td></td><td></td><td></td><td>20 374 511</td></tr> <tr><td></td><td></td><td></td><td>3 171 695</td></tr> <tr><td></td><td></td><td></td><td>1 076 418</td></tr> <tr><td></td><td></td><td>WABCO</td><td>951 811 006 0</td></tr> </table>	CONTITECH	6607 N P01	VOLVO	20 582 214				20 531 987				20 456 156				20 374 511				3 171 695				1 076 418			WABCO	951 811 006 0
CONTITECH	6607 N P01	VOLVO	20 582 214																											
			20 531 987																											
			20 456 156																											
			20 374 511																											
			3 171 695																											
			1 076 418																											
		WABCO	951 811 006 0																											
	BOTTOM VIEW																													

Order No.: 13414A / 84156 C		Complete																												
	TOP VIEW	CROSS REFERENCE	OEM REFERENCE																											
		<table border="1"> <tr><td>CONTITECH</td><td>4156 N P15</td><td>HENDRICKSON</td><td>HA 100001</td></tr> <tr><td>FIRESTONE</td><td>1T15M-6</td><td>R.O.R / MERITOR</td><td>21215761</td></tr> <tr><td>FIRESTONE 2</td><td>W01 358 9361</td><td></td><td>21215762</td></tr> <tr><td>PHOENIX</td><td>1 DK 21 A-2</td><td></td><td>21226046</td></tr> <tr><td>DUNLOP FR</td><td>D12B19</td><td>WABCO</td><td>951 812 719 0</td></tr> <tr><td>GOODYEAR</td><td>1R12-719</td><td>WEWELER</td><td>US 35864</td></tr> <tr><td>CF GOMMA</td><td>1T 323-33</td><td></td><td></td></tr> </table>	CONTITECH	4156 N P15	HENDRICKSON	HA 100001	FIRESTONE	1T15M-6	R.O.R / MERITOR	21215761	FIRESTONE 2	W01 358 9361		21215762	PHOENIX	1 DK 21 A-2		21226046	DUNLOP FR	D12B19	WABCO	951 812 719 0	GOODYEAR	1R12-719	WEWELER	US 35864	CF GOMMA	1T 323-33		
CONTITECH	4156 N P15	HENDRICKSON	HA 100001																											
FIRESTONE	1T15M-6	R.O.R / MERITOR	21215761																											
FIRESTONE 2	W01 358 9361		21215762																											
PHOENIX	1 DK 21 A-2		21226046																											
DUNLOP FR	D12B19	WABCO	951 812 719 0																											
GOODYEAR	1R12-719	WEWELER	US 35864																											
CF GOMMA	1T 323-33																													
	BOTTOM VIEW																													

Order No.: 13446A / 87804 C		Complete																								
	TOP VIEW	CROSS REFERENCE	OEM REFERENCE																							
		<table border="1"> <tr><td>CONTITECH</td><td>6606 N P01</td><td>VOLVO</td><td>20 582 209</td></tr> <tr><td></td><td></td><td></td><td>20 531 986</td></tr> <tr><td></td><td></td><td></td><td>20 456 154</td></tr> <tr><td></td><td></td><td></td><td>20 427 801</td></tr> <tr><td></td><td></td><td></td><td>3 171 694 20 427</td></tr> <tr><td></td><td></td><td>804</td><td></td></tr> </table>	CONTITECH	6606 N P01	VOLVO	20 582 209				20 531 986				20 456 154				20 427 801				3 171 694 20 427			804	
CONTITECH	6606 N P01	VOLVO	20 582 209																							
			20 531 986																							
			20 456 154																							
			20 427 801																							
			3 171 694 20 427																							
		804																								
	BOTTOM VIEW																									

Order No.: 13504A / 84183-23 C		Complete	
	TOP VIEW	CROSS REFERENCE	OEM REFERENCE
	BOTTOM VIEW	CONTITECH 4183 N P23	DAIMLER CHRYSLER A942 320 2221 MERCEDES 942 320 22 21

Order No.: 13558A / 87803 C		Complete	
	TOP VIEW	CROSS REFERENCE	OEM REFERENCE
	BOTTOM VIEW	CONTITECH 6605 N P01	VOLVO 20 582 206 20 531 984 20 456 150 20 427 800 3 171 692 20 427 803 WABCO 951 811 005 0

Order No.: 13551A / 84882 C		Complete	
	TOP VIEW	CROSS REFERENCE	OEM REFERENCE
	BOTTOM VIEW	CONTITECH 4882 N1 P05	M.A.N. 81.43600.6036

Order No.: 13560A / 84390-21 C		Complete	
	TOP VIEW	CROSS REFERENCE	OEM REFERENCE
	BOTTOM VIEW	CONTITECH 4390 N P21	DAIMLER CHRYSLER A 942 32049 21 A 942 320 28 21 MERCEDES 942 320 4921

Order No.: 13553A / 84884 C		Complete	
	TOP VIEW	CROSS REFERENCE	OEM REFERENCE
	BOTTOM VIEW	CONTITECH 4884 N1 P06	M.A.N. 81.43600.6035

Order No.: 13562A / 84390-22 C		Complete	
	TOP VIEW	CROSS REFERENCE	OEM REFERENCE
	BOTTOM VIEW	CONTITECH 4390 N P22	DAIMLER CHRYSLER A9423205021 A942 320 29 21 MERCEDES 942 320 28 21 942 320 29 21 942 320 50 21







# OEM list

OEM LIST				
OE No	AIRCOMFORT Order No	AIRCOMFORT Product No	Remark	Page No
<b>ACERBI</b>				
441901	12170A	89002-A3/01P	Service Assy.	S11
441901	13332A	89002-A3/01 CPP	Com.Plis.Pst.	C15
<b>AUWARTER</b>				
B 510040	11008A	8701	Roll	R3
<b>BATTAGLINO</b>				
2211400	13010A	8813 C	Complete	C2
2211400	13592A	8813 CPP	Com.Plis.Pst.	C21
<b>BATTAGLINO</b>				
45402001	11006A	8673	Roll	R3
45402002	13002A	8810 C	Complete	C2
<b>BERTOLETTI</b>				
91619007	13002A	8810 C	Complete	C2
91619005	13010A	8813 C	Complete	C2
91619005	13592A	8813 CPP	Com.Plis.Pst.	C21
<b>BPW</b>				
02.200.24.10.0	11012A	8720	Roll	R4
02.2002.44.00	11000A	8644	Roll	R2
05.429.40.01.0	12022A	8881 P	Service Assy.	S3
05.429.40.01.0	13018A	8881 C	Complete	C3
05.429.40.03.0	12026A	8941 P	Service Assy.	S4
05.429.40.03.0	13022A	8941 C	Complete	C4
05.429.40.61.1	13052A	8881-01 C	Complete	C5
05.429.40.91.0	12024A	8940 P	Service Assy.	S3
05.429.40.93.1	13020A	8940 C	Complete	C3
05.429.41.01.0	12046A	84881 P	Service Assy.	S6
05.429.41.01.0	13078A	84881 C	Complete	C6
05.429.43.20.0	13222A	8941-01 CPP	Com.Plis.Pst.	C11
05.429.43.21.0	13336A	8940 CPP	Com.Plis.Pst.	C15
05.429.43.41.0	13334A	84881-01 CPP	Com.Plis.Pst.	C15
05.429.43.51.0	13220A	8881-01 CPP	Com.Plis.Pst.	C10
<b>BPW Type</b>				
BPW 30	12026A	8941 P	Service Assy.	S4
BPW 30	13022A	8941 C	Complete	C4
BPW 30	13222A	8941-01 CPP	Com.Plis.Pst.	C11
BPW 30 K	12024A	8940 P	Service Assy.	S3
BPW 30 K	13020A	8940 C	Complete	C3
BPW 30 K	13336A	8940 CPP	Com.Plis.Pst.	C15
BPW 36	12022A	8881 P	Service Assy.	S3
BPW 36	13018A	8881 C	Complete	C3
BPW 36	13052A	8881-01 C	Complete	C5
BPW 36	13220A	8881-01 CPP	Com.Plis.Pst.	C10
BPW 36 K	12046A	84881 P	Service Assy.	S6
BPW 36 K	13078A	84881 C	Complete	C6
BPW 36 K	13186A	34881-01 C	Complete	C9
BPW 36 K	13334A	84881-01 CPP	Com.Plis.Pst.	C15
<b>BUSSING</b>				
536 905 265	11000A	8644	Roll	R2
831 120 144	11002A	8661	Roll	R2
<b>CARDI</b>				
58051000	13010A	8813 C	Complete	C2
58051000	13592A	8813 CPP	Com.Plis.Pst.	C21
<b>CHEREAU</b>				
VSR U5 00211F	11016A	8737	Roll	R4
<b>DAF</b>				
0 067 504	12014A	8836 P	Service Assy.	S2
0 388 165	13102A	8836 C	Complete	C8
1 697 678	13102A	8836 C	Complete	C8
0 513 982	12018A	8836-02 P	Service Assy.	S3
0 627 584	11006A	8673	Roll	R3
0 659 561	11070A	8715	Roll	R7

OEM LIST				
OE No	AIRCOMFORT Order No	AIRCOMFORT Product No	Remark	Page No
<b>DAF</b>				
0 689 677	11000A	8644	Roll	R2
1 384 273	13002A	8810 C	Complete	C2
1 384 274	13010A	8813 C	Complete	C2
1 384 274	13592A	8813 CPP	Com.Plis.Pst.	C21
<b>DAIMLER CHRYSLER</b>				
A 942 320 22 21	12262A	84183-23 P	Service Assy.	S13
A 942 320 22 21	13504A	84183-23 C	Complete	C18
A 363 328 00 01	11070A	8715	Roll	R7
A 363 328 02 01	11058A	8757	Roll	R6
A 383 327 00 01	11006A	8673	Roll	R3
A 387 328 01 01	11012A	8720	Roll	R4
A 393 328 01 01	11016A	8737	Roll	R4
A 658 328 00 01	11060A	8884	Roll	R6
A 699 328 01 01	11062A	8882	Roll	R6
A 658 328 01 01	11062A	8882	Roll	R6
A 942 320 01 17	13298A	84757-01 C	Complete	C13
A 942 320 01 21	13098A	84390-01 C	Complete	C7
A 942 320 02 21	13100A	84390-02 C	Complete	C7
A 942 320 23 21	13582A	84183-24 C	Complete	C20
A 942 320 26 21	13589A	84187-21 C	Complete	C20
A 942 320 49 21	12251A	84390-21 P	Service Assy.	S13
A 942 320 49 21	13560A	84390-21 C	Complete	C19
A 942 320 28 21	13560A	84390-21 C	Complete	C19
A 942 320 50 21	13562A	84390-22 C	Complete	C19
A 942 320 29 21	13562A	84390-22 C	Complete	C19
A 942 327 00 01	12257A	84757-01 P	Service Assy.	S13
A 942 328 00 01	12110A	84390-01 P	Service Assy.	S8
A 942 328 01 01	12072A	84390-02 P	Service Assy.	S7
<b>DAYTON</b>				
352-9082	13230A	84156-05 CPP	Com.Plis.Pst.	C11
352-9580	13276A	80081-01 C	Complete	C12
<b>DENNIS</b>				
650 292/ 8	11012A	8720	Roll	R4
650 883/ 7	11012A	8720	Roll	R4
650 883/ 4	11012A	8720	Roll	R4
<b>DISCOS / MERCEDES</b>				
A 946 328 14 01	13130A	84157 CPP	Com.Plis.Pst.	C8
A 946 328 15 01	13654A	80283 C	Complete	C22
<b>DROGMOLLER</b>				
440320200002-00	11002A	8661	Roll	R2
<b>E.R.F.</b>				
139855-0	13276A	80081-01 C	Complete	C12
143908-3	13010A	8813 C	Complete	C2
143908-3	13592A	8813 CPP	Com.Plis.Pst.	C21
<b>EVO BUS</b>				
4731012000	11002A	8661	Roll	R2
4731031000	11002A	8661	Roll	R2
4771427000	11002A	8661	Roll	R2
4771440000	11002A	8661	Roll	R2
4731042000	11002A	8661	Roll	R2
4.731.030.000	13010A	8813 C	Complete	C2
4.731.033.000	13010A	8813 C	Complete	C2
4.731.030.000	13592A	8813 CPP	Com.Plis.Pst.	C21
4.731.033.000	13592A	8813 CPP	Com.Plis.Pst.	C21
A 000 327 01 01	11000A	8644	Roll	R2
A 000 328 00 01	11000A	8644	Roll	R2
4771170000	11000A	8644	Roll	R2
4771441000	11000A	8644	Roll	R2
4771143000	11000A	8644	Roll	R2
A 383 327 00 01	11006A	8673	Roll	R3

OEM LIST				
OE No	AIRCOMFORT Order No	AIRCOMFORT Product No	Remark	Page No
<b>EVO BUS</b>				
A 942.327.0001	12110A	84390-01 P	Service Assy.	S8
<b>FAB TEK</b>				
101828	13230A	84156-05 CPP	Com.Plis.Pst.	C11
<b>FREIGHTLINER</b>				
16-13810-000	13167A	89780-01 CPP	Com.Plis.Pst.	C9
16-13810-000	13167A	89780-01 CPP	Com.Plis.Pst.	C9
16-15595-000	13167A	89780-01 CPP	Com.Plis.Pst.	C9
16-15595-001	13167A	89780-01 CPP	Com.Plis.Pst.	C9
16-15595-002	13167A	89780-01 CPP	Com.Plis.Pst.	C9
16-13810-000	13209A	82303 C ALU	Com.Al.Pst.	C10
<b>FRUEHAUF</b>				
003615E	13010A	8813 C	Complete	C2
003615E	13592A	8813 CPP	Com.Plis.Pst.	C21
M06092A	12170A	89002-A3/01P	Service Assy.	S11
M06092A	13332A	89002-A3/01 CPP	Com.Plis.Pst.	C15
UJB 0975	13332A	89002-A3/01 CPP	Com.Plis.Pst.	C15
M078580	13426A	89002-A3/08 CPP	Com.Plis.Pst.	C17
UJB 0358	13338A	84159-02 CPP	Com.Plis.Pst.	C16
M00 1774	13338A	84159-02 CPP	Com.Plis.Pst.	C16
<b>GRANNING</b>				
1359	13230A	84156-05 CPP	Com.Plis.Pst.	C11
15621	11002A	8661	Roll	R2
15622	11000A	8644	Roll	R2
15634	13010A	8813 C	Complete	C2
15634	13592A	8813 CPP	Com.Plis.Pst.	C21
15635	13002A	8810 C	Complete	C2
15910	13120A	84912 C	Complete	C8
15916	12024A	8940 P	Service Assy.	S3
16919	13336A	8940 CPP	Com.Plis.Pst.	C15
<b>HANOMAG-HENSCHL</b>				
546 905 134	11000A	8644	Roll	R2
536 905 265	11002A	8661	Roll	R2
536 905 266	11002A	8661	Roll	R2
<b>HDA</b>				
PMABG9082B	13230A	84156-05 CPP	Com.Plis.Pst.	C11
<b>HENDRICKSON</b>				
B 2066	13230A	84156-05 CPP	Com.Plis.Pst.	C11
36514-7	13230A	84156-05 CPP	Com.Plis.Pst.	C11
B-12514-007	13230A	84156-05 CPP	Com.Plis.Pst.	C11
S11651	13230A	84156-05 CPP	Com.Plis.Pst.	C11
B 2063	13010A	8813 C	Complete	C2
B 2063	13592A	8813 CPP	Com.Plis.Pst.	C21
Y505859	13592A	8813 CPP	Com.Plis.Pst.	C21
785170	13592A	8813 CPP	Com.Plis.Pst.	C21
B 2065	13002A	8810 C	Complete	C2
C20127 / S20127	13276A	80081-01 C	Complete	C12
HA 100001	13414A	84156 C	Complete	C16
<b>HUTCHENS</b>				
H-9630-01	13230A	84156-05 CPP	Com.Plis.Pst.	C11
<b>IKARUS</b>				
B 510040	11008A	8701	Roll	R3
<b>INBUS</b>				
5001098	11006A	8673	Roll	R3
<b>IRIS</b>				
5.000.021.414	11148A	81415	Roll	R7
<b>IVECO</b>				
4182247	11002A	8661	Roll	R2
474.6733	11002A	8661	Roll	R2
249 8667	11002A	8661	Roll	R2
9988467	13002A	8810 C	Complete	C2

OEM LIST				
OE No	AIRCOMFORT Order No	AIRCOMFORT Product No	Remark	Page No
<b>IVECO</b>				
017 5005	12012A	8813 P	Service Assy.	S2
445.6111	11070A	8715	Roll	R7
476.3473	11070A	8715	Roll	R7
471.6989	11036A	8945	Roll	R5
818.8539	11060A	8884	Roll	R6
971 08 363	11060A	8884	Roll	R6
500 301 452	11060A	8884	Roll	R6
818.4025	11060A	8884	Roll	R6
984.78799	11040A	81885	Roll	R5
<b>KASSBOHRER</b>				
4731012000	11002A	8661	Roll	R2
4771427000	11002A	8661	Roll	R2
4731031000	11002A	8661	Roll	R2
4771440000	11002A	8661	Roll	R2
4.731.033.000	13010A	8813 C	Complete	C2
4.731.030.000	13010A	8813 C	Complete	C2
4.731.033.000	13592A	8813 CPP	Com.Plis.Pst.	C21
4.731.030.000	13592A	8813 CPP	Com.Plis.Pst.	C21
4771110000	11000A	8644	Roll	R2
4771143000	11000A	8644	Roll	R2
4771170000	11000A	8644	Roll	R2
4771441000	11000A	8644	Roll	R2
<b>LOADGUARD</b>				
SC2035	13230A	84156-05 CPP	Com.Plis.Pst.	C11
SC2761	13276A	80081-01 C	Complete	C12
<b>M.A.N.</b>				
81.43600.6036	13551A	84882 C	Complete	C18
81.43600.6035	13553A	84884 C	Complete	C18
81.43601.0017	11000A	8644	Roll	R2
81.43601.0033	11012A	8720		

OEM LIST				
OE No	AIRCOMFORT Order No	AIRCOMFORT Product No	Remark	Page No
<b>M.A.N.</b>				
81.43601.0115	11070A	8715	Roll	R7
81.43601.0117	11070A	8715	Roll	R7
90.83112.0144	11002A	8661	Roll	R2
N1.01101.6345	11002A	8661	Roll	R2
88436010200	11002A	8661	Roll	R2
81.43601.0066	1060A	8884	Roll	R6
81.43601.0068	1060A	8884	Roll	R6
81.43601.0069	1060A	8884	Roll	R6
81.43601.0106	1060A	8884	Roll	R6
81.43601.0108	11060A	8884	Roll	R6
81.436.010.042	12002A	8810 P	Service Assy.	S2
81.43601.0151	12212A	34882 P	Service Assy.	S12
81.436.016.065	12212A	34882 P	Service Assy.	S12
81.43601.0152	12216A	84884 P	Service Assy.	S12
81.436.016.066	12216A	84884 P	Service Assy.	S12
<b>MAGIRUS-DEUTZ</b>				
0249 1566	11006A	8673	Roll	R3
041 822 247	11002A	8661	Roll	R2
0249 8667	11002A	8661	Roll	R2
536 905 265	11000A	8644	Roll	R2
<b>MENARINI</b>				
178739	11016A	8737	Roll	R4
178741	11036A	8945	Roll	R5
199196	11000A	8644	Roll	R2
<b>MERCEDES</b>				
360 328 01 01	11012A	8720	Roll	R4
387 328 00 01	11012A	8720	Roll	R4
387 328 01 01	11012A	8720	Roll	R4
363 328 02 01	11058A	8757	Roll	R6
393 328 01 01	11016A	8737	Roll	R4
393 328 02 01	11016A	8737	Roll	R4
658 328 00 01	11060A	8884	Roll	R6
942 320 01 17	13298A	84757-01 C	Complete	C13
942 320 01 21	13098A	84390-01 C	Complete	C7
942 320 02 21	13100A	84390-02 C	Complete	C7
942 328 01 01	13100A	84390-02 C	Complete	C7
942 320 22 21	12262A	84183-23 P	Service Assy.	S13
942 320 22 21	13504A	84183-23 C	Complete	C18
942 320 2321	13582A	84183-24 C	Complete	C20
942 320 1321	13582A	84183-24 C	Complete	C20
942 320 1421	13582A	84183-24 C	Complete	C20
942 320 28 21	13562A	84390-22 C	Complete	C19
942 320 29 21	13562A	84390-22 C	Complete	C19
942 320 50 21	13562A	84390-22 C	Complete	C19
942 320 49 21	13560A	84390-21 C	Complete	C19
942 327 0001	12257A	84757-01 P	Service Assy.	S13
942 328 0401	12110A	84390-01 P	Service Assy.	S8
942 328 0001	12110A	84390-01 P	Service Assy.	S8
946 328 14 01	13130A	84157 CPP	Com.Plis.Pst.	C8
A 000.327.0101	11000A	8644	Roll	R2
A 613 327 0001	11000A	8644	Roll	R2
302 327 00 01	11000A	8644	Roll	R2
307 328 00 01	11000A	8644	Roll	R2
322 327 03 01	11000A	8644	Roll	R2
327 328 00 01	11000A	8644	Roll	R2
A 363 328 0001	11070A	8715	Roll	R7
329 328 0001	11070A	8715	Roll	R7
A 942 320 26 21	13589A	84187-21 C	Complete	C20
A 946 328 14 01	12164A	84157 P	Service Assy.	S10

OEM LIST				
OE No	AIRCOMFORT Order No	AIRCOMFORT Product No	Remark	Page No
<b>NAVISTAR</b>				
517559C9	13230A	84156-05 CPP	Com.Plis.Pst.	C11
<b>NEOPLAN</b>				
1001 12 250	11002A	8661	Roll	R2
AA 10-01-001	11002A	8661	Roll	R2
1001 12 254	11000A	8644	Roll	R2
1001 10 300	11000A	8644	Roll	R2
1001 123 00	11012A	8720	Roll	R4
<b>NEWAY</b>				
90557225	13589A	84187-21 C	Complete	C20
211 586	13002A	8810 C	Complete	C2
21215632	13002A	8810 C	Complete	C2
22 282	13010A	8813 C	Complete	C2
21215633	13010A	8813 C	Complete	C2
22 282	13592A	8813 CPP	Com.Plis.Pst.	C21
212 156 33	13592A	8813 CPP	Com.Plis.Pst.	C21
905 570 06	13230A	84156-05 CPP	Com.Plis.Pst.	C11
905 570 27	13230A	84156-05 CPP	Com.Plis.Pst.	C11
905 570 37	13230A	84156-05 CPP	Com.Plis.Pst.	C11
905 570 54	13230A	84156-05 CPP	Com.Plis.Pst.	C11
905 570 75	13230A	84156-05 CPP	Com.Plis.Pst.	C11
905 570 33	13230A	84156-05 CPP	Com.Plis.Pst.	C11
905 572 33	13426A	89002-A3/08 CPP	Com.Plis.Pst.	C17
<b>R&amp;S TRUCK</b>				
1090217	13230A	84156-05 CPP	Com.Plis.Pst.	C11
<b>R.O.R / MERITOR</b>				
21215632	13002A	8810 C	Complete	C2
21208082	13002A	8810 C	Complete	C2
17204517	13002A	8810 C	Complete	C2
21215633	13010A	8813 C	Complete	C2
21215633	13592A	8813 CPP	Com.Plis.Pst.	C21
21215761	13414A	84156 C	Complete	C16
21215762	13414A	84156 C	Complete	C16
21226046	13414A	84156 C	Complete	C16
21221307	12164A	84157 P	Service Assy.	S10
21221307	13130A	84157 CPP	Com.Plis.Pst.	C8
21221307	13330A	89002-A8 CPP	Com.Plis.Pst.	C14
21222239	12012A	8813 P	Service Assy.	S2
<b>RENAULT V.I</b>				
5,000.452.939	13002A	8810 C	Complete	C2
5,000.819.517	11070A	8715	Roll	R7
5001829866	11002A	8661	Roll	R2
5,010.130.925	13010A	8813 C	Complete	C2
5000 790 692	13010A	8813 C	Complete	C2
5,000.790.692	13010A	8813 C	Complete	C2
5,010.130.925	13592A	8813 CPP	Com.Plis.Pst.	C21
5,000.790.692	13592A	8813 CPP	Com.Plis.Pst.	C21
5,010.294.307	13120A	84912 C	Complete	C8
5,010.294.385	11060A	8884	Roll	R6
5,001.8320.67	12104A	84912 P	Service Assy.	S8
<b>REYCO GRANNING</b>				
12882-01 / 2727	13230A	84156-05 CPP	Com.Plis.Pst.	C11
<b>RIDEWELL</b>				
1003589082C	13230A	84156-05 CPP	Com.Plis.Pst.	C11
<b>S.A.F</b>				
2 229 0003 00	12012A	8813 P	Service Assy.	S2
2.228.0002.00	13002A	8810 C	Complete	C2
2.228.2402.00	13002A	8810 C	Complete	C2
2.228.2602.00	13002A	8810 C	Complete	C2
2.228.2202.00	13002A	8810 C	Complete	C2
2.228.2102.00	13002A	8810 C	Complete	C2

OEM LIST				
OE No	AIRCOMFORT Order No	AIRCOMFORT Product No	Remark	Page No
<b>S.A.F</b>				
2.229.0003.00	13010A	8813 C	Complete	C2
2 229 2103 00	13010A	8813 C	Complete	C2
2 229 2403 00	13010A	8813 C	Complete	C2
2 229 2603 00	13010A	8813 C	Complete	C2
2.229.2103.00	13010A	8813 C	Complete	C2
2.229.2403.00	13010A	8813 C	Complete	C2
2.229.2603.00	13010A	8813 C	Complete	C2
2.229.0003.00	13592A	8813 CPP	Com.Plis.Pst.	C21
2.229.2103.00	13592A	8813 CPP	Com.Plis.Pst.	C21
2.229.2403.00	13592A	8813 CPP	Com.Plis.Pst.	C21
2.229.2603.00	13592A	8813 CPP	Com.Plis.Pst.	C21
3.229.0005.00	13082A	84813 C	Complete	C6
3.229.0007.00	13028A	84004 C	Complete	C4
3.229.0007.01	13028A	84004 C	Complete	C4
3.229.0007.02	13028A	84004 C	Complete	C4
3 229 2107 02	13028A	84004 C	Complete	C4
3 229 2607 02	13028A	84004 C	Complete	C4
3.229.0007.00	13278A	84004 CPP	Com.Plis.Pst.	C12
3.229.0007.02	13278A	84004 CPP	Com.Plis.Pst.	C12
3.229.0007.01	13278A	84004 CPP	Com.Plis.Pst.	C12
3.229.0027.00	12185A	82918 P	Service Assy.	S11
3.229.2127.00	12185A	82918 P	Service Assy.	S11
3.229.0027.00	3342A	82918 C	Complete	C16
3.229.2127.00	3342A	82918 C	Complete	C16
3.229.2427.00	13342A	82918 C	Complete	C16
3.229.0029.00	13030A	84022 C	Complete	C4
3.229.2129.00	13030A	84022 C	Complete	C4
3.229.2229.00	13030A	84022 C	Complete	C4
3.229.2429.00	13030A	84022 C	Complete	C4
3.229.0029.00	13280A	84022 CPP	Com.Plis.Pst.	C12
3.229.2129.00	13280A	84022 CPP	Com.Plis.Pst.	C12
3.229.2229.00	13280A	84022 CPP	Com.Plis.Pst.	C12
3.229.2429.00	13280A	84022 CPP	Com.Plis.Pst.	C12
3.229.0031.00	2034A	84023 P	Service Assy.	S5
3.229.2231.00	2034A	84023 P	Service Assy.	S5
3.229.2431.00	2034A	84023 P	Service Assy.	S5
3.229.2131.00	12034A	84023 P	Service Assy.	S5
3.229.0031.00	13032A	84023 C	Complete	C5
3.229.2231.00	13032A	84023 C	Complete	C5
3.229.2431.00	13032A	84023 C	Complete	C5
3.229.2131.00	13032A	84023 C	Complete	C5
3.229.0033.00	13292A	82619 CPP	Com.Plis.Pst.	C13
4.284.3003.01	12030A	84004 P	Service Assy.	S4
4.284.3006.00	12032A	84022 P	Service Assy.	S4
4.284.3006.00	12166A	82619 P	Service Assy.	S10
<b>SAF Type</b>				
2618	12030A	84004 P	Service Assy.	S4
2618	13028A	84004 C	Complete	C4
2618	13278A	84004 CPP	Com.Plis.Pst.	C12
2618 V	12032A	84022 P	Service Assy.	S4
2619 V	12032A	84022 P	Service Assy.	S4
2618 V	12166A	82619 P	Service Assy.	S10
2619 V	12166A	82619 P	Service Assy.	S10
2618 V	13030A	84022 C	Complete	C4
2618 V	13280A	84022 CPP	Com.Plis.Pst.	C12
2619 V	13292A	82619 CPP	Com.Plis.Pst.	C13
E1 2918 AR 414	13002A	8810 C	Complete	C2

OEM LIST				
OE No	AIRCOMFORT Order No	AIRCOMFORT Product No	Remark	Page No
<b>SAMRO</b>				
25008	13002A	8810 C	Complete	C2
2500009	13010A	8813 C	Complete	C2
2500009	13592A	8813 CPP	Com.Plis.Pst.	C21
<b>SCANIA</b>				
255295	13082A	84813 C	Complete	C6
325748	13082A	84813 C	Complete	C6
298568	13082A	84813 C	Complete	C6
255293	13082A	84813 C	Complete	C6
1107674	13082A	84813 C	Complete	C6
1314906	13082A	84813 C	Complete	C6
1314906	1107674	325748	298568	S6
255295	12052A	84813 P	Service Assy.	S6
255293	12052A	84813 P	Service Assy.	S6
1379392	13212A	84913 C	Complete	C10
1440294	13212A	84913 C	Complete	C10
1379393	12058A	84913 P	Service Assy.	S6
<b>SCANIA BUSSAR (South America)</b>				
523229	11036A	8945	Roll	R5
<b>SCHMITZ</b>				
016 512	12307A	86318 P	Service Assy.	S15
016 512	13587A	86318 CPP	Com.Plis.Pst.	C20
750 208	11002A	8661	Roll	R2
750 999	13320A	84158 CPP	Com.Plis.Pst.	C14
S015323	13654A	80283 C	Complete	C22
<b>T.E.C</b>				
505859/ 01	13010A	8813 C	Complete	C2
505859/01	13592A	8813 CPP	Com.Plis.Pst.	C21
506243/ 01	13002A	8810 C	Complete	C2
<b>TERBERG</b>				
21071483	13010A	8813 C	Complete	C2
21071483	13592A	8813 CPP	Com.Plis.Pst.	C21
<b>TITAN</b>				
91687700000	13010A	8813 C	Complete	C2
91687700000	13592A	8813 CPP	Com.Plis.Pst.	C21
<b>TOYO</b>				
TRL240/393	13230A	84156-05 CPP	Com.Plis.Pst.	C11
<b>TRAILOR</b>				
0036158E	13010A	8813 C	Complete	C2
0036158E	13592A	8813 CPP	Com.Plis.Pst.	C21
M00 1774	13338A	84159-02 CPP	Com.Plis.Pst.	C16
<b>TRIANGLE</b>				
8310	13230A	84156-05 CPP	Com.Plis.Pst.	C11
8382	13167A	89780-01 CPP	Com.Plis.Pst.	C9
8434	13276A	80081-01 C	Complete	C12
<b>VAN HOOL</b>				
624319-610-624319-420	11000A	8644	Roll	R2
624319-690-624319-670	11002A	8661	Roll	R2
624319-860	11006A	8673</		







# Cross list

CROSS LIST				
Cross No	AIRCOMFORT Order No	AIRCOMFORT Product No	Remark	Page No
<b>CONTITECH</b>				
644 N	11000A	8644	Roll	R2
661 N	11002A	8661	Roll	R2
673 N	11006A	8673	Roll	R3
701 N	11008A	8701	Roll	R3
713 N	11050A	8713	Roll	R5
715 N	11070A	8715	Roll	R7
720 N	11012A	8720	Roll	R4
737 N	11016A	8737	Roll	R4
757 N	11058A	8757	Roll	R6
882 N1	11062A	8882	Roll	R6
884 N	11060A	8884	Roll	R6
916 N1	11024A	8916	Roll	R4
945 N	11036A	8945	Roll	R5
1415 N	11148A	81415	Roll	R7
1885 N1	11040A	81885	Roll	R5
4882 N1 P01	12212A	34882 P	Service Assy.	S12
10 10-21 P 434	13276A	80081-01 K	Complete	C12
4022 N P05	13292A	82619 KPP	Com.Pl.s.Pst.	C13
4022 N P02	12166A	82619 P	Service Assy.	S10
4810 N P05	13342A	82918 K	Complete	C16
4810 N P05	12185A	82918 P	Service Assy.	S11
4004 N P03 (Steel)	13028A	84004 K	Complete	C4
4004 N P03	13278A	84004 KPP	Com.Pl.s.Pst.	C12
4004 N P02	12030A	84004 P	Service Assy.	S4
4022 N P03 (Steel)	13030A	84022 K	Complete	C4
4022 N P03	13280A	84022 KPP	Com.Pl.s.Pst.	C12
4022 N P02	12032A	84022 P	Service Assy.	S4
4023 N P03	13032A	84023 K	Complete	C5
4023 N P03	12034A	84023 P	Service Assy.	S5
4156 N P15	13414A	84156 K	Complete	C16
4156 N P05	12040A	84156 P	Service Assy.	S5
9 10-16 P 310	13230A	84156-05 KPP	Com.Pl.s.Pst.	C11
4157 N P04	13130A	84157 KPP	Com.Pl.s.Pst.	C8
4157 N P04	12164A	84157 P	Service Assy.	S10
4157 N P05	13090A	84157-05 KPP	Com.Pl.s.Pst.	C7
4158 N P03	13320A	84158 KPP	Com.Pl.s.Pst.	C14
4158 N P02	12100A	84158 P	Service Assy.	S8
4159 N P05	13042A	84159 K	Complete	C5
4159 N P05	12044A	84159 P	Service Assy.	S5
4159 N P09	13338A	84159-02 KPP	Com.Pl.s.Pst.	C16
4183 N P23	13504A	84183-23 K	Complete	C18
4183 N P23	12262A	84183-23 P	Service Assy.	S13
4183 N P24	13582A	84183-24 K	Complete	C20
4183 N1	12150A	84183-24 P	Service Assy.	S9
4187 N P21 VOSS 233	13589A	84187-21 K	Complete	C20
4390 N P01	13098A	84390-01 K	Complete	C7
4390 N1	12110A	84390-01 P	Service Assy.	S8
4390 N P02	13100A	84390-02 K	Complete	C7
4390 N2	12072A	84390-02 P	Service Assy.	S7
4390 N P21	13560A	84390-21 K	Complete	C19
4390 N21	12251A	84390-21 P	Service Assy.	S13
4390 N P22	13562A	84390-22 K	Complete	C19
4713 N P02	13184A	84713 K	Complete	C9
4713 N	12122A	84713 P	Service Assy.	S9
4757 N P01	13298A	84757-01 K	Complete	C13
4757 N1	12257A	84757-01 P	Service Assy.	S13
4813 N P07	13082A	84813 K	Complete	C6
4813 N07	12052A	84813 P	Service Assy.	S6
4881 N P02	13078A	84881 K	Complete	C6
4881 N P02	12046A	84881 P	Service Assy.	S6

CROSS LIST				
Cross No	AIRCOMFORT Order No	AIRCOMFORT Product No	Remark	Page No
<b>CONTITECH</b>				
4882 N1 P05	13551A	84882 K	Complete	C18
4884 N1 P06	13553A	84884 K	Complete	C18
4884 N1 P01	12216A	84884 P	Service Assy.	S12
4912 N P07	13120A	84912 K	Complete	C8
4912 N P08	12104A	84912 P	Service Assy.	S8
4913 N P02	13212A	84913 K	Complete	C10
4913 N P04	12058A	84913 P	Service Assy.	S6
6608 N P01	13290A	86416 K	Complete	C13
6608 N P01	12264A	86416 P	Service Assy.	S14
6607 N P01	13430A	86418 K	Complete	C17
6607 N P01	12300A	86418 P	Service Assy.	S14
54762 M	13597A	86762 K	Complete	C21
6605 N P01	13558A	87803 K	Complete	C19
6605 N P01	12152A	87803 P	Service Assy.	S10
6606 N P01	13446A	87804 K	Complete	C17
6606 N P01	12094A	87804 P	Service Assy.	S7
810 MB	13002A	8810 K	Complete	C2
810 N	12002A	8810 P	Service Assy.	S2
813 MB	13010A	8813 K	Complete	C2
813 MB	13592A	8813 KPP	Com.Pl.s.Pst.	C21
813 MB/0	12012A	8813 P	Service Assy.	S2
836 M K1	13102A	8836 K	Complete	C8
836 M	12014A	8836 P	Service Assy.	S2
836 M2	12018A	8836-02 P	Service Assy.	S3
881 MB	13018A	8881 K	Complete	C3
881 MB	12022A	8881 P	Service Assy.	S3
940 MB	13020A	8940 K	Complete	C3
940 MB	12024A	8940 P	Service Assy.	S3
941 MB	13022A	8941 K	Complete	C4
941 MB	12026A	8941 P	Service Assy.	S4
9 10 S-16 A 382	13167A	89780-01 KPP	Com.Pl.s.Pst.	C9
<b>CF GOMMA</b>				
1S 270-25C	11060A	8891	Roll	R6
1S 285-22	11006A	8673	Roll	R3
1S 285-24	11000A	8644	Roll	R2
1S 285-25	11036A	8945	Roll	R5
1S 310-28	11002A	8661	Roll	R2
1S 323-23	11016A	8737	Roll	R4
1SC 250-28	11062A	8882	Roll	R6
1SC 270-28	11040A	81885	Roll	R5
1SC 290-30	11012A	8720	Roll	R4
1SC 310-16	11070A	8715	Roll	R7
1T 19E-1	13002A	8810 K	Complete	C2
1T 19E-2	12034A	84023 P	Service Assy.	S5
1T 19E-2	13010A	8813 K	Complete	C2
1T 19E-2	13032A	84023 K	Complete	C5
1T 19E-2	13592A	8813 KPP	Com.Pl.s.Pst.	C21
1T 19E-2 BR	12052A	84813 P	Service Assy.	S6
1T 19E-2 BR	13082A	84813 K	Complete	C6
1T 19E-93	13212A	84913 K	Complete	C10
1T 300-30	12090A	89002-A3 P	Service Assy.	S7
1T 300-33	13028A	84004 K	Complete	C4
1T 300-37	13030A	84022 K	Complete	C4
1T 300-38	13090A	84157-05 KPP	Com.Pl.s.Pst.	C7
1T 323-33	13414A	84156 K	Complete	C16
1T 323-40	13338A	84159-02 KPP	Com.Pl.s.Pst.	C16
1TC 300-30	12024A	8940 P	Service Assy.	S3
1TC 300-36	12026A	8941 P	Service Assy.	S4
1TC 300-36	13022A	8941 K	Complete	C4
1TC 300-36	13222A	8941-01 KPP	Com.Pl.s.Pst.	C11

CROSS LIST				
Cross No	AIRCOMFORT Order No	AIRCOMFORT Product No	Remark	Page No
<b>CF GOMMA</b>				
1TC 360-45	12022A	8881 P	Service Assy.	S3
1TC 360-45	13018A	8881 K	Complete	C3
1TC 360-45	13052A	8881-01 K	Complete	C5
1TS 19E-4	12104A	84912 P	Service Assy.	S8
1TS 290-28	12216A	84884 P	Service Assy.	S12
1TS 300-28	12122A	84713 P	Service Assy.	S9
1TS 300-28	13184A	84713 K	Complete	C9
1VSC 285-30	12072A	84390-02 P	Service Assy.	S7
1VSC 285-30	12110A	84390-01 P	Service Assy.	S8
1VSC 300-26	13298A	84757-01 K	Complete	C13
<b>CF GOMMA 2</b>				
87408	13592A	8813 CPP	Com.Pl.s.Pst.	C21
88786	11006A	8673	Roll	R3
88802	11012A	8720	Roll	R4
89756	11016A	8737	Roll	R4
91016	11002A	8661	Roll	R2
92574	11000A	8644	Roll	R2
93518	11070A	8715	Roll	R7
97042	11062A	8882	Roll	R6
97043	11040A	81885	Roll	R5
97555	11036A	8945	Roll	R5
97608	11060A	8892	Roll	R6
97764	13082A	84813 C	Complete	C6
204466	12026A	8941 P	Service Assy.	S4
204466	13022A	8941 C	Complete	C4
204530	12022A	8881 P	Service Assy.	S3
204530	13018A	8881 C	Complete	C3
204676	12034A	84023 P	Service Assy.	S5
204676	13032A	84023 C	Complete	C5
205536	12024A	8940 P	Service Assy.	S3
206778	12122A	84713 P	Service Assy.	S9
206785	13298A	84757-01 C	Complete	C13
87413/1	13002A	8810 C	Complete	C2
<b>DUNLOP FR</b>				
D10U10	12212A	34882 P	Service Assy.	S12
D11B33	13222A	8941-01 CPP	Com.Pl.s.Pst.	C11
D11B36	13336A	8940 CPP	Com.Pl.s.Pst.	C15
D11B41	13292A	82619 CPP	Com.Pl.s.Pst.	C13
D11U30	12026A	8941 P	Service Assy.	S4
D11U30	13022A	8941 C	Complete	C4
D11U31	12024A	8940 P	Service Assy.	S3
D11U40	12032A	84022 P	Service Assy.	S4
D11U40	12166A	82619 P	Service Assy.	S10
D11U48	12216A	84884 P	Service Assy.	S12
D12B04	13338A	84159-02 CPP	Com.Pl.s.Pst.	C16
D12B13	13278A	84004 CPP	Com.Pl.s.Pst.	C12
D12B14	13280A	84022 CPP	Com.Pl.s.Pst.	C12
D12B17	13090A	84157-05 CPP	Com.Pl.s.Pst.	C7
D12B18	12164A	84157 P	Service Assy.	S10
D12B18	13130A	84157 CPP	Com.Pl.s.Pst.	C8
D12B19	13414A	84156 C	Complete	C16
D12B22	13320A	84158 CPP	Com.Pl.s.Pst.	C14
D12B24	13184A	84713 C	Complete	C9
D12B25	13028A	84004 C	Complete	C4
D12B30	13426A	89002-A3/08 CPP	Com.Pl.s.Pst.	C17
D12S02	11002A	8661	Roll	R2
D12S06	11060A	8889	Roll	R6
D12S07	11040A	81885	Roll	R5
D12T10	13098A	84390-01 C	Complete	C7
D12T11	13100A	84390-02 C	Complete	C7

CROSS LIST				
Cross No	AIRCOMFORT Order No	AIRCOMFORT Product No	Remark	Page No
<b>DUNLOP FR</b>				
D12U13	12030A	84004 P	Service Assy.	S4
D12U23	12100A	84158 P	Service Assy.	S8
D12U24	12122A	84713 P	Service Assy.	S9
D12U25	12110A	84390-01 P	Service Assy.	S8
D12U26	12072A	84390-02 P	Service Assy.	S7
D12U42	12257A	84757-01 P	Service Assy.	S13
D13B10	12052A	84813 P	Service Assy.	S6
D13B10	13082A	84813 C	Complete	C6
D13B19	13010A	8813 C	Complete	C2
D13B19	13592A	8813 CPP	Com.Pl.s.Pst.	C21
D13B20	13002A	8810 C	Complete	C2
D13B26	12034A	84023 P	Service Assy.	S5
D13B26	13032A	84023 C	Complete	C5
D13B32	13102A	8836 C	Complete	C8
D13T01	13298A	84757-01 C	Complete	C13
D13U31	12018A	8836-02 P	Service Assy.	S3
D13U32	12014A	8836 P	Service Assy.	S2
D14B36	13052A	8881-01 C	Complete	C5
D14B36	13220A	8881-01 CPP	Com.Pl.s.Pst.	C10
D14B44	13334A	84881-01 CPP	Com.Pl.s.Pst.	C15
D14U36	12022A	8881 P	Service Assy.	S3
D14U36	13018A	8881 C	Complete	C3
D14U37	12046A	84881 P	Service Assy.	S6
D14U37	13078A	84881 C	Complete	C6
<b>DUNLOP UK</b>				
PNP301470101	11000A	8644	Roll	R2
PNP301470102	11000A	8644	Roll	R2
PNP301000100	11012A	8720	Roll	R4
PNP301000101	11036A	8945	Roll	R5
PNP304890101	11070A	8715	Roll	R7
PNP304980101	11002A	8661	Roll	R2
PNP307520000	12002A	8810 P	Service Assy.	S2
PNP311770000	13010A	8813 C	Complete	C2
PNP311770000	13592A	8813 CPP	Com.Pl.s.Pst.	C21
PNP311780000	13002A	8810 C	Complete	C2
<b>FIRESTONE</b>				
1R1A 370 285	11006A	8673	Roll	R3
1R1A 390 295	11000A	8644	Roll	R2
1R1A 460 290	11036A	8945	Roll	R5
1R1A 480 330	11016A	8737	Roll	R4
1R1B 415 270	11060A	8885	Roll	R6
1R1C 335 310	11070A	8715	Roll	R7
1R1C 390 310	11002A	8661	Roll	R2
1R2A 380 305	11058A	8757	Roll	R6
1R2A 445 280	11040A	81885	Roll	R5
1R2A 460 295	11012A	8720	Roll	R4
1R3M 340 340	11008A	8702	Roll	R3
1T15M-6	12040A	84156 P	Service Assy.	S5
1T15M-6	13230A	84156-05 CPP	Com.Pl.s.Pst.	C11

CROSS LIST				
Cross No	AIRCOMFORT Order No	AIRCOMFORT Product No	Remark	Page No
<b>FIRESTONE</b>				
1T15MPW-9	12172A	88185 P	Service Assy.	S11
1T15MPW-9	13587A	86318 CPP	Com.Plis.Pst.	C20
1T15MPW-9	12307A	86318 P	Service Assy.	S15
1T15VLT-10.5	12297A	80081-01 P	Service Assy.	S14
1T15VLT-10.5	13276A	80081-01 C	Complete	C12
1T15ZR-6	13167A	89780-01 CPP	Com.Plis.Pst.	C9
1T15ZR-6	13209A	82303 C ALU	Com. Al. Pst.	C10
1T17AR-4.5	12014A	8836 P	Service Assy.	S2
1T17AR-4.5	12018A	8836-02 P	Service Assy.	S3
1T17AR-4.5	13102A	8836 C	Complete	C8
1T17BS-6	12030A	84004 P	Service Assy.	S4
1T17BS-6	12032A	84022 P	Service Assy.	S4
1T17BS-6	12166A	82619 P	Service Assy.	S10
1T17BS-6	13028A	84004 C	Complete	C4
1T17BS-6	13030A	84022 C	Complete	C4
1T17BS-6	13278A	84004 CPP	Com.Plis.Pst.	C12
1T17BS-6	13280A	84022 CPP	Com.Plis.Pst.	C12
1T17BS-6	13292A	82619 CPP	Com.Plis.Pst.	C13
1T17D-4.3	12024A	8940 P	Service Assy.	S3
1T17D-8.3	12026A	8941 P	Service Assy.	S4
1T17D-8.3	13022A	8941 C	Complete	C4
1T19F-11	12034A	84023 P	Service Assy.	S5
1T19F-11	13032A	84023 C	Complete	C5
1T19F-14	12058A	84913 P	Service Assy.	S6
1T19F-14	13212A	84913 C	Complete	C10
1T19L-11	12012A	8813 P	Service Assy.	S2
1T19L-11	12052A	84813 P	Service Assy.	S6
1T19L-11	13010A	8813 C	Complete	C2
1T19L-11	13082A	84813 C	Complete	C6
1T19L-11	13592A	8813 CPP	Com.Plis.Pst.	C21
1T19L-7	12002A	8810 P	Service Assy.	S2
1T19L-7	13002A	8810 C	Complete	C2
1T66D-7.0	12046A	84881 P	Service Assy.	S6
1T66D-7.0	13078A	84881 C	Complete	C6
1T66F-10.8	12022A	8881 P	Service Assy.	S3
1T66F-10.8	13018A	8881 C	Complete	C3
1T66F-10.8	13052A	8881-01 C	Complete	C5
1T66F-7.0	13186A	34881-01 C	Complete	C9
<b>FIRESTONE 2</b>				
W01 M58 6318	12307A	86318 P	Service Assy.	S15
W01 095 0021	11002A	8661	Roll	R2
W01 095 0063	11036A	8945	Roll	R5
W01 095 0087	11070A	8715	Roll	R7
W01 095 0118	11000A	8644	Roll	R2
W01 095 0195	11012A	8720	Roll	R4
W01 095 0198	11006A	8673	Roll	R3
W01 095 0205	11008A	8703	Roll	R3
W01 095 0211	11016A	8737	Roll	R4
W01 095 0212	11058A	8757	Roll	R6
W01 095 0295	11060A	8886	Roll	R6
W01 095 0366	13212A	84913 C	Complete	C10
W01 095 0429	11040A	81885	Roll	R5
W01 095 7237	12002A	8810 P	Service Assy.	S2
W01 358 9082	13230A	84156-05 CPP	Com.Plis.Pst.	C11
W01 358 9361	13414A	84156 C	Complete	C16
W01 358 9580	13276A	80081-01 C	Complete	C12
W01 358 9780	13167A	89780-01 CPP	Com.Plis.Pst.	C9
W01 358 9780	13209A	82303 C ALU	Com. Al. Pst.	C10
W01 379 9131	13338A	84159-02 CPP	Com.Plis.Pst.	C16
W01 M58 0736	12044A	84159 P	Service Assy.	S5

CROSS LIST				
Cross No	AIRCOMFORT Order No	AIRCOMFORT Product No	Remark	Page No
<b>FIRESTONE 2</b>				
W01 M58 0736	13042A	84159 C	Complete	C5
W01 M58 0756	12032A	84022 P	Service Assy.	S4
W01 M58 0756	12166A	82619 P	Service Assy.	S10
W01 M58 0776	12014A	8836 P	Service Assy.	S2
W01 M58 0777	12018A	8836-02 P	Service Assy.	S3
W01 M58 0919	12030A	84004 P	Service Assy.	S4
W01 M58 6257	12172A	88185 P	Service Assy.	S11
W01 M58 6297	13330A	89002-A8 CPP	Com.Plis.Pst.	C14
W01 M58 6315	13332A	89002-A3/01 CPP	Com.Plis.Pst.	C15
W01 M58 6317	13426A	89002-A3/08 CPP	Com.Plis.Pst.	C17
W01 M58 6318	13587A	86318 CPP	Com.Plis.Pst.	C20
W01 M58 6345	13002A	8810 C	Complete	C2
W01 M58 6348	12034A	84023 P	Service Assy.	S5
W01 M58 6348	13032A	84023 C	Complete	C5
W01 M58 6364	13010A	8813 C	Complete	C2
W01 M58 6364	13592A	8813 CPP	Com.Plis.Pst.	C21
W01 M58 6366	13278A	84004 CPP	Com.Plis.Pst.	C12
W01 M58 6366 (Steel)	13028A	84004 C	Complete	C4
W01 M58 6367	13280A	84022 CPP	Com.Plis.Pst.	C12
W01 M58 6367(Steel)	13030A	84022 C	Complete	C4
W01 M58 7074	13090A	84157-05 CPP	Com.Plis.Pst.	C7
W01 M58 7238	12012A	8813 P	Service Assy.	S2
W01 M58 7358	12052A	84813 P	Service Assy.	S6
W01 M58 7358	13082A	84813 C	Complete	C6
W01 M58 8185	13320A	84158 CPP	Com.Plis.Pst.	C14
W01 M58 8194	12202A	88186 P	Service Assy.	S12
W01 M58 8601	12046A	84881 P	Service Assy.	S6
W01 M58 8601	13078A	84881 C	Complete	C6
W01 M58 8602	13186A	34881-01 C	Complete	C9
W01 M58 8612	13292A	82619 CPP	Com.Plis.Pst.	C13
W01 M58 8613	12024A	8940 P	Service Assy.	S3
W01 M58 8620	12026A	8941 P	Service Assy.	S4
W01 M58 8620	13022A	8941 C	Complete	C4
W01 M58 8722	13102A	8836 C	Complete	C8
W01 M58 8966	13052A	8881-01 C	Complete	C5
W01 M58 8978	12022A	8881 P	Service Assy.	S3
W01 M58 8978	13018A	8881 C	Complete	C3
<b>GOODYEAR</b>				
8015	11070A	8715	Roll	R7
8017	11000A	8644	Roll	R2
8018	11002A	8661	Roll	R2
9002	11060A	8890	Roll	R6
9003	11040A	81885	Roll	R5
9006	11008A	8706	Roll	R3
9008	11012A	8720	Roll	R4
9014	11036A	8945	Roll	R5
9015	11024A	8916	Roll	R4
9048	11062A	8882	Roll	R6
9051	11006A	8673	Roll	R3
9066	11050A	8713	Roll	R5
9075	11016A	8737	Roll	R4
9077	11058A	8757	Roll	R6
9505	13098A	84390-01 C	Complete	C7
9506	13100A	84390-02 C	Complete	C7
9507	12110A	84390-01 P	Service Assy.	S8
9508	12072A	84390-02 P	Service Assy.	S7
9517	12257A	84757-01 P	Service Assy.	S13
9519	13298A	84757-01 C	Complete	C13
1 R12-303	13167A	89780-01 CPP	Com.Plis.Pst.	C9
1R10-702	12212A	34882 P	Service Assy.	S12

CROSS LIST				
Cross No	AIRCOMFORT Order No	AIRCOMFORT Product No	Remark	Page No
<b>GOODYEAR</b>				
1R11-106	13090A	84157-05 CPP	Com.Plis.Pst.	C7
1R11-111	13330A	89002-A8 CPP	Com.Plis.Pst.	C14
1R11-700	12026A	8941 P	Service Assy.	S4
1R11-700	13022A	8941 C	Complete	C4
1R11-703	12024A	8940 P	Service Assy.	S3
1R11-705	12030A	84004 P	Service Assy.	S4
1R11-706	13028A	84004 C	Complete	C4
1R11-709	12032A	84022 P	Service Assy.	S4
1R11-709	12166A	82619 P	Service Assy.	S10
1R11-713	13278A	84004 CPP	Com.Plis.Pst.	C12
1R11-714	13280A	84022 CPP	Com.Plis.Pst.	C12
1R11-743	13222A	8941-01 CPP	Com.Plis.Pst.	C11
1R11-752	13336A	8940 CPP	Com.Plis.Pst.	C15
1R11-753	12170A	89002-A3/01P	Service Assy.	S11
1R11-772	13332A	89002-A3/01 CPP	Com.Plis.Pst.	C15
1R11-773	13426A	89002-A3/08 CPP	Com.Plis.Pst.	C17
1R11-781	13292A	82619 CPP	Com.Plis.Pst.	C13
1R11-820	12216A	84884 P	Service Assy.	S12
1R12-092	13230A	84156-05 CPP	Com.Plis.Pst.	C11
1R12-700	12014A	8836 P	Service Assy.	S2
1R12-701	13076A	84159-02 C	Complete	C6
1R12-710	12018A	8836-02 P	Service Assy.	S3
1R12-712	13102A	8836 C	Complete	C8
1R12-719	13414A	84156 C	Complete	C16
1R12-721	13338A	84159-02 CPP	Com.Plis.Pst.	C16
1R12-748	12172A	88185 P	Service Assy.	S11
1R12-762	13184A	84713 C	Complete	C9
1R12-763	12122A	84713 P	Service Assy.	S9
1R13-118	13276A	80081-01 C	Complete	C12
1R13-713	12104A	84912 P	Service Assy.	S8
1R14-701	12046A	84881 P	Service Assy.	S6
1R14-701	13078A	84881 C	Complete	C6
1R14-705	13010A	8813 C	Complete	C2
1R14-705	13592A	8813 CPP	Com.Plis.Pst.	C21
1R14-708	12022A	8881 P	Service Assy.	S3
1R14-708	13018A	8881 C	Complete	C3
1R14-712	13052A	8881-01 C	Complete	C5
1R14-716	13002A	8810 C	Complete	C2
1R14-724	13186A	34881-01 C	Complete	C9
1R14-727	13082A	84813 C	Complete	C6
1R14-729	12034A	84023 P	Service Assy.	S5
1R14-729	13032A	84023 C	Complete	C5
1R14-748	13220A	8881-01 CPP	Com.Plis.Pst.	C10
1R14-757	13334A	84881-01 CPP	Com.Plis.Pst.	C15
<b>PHOENIX</b>				
1 D 28 A-2	13002A	8810 C	Complete	C2
1 D 28 A-5 NP	12002A	8810 P	Service Assy.	S2
1 D 28 B-2	13010A	8813 C	Complete	C2
1 D 28 B-2	13592A	8813 CPP	Com.Plis.Pst.	C21
1 D 28 B-5 NP	12012A	8813 P	Service Assy.	S2
1 D 28 B-9	13082A	84813 C	Complete	C6
1 D 28 F3	13654A	80283 C	Complete	C22
1 DF 25-1 NP	12014A	8836 P	Service Assy.	S2
1 DF 25-11	13102A	8836 C	Complete	C8
1 DF 25-3 NP	12018A	8836-02 P	Service Assy.	S3
1 DK 20 B-1	13320A	84158 CPP	Com.Plis.Pst.	C14
1 DK 20 B-1 MP	12100A	84158 P	Service Assy.	S8
1 DK 20 B-1 NP	12172A	88185 P	Service Assy.	S11
1 DK 20C-2	13426A	89002-A3/08 CPP	Com.Plis.Pst.	C17
1 DK 21	12026A	8941 P	Service Assy.	S4

CROSS LIST				
Cross No	AIRCOMFORT Order No	AIRCOMFORT Product No	Remark	Page No
<b>PHOENIX</b>				
1 DK 21	13022A	8941 C	Complete	C4
1 DK 21 A-2	13414A	84156 C	Complete	C16
1 DK 21 A3	13090A	84157-05 CPP	Com.Plis.Pst.	C7
1 DK 21 A-8	12164A	84157 P	Service Assy.	S10
1 DK 21 A-8	13130A	84157 CPP	Com.Plis.Pst.	C8
1 DK 21 A-4	13130A	84157 CPP	Com.Plis.Pst.	C8
1 DK 21 B-8	13338A	84159-02 CPP	Com.Plis.Pst.	C16
1 DK 21 K	12024A	8940 P	Service Assy.	S3
1 DK 22 E-5	13028A	84004 C	Complete	C4
1 DK 22 E-5 NP	12030A	84004 P	Service Assy.	S4
1 DK 22 E-8	13278A	84004 CPP	Com.Plis.Pst.	C12
1 DK 22 E-9	13280A	84022 CPP	Com.Plis.Pst.	C12
1 DK 22 E-9 NP	12032A	84022 P	Service Assy.	S4
1 DK 22 E-9 NP	12166A	82619 P	Service Assy.	S10
1 DK 32	12022A	8881 P	Service Assy.	S3
1 DK 32	13018A	8881 C	Complete	C3
1 DK 32 K-2	13334A	84881-01 CPP	Com.Plis.Pst.	C15
1 DK 32-1	13052A	8881-01 C	Complete	C5
1 DK 32-2	13220A	8881-01 CPP	Com.Plis.Pst.	C10
1 E 21	11000A	8644	Roll	R2
1 E 21 C	11036A	8945	Roll	R5
1 E 25	11002A	8661	Roll	R2
1 E 26-1	11008A	8704	Roll	R3
1 F 16	11062A	8882	Roll	R6
1 F 20 A	11060A	8887	Roll	R6
1 F 20 B	11040A	81885	Roll	R5
1 F 21	11012A	8720	Roll	R4
1 F 21 A	11006A	8673	Roll	R3
1 F 21 C-5	11024A	8916	Roll	R4
1 F 21 D	11050A	8713	Roll	R5
1 F 25	11070A	8715	Roll	R7
1 F 26	11016A	8737	Roll	R4
1 F 26 C	11058A	8757	Roll	R6
1D 28 A-10	12034A	84023 P	Service Assy.	S5
1D 28 A-10	13032A	84023 C	Complete	C5
1D 28A-12	12185A	82918 P	Service Assy.	S11
1D 28A-12	13342A	82918 C	Complete	C16
1D28B-9	12052A	84813 P	Service Assy.	S6
1DK 32 K	12046A	84881 P	Service Assy.	S6
1DK 32 K	13078A	84881 C	Complete	C6
<b>TAURUS</b>				





# Product list

PRODUCT LIST						
Product Code	Product Description	Product Type	Weight (Kg.)	Vehicle Type	OE	Page No
11000A	8644 Bellows Only (Aircomfort)	Roll	1.49	BUS	MERCEDES	R2
11002A	8661 Bellows Only (Aircomfort)	Roll	1.92	BUS	NEOPLAN	R2
11006A	8673 Bellows Only (Aircomfort)	Roll	1.53	TRUCK	MERCEDES	R3
11008A	8701 Bellows Only(Aircomfort)	Roll	1.78	BUS	IKARUS	R3
11012A	8720 Bellows Only (Aircomfort)	Roll	1.76	BUS	MAN	R4
11016A	8737 Bellows Only(Aircomfort)	Roll	1.92	TRUCK	MERCEDES	R4
11024A	8916 Bellows Only (Aircomfort)	Roll	1.74	TRUCK	MAN	R4
11036A	8945 Bellows Only (Aircomfort)	Roll	1.73	TRUCK	IVECO	R5
11040A	81885 Bellows Only (Aircomfort)	Roll	1.77	BUS	MAN	R5
11050A	8713 Bellows Only (Aircomfort)	Roll	1.88	BUS	VOLVO	R5
11058A	8757 Bellows Only (Aircomfort)	Roll	1.83	TRUCK	MERCEDES	R6
11060A	8884 Bellows Only (Aircomfort)	Roll	2.09	TRUCK	MAN	R6
11062A	8882 Bellows Only (Aircomfort)	Roll	1.51	BUS	MAN	R6
11070A	8715 Bellows Only (Aircomfort)	Roll	1.753	TRUCK	MAN	R7
11148A	81415 Bellows Only (Aircomfort)	Roll	1.43	BUS	RVI	R7
12002A	8810 P Assembly (Aircomfort)	Service Assy.	5.08	TRAILER	SAF	S2
12012A	8813 P Assembly (Aircomfort)	Service Assy.	5.37	TRAILER	SAF	S2
12014A	8836 P Assembly (Aircomfort)	Service Assy.	4.2	TRUCK	DAF	S2
12018A	8836-02 P Assembly (Aircomfort)	Service Assy.	4.08	TRUCK	DAF	S3
12022A	8881 P Assembly (Aircomfort)	Service Assy.	6.69	TRAILER	BPW	S3
12024A	8940 P Assembly (Aircomfort)	Service Assy.	4.528	TRAILER	BPW	S3
12026A	8941 P Assembly (Aircomfort)	Service Assy.	4.86	TRAILER	BPW	S4
12030A	84004 P Assembly (Aircomfort)	Service Assy.	5.06	TRAILER	SAF	S4
12032A	84022 P Assembly (Aircomfort)	Service Assy.	5.07	TRAILER	SAF	S4
12034A	84023 P Assembly (Aircomfort)	Service Assy.	4.67	TRAILER	SAF	S5
12040A	84156 P Assembly (Aircomfort)	Service Assy.	4.68	TRAILER	FREUHAUF	S5
12044A	84159 P Assembly (Aircomfort)	Service Assy.	4.81	TRAILER	FREUHAUF	S5
12046A	84881 P Assembly (Aircomfort)	Service Assy.	6.46	TRAILER	BPW	S6
12052A	84813 P Assembly (Aircomfort)	Service Assy.	5.35	TRUCK	SCANIA	S6
12058A	84913 P Assembly (Aircomfort)	Service Assy.	6.23	TRUCK	SCANIA	S6
12072A	84390-02 P Assembly (Aircomfort)	Service Assy.	2.86	TRUCK	MERCEDES	S7
12090A	89002-A3 P Assembly (Aircomfort)	Service Assy.	4.63	TRAILER	ROR	S7
12094A	87804 P Assembly(Aircomfort)	Service Assy.	3.42	TRUCK	VOLVO	S7
12100A	84158 P Assembly (Aircomfort)	Service Assy.	5.71	TRAILER	SCHMITZ	S8
12104A	84912 P Assembly (Aircomfort)	Service Assy.	7.34	TRUCK	RVI	S8
12110A	84390-01 P Assembly (Aircomfort)	Service Assy.	2.68	TRUCK	MERCEDES	S8
12122A	84713 P Assembly (Aircomfort)	Service Assy.	4.62	TRUCK	VOLVO	S9
12142A	84159-03 P Assembly(Aircomfort)	Service Assy.	4.85	TRAILER	FREUHAUF	S9
12150A	84183-24 P Assembly (Aircomfort)	Service Assy.	3.442	TRUCK	MERCEDES	S9
12152A	87803 P Assembly (Aircomfort)	Service Assy.	3.76	TRUCK	VOLVO	S10
12164A	84157 P Assembly (Aircomfort)	Service Assy.	5.3	TRUCK	MERCEDES	S10
12166A	82619 P Assembly(Aircomfort)	Service Assy.	4.96	TRAILER	SAF	S10
12170A	89002-A3/01P Assembly(Aircomfort)	Service Assy.	4.63	TRAILER	ROR	S11
12172A	88185 P Assembly (Aircomfort)	Service Assy.	5.515	TRAILER	SCHMITZ	S11
12185A	82918 P Assembly (Aircomfort)	Service Assy.	4	TRAILER	SAF	S11
12202A	88186 P Assembly (Aircomfort)	Service Assy.	5.315	TRAILER	SCHMITZ	S12
12212A	84882 P Assembly (Aircomfort)	Service Assy.	4.55	TRUCK	MAN	S12
12216A	84884 P Assembly (Aircomfort)	Service Assy.	4.705	TRUCK	MAN	S12
12251A	84390-21 P Assembly (Aircomfort)	Service Assy.	2.68	TRUCK	MERCEDES	S13
12257A	8757-01 P Assembly(Aircomfort)	Service Assy.	2.64	TRUCK	MERCEDES	S13
12262A	84183-23 P Assembly(Aircomfort)	Service Assy.	3.31	TRUCK	MERCEDES	S13
12264A	86416 P Assembly (Aircomfort)	Service Assy.	3.41	TRUCK	VOLVO	S14
12297A	80081-01 P Assembly (Aircomfort)	Service Assy.	5.57	TRUCK	MERCEDES	S14
12300A	86418 P Assembly(Aircomfort)	Service Assy.	4.659	TRUCK	VOLVO	S14
12307A	86318 P Assembly (Aircomfort)	Service Assy.	5.119	TRAILER	SCHMITZ	S15
13002A	8810 C Complete (Aircomfort)	Complete	10.54	TRAILER	SAF	C2
13010A	8813 C Complete (Aircomfort)	Complete	11.69	TRAILER	SAF	C2
13018A	8881 C Complete(Aircomfort)	Complete	17.7	TRAILER	BPW	C3
13020A	8940 C Complete (Aircomfort)	Complete	11.7	TRAILER	BPW	C3
13022A	8941 C Complete (Aircomfort)	Complete	12.66	TRAILER	BPW	C4
13028A	84004 C Complete (Aircomfort)	Complete	9.42	TRAILER	SAF	C4

PRODUCT LIST						
Product Code	Product Description	Product Type	Weight (Kg.)	Vehicle Type	OE	Page No
13030A	84022 C Complete (Aircomfort)	Complete	9.4	TRAILER	SAF	C4
13032A	84023 C Complete (Aircomfort)	Complete	11.77	TRAILER	SAF	C5
13042A	84159 C Complete (Aircomfort)	Complete	13.53	TRAILER	FREUHAUF	C5
13052A	8881-01 C Complete (Aircomfort)	Complete	17.66	TRAILER	BPW	C5
13076A	84159-02 C Complete (Aircomfort)	Complete	9.97	TRAILER	FREUHAUF	C6
13078A	84881 C Complete (Aircomfort)	Complete	16.56	TRAILER	BPW	C6
13082A	84813 C Complete (Aircomfort)	Complete	11.5	TRUCK	SCANIA	C6
13090A	84157-05 CPP Complete (Aircomfort)	Complete Pls. Piston	6.88	TRAILER	FREUHAUF	C7
13098A	84390-01 C Complete (Aircomfort)	Complete	6.72	TRUCK	MERCEDES	C7
13100A	84390-02 C Complete (Aircomfort)	Complete	6.65	TRUCK	MERCEDES	C7
13102A	8836 C Complete(Aircomfort)	Complete	7.33	TRUCK	DAF	C8
13120A	84912 C Complete (Aircomfort)	Complete	14	TRUCK	RVI	C8
13130A	84157 CPP Complete (Aircomfort)	Complete Pls. Piston	6.89	TRUCK	MERCEDES	C8
13167A	89780-01 CPP Complete (Aircomfort)	Complete Pls. Piston	6.628	TRAILER	FREIGHLINER	C9
13184A	84713 C Complete (Aircomfort)	Complete	9.16	TRUCK	VOLVO	C9
13186A	84881-01 C Complete (Aircomfort)	Complete	16.47	TRAILER	BPW	C9
13209A	82303 C ALU Complete (Aircomfort)	Complete Aluminium Piston	7.588	TRAILER	FREIGHLINER	C10
13212A	84913 C Complete (Aircomfort)	Complete	12.7	TRUCK	SCANIA	C10
13220A	8881-01 CPP Complete-Pls.	Complete Pls. Piston	13.65	TRAILER	BPW	C10
13222A	8941-01 CPP Complete (Aircomfort)	Complete Pls. Piston	9.65	TRAILER	BPW	C11
13230A	84156-05 CPP Complete-Pls.	Complete Pls. Piston	6.64	TRAILER	FREUHAUF	C11
13276A	80081-01 C Complete (Aircomfort)	Complete	14	TRUCK	MERCEDES	C12
13278A	84004 CPP Complete-Pls. (Aircomfort)	Complete Pls. Piston	6.99	TRAILER	SAF	C12
13280A	84022 CPP Complete-Pls. (Aircomfort)	Complete Pls. Piston	7.13	TRAILER	SAF	C12
13290A	86416 C Complete (Aircomfort)	Complete	6.65	TRUCK	VOLVO	C13
13292A	82619 CPP Complete-Pls. (Aircomfort)	Complete Pls. Piston	6.841	TRAILER	SAF	C13
13298A	84757-01 C Complete(Aircomfort)	Complete	7.62	TRUCK	MERCEDES	C13
13320A	84158 CPP Complete-Pls. (Aircomfort)	Complete Pls. Piston	7.78	TRAILER	SCHMITZ	C14
13328A	89002-A3 CPP Complete (Aircomfort)	Complete Pls. Piston	6.88	TRAILER	ROR	C14
13330A	89002-A8 CPP Complete(Aircomfort)	Complete Pls. Piston	6.36	TRAILER	ROR	C14
13332A	89002-A3/01 CPP Complete (Aircomfort)	Complete Pls. Piston	6.82	TRAILER	ROR	C15
13334A	84881-01 CPPComplete-Pls. (Aircomfort)	Complete Pls. Piston	12.404	TRAILER	BPW	C15
13336A	8940 CPP Complete-Pls. (Aircomfort)	Complete Pls. Piston	8.34	TRAILER	BPW	C15
13338A	84159-02 CPP Complete-Pls.(Aircomfort)	Complete Pls. Piston	7.05	TRAILER	FREUHAUF	C16
13342A	82918 C Complete (Aircomfort)	Complete	10.44	TRAILER	SAF	C16
13414A	84156 C Complete (Aircomfort)	Complete	9.04	TRAILER	FREUHAUF	C16
13426A	89002-A3/08CPP Comp.-Pls. (Aircomfort)	Complete Pls. Piston	6.29	TRAILER	ROR	C17
13430A	86418 C Complete (Aircomfort)	Complete	6.12	TRUCK	VOLVO	C17
13446A	87804 C Complete (Aircomfort)	Complete	6.5	TRUCK	VOLVO	C17
13504A	84183-23 C Complete (Aircomfort)	Complete	10.42	TRUCK	MERCEDES	C18
13551A	84882 C Complete (Aircomfort)	Complete	8.44	TRUCK	MAN	C18
13553A	84884 C Complete (Aircomfort)	Complete	8.66	TRUCK	MAN	C18
13558A	87803 C Complete (Aircomfort)	Complete	7.44	TRUCK	VOLVO	C19
13560A	84390-21 C Complete (Aircomfort)	Complete	6.86	TRUCK	MERCEDES	C19
13562A	84390-22 C Complete (Aircomfort)	Complete	6.99	TRUCK	MERCEDES	C19
13582A	84183-24 C Complete (Aircomfort)	Complete	10.84	TRUCK	MERCEDES	C20
13587A	86318 CPP Complete(Aircomfort)	Complete Pls. Piston	6.209	TRAILER	SCHMITZ	C20
13589A	84187-21 C Complete (Aircomfort)	Complete	10.6	TRUCK	MERCEDES	C20
13592A	8813 CPP Complete (Aircomfort)	Complete Pls. Piston	9.621	TRAILER	SAF	C21
13597A	86762 C Complete(Aircomfort)	Complete	8.12	TRUCK	VOLVO	C21
13654A	80283 C Complete(Aircomfort)	Complete	14.779	TRAILER	SCHMITZ	C22



### **Aktaş Hava Süspansiyon Sistemleri San. ve Tic. A.Ş.**

Kestel Organize San. Böl.  
Ahmet Vefik Paşa Mh. Kayasan Sk.  
No:3 16450 Kestel, Bursa / Turkey  
**P:** + 90 224 331 58 10  
**F:** + 90 224 331 58 12  
**E-mail:** info@aktasholding.com  
**Web:** www.aktasholding.com

### **Barteknik Yedek Parça San. ve Tic. A.Ş.**

Organize San. Böl. 1. Cd.  
No: 18/1 02200 Adıyaman / Turkey  
**P:** + 90 416 227 1202  
**F:** + 90 416 227 19 00  
**E-mail:** info@aktasholding.com  
**Web:** www.aktasholding.com

### **LFT Germany Luftfedertechnik GMBH.**

Kruppstrasse 2a. 41540  
Dormagen, Cologne / Germany  
**P:** + 49 21 33 263 100  
**F:** + 49 21 33 263 101  
**E-mail:** info@airsprings.de  
**Web:** www.airsprings.de

### **Aktaş North America Corp.**

500 E Touhy Ave, Unit D  
Des Plaines IL 60018 USA  
**P:** +1 877 66 AKTAS (1 877 662 5827)  
**F:** +1 866 518 3812  
**E-mail:** airtech@aktasna.com  
**Web:** www.aktasna.com

### **Aktaş Hava Süspansiyon Sistemleri San.ve Tic. A.Ş. Free Zone**

Bursa Serbest Bölge, Hisar Mevkii Liman Yolu  
Gelincik Cd. 16600 Gemlik, Bursa / Turkey  
**P:** + 90 224 524 88 18 - 224 524 85 71  
**F:** + 90 224 524 85 70  
**E-mail:** info@aktasholding.com  
**Web:** www.aktasholding.com

### **Techno Aktaş AD**

Kuklen Industrial Zone Area  
Kapsida 4101 N1  
Kuklen, Plovdiv / Bulgaria  
**P:** + 359 32 279 500  
**F:** + 359 32 279 501  
**E-mail:** info@technoaktas.com  
**Web:** www.aktasholding.com

### **Aktaş Do Brasil**

Avenida Casa Grande, 850, Galpao 7,  
Jardim Portinari, CEP:9961-350  
São Paulo-SP / Brasil  
**P:** + 55 11 4069 8566  
**F:** + 55 11 4069 8582  
**E-mail:** info@airtechbrasil.com  
**Web:** www.airtechbrasil.com

### **Changxing Ankeshu Rubber Technology Co., Ltd.**

No.1-185-21 Baixi Village, Changxing  
Economic Technology Zone, Huzhou,  
Zhejiang Province / China  
**E-mail:** sales@ankeshu.com  
**Web:** www.ankeshu.com